

1993

BMW

**525i, 525it, 535i,
M5 (E34)**

Electrical

Troubleshooting

Manual

Vehicles Produced 9/92 to 8/93



ELECTRICAL TROUBLESHOOTING MANUAL

5 SERIES – E34 (525i, 525i/t, 535i, M5)

SCHEMATICS

MODEL YEAR 1993

0100.0	INDEX	3234.0	SUPPLEMENTAL RESTRAINT SYSTEM (AIRBAG)
0110.0	INTRODUCTION	3240.0	POWER ASSIST STEERING (SERVOTRONIC)
0140.0	SYMBOLS	3450.0	SLIP CONTROL (ABS)
0670.0	POWER DISTRIBUTION CHART	3450.1	SLIP CONTROL (ABS/ASC)
0670.1	FUSE CHART	5116.0	POWER MIRRORS
0670.2	POWER DISTRIBUTION	5120.0	ZKE DOOR LOCK HEATING (TSH)
0670.3	FUSE DETAILS	5126.0	ZKE CENTRAL LOCKING (ZV)
0670.4	GROUND DISTRIBUTION	5133.0	ZKE POWER WINDOWS (FH)
0670.5	DATA LINK	5200.0	POWER SEATS
1210.1	ENGINE CONTROL SYSTEM (DME M1.3, 6-CYLINDER M30 WITH EML)	5200.1	SEAT/MIRROR MEMORY SYSTEM (SM/SPM)
1210.2	ENGINE CONTROL SYSTEM (DME M1.3., 6-CYLINDER M30)	5203.0	HEATED SEATS
1210.4	ENGINE CONTROL SYSTEM (DME M1.2., 6-CYLINDER M38)	5410.0	ZKE SUNROOF (SHD)
1210.13	ENGINE CONTROL SYSTEM (DME M3.3.1, 6-CYLINDER M50)	5410.2	DOUBLE PANEL POWER SUNROOF (ZKE)
1230.0	CHARGING SYSTEM	6100.0	CENTRAL BODY ELECTRONICS (ZKE)
1240.0	START	6133.0	HORN
1270.0	ELECTRONIC THROTTLE CONTROL (EML 6-CYLINDER)	6160.0	ZKE WIPER/WASHER CONTROL
1290.0	E-BOX FAN	6162.0	REAR WINDOW WIPER/WASHER CONTROL
2460.0	ELECTRONIC TRANSMISSION CONTROL (EGS A4HP-22)	6167.0	ZKE HEADLIGHT WASHER (SRA)
2460.2	ELECTRONIC TRANSMISSION CONTROL (EGS A4S 310R)	6169.0	WINDSHIELD WASHER JET HEATERS
3231.0	ELECTRIC STEERING COLUMN ADJUSTMENT	6200.0	INSTRUMENT CLUSTER/CHECK CONTROL (K/CC)
		6213.2	CLOCK

SCHEMATICS

6300.0	LIGHT SWITCH DETAILS	6454.0	AUXILIARY FAN
6301.0	LAMP MONITOR (LKM)	6510.1	RADIO/HIFI
6312.0	HEADLIGHTS/FOG LIGHTS	6510.2	RADIO PROVISIONS
6313.0	TURN/HAZARD LIGHTS	6561.0	CELLULAR TELEPHONE (PROVISIONS)
6314.0	PARK/TAIL/UNDERHOOD LIGHTS	6571.0	CRUISE CONTROL (TEMPOMAT)
6320.0	LICENSE PLATE/LUGGAGE COMPARTMENT LIGHTS	6575.1	ANTI-THEFT SYSTEM III (DWA III)
6322.0	BACK UP LIGHTS	6575.2	ANTI-THEFT SYSTEM (ALPINE)
6325.0	BRAKE LIGHTS	6581.0	ON-BOARD COMPUTER (BCIV)
6330.0	ZKE INTERIOR LIGHTS CONTROL (IB)	6610.1	REMOTE CONTROLLED LOCKING SYSTEM
6332.0	INTERIOR ACCESSORIES	7000.0	COMPONENT LOCATION CHART
6350.0	CRASH CONTROL MODULE	7100.0	COMPONENT LOCATION VIEWS
6412.19	PARK VENTILATION WITH IHKR/F3	8000.0	SPLICE LOCATION VIEWS
6424.0	REAR WINDOW DEFOGGER	8500.0	CONNECTOR VIEWS
6450.5	INTEGRATED CLIMATE REGULATION WITH FILTER (IHKR/F3)		

BMW
5

0100.0



INDEX

A/C COMPRESSOR CONTROL MODULE, A552	6450.5
A/C COMPRESSOR CONTROL MODULE, A552	6450.5-06
ABS HYDRAULIC UNIT, Y1	3450.0
ABS RELAY, K10	3450.1
AIR BAG	3234.1
AIR BAG GENERATOR, DRIVER'S, G5	3234.0
AIR CONDITIONING COMPRESSOR, Y2	6450.5
AIR PUMP RELAY, K6304	1210.4
ANTENNA AMPLIFIER AM/FM, N8	6424.0
ANTI-THEFT CONTROL MODULE (ALPINE), N12w	6575.2
ANTI-THEFT HORN (ALPINE), H1w	6575.2
ANTI-THEFT SYSTEM (ALPINE)	6575.2
ASC SWITCH, S6	3450.1
AUTOMATIC TRANSMISSION RANGE SWITCH, S3	2460.0
AUTOMATIC TRANSMISSION RANGE SWITCH, S3	2460.2
AUXILIARY FAN	6454.0
AUXILIARY FAN MOTOR, M9	6454.0
AUXILIARY WATER PUMP RELAY, K8	6450.5
BACK UP LIGHT, LEFT, H27	6322.0
BACK UP LIGHT, RIGHT, H28	6322.0
BACK UP LIGHT SWITCH (MANUAL TRANSMISSION), S92	6322.0
BACK UP LIGHTS	6322.0
BATTERY, G1	0670.2
BLOWER MOTOR, M30	6450.5
BLOWER RELAY, K4	6450.5
BLOWER RESISTORS, R11	6450.5
BLOWER SWITCH, S75	6450.5
BRAKE FLUID LEVEL SWITCH, B18	6200.0
BRAKE LIGHT, LEFT, H24	6325.0-00
BRAKE LIGHT, RIGHT, H31	6325.0
BRAKE LIGHT SWITCH, S30	6325.0
BRAKE LIGHTS	6325.0
BRAKE PAD SENSOR, LEFT FRONT, B16	6200.0
BRAKE PAD SENSOR, RIGHT REAR, B17	6200.0
CAMSHAFT ACTUATOR, B6208	1210.13-01
CD CHANGER, N22	6510.1
CELLULAR TELEPHONE (PROVISIONS)	6561.0

CENTRAL BODY ELECTRONICS (ZKE)	6100.0
CENTRAL LOCKING TRUNK LID MOTOR RELAY (ZV), K70	5126.0-06
CHARGING SYSTEM	1230.0
CHECK CONTROL MODULE, A4	6200.0
CHIME MODULE, H10	6581.0
CIGAR LIGHTER, FRONT, E28	6332.0
CIGAR LIGHTER LIGHT, FRONT, E29	6332.0
CLUTCH SWITCH, S32	1270.0
COMBINATION SWITCH, S7	6313.0
COMPONENT LOCATION CHART	7000.0
COMPONENT LOCATION VIEWS	7100.0
COMPRESSOR CONTROL RELAY, K19	6454.5
CONNECTOR VIEWS	8500.0
CONNECTOR VIEWS CHART	8400.0
CONSOLE WINDOW SWITCH ASSEMBLY, FRONT, S40	5133.0
CONTACT RING, C101	0670.5
CRANKSHAFT POSITION/RPM SENSOR, B6202	1210.1-07
CRANKSHAFT POSITION/RPM SENSOR, B6202	1210.2-07
CRANKSHAFT POSITION/RPM SENSOR, B6202	1210.4-05
CRANKSHAFT POSITION/RPM SENSOR, B6202	1210.13-04
CRASH CONTROL MODULE, N17	6350.0
CRUISE CONTROL ACTUATOR (TEMPOMAT), M25	6571.0
CRUISE CONTROL (TEMPOMAT)	6571.0
CRUISE CONTROL MODULE (TEMPOMAT), A8	6571.0
CRUISE CONTROL SWITCH, S28	6571.0
CYL. 1-2 KNOCK SENSOR, B6241	1210.13-04
CYL. 1 FUEL INJECTION VALVE, Y6101	1210.1-03
CYL. 1 FUEL INJECTION VALVE, Y6101	1210.2-03
CYL. 1 FUEL INJECTION VALVE, Y6101	1210.4-02
CYL. 1 FUEL INJECTION VALVE, Y6101	1210.13-06
CYL. 1-6 FUEL PUMP RELAY, K6301	1210.1-06
CYL. 1-6 FUEL PUMP RELAY, K6301	1210.2-06
CYL. 1-6 FUEL PUMP RELAY, K6301	1210.13-02
CYL. 1 IGNITION COIL, T6151	1210.13-03
CYL. 2 FUEL INJECTION VALVE, Y6102	1210.1-03
CYL. 2 FUEL INJECTION VALVE, Y6102	1210.2-03
CYL. 2 FUEL INJECTION VALVE, Y6102	1210.4-02



INDEX

CYL. 2 FUEL INJECTION VALVE, Y6102	1210.13-06
CYL. 2 IGNITION COIL, T6152	1210.13-03
CYL. 3 FUEL INJECTION VALVE, Y6103	1210.1-03
CYL. 3 FUEL INJECTION VALVE, Y6103	1210.2-03
CYL. 3 FUEL INJECTION VALVE, Y6103	1210.4-02
CYL. 3 FUEL INJECTION VALVE, Y6103	1210.13-06
CYL. 3 IGNITION COIL, T6153	1210.13-03
CYL. 3-4 KNOCK SENSOR, B6242	1210.13-04
CYL. 4 FUEL INJECTION VALVE, Y6104	1210.1-03
CYL. 4 FUEL INJECTION VALVE, Y6104	1210.2-03
CYL. 4 FUEL INJECTION VALVE, Y6104	1210.4-02
CYL. 4 FUEL INJECTION VALVE, Y6104	1210.13-06
CYL. 4 IGNITION COIL, T6154	1210.13-03
CYL. 5 FUEL INJECTION VALVE, Y6105	1210.1-03
CYL. 5 FUEL INJECTION VALVE, Y6105	1210.2-03
CYL. 5 FUEL INJECTION VALVE, Y6105	1210.4-02
CYL. 5 FUEL INJECTION VALVE, Y6105	1210.13-06
CYL. 5 IGNITION COIL, T6155	1210.13-03
CYL. 6 FUEL INJECTION VALVE, Y6106	1210.1-03
CYL. 6 FUEL INJECTION VALVE, Y6106	1210.2-03
CYL. 6 FUEL INJECTION VALVE, Y6106	1210.4-02
CYL. 6 FUEL INJECTION VALVE, Y6106	1210.13-06
CYL. 6 IGNITION COIL, T6156	1210.13-03
CYLINDER IDENTIFICATION SENSOR, B6201	1210.1-07
CYLINDER IDENTIFICATION SENSOR, B6201	1210.2-07
CYLINDER IDENTIFICATION SENSOR, B6201	1210.4-05
DASH LIGHT, E41	6300.0
DASH VENT MIXING FLAP MOTOR, M34	6450.5
DATA LINK	0670.5
DATA LINK CONNECTOR, D100	0670.5
DAYTIME RUNNING LIGHTS CODING DIODE, V4	6300.0
DEFOGGER/ANTENNA, REAR, E10	6424.0
DEFOGGER I, REAR, E9	6424.0
DEFOGGER RELAY, REAR, K13	6424.0
DIMMER, N3	6300.0
DIVERSITY, N404	6424.0
DOME LIGHT/MAP READING ASSEMBLY, FRONT, E34	6330.0

DOOR HANDLE SWITCH, DRIVER'S, S48	5120.0
DOOR JAMB SWITCH, DRIVER'S, S14	6330.0
DOOR JAMB SWITCH, LEFT REAR, S16	6330.0
DOOR JAMB SWITCH, PASSENGER'S, S13	6330.0
DOOR JAMB SWITCH, REAR RIGHT, S15	6330.0
DOOR LOCK HEATER, E48	5120.0
DOOR LOCK MOTOR, DRIVER'S, M12	5126.0
DOOR LOCK MOTOR, PASSENGER'S, M13	5126.0
DOOR LOCK MOTOR, LEFT REAR, M15	5126.0
DOOR LOCK MOTOR, RIGHT REAR, M14	5126.0
DOOR LOCK SWITCH, DRIVER'S, S47	5126.0
DOOR LOCK SWITCH, PASSENGER'S, S49	5126.0
DOUBLE PANEL POWER SUN ROOF SENSOR I, B54	5410.2
DOUBLE PANEL POWER SUN ROOF SENSOR II, B55	5410.2
DOUBLE PANEL POWER SUNROOF CONTROL MODULE, A99	5410.2
E-BOX FAN, M6506	1290.0
E-BOX FAN	1290.0
ELECTRIC POWER PROTECTION RELAY, K15	6100.0
ELECTRIC STEERING COLUMN ADJUSTMENT	3231.0
ELECTRIC STEERING COLUMN ADJUSTMENT RELAY, K87	3231.0-00
ELECTRO-HYDRAULIC CONVERTER (SERVOTRONIC), B15	3240.0
ELECTROCHROMIC REAR VIEW MIRROR, A22z	5116.0-02
ELECTRONIC THROTTLE ACTUATOR (EML), M6350	1270.0-04
ELECTRONIC THROTTLE CONTROL (EML 6-CYLINDER)	1270.0
ELECTRONIC TRANSMISSION CONTROL (EGS A4S 310R)	2460.2
ELECTRONIC TRANSMISSION CONTROL (EGS 4HP-22)	2460.0
ELECTRONIC TRANSMISSION ENGINE SPEED SENSOR (EGS), Y8516	2460.2
ENGINE CONTROL MODULE (DME), A6000	1210
ENGINE CONTROL MODULE (DME), A6000	1210.2
ENGINE CONTROL MODULE (DME), A6000	1210.13
ENGINE CONTROL MODULE (M1.2, S38), A6000w	1210.4
ENGINE CONTROL MODULE RELAY, K6300	1210.1-02
ENGINE CONTROL MODULE RELAY, K6300	1210.2-02
ENGINE CONTROL MODULE RELAY, K6300	1210.4-01
ENGINE CONTROL MODULE RELAY, K6300	1210.13-01
ENGINE CONTROL SYSTEM (DME M1.2, 6-CYLINDER S38)	1210.4



INDEX

ENGINE CONTROL SYSTEM (DME M1.3, 6-CYLINDER M30 WITH EML)	1210.1
ENGINE CONTROL SYSTEM (DME M1.3, 6-CYLINDER M30)	1210.2
ENGINE CONTROL SYSTEM (DME M3.1, 6-CYLINDER M50)	1210.7
ENGINE COOLANT LEVEL SWITCH, S63	6200.0
ENGINE COOLANT TEMP. SENSOR (EML), B6234	1270.0
ENGINE COOLANT TEMPERATURE SENSOR, B6232	6200.0
ENGINE COOLANT TEMPERATURE SENSOR, B6236	1210.4-06
ENGINE COOLANT TEMPERATURE SENSOR, B6236	1210.13-05
ENGINE HOOD SWITCH (DWA), S21	6581.0
EVAPORATIVE EMISSION VALVE, Y6120	1210.1-03
EVAPORATIVE EMISSION VALVE, Y6120	1210.2-03
EVAPORATIVE EMISSION VALVE, Y6120	1210.4-02
EVAPORATOR TEMPERATURE SENSOR, B14	6450.2
FM AMPLIFIER HLO, N444	6424.0
FOG LIGHT, LEFT, E26	6312.0
FOG LIGHT, RIGHT, E27	6312.0
FOG LIGHT SWITCH, S10	6312.0
FRESH AIR FLAP MOTOR, M36	6450.5
FUEL LEVEL SENSOR, B6	6200.0
FUEL LEVEL SENSOR, B6	6581.0
FUEL PUMP, M2	1210.1-06
FUEL PUMP, M2	1210.2-06
FUEL PUMP, M2	1210.4-04
FUEL PUMP, M2	1210.12-02
FUEL PUMP RELAY, K6302	1210.4-04
FUSE CHART	0670.1
FUSE DETAILS	0670.3
FUSIBLE LINK, F0	0670.2
GAS FILLER LOCK MOTOR, M16	5126.0
GENERAL MODULE, A1	6100.0
GENERATOR, G6509	1230.0-00
GLOVE BOX LIGHT, E42	6332.0
GLOVE BOX LIGHT SWITCH, S37	6332.0
GROUND DISTRIBUTION	0670.4
HALL EFFECT CAMSHAFT SENSOR, B6209	1210.13-01
HAZARD FLASHER RELAY, K16	6313.0

HAZARD SWITCH, S18	6313.0
HEADLIGHT/FOG LIGHT WASHER PUMP, M7	6167.0
HEADLIGHT/FOGLIGHT CLEANING MODULE (SRA), N6	6167.0
HEADLIGHTS/FOG LIGHTS	6312.0
HEADREST MOTOR, DRIVER'S, M54	5200.0
HEADREST MOTOR, DRIVER'S, M54	5200.1
HEADREST POTENTIOMETER, R5	5200.1
HEAT EXCHANGER TEMPERATURE SENSOR, LH, B11	6450.5
HEAT EXCHANGER TEMPERATURE SENSOR, RH, B12	6450.5
HEATED OXYGEN SENSOR, B6200	1210.1-07
HEATED OXYGEN SENSOR, B6200	1210.2-07
HEATED OXYGEN SENSOR, B6200	1210.4-05
HEATED OXYGEN SENSOR, B6200	1210.13-04
HEATED SEATS	5203.0
HIFI AMPLIFIER, A18	6510.1
HIGH BEAM LIGHT, LEFT, E11	6301.0
HIGH BEAM LIGHT, RIGHT, E12	6301.0
HIGH LEVEL STOP LIGHT, H34	6301.0
HIGH LEVEL STOP LIGHT, H34	6325.0
HIGH RANGE SPEAKER, LEFT FRONT, H59	6510.1
HIGH RANGE SPEAKER, LEFT REAR, H56	6510.0
HIGH RANGE SPEAKER, RIGHT FRONT, H50	6510.1
HIGH SPEED RELAY, K22	6454.0
HORN	6133.0
HORN RELAY, K2	6133.0
HORN, LEFT, H2	6133.0
HORN, RIGHT, H3	6133.0
HORN SWITCH, S4	6133.0
HOT FILM AIR MASS METER, B6217	1210.13-05
IDLE SPEED CONTROL VALVE, Y6130	1210.2-04
IDLE SPEED CONTROL VALVE, Y6130	1210.4-02
IDLE SPEED CONTROL VALVE, Y6130	1210.13-01
IGNITION COIL, T6150	1210.1-00
IGNITION COIL, T6150	1210.2-00
IGNITION COIL, T6150	1210.4-00
IGNITION SWITCH, S2	0670.2
IHKR/F3 CONTROL PANEL, S134w	6450.5



INDEX

IHKR/F3 SWITCHING UNIT, S135w	6450.5
IMPACT SENSOR, LEFT FRONT, S71	3234.0
IMPACT SENSOR, RIGHT FRONT, S72	3234.0
INDEX	0100.0
INERTIA SWITCH, S27	5126.0
INSTRUMENT CLUSTER, A2w	6200.0
INSTRUMENT CLUSTER/CHECK CONTROL (K/CC)	6200.0
INTAKE AIR CONTROL MODULE, A6006	1210.4-07
INTAKE AIR RESONANCE CHANGEOVER VALVE, Y6131	1210.4-07
INTAKE AIR TEMPERATURE SENSOR, B6205	1210.1-01
INTAKE AIR TEMPERATURE SENSOR, B6205	1210.2-01
INTAKE AIR TEMPERATURE SENSOR, B6205	1210.4-07
INTAKE AIR TEMPERATURE SENSOR, B6205	1210.13-05
INTEGRATED CLIMATE REGULATION CONTROL MODULE (IHKR/F3), A87w	6450.5
INTEGRATED CLIMATE REGULATION CONTROL MODULE (IHKR/F3), A87w	6450.5
INTEGRATED CLIMATE REGULATION WITH FILTER (IHKR/F3)	6450.5
INTERIOR ACCESSORIES	6332.0
INTERIOR LIGHT, LEFT REAR, E39	6330.0
INTERIOR LIGHT, RIGHT REAR, E40	6330.0
INTRODUCTION	0110.0
JET HEATER THERMOSWITCH, S198	6169.0
JUMPER PLUG, B900	1240.0
KICK-DOWN SWITCH, S8507	2460.0
KICK-DOWN SWITCH, S8507	2460.2
LAMP CONTROL MODULE, A3	6301.0
LAMP MONITOR (LKM)	6301.0
LICENSE PLATE LIGHT, LEFT, E43	6320.0
LICENSE PLATE LIGHT, RIGHT, E44	6320.0
LICENSE PLATE/LUGGAGE COMPARTMENT LIGHTS	6320.0
LIFT GATE LIMIT SWITCH, S171	5126.0-06
LIFT GATE LOCK SWITCH, S167	5126.0-05
LIFT GATE MOTOR, M97	5126.0-06
LIFT GATE OPEN WARNING RELAY, K64	6320.0
LIFT GATE SWITCH, S172	6320.0
LIGHT ASSEMBLY, LEFT FRONT, E9001	6301.0
LIGHT ASSEMBLY, LEFT REAR, E16	6301.0
LIGHT ASSEMBLY, RIGHT FRONT, E9000	6301.0
LIGHT ASSEMBLY, RIGHT REAR, E17	6301.0
LIGHT SWITCH, S8	6300.0
LIGHT SWITCH, S9	6300.0
LIGHT SWITCH DETAILS	6300.0
LOW BEAM LIGHT, LEFT, E13	6301.0
LOW BEAM LIGHT, RIGHT, E14	6301.0
LOW RANGE SPEAKER, LEFT FRONT, H58	6510.1
LOW RANGE SPEAKER, RIGHT FRONT, H51	6510.1
MAKEUP MIRROR LIGHT, DRIVER'S, E35	6332.0
MAKEUP MIRROR LIGHT, PASSENGER'S, E36	6332.0
MAKEUP MIRROR SWITCH, DRIVER'S, S77	6332.0
MAKEUP MIRROR SWITCH, PASSENGER'S, S78	6332.0
MARKER LIGHT, LEFT FRONT, E21	6301.0
MARKER LIGHT, RIGHT FRONT, E22	6301.0
MASS AIR FLOW SENSOR, B6206	1210.4-04
MEMORY MIRROR, PASSENGER'S SIDE, Y10	5200.1
MEMORY MIRRORS CONTROL SWITCH, S12	5200.1
MEMORY SEAT MIRRORS SWITCH, S57	5200.1
MICROPHONE, B400	6561.0
MIDRANGE SPEAKER, LEFT FRONT, H55	6510.1
MIDRANGE SPEAKER, RIGHT FRONT, H54	6510.1
MIRROR CONTROL SWITCH, S17	5116.0
MIRROR, PASSENGER'S SIDE, Y6	5116.0
MIXING ACTUATOR, R1	6450.5
MOTOR DRIVE I DOUBLE PANEL POWER SUNROOF, M87	5410.2
MOTOR DRIVE II DOUBLE PANEL POWER SUNROOF, M88	5410.2
MULTI-FUNCTION CLOCK, N10	6213.2
MULTI-FUNCTION CLOCK	6213.2
NORMAL SPEED RELAY, K21	6454.0
OIL LEVEL SENSOR, B6230	6200.0
OIL PRESSURE SWITCH, B6231	1290.0
OIL PRESSURE SWITCH, B6231	6200.0
OIL TEMPERATURE SENSOR, B6238	6200.0
ON-BOARD COMPUTER, N4	6581.0
ON-BOARD COMPUTER (BCIV)	6581.0



INDEX

ON-BOARD COMPUTER HORN RELAY, K91	6581.0
ON-BOARD COMPUTER TEMPERATURE SENSOR, B21	6581.0
ON-BOARD COMPUTER TEMPERATURE SENSOR, B21	6213.2
OUTSIDE TEMPERATURE SENSOR, B13	6450.5
OXYGEN SENSOR RELAY, K6303	1210.13-05
PARK BRAKE SWITCH, S31	6200.0
PARK HEATING/VENTILATION RELAY BOX, A15	6412.19
PARK LIGHT/LICENSE PLATE LIGHT RELAY, RIGHT, K25	6300.0
PARK LIGHT, LEFT, E15	6314.0
PARK LIGHT RELAY, LEFT, K26	6300.0
PARK LIGHT, RIGHT, E19	6314.0
PARK/TAIL/UNDERHOOD LIGHTS	6314.0
PARK VENTILATION WITH IHKR/F3	6412.19
PEDAL POSITION SENSOR, R10	1270.0
POWER ASSIST STEERING (SERVOTRONIC)	3240.0
POWER DISTRIBUTION	0670.2
POWER DISTRIBUTION BOX, FRONT, P90	0670.3
POWER DISTRIBUTION BOX, REAR, P91	0670.3
POWER DISTRIBUTION CHART	0670.0
POWER MIRRORS	5116.0
POWER SEATS	5200.0
PRESSURE SWITCH, B9508	6454.5
PRESSURE SWITCH, B8y	6454.5
PRESSURE SWITCH, B9y	6454.5
PROGRAM SWITCH, S8503	2460.0-01
PROGRAM SWITCH, S8503	2460.2-02
PROGRAM SWITCH, S8503	2460.4
RADIO, N9	6510.1
RADIO/HIFI	6510.1
RADIO PROVISIONS	6510.2
RECIRCULATION FLAP MOTOR, M40	6450.5
RELAY MODULE, A5	6100.0
SEATBACK HEATER, DRIVER'S, E56	5203.0
SEATBACK HEATER, PASSENGER'S, E59	5203.0
SEATBACK POTENTIOMETER, R7	5200.1
SEATBACK RECLINER MOTOR, DRIVER'S, M53	5200.0
SEATBACK RECLINER MOTOR, DRIVER'S, M53	5200.1

SEATBACK RECLINER MOTOR, PASSENGER'S, M58	5200.0
SEAT BELT SWITCH, DRIVER'S, S58	6200.0
SEAT CONTROL SWITCH, DRIVER'S, S51	5200.0
SEAT CONTROL SWITCH, PASSENGER'S, S56	5200.0
SEAT CUSHION MOVEMENT POTENTIOMETER, R9	5200.1
SEAT CUSHION REAR HEIGHT POTENTIOMETER, R8	5200.1
SEAT CUSHION TILT MOTOR, DRIVER'S, M50	5200.0
SEAT CUSHION TILT MOTOR, DRIVER'S, M50	5200.1
SEAT CUSHION TILT MOTOR, PASSENGER'S, M61	5200.0
SEAT HEATER, DRIVER'S, E57	5203.0
SEAT HEATER, PASSENGER'S, E58	5203.0
SEAT HEATER SWITCH, DRIVER'S, S53	5203.0
SEAT HEATER SWITCH, PASSENGER'S, S54	5203.0
SEAT HEADREST MOTOR, PASSENGER'S, M57	5200.0
SEAT HEIGHT MOTOR, DRIVER'S, M52	5200.0
SEAT HEIGHT MOTOR, DRIVER'S, M52	5200.1
SEAT HEIGHT MOTOR, PASSENGER'S, M59	5200.0
SEAT HEIGHT POTENTIOMETER, R6	5200.1
SEAT MOVEMENT MOTOR, DRIVER'S, M51	5200.0
SEAT MOVEMENT MOTOR, DRIVER'S, M51	5200.1
SEAT MOVEMENT MOTOR, PASSENGER'S, M60	5200.0
SEAT/MIRROR MEMORY CONTROL MODULE, A21	5200.1
SEAT/MIRROR MEMORY SYSTEM (SM/SPM)	5200.1
SECONDARY AIR INJECTION CHANGEOVER VALVE, Y6132	1210.4-07
SERVOTRONIC CONTROL MODULE, A17	3240.0
SHIFT LOCK, S8522	2460.0
SHIFT LOCK, S8522	2460.2-06
SIDE MARKER LIGHT, LEFT REAR, E70	6301.0
SIDE MARKER LIGHT, RIGHT REAR, E71	6301.0
SIDE MEMORY MIRROR, DRIVER'S, Y9	5200.1
SIDE MIRROR, DRIVER'S, Y5	5116.0
SLIP CONTROL (ABS/ASC)	3450.1
SLIP CONTROL (ABS)	3450.0
SLIP CONTROL MODULE (ABS/ASC), A70	3450.1-00
SLIP CONTROL MODULE (ABS), A7	3450.0-02
SPEAKER, LEFT FRONT, H41	6561.0
SPEED SENSOR - ABS, LEFT FRONT, B2	3450.0



INDEX

SPEED SENSOR - ABS, LEFT FRONT, B2	3450.1
SPEED SENSOR - ABS, LEFT REAR, B4	3450.0
SPEED SENSOR - ABS, LEFT REAR, B4	3450.1
SPEED SENSOR - ABS, RIGHT FRONT, B1	3450.0
SPEED SENSOR - ABS, RIGHT FRONT, B1	3450.1
SPEED SENSOR - ABS, RIGHT REAR, B3	3450.0
SPEED SENSOR - ABS, RIGHT REAR, B3	3450.1
SPLICE LOCATION VIEWS	8000.0
START	1240.0
STARTER, M6510	1240.0-01
STARTER RELAY, K1	1240.0-01
STEERING COLUMN LENGTH ADJUST MOTOR, M82	3231.0-00
STEERING COLUMN POSITION SWITCH, S119z	3231.0-00
SUNROOF MOTOR, M24	5410.0
SUNROOF POSITION SWITCH, S39	5410.0
SUNROOF SWITCH, S38	5410.0
SUNROOF SWITCH, S38	5410.2
SUPPLEMENTAL RESTRAINT SYSTEM CONTROL MODULE, A12 ..	3234.0
SUPPRESSION FILTER, C900	6424.0
SYMBOLS	0140.0
TAIL LIGHT, LEFT, H25	6314.0
TAIL LIGHT, RIGHT, H30	6314.0
TELEPHONE HANDSET, U4	6561.0
TELEPHONE INTERFACE US, A192	6561.0
TELEPHONE TRANSCEIVER, H38	6561.0
TEMPERATURE SWITCH, B6235	1290.0-00
TEMPERATURE SWITCH, S36	6454.0
THIGH SUPPORT MOTOR, DRIVER'S, M65	5200.0
THIGH SUPPORT MOTOR, DRIVER'S, M65	5200.1
THIGH SUPPORT MOTOR, PASSENGER'S, M66	5200.0
THIGH SUPPORT POTENTIOMETER, R15	5200.1
THIGH SUPPORT SWITCH, PASSENGER'S, S94	5200.0
THIGH SUPPORT SWITCH, DRIVER'S, S93	5200.0
THIGH SUPPORT SWITCH, DRIVER'S, S93	5200.1
THROTTLE CONTROL MODULE (EML), A6004	1270.0-02
THROTTLE POSITION SENSOR, R6252	1210.13-05
THROTTLE POSITION SENSOR, S6250	1210.2-01

THROTTLE POSITION SENSOR, S6251	1210.4-07
TRANSMISSION CONTROL MODULE (EGS), A8500	2460.0
TRANSMISSION CONTROL MODULE (EGS), A8500	2460.2
TRANSMISSION POSITION INDICATOR LIGHT, E82	6300.0
TRANSMISSION RANGE SELECTOR LIGHT, E9500	6300.0
TRANSMISSION VALVE UNIT, Y8505	2460.0
TRANSMISSION VALVE UNIT, Y8505	2460.2
TRUNK COMPARTMENT LIGHT, E32	6320.0
TRUNK LID LIGHT, E33	6320.0
TRUNK LIGHT, LEFT, H90	6320.0
TRUNK LIGHT, RIGHT, H91	6320.0
TRUNK LOCK MOTOR, M17	5126.0
TURN/HAZARD LIGHTS	6313.0
TURN LIGHT, LEFT FRONT, H7	6313.0
TURN LIGHT, LEFT REAR, H6	6313.0
TURN LIGHT, RIGHT FRONT, H4	6313.0
TURN LIGHT, RIGHT REAR, H5	6313.0
UNCOUPLING DIODE (KL61), V9501	1230.0-00
UNDERHOOD LIGHT, E20	6300.0
UNDERHOOD LIGHT SWITCH, S19	6300.0
UNLOADER RELAY, TERMINAL 15, K9	0670.2
UNLOADER RELAY, TERMINAL 61, K61	1230.0-00
UNLOADER RELAY, TERMINAL R, K3	0670.2
VEHICLE SPEED SENSOR, B10	6200.0
VOLUME AIR FLOW SENSOR, B6233	1210.1-09
VOLUME AIR FLOW SENSOR, B6233	1210.2-09
WASHER FLUID LEVEL SWITCH, S64	6200.2
WASHER JET HEATER, LEFT, E51	6169.0
WASHER JET HEATER, RIGHT, E52	6169.0
WASHER PUMP, M4	6160.0
WATER PUMP, M37A	6450.5
WATER VALVE ASSEMBLY, Y4	6450.5
WHEEL CAMBER CONTROL MODULE, B22	6200.0
WIDE OPEN THROTTLE CUT-OFF RELAY, K86	6450.5
WINDOW DEFOGGER, REAR	6424.0
WINDOW LIMIT SWITCH, DRIVER'S, S43	5133.0
WINDOW LIMIT SWITCH, LEFT REAR, S45	5133.0



INDEX

WINDOW LIMIT SWITCH, PASSENGER'S, S44	5133.0
WINDOW LIMIT SWITCH, REAR, S170	5126.0-06
WINDOW LIMIT SWITCH, RIGHT REAR, S46	5133.0
WINDOW MOTOR, DRIVER'S, M21	5133.0
WINDOW MOTOR, LEFT REAR, M20	5133.0
WINDOW MOTOR, PASSENGER'S, M23	5133.0
WINDOW MOTOR, REAR, M96	5126.0-06
WINDOW MOTOR RELAY, K90	5126.0-06
WINDOW MOTOR, RIGHT REAR, M22	5133.0
WINDOW OPENING SWITCH, REAR, S147	6162.0
WINDOW SWITCH LEFT, REAR, S41	5133.0
WINDOW SWITCH RIGHT, REAR, S42	5133.0
WINDOW WASHER RELAY, REAR, K89	6162.0
WINDOW WIPER MOTOR, REAR, M94	6162.0
WINDOW WIPER RELAY I, REAR, K91w	6162.0
WINDOW WIPER RELAY II, REAR, K92	6162.0
WINDSHIELD WASHER JET HEATERS	6169.0
WIPER MOTOR, M3	6160.0
WIPER RELAY, K11	6160.0
WIPER/WASHER FLUID LEVEL SWITCH, REAR, S176	6200.0
WIPER/WASHER SWITCH, S5	6160.0
WIPER/WASHER SWITCH, S5	6162.0
ZKE CENTRAL LOCKING (ZV)	5126.0
ZKE DOOR LOCK HEATING (TSH)	5120.0
ZKE HEADLIGHT WASHER (SRA)	6167.0
ZKE INTERIOR LIGHTS CONTROL (IB)	6330.0
ZKE POWER WINDOWS (FH)	5133.0
ZKE SUNROOF (SHD)	5410.0

BMW
5

0110.0

Schematics

The schematics divide the entire vehicle electrical system into individual circuits. Interacting electrical components are shown on one common schematic.

Switches and other components are represented in such a way that their general layout and function are self-explicit. They are arranged on the sheet such that the current path can be followed from positive (top) to negative (bottom).

Important: The components and wires are not drawn to scale. For instance, a lead with a length of over 1 m can be shown as a lead which is only a few cm long. To enhance the clarity of the schematics, all connectors and splices between fuses and components as well as between grounds and components have been omitted. If this information should be required, it may be referenced in cells **0670.3 Fuse Details** and **0670.4 Ground Distribution**.

All circuit symbols used are listed and explained in cell **0140.0 Symbols**.

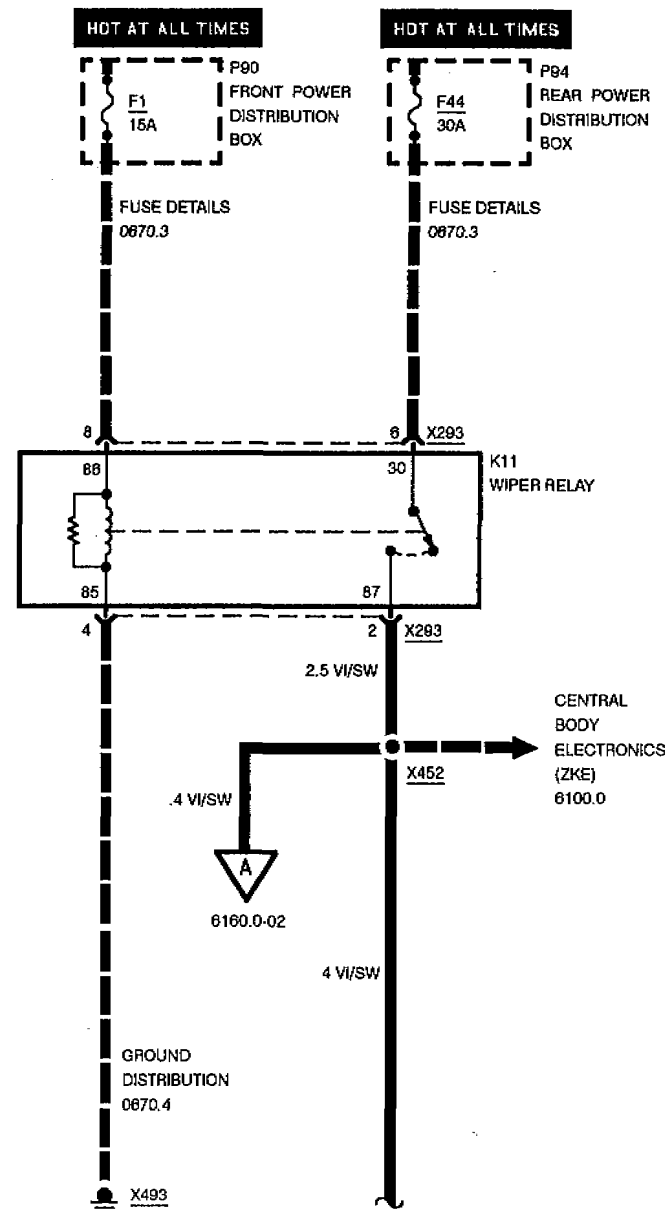
In cell **7000.0 Component Location Chart** all important connectors, ground points and components are listed in tabular form. It provides a precise description of the component locations in the vehicle.

In cell **7100.0 Component Location Views** the locations of the connectors and components which are difficult to locate are shown in photographs. In cell **8500.0 Connector Views** diagrams of all connectors with more than three pins are illustrated.

Included in this ETM are foldout block diagrams. These are overviews of the entire system (EGS, ABS, AC etc.) which helps understand the relationships between various components and control module of the system being diagnosed.

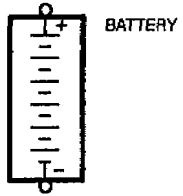
Example

General conventions can be explained based on the following schematic example.



General Conventions

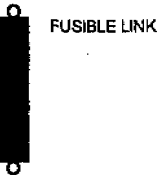
1. Switches and relays are always shown in rest position (e.g. K11).
2. A component shown in a dashed frame signifies that the component is illustrated only in part (e.g. P90 and P91).
3. A component shown in a completely drawn frame signifies that the component is illustrated in full (e.g. K11).
4. The dashed line between pin 8 and pin 6 of connector X293 indicates that both pins belong to connector X293.
5. The dashed line from fuse F1 to pin 8 of connector X293 shows the positive supply of relay K11. If required, refer to cell 0670.3 Fuse Details at fuse F1 for the complete line progressing with plug connections, line branches, wire colors and cross sections.
6. The dashed line with an arrow at splice X452 indicates that several wires lead to splice X452. All lines leading to the connection are illustrated in cell 6100.0 Central Body Electronics (ZKE). An interrupted line with an arrow indicates that only this one wire leads to another circuit.
7. The dashed line from pin 4 of connector X293 to ground X493 shows the ground supply for relay K11. If required, refer to cell 0670.4 Ground Distribution at ground X493 for the complete line progression with all plug connections, line branches, wire colors and cross sections.
8. The interrupted line from splice X452 with an A in the open arrow is continued on page 6160.0-02. Termination of wire 4 VI/SW from splice X452 with a wavy line indicates that the wire is continued on the opposite page.



BATTERY



FUSE DETAILS



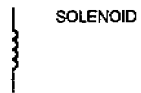
FUSIBLE LINK



CIRCUIT BREAKER



THERMO SWITCH



SOLENOID



SOLENOID CONTROLLED VALVE
OR CLUTCH SOLENOID



HEATING ELEMENT



LOUDSPEAKER OR HORN



LIGHT



PERMANENT MAGNET MOTOR
ONE SPEED



PERMANENT MAGNET MOTOR
TWO SPEEDS



VARIABLE RESISTANCE
SENSOR
VARIABLE CONTACT IS
MOVED BY AN EXTERNAL
FORCE



VARIABLE RESISTOR
RESISTANCE IS CHANGED
BY TEMPERATURE OR
PRESSURE



INDUCTIVE SENSOR



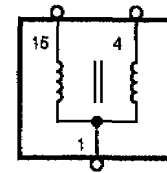
DIODE
CURRENT CAN FLOW ONLY
IN DIRECTION OF ARROW



ZENER DIODE
TO REGULATE VOLTAGE



LIGHT EMITTING DIODE



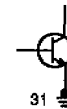
IGNITION COIL



CONTROL/POWER ELECTRONICS



RADIO



TRANSISTORIZED SWITCH



OXYGEN SENSOR

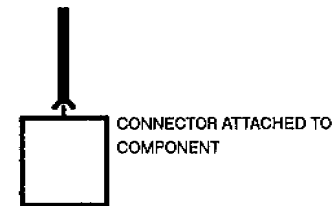
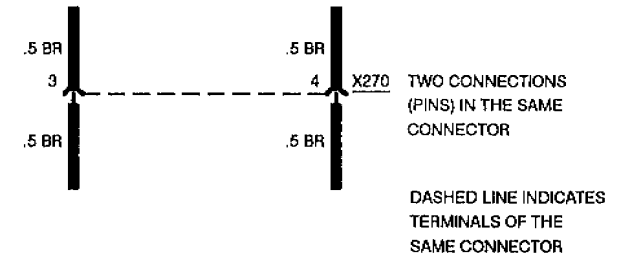
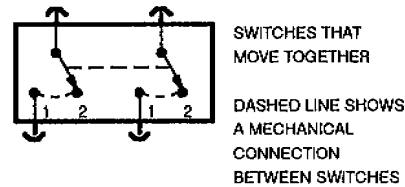
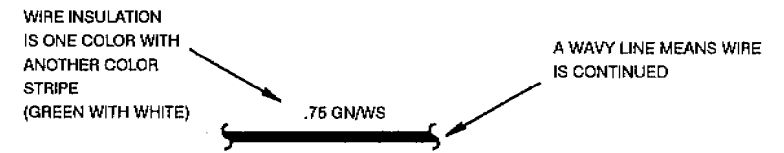
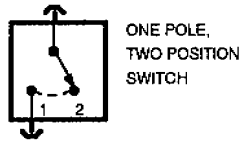
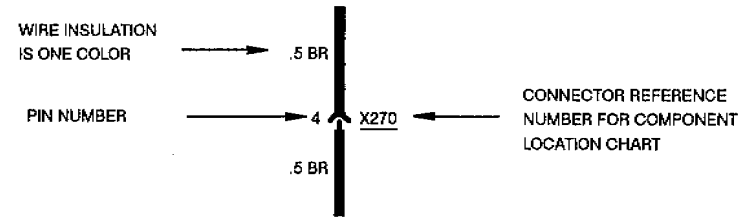
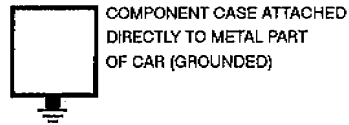


VEHICLE SPEED SENSOR

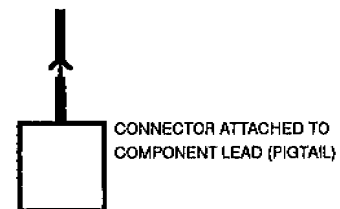
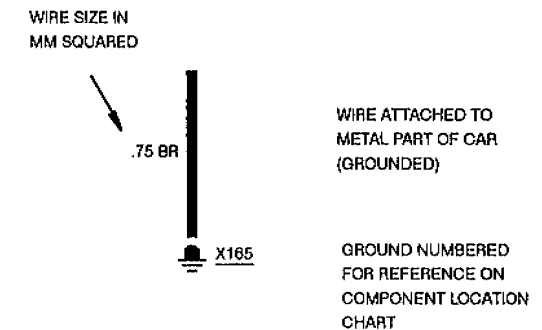


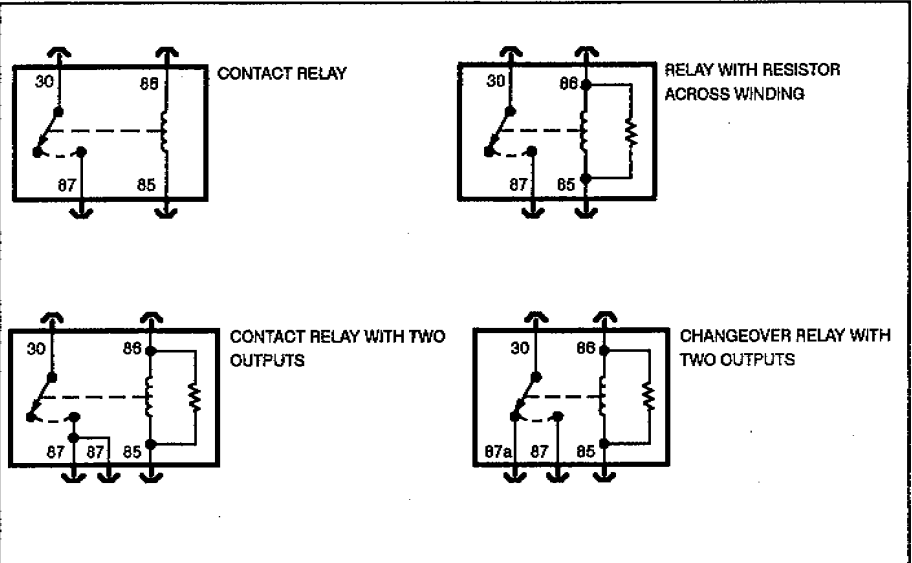
KNOCK SENSOR

SYMBOLS

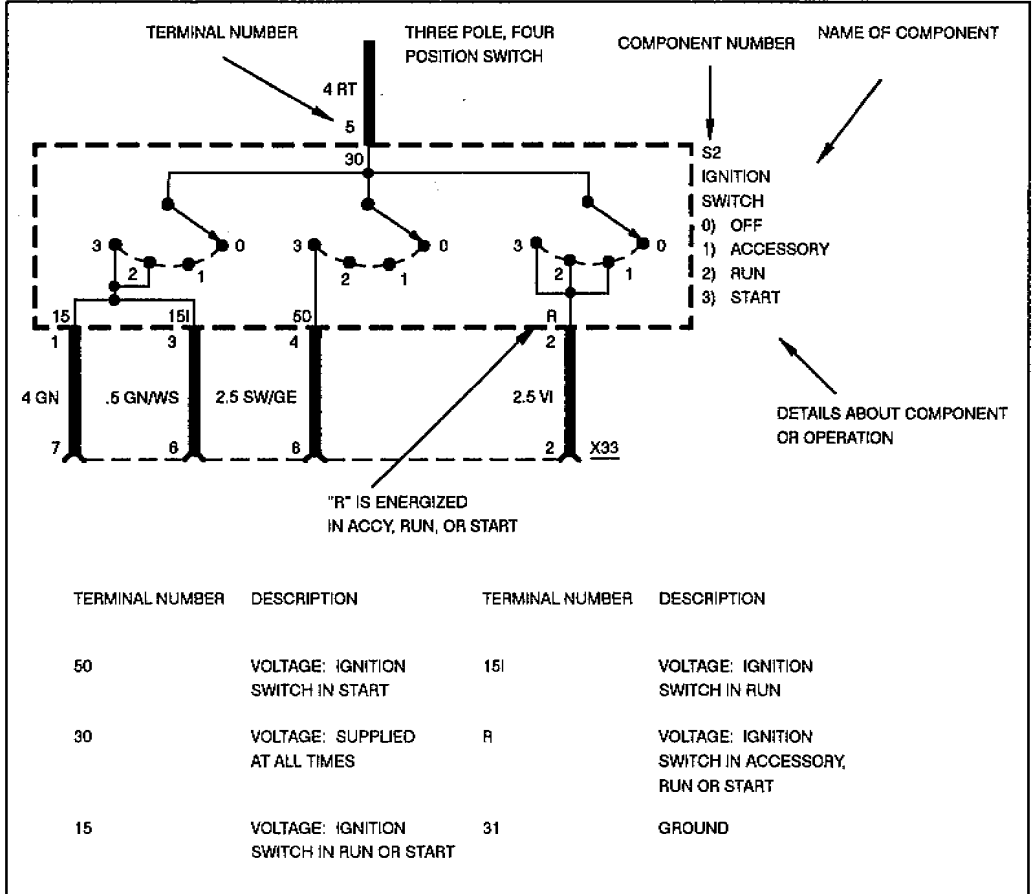


WIRE COLOR	
BL	BLUE
BR	BROWN
GE	YELLOW
GN	GREEN
GR	GRAY
OR	ORANGE
RS	PINK
RT	RED
SW	BLACK
VI	VIOLET
WS	WHITE
TR	TRANSPARENT

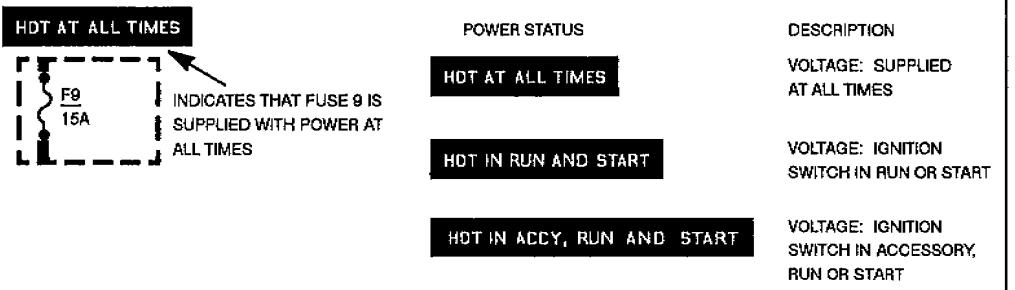




TERMINAL NUMBER	DESCRIPTION
30	RELAY INPUT
85	RELAY OUTPUT (WINDING)
86	RELAY INPUT (WINDING)
87	RELAY OUTPUT (ENERGIZED)
87a	RELAY OUTPUT (AT REST)

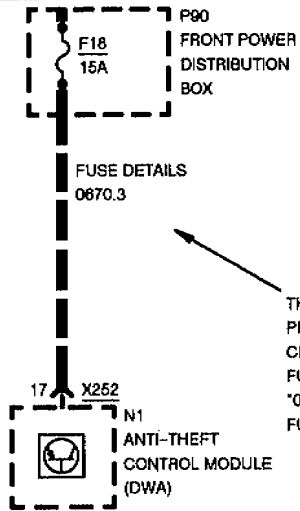


TERMINAL NUMBER	DESCRIPTION	TERMINAL NUMBER	DESCRIPTION
50	VOLTAGE: IGNITION SWITCH IN START	15i	VOLTAGE: IGNITION SWITCH IN RUN
30	VOLTAGE: SUPPLIED AT ALL TIMES	R	VOLTAGE: IGNITION SWITCH IN ACCESSORY, RUN OR START
15	VOLTAGE: IGNITION SWITCH IN RUN OR START	31	GROUND

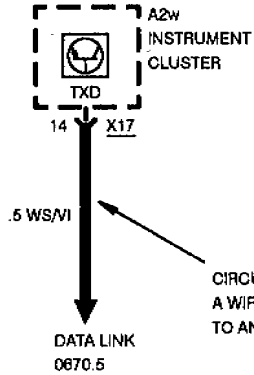


POWER STATUS	DESCRIPTION
HOT AT ALL TIMES	VOLTAGE: SUPPLIED AT ALL TIMES
HOT IN RUN AND START	VOLTAGE: IGNITION SWITCH IN RUN OR START
HOT IN ACCY, RUN AND START	VOLTAGE: IGNITION SWITCH IN ACCESSORY, RUN OR START

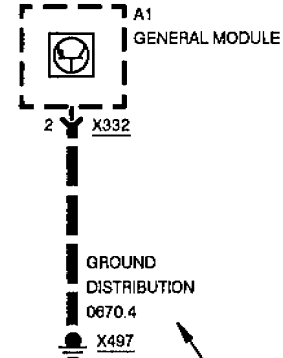
HOT IN ACCY, RUN AND START



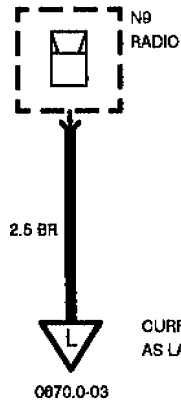
THE COMPLETE WIRE PROGRESSION AND FURTHER CIRCUITS CONNECTED TO FUSE 18 ARE SHOWN IN CELL "0670.3 FUSE DETAILS" AT FUSE 18



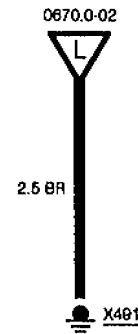
CIRCUIT REFERENCE- A WIRE WHICH CONNECTS TO ANOTHER CIRCUIT



THE COMPLETE WIRE PROGRESSION AND FURTHER CIRCUITS CONNECTED TO GROUND X497 ARE SHOWN IN CELL "0670.4 GROUND DISTRIBUTION" AT GROUND X497

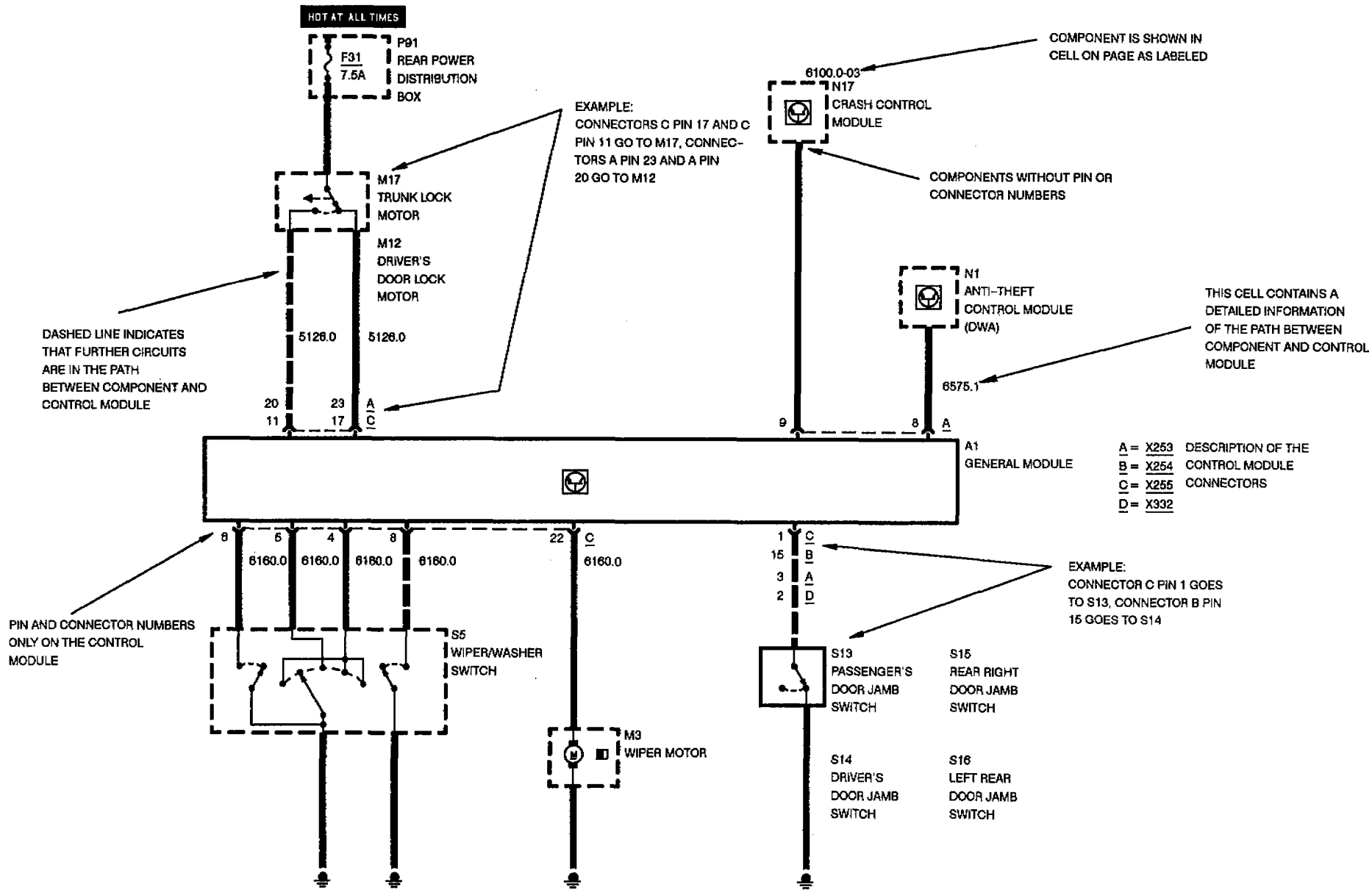


CURRENT PATH IS CONTINUED AS LABELED



ARROW SHOWS DIRECTION OF CURRENT FLOW AND IS REPEATED WHERE CURRENT PATH CONTINUES

SYMBOLS BLOCK DIAGRAM





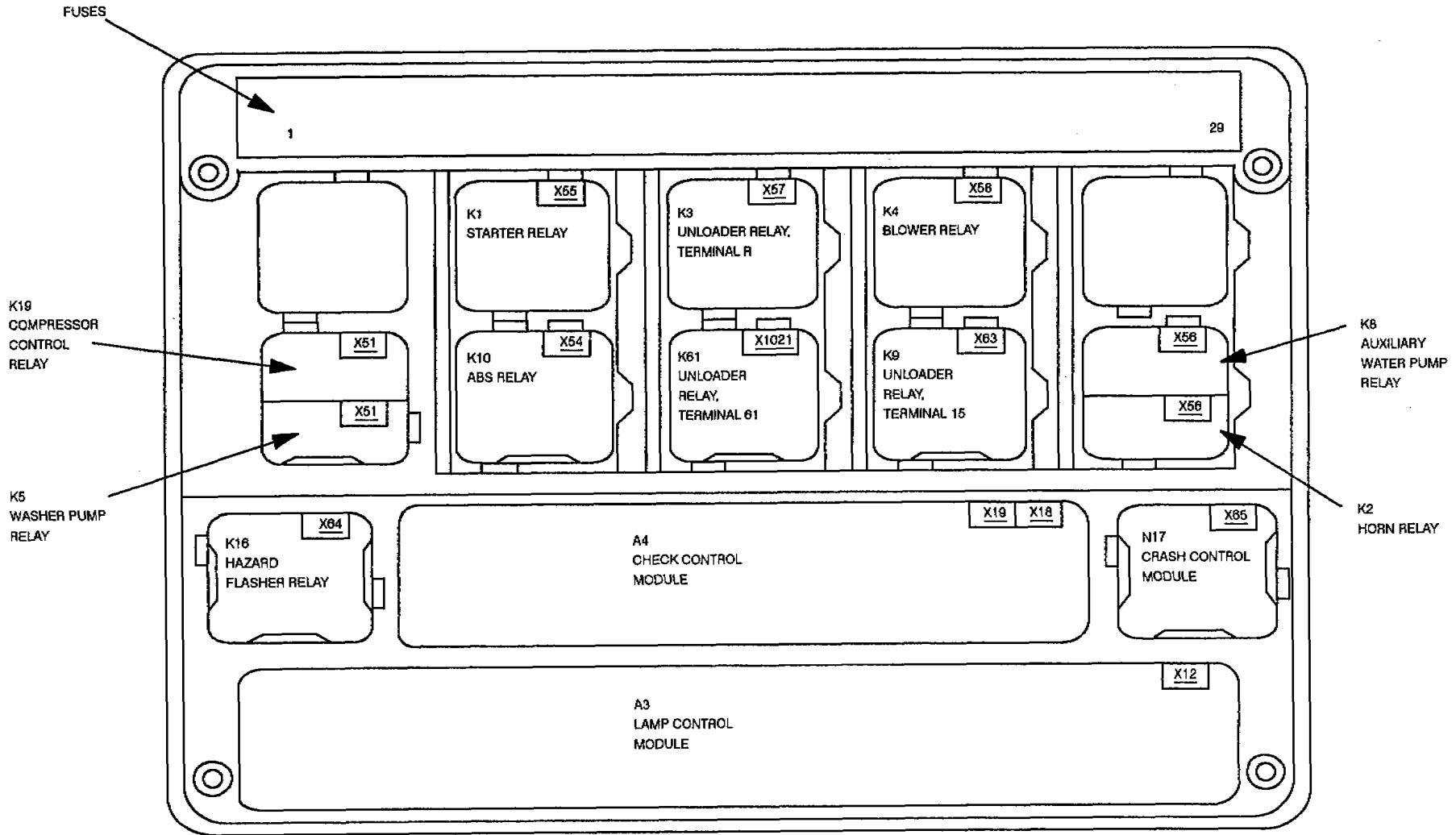
0670.0



POWER DISTRIBUTION CHART

FRONT POWER DISTRIBUTION BOX

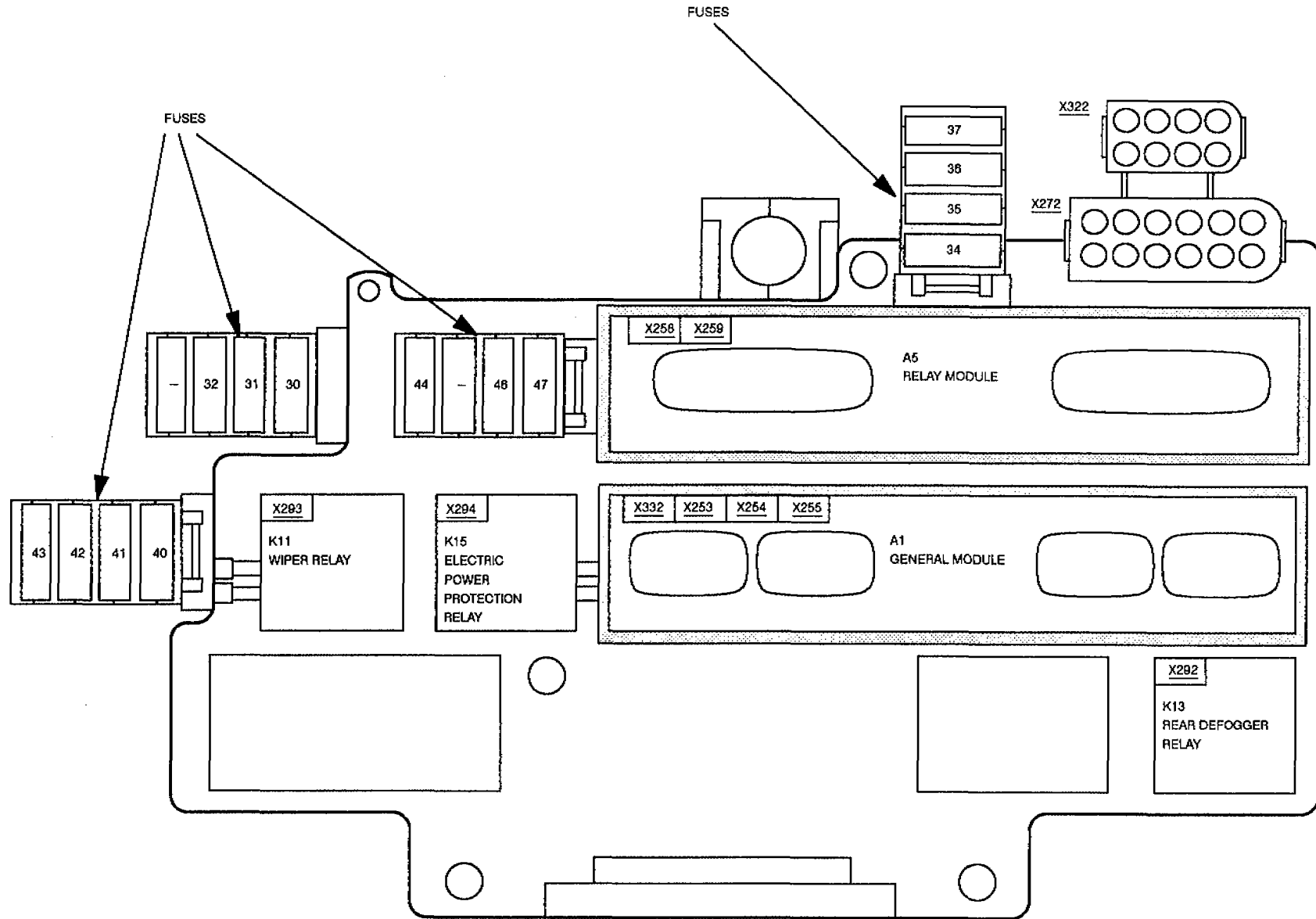
ZKE





POWER DISTRIBUTION CHART

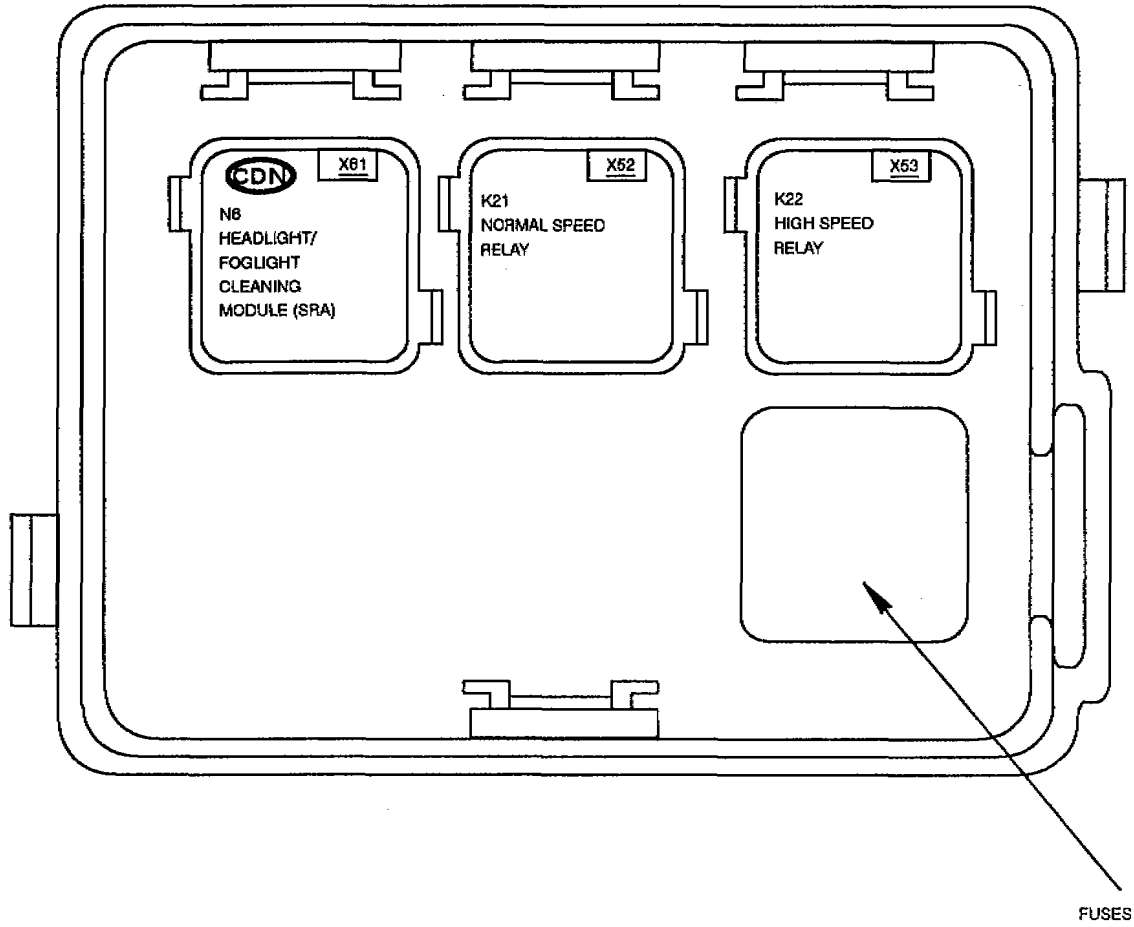
REAR POWER DISTRIBUTION BOX





POWER DISTRIBUTION CHART

AUXILIARY RELAY BOX







FUSE CHART

FUSES 1 TO 29

		FUSE NUMBER																													
		1	2	3	4	5	6	7	8	9	10	11	12	13	14	15	16	17	18	19	20	21	22	23	24	25	26	27	28	29	
		15A	7.5A	7.5A	7.5A	10A	15A	15A		15A	7.5A	7.5A	15A	7.5A	7.5A	7.5A	30A	7.5A	15A	30A	10A	10A	30A	15A	10A	30A	30A	7.5A	15A	7.5A	
1210.1	ENGINE CONTROL SYSTEM (DME M1.3, 6-CYLINDER M30 WITH EML)																														
1210.2	ENGINE CONTROL SYSTEM (DME M1.3, 6-CYLINDER M30)																														
1210.4	ENGINE CONTROL SYSTEM (DME M1.2, 6-CYLINDER S38)																														
1210.13	ENGINE CONTROL SYSTEM (DME M3.3.1, 6-CYLINDER M50)																														
1230.0	CHARGING SYSTEM																														
1240.0	START																														
1270.0	ELECTRONIC THROTTLE CONTROL (EML 6-CYLINDER)	●																													
1290.0	E-BOX FAN																														
2460.0	ELECTRONIC TRANSMISSION CONTROL (EGS 4HP-22)	●																													
2460.2	ELECTRONIC TRANSMISSION CONTROL (EGS A4S 310R)	●																													
3231.0	ELECTRIC STEERING COLUMN ADJUSTMENT																														
3240.0	POWER ASSIST STEERING (SERVOTRONIC)																														
3450.0	SLIP CONTROL (ABS)	●																													
3450.1	SLIP CONTROL (ABS/ASC)	●																													
5116.0	POWER MIRRORS																														
5120.0	ZKE DOOR LOCK HEATING (TSH)																														
5126.0	ZKE CENTRAL LOCKING (ZV)																														
5133.0	ZKE POWER WINDOWS (FH)																														
5200.0	POWER SEATS																														



FUSE CHART

FUSES 1 TO 29

		FUSE NUMBER																													
		1	2	3	4	5	6	7	8	9	10	11	12	13	14	15	16	17	18	19	20	21	22	23	24	25	26	27	28	29	
		15A	7.5A	7.5A	7.5A	10A	15A	15A		15A	7.5A	7.5A	15A	7.5A	7.5A	7.5A	30A	7.5A	15A	30A	10A	10A	30A	15A	10A	30A	30A	7.5A	15A	7.5A	
5200.1	SEAT/MIRROR MEMORY SYSTEM (SM/SPM)												●				●		●												
5203.0	HEATED SEATS																●														
5410.0	ZKE SUNROOF (SHD)																		●												
5410.2	DOUBLE PANEL POWER SUNROOF (ZKE)																														
6100.0	CENTRAL BODY ELECTRONICS (ZKE)			●	●	●													●							●					
6133.0	HORN									●																					
6160.0	ZKE WIPER/WASHER CONTROL	●																									●				
6162.0	REAR WINDOW WIPER/WASHER CONTROL																				●										
6167.0	ZKE HEADLIGHT WASHER (SRA)			●	●	●													●					●							
6169.0	WINDSHIELD WASHER JET HEATERS												●																		
6200.0	INSTRUMENT CLUSTER/ CHECK CONTROL (K/CC)	●																		●			●								●
6213.2	MULTI-FUNCTION CLOCK	●																				●									
6300.0	LIGHT SWITCH DETAILS		●	●	●	●																									
6301.0	LAMP MONITOR (LKM)	●	●	●	●	●		●			●	●		●	●	●															
6312.0	HEADLIGHTS/ FOG LIGHTS		●	●		●		●			●	●		●	●																
6313.0	TURN/HAZARD LIGHTS		●	●			●						●	●																	
6314.0	PARK/TAIL/ UNDERHOOD LIGHTS				●	●										●															
6320.0	LICENSE PLATE/ LUGGAGE COMPARTMENT LIGHTS					●										●							●								
6322.0	BACK UP LIGHTS												●																		



FUSE CHART

FUSES 1 TO 29

	FUSE NUMBER																												
	1	2	3	4	5	6	7	8	9	10	11	12	13	14	15	16	17	18	19	20	21	22	23	24	25	26	27	28	29
	15A	7.5A	7.5A	7.5A	10A	15A	15A		15A	7.5A	7.5A	15A	7.5A	7.5A	7.5A	30A	7.5A	15A	30A	10A	10A	30A	15A	10A	30A	30A	7.5A	15A	7.5A
6325.0 BRAKE LIGHTS	●														●														
6330.0 ZKE INTERIOR LIGHTS CONTROL (IB)																		●			●								
6332.0 INTERIOR ACCESSORIES					●													●			●					●			
6350.0 CRASH CONTROL MODULE		●				●				●	●																		
6412.19 PARK VENTILATION WITH IHKR/F3																			●	●									
6424.0 REAR WINDOW DEFOGGER																													
6450.5 INTEGRATED CLIMATE REGULATION WITH FILTER (IHKR/F3)									●										●	●							●		●
6454.0 AUXILIARY FAN									●																●				●
6510.1 RADIO/HIFI																			●										
6510.2 RADIO PROVISIONS																			●										
6561.0 CELLULAR TELEPHONE (PROVISIONS)																			●										
6571.0 CRUISE CONTROL (TEMPOMAT)	●															●													
6575.2 ANTI-THEFT SYSTEM (ALPINE)																			●										
6581.0 ON-BOARD COMPUTER (BCIV)	●															●					●								



FUSE CHART

FUSES 30 TO 49

		FUSE NUMBER																			
		30	31	32	33	34	35	36	37	38	39	40	41	42	43	44	45	46	47	48	49
		10A		7.5A	7.5A	30A	30A	30A	30A			7.5A	30A	30A	30A	20A					
1210.1	ENGINE CONTROL SYSTEM (DME M1.3, 6-CYLINDER M30 WITH EML)																				
1210.2	ENGINE CONTROL SYSTEM (DME M1.3, 6-CYLINDER M30)																				
1210.4	ENGINE CONTROL SYSTEM (DME M1.2, 6-CYLINDER S38)																				
1210.13	ENGINE CONTROL SYSTEM (DME M3.3.1, 6-CYLINDER M50)																				
1230.0	CHARGING SYSTEM																				
1240.0	START																				
1270.0	ELECTRONIC THROTTLE CONTROL (EML 6-CYLINDER)																				
1290.0	E-BOX FAN																				
2460.0	ELECTRONIC TRANSMISSION CONTROL (EGS 4HP-22)																				
2460.2	ELECTRONIC TRANSMISSION CONTROL (EGS A4S 310R)																				
3231.0	ELECTRIC STEERING COLUMN ADJUSTMENT											●									
3240.0	POWER ASSIST STEERING (SERVOTRONIC)																				
3450.0	SLIP CONTROL (ABS)																				
3450.1	SLIP CONTROL (ABS/ASC)																				
5116.0	POWER MIRRORS																				
5120.0	ZKE DOOR LOCK HEATING (TSH)			●																	
5126.0	ZKE CENTRAL LOCKING (ZV)			●	●			●							●						
5133.0	ZKE POWER WINDOWS (FH)			●	●			●													
5200.0	POWER SEATS												●	●							



FUSE CHART

FUSES 30 TO 49

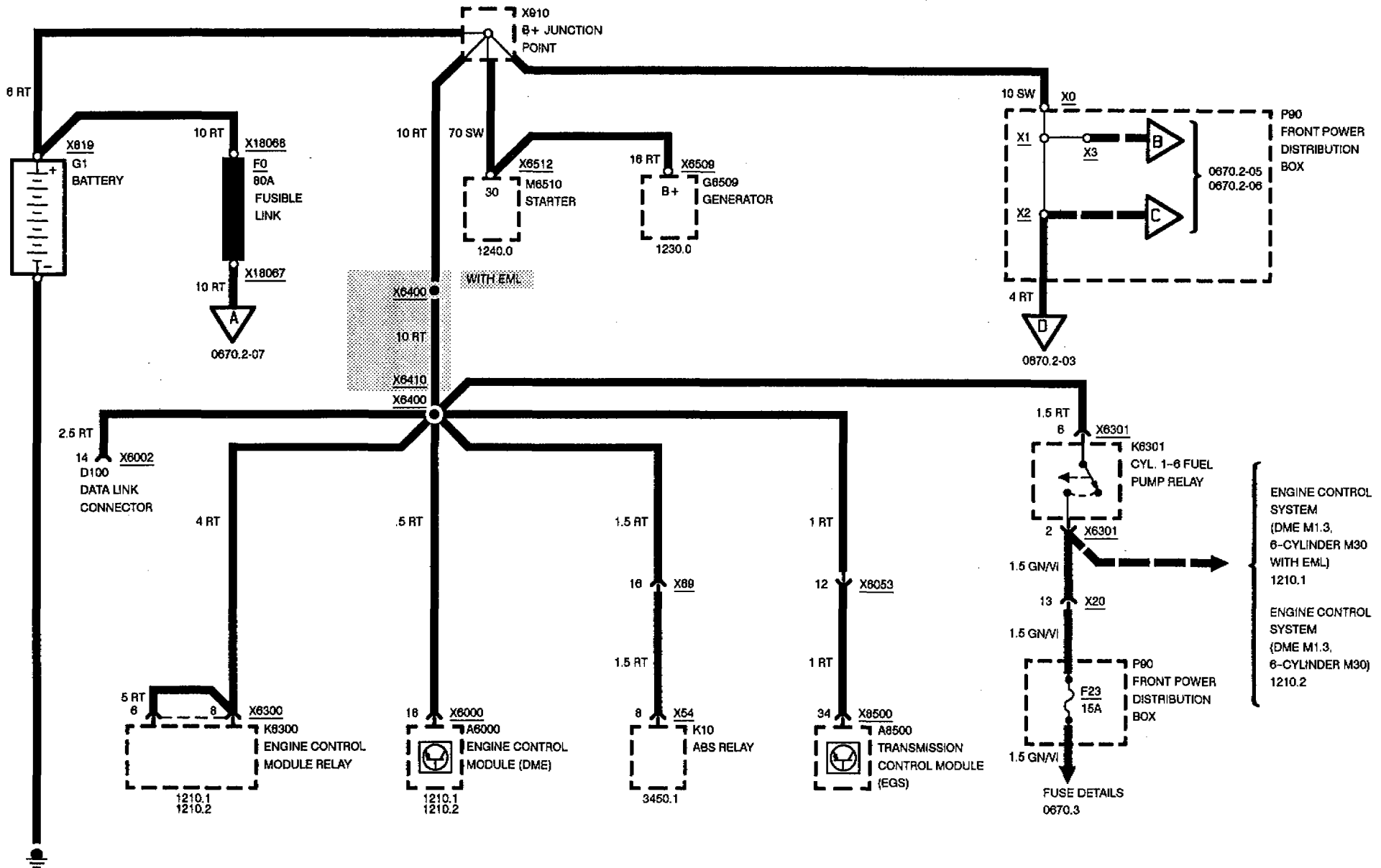
	FUSE NUMBER																			
	30	31	32	33	34	35	36	37	38	39	40	41	42	43	44	45	46	47	48	49
	10A		7.5A	7.5A	30A	30A	30A	30A					7.5A	30A	30A	30A	20A			
5200.1 SEAT/MIRROR MEMORY SYSTEM (SM/SPM)																				
5203.0 HEATED SEATS																				
5410.0 ZKE SUNROOF (SHD)			●	●				●												
5410.2 DOUBLE PANEL POWER SUNROOF (ZKE)			●																	
6100.0 CENTRAL BODY ELECTRONICS (ZKE)			●					●												
6133.0 HORN																				
6160.0 ZKE WIPER/WASHER CONTROL					●															
6162.0 REAR WINDOW WIPER/WASHER CONTROL															●					
6167.0 ZKE HEADLIGHT WASHER (SRA)																				
6169.0 WINDSHIELD WASHER JET HEATERS																				
6200.0 INSTRUMENT CLUSTER/ CHECK CONTROL (K/CC)																				
6213.2 MULTI-FUNCTION CLOCK																				
6300.0 LIGHT SWITCH DETAILS																				
6301.0 LAMP MONITOR (LKM)																				
6312.0 HEADLIGHTS/ FOG LIGHTS																				
6313.0 TURN/HAZARD LIGHTS																				
6314.0 PARK/TAIL/ UNDERHOOD LIGHTS																				
6320.0 LICENSE PLATE/ LUGGAGE COMPARTMENT LIGHTS																				
6322.0 BACK UP LIGHTS																				



FUSE CHART

FUSES 30 TO 49

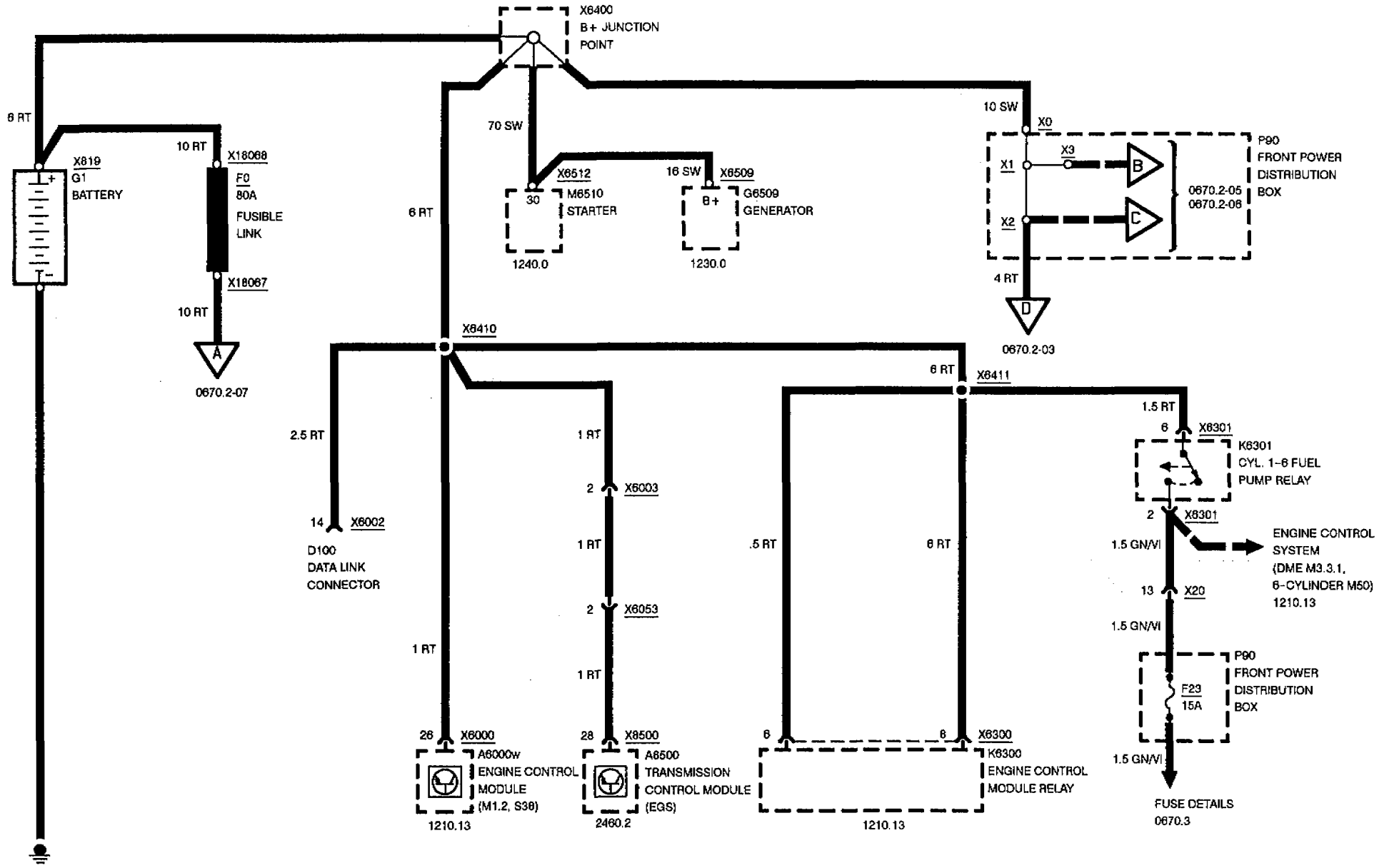
	FUSE NUMBER																			
	30	31	32	33	34	35	36	37	38	39	40	41	42	43	44	45	46	47	48	49
	10A		7.5A	7.5A	30A	30A	30A	30A				7.5A	30A	30A	30A	20A				
6325.0 BRAKE LIGHTS																				
6330.0 ZKE INTERIOR LIGHTS CONTROL (IB)			●																	
6332.0 INTERIOR ACCESSORIES																				
6350.0 CRASH CONTROL MODULE																				
6412.19 PARK VENTILATION WITH IHKR/F3																				
6424.0 REAR WINDOW DEFOGGER						●														
6450.5 INTEGRATED CLIMATE REGULATION WITH FILTER (IHKR/F3)																				
6454.0 AUXILIARY FAN																				
6510.1 RADIO/HIFI							●													
6510.2 RADIO PROVISIONS							●													
6561.0 CELLULAR TELEPHONE (PROVISIONS)											●									
6571.0 CRUISE CONTROL (TEMPOMAT)																				
6575.2 ANTI-THEFT SYSTEM (ALPINE)								●												
6581.0 ON-BOARD COMPUTER (BCIV)																				

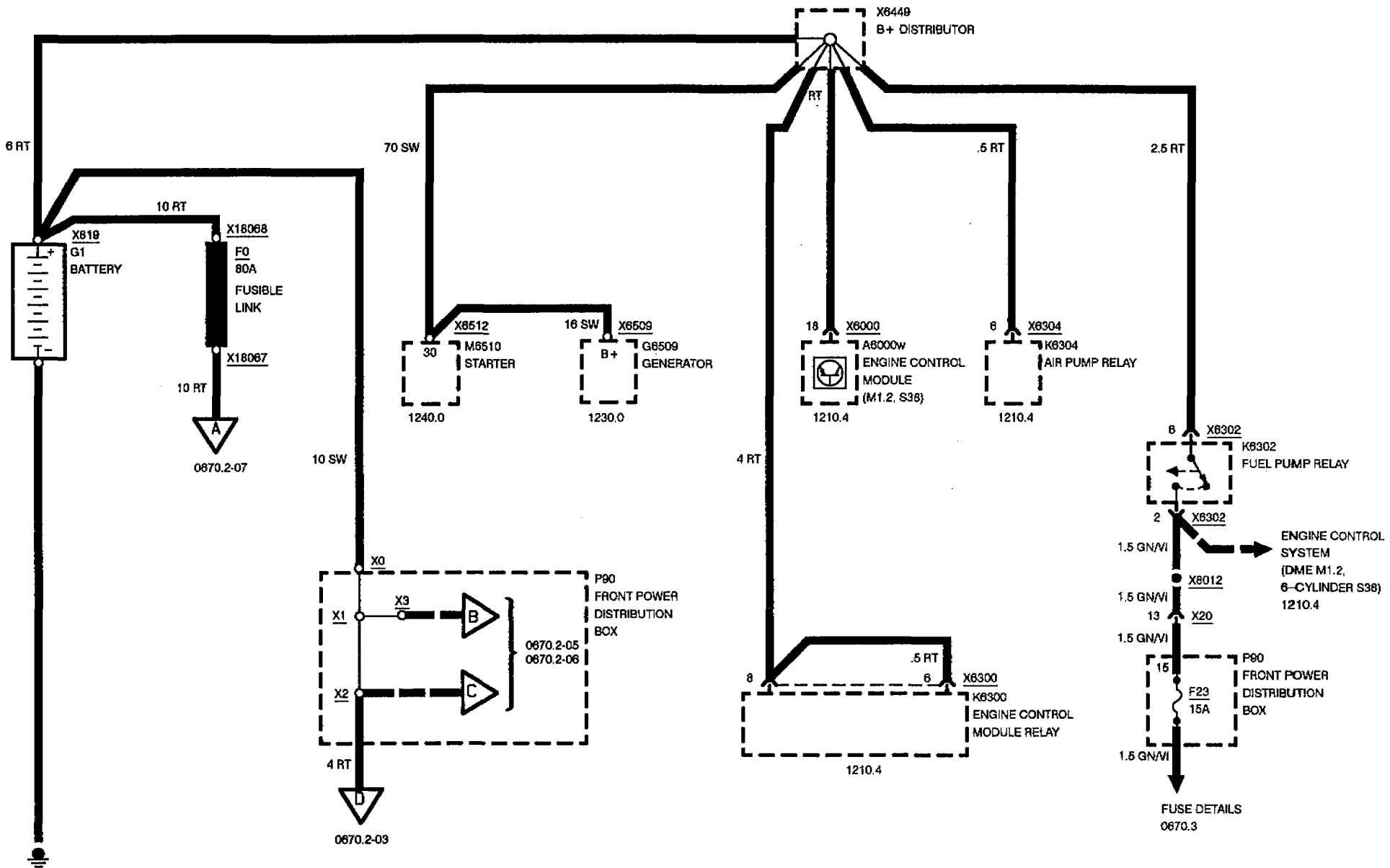




POWER DISTRIBUTION

525i/t

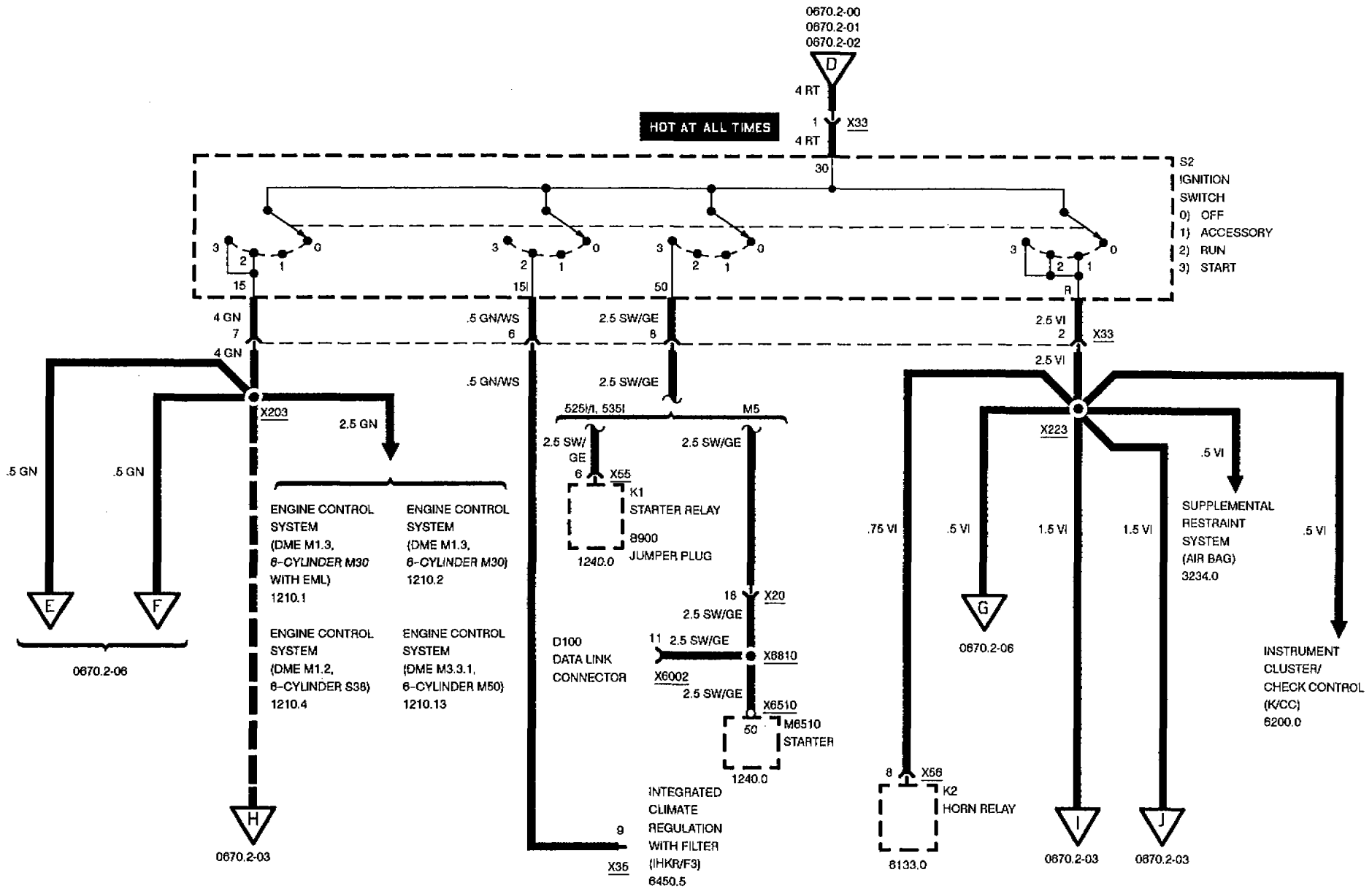


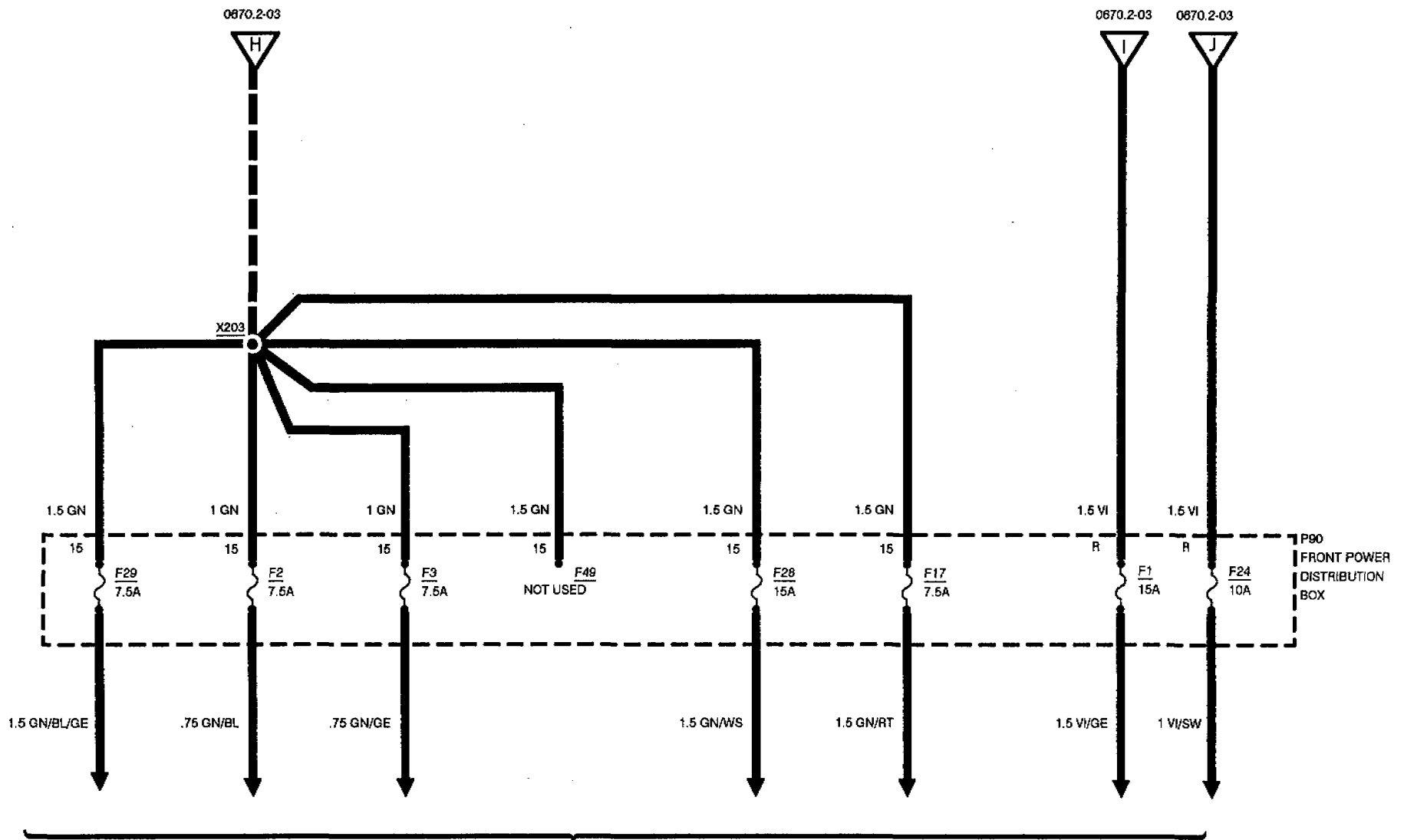




POWER DISTRIBUTION

FRONT POWER DISTRIBUTION BOX





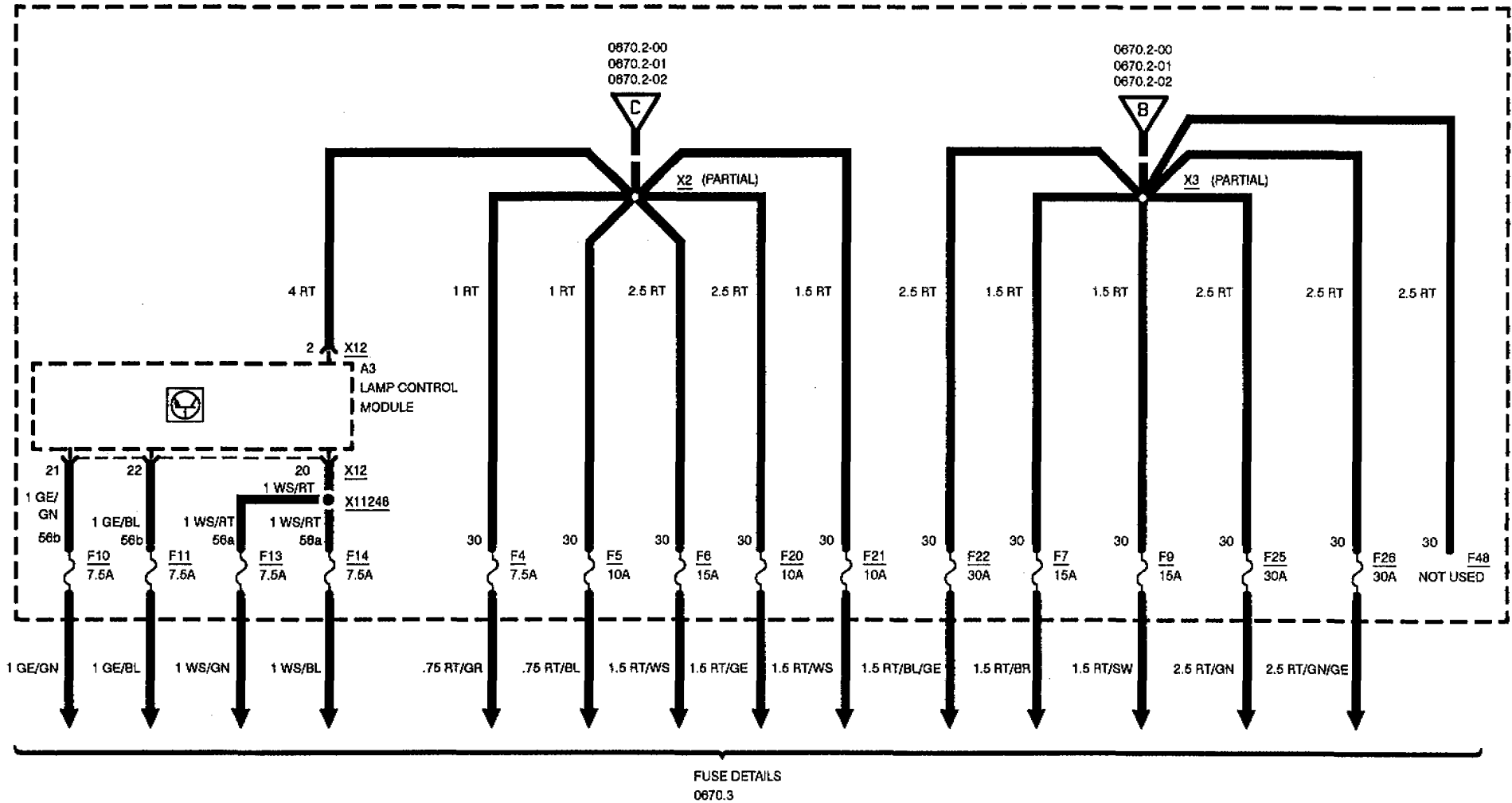
FUSE DETAILS
0670.3



POWER DISTRIBUTION

FRONT POWER DISTRIBUTION BOX

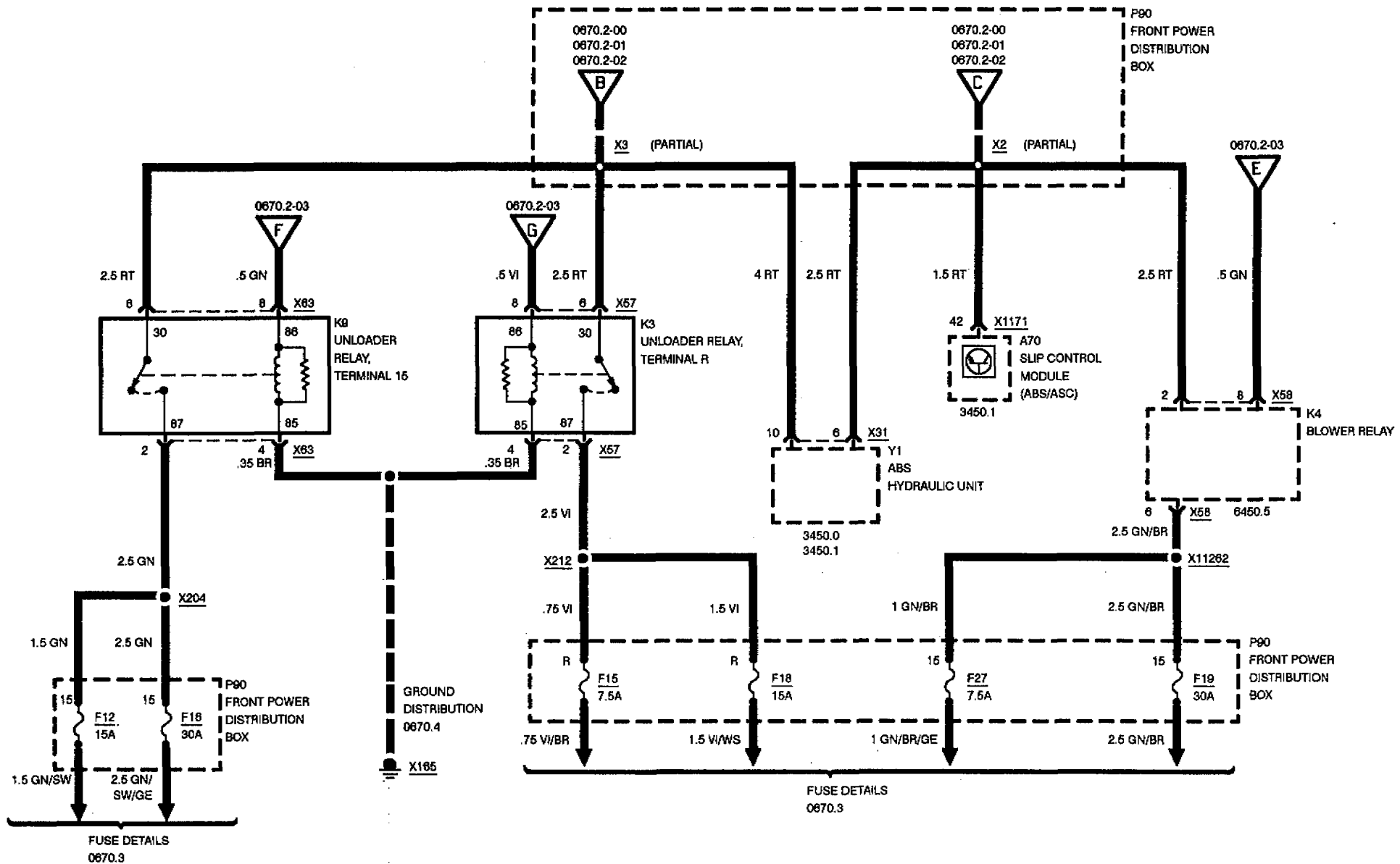
P90
FRONT POWER
DISTRIBUTION
BOX





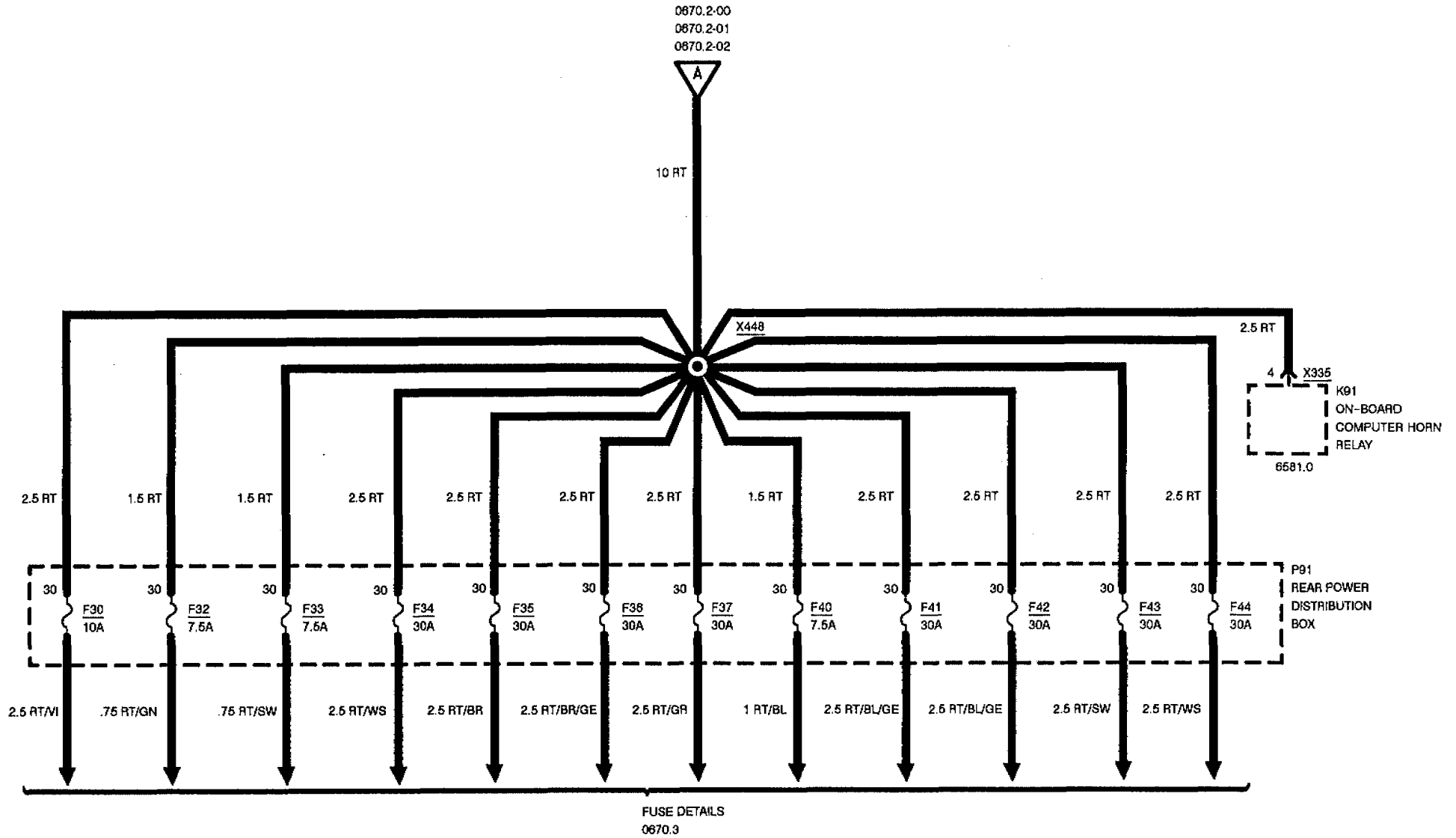
POWER DISTRIBUTION

FRONT POWER DISTRIBUTION BOX





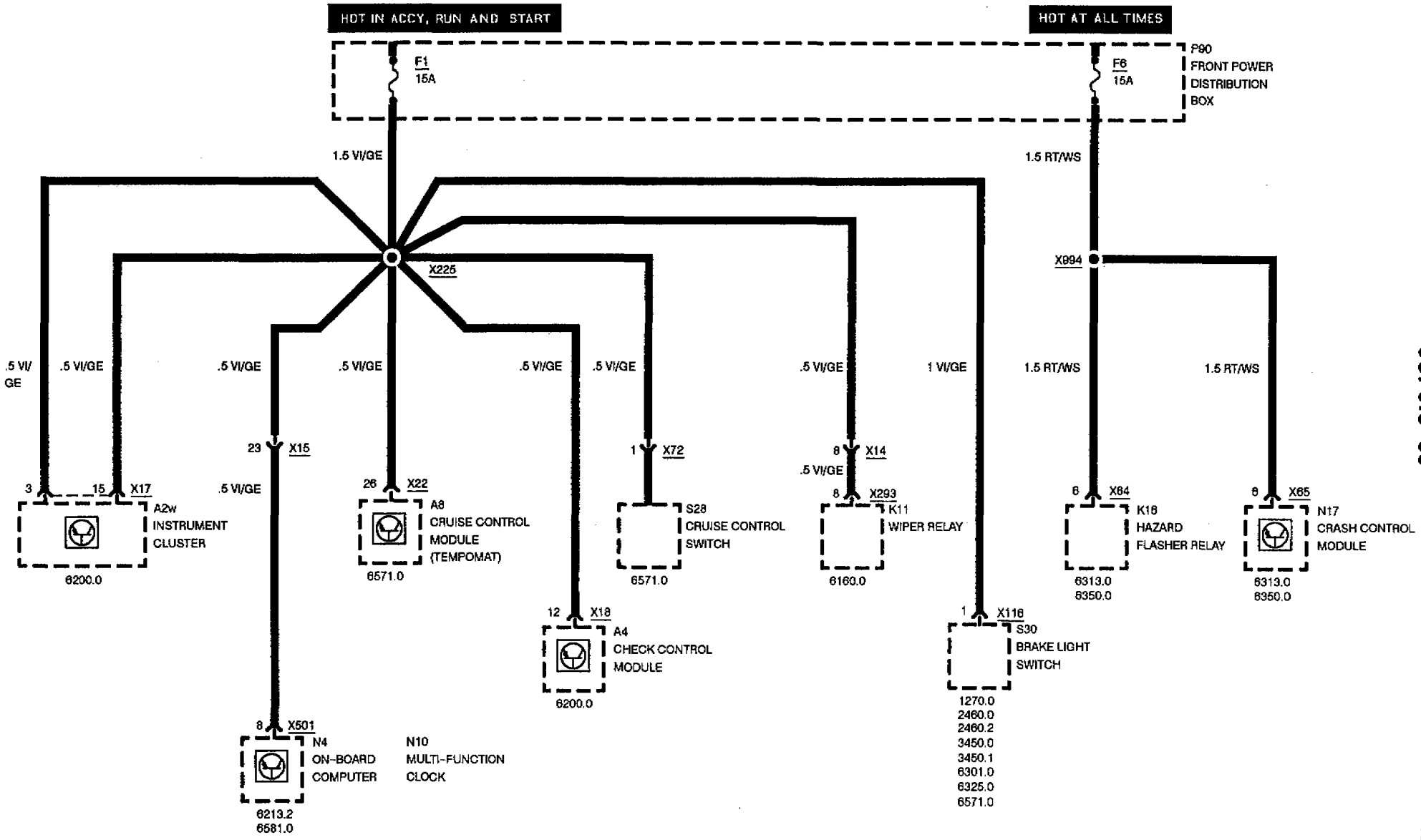
POWER DISTRIBUTION REAR POWER DISTRIBUTION BOX





FUSE DETAILS

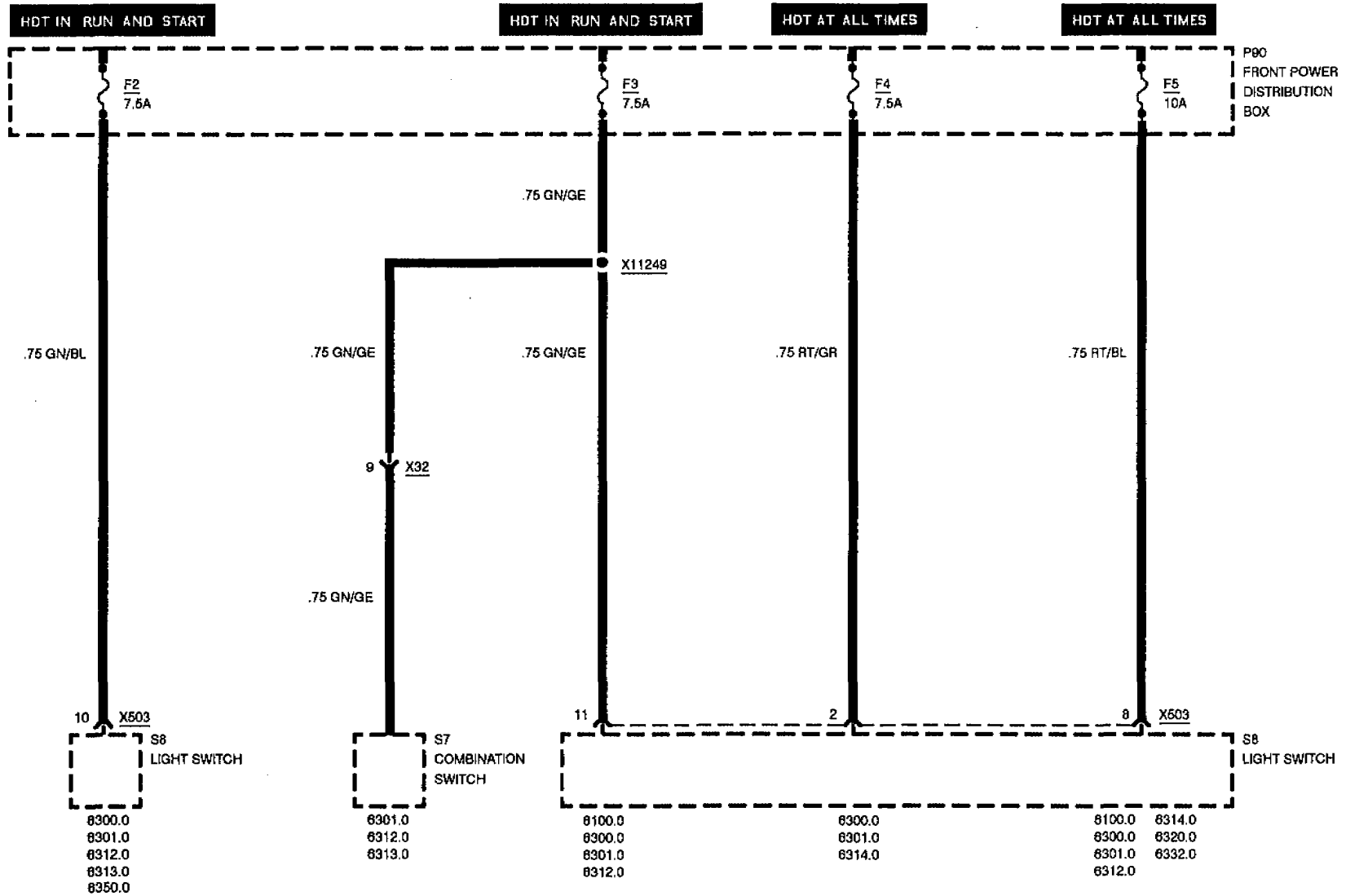
FUSES 1 AND 6





FUSE DETAILS

FUSES 2, 3, 4, AND 5





FUSE DETAILS

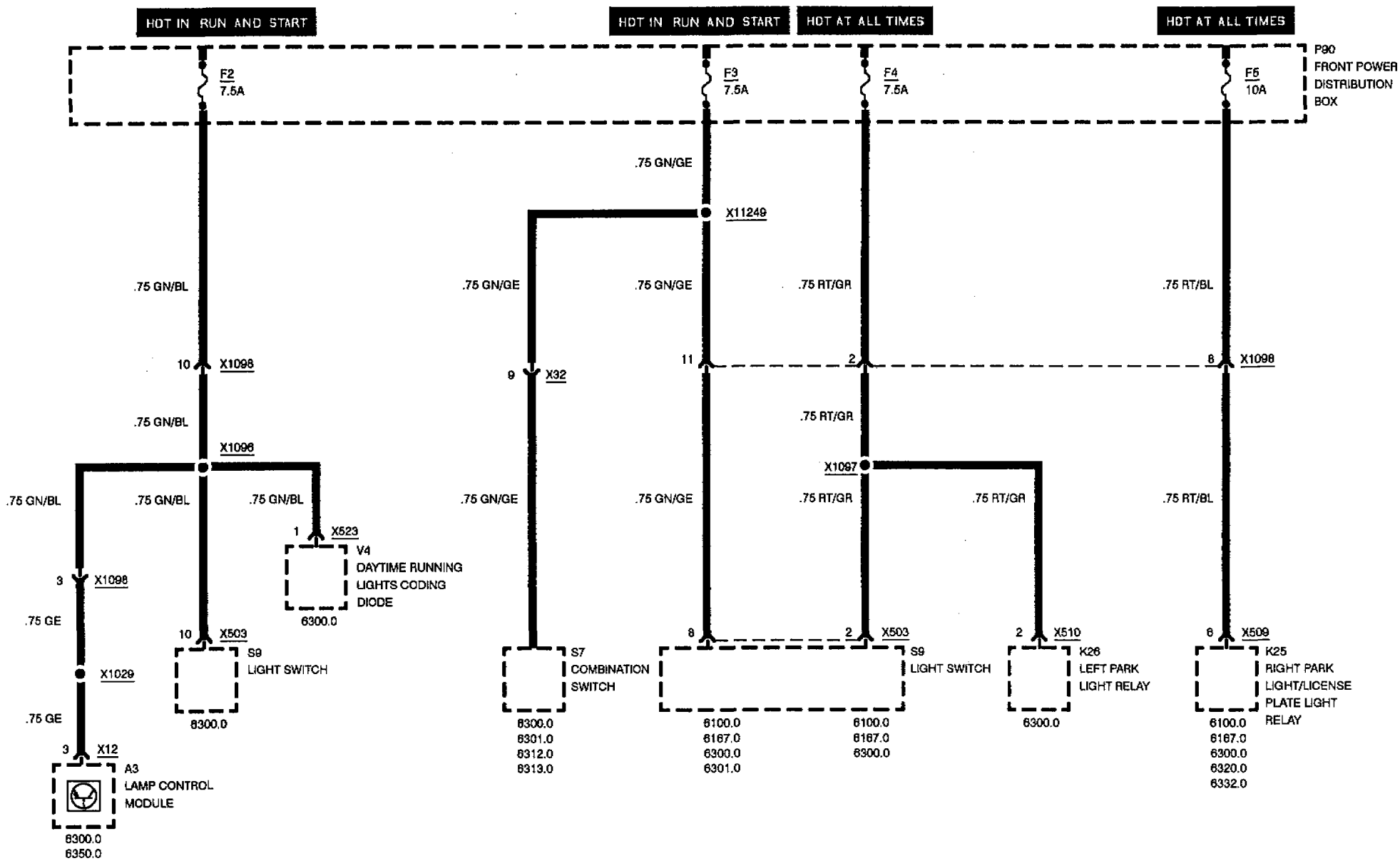
FUSES 2, 3, 4, AND 5



12/93

0670.3-02

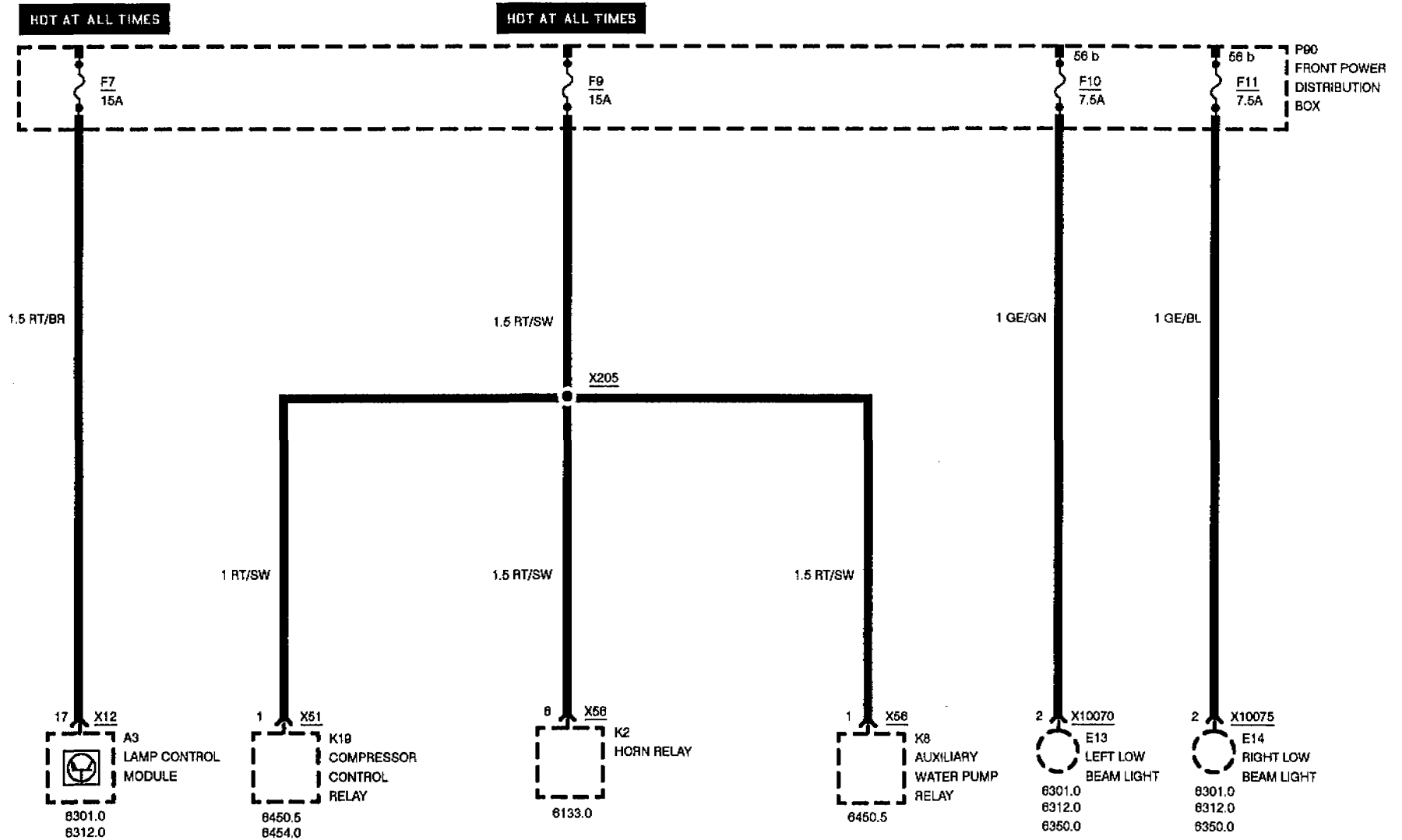
1993





FUSE DETAILS

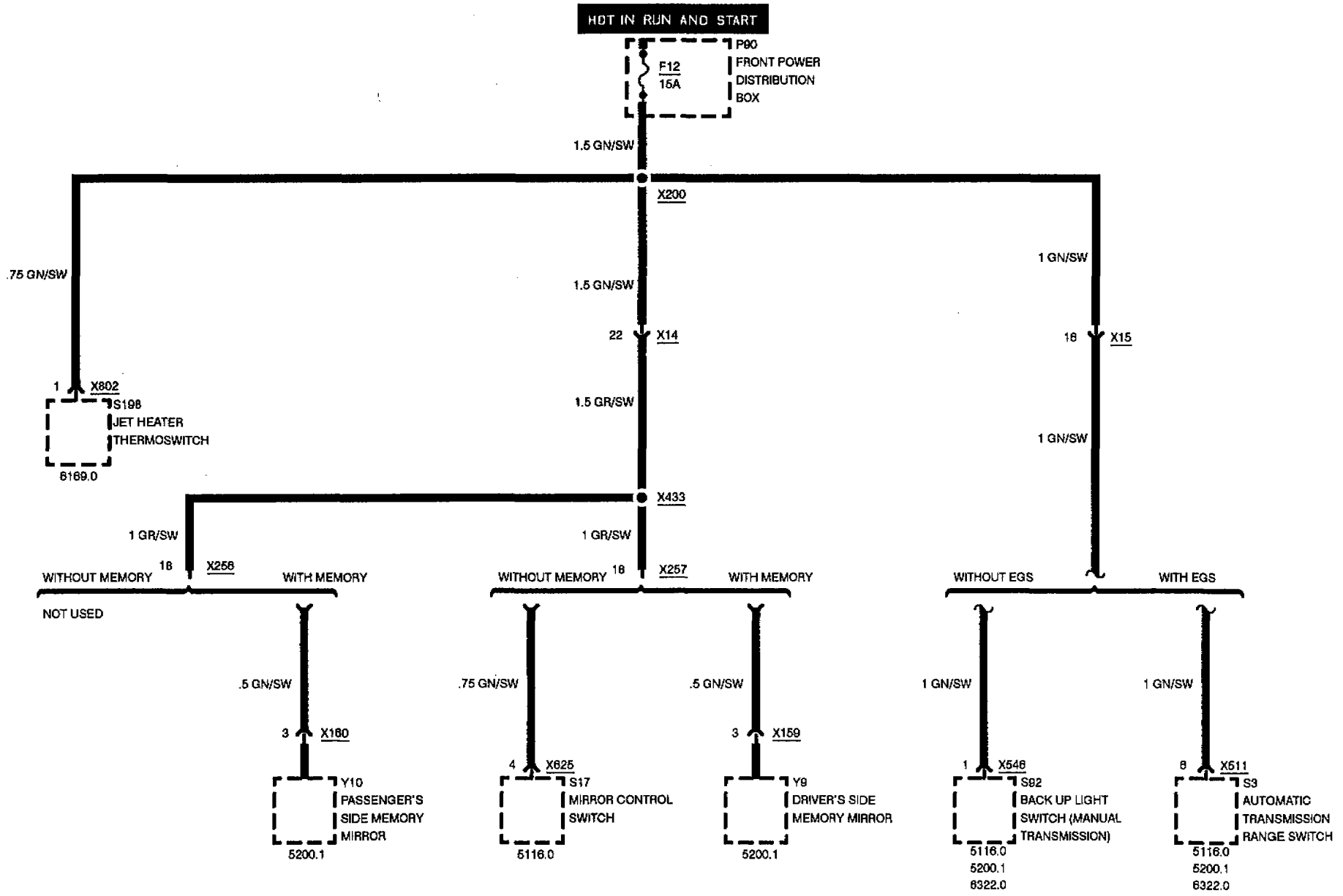
FUSES 7, 9, 10, AND 11





FUSE DETAILS

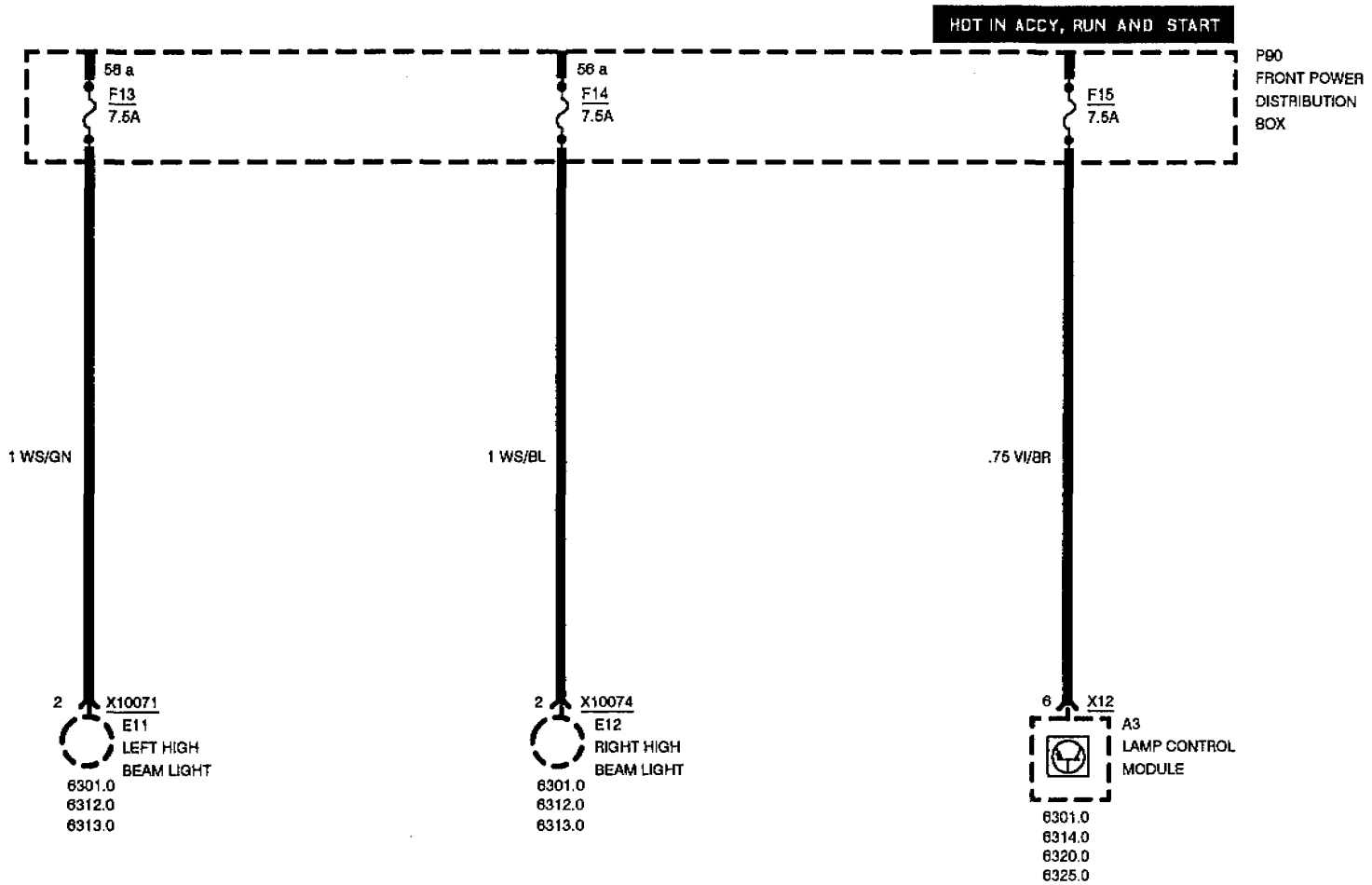
FUSE 12





FUSE DETAILS

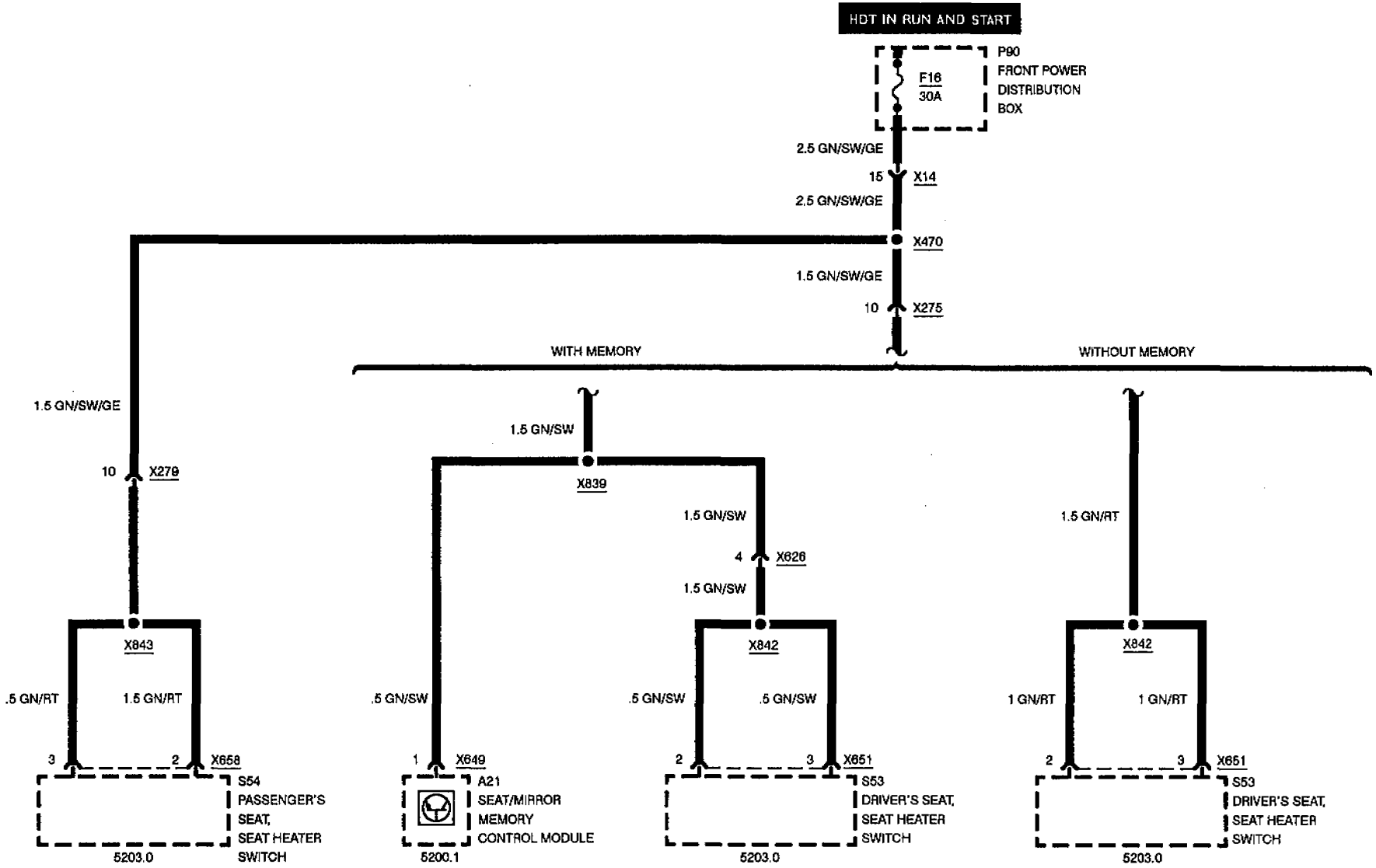
FUSES 13, 14, AND 15





FUSE DETAILS

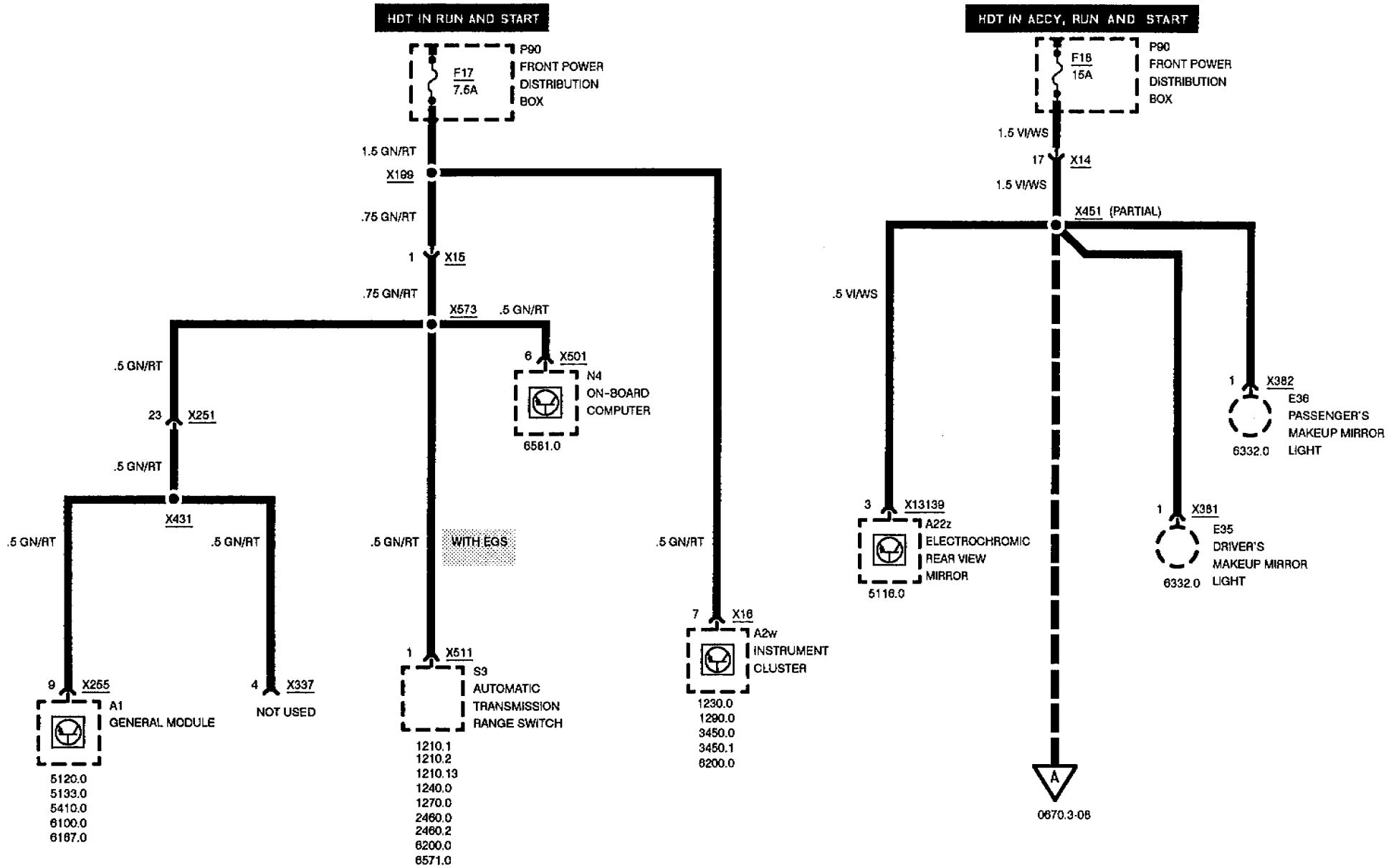
FUSE 16





FUSE DETAILS

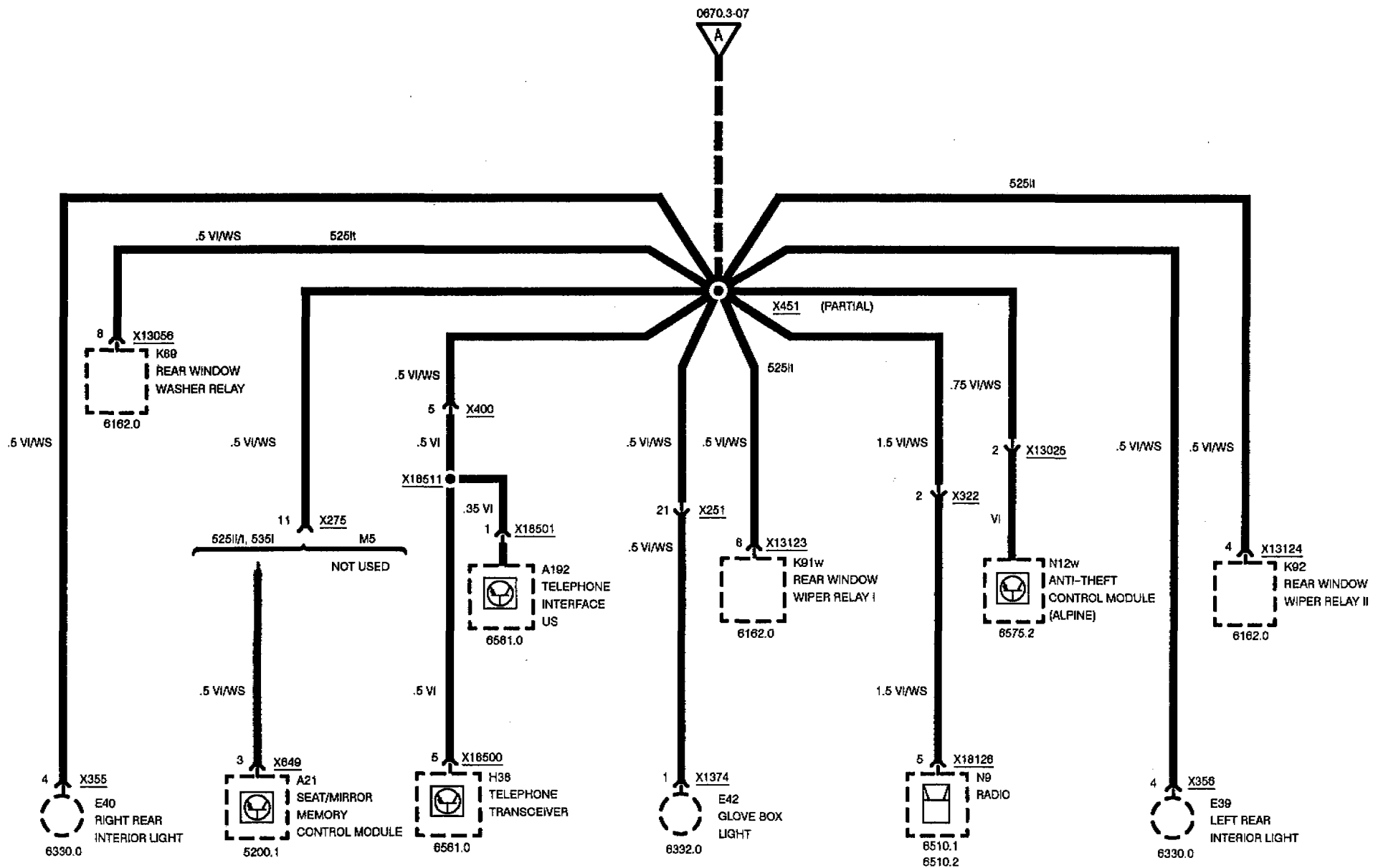
FUSES 17 AND 18





FUSE DETAILS

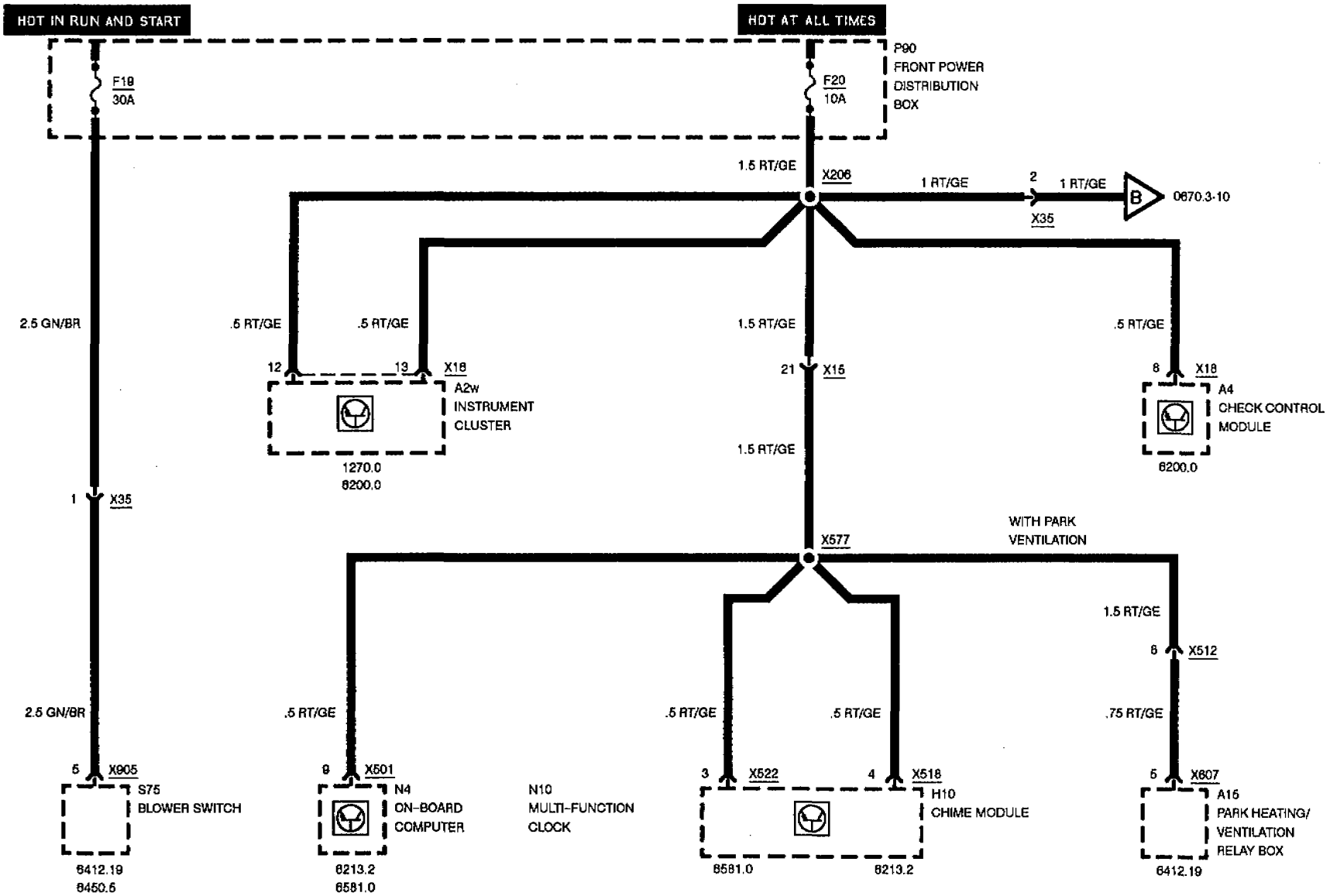
FUSE 18





FUSE DETAILS

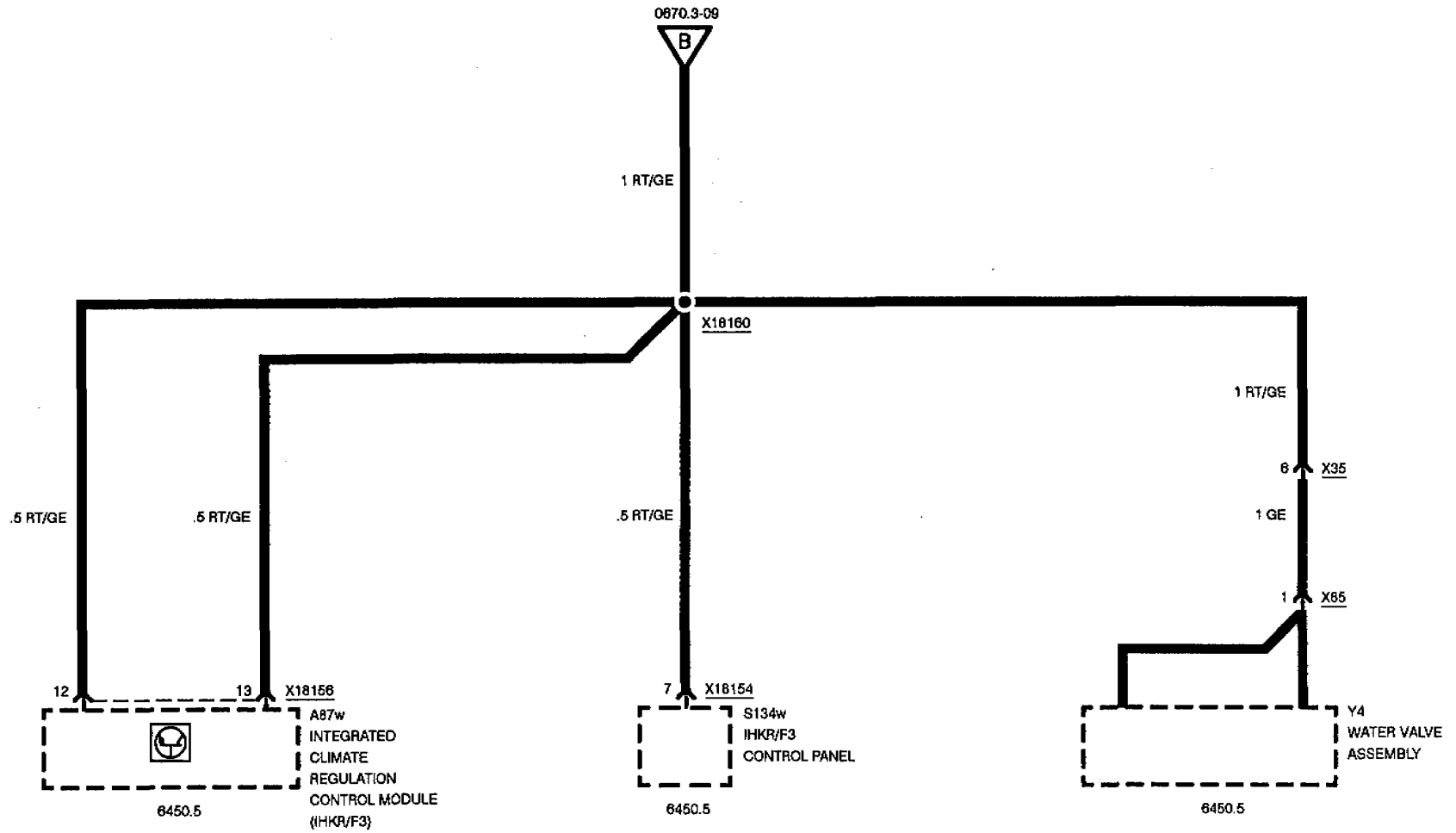
FUSES 19 AND 20





FUSE DETAILS

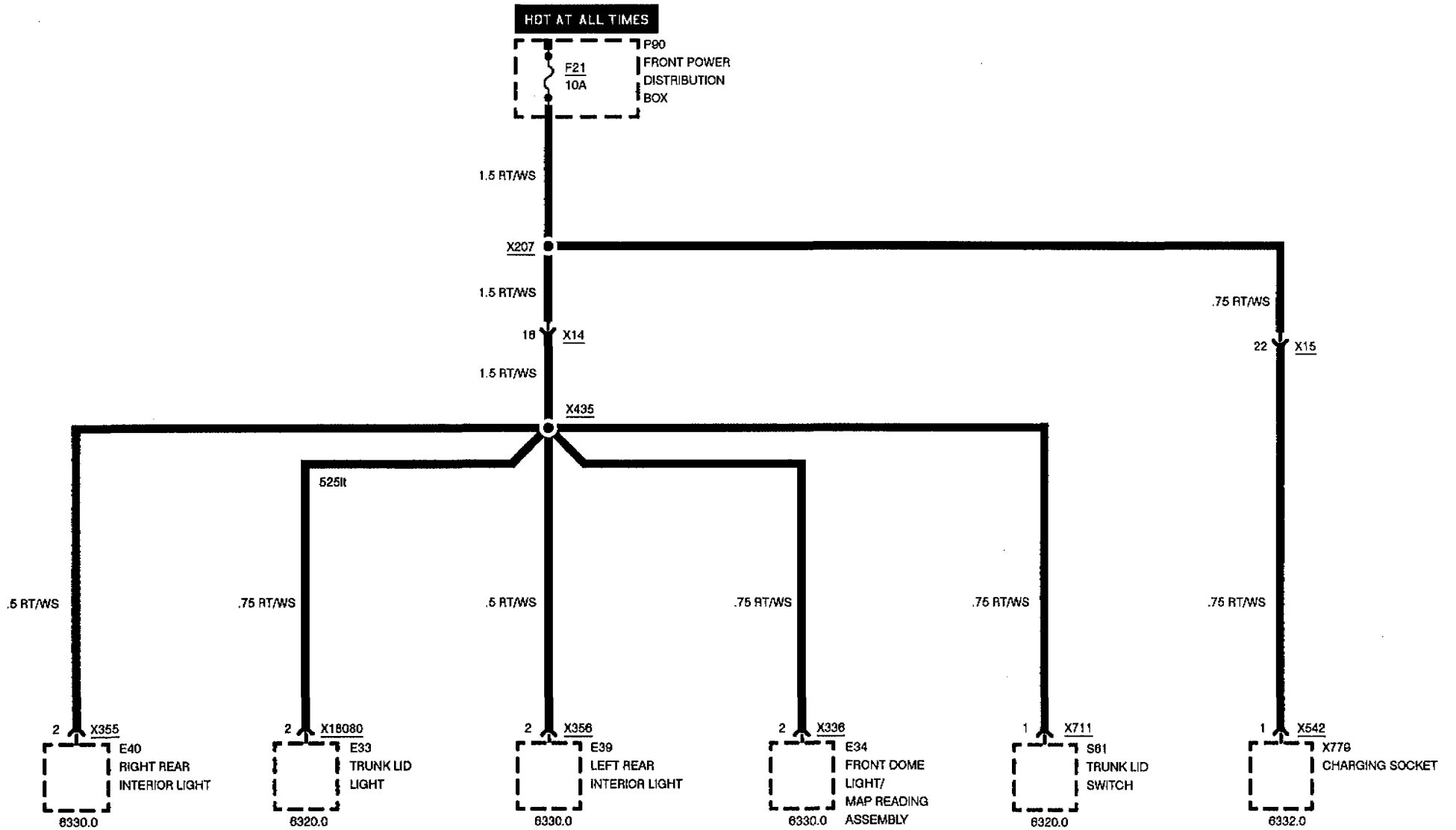
FUSE 20





FUSE DETAILS

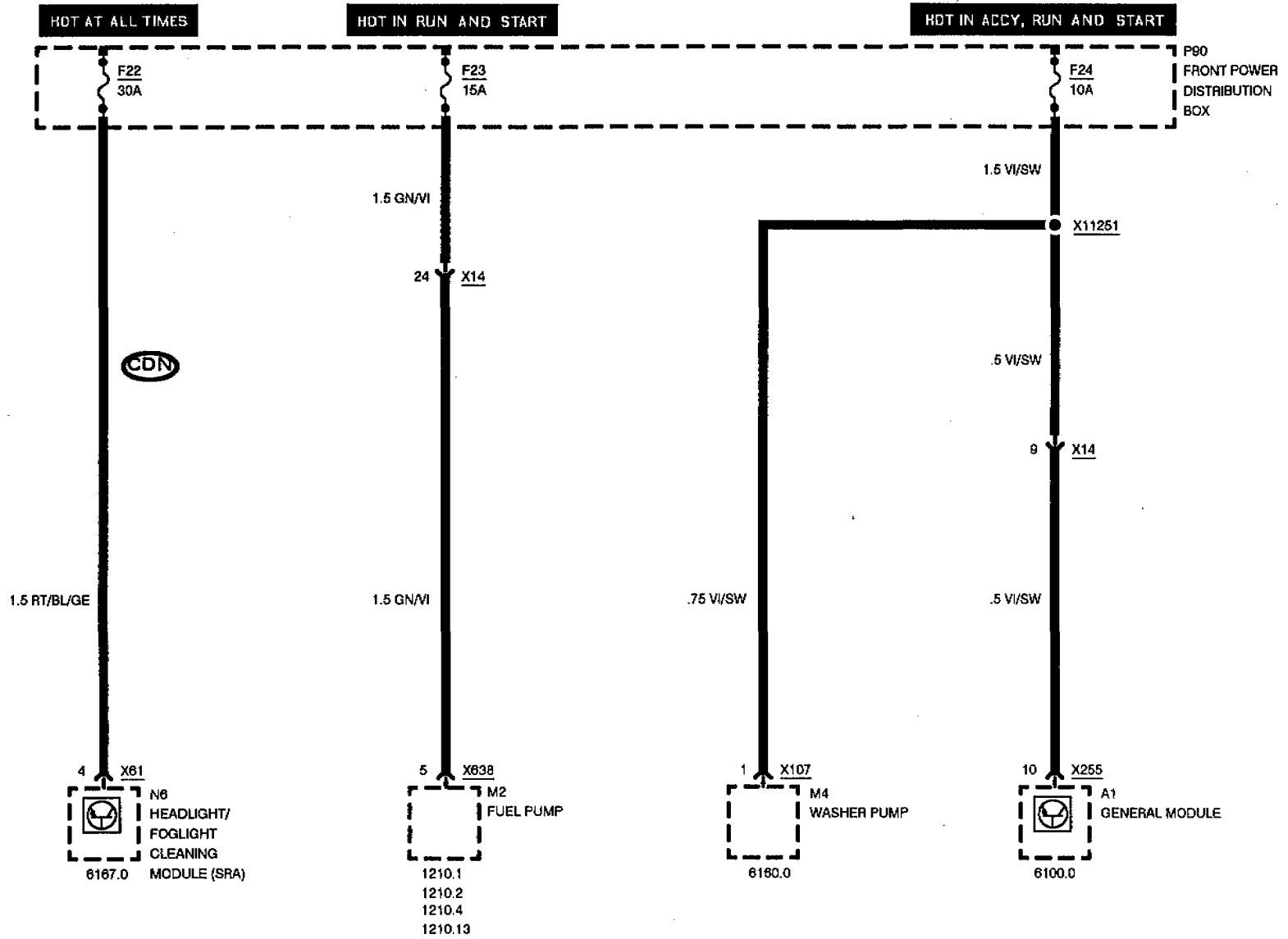
FUSE 21





FUSE DETAILS

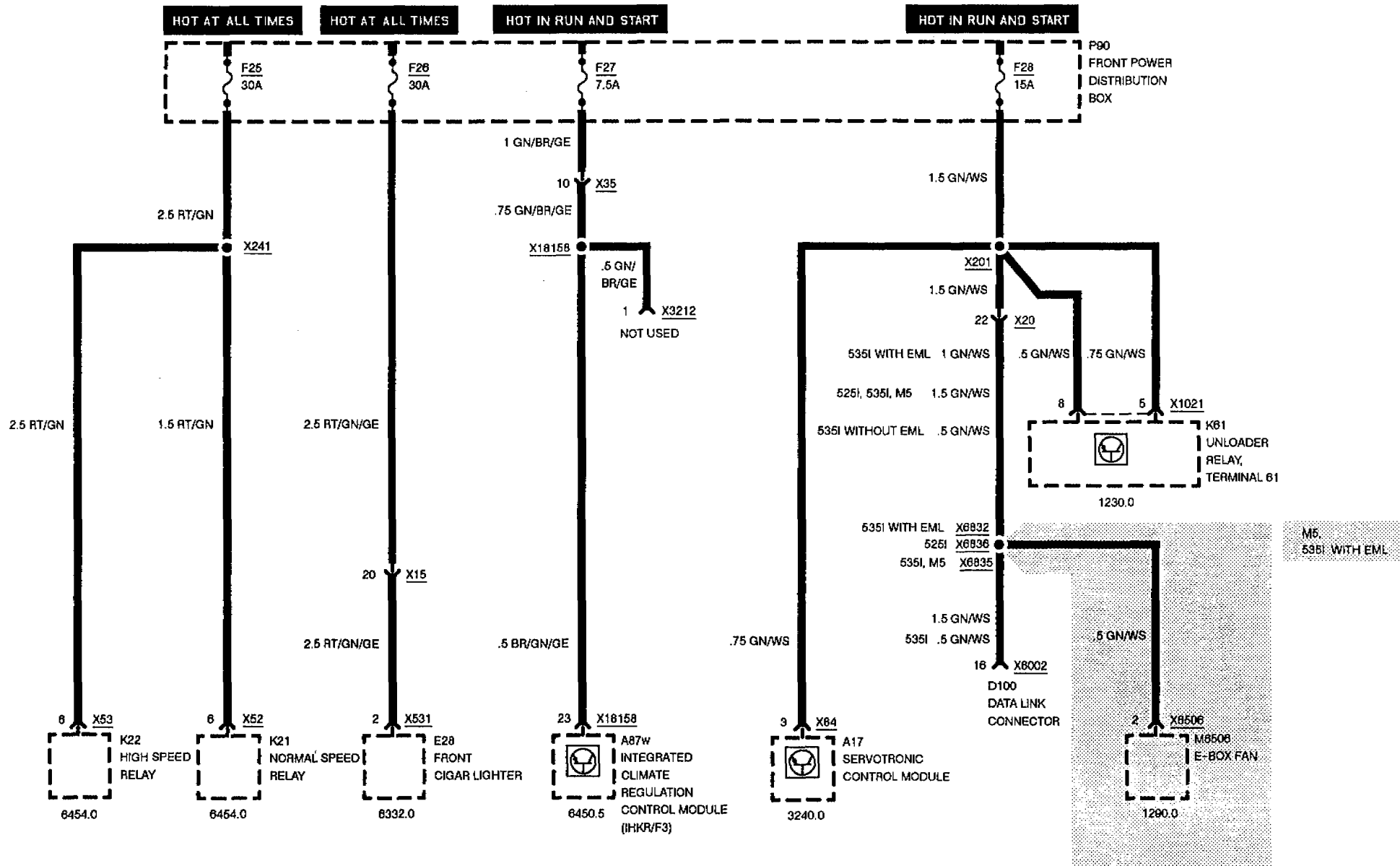
FUSES 22, 23, AND 24





FUSE DETAILS

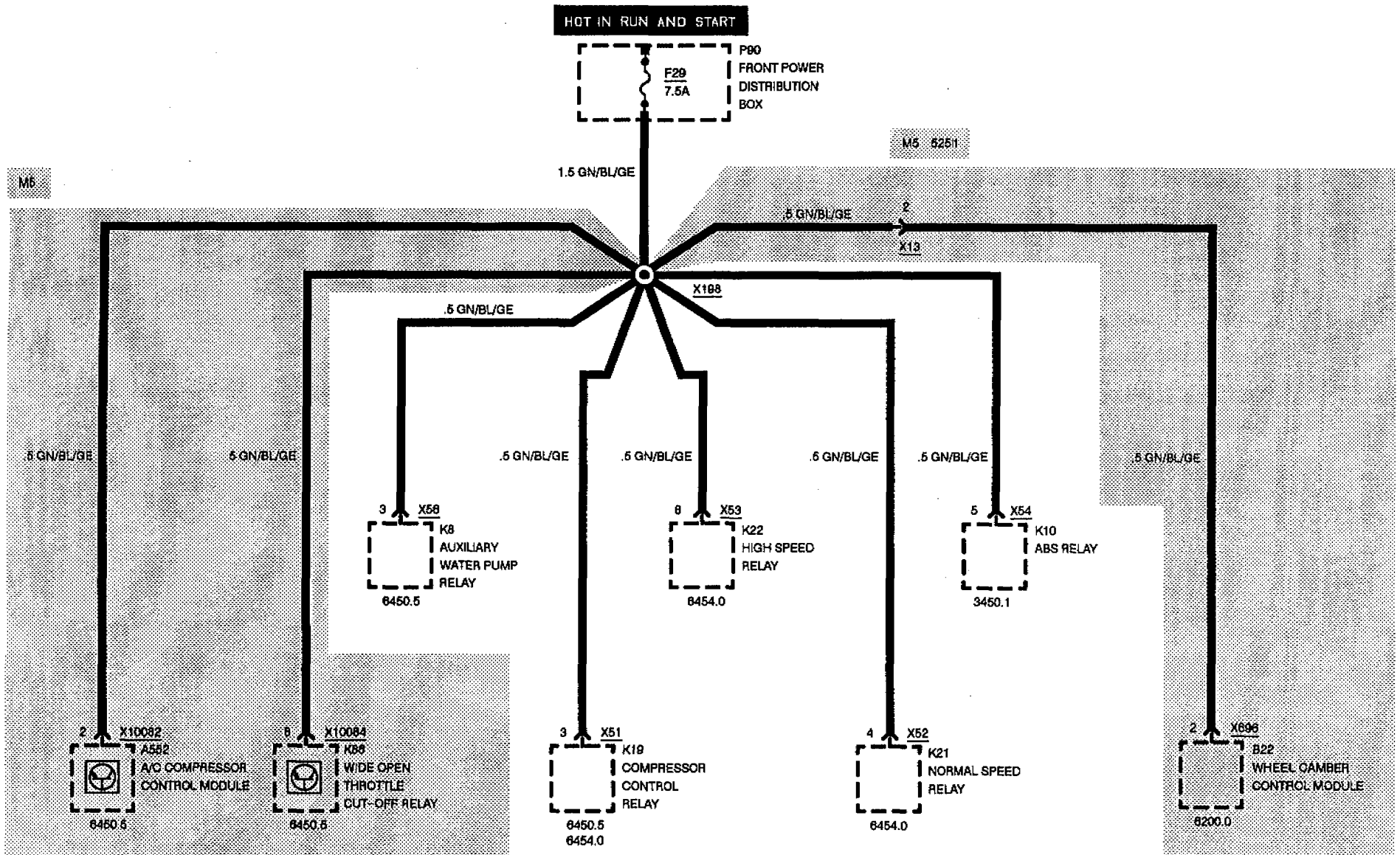
FUSES 25, 26, 27, AND 28





FUSE DETAILS

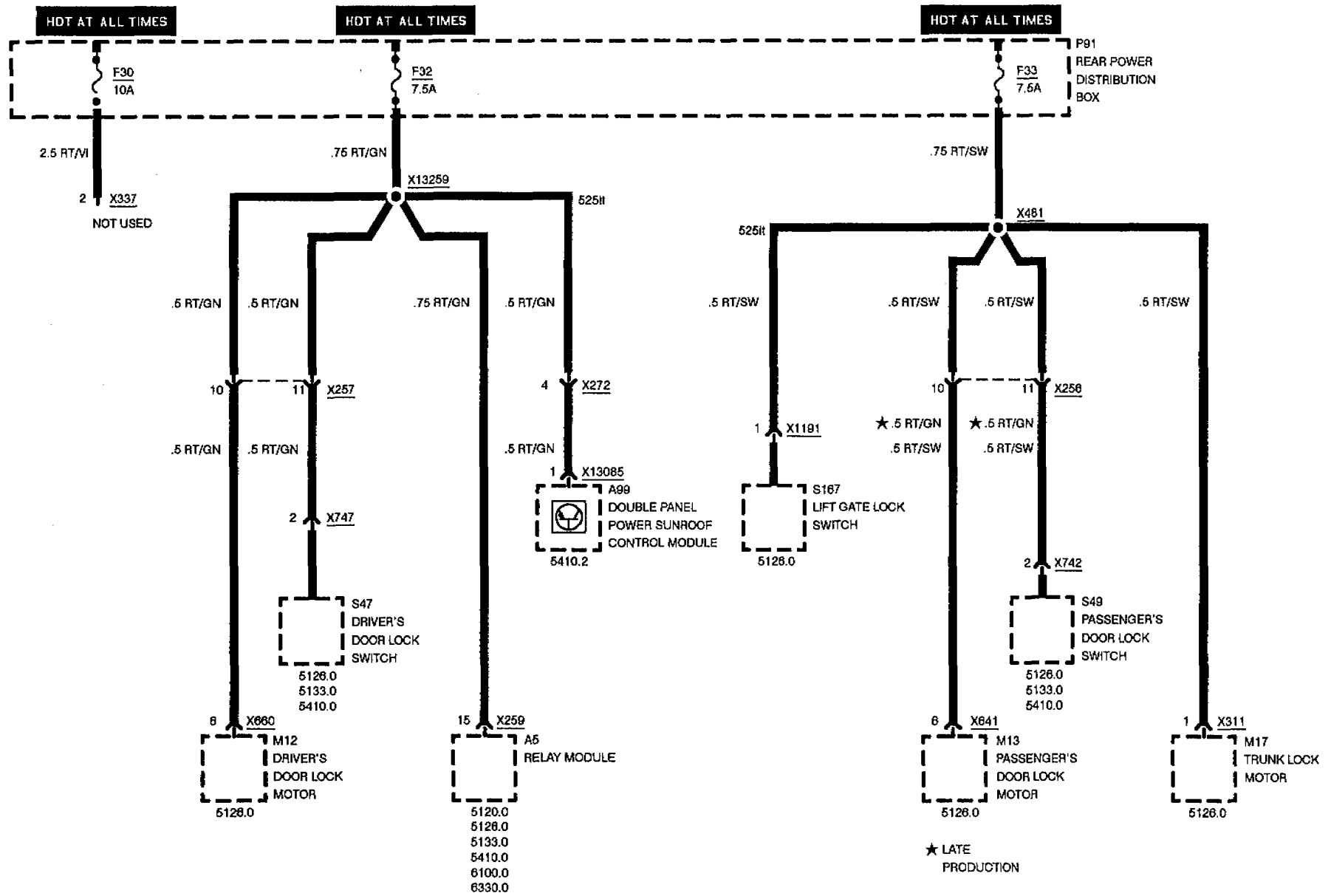
FUSE 29



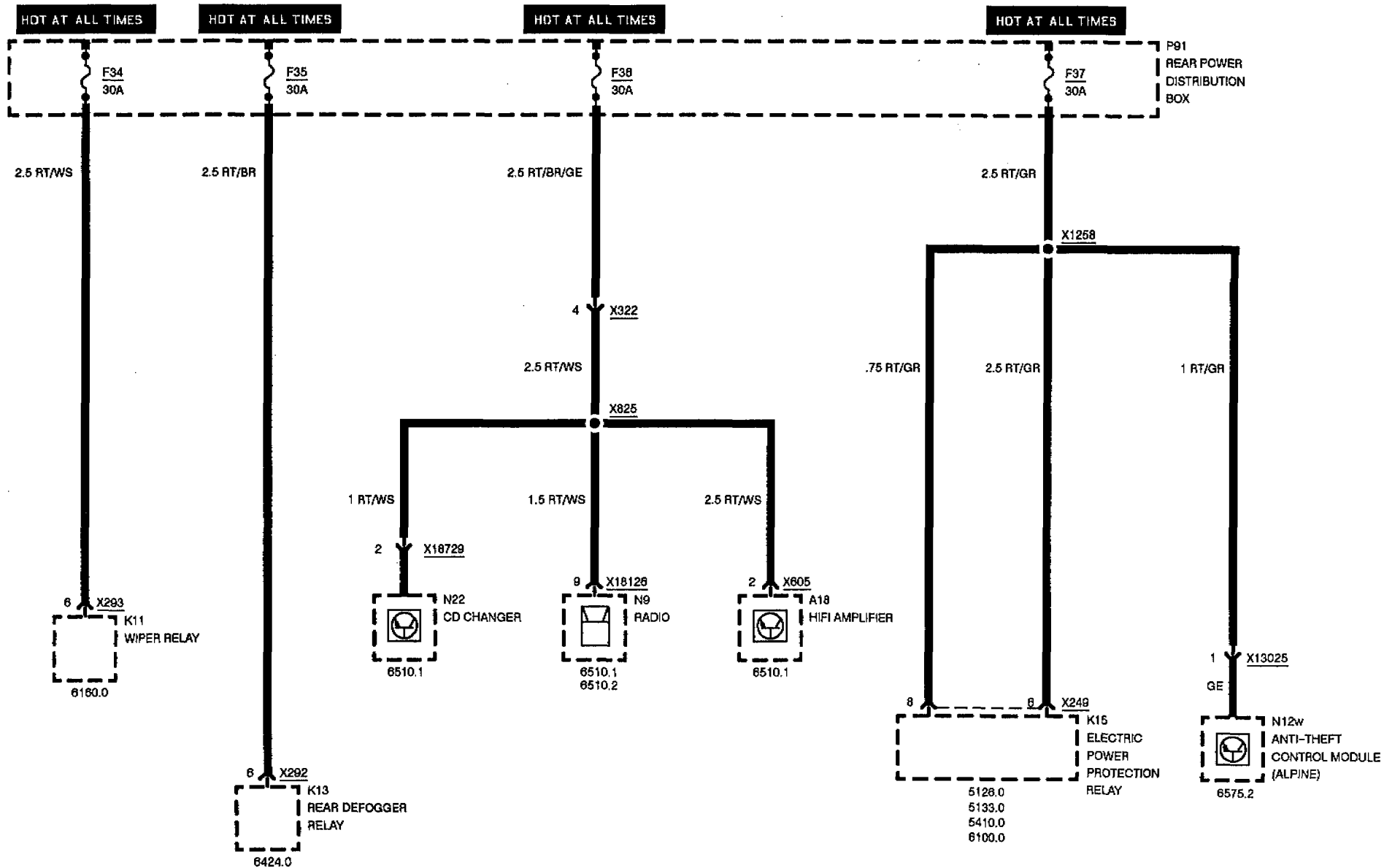


FUSE DETAILS

FUSES 30, 32, AND 33



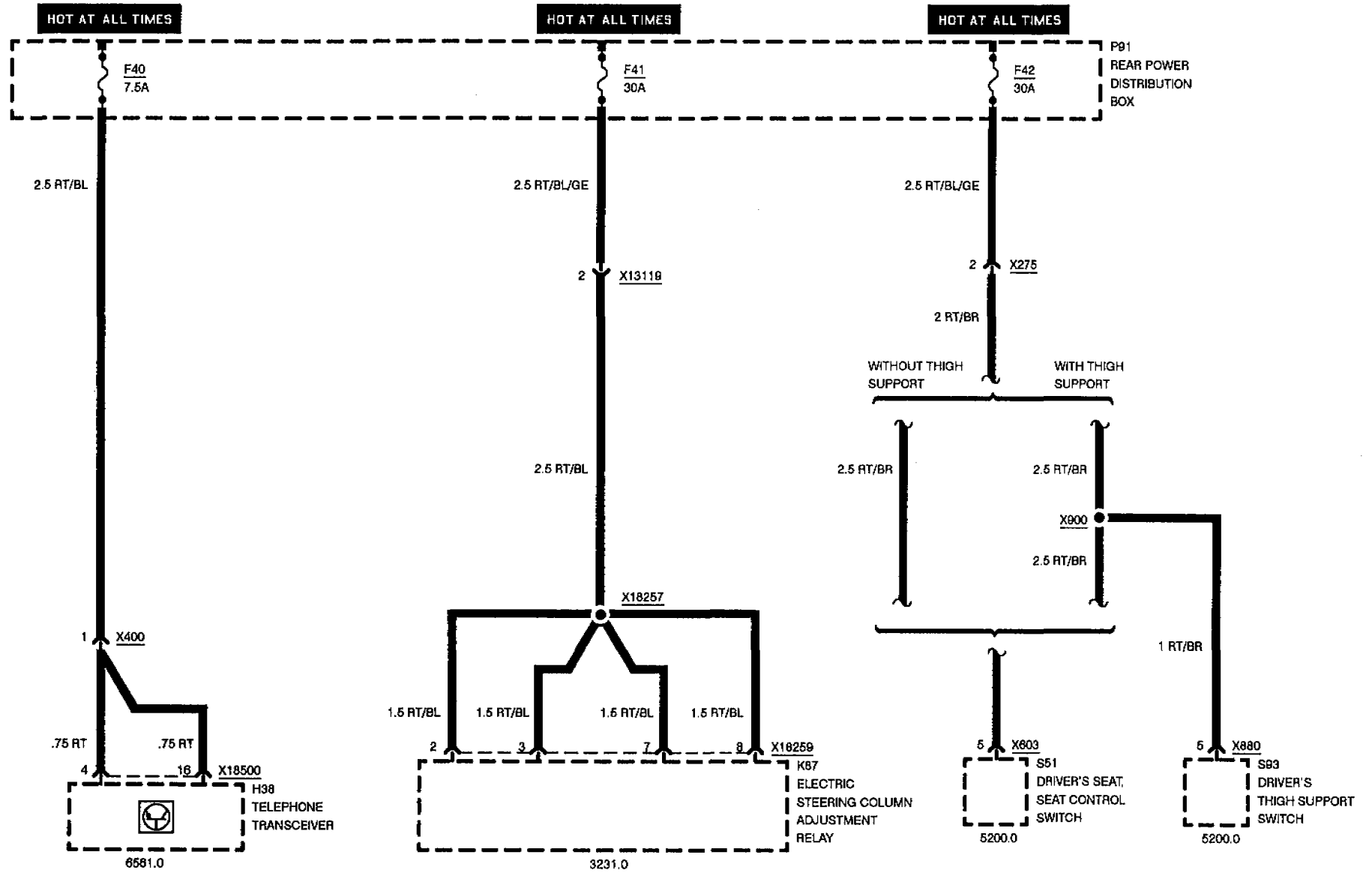
BMW 5 FUSE DETAILS
FUSES 34, 35, 36, AND 37





FUSE DETAILS

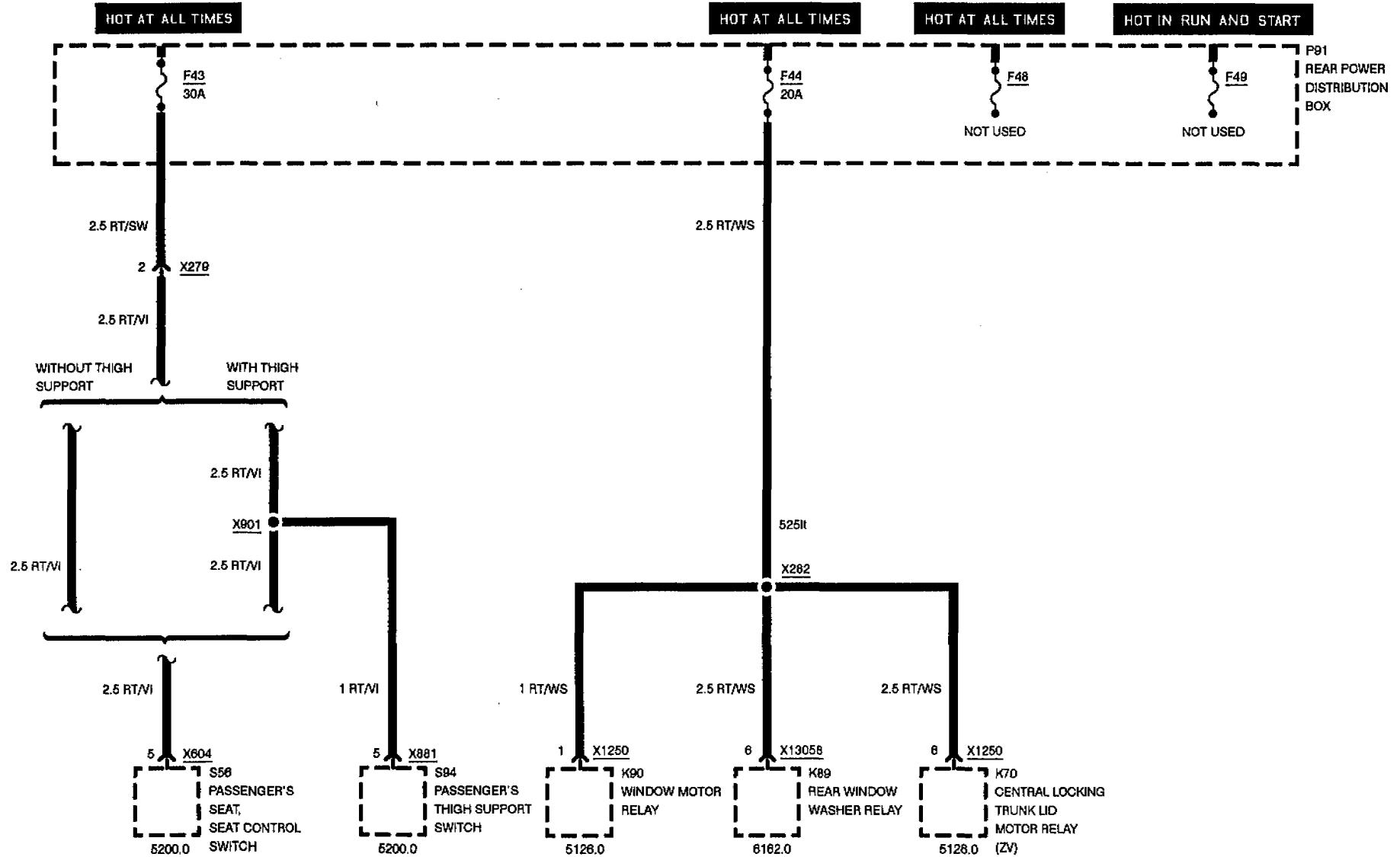
FUSES 40, 41, AND 42





FUSE DETAILS

FUSES 43, 44, 48, AND 49

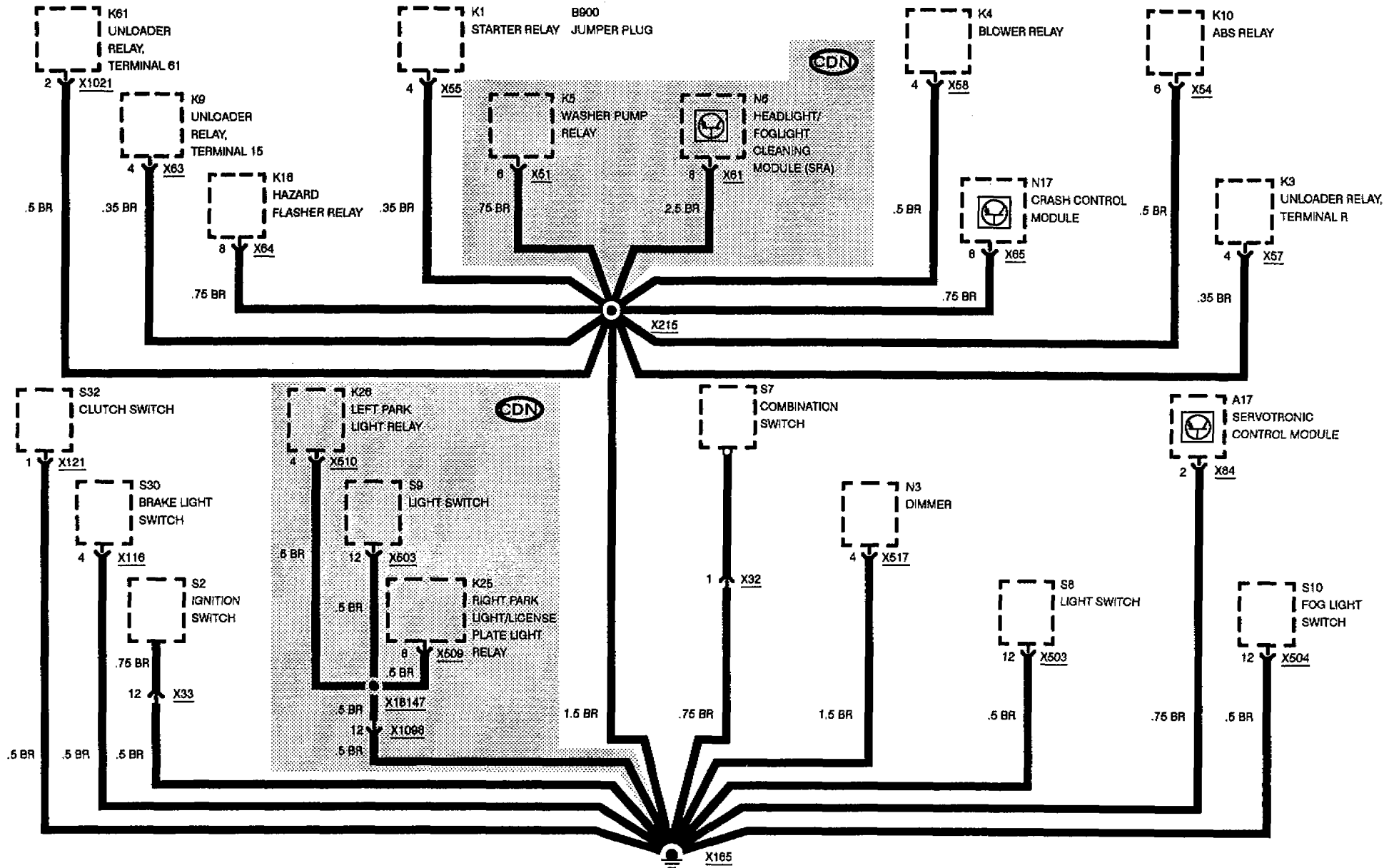






GROUND DISTRIBUTION

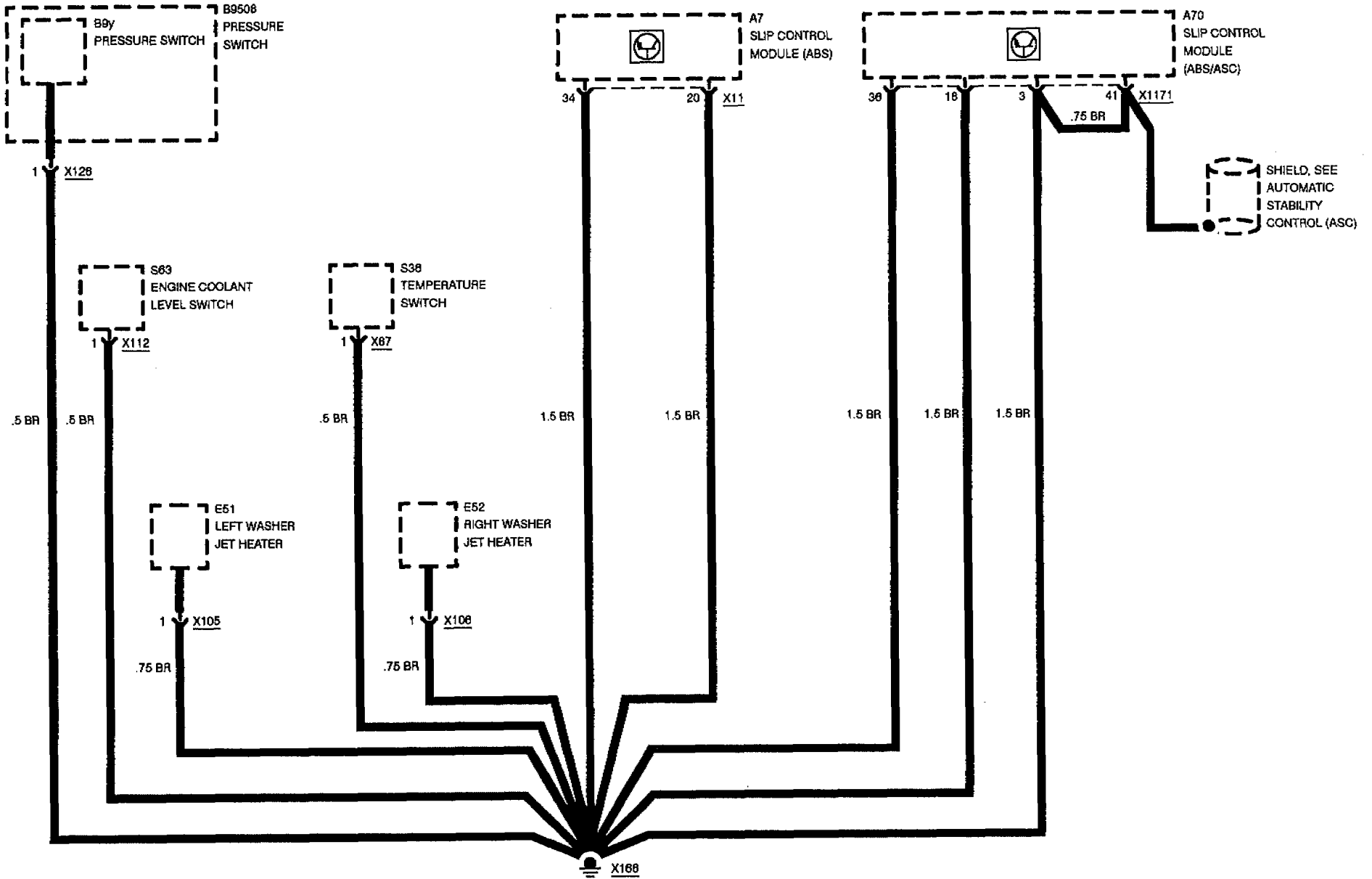
GROUND X165





GROUND DISTRIBUTION

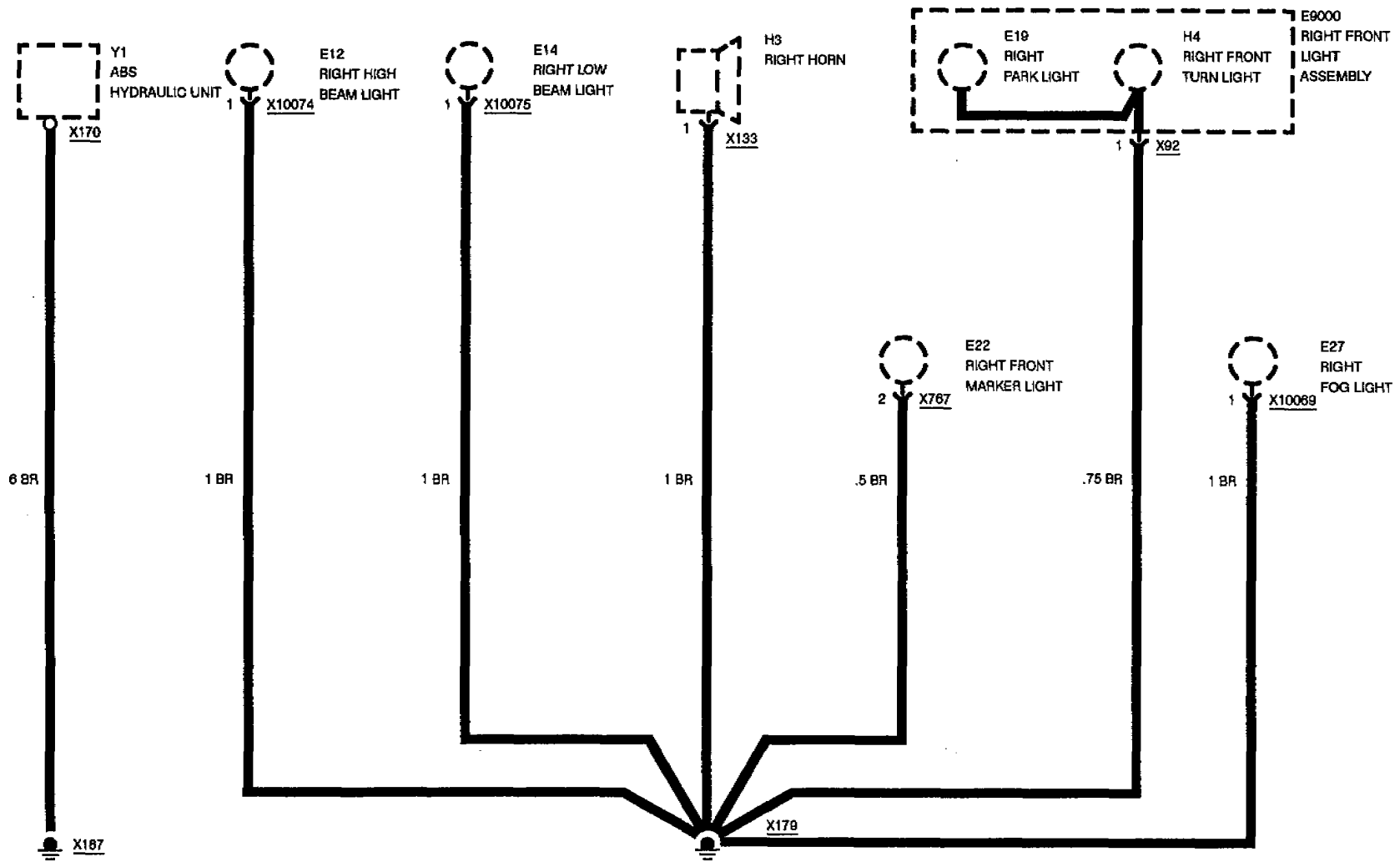
GROUND X166





GROUND DISTRIBUTION

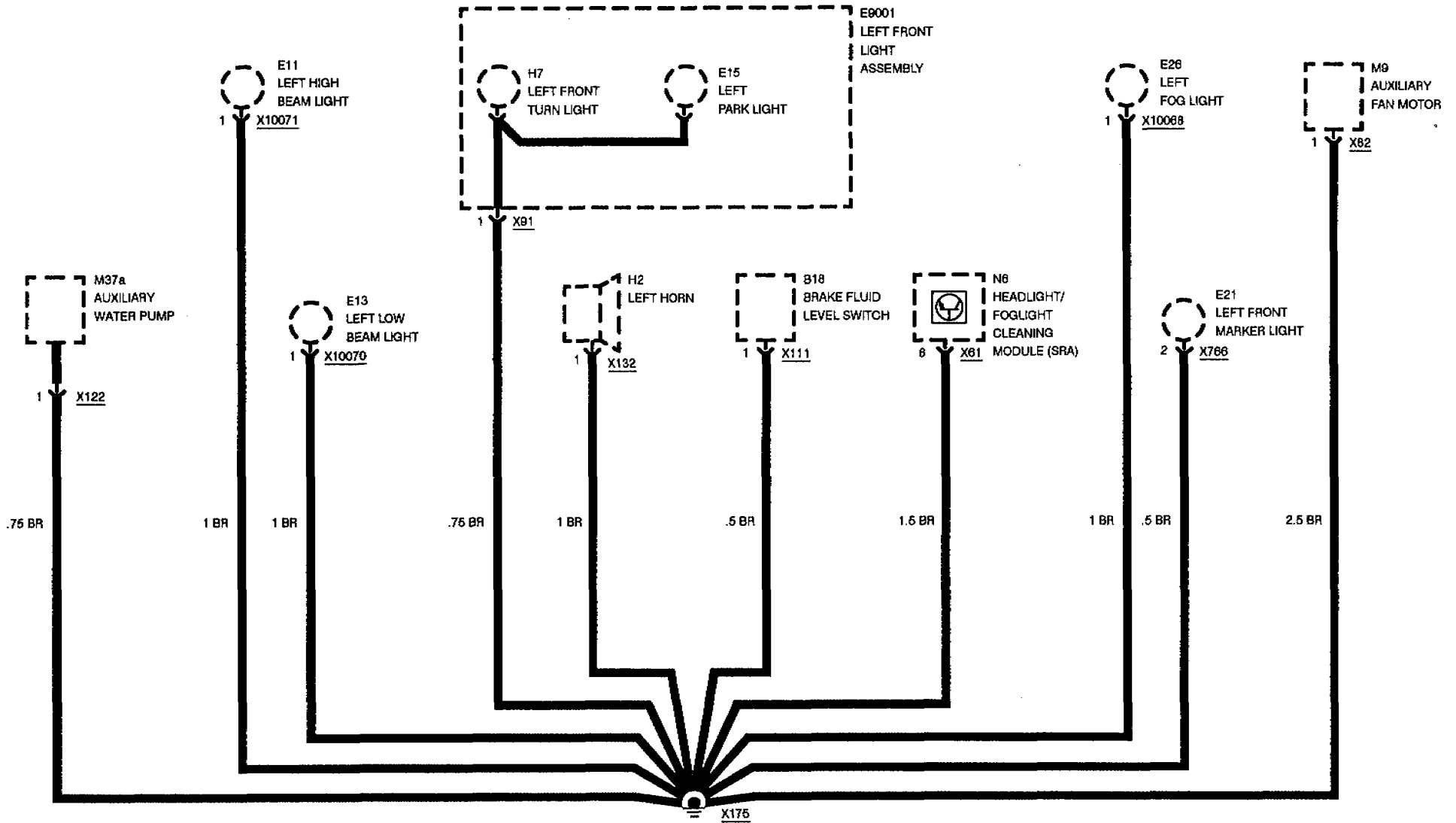
GROUNDS X167 AND X179





GROUND DISTRIBUTION

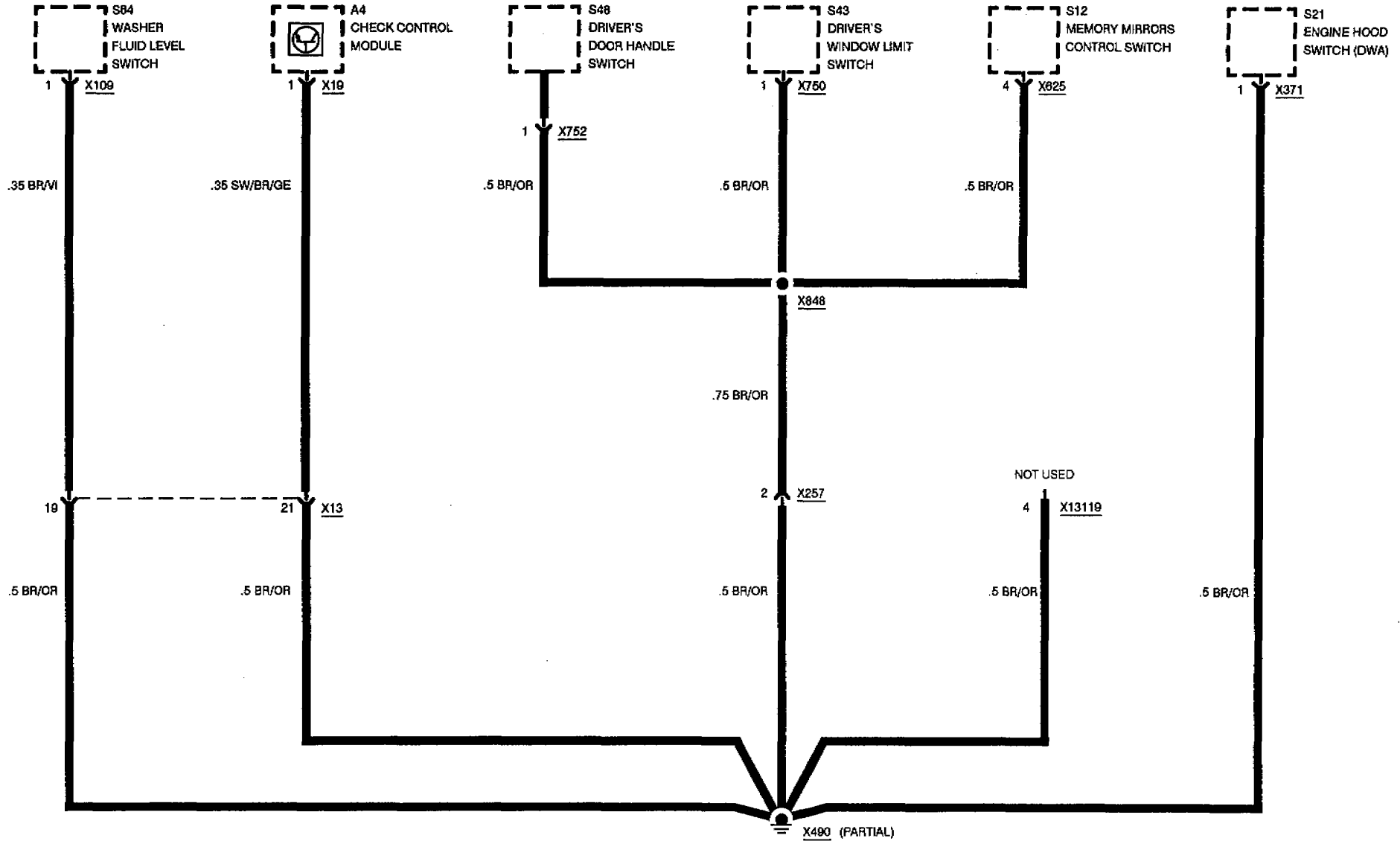
GROUND X175





GROUND DISTRIBUTION

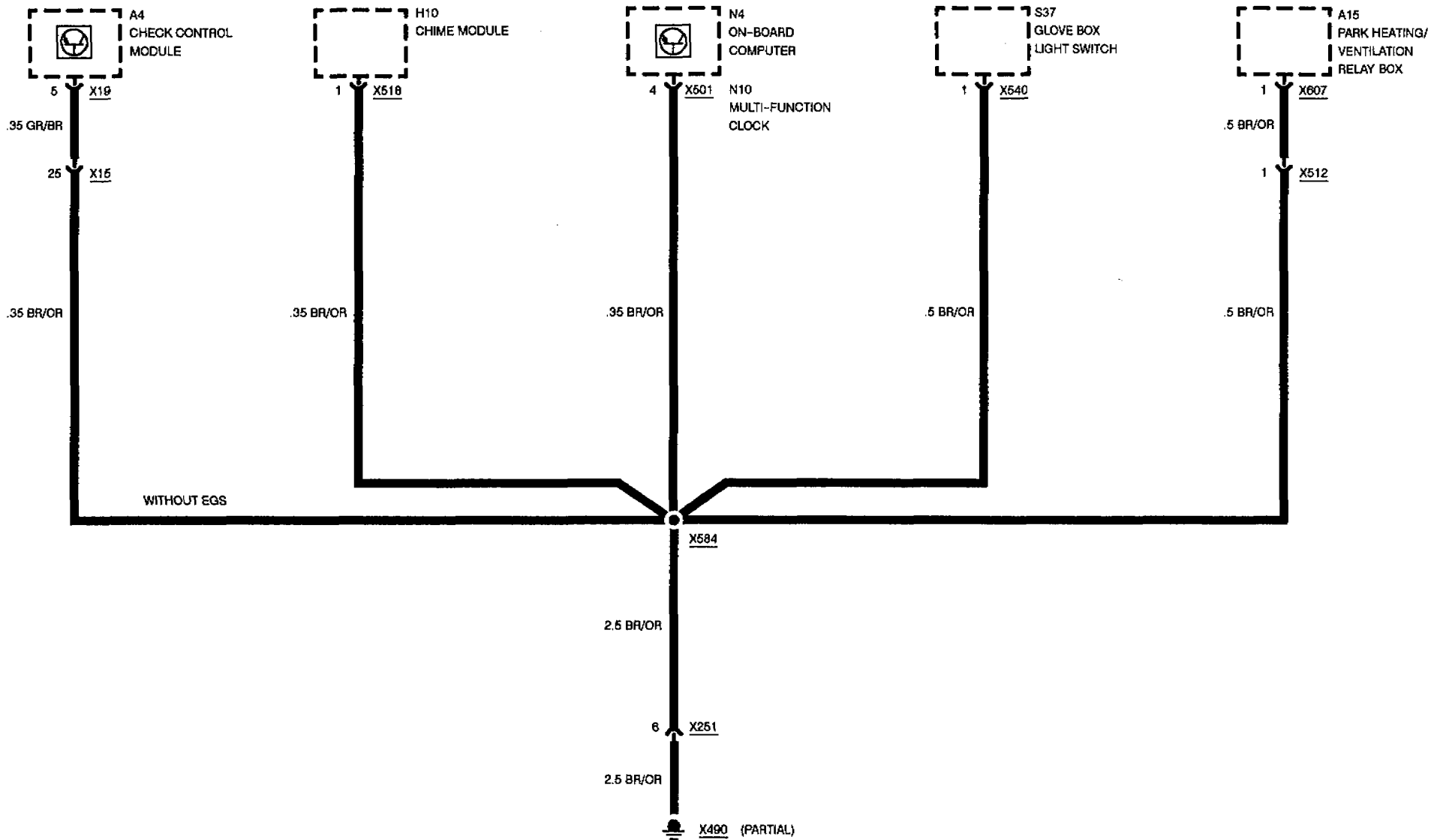
GROUND X490





GROUND DISTRIBUTION

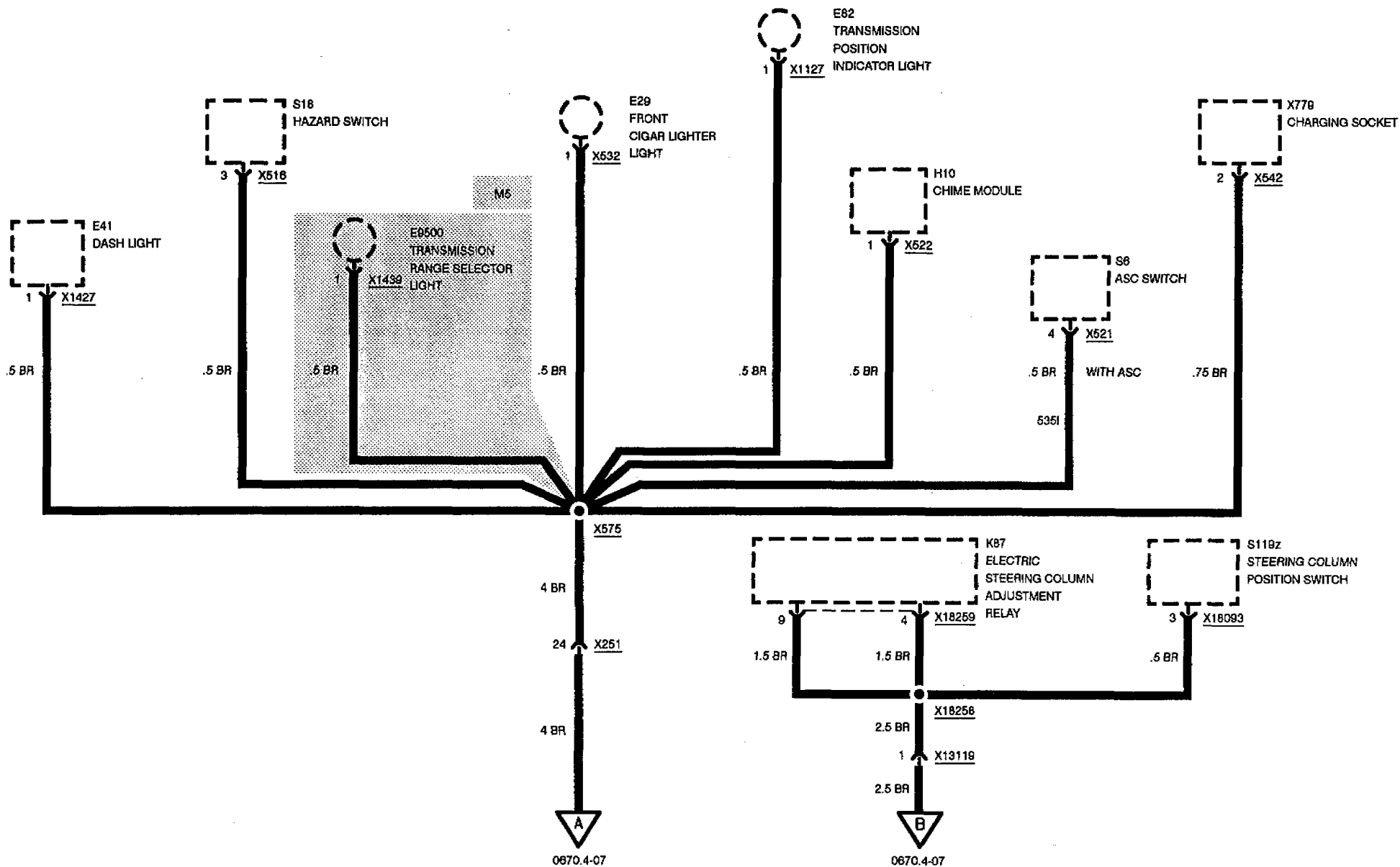
GROUND X490





GROUND DISTRIBUTION

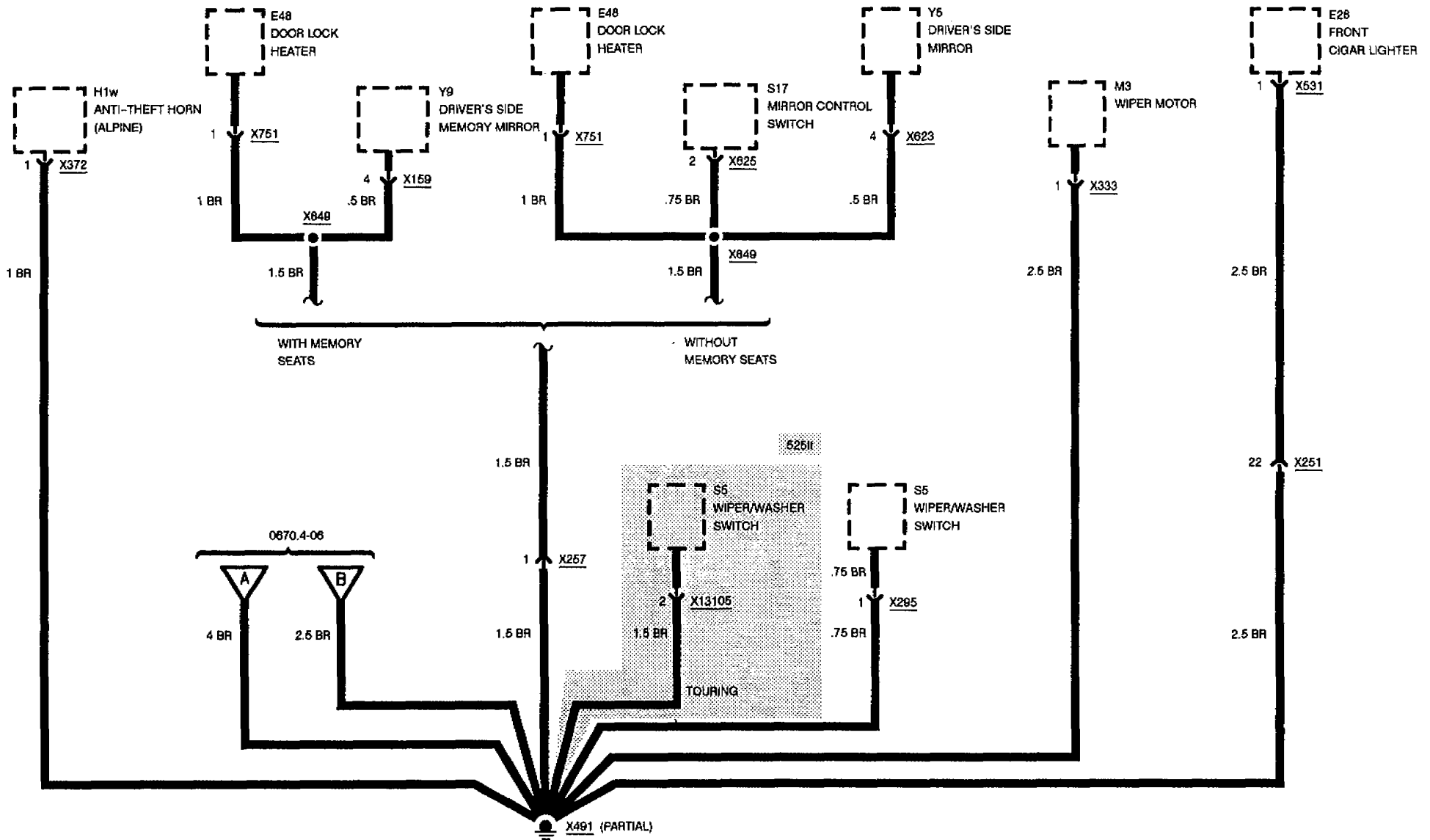
GROUND X491





GROUND DISTRIBUTION

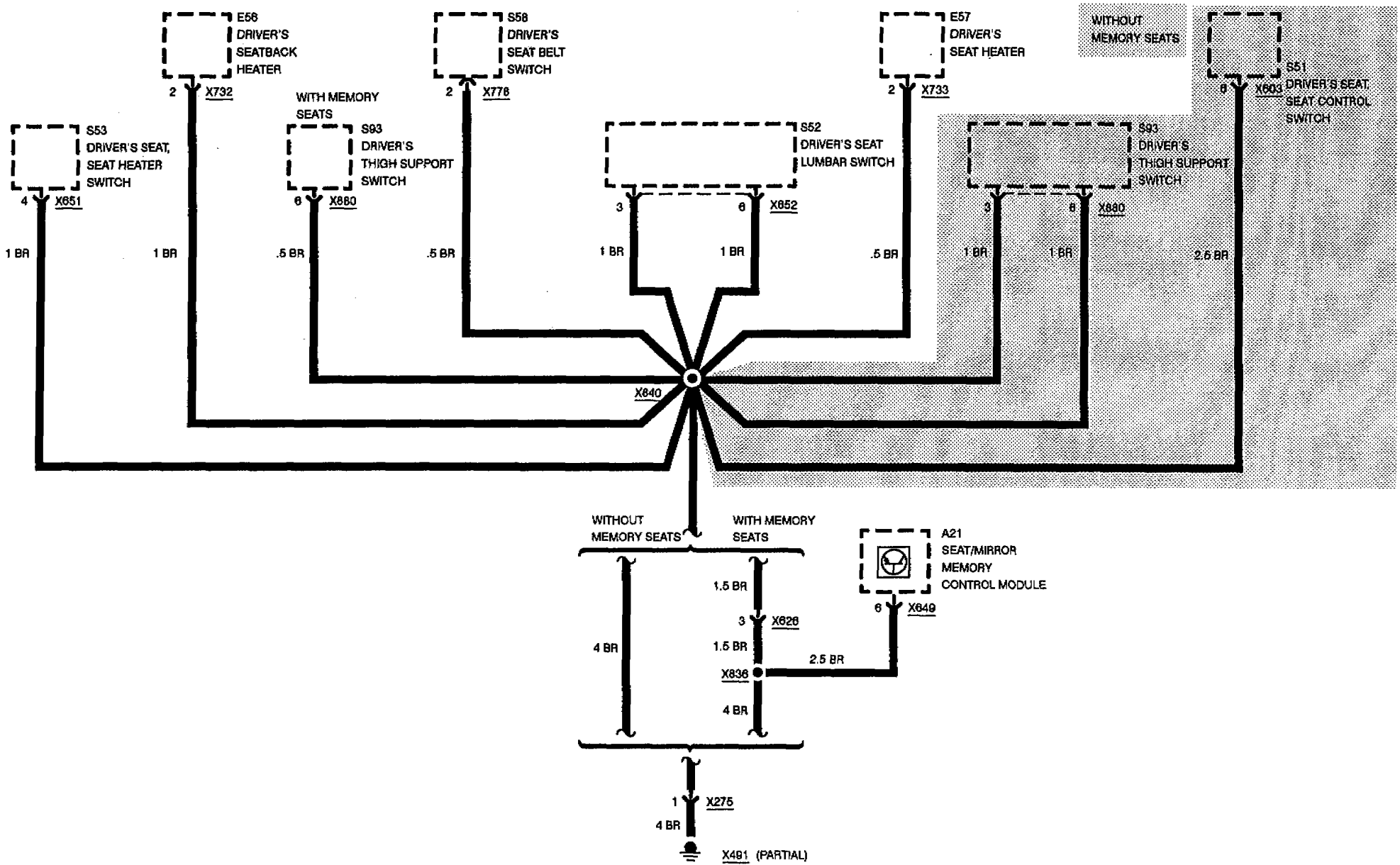
GROUND X491





GROUND DISTRIBUTION

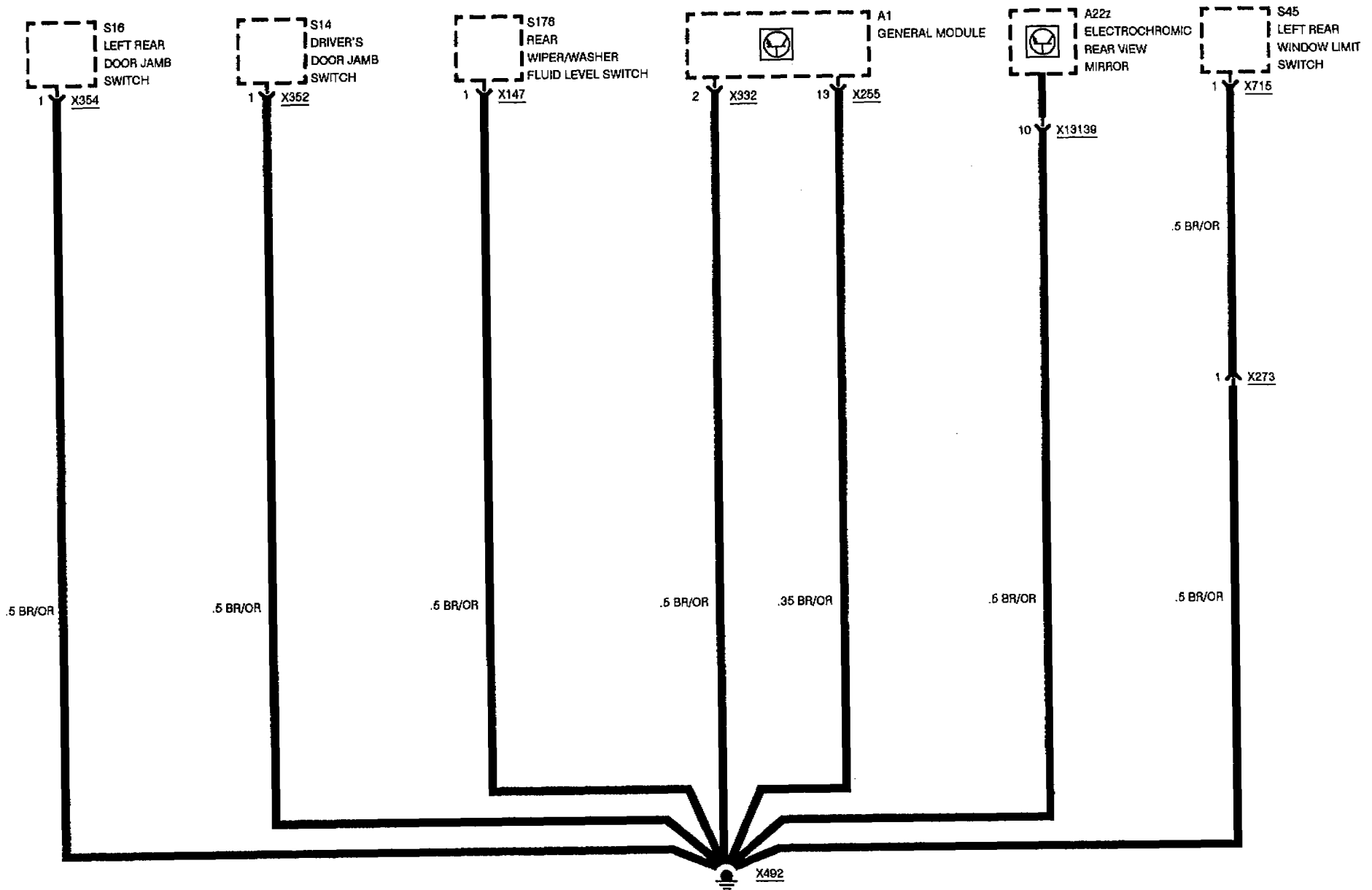
GROUND X491





GROUND DISTRIBUTION

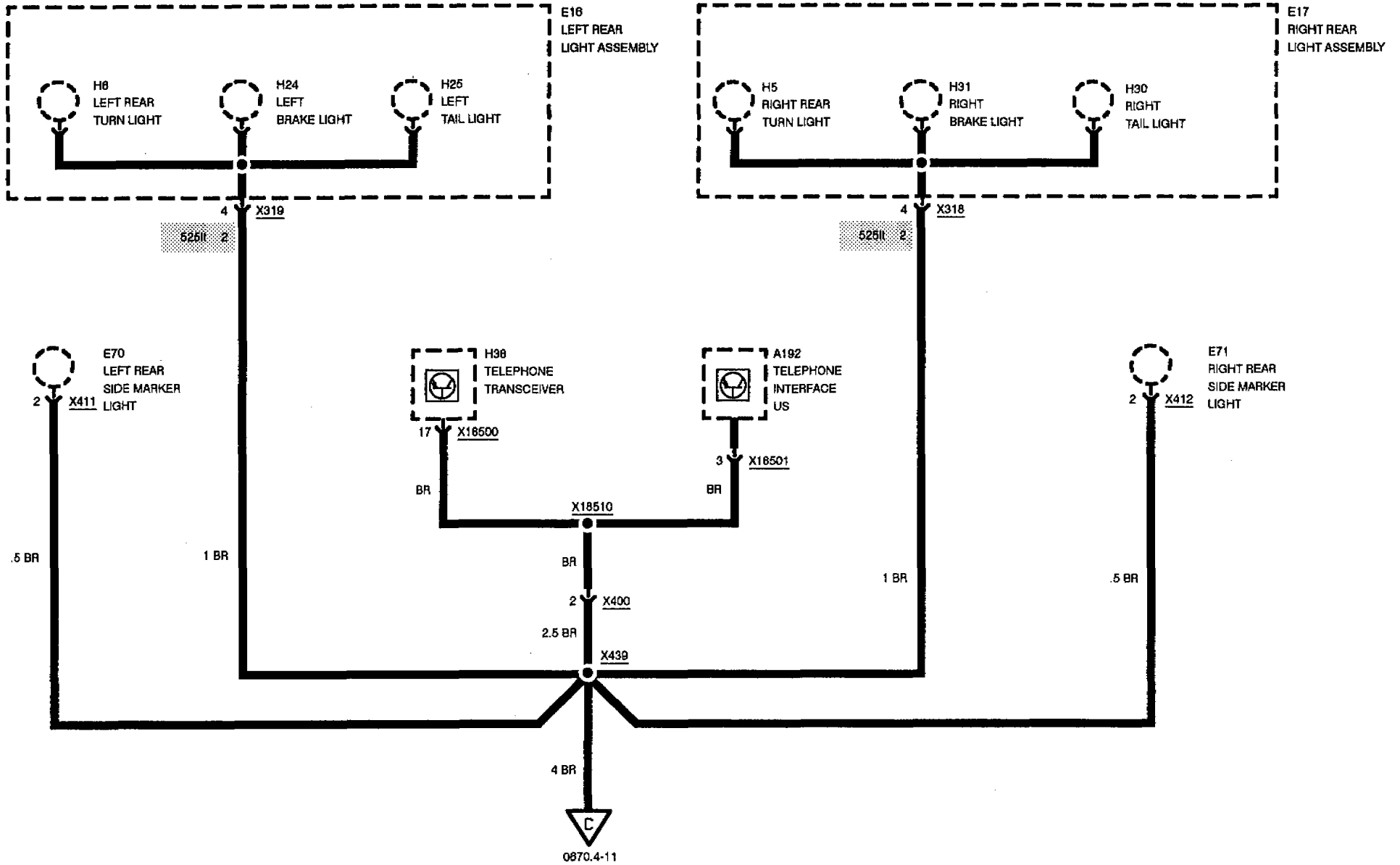
GROUND X492





GROUND DISTRIBUTION

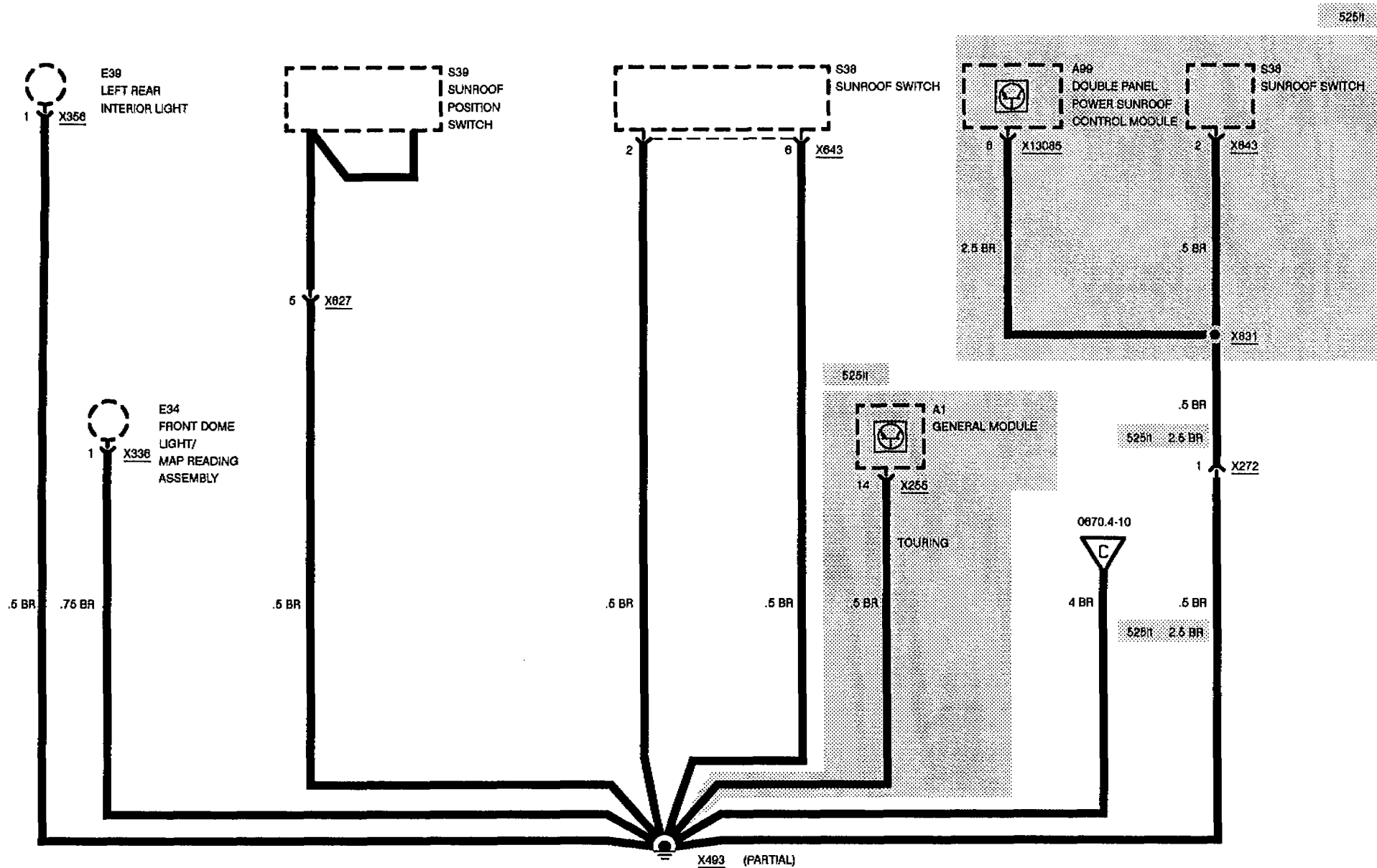
GROUND X493





GROUND DISTRIBUTION

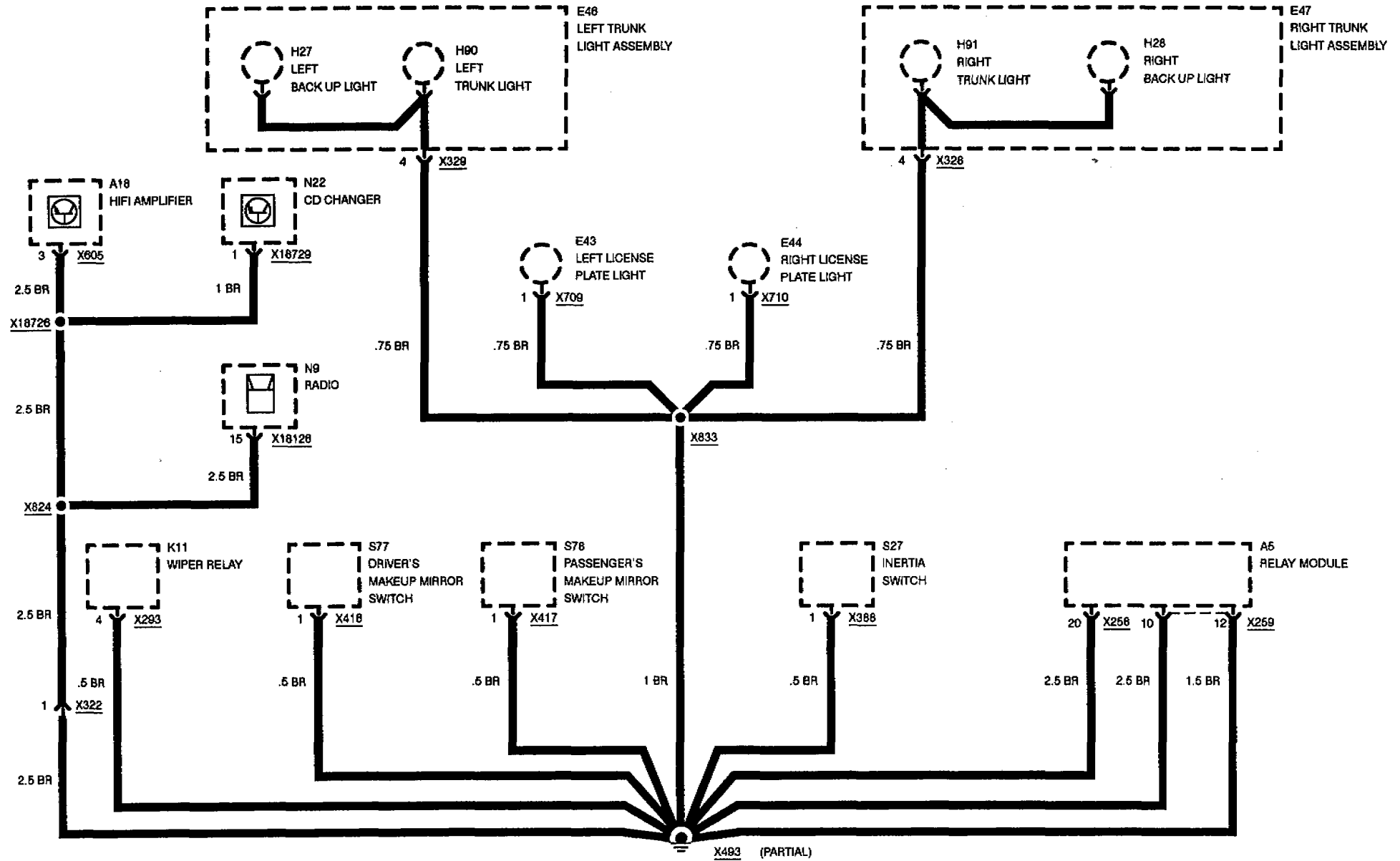
GROUND X493





GROUND DISTRIBUTION

GROUND X493

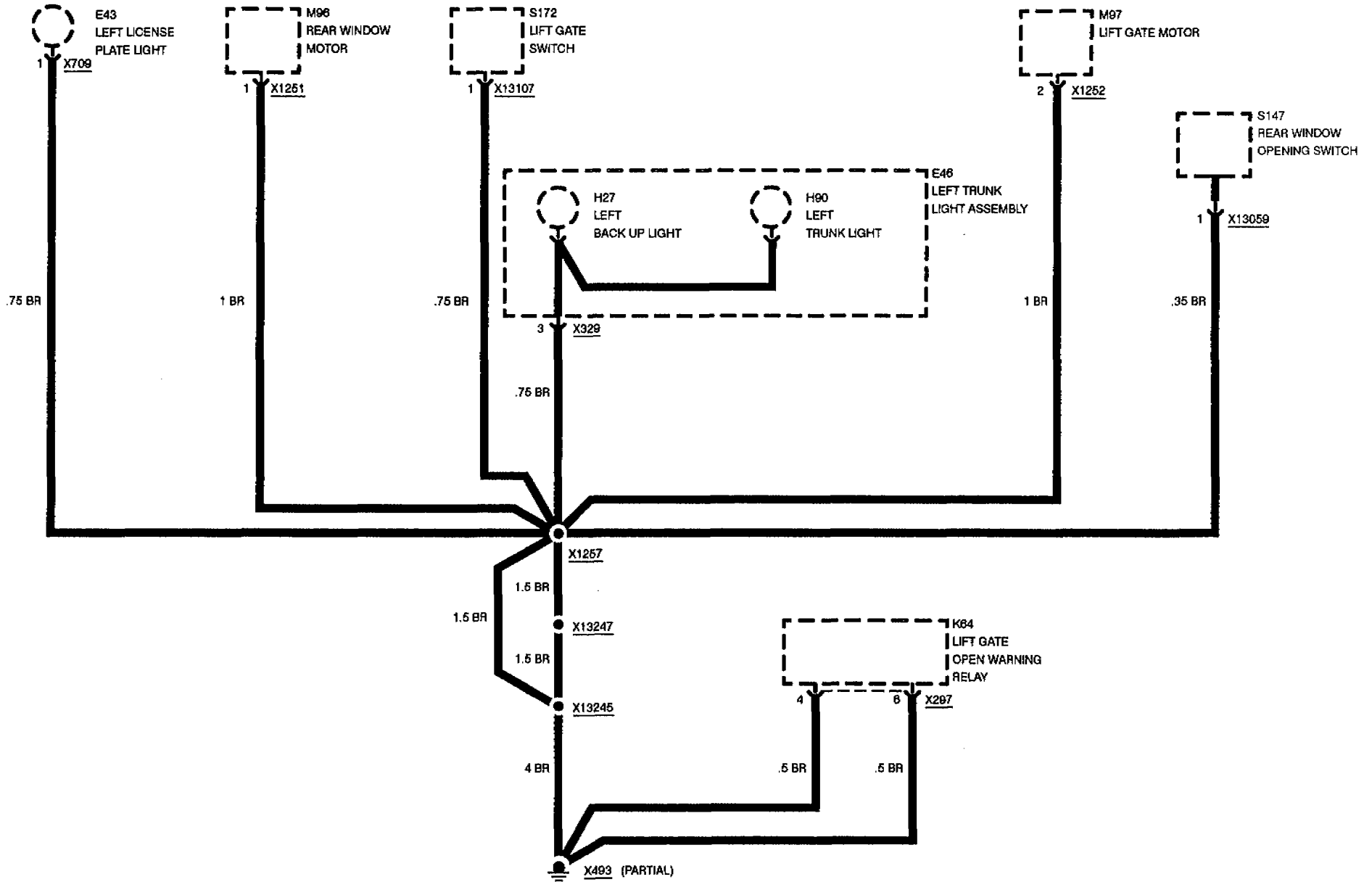




GROUND DISTRIBUTION

GROUND X493

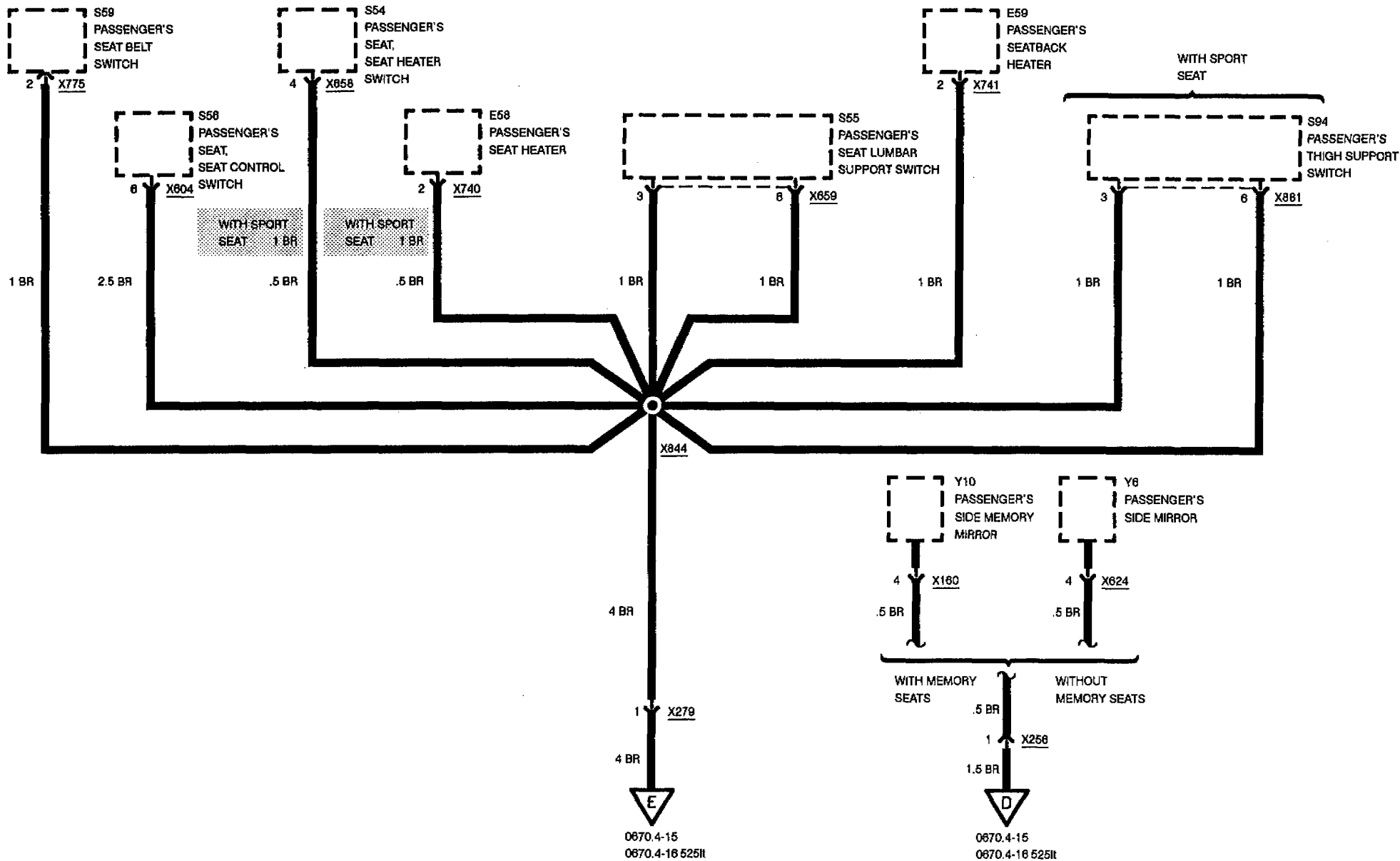
525it





GROUND DISTRIBUTION

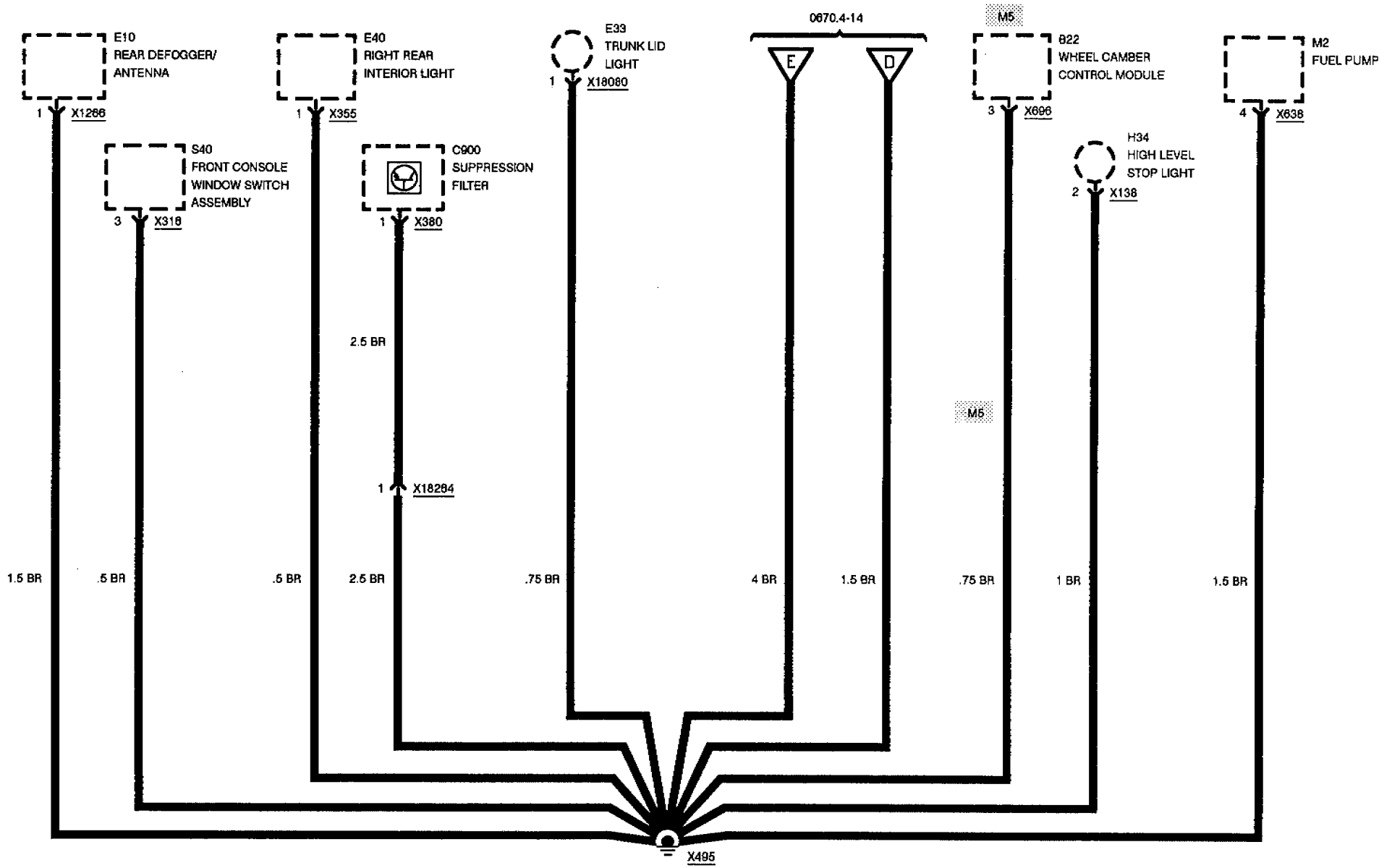
GROUND X495





GROUND DISTRIBUTION

GROUND X495

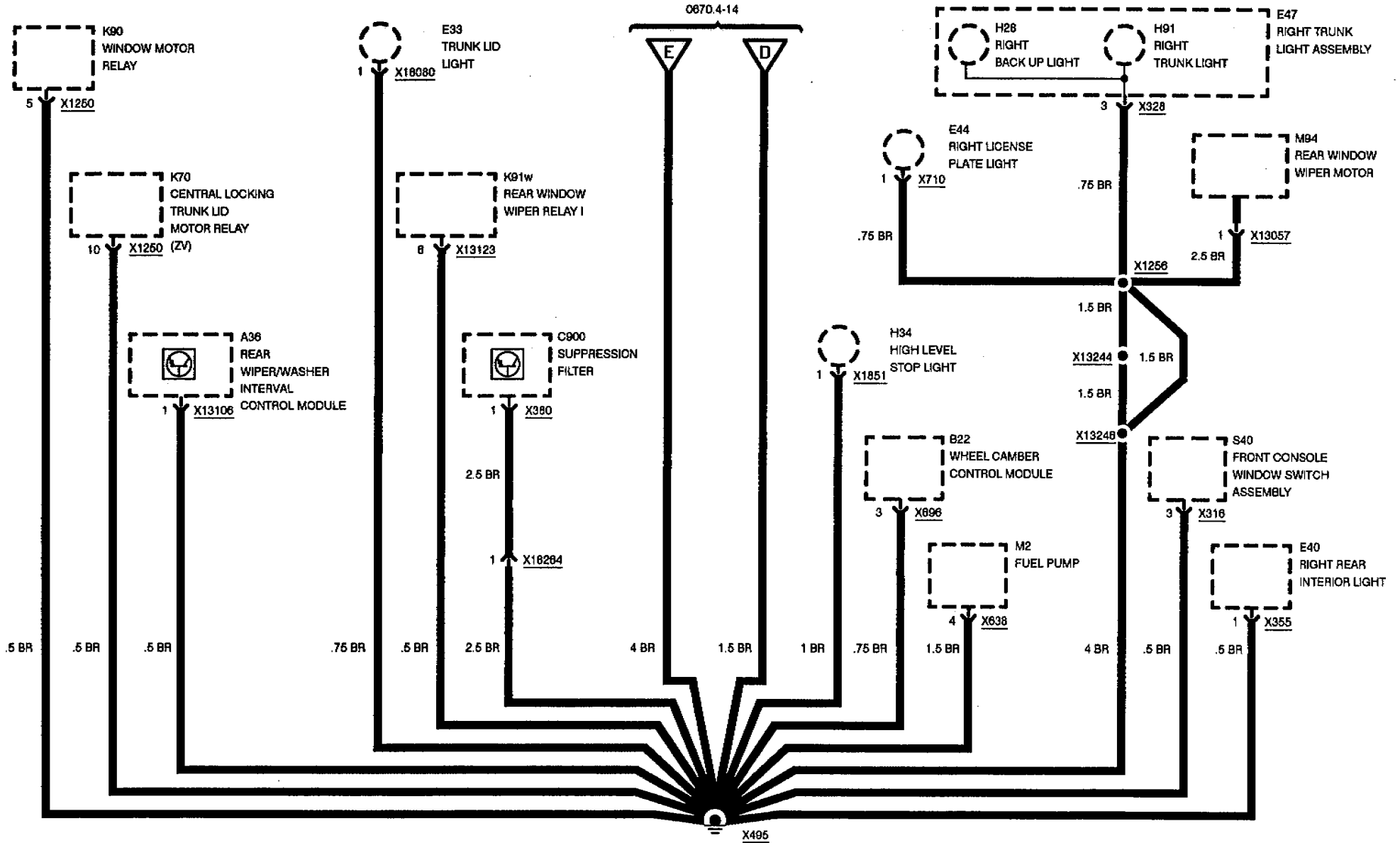




GROUND DISTRIBUTION

GROUND X495

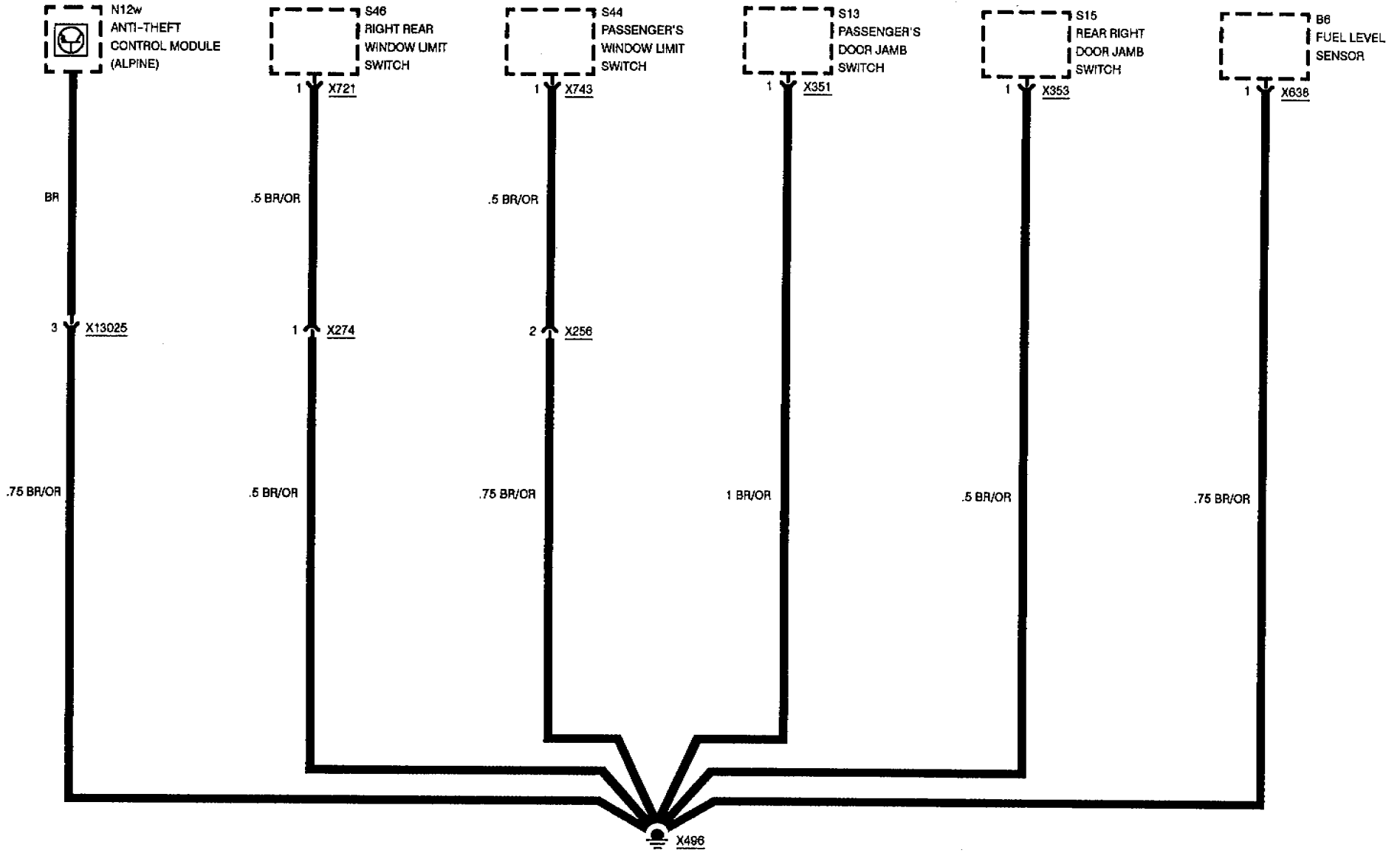
525it





GROUND DISTRIBUTION

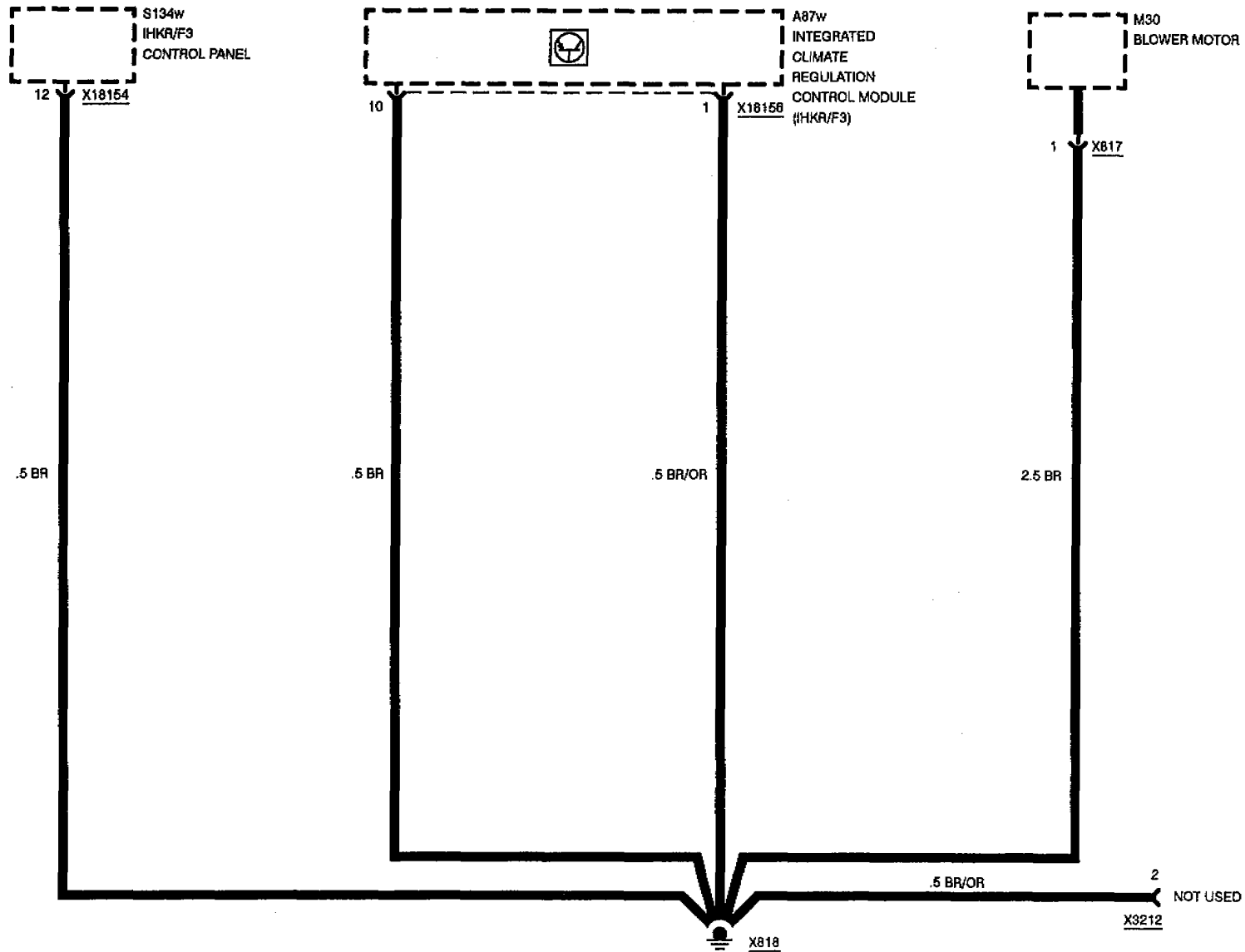
GROUND X496





GROUND DISTRIBUTION

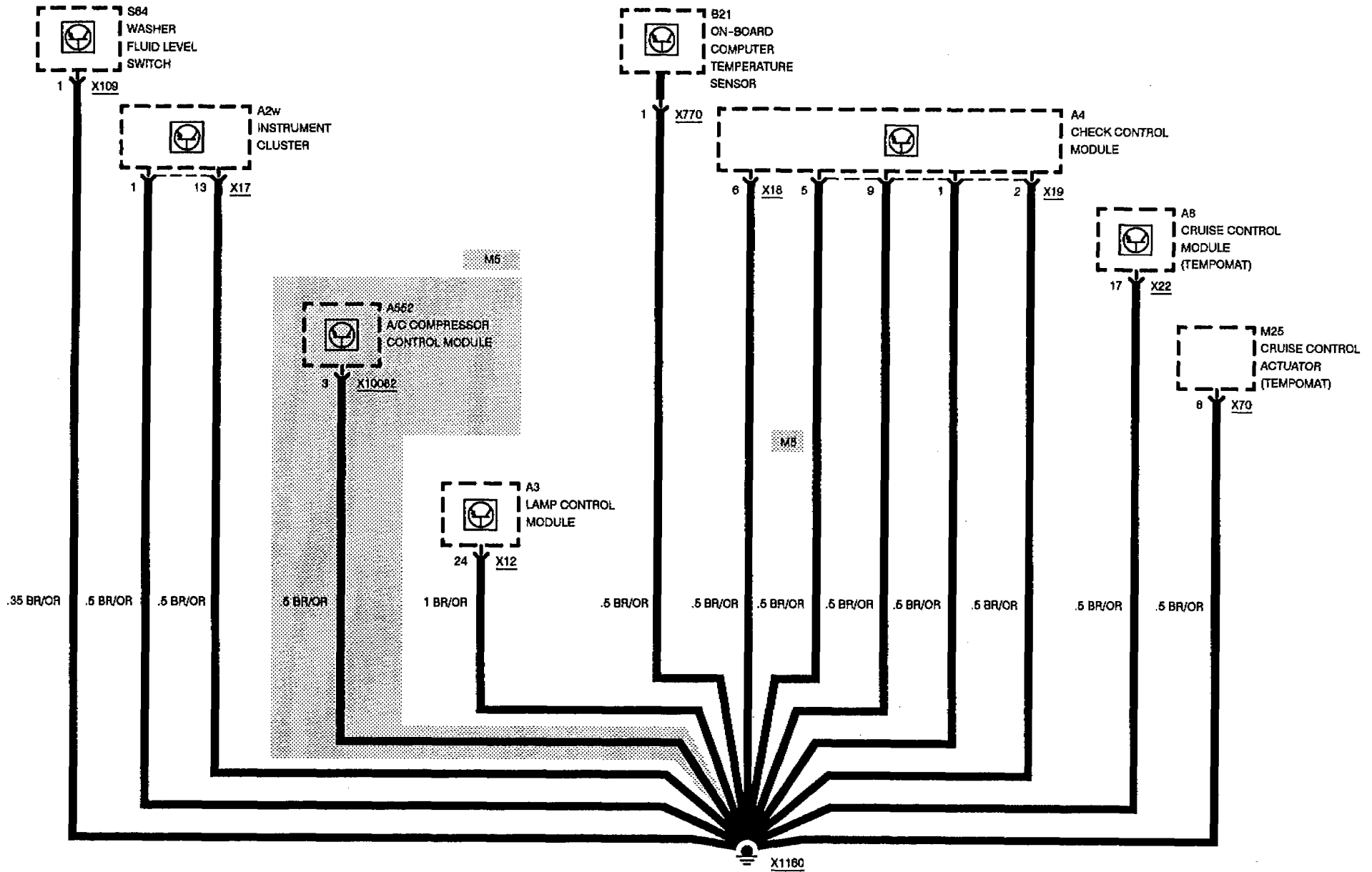
GROUND X818





GROUND DISTRIBUTION

GROUND X1160

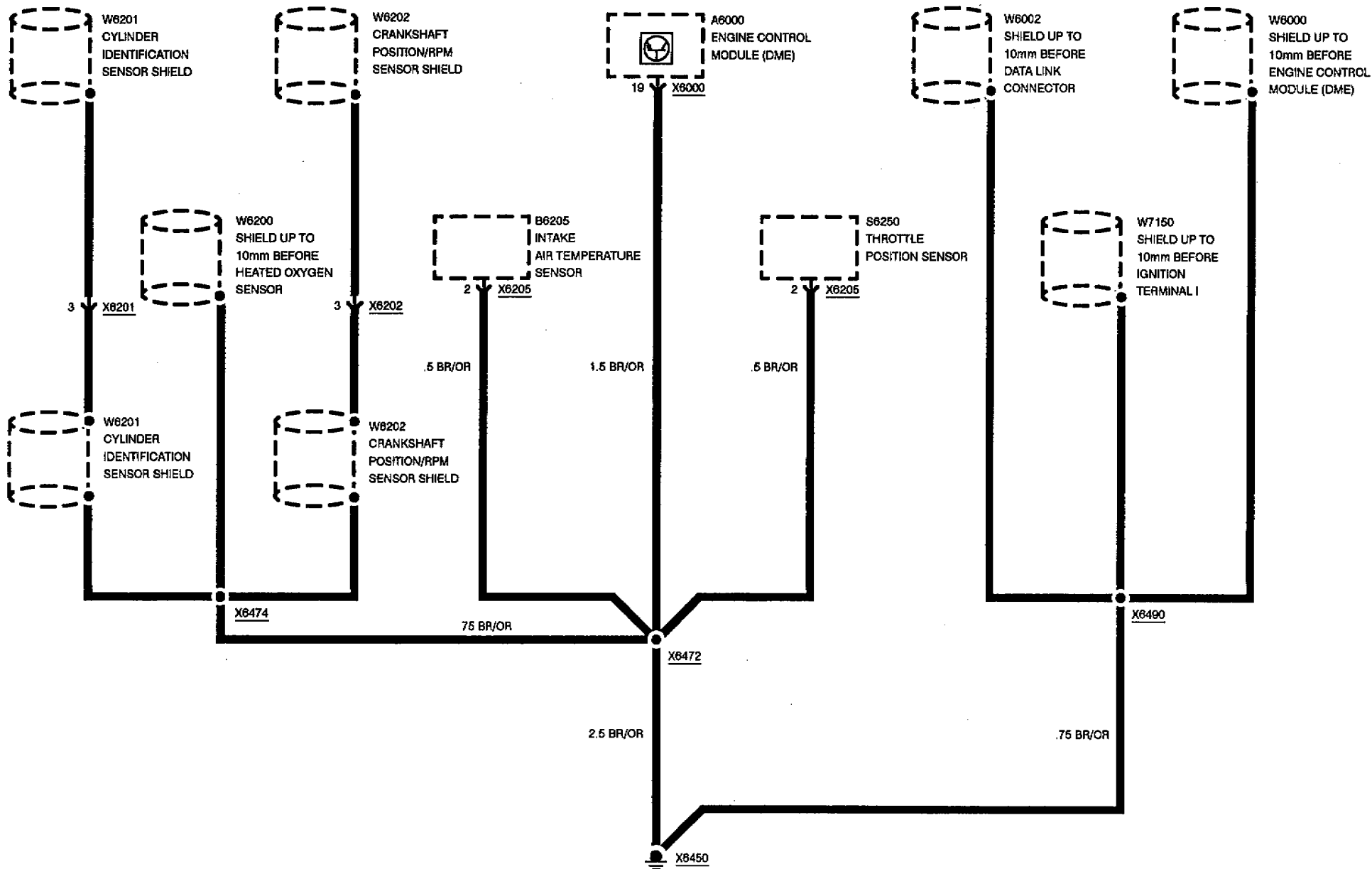




GROUND DISTRIBUTION

GROUND X6450 WITHOUT EML

535i

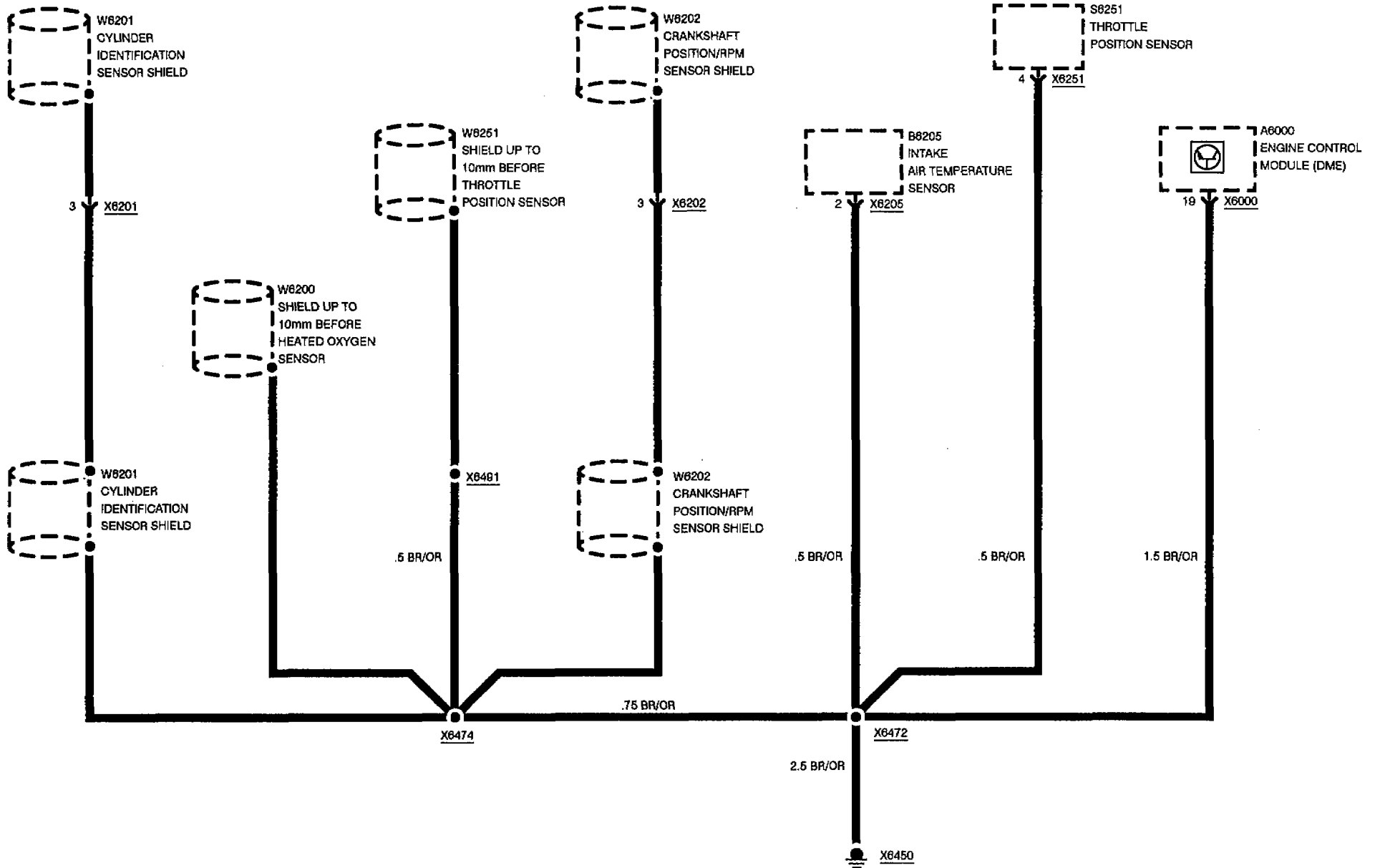




GROUND DISTRIBUTION

535i

GROUND X6450 WITHOUT EML, WITH EGS

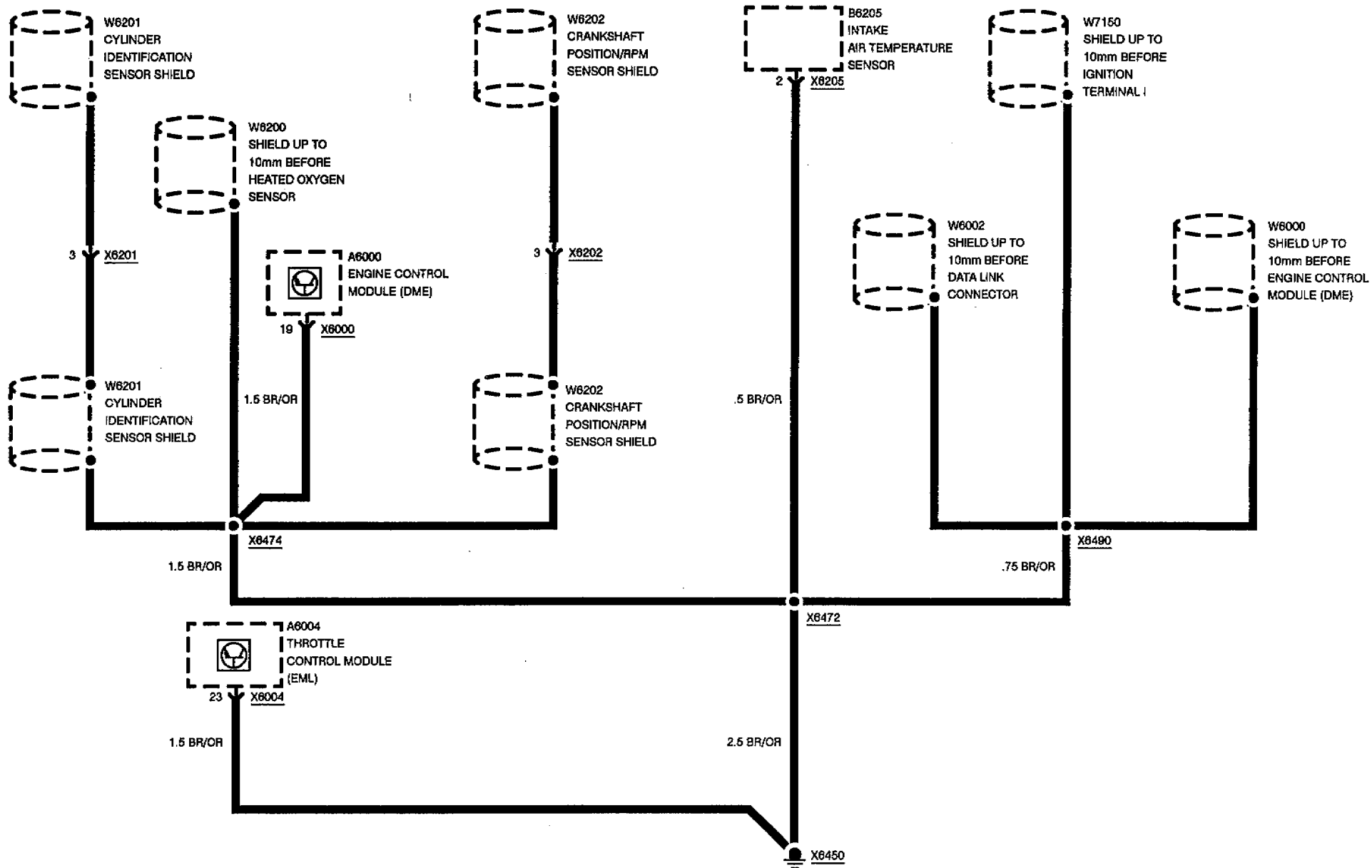




GROUND DISTRIBUTION

GROUND X6450 WITH EML

535i

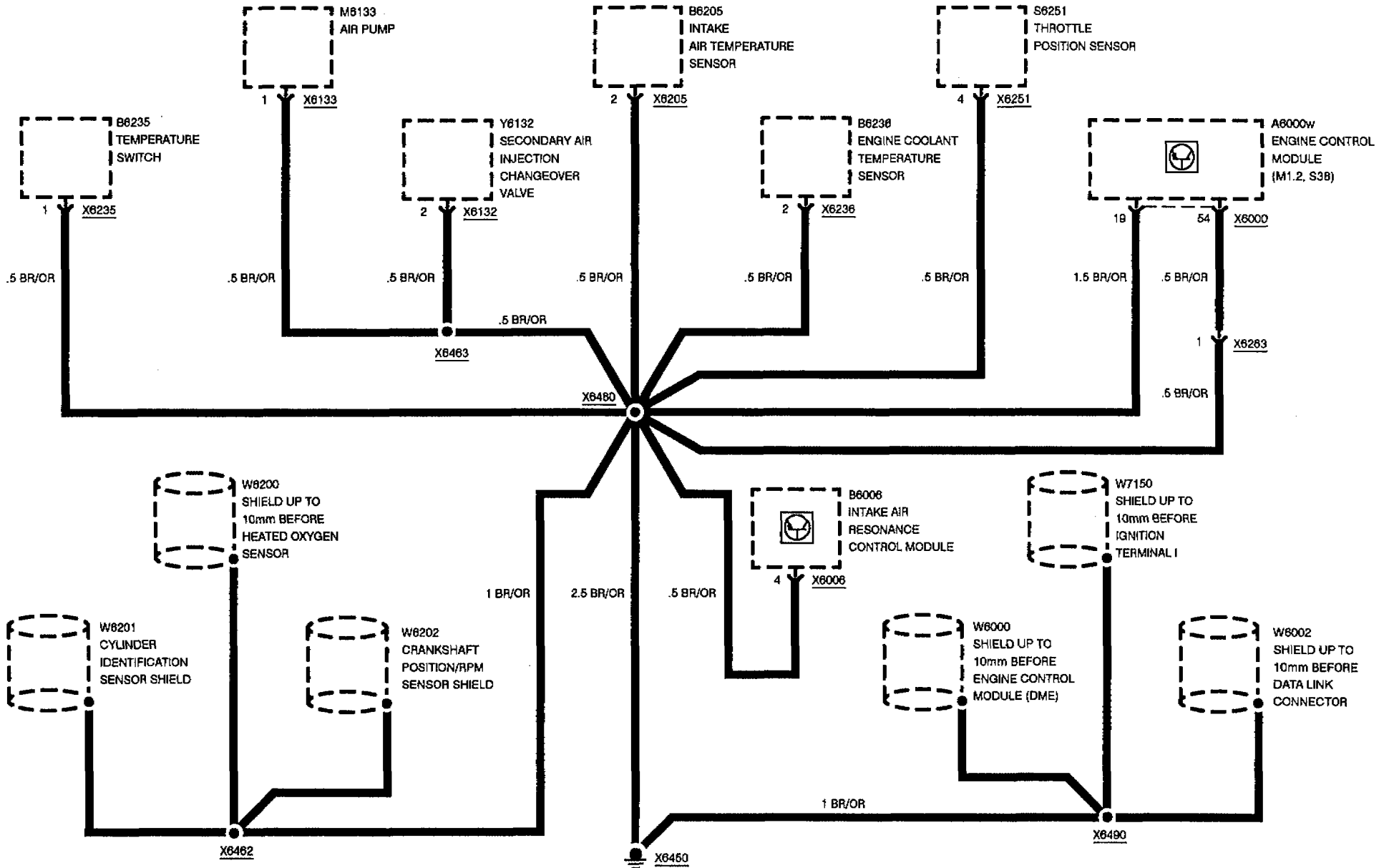




GROUND DISTRIBUTION

GROUND X6450

M5

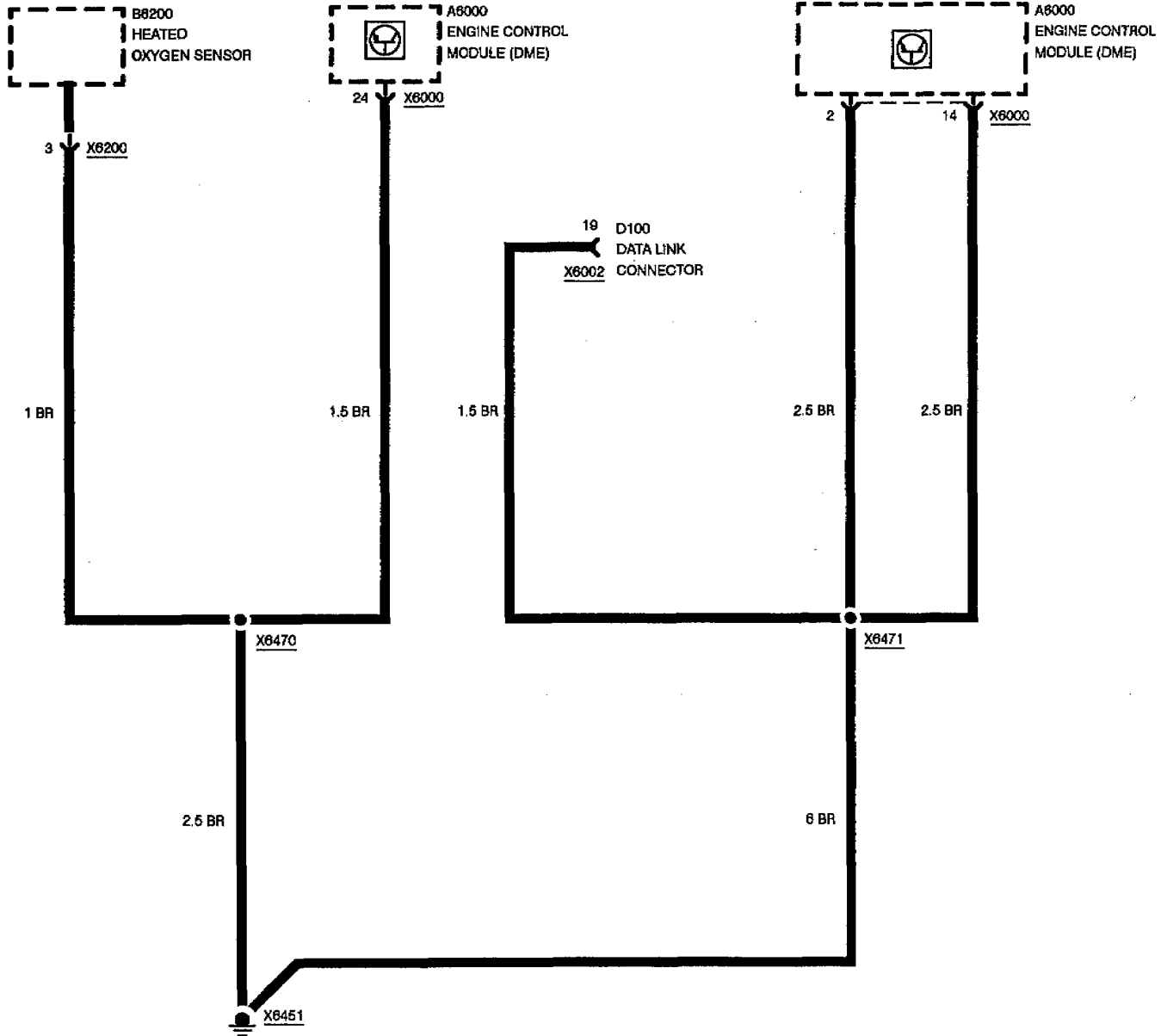




GROUND DISTRIBUTION

GROUND X6451 WITHOUT EML

535i

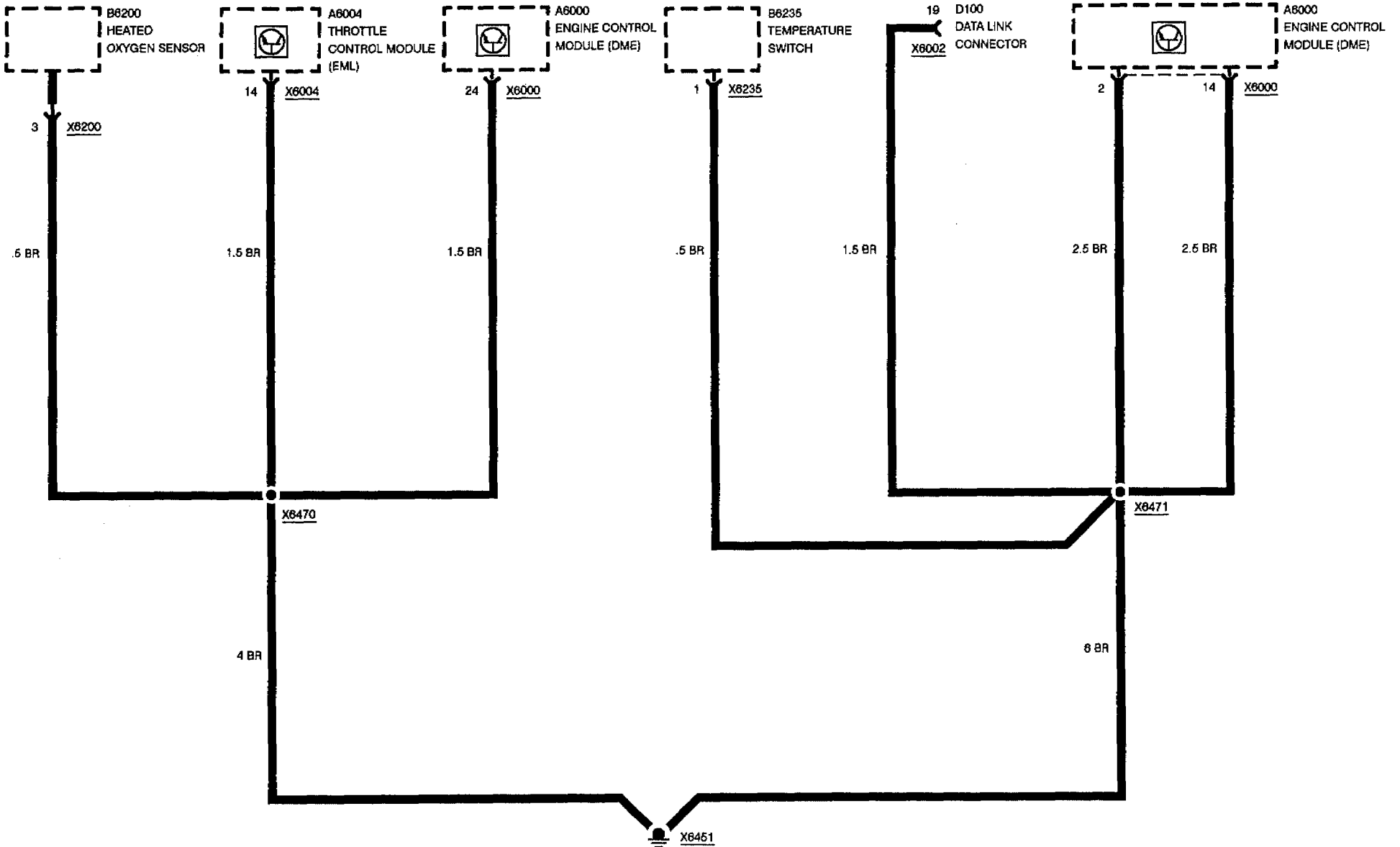




GROUND DISTRIBUTION

GROUND X6451 WITH EML

535i

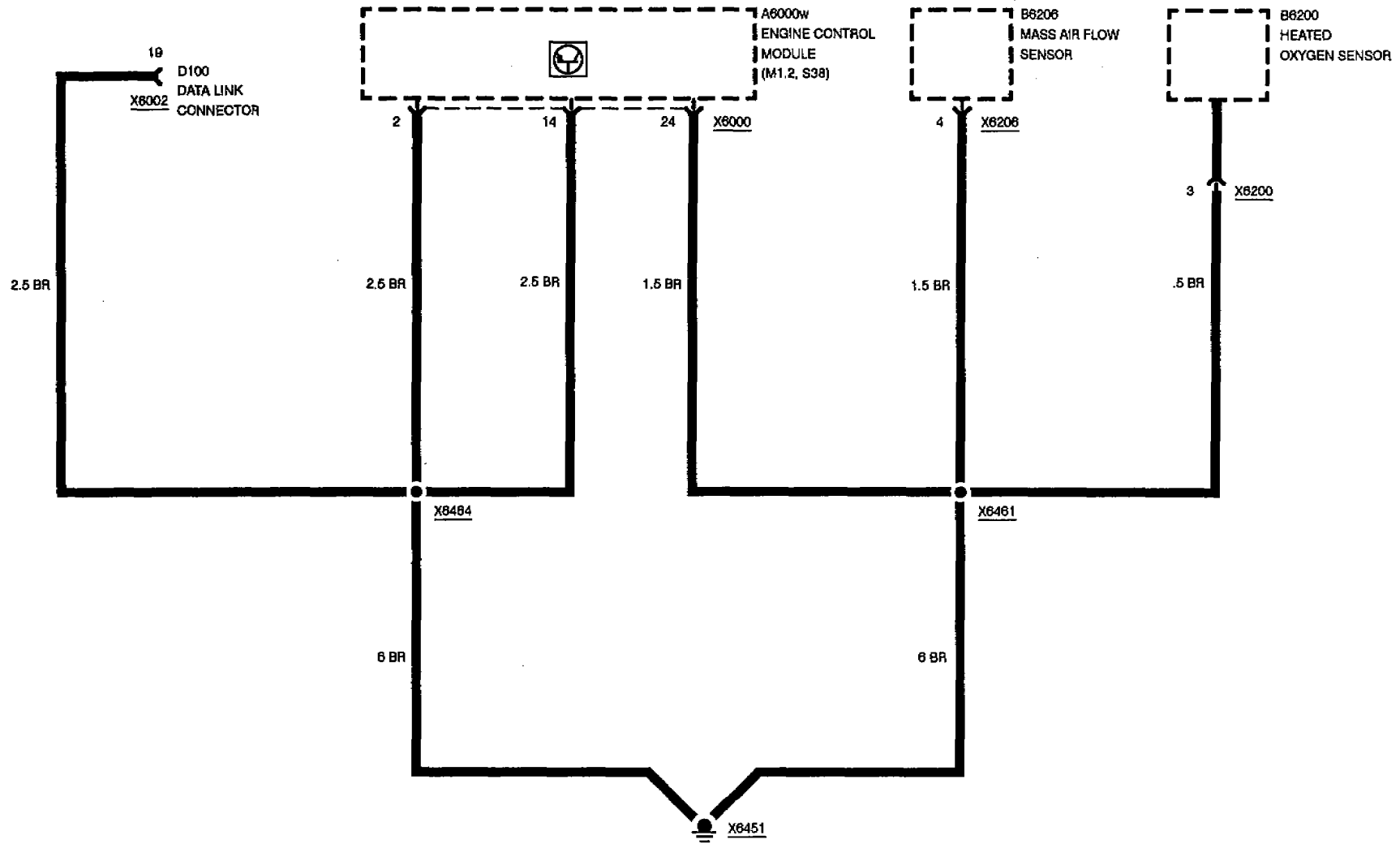




GROUND DISTRIBUTION

GROUND X6451

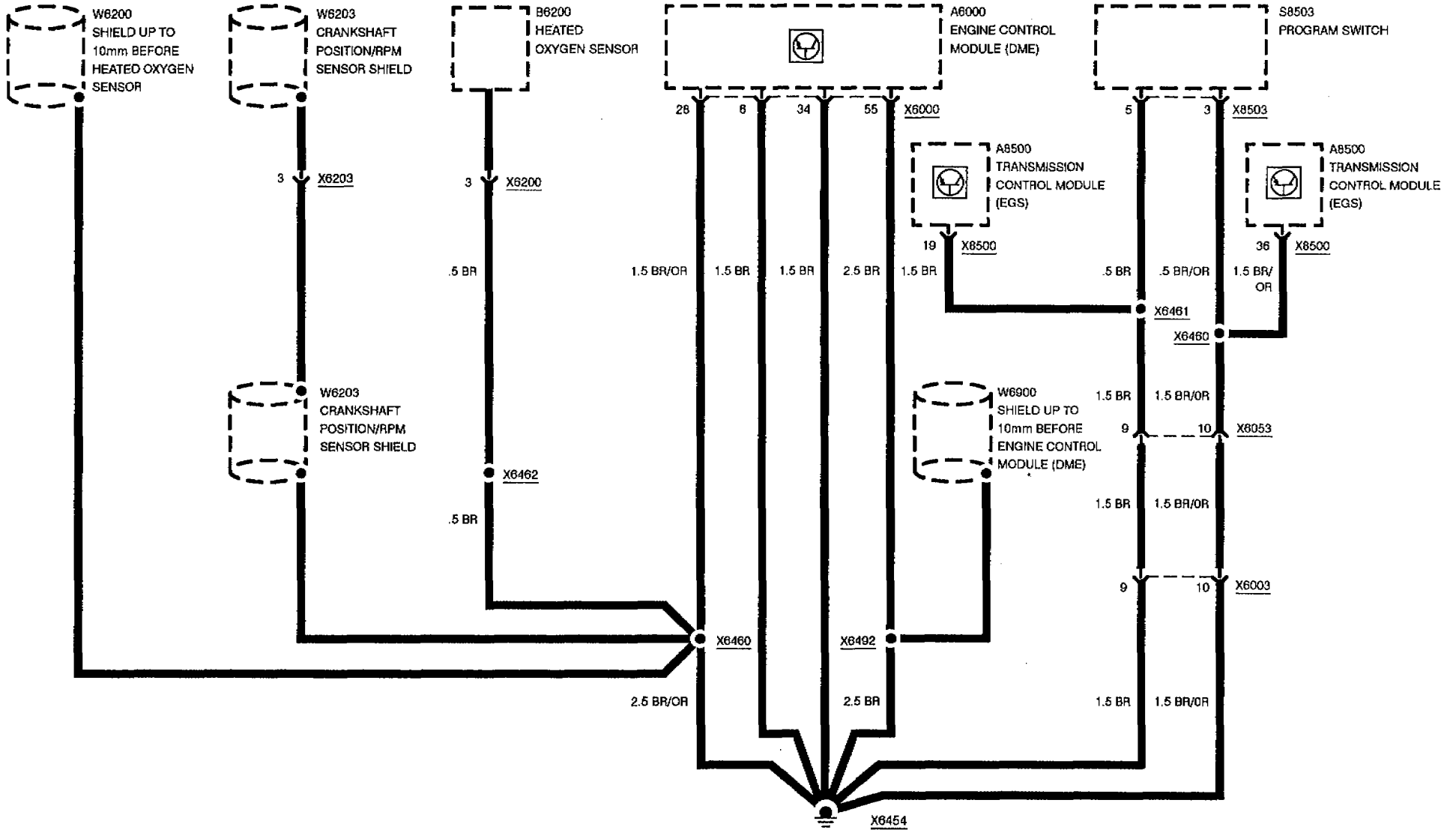
M5





GROUND DISTRIBUTION
GROUND X6454

525i

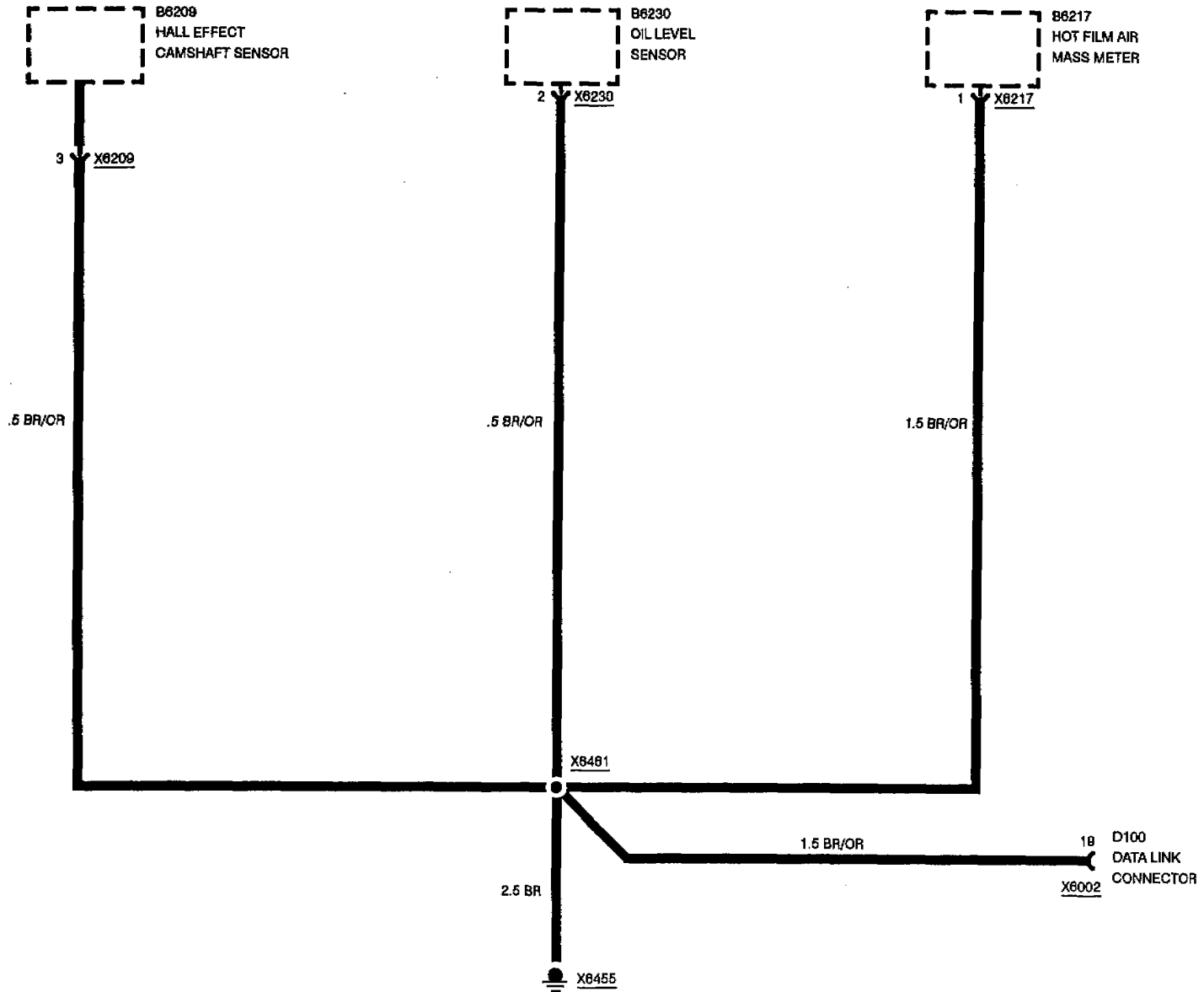




GROUND DISTRIBUTION

GROUND X6455

525i

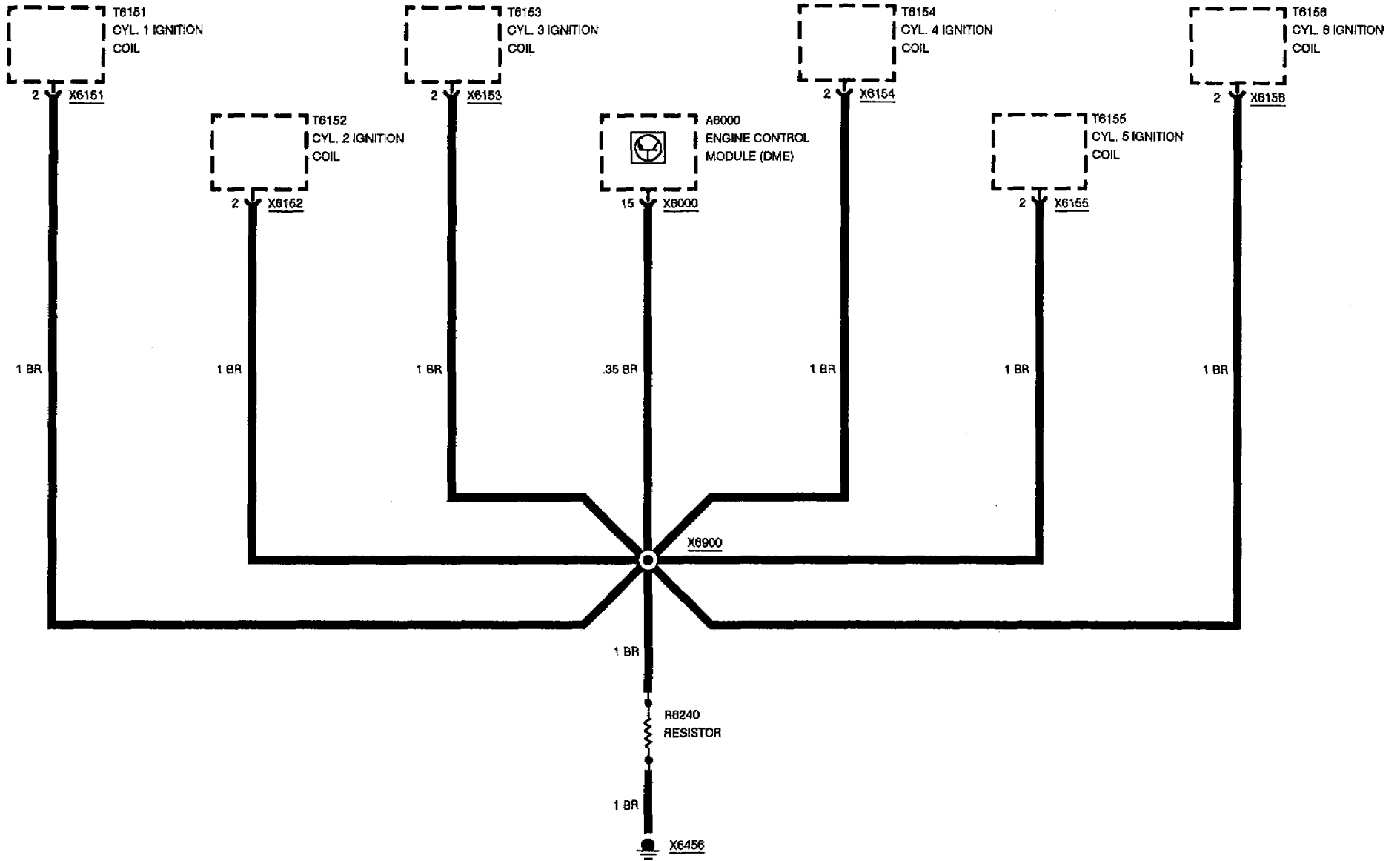




GROUND DISTRIBUTION

GROUND X6456

525i

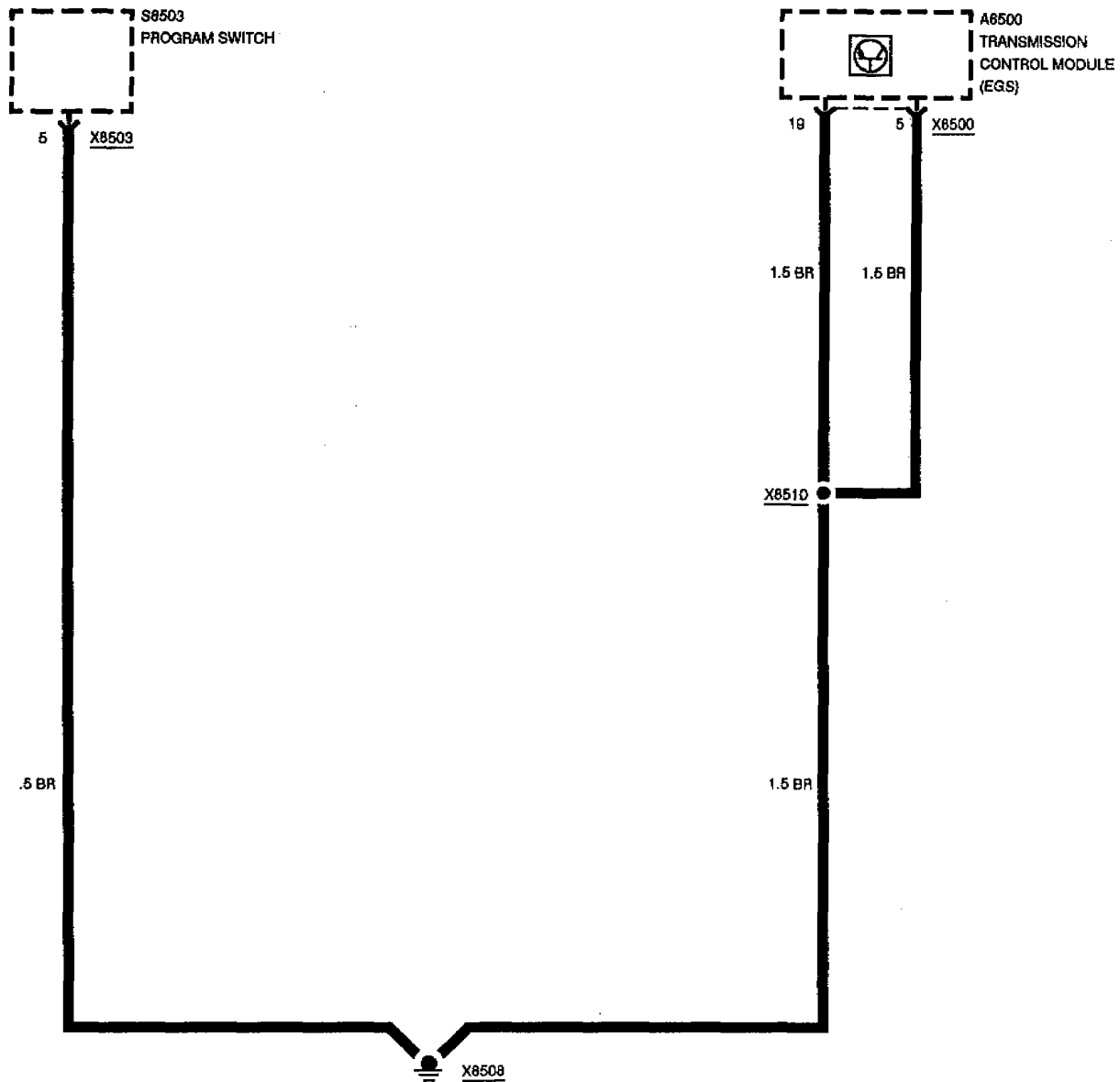




GROUND DISTRIBUTION

535i

GROUND X8508

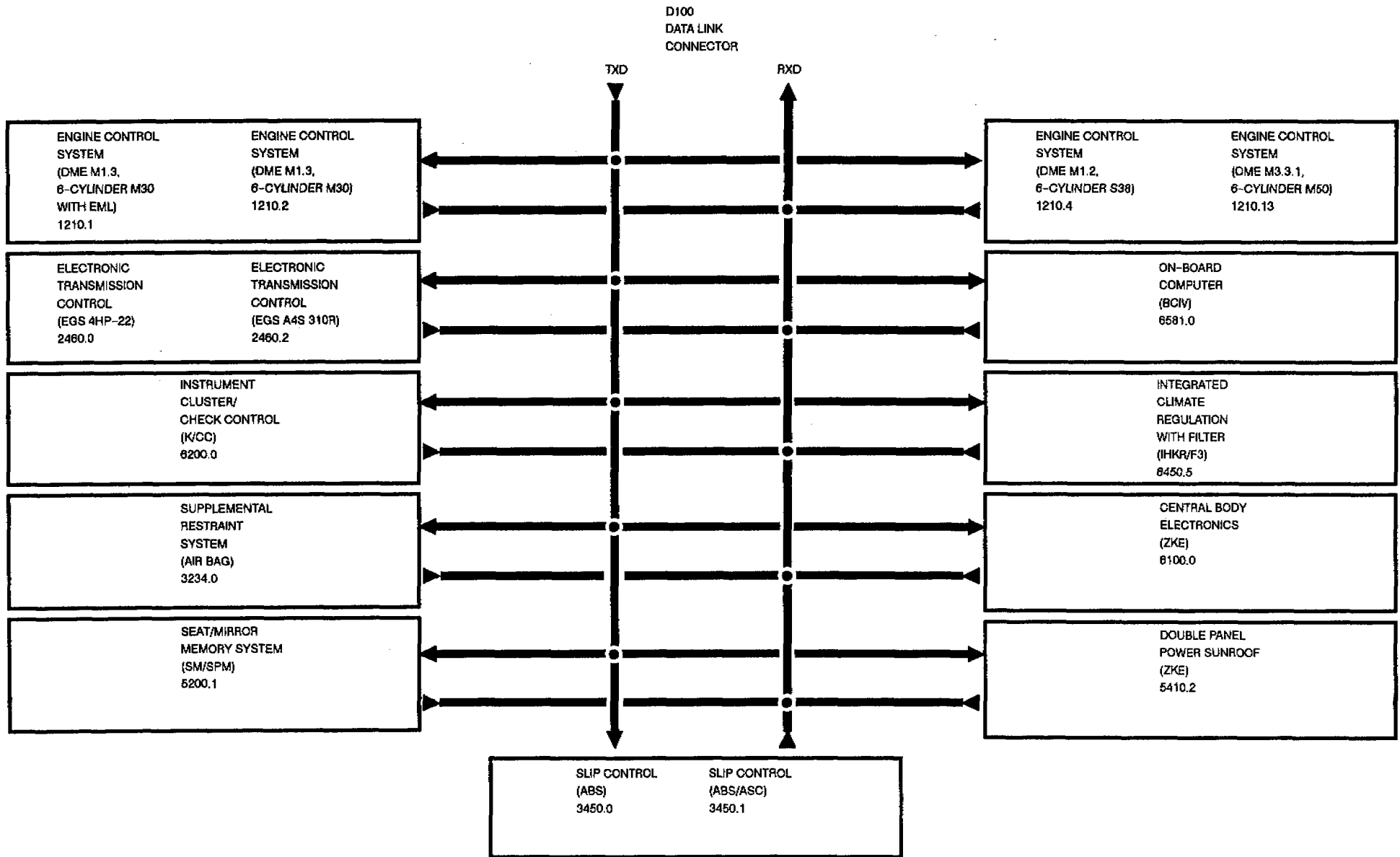


BMW
5

0670.5



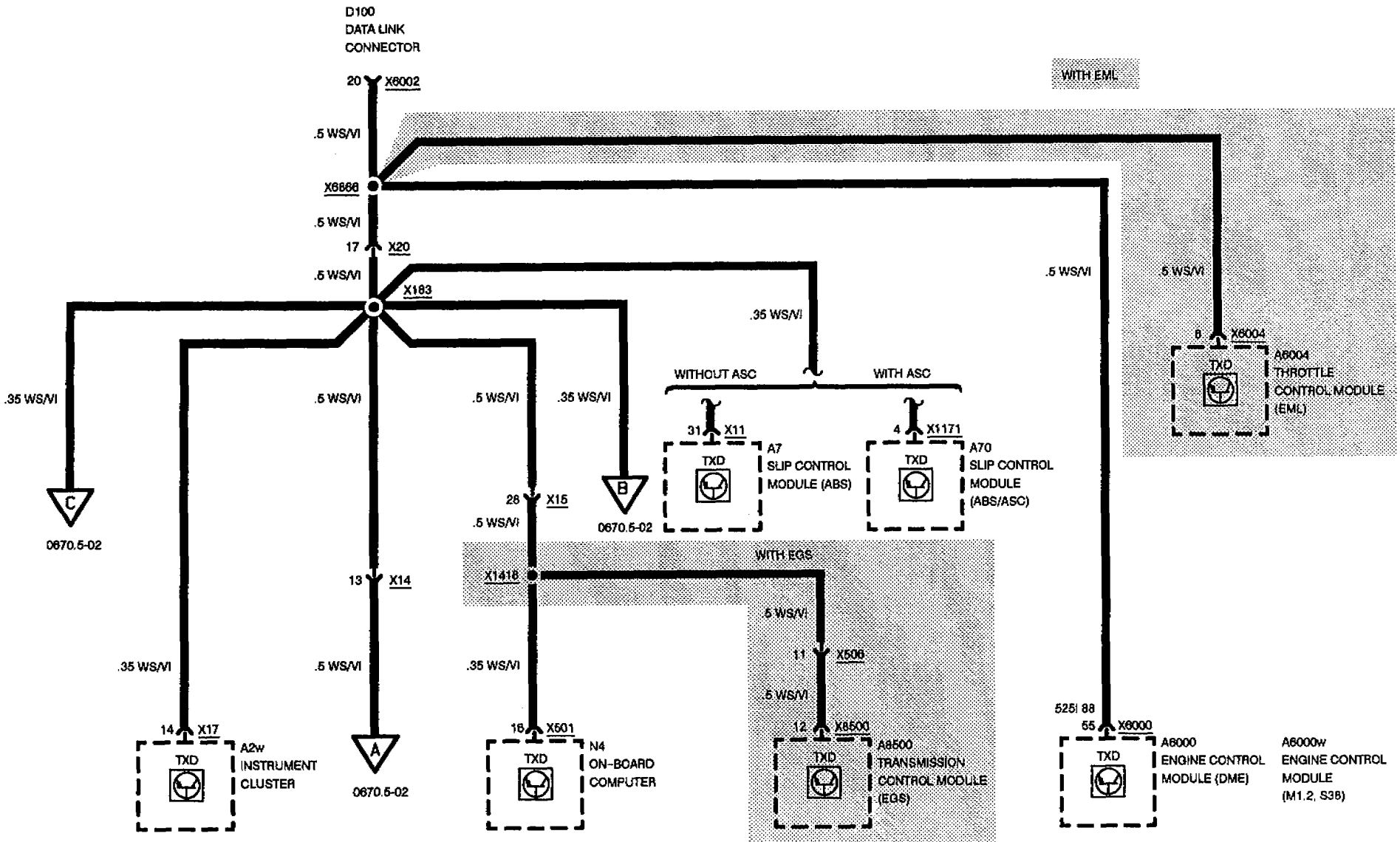
DATA LINK BLOCK DIAGRAM





DATA LINK

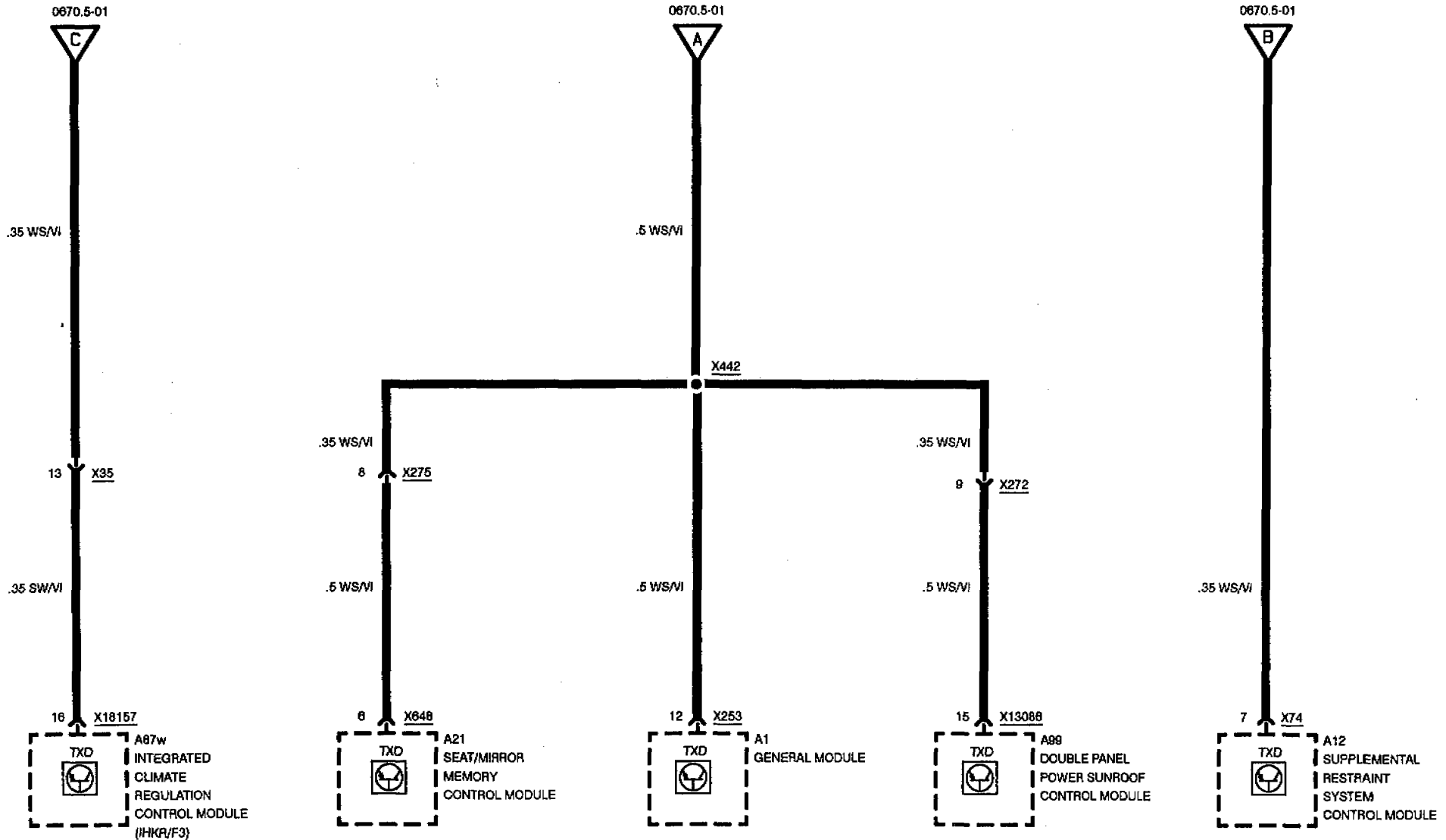
TXD, PIN 20





DATA LINK

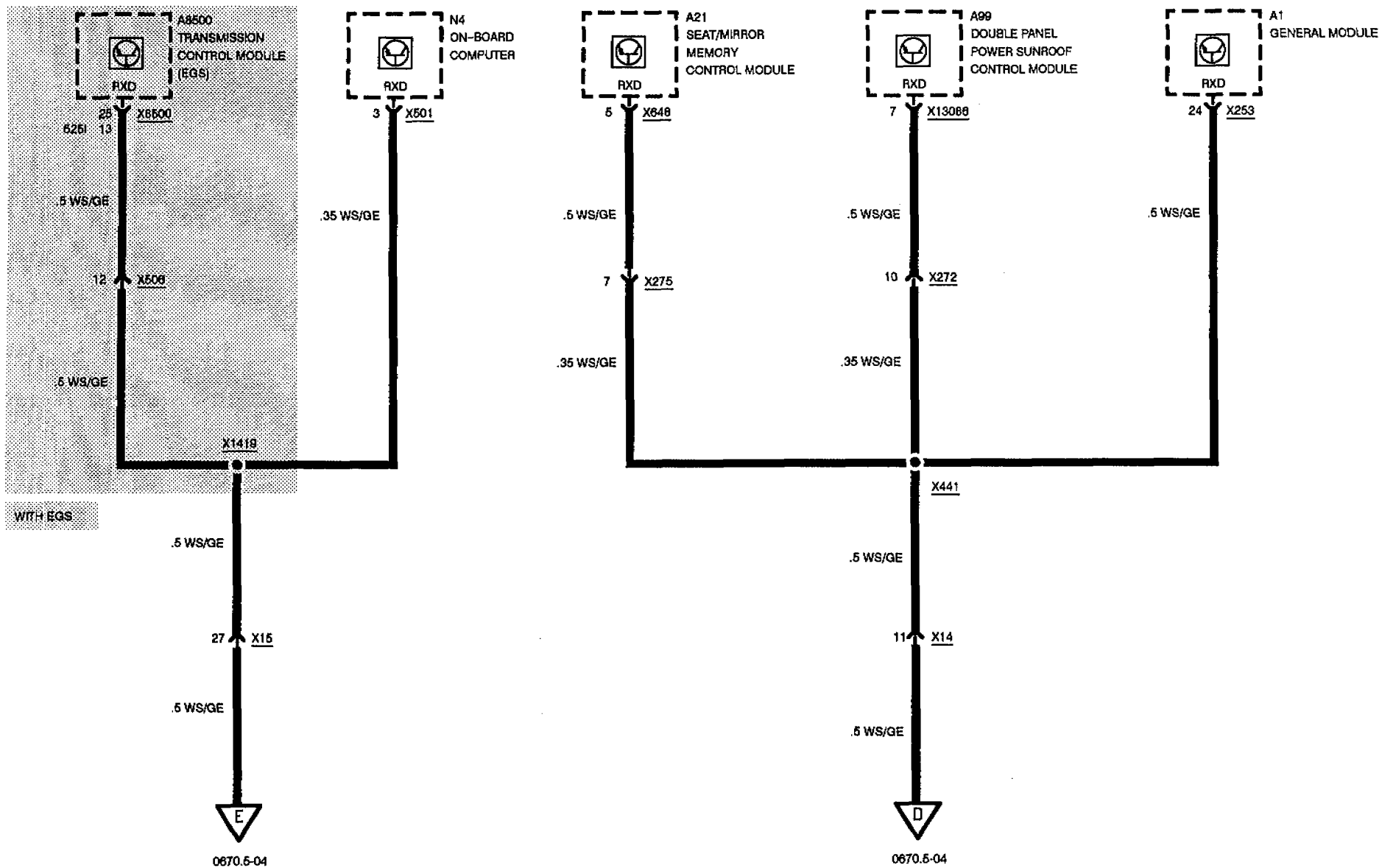
TXD, PIN 20





DATA LINK

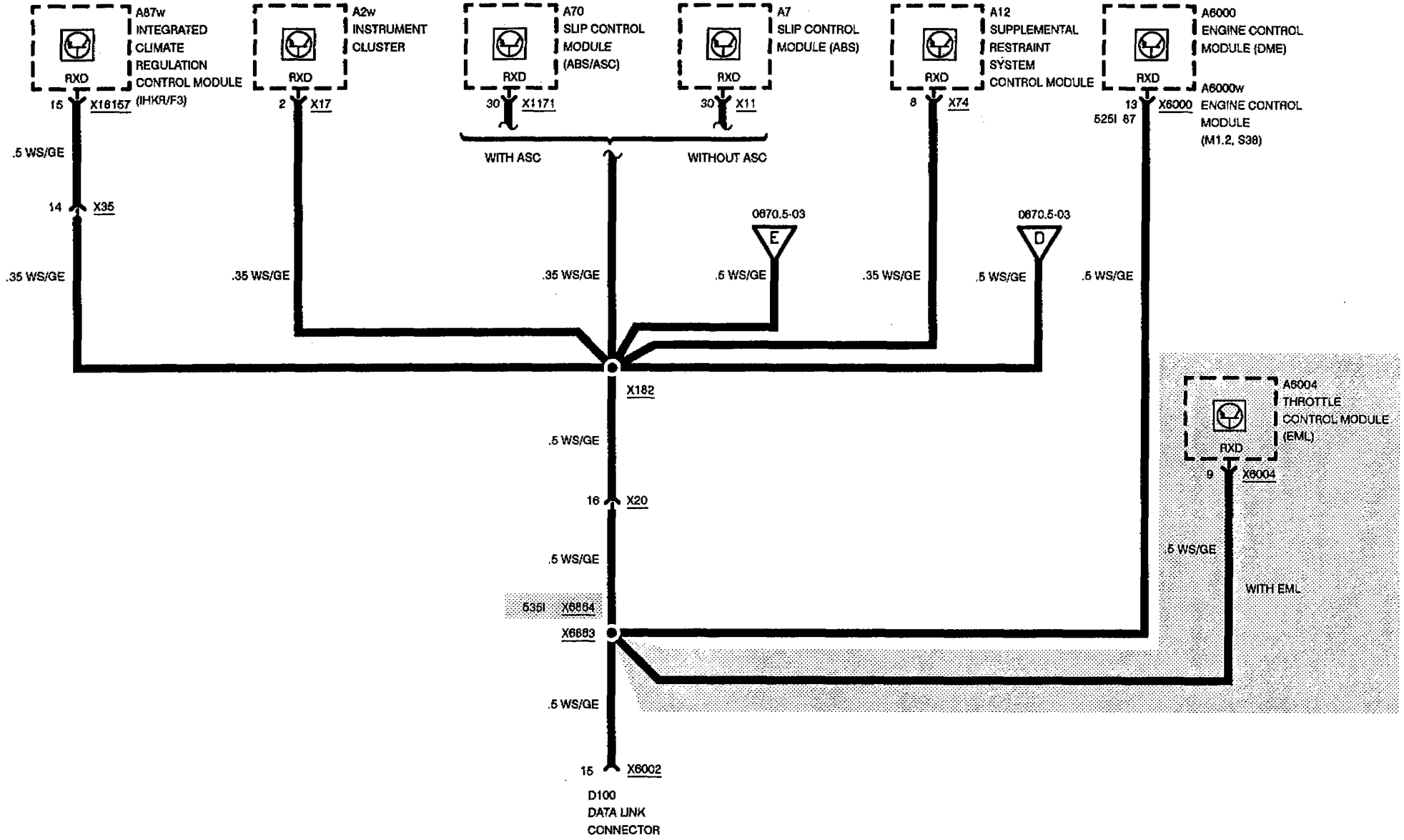
RXD, PIN 15





DATA LINK

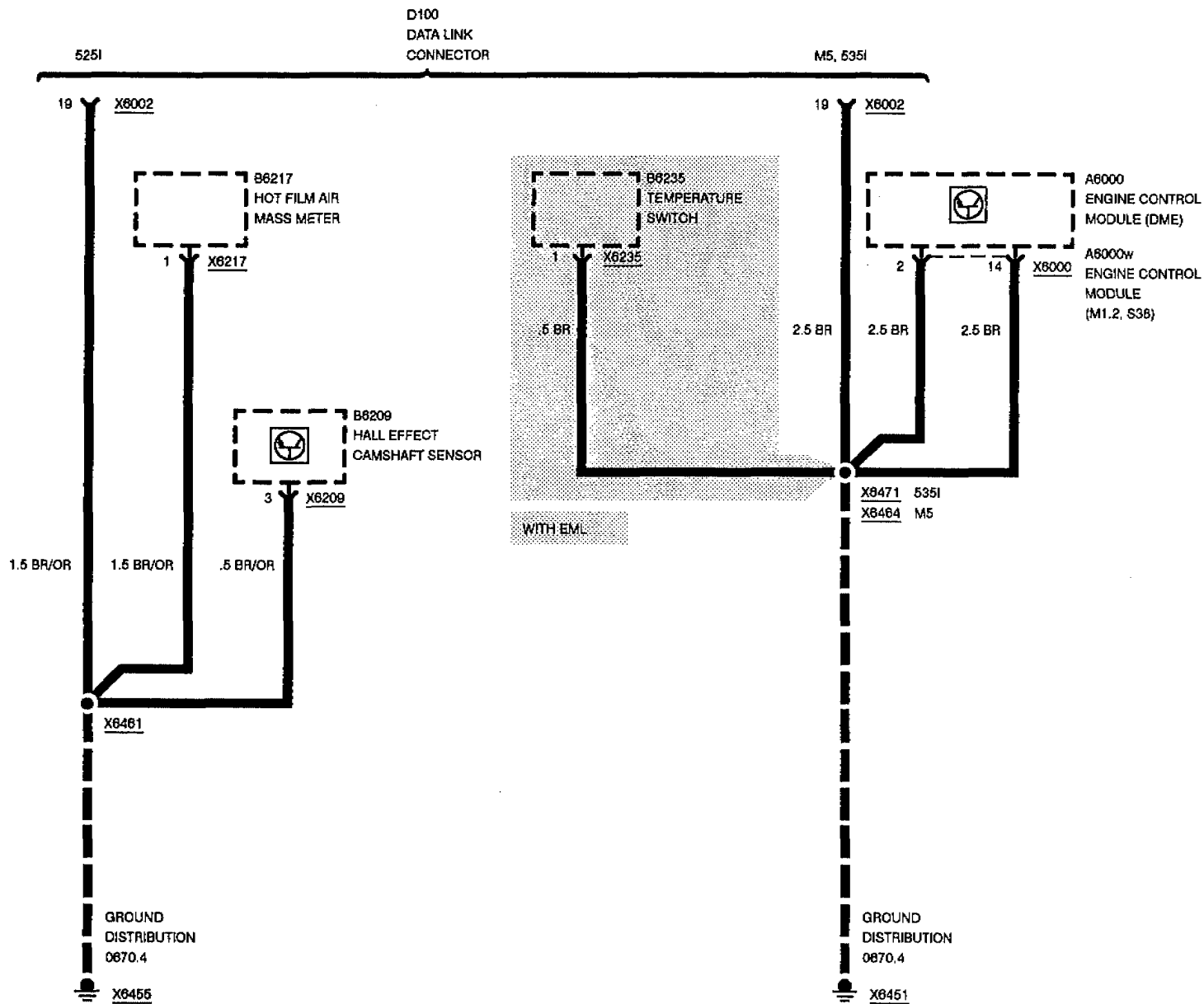
RXD, PIN 15





DATA LINK

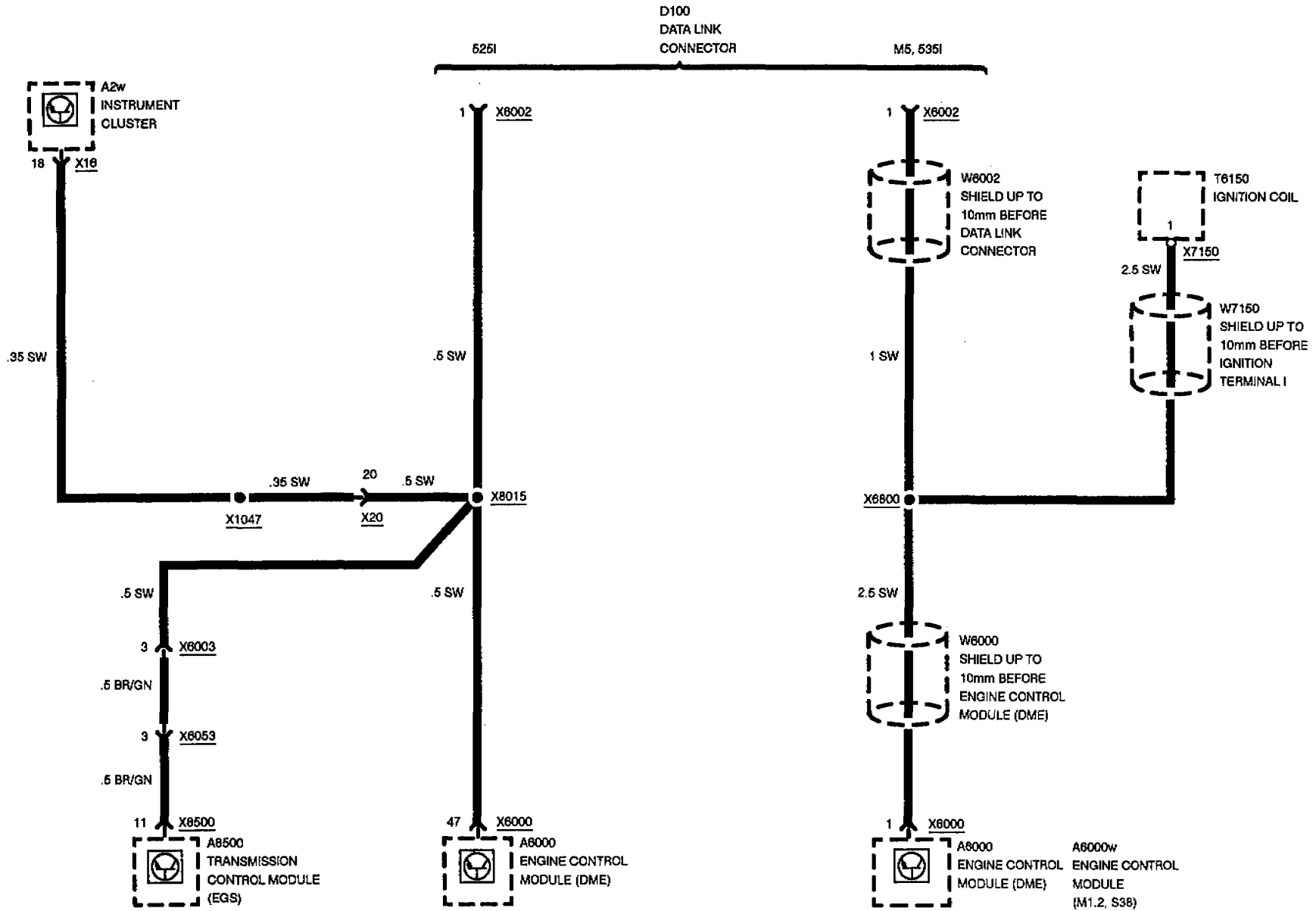
DATA LINK CONNECTOR PIN 19





DATA LINK

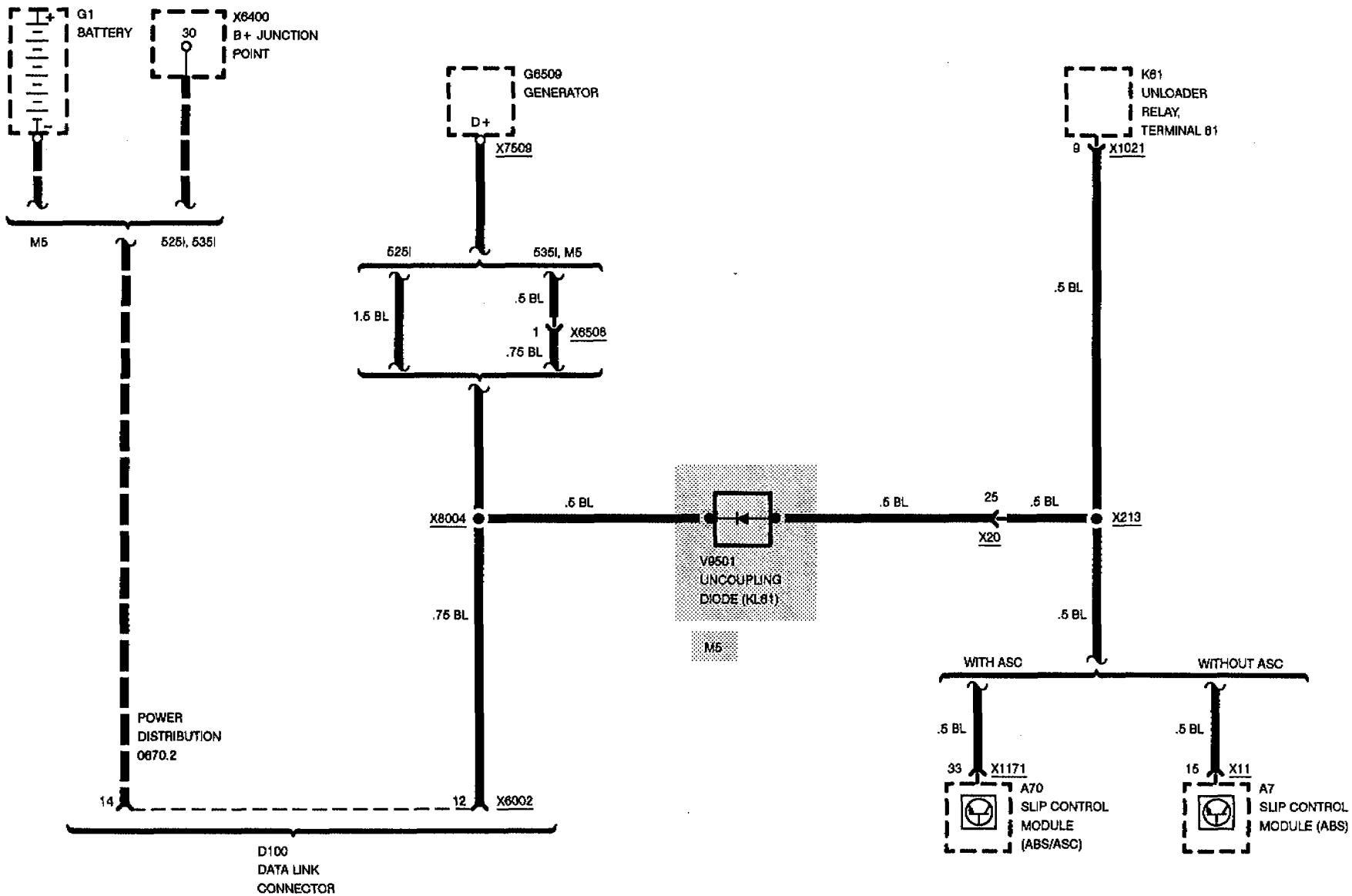
DATA LINK CONNECTOR PIN 1





DATA LINK

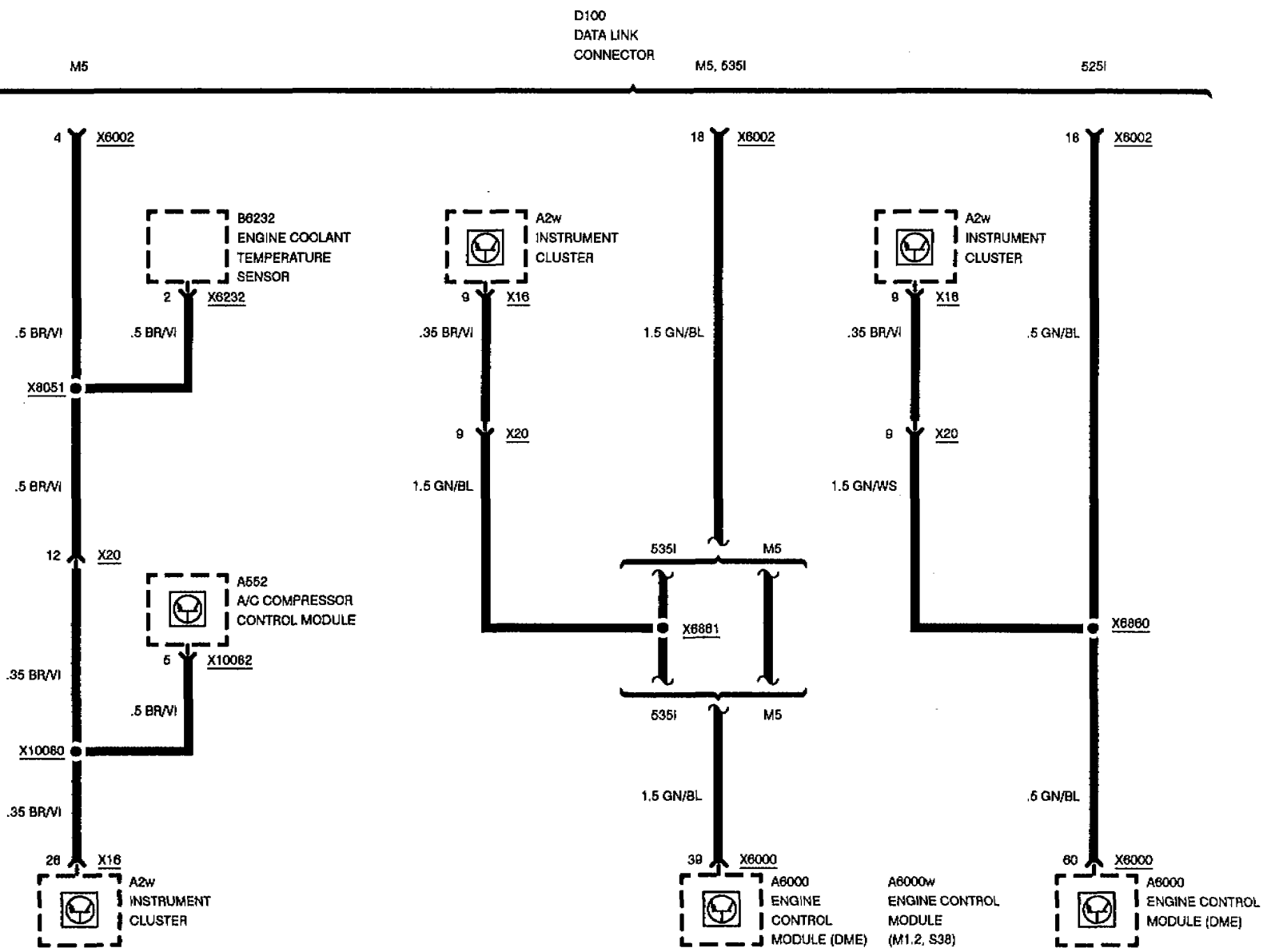
DATA LINK PINS 12 AND 14





DATA LINK

DATA LINK CONNECTOR PINS 4 AND 18

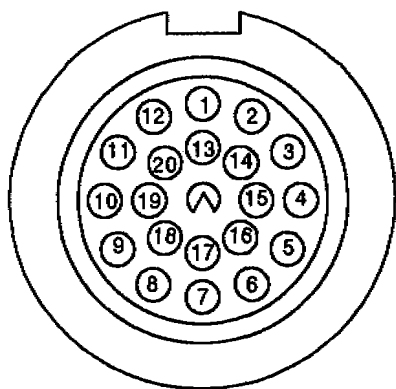




DATA LINK

525i

DATA LINK CONNECTOR (X6002)



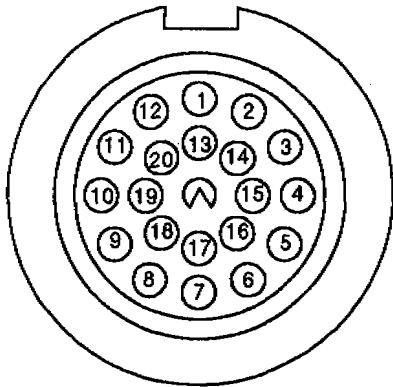
PIN NUMBER	TERMINAL NUMBER	TERMINAL DESCRIPTION	WIRE COLOR
1	TD	SPEED SIGNAL	SW
2	-	NOT OCCUPIED	
3	-	NOT OCCUPIED	
4	-	NOT OCCUPIED	M5 BR/VI
5	-	NOT OCCUPIED	
6	-	NOT OCCUPIED	
7	SI	SERVICE INDICATOR REMINDER	WS/GN
8	-	NOT OCCUPIED	
9	-	NOT OCCUPIED	
10	-	NOT OCCUPIED	
11	50	VOLTAGE: IGNITION SWITCH IN START	SW/GE
12	61(D+)	GENERATOR CHARGE INDICATOR	BL
13	-	NOT OCCUPIED	
14	30	VOLTAGE: HOT AT ALL TIMES	RT
15	RXD	RECEIVE	WS/GE
16	15S	VOLTAGE: IGNITION SWITCH IN RUN	GN/WS
17	-	NOT OCCUPIED	
18	PGSP	ENGINE CONTROL (DME) PROGRAMMING LINE	GN/BL
19	31	GROUND	BR/OR
20	TXD	TRANSMIT	WS/VI



DATA LINK

535i, M5

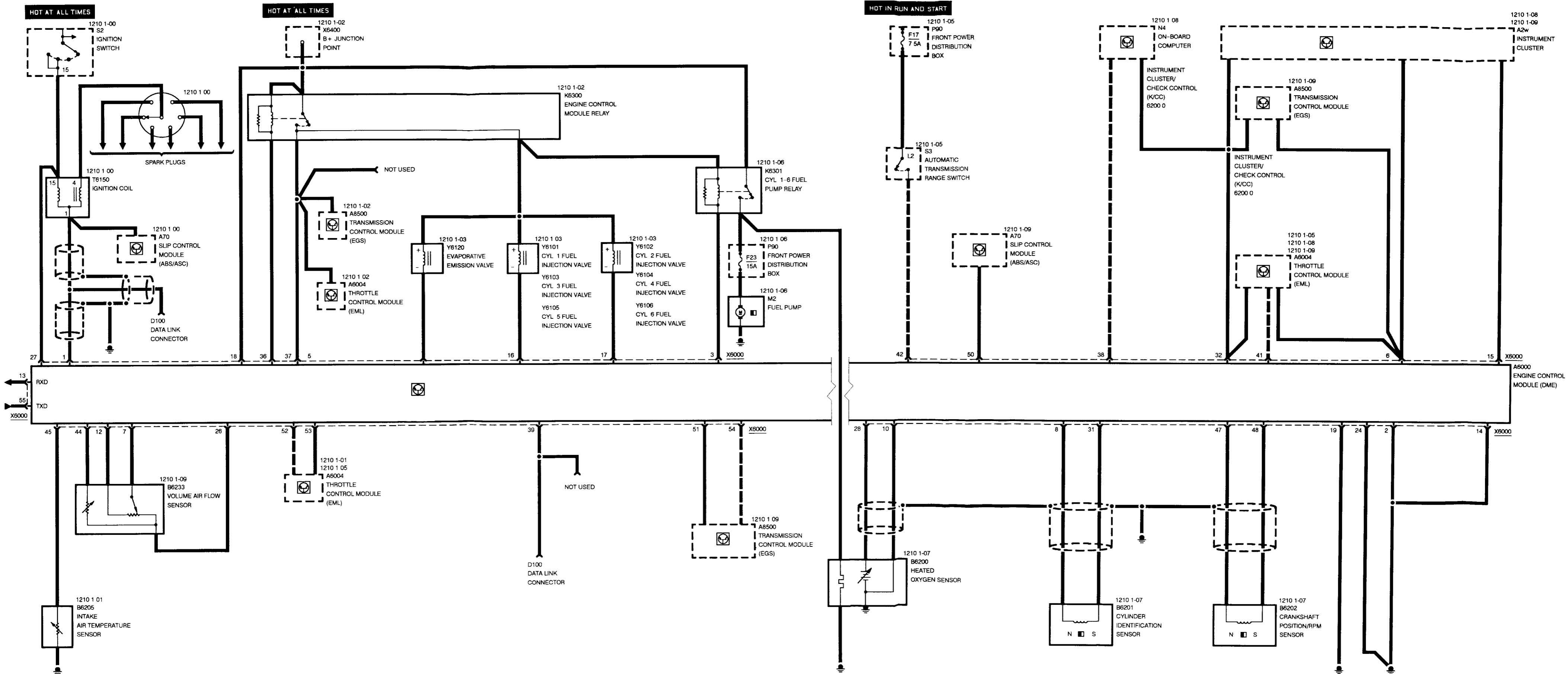
DATA LINK CONNECTOR (X6002)

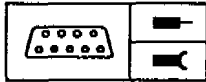


PIN NUMBER	TERMINAL NUMBER	TERMINAL DESCRIPTION	WIRE COLOR
1	1	IGNITION COIL	SW
2	-	NOT OCCUPIED	
3	-	NOT OCCUPIED	
4	FT	VOLTAGE: TEMPERATURE SENSOR	M5 BR/VI
5	-	NOT OCCUPIED	
6	-	NOT OCCUPIED	
7	SI	SERVICE INDICATOR REMINDER	WS/GN
8	-	NOT OCCUPIED	
9	-	NOT OCCUPIED	
10	-	NOT OCCUPIED	
11	50	VOLTAGE: IGNITION SWITCH IN START	SW/GE
12	61(D+)	GENERATOR CHARGE INDICATOR	BL
13	-	NOT OCCUPIED	
14	30	VOLTAGE: HOT AT ALL TIMES	RT
15	RXD	RECEIVE	WS/GE
16	15S	VOLTAGE: IGNITION SWITCH IN RUN	GN/WS
17	-	NOT OCCUPIED	
18	PGSP	ENGINE CONTROL (DME) PROGRAMMING LINE	GN/BL
19	31	GROUND	BR
20	TXD	TRANSMIT	WS/VI

BMW
5

0670.5-12



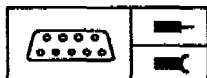


Pin Assignments

X6000

Pin	Type	Description/Function	Connection
1	A	Ignition coil control	Ignition coil
2	M	Ground	Ground point
3	A	Fuel pump relay control	Fuel pump relay, terminal 85
4		Not used	
5	A	Evaporative emission valve control	Evaporative emission valve
6	A	Crankshaft RPM speed signal	Instrument cluster
7	E	Volume air flow sensor signal	Volume air flow sensor
8	E	Cylinder identification sensor (ignition)	Cylinder identification sensor
9		Not used	
10	M	Oxygen sensor signal ground	Heated oxygen sensor
11		Not used	
12	A	Voltage supply, volume air flow sensor	Volume air flow sensor
13	E	RxD diagnostic data link	Data link connector
14	M	Ground, fuel injection valves	Ground point
15	A	"Check engine" indicator control	Instrument cluster
16	A	Fuel injection valve control	Cyl. 1, cyl. 3 and cyl. 5 fuel injection valves
17	A	Fuel injection valve control	Cyl. 2, cyl. 4 and cyl. 6 fuel injection valves
18	E	Terminal 30 voltage supply	B+ junction point
19	M	Ground for electronics and shielding of sensors	Ground point
20		Not used	
21		Not used	
22		Not used	
23		Not used	
24	M	Ground, remaining output stages (except for ignition and fuel injection valves)	Ground point
25		Not used	
26	M	Ground, volume air flow sensor	Volume air flow sensor
27	E	Ignition switch, terminal 15	Ignition switch
28	E	Oxygen sensor signal	Heated oxygen sensor
29		Not used	

E = Input, A = Output, M = Ground



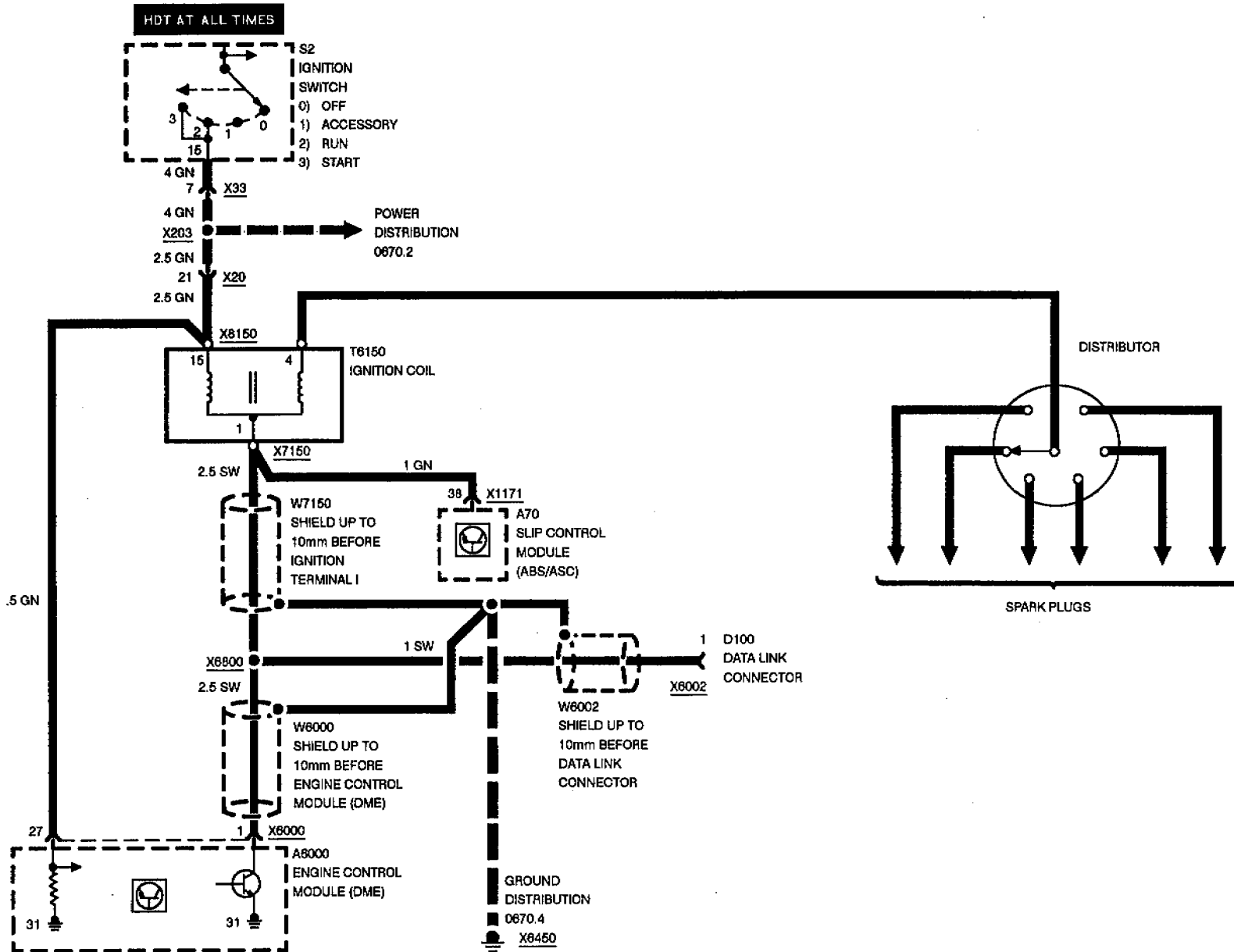
Pin Assignments

Pin	Type	Description/Function	Connection
30		Not used	
31	E	Cylinder identification sensor (ignition)	Cylinder identification sensor
32	A	ti measurement signal (KVA signal, fuel consumption)	Instrument cluster
33		Not used	
34		Not used	
35		Not used	
36	A	Engine control module relay control	Engine control module relay
37	E	Voltage supply	Engine control module relay
38	E	Drive-away protection signal (code)	On-board computer
39	E	Programming voltage	Data link connector
40		Not used	
41	E	Auxiliary fan signal	Electronic throttle module (EML)
42	E	Drive range P/N	Automatic transmission range switch
43		Not used	
44	E	Intake air temperature	Volume air flow sensor
45	E	Engine intake air temperature	Engine intake air temperature sensor
46		Not used	
47	E	Inductive pulse generator	Crankshaft RPM sensor
48	E	Inductive pulse generator	Crankshaft RPM sensor
49		Not used	
50	E	Torque cutout signal	Slip control module (ABS/ASC)
51	E	Ignition timing intervention	Transmission control module (EGS)
52	E	Idle signal	Electronic throttle module (EML)
53	E	Wide open signal	Electronic throttle module (EML)
54	E	Torque converter clutch WK	Transmission control module (EGS)
55	E/A	TxD diagnostic data link	Data link connector

E = Input, A = Output, M = Ground

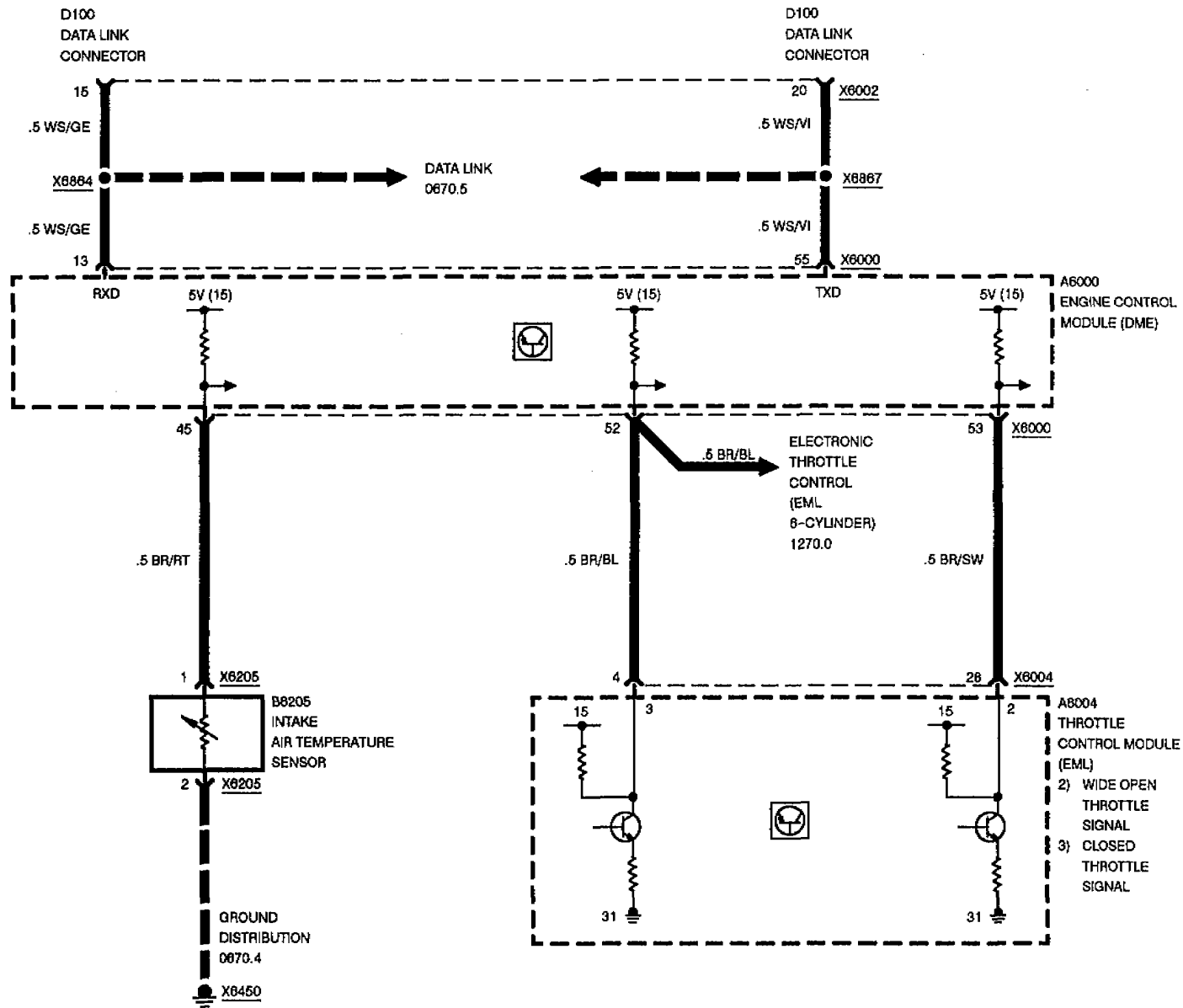
BMW
5

ENGINE CONTROL SYSTEM (DME M1.3, 6-CYLINDER M30 WITH EML)



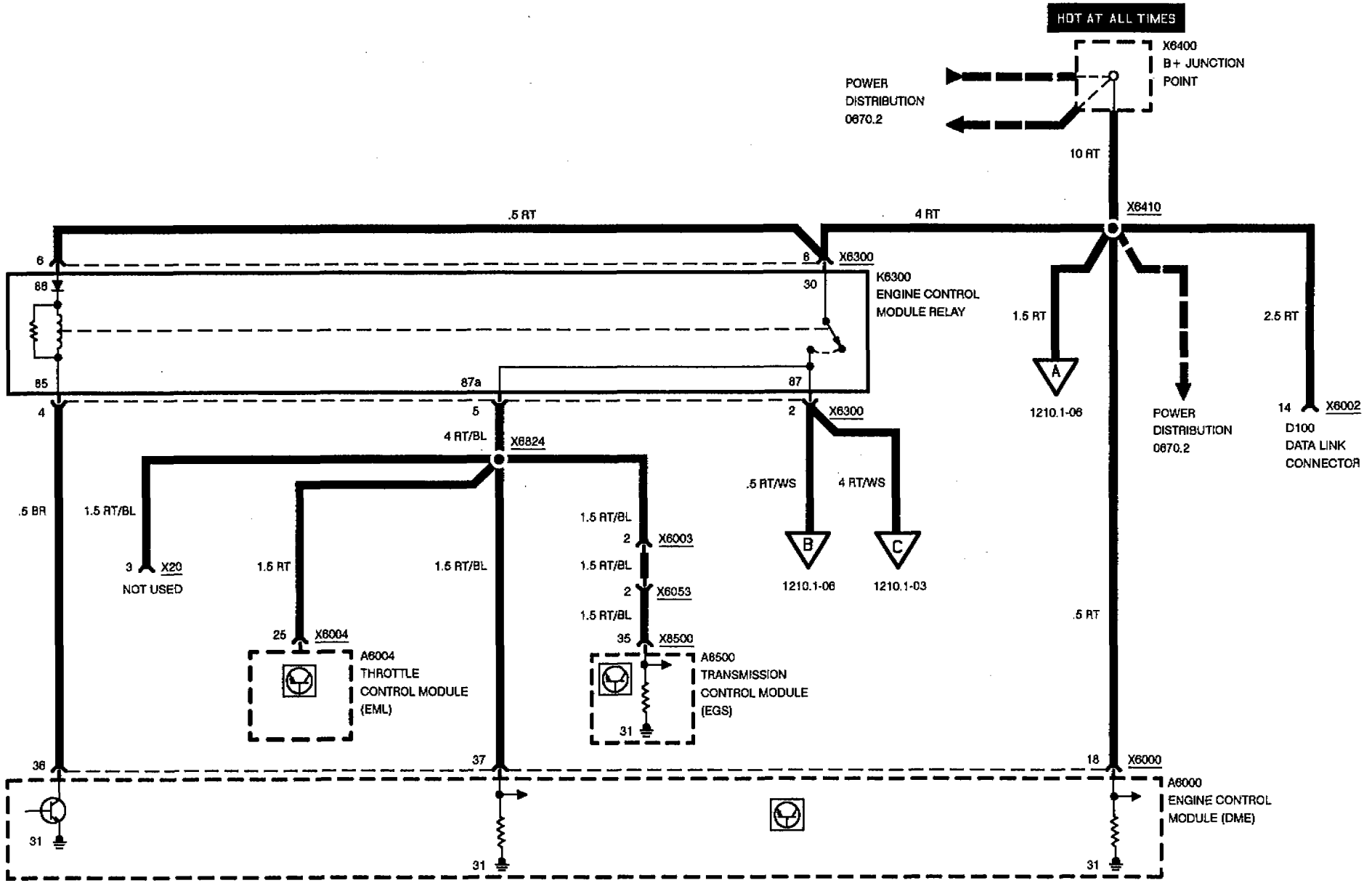


ENGINE CONTROL SYSTEM (DME M1.3, 6-CYLINDER M30 WITH EML)



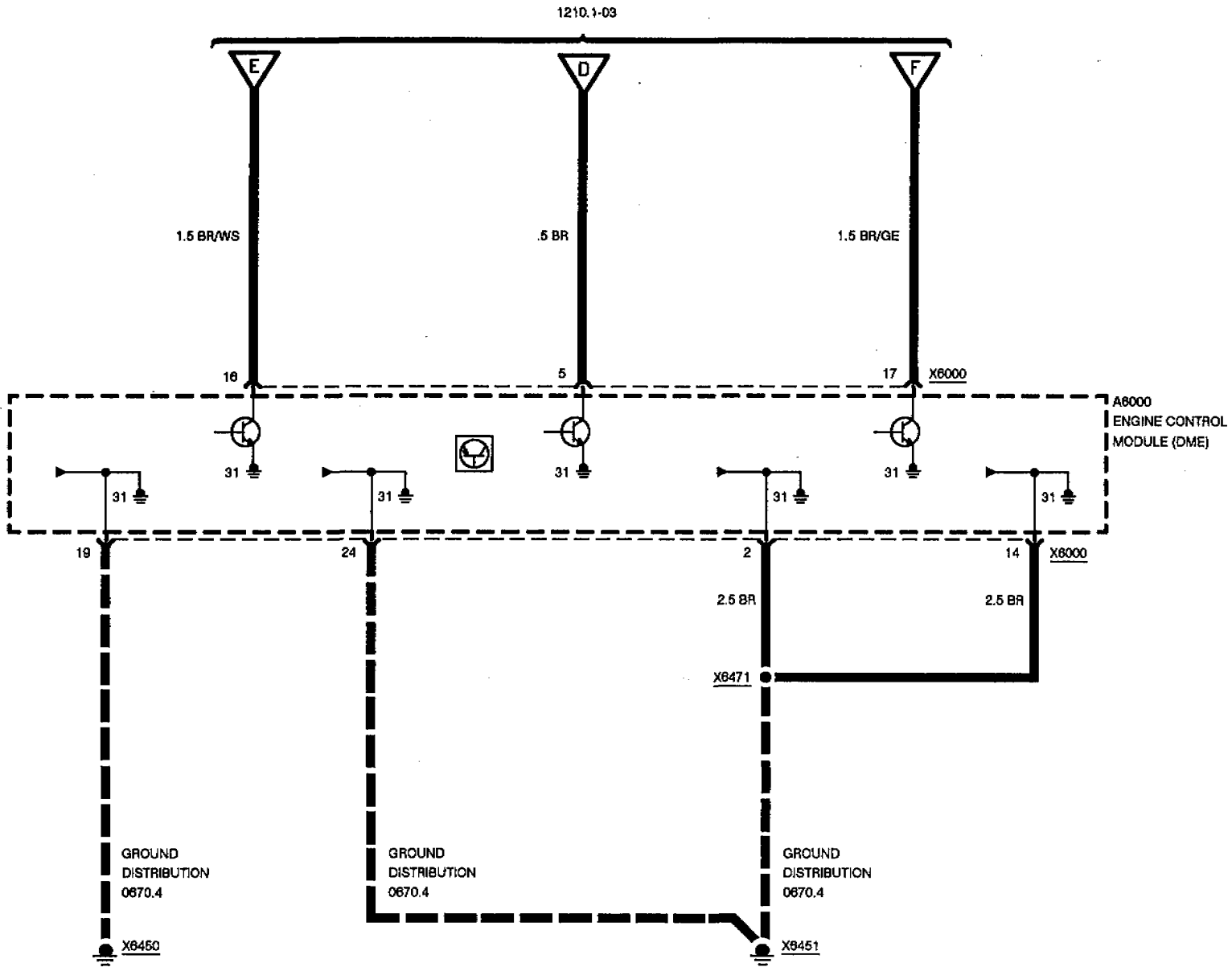


ENGINE CONTROL SYSTEM (DME M1.3, 6-CYLINDER M30 WITH EML)





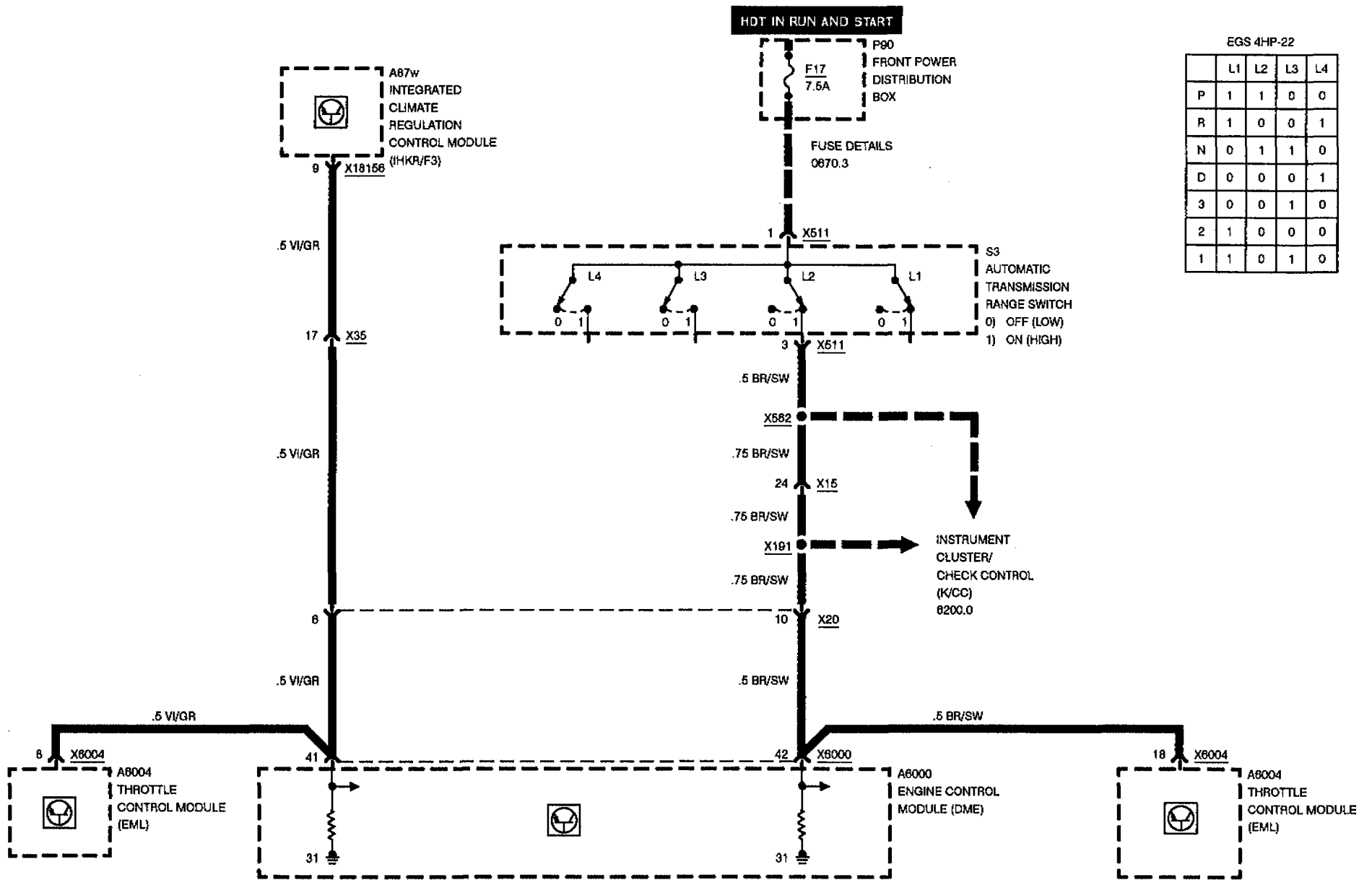
ENGINE CONTROL SYSTEM (DME M1.3, 6-CYLINDER M30 WITH EML)



09/92
1210.1-04
1993

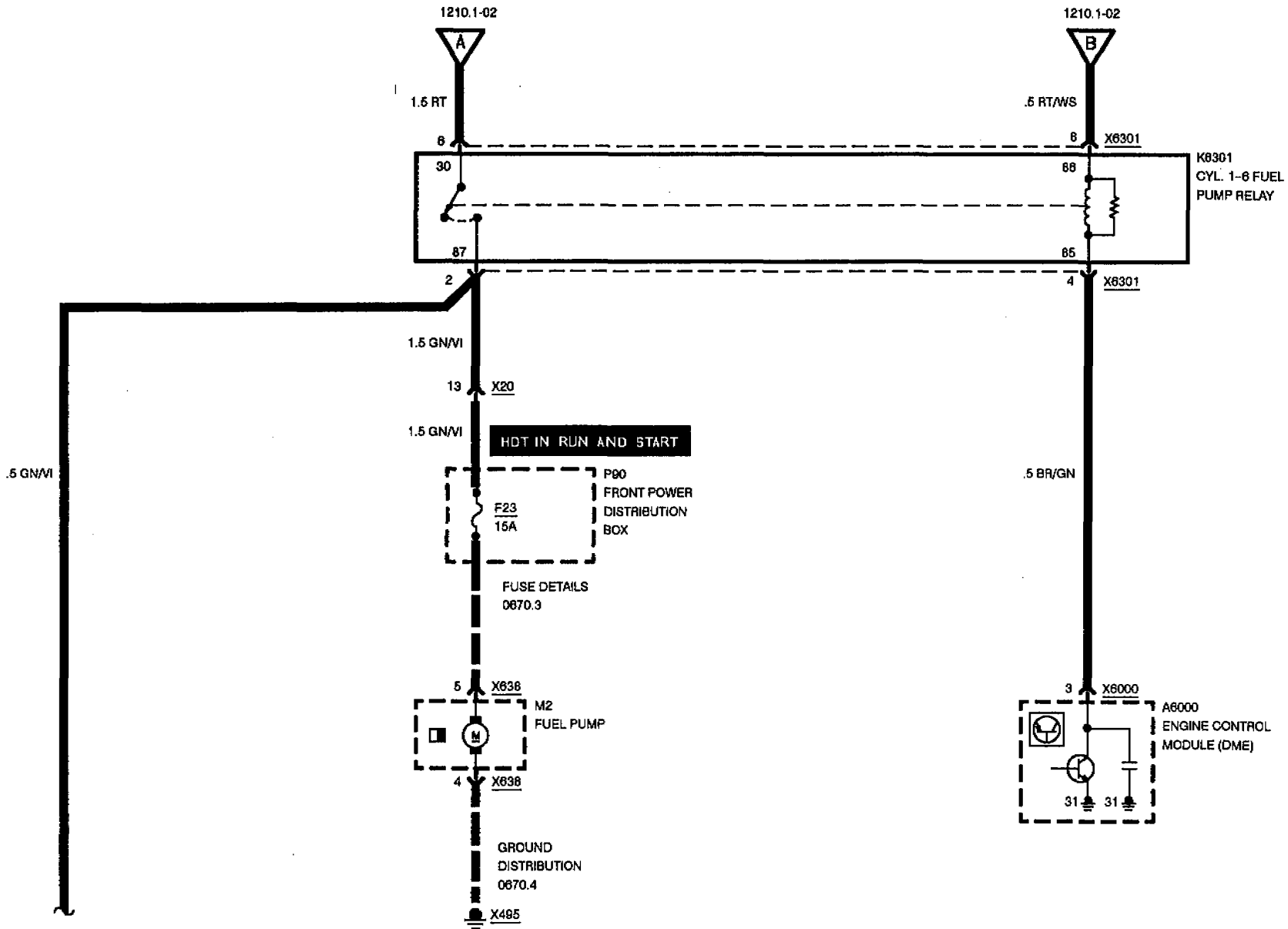


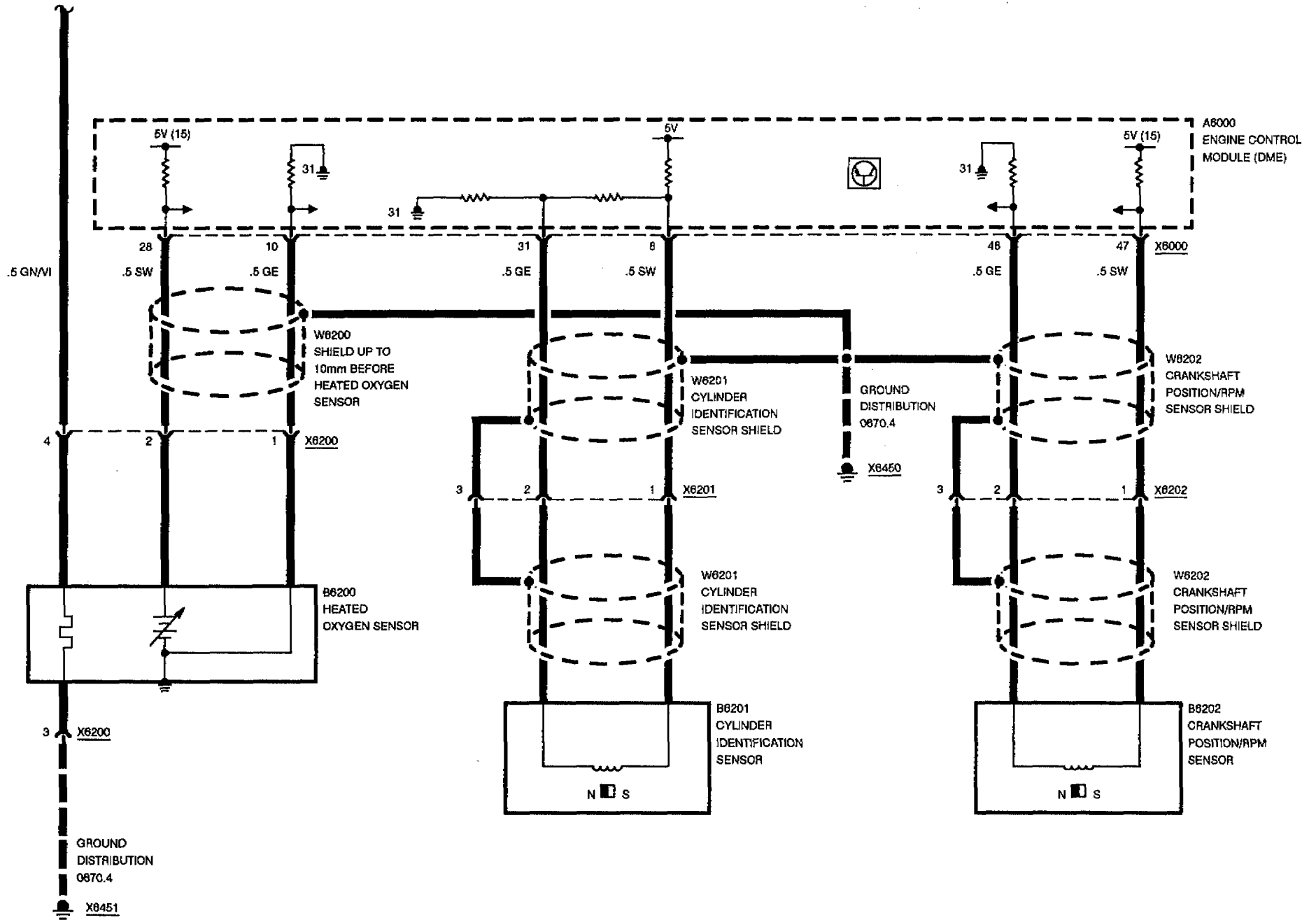
ENGINE CONTROL SYSTEM (DME M1.3, 6-CYLINDER M30 WITH EML)



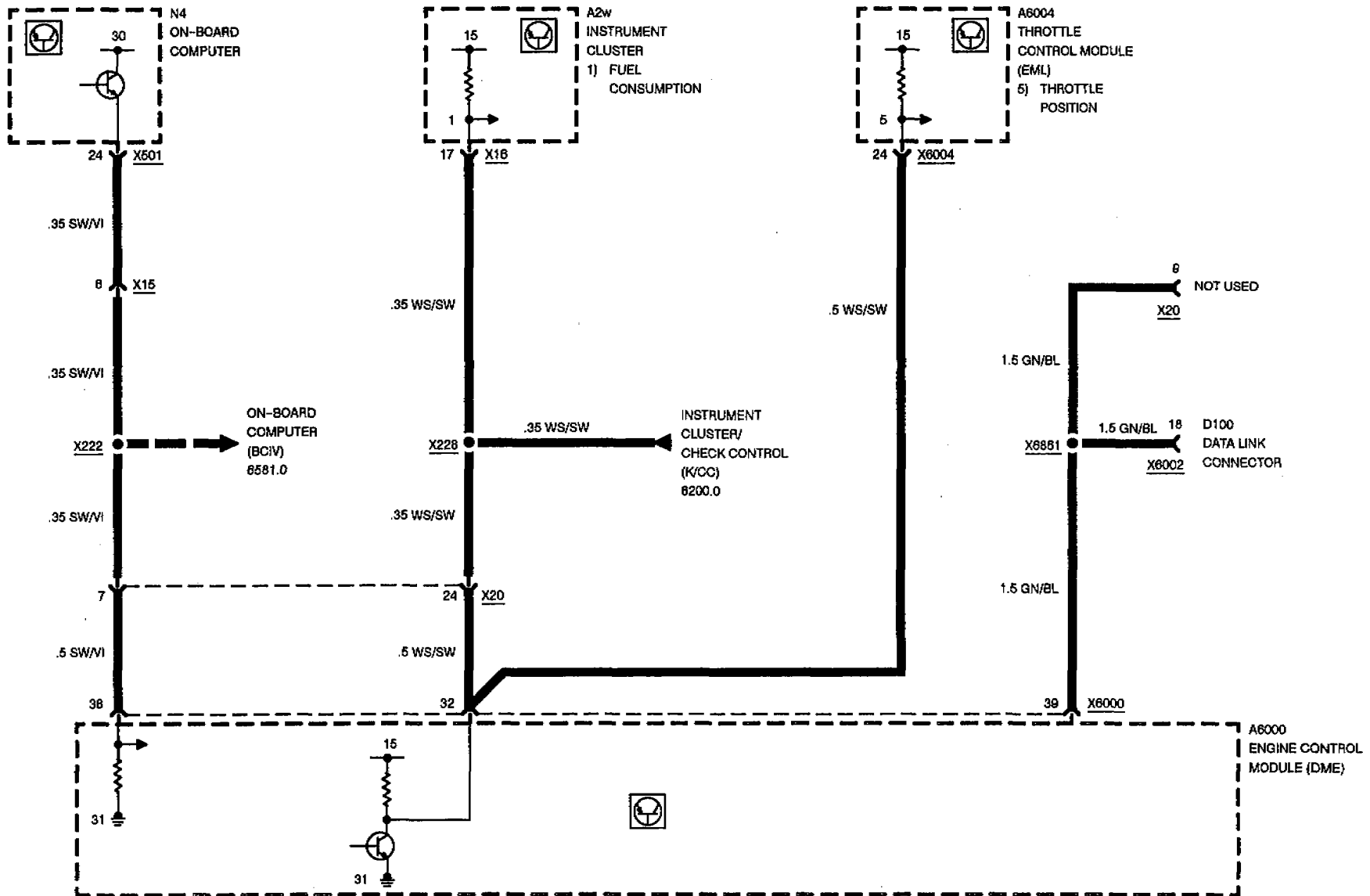


ENGINE CONTROL SYSTEM (DME M1.3, 6-CYLINDER M30 WITH EML)

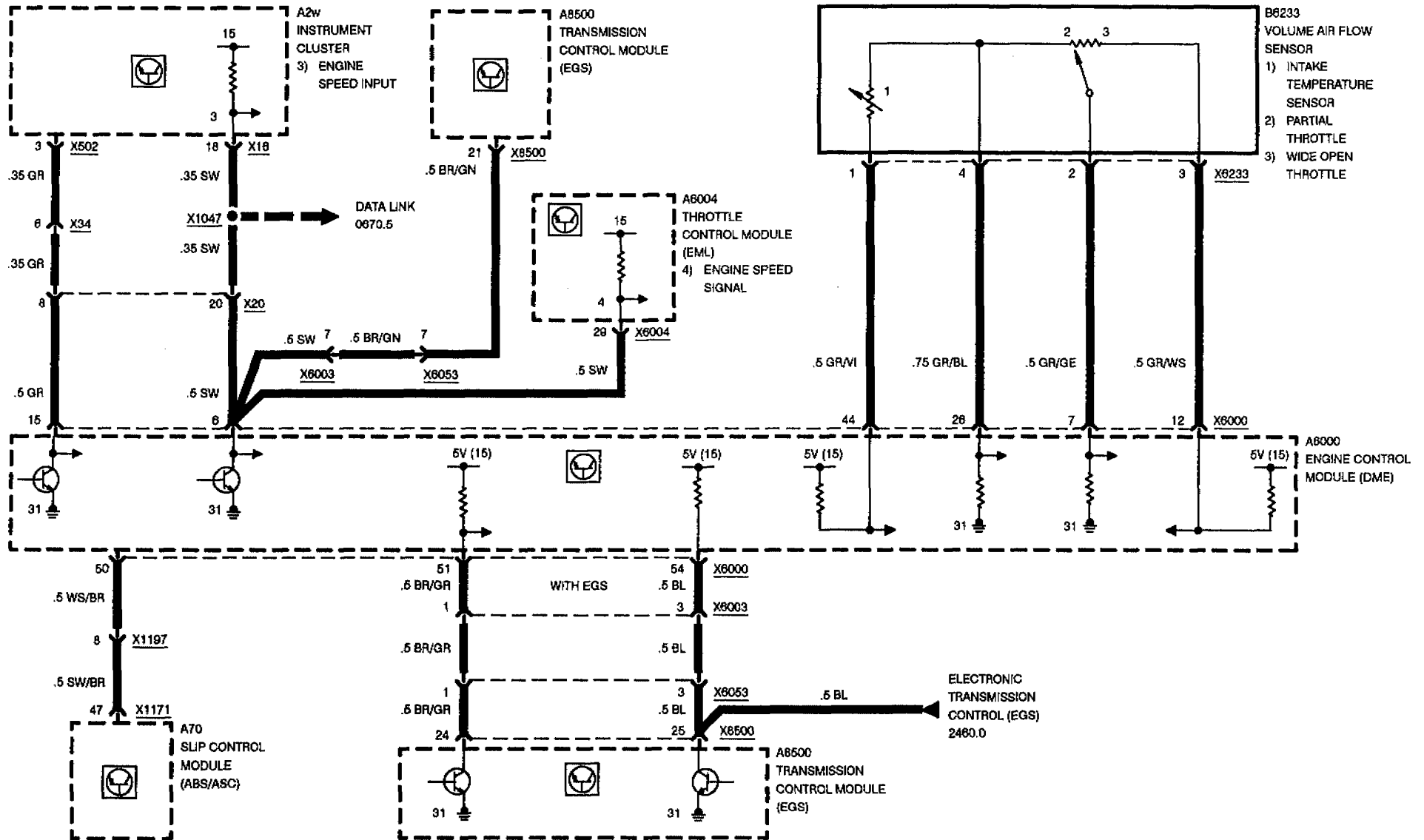




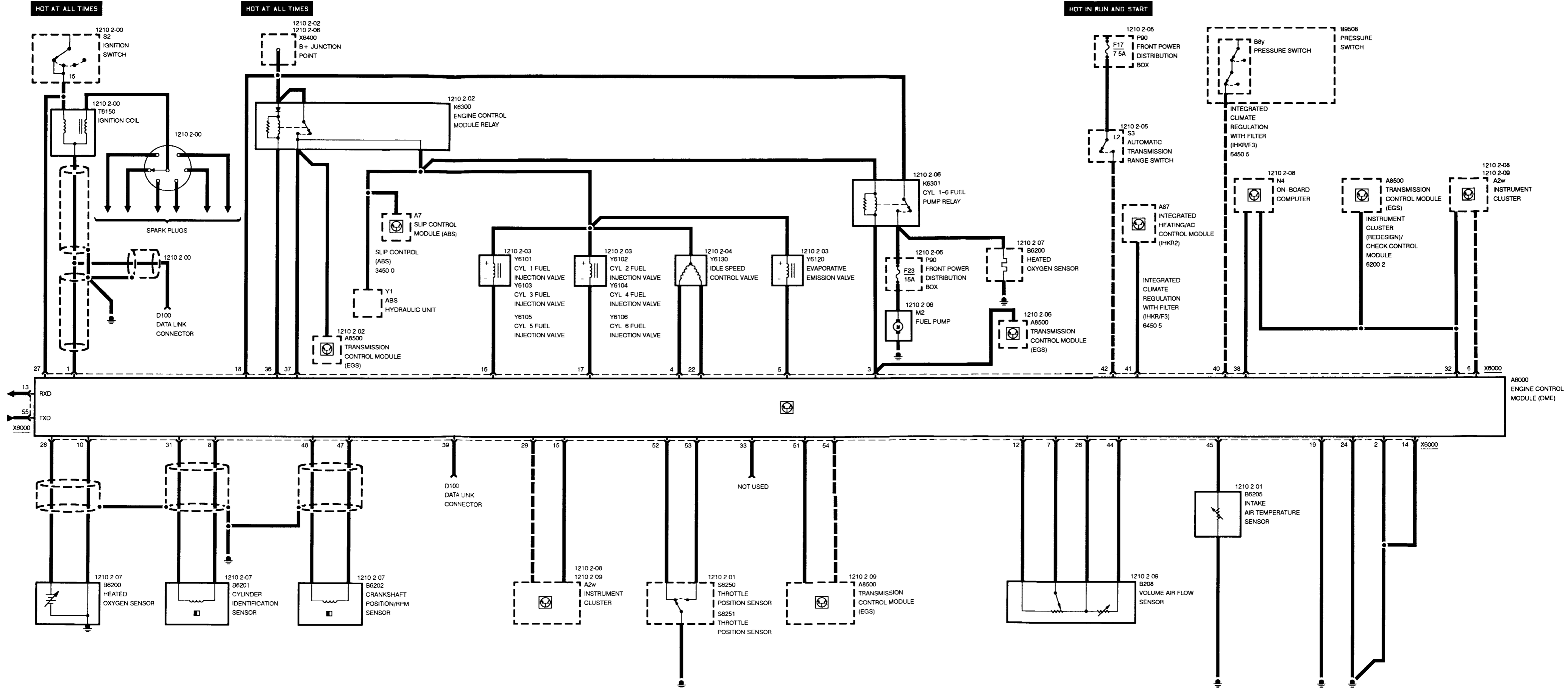
ENGINE CONTROL SYSTEM (DME M1.3, 6-CYLINDER M30 WITH EML)

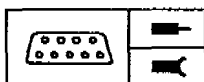


ENGINE CONTROL SYSTEM (DME M1.3, 6-CYLINDER M30 WITH EML)







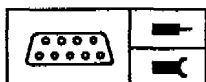


Pin Assignments

X6000

Pin	Type	Description/Function	Connection
1	A	Ignition coil control	Ignition coil
2	M	Ground	Ground point
3	A	Fuel pump relay control and TR signal (crankshaft reference)	Fuel pump relay and transmission control module (EGS)
4	A	Idle speed control valve—close winding control	Idle speed control valve
5	A	Evaporative emission valve control	Evaporative emission valve
6	A	Crankshaft RPM speed signal	Instrument cluster
7	E	Volume air flow sensor signal	Volume air flow sensor
8	E	Cylinder identification sensor (ignition)	Cylinder identification sensor
9		Not used	
10	M	Oxygen sensor signal ground	Heated oxygen sensor
11		Not used	
12	A	Voltage supply, volume air flow sensor	Volume air flow sensor
13	E	RxD diagnostic data link	Data link connector
14	M	Ground, fuel injection valves	Ground point
15	A	“Check engine” indicator control	Instrument cluster
16	A	Fuel injection valve control	Cyl. 1, cyl. 3 and cyl. 5 fuel injection valves
17	A	Fuel injection valve control	Cyl. 2, cyl. 4 and cyl. 6 fuel injection valves
18	E	Terminal 30, voltage supply	B+ junction point
19	M	Ground for electronics and shielding of sensors	Ground point
20		Not used	
21		Not used	
22	A	Idle speed control valve—open winding control	Idle speed control valve
23		Not used	
24	M	Ground, remaining output stages (except for ignition and fuel injection valves)	Ground point
25		Not used	
26	M	Ground, volume air flow sensor	Volume air flow sensor

E = Input, A = Output, M = Ground



Pin Assignments

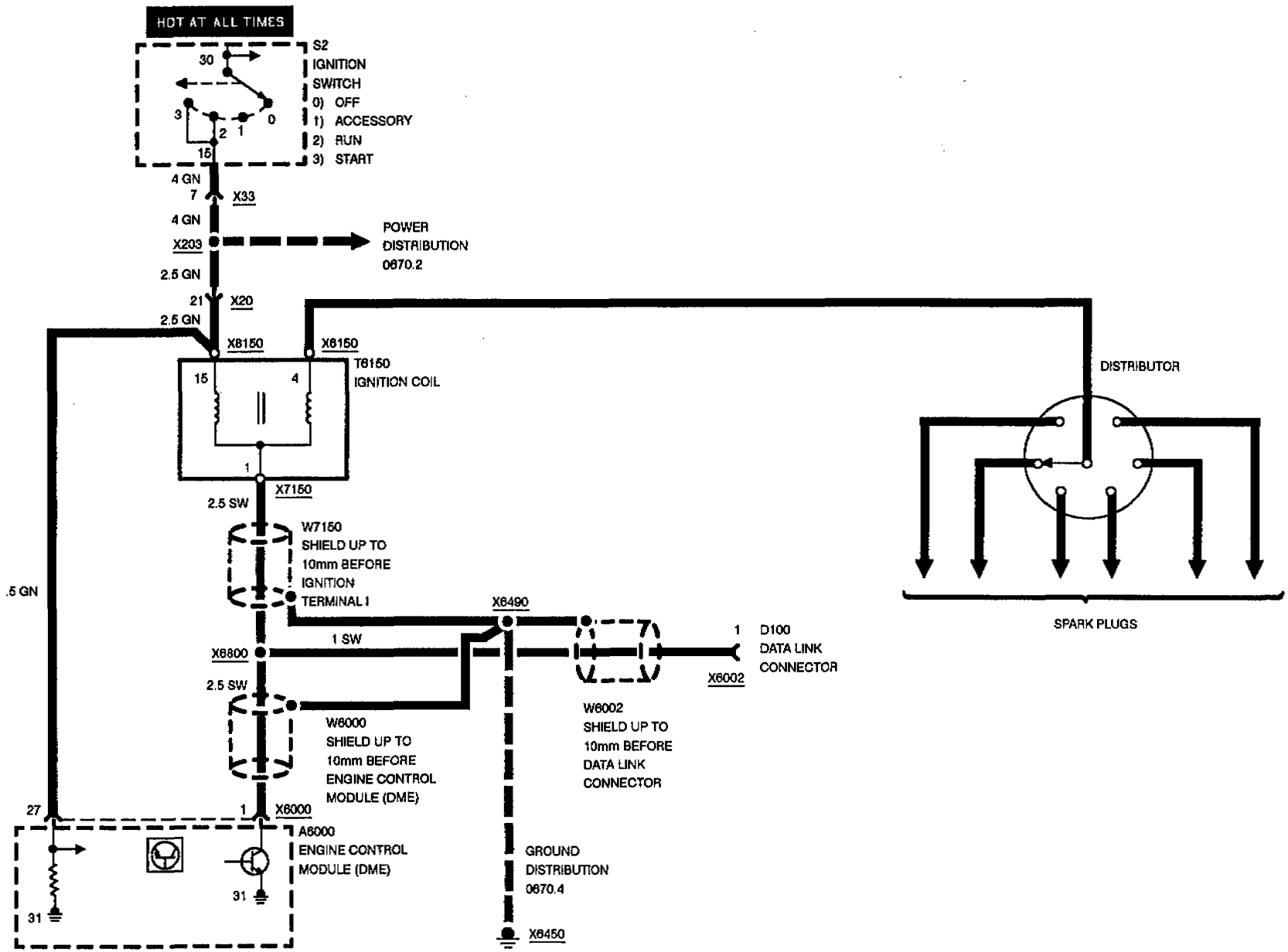
Pin	Type	Description/Function	Connection
27	E	Ignition switch, terminal 15	Ignition switch
28	E	Oxygen sensor signal	Heated oxygen sensor
29	E	Vehicle speed signal	Instrument cluster
30		Not used	
31	E	Cylinder identification sensor (ignition)	Cylinder identification sensor
32	A	ti measurement signal (KVA signal, fuel consumption)	Instrument cluster
33		Not used	
34		Not used	
35		Not used	
36	A	Engine control module relay control	Engine control module relay
37	E	Voltage supply from engine control module relay	Engine control module relay
38	E	Drive-away protection signal (code)	On-board computer
39	E	Programming voltage	Data link connector
40	E	A/C pressure signal	Pressure switch, compressor clutch
41	E	Auxiliary fan signal	Integrated climate regulation control module
42	E	Drive range P/N	Automatic transmission range switch
43		Not used	
44	E	Intake air temperature	Volume air flow sensor
45	E	Engine intake air temperature	Engine intake air temperature sensor
46		Not used	
47	E	Inductive pulse generator	Crankshaft RPM sensor
48	E	Inductive pulse generator	Crankshaft RPM sensor
49		Not used	
50		Not used	
51	E	Ignition timing intervention	Transmission control module (EGS)
52	E	Idle signal	Throttle position sensor
53	E	Wide open throttle signal	Throttle position sensor
54	E	Torque converter clutch WK	Transmission control module (EGS)
55	E/A	TxD diagnostic data link	Data link connector

E = Input, A = Output, M = Ground



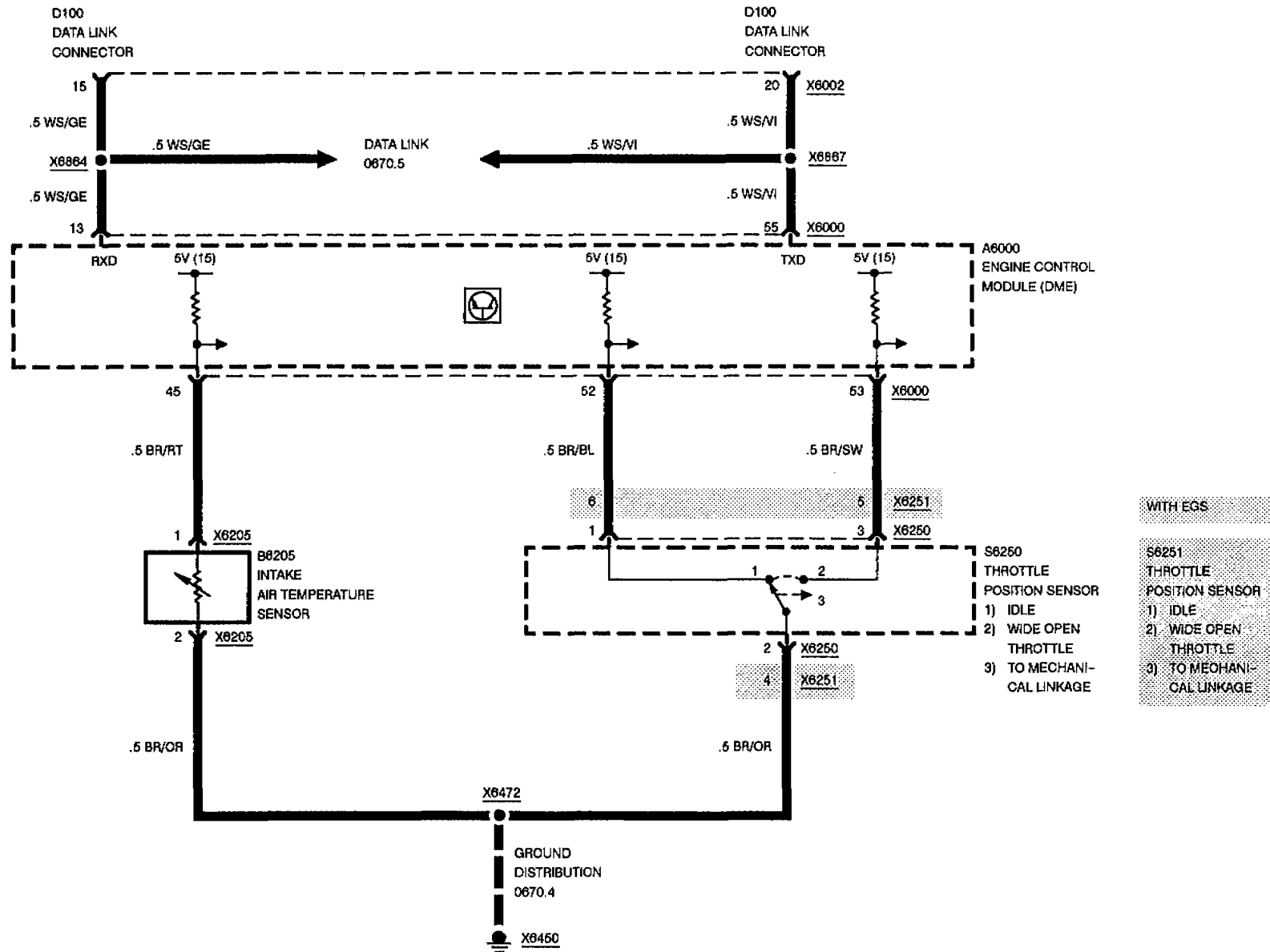


ENGINE CONTROL SYSTEM (DME M1.3, 6-CYLINDER M30)



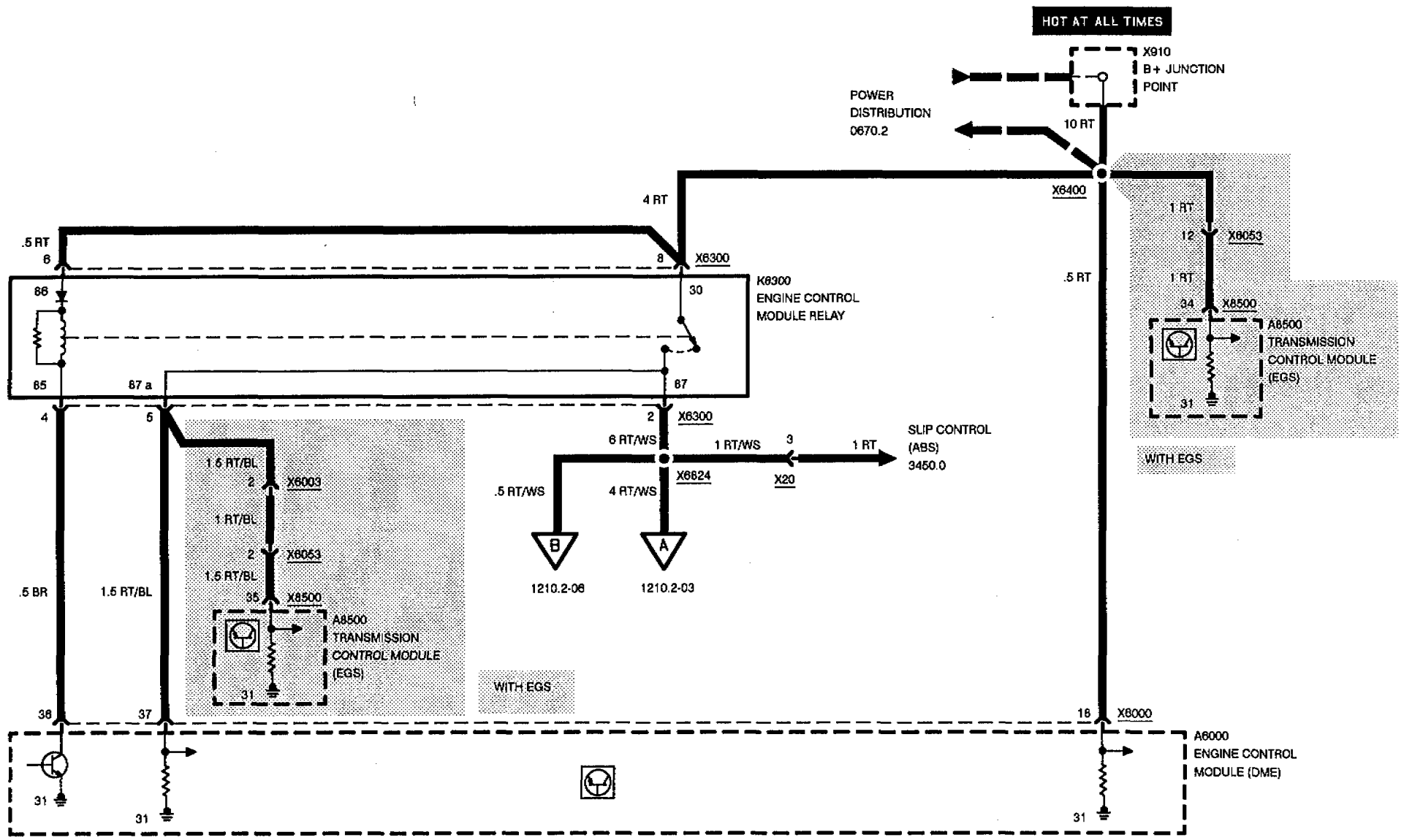


ENGINE CONTROL SYSTEM (DME M1.3, 6-CYLINDER M30)



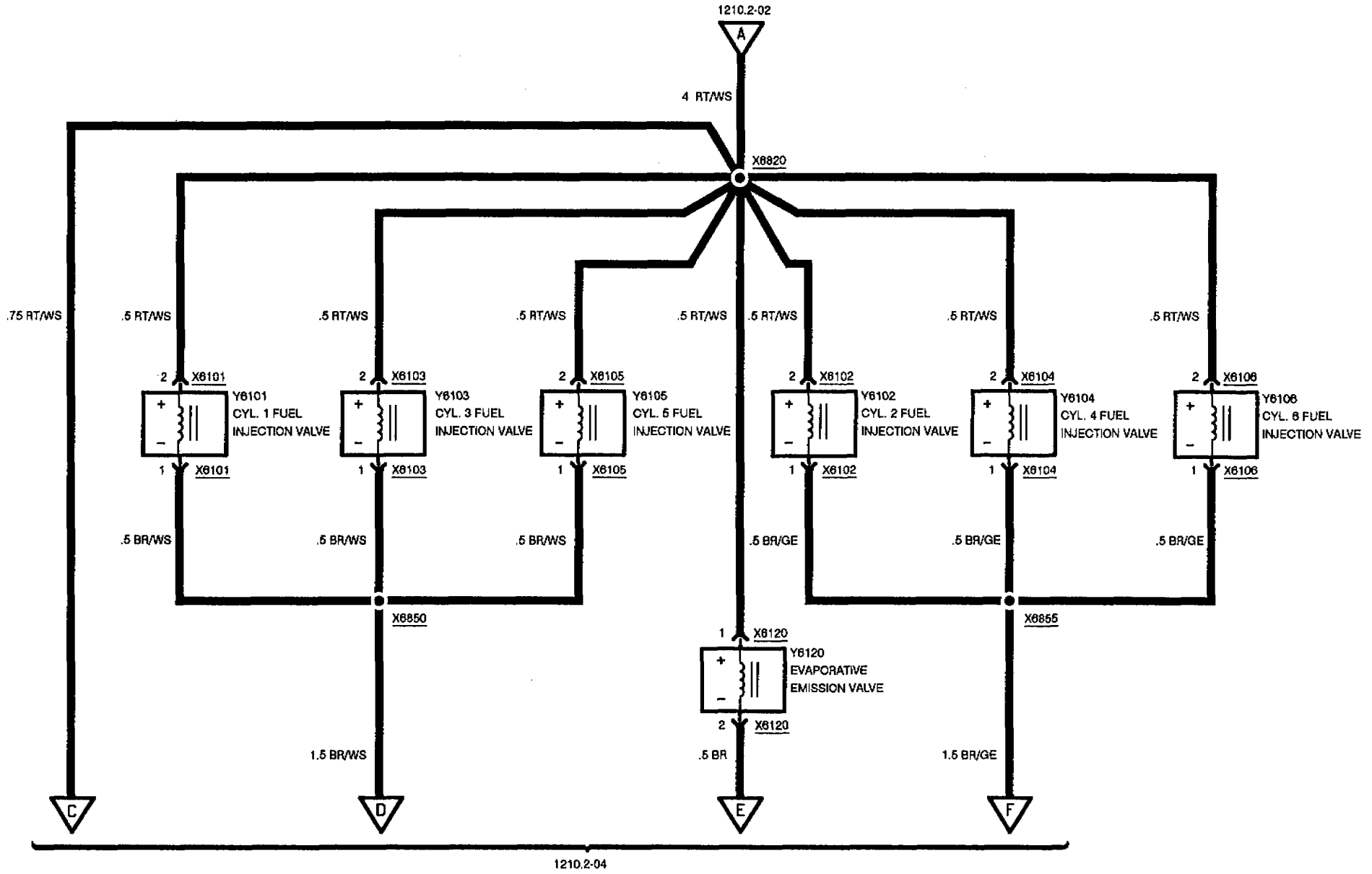


ENGINE CONTROL SYSTEM (DME M1.3, 6-CYLINDER M30)



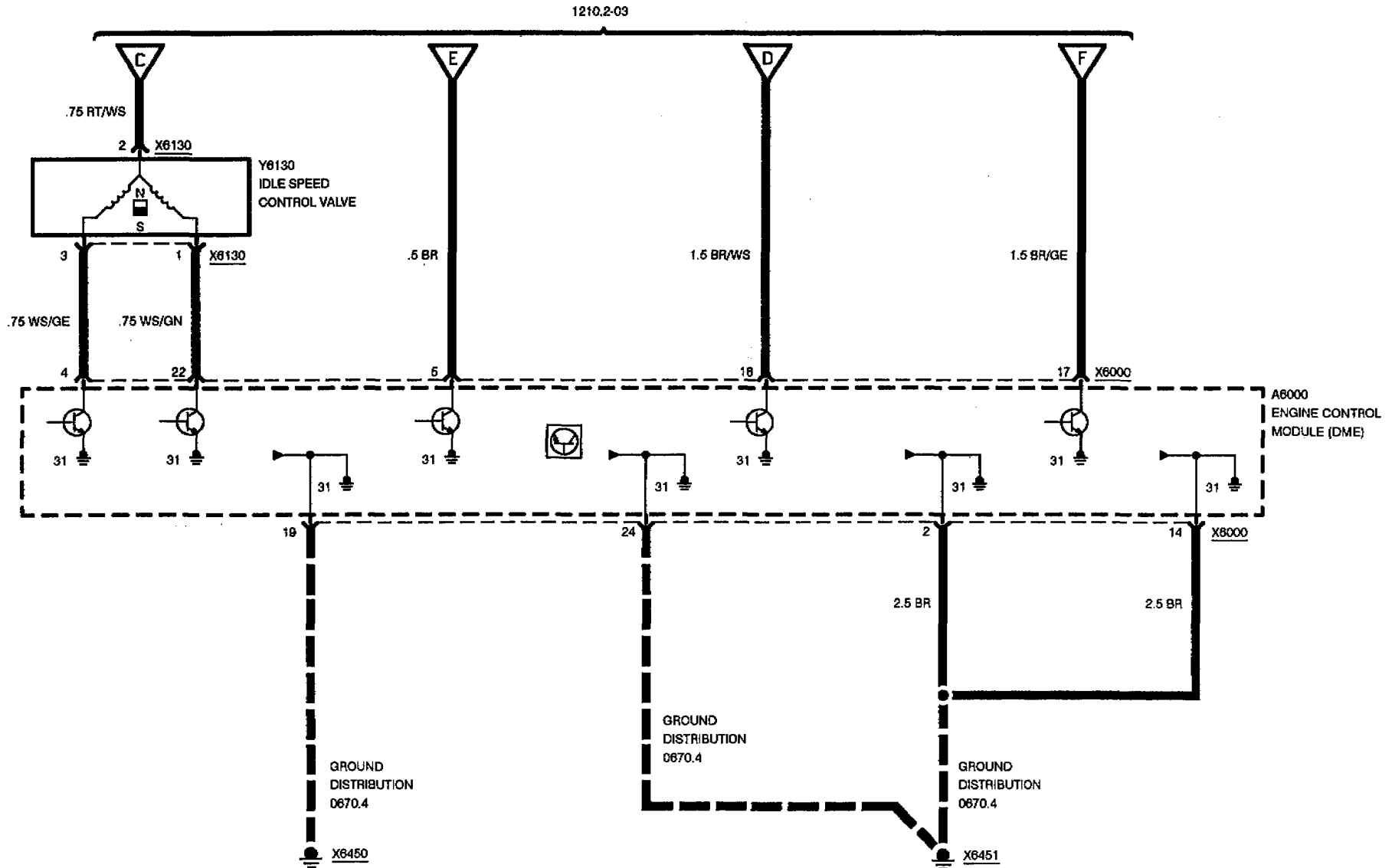


ENGINE CONTROL SYSTEM (DME M1.3, 6-CYLINDER M30) FUEL INJECTION VALVES



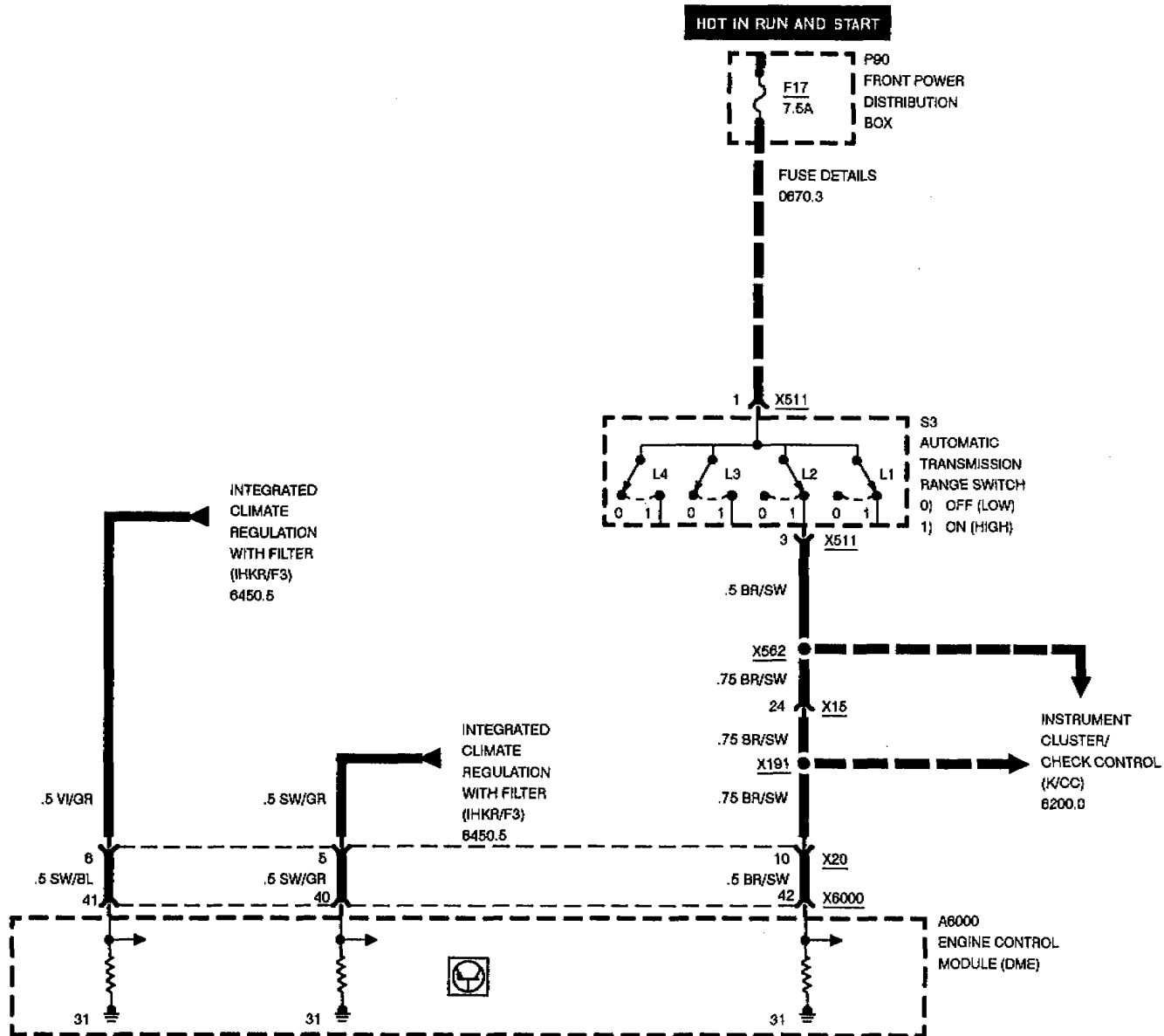


ENGINE CONTROL SYSTEM (DME M1.3, 6-CYLINDER M30)





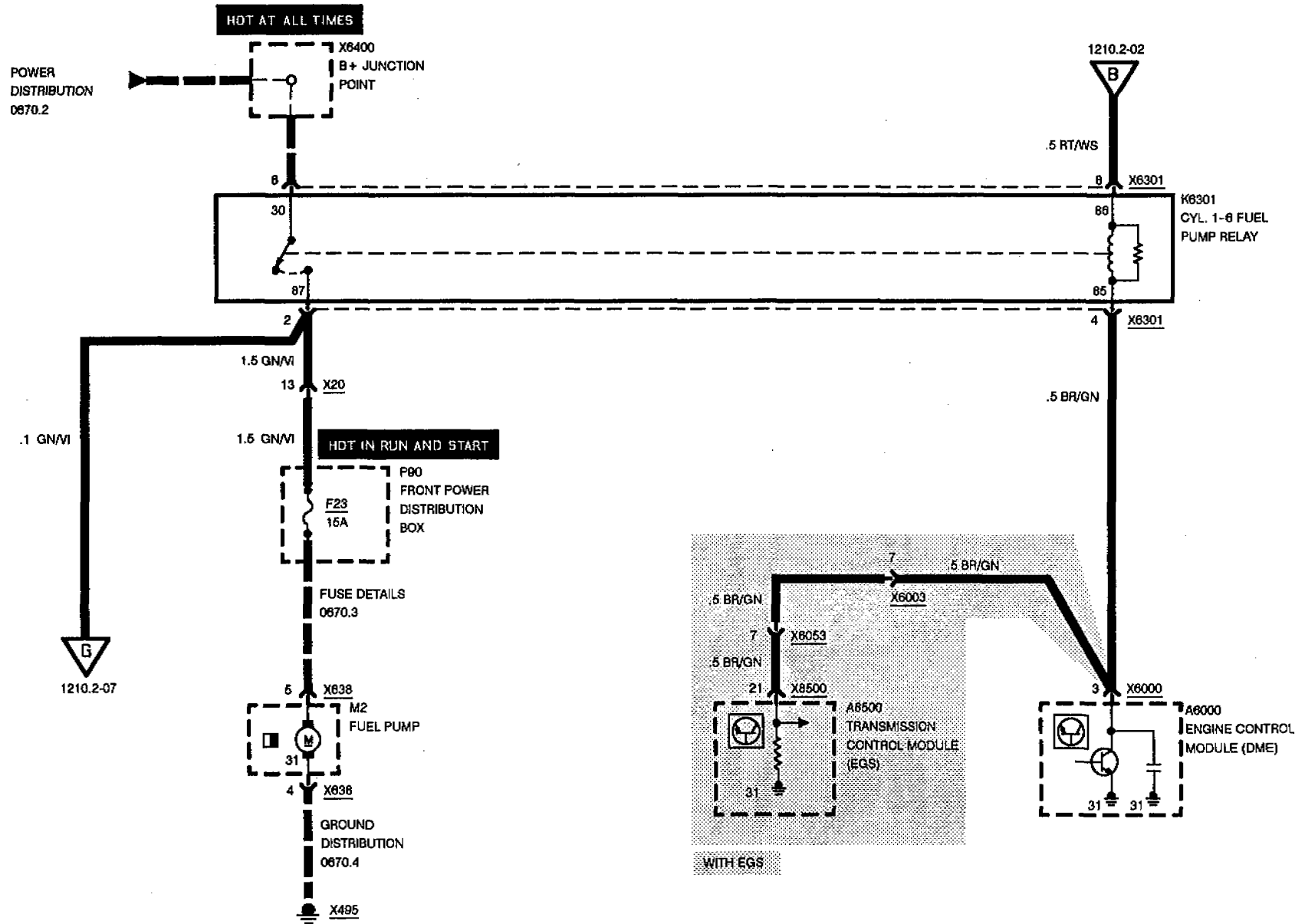
ENGINE CONTROL SYSTEM (DME M1.3, 6-CYLINDER M30)



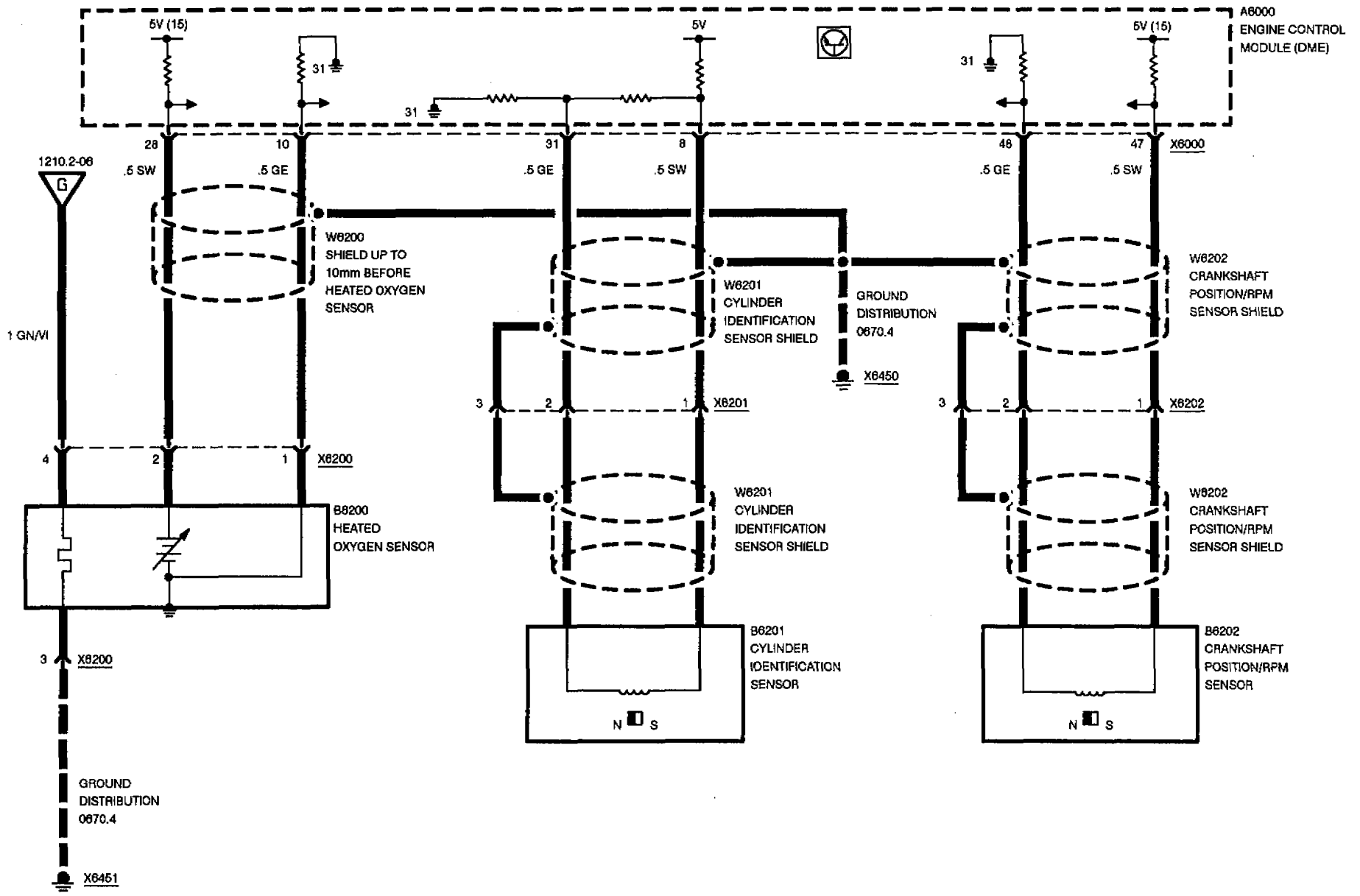
EGS 4HP 22

	L1	L2	L3	L4
P	1	1	0	0
R	1	0	0	1
N	0	1	1	0
D	0	0	0	1
3	0	0	1	0
2	1	0	0	0
1	1	0	1	0

ENGINE CONTROL SYSTEM (DME M1.3, 6-CYLINDER M30)

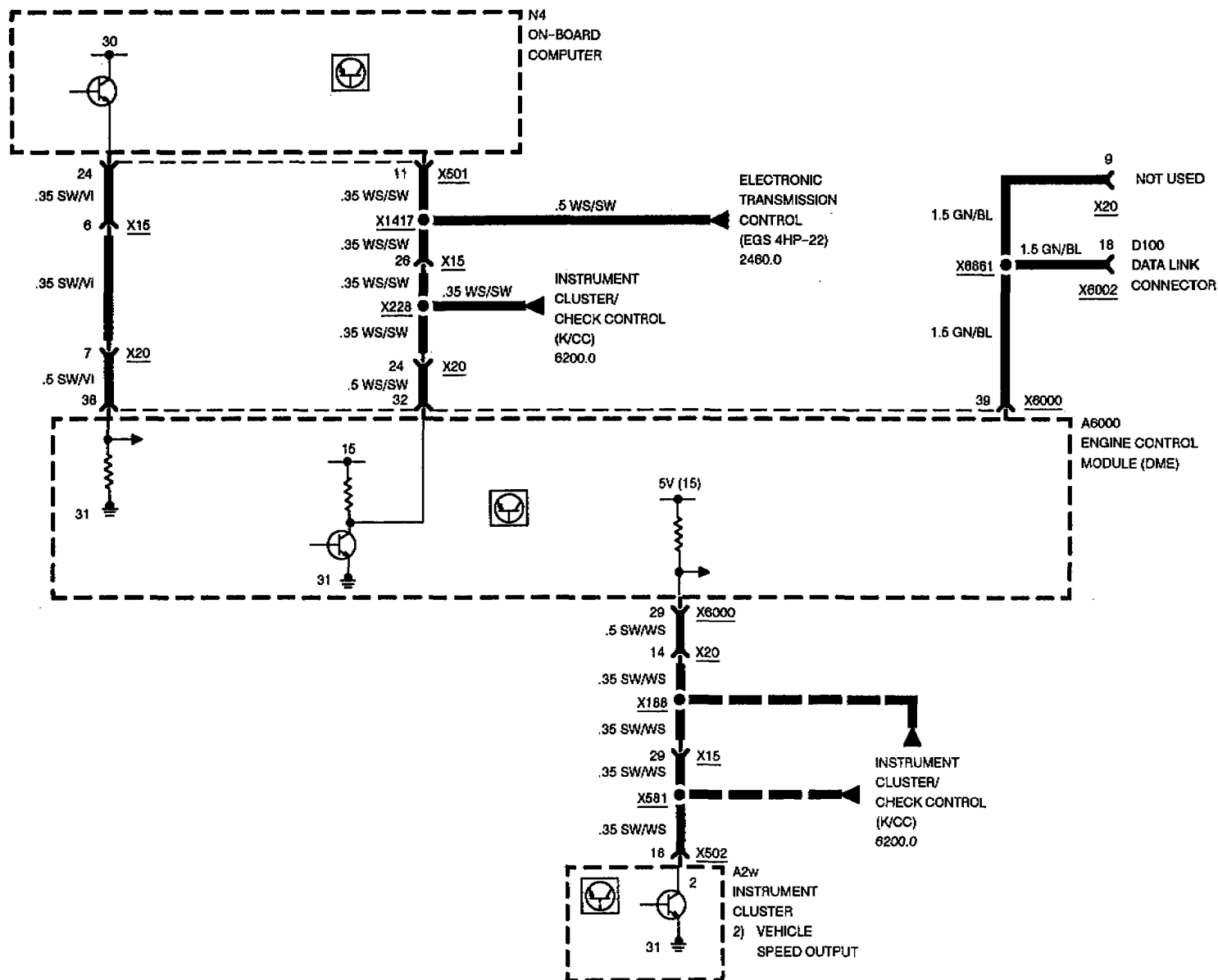


ENGINE CONTROL SYSTEM (DME M1.3, 6-CYLINDER M30)

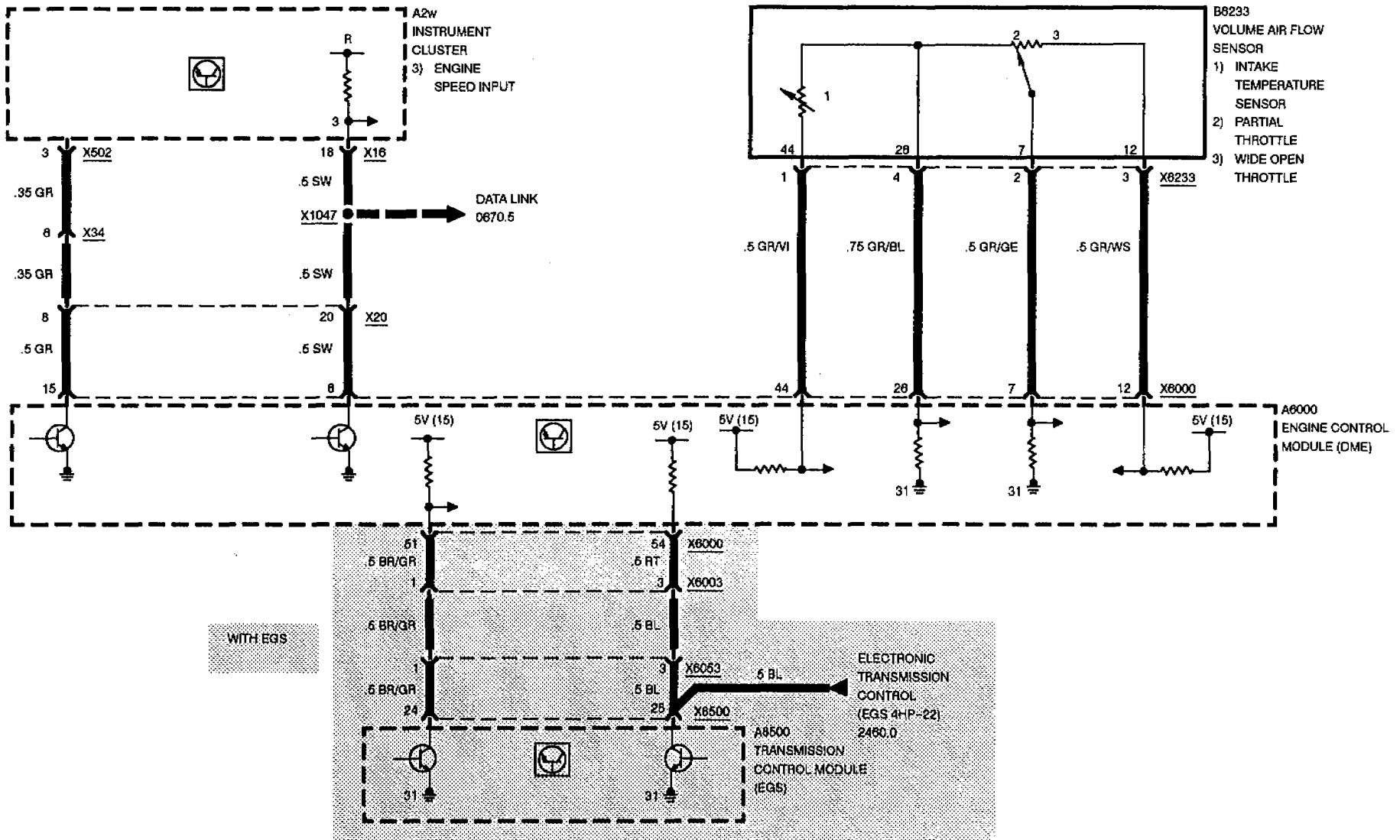




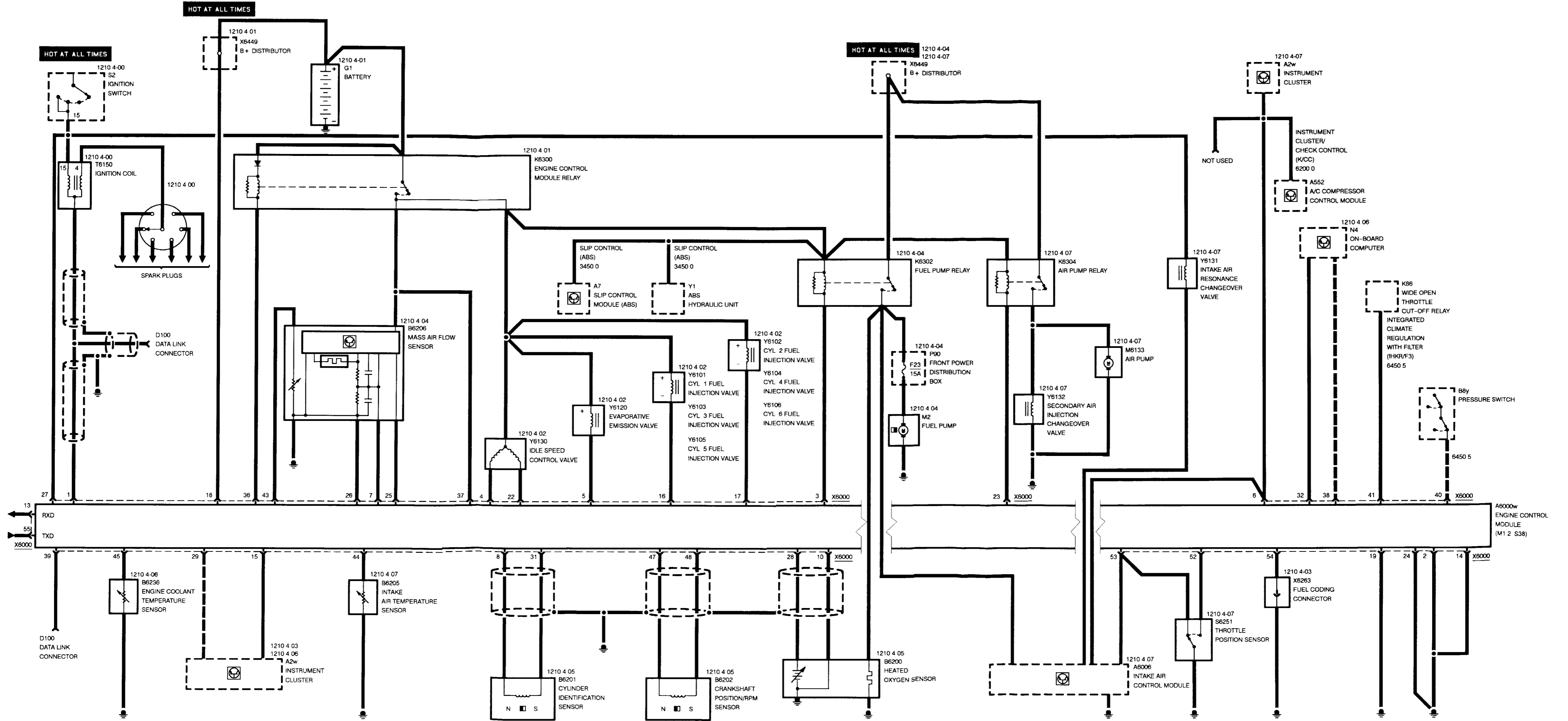
ENGINE CONTROL SYSTEM (DME M1.3, 6-CYLINDER M30)

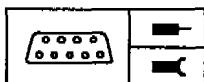


ENGINE CONTROL SYSTEM (DME M1.3, 6-CYLINDER M30)







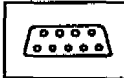


Pin Assignments

X6000

Pin	Type	Description/Function	Connection
1	A	Ignition terminal	Ignition coil
2	M	Ground	Ground point
3	A	Fuel pump relay control	Fuel pump relay
4	A	Idle speed control valve control	Idle speed control valve
5	A	Evaporative emission valve control	Evaporative emission valve
6	A	Crankshaft RPM speed signal TD	Instrument cluster
7	E	Mass air flow signal	Mass air flow sensor
8	E	Cylinder identification sensor (ignition)	Cylinder identification sensor
9		Not used	
10	M	Oxygen sensor signal ground	Oxygen sensor
11		Not used	
12		Not used	
13	E	RxD diagnostic data line	Data link connector
14	M	Ground, fuel injection valve output stages	Ground point
15	A	"Check engine" indicator control	Instrument cluster
16	A	Cyl. 1, cyl. 2, and cyl. 3 fuel injection valves control	Cyl. 1, cyl. 2, and cyl. 3 fuel injection valves
17	A	Cyl. 4, cyl. 5, and cyl. 6 fuel injection valves control	Cyl. 4, cyl. 5, and cyl. 6 fuel injection valves
18	E	Battery voltage	B+ distributor
19	M	Ground, for electronics and sensor shields	Ground point
20		Not used	
21		Not used	
22	A	Idle speed control valve control	Idle speed control valve
23	A	Air pump relay control	Air pump relay
24	M	Ground, remaining output stages (except for ignition and fuel injection valves)	Ground point
25	A	Preheating	Mass air flow sensor
26	M	Ground for mass air flow sensor	Mass air flow sensor
27	E	Ignition switch, terminal 15	Ignition switch, terminal 15
28	E	Oxygen sensor signal	Oxygen sensor

E = Input, A = Output, M = Ground

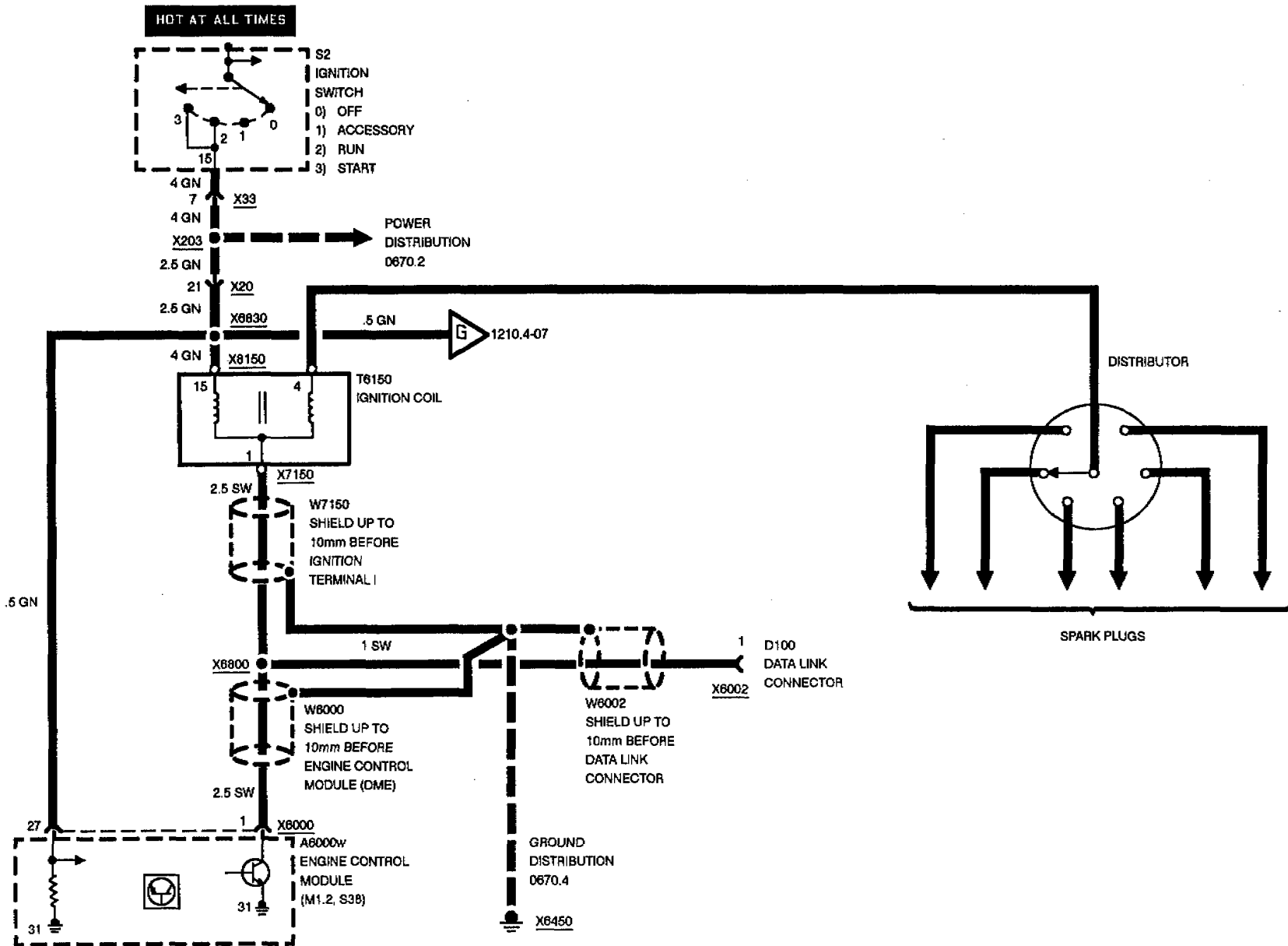


Pin Assignments

Pin	Type	Description/Function	Connection
29	E	Vehicle speed signal	Instrument cluster
30		Not used	
31	E	Cylinder identification sensor (ignition)	Cylinder identification sensor
32	A	ti Measuring signal (KVA signal)	On-board computer
33		Not used	
34		Not used	
35		Not used	
36	A	Engine control module relay control	Engine control module relay
37	E	Battery voltage from engine control module relay	Engine control module relay
38	E	Drive away protection signal	On-board computer
39	E	Programming voltage	Data link connector
40	E	A/C compressor signal	Pressure switch, compressor control relay
41	E	Auxiliary fan signal	Wide open throttle cut-off relay
42		Not used	
43	E	Idle CO potentiometer	Mass air flow sensor
44	E	Engine intake air temperature	Engine intake air temperature sensor
45	E	Engine coolant temperature	Engine coolant temperature sensor
46		Not used	
47	E	Inductive pulse generator (connection A)	Crankshaft RPM sensor
48	E	Inductive pulse generator (connection B)	Crankshaft RPM sensor
49		Not used	
50		Not used	
51		Not used	
52	E	Idle signal	Throttle position sensor
53	E	Full load signal VL	Throttle position sensor and intake air control module
54	E	Coding signal	Fuel coding connector
55	E/A	TxD diagnostic data line	Data link connector

E = Input, A = Output, M = Ground

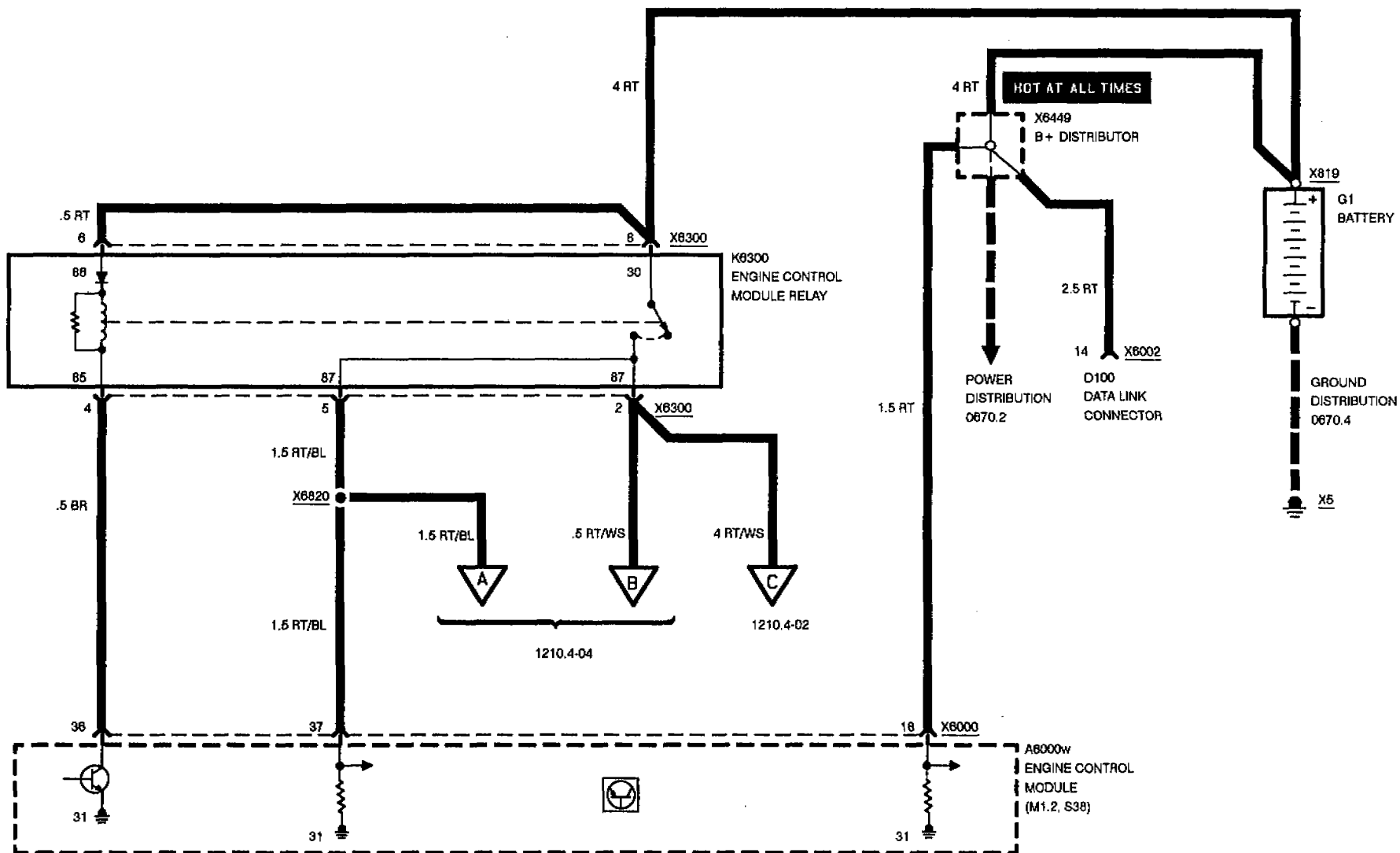






ENGINE CONTROL SYSTEM (DME M1.2, 6-CYLINDER S38)

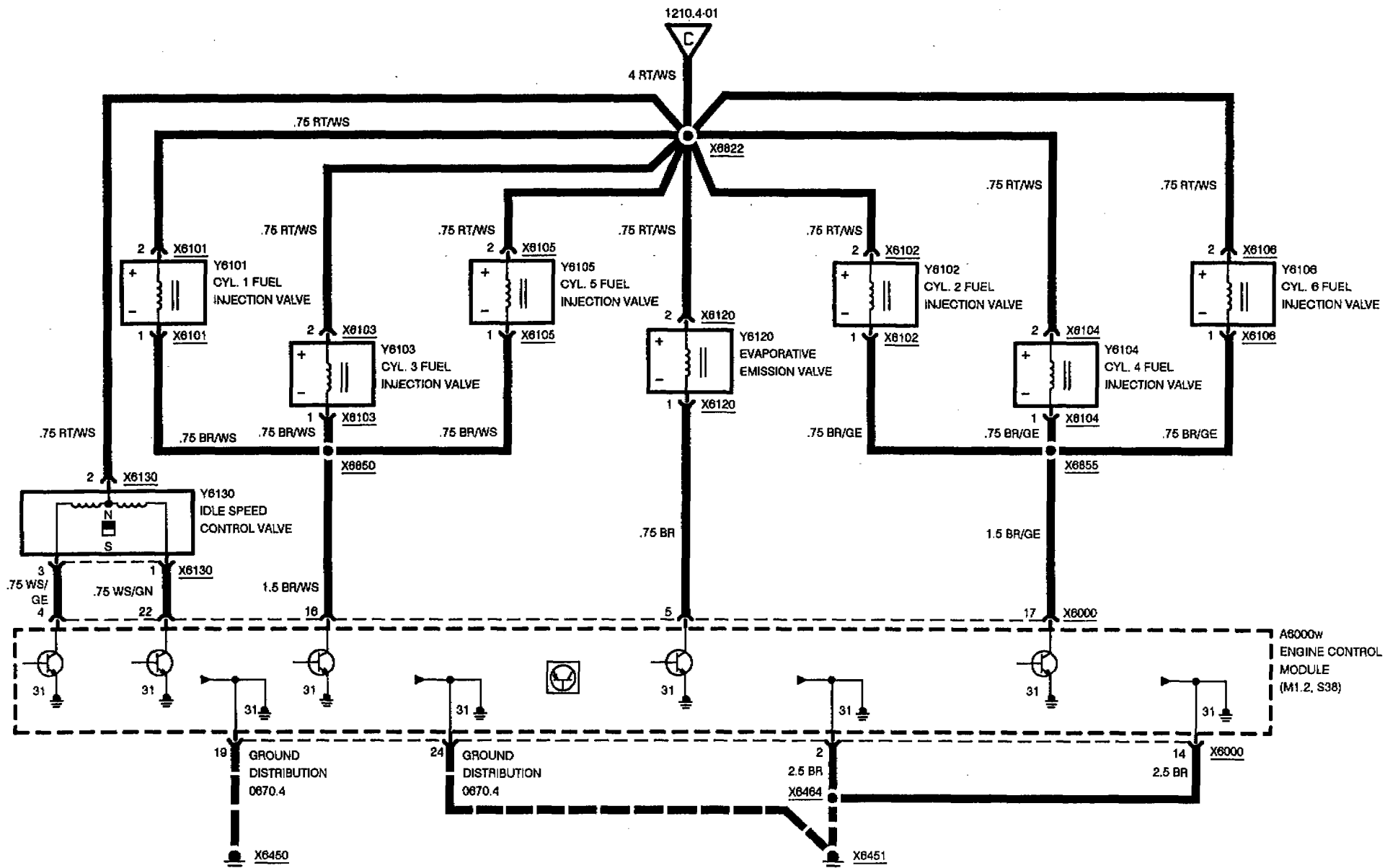
M5

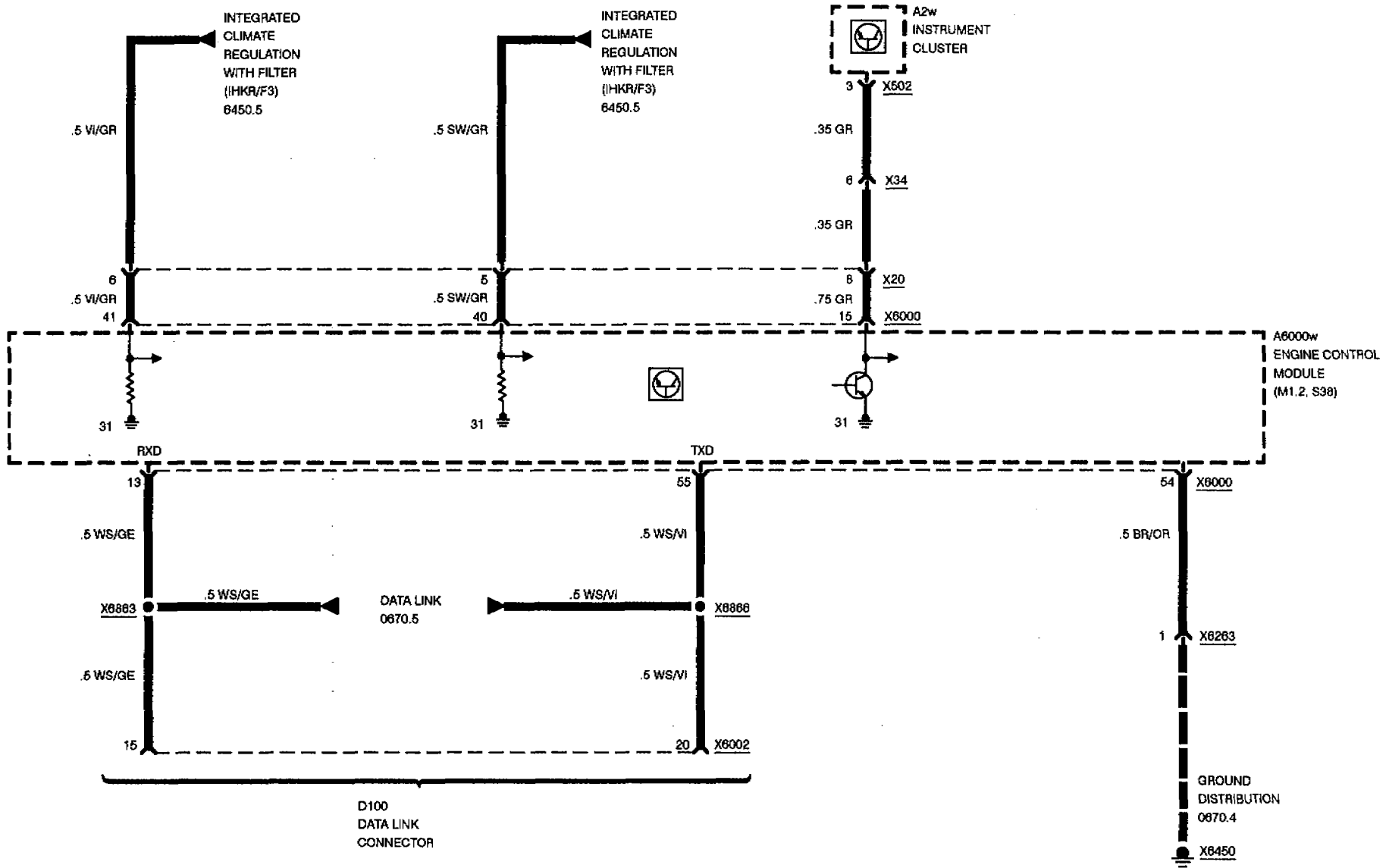


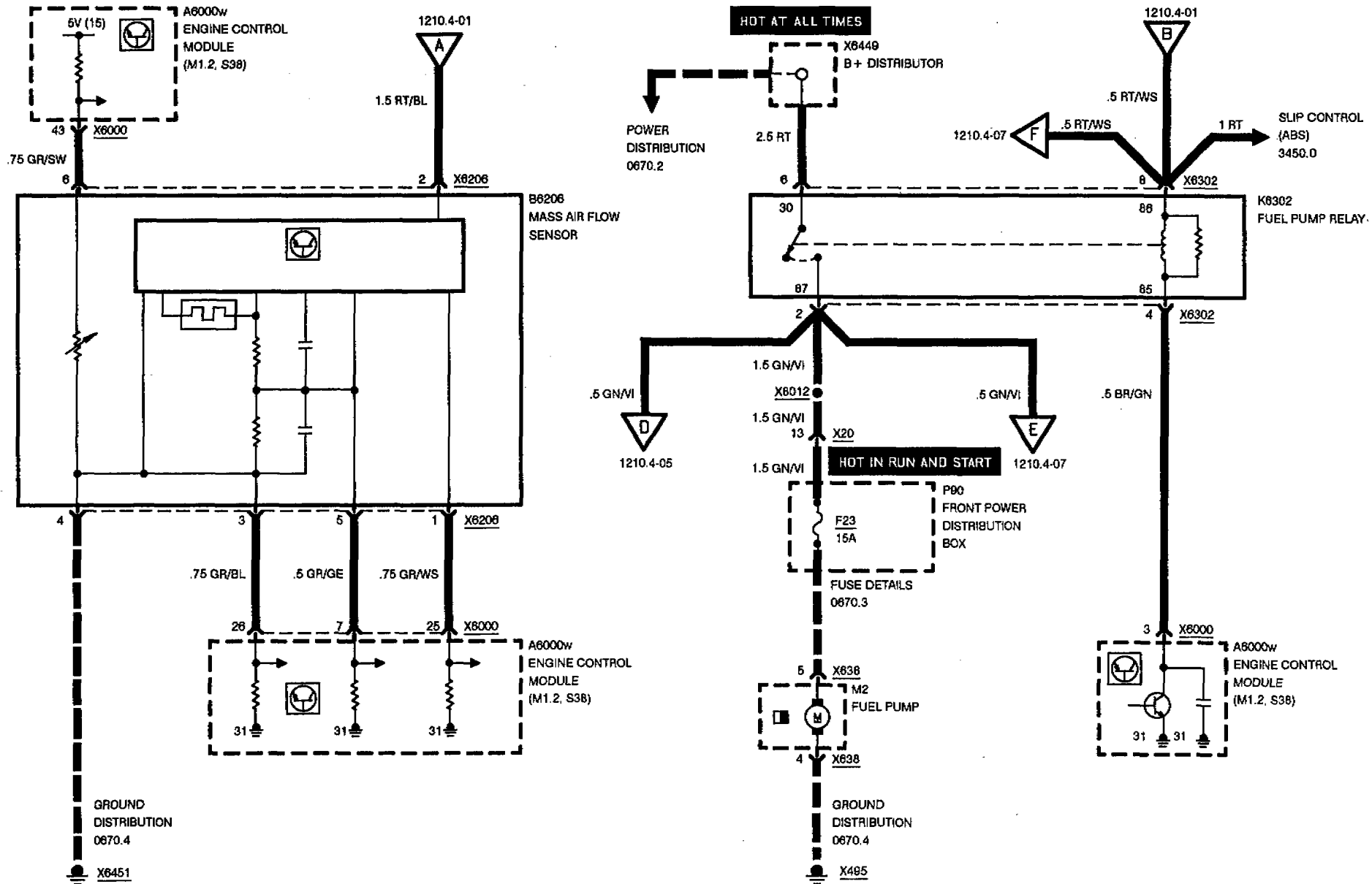
12/93

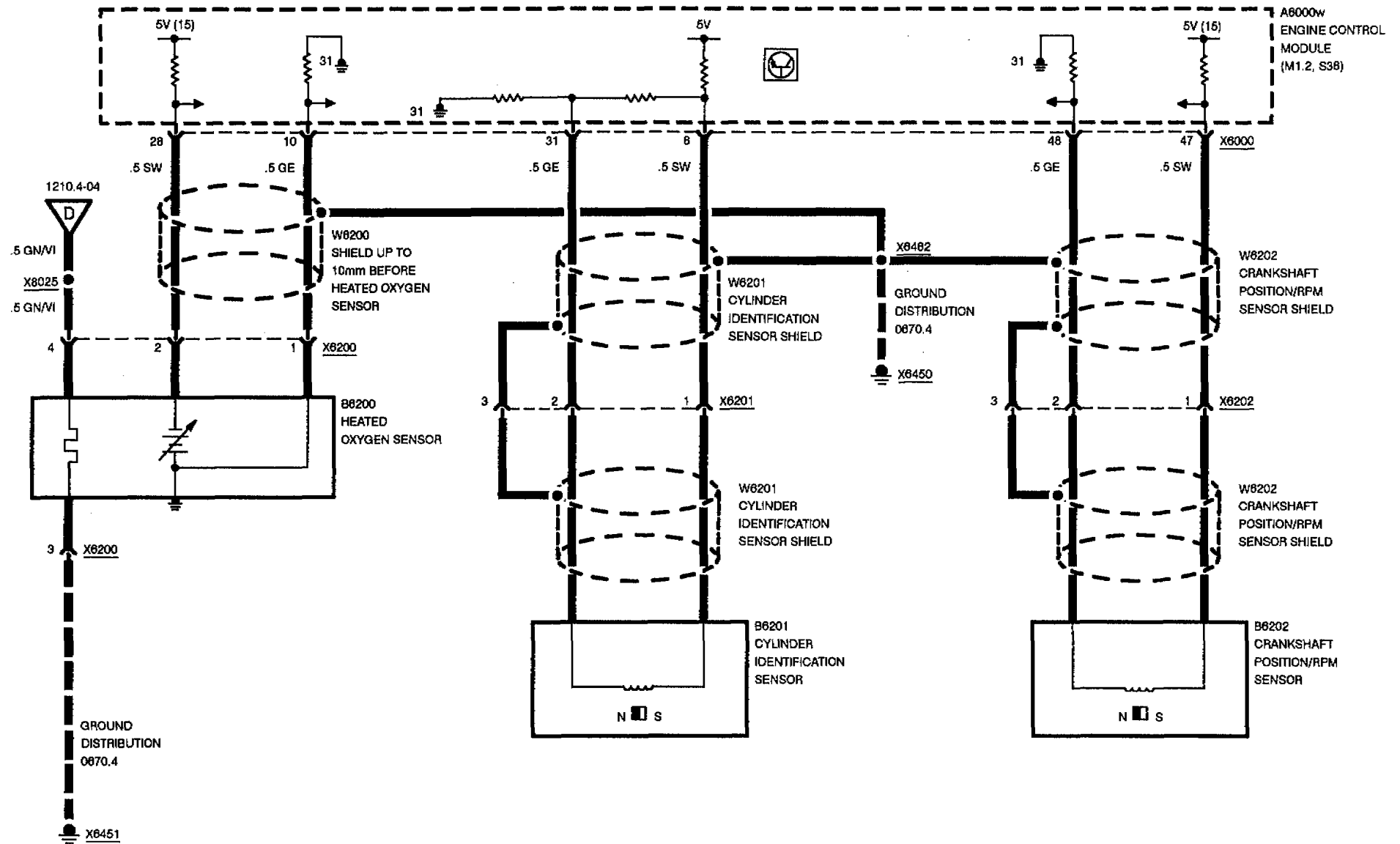
1210.4-01

1993





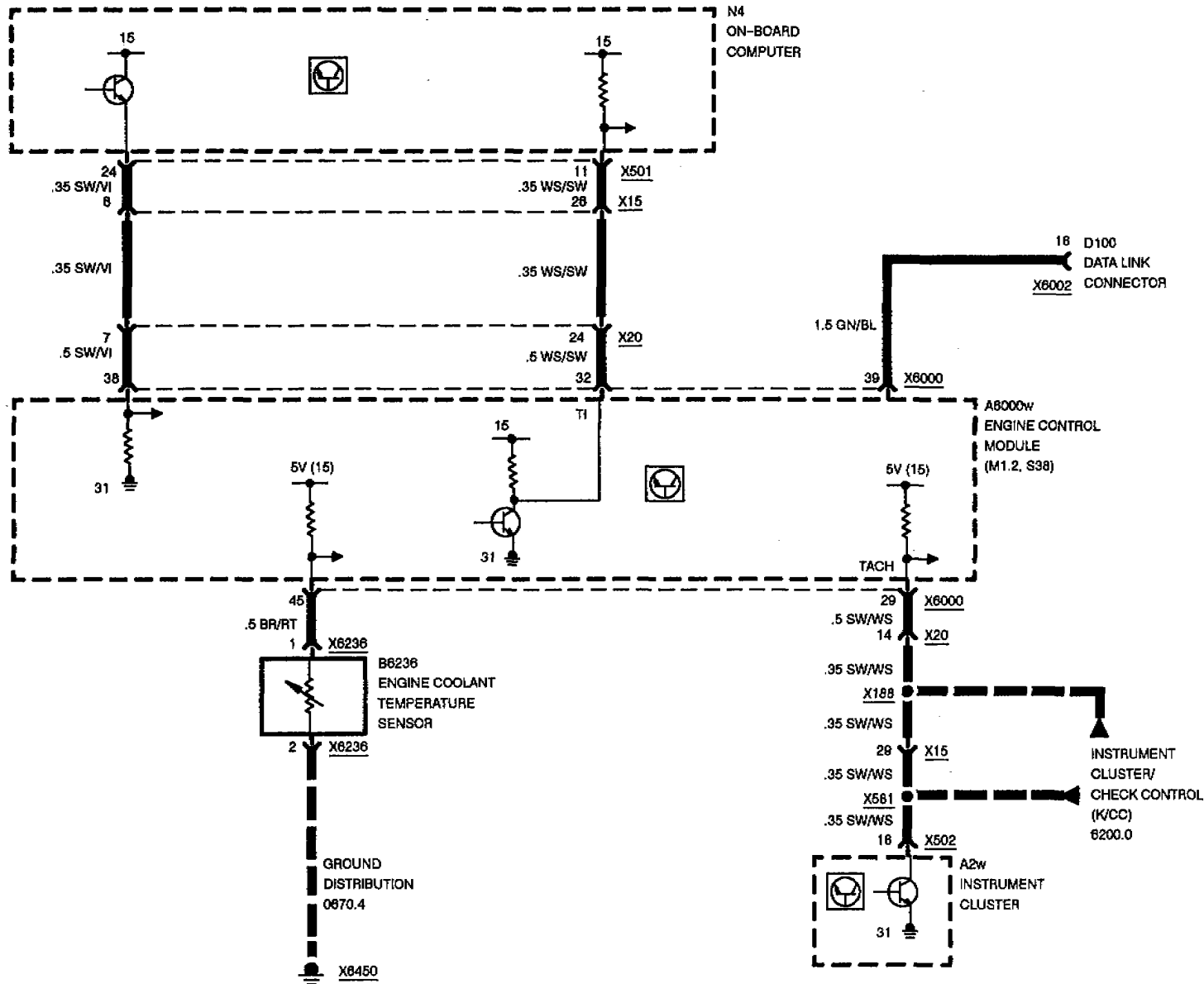


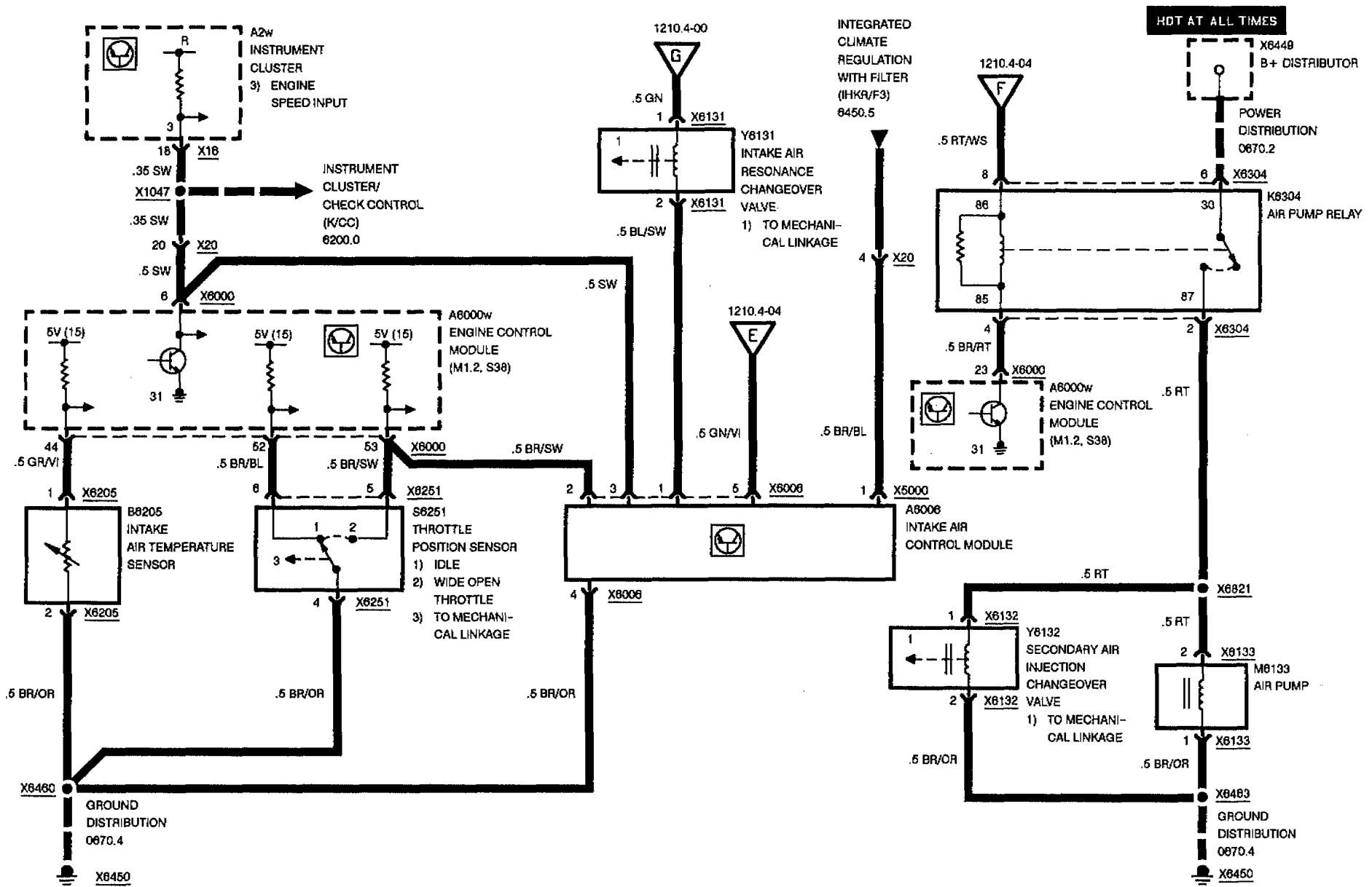




ENGINE CONTROL SYSTEM (DME M1.2, 6-CYLINDER S38)

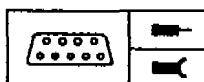
M5





BMW
5

1210.4-08

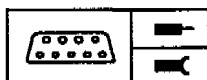


Pin Assignments

X6000

Pin	Type	Description/Function	Connection
1	A	Fuel pump relay control	Fuel pump relay, terminal 85
2	A	Idle speed control valve - close winding control	Idle speed control valve
3	A	Cyl. 5 fuel injection valve control	Cyl. 5 fuel injection valve
4	A	Cyl. 6 fuel injection valve control	Cyl. 6 fuel injection valve
5	A	Cyl. 4 fuel injection valve control	Cyl. 4 fuel injection valve
6	M	Ground, fuel injection valve output stages	Ground point
7	A	Camshaft actuator control	Camshaft actuator
8	A	"Check engine" indicator	Instrument cluster
9		Not used	
10		Not used	
11	A	Throttle valve position	Transmission control module (EGS)
12		Not used	
13	E	Oxygen sensor signal	Heated oxygen sensor
14	A	Hot wire air mass meter	Hot wire air mass meter
15	M	Ground	Ground point
16	E	Crankshaft RPM sensor + signal	Crankshaft RPM sensor
17	E	Crankshaft position sensor	Hall effect camshaft sensor
18		Not used	
19		Not used	
20		Not used	
21		Not used	
22		Not used	
23	A	Cyl. 4 ignition coil control	Cyl. 4 ignition coil
24	A	Cyl. 6 ignition coil control	Cyl. 6 ignition coil
25	A	Cyl. 5 ignition coil control	Cyl. 5 ignition coil
26	E	Terminal 30 voltage supply	B + junction point
27	A	Engine control module relay control	Engine control module relay
28	M	Ground for electronics and shielding of sensors	Ground point

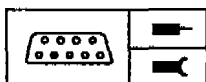
E = Input, A = Output, M = Ground



Pin Assignments

Pin	Type	Description/Function	Connection
29	A	Idle speed control valve – opening winding control	Idle speed control valve
30		Not used	
31	A	Cyl. 3 fuel injection valve control	Cyl. 3 fuel injection valve
32	A	Cyl. 2 fuel injection valve control	Cyl. 2 fuel injection valve
33	A	Cyl. 1 fuel injection valve control	Cyl. 1 fuel injection valve
34	M	Ground, remaining output stages (except for ignition and fuel injection valves)	Ground point
35		Not used	
36	A	Evaporation emission valve control	Evaporative emission valve
37		Not used	
38	A	Oxygen sensor, heater control	Oxygen sensor relay
39		Not used	
40	M	Oxygen sensor signal ground	Heated oxygen sensor
41	E	Hot wire air mass meter	Hot wire air mass meter
42	E	Vehicle speed signal TD	Instrument cluster
43	E	Crankshaft RPM sensor – signal	Crankshaft RPM sensor
44	A	Ground for sensors	Engine intake air temperature sensor, engine coolant temperature sensor, and throttle position sensor
45	A	Ground	Shield Ignition
46	A	ti measurement signal (fuel consumption)	Instrument cluster
47	A	Crankshaft RPM speed signal TD	Instrument cluster
48	A	A/C compressor control	Compressor control relay
49		Not used	
50	A	Cyl. 1 ignition coil control	Cyl. 1 ignition coil
51	A	Cyl. 2 ignition coil control	Cyl. 2 ignition coil
52	A	Cyl. 3 ignition coil control	Cyl. 3 ignition coil
53		Not used	
54	E	Battery voltage from engine control module relay	Engine control module relay
55	M	Ground, ignition	Ground point
56	E	Ignition switch, terminal 15	Ignition switch
57	E	Ignition timing intervention	Transmission control module (EGS)

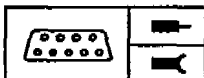
E = Input, A = Output, M = Ground



Pin Assignments

Pin	Type	Description/Function	Connection
58		Not used	
59	A	5V Component supply	Throttle position sensor
60	E	Programming voltage	Data link connector
61		Not used	
62		Not used	
63		Not used	
64	E	Compressor signal	Integrated climate regulation control module
65	E	A/C Pressure signal	Pressure switch
66	E	Drive-away protection signal (code)	On-board computer
67		Not used	
68		Not used	
69	E	Cyl. 4-6 knock sensor	Cyl. 4-6 knock sensor
70	E	Cyl. 1-3 knock sensor	Cyl. 1-3 knock sensor
71	M	Ground for knock sensors and shield	Cyl. 1-3 knock sensor, Cyl. 4-6 knock sensor and shields
72		Not used	
73	E	Throttle position	Throttle position sensor
74		Not used	
75		Not used	
76		Not used	
77	E	Engine intake air temperature	Engine intake air temperature sensor
78	E	Engine coolant temperature	Engine coolant temperature sensor
79		Not used	
80		Not used	
81	E E	Drive range P/N Battery voltage	Transmission range switch/with EGS Engine control module relay/Late Production without EGS
82		Not used	
83		Not used	
84		Not used	
85		Not used	
86		Not used	

E = Input, A = Output, M = Ground



Pin Assignments

Pin	Type	Description/Function	Connection
87	E	RxD diagnostic data line	Data link connector
88	E/A	TxD diagnostic data line	Data link connector

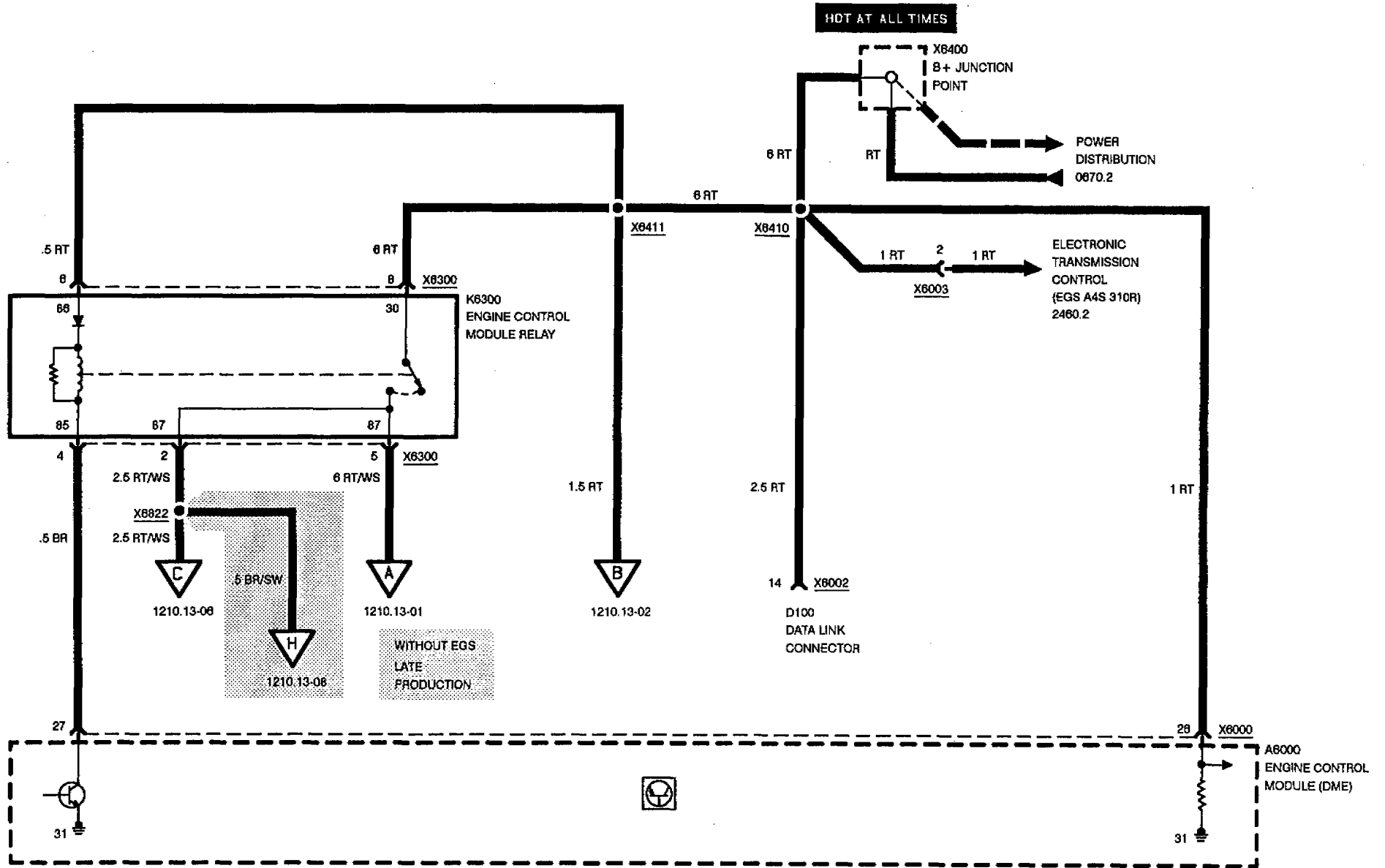
E = Input, A = Output, M = Ground





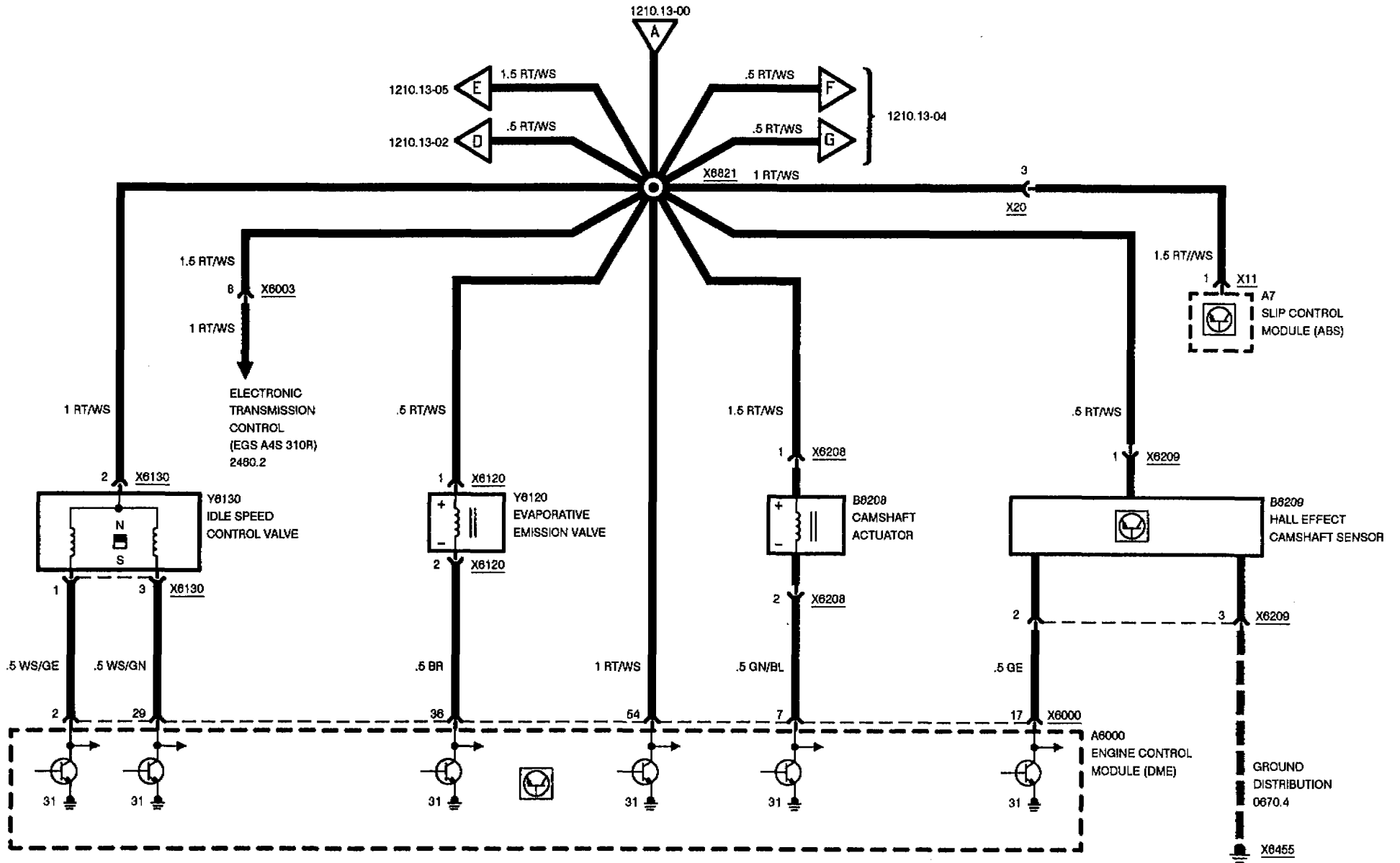
ENGINE CONTROL SYSTEM (DME M3.3.1, 6-CYLINDER M50)

POWER

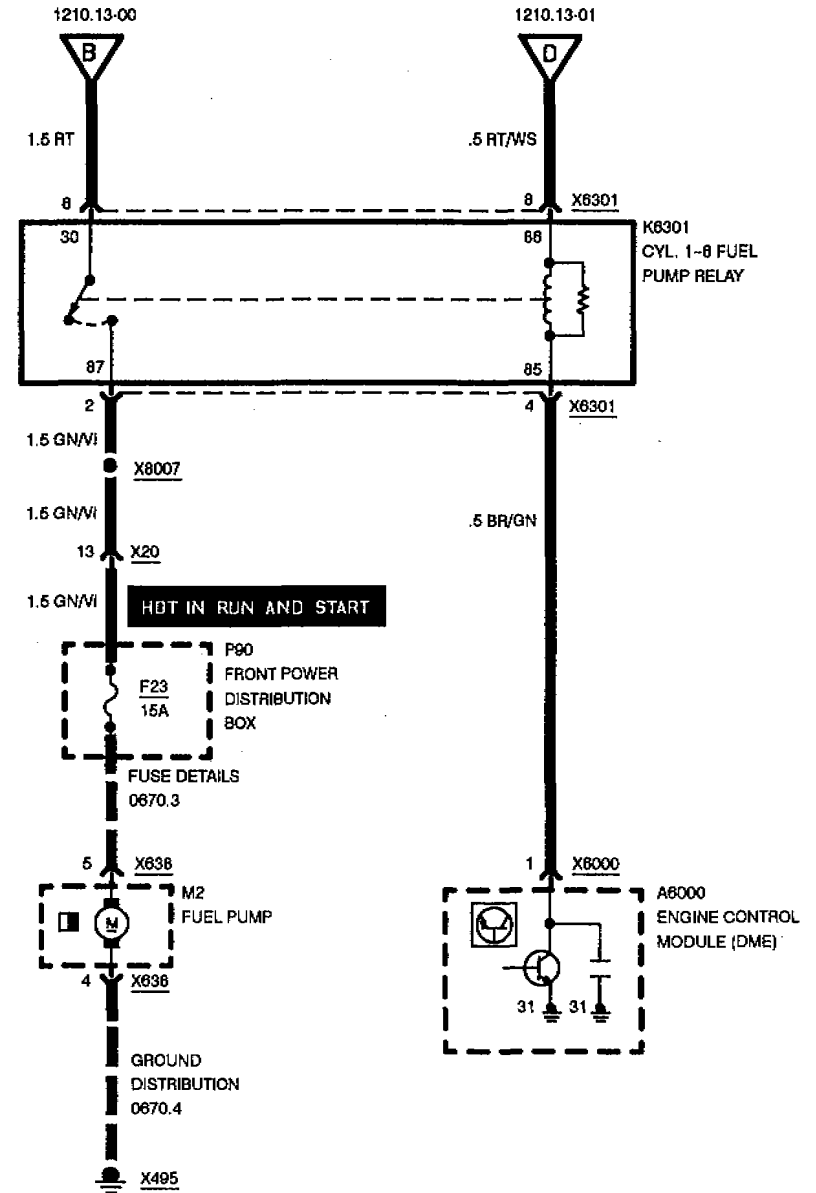
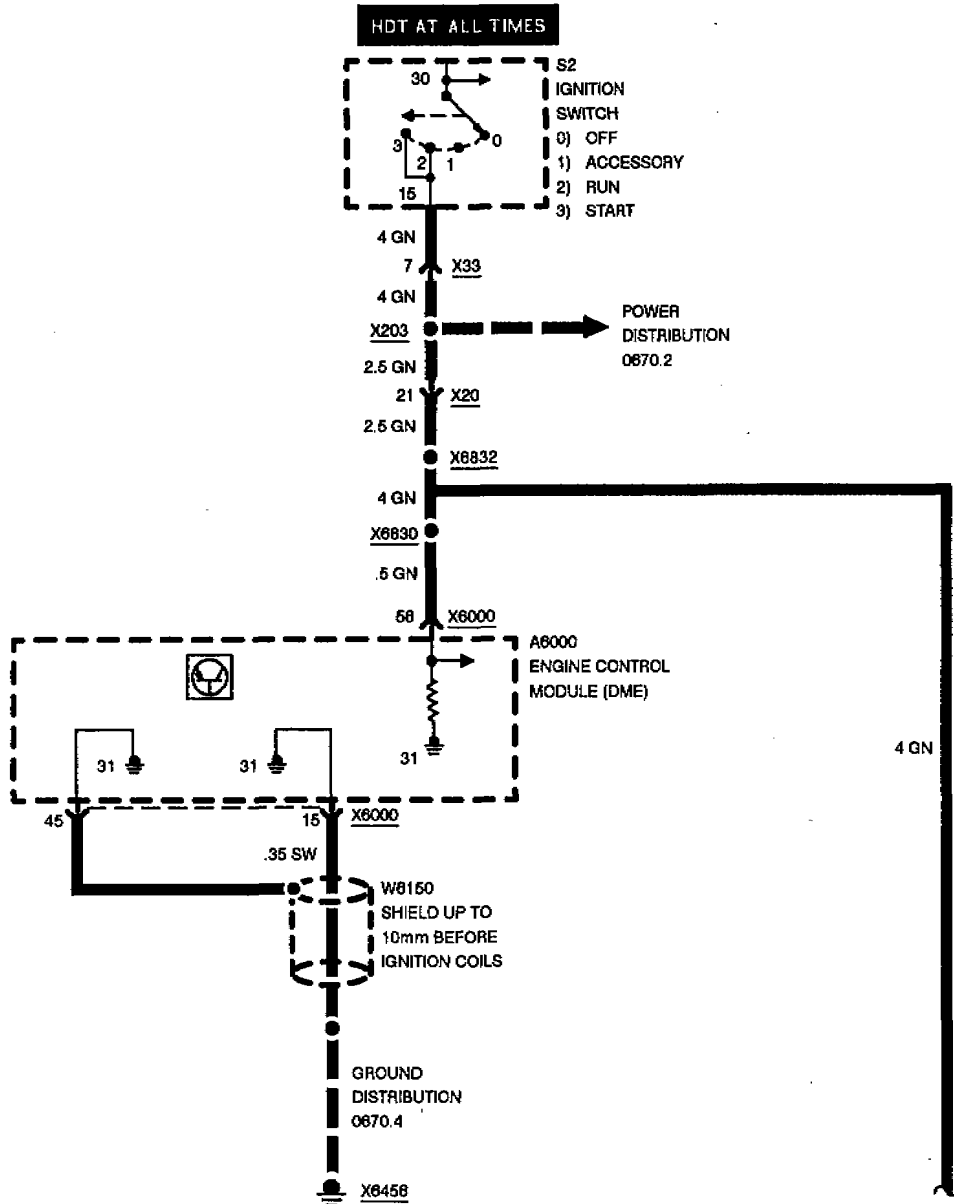


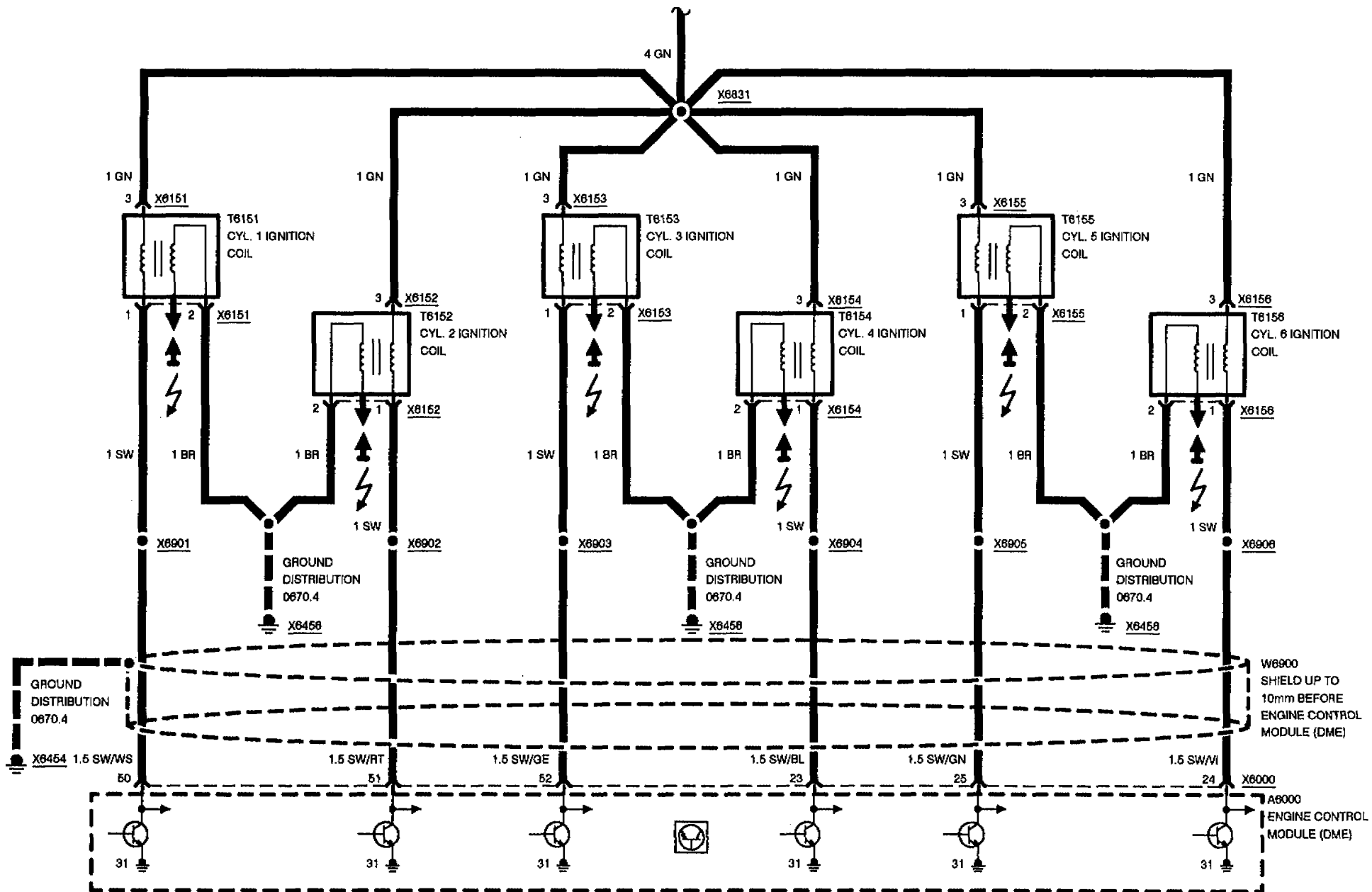


ENGINE CONTROL SYSTEM (DME M3.3.1, 6-CYLINDER M50)



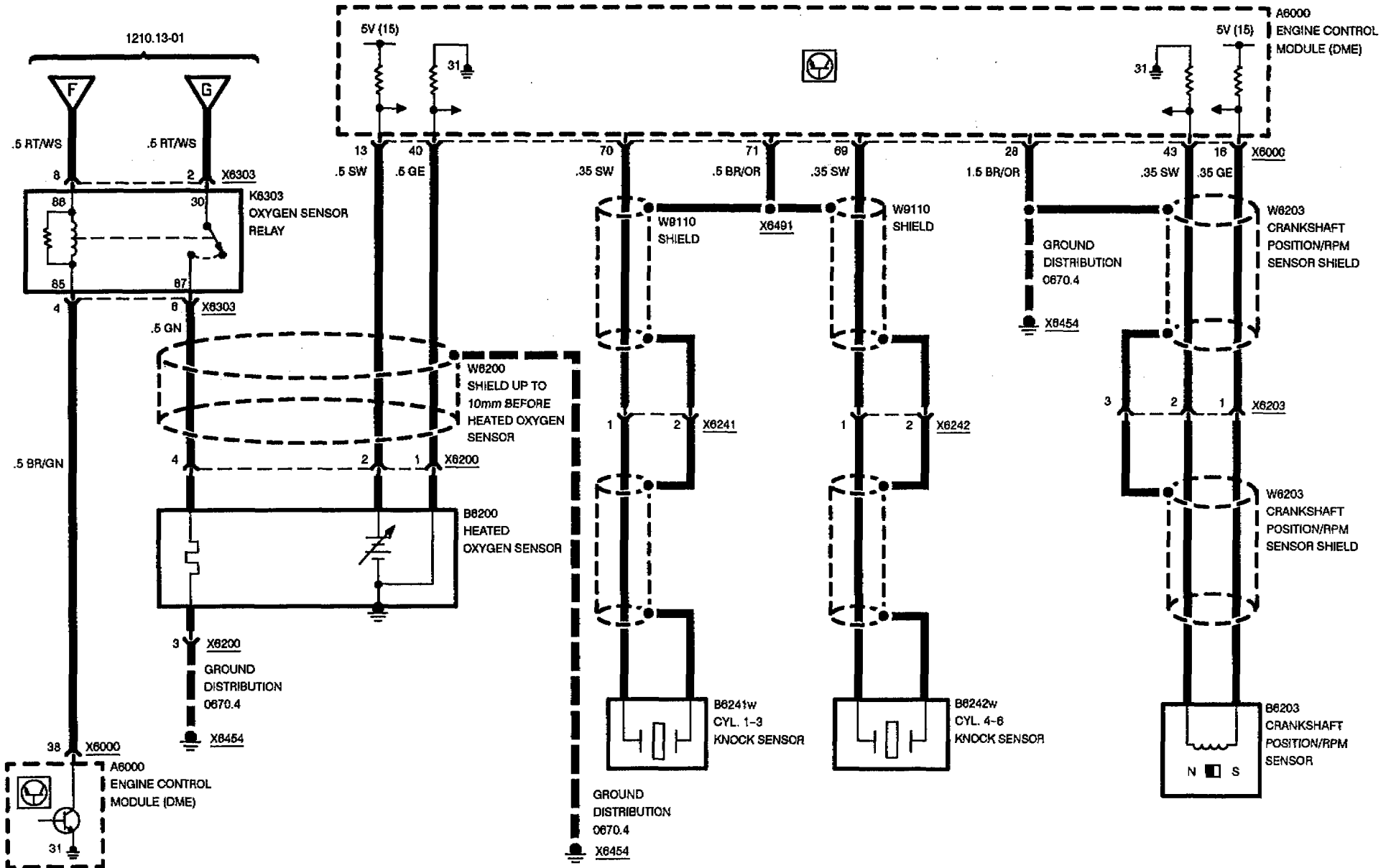
ENGINE CONTROL SYSTEM (DME M3.3.1, 6-CYLINDER M50)





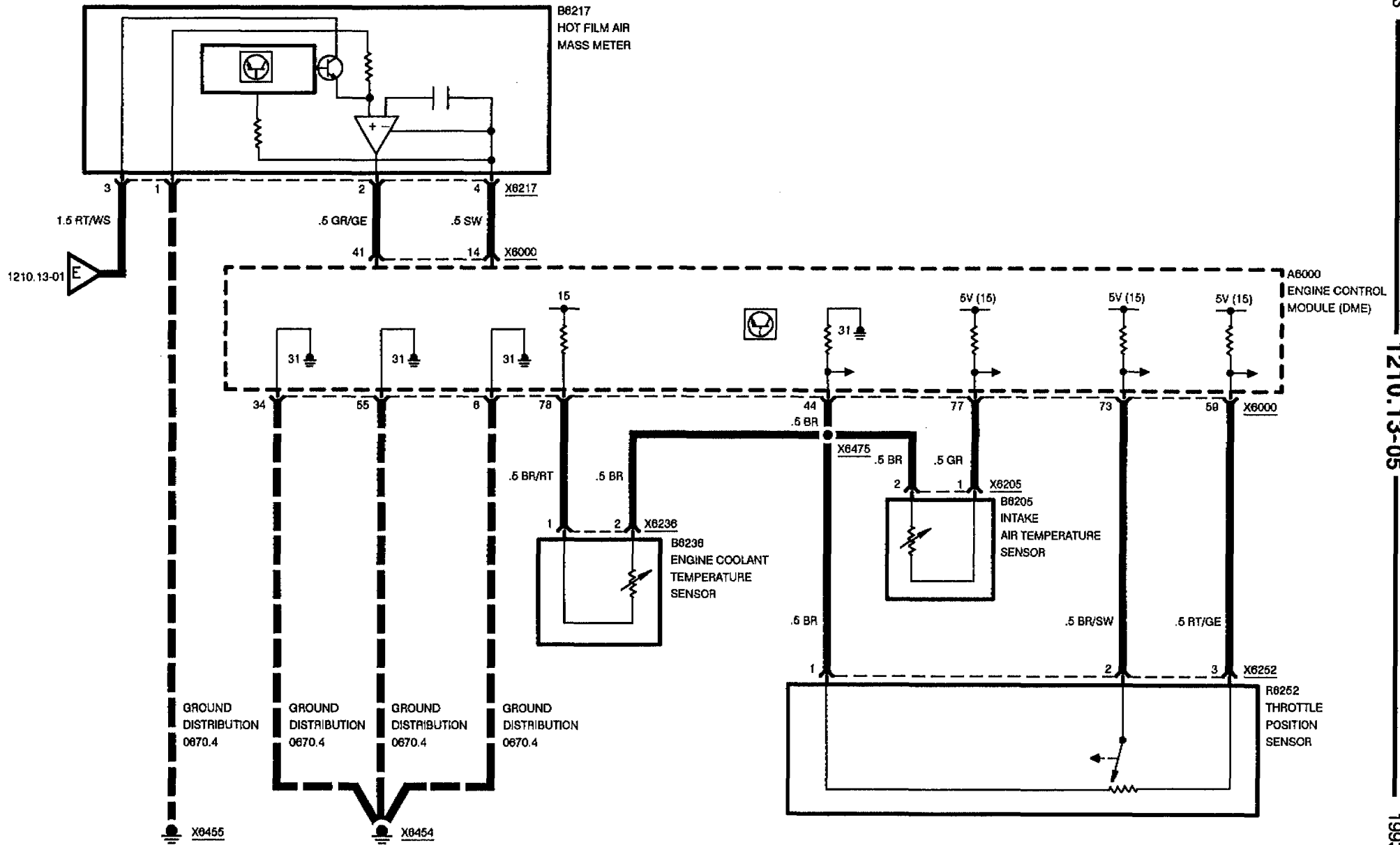


ENGINE CONTROL SYSTEM (DME M3.3.1, 6-CYLINDER M50)



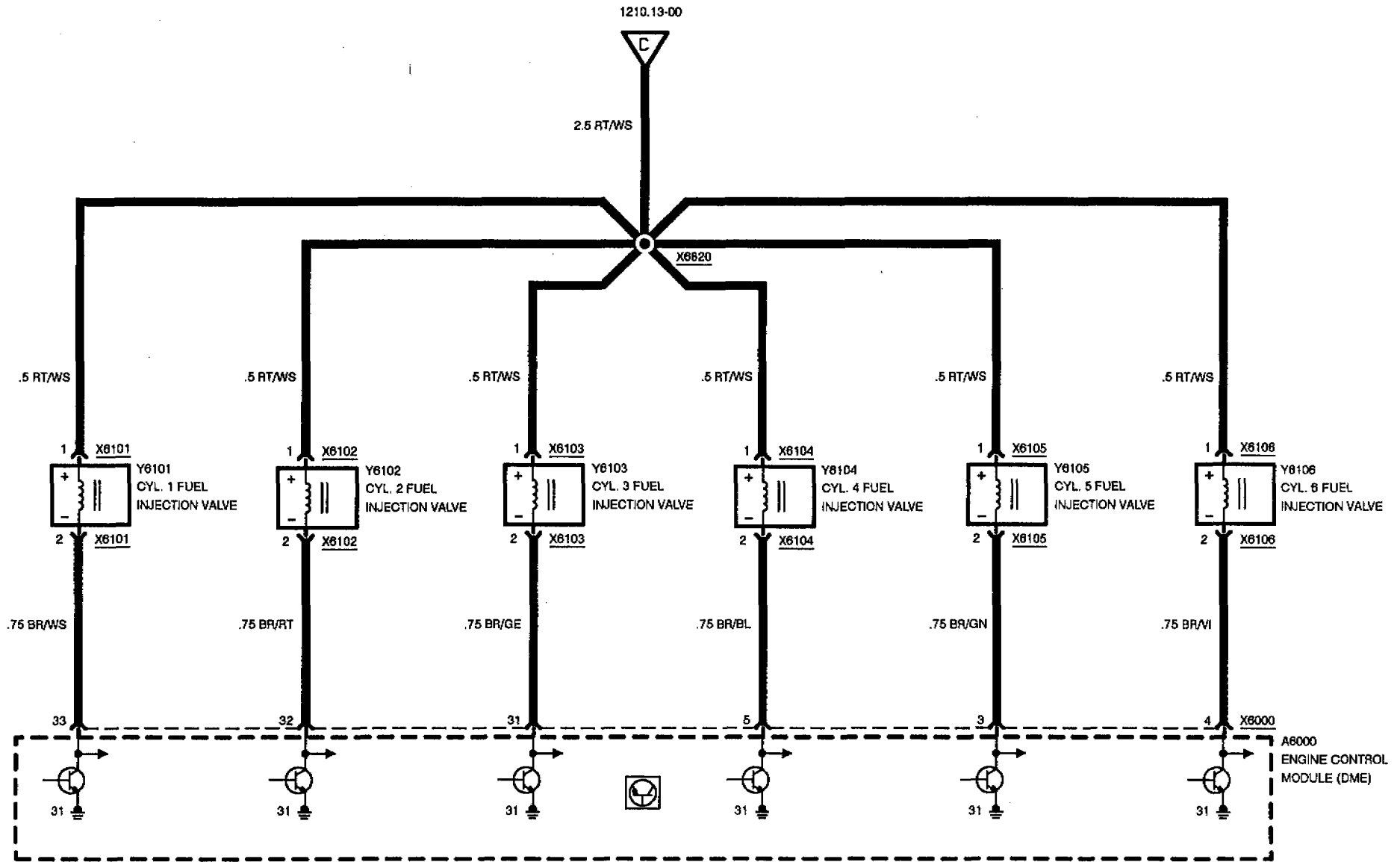


ENGINE CONTROL SYSTEM (DME M3.3.1, 6-CYLINDER M50)



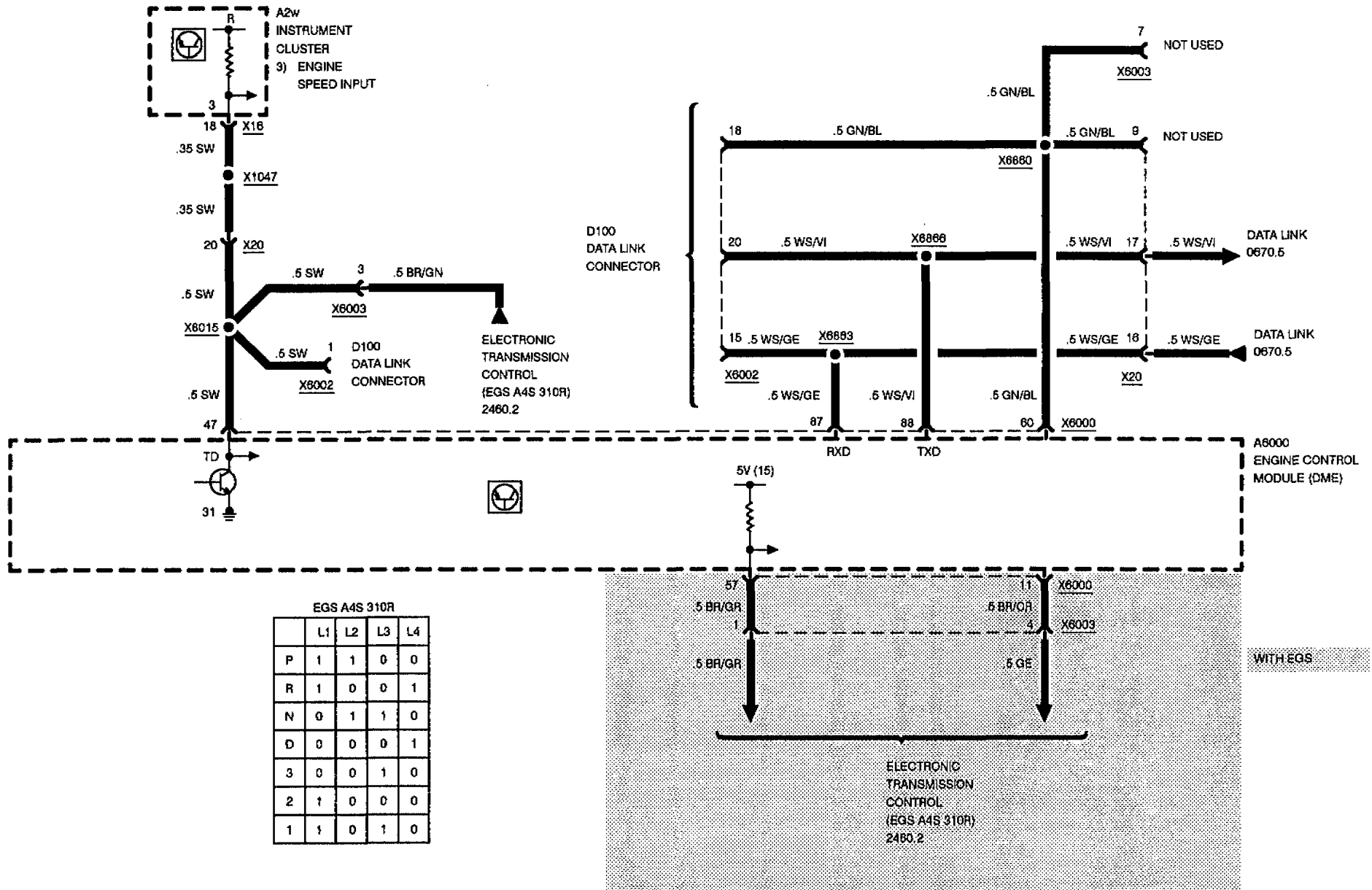


ENGINE CONTROL SYSTEM (DME M3.3.1, 6-CYLINDER M50)



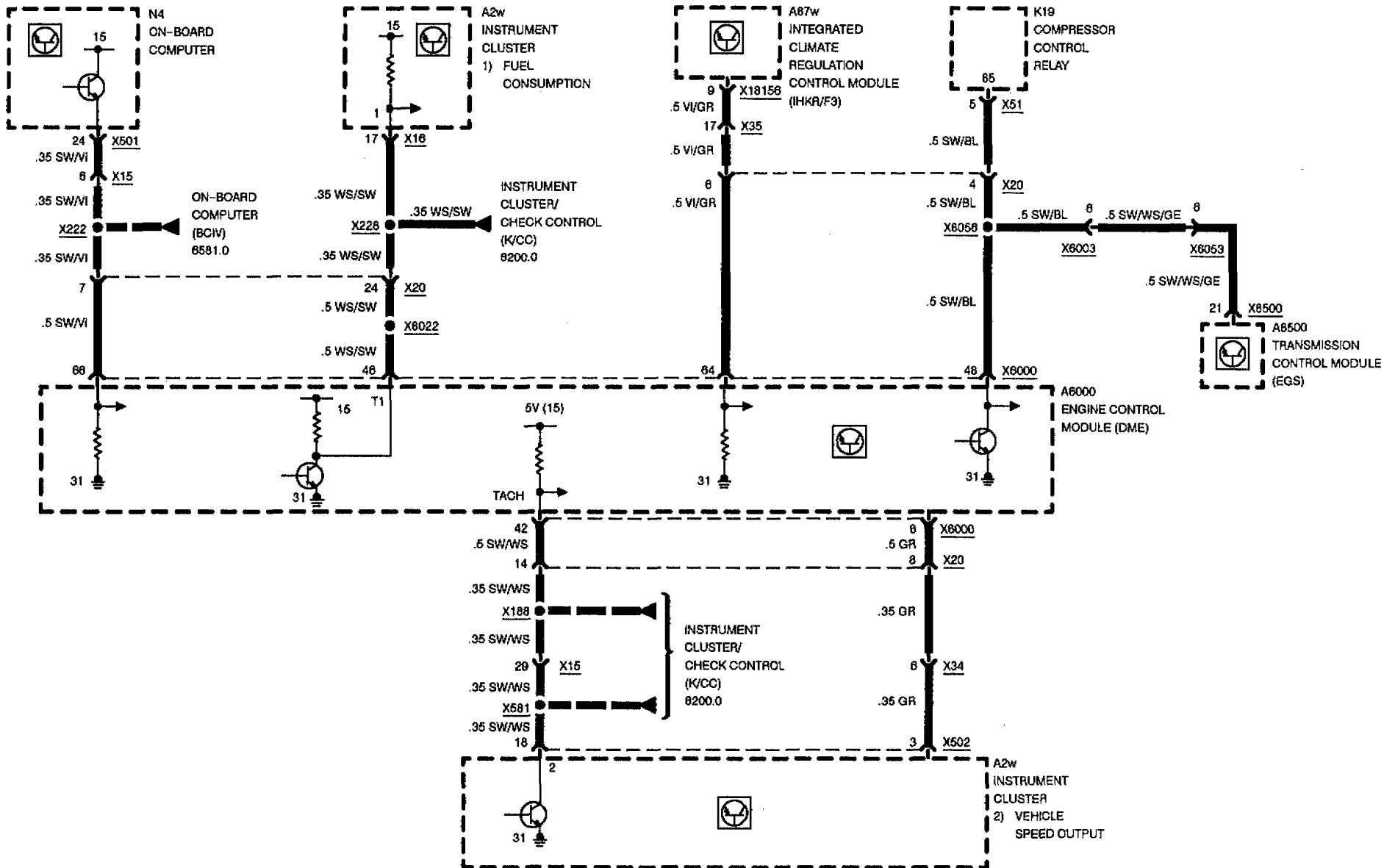


ENGINE CONTROL SYSTEM (DME M3.3.1, 6-CYLINDER M50)

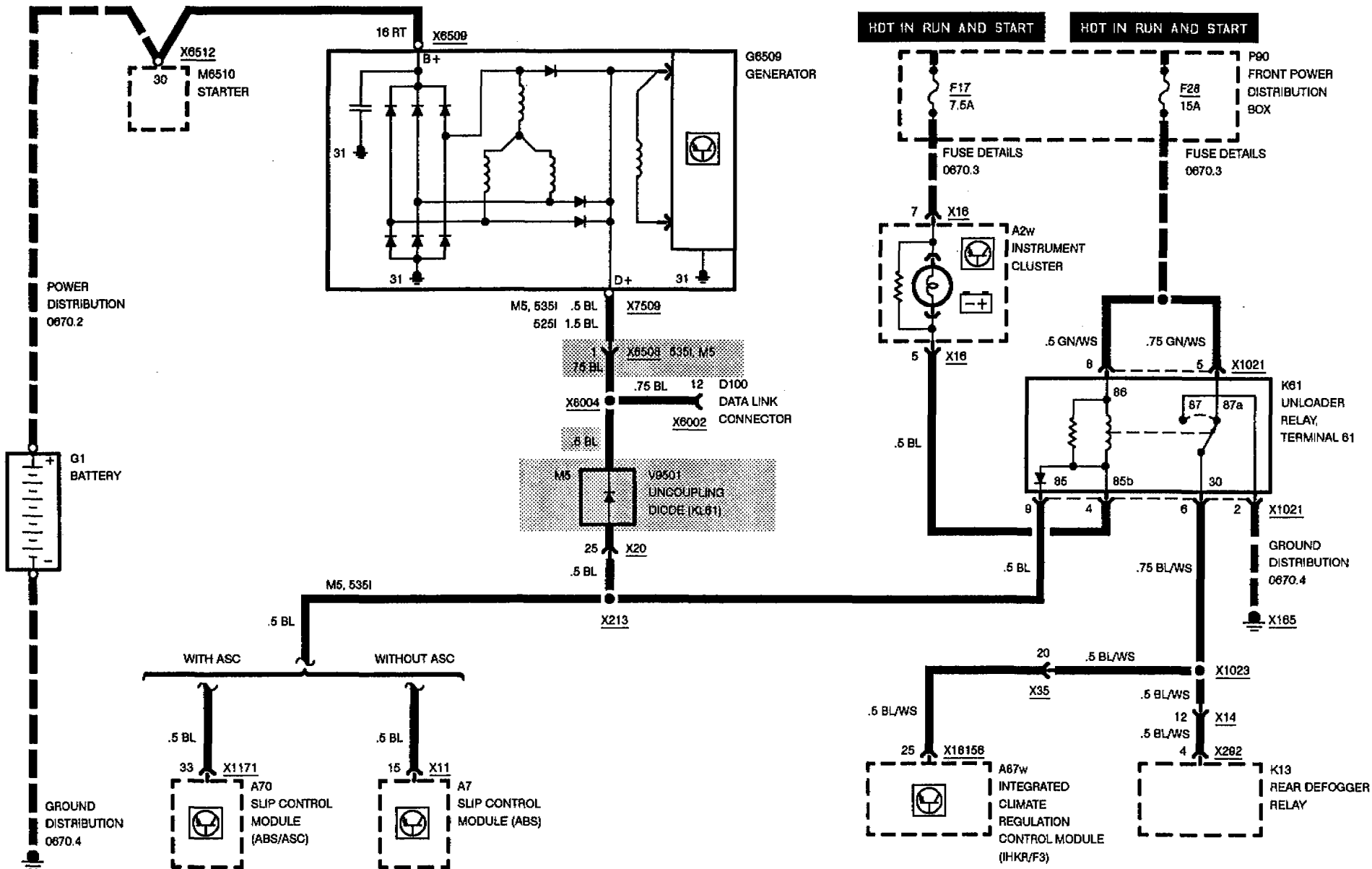




ENGINE CONTROL SYSTEM (DME M3.3.1, 6-CYLINDER M50)

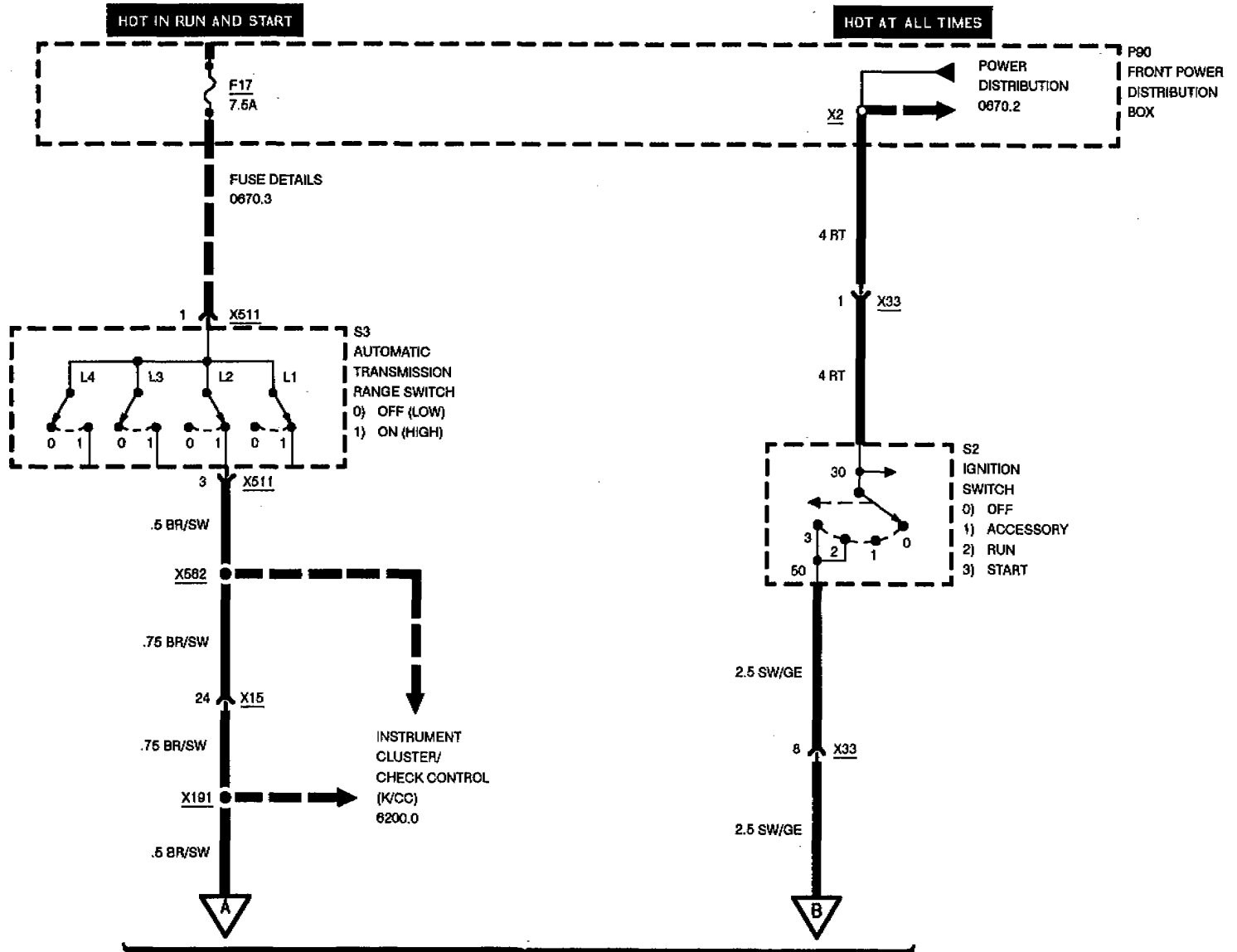


CHARGING SYSTEM



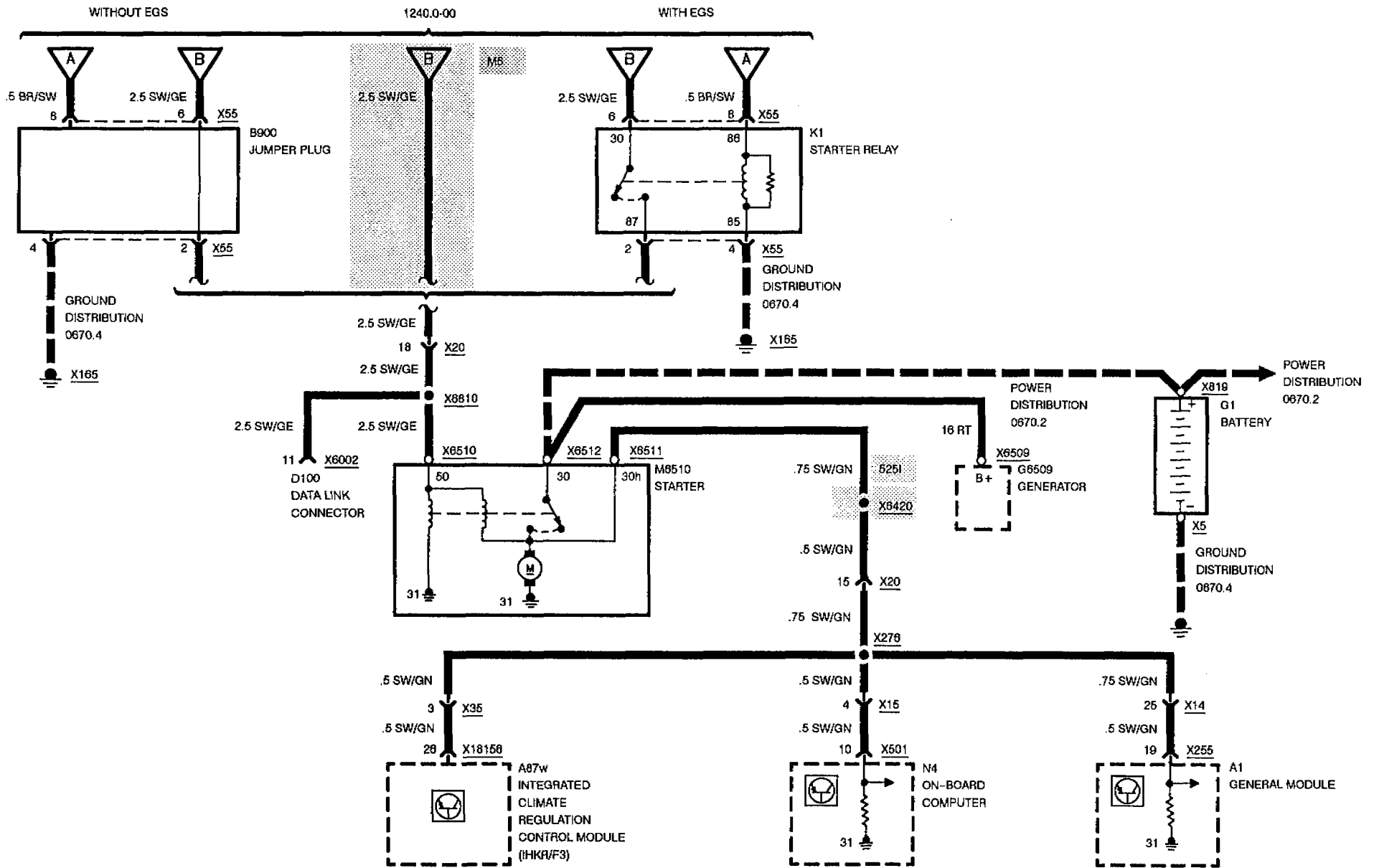
BMW
5

1240.0

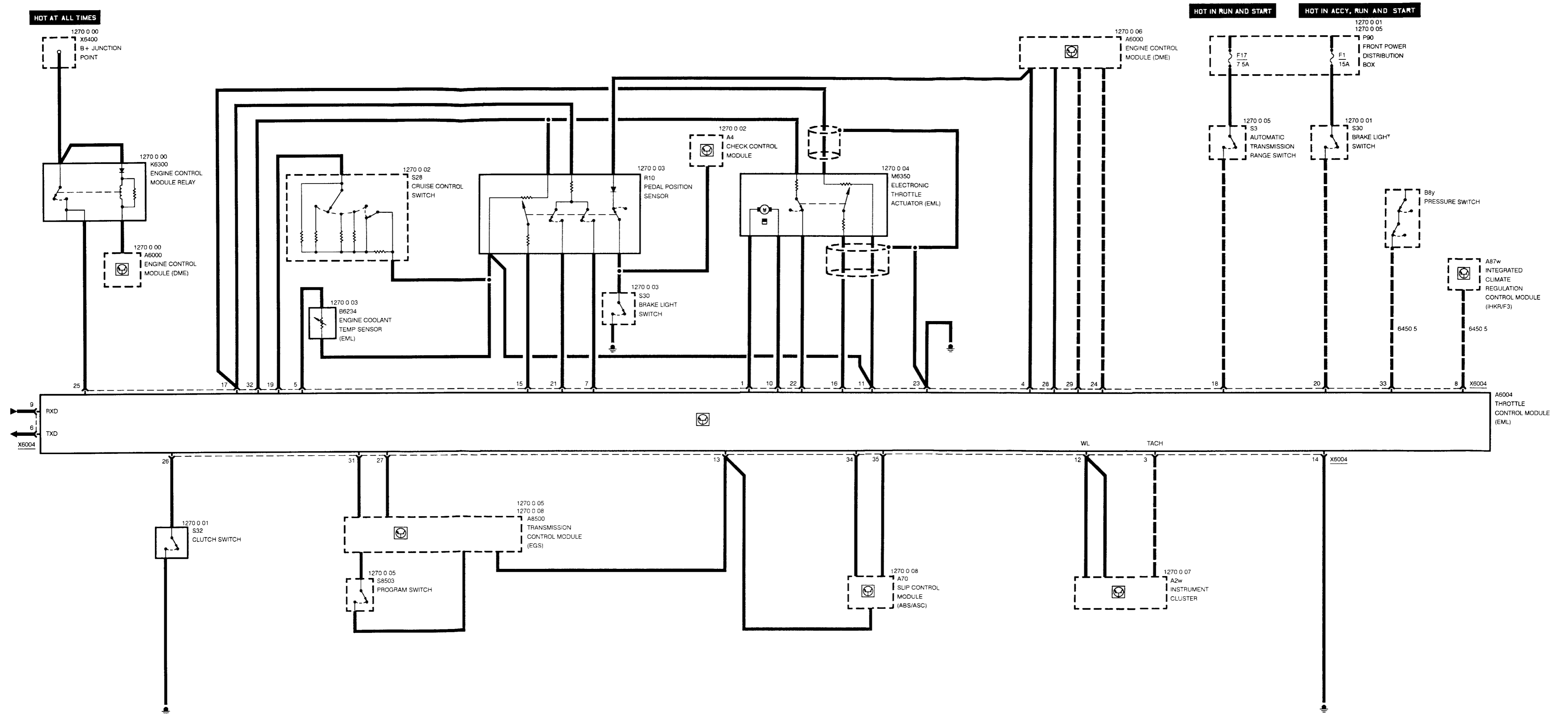


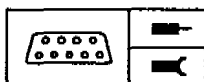
EGS 4HP 22
EGS A4S 310R

	L1	L2	L3	L4
P	1	1	0	0
R	1	0	0	1
N	0	1	1	0
D	0	0	0	1
3	0	0	1	0
2	1	0	0	0
1	1	0	1	0







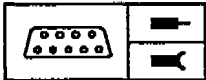


Pin Assignments

X6004

Pin	Type	Description/Function	Connection
1	A/E	Drive throttle body	Throttle body (EML)
2		Not used	
3	E	Vehicle speed signal	Instrument cluster
4	A	Idle signal	Engine control module (DME)
5	A/E	Engine coolant temperature (EML)	Engine coolant temperature sensor (EML)
6	E/A	TxD diagnostic data line	Data link connector
7	E	Kick-down signal	Pedal position sensor
8	E	A/C system signal	Integrated climate regulation 3 control module
9	E	RxD diagnostic data line	Data link connector
10	A/E	Drive throttle body	Throttle body (EML)
11	M	Electronic ground	Component ground
12	A	EML warning lamp control	Instrument cluster
13	A	Throttle position signal	Slip control module (ABS/ASC)/ Transmission control module (EGS)
14	M	Output ground	Ground point
15	E	Throttle position	Pedal position sensor
16	E	Actuator position sensor	Throttle body (EML)
17	A	5 V (not short circuit proof)	Pedal position sensor/ throttle body (EML)
18	E	P and N identifier (EGS)	Automatic transmission range switch
19	E/A	Cruise control switch signal	Cruise control switch
20	E	Brake pedal status signal	Brake light switch
21	E	PWG 9° switch	Pedal position sensor
22	E	Throttle 17° switch	Throttle body (EML)
23	M	Shield ground	Throttle body (EML) shield/ Ground point
24	E	Injection signal ti	Engine control module (DME)
25	E	Voltage supply	Engine control module relay
26	E	Clutch pedal status signal	Clutch switch
27	A	Kick-down signal	Transmission control module (EGS)
28	A	Full load signal	Engine control module (DME)
29	E	Crankshaft RPM signal (TD)	Engine control module (DME)

E = Input, A = Output, M = Ground

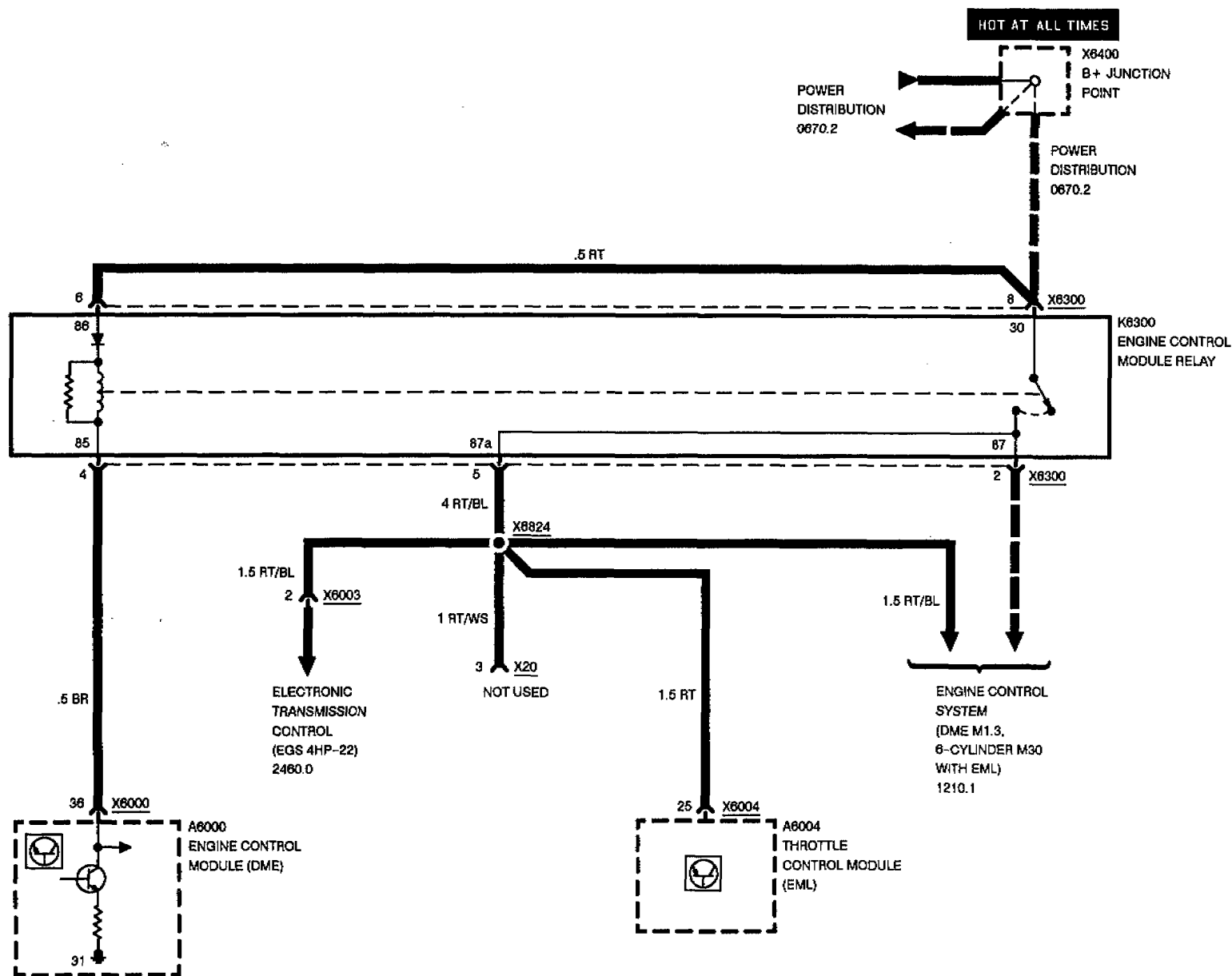


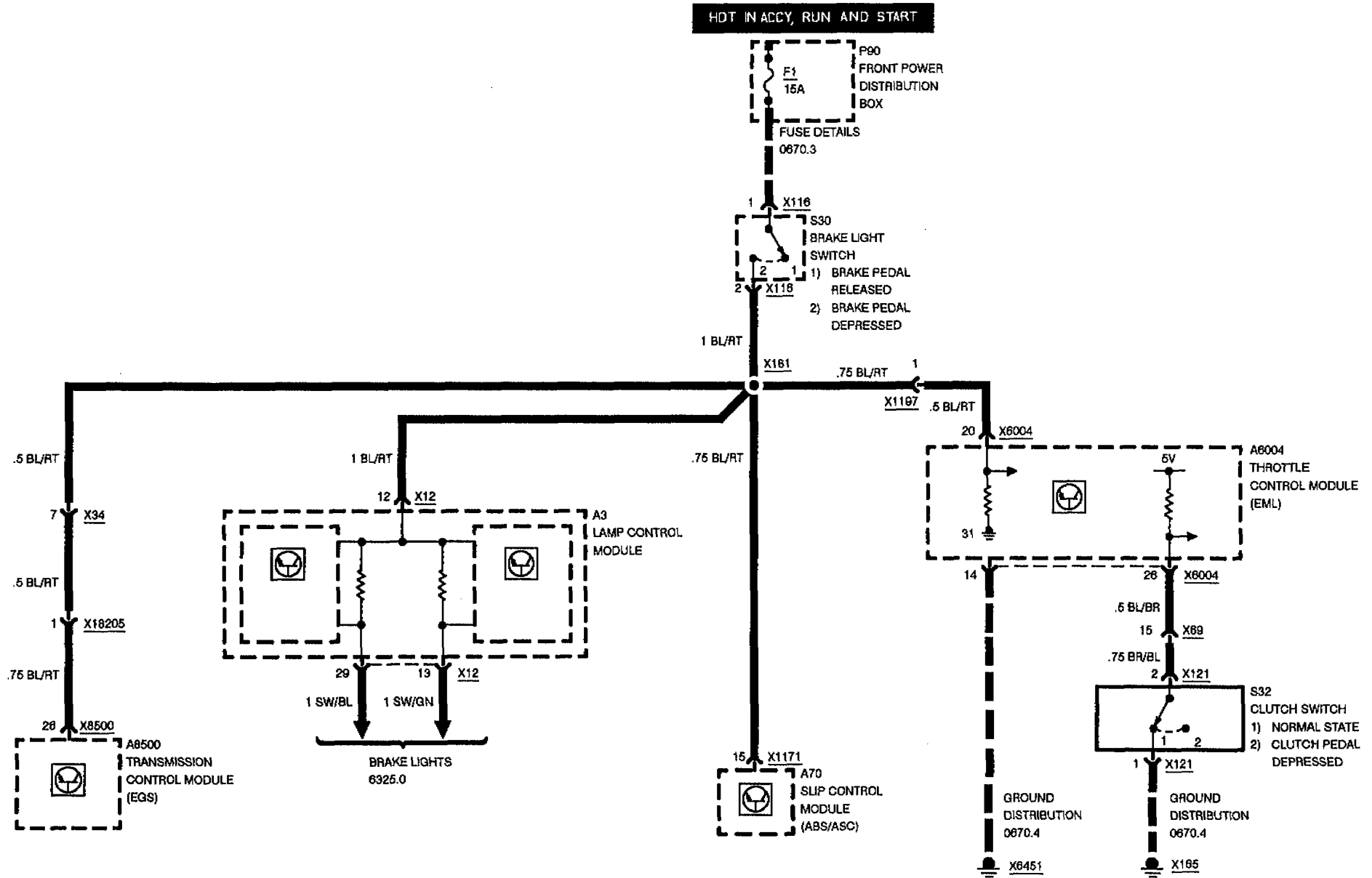
Pin Assignments

Pin	Type	Description/Function	Connection
30		Not used	
31	E	S-program identification	Transmission control module (EGS)/ Program switch
32	A	5 V (not short circuit proof)	Pedal position sensor/ Throttle body (EML)
33	E	A/C compressor ON	Pressure switch
34	E	Decrease throttle position angle (DKR)	Slip control module (ABS/ASC)
35	E	Increase throttle position angle (DKE)	Slip control module (ABS/ASC)

E = Input, A = Output, M = Ground



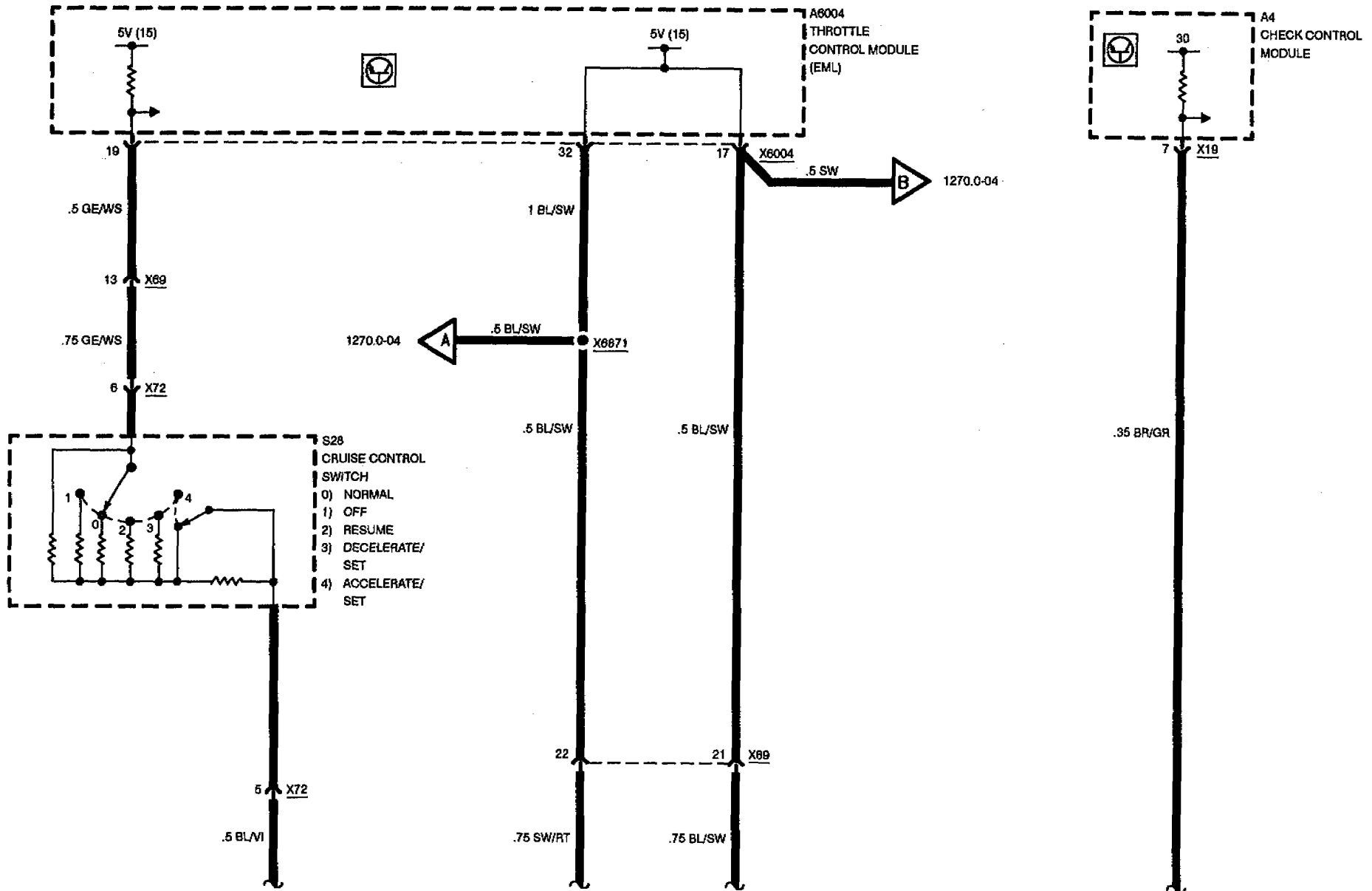


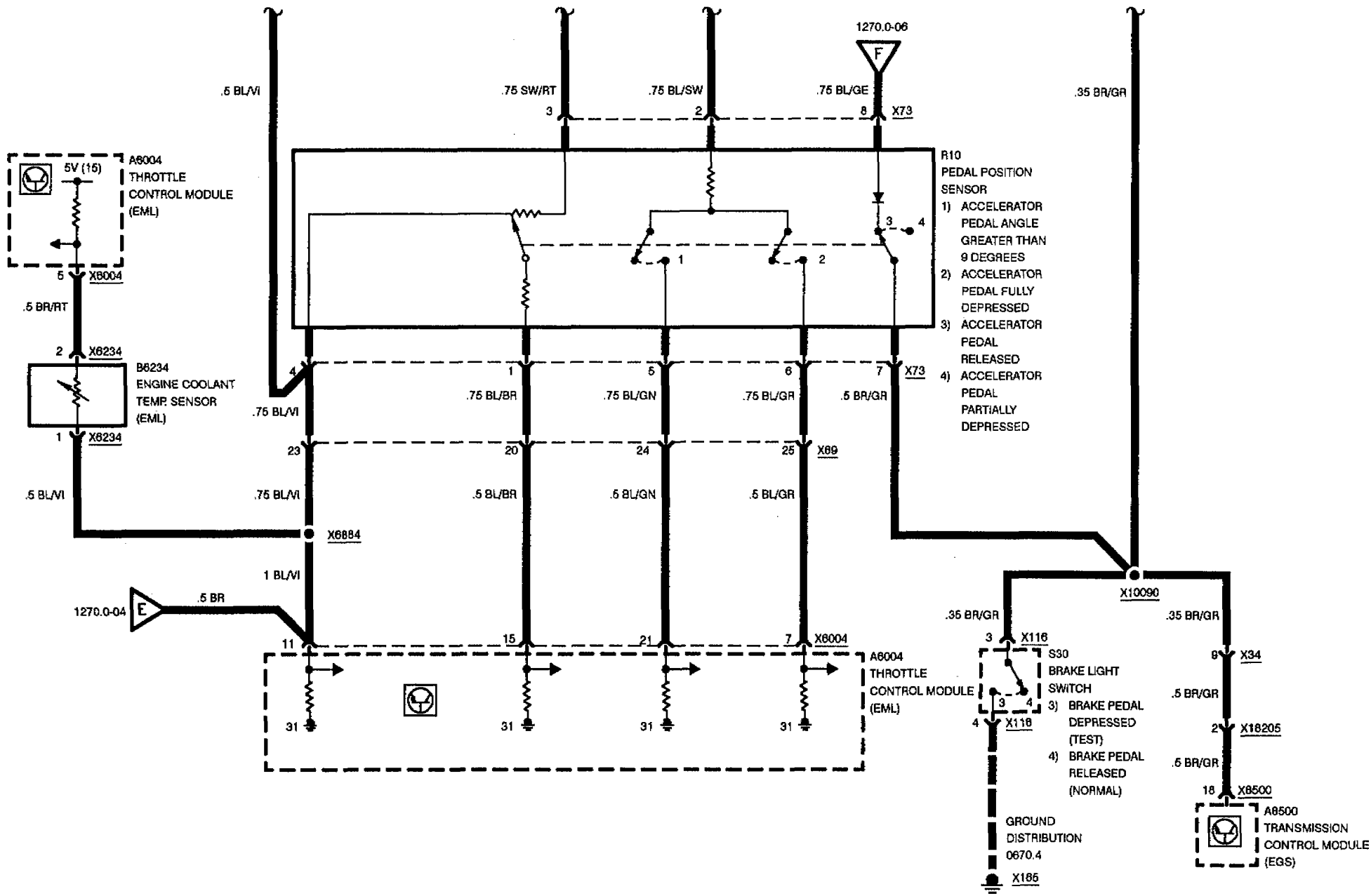


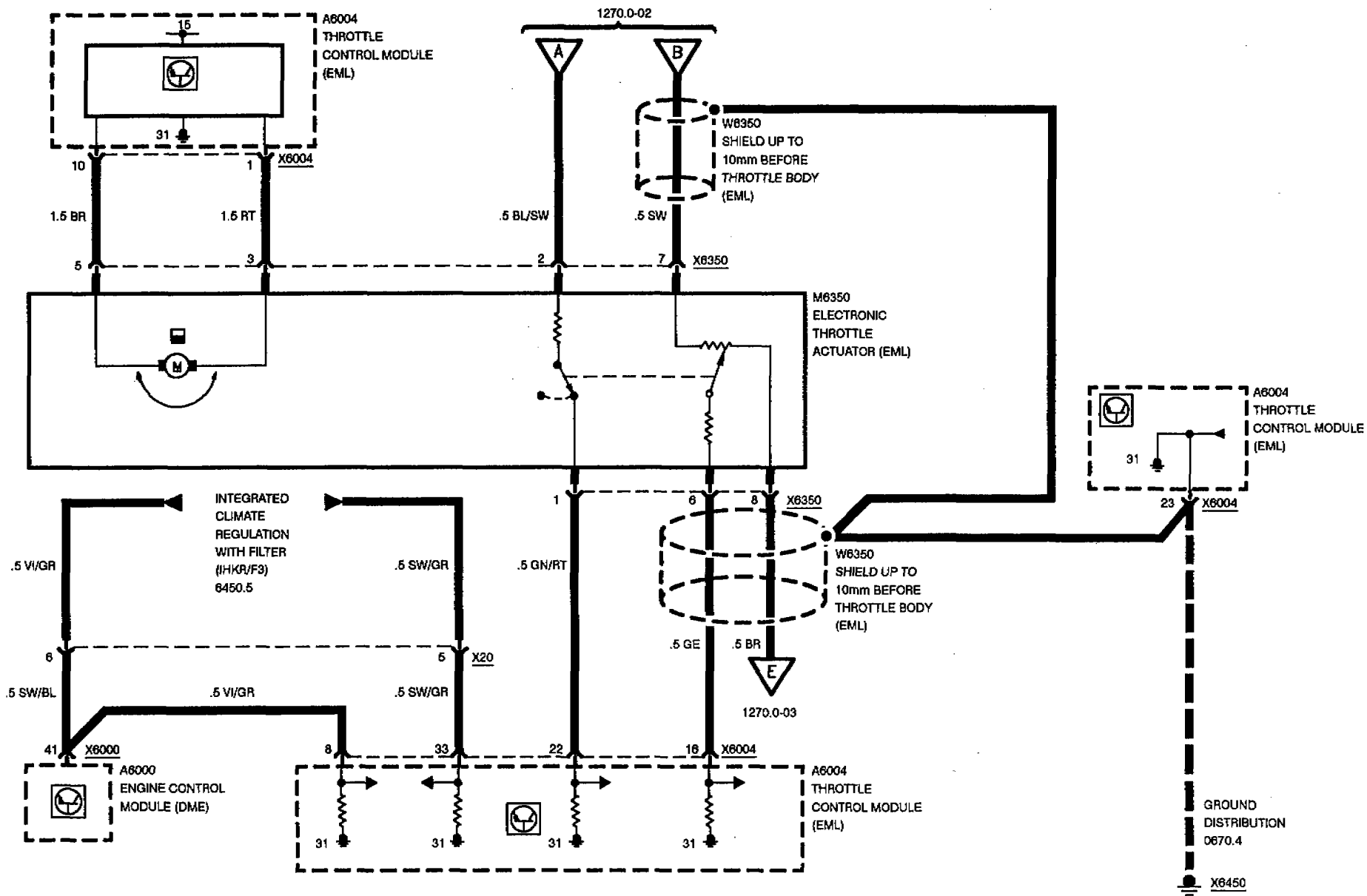


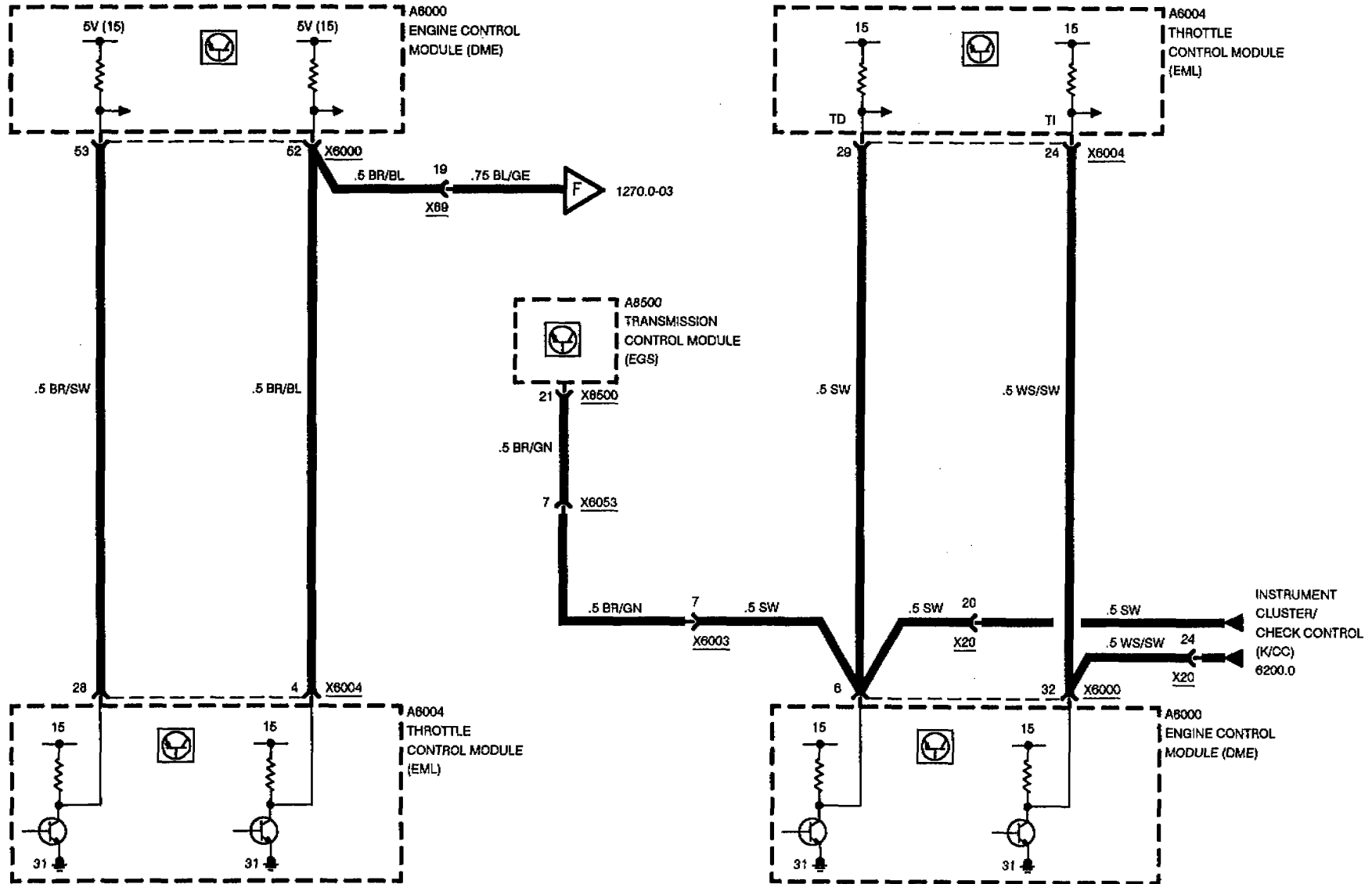
ELECTRONIC THROTTLE CONTROL (EML 6-CYLINDER)

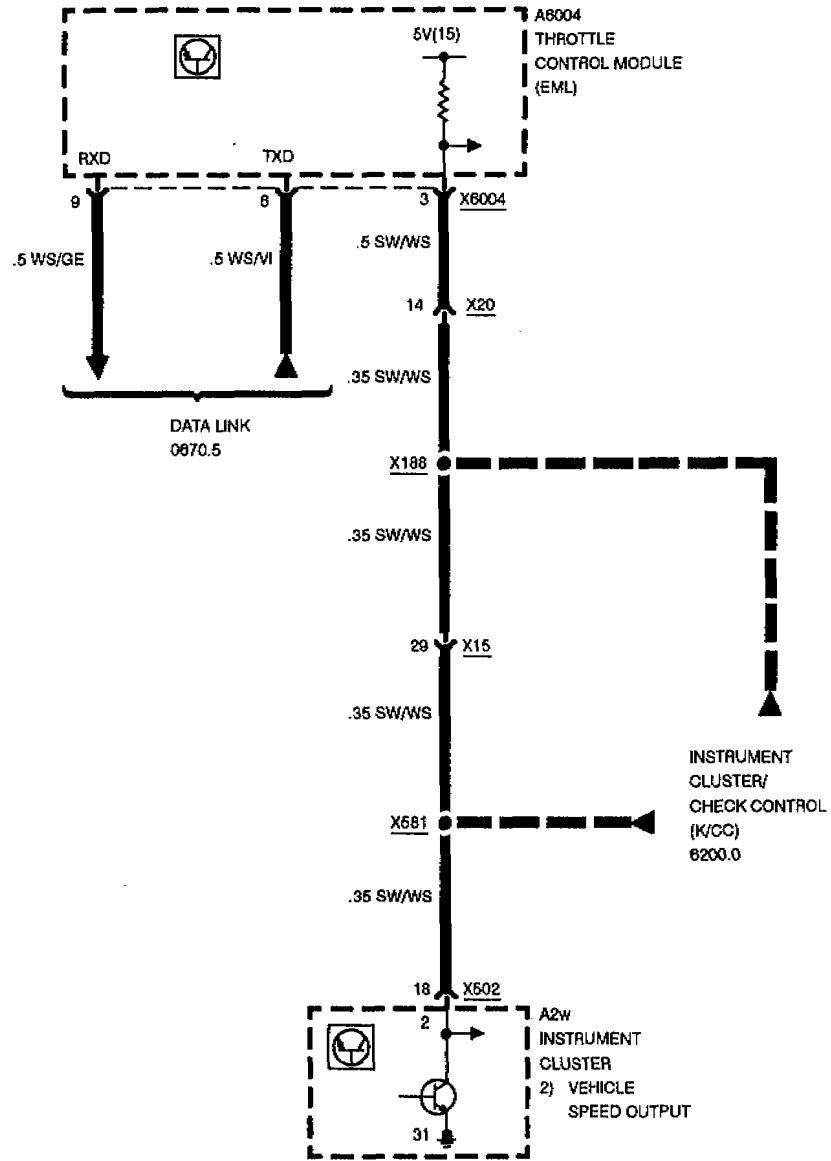
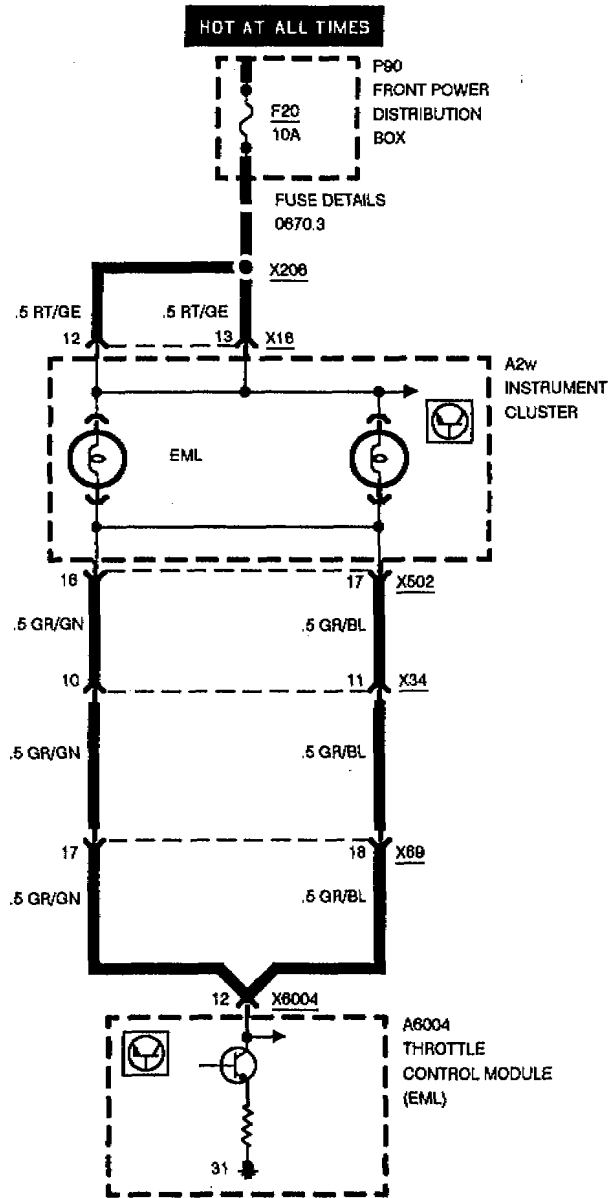
535i







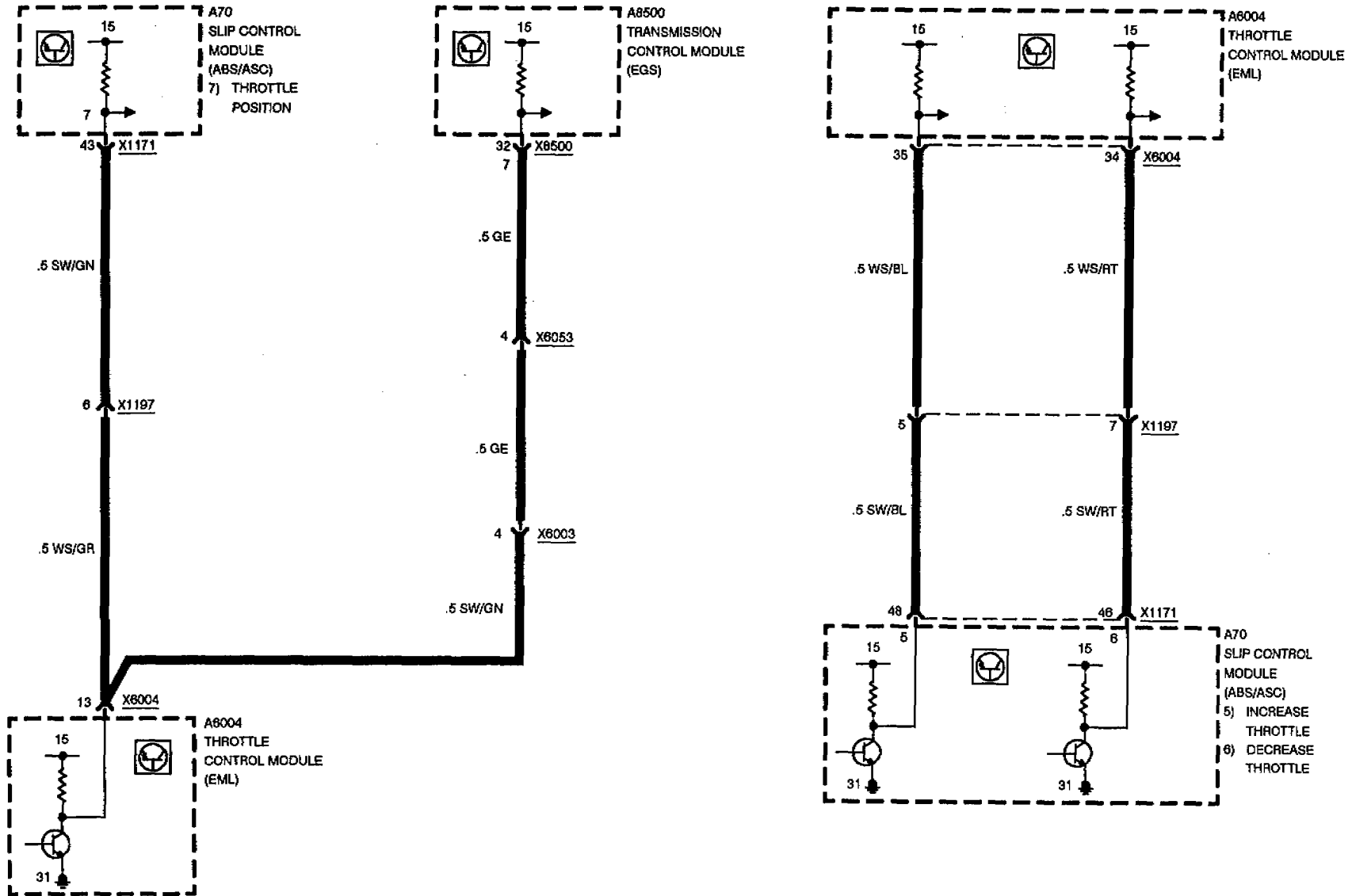




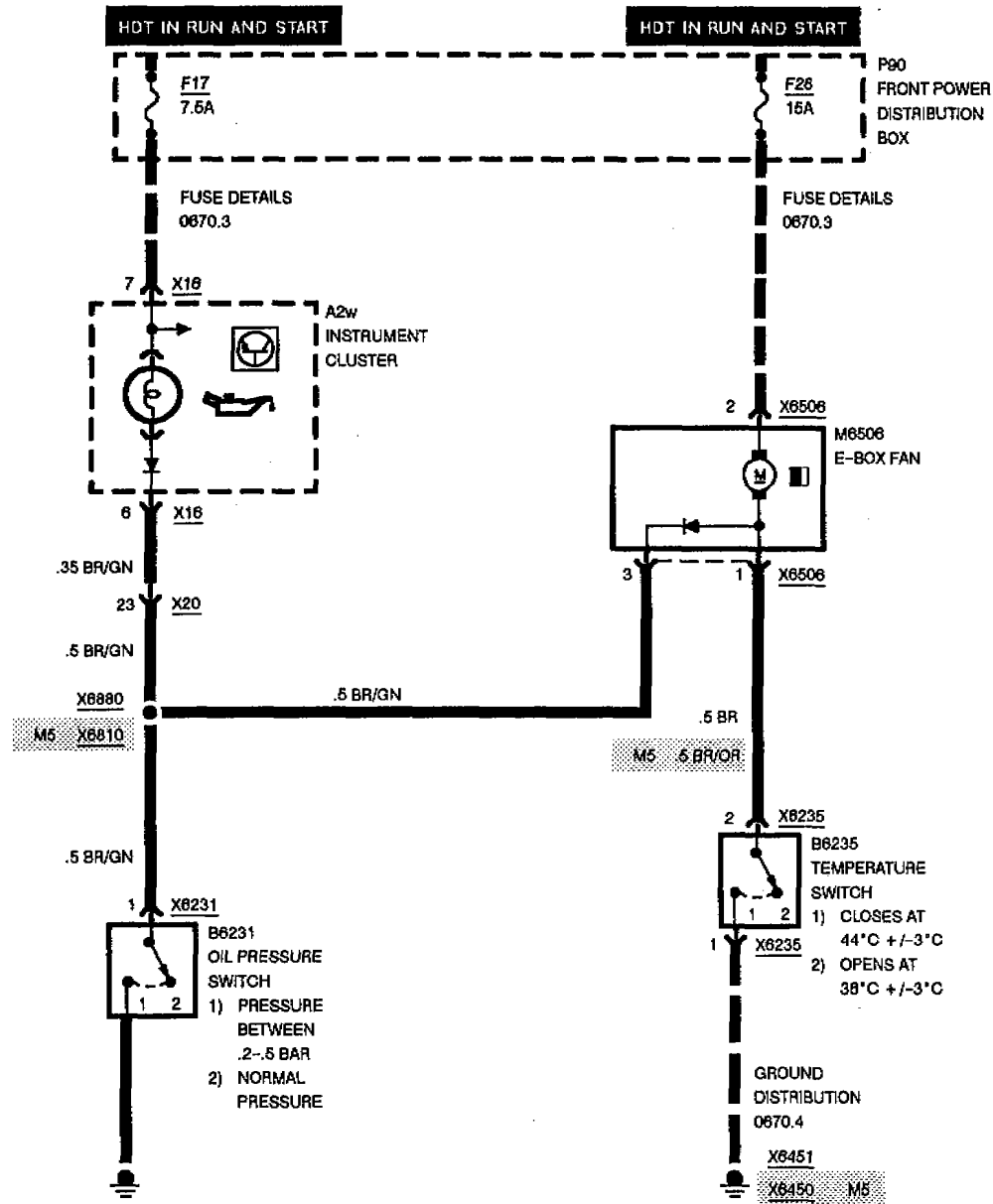


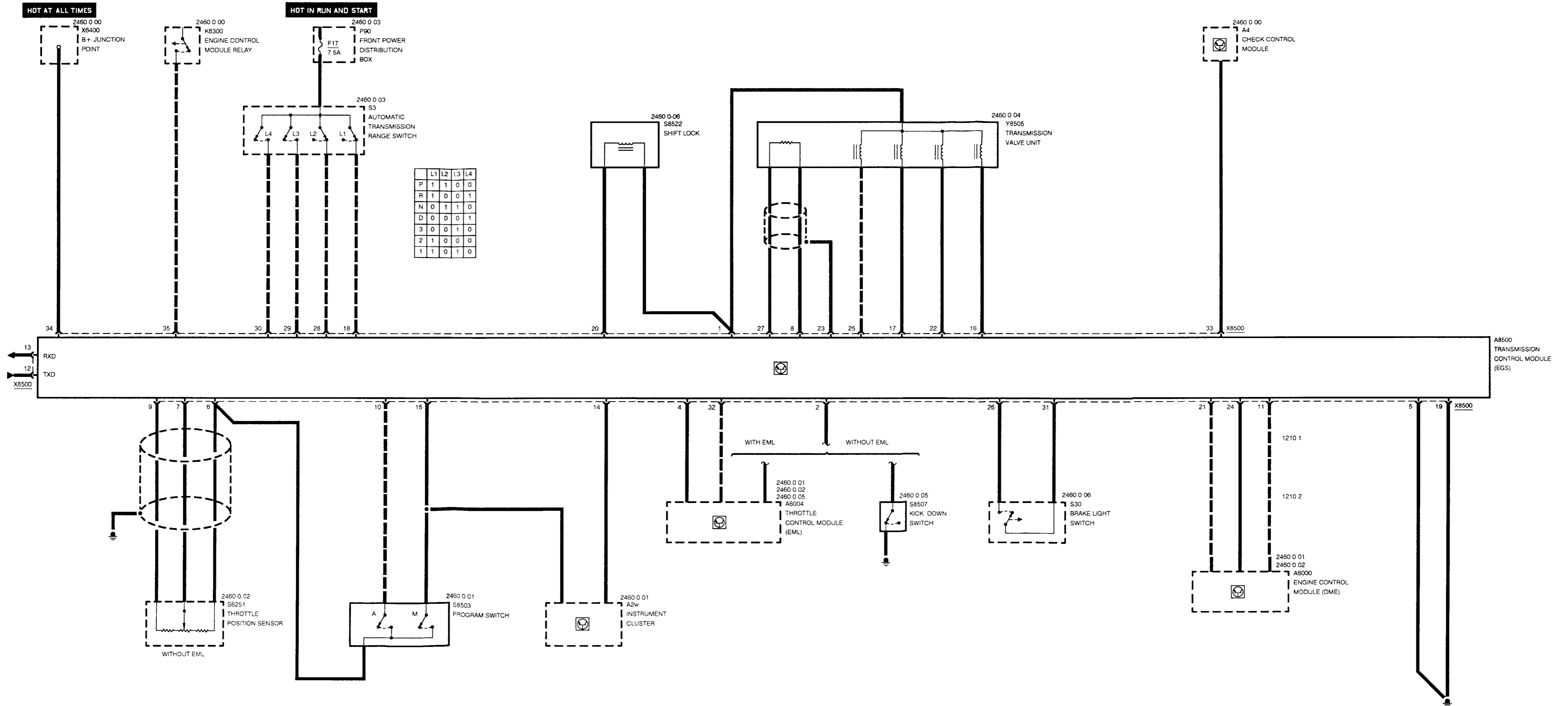
ELECTRONIC THROTTLE CONTROL (EML 6-CYLINDER) ENGINE CONTROL SYSTEMS (DME)

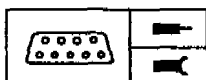
535i









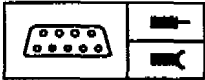


Pin Assignments

X8500

Pin	Type	Description/Function	Connection
1	A	Voltage supply	Transmission gear shift unit, shift lock
2	E	Kick-down signal	Electronic throttle module (with EML) Kick-down switch (without EML)
3		Not used	
4	E/A	EML control unit signal	Electronic throttle module (EML)
5	M	Ground, control module	Ground point
6	A	Ground	Program switch/Throttle position sensor
7	E	Throttle signal	Throttle position sensor
8	E	Output speed n-ab (+)	Transmission gear shift unit
9	A	Voltage supply, throttle position sensor	Throttle position sensor
10	E	Automatic mode signal	Program switch
11	E	ti measurement signal (fuel consumption)	Engine control module (DME)
12	E/A	TxD diagnostic data link	Data link connector
13	E	RxD diagnostic data link	Data link connector
14	A	Program signal	Instrument cluster
15	E/A	Manual mode signal	Program switch, instrument cluster
16	A	Solenoid valve 1 control	Transmission gear shift unit
17	A	Hydraulic pressure regulator control	Transmission gear shift unit
18	E	Gear range signal L1	Automatic transmission range switch
19	M	Ground, control module	Ground point
20	A	Shift lock solenoid control	Shift lock
21	E	Crankshaft RPM speed signal TR	Engine control module (DME)
22	A	Solenoid valve 2 control	Transmission gear shift unit
23	A	Shield for speed sensor	Transmission gear shift unit shield
24	A	Engine intervention	Engine control module (DME)
25	A	Torque converter clutch solenoid valve control	Transmission gear shift unit
26	E	Brake switch test signal	Brake light switch
27	E	Output speed n-ab (-)	Transmission gear shift unit
28	E	Gear range signal L2	Automatic transmission range switch
29	E	Gear range signal L3	Automatic transmission range switch

E = Input, A = Output, M = Ground



Pin Assignments

Pin	Type	Description/Function	Connection
30	E	Gear range signal L4	Automatic transmission range switch
31	A	Brake switch test signal	Brake light switch
32	E	Set throttle signal	Electronic throttle module (EML)
33	A	Fault indicator signal	Check control module
34	E	Terminal 30, voltage supply	B+ junction point
35	E	Voltage supply	Engine control module relay

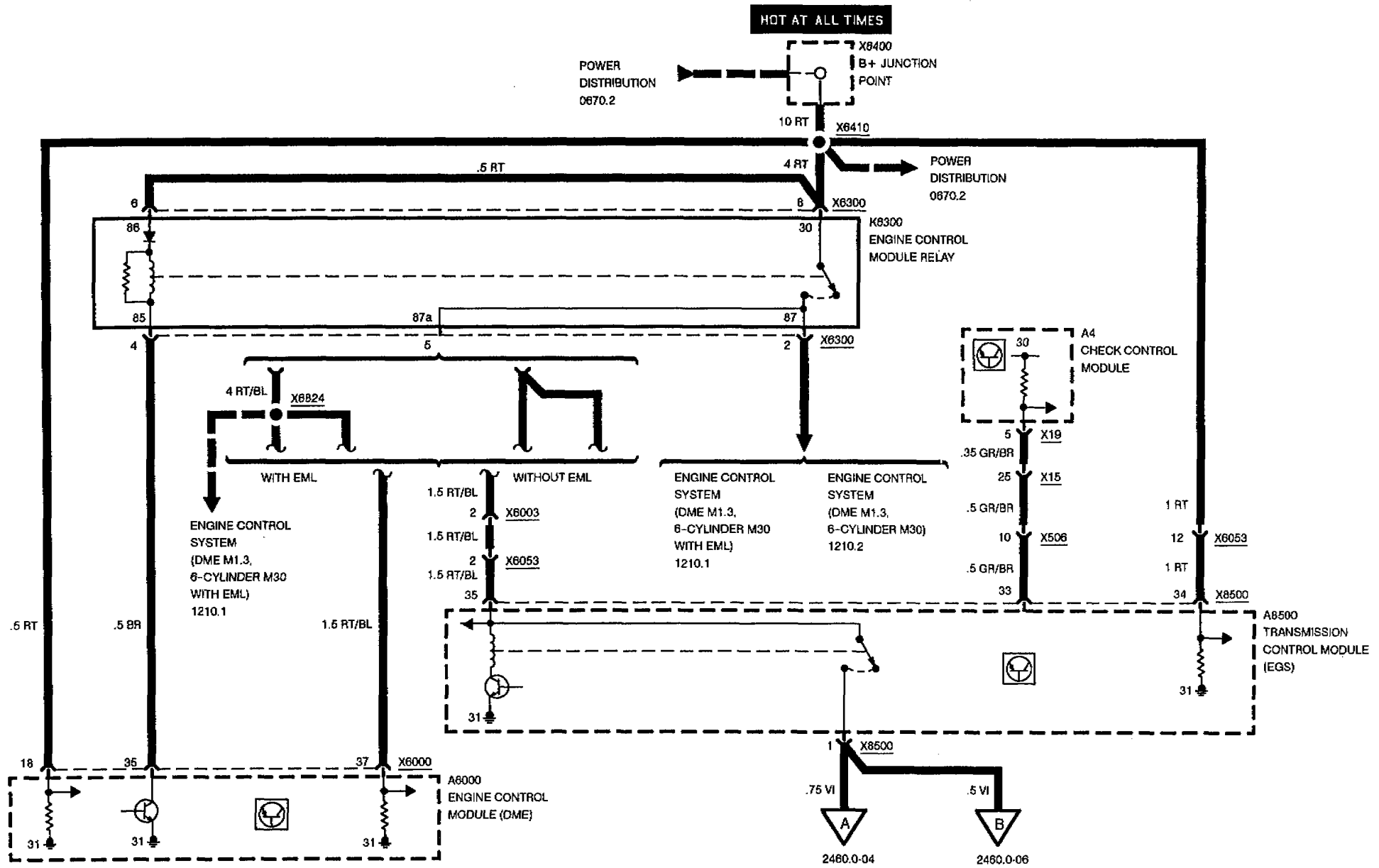
E = Input, A = Output, M = Ground

BMW
5

2460.0

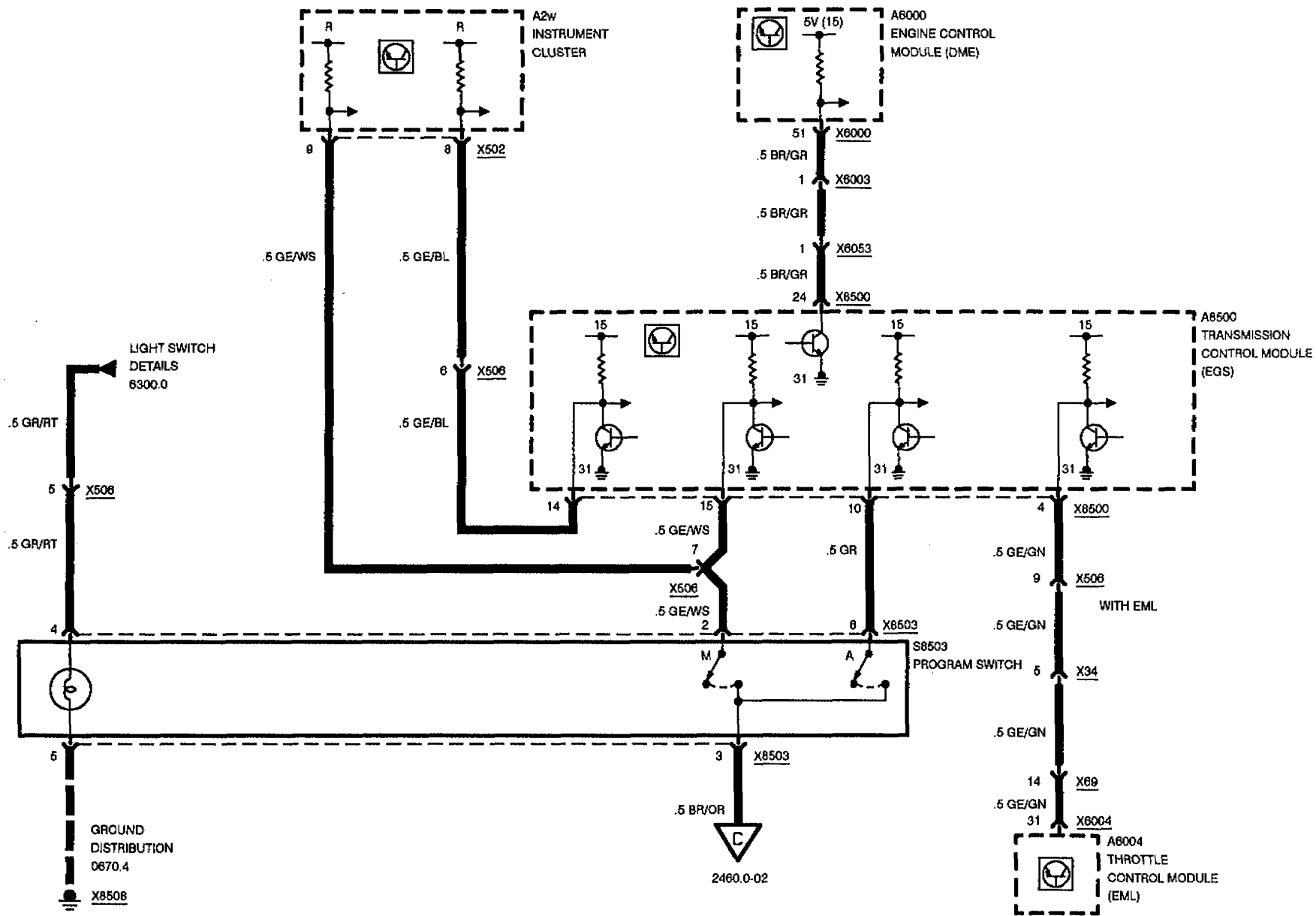


ELECTRONIC TRANSMISSION CONTROL (EGS 4HP-22)





ELECTRONIC TRANSMISSION CONTROL (EGS 4HP-22)



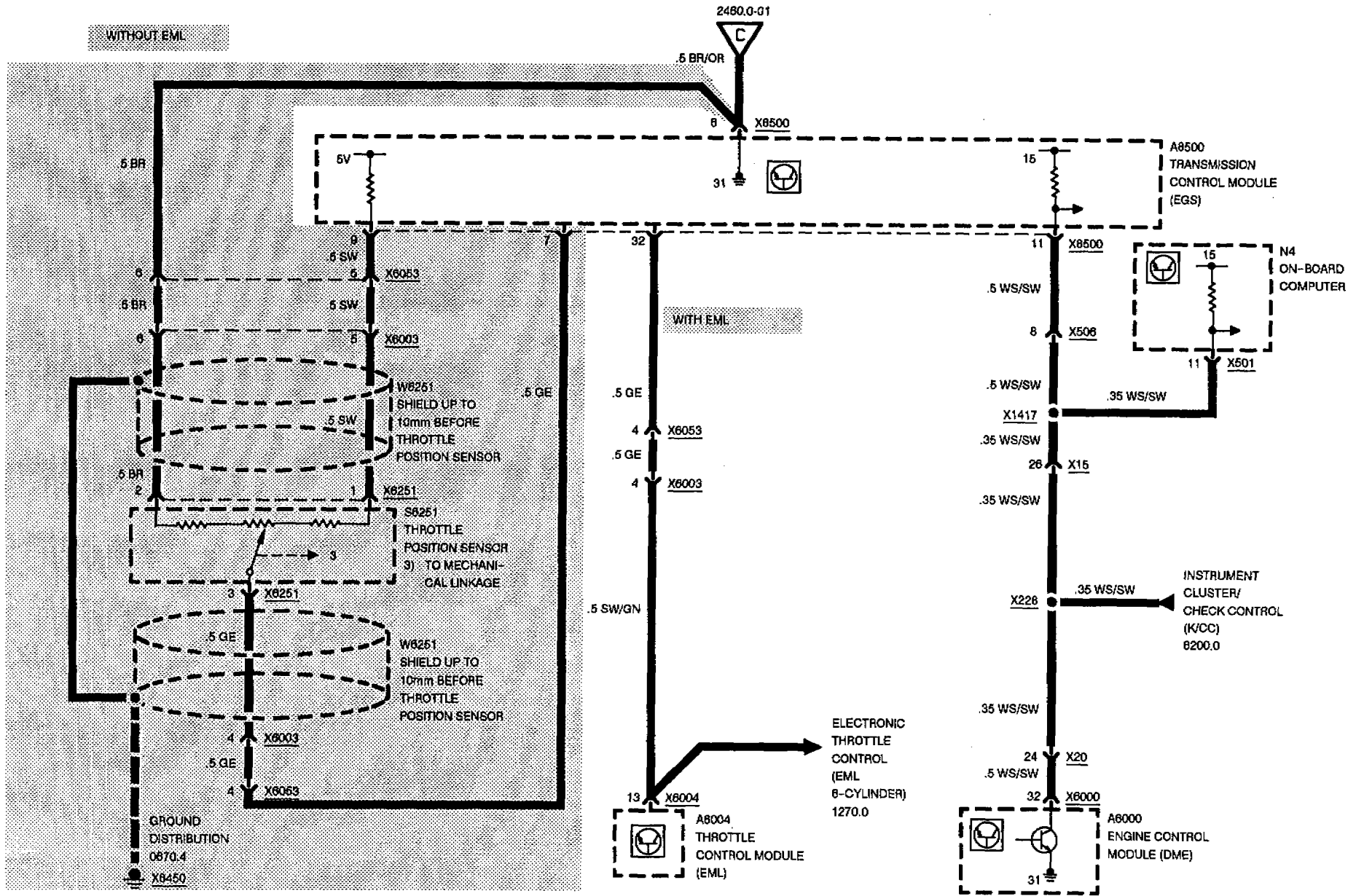


ELECTRONIC TRANSMISSION CONTROL (EGS 4HP-22)

09/92

2460.0-02

1993



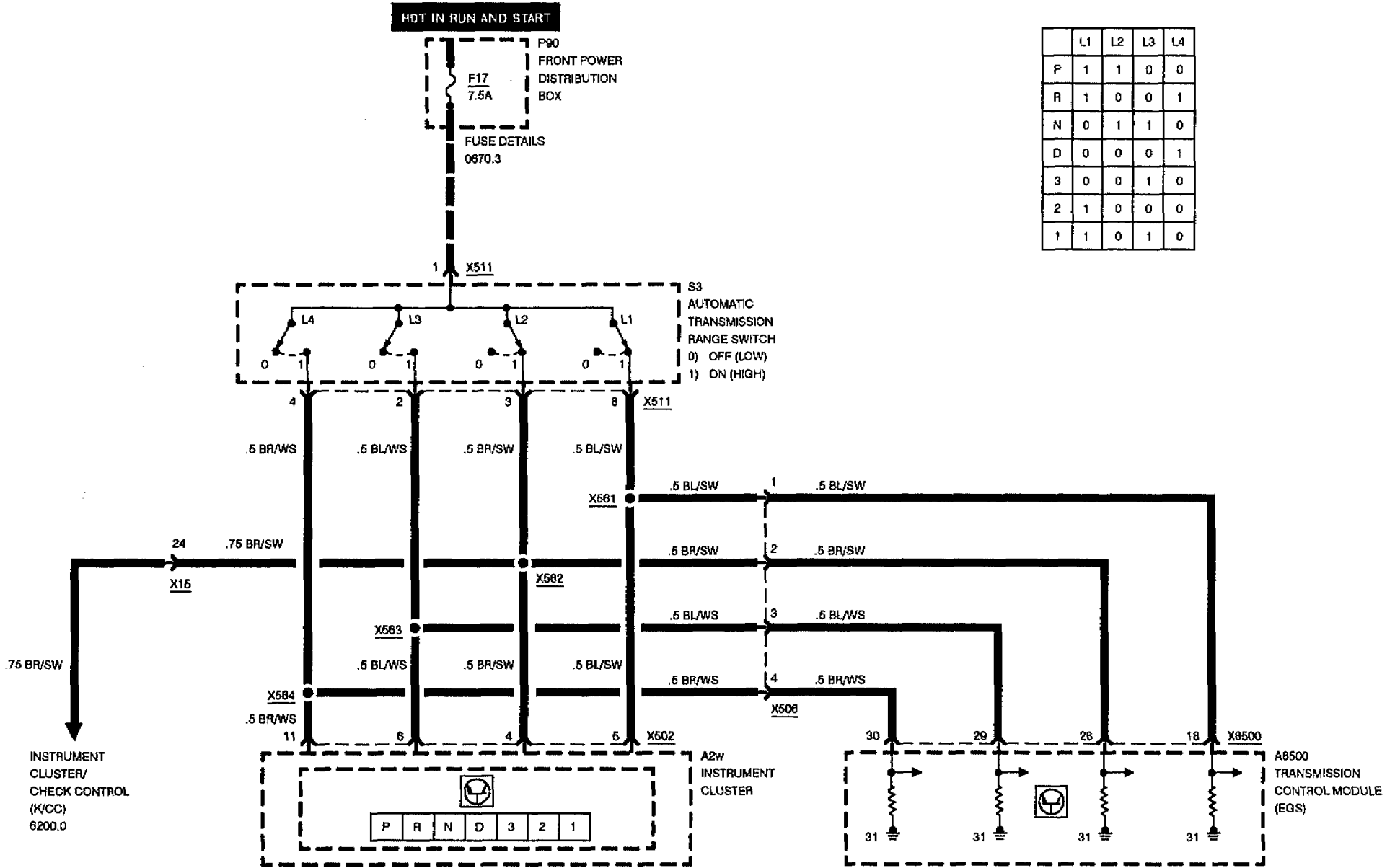


ELECTRONIC TRANSMISSION CONTROL (EGS 4HP-22)

09/92

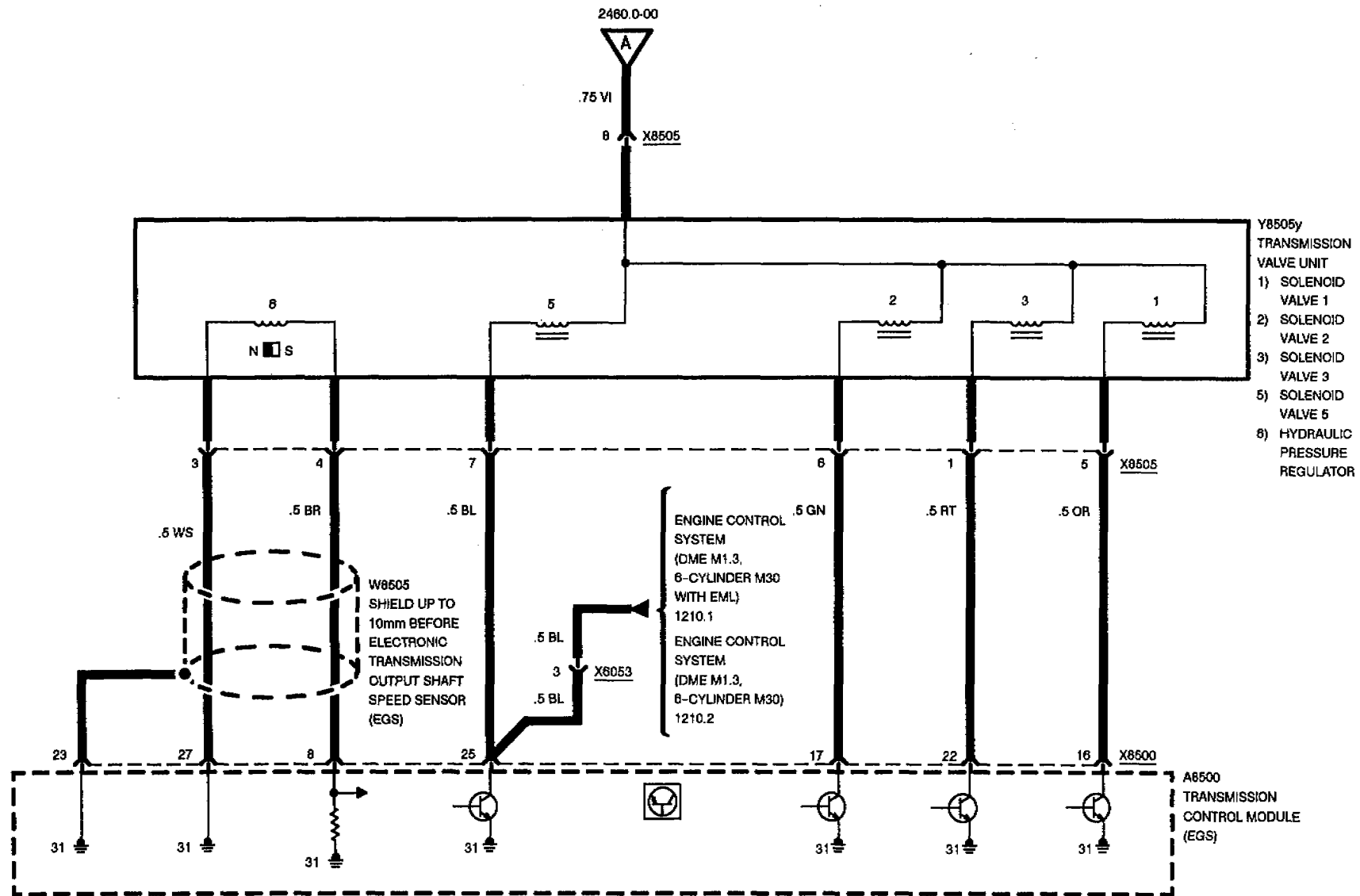
2460.0-03

1993

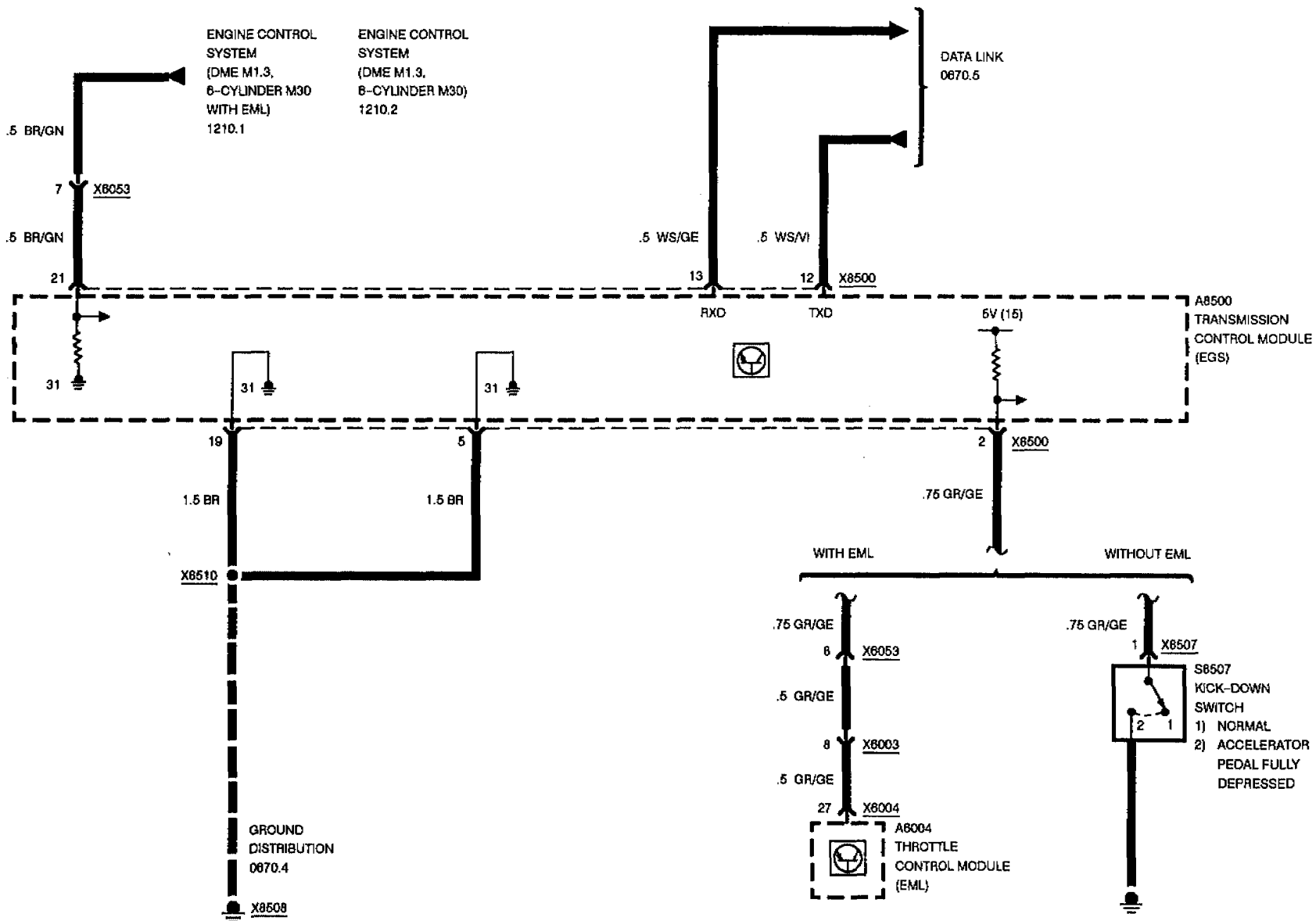




ELECTRONIC TRANSMISSION CONTROL (EGS 4HP-22)



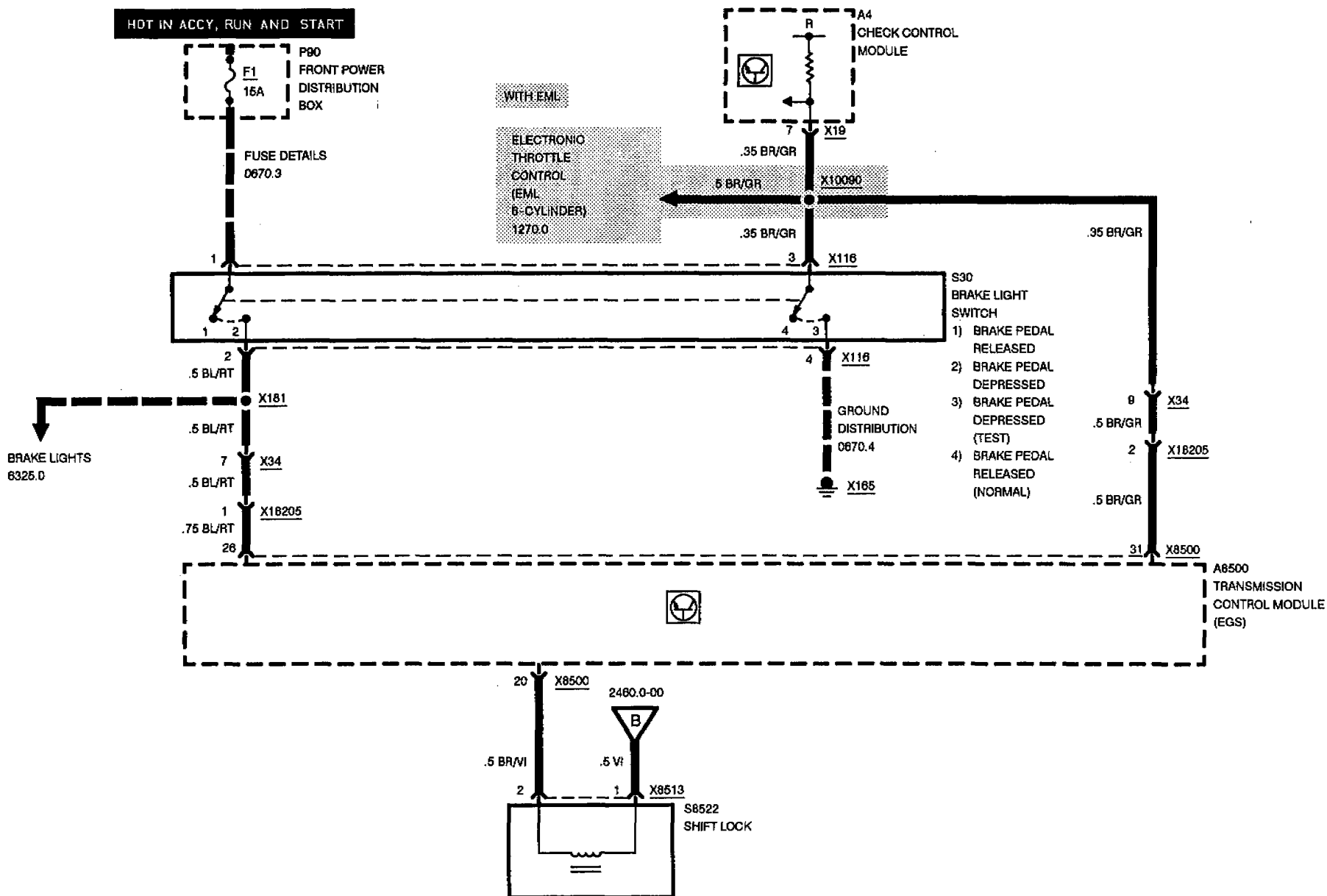
ELECTRONIC TRANSMISSION CONTROL (EGS 4HP-22)

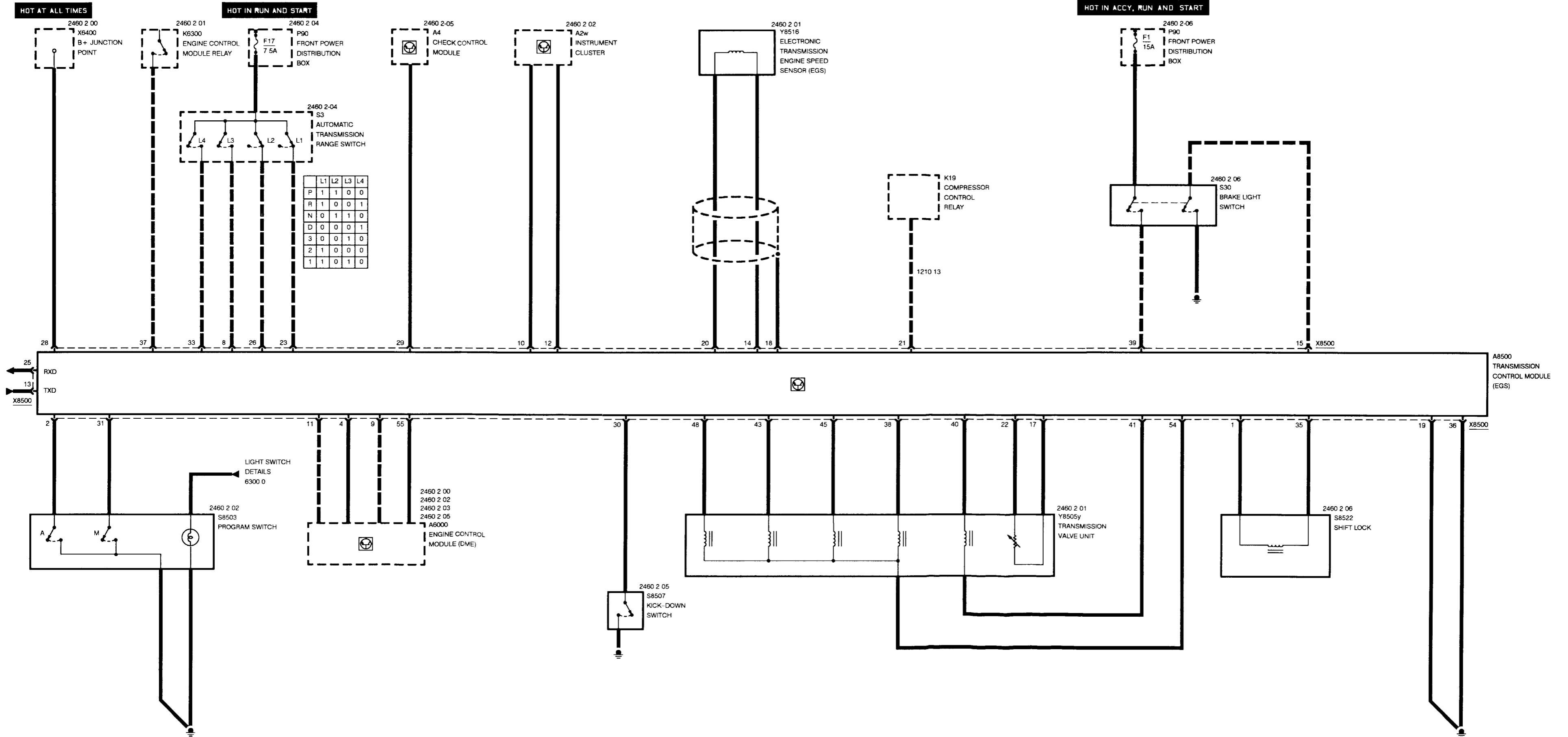


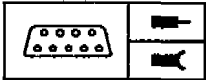


ELECTRONIC TRANSMISSION CONTROL (EGS 4HP-22)

SHIFT LOCK





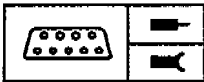


Pin Assignments

X8500

Pin	Type	Description/Function	Connection
1	A	Shift lock solenoid control	Shift lock
2	E	Automatic mode signal	Program switch
3		Not used	
4	A	Ignition timing intervention	Engine control module (DME)
5		Not used	
6		Not used	
7		Not used	
8	E	Gear range signal L3	Automatic transmission range switch
9	E	ti Measurement signal (fuel consumption)	Engine control module (DME)
10	A	Automatic mode indicator control	Instrument cluster
11	E	Crankshaft RPM speed signal TD	Engine control module (DME)
12	A	Manual mode indicator control	Instrument cluster
13	E/A	TxD diagnostic data link	Data link connector
14	E	Transmission output shaft speed (-)	Electronic transmission output shaft speed sensor (EGS)
15	E	Brake switch test signal	Brake light switch
16		Not used	
17	E	Oil temperature signal (analog ground)	Transmission gear shift unit
18	A	Shield ground	Electronic transmission output shaft speed sensor (EGS) shield
19	M	Ground, power	Ground point
20	E	Transmission output shaft speed (+)	Electronic transmission output shaft speed sensor (EGS)
21	E	A/C compressor ON signal	Compressor control relay
22	E	Oil temperature signal (+)	Transmission gear shift unit
23	E	Gear range signal L1	Automatic transmission range switch
24		Not used	
25	E	RxD diagnostic data link	Data link connector
26	E	Gear range signal L2	Automatic transmission range switch
27		Not used	
28	E	Terminal 30 voltage supply	B+ Junction Point

E = Input, A = Output, M = Ground



Pin Assignments

Pin	Type	Description/Function	Connection
29	A	Fault indicator signal	Check control module
30	E	Kick-down signal	Kick down switch
31	E	Manual mode signal	Program switch
32		Not used	
33	E	Gear range signal L4	Automatic transmission range switch
34		Not used	
35	A	Ground, shift lock solenoid	Shift lock
36	M	Ground, electronic	Ground point
37	E	Voltage supply	Engine control module
38	A	Torque converter clutch solenoid valve control	Transmission gear shift unit
39	E	Brake pedal position	Brake light switch
40	A	Hydraulic pressure regulator control (+)	Transmission gear shift unit
41	A	Hydraulic pressure regulator control (-)	Transmission gear shift unit
42		Not used	
43	A	Solenoid valve 2 control (+)	Transmission gear shift unit
44		Not used	
45	A	Band solenoid control (+)	Transmission gear shift unit
46		Not used	
47		Not used	
48	A	Solenoid valve 1 control (+)	Transmission gear shift unit
49		Not used	
50		Not used	
51		Not used	
52		Not used	
53		Not used	
54	A	Solenoid valves ground control	Transmission gear shift unit
55	E	Throttle position signal	Engine control module (DME)

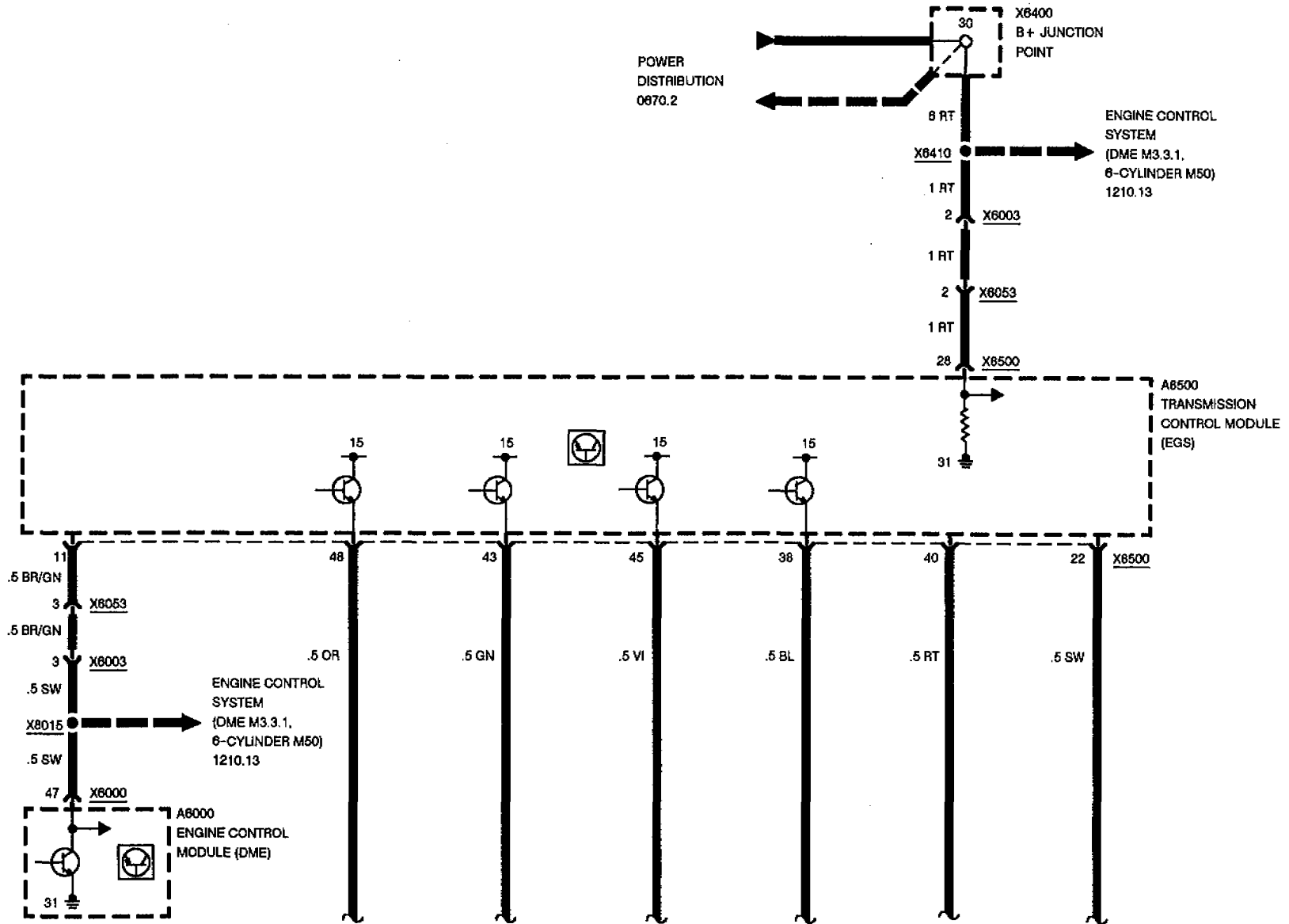
E = Input, A = Output, M = Ground

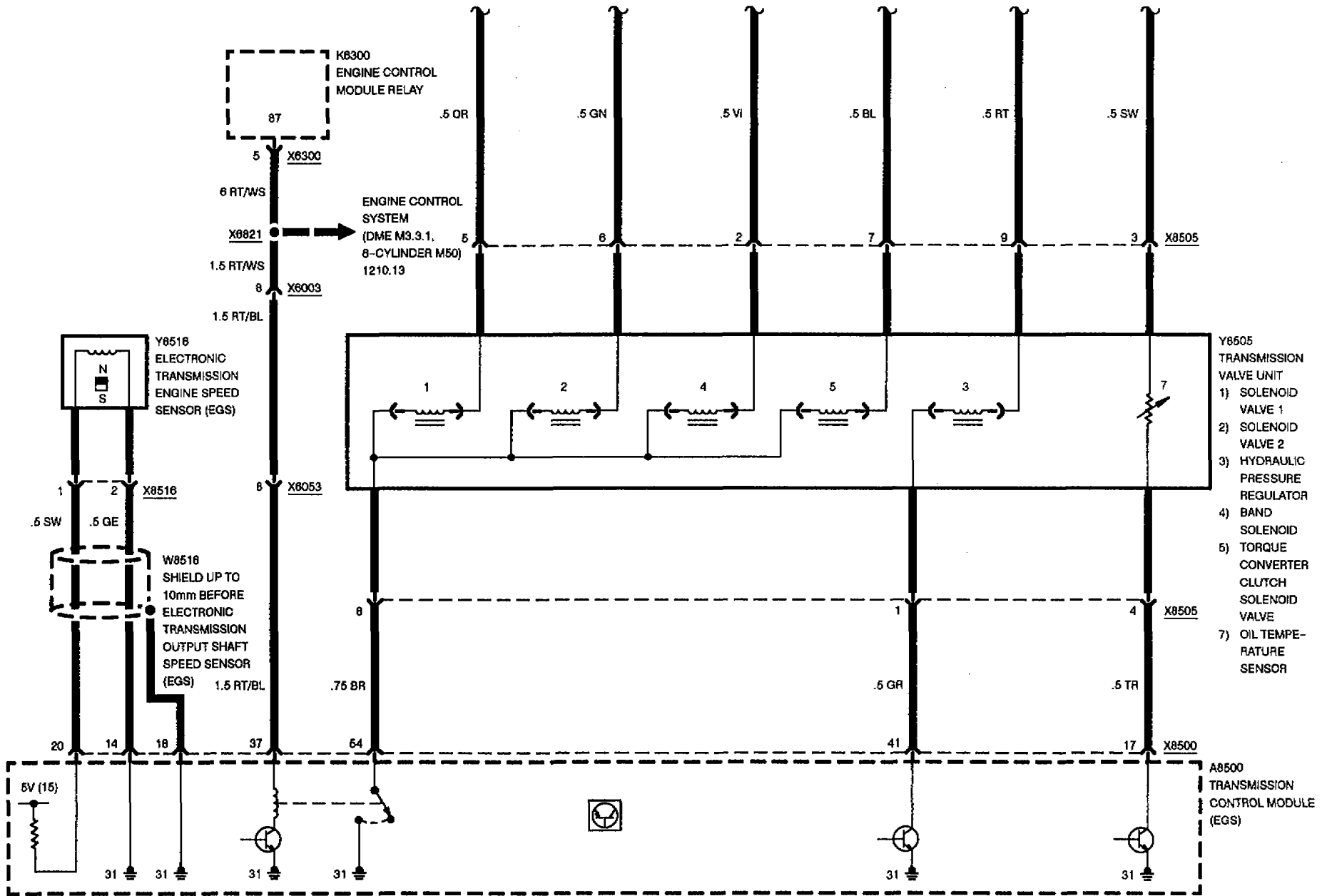
BMW
5





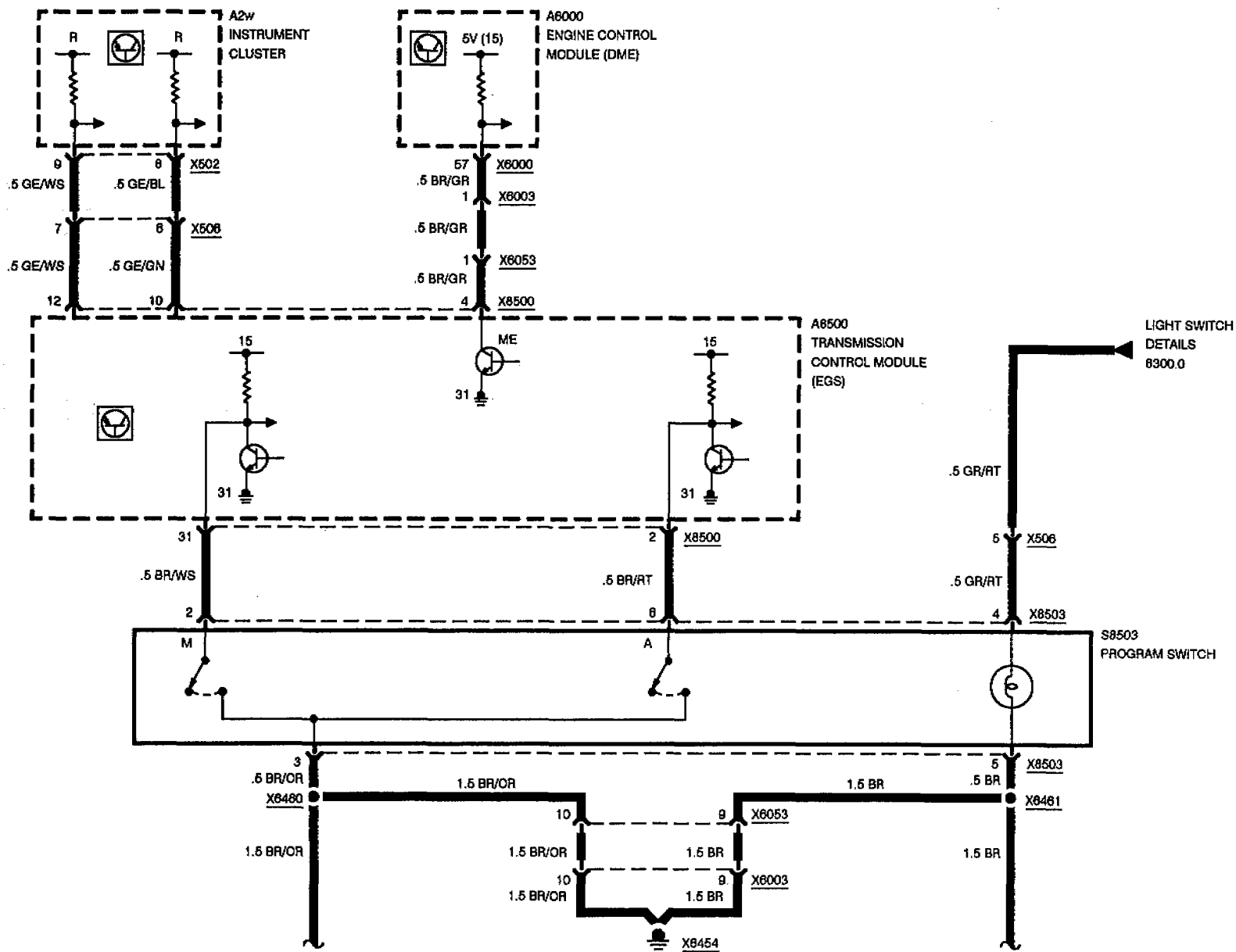
ELECTRONIC TRANSMISSION CONTROL (EGS A4S 310R)

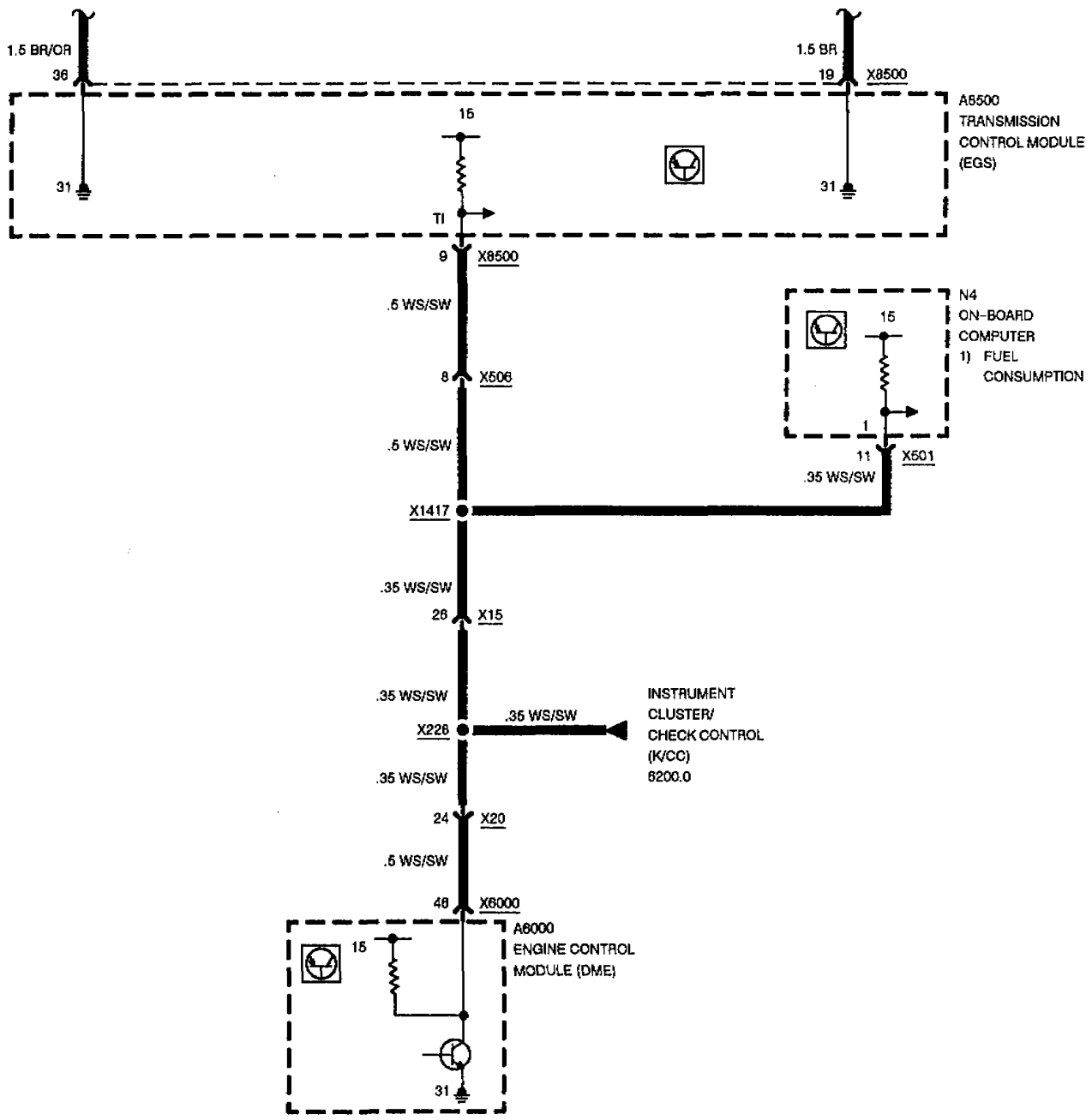






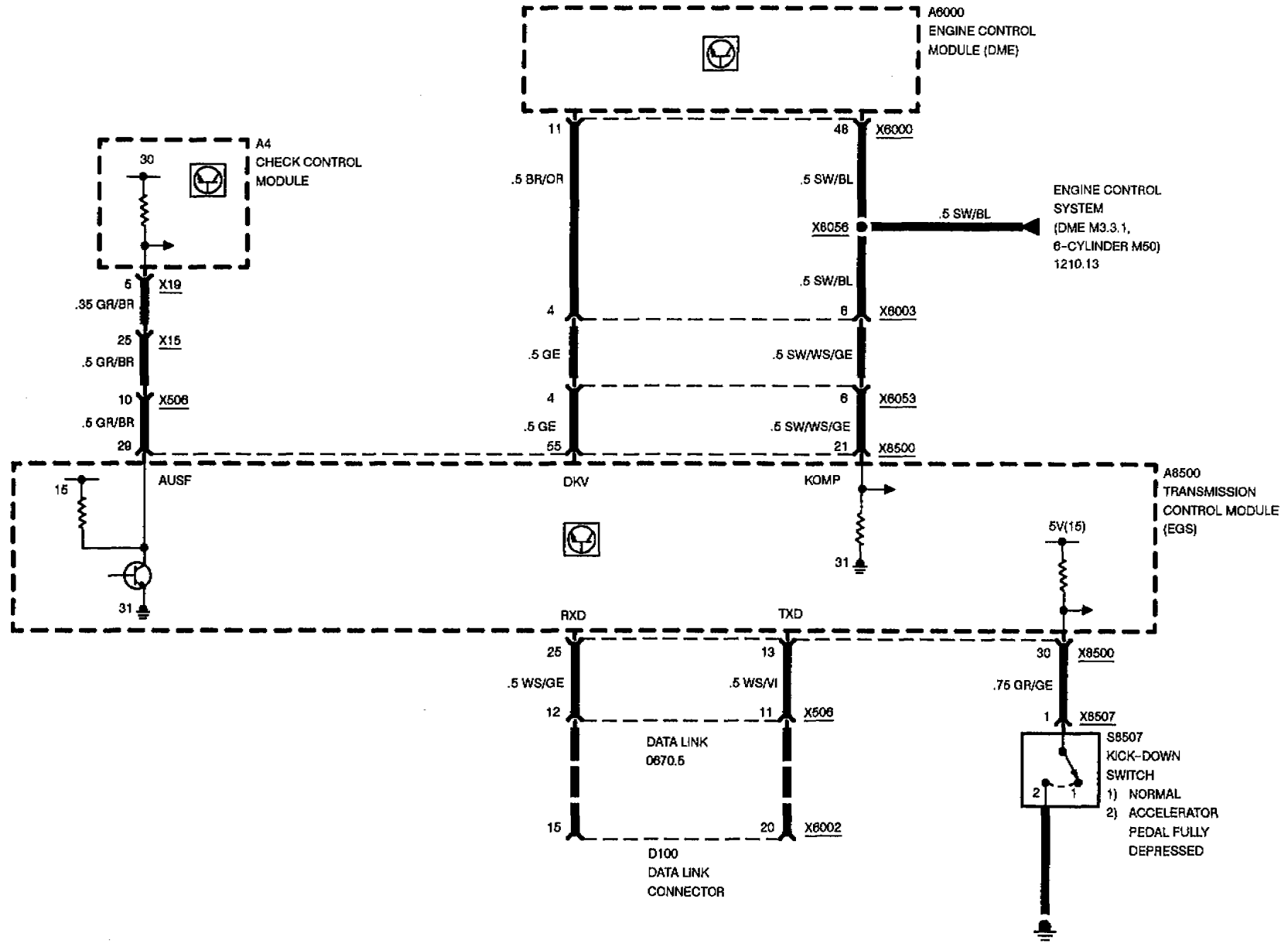
ELECTRONIC TRANSMISSION CONTROL (EGS A4S 310R)



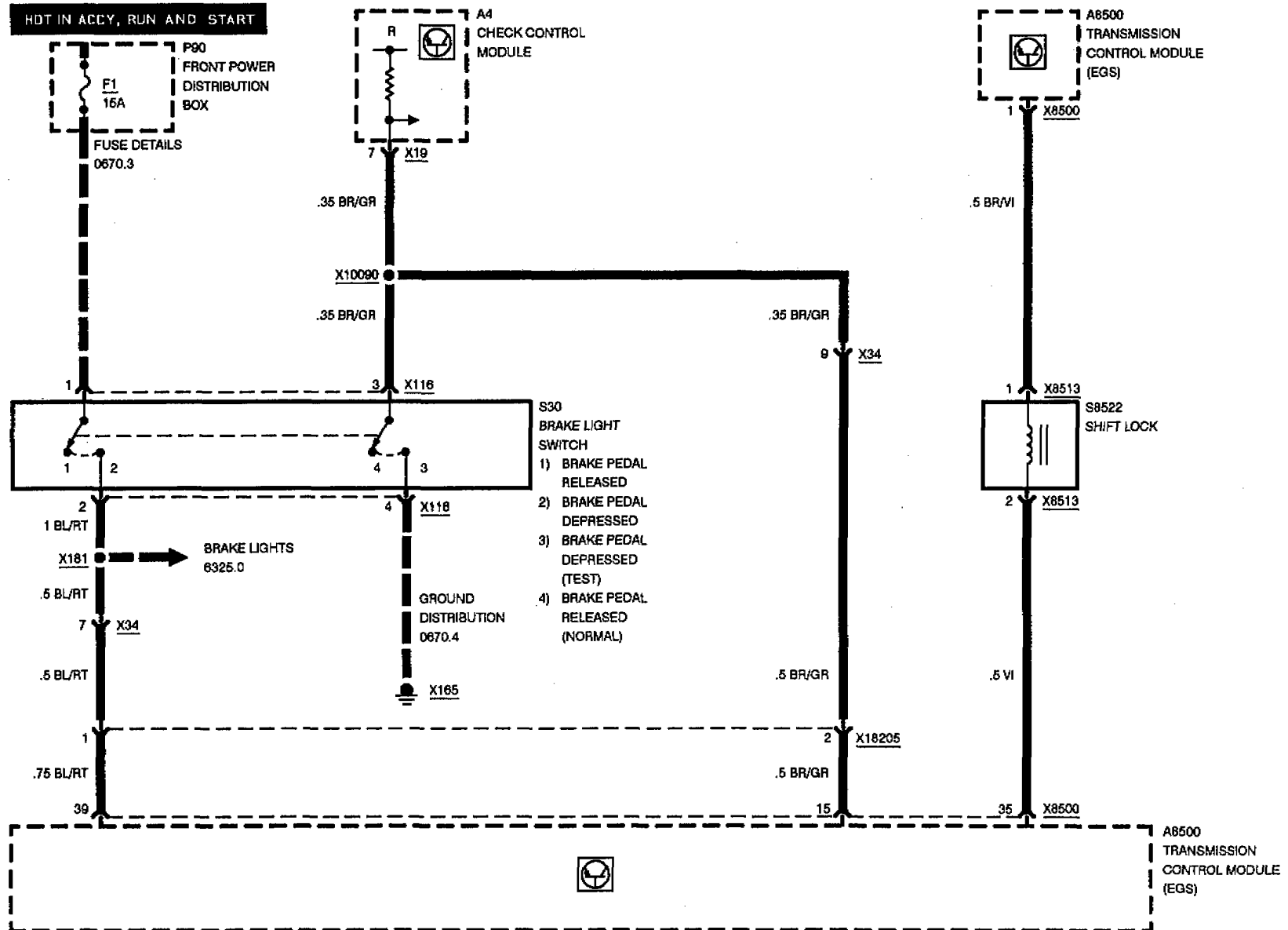




ELECTRONIC TRANSMISSION CONTROL (EGS A4S 310R)



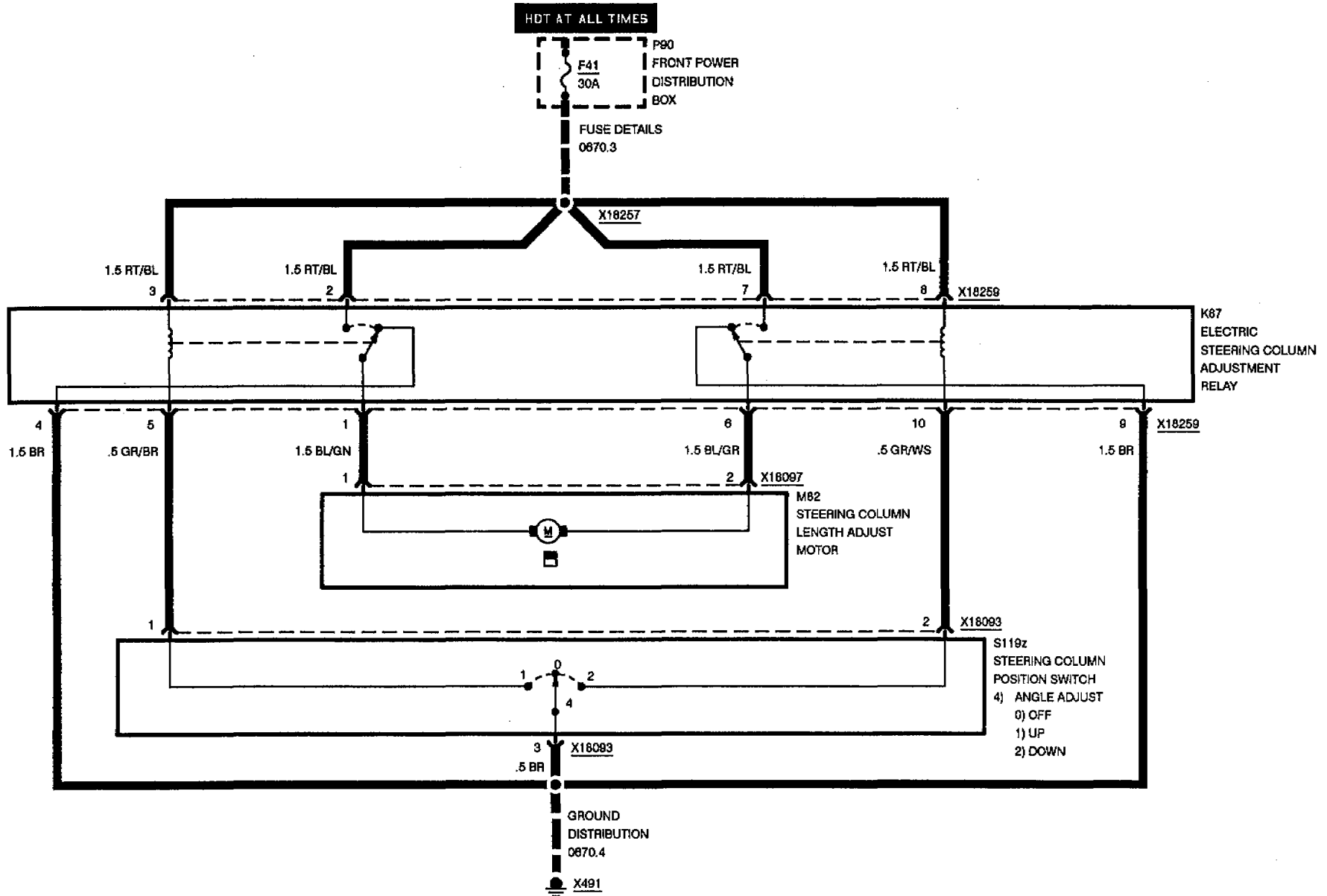
ELECTRONIC TRANSMISSION CONTROL (EGS A4S 310R)







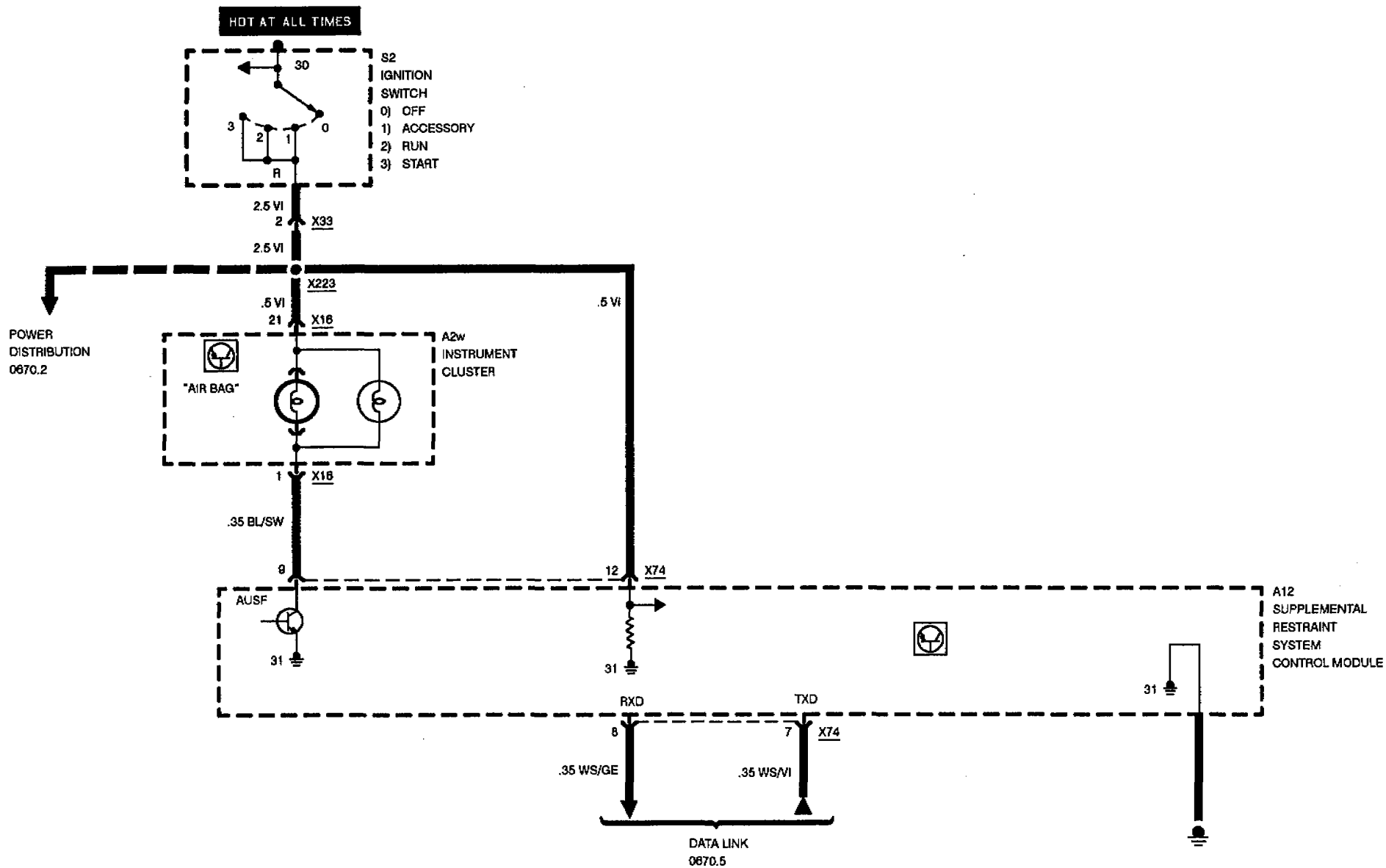
ELECTRIC STEERING COLUMN ADJUSTMENT



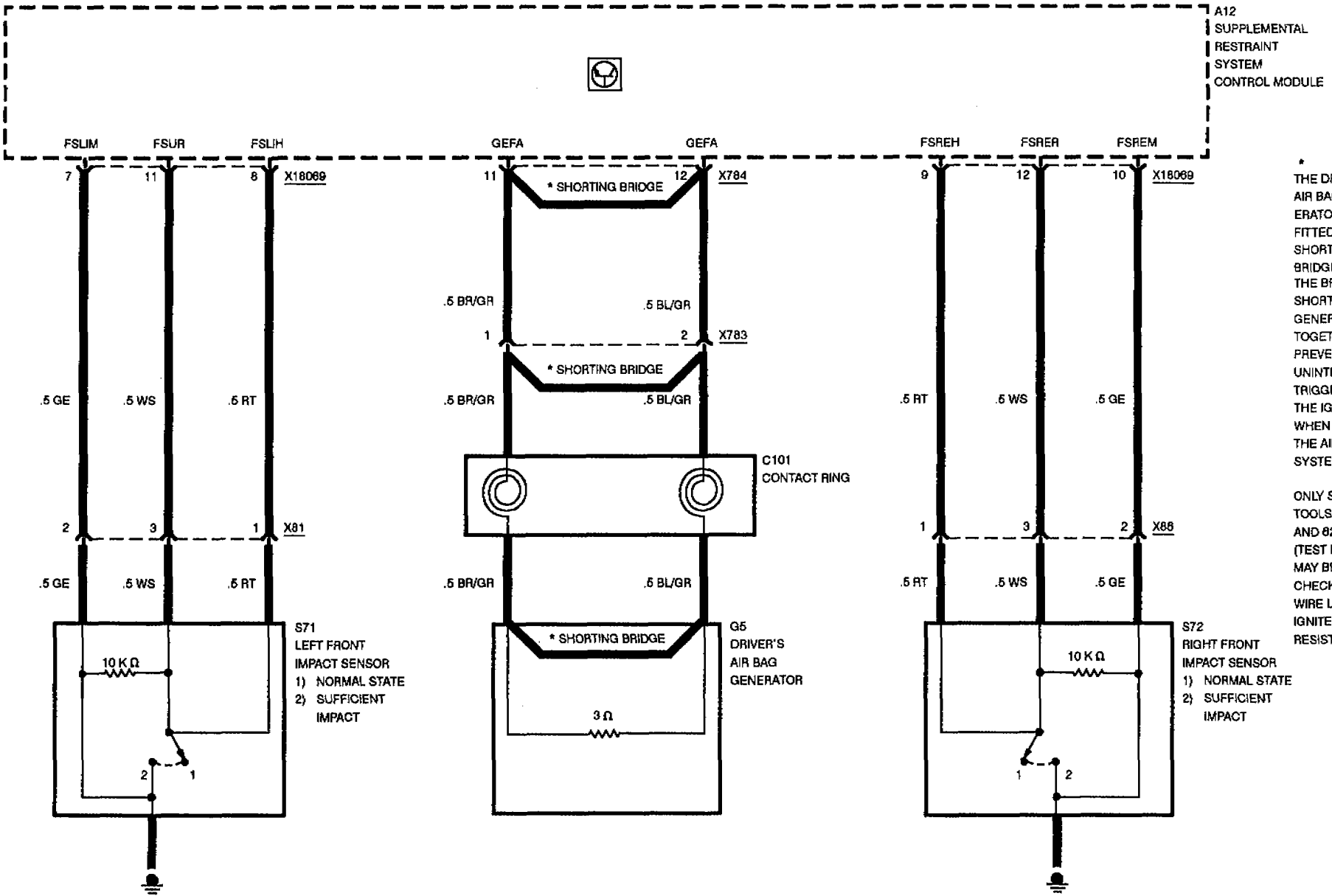
BMW
5

3234.0

SUPPLEMENTAL RESTRAINT SYSTEM (AIR BAG)



SUPPLEMENTAL RESTRAINT SYSTEM (AIR BAG)

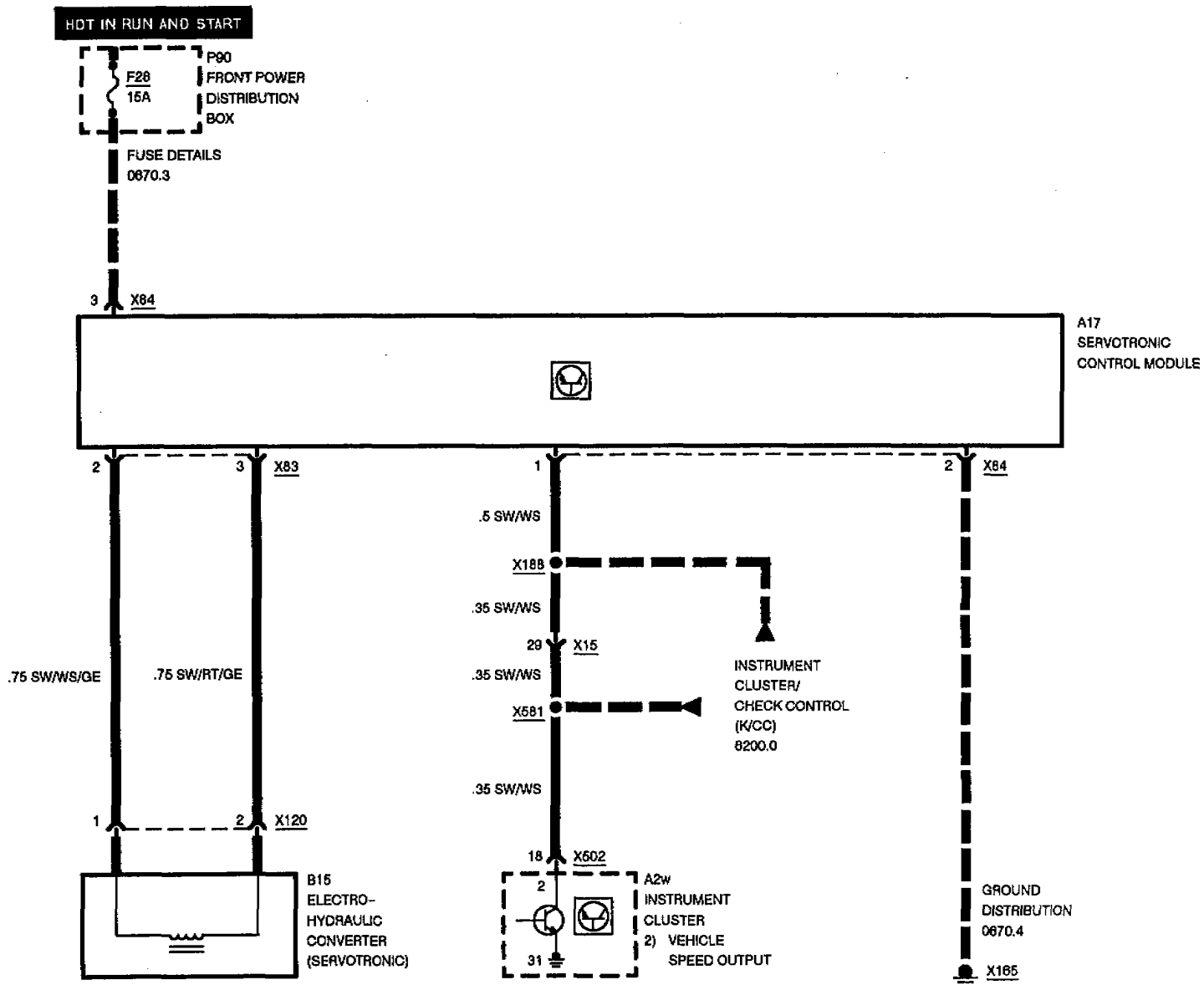


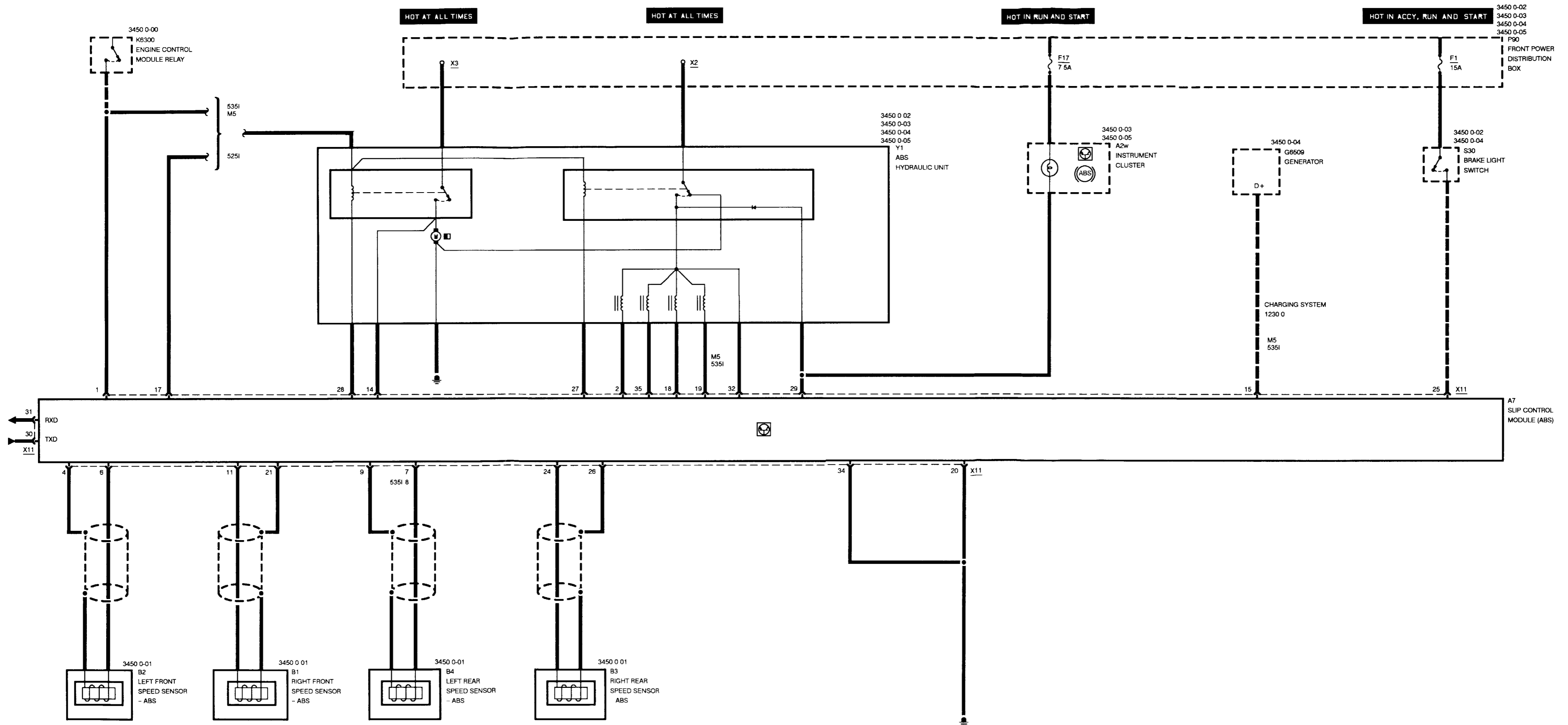
THE DRIVER'S AIR BAG GENERATOR IS FITTED WITH SHORTING BRIDGES. THE BRIDGES SHORT THE GENERATOR LEADS TOGETHER TO PREVENT UNINTENTIONAL TRIGGERING OF THE IGNITER WHEN WORKING ON THE AIR BAG SYSTEM.

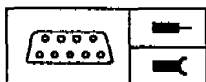
ONLY SPECIAL TOOLS 61 1260 AND 62 1280 (TEST LEADS) MAY BE USED TO CHECK THE WIRE LOOP AND IGNITER RESISTANCE.



POWER ASSIST STEERING (SERVOTRONIC)





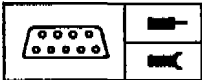


Pin Assignments

X11

Pin	Type	Description/Function	Connection
1	E	Terminal 30 voltage supply	Engine control module relay
2	A	Left front solenoid control	ABS hydraulic unit
3		Not used	
4	E	Speed sensor ground, FL	ABS left front wheel speed sensor
5		Not used	
6	E	Speed sensor signal, FL	ABS left front wheel speed sensor
7		525i: Not used	
	E	535i, M5: Speed sensor signal, RL	ABS left rear wheel speed sensor
8	E	525i: Speed sensor signal, RL 535i, M5: Not used	ABS left rear wheel speed sensor
9	E	Speed sensor ground, RL	ABS left rear wheel speed sensor
10		Not used	
11	E	Speed sensor signal, FR	ABS right front wheel speed sensor
12		Not used	
13		Not used	
14	E	Pump relay monitor	ABS hydraulic unit
15		525i: Not used	
	E	535i, M5: Battery voltage	Generator
16		Not used	
17	A	525i: Valve and pump relay signal 535i, M5: Not used	ABS hydraulic unit
18	A	Left rear solenoid control	ABS hydraulic unit
19		525i: Not used	
	A	535i, M5: Right rear solenoid control	ABS hydraulic unit
20	M	Ground, control module	Ground point
21	E	Speed sensor ground, FR	ABS right front wheel speed sensor
22		Not used	
23		Not used	
24	E	Speed sensor signal, RR	ABS right rear wheel speed sensor
25	E	Brake pedal position	Brake light switch
26	E	Speed sensor ground, RR	ABS right rear wheel speed sensor

E = Input, A = Output, M = Ground



Pin Assignments

Pin	Type	Description/Function	Connection
27	A	Valve relay control	ABS hydraulic unit
28	A	Pump motor relay control	ABS hydraulic unit
29	A	ABS warning lamp control	Instrument cluster
30	A	RxD diagnostic data link	Data link connector
31	E/A	TxD diagnostic data link	Data link connector
32	E	Display, valve relay	ABS hydraulic unit
33		Not used	
34	M	Ground, control module	Ground point
35	A	Right front solenoid control	ABS hydraulic unit

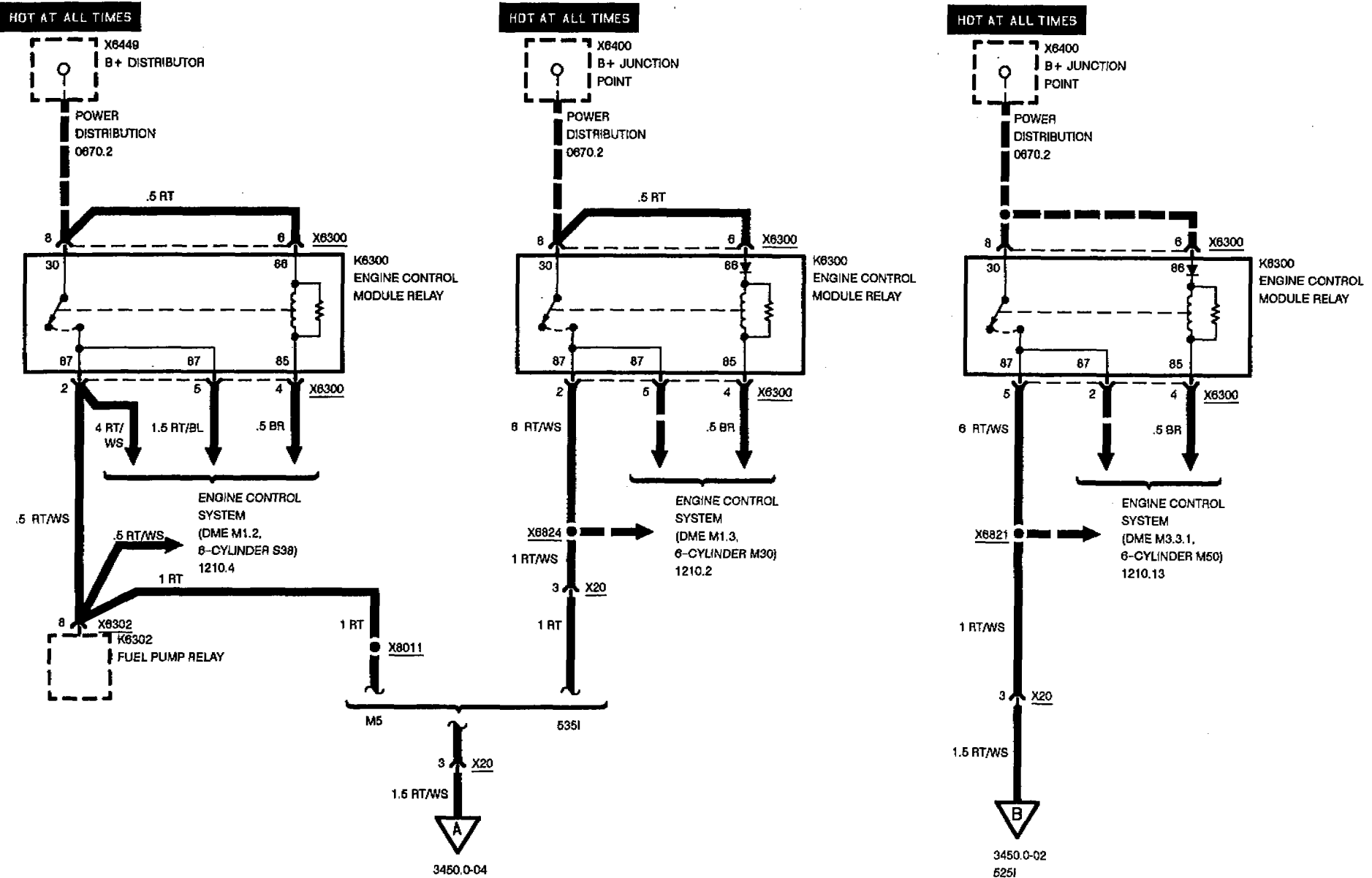
E = Input, A = Output, M = Ground



3450.0



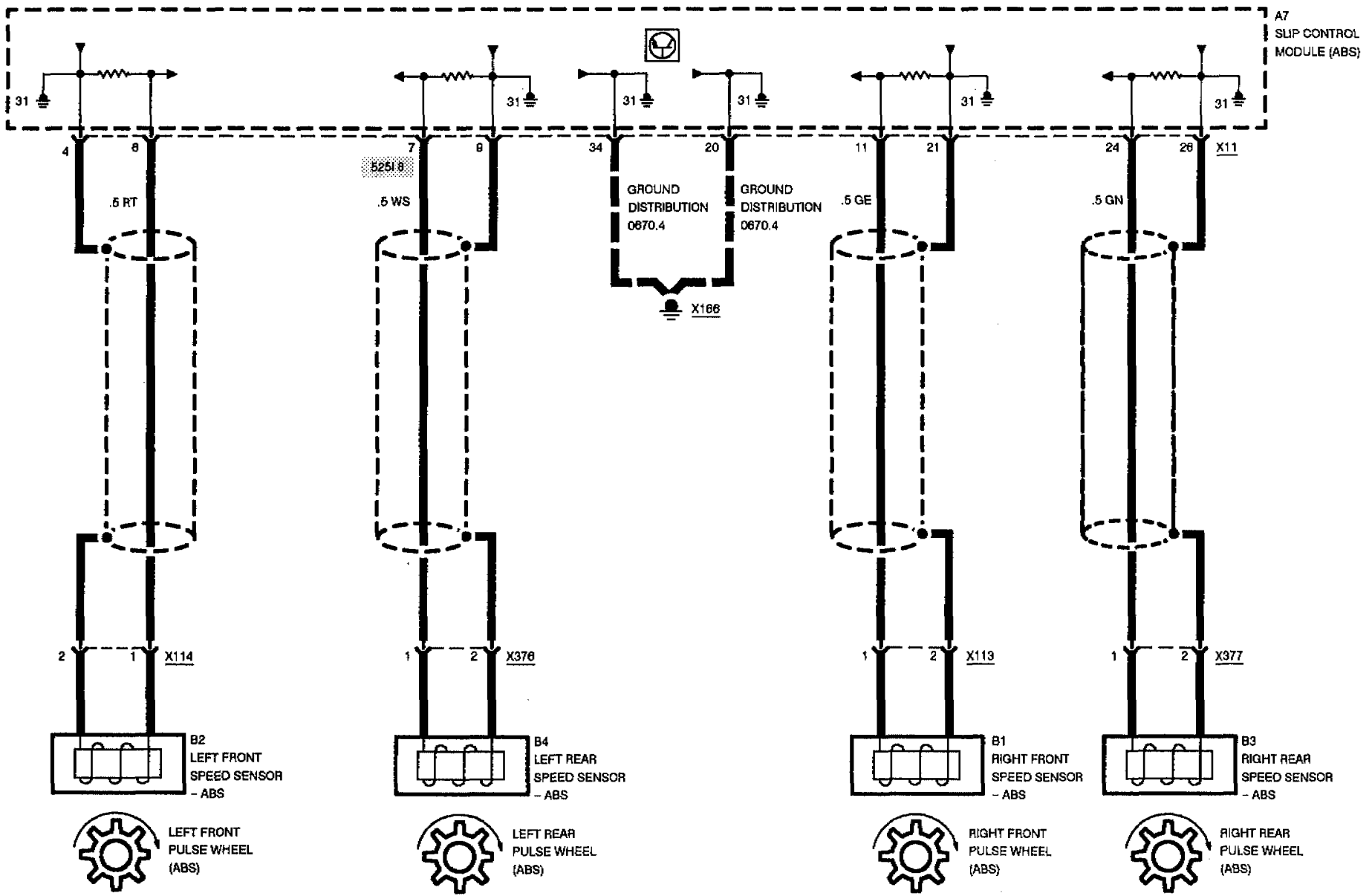
SLIP CONTROL (ABS)



3450.0-04

3450.0-02
5251

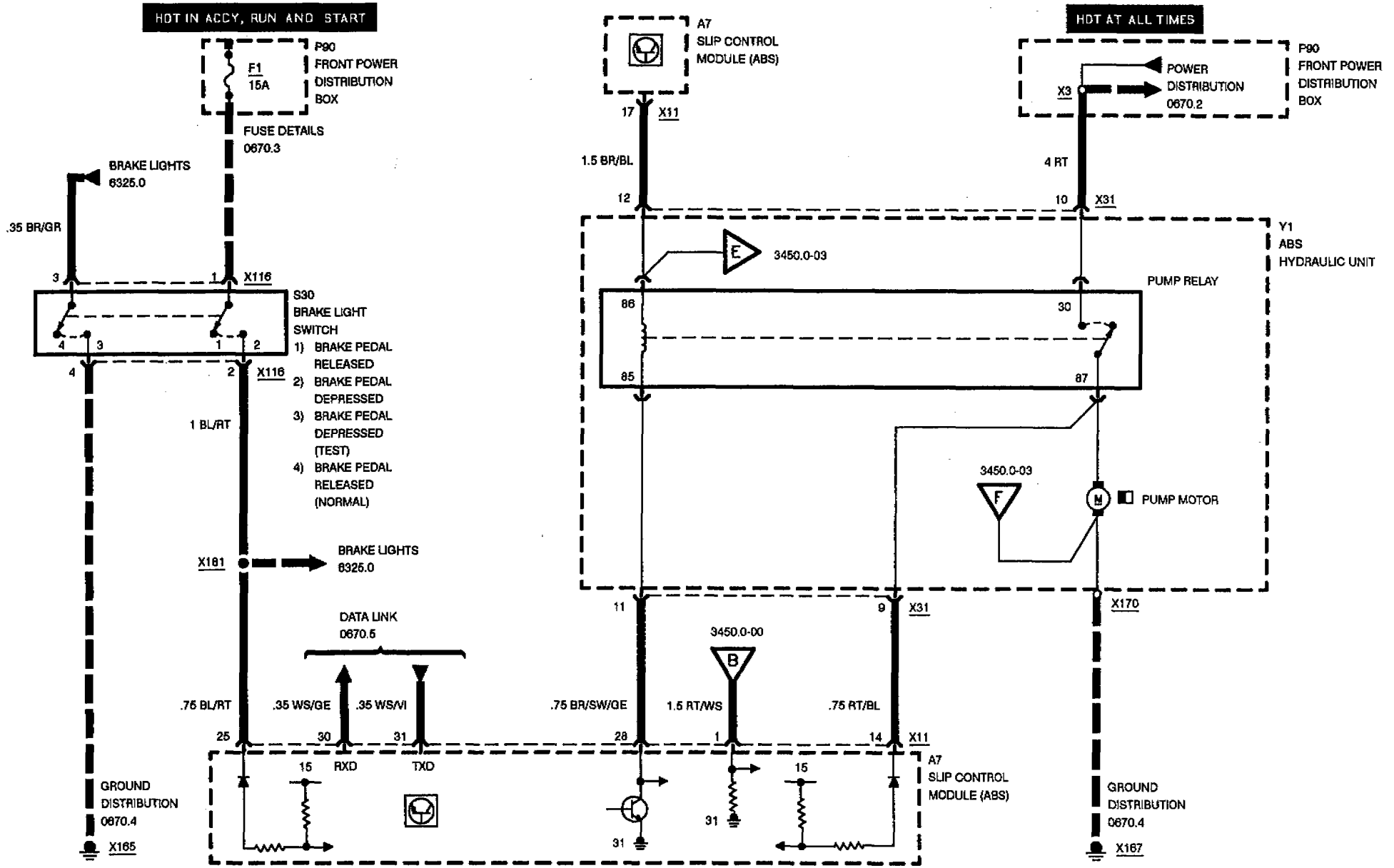
SLIP CONTROL (ABS)

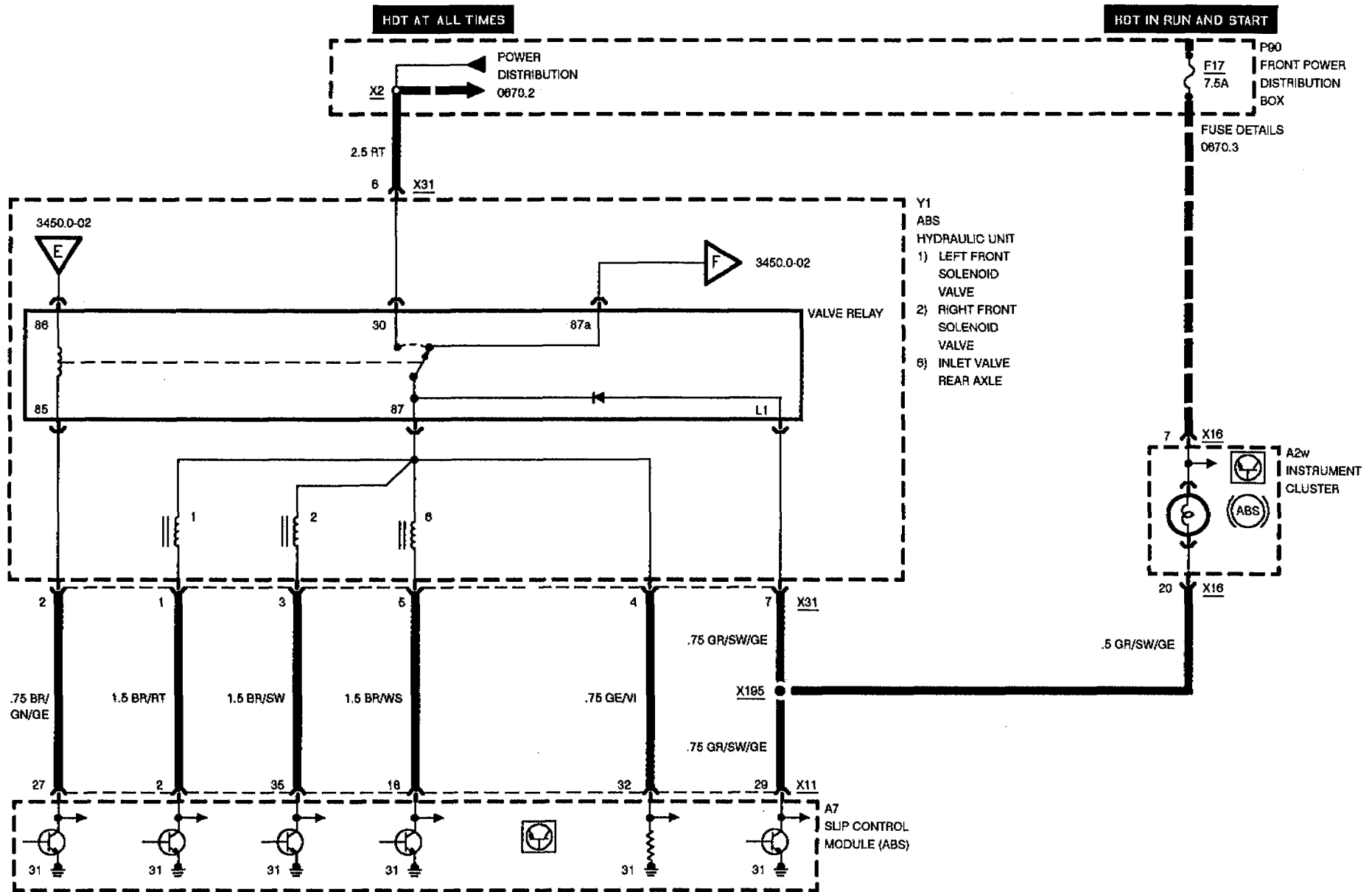


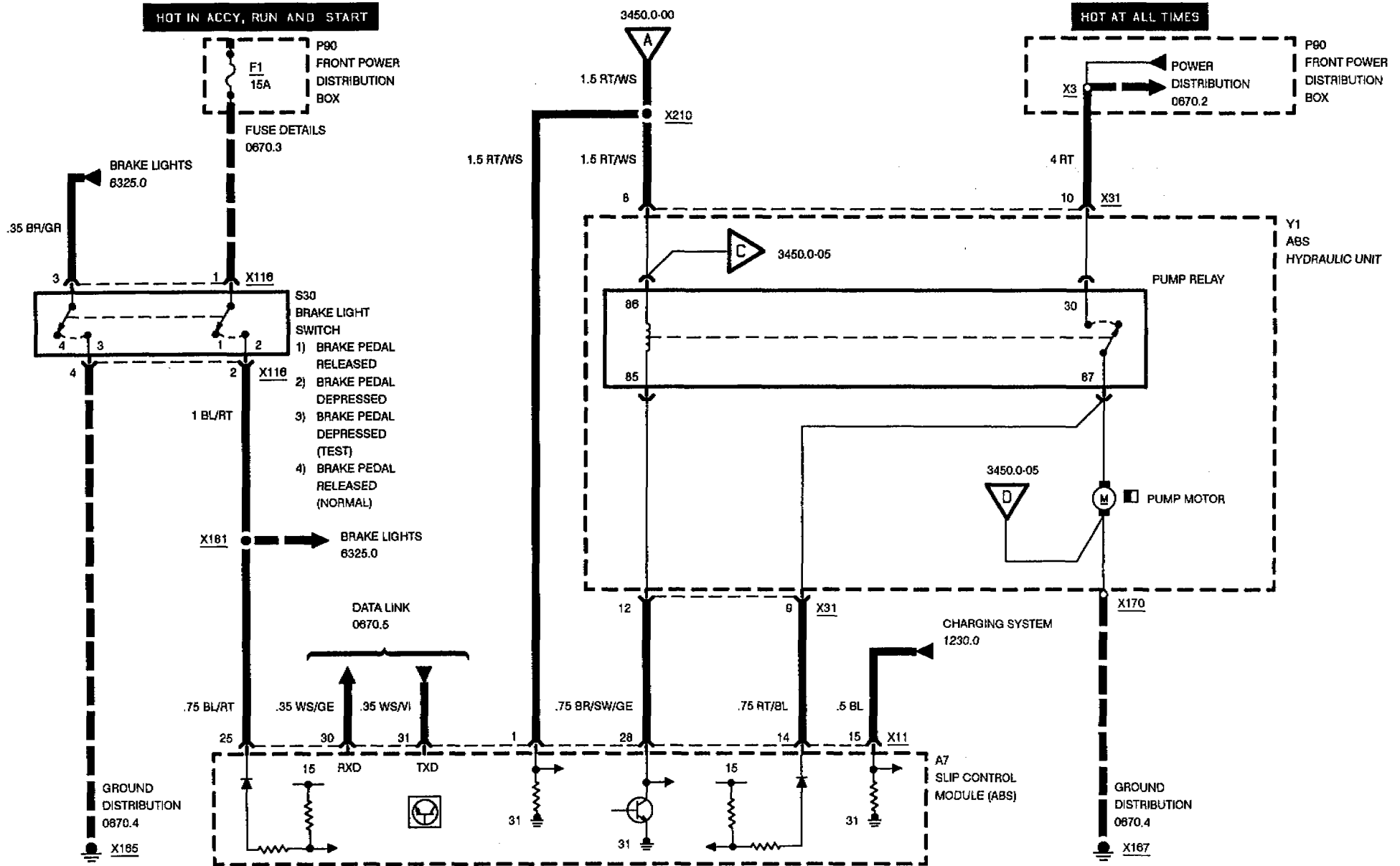


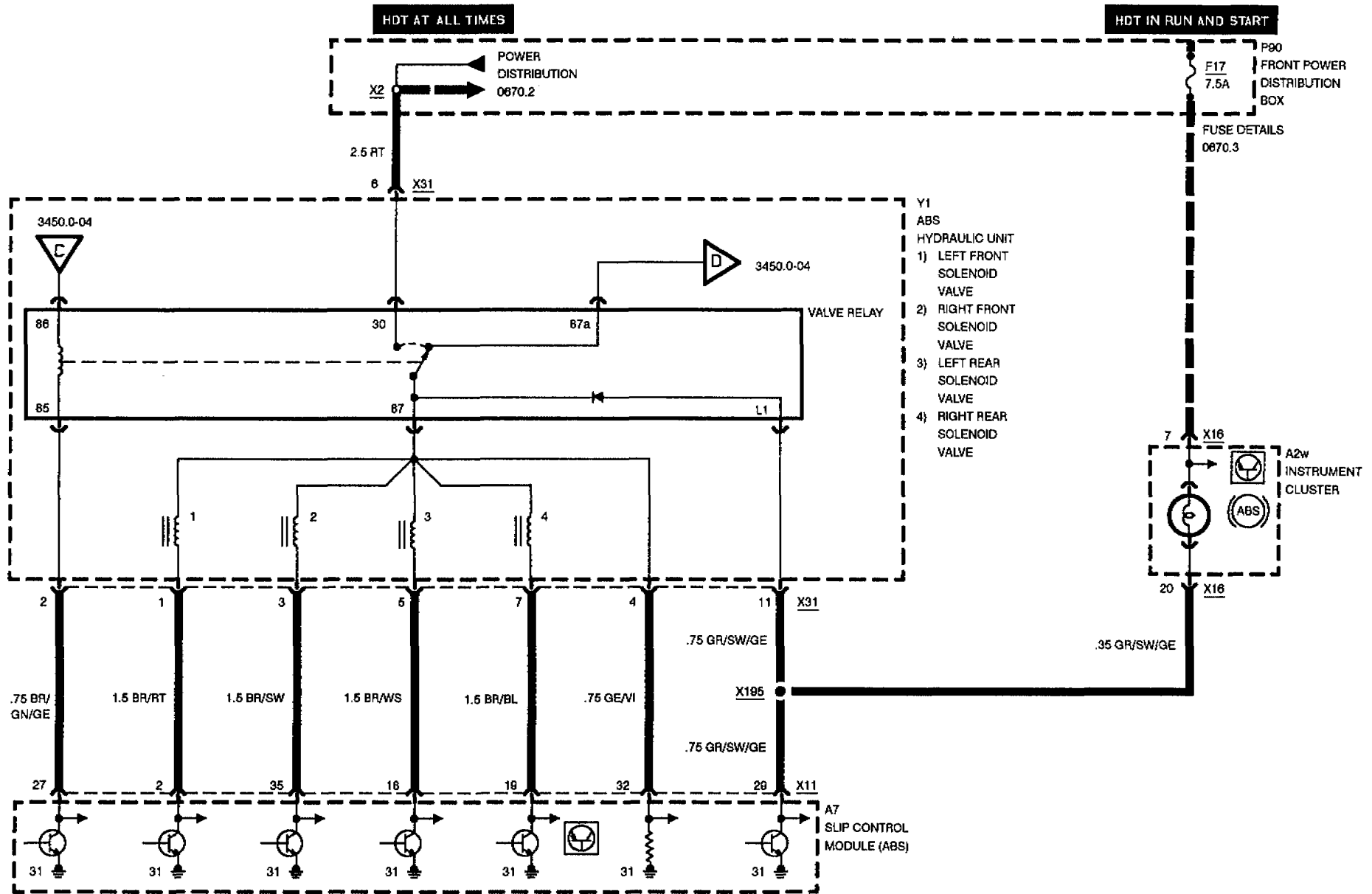
SLIP CONTROL (ABS)

525i

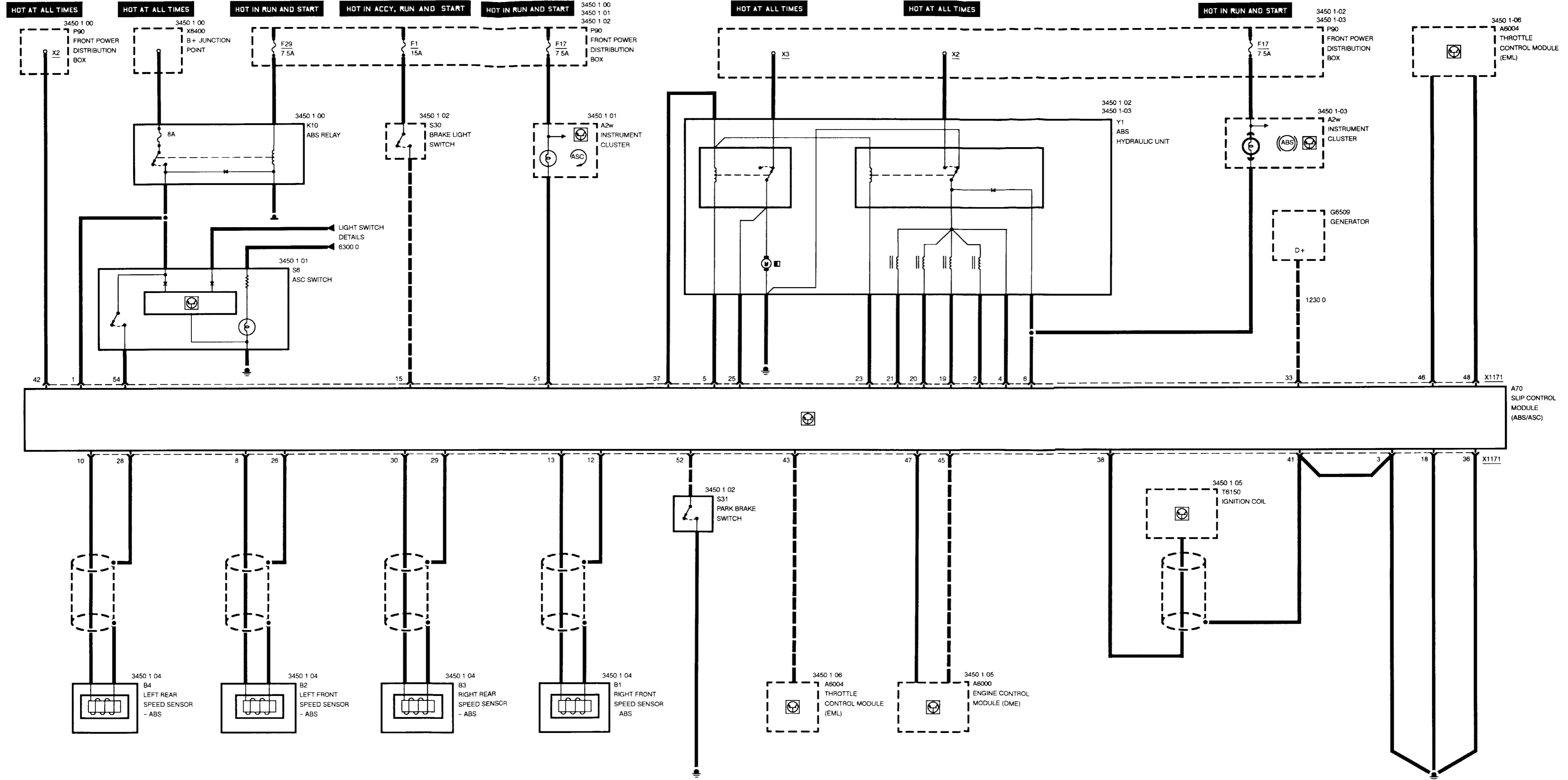


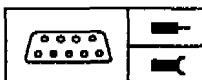










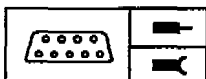


Pin Assignments

X1171

Pin	Type	Description/Function	Connection
1	E	Battery voltage	ABS relay
2	A	Right rear solenoid control	ABS hydraulic unit
3	M	Ground	Ground point and pin 41
4	E	Power	ABS hydraulic unit
5	E	Controlled ground for pump relay	ABS hydraulic unit
6	A	ABS warning lamp control	Instrument cluster
7		Not used	
8	E	Speed sensor signal, FL	ABS left front wheel speed sensor
9		Not used	
10	E	Speed sensor signal, RL	ABS left rear wheel speed sensor
11		Not used	
12	E	Speed sensor ground, FR	ABS right front wheel speed sensor
13	E	Speed sensor signal, FR	ABS right front wheel speed sensor
14		Not used	
15	E	Brake pedal status	Brake light switch
16		Not used	
17		Not used	
18	M	Ground	Ground point
19	A	Left rear solenoid control	ABS hydraulic unit
20	A	Right front solenoid control	ABS hydraulic unit
21	A	Left front solenoid control	ABS hydraulic unit
22		Not used	
23	E	Valve relay control	ABS hydraulic unit
24		Not used	
25	E	Pump relay monitor	ABS hydraulic unit
26	E	Speed sensor ground, FL	ABS left front wheel speed sensor
27		Not used	
28	E	Speed sensor ground, RL	ABS left rear wheel speed sensor
29	E	Speed sensor ground, RR	ABS right rear wheel speed sensor
30	E	Speed sensor signal, RR	ABS right rear wheel speed sensor

E = Input, A = Output, M = Ground



Pin Assignments

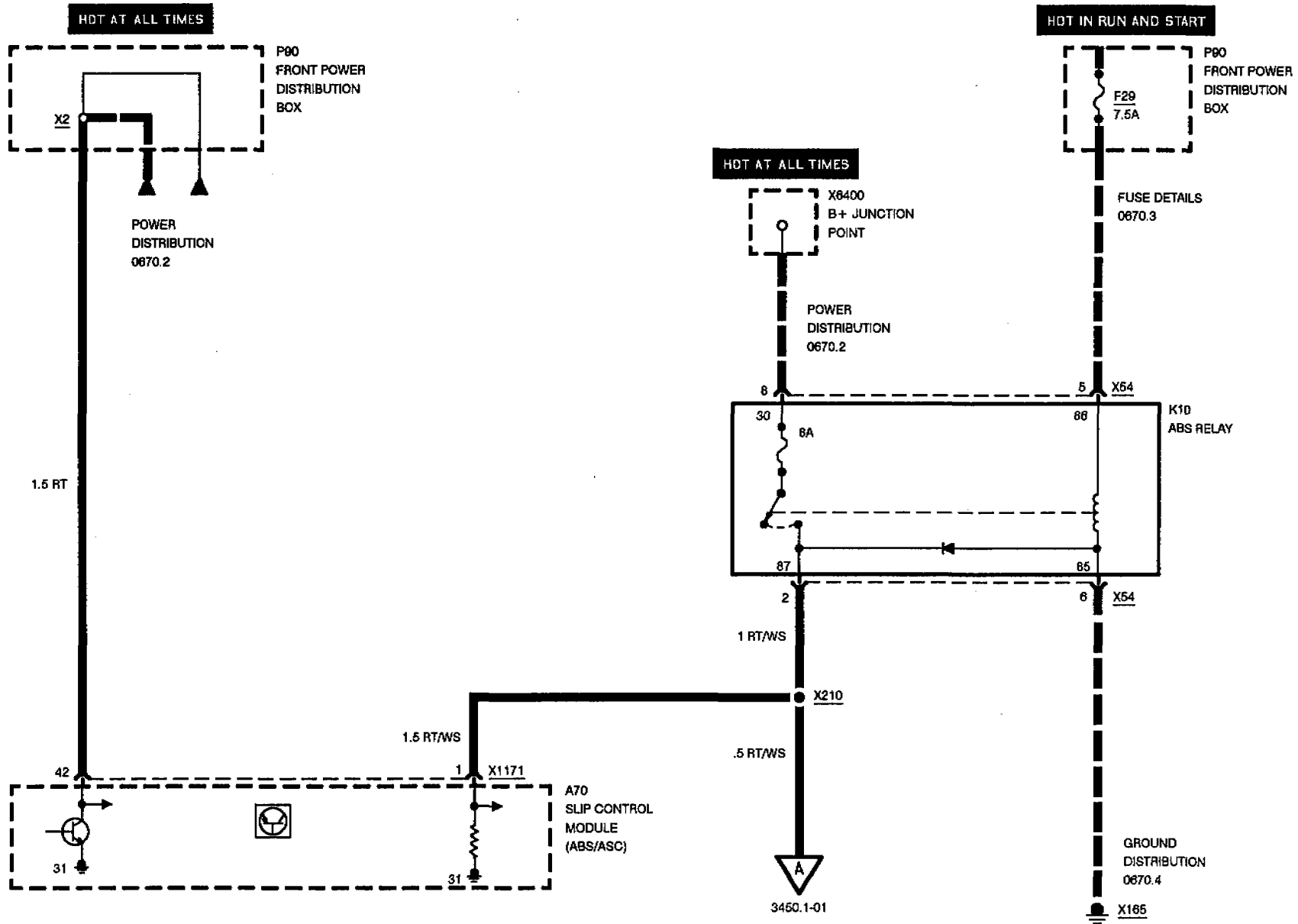
Pin	Type	Description/Function	Connection
31		Not used	
32		Not used	
33	E	Charging voltage	Generator
34		Not used	
35		Not used	
36	M	Ground	Ground point
37	A	Power signal for pump relay	ABS hydraulic unit
38	E	Ignition timing signal	Ignition coil
39		Not used	
40		Not used	
41	M	Ground	Shield ignition coil, pin 3
42	E	Battery voltage	Front power distribution box
43	A	EML-signal	Electronic throttle module (EML)
44		Not used	
45	E	Ignition cut-off signal	Engine control module (DME)
46	E	Throttle signal	Electronic throttle module (EML)
47	E	DME-signal	Engine control module (DME)
48	E	Throttle signal	Electronic throttle module (EML)
49		Not used	
50		Not used	
51	A	ASC indicator lamp control	Instrument cluster
52	E	Park brake signal	Park brake switch
53		Not used	
54	E	ASC switch signal	ASC switch
55		Not used	

E = Input, A = Output, M = Ground

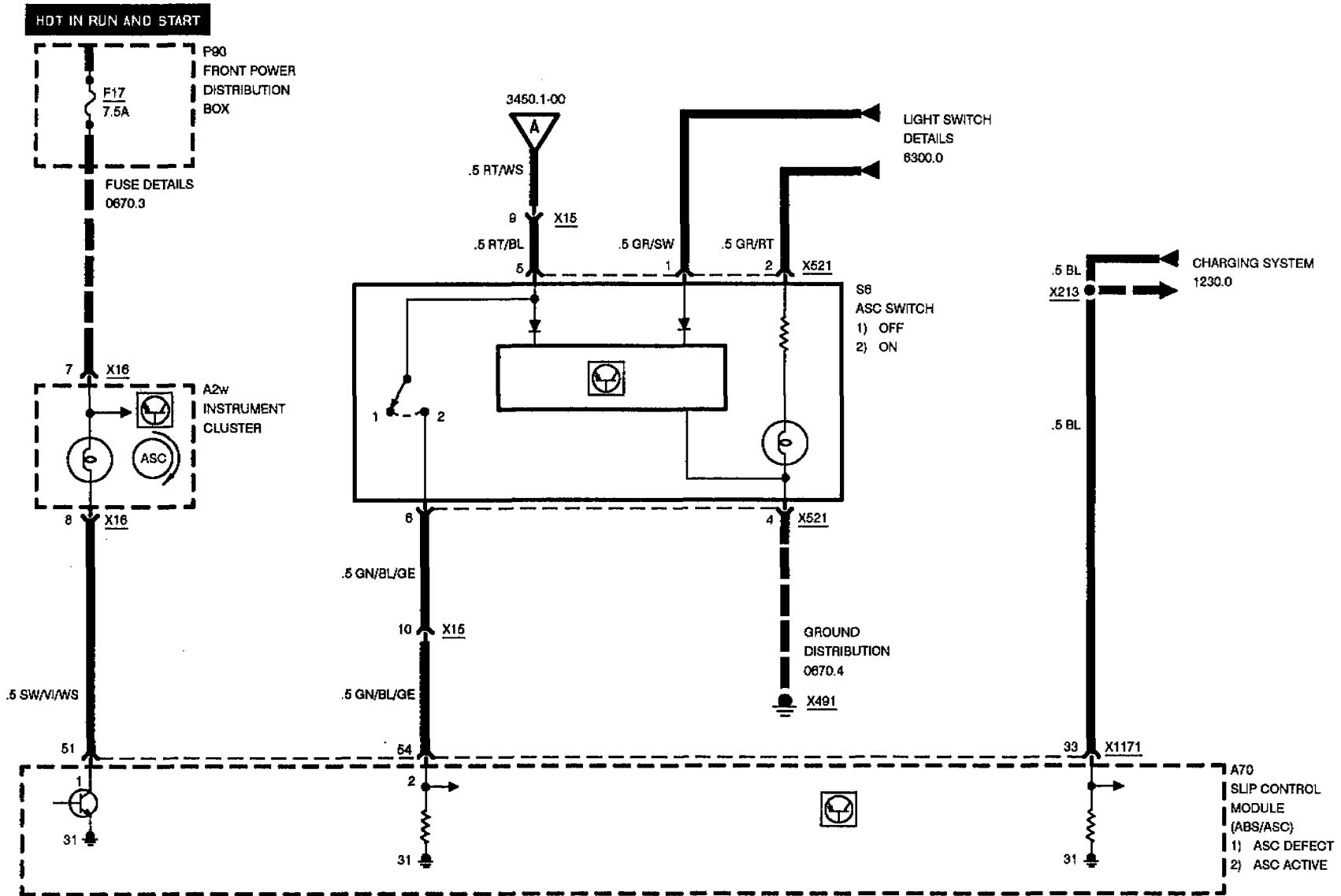




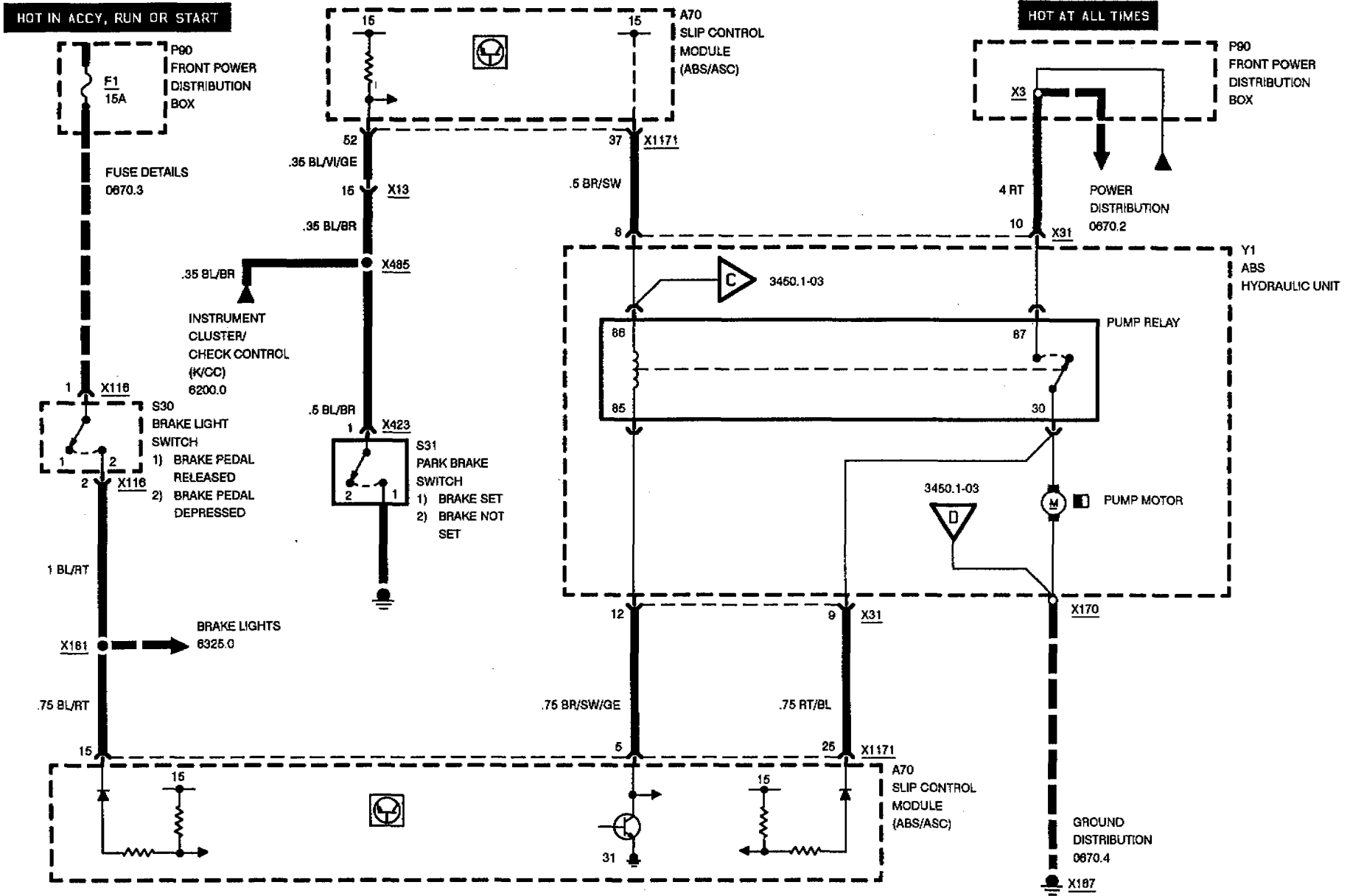
SLIP CONTROL (ABS/ASC)



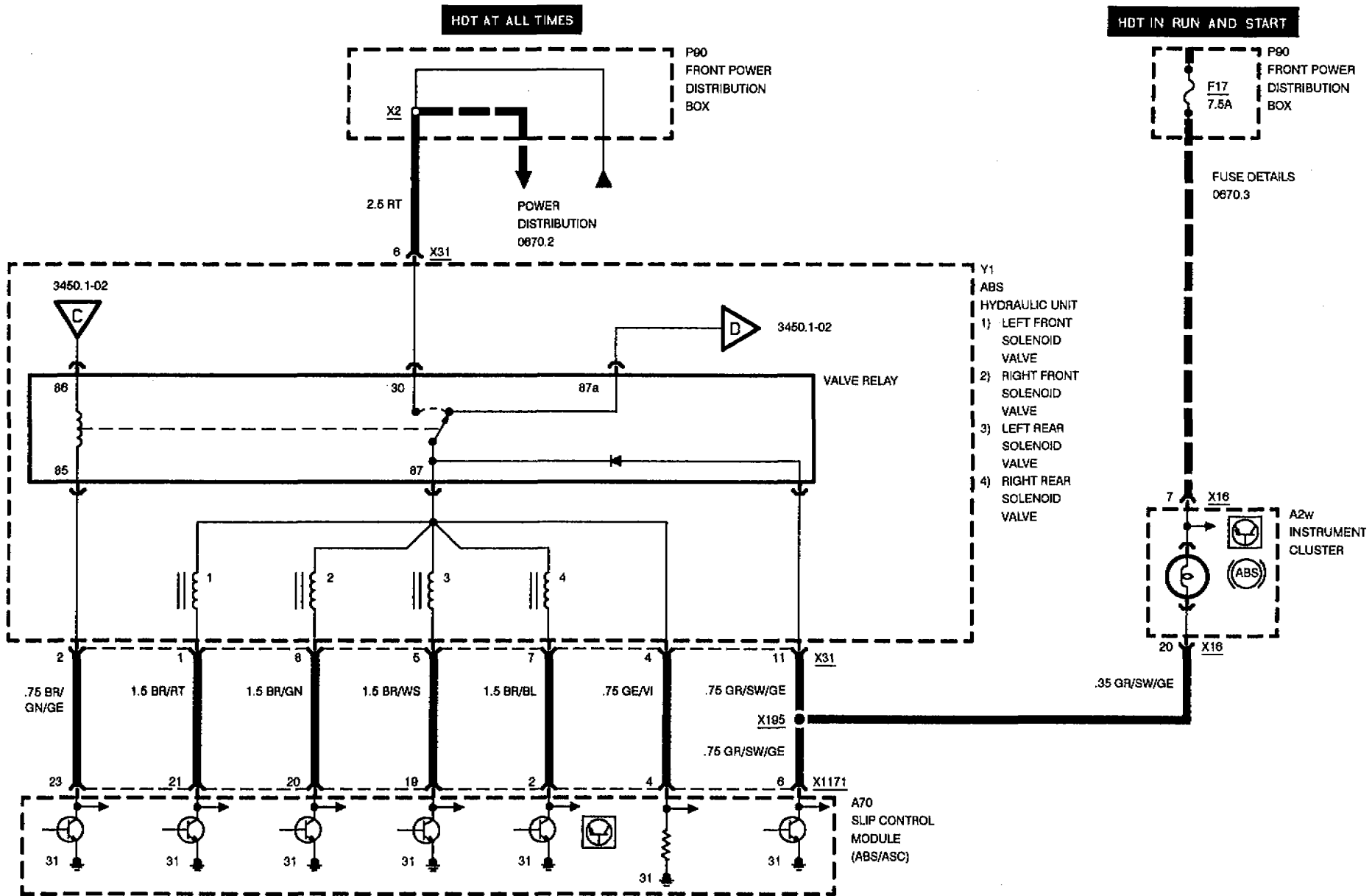
SLIP CONTROL (ABS/ASC)



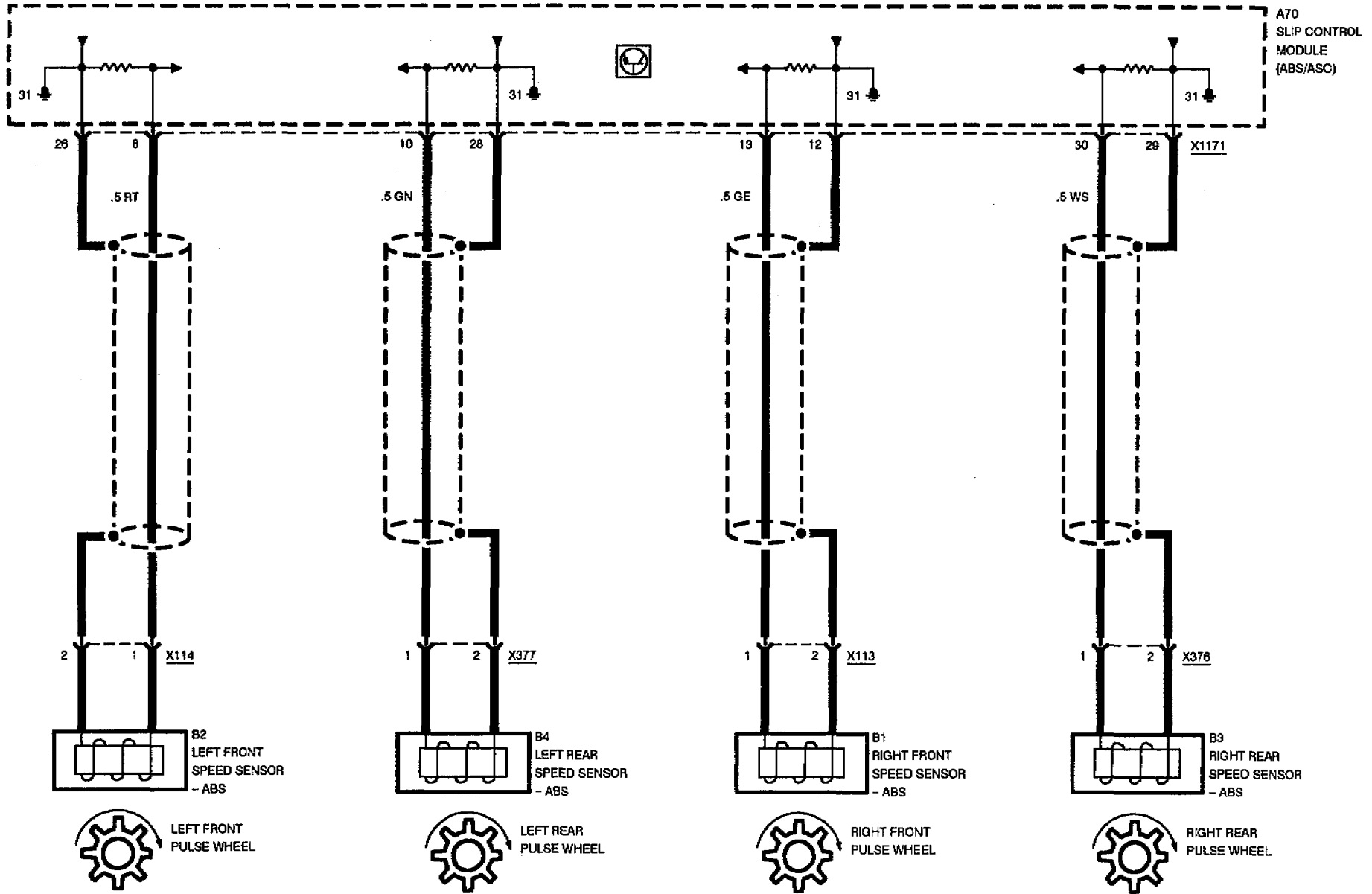
SLIP CONTROL (ABS/ASC)



SLIP CONTROL (ABS/ASC)

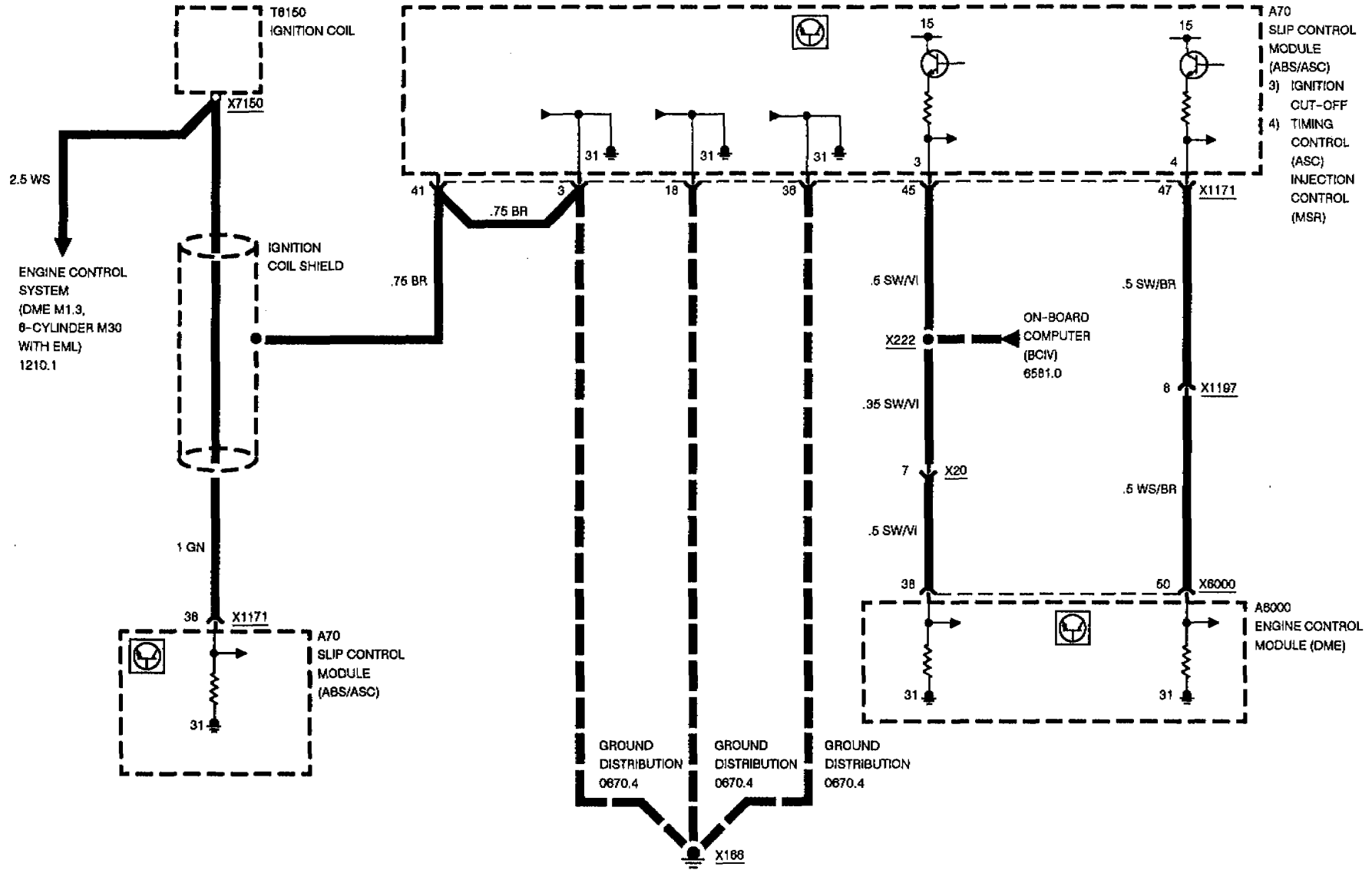


SLIP CONTROL (ABS/ASC)



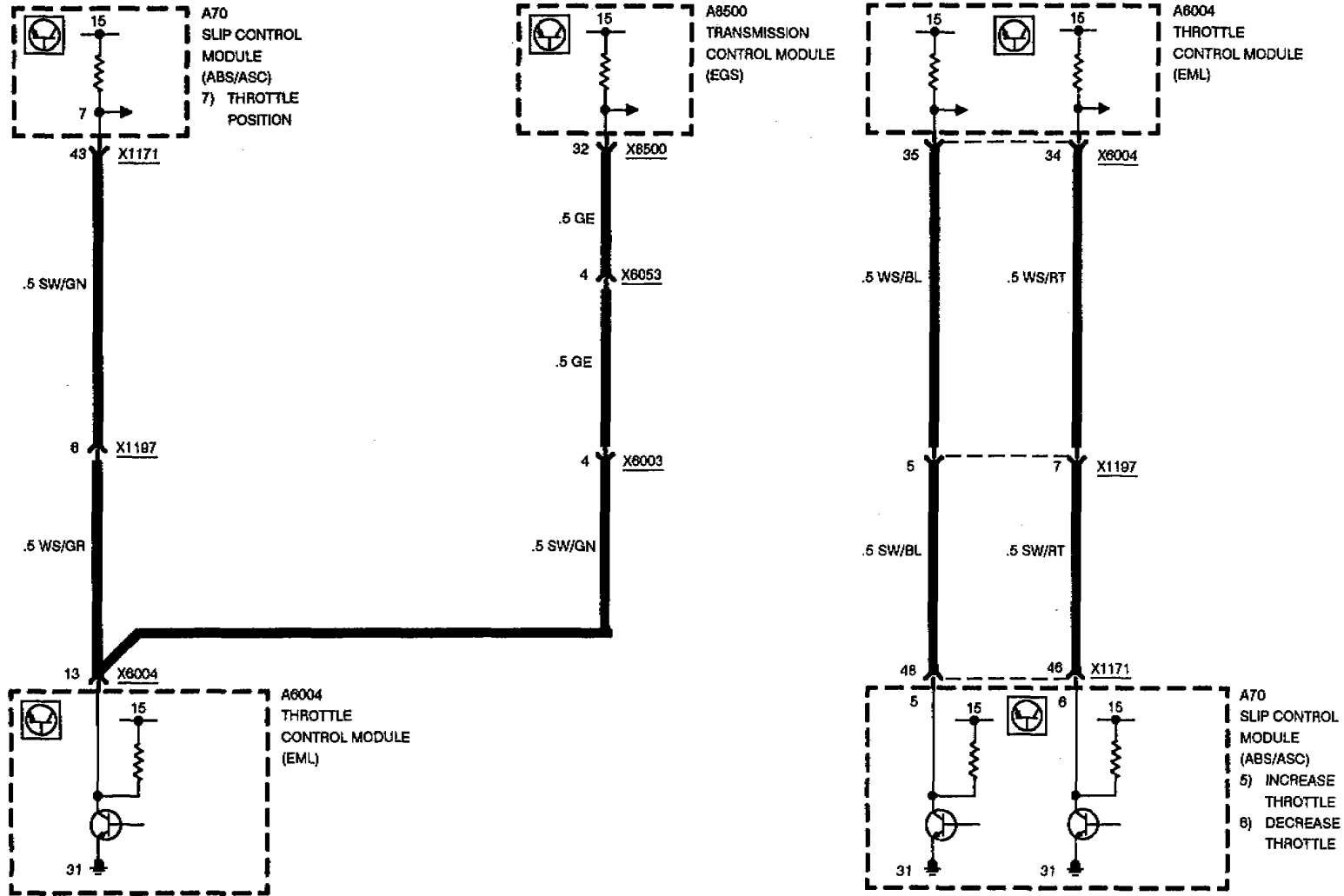


SLIP CONTROL (ABS/ASC) ENGINE CONTROL (DME) INTERFACE





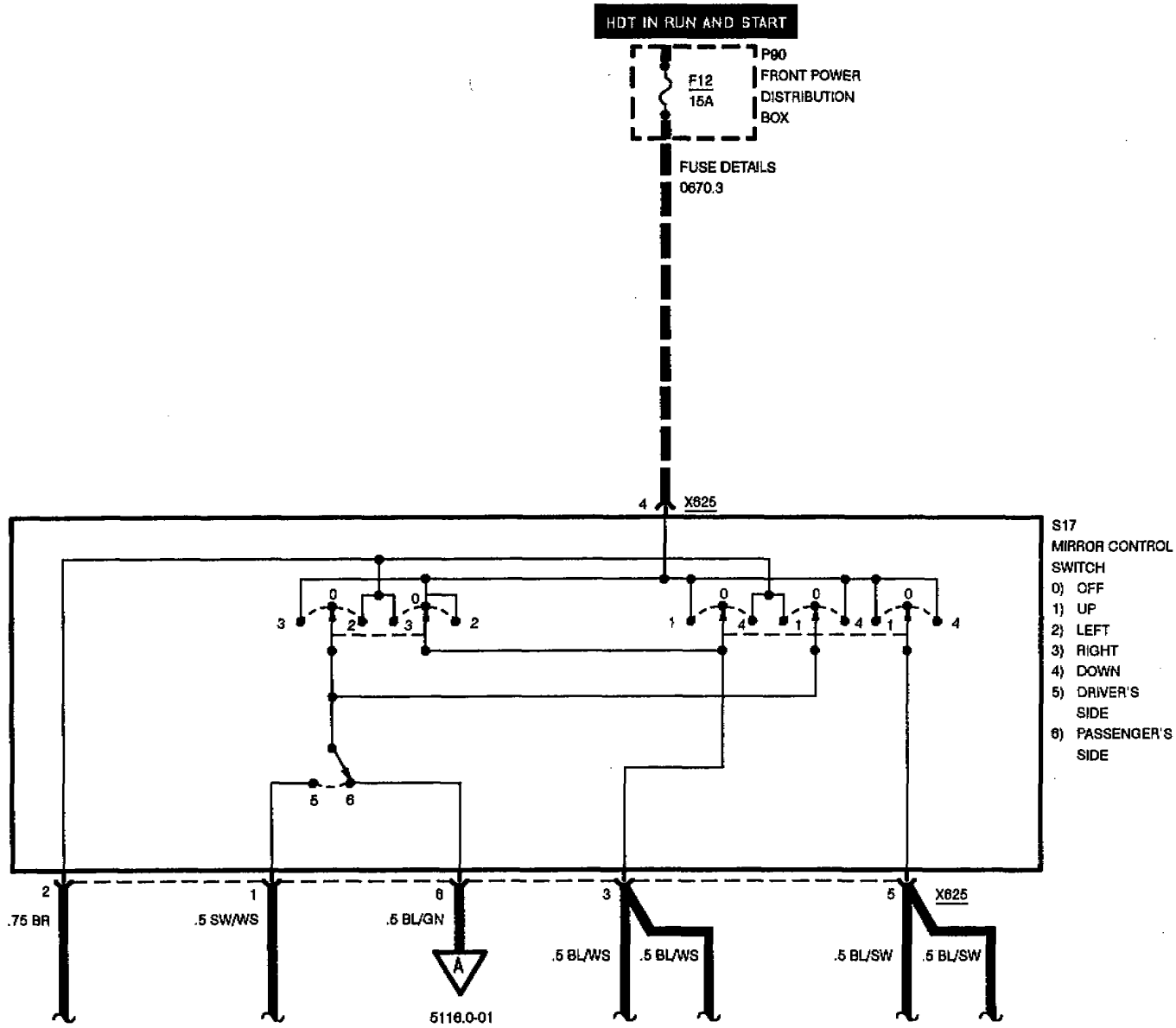
SLIP CONTROL (ABS/ASC) EML INTERFACE

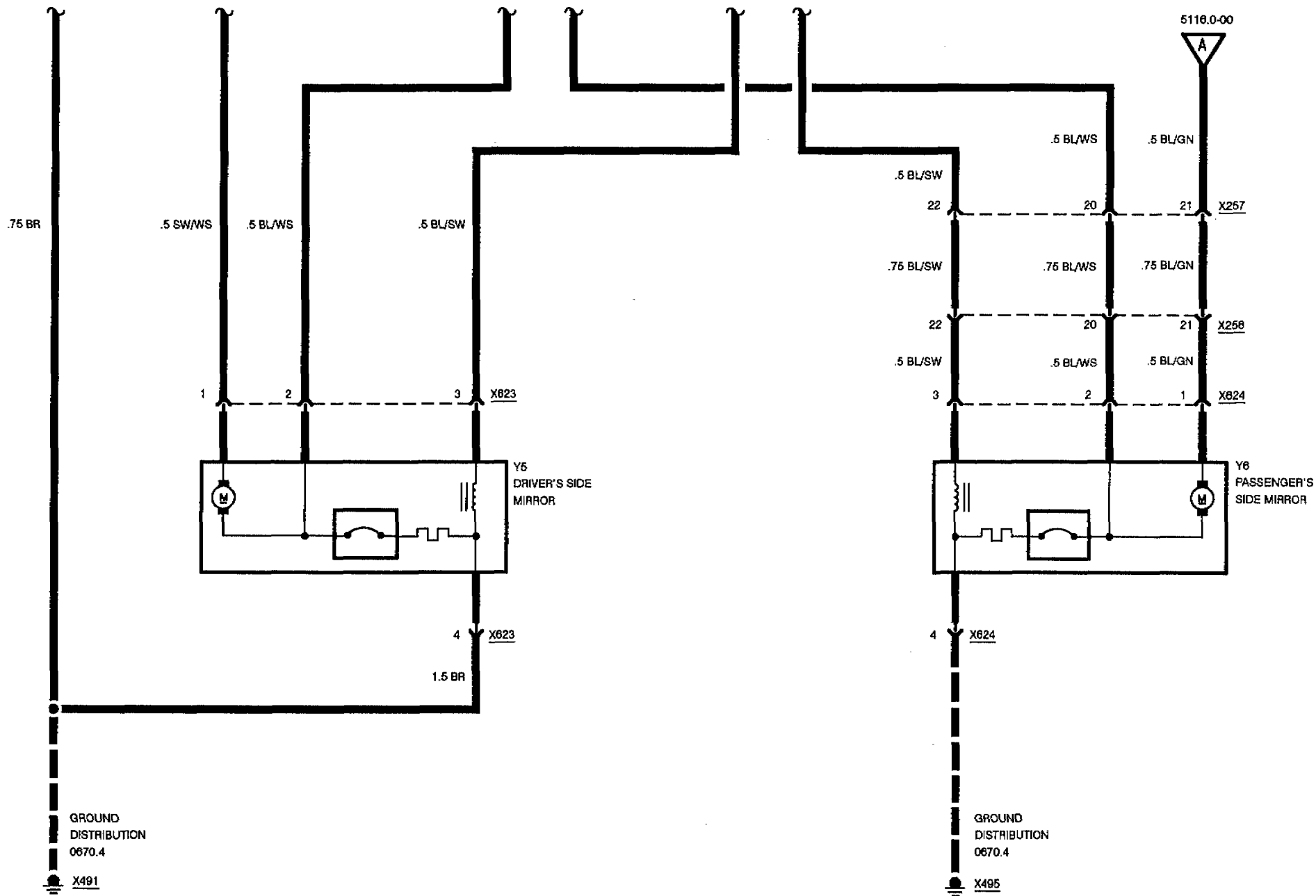


BMW
5



POWER MIRRORS

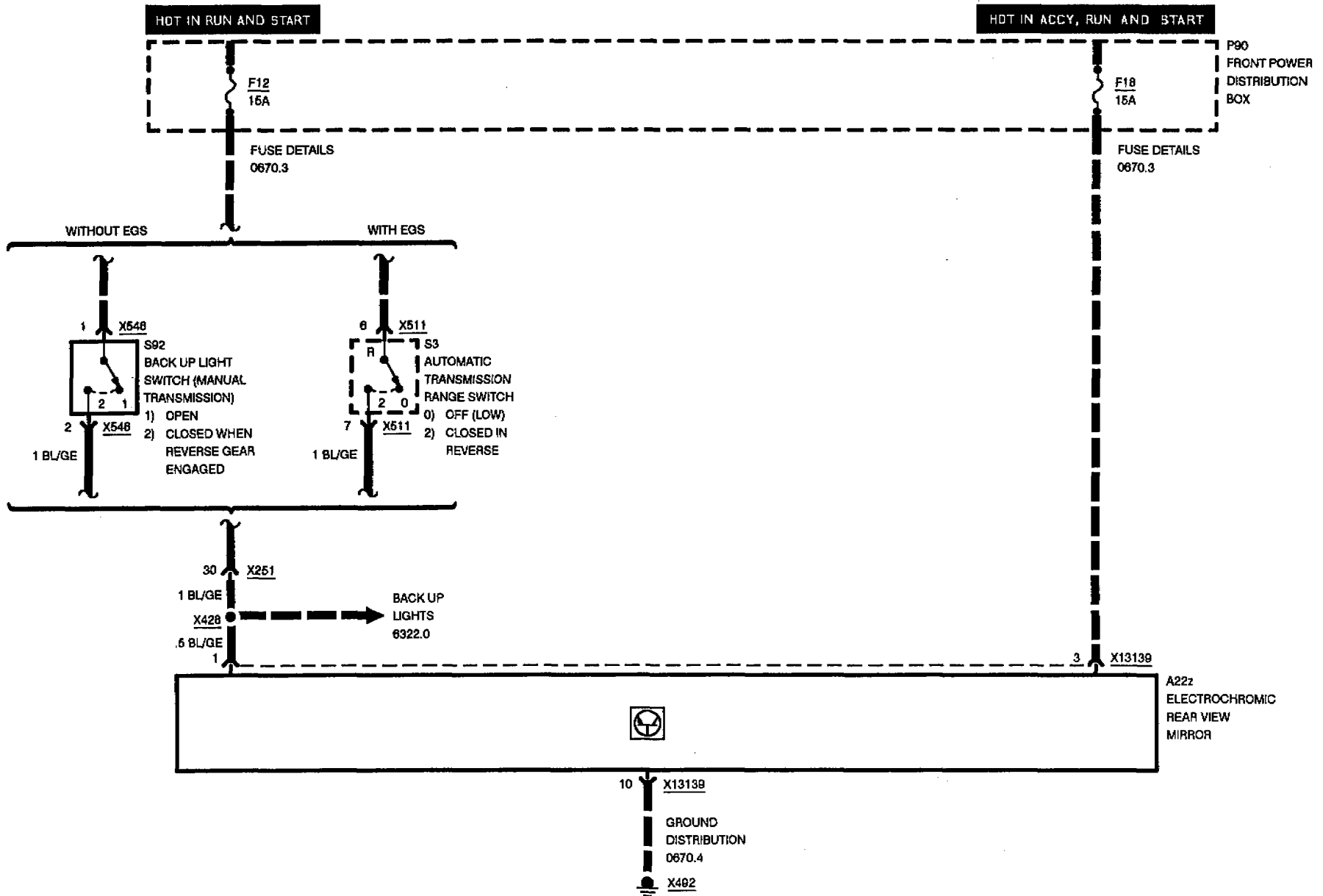






POWER MIRRORS

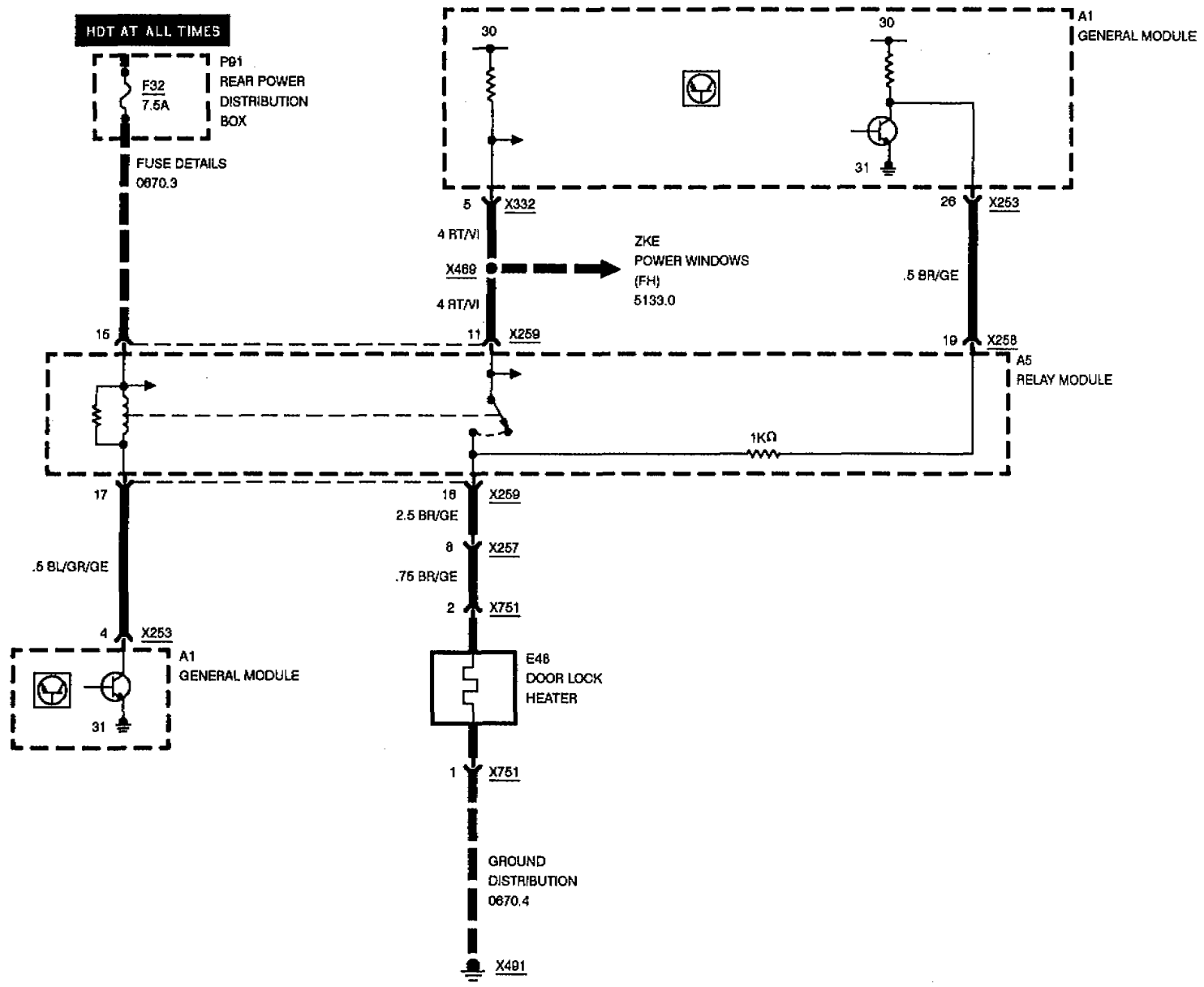
INSIDE MIRRORS







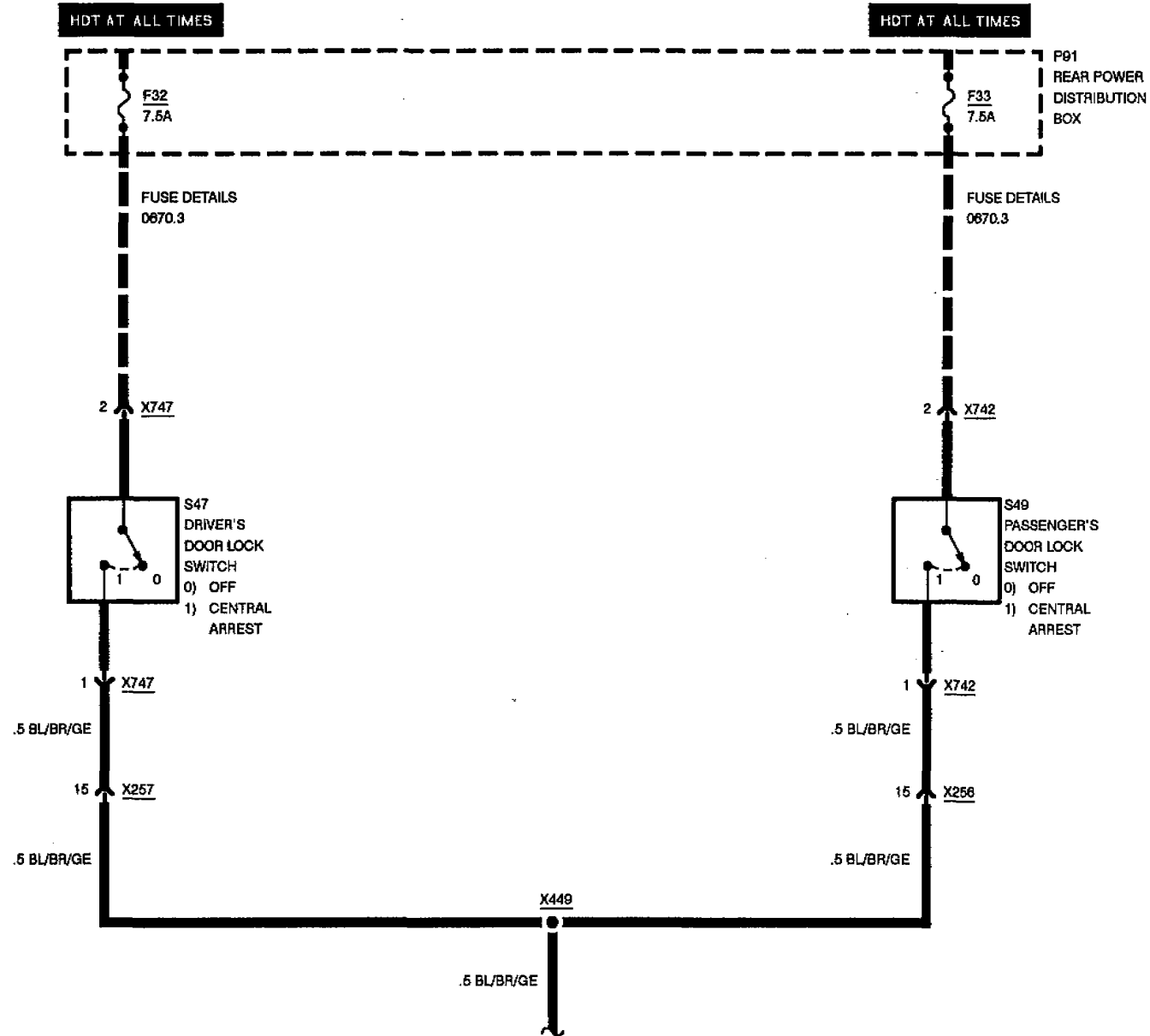
ZKE DOOR LOCK HEATING (TSH) OUTPUT DETAILS

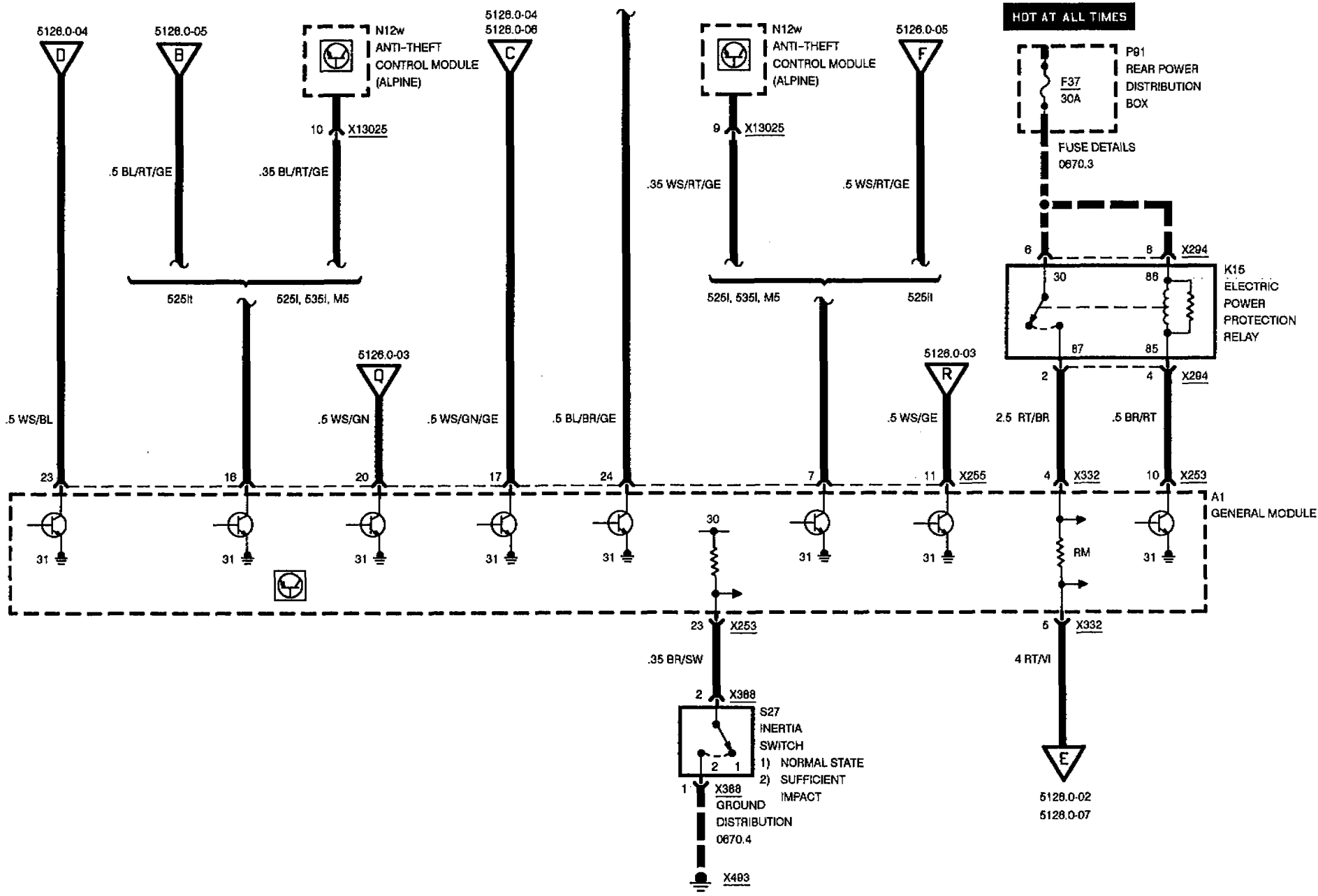




ZKE CENTRAL LOCKING (ZV)

INPUT DETAILS

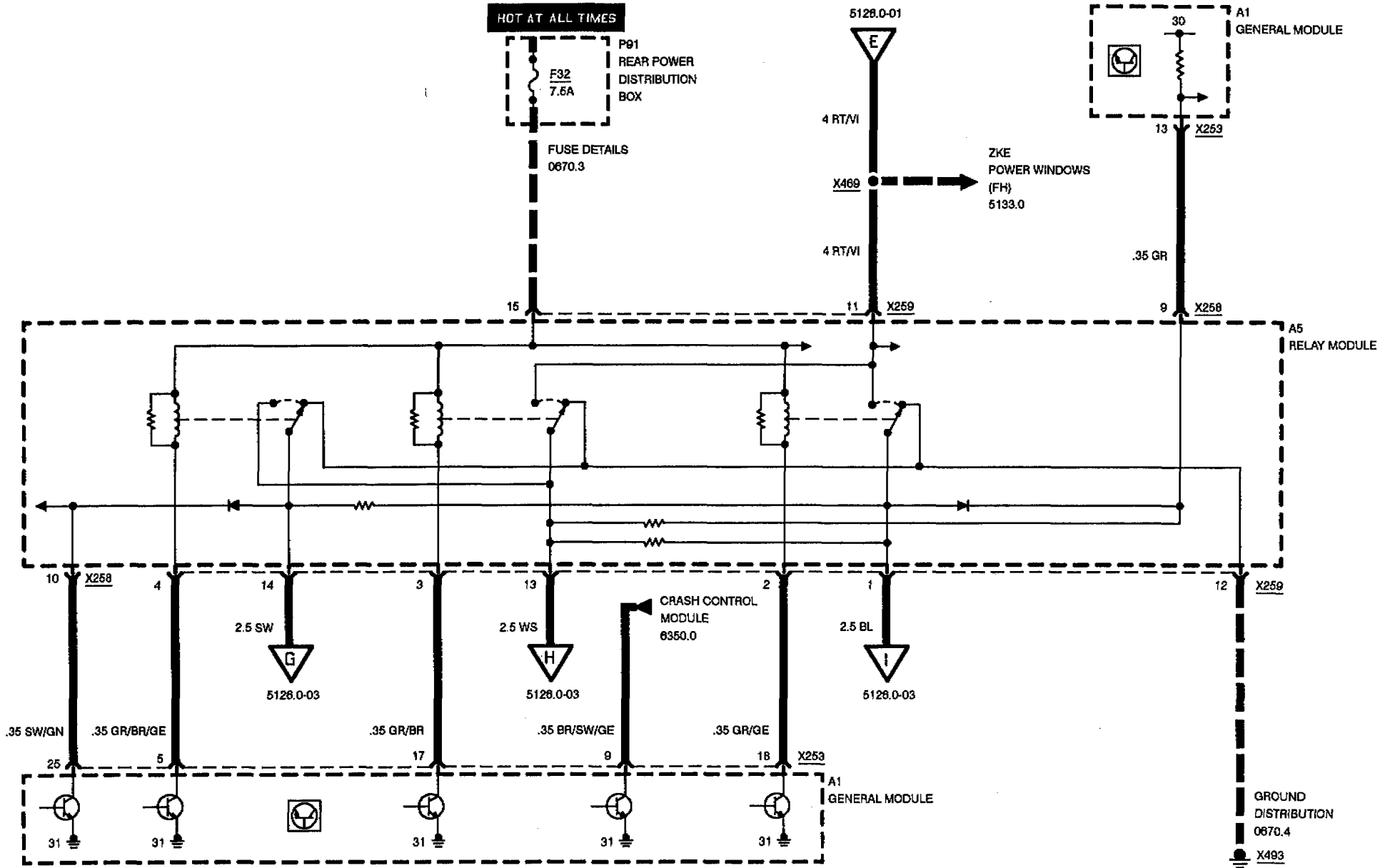






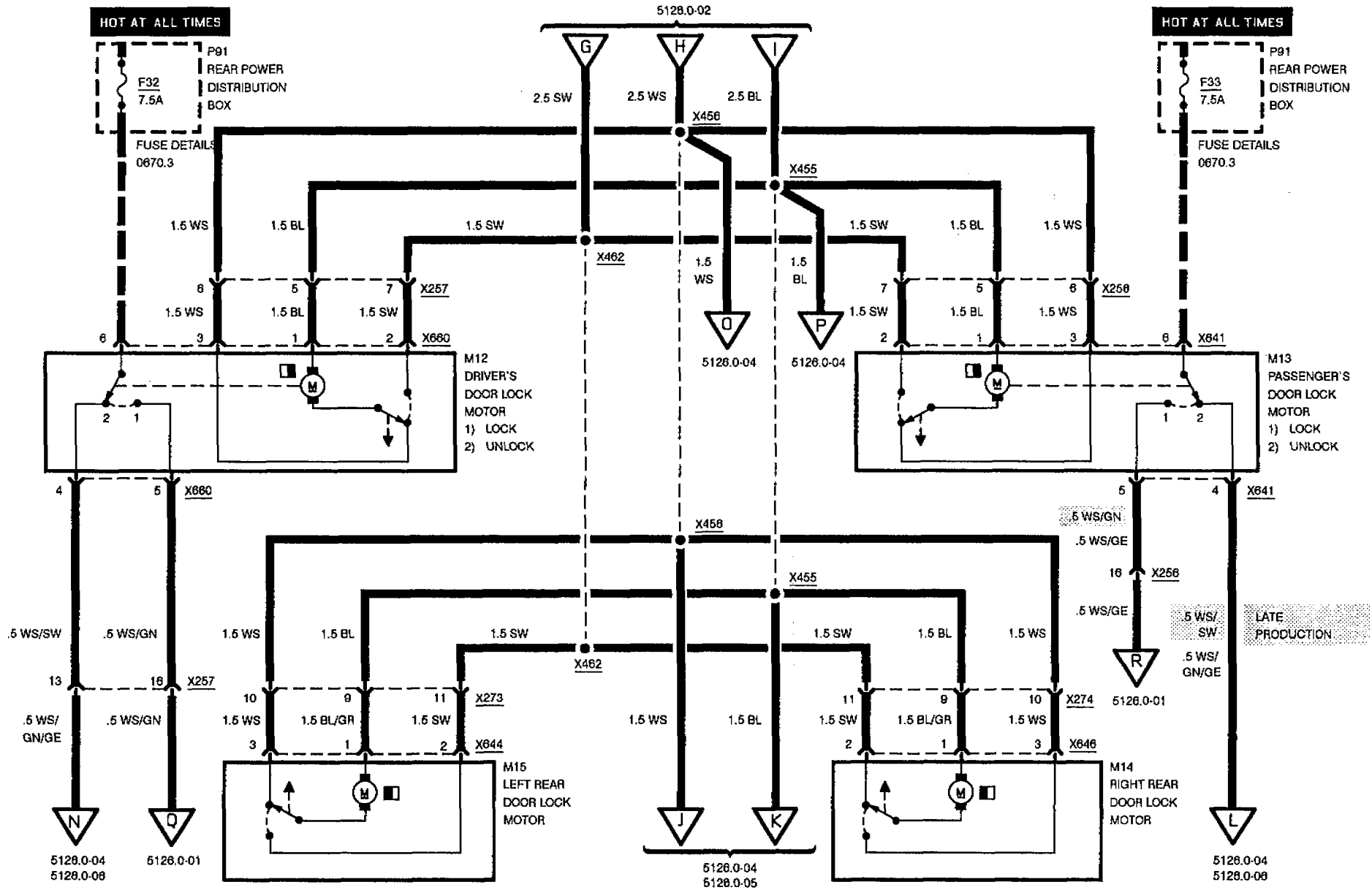
ZKE CENTRAL LOCKING (ZV)

OUTPUT DETAILS



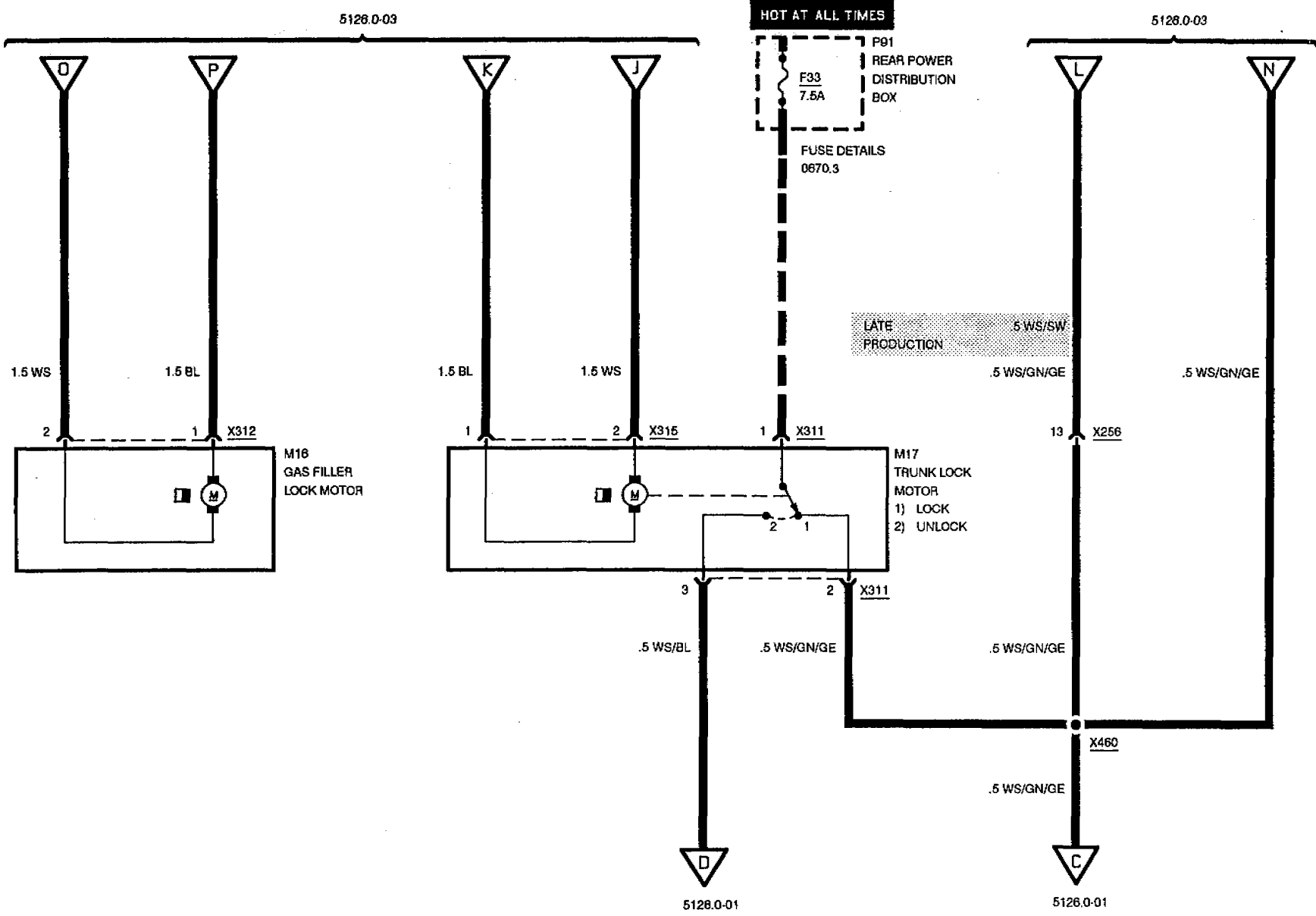


ZKE CENTRAL LOCKING (ZV) OUTPUT DETAILS





ZKE CENTRAL LOCKING (ZV) OUTPUT DETAILS



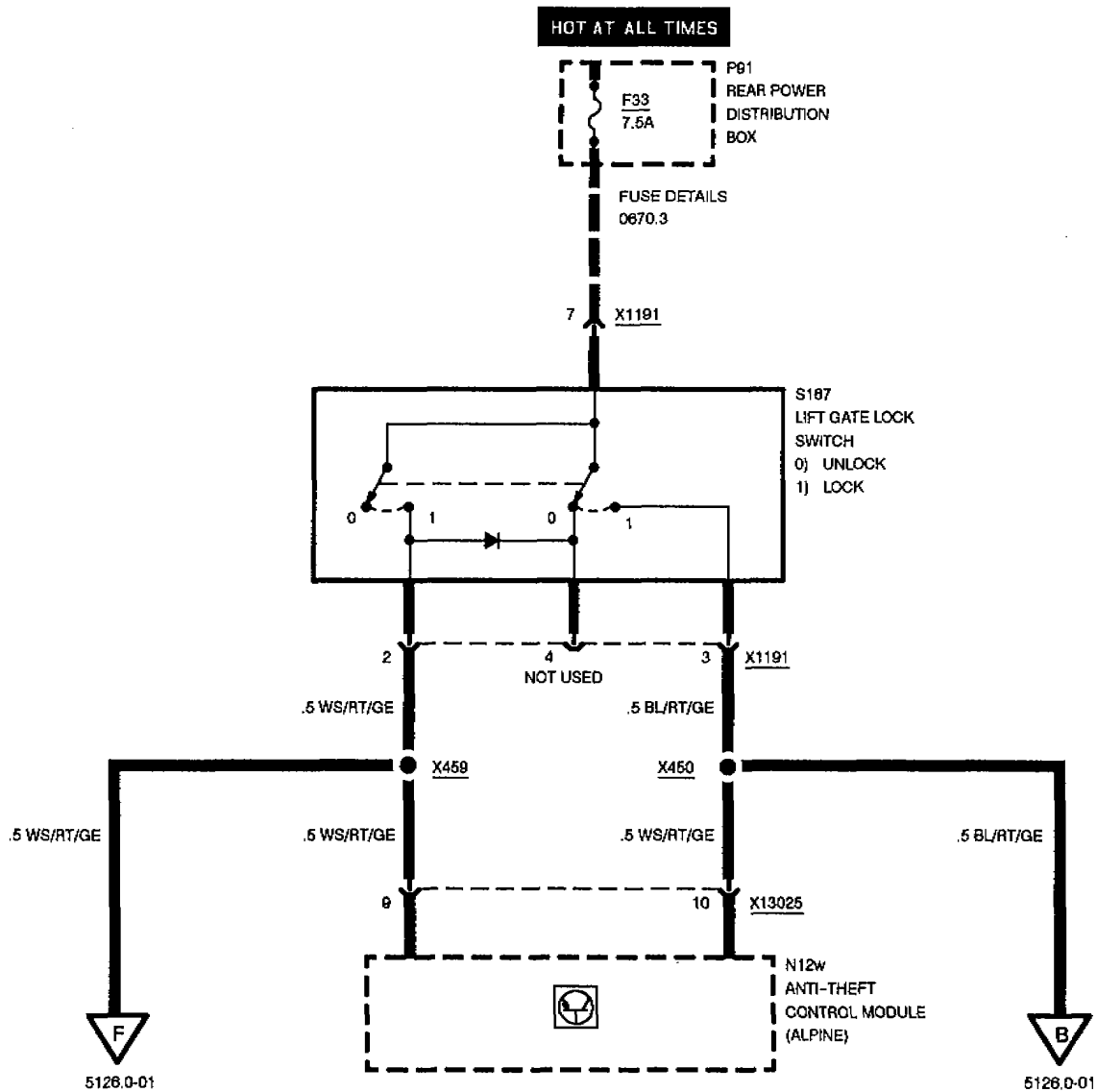
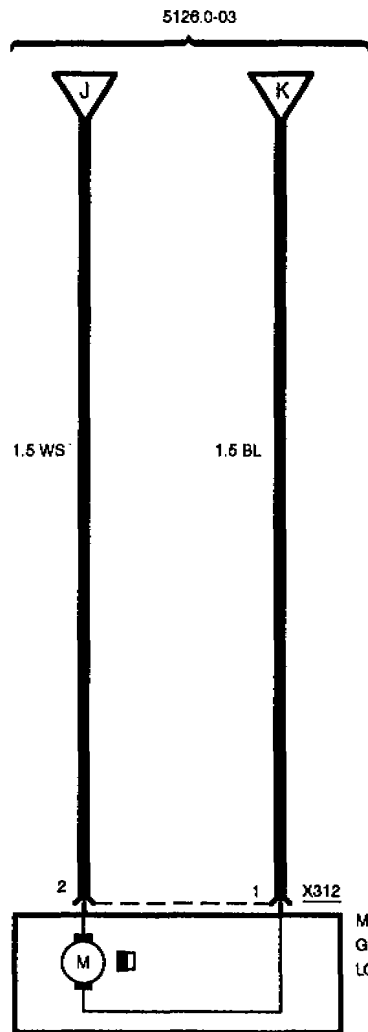
1293
5126.0-04
1993



ZKE CENTRAL LOCKING (ZV)

525it

OUTPUT DETAILS

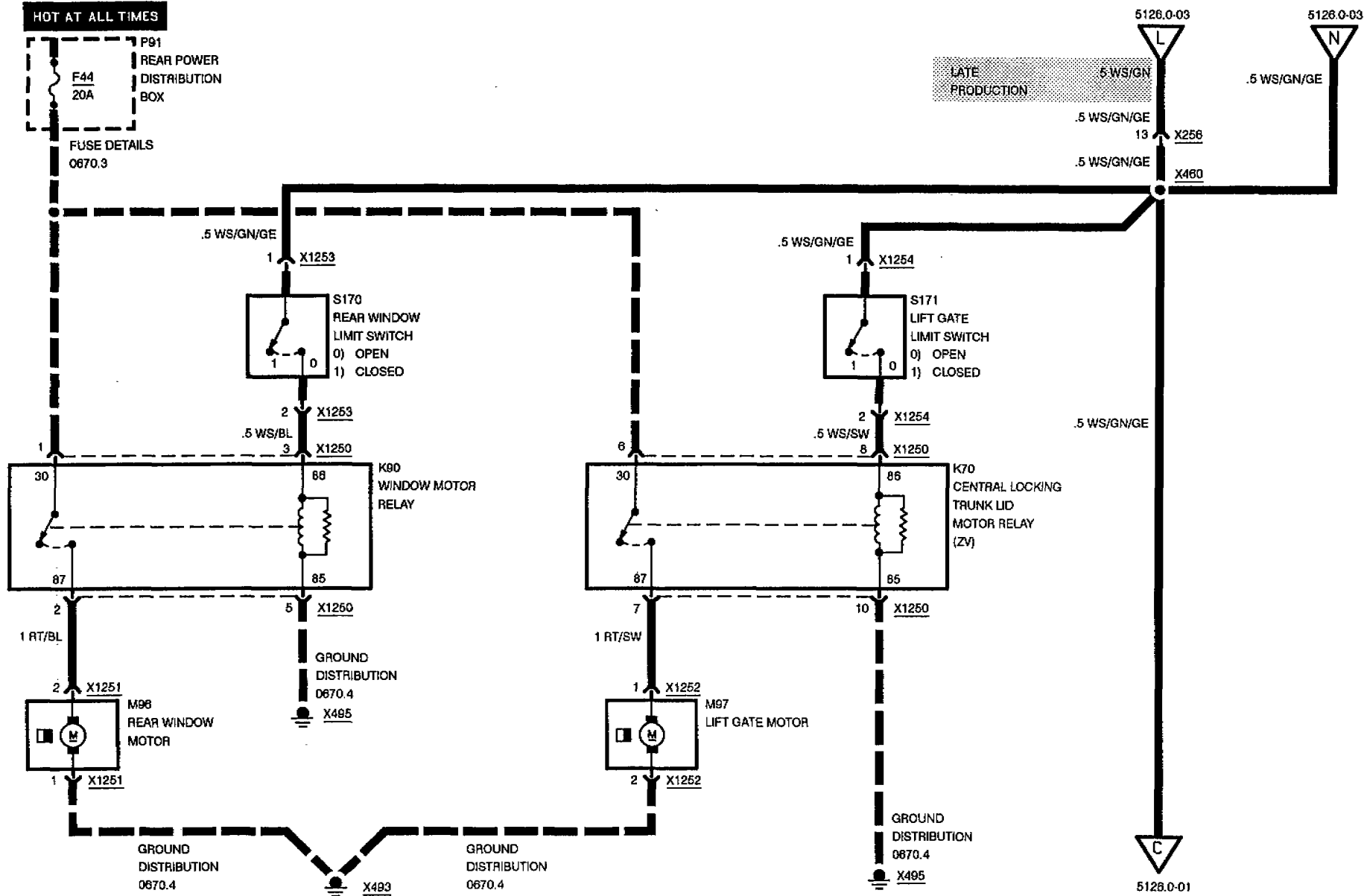




ZKE CENTRAL LOCKING (ZV)

525it

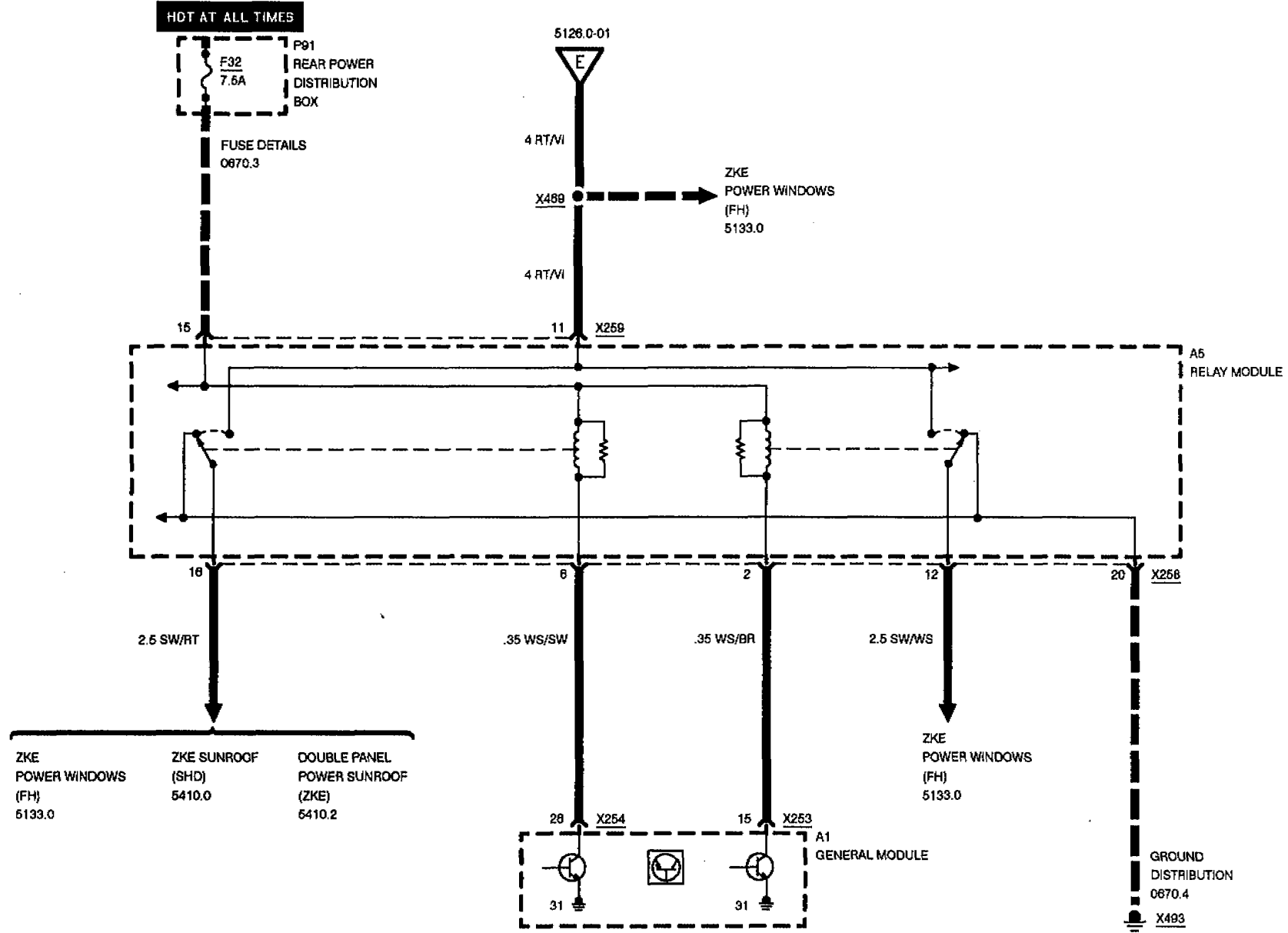
OUTPUT DETAILS





ZKE CENTRAL LOCKING (ZV)

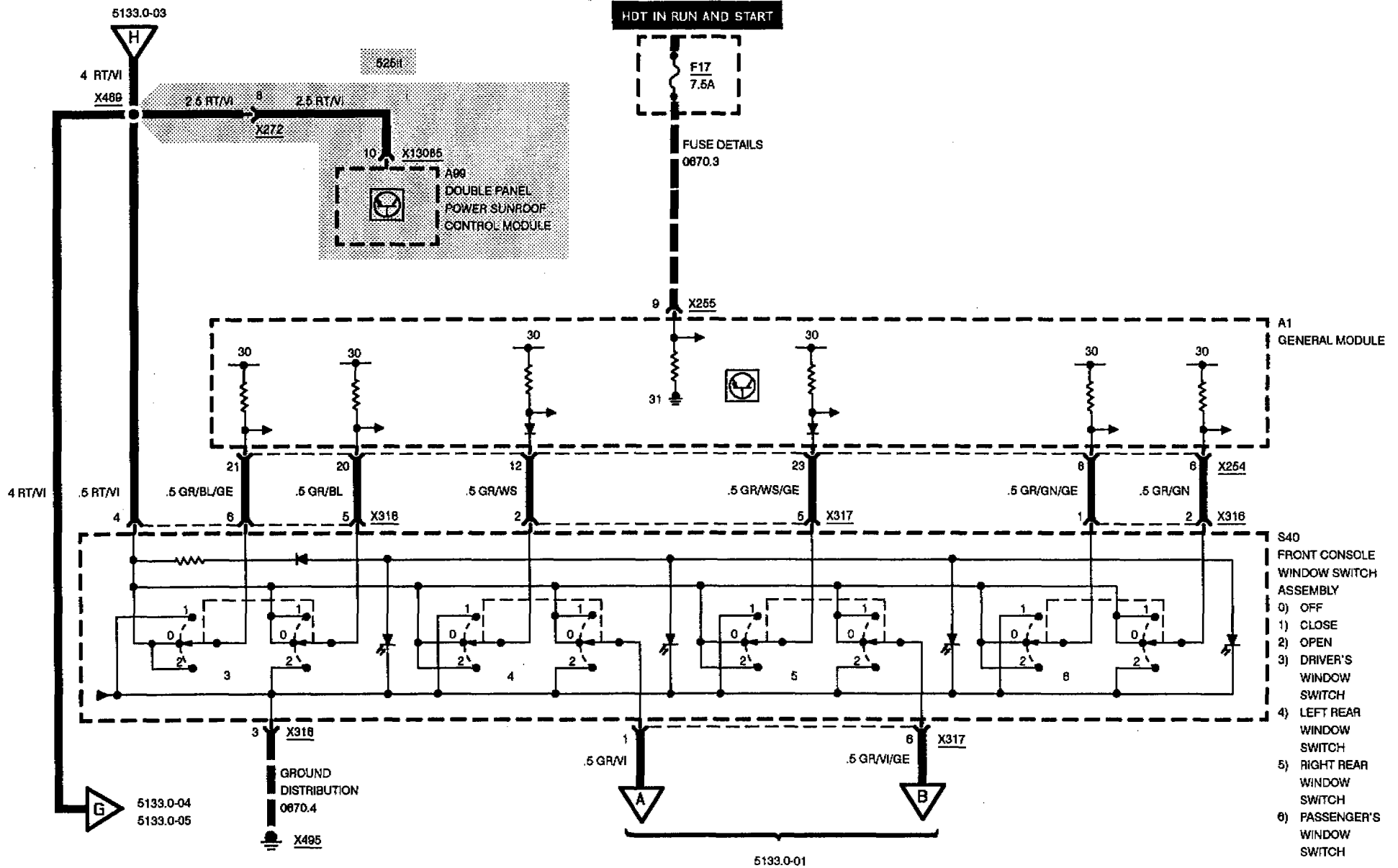
OUTPUT DETAILS



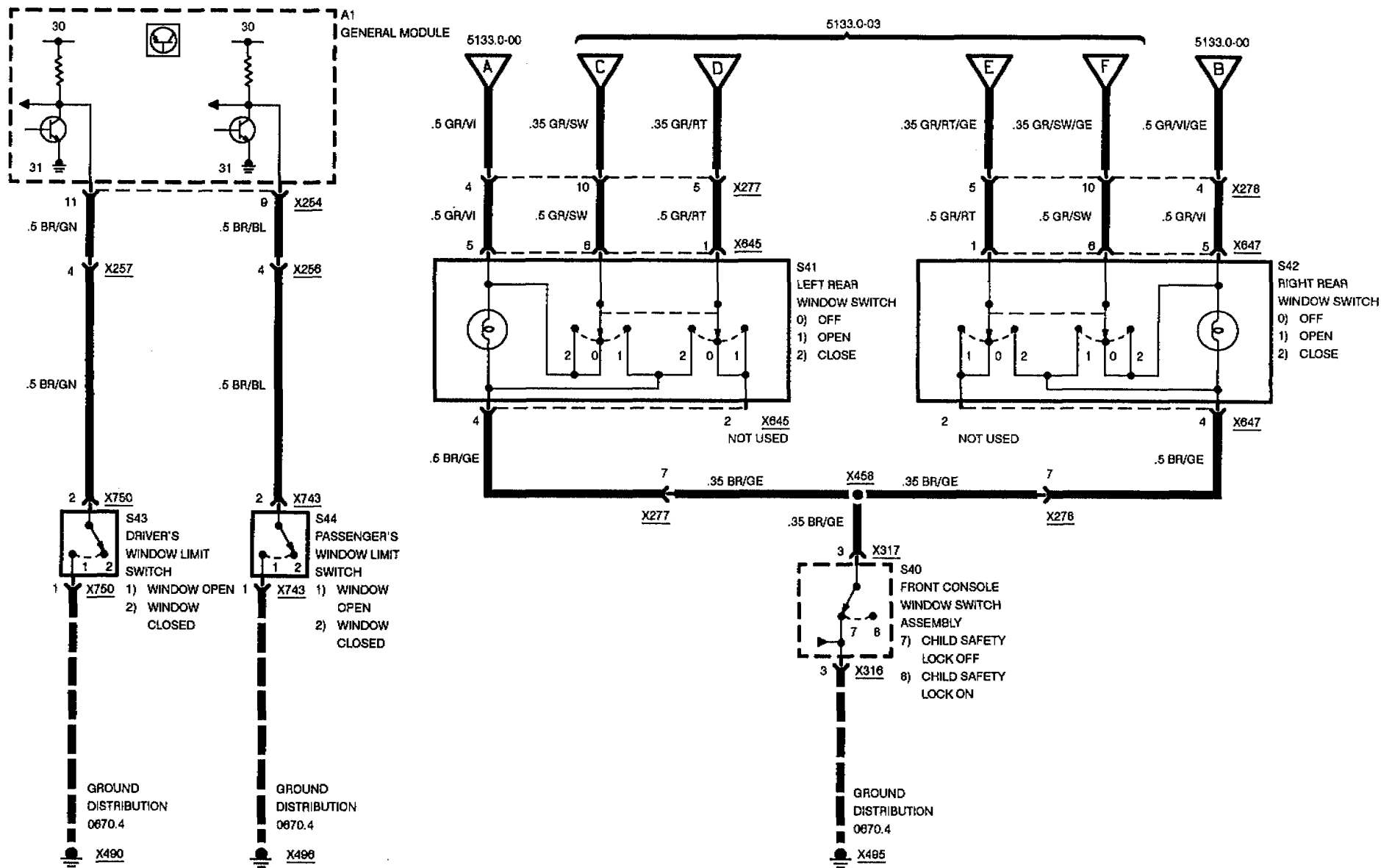


ZKE POWER WINDOWS (FH)

INPUT DETAILS



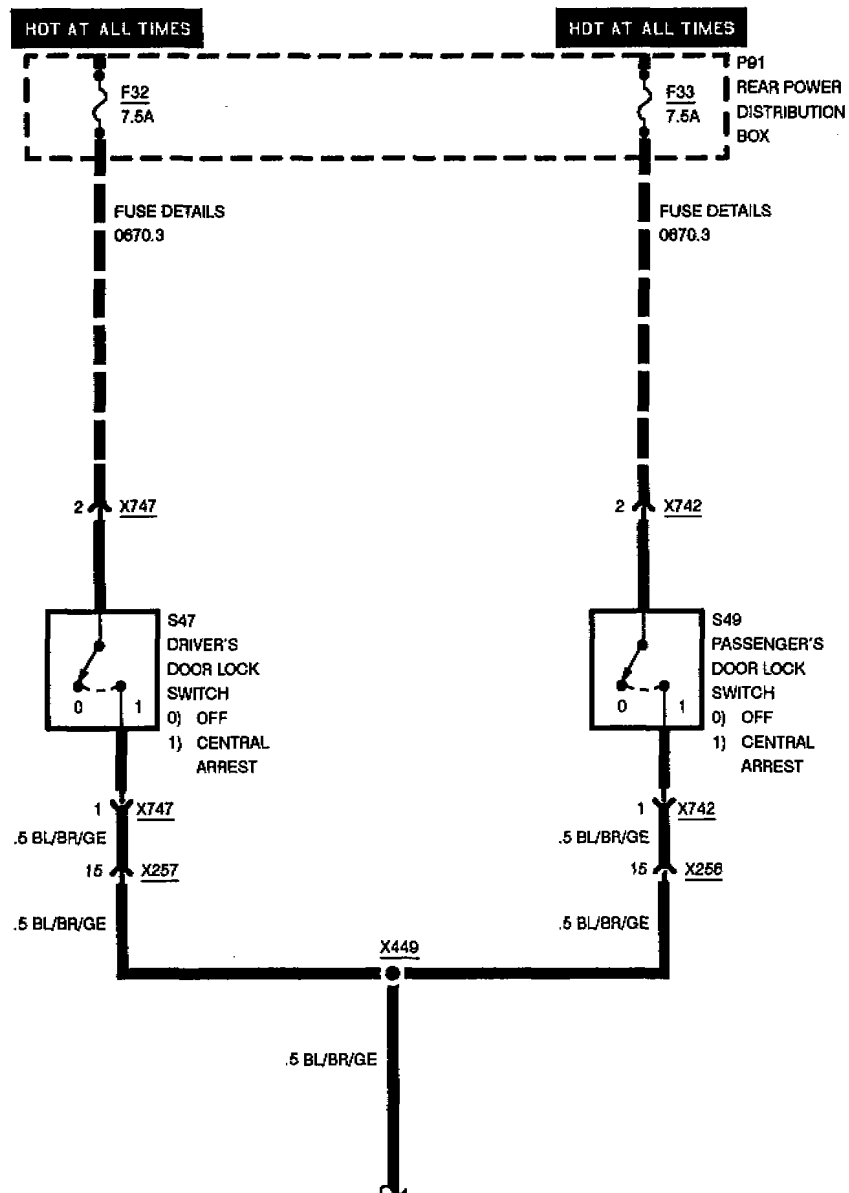
ZKE POWER WINDOWS (FH) INPUT DETAILS





ZKE POWER WINDOWS (FH)

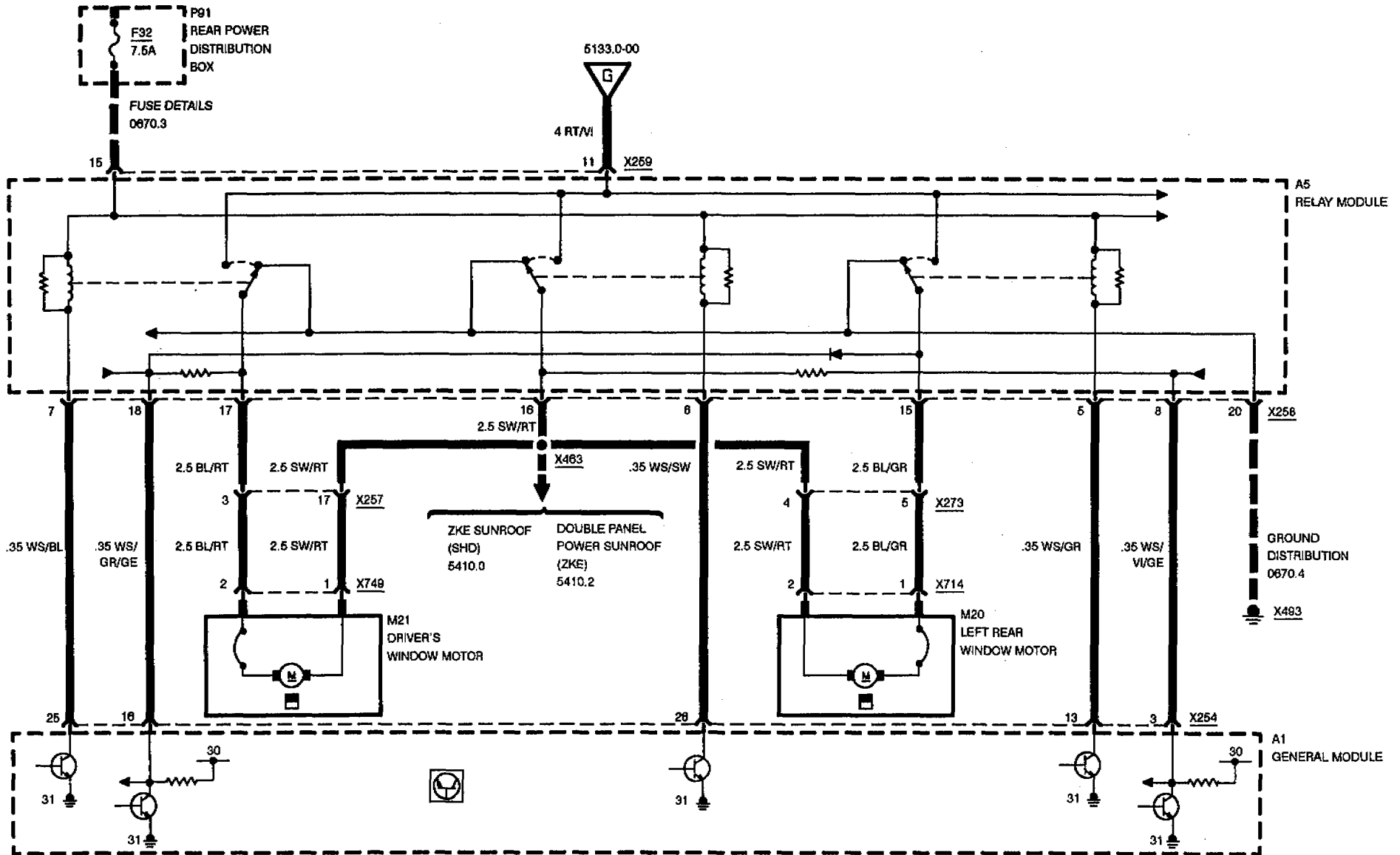
INPUT DETAILS



ZKE POWER WINDOWS (FH)

LEFT SIDE OUTPUT DETAILS

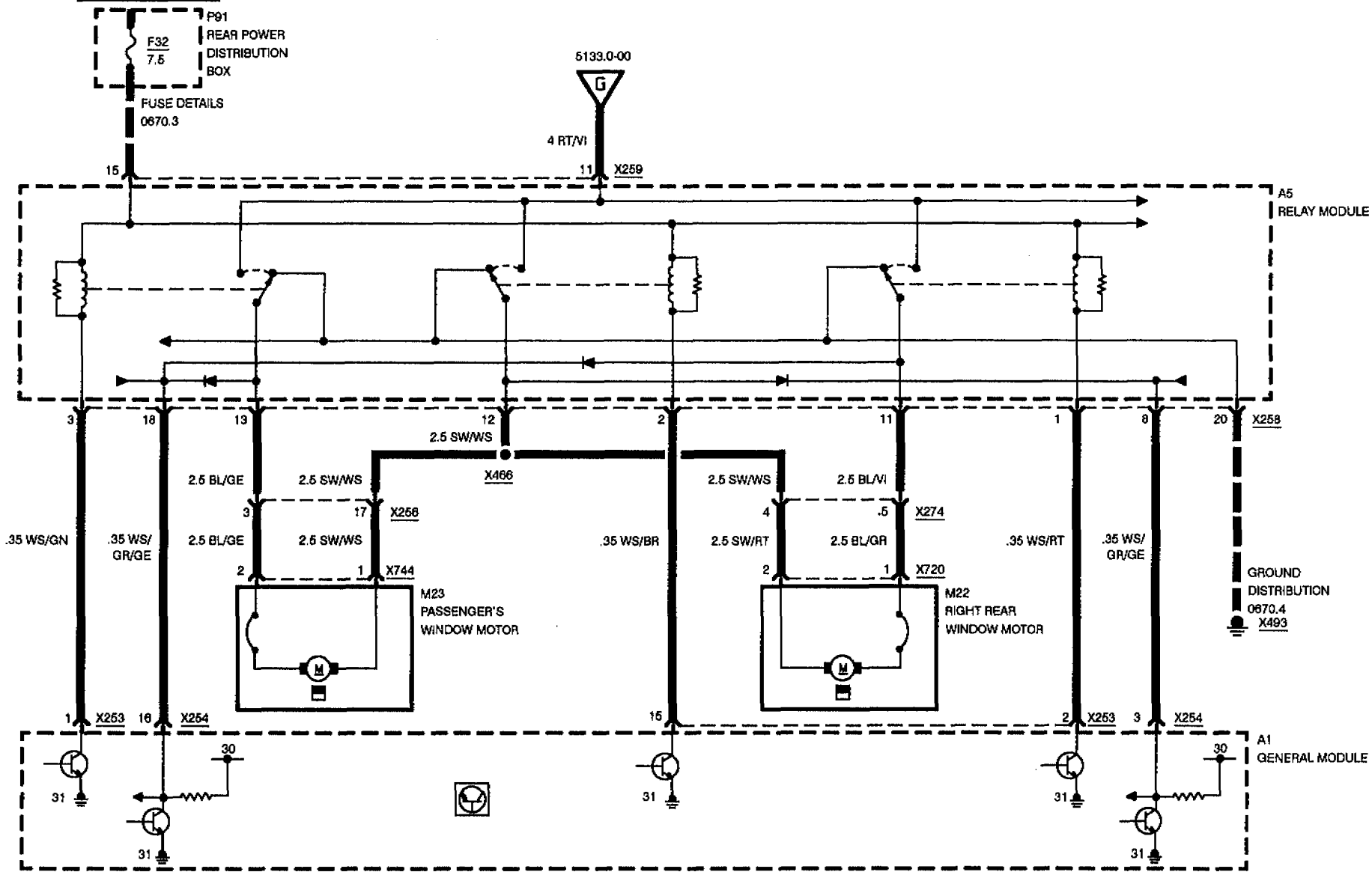
HOT AT ALL TIMES



ZKE POWER WINDOWS (FH)

RIGHT SIDE OUTPUT DETAILS

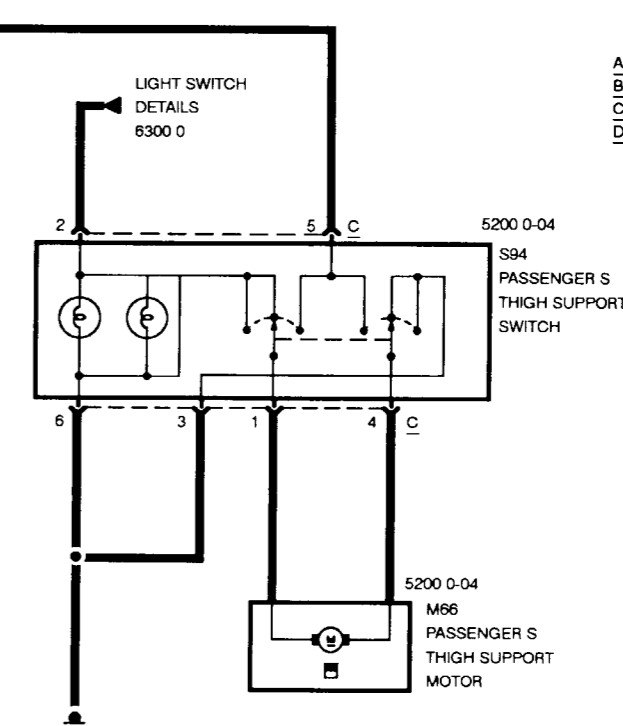
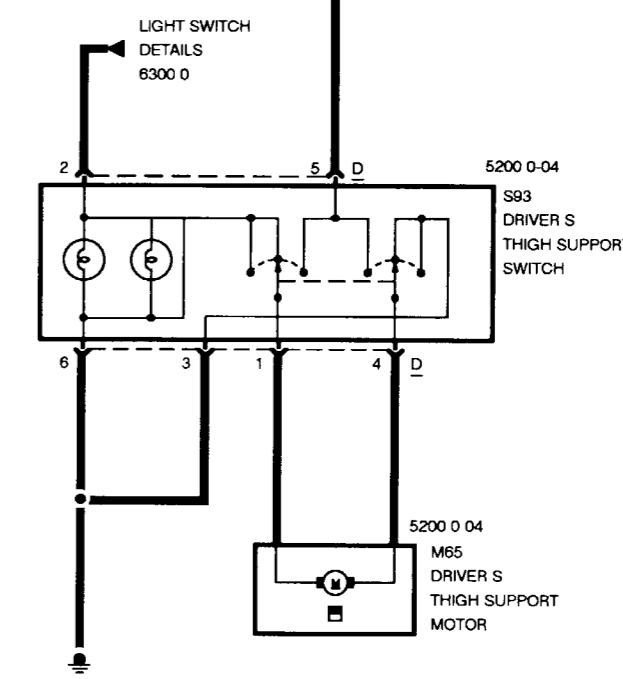
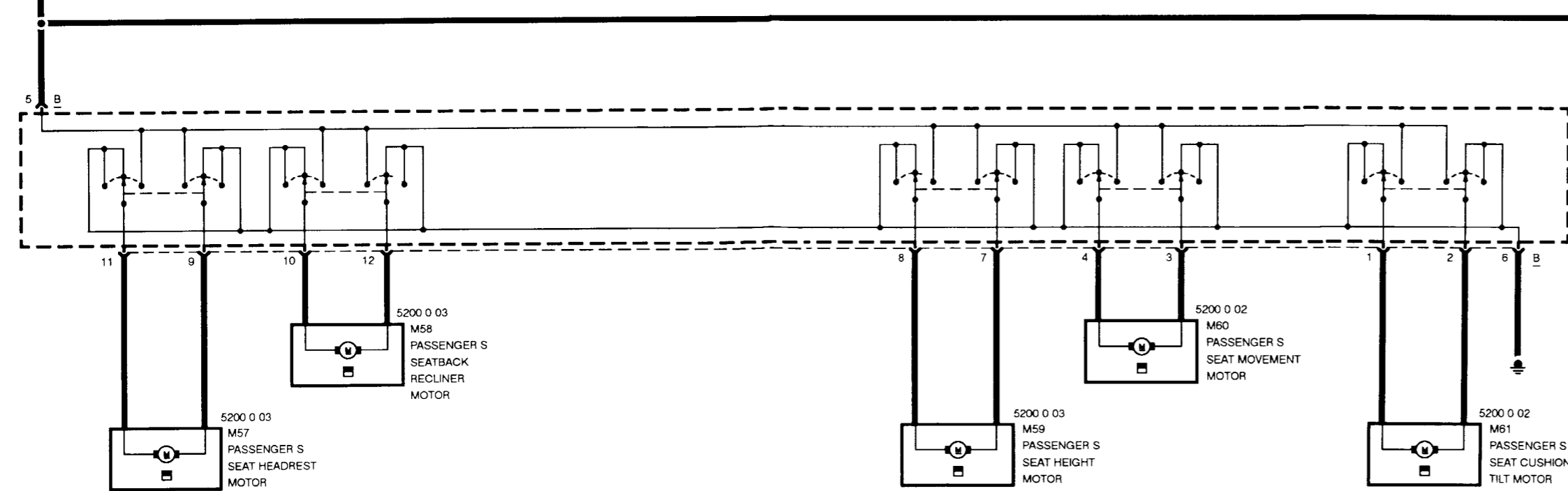
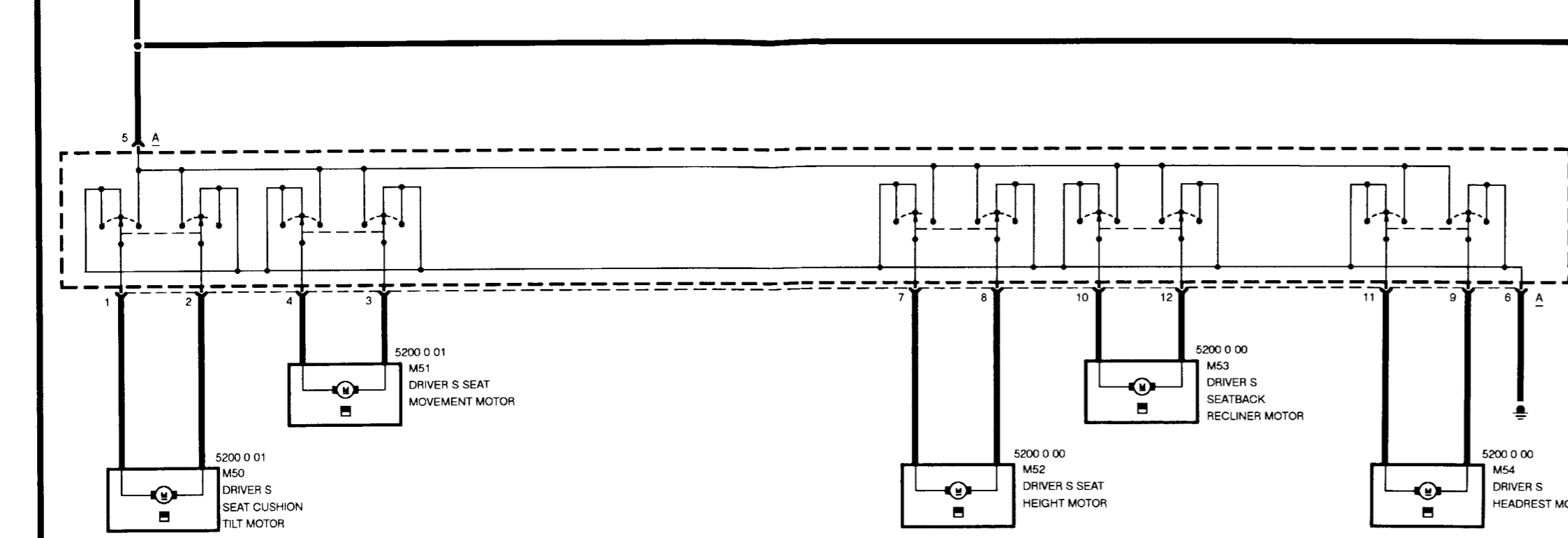
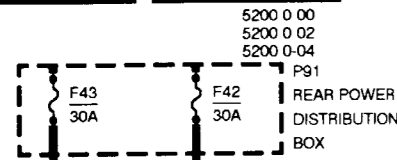
HOT AT ALL TIMES



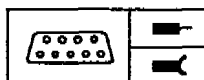
BMW
5

5133.0-06

HOT AT ALL TIMES



A = X803
 B = X804
 C = X881
 D = X887



Pin Assignments

A=X603	12 Pins, black
B=X604	12 Pins, black
C=X881	6 Pins, white
D=X887	6 Pins, black

X603 (Driver) and X604 (Passenger)

Pin	Type	Description/Function	Connection
1	E/A	Seat cushion tilt control	Seat cushion tilt motor
2	E/A	Seat cushion tilt control	Seat cushion tilt motor
3	E/A	Seat cushion movement control	Seat movement motor
4	E/A	Seat cushion movement control	Seat movement motor
5	E	Battery voltage	Rear power distribution box
6	M	Ground	Ground point
7	E/A	Seat cushion height control	Seat height motor
8	E/A	Seat cushion height control	Seat height motor
9	E/A	Headrest control	Headrest motor
10	E/A	Recliner control	Seat back recliner motor
11	E/A	Headrest control	Headrest motor
12	E/A	Recliner control	Seat back recliner motor

X887 (Driver) and X881 (Passenger)

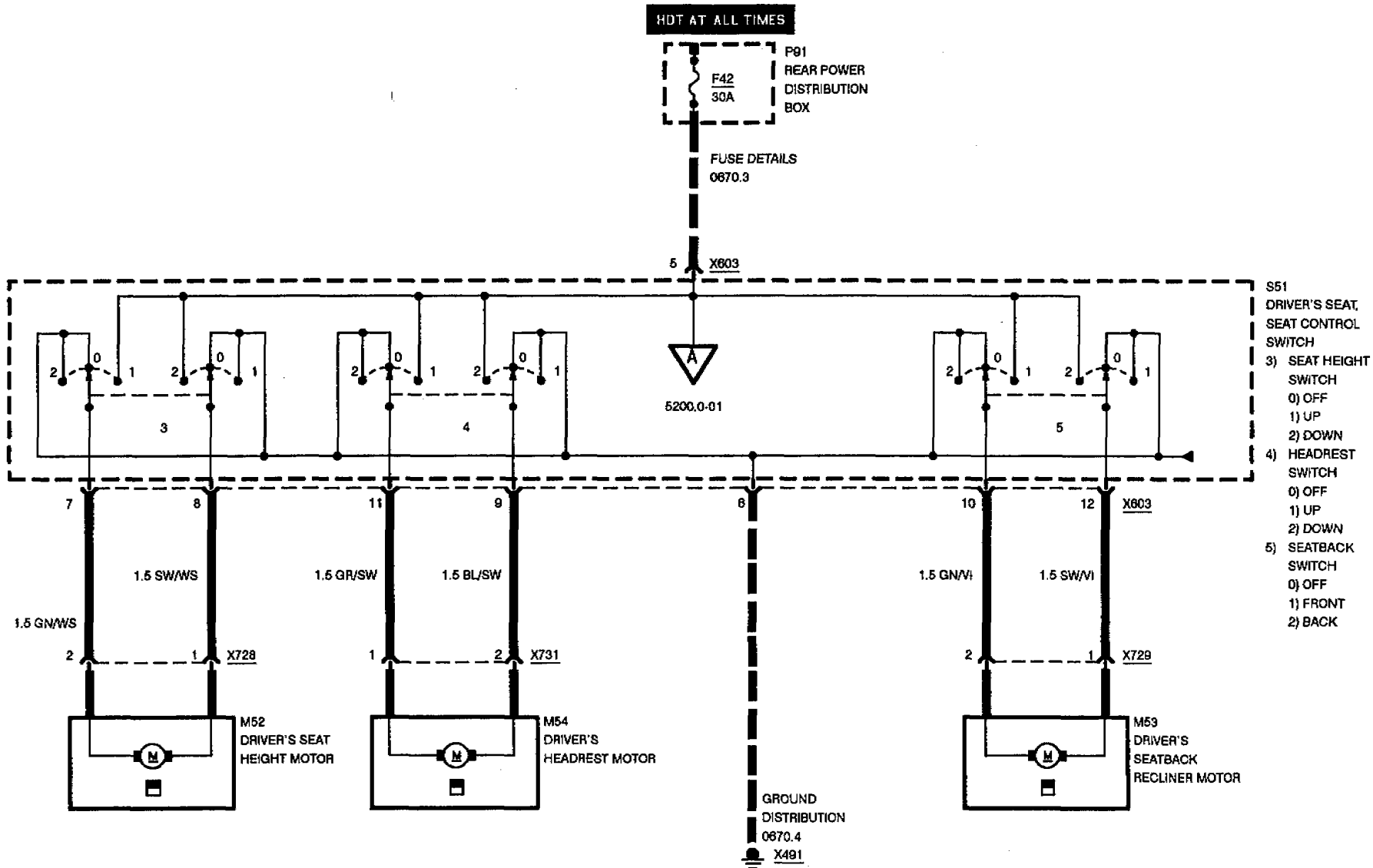
Pin	Type	Description/Function	Connection
1	E/A	Thigh support control	Thigh support motor
2	E	Switch illumination	Light switch
3	M	Ground	Ground point
4	E/A	Thigh support control	Thigh support motor
5	E	Battery voltage	Rear power distribution box
6	M	Ground	Ground point

E = Input, A = Output, M = Ground



POWER SEATS

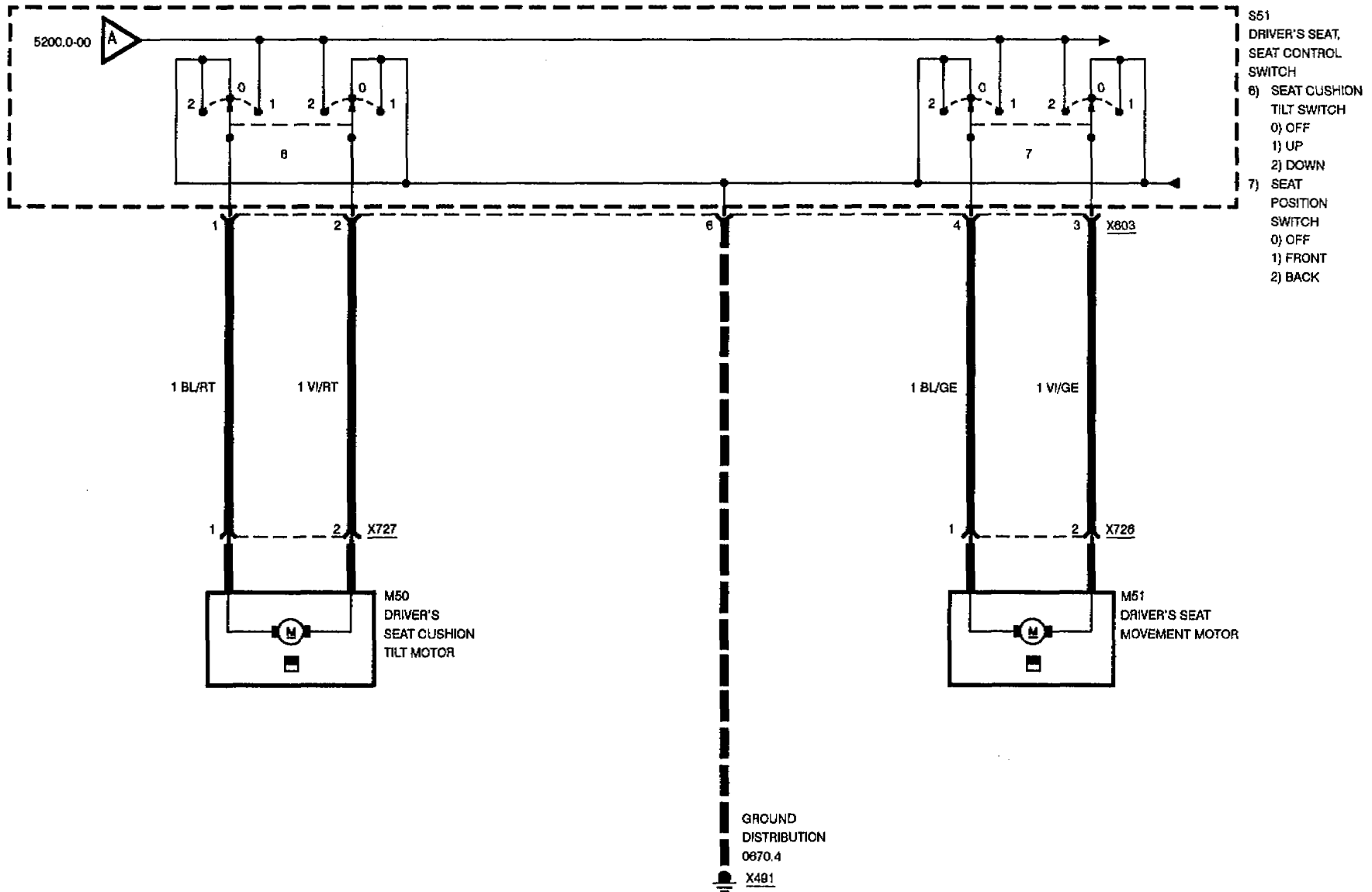
DRIVER'S SEAT





POWER SEATS

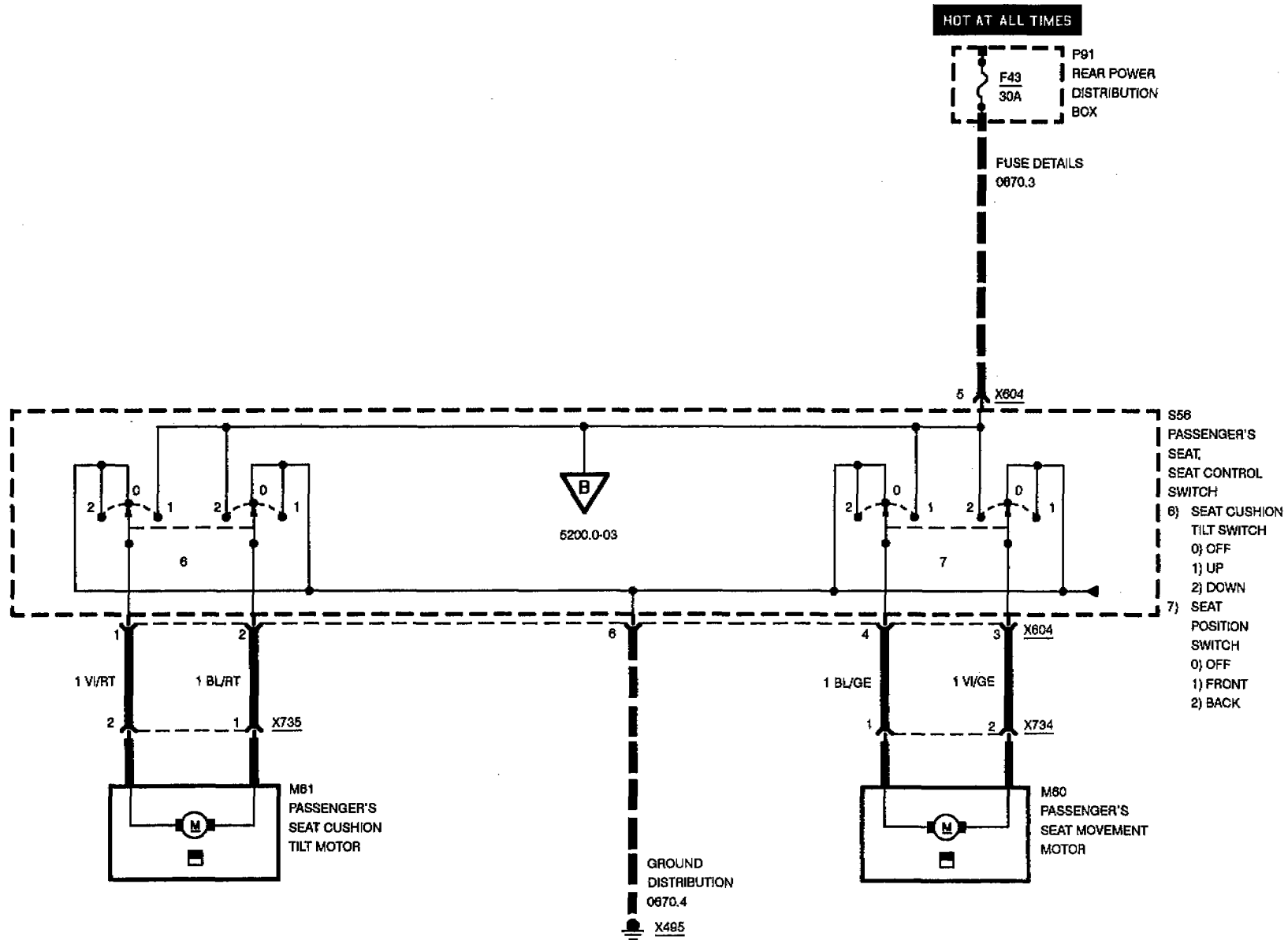
DRIVER'S SEAT





POWER SEATS

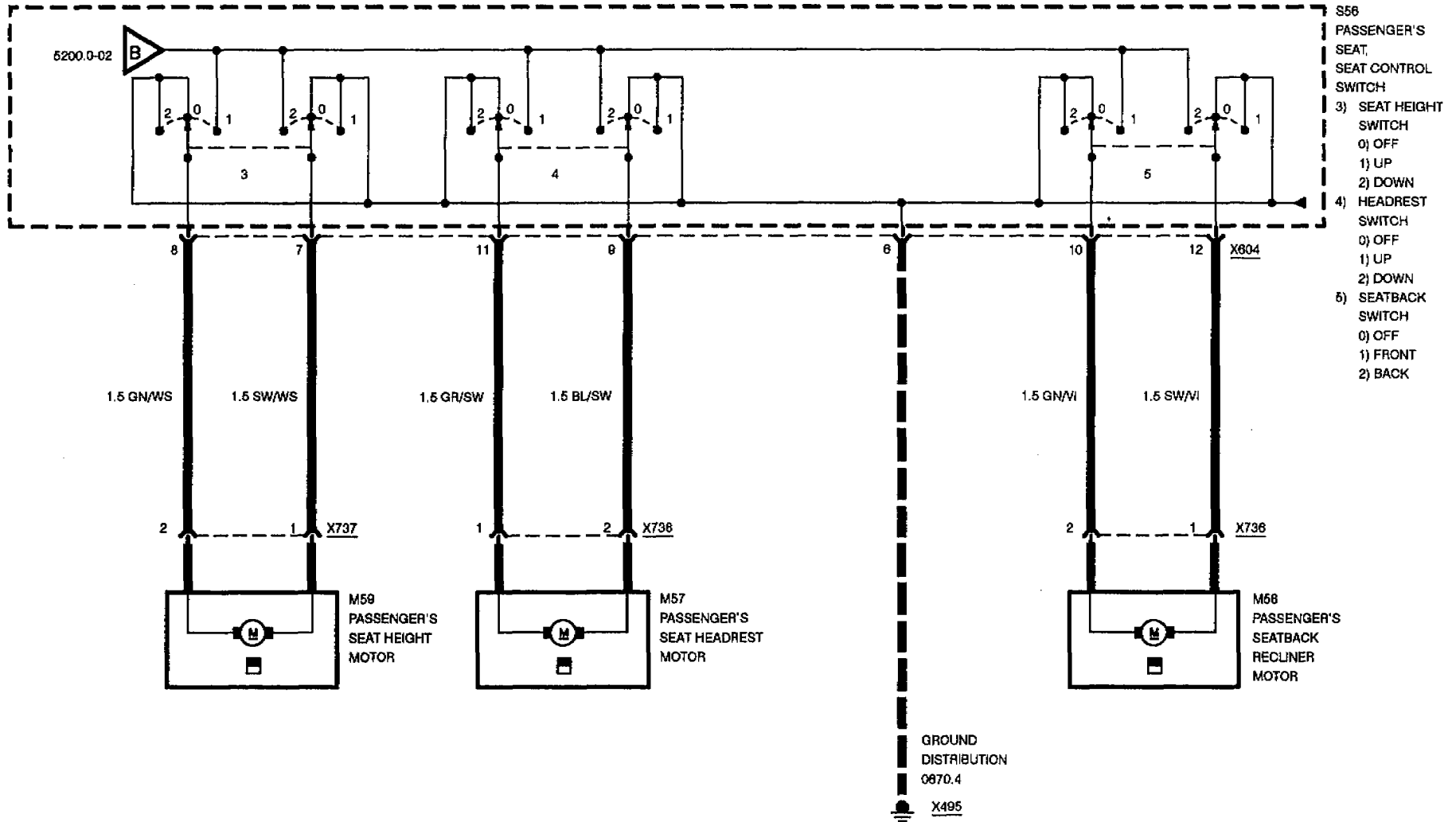
PASSENGER'S SEAT





POWER SEATS

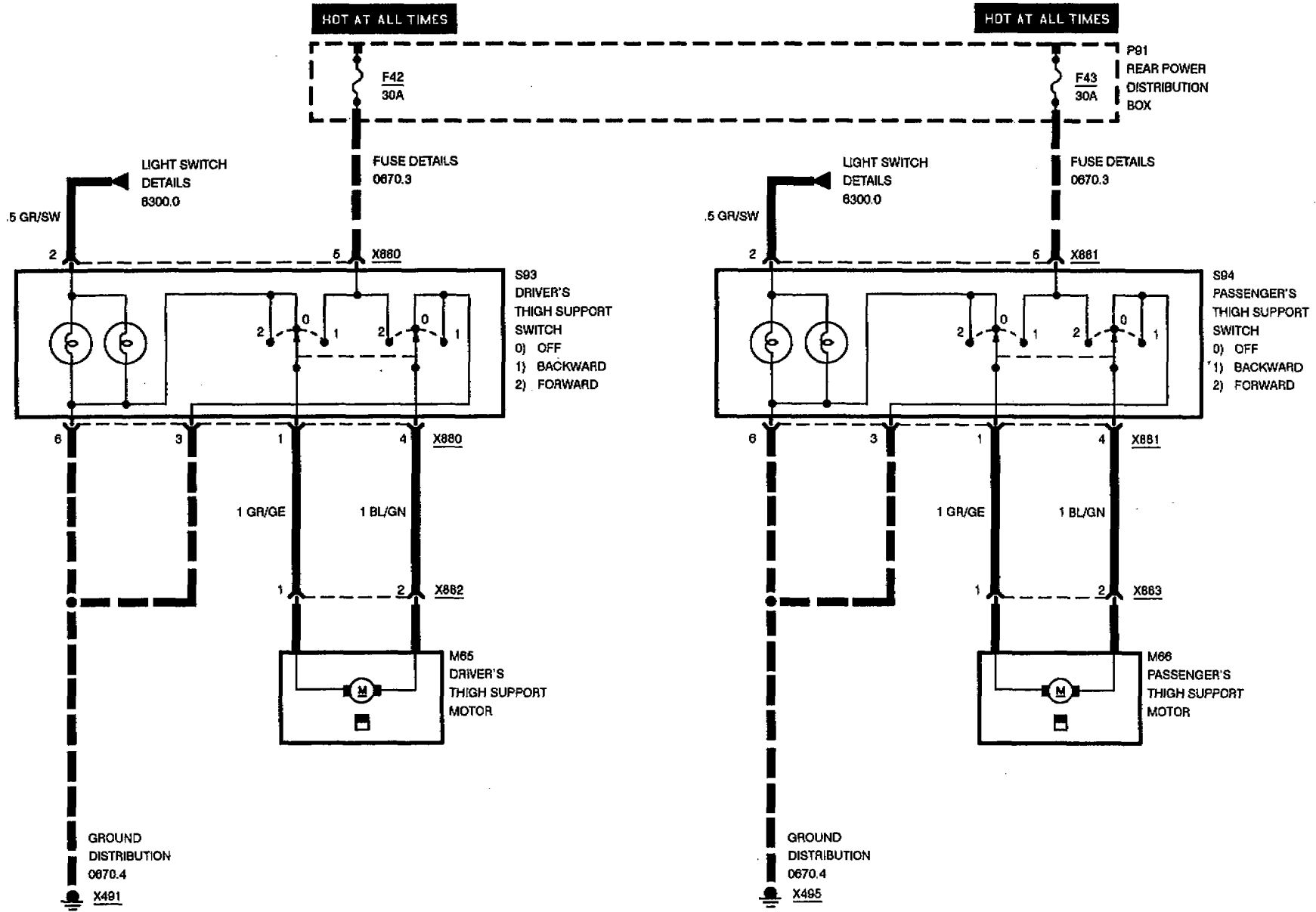
PASSENGER'S SEAT

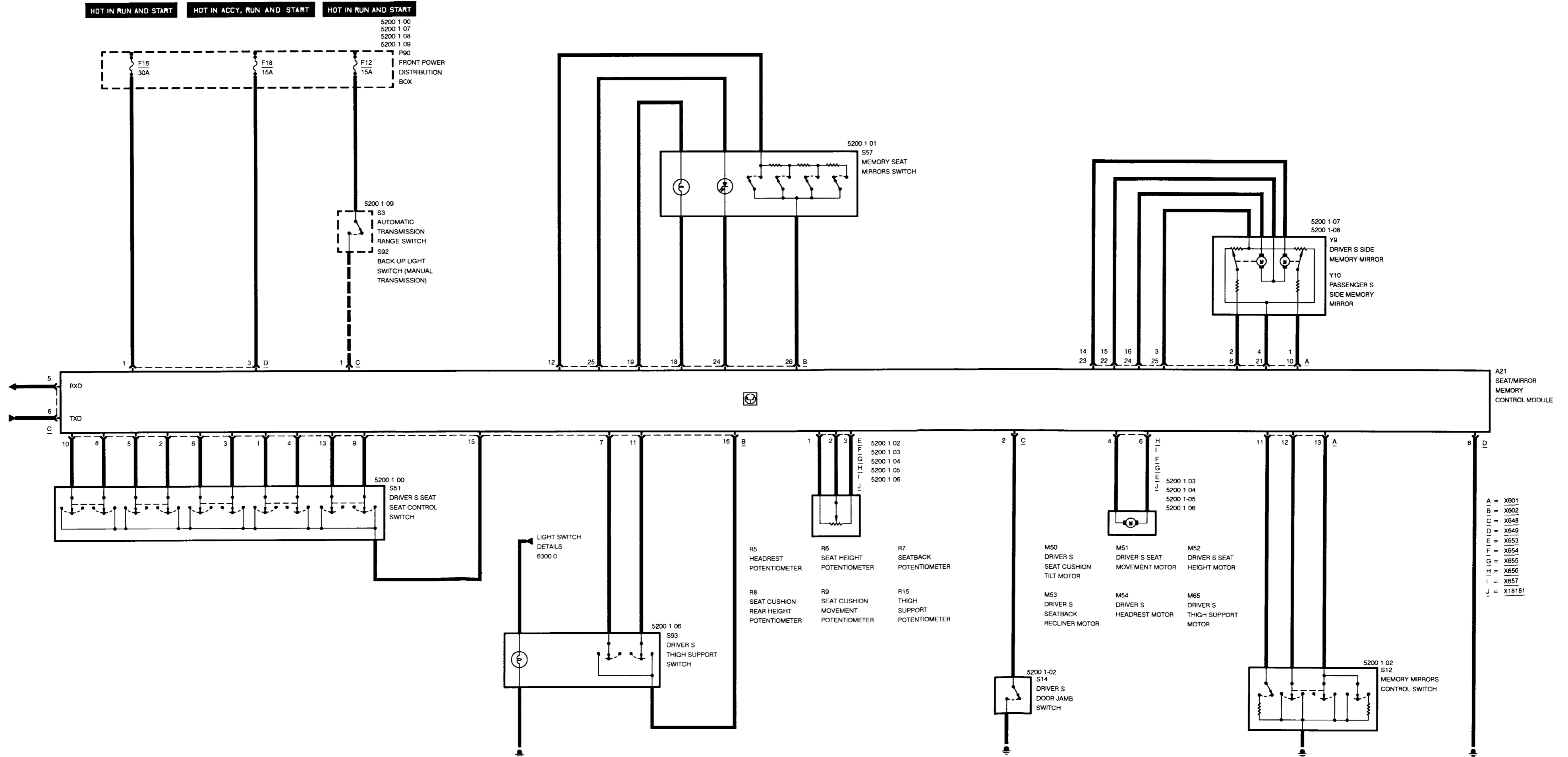


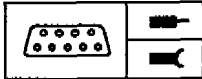


POWER SEATS

THIGH SUPPORT, WITH SPORT SEATS ONLY







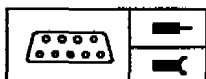
Pin Assignments

A=X601	26 Pins, white
B=X602	26 Pins, yellow
C=X648	6 Pins, black
D=X649	6 Pins, white
E=X653	6 Pins, black
F=X654	6 Pins, white
G=X655	6 Pins, blue
H=X656	6 Pins, green
I=X657	6 Pins, brown
J=X18181	6 Pins, yellow

X601

Pin	Type	Description/Function	Connection
1	E	Potentiometer connection	Memory mirror, driver's side
2	E	Potentiometer connection	Memory mirror, driver's side
3	A	Position potentiometer	Memory mirror, driver's side
4	M	Position potentiometer	Memory mirror, driver's side
5		Not used	
6	E	Potentiometer connection	Memory mirror, passenger's side
7		Not used	
8		Not used	
9		Not used	
10	E	Potentiometer connection	Memory mirror, passenger's side
11	E	Mirror select signal	Memory seat/mirrors switch
12	E	Mirror adjustment, L/R	Memory seat/mirrors switch
13	E	Mirror adjustment, L/R and U/D	Memory seat/mirrors switch
14	E/A	Mirror adjustment motor, horizontal	Memory mirror, driver's side
15	E/A	Mirror adjustment motor, horizontal/vertical	Memory mirror, driver's side
16	E/A	Mirror adjustment motor, vertical	Memory mirror, driver's side
17		Not used	
18		Not used	
19		Not used	

E = Input, A = Output, M = Ground



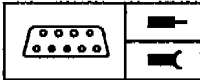
Pin Assignments

Pin	Type	Description/Function	Connection
20		Not used	
21	M	Position potentiometer, ground	Memory mirror, passenger's side
22	E/A	Mirror adjustment motor, horizontal/ vertical	Memory mirror, passenger's side
23	E/A	Mirror adjustment motor, horizontal	Memory mirror, passenger's side
24	E/A	Mirror adjustment motor, vertical	Memory mirror, passenger's side
25	A	Position potentiometer voltage	Memory mirror, passenger's side
26		Not used	

X602

Pin	Type	Description/Function	Connection
1	E	Headrest, down	Seat control switch, driver's seat
2	E	Tilt, down	Seat control switch, driver's seat
3	E	Height, down	Seat control switch, driver's seat
4	E	Headrest, up	Seat control switch, driver's seat
5	E	Tilt, up	Seat control switch, driver's seat
6	E	Height, up	Seat control switch, driver's seat
7	E	Thigh support, backward	Thigh support switch, driver's
8	E	Seat movement, back	Seat control switch, driver's seat
9	E	Backrest, back	Seat control switch, driver's seat
10	E	Seat movement, forward	Seat control switch, driver's seat
11	E	Thigh support, forward	Thigh support switch, driver's
12	A	Voltage supply for memory seat/ mirrors switch	Memory seat/mirrors switch
13	E	Backrest forward	Seat control switch, driver's seat
14		Not used	
15	M	Ground	Seat control switch, driver's seat
16	M	Ground	Thigh support switch, driver's
17		Not used	
18	A	Switch illumination (-)	Memory seat/mirrors switch
19	A	Switch illumination (+)	Memory seat/mirrors switch
20		Not used	

E = Input, A = Output, M = Ground



Pin Assignments

Pin	Type	Description/Function	Connection
21		Not used	
22		Not used	
23		Not used	
24	A	Memory seat/mirrors switch LED (+)	Memory seat/mirrors switch
25	A	Memory seat/mirrors switch LED (-)	Memory seat/mirrors switch
26	E	Memory seat/mirrors switch signal	Memory seat/mirrors switch

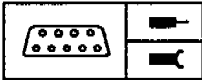
X648

Pin	Type	Description/Function	Connection
1	E	Reverse gear signal	Automatic transmission range switch or back-up switch
2	E	Driver's door status	Door jump switch, driver's
3		Not used	
4		Not used	
5	E	RxD diagnostic data link	Data link connector (RxD)
6	E/A	TxD diagnostic data link	Data link connector (TxD)

X649

Pin	Type	Description/Function	Connection
1	E	Voltage supply (terminal 15)	Front power distribution box
2		Not used	
3	E	Voltage supply (terminal R)	Front power distribution box
4		Not used	
5		Not used	
6	M	Ground	Ground point

E = Input, A = Output, M = Ground



Pin Assignments

X653

Pin	Type	Description/Function	Connection
1	A	Potentiometer voltage	Headrest potentiometer, driver's
2	E	Headrest position signal	Headrest potentiometer, driver's
3	M	Ground	Headrest potentiometer, driver's
4	E/A	Motor voltage/ground	Headrest motor, driver's
5		Not used	
6	E/A	Motor voltage/ground	Headrest motor, driver's

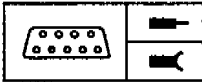
X654

Pin	Type	Description/Function	Connection
1	A	Potentiometer voltage	Seat height potentiometer, driver's
2	E	Seat height position signal	Seat height potentiometer, driver's
3	M	Ground	Seat height potentiometer, driver's
4	E/A	Motor voltage/ground	Seat height motor, driver's
5		Not used	
6	E/A	Motor voltage/ground	Seat height motor, driver's

X655

Pin	Type	Description/Function	Connection
1	A	Potentiometer voltage	Seat back potentiometer, driver's
2	E	Seat back position signal	Seat back potentiometer, driver's
3	M	Ground	Seat back potentiometer, driver's
4	E/A	Motor voltage/ground	Seat back recliner motor, driver's
5		Not used	
6	E/A	Motor voltage/ground	Seat back recliner motor, driver's

E = Input, A = Output, M = Ground



Pin Assignments

X656

Pin	Type	Description/Function	Connection
1	A	Potentiometer voltage	Seat rear height potentiometer, driver's
2	E	Seat rear height signal	Seat rear height potentiometer, driver's
3	M	Ground	Seat rear height potentiometer, driver's
4	E/A	Motor voltage/ground	Seat back recliner motor, driver's
5		Not used	
6	E/A	Motor voltage/ground	Seat back recliner motor, driver's

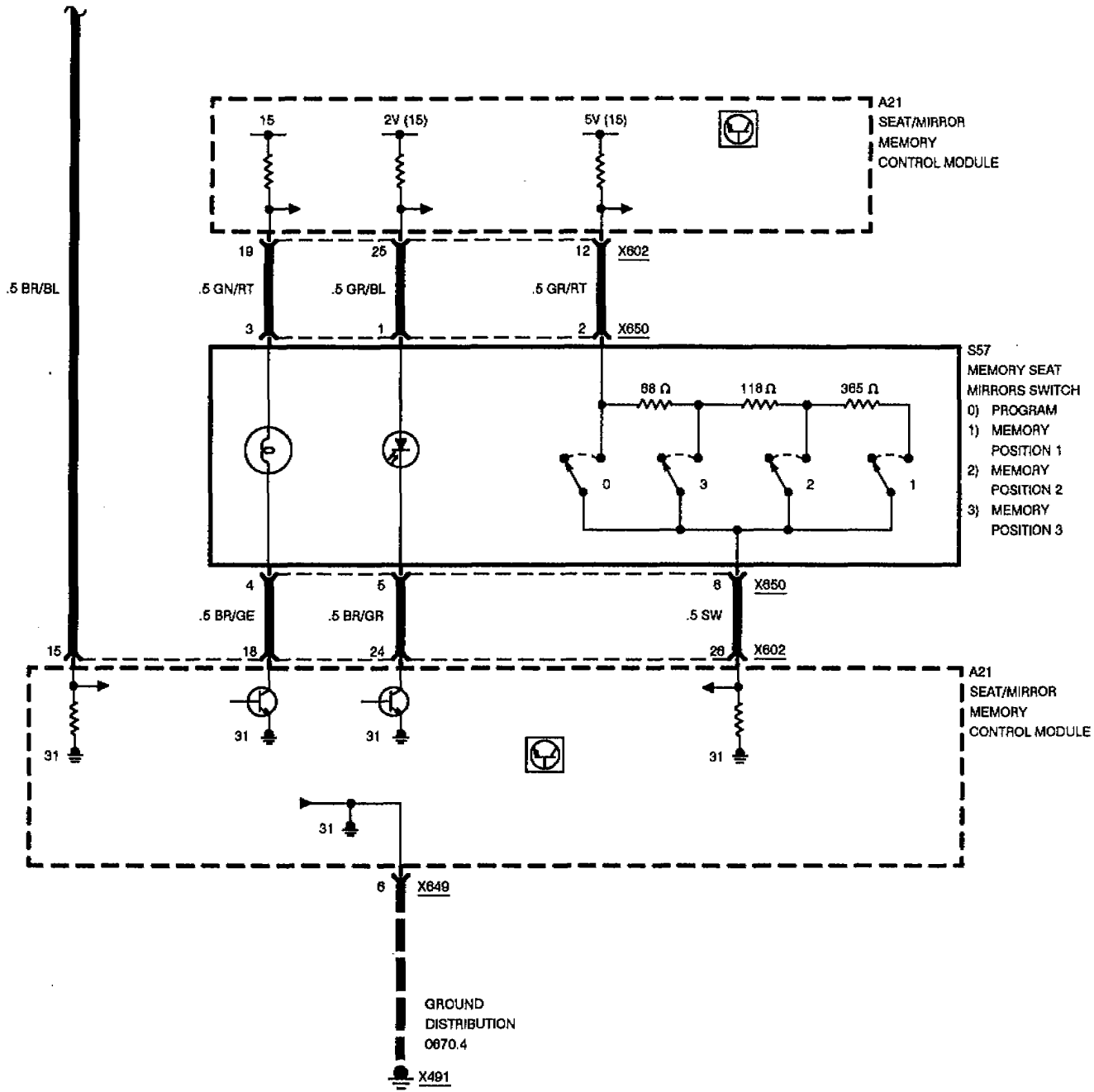
X657

Pin	Type	Description/Function	Connection
1	A	Potentiometer voltage	Seat potentiometer, driver's
2	E	Seat cushion position signal	Seat potentiometer, driver's
3	M	Ground	Seat potentiometer, driver's
4	E/A	Motor voltage/ground	Seat movement motor, driver's
5		Not used	
6	E/A	Motor voltage/ground	Seat movement motor, driver's

X18181

Pin	Type	Description/Function	Connection
1	A	Potentiometer voltage	Seat thigh support potentiometer, driver's
2	E	Thigh support position signal	Seat thigh support potentiometer, driver's
3	M	Ground	Seat thigh support potentiometer, driver's
4	E/A	Motor voltage/ground	Seat thigh support motor, driver's
5		Not used	
6	E/A	Motor voltage/ground	Seat thigh support motor, driver's

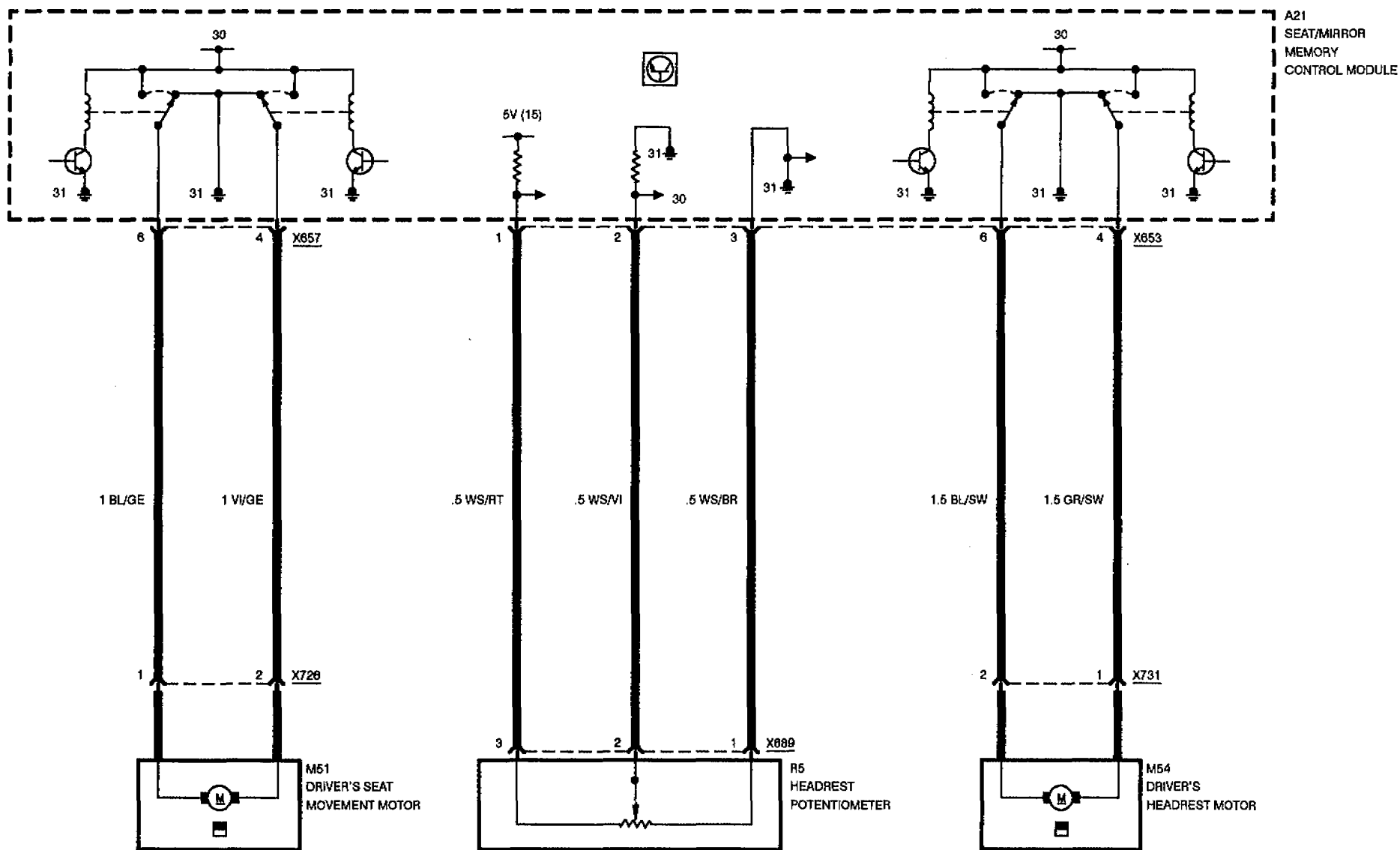
E = Input, A = Output, M = Ground





SEAT/MIRROR MEMORY SYSTEM (SM/SPM)

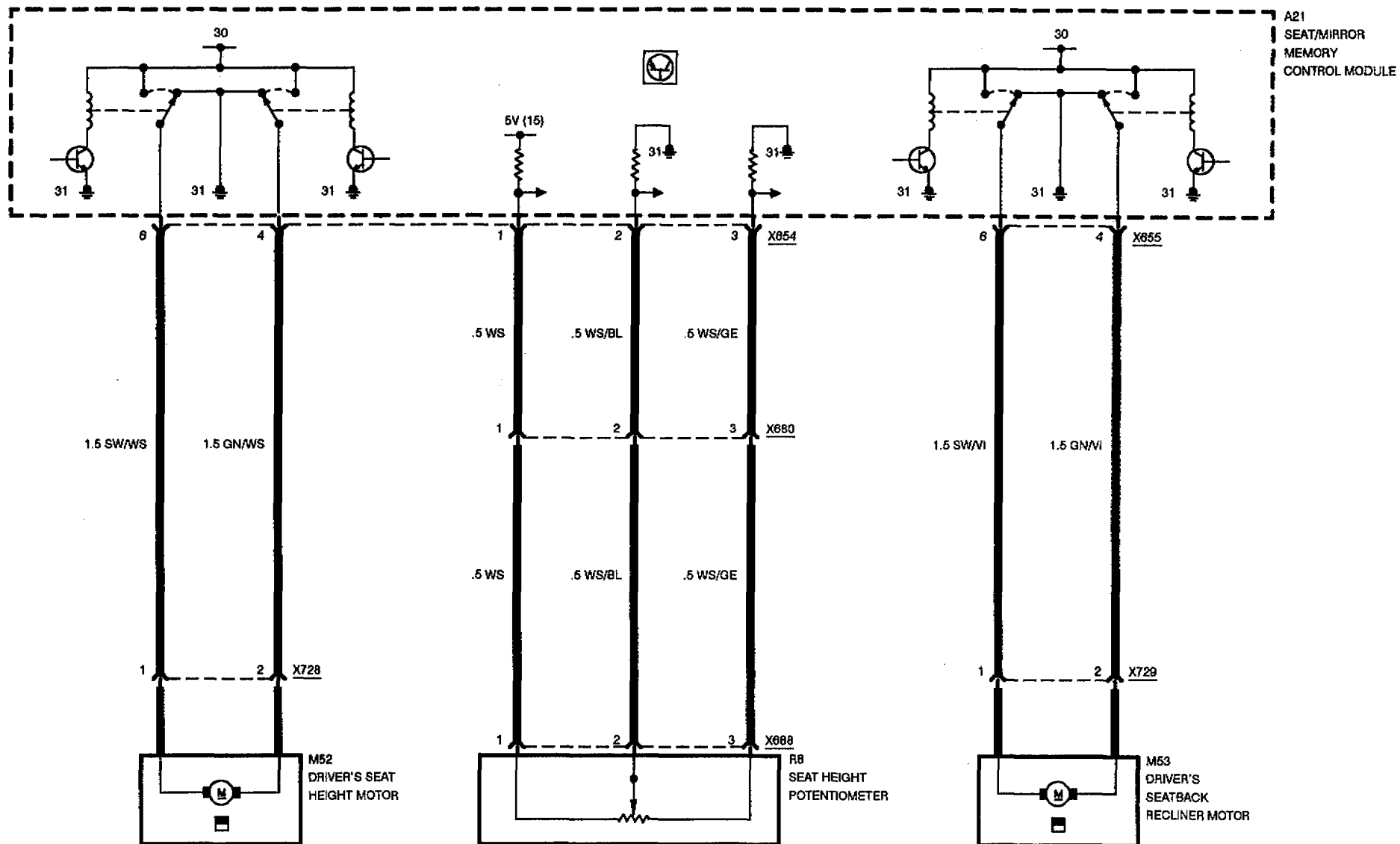
SEAT





SEAT/MIRROR MEMORY SYSTEM (SM/SPM)

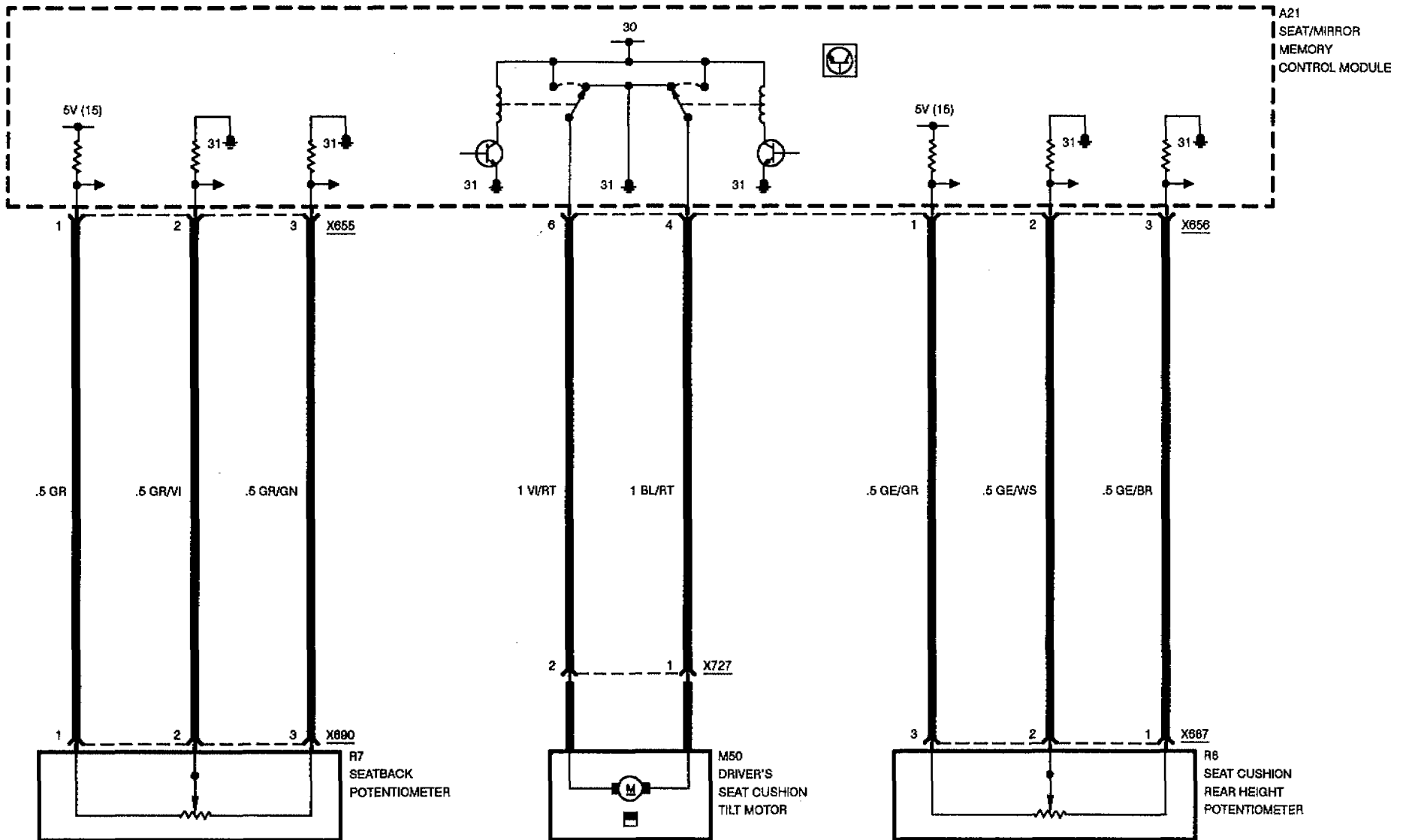
SEAT





SEAT/MIRROR MEMORY SYSTEM (SM/SPM)

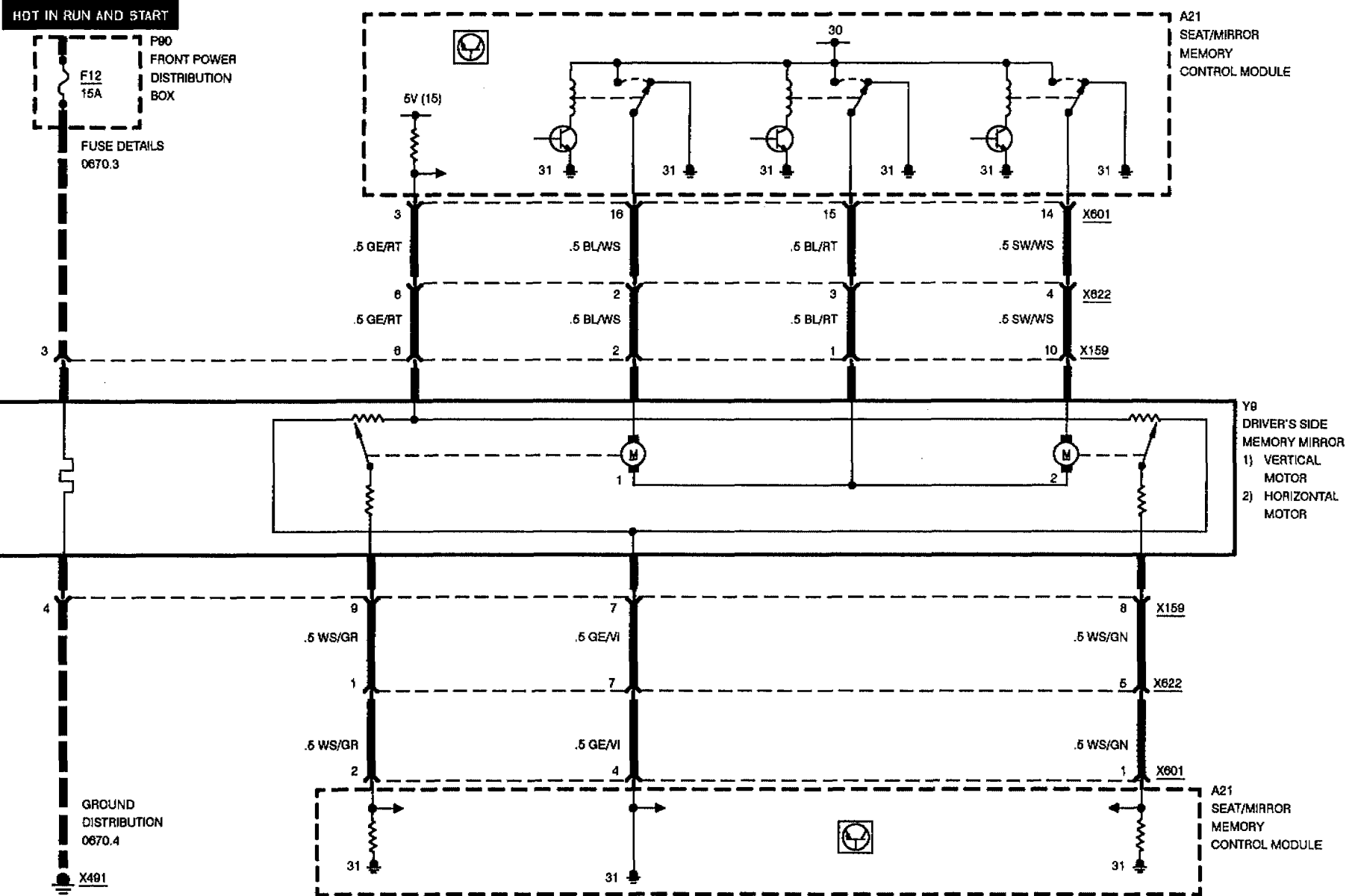
SEAT





SEAT/MIRROR MEMORY SYSTEM (SM/SPM)

MIRROR





SEAT/MIRROR MEMORY SYSTEM (SM/SPM)

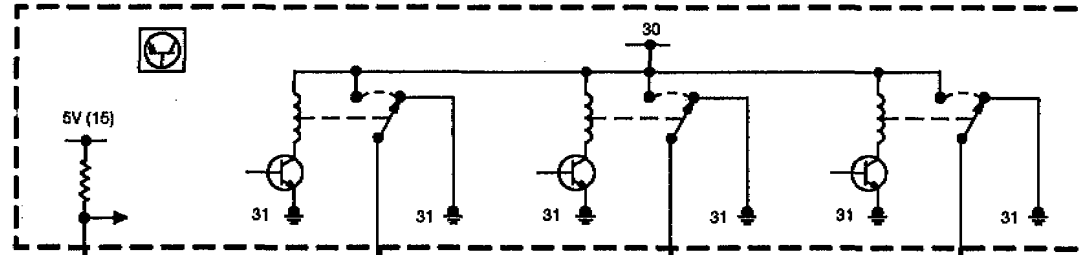
MIRROR

HDT IN RUN AND START

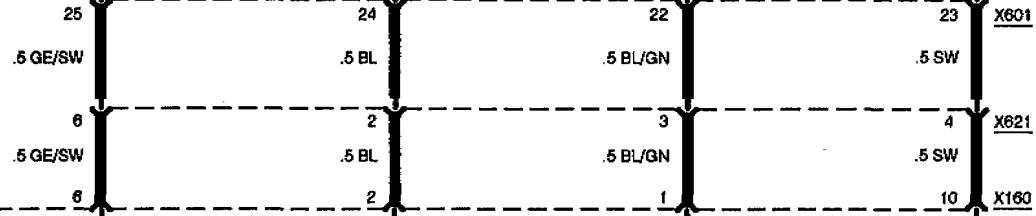
P90
FRONT POWER
DISTRIBUTION
BOX

FUSE DETAILS
0670.3

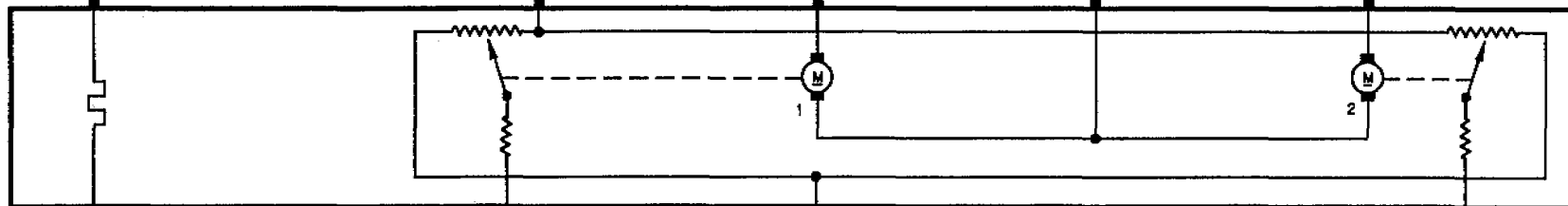
3



A21
SEAT/MIRROR
MEMORY
CONTROL MODULE

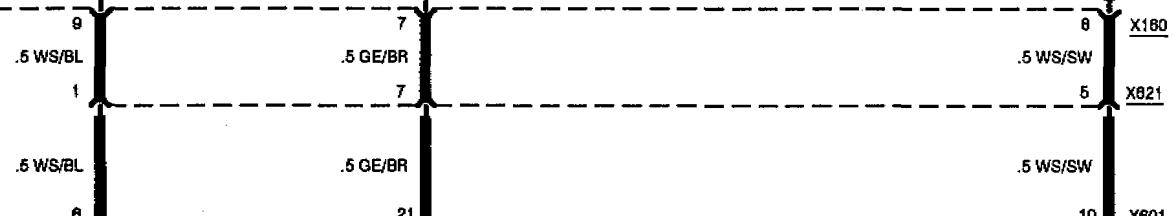


X601
X621
X160



Y10
PASSENGER'S
SIDE MEMORY
MIRROR
1) VERTICAL
MOTOR
2) HORIZONTAL
MOTOR

4



X180
X821
X601

GROUND
DISTRIBUTION
0670.4

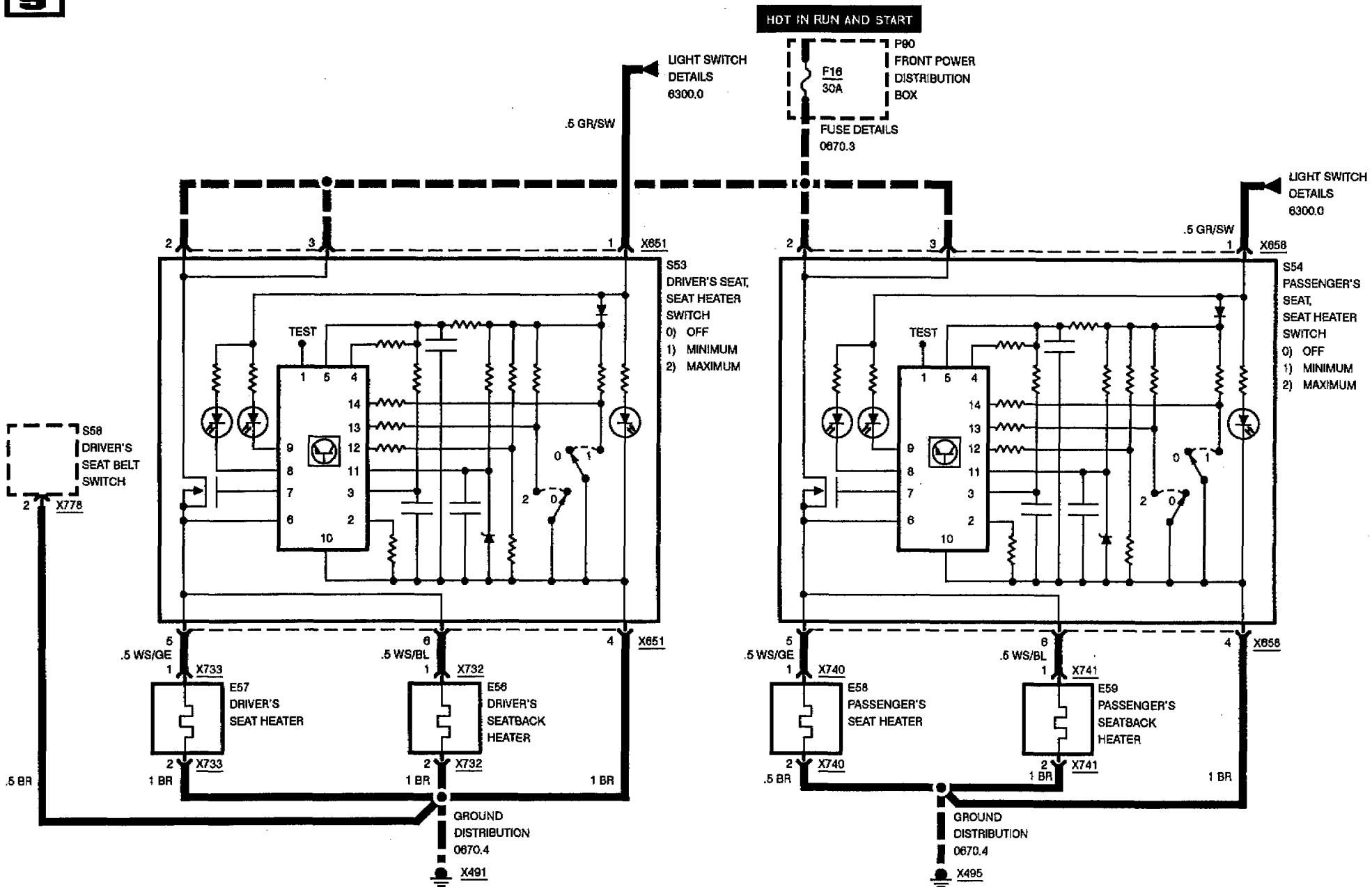
X495



A21
SEAT/MIRROR
MEMORY
CONTROL MODULE



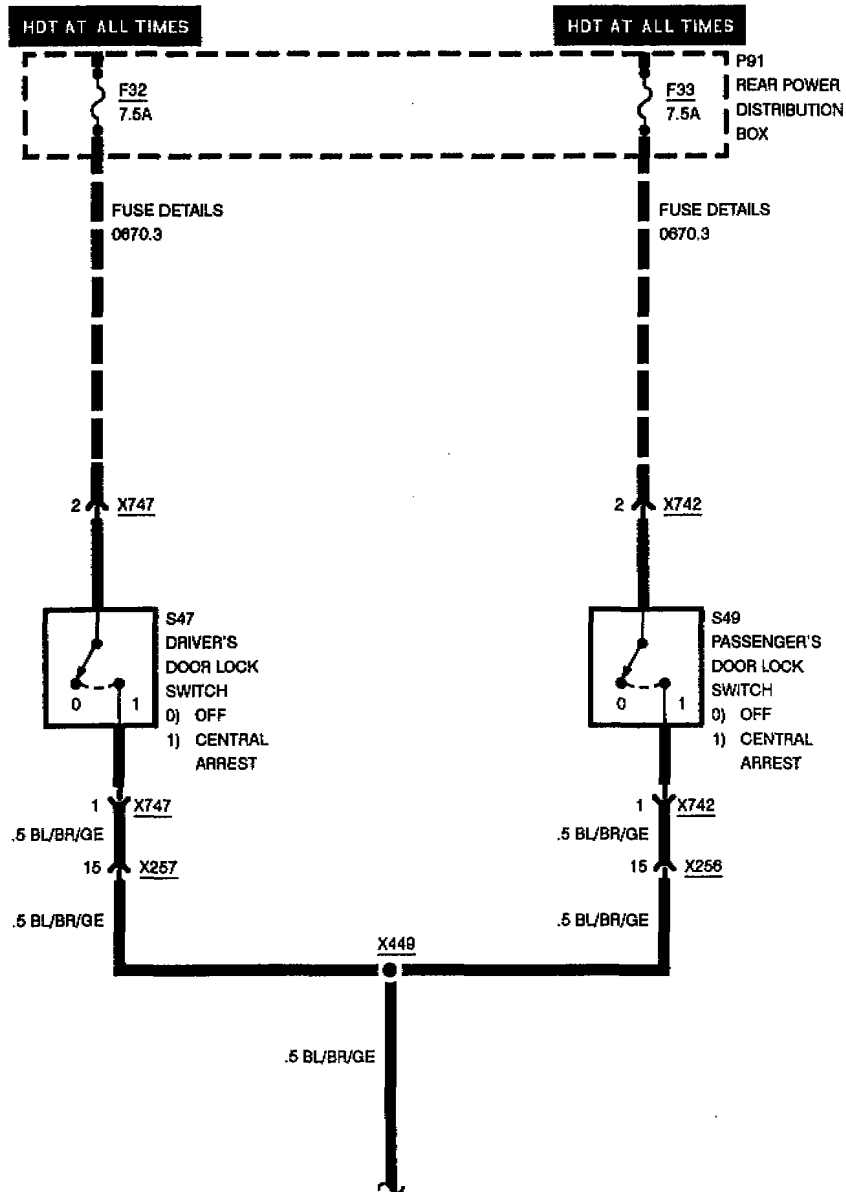
HEATED SEATS

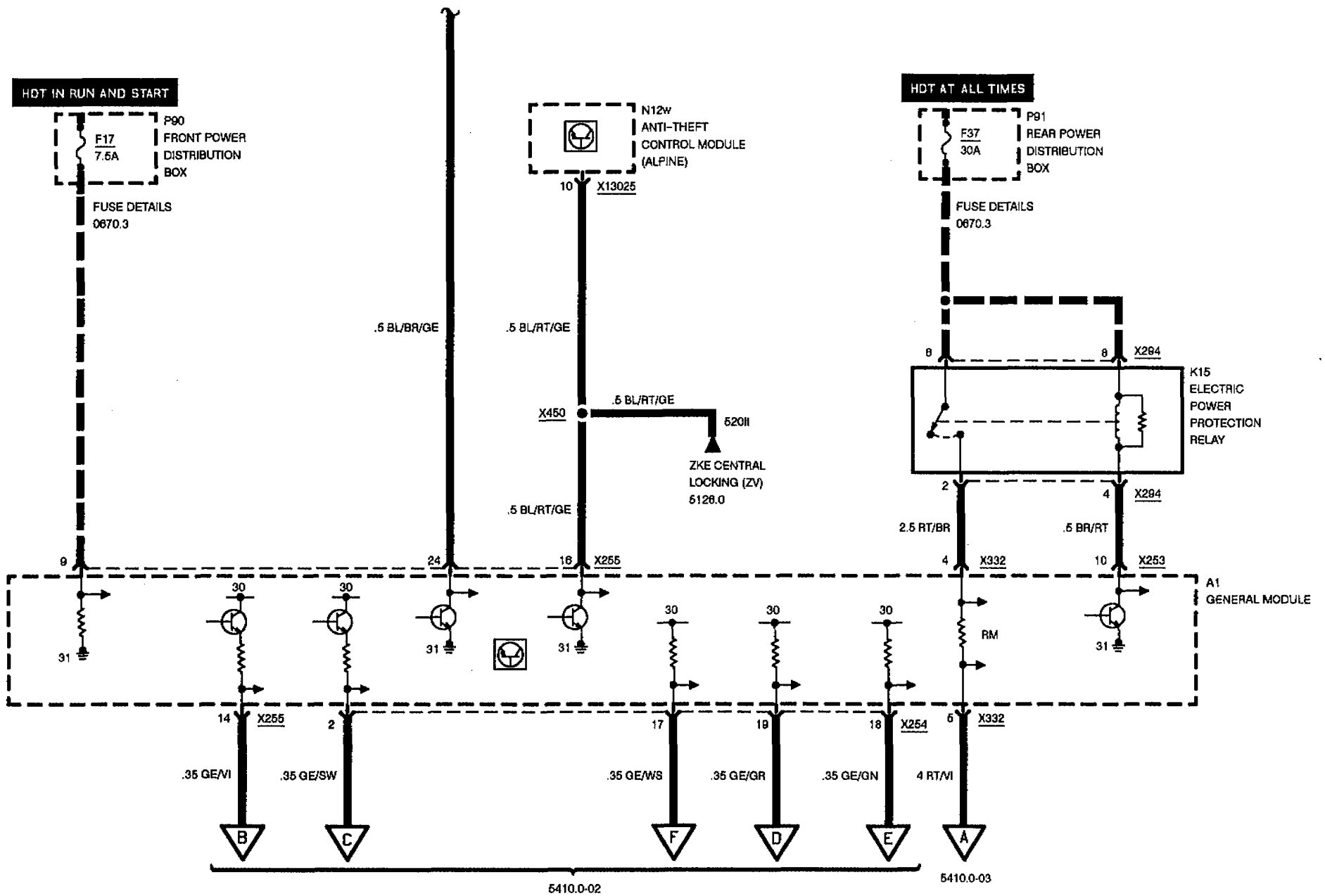






ZKE SUNROOF (SHD) INPUT DETAILS

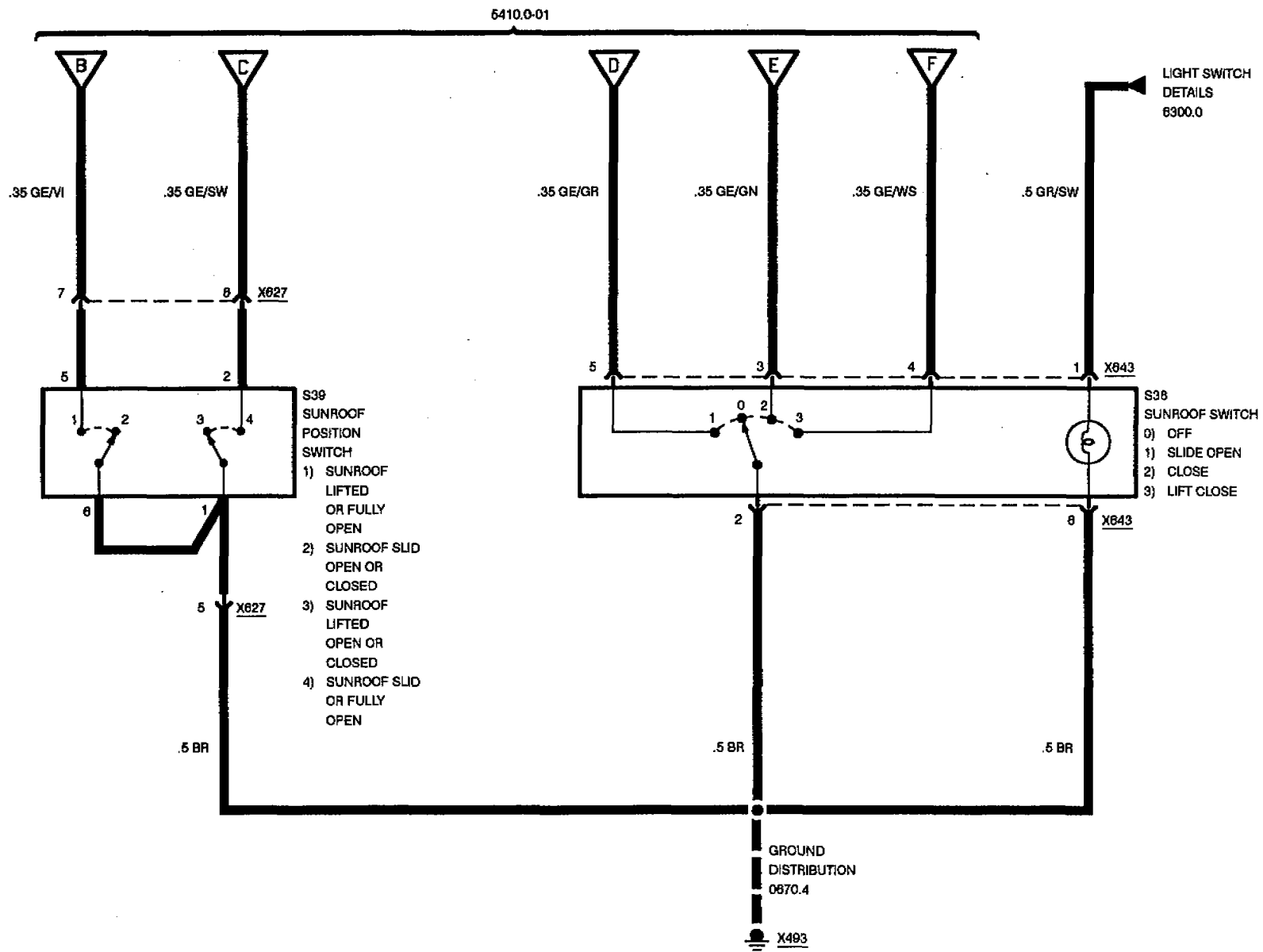




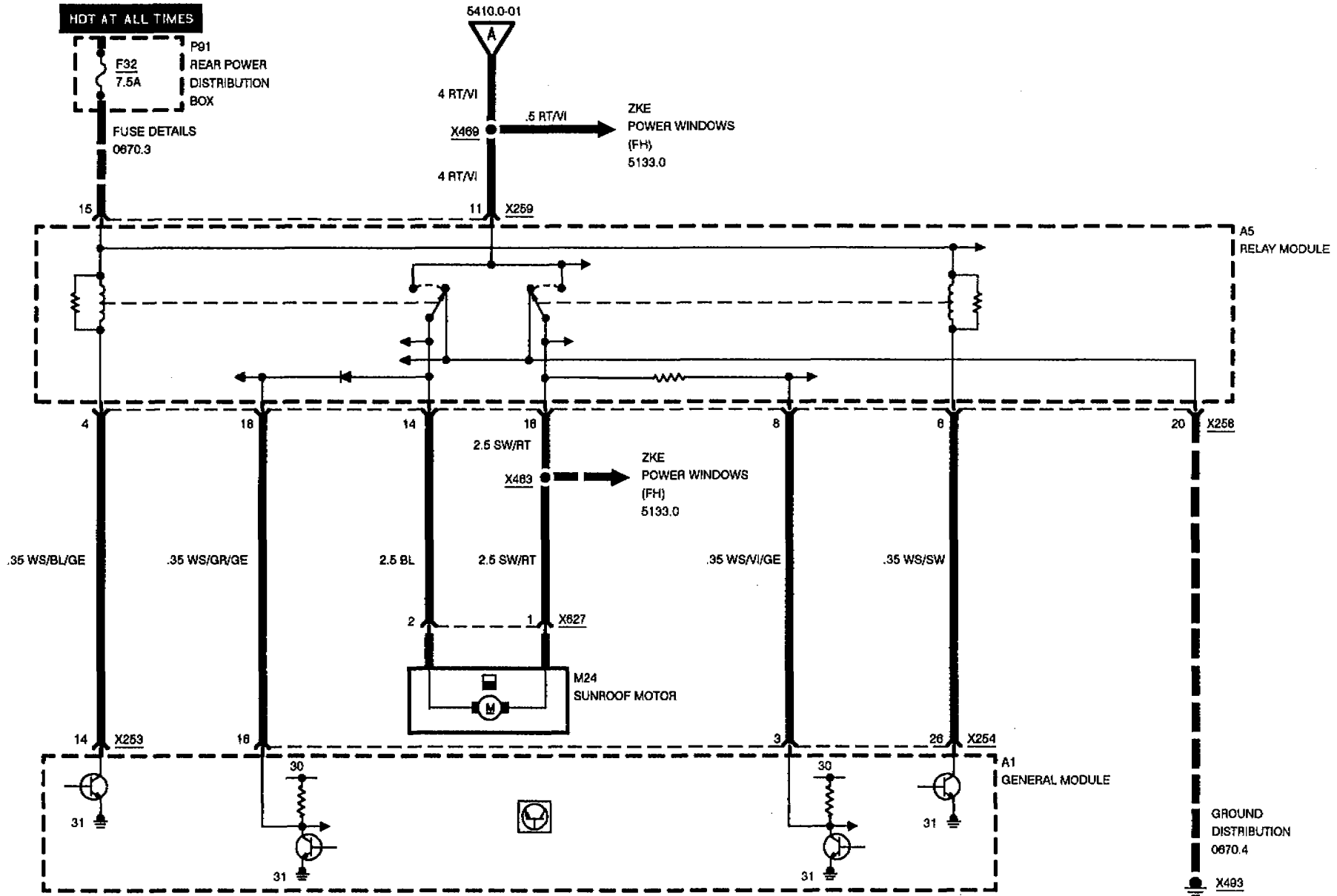


ZKE SUNROOF (SHD)

INPUT DETAILS

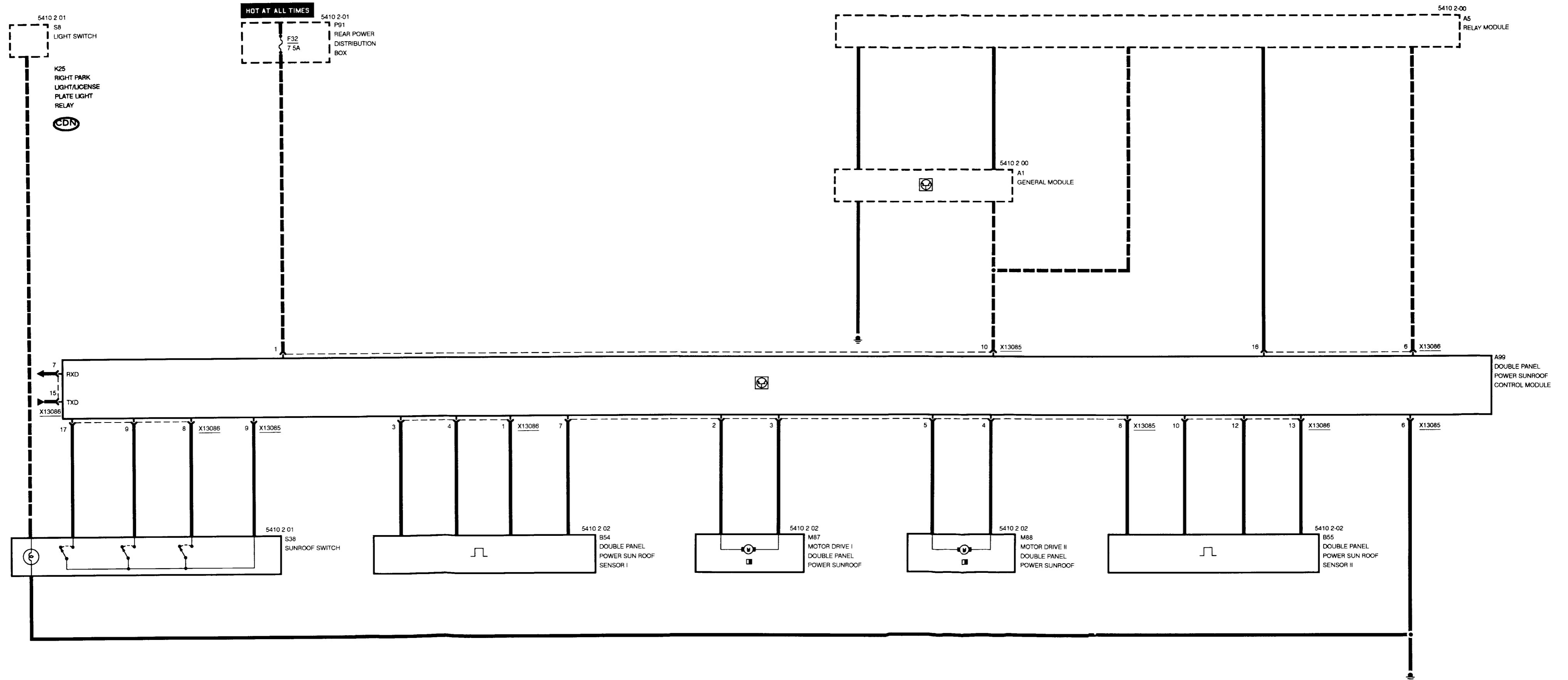


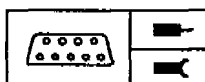
ZKE SUNROOF (SHD) OUTPUT DETAILS



BMW
5

5410.0-04





Pin Assignments

A=X13085 10 Pins

B=X13086 18 Pins

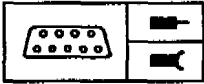
X13085

Pin	Type	Description/Function	Connect
1	E	Terminal 30, voltage supply	Rear power distribution box, fuse 32
2	E/A	Motor voltage/ground	Motor drive I double panel power sunroof
3	E/A	Motor voltage/ground	Motor drive I double panel power sunroof
4	E/A	Motor voltage/ground	Motor drive II double panel power sunroof
5	E/A	Motor voltage/ground	Motor drive II double panel power sunroof
6	M	Module ground	Ground point
7	A	Power	Contact, front roof
8	A	Power	Contact, rear roof
9	A	Power	Sunroof switch
10	E	Power	General module

X13086

Pin	Type	Description/Function	Connect
1	E	Position contact	Contact, front roof
2		Not used	
3	E	Position contact	Contact, front roof
4	E	Position contact	Contact, front roof
5		Not used	
6	E	Control signal	Relay module
7	E	RxD diagnostic data link	Data link connector
8	E	Switch, closed	Sunroof switch
9	E	Switch, closed	Sunroof switch
10	E	Position contact	Contact, rear roof
11		Not used	
12	E	Position contact	Contact, rear roof

E = Input, A = Output, M = Ground



Pin Assignments

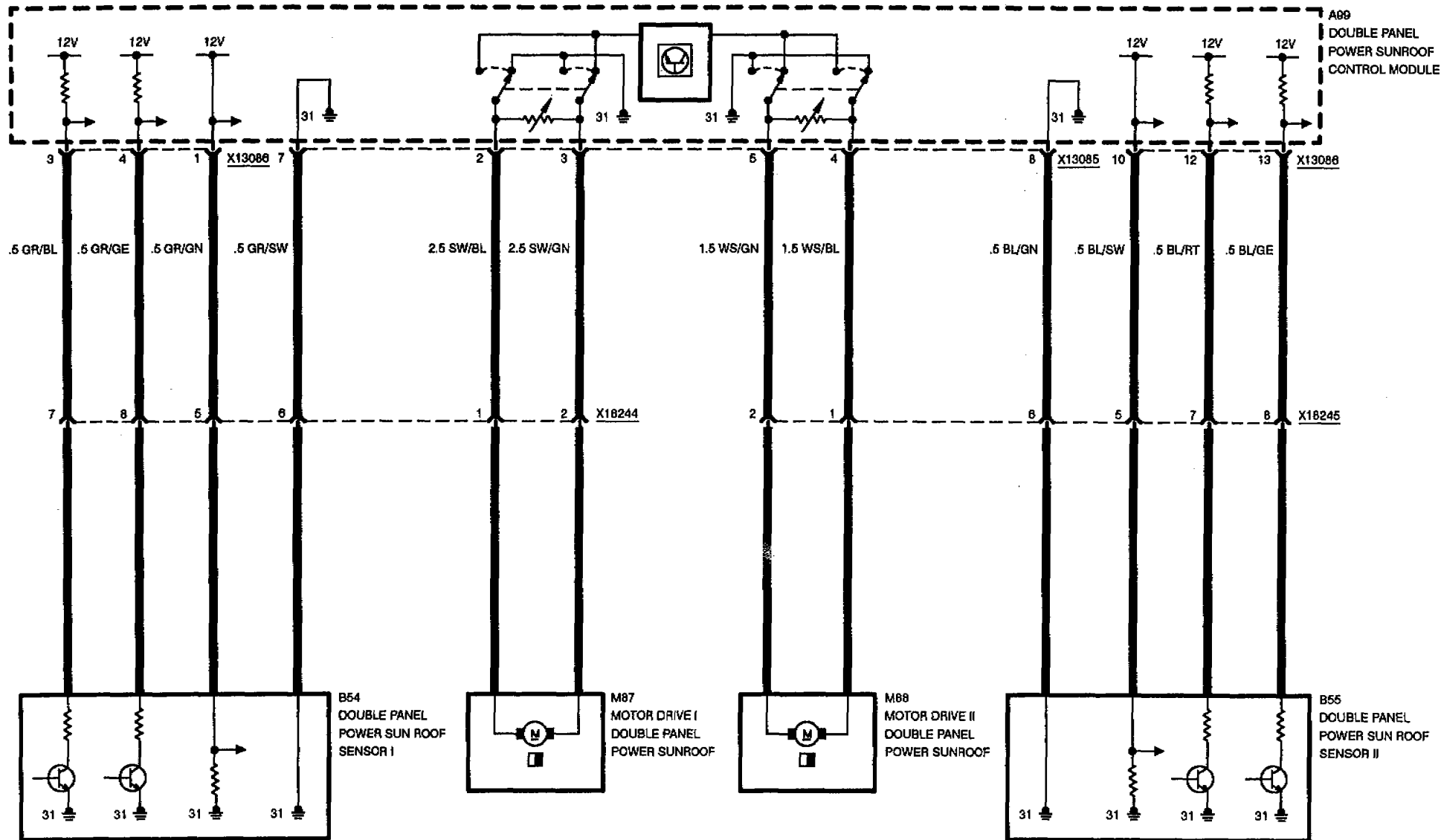
Pin	Type	Description/Function	Connect
13	E	Position contact	Contact, rear roof
14		Not used	
15	E/A	TxD diagnostic data link	Data link connector
16	E	MSD +	Relay module
17	E	Switch closed	Sunroof switch
18		Not used	

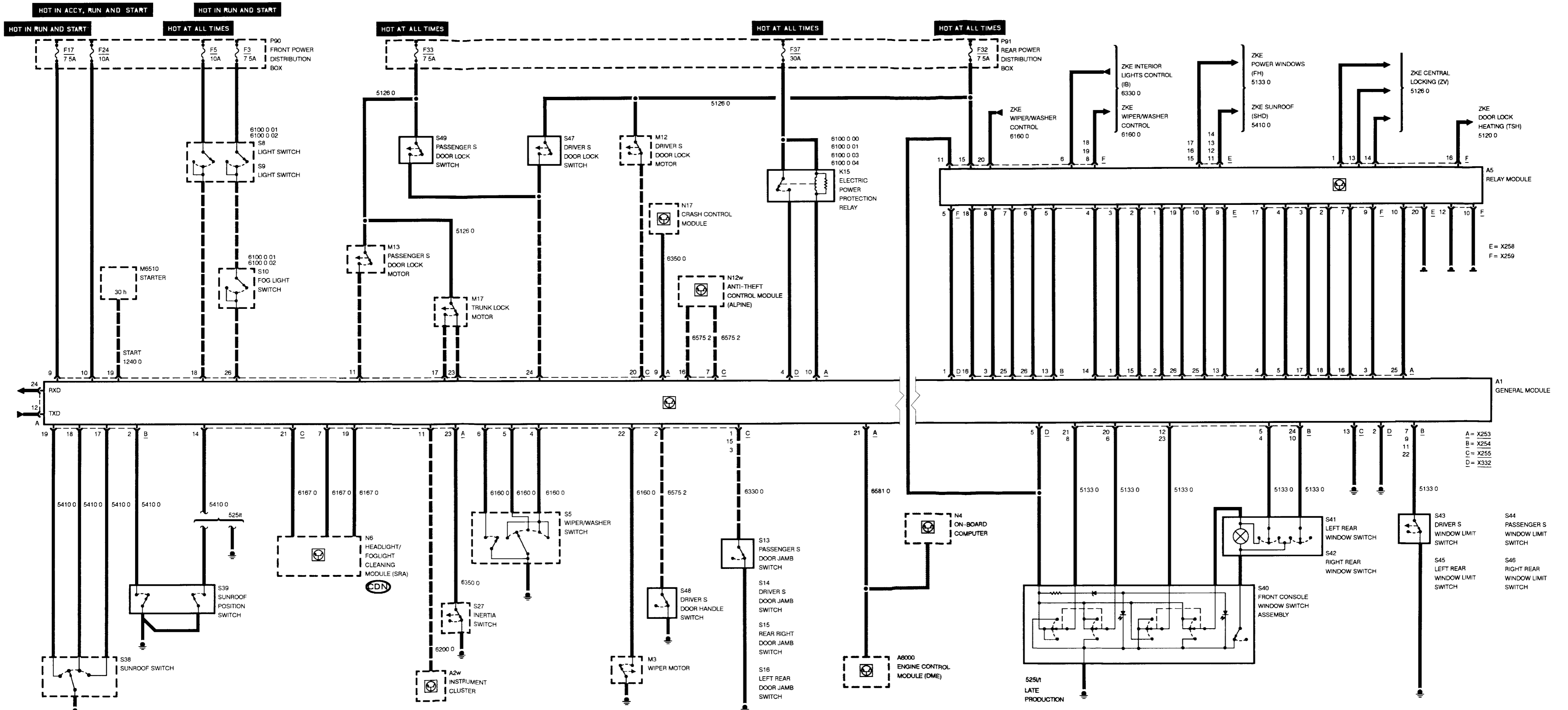
E = Input, A = Output, M = Ground





DOUBLE PANEL POWER SUNROOF (ZKE)

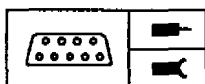




E = X258
F = X259

A = X253
B = X254
C = X255
D = X332

525t
LATE
PRODUCTION



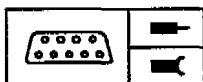
Pin Assignments

A=X253	26 Pins, green
B=X254	26 Pins, white
C=X255	26 Pins, yellow
D=X332	5 Pins, white
E=X258	20 Pins, black
F=X259	20 Pins, white

X253

Pin	Type	Description/Function	Connection
1	A	Passenger's window motor control	Relay module
2	A	Passenger's window motor control	Relay module
3	A	Wiper motor control	Relay module
4	A	Door lock heater control	Relay module
5	A	Lock motors control	Relay module
6		Not used	
7	A	Light cleaning control	Headlight/front fog light cleaning system module (SRA)
8		Not used	
9	A	Crash information	Crash control module
10	A	Electric power control protection relay control	Electric power protection relay, terminal 85
11	E	Vehicle speed signal	Instrument cluster
12	E/A	TxD diagnostic data link	Data link connector
13	E	Data line	Relay module
14	A	Sunroof motor control	Relay module
15	A	Passenger's and right rear window motor control	Relay module
16	A	Interior lights control	Relay module
17	A	Lock motors control (close)	Relay module
18	A	Lock motors control (open)	Relay module
19	A	Light cleaning control	Headlight/front fog light cleaning system module (SRA)

E = Input, A = Output, M = Ground



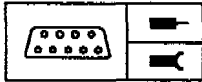
Pin Assignments

Pin	Type	Description/Function	Connection
20		Not used	
21	A	Drive away protection	Engine control module (DME): Late Production (525i/t)
22		Not used	
23	E	Crash signal	Inertia switch
24	E	RxD diagnostic data link	Data link connector
25	E	Data line	Relay module
26	E	Data line	Relay module

X254

Pin	Type	Description/Function	Connection
1		Not used	
2	E	Sunroof position signal	Sunroof position switch
3	E	Data line (window and sunroof motors position)	Relay module
4	E	Open right rear window signal (switch)	Right rear window switch
5	E	Open left rear window signal (switch)	Left rear window switch
6	E	Open passenger's window signal (switch)	Front console window switch assembly
7	E	Left rear window open signal (position)	Left rear window limit switch
8	E	Close passenger's window signal (switch)	Front console window switch assembly
9	E	Passenger's window open signal (position)	Passenger's window limit switch
10	E	Close right rear window signal (switch)	Right rear window switch
11	E	Driver's window open signal (position)	Driver's window limit switch
12	E	Close left rear window signal (switch)	Front console window switch assembly
13	A	Left rear window motor control	Relay module
14		Not used	
15		Not used	
16	E	Data line (window and sunroof motors position)	Relay module
17	E	Close sunroof lift signal	Sunroof switch
18	E	Close sunroof signal	Sunroof switch

E = Input, A = Output, M = Ground



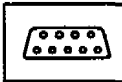
Pin Assignments

Pin	Type	Description/Function	Connection
19	E	Open sunroof slide signal	Sunroof switch
20	E	Open driver's window signal (switch)	Front console window switch assembly
21	E	Close driver's window signal (switch)	Front console window switch assembly
22	E	Right rear window open signal (position)	Right rear window limit switch
23	E	Close right rear window signal (switch)	Front console window switch assembly
24	E	Close left rear window signal (switch)	Left rear window switch
25	A	Driver's window motor control	Relay module
26	A	Driver's and left rear window control/sunroof motor control	Relay module

X255

Pin	Type	Description/Function	Connection
1	E	Passenger's door open signal	Passenger's door jamb switch
2	E	Driver's door handle lifted signal	Driver's door handle switch
3	E	Rear doors open signal	Rear door jamb switches
4	E	Standard wiper signal	Wiper/washer switch
5	E	Interval wiper signal	Wiper/washer switch
6	E	Wash signal	Wiper/washer switch
7	E	Anti-theft system control module (Alpine)	Anti-theft system control module (Alpine)
8		Not used	
9	E	Voltage supply, terminal 15	Front power distribution box
10	E	Voltage supply, terminal R	Front power distribution box
11	E	Passenger's door lock motor locked	Passenger's door lock motor
12		Not used	
13	M	Ground	Ground point
14	E	Sunroof position signal	Sunroof position switch
	M	Ground (525if)	Ground point
15	E	Driver's door open signal	Driver's door jamb switch
16	E	Anti-theft system control module (Alpine)	Anti-theft system control module (Alpine)
17	E	Unlock door lock motors signal	Trunk lock motor
18	E	Park or headlights ON signal	Light switch

E = Input, A = Output, M = Ground



Pin Assignments

Pin	Type	Description/Function	Connection
19	E	Starter, terminal 30h	Starter
20	E	Driver's door lock motor locked	Door lock motor
21	E	Data line	Headlight/front fog light cleaning system module (SRA)
22	E	Wipers not in park signal	Wiper motor
23	E	Unlock trunk lock motor signal	Trunk lock motor
24	E	Lock front doors signal	Front door lock switches
25		Not used	
26	E	Front or rear fog lights ON signal	Fog light switch

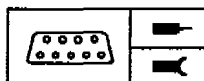
X332

Pin	Type	Description/Function	Connection
1	E	Power for electronics	Relay module
2	M	Ground	Ground point
3		Not used	
4	E	Power input	Electric power protection relay, terminal 87
5	E	Power for electronics	Relay module, front console window switch assembly

X258

Pin	Type	Description/Function	Connection
1	E	Right rear window motor control	General module
2	E	Passenger's and right rear window motor control	General module
3	E	Passenger's window motor control	General module
4	E	Sunroof motor control	General module
5	E	Left rear window motor control	General module
6	E	Driver's and left rear window motor control/ sunroof motor control	General module
7	E	Driver's window motor control	General module

E = Input, A = Output, M = Ground



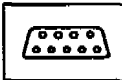
Pin Assignments

Pin	Type	Description/Function	Connection
8	A	Data line (window and sunroof motors position)	General module
9	A	Data line	General module
10	A	Data line	General module
11	A	Right rear window motor power/ground supply	Right rear window motor
12	A	Passenger's and right rear window motor power/ground supply	Right rear window motor
13	A	Passenger's window motor power/ground supply	Passenger's window motor
14	A	Sunroof motor power/ground supply	Sunroof motor
15	A	Left rear window motor power/ground supply	Left rear window motor
16	A	Driver's window motor, left rear window motor, and sunroof motor power/ground supply	Driver's and left rear window motors/sunroof motor
17	A	Driver's window motor power/ground supply	Driver's window motor
18	A	Data line (window and sunroof motors position)	General module
19	A	Data line	General module
20	M	Ground	Ground point

X259

Pin	Type	Description/Function	Connection
1	A	Lock motors voltage/ground supply	Door lock motors
2	E	Lock motors control (open)	General module
3	E	Lock motors control (close)	General module
4	E	Lock motors control	General module
5	A	Power output	General module
6	A	Interior lights ground supply (Automatic)	Interior lights
7	E	Interior lights control	General module
8	E	Fast wiper speed signal	Wiper/washer switch
9	E	Wiper motor control	General module

E = Input, A = Output, M = Ground



Pin Assignments

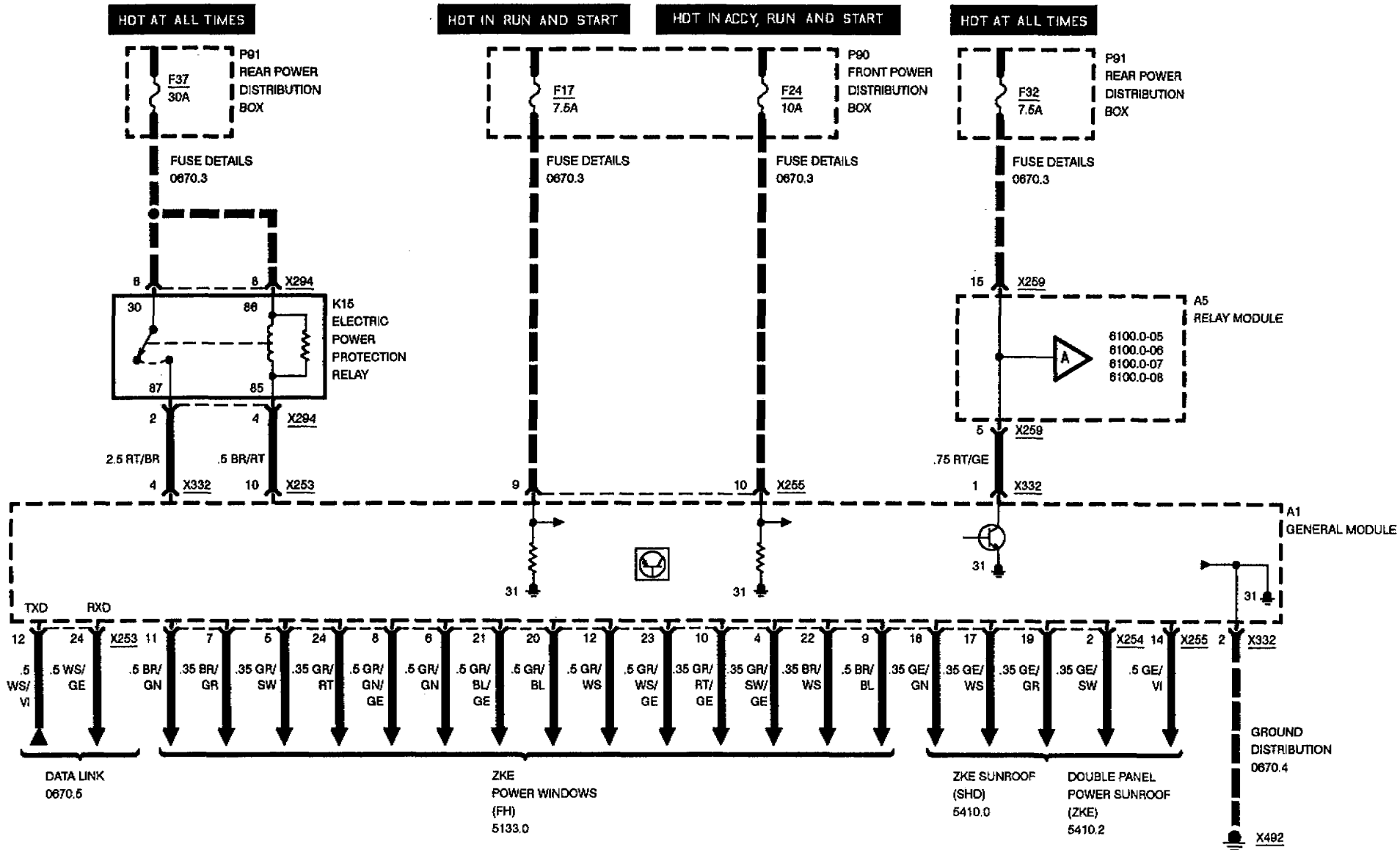
Pin	Type	Description/Function	Connection
10	M	Ground	Ground point
11	E	Power input	General module
12	M	Ground	Ground point
13	A	Lock motors voltage/ground supply	Door lock motors
14	A	Central locking voltage/ground supply	Door lock motors
15	E	Voltage supply, terminal 30	Rear power distribution box
16	A	Door lock heater voltage supply	Door lock heater
17	E	Door lock heater control	General module
18	A	Wiper motor voltage supply (slow)	Wiper motor
19	A	Wiper motor voltage supply (fast)	Wiper motor
20	E	Power input	Wiper relay

E = Input, A = Output, M = Ground



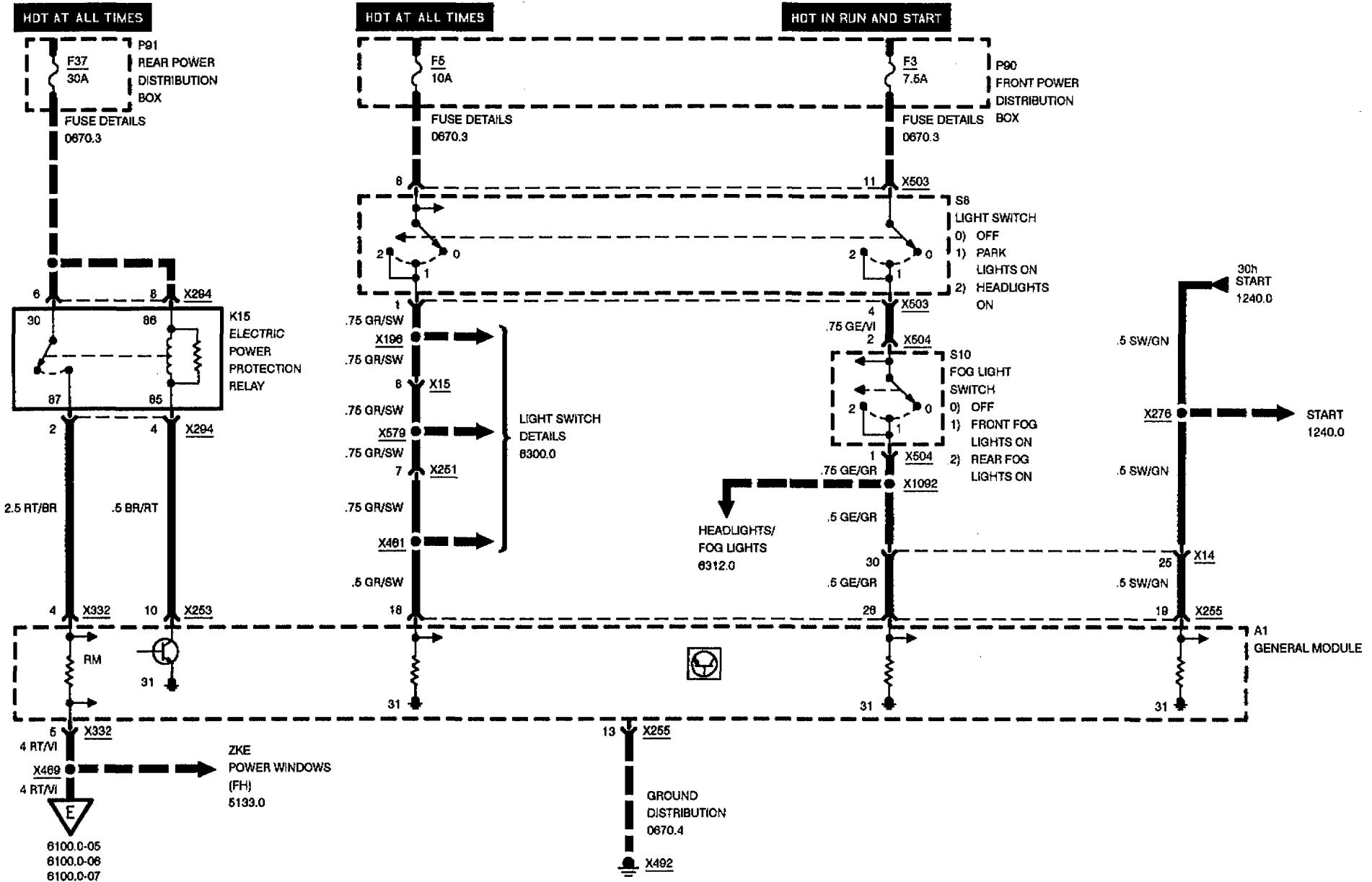


CENTRAL BODY ELECTRONICS (ZKE) GENERAL MODULE





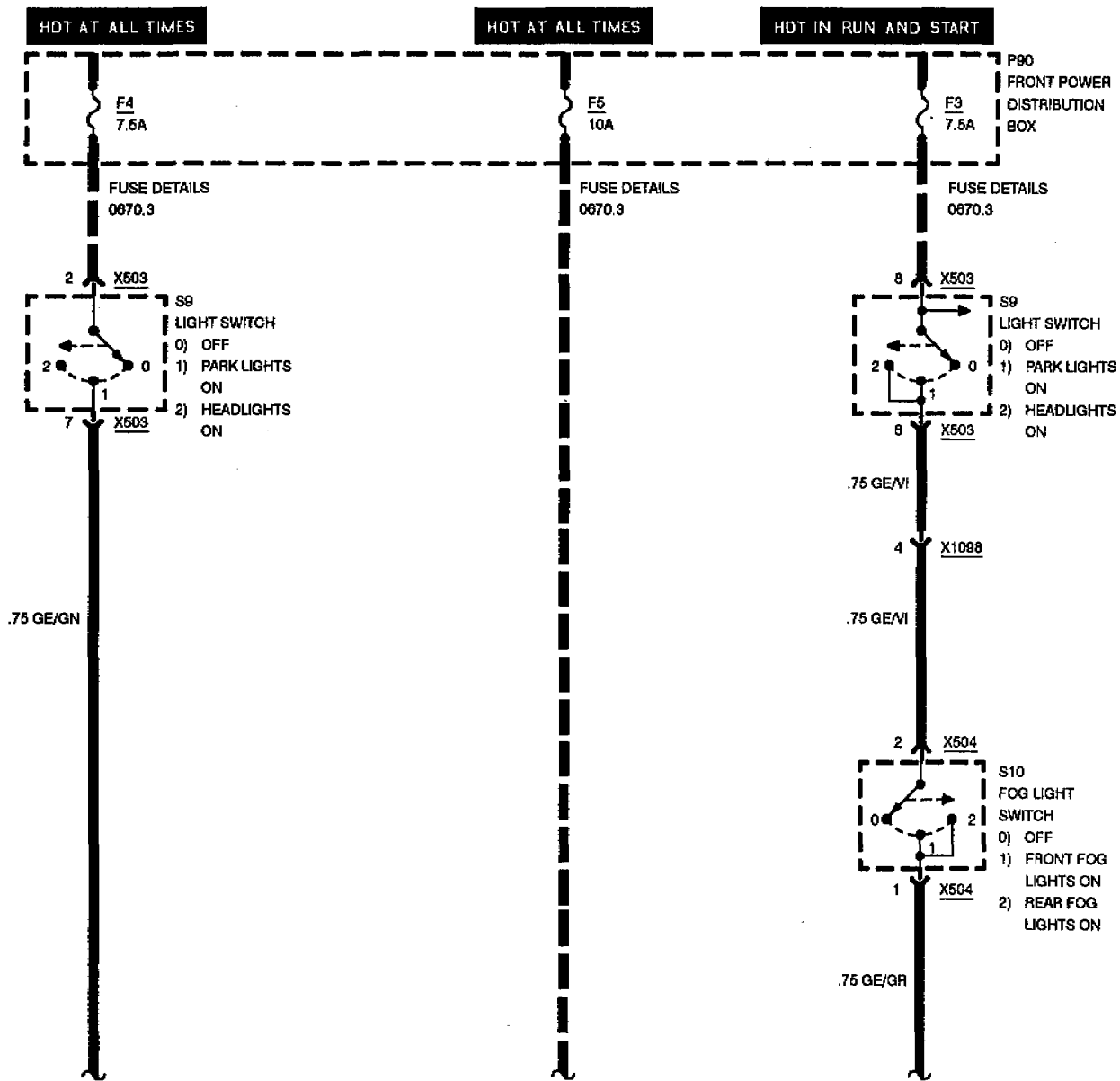
CENTRAL BODY ELECTRONICS (ZKE) GENERAL MODULE

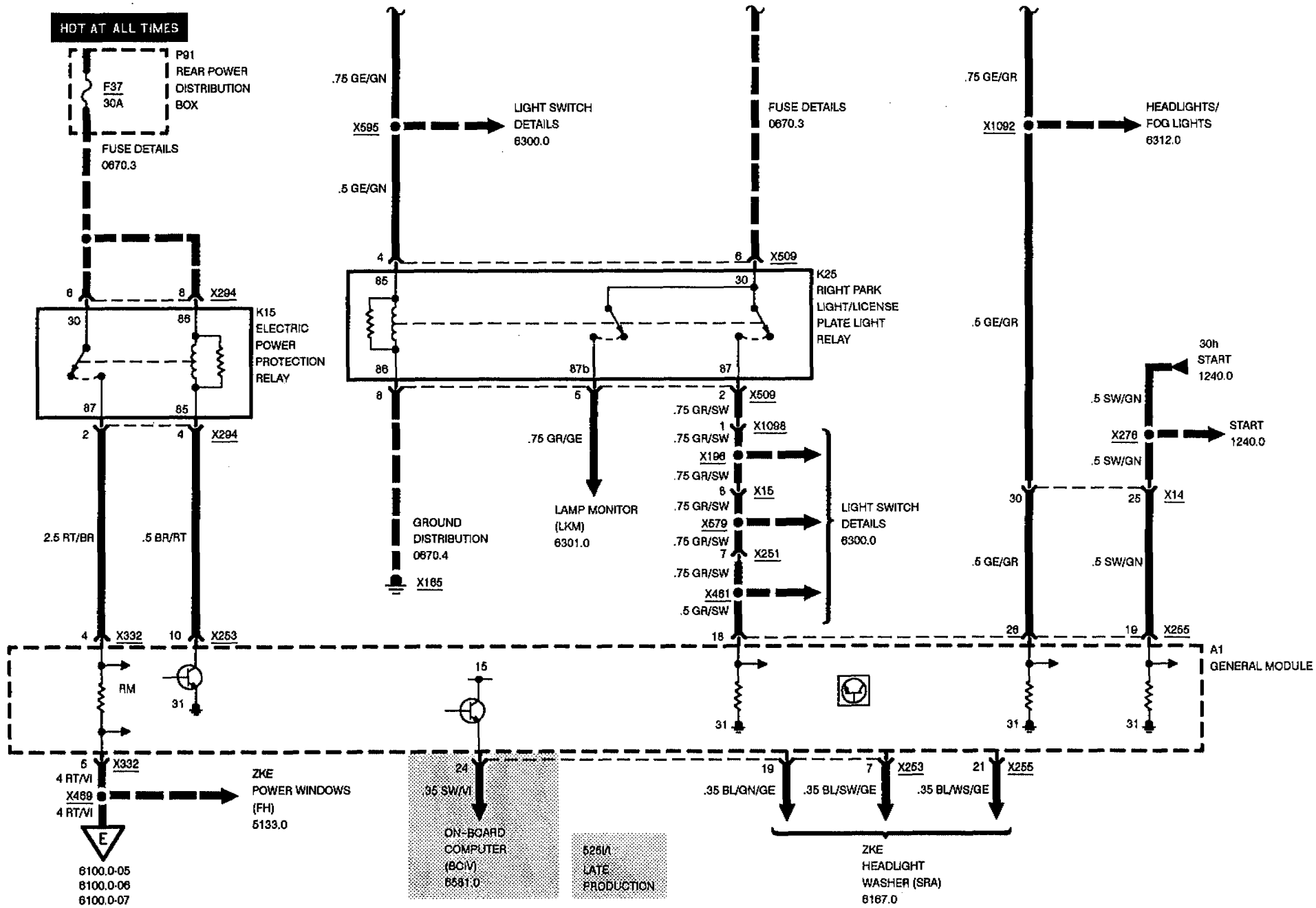




CENTRAL BODY ELECTRONICS (ZKE)

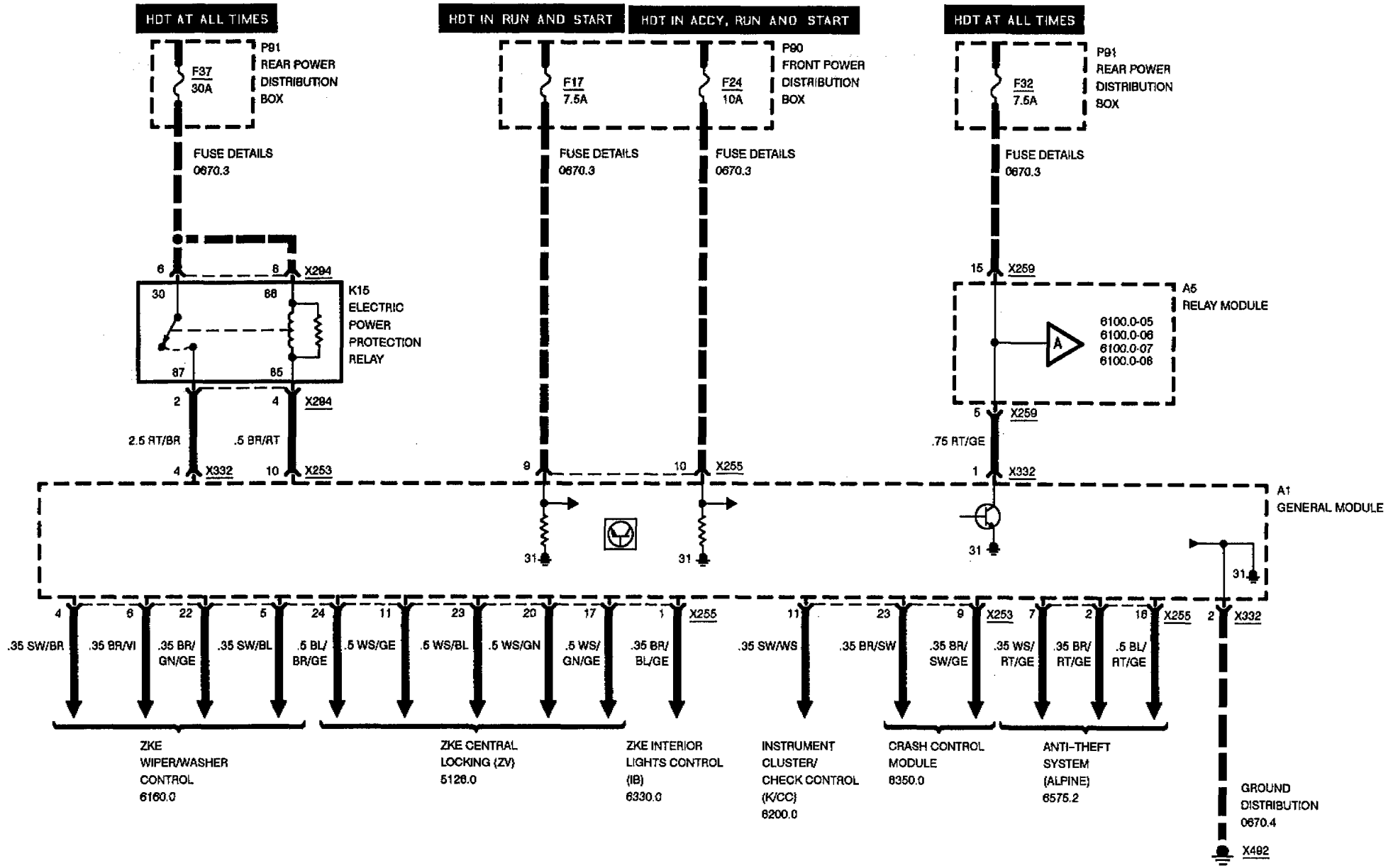
GENERAL MODULE





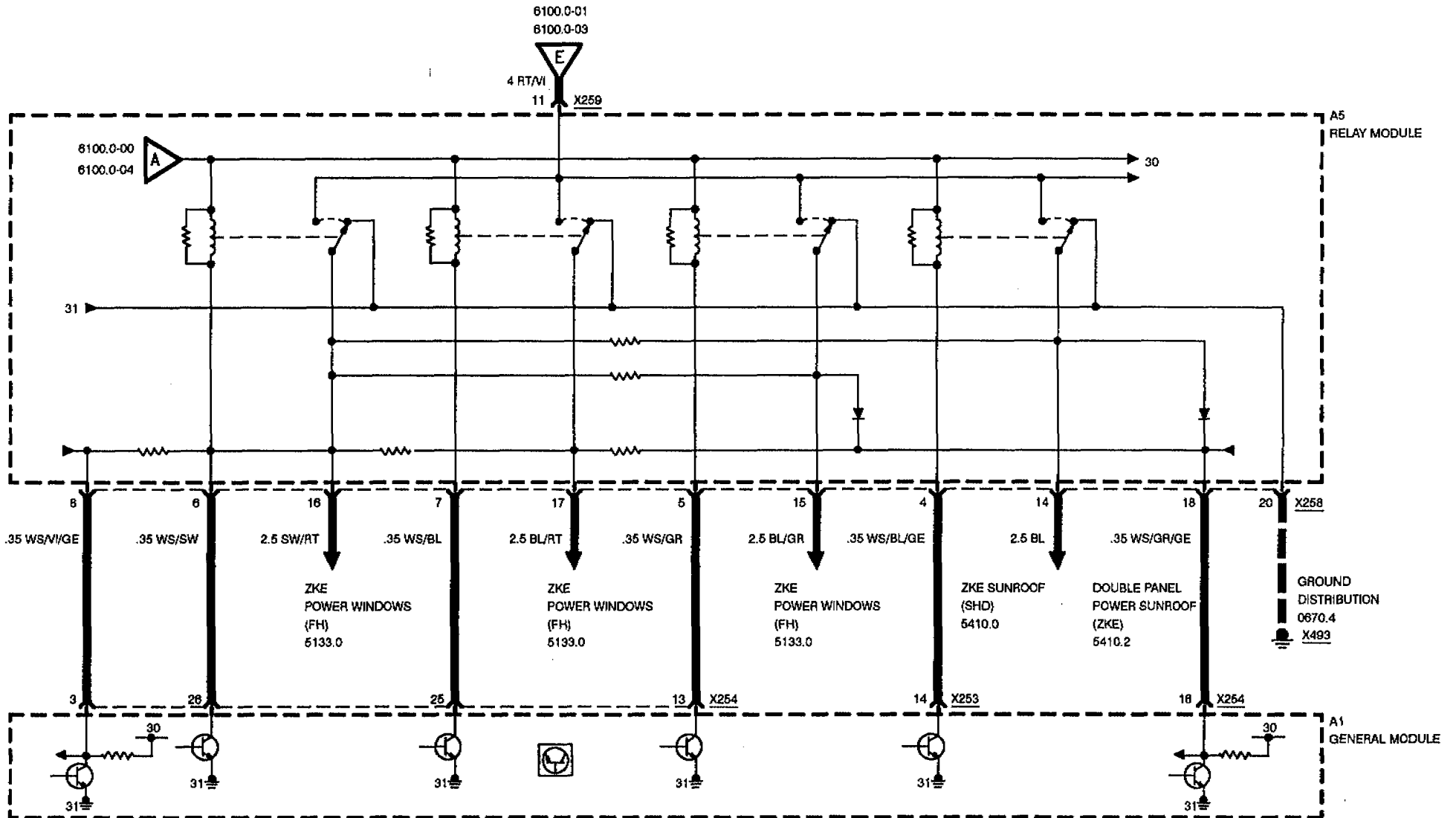


CENTRAL BODY ELECTRONICS (ZKE) GENERAL MODULE



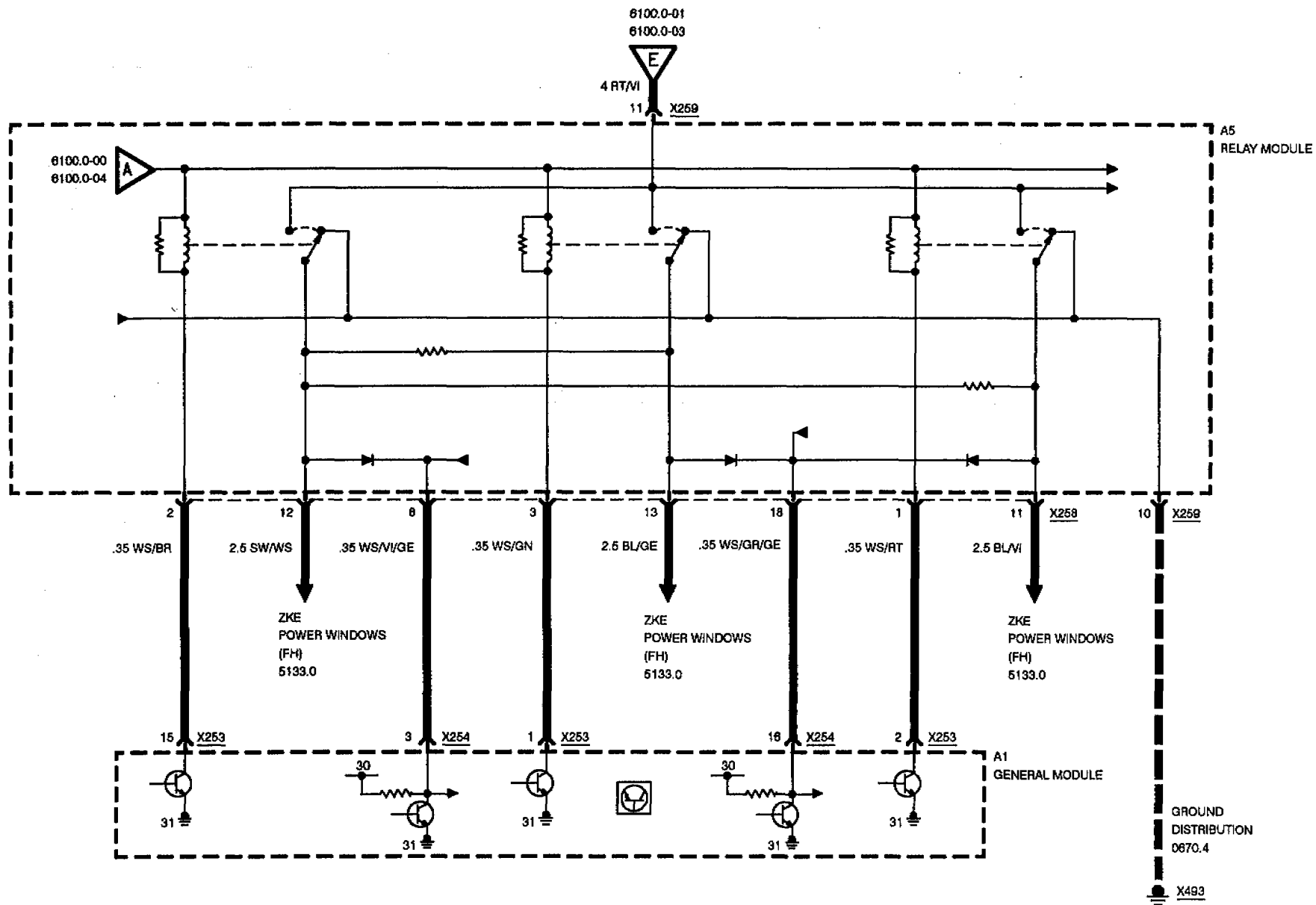


CENTRAL BODY ELECTRONICS (ZKE) RELAY MODULE



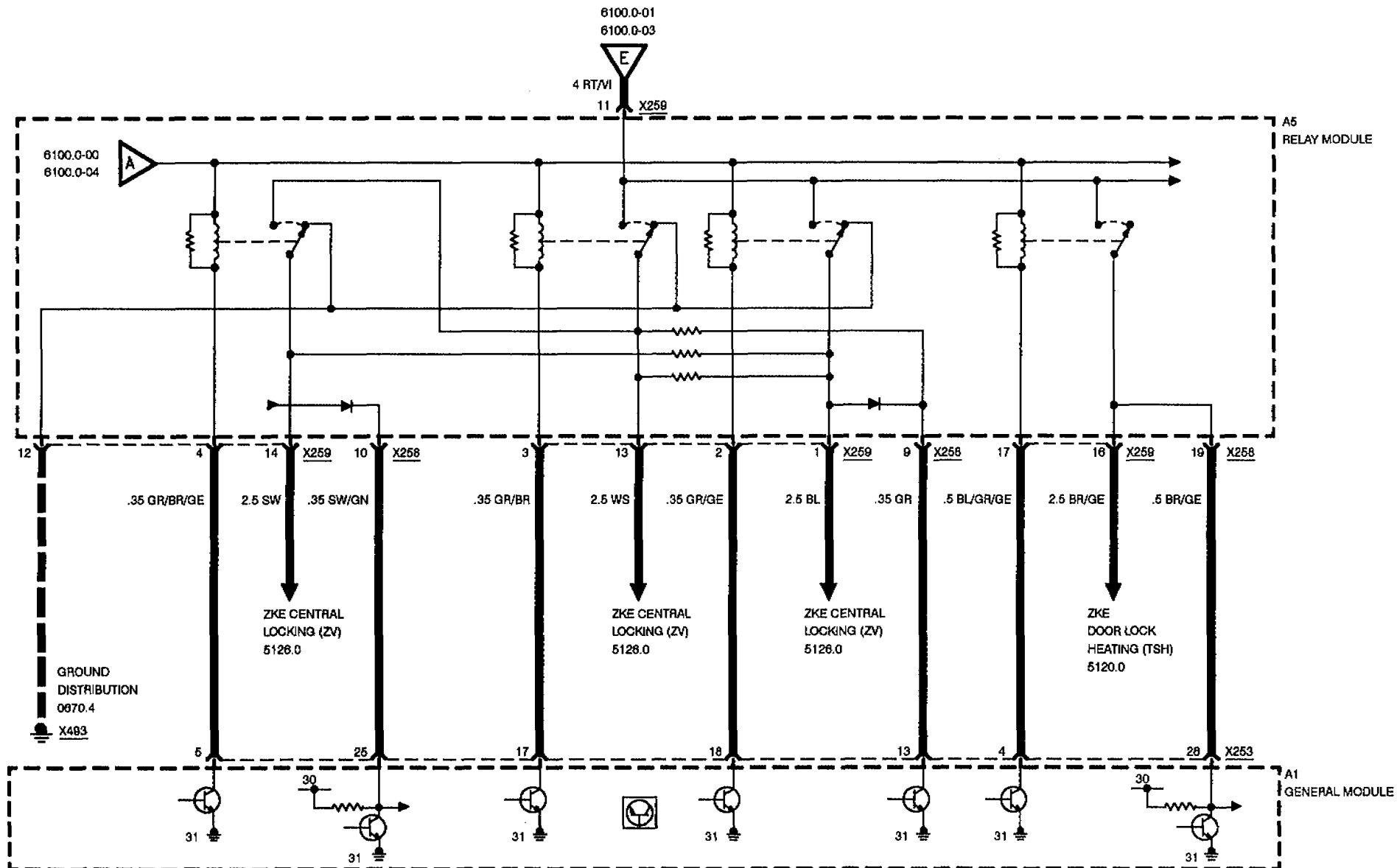


CENTRAL BODY ELECTRONICS (ZKE) RELAY MODULE



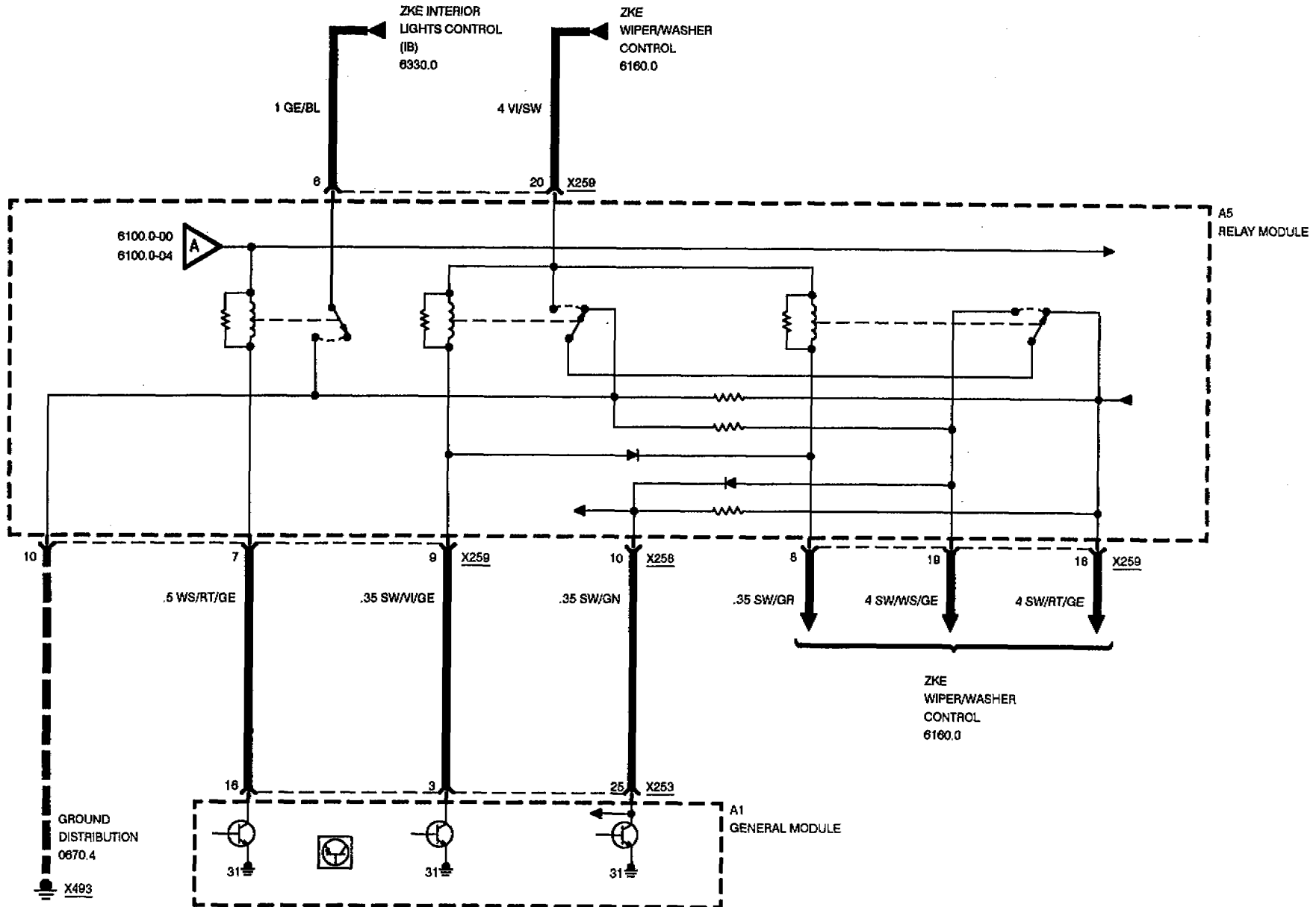


CENTRAL BODY ELECTRONICS (ZKE) RELAY MODULE



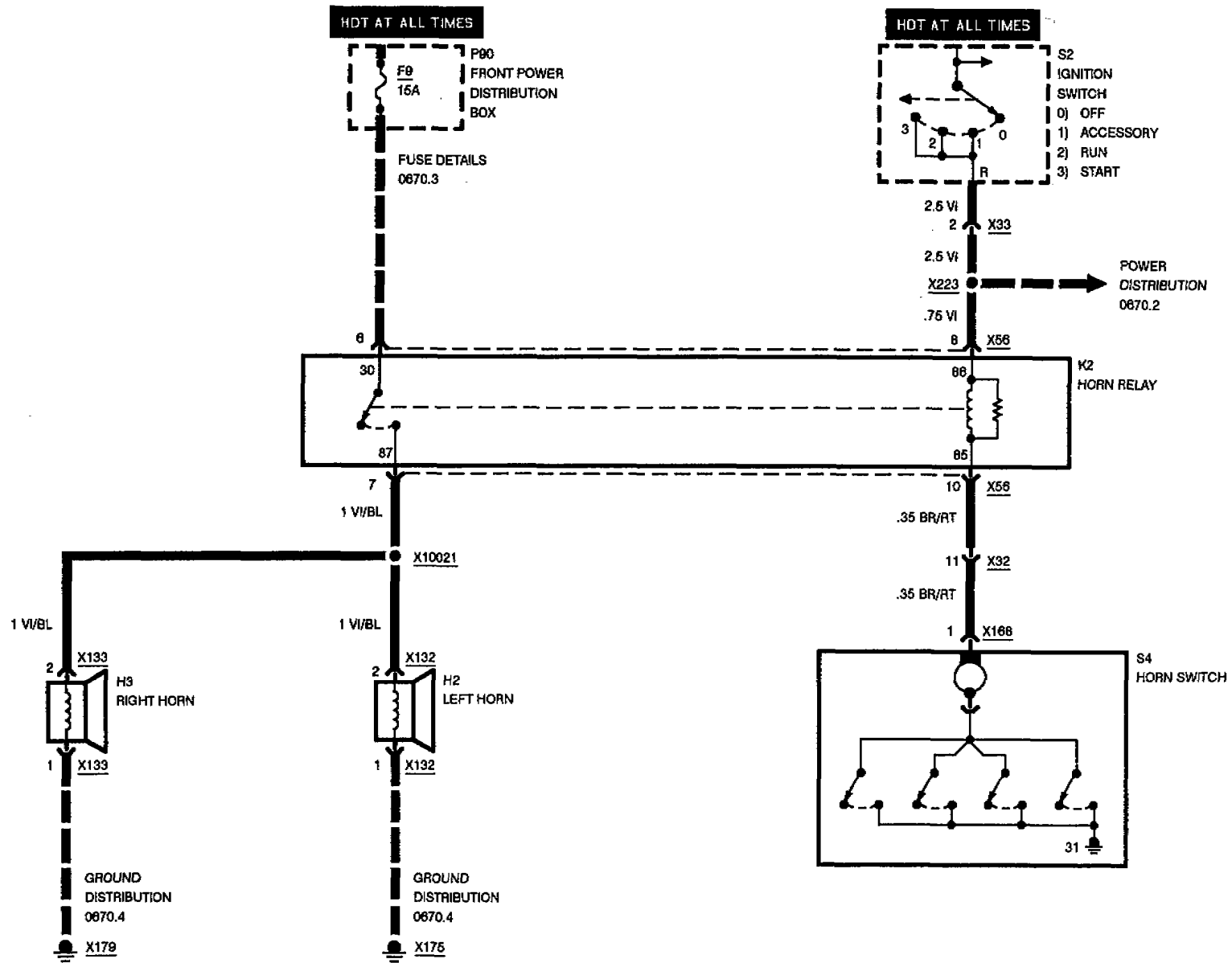


CENTRAL BODY ELECTRONICS (ZKE) RELAY MODULE



BMW
5

6133.0







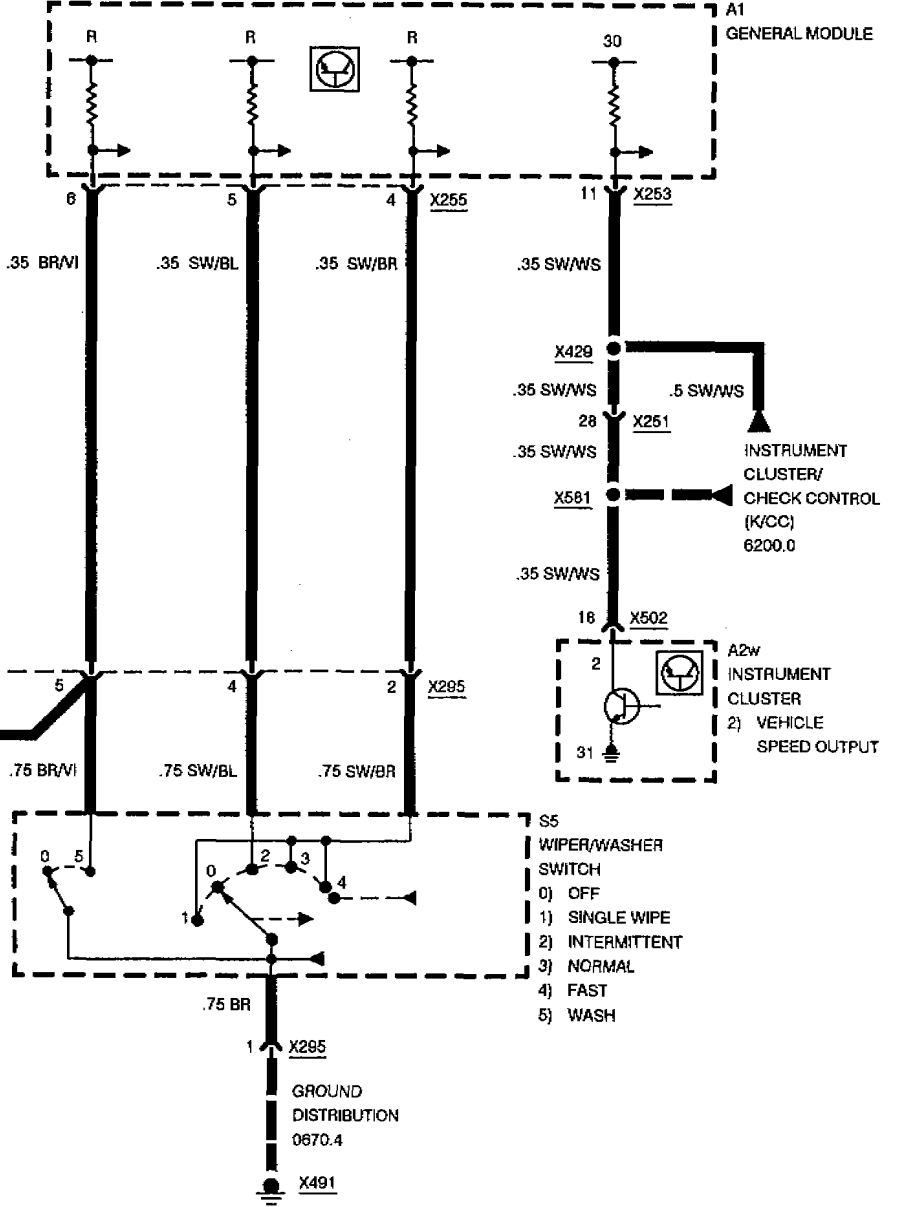
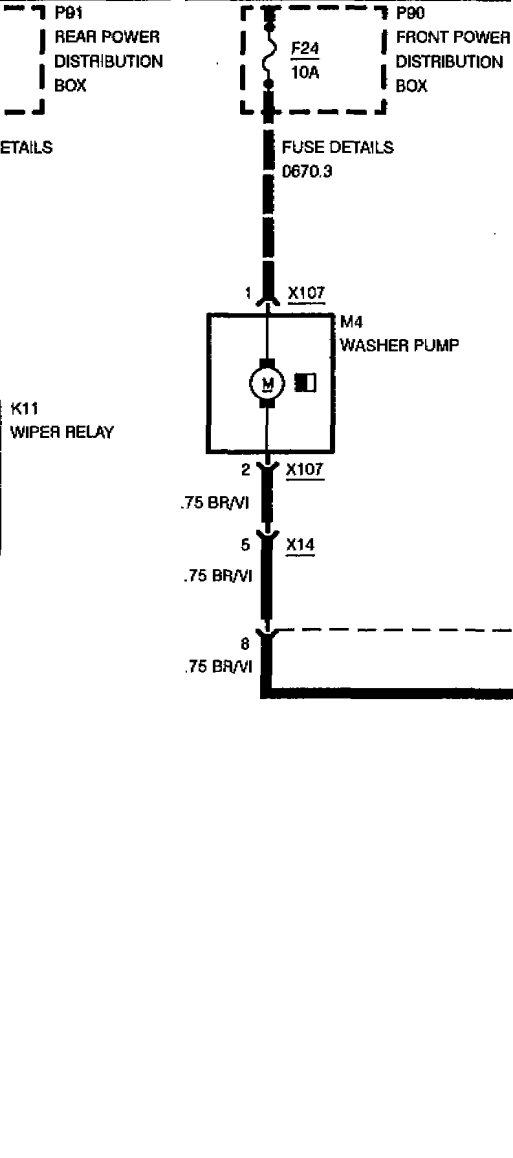
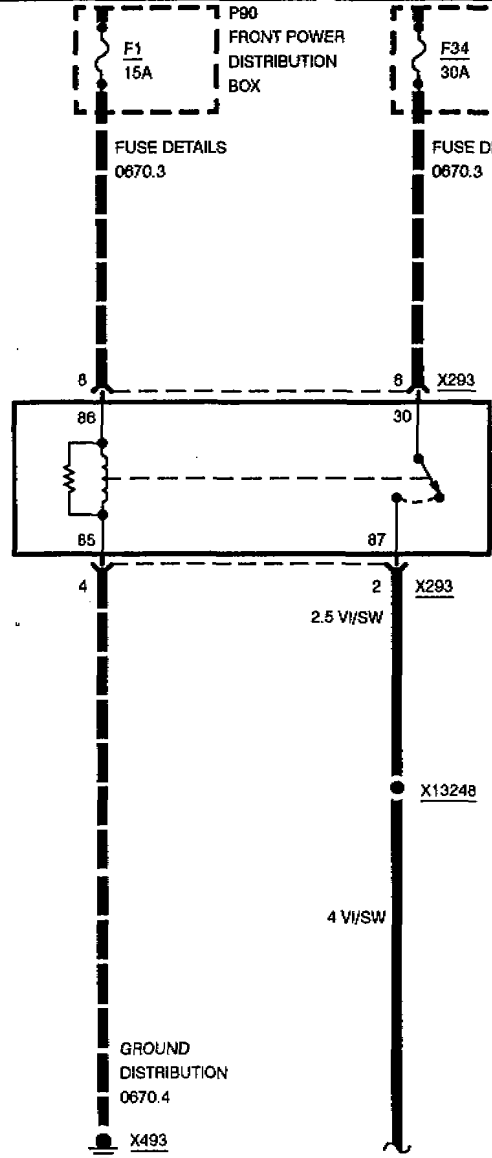
ZKE WIPER/WASHER CONTROL

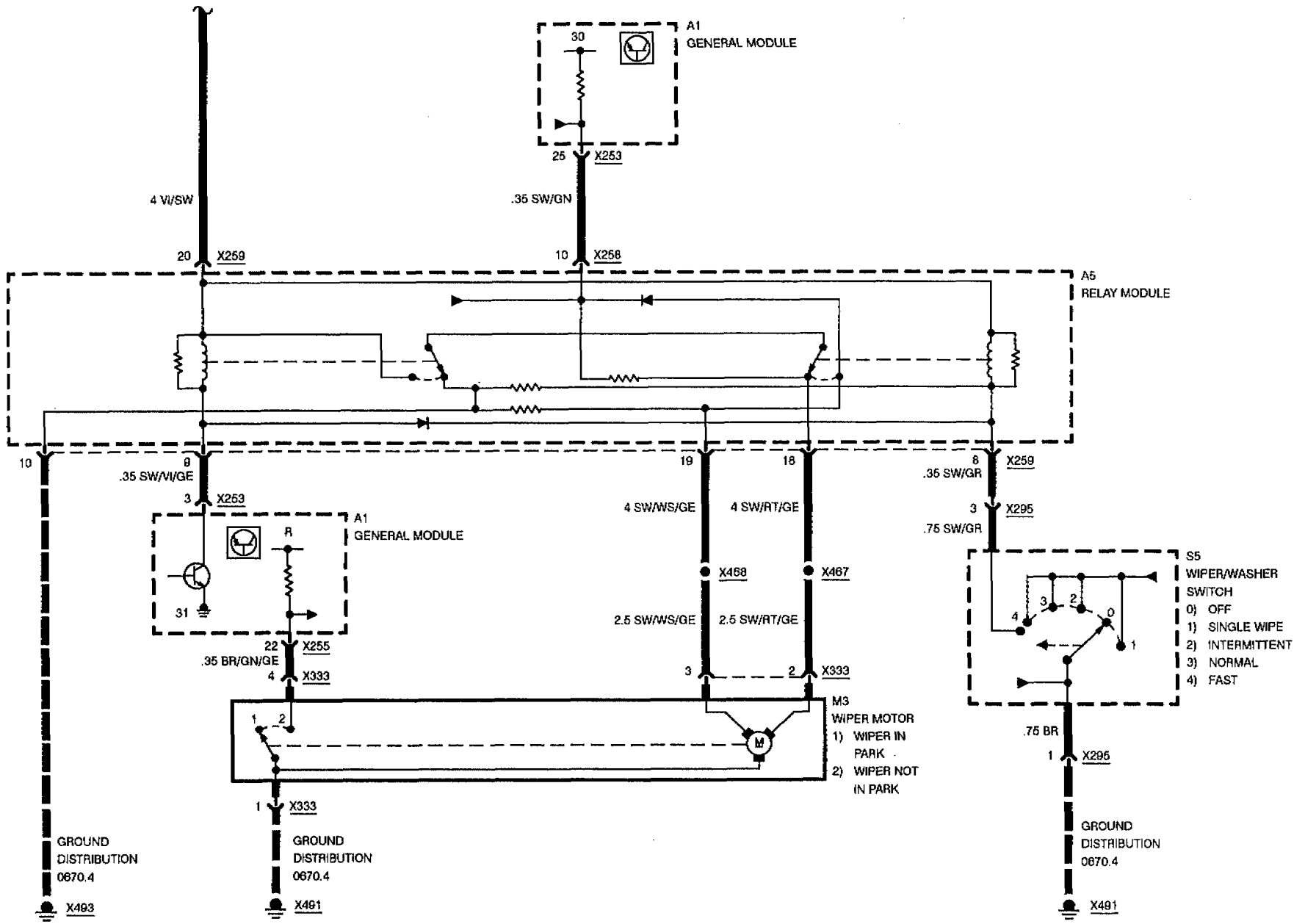
INPUT DETAILS

HOT IN ACCY, RUN AND START

HOT IN ACCY, RUN AND START

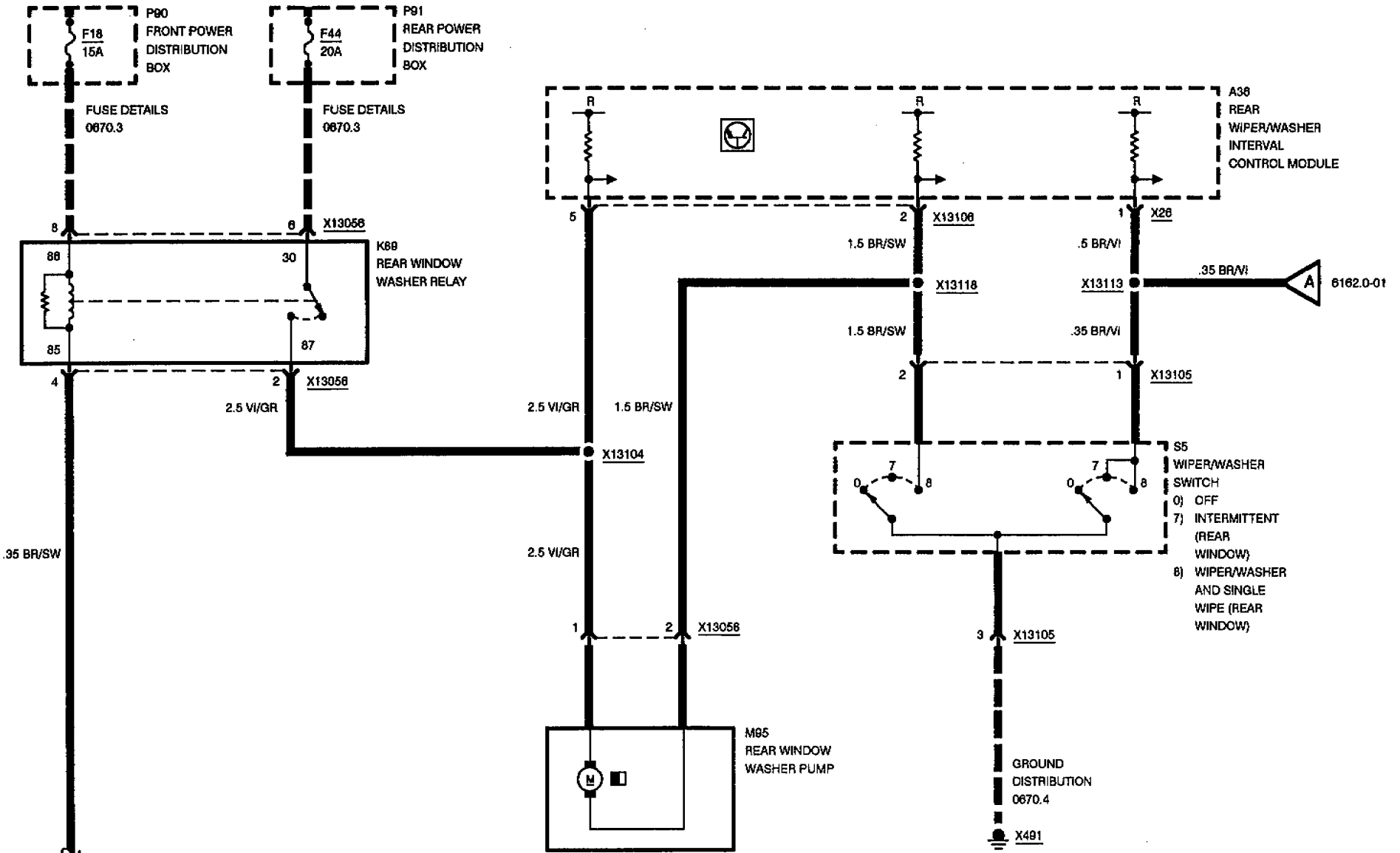
HOT IN ACCY, RUN AND START





HDT IN ACCY, RUN AND START

HOT AT ALL TIMES

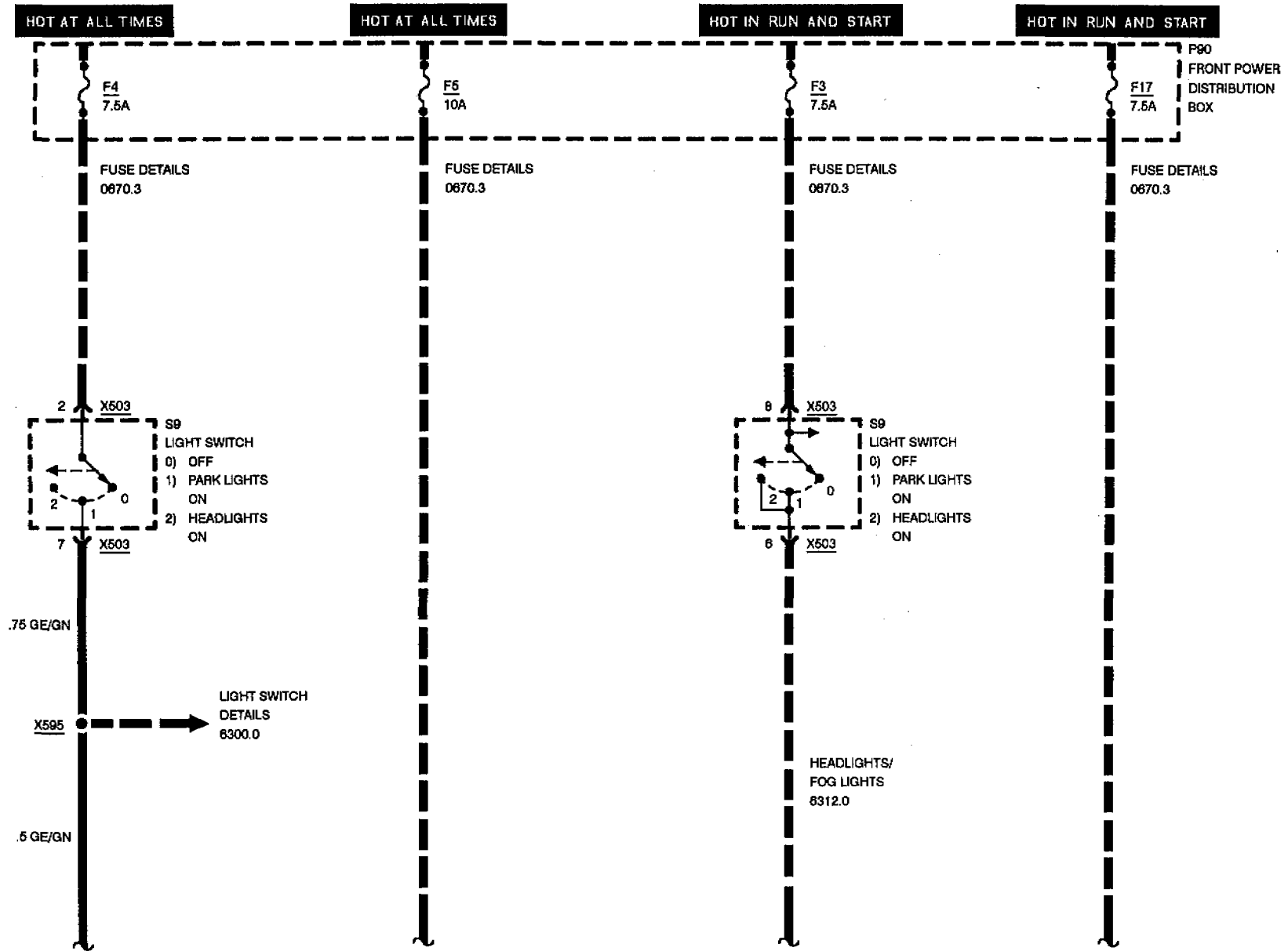


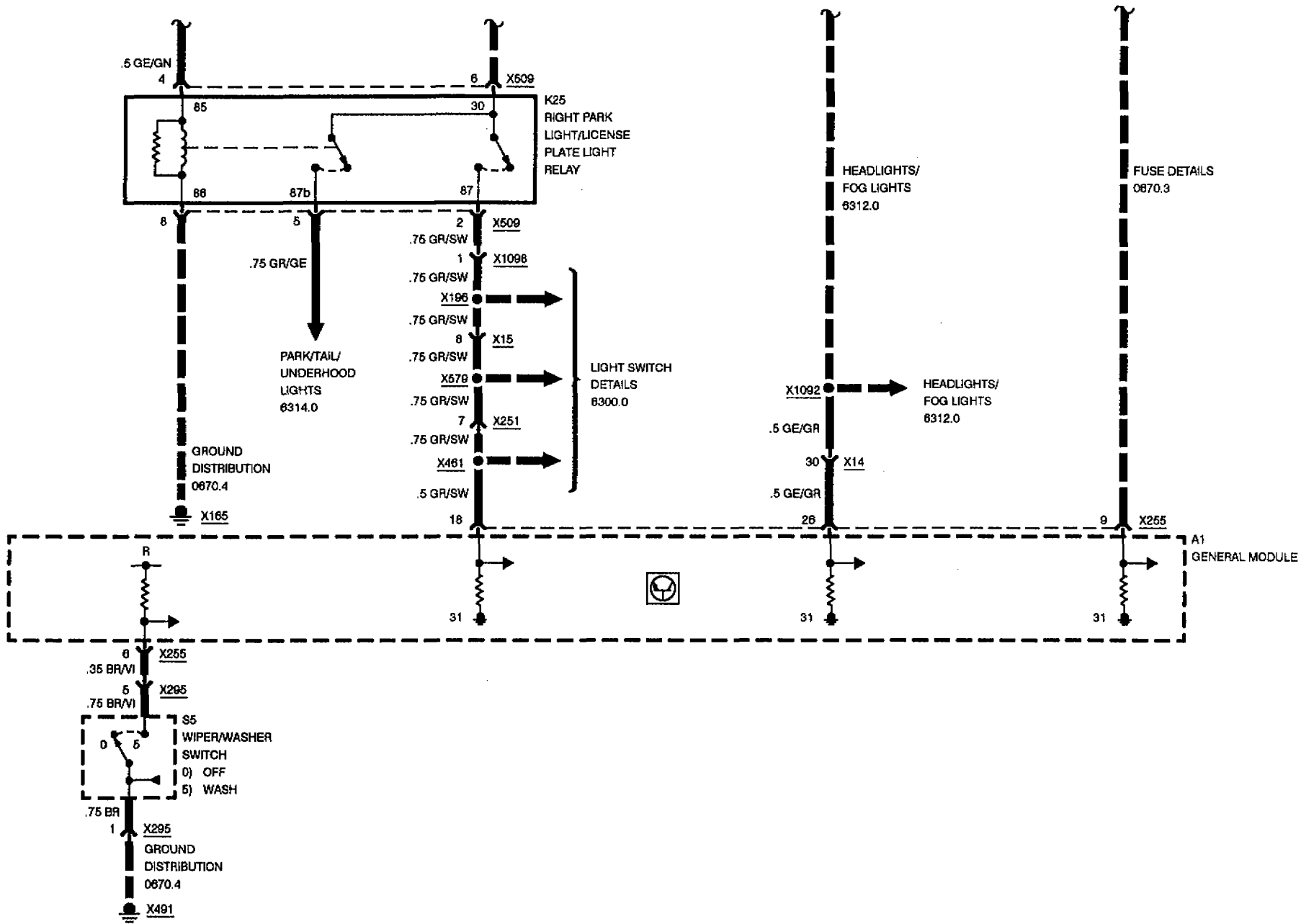


ZKE HEADLIGHT WASHER (SRA)



INPUT DETAILS



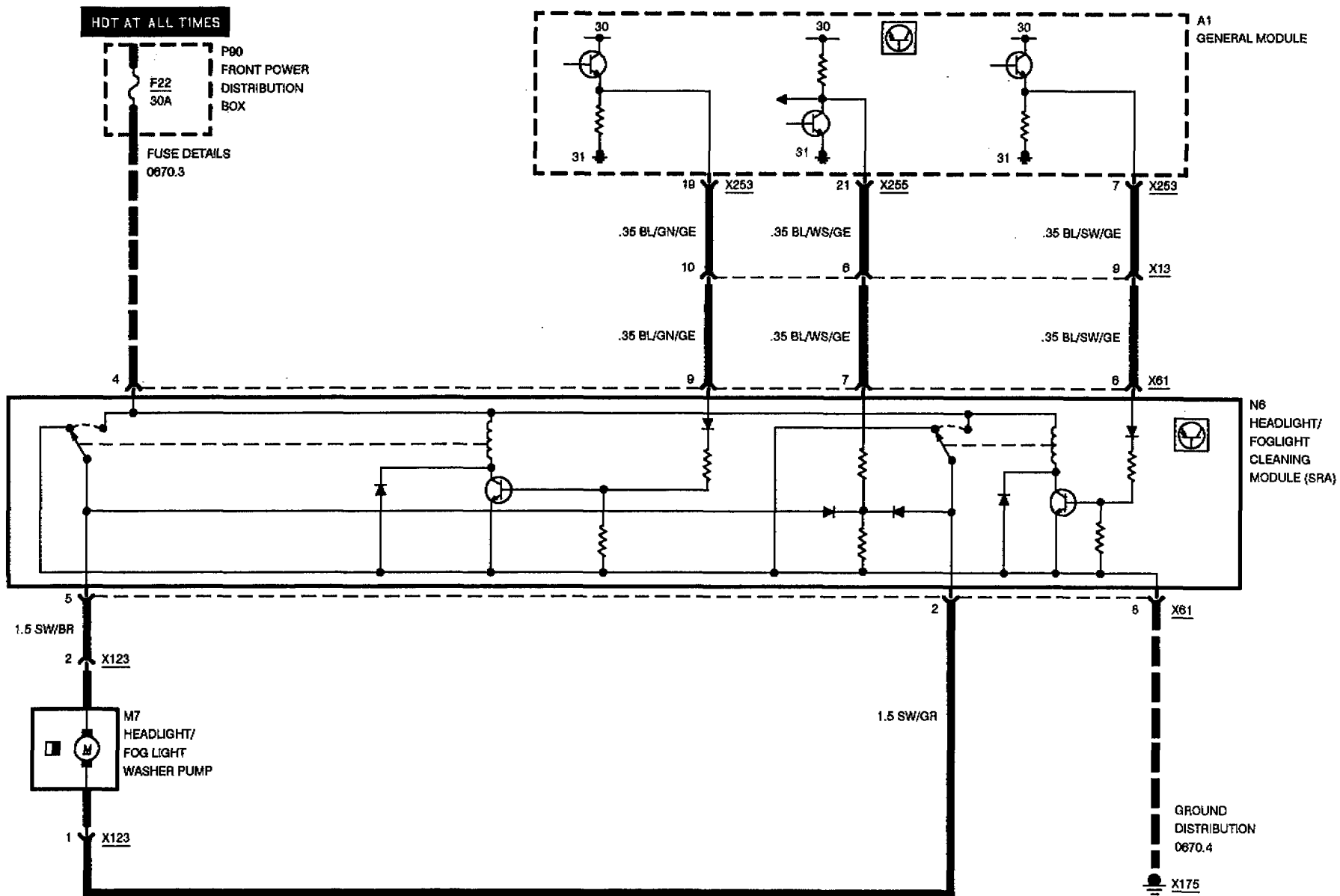




ZKE HEADLIGHT WASHER (SRA)



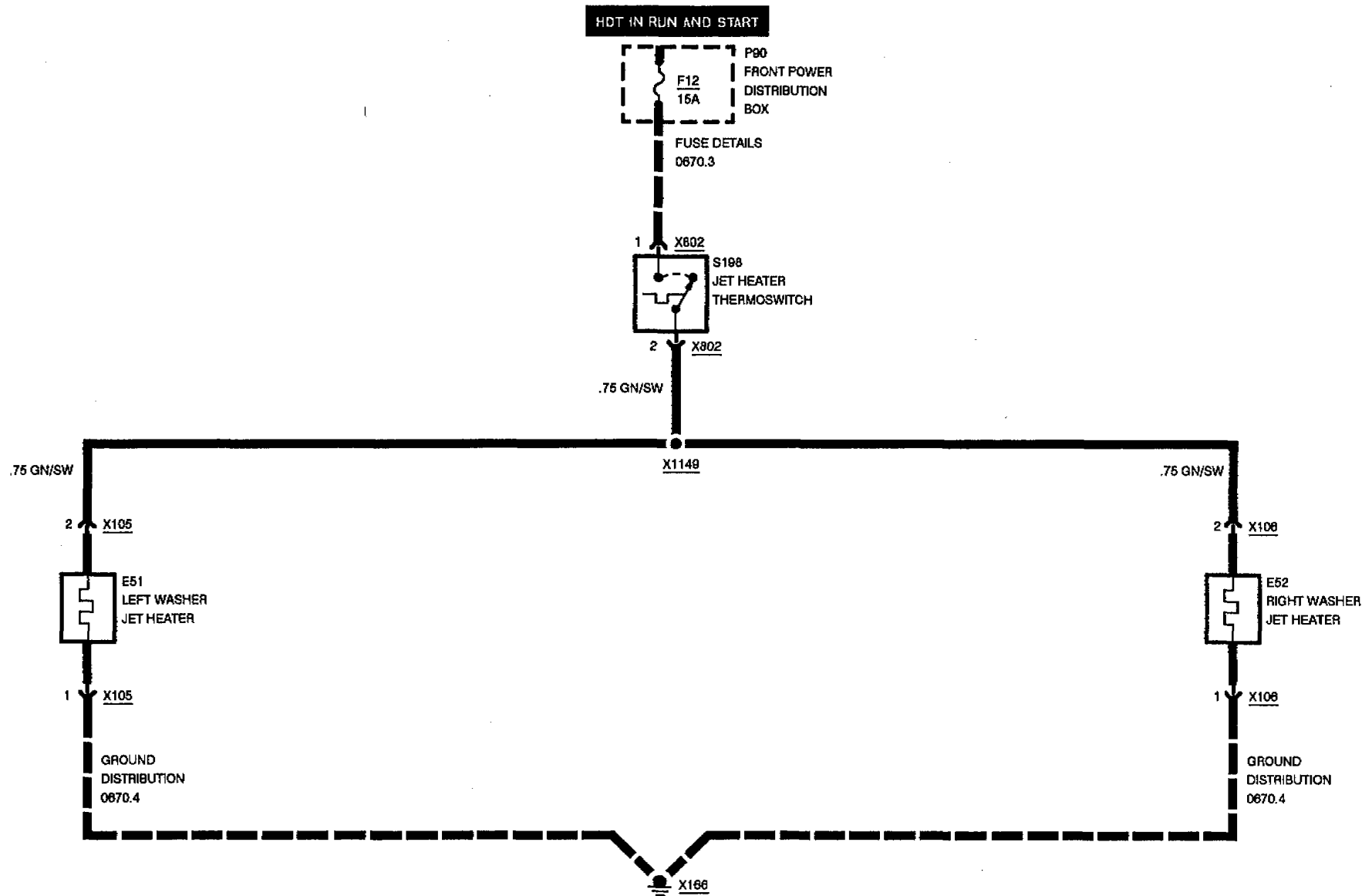
OUTPUT DETAILS

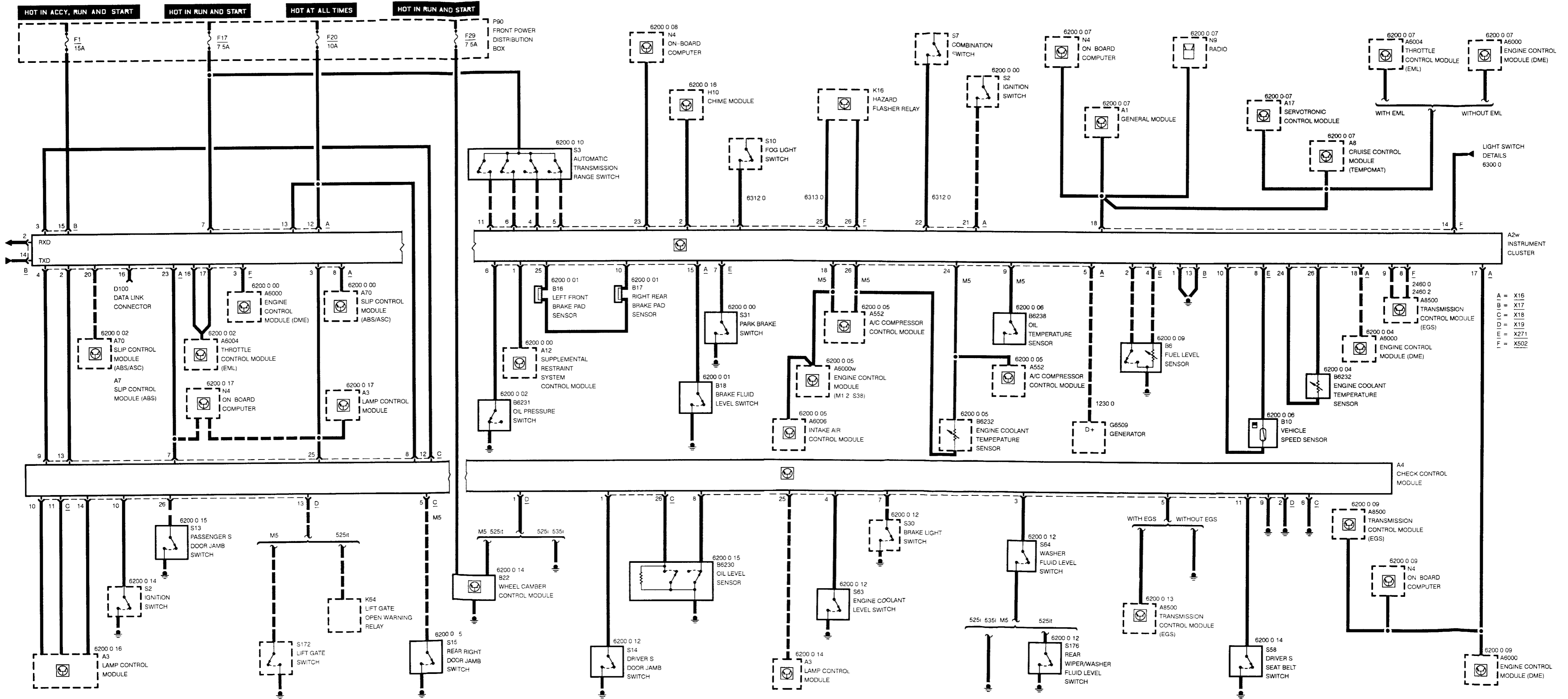


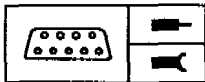
BMW
5

6169.0

WINDSHIELD WASHER JET HEATERS







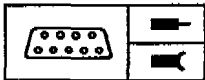
Pin Assignments

A=X16	26 Pins, beige
B=X17	24 Pins, brown
C=X18	26 Pins, blue
D=X19	26 Pins, green
E=X271	12 Pins, gray
F=X502	26 Pins, white

X16

Pin	Type	Description/Function	Connect
1	A	Airbag warning lamp (SRS) control	Supplemental restraint system control module
2	E	Data line	Check control module
3	A	Data line	Check control module, lamp control module, on-board computer and radio
4	E	Data line	Check control module
5	E	Charge indicator control	Generator
6	E	Oil pressure warning lamp control	Oil pressure switch
7	E	Terminal 15 voltage supply	Front power distribution box, fuse 17
8	E	ASC indicator control	Slip control module (ABS/ASC)
9	E	Oil temperature signal (M5)	Oil temperature sensor
10	M	Ground, brake pad signal	Brake pad sensors
11		Not used	
12	E	Terminal 30 voltage supply	Front power distribution box, fuse 20
13	E	Terminal 30 voltage supply	Front power distribution box, fuse 20
14		Not used	
15	E	Brake fluid warning lamp control	Brake fluid level switch
16	A	SIA reset/service interval indicator reset	Data link connector
17	E	ti signal for fuel economy	Engine control module (DME)
18	E	TD signal for tachometer	Engine control module (DME)
19		Not used	
20	E	Antilock brake system warning lamp (ABS) control	ABS electronic control module or slip control module (ABS/ASC)

E = Input, A = Output, M = Ground



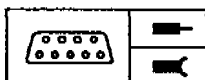
Pin Assignments

Pin	Type	Description/Function	Connect
21	E	Airbag warning lamp (SRS) control	Ignition switch, terminal R
22	E	High beam indicator control	Combination switch
23	A	Data line	Check control module, on-board computer and radio
24	M	Engine coolant temperature sensor ground	Engine coolant temperature sensor
25	E	Brake pad wear warning lamp control	Brake pad sensors
26	E	Temperature gauge signal	Engine coolant temperature sensor

X17

Pin	Type	Description/Function	Connect
1	M	Ground	Ground point
2	E	RxD diagnostic data link	Data link connector
3	E	Terminal R voltage supply	Front power distribution box, fuse 1
4		Cluster programming	NV-RAM
5		Cluster programming	NV-RAM
6		Cluster programming	NV-RAM
7		Cluster programming	NV-RAM
8		Cluster programming	NV-RAM
9		Cluster programming	NV-RAM
10		Cluster programming	NV-RAM
11		Cluster programming	NV-RAM
12		Cluster programming	NV-RAM
13	M	Ground	Ground point
14	E/A	TxD diagnostic data link	Data link connector
15	E	Terminal R voltage supply	Front power distribution box, fuse 1
16		Cluster programming	NV-RAM
17		Cluster programming	NV-RAM
18		Cluster programming	NV-RAM
19		Cluster programming	NV-RAM
20		Cluster programming	NV-RAM
21		Cluster programming	NV-RAM

E = Input, A = Output, M = Ground



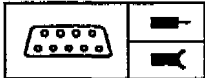
Pin Assignments

Pin	Type	Description/Function	Connect
22		Cluster programming	NV-RAM
23		Cluster programming	NV-RAM
24		Cluster programming	NV-RAM

X18

Pin	Type	Description/Function	Connect
1	E	Door open signal	Door jamb switch, driver's
2		Not used	
3		Not used	
4		Not used	
5	E	Door open signal (M5)	Rear door jamb switch
6	M	Ground, control module	Ground point
7		Data line	Instrument cluster, on-board computer and radio
8	E	Terminal 30 voltage supply	Front power distribution box, fuse 20
9	A	Data line	Instrument cluster
10	E	Data line	Lamp control module
11	E	Data line	Lamp control module
12	E	Terminal R voltage supply	Front power distribution box, fuse 1
13	A	Data line	Instrument cluster
14		Not used	
15		Not used	
16		Not used	
17		Not used	
18		Not used	
19		Not used	
20		Not used	
21		Not used	
22		Not used	
23		Not used	
24		Not used	

E = Input, A = Output, M = Ground



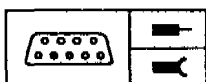
Pin Assignments

Pin	Type	Description/Function	Connect
25	E	Data line	Instrument cluster, on-board computer, lamp control module and radio
26	E	Oil level signal	Oil level sensor

X19

Pin	Type	Description/Function	Connect
1	M	Ground (525i, 535i)	Ground point
	E	Wheel camber signal (M5, 525it)	Wheel camber control module
2	M	Ground, control module	Ground point
3	E	Washer fluid level signal	Washer fluid level switch
4	E	Engine coolant level signal	Engine coolant level switch
5	M	Ground (without EGS)	Ground point
	E	EGS fault signal (with EGS)	Transmission control module (EGS)
6		Not used	
7	E	Brake pedal status	Brake light switch
8	E	Oil level signal	Oil level sensor
9	M	Ground	Ground point
10	E	Ignition switch status	Ignition switch
11	E	Seat belt status	Seat belt switch, driver's
12		Not used	
13	E	Lift gate open signal (M5)	Lift gate open warning relay
	E	Lift gate open signal (525it)	Lift gate open switch
14	E	Data line	Lamp control module
15		Not used	
16		Not used	
17		Not used	
18		Not used	
19		Not used	
20		Not used	
21		Not used	
22		Not used	
23		Not used	

E = Input, A = Output, M = Ground



Pin Assignments

Pin	Type	Description/Function	Connect
24		Not used	
25		Light switch ON signal	Lamp control module
26	E	Door open signal (M5)	Door jamb switch, passenger's

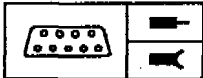
X271

Pin	Type	Description/Function	Connect
1		Not used	
2	E	Fuel level warning signal	Fuel tank sensor
3		Not used	
4	E	Fuel level signal	Fuel tank sensor
5		Not used	
6		Not used	
7	E	Park brake warning lamp control	Park brake switch
8	E	Vehicle speed input (+)	Vehicle speed sensor
9		Not used	
10	E	Vehicle speed input (-)	Vehicle speed sensor
11		Not used	
12		Not used	

X502

Pin	Type	Description/Function	Connect
1	E	Fog light indicator control	Fog light switch
2	A	Sound tone signal	Chime module
3	E	"Check engine" indicator control	Engine control module (DME)
4	E	Gear range signal	Automatic transmission range switch (L2)
5	E	Gear range signal	Automatic transmission range switch (L1)
6	E	Gear range signal	Automatic transmission range switch (L3)
7		Not used	
8	E	Transmission mode signal	Transmission control module (EGS)
9	E	Transmission mode signal	Transmission control module (EGS)

E = Input, A = Output, M = Ground



Pin Assignments

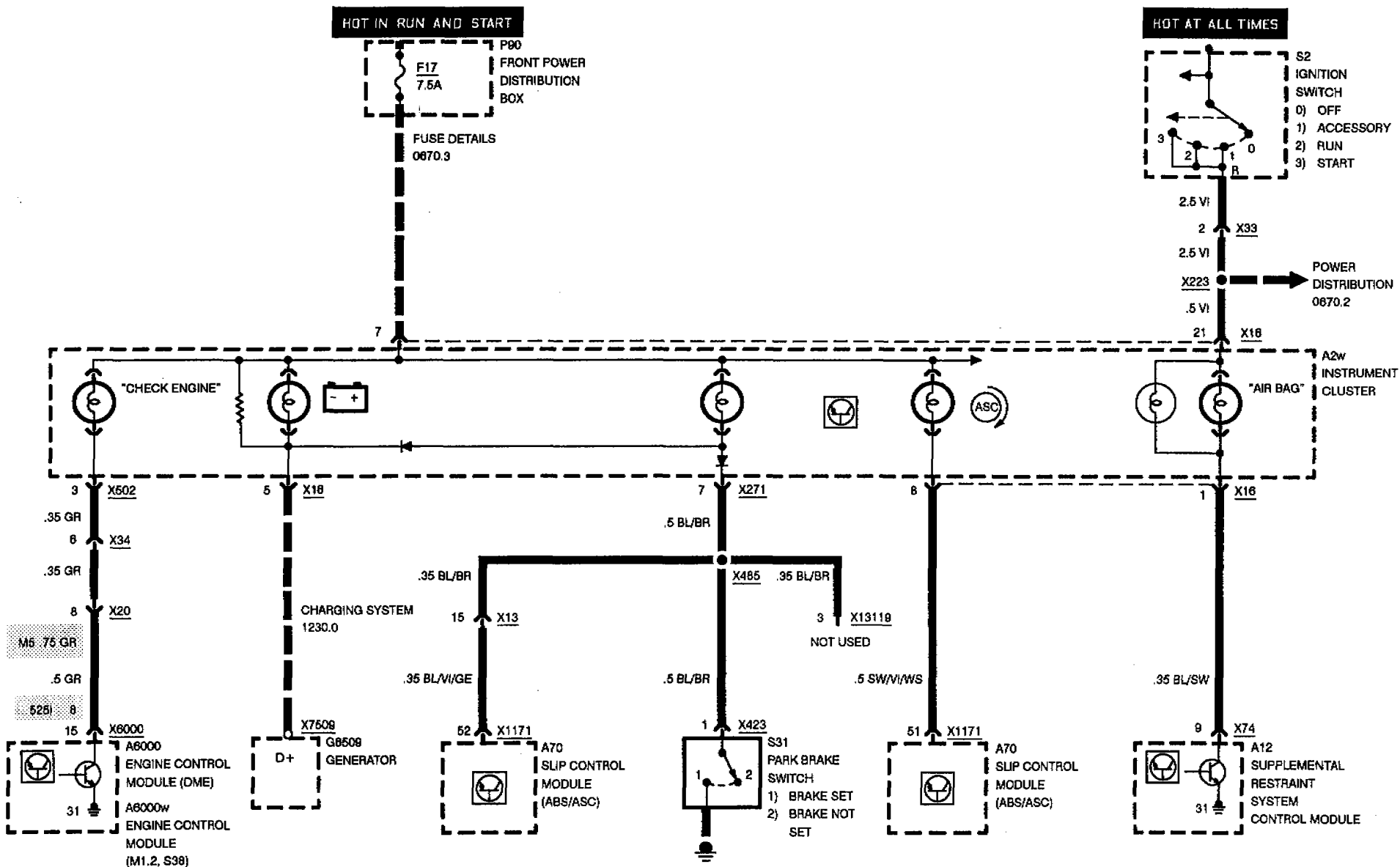
Pin	Type	Description/Function	Connect
10		Not used	
11	E	Gear range signal	Automatic transmission range switch (L4)
12		Not used	
13		Not used	
14	E	Terminal 58g, instrument illumination power	Dimmer
15		Not used	
16	E	EML fault indicator control	Electronic throttle module (EML)
17	E	EML fault indicator control	Electronic throttle module (EML)
18	A	Vehicle Speed signal	Various control modules
19		Not used	
20		Not used	
21		Not used	
22		Not used	
23	A	Check control reset signal	On-board computer
24		Not used	
25	E	Left turn signal indicator control	Hazard flasher relay
26	E	Right turn signal indicator control	Hazard flasher relay

E = Input, A = Output, M = Ground



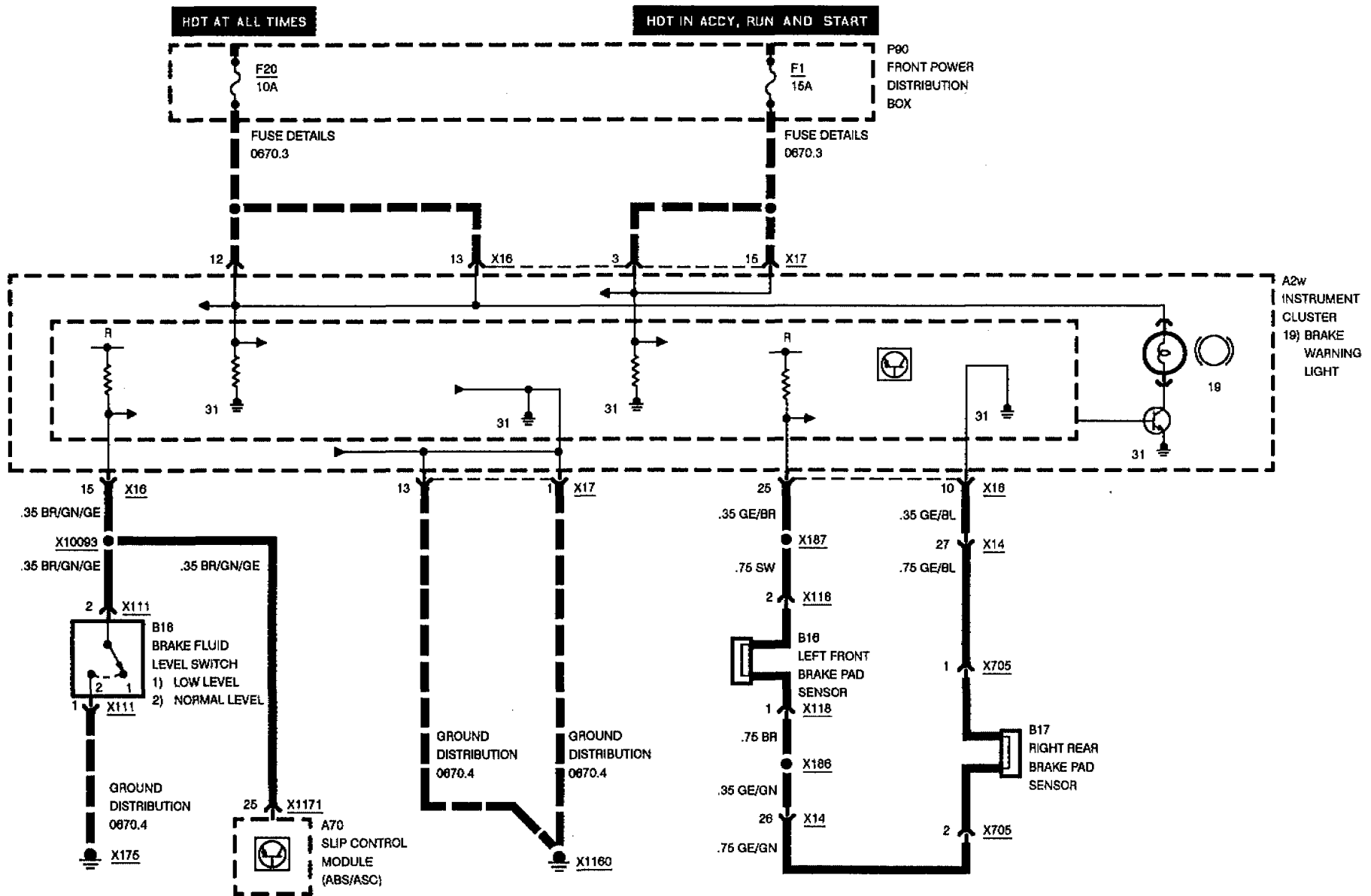


INSTRUMENT CLUSTER/ CHECK CONTROL (K/CC) INDICATORS



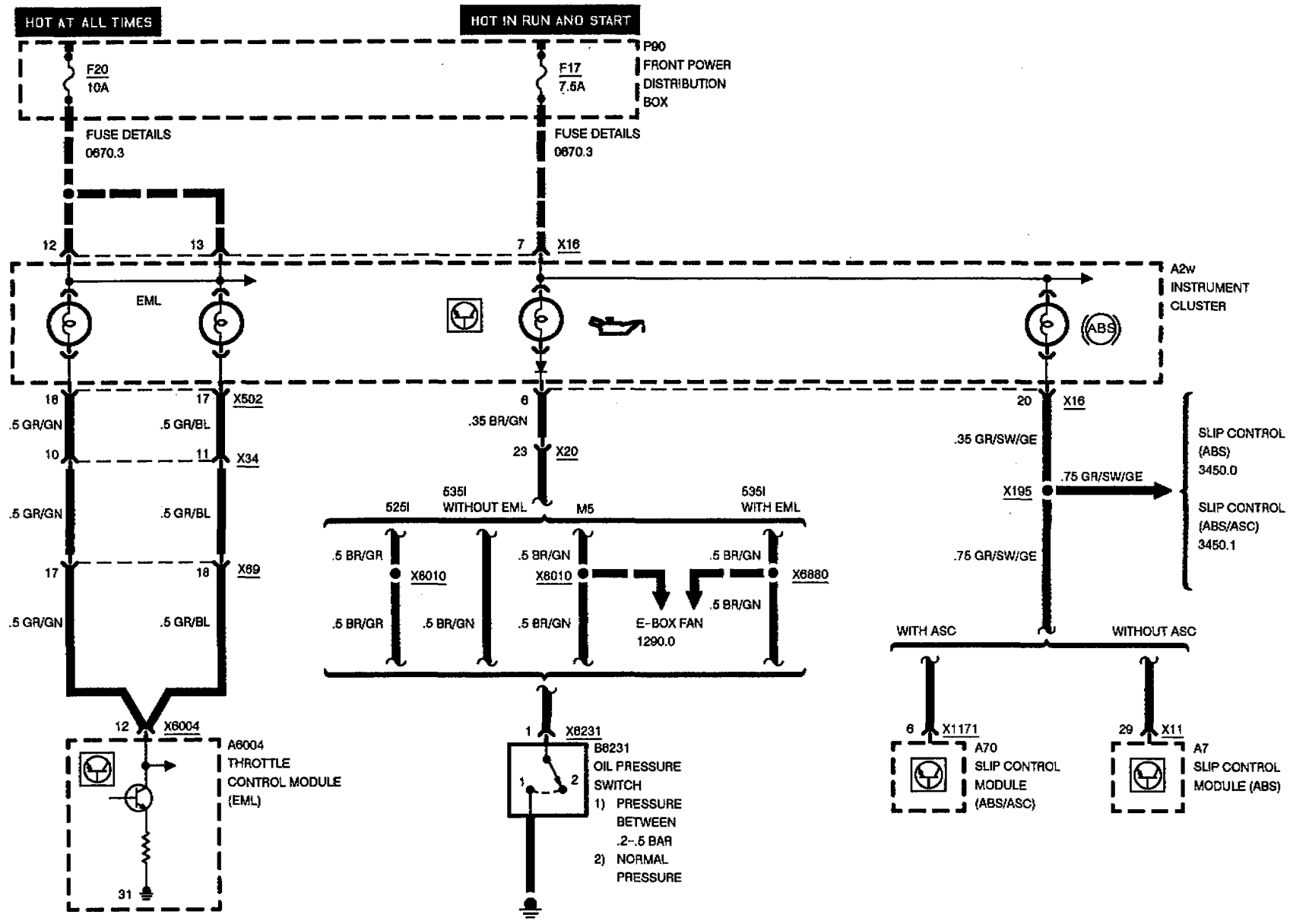


INSTRUMENT CLUSTER/ CHECK CONTROL (K/CC) INDICATORS



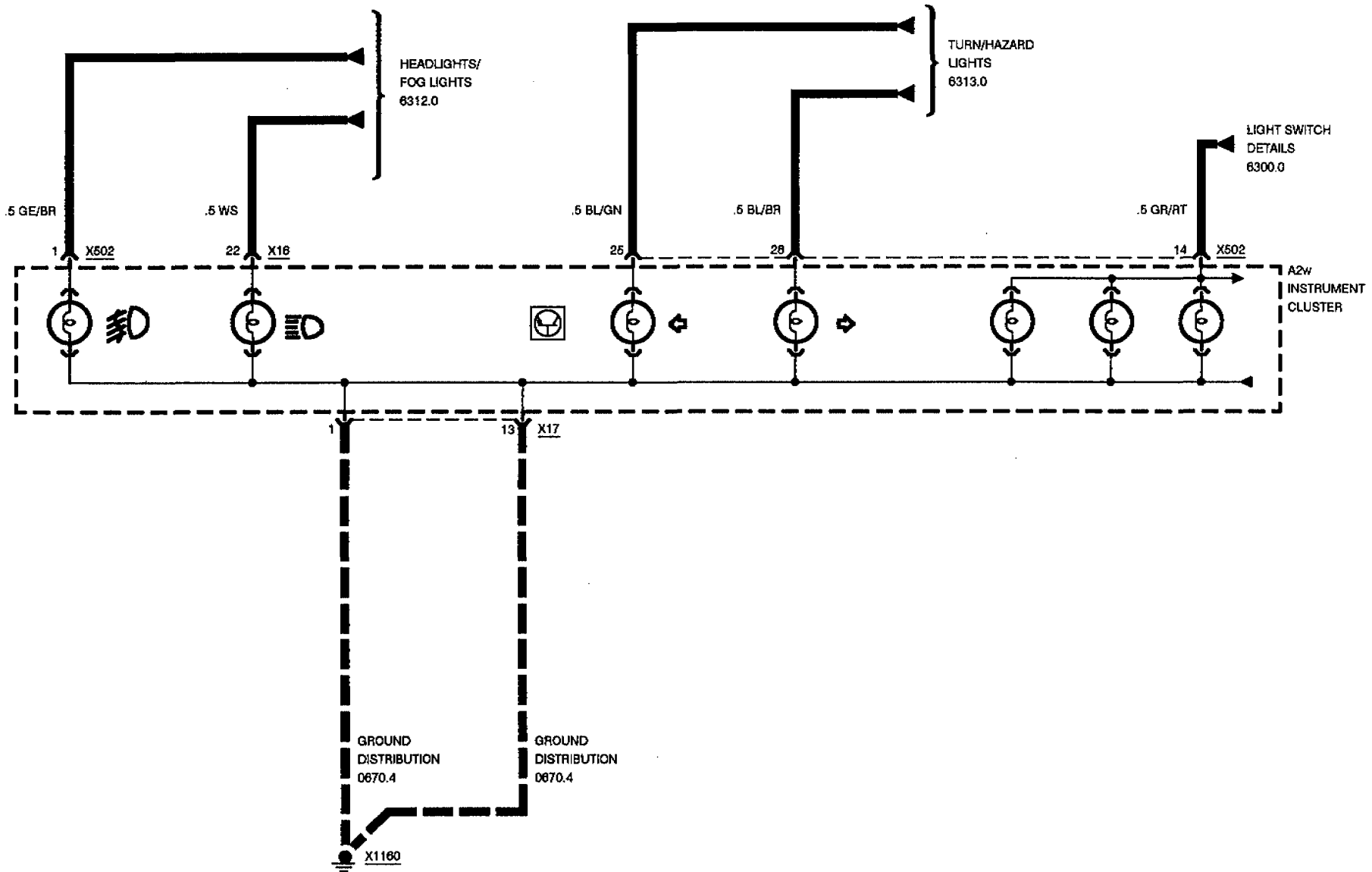


INSTRUMENT CLUSTER/ CHECK CONTROL (K/CC) INDICATORS





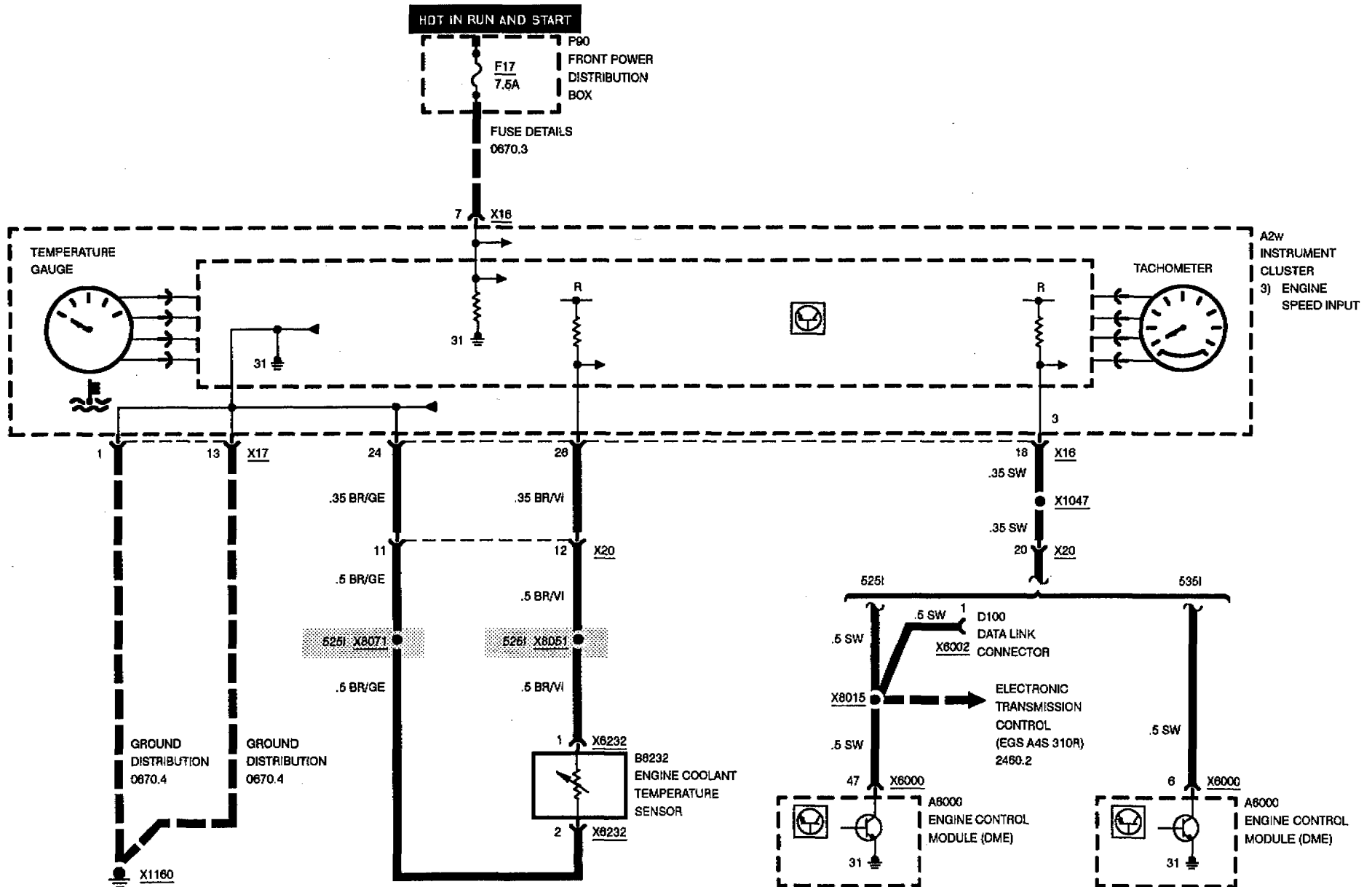
INSTRUMENT CLUSTER/ CHECK CONTROL (K/CC) INDICATORS





INSTRUMENT CLUSTER/ CHECK CONTROL (K/CC) GAUGES

525i, 535i

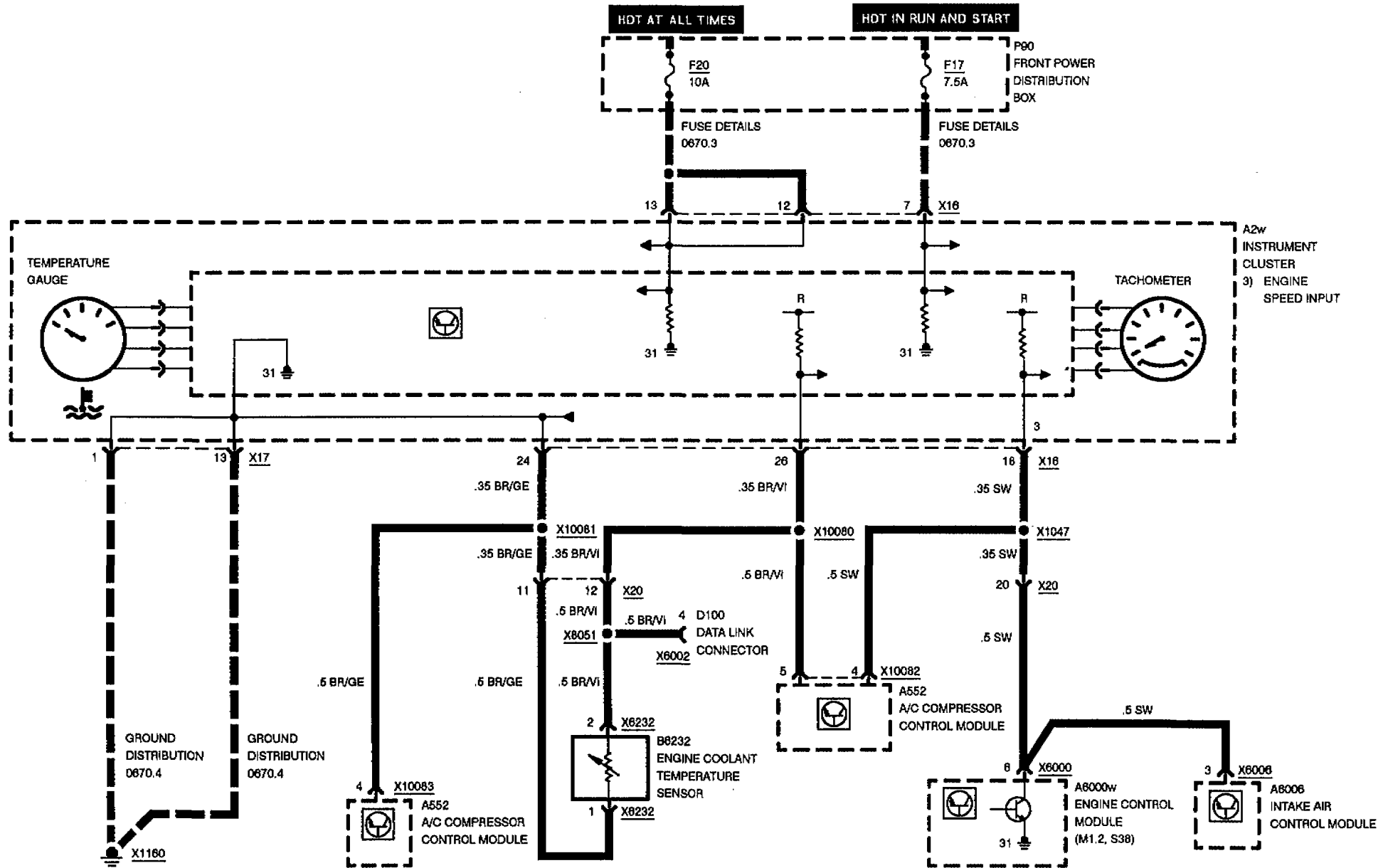




INSTRUMENT CLUSTER/ CHECK CONTROL (K/CC)

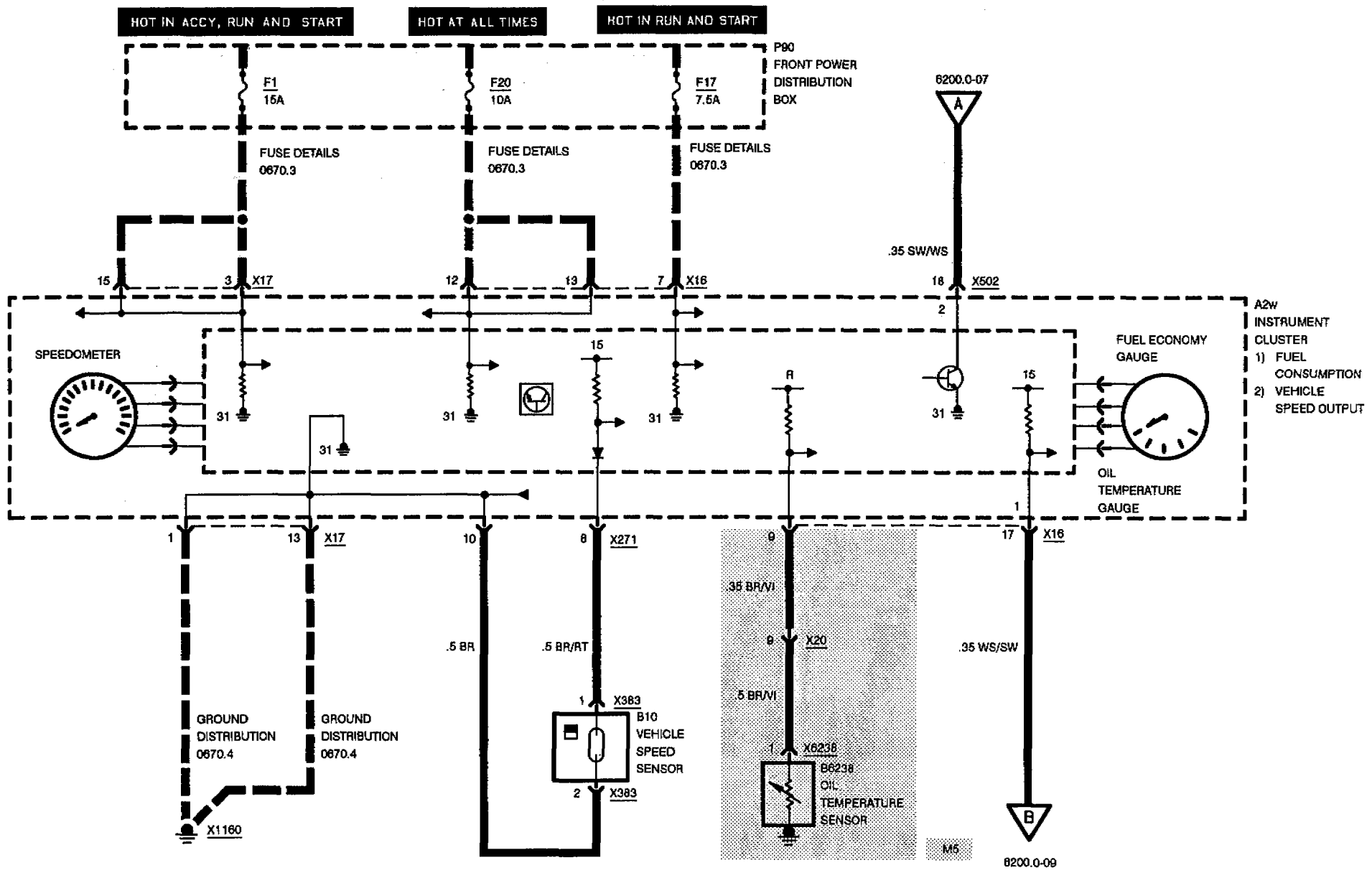
M5

GAUGES





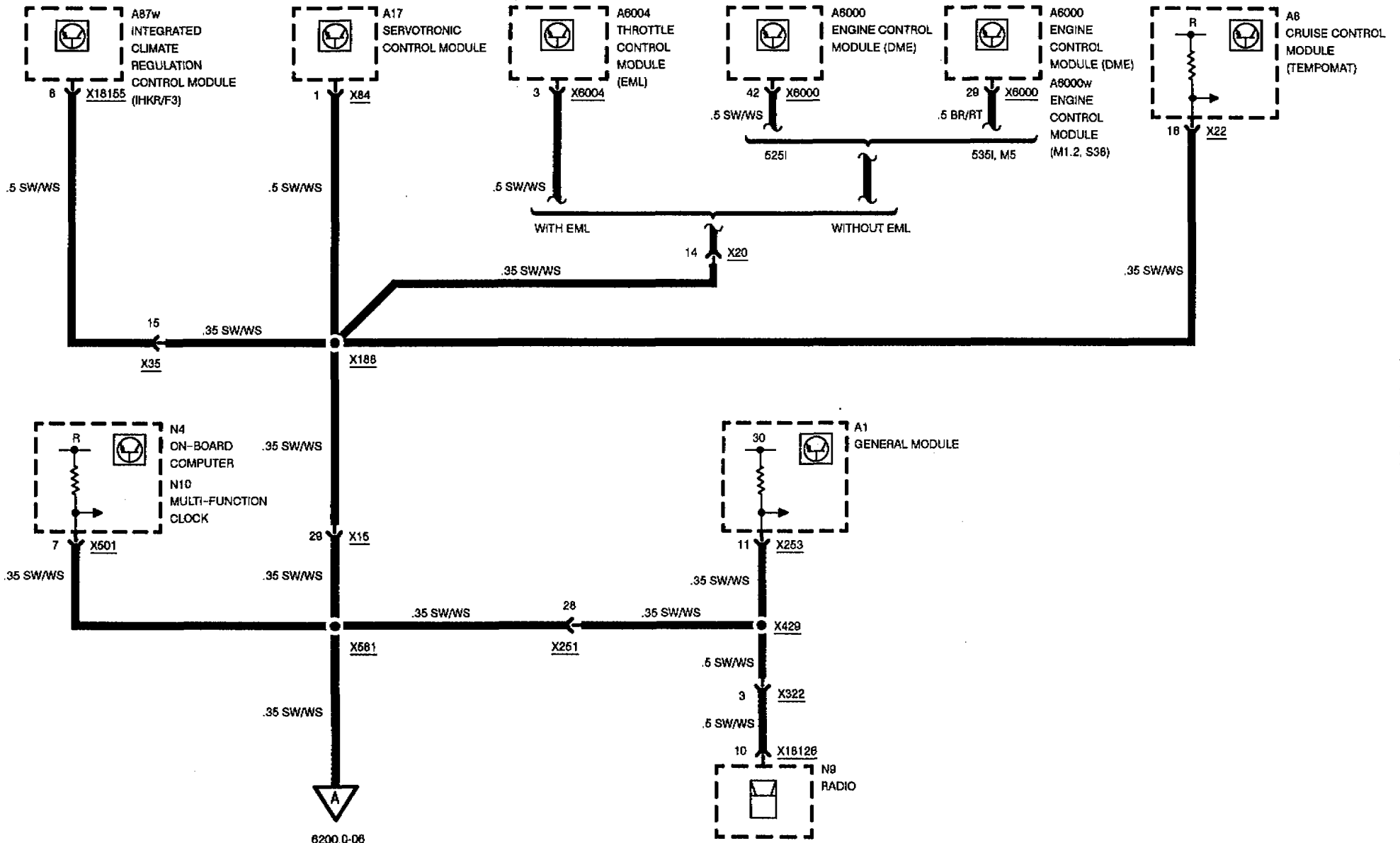
INSTRUMENT CLUSTER/ CHECK CONTROL (K/CC) GAUGES





INSTRUMENT CLUSTER/ CHECK CONTROL (K/CC)

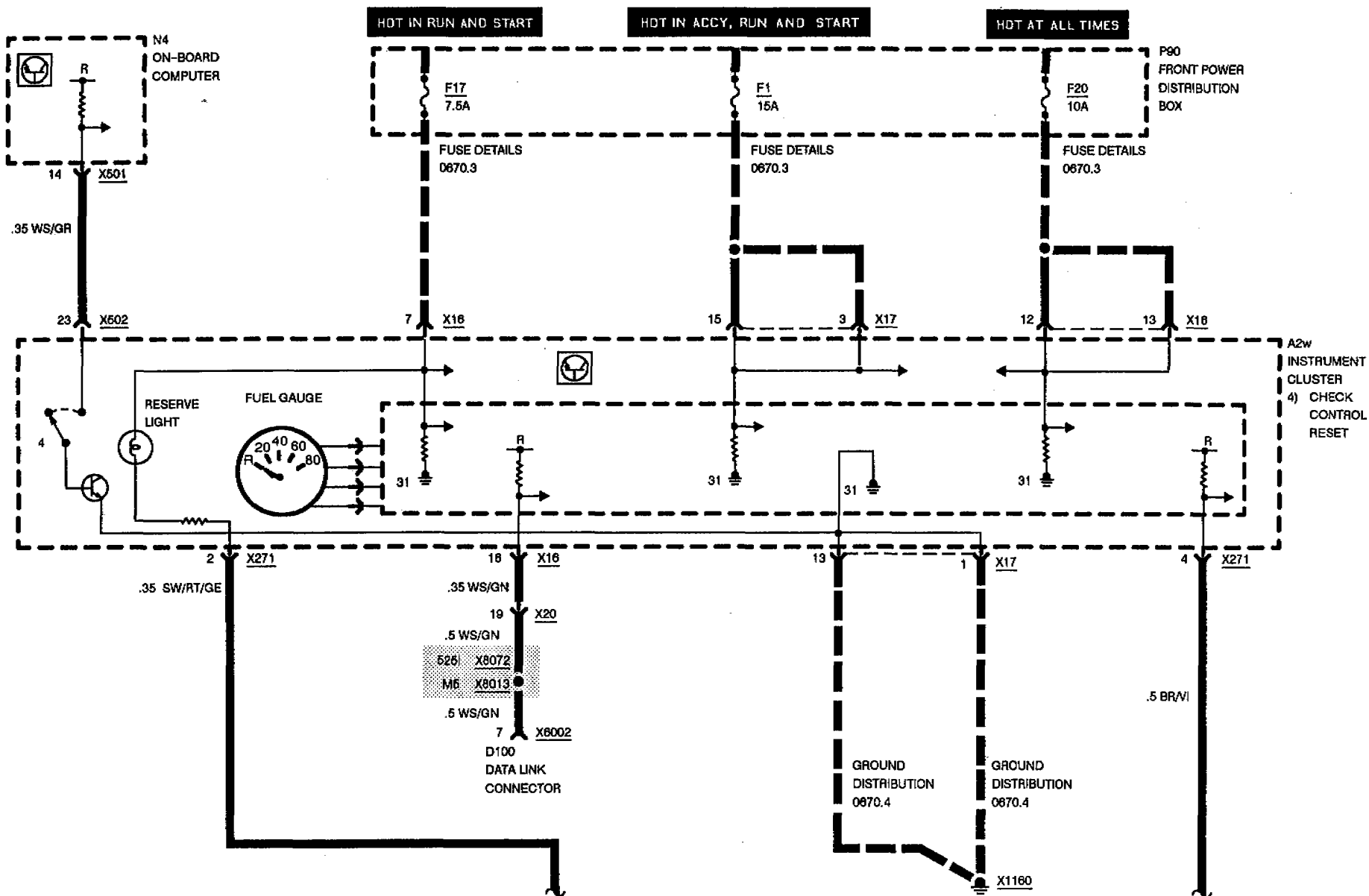
SPEED SIGNAL



6200.0-06



INSTRUMENT CLUSTER/ CHECK CONTROL (K/CC) GAUGES

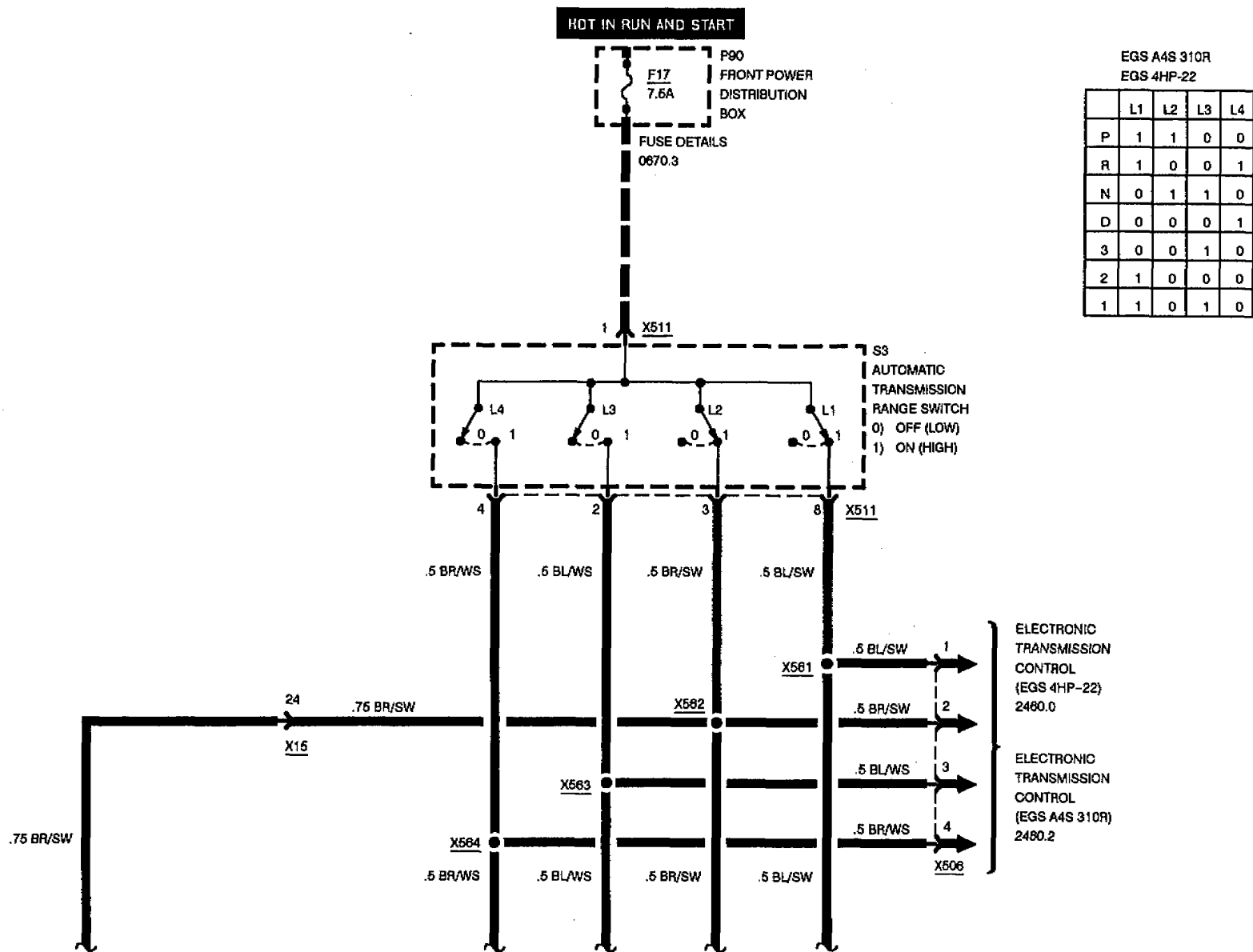


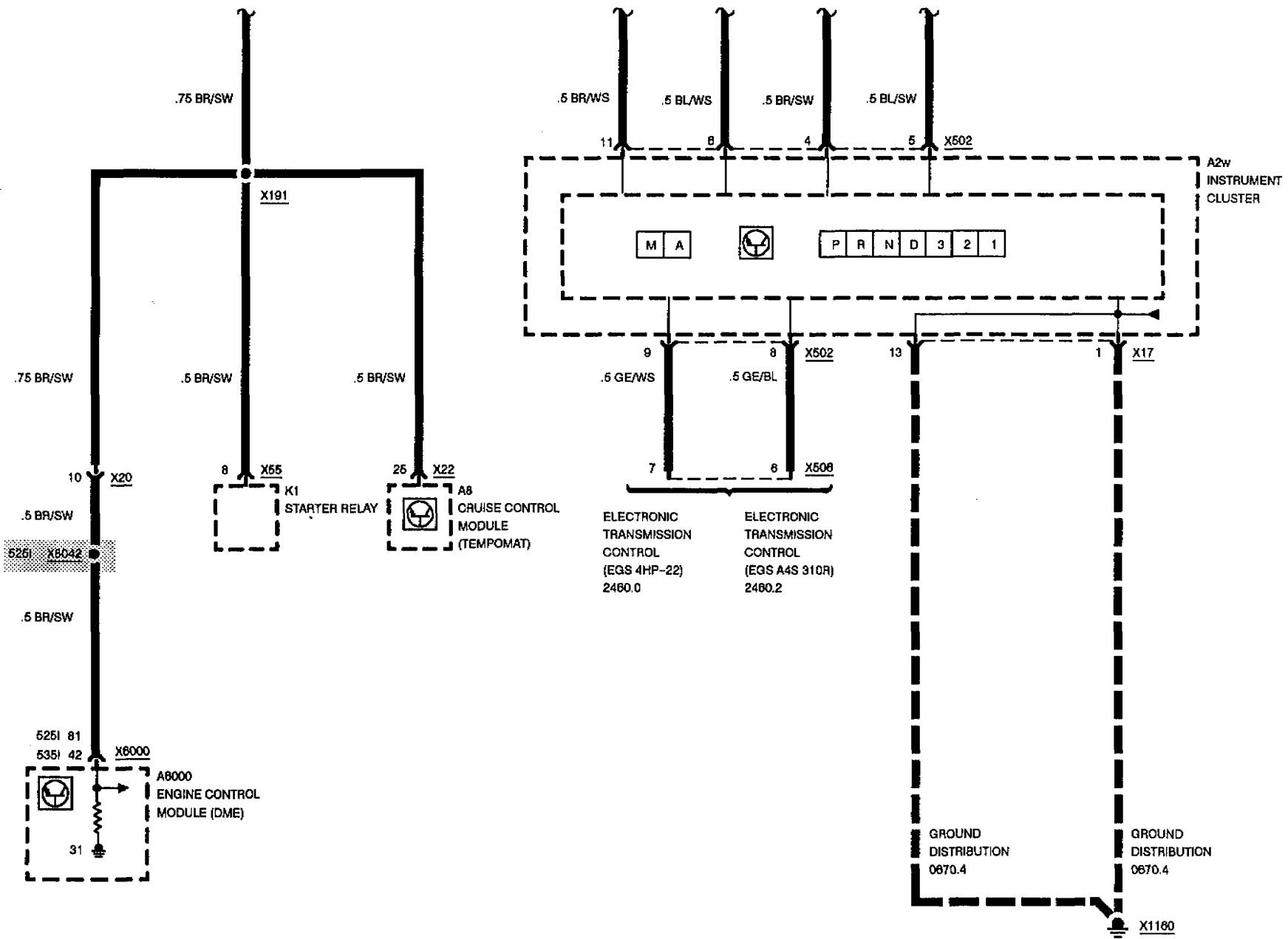


INSTRUMENT CLUSTER/ CHECK CONTROL (K/CC)

GEAR SELECTOR

525i, 535i

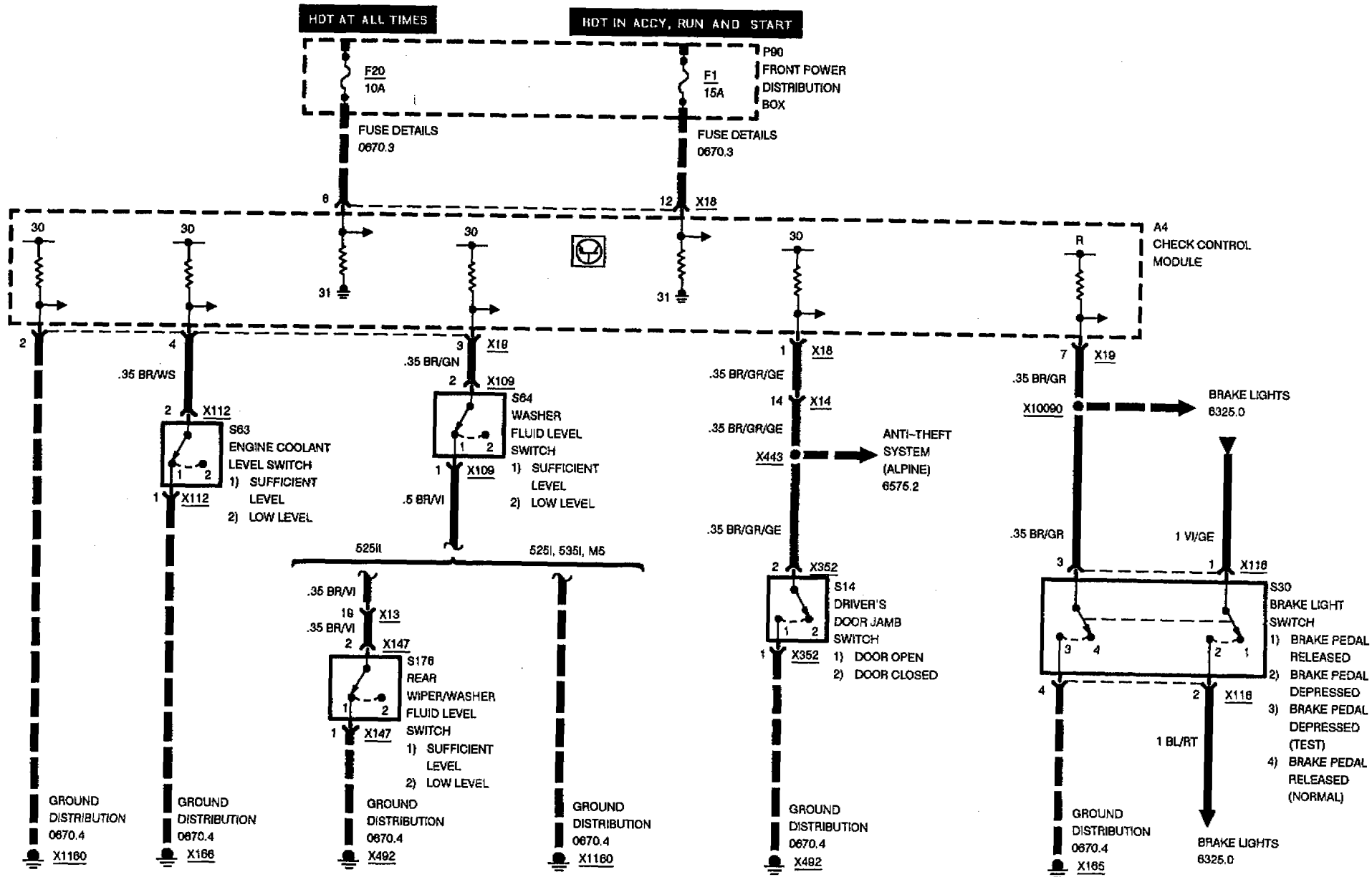






INSTRUMENT CLUSTER/ CHECK CONTROL (K/CC)

CHECK CONTROL

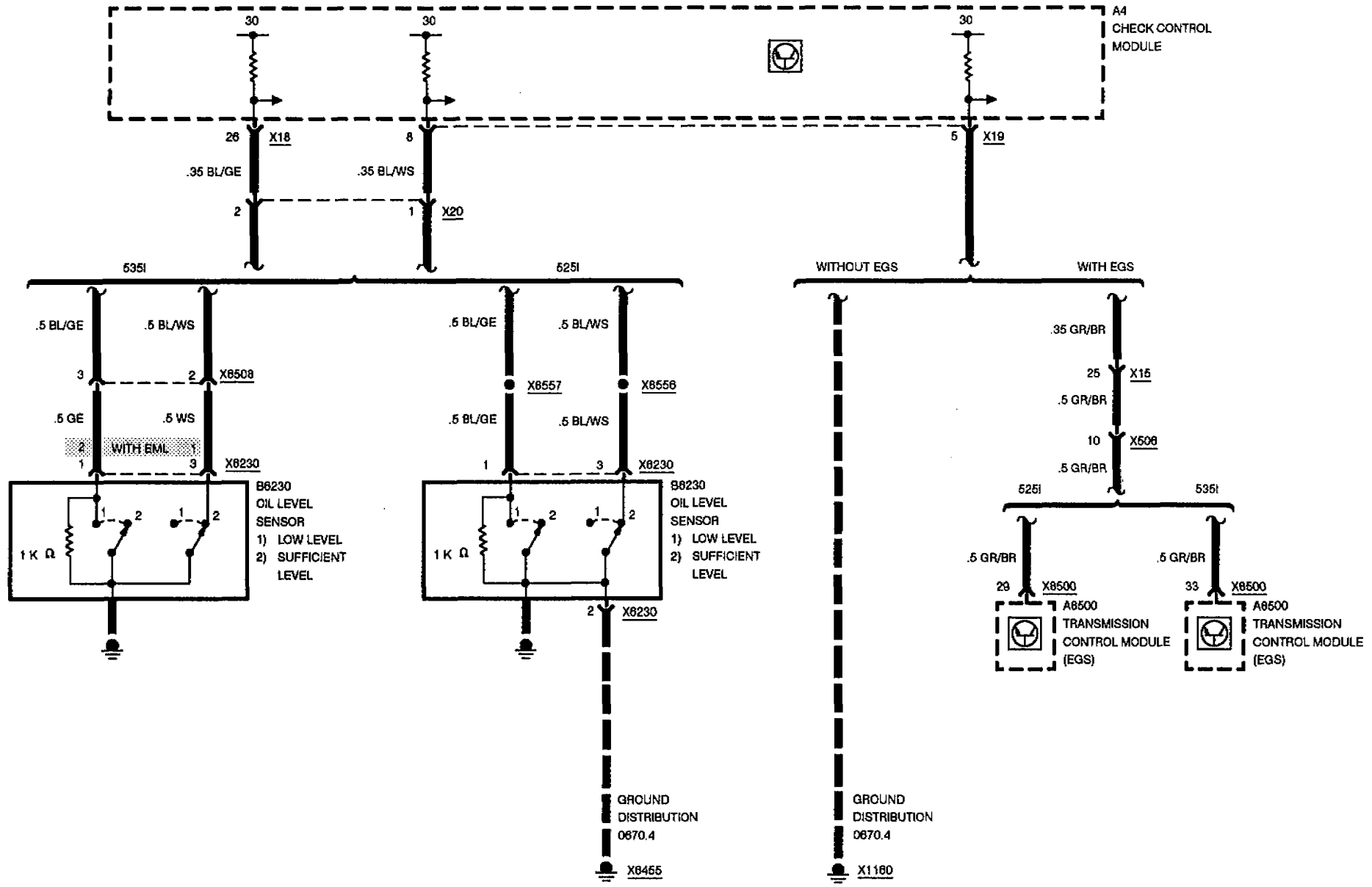




INSTRUMENT CLUSTER/ CHECK CONTROL (K/CC)

CHECK CONTROL

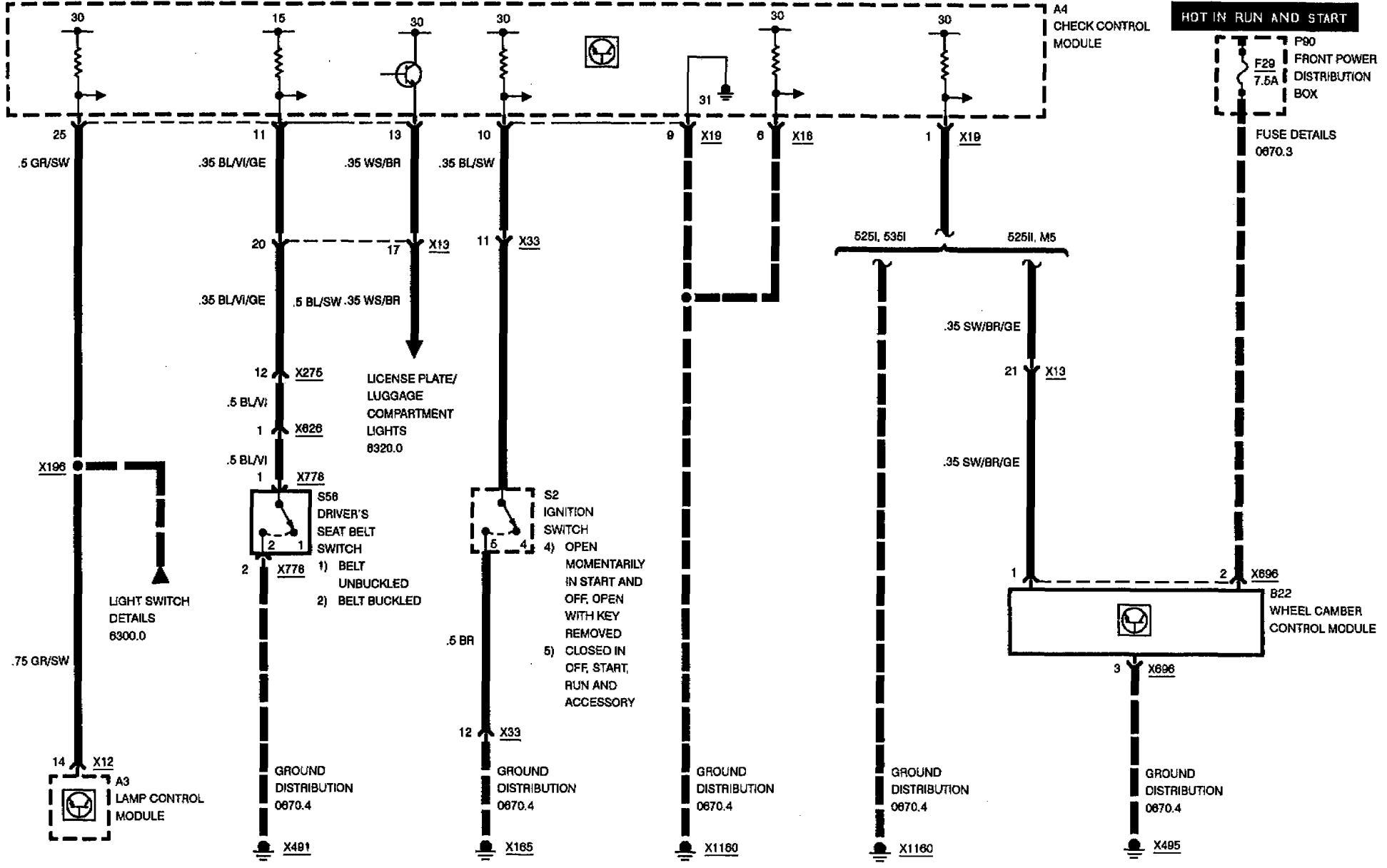
525i, 535i





INSTRUMENT CLUSTER/ CHECK CONTROL (K/CC)

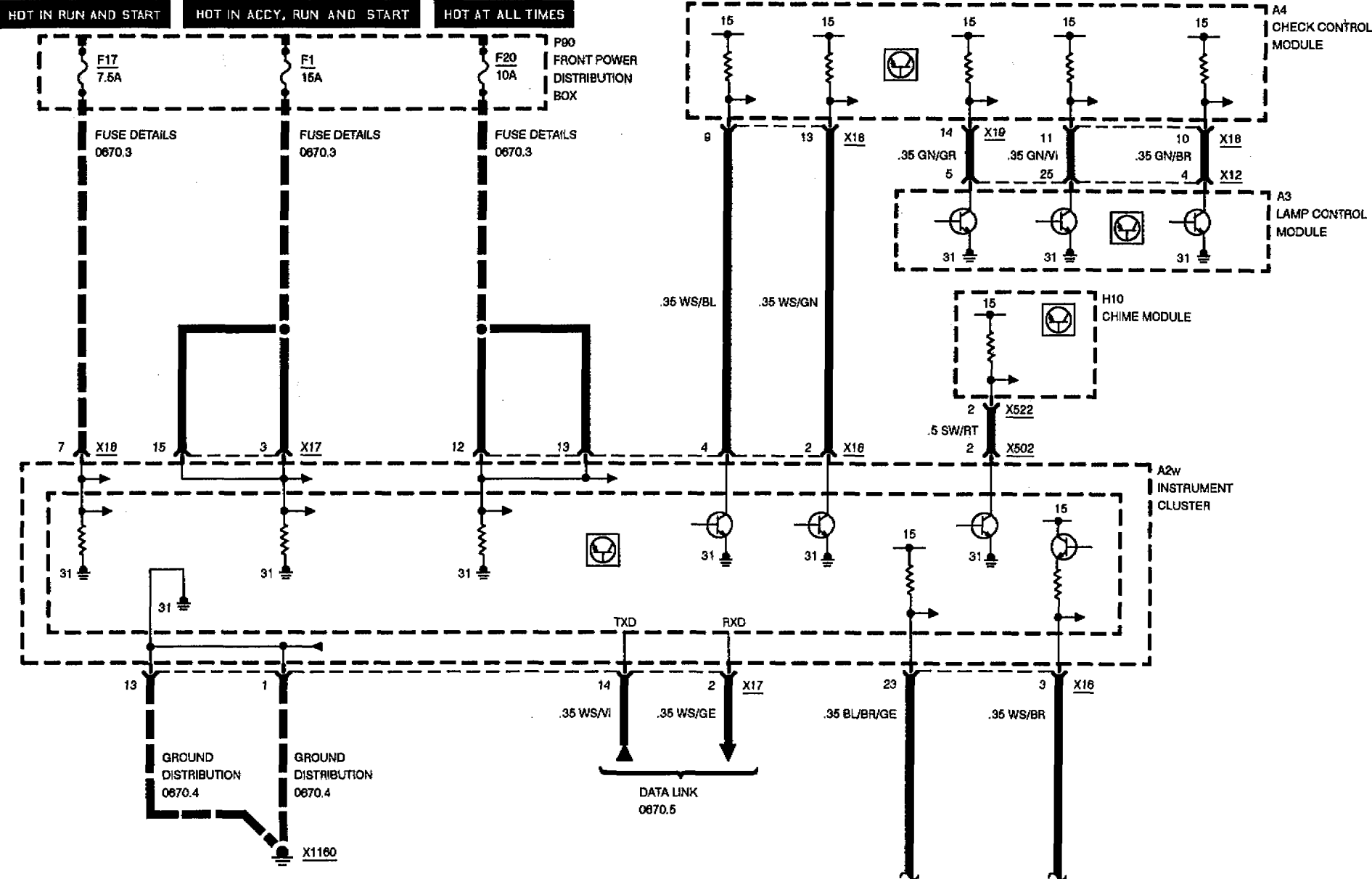
CHECK CONTROL

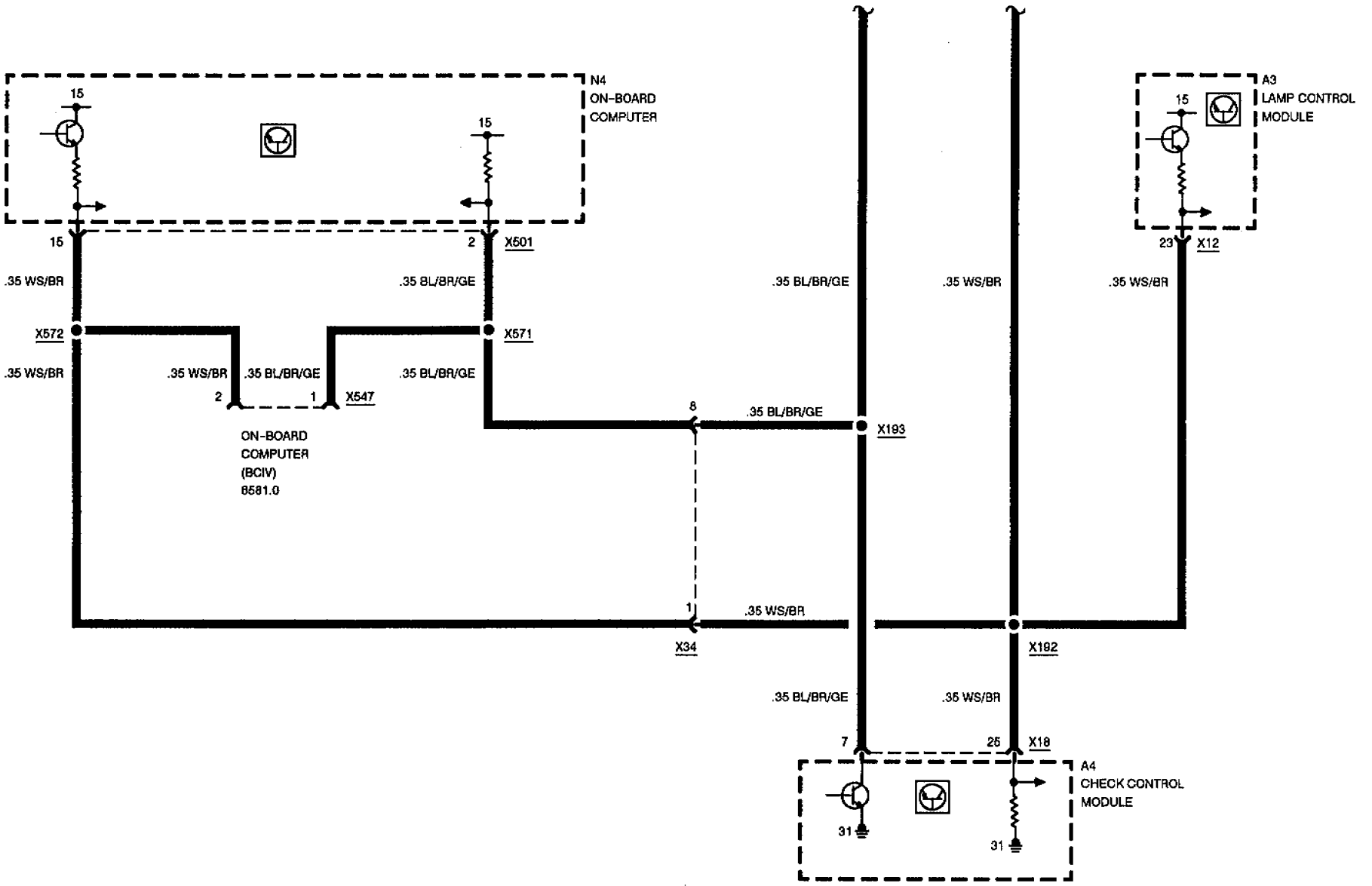




INSTRUMENT CLUSTER/ CHECK CONTROL (K/CC)

DATA LINK

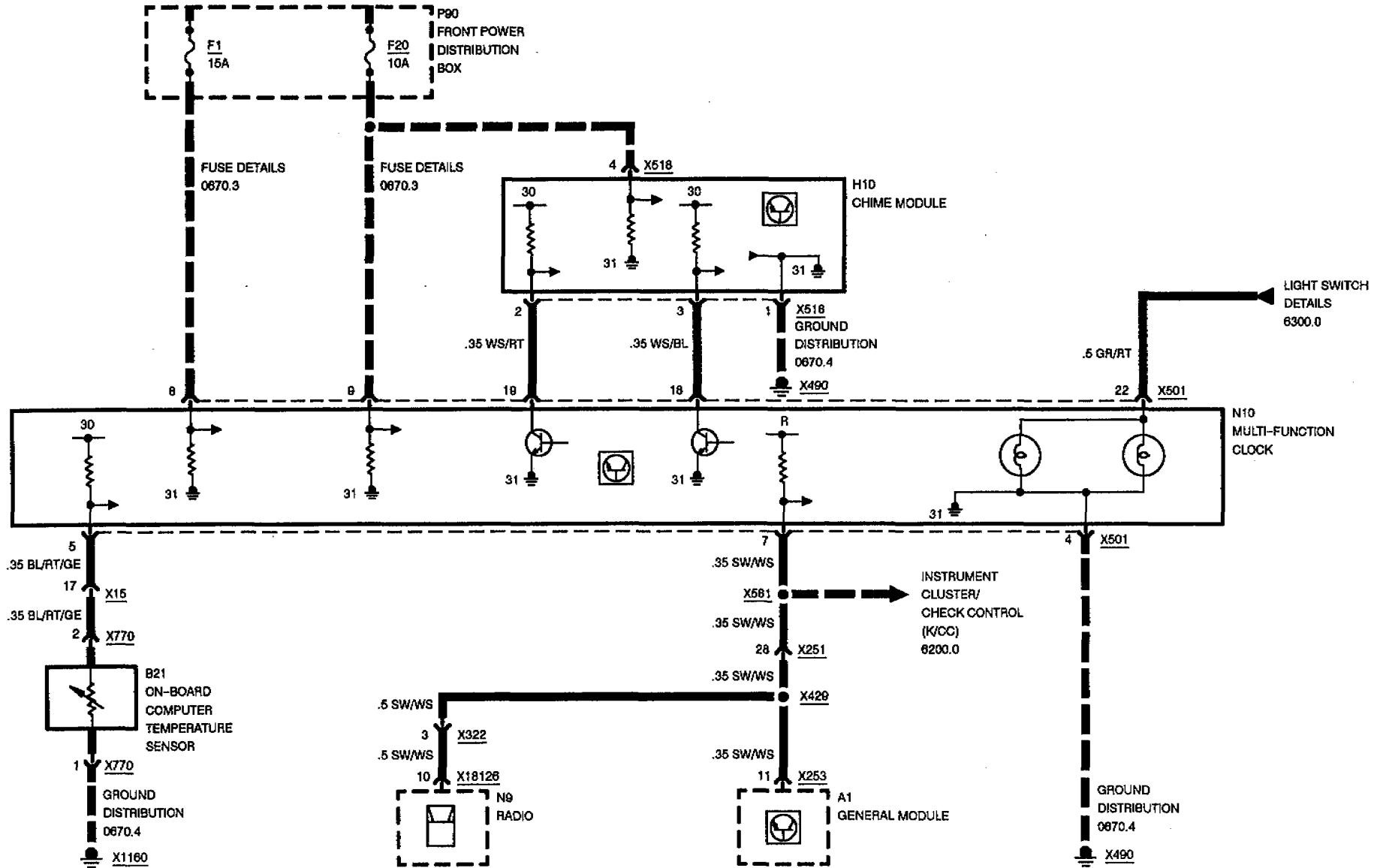




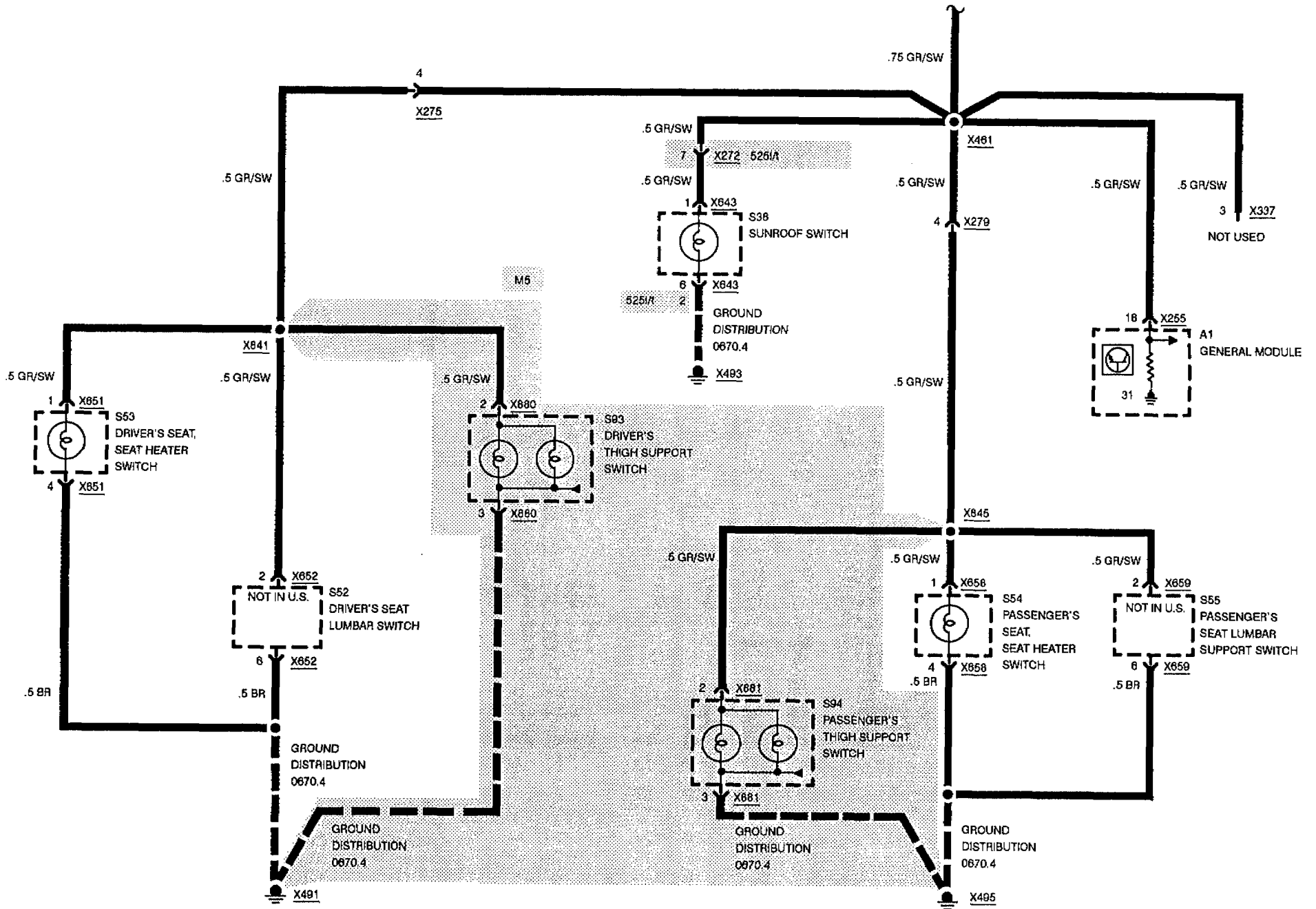


CLOCK WITHOUT ON-BOARD COMPUTER

HDT IN ACCY, RUN AND START HDT AT ALL TIMES

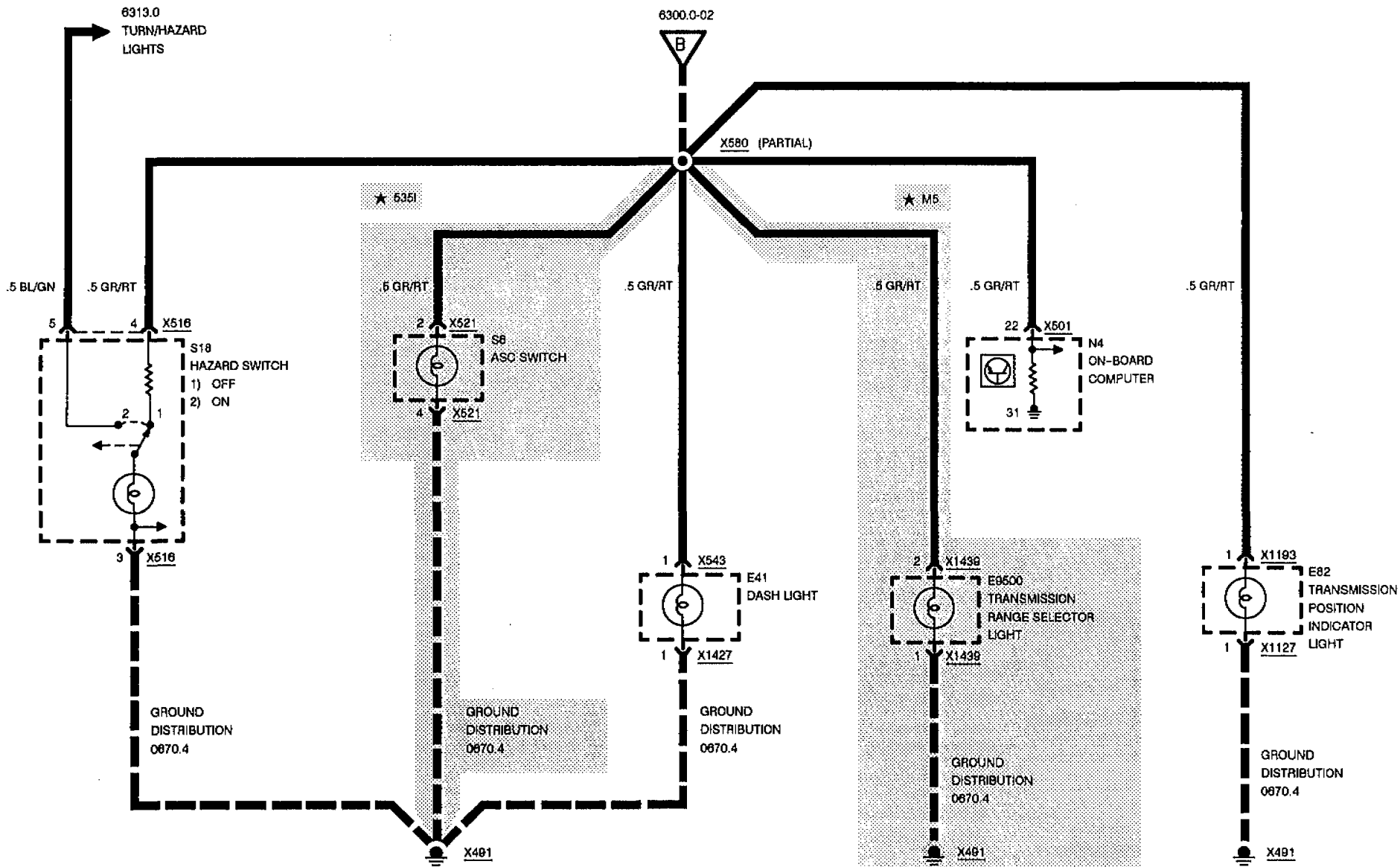


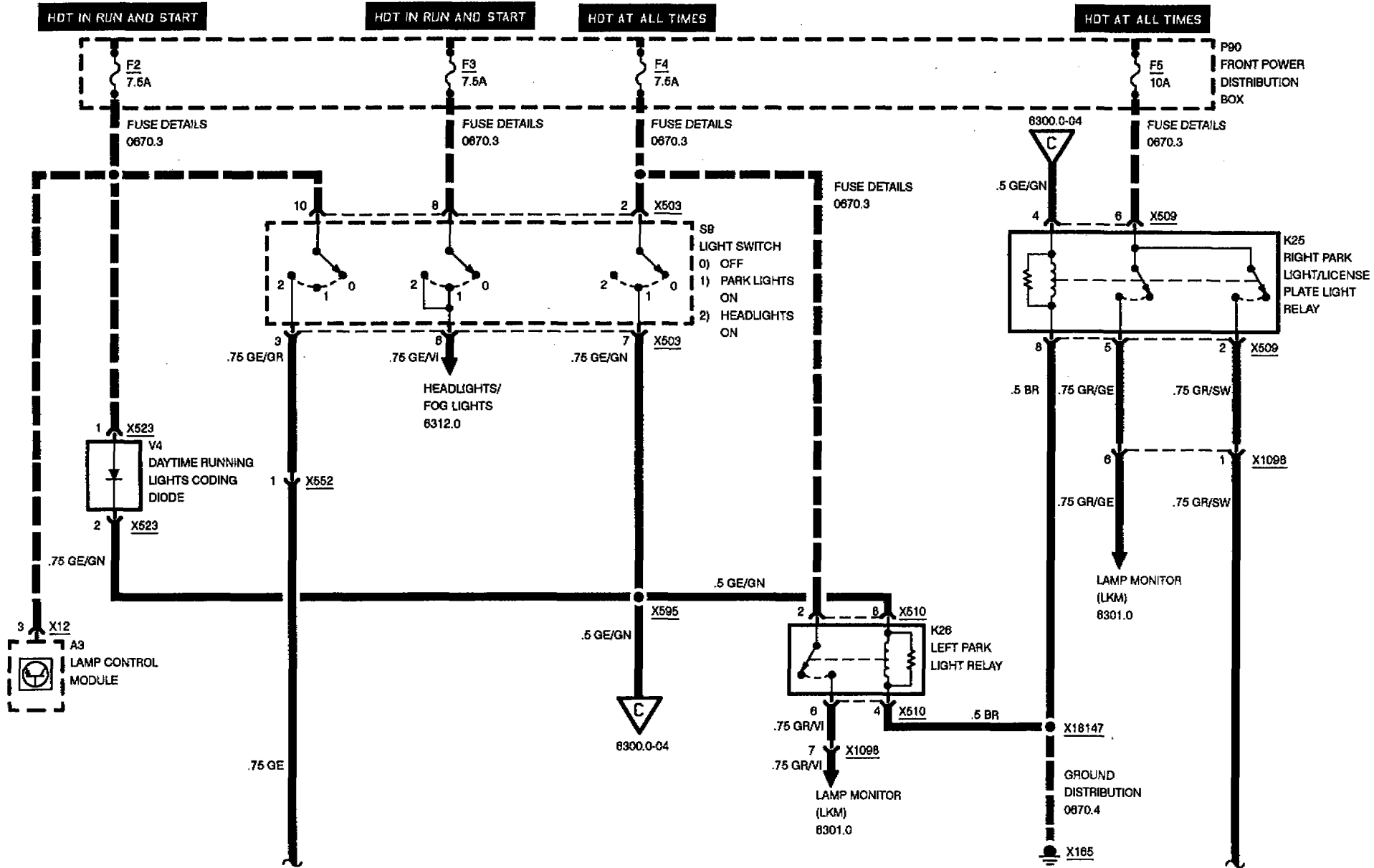






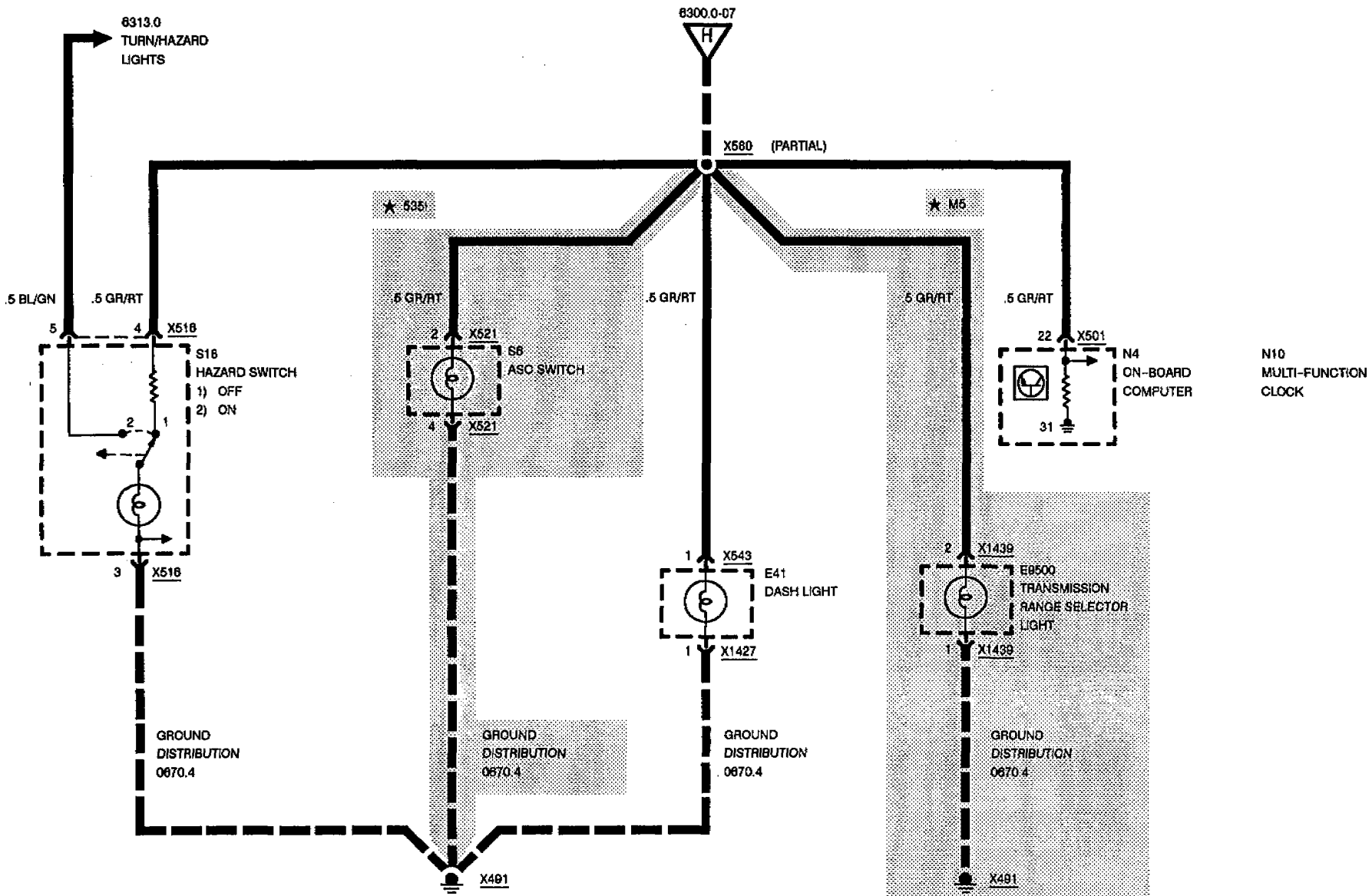
LIGHT SWITCH DETAILS

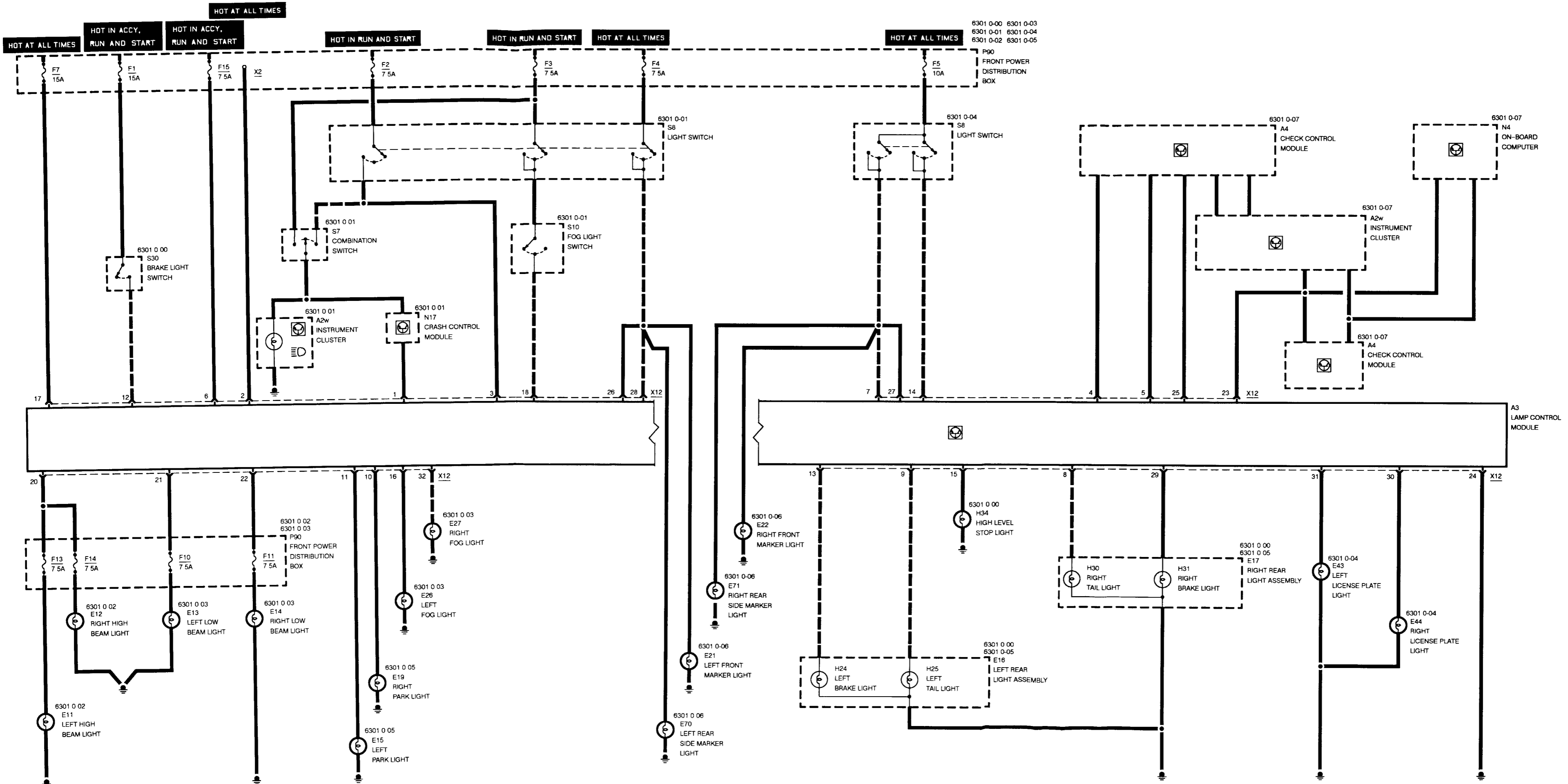


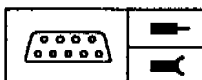




LIGHT SWITCH DETAILS





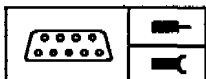


Pin Assignments

X12

Pin	Type	Description/Function	Connection
1	E	High beam signal	Crash control unit
2	E	Voltage supply (terminal 30)	Front power distribution box
3	E	Headlights signal	Light switch
4	A	Data link to CCM	Check control module
5	A	Data link to CCM	Check control module
6	E	Voltage supply (terminal R)	Front power distribution box
7	E	Tail light signal, right	Light switch
8	A	Tail light power, right	Rear light assembly, right
9	A	Tail light power, left	Rear light assembly, left
10	A	Park light power, right	Front light assembly, right
11	A	Park light power, left	Front light assembly, left
12	E	Brake pedal status	Brake light switch
13	A	Brake light power, left	Rear light assembly, left
14	E	Park lights signal	Light switch
15	A	High level stop light power	High level stop light
16	A	Fog light power, left	Fog light, left
17	E	Fog lights power	Front power distribution box
18	E	Fog light signal	Fog light switch
19		Not used	
20	A	High beam light power	Fuses/Front power distribution box
21	A	Low beam power, left	Fuses/Front power distribution box
22	A	Low beam power, right	Fuses/Front power distribution box
23	E	Data link to CCM	Check control module
24	M	Ground	Body ground point
25	E	Data link to CCM	Check control module
26	E	Tail light signal, left	Light switch
27	E	Park light signal, right	Light switch
28	E	Park light signal, left	Light switch
29	A	Brake light power, right	Brake light, right
30	A	License plate light power, right	License plate light, right

E = Input, A = Output, M = Ground



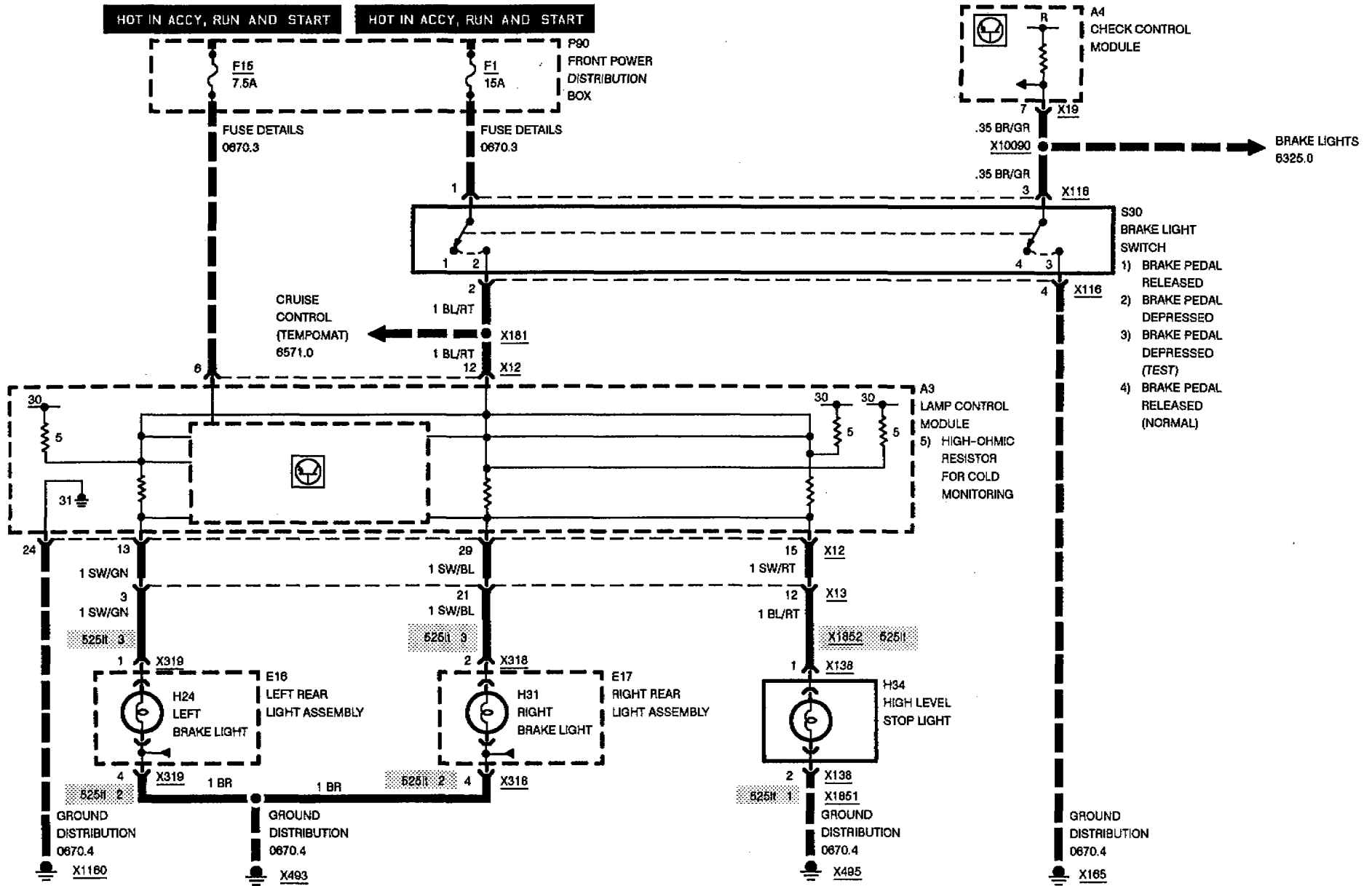
Pin Assignments

Pin	Type	Description/Function	Connection
31	A	License plate light power, left	License plate light, left
32	A	Fog light power, right	Fog light, right

E = Input, A = Output, M = Ground

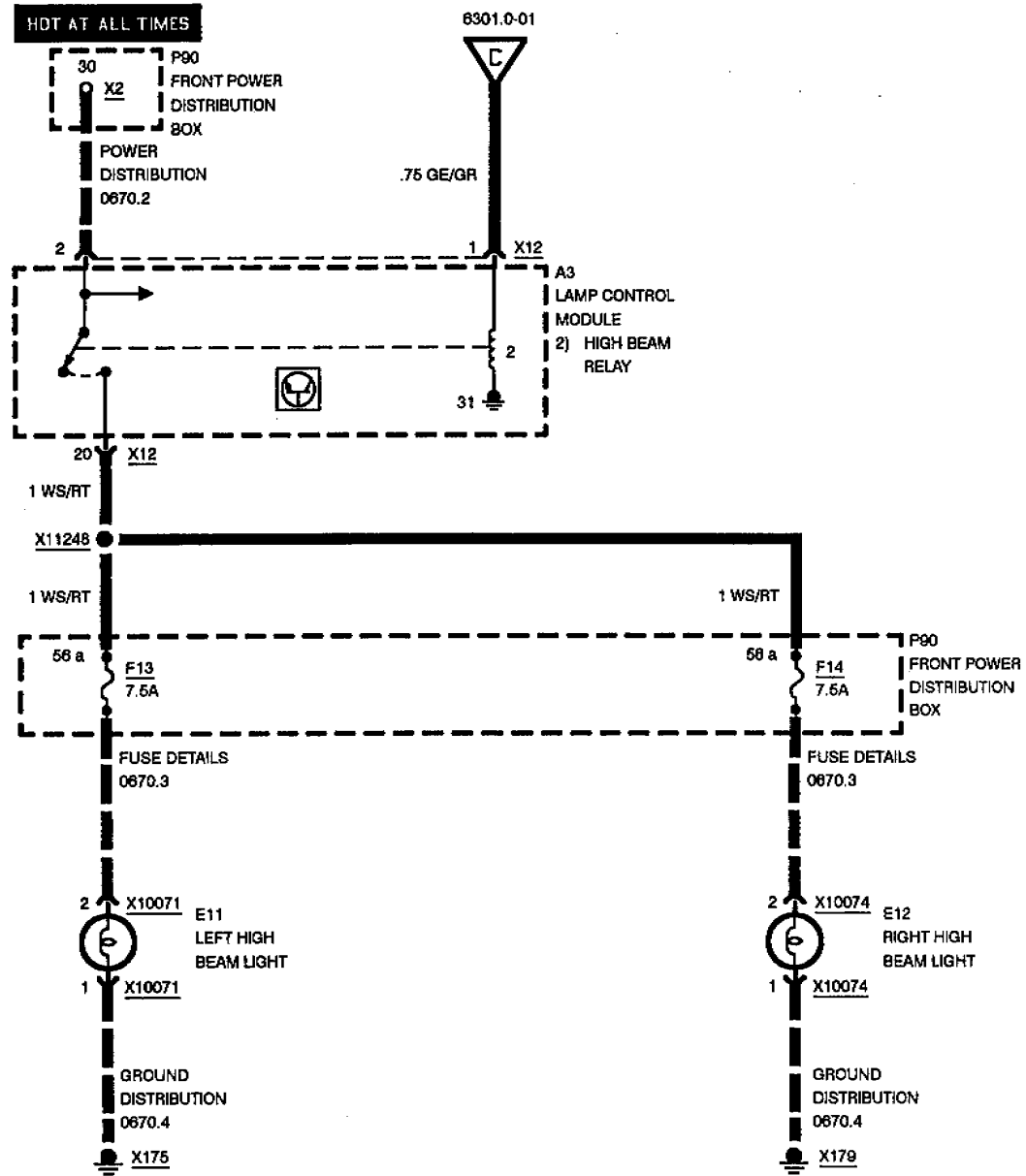


LAMP MONITOR (LKM)



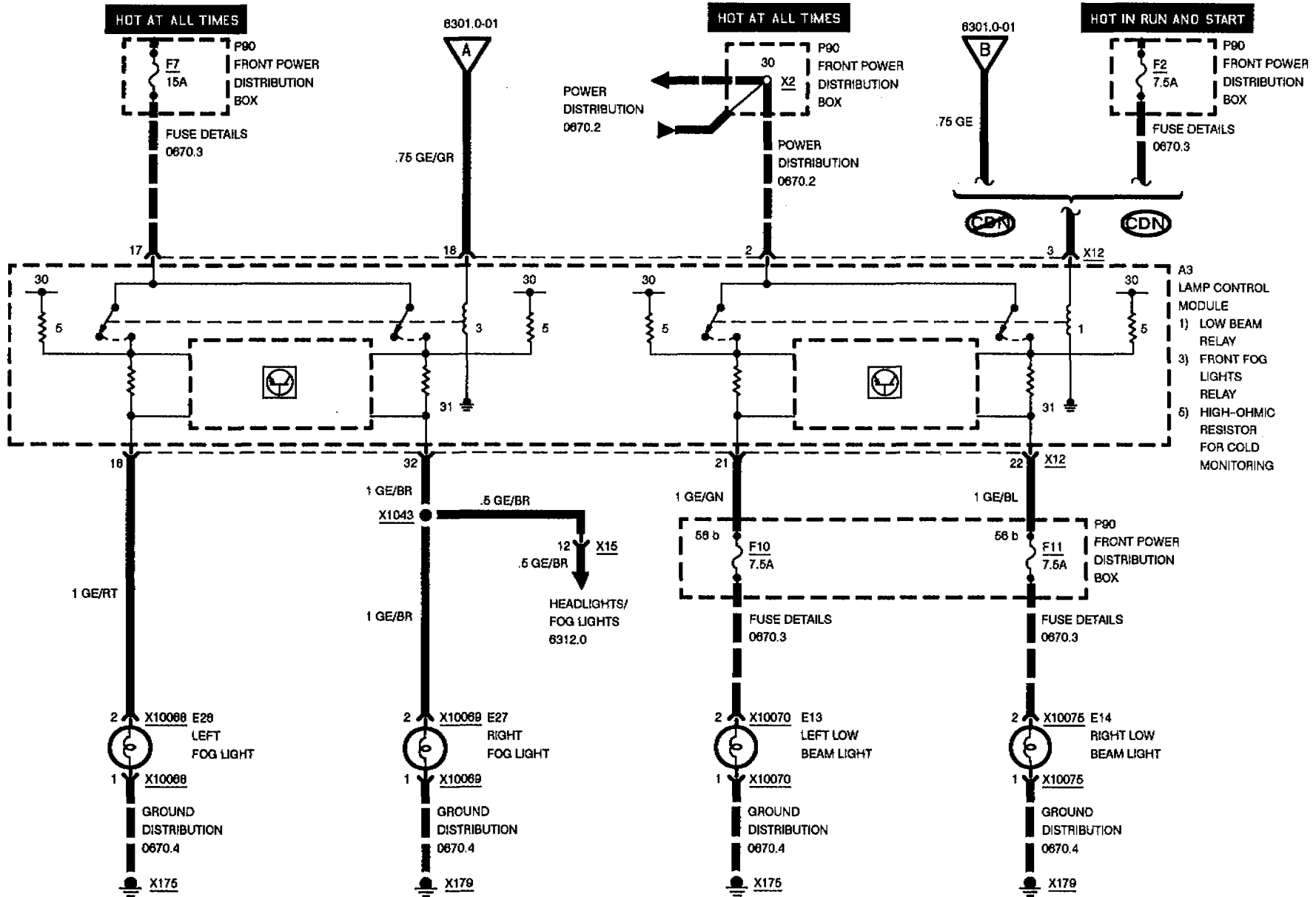


LAMP MONITOR (LKM)

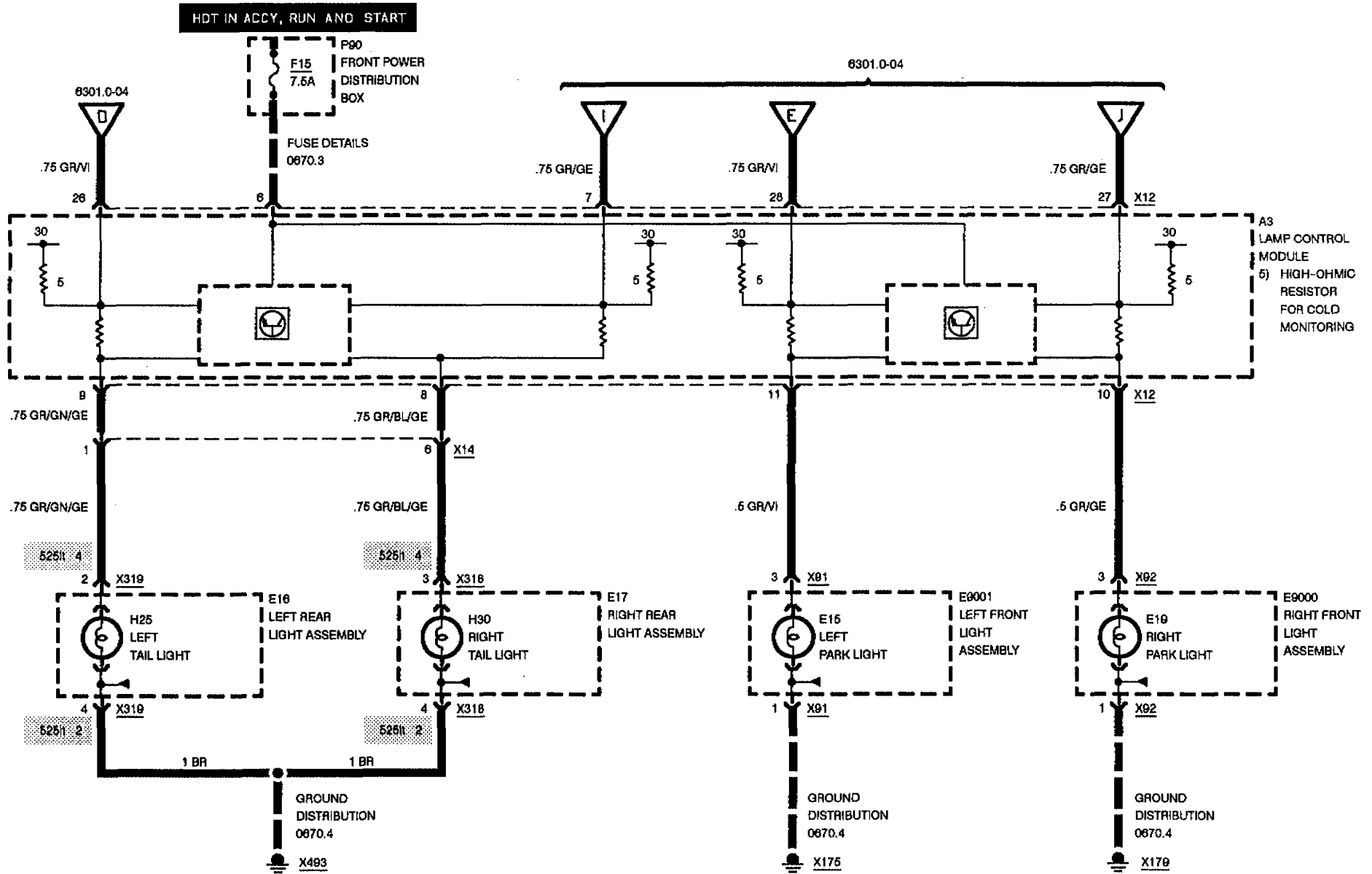




LAMP MONITOR (LKM)



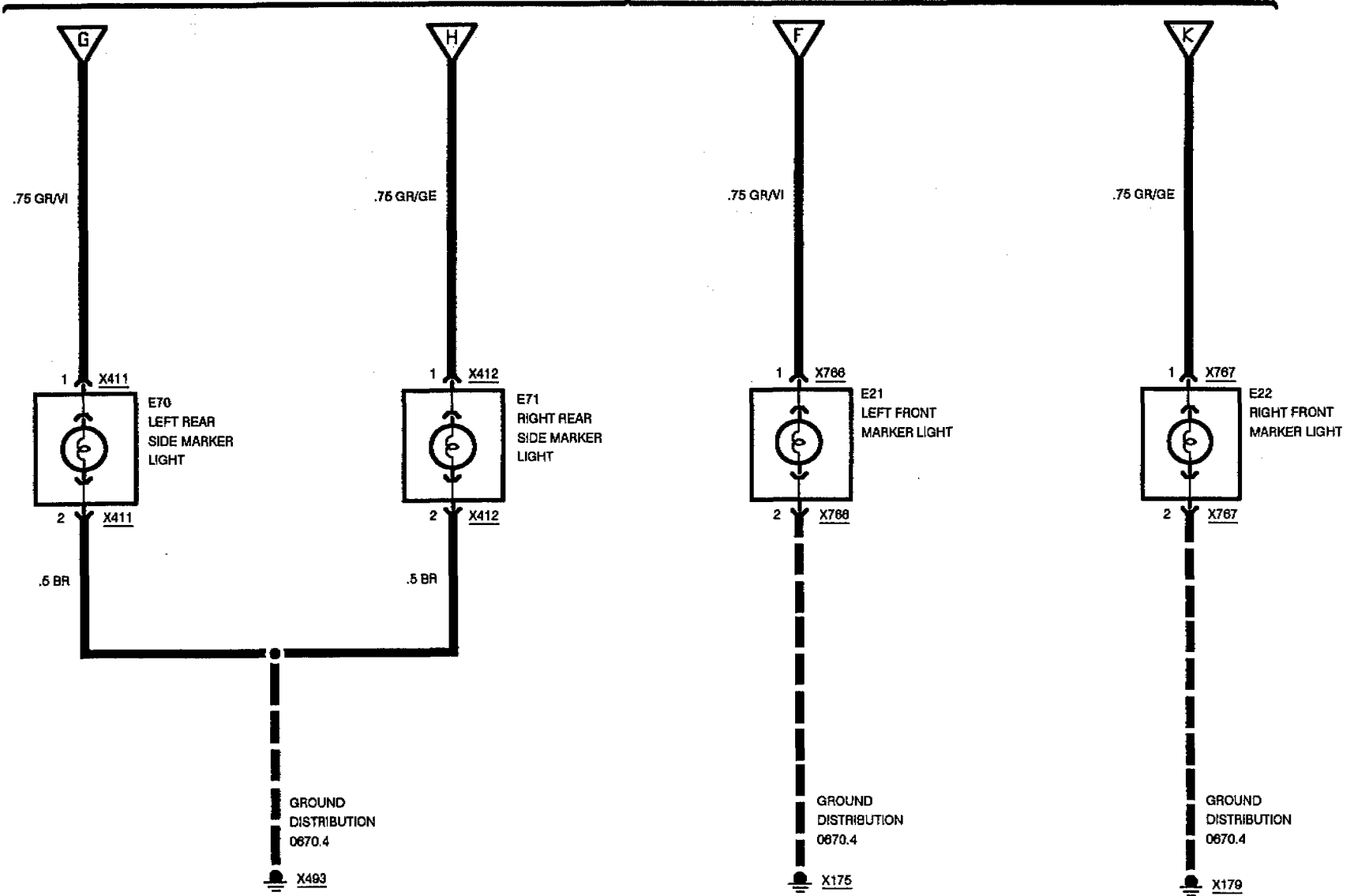
LAMP MONITOR (LKM)



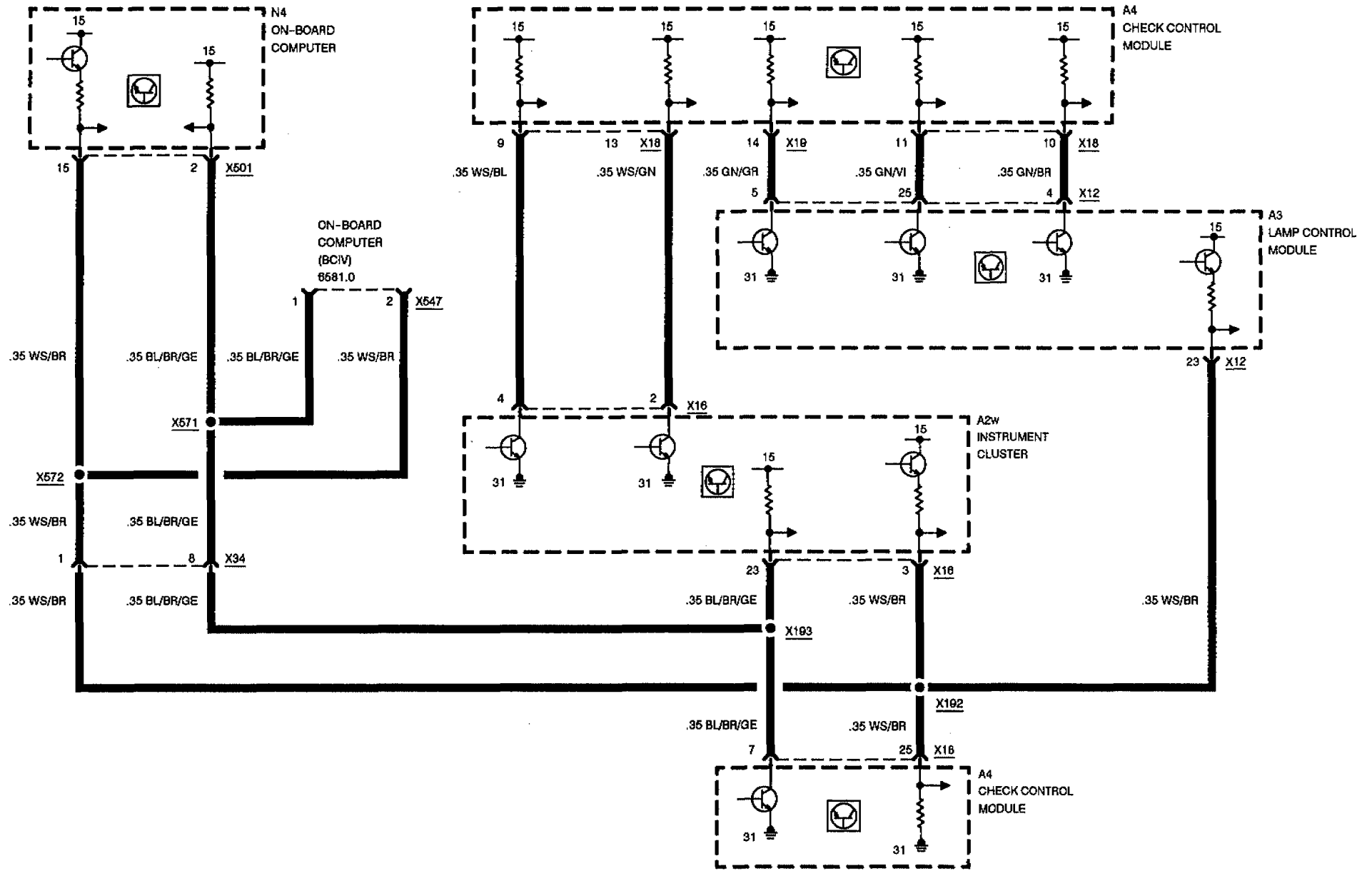


LAMP MONITOR (LKM)

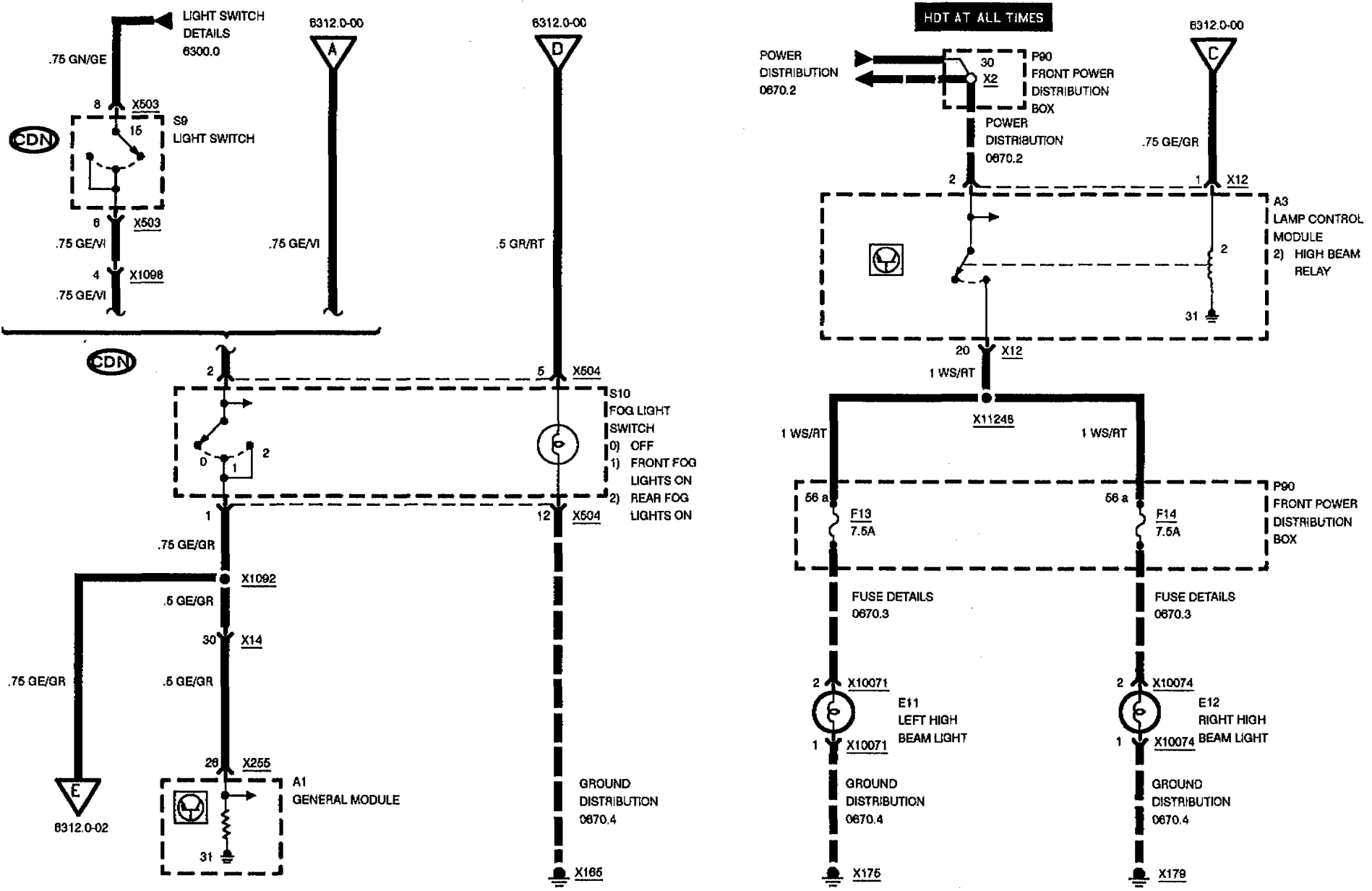
6301.0-04



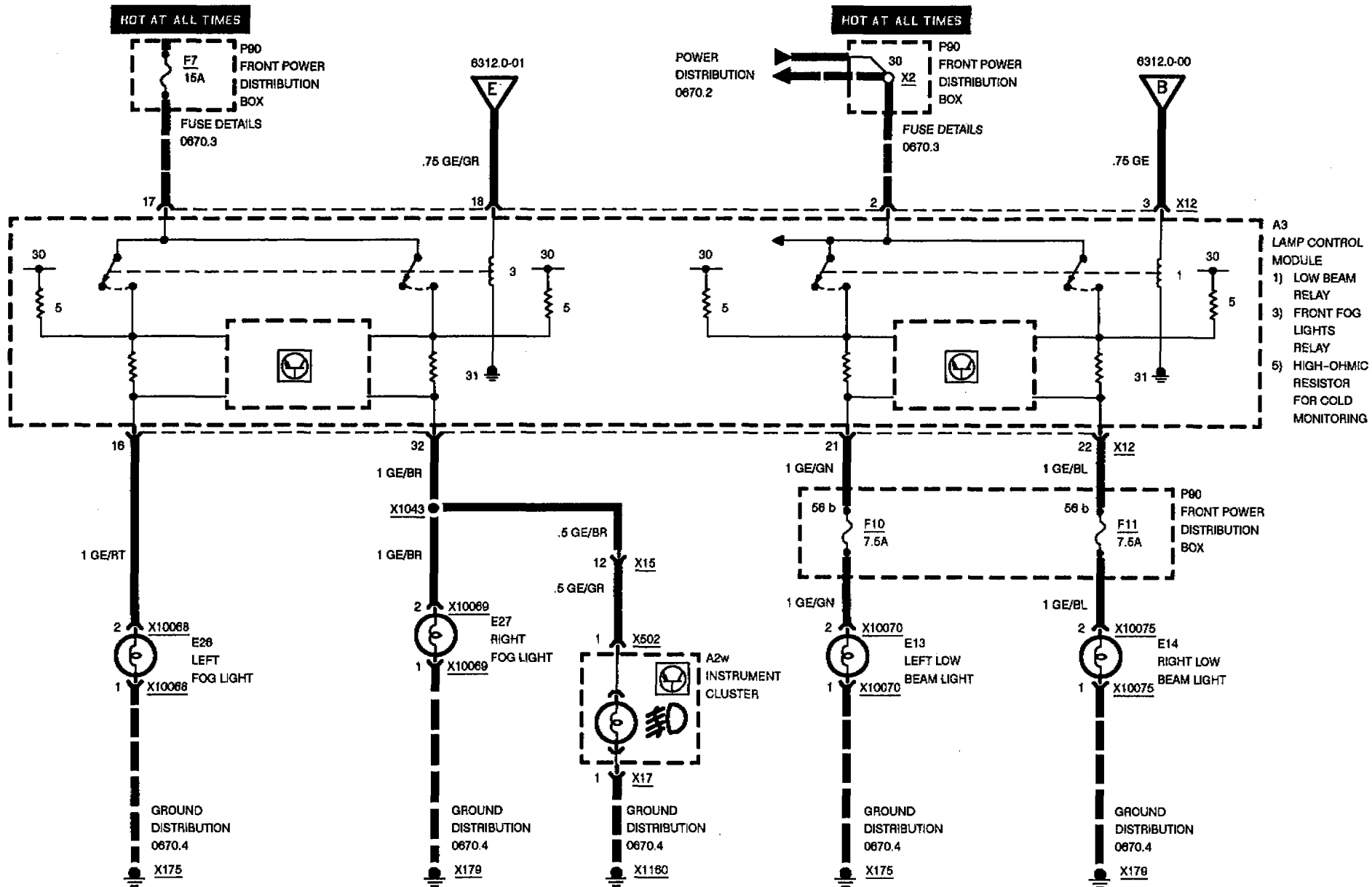
LAMP MONITOR (LKM)



BMW
5 HEADLIGHTS/ FOG LIGHTS

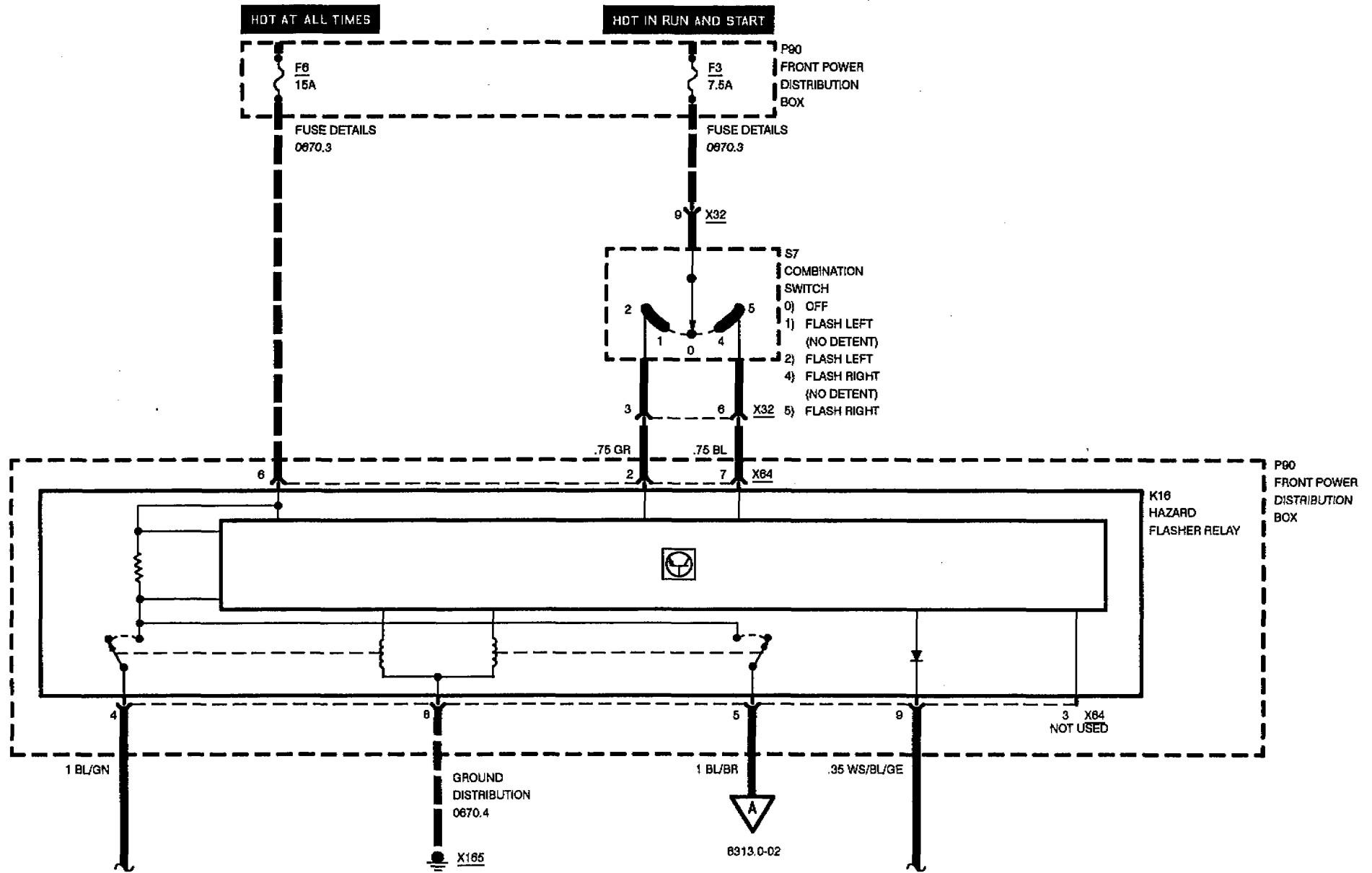


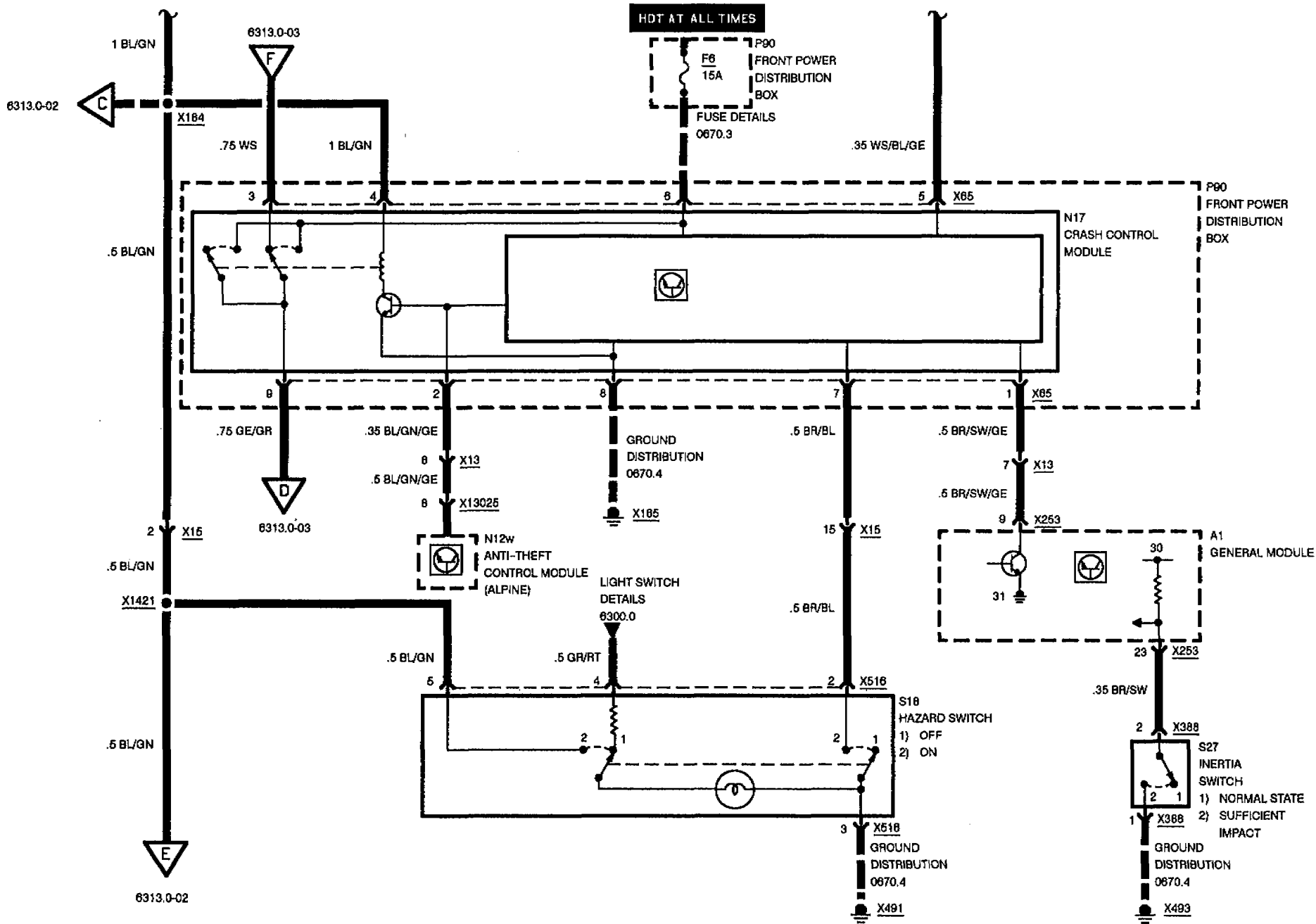
HEADLIGHTS/ FOG LIGHTS





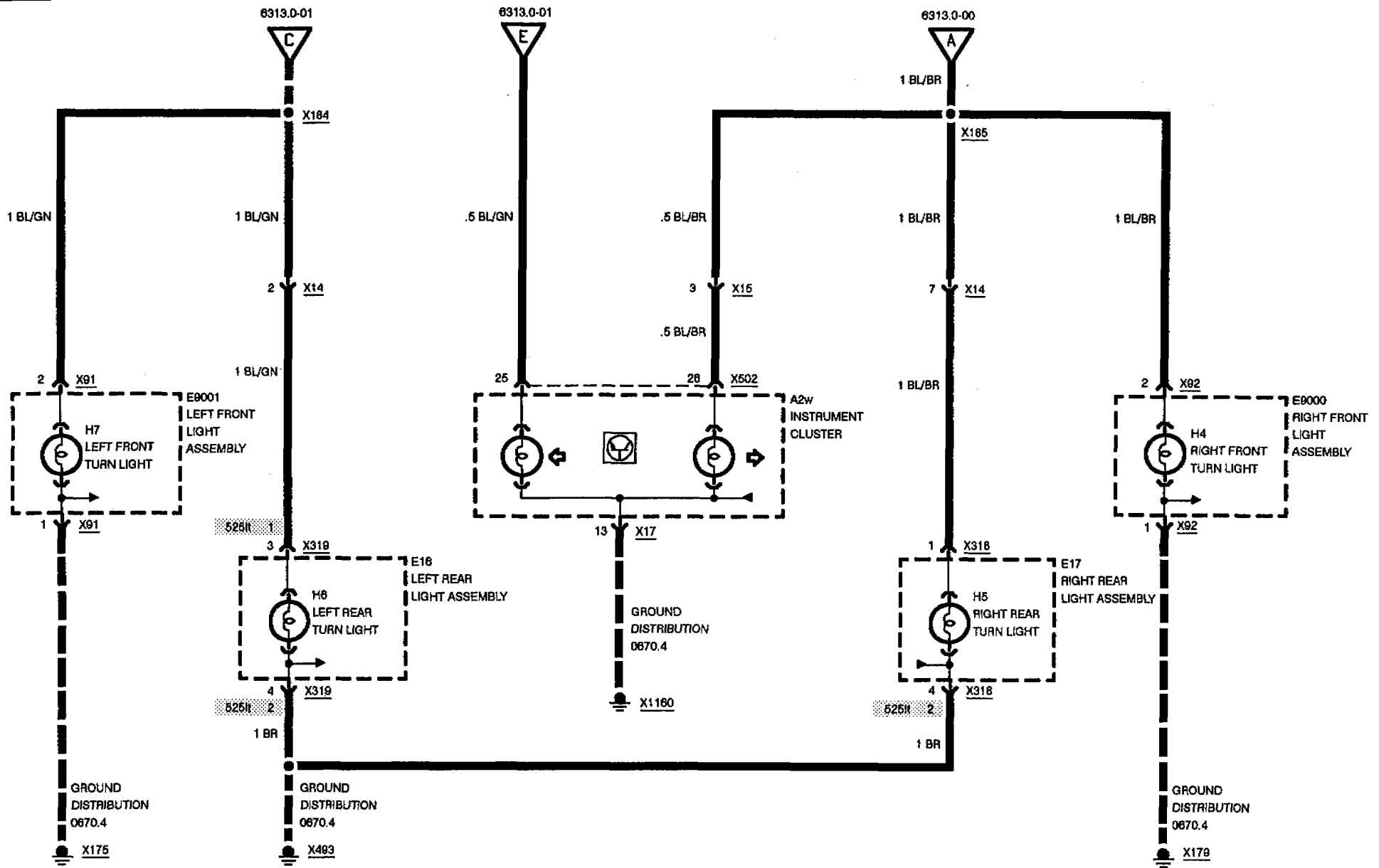
TURN/HAZARD LIGHTS







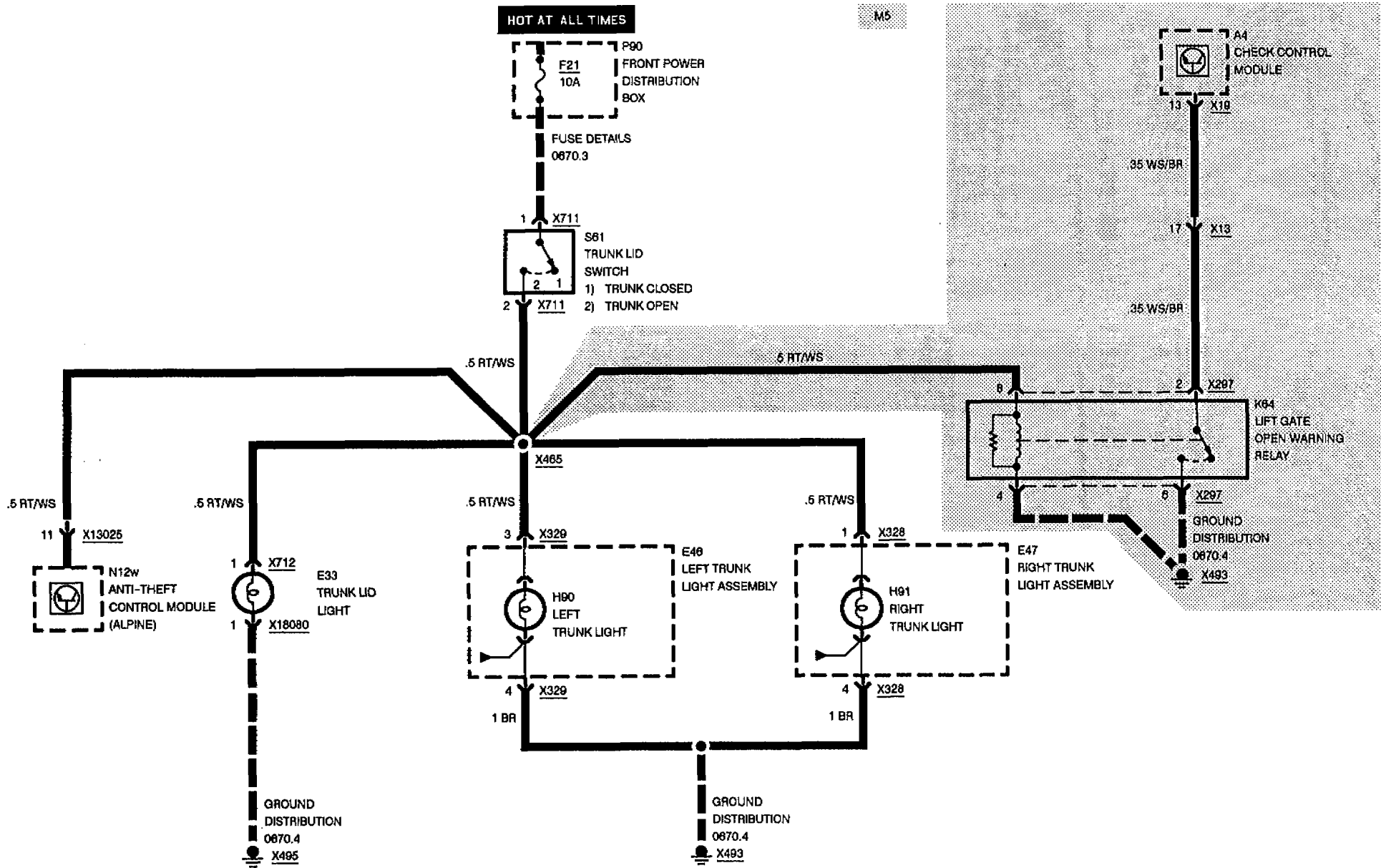
TURN/HAZARD LIGHTS





LICENSE PLATE/ LUGGAGE COMPARTMENT LIGHTS

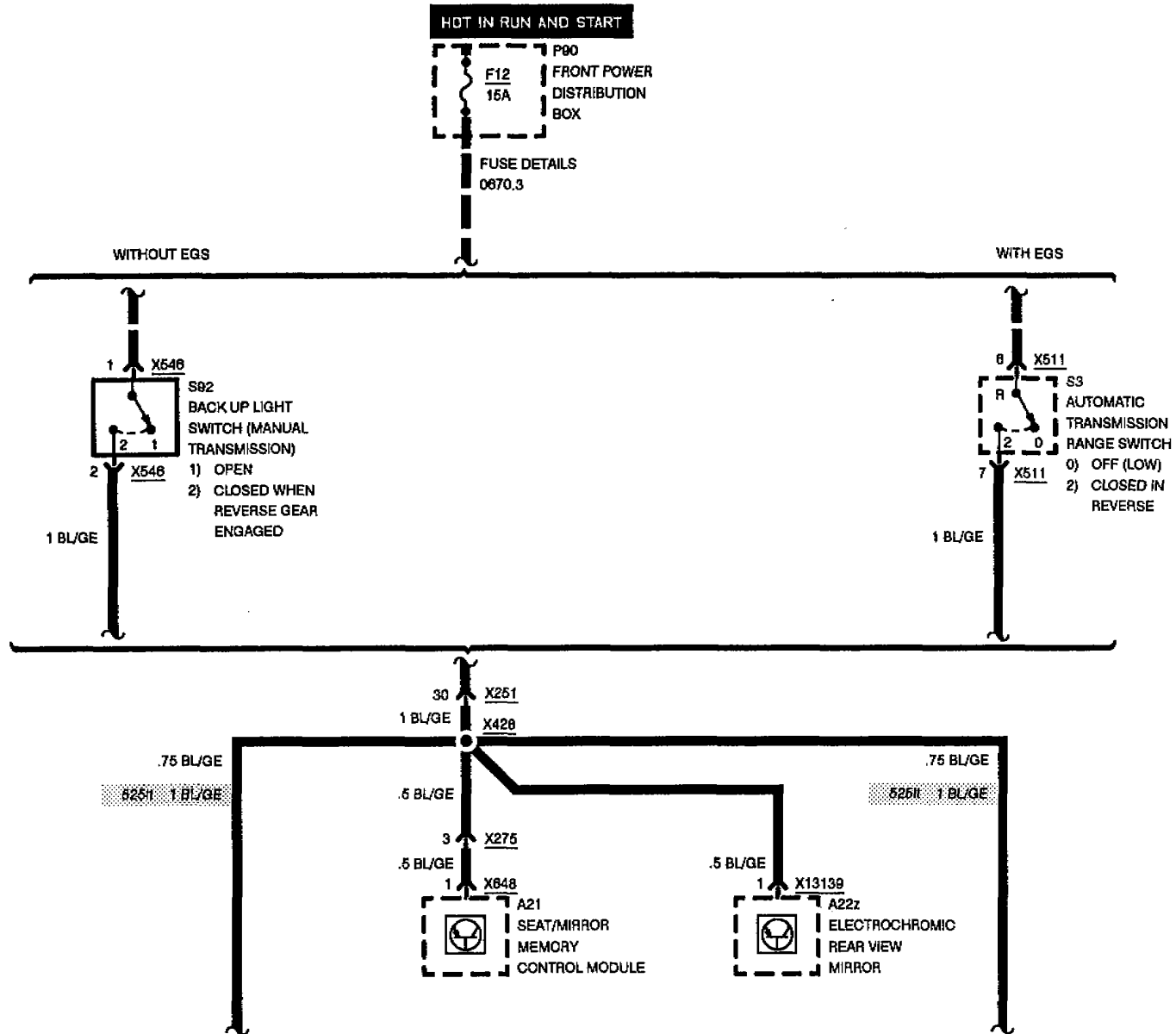
TRUNK LIGHTS

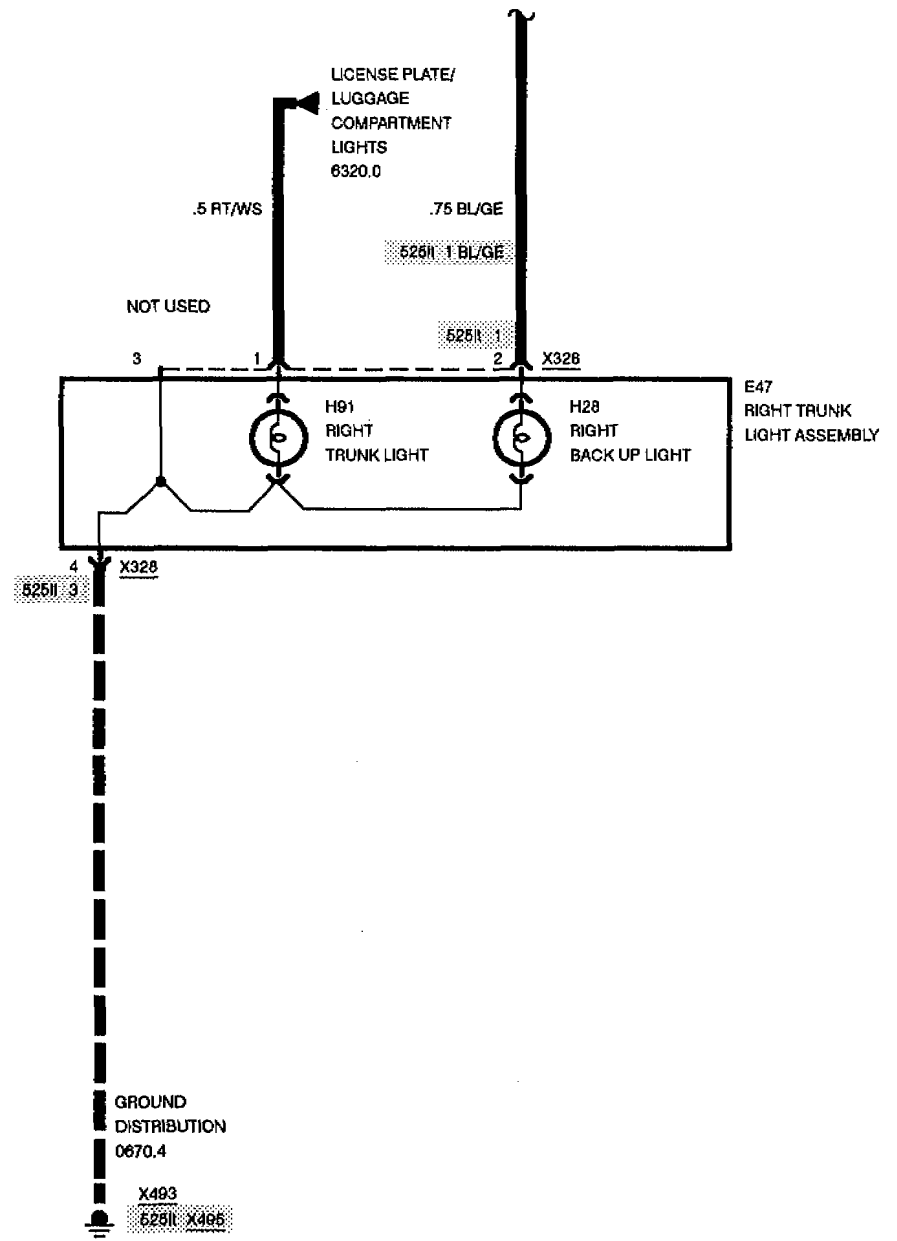
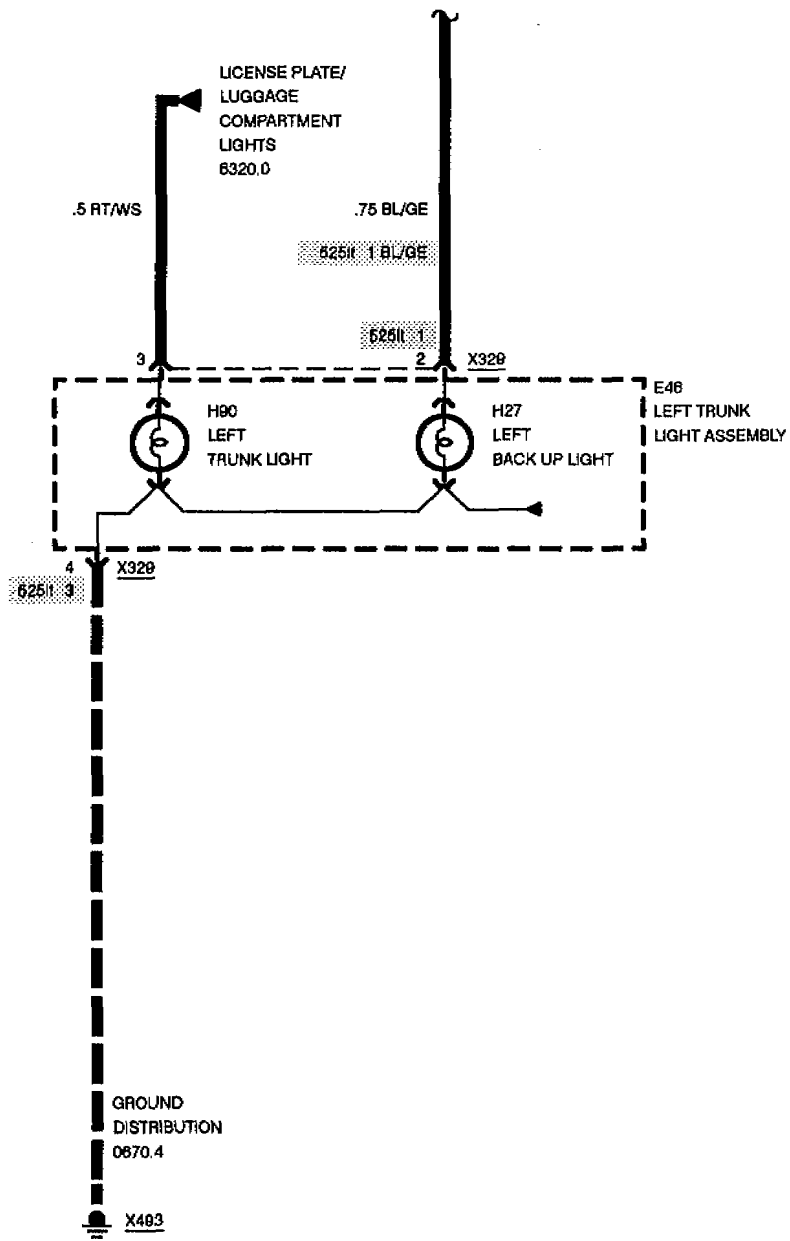






BACK UP LIGHTS







BRAKE LIGHTS

HDT IN ACCY, RUN AND START

HDT IN ACCY, RUN AND START

F15
7.6A

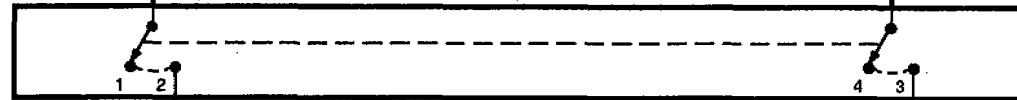
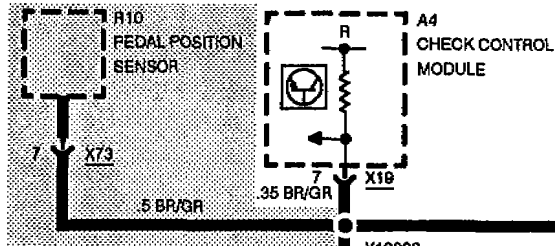
FUSE DETAILS
0670.3

F1
15A

FUSE DETAILS
0670.3

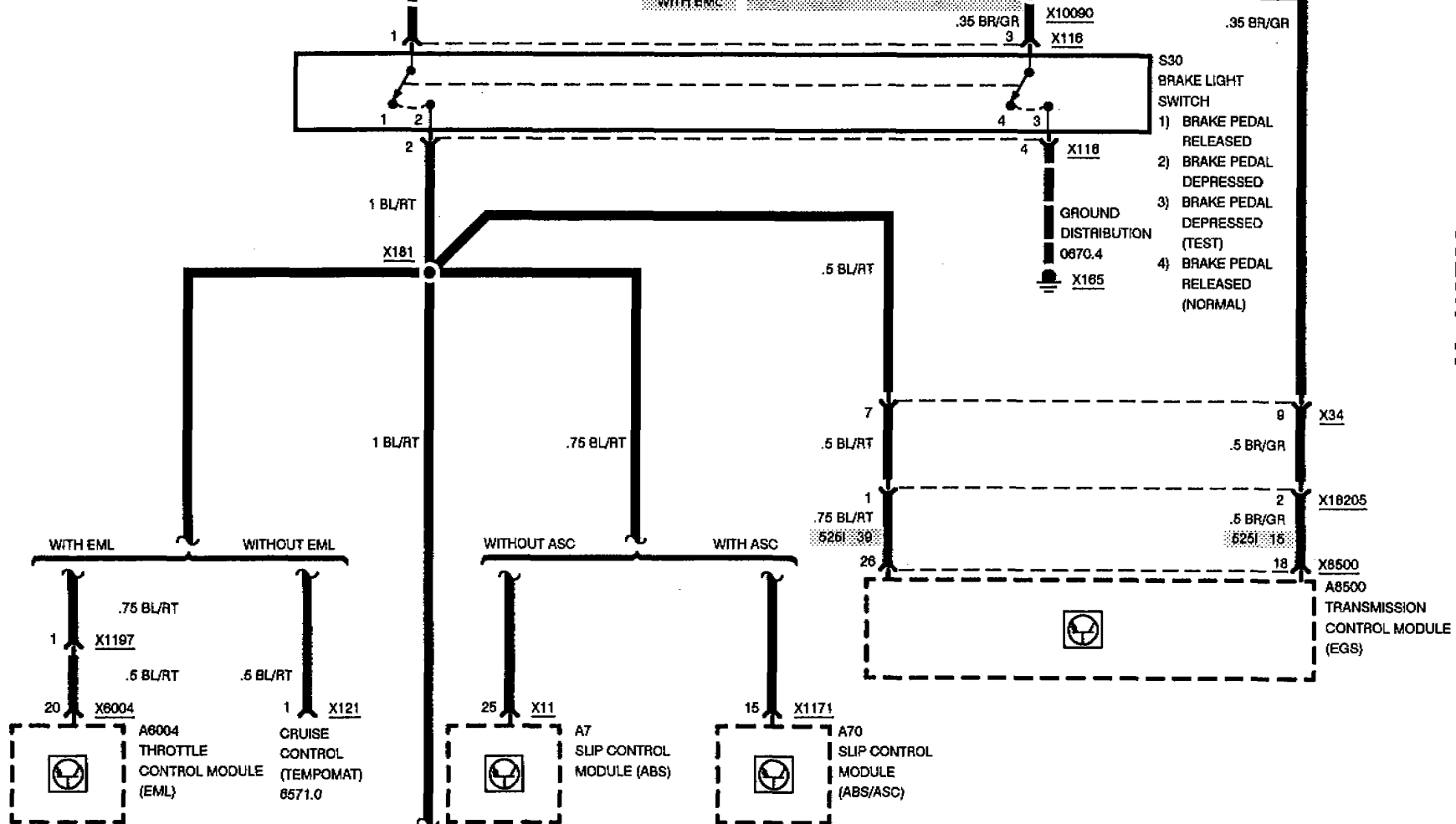
P90
FRONT POWER
DISTRIBUTION
BOX

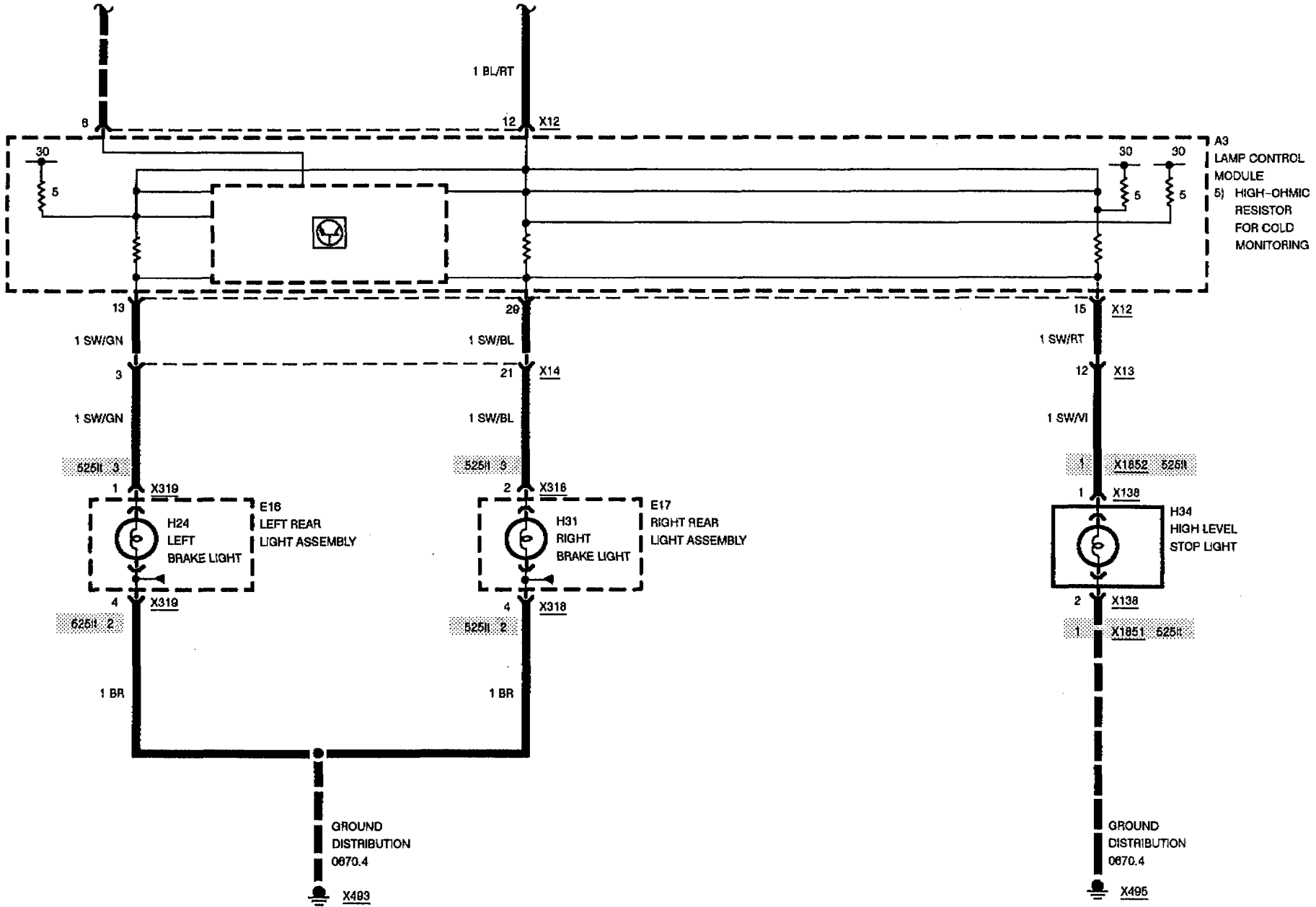
WITH EML



- 1) BRAKE PEDAL RELEASED
- 2) BRAKE PEDAL DEPRESSED
- 3) BRAKE PEDAL DEPRESSED (TEST)
- 4) BRAKE PEDAL RELEASED (NORMAL)

GROUND
DISTRIBUTION
0670.4
X165

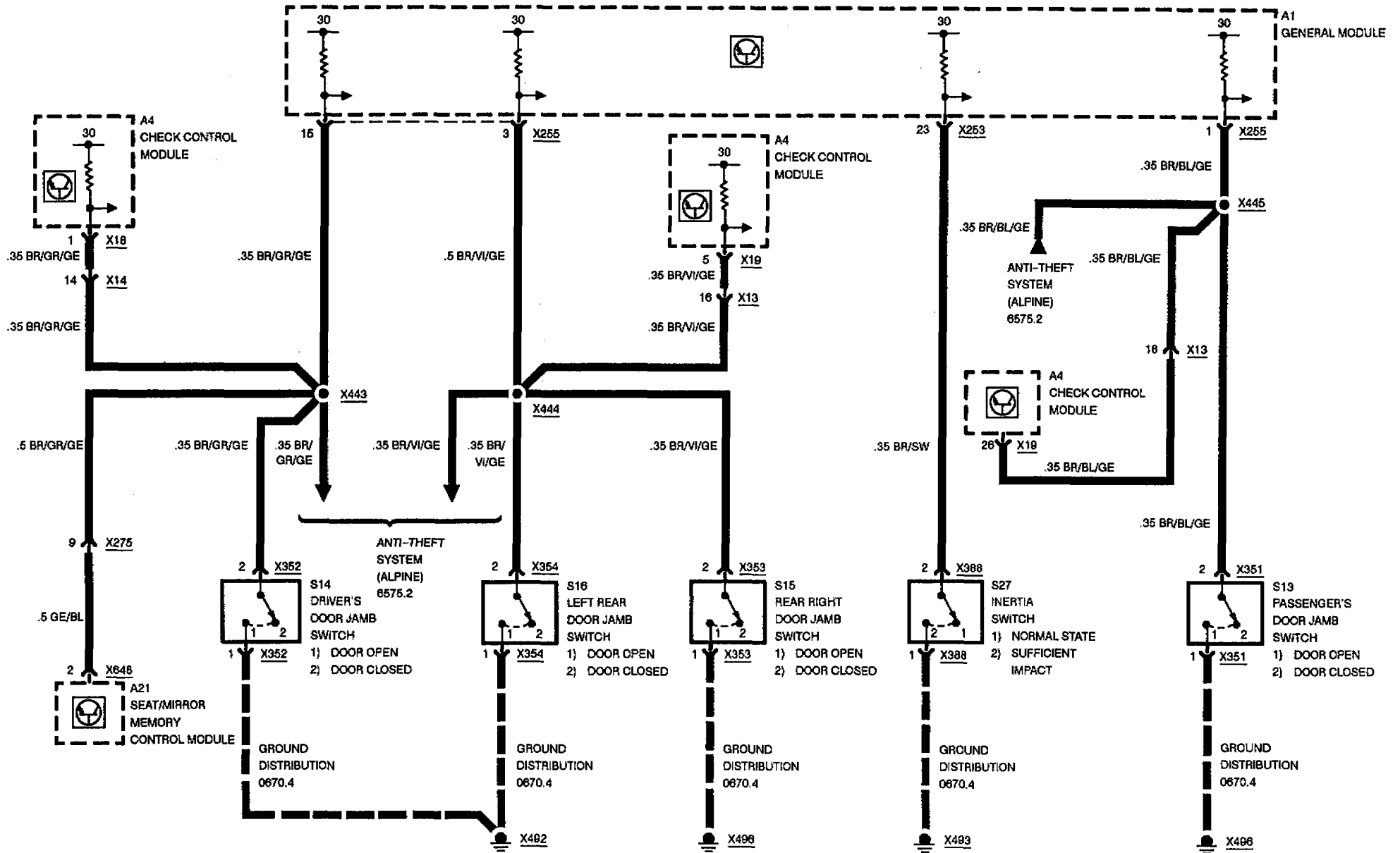






ZKE INTERIOR LIGHTS CONTROL (IB)

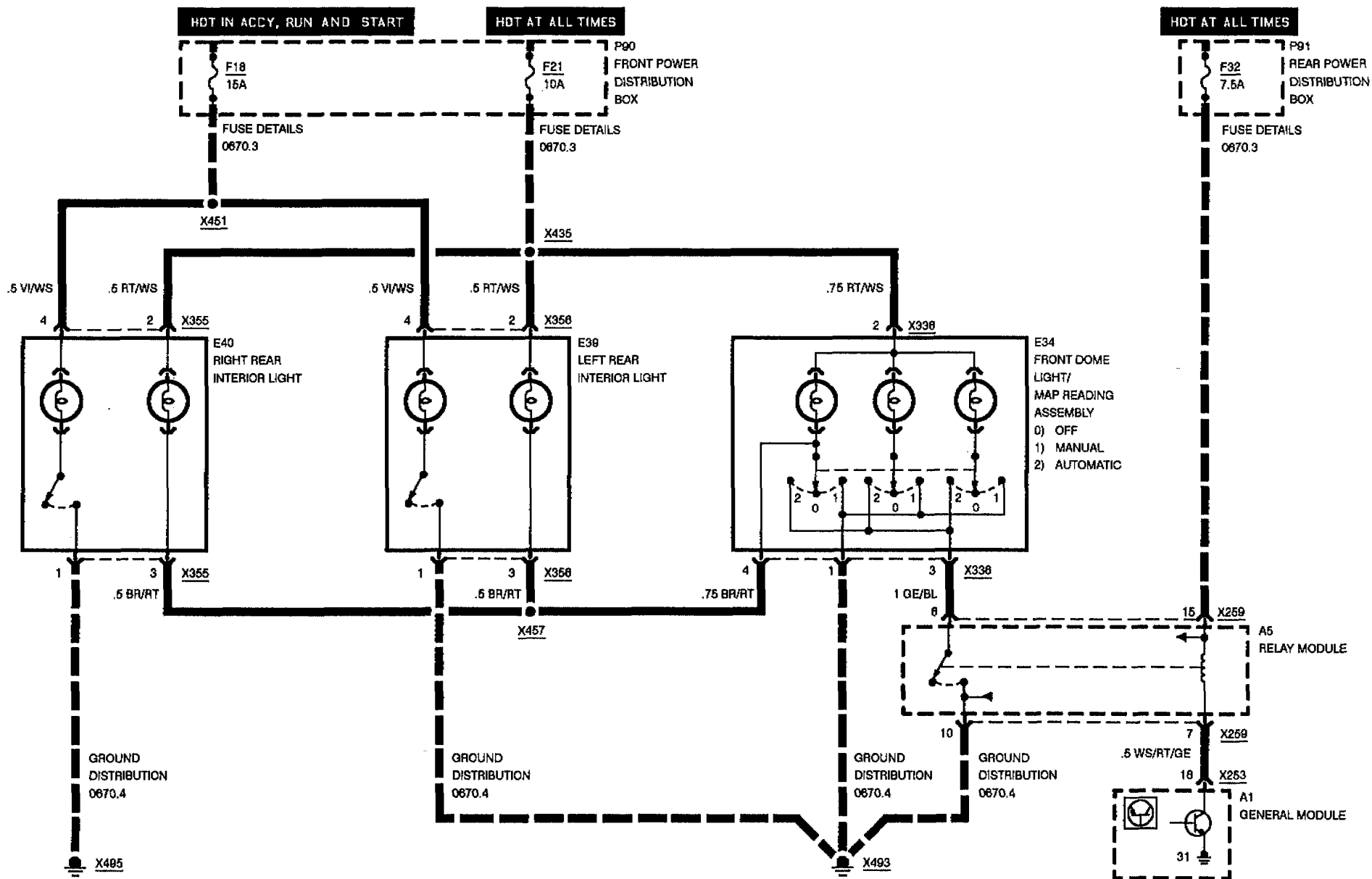
INPUT DETAILS

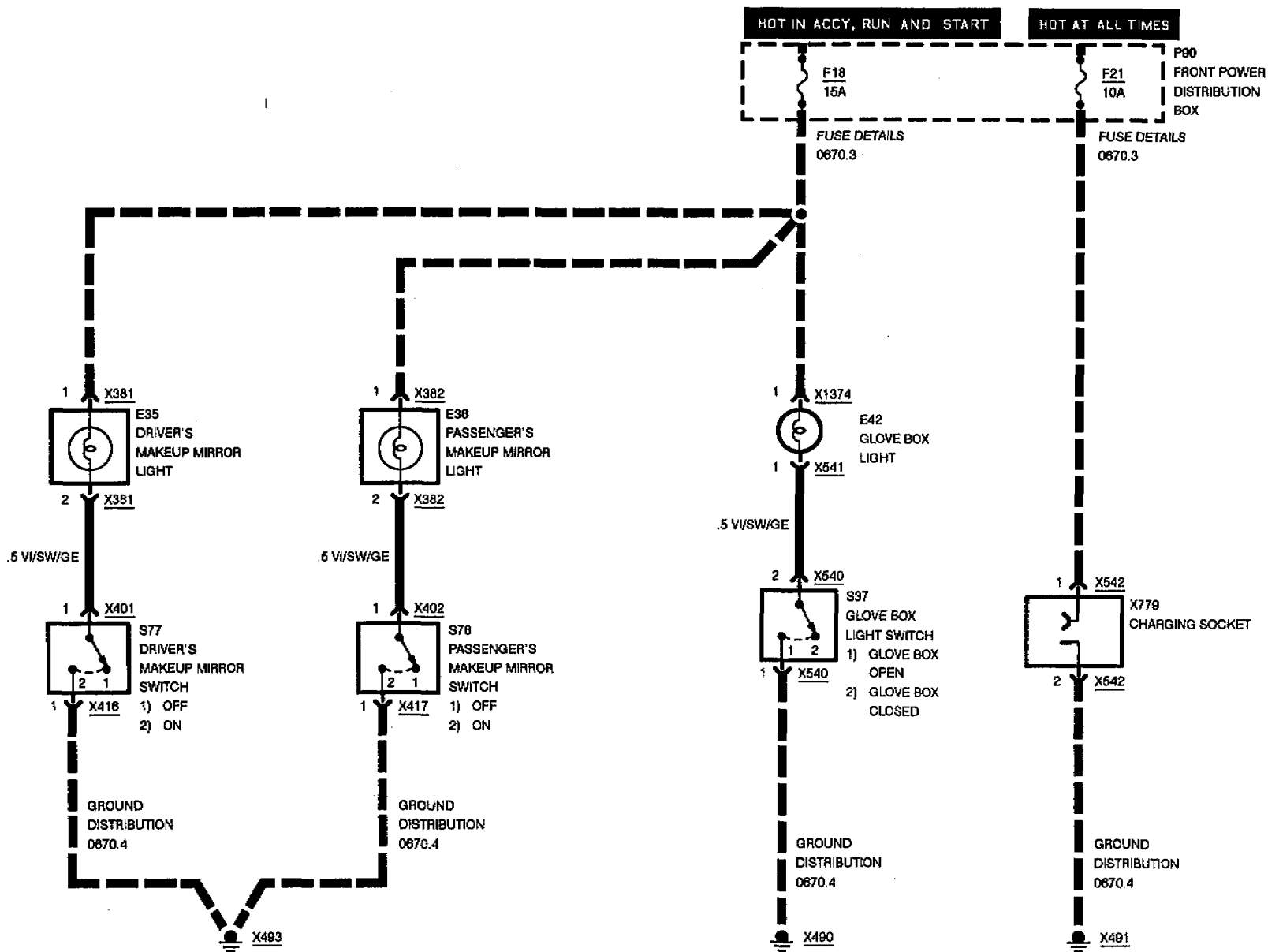




ZKE INTERIOR LIGHTS CONTROL (IB)

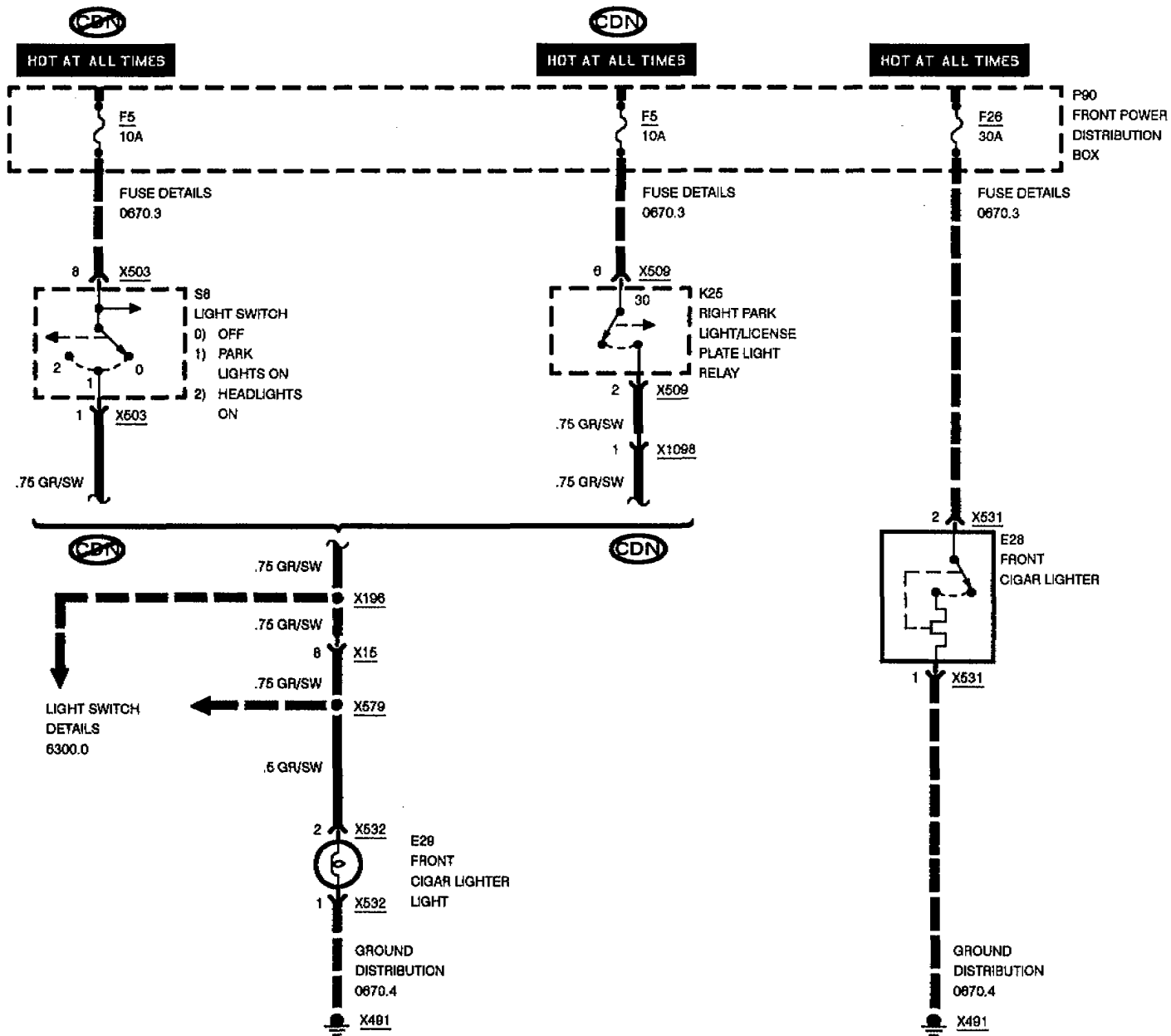
OUTPUT DETAILS



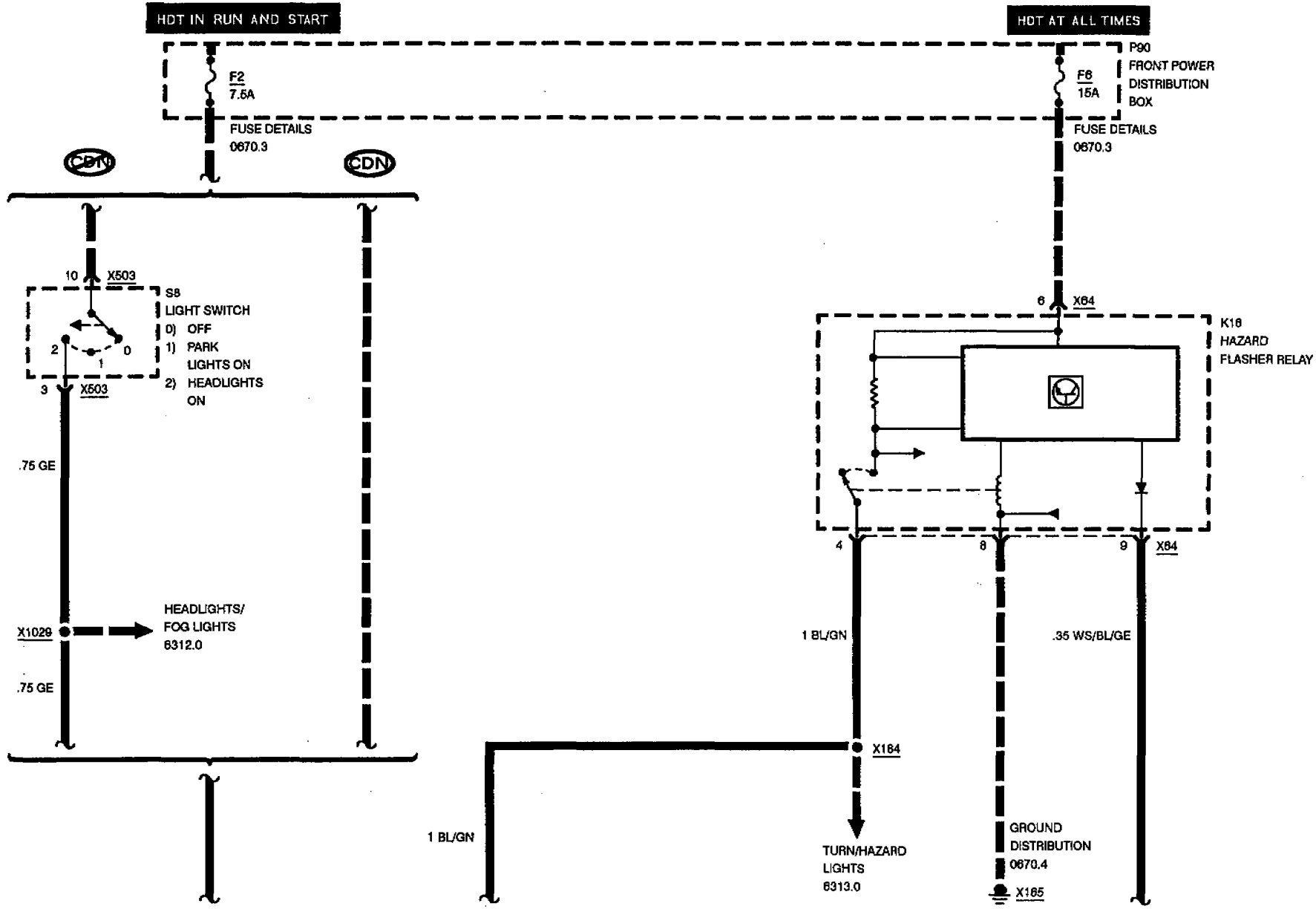


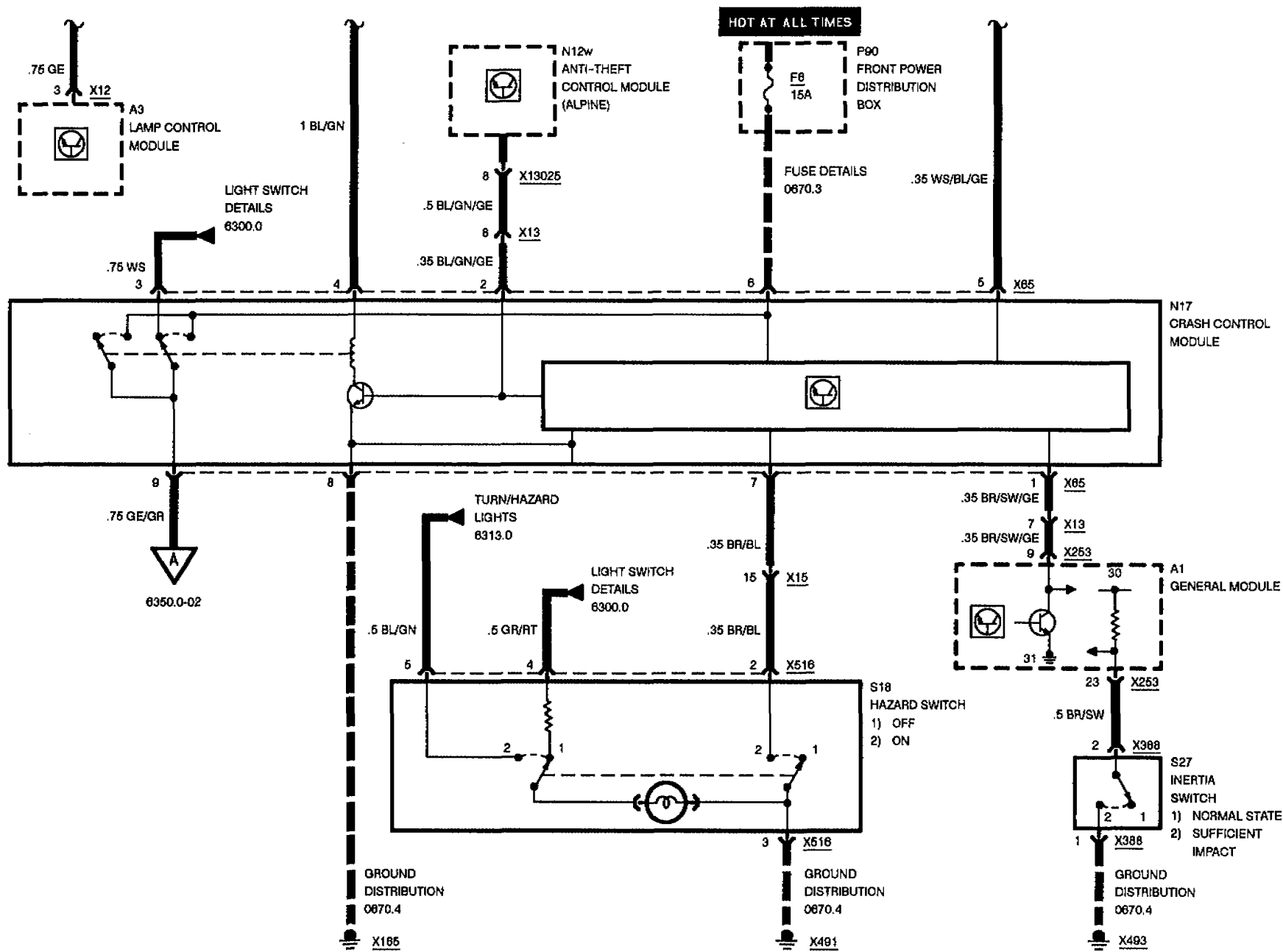


INTERIOR ACCESSORIES



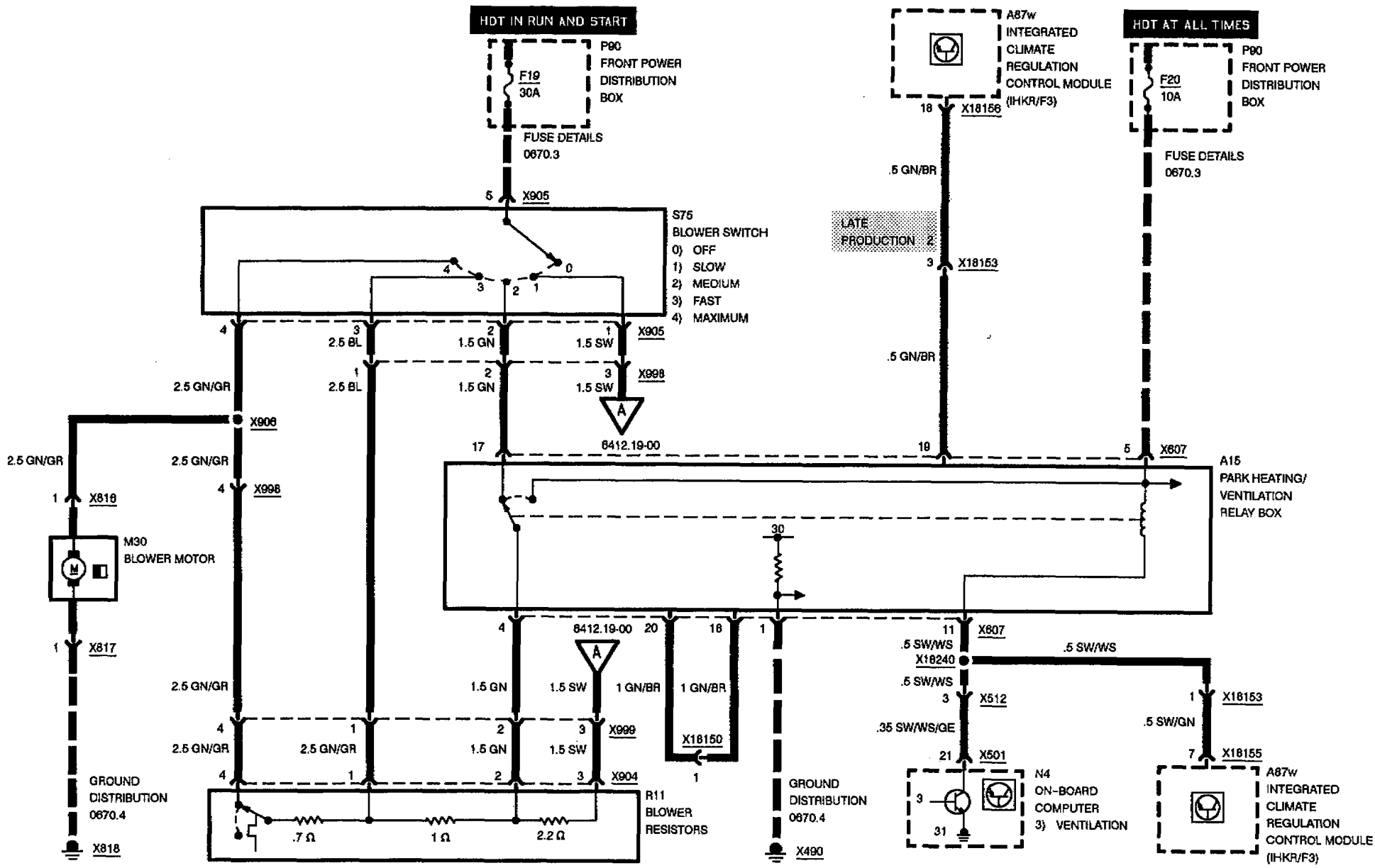
CRASH CONTROL MODULE





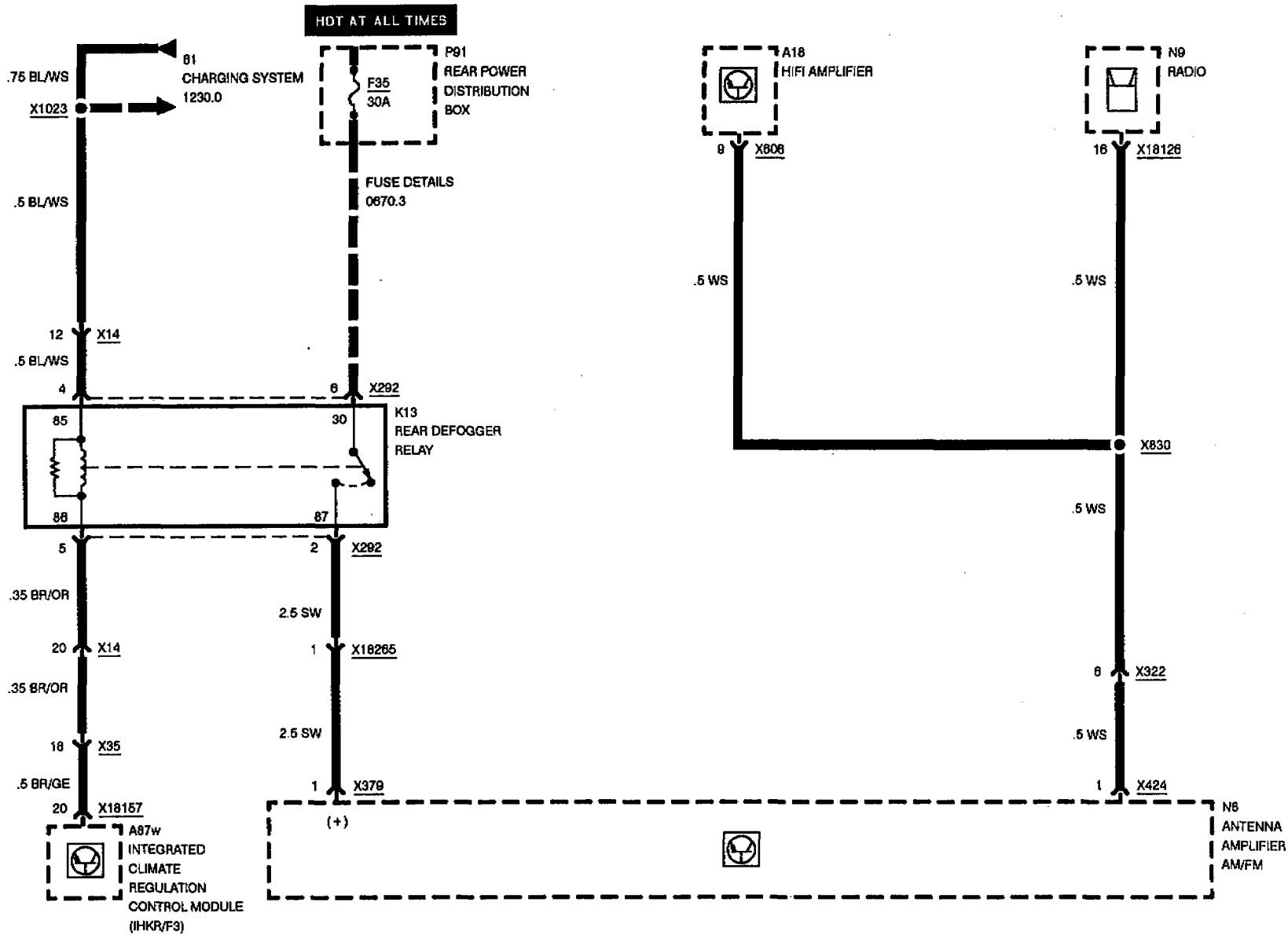


PARK VENTILATION WITH IHKR/F3





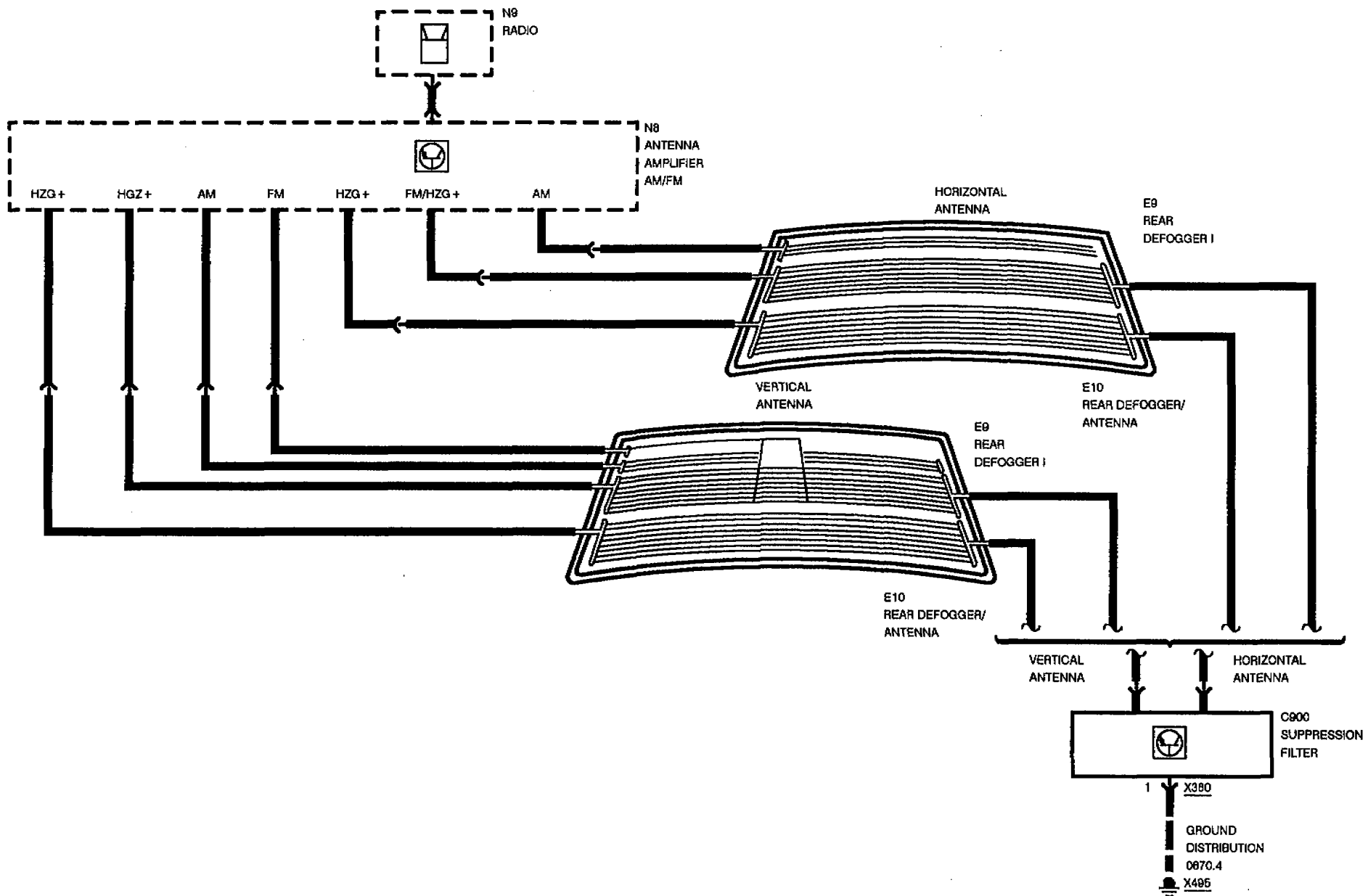
REAR WINDOW DEFOGGER





REAR WINDOW DEFOGGER

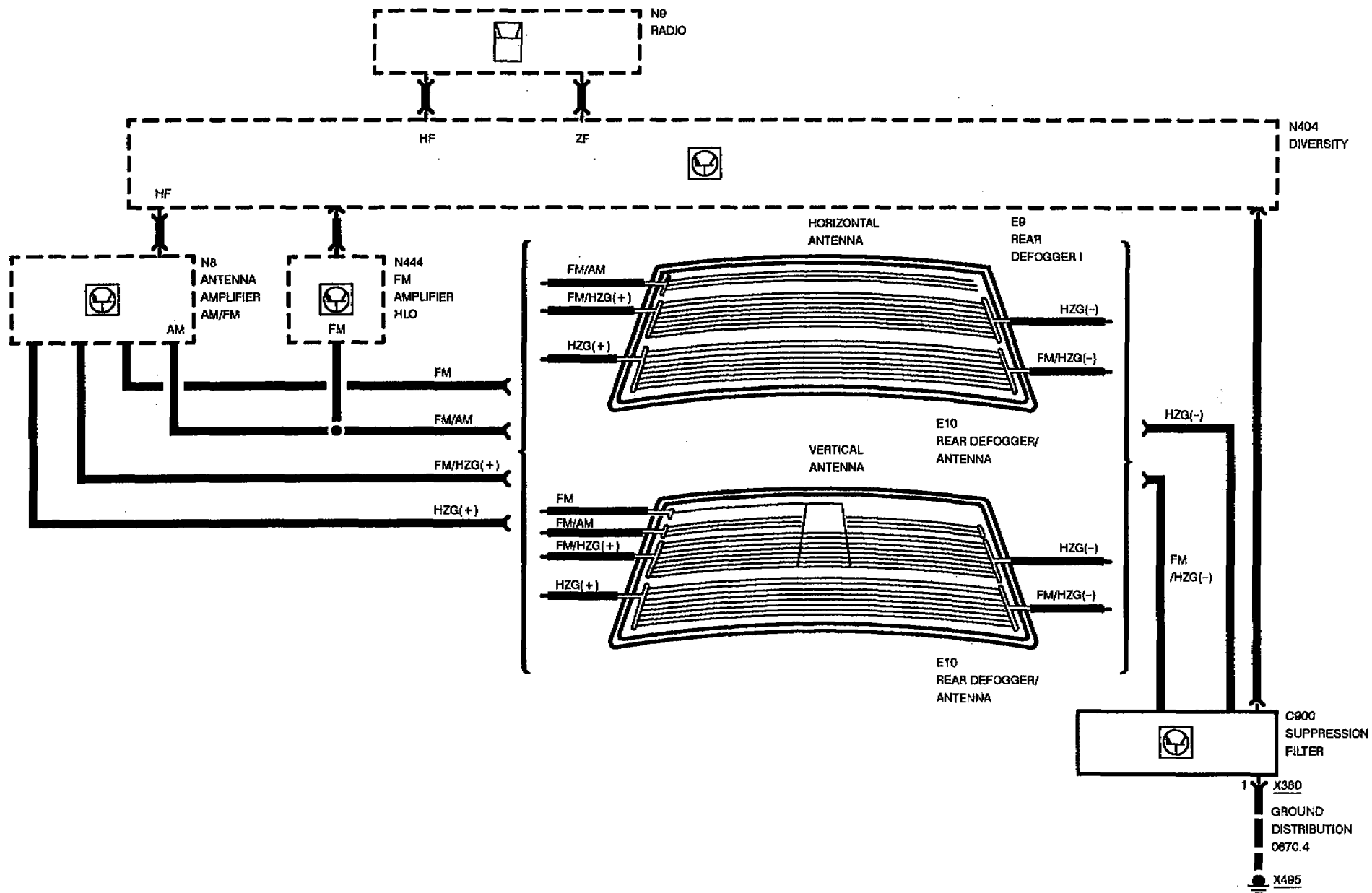
REAR WINDOW ANTENNA

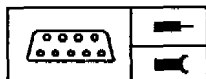




REAR WINDOW DEFOGGER

3-ANTENNA-DIVERSITY





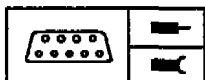
Pin Assignments

A=X18155	26 Pins, white
B=X18156	26 Pins, black
C=X18157	26 Pins, blue

X18155

Pin	Type	Description/ Function	Connection
1		Not used	
2	E	Heater temperature, right	Heat exchanger temperature sensor, RH
3	E	Heater temperature, left	Heat exchanger temperature sensor, LH
4	E	Outside temperature	Outside temperature sensor
5	E	Evaporator temperature	Evaporator temperature sensor
6	E	Nominal mixing value	Mixing actuator
7	E	Independent ventilation	Park heating/ventilation relay box
8	E	Vehicle speed	Instrument cluster
9		Not used	
10	E	Independent heating	Park heating/ventilation relay box
11		Not used	
12	E	Terminal 58k	Light switch
13	A	Voltage supply for function lights	IHKR/F3 switching unit
14	A	Voltage supply for mixing actuator	Mixing actuator
15	M	Ground for control wheels and inside temperature sensor	IHKR/F3 control switch
16	M	Ground for temperature sensors	Various temperature sensors
17	M	Ground for mixing actuator	Mixing actuator
18	M	Ground for illumination and switches	IHKR/F3 switching unit
19		Not used	
20	E	Push button for air conditioning	IHKR/F3 switching unit
21	E	Push button for air recirculation	IHKR/F3 switching unit
22	E	Push button for rear window defogger	IHKR/F3 switching unit
23	A	Function light, air conditioning	IHKR/F3 switching unit
24	A	Function light, rear window defogger	IHKR/F3 switching unit

E = Input, A = Output, M = Ground



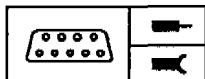
Pin Assignments

Pin	Type	Description/ Function	Connection
25	A	Function light, air recirculation	IHKR/F3 switching unit
26	A	Function light, air recirculation control	IHKR/F3 switching unit

X18156

Pin	Type	Description/ Function	Connection
1	E	Ground for electronics	Ground point
2		Not used	
3	E	Inside temperature sensor	IHKR/F3 control switch
4	E	Nominal air flow value	IHKR/F3 control switch
5	E	Nominal temperature value, left	IHKR/F3 control switch
6	E	Nominal temperature value, right	IHKR/F3 control switch
7		Not used	
8		Not used	
9	A	Auxiliary fan signal	Engine control module (DME)
10	M	Ground for electronics	Ground point
11		Not used	
12	E	Voltage supply (terminal 30)	Front power distribution box
13	E	Voltage supply (terminal 30)	Front power distribution box
14		Not used	
15	A	Water valve activation, right	IHKR/F3 control switch
16		Not used	
17		Not used	
18	E	Terminal 15 (independent ventilation only)	
19		Not used	
20		Not used	
21		Not used	
22	A	Water valve activation	IHKR/F3 control switch
23	E	Voltage supply (terminal 15)	Front power distribution box
24		Not used	
25	E	Terminal 61	Unloader relay terminal 61
26	E	Terminal 30h	Starter

E = Input, A = Output, M = Ground



Pin Assignments

X18157

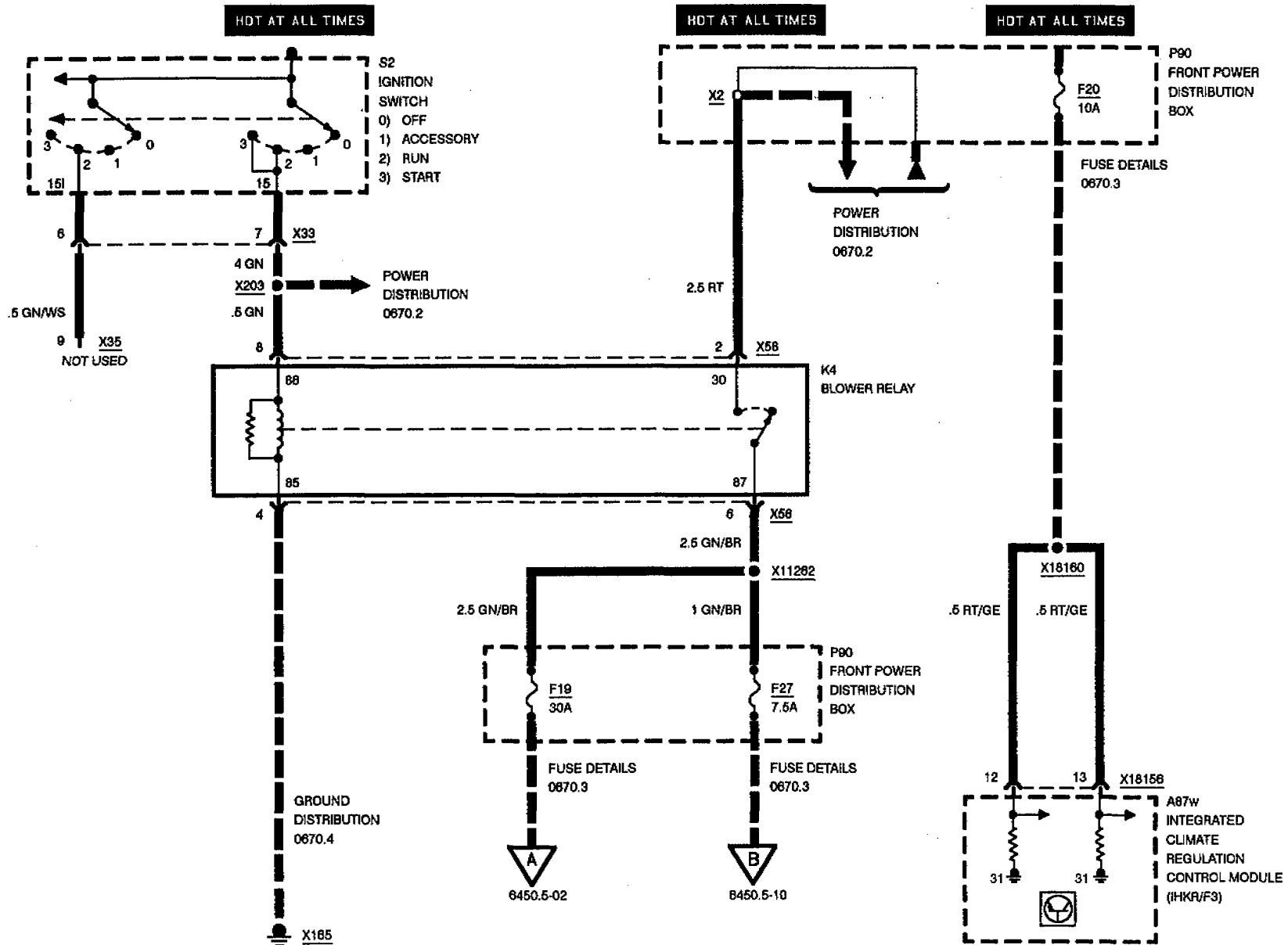
Pin	Type	Description/ Function	Connection
1	A	Voltage supply for flap motors	All flap motors
2	A	Voltage supply for flap motors	All flap motors
3		Not used	
4		Not used	
5		Not used	
6	A	Recirculation flap motor activation	Recirculation flap motor
7	A	Recirculation flap motor activation	Recirculation flap motor
8	A	Recirculation flap motor activation	Recirculation flap motor
9	A	Recirculation flap motor activation	Recirculation flap motor
10	A	Fresh air flap motor activation	Fresh air flap motor
11	A	Fresh air flap motor activation	Fresh air flap motor
12	A	Fresh air flap motor activation	Fresh air flap motor
13	A	Fresh air flap motor activation	Fresh air flap motor
14	A	Voltage supply for control wheels	IHKR/F3 control switch
15	E	RxD diagnostic data line	Data link connector RxD
16	E/A	TxD diagnostic data line	Data link connector TxD
17		Not used	
18	A	Sensor for activation	IHKR/F3 control switch
19	A	Auxiliary water pump activation	Auxiliary water pump relay
20	A	Rear window defogger activation	Rear defogger relay
21		Not used	
22	A	A/C compressor activation	Engine control module (DME)
23	A	Dash vent mixing flap motor activation	Dash vent mixing flap motor
24	A	Dash vent mixing flap motor activation	Dash vent mixing flap motor
25	A	Dash vent mixing flap motor activation	Dash vent mixing flap motor
26	A	Dash vent mixing flap motor activation	Dash vent mixing flap motor

E = Input, A = Output, M = Ground

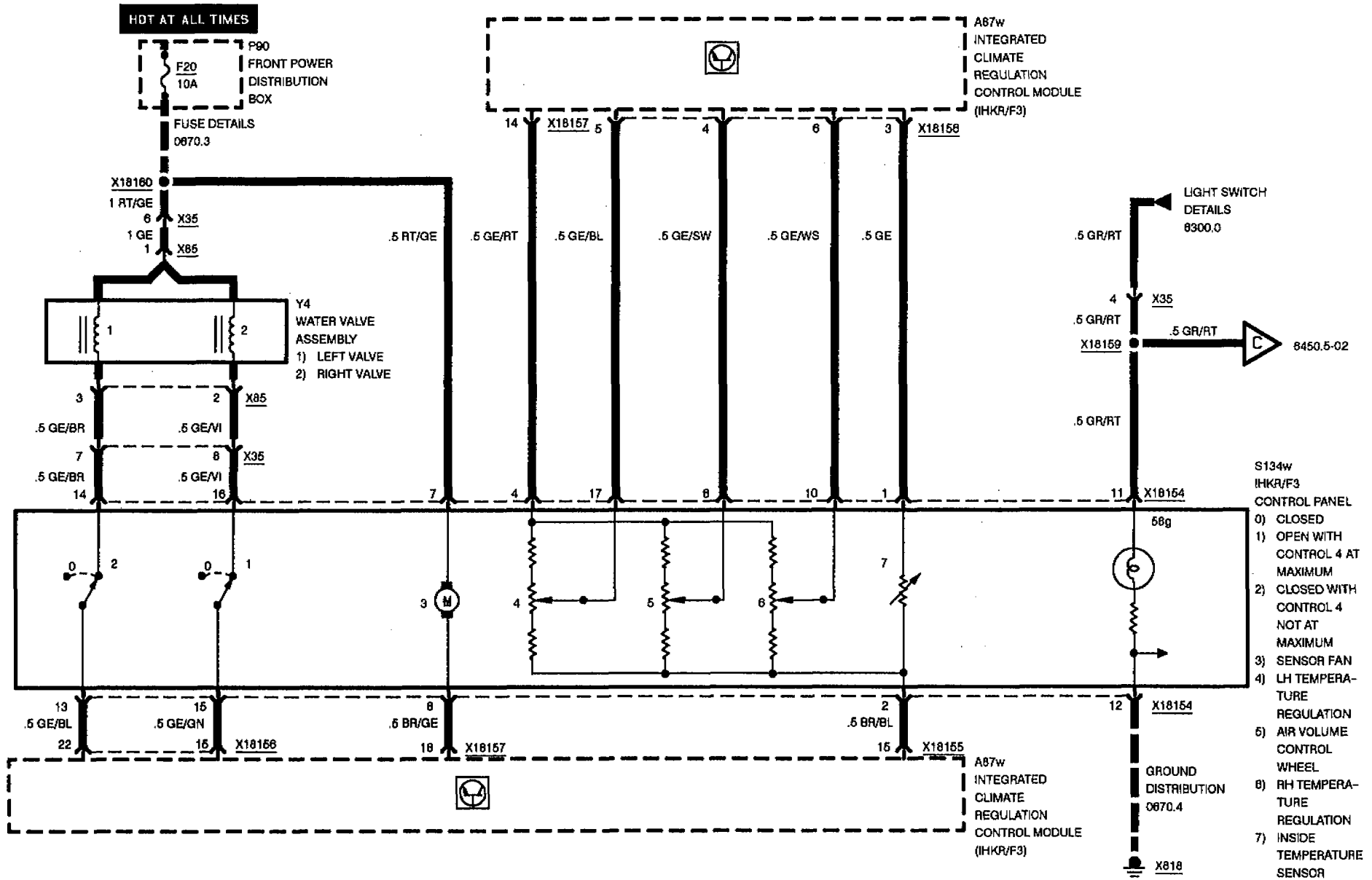


INTEGRATED CLIMATE REGULATION WITH FILTER (IHKR/F3)

POWER

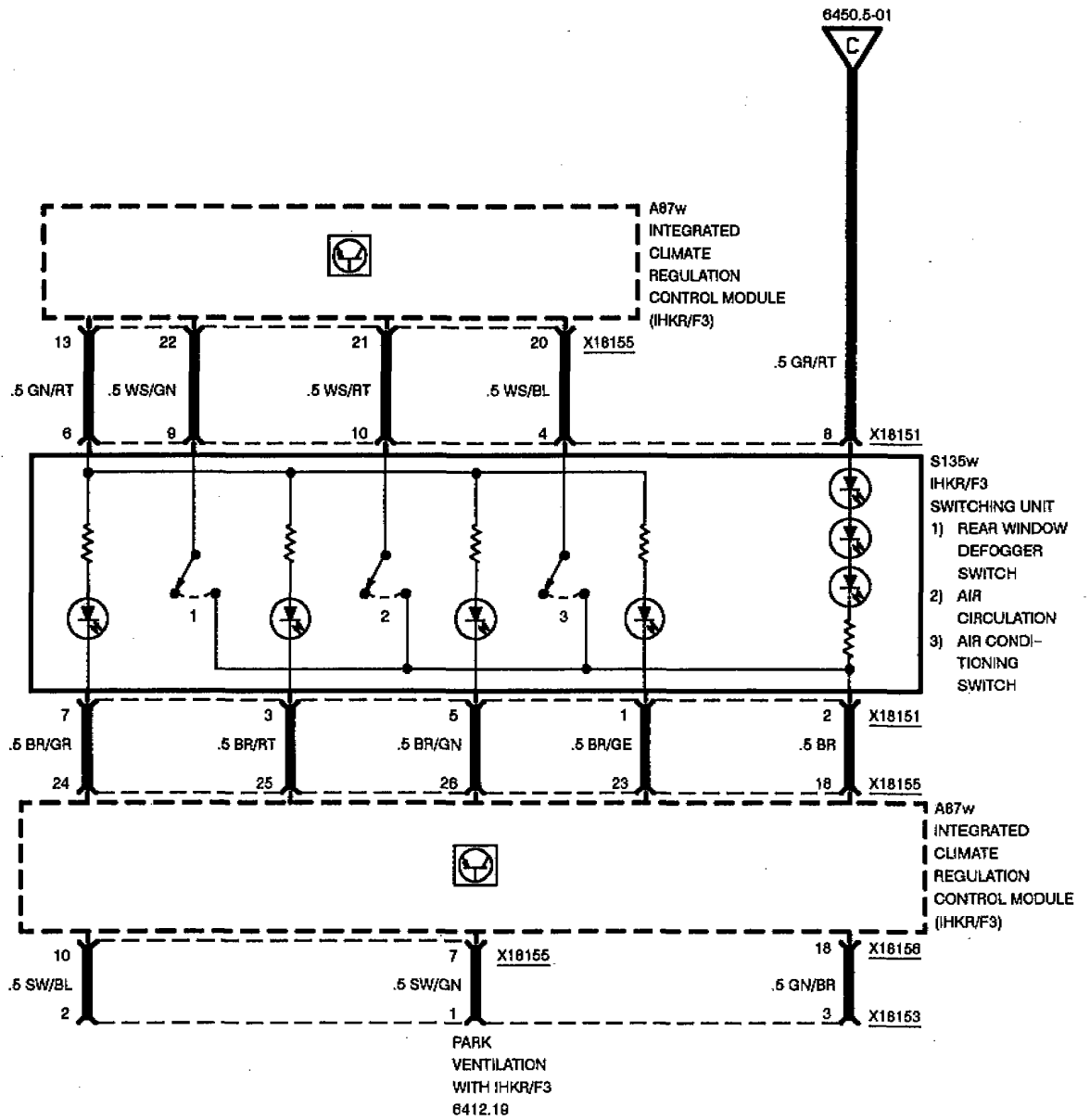
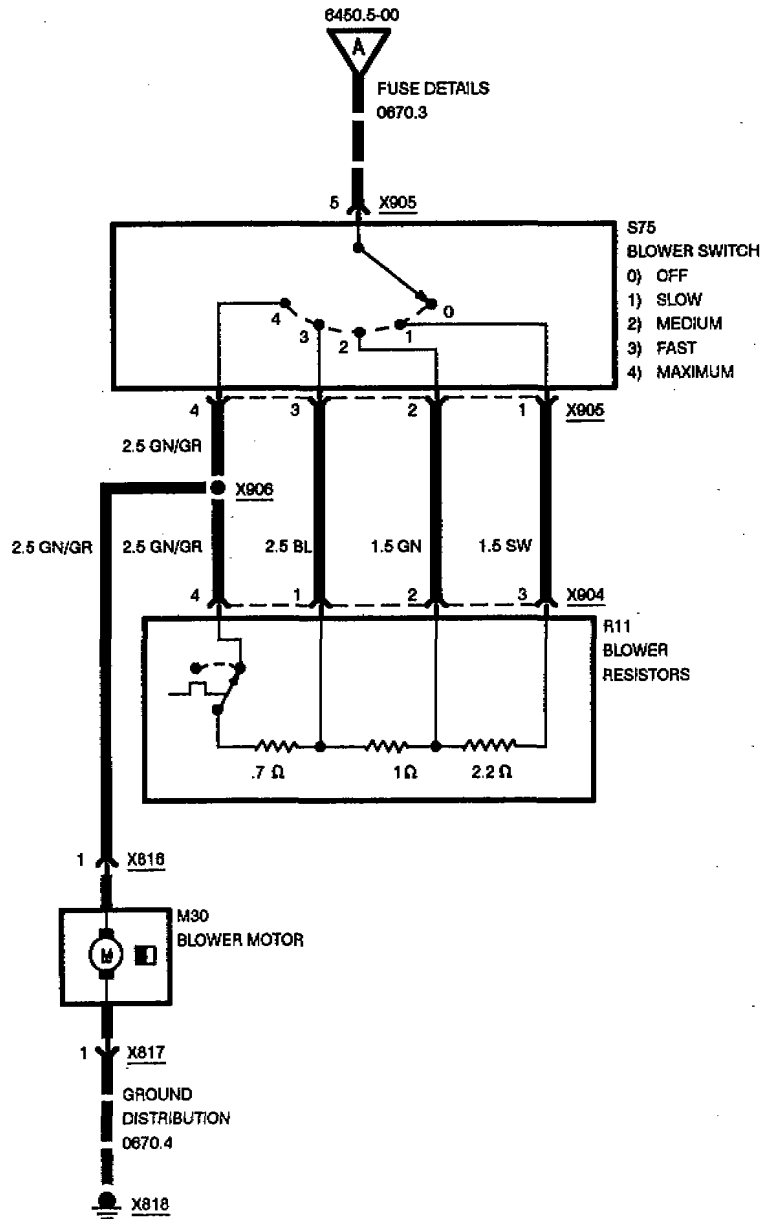


INTEGRATED CLIMATE REGULATION WITH FILTER (IHKR/F3)



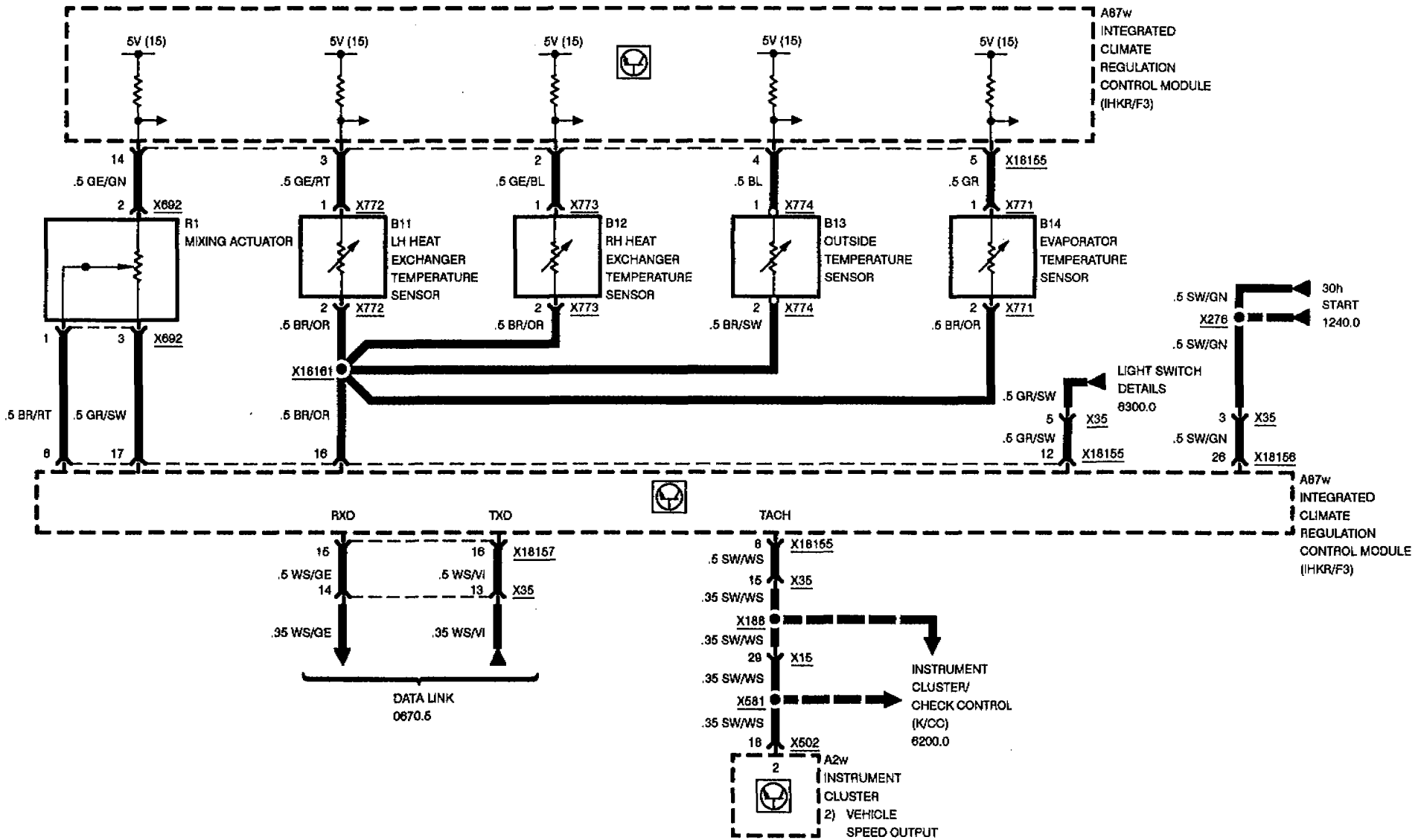


INTEGRATED CLIMATE REGULATION WITH FILTER (IHKR/F3)





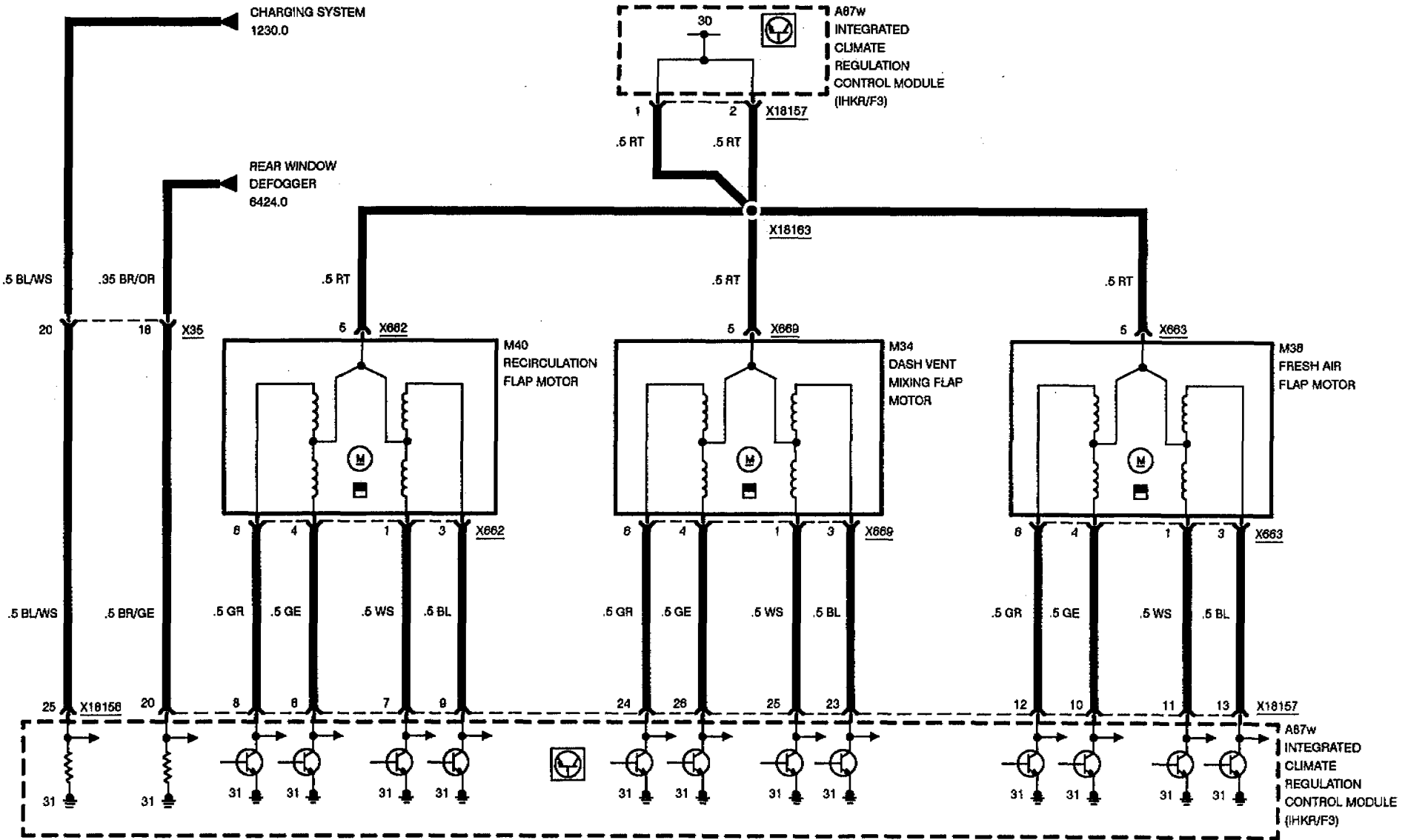
INTEGRATED CLIMATE REGULATION WITH FILTER (IHKR/F3) TEMPERATURE CONTROLS





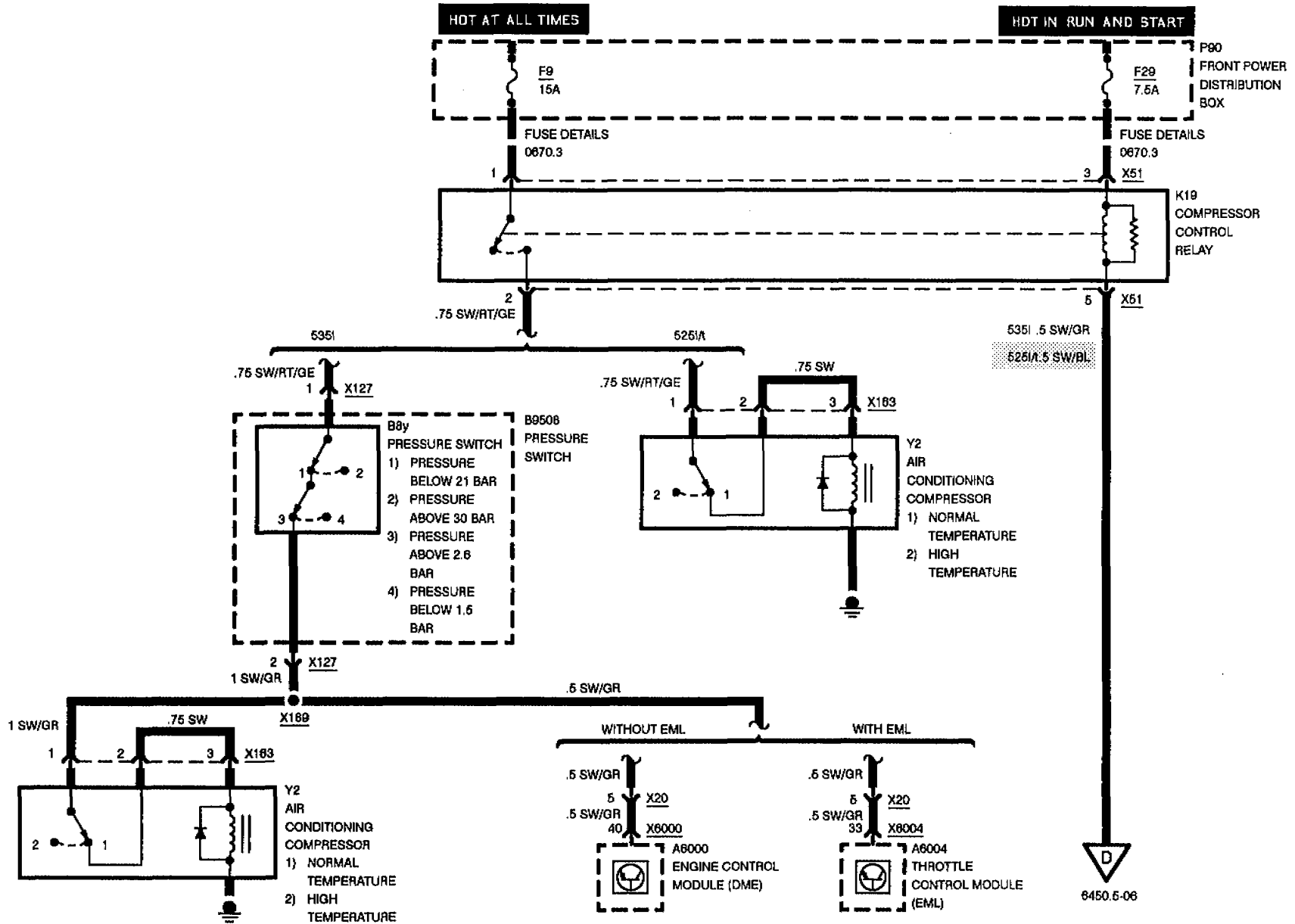
INTEGRATED CLIMATE REGULATION WITH FILTER (IHKR/F3)

AIR DELIVERY

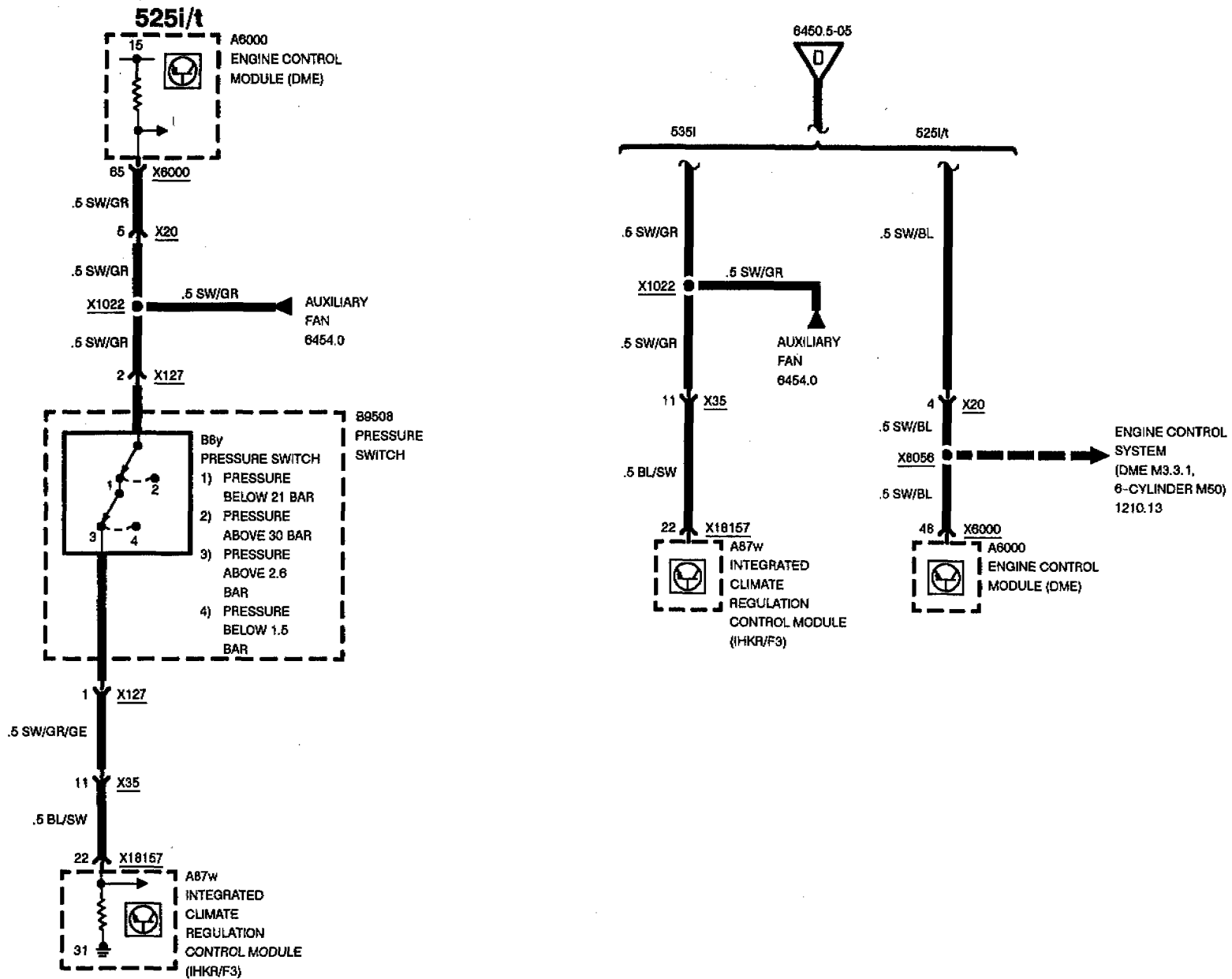




INTEGRATED CLIMATE REGULATION WITH FILTER (IHKR/F3) COMPRESSOR CONTROLS



INTEGRATED CLIMATE REGULATION WITH FILTER (IHKR/F3)

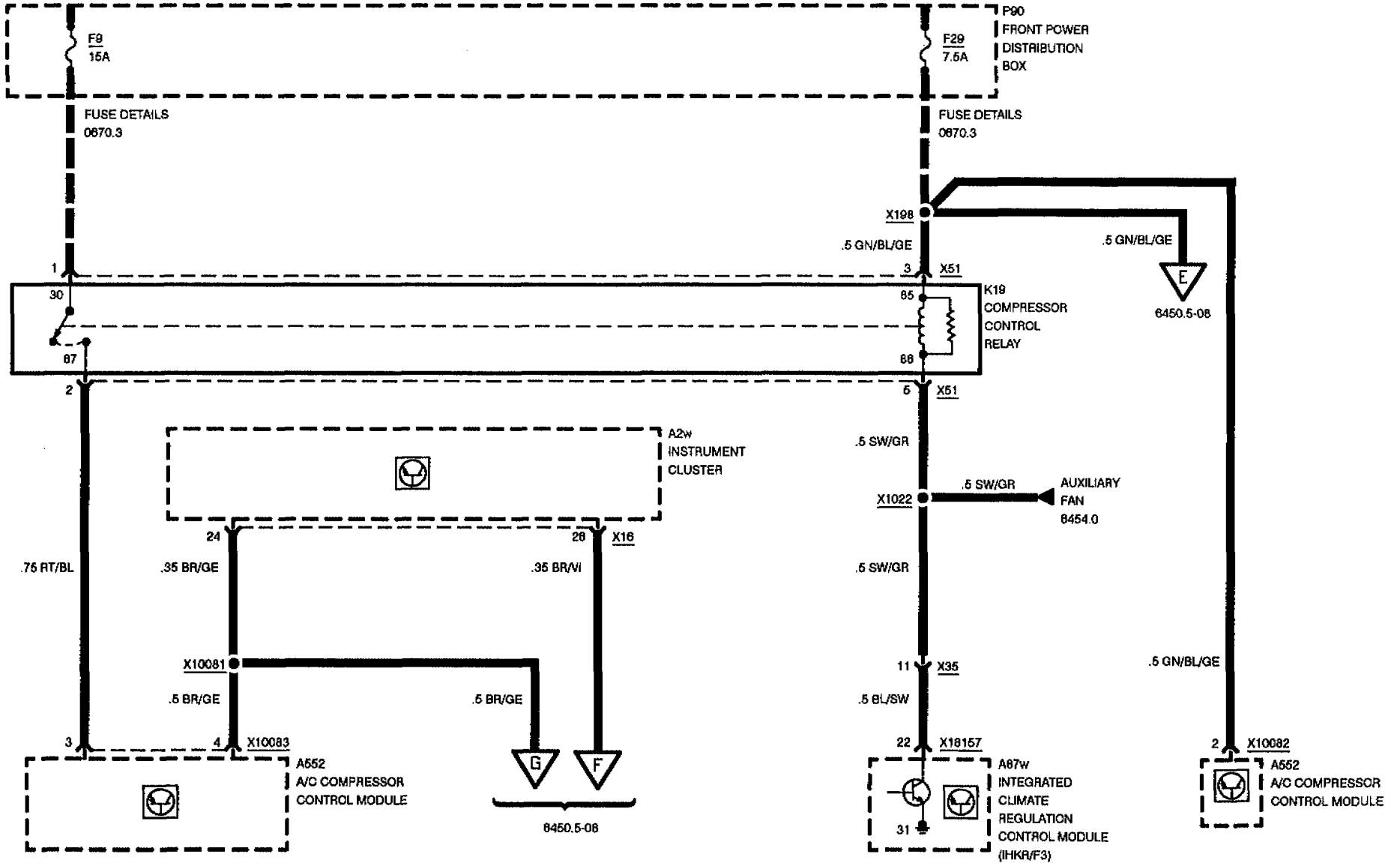




INTEGRATED CLIMATE REGULATION WITH FILTER (IHKR/F3) COMPRESSOR CONTROL FOR M5

HOT AT ALL TIMES

HOT IN RUN AND START

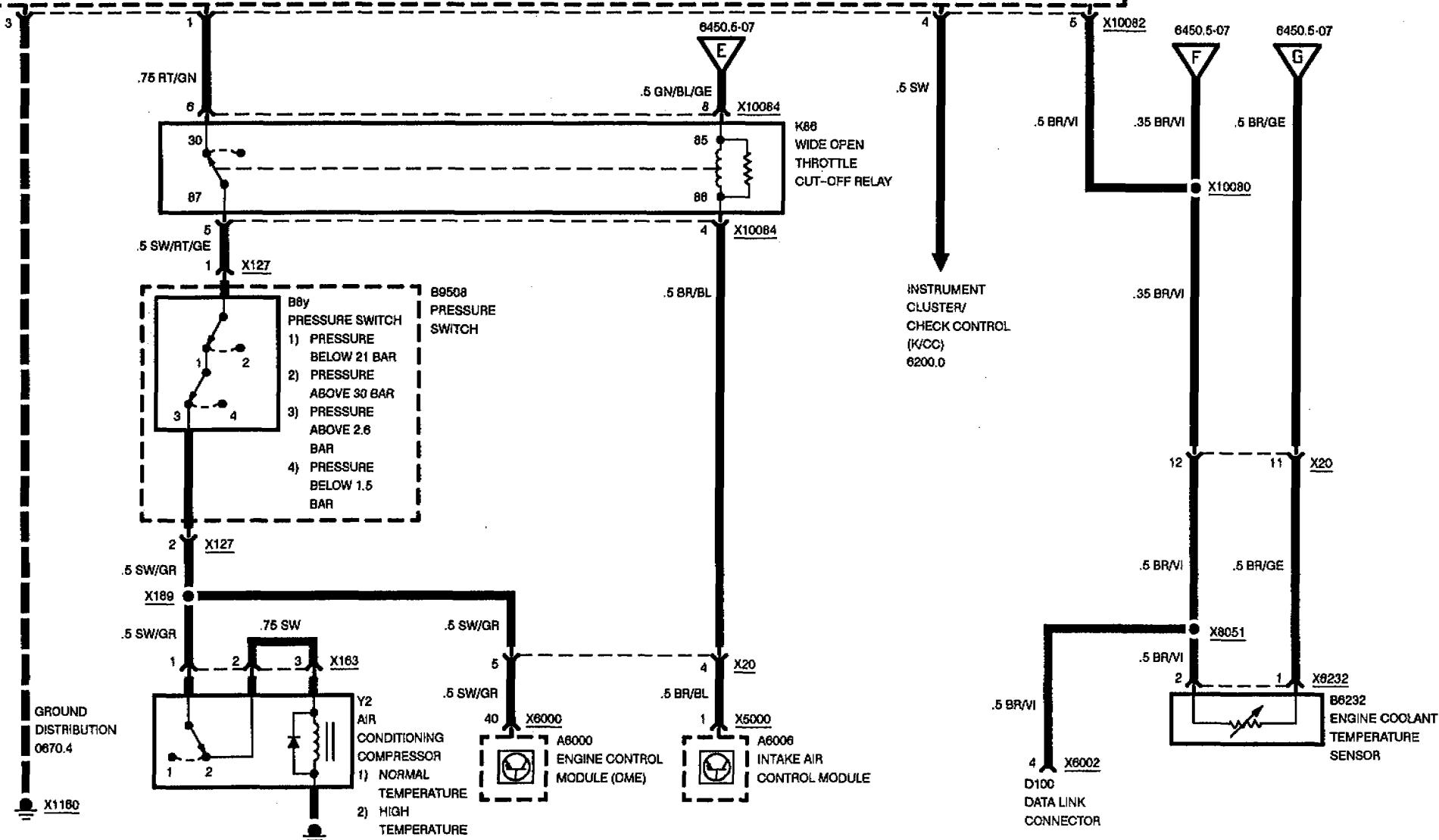




INTEGRATED CLIMATE REGULATION WITH FILTER (IHKR/F3) COMPRESSOR CONTROL FOR M5

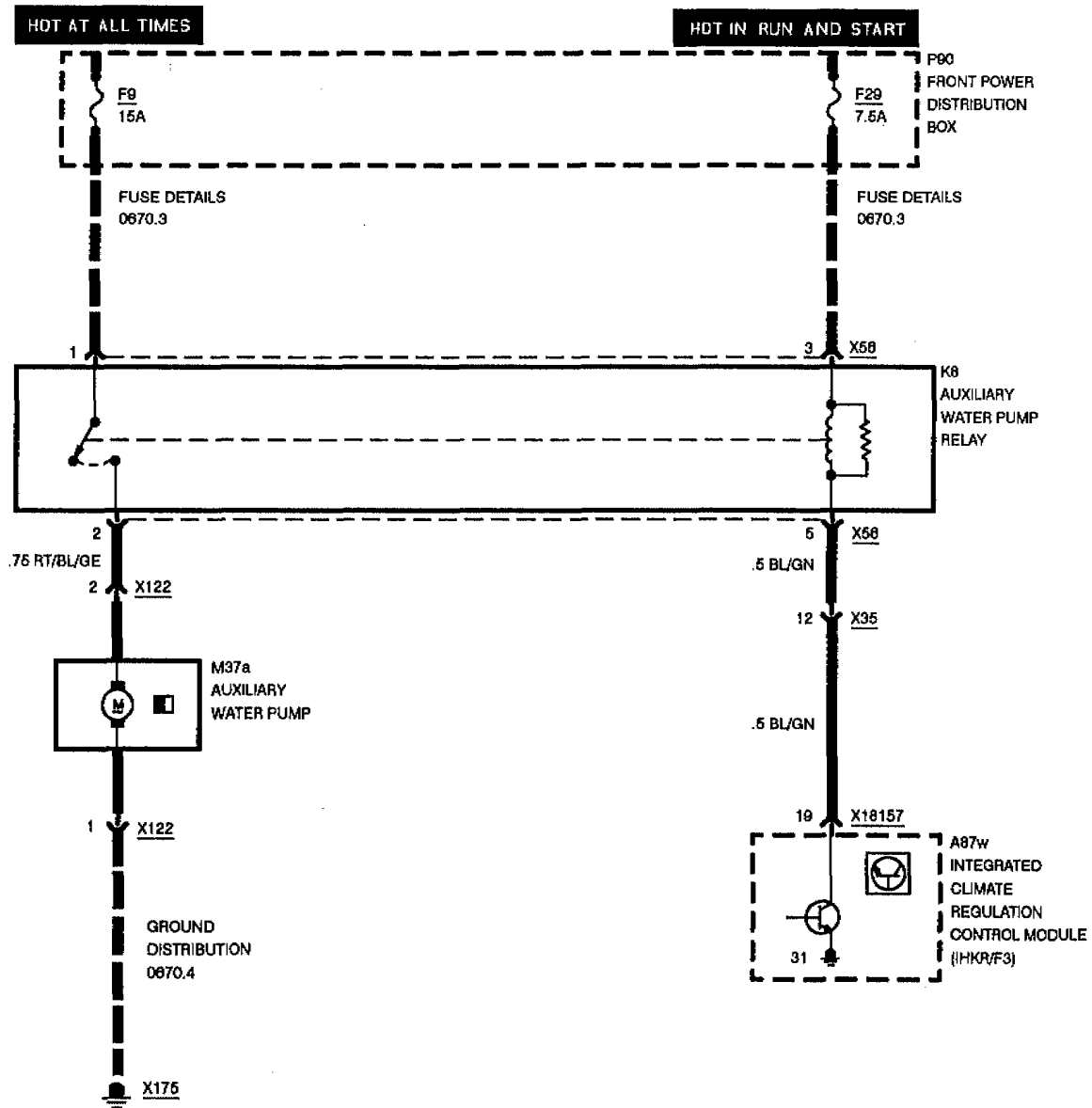


A552
A/C COMPRESSOR
CONTROL MODULE



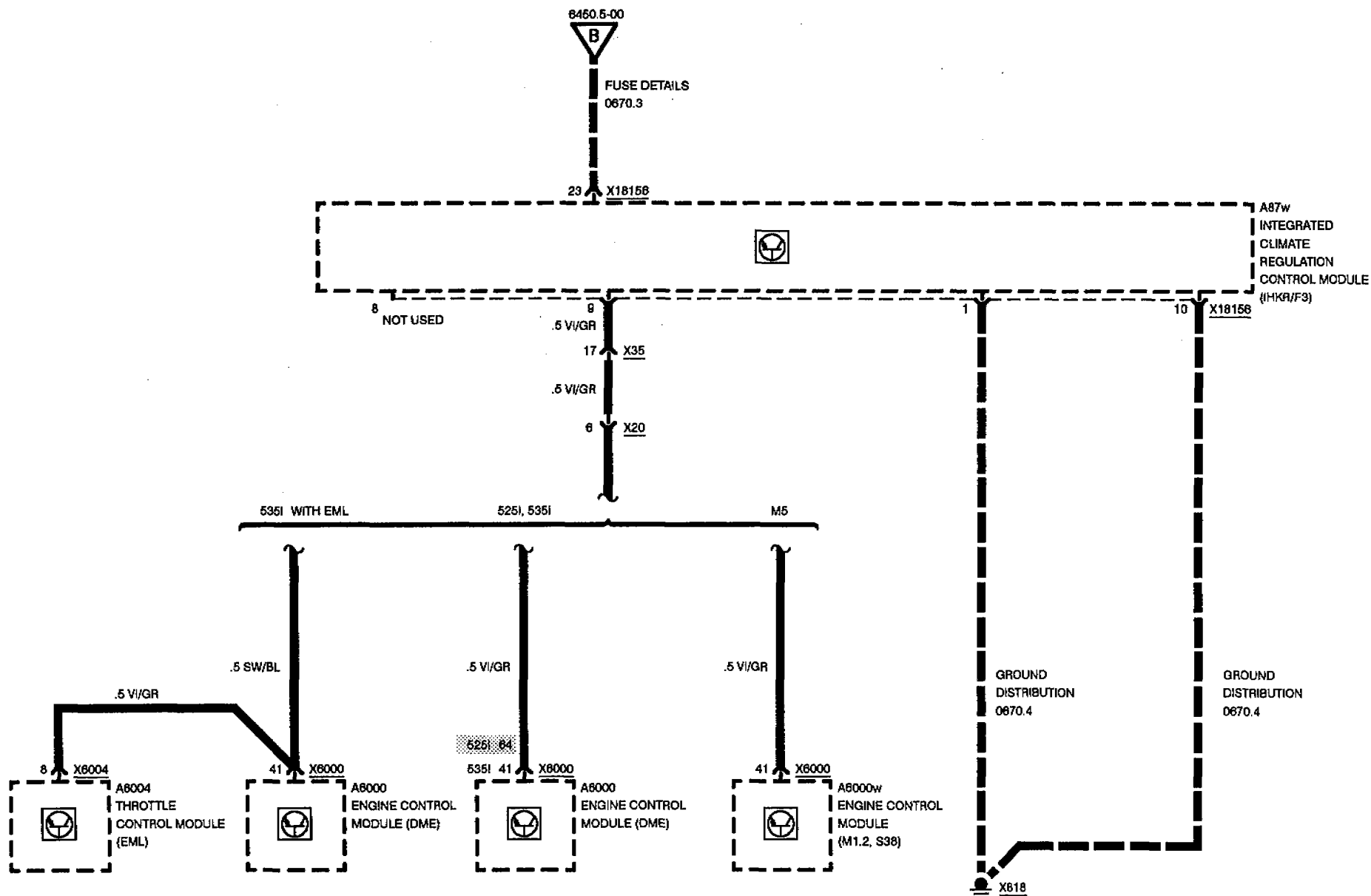


INTEGRATED CLIMATE REGULATION WITH FILTER (IHKR/F3) AUXILIARY WATER PUMP



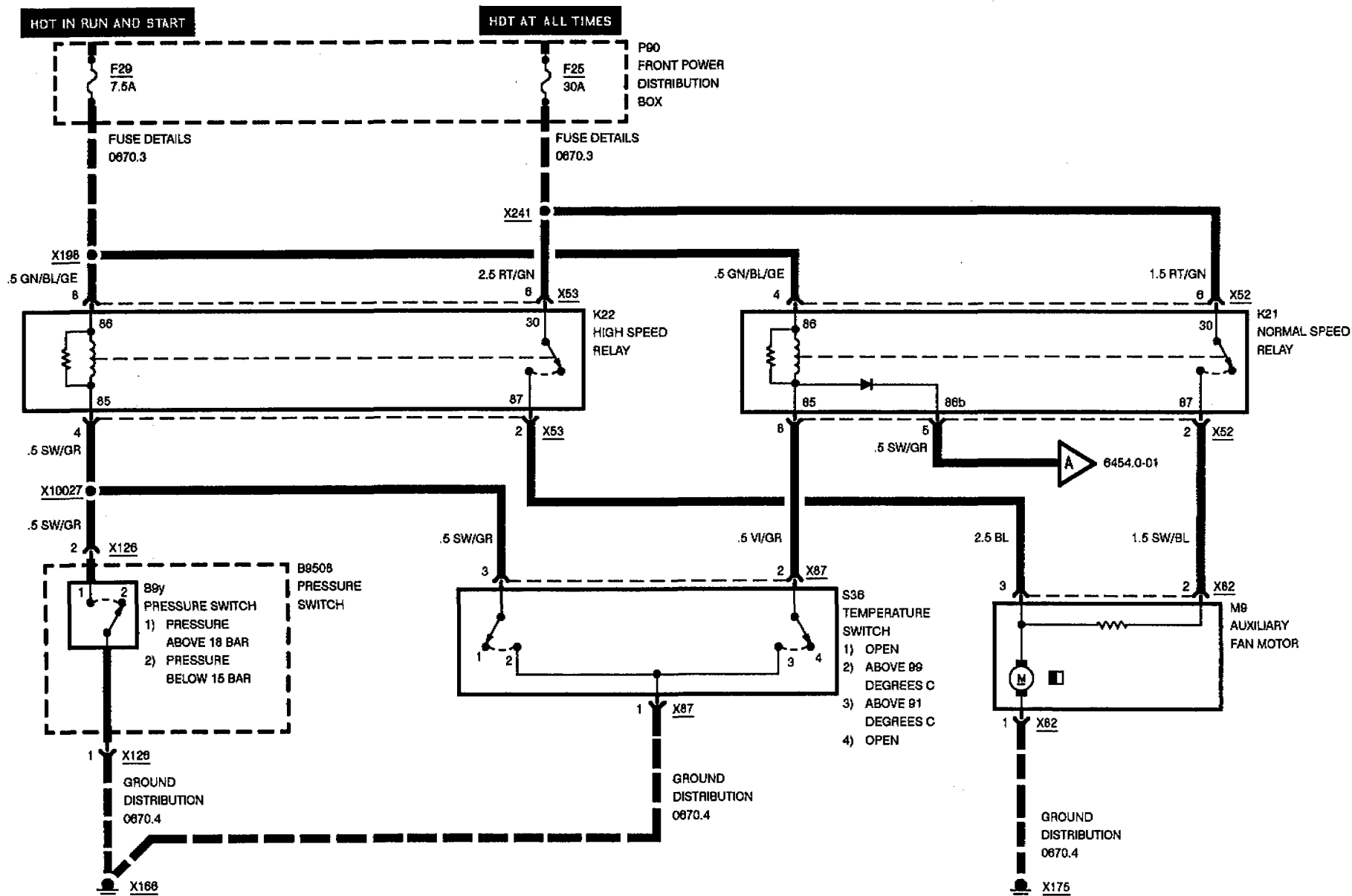


INTEGRATED CLIMATE REGULATION WITH FILTER (IHKR/F3)





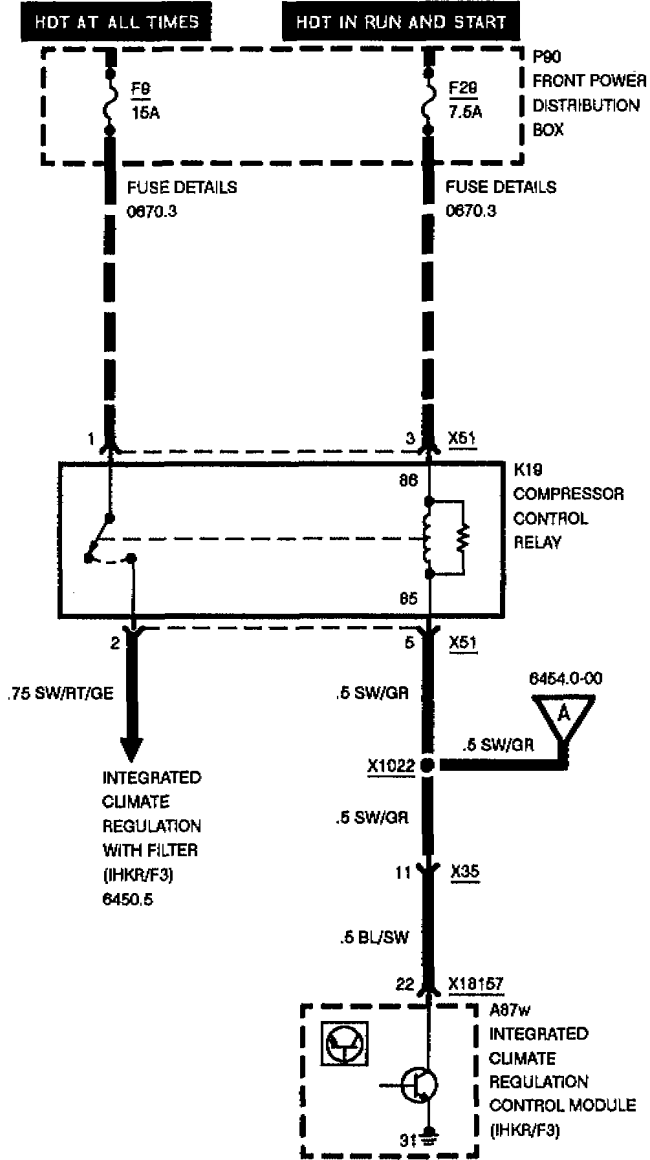
AUXILIARY FAN



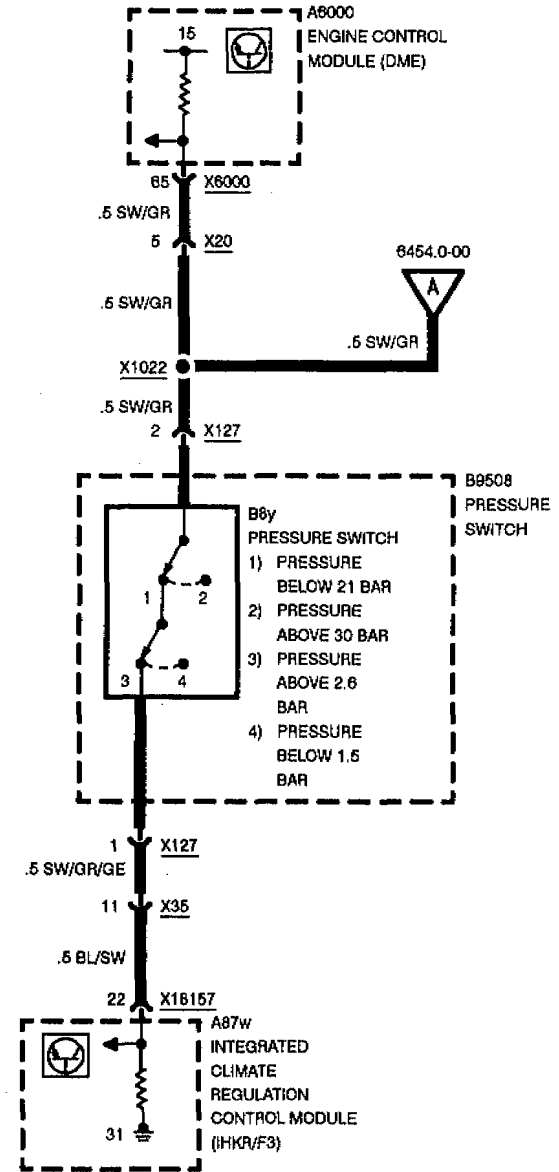


AUXILIARY FAN

535i, M5



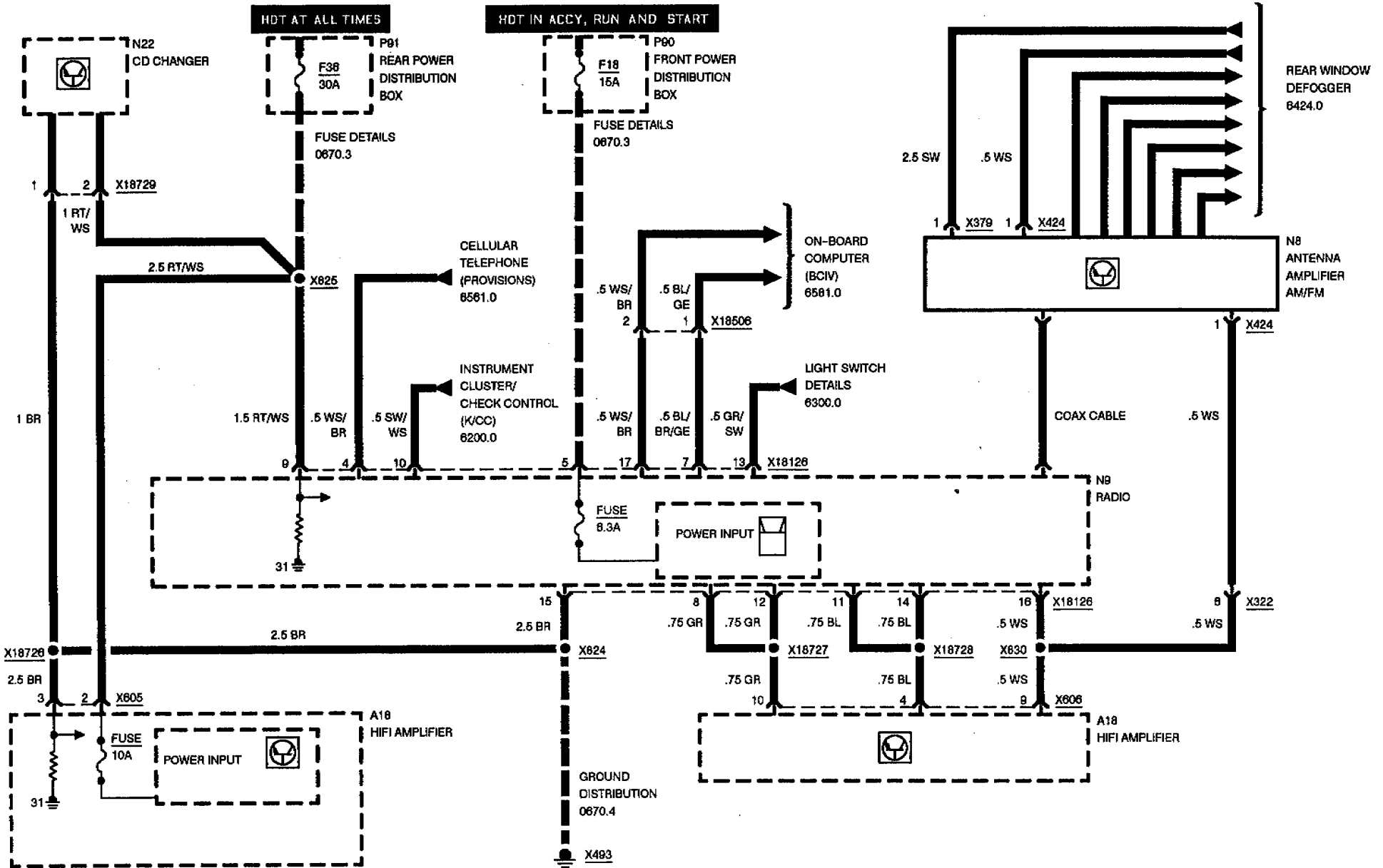
525i





RADIO/HIFI

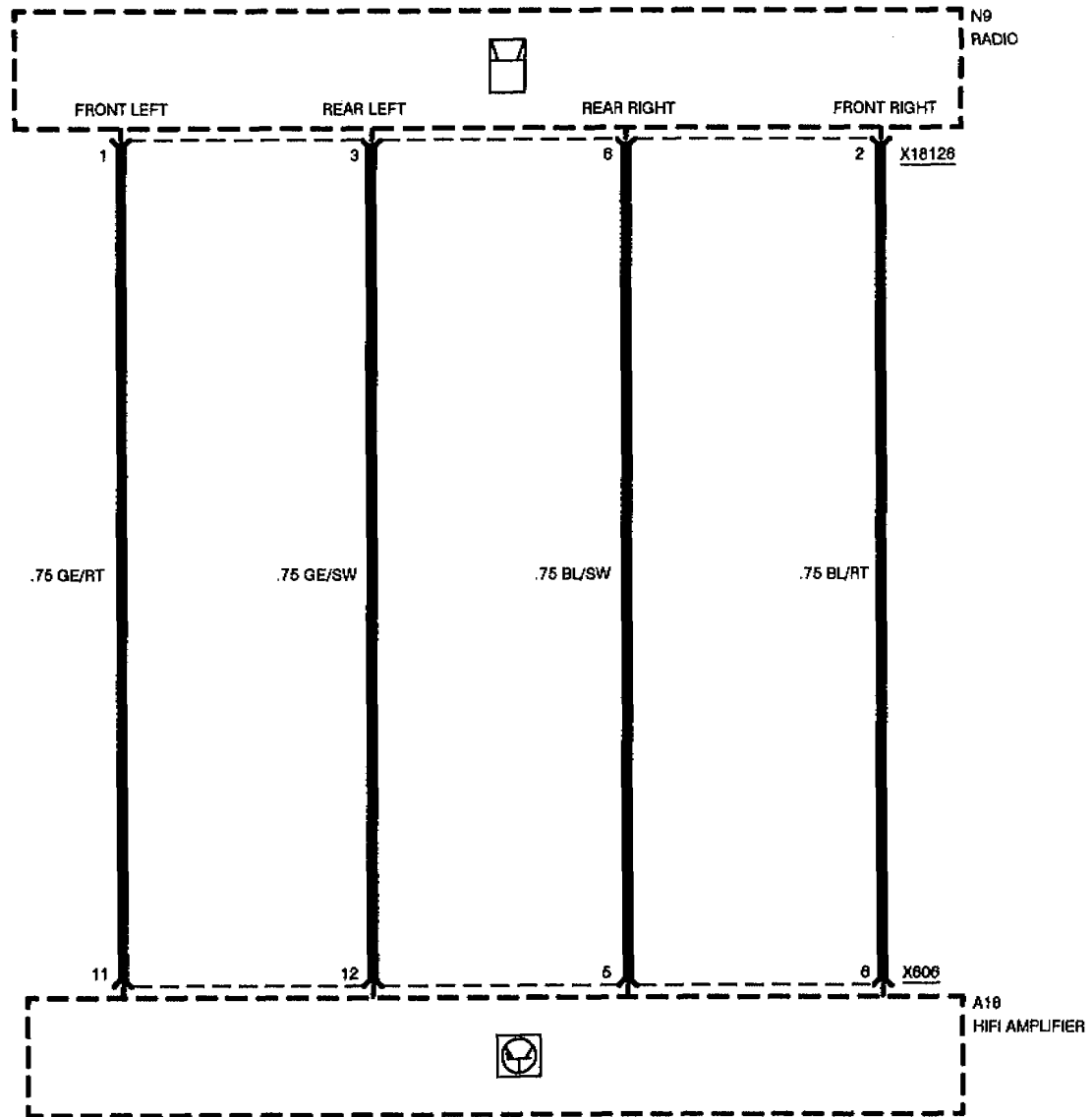
HIFI, 10-SPEAKER SYSTEM





RADIO/HIFI

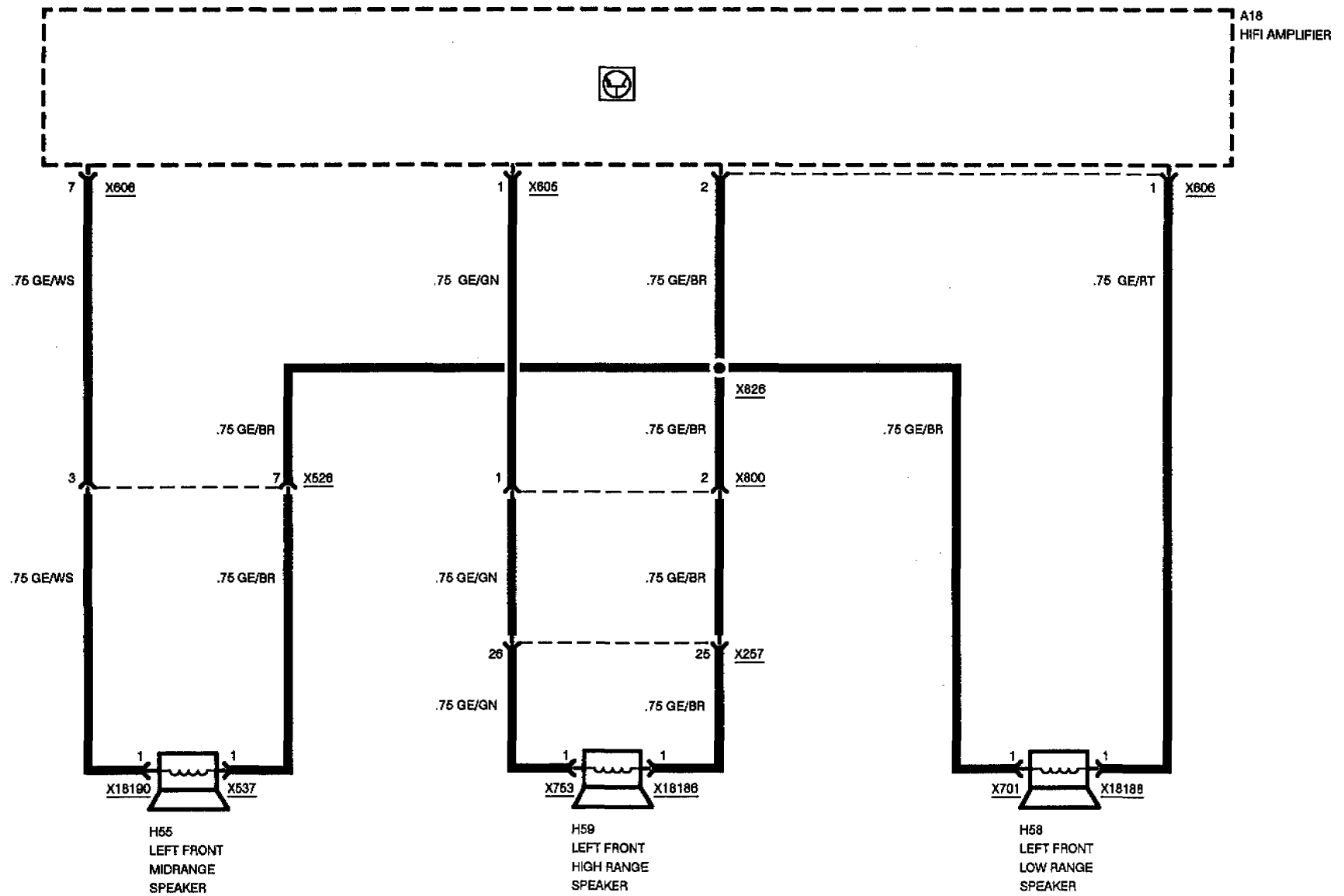
HIFI, 10-SPEAKER SYSTEM





RADIO/HIFI

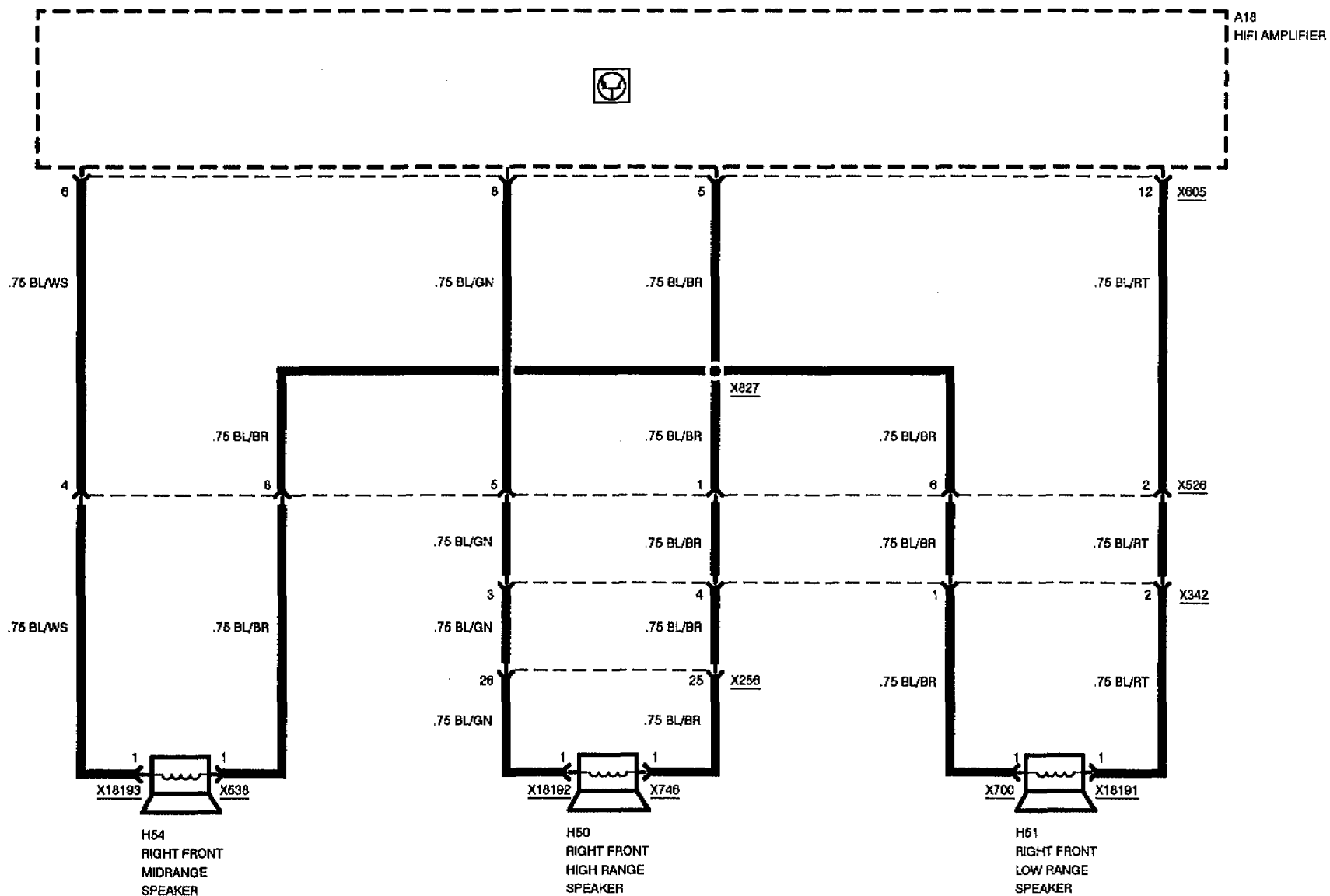
HIFI, 10-SPEAKER SYSTEM





RADIO/HIFI

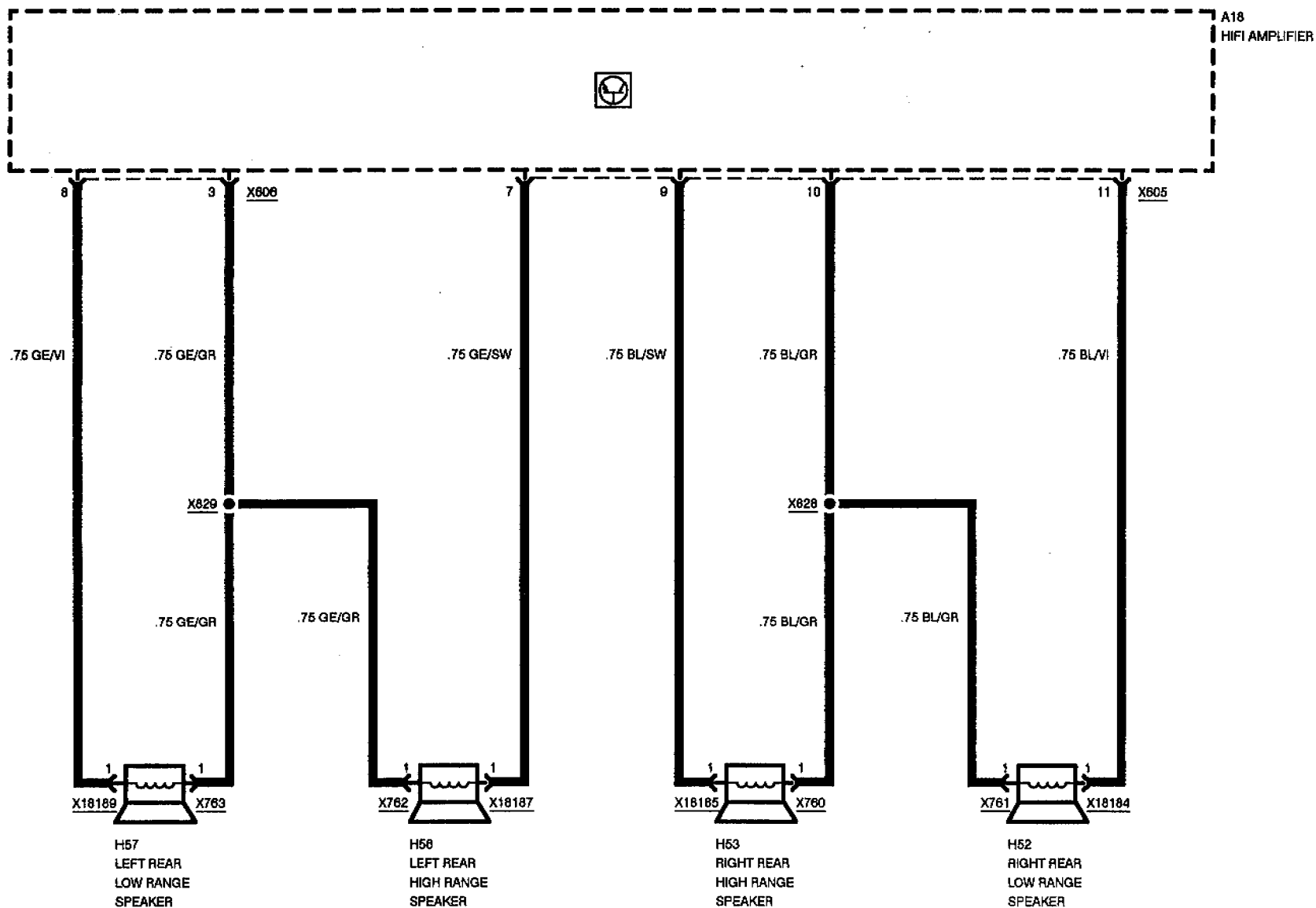
HIFI, 10-SPEAKER SYSTEM





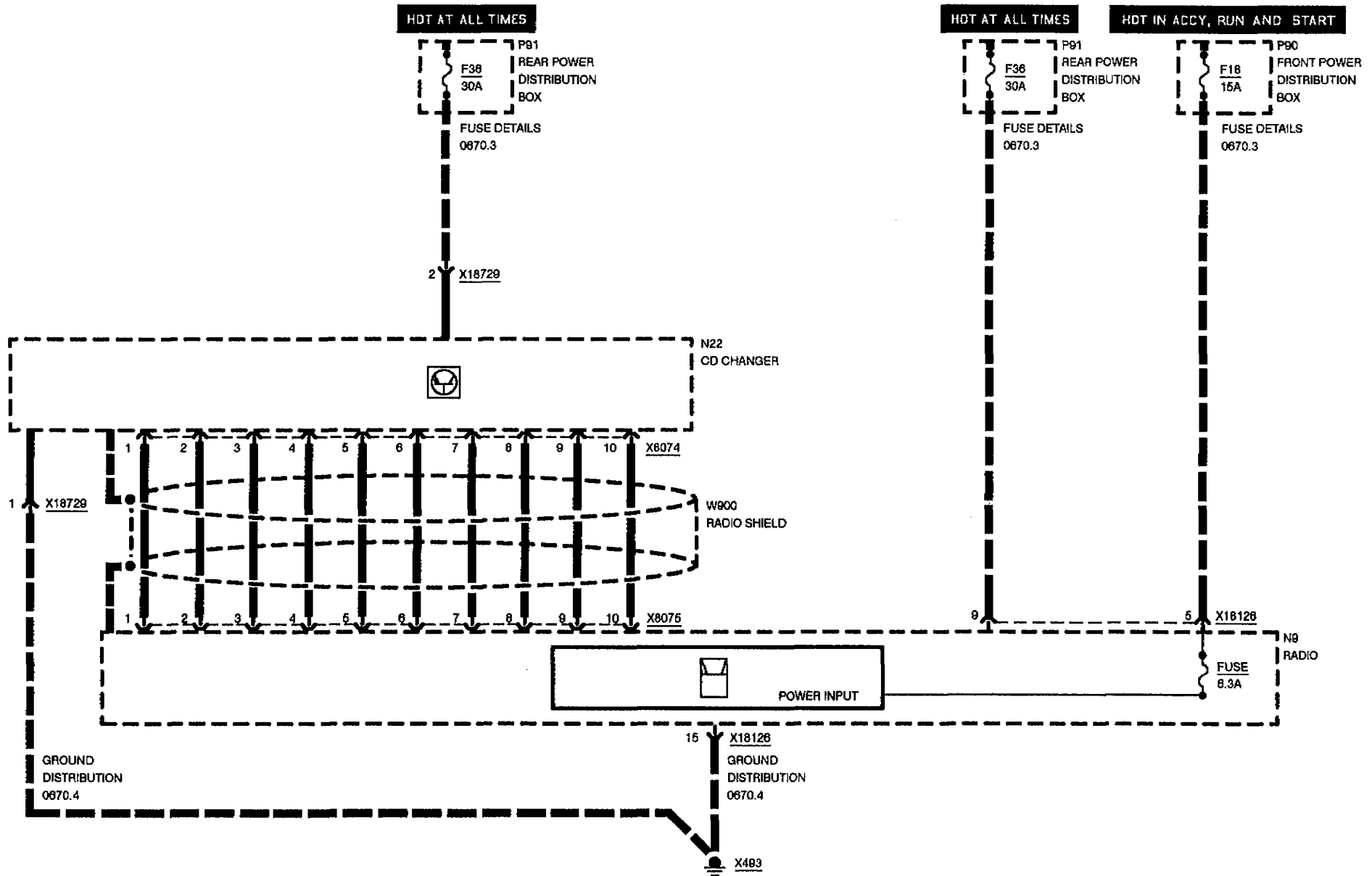
RADIO/HIFI

HIFI, 10-SPEAKER SYSTEM

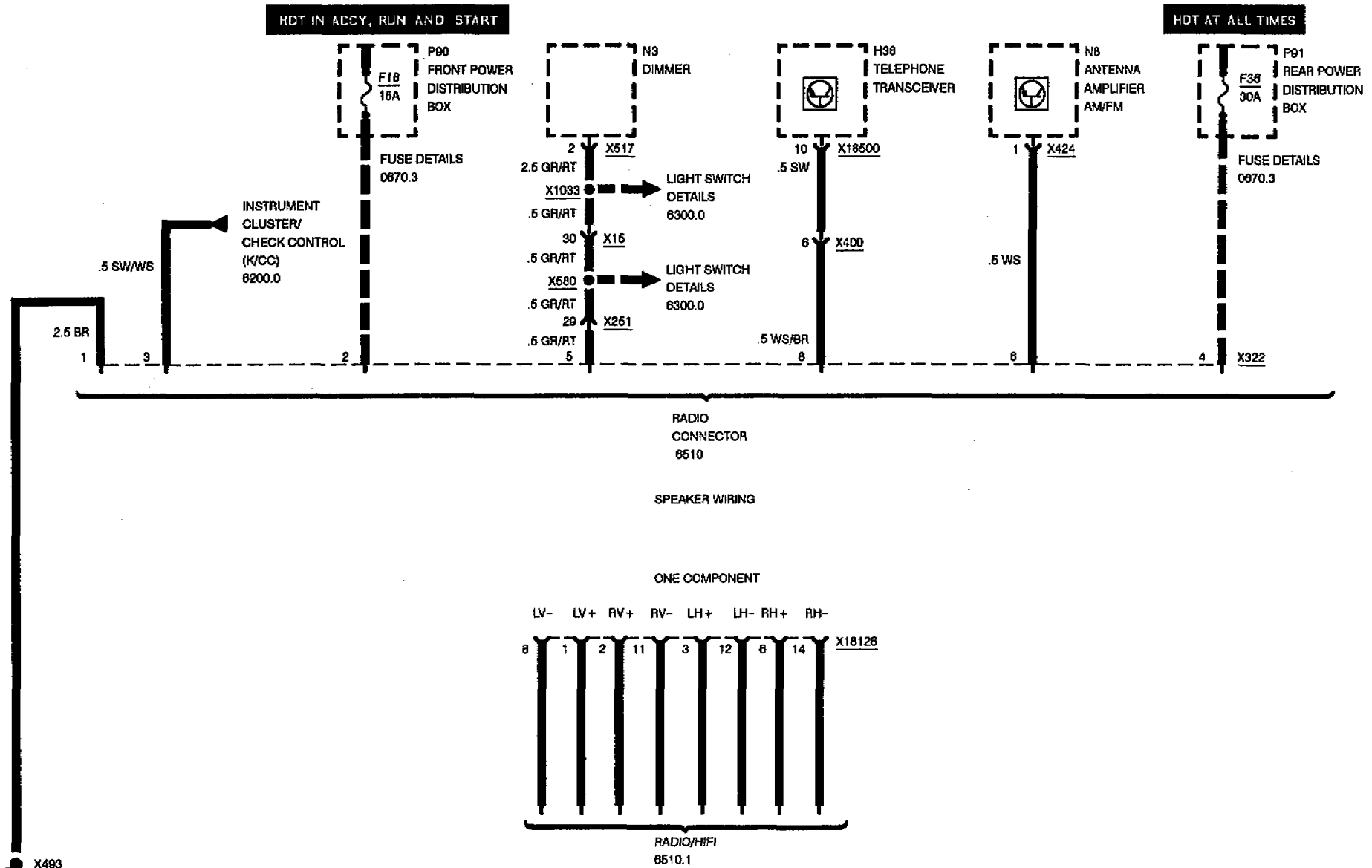




RADIO/HIFI RADIO/CD PLAYER VARIATION



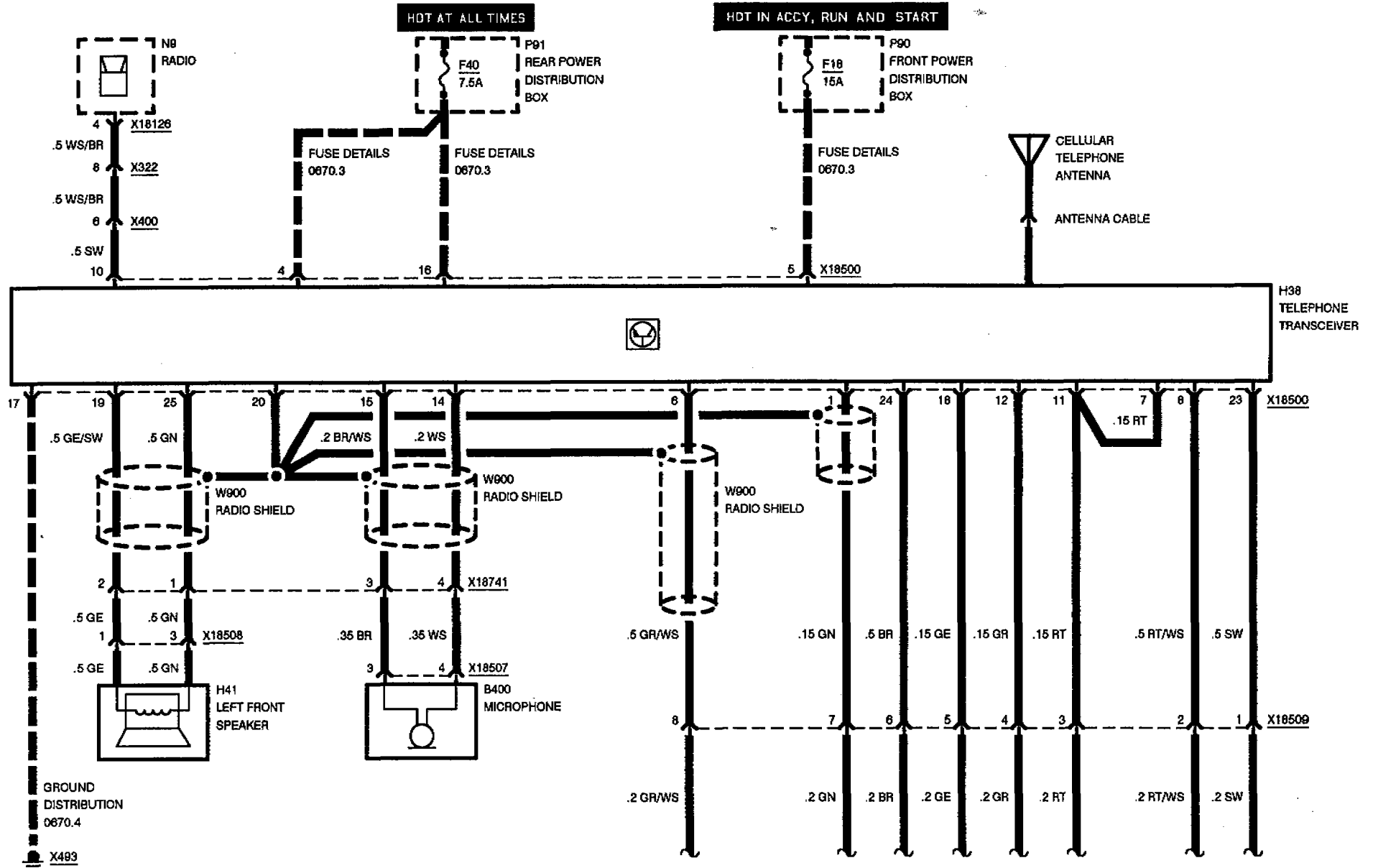
RADIO PROVISIONS



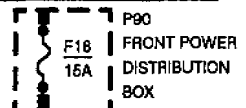




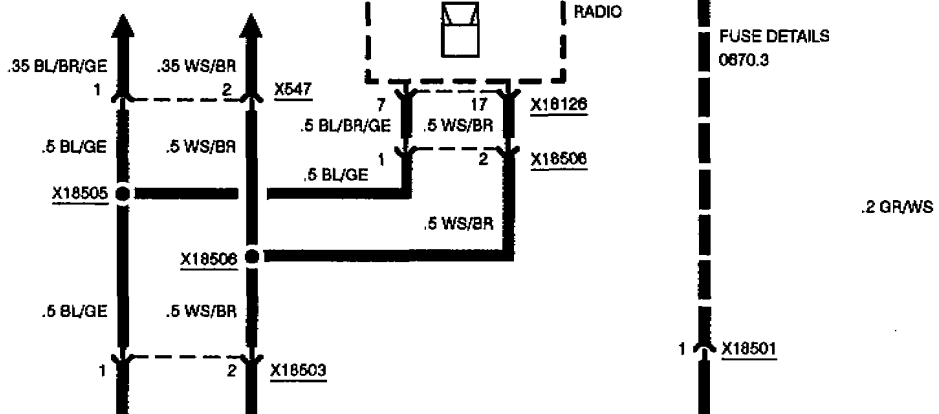
CELLULAR TELEPHONE (PROVISIONS) WITH INTERFACE



HOT IN ACCY. RUN AND START



ON-BOARD COMPUTER (BCIV) 8581.0



.2 GR/WS

.2 GN

.2 BR

.2 GE

.2 GR

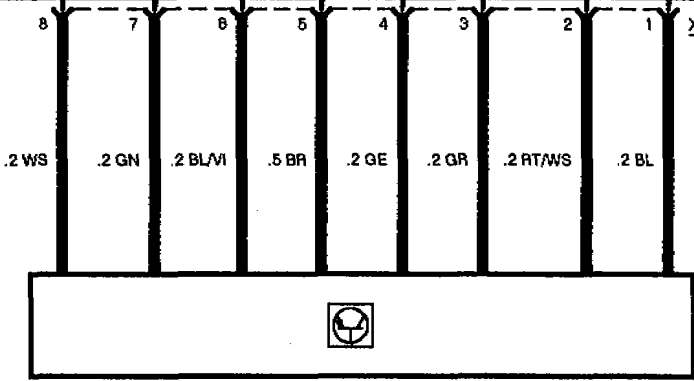
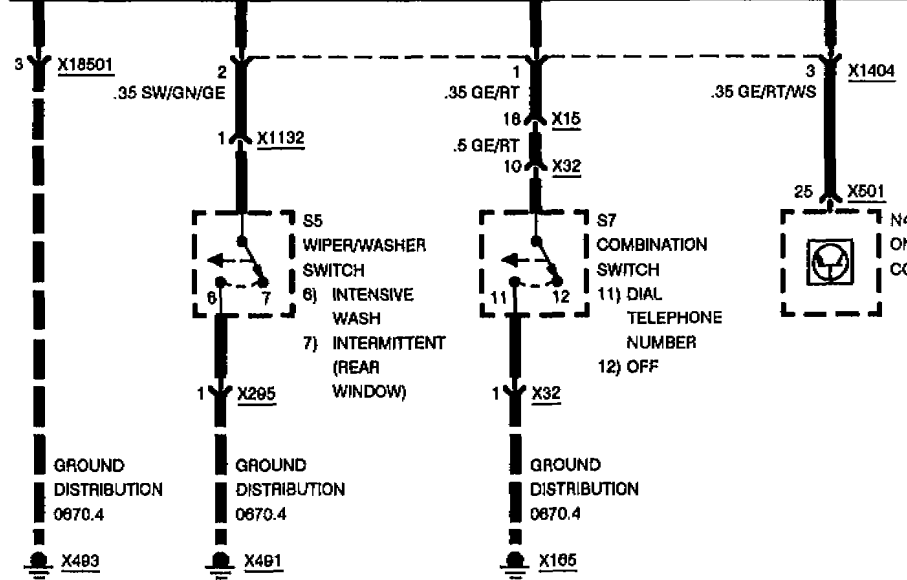
.2 RT

.2 RT/WS

.2 SW



A192 TELEPHONE INTERFACE US

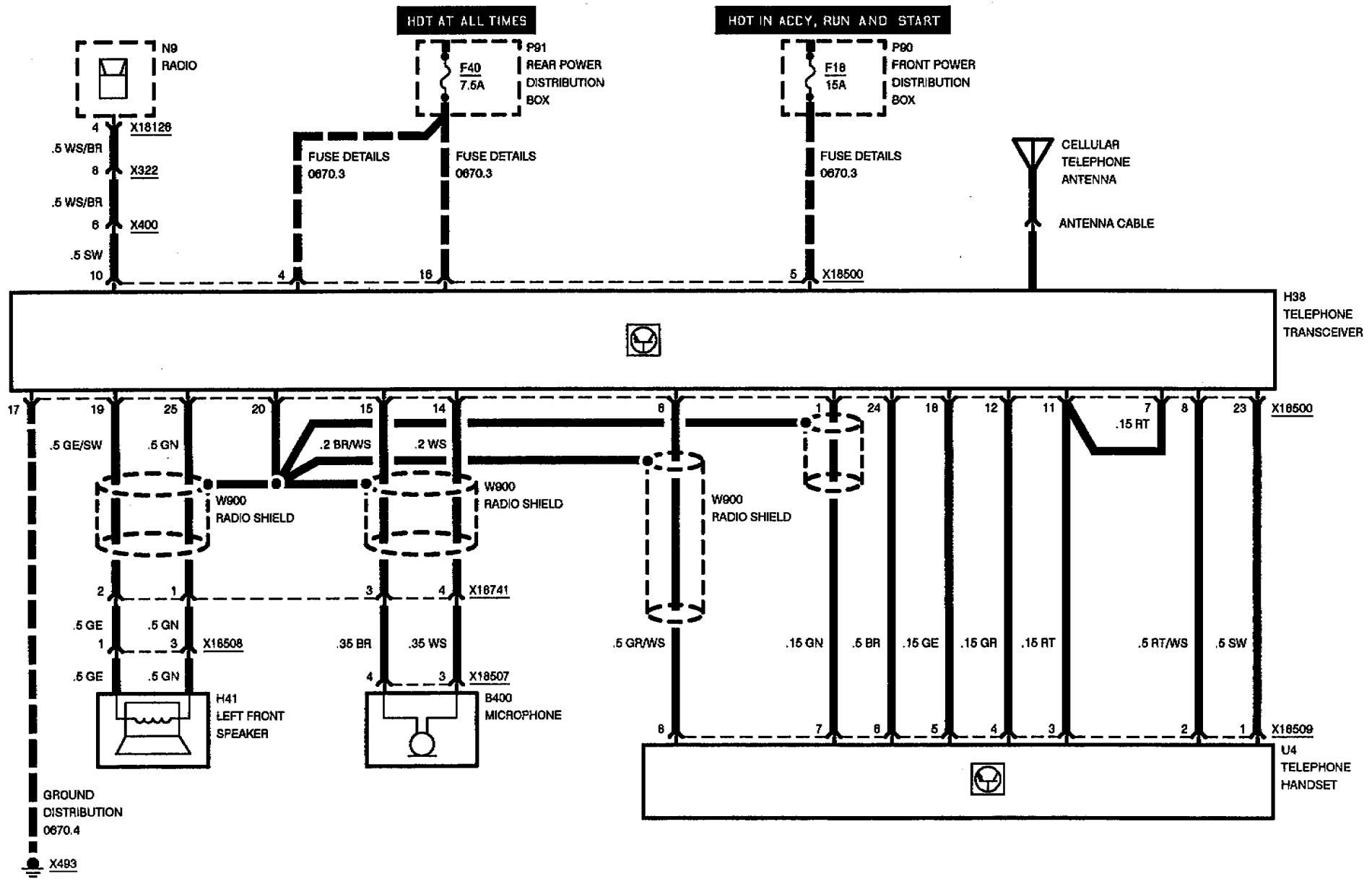


X18502

U4 TELEPHONE HANDSET



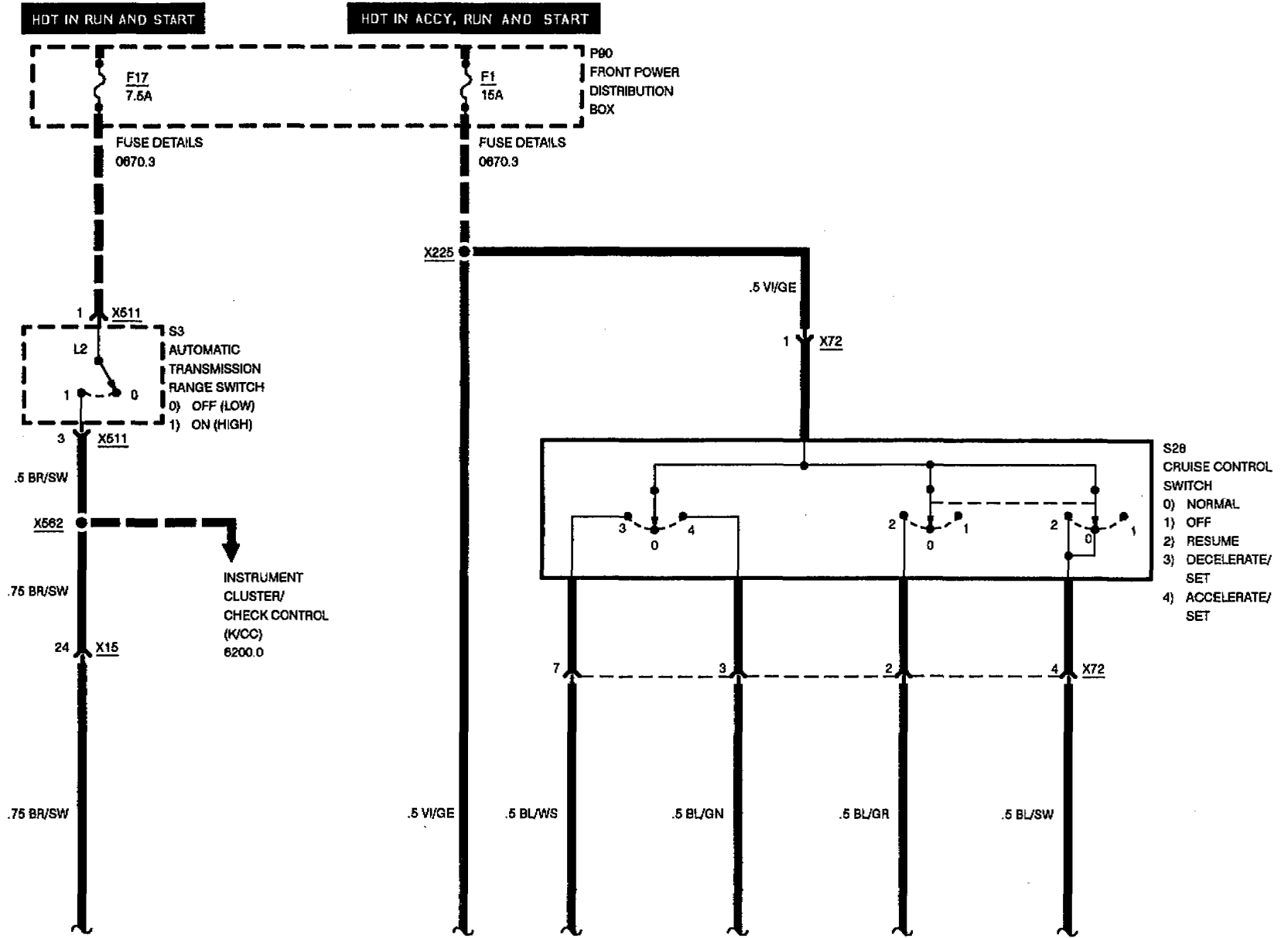
CELLULAR TELEPHONE (PROVISIONS) WITHOUT INTERFACE

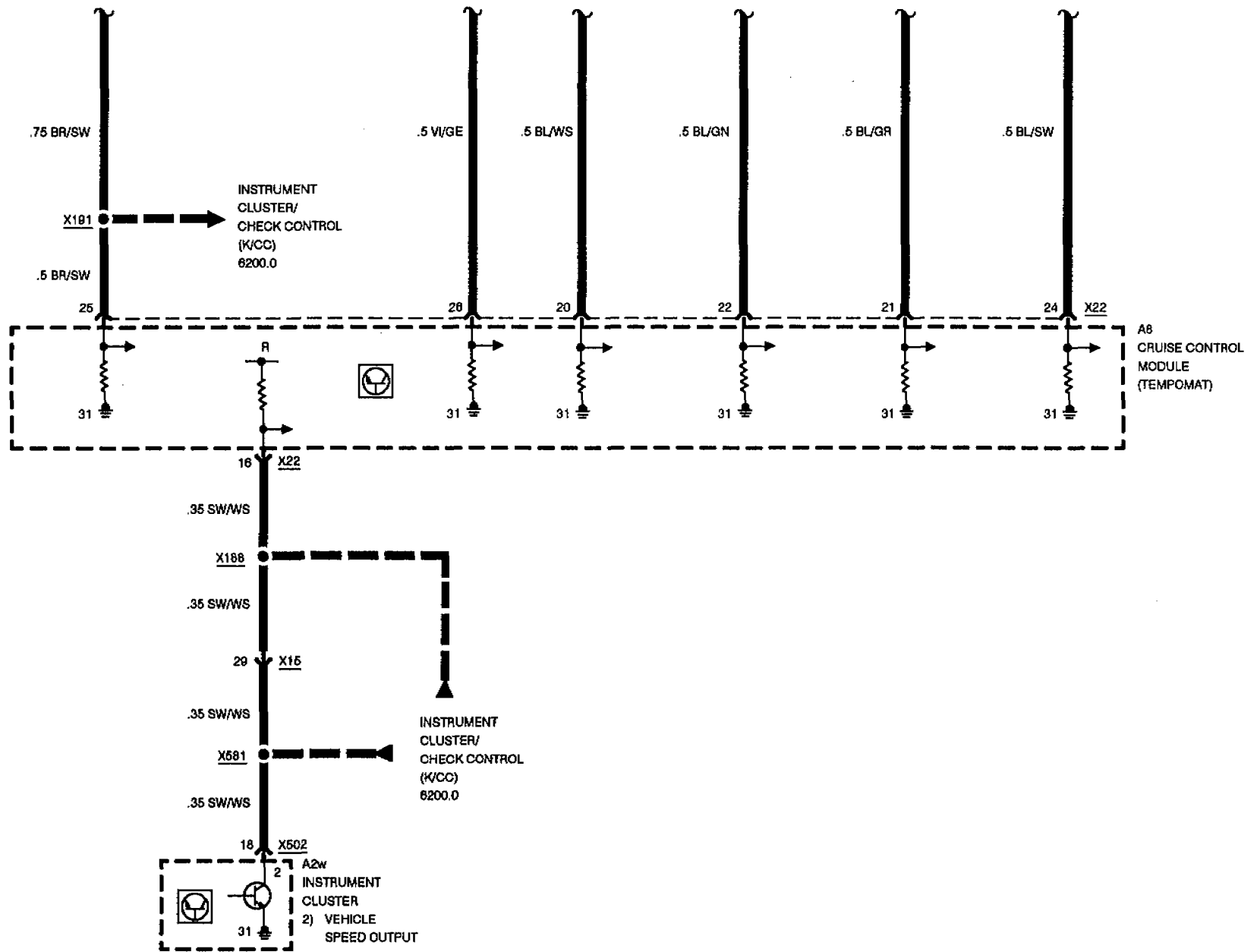


BMW
5



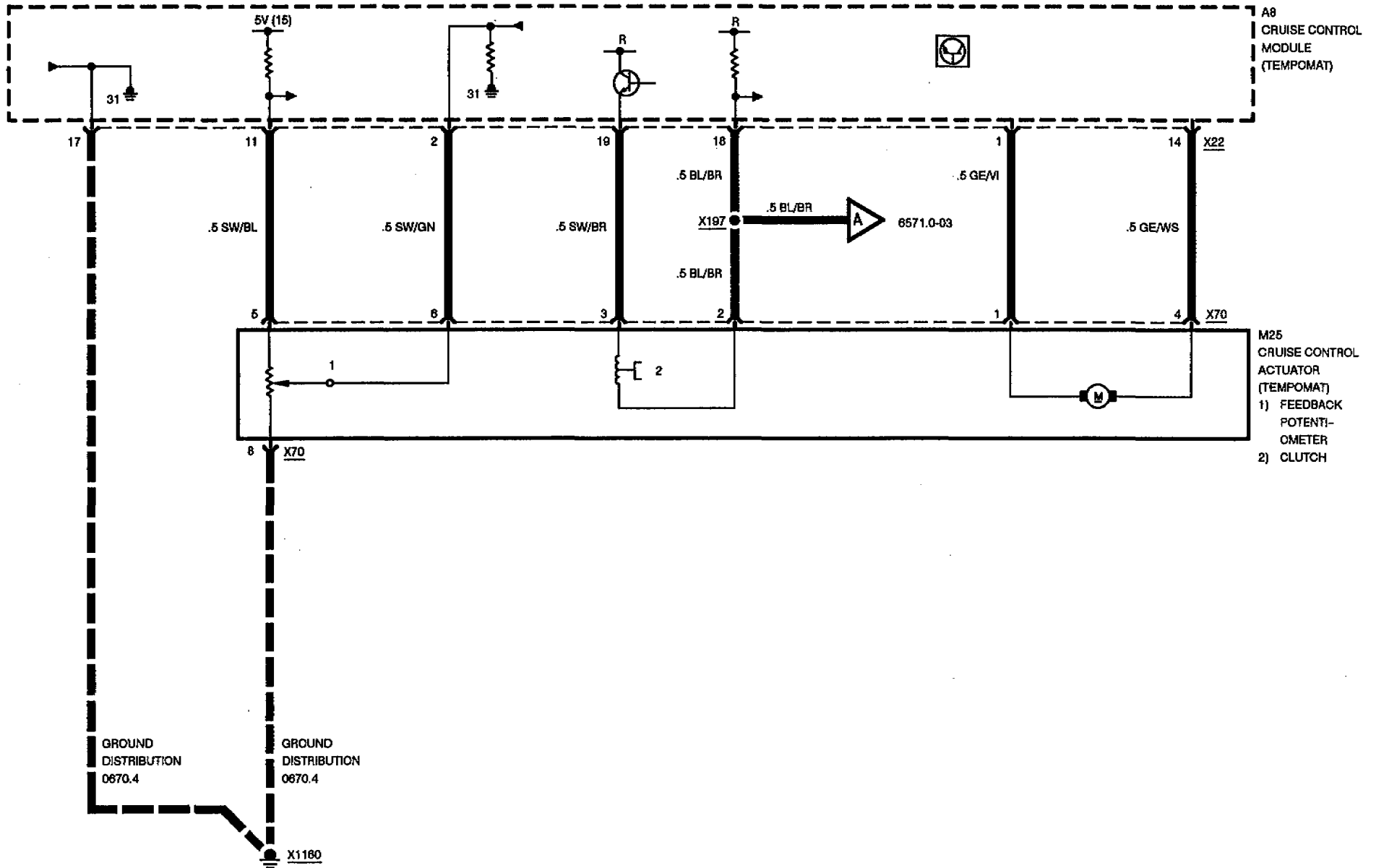
CRUISE CONTROL (TEMPOMAT)



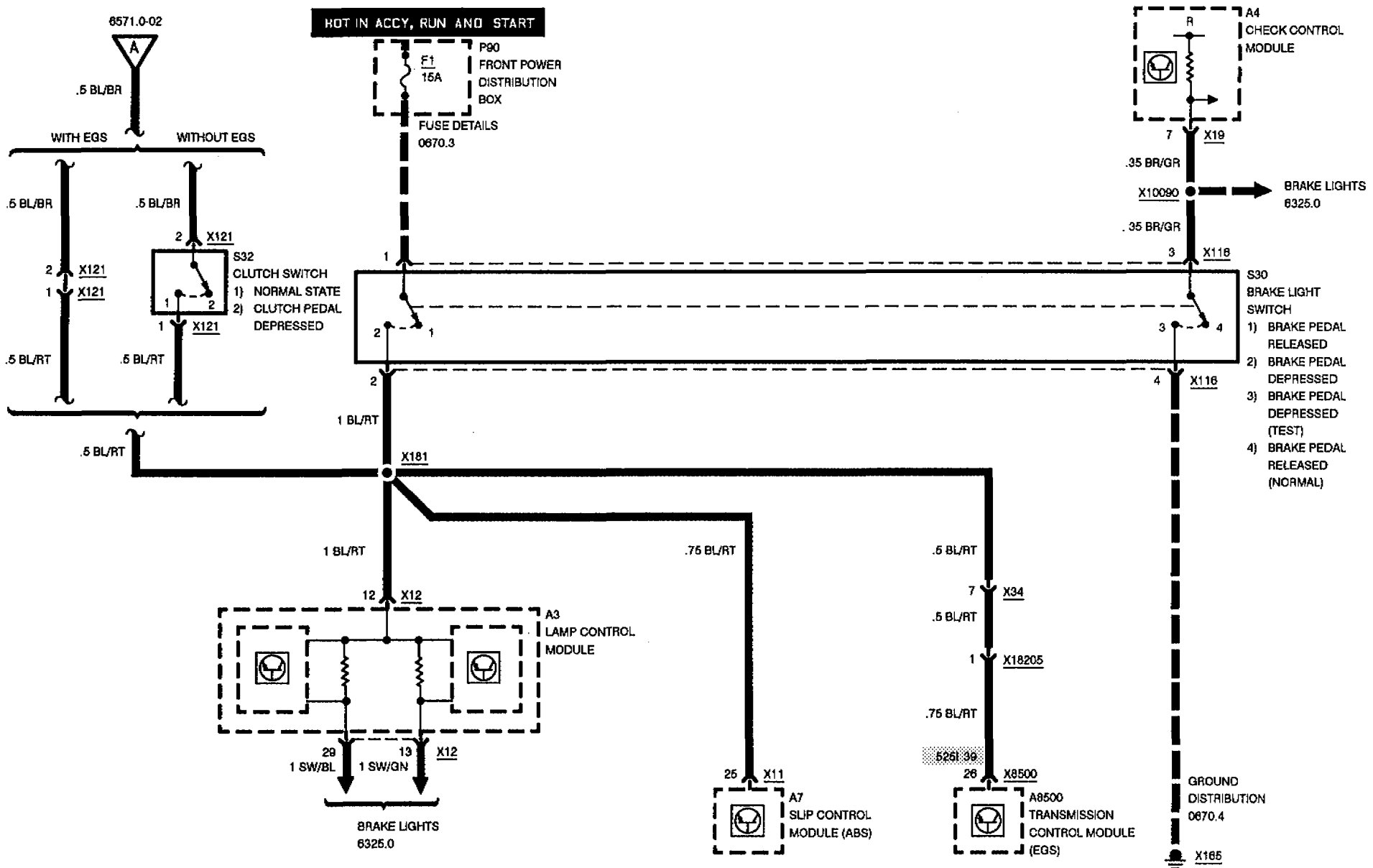




CRUISE CONTROL (TEMPOMAT)



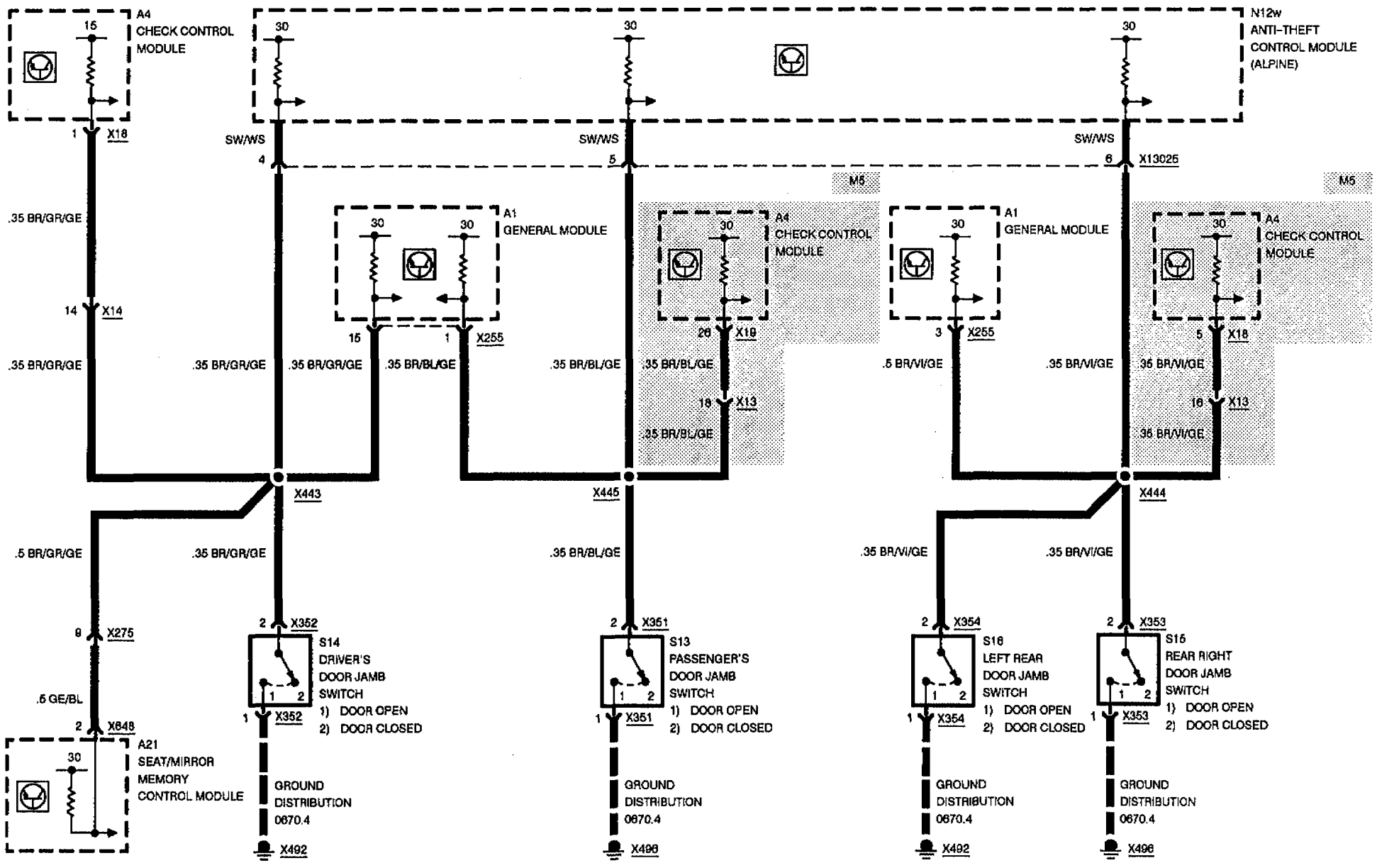
CRUISE CONTROL (TEMPOMAT)



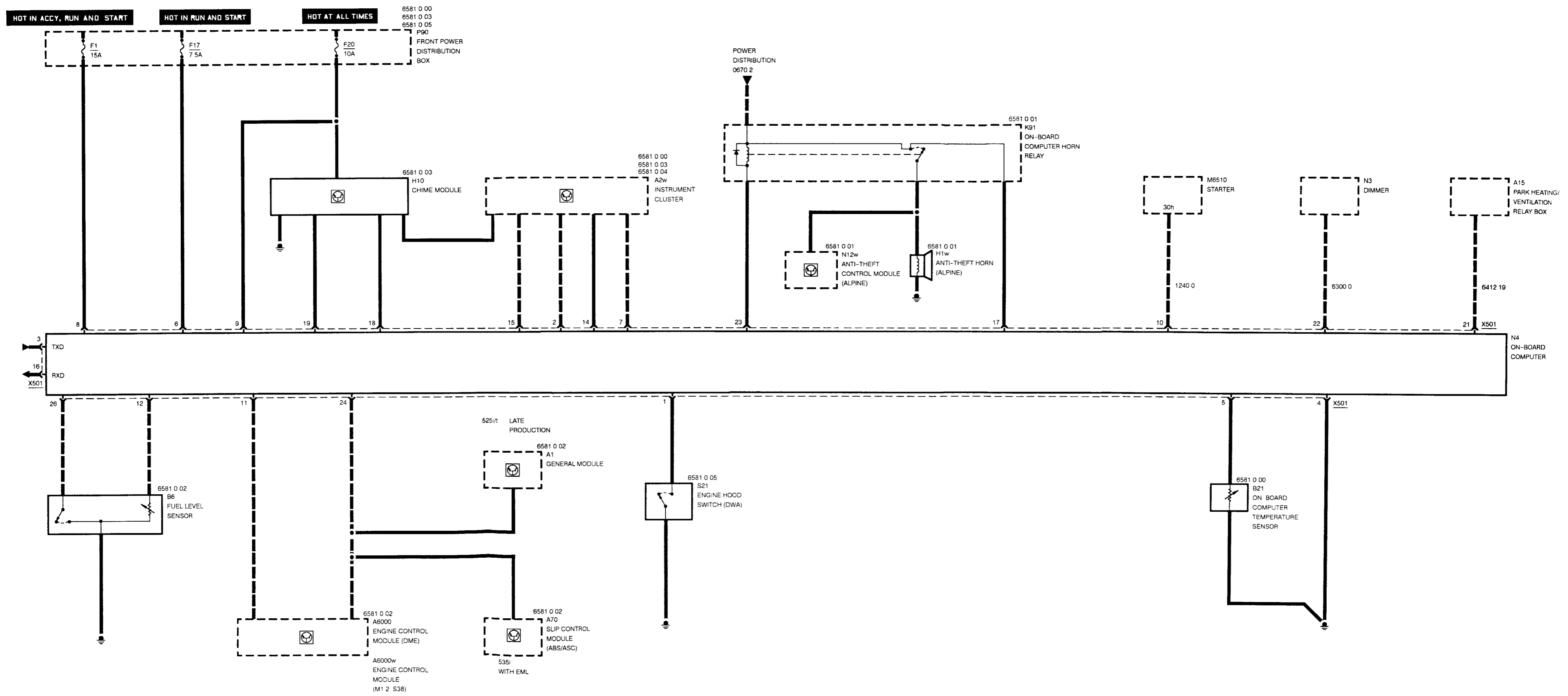


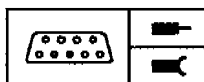
ANTI-THEFT SYSTEM (ALPINE)

FRONT AND REAR DOOR JAMB SWITCHES









Pin Assignments

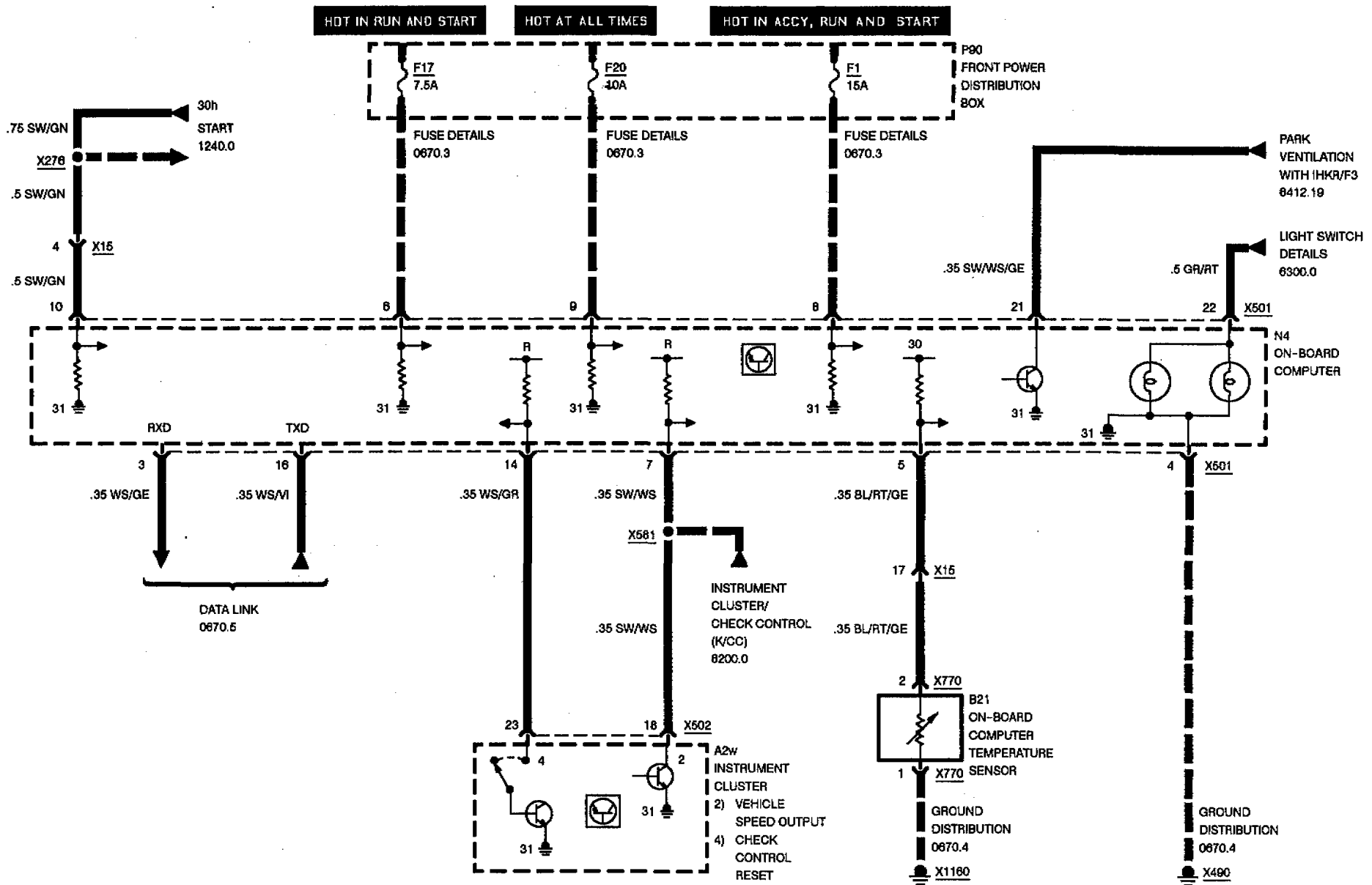
X501

Pin	Type	Description/Function	Connection
1	E	Hood tamper	Engine hood switch
2	A	DAC line	Instrument cluster
3	E	RxD diagnostic data link	Data link connector
4	M	Ground	Ground point
5	E	Outside temperature	Outside temperature sensor
6	E	Voltage supply, terminal 15	Front power distribution box
7	E	Vehicle speed signal	Instrument cluster
8	E	Voltage supply, terminal R	Front power distribution box
9	E	Voltage supply, terminal 30	Front power distribution box
10	E	Voltage supply, terminal 50	Starter
11	E	Injection signal	Engine control module (DME)
12	E	Fuel gauge	Fuel tank sensor
13		Not used	
14	E	Check control reset button	Instrument cluster
15	E	LAC line	Instrument cluster
16	E/A	TxD diagnostic data link	Data link connector
17	E	Power input	On-board computer horn relay
18	A	Gong T2 control	Chime module
19	A	Gong T1 control	Chime module
20		Not used	
21	A	Independent ventilation control	Park heating/ventilation relay box
22	E	Instrument illumination, terminal 58g	Dimmer
23	A	On-board computer horn relay control	On-board computer horn relay
24	A	Drive-away protection signal	Engine control module (DME)
25	E	Remote control (telephone)	Phone interface box
26	E	Reserve tank contact	Fuel tank sensor

E = Input, A = Output, M = Ground

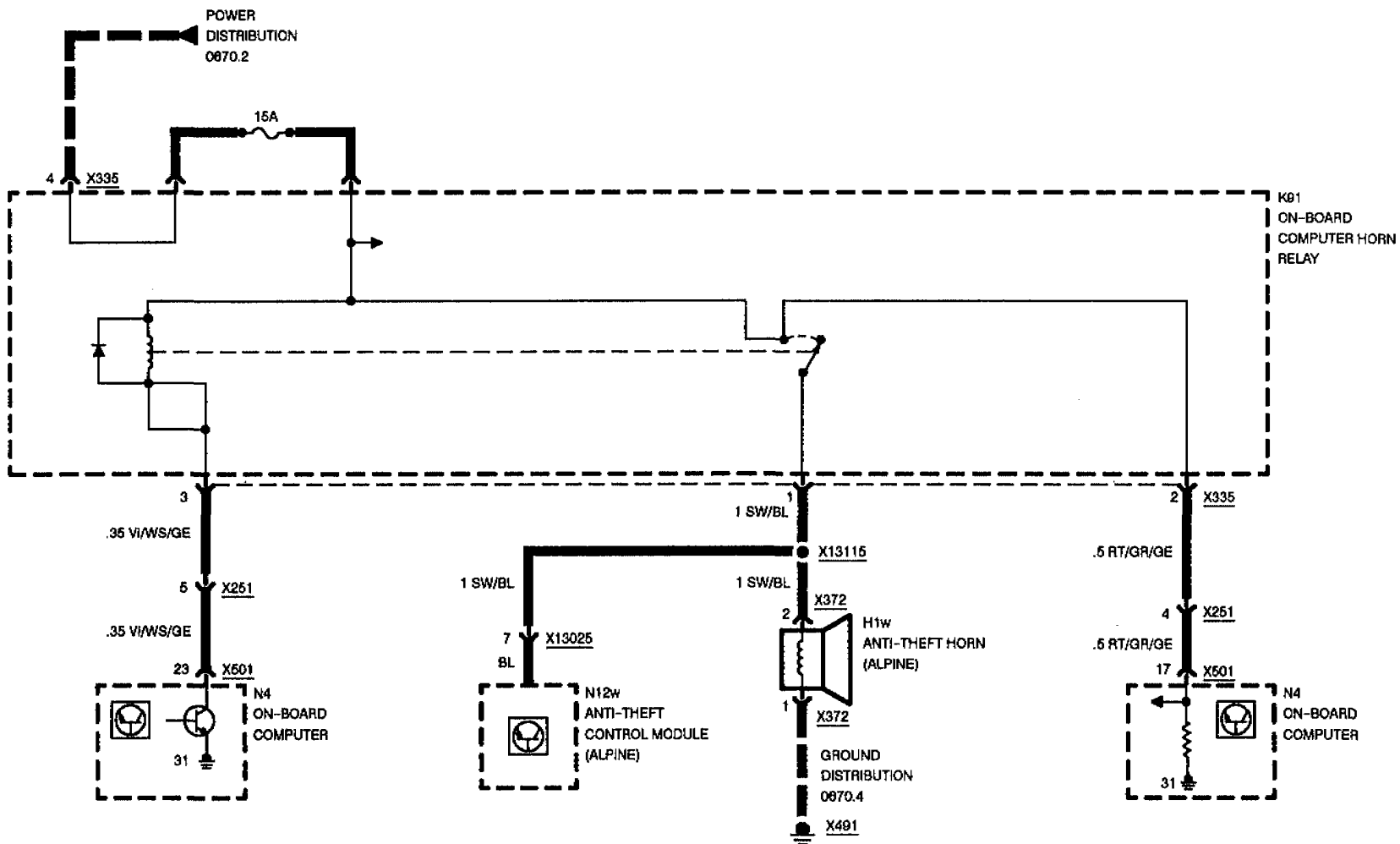


ON-BOARD COMPUTER (BCIV)



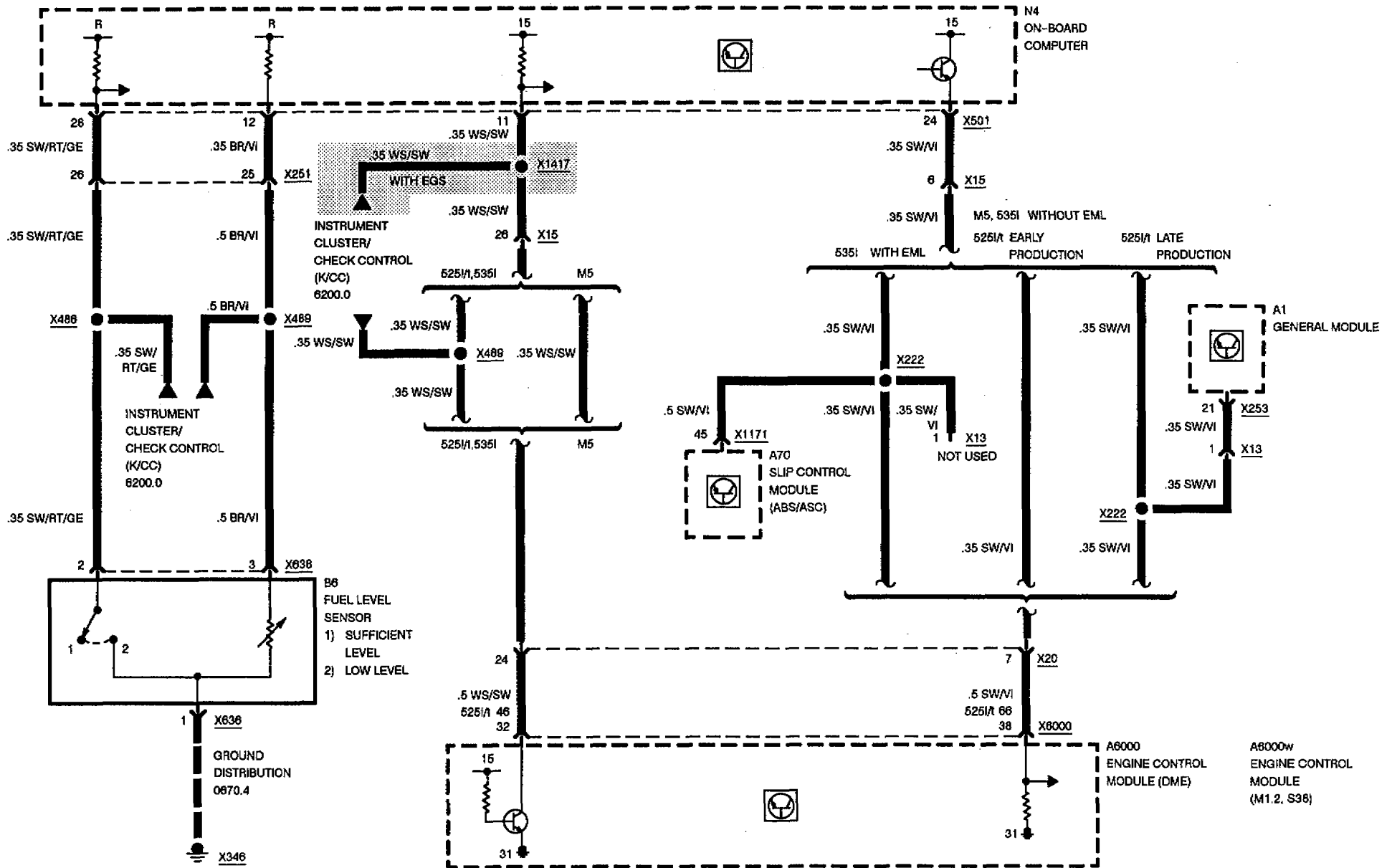


ON-BOARD COMPUTER (BCIV) ANTI-THEFT HORN



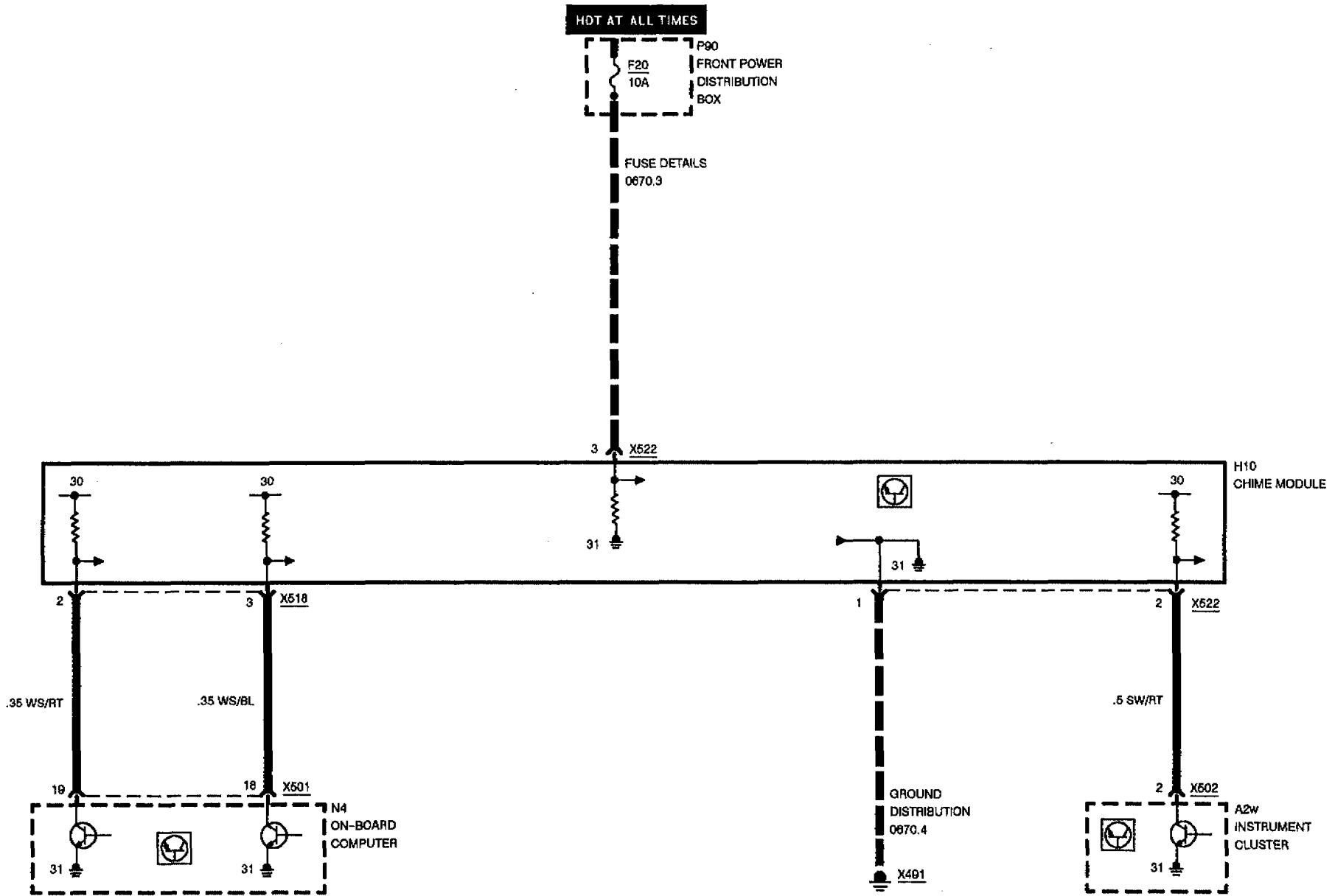
ON-BOARD COMPUTER (BCIV)

FUEL GAUGE



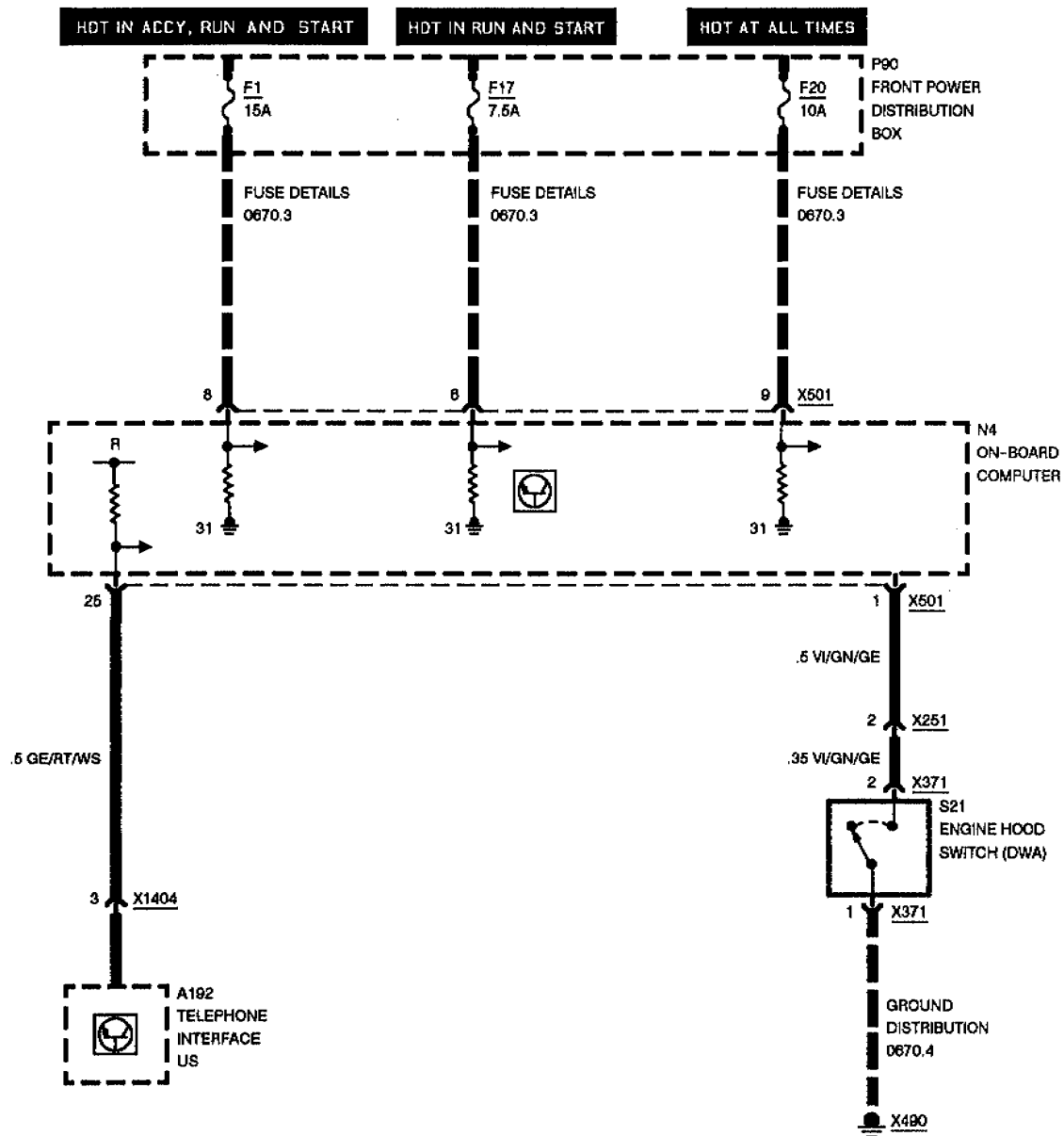


ON-BOARD COMPUTER (BCIV) CHIME MODULE





ON-BOARD COMPUTER (BCIV)





COMPONENT LOCATION CHART

COMPONENT

PAGE - FIGURE
7100.0 8500.0

A1	GENERAL MODULE	Below LH side of rear seat in Rear Power Distribution Box	00-3
A2w	INSTRUMENT CLUSTER	LH side of dash	
A3	LAMP CONTROL MODULE	Rear LH side of engine compartment in Front Power Distribution Box	00-2
A4	CHECK CONTROL MODULE	Rear LH side of engine compartment in Front Power Distribution Box	00-2
A5	RELAY MODULE	Below LH side of rear seat in Rear Power Distribution Box	00-3
A7	SLIP CONTROL MODULE (ABS)	Rear RH side of engine compartment in E-Box	00-1
A8	CRUISE CONTROL MODULE (TEMPOMAT)	Behind Left Front of dash	
A12	SUPPLEMENTAL RESTRAINT SYSTEM CONTROL MODULE	Below LH side of dash	19-3
A15	PARK HEATING/VENTILATION RELAY BOX	Under RH rear seat	
A17	SERVOTRONIC CONTROL MODULE	LH side of LH footwell behind LH footwell kickpanel	
A18	HIFI AMPLIFIER	In LH forward side of luggage compartment	33-1
A21	SEAT/MIRROR MEMORY CONTROL MODULE	Underside of LH front seat	26-1
A22z	ELECTROCHROMIC REAR VIEW MIRROR	Center of windshield header	
A36	REAR WIPER/WASHER INTERVAL CONTROL MODULE	RH side of luggage compartment	33-3
A70	SLIP CONTROL MODULE (ABS/ASC)	Rear RH side of engine compartment in E-Box	00-1
A87w	INTEGRATED CLIMATE REGULATION CONTROL MODULE (IHKR/F3)	Between front footwells	22-1



COMPONENT LOCATION CHART

COMPONENT

PAGE - FIGURE
7100.0 8500.0

A99	DOUBLE PANEL POWER SUNROOF CONTROL MODULE	Below LH side of dash	32-1
A192	TELEPHONE INTERFACE US	Below front of console	
A552	A/C COMPRESSOR CONTROL MODULE	RH side of LH footwell behind LH footwell trim	17-1
A6000	ENGINE CONTROL MODULE (DME)	Rear RH side of engine compartment in E-Box	00-1
A6000w	ENGINE CONTROL MODULE (M1.2, S38)	Rear RH side of engine compartment in E-Box (M5)	00-1
A6004	THROTTLE CONTROL MODULE (EML)	Rear RH side of engine compartment in E-Box	
A6006	INTAKE AIR CONTROL MODULE	Rear RH side of engine compartment in E-Box	
A8500	TRANSMISSION CONTROL MODULE (EGS)	Rear RH side of engine compartment in E-Box	00-1
B1	RIGHT FRONT SPEED SENSOR - ABS	Behind RH front wheel	
B2	LEFT FRONT SPEED SENSOR - ABS	Behind LH front wheel	16-1
B3	RIGHT REAR SPEED SENSOR - ABS	Behind RH rear wheel	16-2
B4	LEFT REAR SPEED SENSOR - ABS	Behind LH rear wheel	
B6	FUEL LEVEL SENSOR	In RH side of luggage compartment	31-3
B10	VEHICLE SPEED SENSOR	Under rear of car	14-3
B11	LH HEAT EXCHANGER TEMPERATURE SENSOR	RH side of LH footwell	22-2
B12	RH HEAT EXCHANGER TEMPERATURE SENSOR	RH side of IHKR Plenum	22-1
B13	OUTSIDE TEMPERATURE SENSOR	Near LH headlight assembly	21-3
B14	EVAPORATOR TEMPERATURE SENSOR	Below LH side of dash LH side of IHKA Plenum	22-2



COMPONENT LOCATION CHART

COMPONENT

PAGE - FIGURE
7100.0 8500.0

B15 . . .	ELECTRO- HYDRAULIC CONVERTER (SERVOTRONIC)	Rear LH side of engine compartment		
B16 . . .	LEFT FRONT BRAKE PAD SENSOR	Behind LH front wheel	16-1	
B17 . . .	RIGHT REAR BRAKE PAD SENSOR	Behind RH rear wheel	16-2	
B18 . . .	BRAKE FLUID LEVEL SWITCH	LH side of engine compartment top of brake fluid reservoir		
B21 . . .	ON-BOARD COMPUTER TEMPERATURE SENSOR	Under LH front bumper	15-2	
B22 . . .	WHEEL CAMBER CONTROL MODULE	Under RH rear of car RH side of differential	29-1	
B54 . . .	DOUBLE PANEL POWER SUN ROOF SENSOR I	Behind front of roof trim panel		
B55 . . .	DOUBLE PANEL POWER SUN ROOF SENSOR II	Behind front of roof trim panel	32-1	
B400 . .	MICROPHONE	Center of dash		
B900 . .	JUMPER PLUG	Rear LH side of engine compartment in Front Power Distribution Box	04-3	
B6006 .	INTAKE AIR RESONANCE CONTROL MODULE	Rear RH side of engine compartment in E-Box		
B6200 .	HEATED OXYGEN SENSOR	Under center of car on catalytic converter rear of engine	12-2	
B6201 .	CYLINDER IDENTIFICATION SENSOR	Front of engine RH side of engine near distributor (M5)	05-1	
B6202 .	CRANKSHAFT POSITION/RPM SENSOR	Top front of engine near distributor (M5)	05-1	
B6203 .	CRANKSHAFT POSITION/RPM SENSOR	Front of engine		
B6205 .	INTAKE AIR TEMPERATURE SENSOR	Front of engine	13-2	
B6208 .	CAMSHAFT ACTUATOR	Front of engine		
B6209 .	HALL EFFECT CAMSHAFT SENSOR	Front of engine	13-1	03-5
B6217 .	HOT FILM AIR MASS METER	Top front of engine		



COMPONENT LOCATION CHART

COMPONENT

PAGE - FIGURE
7100.0 8500.0

B6230 . OIL LEVEL SENSOR	Under front of car	16-3
B6231 . OIL PRESSURE SWITCH	Rear of engine (535i)	09-2
B6231 . OIL PRESSURE SWITCH	Front of engine on coolant inlet	13-1
B6232 . ENGINE COOLANT TEMPERATURE SENSOR	Front of engine LH side of engine	08-1
B6232 . ENGINE COOLANT TEMPERATURE SENSOR	Front of engine on coolant inlet	13-1
B6233 . VOLUME AIR FLOW SENSOR	Front of engine ahead of oil fill cap	
B6234 . ENGINE COOLANT TEMP. SENSOR (EML)	Front of engine	
B6235 . TEMPERATURE SWITCH	Top rear of engine on coolant inlet (M5)	12-1
B6236 . ENGINE COOLANT TEMPERATURE SENSOR	Front of engine	08-1
B6236 . ENGINE COOLANT TEMPERATURE SENSOR	Front of engine	13-1
B6238 . OIL TEMPERATURE SENSOR	Front of engine LH side of engine	
B6241w CYL. 1-3 KNOCK SENSOR	Below intake manifold	
B6242w CYL. 4-6 KNOCK SENSOR	Below intake manifold	
B9508 . PRESSURE SWITCH	Front RH side of engine compartment (air filter removed)	14-2
C101 . CONTACT RING	Top of steering column	20-1
C900 . SUPPRESSION FILTER	In upper RH C-pillar	30-2
E9 REAR DEFOGGER I	In rear window	
E10 . . . REAR DEFOGGER/ANTENNA	In rear window	
E11 . . . LEFT HIGH BEAM LIGHT	Front of car left	



COMPONENT LOCATION CHART

COMPONENT

PAGE - FIGURE
7100.0 8500.0

E12	... RIGHT HIGH BEAM LIGHT	Front of car right	
E13	... LEFT LOW BEAM LIGHT	Front of car left	
E14	... RIGHT LOW BEAM LIGHT	Front of car right	
E15	... LEFT PARK LIGHT	Front of car left	
E16	... LEFT REAR LIGHT ASSEMBLY	Rear of car left	
E17	... RIGHT REAR LIGHT ASSEMBLY	Rear of car right	
E19	... RIGHT PARK LIGHT	Front of car right	
E20	... UNDERHOOD LIGHT	On underside of engine hood	
E21	... LEFT FRONT MARKER LIGHT	Near LH headlight assembly	
E22	... RIGHT FRONT MARKER LIGHT	Near RH headlight assembly	
E26	... LEFT FOG LIGHT	Front of car left	
E27	... RIGHT FOG LIGHT	Front of car right	
E28	... FRONT CIGAR LIGHTER	Center console	
E29	... FRONT CIGAR LIGHTER LIGHT	Center of dash below front of console	
E32	... TRUNK COMPARTMENT LIGHT	Underside of trunk lid	
E33	... TRUNK LID LIGHT	Underside of trunk lid	
E34	... FRONT DOME LIGHT/MAP READING ASSEMBLY	Center of windshield header	
E35	... DRIVER'S MAKEUP MIRROR LIGHT	Center of windshield header	
E36	... PASSENGER'S MAKEUP MIRROR LIGHT	Center of windshield header	
E39	... LEFT REAR INTERIOR LIGHT	In upper LH C-pillar	31-1
E40	... RIGHT REAR INTERIOR LIGHT	In upper RH C-pillar	



COMPONENT LOCATION CHART

COMPONENT

PAGE - FIGURE
7100.0 8500.0

E41	...	DASH LIGHT	Center of dash	
E42	...	GLOVE BOX LIGHT	RH side of glove box above	
E43	...	LEFT LICENSE PLATE LIGHT	Underside of trunk lid	
E44	...	RIGHT LICENSE PLATE LIGHT	Underside of trunk lid	
E46	...	LEFT TRUNK LIGHT ASSEMBLY	Underside of trunk lid	
E47	...	RIGHT TRUNK LIGHT ASSEMBLY	Underside of trunk lid	
E48	...	DOOR LOCK HEATER	LH front door in door at key lock assembly	
E51	...	LEFT WASHER JET HEATER	On underside of engine hood	09-3
E52	...	RIGHT WASHER JET HEATER	On underside of engine hood	09-3
E56	...	DRIVER'S SEATBACK HEATER	In lower LH front seatback	
E57	...	DRIVER'S SEAT HEATER	Underside of LH front seat	
E58	...	PASSENGER'S SEAT HEATER	Underside of RH front seat	
E59	...	PASSENGER'S SEATBACK HEATER	In lower RH front seatback	
E65	...	LEFT REAR SEATBACK HEATER	In lower LH rear seatback	
E66	...	LEFT REAR SEAT HEATER	Underside of LH rear seat	
E67	...	RIGHT REAR SEAT HEATER	Underside of RH rear seat	
E68	...	RIGHT REAR SEATBACK HEATER	In lower RH rear seatback	
E70	...	LEFT REAR SIDE MARKER LIGHT	Rear of car	
E71	...	RIGHT REAR SIDE MARKER LIGHT	Rear of car	
E82	...	TRANSMISSION POSITION INDICATOR LIGHT	LH side of gearshift selector	



COMPONENT LOCATION CHART

COMPONENT

PAGE - FIGURE
7100.0 8500.0

E9000	RIGHT FRONT LIGHT ASSEMBLY	Front of car	
E9001	LEFT FRONT LIGHT ASSEMBLY	Front of car	
E9500	TRANSMISSION RANGE SELECTOR LIGHT	Center console near gearshift lever	
F98	FUSIBLE LINK (50A)	In RH side of luggage compartment	
G5	DRIVER'S AIR BAG GENERATOR	Top of steering column	20-1
G6509	GENERATOR	In the engine compartment	
H1w	ANTI-THEFT HORN (ALPINE)	Rear RH side of engine compartment	21-3
H2	LEFT HORN	Front of car behind front grille	15-1
H3	RIGHT HORN	Front of car behind front grille	15-1
H4	RIGHT FRONT TURN LIGHT	Front of car	
H5	RIGHT REAR TURN LIGHT	RH side of body rear end	
H6	LEFT REAR TURN LIGHT	LH side of body rear end	
H7	LEFT FRONT TURN LIGHT	Front of car	
H8	RIGHT FRONT AUXILIARY TURN LIGHT	Front of car	
H9	LEFT FRONT AUXILIARY TURN LIGHT	Front of car	
H10	CHIME MODULE	Rear RH side of engine compartment	17-3
H24	LEFT BRAKE LIGHT	LH side of body rear end	
H25	LEFT TAIL LIGHT	LH side of body rear end	
H27	LEFT BACK UP LIGHT	LH side of body rear end	
H28	RIGHT BACK UP LIGHT	RH side of body rear end	



COMPONENT LOCATION CHART

COMPONENT

PAGE - FIGURE
7100.0 8500.0

H30	...	RIGHT TAIL LIGHT	RH side of body rear end	
H31	...	RIGHT BRAKE LIGHT	RH side of body rear end	
H34	...	HIGH LEVEL STOP LIGHT	At back of rear window shelf	
H38	...	TELEPHONE TRANSCEIVER	In LH forward side of luggage compartment	
H41	...	LEFT FRONT SPEAKER	In upper LH front door	
H50	...	RIGHT FRONT HIGH RANGE SPEAKER	In upper RH front door	
H51	...	RIGHT FRONT LOW RANGE SPEAKER	Behind RH footwell speaker grille	
H52	...	RIGHT REAR LOW RANGE SPEAKER	Under rear window shelf	
H53	...	RIGHT REAR HIGH RANGE SPEAKER	Under rear window shelf	
H54	...	RIGHT FRONT MIDRANGE SPEAKER	In upper RH front door	
H55	...	LEFT FRONT MIDRANGE SPEAKER	In upper LH front door	
H56	...	LEFT REAR HIGH RANGE SPEAKER	Under rear window shelf	
H57	...	LEFT REAR LOW RANGE SPEAKER	Under rear window shelf	
H58	...	LEFT FRONT LOW RANGE SPEAKER	Behind LH footwell speaker grille	
H59	...	LEFT FRONT HIGH RANGE SPEAKER	In upper LH front door	
H90	...	LEFT TRUNK LIGHT	In LH forward side of luggage compartment	
H91	...	RIGHT TRUNK LIGHT	Underside of trunk lid	
K1	STARTER RELAY	Rear LH side of engine compartment in Front Power Distribution Box 04-3
K2	HORN RELAY	Rear LH side of engine compartment in Front Power Distribution Box 04-3
K3	UNLOADER RELAY, TERMINAL R	Rear LH side of engine compartment in Front Power Distribution Box 04-3



COMPONENT LOCATION CHART

COMPONENT

PAGE - FIGURE
7100.0 8500.0

K4	BLOWER RELAY	Rear LH side of engine compartment in Front Power Distribution Box	04-3
K5	WASHER PUMP RELAY	Rear LH side of engine compartment in Front Power Distribution Box	04-2
K8	AUXILIARY WATER PUMP RELAY	Rear LH side of engine compartment in Front Power Distribution Box	04-3
K9	UNLOADER RELAY, TERMINAL 15	Rear LH side of engine compartment in Front Power Distribution Box	04-2
K10	ABS RELAY	Rear LH side of engine compartment in Front Power Distribution Box	
K11	WIPER RELAY	Below LH side of rear seat in Rear Power Distribution Box	29-3
K13	REAR DEFOGGER RELAY	Below LH side of rear seat in Rear Power Distribution Box	29-3
K15	ELECTRIC POWER PROTECTION RELAY	Below LH side of rear seat in Rear Power Distribution Box	29-3
K16	HAZARD FLASHER RELAY	Rear LH side of engine compartment in Front Power Distribution Box	05-2
K19	COMPRESSOR CONTROL RELAY	Rear LH side of engine compartment in Front Power Distribution Box	04-2
K21	NORMAL SPEED RELAY	In LH auxiliary relay box, engine compartment	06-2
K22	HIGH SPEED RELAY	Rear LH side of engine compartment in LH auxiliary relay box, engine compartment	06-2
K25	RIGHT PARK LIGHT/LICENSE PLATE LIGHT RELAY	Below LH side of dash near hood release lever	
K26	LEFT PARK LIGHT RELAY	Below LH side of dash near hood release lever	
K61	UNLOADER RELAY, TERMINAL 61	Rear LH side of engine compartment in Front Power Distribution Box	05-2
K64	LIFT GATE OPEN WARNING RELAY	Rear of luggage compartment	
K70	CENTRAL LOCKING TRUNK LID MOTOR RELAY (ZV)	Rear Power Distribution Box in LH side of luggage compartment	33-3



COMPONENT LOCATION CHART

COMPONENT

PAGE - FIGURE
7100.0 8500.0

K86	... WIDE OPEN THROTTLE CUT-OFF RELAY	... Behind LH footwell trim	17-1
K87	... ELECTRIC STEERING COLUMN ADJUSTMENT RELAY	... Below LH side of dash	
K89	... REAR WINDOW WASHER RELAY	... RH side of luggage compartment behind side panel	
K90	... WINDOW MOTOR RELAY	... RH side of luggage compartment behind side panel	33-3
K91	... ON-BOARD COMPUTER HORN RELAY	... RH side of luggage compartment behind side panel	30-1
K92	... REAR WINDOW WIPER RELAY II	... RH side of luggage compartment behind side panel	
K6300	... ENGINE CONTROL MODULE RELAY	... Rear RH side of engine compartment in E-Box	11-2
K6301	... CYL. 1-6 FUEL PUMP RELAY	... Rear RH side of engine compartment in E-Box	11-2
K6302	... FUEL PUMP RELAY	... Rear RH side of engine compartment in E-Box (M5)	
K6303	... OXYGEN SENSOR RELAY	... Rear RH side of engine compartment in E-Box	11-2
K6304	... AIR PUMP RELAY	... Rear RH side of engine compartment in E-Box	
M2	... FUEL PUMP	... In RH side of luggage compartment	31-3
M3	... WIPER MOTOR	... Front of car	04-1
M4	... WASHER PUMP	... Front RH side of engine compartment on washer fluid reservoir	14-1
M7	... HEADLIGHT/FOG LIGHT WASHER PUMP	... Front RH side of engine compartment near windshield washer reservoir	
M9	... AUXILIARY FAN MOTOR	... Front of car behind front grille	15-1
M12	... DRIVER'S DOOR LOCK MOTOR	... In upper LH front door	24-1
M13	... PASSENGER'S DOOR LOCK MOTOR	... In upper RH front door	24-3
M14	... RIGHT REAR DOOR LOCK MOTOR	... In upper RH rear door	25-3



COMPONENT LOCATION CHART

COMPONENT

PAGE - FIGURE
7100.0 8500.0

M15 ...	LEFT REAR DOOR LOCK MOTOR	In upper LH rear door	25-2
M16 ...	GAS FILLER LOCK MOTOR	In RH side of luggage compartment	23-3
M17 ...	TRUNK LOCK MOTOR	Underside of trunk lid	32-2
M20 ...	LEFT REAR WINDOW MOTOR	In lower LH rear door	25-2
M21 ...	DRIVER'S WINDOW MOTOR	In lower LH front door	24-2
M22 ...	RIGHT REAR WINDOW MOTOR	In lower RH rear door	25-3
M23 ...	PASSENGER'S WINDOW MOTOR	In lower RH front door	25-1
M24 ...	SUNROOF MOTOR	Center of windshield header near rear view mirror	21-2
M25 ...	CRUISE CONTROL ACTUATOR (TEMPOMAT)	Front LH side of engine compartment ahead of LH side shock tower	06-1
M30 ...	BLOWER MOTOR	Between front footwells	21-3
M34 ...	DASH VENT MIXING FLAP MOTOR	Behind center of dashboard	22-1
M36 ...	FRESH AIR FLAP MOTOR	Below LH side of dash LH side of IHKA Plenum	22-2
M37a ...	AUXILIARY WATER PUMP	Rear LH side of engine compartment on engine bulkhead	05-3
M40 ...	RECIRCULATION FLAP MOTOR	Below LH side of dash LH side of IHKA Plenum	22-2
M50 ...	DRIVER'S SEAT CUSHION TILT MOTOR	Under LH front seat	27-2
M51 ...	DRIVER'S SEAT MOVEMENT MOTOR	Under LH front seat	27-2
M52 ...	DRIVER'S SEAT HEIGHT MOTOR	Under LH front seat	27-2
M53 ...	DRIVER'S SEATBACK RECLINER MOTOR	Under LH front seat	27-2
M54 ...	DRIVER'S HEADREST MOTOR	In upper LH front seatback	29-2
M57 ...	PASSENGER'S SEAT HEADREST MOTOR	In upper RH front seatback	



COMPONENT LOCATION CHART

COMPONENT

PAGE - FIGURE
7100.0 8500.0

M58 ...	PASSENGER'S SEATBACK RECLINER MOTOR	Under RH front seat	
M59 ...	PASSENGER'S SEAT HEIGHT MOTOR	Under RH front seat	
M60 ...	PASSENGER'S SEAT MOVEMENT MOTOR	Under RH front seat	
M61 ...	PASSENGER'S SEAT CUSHION TILT MOTOR	Under RH front seat	
M65 ...	DRIVER'S THIGH SUPPORT MOTOR	Under LH front seat	27-2
M66 ...	PASSENGER'S THIGH SUPPORT MOTOR	Under RH front seat	
M82 ...	STEERING COLUMN LENGTH ADJUST MOTOR	Below LH side of dash bottom of steering column	
M87 ...	MOTOR DRIVE I DOUBLE PANEL POWER SUNROOF	In roof panel	
M88 ...	MOTOR DRIVE II DOUBLE PANEL POWER SUNROOF	In roof panel	32-1
M94 ...	REAR WINDOW WIPER MOTOR	Rear of luggage compartment on lift gate behind trim panel	
M95 ...	REAR WINDOW WASHER PUMP	RH side of luggage compartment behind side panel	33-2
M96 ...	REAR WINDOW MOTOR	Rear of luggage compartment on lift gate behind trim panel	32-3
M97 ...	LIFT GATE MOTOR	Rear of luggage compartment on lift gate behind trim panel	32-3
M6133 .	AIR PUMP	Top front of engine near distributor (M5)	08-2
M6350 .	ELECTRONIC THROTTLE ACTUATOR (EML)	Center of engine compartment	
M6506 .	E-BOX FAN	Rear RH side of engine compartment In E-Box	
M6510 .	STARTER	LH side of engine compartment below intake manifold	
N3	DIMMER	LH side of dash	
N4	ON-BOARD COMPUTER	Center of dash	



COMPONENT LOCATION CHART

COMPONENT

PAGE - FIGURE

7100.0 8500.0

N6	HEADLIGHT/FOGLIGHT CLEANING MODULE (SRA)	LH side of engine compartment in LH auxillary relay box, engine compartment	06-2
N8	ANTENNA AMPLIFIER AM/FM	In upper LH C-pillar	31-1
N9	RADIO	Center of dash	
N10	MULTI-FUNCTION CLOCK	Center of dash	
N12w	ANTI-THEFT CONTROL MODULE (ALPINE)	Below RH side of dash	
N17	CRASH CONTROL MODULE	Rear LH side of engine compartment in Front Power Distribution Box	05-2
N22	CD CHANGER	In luggage compartment	
N404	DIVERSITY	In upper LH C-pillar	31-1
N444	FM AMPLIFIER HLO	In upper LH C-pillar	
P90	FRONT POWER DISTRIBUTION BOX	Rear LH side of engine compartment	01-1
P91	REAR POWER DISTRIBUTION BOX	Below LH side of rear seat	
P93	E-BOX	Rear RH side of engine compartment	
R1	MIXING ACTUATOR	RH side of LH footwell	
R5	HEADREST POTENTIOMETER	In lower LH front seatback	29-2
R6	SEAT HEIGHT POTENTIOMETER	In lower LH front seatback	26-3
R7	SEATBACK POTENTIOMETER	In lower LH front seatback	26-3
R8	SEAT CUSHION REAR HEIGHT POTENTIOMETER	in lower LH front seatback	26-2
R9	SEAT CUSHION MOVEMENT POTENTIOMETER	In lower LH front seatback	26-2
R10	PEDAL POSITION SENSOR	Behind gas pedal	



COMPONENT LOCATION CHART

COMPONENT

PAGE - FIGURE
7100.0 8500.0

R11	BLOWER RESISTORS	LH side of RH footwell	22-2
R15	THIGH SUPPORT POTENTIOMETER	In lower LH front seatback	
R6252	THROTTLE POSITION SENSOR	Front of engine	
S2	IGNITION SWITCH	Top of steering column behind steering wheel	20-3
S3	AUTOMATIC TRANSMISSION RANGE SWITCH	Front of gearshift selector	23-1
S4	HORN SWITCH	Top of steering column	
S5	WIPER/WASHER SWITCH	Top of steering column	
S6	ASC SWITCH	Center of console	
S7	COMBINATION SWITCH	Top of steering column	
S8	LIGHT SWITCH	LH side of dash	
S9	LIGHT SWITCH	LH side of dash	
S10	FOG LIGHT SWITCH	LH side of dash	
S12	MEMORY MIRRORS CONTROL SWITCH	In upper LH front door	
S13	PASSENGER'S DOOR JAMB SWITCH	In upper RH B-pillar	30-3
S14	DRIVER'S DOOR JAMB SWITCH	In lower LH B-pillar	30-3
S15	REAR RIGHT DOOR JAMB SWITCH	In lower RH C-pillar	30-3
S16	LEFT REAR DOOR JAMB SWITCH	In lower LH C-pillar	30-3
S17	MIRROR CONTROL SWITCH	In upper LH front door	
S18	HAZARD SWITCH	Center console below	
S19	UNDERHOOD LIGHT SWITCH	Rear LH side of engine compartment	



COMPONENT LOCATION CHART

COMPONENT

PAGE - FIGURE
7100.0 8500.0

S21w	ENGINE HOOD SWITCH	Rear RH side of engine compartment	05-2
S27	INERTIA SWITCH	Below LH side of rear seat	30-1
S28	CRUISE CONTROL SWITCH	Top of steering column behind steering wheel	
S30	BRAKE LIGHT SWITCH	LH side of dash on brake pedal support bracket	22-3
S31	PARK BRAKE SWITCH	Below center of console	
S32	CLUTCH SWITCH	LH side of dash on clutch pedal support bracket	22-3
S36	TEMPERATURE SWITCH	RH top of radiator	12-3
S37	GLOVE BOX LIGHT SWITCH	LH side of glove box	
S38	SUNROOF SWITCH	Center of windshield header near rear view mirror	21-2
S39	SUNROOF POSITION SWITCH	Center of windshield header near rear view mirror	21-2
S40	FRONT CONSOLE WINDOW SWITCH ASSEMBLY	Center console	
S41	LEFT REAR WINDOW SWITCH	In upper LH rear door	
S42	RIGHT REAR WINDOW SWITCH	In upper RH rear door	
S43	DRIVER'S WINDOW LIMIT SWITCH	In upper LH front door	
S44	PASSENGER'S WINDOW LIMIT SWITCH	In upper RH front door	
S45	LEFT REAR WINDOW LIMIT SWITCH	In upper LH rear door	25-2
S46	RIGHT REAR WINDOW LIMIT SWITCH	In upper RH rear door	25-3
S47	DRIVER'S DOOR LOCK SWITCH	LH front door behind door panel	
S48	DRIVER'S DOOR HANDLE SWITCH	LH front door behind door panel	
S49	PASSENGER'S DOOR LOCK SWITCH	RH front door	



COMPONENT LOCATION CHART

COMPONENT

PAGE - FIGURE
7100.0 8500.0

S51	... DRIVER'S SEAT, SEAT CONTROL SWITCH	... In rear of console	
S52	... DRIVER'S SEAT LUMBAR SWITCH In rear of console	
S53	... DRIVER'S SEAT, SEAT HEATER SWITCH In rear of console	
S54	... PASSENGER'S SEAT, SEAT HEATER SWITCH In rear of console	
S55	... PASSENGER'S SEAT LUMBAR SUPPORT SWITCH In rear of console	
S56	... PASSENGER'S SEAT, SEAT CONTROL SWITCH In rear of console	
S57	... MEMORY SEAT MIRRORS SWITCH In rear of console	
S58	... DRIVER'S SEAT BELT SWITCH In LH front seat belt buckle	
S61	... TRUNK LID SWITCH Underside of trunk lid left	
S63	... ENGINE COOLANT LEVEL SWITCH Top center of engine ahead of oil fill cap (w/ith EML)	10-2
S63	... ENGINE COOLANT LEVEL SWITCH Top center of engine ahead of oil fill cap	15-3
S64	... WASHER FLUID LEVEL SWITCH Front RH side of engine compartment on washer fluid reservoir	14-1
S71	... LEFT FRONT IMPACT SENSOR LH side of engine compartment ahead of LH side shock tower	06-1
S72	... RIGHT FRONT IMPACT SENSOR RH side of engine compartment ahead of RH side shock tower	10-3
S75	... BLOWER SWITCH Center of dash middle of heater control panel	
S77	... DRIVER'S MAKEUP MIRROR SWITCH Above LH sun visor	
S78	... PASSENGER'S MAKEUP MIRROR SWITCH	.. Under roof center panel	
S92	... BACK UP LIGHT SWITCH (MANUAL TRANSMISSION) Below center console	
S93	... DRIVER'S THIGH SUPPORT SWITCH LH front seat left	



COMPONENT LOCATION CHART

COMPONENT

PAGE - FIGURE
7100.0 8500.0

S94	... PASSENGER'S THIGH SUPPORT SWITCH	... RH front seat	
S119z	. STEERING COLUMN POSITION SWITCH Below LH side of dash	
S134w	. IHKR/F3 CONTROL PANEL Center of dash	
S135w	. IHKR/F3 SWITCHING UNIT Center of dash	
S147	.. REAR WINDOW OPENING SWITCH Rear of luggage compartment on lift gate behind trim panel	
S167	.. LIFT GATE LOCK SWITCH Rear of luggage compartment on lift gate behind trim panel	
S170	.. REAR WINDOW LIMIT SWITCH Rear of luggage compartment on lift gate behind trim panel	
S171	.. LIFT GATE LIMIT SWITCH Rear of luggage compartment on lift gate behind trim panel	
S172	.. LIFT GATE SWITCH Right of lid lock assembly	
S176	.. REAR WIPER/WASHER FLUID LEVEL SWITCH Rear of luggage compartment	33-2
S198	.. JET HEATER THERMOSWITCH Front LH side of engine compartment	
S8503	. PROGRAM SWITCH Below center console	
S8507	. KICK-DOWN SWITCH RH side of LH footwell	
T6151	. CYL. 1 IGNITION COIL RH side of engine	13-3
T6152	. CYL. 2 IGNITION COIL RH side of engine	13-3
T6153	. CYL. 3 IGNITION COIL RH side of engine	13-3
T6154	. CYL. 4 IGNITION COIL RH side of engine	13-3
T6155	. CYL. 5 IGNITION COIL RH side of engine	13-3
T6156	. CYL. 6 IGNITION COIL RH side of engine	13-3
U4 TELEPHONE HANDSET Below front of console	



COMPONENT LOCATION CHART

COMPONENT

PAGE - FIGURE
7100.0 8500.0

V4	DAYTIME RUNNING LIGHTS CODING DIODE	Behind LH side of dash center of windshield header		
V6	UNCOUPLING DIODE	RH side of dash behind glove box		
V9501	..	UNCOUPLING DIODE (KL61)	Rear LH side of engine compartment		
X0	B+ JUNCTION POINT	Rear LH side of engine compartment	01-1
X1	B+ JUNCTION POINT	Rear LH side of engine compartment	01-3
X2	BATTERY B+ START POINT	Rear LH side of engine compartment	01-1
X3	B+ JUNCTION POINT	Rear LH side of engine compartment	01-1
X11	...	CONNECTOR (35-PINS, NATURAL)	Rear RH side of engine compartment in E-Box	00-3
X12	...	CONNECTOR (35-PINS, BLACK)	Rear LH side of engine compartment in Front Power Distribution Box	00-2
X13	...	CONNECTOR (21-PINS, WHITE)	Below LH side of dash	18-1 01-3
X14	...	CONNECTOR (30-PINS, YELLOW)	Below LH side of dash	18-1 00-4
X15	...	CONNECTOR (30-PINS, WHITE)	Below LH side of dash	19-3 00-4
X16	...	CONNECTOR (26-PINS, NATURAL)	Rear side of A2w Instrument cluster	20-2 01-1
X17	...	CONNECTOR (6-PINS, BROWN)	Rear side of A2w Instrument cluster	20-2 01-4
X18	...	CONNECTOR (26-PINS, BLUE)	Rear LH side of engine compartment in Front Power Distribution Box	01-1
X19	...	CONNECTOR (26-PINS, GREEN)	Rear LH side of engine compartment in Front Power Distribution Box	01-1
X20	...	CONNECTOR (25-PINS, BLACK)	Rear RH side of engine compartment	05-3 03-4
X22	...	CONNECTOR (26-PINS, BLUE)	Below Left Front Speaker	01-1
X31	...	CONNECTOR (12-PINS, BLACK)	LH side of engine compartment below brake fluid reservoir	06-3 01-6
X32	...	CONNECTOR (12-PINS, WHITE)	Below LH side of dash	19-2 07-3



COMPONENT LOCATION CHART

COMPONENT

		PAGE - FIGURE	
		7100.0	8500.0
X33	CONNECTOR (12-PINS, BLACK) Below LH side of dash	19-2	06-4
X34	CONNECTOR (12-PINS, NATURAL) Below LH side of dash	19-3	06-4
X35	CONNECTOR (21-PINS, BLACK) Below LH side of dash	19-3	01-3
X51	CONNECTOR (10-PINS, BLACK) Rear LH side of engine compartment in Front Power Distribution Box		15-2
X52	CONNECTOR (9-PINS, BLACK) In LH auxillary relay box, engine compartment		02-3
X53	CONNECTOR (9-PINS, BLACK) In LH auxillary relay box, engine compartment		02-3
X54	CONNECTOR (9-PINS, BLACK) Rear LH side of engine compartment in Front Power Distribution Box		02-3
X55	CONNECTOR (9-PINS, BLACK) Rear LH side of engine compartment in Front Power Distribution Box		02-3
X56	CONNECTOR (10-PINS, BLACK) Rear LH side of engine compartment in Front Power Distribution Box		15-2
X57	CONNECTOR (9-PINS, BLACK) Rear LH side of engine compartment in Front Power Distribution Box		02-3
X58	CONNECTOR (9-PINS, BLACK) Rear LH side of engine compartment in Front Power Distribution Box		02-3
X61	CONNECTOR (9-PINS, BLACK) LH side of engine compartment in LH auxillary relay box, engine compartment	06-2	02-3
X63	CONNECTOR (9-PINS, BLACK) Rear LH side of engine compartment in Front Power Distribution Box		02-3
X64	CONNECTOR (9-PINS, BLACK) Rear LH side of engine compartment in Front Power Distribution Box		02-3
X65	CONNECTOR (9-PINS, BLACK) Rear LH side of engine compartment in Front Power Distribution Box		02-3
X67	CONNECTOR (12-PINS, BLACK) Front LH side of engine compartment near front left turn signal assembly		01-2
X69	CONNECTOR (25-PINS, BLACK) Rear RH side of engine compartment right of LH side shock tower	05-3	03-4
X70	CONNECTOR (8-PINS, BLACK) LH side of engine compartment		01-5
X72	CONNECTOR (8-PINS, WHITE) Below LH side of dash	19-2	13-2



COMPONENT LOCATION CHART

COMPONENT

		PAGE - FIGURE	
		7100.0	8500.0
X73	CONNECTOR (8-PINS, BLACK)	Below LH side of dash	21-1 03-1
X74	CONNECTOR (12-PINS, ORANGE)	LH side of dash above foot rest	18-3 08-2
X76	CONNECTOR (6-PINS, BLACK)	Rear RH side of engine compartment in E-Box	04-1
X79	CONNECTOR (3-PINS, BLACK)	Rear RH side of engine compartment in E-Box	04-4
X81	CONNECTOR (3-PINS, ORANGE)	LH side of engine compartment ahead of LH side shock tower	06-1 02-5
X82	CONNECTOR (3-PINS, BLACK)	Front of engine compartment behind front grille	04-5
X83	CONNECTOR (3-PINS, YELLOW)	LH side of LH footwell behind LH footwell kickpanel	17-2 04-5
X84	CONNECTOR (3-PINS, YELLOW)	LH side of LH footwell behind LH footwell kickpanel	17-2
X85	CONNECTOR (3-PINS, BLACK)	LH side of engine compartment	19-1
X86	CONNECTOR (3-PINS, ORANGE)	RH side of engine compartment ahead of RH side shock tower	10-3 04-4
X87	CONNECTOR (3-PINS, BLACK)	Front RH side of engine compartment near windshield washer reservoir RH top of radiator	12-3 02-5
X88	CONNECTOR (2-PINS, BLACK)	Below LH side of dash LH side of steering column	
X92	CONNECTOR (3-PINS, BLACK)	Front RH side of engine compartment	19-3
X105	CONNECTOR (2-PINS, GRAY)	On underside of engine hood	09-3
X106	CONNECTOR (2-PINS, GRAY)	On underside of engine hood	09-3
X107	CONNECTOR (2-PINS, GRAY)	Front RH side of engine compartment on washer fluid reservoir	
X109	CONNECTOR (2-PINS, BLACK)	Front RH side of engine compartment on washer fluid reservoir	
X110	CONNECTOR (2-PINS, GRAY)	Front RH side of engine compartment on washer fluid reservoir	10-2
X111	CONNECTOR (2-PINS, BLACK)	LH side of engine compartment top of brake fluid reservoir	



COMPONENT LOCATION CHART

COMPONENT

PAGE - FIGURE
7100.0 8500.0

X112 .. CONNECTOR (2-PINS, BLACK)	Top center of engine ahead of oil fill cap (with EML)	
X113 .. CONNECTOR (2-PINS, NATURAL)	Near base of shock tower	10-1
X114 .. CONNECTOR (2-PINS, NATURAL)	Bottom of shock tower	06-3
X116 .. CONNECTOR (4-PINS, BLACK)	LH side of dash on brake pedal support bracket	
X118 .. CONNECTOR (2-PINS, BLACK)	Behind LH front wheel	16-1
X120 .. CONNECTOR (2-PINS, BLACK)	Front LH side of engine compartment	06-3
X121 .. CONNECTOR (2-PINS, WHITE)	LH side of dash on clutch pedal support bracket	
X122 .. CONNECTOR (2-PINS, BLACK)	Rear LH side of engine compartment	05-3
X123 .. CONNECTOR (2-PINS, GRAY)	Front RH side of engine compartment near windshield washer reservoir	
X126 .. CONNECTOR (2-PINS, WHITE)	Front RH side of engine compartment ahead of wheel well	14-2
X127 .. CONNECTOR (2-PINS, BLACK)	Front RH side of engine compartment ahead of wheel well	14-2
X128 .. CONNECTOR (2-PINS, BLACK)	LEFT FRONT TURN LIGHT, H7	
X129 .. CONNECTOR (2-PINS, GRAY)	LEFT PARK LIGHT, E15	
X130 .. CONNECTOR (2-PINS, YELLOW)	LEFT LOW BEAM LIGHT, E13	
X131 .. CONNECTOR (2-PINS, WHITE)	LEFT HIGH BEAM LIGHT, E11	
X132 .. CONNECTOR (2-PINS, BLACK)	LEFT HORN, H2	
X133 .. CONNECTOR (2-PINS, BLACK)	RIGHT HORN, H3	
X134 .. CONNECTOR (2-PINS, WHITE)	RIGHT HIGH BEAM LIGHT, E12	
X135 .. CONNECTOR (2-PINS, YELLOW)	RIGHT LOW BEAM LIGHT, E14	
X136 .. CONNECTOR (2-PINS, GRAY)	RIGHT PARK LIGHT, E19	



COMPONENT LOCATION CHART

COMPONENT

PAGE - FIGURE
7100.0 8500.0

X137	..	CONNECTOR (2-PINS, BLACK)	RIGHT FRONT TURN LIGHT, H4		
X159	..	CONNECTOR (10-PINS, BLACK)	In lower LH front door		
X160	..	CONNECTOR (10-PINS, BLACK)	PASSENGER'S SIDE MEMORY MIRROR, Y10	24-3
X161	..	CONNECTOR (1-PINS, NATURAL)	UNDERHOOD LIGHT SWITCH, S19		
X163	..	CONNECTOR (3-PINS, BLACK)	Front RH side of engine compartment on A/C compressor	02-5
X164	..	GROUND	RH side of engine compartment		
X165	..	GROUND	RH side of engine compartment	19-1
X166	..	GROUND	Front RH side of engine compartment ahead of wheel well	02-1
X166	..	GROUND	Front RH side of engine compartment ahead of wheel well	14-2
X167	..	GROUND	Front LH side of engine compartment	09-1
X168	..	CONNECTOR (1-PINS, BLACK)	Behind steering wheel	20-3
X170	..	GROUND	LH side of engine compartment below brake fluid reservoir	03-3
X170	..	GROUND	LH side of engine compartment below brake fluid reservoir	06-3
X175	..	GROUND	Front LH side of engine compartment	09-1
X179	..	GROUND	Front RH side of engine compartment ahead of wheel well	02-1
X179	..	GROUND	Front RH side of engine compartment ahead of wheel well	14-2
X251	..	CONNECTOR (30-PINS, BLACK)	Below LH side of dash	19-3 14-4
X252	..	CONNECTOR (26-PINS, GREEN)	Below LH side of rear seat	01-1
X253	..	CONNECTOR (26-PINS, GREEN)	Below LH side of rear seat in Rear Power Distribution Box	01-1
X254	..	CONNECTOR (26-PINS, WHITE)	Below LH side of rear seat in Rear Power Distribution Box	01-1



COMPONENT LOCATION CHART

COMPONENT

PAGE - FIGURE
7100.0 8500.0

X255	CONNECTOR (26-PINS, YELLOW)	Below LH side of rear seat in Rear Power Distribution Box		01-1
X256	CONNECTOR (26-PINS, BLACK)	Ahead of RH front door	28-2	08-1
X257	CONNECTOR (26-PINS, BLACK)	Ahead of LH front door	28-2	08-1
X258	CONNECTOR (20-PINS, WHITE)	Below LH side of rear seat		08-4
X259	CONNECTOR (20-PINS, WHITE)	Below LH side of rear seat front of battery		08-4
X261	CONNECTOR (1-PINS, (---))	RH side of luggage compartment		
X271	CONNECTOR (12-PINS, GRAY)	Rear side of A2w instrument cluster	20-2	08-2
X272	CONNECTOR (12-PINS, BLACK)	Below LH side of rear seat in Rear Power Distribution Box		06-4
X273	CONNECTOR (12-PINS, BLACK)	Ahead of LH rear door	28-3	14-3
X274	CONNECTOR (12-PINS, BLACK)	Ahead of RH rear door	28-3	14-3
X275	CONNECTOR (12-PINS, WHITE)	Under LH front seat	28-1	07-2
X279	CONNECTOR (12-PINS, WHITE)	Under RH front seat		07-2
X292	CONNECTOR (9-PINS, WHITE)	Below LH side of rear seat in Rear Power Distribution Box		02-3
X293	CONNECTOR (9-PINS, WHITE)	Below LH side of rear seat in Rear Power Distribution Box		02-3
X294	CONNECTOR (9-PINS, WHITE)	Below LH side of rear seat in Rear Power Distribution Box		02-3
X295	CONNECTOR (8-PINS, BLACK)	Below LH side of dash	19-2	13-2
X297	CONNECTOR (9-PINS, WHITE)	Below LH side of dash		02-3
X299	CONNECTOR (6-PINS, BLACK)	Below LH side of rear seat		
X311	CONNECTOR (6-PINS, BLACK)	Underside of trunk lid	32-2	17-2
X312	CONNECTOR (6-PINS, BLACK)	In RH side of luggage compartment		17-2



COMPONENT LOCATION CHART

COMPONENT

PAGE - FIGURE
7100.0 8500.0

X315	.. CONNECTOR (2-PINS, WHITE)	Underside of trunk lid	32-2	
X316	.. CONNECTOR (6-PINS, WHITE)	RIGHT REAR LIGHT ASSEMBLY, E17		05-5
X317	.. CONNECTOR (6-PINS, BLACK)	LEFT REAR LIGHT ASSEMBLY, E16		05-4
X318	.. CONNECTOR (4-PINS, BLACK)	In LH rear side of luggage compartment		06-3
X319	.. CONNECTOR (4-PINS, BLACK)	In LH rear side of luggage compartment		06-3
X322	.. CONNECTOR (8-PINS, BLACK)	Below LH side of rear seat in Rear Power Distribution Box		13-2
X328	.. CONNECTOR (4-PINS, BLACK)	Underside of trunk lid RIGHT TRUNK LIGHT ASSEMBLY, E47	32-2	06-3
X329	.. CONNECTOR (4-PINS, BLACK)	Underside of trunk lid LEFT TRUNK LIGHT ASSEMBLY, E46		06-3
X332	.. CONNECTOR (5-PINS, NATURAL)	Below LH side of rear seat in Rear Power Distribution Box		03-2
X333	.. CONNECTOR (4-PINS, BLACK)	Behind LH fresh air cowl	04-1	08-6
X334	.. CONNECTOR (4-PINS, WHITE)	Behind LH fresh air cowl		08-6
X335	.. CONNECTOR (4-PINS, BLACK)	Below LH side of rear seat in Rear Power Distribution Box		02-6
X336	.. CONNECTOR (4-PINS, WHITE)	FRONT DOME LIGHT/MAP READING ASSEMBLY, E34	21-2	06-5
X337	.. CONNECTOR (4-PINS, BLACK)	Below LH side of rear seat	29-3	06-3
X338	.. CONNECTOR (4-PINS, BLACK)	In LH rear side of luggage compartment		06-3
X339	.. CONNECTOR (4-PINS, BLACK)	In LH rear side of luggage compartment		06-3
X342	.. CONNECTOR (4-PINS, WHITE)	RH side of dash above RH kick panel	23-2	06-3
X351	.. CONNECTOR (2-PINS, BLACK)	Ahead of RH rear door		
X352	.. CONNECTOR (2-PINS, BLACK)	Ahead of LH rear door		
X353	.. CONNECTOR (2-PINS, BLACK)	Front LH door pillar		



COMPONENT LOCATION CHART

COMPONENT

PAGE - FIGURE
7100.0 8500.0

X356 .. CONNECTOR (4-PINS, BLACK)	In lower RH C-pillar LEFT REAR INTERIOR LIGHT, E39	31-1	13-6
X358 .. CONNECTOR (3-PINS, BLACK)	Underside of trunk lid		03-3
X371 .. CONNECTOR (2-PINS, BLACK)	LH side of windshield header above LH visor		
X372 .. CONNECTOR (2-PINS, GRAY)	Rear RH side of engine compartment		
X376 .. CONNECTOR (2-PINS, WHITE)	Below LH side of rear seat	30-1	
X377 .. CONNECTOR (2-PINS, WHITE)	Behind LH rear wheel		
X379 .. CONNECTOR (1-PINS, BLACK)	In upper LH C-pillar	31-1	
X380 .. CONNECTOR (1-PINS, BLACK)	In upper RH C-pillar	30-2	
X381 .. CONNECTOR (2-PINS, BLACK)	DRIVER'S MAKEUP MIRROR LIGHT, E35		
X382 .. CONNECTOR (2-PINS, BLACK)	PASSENGER'S MAKEUP MIRROR LIGHT, E36		
X383 .. CONNECTOR (2-PINS, YELLOW)	Under rear of car near differential	14-3	
X388 .. CONNECTOR (2-PINS, BLACK)	Below LH side of rear seat		
X389 .. CONNECTOR (2-PINS, BLACK)	LEFT FRONT AUXILIARY TURN LIGHT, H9		
X391 .. CONNECTOR (2-PINS, BLACK)	Below center of console		
X393 .. CONNECTOR (6-PINS, BLACK)	In LH rear side of luggage compartment		04-1
X400 .. CONNECTOR (8-PINS, BLACK)	In LH forward side of luggage compartment	31-2	13-2
X401 .. CONNECTOR (1-PINS, BLACK)	DRIVER'S MAKEUP MIRROR SWITCH, S77		
X402 .. CONNECTOR (1-PINS, BLACK)	PASSENGER'S MAKEUP MIRROR SWITCH, S78		
X411 .. CONNECTOR (2-PINS, (---))	Rear of car LEFT REAR SIDE MARKER LIGHT, E70		
X412 .. CONNECTOR (2-PINS, (---))	Rear of car RIGHT REAR SIDE MARKER LIGHT, E71		



COMPONENT LOCATION CHART

COMPONENT

PAGE - FIGURE
7100.0 8500.0

X413	..	CONNECTOR (2-PINS, BLACK)	At back of rear window shelf		
X416	..	CONNECTOR (1-PINS, BLACK)	Above LH sun visor		
X417	..	CONNECTOR (1-PINS, BLACK)	Under roof center panel		
X423	..	CONNECTOR (1-PINS, (---))	Below center of console		
X424	..	CONNECTOR (1-PINS, BROWN)	In upper LH C-pillar	31-1
X490	..	GROUND	LH side of dash	19-1
X491	..	GROUND	LH side of dash	19-1
X492	..	GROUND	Below RH side of rear seat near battery	02-3
X493	..	GROUND	Below RH side of rear seat near battery	02-3
X495	..	GROUND	Underside of RH rear seat	02-2
X496	..	GROUND	Underside of RH rear seat	02-2
X498	..	GROUND	Below RH side of rear seat front of battery		
X501	..	CONNECTOR (26-PINS, GREEN)	Center of dash ON-BOARD COMPUTER, N4	01-1
X502	..	CONNECTOR (26-PINS, BLACK)	LH side of dash behind steering wheel INSTRUMENT CLUSTER, A2w	20-2 01-1
X503	..	CONNECTOR (12-PINS, BLACK)	LH side of dash	05-6
X504	..	CONNECTOR (12-PINS, BLACK)	FOG LIGHT SWITCH, S10	05-6
X506	..	CONNECTOR (12-PINS, BLACK)	Below center of console front of gearshift selector	23-1 06-4
X507	..	CONNECTOR (14-PINS, BLACK)	LH side of dash behind steering wheel INSTRUMENT CLUSTER, A2w	11-1
X509	..	CONNECTOR (9-PINS, WHITE)	Below LH side of dash near hood release lever	02-3
X510	..	CONNECTOR (9-PINS, WHITE)	Below LH side of dash near hood release lever	02-3



COMPONENT LOCATION CHART

COMPONENT

		PAGE - FIGURE	
		7100.0	8500.0
X511	CONNECTOR (8-PINS, BLACK) Below center of console front of gearshift selector	23-1	03-1
X512	CONNECTOR (8-PINS, BLACK) Behind center of dashboard		
X516	CONNECTOR (5-PINS, BLACK) Center of console HAZARD SWITCH, S18		06-2
X517	CONNECTOR (4-PINS, BLACK) DIMMER, N3		06-3
X518	CONNECTOR (4-PINS, BLACK) Below LH side of dash below RH side of dash	17-3	06-3
X521	CONNECTOR (6-PINS, BLACK) ASC SWITCH, S6		15-6
X522	CONNECTOR (3-PINS, WHITE) Below LH side of dash	17-3	05-2
X523	CONNECTOR (6-PINS, BLACK) Behind LH side of dash center of windshield header		09-2
X526	CONNECTOR (8-PINS, BLACK) Below LH side of dash	19-3	13-2
X531	CONNECTOR (2-PINS, WHITE) FRONT CIGAR LIGHTER, E28		
X532	CONNECTOR (2-PINS, NATURAL) FRONT CIGAR LIGHTER LIGHT, E29		
X537	CONNECTOR (1-PINS, NATURAL) In upper LH front door		
X538	CONNECTOR (1-PINS, NATURAL) In upper RH front door		
X540	CONNECTOR (2-PINS, BLACK) GLOVE BOX LIGHT SWITCH, S37		
X541	CONNECTOR (1-PINS, NATURAL) RH side of dash		
X542	CONNECTOR (2-PINS, BLACK) Under RH front seat		
X543	CONNECTOR (1-PINS, NATURAL) LH side of dash		
X546	CONNECTOR (2-PINS, WHITE) Below center of console LH side of gearshift selector	18-2	
X547	CONNECTOR (2-PINS, BLACK) Behind center of dashboard RADIO, N9		
X601	CONNECTOR (26-PINS, WHITE) Underside of LH front seat	26-2	14-5



COMPONENT LOCATION CHART

COMPONENT

PAGE - FIGURE
7100.0 8500.0

COMPONENT		PAGE - FIGURE 7100.0	8500.0
X602	CONNECTOR (26-PINS, YELLOW) Underside of LH front seat	26-1	14-5
X603	CONNECTOR (12-PINS, BLACK) DRIVER'S SEAT, SEAT CONTROL SWITCH, S51		06-6
X604	CONNECTOR (12-PINS, BLACK) PASSENGER'S SEAT, SEAT CONTROL SWITCH, S56		06-6
X605	CONNECTOR (12-PINS, BLACK) In LH forward side of luggage compartment	33-1	02-1
X606	CONNECTOR (12-PINS, WHITE) In LH forward side of luggage compartment	33-1	02-1
X607	CONNECTOR (20-PINS, WHITE) RH side of RH footwell behind RH footwell kickpanel		08-4
X621	CONNECTOR (10-PINS, BLACK) Ahead of RH front door	28-2	09-1
X622	CONNECTOR (10-PINS, BLACK) Ahead of LH front door	28-2	09-1
X623	CONNECTOR (4-PINS, BLACK) In lower LH front door	24-2	13-6
X624	CONNECTOR (4-PINS, BLACK) PASSENGER'S SIDE MIRROR, Y6	24-3	13-6
X625	CONNECTOR (6-PINS, BLACK) MEMORY MIRRORS CONTROL SWITCH, S12	24-2	18-2
X626	CONNECTOR (8-PINS, BLACK) Underside of LH front seat	26-2	13-2
X627	CONNECTOR (8-PINS, BLACK) Center of windshield header near rear view mirror	21-2	03-1
X638	CONNECTOR (6-PINS, BLACK) In RH side of luggage compartment	31-3	09-4
X641	CONNECTOR (6-PINS, BLACK) In RH side of luggage compartment	25-1	09-4
X643	CONNECTOR (6-PINS, BLUE) SUNROOF SWITCH, S38		08-3
X644	CONNECTOR (6-PINS, WHITE) In lower LH rear door		19-4
X645	CONNECTOR (6-PINS, BLACK) LEFT REAR WINDOW SWITCH, S41	25-2	17-2
X646	CONNECTOR (6-PINS, WHITE) In lower RH rear door		19-4
X647	CONNECTOR (6-PINS, BLACK) RIGHT REAR WINDOW SWITCH, S42	25-3	17-2



COMPONENT LOCATION CHART

COMPONENT

PAGE - FIGURE
7100.0 8500.0

X648	CONNECTOR (6-PINS, BLACK)	Underside of LH front seat	26-2	17-2
X649	CONNECTOR (6-PINS, WHITE)	Underside of LH front seat	26-2	16-6
X650	CONNECTOR (6-PINS, BLACK)	MEMORY SEAT MIRRORS SWITCH, S57		17-2
X651	CONNECTOR (6-PINS, BLACK)	DRIVER'S SEAT, SEAT HEATER SWITCH, S53		17-2
X652	CONNECTOR (6-PINS, BLUE)	DRIVER'S SEAT LUMBAR SWITCH, S52		08-3
X653	CONNECTOR (6-PINS, BLACK)	Underside of LH front seat	26-1	17-2
X654	CONNECTOR (6-PINS, WHITE)	Underside of LH front seat	26-1	16-6
X655	CONNECTOR (6-PINS, BLUE)	Underside of LH front seat	26-1	08-3
X656	CONNECTOR (6-PINS, GREEN)	Underside of LH front seat	26-1	16-5
X657	CONNECTOR (6-PINS, BROWN)	Underside of LH front seat	26-3	17-1
X658	CONNECTOR (6-PINS, BLACK)	PASSENGER'S SEAT, SEAT HEATER SWITCH, S54		17-2
X659	CONNECTOR (6-PINS, BLACK)	Under RH front seat		17-2
X660	CONNECTOR (6-PINS, BLACK)	In upper LH front door	24-1	19-4
X662	CONNECTOR (6-PINS, GRAY)	Below LH side of dash on-board computer (removed)		19-5
X663	CONNECTOR (6-PINS, GRAY)	Below LH side of dash on-board computer (removed)		19-5
X669	CONNECTOR (6-PINS, GRAY)	Behind center of dashboard		19-5
X672	CONNECTOR (4-PINS, BLACK)	In LH forward side of luggage compartment		10-2
X673	CONNECTOR (2-PINS, BLACK)	Below LH side of rear seat		
X674	CONNECTOR (2-PINS, BLACK)	Below RH side of rear seat		
X675	CONNECTOR (4-PINS, WHITE)	In LH forward side of luggage compartment		16-2



COMPONENT LOCATION CHART

COMPONENT

PAGE - FIGURE
7100.0 8500.0

X676	.. CONNECTOR (4-PINS, BLACK)	In LH forward side of luggage compartment		16-2
X680	.. CONNECTOR (3-PINS, BLACK)	Under LH front seat	26-3	05-2
X686	.. CONNECTOR (3-PINS, BLUE)	In lower LH front seatback		07-1
X687	.. CONNECTOR (3-PINS, BLUE)	In lower LH front seatback		07-1
X688	.. CONNECTOR (3-PINS, BLUE)	In lower LH front seatback		07-1
X689	.. CONNECTOR (3-PINS, BLUE)	In lower LH front seatback		07-1
X690	.. CONNECTOR (3-PINS, BLUE)	In lower LH front seatback		07-1
X692	.. CONNECTOR (3-PINS, BLACK)	Behind center of dashboard		03-3
X692	.. CONNECTOR (3-PINS, BLACK)	Center of dash (radio removed)		
X696	.. CONNECTOR (3-PINS, BLACK)	Under RH rear of car RH side of differential		07-5
X700	.. CONNECTOR (1-PINS, (---))	Behind RH footwell speaker grille		
X701	.. CONNECTOR (1-PINS, (---))	Behind LH footwell speaker grille		
X705	.. CONNECTOR (2-PINS, BLACK)	Under RH rear of car near RH rear wheel well	16-2	
X709	.. CONNECTOR (2-PINS, BLACK)	LEFT LICENSE PLATE LIGHT, E43		
X710	.. CONNECTOR (2-PINS, BLACK)	RIGHT LICENSE PLATE LIGHT, E44		
X711	.. CONNECTOR (2-PINS, BLACK)	Underside of trunk lid left		
X712	.. CONNECTOR (1-PINS, NATURAL)	Underside of trunk lid TRUNK COMPARTMENT LIGHT, E32		
X714	.. CONNECTOR (2-PINS, GRAY)	In lower LH rear door	25-2	
X715	.. CONNECTOR (2-PINS, BLACK)	In upper LH rear door	25-2	
X720	.. CONNECTOR (2-PINS, GRAY)	In lower LH rear door	25-3	



COMPONENT LOCATION CHART

COMPONENT

PAGE - FIGURE
7100.0 8500.0

X721 .. CONNECTOR (1-PINS, (---))	In upper RH rear door	25-3
X726 .. CONNECTOR (2-PINS, BLACK)	Under LH front seat	28-1
X727 .. CONNECTOR (2-PINS, WHITE)	Under LH front seat	27-1
X728 .. CONNECTOR (2-PINS, WHITE)	Under LH front seat	28-1
X729 .. CONNECTOR (2-PINS, BLACK)	Under LH front seat DRIVER'S SEATBACK RECLINER MOTOR, M53	28-1
X731 .. CONNECTOR (2-PINS, (---))	In upper LH front seatback DRIVER'S HEADREST MOTOR, M54	
X732 .. CONNECTOR (2-PINS, WHITE)	In upper LH front seatback DRIVER'S SEATBACK HEATER, E56	
X733 .. CONNECTOR (2-PINS, (---))	DRIVER'S SEATBACK HEATER, E56	
X734 .. CONNECTOR (2-PINS, BLACK)	Under RH front seat	
X735 .. CONNECTOR (2-PINS, WHITE)	Under RH front seat	27-1
X736 .. CONNECTOR (2-PINS, BLACK)	Under RH front seat	
X737 .. CONNECTOR (2-PINS, WHITE)	Under RH front seat	
X738 .. CONNECTOR (2-PINS, (---))	In upper RH front seatback	
X740 .. CONNECTOR (2-PINS, WHITE)	PASSENGER'S SEAT HEATER, E58	27-3
X741 .. CONNECTOR (2-PINS, WHITE)	In upper RH front seatback	
X742 .. CONNECTOR (2-PINS, YELLOW)	In lower RH front door	24-3
X743 .. CONNECTOR (2-PINS, BLACK)	In upper RH front door	25-1
X744 .. CONNECTOR (2-PINS, GRAY)	In lower RH front door	24-3
X746 .. CONNECTOR (1-PINS, (---))	In upper RH front door	
X747 .. CONNECTOR (2-PINS, YELLOW)	In lower LH front door	24-1



COMPONENT LOCATION CHART

COMPONENT

PAGE - FIGURE
7100.0 8500.0

X749	.. CONNECTOR (2-PINS, GRAY) In lower LH front door 24-2
X750	.. CONNECTOR (1-PINS, (---)) In upper LH front door 24-2
X751	.. CONNECTOR (2-PINS, WHITE) In lower LH front door 24-1
X752	.. CONNECTOR (2-PINS, GRAY) In upper LH front door left 24-1
X753	.. CONNECTOR (1-PINS, (---)) In upper LH front door	
X766	.. CONNECTOR (2-PINS, (---)) Near LH headlight assembly LEFT FRONT MARKER LIGHT, E21	
X767	.. CONNECTOR (2-PINS, (---)) Near RH headlight assembly RIGHT FRONT MARKER LIGHT, E22	
X770	.. CONNECTOR (2-PINS, WHITE) Under LH front bumper 15-2
X771	.. CONNECTOR (2-PINS, BLACK) Below LH side of dash LH side of IHKA Plenum	
X772	.. CONNECTOR (2-PINS, WHITE) RH side of LH footwell	
X773	.. CONNECTOR (2-PINS, WHITE) RH side of dash	
X774	.. CONNECTOR (1-PINS, GRAY) Near LH headlight assembly	
X778	.. CONNECTOR (2-PINS, BLACK) DRIVER'S SEAT BELT SWITCH, S58 27-1
X779	.. CHARGING SOCKET Under RH front seat	
X783	.. CONNECTOR (2-PINS, ORANGE) Bottom of steering column 20-3
X784	.. CONNECTOR (12-PINS, ORANGE) Below LH side of dash 06-4
X786	.. CONNECTOR (2-PINS, BLACK) UNDERHOOD LIGHT, E20	
X800	.. CONNECTOR (2-PINS, NATURAL) Behind LH footwell kickpanel 17-2
X816	.. CONNECTOR (1-PINS, BLACK) Between front footwells	
X817	.. CONNECTOR (1-PINS, BLACK) Between front footwells	



COMPONENT LOCATION CHART

COMPONENT

PAGE - FIGURE
7100.0 8500.0

X818 .. GROUND	LH side of dash LH side of steering column	19-1
X880 .. CONNECTOR (6-PINS, WHITE)	DRIVER'S THIGH SUPPORT SWITCH, S93	16-6
X881 .. CONNECTOR (6-PINS, WHITE)	PASSENGER'S THIGH SUPPORT SWITCH, S94	16-6
X882 .. CONNECTOR (2-PINS, BLACK)	Under LH front seat	28-1
X883 .. CONNECTOR (2-PINS, BLACK)	Under RH front seat	
X884 .. CONNECTOR (3-PINS, BLUE)	In upper RH front seatback	07-1
X885 .. CONNECTOR (3-PINS, BLACK)	Underside of LH front seat	09-5
X890 .. CONNECTOR (2-PINS, BLACK)	Behind LH front fog light	
X900 .. CONNECTOR (2-PINS, WHITE)	Above LH footwell dash panel	
X901 .. CONNECTOR (2-PINS, WHITE)	Above RH footwell dash panel	
X904 .. CONNECTOR (4-PINS, BLACK)	LH side of RH footwell	06-3
X905 .. CONNECTOR (5-PINS, BLACK)	Center of dash middle of heater control panel	09-3
X910 .. B+ JUNCTION POINT	Rear LH side of engine compartment	01-1
X910 .. B+ JUNCTION POINT	Rear LH side of engine compartment	05-3
X944 .. GROUND	Below LH side of rear seat	
X948 .. CONNECTOR (2-PINS, BLACK)	At back of rear window shelf	
X997 .. CONNECTOR (2-PINS, WHITE)	Under rear of car behind RH rear wheel	
X998 .. CONNECTOR (4-PINS, BLACK)	Below LH side of dash	06-5
X999 .. CONNECTOR (4-PINS, BLACK)	Below LH side of dash	06-3
X1021 .. CONNECTOR (9-PINS, BLACK)	Rear LH side of engine compartment in Front Power Distribution Box	02-3



COMPONENT LOCATION CHART

COMPONENT

PAGE - FIGURE
7100.0 8500.0

X1049	CONNECTOR (1-PINS, (---))	RH side of engine compartment	
X1098	CONNECTOR (12-PINS, BLACK)	Front of engine compartment	05-6
X1160	GROUND	LH side of dash LH side of steering column	19-1
X1171	CONNECTOR (55-PINS, NATURAL)	Rear RH side of engine compartment in E-Box SLIP CONTROL MODULE (ABS/ASC), A70	00-1
X1191	CONNECTOR (4-PINS, BLACK)	Rear of luggage compartment below brake fluid reservoir behind trim panel	06-3
X1193	CONNECTOR (2-PINS, (---))	TRANSMISSION POSITION INDICATOR LIGHT, E82	
X1195	CONNECTOR (9-PINS, BLACK)	Rear LH side of engine compartment in Front Power Distribution Box	02-3
X1197	CONNECTOR (8-PINS, WHITE)	Rear RH side of engine compartment	11-3 03-1
X1216	CONNECTOR (15-PINS, BLACK)	Below LH side of rear seat in Rear Power Distribution Box	12-3
X1217	CONNECTOR (26-PINS, WHITE)	Below LH side of rear seat in Rear Power Distribution Box	01-1
X1221	CONNECTOR (26-PINS, GREEN)	Below LH side of rear seat in Rear Power Distribution Box	10-4
X1222	CONNECTOR (6-PINS, WHITE)	In LH forward side of luggage compartment	04-1
X1250	CONNECTOR (10-PINS, BLACK)	RH side of luggage compartment behind side panel	15-2
X1251	CONNECTOR (2-PINS, BLACK)	Rear of luggage compartment on lift gate behind trim panel	32-3
X1252	CONNECTOR (2-PINS, BLACK)	Rear of luggage compartment on lift gate behind trim panel	32-3
X1253	CONNECTOR (2-PINS, BLACK)	Rear of luggage compartment on lift gate behind trim panel	
X1266	CONNECTOR (1-PINS, BLACK)	In rear window REAR DEFOGGER/ANTENNA, E10	
X1322	CONNECTOR (5-PINS, BLACK)	Center of dash	
X1374	CONNECTOR (1-PINS, NATURAL)	GLOVE BOX LIGHT, E42	



COMPONENT LOCATION CHART

COMPONENT

PAGE - FIGURE
7100.0 8500.0

X1386 . CONNECTOR (88-PINS, BLACK)	Rear RH side of engine compartment in E-Box	18-4
X1388 . CONNECTOR (2-PINS, BLACK)	Rear RH side of engine compartment	
X1389 . CONNECTOR (12-PINS, BLACK)	RH side of engine compartment	02-1
X1404 . CONNECTOR (3-PINS, NATURAL)	TELEPHONE INTERFACE US, A192	
X1427 . CONNECTOR (1-PINS, NATURAL)	DASH LIGHT, E41	
X1439 . CONNECTOR (2-PINS, BLACK)	TRANSMISSION RANGE SELECTOR LIGHT, E9500	18-2
X1851 . CONNECTOR (1-PINS, BLACK)	At back of rear window shelf	
X3210 . CONNECTOR (26-PINS, BLUE)	LH side of dash LH side of steering column	01-1
X3211 . CONNECTOR (4-PINS, BLACK)	Center of dash	05-1
X3212 . CONNECTOR (4-PINS, BLACK)	Below LH side of dash	17-3 03-3
X5000 . CONNECTOR (4-PINS, BLACK)	Rear RH side of engine compartment in E-Box	02-6
X6000 . CONNECTOR (55-PINS, BLACK)	Rear RH side of engine compartment in E-Box ENGINE CONTROL MODULE (DME), A6000	00-1
X6002 . CONNECTOR (20-PINS, BLACK)	Rear LH side of engine compartment right of LH side shock tower	04-6
X6003 . CONNECTOR (8-PINS, BLACK)	Rear RH side of engine compartment in E-Box	11-3 03-1
X6004 . CONNECTOR (35-PINS, BLACK)	Rear RH side of engine compartment in E-Box	00-3
X6006 . CONNECTOR (5-PINS, GREEN)	Rear RH side of engine compartment in E-Box	02-4
X6053 . CONNECTOR (12-PINS, BLACK)	RH side of dash behind glove box	23-2 02-1
X6101 . CONNECTOR (2-PINS, BLACK)	Top center of engine	
X6102 . CONNECTOR (2-PINS, BLACK)	Top center of engine	



COMPONENT LOCATION CHART

COMPONENT

PAGE - FIGURE
7100.0 8500.0

X6103	CONNECTOR (2-PINS, BLACK)	Top center of engine		
X6104	CONNECTOR (2-PINS, BLACK)	Top center of engine		
X6105	CONNECTOR (2-PINS, BLACK)	Top center of engine		
X6106	CONNECTOR (2-PINS, BLACK)	Top center of engine		
X6120	CONNECTOR (2-PINS, BLACK)	LH side of engine		
X6130	CONNECTOR (3-PINS, BLACK)	Top front of engine	08-3	03-5
X6131	CONNECTOR (2-PINS, BLACK)	INTAKE AIR RESONANCE CHANGEOVER VALVE, Y6131		
X6132	CONNECTOR (2-PINS, BLACK)	Top LH side of engine (M5)		
X6133	CONNECTOR (2-PINS, BLACK)	Top front of engine near distributor	08-2	
X6150	CONNECTOR (1-PINS, (---))	IGNITION COIL, T6150		
X6151	CONNECTOR (3-PINS, GRAY)	RH side of engine		15-4
X6152	CONNECTOR (3-PINS, GRAY)	RH side of engine		15-4
X6153	CONNECTOR (3-PINS, GRAY)	RH side of engine		15-4
X6154	CONNECTOR (3-PINS, GRAY)	RH side of engine		15-4
X6155	CONNECTOR (3-PINS, GRAY)	RH side of engine		15-4
X6156	CONNECTOR (3-PINS, GRAY)	RH side of engine		15-4
X6200	CONNECTOR (4-PINS, BLACK)	Lower LH side of engine	07-1	13-5
X6201	CONNECTOR (3-PINS, BLACK)	Front of engine compartment below Intake manifold	08-1	03-5
X6201	CONNECTOR (3-PINS, BLACK)	Top front of engine	08-2	03-5
X6202	CONNECTOR (3-PINS, BLACK)	Front of engine compartment below Intake manifold	08-1	03-5



COMPONENT LOCATION CHART

COMPONENT

PAGE - FIGURE
7100.0 8500.0

X6202 . CONNECTOR (3-PINS, BLACK)	Top front of engine	08-2	03-5
X6203 . CONNECTOR (3-PINS, BLACK)	Front of engine compartment below Intake manifold		03-5
X6205 . CONNECTOR (2-PINS, BLACK)	Front of engine on coolant inlet		
X6206 . CONNECTOR (7-PINS, BLACK)	Front LH side of engine compartment ahead of LH side shock tower		13-4
X6208 . CONNECTOR (2-PINS, BLACK)	Front of engine CAMSHAFT ACTUATOR, B6208		
X6209 . CONNECTOR (3-PINS, BLACK)	Front of engine HALL EFFECT CAMSHAFT SENSOR, B6209		
X6217 . CONNECTOR (4-PINS, GRAY)	Top front of engine		09-6
X6230 . CONNECTOR (3-PINS, BLACK)	LH side of engine	07-2	03-5
X6231 . CONNECTOR (2-PINS, BLACK)	Front of engine compartment below Intake manifold		
X6232 . CONNECTOR (2-PINS, BLACK)	Front of engine on coolant inlet		
X6233 . CONNECTOR (5-PINS, BLACK)	Top center of engine ahead of oil fill cap		12-2
X6234 . CONNECTOR (2-PINS, WHITE)	Front LH side of engine compartment		
X6235 . CONNECTOR (2-PINS, BLACK)	Rear RH side of engine compartment in E-Box		
X6236 . CONNECTOR (2-PINS, BLACK)	Top rear of engine on coolant Inlet		
X6238 . CONNECTOR (2-PINS, BLACK)	Front LH side of engine compartment		
X6241 . CONNECTOR (3-PINS, BLACK)	Below intake manifold		03-5
X6242 . CONNECTOR (3-PINS, BLACK)	Below intake manifold		03-5
X6250 . CONNECTOR (3-PINS, BLACK)	LH side of engine compartment		03-5
X6251 . CONNECTOR (6-PINS, BLACK)	Top front of engine		02-2
X6252 . CONNECTOR (1-PINS, BLACK)	THROTTLE POSITION SENSOR, R6252		



COMPONENT LOCATION CHART

COMPONENT

PAGE - FIGURE
7100.0 8500.0

X6300 . CONNECTOR (9-PINS, BLACK)	Rear RH side of engine compartment in E-Box	11-2	02-3
X6301 . CONNECTOR (9-PINS, BLACK)	Rear RH side of engine compartment in E-Box	11-2	02-3
X6302 . CONNECTOR (9-PINS, BLACK)	Rear RH side of engine compartment in E-Box		02-3
X6303 . CONNECTOR (9-PINS, BLACK)	Rear RH side of engine compartment in E-Box	11-2	02-3
X6304 . CONNECTOR (9-PINS, BLACK)	Rear RH side of engine compartment in E-Box		02-3
X6350 . CONNECTOR (8-PINS, BLACK)	Top front of engine near distributor		03-6
X6400 . B+ JUNCTION POINT	Rear RH side of engine compartment in E-Box	01-2	
X6401 . CONNECTOR (1-PINS, (---))	Underside of rear seat		
X6450 . GROUND	Rear RH side of engine compartment	03-1	
X6451 . GROUND	Rear RH side of engine compartment	03-1	
X6454 . GROUND	Rear RH side of engine compartment	03-1	
X6455 . GROUND	Front of engine		
X6456 . GROUND	Front of engine	03-2	
X6506 . CONNECTOR (4-PINS, BLACK)	Rear RH side of engine compartment in E-Box	12-1	06-3
X6508 . CONNECTOR (3-PINS, BLACK)	LH side of engine compartment	07-1	03-5
X6509 . CONNECTOR (1-PINS, (---))	GENERATOR, G6509		
X6510 . CABLE SOCKET STARTER TERMINAL 50	LH side of engine compartment below intake manifold		
X6511 . CABLE SOCKET ALTERNATOR TERMINAL 30h	Below intake manifold		
X6512 . CABLE SOCKET STARTER TERMINAL 30h	LH side of engine		
X7150 . CONNECTOR (1-PINS, (---))	IGNITION COIL, T6150		



COMPONENT LOCATION CHART

COMPONENT

PAGE - FIGURE
7100.0 8500.0

X7509	CONNECTOR (1-PINS, (---))	GENERATOR, G6509		
X8150	CONNECTOR (1-PINS, (---))	IGNITION COIL, T6150		
X8500	CONNECTOR (35-PINS, BLACK)	Behind RH footwell kickpanel		00-3
X8500	CONNECTOR (55-PINS, BLACK)	Behind RH footwell kickpanel		00-1
X8503	CONNECTOR (6-PINS, BLUE)	Below center console		08-3
X8505	CONNECTOR (9-PINS, BLACK)	On LH side of transmission		11-2
X8507	CONNECTOR (1-PINS, BLACK)	Rear RH side of engine compartment		
X8508	GROUND	Underside of RH rear seat	02-2	
X8513	CONNECTOR (2-PINS, WHITE)	Below center console front of gearshift selector		
X8516	CONNECTOR (2-PINS, BLACK)	Under center of car		
X10051	CONNECTOR (4-PINS, WHITE)	Behind LH side of dash		06-3
X10063	CONNECTOR (9-PINS, BLACK)	Rear LH side of engine compartment in Front Power Distribution Box		02-3
X10068	CONNECTOR (2-PINS, GRAY)	LEFT FOG LIGHT, E26		
X10069	CONNECTOR (2-PINS, GRAY)	RIGHT FOG LIGHT, E27		
X10070	CONNECTOR (2-PINS, GRAY)	LEFT LOW BEAM LIGHT, E13		
X10071	CONNECTOR (2-PINS, GRAY)	LEFT HIGH BEAM LIGHT, E11		
X10074	CONNECTOR (2-PINS, GRAY)	RIGHT HIGH BEAM LIGHT, E12		
X10075	CONNECTOR (2-PINS, GRAY)	RIGHT LOW BEAM LIGHT, E14		
X10082	CONNECTOR (5-PINS, GREEN)	RH side of LH footwell behind LH footwell trim	17-1	02-4
X10083	CONNECTOR (4-PINS, BLACK)	RH side of LH footwell	17-1	02-6



COMPONENT LOCATION CHART

COMPONENT

PAGE - FIGURE
7100.0 8500.0

X10084	CONNECTOR (9-PINS, BLACK)	Below RH side of dash		02-3
X10094	CONNECTOR (2-PINS, BLACK)	LH side of engine compartment		
X13012	CONNECTOR (26-PINS, WHITE)	Below LH side of rear seat (with ZVM)		14-5
X13018	CONNECTOR (1-PINS, BLACK)	In rear window		
X13023	CONNECTOR (2-PINS, WHITE)	Center console		
X13024	CONNECTOR (2-PINS, BLACK)	Center console		
X13025	CONNECTOR (12-PINS, BLACK)	Below RH side of dash		
X13056	CONNECTOR (9-PINS, BLACK)	RH side of luggage compartment behind side panel		02-3
X13057	CONNECTOR (3-PINS, BLACK)	Rear of luggage compartment on lift gate behind trim panel		05-2
X13058	CONNECTOR (2-PINS, GREEN)	RH side of luggage compartment behind side panel		
X13059	CONNECTOR (3-PINS, BLACK)	Rear of luggage compartment on lift gate behind trim panel		05-2
X13085	CONNECTOR (10-PINS, BLACK)	Behind LH footwell kickpanel	32-1	09-1
X13086	CONNECTOR (18-PINS, BLACK)	Behind LH footwell kickpanel	32-1	13-3
X13105	CONNECTOR (3-PINS, BLACK)	Below LH side of dash		03-3
X13106	CONNECTOR (6-PINS, BLACK)	RH side of luggage compartment behind side panel		15-5
X13107	CONNECTOR (2-PINS, NATURAL)	LIFT GATE SWITCH, S172	32-3	
X13119	CONNECTOR (12-PINS, WHITE)	Below LH side of dash		06-4
X13123	CONNECTOR (9-PINS, BLACK)	RH side of luggage compartment		02-3
X13124	CONNECTOR (9-PINS, BLACK)	RH side of luggage compartment		02-3
X13139	CONNECTOR (10-PINS, BLACK)	Center of windshield header		09-1



COMPONENT LOCATION CHART

COMPONENT

PAGE - FIGURE
7100.0 8500.0

X18025	CONNECTOR (4-PINS, BLACK)	LH side of engine compartment		05-1
X18064	CONNECTOR (6-PINS, WHITE)	LEFT REAR HEADREST SWITCH, S114		
X18065	CONNECTOR (6-PINS, WHITE)	RIGHT REAR HEADREST SWITCH, S115		
X18067	CONNECTOR (1-PINS, (---))	Below RH side of rear seat near battery		
X18068	CONNECTOR (1-PINS, (---))	Below RH side of rear seat near battery		
X18069	CONNECTOR (6-PINS, BLUE)	Below LH side of dash		04-1
X18080	CONNECTOR (1-PINS, NATURAL)	TRUNK LID LIGHT, E33		
X18084	CONNECTOR (2-PINS, BLACK)	LH front door	24-1	
X18093	CONNECTOR (3-PINS, WHITE)	ACCESSORY TABLE MICROSWITCH, S119		03-3
X18097	CONNECTOR (2-PINS, BLACK)	Below LH side of dash		
X18126	CONNECTOR (17-PINS, BLACK)	Center of dash RADIO, N9		04-2
X18151	CONNECTOR (10-PINS, BLACK)	IHKR/F3 SWITCHING UNIT, S135w		20-1
X18153	CONNECTOR (3-PINS, BLACK)	Behind center of dashboard near gearshift lever		05-2
X18154	CONNECTOR (18-PINS, BLACK)	IHKR/F3 CONTROL PANEL, S134w		19-6
X18155	CONNECTOR (26-PINS, WHITE)	Between front footwells INTEGRATED CLIMATE REGULATION CONTROL MODULE (IHKR/F3), A87w	22-1	10-4
X18156	CONNECTOR (26-PINS, BLACK)	Between front footwells INTEGRATED CLIMATE REGULATION CONTROL MODULE (IHKR/F3), A87w	22-1	10-4
X18157	CONNECTOR (26-PINS, BLUE)	Between front footwells INTEGRATED CLIMATE REGULATION CONTROL MODULE (IHKR/F3), A87w	22-1	10-4



COMPONENT LOCATION CHART

COMPONENT

PAGE - FIGURE
7100.0 8500.0

X18181	CONNECTOR (6-PINS, BLACK)	Underside of LH front seat		17-2
X18186	CONNECTOR (1-PINS, NATURAL)	In upper LH front door		
X18190	CONNECTOR (1-PINS, NATURAL)	In upper LH front door		
X18191	CONNECTOR (1-PINS, (---))	Behind RH footwell speaker grille		
X18192	CONNECTOR (1-PINS, WHITE)	In upper RH front door		
X18193	CONNECTOR (1-PINS, (---))	In upper RH front door		
X18203	CONNECTOR (4-PINS, (---))	Below RH side of rear seat		06-5
X18205	CONNECTOR (2-PINS, WHITE)	Front of gearshift selector	23-1	
X18244	CONNECTOR (8-PINS, BLACK)	Roof		03-1
X18245	CONNECTOR (8-PINS, BLACK)	In roof panel	32-1	03-1
X18259	CONNECTOR (10-PINS, BLACK)	Below LH side of dash		15-2
X18263	CONNECTOR (2-PINS, WHITE)	Middle of heater control panel		
X18265	CONNECTOR (1-PINS, (---))	Below rear seat		
X18500	CONNECTOR (26-PINS, (---))	TELEPHONE TRANSCEIVER, H38		
X18503	CONNECTOR (2-PINS, (---))	TELEPHONE INTERFACE US, A192		
X18506	CONNECTOR (2-PINS, (---))	Behind center of dashboard		
X18507	CONNECTOR (4-PINS, (---))	MICROPHONE, B400		
X18508	CONNECTOR (4-PINS, BLACK)	Behind center of dashboard near gearshift lever		06-3
X18508	CONNECTOR (4-PINS, (---))	LEFT FRONT SPEAKER, H41		
X18509	CONNECTOR (4-PINS, BLACK)	Behind center of dashboard near gearshift lever		06-5



COMPONENT LOCATION CHART

COMPONENT

PAGE - FIGURE
7100.0 8500.0

X18509	CONNECTOR (8-PINS, (---))	TELEPHONE INTERFACE US, A192		
X18729	CONNECTOR (3-PINS, NATURAL)	In LH forward side of luggage compartment	33-1	18-1
X18729	CONNECTOR (2-PINS, (---))	CD CHANGER, N22		
X18741	CONNECTOR (4-PINS, (---))	Center console under telephone		
Y1	ABS HYDRAULIC UNIT	LH side of engine compartment below brake fluid reservoir (525i)		
Y4	WATER VALVE ASSEMBLY	Rear LH side of engine compartment on engine bulkhead	05-3	
Y5	DRIVER'S SIDE MIRROR	In upper LH front door		
Y6	PASSENGER'S SIDE MIRROR	In upper RH front door		
Y9	DRIVER'S SIDE MEMORY MIRROR	In upper LH front door		
Y10	PASSENGER'S SIDE MEMORY MIRROR	In upper RH front door		
Y6101	CYL. 1 FUEL INJECTION VALVE	Top center of engine	11-1	
Y6102	CYL. 2 FUEL INJECTION VALVE	Top center of engine	11-1	
Y6103	CYL. 3 FUEL INJECTION VALVE	Top center of engine	11-1	
Y6104	CYL. 4 FUEL INJECTION VALVE	Top center of engine	11-1	
Y6105	CYL. 5 FUEL INJECTION VALVE	Top center of engine	11-1	
Y6106	CYL. 6 FUEL INJECTION VALVE	Top center of engine	11-1	
Y6120	EVAPORATIVE EMISSION VALVE	LH side of engine (near oil level stick)	07-1	
Y6120	EVAPORATIVE EMISSION VALVE	LH side of engine (near oil level stick) (M5)	07-3	
Y6130	IDLE SPEED CONTROL VALVE	Top front of engine on throttle body (M5)	08-3	
Y6130	IDLE SPEED CONTROL VALVE	Front of engine on coolant inlet	13-1	



COMPONENT LOCATION CHART

COMPONENT

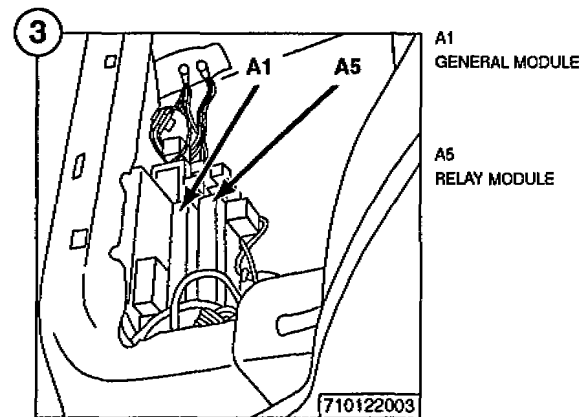
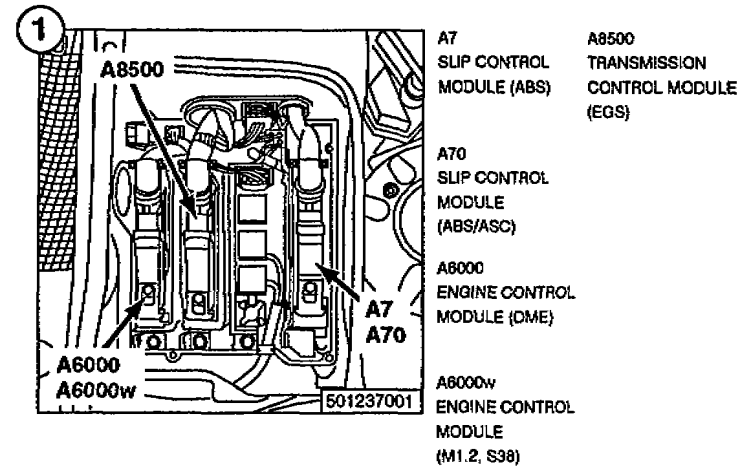
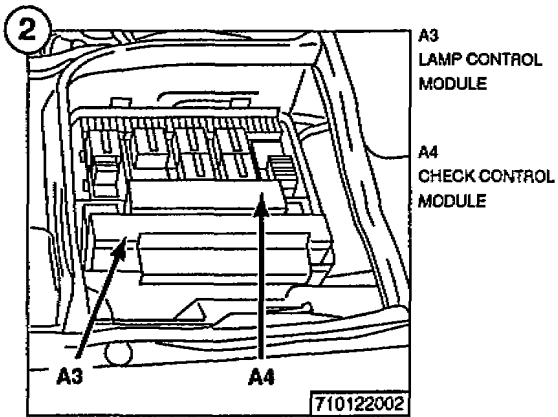
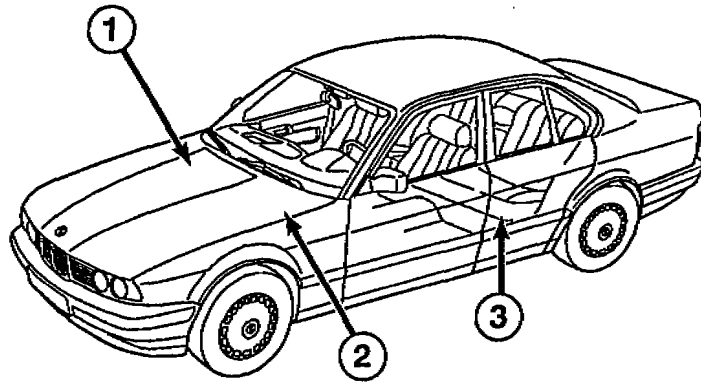
PAGE - FIGURE
7100.0 8500.0

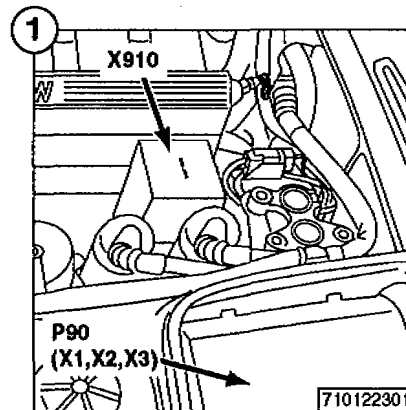
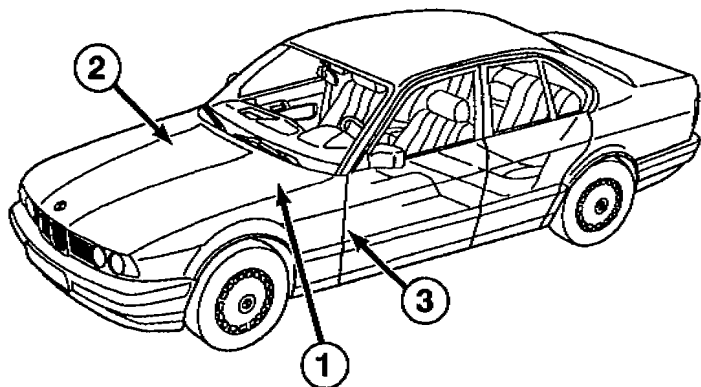
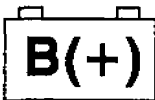
- Y6131 . INTAKE AIR RESONANCE CHANGEOVER
VALVE LH side of engine (near oil level stick) (M5)
- Y8505y TRANSMISSION VALVE UNIT In transmission
- Y8516 . ELECTRONIC TRANSMISSION ENGINE
SPEED SENSOR (EGS) Under center of car



COMPONENT LOCATION VIEWS

ELECTRICAL CONTROL MODULE LOCATIONS





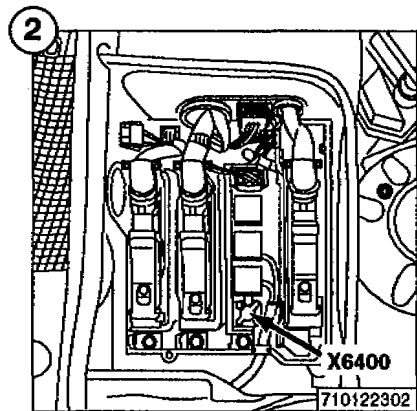
P90
FRONT POWER
DISTRIBUTION
BOX

X910
B+ JUNCTION
POINT

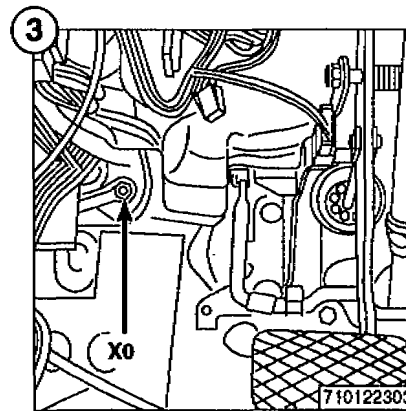
X1
B+
JUNCTION POINT

X2
BATTERY
B+ START POINT

X3
B+
JUNCTION POINT

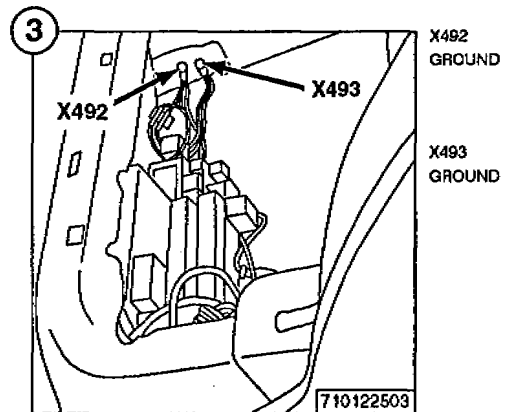
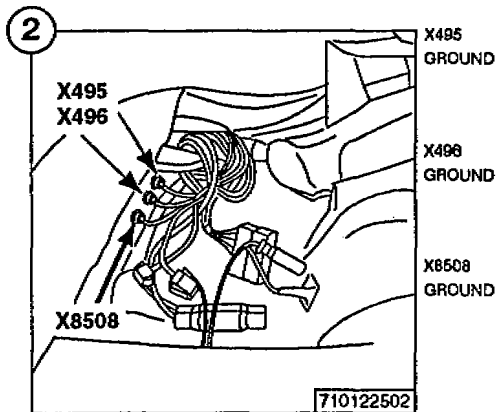
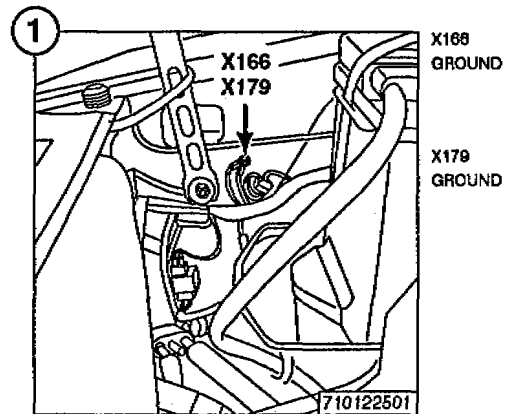
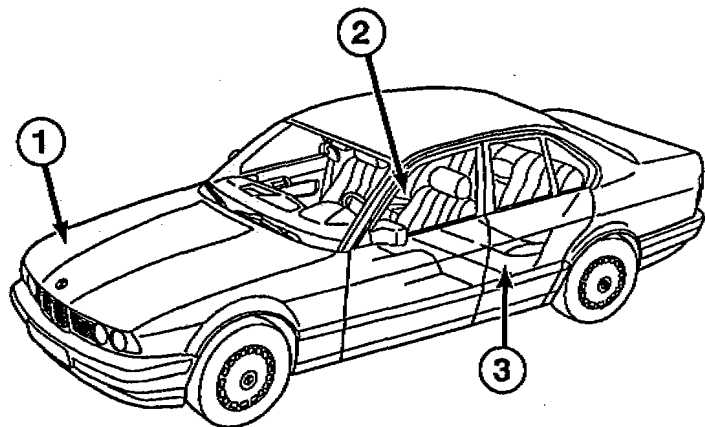


X6400
B+ JUNCTION
POINT



X0
B+
JUNCTION POINT

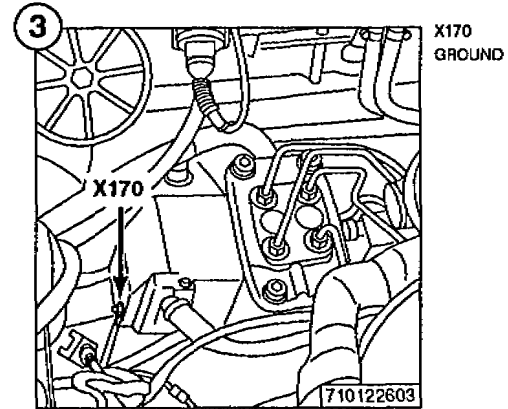
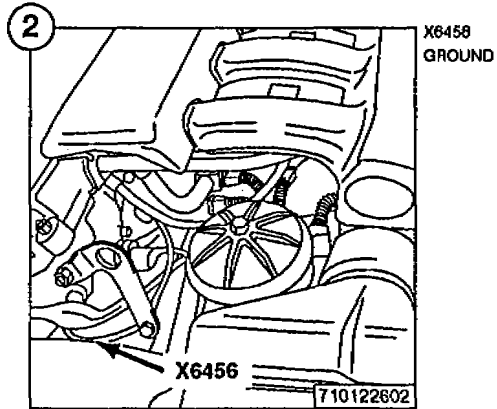
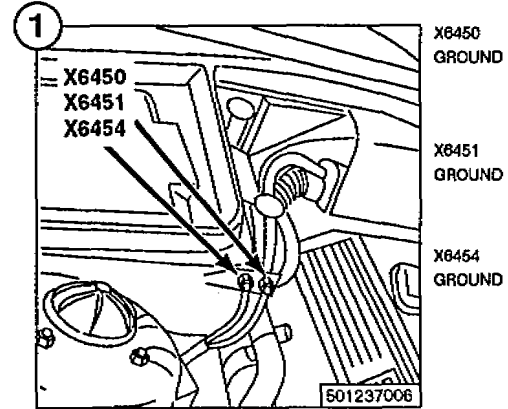
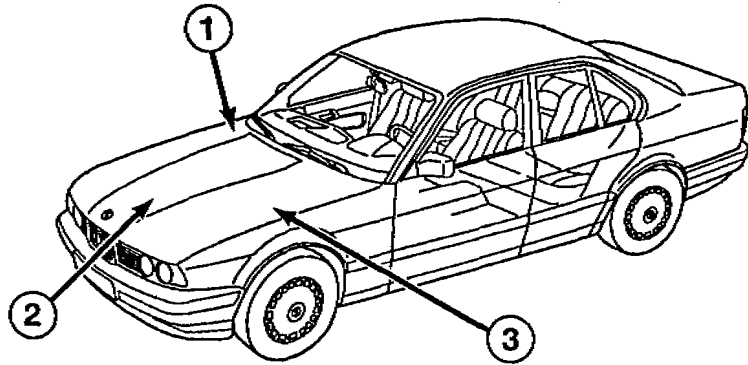
B(-)





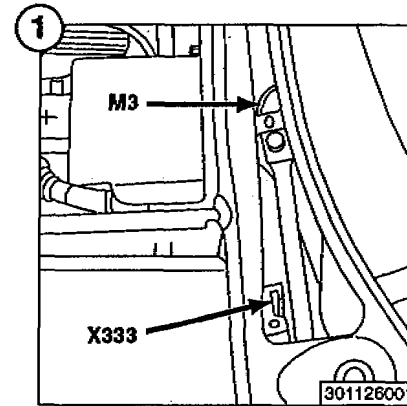
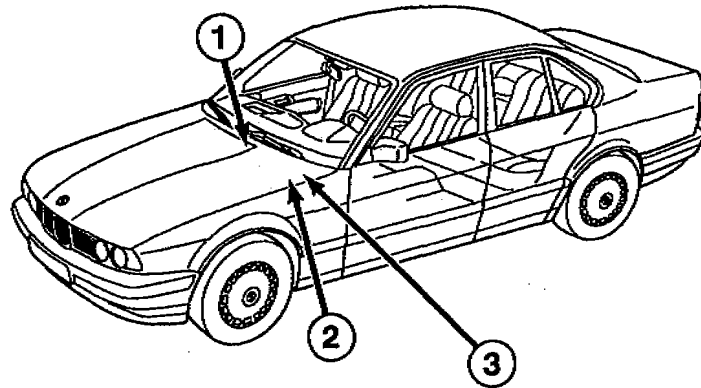
COMPONENT LOCATION VIEWS

B(-)



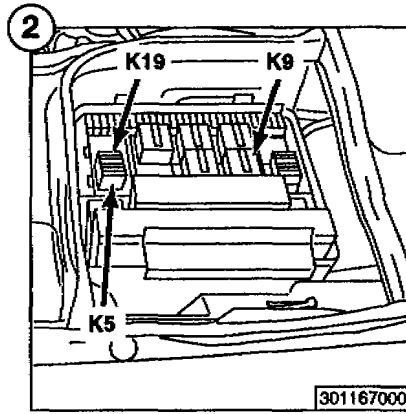


COMPONENT LOCATION VIEWS



M3
WIPER MOTOR

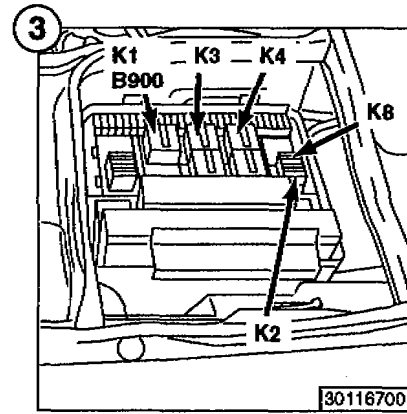
X333



K5
WASHER PUMP
RELAY

K9
UNLOADER
RELAY,
TERMINAL 15

K19
COMPRESSOR
CONTROL
RELAY



B900
JUMPER PLUG

K1
STARTER RELAY

K2
HORN RELAY

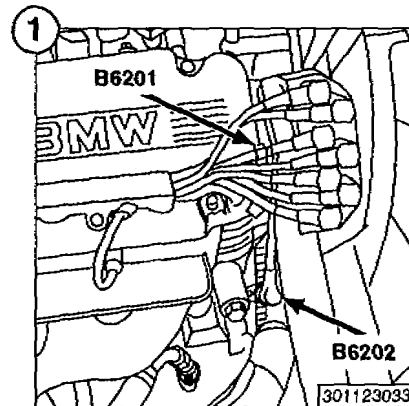
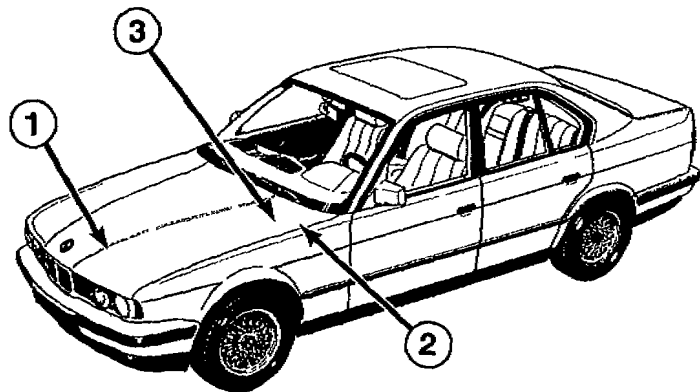
K3
UNLOADER RELAY,
TERMINAL R

K4
BLOWER RELAY

K8
AUXILIARY
WATER PUMP
RELAY

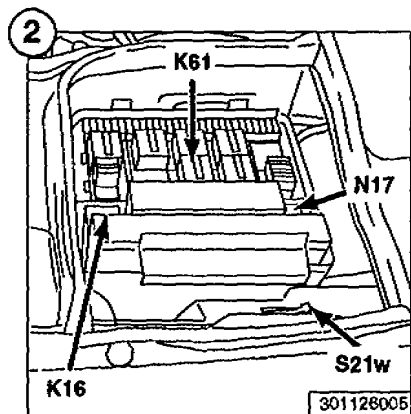


COMPONENT LOCATION VIEWS



B6201
CYLINDER
IDENTIFICATION
SENSOR

B6202
CRANKSHAFT
POSITION/RPM
SENSOR

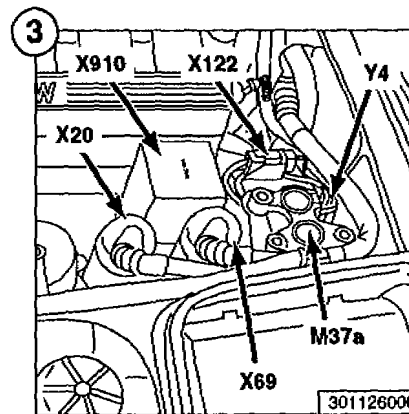


K16
HAZARD
FLASHER RELAY

S21w
ENGINE HOOD
SWITCH

K81
UNLOADER
RELAY
TERMINAL 61

N17
CRASH CONTROL
MODULE

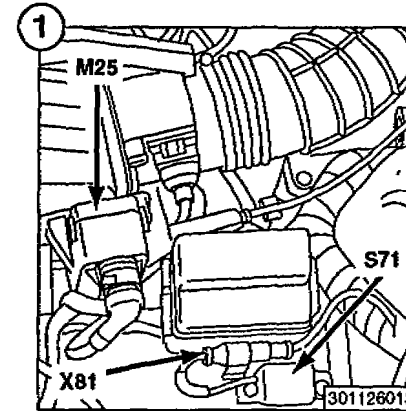
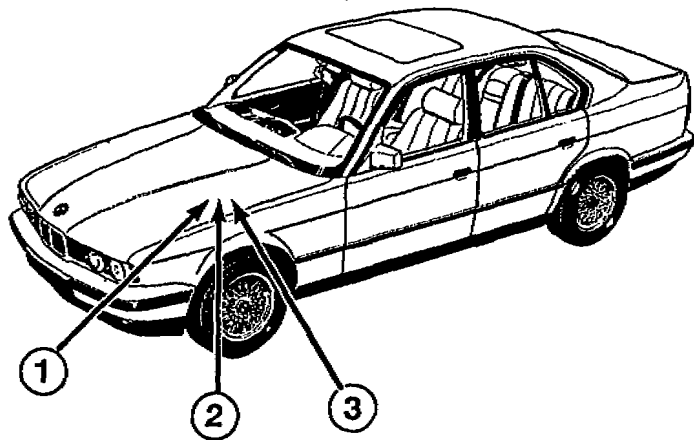


M37a
AUXILIARY
WATER PUMP

Y4
WATER VALVE
ASSEMBLY

X910
B+ JUNCTION
POINT

X20
X69
X122

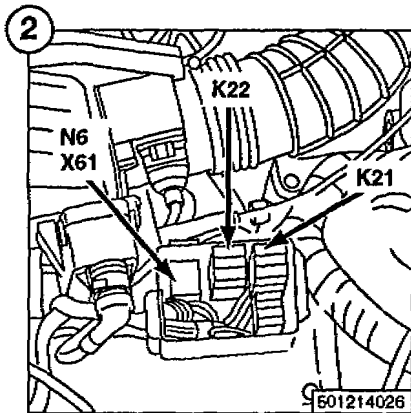


M25
CRUISE CONTROL
ACTUATOR
(TEMPOMAT)

S71
LEFT FRONT
IMPACT SENSOR

X81

301126013



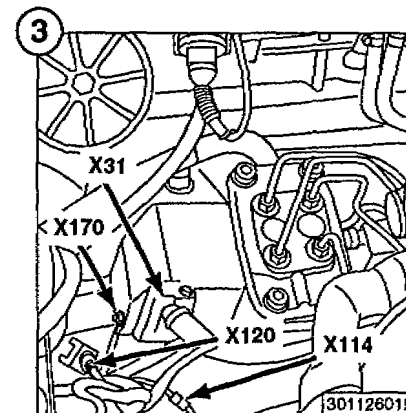
K21
NORMAL SPEED
RELAY

K22
HIGH SPEED
RELAY

X81

501214026

N8
HEADLIGHT/
FOGLIGHT
CLEANING
MODULE (SRA)



X31

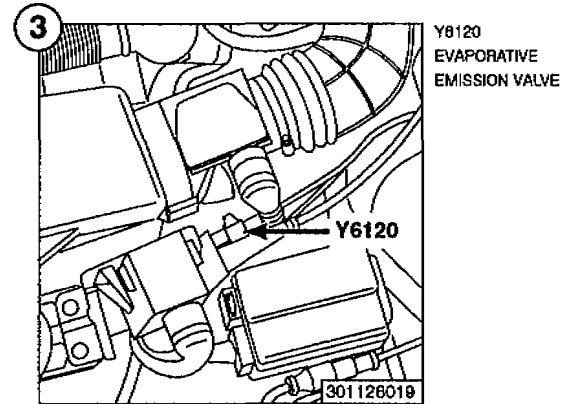
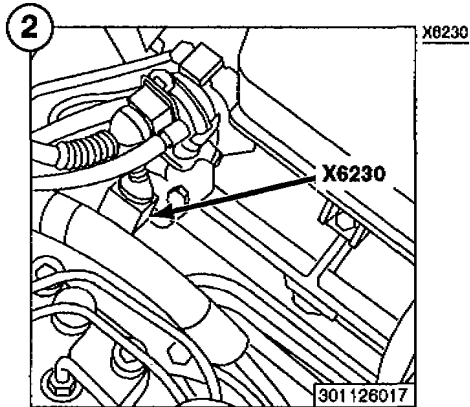
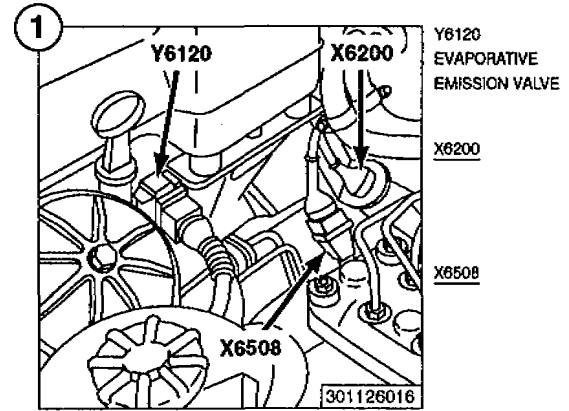
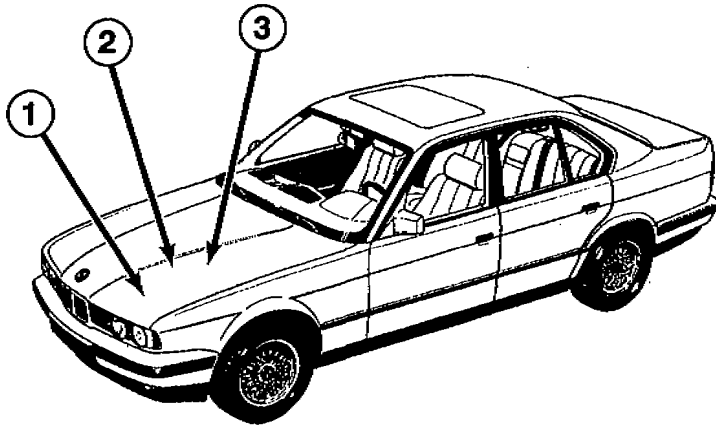
X114

X120

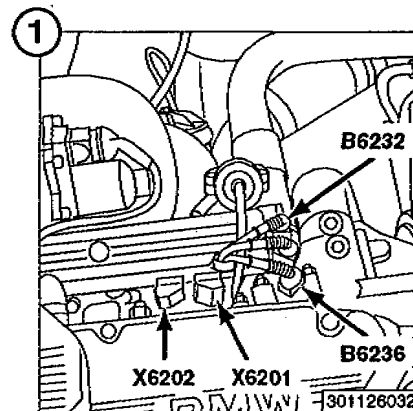
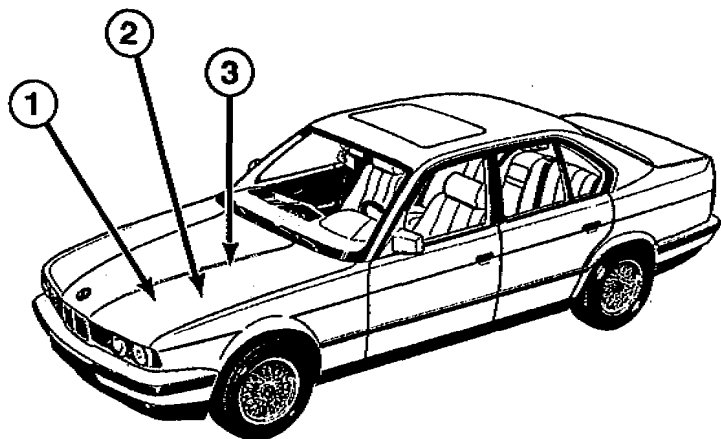
X170

301126015

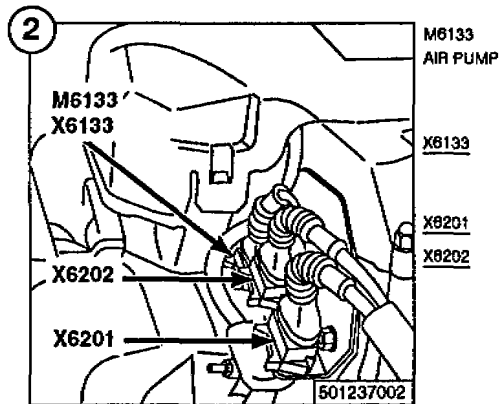
COMPONENT LOCATION VIEWS



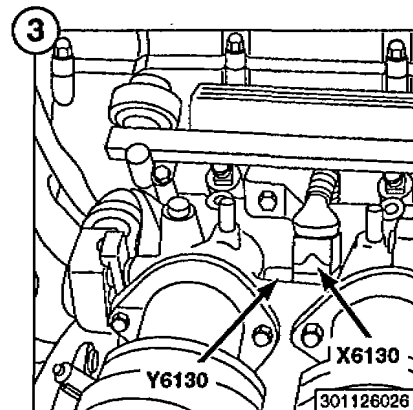
COMPONENT LOCATION VIEWS



- B6232
ENGINE COOLANT
TEMPERATURE
SENSOR
- B6236
ENGINE COOLANT
TEMPERATURE
SENSOR
- X6201
- X6202



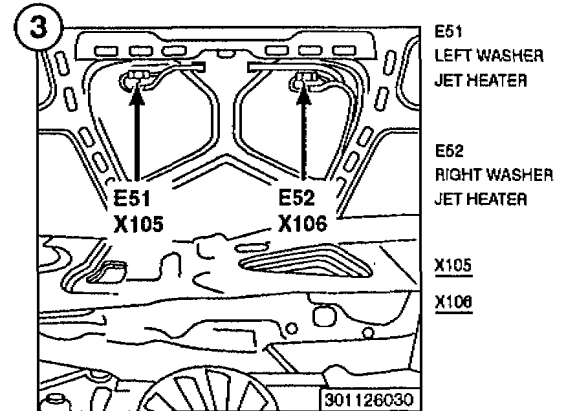
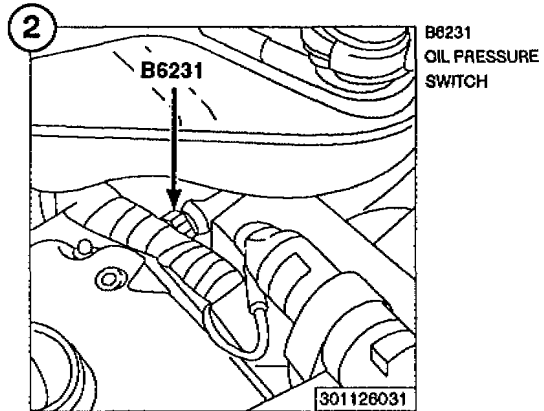
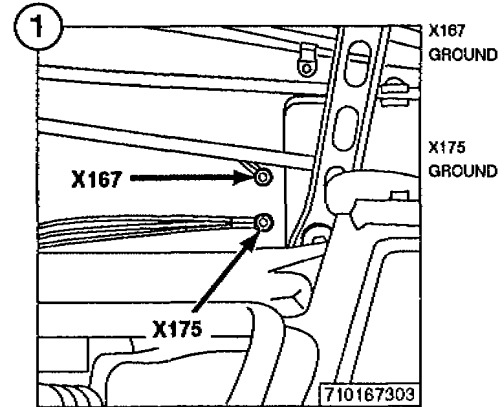
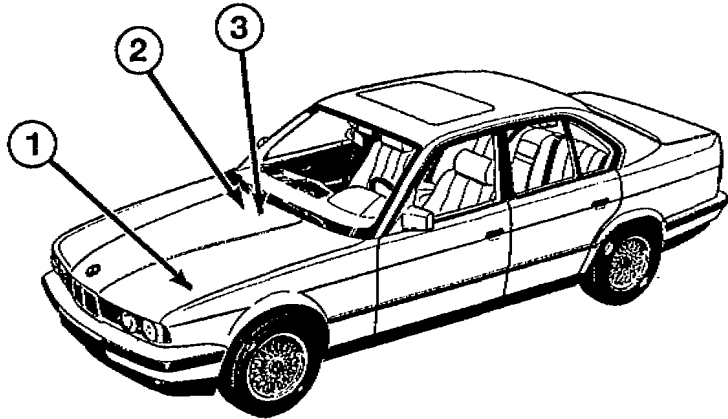
- M6133
AIR PUMP
- X6133
- X6201
- X6202

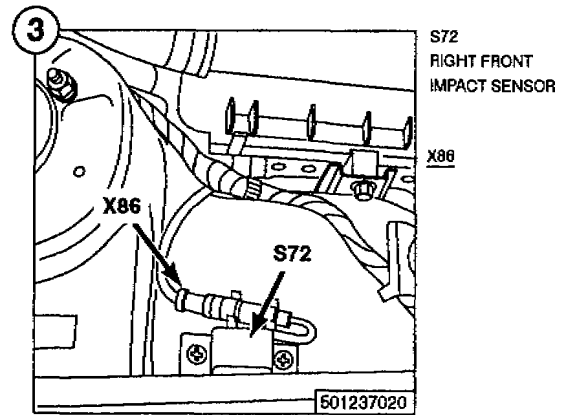
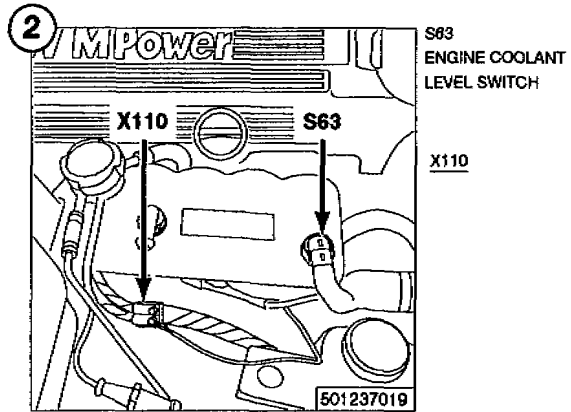
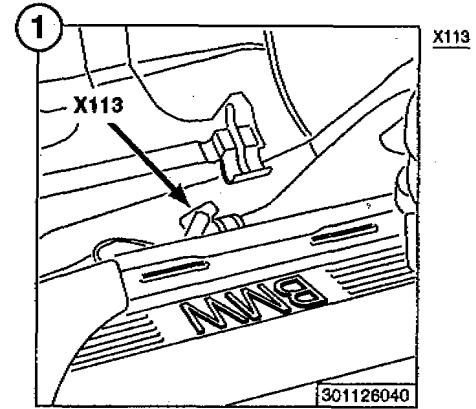
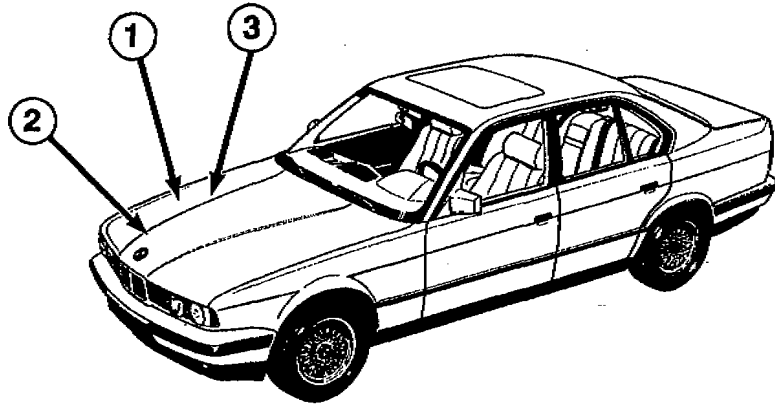


- Y6130
IDLE SPEED
CONTROL VALVE
- X6130



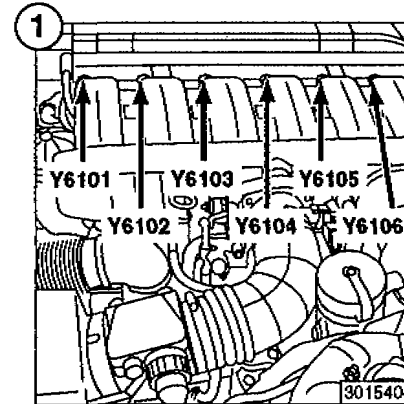
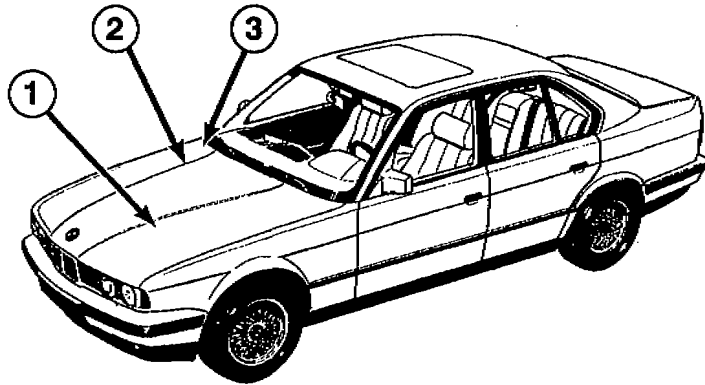
COMPONENT LOCATION VIEWS



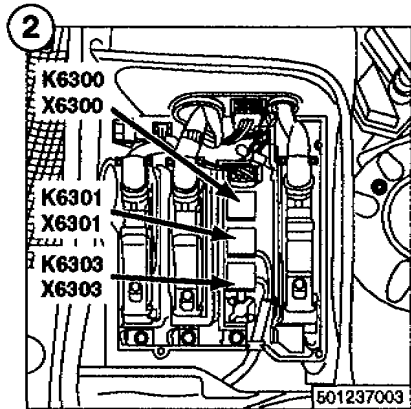




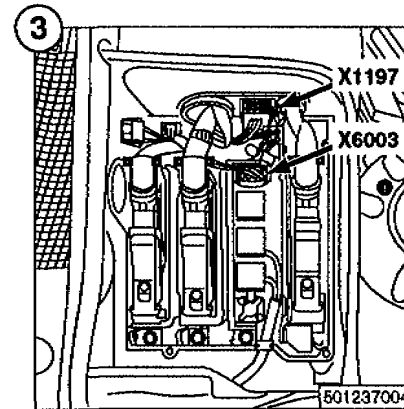
COMPONENT LOCATION VIEWS



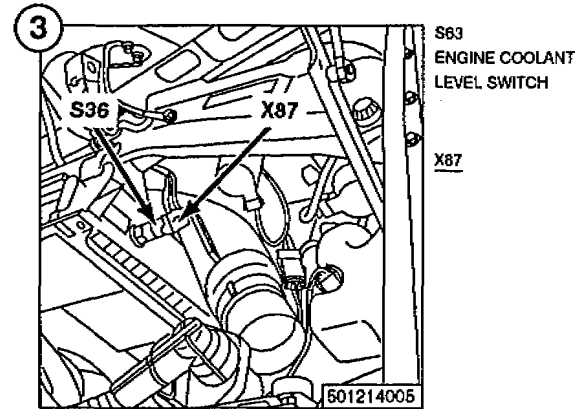
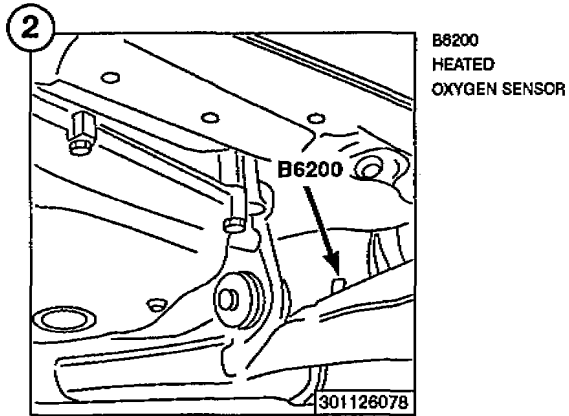
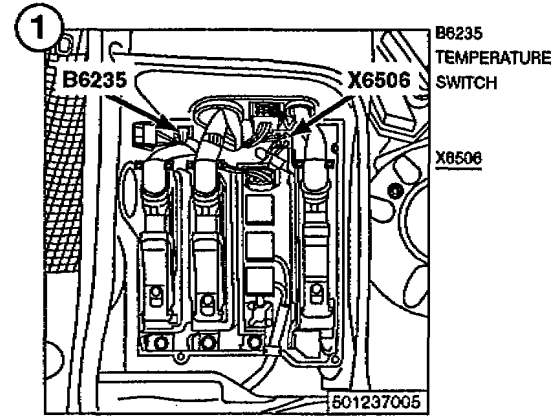
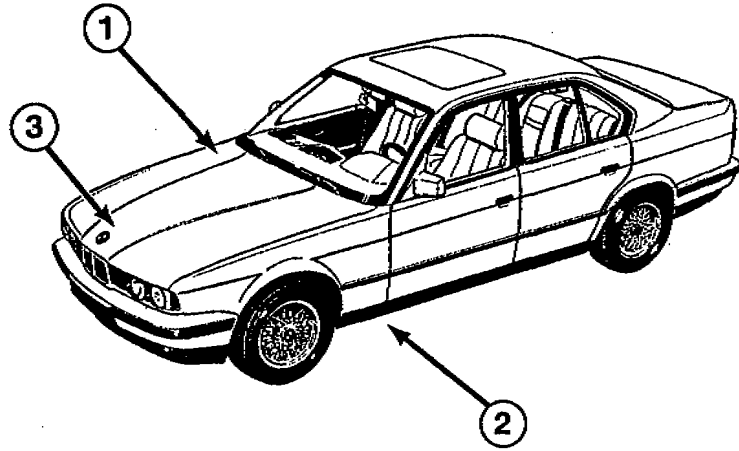
- | | |
|---|---|
| Y6101
CYL. 1 FUEL
INJECTION VALVE | Y6104
CYL. 4 FUEL
INJECTION VALVE |
| Y6102
CYL. 2 FUEL
INJECTION VALVE | Y6105
CYL. 5 FUEL
INJECTION VALVE |
| Y6103
CYL. 3 FUEL
INJECTION VALVE | Y6106
CYL. 6 FUEL
INJECTION VALVE |



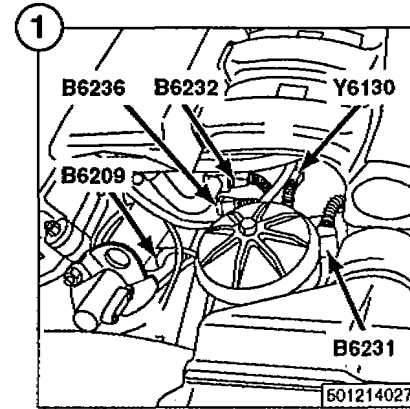
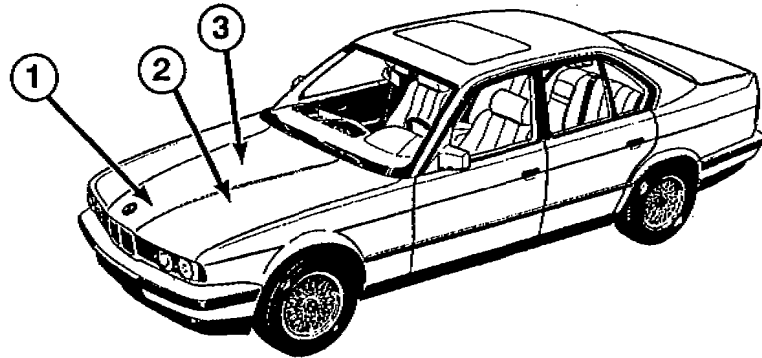
- | | |
|--------------------------------|--------------|
| K6300 | <u>X6300</u> |
| ENGINE CONTROL
MODULE RELAY | <u>X6301</u> |
| | <u>X6303</u> |
| K6301 | |
| CYL. 1-8 FUEL
PUMP RELAY | |
| K6303 | |
| OXYGEN SENSOR
RELAY | |



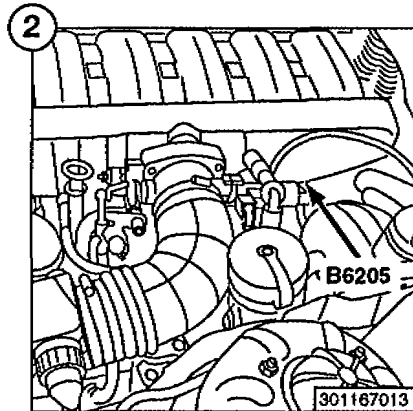
- | |
|--------------|
| <u>X1197</u> |
| <u>X6003</u> |



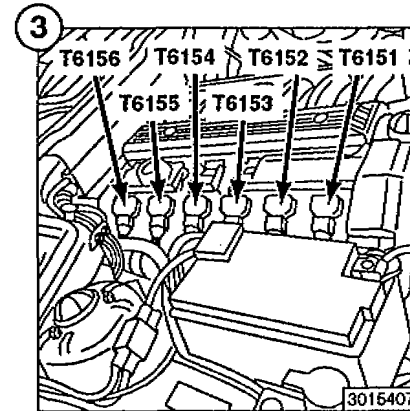
COMPONENT LOCATION VIEWS



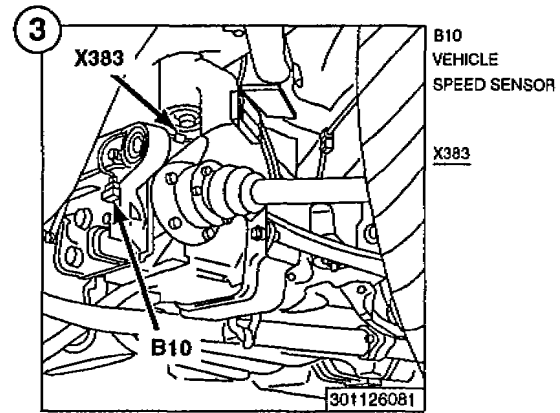
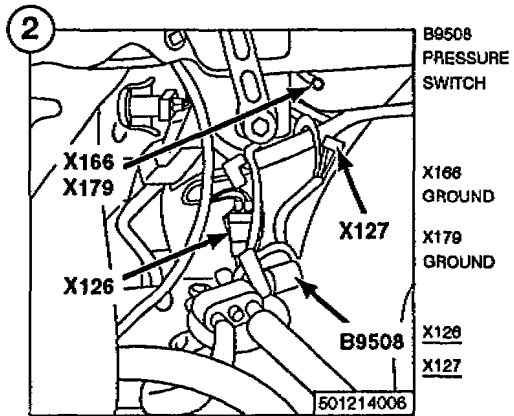
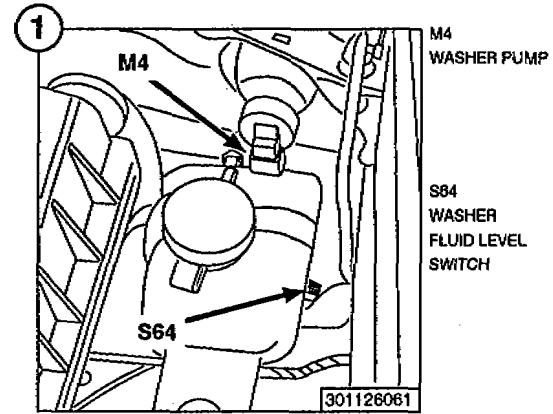
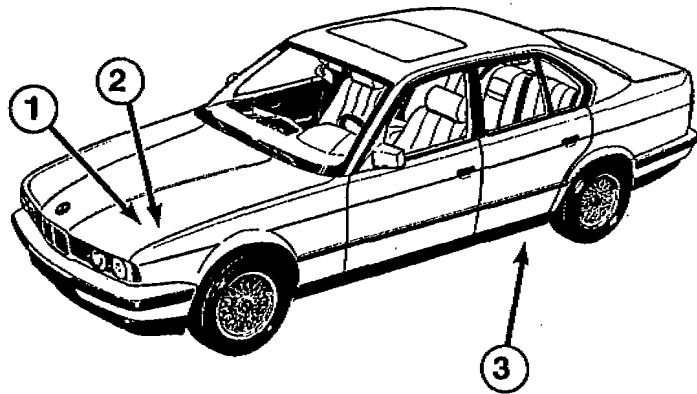
- B6209 HALL EFFECT CAMSHAFT SENSOR
- B6238 ENGINE COOLANT TEMPERATURE SENSOR
- B6231 OIL PRESSURE SWITCH
- Y6130 IDLE SPEED CONTROL VALVE
- B6232 ENGINE COOLANT TEMPERATURE SENSOR



- B6205 INTAKE AIR TEMPERATURE SENSOR

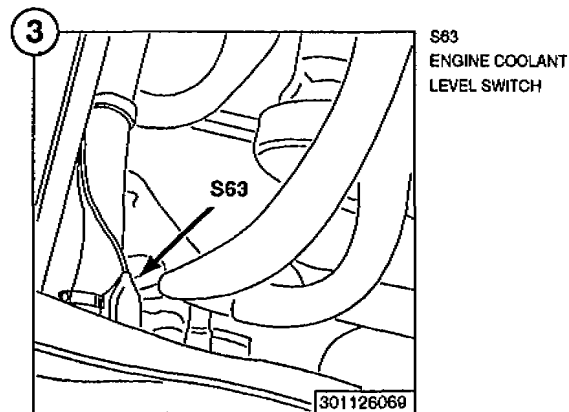
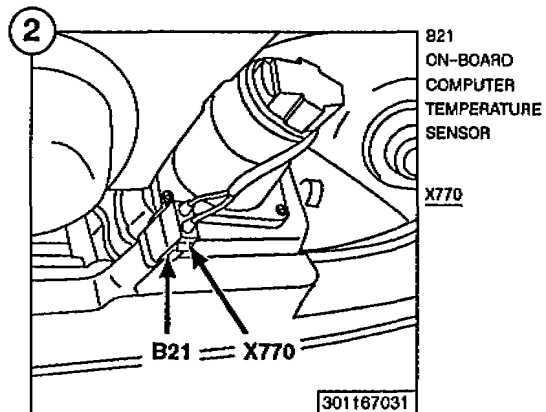
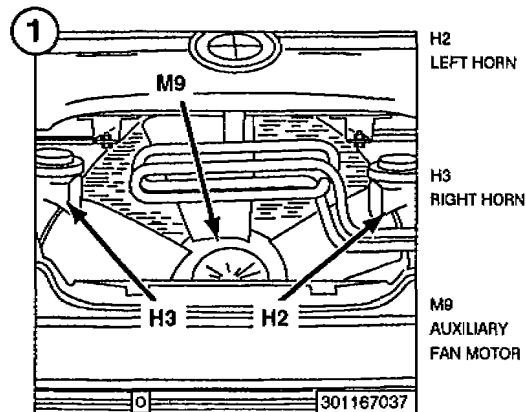
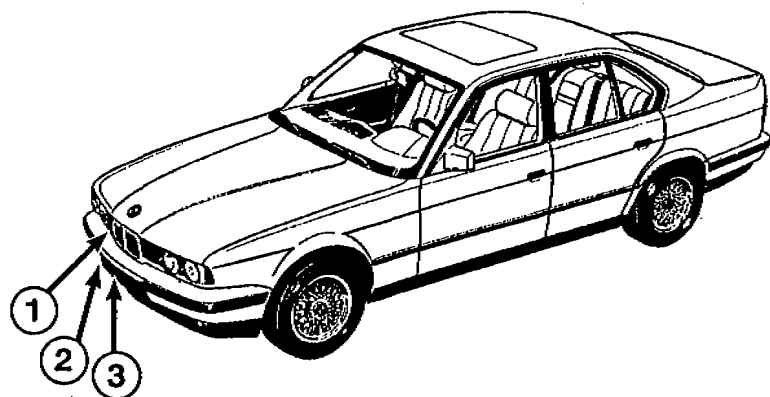


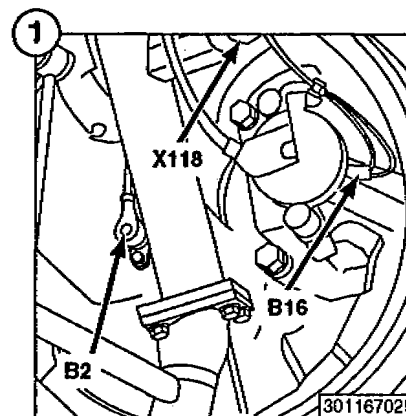
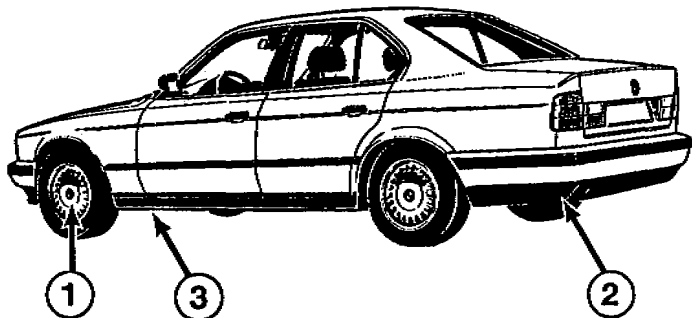
- T6151 CYL. 1 IGNITION COIL
- T6154 CYL. 4 IGNITION COIL
- T6152 CYL. 2 IGNITION COIL
- T6155 CYL. 5 IGNITION COIL
- T6153 CYL. 3 IGNITION COIL
- T6158 CYL. 8 IGNITION COIL



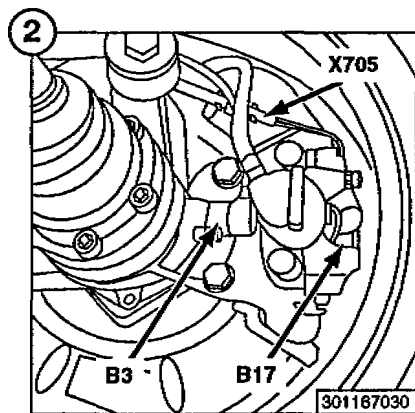


COMPONENT LOCATION VIEWS

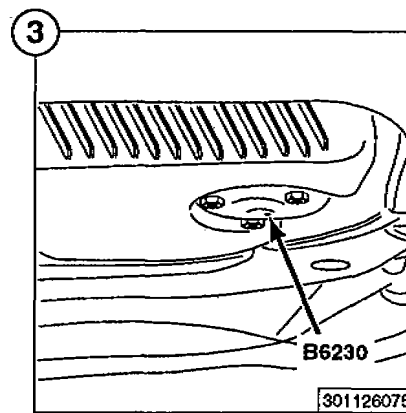




B2
LEFT FRONT
SPEED SENSOR
- ABS
B16
LEFT FRONT
BRAKE PAD
SENSOR
X118



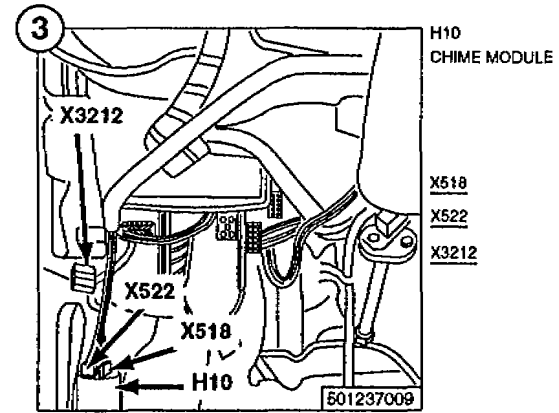
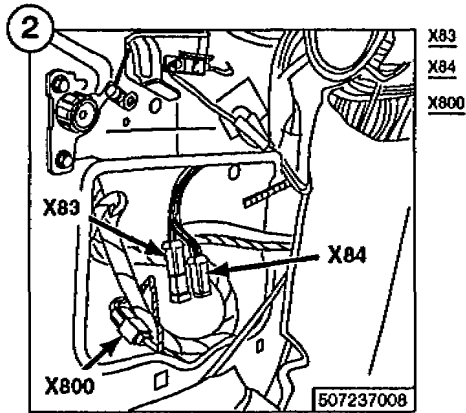
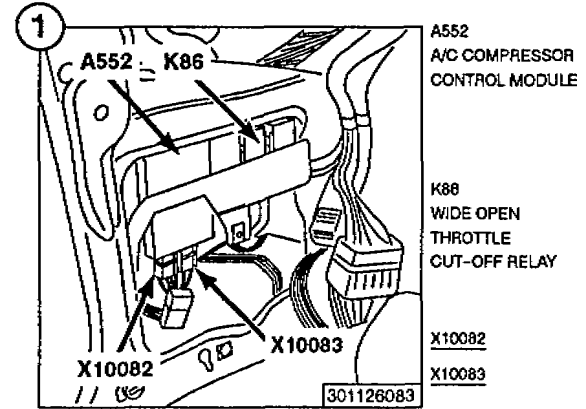
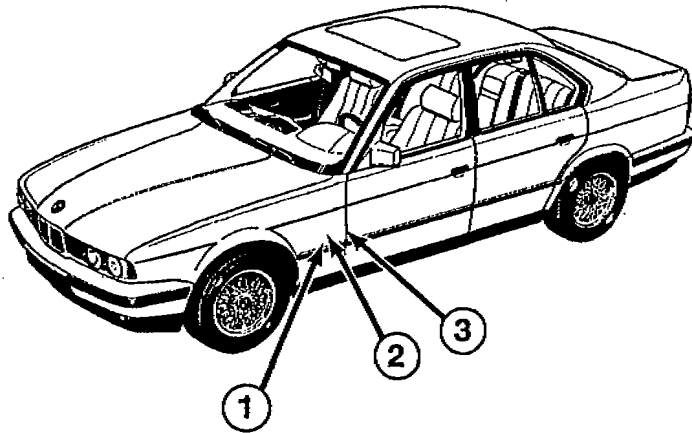
B3
RIGHT REAR
SPEED SENSOR
- ABS
B17
RIGHT REAR
BRAKE PAD
SENSOR
X705

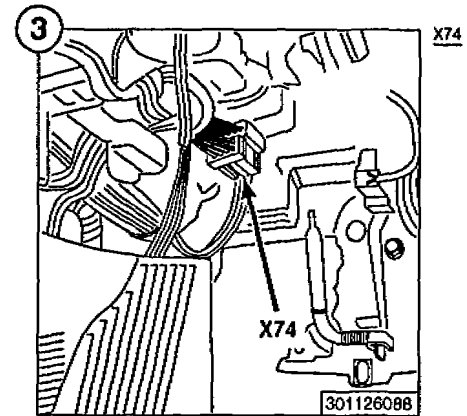
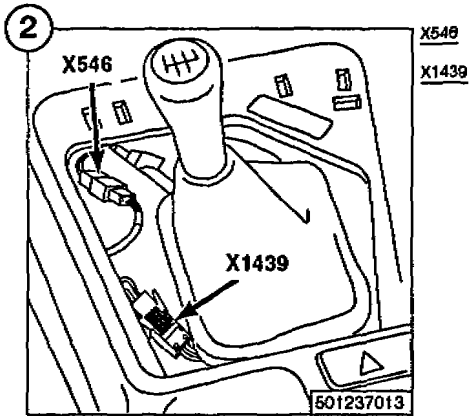
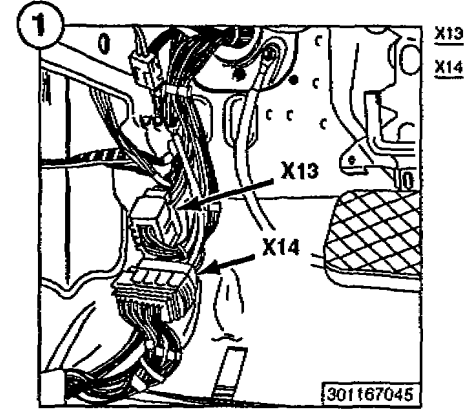
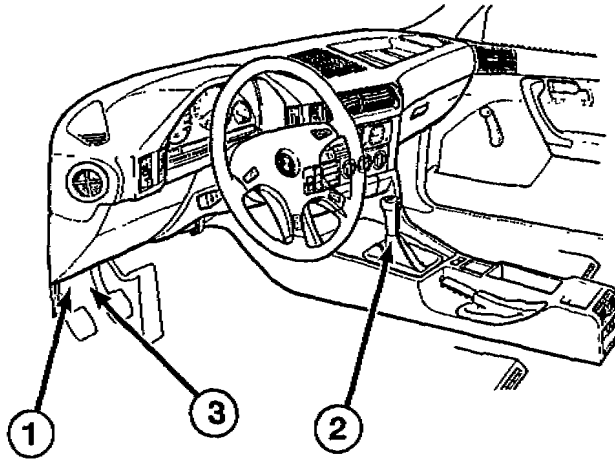


B6230
OIL LEVEL
SENSOR



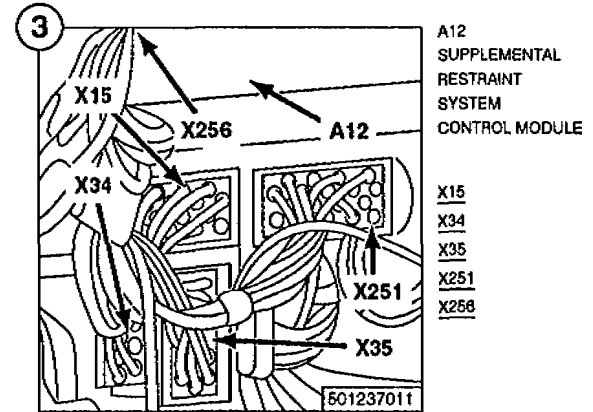
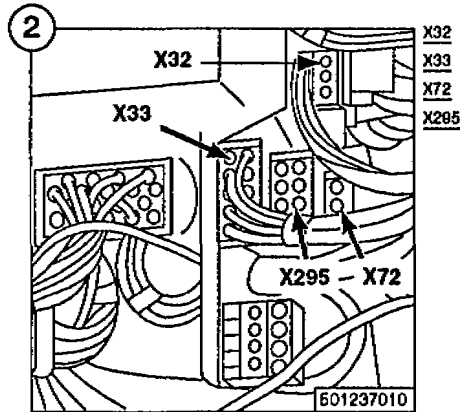
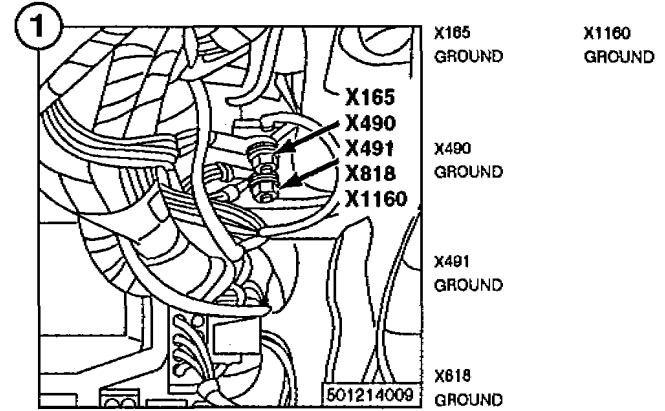
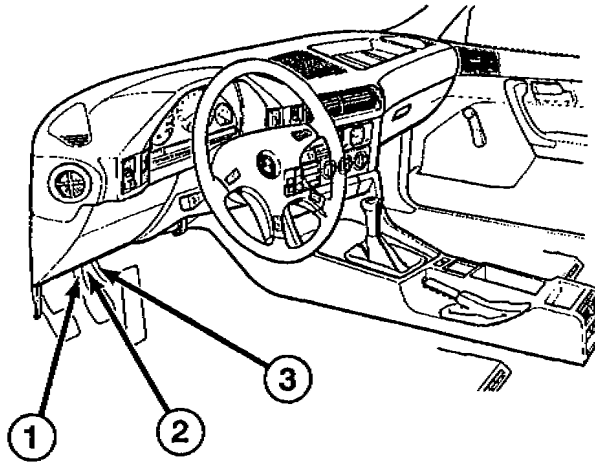
COMPONENT LOCATION VIEWS





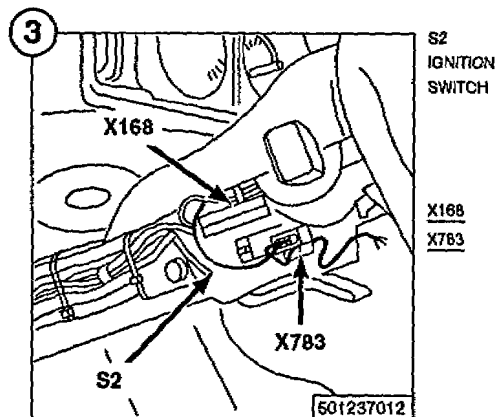
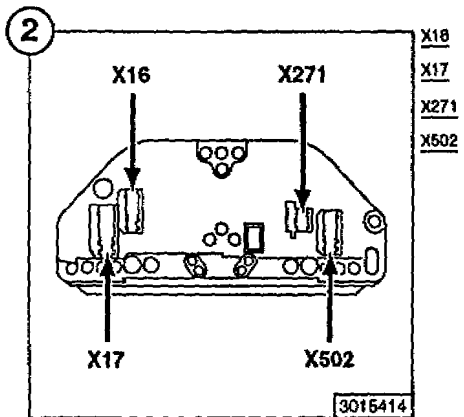
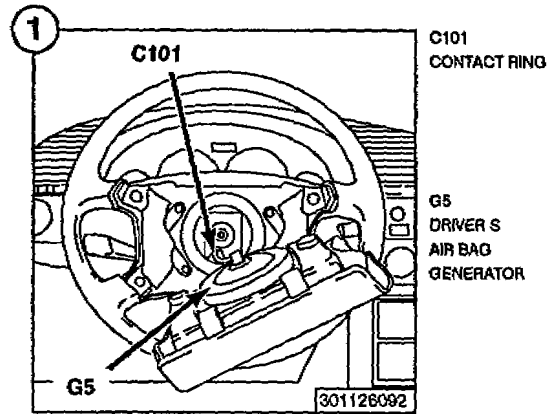
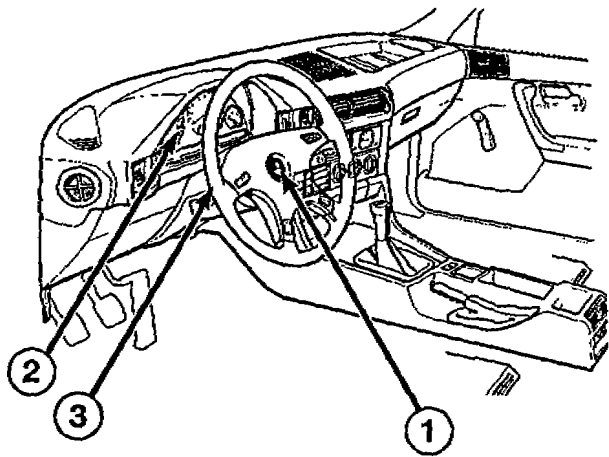


COMPONENT LOCATION VIEWS



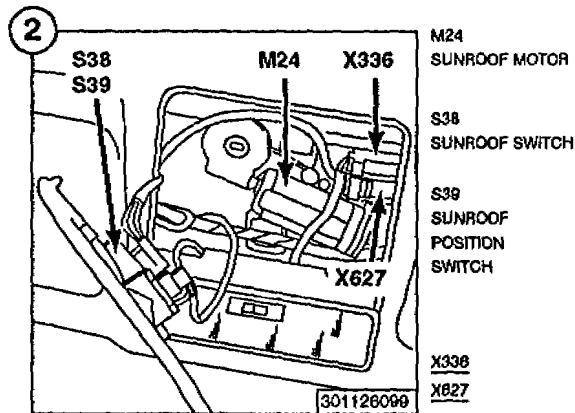
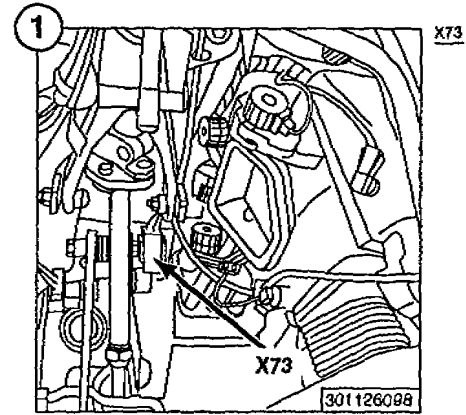
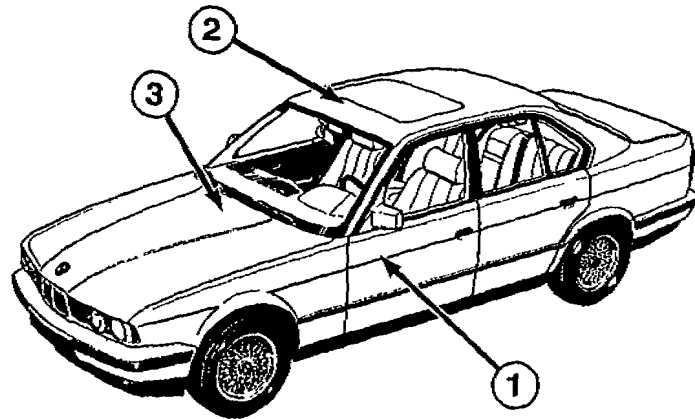


COMPONENT LOCATION VIEWS

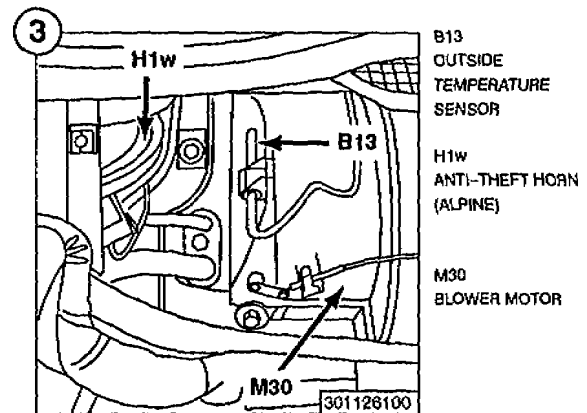




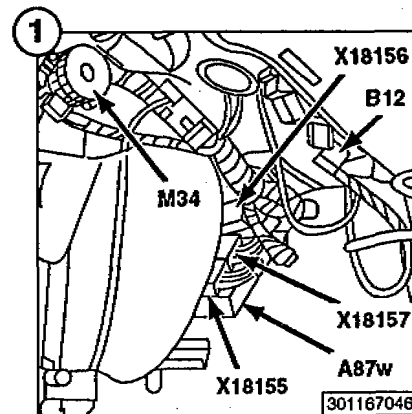
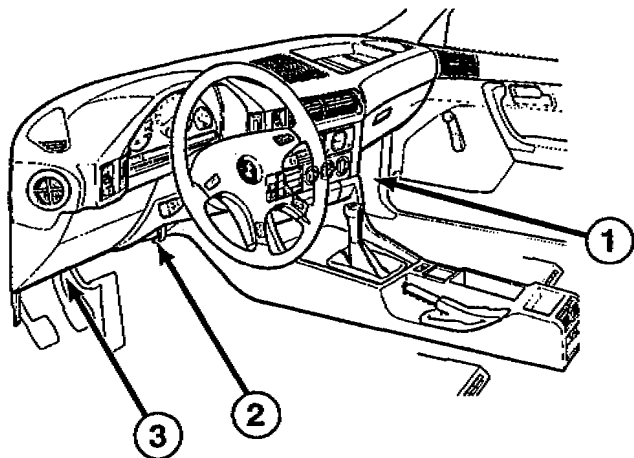
COMPONENT LOCATION VIEWS



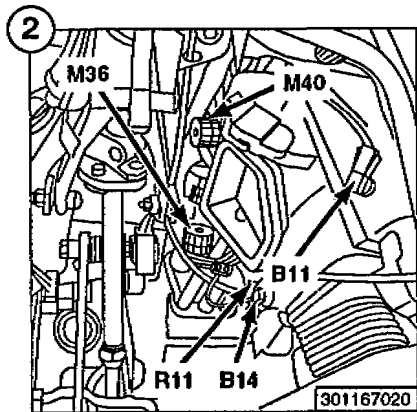
- M24 SUNROOF MOTOR
- S38 SUNROOF SWITCH
- S39 SUNROOF POSITION SWITCH
- X336
- X627



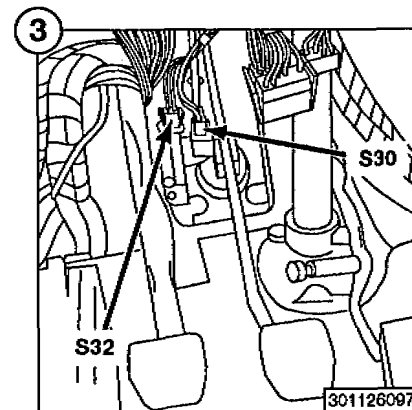
- B13 OUTSIDE TEMPERATURE SENSOR
- H1w ANTI-THEFT HORN (ALPINE)
- M30 BLOWER MOTOR



- A87w INTEGRATED CLIMATE REGULATION CONTROL MODULE (IHKR/F3)
- B12 RH HEAT EXCHANGER TEMPERATURE SENSOR
- M34 DASH VENT MIXING FLAP MOTOR
- X18155
- X18156
- X18157



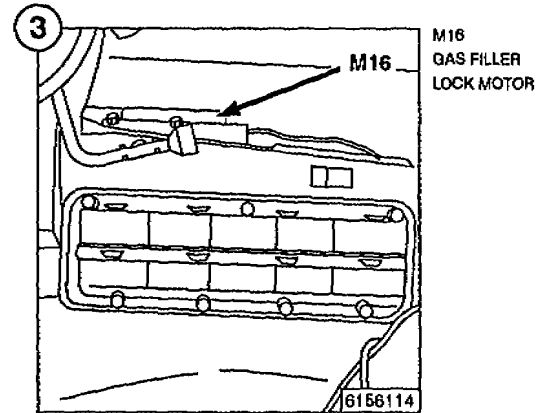
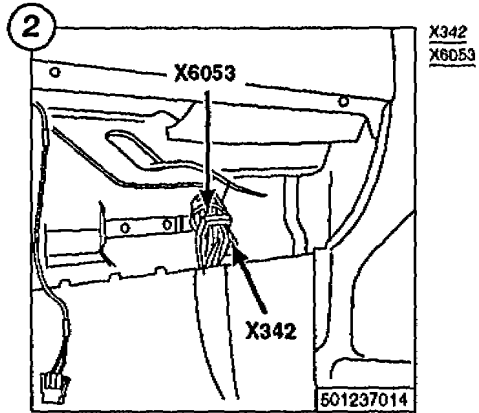
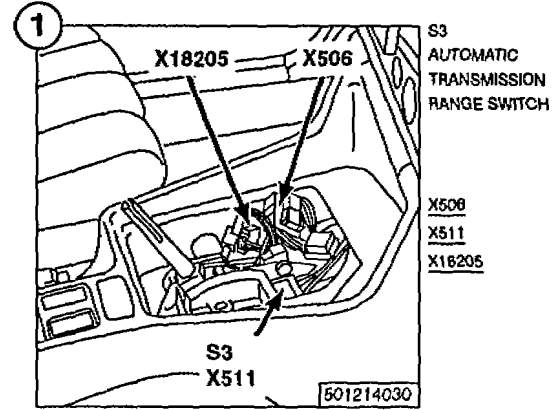
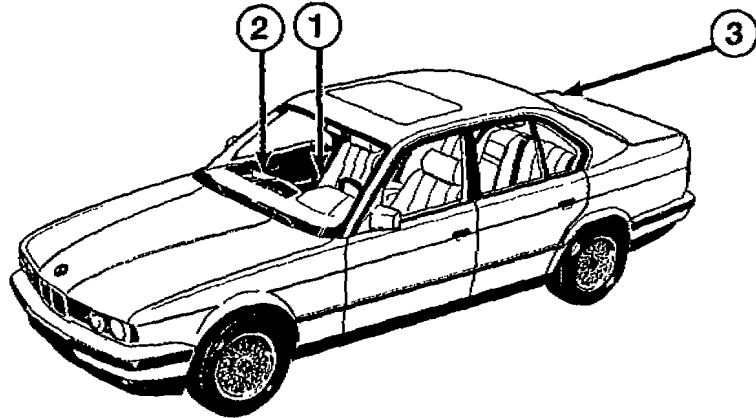
- B11 LH HEAT EXCHANGER TEMPERATURE SENSOR
- B14 EVAPORATOR TEMPERATURE SENSOR
- M36 FRESH AIR FLAP MOTOR
- M40 RECIRCULATION FLAP MOTOR
- R11 BLOWER RESISTORS

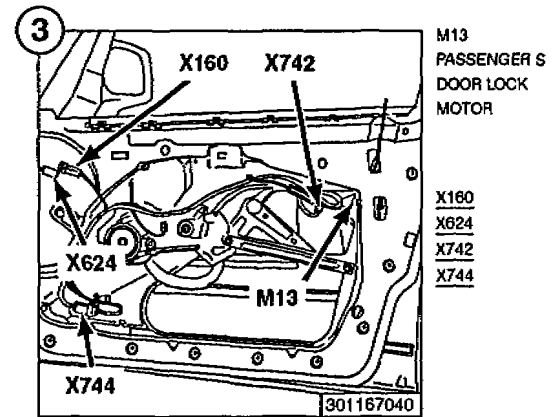
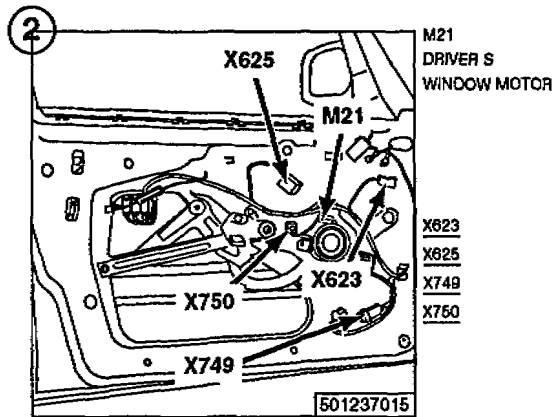
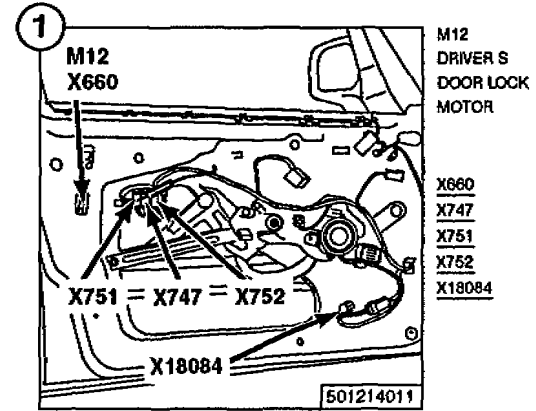
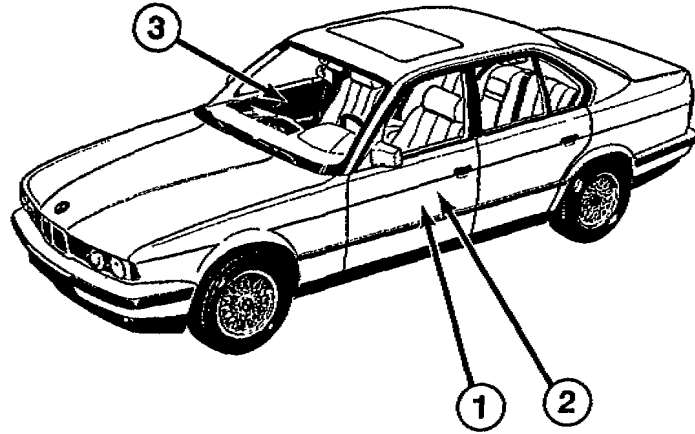


- S30 BRAKE LIGHT SWITCH
- S32 CLUTCH SWITCH



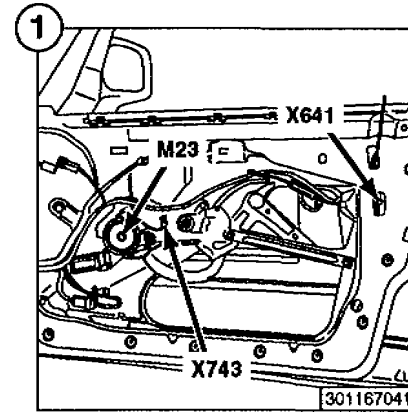
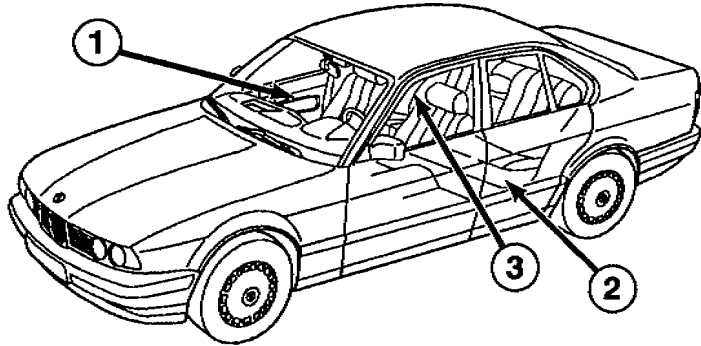
COMPONENT LOCATION VIEWS





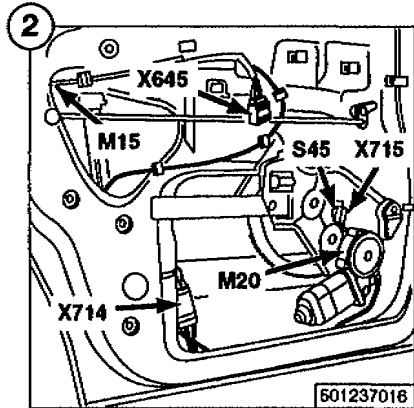


COMPONENT LOCATION VIEWS



M23
PASSENGER'S
WINDOW MOTOR

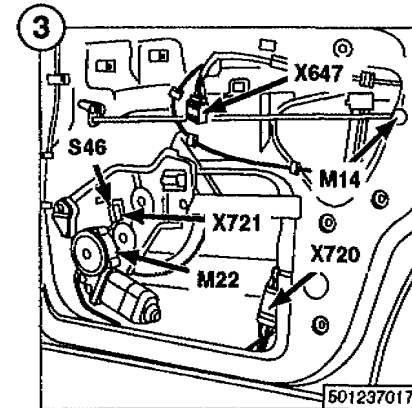
X641
X743



M15 X645
LEFT REAR
DOOR LOCK
MOTOR X714
 X715

M20
LEFT REAR
WINDOW MOTOR

S45
LEFT REAR
WINDOW LIMIT
SWITCH



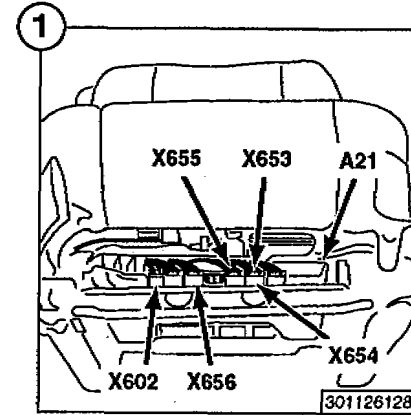
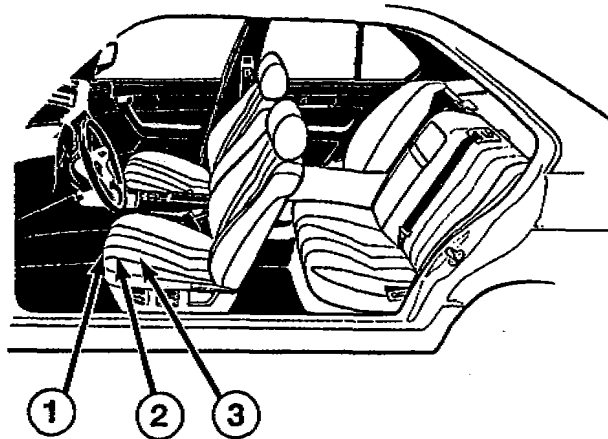
M14 X647
RIGHT REAR
DOOR LOCK
MOTOR X720
 X721

M22
RIGHT REAR
WINDOW MOTOR

S48
RIGHT REAR
WINDOW LIMIT
SWITCH

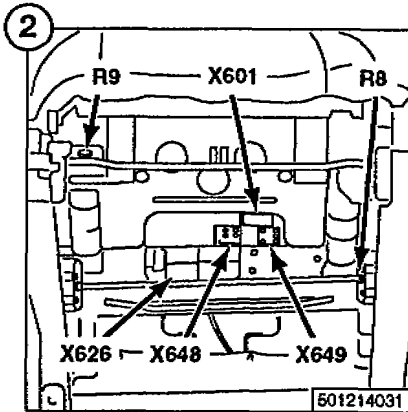


COMPONENT LOCATION VIEWS



A21
SEAT/MIRROR
MEMORY
CONTROL MODULE

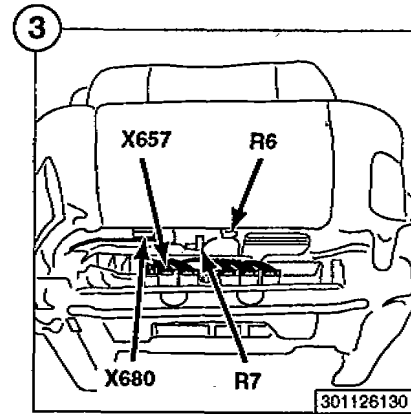
X602
X653
X654
X655
X656



R8
SEAT CUSHION
REAR HEIGHT
POTENTIOMETER

R6
SEAT CUSHION
MOVEMENT
POTENTIOMETER

X801
X826
X848
X848



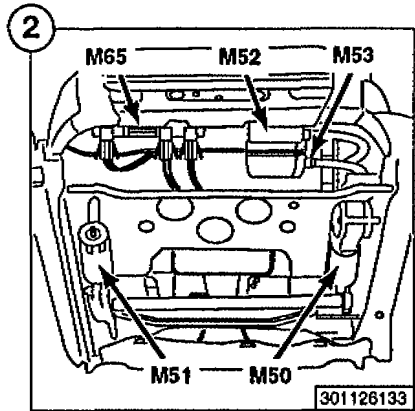
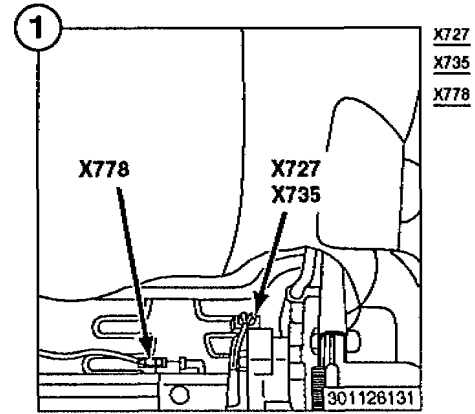
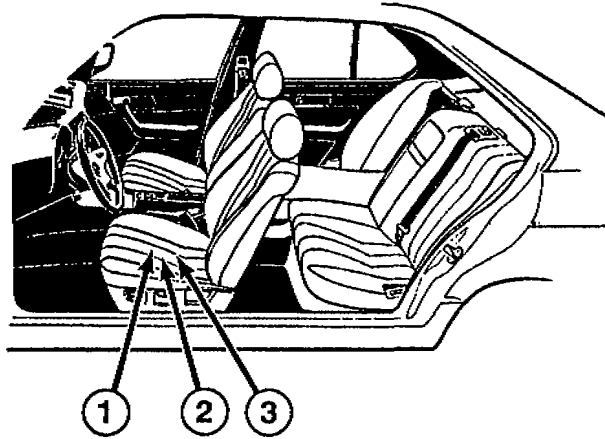
R6
SEAT HEIGHT
POTENTIOMETER

R7
SEATBACK
POTENTIOMETER

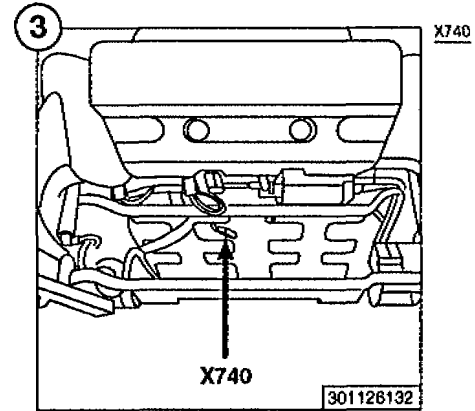
X657
X680

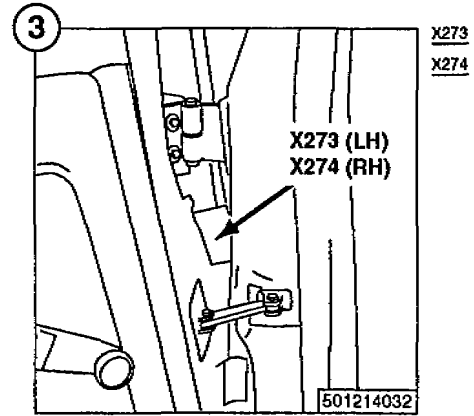
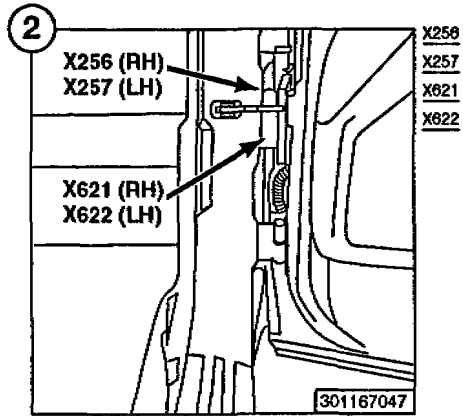
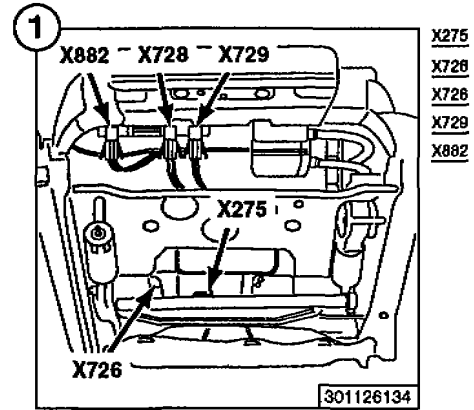
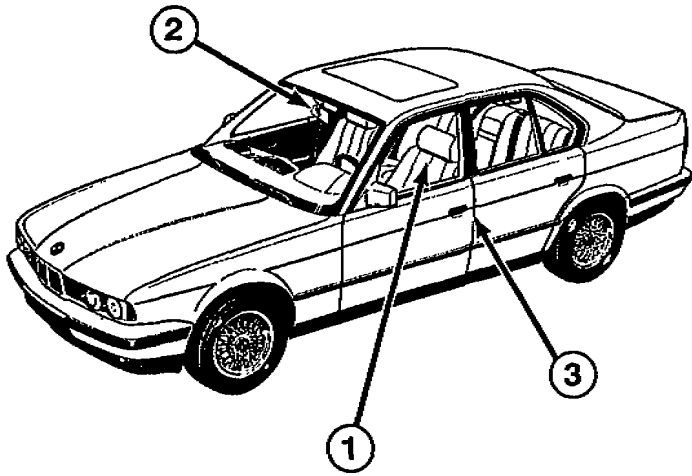


COMPONENT LOCATION VIEWS



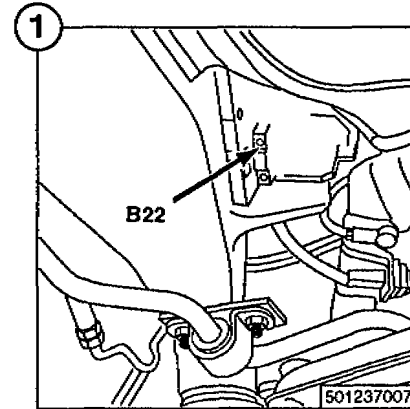
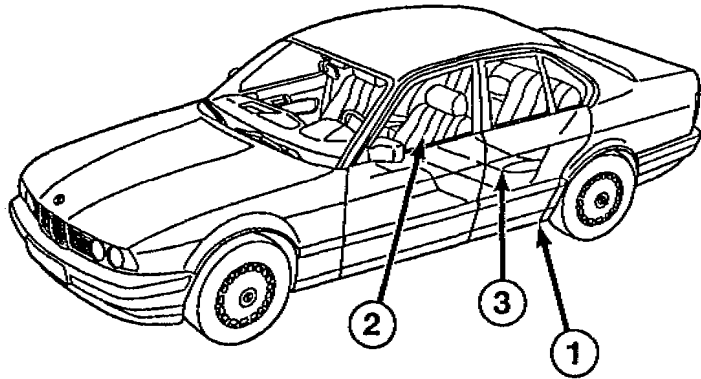
- M50 DRIVER'S SEAT CUSHION TILT MOTOR
- M51 DRIVER'S SEAT MOVEMENT MOTOR
- M52 DRIVER'S SEAT HEIGHT MOTOR
- M53 DRIVER'S SEATBACK RECLINER MOTOR
- M65 DRIVER'S THIGH SUPPORT MOTOR



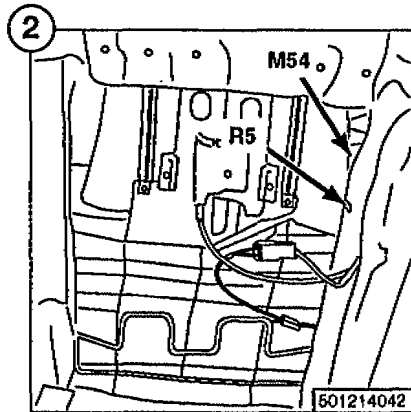




COMPONENT LOCATION VIEWS

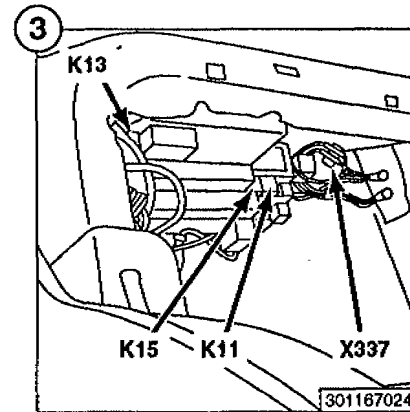


B22
WHEEL CAMBER
CONTROL MODULE



M54
DRIVER'S
HEADREST MOTOR

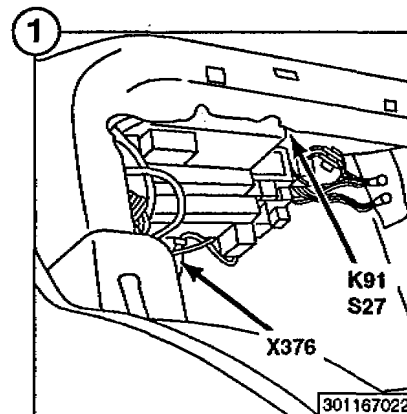
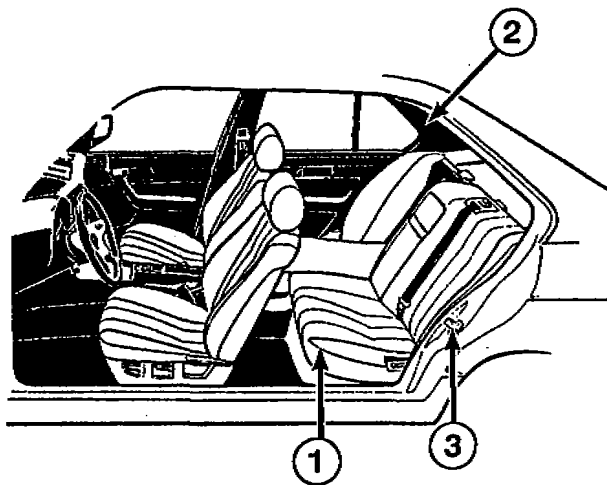
R5
HEADREST
POTENTIOMETER



K11
WIPER RELAY

K13
REAR DEFOGGER
RELAY

K15
ELECTRIC
POWER
PROTECTION
RELAY
X337

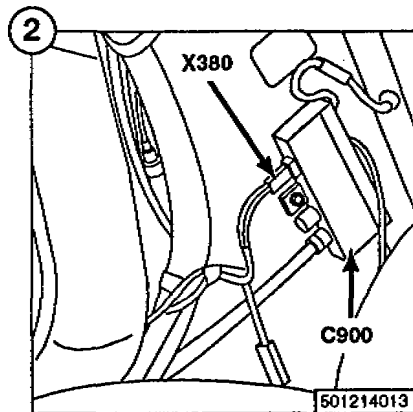


K91
ON-BOARD
COMPUTER HORN
RELAY

S27
INERTIA
SWITCH

X376

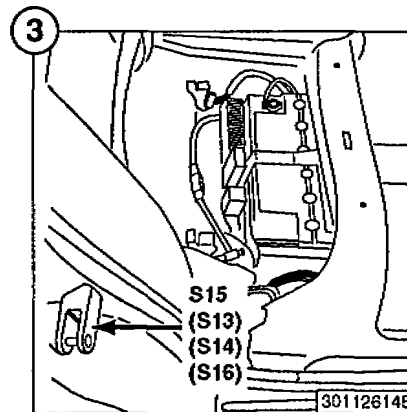
301167022



C900
SUPPRESSION
FILTER

X380

501214013



S13
PASSENGER'S
DOOR JAMB
SWITCH

S14
DRIVER'S
DOOR JAMB
SWITCH

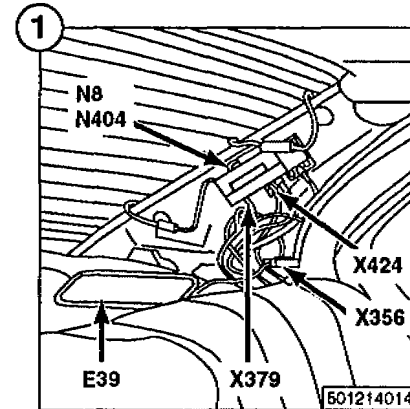
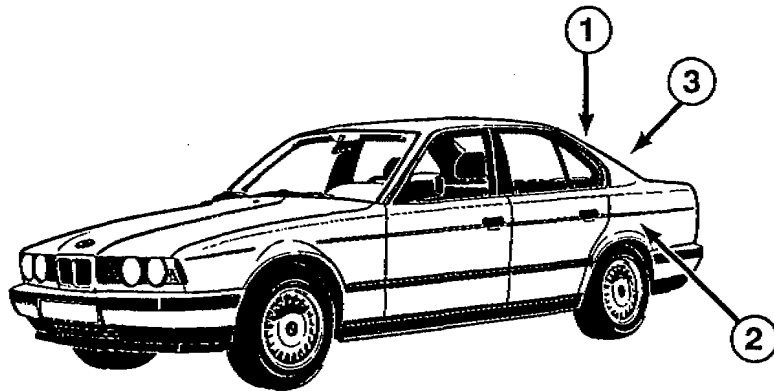
S15
REAR RIGHT
DOOR JAMB
SWITCH

S16
LEFT REAR
DOOR JAMB
SWITCH

301126145



COMPONENT LOCATION VIEWS



E39
LEFT REAR
INTERIOR LIGHT

X379

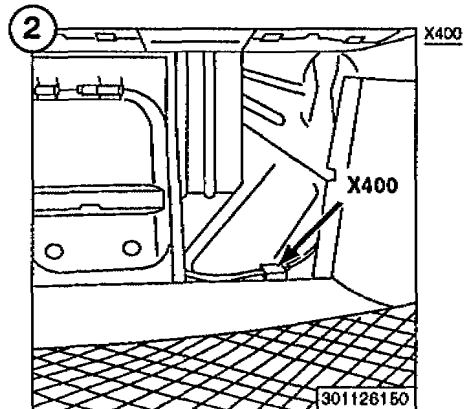
N8
ANTENNA
AMPLIFIER
AM/FM

X424

N404
DIVERSITY

X358

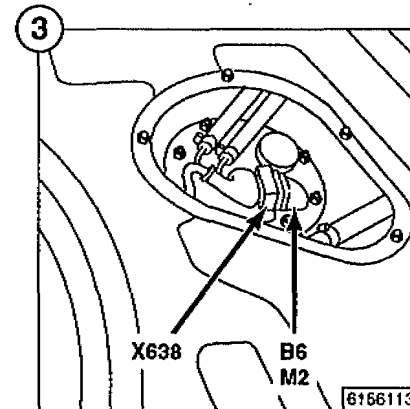
601214014



X400

X400

301126150



B6
FUEL LEVEL
SENSOR

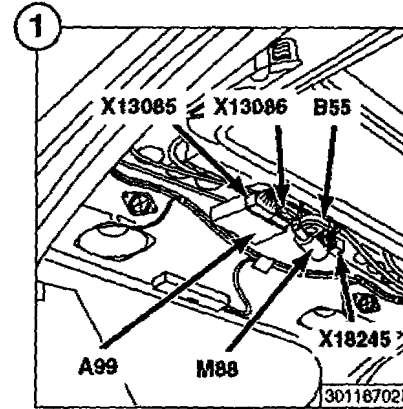
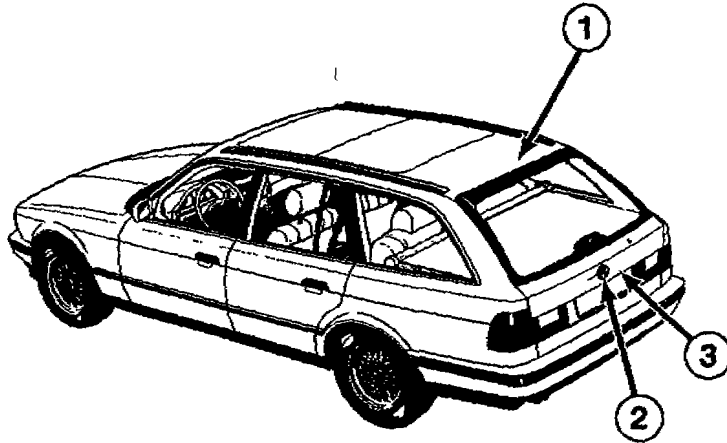
M2
FUEL PUMP

X838

6166113



COMPONENT LOCATION VIEWS



A99
DOUBLE PANEL
POWER SUNROOF
CONTROL MODULE

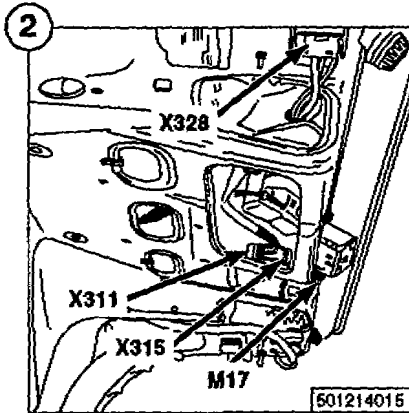
X18245

B55
DOUBLE PANEL
POWER SUN ROOF
SENSOR II

M88
MOTOR DRIVE II
DOUBLE PANEL
POWER SUNROOF

X13085
X13088

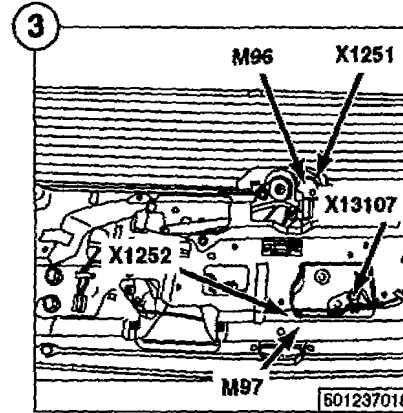
301187025



M17
TRUNK LOCK
MOTOR

X311
X315
X328

601214015



M96
REAR WINDOW
MOTOR

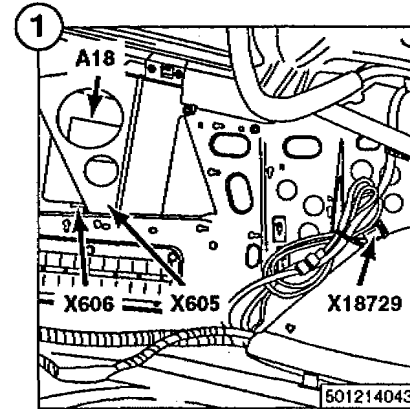
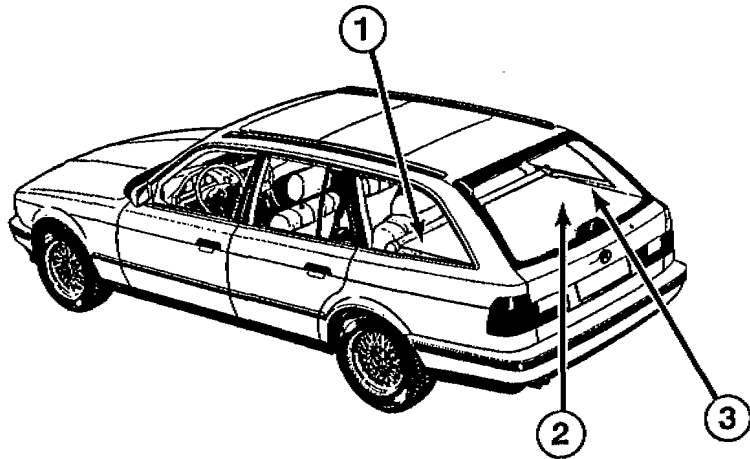
M97
LIFT GATE MOTOR

X1251
X1252
X13107

601237018



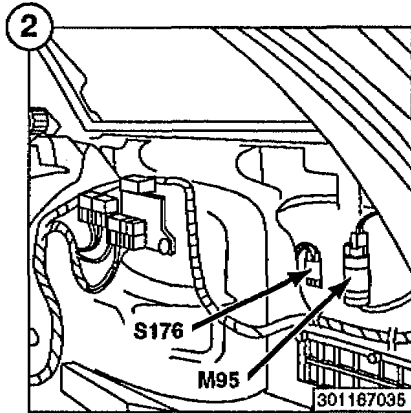
COMPONENT LOCATION VIEWS



A18
HIFI AMPLIFIER

X805
X806
X16729

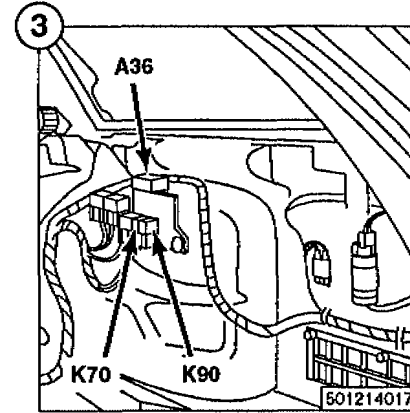
501214043



M95
REAR WINDOW
WASHER PUMP

S176
REAR
WIPER/WASHER
FLUID LEVEL
SWITCH

301167036



A36
REAR
WIPER/WASHER
INTERVAL
CONTROL MODULE

K70
CENTRAL LOCKING
TRUNK LID
MOTOR RELAY
(ZV)
K90
WINDOW MOTOR
RELAY

501214017



SPLICE LOCATION VIEWS

SPLICE LOCATION INDEX

SPLICE	HARNESS	PAGE NUMBER	SPLICE	HARNESS	PAGE NUMBER
X181-X189	FRONT	8000.0-03	X475	REAR	8000.0-05
X191-X193	FRONT	8000.0-03	X479	REAR	8000.0-05
X195-X201	FRONT	8000.0-03	X480	INSTRUMENT	8000.0-04
X203-X207	FRONT	8000.0-03	X481	REAR	8000.0-05
X209	FRONT	8000.0-03	X488	REAR	8000.0-05
X210	FRONT	8000.0-03	X489	REAR	8000.0-05
X212	FRONT	8000.0-03	X557	INSTRUMENT	8000.0-04
X213	FRONT	8000.0-03	X559	INSTRUMENT	8000.0-04
X215	FRONT	8000.0-03	X561-X564	INSTRUMENT	8000.0-04
X217	FRONT	8000.0-03	X571-X573	INSTRUMENT	8000.0-04
X222	FRONT	8000.0-03	X575-X577	INSTRUMENT	8000.0-04
X223	FRONT	8000.0-03	X579-X584	INSTRUMENT	8000.0-04
X225	FRONT	8000.0-03	X833	REAR	8000.0-05
X228	FRONT	8000.0-03	X852-X855	IHKA	8000.0-06
X241	FRONT	8000.0-03	X857-X859	IHKA	8000.0-06
X245	FRONT	8000.0-03	X888	INSTRUMENT	8000.0-04
X246	FRONT	8000.0-03	X911	REAR	8000.0-05
X276	FRONT	8000.0-03	X994	FRONT	8000.0-03
X282	REAR	8000.0-05	X1017	FRONT	8000.0-03
X414	REAR	8000.0-05	X1022	FRONT	8000.0-03
X426	REAR	8000.0-05	X1023	FRONT	8000.0-03
X429	REAR	8000.0-05	X1029	FRONT	8000.0-03
X431	REAR	8000.0-05	X1033	FRONT	8000.0-03
X433	REAR	8000.0-05	X1036	FRONT	8000.0-03
X435-X437	REAR	8000.0-05	X1043	FRONT	8000.0-03
X441-X445	REAR	8000.0-05	X1047	FRONT	8000.0-03
X448-X451	REAR	8000.0-05	X1152	FRONT	8000.0-03
X455-X470	REAR	8000.0-05	X1092-X1095	FRONT	8000.0-03



SPLICE LOCATION VIEWS

SPLICE LOCATION INDEX

SPLICE	HARNESS	PAGE NUMBER	SPLICE	HARNESS	PAGE NUMBER
X1149	FRONT	8000.0-03	X6420	M50 ENGINE	8000.0-09
X1159	FRONT	8000.0-03	X6449	M5 ENGINE	8000.0-08
X1159	INSTRUMENT	8000.0-04	X6459	M50 ENGINE	8000.0-09
X1194	FRONT	8000.0-03	X6460	M5 ENGINE	8000.0-08
X1218	INSTRUMENT	8000.0-04	X6460	M50 ENGINE	8000.0-09
X1224	REAR	8000.0-05	X6461	M5 ENGINE	8000.0-08
X1225	INSTRUMENT	8000.0-04	X6461	M50 ENGINE	8000.0-09
X1226	REAR	8000.0-05	X6463	M5 ENGINE	8000.0-08
X1228	REAR	8000.0-05	X6464	M5 ENGINE	8000.0-08
X1232	INSTRUMENT	8000.0-04	X6470-X6472	M30 ENGINE	8000.0-07
X1255-X1258	REAR	8000.0-05	X6474	M30 ENGINE	8000.0-07
X1294	REAR	8000.0-05	X6475	M50 ENGINE	8000.0-09
X1362	REAR	8000.0-05	X6478	M5 ENGINE	8000.0-08
X1366	REAR	8000.0-05	X6490	M30 ENGINE	8000.0-07
X1367	REAR	8000.0-05	X6491	M50 ENGINE	8000.0-09
X1373	REAR	8000.0-05	X6491	M30 ENGINE	8000.0-07
X1394	FRONT	8000.0-03	X6492	M50 ENGINE	8000.0-09
X1399	FRONT	8000.0-03	X6800	M30 ENGINE	8000.0-07
X1410	INSTRUMENT	8000.0-04	X6810	M30 ENGINE	8000.0-07
X1416-X1419	INSTRUMENT	8000.0-04	X6810	M5 ENGINE	8000.0-08
X1421-X1423	INSTRUMENT	8000.0-04	X6810	M50 ENGINE	8000.0-09
X1428	INSTRUMENT	8000.0-04	X6820	M30 ENGINE	8000.0-07
X1438	INSTRUMENT	8000.0-04	X6820	M5 ENGINE	8000.0-08
X1471-X1473	INSTRUMENT	8000.0-04	X6820	M50 ENGINE	8000.0-09
X1479	INSTRUMENT	8000.0-04	X6821	M30 ENGINE	8000.0-07
X6410	M30 ENGINE	8000.0-07	X6821	M5 ENGINE	8000.0-08
X6410	M50 ENGINE	8000.0-09	X6821	M50 ENGINE	8000.0-09
X6411	M50 ENGINE	8000.0-09	X6822	M5 ENGINE	8000.0-08



SPLICE LOCATION VIEWS

SPLICE LOCATION INDEX

SPLICE	HARNESSES	PAGE NUMBER	SPLICE	HARNESSES	PAGE NUMBER
X6822	M50 ENGINE	8000.0-09	X6903	M50 ENGINE	8000.0-09
X6823	M5 ENGINE	8000.0-08	X6904	M50 ENGINE	8000.0-09
X6824	M30 ENGINE	8000.0-07	X6905	M50 ENGINE	8000.0-09
X6830	M50 ENGINE	8000.0-09	X6906	M50 ENGINE	8000.0-09
X6831	M5 ENGINE	8000.0-08	X8004	M30 ENGINE	8000.0-07
X6831	M50 ENGINE	8000.0-09	X8004	M5 ENGINE	8000.0-08
X6832	M30 ENGINE	8000.0-07	X8004	M50 ENGINE	8000.0-09
X6835	M5 ENGINE	8000.0-08	X8007	M50 ENGINE	8000.0-09
X6835	M50 ENGINE	8000.0-09	X8010	M5 ENGINE	8000.0-08
X6845	M50 ENGINE	8000.0-09	X8010	M50 ENGINE	8000.0-09
X6846	M50 ENGINE	8000.0-09	X8015	M50 ENGINE	8000.0-09
X6850	M30 ENGINE	8000.0-07	X8021	M5 ENGINE	8000.0-08
X6855	M30 ENGINE	8000.0-07	X8022	M50 ENGINE	8000.0-09
X6860	M50 ENGINE	8000.0-09	X8025	M50 ENGINE	8000.0-09
X6861	M30 ENGINE	8000.0-07	X8042	M50 ENGINE	8000.0-09
X6863	M5 ENGINE	8000.0-08	X8051	M5 ENGINE	8000.0-08
X6863	M50 ENGINE	8000.0-09	X8051	M50 ENGINE	8000.0-09
X6864	M30 ENGINE	8000.0-07	X8054	M50 ENGINE	8000.0-09
X6866	M50 ENGINE	8000.0-09	X8065	M50 ENGINE	8000.0-09
X6867	M30 ENGINE	8000.0-07	X8071	M50 ENGINE	8000.0-09
X6871	M30 ENGINE	8000.0-07	X8072	M50 ENGINE	8000.0-09
X6880	M30 ENGINE	8000.0-07	X10021	FRONT	8000.0-03
X6880	M50 ENGINE	8000.0-09	X10027	FRONT	8000.0-03
X6884	M30 ENGINE	8000.0-07	X10060	FRONT	8000.0-03
X6900	M5 ENGINE	8000.0-08	X10080	FRONT	8000.0-03
X6900	M50 ENGINE	8000.0-09	X10081	FRONT	8000.0-03
X6901	M50 ENGINE	8000.0-09	X10090	FRONT	8000.0-03
X6902	M50 ENGINE	8000.0-09	X10091	FRONT	8000.0-03



SPLICE LOCATION VIEWS

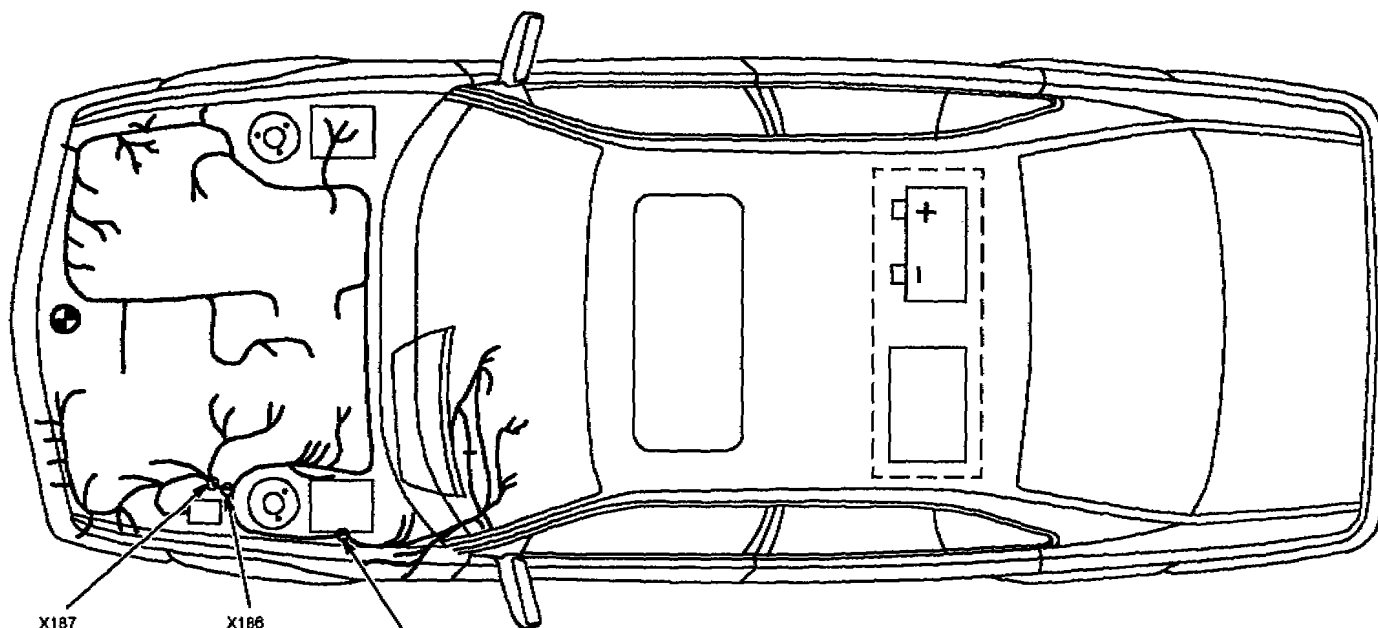
SPLICE LOCATION INDEX

SPLICE	HARNESSES	PAGE NUMBER
X10093	FRONT	8000.0-03
X10197	INSTRUMENT	8000.0-04
X10198	INSTRUMENT	8000.0-04
X11247	FRONT	8000.0-03
X11248	FRONT	8000.0-03
X11249	FRONT	8000.0-03
X11251	FRONT	8000.0-03
X11252	FRONT	8000.0-03
X11262	FRONT	8000.0-03
X13035	REAR	8000.0-05
X13074	REAR	8000.0-05
X13104	REAR	8000.0-05
X13113-X13118	REAR	8000.0-05
X13240	REAR	8000.0-05
X13241	REAR	8000.0-05
X13244-X13246	REAR	8000.0-05
X13248-X13250	REAR	8000.0-05
X13259	REAR	8000.0-05
X13264	REAR	8000.0-05



SPLICE LOCATION VIEWS

FRONT HARNESS



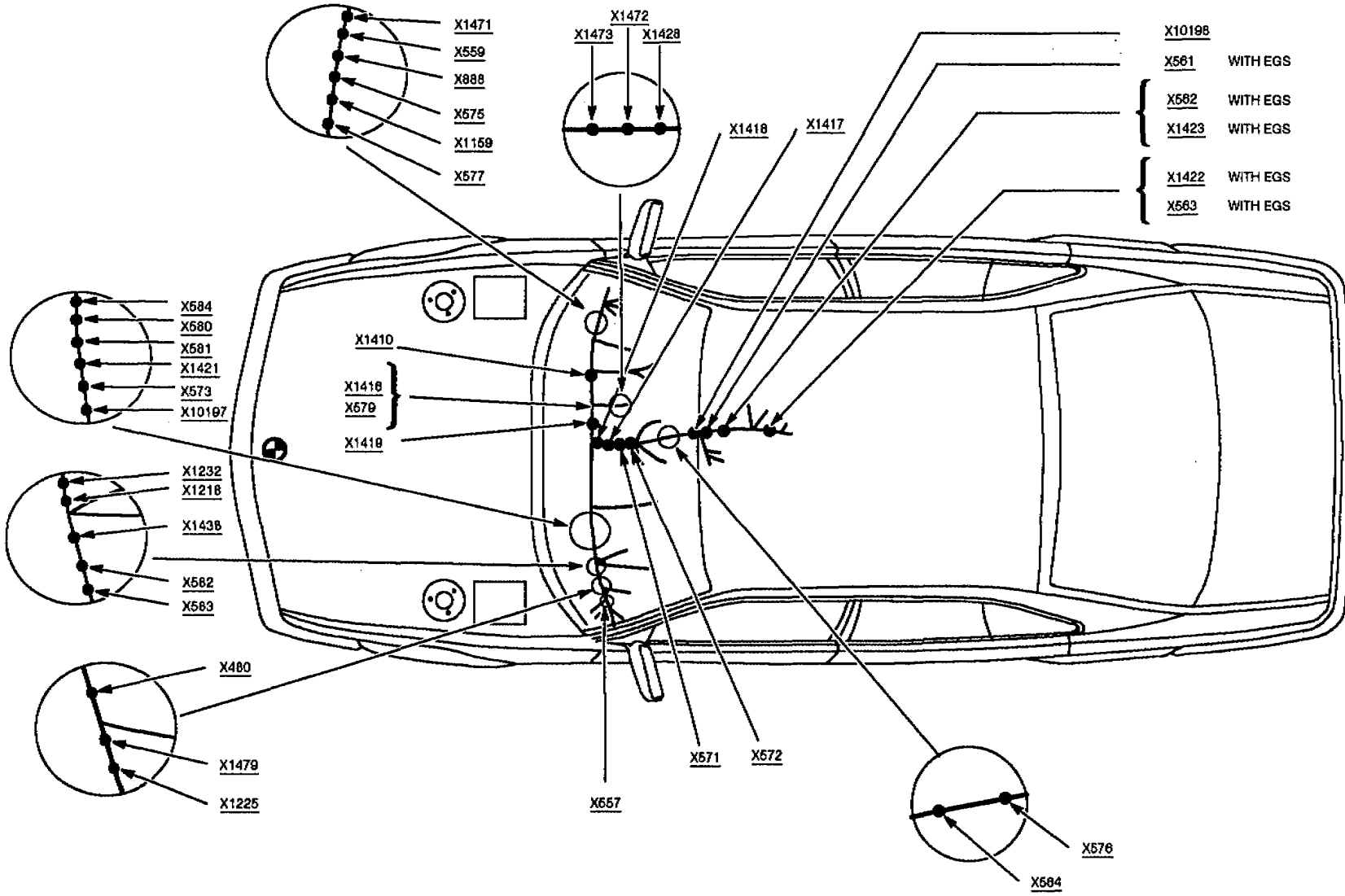
X187

X188

X181	•	X197	•	X212	•	X1017	•	X1149	•	X10091	•
X182	•	X198	•	X213	•	X1022	•	X1152	•	X10093	•
X183	•	X199	•	X215	•	X1023	•	X1159	•	X11247	•
X184	•	X200	•	X222	•	X1029	•	X1194	•	X11248	•
X185	•	X201	•	X223	•	X1033	•	X1394	•	X11249	•
X186	•	X203	•	X225	•	X1036	•	X1399	•	X11251	•
X188	•	X204	•	X228	•	X1043	•	X10021	•	X11252	•
X181	•	X205	•	X241	•	X1047	•	X10027	•	X11262	•
X182	•	X206	•	X245	•	X1092	•	X10080	•		
X183	•	X207	•	X246	•	X1093	•	X10080	•		
X195	•	X209	•	X276	•	X1094	•	X10081	•		
X196	•	X210	•	X994	•	X1095	•	X10090	•		



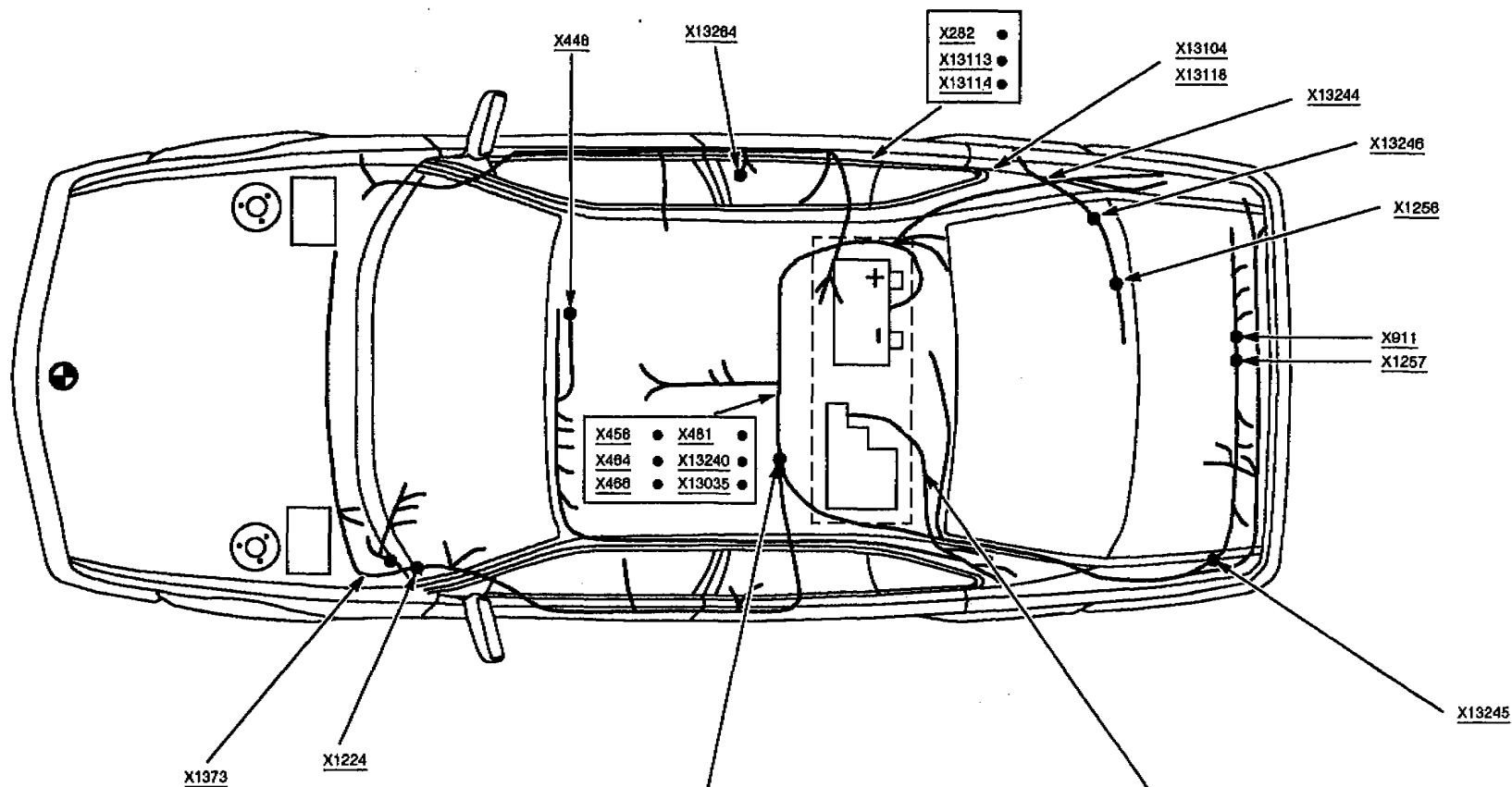
SPLICE LOCATION VIEWS INSTRUMENT HARNESS





SPLICE LOCATION VIEWS

REAR HARNESS



- | | | | |
|------|---|--------|---|
| X456 | • | X481 | • |
| X484 | • | X13240 | • |
| X488 | • | X13035 | • |

- | | |
|--------|---|
| X282 | • |
| X13113 | • |
| X13114 | • |

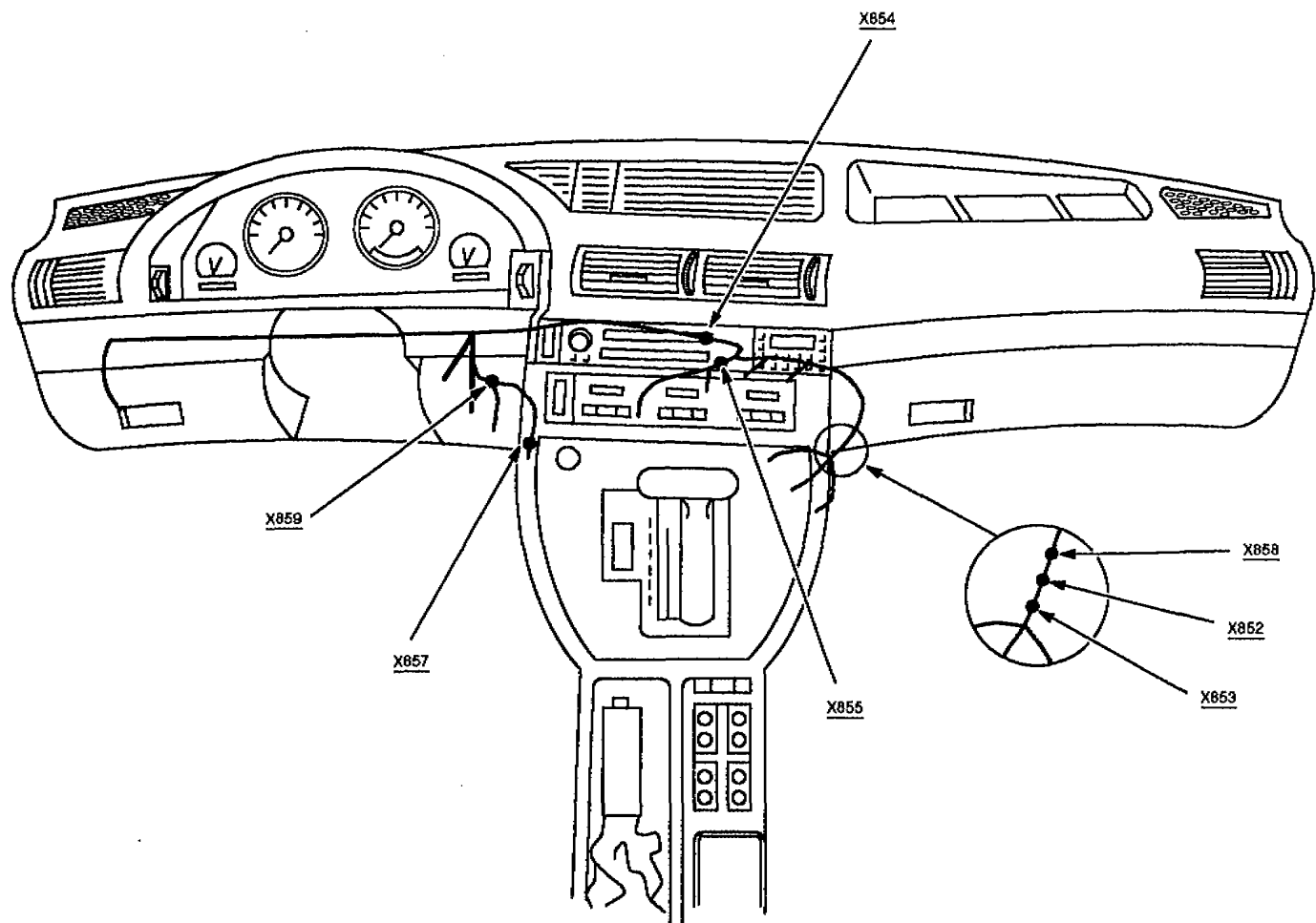
- | | | | | | | | | | |
|------|---|------|---|------|---|--------|---|--------|---|
| X414 | • | X451 | • | X467 | • | X1226 | • | X13250 | • |
| X420 | • | X455 | • | X468 | • | X1388 | • | | |
| X433 | • | X456 | • | X470 | • | X1387 | • | | |
| X435 | • | X459 | • | X475 | • | X13074 | • | | |
| X443 | • | X480 | • | X478 | • | X13116 | • | | |
| X444 | • | X481 | • | X488 | • | X13117 | • | | |
| X445 | • | X482 | • | X489 | • | X13241 | • | | |
| X449 | • | X483 | • | X833 | • | X13249 | • | | |

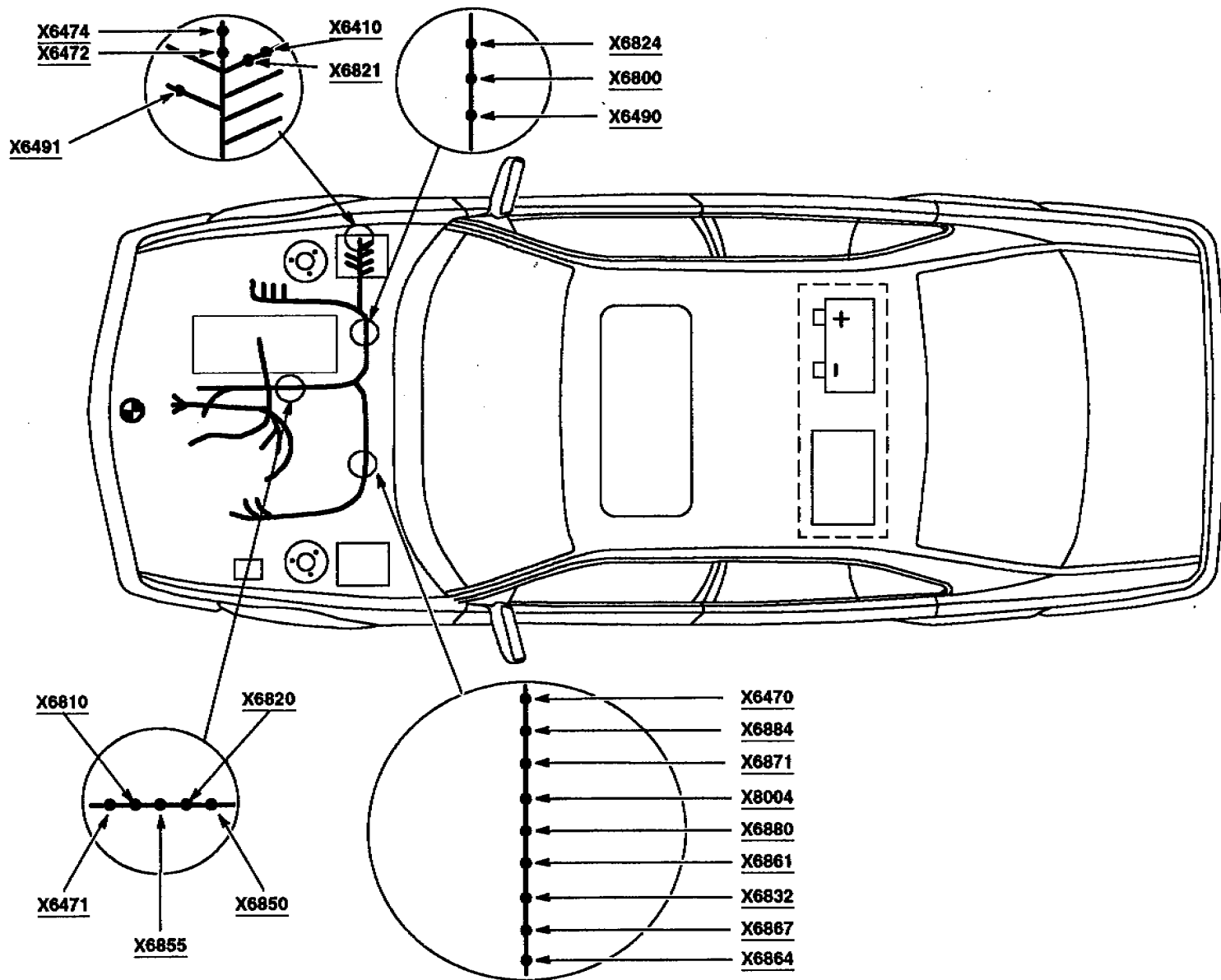
- | | | | | | |
|------|---|--------|---|--------|---|
| X428 | • | X485 | • | X13259 | • |
| X431 | • | X489 | • | | |
| X436 | • | X1228 | • | | |
| X437 | • | X1256 | • | | |
| X441 | • | X1294 | • | | |
| X442 | • | X1382 | • | | |
| X450 | • | X13115 | • | | |
| X457 | • | X13248 | • | | |



SPLICE LOCATION VIEWS

IHKA/IHKR HARNESS



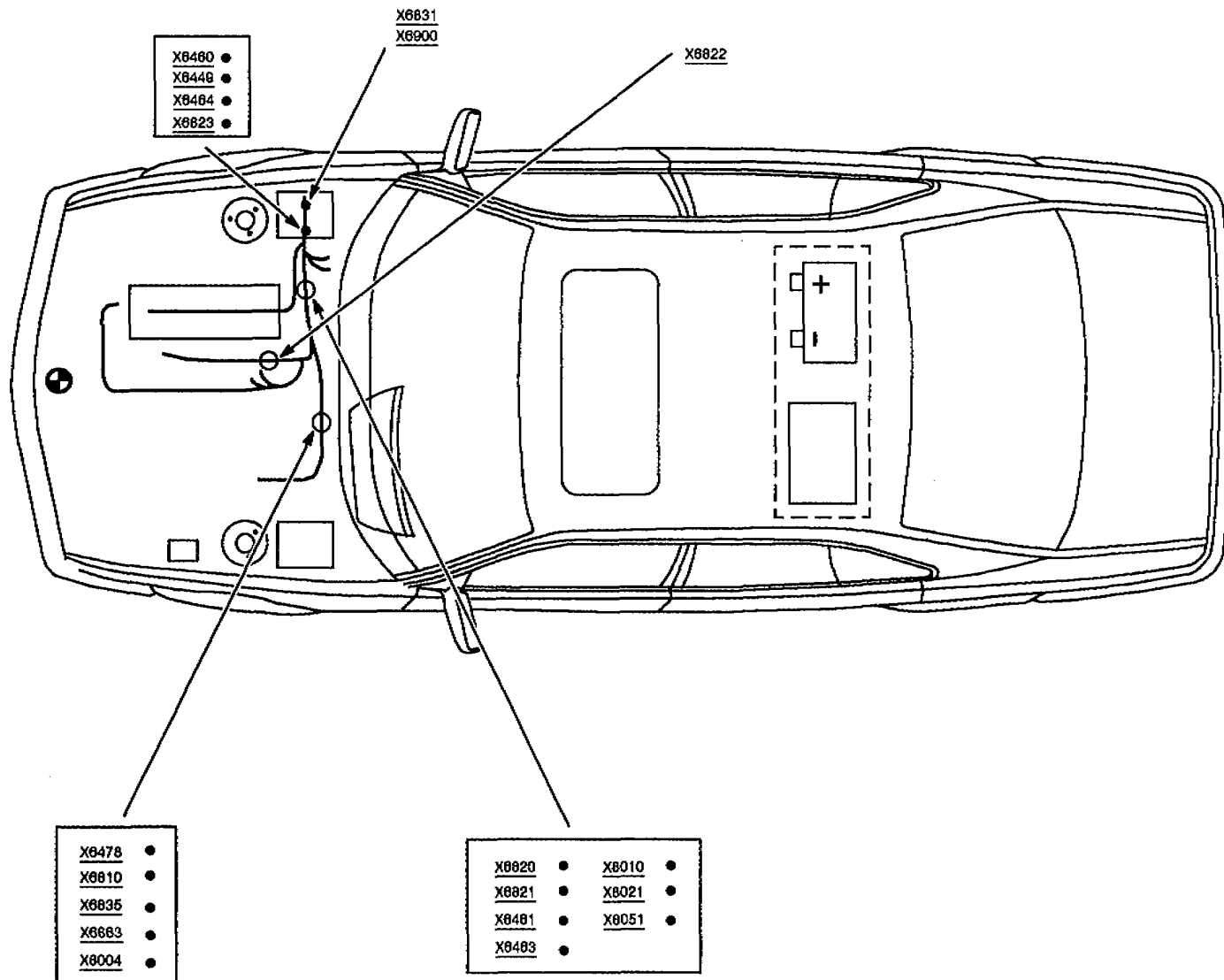




SPLICE LOCATION VIEWS

ENGINE HARNESS S38 B36

M5

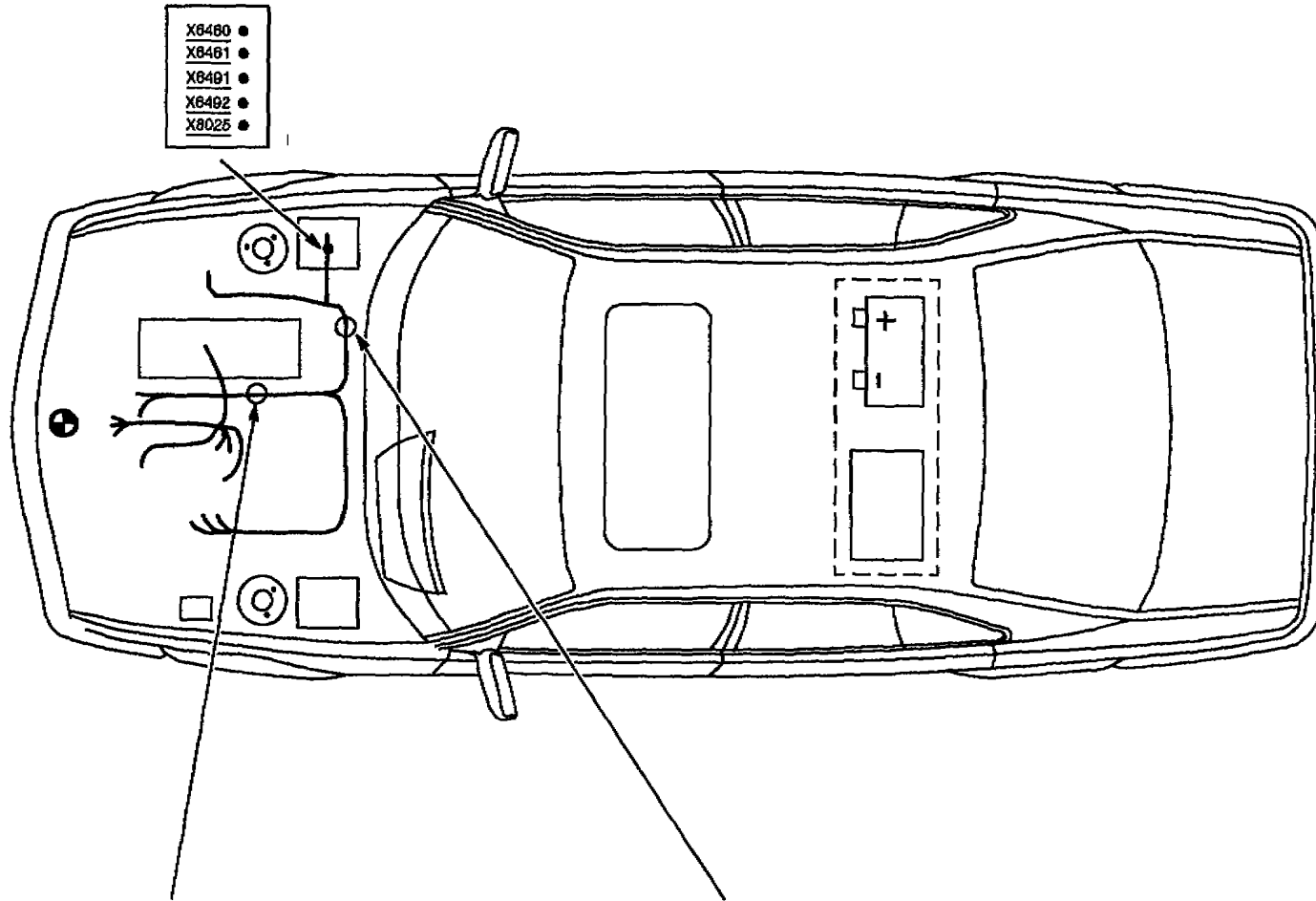




SPLICE LOCATION VIEWS

M50 ENGINE HARNESS

525i



- X6480 ●
- X6481 ●
- X6481 ●
- X6482 ●
- X6025 ●

- | | |
|---------|---------|
| X6482 ● | X6902 ● |
| X6820 ● | X6903 ● |
| X6831 ● | X6904 ● |
| X6900 ● | X6905 ● |
| X6901 ● | X6906 ● |

- | | | | | |
|---------|---------|---------|---------|---------|
| X6410 ● | X6821 ● | X6860 ● | X8010 ● | X6058 ● |
| X6411 ● | X6822 ● | X6863 ● | X6015 ● | X6071 ● |
| X6420 ● | X6830 ● | X6866 ● | X6022 ● | X6072 ● |
| X6458 ● | X6835 ● | X6860 ● | X8042 ● | |
| X6475 ● | X6845 ● | X8004 ● | X6051 ● | |
| X6810 ● | X6846 ● | X8007 ● | X8054 ● | |

BMW
5

8500.0



CONNECTOR VIEWS

FIG 1

B550001 00

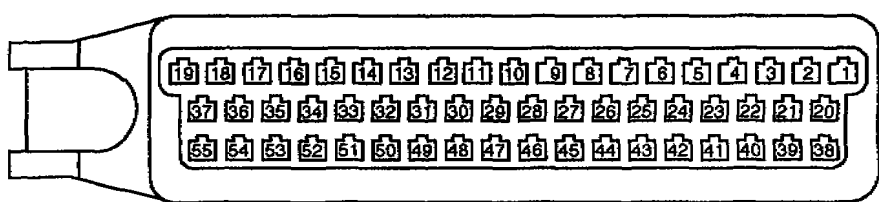


FIG 2

B350001 00

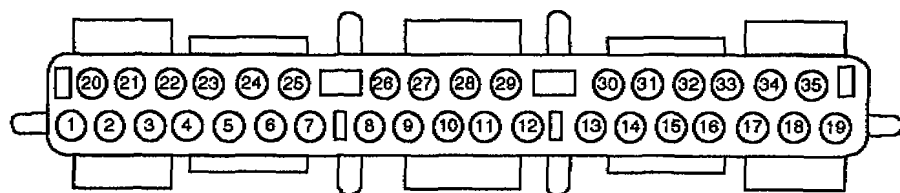


FIG 3

B350002 00

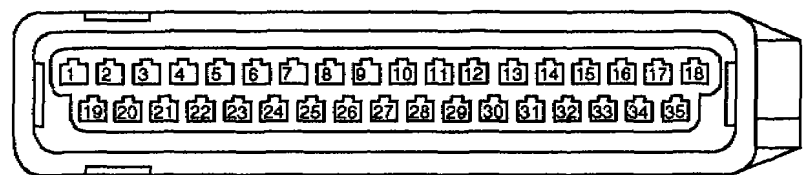


FIG. 4

B300001 00

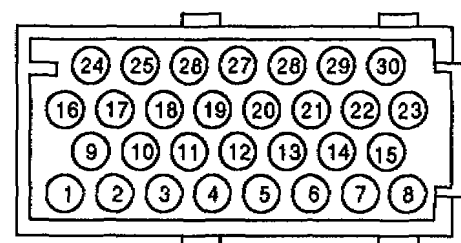


FIG. 1

B260002.00

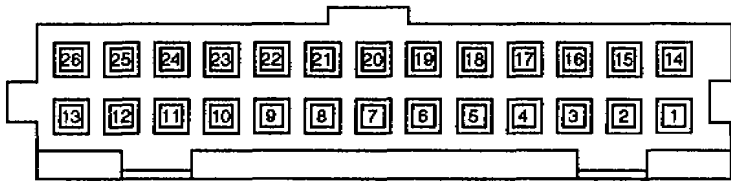


FIG. 2

B120015

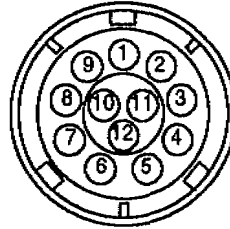


FIG. 3

B210001.00

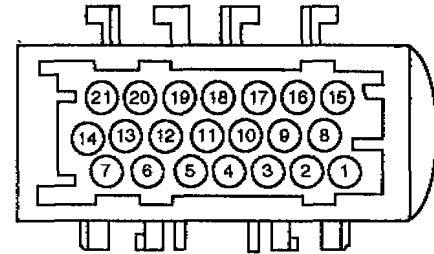


FIG. 4

B240001.00



FIG. 5

B080003.00

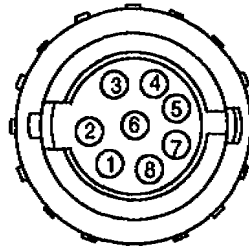


FIG. 6

B120013.00

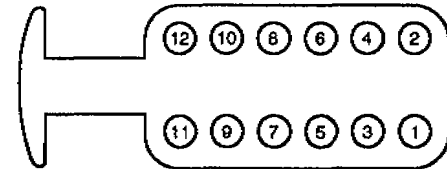


FIG. 1

B120002.02

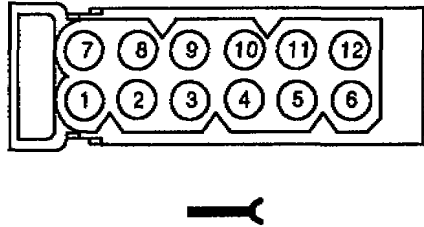


FIG. 2

B060040.00

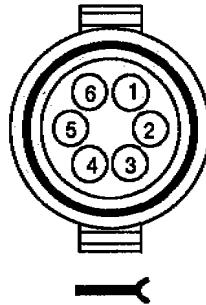


FIG. 3

B090001.00

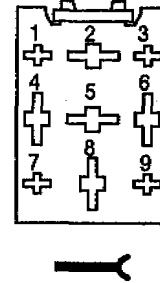


FIG. 4

B050005.00

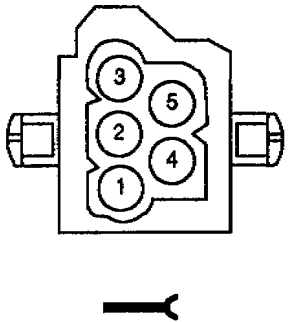


FIG. 5

B030006.00



FIG. 6

B040003.00

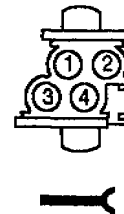


FIG. 1

B080002.00

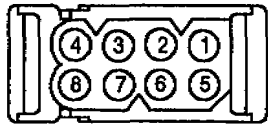


FIG. 2

B050006.00

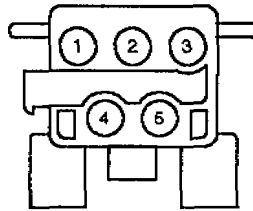


FIG. 3

B030001.00

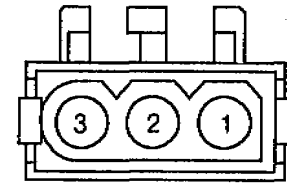


FIG. 4

B260001.00

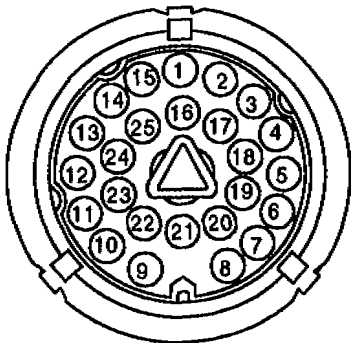


FIG. 5

B030016.10

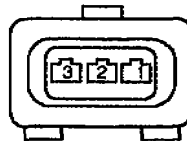


FIG. 6

B080009.00

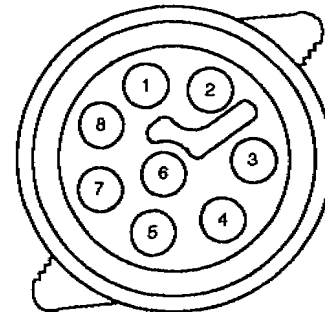


FIG. 1

B060017.00

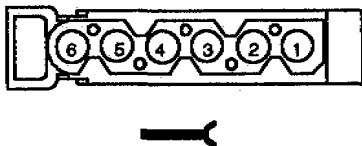


FIG. 2

B170001.00

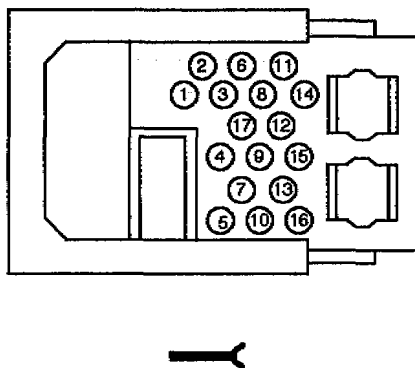


FIG. 3

B030013.00



FIG. 4

B030005.00

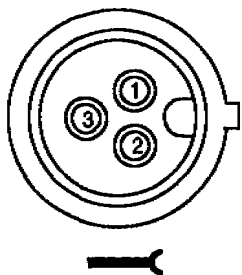


FIG. 5

B030012.00

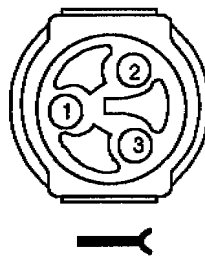
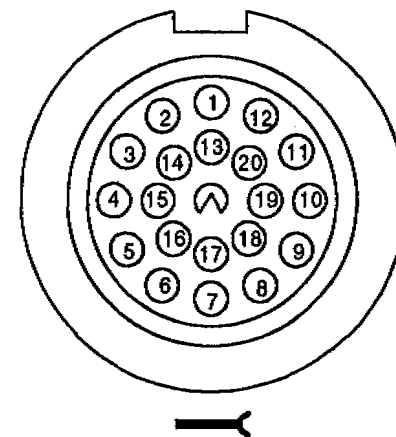


FIG. 6

B200003.01





CONNECTOR VIEWS

FIG. 1

B040015.00

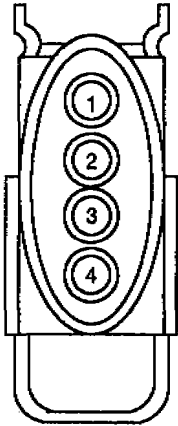


FIG. 2

B030003.04

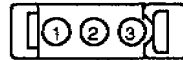


FIG. 3

B0300010.02

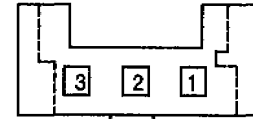


FIG. 4

B060002.00

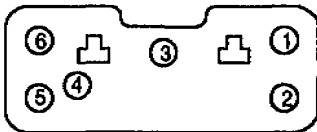


FIG. 5

B060002.00

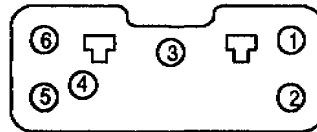


FIG. 6

B120006.00

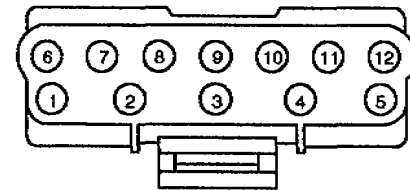


FIG. 1

B060006.00

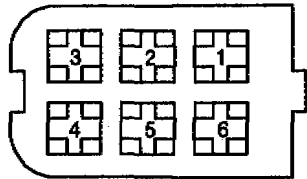


FIG. 2

B050003.00



FIG. 3

B040004.00



FIG. 4

B120004.01

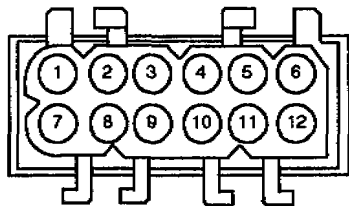


FIG. 5

B040002.00

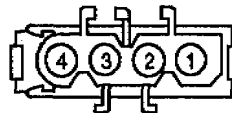


FIG. 6

B120008.00

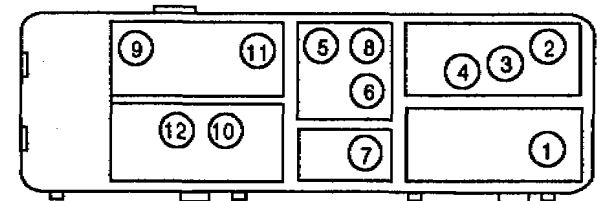


FIG. 1

B030030.00

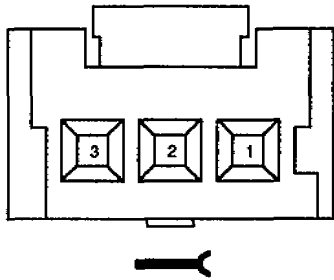


FIG. 2

B120002.03

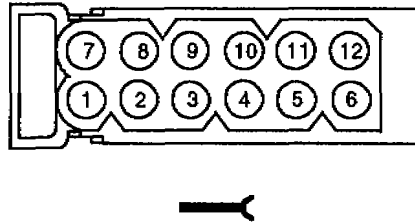


FIG. 3

B120004.05

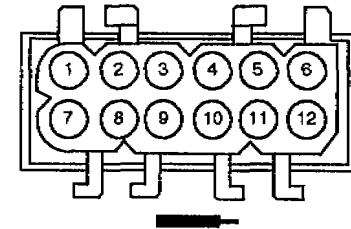


FIG. 4

B060013.00

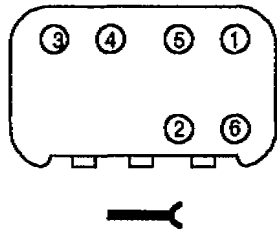


FIG. 5

B030009.00

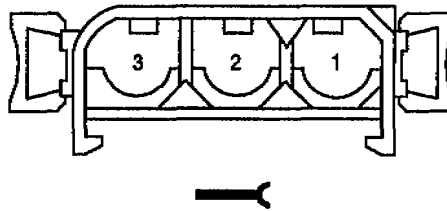


FIG. 6

B130002.01

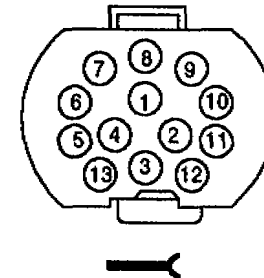


FIG. 1

B210002.00

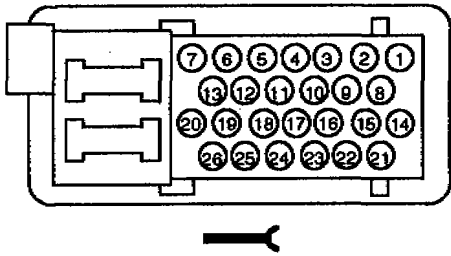


FIG. 2

B120011.00

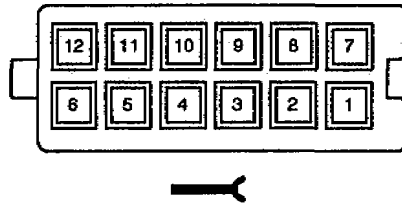


FIG. 3

B120011.00

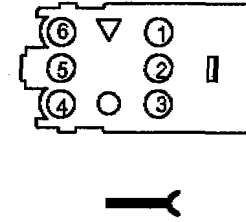


FIG. 4

B200001.00

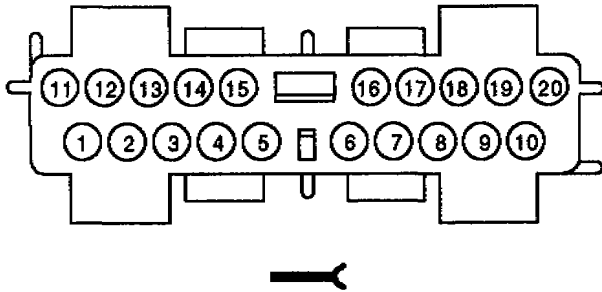


FIG. 5

B120005.00

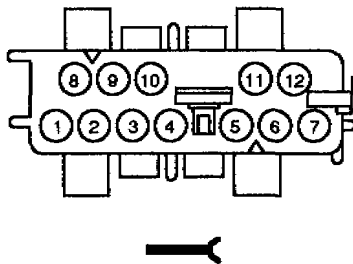
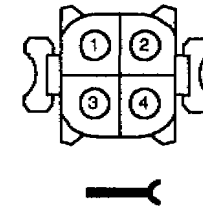


FIG. 6

B040010.00





CONNECTOR VIEWS

FIG. 1

B100008.00

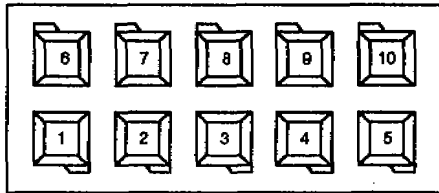


FIG. 2

B060023.00

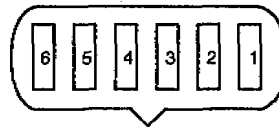


FIG. 3

B050002.00

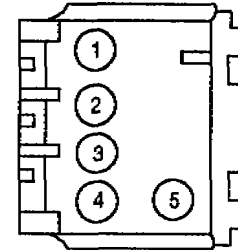


FIG. 4

B060009.00

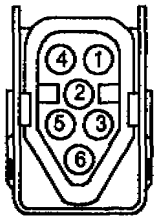


FIG. 5

B030022.00

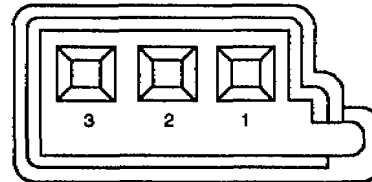


FIG. 6

B040016.00

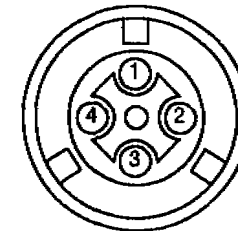


FIG. 1

B060010.01

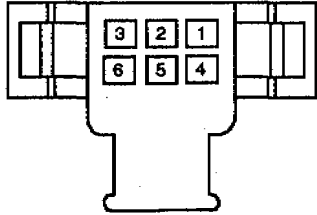


FIG. 2

B040013

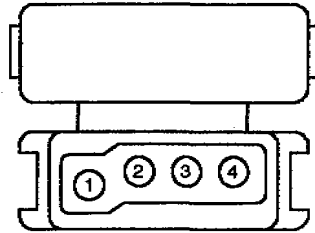


FIG. 3

B060035.00

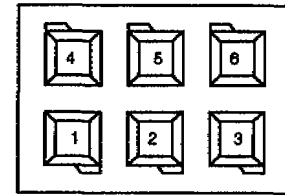


FIG. 4

B260005.00

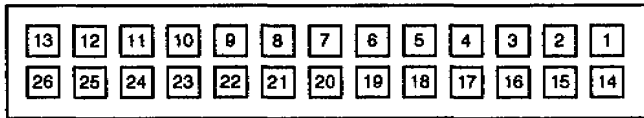
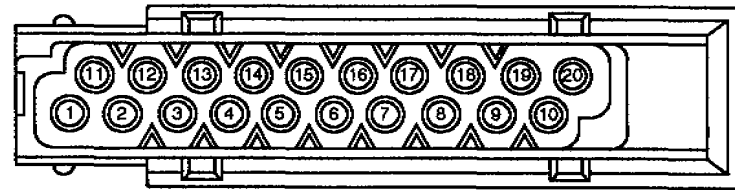


FIG. 5

B200007.00





CONNECTOR VIEWS

FIG. 1

B140002.00

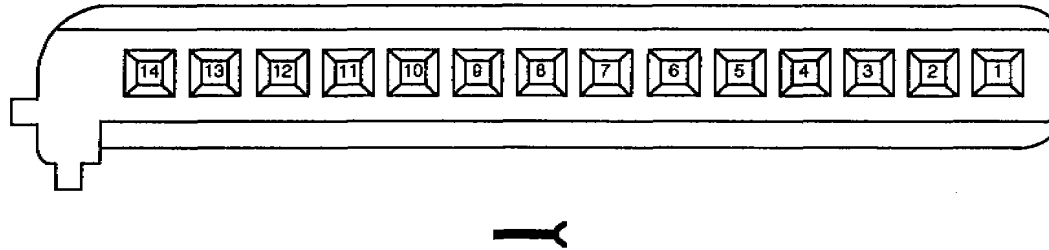


FIG. 2

B080005.00

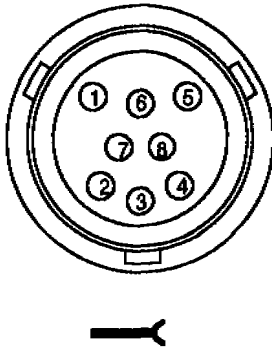


FIG. 3

B100009.00

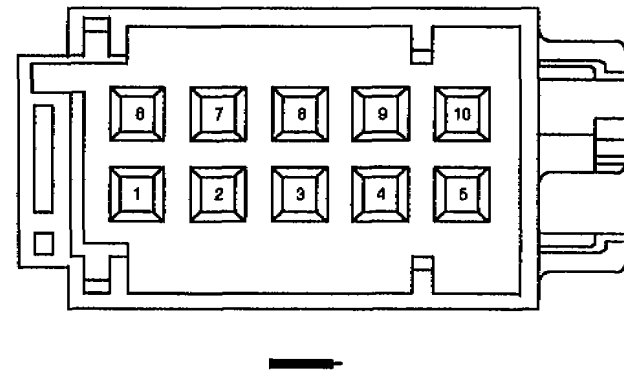


FIG. 1
B880001.00

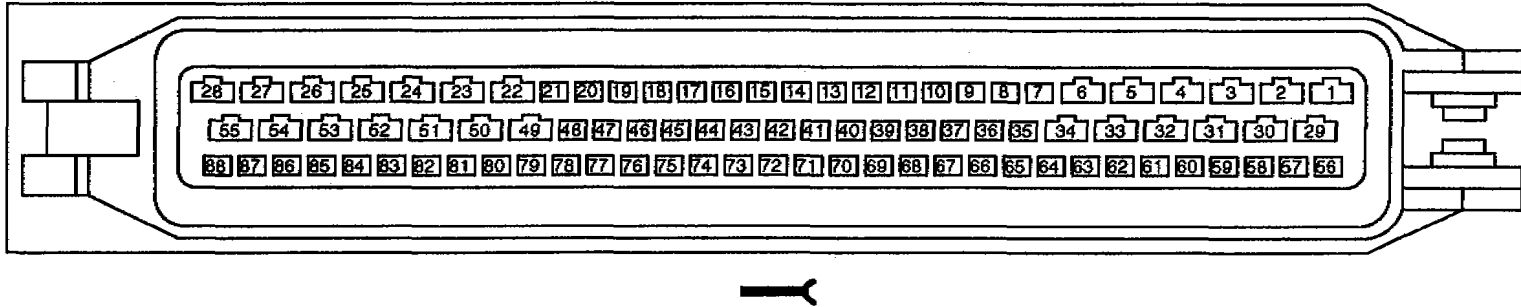


FIG. 2
B060006.00

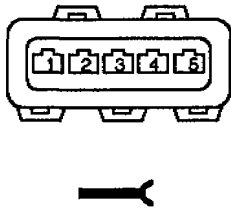
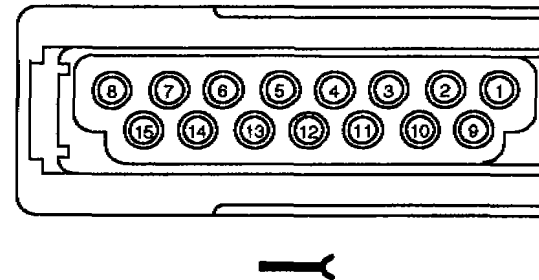


FIG. 3
B150003.00





CONNECTOR VIEWS

FIG. 1

B080000.00

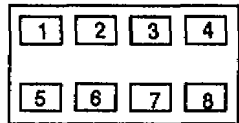


FIG. 2

B080001.00

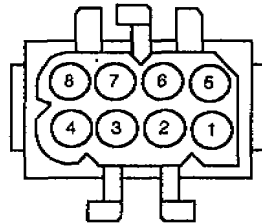


FIG. 3

B180000.00

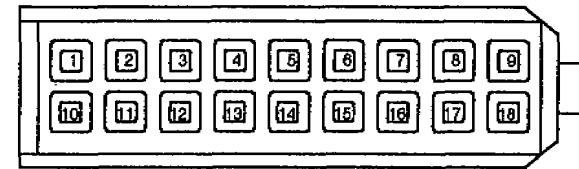


FIG. 4

B070005.00

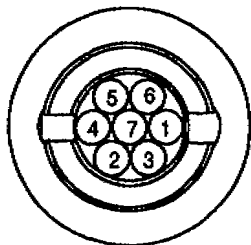


FIG. 5

B040018.01

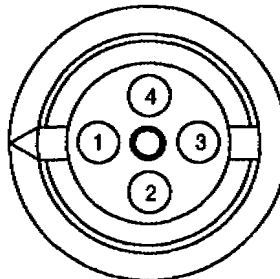
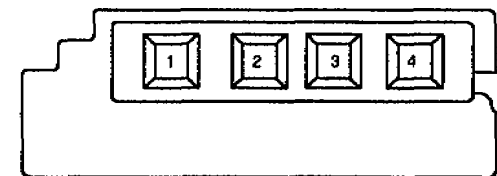


FIG. 6

B040020.00





CONNECTOR VIEWS

FIG. 1

B060035.02

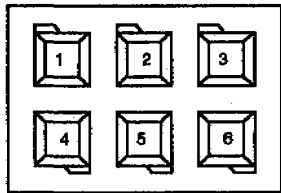


FIG. 2

B060035.01

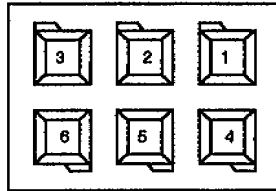


FIG. 3

B120003.01

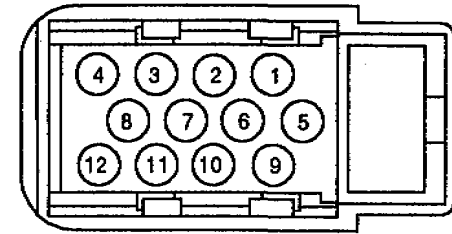


FIG. 4

B300002.00

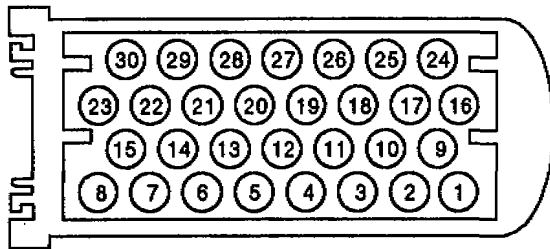
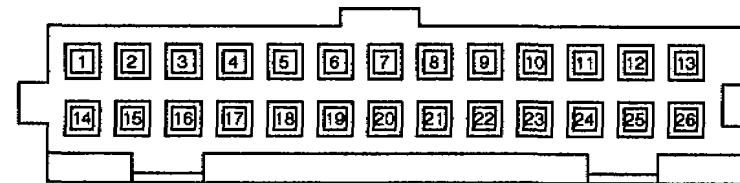


FIG. 5

B260002.00





CONNECTOR VIEWS

FIG. 1
B120014

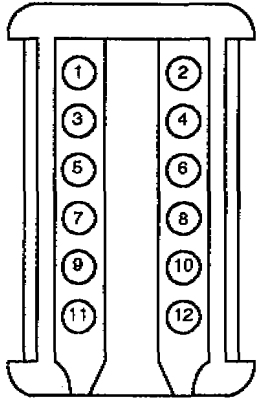


FIG. 2

B100004.00

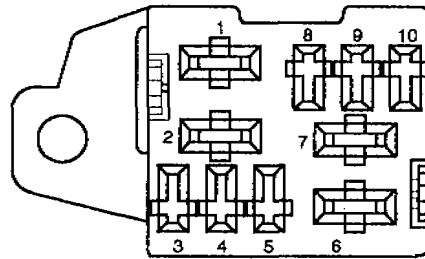


FIG. 3

B080038.00

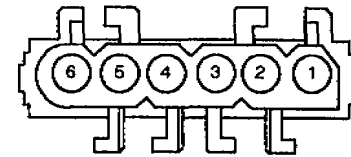


FIG. 4

B030015.08

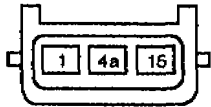


FIG. 5

B060019.00

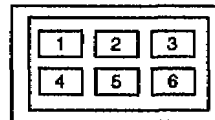
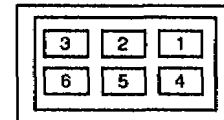


FIG. 6

B060019.03





CONNECTOR VIEWS

FIG. 1

B090007.00

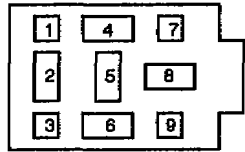


FIG. 2

B040022.00

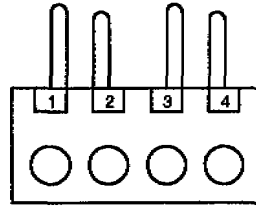


FIG. 3

B050013.00

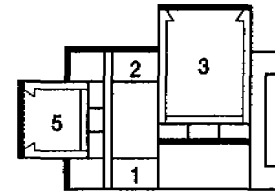


FIG. 4

B480000.00

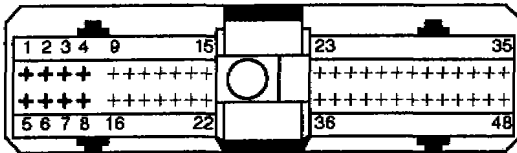


FIG. 5

B080005.07

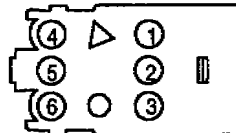


FIG. 6

B060005.08

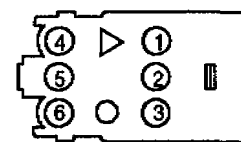


FIG. 1

B060005.09

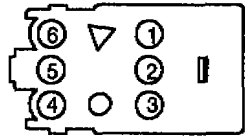


FIG. 2

B060005.10

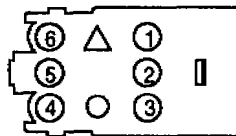


FIG. 3

B070007.00

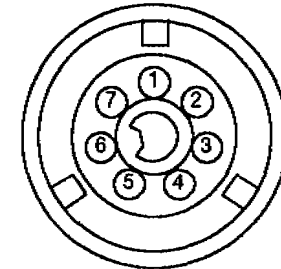


FIG. 4

8280001.00

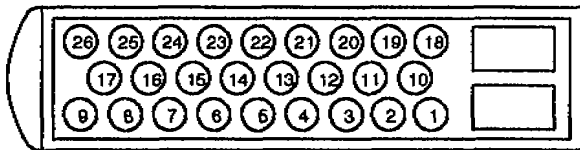


FIG. 5

B100007.00

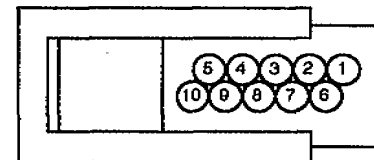


FIG. 1

B030003.00

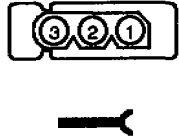


FIG. 2

B060013.00

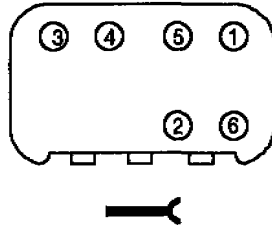


FIG. 3

B080006.00

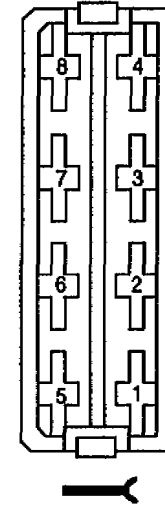


FIG. 4

B880002.01

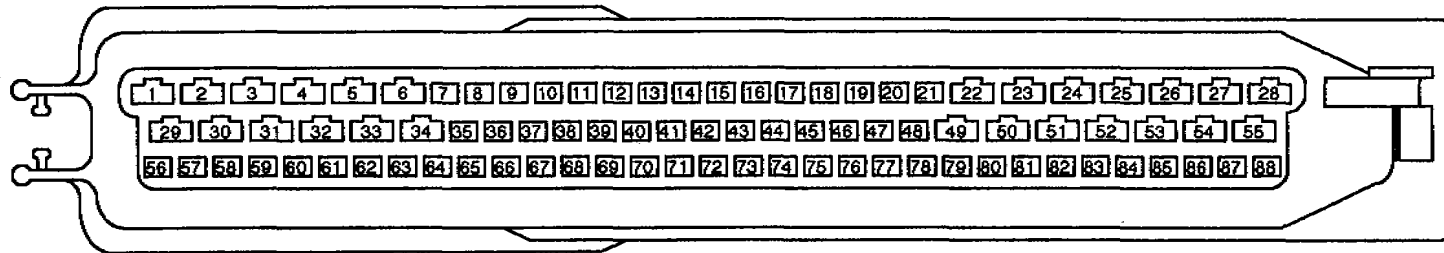


FIG. 1

B030004.04

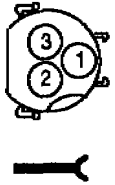


FIG. 2

B060030.00

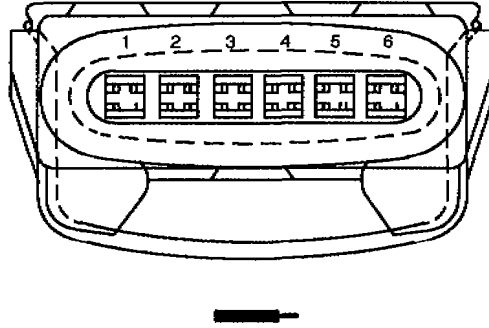


FIG. 3

B030017.30

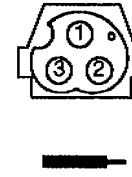


FIG. 4

B060043.00

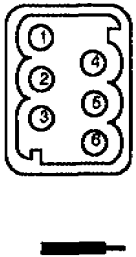


FIG. 5

B060038.00

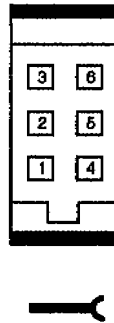
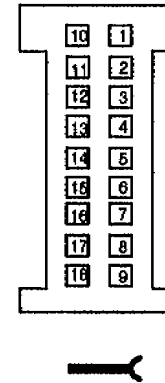


FIG. 6

B180000.02





CONNECTOR VIEWS

FIG. 1

B100012.00

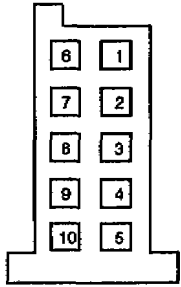


FIG. 2

B090006.00

