

**1995/96**

**BMW**

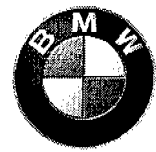
**840Ci, 850Ci,  
850CSi (E31)**

**Electrical**

**Troubleshooting**

**Manual**

Vehicles Produced 9/94 to 8/96



## ELECTRICAL TROUBLESHOOTING MANUAL

**SERIES 8 – E31 (840Ci, 850Ci, 850CSi)**

### **SCHEMATICS**

**MODEL YEAR 1995/96**

0100.0	INDEX	3240.0	POWER ASSIST STEERING (SERVOTRONIC)
0110.0	INTRODUCTION	3334.0	ACTIVE REAR AXLE KINEMATICS (AHK)
0140.0	SYMBOLS	3450.0	SLIP CONTROL (ABS)
0670.0	POWER DISTRIBUTION CHART	3450.5	SLIP CONTROL 5 (ASC 5)
0670.1	FUSE CHART	3715.2	ELECTRONIC SHOCK ABSORBER CONTROL (EDC III+)
0670.2	POWER DISTRIBUTION	3715.3	ELECTRONIC SHOCK ABSORBER CONTROL (EDC IV)
0670.3	FUSE DETAILS	5116.0	POWER MIRRORS
0670.4	GROUND DISTRIBUTION	5120.0	ZKE DOOR LOCK HEATING (TSH)
0670.5	DATA LINK	5126.0	ZKE CENTRAL LOCKING (ZV)
1210.6	ENGINE CONTROL SYSTEM (DME M1.7, 12-CYLINDER M70)	5133.0	ZKE POWER WINDOWS (FH)
1210.11	ENGINE CONTROL SYSTEM (DME M3.3, 8-CYLINDER M60)	5146.0	POWER SUN SHADES
1210.18	ENGINE CONTROL SYSTEM (DME M5.2, 12-CYLINDER M73)	5200.0	POWER SEATS
1210.22	ENGINE CONTROL SYSTEM (DME M5.2, 8-CYLINDER M62)	5200.1	SEAT/MIRROR MEMORY SYSTEM (SM/SPM)
1230.0	CHARGING SYSTEM	5203.0	HEATED SEATS
1240.0	START	5212.0	LUMBAR SUPPORT
1270.1	ELECTRONIC THROTTLE CONTROL (EML 12-CYLINDER)	5410.0	ZKE SUNROOF (SHD)
1270.2	ELECTRONIC THROTTLE CONTROL (EML IIIIS, 12-CYLINDER)	6100.0	CENTRAL BODY ELECTRONICS (ZKE II)
1290.0	E-BOX FAN	6133.0	HORN
2460.7	ELECTRONIC TRANSMISSION CONTROL (EGS: GS 9.20/A5S 560Z)	6135.0	DRIVE-AWAY PROTECTION (EWS II)
2460.10	ELECTRONIC TRANSMISSION CONTROL (EGS: GS 9.22/AS5 560Z)	6160.0	ZKE WIPER/WASHER CONTROL
3231.0	ELECTRIC STEERING COLUMN ADJUSTMENT	6164.0	ZKE WINDSHIELD WIPER PRESSURE CONTROL (ADV)
3231.1	STEERING COLUMN MEMORY (LSM)	6167.0	ZKE HEADLIGHT WASHER (SRA)
3234.0	SUPPLEMENTAL RESTRAINT SYSTEM (AIR BAG)	6169.0	WINDSHIELD WASHER JET HEATERS
		6210.0	BODY ELECTRONICS MODULE (EKM)
		6211.0	INSTRUMENT CLUSTER

## SCHEMATICS

6300.0	LIGHT SWITCH DETAILS	6450.0	AUTOMATIC HEATING/AC CONTROL (IHKA)
6301.0	LAMP MONITOR (LKM)	6454.0	AUXILIARY FAN
6312.0	HEADLIGHTS/FOG LIGHTS	6510.1	RADIO/HIFI
6313.0	TURN/HAZARD LIGHTS	6561.0	CELLULAR TELEPHONE (PROVISIONS)
6314.0	PARK/TAIL/UNDERHOOD LIGHTS	6575.3	ANTI-THEFT SYSTEM IV (DWA IV)
6320.0	LICENSE PLATE/LUGGAGE COMPARTMENT LIGHTS	6581.1	MULTI-INFORMATION DISPLAY (MID)
6322.0	BACK UP LIGHTS	6610.1	REMOTE CONTROLLED LOCKING SYSTEM
6325.0	BRAKE LIGHTS	7000.0	COMPONENT LOCATION CHART
6330.0	ZKE INTERIOR LIGHTS CONTROL (IB)	7100.0	COMPONENT LOCATION VIEWS
6332.0	INTERIOR ACCESSORIES	8000.0	SPLICE LOCATION VIEWS
6350.0	CRASH CONTROL MODULE	8500.0	CONNECTOR VIEWS
6412.2	PARK VENTILATION WITH IHKA		
6424.0	REAR WINDOW DEFOGGER/ ANTENNA		



0100.0





ABS HYDRAULIC UNIT, Y1 ..... 3450.0  
 ABS HYDRAULIC UNIT, Y1 ..... 3450.5-01  
 ABS HYDRAULIC UNIT, Y1w ..... 3450.5-07  
 ACCELERATION SENSOR, RIGHT REAR, B48 ..... 3715.2-01  
 ACCELERATION SENSOR, RIGHT REAR, B48 ..... 3715.3-01  
 ACOUSTIC DEVICE, H10z ..... 6210.0-09  
 AIR BAG GAS GENERATOR, DRIVER'S, G5 ..... 3234.0-01  
 AIR BAG GAS GENERATOR, PASSENGER'S, G6 ..... 3234.0-01  
 AIR CONDITIONING COMPRESSOR (IHKA), Y3 ..... 6450.0-13  
 AIR CONDITIONING PRESSURE SWITCH, S96 ..... 6450.0-12  
 AIR CONDITIONING RELAY, K33 ..... 6454.0  
 AIR FLOW SENSOR, CYL. 1-6, B6216 ..... 1210.6-03  
 AIR FLOW SENSOR, CYL. 7-12, B6226 ..... 1210.6-13  
 AIR TEMPERATURE SENSOR, CYL. 1-6, B6215 ..... 1210.6-08  
 AIR TEMPERATURE SENSOR, CYL. 7-12, B6225 ..... 1210.6-16  
 ANTENNA AMPLIFIER AM/FM, N8 ..... 6424.0-00  
 ANTI-THEFT CONTROL MODULE (DWA), N1 ..... 6575.3  
 ANTI-THEFT HORN (DWA), H1 ..... 6575.3-00  
 ANTI-THEFT SYSTEM IV (DWA IV) ..... 6575.3  
 ASC SWITCH, S6 ..... 3450.5  
 AUTOMATIC AIR RECIRCULATION CONTROL MODULE,  
 A417 ..... 6450.0-16  
 AUTOMATIC AIR RECIRCULATION SENSOR, B414 ..... 6450.0-16  
 AUTOMATIC HEATING AND AIR CONDITIONING  
 SWITCH (IHKA), S26 ..... 6450.0-01  
 AUTOMATIC HEATING/AC CONTROL (IHKA) ..... 6450.0  
 AUTOMATIC HEATING/AC CONTROL MODULE  
 (IHKA), A11 ..... 6450.0-00  
 AUTOMATIC TRANSMISSION RANGE SWITCH,  
 S3 ..... 2460.7-04  
 AUTOMATIC TRANSMISSION RANGE SWITCH,  
 S8532 ..... 2460.10-04

AUTOMATIC TRANSMISSION RANGE SWITCH,  
 S8532 ..... 2460.10-09  
 AUXILIARY FAN ..... 6454.0  
 AUXILIARY FAN MOTOR, M9 ..... 6454.0-00  
 AUXILIARY FUSE BOX, P95 ..... 0670.2-09  
 AUXILIARY FUSE BOX, P97 ..... 0670.2-09  
 AUXILIARY RELAY BOX - ENGINE COMPARTMENT,  
 P1 ..... 0670.2  
 AUXILIARY THROTTLE POSITION MOTOR (ADS),  
 M93 ..... 3450.5-09  
 AUXILIARY THROTTLE POSITION SENSOR, R6253 ..... 3450.5-09  
 AUXILIARY TURN LIGHT, LEFT FRONT, H9 ..... 6313.0-02  
 AUXILIARY TURN LIGHT, RIGHT FRONT, H8 ..... 6313.0-02  
 AUXILIARY WATER PUMP RELAY, K8z ..... 6450.0-11  
 AUXILIARY WATER PUMP, M37a ..... 6450.0-11  
 B+ JUMP START JUNCTION POINT, G6430 ..... 0670.2-02  
 B+ JUNCTION POINT, X6400 ..... 0670.2  
 BACK UP LIGHT, LEFT, H27 ..... 6322.0-00  
 BACK UP LIGHT, RIGHT, H28 ..... 6322.0-00  
 BACK UP LIGHTS ..... 6322.0  
 BATTERY I, RIGHT, G1z ..... 0670.2-00  
 BATTERY II, LEFT, G4 ..... 0670.2-00  
 BLOWER MOTOR, M30 ..... 6450.0-01  
 BLOWER RELAY, K4 ..... 6450.0-00  
 BODY ELECTRONICS MODULE (EKM) ..... 6210.0  
 BODY ELECTRONICS MODULE, A25 ..... 6210.0-00  
 BRAKE FLUID LEVEL SWITCH, B18 ..... 6210.0-08  
 BRAKE LIGHT SWITCH, S30 ..... 6325.0-00  
 BRAKE LIGHT, LEFT, H24 ..... 6325.0-01  
 BRAKE LIGHT, RIGHT, H31 ..... 6325.0-01  
 BRAKE LIGHTS ..... 6325.0  
 BRAKE PAD SENSOR, LEFT FRONT, B16 ..... 6210.0-07



# INDEX

BRAKE PAD SENSOR, RIGHT REAR, B17 .....	6210.0-07
BRAKE PRESSURE REGULATING SWITCH, B19 .....	6210.0-08
BRAKE PRESSURE SWITCH, B20 .....	6210.0-08
CAMSHAFT POSITION SENSOR (CYLINDER IDENTIFICATION), B6204 .....	1210.11-09
CAN BUS, I1000 .....	0670.5-13
CASSETTE BOX LIGHT, E45y .....	6300.0-04
CD CHANGER, N22 .....	6510.1-04
CELLULAR TELEPHONE (PROVISIONS) .....	6561.0
CENTRAL BODY ELECTRONICS (ZKE II) .....	6100.0
CENTRAL LOCKING TRUNK LID MOTOR RELAY (ZV), K70 .....	5126.0-03
CHARGING SOCKET, X779 .....	6332.0-00
CHARGING SYSTEM .....	1230.0
CLUTCH SWITCH, S32 .....	1270.1-09
COMBINATION SWITCH, S7 .....	6301.0-00
COMPONENT LOCATION CHART .....	7000.0
COMPONENT LOCATION VIEWS .....	7100.0
COMPRESSOR CONTROL RELAY, K19 .....	6450.0-12
COMPRESSOR CUT-OFF RELAY, K60 .....	6450.0-12
CONCEALING HEADLIGHT MOTOR, LH, M18 .....	6312.0-06
CONCEALING HEADLIGHT MOTOR, RH, M19 .....	6312.0-06
CONCEALING HEADLIGHTS RELAY, K39 .....	6312.0-06
CONNECTOR VIEWS .....	8500.0
CONSUMER CUT-OFF RELAY I, K72 .....	6330.0-02
CONSUMER CUT-OFF RELAY II, K73 .....	6330.0-02
CONTACT RING, C101 .....	3234.0-01
CRANKSHAFT POSITION/RPM SENSOR, B6203 .....	1210.11-09
CRANKSHAFT POSITION/RPM SENSOR, B6203 .....	1210.22-10
CRANKSHAFT POSITION/RPM SENSOR, CYL. 1-6, B6212 .....	1210.6-05

CRANKSHAFT POSITION/RPM SENSOR, CYL. 7-12, B6222 .....	1210.6-15
CRANKSHAFT SENSOR I, B6213 .....	1210.18-05
CRANKSHAFT SENSOR II, B6223 .....	1210.18-12
CRASH CONTROL MODULE .....	6350.0
CRASH CONTROL MODULE, N17 .....	6350.0-01
CRUISE CONTROL (TEMPOMAT) .....	6571.0
CRUISE CONTROL ACTUATOR (TEMPOMAT), M25 .....	6571.0-02
CRUISE CONTROL MODULE (TEMPOMAT), A8 .....	6571.0
CRUISE CONTROL SWITCH (EML), S11 .....	1270.1-02
CRUISE CONTROL SWITCH (EML), S11 .....	1270.2-01
CRUISE CONTROL SWITCH, S28 .....	6571.0-00
CYLINDER IDENTIFICATION SENSOR, CYL. 1-6, B6211 .....	1210.6-05
CYLINDER IDENTIFICATION SENSOR, CYL. 7-12, B6221 .....	1210.6-15
DASH LIGHT, E41 .....	6450.0-07
DASH VENT MIXING FLAP MOTOR, M34 .....	6450.0-08
DATA LINK .....	0670.5
DATA LINK CONNECTOR, D100 .....	0670.5
DAYTIME RUNNING LIGHTS CODING DIODE, V4 .....	6314.0-02
DAYTIME RUNNING LIGHTS RELAY, K111 .....	6314.0-02
DEFROSTER FLAP MOTOR, M35 .....	6450.0-10
DIMMER, N3 .....	6300.0-02
DIVERSITY, N404 .....	6424.0-02
DOOR HANDLE SWITCH, DRIVER'S, S48 .....	5120.0-00
DOOR HANDLE SWITCH, PASSENGER'S, S79 .....	6100.0-03
DOOR JAMB SWITCH, DRIVER'S, S14 .....	6575.3-04
DOOR JAMB SWITCH, PASSENGER'S, S13 .....	6575.3-04
DOOR LOCK HEATER, E48 .....	5120.0-00
DOOR LOCK MOTOR, DRIVER'S, M12 .....	5126.0-04



DOOR LOCK MOTOR, PASSENGER'S, M13 ..... 5126.0-04  
DOOR LOCK SWITCH, DRIVER'S, S47 ..... 5126.0-00  
DOOR LOCK SWITCH, PASSENGER'S, S49 ..... 5126.0-00  
DOOR MODULE, DRIVER'S, A23 ..... 6100.0-00  
DOOR MODULE, PASSENGER'S, A24 ..... 6100.0-00  
DOOR PANEL LIGHT, DRIVER'S, E78 ..... 6300.0-04  
DOOR PANEL LIGHT, PASSENGER'S, E79 ..... 6300.0-04  
DRIVE-AWAY PROTECTION (EWS II) ..... 6135.0  
DRIVER'S SEATBACK SWITCH, LH, S104 ..... 6210.0-06  
DRIVER'S SEATBACK SWITCH, RH, S103 ..... 6210.0-06  
DSC STEERING WHEEL ANGLE SENSOR, R26 ..... 3450.5-08  
DUAL TEMPERATURE SENSOR  
(COOLANT TEMPERATURE), B6256 ..... 1210.18-06  
DUAL TEMPERATURE SENSOR  
(COOLANT TEMPERATURE), B6256 ..... 1210.22-08  
DUAL TEMPERATURE SENSOR  
(COOLANT TEMPERATURE), B6256 ..... 6210.0  
DWA LED, V5 ..... 6575.3-00  
E-BOX FAN ..... 1290.0  
E-BOX FAN, M6506 ..... 1290.0-00  
EDC RELAY, K67 ..... 3715.2-00  
EDC RELAY, K67 ..... 3715.3-00  
EDC SWITCH, S105 ..... 3715.2-00  
EDC SWITCH, S105 ..... 3715.3-00  
EDC VALVES, LEFT FRONT, Y401z ..... 3715.2-02  
EDC VALVES, LEFT FRONT, Y401z ..... 3715.3-02  
EDC VALVES, LEFT REAR, Y403z ..... 3715.2-02  
EDC VALVES, LEFT REAR, Y403z ..... 3715.3-02  
EDC VALVES, RIGHT FRONT, Y402z ..... 3715.2-02  
EDC VALVES, RIGHT FRONT, Y402z ..... 3715.3-02  
EDC VALVES, RIGHT REAR, Y404z ..... 3715.2-02  
EDC VALVES, RIGHT REAR, Y404z ..... 3715.3-02

ELECTRIC POWER PROTECTION RELAY II, K30 ..... 5126.0-03  
ELECTRIC POWER PROTECTION RELAY, K15 ..... 5126.0-03  
ELECTRIC STEERING COLUMN ADJUSTMENT ..... 3231.0  
ELECTRO-HYDRAULIC CONVERTER (SERVOTRONIC),  
B15 ..... 3240.0-00  
ELECTROCHROMIC REAR VIEW MIRROR, A22z ..... 5116.0-02  
ELECTRONIC IMMOBILIZER CONTROL MODULE  
(EWS II), A836 ..... 1240.0  
ELECTRONIC IMMOBILIZER CONTROL MODULE  
(EWS II), A836 ..... 6135.0  
ELECTRONIC SHOCK ABSORBER CONTROL (EDC III+) ... 3715.2  
ELECTRONIC SHOCK ABSORBER CONTROL (EDC IV) .... 3715.3  
ELECTRONIC SHOCK ABSORBER CONTROL MODULE  
(EDC), A413 ..... 3715.2  
ELECTRONIC SHOCK ABSORBER CONTROL MODULE  
(EDC), A413 ..... 3715.3  
ELECTRONIC THROTTLE CONTROL  
(EML 12-CYLINDER) ..... 1270.1  
ELECTRONIC THROTTLE CONTROL  
(EML IIIS, 12-CYLINDER) ..... 1270.2  
ELECTRONIC TRANSMISSION CONTROL  
(EGS: GS 9.20/A5S 560Z) ..... 2460.7  
ELECTRONIC TRANSMISSION CONTROL  
(EGS: GS 9.22/AS5 560Z) ..... 2460.10  
EML ACTUATOR MOTOR I, M6360 ..... 1270.1-05  
EML ACTUATOR MOTOR I, M6360 ..... 1270.2-04  
EML ACTUATOR MOTOR II, M6370 ..... 1270.1-06  
EML ACTUATOR MOTOR II, M6370 ..... 1270.2-05  
EML SWITCH, S202 ..... 1270.1-04  
ENGINE CONTROL MODULE (DME), A6000 ..... 1210.11  
ENGINE CONTROL MODULE (DME), A6000 ..... 1210.22  
ENGINE CONTROL MODULE (DME), CYL. 1-6, A6010 .... 1210.18



# INDEX

ENGINE CONTROL MODULE (DME), CYL. 1-6, A6010 ..... 1210.6  
ENGINE CONTROL MODULE (DME), CYL. 7-12,  
A6020 ..... 1210.18  
ENGINE CONTROL MODULE (DME), CYL. 7-12,  
A6020 ..... 1210.6  
ENGINE CONTROL MODULE RELAY, CYL. 1-6,  
K6310 ..... 1210.18-01  
ENGINE CONTROL MODULE RELAY, CYL. 1-6,  
K6310 ..... 1210.6-01  
ENGINE CONTROL MODULE RELAY, CYL. 7-12,  
K6320 ..... 1210.18-10  
ENGINE CONTROL MODULE RELAY, CYL. 7-12,  
K6320 ..... 1210.6-11  
ENGINE CONTROL MODULE RELAY, K6300 ..... 1210.11-00  
ENGINE CONTROL MODULE RELAY, K6300 ..... 1210.22-00  
ENGINE CONTROL RELAY (ABS/ASC), K94 ..... 3450.0-01  
ENGINE CONTROL RELAY (ABS/ASC), K94 ..... 3450.5-07  
ENGINE CONTROL SYSTEM  
(DME M1.7, 12-CYLINDER M70) ..... 1210.6  
ENGINE CONTROL SYSTEM  
(DME M3.3, 8-CYLINDER M60) ..... 1210.11  
ENGINE CONTROL SYSTEM  
(DME M5.2, 12-CYLINDER M73) ..... 1210.18  
ENGINE CONTROL SYSTEM  
(DME M5.2, 8-CYLINDER M62) ..... 1210.22  
ENGINE COOLANT TEMP. SENSOR (EML), B6234 ..... 1270.1-03  
ENGINE COOLANT TEMPERATURE SENSOR, B6232 ..... 6210.0  
ENGINE COOLANT TEMPERATURE SENSOR, B6236 . 1210.11-07  
ENGINE COOLANT TEMPERATURE SENSOR, B6236 .. 1210.6-08  
ENGINE HOOD SWITCH (DWA), S21 ..... 6575.3-05  
EVAPORATIVE EMISSION VALVE, CYL. 1-6, Y6121 ... 1210.18-01  
EVAPORATIVE EMISSION VALVE, CYL. 1-6, Y6121 .... 1210.6-03

EVAPORATIVE EMISSION VALVE, CYL. 7-12, Y6122 . 1210.18-10  
EVAPORATIVE EMISSION VALVE, CYL. 7-12, Y6122 .. 1210.6-13  
EVAPORATIVE EMISSION VALVE, Y6120 ..... 1210.11-01  
EVAPORATIVE EMISSION VALVE, Y6120 ..... 1210.22-01  
EVAPORATOR TEMPERATURE SENSOR, B14 ..... 6450.0-03  
FINAL STAGE UNIT, N2 ..... 6450.0-01  
FLASHER LIGHT RELAY, K52z ..... 6312.0-05  
FM AMPLIFIER HLO, N444 ..... 6424.0-02  
FM AMPLIFIER/SUPPRESSION FILTER, C900z ..... 6424.0-02  
FOG LIGHT SWITCH, S10 ..... 6312.0-02  
FOG LIGHT, LEFT, E26 ..... 6312.0-03  
FOG LIGHT, RIGHT, E27 ..... 6312.0-03  
FOOTWELL FLAP MOTOR, LEFT, M31 ..... 6450.0-09  
FOOTWELL FLAP MOTOR, RIGHT, M32 ..... 6450.0-08  
FOOTWELL LIGHT, LEFT FRONT, E61 ..... 6330.0-03  
FOOTWELL LIGHT, RIGHT FRONT, E62 ..... 6330.0-03  
FRESH AIR FLAP MOTOR, M36 ..... 6450.0-10  
FRONT ACCELERATION SENSOR, B41z ..... 3715.2-01  
FRONT ACCELERATION SENSOR, B41z ..... 3715.3-01  
FRONT CIGAR LIGHTER LIGHT, E29 ..... 6332.0-03  
FRONT CIGAR LIGHTER, E28 ..... 6332.0-03  
FRONT DOME LIGHT/MAP READING ASSEMBLY, E34 .. 6330.0-03  
FRONT POWER DISTRIBUTION BOX, P90 ..... 0670.2  
FUEL INJECTION VALVE, CYL. 1, Y6101 ..... 1210.11-01  
FUEL INJECTION VALVE, CYL. 1, Y6101 ..... 1210.18-02  
FUEL INJECTION VALVE, CYL. 1, Y6101 ..... 1210.22-01  
FUEL INJECTION VALVE, CYL. 1, Y6101 ..... 1210.6-02  
FUEL INJECTION VALVE, CYL. 2, Y6102 ..... 1210.11-01  
FUEL INJECTION VALVE, CYL. 2, Y6102 ..... 1210.18-02  
FUEL INJECTION VALVE, CYL. 2, Y6102 ..... 1210.22-01  
FUEL INJECTION VALVE, CYL. 2, Y6102 ..... 1210.6-02  
FUEL INJECTION VALVE, CYL. 3, Y6103 ..... 1210.11-01



FUEL INJECTION VALVE, CYL. 3, Y6103 ..... 1210.18-02  
 FUEL INJECTION VALVE, CYL. 3, Y6103 ..... 1210.22-01  
 FUEL INJECTION VALVE, CYL. 3, Y6103 ..... 1210.6-02  
 FUEL INJECTION VALVE, CYL. 4, Y6104 ..... 1210.11-01  
 FUEL INJECTION VALVE, CYL. 4, Y6104 ..... 1210.18-02  
 FUEL INJECTION VALVE, CYL. 4, Y6104 ..... 1210.22-01  
 FUEL INJECTION VALVE, CYL. 4, Y6104 ..... 1210.6-02  
 FUEL INJECTION VALVE, CYL. 5, Y6105 ..... 1210.11-02  
 FUEL INJECTION VALVE, CYL. 5, Y6105 ..... 1210.18-02  
 FUEL INJECTION VALVE, CYL. 5, Y6105 ..... 1210.22-02  
 FUEL INJECTION VALVE, CYL. 5, Y6105 ..... 1210.6-02  
 FUEL INJECTION VALVE, CYL. 6, Y6106 ..... 1210.11-02  
 FUEL INJECTION VALVE, CYL. 6, Y6106 ..... 1210.18-02  
 FUEL INJECTION VALVE, CYL. 6, Y6106 ..... 1210.22-02  
 FUEL INJECTION VALVE, CYL. 6, Y6106 ..... 1210.6-02  
 FUEL INJECTION VALVE, CYL. 7, Y6107 ..... 1210.11-02  
 FUEL INJECTION VALVE, CYL. 7, Y6107 ..... 1210.18-11  
 FUEL INJECTION VALVE, CYL. 7, Y6107 ..... 1210.22-02  
 FUEL INJECTION VALVE, CYL. 7, Y6107 ..... 1210.6-12  
 FUEL INJECTION VALVE, CYL. 8, Y6108 ..... 1210.11-02  
 FUEL INJECTION VALVE, CYL. 8, Y6108 ..... 1210.18-11  
 FUEL INJECTION VALVE, CYL. 8, Y6108 ..... 1210.22-02  
 FUEL INJECTION VALVE, CYL. 8, Y6108 ..... 1210.6-12  
 FUEL INJECTION VALVE, CYL. 9, Y6109 ..... 1210.18-11  
 FUEL INJECTION VALVE, CYL. 9, Y6109 ..... 1210.6-12  
 FUEL INJECTION VALVE, CYL. 10, Y6110 ..... 1210.18-11  
 FUEL INJECTION VALVE, CYL. 10, Y6110 ..... 1210.6-12  
 FUEL INJECTION VALVE, CYL. 11, Y6111 ..... 1210.18-11  
 FUEL INJECTION VALVE, CYL. 11, Y6111 ..... 1210.6-12  
 FUEL INJECTION VALVE, CYL. 12, Y6112 ..... 1210.18-11  
 FUEL INJECTION VALVE, CYL. 12, Y6112 ..... 1210.6-12  
 FUEL LEVEL SENSOR I, B6z ..... 6210.0-09

FUEL LEVEL SENSOR II, B25 ..... 6210.0-09  
 FUEL PUMP RELAY, CYL. 1-6, K6311 ..... 1210.6-04  
 FUEL PUMP RELAY, CYL. 7-12, K6321 ..... 1210.6-14  
 FUEL PUMP RELAY, K6301w ..... 1210.11-05  
 FUEL PUMP RELAY, K6301w ..... 1210.18-04  
 FUEL PUMP RELAY, K6301w ..... 1210.22-05  
 FUEL PUMP, CYL. 1-6, M2z ..... 1210.6-04  
 FUEL PUMP, CYL. 7-12, M11 ..... 1210.6-14  
 FUEL PUMP, M2 ..... 1210.11-05  
 FUEL PUMP, M2 ..... 1210.18-04  
 FUEL PUMP, M2 ..... 1210.22-05  
 FUSE CHART ..... 0670.1  
 FUSE DETAILS ..... 0670.3  
 FUSE HOLDER IN E-BOX, P98 ..... 0670.2-08  
 FUSIBLE LINK, F0 ..... 0670.2-00  
 GAS FILLER LOCK MOTOR, M16 ..... 5126.0-04  
 GEAR SHIFT LEVER INDICATOR, E96 ..... 6300.0-05  
 GEAR STEP TRANSMISSION SWITCH, S224 ..... 2460.10-03  
 GEAR STEP TRANSMISSION SWITCH, S224 ..... 2460.10-08  
 GENERAL MODULE, A1 ..... 6100.0-00  
 GENERATOR, G6509 ..... 1230.0-01  
 GLOVE BOX CENTRAL LOCKING SWITCH, S118 ..... 5126.0-02  
 GLOVE BOX LIGHT SWITCH I, S37z ..... 6332.0-01  
 GLOVE BOX LIGHT SWITCH II, S113 ..... 6332.0-01  
 GLOVE BOX LIGHT, E42 ..... 6332.0-00  
 GRADIENT MONITOR (DWA), B28 ..... 6575.3-01  
 GROUND DISTRIBUTION ..... 0670.4  
 HALL EFFECT CAMSHAFT SENSOR I, B6219 ..... 1210.22-10  
 HALL EFFECT CAMSHAFT SENSOR, B6209 ..... 1210.18-01  
 HAZARD FLASHER RELAY, K16 ..... 6313.0-00  
 HAZARD SWITCH, S18 ..... 6313.0-01  
 HEADLIGHT WIDENING MOTOR, M80 ..... 6312.0-07



# INDEX

HEADLIGHT WIDENING MOTOR, RIGHT, M81	6312.0-07
HEADLIGHT WIDENING POTENTIOMETER, R13	6312.0-07
HEADLIGHT/FOG LIGHT WASHER PUMP, M7	6167.0-02
HEADLIGHT/FOGLIGHT CLEANING MODULE (SRA), N6	6167.0-02
HEADLIGHTS/FOG LIGHTS	6312.0
HEAT EXCHANGER TEMPERATURE SENSOR, LH, B11	6450.0-03
HEAT EXCHANGER TEMPERATURE SENSOR, RH, B12	6450.0-03
HEATED OXYGEN SENSOR, CYL. 1-4, B6210w	1210.11-06
HEATED OXYGEN SENSOR, CYL. 1-6, B6210	1210.6-05
HEATED OXYGEN SENSOR, CYL. 5-6, B6220w	1210.11-06
HEATED OXYGEN SENSOR, CYL. 7-12, B6220	1210.6-15
HEATED SEATS	5203.0
HIFI AMPLIFIER, A18	6510.1-00
HIGH BEAM FLASHER LIGHT, LEFT, E69	6312.0-05
HIGH BEAM FLASHER LIGHT, RIGHT, E70z	6312.0-05
HIGH BEAM LIGHT RELAY, K46	6312.0-05
HIGH BEAM LIGHT, LEFT, E11	6312.0-05
HIGH BEAM LIGHT, RIGHT, E12	6312.0-05
HIGH LEVEL STOP LIGHT, H34	6325.0-01
HIGH RANGE SPEAKER, LEFT FRONT, H59	6510.1-01
HIGH RANGE SPEAKER, LEFT REAR, H56	6510.1-03
HIGH RANGE SPEAKER, RIGHT FRONT, H50	6510.1-02
HIGH RANGE SPEAKER, RIGHT REAR, H53	6510.1-03
HIGH SPEED RELAY, K22	6454.0-00
HORN	6133.0
HORN RELAY, K2	6133.0-00
HORN SWITCH, S4	6133.0-00
HORN, LEFT, H2	6133.0-00
HORN, RIGHT, H3	6133.0-00
HOT FILM AIR MASS METER, B6217	1210.11-07
HOT FILM AIR MASS METER, B6217	1210.22-08

HOT-FILM AIR MASS METER I, B6217w	1210.18-06
HOT-FILM AIR MASS METER II, B6227w	1210.18-13
IDLE SPEED CONTROL VALVE, Y6130	1210.11-00
IDLE SPEED CONTROL VALVE, Y6130	1210.22-02
IGNITION COIL, CYL. 1, T6151	1210.11-03
IGNITION COIL, CYL. 1, T6151	1210.22-03
IGNITION COIL, CYL. 1-6, T6151z	1210.18-00
IGNITION COIL, CYL. 1-6, T6151z	1210.6-00
IGNITION COIL, CYL. 2, T6152	1210.11-03
IGNITION COIL, CYL. 2, T6152	1210.22-03
IGNITION COIL, CYL. 3, T6153	1210.11-03
IGNITION COIL, CYL. 3, T6153	1210.22-03
IGNITION COIL, CYL. 4, T6154	1210.11-03
IGNITION COIL, CYL. 4, T6154	1210.22-03
IGNITION COIL, CYL. 5, T6155	1210.11-04
IGNITION COIL, CYL. 5, T6155	1210.22-04
IGNITION COIL, CYL. 6, T6156	1210.11-04
IGNITION COIL, CYL. 6, T6156	1210.22-04
IGNITION COIL, CYL. 7, T6157	1210.11-04
IGNITION COIL, CYL. 7, T6157	1210.22-04
IGNITION COIL, CYL. 7-12, T6152z	1210.18-09
IGNITION COIL, CYL. 7-12, T6152z	1210.6-10
IGNITION COIL, CYL. 8, T6158	1210.11-04
IGNITION COIL, CYL. 8, T6158	1210.22-04
IGNITION SWITCH, S2	0670.2
INDEX	0100.0
INERTIA SWITCH, S27	6350.0-01
INSIDE DOOR HANDLE SWITCH, DRIVER'S, S89	5120.0-01
INSIDE DOOR HANDLE SWITCH, PASSENGER'S, S90	6100.0-03
INSTRUMENT CLUSTER	6211.0
INSTRUMENT CLUSTER, A2w	6211.0
INTAKE AIR TEMPERATURE SENSOR, B6205	1210.18-13



INTAKE AIR TEMPERATURE SENSOR, B6215A	1210.11-07
INTAKE AIR TEMPERATURE SENSOR, B6215A	1210.22-08
INTENSIVE WASH PUMP, M5	6160.0-02
INTENSIVE WASH RELAY, K42	6160.0-02
INTERIOR ACCESSORIES	6332.0
INTERIOR LIGHT RELAY, K29	6330.0-03
INTERIOR LIGHT, LEFT REAR, E39	6330.0-03
INTERIOR LIGHT, RIGHT REAR, E40	6330.0-03
INTRODUCTION	0110.0
JET HEATER THERMOSWITCH, S198	6169.0-00
JUMPER PLUG FOR HORN/TELEPHONE, K51	6133.0-00
JUMPER PLUG FOR HORN/TELEPHONE, K51	6561.0-01
KICK-DOWN SWITCH, S8507	2460.10-10
KICK-DOWN SWITCH, S8507	2460.7-03
KNOCK SENSOR, B6243	1210.11-08
KNOCK SENSOR, CYL. 1-2, B6241	1210.11-08
KNOCK SENSOR, CYL. 1-2, B6241	1210.22-09
KNOCK SENSOR, CYL. 1-3, B6241w	1210.18-06
KNOCK SENSOR, CYL. 10-12, B6244w	1210.18-13
KNOCK SENSOR, CYL. 3-4, B6242	1210.11-08
KNOCK SENSOR, CYL. 3-4, B6242	1210.22-09
KNOCK SENSOR, CYL. 4-6, B6242w	1210.18-06
KNOCK SENSOR, CYL. 5-6, B6243	1210.22-09
KNOCK SENSOR, CYL. 7-8, B6244	1210.11-08
KNOCK SENSOR, CYL. 7-8, B6244	1210.22-09
KNOCK SENSOR, CYL. 7-9, B6243w	1210.18-13
LAMP CONTROL MODULE, A3	6301.0
LAMP MONITOR (LKM)	6301.0
LICENSE PLATE LIGHT, LEFT, E43	6320.0-01
LICENSE PLATE LIGHT, RIGHT, E44	6320.0-01
LICENSE PLATE/LUGGAGE COMPARTMENT LIGHTS	6320.0
LIGHT ASSEMBLY I, LEFT REAR, E46z	0670.4-12

LIGHT ASSEMBLY I, RIGHT REAR, E47z	0670.4-12
LIGHT ASSEMBLY II, LEFT REAR, E80	6301.0-03
LIGHT ASSEMBLY II, RIGHT REAR, E81	6301.0-03
LIGHT BAND, LEFT, E9046	0670.4-01
LIGHT BAND, RIGHT, E9047	0670.4-02
LIGHT SWITCH DETAILS	6300.0
LIGHT SWITCH, S8	6300.0
LIGHT SWITCH, S8z	6300.0
LOCK-SENSOR CONTROL MODULE, A26	6450.0-13
LONGITUDINAL ACCELERATION SENSOR, B49	3715.2-01
LOW BEAM LIGHT, LEFT, E13	6312.0-00
LOW BEAM LIGHT, RIGHT, E14	6312.0-00
LOW RANGE SPEAKER, LEFT FRONT, H58	6510.1-01
LOW RANGE SPEAKER, LEFT REAR, H57	6510.1-03
LOW RANGE SPEAKER, RIGHT FRONT, H51	6510.1-02
LOW RANGE SPEAKER, RIGHT REAR, H52	6510.1-03
LUMBAR SUPPORT	5212.0
MAKEUP MIRROR LIGHT, DRIVER'S, E35	6332.0-01
MAKEUP MIRROR LIGHT, PASSENGER'S, E36	6332.0-01
MAKEUP MIRROR SWITCH, DRIVER'S, S77	6332.0-01
MAKEUP MIRROR SWITCH, PASSENGER'S, S78	6332.0-01
MARKER LIGHT, LEFT FRONT, E21	6314.0-04
MARKER LIGHT, RIGHT FRONT, E22	6314.0-04
MEMORY MIRROR, DRIVER'S SIDE, Y9	5200.1-07
MEMORY MIRROR, PASSENGER'S SIDE, Y10	5200.1-08
MEMORY MIRRORS CONTROL SWITCH, S12	5200.1-06
MEMORY SEAT ADJUSTMENT SWITCH, DRIVER'S, S50	5200.1-00
MEMORY SEAT MIRRORS SWITCH, S57	5200.1-01
MICROPHONE, B400	6561.0-00
MID-HIGH RANGE SPEAKER, LEFT, H42	6510.1-01
MID-HIGH RANGE SPEAKER, RIGHT, H43	6510.1-02
MIDRANGE SPEAKER, LEFT FRONT, H55	6510.1-01



# INDEX

MIDRANGE SPEAKER, RIGHT FRONT, H54 .....	6510.1-02
MIRROR CONTROL SWITCH, S17 .....	5116.0-00
MIRROR, DRIVER'S SIDE, Y5 .....	5116.0-01
MIRROR, PASSENGER'S SIDE, Y6 .....	5116.0-01
MIXING FLAP MOTOR, LEFT, M39 .....	6450.0-09
MIXING SWITCH, R1 .....	6450.0-04
MULTI-INFORMATION DISPLAY (MID) .....	6581.1
MULTI-INFORMATION DISPLAY (MID), N4z .....	6581.1-00
NORMAL SPEED RELAY, K21 .....	6454.0-00
OBD II CONNECTOR, D110 .....	0670.5-14
OIL LEVEL SENSOR, B6230 .....	6210.0
OIL PRESSURE SWITCH, B206 .....	6210.0-08
ON-BOARD COMPUTER HORN RELAY, K91 .....	6575.3-00
OUTSIDE TEMPERATURE SENSOR, B13 .....	6450.0-03
OXYGEN SENSOR I (BEHIND CATALYTIC CONVERTER), B62102 .....	1210.18-05
OXYGEN SENSOR I (BEHIND CATALYTIC CONVERTER), B62102 .....	1210.22-07
OXYGEN SENSOR I (IN FRONT OF CATALYTIC CONVERTER), B62101 .....	1210.18-05
OXYGEN SENSOR I (IN FRONT OF CATALYTIC CONVERTER), B62101 .....	1210.22-06
OXYGEN SENSOR II (BEHIND CATALYTIC CONVERTER), B62202 .....	1210.18-12
OXYGEN SENSOR II (BEHIND CATALYTIC CONVERTER), B62202 .....	1210.22-07
OXYGEN SENSOR II (IN FRONT OF CATALYTIC CONVERTER), B62201 .....	1210.18-12
OXYGEN SENSOR II (IN FRONT OF CATALYTIC CONVERTER), B62201 .....	1210.22-06
OXYGEN SENSOR RELAY, K6303 .....	1210.11-06
PARK BRAKE SWITCH, S31 .....	6210.0-05

PARK HEATING/VENTILATION RELAY BOX, A15 .....	6412.2-02
PARK LIGHT RELAY, LEFT, K26 .....	6314.0-02
PARK LIGHT, LEFT, E15 .....	6314.0-03
PARK LIGHT, RIGHT, E19 .....	6314.0-03
PARK LIGHT/LICENSE PLATE LIGHT RELAY, RIGHT, K25 .....	6314.0-02
PARK VENTILATION WITH IHKA .....	6412.2
PARK/TAIL/UNDERHOOD LIGHTS .....	6314.0
PASSENGER'S SEATBACK SWITCH, LH, S122 .....	6210.0-06
PASSENGER'S SEATBACK SWITCH, RH, S121 .....	6210.0-06
PEDAL POSITION SENSOR, R10 .....	1270.1-03
PEDAL POSITION SENSOR, R10 .....	1270.2-02
POWER ASSIST STEERING (SERVOTRONIC) .....	3240.0
POWER DISTRIBUTION .....	0670.2
POWER DISTRIBUTION CHART .....	0670.0
POWER MIRRORS .....	5116.0
POWER SEATS .....	5200.0
POWER SUN SHADES .....	5146.0
POWER WINDOW MOTOR/ INCREMENT SENSOR, DRIVER'S, M21z .....	5133.0-03
POWER WINDOW MOTOR/ INCREMENT SENSOR, PASSENGER'S, M23z .....	5133.0-01
PRESSURE SENSOR/PLUNGER, Y16 .....	3450.5-06
PRESSURE SWITCH, B9508 .....	6450.0-12
PROGRAM SELECTOR, S173 .....	2460.7-02
RADIO ANTI-THEFT SWITCH (DWA), S20 .....	6575.3-05
RADIO, N9 .....	6510.1-00
RADIO/HIFI .....	6510.1
REAR DEFOGGER I, E9 .....	6424.0-01
REAR DEFOGGER RELAY, K13 .....	6424.0-00
REAR DEFOGGER/ANTENNA, E10 .....	6424.0-01
REAR LEFT MID-HIGH RANGE SPEAKER, H55z .....	6510.1-03





REAR POWER DISTRIBUTION BOX, P94 ..... 0670.2-10  
 REAR RIGHT MID-HIGH RANGE SPEAKER, H54z ..... 6510.1-03  
 REAR WINDOW DEFOGGER SWITCH, S76 ..... 6424.0-00  
 REAR WINDOW DEFOGGER/ANTENNA ..... 6424.0  
 RECIRCULATION FLAP MOTOR, M40 ..... 6450.0-10  
 RELAY MODULE, A5 ..... 6100.0  
 REMOTE CONTROLLED LOCKING SYSTEM ..... 6610.1  
 REMOTE LOCKING RECEIVER, N13y ..... 6610.1-00  
 RESISTOR, R6240 ..... 1210.18-00  
 RESISTOR, R6240 ..... 1210.18-09  
 REVERSING LIGHT SWITCH, S8511 ..... 6322.0-00  
 SEAT BELT SWITCH, DRIVER'S, S58 ..... 3234.0-00  
 SEAT BELT SWITCH, PASSENGER'S, S59 ..... 3234.0-01  
 SEAT CONTROL SWITCH, DRIVER'S SEAT, S51 ..... 5200.0-00  
 SEAT CONTROL SWITCH, PASSENGER'S SEAT, S56 .. 5200.0-01  
 SEAT CUSHION MOVEMENT POTENTIOMETER, R9 ... 5200.1-02  
 SEAT CUSHION REAR HEIGHT POTENTIOMETER, R8 . 5200.1-02  
 SEAT CUSHION TILT MOTOR, DRIVER'S, M50 ..... 5200.0-00  
 SEAT CUSHION TILT MOTOR, DRIVER'S, M50 ..... 5200.1-02  
 SEAT CUSHION TILT MOTOR, PASSENGER'S, M61 .... 5200.0-01  
 SEAT HEATER SWITCH, DRIVER'S SEAT, S53 ..... 5203.0-00  
 SEAT HEATER SWITCH, PASSENGER'S SEAT, S54 .... 5203.0-00  
 SEAT HEATER, DRIVER'S, E57 ..... 5203.0-00  
 SEAT HEATER, PASSENGER'S, E58 ..... 5203.0-00  
 SEAT HEIGHT MOTOR, DRIVER'S, M52 ..... 5200.0-00  
 SEAT HEIGHT MOTOR, DRIVER'S, M52 ..... 5200.1-03  
 SEAT HEIGHT MOTOR, PASSENGER'S, M59 ..... 5200.0-01  
 SEAT HEIGHT POTENTIOMETER, R6 ..... 5200.1-03  
 SEAT LUMBAR SUPPORT MOTOR/  
 VALVE, PASSENGER'S, M56z ..... 5212.0-00  
 SEAT LUMBAR SUPPORT MOTOR/VALVE, DRIVER'S,  
 M55z ..... 5212.0-00

SEAT LUMBAR SUPPORT SWITCH, PASSENGER'S, S55 5212.0-00  
 SEAT LUMBAR SWITCH, S52 ..... 5212.0-00  
 SEAT MOVEMENT MOTOR, M51 ..... 5200.0-00  
 SEAT MOVEMENT MOTOR, M51 ..... 5200.1-02  
 SEAT MOVEMENT MOTOR, PASSENGER'S, M60 ..... 5200.0-01  
 SEAT OCCUPANCY DETECTOR, A113 ..... 3234.0-00  
 SEAT/MIRROR MEMORY CONTROL MODULE, A21 .... 5200.1-00  
 SEAT/MIRROR MEMORY SYSTEM (SM/SPM) ..... 5200.1  
 SEATBACK HEATER, DRIVER'S, E56 ..... 5203.0-00  
 SEATBACK HEATER, PASSENGER'S, E59 ..... 5203.0-00  
 SEATBACK POTENTIOMETER, R7 ..... 5200.1-03  
 SEATBACK RECLINER MOTOR, DRIVER'S, M53 ..... 5200.0-00  
 SEATBACK RECLINER MOTOR, DRIVER'S, M53 ..... 5200.1-03  
 SEATBACK RECLINER MOTOR, PASSENGER'S, M58 .. 5200.0-01  
 SECONDARY AIR PUMP RELAY, K109 ..... 1210.18-03  
 SECONDARY AIR PUMP RELAY, K6304 ..... 1210.18-03  
 SECONDARY AIR PUMP VALVE, Y6164 ..... 1210.18-03  
 SECONDARY AIR PUMP, M63 ..... 1210.18-03  
 SELECTOR LEVER POSITION SWITCH, S227 ..... 2460.10-02  
 SELECTOR LEVER POSITION SWITCH, S227 ..... 2460.10-07  
 SERIES RESISTOR (FOR SECONDARY AIR PUMP),  
 R14 ..... 1210.18-03  
 SERVOTRONIC RELAY, K199 ..... 3240.0-00  
 SHIFT LOCK, S8522 ..... 2460.10-03  
 SHIFT-LOCK, Y19 ..... 2460.7-03  
 SIDE MARKER LIGHT, LEFT REAR, E9021 ..... 6314.0-01  
 SIDE MARKER LIGHT, RIGHT REAR, E9022 ..... 6314.0-01  
 SLIP CONTROL (ABS) ..... 3450.0  
 SLIP CONTROL 5 (ASC 5) ..... 3450.5  
 SLIP CONTROL MODULE (ABS), A7 ..... 3450.0  
 SLIP CONTROL MODULE (ABS/ASC+T), A9070 ..... 3450.5  
 SPEAKER, LEFT REAR, H46 ..... 6510.0-03



# INDEX

SPEAKER, RIGHT REAR, H45 .....	6510.0-03
SPEED SENSOR - ABS, LEFT FRONT, B2 .....	3450.0-03
SPEED SENSOR - ABS, LEFT FRONT, B2 .....	3450.5
SPEED SENSOR - ABS, LEFT REAR, B4 .....	3450.0-03
SPEED SENSOR - ABS, LEFT REAR, B4 .....	3450.5
SPEED SENSOR - ABS, RIGHT FRONT, B1 .....	3450.0-03
SPEED SENSOR - ABS, RIGHT FRONT, B1 .....	3450.5
SPEED SENSOR - ABS, RIGHT REAR, B3 .....	3450.0-03
SPEED SENSOR - ABS, RIGHT REAR, B3 .....	3450.5
SPLICE LOCATION VIEWS .....	8000.0
START .....	1240.0
STARTER IMMOBILIZATION RELAY, K1w .....	1240.0
STARTER, M6510 .....	1240.0
STEERING ANGLE SENDER, B40 .....	3715.2-01
STEERING ANGLE SENDER, B40 .....	3715.3-01
STEERING COLUMN ADJUSTMENT CONTROL MODULE, A34w .....	3231.0-00
STEERING COLUMN ANGLE ADJUST POTENTIOMETER, R19z .....	3231.1-00
STEERING COLUMN ANGLE ADJUST MOTOR, M83 ...	3231.0-00
STEERING COLUMN ANGLE ADJUST MOTOR, M83 ...	3231.1-01
STEERING COLUMN LENGTH ADJUST POTENTIOMETER, R18z .....	3231.1-00
STEERING COLUMN LENGTH ADJUST MOTOR, M82 ..	3231.0-00
STEERING COLUMN LENGTH ADJUST MOTOR, M82 ..	3231.1-01
STEERING COLUMN MEMORY (LSM) .....	3231.1
STEERING COLUMN MEMORY CONTROL MODULE, A34z .....	3231.1-00
STEERING COLUMN POSITION SWITCH, S119z .....	3231.0-00
STEERING COLUMN POSITION SWITCH, S119z .....	3231.1-00
SUN BLIND CONTROL MODULE, A82 .....	5146.0-00
SUN BLIND MOTOR, M74 .....	5146.0-00

SUN BLIND SWITCH, S110 .....	5146.0-00
SUNROOF MODULE, A33 .....	5410.0-01
SUNROOF MOTOR, M24 .....	5410.0-01
SUNROOF SWITCH, S38 .....	5410.0-01
SUPPLEMENTAL RESTRAINT SYSTEM CONTROL MODULE, A12 .....	3234.0-00
SUPPLEMENTAL RESTRAINT SYSTEM (AIR BAG) .....	3234.0
SUPPRESSION FILTER, C900 .....	6424.0-01
SYMBOLS .....	0140.0
TAIL LIGHT, LEFT, H25 .....	6314.0-04
TAIL LIGHT, RIGHT, H30 .....	6314.0-04
TELEPHONE TRANSCEIVER, H38 .....	6510.1-00
TEMPERATURE SENSOR, B21z .....	6210.0
TEMPERATURE SWITCH, B6235 .....	1290.0-00
TEMPERATURE SWITCH, S36 .....	6454.0-00
TEMPERATURE SWITCH, S36z .....	6454.0-00
THIGH SUPPORT MOTOR, DRIVER'S, M65 .....	5200.0-02
THIGH SUPPORT MOTOR, DRIVER'S, M65 .....	5200.1-04
THIGH SUPPORT MOTOR, PASSENGER'S, M66 .....	5200.0-02
THIGH SUPPORT POTENTIOMETER, R15 .....	5200.1-04
THIGH SUPPORT SWITCH, DRIVER'S, S93 .....	5200.0-02
THIGH SUPPORT SWITCH, DRIVER'S, S93 .....	5200.1-04
THIGH SUPPORT SWITCH, PASSENGER'S, S94 .....	5200.0-02
THROTTLE CONTROL MODULE (EML), A6004 .....	1270.1
THROTTLE CONTROL MODULE (EML), A6004 .....	1270.2
THROTTLE POSITION SENSOR, R6252 .....	1210.11-07
THROTTLE POSITION SENSOR, R6252 .....	1210.22-08
TRANSMISSION CONTROL MODULE (AGS), A8600 ..	2460.10-05
TRANSMISSION CONTROL MODULE (EGS), A8500 .....	2460.10
TRANSMISSION CONTROL MODULE (EGS), A8500 .....	2460.7
TRANSMISSION POSITION INDICATOR LIGHT, E82 ...	2460.10-02
TRANSMISSION POSITION INDICATOR LIGHT, E82 ...	2460.10-07



# INDEX

TRANSMISSION POSITION INDICATOR LIGHT, E82	2460.7-02
TRANSMISSION VALVE UNIT, Y8505w	2460.10-01
TRANSMISSION VALVE UNIT, Y8505w	2460.10-06
TRANSMISSION VALVE UNIT, Y8505w	2460.7-01
TRANSMITTER MODULE (EWS II), A835	6135.0-04
TRUNK LID LIGHT, E33	6320.0-03
TRUNK LID LIGHT, LEFT, E9033	6320.0-03
TRUNK LID LIGHT, RIGHT, E9133	6320.0-03
TRUNK LID LOCKING SWITCH, S117	5126.0-02
TRUNK LID SWITCH, S61	6320.0-03
TRUNK LOCK MOTOR, M17	5126.0-03
TURN LIGHT, LEFT FRONT, H7	6313.0-02
TURN LIGHT, LEFT REAR, H6	6313.0-02
TURN LIGHT, RIGHT FRONT, H4	6313.0-02
TURN LIGHT, RIGHT REAR, H5	6313.0-02
TURN/HAZARD LIGHTS	6313.0
UNDERHOOD LIGHT SWITCH, S19	6314.0-04
UNDERHOOD LIGHT, E20	6314.0-04
UNLOADER RELAY, TERMINAL 15, K9	0670.2-06
UNLOADER RELAY, TERMINAL 61, K61	1230.0-00
UNLOADER RELAY, TERMINAL R, K3	0670.2-06
UPPER LEFT TAIL LIGHT, H9025	6314.0-01
UPPER RIGHT TAIL LIGHT, H9030	6314.0-01
VALVE RELAY (ABS/ASC), K95	3450.0-01
VALVE RELAY (ABS/ASC), K95	3450.5-07
VEHICLE SPEED SENSOR, B10	6210.0-09
VENTILATION FLAP MOTOR, LEFT, M38	6450.0-09
VENTILATION FLAP MOTOR, RIGHT, M33	6450.0-08
WASHER FLUID LEVEL SWITCH, S136	6210.0-08
WASHER FLUID LEVEL SWITCH, S64	6210.0-08
WASHER JET HEATER, LEFT, E51	6169.0-00
WASHER JET HEATER, RIGHT, E52	6169.0-00

WASHER PUMP RELAY, K5	6160.0-02
WASHER PUMP, M4	6160.0-02
WATER PUMP IN LUGGAGE COMPARTMENT, M86	6167.0-02
WATER VALVE ASSEMBLY, Y4	6450.0-02
WINDOW LIMIT SWITCH, LEFT REAR, S45	5133.0-04
WINDOW LIMIT SWITCH, RIGHT REAR, S46	5133.0-04
WINDOW MONITORING SWITCH (DWA), PASSENGER'S, S99	6575.3-07
WINDOW MONITORING SWITCH (DWA), RIGHT REAR, S101	6575.3-07
WINDOW MONITORING SWITCH (DWA), DRIVER'S, S100	6575.3-07
WINDOW MONITORING SWITCH (DWA), LEFT REAR, S102	6575.3-07
WINDOW MOTOR, LEFT REAR, M20	5133.0-04
WINDOW MOTOR, RIGHT REAR, M22	5133.0-04
WINDOW SWITCH, PASSENGER'S, S97	5133.0-02
WINDOW SWITCH, S40z	5126.0-02
WINDOW SWITCH, S40z	5133.0-00
WINDSHIELD WASHER JET HEATERS	6169.0
WIPER MOTOR, M3	6160.0-01
WIPER PRESSURE CONTROL (ADV) RELAY, K12	6164.0-01
WIPER PRESSURE CONTROL MOTOR (ADV), M6	6164.0-01
WIPER RELAY I, K36	6160.0-01
WIPER RELAY II, K37	6160.0-01
WIPER RELAY III, K38	6160.0-01
WIPER/WASHER SWITCH, S5	6160.0-00
ZKE CENTRAL LOCKING (ZV)	5126.0
ZKE DOOR LOCK HEATING (TSH)	5120.0
ZKE HEADLIGHT WASHER (SRA)	6167.0
ZKE INTERIOR LIGHTS CONTROL (IB)	6330.0
ZKE POWER WINDOWS (FH)	5133.0



# INDEX

---

ZKE SUNROOF (SHD) .....	5410.0
ZKE WINDSHIELD WIPER PRESSURE CONTROL (ADV) .....	6164.0
ZKE WIPER/WASHER CONTROL .....	6160.0

## Schematics

The schematics divide the entire vehicle electrical system into individual circuits. Interacting electrical components are shown on one common schematic.

Switches and other components are represented in such a way that their general layout and function are self-explicit. They are arranged on the sheet such that the current path can be followed from positive (top) to negative (bottom).

**Important:** The components and wires are not drawn to scale. For instance, a lead with a length of over 1m can be shown as a lead that is only a few cm long. To ensure clear arrangement, all connectors, lines branches and connected components from the fuses to the component and from the component to ground connection are not shown within the individual cells. If required, reference can be made to cells **0670.3 Fuse Details** and **0670.4 Ground Distribution** where all lines are illustrated with all plug connections, line branches and connected components.

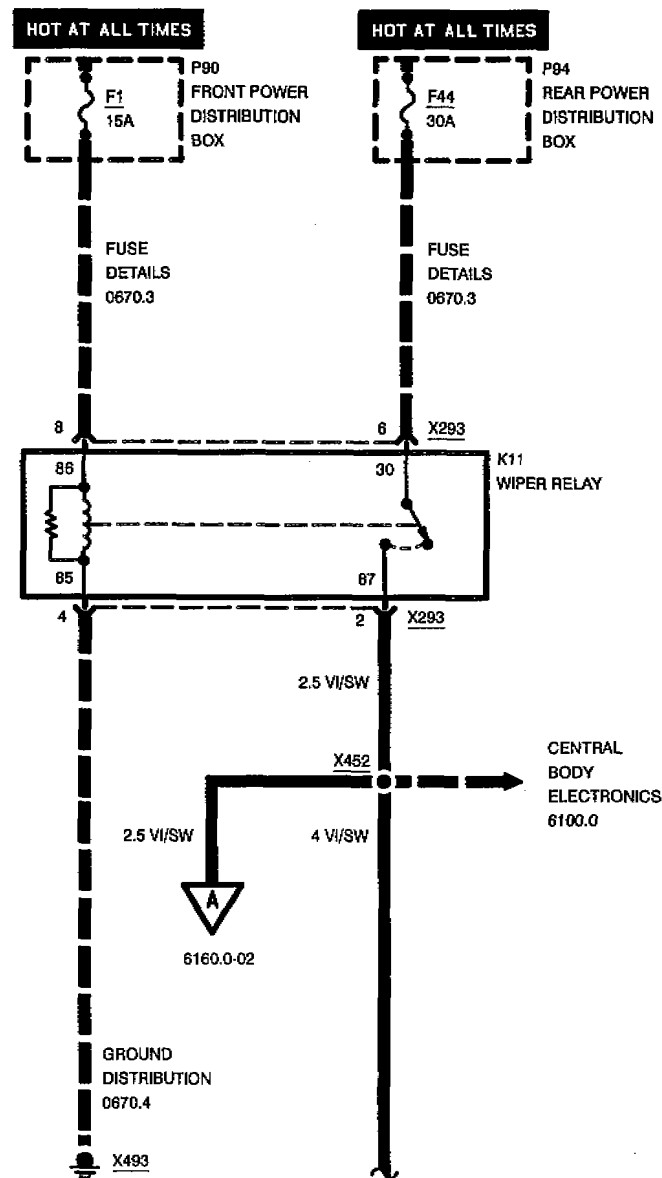
All circuit symbols used are listed and explained in cell **0140.0 Symbols**.

In cell **7000.0 Component Location Chart** all important connectors, ground points and components are listed in tabular form. It provides a precise description of the component locations in the vehicle.

In cell **7100.0 Component Location Views** the location of connectors and components which are difficult to locate are shown in line arts or illustrations. In cell **8500.0 Connector Views** diagrams of connectors with more than 2 pins are illustrated.

## Example

General conventions can be explained based on the following schematic example.





## INTRODUCTION

---

### General Conventions

1. Switches and relays are always shown in rest position (e.g. K11).
2. A component shown in a dashed frame signifies that the component is illustrated only in part (e.g. P90 and P91).
3. A component shown in a completely drawn frame signifies that the component is illustrated in full (e.g. K11).
4. The dashed line between pin 8 and pin 6 of connector X293 indicates that both pins belong to connector X293.
5. The dashed line from fuse F1 to pin 8 of connector X293 shows the positive supply of relay K11. If required, refer to cell **0670.3 Fuse Details** at fuse F1 for the complete line progressing with plug connections, line branches, wire colors and cross sections.
6. The dashed line with an arrow at splice X452 indicates that several wires lead to splice X452. All lines leading to the connection are illustrated in cell **6100.0 Central Body Electronics (ZKE)**. An interrupted line with an arrow indicates that only this one wire leads to another circuit.
7. The dashed line from pin 4 of connector X293 to ground X493 shows the ground supply for relay K11. If required, refer to cell **0670.4 Ground Distribution** at ground X493 for the complete line progression with all plug connections, line branches, wire colors and cross sections.
8. The interrupted line from splice X452 with an **A** in the open arrow is continued on page 6160.0-02. Termination of wire 4 VI/SW from splice X452 with a wavy line indicates that the wire is continued on the opposite page.



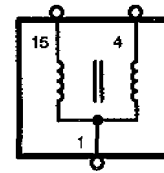
BATTERY



HEATING ELEMENT



VARIABLE RESISTANCE SENSOR  
VARIABLE CONTACT IS MOVED BY AN EXTERNAL FORCE



IGNITION COIL



FUSE



LOUDSPEAKER OR HORN



VARIABLE RESISTOR  
RESISTANCE IS CHANGED BY TEMPERATURE OR PRESSURE



CONTROL/POWER ELECTRONICS



FUSIBLE LINK



LIGHT



INDUCTIVE SENSOR



RADIO



DIODE CURRENT CAN FLOW ONLY IN DIRECTION OF ARROW



TRANSISTORIZED SWITCH



CIRCUIT BREAKER



PERMANENT MAGNET MOTOR ONE SPEED



ZENER DIODE TO REGULATE VOLTAGE



OXYGEN SENSOR



SOLENOID



PERMANENT MAGNET MOTOR TWO SPEEDS



LIGHT EMITTING DIODE



VEHICLE SPEED SENSOR



SOLENOID CONTROLLED VALVE OR CLUTCH SOLENOID



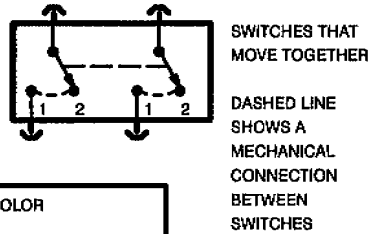
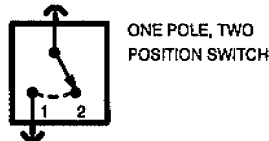
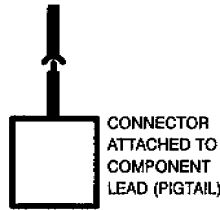
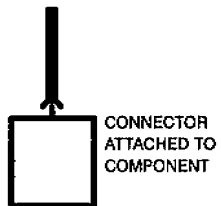
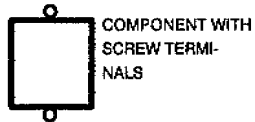
KNOCK SENSOR



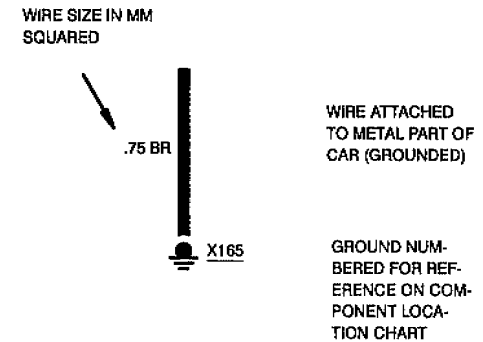
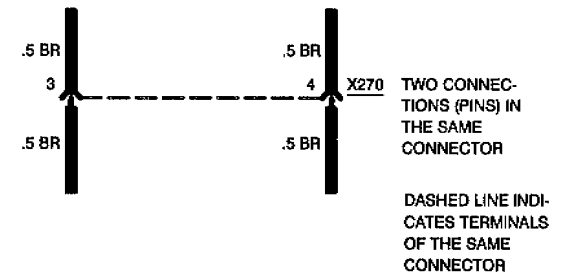
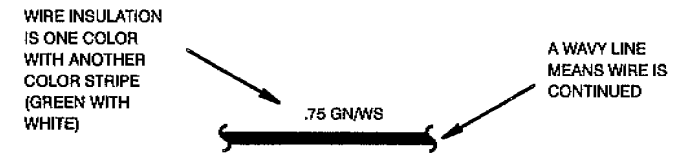
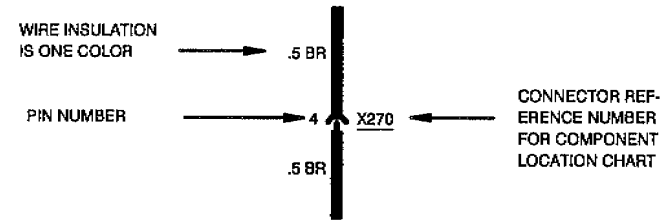
THERMO SWITCH



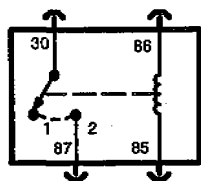
# SYMBOLS



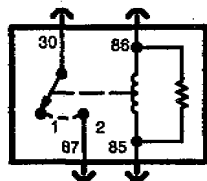
WIRE COLOR	
BL	BLUE
BR	BROWN
GE	YELLOW
GN	GREEN
GR	GRAY
OR	ORANGE
RS	PINK
RT	RED
SW	BLACK
VI	VIOLET
WS	WHITE
TR	TRANSPARENT



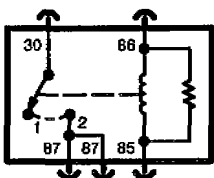




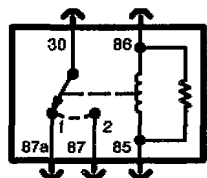
CONTACT RELAY



RELAY WITH RESISTOR ACROSS WINDING

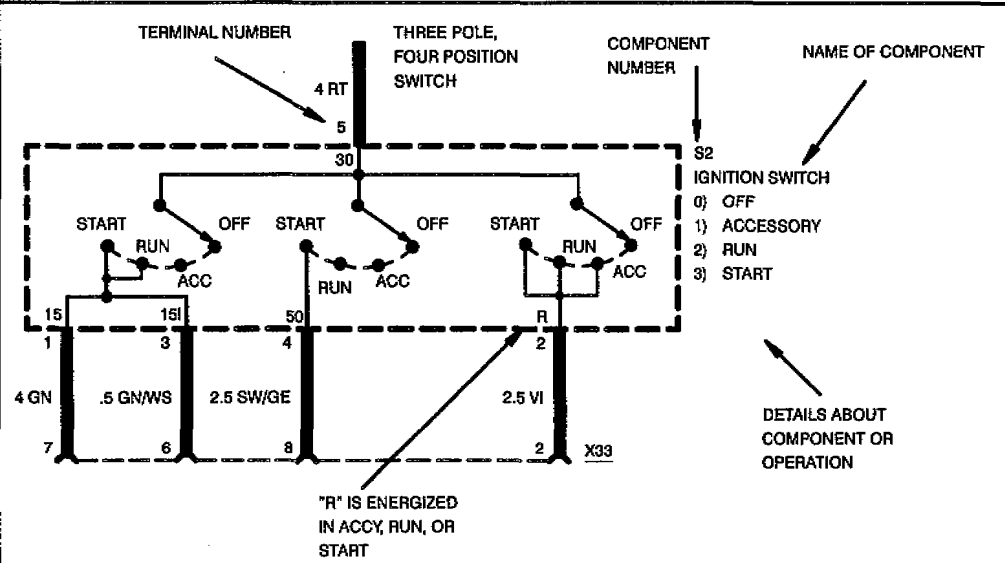


CONTACT RELAY WITH TWO OUTPUTS



CHANGEOVER RELAY WITH TWO OUTPUTS

TERMINAL NUMBER	DESCRIPTION
30	RELAY INPUT
85	RELAY OUTPUT (WINDING)
86	RELAY INPUT (WINDING)
87	RELAY OUTPUT (ENERGIZED)
87a	RELAY OUTPUT (AT REST)



TERMINAL NUMBER	DESCRIPTION	TERMINAL NUMBER	DESCRIPTION
50	VOLTAGE: IGNITION SWITCH IN START	15I	VOLTAGE: IGNITION SWITCH IN RUN
30	VOLTAGE: SUPPLIED AT ALL TIMES	R	VOLTAGE: IGNITION SWITCH IN ACCESSORY, RUN OR START
15	VOLTAGE: IGNITION SWITCH IN RUN OR START	31	GROUND

**HOT AT ALL TIMES**

**HOT AT ALL TIMES**

**HOT IN RUN AND START**

**HOT IN ACCY, RUN AND START**

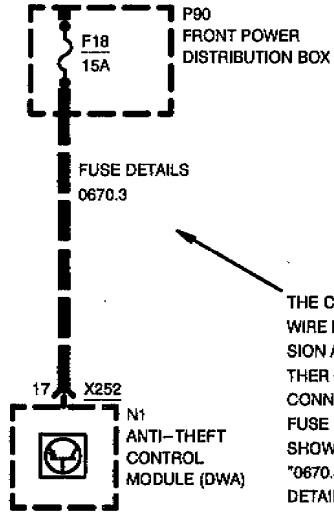
INDICATES THAT FUSE 9 IS SUPPLIED WITH POWER AT ALL TIMES

POWER STATUS	DESCRIPTION
<b>HOT AT ALL TIMES</b>	VOLTAGE: SUPPLIED AT ALL TIMES
<b>HOT IN RUN AND START</b>	VOLTAGE: IGNITION SWITCH IN RUN OR START
<b>HOT IN ACCY, RUN AND START</b>	VOLTAGE: IGNITION SWITCH IN ACCESSORY, RUN OR START

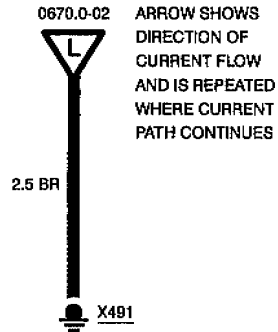
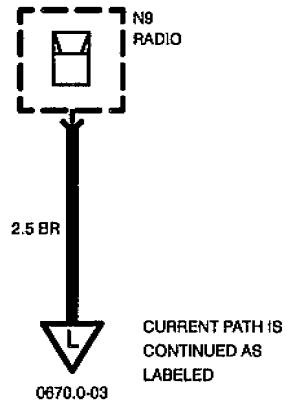
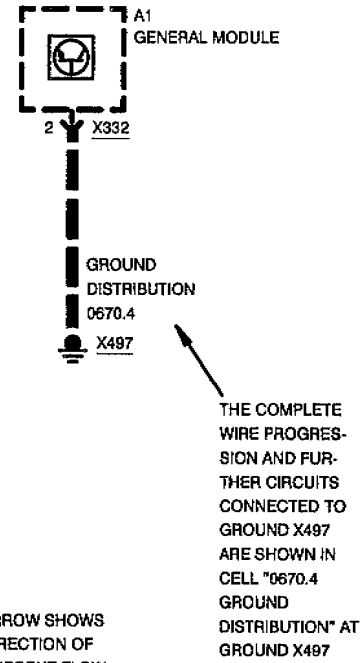
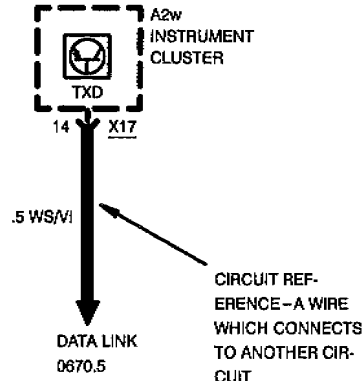


# SYMBOLS

HOT IN ACCY, RUN AND START



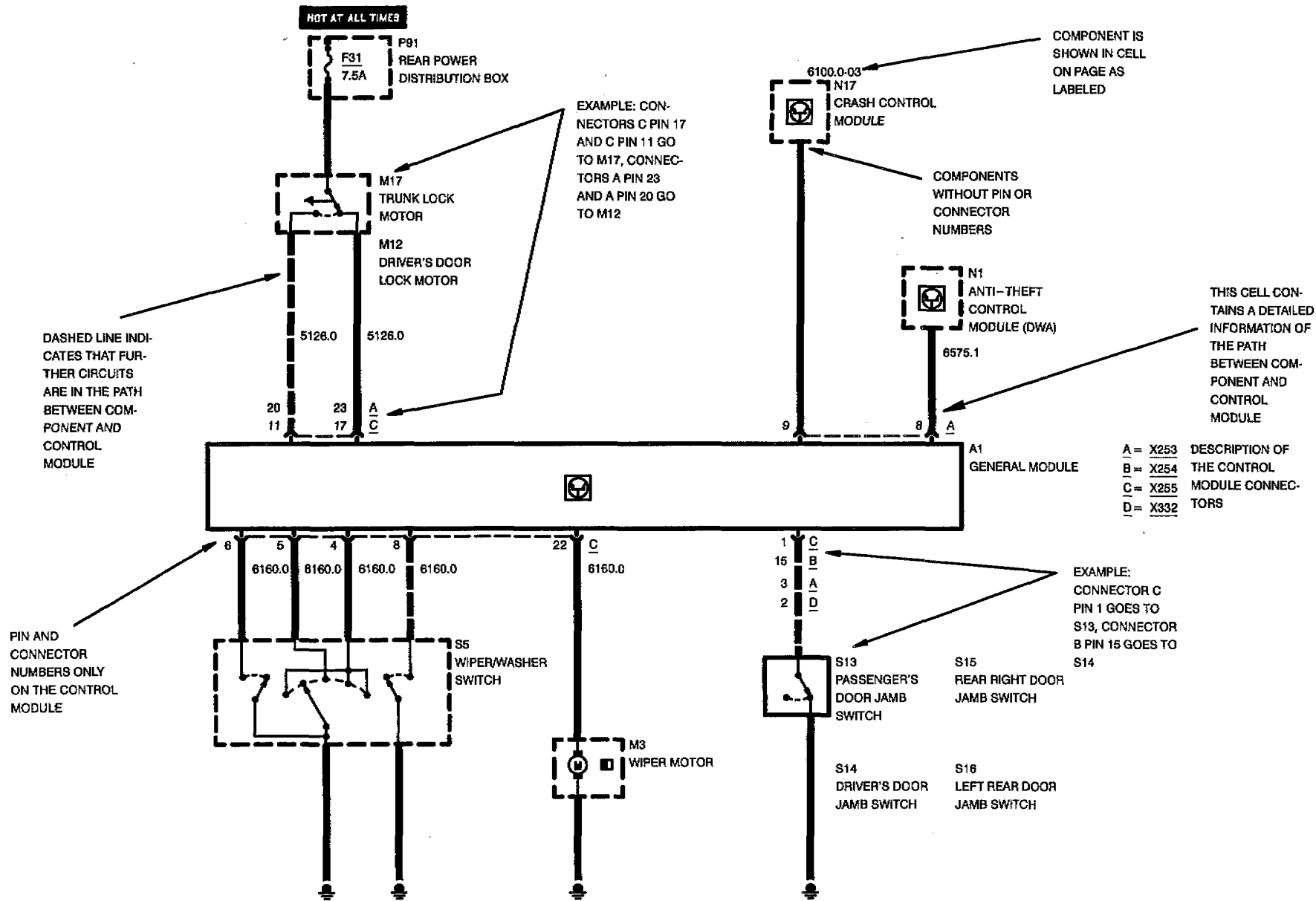
THE COMPLETE WIRE PROGRESSION AND FURTHER CIRCUITS CONNECTED TO FUSE 18 ARE SHOWN IN CELL "0670.3 FUSE DETAILS" AT FUSE 18





# SYMBOLS

## BLOCK DIAGRAM



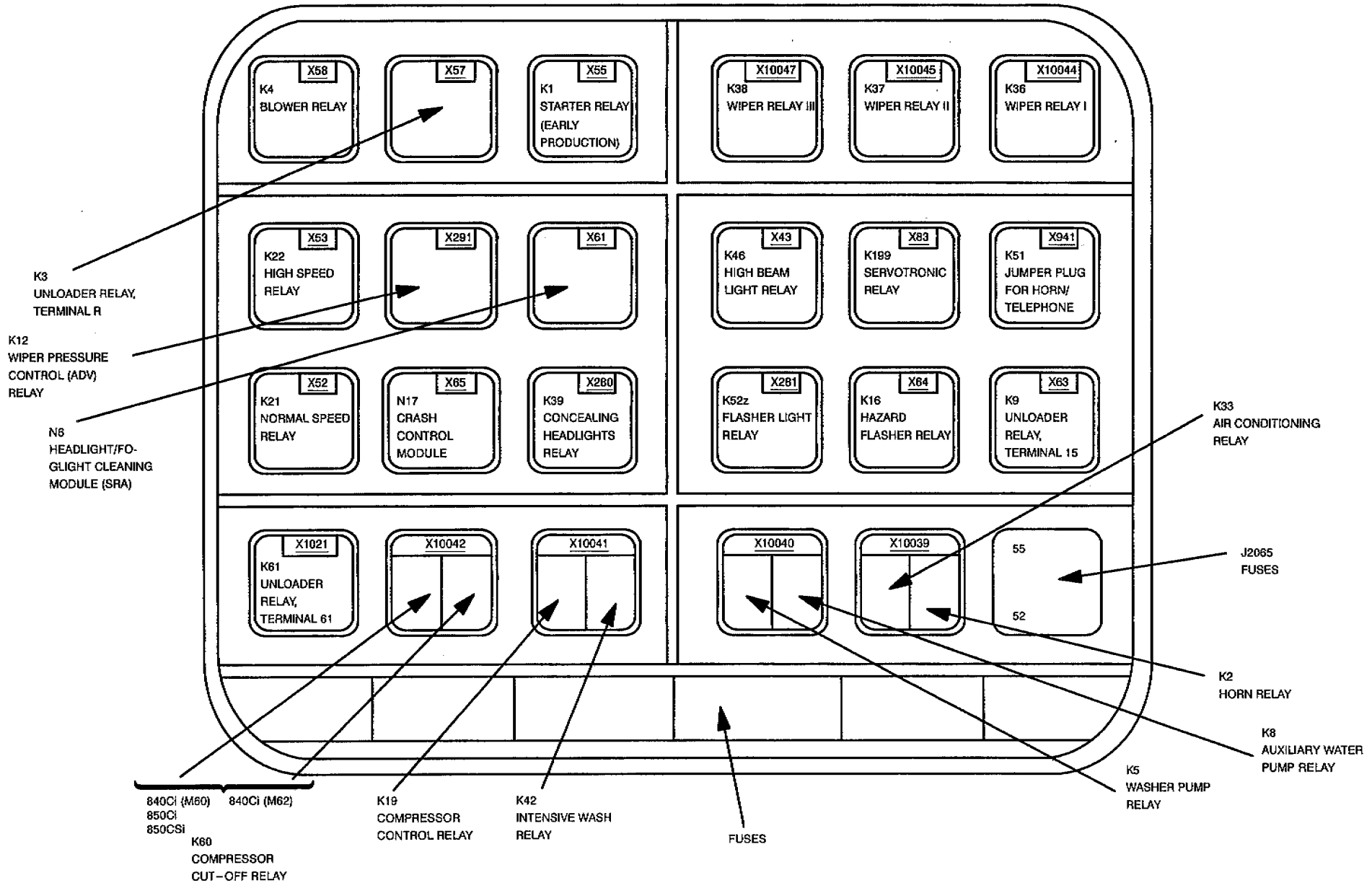
BMW  
8

0670.0



# POWER DISTRIBUTION CHART

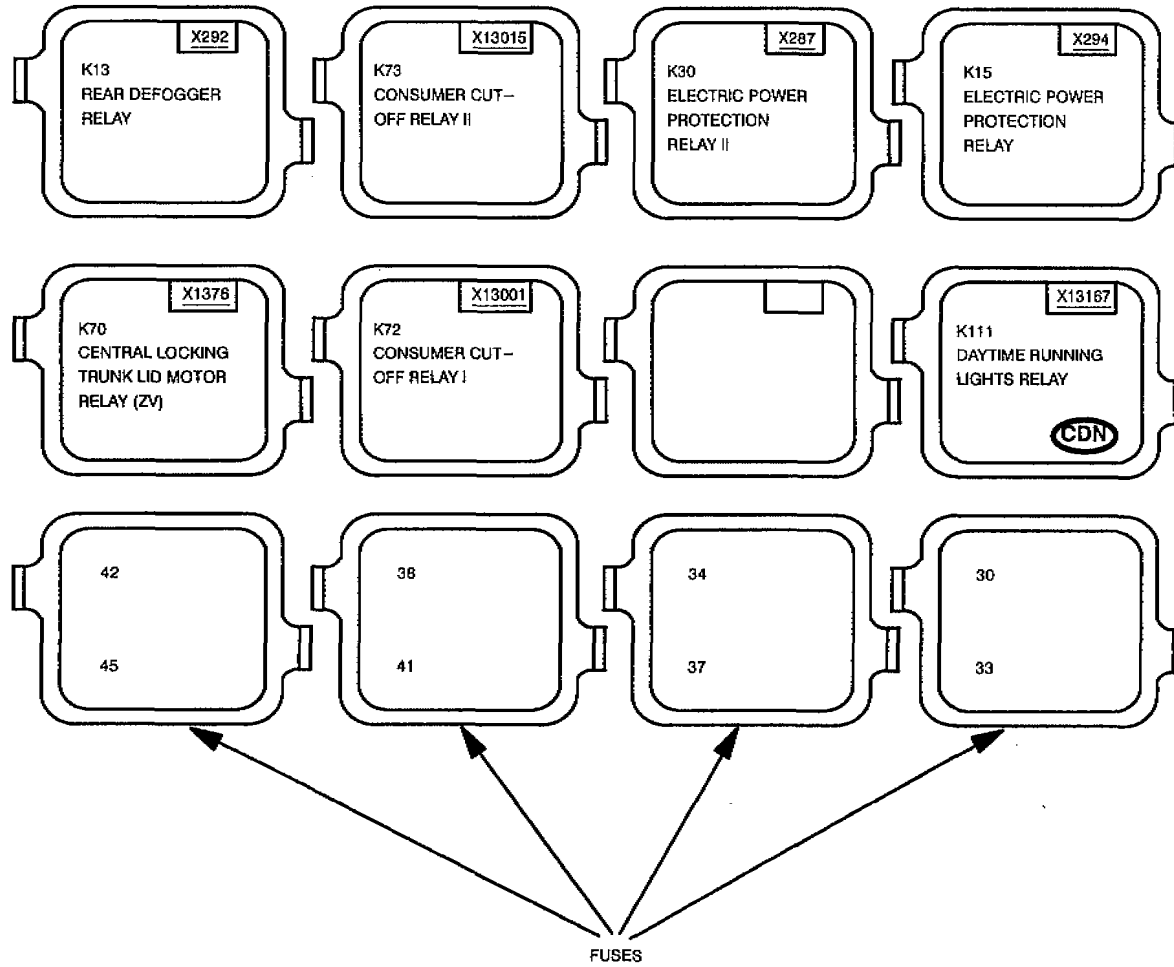
## FRONT POWER DISTRIBUTION BOX





# POWER DISTRIBUTION CHART

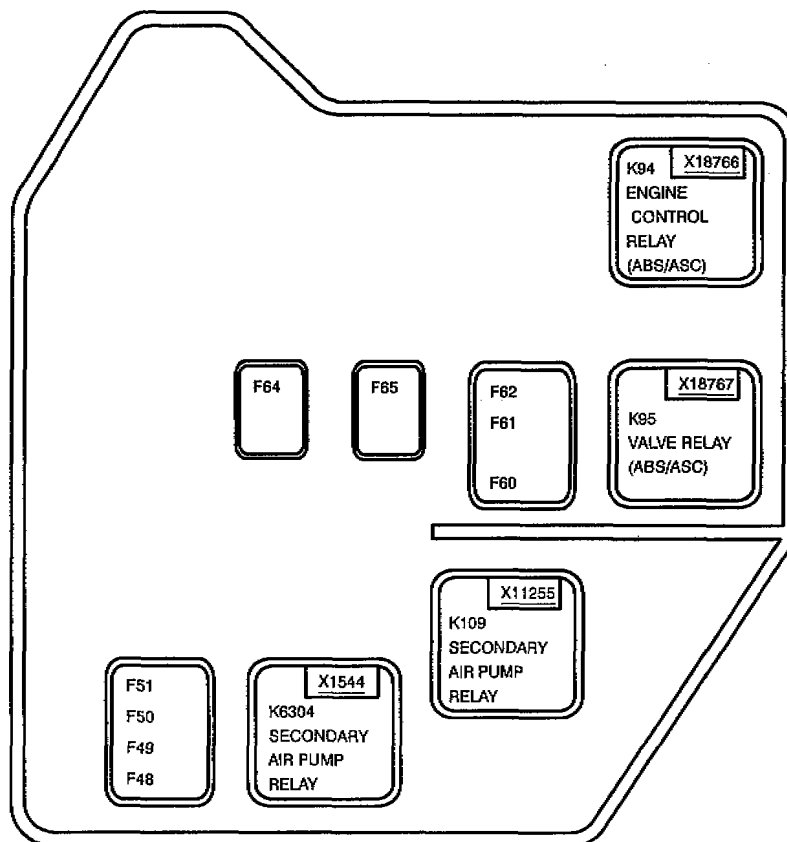
## REAR POWER DISTRIBUTION BOX





# POWER DISTRIBUTION CHART

## AUXILIARY RELAY BOX – ENGINE COMPARTMENT



BMW  
8

0670.1





# FUSE CHART

## CELLS OVERVIEW

0670.5	DATA LINK
	F8, F28, F31, F81
1210.6	ENGINE CONTROL SYSTEM (DME M1.7, 12-CYLINDER M70)
	F23, F24, F28
1210.11	ENGINE CONTROL SYSTEM (DME M3.3, 8-CYLINDER M60)
	F23
1210.18	ENGINE CONTROL SYSTEM (DME M5.2, 12-CYLINDER M73)
	F64, F70, F71
1210.22	ENGINE CONTROL SYSTEM (DME M5.2, 8-CYLINDER M62)
	F23, F25, F70
1230.0	CHARGING SYSTEM
	F17, F28
1240.0	START
	F1, F12, F17
1270.1	ELECTRONIC THROTTLE CONTROL (EML 12-CYLINDER)
	F1, F8
1270.2	ELECTRONIC THROTTLE CONTROL (EML IIS, 12-CYLINDER)
	F8
1290.0	E-BOX FAN

## FUSES OVERVIEW

F1	1240.0, 1270.1, 6135.0, 6160.0, 6211.0, 6412.2, 6450.0
7.5A	
F2	6167.0, 6300.0, 6301.0, 6312.0, 6314.0, 6320.0, 6332.0
7.5A	
F3	6300.0, 6301.0, 6312.0, 6313.0, 6314.0, 6320.0, 6325.0, 6332.0
7.5A	
F4	6300.0, 6301.0, 6314.0, 6320.0, 6332.0
7.5A	
F5	6300.0, 6301.0, 6312.0, 6314.0, 6320.0, 6332.0
10A	
F6	6313.0, 6350.0
15A	
F7	6301.0, 6312.0
30A	
F8	1270.1, 1270.2, 2460.7, 2460.10, 3450.0, 3450.5, 6301.0, 6325.0, 6571.0
7.5A	
F9	6133.0, 6164.0, 6301.0, 6312.0, 6561.0
20A	
F10	6301.0, 6312.0
7.5A	
F11	6301.0, 6312.0
7.5A	
F12	1240.0, 2460.7, 2460.10, 5116.0, 5200.1, 6135.0, 6169.0, 6210.0, 6211.0, 6571.0
15A	
F13	6312.0
7.5A	
F14	6312.0
7.5A	
F15	5410.0, 6100.0, 6160.0, 6164.0, 6167.0, 6330.0
10A	



# FUSE CHART

## CELLS OVERVIEW

<b>2460.7</b>	ELECTRONIC TRANSMISSION CONTROL (EGS: GS 9.20/A5S 560Z)
	F8, F12, F17
<b>2460.10</b>	ELECTRONIC TRANSMISSION CONTROL (EGS: GS 9.22/AS5 560Z)
	F8, F12, F17, F18, F33, F60
<b>3231.0</b>	ELECTRIC STEERING COLUMN ADJUSTMENT
	F40
<b>3231.1</b>	STEERING COLUMN MEMORY (LSM)
	F16, F18, F40
<b>3234.0</b>	SUPPLEMENTAL RESTRAINT SYSTEM (AIR BAG)
	F53, F54
<b>3240.0</b>	POWER ASSIST STEERING (SERVOTRONIC)
	F28
<b>3450.0</b>	SLIP CONTROL (ABS)
	F8, F17
<b>3450.5</b>	SLIP CONTROL 5 (ASC 5)
	F8, F17, F60, F62, F65
<b>3715.2</b>	ELECTRONIC SHOCK ABSORBER CONTROL (EDC III+)
	F29, F32
<b>3715.3</b>	ELECTRONIC SHOCK ABSORBER CONTROL (EDC IV)
	F29, F32

## FUSES OVERVIEW

<b>F16</b>	3231.1, 5200.1, 5203.0
20A	
<b>F17</b>	1230.0, 1240.0, 2460.7, 2460.10, 3450.0, 3450.5, 5116.0, 5200.1, 6210.0, 6211.0,
7.5A	6322.0, 6581.0, 6575.3
<b>F18</b>	2460.10, 3231.1, 5116.0, 5146.0, 5200.1, 6332.0, 6510.1, 6561.0, 6581.0, 6210.0,
7.5A	6211.0, 6575.3, 6610.1
<b>F19</b>	6412.2, 6450.0
30A	
<b>F20</b>	6301.0, 6312.0
30A	
<b>F21</b>	6412.2, 6424.0, 6450.0
7.5A	
<b>F22</b>	6160.0
30A	
<b>F23</b>	1210.6, 1210.11, 1211.18, 1211.22
15A	
<b>F24</b>	1210.6,
15A	
<b>F25</b>	1210.11, 1210.22, 6454.0
30A	
<b>F26</b>	6312.0
15A	
<b>F27</b>	6167.0
30A	
<b>F28</b>	0670.5, 1210.6, 1230.0, 3240.0
15A	
<b>F29</b>	3715.2, 3715.3, 5133.0, 5410.0, 6100.0, 6160.0, 6164.0, 6167.0, 6450.0, 6454.0
7.5A	
<b>F30</b>	6561.0
15A	



# FUSE CHART

## CELLS OVERVIEW

5116.0	POWER MIRRORS
	F12, F17, F18
5120.0	ZKE DOOR LOCK HEATING (TSH)
	F43
5126.0	ZKE CENTRAL LOCKING (ZV)
	F31, F33, F34, F42, F43
5133.0	ZKE POWER WINDOWS (FH)
	F29, F31, F33, F34, F42, F43
5146.0	POWER SUN SHADES
	F18, F32
5200.0	POWER SEATS
	F37, F38
5200.1	SEAT/MIRROR MEMORY SYSTEM (SM/SPM)
	F12, F16, F17, F18, F37
5203.0	HEATED SEATS
	F16
5212.0	LUMBAR SUPPORT
	F37, F38
5410.0	ZKE SUNROOF (SHD)
	F15, F29, F31, F33, F34, F42, F43

## FUSES OVERVIEW

F31	0670.5, 5126.0, 5133.0, 5410.0, 6100.0, 6160.0, 6210.0, 6211.0, 6575.3, 6581.0,
7.5A	6610.1
F32	3715.2, 3715.3, 5146.0
20A	
F33	2460.10, 5126.0, 5133.0, 5410.0, 6100.0, 6160.0, 6210.0, 6320.0, 6330.0,
7.5A	6332.0
F34	5126.0, 5133.0, 5410.0, 6100.0, 6160.0
30A	
F35	NOT USED
15A	
F36	6510.1
15A	
F37	5200.0, 5200.1, 5212.0
30A	
F38	5200.0, 5212.0
30A	
F39	6332.0
30A	
F40	3231.0, 3231.1
15A	
F41	6424.0
30A	
F42	5126.0, 5133.0, 5410.0, 6100.0, 6160.0
30A	
F43	5120.0, 5126.0, 5133.0, 5410.0, 6100.0, 6160.0, 6330.0
10A	
F45	NOT USED
30A	



# FUSE CHART

## CELLS OVERVIEW

<b>6100.0</b>	CENTRAL BODY ELECTRONICS (ZKE II)
	F15, F29, F31, F33, F34, F42, F43
<b>6133.0</b>	HORN
	F9
<b>6135.0</b>	DRIVE-AWAY PROTECTION (EWS II)
	F1, F12, F55
<b>6160.0</b>	ZKE WIPER/WASHER CONTROL
	F1, F15, F22, F29, F31, F33, F34, F42, F43
<b>6164.0</b>	ZKE WINDSHIELD WIPER PRESSURE CONTROL (ADV)
	F9, F15, F29
<b>6167.0</b>	ZKE HEADLIGHT WASHER (SRA)
	F2, F15, F27, F29
<b>6169.0</b>	WINDSHIELD WASHER JET HEATERS
	F12
<b>6210.0</b>	BODY ELECTRONICS MODULE (EKM)
	F12, F17, F18, F31, F33
<b>6211.0</b>	INSTRUMENT CLUSTER
	F1, F12, F17, F18, F31, F55
<b>6300.0</b>	LIGHT SWITCH DETAILS
	F2, F3, F4, F5

## FUSES OVERVIEW

<b>F50</b>	NOT USED
10A	
<b>F51</b>	NOT USED
25A	
<b>F54</b>	3234.0
5A	
<b>F55</b>	3234.0, 6135.0, 6211.0
5A	
<b>F60</b>	2460.10, 3450.5
10A	



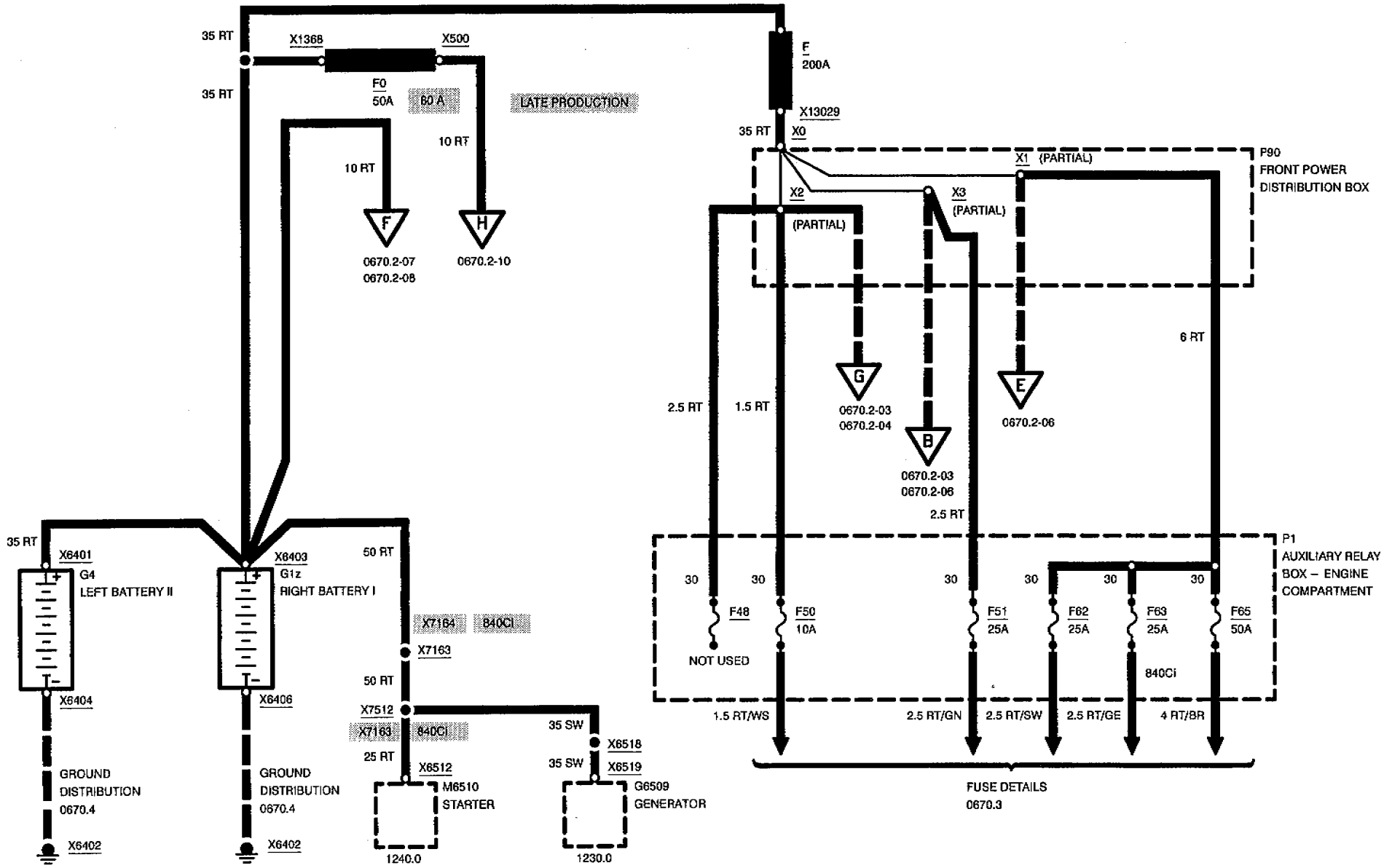




# POWER DISTRIBUTION

## FRONT POWER DISTRIBUTION BOX

840Ci (M60), 850CSi

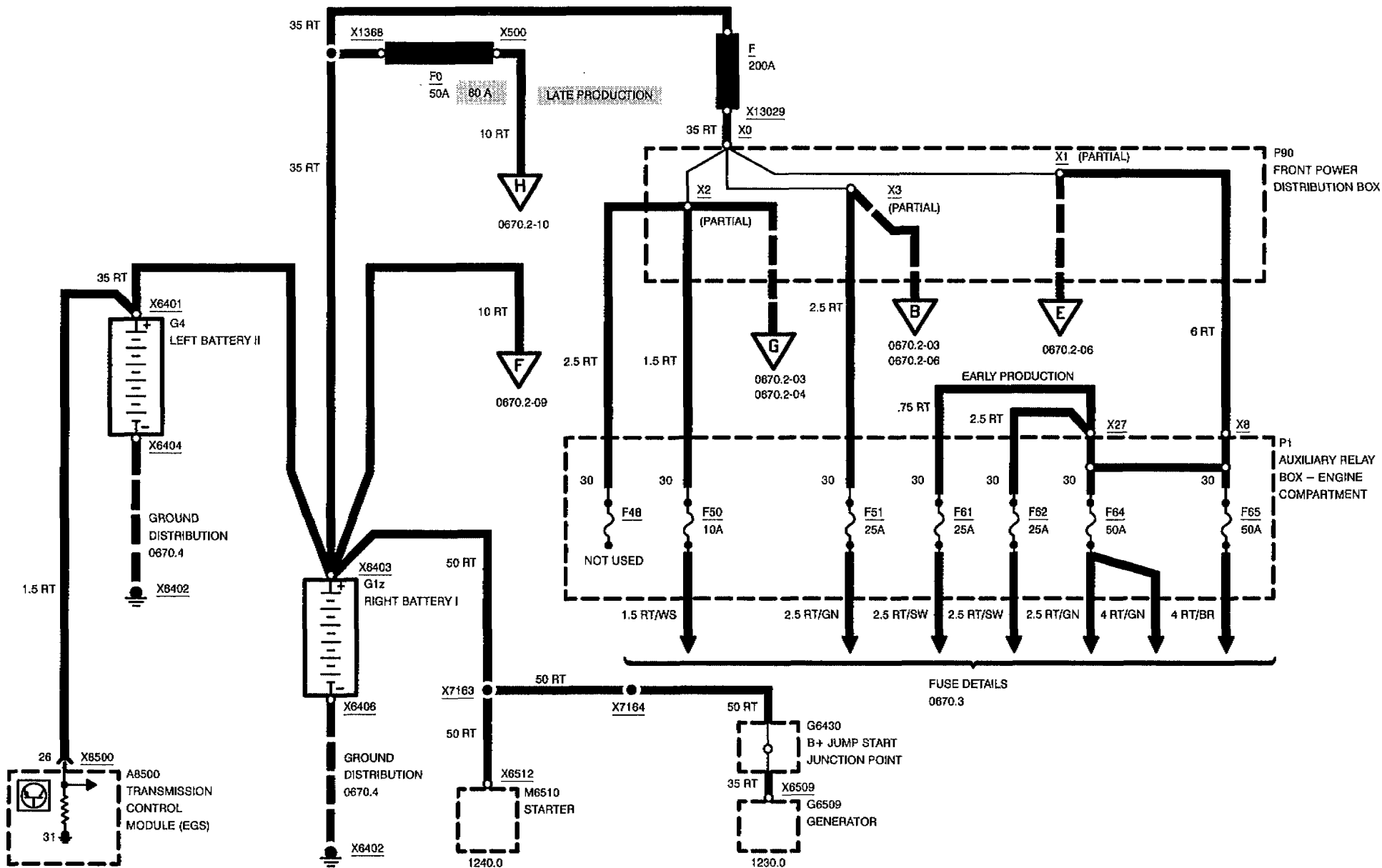




# POWER DISTRIBUTION

850Ci

## FRONT POWER DISTRIBUTION BOX



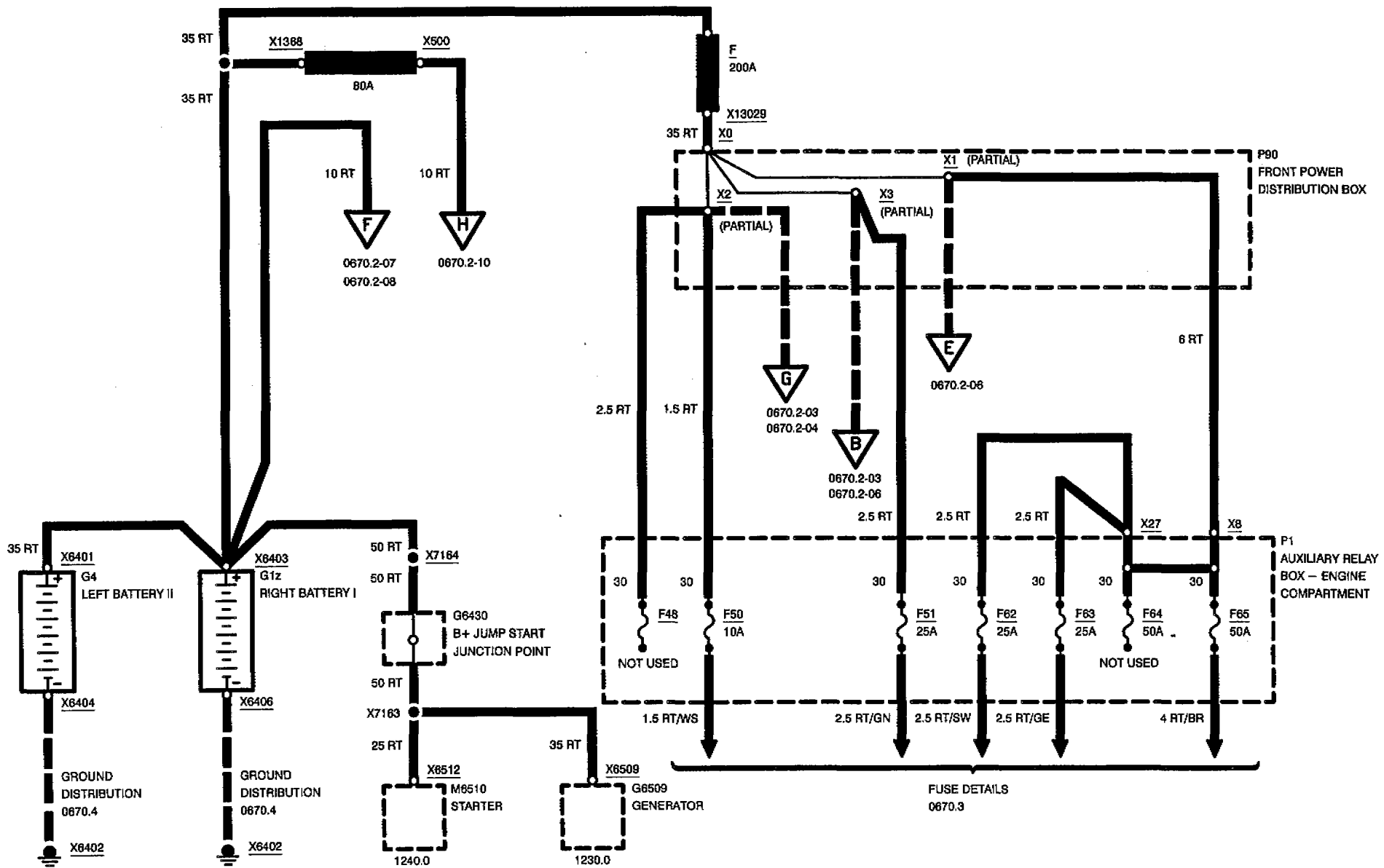




# POWER DISTRIBUTION

## FRONT POWER DISTRIBUTION BOX

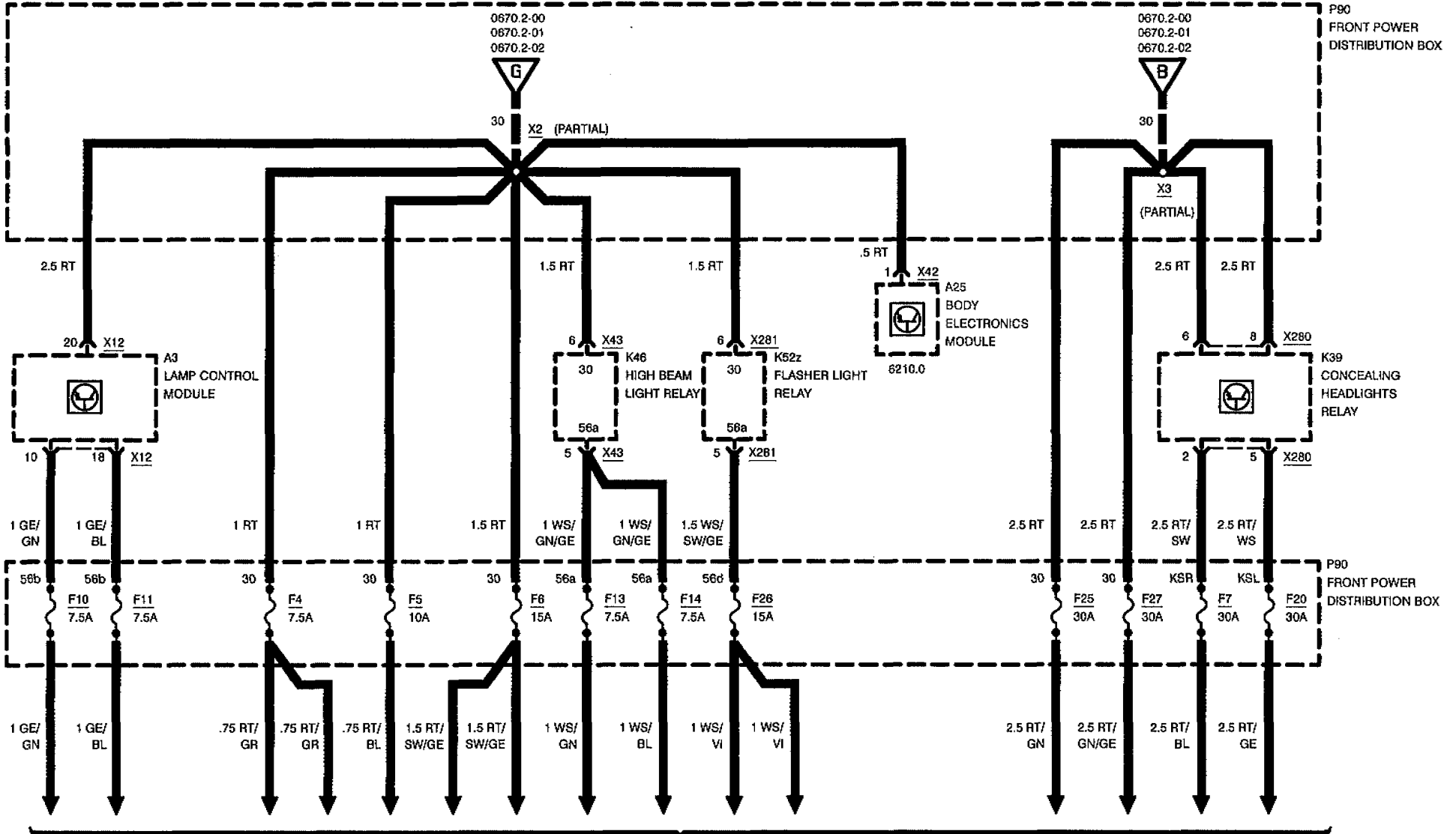
840Ci (M62)





# POWER DISTRIBUTION

## FRONT POWER DISTRIBUTION BOX

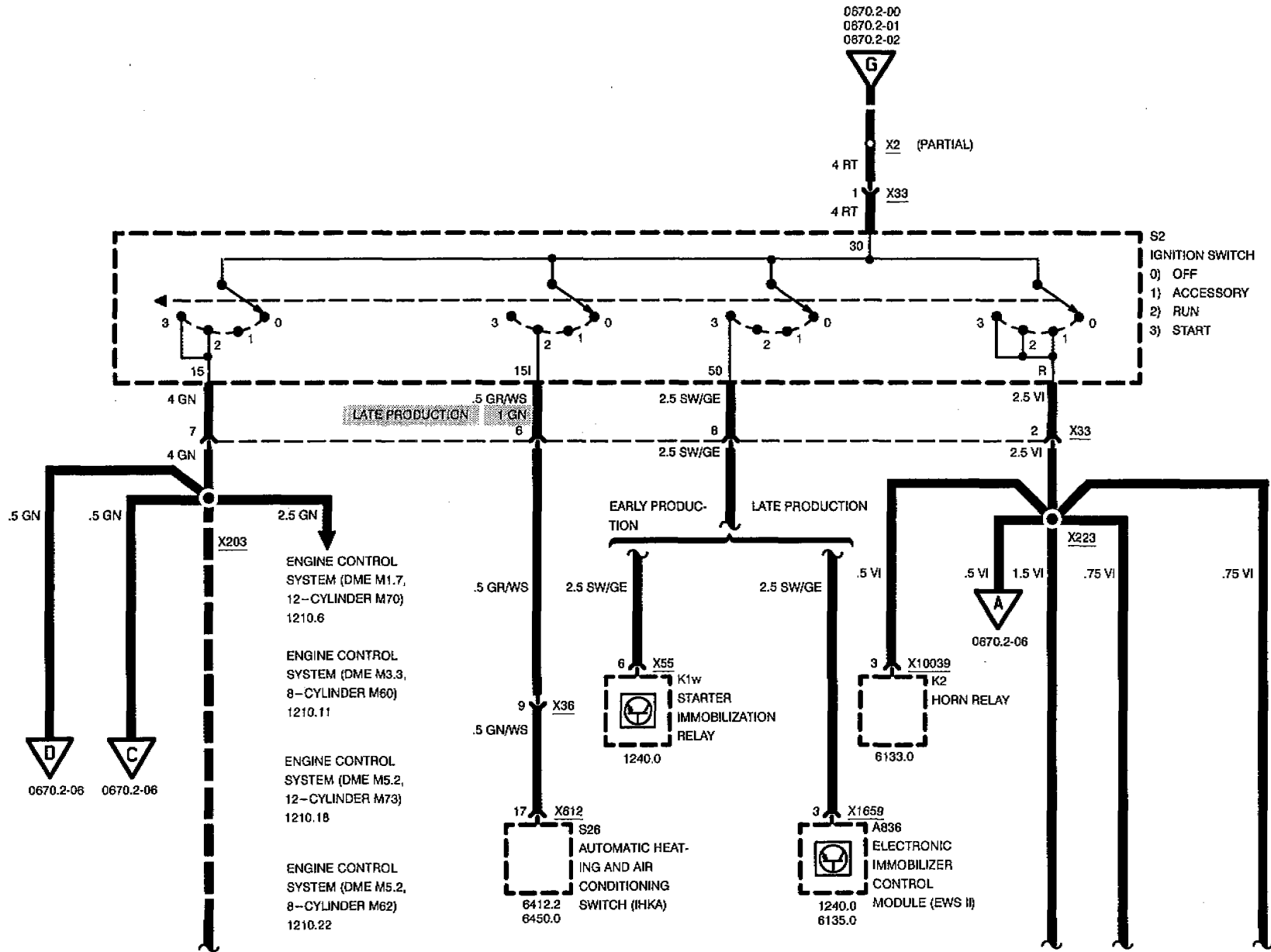


FUSE DETAILS  
0670.3



# POWER DISTRIBUTION

## FRONT POWER DISTRIBUTION BOX



0670.2-00  
0670.2-01  
0670.2-02

X2 (PARTIAL)

4 RT  
1  
4 RT  
30

S2  
IGNITION SWITCH  
0) OFF  
1) ACCESSORY  
2) RUN  
3) START

LATE PRODUCTION

EARLY PRODUCTION LATE PRODUCTION

0670.2-06

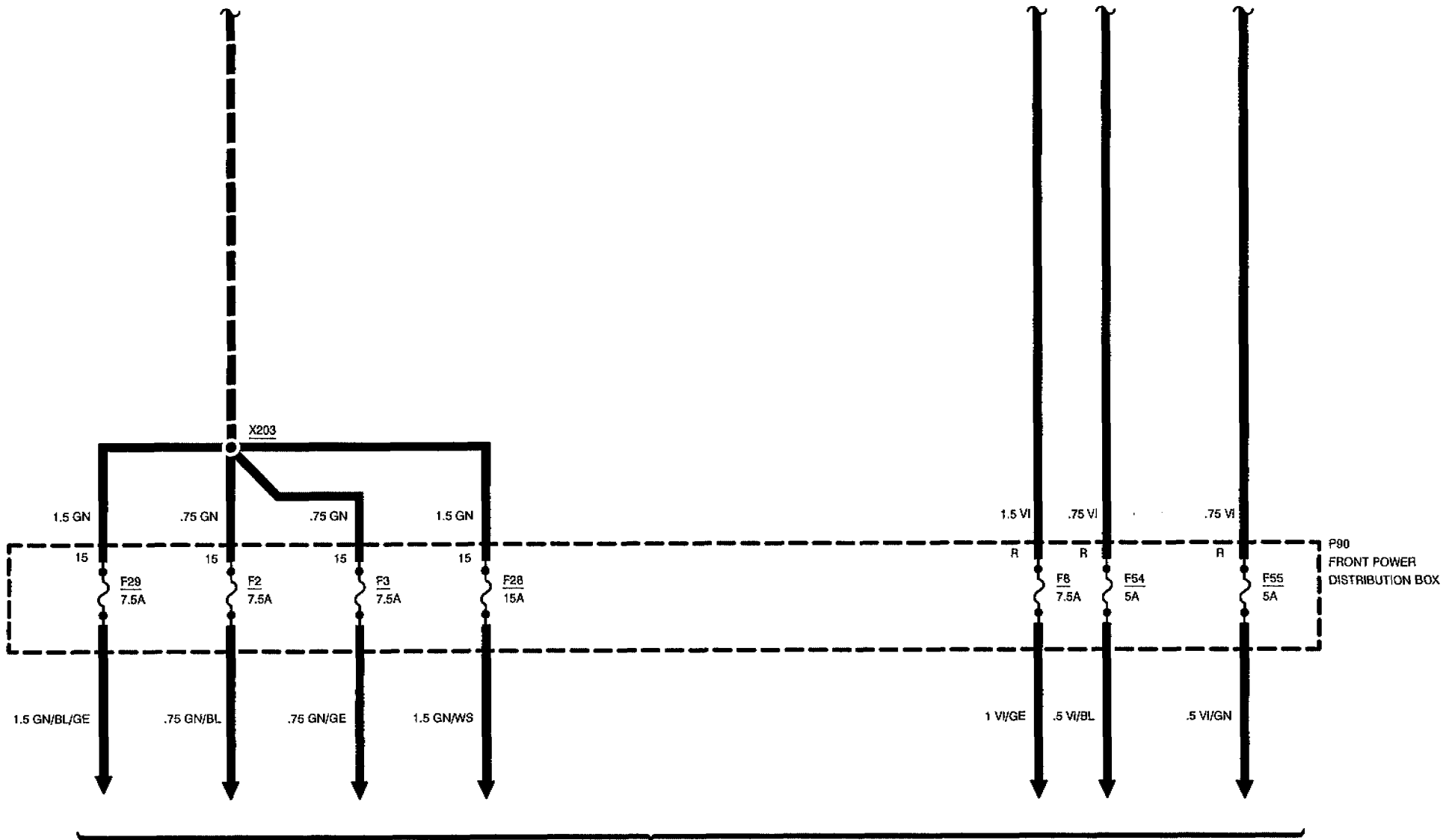
X55  
K1w  
STARTER  
IMMOBILIZATION  
RELAY  
1240.0

X10039  
K2  
HORN RELAY  
6133.0

X612  
S26  
AUTOMATIC HEAT-  
ING AND AIR  
CONDITIONING  
SWITCH (IHKA)  
6412.2  
6450.0

X1659  
A836  
ELECTRONIC  
IMMOBILIZER  
CONTROL  
MODULE (EWS II)  
1240.0  
6135.0

D  
0670.2-06  
C  
0670.2-06

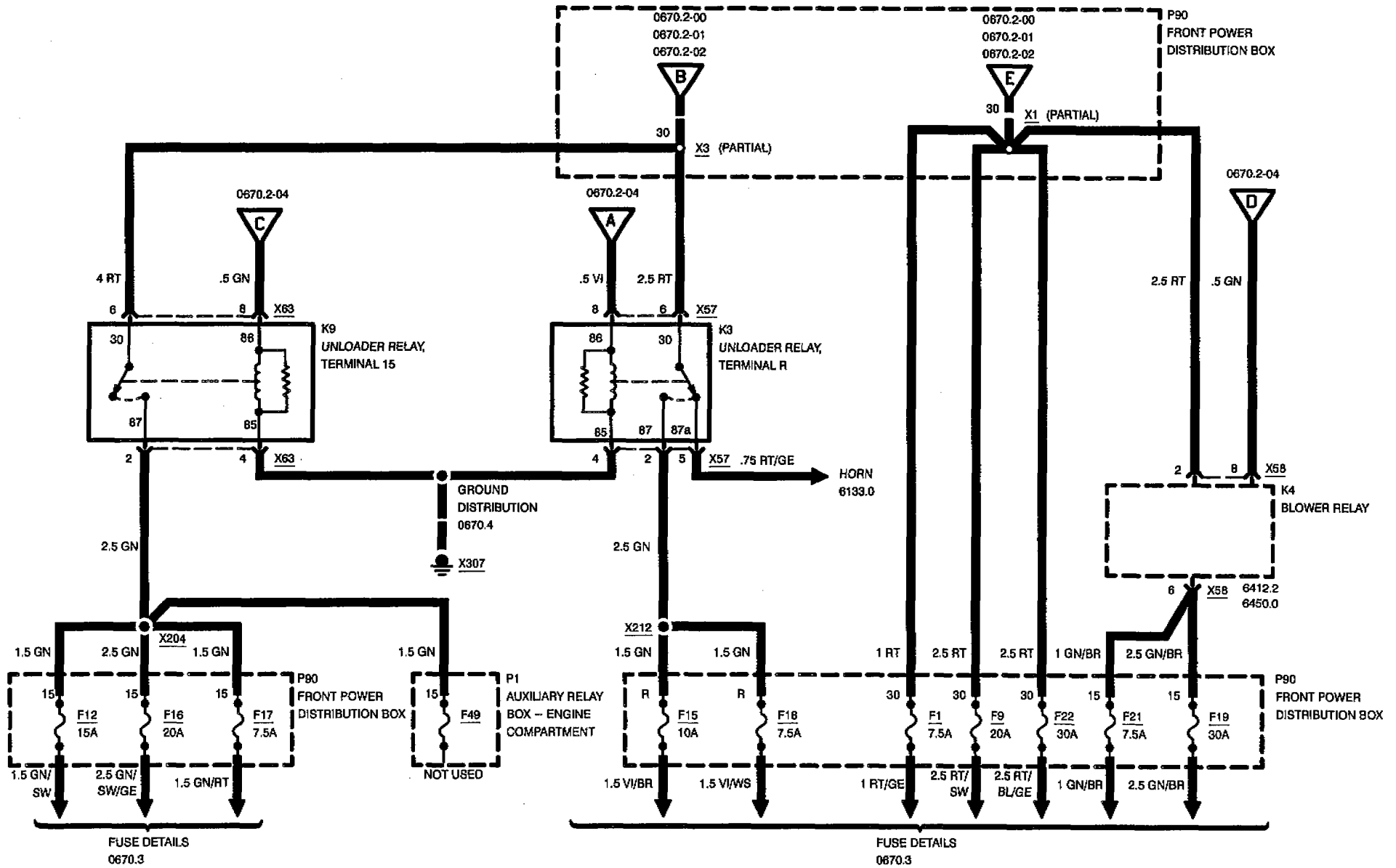


FUSE DETAILS  
0670.3



# POWER DISTRIBUTION

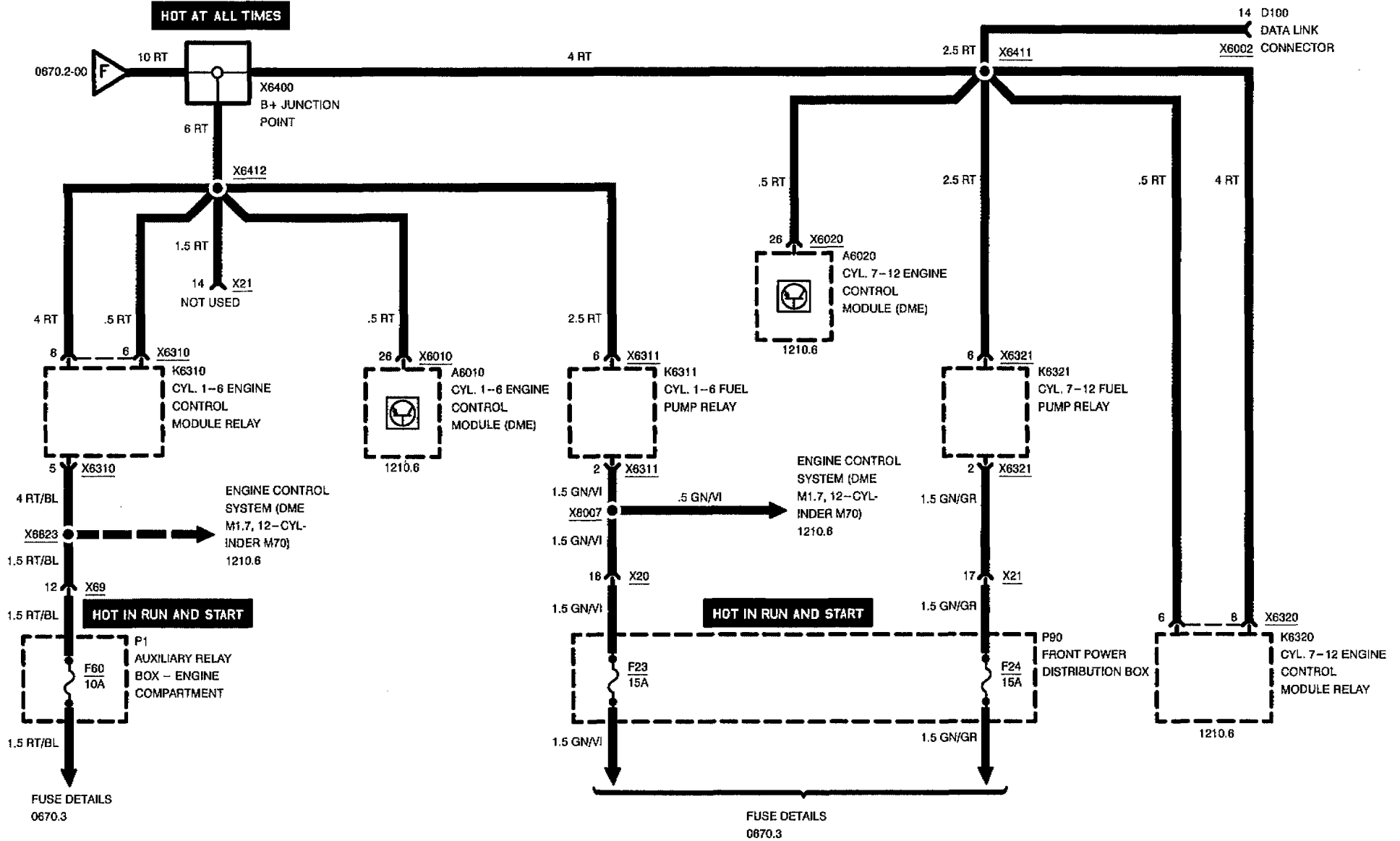
## FRONT POWER DISTRIBUTION BOX

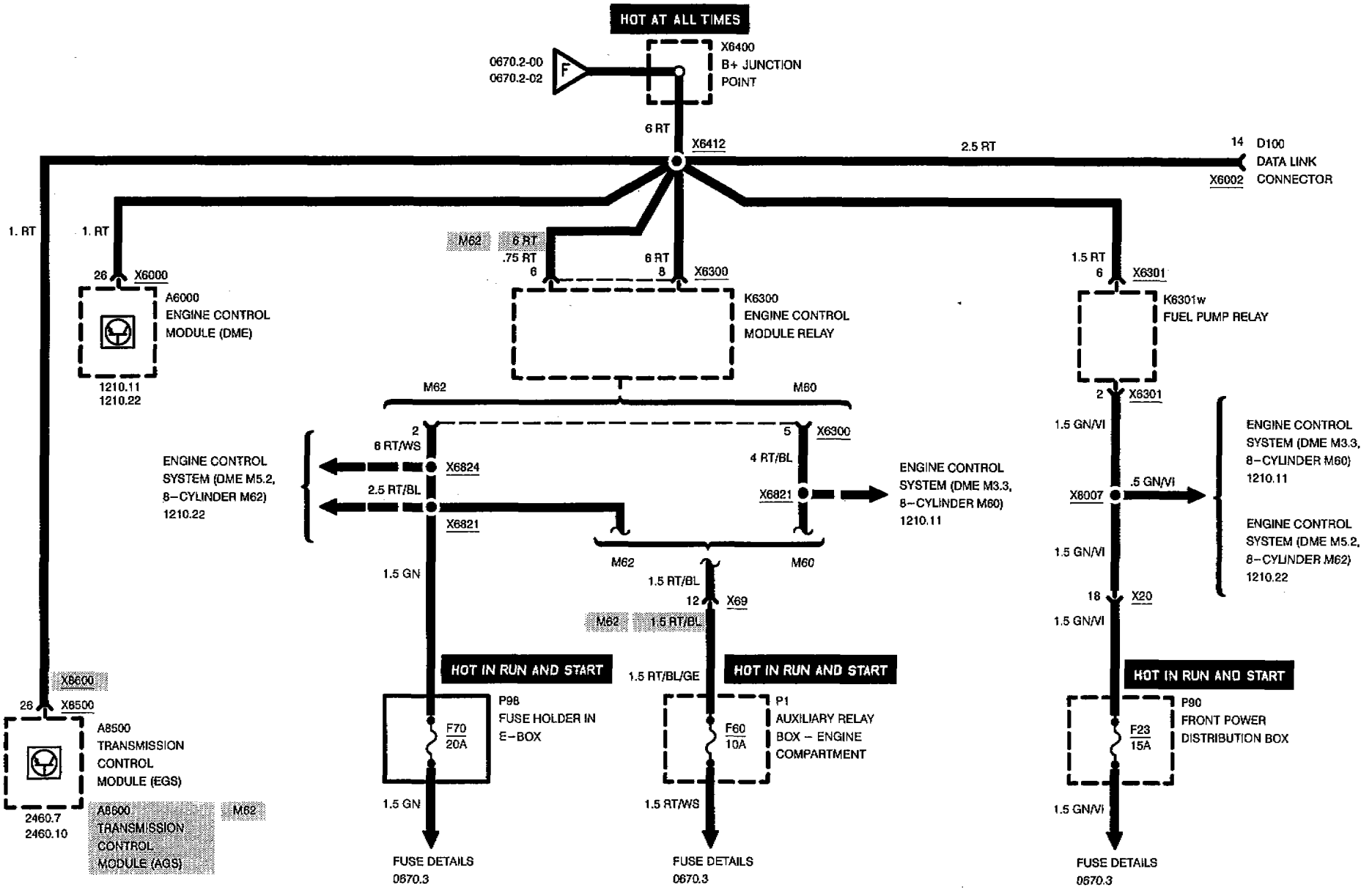




# POWER DISTRIBUTION

## 850CSI

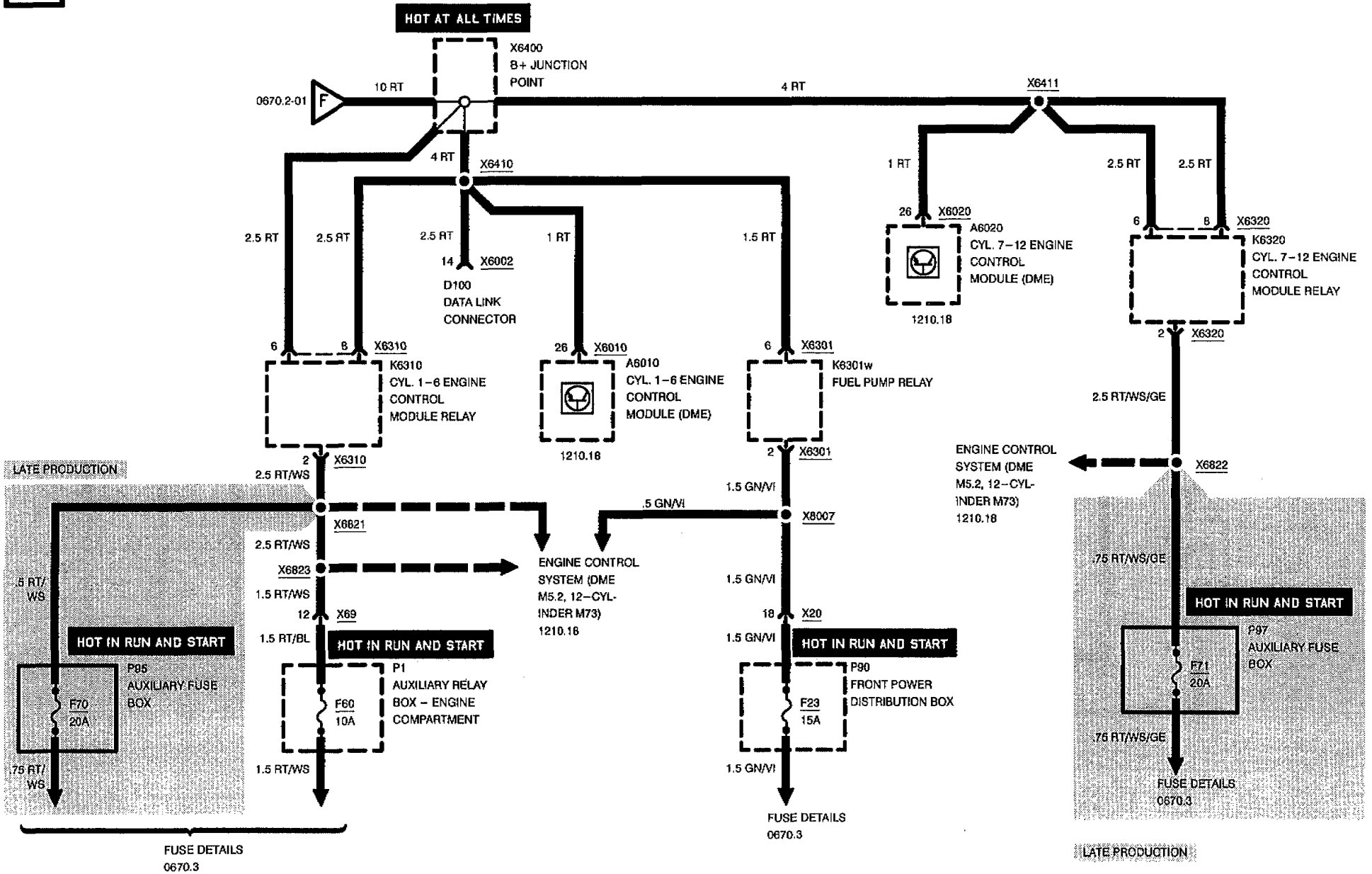






# POWER DISTRIBUTION

## 850Ci



02/97

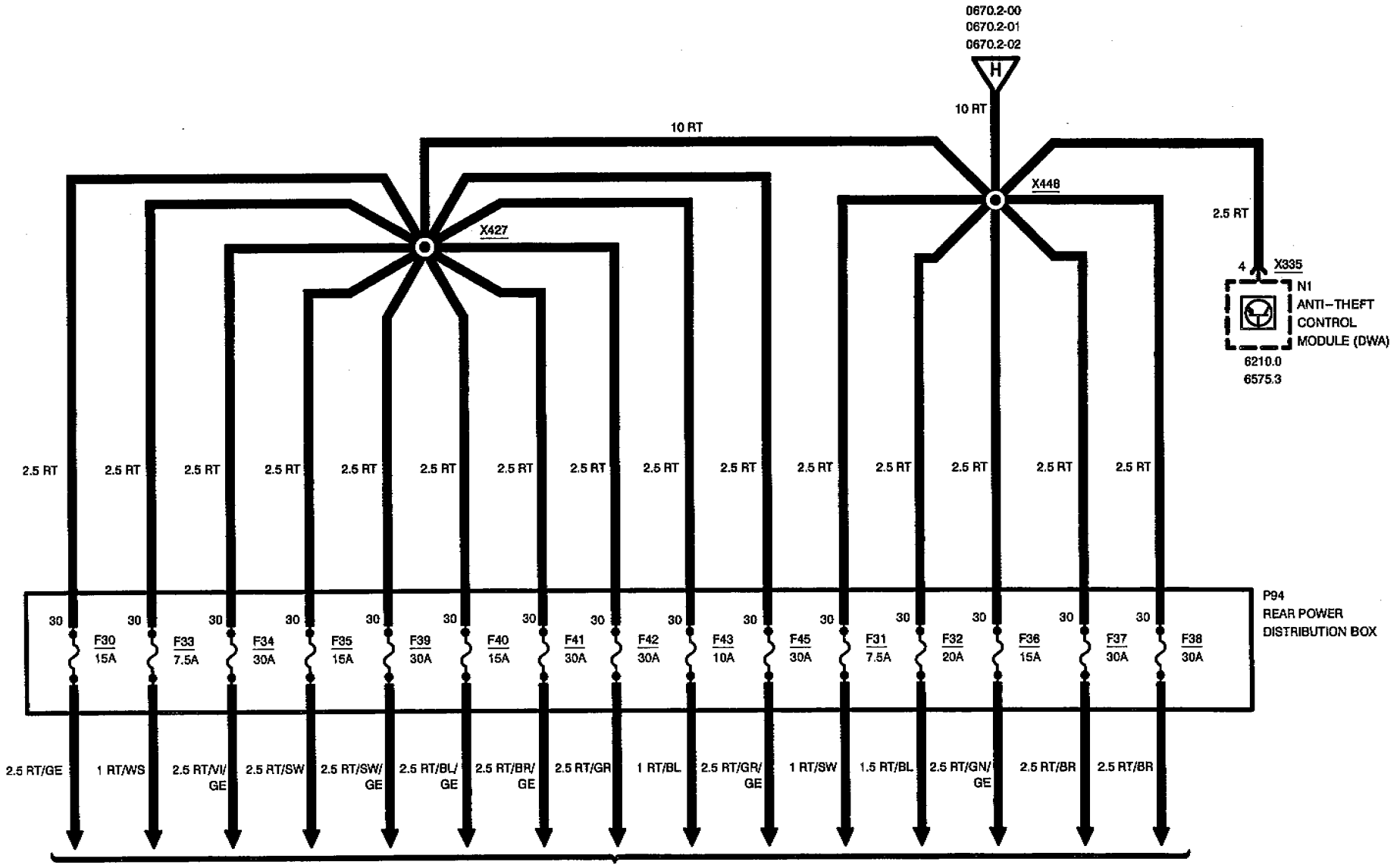
0670.2-09

95/96





# POWER DISTRIBUTION



FUSE DETAILS  
0670.3

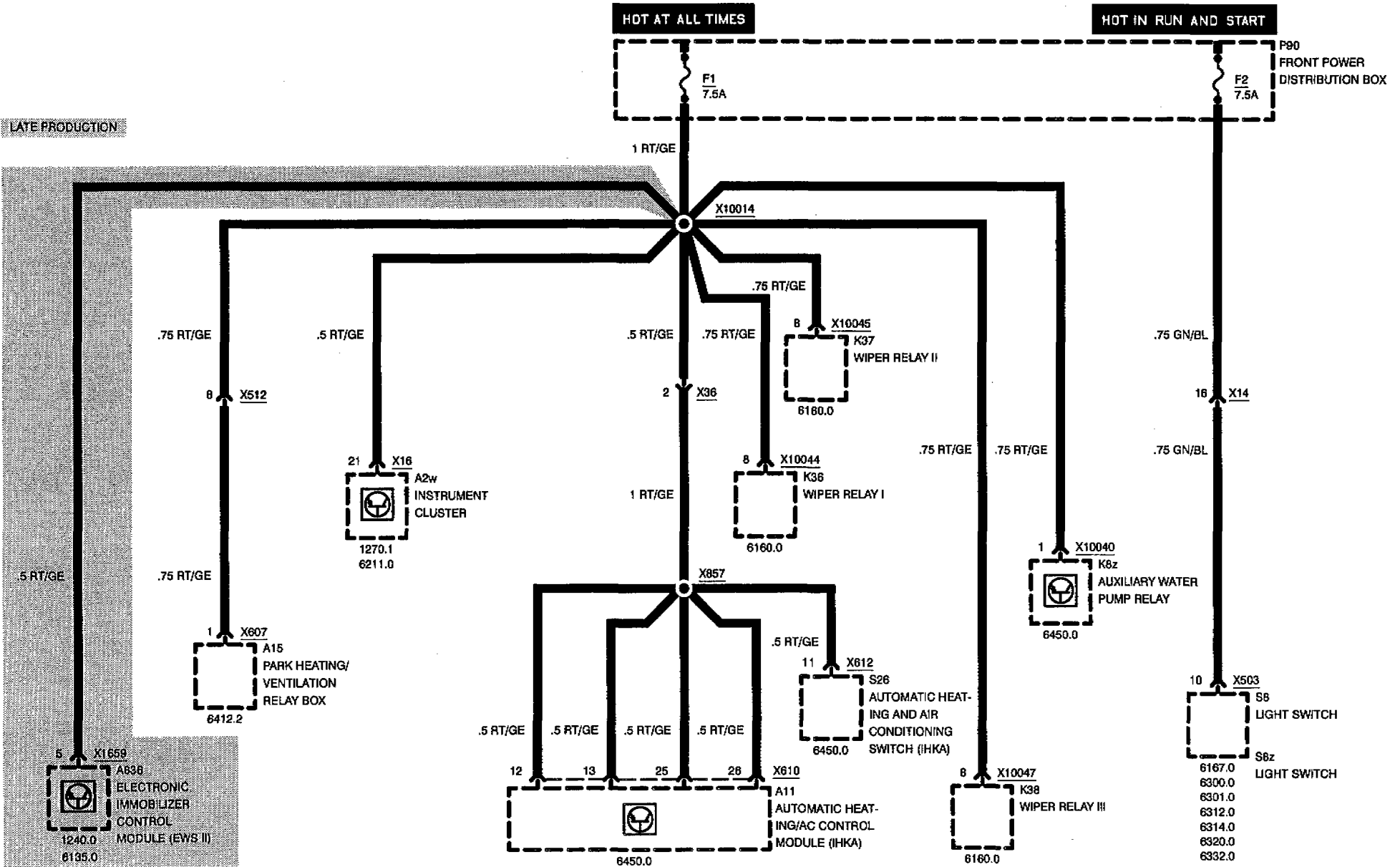




# FUSE DETAILS

## FUSES 1 AND 2

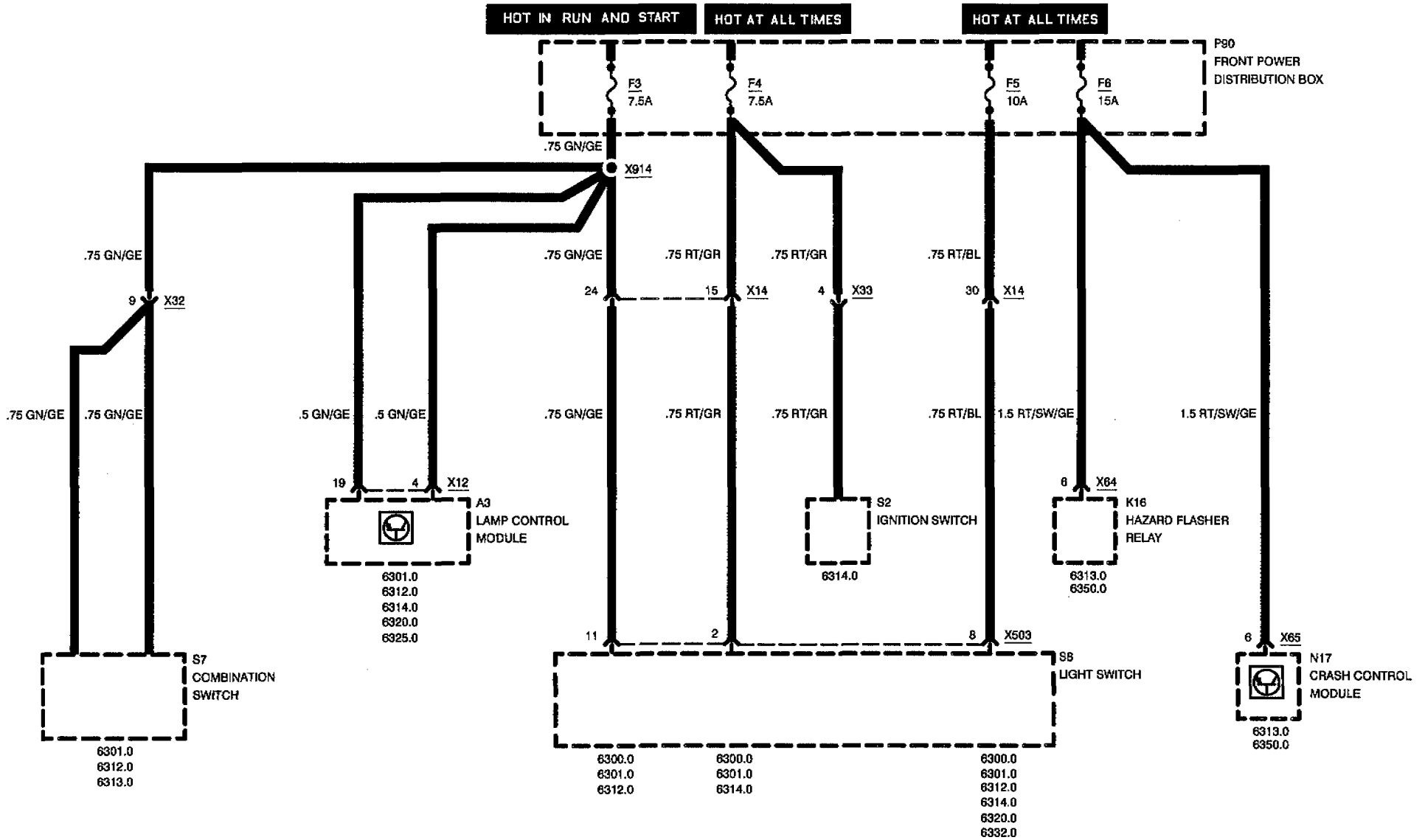
LATE PRODUCTION





# FUSE DETAILS

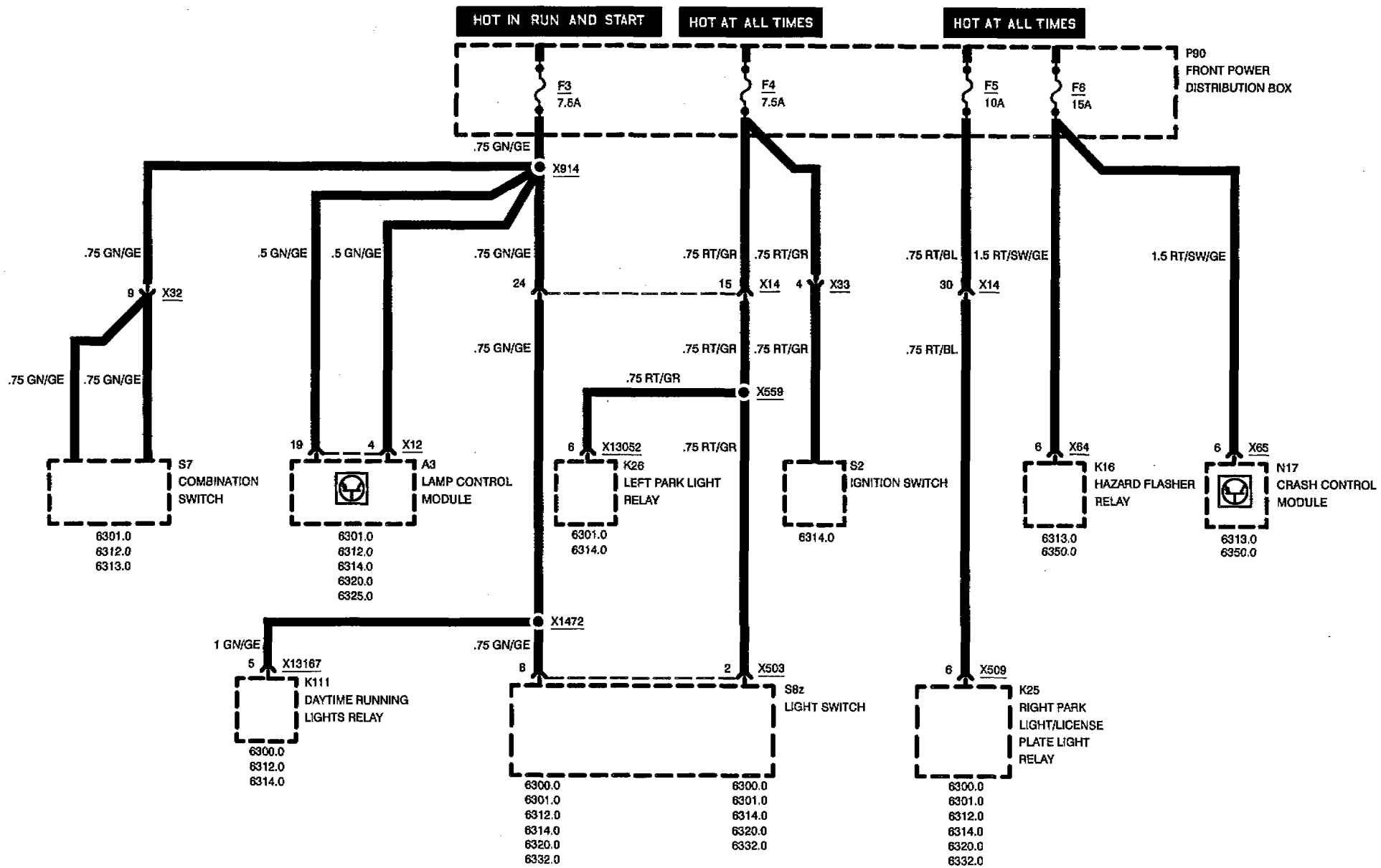
## FUSES 3, 4, 5, AND 6





# FUSE DETAILS

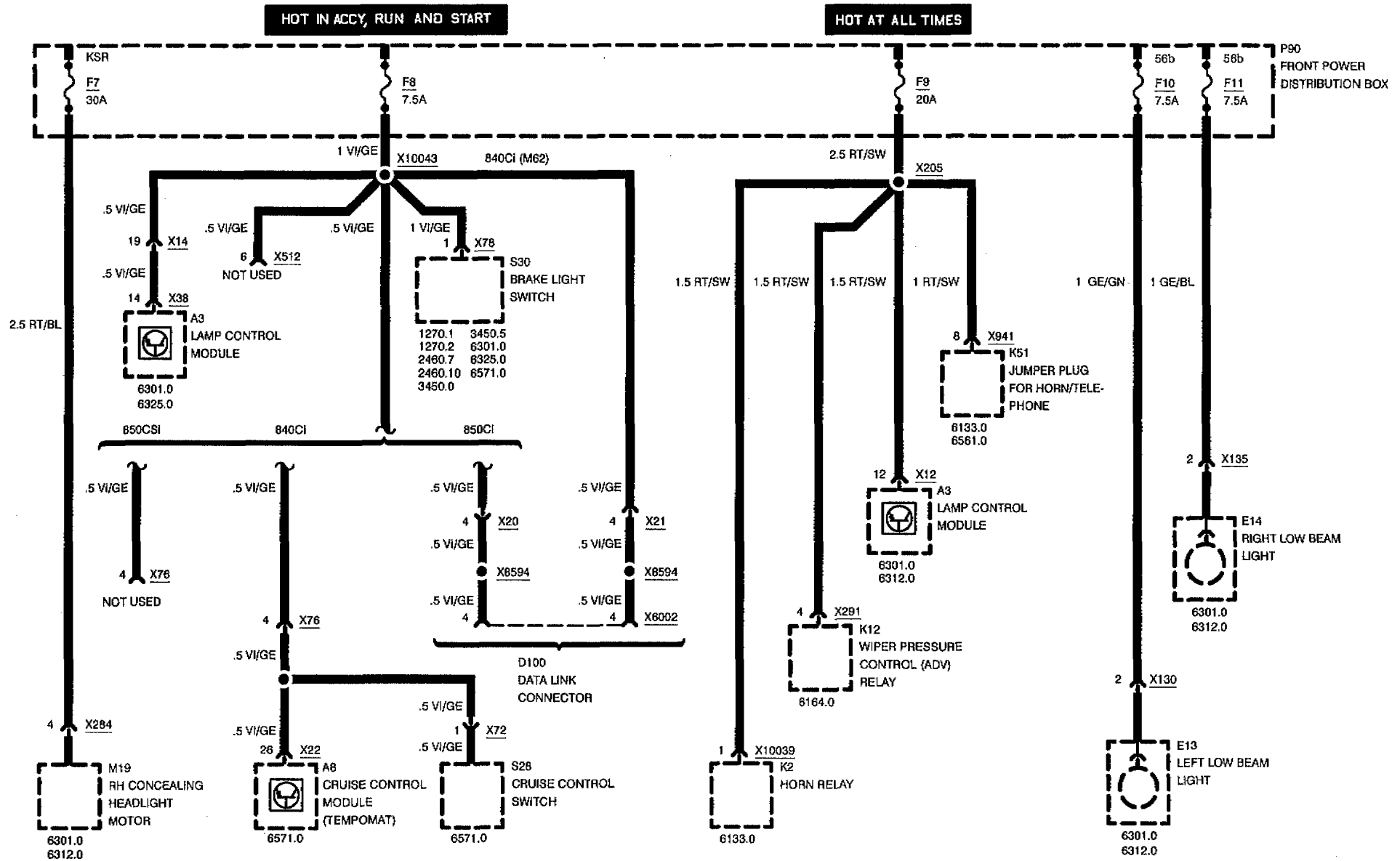
## FUSES 3, 4, 5, AND 6





# FUSE DETAILS

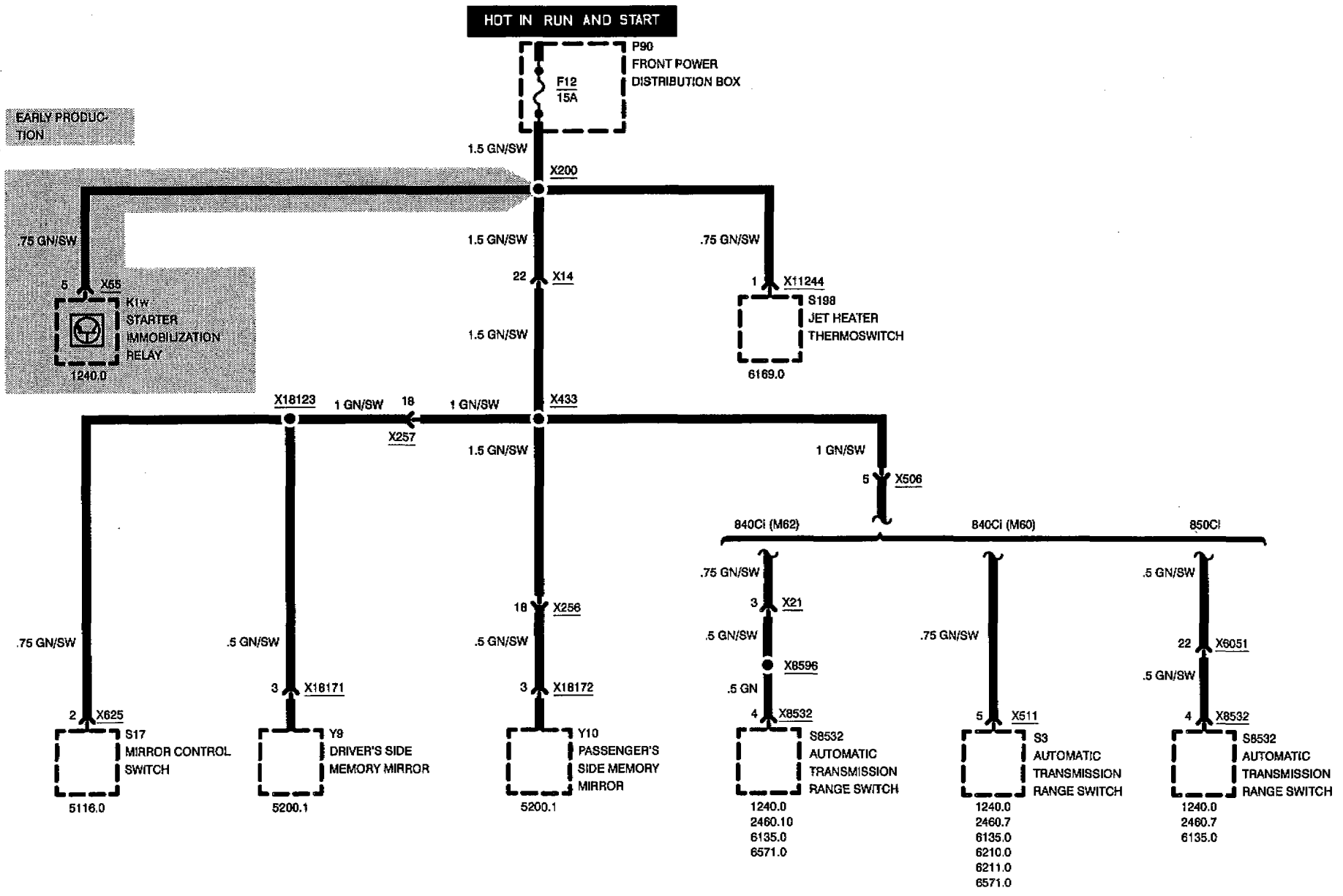
## FUSES 7, 8, 9, 10, AND 11





# FUSE DETAILS

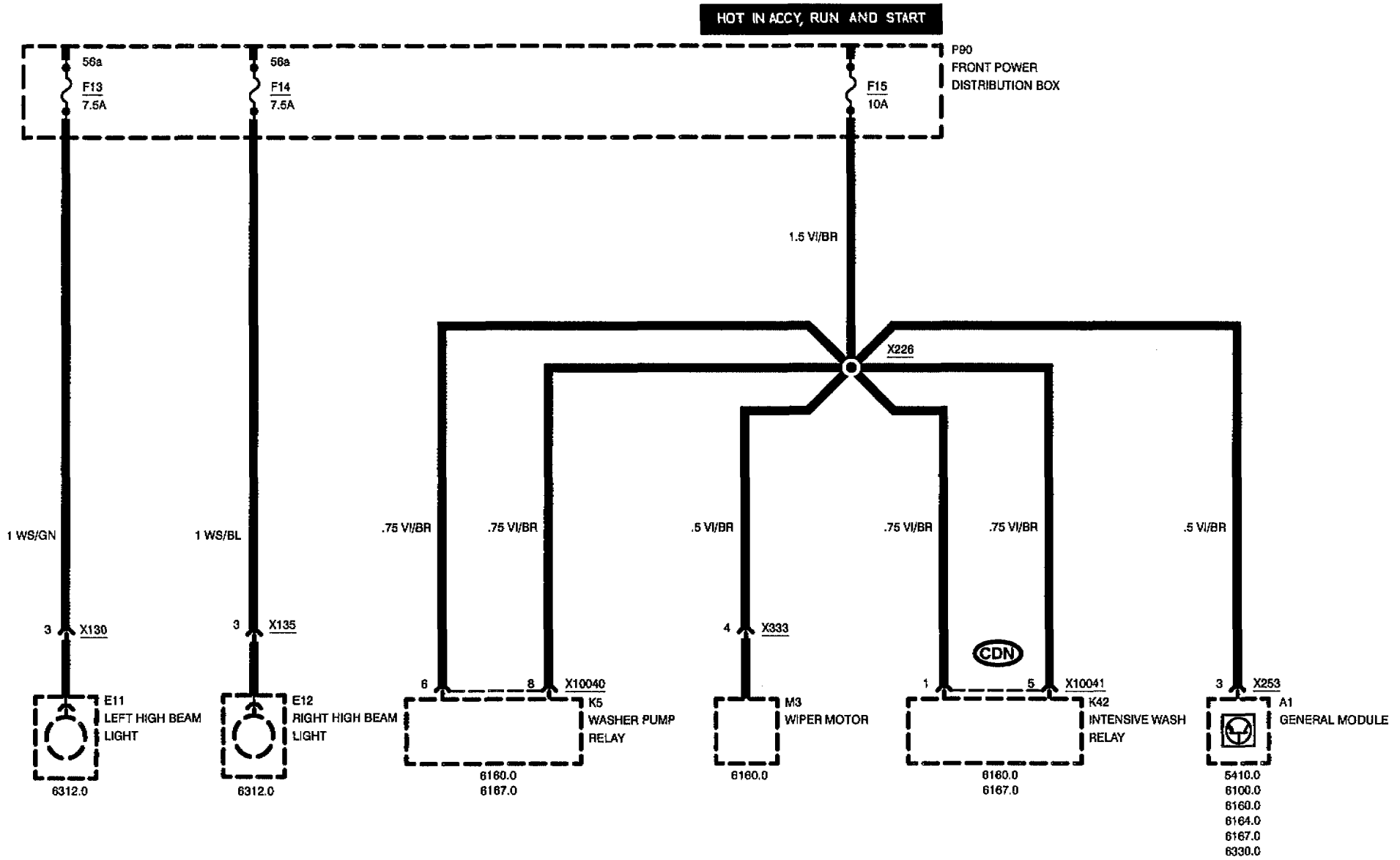
## FUSE 12





# FUSE DETAILS

## FUSES 13, 14, AND 15



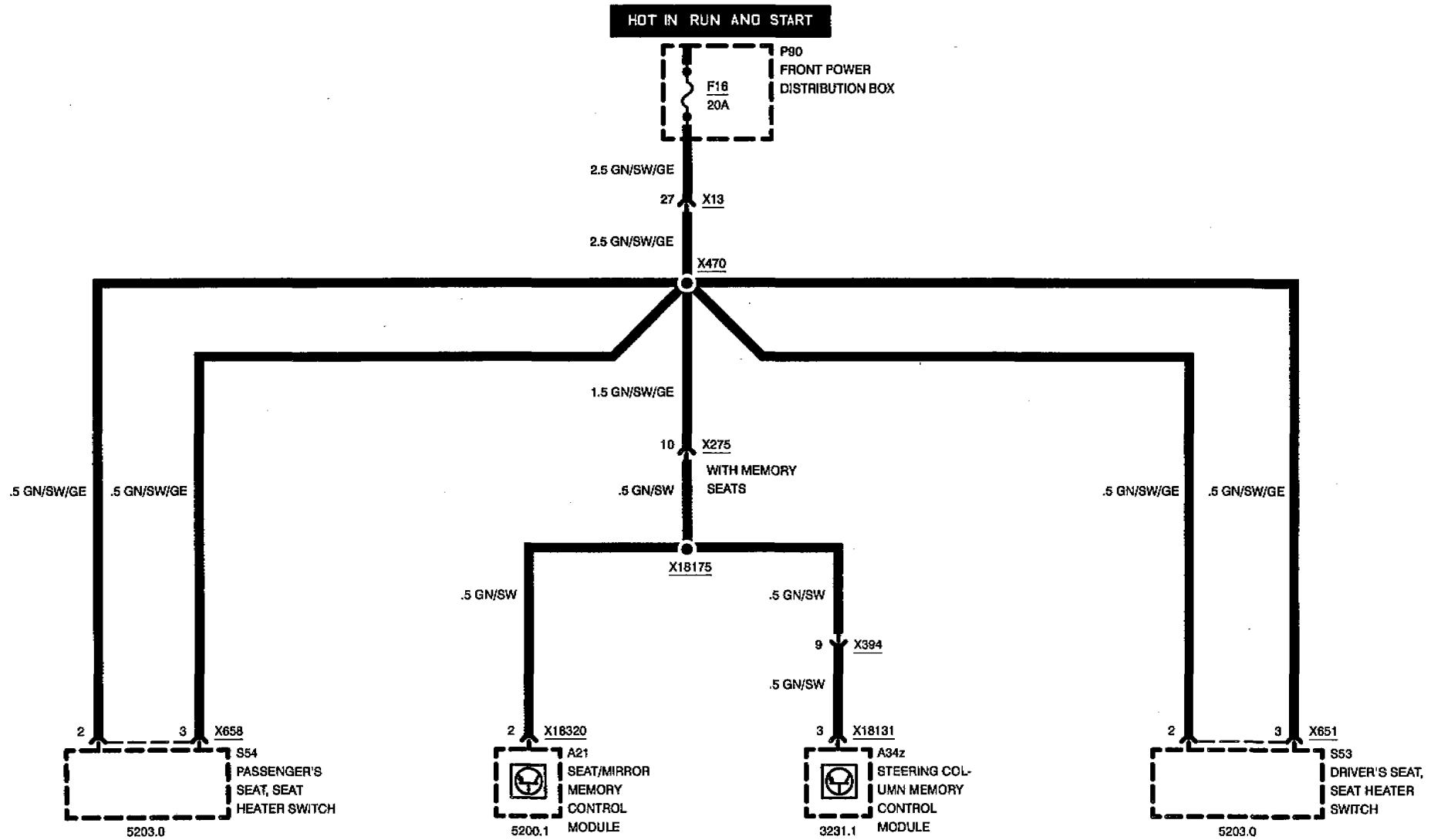




# FUSE DETAILS

## FUSE 16

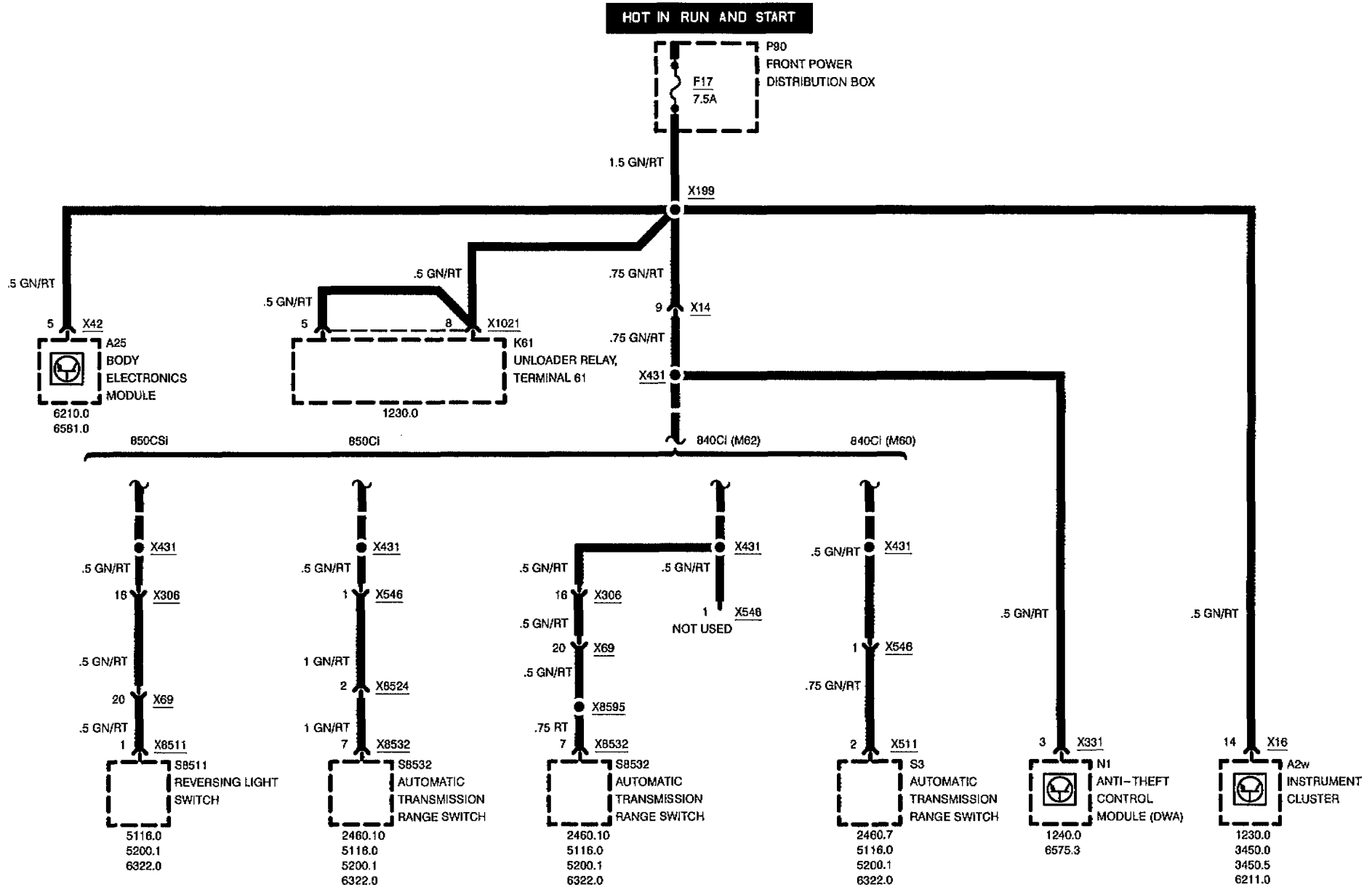
HOT IN RUN AND START





# FUSE DETAILS

## FUSE 17





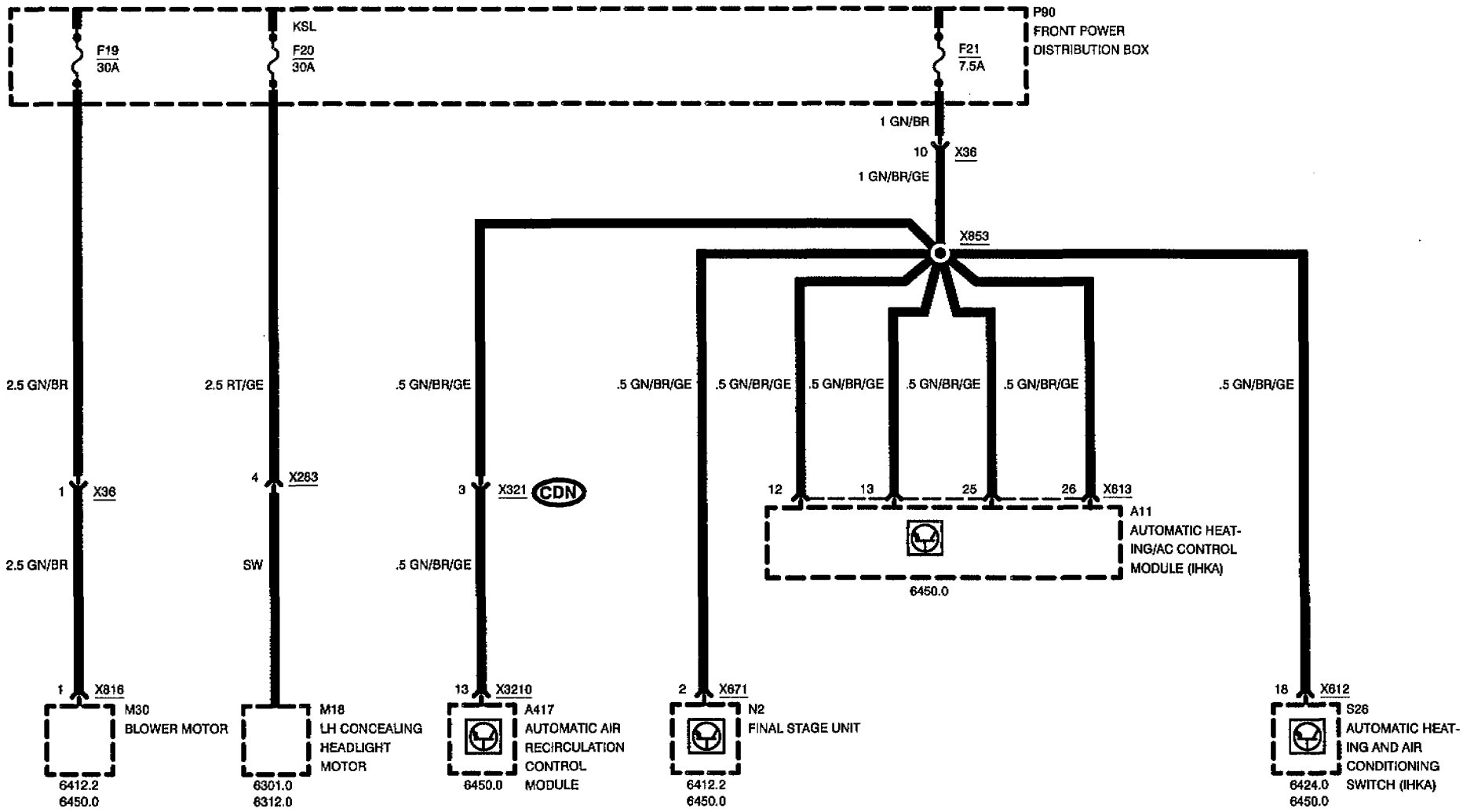


# FUSE DETAILS

## FUSES 19, 20, AND 21

HOT IN RUN AND START

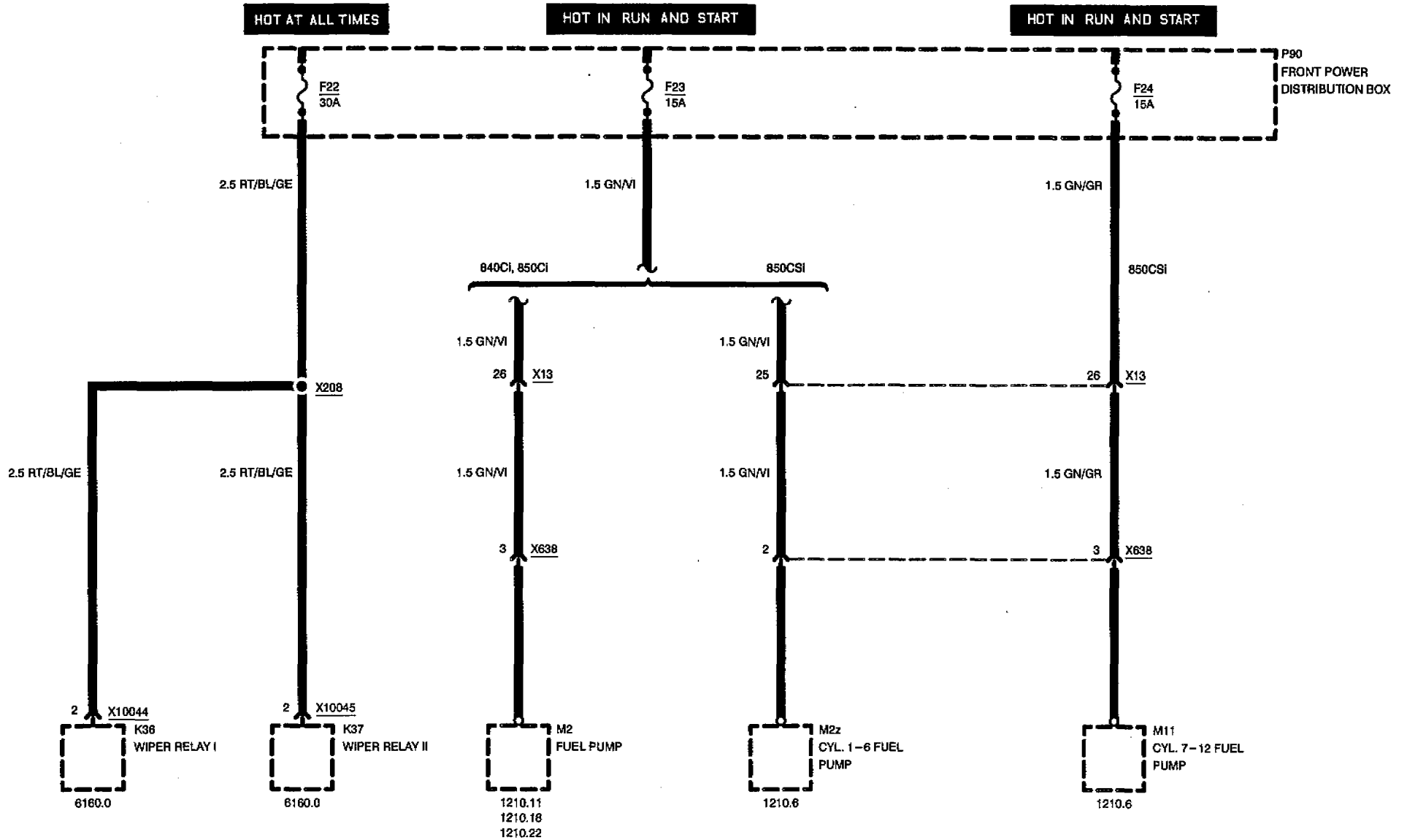
HOT IN RUN AND START





# FUSE DETAILS

## FUSES 22, 23, AND 24

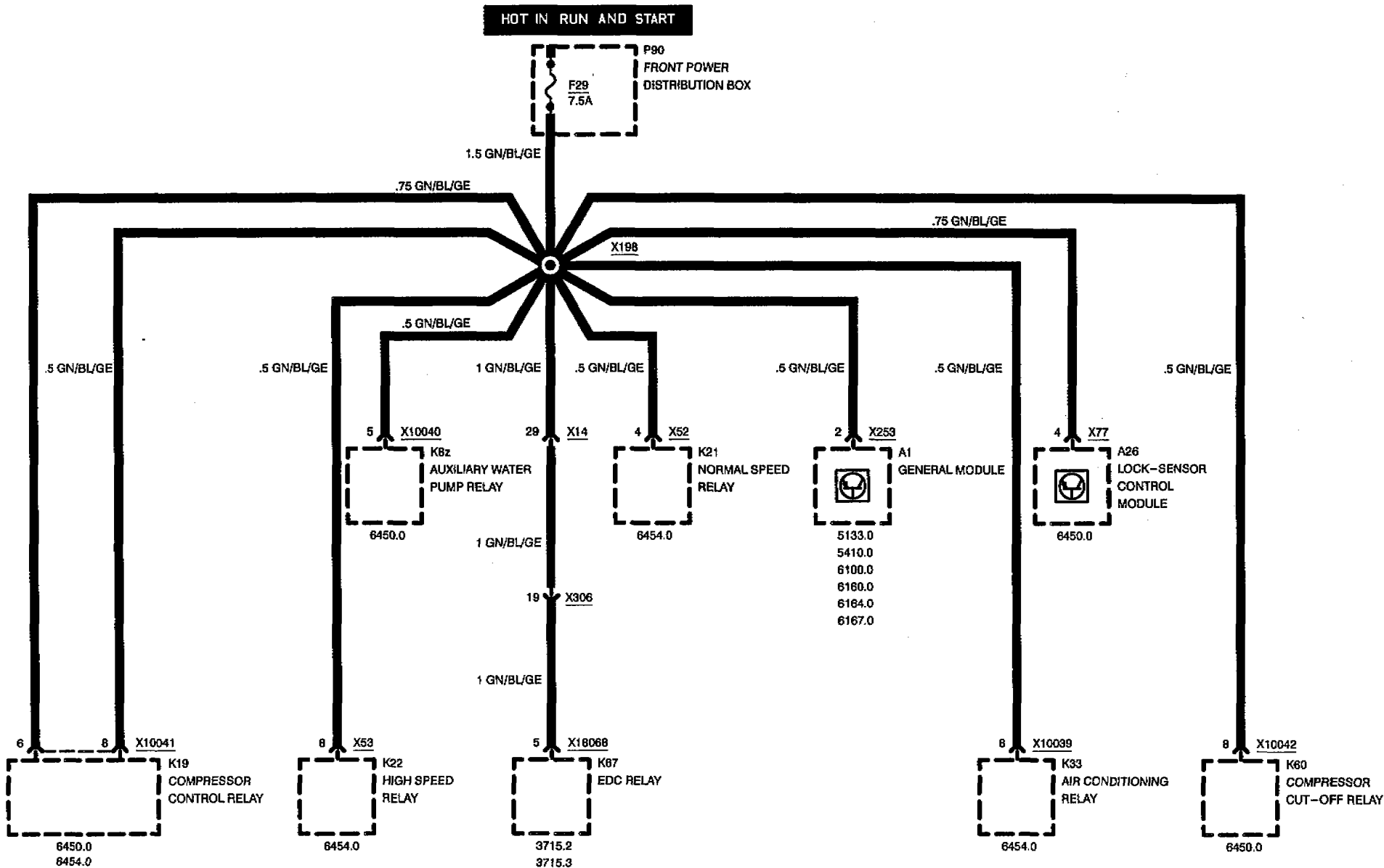






# FUSE DETAILS

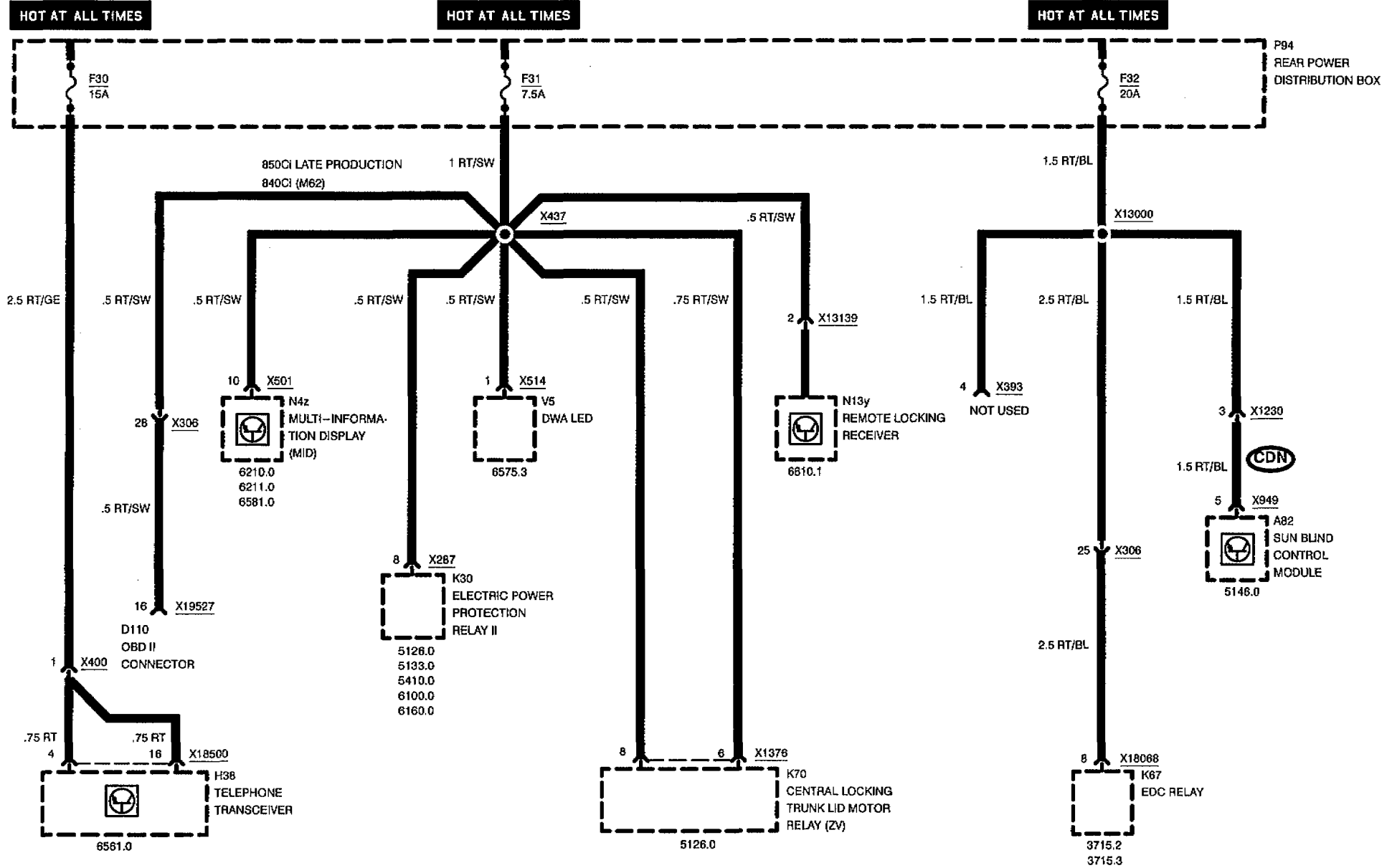
## FUSE 29





# FUSE DETAILS

## FUSES 30, 31, AND 32

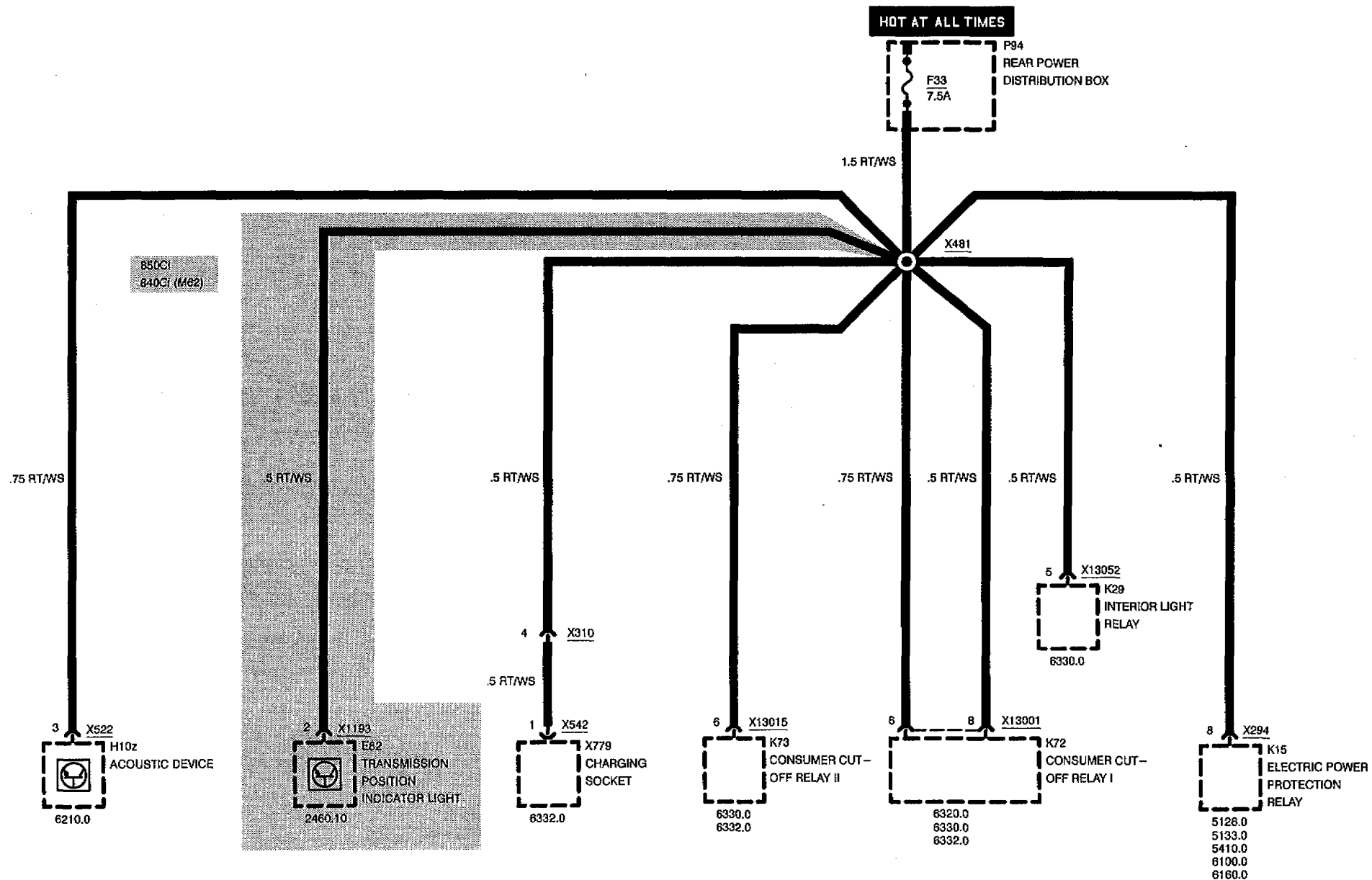






# FUSE DETAILS

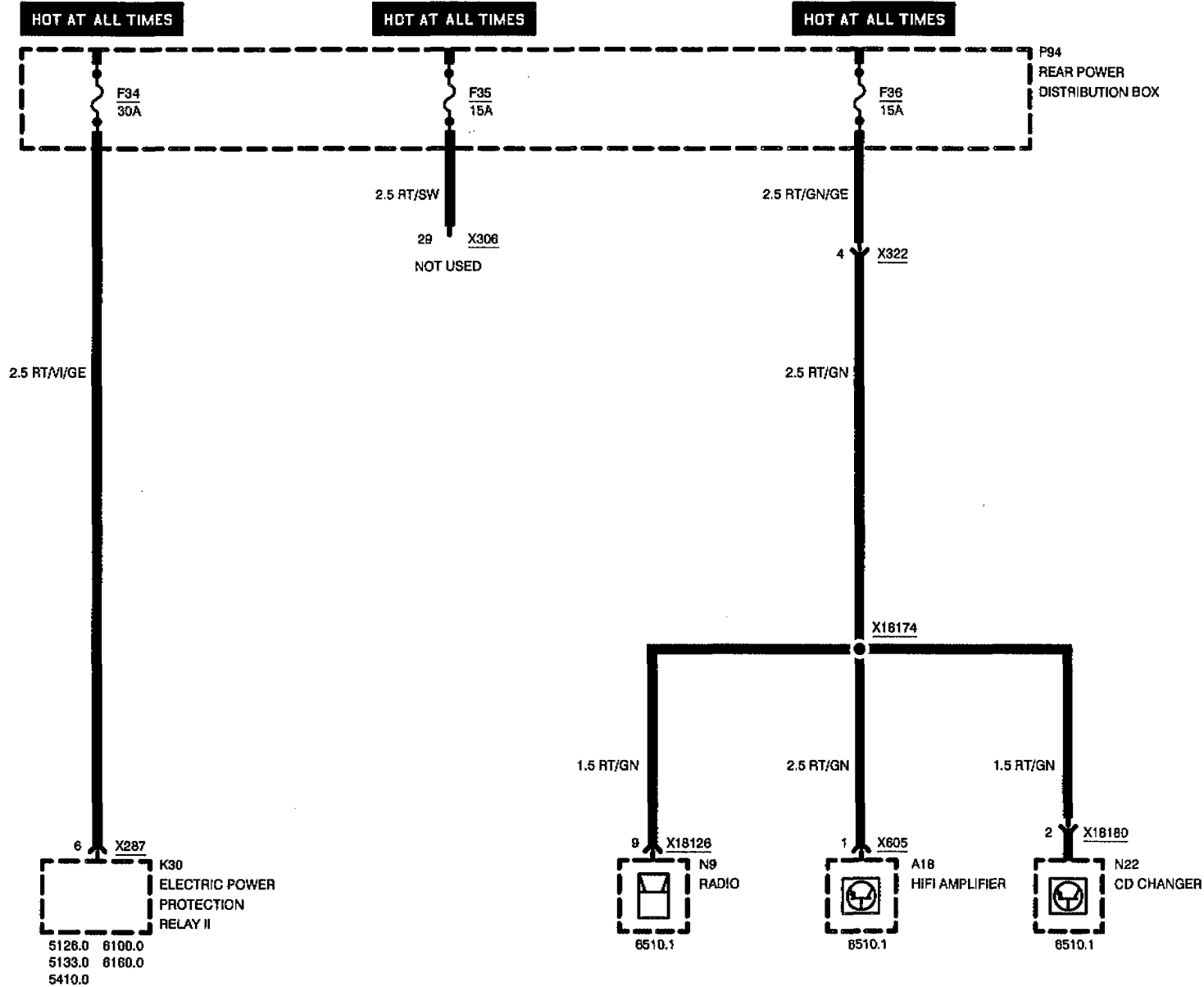
## FUSE 33





# FUSE DETAILS

## FUSES 34, 35, AND 36

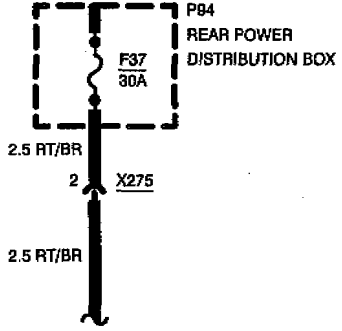




# FUSE DETAILS

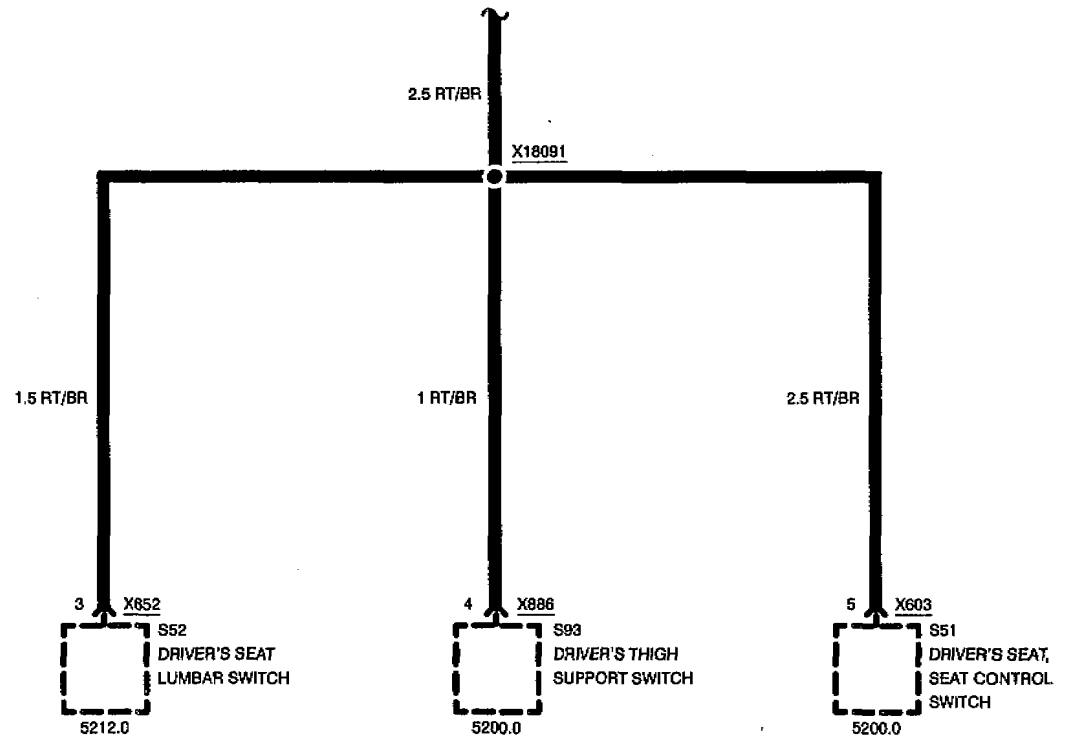
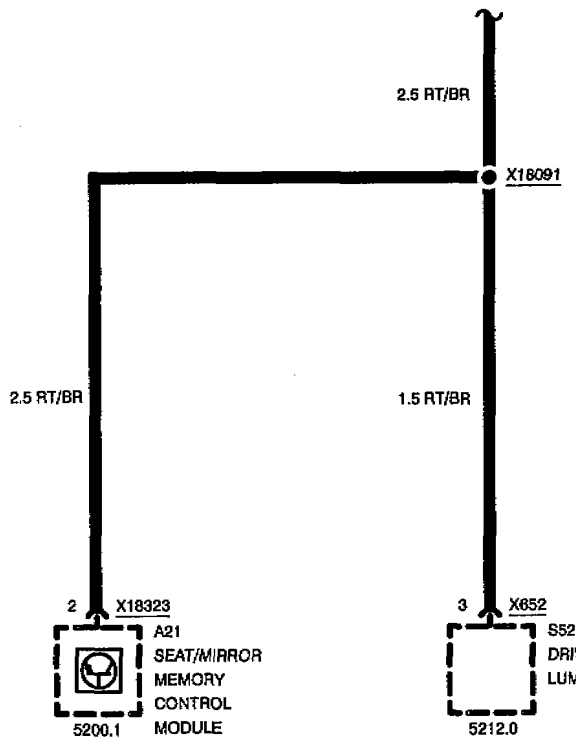
## FUSE 37

HOT AT ALL TIMES



WITH MEMORY

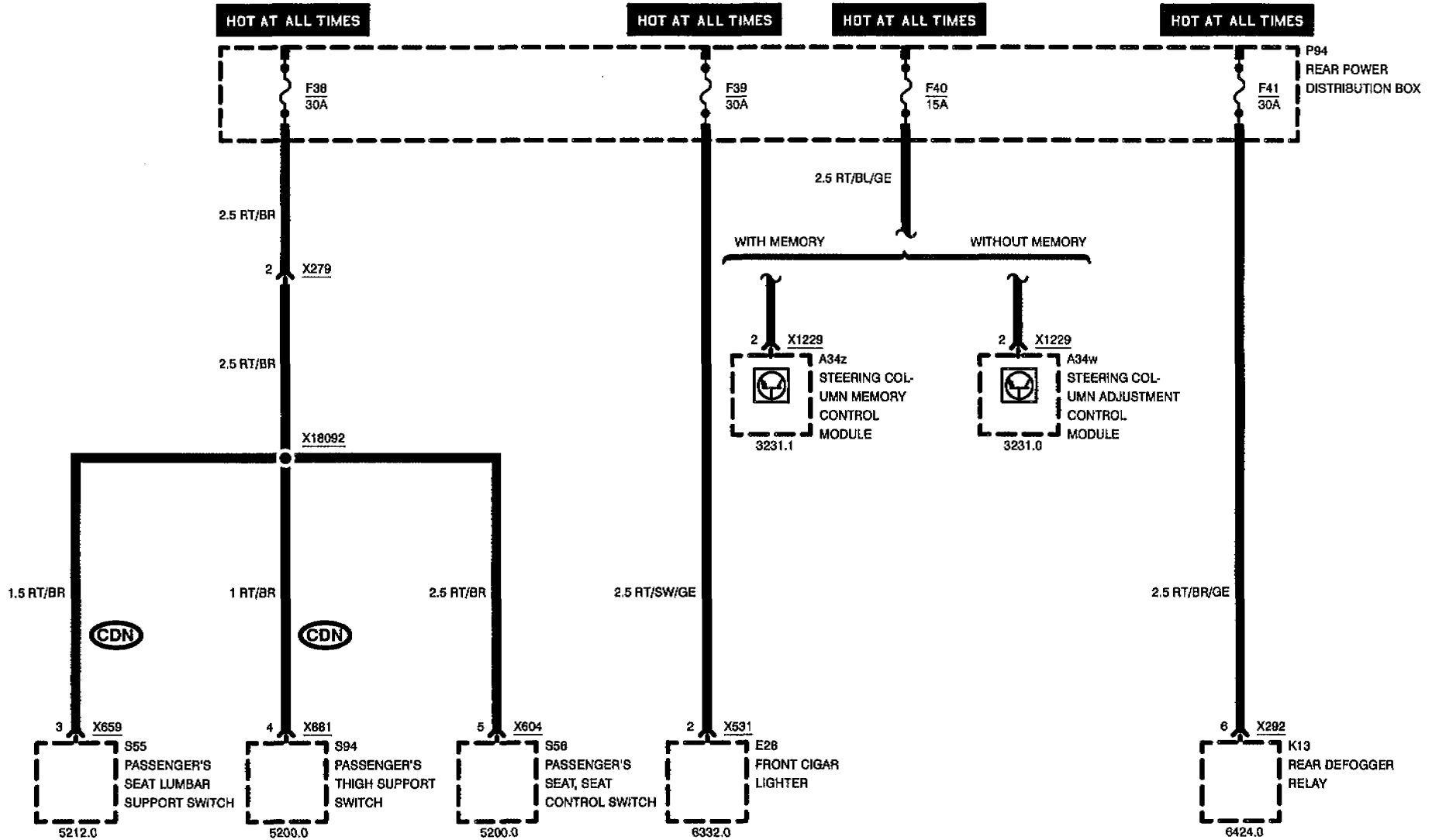
WITHOUT MEMORY





# FUSE DETAILS

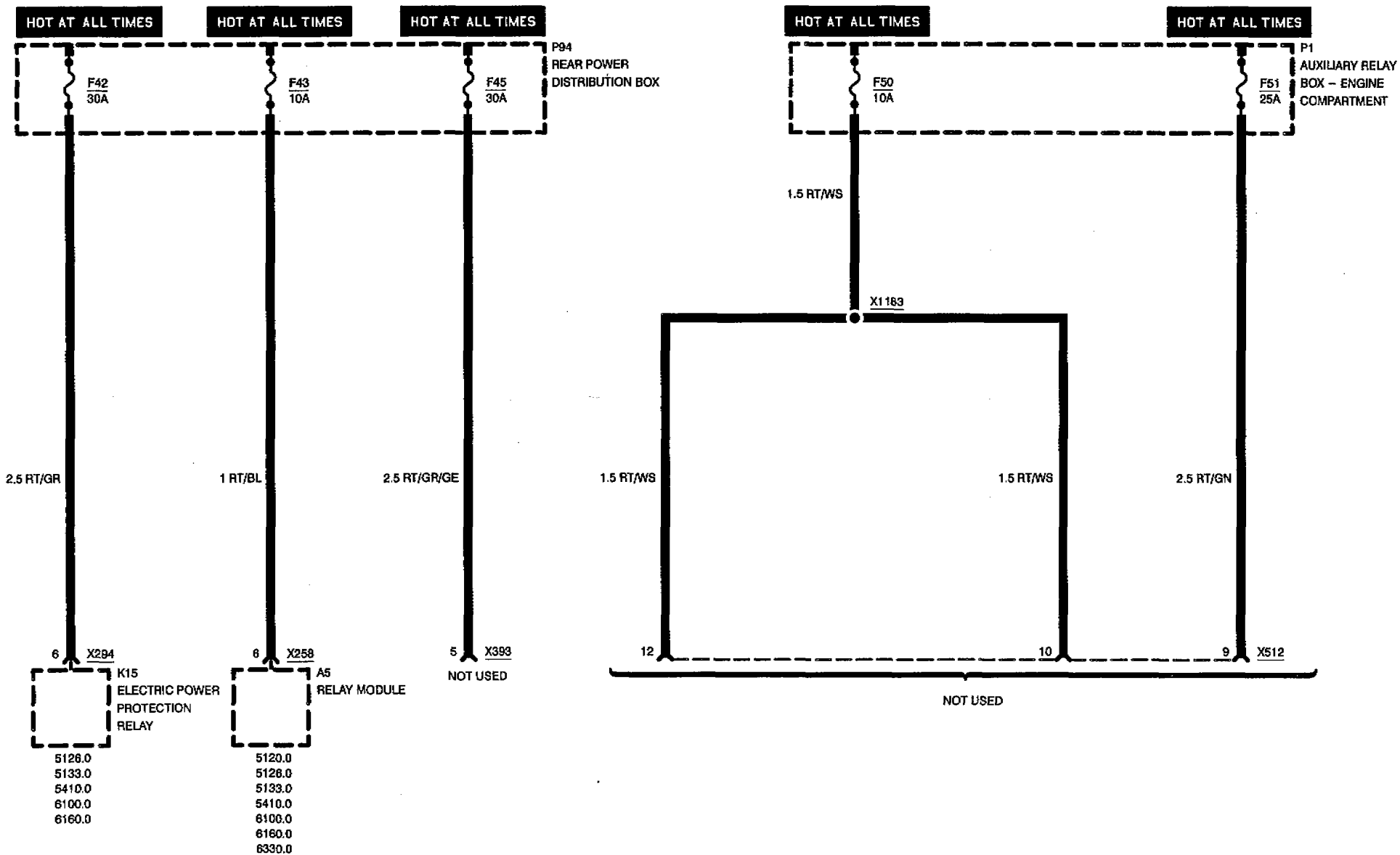
## FUSES 38, 39, 40, AND 41





# FUSE DETAILS

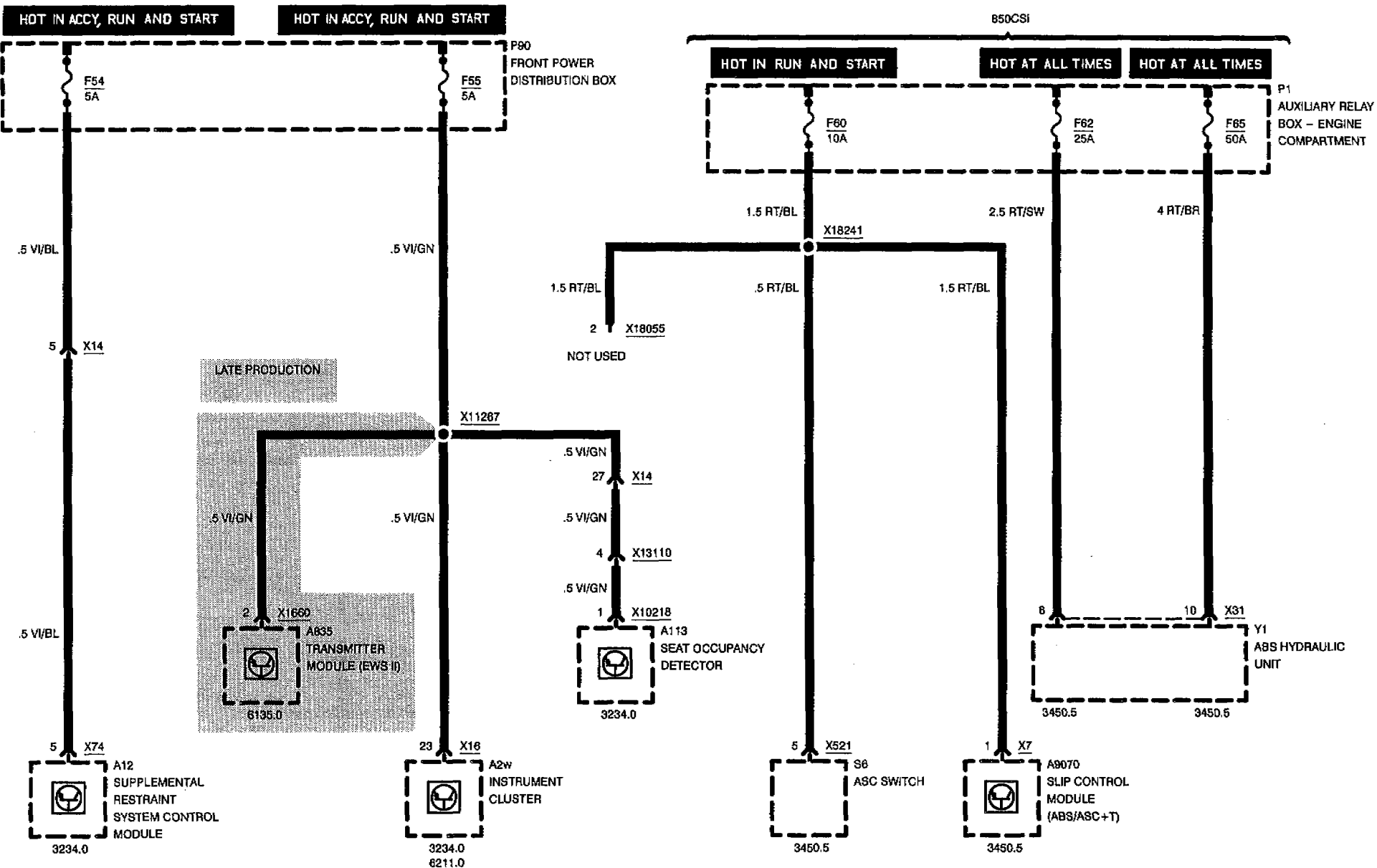
## FUSES 42, 43, 45, 50, AND 51





# FUSE DETAILS

## FUSES 54, 55, 60, 62, AND 65

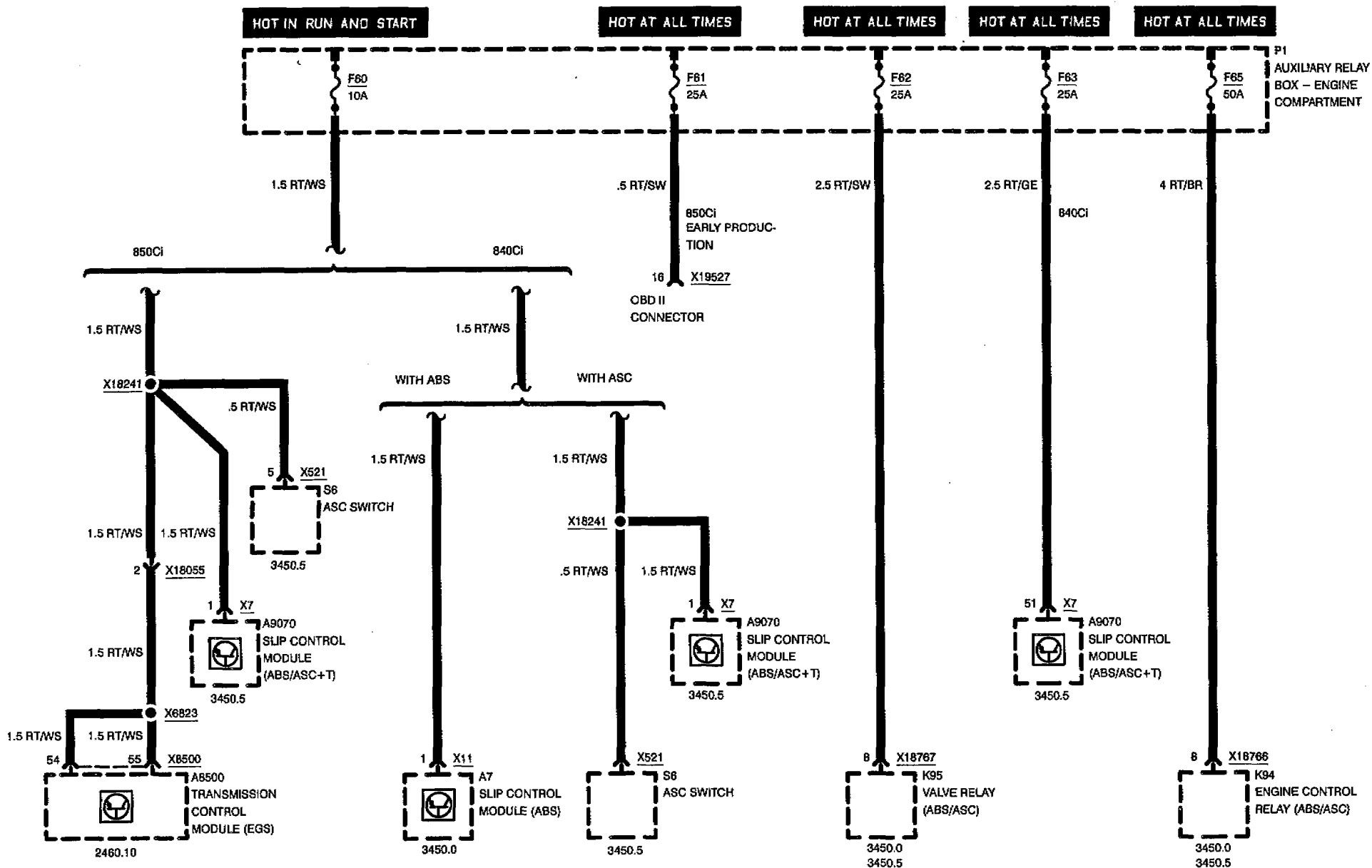




# FUSE DETAILS

## 840CI, 850CI

### FUSES 60, 61, 62, 63, AND 65

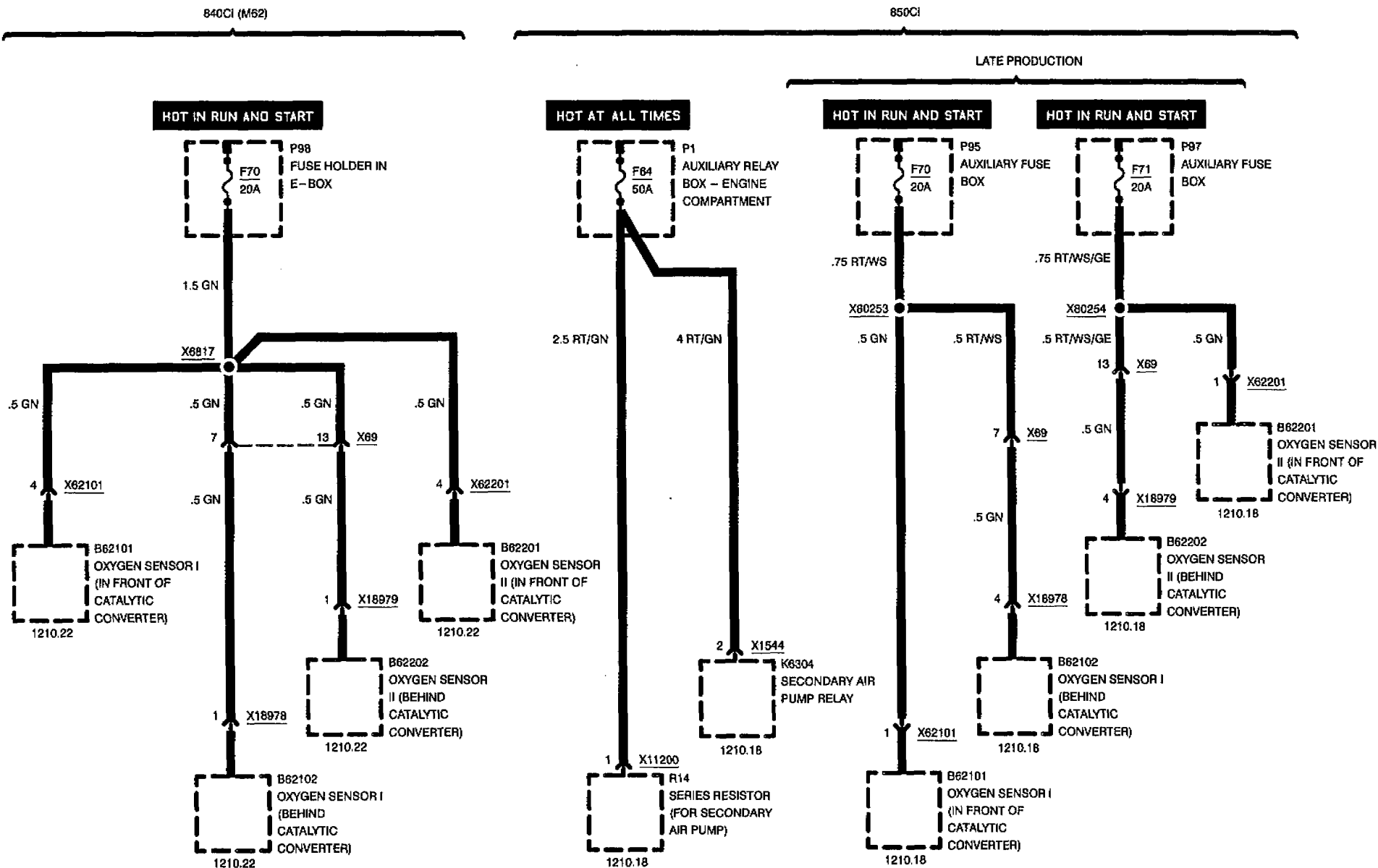




# FUSE DETAILS

## 840Ci (M62), 850Ci

### FUSES 64, 70, AND 71

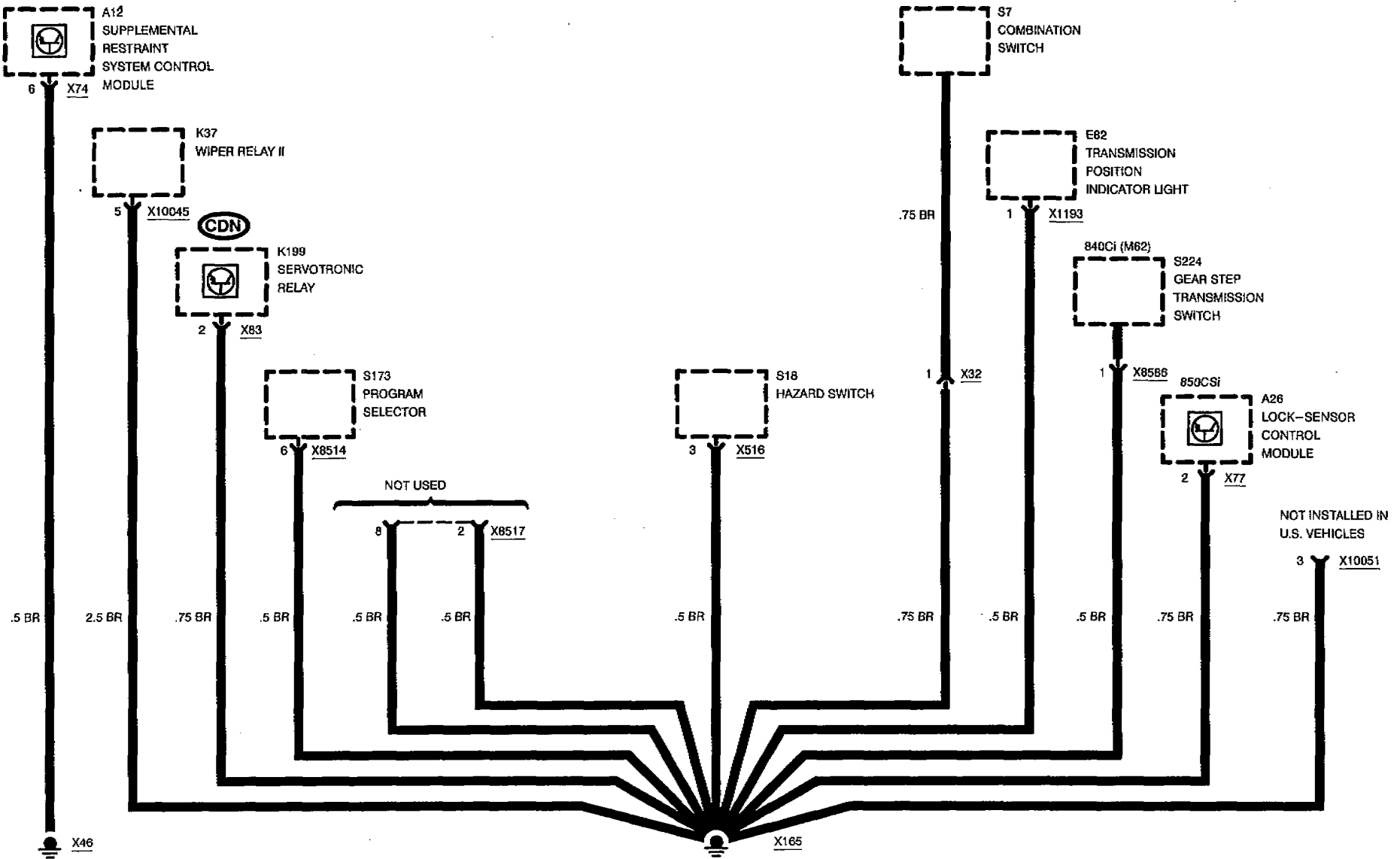






# GROUND DISTRIBUTION

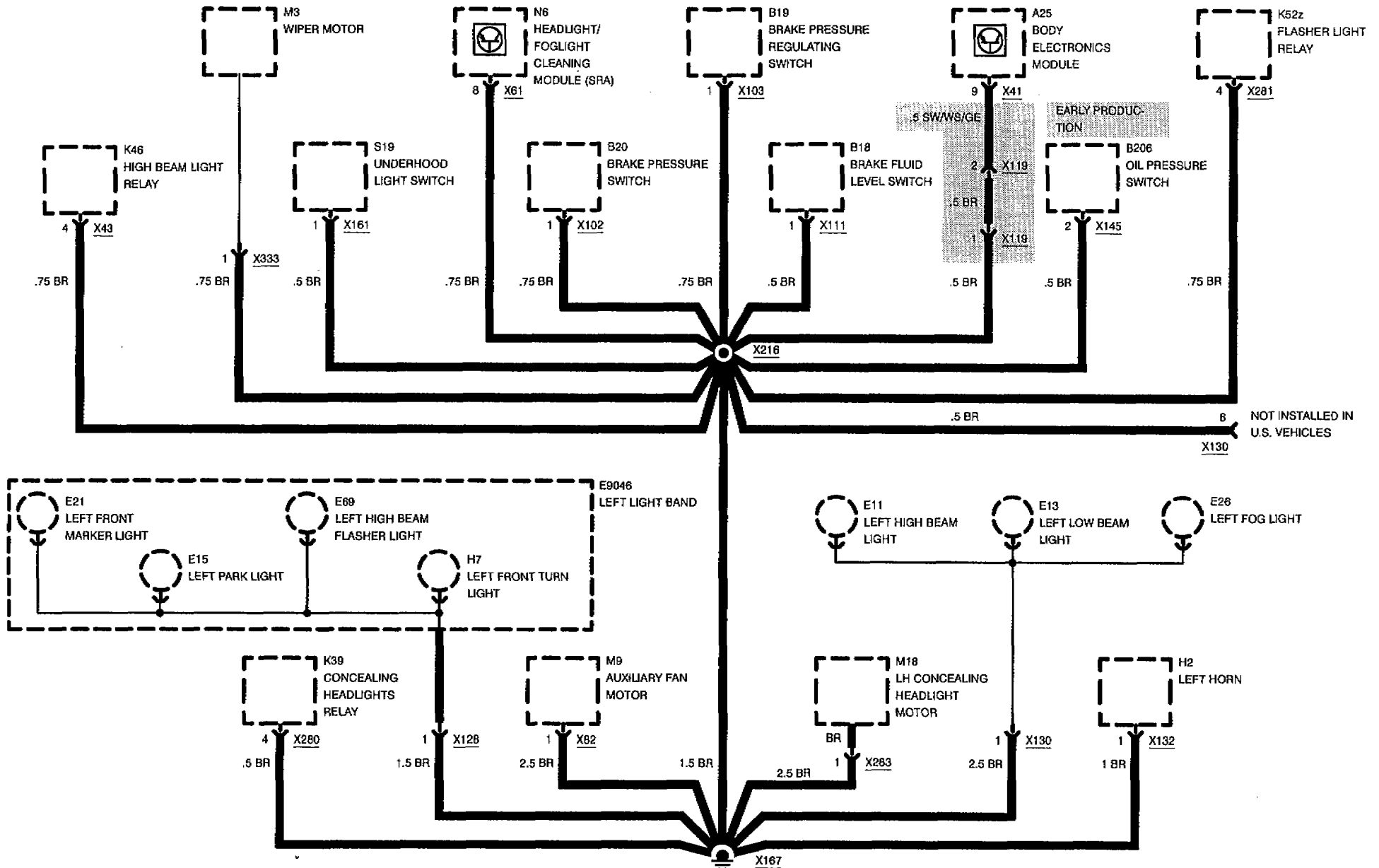
## GROUNDS X46 AND X165





# GROUND DISTRIBUTION

## GROUND X167

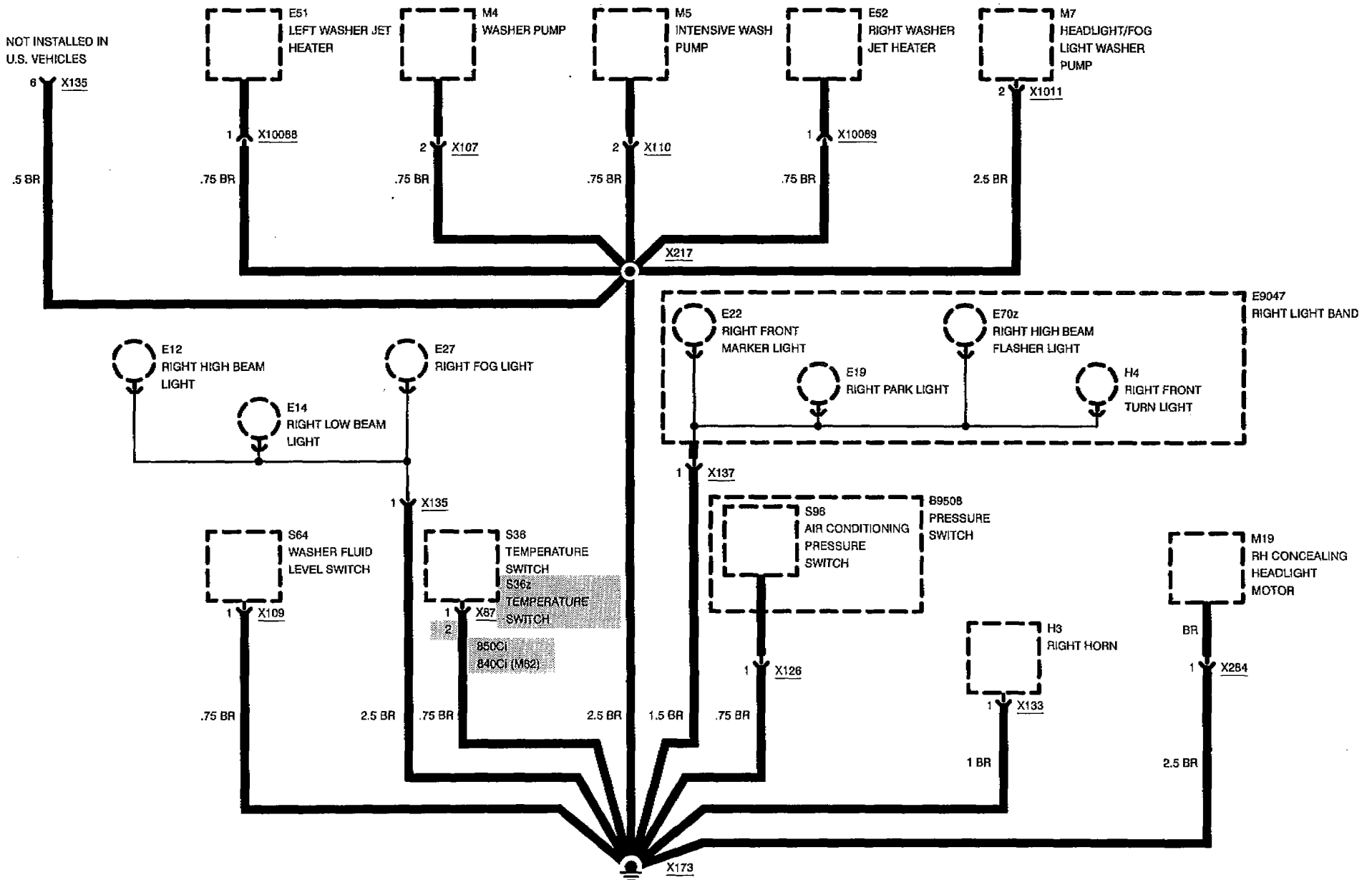




# GROUND DISTRIBUTION

## GROUND X173

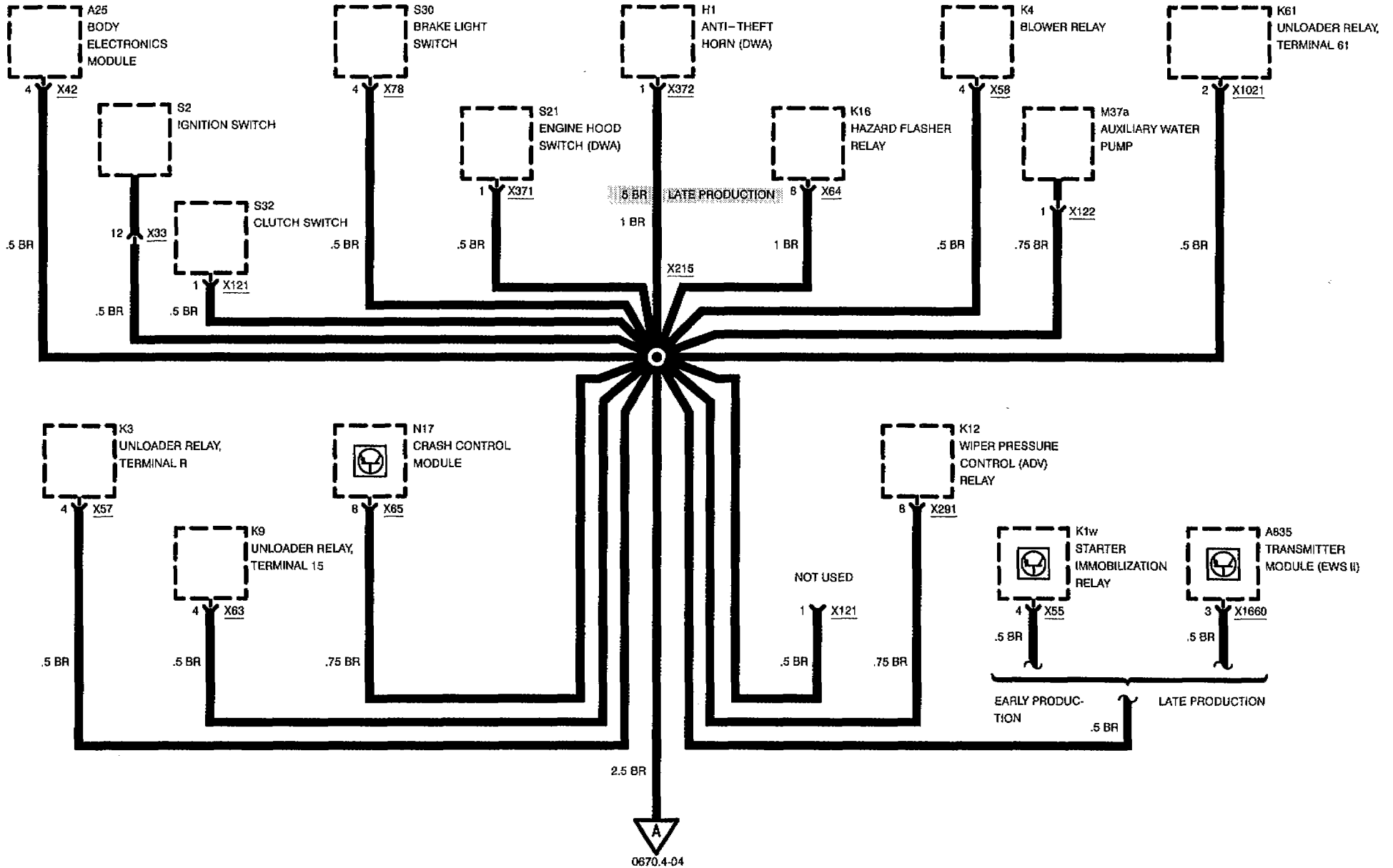
NOT INSTALLED IN U.S. VEHICLES





# GROUND DISTRIBUTION

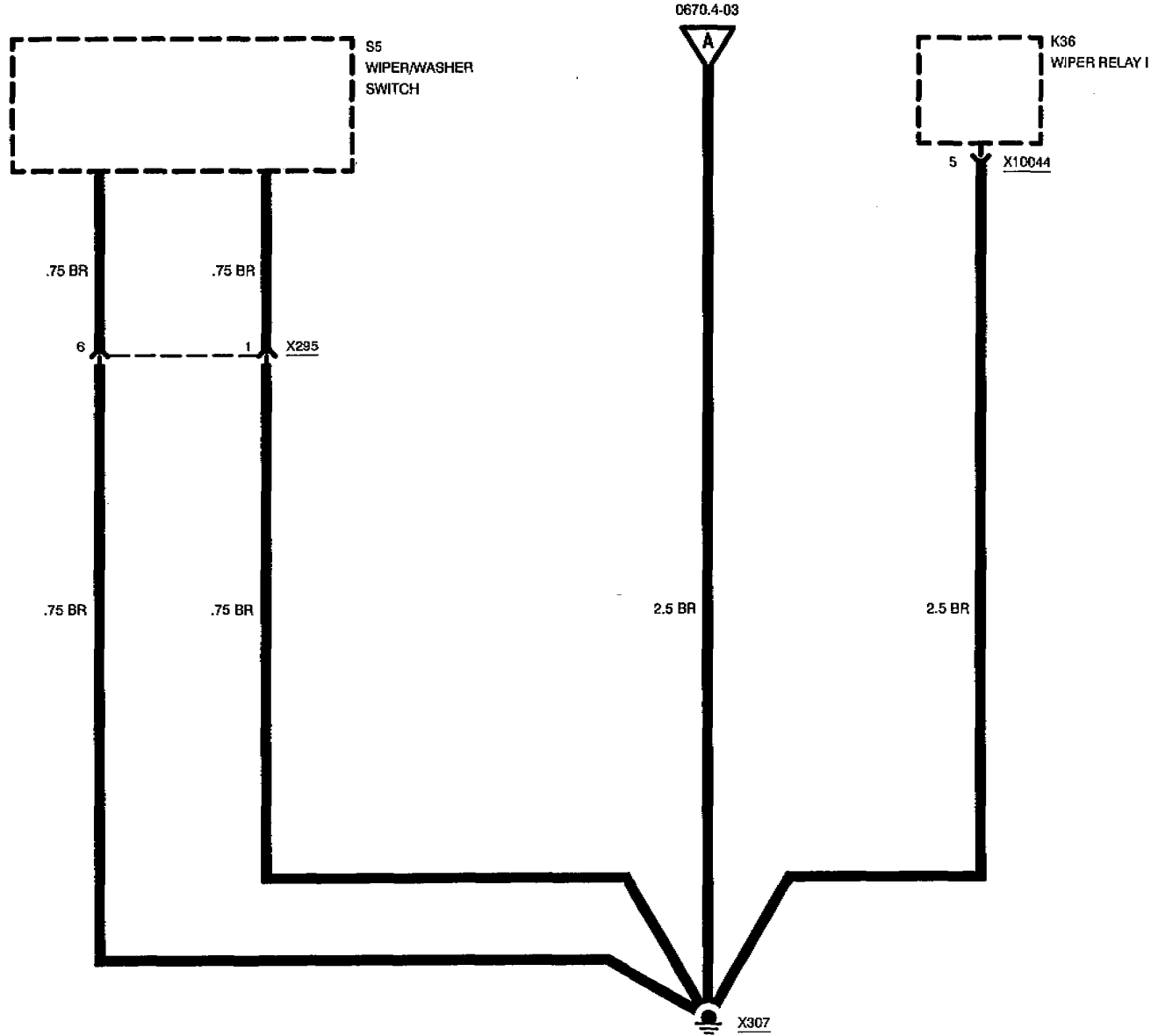
## GROUND X307





# GROUND DISTRIBUTION

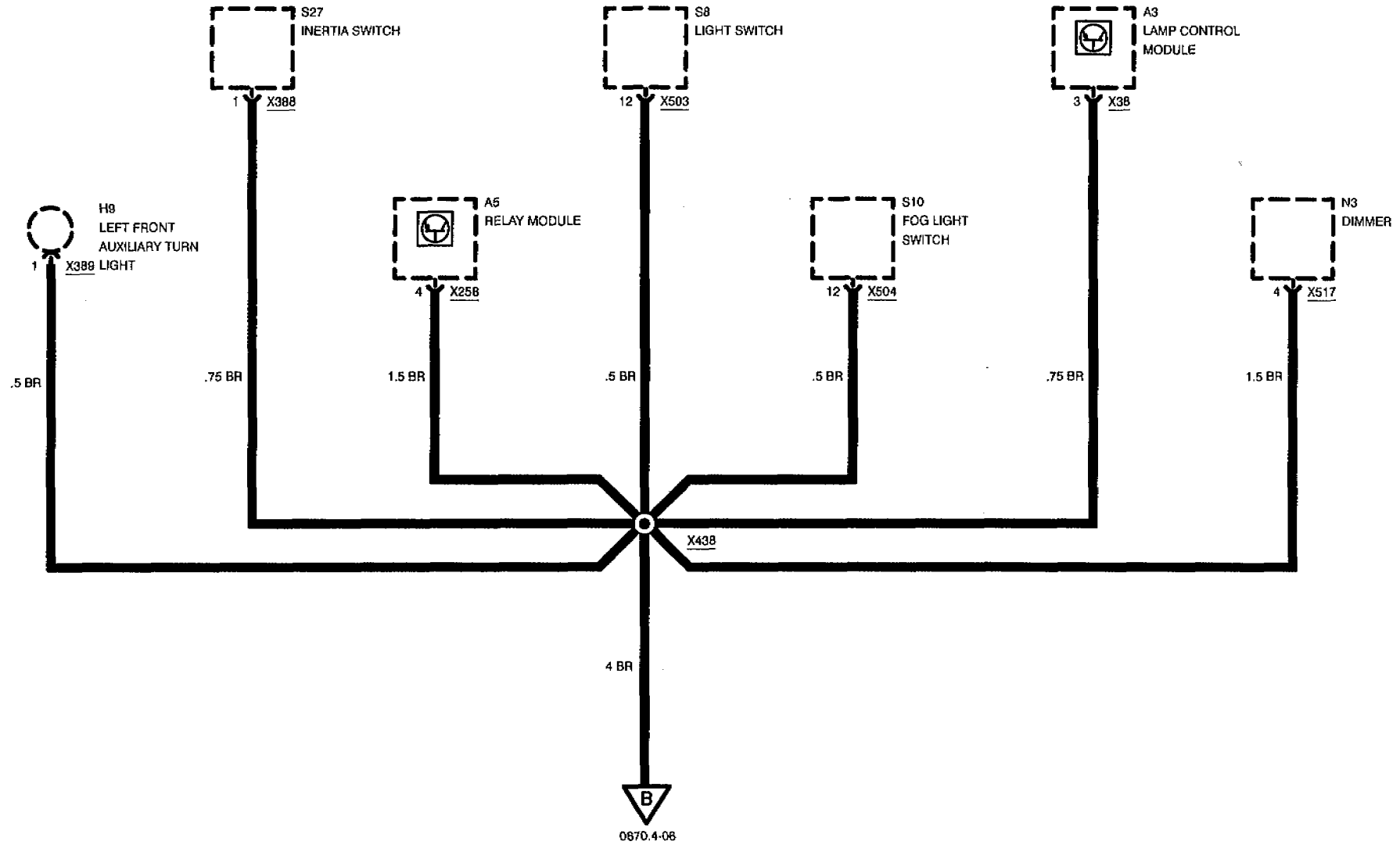
## GROUND X307





# GROUND DISTRIBUTION

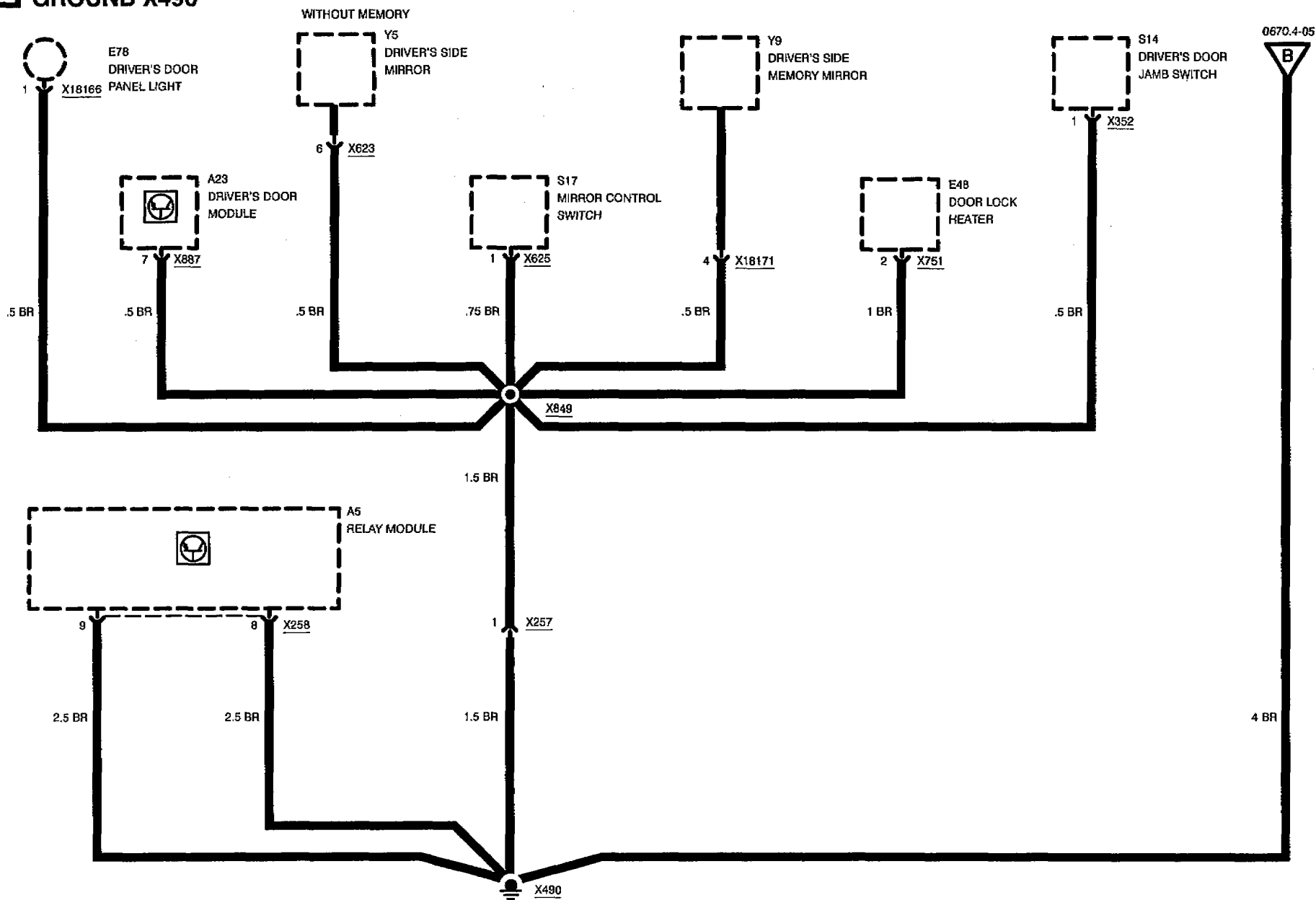
## GROUND X490





# GROUND DISTRIBUTION

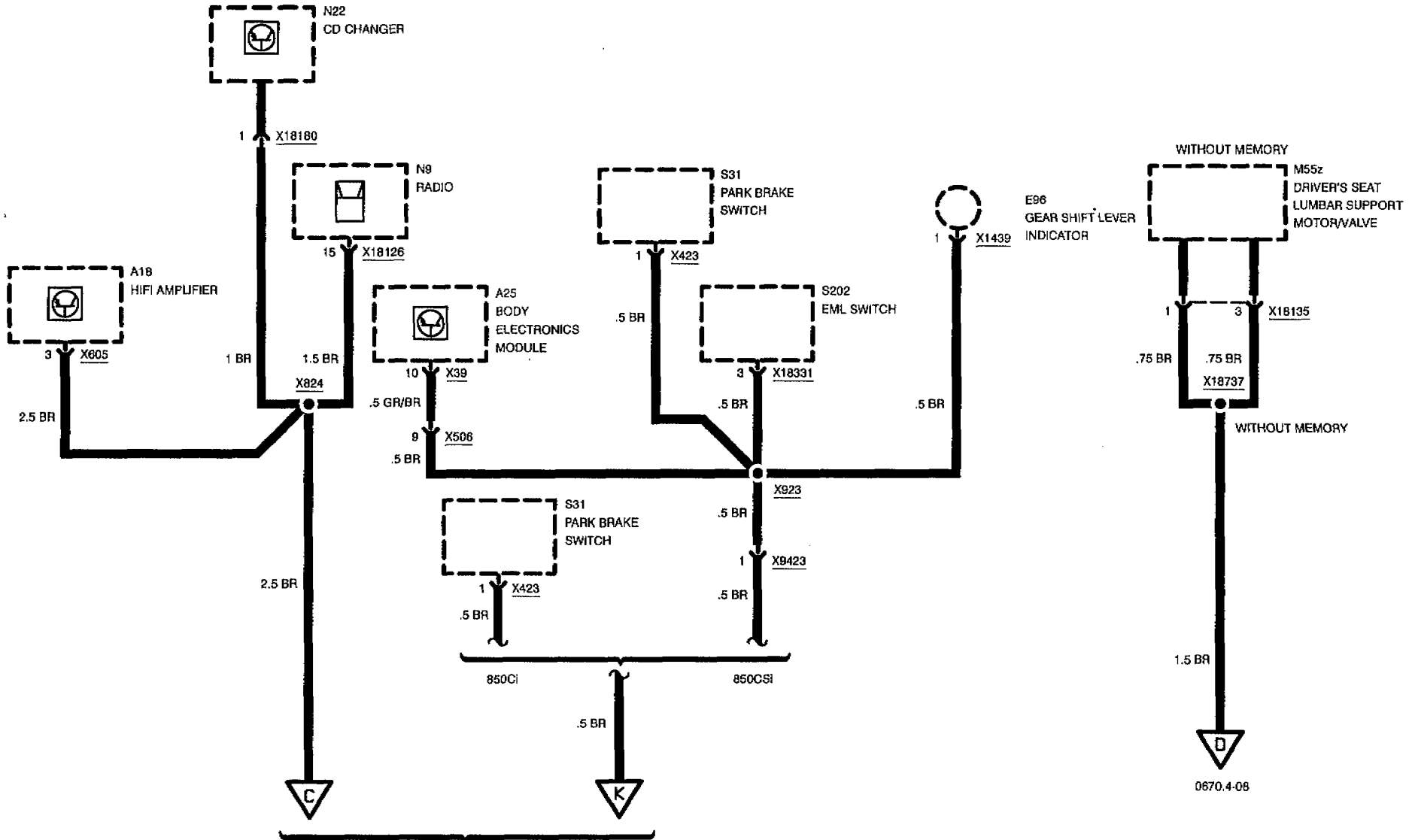
## GROUND X490





# GROUND DISTRIBUTION

## GROUND X492



0670.4-10

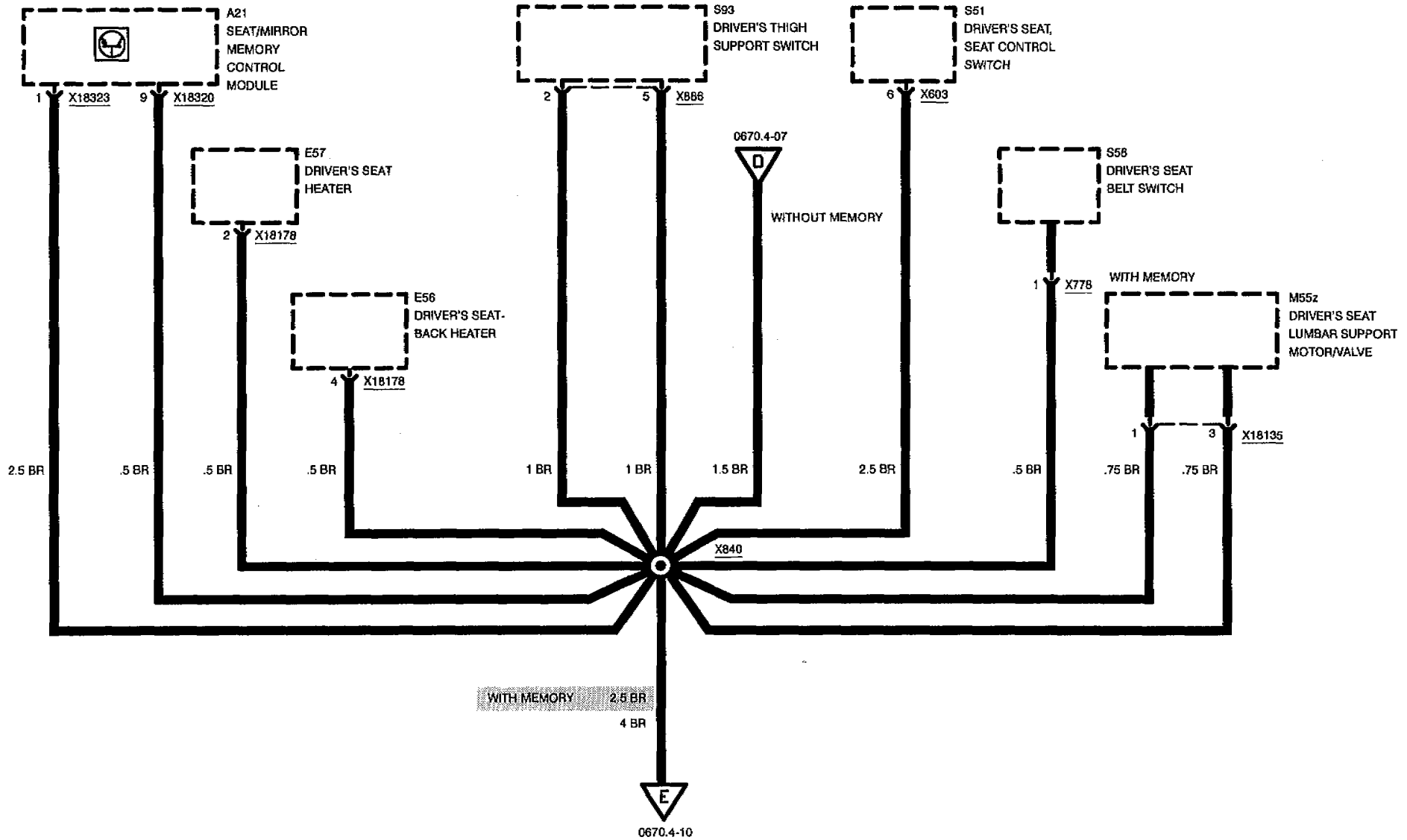
0670.4-08





# GROUND DISTRIBUTION

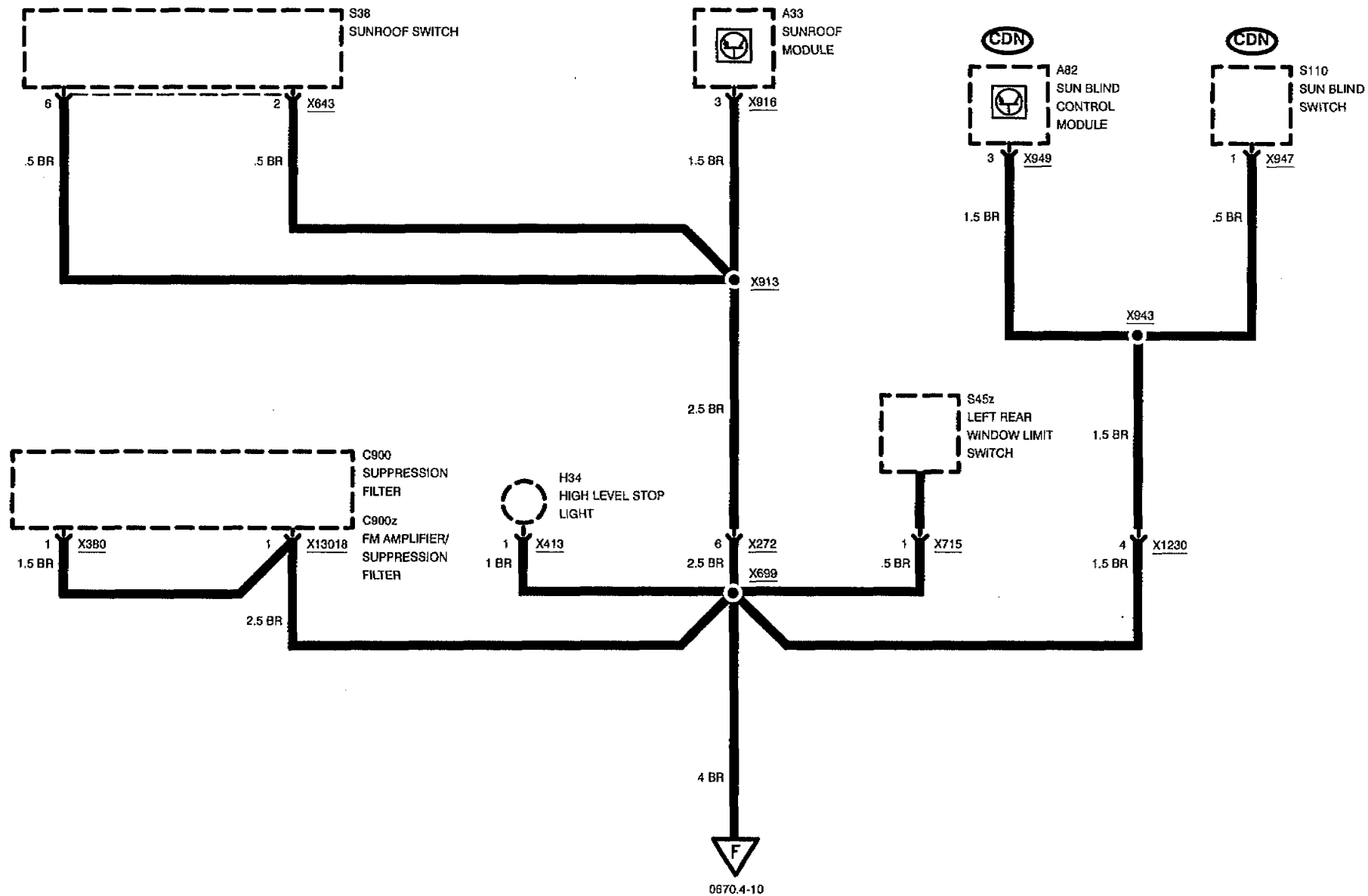
## GROUND X492





# GROUND DISTRIBUTION

## GROUND X492

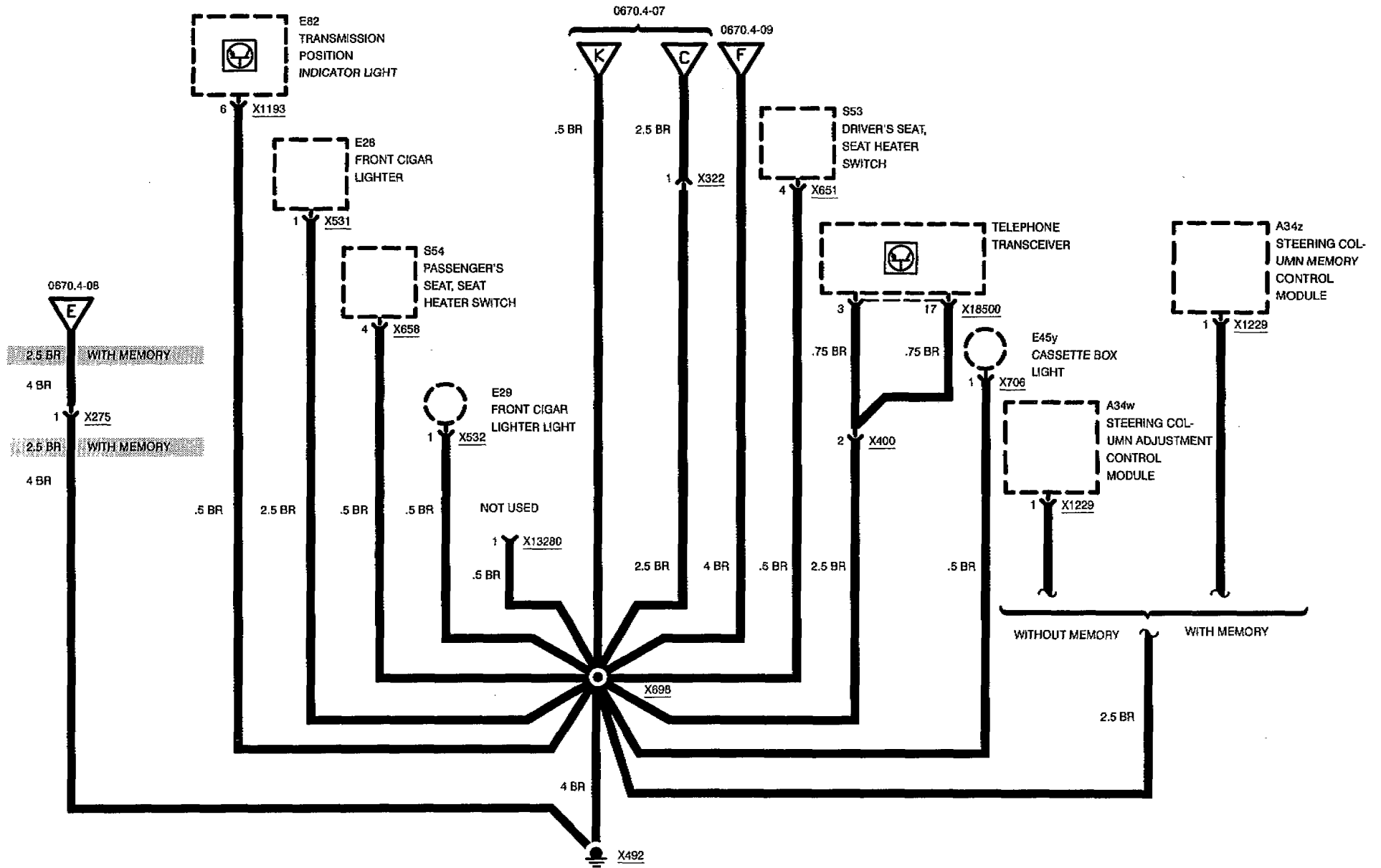


0870.4-10



# GROUND DISTRIBUTION

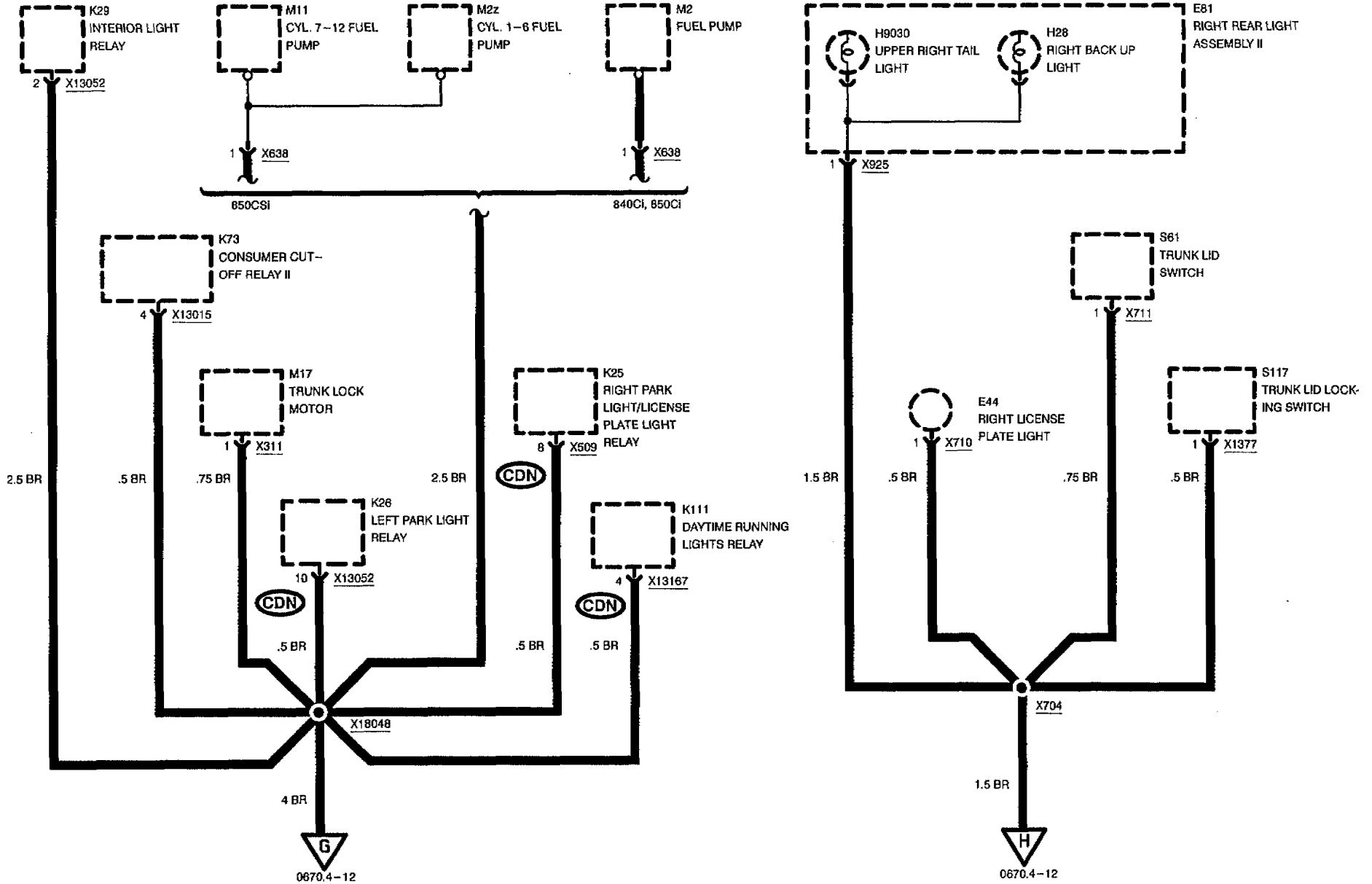
## GROUND X492





# GROUND DISTRIBUTION

## GROUND X494



02/97

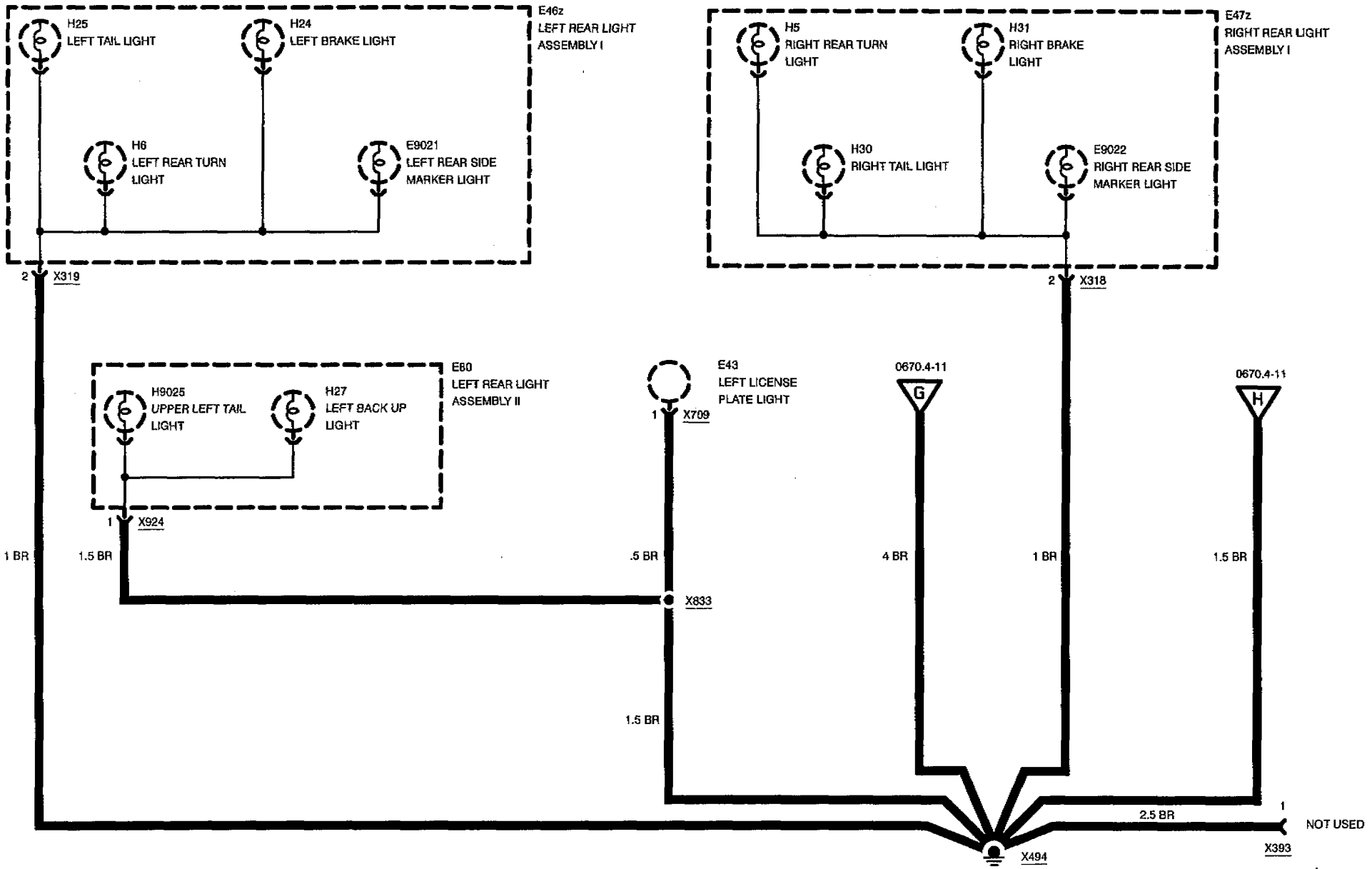
0670.4-11

95/96



# GROUND DISTRIBUTION

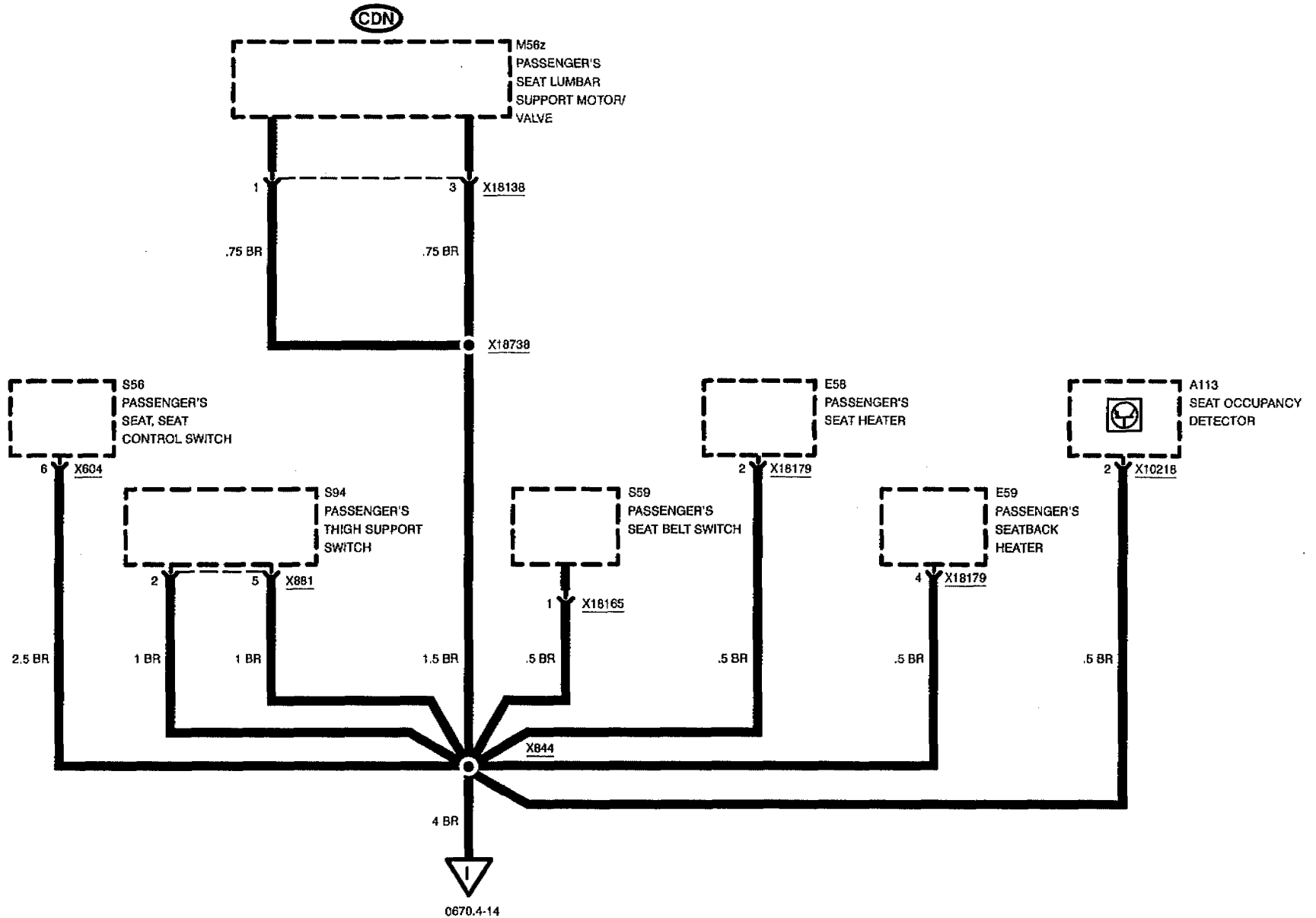
## GROUND X494





# GROUND DISTRIBUTION

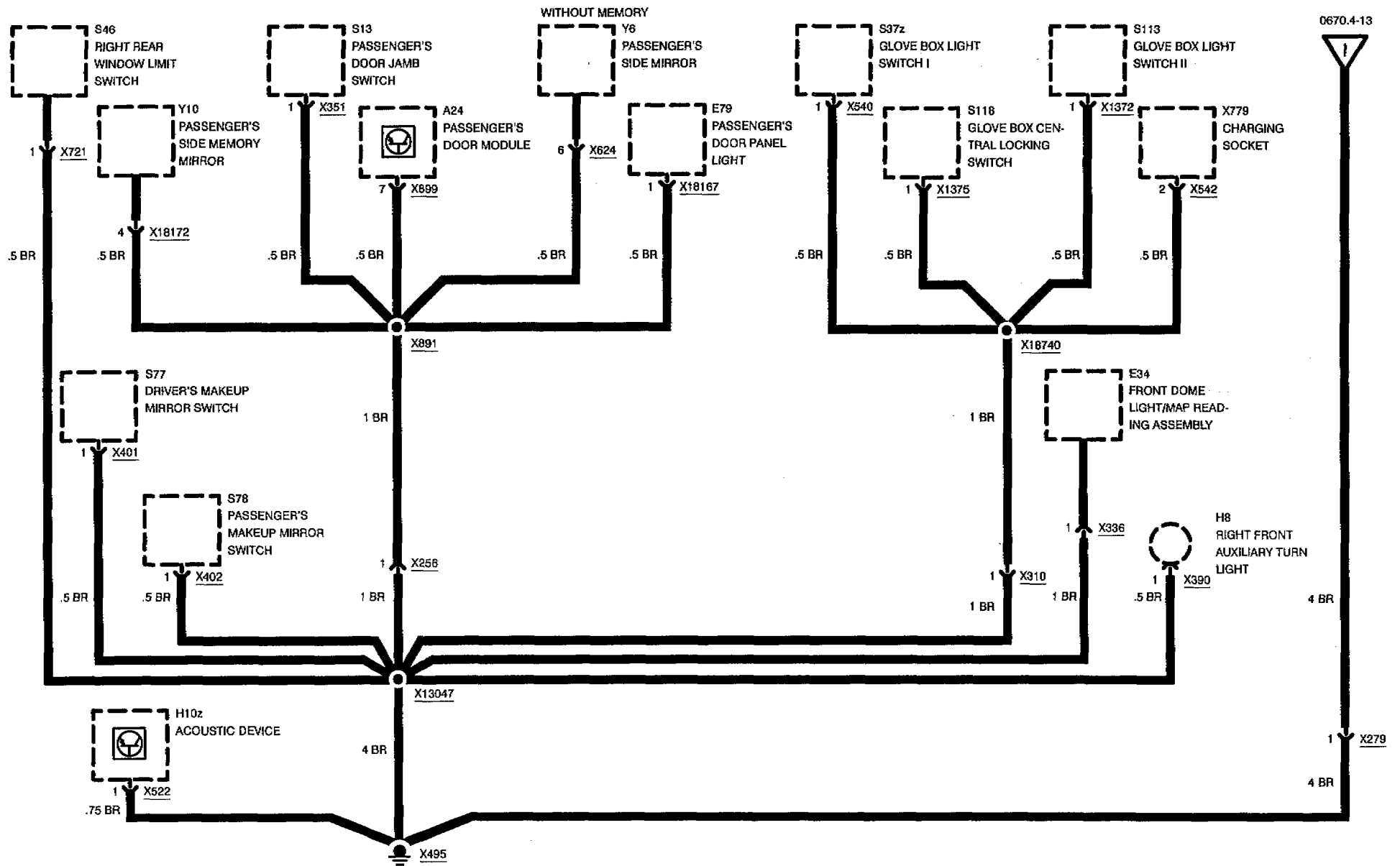
## GROUND X495





# GROUND DISTRIBUTION

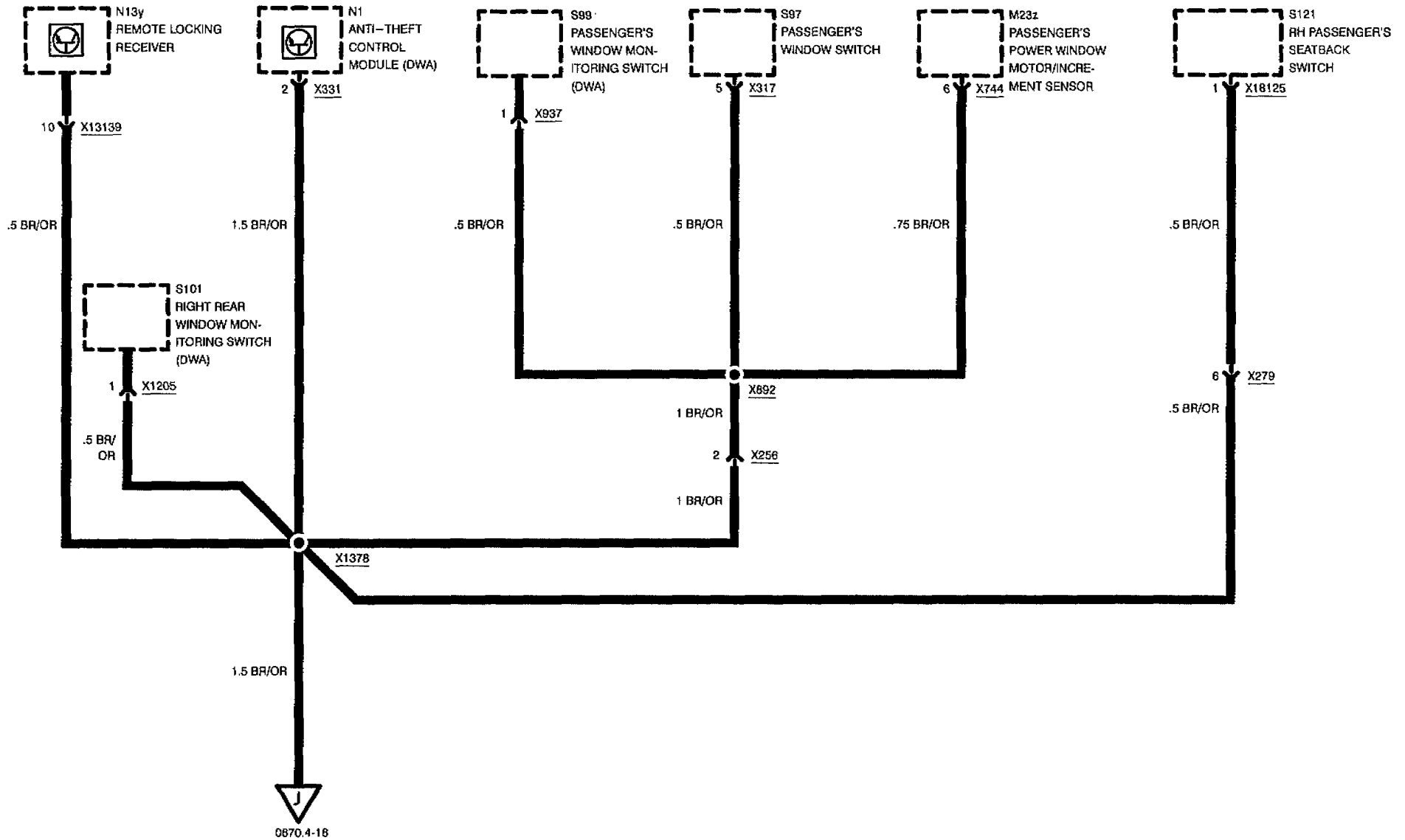
## GROUND X495





# GROUND DISTRIBUTION

## GROUND X497

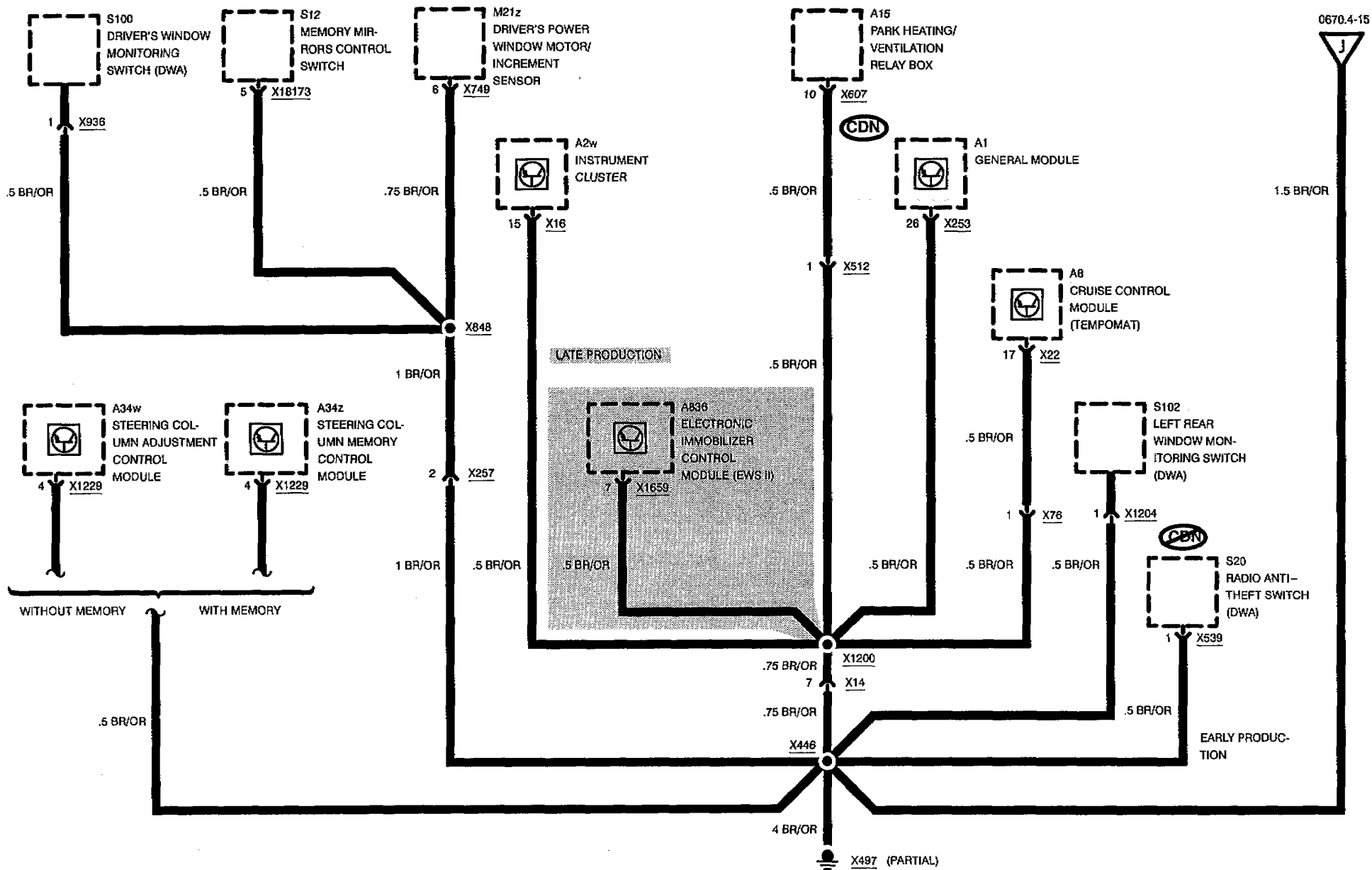






# GROUND DISTRIBUTION

## GROUND X497

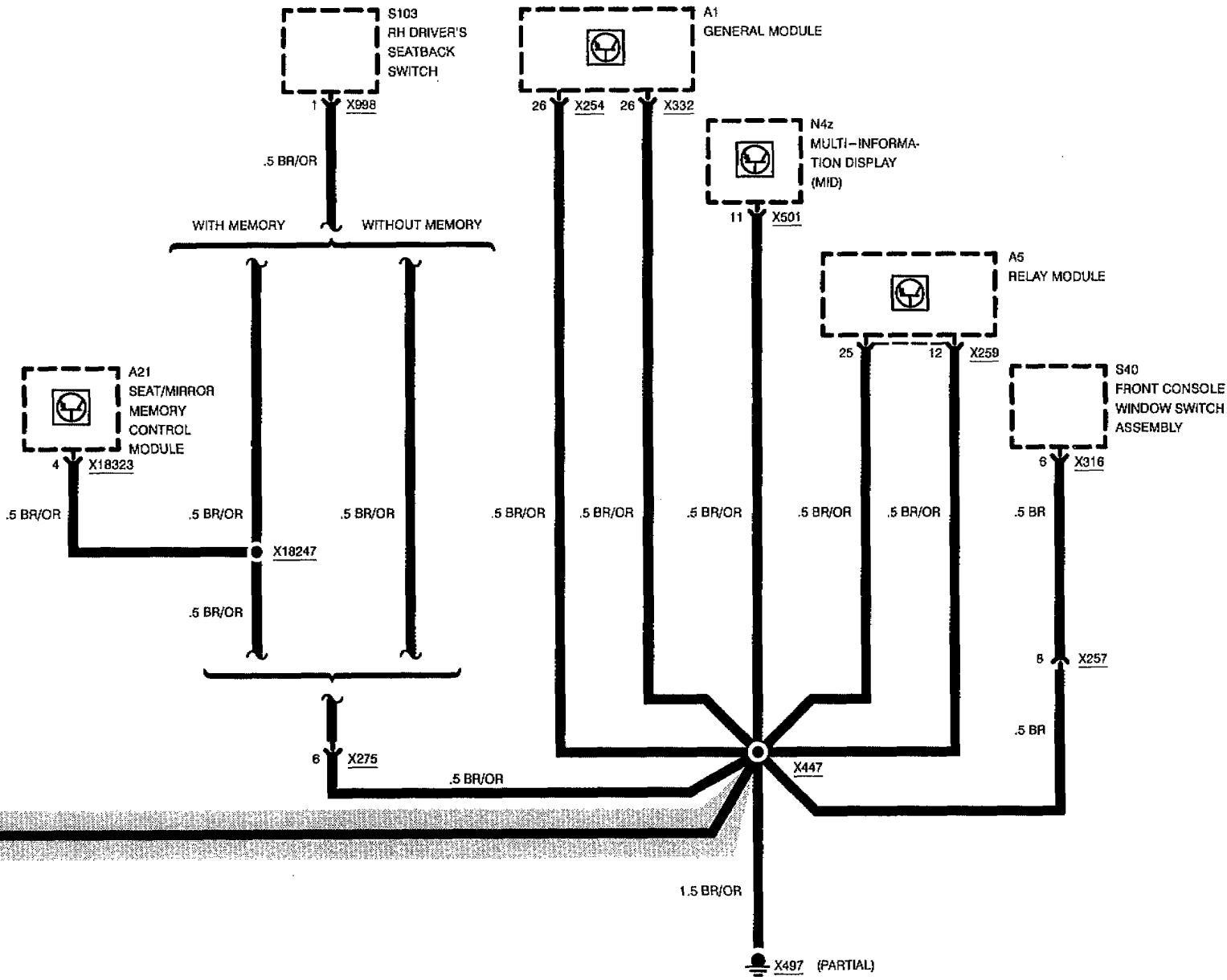
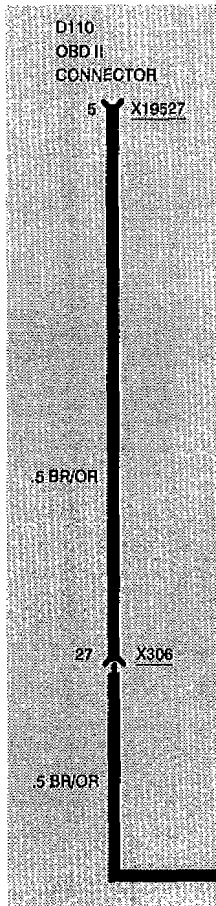




# GROUND DISTRIBUTION

## GROUND X497

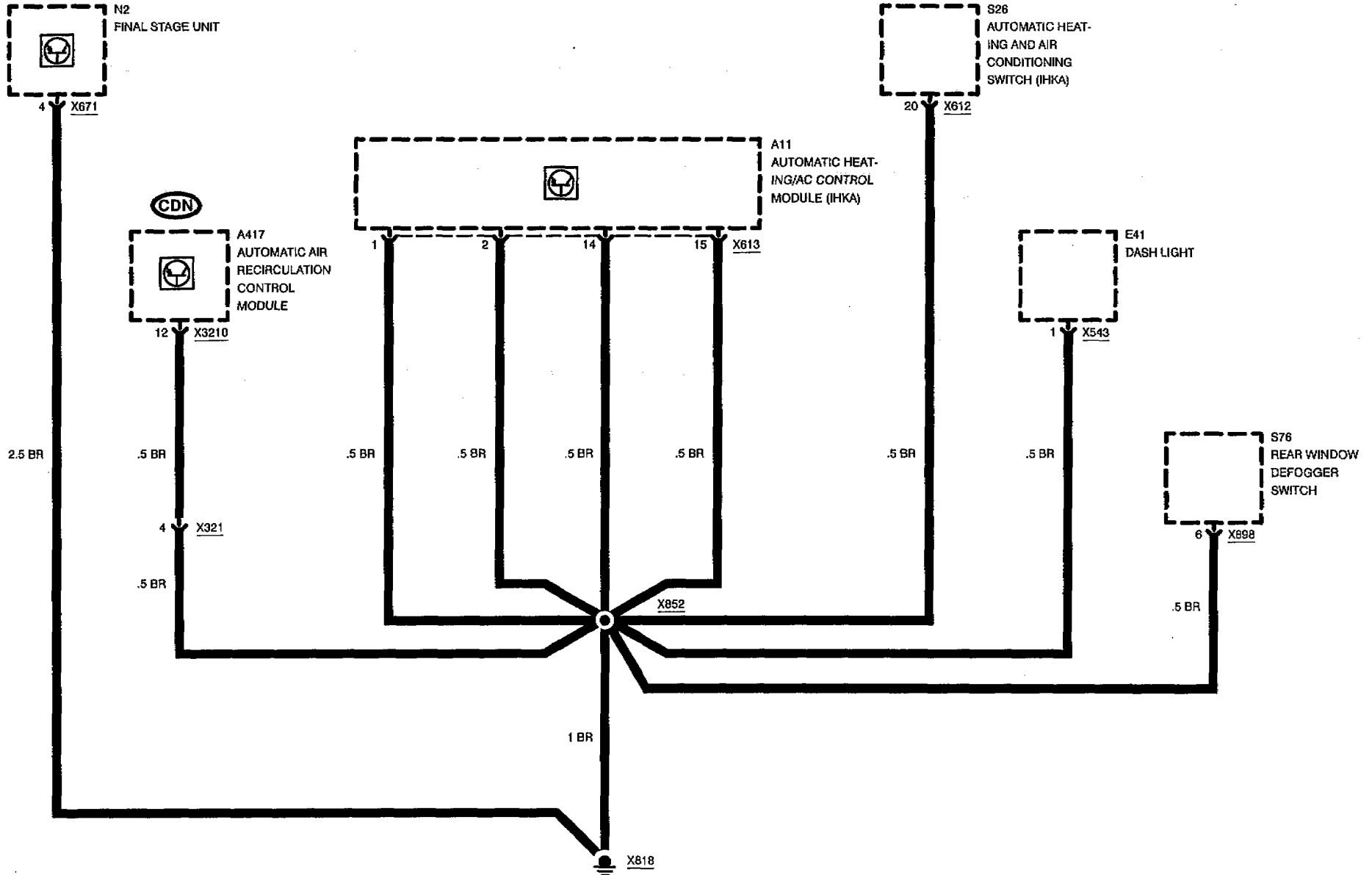
840Ci (M62)  
850Ci





# GROUND DISTRIBUTION

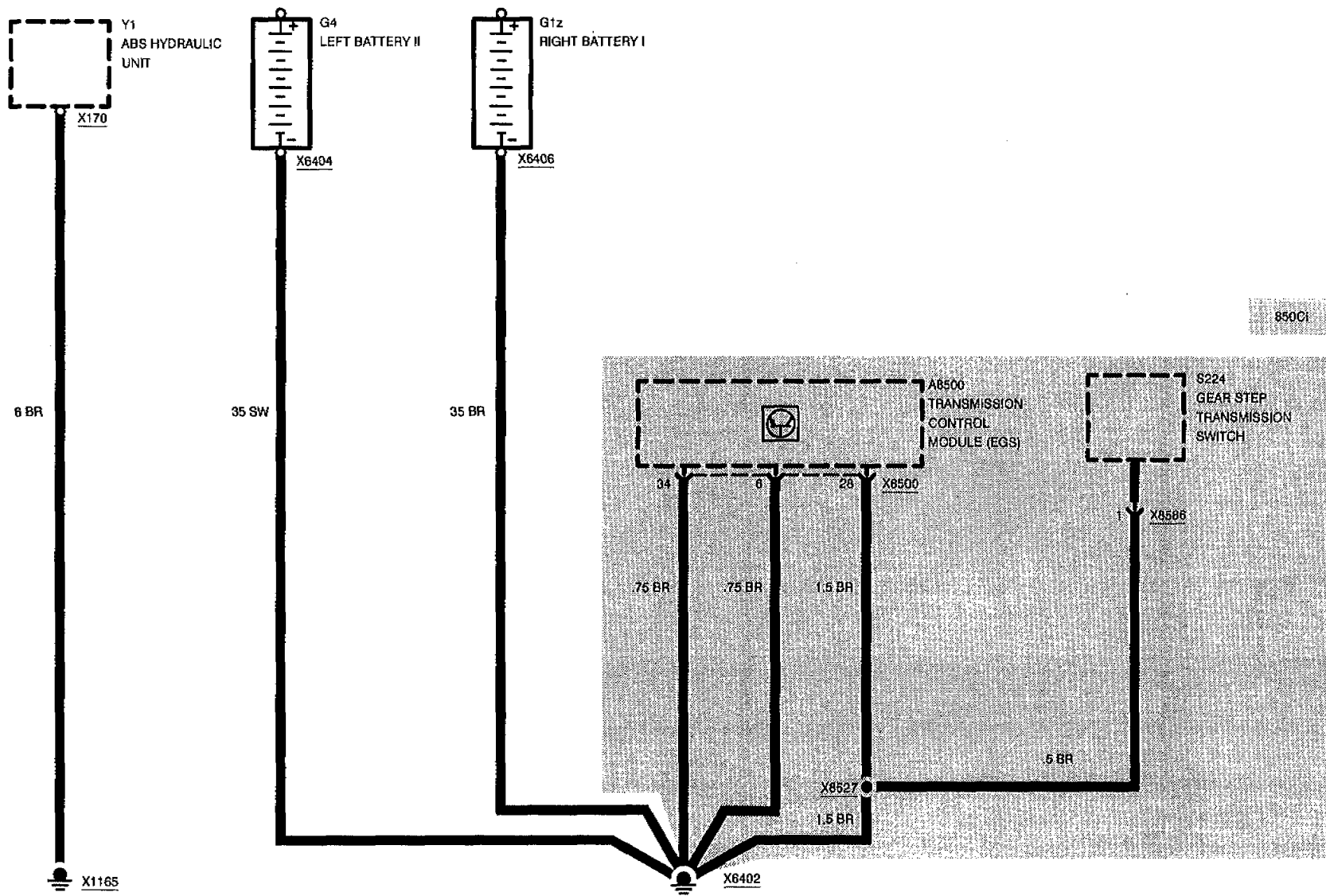
## GROUND X818





# GROUND DISTRIBUTION

## GROUNDS X1165 AND X6402

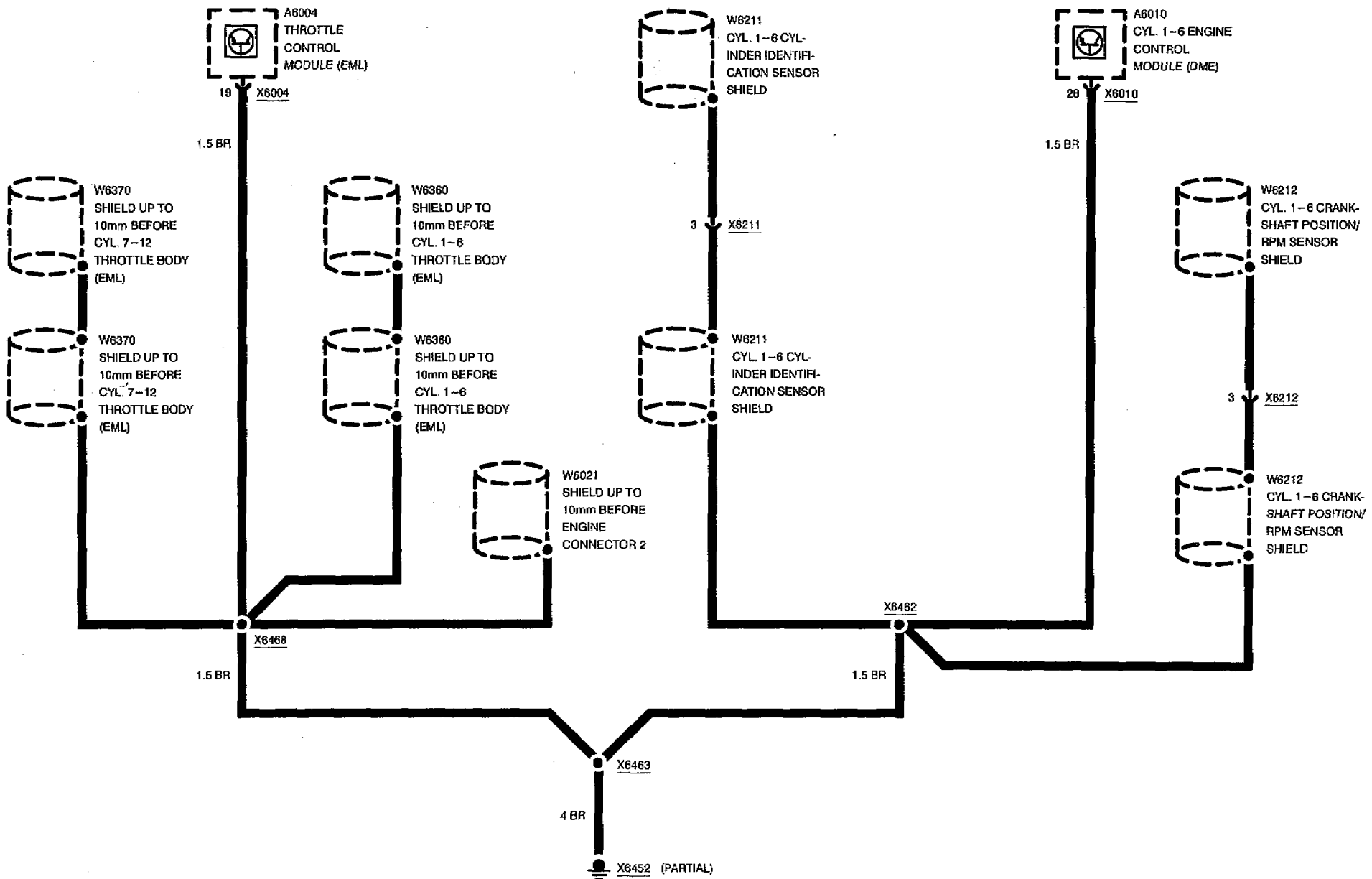




# GROUND DISTRIBUTION

## 850CSI

### GROUND X6452

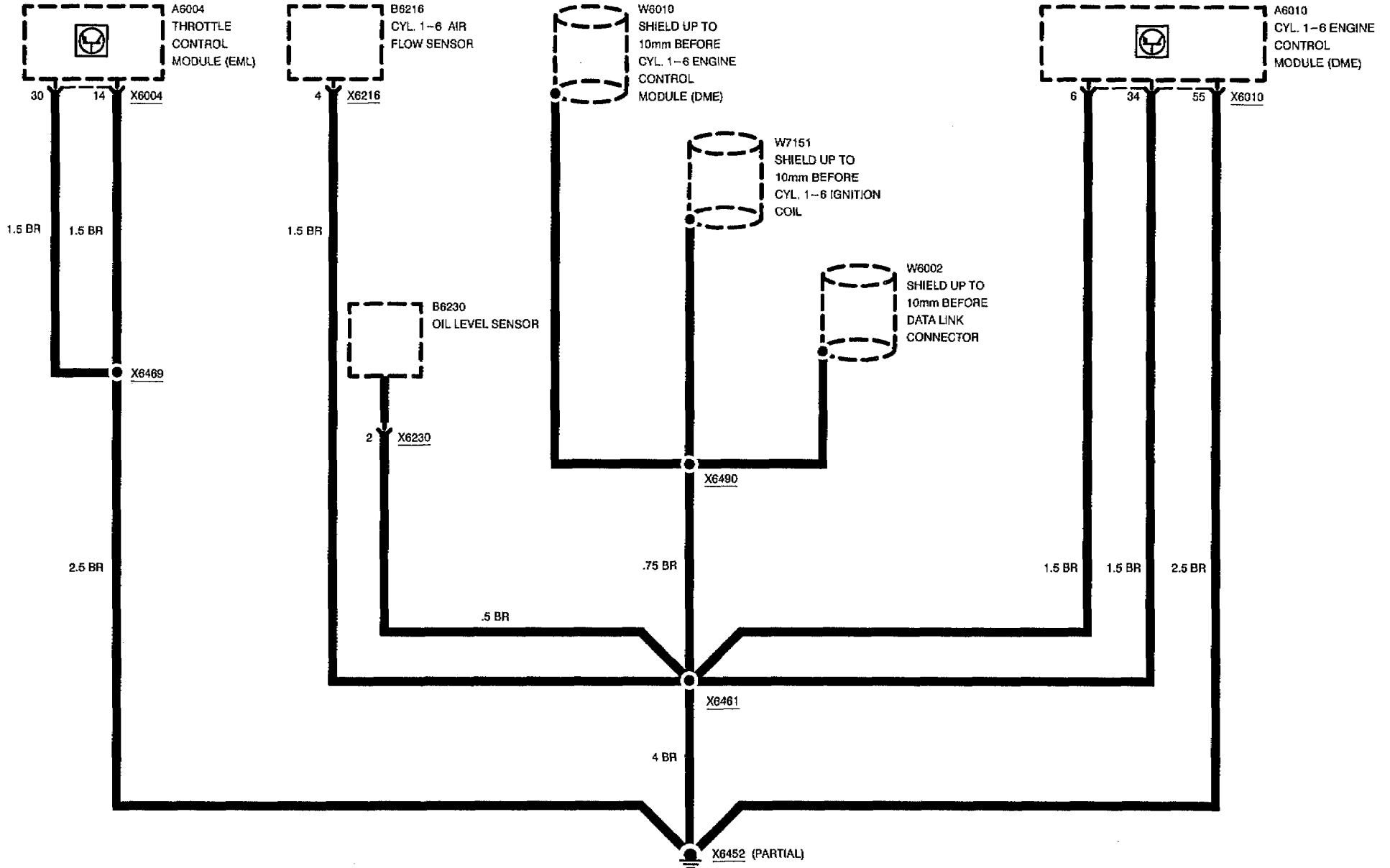




# GROUND DISTRIBUTION

850CSI

## GROUND X6452

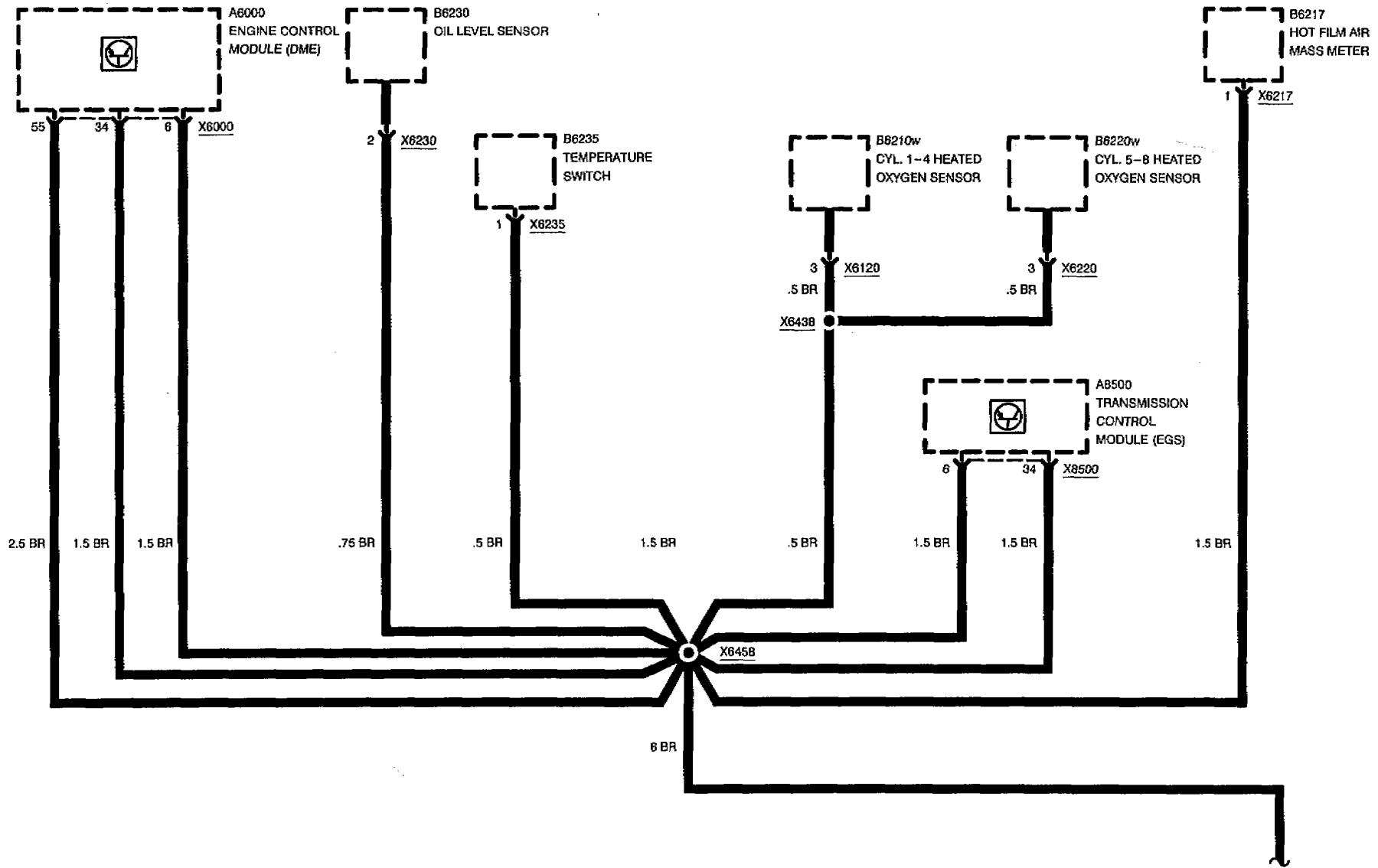


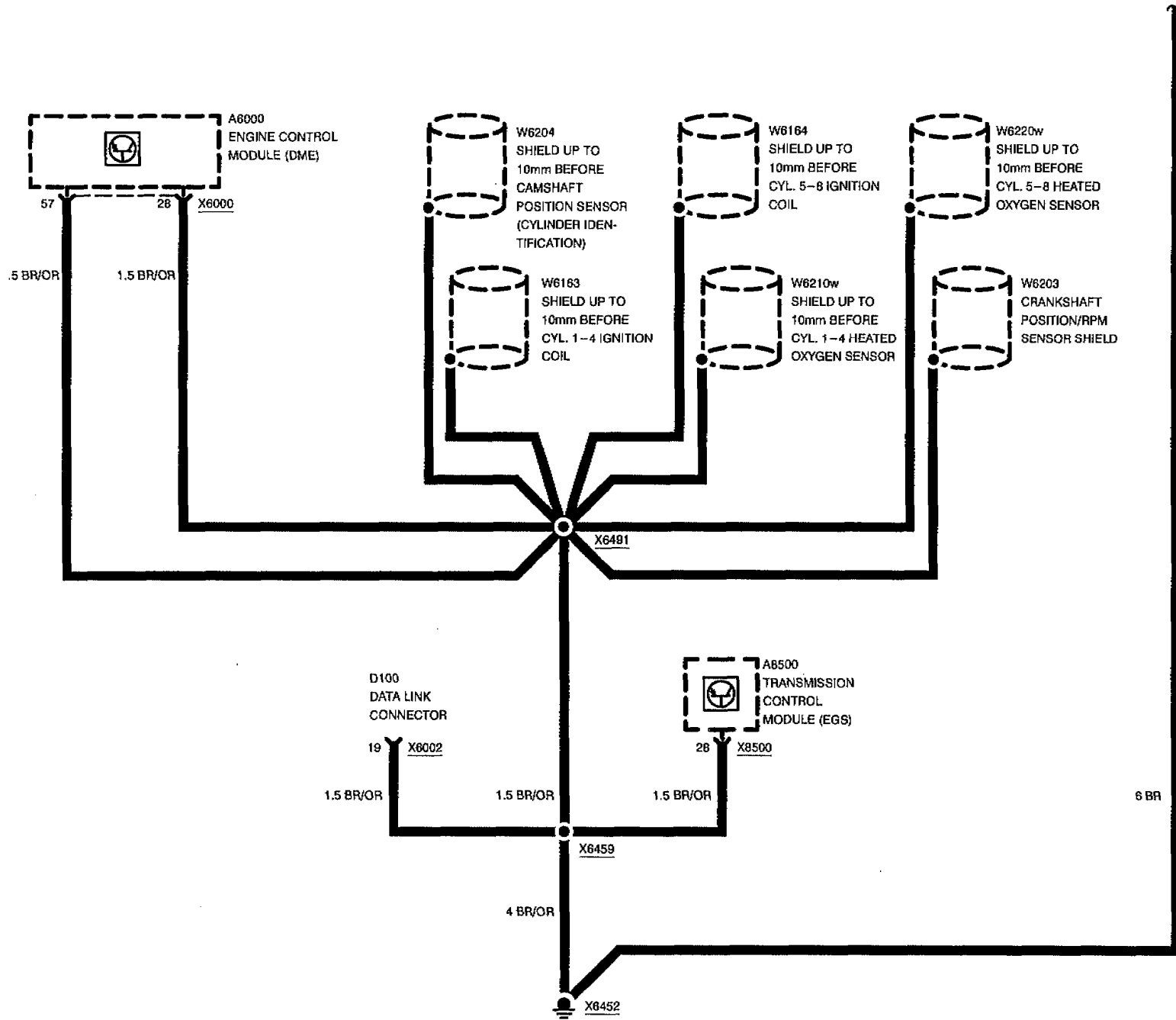


# GROUND DISTRIBUTION

840Ci (M60)

## GROUND X6452





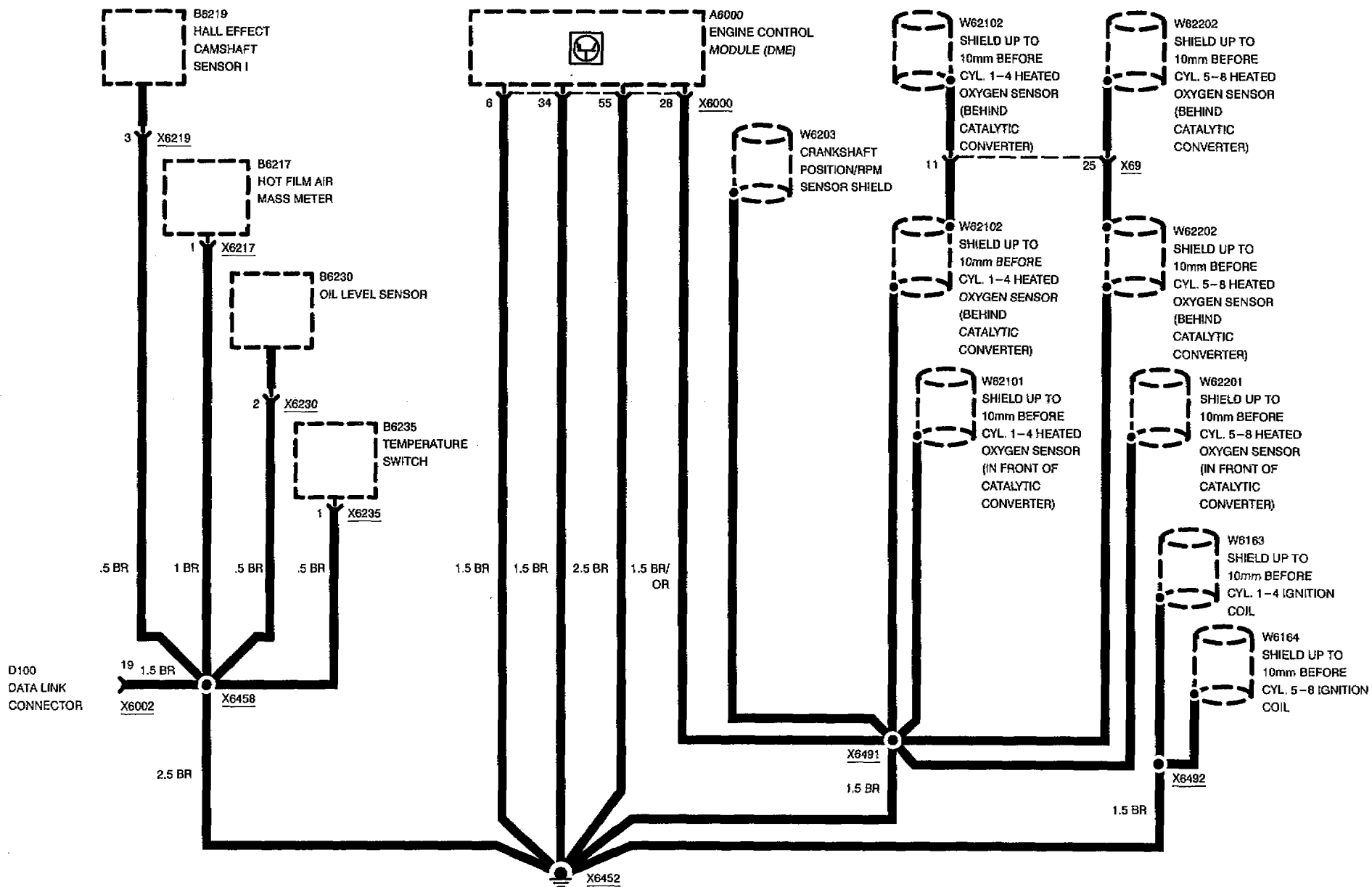




# GROUND DISTRIBUTION

## 840Ci (M62)

### GROUND X6452

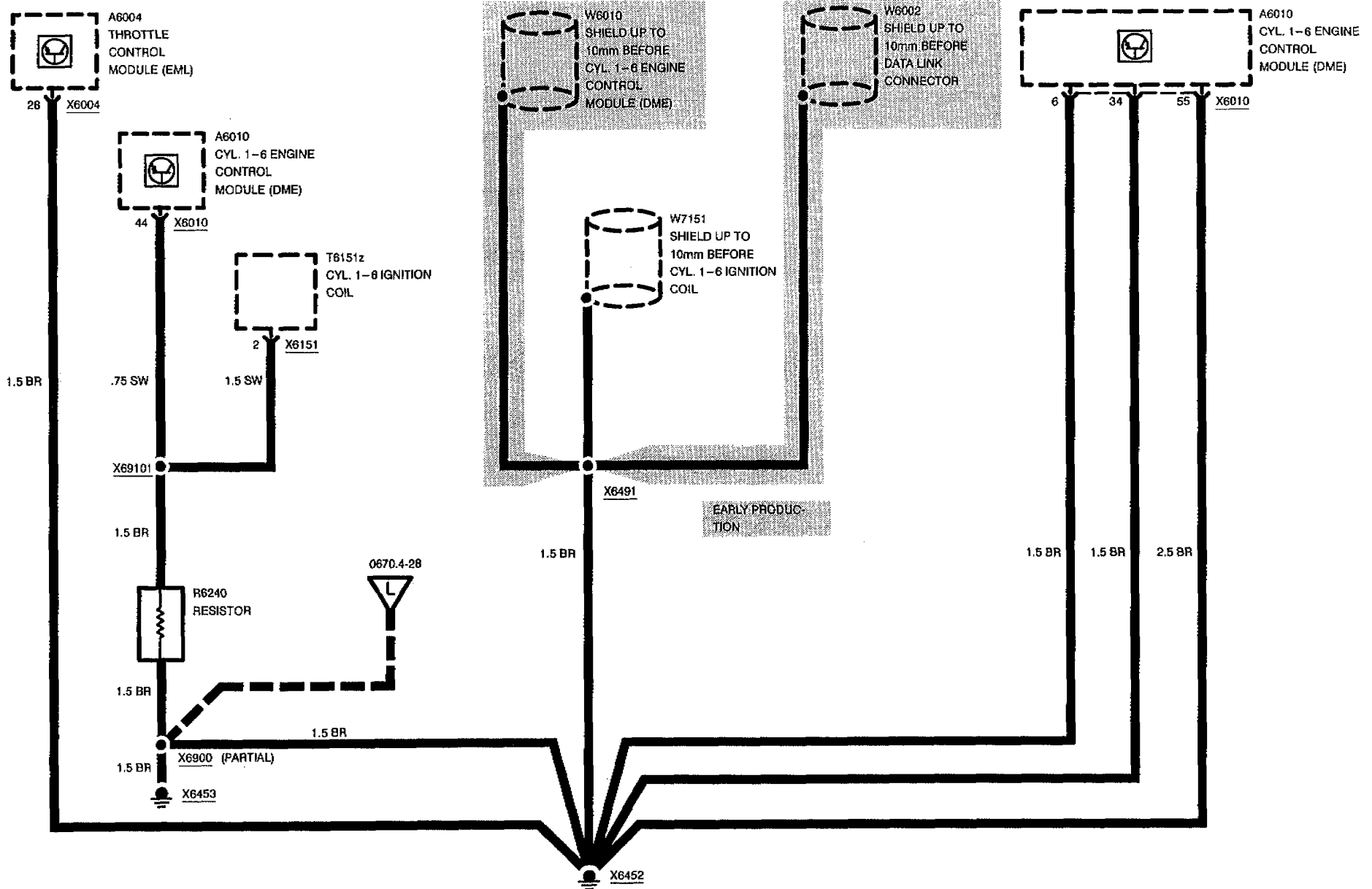




# GROUND DISTRIBUTION

## 850CI

### GROUND X6452



02/97

0670.4-25

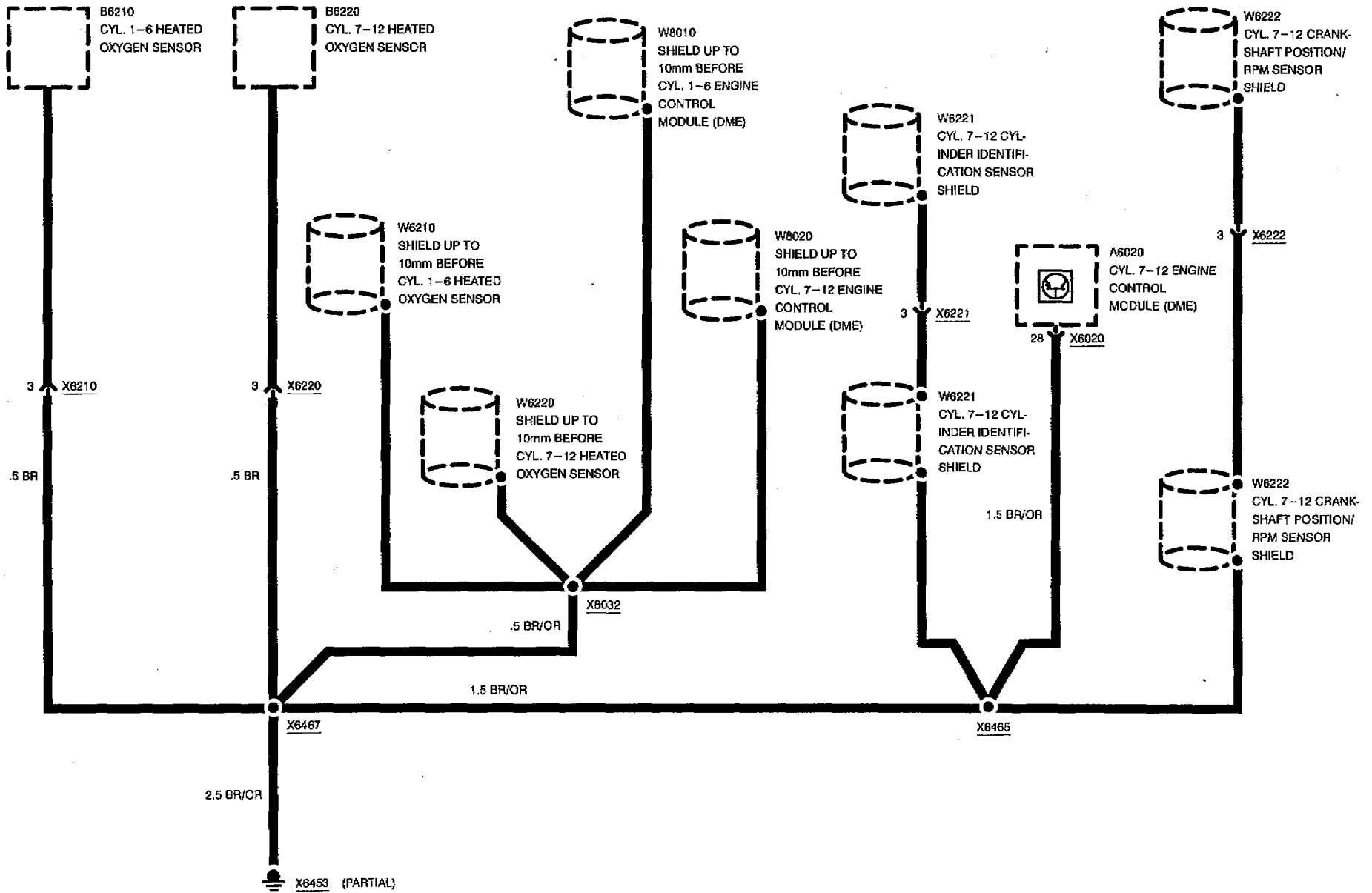
95/96



# GROUND DISTRIBUTION

## 850CSI

### GROUND X6453

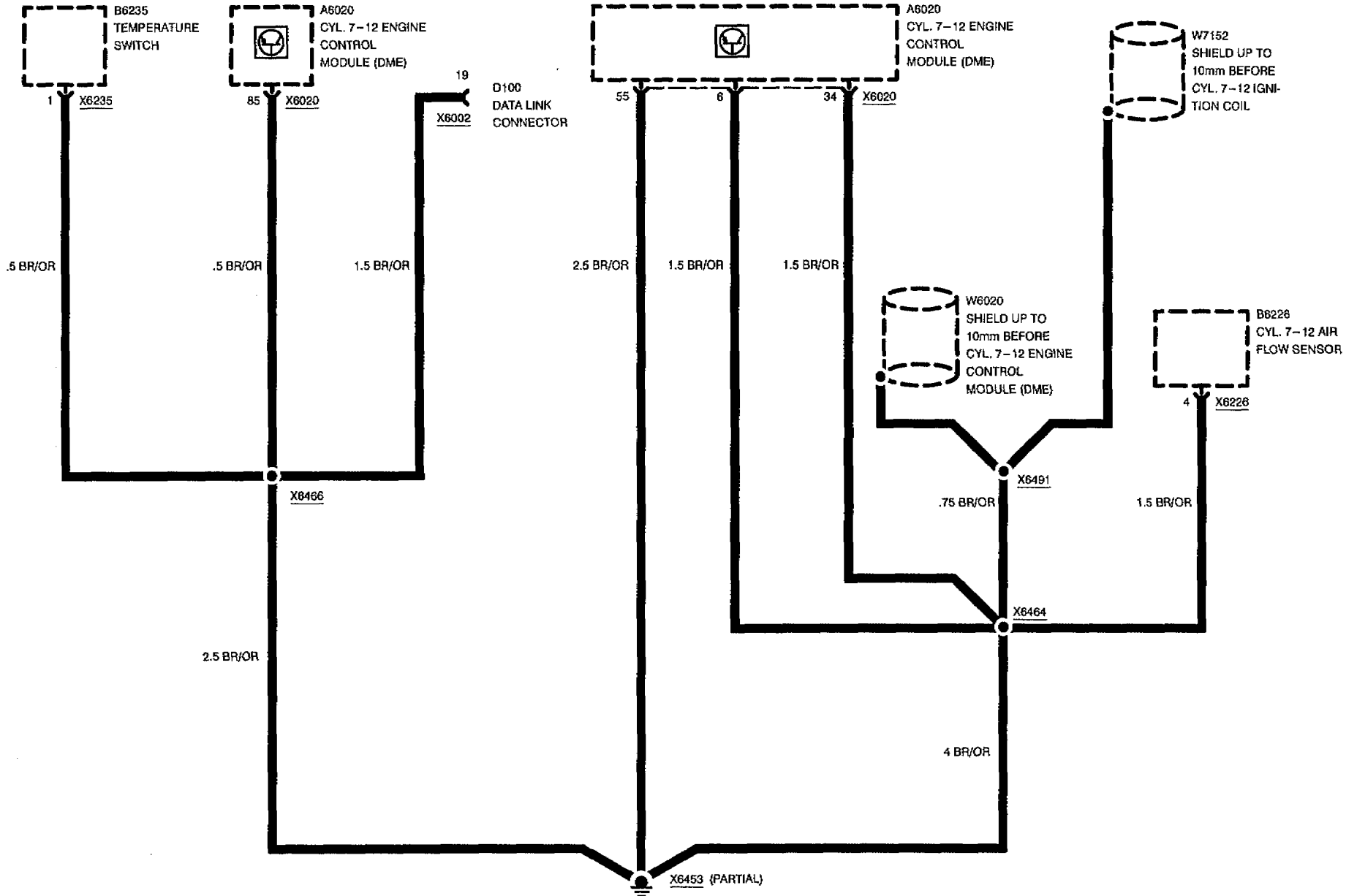




# GROUND DISTRIBUTION

850CSi

## GROUND X6453

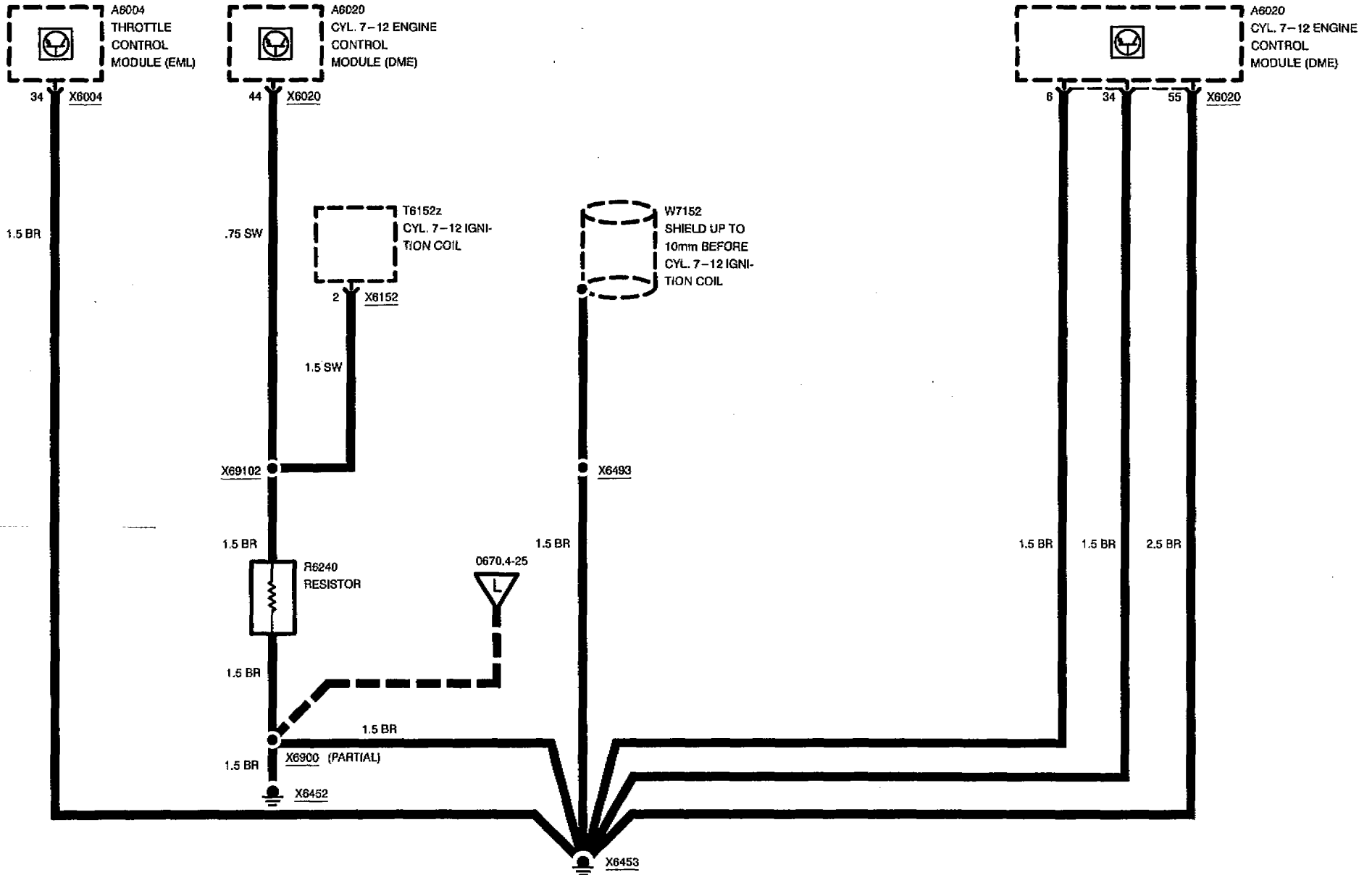




# GROUND DISTRIBUTION

850Ci

## GROUND X6453

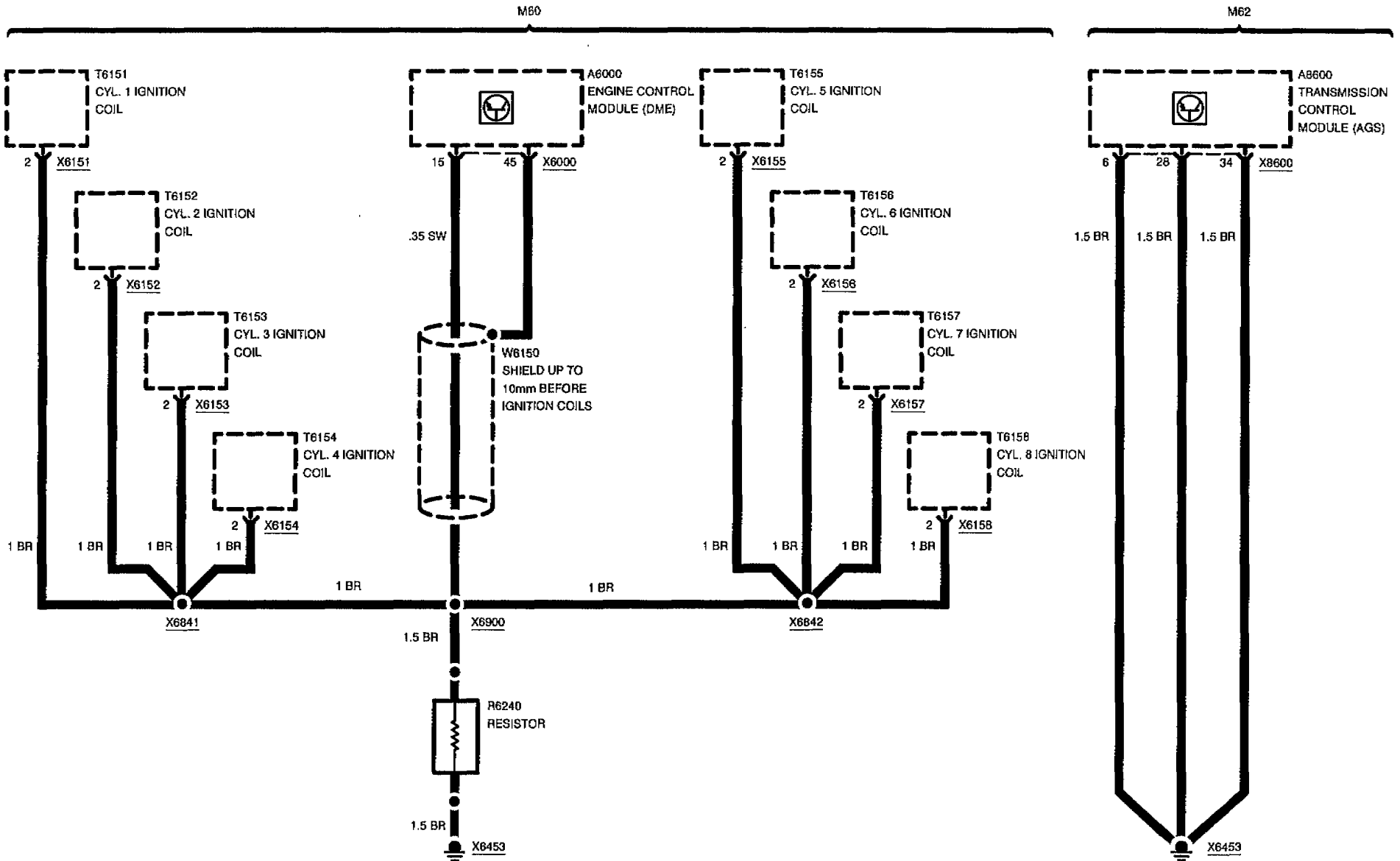




# GROUND DISTRIBUTION

## GROUND X6453

840Ci

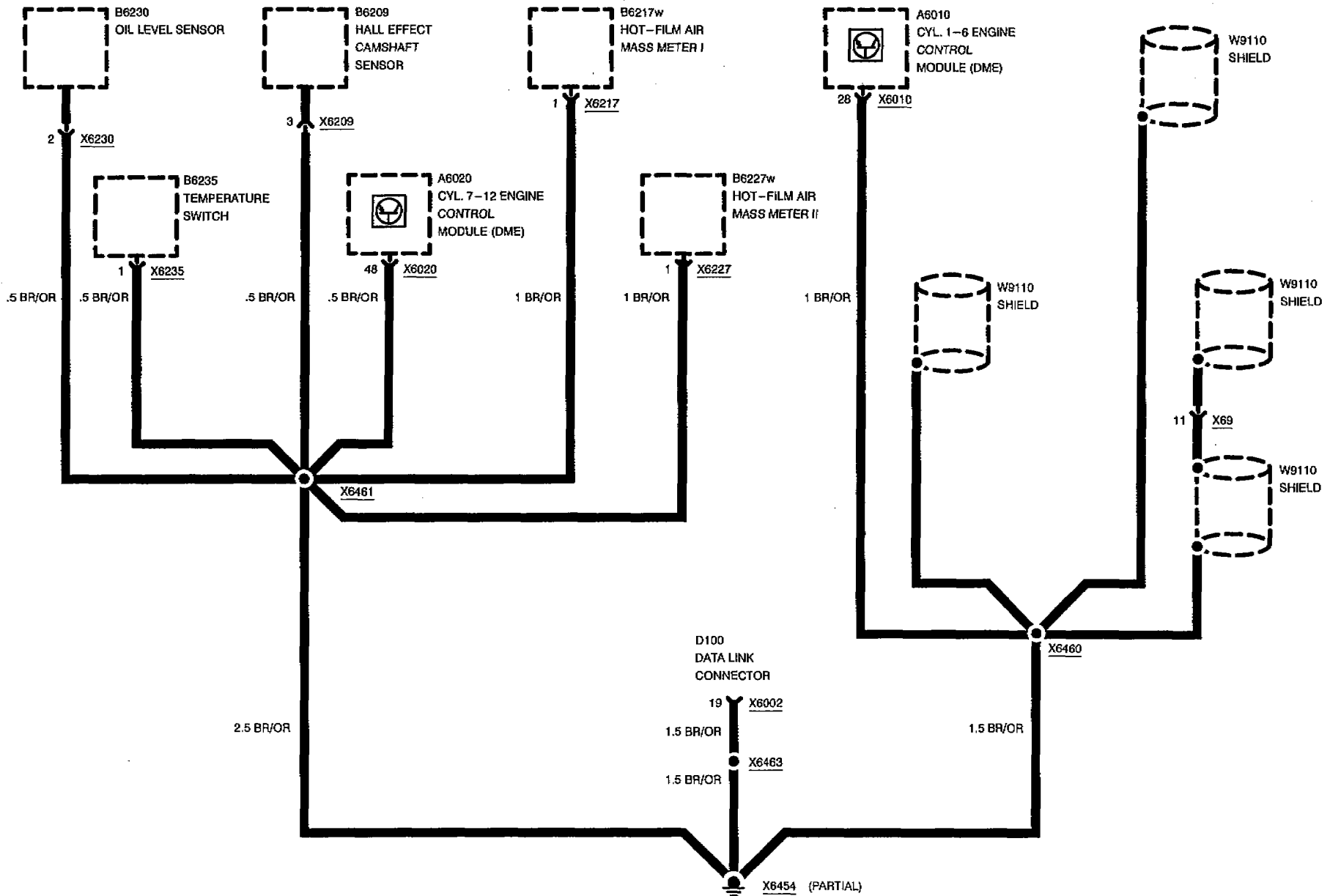




# GROUND DISTRIBUTION

## 850Ci

### GROUND X6454



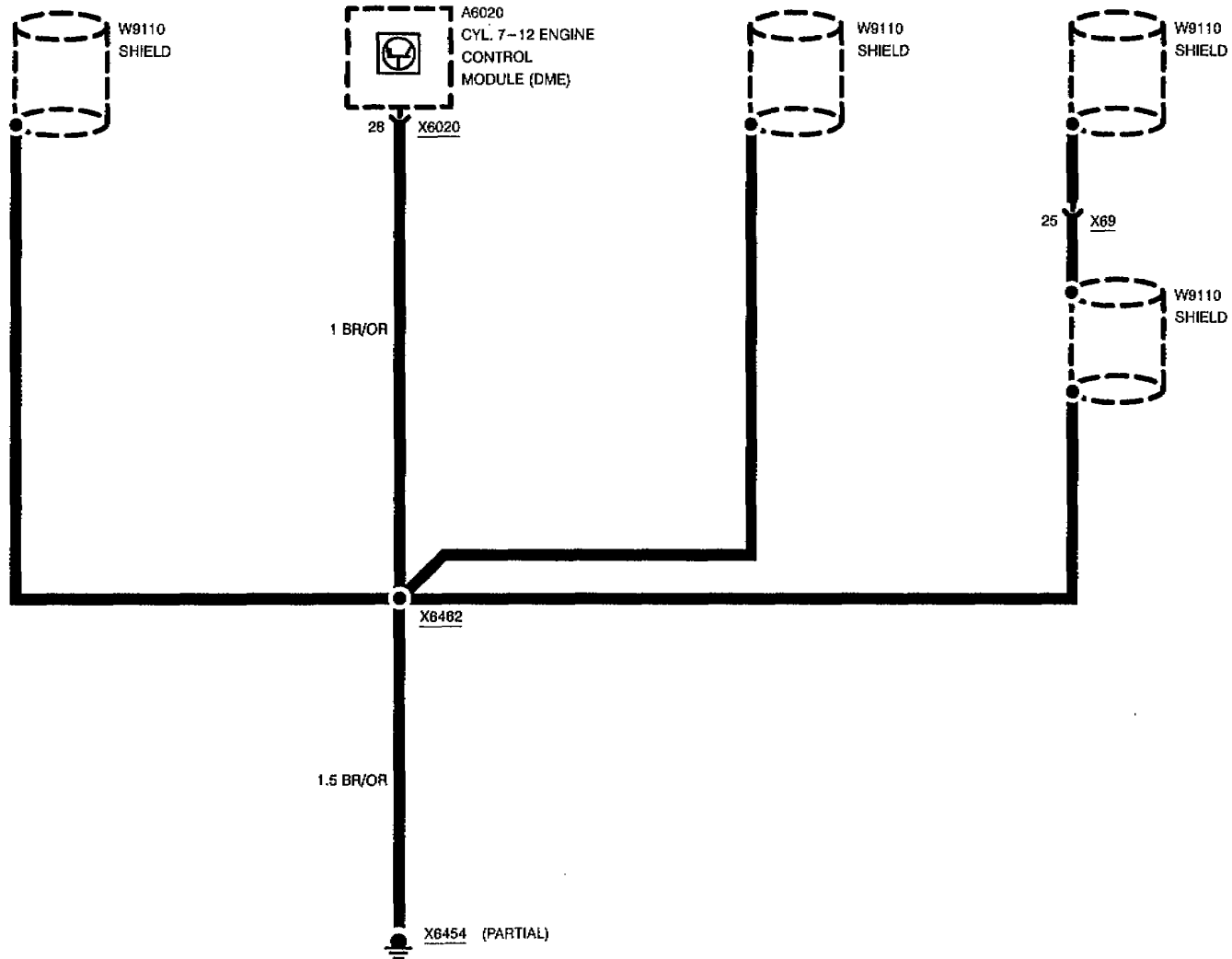
02/97 — 0670.4-30 — 95/96



# GROUND DISTRIBUTION

850Ci

## GROUND X6454



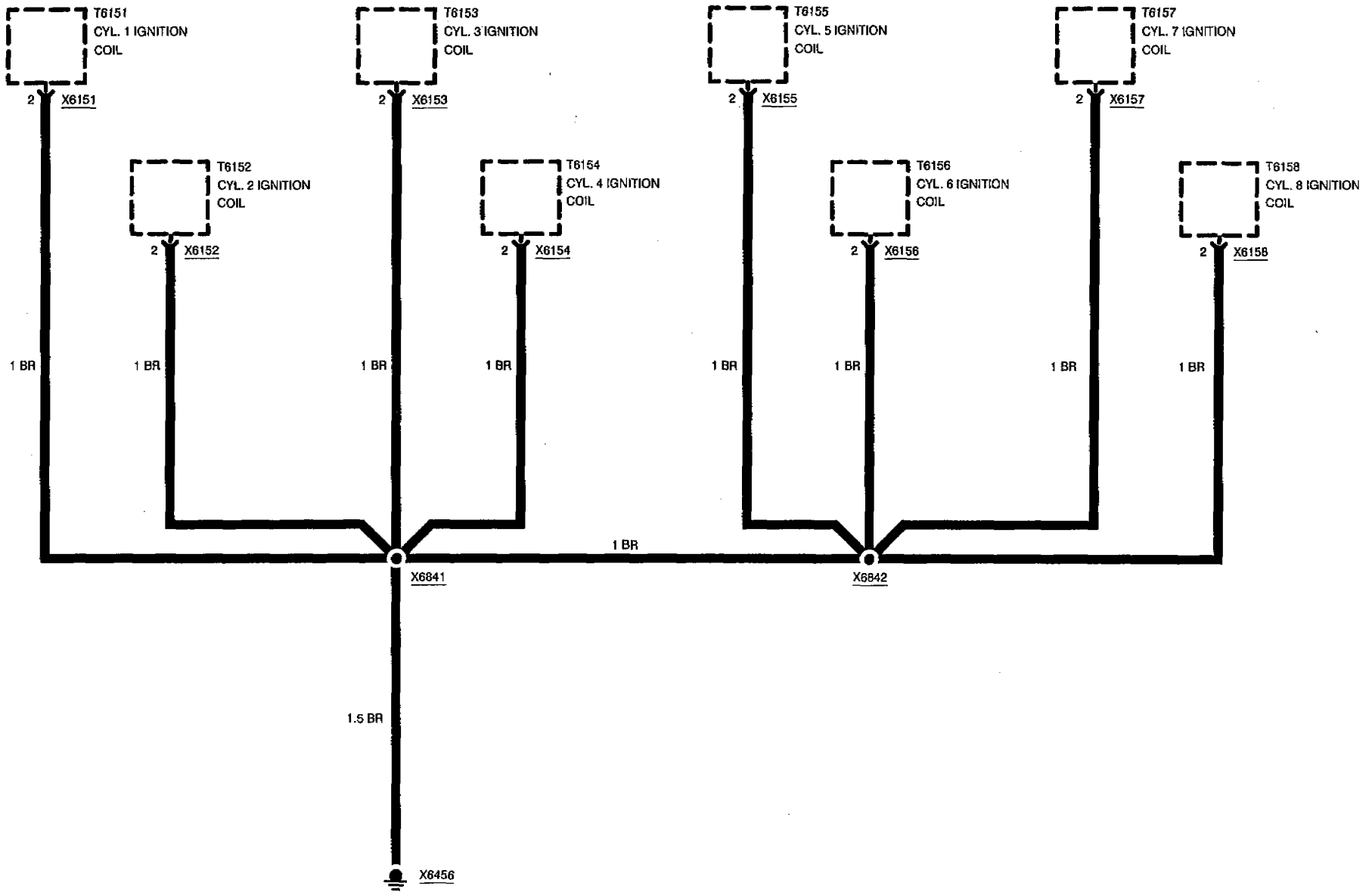




# GROUND DISTRIBUTION

840Ci (M62)

## GROUND X6456

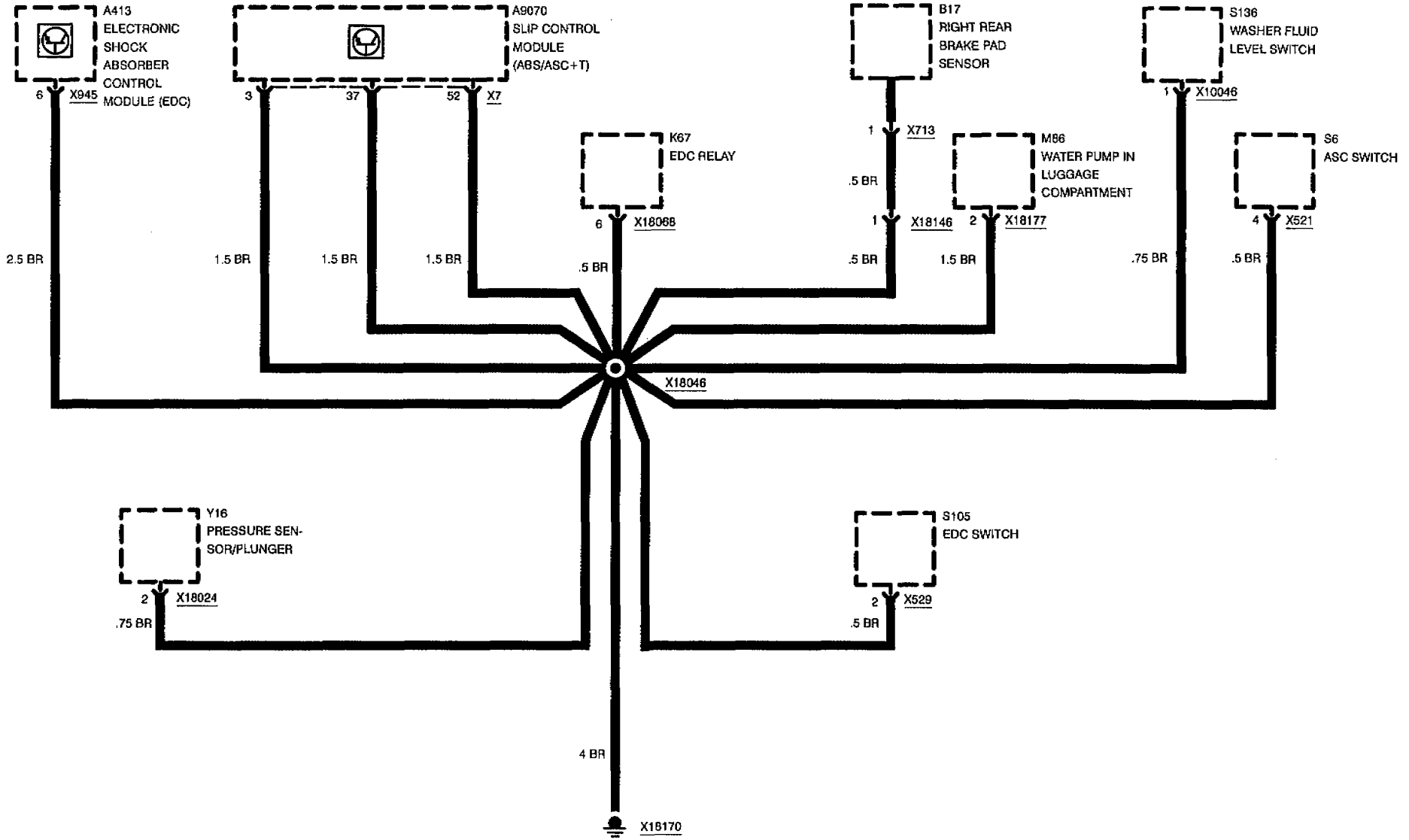




# GROUND DISTRIBUTION

850CSI

## GROUND X18170

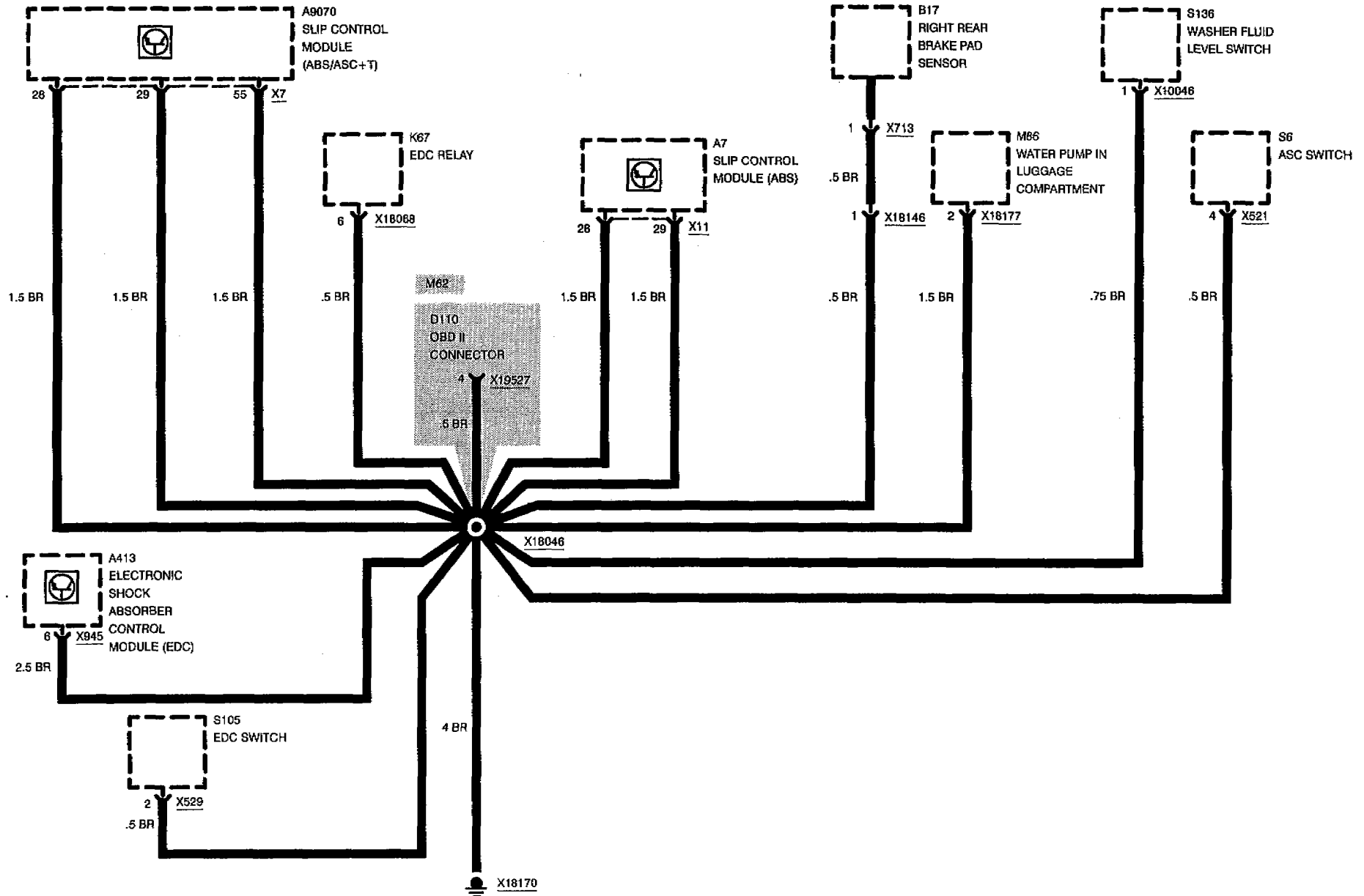




# GROUND DISTRIBUTION

840Ci

## GROUND X18170

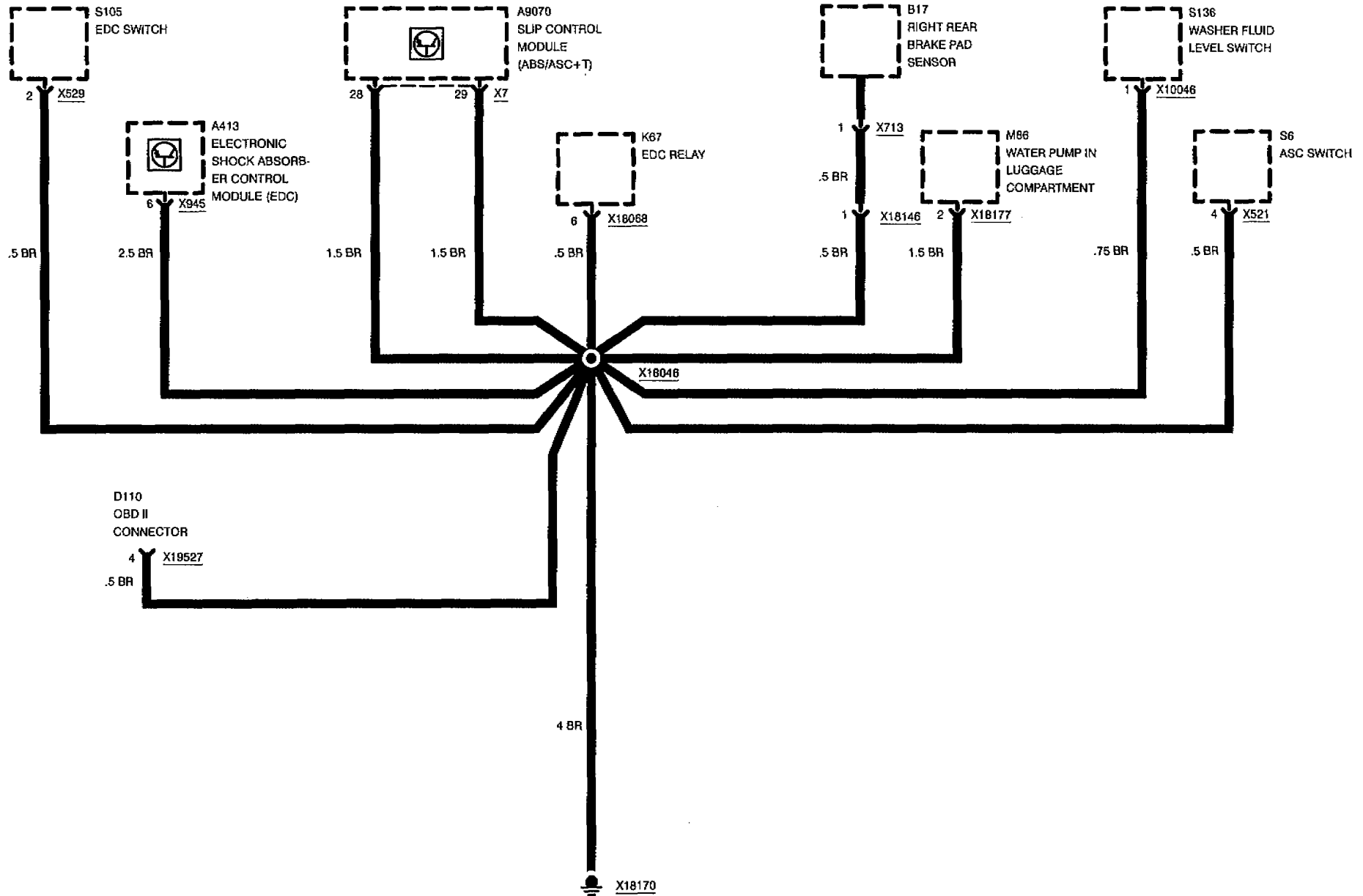




# GROUND DISTRIBUTION

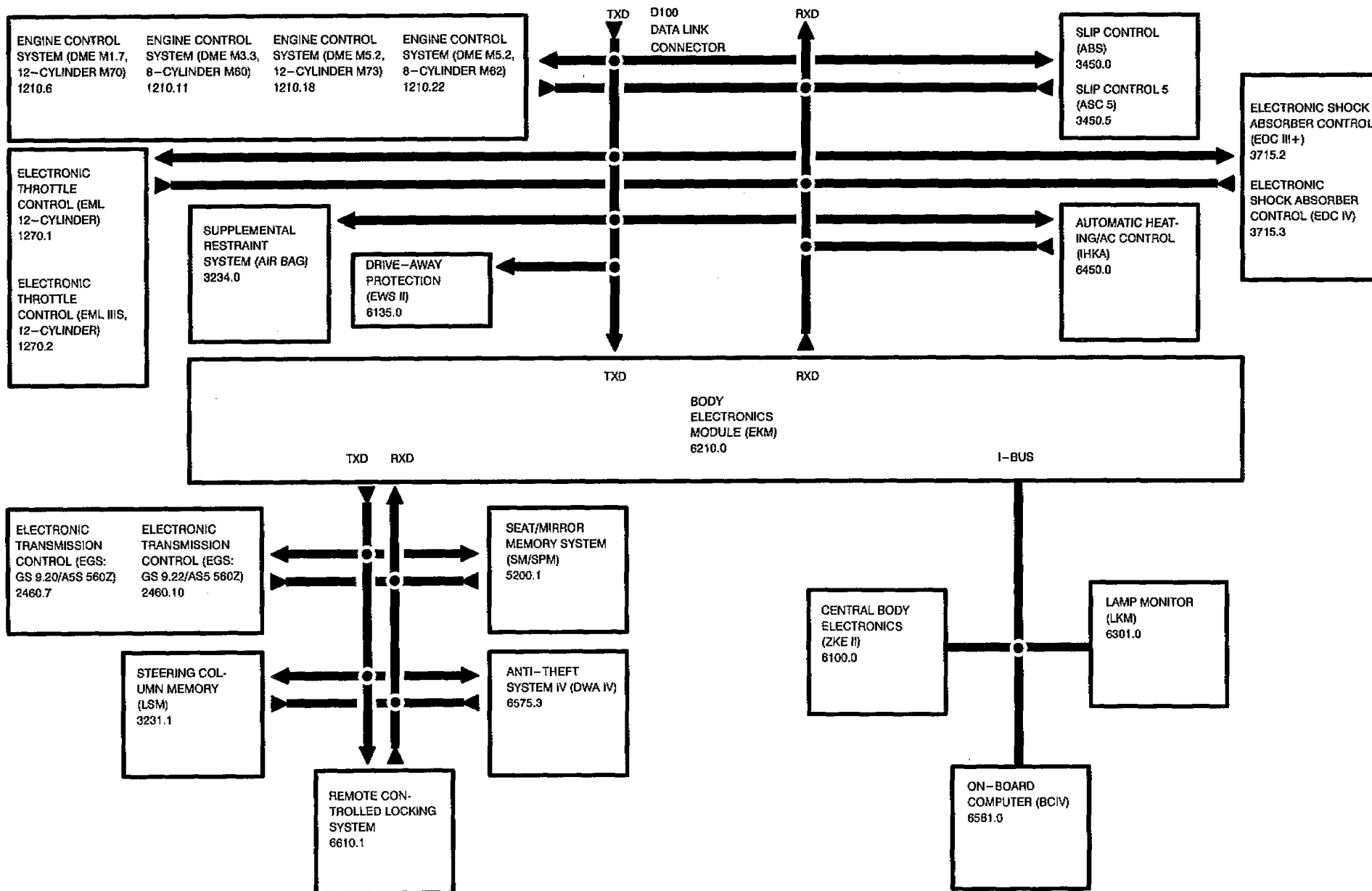
850Ci

## GROUND X18170





# DATA LINK BLOCK DIAGRAM

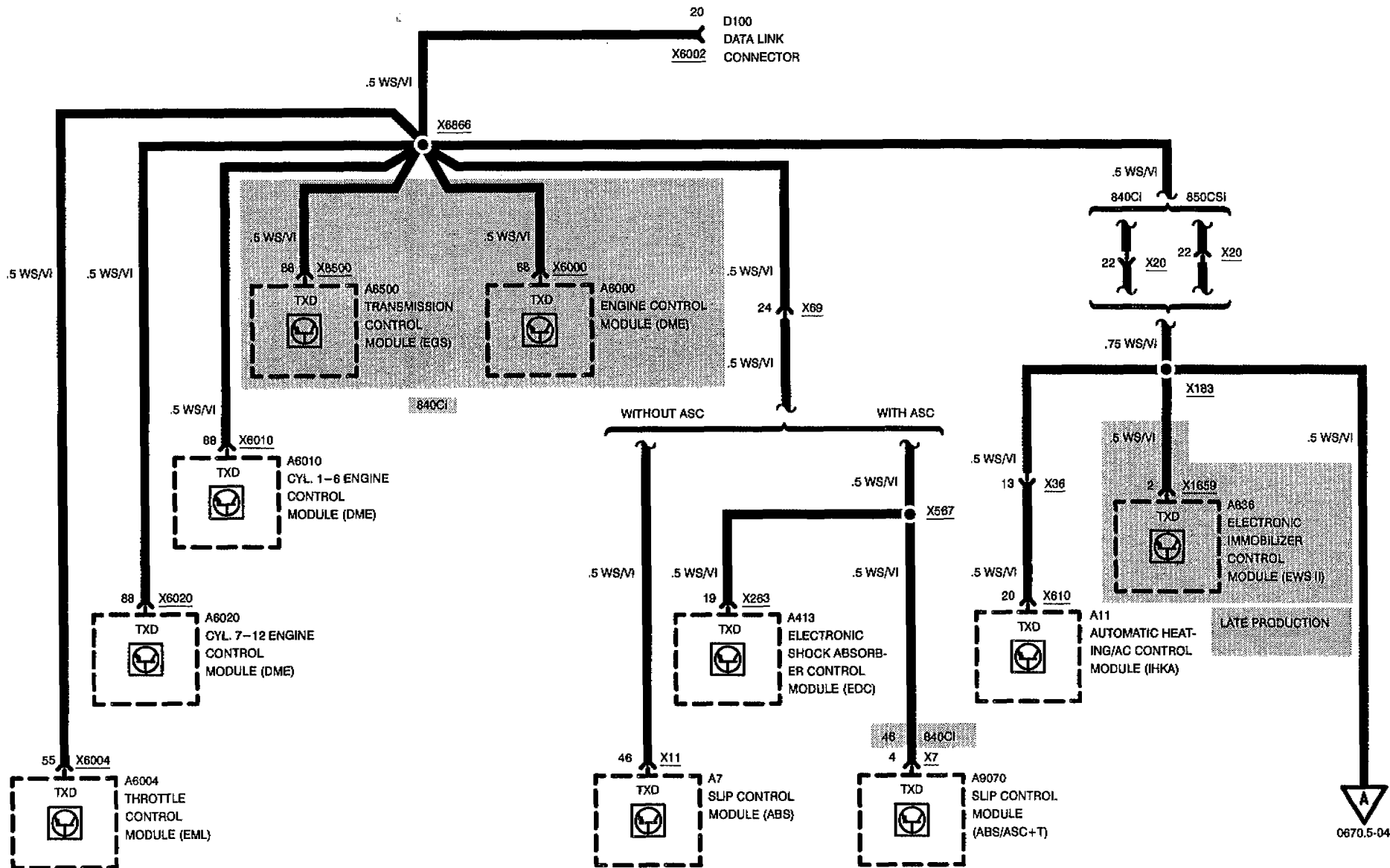




# DATA LINK

## TXD, PIN 20

### 840Ci (M60), 850CSI

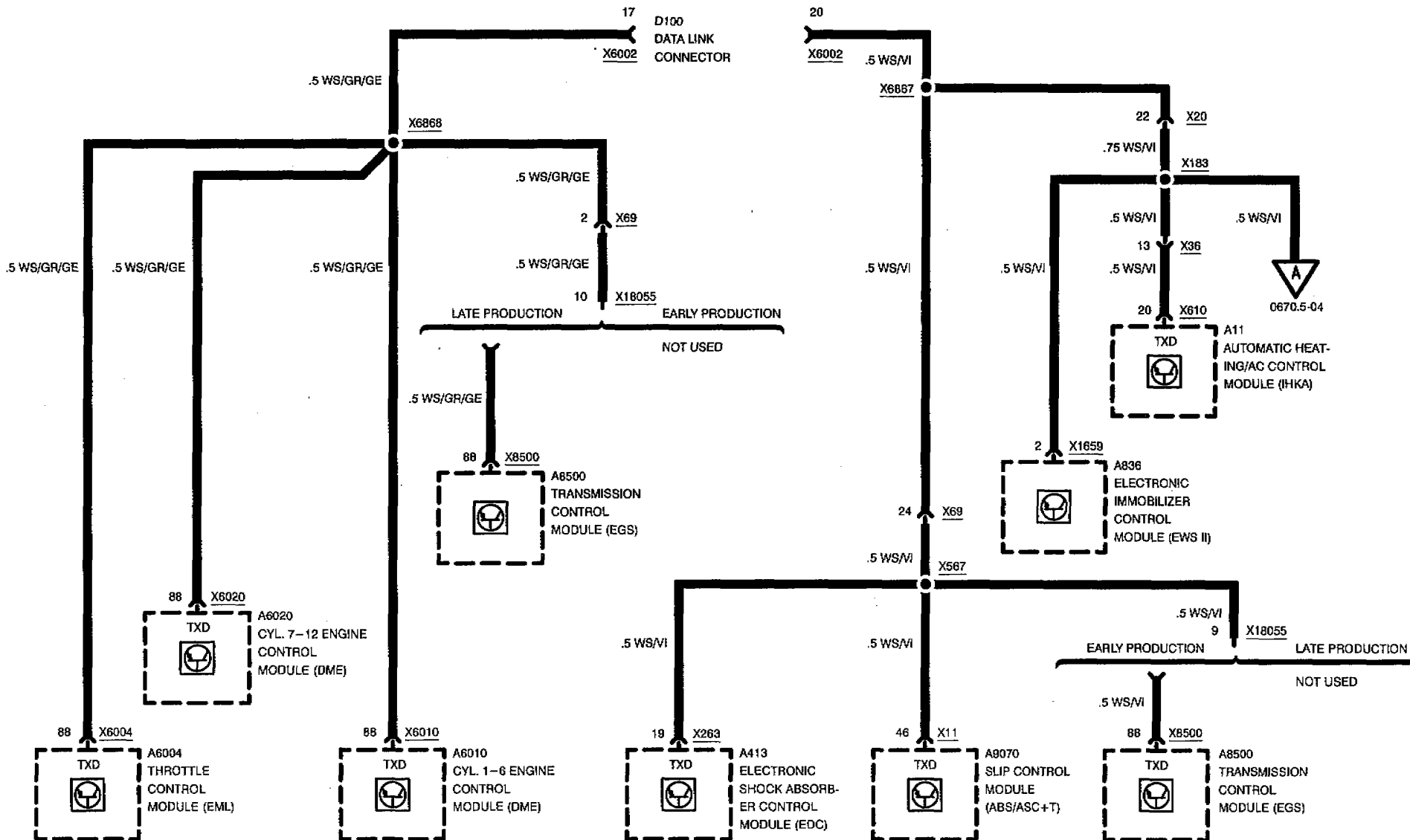




# DATA LINK

## TXD, PINS 17 AND 20

### 850Ci



02/97

0670.5-02

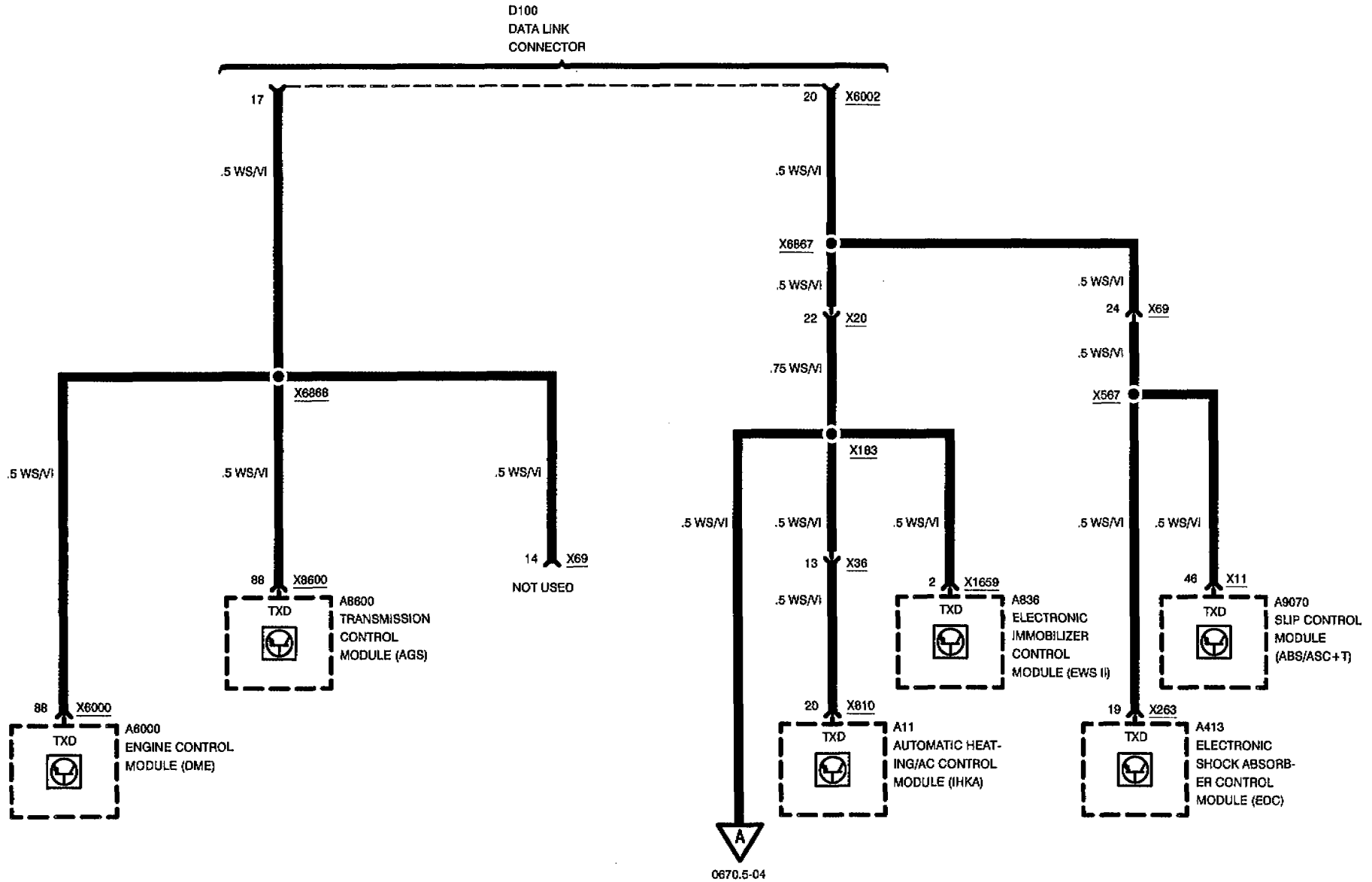
95/96



# DATA LINK

## 840Ci (M62)

### TXD, PINS 17 AND 20

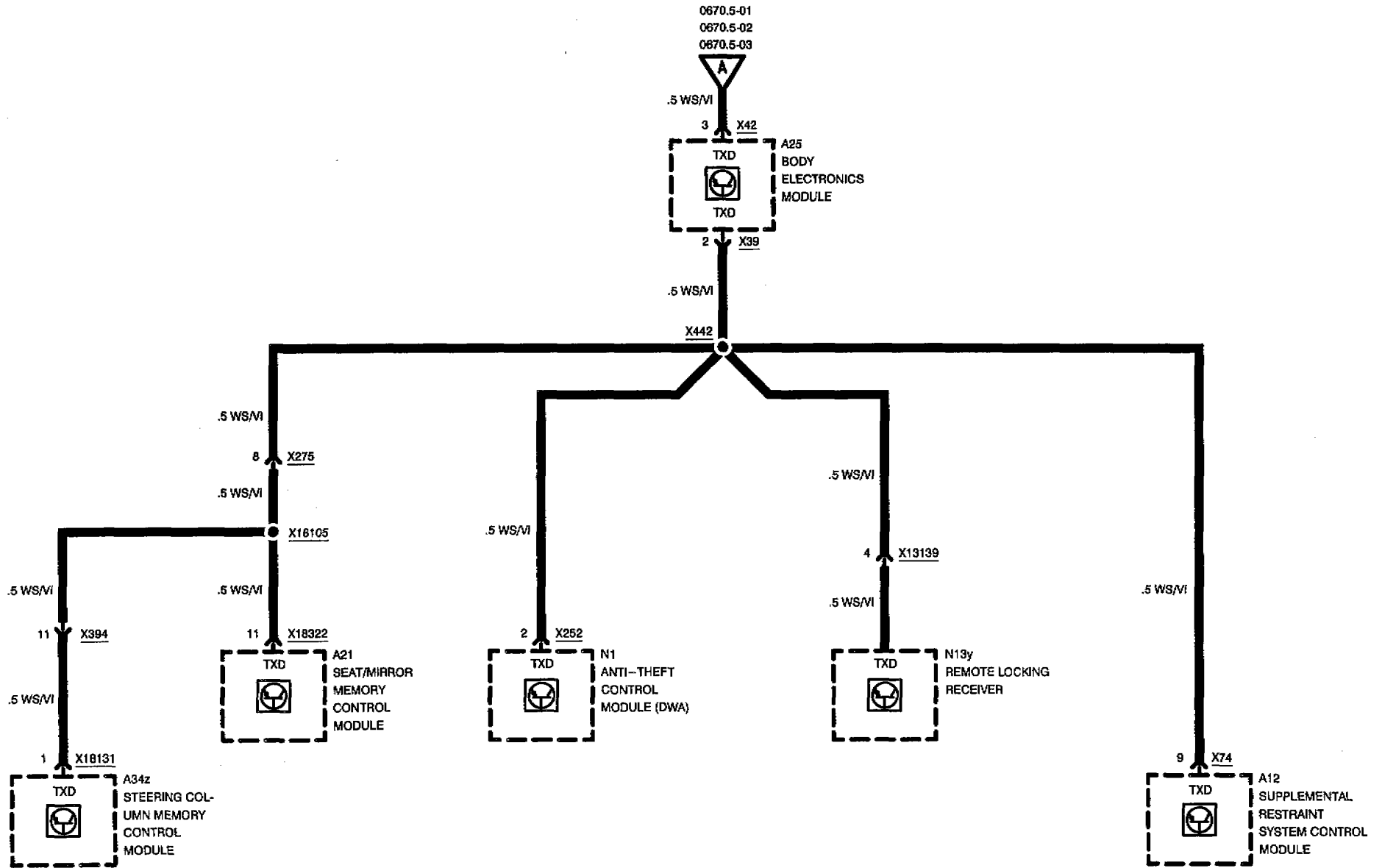






# DATA LINK

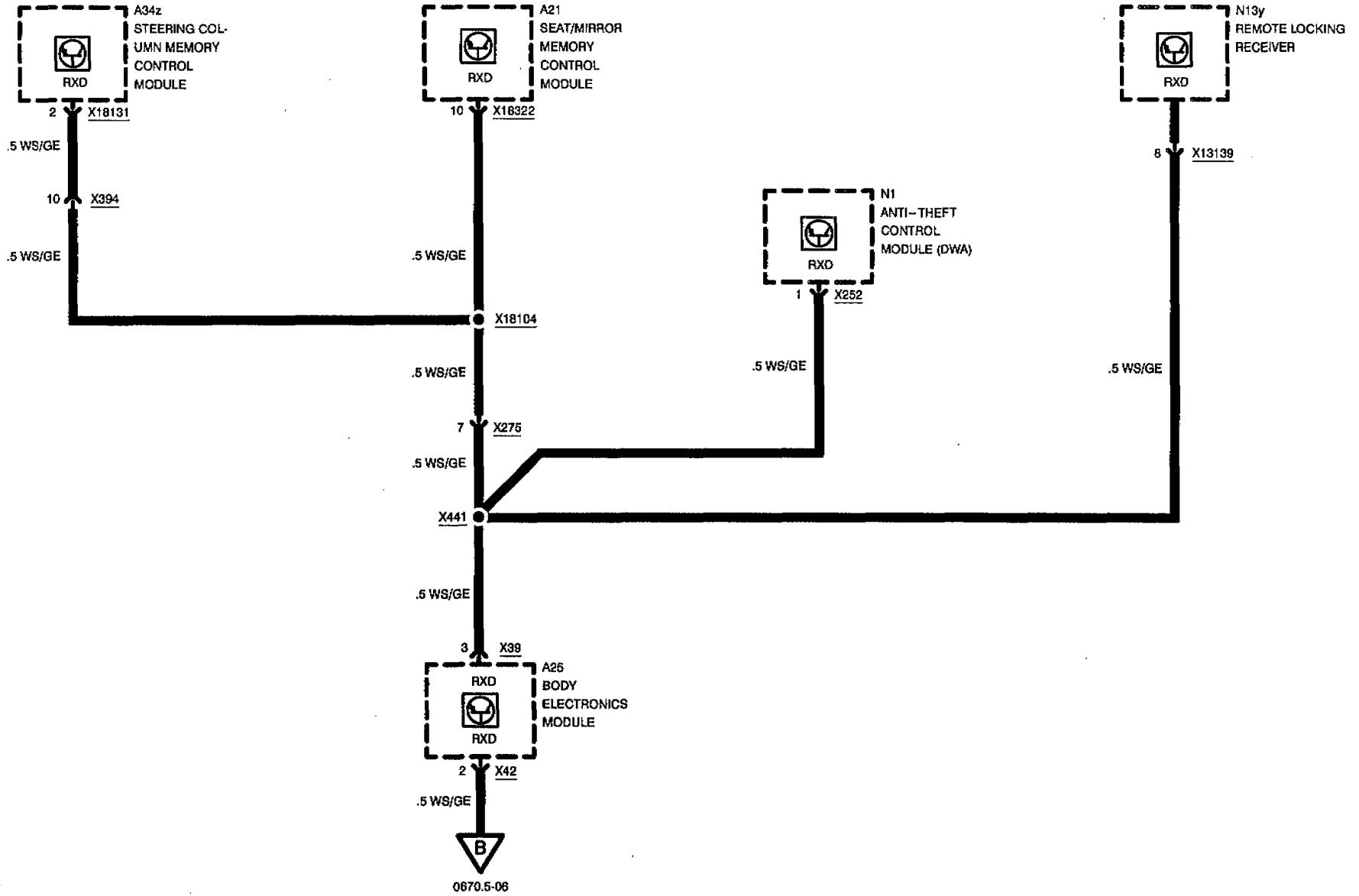
## TXD



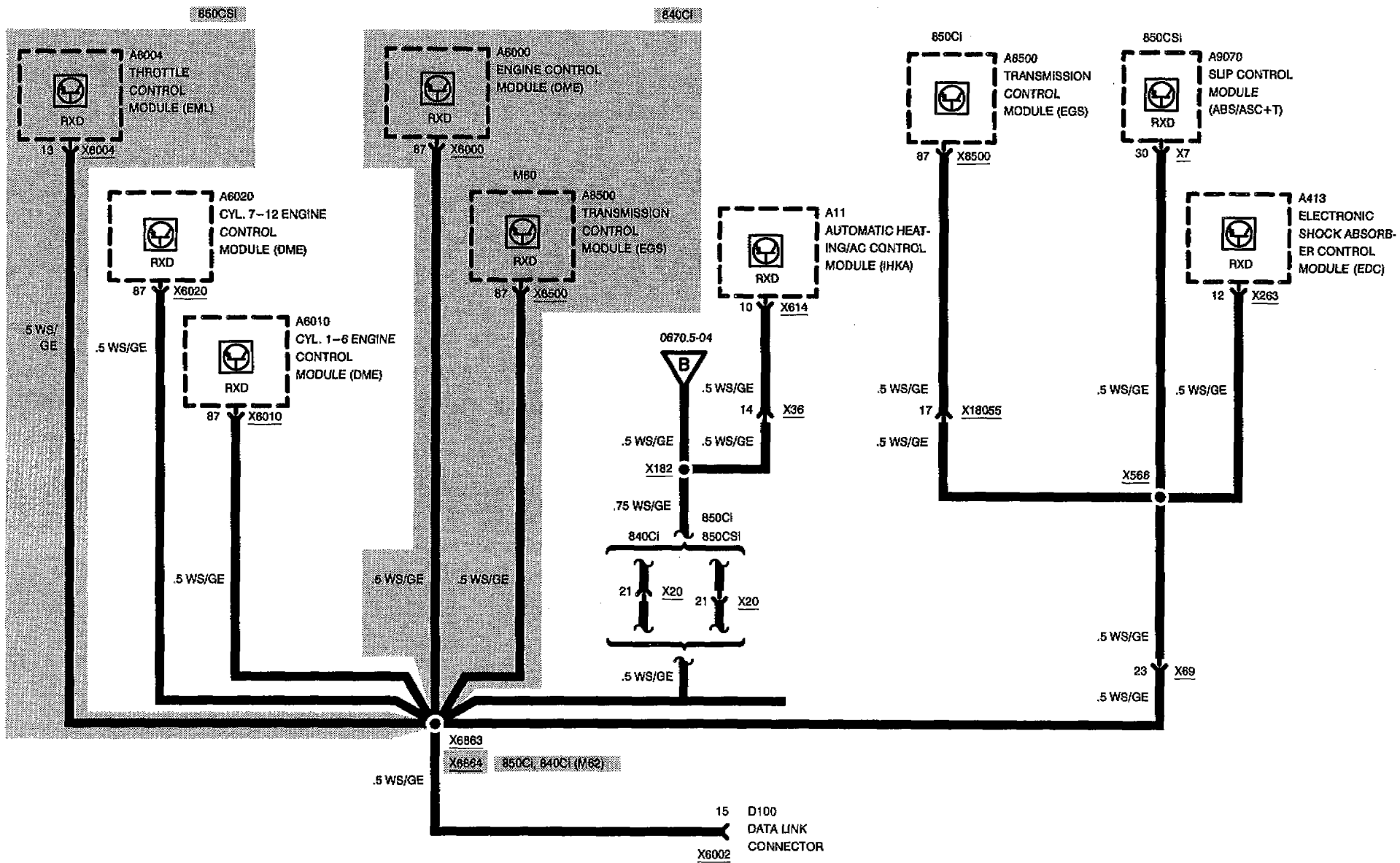


# DATA LINK

## RXD



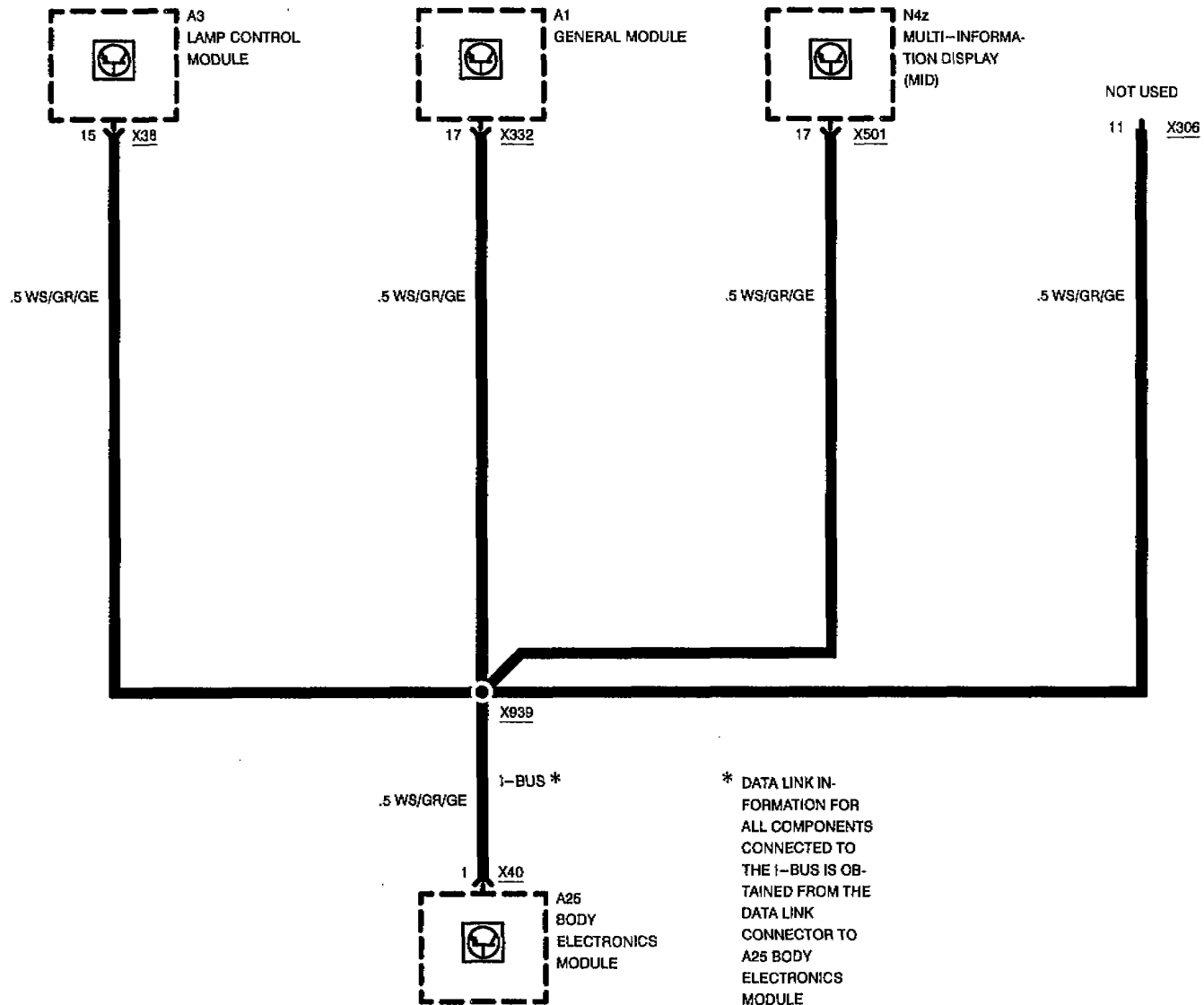
**BMW**  
**8** DATA LINK  
RXD, PIN 15





# DATA LINK

## INSTRUMENTATION BUS (I-BUS)



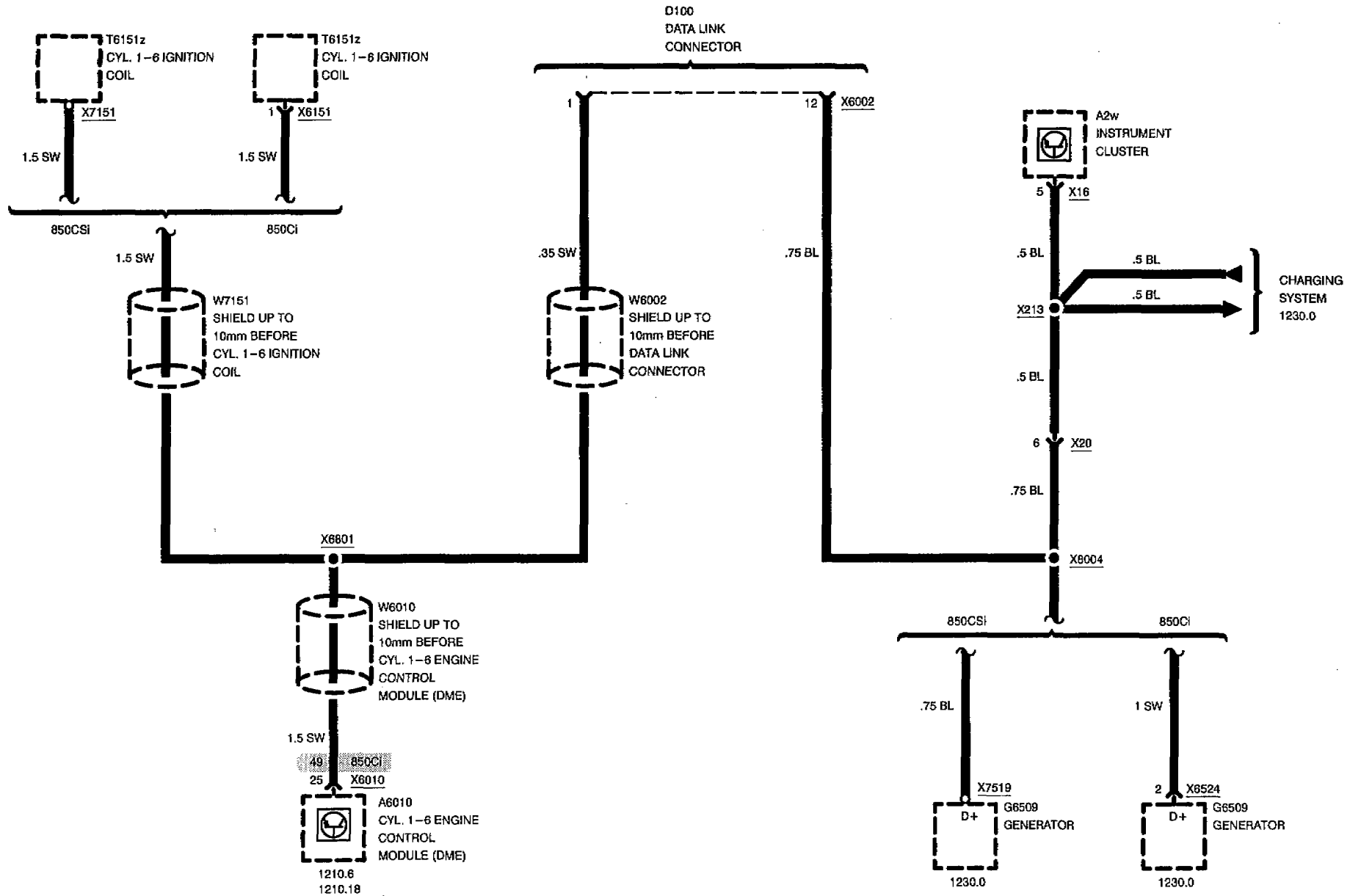
\* DATA LINK INFORMATION FOR ALL COMPONENTS CONNECTED TO THE I-BUS IS OBTAINED FROM THE DATA LINK CONNECTOR TO A25 BODY ELECTRONICS MODULE



# DATA LINK

## 850CSi, 850Ci (EARLY PRODUCTION)

### DATA LINK CONNECTOR PINS 1 AND 12

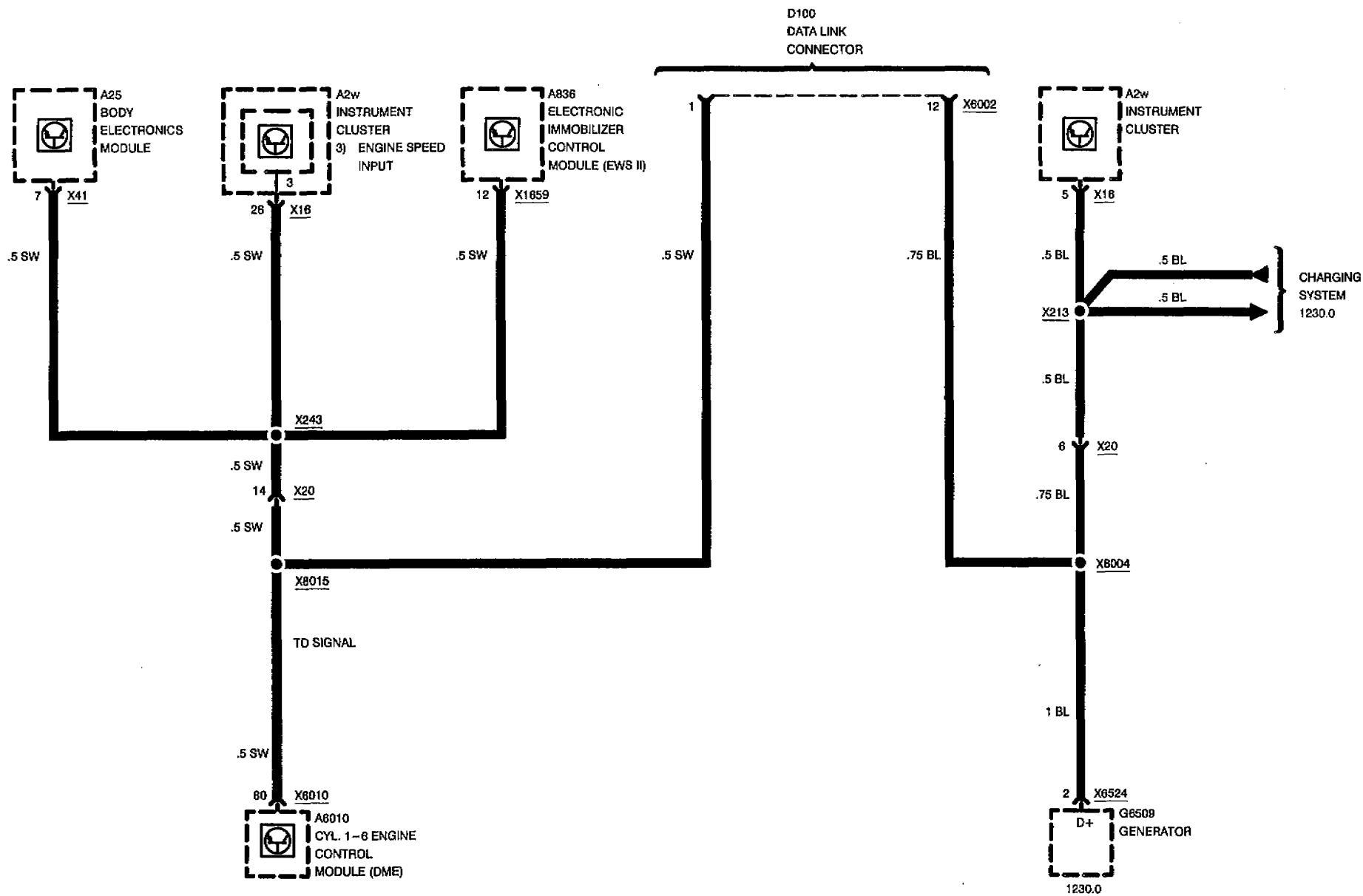




# DATA LINK

# 850Ci (LATE PRODUCTION)

## DATA LINK CONNECTOR PINS 1 AND 12

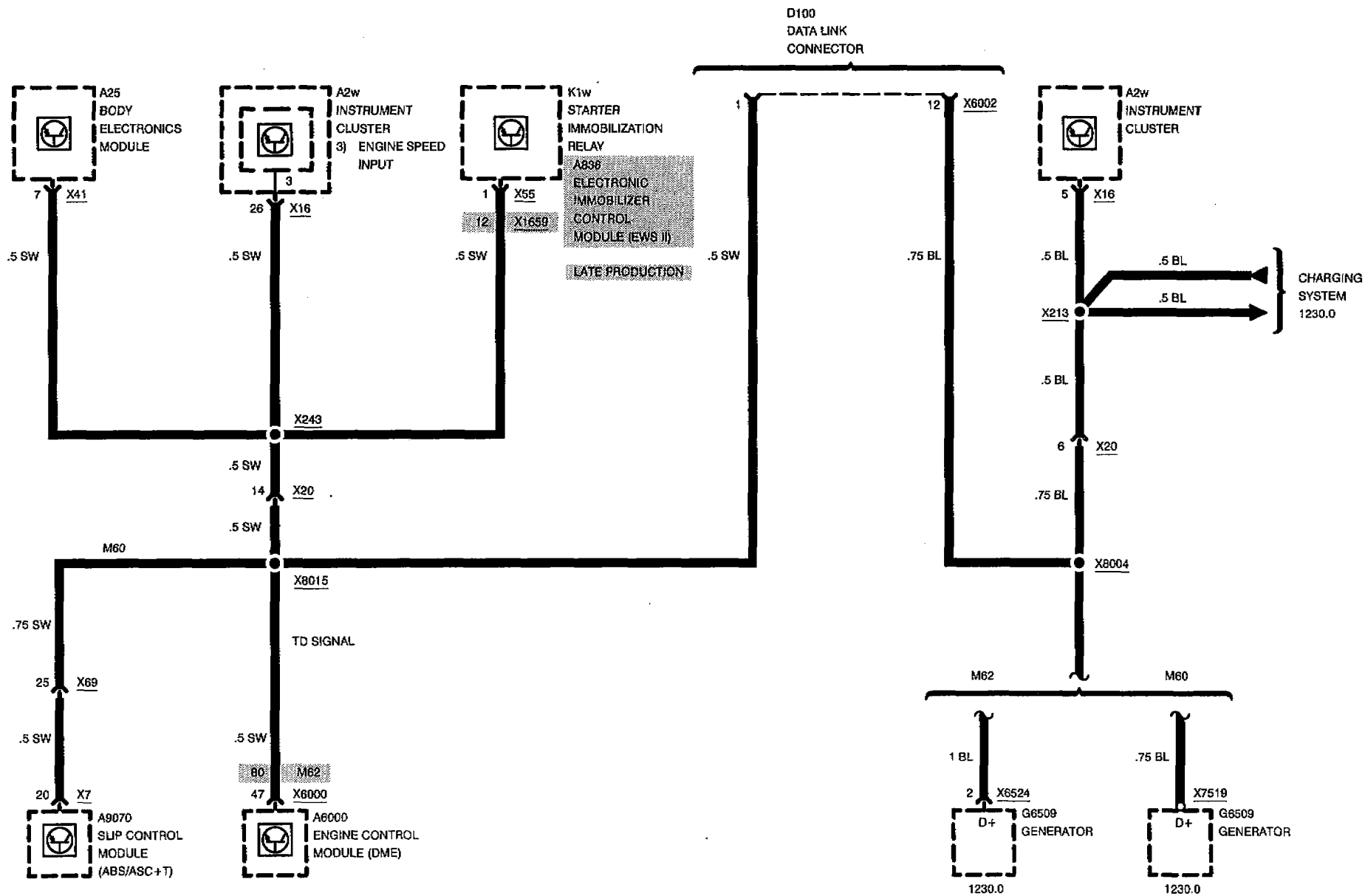




# DATA LINK

## DATA LINK CONNECTOR PINS 1 AND 12

840Ci

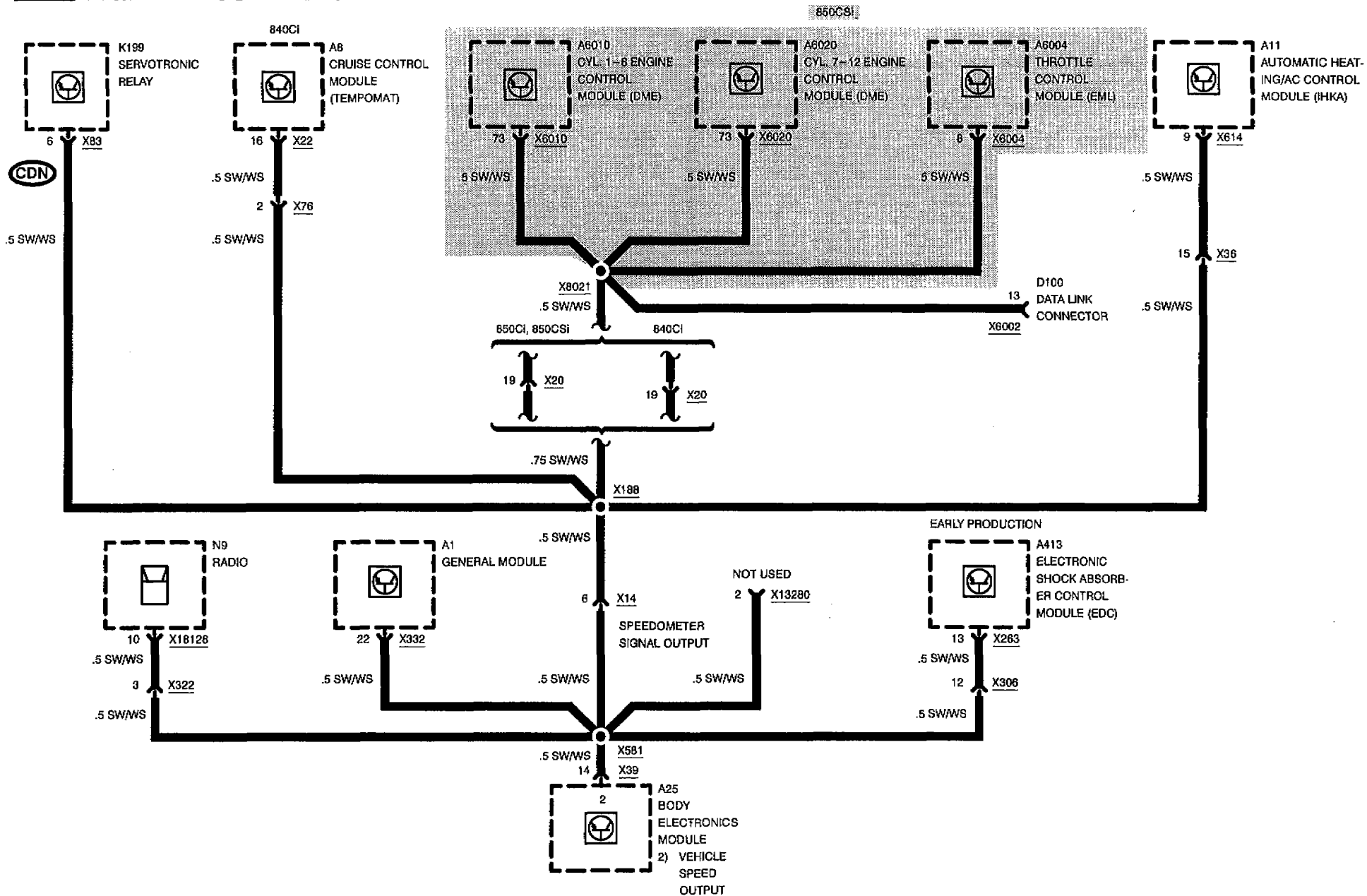




# DATA LINK

## 840Ci (M62), 850Ci, 850CSi

### DATA LINK CONNECTOR PIN 13

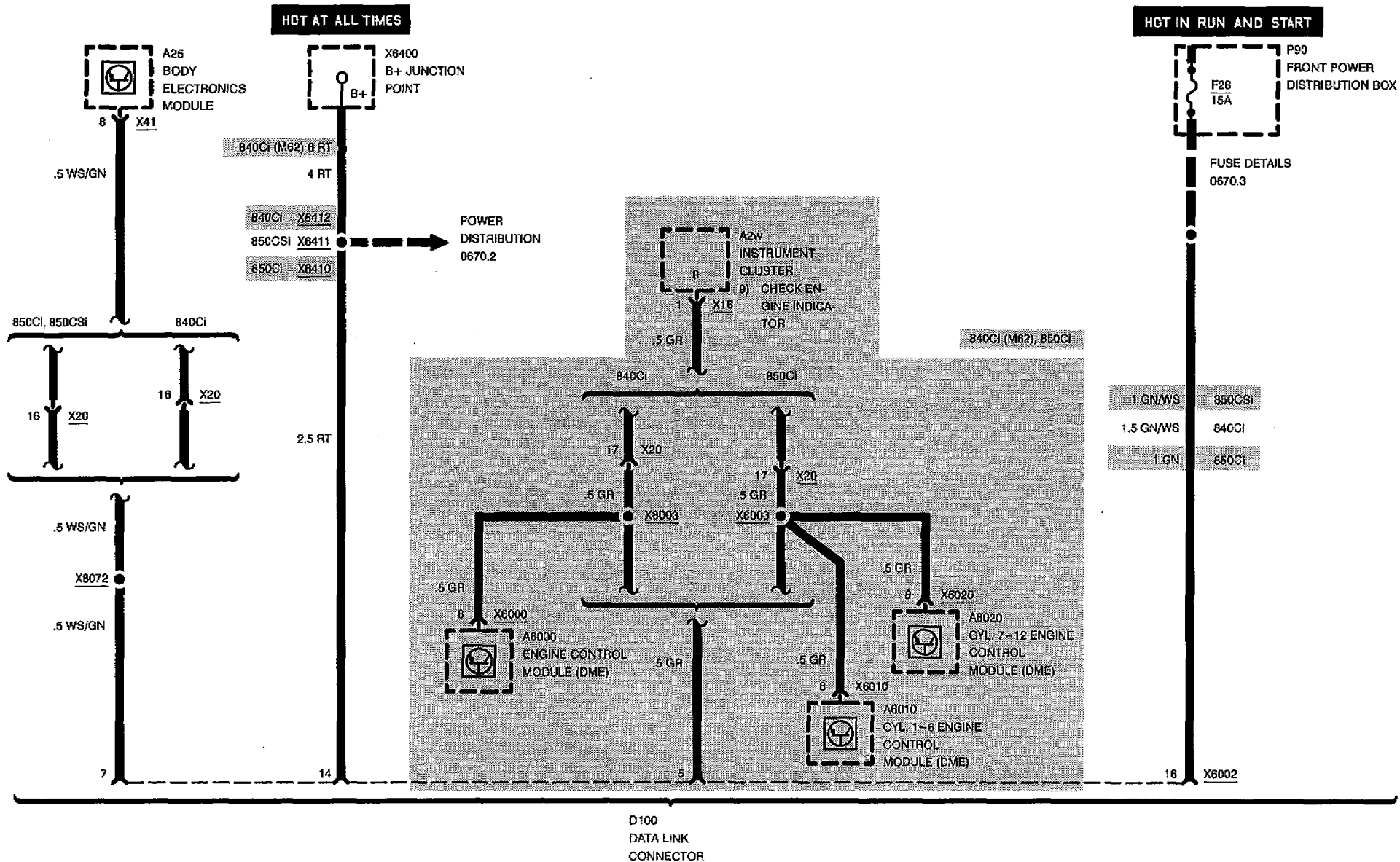






# DATA LINK

## DATA LINK CONNECTOR PINS 5, 7, 14, AND 16

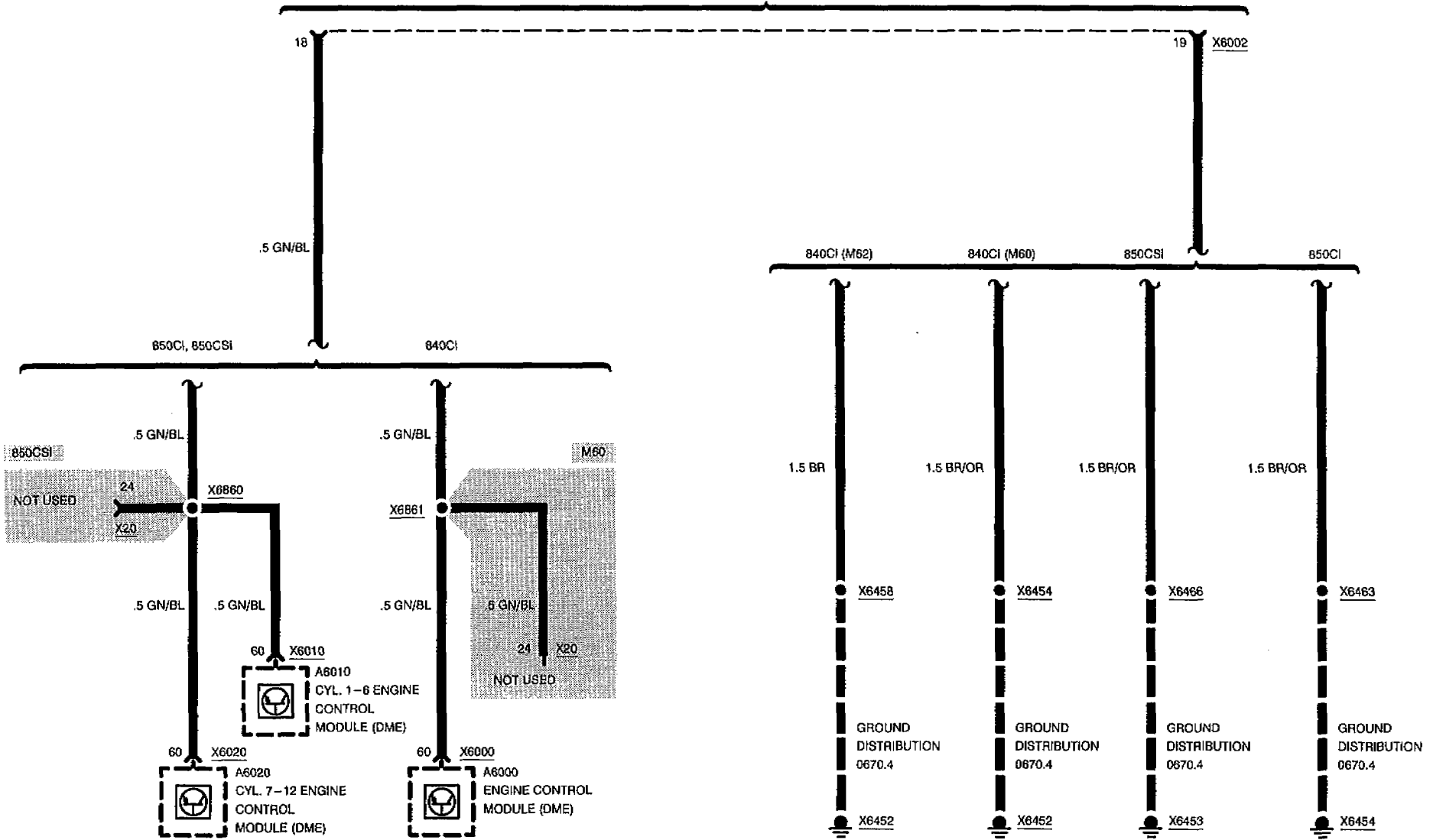




# DATA LINK

## DATA LINK CONNECTOR PINS 18 AND 19

D100  
DATA LINK  
CONNECTOR

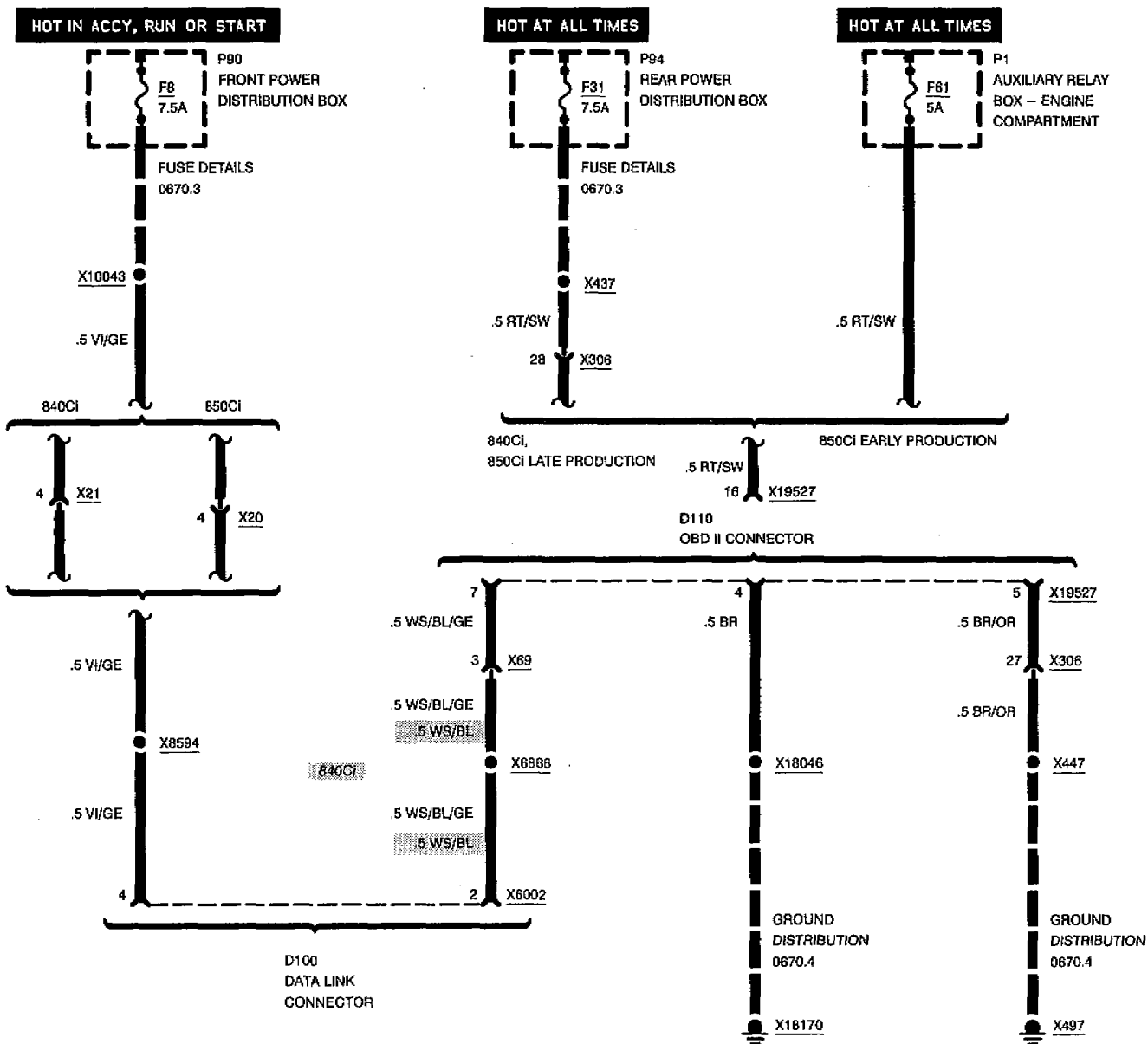




# DATA LINK

## DATA LINK CONNECTOR PINS 2 AND 4

### 840Ci (M62), 850Ci

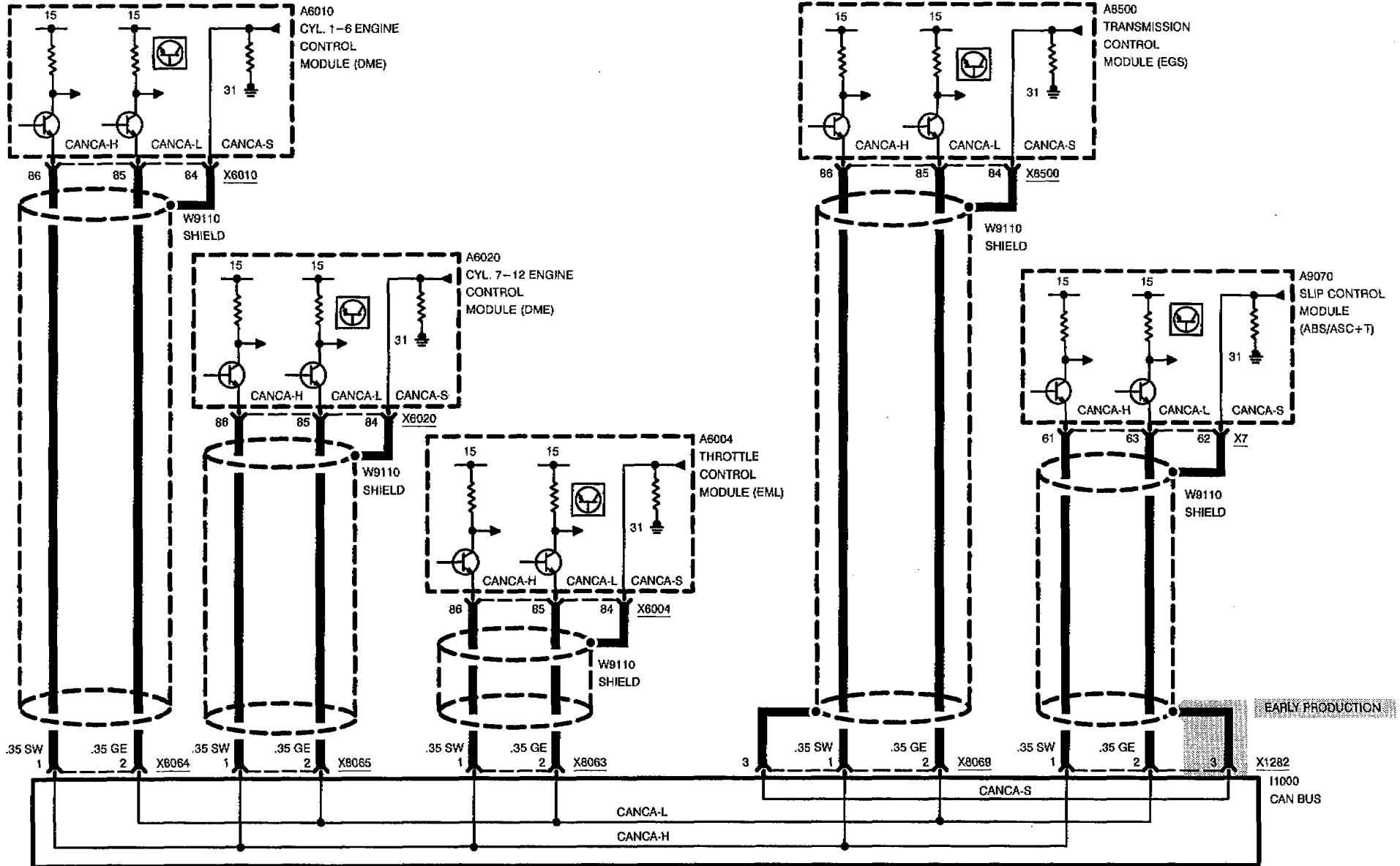




# DATA LINK

## CAN BUS CONNECTION

850Ci

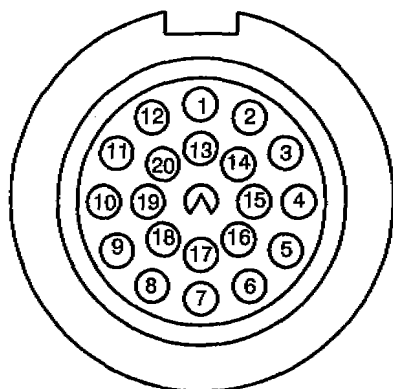




# DATA LINK

## 850Ci, 850CSi

### DATA LINK CONNECTOR (X6002)



BRIDGES IN CAP  
OF D100 DATA  
LINK CONNECTOR



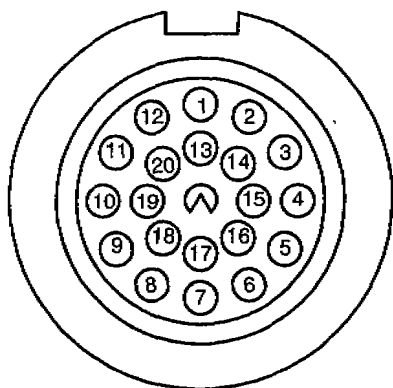
PIN NUMBER	TERMINAL NUMBER	TERMINAL DESCRIPTION	WIRE COLOR
1	1	IGNITION COIL	SW
1	TD	ENGINE SPEED (Late Production) 850Ci	SW
2	TXD2-OBD	DIAGNOSTIC DATA LINK OBD II 850Ci	WS/BL/GE
3	-	NOT OCCUPIED	
4	TERMINAL R	VOLTAGE: HOT IN ACCY, RUN OR START 850Ci	VI/GE
5	CARBOBD1	MALFUNCTION INDICATOR LAMP (CHECK ENGINE) 850Ci	GR
6	-	NOT OCCUPIED	
7	SI	SERVICE INDICATOR REMINDER	WS/GN
8	-	NOT OCCUPIED	
9	-	NOT OCCUPIED	
10	-	NOT OCCUPIED	
11	-	NOT OCCUPIED 850Ci	SW/GE
12	61(D+)	GENERATOR CHARGE INDICATOR	BL
13	TACH	SPEEDOMETER SIGNAL OUTPUT	SW/WS
14	30	VOLTAGE: HOT AT ALL TIMES	RT
15	RXD	DIAGNOSTIC DATA LINK	WS/GE
16	15S	VOLTAGE: IGNITION SWITCH IN RUN AND START	GN/WS
17	TXD2	DIAGNOSTIC DATA LINK 2 850Ci	WS/GR/GE
18	-	PROGRAM SELECT FOR ENGINE CONTROL MODULE (DME)	GN/BL
19	31	GROUND	BR/OR
20	TXD	DIAGNOSTIC DATA LINK 850CSi	WS/VI
20	TXD1	DIAGNOSTIC DATA LINK 1 850Ci	WS/VI



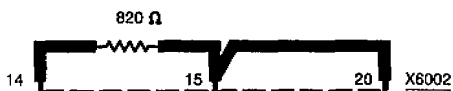
# DATA LINK

840Ci

## DATA LINK CONNECTOR (X6002)



BRIDGES IN CAP  
OF D100 DATA  
LINK CONNECTOR



PIN NUMBER	TERMINAL NUMBER	TERMINAL DESCRIPTION	WIRE COLOR
1	1	IGNITION COIL	M60 SW
1	TD	ENGINE SPEED	M62 SW
2	TXD2-OBDD	DIAGNOSTIC DATA LINK OBD II	WS/BL
3	-	NOT OCCUPIED	
4	TERMINAL R	VOLTAGE: HOT IN ACCY, RUN OR START	M62 VI/GE
5	CARBOBD1	MALFUNCTION INDICATOR LAMP (CHECK ENGINE)	M62 GR
6	-	NOT OCCUPIED	
7	SI	SERVICE INDICATOR REMINDER	WS/GN
8	-	NOT OCCUPIED	
9	-	NOT OCCUPIED	
10	-	NOT OCCUPIED	
11	-	NOT OCCUPIED	
12	61(D+)	GENERATOR CHARGE INDICATOR	BL
13	TACH	SPEEDOMETER SIGNAL OUTPUT	M62 SW/WS
14	30	VOLTAGE: HOT AT ALL TIMES	RT
15	RXD	DIAGNOSTIC DATA LINK	WS/GE
16	15S	VOLTAGE: IGNITION SWITCH IN RUN AND START	GN/WS
17	TXD2	DIAGNOSTIC DATA LINK 2	M62 WS/VI
18	PGSP	PROGRAM SELECT FOR ENGINE CONTROL MODULE (DME)	GN/BL
19	31	GROUND	BR, BR/OR (M60)
20	TXD1	DIAGNOSTIC DATA LINK 1	WS/VI

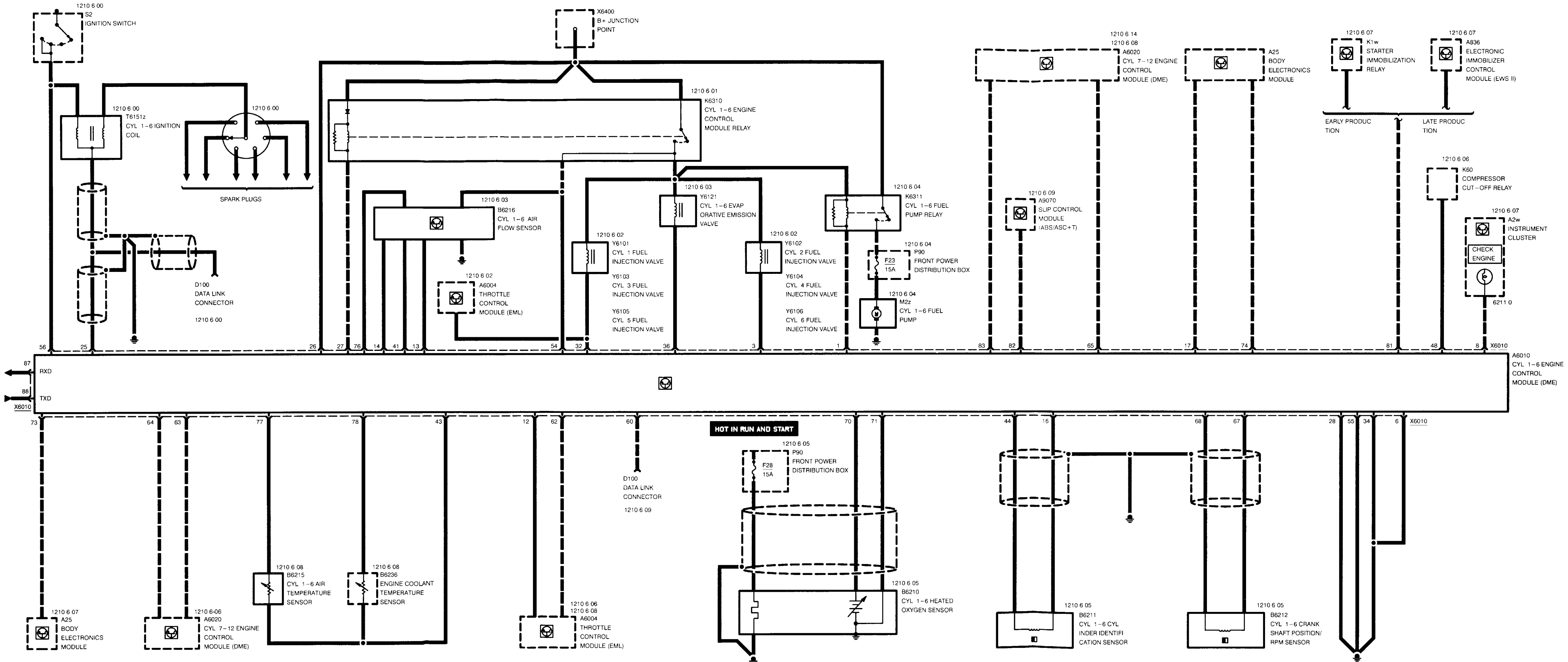


0670.5-18

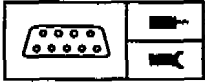
HOT AT ALL TIMES

HOT AT ALL TIMES

HOT IN RUN AND START





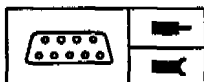


## Pin Assignments

### X6010

Pin	Type	Description/Function	Connection
1	A	Fuel pump relay and crankshaft reference signal (TR)	Fuel pump relay
2		Not used	
3	A	Fuel injector valves cyl. 2 - 4 - 6	Fuel injector valves
4		Not used	
5		Not used	
6	M	Ground, fuel injector valve output stages	Ground point
7		Not used	
8	A	Check engine	Instrument cluster
9		Not used	
10		Not used	
11		Not used	
12	E	Wide open throttle signal (VL)	Electronic throttle control module (EML)
13	A	Free combustion	Mass air flow sensor
14	M	Ground, mass air flow sensor	Mass air flow sensor
15		Not used	
16	E	Cylinder identification sensor (ignition)	Cylinder identification sensor (connection B)
17	A	Injection measuring signal (ti) (KVA signal)	Body electronics module (EKM)
18		Not used	
19		Not used	
20		Not used	
21		Not used	
22		Not used	
23		Not used	
24		Not used	
25	A	Ignition, terminal 1	Cyl. 1 - 6 ignition coil
26	E	Battery voltage	B+ junction point
27	A	Engine control module relay	Engine control module relay, terminal 85
28	M	Ground for electronics and shielding the sensors	Ground point
29		Not used	

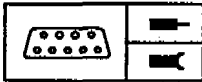
E = Input, A = Output, M = Ground



## Pin Assignments

Pin	Type	Description/Function	Connection
30		Not used	
31		Not used	
32	A	Fuel injector valves cyl. 1 - 3 - 5	Fuel injector valves and electronic throttle control module (EML)
33		Not used	
34	M	Ground, remaining output stages (except for ignition and fuel injector valves)	Ground point
35		Not used	
36	A	Evaporative emission valve	Evaporative emission valve
37		Not used	
38		Not used	
39		Not used	
40		Not used	
41	E	Mass air flow sensor signal	Mass air flow sensor
42		Not used	
43	M	Ground for sensors	Temperature sensors
44	E	Cylinder identification sensor (ignition)	Cylinder identification sensor (connection A)
45		Not used	
46		Not used	
47		Not used	
48	A	Compressor cut-off signal	Compressor cut-off relay
49		Not used	
50		Not used	
51		Not used	
52		Not used	
53		Not used	
54	E	Battery voltage	Engine control module relay
55	M	Ground, ignition	Ground point
56	E	Ignition, terminal 15	Ignition switch
57		Not used	
58		Not used	
59		Not used	
60	E	Programming voltage	Data link connector

E = Input, A = Output, M = Ground



## Pin Assignments

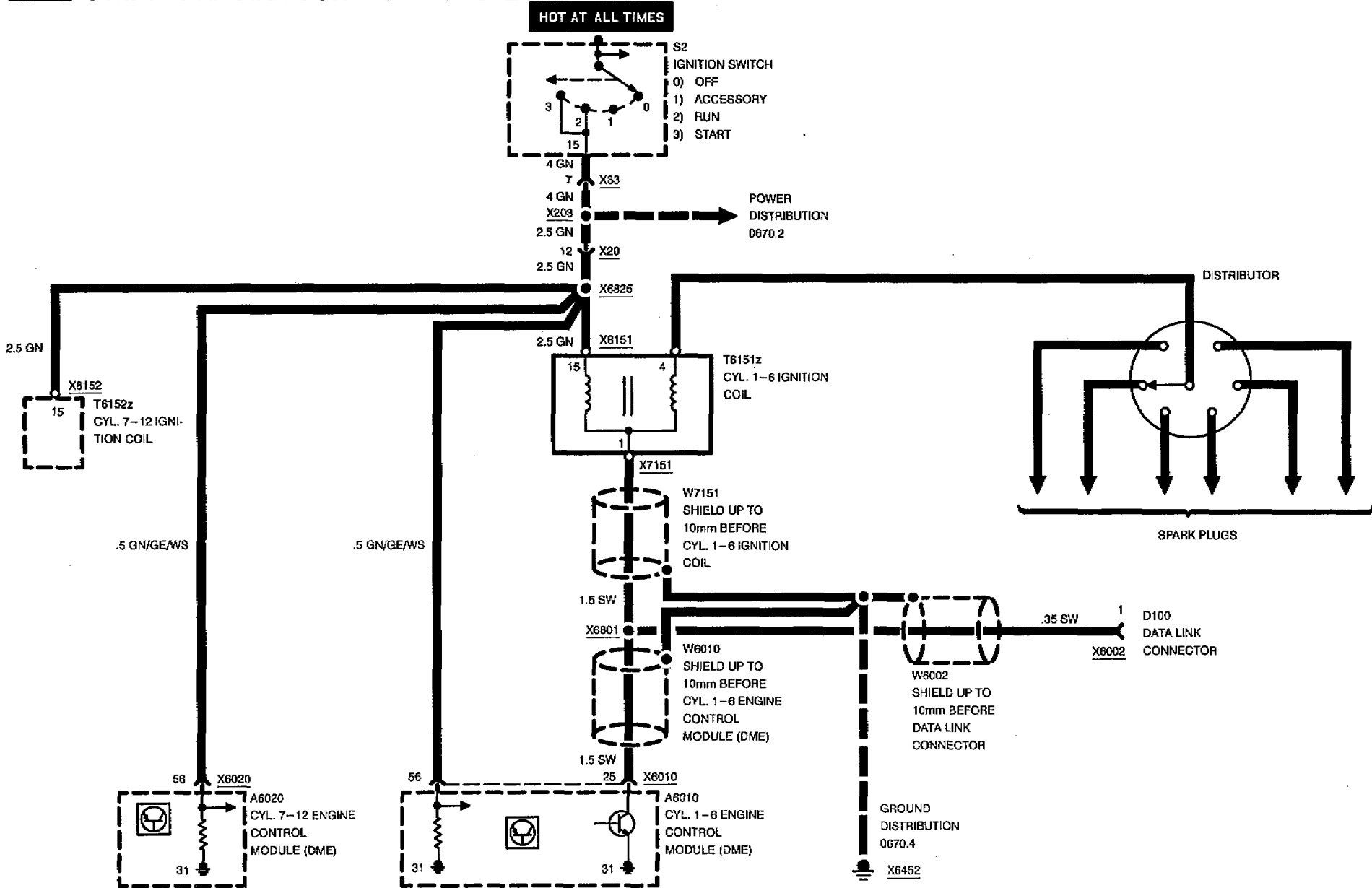
Pin	Type	Description/Function	Connection
61		Not used	
62	E	Idle signal (LL)	Electronic throttle control module (EML)
63	E	Torque converter clutch (WK)	Not used
64	E	Ignition timing intervention	Not used
65	E	Park/Neutral sensing	Not used
66		Not used	
67	E	Inductive pulse generator (connection B)	Pulse generator, crankshaft rpm sensor
68	E	Inductive pulse generator (connection A)	Pulse generator, crankshaft rpm sensor
69		Not used	
70	E	Oxygen sensor signal	Heated oxygen sensor
71	M	Ground, oxygen sensor	Heated oxygen sensor
72		Not used	
73	E	Speedometer signal	Body electronics module (EKM)
74	A	Engine speed signal (TD)	Body electronics module (EKM)
75		Not used	
76	E	Idle CO-potentiometer	Mass air flow sensor
77	E	Intake air temperature	Engine intake air temperature sensor
78	E	Engine coolant temperature	Engine coolant temperature sensor
79		Not used	
80		Not used	
81	E	Antitheft signal	Starter immobilization relay (early production) Electronic immobilizer control module (EWS II)
82	E/A	Data link	Cyl. 7-12 engine control module (DME)
83		Not used	
84		Not used	
85		Not used	
86		Not used	
87	E	RxD diagnostic data line	Data link connector
88	E/A	TxD diagnostic data line	Data link connector

E = Input, A = Output, M = Ground



# ENGINE CONTROL SYSTEM (DME M1.7, 12-CYLINDER M70)

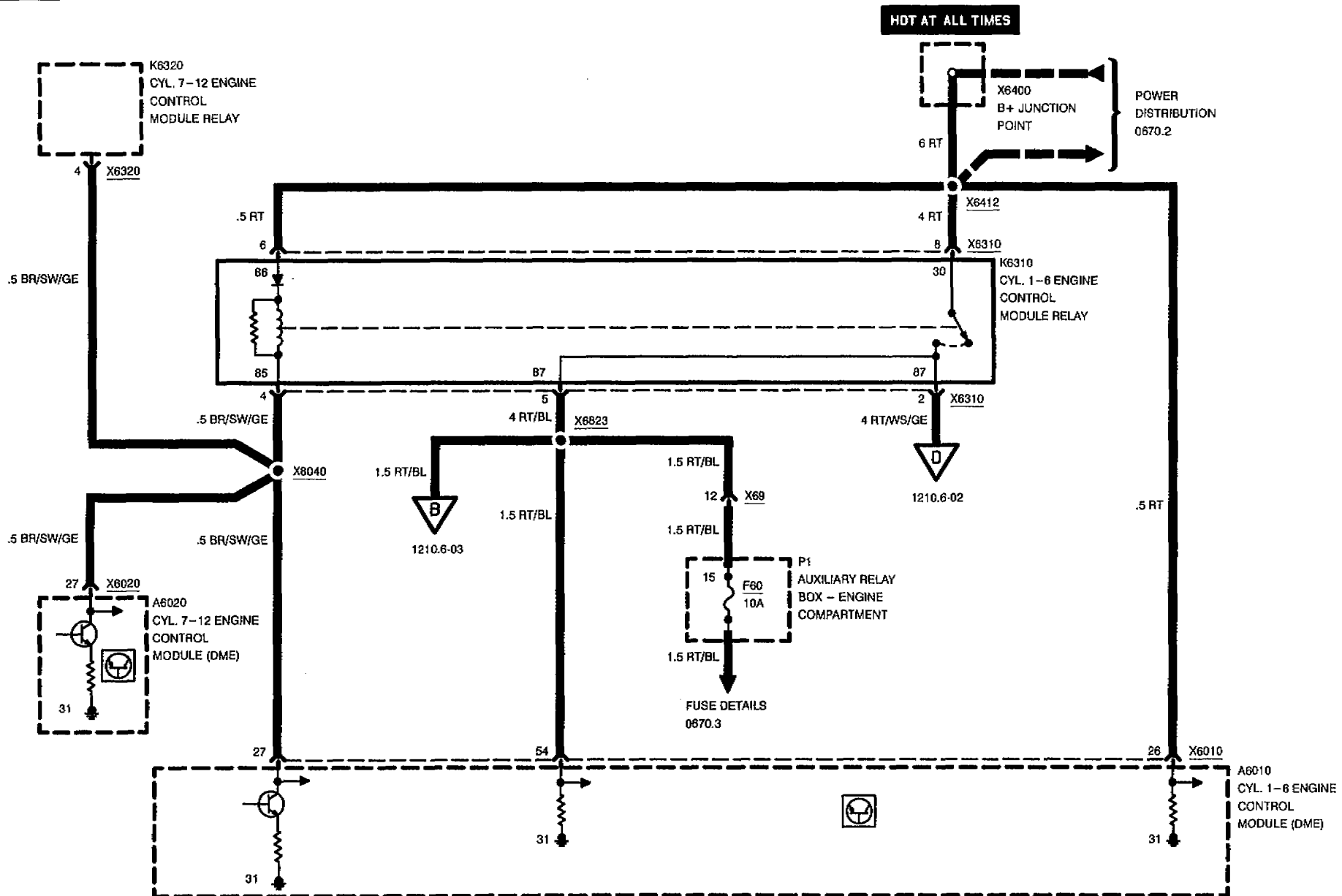
## CYL. 1-6 ENGINE CONTROL MODULE





# ENGINE CONTROL SYSTEM (DME M1.7, 12-CYLINDER M70)

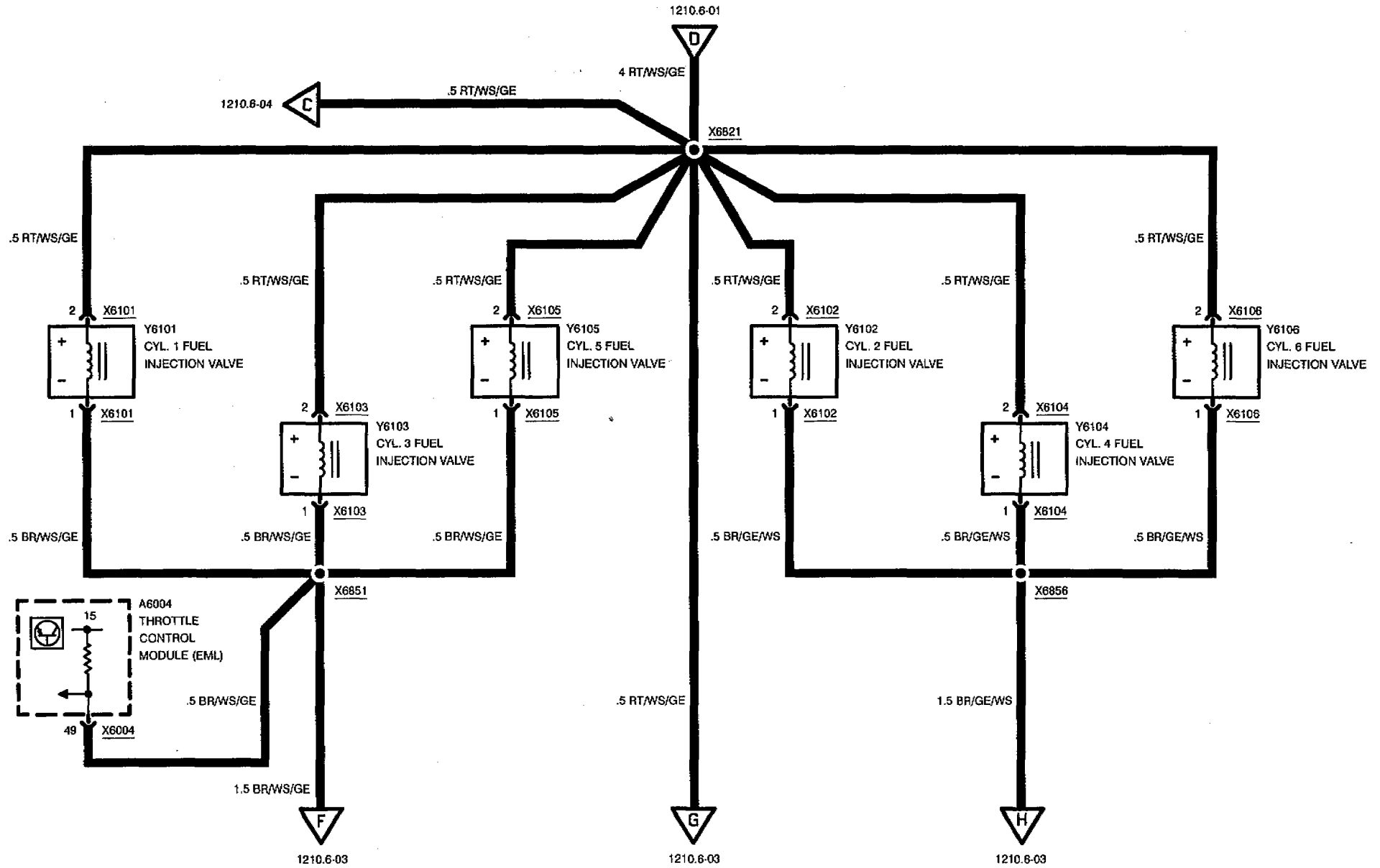
## CYL. 1-6 ENGINE CONTROL MODULE





# ENGINE CONTROL SYSTEM (DME M1.7, 12-CYLINDER M70)

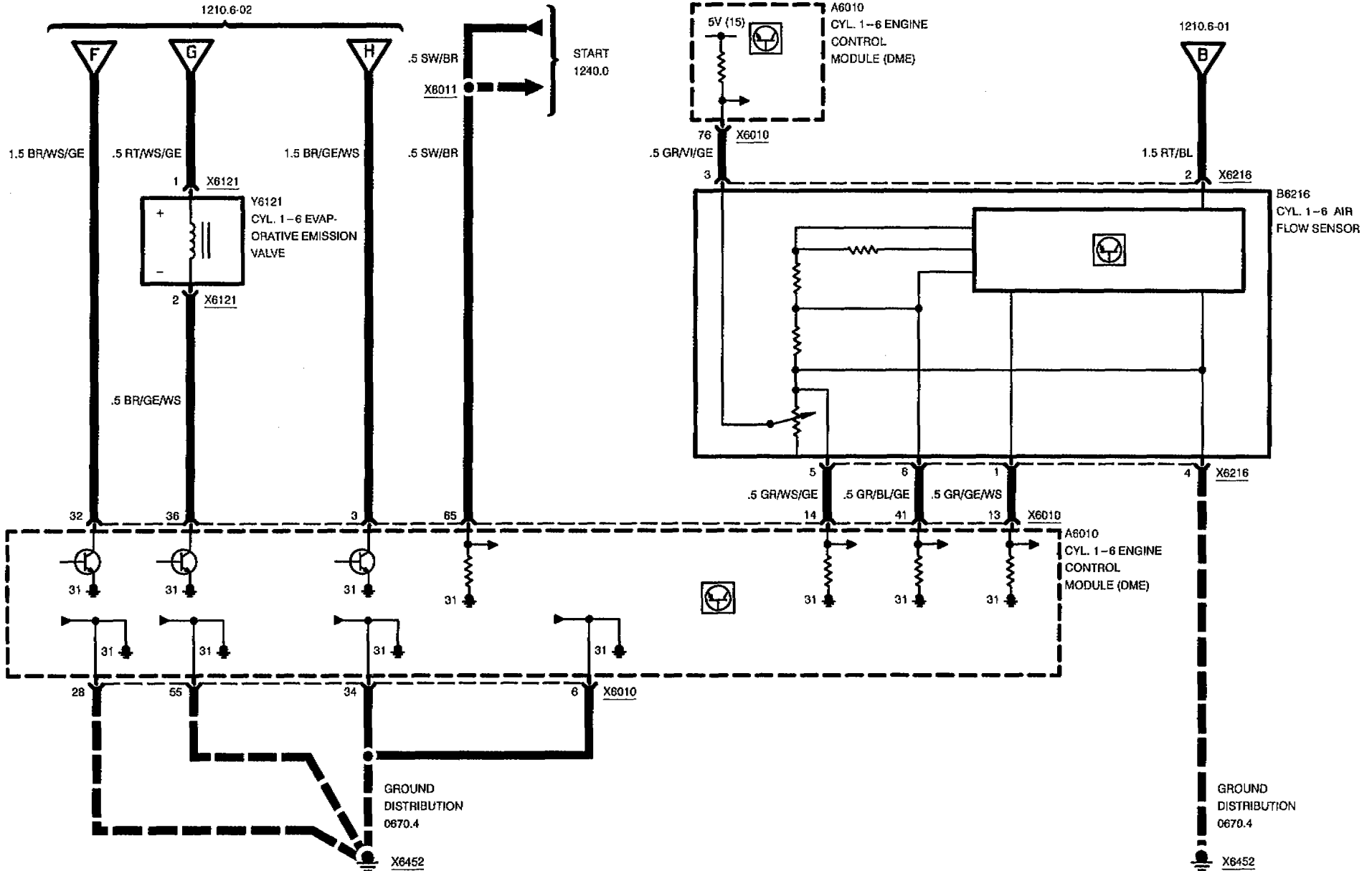
## FUEL INJECTION VALVES





# ENGINE CONTROL SYSTEM (DME M1.7, 12-CYLINDER M70)

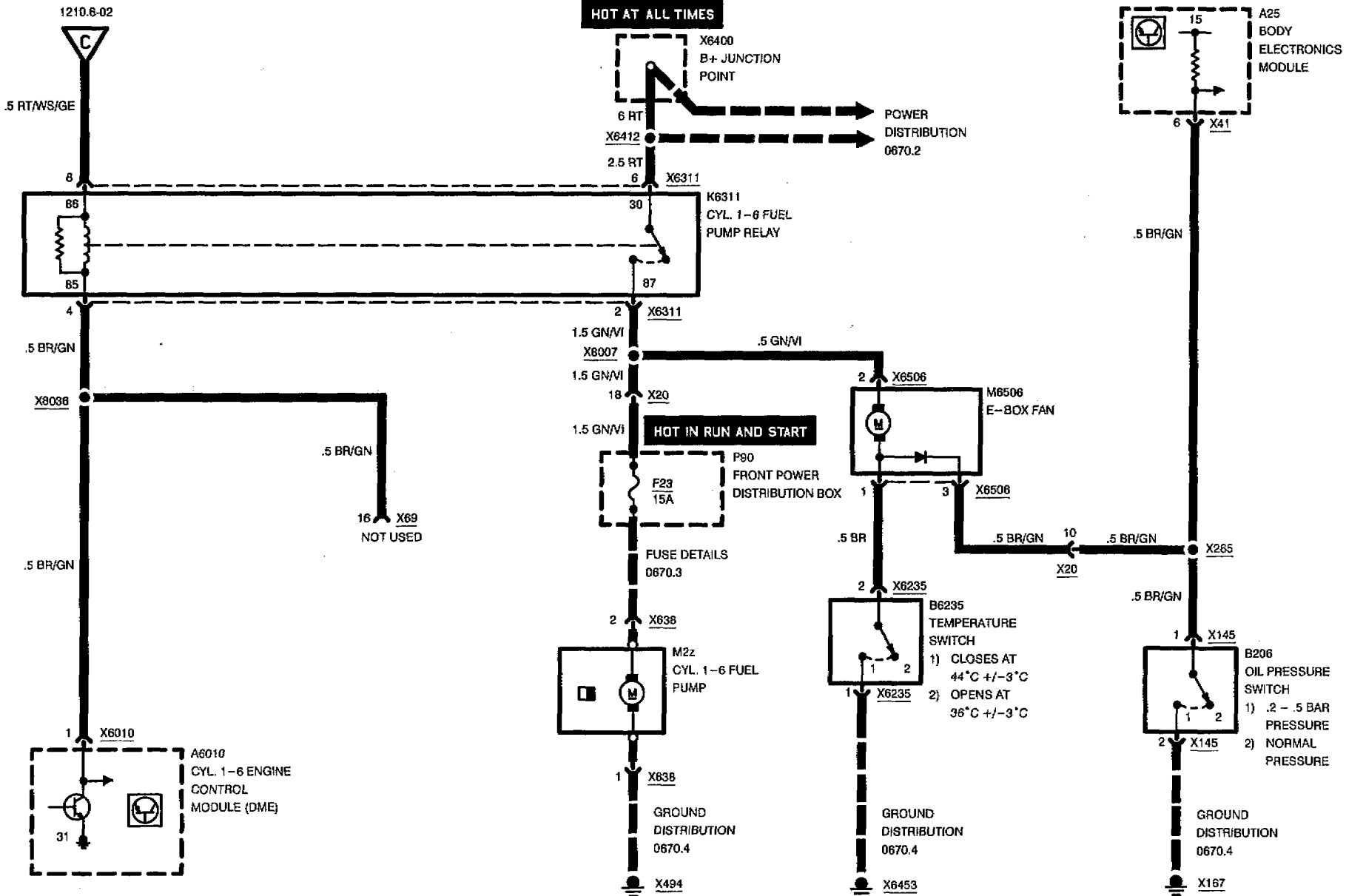
## CYL. 1-6 ENGINE CONTROL MODULE





# ENGINE CONTROL SYSTEM (DME M1.7, 12-CYLINDER M70)

## CYL. 1-6 ENGINE CONTROL MODULE



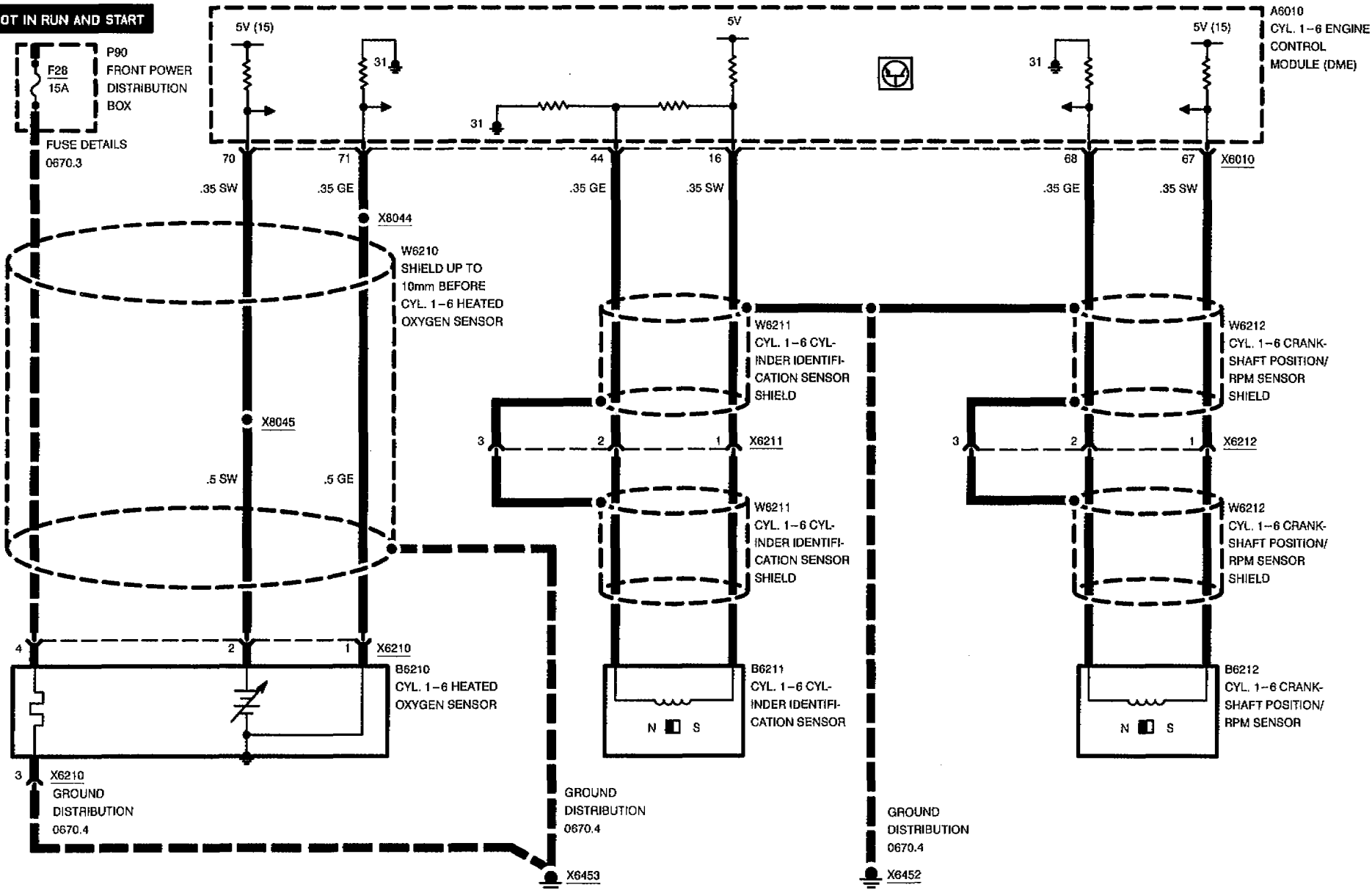




# ENGINE CONTROL SYSTEM (DME M1.7, 12-CYLINDER M70)

## CYL. 1-6 ENGINE CONTROL MODULE

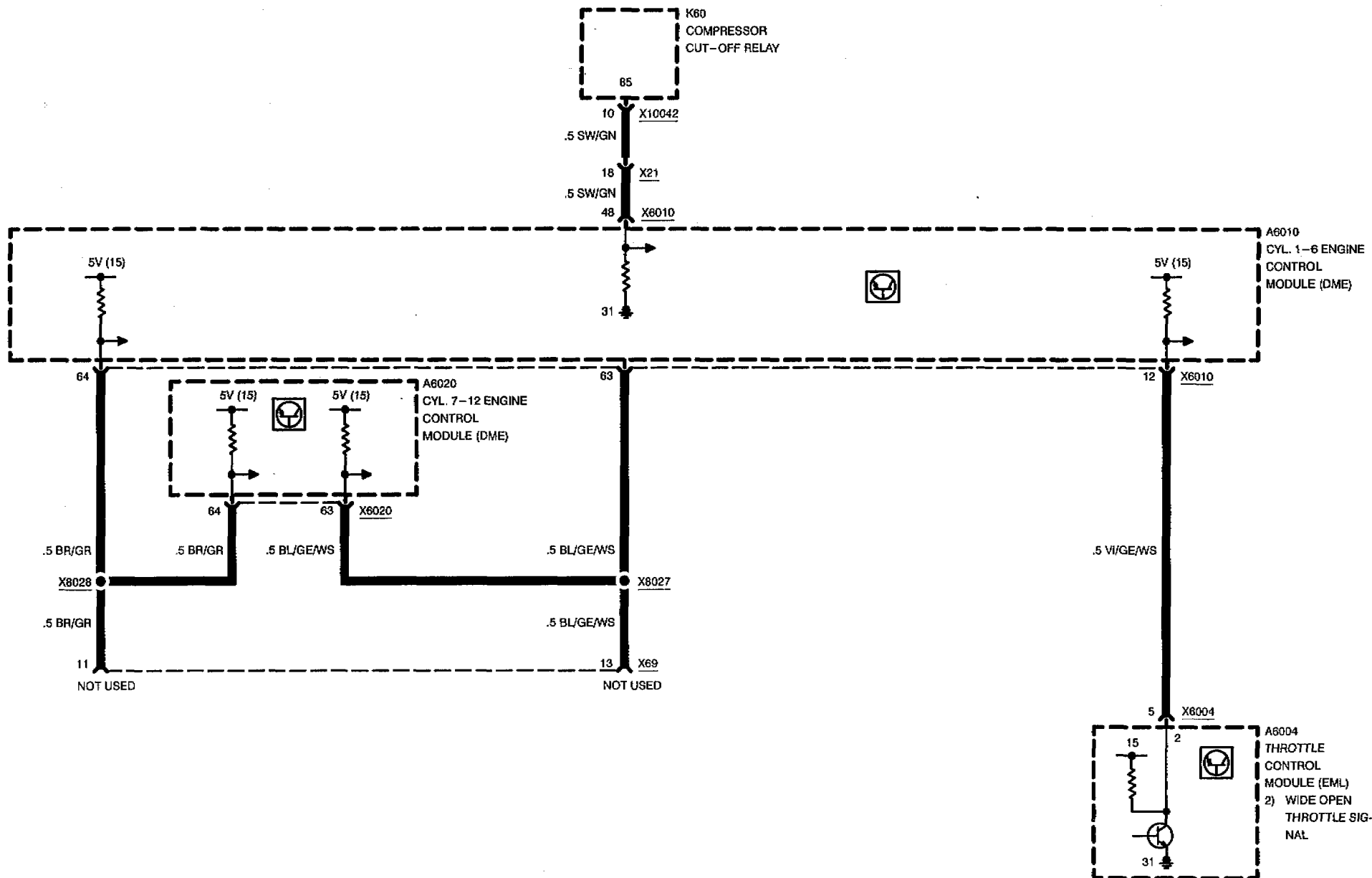
**HOT IN RUN AND START**





# ENGINE CONTROL SYSTEM (DME M1.7, 12-CYLINDER M70)

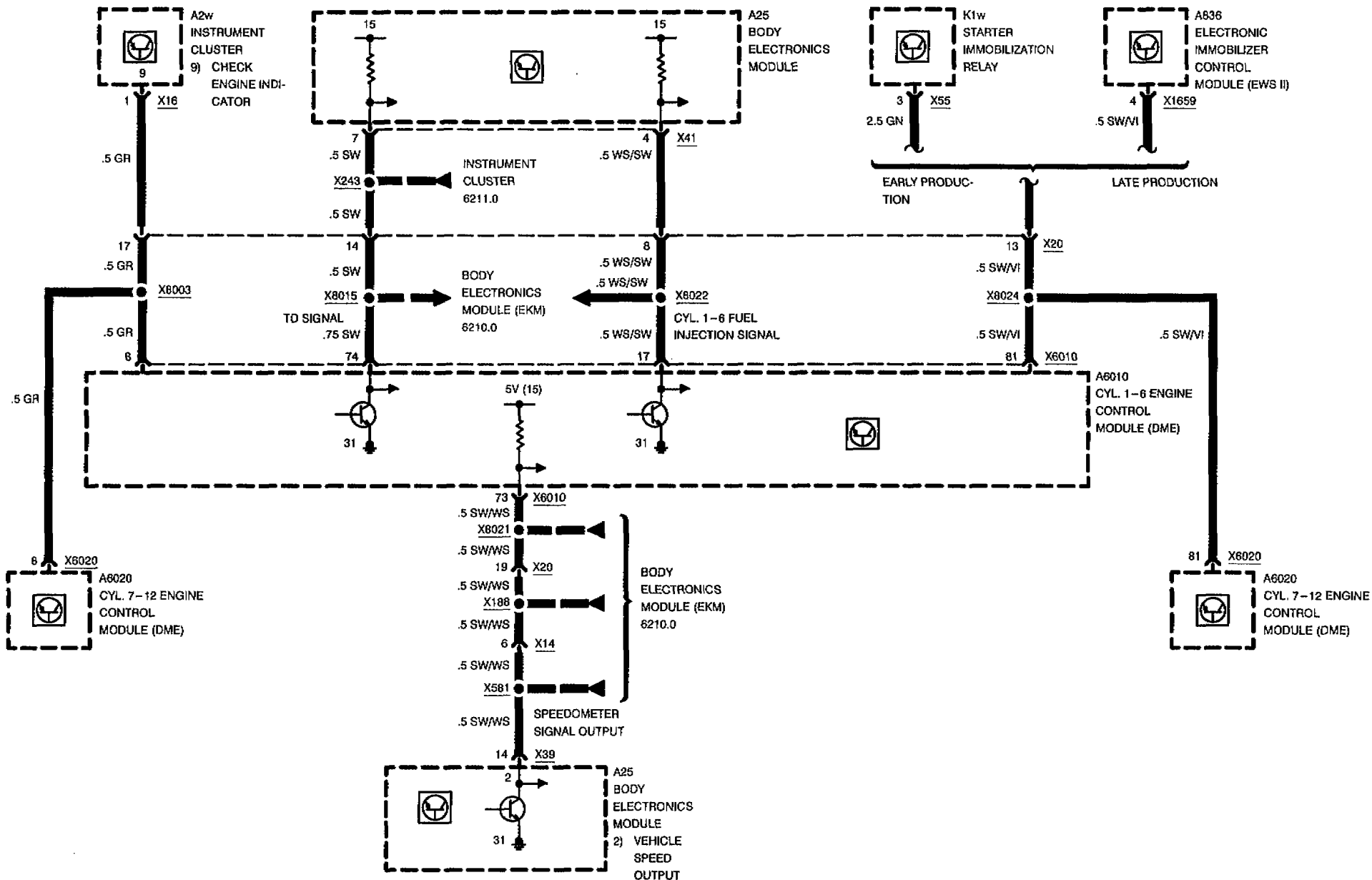
## CYL. 1-6 ENGINE CONTROL MODULE





# ENGINE CONTROL SYSTEM (DME M1.7, 12-CYLINDER M70)

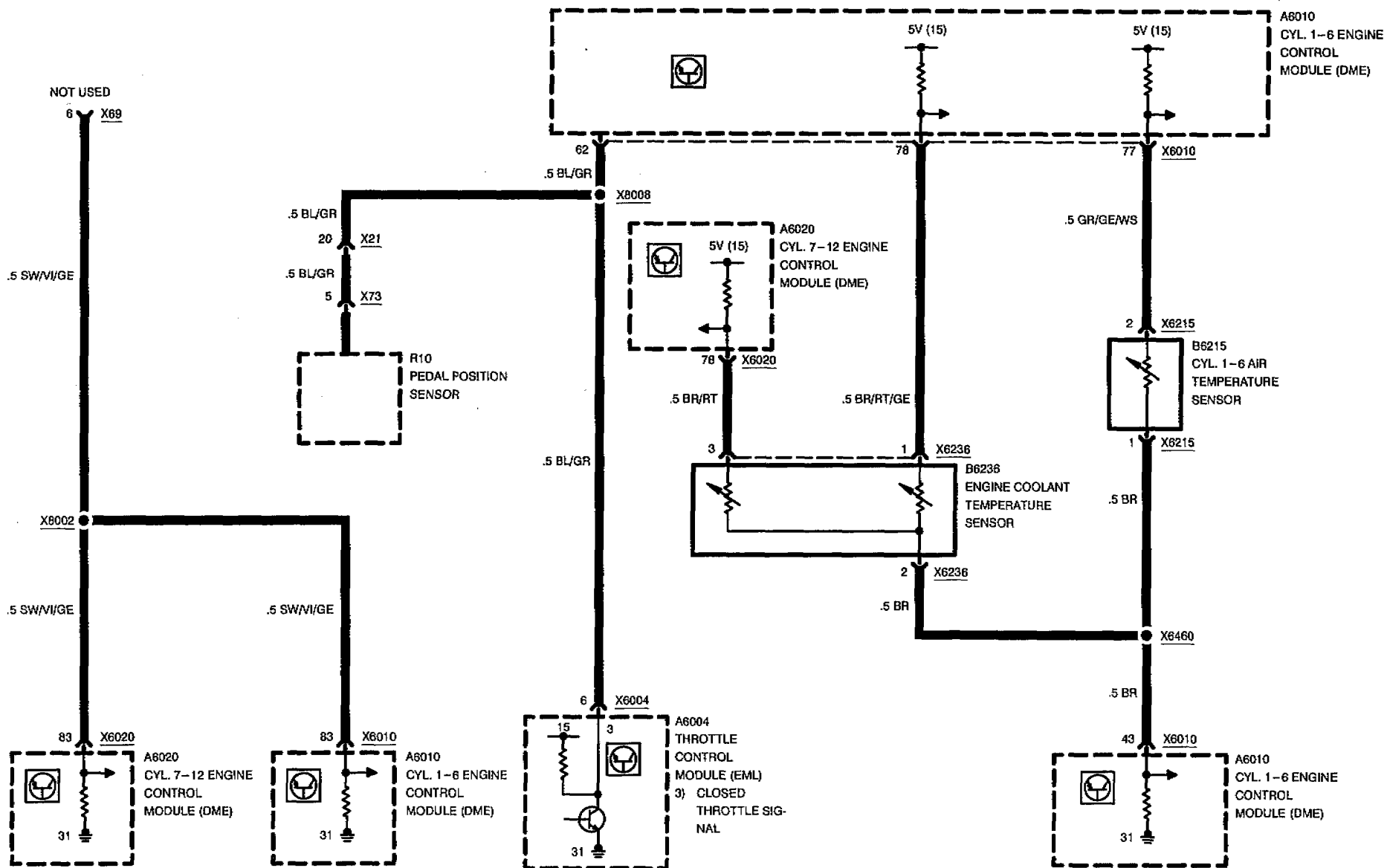
## CYL. 1-6 ENGINE CONTROL MODULE





# ENGINE CONTROL SYSTEM (DME M1.7, 12-CYLINDER M70)

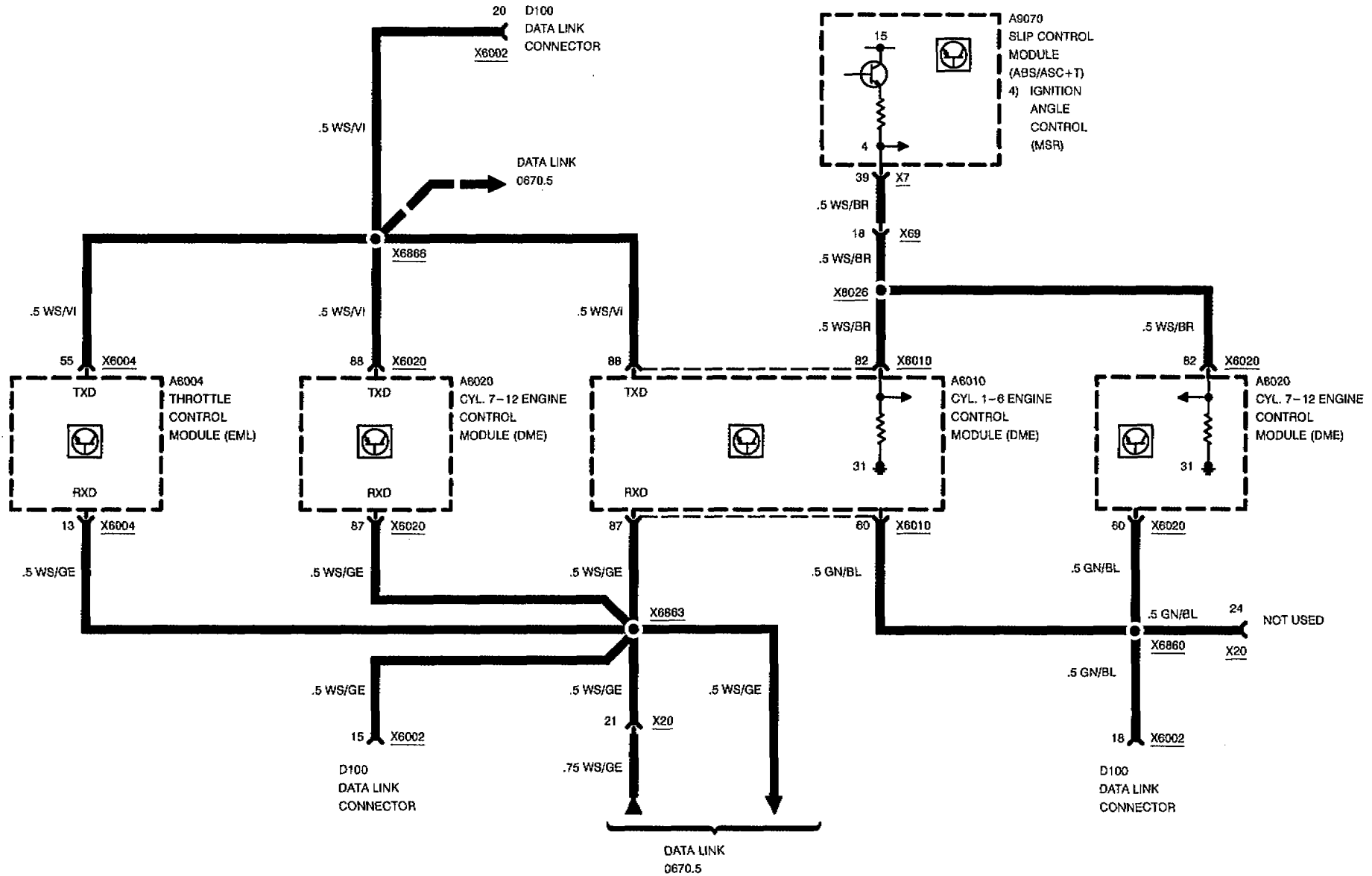
## CYL. 1-6 ENGINE CONTROL MODULE



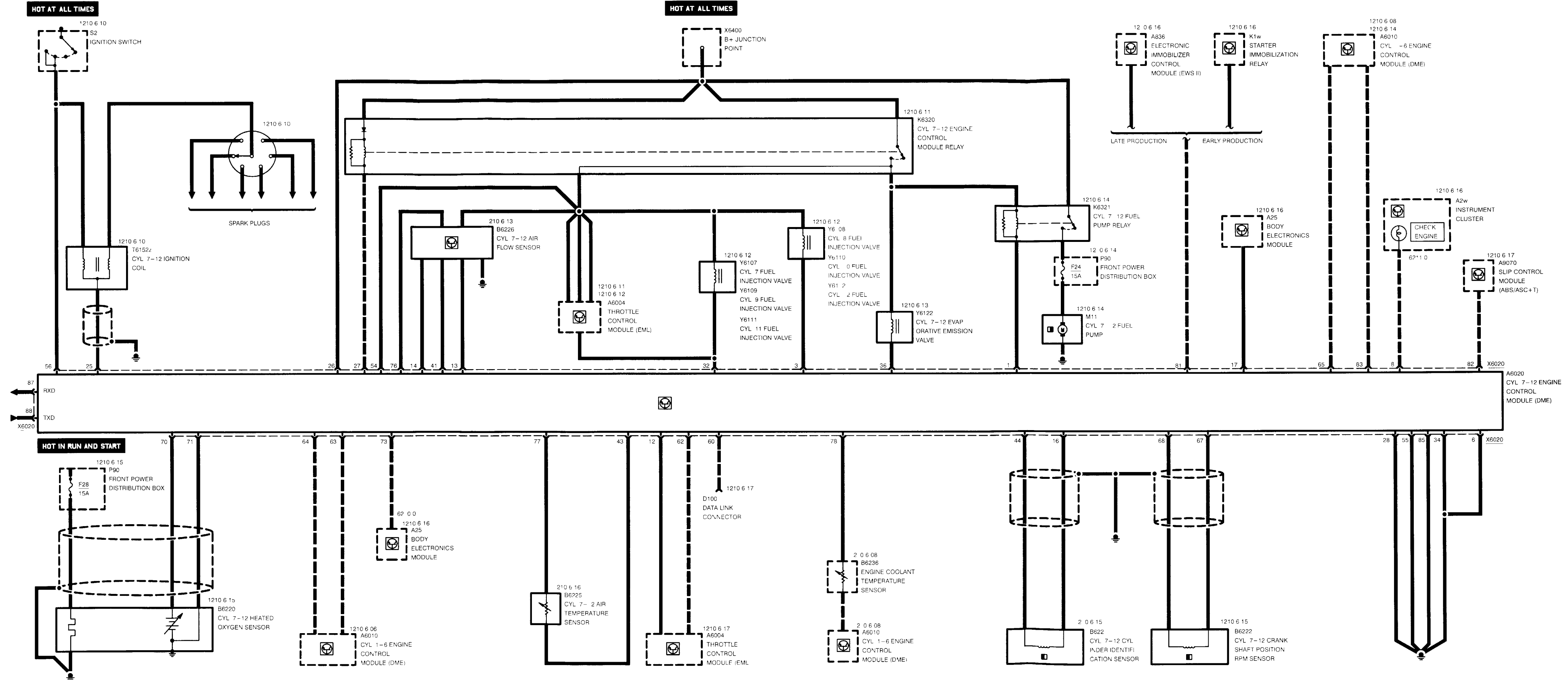


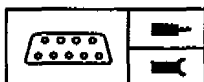
# ENGINE CONTROL SYSTEM (DME M1.7, 12-CYLINDER M70)

## CYL. 1-6 ENGINE CONTROL MODULE









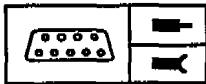
## Pin Assignments

### X6020

Pin	Type	Description/Function	Connection
1	A	Fuel pump relay and crankshaft reference signal (TR)	Fuel pump relay
2		Not used	
3	A	Fuel injector valves cyl. 8 - 10 - 12	Fuel injector valves
4		Not used	
5		Not used	
6	M	Ground, fuel injector valve output stages	Ground point
7		Not used	
8	A	Check engine	Instrument cluster
9		Not used	
10		Not used	
11		Not used	
12	E	Wide open throttle signal (VL)	Electronic throttle control module (EML)
13	A	Free combustion	Mass air flow sensor
14	M	Ground, mass air flow sensor	Mass air flow sensor
15		Not used	
16	E	Cylinder identification sensor (ignition)	Cylinder identification sensor (connection B)
17	A	Injection measuring signal (ti) (KVA signal)	Body electronics module (EKM)
18		Not used	
19		Not used	
20		Not used	
21		Not used	
22		Not used	
23		Not used	
24		Not used	
25	A	Ignition, terminal 1	Cyl. 7 - 12 ignition coil
26	E	Battery voltage	B+ junction point
27	A	Engine control module relay	Engine control module relay terminal 85
28	M	Ground for electronics and shielding the sensors	Ground point
29		Not used	

E = Input, A = Output, M = Ground

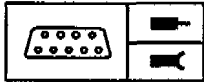




## Pin Assignments

Pin	Type	Description/Function	Connection
30		Not used	
31		Not used	
32	A	Fuel injector valves cyl. 7 - 9 - 11	Fuel injector valves and electronic throttle control module (EML)
33		Not used	
34	M	Ground, remaining output stages (except for ignition and fuel injector valves)	Ground point
35		Not used	
36	A	Evaporative emission valve	Evaporative emission valve
37		Not used	
38		Not used	
39		Not used	
40		Not used	
41	E	Mass air flow sensor signal	Mass air flow sensor
42		Not used	
43	M	Ground for sensors	Temperature sensors
44	E	Cylinder identification sensor (ignition)	Cylinder identification sensor (connection A)
45		Not used	
46		Not used	
47		Not used	
48		Not used	
49		Not used	
50		Not used	
51		Not used	
52		Not used	
53		Not used	
54	E	Battery voltage	Engine control module relay, terminal 87
55	M	Ground, ignition	Ground point
56	E	Ignition, terminal 15	Ignition switch
57		Not used	
58		Not used	
59		Not used	
60	E	Programming voltage	Data link connector

E = Input, A = Output, M = Ground



## Pin Assignments

Pin	Type	Description/Function	Connection
61		Not used	
62	E	Idle signal (LL)	Electronic throttle control module (EML)
63	E	Torque converter clutch	Not used
64	E	Ignition timing intervention	Not used
65	E	Park/Neutral sensing	Not used
66		Not used	
67	E	Inductive pulse generator (connection B)	Pulse generator, crankshaft rpm sensor
68	E	Inductive pulse generator (connection A)	Pulse generator, crankshaft rpm sensor
69		Not used	
70	E	Oxygen sensor signal	Heated oxygen sensor
71	M	Ground, oxygen sensor	Heated oxygen sensor
72		Not used	
73	E	Speedometer signal	Body electronics module (EKM)
74		Not used	
75		Not used	
76	E	Idle CO-potentiometer	Mass air flow sensor
77	E	Intake air temperature	Engine intake air temperature sensor
78	E	Engine coolant temperature	Engine coolant temperature sensor
79		Not used	
80		Not used	
81	E	Antitheft signal	Starter immobilization relay (early production) Electronic immobilizer control module (EWS II)
82	E	ASC ignition angle control	ASC + T control unit
83	E/A	Data link	Cyl. 1-6 engine control module
84		Not used	
85	E	Identifier, Cyl. 7 - 12 engine control module	Ground point
86		Not used	
87	E	RxD diagnostic data line	Data link connector
88	E/A	TxD diagnostic data line	Data link connector

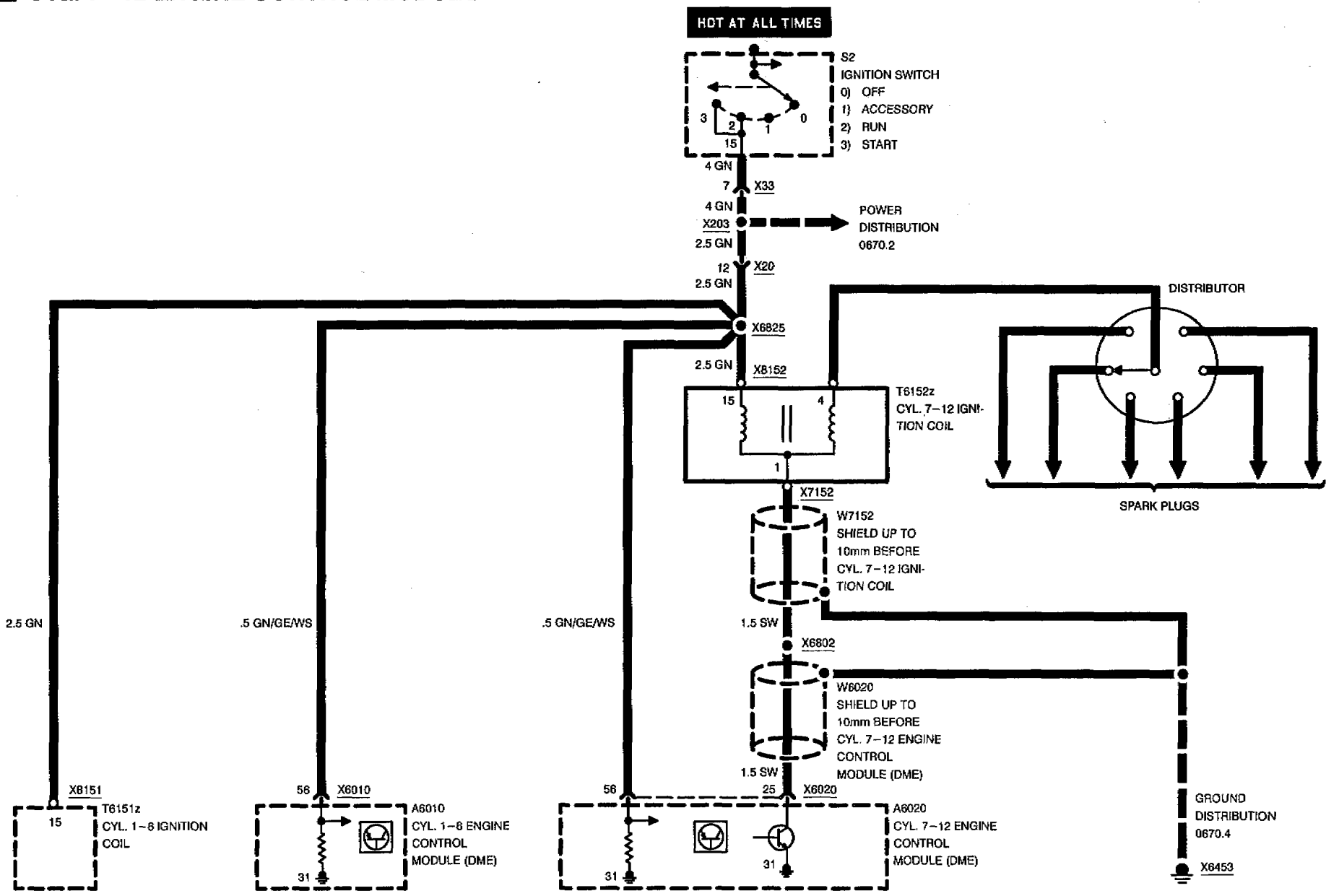
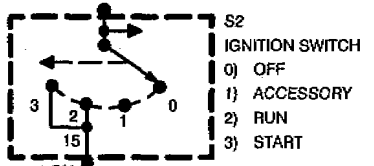
E = Input, A = Output, M = Ground



# ENGINE CONTROL SYSTEM (DME M1.7, 12-CYLINDER M70)

## CYL. 7-12 ENGINE CONTROL MODULE

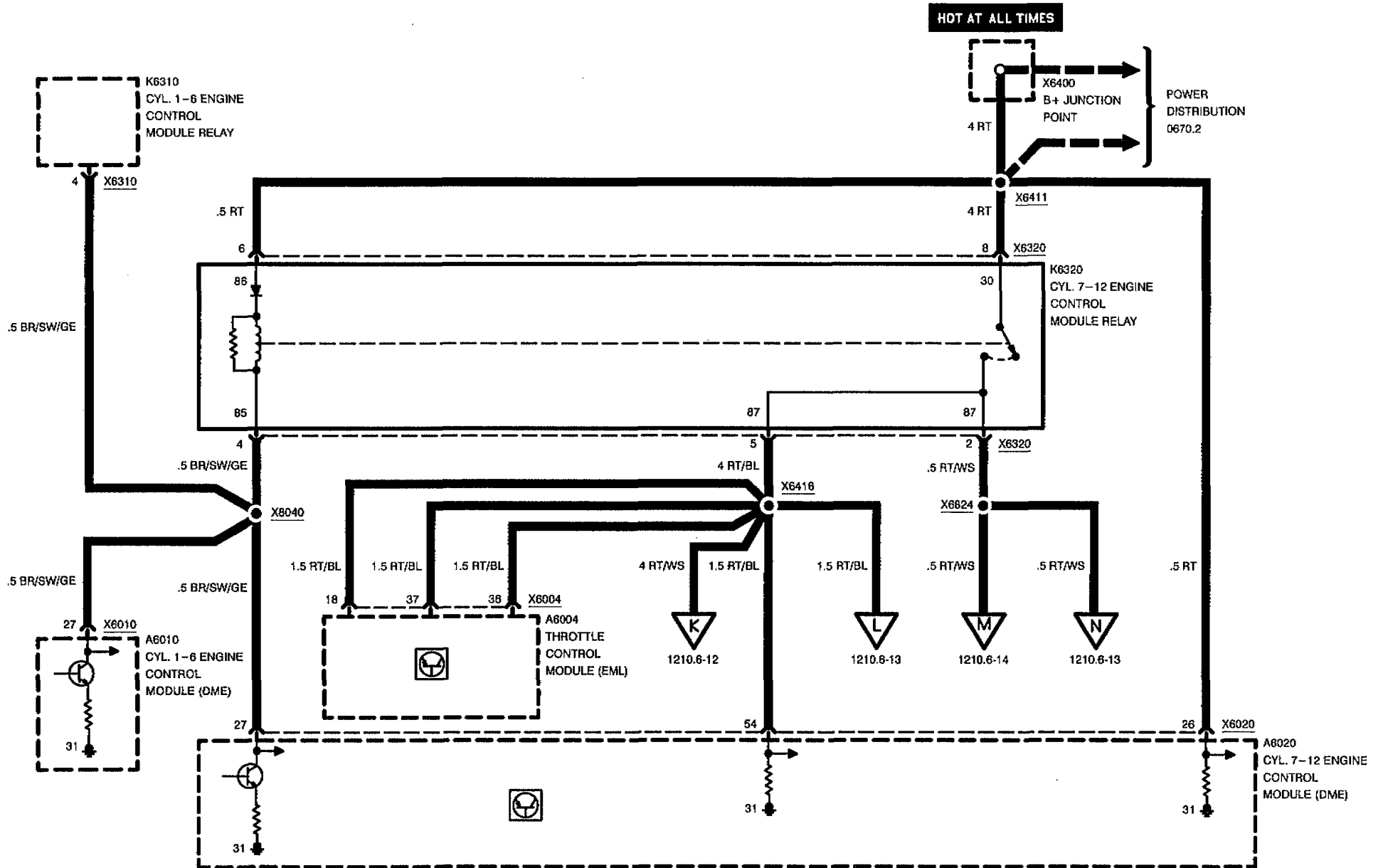
**HOT AT ALL TIMES**





# ENGINE CONTROL SYSTEM (DME M1.7, 12-CYLINDER M70)

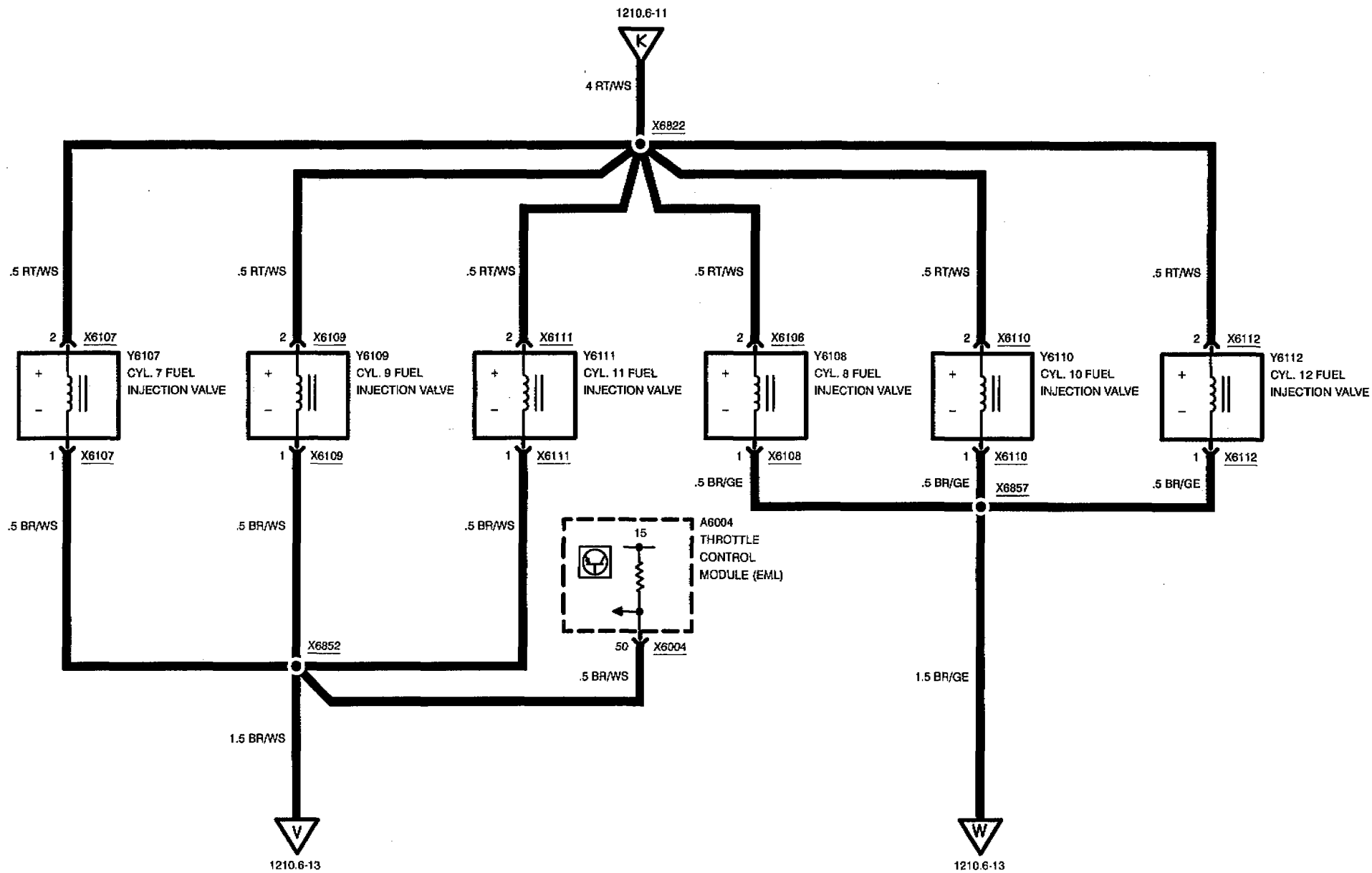
## CYL. 7-12 ENGINE CONTROL MODULE





# ENGINE CONTROL SYSTEM (DME M1.7, 12-CYLINDER M70)

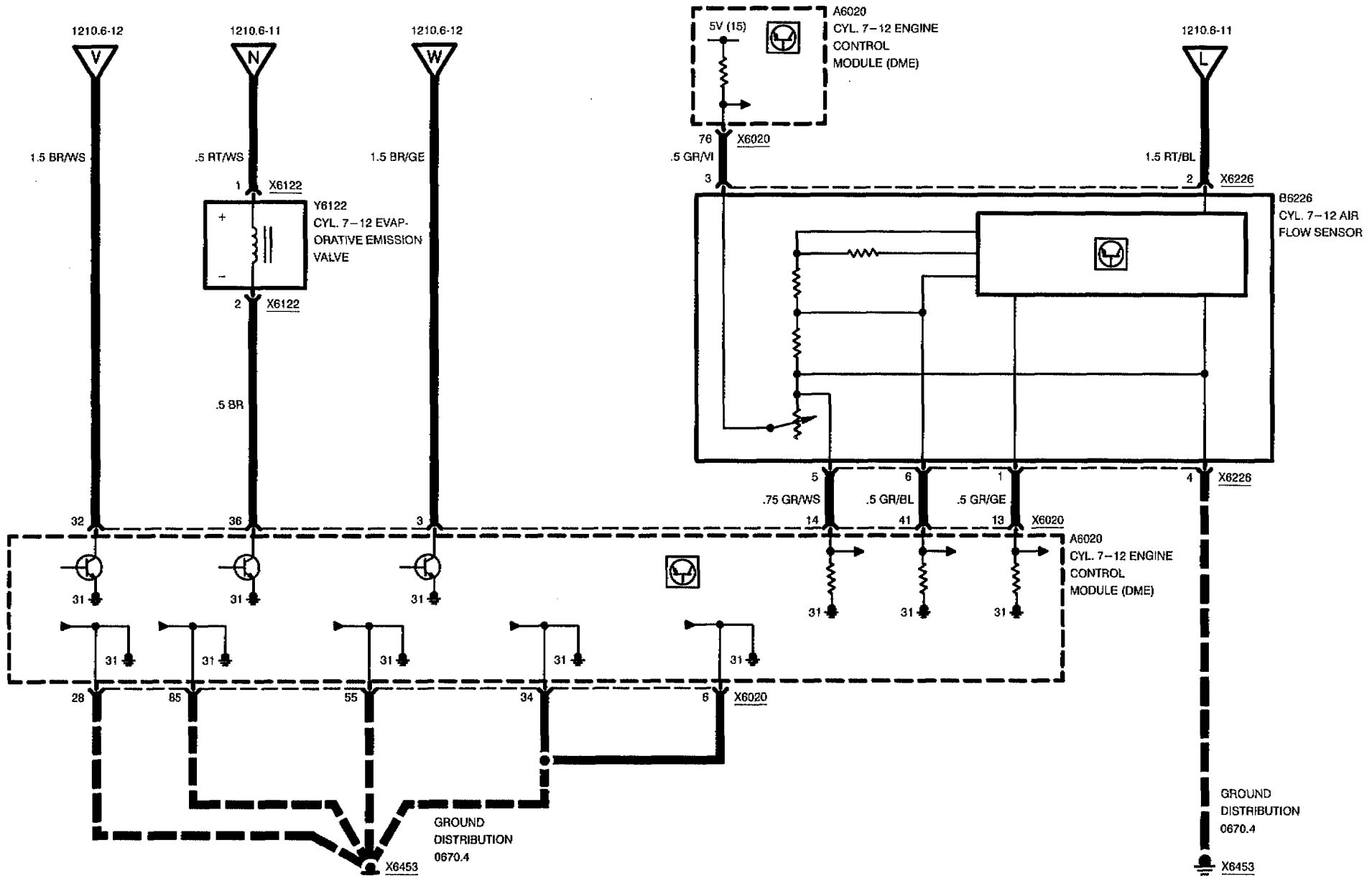
## FUEL INJECTION VALVES





# ENGINE CONTROL SYSTEM (DME M1.7, 12-CYLINDER M70)

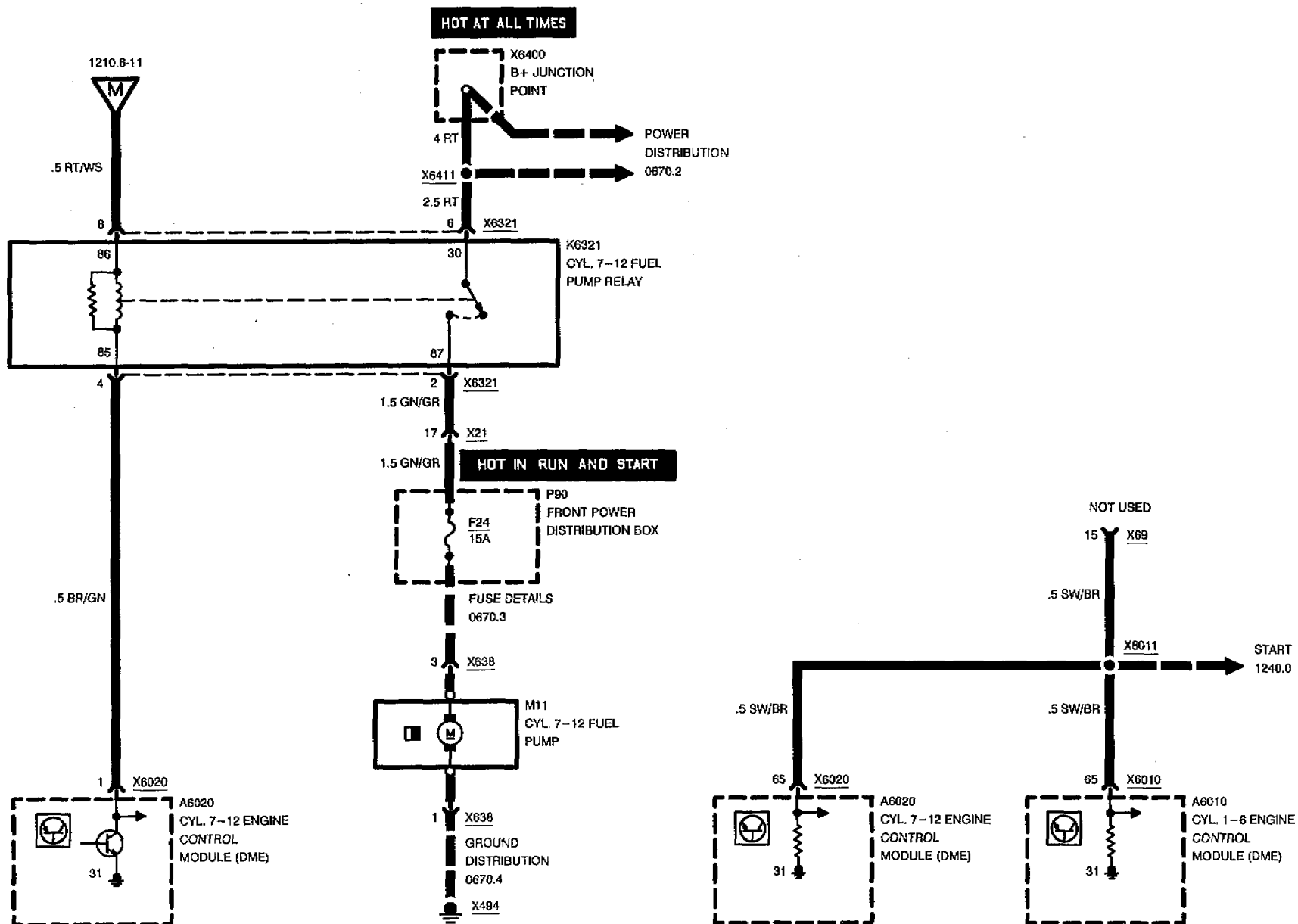
## CYL. 7-12 ENGINE CONTROL MODULE





# ENGINE CONTROL SYSTEM (DME M1.7, 12-CYLINDER M70)

## CYL. 7-12 ENGINE CONTROL MODULE

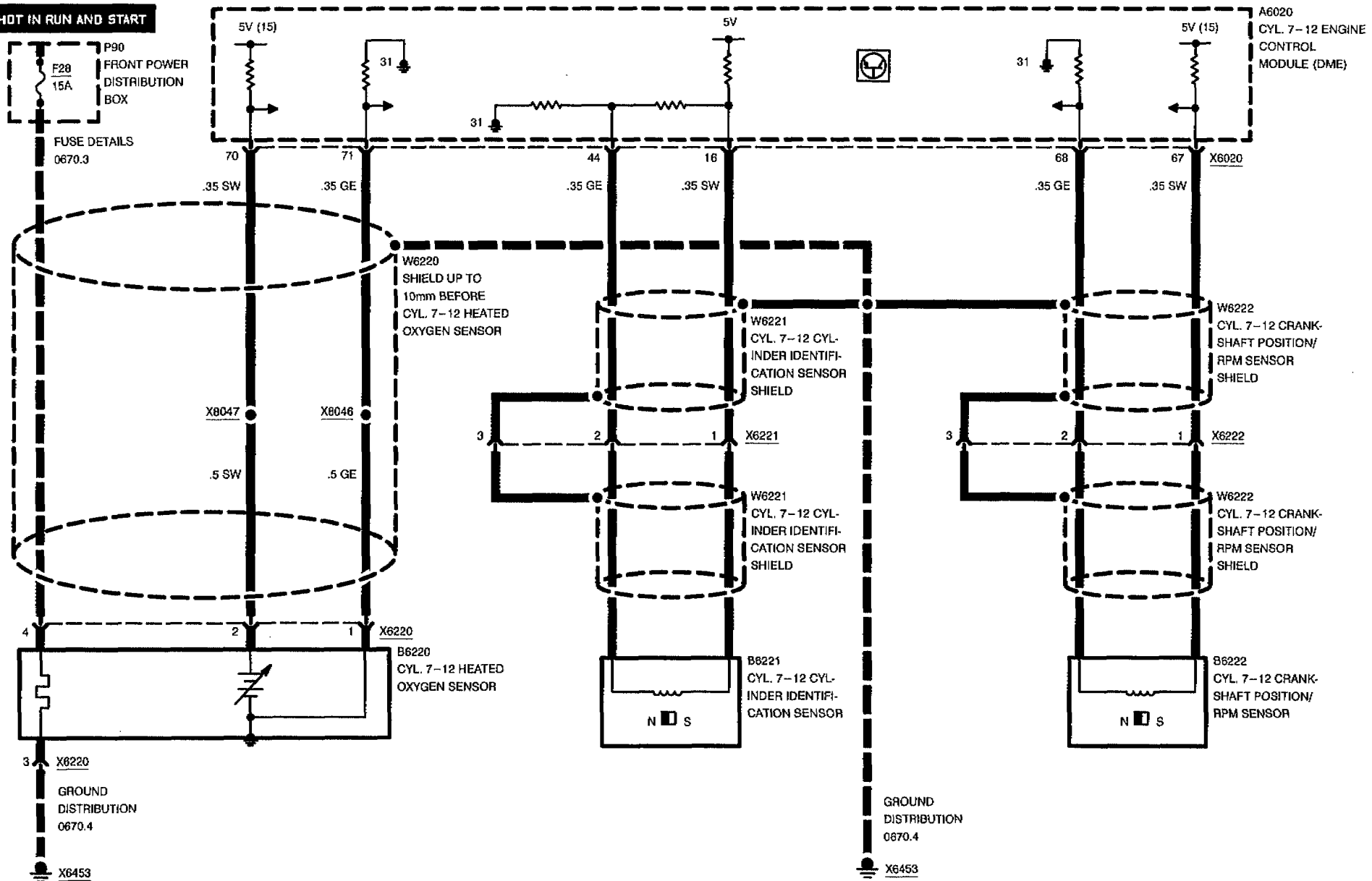




# ENGINE CONTROL SYSTEM (DME M1.7, 12-CYLINDER M70)

## CYL. 7-12 ENGINE CONTROL MODULE

HOT IN RUN AND START



02/97

1210.6-15

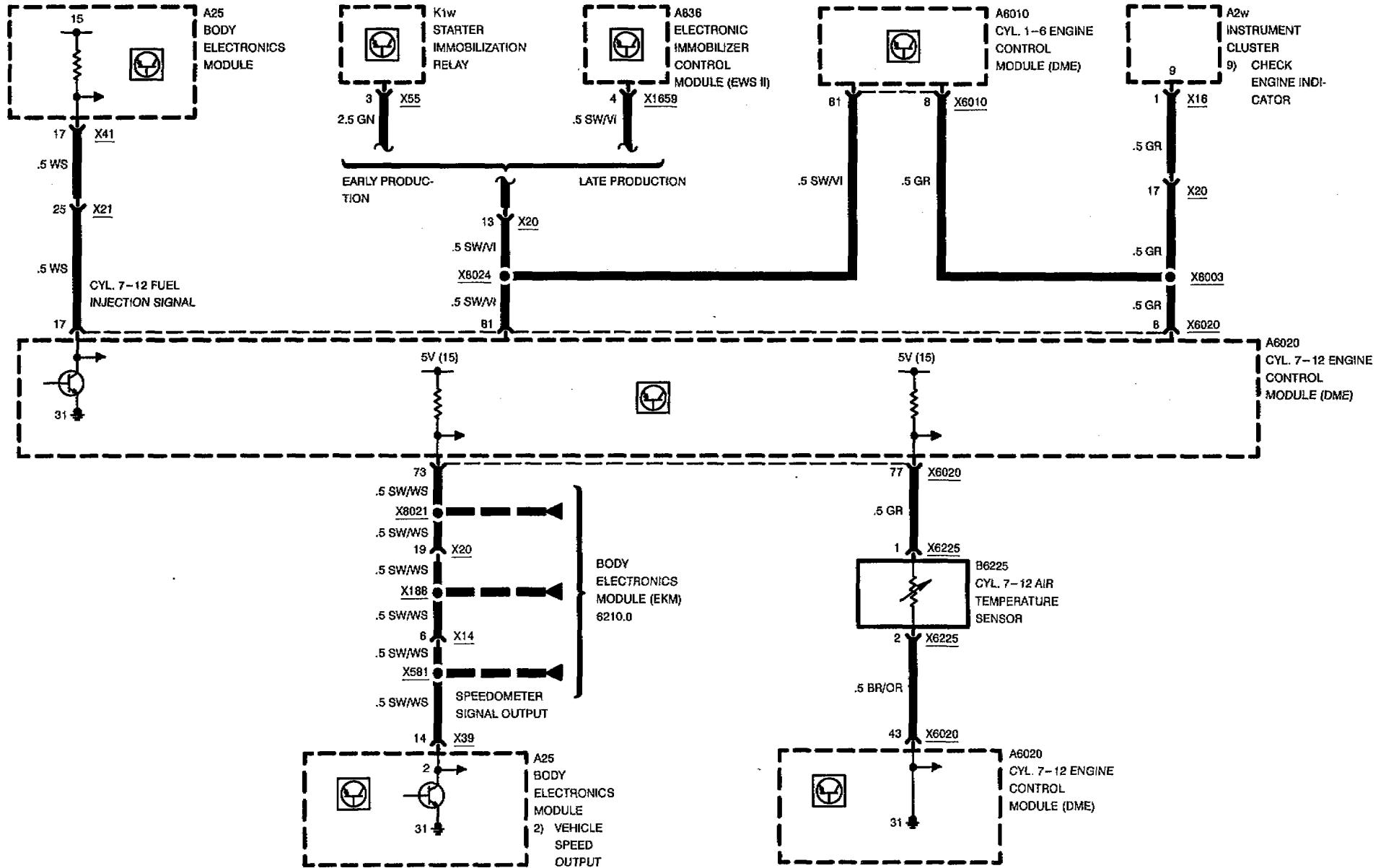
95/96





# ENGINE CONTROL SYSTEM (DME M1.7, 12-CYLINDER M70)

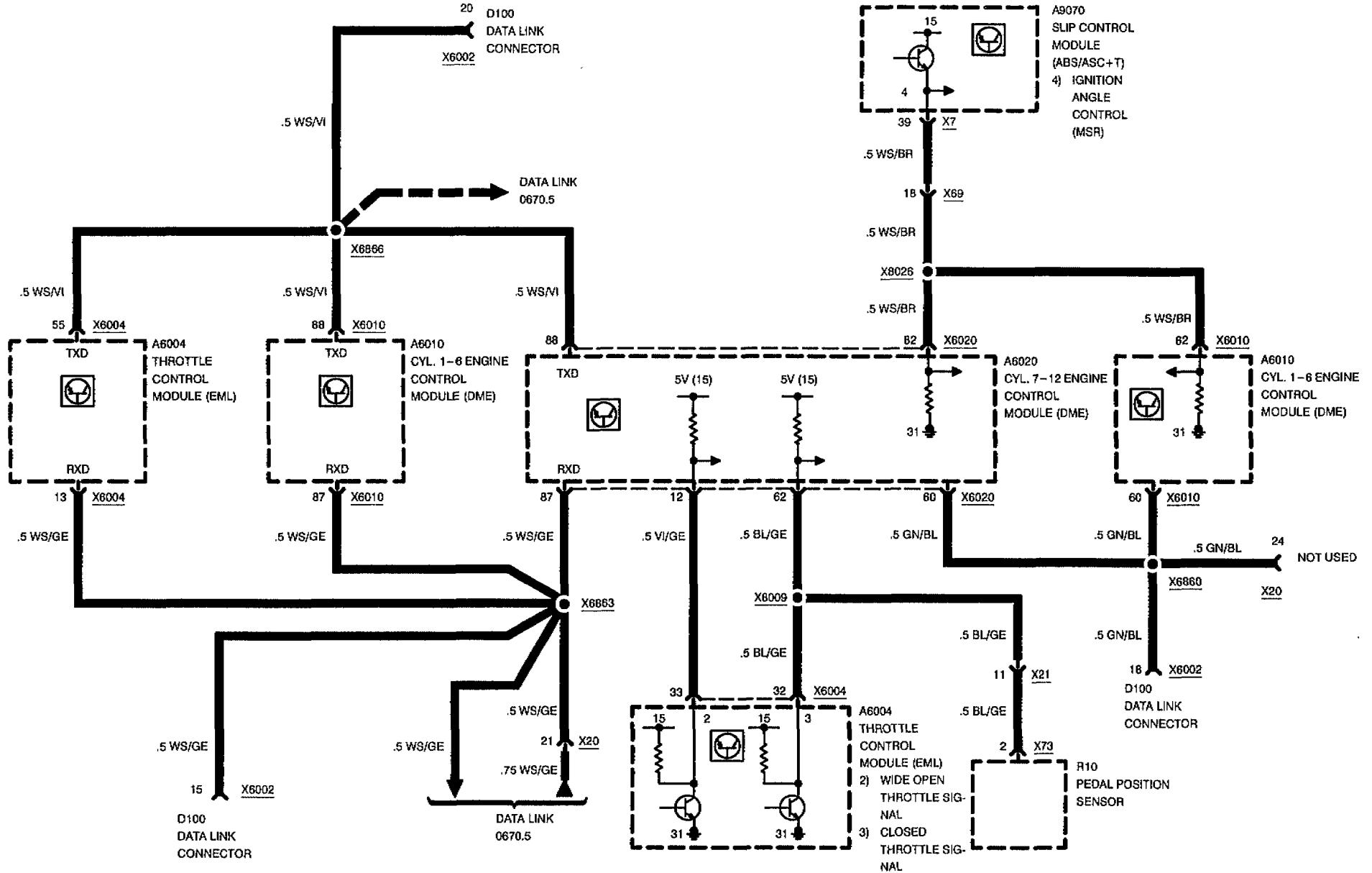
## CYL. 7-12 ENGINE CONTROL MODULE





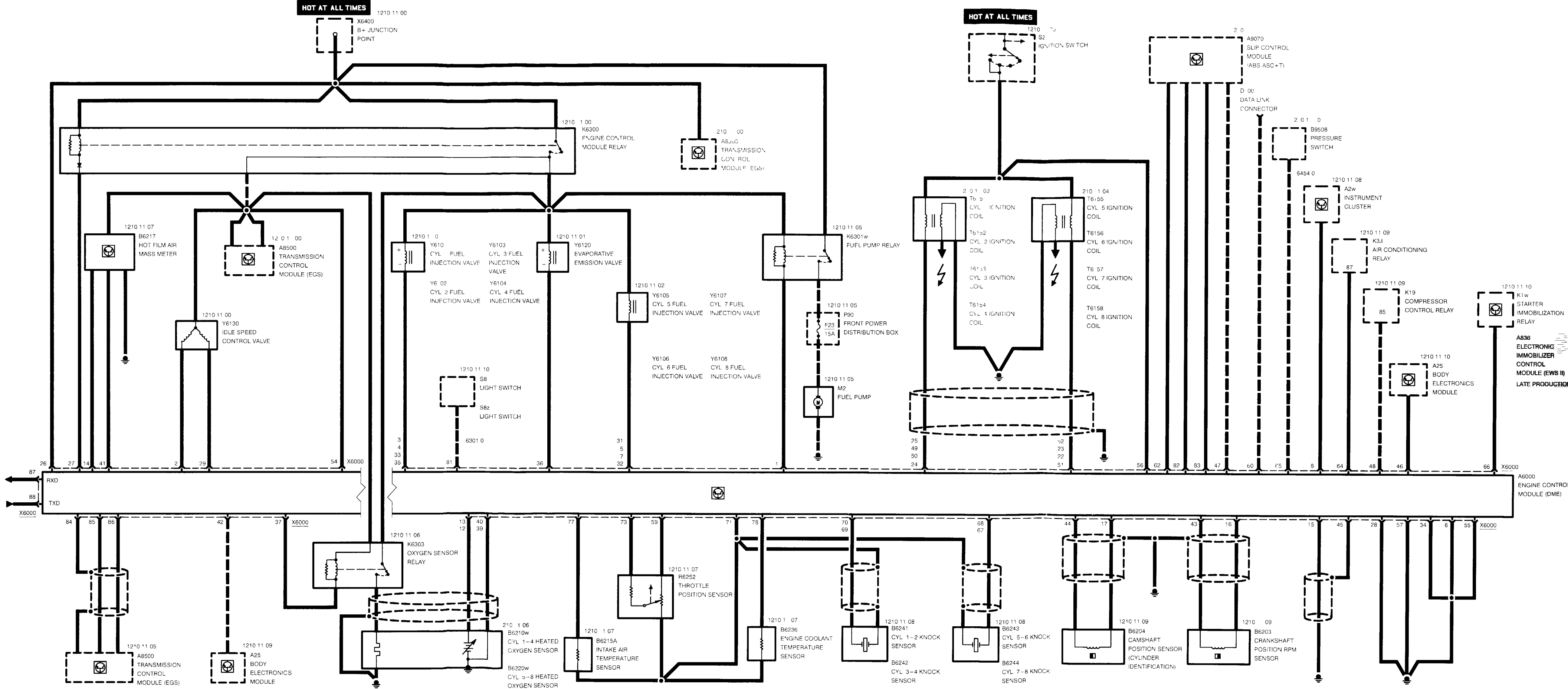
# ENGINE CONTROL SYSTEM (DME M1.7, 12-CYLINDER M70)

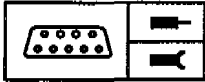
## CYL. 7-12 ENGINE CONTROL MODULE



BMW  
8

1210.6-18



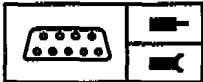


## Pin Assignments

### X6000

Pin	Type	Description/Function	Connection
1	A	Fuel pump relay	Fuel pump relay
2	A	Air control valve closed	Idle speed control valve, Y6130
3	A	Cyl. 1 fuel injection valve	Cyl. 1 fuel injection valve, Y6101
4	A	Cyl. 4 fuel injection valve	Cyl. 4 fuel injection valve, Y6104
5	A	Cyl. 6 fuel injection valve	Cyl. 6 fuel injection valve, Y6106
6	M	Ground	Ground point, X6452
7	A	Cyl. 7 fuel injection valve	Cyl. 7 fuel injection valve, Y6107
8	A	"CHECK ENGINE"-lamp	Instrument cluster, A2
9		Not used	
10		Not used	
11		Not used	
12	E	Signal Cyl. 5 - 8 heated oxygen sensor	Cyl. 5 - 8 heated oxygen sensor, B6220
13	E	Signal Cyl. 1 - 4 heated oxygen sensor	Cyl. 1 - 4 heated oxygen sensor, B6210
14	M	Ground from air mass meter	Hot film air mass meter
15	M	Injection signal	Resistor, R6240
16	E	Signal crankshaft/RPM	Crankshaft position/RPM sensor, B6203
17	E	Signal camshaft position	Camshaft position sensor
18		Not used	
19		Not used	
20		Not used	
21		Not used	
22	A	Cyl. 7 ignition signal	Cyl. 7 ignition coil, T6157
23	A	Cyl. 6 ignition signal	Cyl. 6 ignition coil, T6156
24	A	Cyl. 4 ignition signal	Cyl. 4 ignition coil, T6154
25	A	Cyl. 1 ignition signal	Cyl. 1 ignition coil, T6151
26	E	Continuous plus supply terminal 30	B+ junction box
27	A	Signal to engine control module relay	Engine control module relay, K6300
28	M	Ground	Ground point, X6452
29	A	Air control valve open	Idle speed control valve, Y6130
30		Not used	

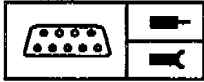
E = Input, A = Output, M = Ground



## Pin Assignments

Pin	Type	Description/Function	Connection
31	A	Cyl. 5 fuel injection valve	Cyl. 5 fuel injection valve, Y6105
32	A	Cyl. 8 fuel injection valve	Cyl. 8 fuel injection valve, Y6108
33	A	Cyl. 3 fuel injection valve	Cyl. 3 fuel injection valve, Y6103
34	M	Ground	Ground point, X6452
35	A	Cyl. 2 fuel injection valve	Cyl. 2 fuel injection valve, Y6102
36	A	Signal evaporative emission	Evaporative emission valve, Y6120
37	A	Signal oxygen sensor heating	Oxygen sensor relay, K6303
38		Not used	
39	M	Ground Cyl. 5 - 8 oxygen sensor	Cyl. 5 - 8 heated oxygen sensor, B6220
40	M	Ground Cyl. 1 - 4 oxygen sensor	Cyl. 1 - 4 heated oxygen sensor, B6210
41	E	Signal air flow	Hot film air mass meter
42	E	Vehicle speed	Body electronics module
43	M	Ground, camshaft RPM sensor	Crankshaft position/RPM sensor, B6203
44	M	Ground, crankshaft position sensor	Camshaft position sensor
45	M	Ground, ignition signal shield	Shield, ignition signal, R6240
46	A	Signal fuel consumption	Instrument cluster, A2
47	A	Signal engine speed (RPM)	Instrument cluster, A2
48	A	Signal climate compressor	Compressor control relay, K19
49	A	Cyl. 2 ignition signal	Cyl. 2 ignition coil, T6152
50	A	Cyl. 3 ignition signal	Cyl. 3 ignition coil, T6153
51	A	Cyl. 8 ignition signal	Cyl. 8 ignition coil, T6158
52	A	Cyl. 5 ignition signal	Cyl. 5 ignition coil, T6155
53		Not used	
54	E	Signal engine control module relay	Engine control module relay, K6300
55	M	Ground	Ground point, X6452
56	E	Plus supply terminal 15	Ignition switch, S2
57	M	Ground for sensors and shields	Ground point
58		Not used	
59	A	Plus supply (+5V)	Throttle position sensor, R6252
60	E	Programming voltage	Data link connector, D100
61		Not used	
62	E	Signal electronic throttle control	Slip control module (ABS/ASC+T), A9070

E = Input, A = Output, M = Ground



## Pin Assignments

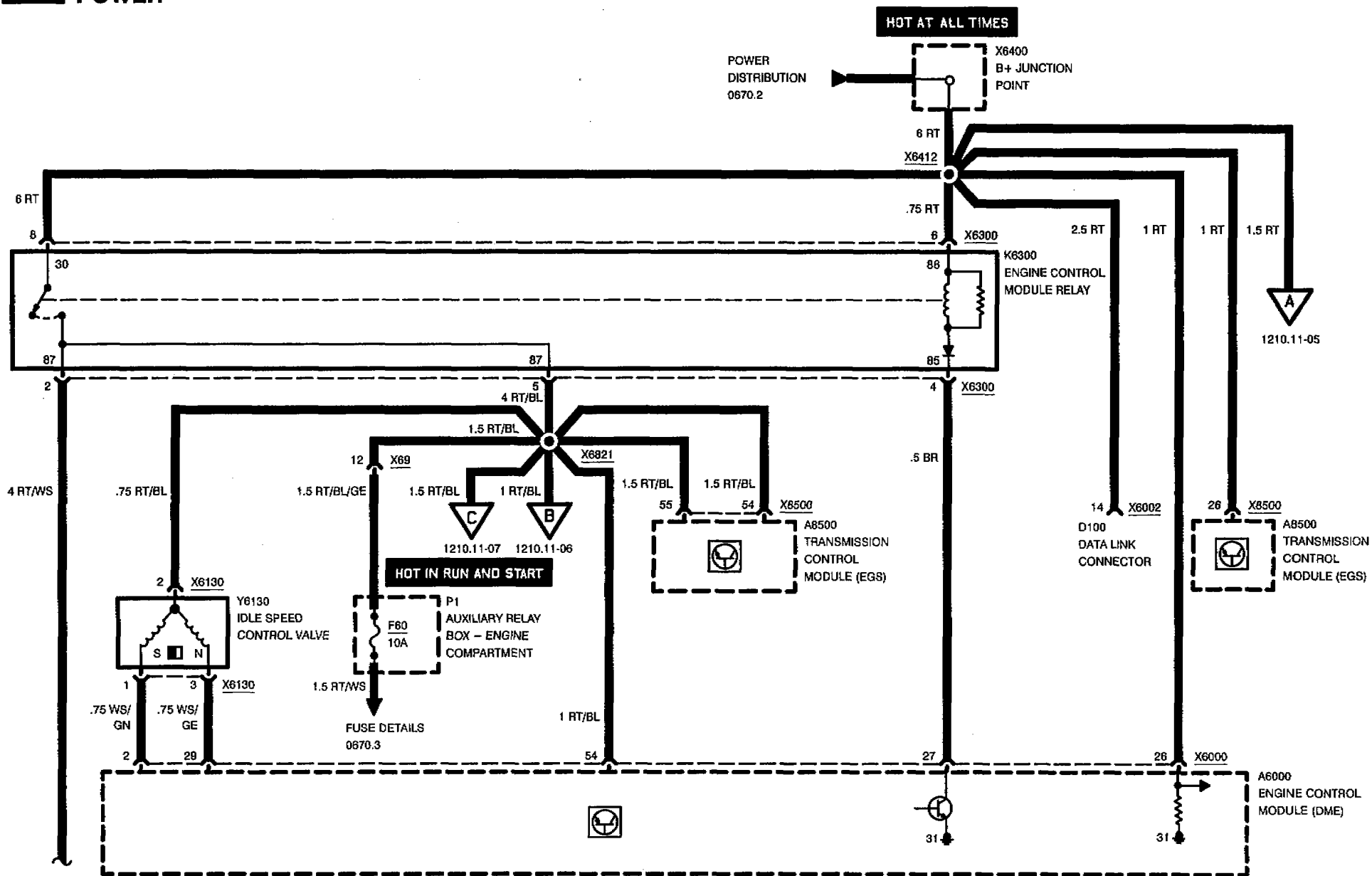
Pin	Type	Description/Function	Connection
63		Not used	
64	E	Signal AC ready	Air conditioning relay
65	E	Signal AC-compressor	Pressure switch, B8y
66	E	Antitheft signal	Starter immobilization relay (early production) Electronic immobilizer control module (EWS II)
67	E	Signal, Cyl. 7 - 8 knock sensor	Cyl. 7 - 8 knock sensor, B6244
68	E	Signal, Cyl. 5 - 6 knock sensor	Cyl. 5 - 6 knock sensor, B6243
69	E	Signal, Cyl. 3 - 4 knock sensor	Cyl. 3 - 4 knock sensor, B6242
70	E	Signal, Cyl. 1 - 2 knock sensor	Cyl. 1 - 2 knock sensor, B6241
71	M	Ground	Sensors
72		Not used	
73	E	Signal throttle position sensor	Throttle position sensor, R6252
74		Not used	
75		Not used	
76		Not used	
77	E	Signal intake air temperature	Engine intake air temperature sensor, B6215
78	E	Signal engine coolant temperature	Engine coolant temperature sensor
79		Not used	
80		Not used	
81	E	Signal headlights on	Light switch
82	E	Engine coasting signal	Slip control module (ABS/ASC+T), A9070
83	E	Traction control regulation signal	Slip control module (ABS/ASC+T), A9070
84	A	CAN - Shield	Transmission control module A8500
85	E/A	CAN - L	Transmission control module, A8500
86	E/A	CAN - H	Transmission control module, A8500
87	A	Diagnosis	Data link connector, RxD
88	E/A	Diagnosis	Data link connector, TxD

E = Input, A = Output, M = Ground



# ENGINE CONTROL SYSTEM (DME M3.3, 8-CYLINDER M60)

## POWER

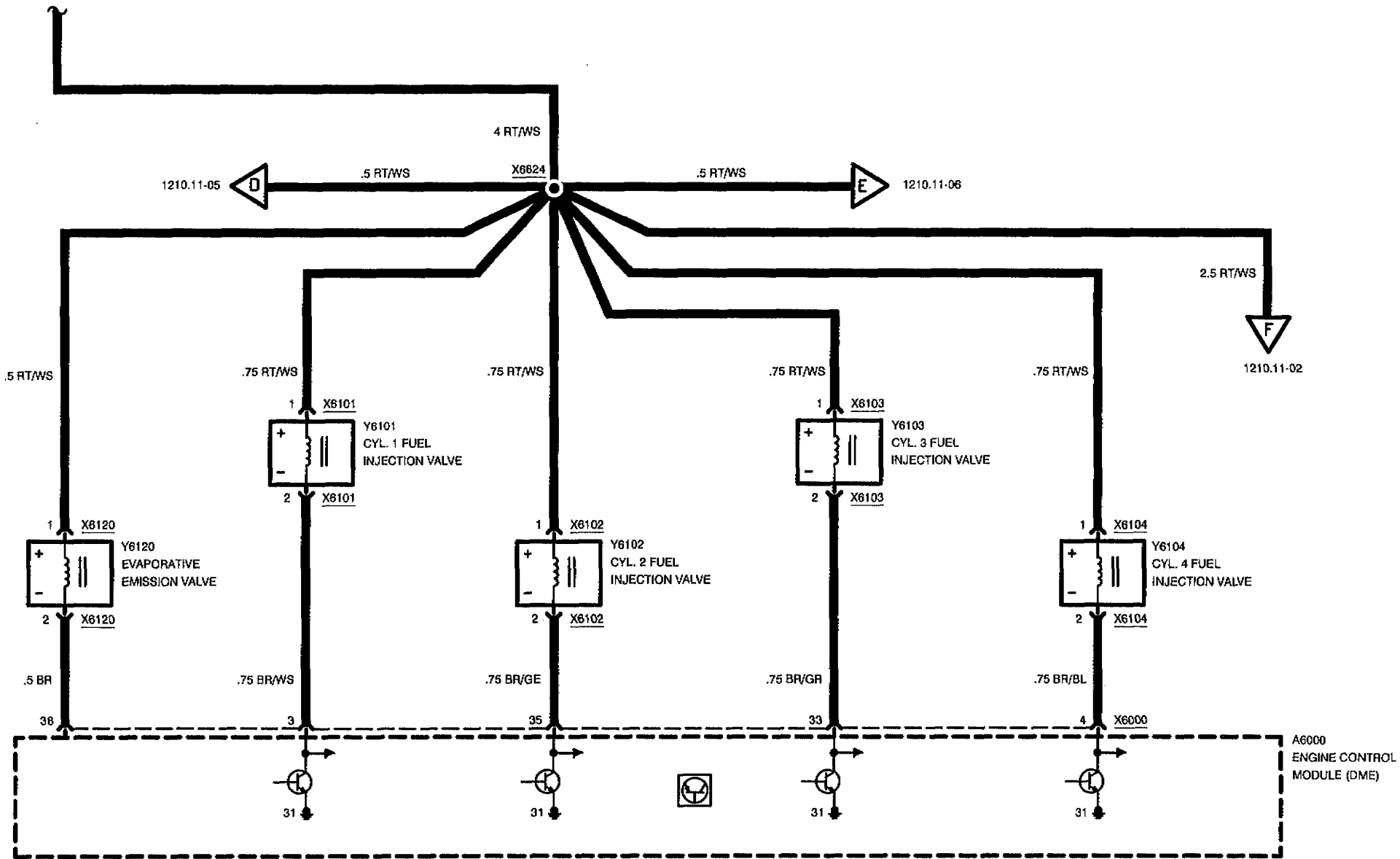


02/97

1210.11-00

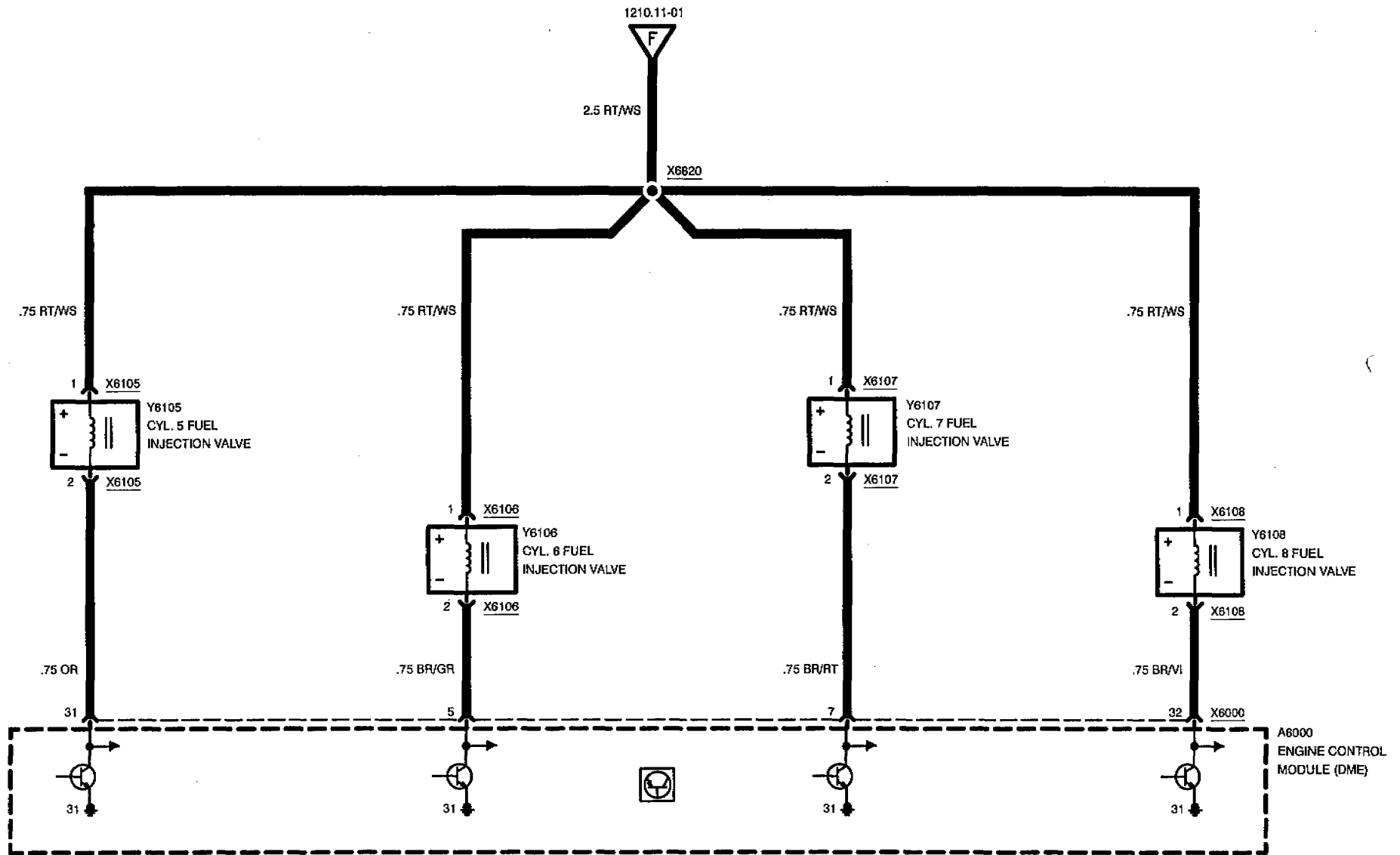
95/96







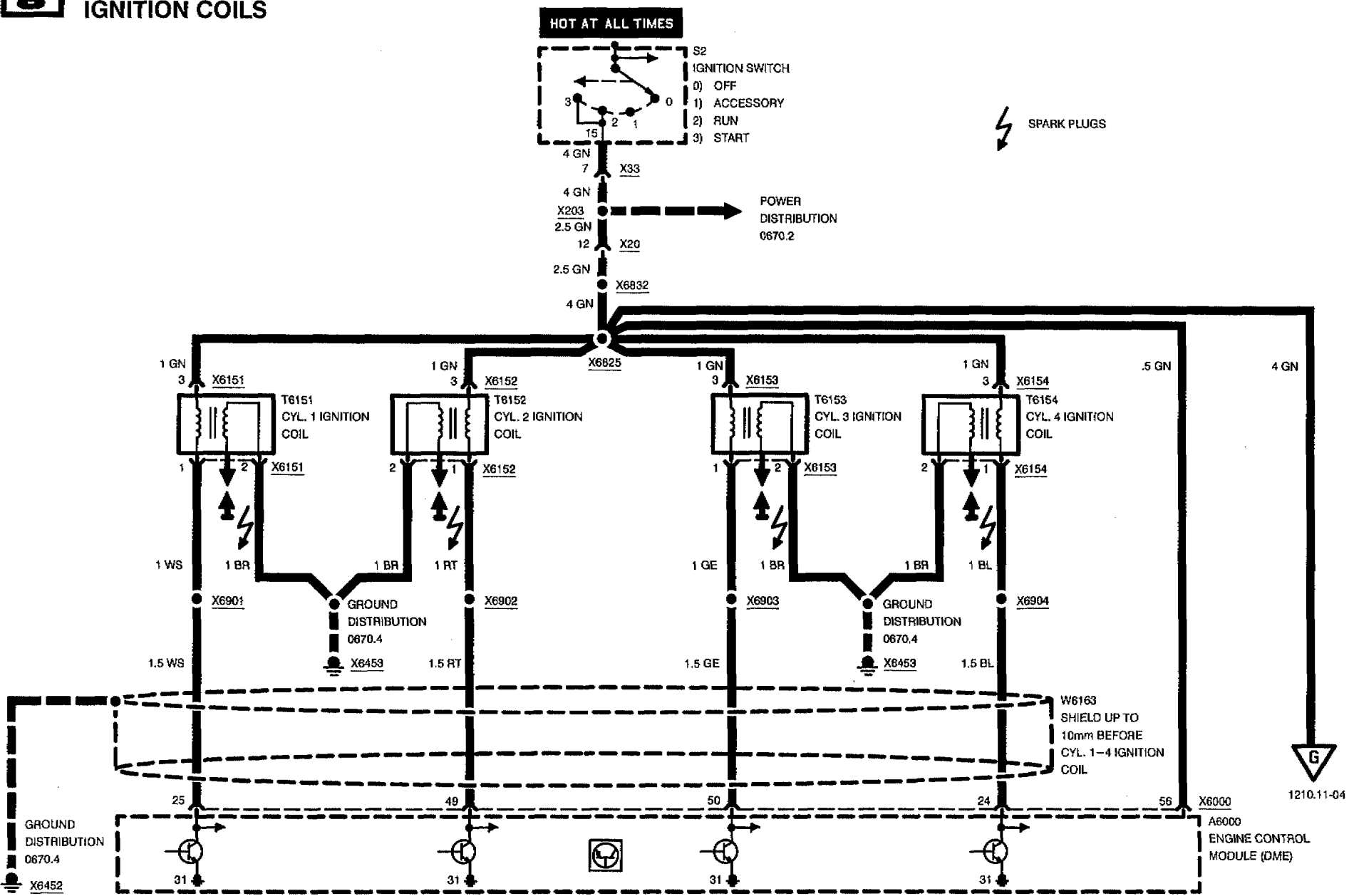
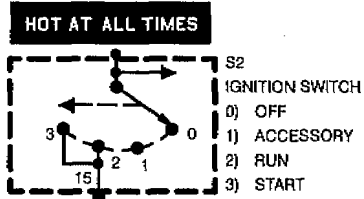
# ENGINE CONTROL SYSTEM (DME M3.3, 8-CYLINDER M60)





# ENGINE CONTROL SYSTEM (DME M3.3, 8-CYLINDER M60)

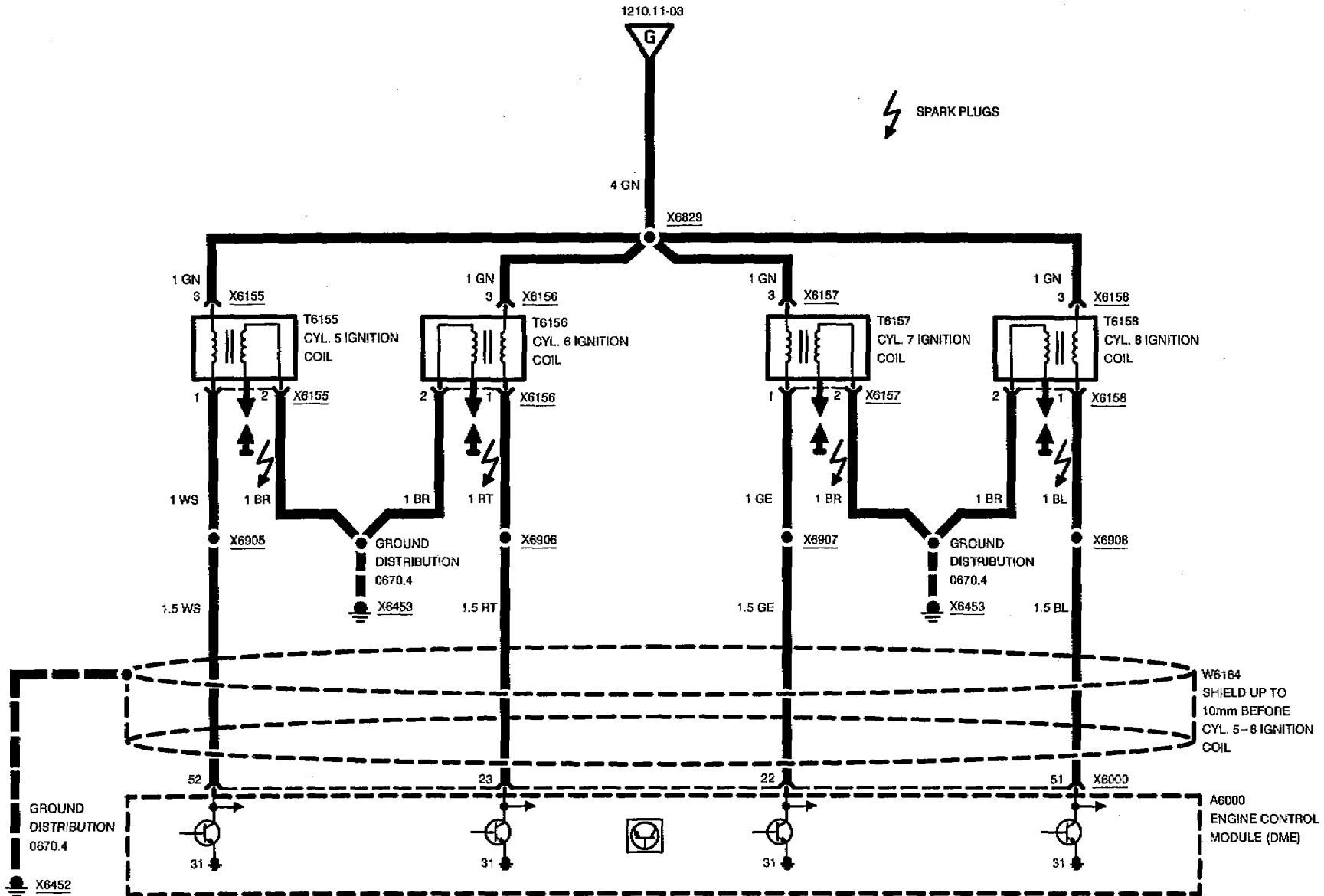
## IGNITION COILS





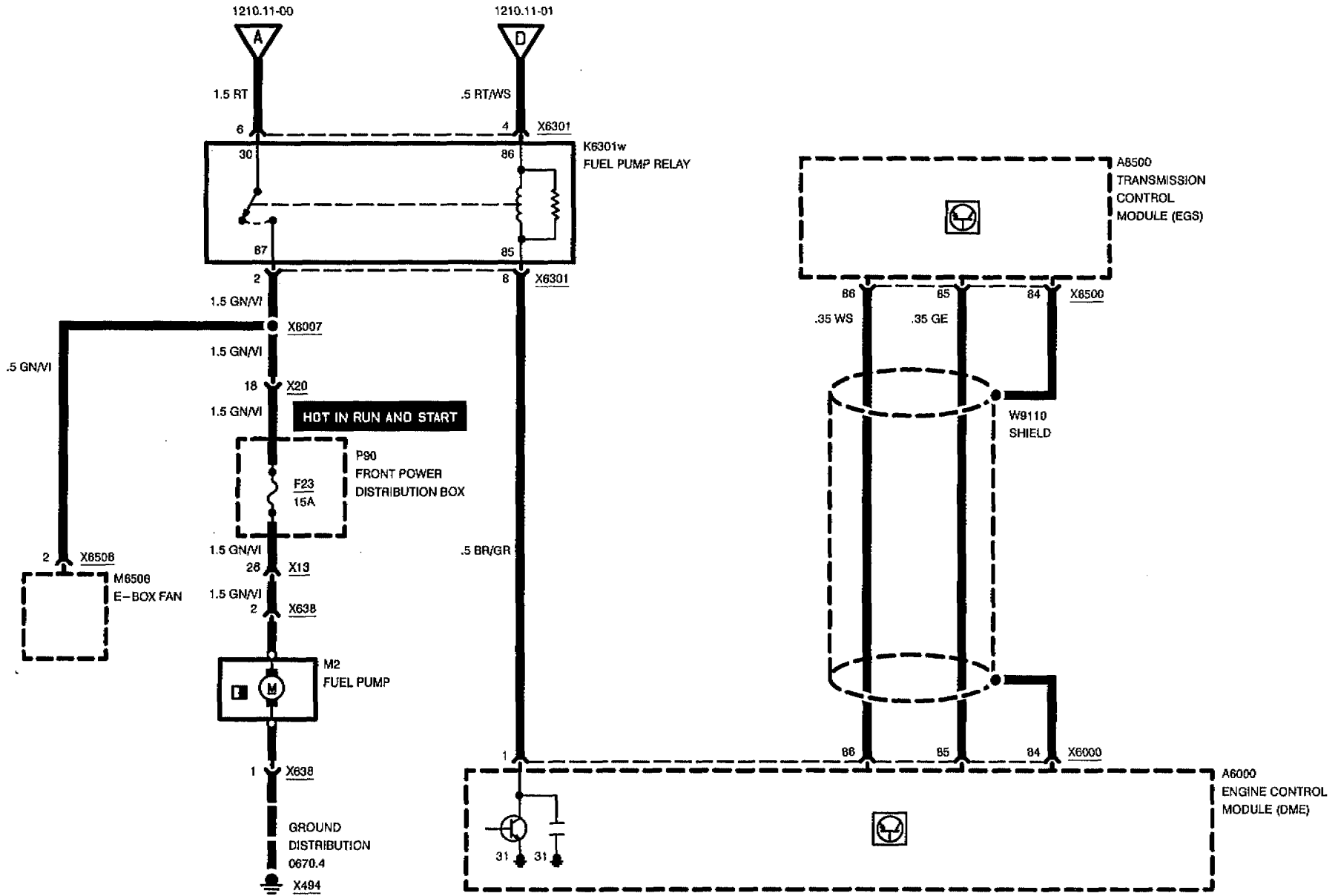
# ENGINE CONTROL SYSTEM (DME M3.3, 8-CYLINDER M60)

## IGNITION COILS





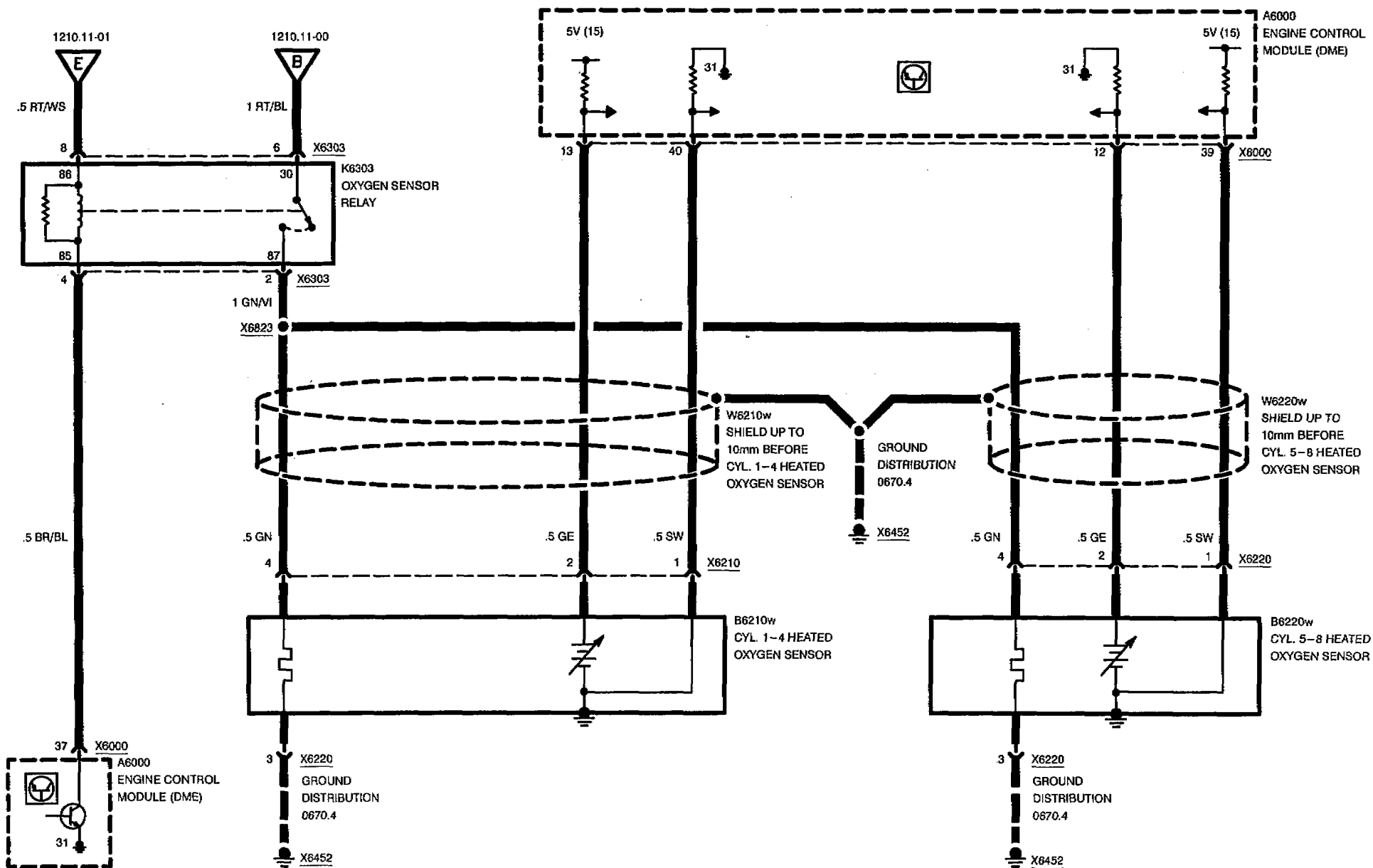
# ENGINE CONTROL SYSTEM (DME M3.3, 8-CYLINDER M60)





# ENGINE CONTROL SYSTEM (DME M3.3, 8-CYLINDER M60)

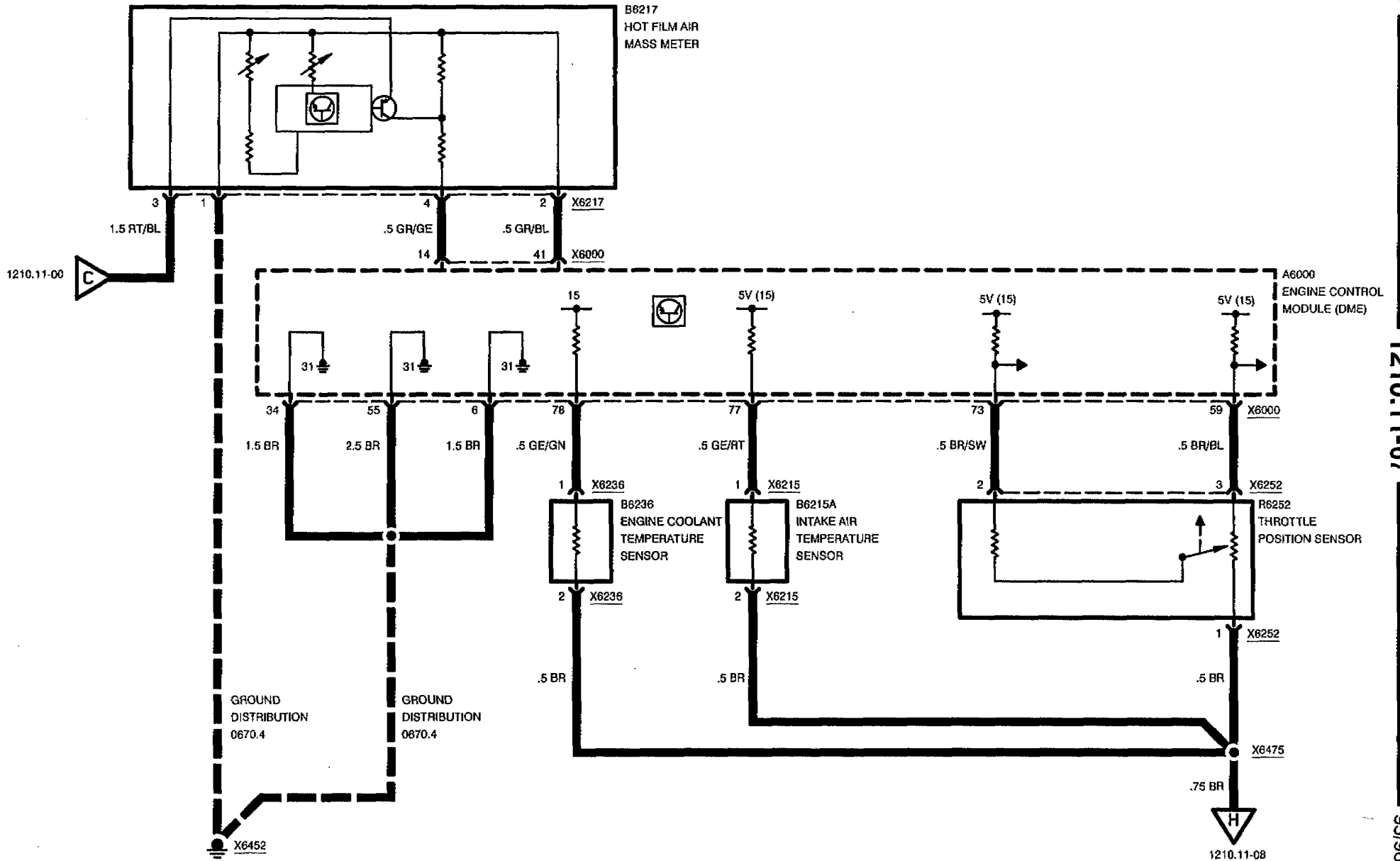
## OXYGEN SENSORS



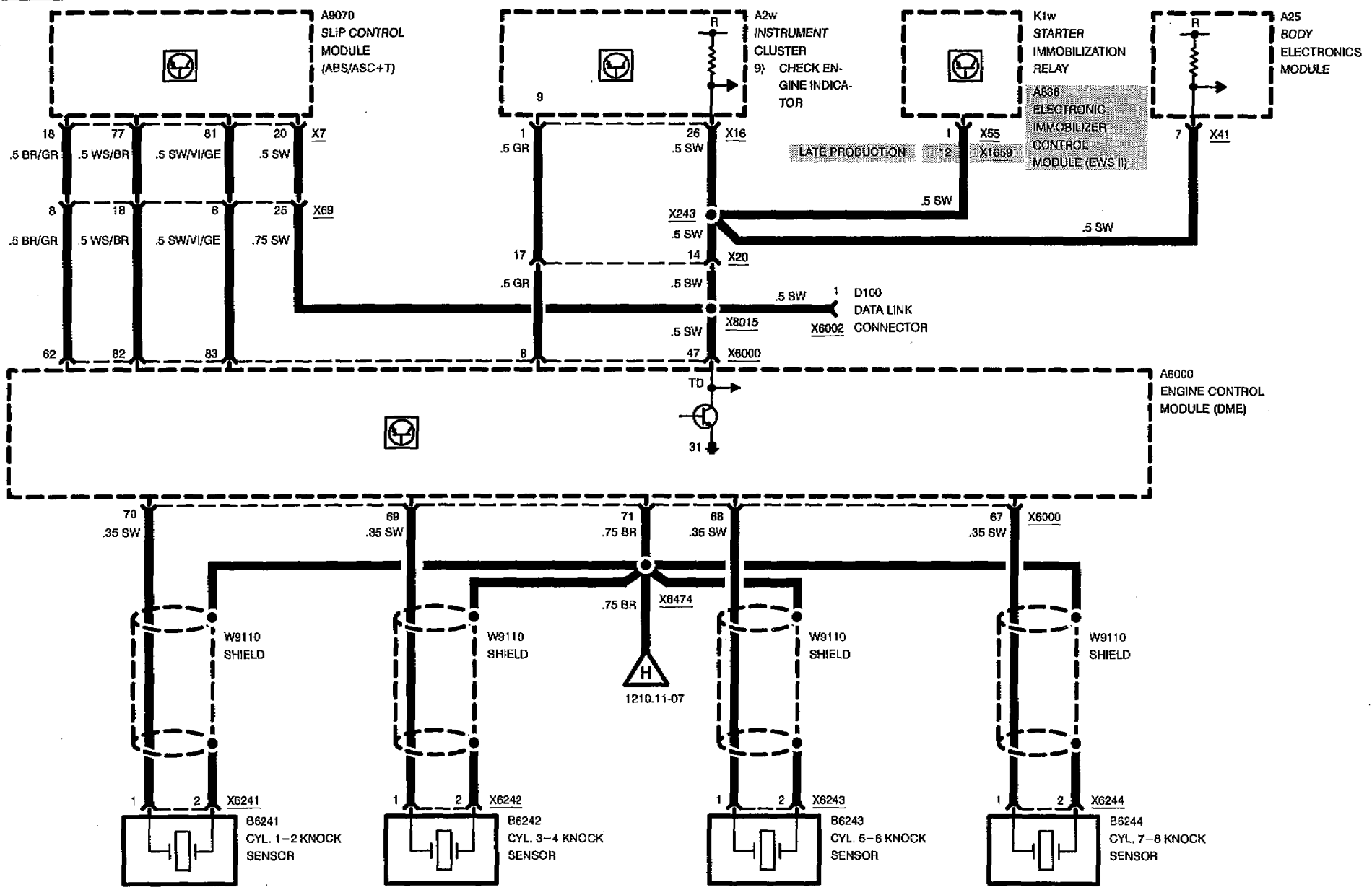


# ENGINE CONTROL SYSTEM (DME M3.3, 8-CYLINDER M60)

## SENSORS



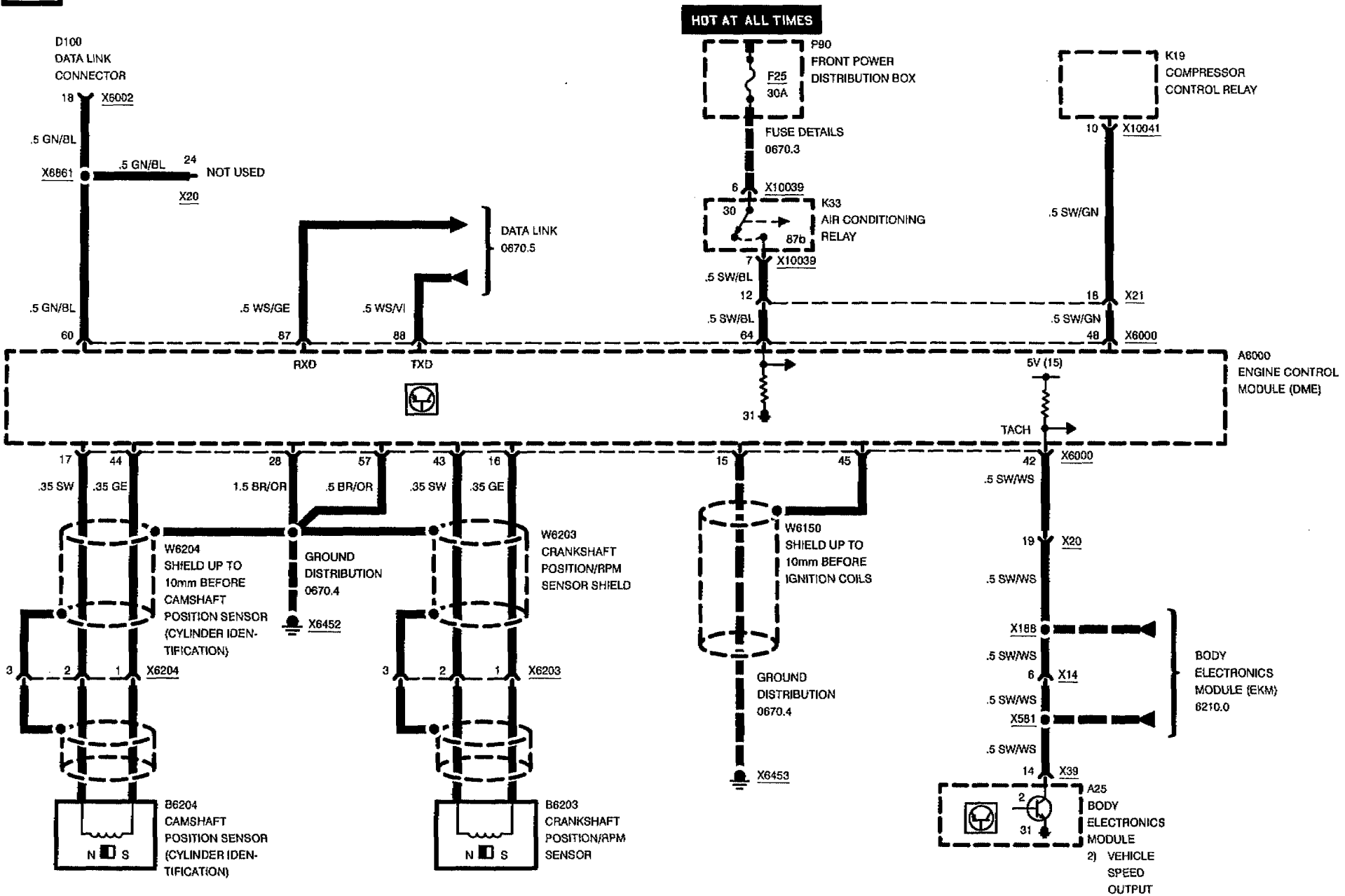
# ENGINE CONTROL SYSTEM (DME M3.3, 8-CYLINDER M60)





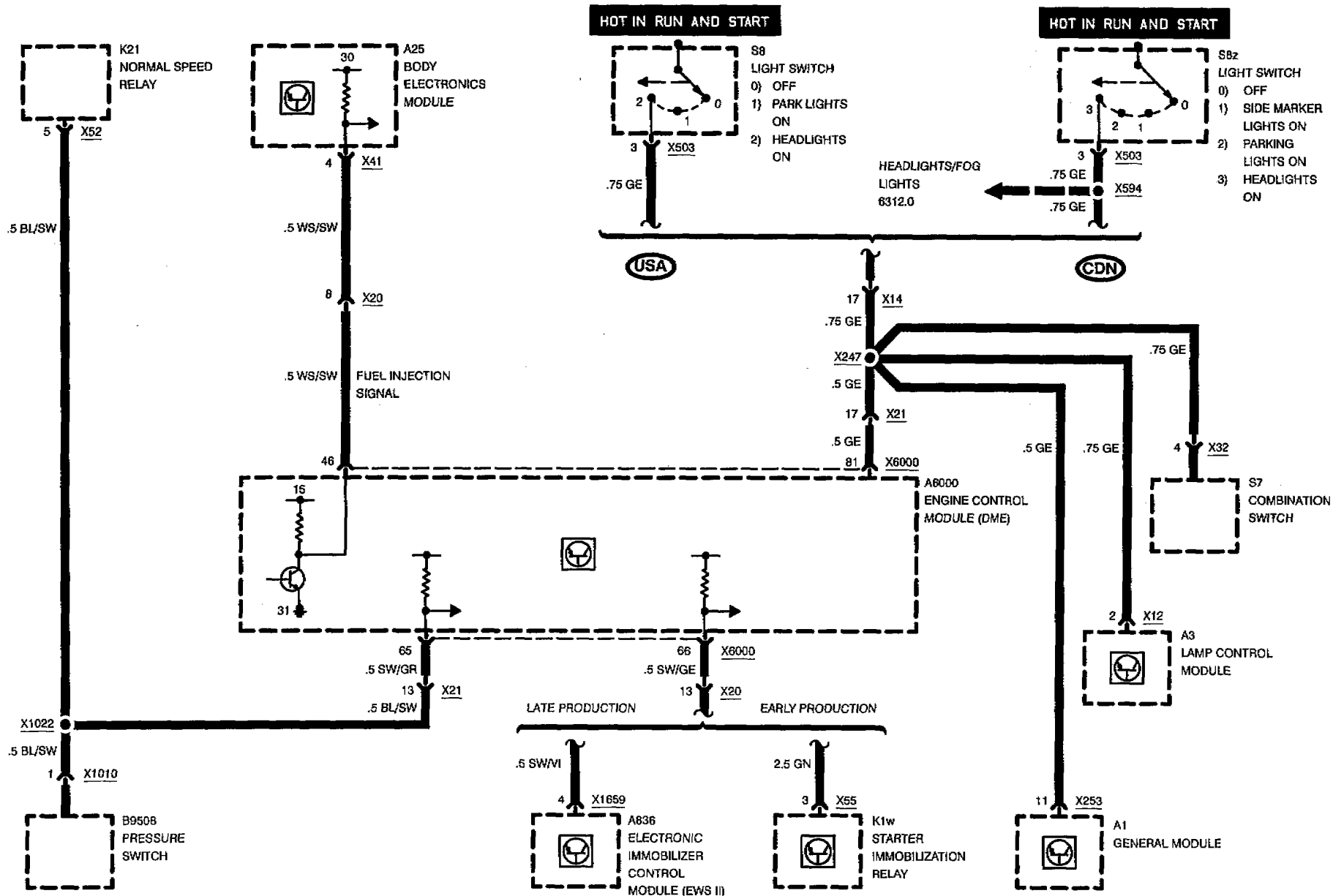


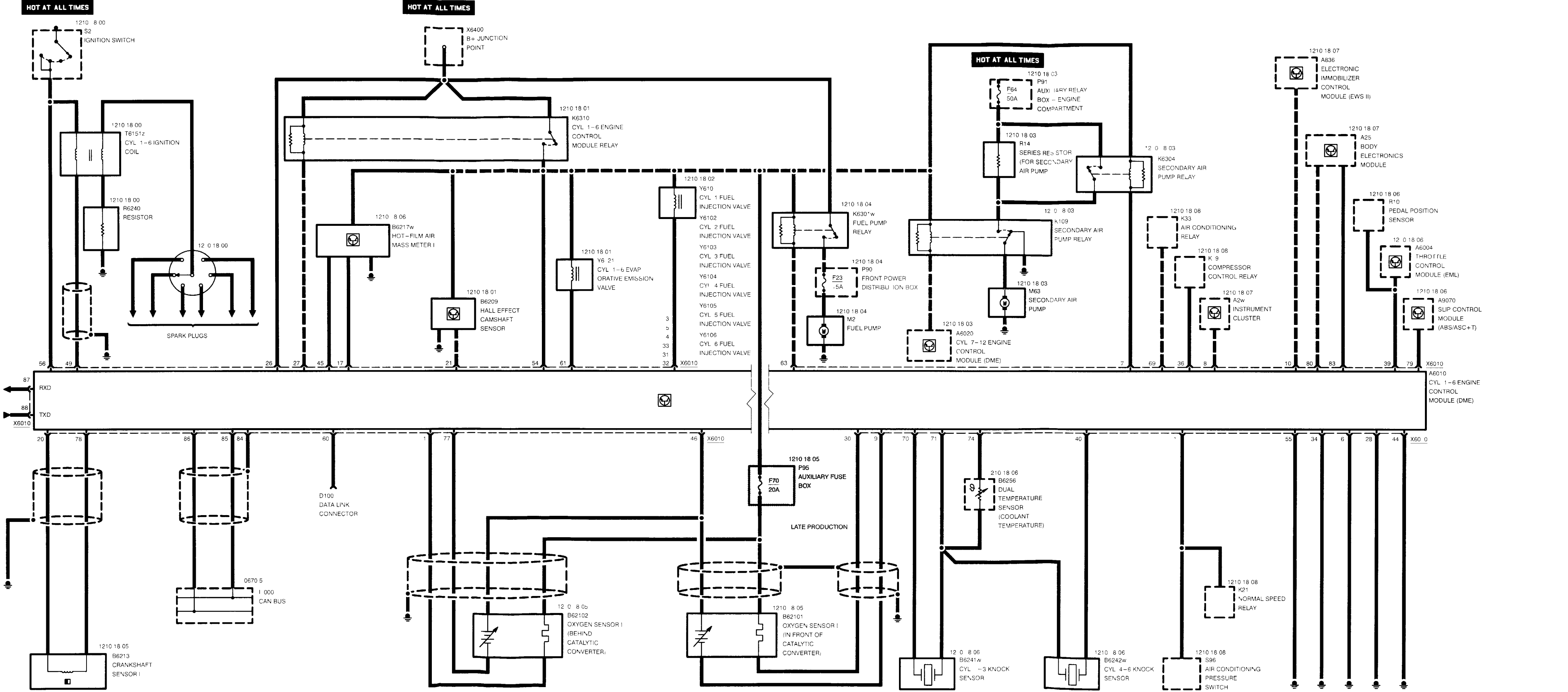
# ENGINE CONTROL SYSTEM (DME M3.3, 8-CYLINDER M60)

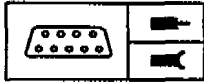




# ENGINE CONTROL SYSTEM (DME M3.3, 8-CYLINDER M60)





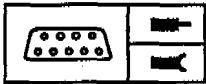


## Pin Assignments

### X6010

Pin	Type	Description/Function	Connection
1	M	Ground, cyl. 1-6 oxygen sensor heating	Oxygen sensor I (behind catalytic converter)
2		Not used	
3	A	Signal fuel injection	Cyl. 1 fuel injection valve
4	A	Signal fuel injection	Cyl. 3 fuel injection valve
5	A	Signal fuel injection	Cyl. 2 fuel injection valve
6	M	Ground	Ground point
7	A	Activate relay	Secondary air pump relay, K6304
8	A	"CHECK ENGINE" lamp	Instrument cluster
9		Not used	
10	E	Drive-away protection	Electronic immobilizer control module (EWS II)
11	E	Signal AC-compressor	Air conditioning pressure switch
12		Not used	
13		Not used	
14		Not used	
15		Not used	
16		Not used	
17	E	Signal air mass meter	Hot film air mass meter I
18		Not used	
19	E	Signal cyl. 1-6 oxygen sensor	Oxygen sensor I (in front of catalytic converter)
20	M	Sensor ground	Crankshaft sensor I
21	E	Signal camshaft sensor	Hall effect camshaft sensor
22		Not used	
23		Not used	
24		Not used	
25		Not used	
26	E	Plus supply terminal 30	B+ junction point
27	A	Activate relay	Cyl. 1-6 engine control module relay
28	M	Ground	Ground point
29		Not used	

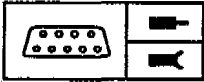
E = Input, A = Output, M = Ground



## Pin Assignments

Pin	Type	Description/Function	Connection
30	M	Ground, cyl. 1-6 oxygen sensor heating	Oxygen sensor I (in front of catalytic converter)
31	A	Signal fuel injection	Cyl. 5 fuel injection valve
32	A	Signal fuel injection	Cyl. 6 fuel injection valve
33	A	Signal fuel injection	Cyl. 4 fuel injection valve
34	M	Ground	Ground point
35		Not used	
36	A	Signal climate compressor	Compressor control relay
37		Not used	
38		Not used	
39	E	Signal pedal position	Pedal position sensor
40	E	Signal knock sensor	Cyl. 4-6 knock sensor
41		Not used	
42		Not used	
43		Not used	
44	M	Injection signal	Resistor, R6240
45	M	Ground, air mass meter	Hot film air mass meter I
46	M	Ground, oxygen sensors	Cyl. 1-6 oxygen sensors
47		Not used	
48		Not used	
49	A	Ignition terminal 1	Cyl. 1-6 ignition coil
50		Not used	
51		Not used	
52		Not used	
53		Not used	
54	E	Signal engine control module relay	Cyl. 1-6 engine control module relay
55	M	Ground	Ground point
56	E	Plus supply terminal 15	Ignition switch
57		Not used	
58		Not used	
59		Not used	
60	E	Programming voltage	Data link connector
61	A	Signal evaporative emission	Cyl. 1-6 evaporative emission valve

E = Input, A = Output, M = Ground



## Pin Assignments

Pin	Type	Description/Function	Connection
62		Not used	
63	A	Signal fuel pump	Fuel pump relay
64		Not used	
65		Not used	
66		Not used	
67		Not used	
68		Not used	
69	E	Signal AC on/off	Air conditioning relay
70	E	Signal knock sensor	Cyl. 1-3 knock sensor
71	M	Ground sensors	Knock/temperature sensors
72		Not used	
73		Not used	
74	E	Engine temperature	Dual temperature sensor (coolant temperature)
75		Not used	
76		Not used	
77	E	Signal cyl. 1-6 oxygen sensor	Oxygen sensor I (behind catalytic converter)
78	E	Signal cyl. 1-6 crankshaft sensor	Crankshaft sensor I
79	E	Signal right rear wheel speed	Slip control module
80	A	Signal engine speed (RPM)	Body electronics module
81		Not used	
82		Not used	
83	A	Signal fuel consumption	Body electronics module
84	M	CANCA-S	Shield
85	E/A	CANCA-L	Can Bus
86	E/A	CANCA-H	Can Bus
87	A	Diagnosis	Data link connector, RXD
88	E/A	Diagnosis	Data link connector, TXD

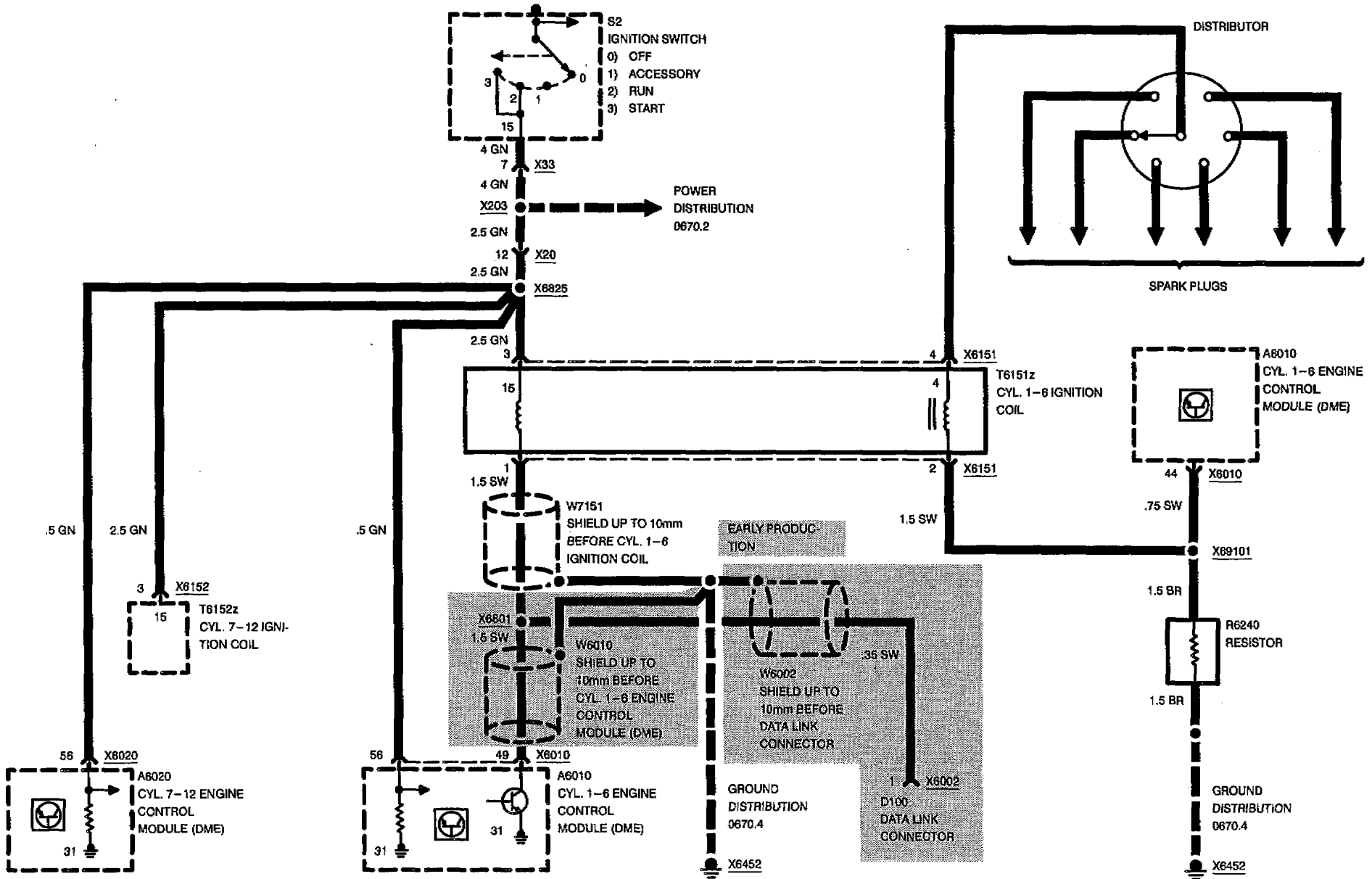
E = Input, A = Output, M = Ground



# ENGINE CONTROL SYSTEM (DME M5.2, 12-CYLINDER M73)

## ENGINE CONTROL MODULES (DME)

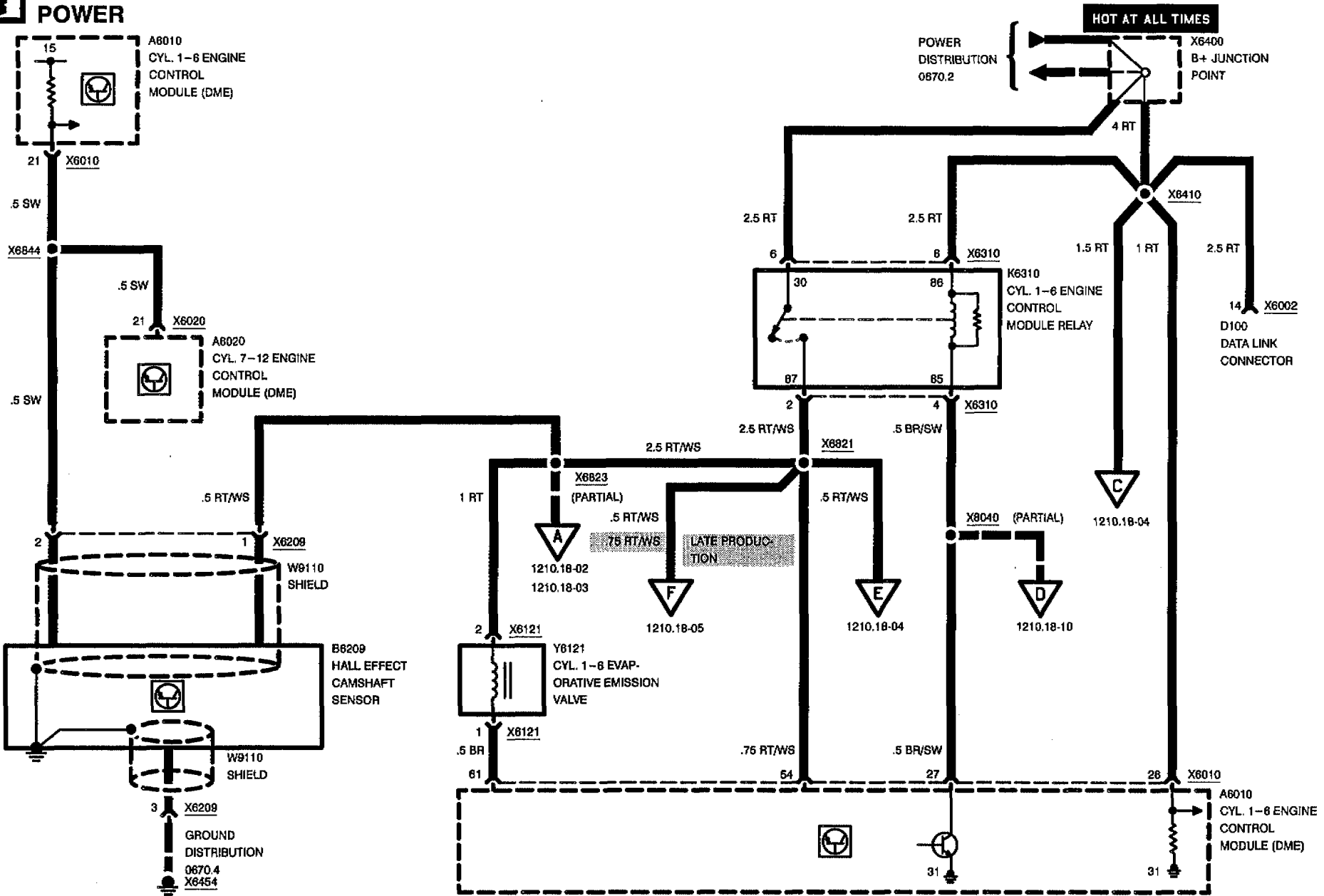
HOT AT ALL TIMES





# ENGINE CONTROL SYSTEM (DME M5.2, 12-CYLINDER M73)

## POWER

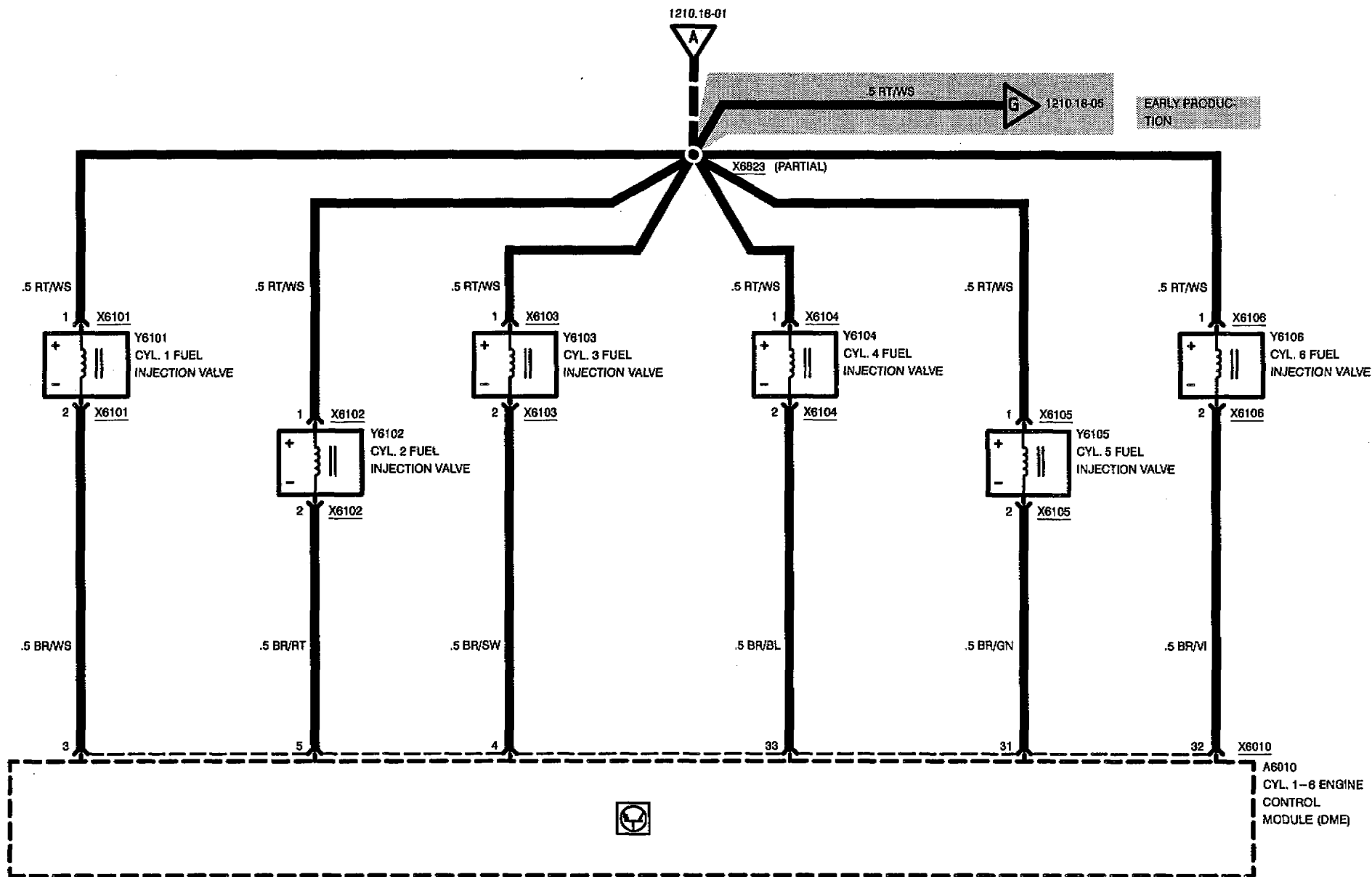






# ENGINE CONTROL SYSTEM (DME M5.2, 12-CYLINDER M73)

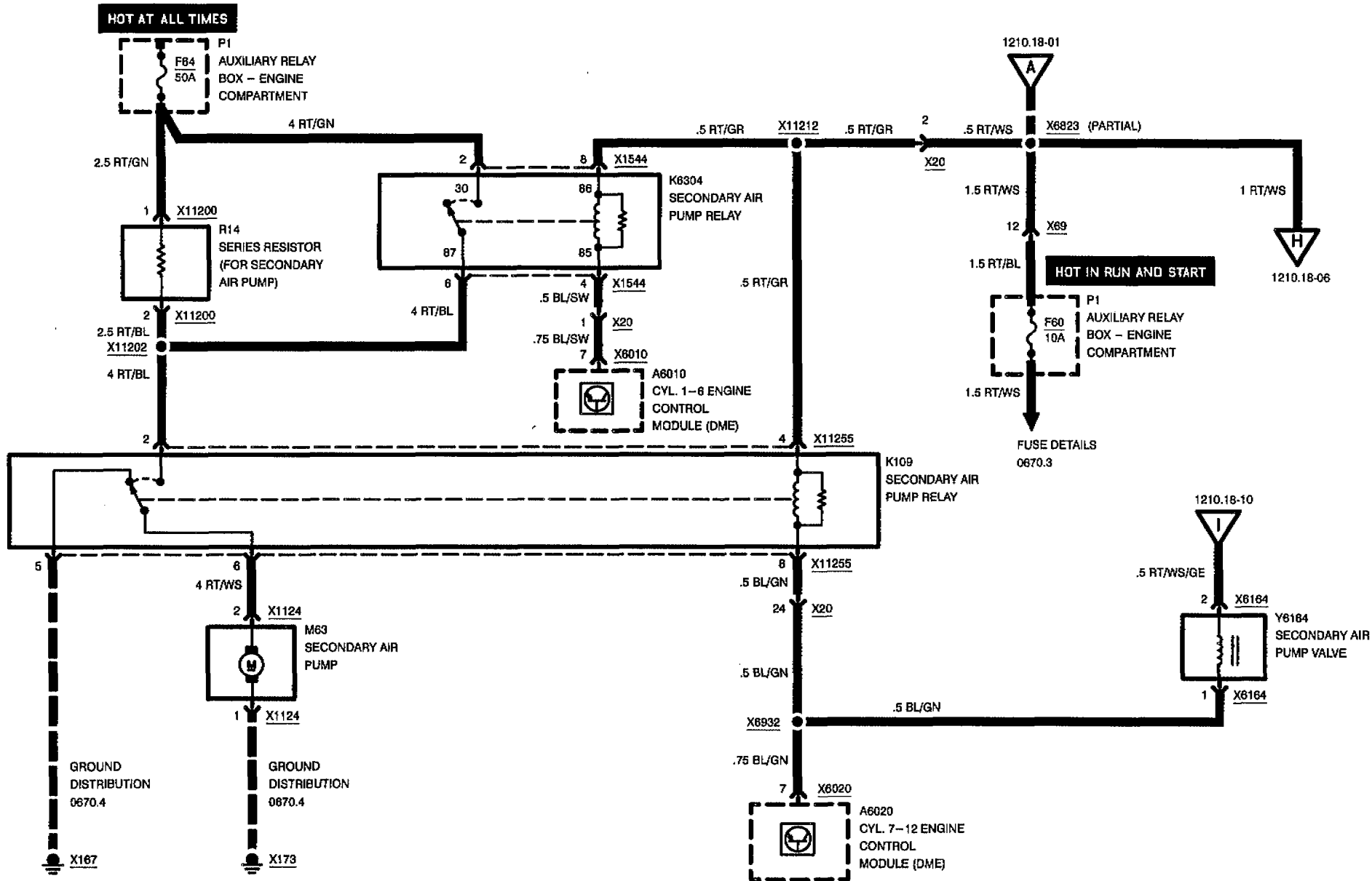
## ENGINE CONTROL MODULES (DME)





# ENGINE CONTROL SYSTEM (DME M5.2, 12-CYLINDER M73)

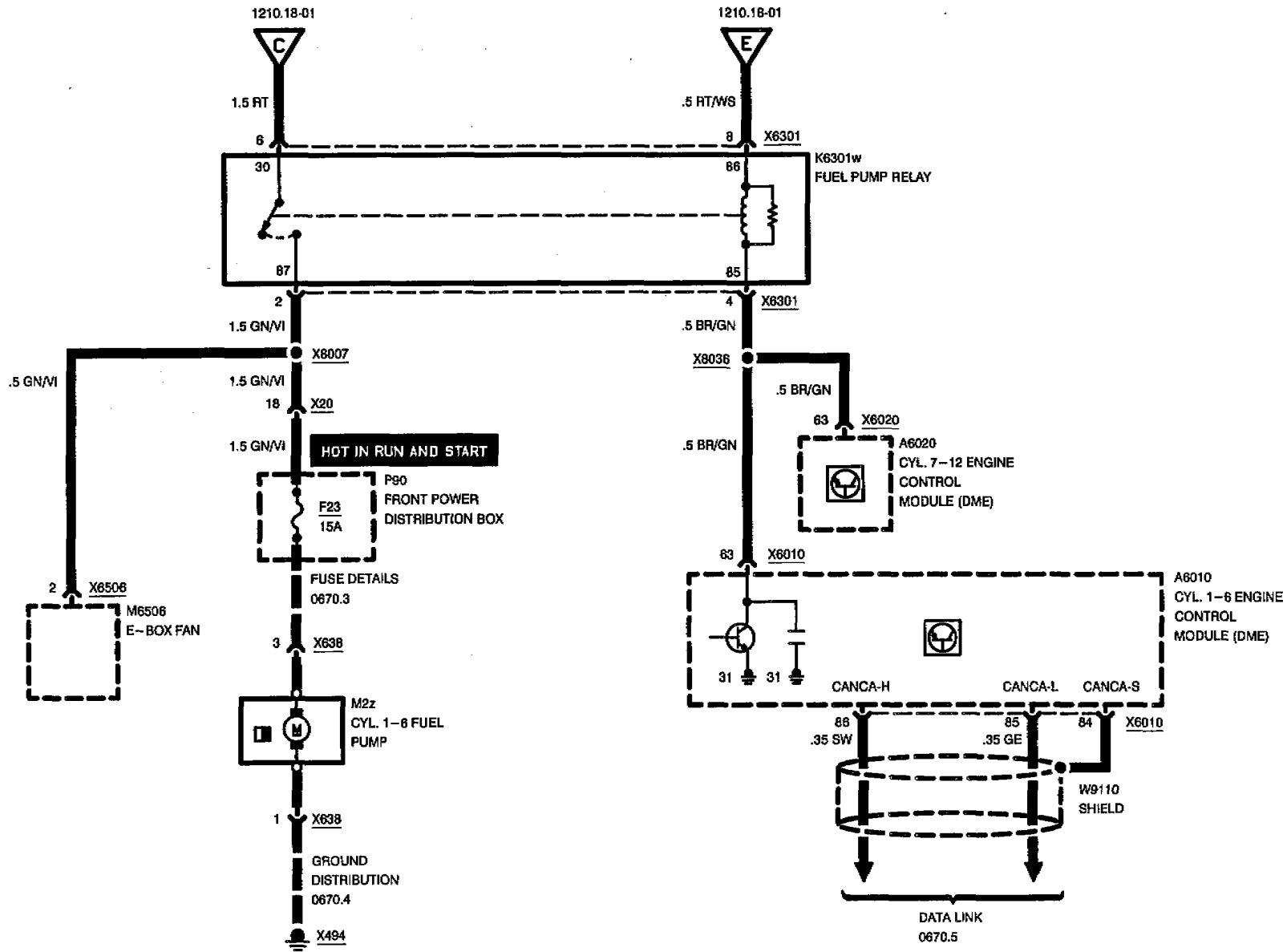
## SECONDARY AIR PUMP



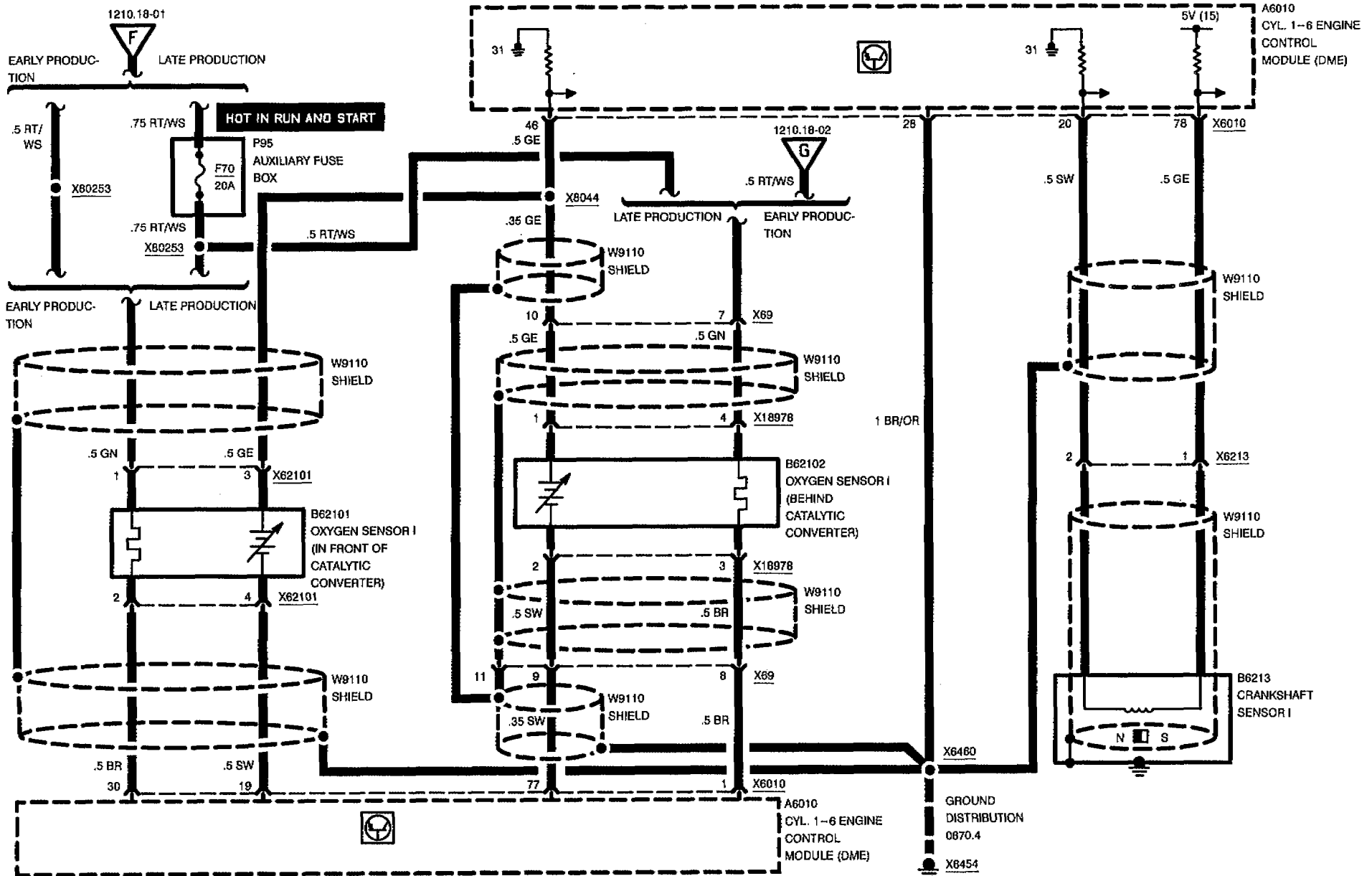


# ENGINE CONTROL SYSTEM (DME M5.2, 12-CYLINDER M73)

## FUEL PUMP



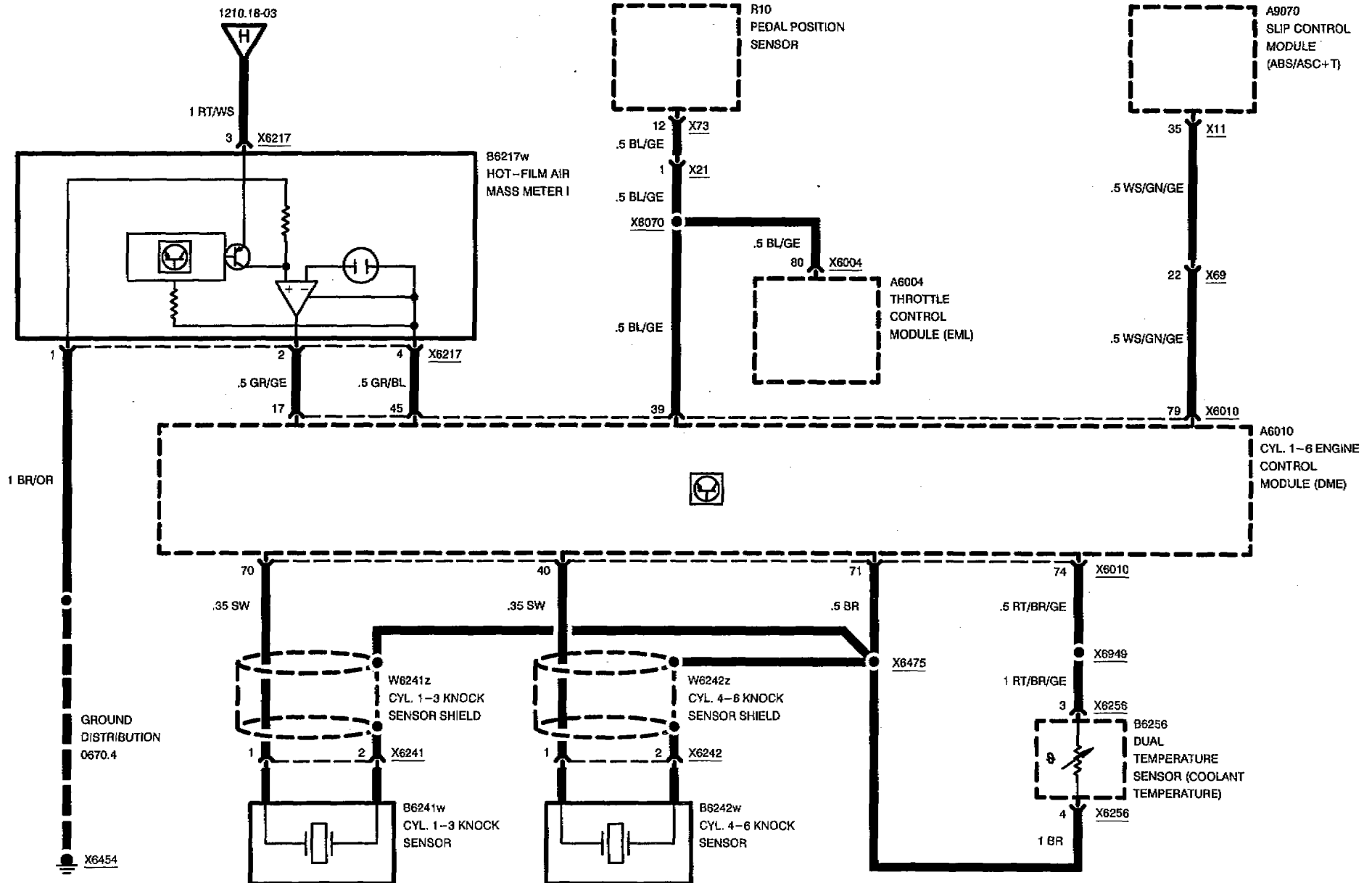
# ENGINE CONTROL SYSTEM (DME M5.2, 12-CYLINDER M73)





# ENGINE CONTROL SYSTEM (DME M5.2, 12-CYLINDER M73)

## ENGINE CONTROL MODULES (DME)



02/97

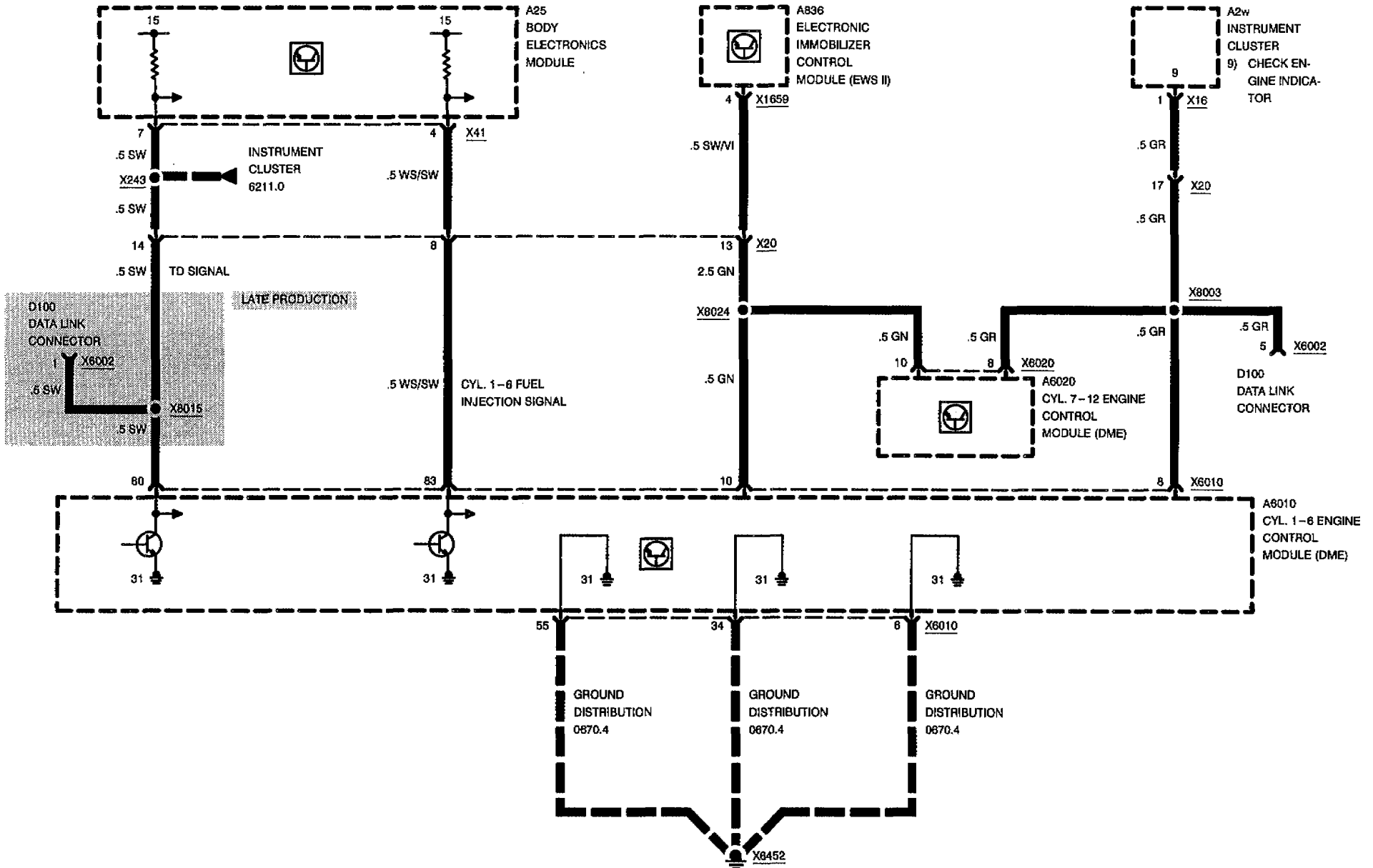
1210.18-06

95/96



# ENGINE CONTROL SYSTEM (DME M5.2, 12-CYLINDER M73)

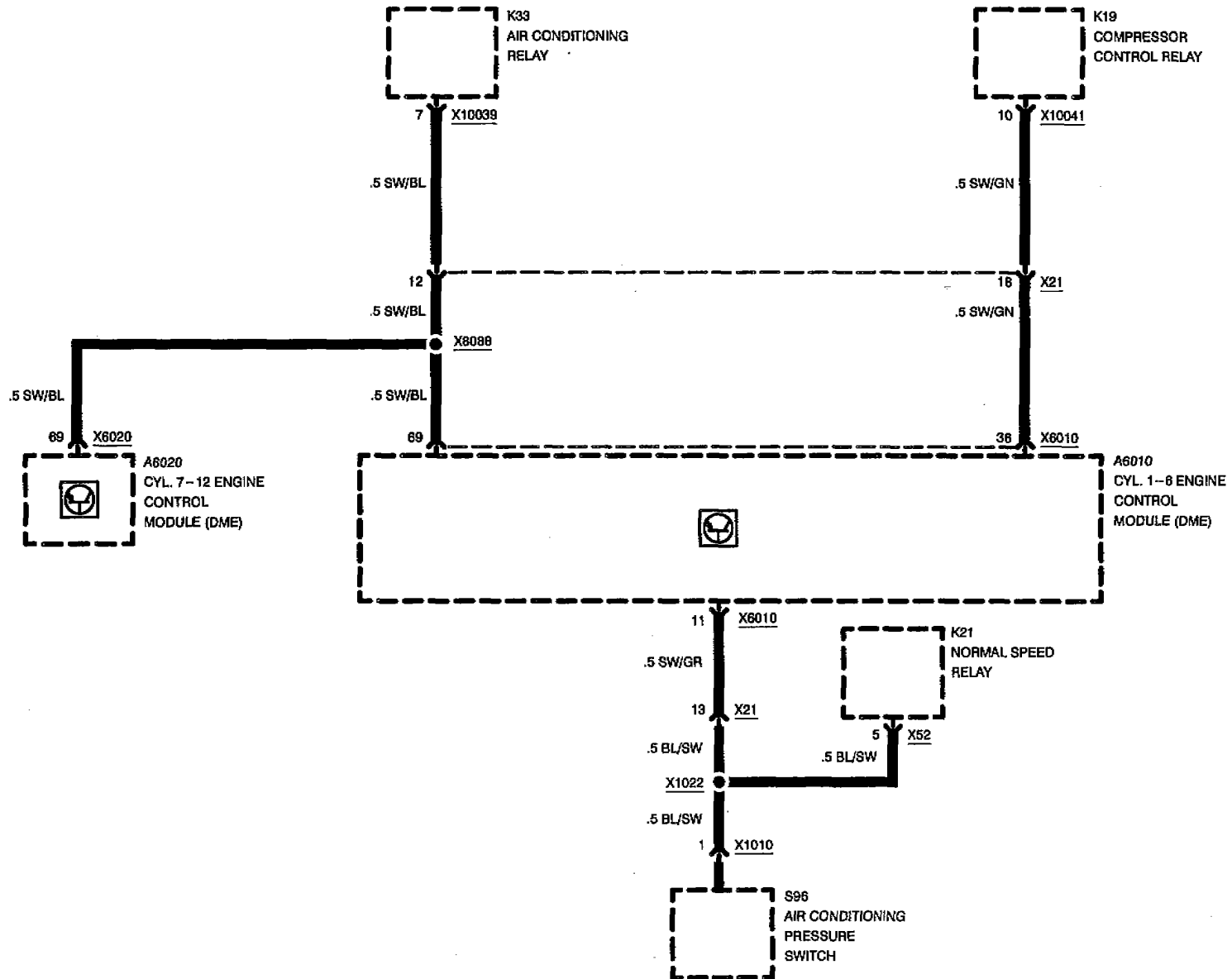
## ENGINE CONTROL MODULES (DME)

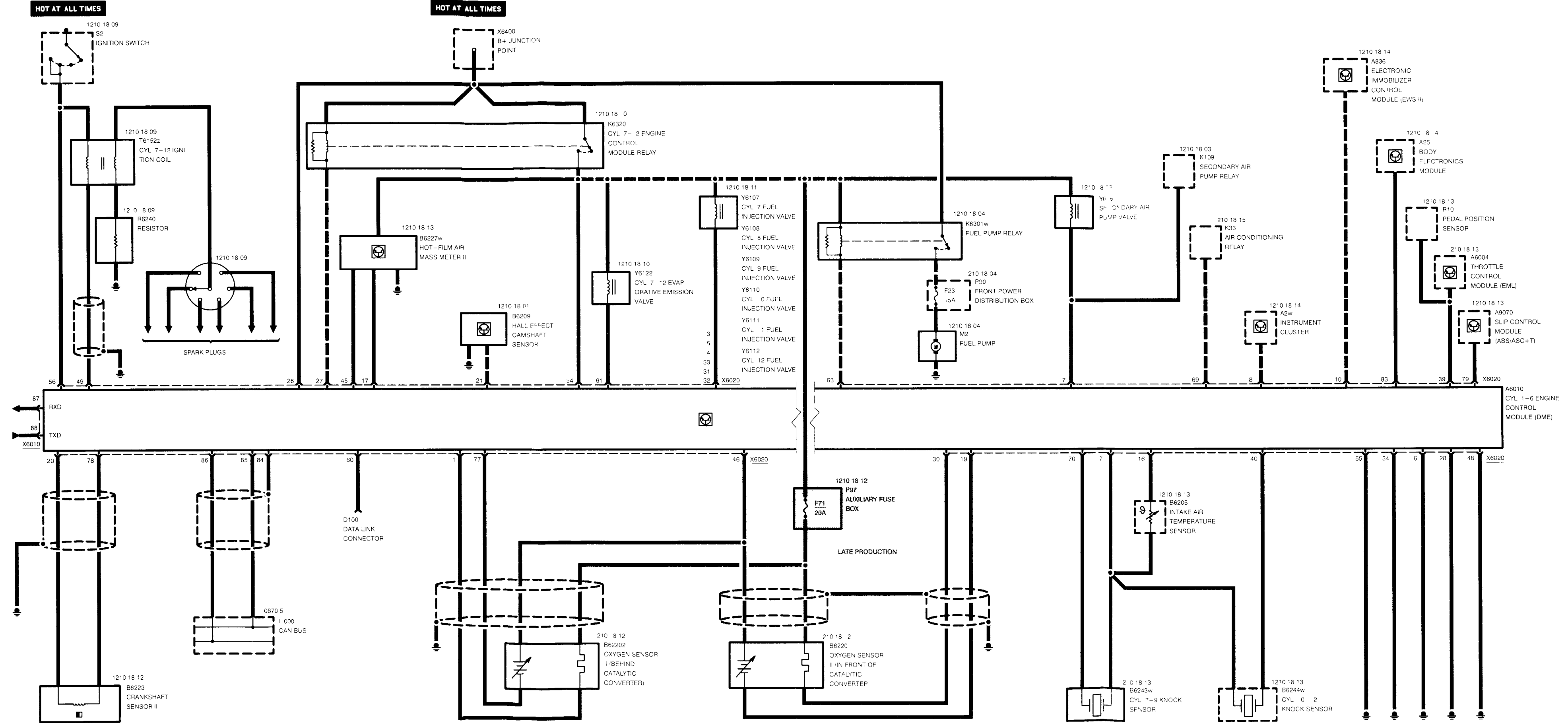




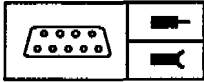
# ENGINE CONTROL SYSTEM (DME M5.2, 12-CYLINDER M73)

## ENGINE CONTROL MODULES (DME)







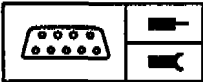


## Pin Assignments

### X6020

Pin	Type	Description/Function	Connection
1	M	Ground, cyl. 7-12 oxygen sensor heating	Oxygen sensor II (behind catalytic converter)
2		Not used	
3	A	Signal fuel injection	Cyl. 7 fuel injection valve
4	A	Signal fuel injection	Cyl. 9 fuel injection valve
5	A	Signal fuel injection	Cyl. 8 fuel injection valve
6	M	Ground	Ground point
7	A	Activate relay	Secondary air pump relay, K109
8	A	"CHECK ENGINE" lamp	Instrument cluster
9		Not used	
10	E	Drive-away protection	Electronic immobilizer control module (EWS II)
11		Not used	
12		Not used	
13		Not used	
14		Not used	
15		Not used	
16	E	Air temperature	Intake air temperature sensor
17	E	Signal air mass meter	Hot film air mass meter II
18		Not used	
19	E	Signal cyl. 7-12 oxygen sensor	Oxygen sensor II (in front of catalytic converter)
20	M	Sensor ground	Crankshaft sensor II
21	E	Signal camshaft sensor	Hall effect camshaft sensor
22		Not used	
23		Not used	
24		Not used	
25		Not used	
26	E	Plus supply terminal 30	B+ junction point
27	A	Activate relay	Cyl. 7-12 engine control module relay
28	M	Ground	Ground point

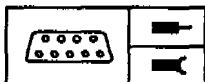
E = Input, A = Output, M = Ground



## Pin Assignments

Pin	Type	Description/Function	Connection
29		Not used	
30	M	Ground, cyl. 7-12 oxygen sensor heating	Oxygen sensor II (in front of catalytic converter)
31	A	Signal fuel injection	Cyl. 11 fuel injection valve
32	A	Signal fuel injection	Cyl. 12 fuel injection valve
33	A	Signal fuel injection	Cyl. 10 fuel injection valve
34	M	Ground	Ground point
35		Not used	
36		Not used	
37		Not used	
38		Not used	
39	E	Signal pedal position	Pedal position sensor
40	E	Signal knock sensor	Cyl. 10-12 knock sensor
41		Not used	
42		Not used	
43		Not used	
44	M	Injection signal	Resistor, R6240
45	M	Ground, air mass meter	Hot film air mass meter II
46	M	Ground, oxygen sensors	Cyl. 7-12 oxygen sensors
47		Not used	
48	M	Ground	Ground point
49	A	Ignition terminal 1	Cyl. 7-12 ignition coil
50		Not used	
51		Not used	
52		Not used	
53		Not used	
54	E	Signal engine control module relay	Cyl. 7-12 engine control module relay
55	M	Ground	Ground point
56	E	Plus supply terminal 15	Ignition switch
57		Not used	
58		Not used	
59		Not used	

E = Input, A = Output, M = Ground



## Pin Assignments

Pin	Type	Description/Function	Connection
60	E	Programming voltage	Data link connector
61	A	Signal evaporative emission	Cyl. 7-12 evaporative emission valve
62		Not used	
63	A	Signal fuel pump	Fuel pump relay
64		Not used	
65		Not used	
66		Not used	
67		Not used	
68		Not used	
69	E	Signal AC on/off	Air conditioning relay
70	E	Signal knock sensor	Cyl. 7-9 knock sensor
71	M	Ground sensors	Knock/temperature sensors
72		Not used	
73		Not used	
74		Not used	
75		Not used	
76		Not used	
77	E	Signal cyl. 7-12 oxygen sensor	Oxygen sensor II (behind catalytic converter)
78	E	Signal cyl. 7-12 crankshaft sensor	Crankshaft sensor II
79	E	Signal right rear wheel speed	Slip control module
80		Not used	
81		Not used	
82		Not used	
83	A	Signal fuel consumption	Body electronics module
84	M	CANCA-S	Shield
85	E/A	CANCA-L	Can Bus
86	E/A	CANCA-H	Can Bus
87	A	Diagnosis	Data link connector, RXD
88	E/A	Diagnosis	Data link connector, TXD

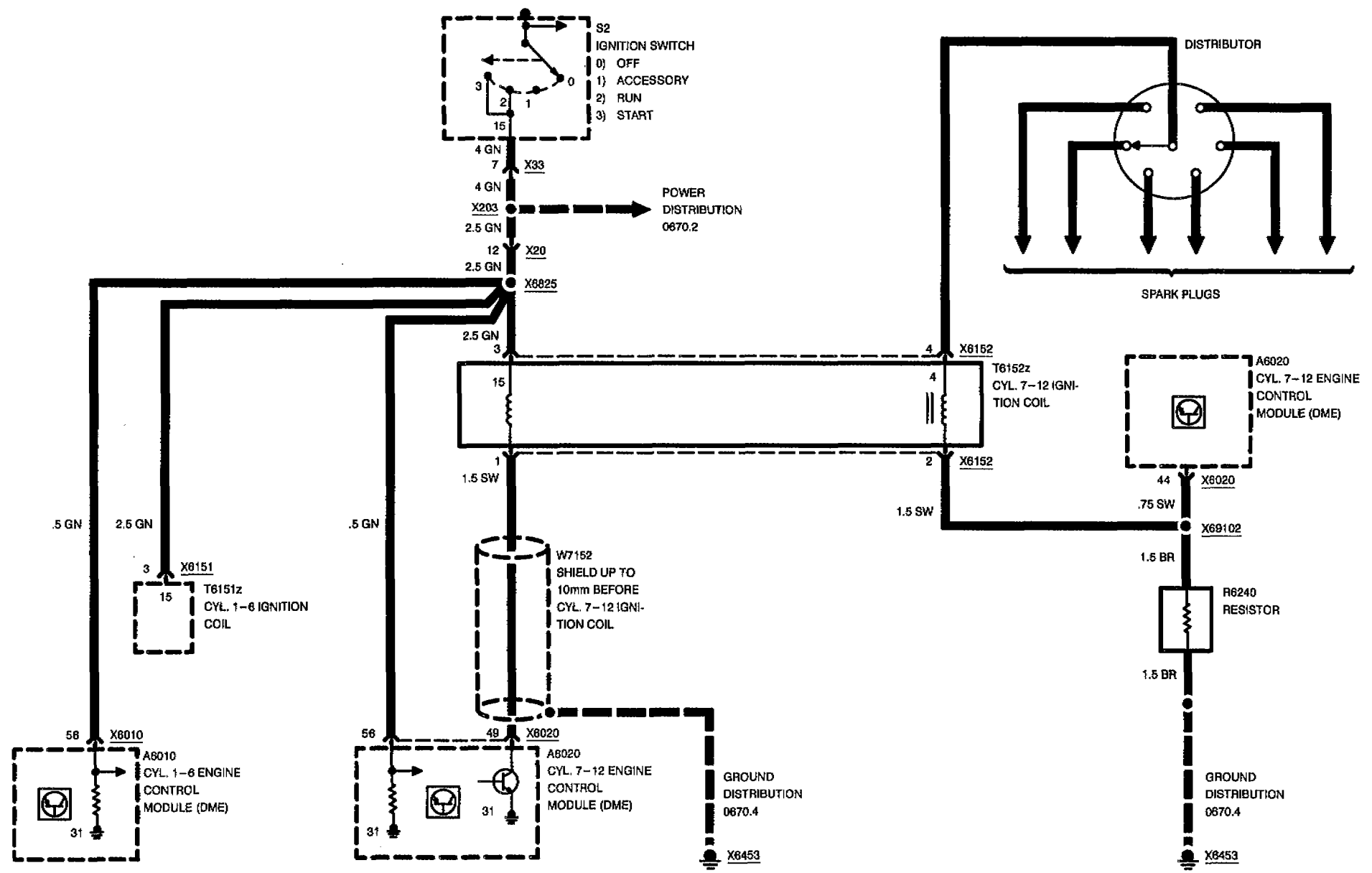
E = Input, A = Output, M = Ground





# ENGINE CONTROL SYSTEM (DME M5.2, 12-CYLINDER M73)

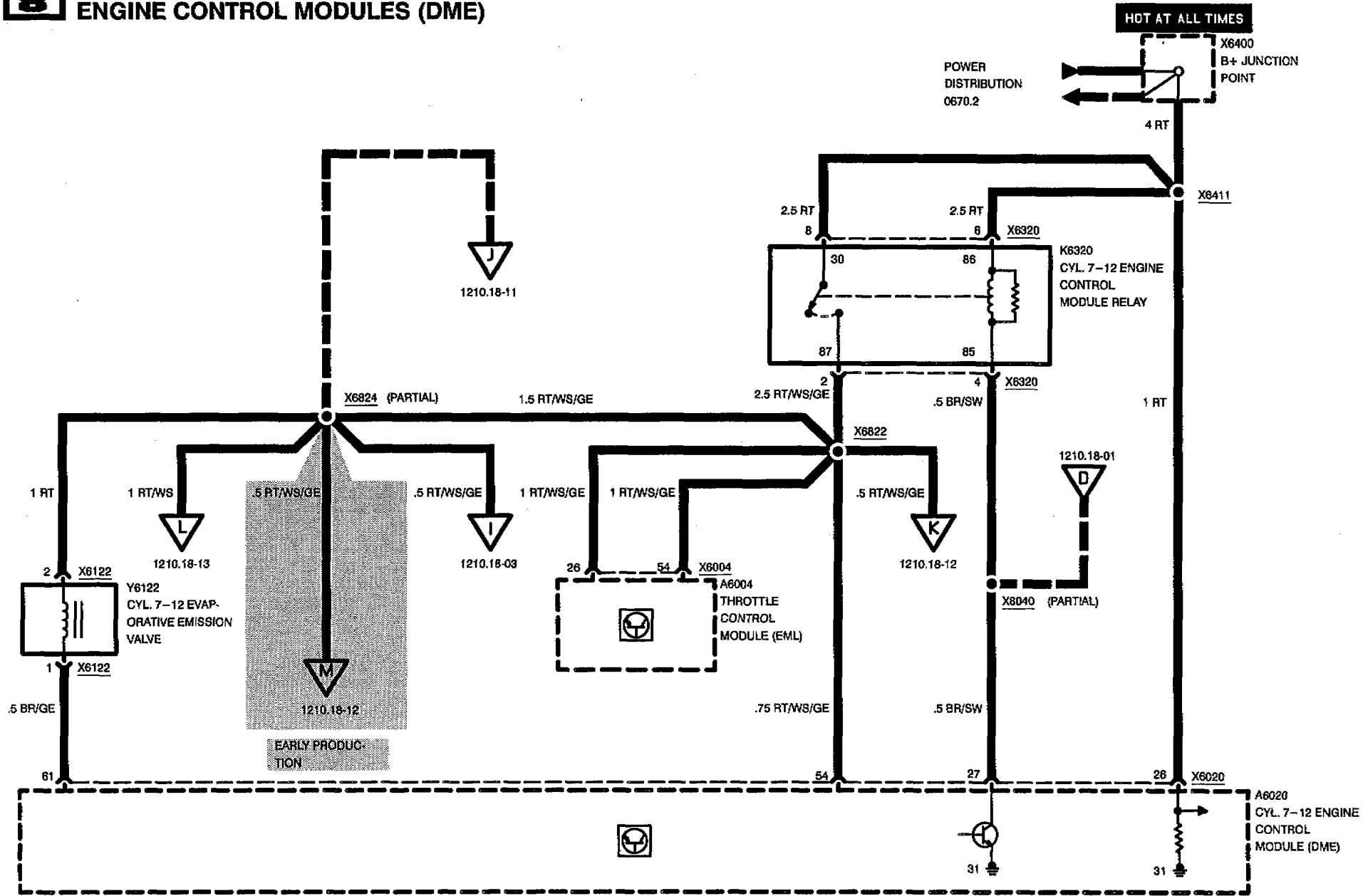
## ENGINE CONTROL MODULES (DME) **HOT AT ALL TIMES**





# ENGINE CONTROL SYSTEM (DME M5.2, 12-CYLINDER M73)

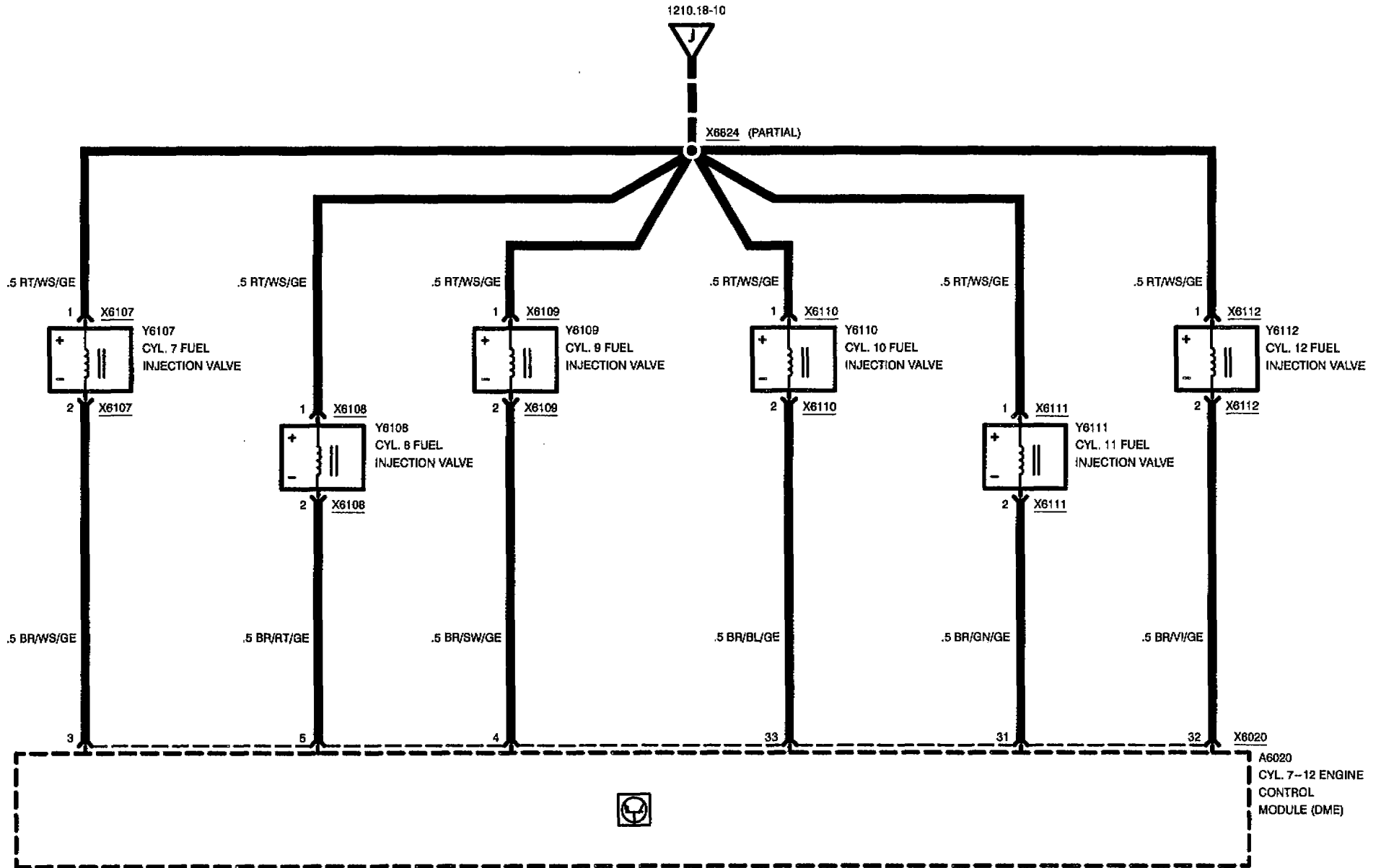
## ENGINE CONTROL MODULES (DME)





# ENGINE CONTROL SYSTEM (DME M5.2, 12-CYLINDER M73)

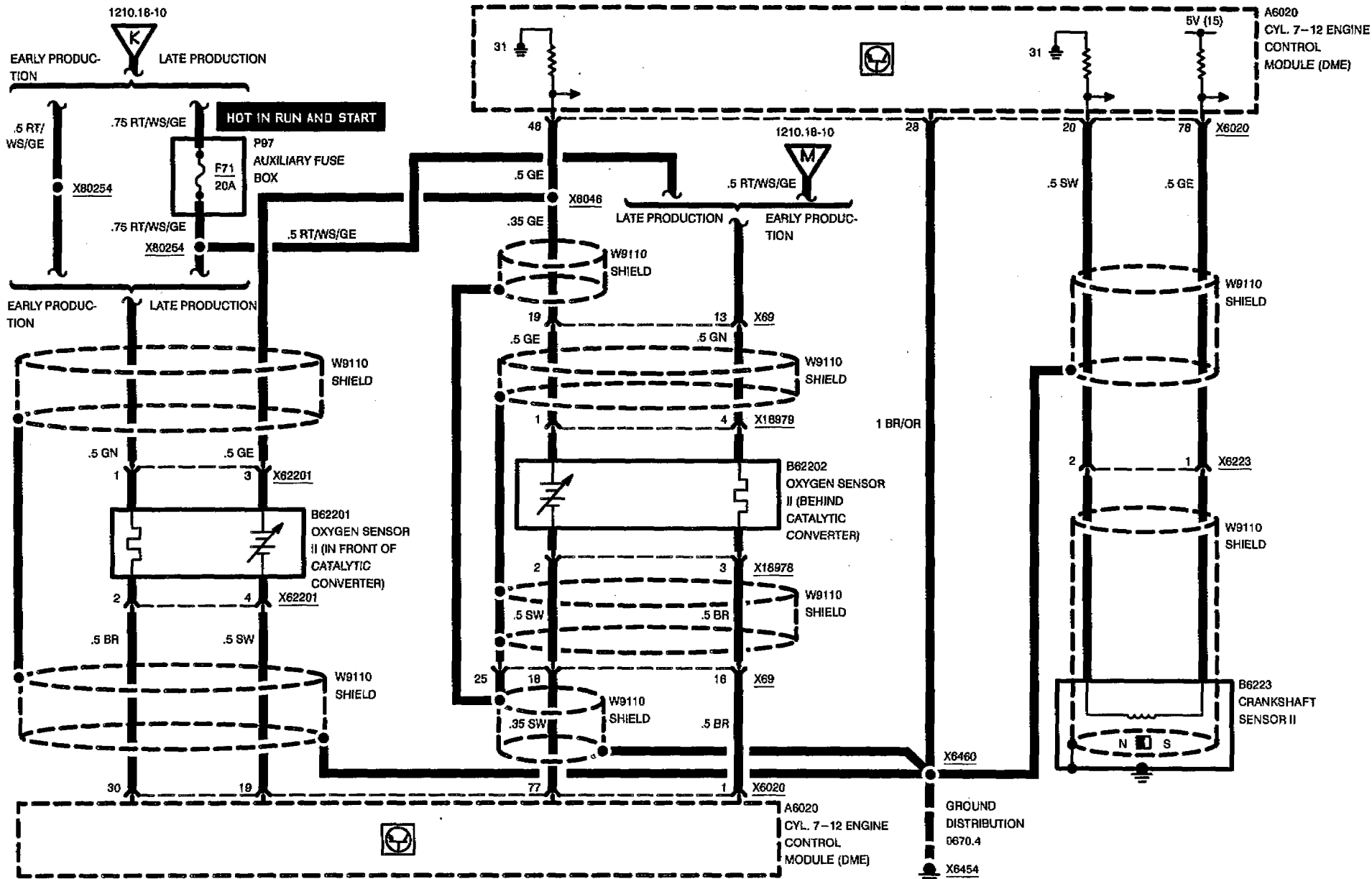
## ENGINE CONTROL MODULES (DME)





# ENGINE CONTROL SYSTEM (DME M5.2, 12-CYLINDER M73)

## ENGINE CONTROL MODULES (DME)



02/97

1210.18-12

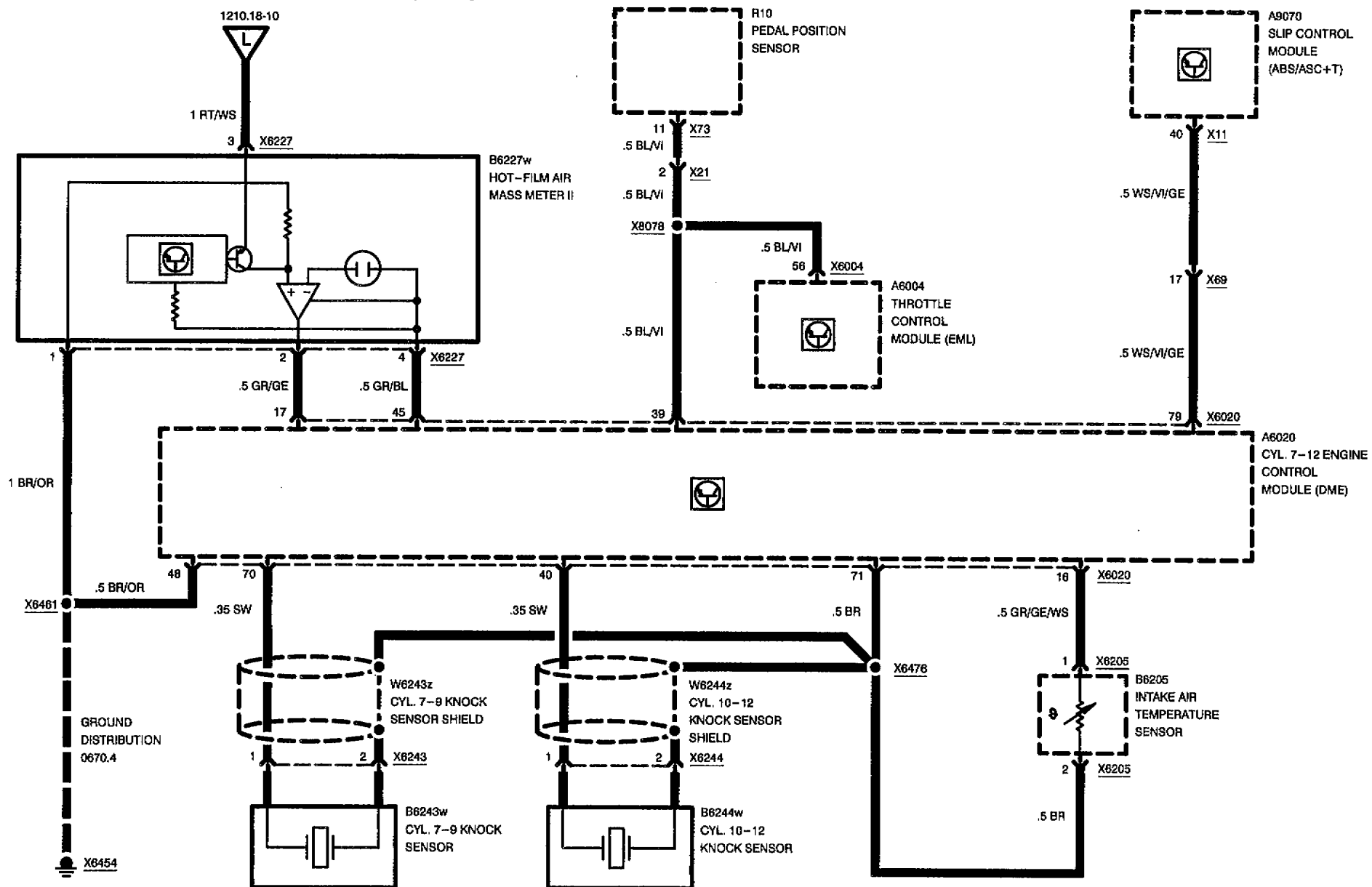
95/96





# ENGINE CONTROL SYSTEM (DME M5.2, 12-CYLINDER M73)

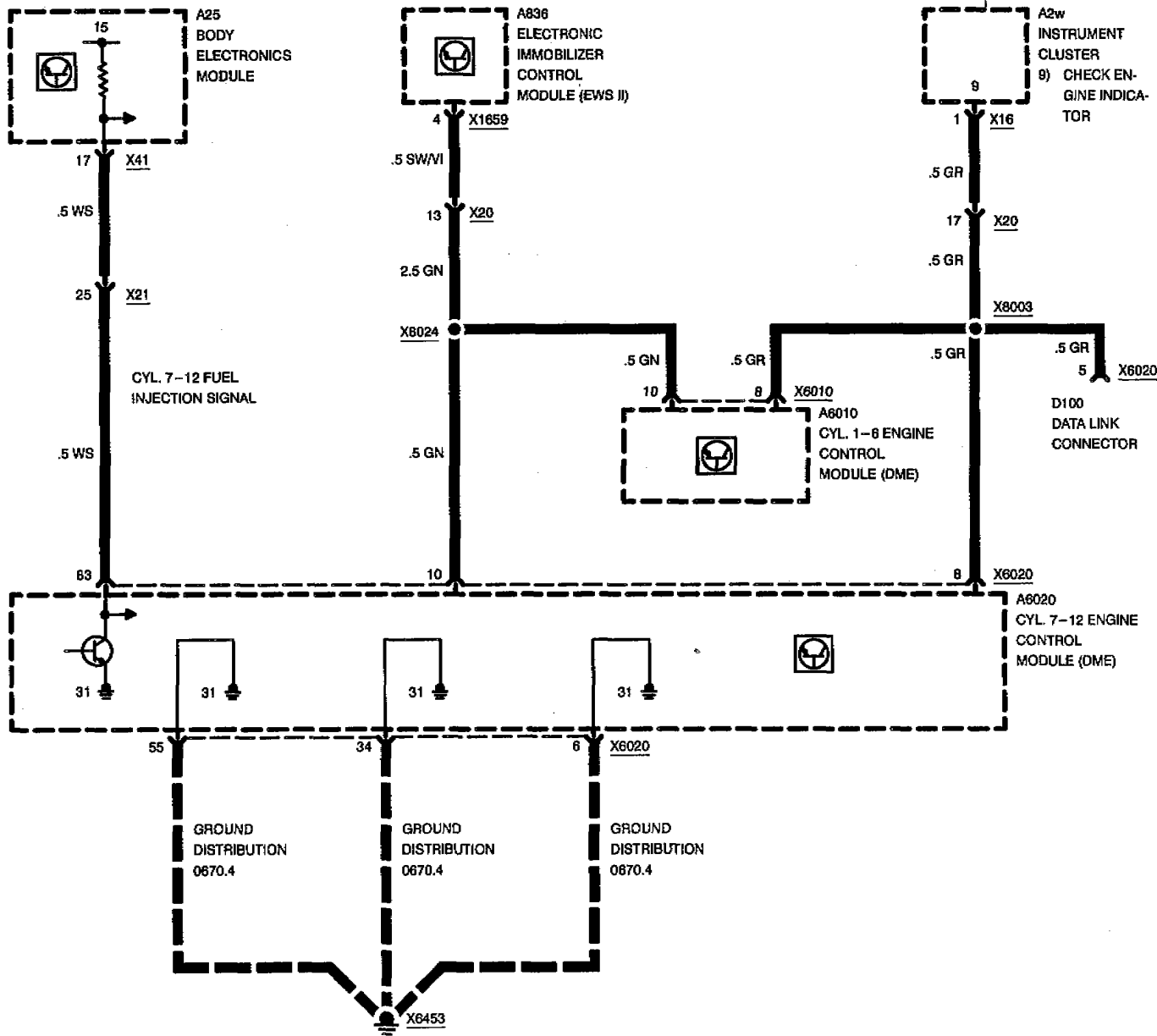
## ENGINE CONTROL MODULES (DME)





# ENGINE CONTROL SYSTEM (DME M5.2, 12-CYLINDER M73)

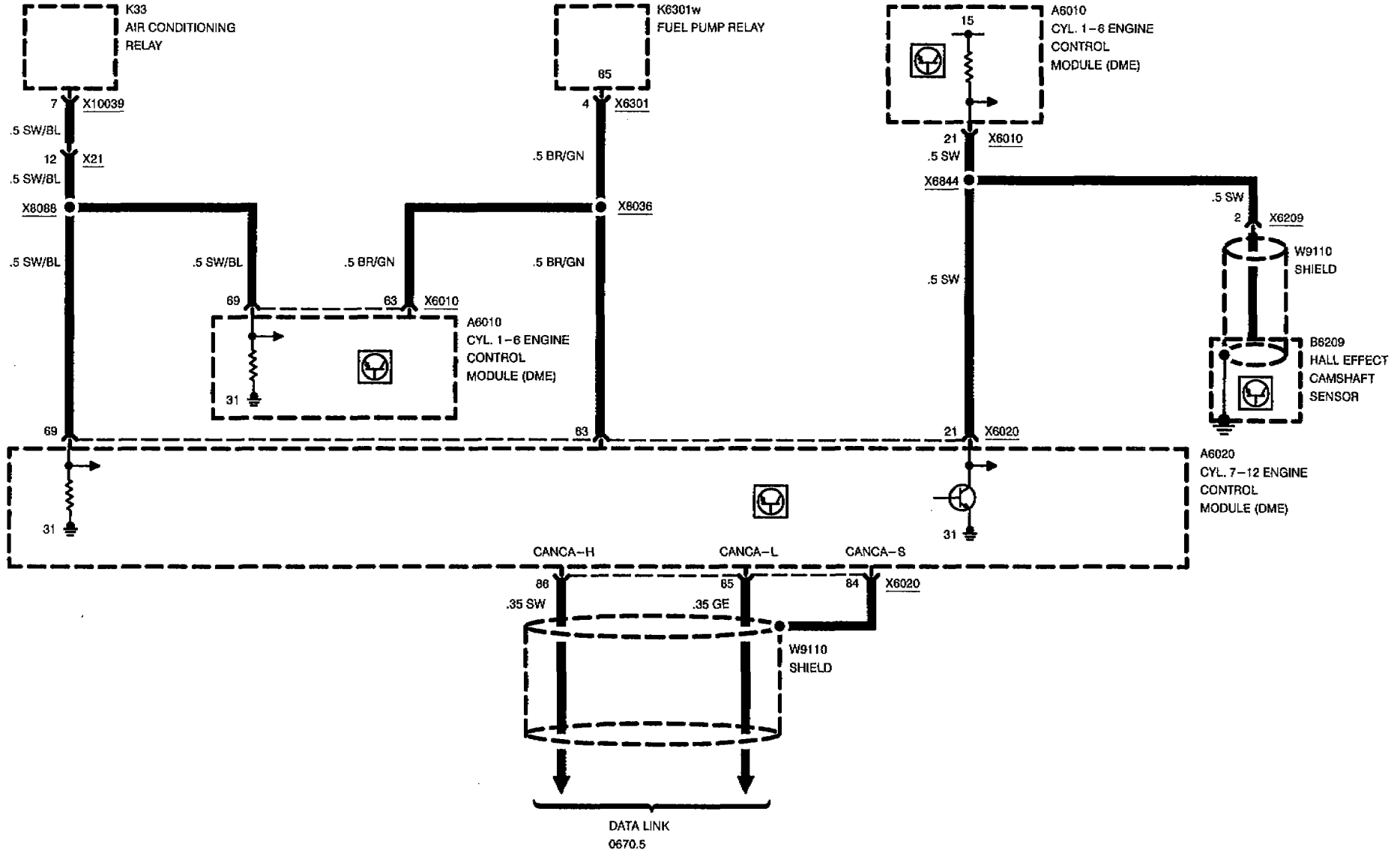
## ENGINE CONTROL MODULES (DME)





# ENGINE CONTROL SYSTEM (DME M5.2, 12-CYLINDER M73)

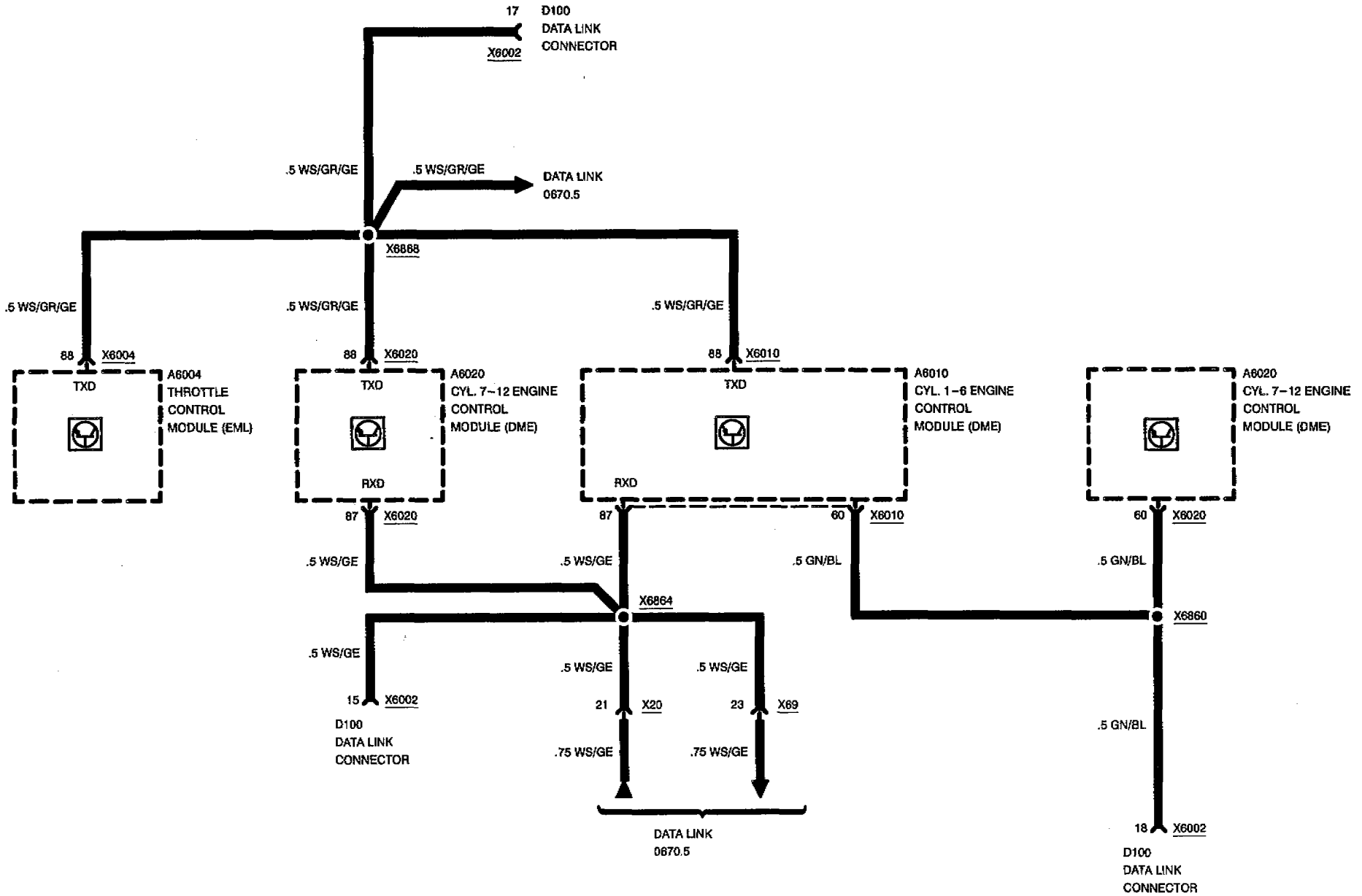
## ENGINE CONTROL MODULES (DME)

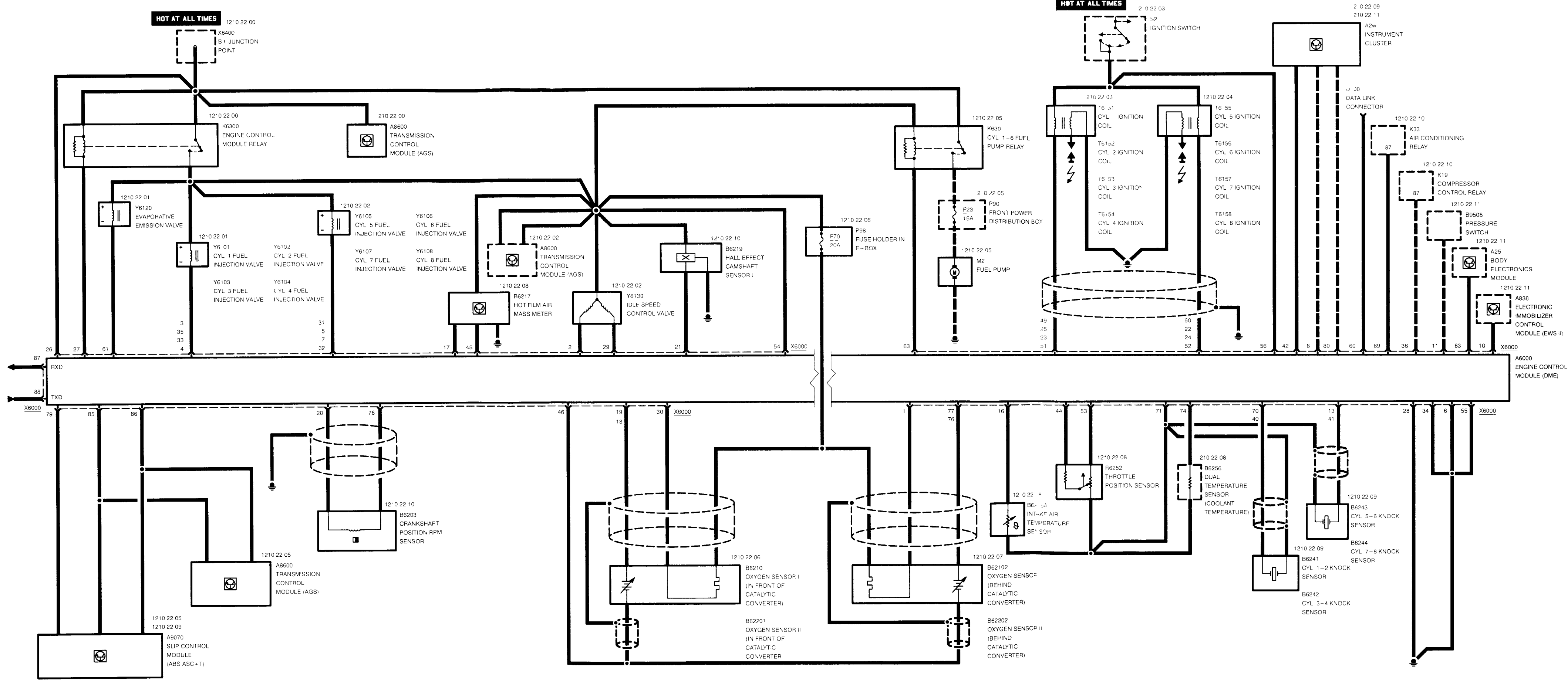


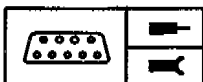


# ENGINE CONTROL SYSTEM (DME M5.2, 12-CYLINDER M73)

## DME DIAGNOSIS





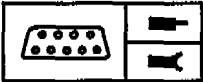


## Pin Assignments

### X6000

Pin	Type	Description/Function	Connection
1	M	Ground, oxygen sensor heating	Oxygen sensors behind catalytic converter
2	A	Air control valve closed	Idle speed control valve, Y6130
3	A	Cyl. 1 fuel injection valve	Cyl. 1 fuel injection valve, Y6101
4	A	Cyl. 4 fuel injection valve	Cyl. 4 fuel injection valve, Y6104
5	A	Cyl. 6 fuel injection valve	Cyl. 6 fuel injection valve, Y6106
6	M	Ground	Ground point, X6452
7	A	Cyl. 7 fuel injection valve	Cyl. 7 fuel injection valve, Y6107
8	A	"CHECK ENGINE"-lamp	Instrument cluster, A2
9		Not used	
10	E	Drive-away protection	Control module (EWS II), A836
11	E	Signal AC-compressor	Pressure switch, B8y
12		Not used	
13	E	Signal cyl. 5-6 knock sensor	Cyl. 5-6 knock sensor, B6243
14		Not used	
15		Not used	
16	E	Signal intake air temperature	Intake air temperature sensor, B6215A
17	E	Signal air mass meter	Hot film air mass meter, B6217
18	E	Signal cyl. 5-8 oxygen sensor	Oxygen sensor II in front of catalytic converter
19	E	Signal cyl. 1-4 oxygen sensor	Oxygen sensor I in front of catalytic converter
20	M	Sensorground	Crankshaft position/RPM sensor
21	E	Signal camshaft sensor	Hall effect camshaft sensor I
22	A	Cyl. 6 ignition signal	Cyl. 6 ignition coil, T6156
23	A	Cyl. 3 ignition signal	Cyl. 3 ignition coil, T6153
24	A	Cyl. 7 ignition signal	Cyl. 7 ignition coil, T6157
25	A	Cyl. 2 ignition signal	Cyl. 2 ignition coil, T6152
26	E	Continuous plus supply terminal 30	B+ junction point
27	A	Signal to engine control module relay	Engine control module relay, K6300
28	M	Ground	Ground point, X6452
29	A	Air control valve open	Idle speed control valve, Y6130

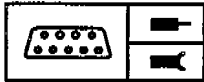
E = Input, A = Output, M = Ground



## Pin Assignments

Pin	Type	Description/Function	Connection
30	M	Ground, oxygen sensor heating	Oxygen sensors in front of catalytic converter
31	A	Cyl. 5 fuel injection valve	Cyl. 5 fuel injection valve, Y6105
32	A	Cyl. 8 fuel injection valve	Cyl. 8 fuel injection valve, Y6108
33	A	Cyl. 3 fuel injection valve	Cyl. 3 fuel injection valve, Y6103
34	M	Ground	Ground point, X6452
35	A	Cyl. 2 fuel injection valve	Cyl. 2 fuel injection valve, Y6102
36	A	Signal climate compressor	Compressor control relay, K19
37		Not used	
38		Not used	
39		Not used	
40	E	Signal cyl. 3-4 knock sensor	Cyl. 3-4 knock sensor, B6242
41	E	Signal cyl. 7-8 knock sensor	Cyl. 7-8 knock sensor, B6244
42	E	Signal fuel reserve	Instrument cluster, A2w
43		Not used	
44	E	Signal throttle position	Throttle position sensor, R6252
45	M	Ground, air mass meter	Hot film air mass meter, B6217
46	M	Ground, oxygen sensors	Oxygen sensors
47		Not used	
48		Not used	
49	A	Cyl. 1 ignition signal	Cyl. 1 ignition coil, T6151
50	A	Cyl. 5 ignition signal	Cyl. 5 ignition coil, T6155
51	A	Cyl. 4 ignition signal	Cyl. 4 ignition coil, T6154
52	A	Cyl. 8 ignition signal	Cyl. 8 ignition coil, T6158
53	A	Plus supply (+5V)	Throttle position sensor, R6252
54	E	Signal engine control module relay	Engine control module relay, K6300
55	M	Ground	Ground point, X6452
56	E	Plus supply terminal 15	Ignition switch, S2
57		Not used	
58		Not used	
59		Not used	
60	E	Programming voltage	Data link connector, D100

E = Input, A = Output, M = Ground



## Pin Assignments

Pin	Type	Description/Function	Connection
61	A	Signal evaporative emission	Evaporative emission valve, Y6120
62		Not used	
63	A	Signal fuel pump	Fuel pump relay, K6301w
64		Not used	
65		Not used	
66		Not used	
67		Not used	
68		Not used	
69	E	Signal AC on/off	Air conditioning relay
70	E	Signal cyl. 1-2 knock sensor	Cyl. 1-2 knock sensor, B6241
71	M	Ground, sensors	Knock/temperature/throttle position sensors
72		Not used	
73		Not used	
74	E	Engine temperature	Dual temperature sensor
75		Not used	
76	E	Signal cyl. 5-8 oxygen sensor	Oxygen sensor II behind catalytic converter
77	E	Signal cyl. 1-4 oxygen sensor	Oxygen sensor I behind catalytic converter
78	E	Signal crankshaft position/RPM	Crankshaft position/RPM sensor
79	E	Signal right rear wheel speed	Slip control module
80	A	Signal engine speed (RPM)	Instrument cluster, A2w
81		Not used	
82		Not used	
83	A	Signal fuel consumption	Body electronics module
84		Not used	
85	E/A	CAN-L	Transmission control module/Slip control module
86	E/A	CAN-H	Transmission control module/Slip control module
87	A	Diagnosis	Data link connector, RxD
88	E/A	Diagnosis	Data link connector, TxD

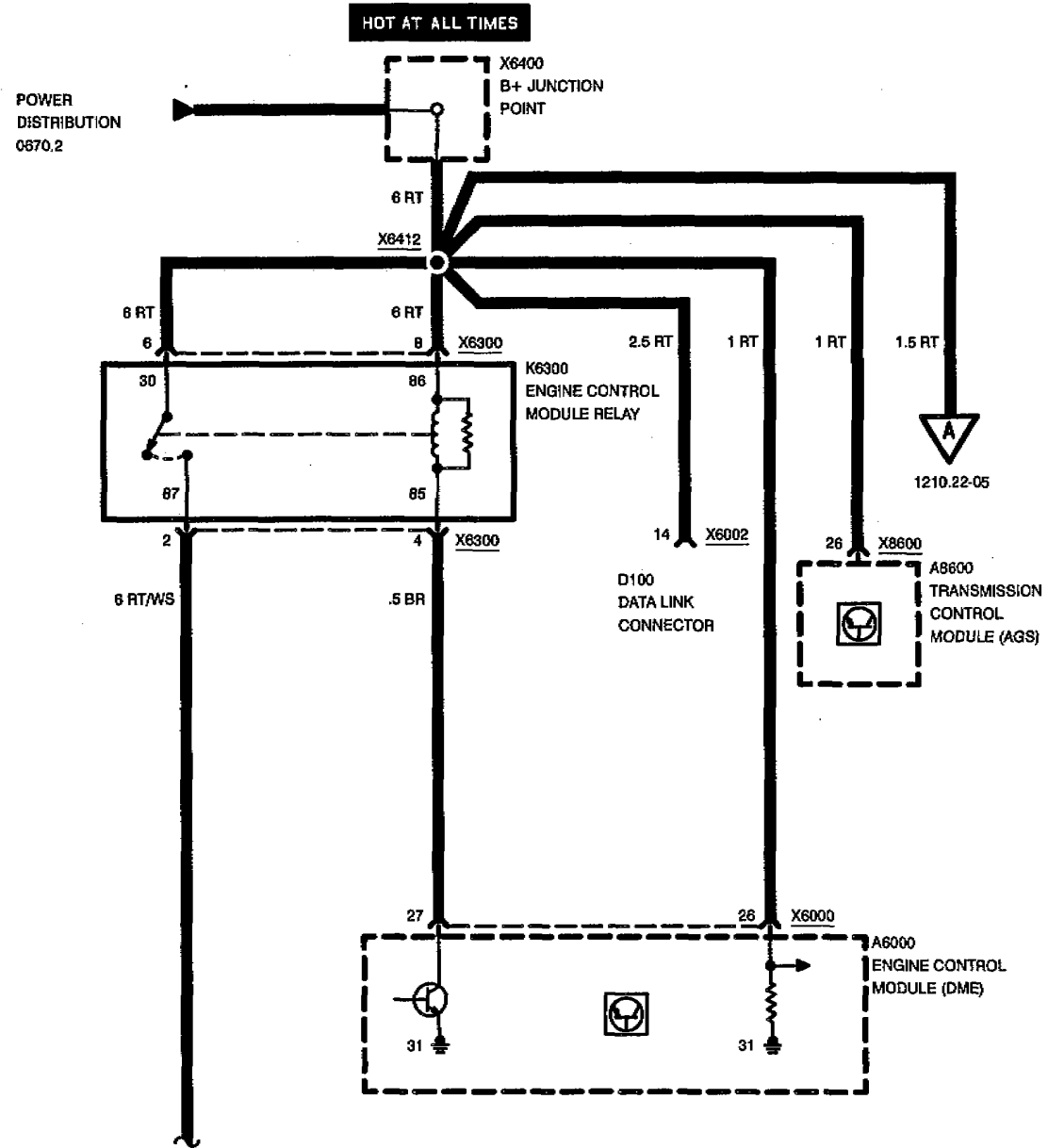
E = Input, A = Output, M = Ground

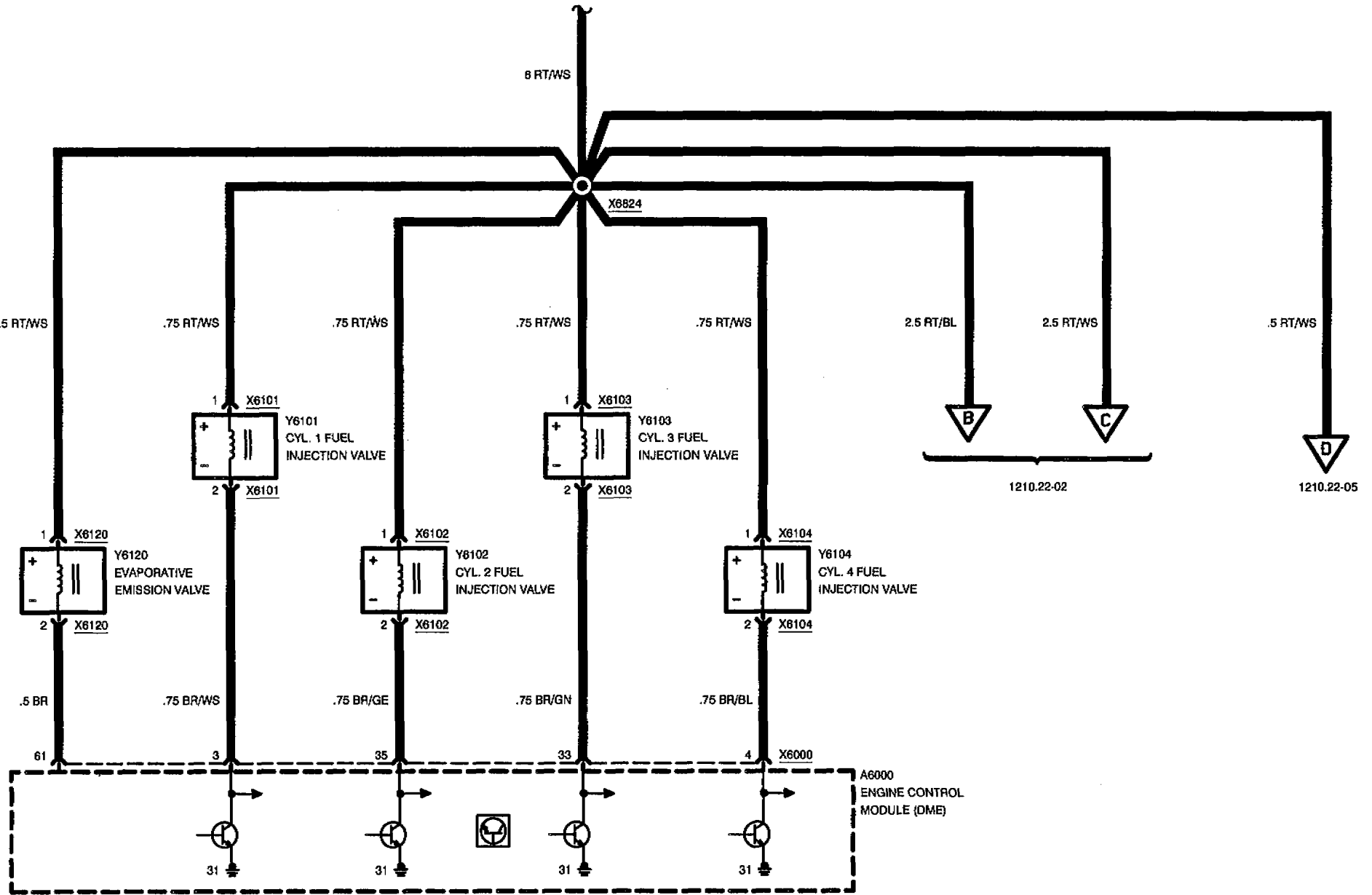




# ENGINE CONTROL SYSTEM (DME M5.2, 8-CYLINDER M62)

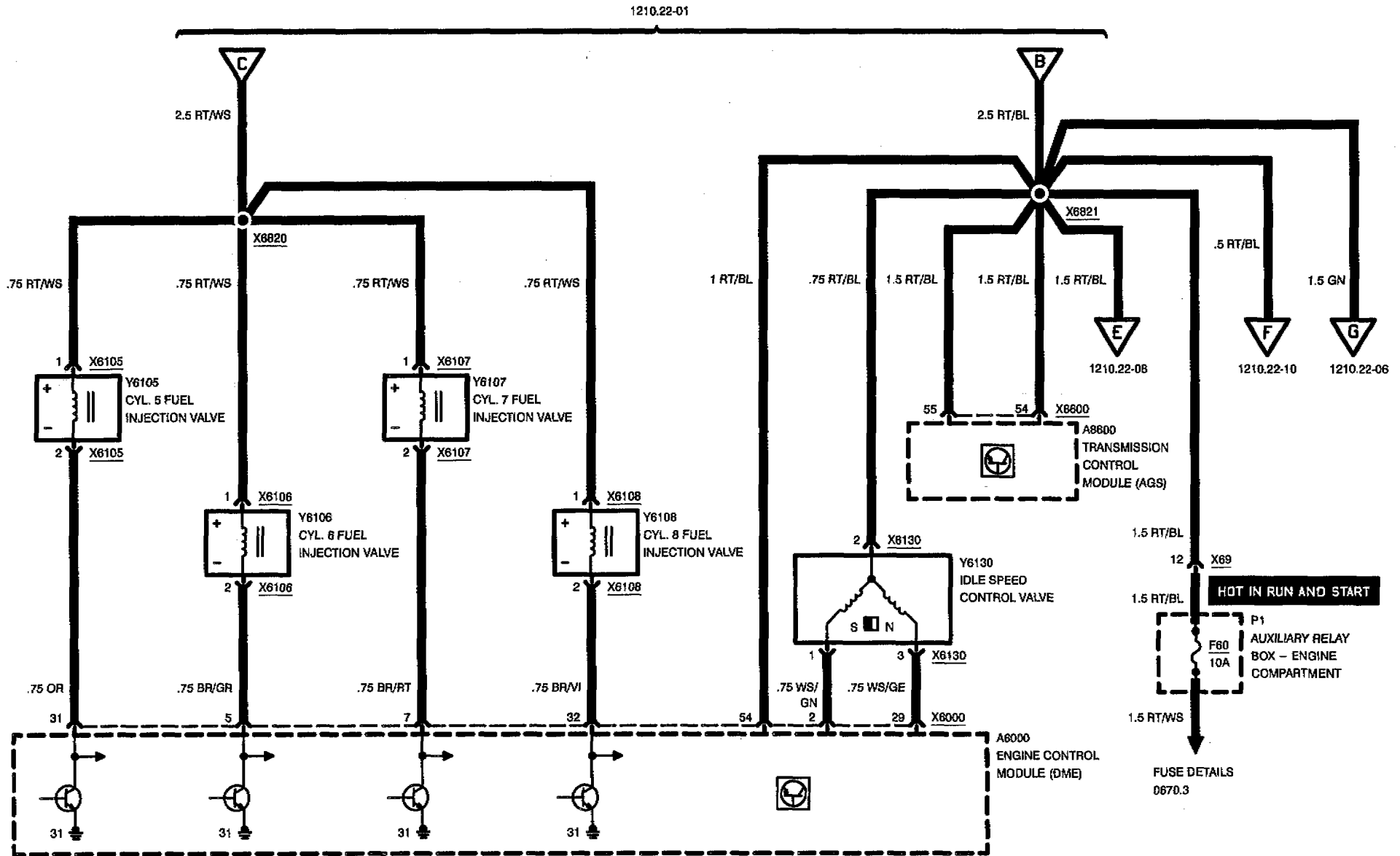
## SENSORS







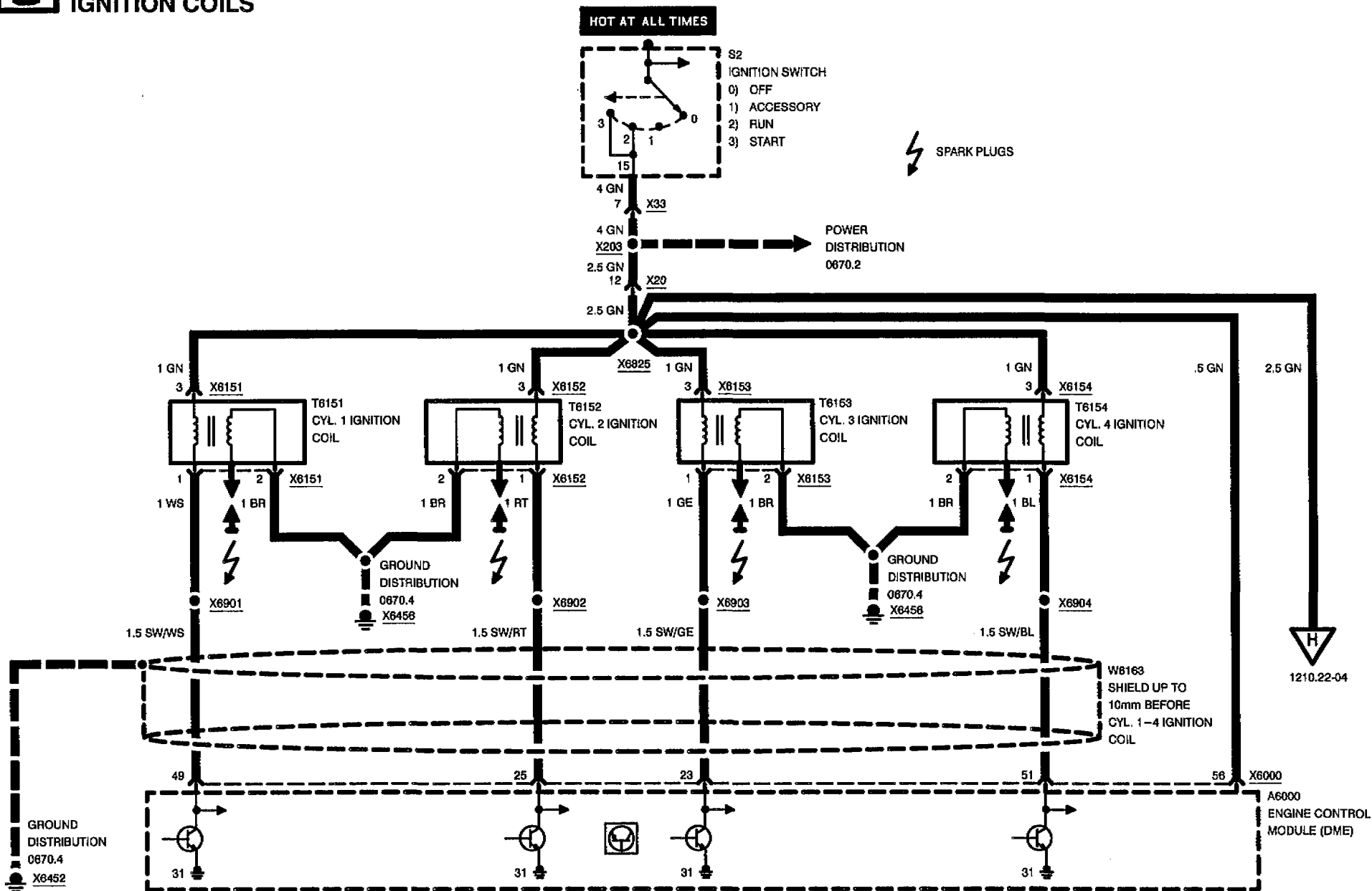
# ENGINE CONTROL SYSTEM (DME M5.2, 8-CYLINDER M62)





# ENGINE CONTROL SYSTEM (DME M5.2, 8-CYLINDER M62)

## IGNITION COILS



02/97

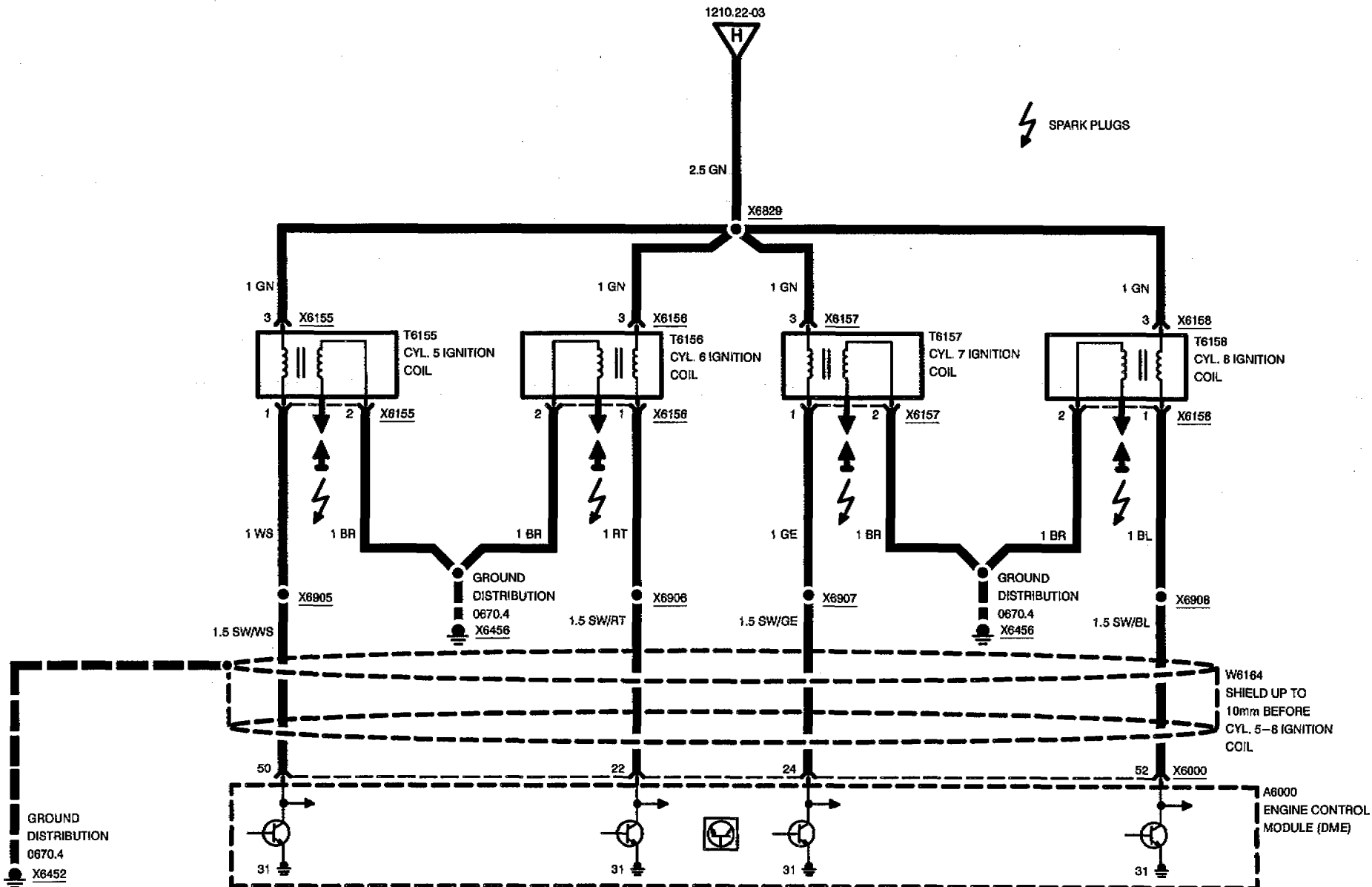
1210.22-03

95/96



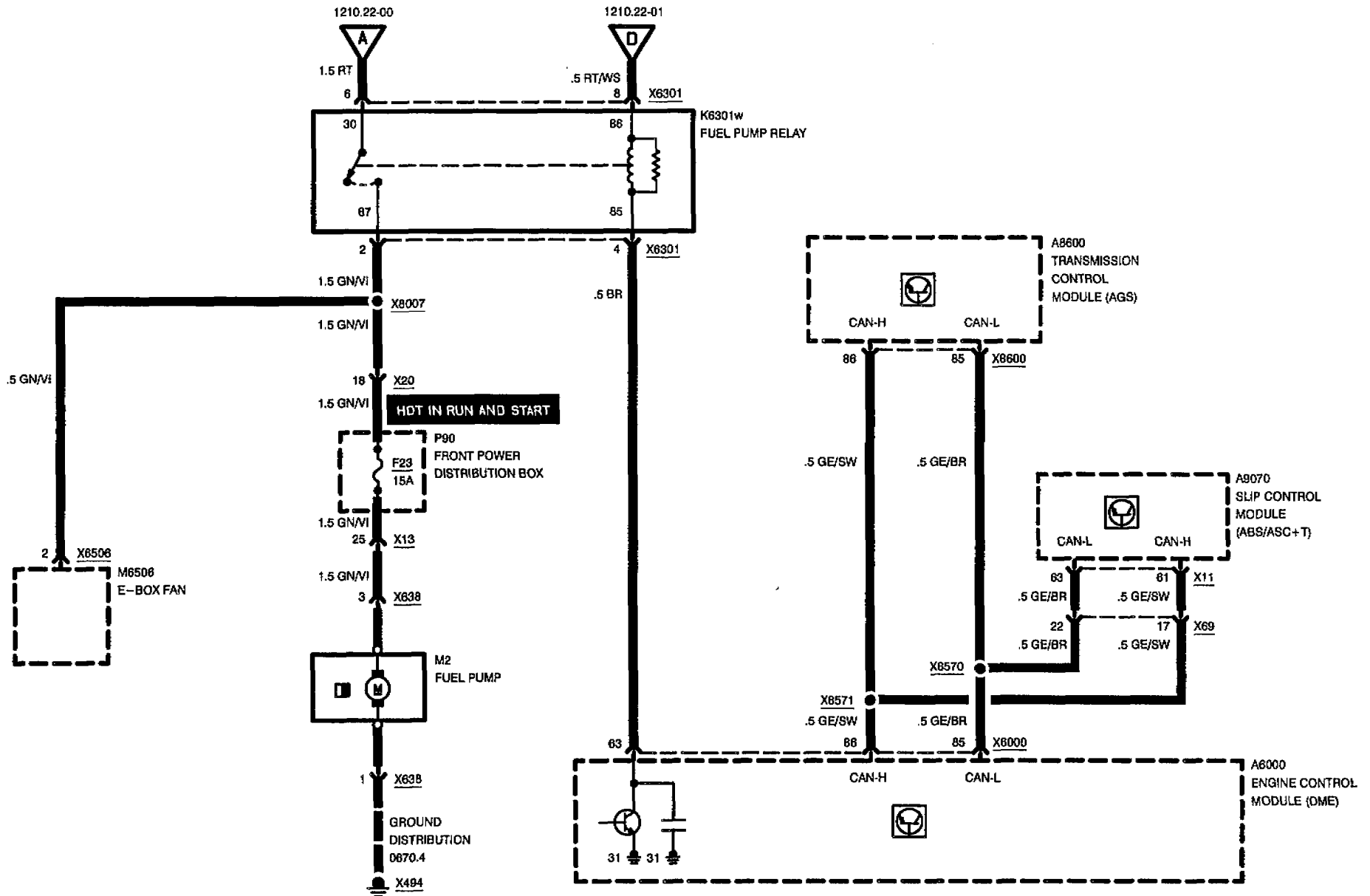
# ENGINE CONTROL SYSTEM (DME M5.2, 8-CYLINDER M62)

## IGNITION COILS





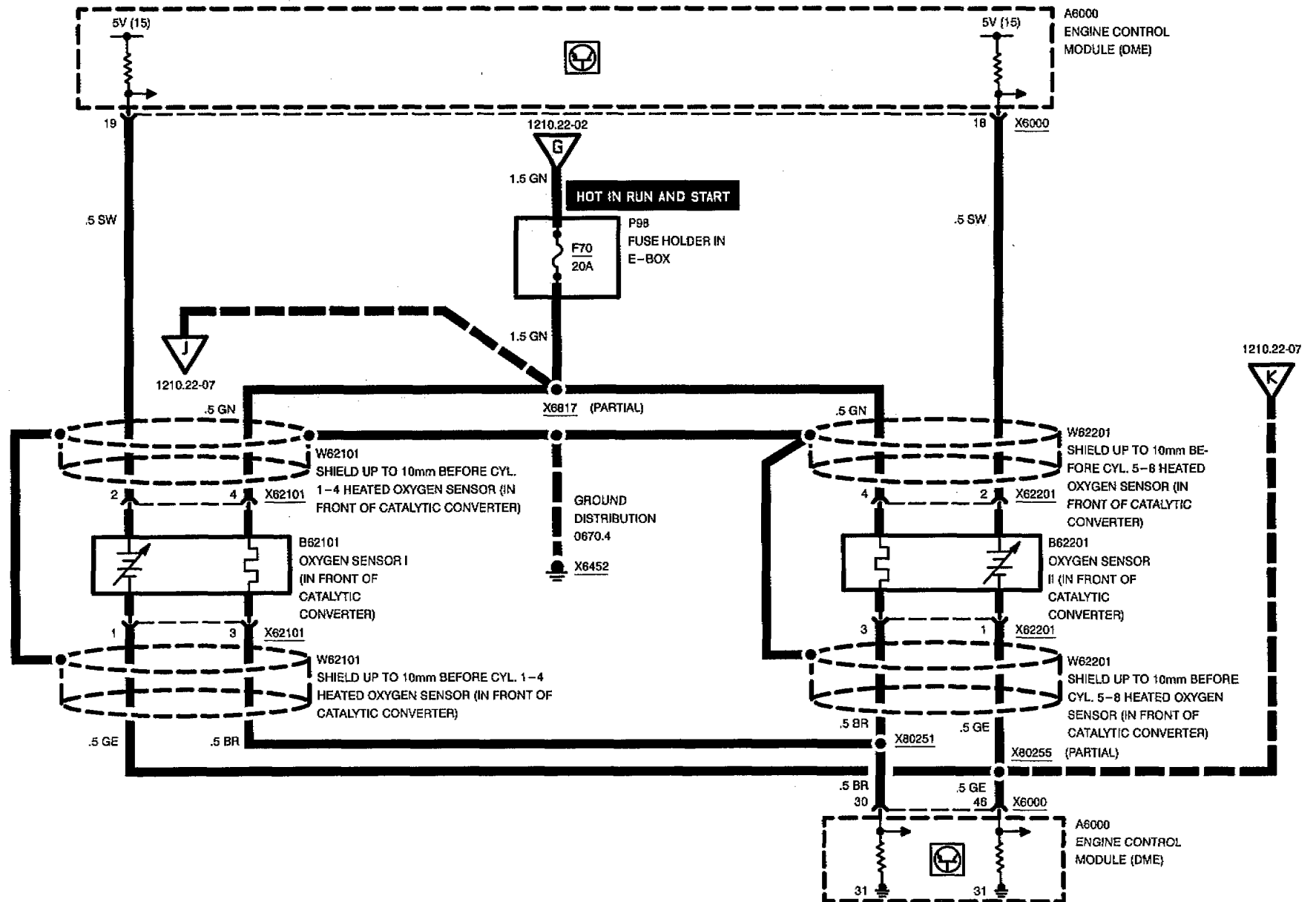
# ENGINE CONTROL SYSTEM (DME M5.2, 8-CYLINDER M62)





# ENGINE CONTROL SYSTEM (DME M5.2, 8-CYLINDER M62)

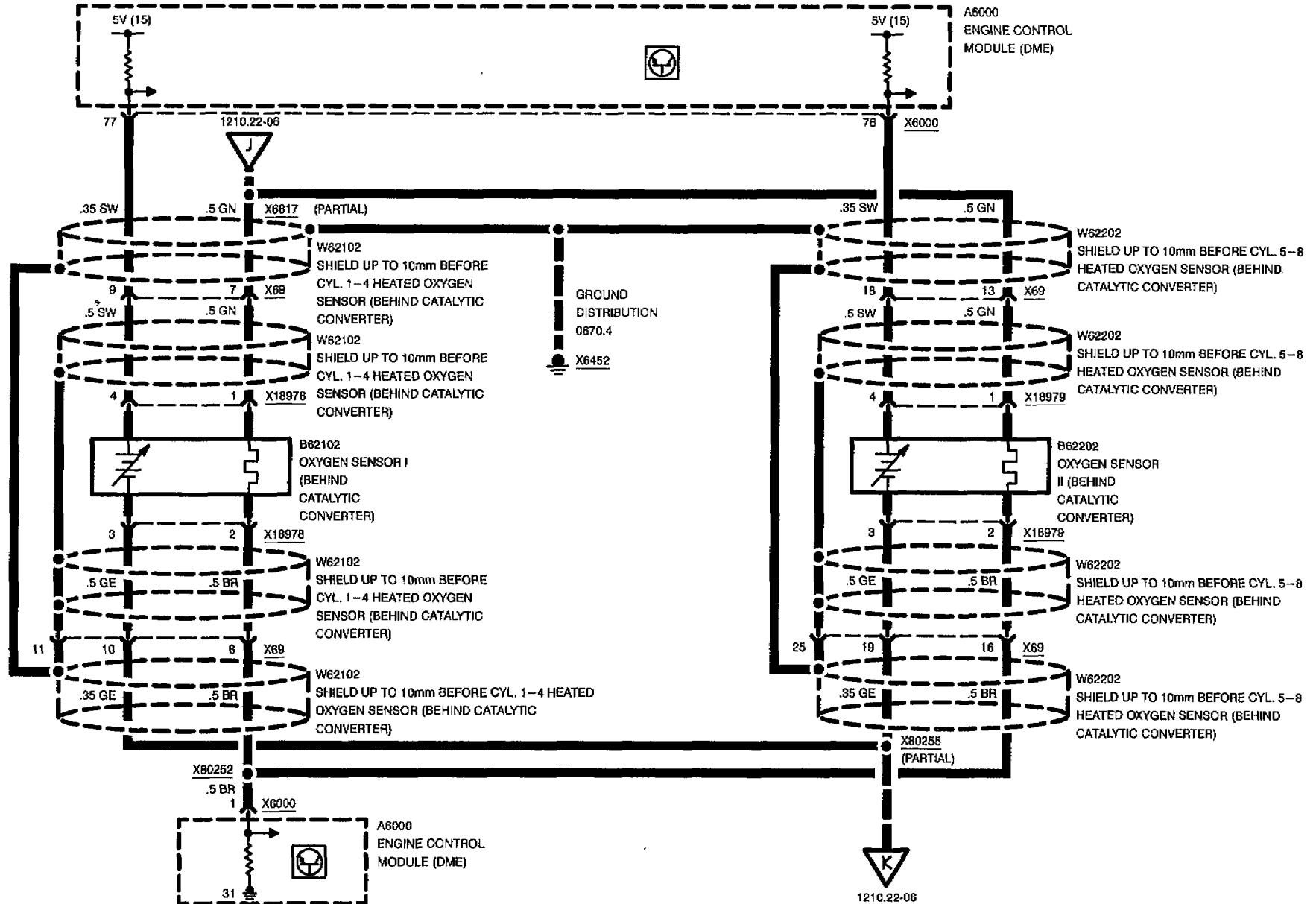
## OXYGEN SENSORS (IN FRONT OF CATALYTIC CONVERTER)





# ENGINE CONTROL SYSTEM (DME M5.2, 8-CYLINDER M62)

## OXYGEN SENSORS (BEHIND CATALYTIC CONVERTER)

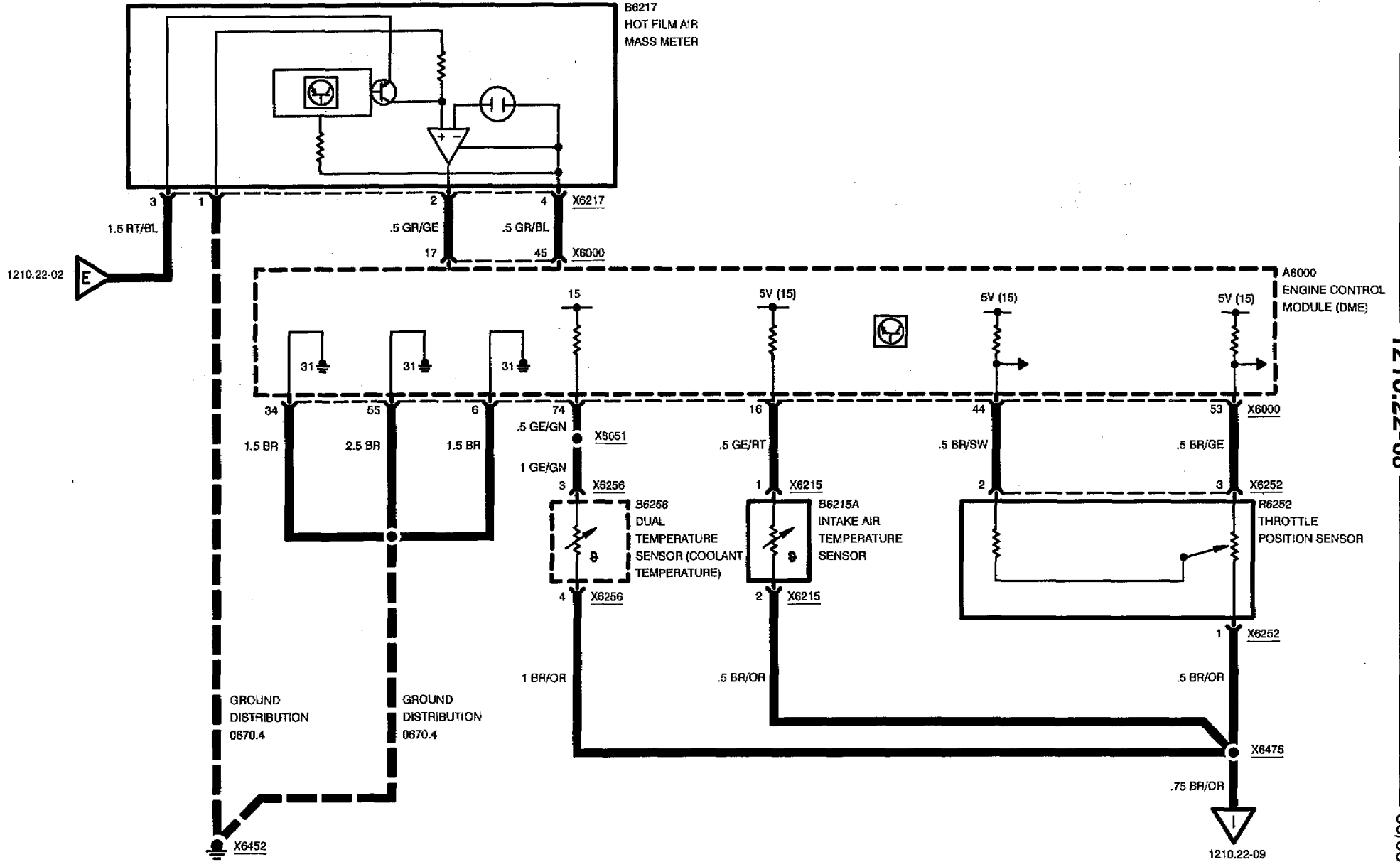






# ENGINE CONTROL SYSTEM (DME M5.2, 8-CYLINDER M62)

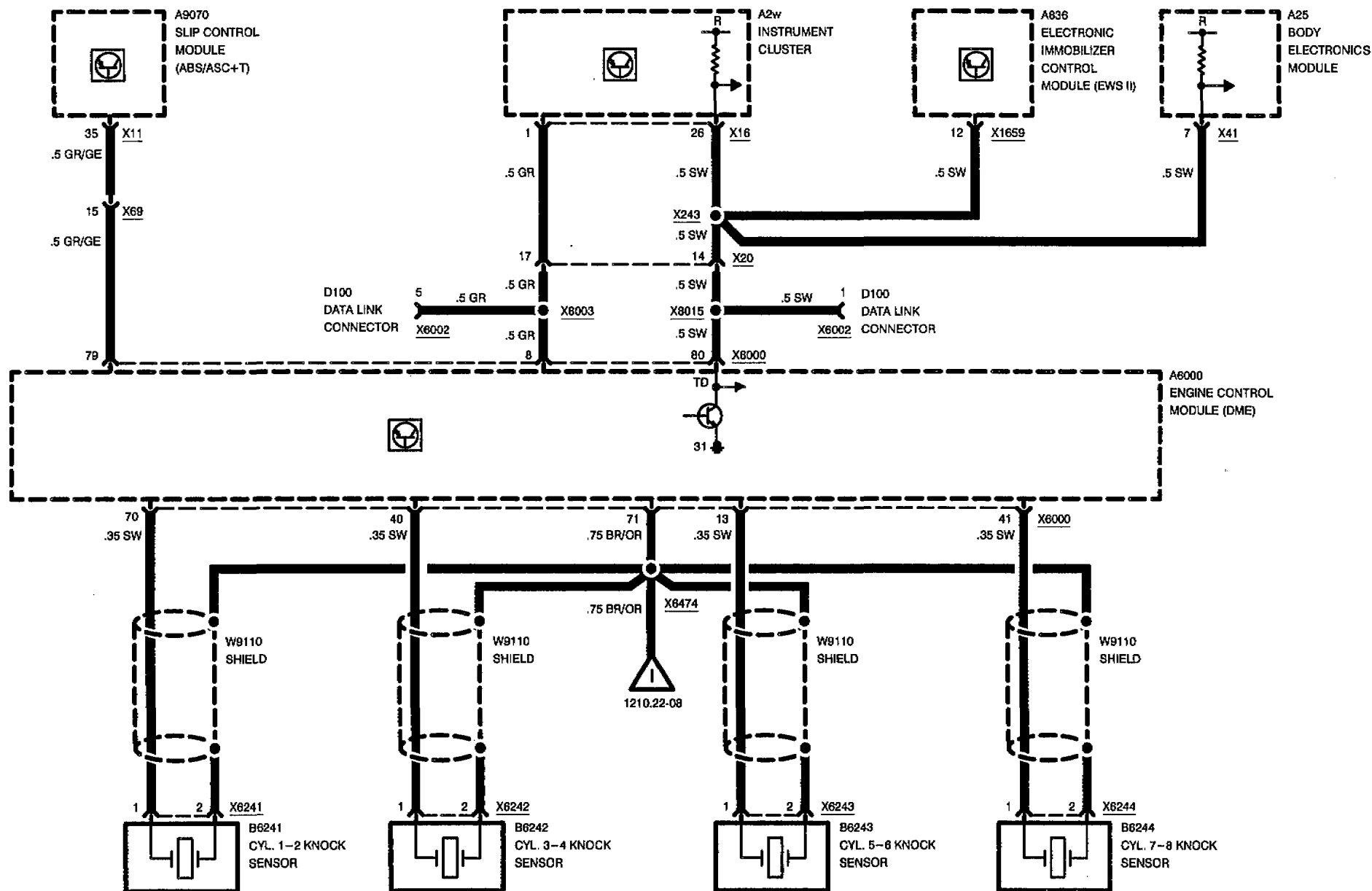
## SENSORS



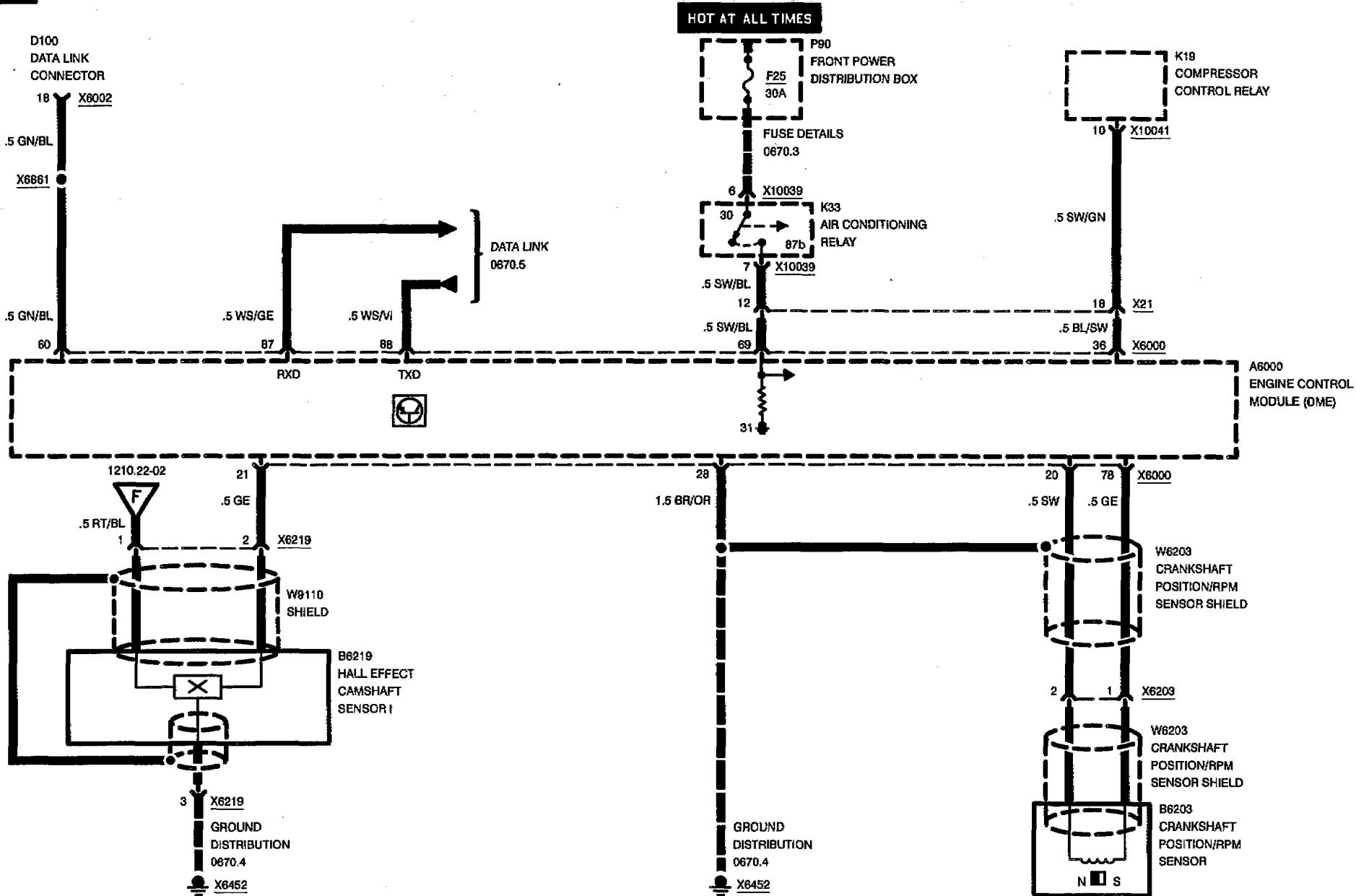


# ENGINE CONTROL SYSTEM (DME M5.2, 8-CYLINDER M62)

## ASC

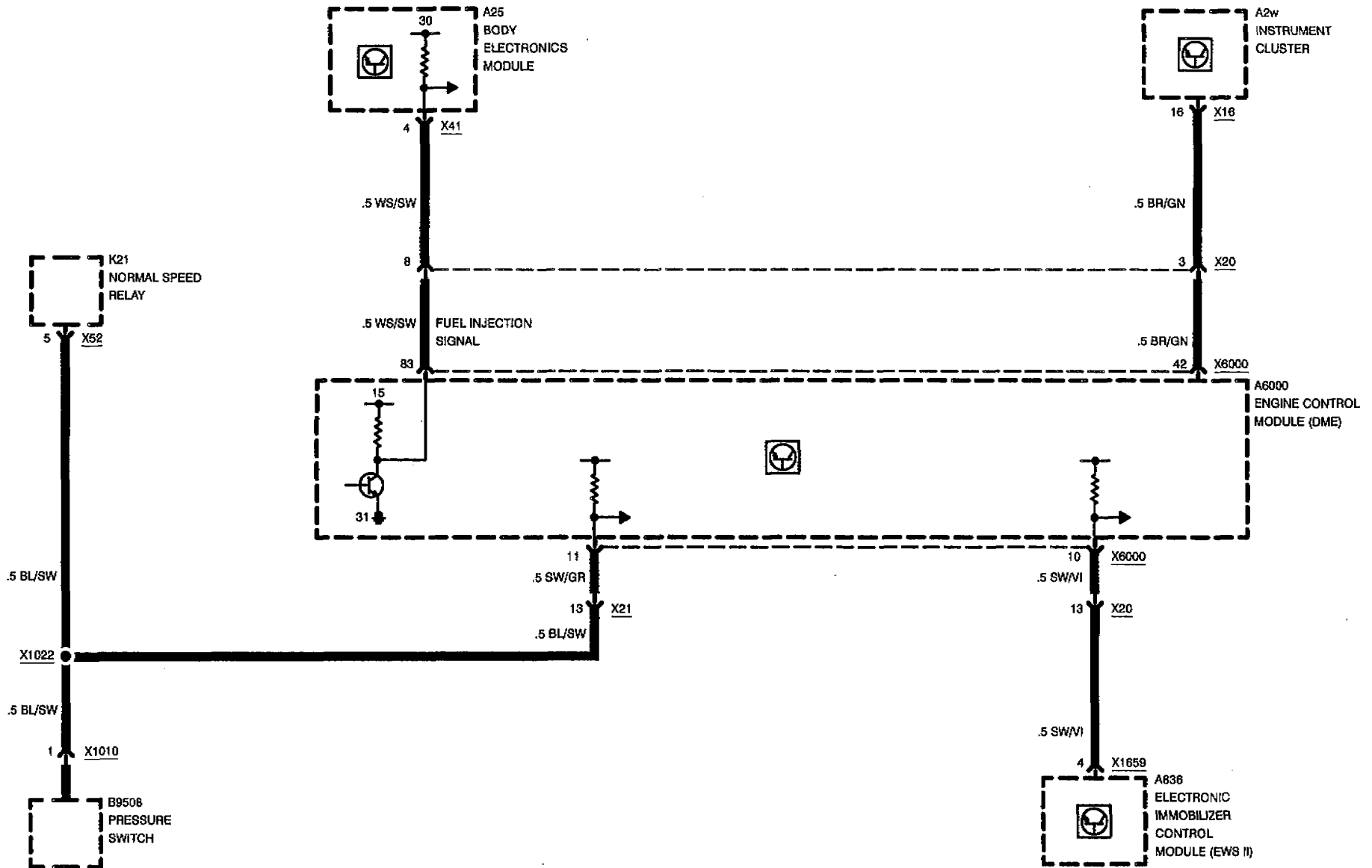


**ENGINE CONTROL SYSTEM (DME M5.2, 8-CYLINDER M62)**



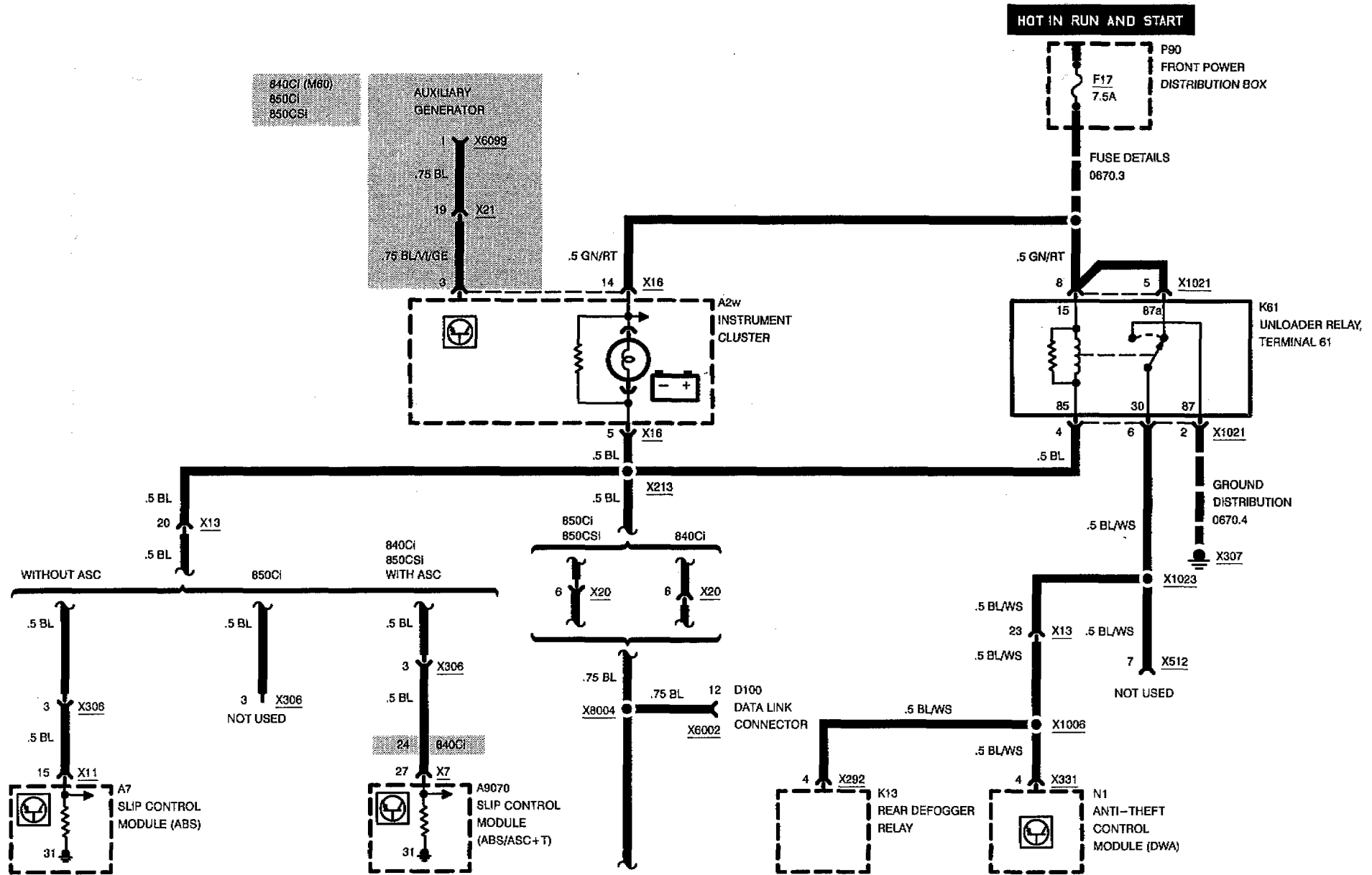


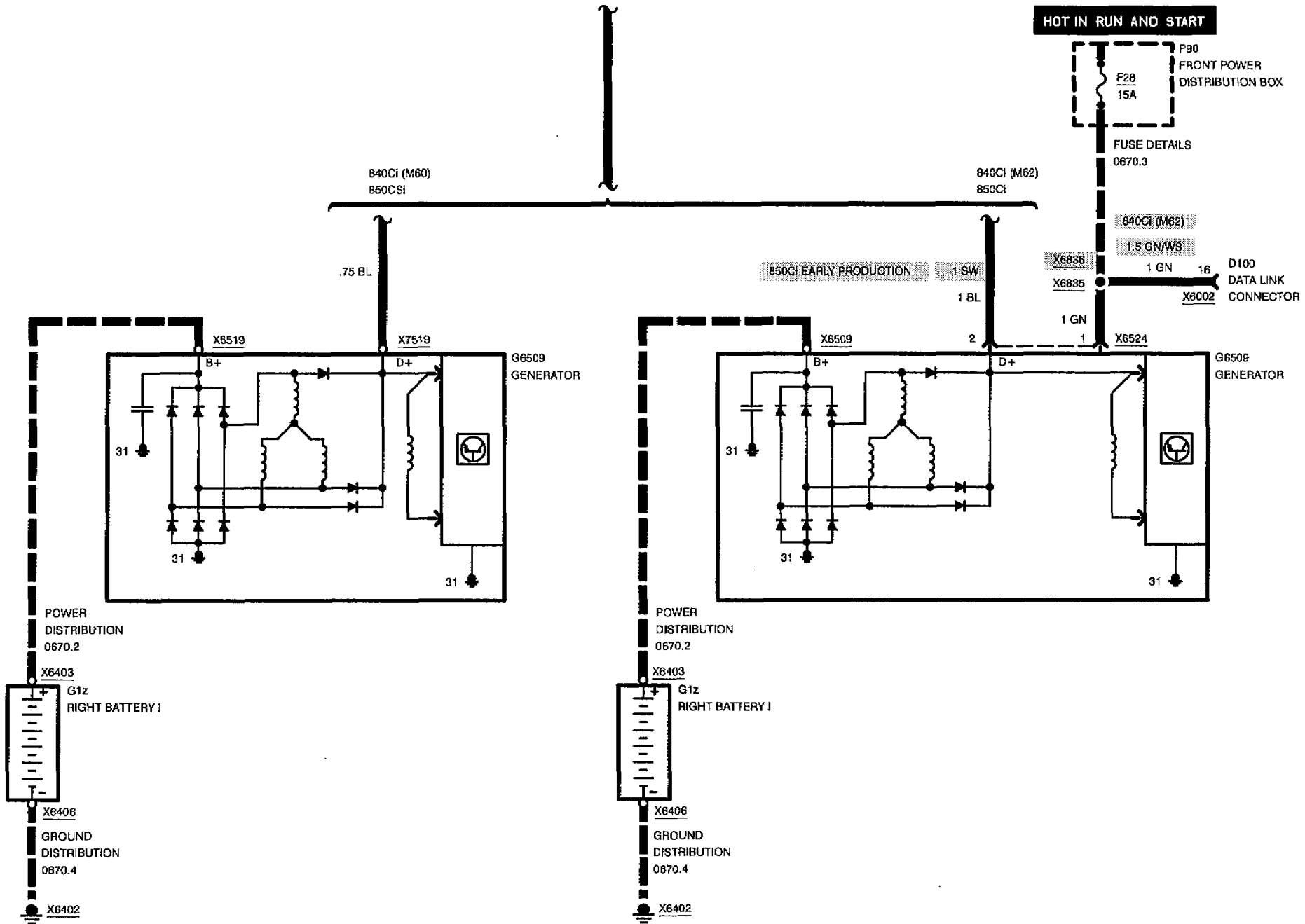
# ENGINE CONTROL SYSTEM (DME M5.2, 8-CYLINDER M62)





# CHARGING SYSTEM







# START

# 850CSI EARLY PRODUCTION

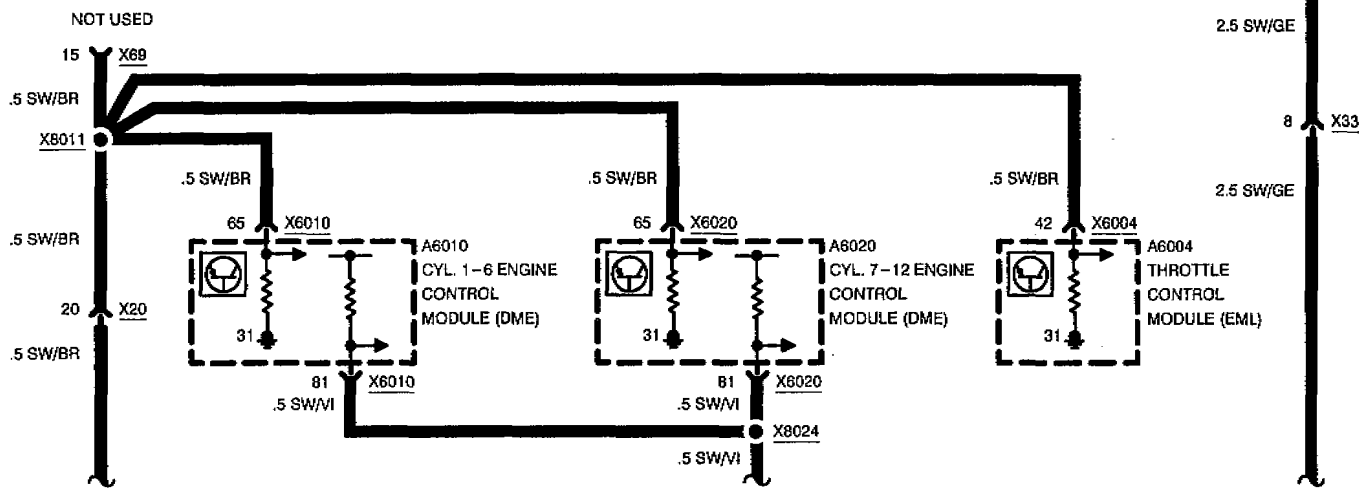
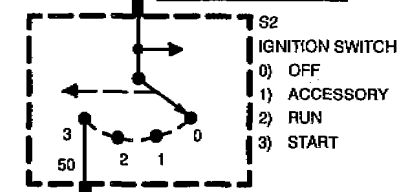
HOT IN RUN AND START

HOT AT ALL TIMES



FUSE DETAILS  
0670.3

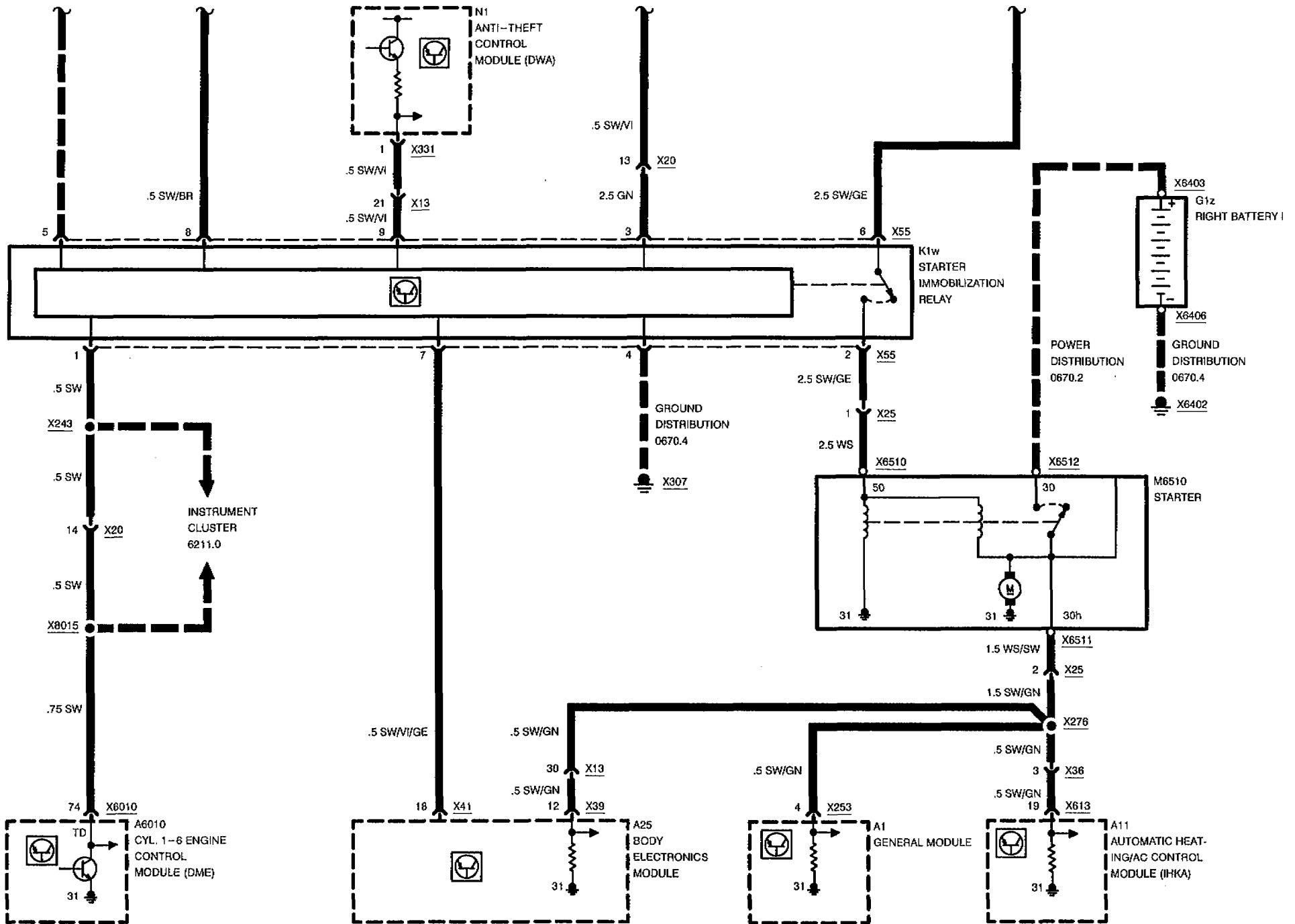
HOT AT ALL TIMES



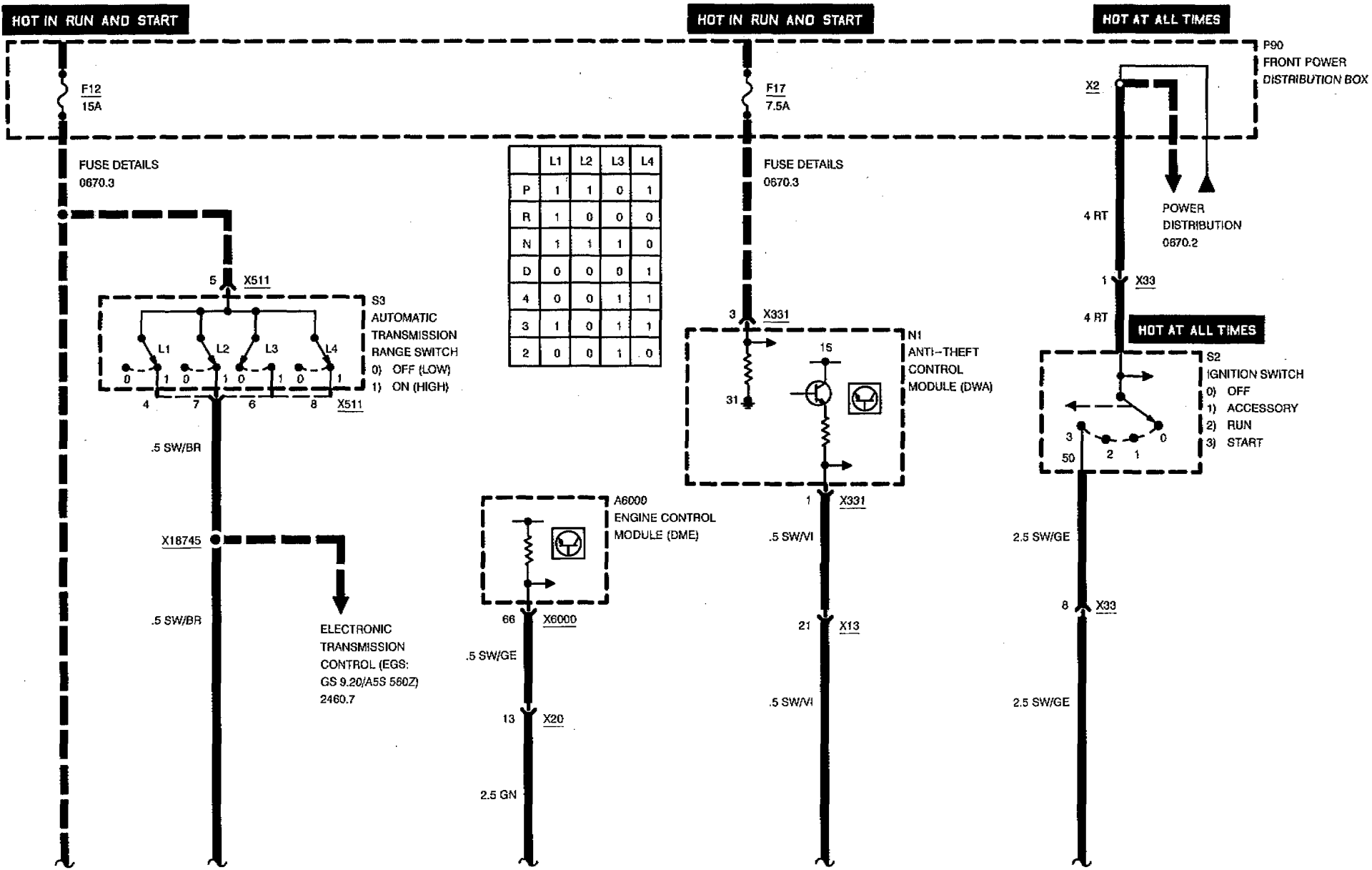
02/97

1240.0-00

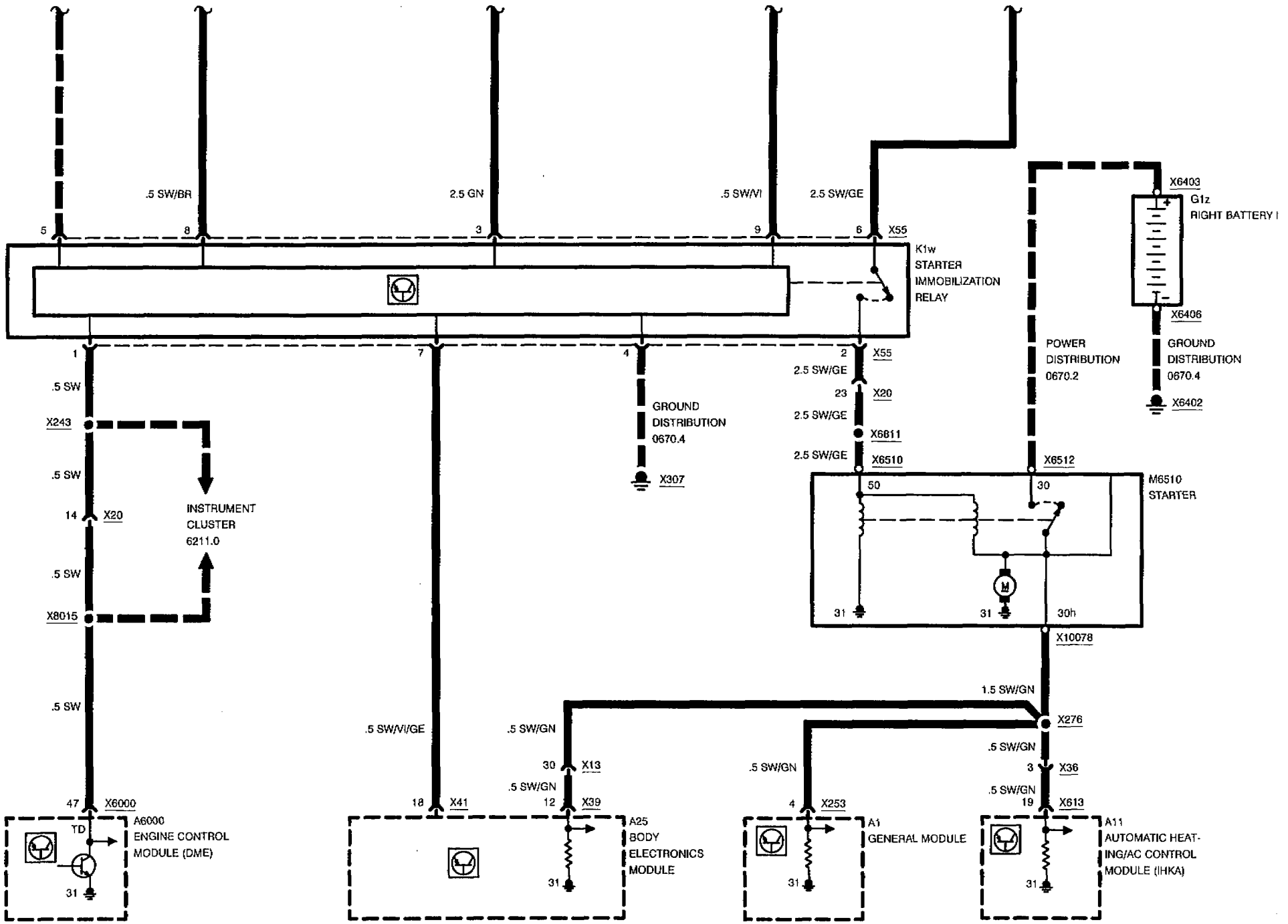
95/96

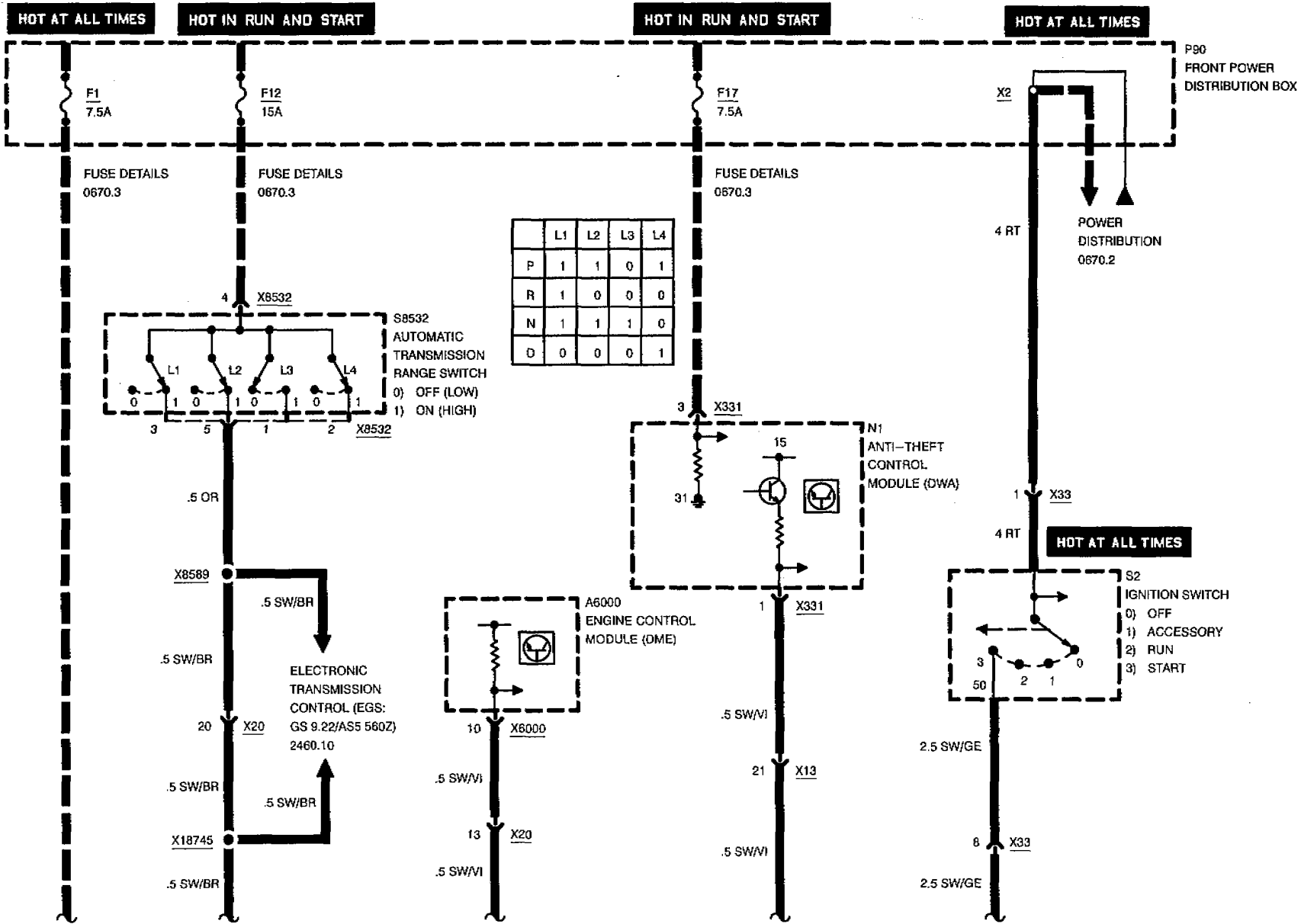


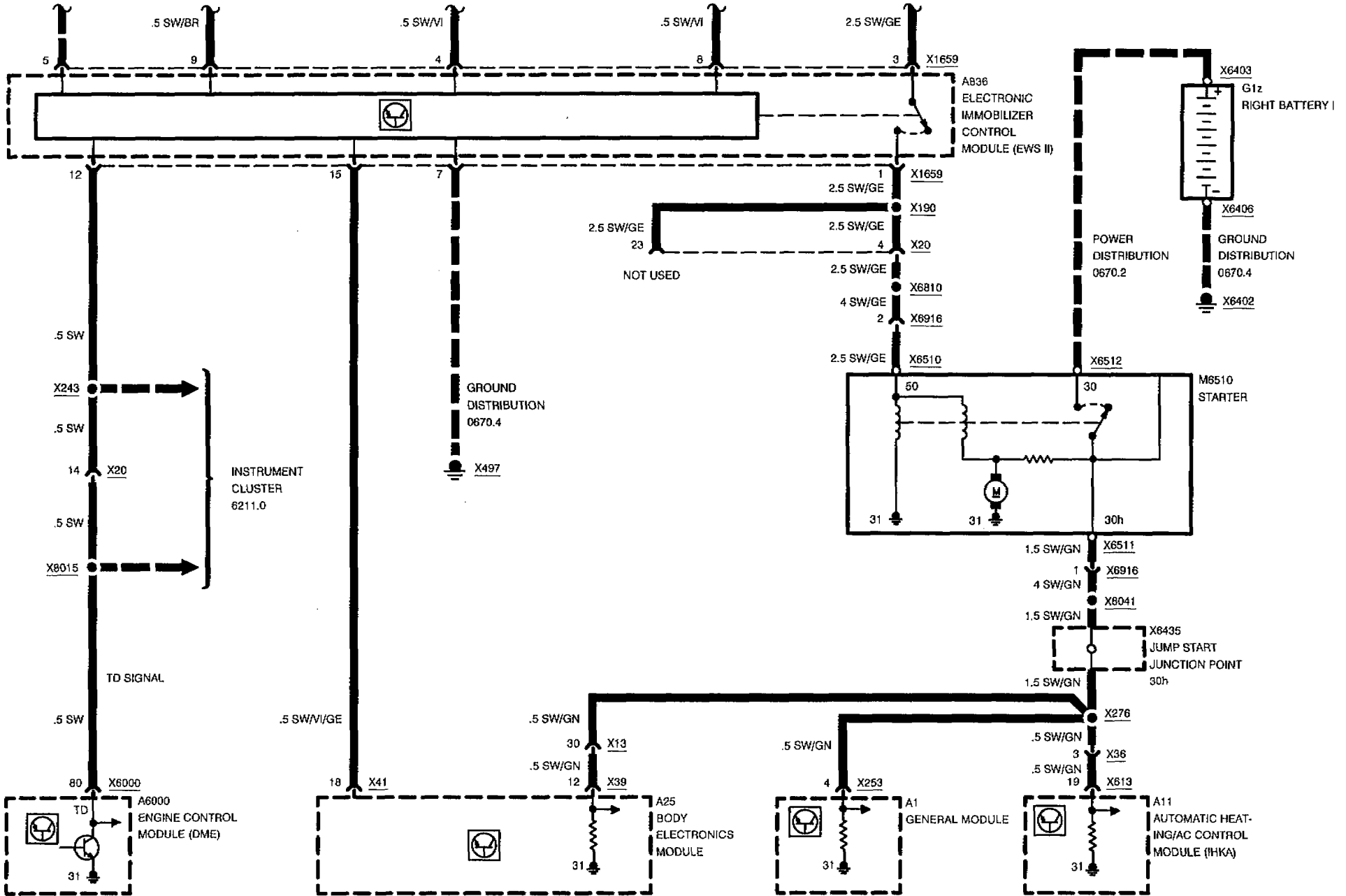




	L1	L2	L3	L4
P	1	1	0	1
R	1	0	0	0
N	1	1	1	0
D	0	0	0	1
4	0	0	1	1
3	1	0	1	1
2	0	0	1	0







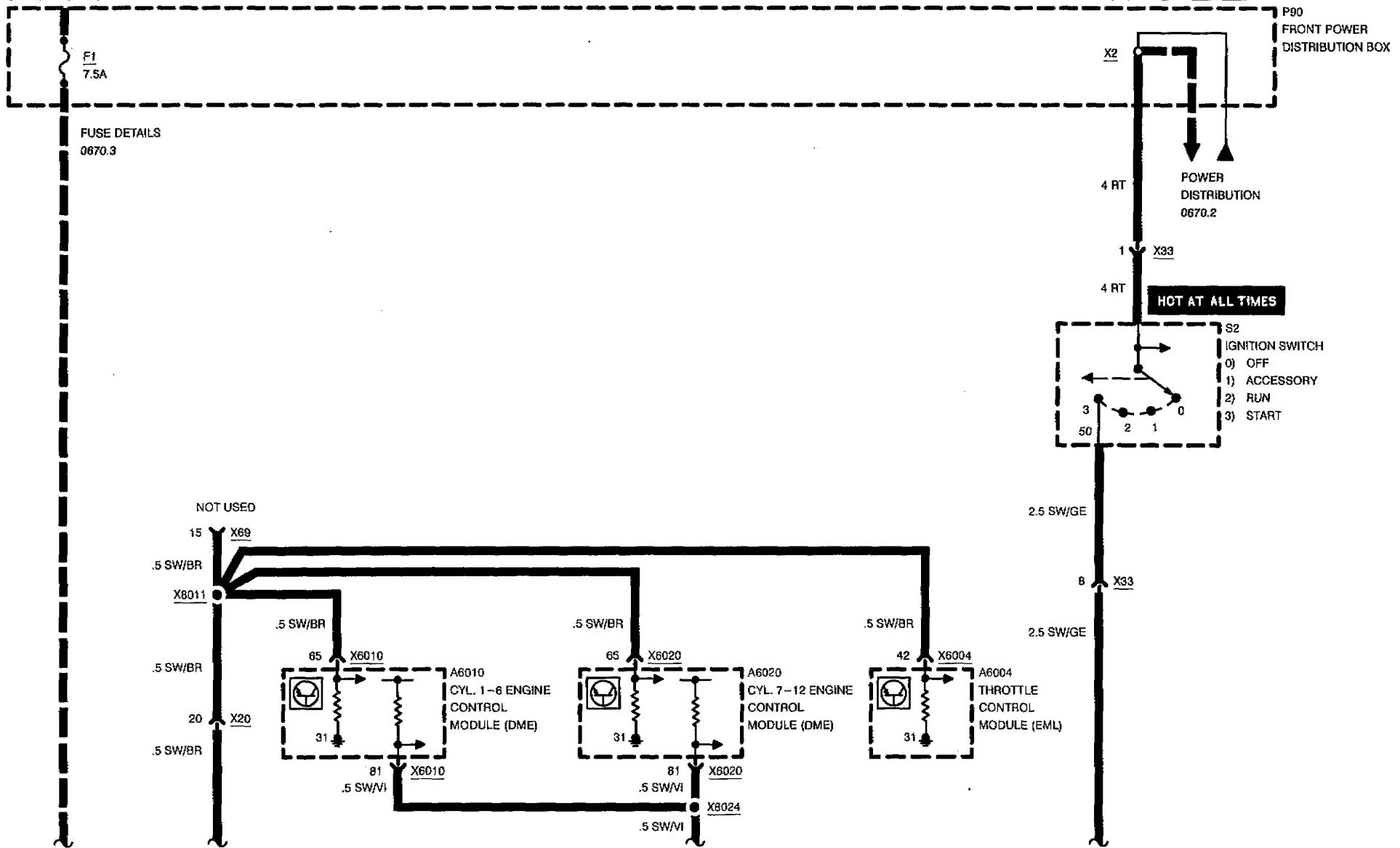


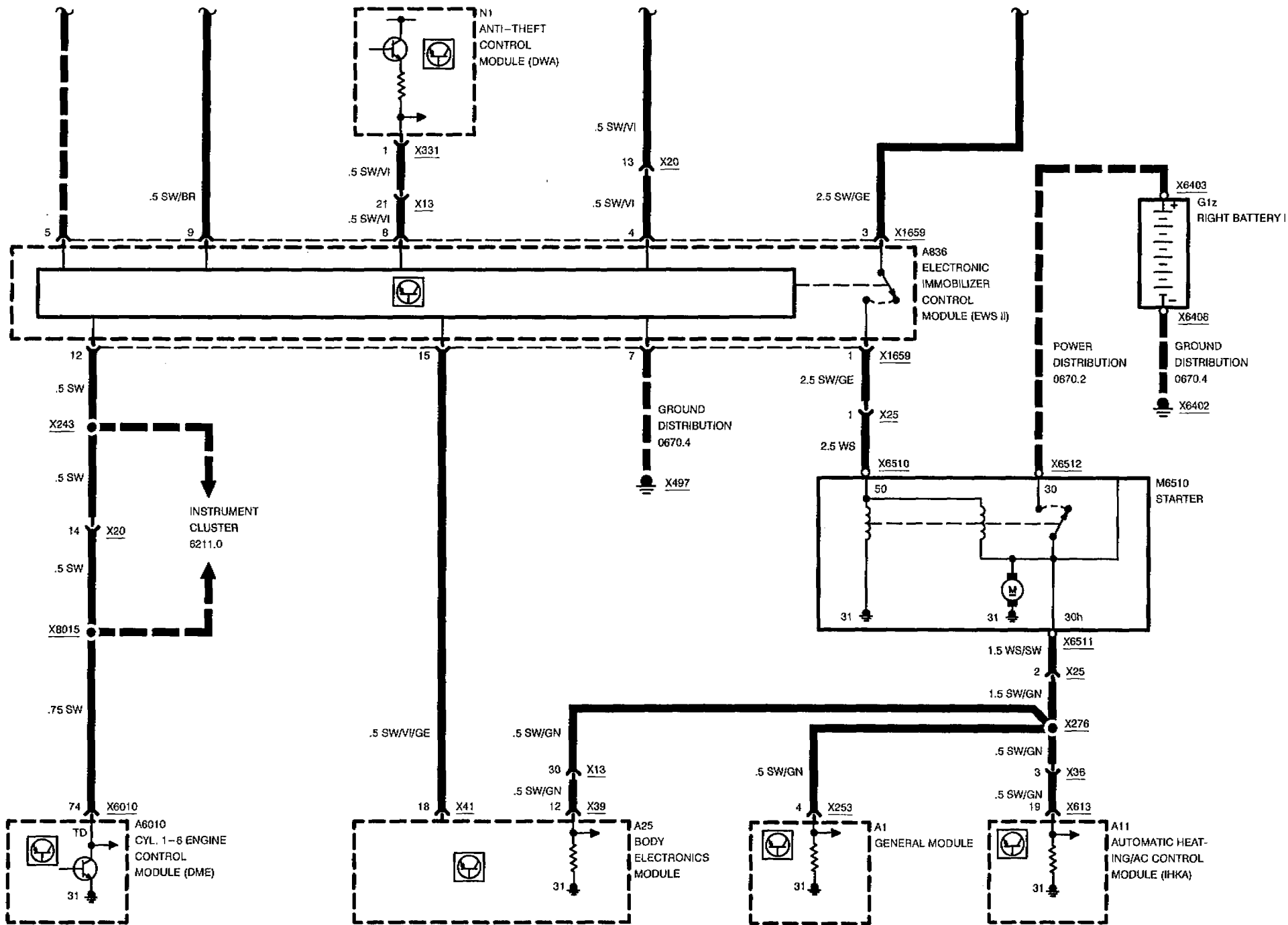
# START

# 850CSi LATE PRODUCTION

HOT AT ALL TIMES

HOT AT ALL TIMES

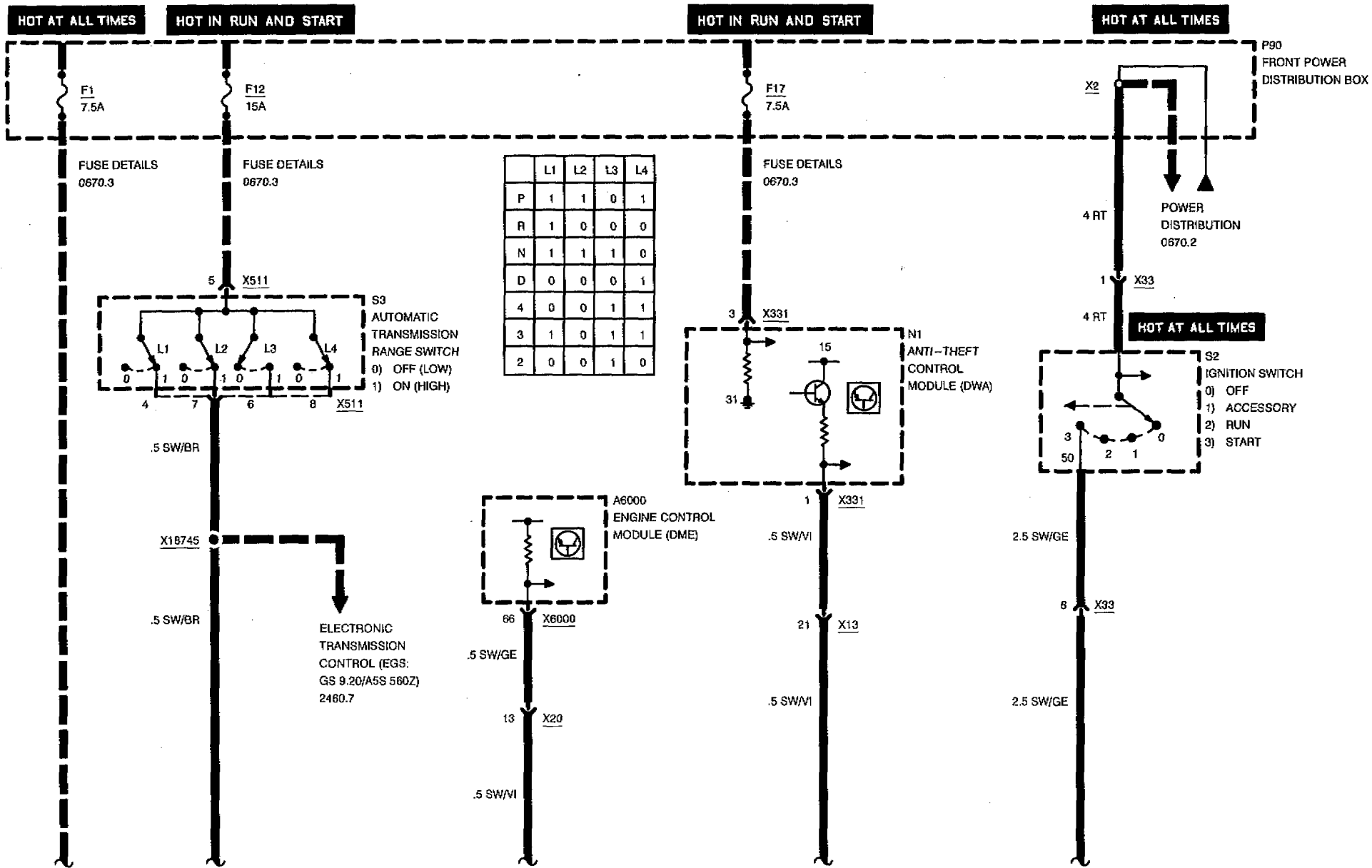






START

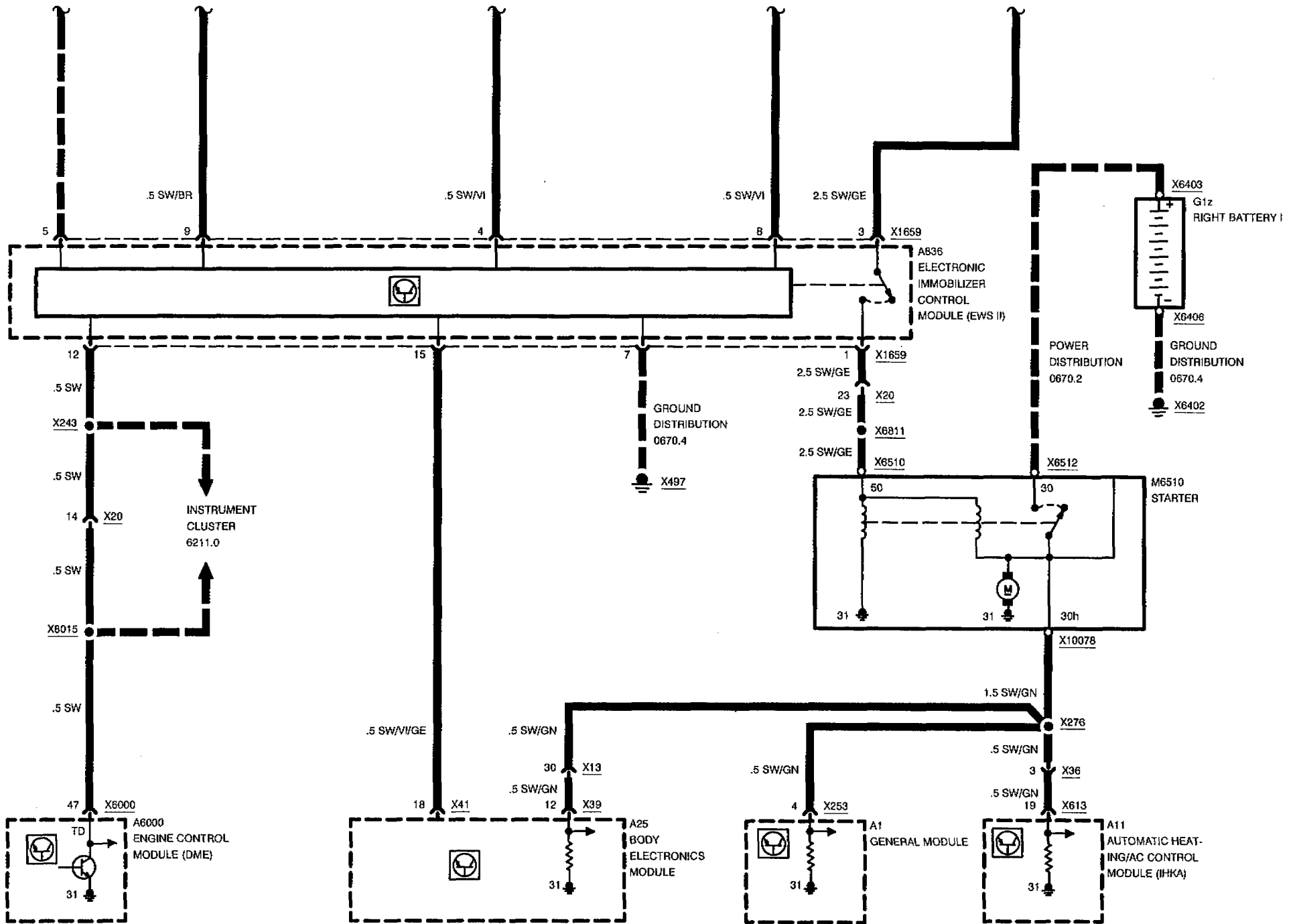
840Ci (M60) LATE PRODUCTION



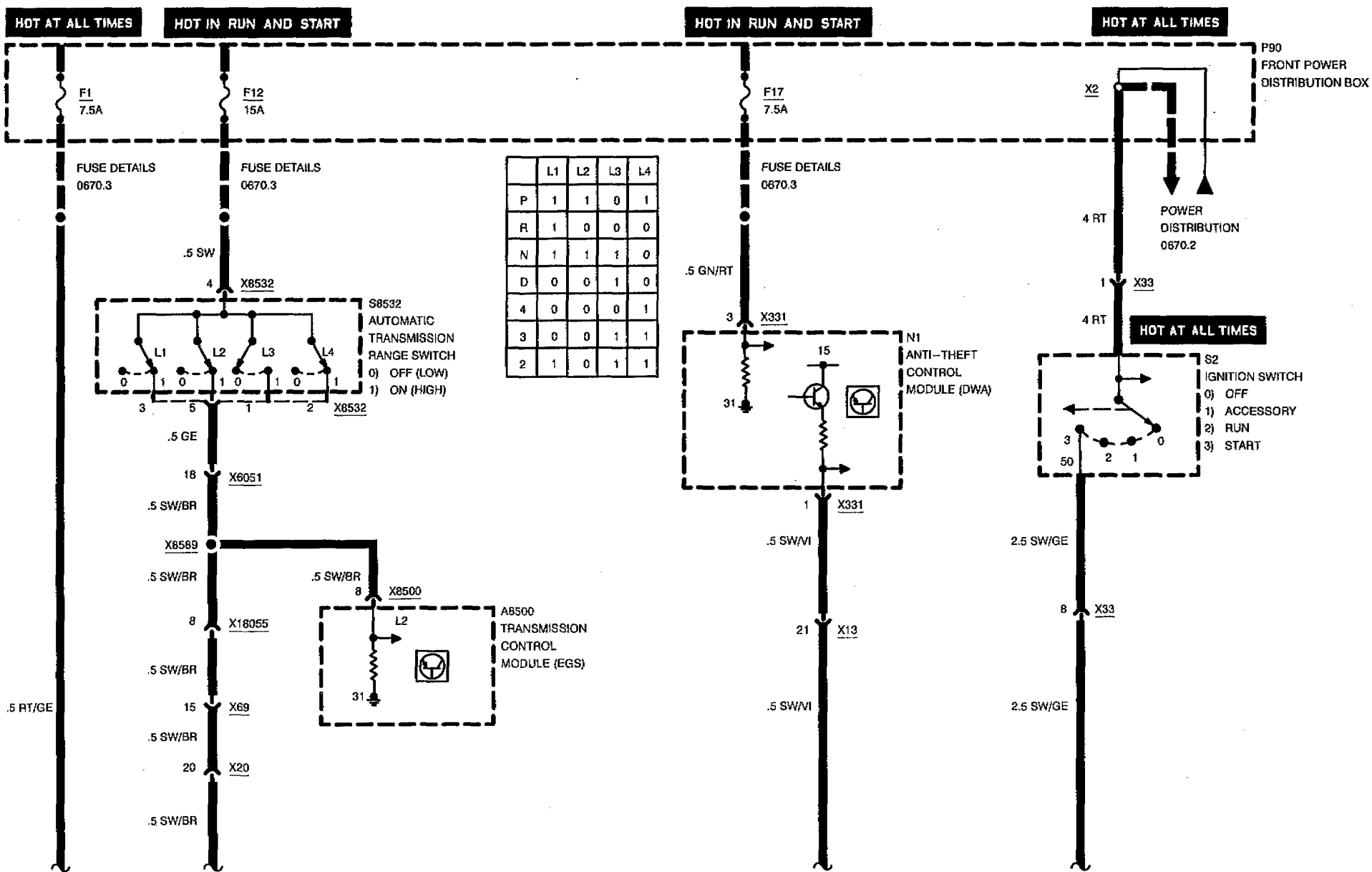
02/97

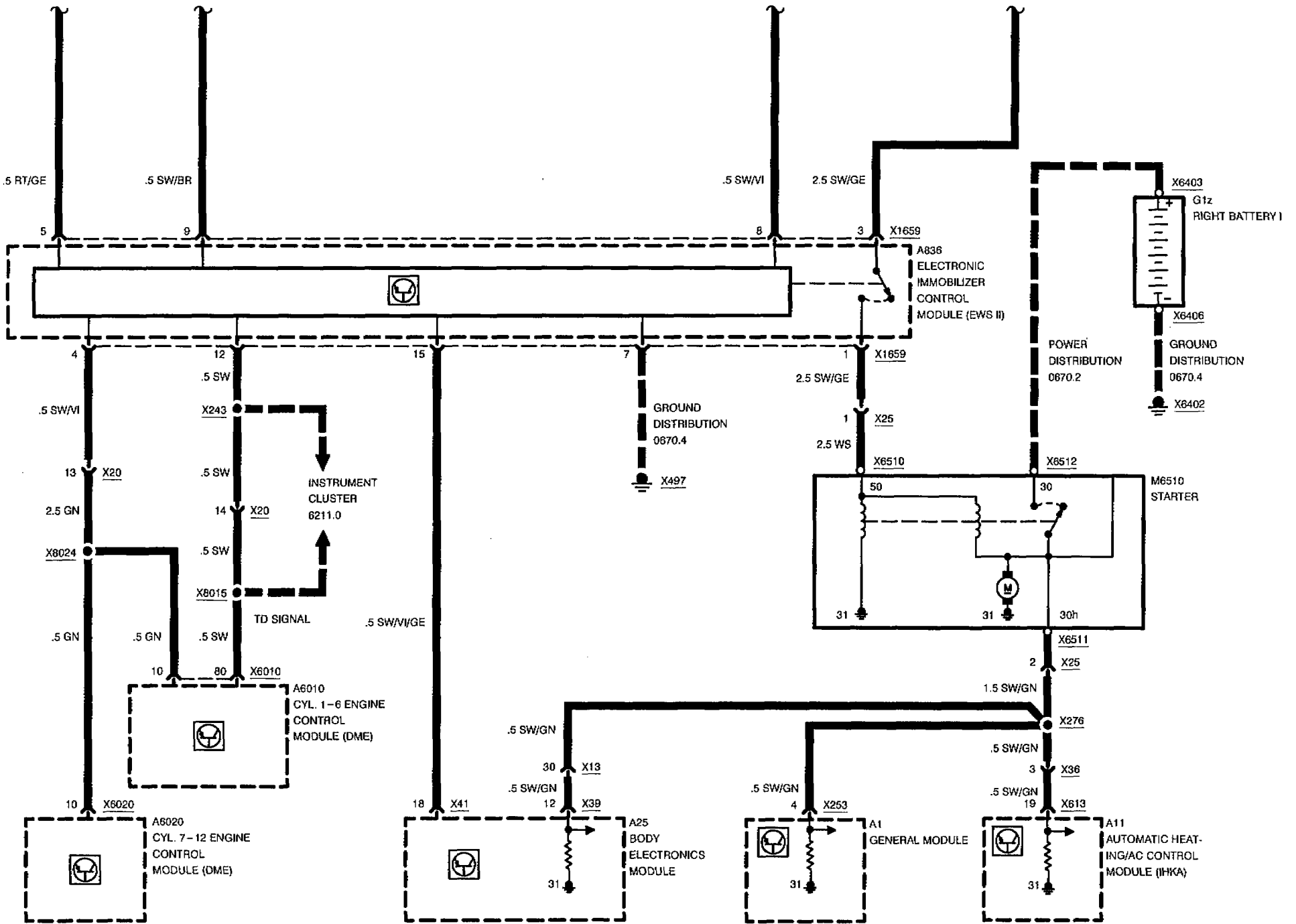
1240.0-08

95/96



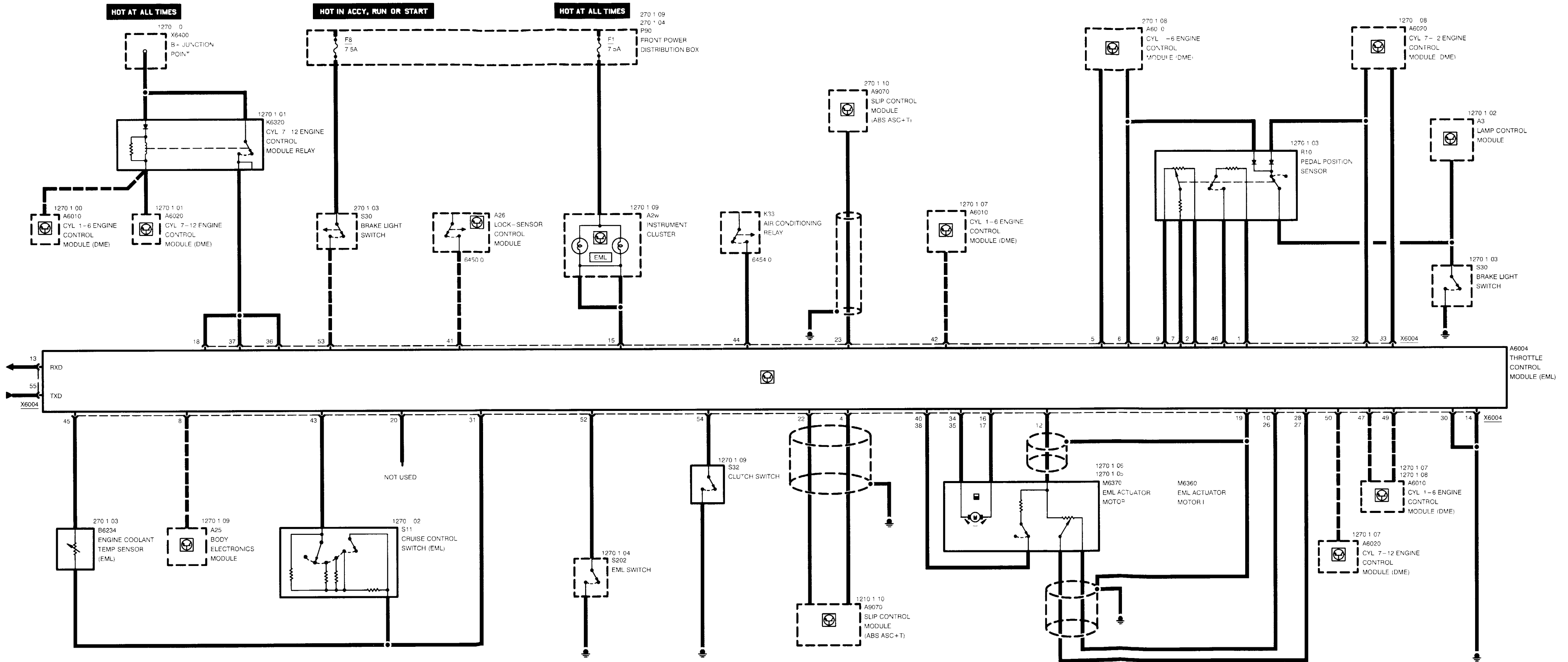


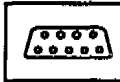






1240.0-12



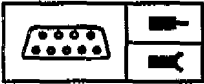


## Pin Assignments

### X6004

Pin	Type	Description/Function	Connection
1	A	5 V (not short-circuit-proof)	Pedal position sensor
2	M	Ground (electronic ground)	Pedal position sensor ground
3		Not used	
4	E	Throttle valve angle reduction (DKR)	Slip control module (ASC + T)
5	A	Wide open throttle signal	Cyl. 1-6 engine control module (DME)
6	A	Idle signal	Cyl. 1-6 engine control module (DME)
7	E	Pedal position	Pedal position sensor
8	E	Speedometer signal	Body electronics module (EKM)
9	A	5 V (not short-circuit-proof)	Pedal position sensor
10	M	Ground (electronic ground)	Component ground Cyl. 7-12 throttle body
11	A	5 V (not short-circuit-proof)	Cyl. 7-12 throttle body
12	A	5 V (not short-circuit-proof)	Cyl. 1-6 throttle body
13	E	RxD diagnostic data line	Data link connector
14	M	Ground (Output ground)	Output ground Cyl. 1-6 throttle body
15	A	EML warning lamp	Instrument cluster
	E	Voltage supply for defect code memory	
16	A	Throttle actuator (DK)	Cyl. 7-12 throttle body
17	A	Throttle actuator (DK)	Cyl. 1-6 throttle body
18	E	Voltage supply (+)	Cyl. 7-12 engine control module relay
19	M	Ground	Ground point
20	A	Kick-down signal	Not used
21		Not used	
22	E	Throttle valve angle increase (DKE)	Slip control module (ASC + T)
23	A	Throttle valve angle signal (DKV)	Slip control module (ASC + T)
24		Not used	
25		Not used	
26	M	Ground (electronic ground)	Component ground Cyl. 1-6 throttle body
27	E	Throttle position	Cyl. 1-6 throttle body potentiometer
28	E	Throttle position	Cyl. 7-12 throttle body potentiometer

E = Input, A = Output, M = Ground



## Pin Assignments

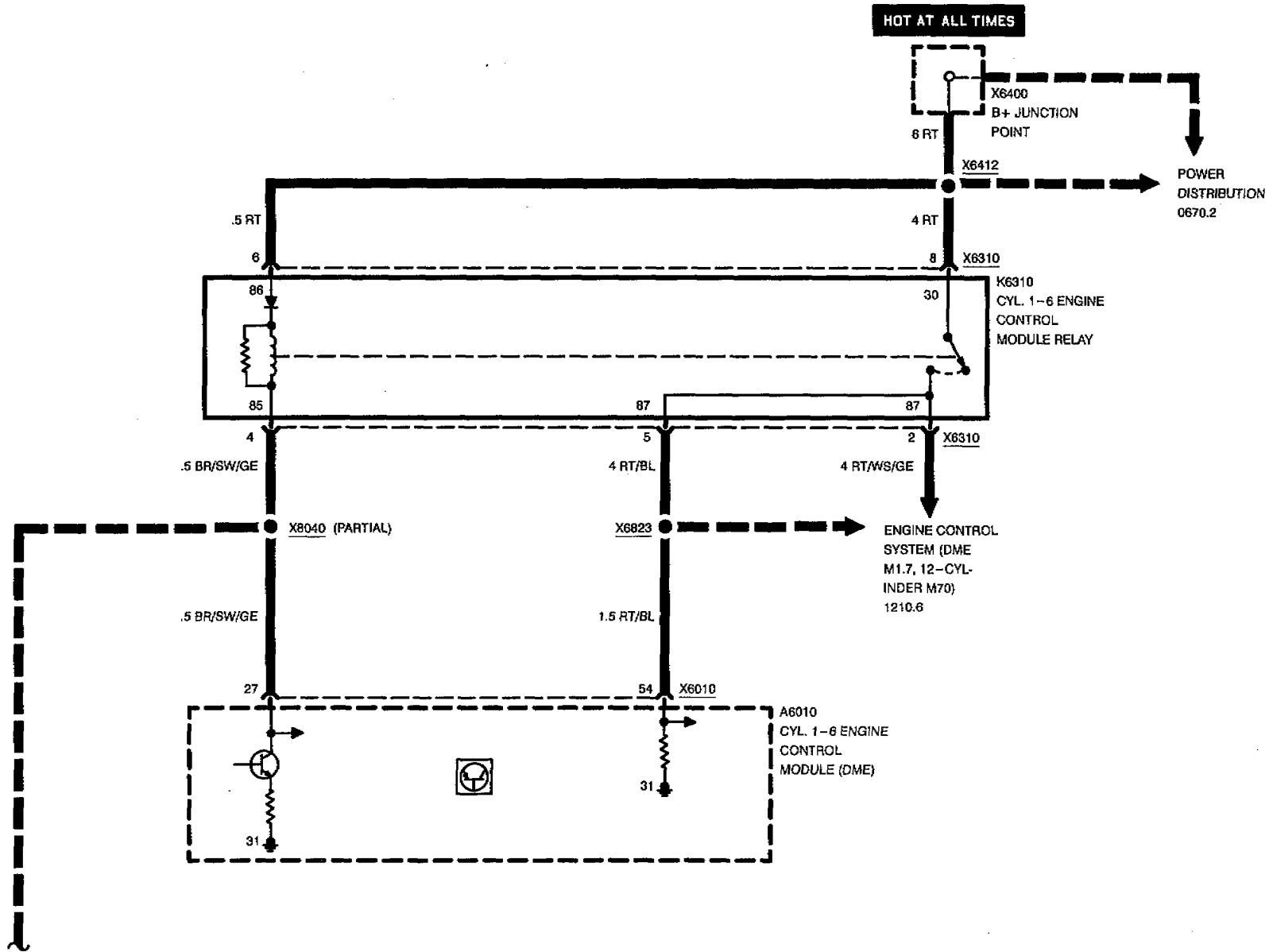
Pin	Type	Description/Function	Connection
29		Not used	
30	M	Ground (output ground)	Output ground Cyl. 7-12 throttle body
31	M	Ground (electronic ground)	Engine coolant temperature sensor (EML)
32	A	Idle signal	Cyl. 7-12 engine control module (DME)
33	A	Wide open throttle	Cyl. 7-12 engine control module (DME)
34	A	Throttle actuator (DK)	Cyl. 7-12 throttle body
35	A	Throttle actuator (DK)	Cyl. 1-6 throttle body
36	E	Voltage supply (+)	Cyl. 7-12 engine control module relay
37	E	Voltage supply (+)	Cyl. 7-12 engine control module relay
38	E	Throttle angle 17° switch	Cyl. 1-6 throttle body
39		Not used	
40	E	Throttle angle 17° switch	Cyl. 7-12 throttle body
41	E	A/C compressor ON	Lock sensor control module
42	E	Park/Neutral sensing	Cyl. 1-6 engine control module (DME)
43	E/A	Cruise control	Cruise control switch
44	E	A/C status signal	Air conditioning relay
45	E/A	Engine coolant temperature	Engine coolant temperature sensor (EML)
46	E	Pedal position sensor 9° switch	Pedal position sensor
47	E	Engine speed signal (TD)	Cyl. 1-6 engine control module (DME)
48		Not used	
49	E	Injection signal (ti)	Cyl. 1-6 engine control module (DME)
50	E	Injection signal (ti)	Cyl. 1-6 engine control module (DME)
51		Not used	
52	E	S-program identifier	EML switch
53	E	Brake pedal position	Brake light switch
54	E	Clutch pedal position	Clutch switch
55	E/A	TxD diagnostic data line	Data link connector

E = Input, A = Output, M = Ground

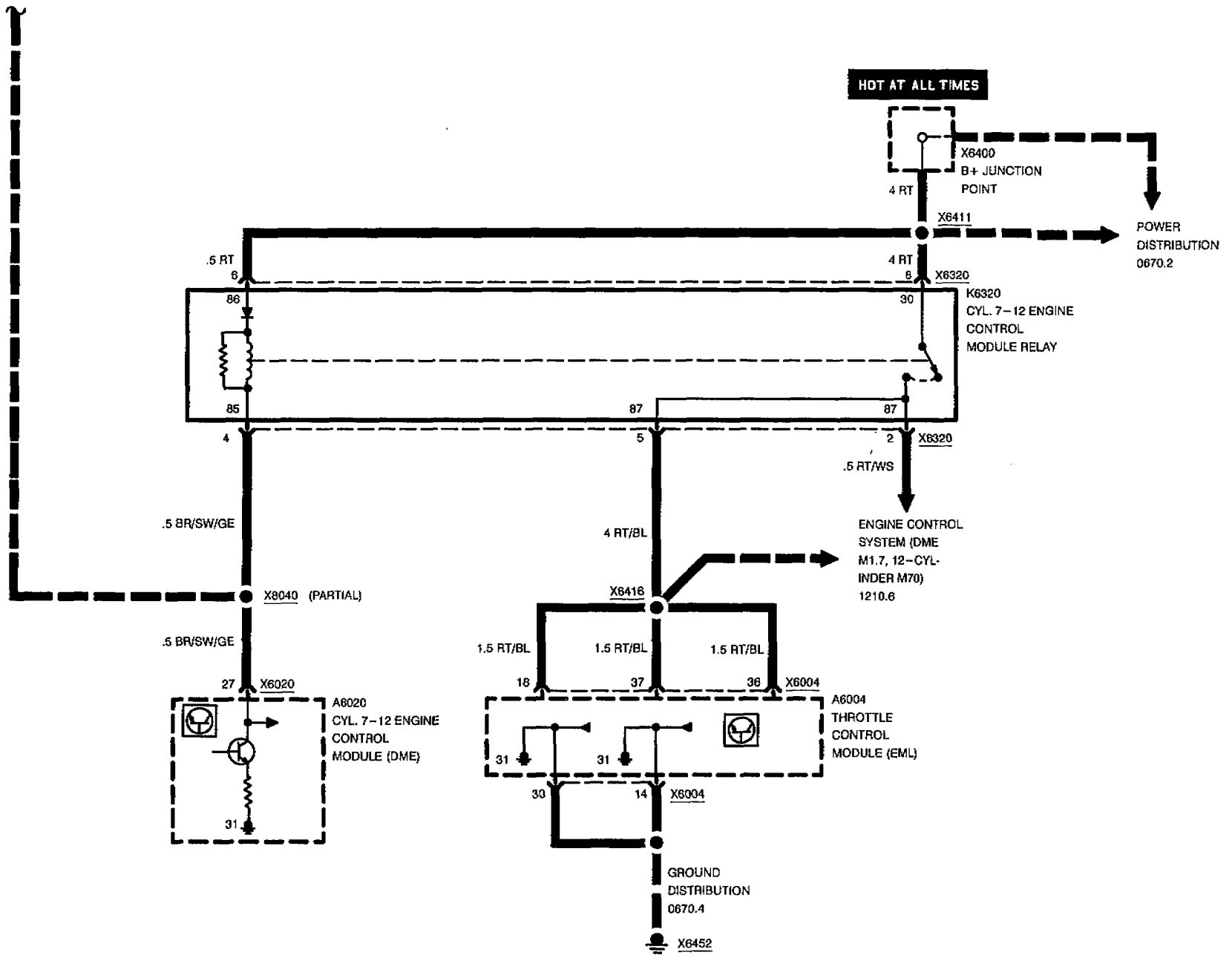




# ELECTRONIC THROTTLE CONTROL (EML 12-CYLINDER)

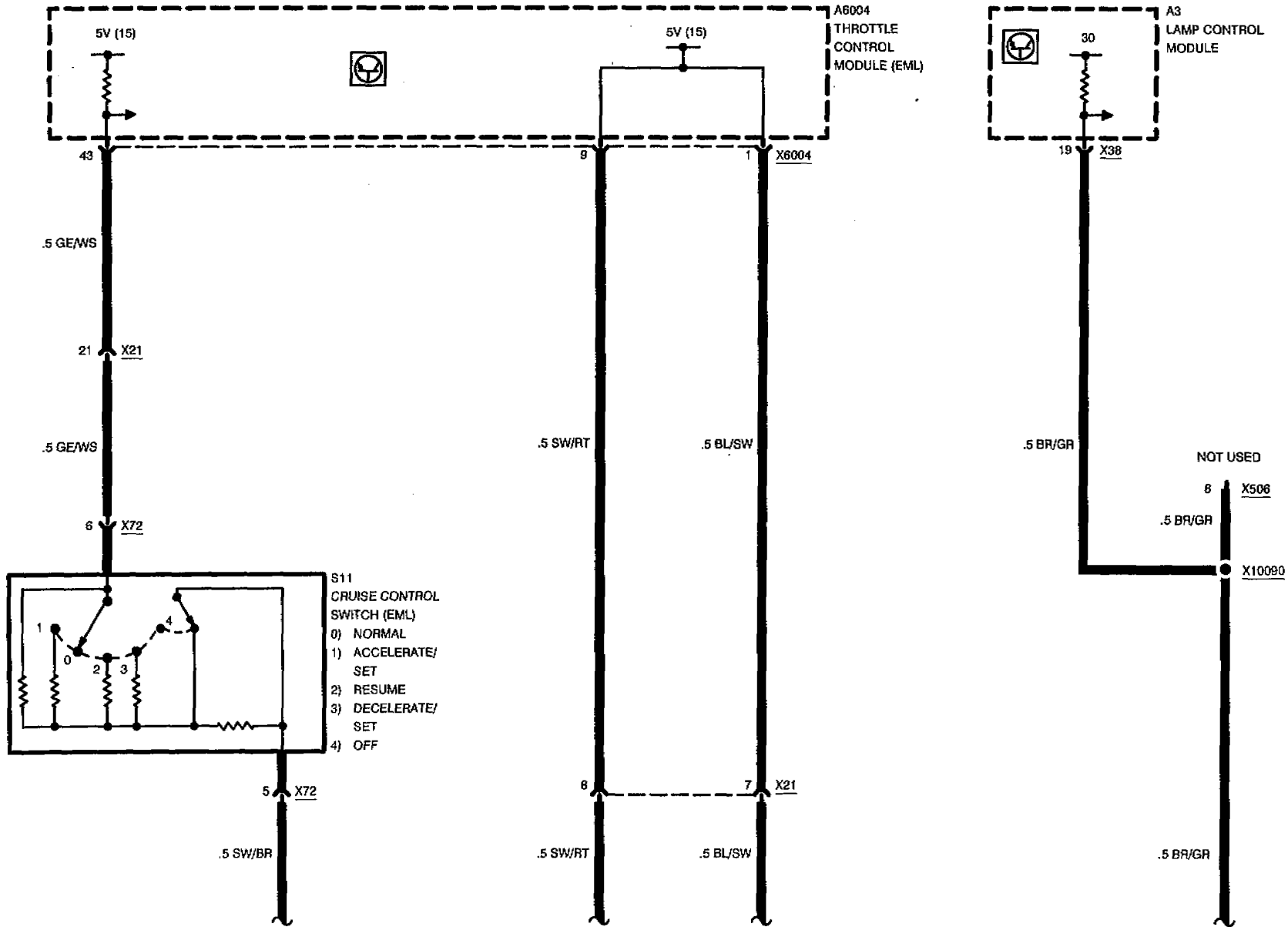


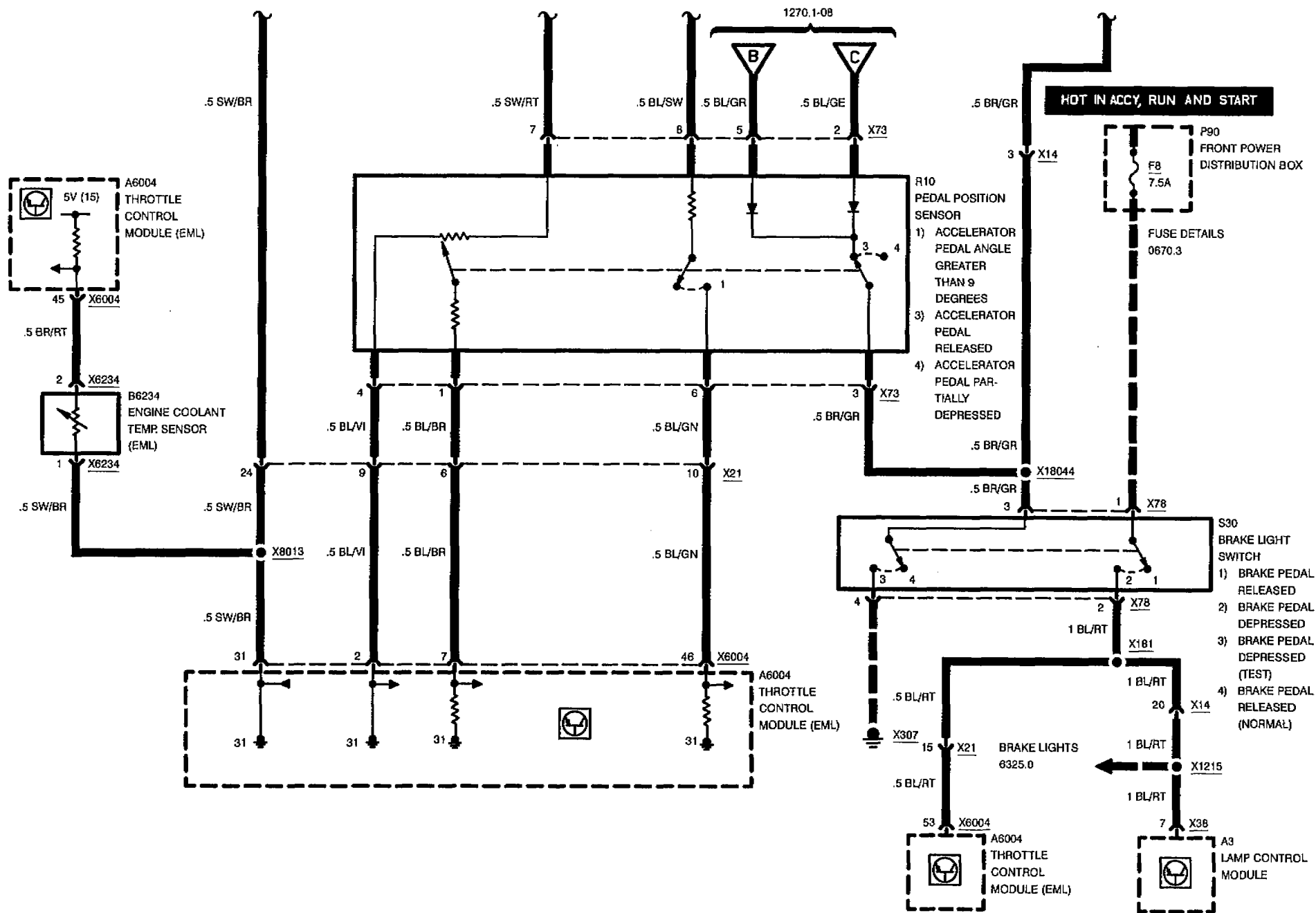






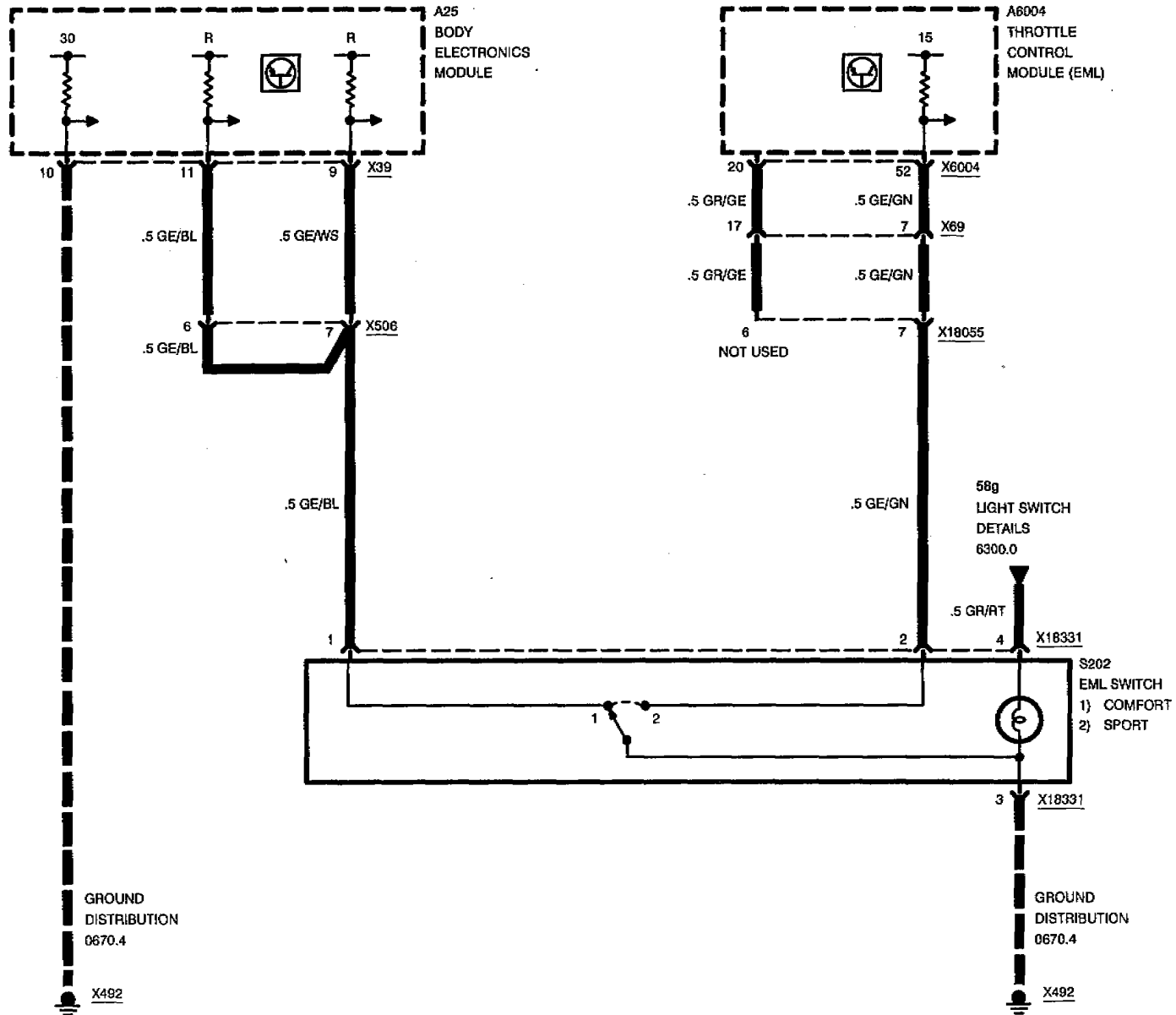
# ELECTRONIC THROTTLE CONTROL (EML 12-CYLINDER)





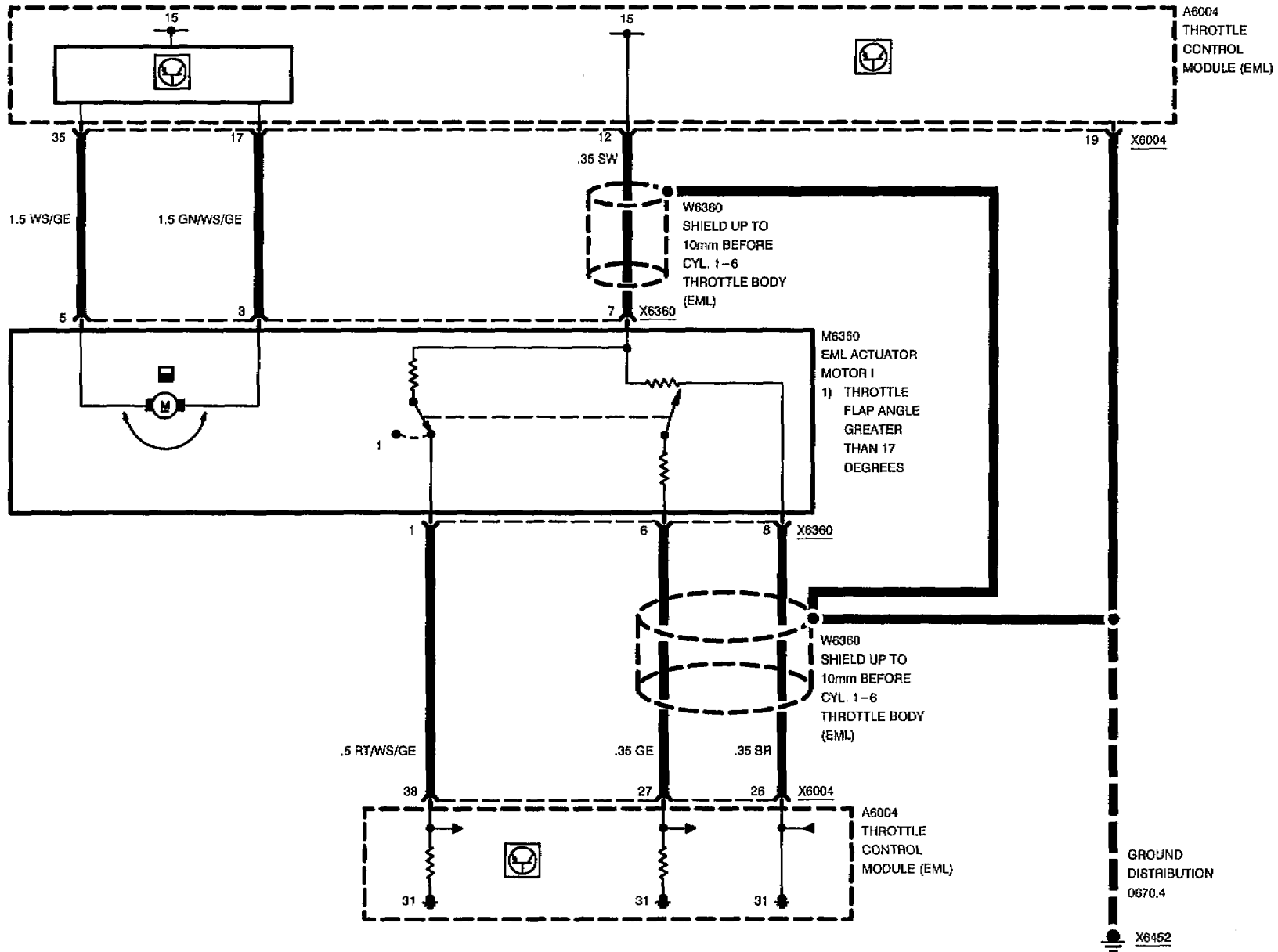


# ELECTRONIC THROTTLE CONTROL (EML 12-CYLINDER)



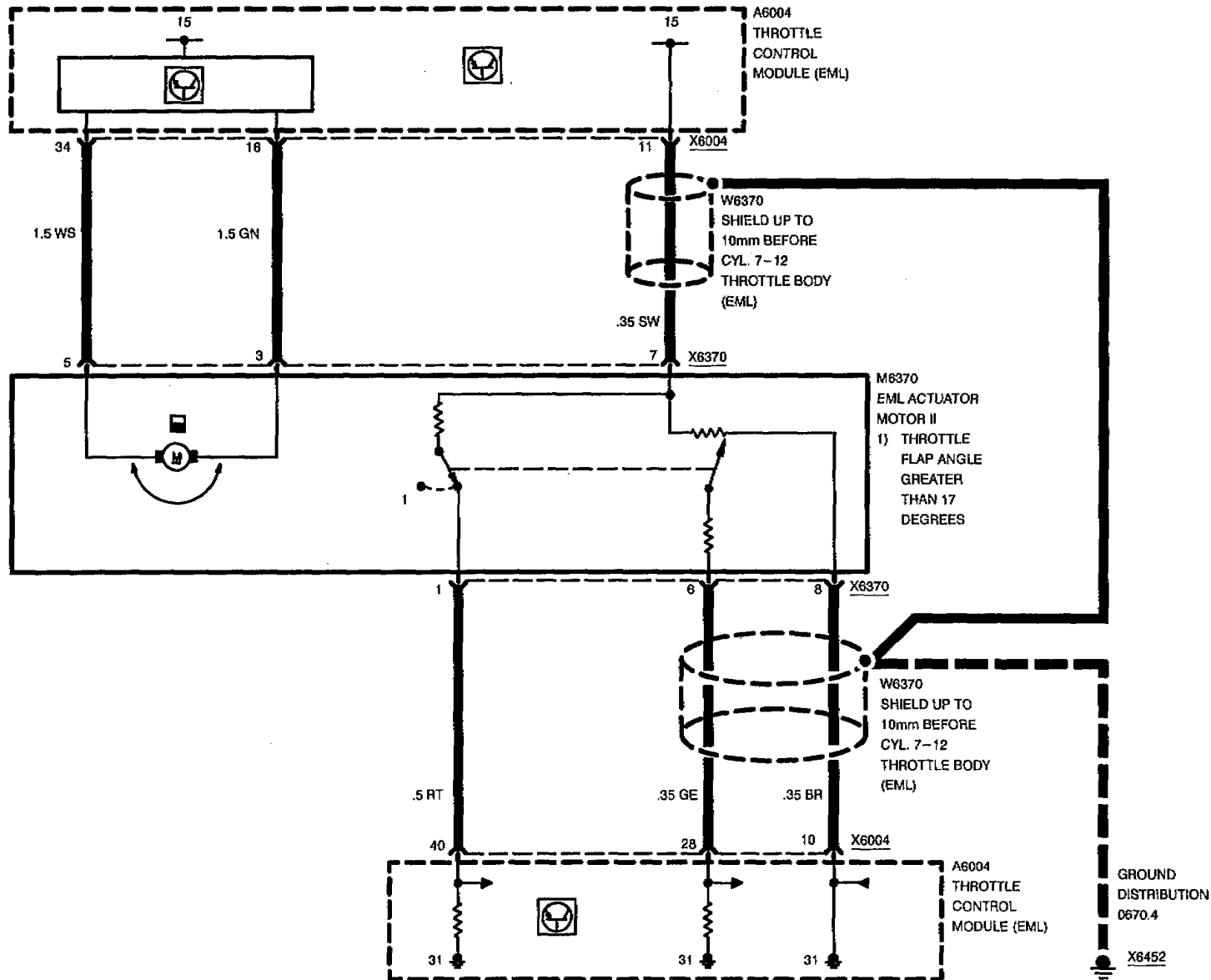


# ELECTRONIC THROTTLE CONTROL (EML 12-CYLINDER)



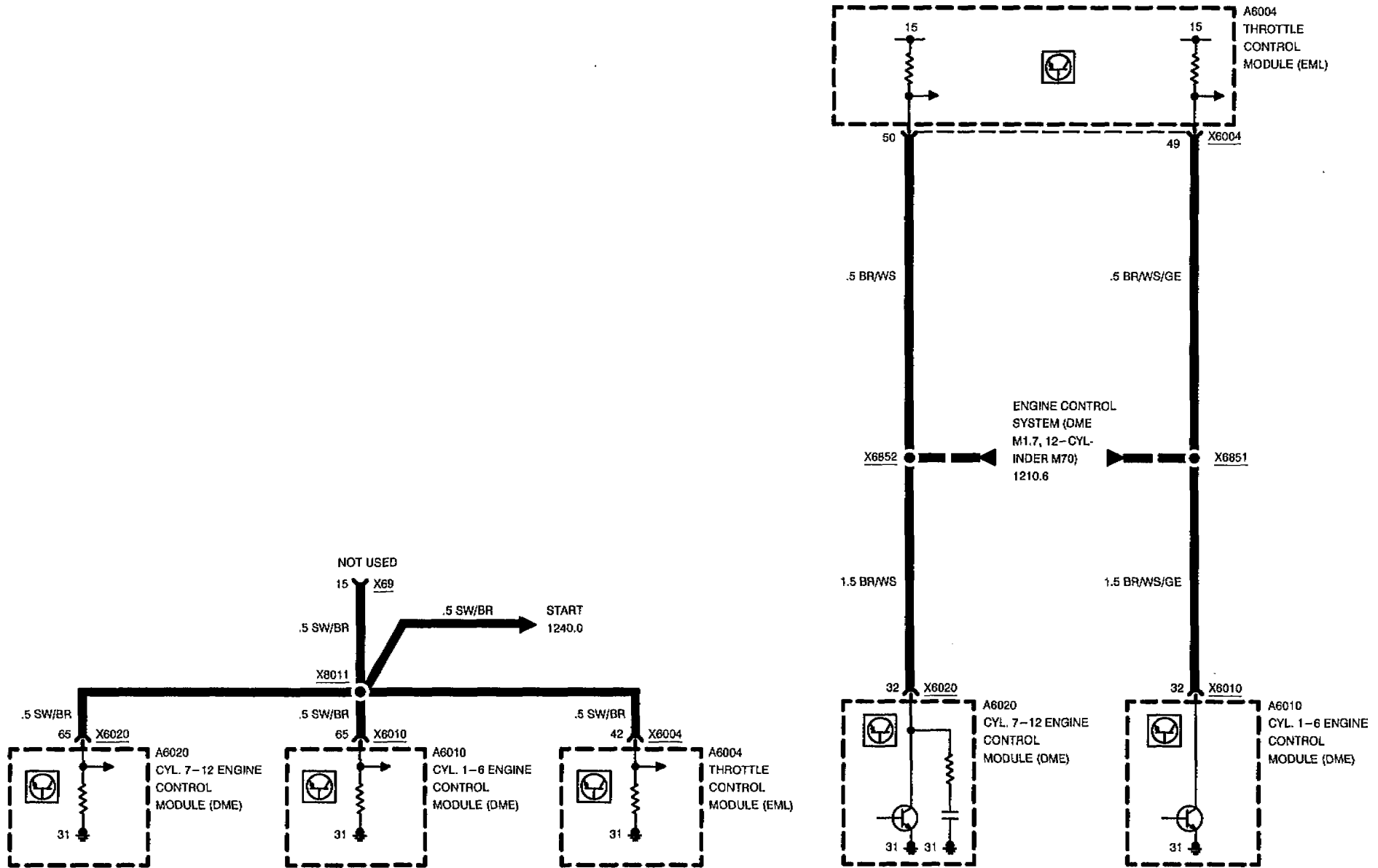


# ELECTRONIC THROTTLE CONTROL (EML 12-CYLINDER)



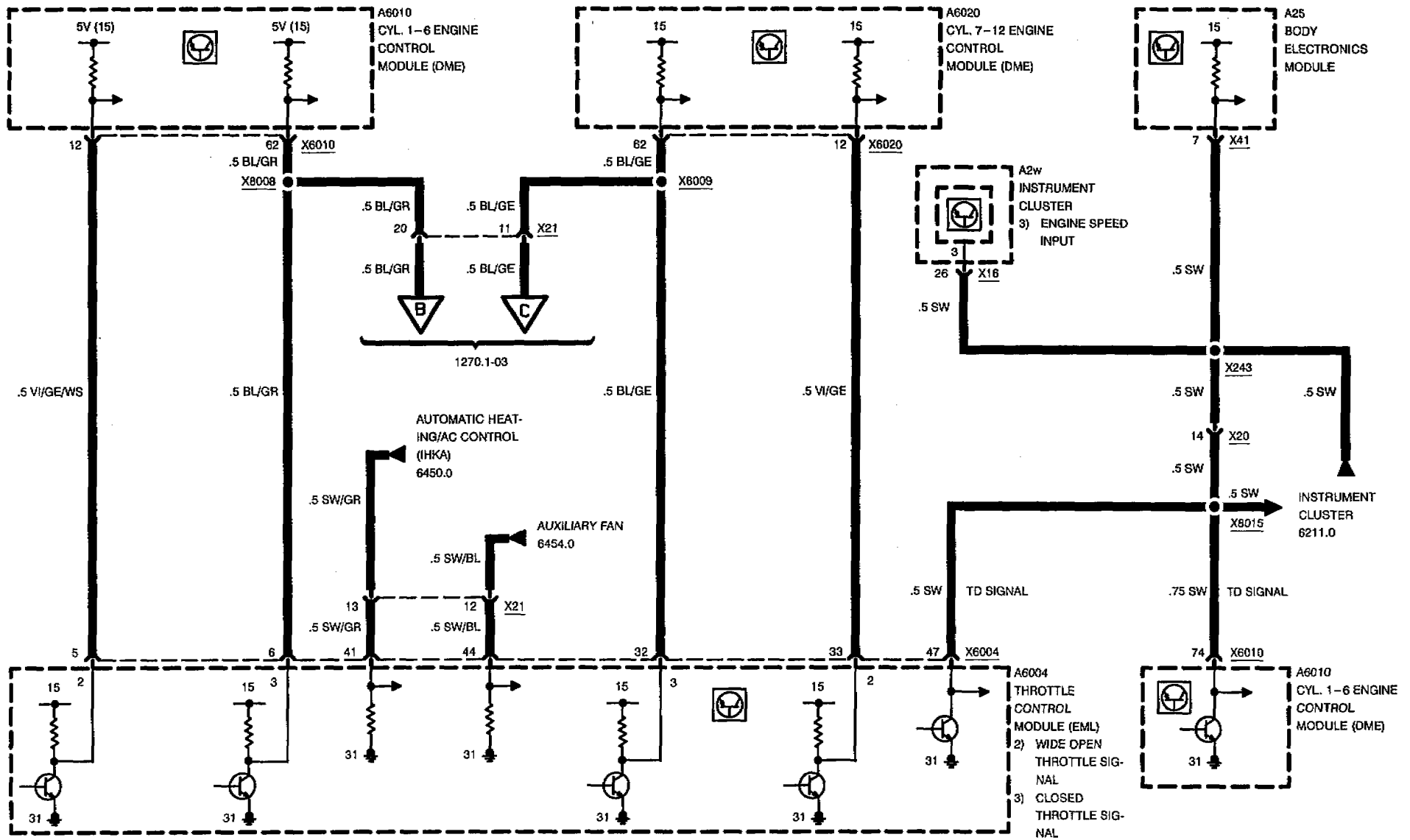


# ELECTRONIC THROTTLE CONTROL (EML 12-CYLINDER)





# ELECTRONIC THROTTLE CONTROL (EML 12-CYLINDER)



02/97

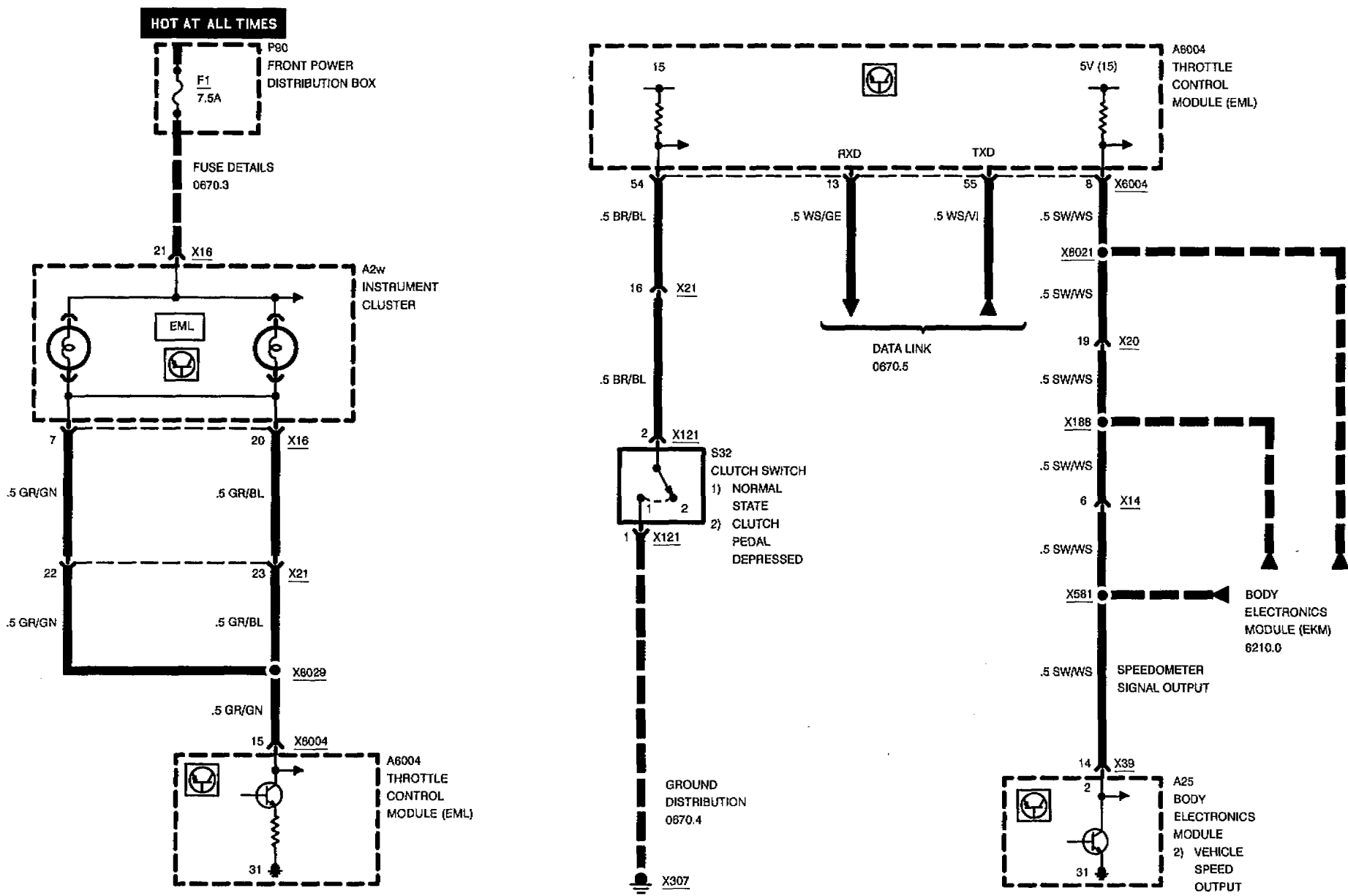
1270.1-08

95/96





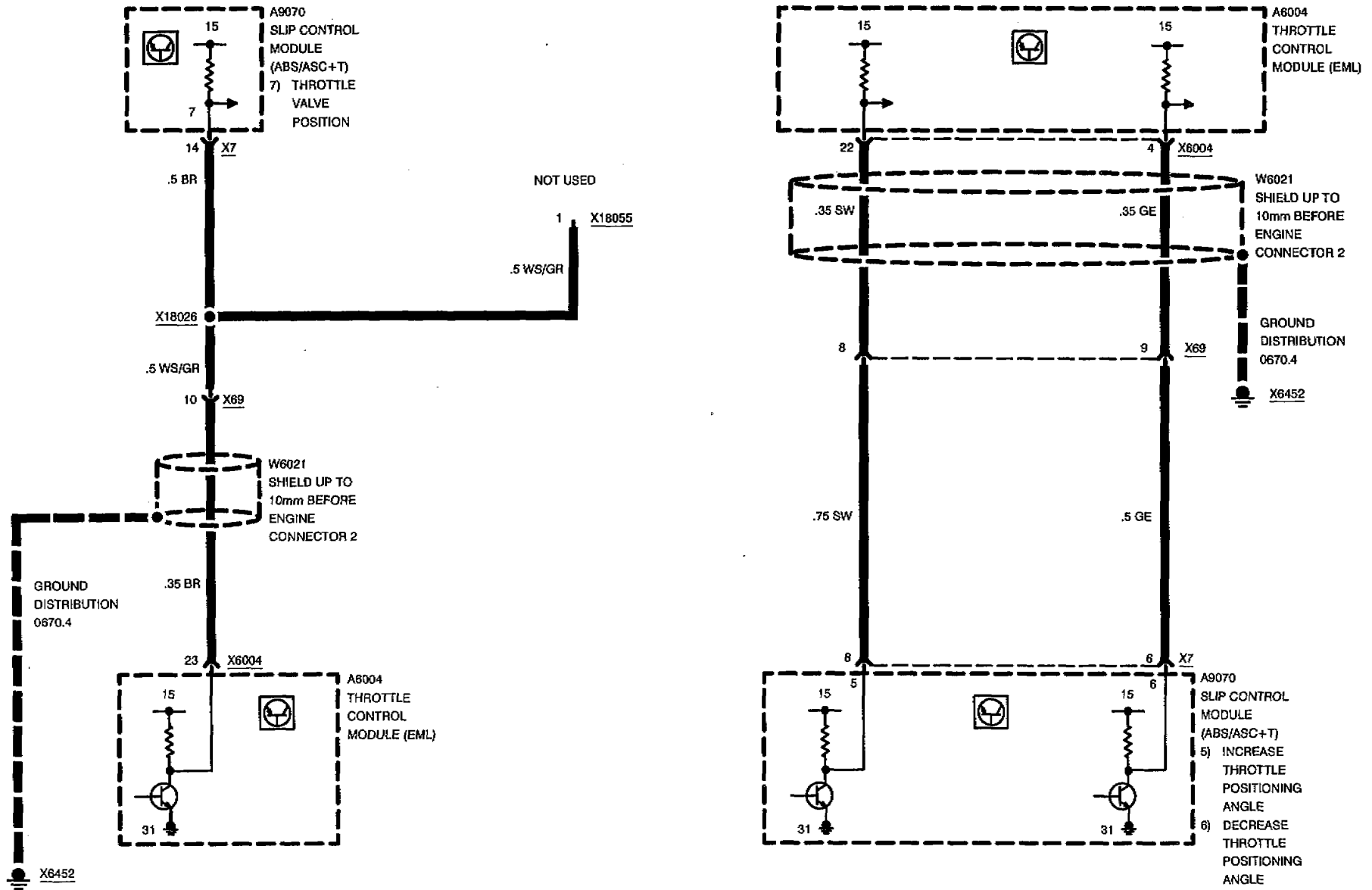
# ELECTRONIC THROTTLE CONTROL (EML 12-CYLINDER)

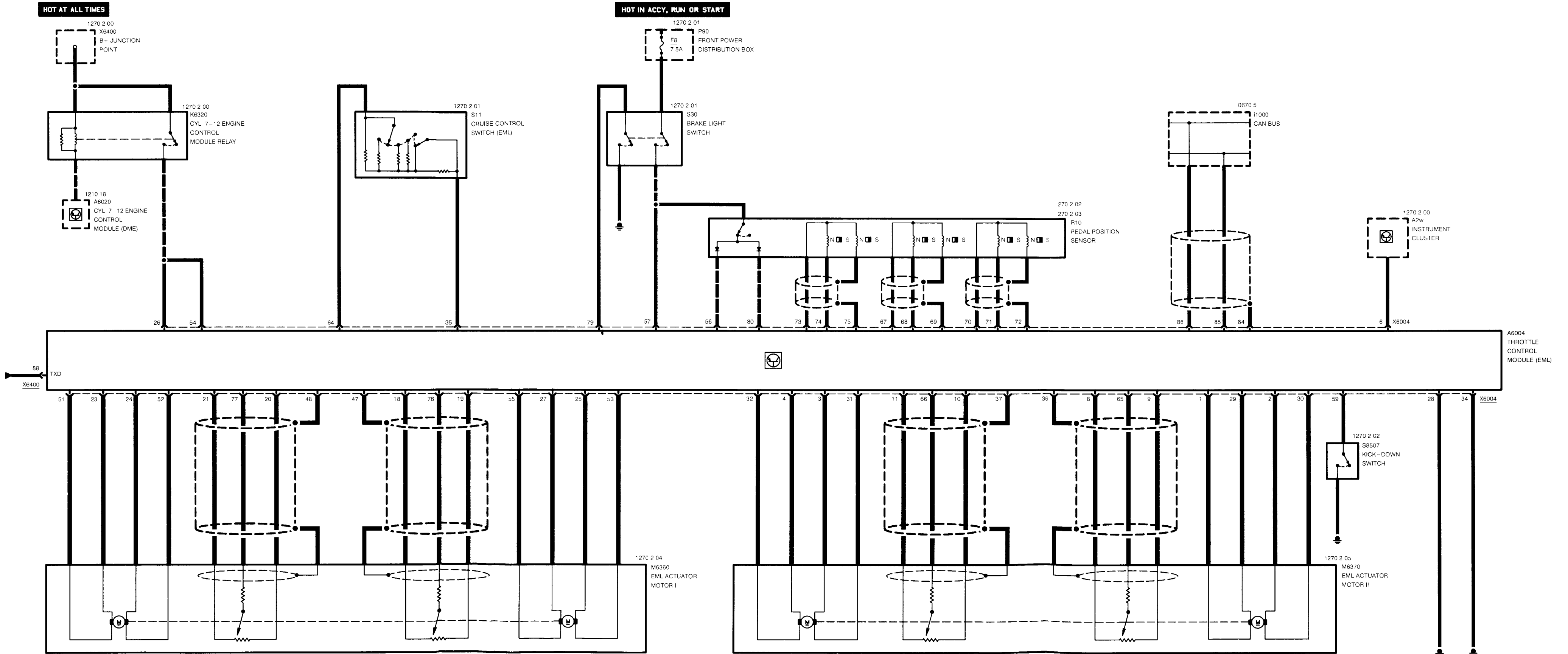




# ELECTRONIC THROTTLE CONTROL (EML 12-CYLINDER)

## ASC INTERFACE





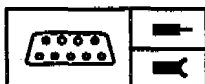


## Pin Assignments

### X6010

Pin	Type	Description/Function	Connection
1	A	Cosine winding signal, terminal connection A (DK2-C2A)	EML actuator motor II Stepper motor 2
2	A	Sine winding signal, terminal connection A (DK2-S2A)	EML actuator motor II Stepper motor 2
3	A	Cosine winding signal, terminal connection A (DK2-C1A)	EML actuator motor II Stepper motor 1
4	A	Sine winding signal, terminal connection B (DK2-S1B)	EML actuator motor II Stepper motor 1
5		Not used	
6	A	EML fault indication signal (EML-WL)	Instrument cluster
7		Not used	
8	M	Ground, potentiometer 2 (DK2-GND2)	EML actuator motor II
9	A	5 V signal, potentiometer 2 (DK2-5V-2)	EML actuator motor II
10	A	5 V signal, potentiometer 1 (DK2-5V-1)	EML actuator motor II
11	M	Ground, potentiometer 1 (DK2-GND1)	EML actuator motor II
12		Not used	
13		Not used	
14		Not used	
15		Not used	
16		Not used	
17		Not used	
18	M	Ground, potentiometer 2 (DK1-GND2)	EML actuator motor I
19	A	5 V signal, potentiometer 2 (DK1-5V-2)	EML actuator motor I
20	A	5 V signal, potentiometer 1 (DK1-5V-1)	EML actuator motor I
21	M	Ground, potentiometer 1 (DK1-GND1)	EML actuator motor I
22		Not used	
23	A	Sine winding signal, terminal connection B (DK1-S1B)	EML actuator motor I Stepper motor 1
24	A	Cosine winding signal, terminal connection A (DK1-C1A)	EML actuator motor I Stepper motor 1

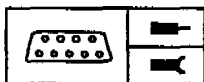
E = Input, A = Output, M = Ground



## Pin Assignments

Pin	Type	Description/Function	Connection
25	A	Sine winding signal, terminal connection A (DK1-S2A)	EML actuator motor I Stepper motor 2
26	E	Terminal 87 (Battery voltage)	Cyl.7-12 engine control module relay
27	A	Cosine winding signal, terminal connection B (DK1-C2B)	EML actuator motor I Stepper motor 2
28	M	Terminal 31 (Ground)	Ground
29	A	Cosine winding signal, terminal connection B (DK2-C2B)	EML actuator motor II Stepper motor 2
30	A	Sine winding signal, terminal connection B (DK2-S2B)	EML actuator motor II Stepper motor 2
31	A	Cosine winding signal, terminal connection B (DK2-C1B)	EML actuator motor II Stepper motor 1
32	A	Sine winding signal, terminal connection A (DK2-S1A)	EML actuator motor II Stepper motor 1
33		Not used	
34	M	Terminal 31 (Ground)	Ground
35	E	Cruise control signal	Cruise control switch (EML)
36	M	Shield, potentiometer 2 (DK2-SCH2)	EML actuator motor II
37	M	Shield, potentiometer 1 (DK2-SCH1)	EML actuator motor II
38		Not used	
39		Not used	
40		Not used	
41		Not used	
42		Not used	
43		Not used	
44		Not used	
45		Not used	
46		Not used	
47	M	Shield, potentiometer 2 (DK1-SCH2)	EML actuator motor I
48	M	Shield, potentiometer 1 (DK1-SCH1)	EML actuator motor I
49		Not used	
50		Not used	
51	A	Sine winding signal, terminal connection A (DK1-S1A)	EML actuator motor I Stepper motor 1

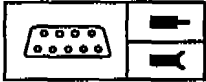
E = Input, A = Output, M = Ground



## Pin Assignments

Pin	Type	Description/Function	Connection
52	A	Cosine winding signal, terminal connection B (DK1-C1B)	EML actuator motor I Stepper motor 1
53	A	Sine winding signal, terminal connection B (DK1-S1B)	EML actuator motor I Stepper motor 2
54	E	Terminal 87 (Battery voltage)	Cyl. 7-12 engine control module relay
55	A	Cosine winding signal, terminal connection A (DK1-C2A)	EML actuator motor I Stepper motor 2
56	E/A	Inertia fuel shutoff switch signal (SKA2)	Pedal position sensor, Cyl.7-12 engine control module (DME)
57	E	Brake light switch signal	Brake light switch
58		Not used	
59	E	Kick-down switch signal (S-KD)	Kick-down switch
60		Not used	
61		Not used	
62		Not used	
63		Not used	
64	A	Cruise control (+)	Cruise control switch (EML)
65	E	Potentiometer 2 signal (DK2-SIG2)	EML actuator motor II
66	E	Potentiometer 1 signal (DK2-SIG1)	EML actuator motor II
67	A	Sensor 2 signal Oscillator output (PWG2-OSZ)	Pedal position sensor
68	E	Sensor 2 signal Signal input (PWG2-SIG)	Pedal position sensor
69	M	Shield, sensor 2 (PWG2-SCH)	Pedal position sensor
70	A	Sensor 3 signal Oscillator output (PWG3-OSZ)	Pedal position sensor
71	E	Sensor 3 signal Signal input (PWG3-SIG)	Pedal position sensor
72	M	Shield, sensor 3 (PWG3-SCH)	Pedal position sensor
73	A	Sensor 1 signal Oscillator output (PWG1-OSZ)	Pedal position sensor
74	E	Sensor 1 signal Signal input (PWG1-SIG)	Pedal position sensor
75	M	Shield, sensor 1 (PWG1-SCH)	Pedal position sensor
76	E	Potentiometer 2 signal (DK1-SIG2)	EML actuator motor I
77	E	Potentiometer 1 signal (DK1-SIG1)	EML actuator motor I
78		Not used	

E = Input, A = Output, M = Ground



## Pin Assignments

Pin	Type	Description/Function	Connection
79	E	Brake light switch test signal	Brake light switch
80	E/A	Inertia fuel shutoff switch signal (SKA1)	Pedal position sensor, Cyl.1-6 engine control module (DME)
81		Not used	
82		Not used	
83		Not used	
84	M	CANCA-S	Shield
85	E/A	CANCA-L	CAN BUS
86	E/A	CANCA-H	CAN BUS
87		Not used	
88	E/A	Diagnosis	Data link connector TXD

E = Input, A = Output, M = Ground

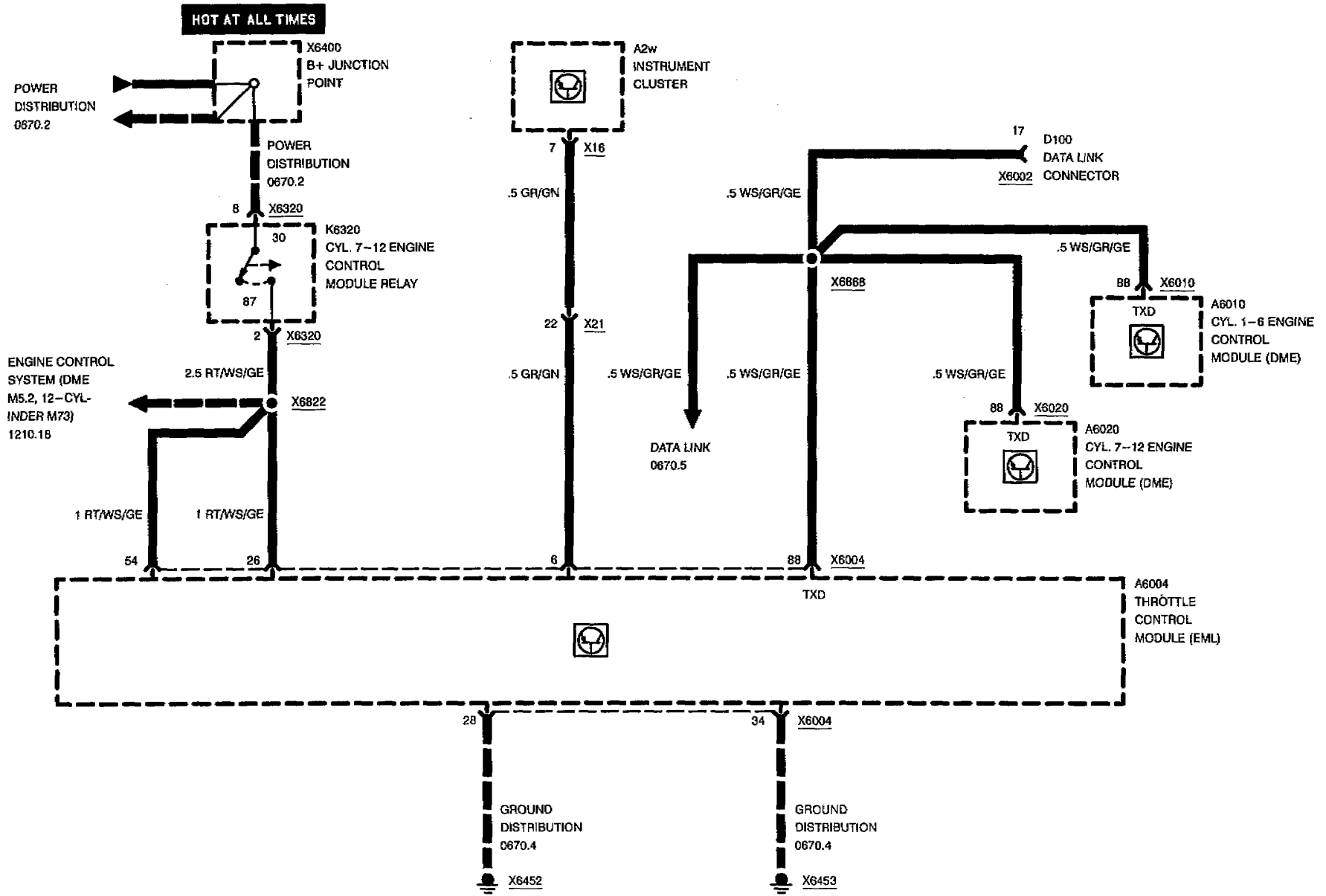
BMW  
8

1270.2



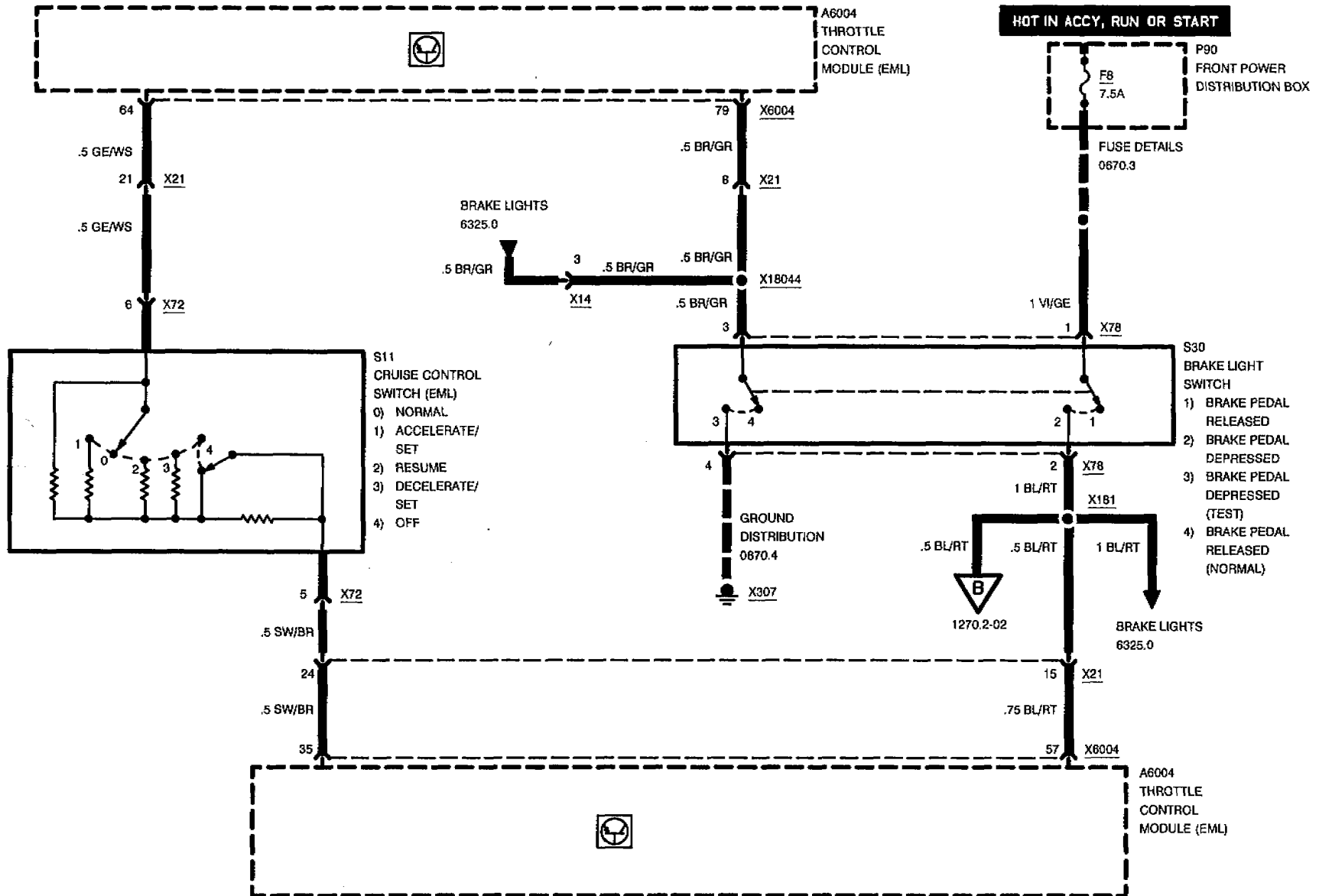


# ELECTRONIC THROTTLE CONTROL (EML IIIS, 12-CYLINDER)



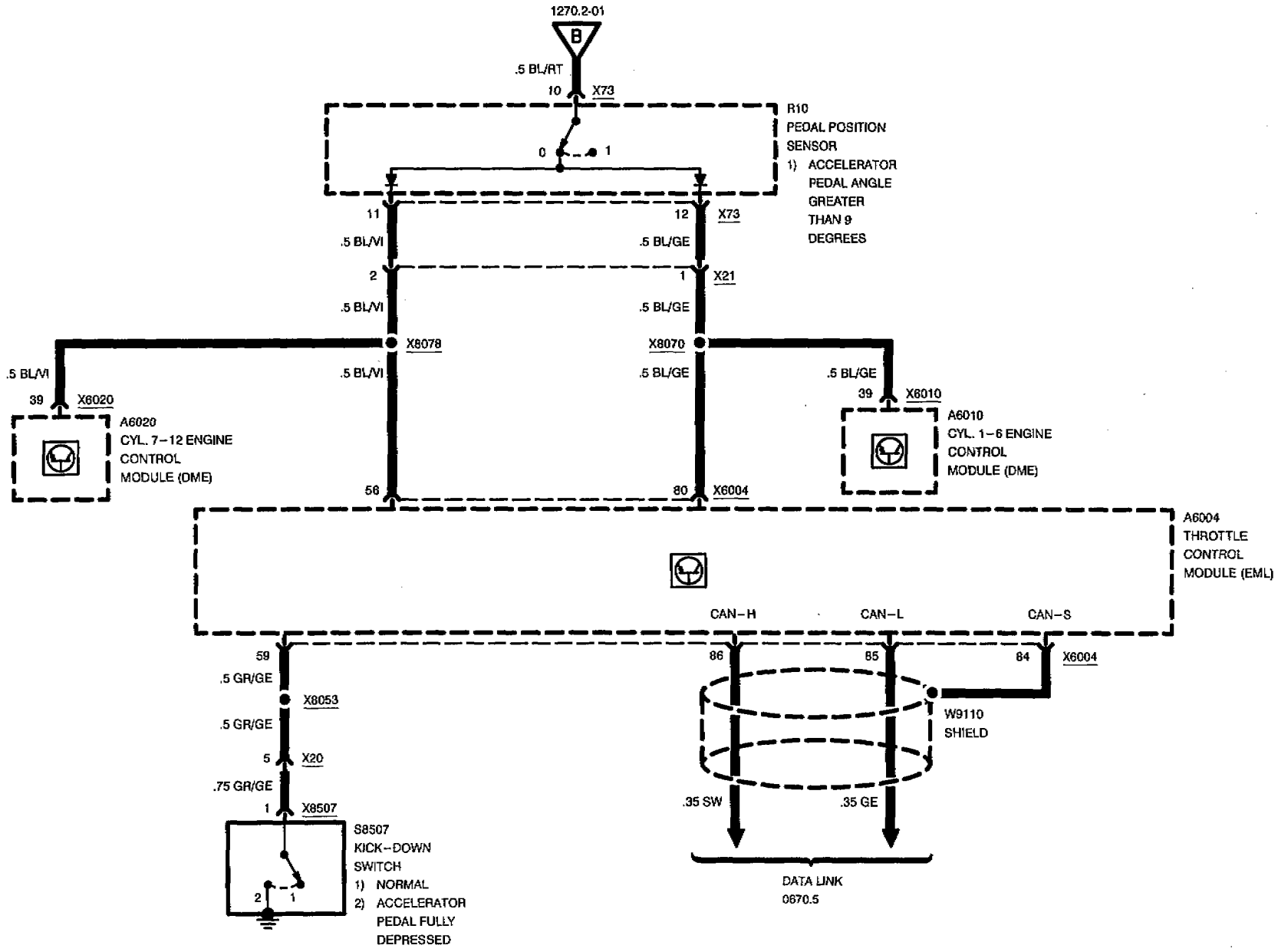


# ELECTRONIC THROTTLE CONTROL (EML IIIS, 12-CYLINDER)



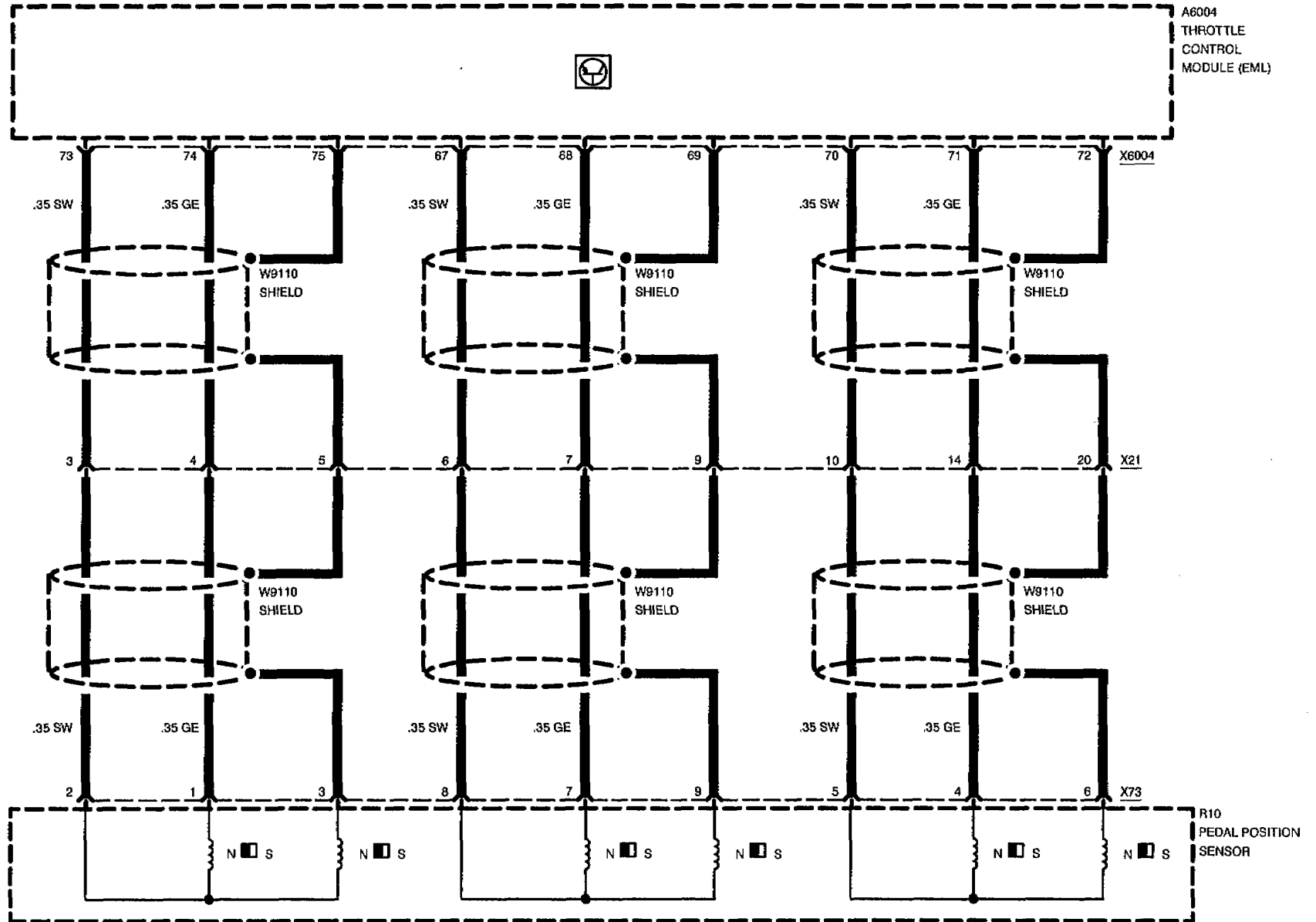


# ELECTRONIC THROTTLE CONTROL (EML IIIS, 12-CYLINDER)



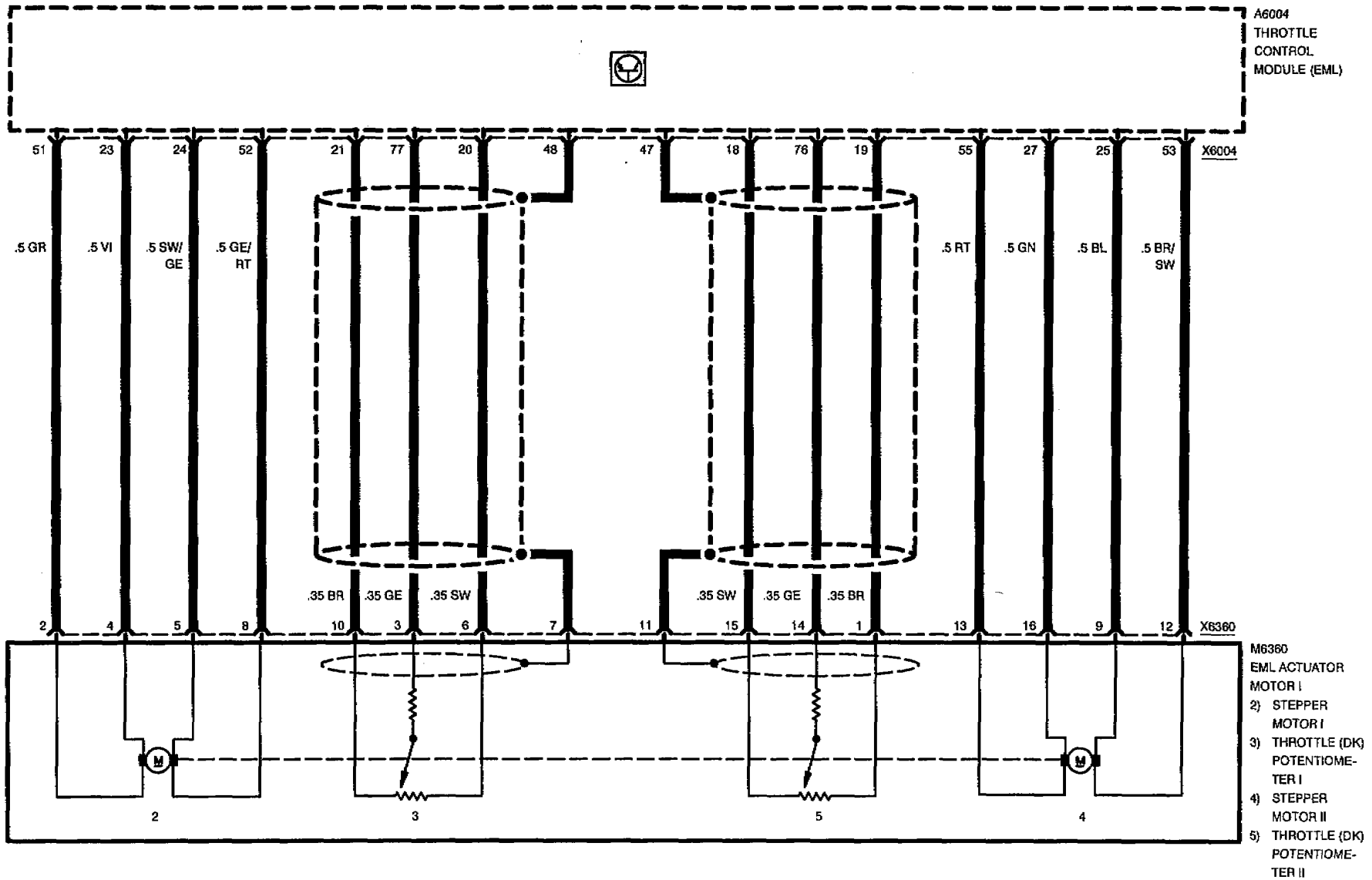


# ELECTRONIC THROTTLE CONTROL (EML IIIS, 12-CYLINDER)



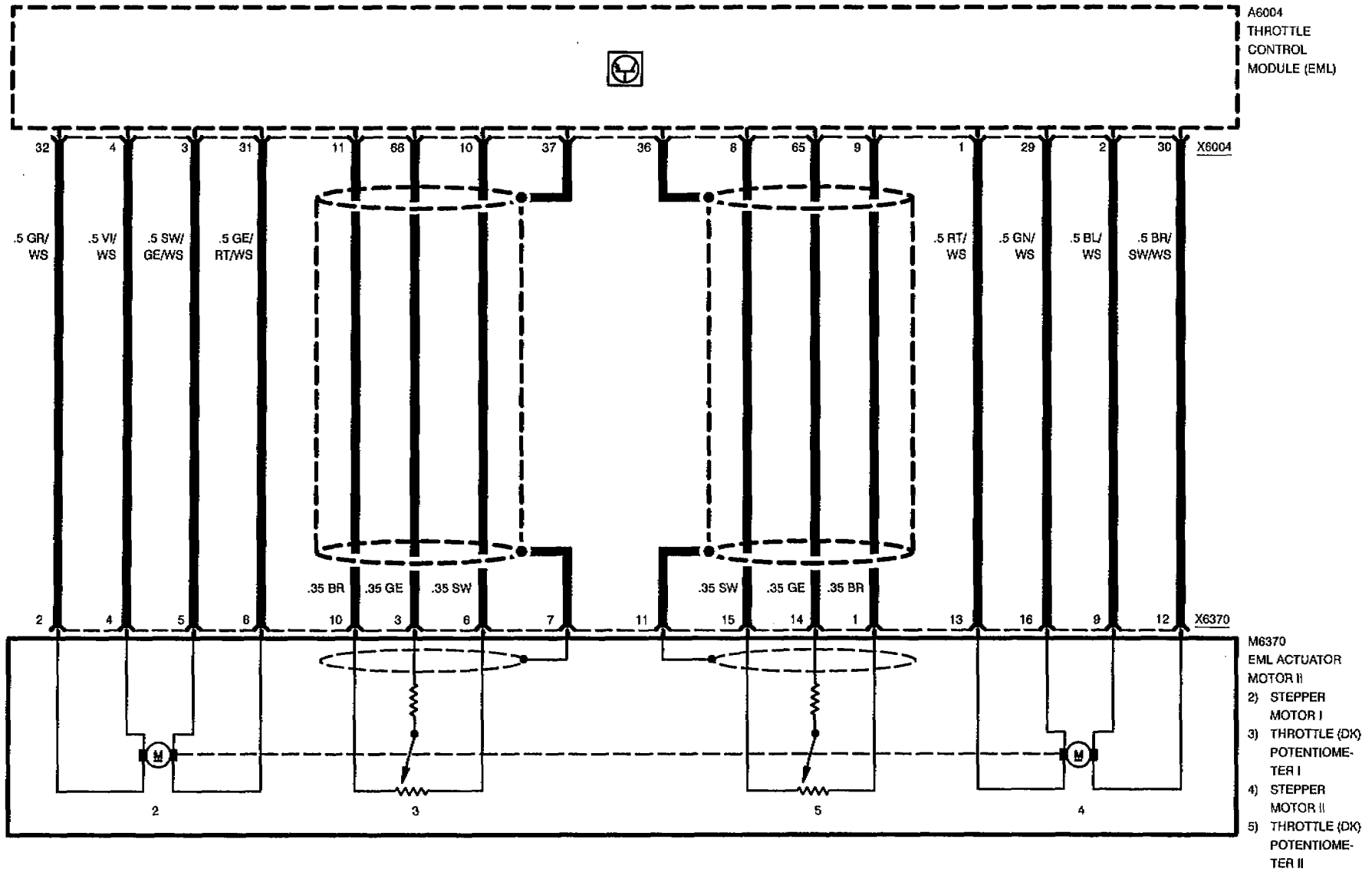


# ELECTRONIC THROTTLE CONTROL (EML IIIS, 12-CYLINDER)



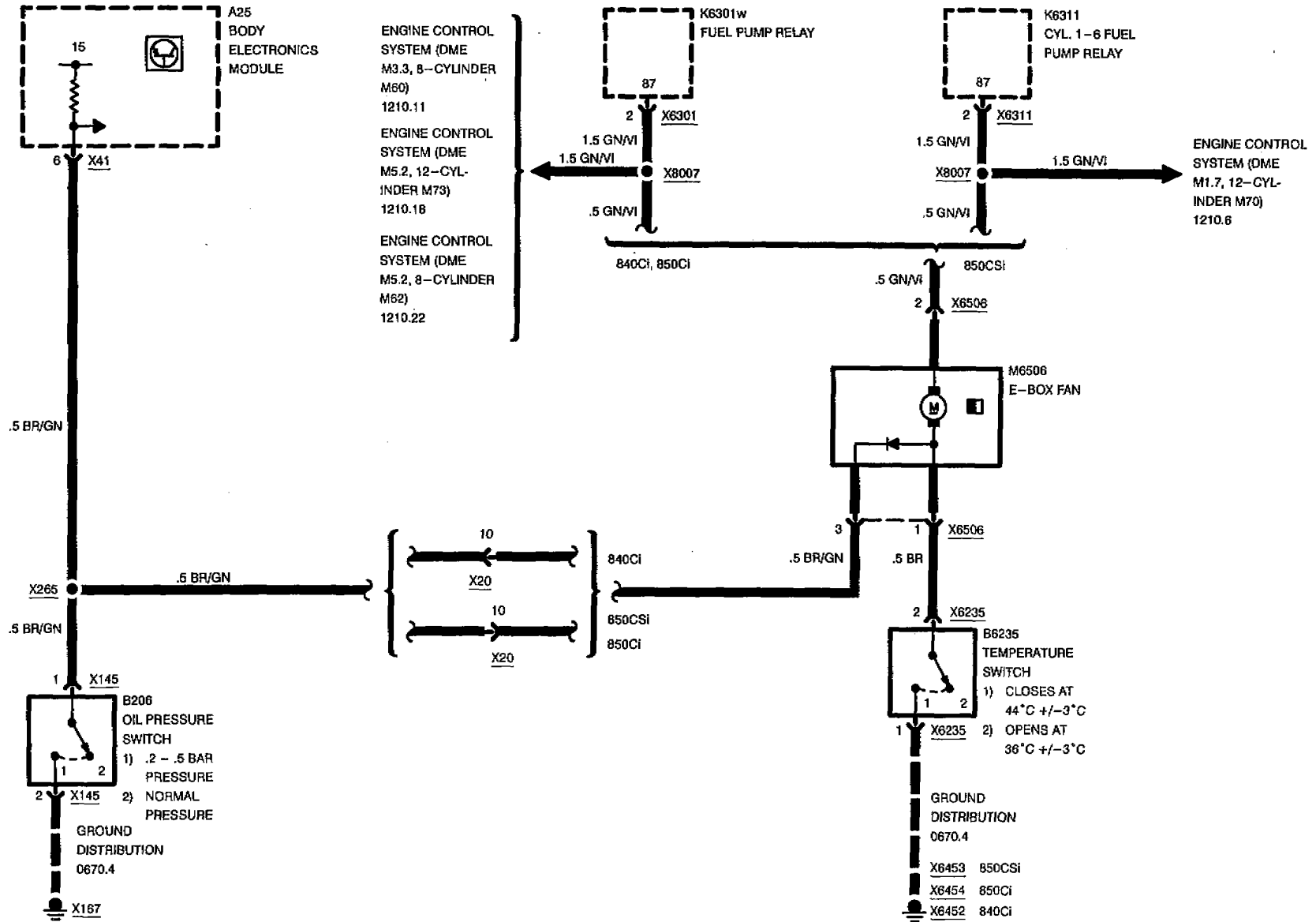


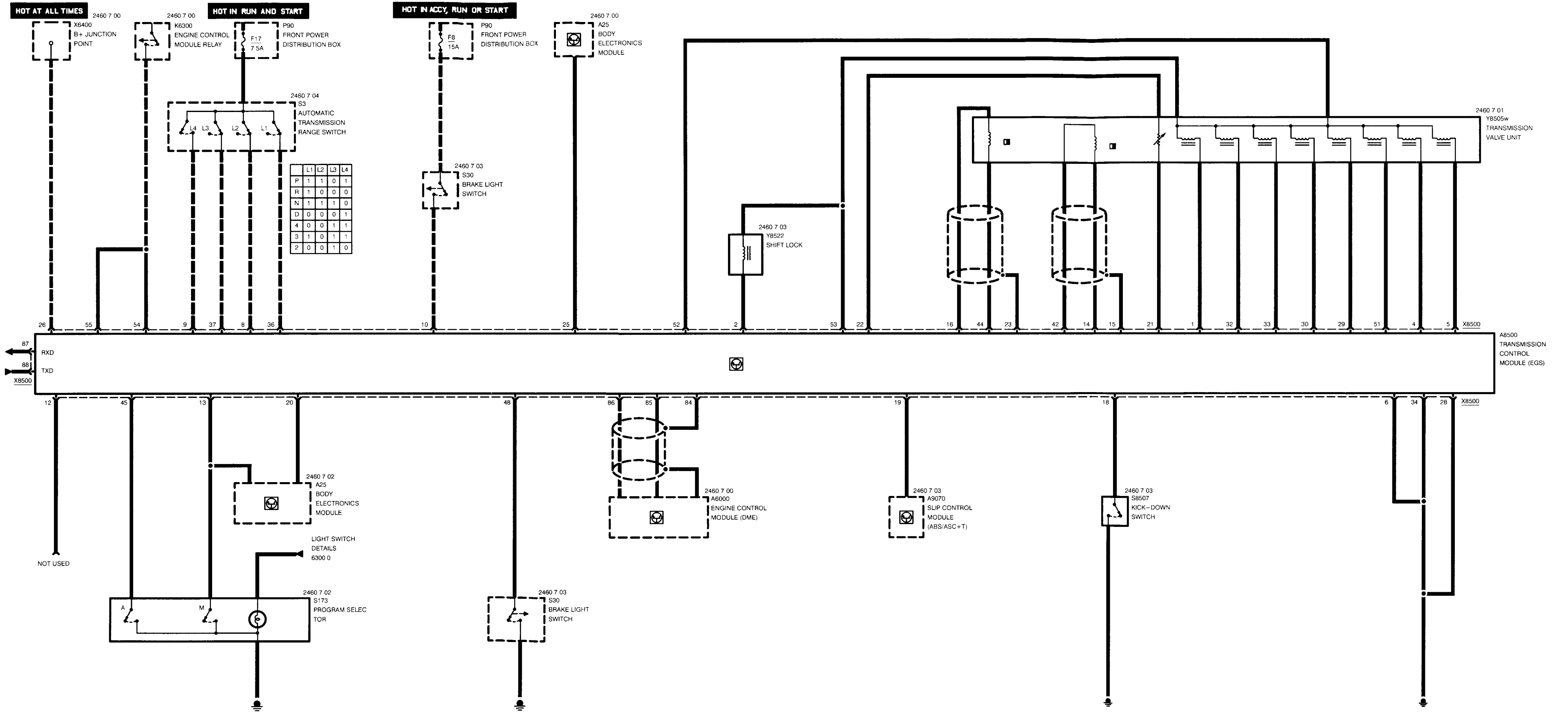
# ELECTRONIC THROTTLE CONTROL (EML III S, 12-CYLINDER)





# E-BOX FAN







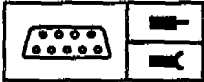


## Pin Assignments

### X8500

Pin	Type	Description/Function	Connection
1	A	Pressure regulator 2	Transmission gear shift unit, Y8505w
2	A	Shift lock solenoid	Shift lock solenoid, Y19
3		Not used	
4	A	Pressure regulator 4	Transmission gear shift unit, Y8505w
5	A	Pressure regulator 1	Transmission gear shift unit, Y8505w
6	M	Ground	Ground point
7		Not used	
8	E	Position switch L2	Automatic transmission range switch, S3
9	E	Position switch L4	Automatic transmission range switch, S3
10	E	Brake light	Brake light switch, S30
11		Not used	
12	E	Program S	Not used
13	E/A	Program manual	Program switch, S173
14	E	Maximum speed sensor n-ab (-)	Transmission gear shift unit, Y8505w
15	M	Shield shaft speed sensor	Shield to transmission gear shift unit
16	E	Speed sensor turbine n-T (+)	Transmission gear shift unit, Y8505w
17		Not used	
18	E	Kick down	Kick down switch, S8507
19	E	ASC-Signal	Slip control module (ABS/ASC+T), A9070
20	A	Program manual	Body electronics module, A25
21	M	Ground, oil temperature sensor (-)	Transmission gear shift unit, Y8505w
22	E	Oil temperature sensor (+)	Transmission gear shift unit, Y8505w
23	M	Shield speed sensor turbine	Shield to transmission gear shift unit
24		Not used	
25	A	Fault display	Body electronics module, A25
26	E	Plus supply (terminal 30)	B+ junction point, X6400
27		Not used	
28	M	Ground (electronic)	Ground point
29	A	Pressure regulator 3	Transmission gear shift unit, Y8505w
30	A	Solenoid valve 1	Transmission gear shift unit, Y8505w

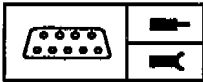
E = Input, A = Output, M = Ground



## Pin Assignments

Pin	Type	Description/Function	Connection
31		Not used	
32	A	Solenoid valve 3	Transmission gear shift unit, Y8505w
33	A	Solenoid valve 2	Transmission gear shift unit, Y8505w
34	M	Ground	Ground point
35		Not used	
36	E	Position switch L1	Transmission range switch, S3
37	E	Position switch L3	Transmission range switch, S3
38		Not used	
39		Not used	
40		Not used	
41		Not used	
42	E	Output speed n-ab (+)	Transmission valve unit, Y8505w
43		Not used	
44	E	Speed sensor turbine n-T (-)	Transmission gear shift unit, Y8505w
45	E	Program automatic	Program switch, S173
46		Not used	
47		Not used	
48	E	Brake test	Brake light switch, S30
49		Not used	
50		Not used	
51	A	Pressure regulator 5	Transmission gear shift unit, Y8505w
52	A	Plus supply	Transmission gear shift unit, Y8505w
53	A	Plus supply	Transmission gear shift unit, Y8505w
54	E	Plus supply (terminal 15)	Engine control module relay
55	E	Plus supply (terminal 15)	Engine control module relay
56		Not used	
57		Not used	
58		Not used	
59		Not used	
60		Not used	
61		Not used	
62		Not used	

E = Input, A = Output, M = Ground



## Pin Assignments

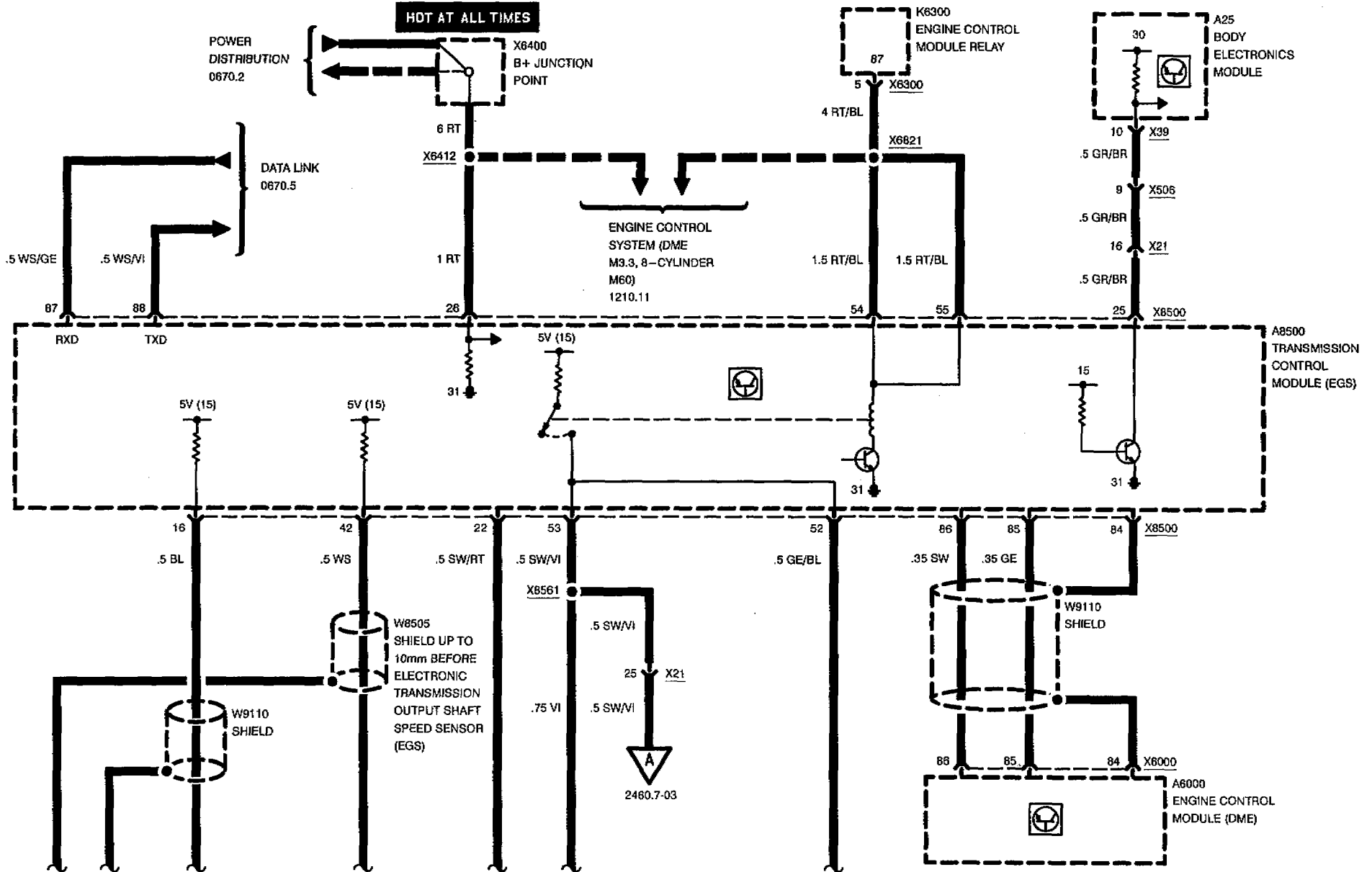
Pin	Type	Description/Function	Connection
63		Not used	
64		Not used	
65		Not used	
66		Not used	
67		Not used	
68		Not used	
69		Not used	
70		Not used	
71		Not used	
72		Not used	
73		Not used	
74		Not used	
75		Not used	
76		Not used	
77		Not used	
78		Not used	
79		Not used	
80		Not used	
81		Not used	
82		Not used	
83		Not used	
84	M	Ground shield	Engine control module, A6000
85	E/A	CAN-L	Engine control module, A6000
86	E/A	CAN-H	Engine control module, A6000
87	E	RxD	Data link connector, RxD
88	E/A	TxD	Data link connector, TxD

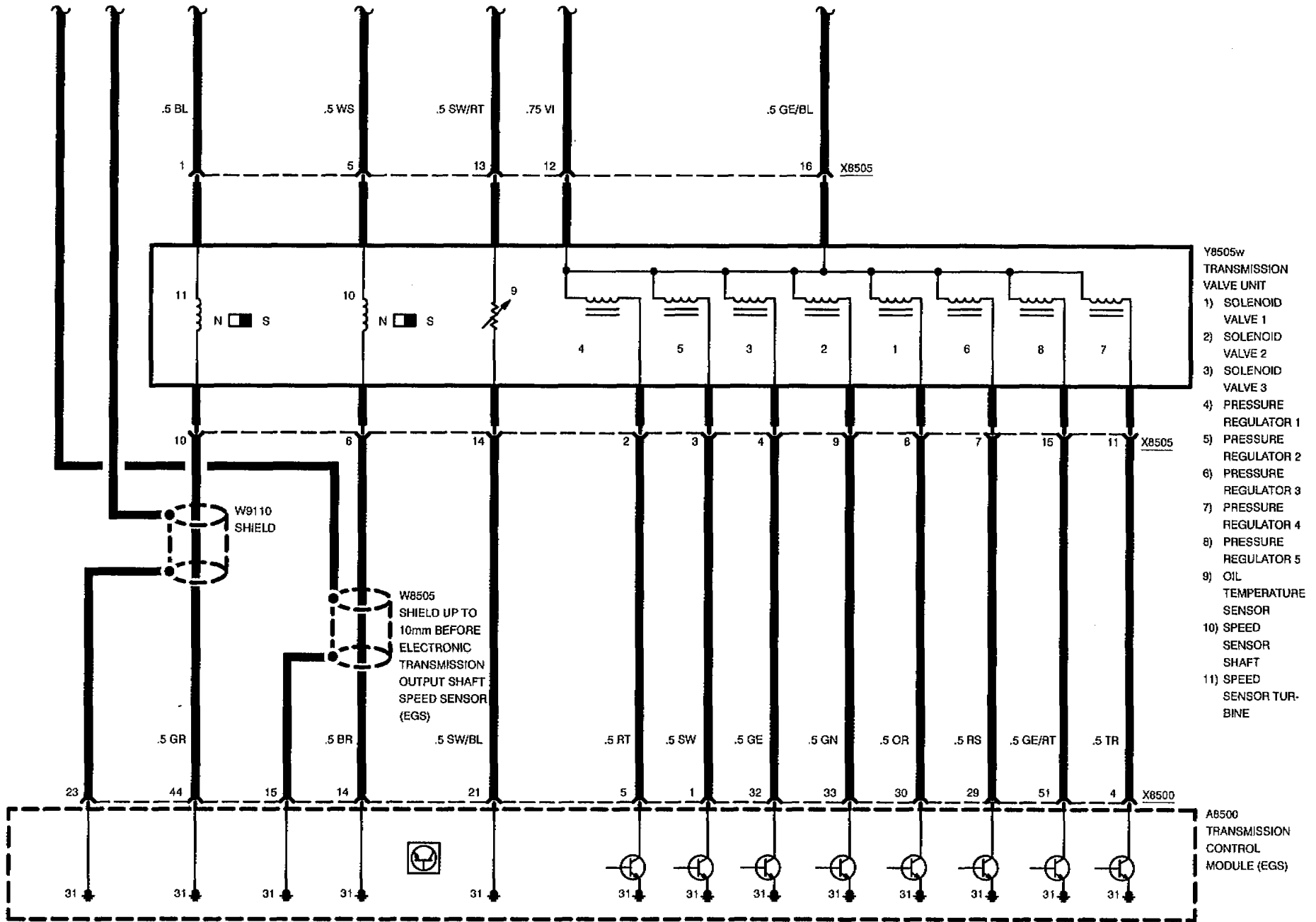
E = Input, A = Output, M = Ground



# ELECTRONIC TRANSMISSION CONTROL (EGS: GS 9.20/A5S 560Z)

840Ci (M60)





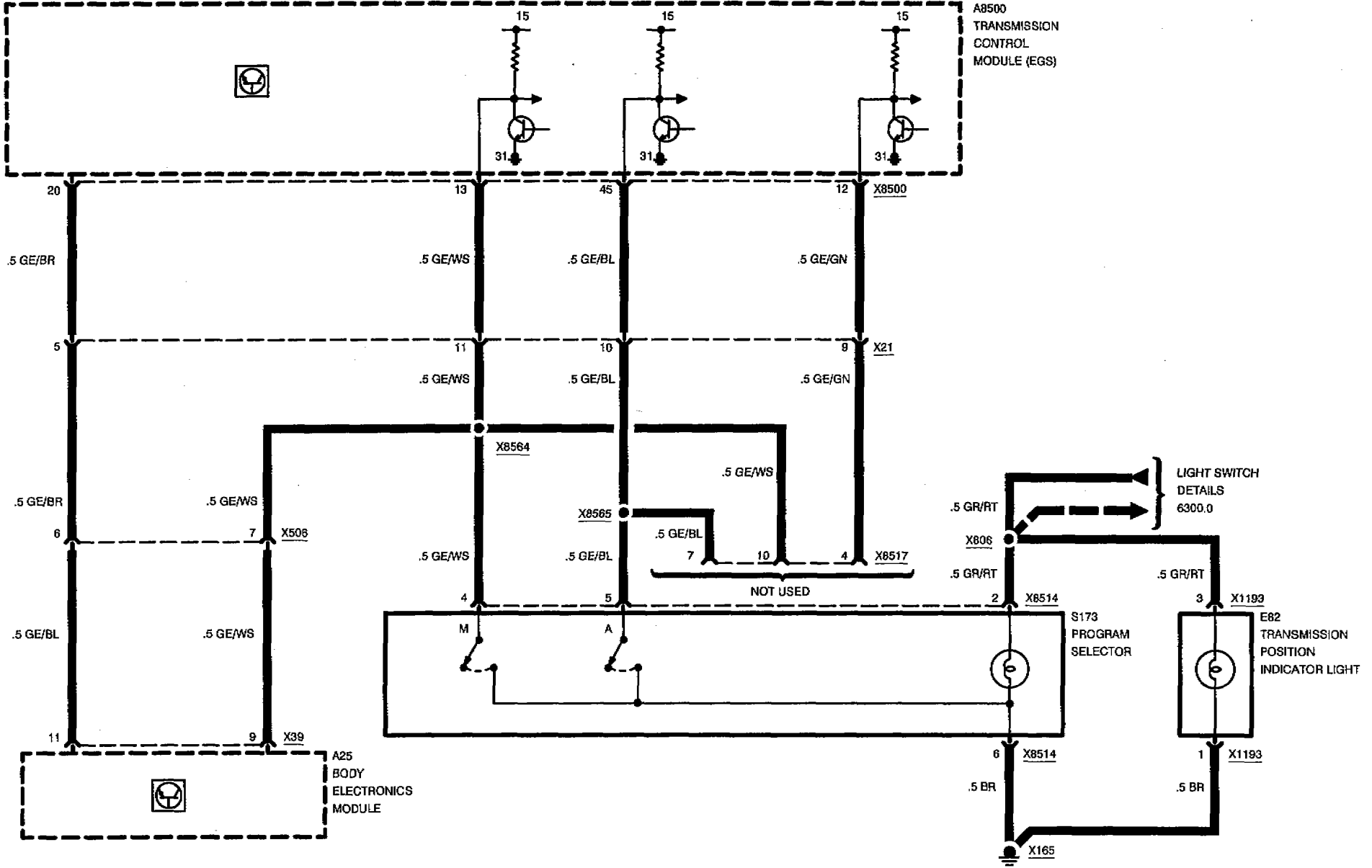
- Y8505w  
TRANSMISSION  
VALVE UNIT
- 1) SOLENOID VALVE 1
  - 2) SOLENOID VALVE 2
  - 3) SOLENOID VALVE 3
  - 4) PRESSURE REGULATOR 1
  - 5) PRESSURE REGULATOR 2
  - 6) PRESSURE REGULATOR 3
  - 7) PRESSURE REGULATOR 4
  - 8) PRESSURE REGULATOR 5
  - 9) OIL TEMPERATURE SENSOR
  - 10) SPEED SENSOR SHAFT
  - 11) SPEED SENSOR TURBINE

A8500  
TRANSMISSION  
CONTROL  
MODULE (EGS)



# ELECTRONIC TRANSMISSION CONTROL (EGS: GS 9.20/A5S 560Z)

840Ci (M60)

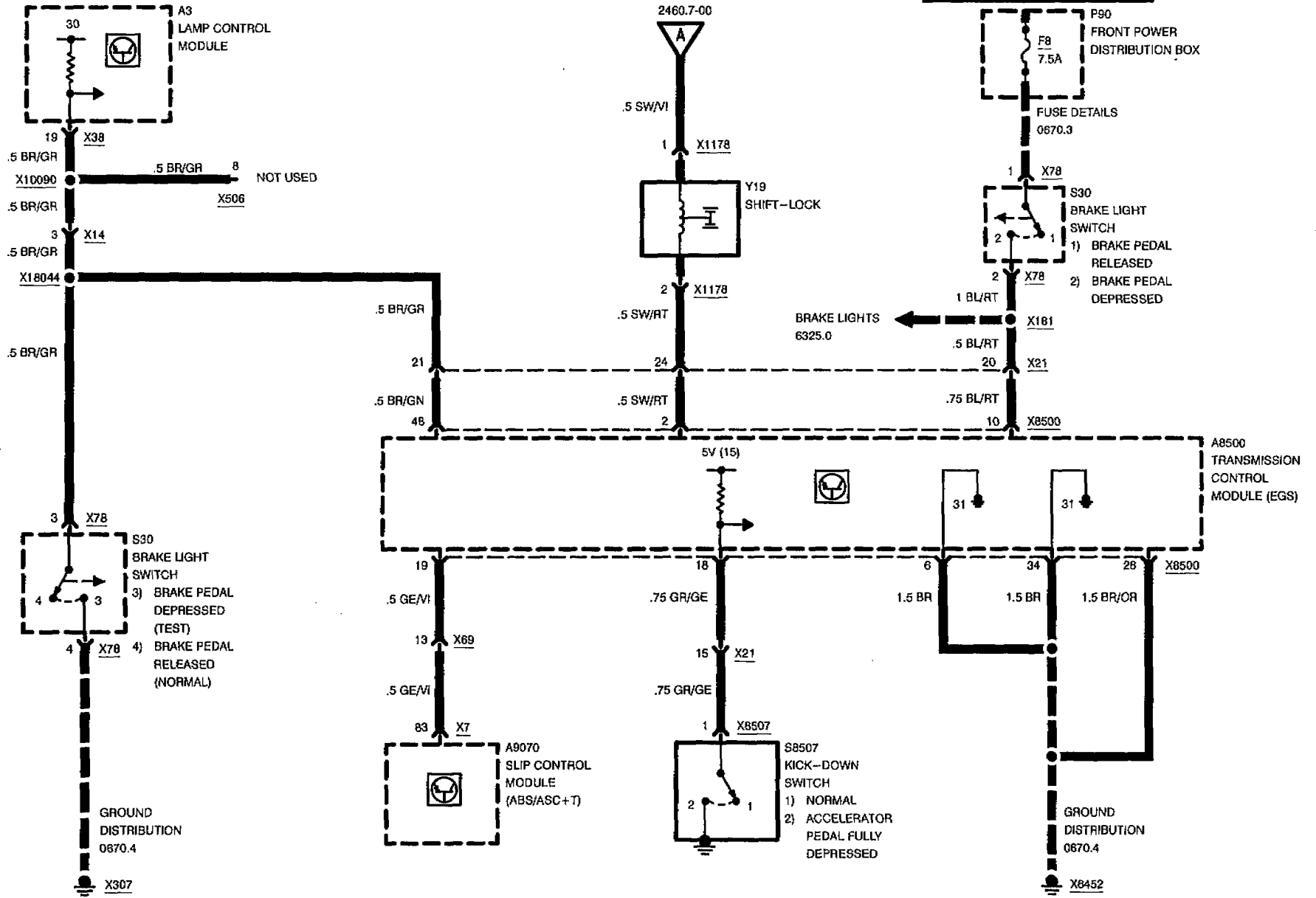




# ELECTRONIC TRANSMISSION CONTROL (EGS: GS 9.20/A5S 560Z)

## 840Ci (M60)

HOT IN ACCY, RUN DR START



02/97 ————— 2460.7-03 ————— 95/96

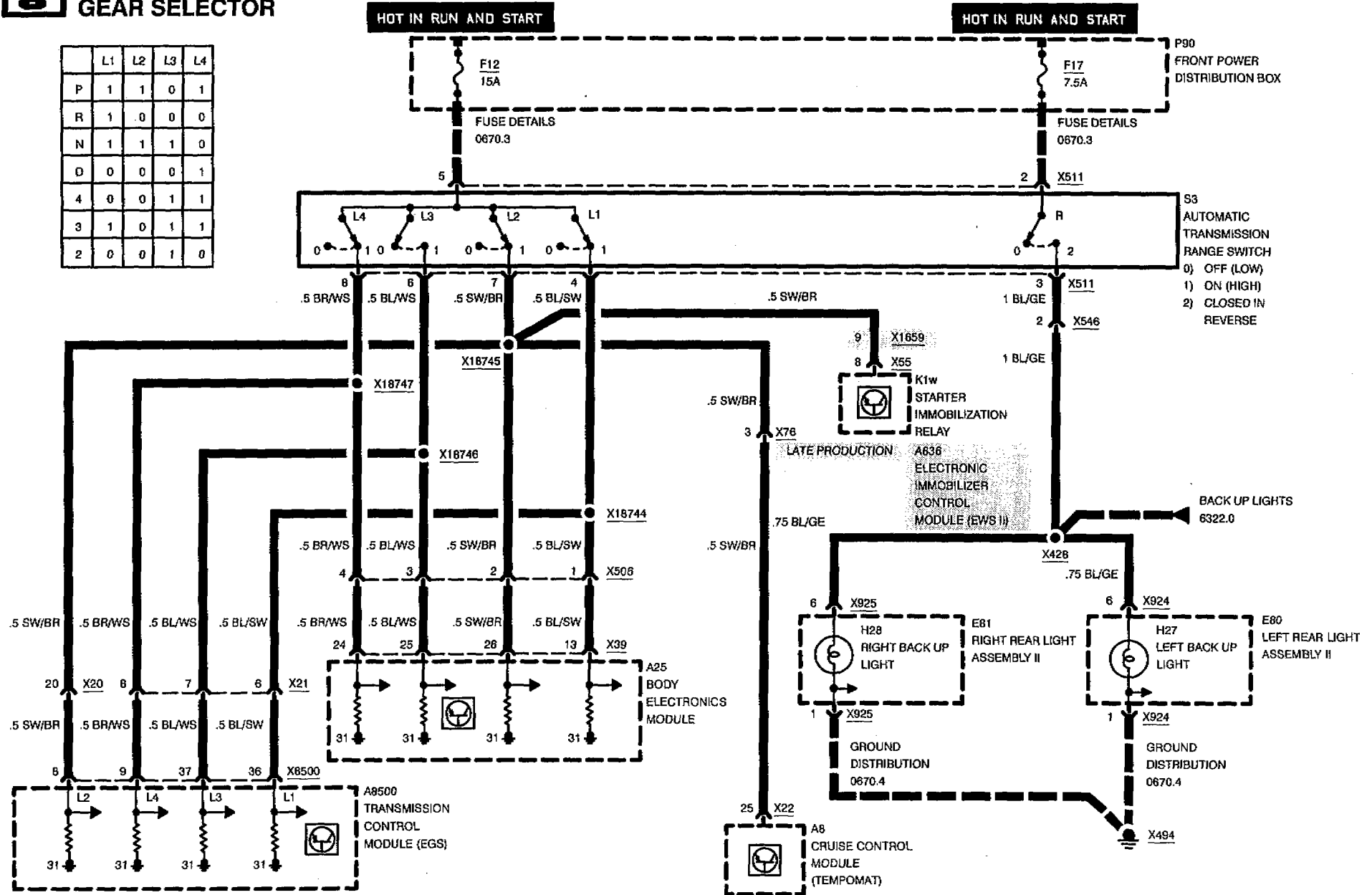


# ELECTRONIC TRANSMISSION CONTROL (EGS: GS 9.20/A5S 560Z)

840Ci (M60)

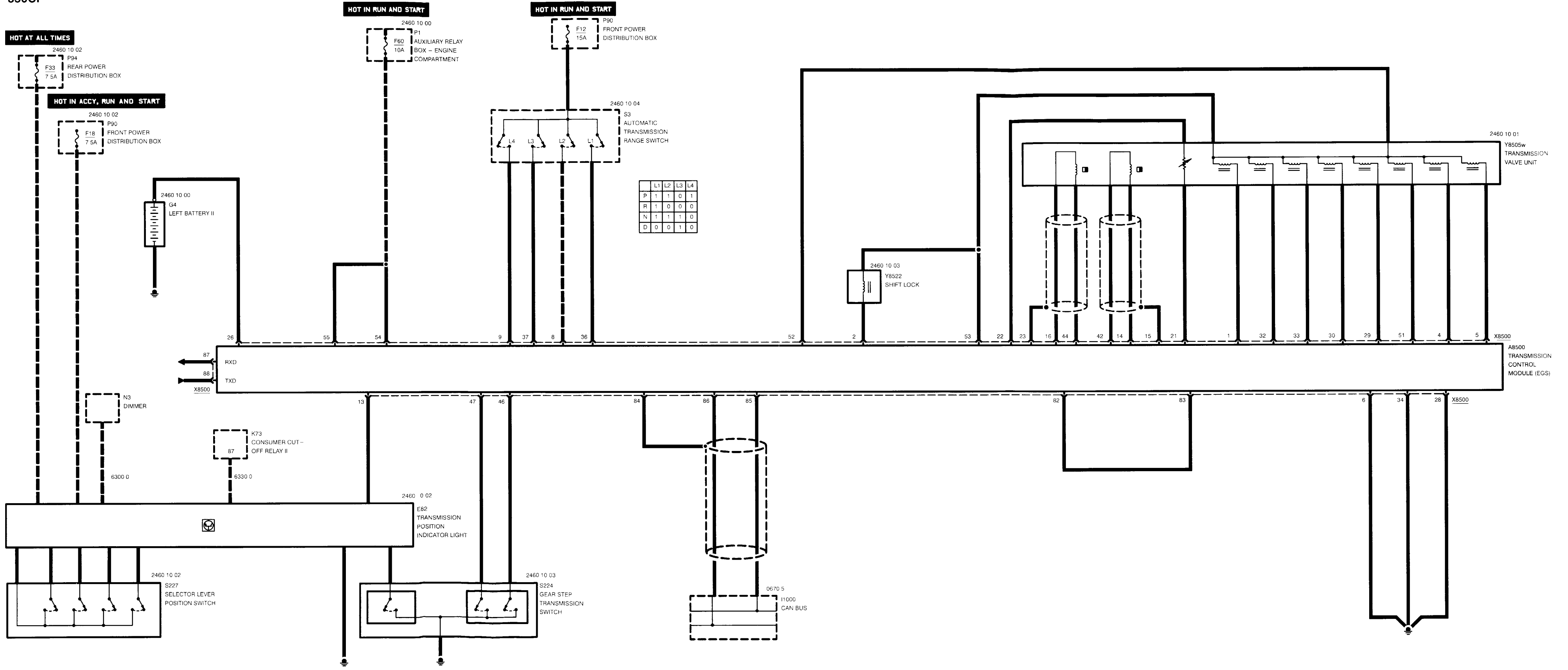
## GEAR SELECTOR

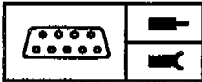
	L1	L2	L3	L4
P	1	1	0	1
R	1	0	0	0
N	1	1	1	0
D	0	0	0	1
4	0	0	1	1
3	1	0	1	1
2	0	0	1	0





850C1



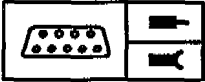


## Pin Assignments 850Ci

### X6000

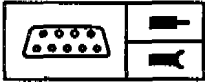
Pin	Type	Description/Function	Connection
1	A	Pressure regulator 2	Transmission valve unit, Y8505w
2	A	Shift lock solenoid	Shift lock solenoid, Y19
3		Not used	
4	A	Pressure regulator 4	Transmission valve unit, Y8505w
5	A	Pressure regulator 1	Transmission valve unit, Y8505w
6	M	Ground	Ground point
7		Not used	
8	E	Position switch L2	Automatic transmission range switch, S3
9	E	Position switch L4	Automatic transmission range switch, S3
10		Not used	
11		Not used	
12		Not used	
13	E	Manual or automatic transmission	Transmission position indicator light
14	E	Maximum speed sensor n-ab (-)	Transmission valve unit, Y8505w
15	M	Shield	Shield to transmission valve unit
16	E	Speed sensor turbine n-T (+)	Transmission valve unit, Y8505w
17		Not used	
18		Not used	
19		Not used	
20		Not used	
21	M	Ground, oil temperature sensor (-)	Transmission valve unit, Y8505w
22	E	Oil temperature sensor (+)	Transmission valve unit, Y8505w
23	M	Shield	Shield to transmission valve unit
24		Not used	
25		Not used	
26	E	Plus supply (terminal 30)	Left battery
27		Not used	
28	M	Ground (electronic)	Ground point
29	A	Pressure regulator 3	Transmission valve unit, Y8505w
30	A	Solenoid valve 1	Transmission valve unit, Y8505w

E = Input, A = Output, M = Ground

**Pin Assignments 850Ci**

Pin	Type	Description/Function	Connection
31		Not used	
32	A	Solenoid valve 3	Transmission valve unit, Y8505w
33	A	Solenoid valve 2	Transmission valve unit, Y8505w
34	M	Ground	Ground point
35		Not used	
36	E	Position switch L1	Automatic transmission range switch, S3
37	E	Position switch L3	Automatic transmission range switch, S3
38		Not used	
39		Not used	
40		Not used	
41		Not used	
42	E	Output speed n-ab (+)	Transmission valve unit, Y8505w
43		Not used	
44	E	Speed sensor turbine n-T (-)	Transmission valve unit, Y8505w
45		Not used	
46	E	Tip up	Gear step transmission switch
47	E	Tip down	Gear step transmission switch
48		Not used	
49		Not used	
50		Not used	
51	A	Pressure regulator 5	Transmission valve unit, Y8505w
52	A	Plus supply	Transmission valve unit, Y8505w
53	A	Plus supply	Transmission valve unit, Y8505w
54	A	Plus supply (terminal 15)	Fuse 60
55	A	Plus supply (terminal 15)	Fuse 60
56		Not used	
57		Not used	
58		Not used	
59		Not used	
60		Not used	
61		Not used	
62		Not used	

E = Input, A = Output, M = Ground



## Pin Assignments 850Ci

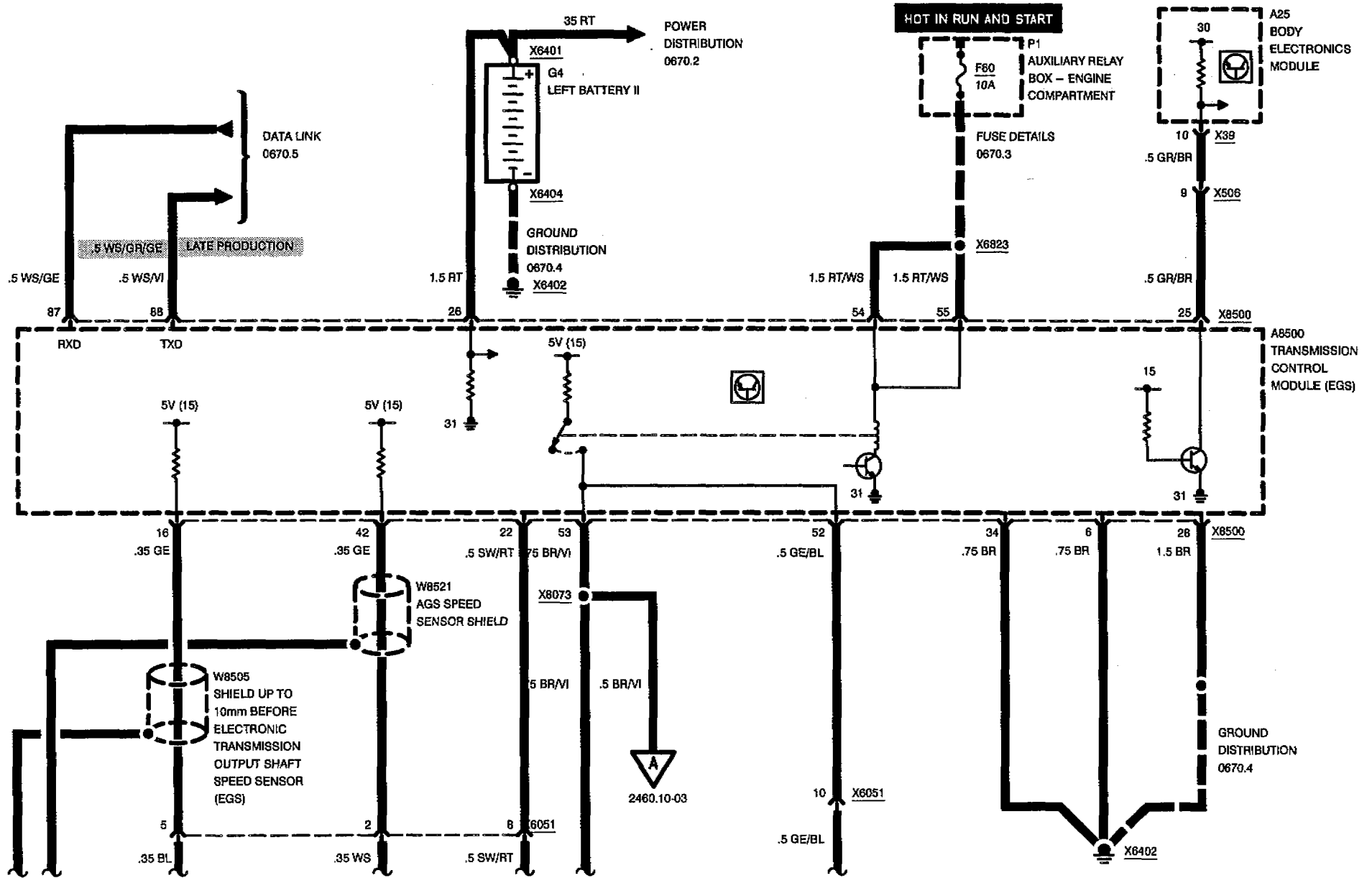
Pin	Type	Description/Function	Connection
63		Not used	
64		Not used	
65		Not used	
66		Not used	
67		Not used	
68		Not used	
69		Not used	
70		Not used	
71		Not used	
72		Not used	
73		Not used	
74		Not used	
75		Not used	
76		Not used	
77		Not used	
78		Not used	
79		Not used	
80		Not used	
81		Not used	
82	E/A	Jumper plug	
83	E/A	Jumper plug	
84	M	CANCA-S	Shield
85	E/A	CANCA-L	CAN BUS
86	E/A	CANCA-H	CAN BUS
87	E	RxD	Data link connector, RxD
88	E/A	TxD	Data link connector, TxD

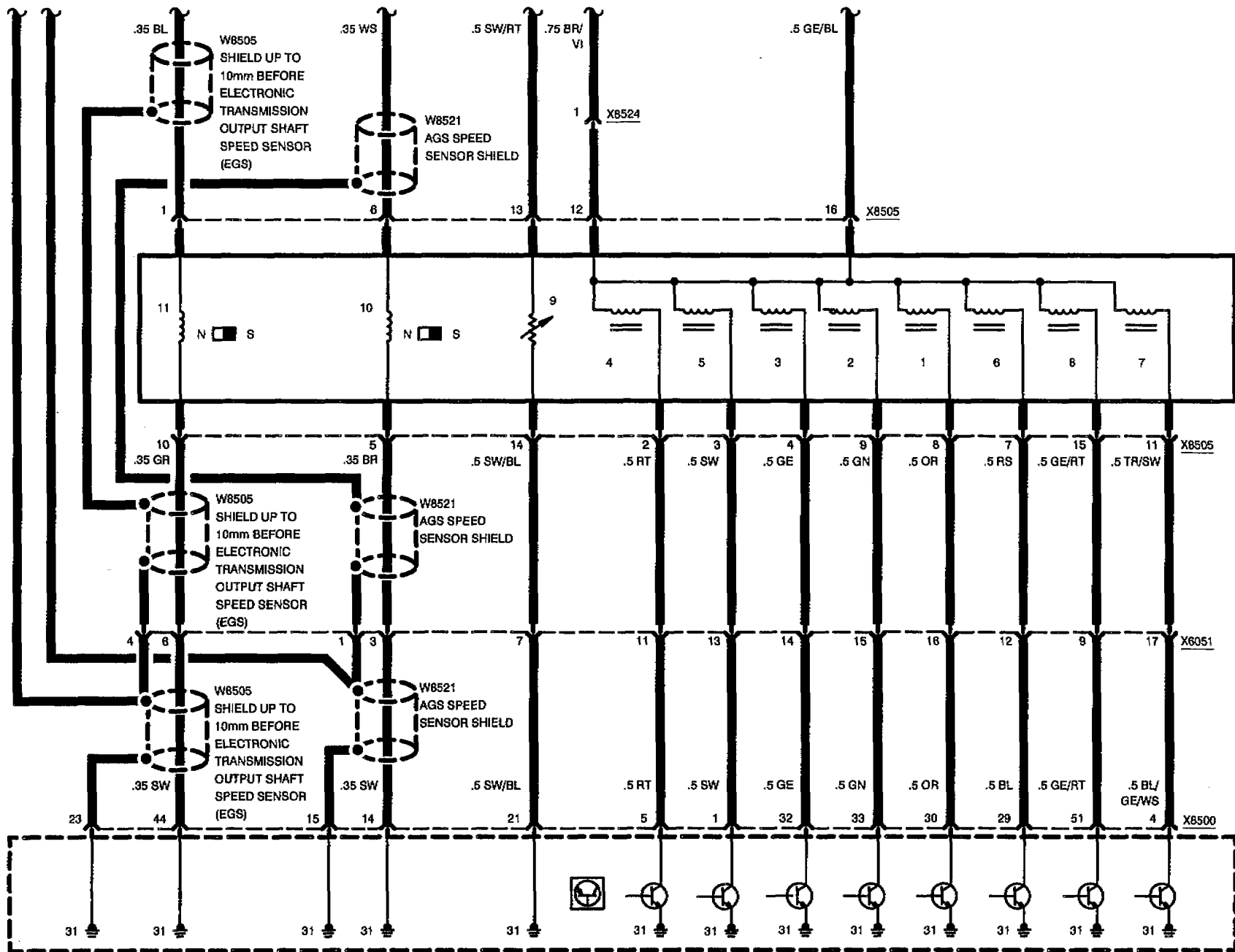
E = Input, A = Output, M = Ground



# ELECTRONIC TRANSMISSION CONTROL (EGS: GS 9.22/AS5 560Z)

850Ci





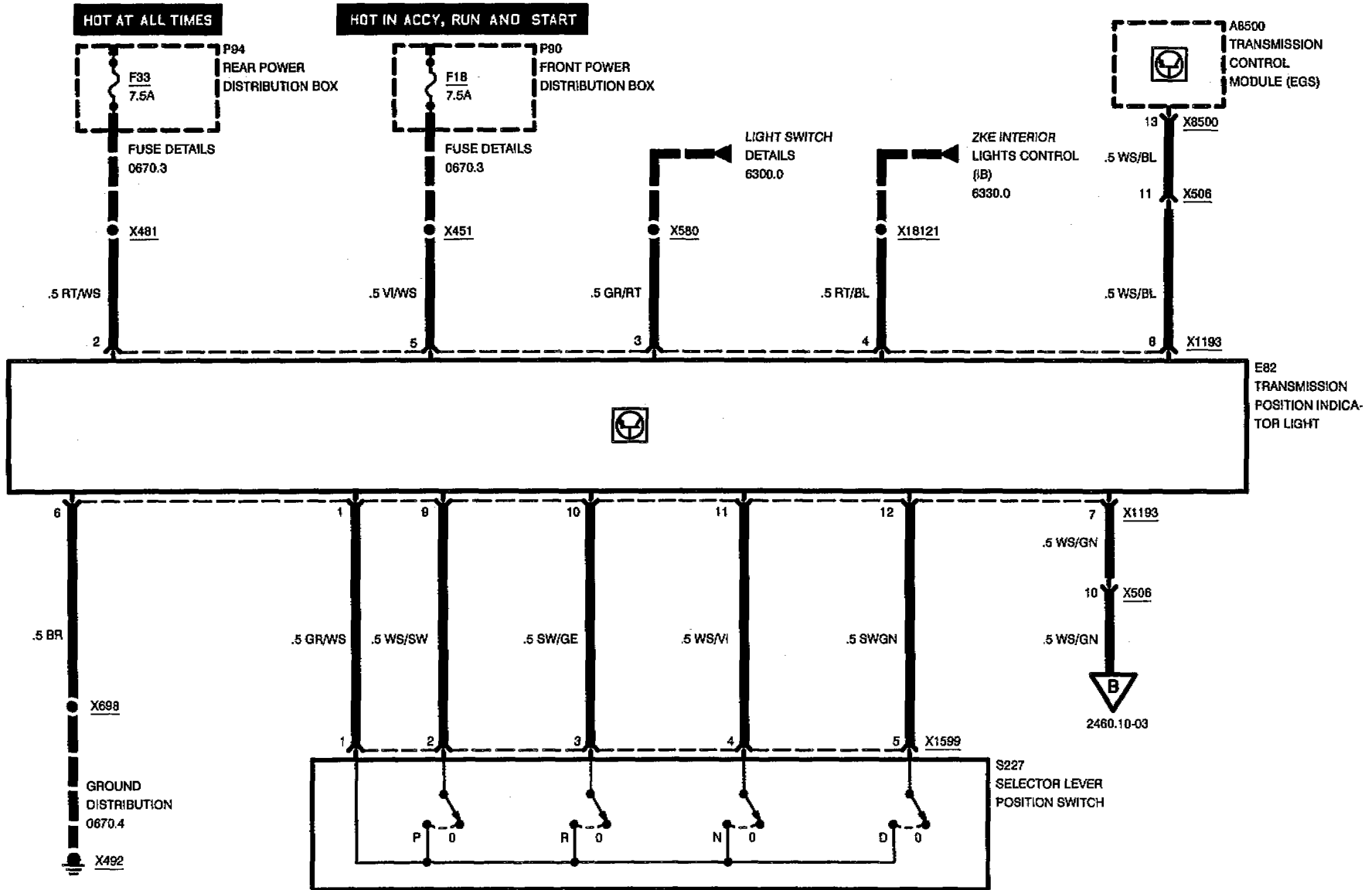
- Y8505w  
TRANSMISSION  
VALVE UNIT
- 1) SOLENOID VALVE 1
  - 2) SOLENOID VALVE 2
  - 3) SOLENOID VALVE 3
  - 4) PRESSURE REGULATOR 1
  - 5) PRESSURE REGULATOR 2
  - 6) PRESSURE REGULATOR 3
  - 7) PRESSURE REGULATOR 4
  - 8) PRESSURE REGULATOR 5
  - 9) OIL TEMPERATURE SENSOR
  - 10) SPEED SENSOR SHAFT
  - 11) SPEED SENSOR TURBINE

A8500  
TRANSMISSION  
CONTROL  
MODULE (EGS)



# ELECTRONIC TRANSMISSION CONTROL (EGS: GS 9.22/AS5 560Z)

850CI

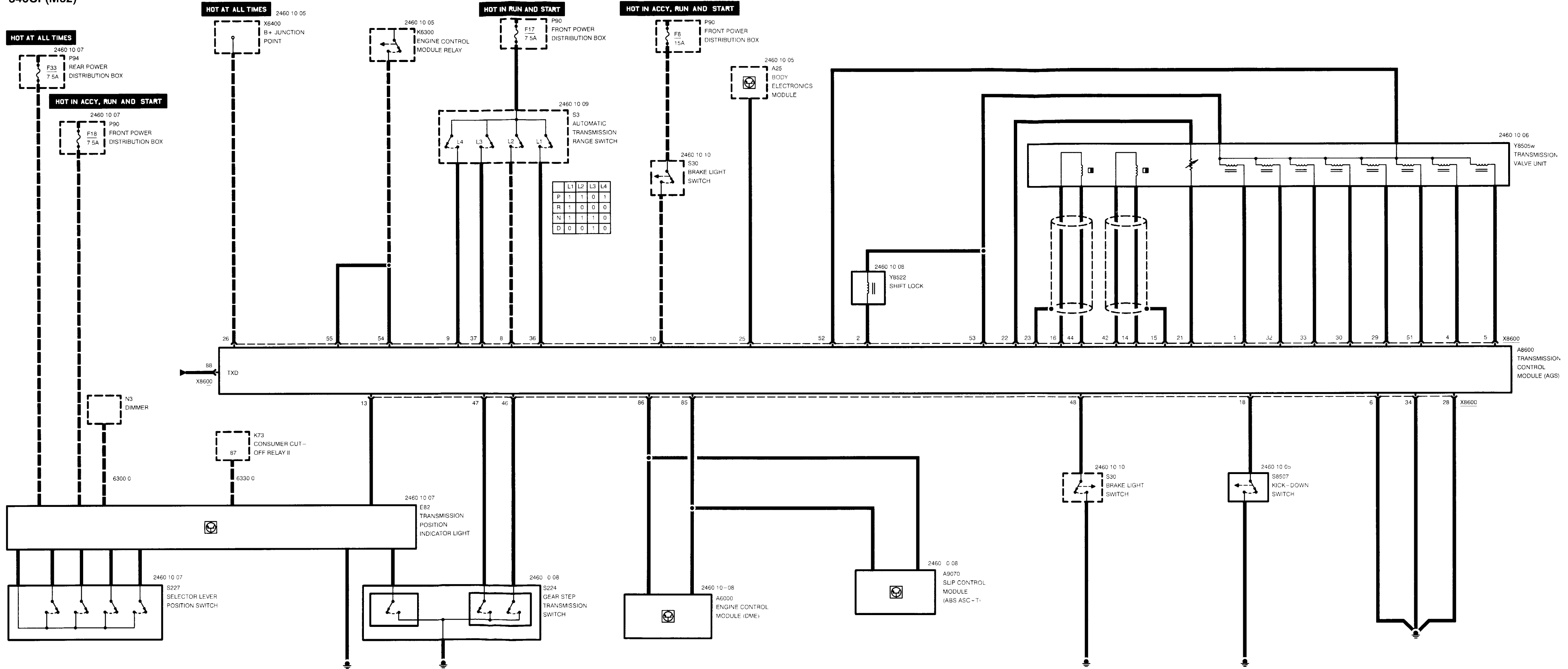


02/97

2460.10-02

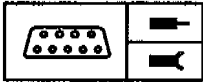
95/96

840C1 (M62)



	L1	L2	L3	L4
P	1	1	0	1
R	1	0	0	0
N	1	1	1	0
D	0	0	1	0



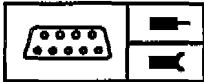


## Pin Assignments 840Ci (M62)

### X6000

Pin	Type	Description/Function	Connection
1	A	Pressure regulator 2	Transmission valve unit, Y8505w
2	A	Shift lock solenoid	Shift lock solenoid, Y19
3		Not used	
4	A	Pressure regulator 4	Transmission valve unit, Y8505w
5	A	Pressure regulator 1	Transmission valve unit, Y8505w
6	M	Ground	Ground point
7		Not used	
8	E	Position switch L2	Automatic transmission range switch, S3
9	E	Position switch L4	Automatic transmission range switch, S3
10	E	Brake light	Brake light switch, S30
11		Not used	
12		Not used	
13	E	Manual or automatic transmission	Transmission position indicator light
14	E	Maximum speed sensor n-ab (-)	Transmission valve unit, Y8505w
15	M	Shield	Shield to transmission valve unit
16	E	Speed sensor turbine n-T (+)	Transmission valve unit, Y8505w
17		Not used	
18	E	Kick down	Kick down switch, S8507
19		Not used	
20		Not used	
21	M	Ground, oil temperature sensor (-)	Transmission valve unit, Y8505w
22	E	Oil temperature sensor (+)	Transmission valve unit, Y8505w
23	M	Shield	Shield to transmission valve unit
24		Not used	
25	A	Fault display	Body electronics module, A25
26	E	Plus supply (terminal 30)	B+ junction point, X6400
27		Not used	
28	M	Ground (electronic)	Ground point
29	A	Pressure regulator 3	Transmission valve unit, Y8505w
30	A	Solenoid valve 1	Transmission valve unit, Y8505w

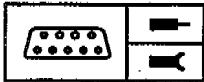
E = Input, A = Output, M = Ground



## Pin Assignments 840Ci (M62)

Pin	Type	Description/Function	Connection
31		Not used	
32	A	Solenoid valve 3	Transmission valve unit, Y8505w
33	A	Solenoid valve 2	Transmission valve unit, Y8505w
34	M	Ground	Ground point
35		Not used	
36	E	Position switch L1	Automatic transmission range switch, S3
37	E	Position switch L3	Automatic transmission range switch, S3
38		Not used	
39		Not used	
40		Not used	
41		Not used	
42	E	Output speed n-ab (+)	Transmission valve unit, Y8505w
43		Not used	
44	E	Speed sensor turbine n-T (-)	Transmission valve unit, Y8505w
45		Not used	
46	E	Tip up	Gear step transmission switch
47	E	Tip down	Gear step transmission switch
48		Not used	
49		Not used	
50		Not used	
51	A	Pressure regulator 5	Transmission valve unit, Y8505w
52	A	Plus supply	Transmission valve unit, Y8505w
53	A	Plus supply	Transmission valve unit, Y8505w
54	A	Plus supply (terminal 15)	Fuse 60
55	A	Plus supply (terminal 15)	Fuse 60
56		Not used	
57		Not used	
58		Not used	
59		Not used	
60		Not used	
61		Not used	
62		Not used	

E = Input, A = Output, M = Ground

**Pin Assignments 840Ci (M62)**

Pin	Type	Description/Function	Connection
63		Not used	
64		Not used	
65		Not used	
66		Not used	
67		Not used	
68		Not used	
69		Not used	
70		Not used	
71		Not used	
72		Not used	
73		Not used	
74		Not used	
75		Not used	
76		Not used	
77		Not used	
78		Not used	
79		Not used	
80		Not used	
81		Not used	
82		Not used	
83		Not used	
84		Not used	
85	E/A	CANCA-L	Engine control module, slip control module
86	E/A	CANCA-H	Engine control module, slip control module
87		Not used	
88	E/A	TxD	Data link connector, TxD

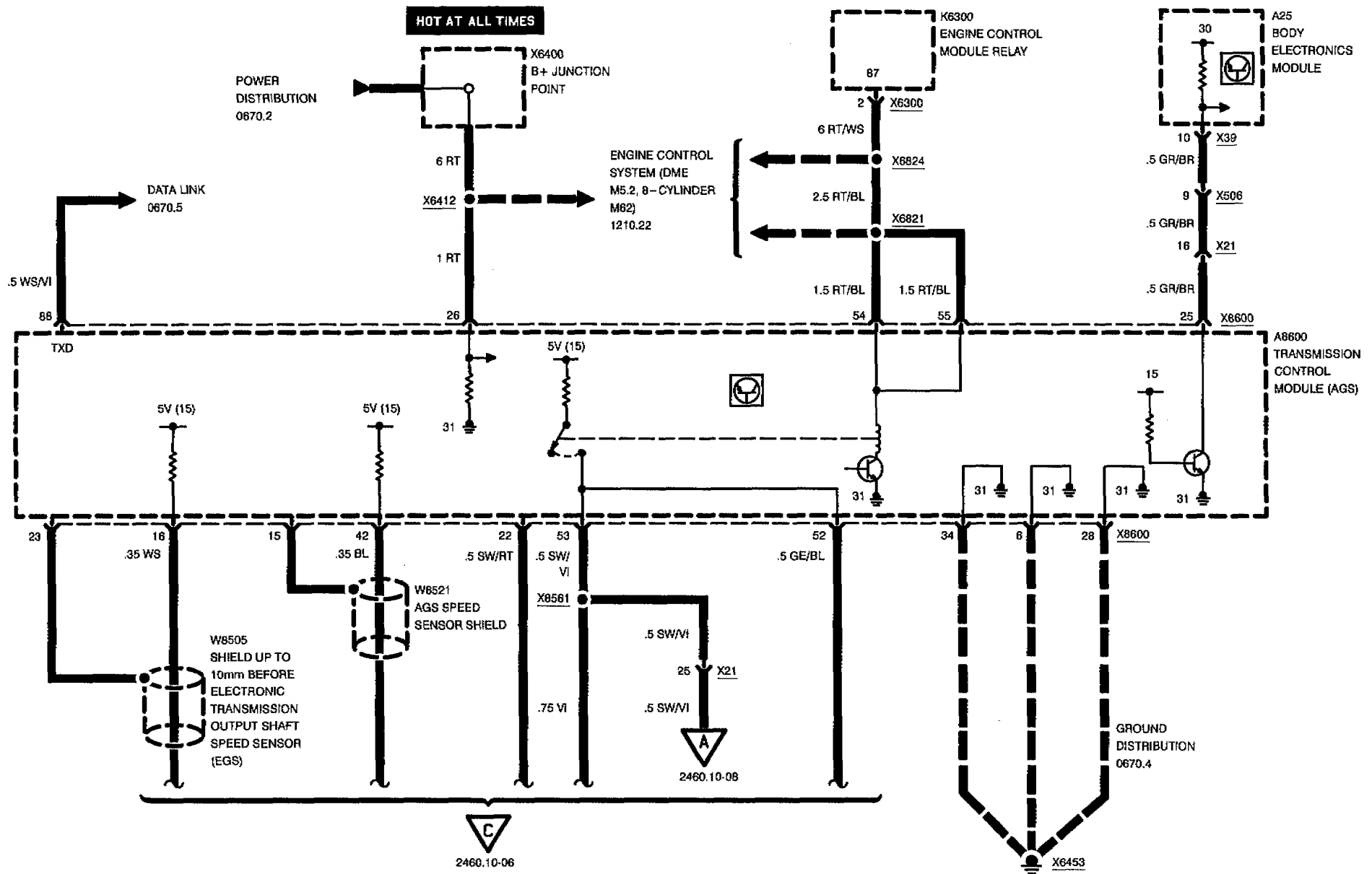
E = Input, A = Output, M = Ground





# ELECTRONIC TRANSMISSION CONTROL (EGS: GS 9.22/AS5 560Z)

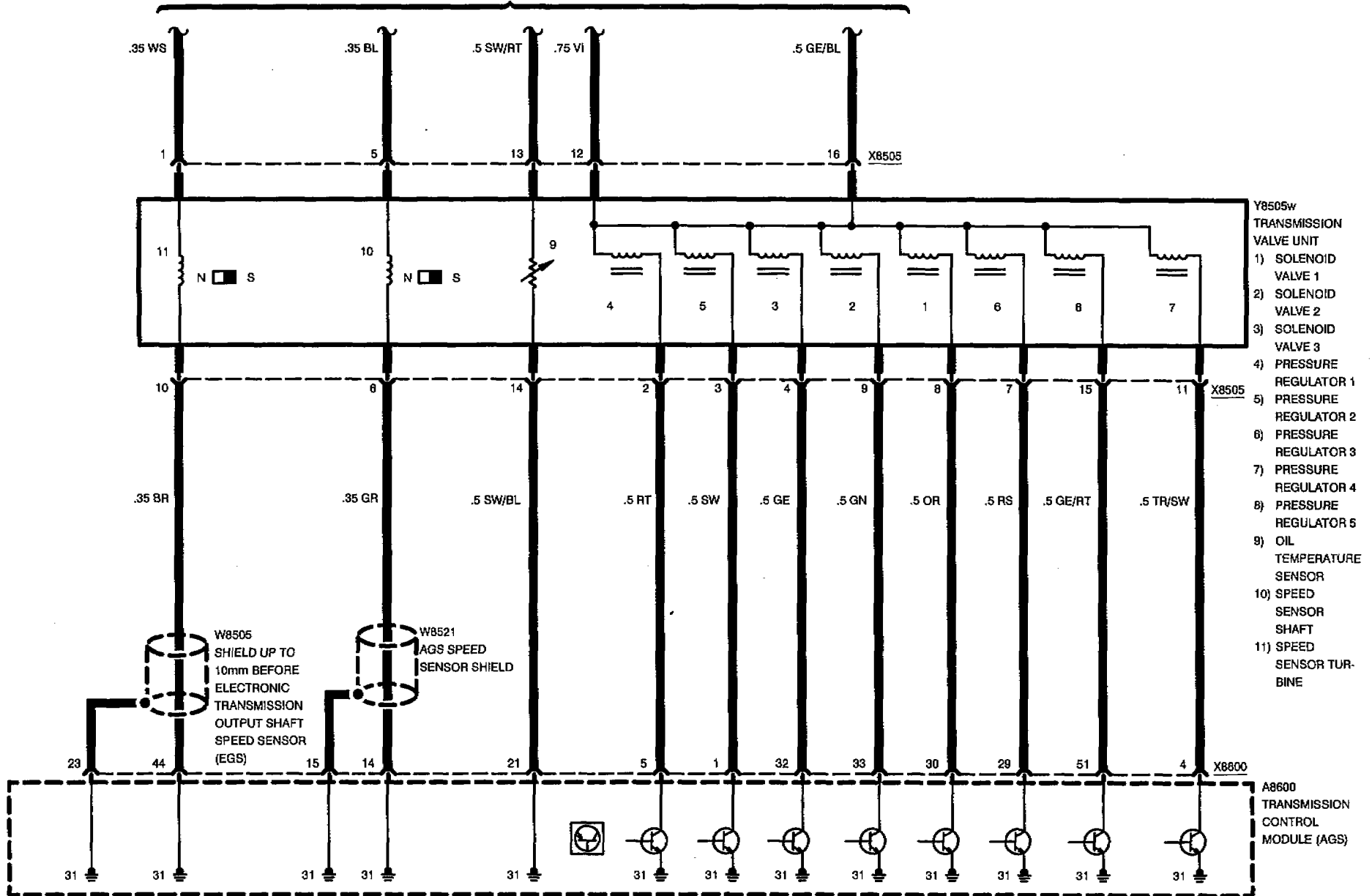
840Ci (M62)



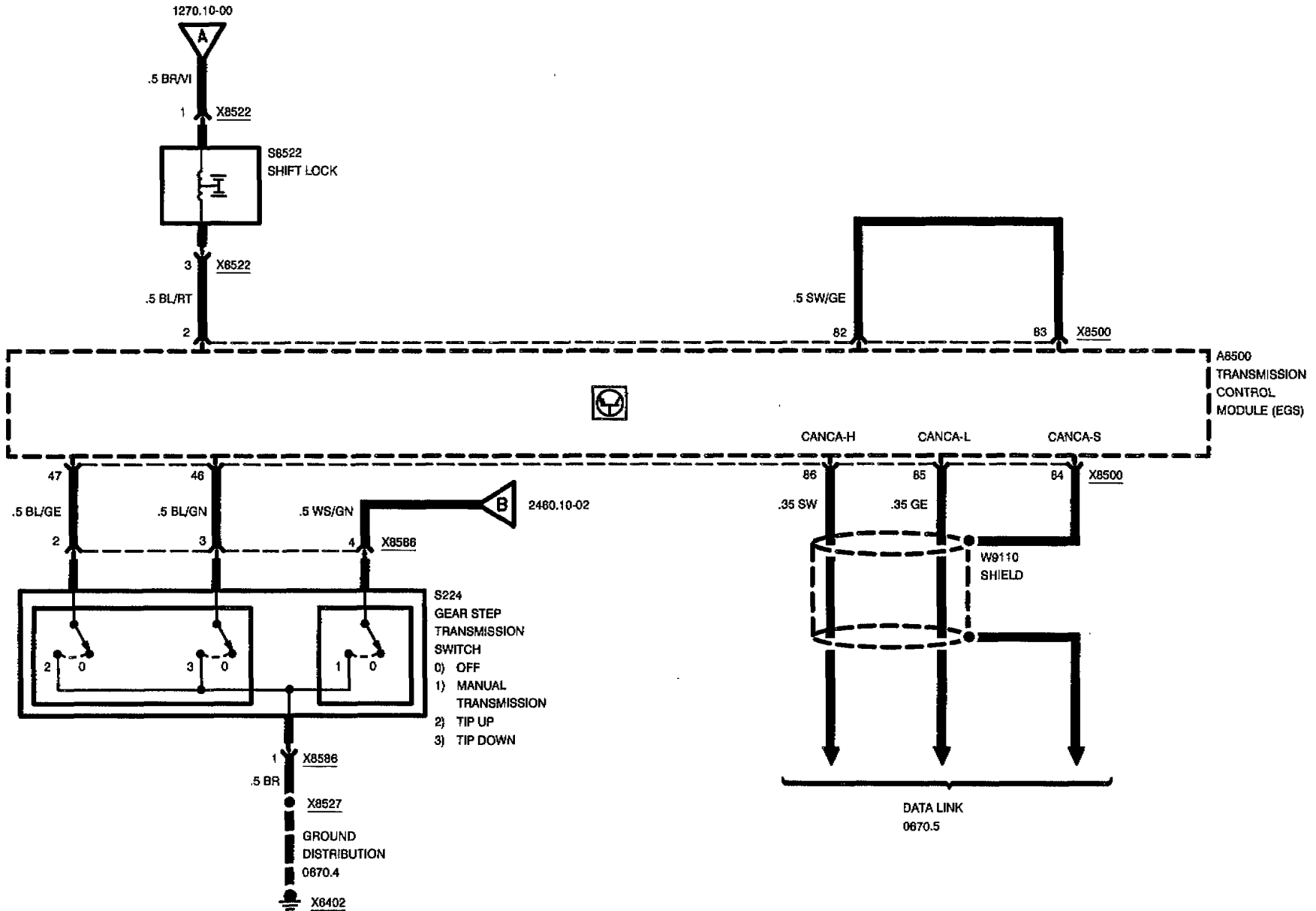
02/97

2460.10-05

95/96



- Y8505w  
TRANSMISSION  
VALVE UNIT
- 1) SOLENOID VALVE 1
  - 2) SOLENOID VALVE 2
  - 3) SOLENOID VALVE 3
  - 4) PRESSURE REGULATOR 1
  - 5) PRESSURE REGULATOR 2
  - 6) PRESSURE REGULATOR 3
  - 7) PRESSURE REGULATOR 4
  - 8) PRESSURE REGULATOR 5
  - 9) OIL TEMPERATURE SENSOR
  - 10) SPEED SENSOR SHAFT
  - 11) SPEED SENSOR TURBINE



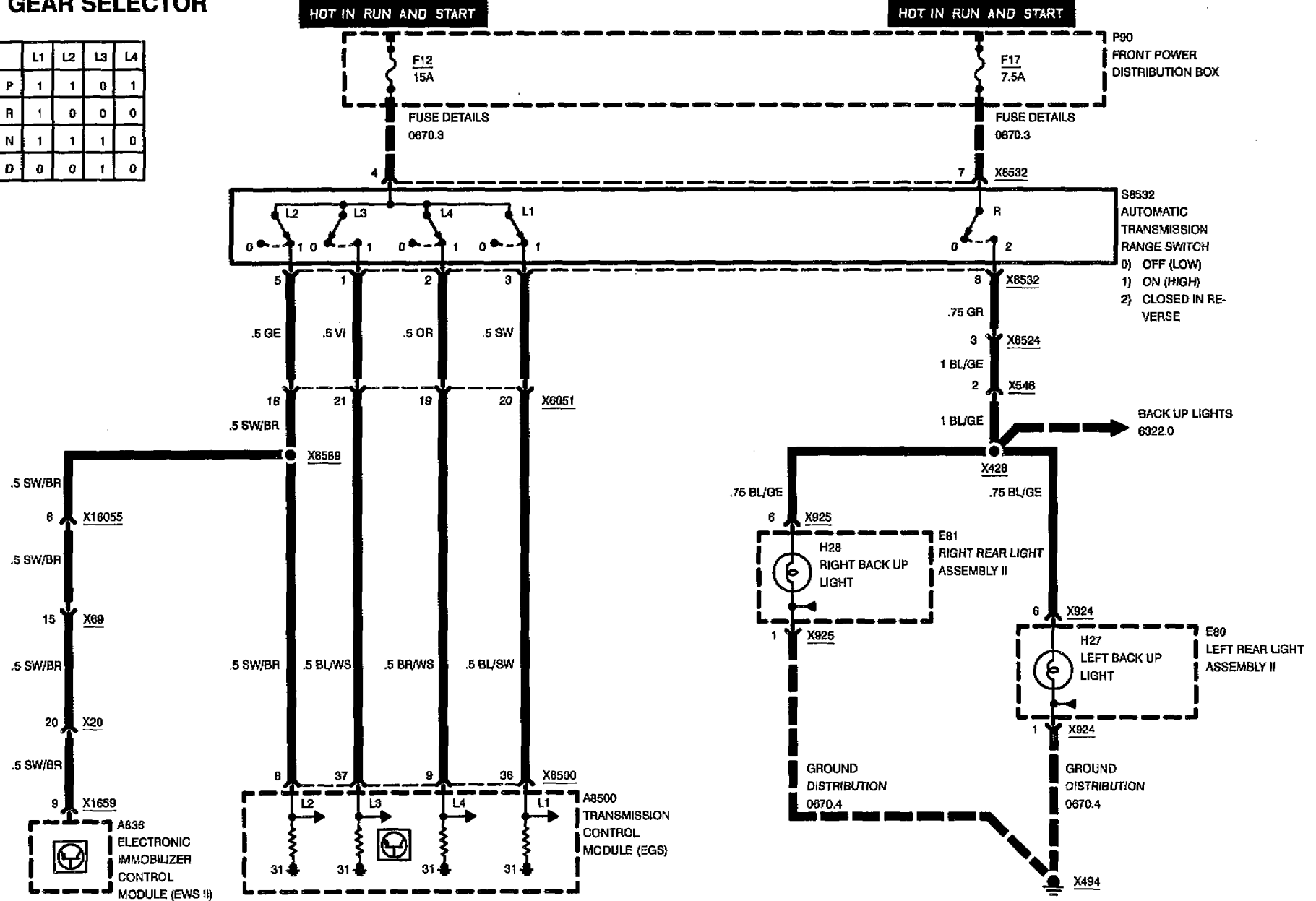


# ELECTRONIC TRANSMISSION CONTROL (EGS: GS 9.22/AS5 560Z)

850Ci

## GEAR SELECTOR

	L1	L2	L3	L4
P	1	1	0	1
R	1	0	0	0
N	1	1	1	0
D	0	0	1	0

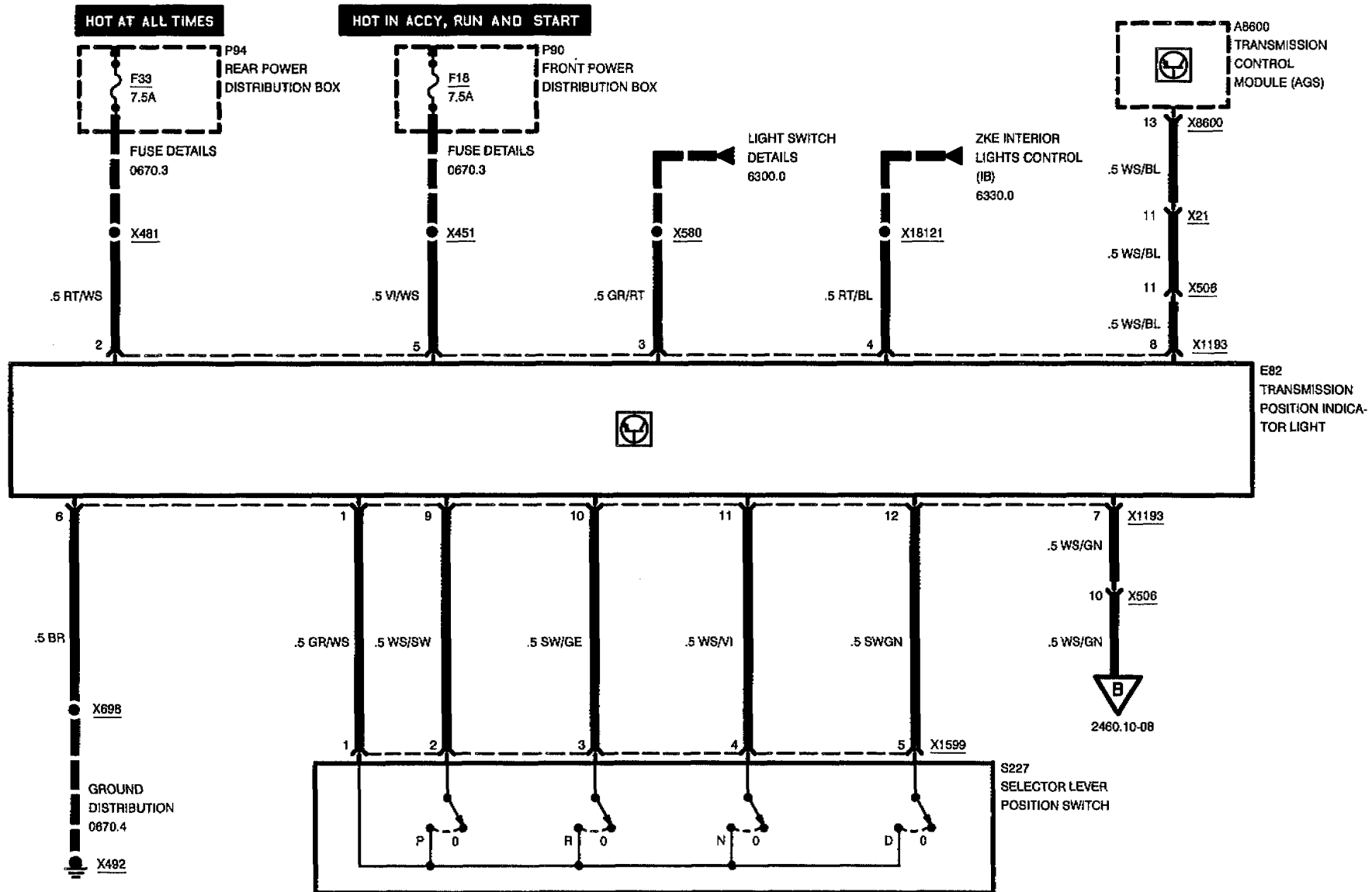






# ELECTRONIC TRANSMISSION CONTROL (EGS: GS 9.22/AS5 560Z)

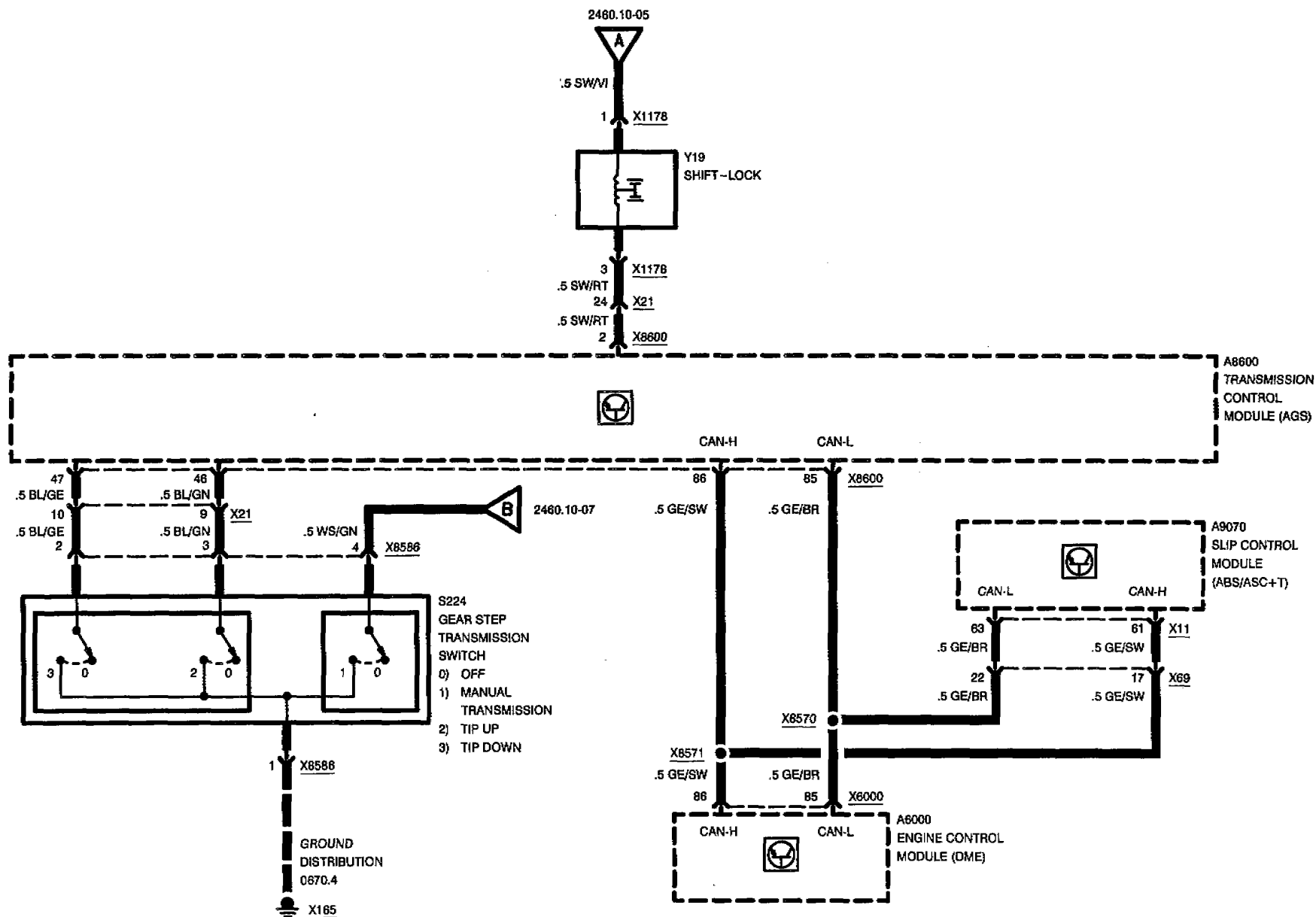
840Ci (M62)





# ELECTRONIC TRANSMISSION CONTROL (EGS: GS 9.22/AS5 560Z)

840Ci (M62)



02/97

2460.10-08

95/96

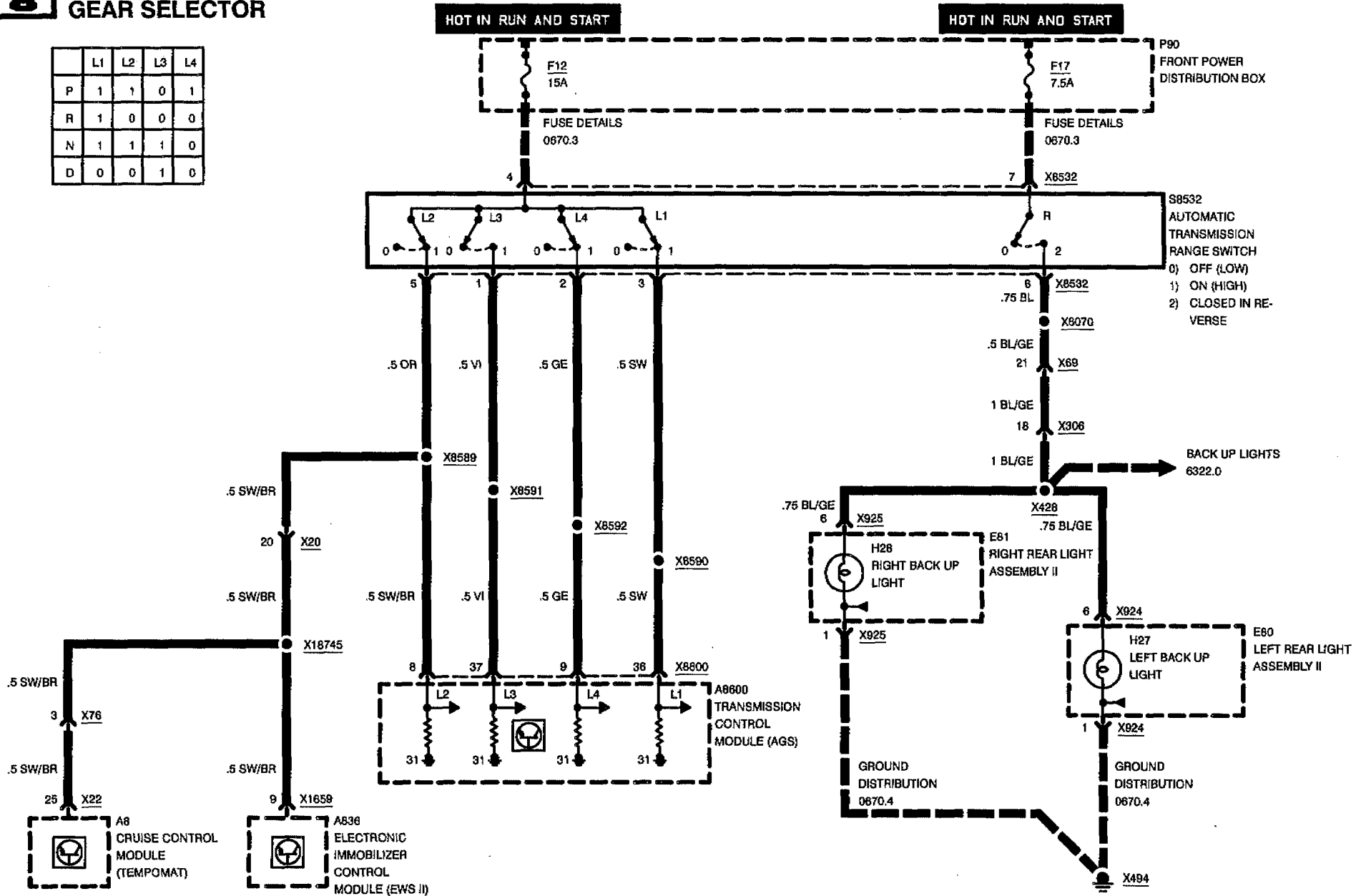


# ELECTRONIC TRANSMISSION CONTROL (EGS: GS 9.22/AS5 560Z)

840Ci (M62)

## GEAR SELECTOR

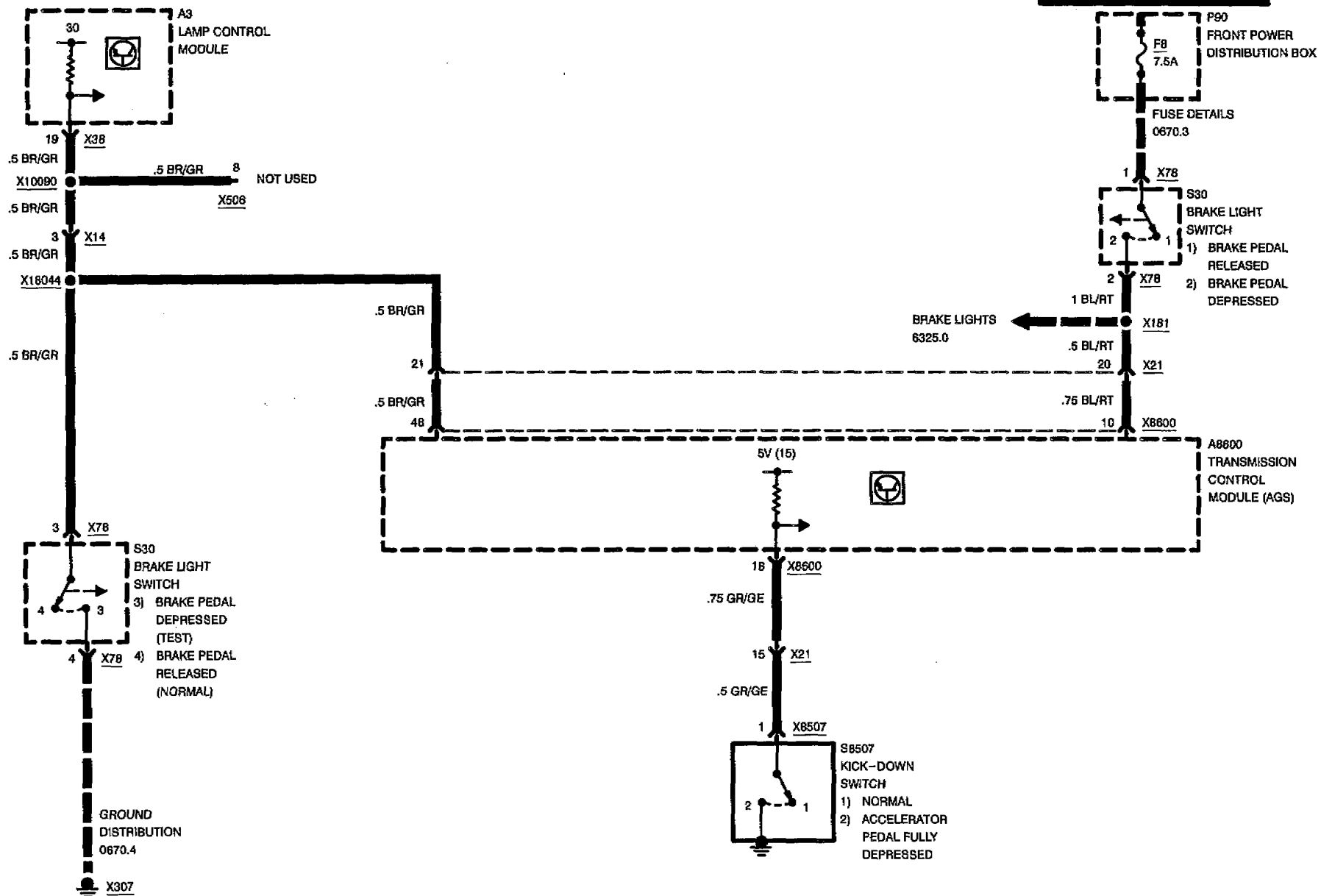
	L1	L2	L3	L4
P	1	1	0	1
R	1	0	0	0
N	1	1	1	0
D	0	0	1	0





# ELECTRONIC TRANSMISSION CONTROL (EGS: GS 9.22/AS5 560Z)

## 840Ci (M62)



02/97

2460.10-10

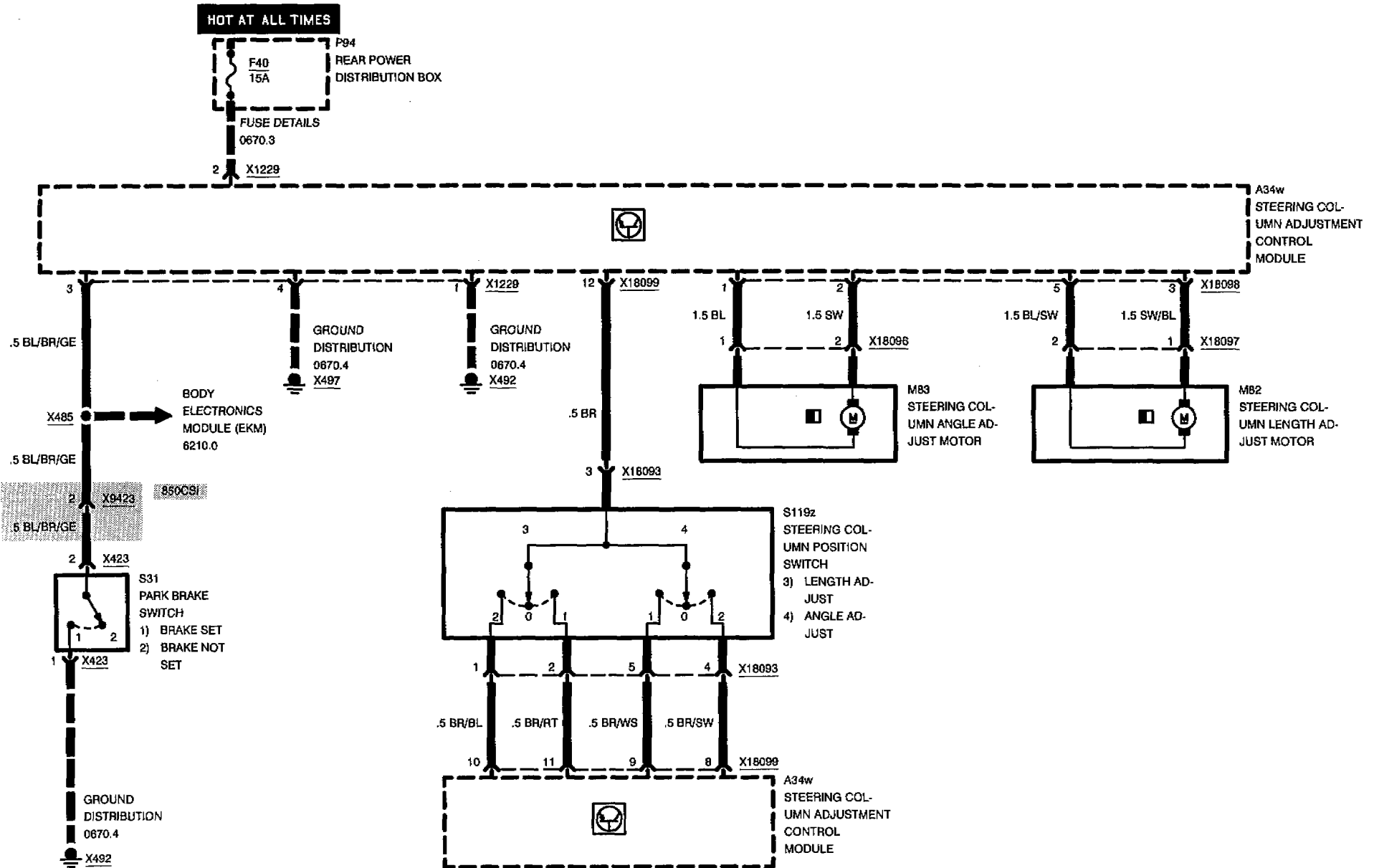
95/96

BMW  
8

3231.0



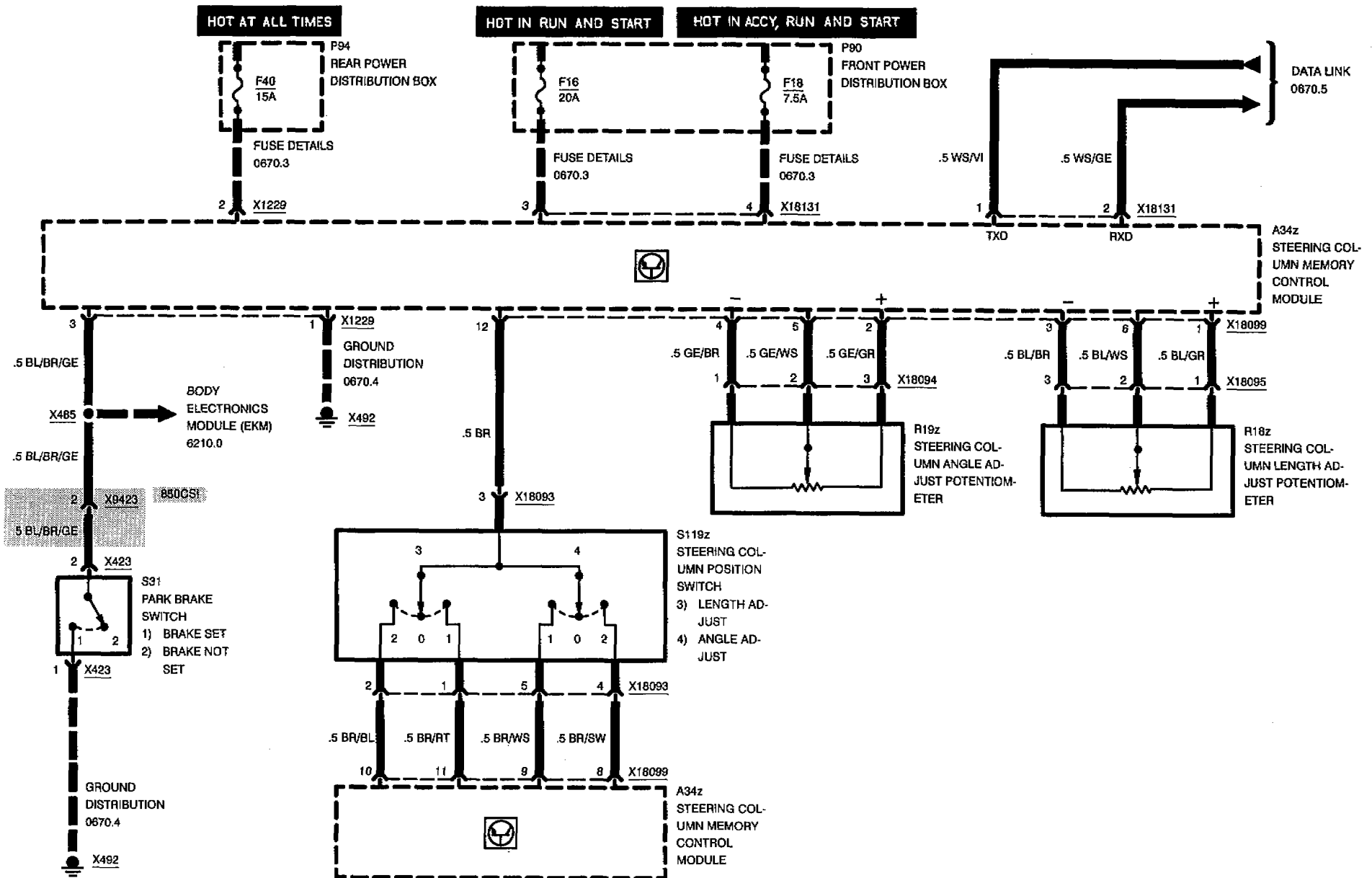
# ELECTRIC STEERING COLUMN ADJUSTMENT







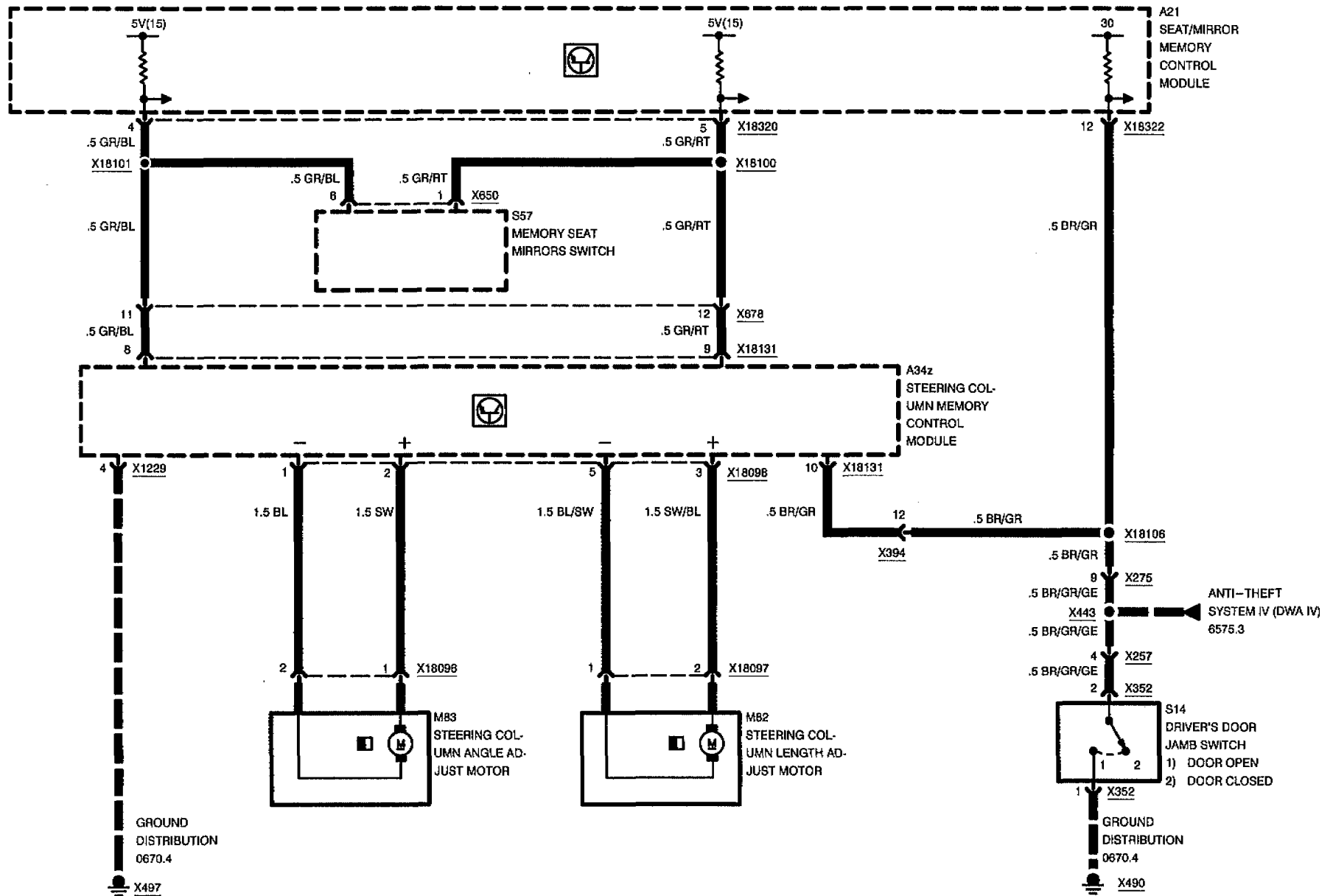
# STEERING COLUMN MEMORY (LSM)





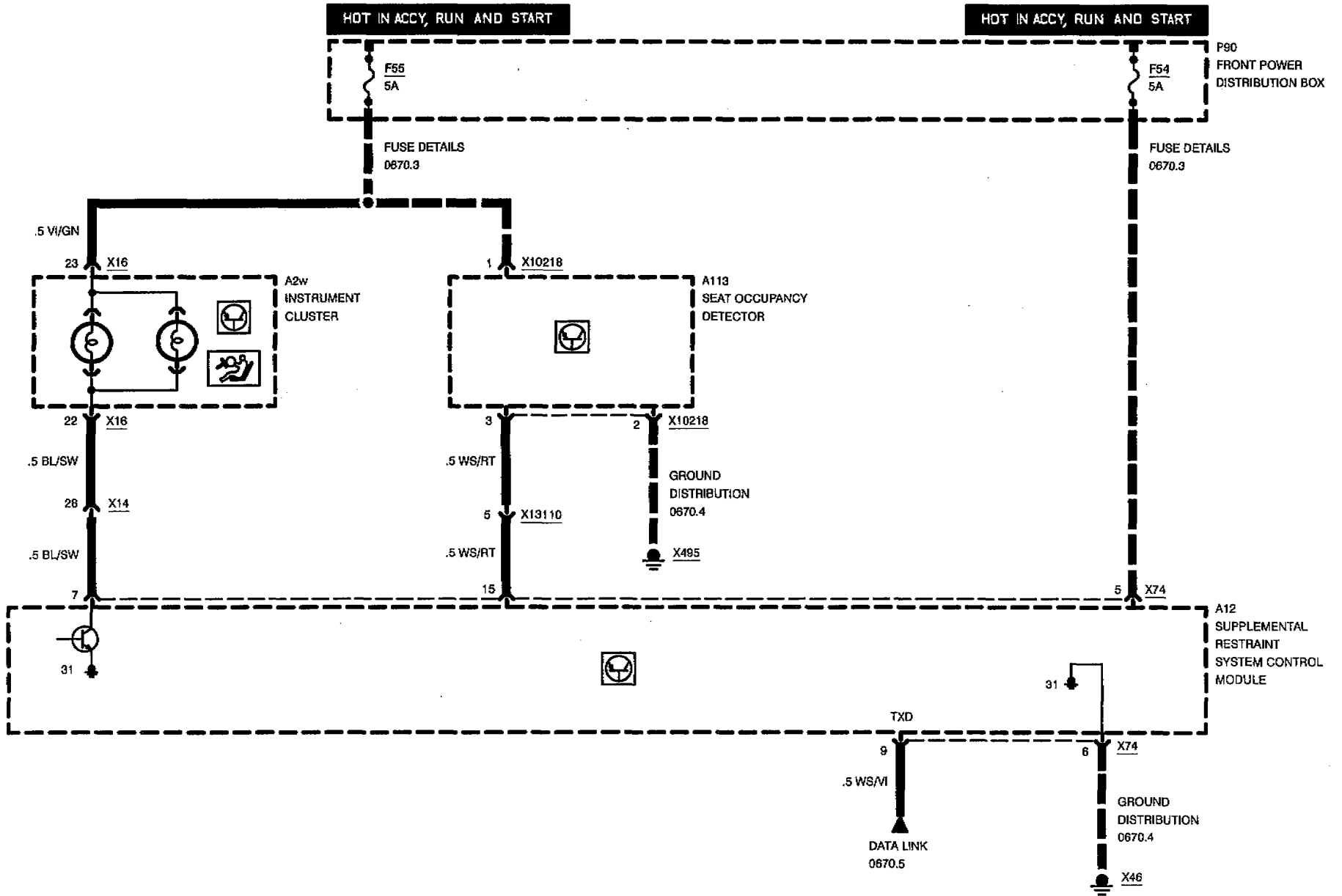


# STEERING COLUMN MEMORY (LSM)



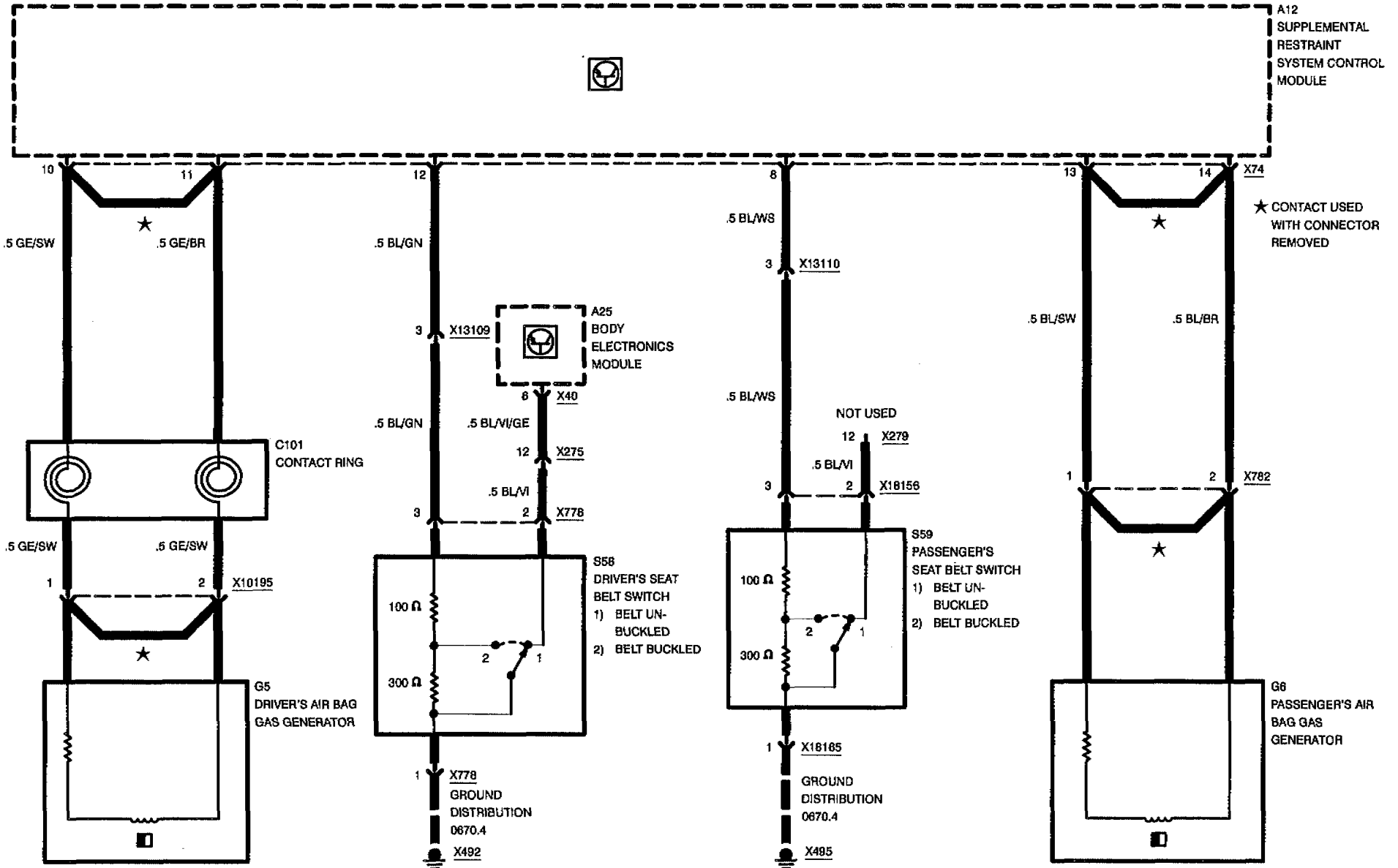


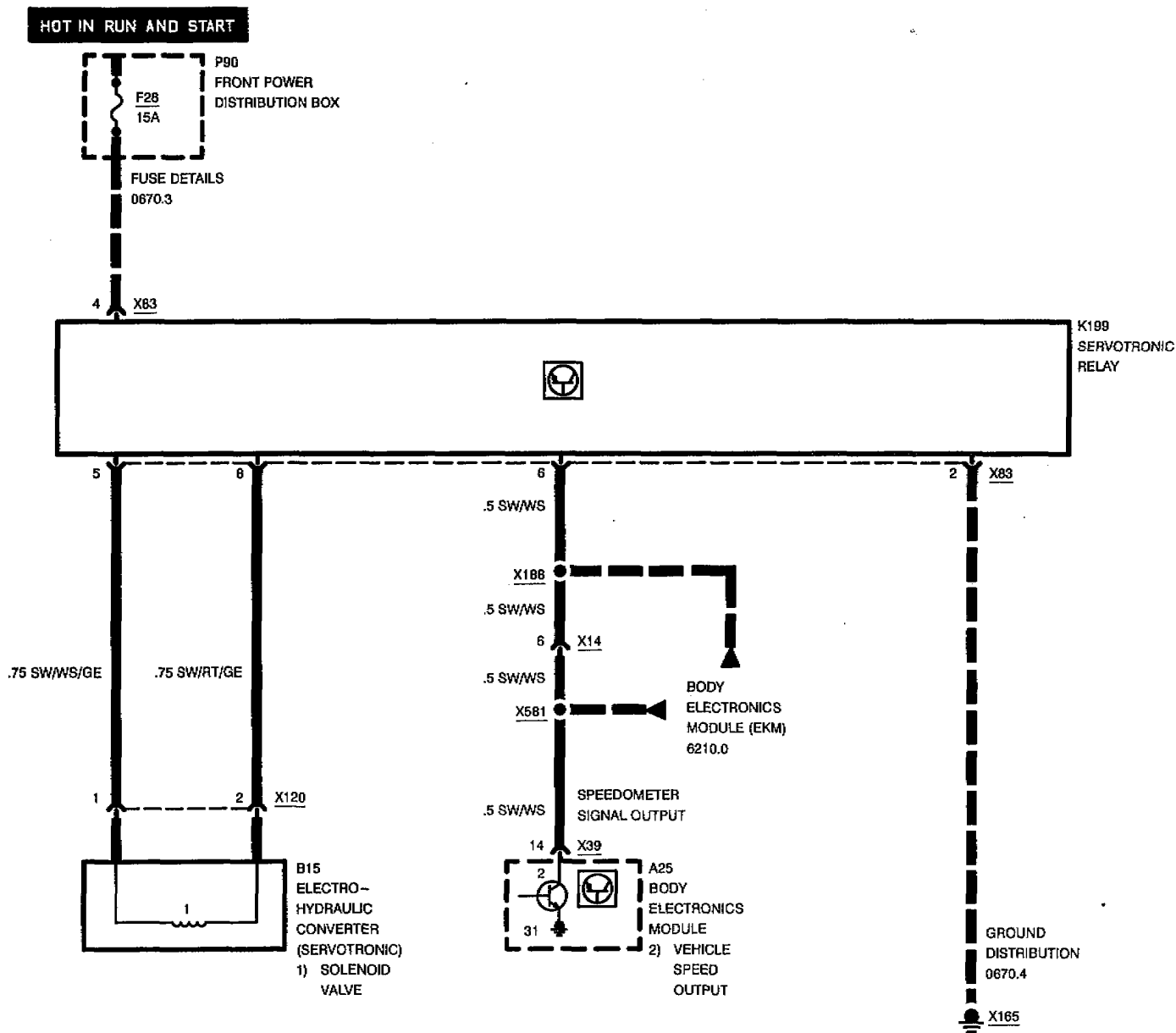
# SUPPLEMENTAL RESTRAINT SYSTEM (AIR BAG)

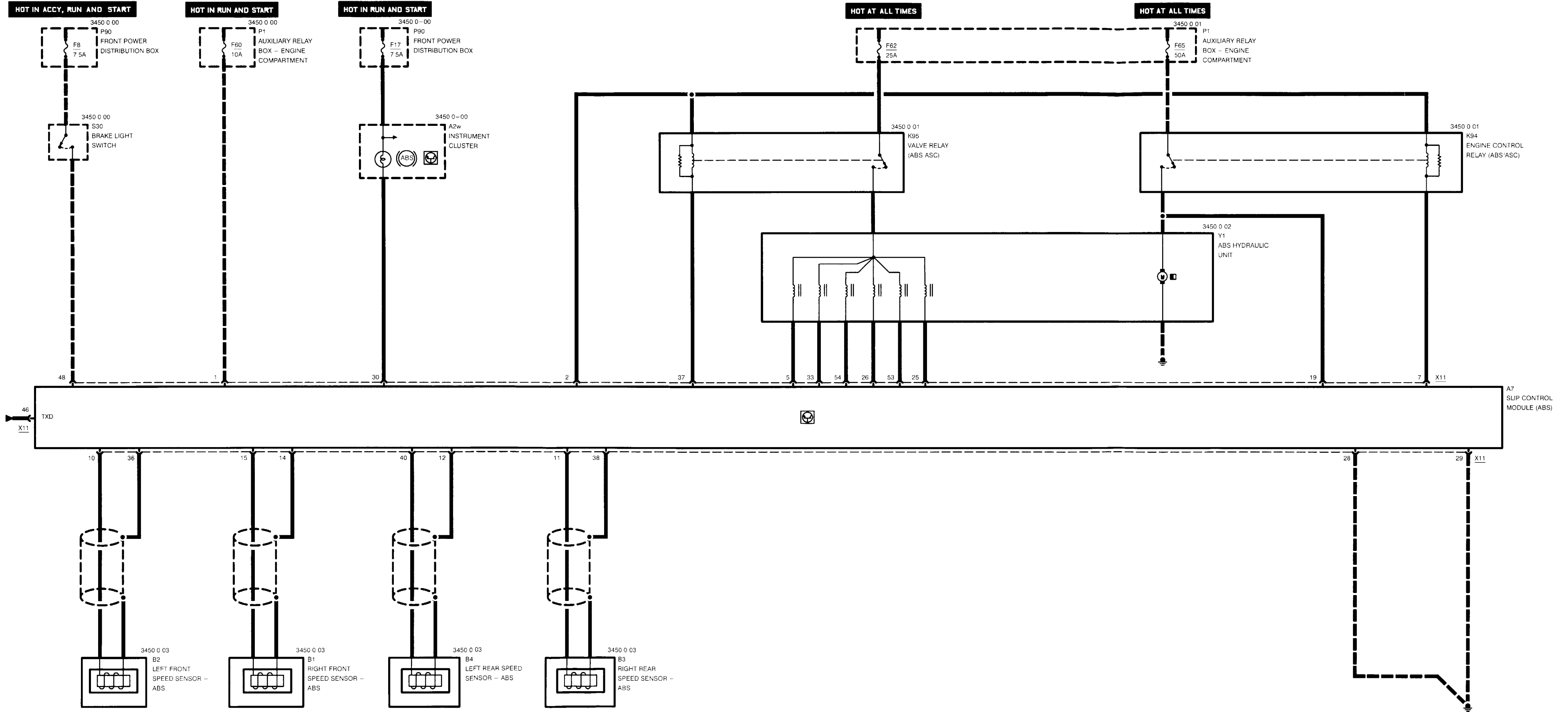


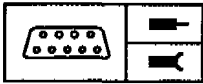


# SUPPLEMENTAL RESTRAINT SYSTEM (AIR BAG)







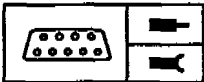


## Pin Assignments

### X11

Pin	Type	Description/Function	Connection
1	E	Battery voltage	Fuse 60
2	A	Voltage signal	ABS valve relay, ABS pump motor relay
3		Not used	
4		Not used	
5	A	Left front inlet relay	ABS hydraulic unit
6		Not used	
7	A	Activate relay	ABS pump motor relay
8		Not used	
9		Not used	
10	A	Left front speed sensor voltage signal	Left front speed sensor (ABS)
11	E	Right rear speed sensor voltage signal	Right rear speed sensor (ABS)
12	A	Left rear speed sensor ground	Left rear speed sensor (ABS)
13		Not used	
14	A	Right front speed sensor ground	Right front speed sensor (ABS)
15	E	Right front speed sensor voltage	Right front speed sensor (ABS)
16		Not used	
17		Not used	
18		Not used	
19	E	Plug signal	ABS pump motor relay
20		Not used	
21		Not used	
22		Not used	
23		Not used	
24		Not used	
25	A	Rear axle outlet valve	ABS hydraulic unit
26	A	Right front outlet valve	ABS hydraulic unit
27		Not used	ABS hydraulic unit
28	M	Ground	Ground point
29	M	Ground	Ground point

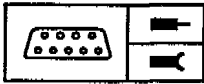
E = Input, A = Output, M = Ground



## Pin Assignments

Pin	Type	Description/Function	Connection
30	A	Voltage signal, ABS warning lamp	Instrument cluster
31		Not used	
32		Not used	
33	A	Left front outlet valve	ABS hydraulic unit
34		Not used	
35		Not used	
36	E	Left front speed sensor ground	Left front speed sensor (ABS)
37	A	Activate relay	ABS valve relay
38	A	Right rear speed sensor ground	Right rear speed sensor (ABS)
39		Not used	
40	E	Left rear speed sensor voltage signal	Left rear speed sensor (ABS)
41		Not used	
42		Not used	
43		Not used	
44		Not used	
45		Not used	
46	E/A	TxD diagnostic data line	Data link connector
47		Not used	
48	E	Brake light signal	Brake light switch
49		Not used	
50		Not used	
51		Not used	
52		Not used	
53	A	Rear axle inlet valve	ABS hydraulic unit
54	A	Right front inlet valve	ABS hydraulic unit
55		Not used	
56		Not used	
57		Not used	
58		Not used	
59		Not used	
60		Not used	
61		Not used	

E = Input, A = Output, M = Ground



## Pin Assignments

Pin	Type	Description/Function	Connection
62		Not used	
63		Not used	
64		Not used	
65		Not used	
66		Not used	
67		Not used	
68		Not used	
69		Not used	
70		Not used	
71		Not used	
72		Not used	
73		Not used	
74		Not used	
75		Not used	
76		Not used	
77		Not used	
78		Not used	
79		Not used	
80		Not used	
81		Not used	
82		Not used	
83		Not used	
84		Not used	
85		Not used	
86		Not used	
87		Not used	
88		Not used	

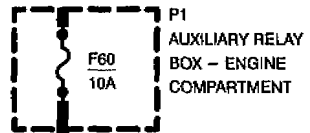
E = Input, A = Output, M = Ground





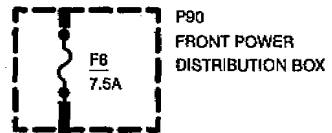
# SLIP CONTROL (ABS)

## HOT IN RUN AND START



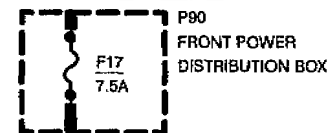
FUSE DETAILS  
0670.3

## HOT IN ACCY, RUN AND START

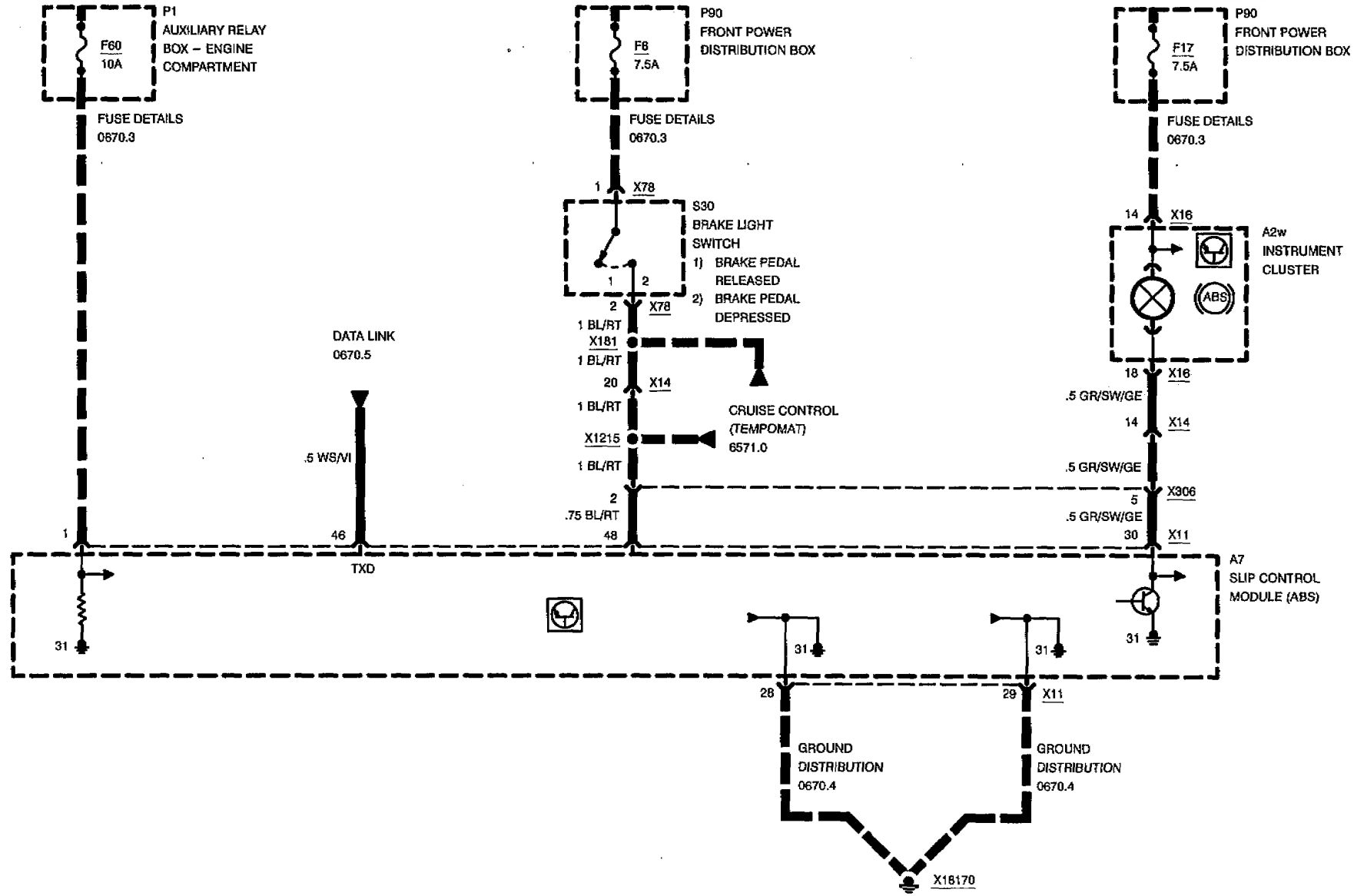


FUSE DETAILS  
0670.3

## HOT IN RUN AND START

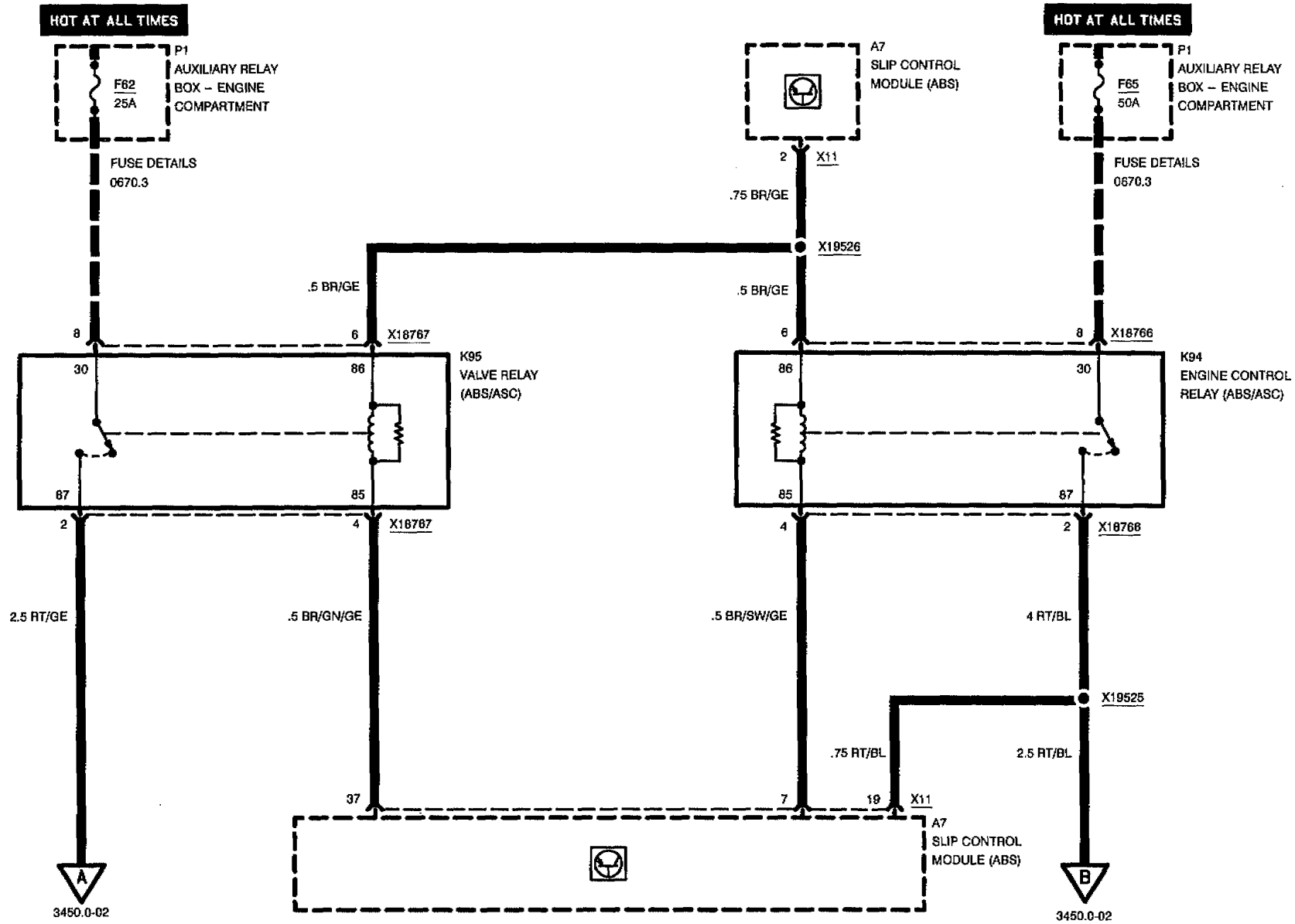


FUSE DETAILS  
0670.3



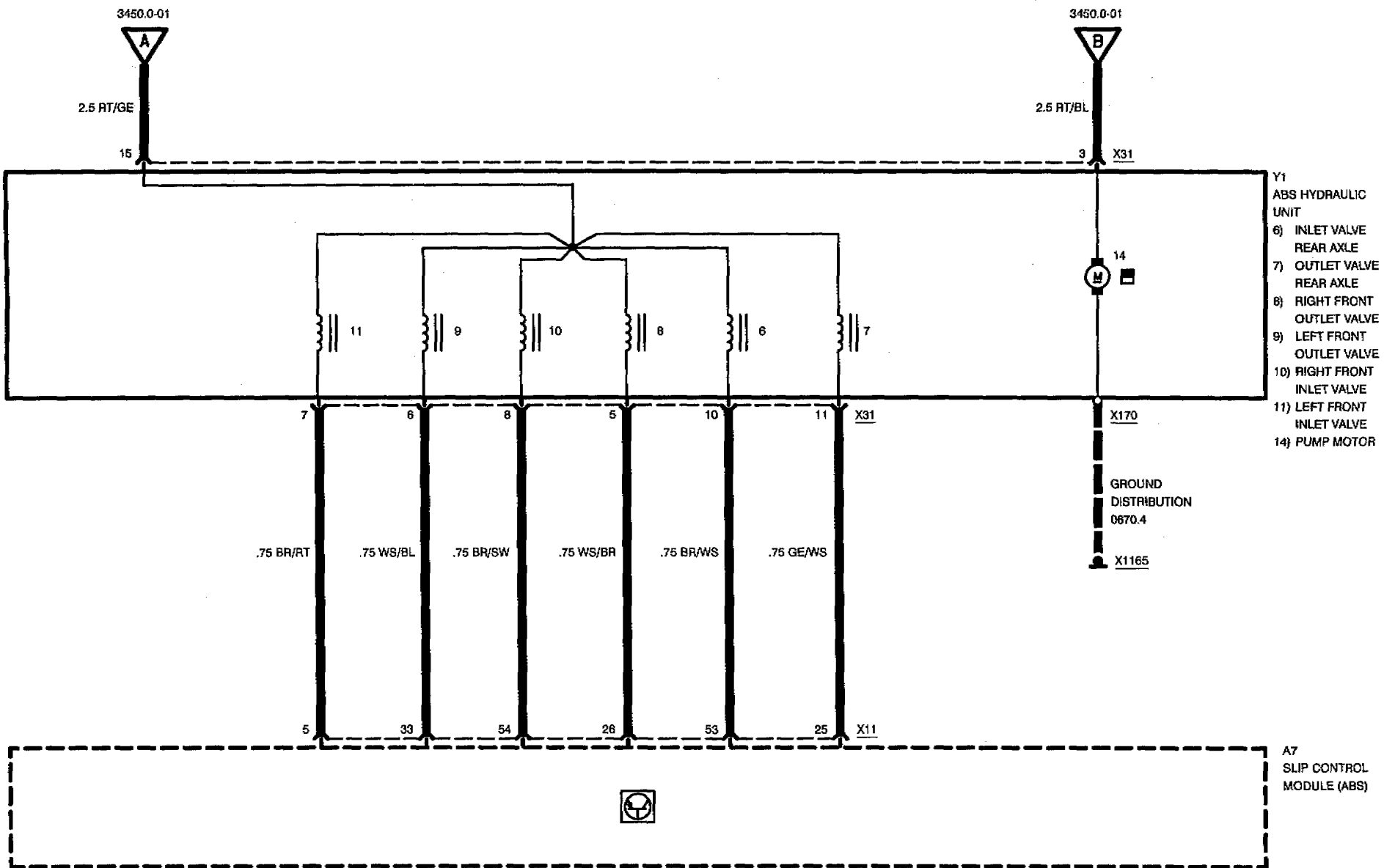


# SLIP CONTROL (ABS)



3450.0-02

3450.0-02

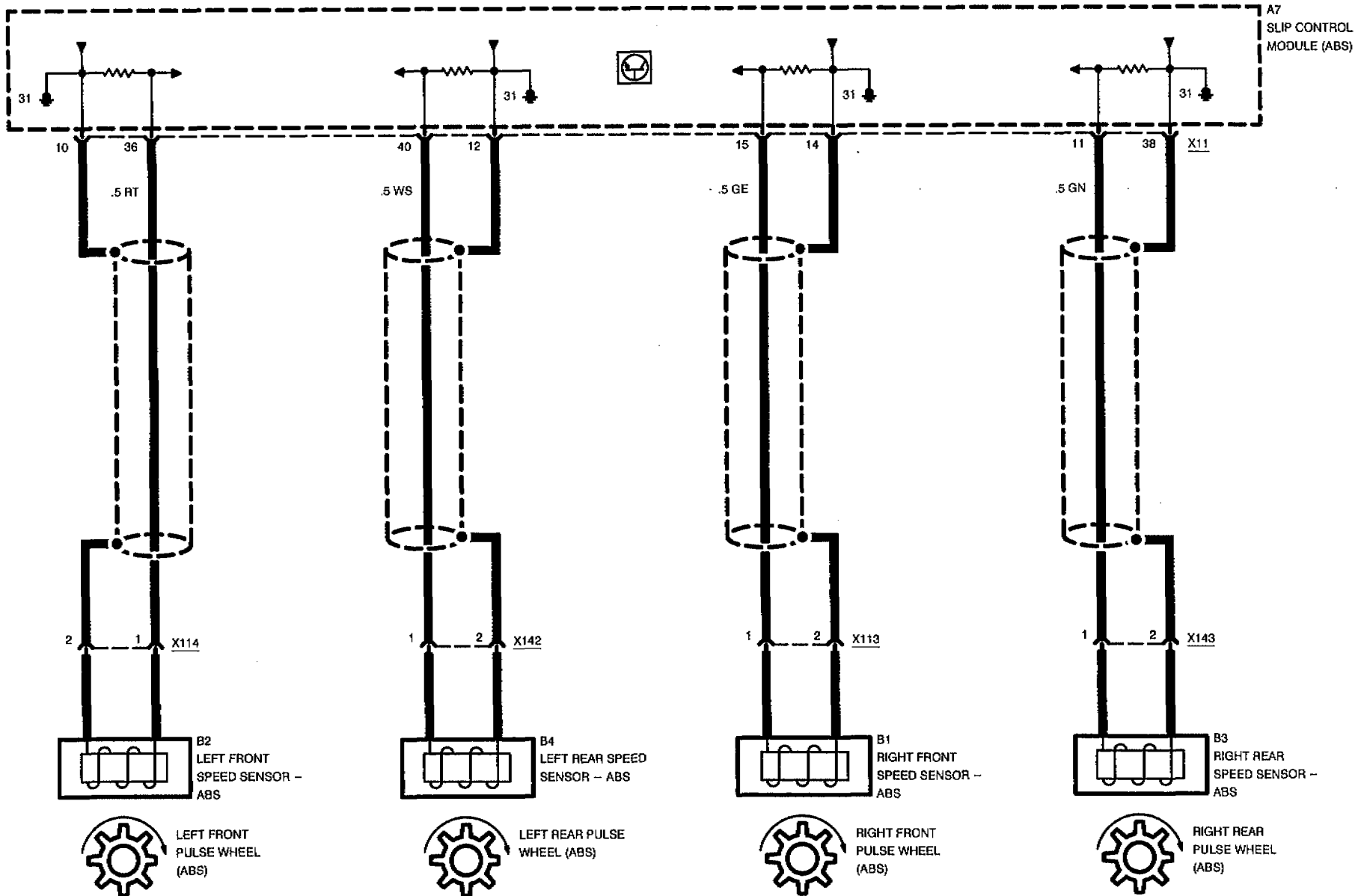


- Y1  
ABS HYDRAULIC UNIT
- 6) INLET VALVE REAR AXLE
  - 7) OUTLET VALVE REAR AXLE
  - 8) RIGHT FRONT OUTLET VALVE
  - 9) LEFT FRONT OUTLET VALVE
  - 10) RIGHT FRONT INLET VALVE
  - 11) LEFT FRONT INLET VALVE
  - 14) PUMP MOTOR

A7  
SLIP CONTROL MODULE (ABS)



# SLIP CONTROL (ABS)



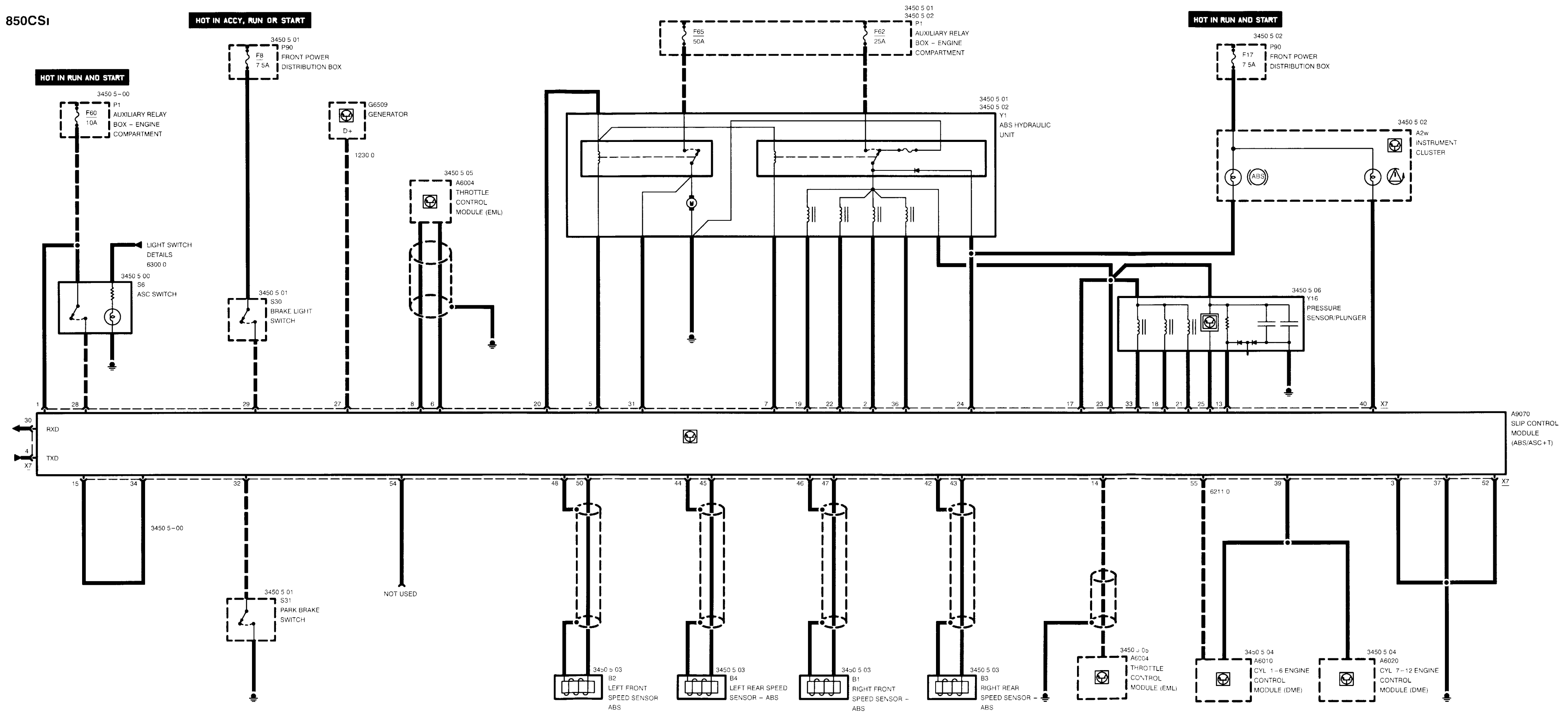


850CSi

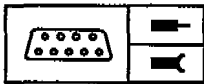
HOT IN ACCY, RUN OR START

HOT IN RUN AND START

HOT IN RUN AND START



A9070 SLIP CONTROL MODULE (ABS/ASC+T)

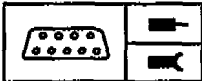


## Pin Assignments

### X7

Pin	Type	Description/Function	Connection
1	E	Terminal 15	Fuse 60
2	A	Rear left solenoid valve activation	ABS hydraulic unit
3	M	Ground	Ground point
4	E/A	TxD diagnostic data line	Data link connector
5	A	Pump relay activation	ABS hydraulic unit
6	A	Throttle valve angle reduction (DKR)	Electronic throttle control module (EML)
7	A	Valve relay activation	ABS hydraulic unit
8	A	Throttle valve angle increase (DKE)	Electronic throttle control module (EML)
9		Not used	
10		Not used	
11		Not used	
12		Not used	
13	E	Operating pressure signal	Pressure sensor/plunger
14	E	Throttle valve position	Electronic throttle control module (EML)
15	A	Coding plug for manual transmission	Pin 34 (stabilized voltage)
16		Not used	
17	E	Voltage signal, valve relay	ABS hydraulic unit
18	A	Rear right plunger valve activation	Pressure sensor/plunger
19	A	Front left solenoid valve activation	ABS hydraulic unit
20	A	Voltage signal pump relay	ABS hydraulic unit
21	A	Rear left plunger valve activation	Pressure sensor/plunger
22	A	Front right solenoid valve activation	ABS hydraulic unit
23	E	Voltage signal, valve relay	ABS hydraulic unit
24	E	Voltage signal ABS warning lamp	Instrument cluster
25	E	Accumulator warning pressure threshold	Pressure sensor/plunger
26		Not used	
27	E	Terminal 61 D+	Generator
28	E	ASC switch signal	ASC switch.
29	E	Brake light signal	Brake light switch
30	E	RxD diagnostic data line	Data link connector

E = Input, A = Output, M = Ground



## Pin Assignments

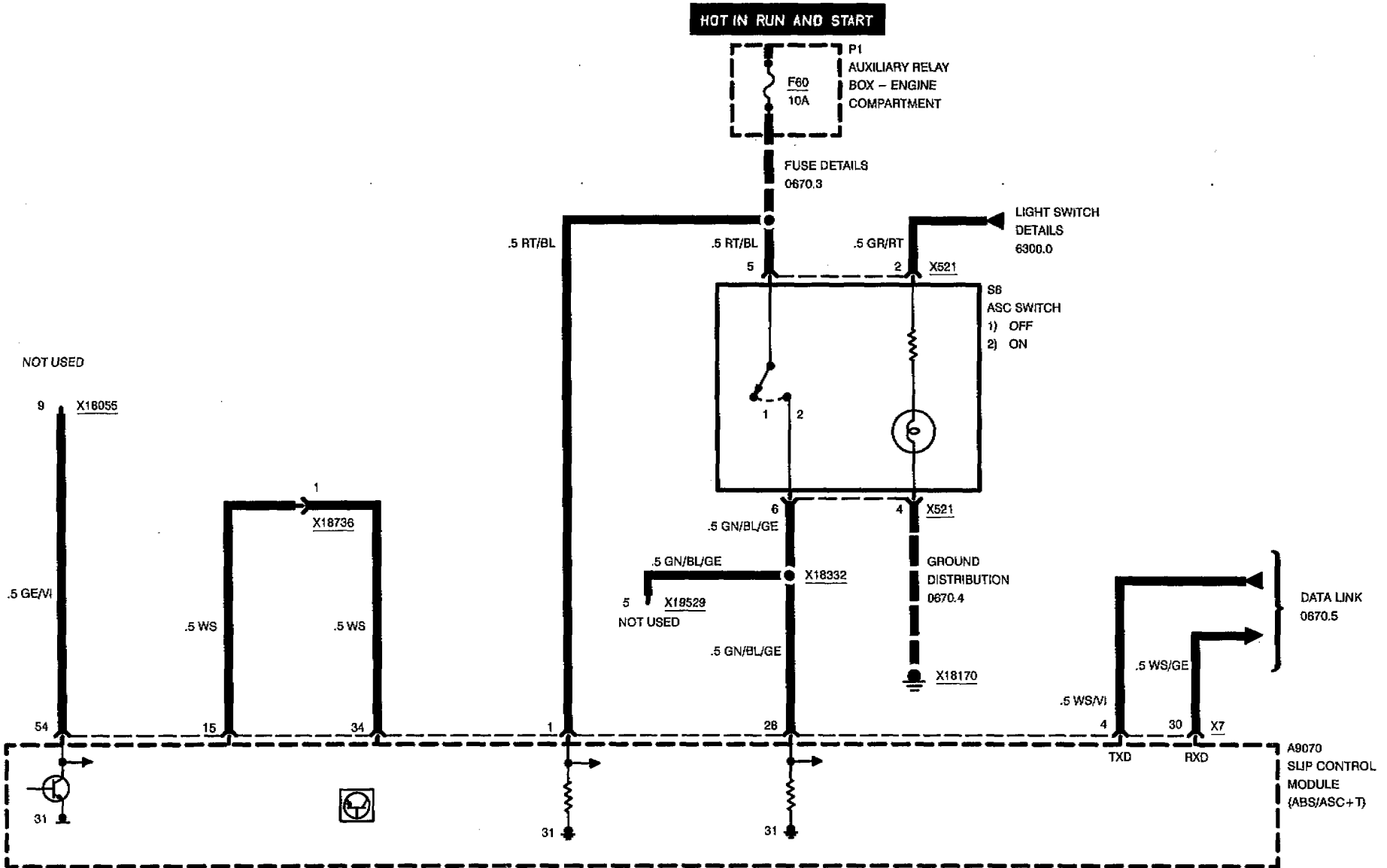
Pin	Type	Description/Function	Connection
31	E	Pump relay signal	ABS hydraulic unit
32	E	Park brake switch signal	Park brake switch
33	A	Recharging valve activation	Pressure sensor/plunger
34	E	Coding plug for manual transmission	Pin 15
35		Not used	
36	A	Rear right solenoid valve activation	ABS hydraulic unit
37	M	Ground	Ground point
38		Not used	
39	A	Ignition angle adjustment	Engine control modules (DME)
40	A	ASC multi-function lamp	Instrument cluster
41		Not used	
42	A	Right rear wheel speed sensor ground	Speed sensor
43	E	Right rear wheel speed signal	Speed sensor
44	A	Left rear wheel speed sensor ground	Speed sensor
45	E	Left rear wheel speed signal	Speed sensor
46	A	Right front wheel speed sensor ground	Speed sensor
47	E	Right front wheel speed signal	Speed sensor
48	A	Left front wheel speed sensor ground	Speed sensor
49		Not used	
50	E	Left front wheel speed signal	Speed sensor
51		Not used	
52	M	Ground	Ground point
53		Not used	
54	A	Signal, transmission intervention	Not used
55	E	RPM signal	Engine control module (DME)

E = Input, A = Output, M = Ground





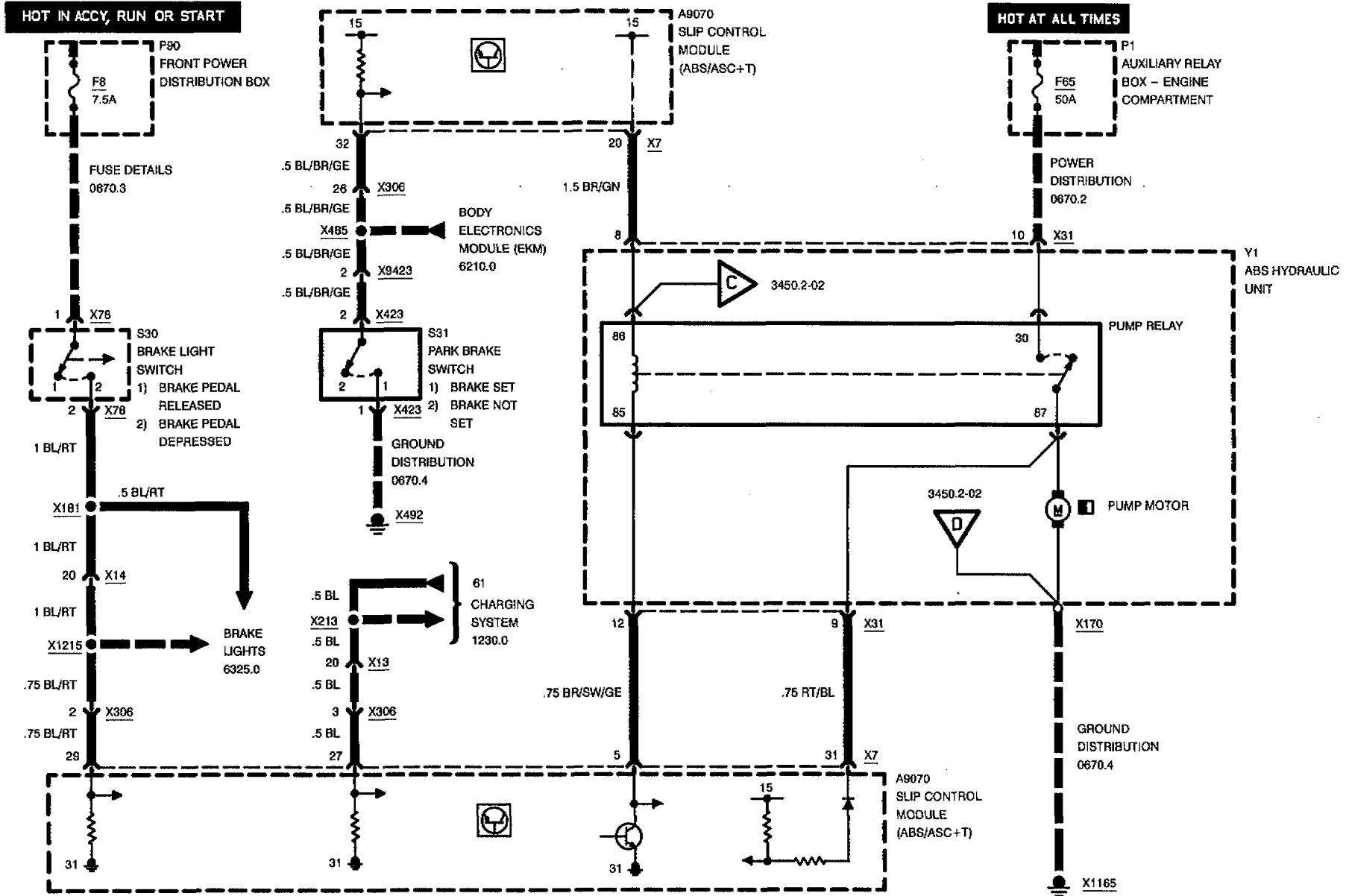
3450.5





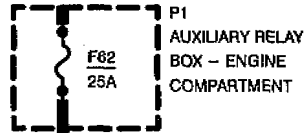
# SLIP CONTROL 5 (ASC 5)

## 850CSI

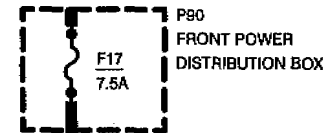


HOT AT ALL TIMES

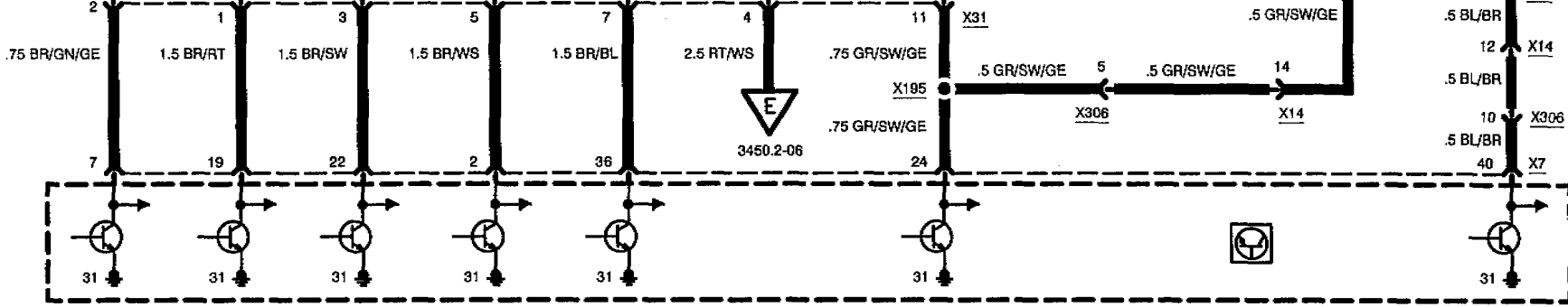
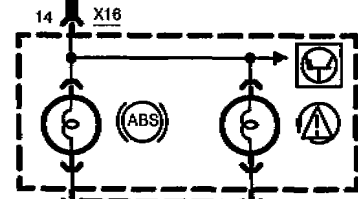
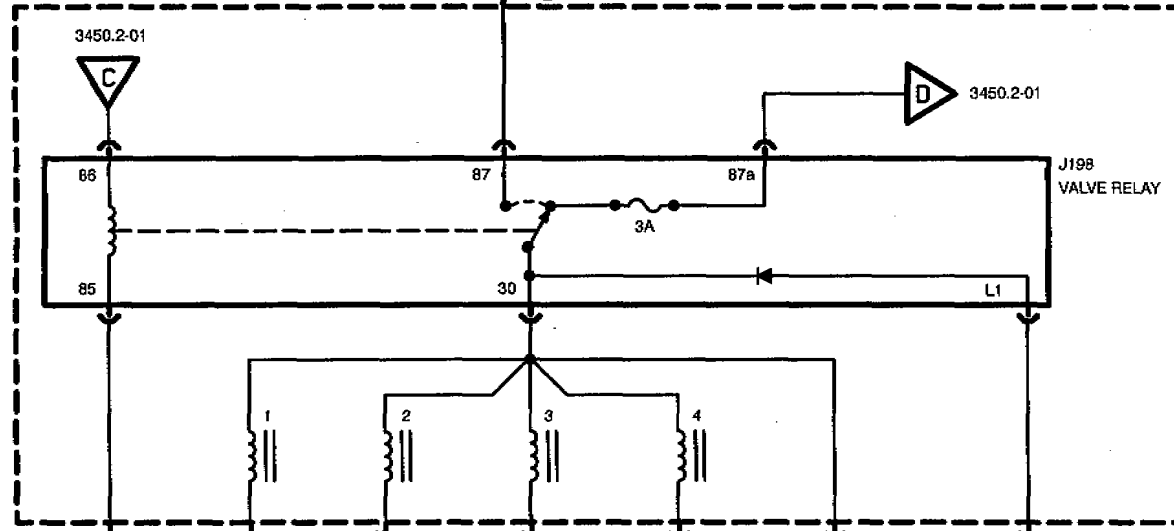
HOT IN RUN AND START



FUSE DETAILS  
0670.3



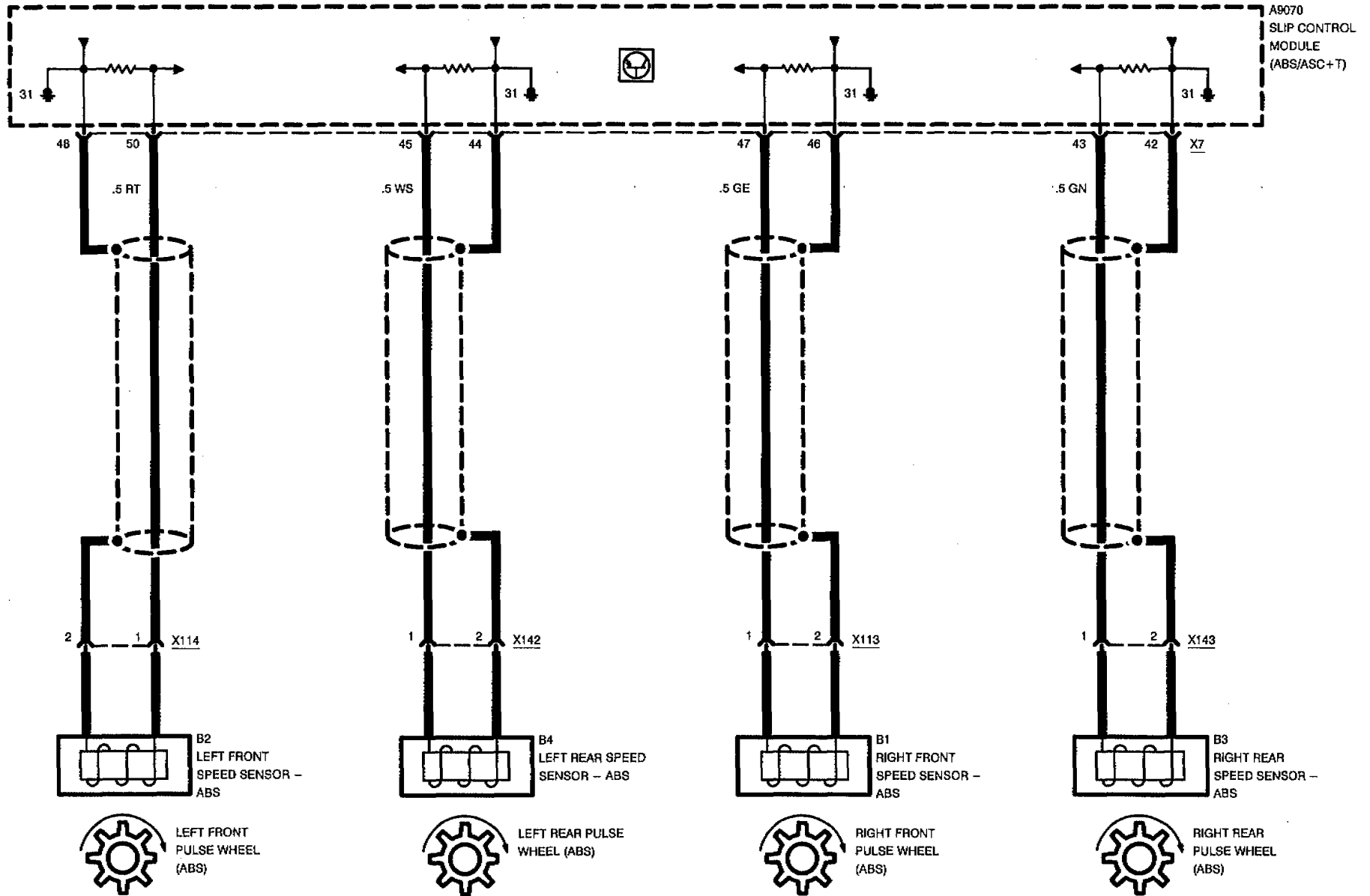
FUSE DETAILS  
0670.3





# SLIP CONTROL 5 (ASC 5)

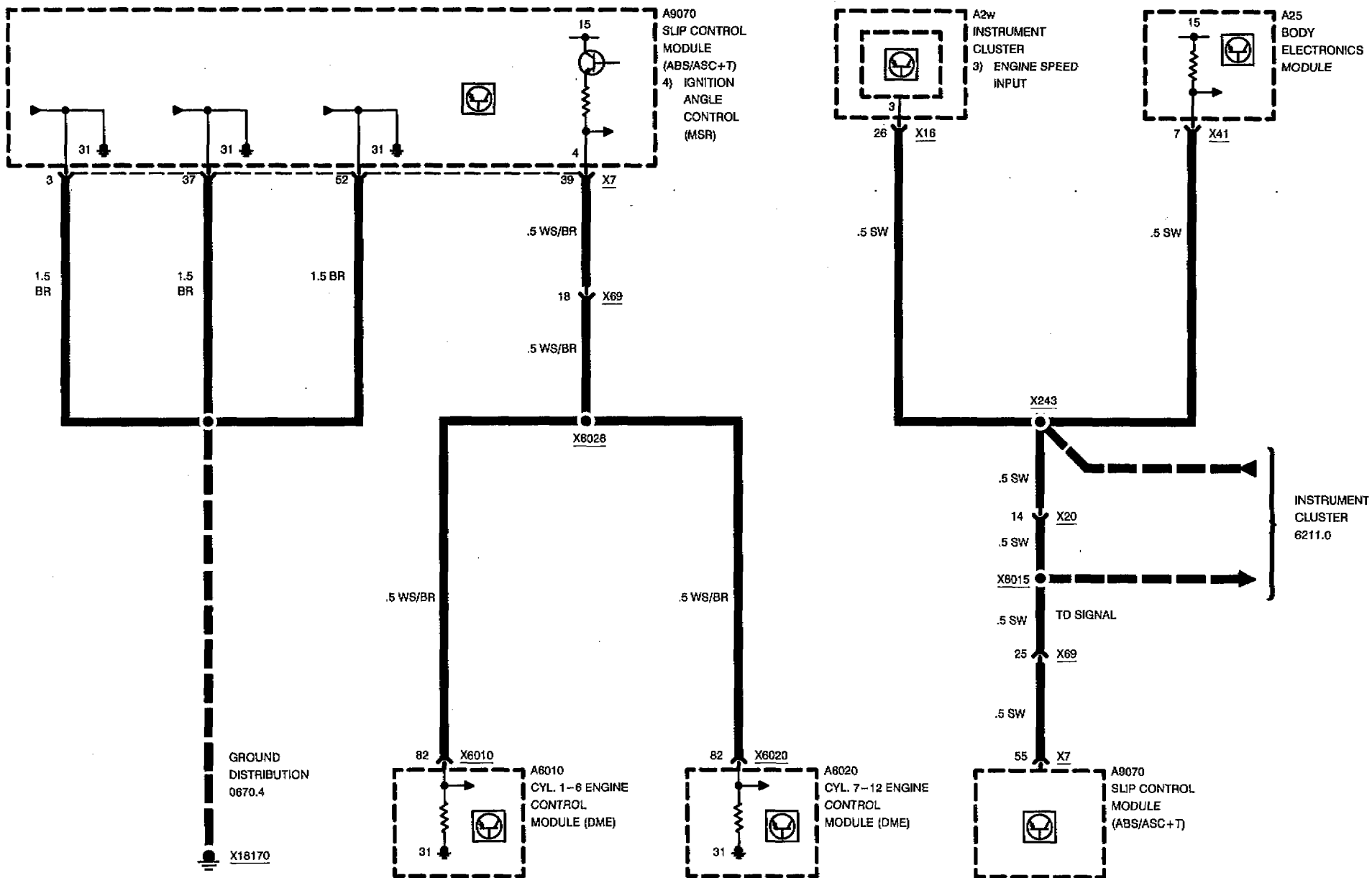
850CSi





# SLIP CONTROL 5 (ASC 5)

## 850CSI



02/97

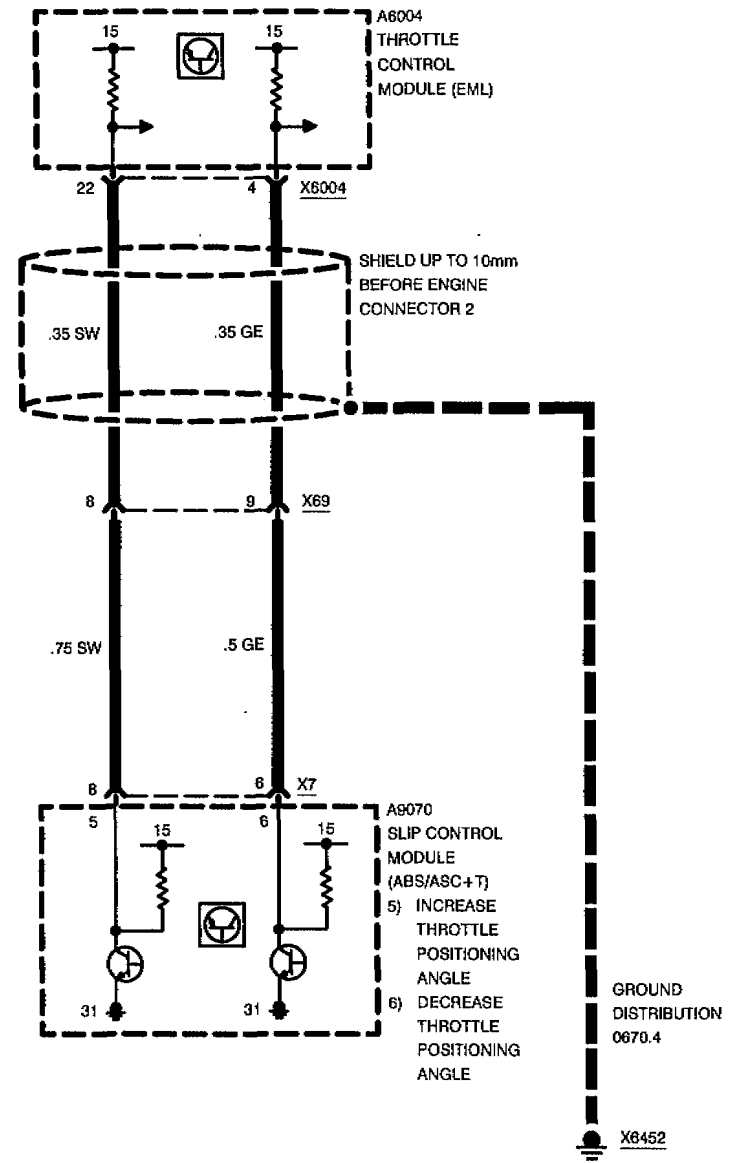
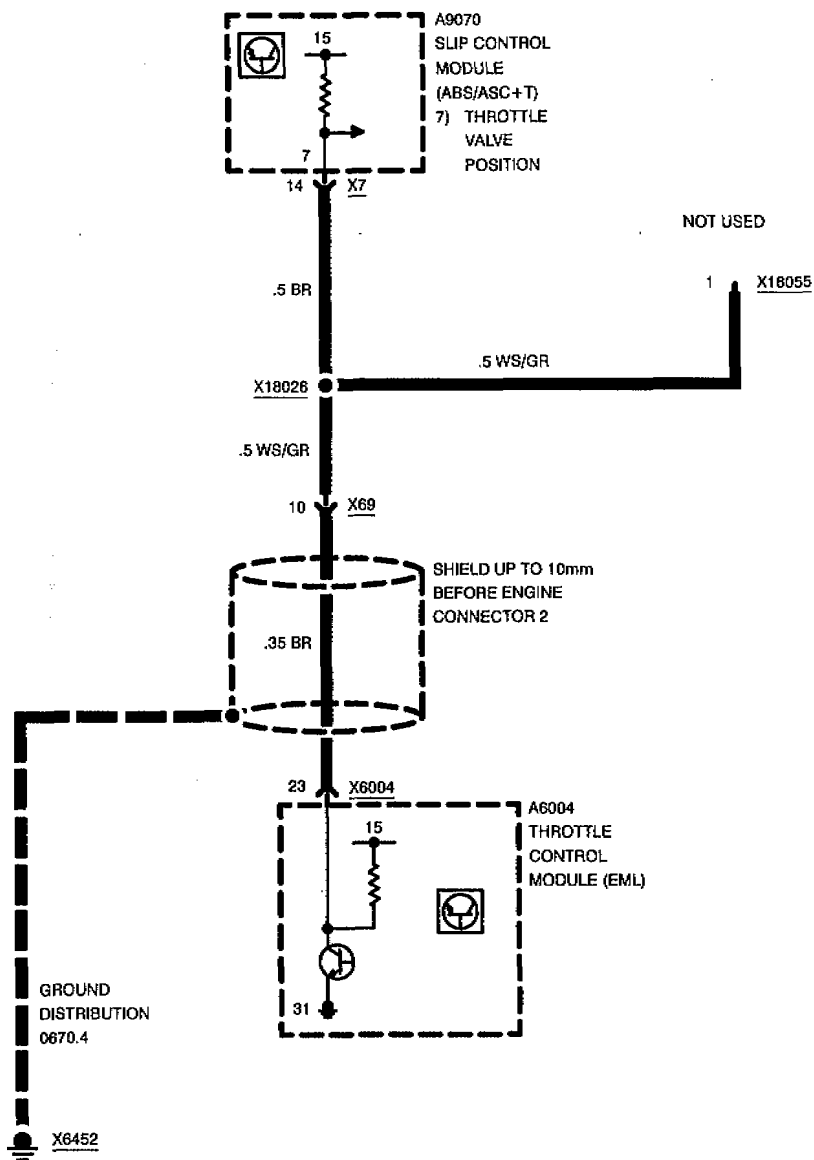
3450.5-04

95/96



# SLIP CONTROL 5 (ASC 5)

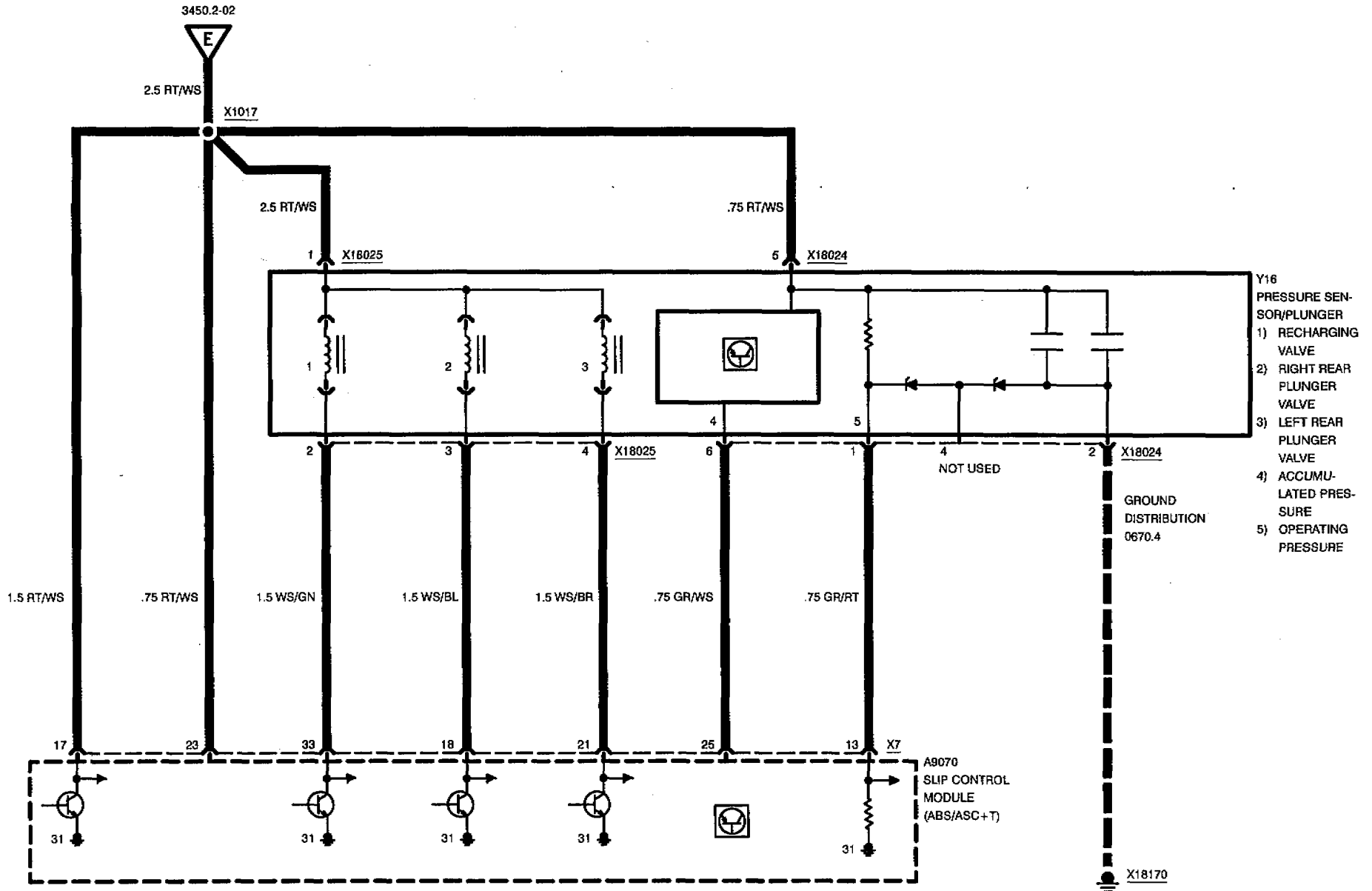
## 850CSi





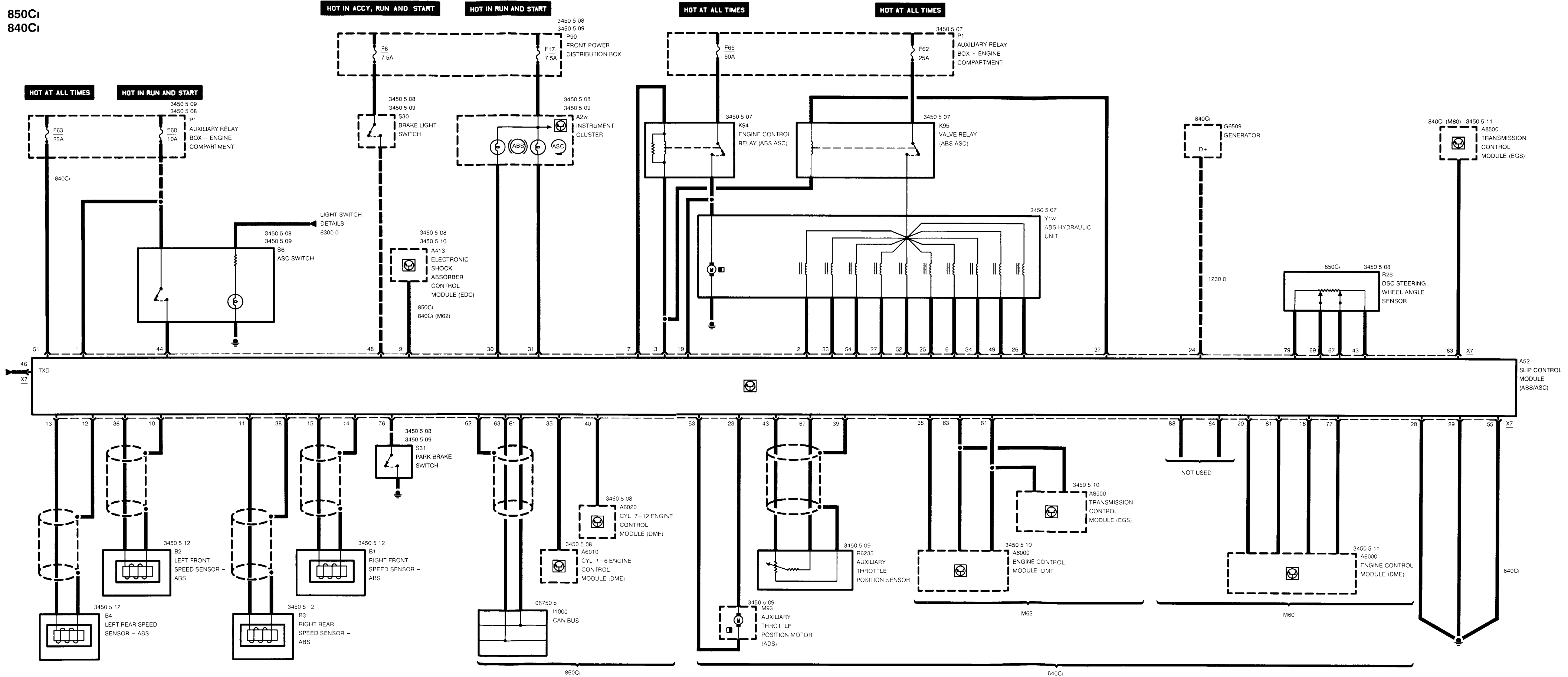
# SLIP CONTROL 5 (ASC 5)

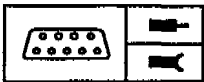
850CSi





850Ci  
840Ci



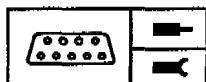


## Pin Assignments

### X7

Pin	Type	Description/Function	Connection
1	E	Battery voltage	Fuse F60, Auxiliary Relay Box
2	A	Left front inlet valve	ABS hydraulic unit
3	A	ABS/ASC valve relay, ABS/ASC engine control relay	ABS/ASC valve relay, ABS/ASC engine control relay
4		Not used	
5		Not used	
6	A	Right rear inlet valve	ABS hydraulic unit
7	A	Voltage signal	Engine control relay (ABS/ASC)
8		Not used	
9	A	Left front wheel speed sensor	Electronic shock absorber control module (EDC) (850Ci, 840Ci-M62)
10	A	Left front speed sensor ground	Left front speed sensor
11	E	Right rear speed sensor voltage signal	Right rear speed sensor (ABS)
12	A	Left rear speed sensor ground	Left rear speed sensor
13	A	Left rear speed voltage signal	Left rear speed sensor (ABS)
14	A	Right front speed sensor ground	Right front speed sensor
15	E	Right front speed sensor voltage signal	Right front speed sensor (ABS)
16		Not used	
17		Not used	
18	E	EML-signal	Engine control module (DME) (840Ci-M60)
19	E	ABS/ASC engine control relay, voltage signal	ABS/ASC engine control relay
20	E	Engine speed signal	Engine control module (840Ci-M60)
21		Not used	
22		Not used	
23	A	Auxiliary throttle position motor, voltage	ADS throttle position motor
24	E	Terminal 61 D+	Generator (840Ci)
25	A	Left rear outlet valve	ABS hydraulic unit
26	A	Pressure intake valve	ABS hydraulic unit
27	A	Right front outlet valve	ABS hydraulic unit

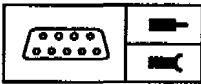
E = Input, A = Output, M = Ground



## Pin Assignments

Pin	Type	Description/Function	Connection
28	M	Ground	Ground point
29	M	Ground	Ground point
30	A	Voltage signal, ABS warning lamp	Instrument cluster
31	A	ASC multi-function lamp	Instrument cluster
32		Not used	
33	A	Left front outlet valve	ABS hydraulic unit
34	A	Right rear outlet valve	ABS hydraulic unit
35	A	Right rear wheel speed signal	Engine control module (DME) (840Ci-M62) Cyl. 1-6 engine control module (DME) (850Ci)
36	E	Left front speed sensor, voltage signal	Left front speed sensor (ABS)
37	A	Voltage signal, ABS/ASC valve relay	ABS valve relay
38	A	Right rear speed sensor ground	Right rear speed sensor
39	A	Throttle control potentiometer ground	Throttle control potentiometer (840Ci)
40	A	Left rear wheel speed signal	Cyl. 7-12 engine control module (DME) (850Ci)
41		Not used	
42		Not used	
43	A	Sensor (+)	PSC steering wheel angle sensor (850Ci)
43	A	Throttle control potentiometer, voltage	Throttle flap potentiometer (ASC) (840Ci)
44	E	ASC passive button voltage signal	ASC switch
45		Not used	
46	E/A	TxD diagnostic data line	Data link connector
47		Not used	
48	E	Brake light signal	Brake light switch
49	A	Plunger valve	ABS hydraulic unit
50		Not used	
51	E	Voltage supply	Fuse F63, Auxiliary Relay Box (840Ci)
52	A	Left rear inlet valve	ABS hydraulic unit
53	M	Auxiliary throttle position motor, ground	ADS throttle position motor (840Ci)
54	A	Left front inlet valve	ABS hydraulic unit
55	M	Ground	Ground point (840Ci)
56		Not used	

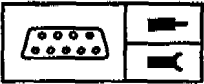
E = Input, A = Output, M = Ground



## Pin Assignments

Pin	Type	Description/Function	Connection
57		Not used	
58		Not used	
59		Not used	
60		Not used	
61	E/A	CAN-H	CAN BUS (850Ci) Engine - Transmission control module (840Ci)
62	M	CAN-S	Shield (850Ci)
63	E/A	CAN-L	CAN BUS (850Ci) Engine - Transmission control module (840Ci)
64		Not used	
65		Not Used	
66		Not used	
67	E	Steering wheel position 2	DSC steering wheel angle sensor (850Ci)
67	E	Throttle control potentiometer, signal	Throttle flap potentiometer (ASC) (840Ci)
68		Not used	
69	E	Steering wheel position 1	DSC steering wheel angle sensor (850Ci)
70		Not used	
71		Not used	
72		Not used	
73		Not used	
74		Not used	
75		Not used	
76	E	Park brake signal	Park brake switch
77	A	Ignition timing set	Engine control module (DME) (840Ci-M60)
78		Not used	
79	M	Sensor ground	DSC steering wheel angle sensor (850Ci)
80		Not used	
81	E	Signal line	Engine control module (DME) (840Ci-M60)
82		Not used	
83	A	Transmission intervention	Transmission control unit (EGS) (840Ci-M60)
84		Not used	
85		Not used	
86		Not used	

E = Input, A = Output, M = Ground

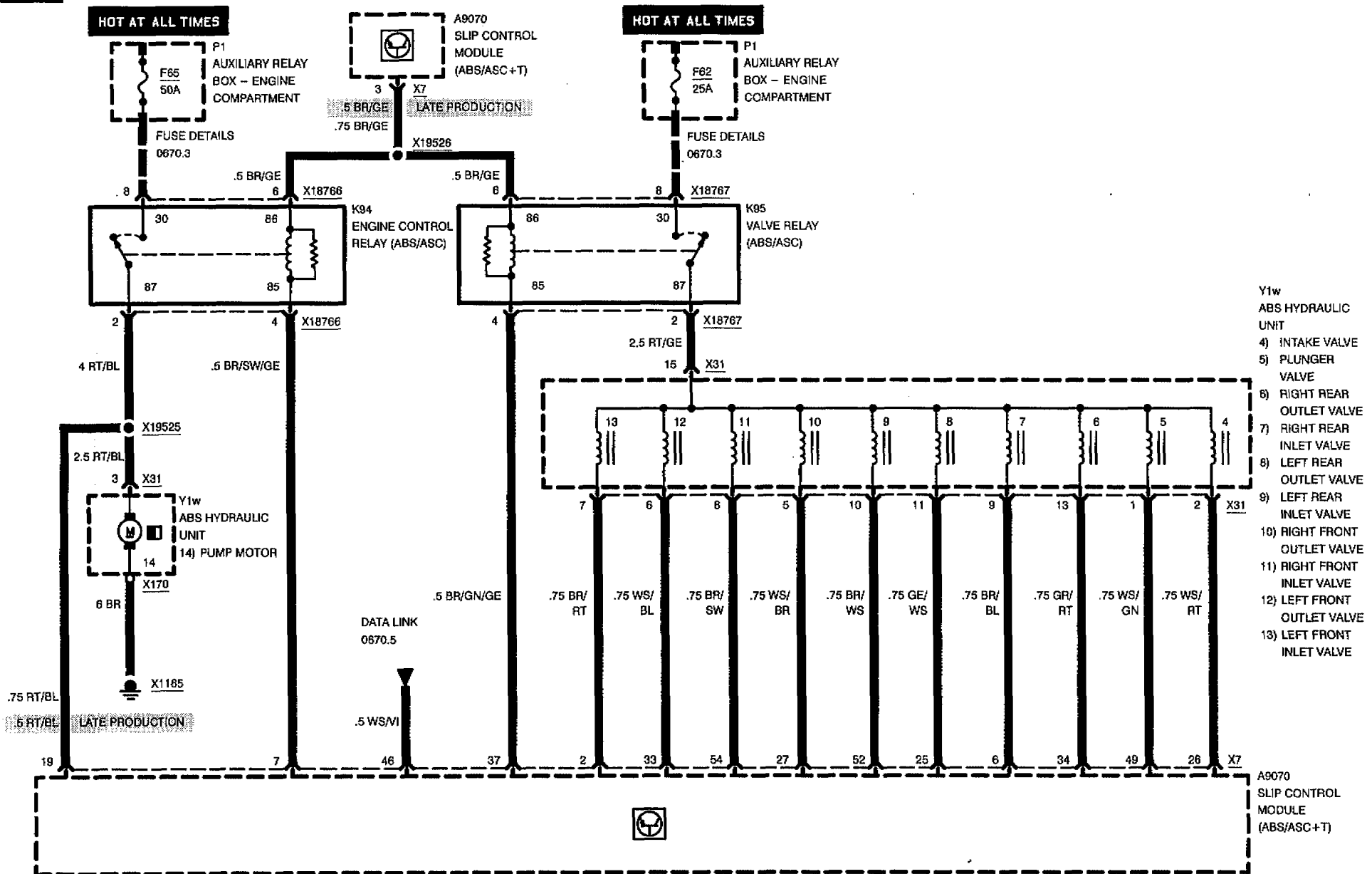


## Pin Assignments

Pin	Type	Description/Function	Connection
87		Not used	
88		Not used	

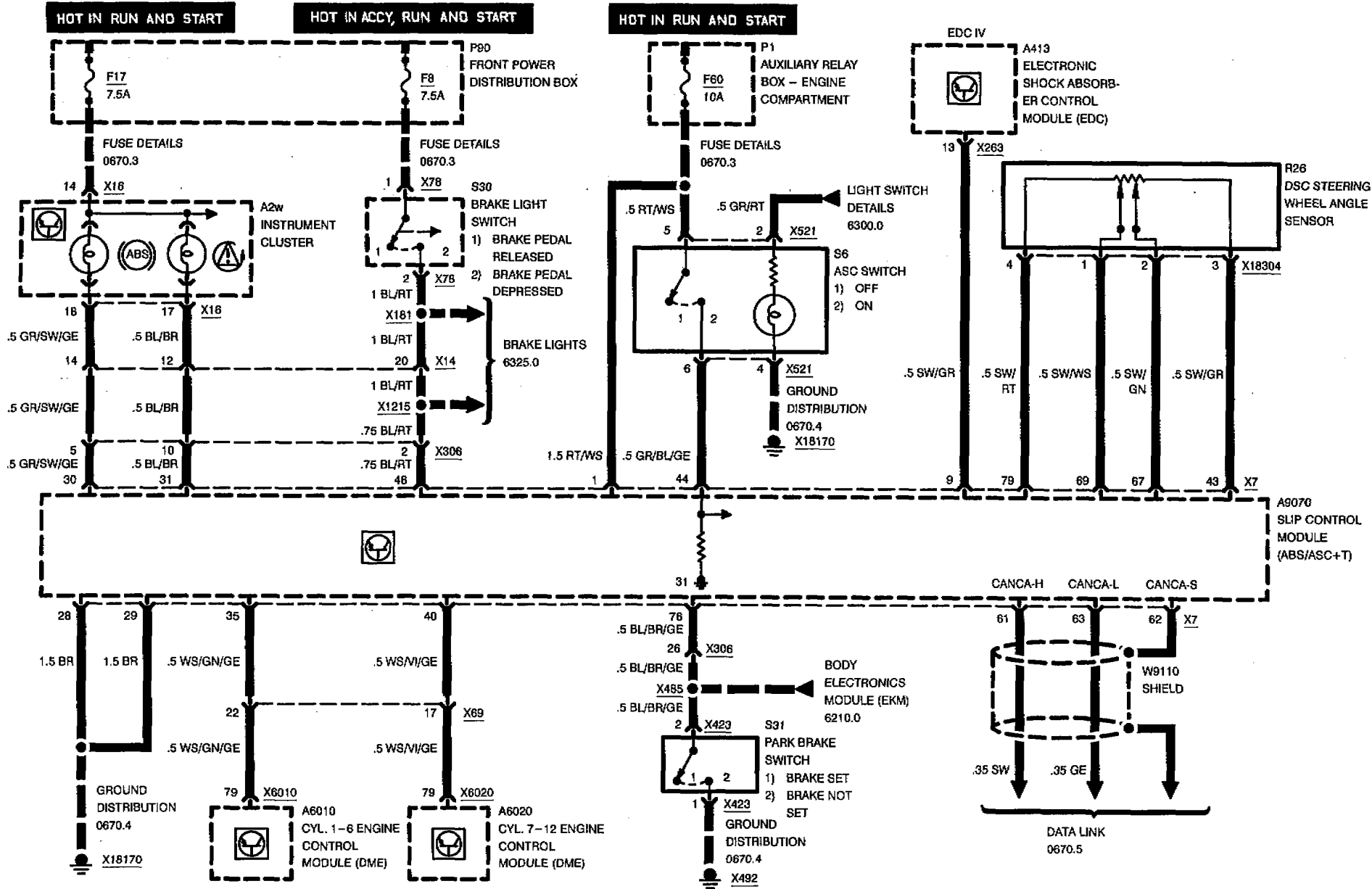


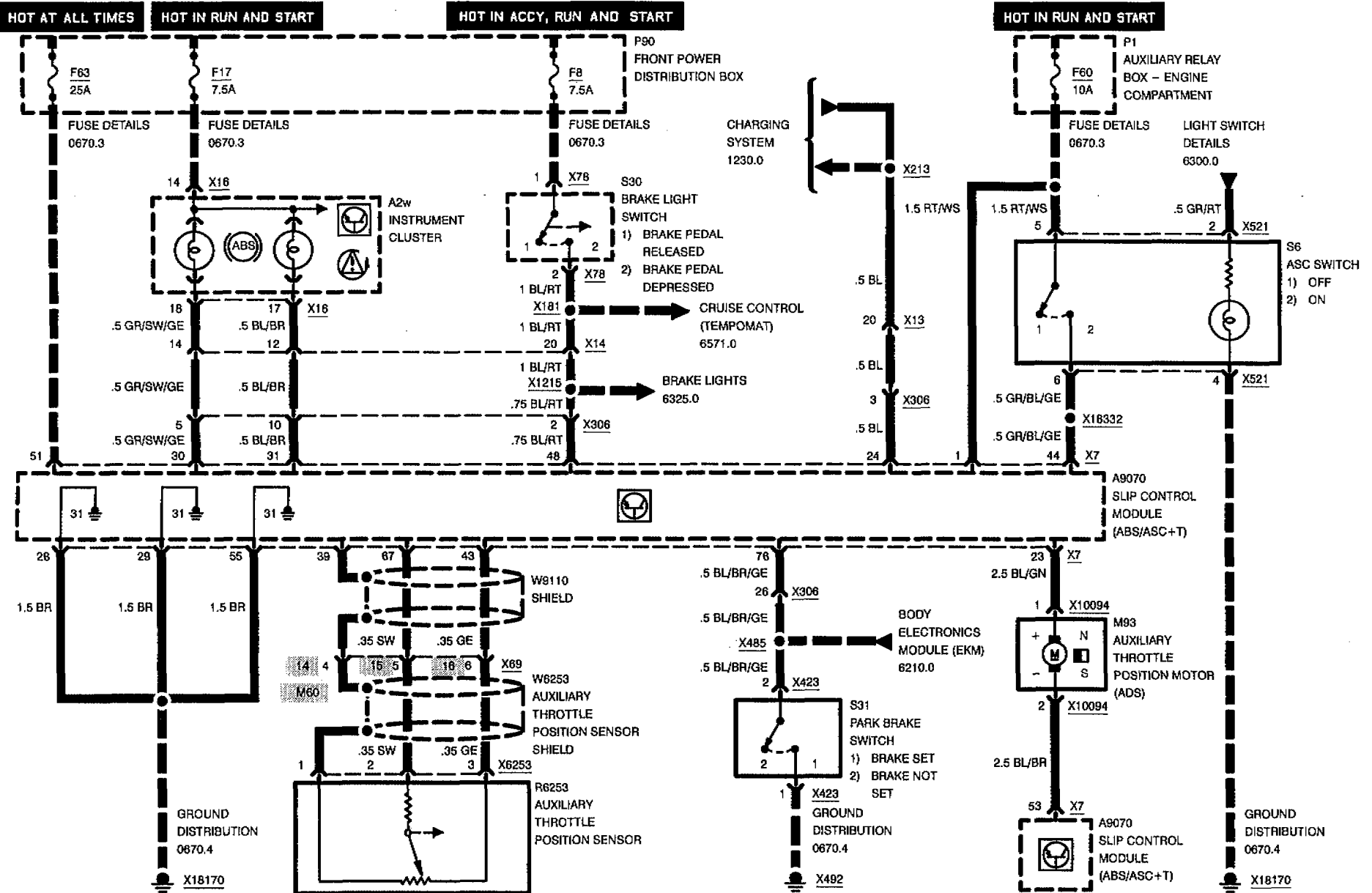
# SLIP CONTROL 5 (ASC 5)



# SLIP CONTROL 5 (ASC 5)

850Ci



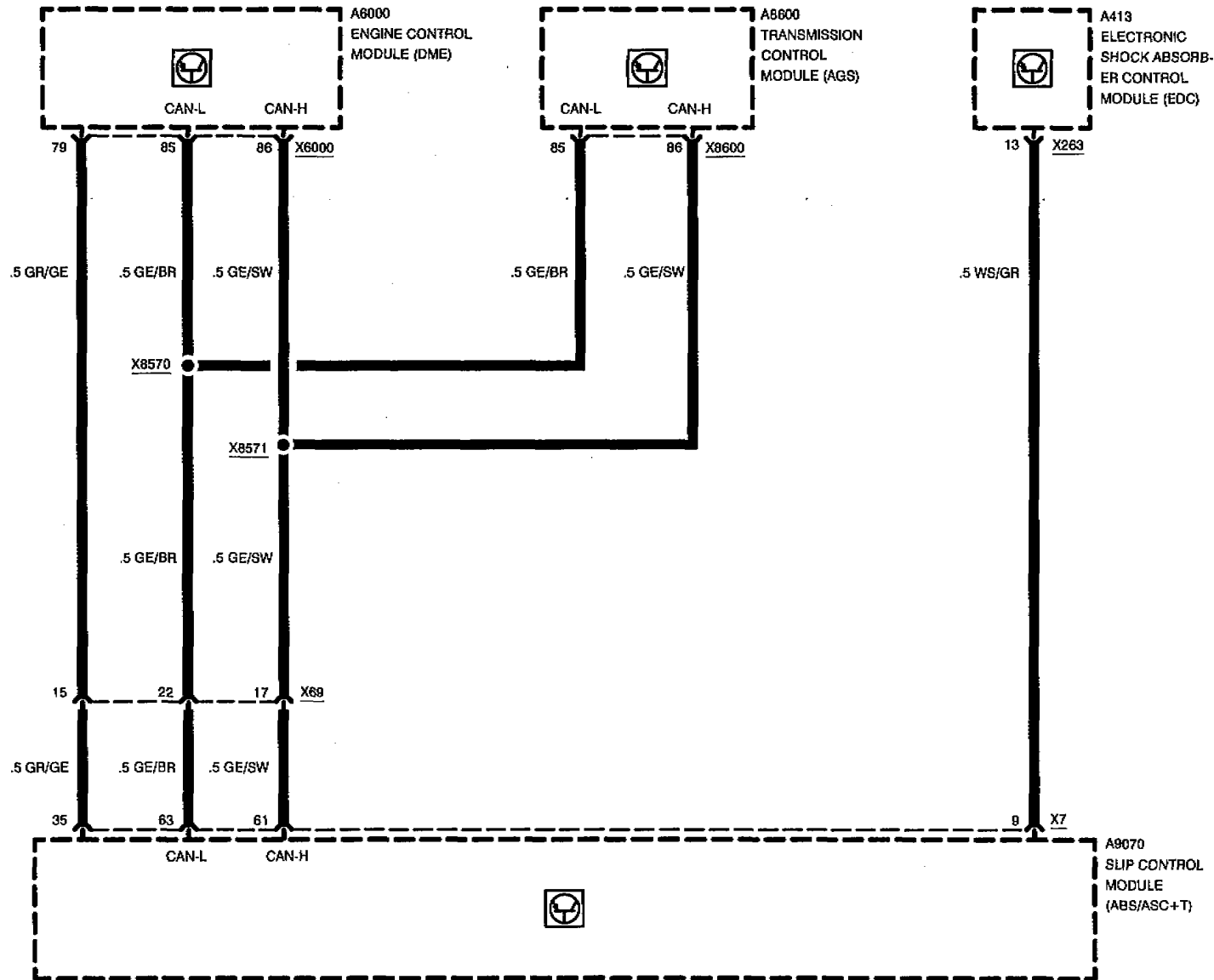






# SLIP CONTROL 5 (ASC 5)

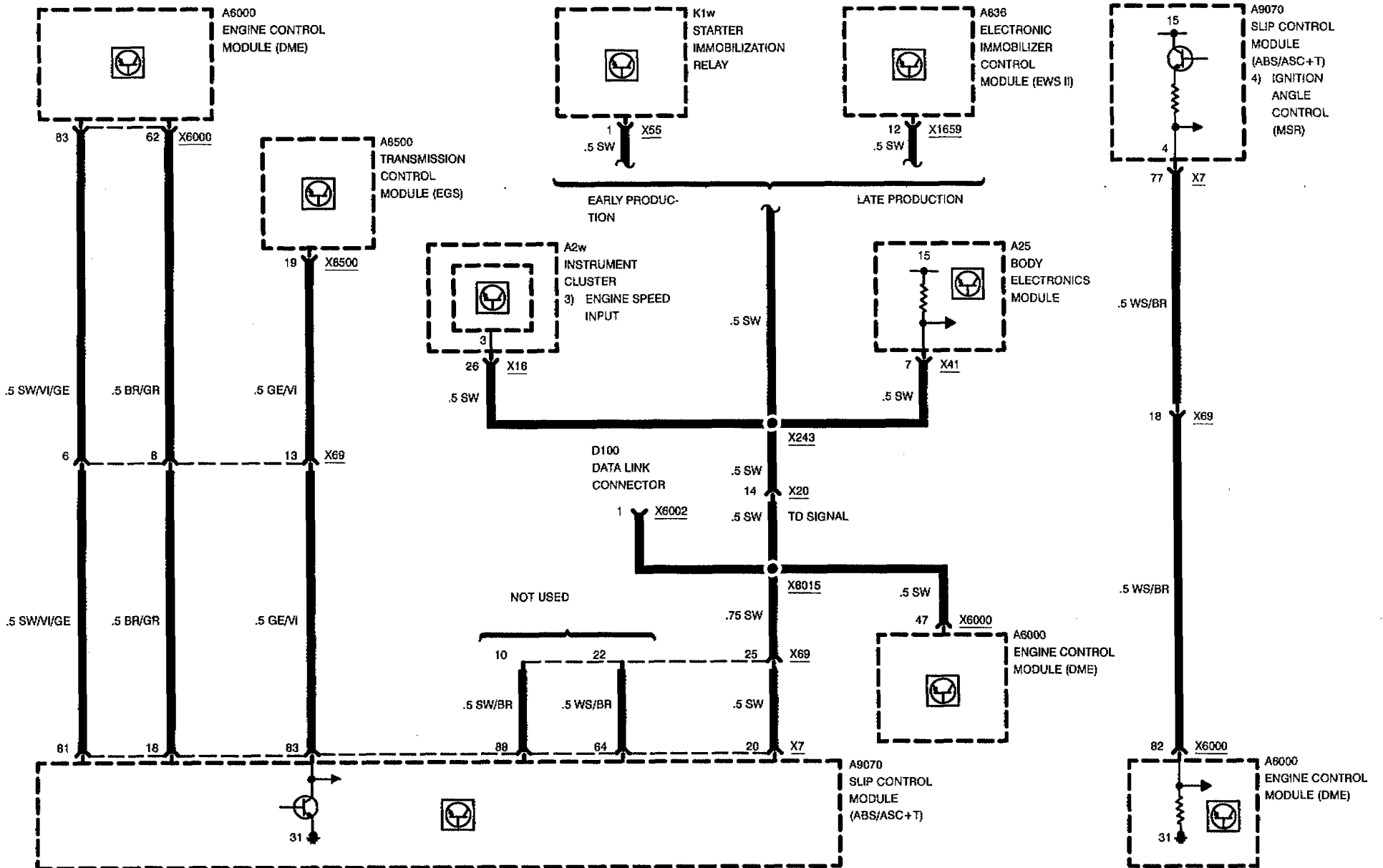
840Ci (M62)





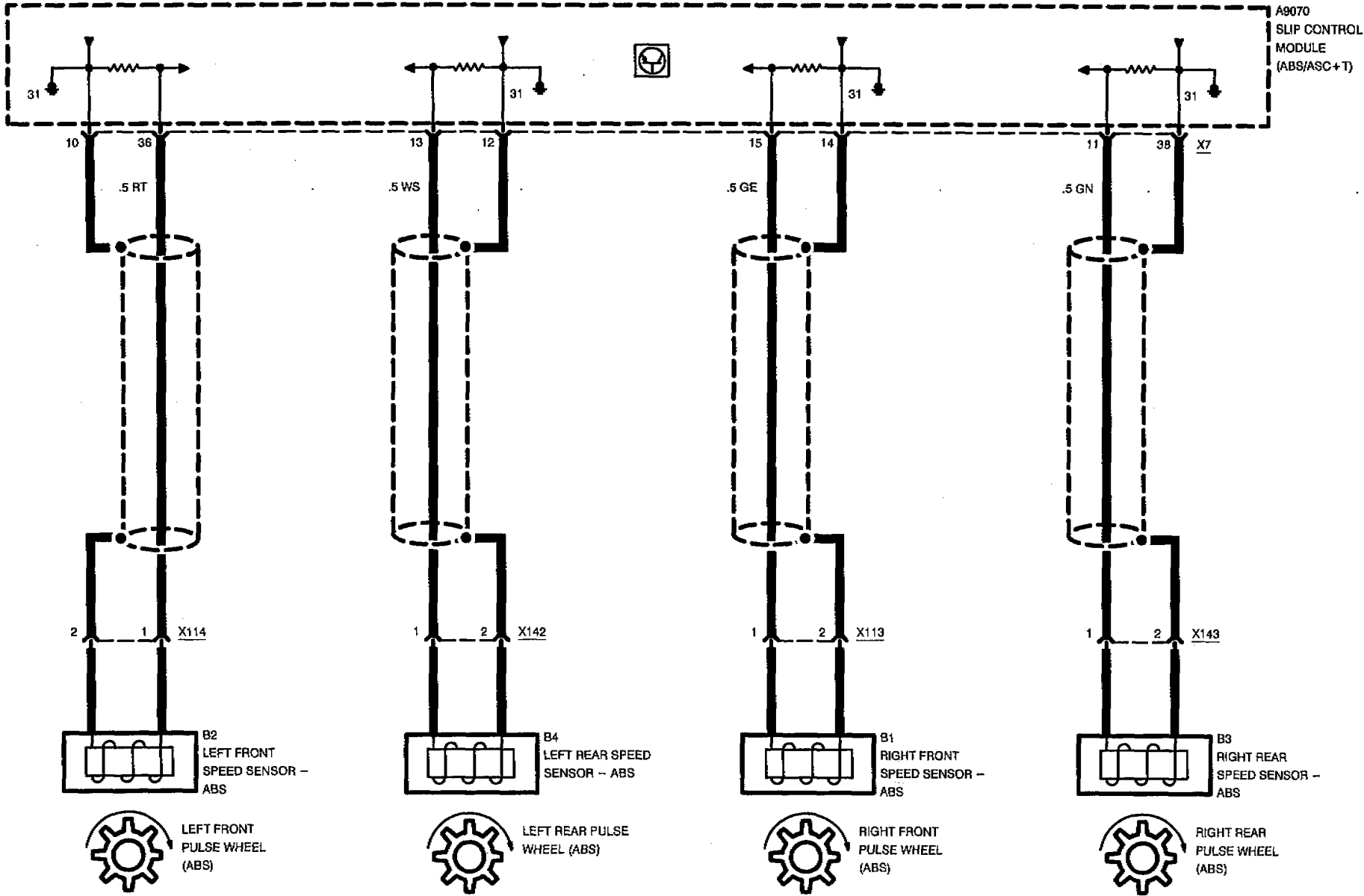
# SLIP CONTROL 5 (ASC 5)

840Ci (M60)





# SLIP CONTROL 5 (ASC 5)



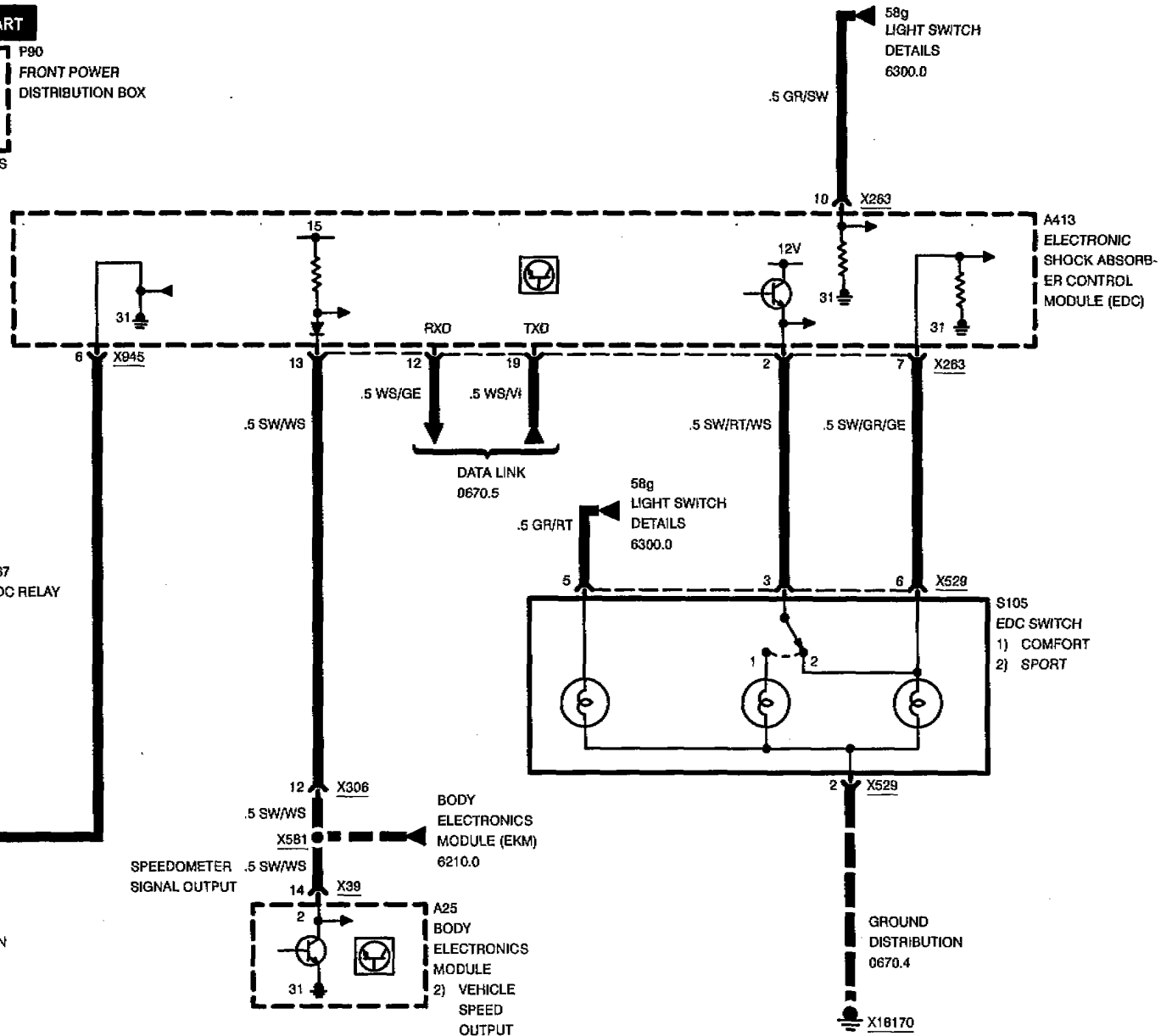
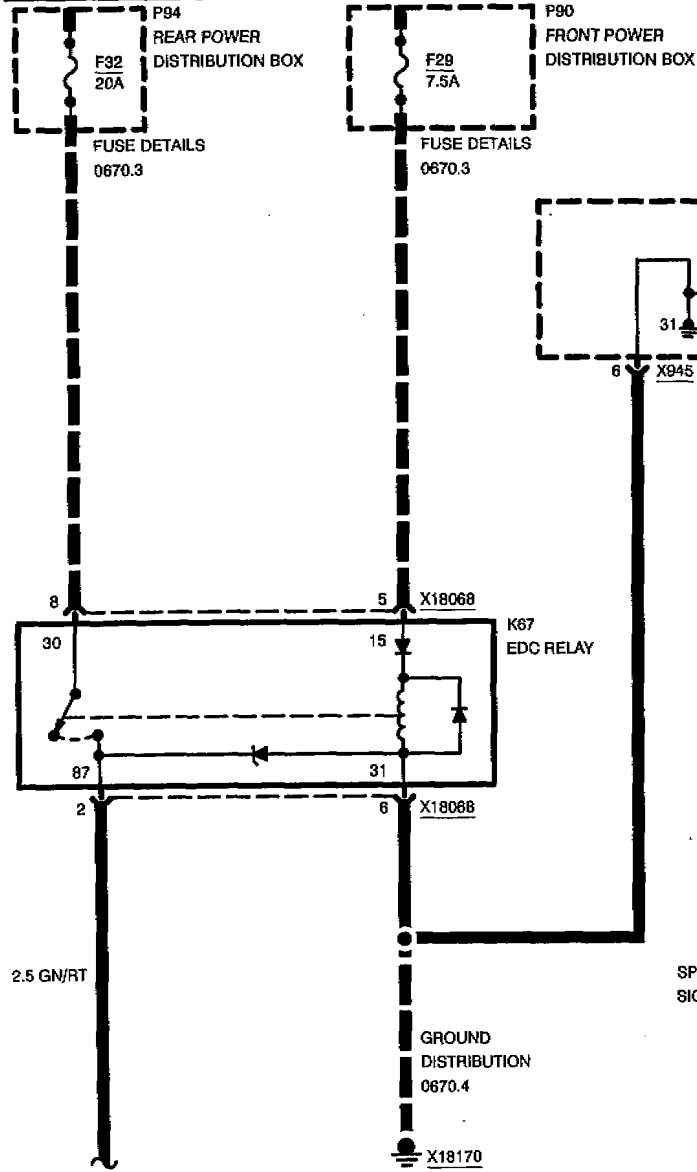


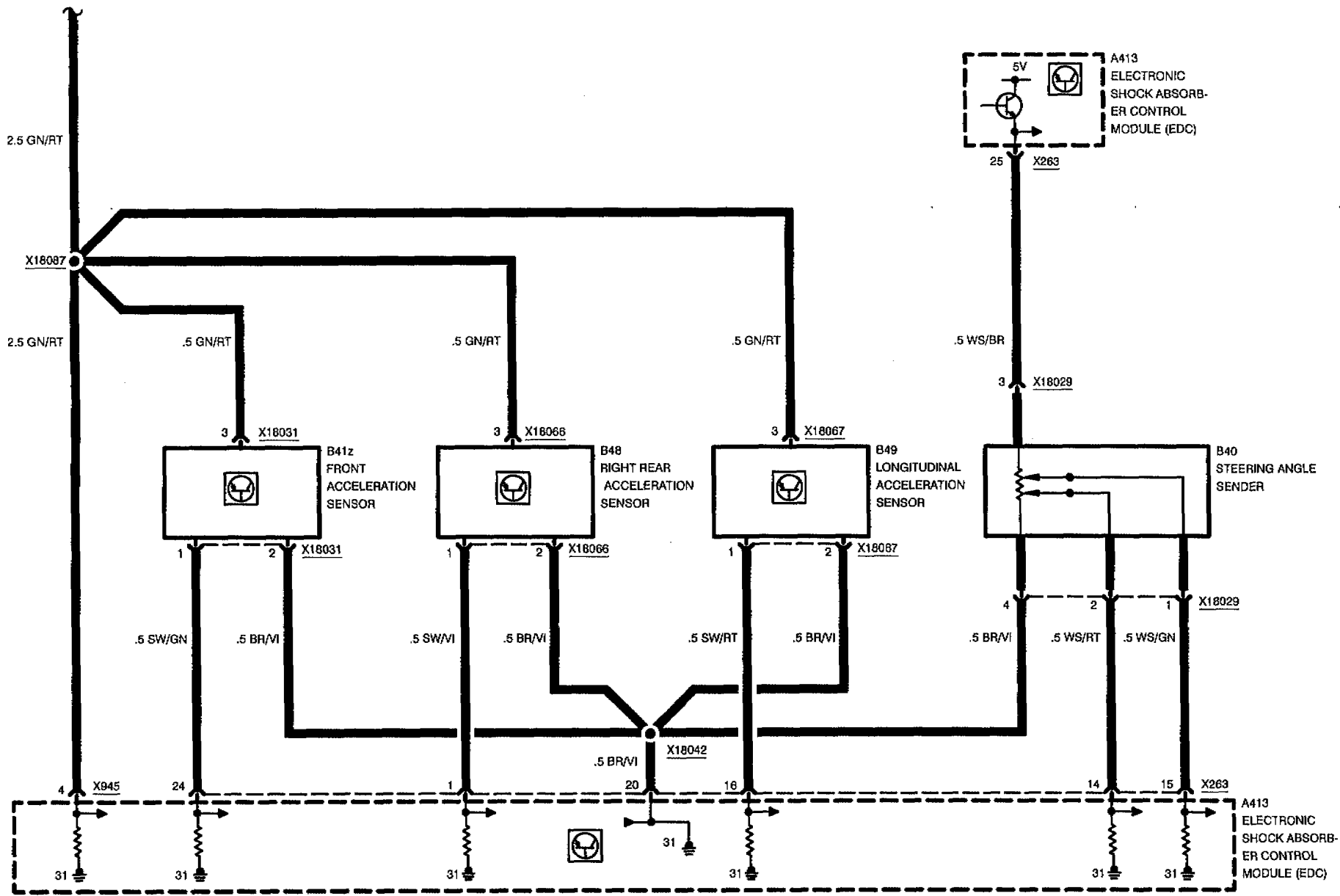


# ELECTRONIC SHOCK ABSORBER CONTROL (EDC III+)

**HOT AT ALL TIMES**

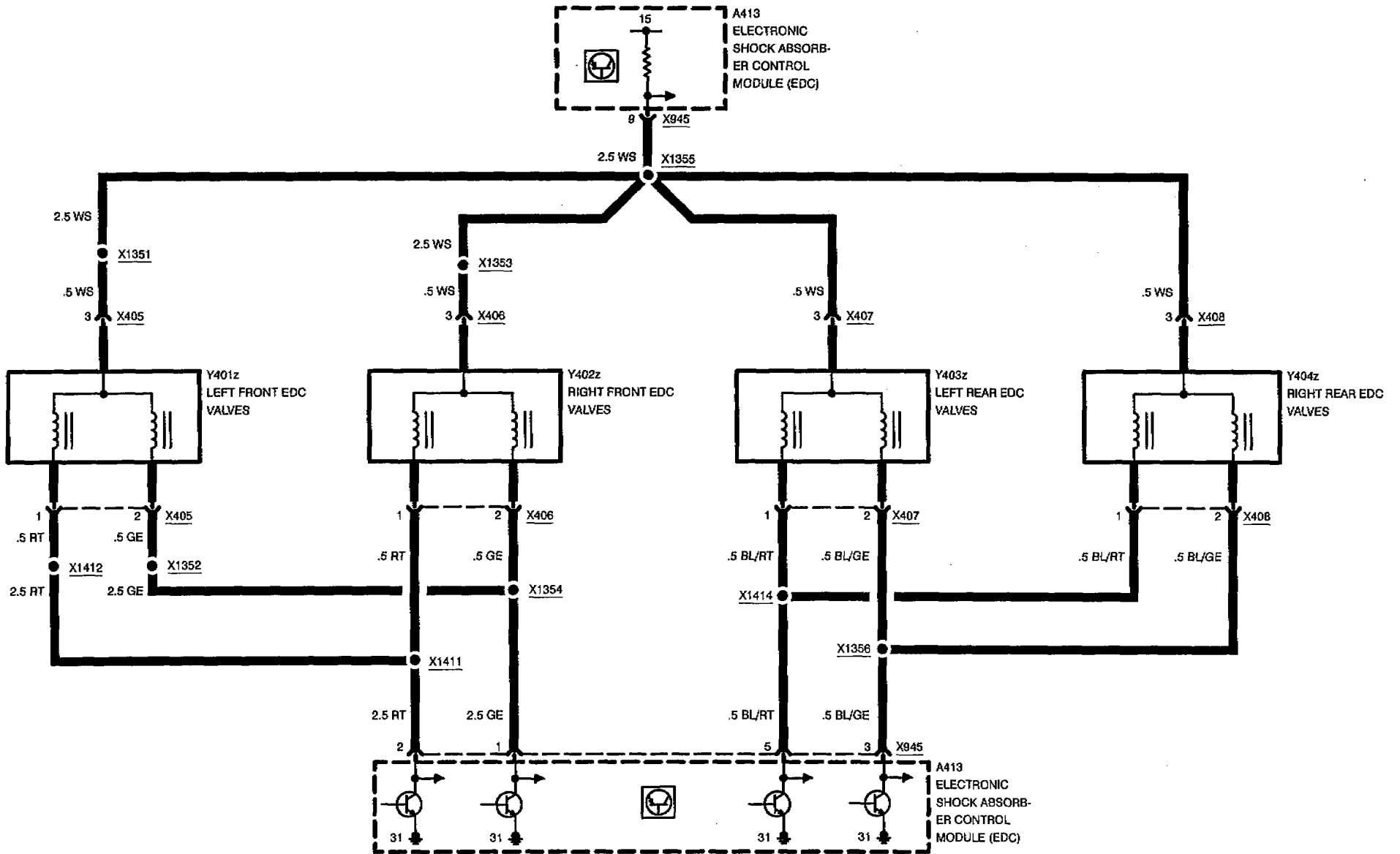
**HOT IN RUN AND START**







# ELECTRONIC SHOCK ABSORBER CONTROL (EDC III+)

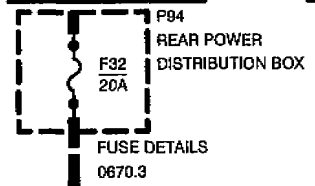




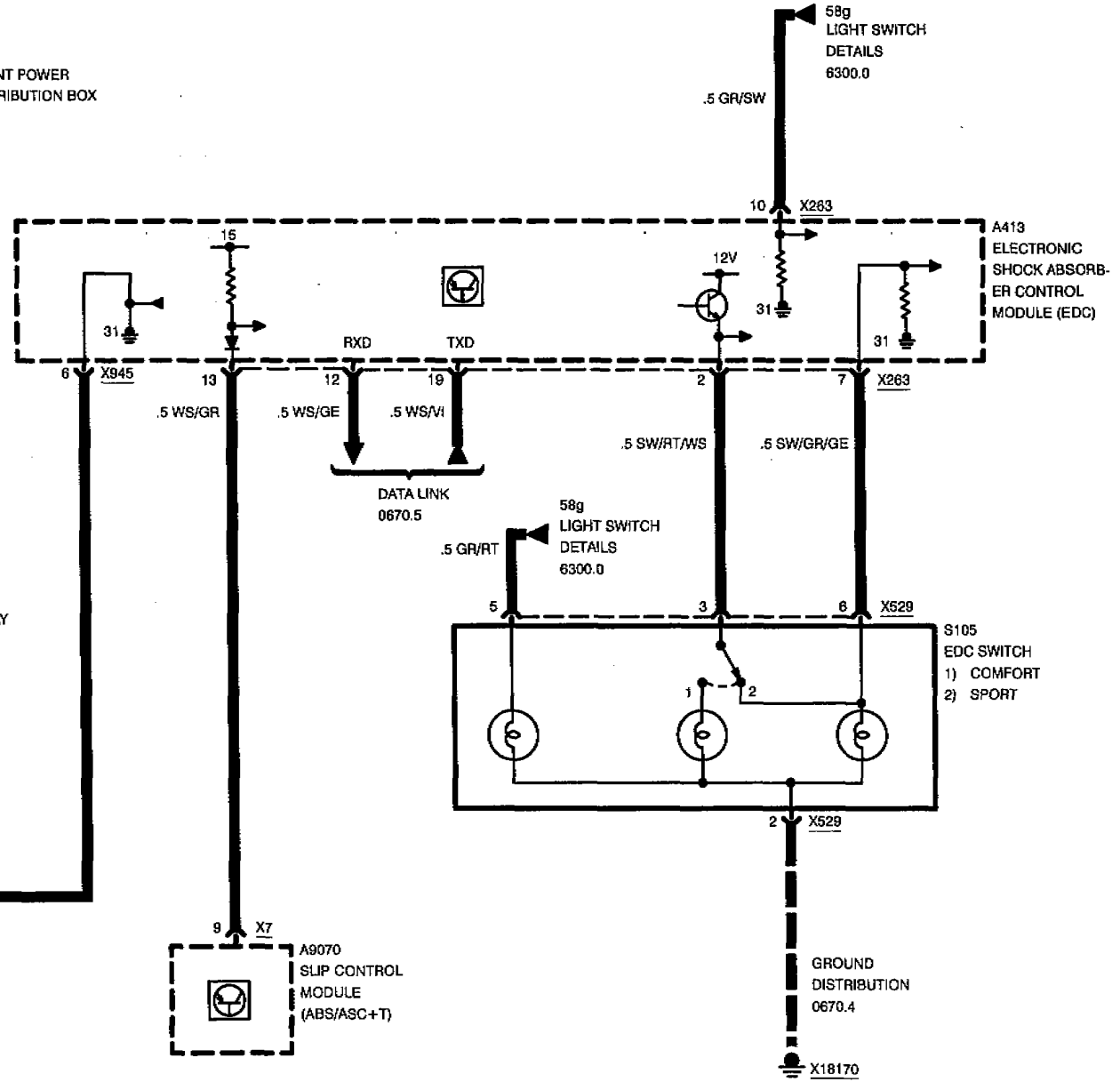
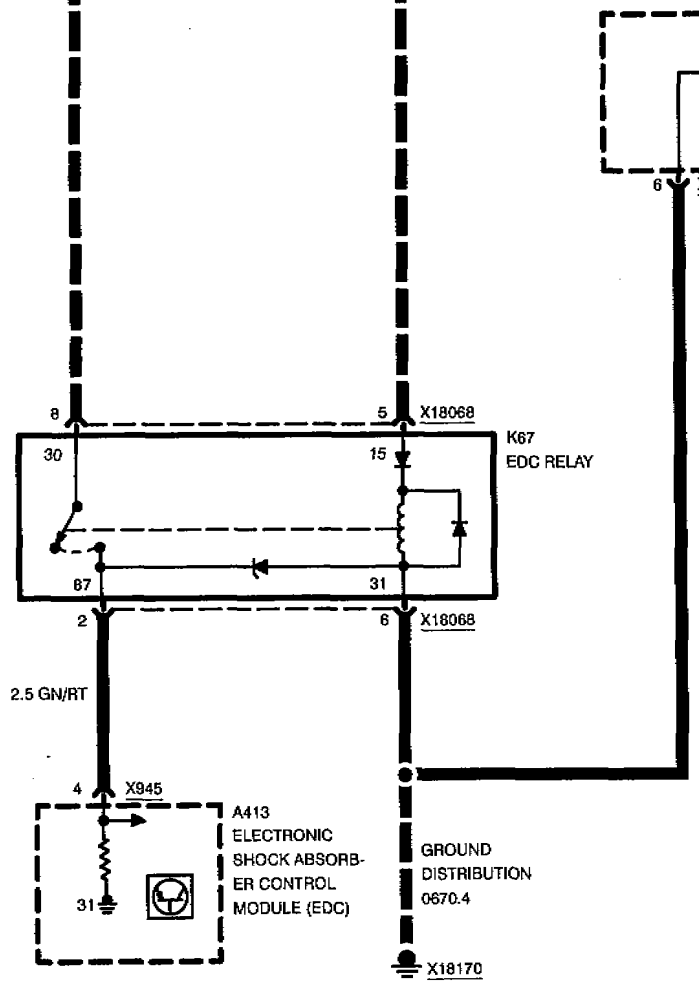
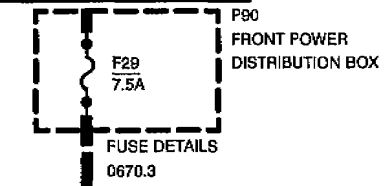


# ELECTRONIC SHOCK ABSORBER CONTROL (EDC IV)

**HOT AT ALL TIMES**

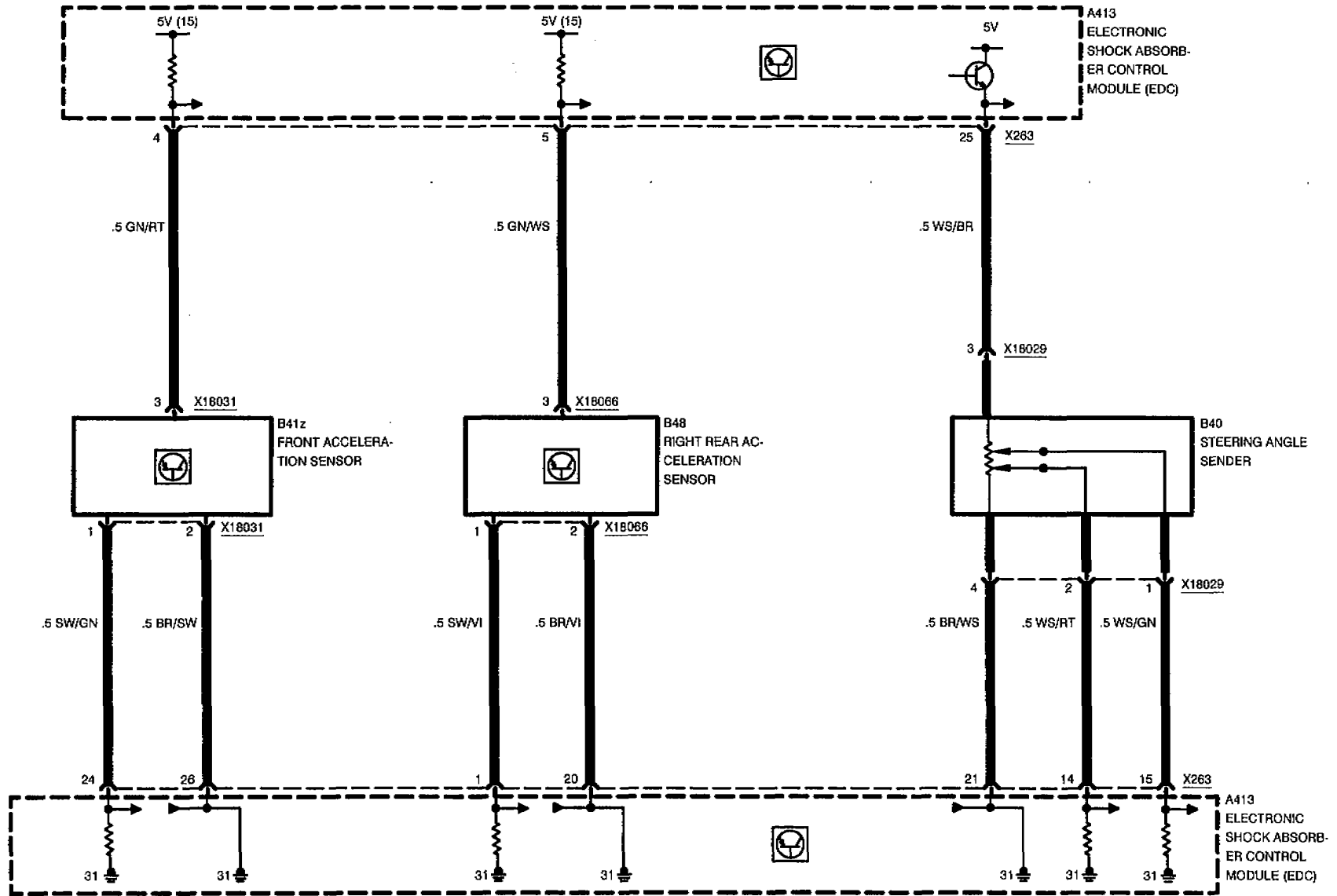


**HOT IN RUN AND START**



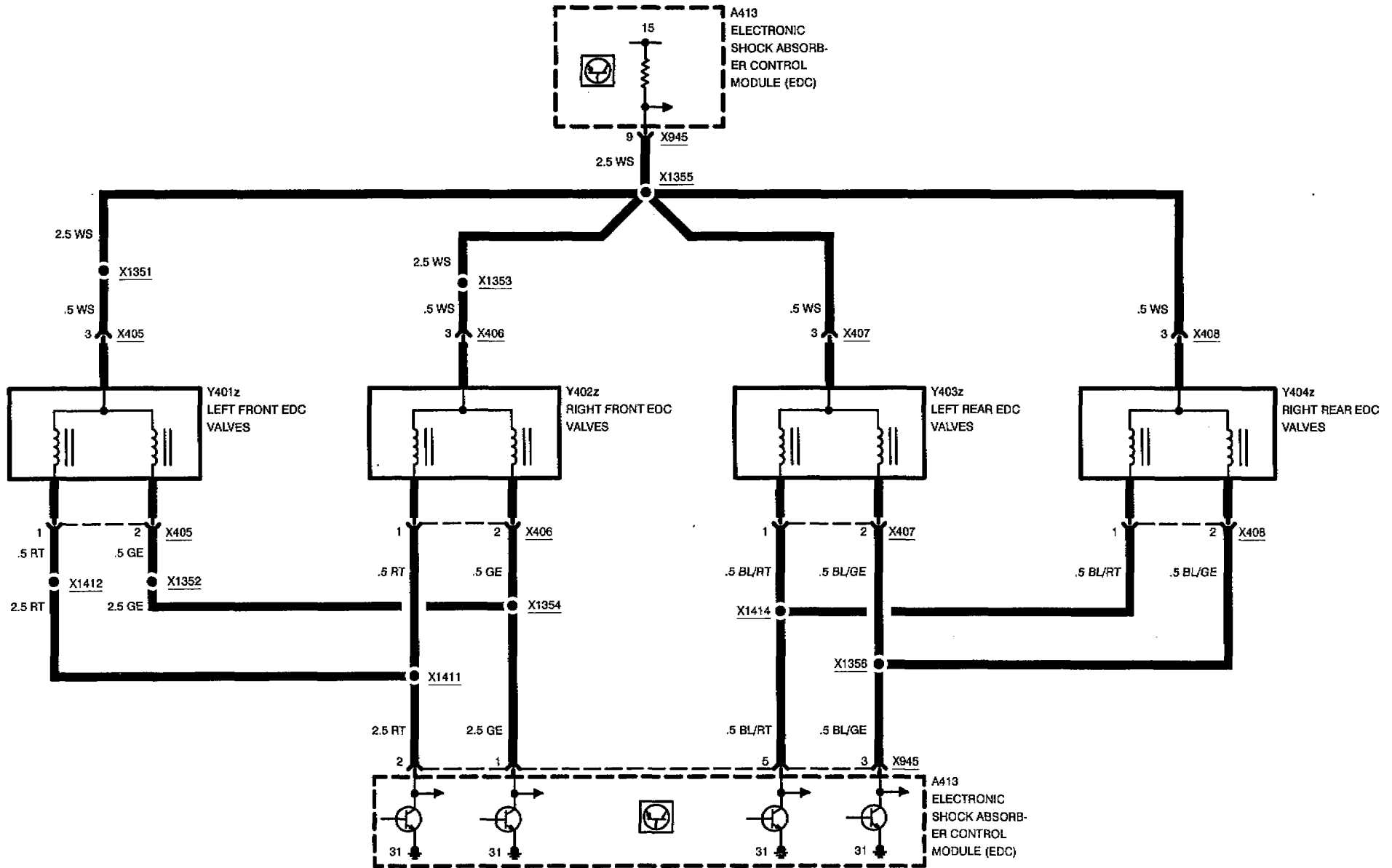


# ELECTRONIC SHOCK ABSORBER CONTROL (EDC IV)





# ELECTRONIC SHOCK ABSORBER CONTROL (EDC IV)

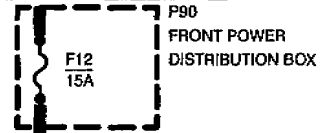






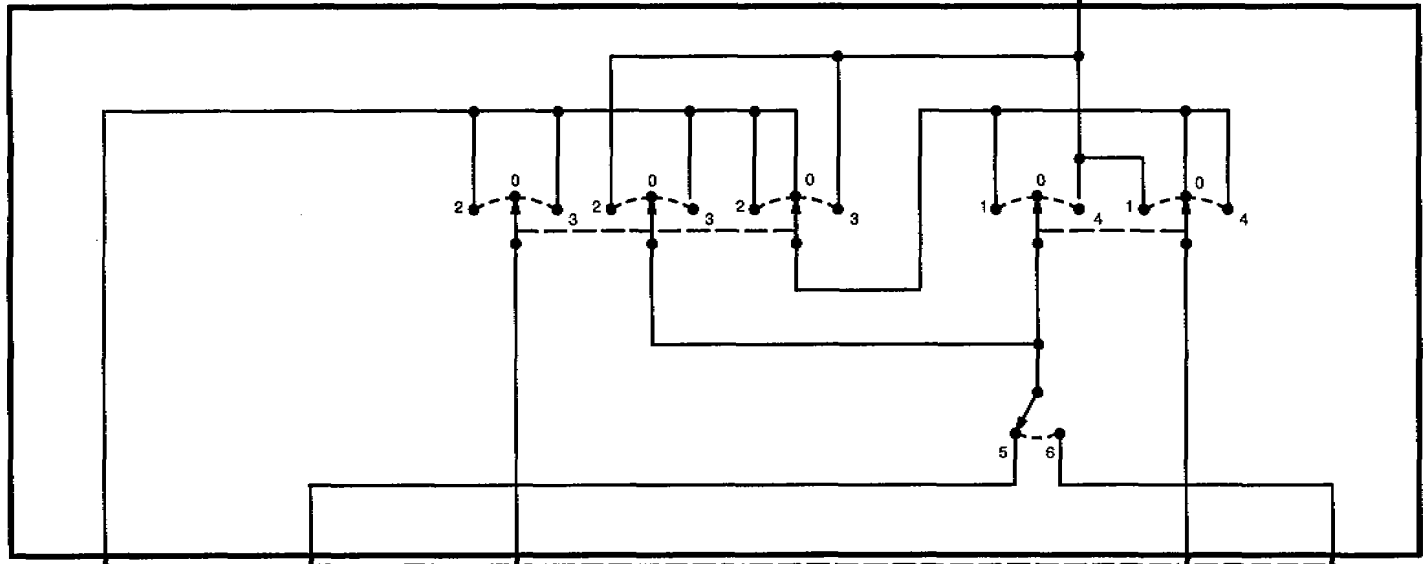
# POWER MIRRORS CONTACT RING

HOT IN RUN AND START

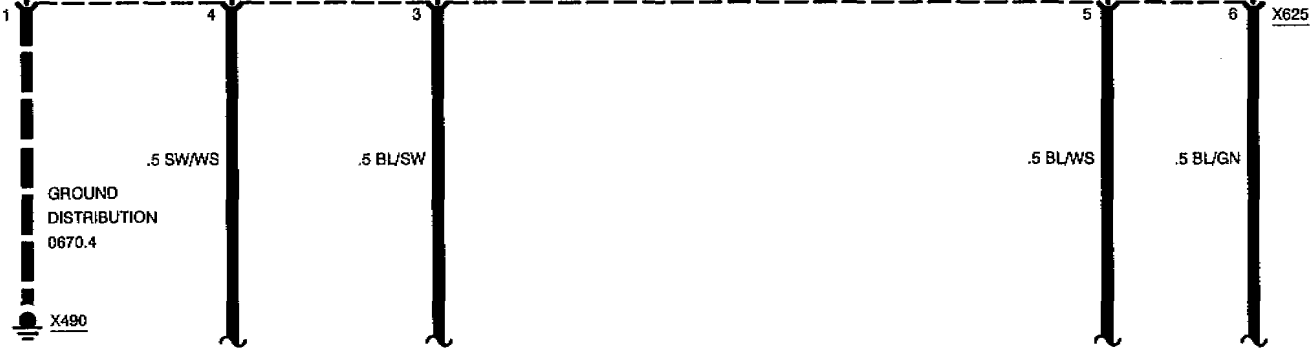


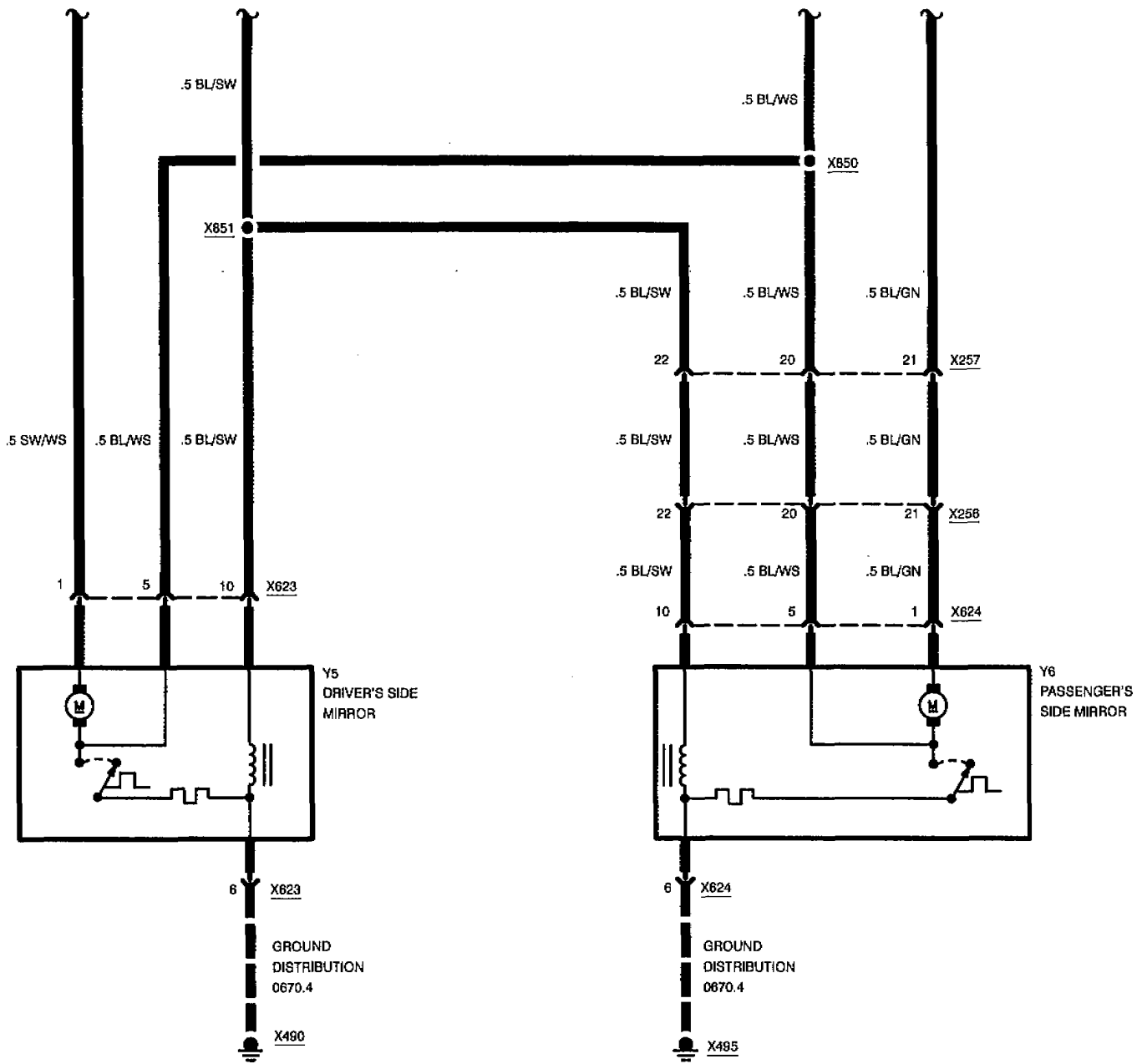
FUSE DETAILS  
0670.3

2 X825



- S17  
MIRROR CONTROL  
SWITCH
- 0) OFF
  - 1) UP
  - 2) LEFT
  - 3) RIGHT
  - 4) DOWN
  - 5) DRIVER'S SIDE
  - 6) PASSENGER'S SIDE





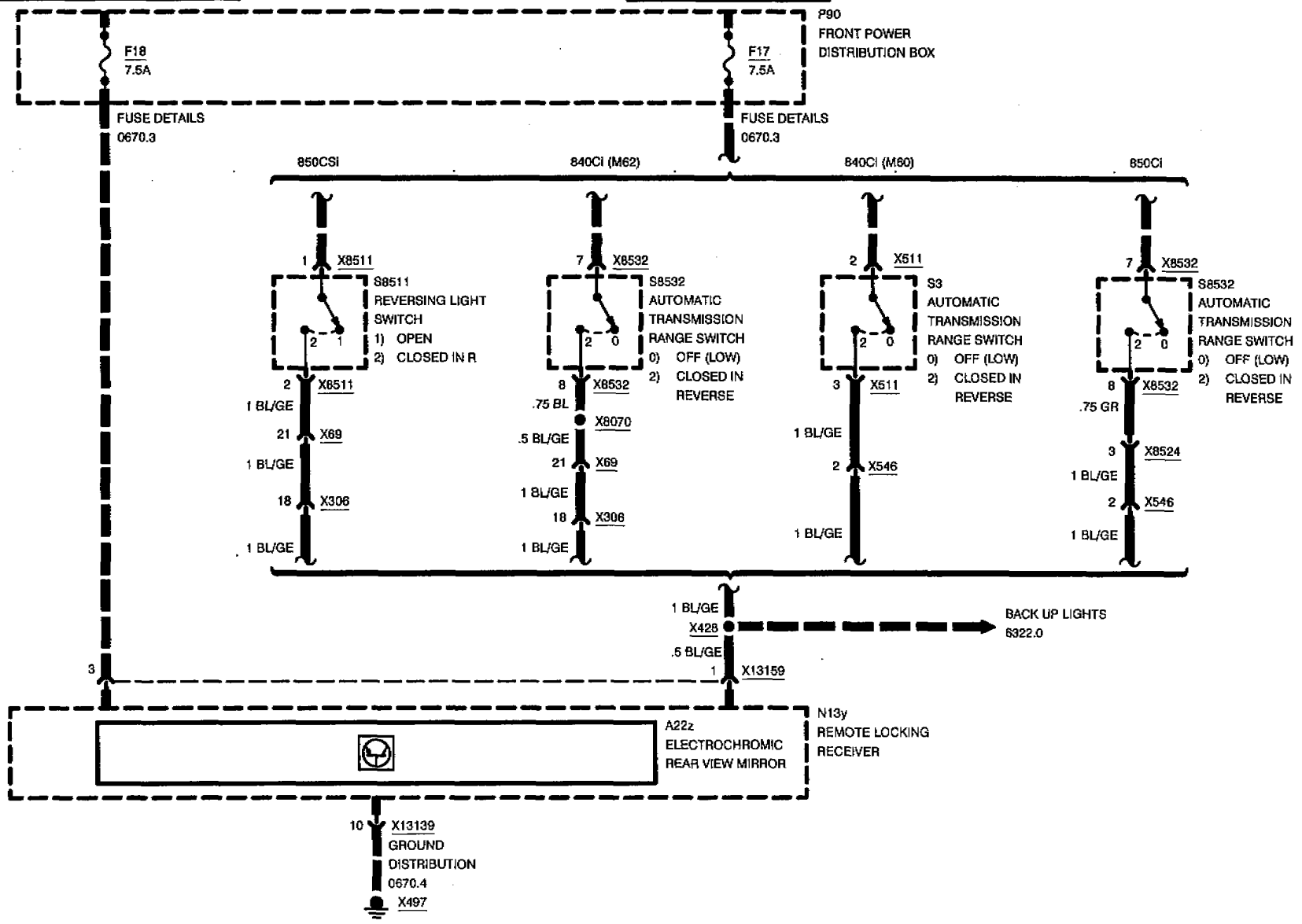


# POWER MIRRORS

## INSIDE MIRROR

HOT IN ACCY, RUN AND START

HOT IN RUN AND START

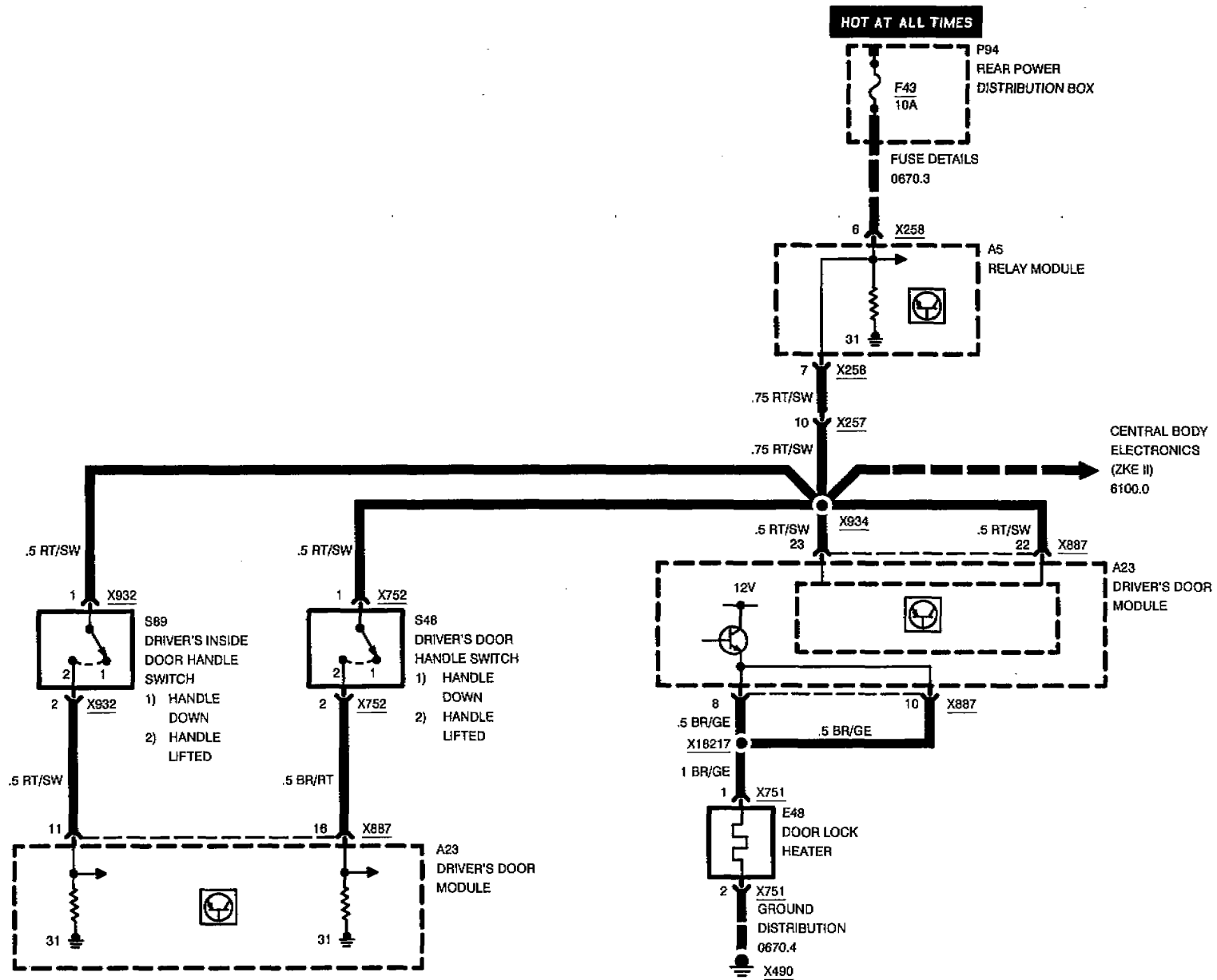








# ZKE DOOR LOCK HEATING (TSH)



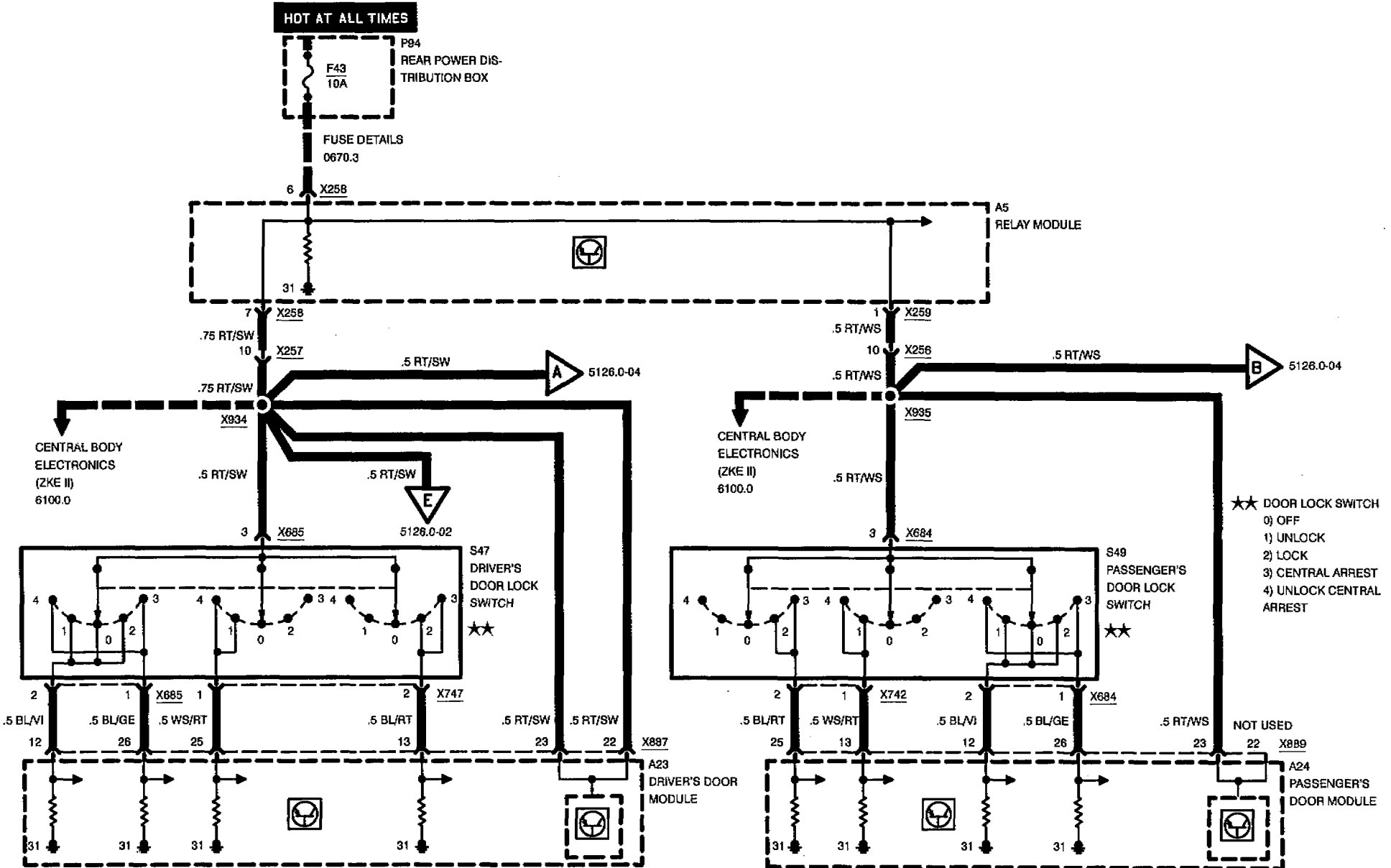




# ZKE CENTRAL LOCKING (ZV) INPUTS

EARLY PRODUCTION

**HOT AT ALL TIMES**



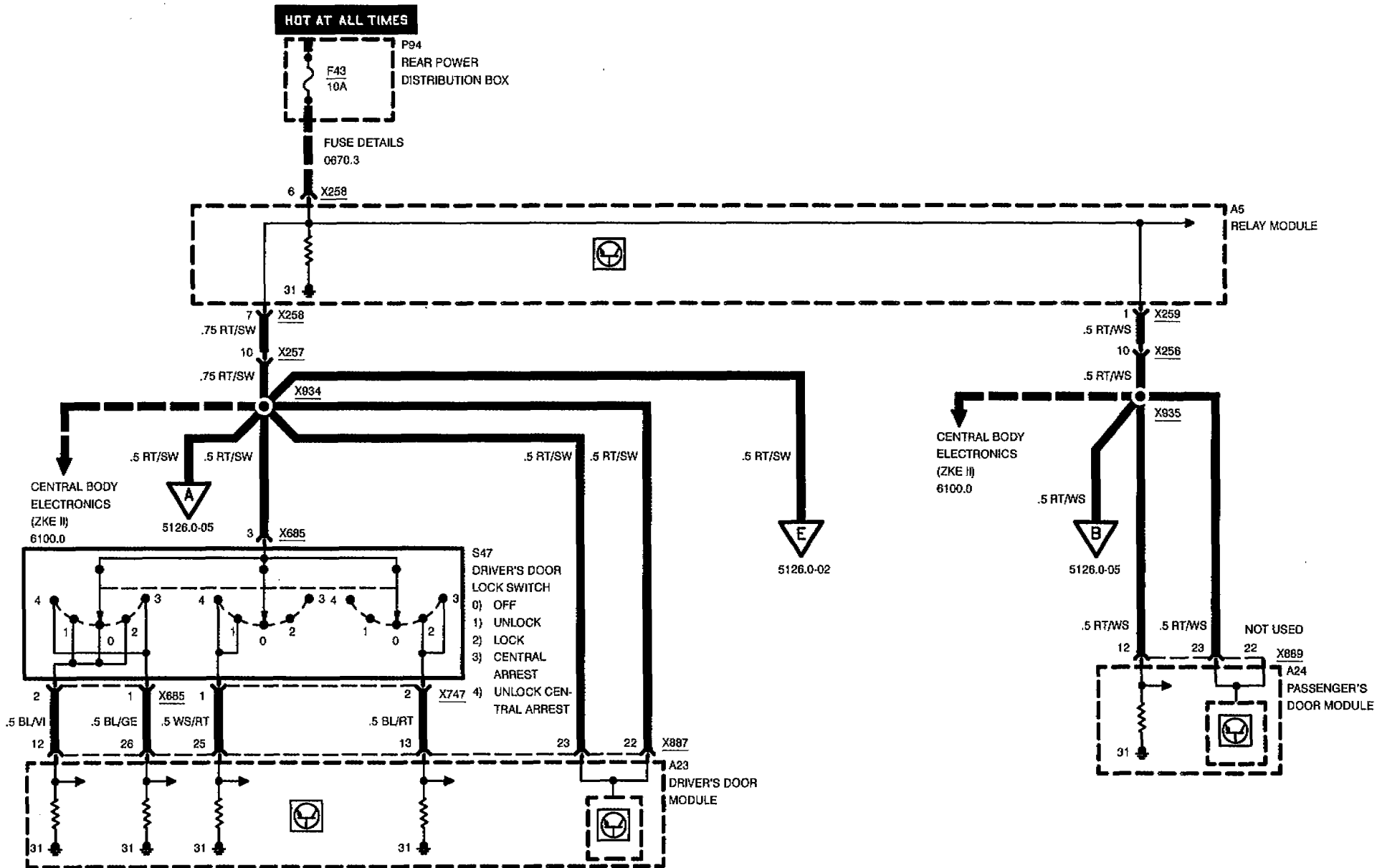
- ★★ DOOR LOCK SWITCH
- 0) OFF
  - 1) UNLOCK
  - 2) LOCK
  - 3) CENTRAL ARREST
  - 4) UNLOCK CENTRAL ARREST



# ZKE CENTRAL LOCKING (ZV)

## (INPUTS)

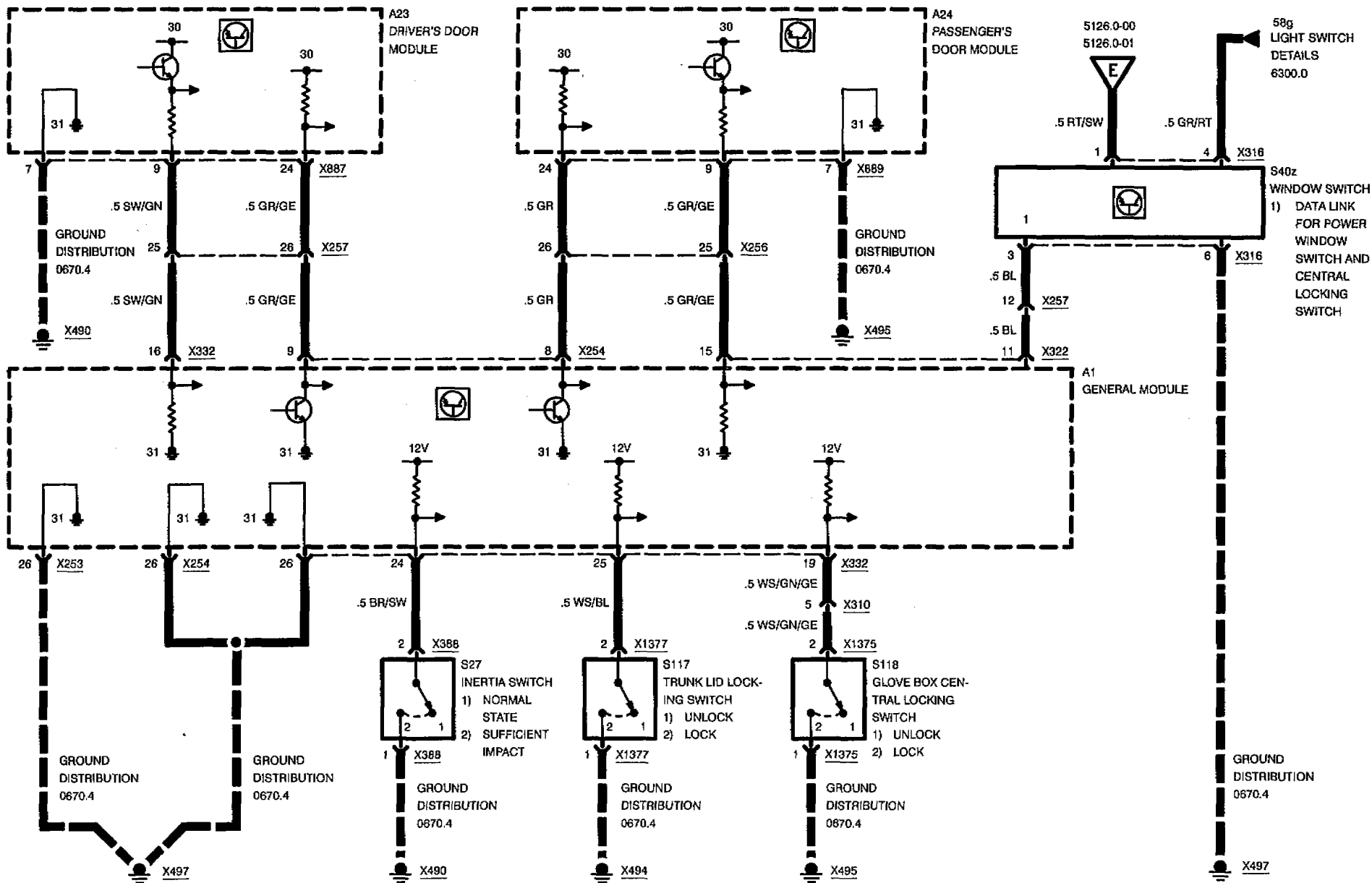
### LATE PRODUCTION





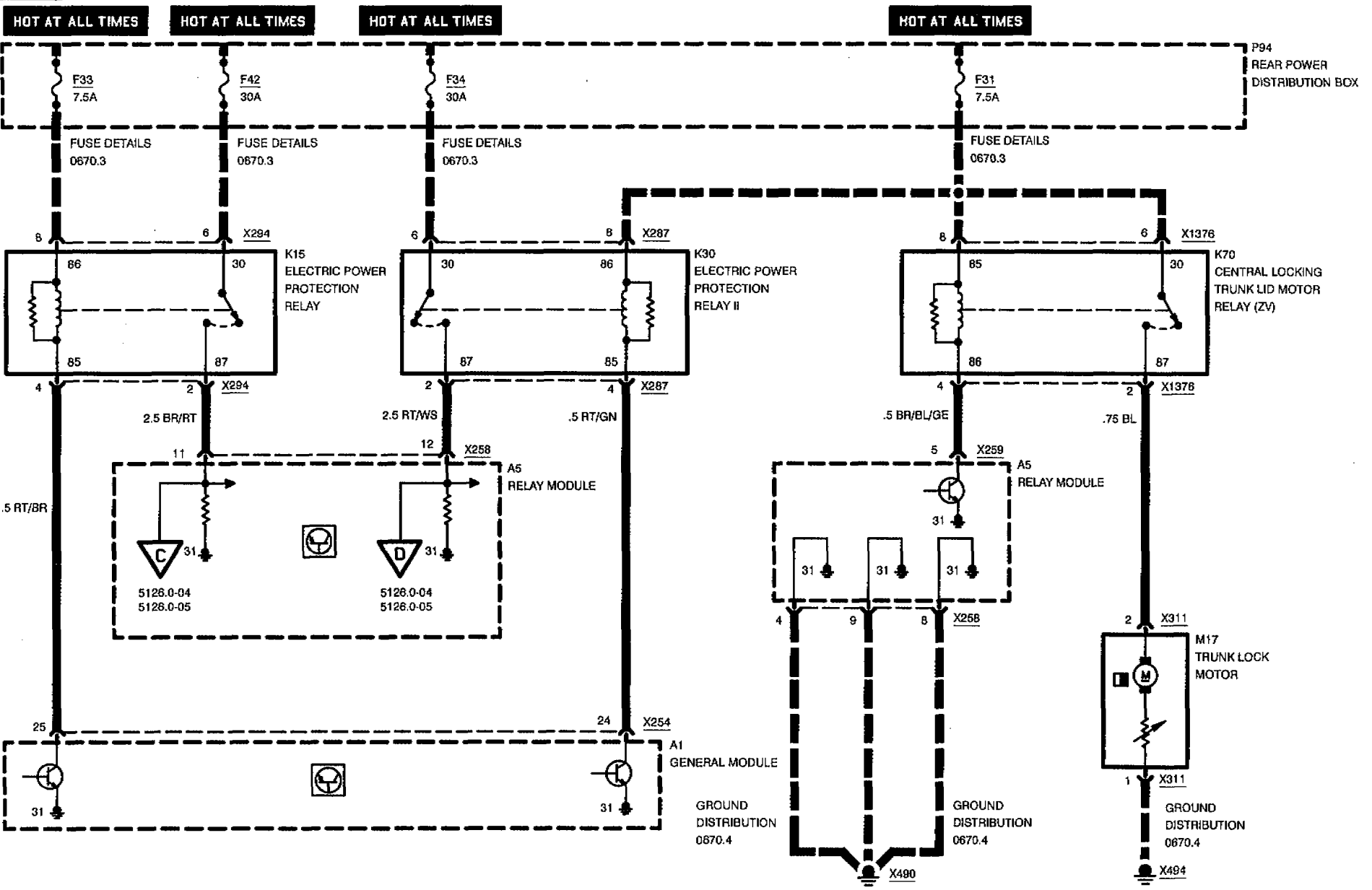
# ZKE CENTRAL LOCKING (ZV)

## (INPUTS)





# ZKE CENTRAL LOCKING (ZV)

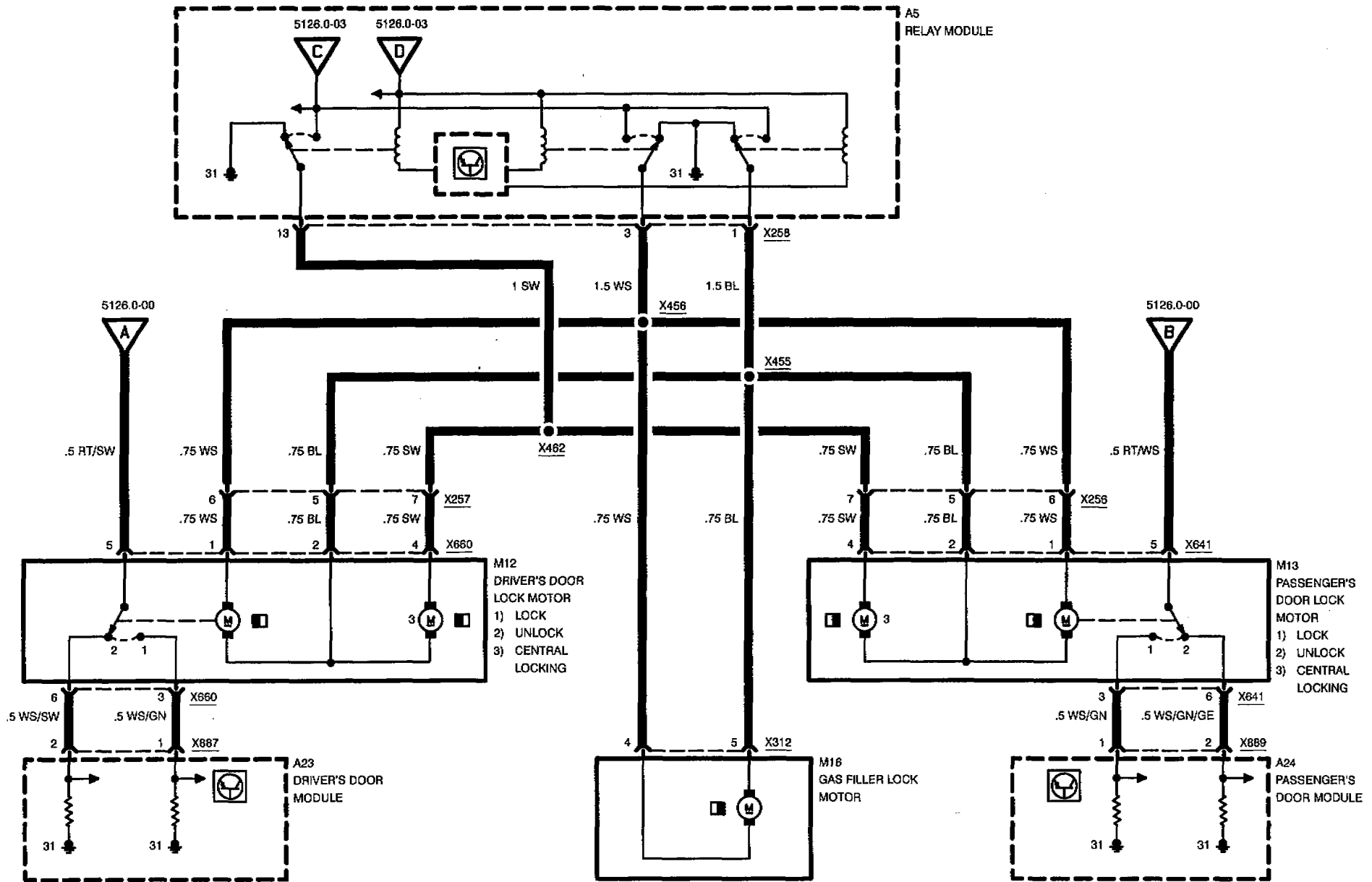




# ZKE CENTRAL LOCKING (ZV)

## (OUTPUTS)

### EARLY PRODUCTION

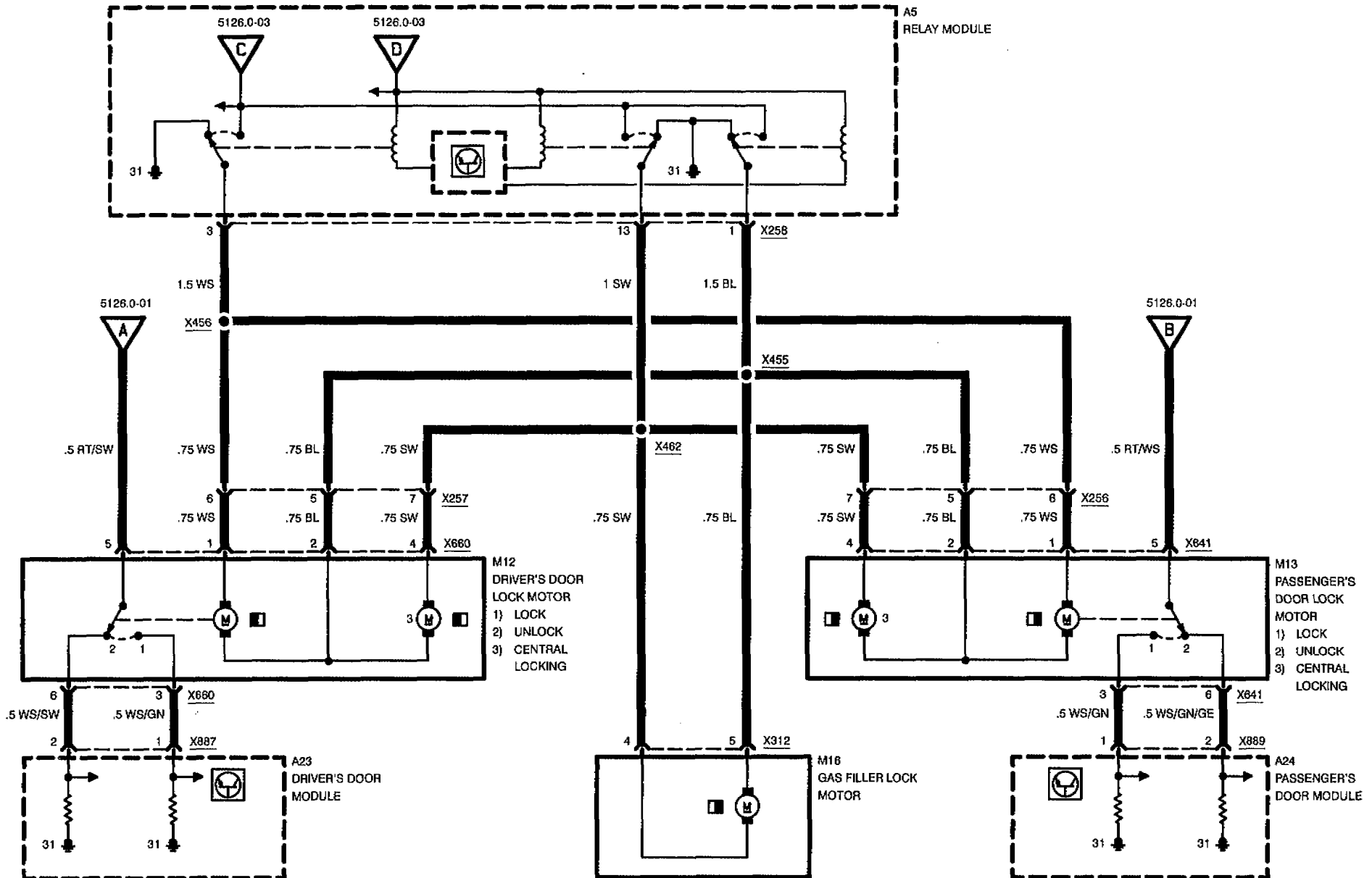




# ZKE CENTRAL LOCKING (ZV)

## (OUTPUTS)

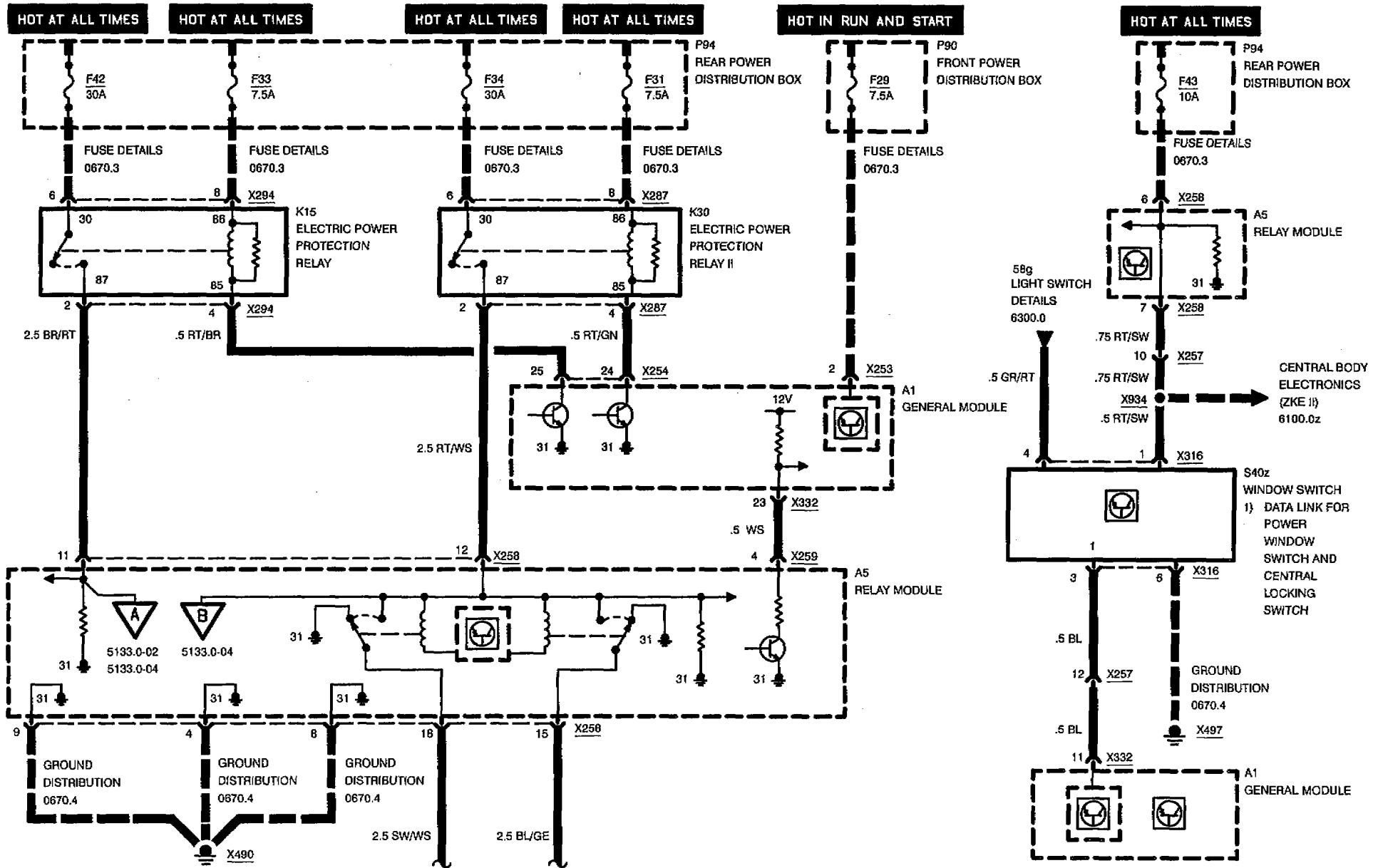
### LATE PRODUCTION

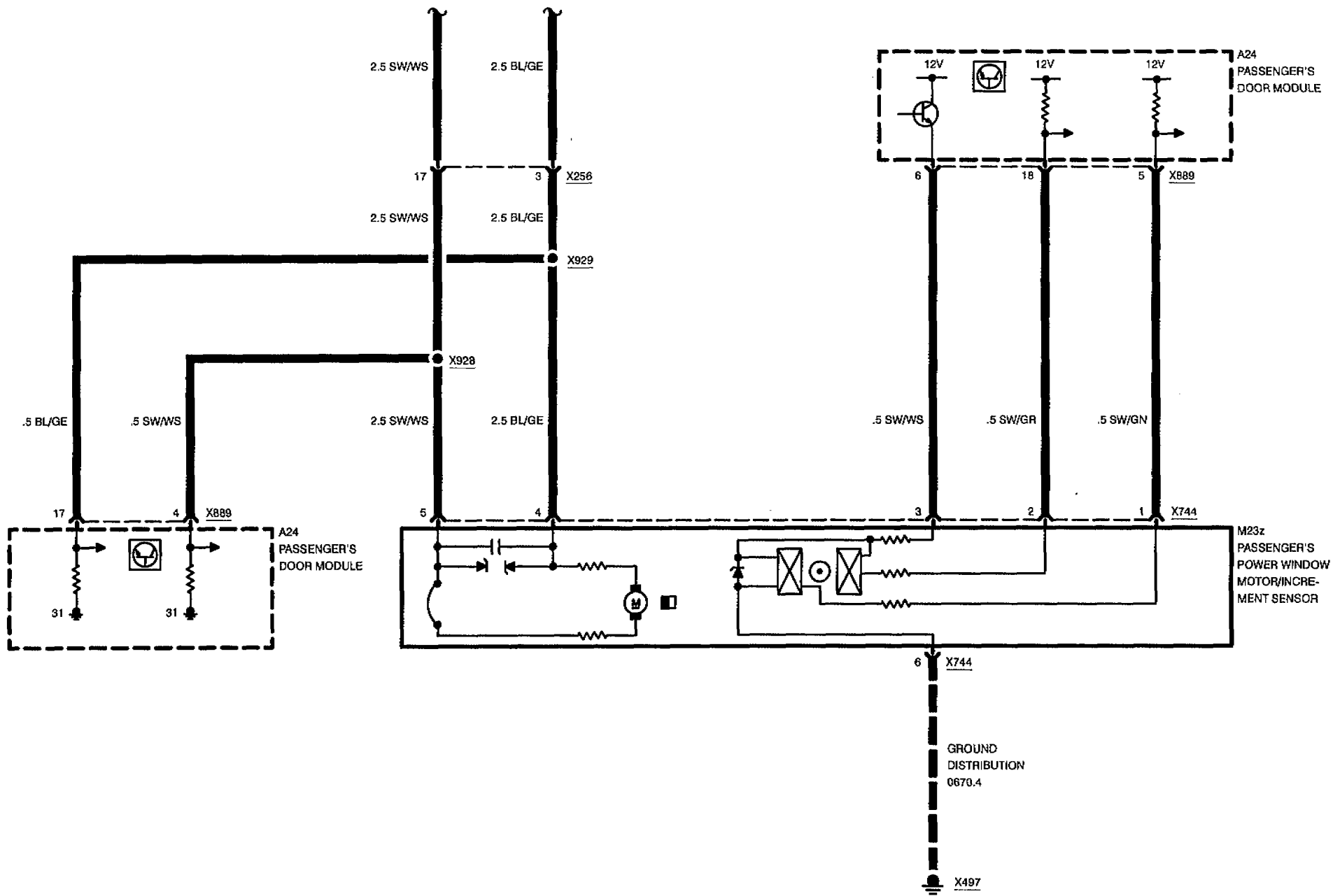






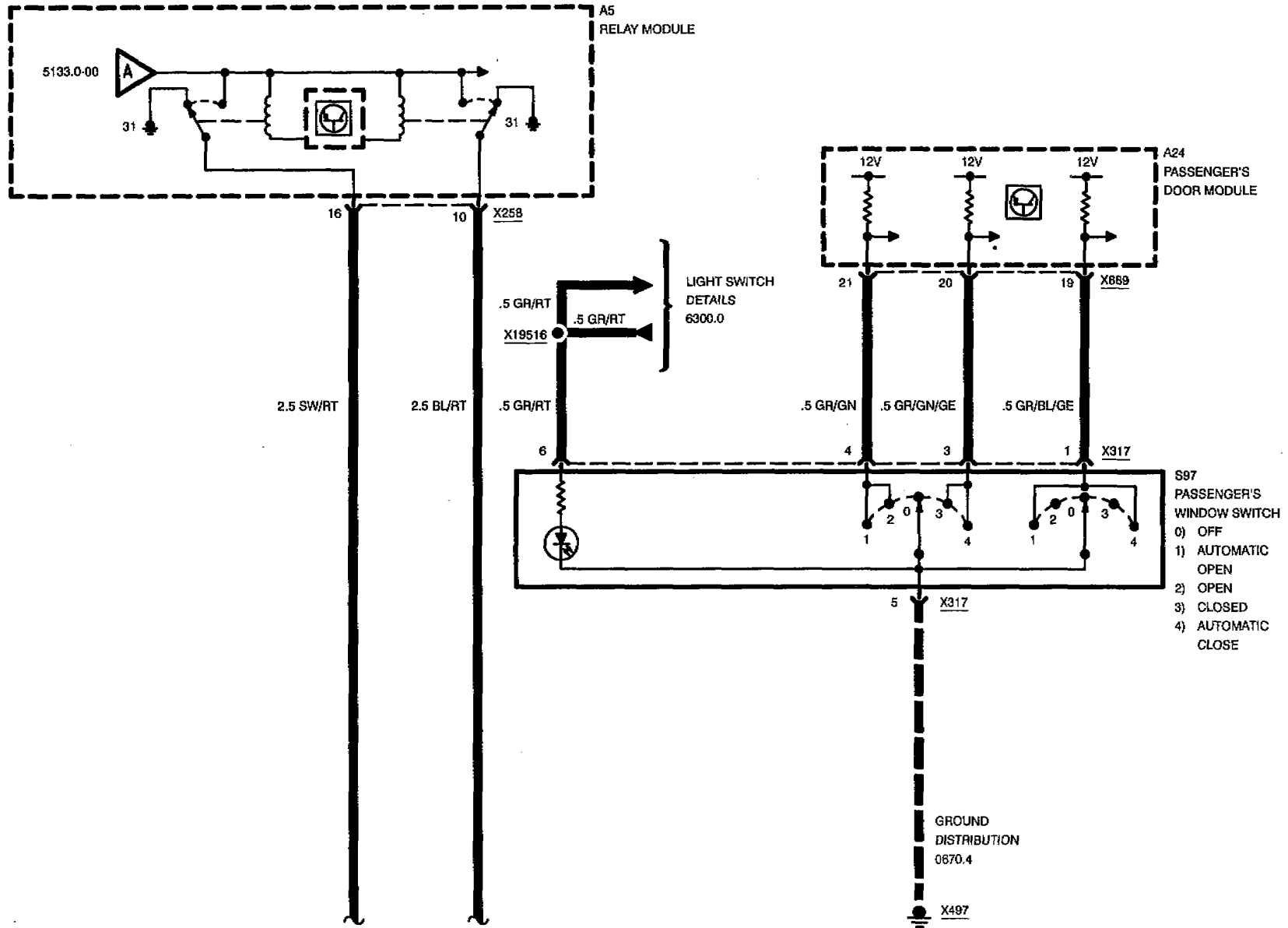
# ZKE POWER WINDOWS (FH)

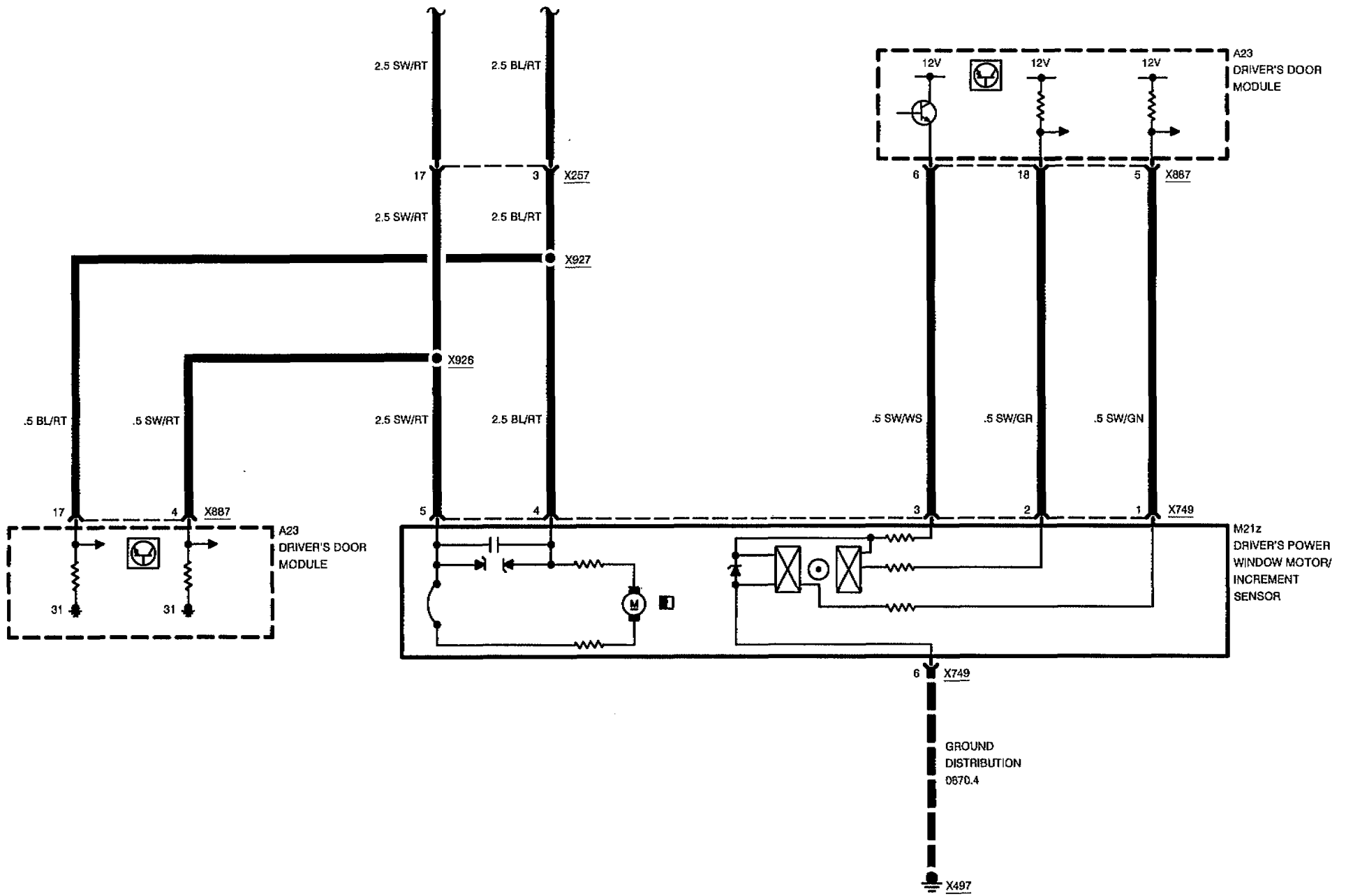






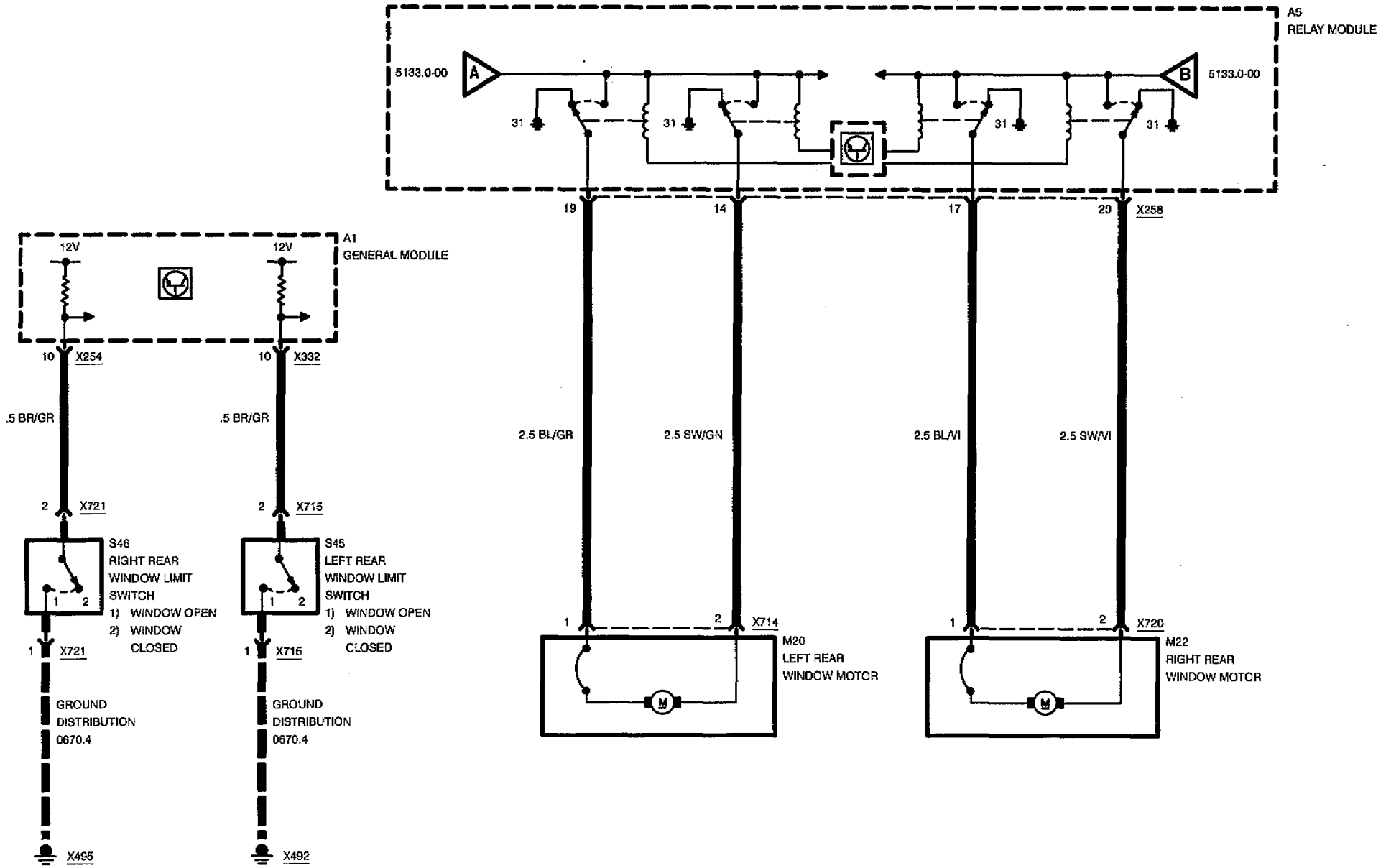
# ZKE POWER WINDOWS (FH)







# ZKE POWER WINDOWS (FH)



BMW  
8

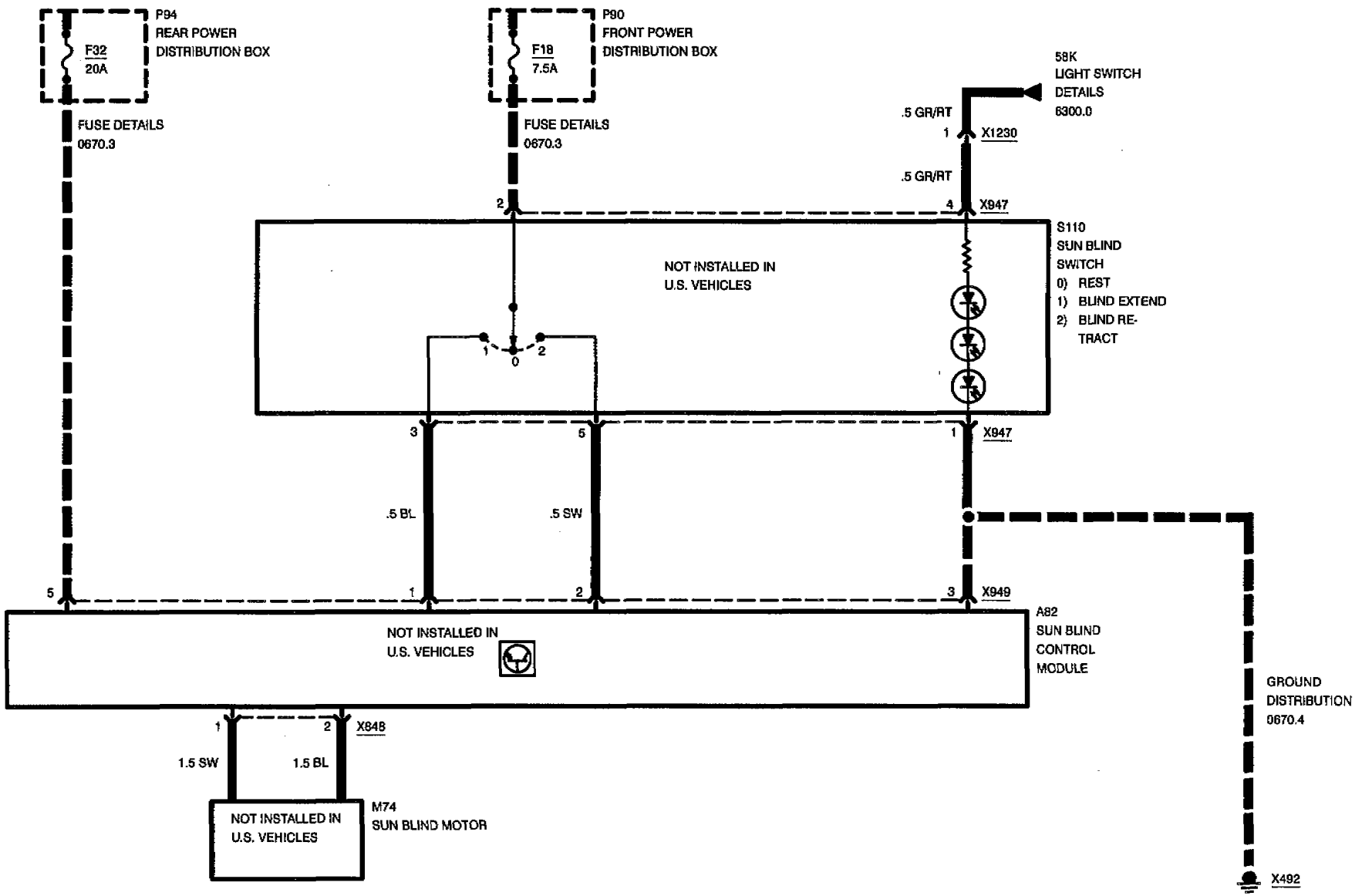
5146.0



# POWER SUN SHADES

HOT AT ALL TIMES

HOT IN ACCY, RUN OR START



BMW  
8

5200.0





# POWER SEATS

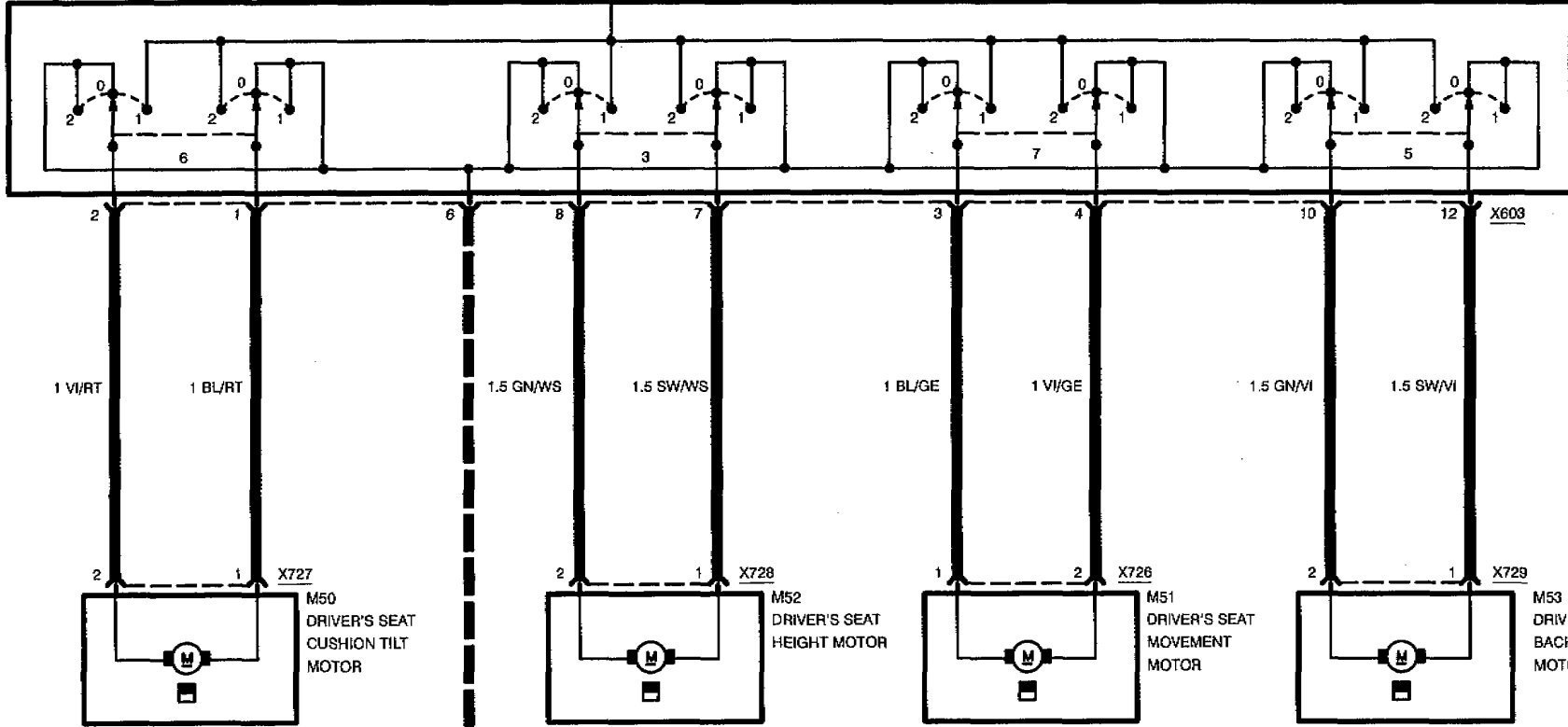
## DRIVER'S SEAT

**HOT AT ALL TIMES**

P84  
REAR POWER  
DISTRIBUTION BOX

F37  
30A  
FUSE DETAILS  
0670.3

5 X603



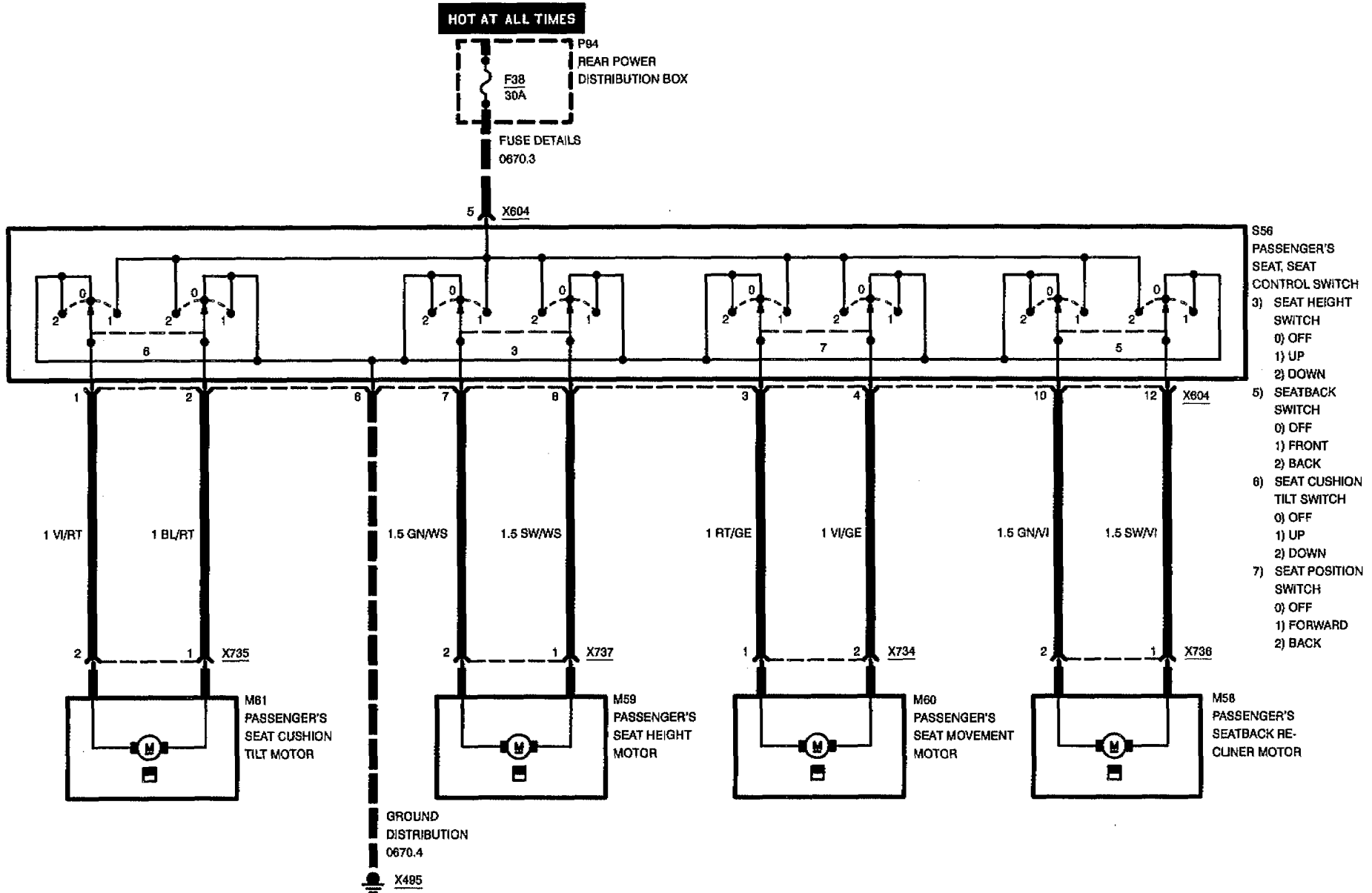
- SS1  
DRIVER'S SEAT,  
SEAT CONTROL  
SWITCH
- 3) SEAT HEIGHT SWITCH
  - 0) OFF
  - 1) UP
  - 2) DOWN
  - 5) SEATBACK SWITCH
  - 0) OFF
  - 1) FRONT
  - 2) BACK
  - 6) SEAT CUSHION TILT SWITCH
  - 0) OFF
  - 1) UP
  - 2) DOWN
  - 7) SEAT POSITION SWITCH
  - 0) OFF
  - 1) FORWARD
  - 2) BACK

GROUND  
DISTRIBUTION  
0670.4  
X492



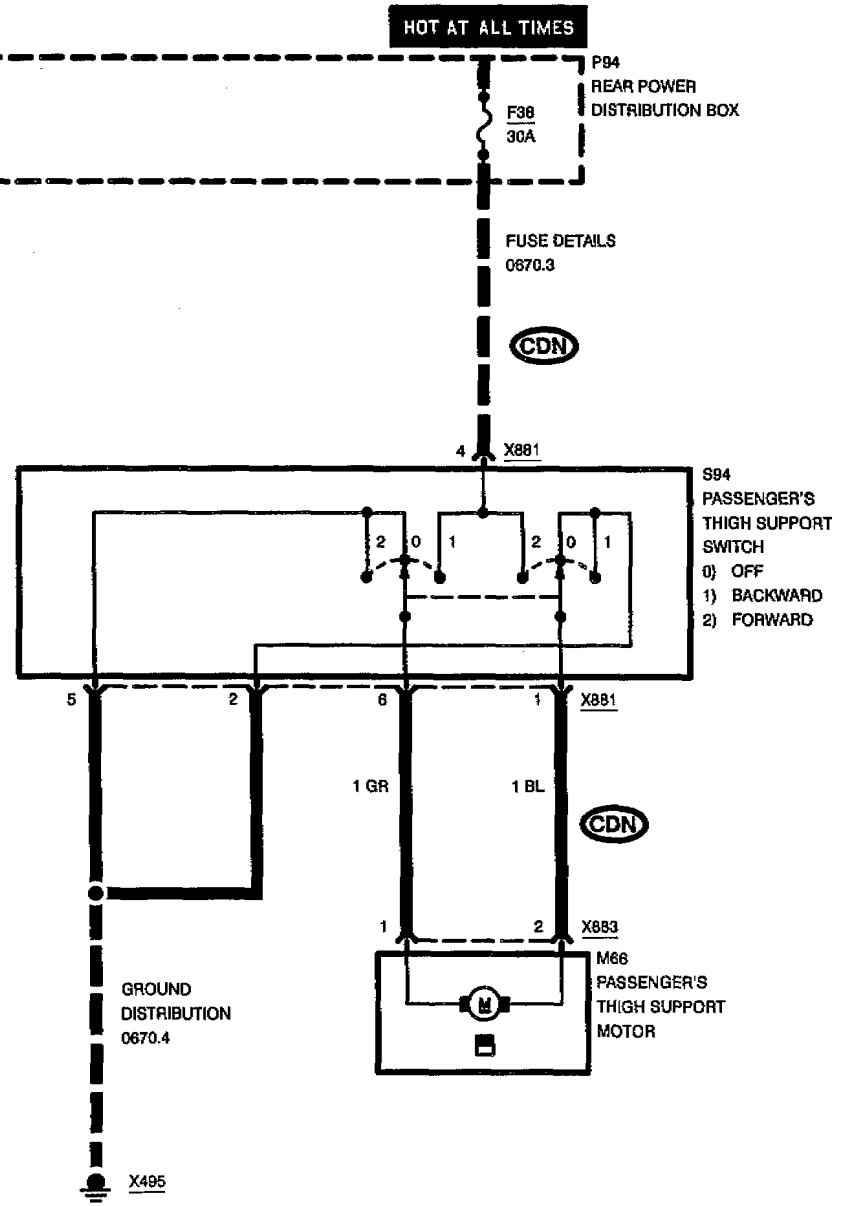
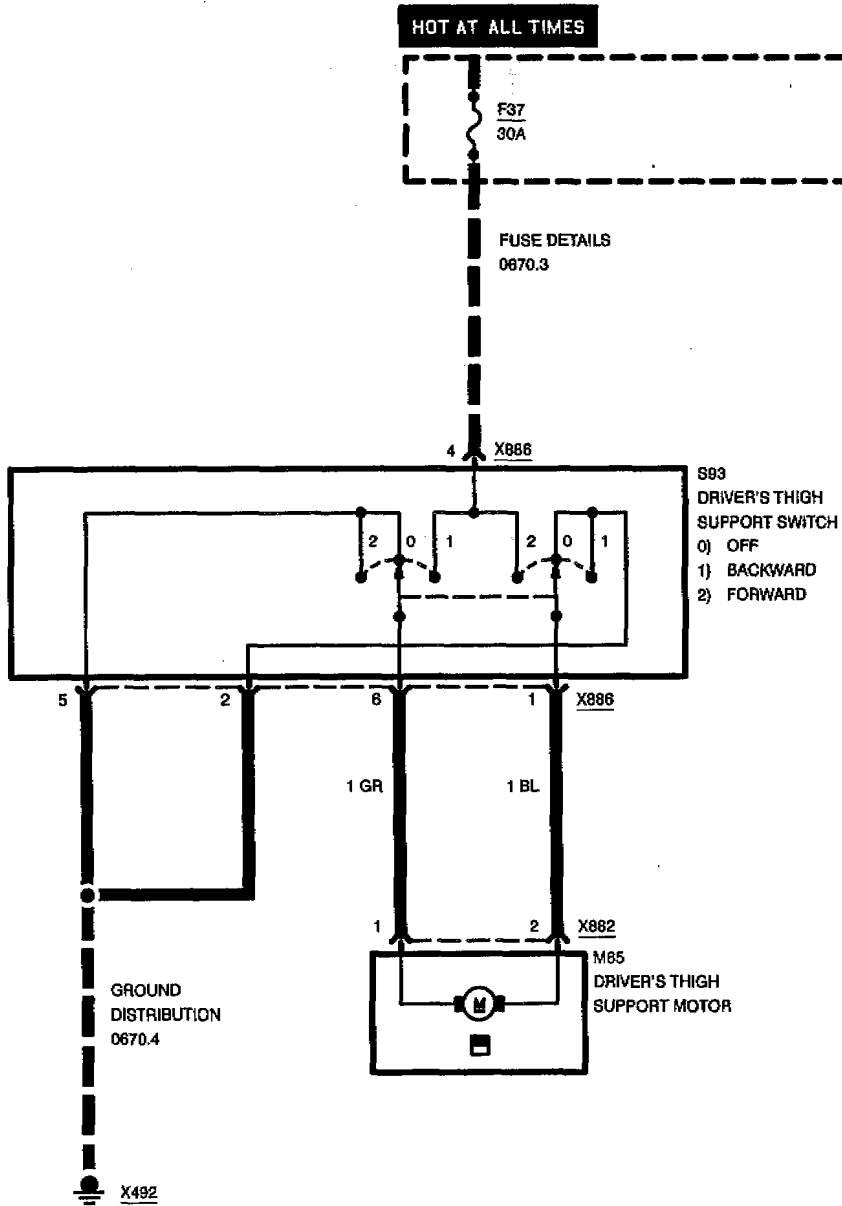
# POWER SEATS

## PASSENGER'S SEAT



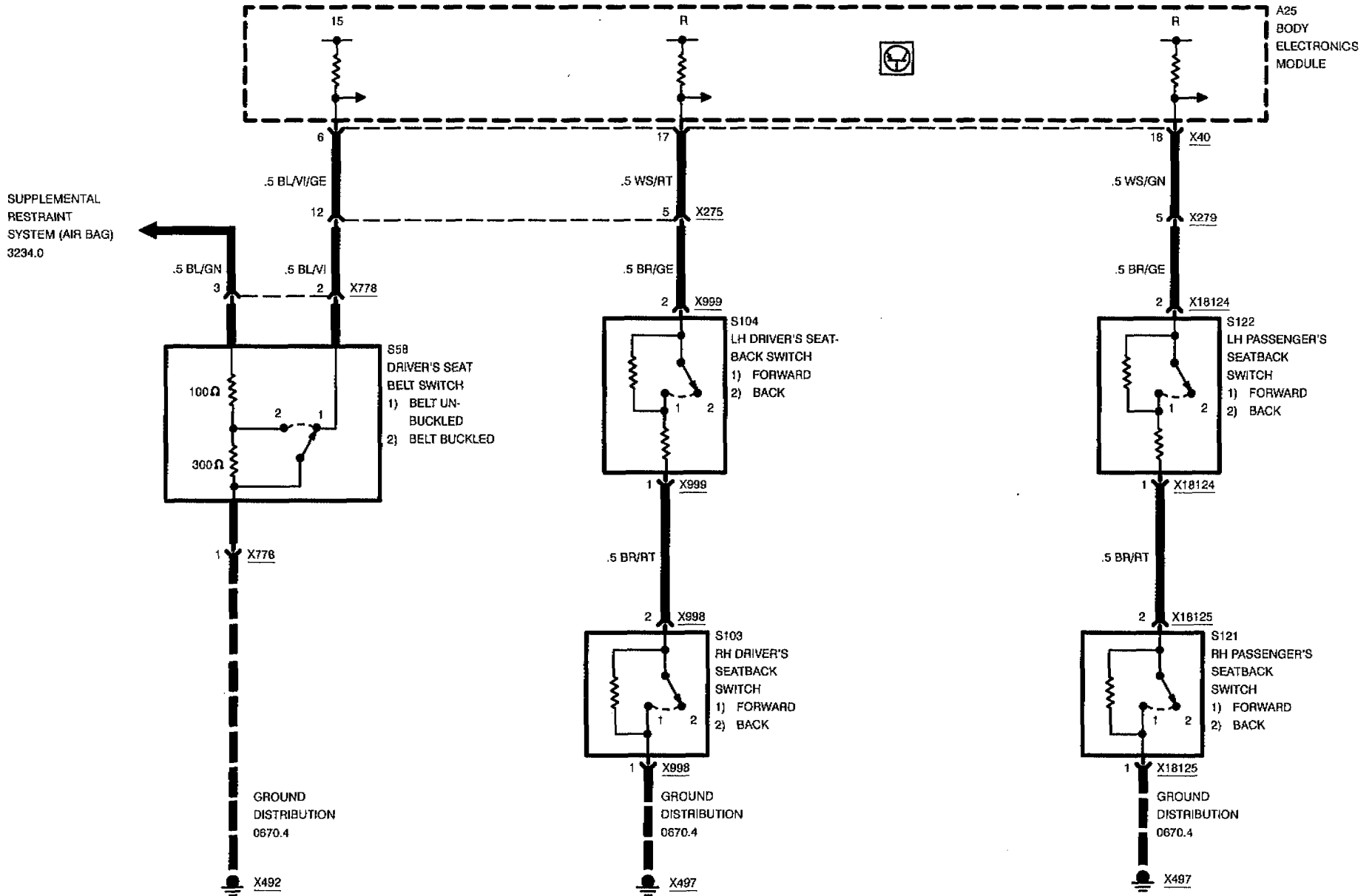


# POWER SEATS THIGH SUPPORT

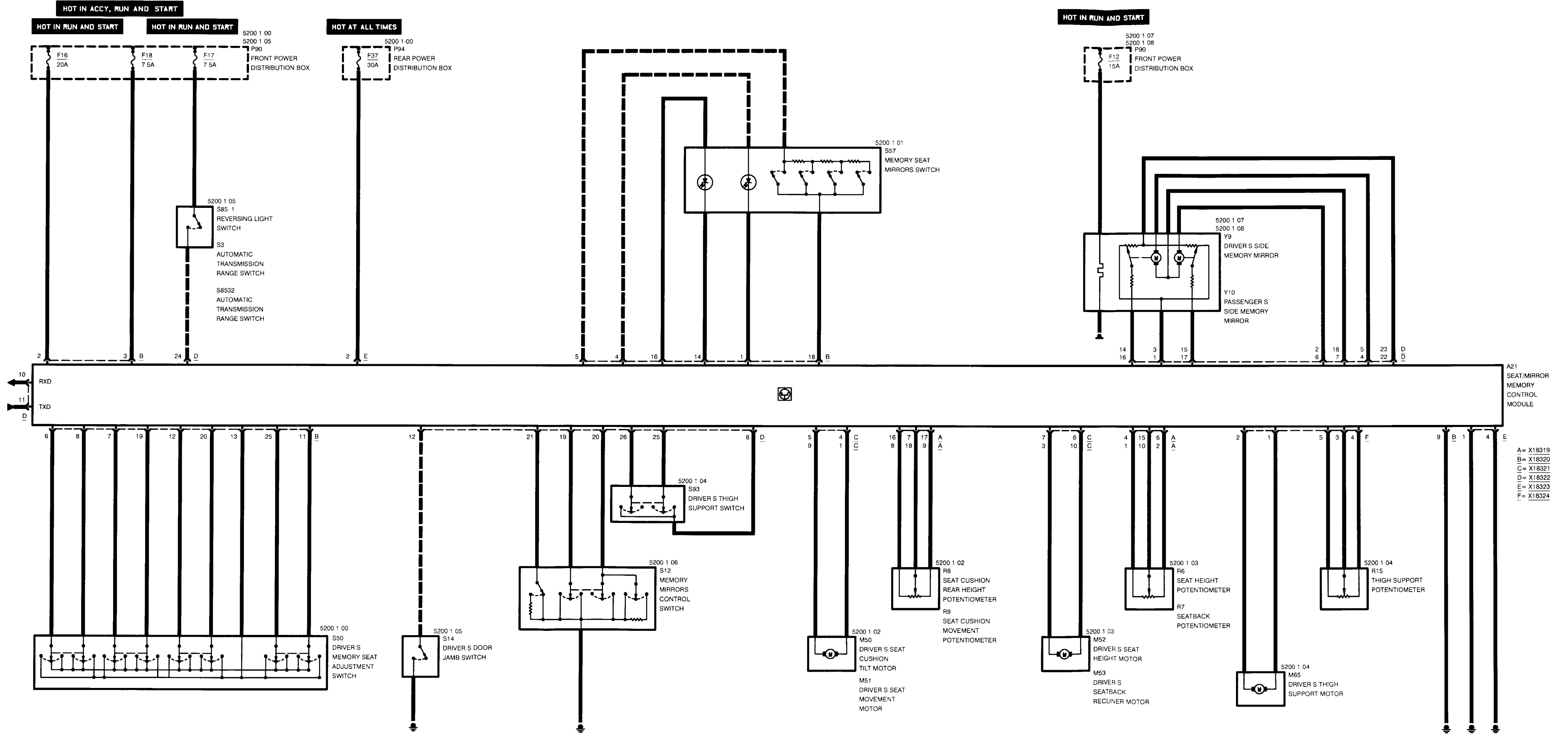




# POWER SEATS

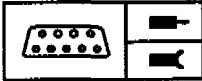






A21  
SEAT/MIRROR  
MEMORY  
CONTROL  
MODULE

A= X18319  
B= X18320  
C= X18321  
D= X18322  
E= X18323  
F= X18324



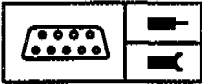
## Pin Assignments

A=X18319	18 pins, black
B=X18320	26 pins, white
C=X18321	10 pins, black
D=X18322	26 pins, black
E=X18323	4 pins, black
F=X18324	5 pins, black

### X18319

Pin	Type	Description/Function	Connection
1	A	Potentiometer voltage	Driver's seat back potentiometer
2	M	Ground	Driver's seat back potentiometer
3		Not used	
4	A	Potentiometer voltage	Driver's seat height potentiometer
5		Not used	
6	M	Ground	Driver's seat height potentiometer
7	E	Seat rear height signal	Driver's seat rear height potentiometer
8	A	Potentiometer voltage	Driver's seat movement potentiometer
9	M	Ground	Driver's seat movement potentiometer
10	E	Seat back position signal	Driver's seat back potentiometer
11		Not used	
12		Not used	
13		Not used	
14		Not used	
15	E	Seat height position signal	Driver's seat height potentiometer
16	A	Potentiometer voltage	Driver's seat rear height potentiometer
17	M	Ground	Driver's saet rear height potentiometer
18	E	Seat cushion position signal	Driver's seat movement potentiometer

E = Input, A = Output, M = Ground



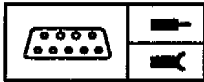
## Pin Assignments

### X18320

Pin	Type	Description/Function	Connection
1	E	Memory switch connection	Memory switch
2	E	Terminal 15 voltage	Fuse 16
3	E	Terminal R voltage	Fuse 18
4	E	Memory switch connection	Memory switch
5	E	Memory switch pin 1	Memory switch
6	E	Seat movement forward	Seat adjustment switch
7	E	Tilt up	Seat adjustment switch
8	E	Seat movement back	Seat adjustment switch
9	M	Ground	Ground point
10		Not used	
11	E	Backrest back	Seat adjustment switch
12	E	Height up	Seat adjustment switch
13	M	Ground	Seat adjustment switch
14	A	Illumination	Memory switch
15		Not used	
16	A	Illumination	Memory switch
17		Not used	
18	E	Memory switch connection	Memory switch
19	E	Tilt down	Seat adjustment switch
20	E	Height down	Seat adjustment switch
21		Not used	
22		Not used	
23		Not used	
24		Not used	
25	E	Backrest forward	Seat adjustment switch
26		Not used	

E = Input, A = Output, M = Ground





## Pin Assignments

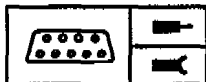
### X18321

Pin	Type	Description/Function	Connection
1	E/A	Motor voltage/ground	Driver's seat movement motor
2		Not used	
3	E/A	Motor voltage/ground	Driver's seat back recliner motor
4	E/A	Motor voltage/ground	Driver's seat cushion tilt motor
5	E/A	Motor voltage/ground	Driver's seat cushion tilt motor
6	E/A	Motor voltage/ground	Driver's seat height motor
7	E/A	Motor voltage/ground	Driver's seat height motor
8		Not used	
9	E/A	Motor voltage/ground	Driver's seat movement motor
10	E/A	Motor voltage/ground	Driver's seat back recliner motor

### X18322

Pin	Type	Description/Function	Connection
1	M	Ground	Passenger's mirror
2	A	Connection, driver's mirror adjustment motor	Driver's mirror
3	M	Ground	Driver's mirror
4	A	Connection, passenger's mirror adjustment motor	Passenger's mirror
5	A	Connection, driver's mirror adjustment motor	Driver's mirror
6	A	Connection, passenger's mirror adjustment motor	Passenger's mirror
7	A	Connection, passenger's mirror adjustment motor	Passenger's mirror
8	M	Ground	Thigh support switch
9		Not used	
10	A	Diagnosis (RxD)	Data link connector
11	E/A	Diagnosis (TxD)	Data link connector

E = Input, A = Output, M = Ground



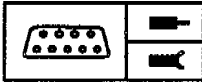
## Pin Assignments

Pin	Type	Description/Function	Connection
12	E	Driver's door status	Driver's door jamb switch
13		Not used	
14	E	Potentiometer connection	Driver's mirror
15	E	Potentiometer connection	Driver's mirror
16	E	Potentiometer connection	Passenger's mirror
17	E	Potentiometer connection	Passenger's mirror
18	A	Connection, driver's mirror adjustment motor	Driver's mirror
19	E	Mirror adjustment	Mirror control switch
20	E	Mirror adjustment	Mirror control switch
21	E	Mirror adjustment	Mirror control switch
22	E	Potentiometer connection	Passenger's mirror
23	E	Potentiometer connection	Driver's mirror
24	E	Reverse gear signal	Back-up switch
25	E	Thigh support forward	Thigh support switch
26	E	Thigh support backward	Thigh support switch

### X18323

Pin	Type	Description/Function	Connection
1	M	Ground	Ground point
2	E	Terminal 30 voltage	Fuse 37
3		Not used	
4	M	Ground	Ground point

E = Input, A = Output, M = Ground



## Pin Assignments

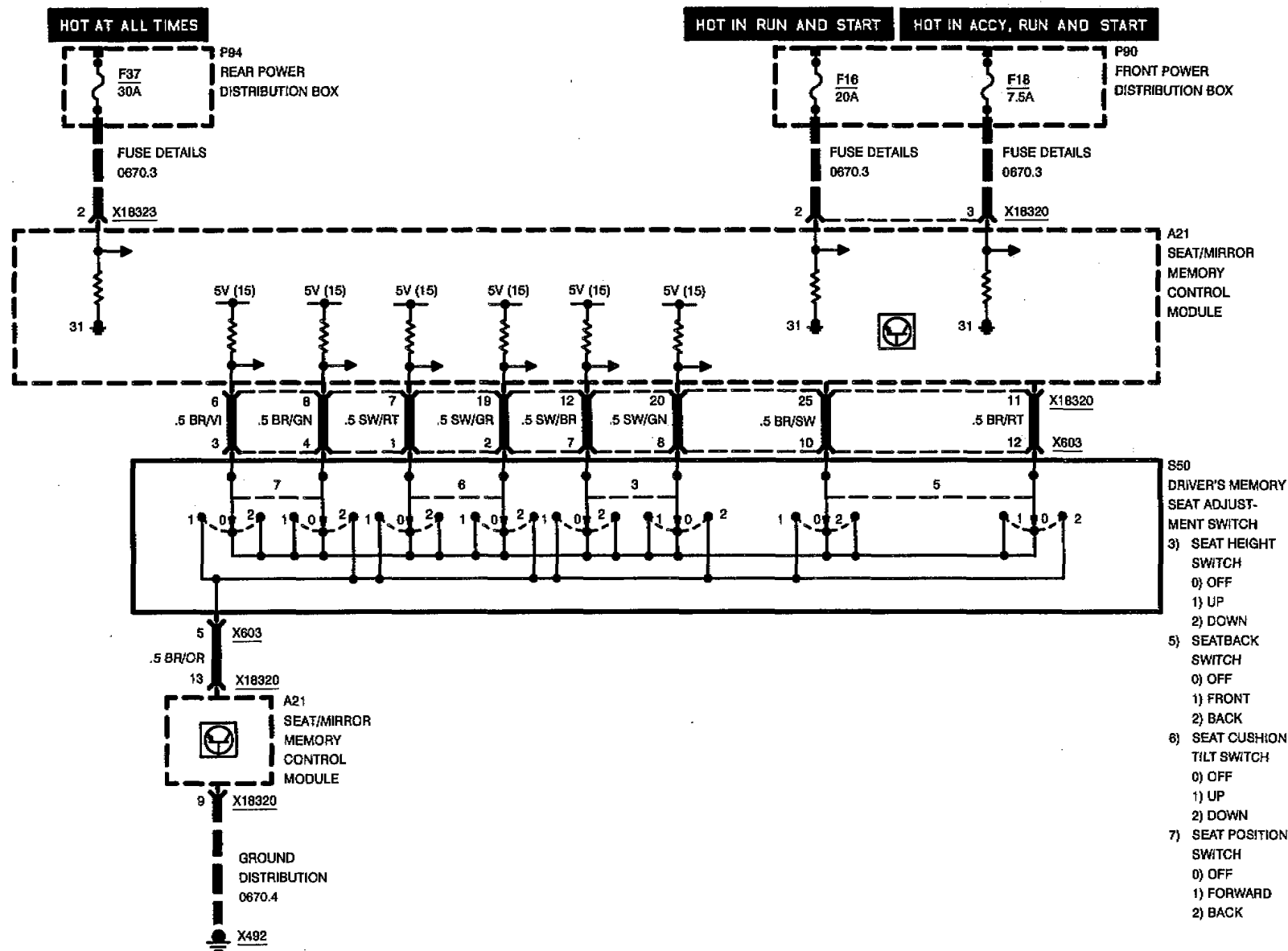
### X18324

Pin	Type	Description/Function	Connection
1	E/A	Motor voltage/ground	Driver's seat thigh support motor
2	E/A	Motor voltage/ground	Driver's seat thigh support motor
3	E	Thigh support position signal	Driver's seat thigh support potentiometer
4	M	Ground	Driver's seat thigh support potentiometer
5	A	Potentiometer voltage	Driver's seat thigh support potentiometer
6		Not used	

E = Input, A = Output, M = Ground

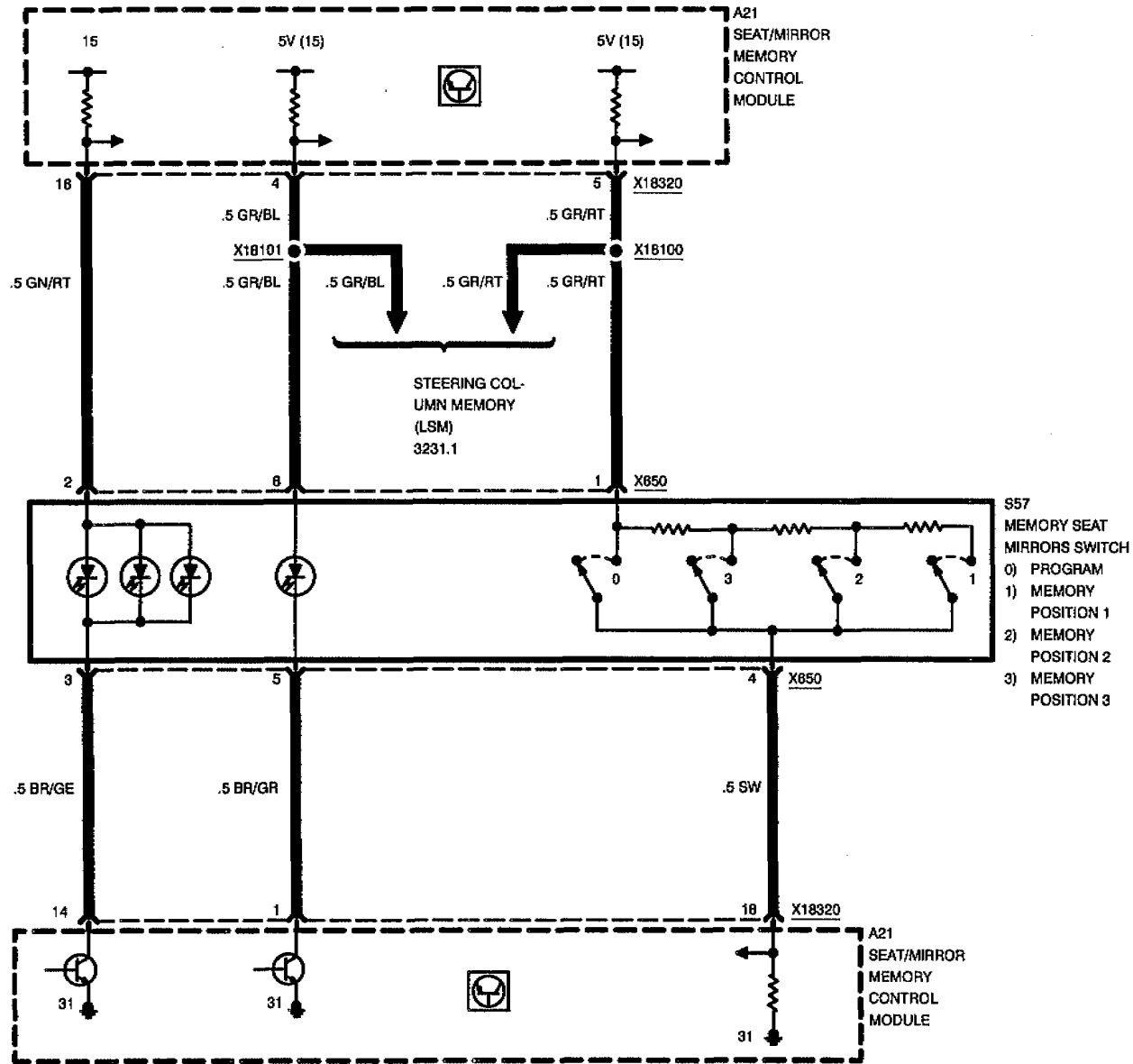


# SEAT/MIRROR MEMORY SYSTEM (SM/SPM)





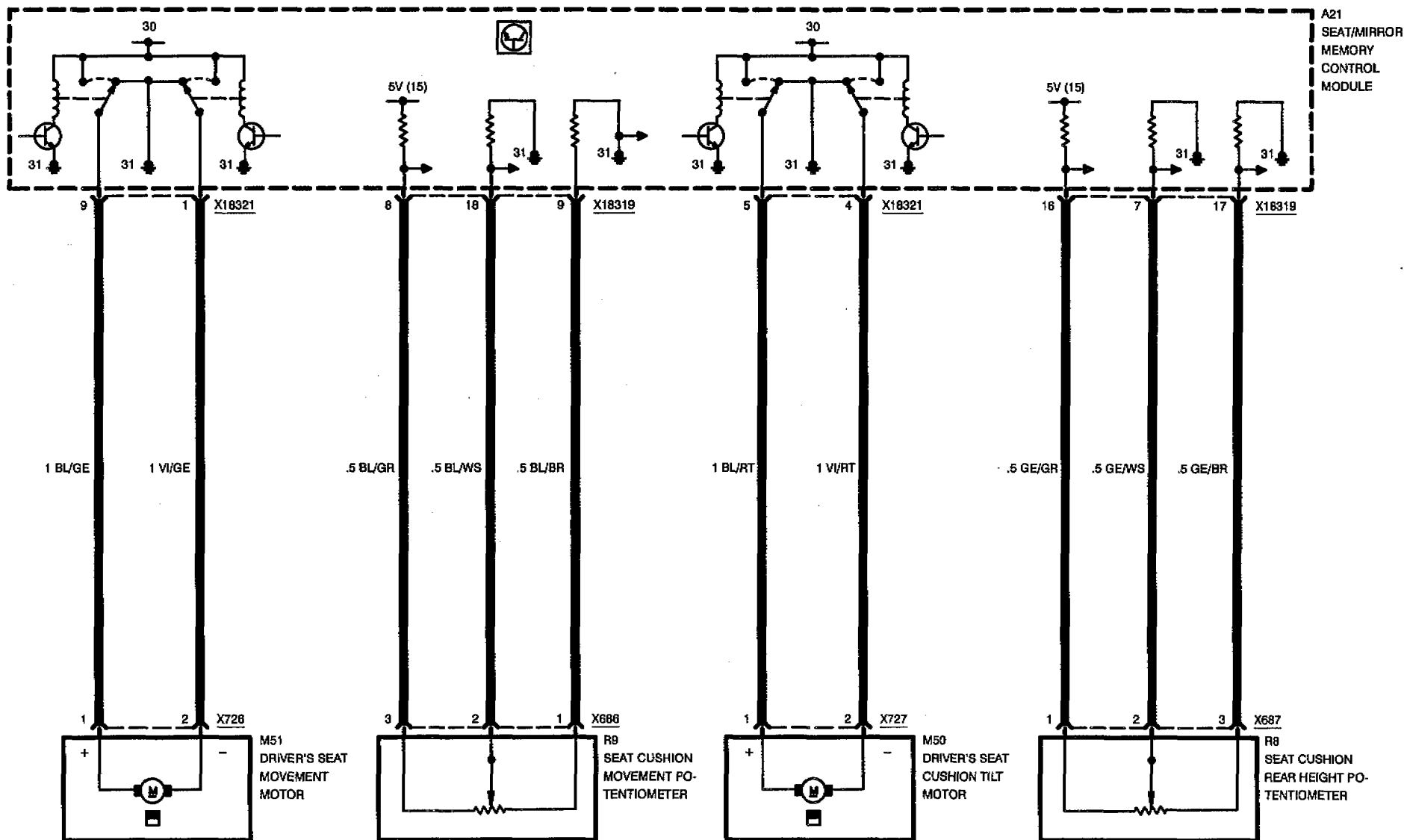
# SEAT/MIRROR MEMORY SYSTEM (SM/SPM)





# SEAT/MIRROR MEMORY SYSTEM (SM/SPM)

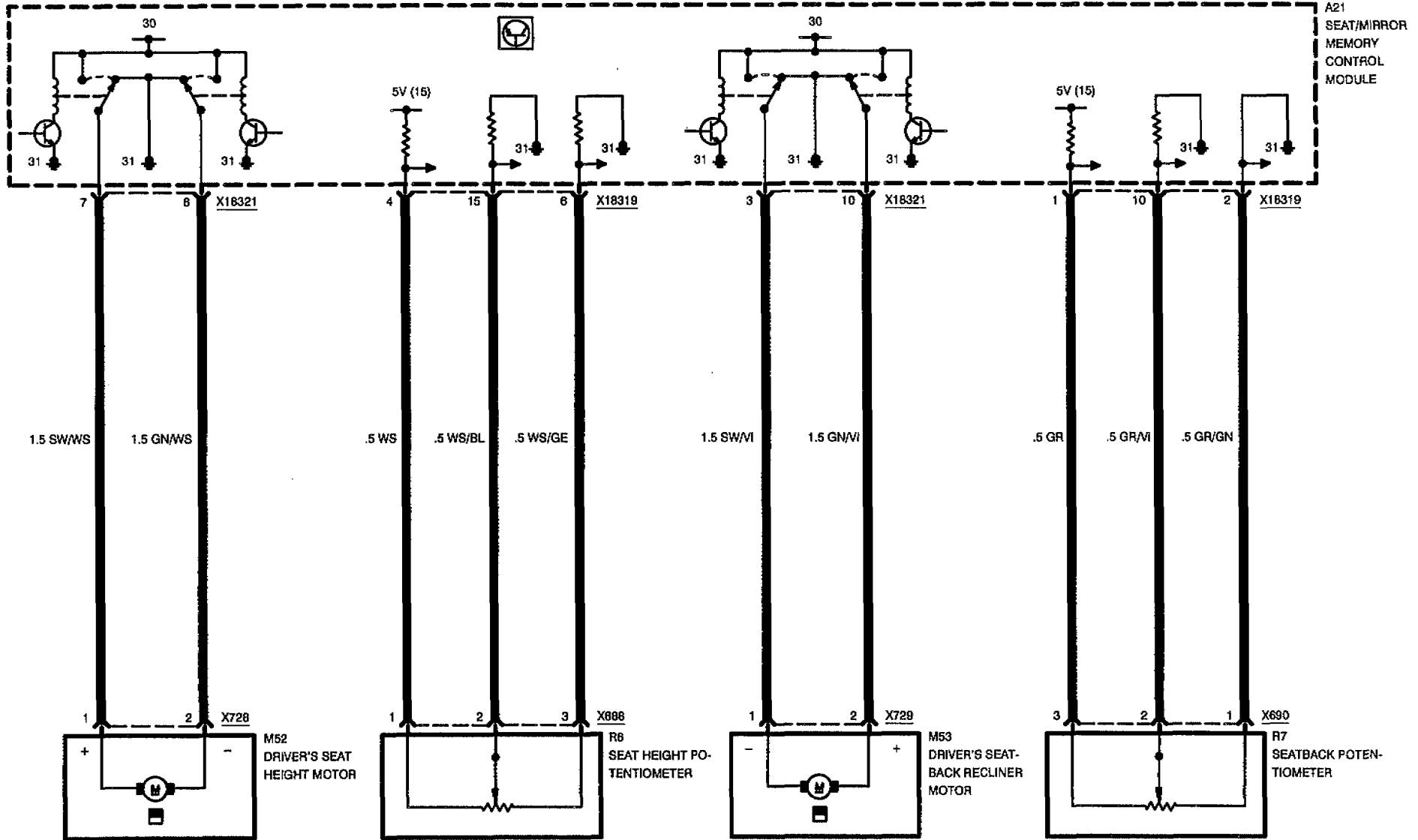
## SEAT





# SEAT/MIRROR MEMORY SYSTEM (SM/SPM)

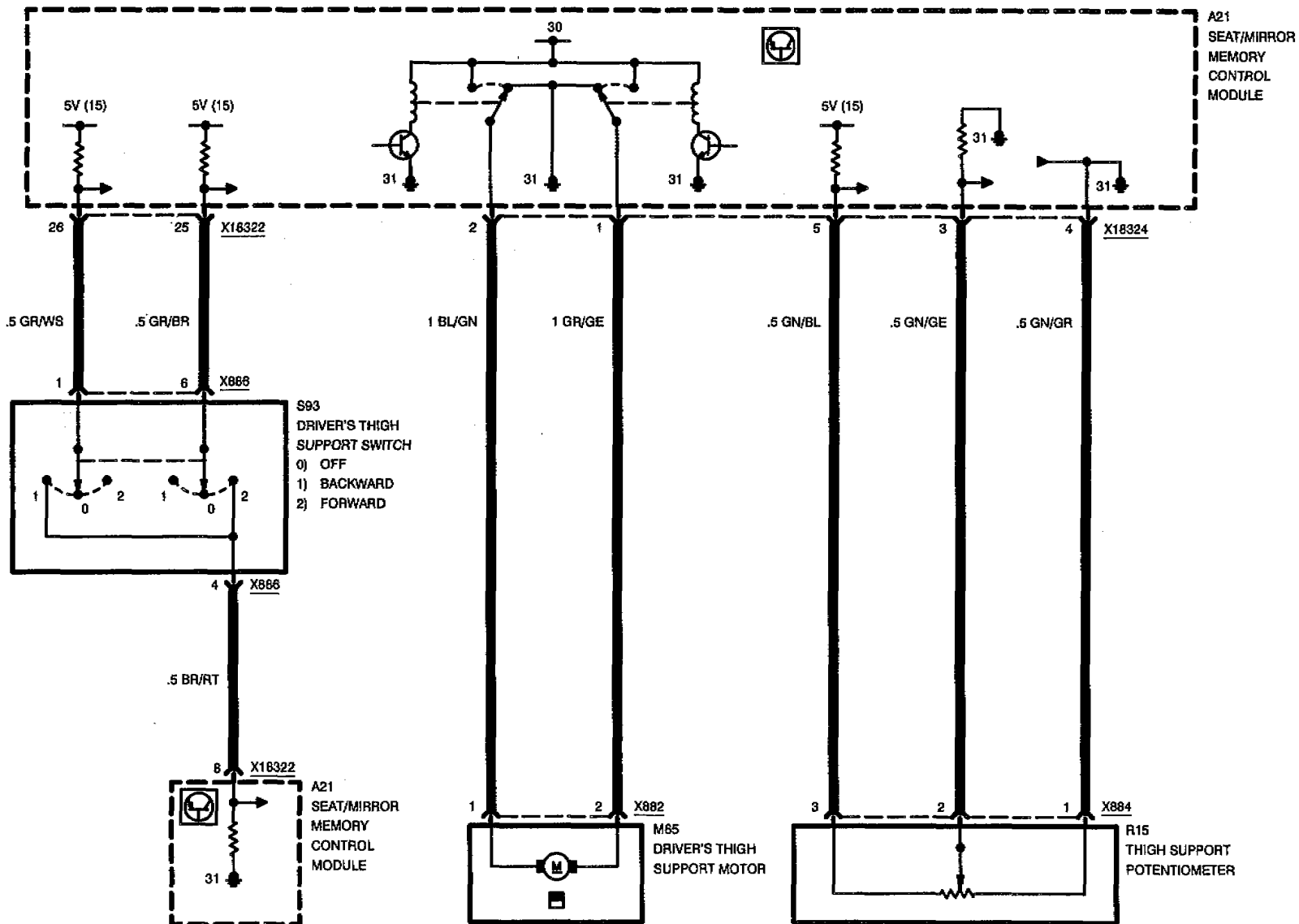
## SEAT





# SEAT/MIRROR MEMORY SYSTEM (SM/SPM)

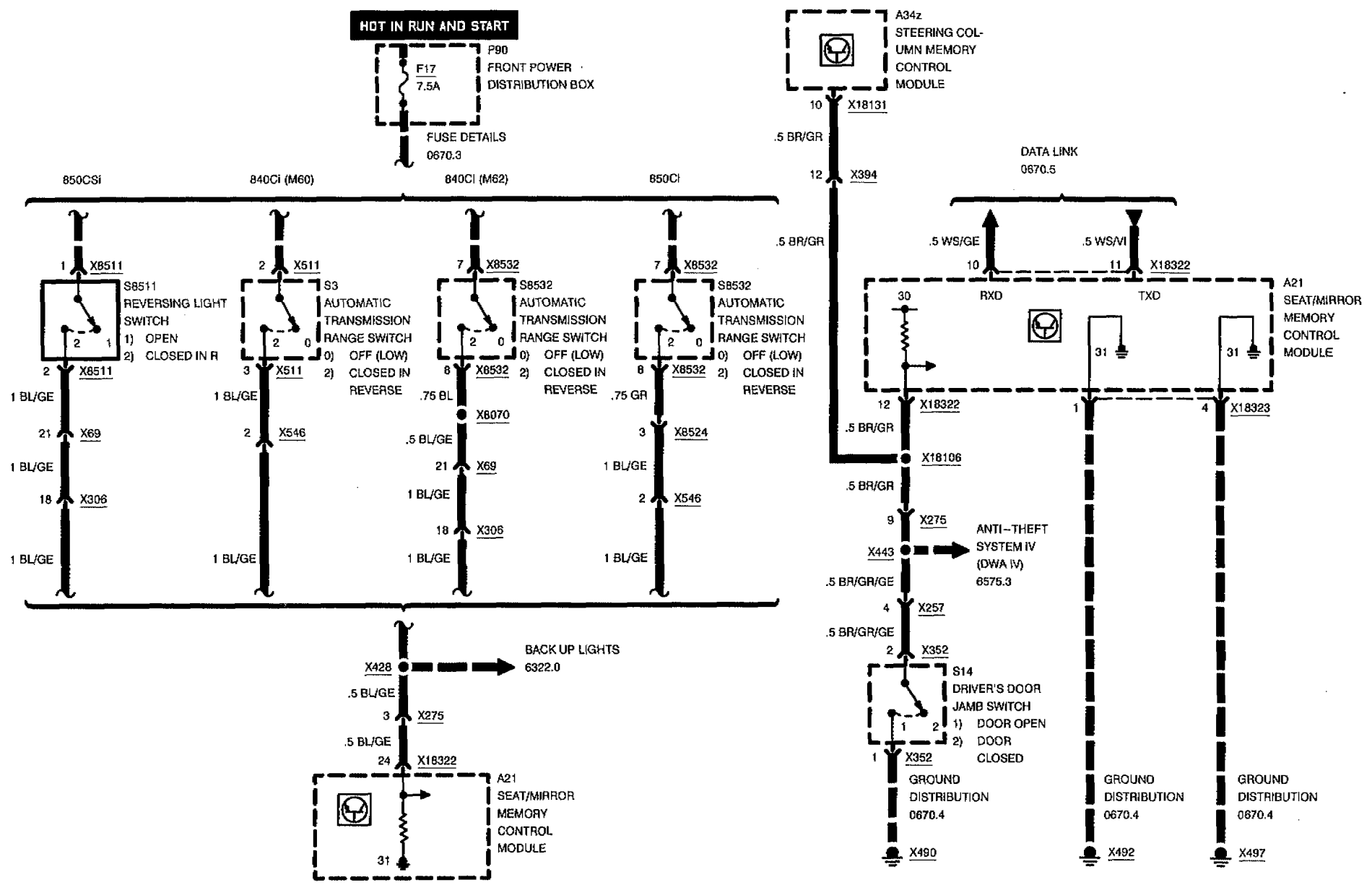
## WITH SPORT SEAT







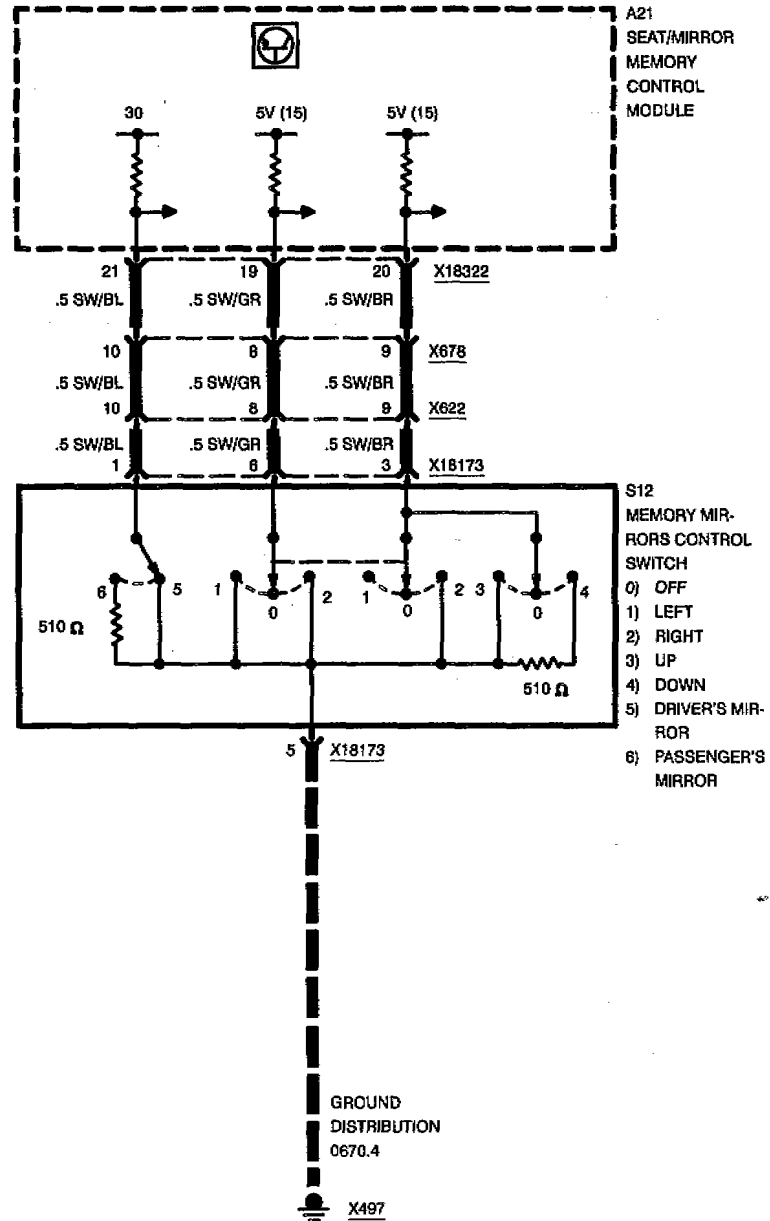
# SEAT/MIRROR MEMORY SYSTEM (SM/SPM)





# SEAT/MIRROR MEMORY SYSTEM (SM/SPM)

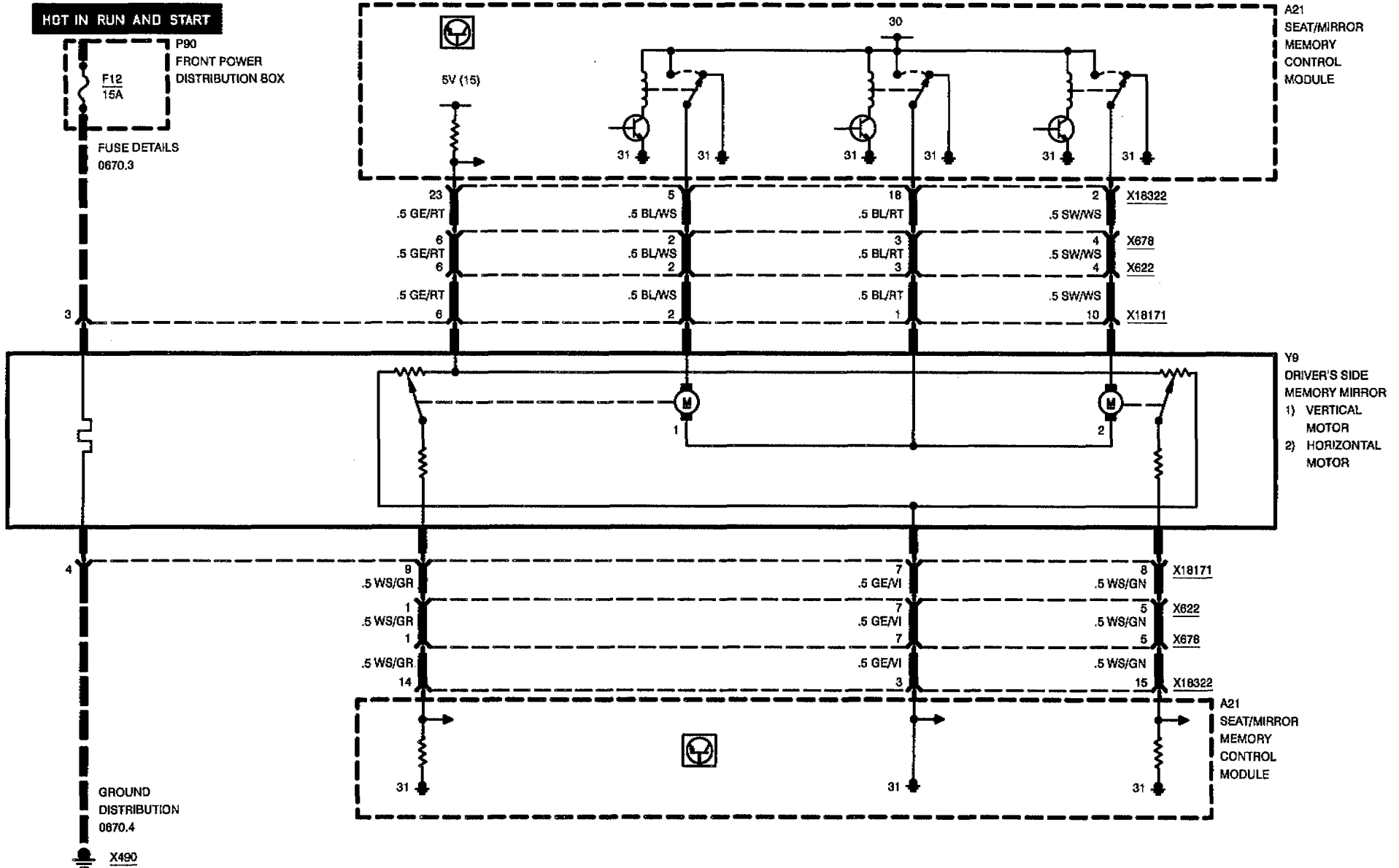
## MIRROR





# SEAT/MIRROR MEMORY SYSTEM (SM/SPM)

## MIRROR





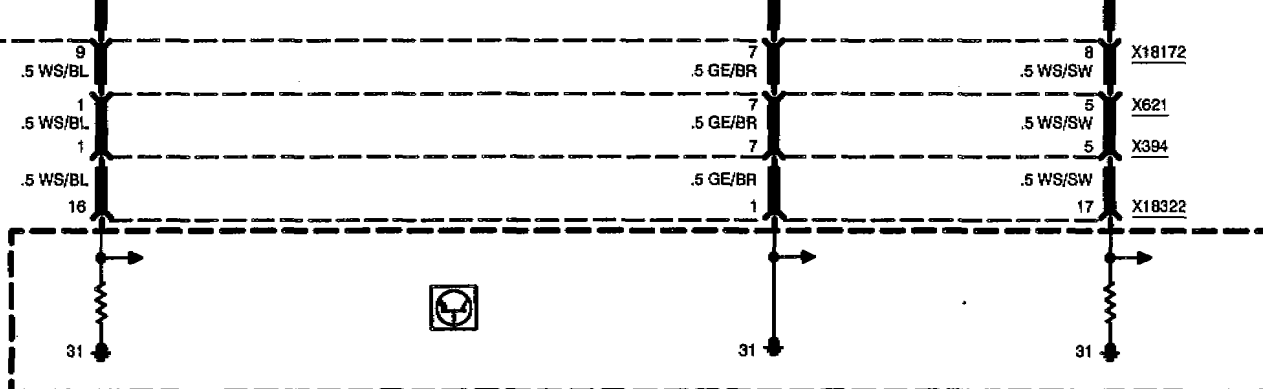
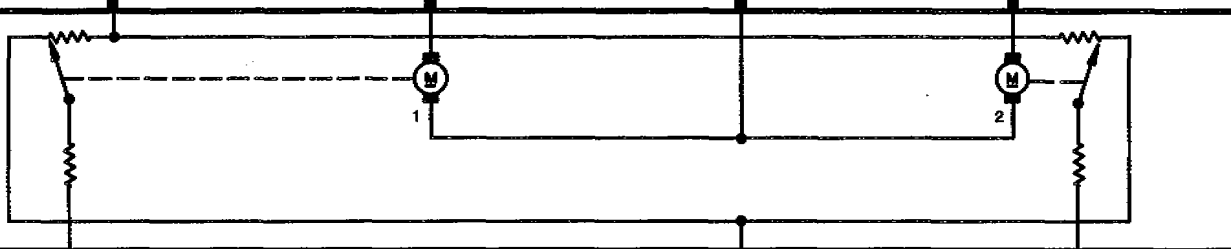
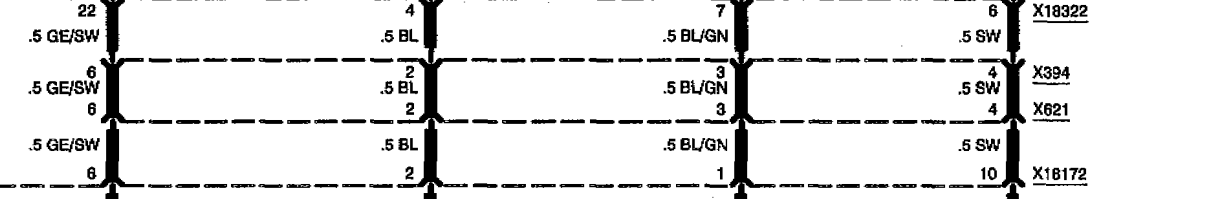
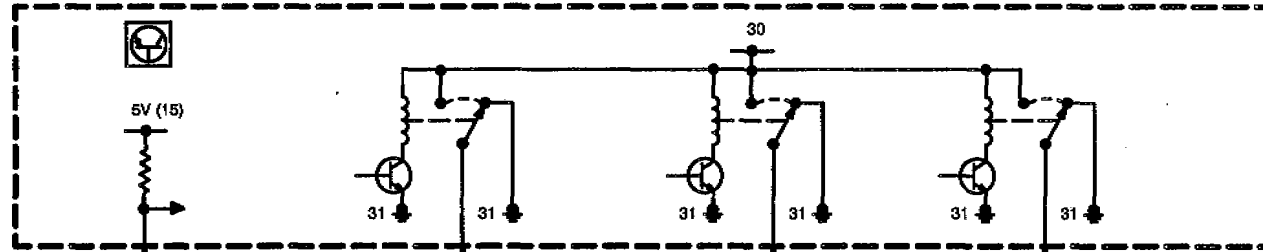
# SEAT/MIRROR MEMORY SYSTEM (SM/SPM)

## MIRROR

HOT IN RUN AND START



FUSE DETAILS  
0670.3



GROUND  
DISTRIBUTION  
0670.4



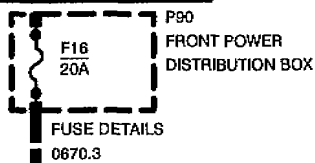


5203.0



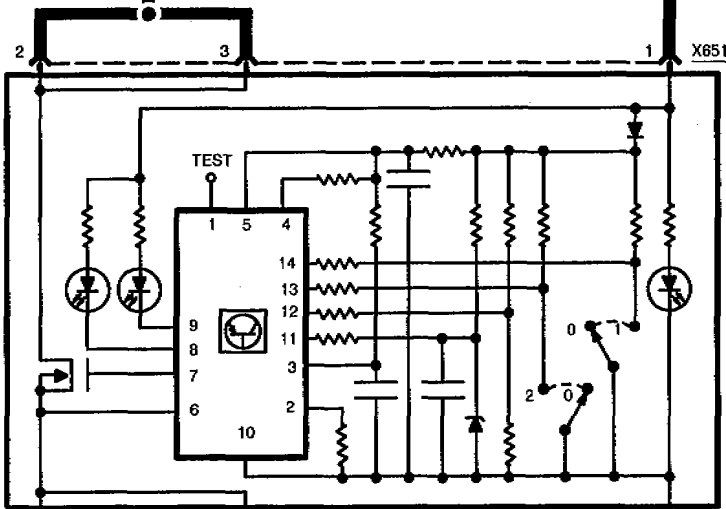
# HEATED SEATS

HOT IN RUN AND START



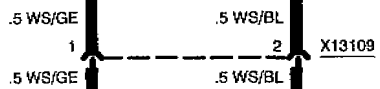
.5 GR/RT

58g  
LIGHT SWITCH  
DETAILS  
6300.0



X651

0) OFF  
1) MINIMUM  
2) MAXIMUM



E57  
DRIVER'S SEAT  
HEATER

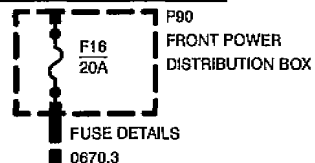
E56  
DRIVER'S SEAT-  
BACK HEATER



GROUND  
DISTRIBUTION  
0670.4

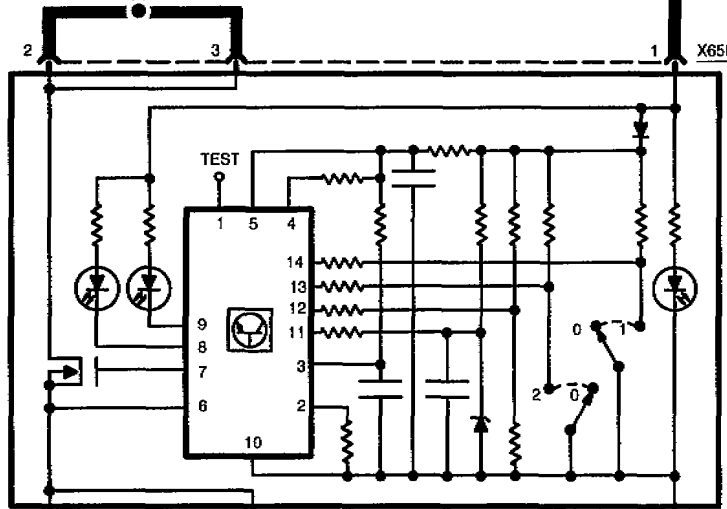
X492

HOT IN RUN AND START



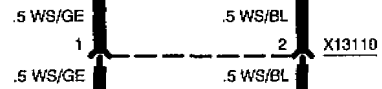
.5 GR/RT

58g  
LIGHT SWITCH  
DETAILS  
6300.0



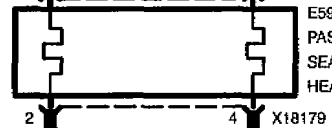
X658

0) OFF  
1) MINIMUM  
2) MAXIMUM



E58  
PASSENGER'S  
SEAT HEATER

E59  
PASSENGER'S  
SEATBACK  
HEATER



GROUND  
DISTRIBUTION  
0670.4

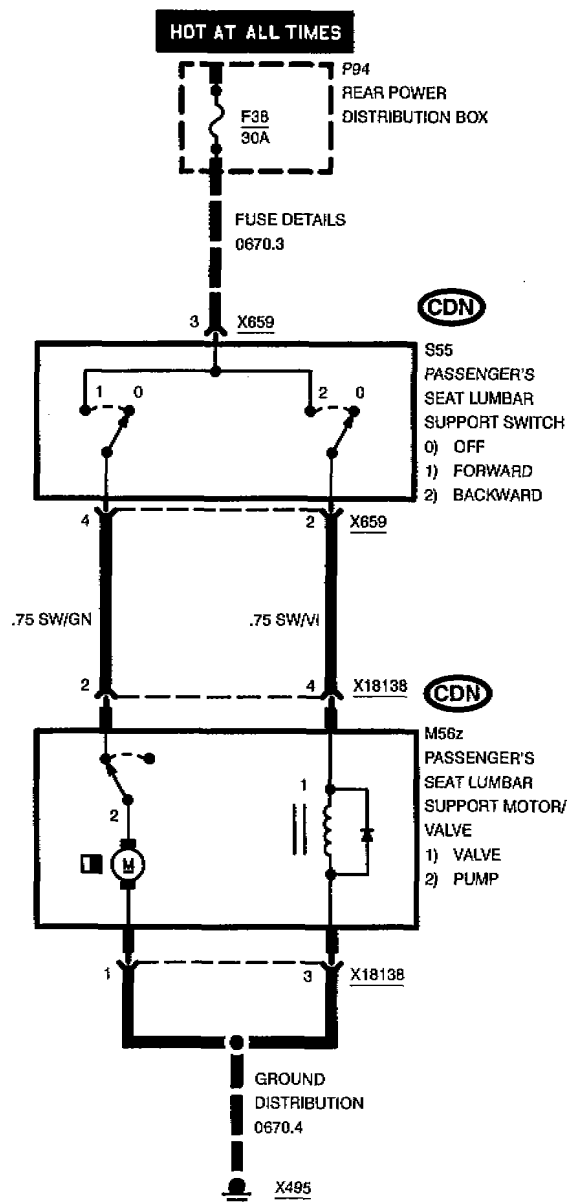
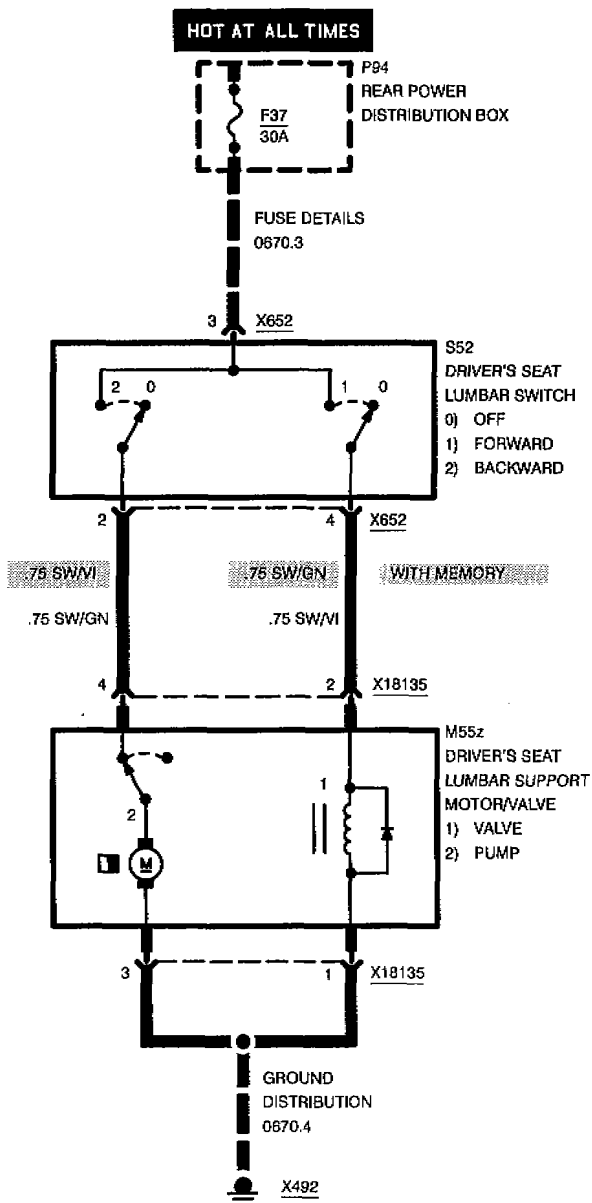
X495

GROUND  
DISTRIBUTION  
0670.4

X492



# LUMBAR SUPPORT



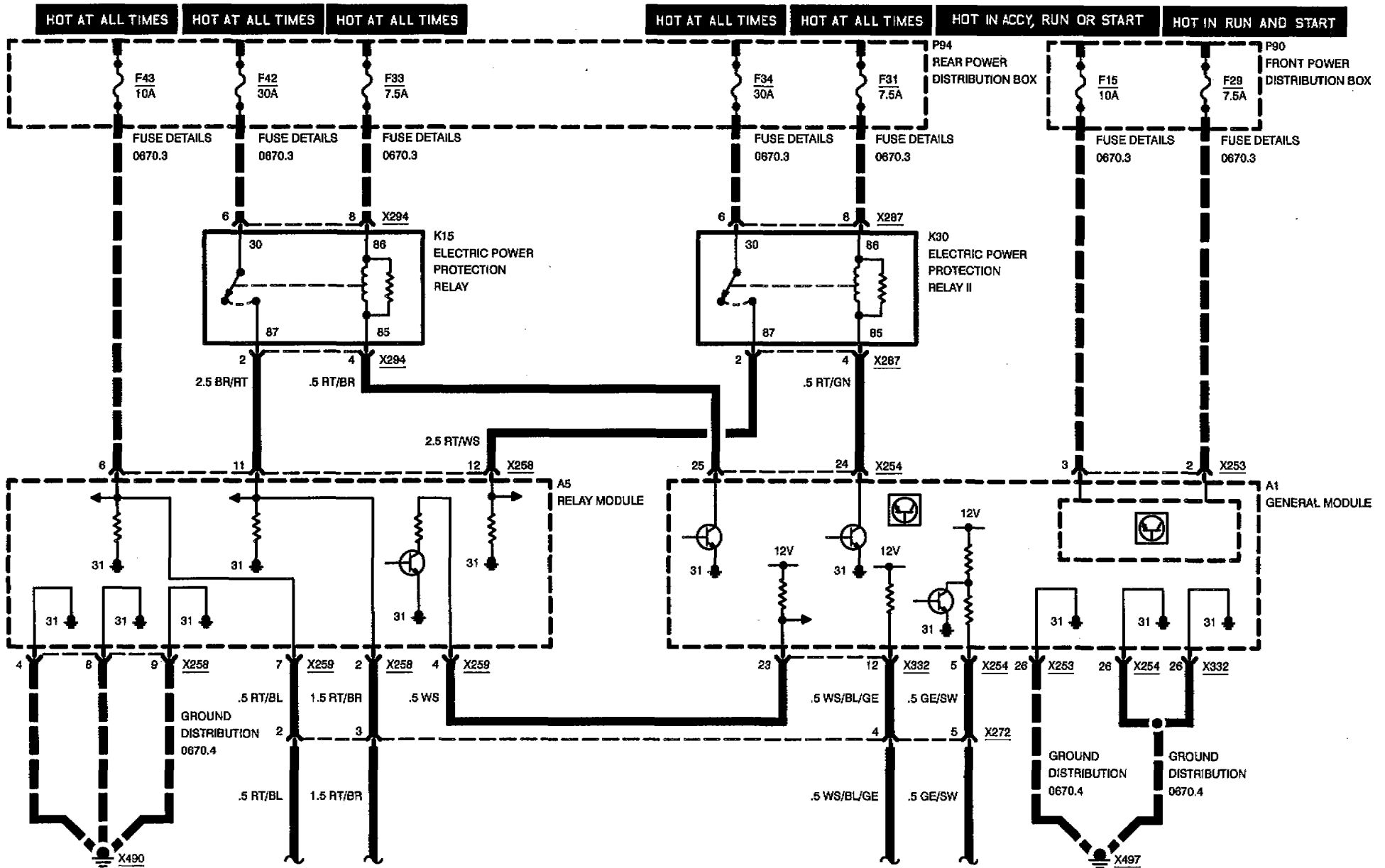


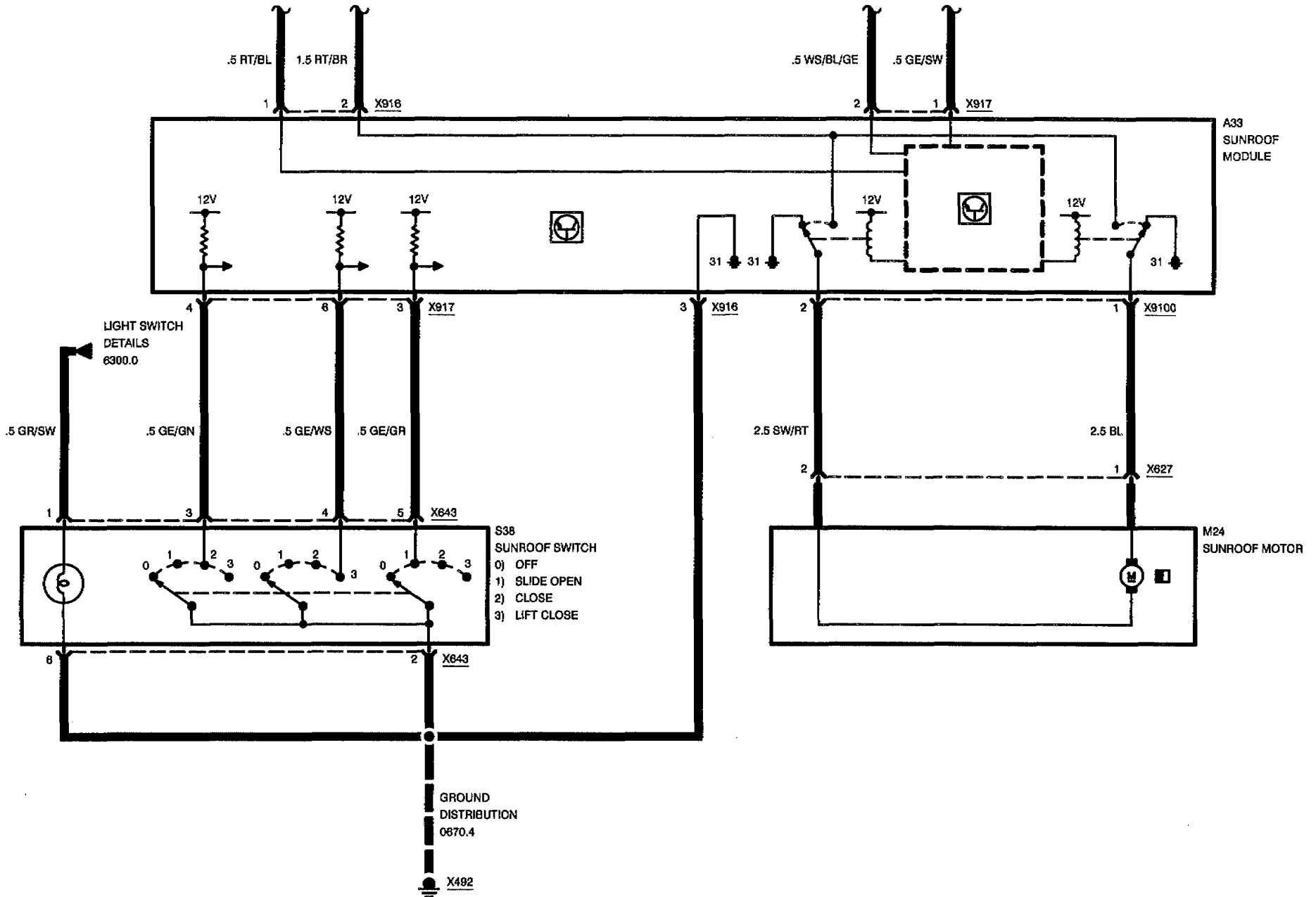


5410.0



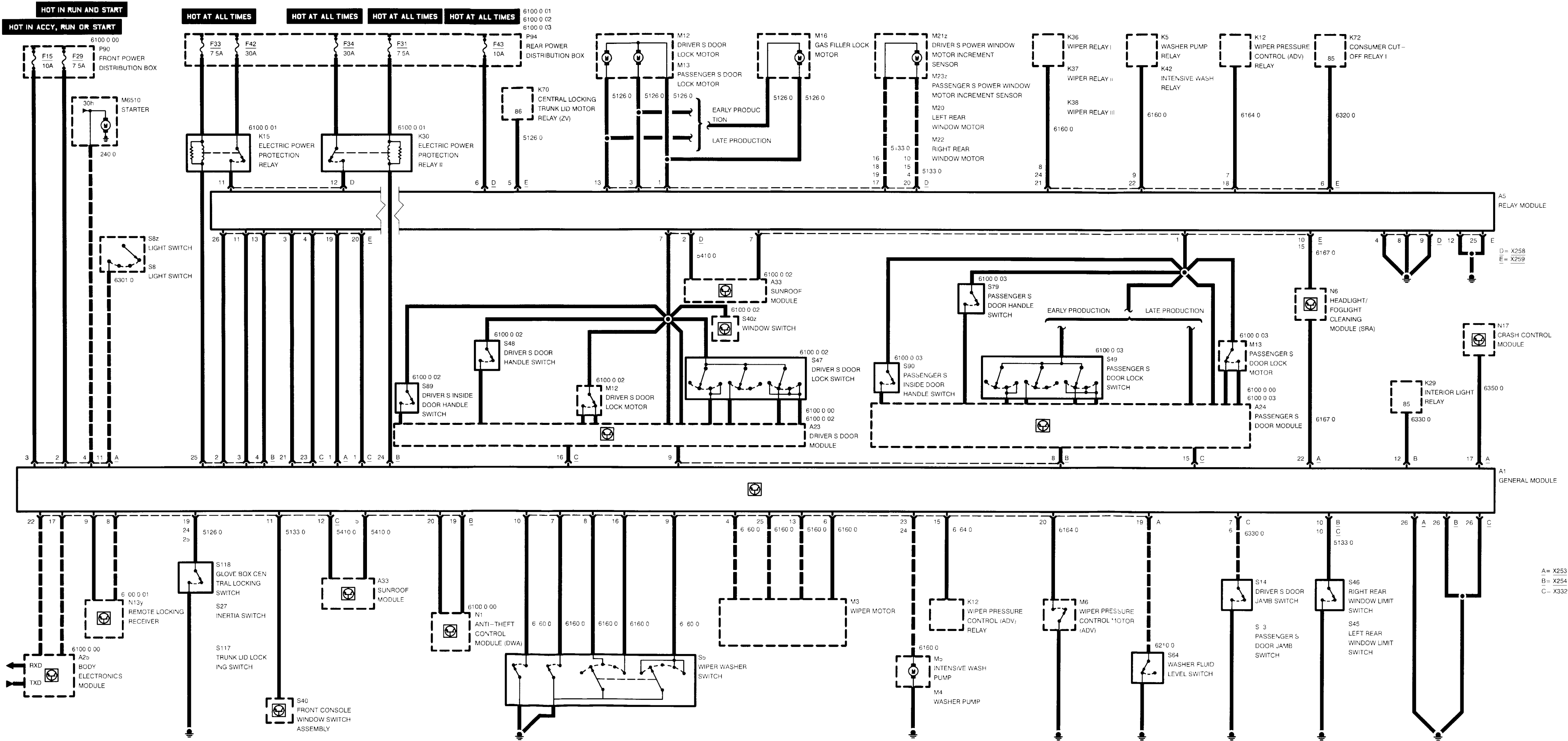
# ZKE SUNROOF (SHD)





BMW  
8

5410.0-02



D= X258  
E= X259

A= X253  
B= X254  
C= X332



## Pin Assignments

A=X253	26 pins, black
B=X254	26 pins, yellow
C=X332	26 pins, white
D=X258	20 pins, black
E=X259	26 pins, black

### X253

Pin	Type	Description/Function	Connection
1	E	Voltage for electronics (30)	Relay module
2	E	Ignition voltage (15)	Fuse 29
3	E	Voltage (R)	Fuse15
4	E	Starter signal (30h)	Starter
5		Not used	
6	E	Wiper reset contact	Wiper motor
7	E	Wash	Wiper/washer switch
8	E	Intermittent wipe	Wiper/washer switch
9	E	Wiper speed: 1	Wiper/washer switch
10	E	Intensive wash/telephone	Wiper/washer switch
11	E	Headlamp on (58)	Light switch
12		Not used	
13	E	Diagnosis, wiper relay (speed 1/2)	Wiper relay III/wiper motor
14	E	Diagnosis, wiper relay (park)	Wiper relay I/wiper motor
15	E	Diagnosis, ADV	Wiper pressure control (ADV) relay
16	E	Wiper speed: 2	Wiper/washer switch
17	A	Interface to hazard warning lights	Crash control unit
18		Not used	
19	E	Low washer fluid warning	Washer fluid level switch
20	E	ADV cam switch	Wiper pressure control motor (ADV)
21		Not used	
22	E	Diagnosis, headlight washer module	Headlight washer (SRA)
23	E	Diagnosis, intensive wash	Intensive wash relay and pump
24	E	Diagnosis, washer pump and relay	Washer pump and relay

E = Input, A = Output, M = Ground



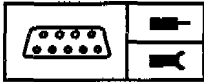
## Pin Assignments

Pin	Type	Description/Function	Connection
25	E	Diagnosis, wiper relay (speed 1/2)	Wiper relay III/wiper motor
26	M	Ground for electronics (31)	Ground point

### X254

Pin	Type	Description/Function	Connection
1		Not used	
2	A	Relay module interface	Relay module
3	A	Relay module interface	Relay module
4	A	Relay module interface	Relay module
5	A	Interface to sunroof	Sunroof module
6		Not used	
7		Not used	
8	A	Interface to passenger's door module	Passenger's door module
9	A	Interface to driver's door module	Driver's door module
10	E	Right rear window contact	Window limit switch
11		Not used	
12	A	Interior light relay activation	Interior light relay
13		Not used	
14		Not used	
15		Not used	
16		Not used	
17		Not used	
18		Not used	
19	A	Interface to DWA	DWA
20	A	Interface to DWA	DWA
21		Not used	
22		Not used	
23		Not used	
24	A	Electronic power protection: Activation for passenger's side relay	Electric power protection relay

E = Input, A = Output, M = Ground



## Pin Assignments

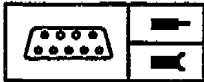
Pin	Type	Description/Function	Connection
25	A	Electronic power protection: Activation for driver's side relay	Electric power protection relay
26	M	Ground for electronics (31)	Ground point

### X332

Pin	Type	Description/Function	Connection
1	E	Voltage for electronics (30)	Relay module
2		Not used	
3		Not used	
4		Not used	
5		Not used	
6	E	Passenger's door contact	Passenger's door jamb switch
7	E	Driver's door contact	Driver's door jamb switch
8	E	Interface from antitheft	Remote locking receiver, N13y
9	E	Interface from antitheft	Remote locking receiver, N13y
10	E	Left rear window contact	Window limit switch
11	E	Interface from power windows/central locking	Power window switch assembly
12	E	Interface from sunroof	Sunroof module
13		Not used	
14		Not used	
15	E	Interface from passenger's door module	Passenger's door module
16	E	Interface from driver's door module	Driver's door module
17	E/A	I-bus interface	Body electronics module (EKM)
18		Not used	
19	E	Lock glove box signal	Glove box locking switch
20		Not used	
21	E	Interface from relay module; diagnostic feedback RM functions	Relay module
22	E	Vehicle speed signal	Body electronics module (EKM)
23	E	Interface from relay module; power measurement RM functions	Relay module

E = Input, A = Output, M = Ground





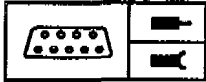
## Pin Assignments

Pin	Type	Description/Function	Connection
24	E	Crash sensor	Inertia switch
25	E	Command, unlock rear lid	Trunk lid locking switch
26	M	Ground for electronics (31)	Ground point

### X258

Pin	Type	Description/Function	Connection
1	A	Activation of ZV motors: Unlock	Lock motors
2	A	Voltage for power circuit on driver's side from electronic power protection	Sunroof module
3	A	Activation of ZV motors: Lock	Lock motors
4	M	Ground for electronics	Ground point
5		Not used	
6	E	Voltage (30) for electronics for all ZKE modules	Fuse 43
7	A	Voltage for driver's door module electronics	Driver's door module
8	M	Ground for ZV and FH motors	Ground point
9	M	Ground for ZV and FH motors	Ground point
10	A	Activation FH motor: driver's door, open	Driver's window motor (FH)
11	E	Voltage for power circuit on driver's side from electronic power protection	Electric power protection relay
12	E	Voltage for power circuit on passenger's side from electronic power protection	Electric power protection relay II
13	A	Activation ZV motors: Central arrest	Lock motors (ZV)
14	A	Activation FH motor: Left rear side, close	Left rear window motor (FH)
15	A	Activation FH motor: Passenger's door, open	Passenger's window motor (FH)
16	A	Activation FH motor: Driver's door, close	Driver's window motor (FH)
17	A	Activation FH motor: Right rear side, open	Right rear window motor (FH)
18	A	Activation FH motor: Passenger's door, close	Passenger's window motor (FH)

E = Input, A = Output, M = Ground



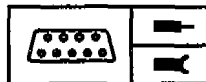
## Pin Assignments

Pin	Type	Description/Function	Connection
19	A	Activation FH motor: Left rear side, open	Left rear window motor (FH)
20	A	Activation FH motor: Right rear side, close	Right rear window motor (FH)

### X259

Pin	Type	Description/Function	Connection
1	A	Voltage for passenger's door module electronics	Passenger's door module
2		Not used	
3	A	Interface to general module, diagnostic feedback RM function	General module
4	A	Interface to general module, power measurement RM	General module
5	A	Relay activation, unlock rear lid	Trunk lid motor relay
6	A	Relay activation, load cut-out	Consumer cut-off relay I
7	A	Voltage for sunroof module electronics	Sunroof module
8	A	Relay activation, wiper park position	Wiper relay I
9	A	Relay activation, washer pump	Washer pump relay
10	A	SRA module activation: Headlight washer	Headlight washer module (SRA)
11	A	General module interface	General module
12	M	Ground for electronics	Ground point
13	A	General module interface	General module
14		Not used	
15	A	SRA module activation: Washer pump luggage compartment	Headlight washer module (SRA)
16		Not used	
17	A	ADV module activation: Reduce pressure	Wiper pressure control relay (ADV)
18	A	ADV module activation: Increase pressure	Wiper pressure control relay (ADV)
19	A	Voltage for general module electronics	General module
20	A	Voltage for general module electronics	General module
21	A	Relay activation, wiper speed 2	Wiper relay III
22	A	Relay activation, intensive wash (SIR)	Intensive wash relay
23		Not used	

E = Input, A = Output, M = Ground



## Pin Assignments

Pin	Type	Description/Function	Connection
24	A	Relay activation, wiper speed 1	Wiper relay II
25	M	Ground for electronics	Ground point
26	A	General module interface	General module

E = Input, A = Output, M = Ground

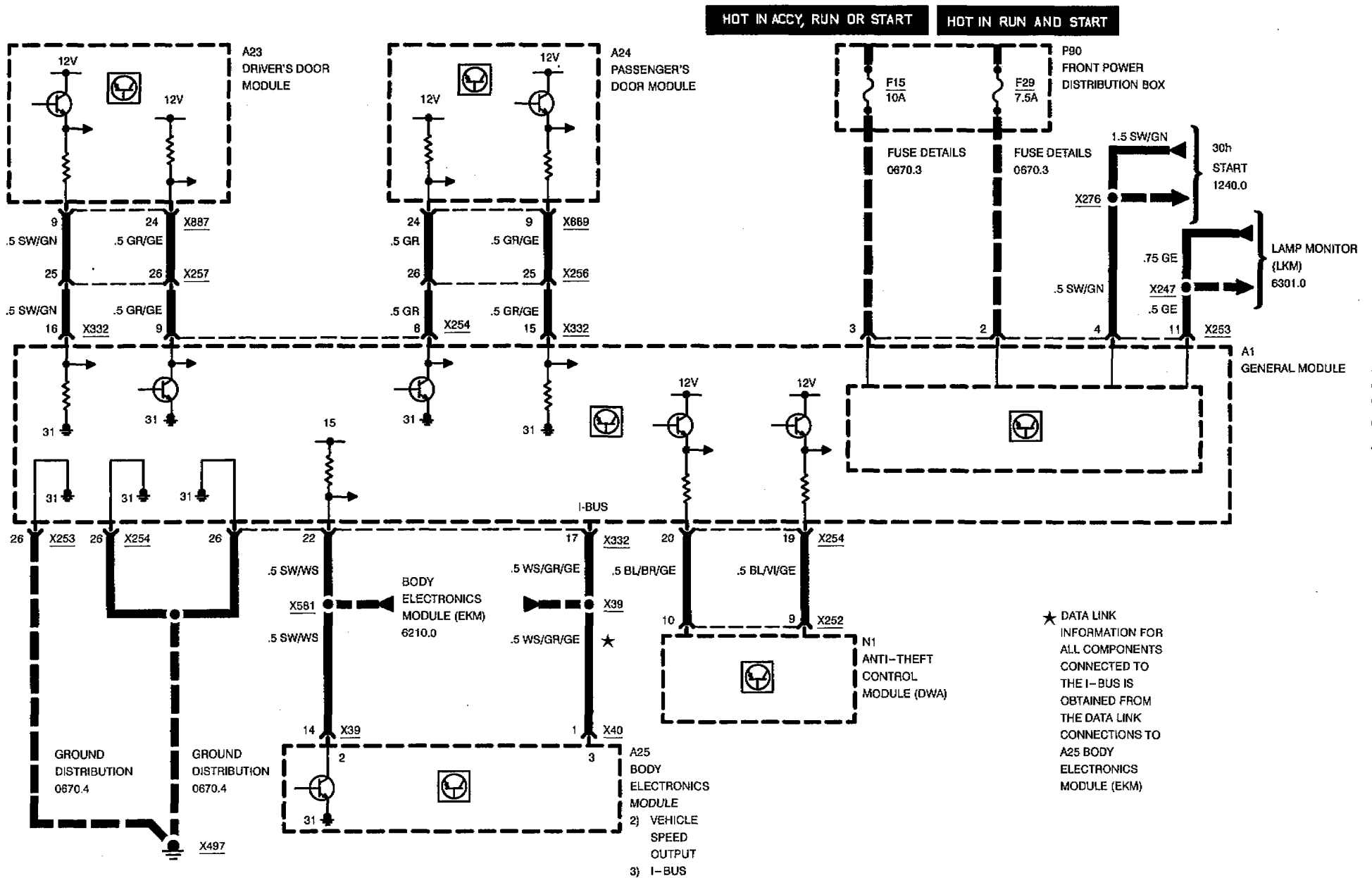


6100.0



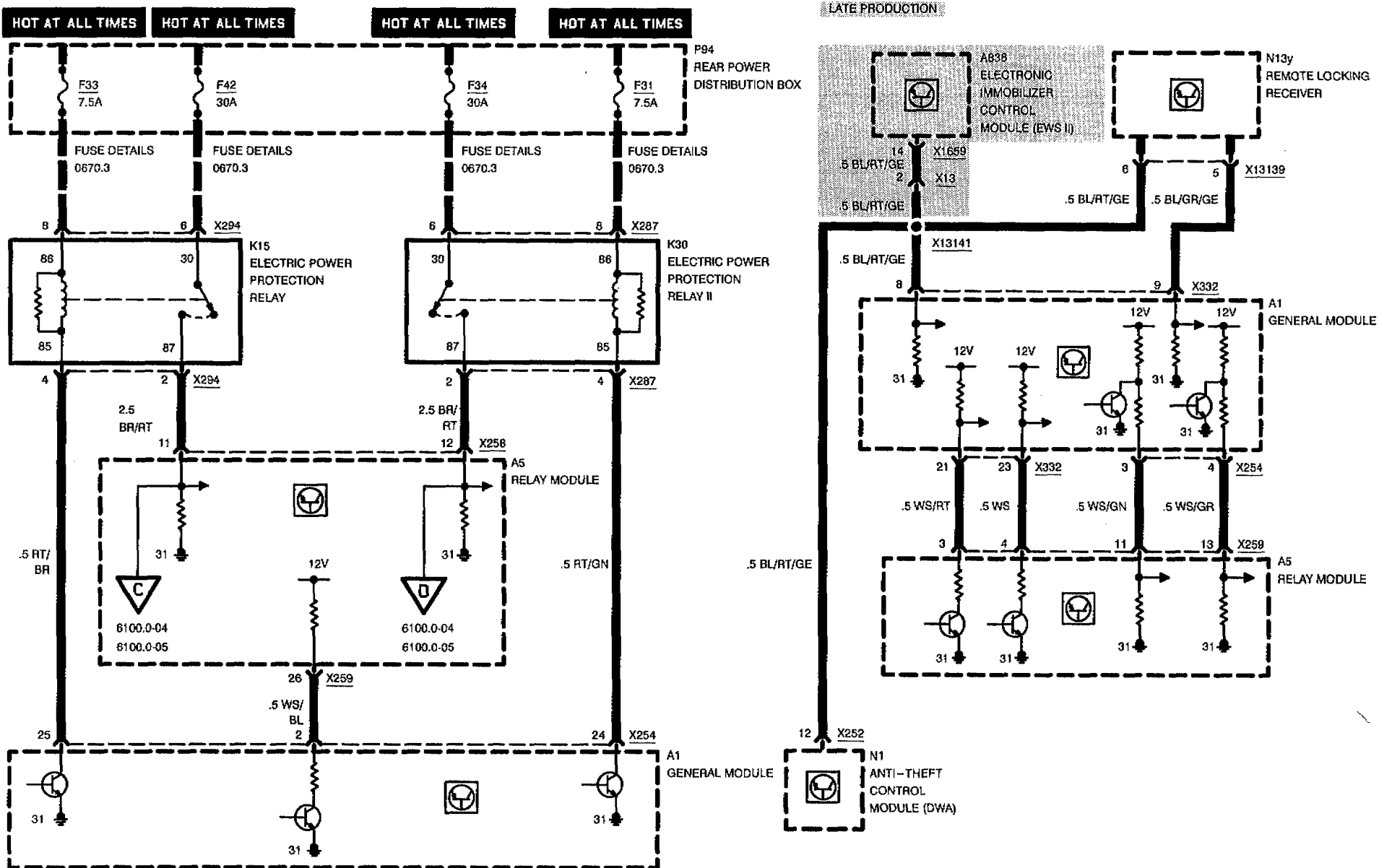
# CENTRAL BODY ELECTRONICS (ZKE II)

## GENERAL MODULE





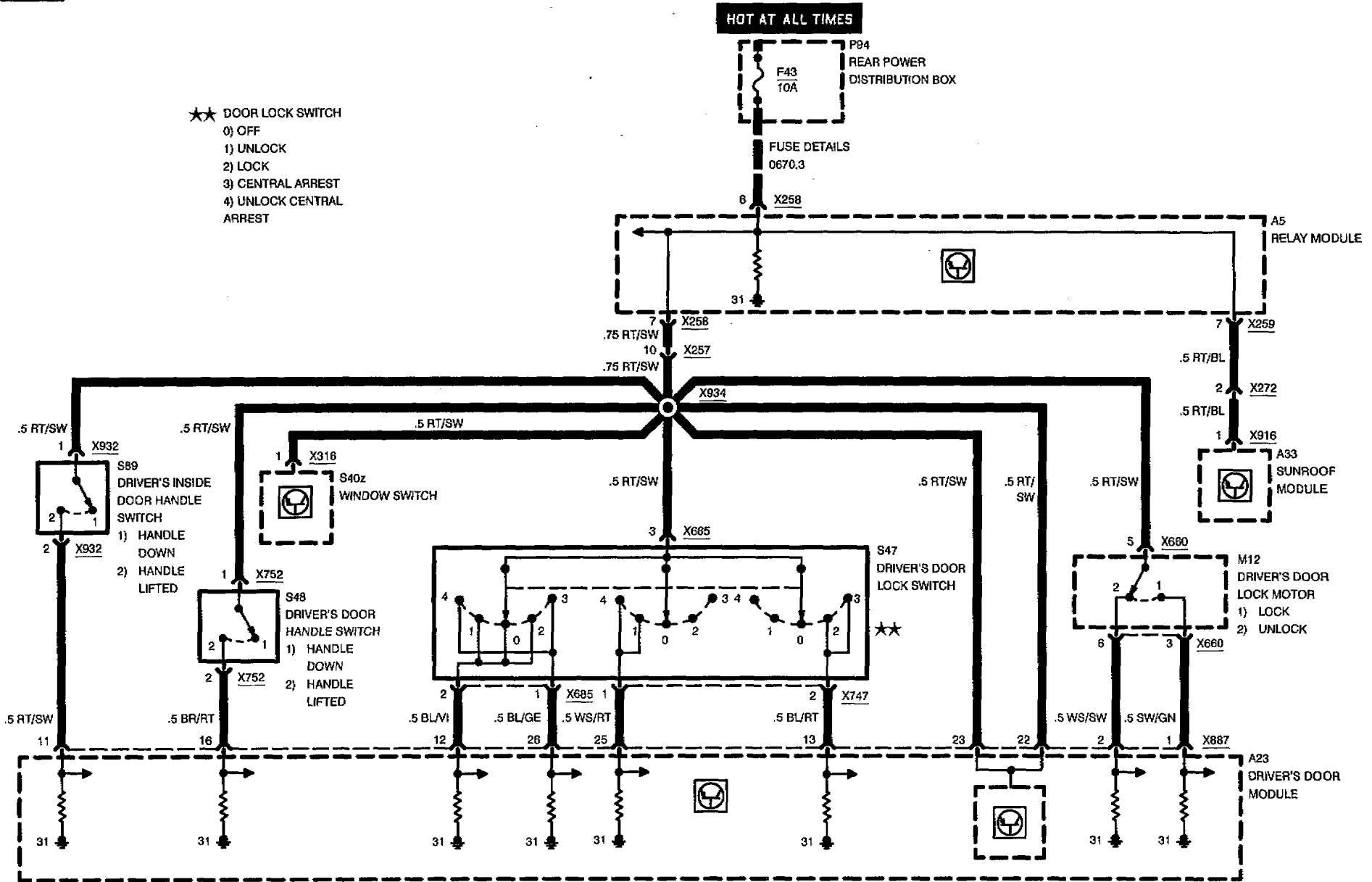
# CENTRAL BODY ELECTRONICS (ZKE II)





# CENTRAL BODY ELECTRONICS (ZKE II)

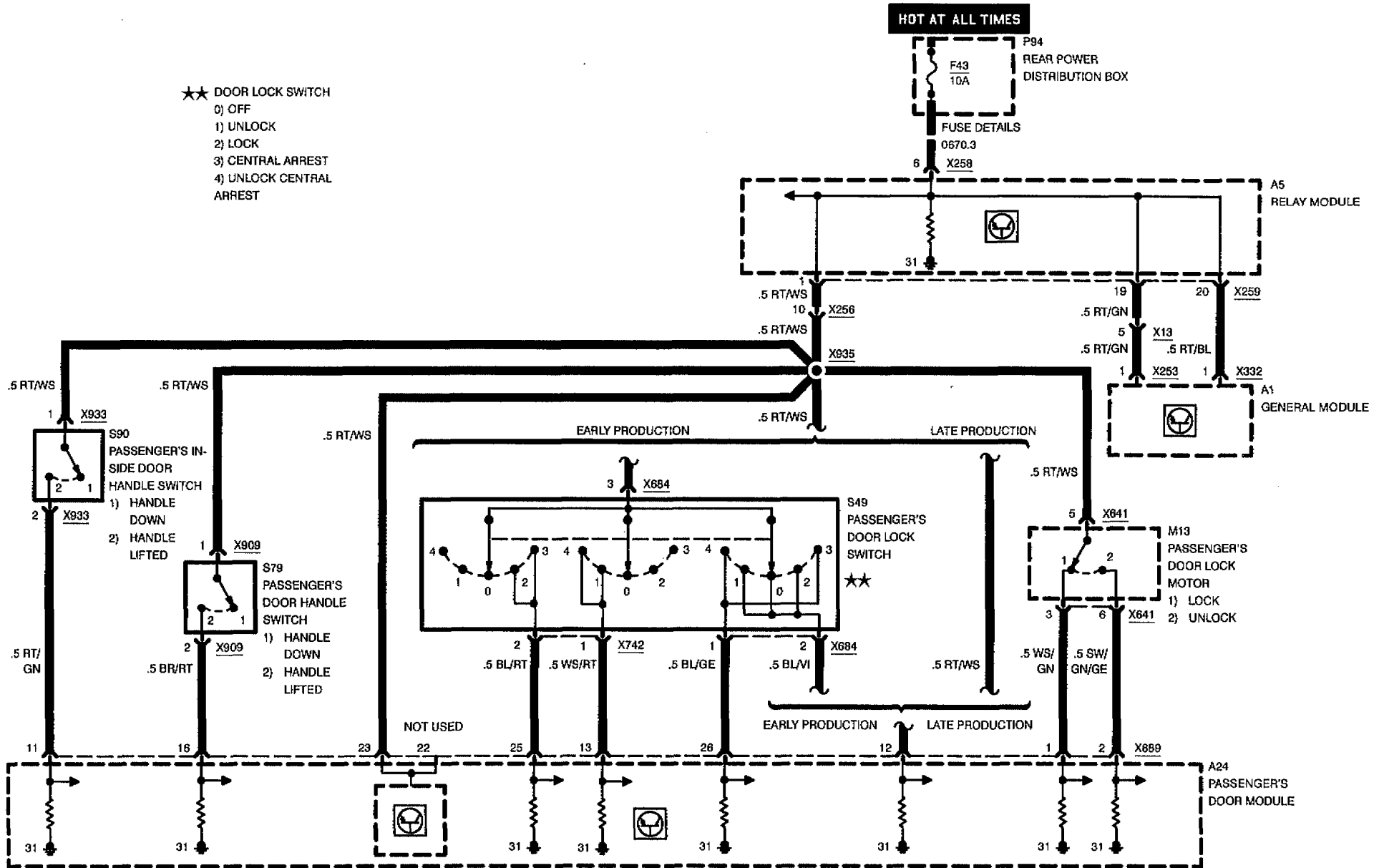
- ★ ★ DOOR LOCK SWITCH
- 0) OFF
- 1) UNLOCK
- 2) LOCK
- 3) CENTRAL ARREST
- 4) UNLOCK CENTRAL ARREST





# CENTRAL BODY ELECTRONICS (ZKE II)

- ★★ DOOR LOCK SWITCH
- 0) OFF
- 1) UNLOCK
- 2) LOCK
- 3) CENTRAL ARREST
- 4) UNLOCK CENTRAL ARREST

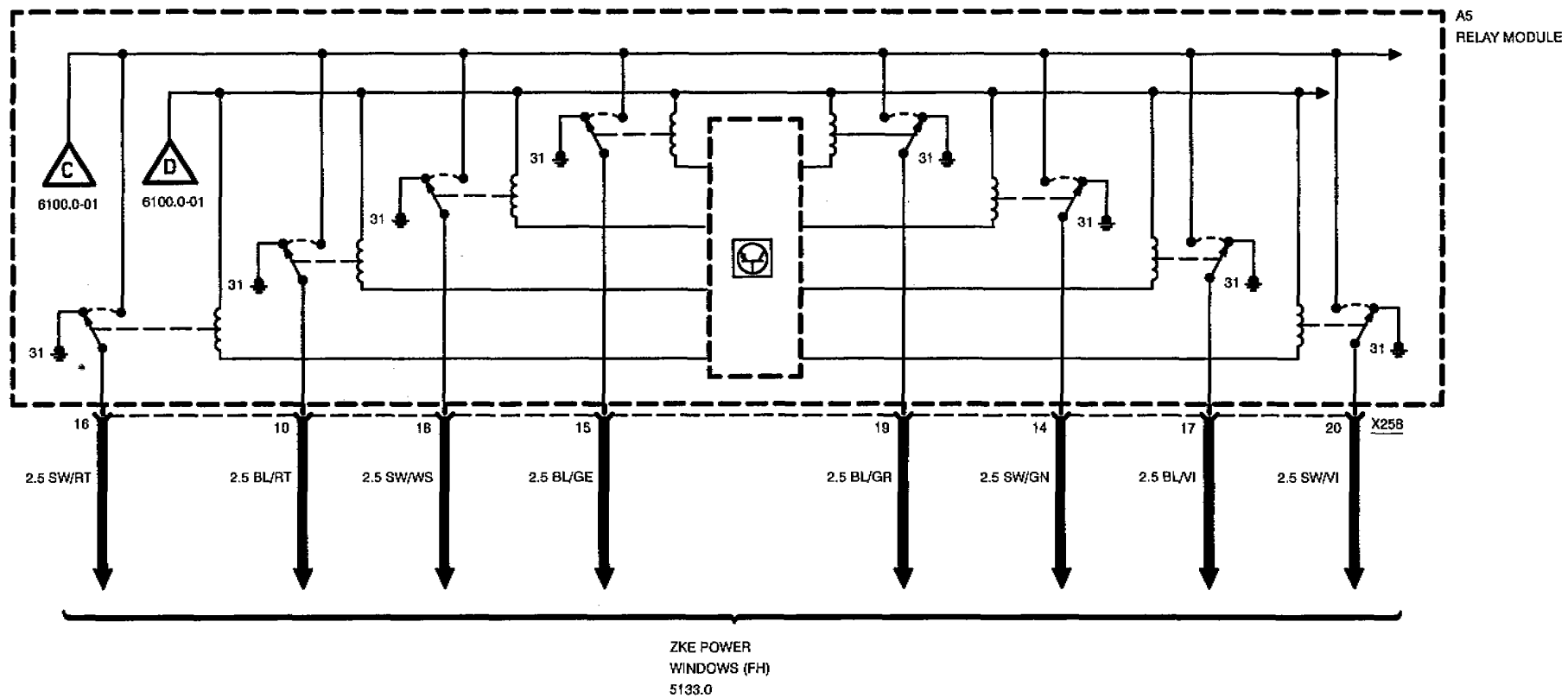






# CENTRAL BODY ELECTRONICS (ZKE II)

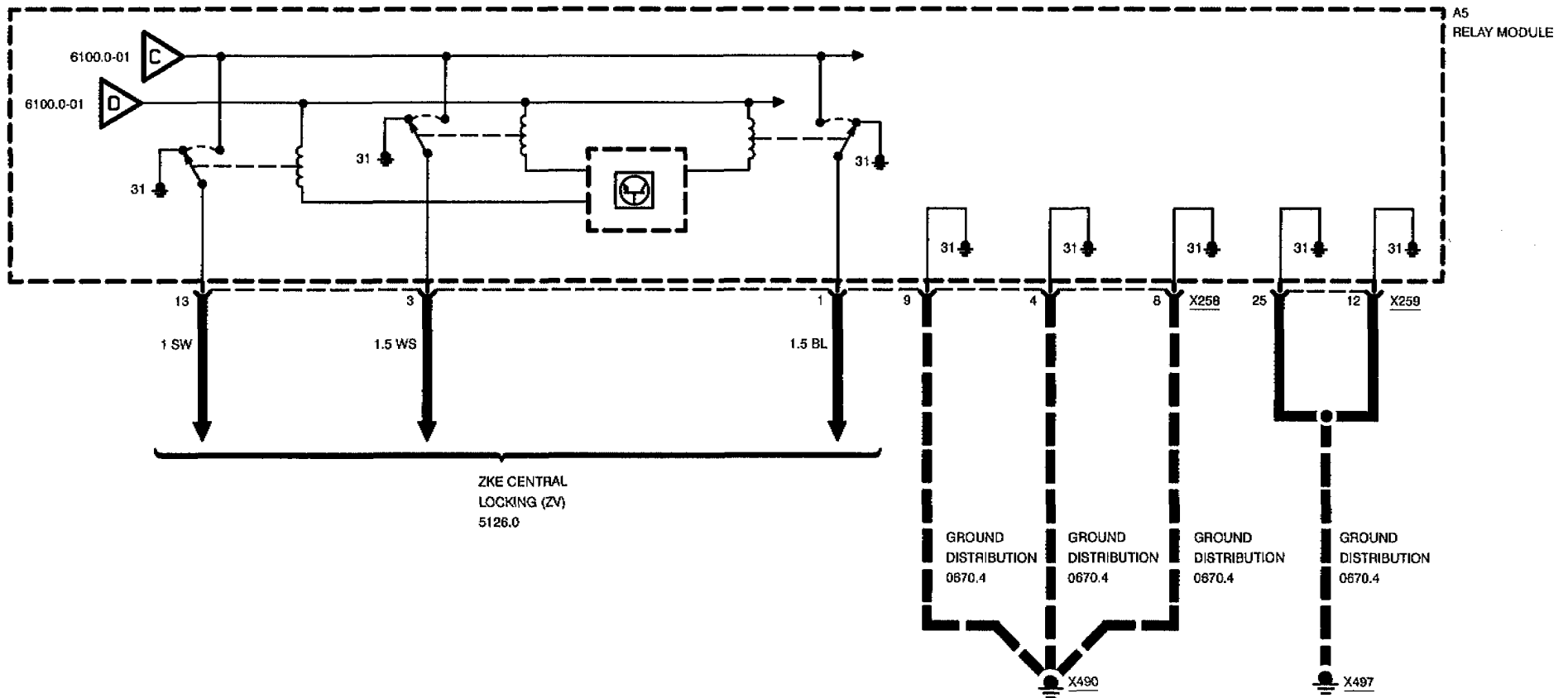
## RELAY MODULE



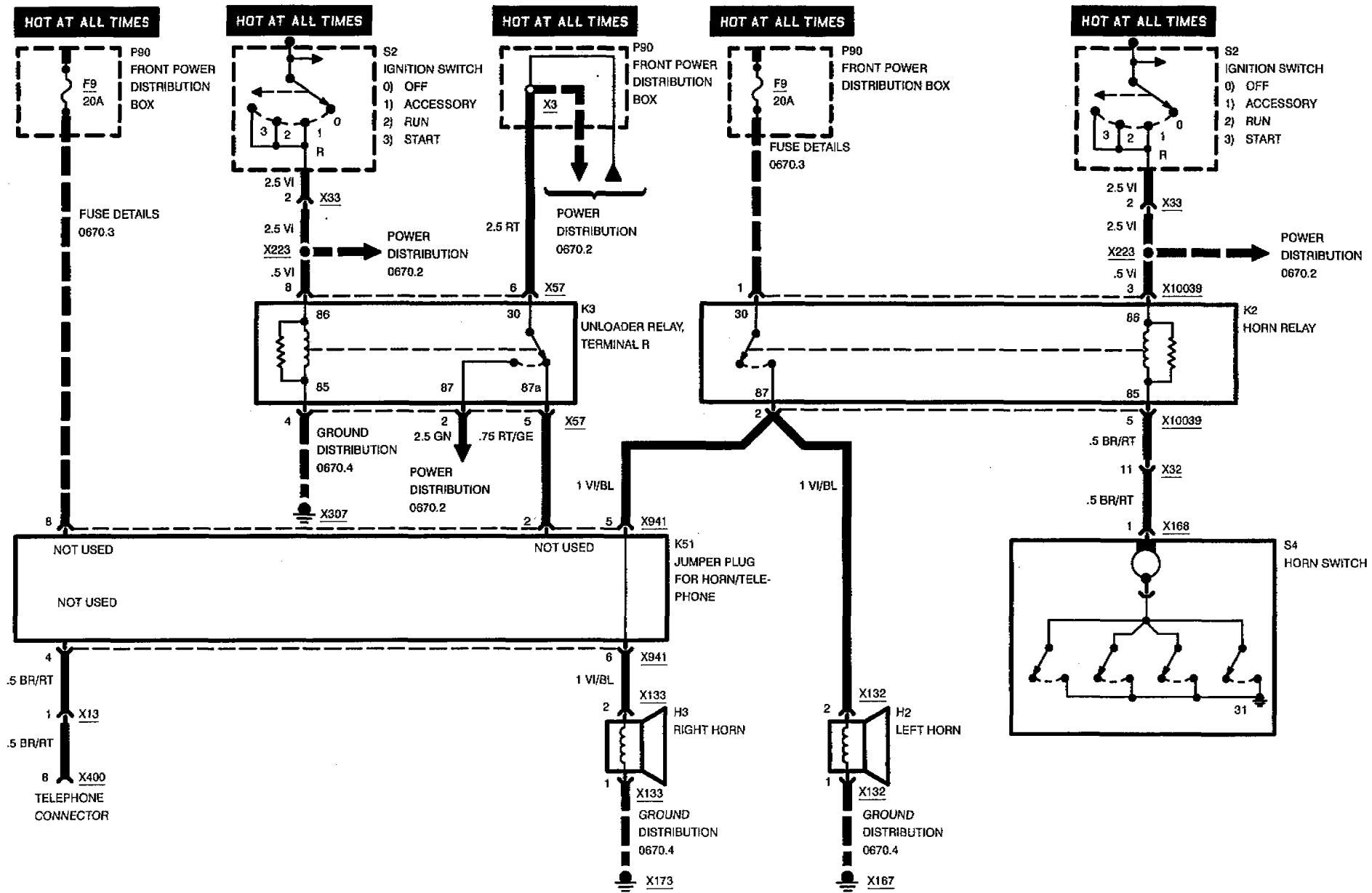


# CENTRAL BODY ELECTRONICS (ZKE II)

## RELAY MODULE



**BMW**  
**8** HORN



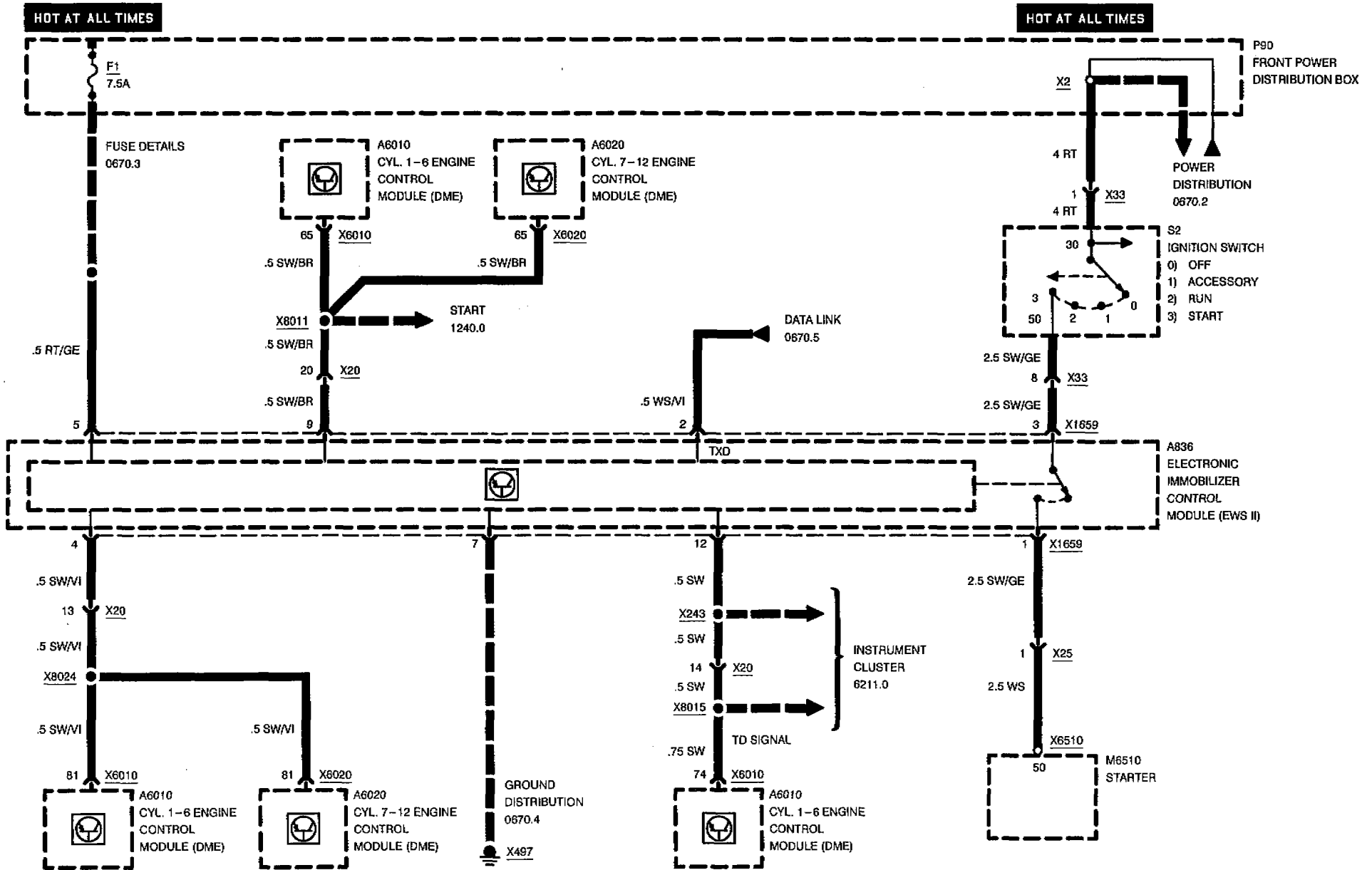


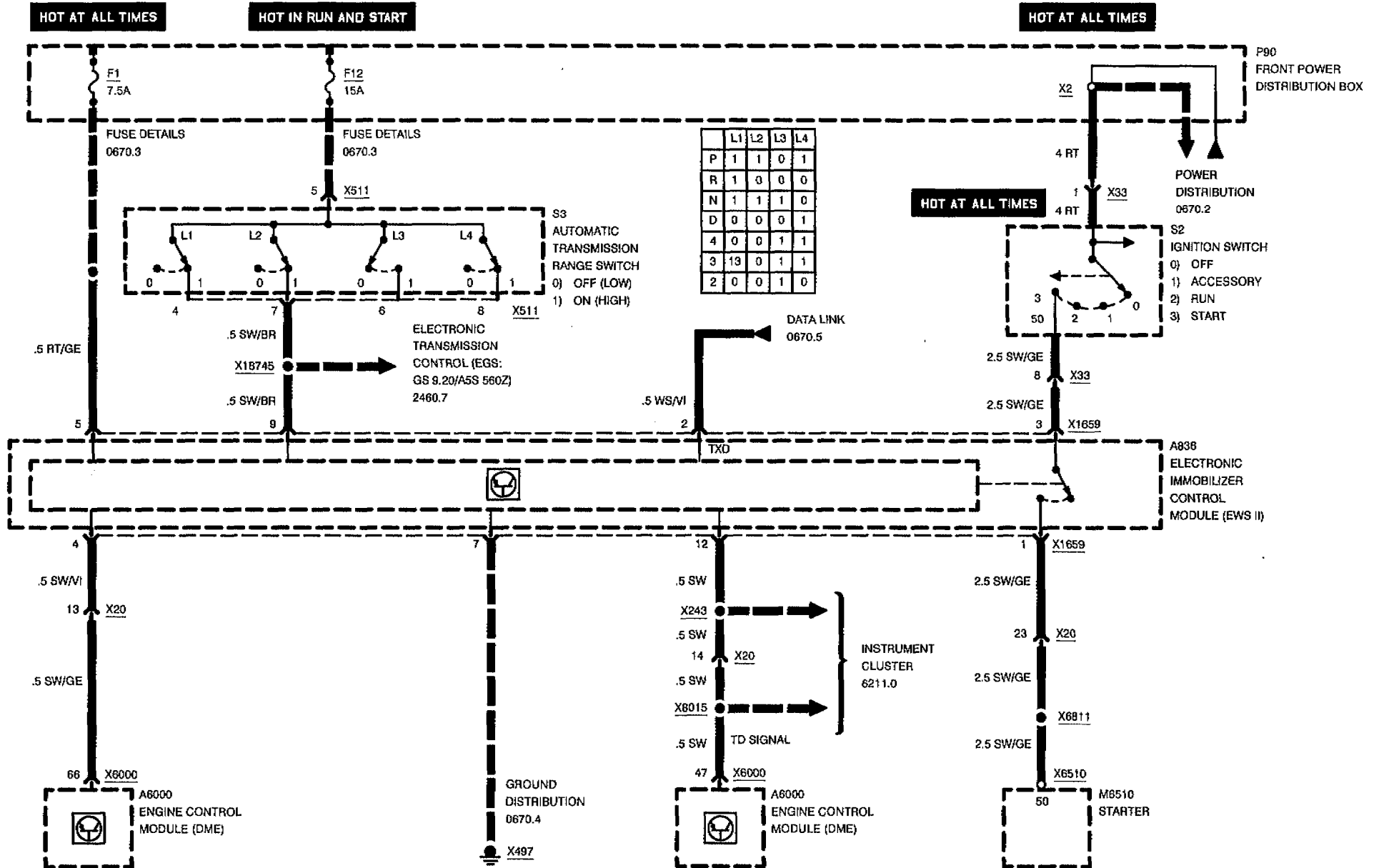
6135.0



# DRIVE-AWAY PROTECTION (EWS II)

850CSI

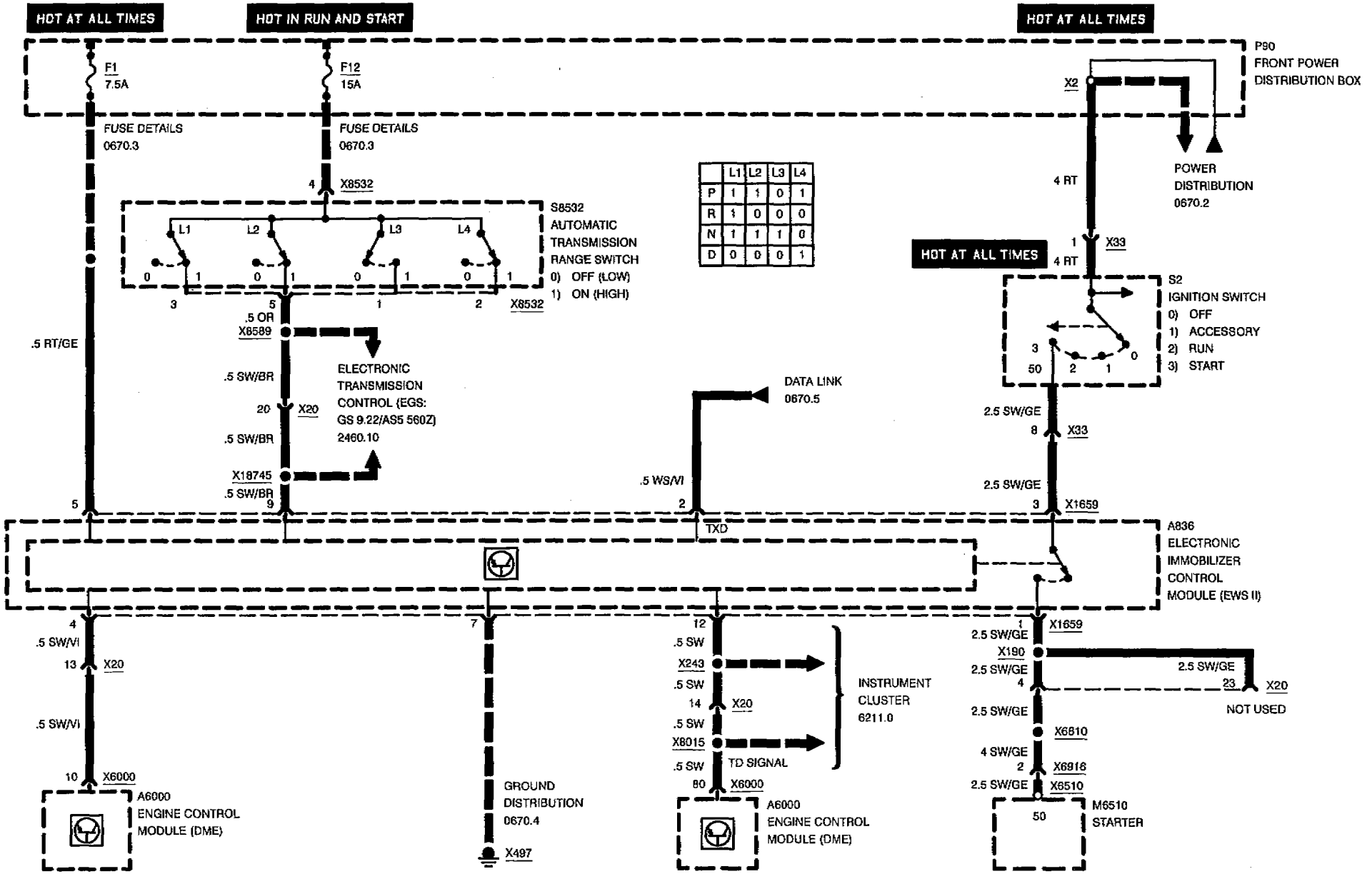






# DRIVE-AWAY PROTECTION (EWS II)

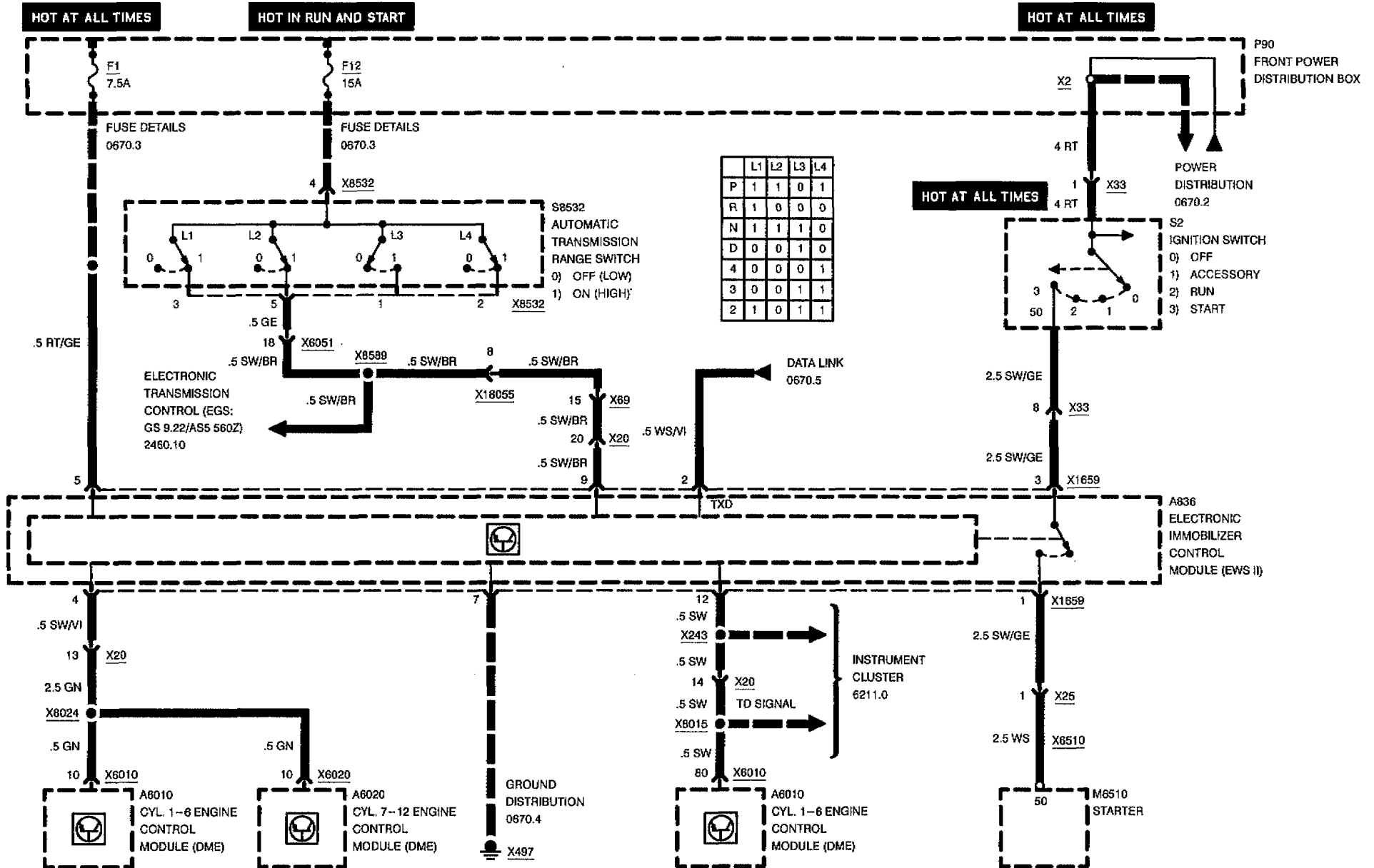
## 840Ci (M62)





# DRIVE-AWAY PROTECTION (EWS II)

850Ci



02/97

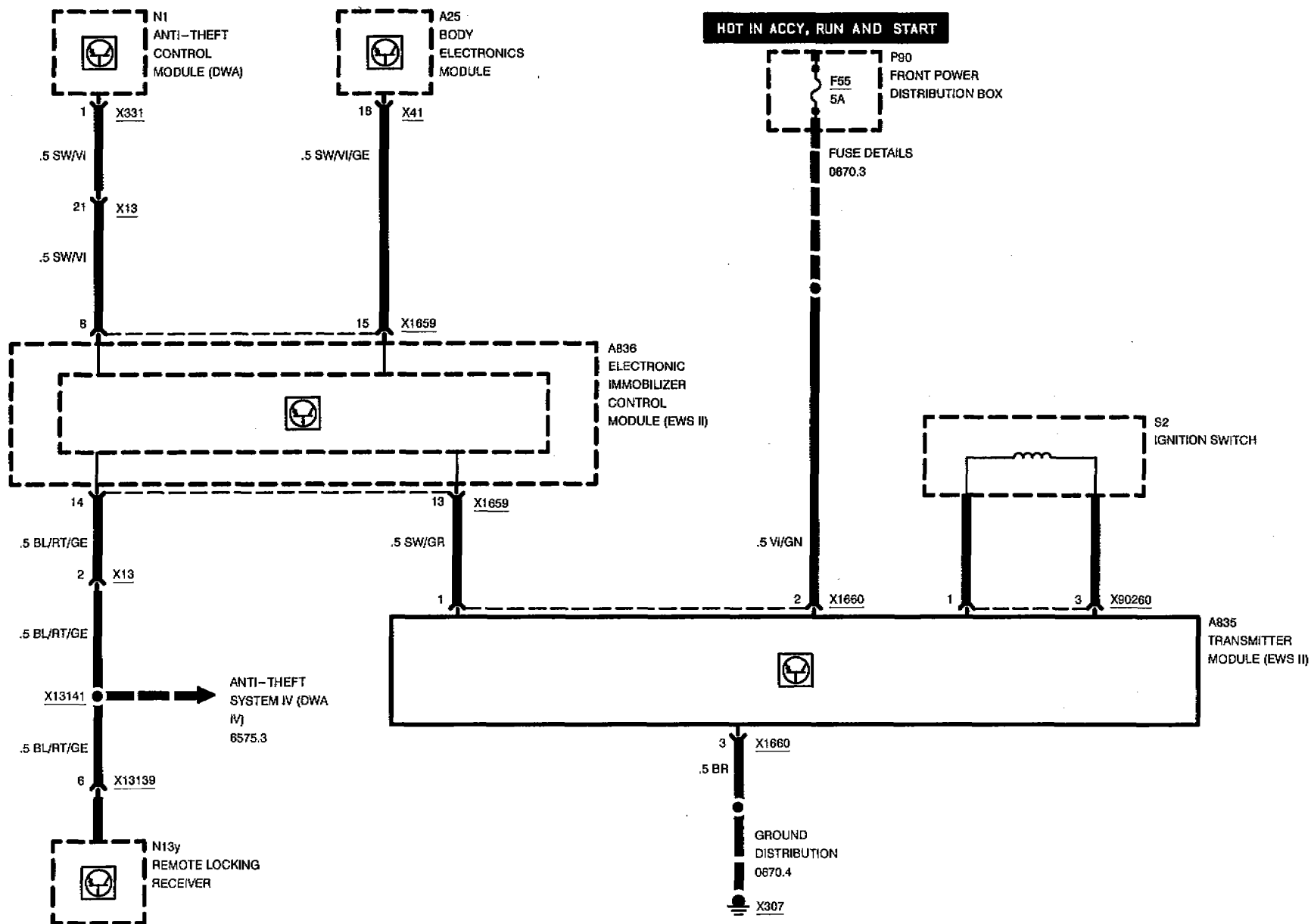
6135.0-03

95/96





# DRIVE-AWAY PROTECTION (EWS II)

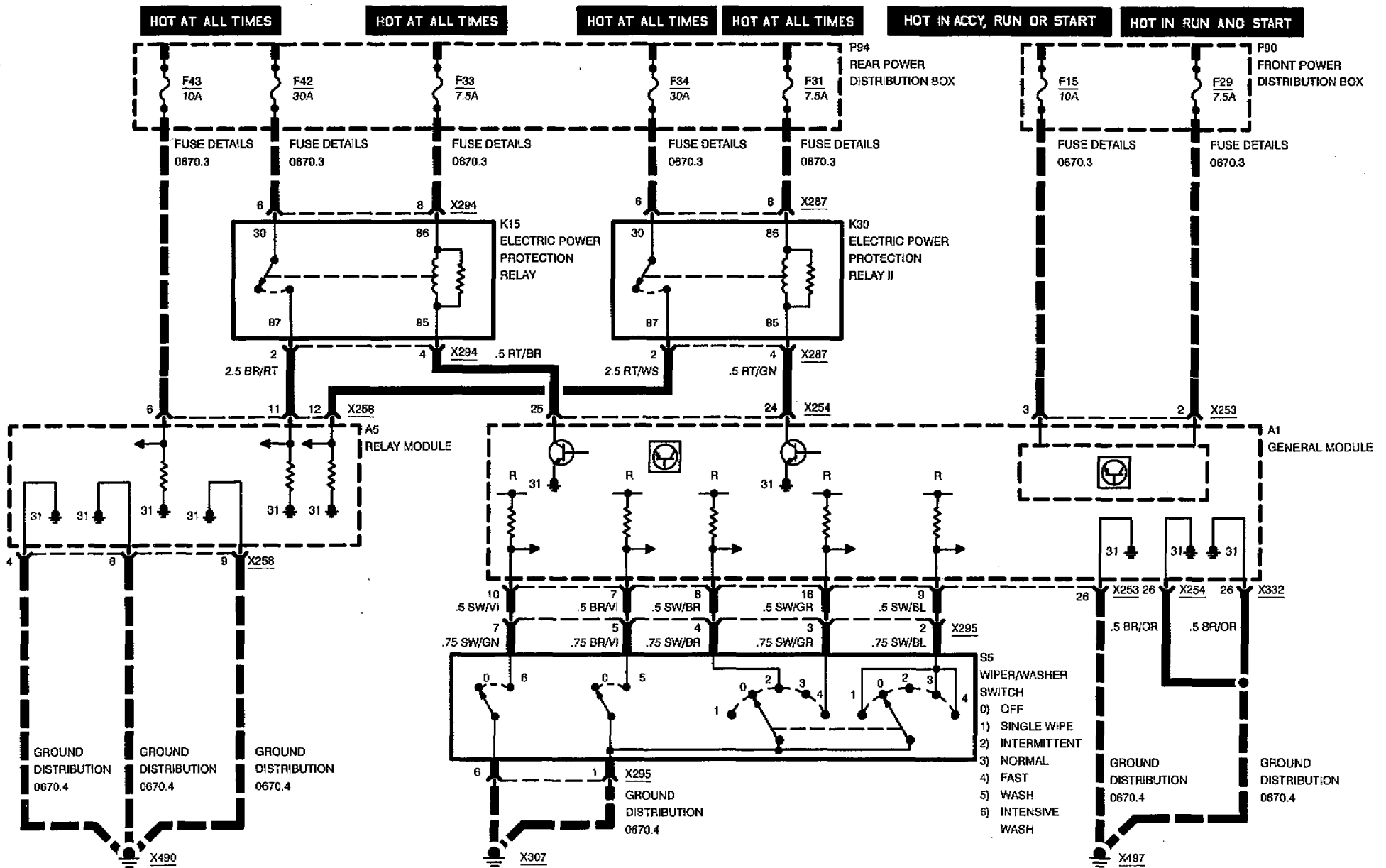


BMW  
8

6160.0

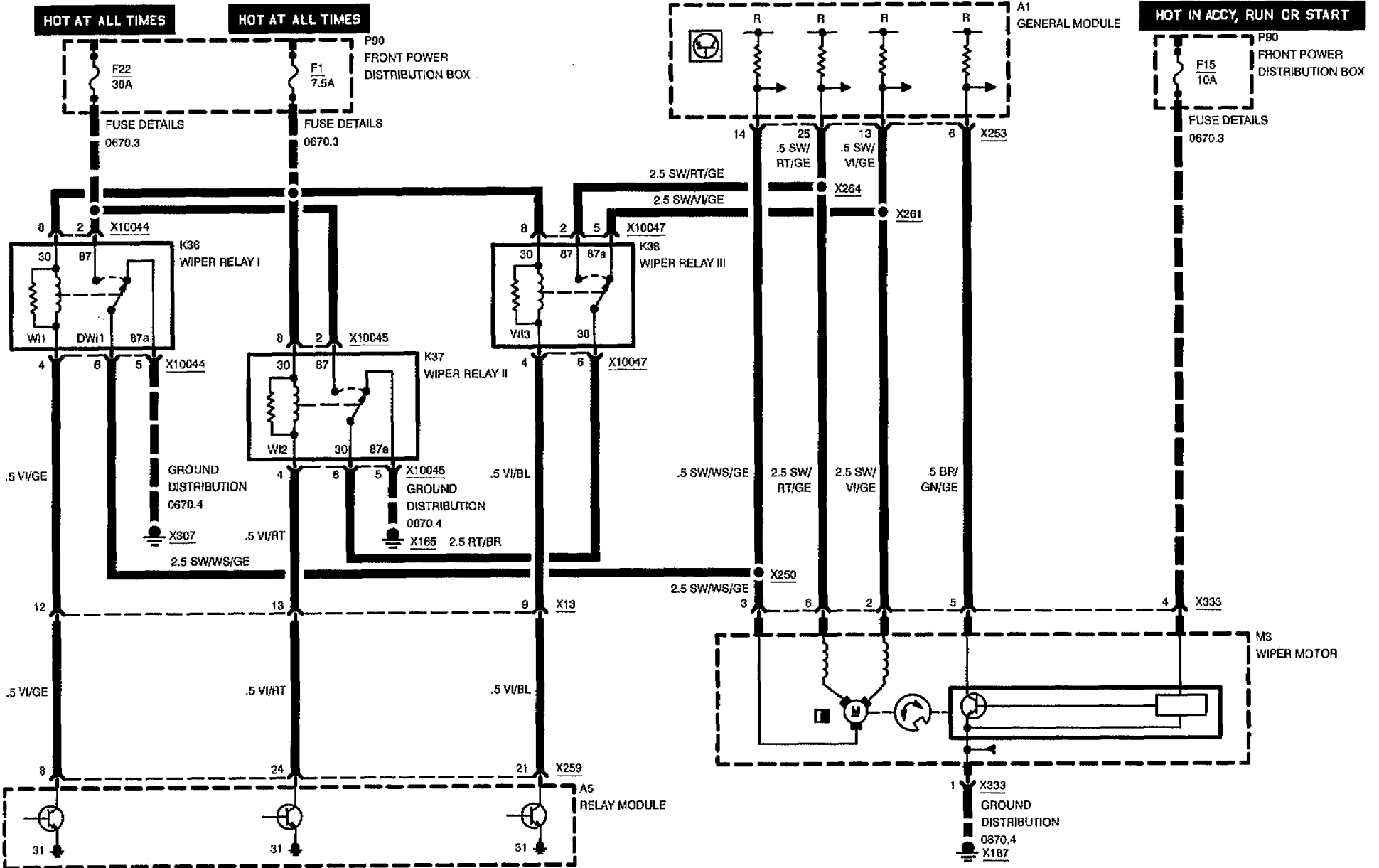


# ZKE WIPER/WASHER CONTROL



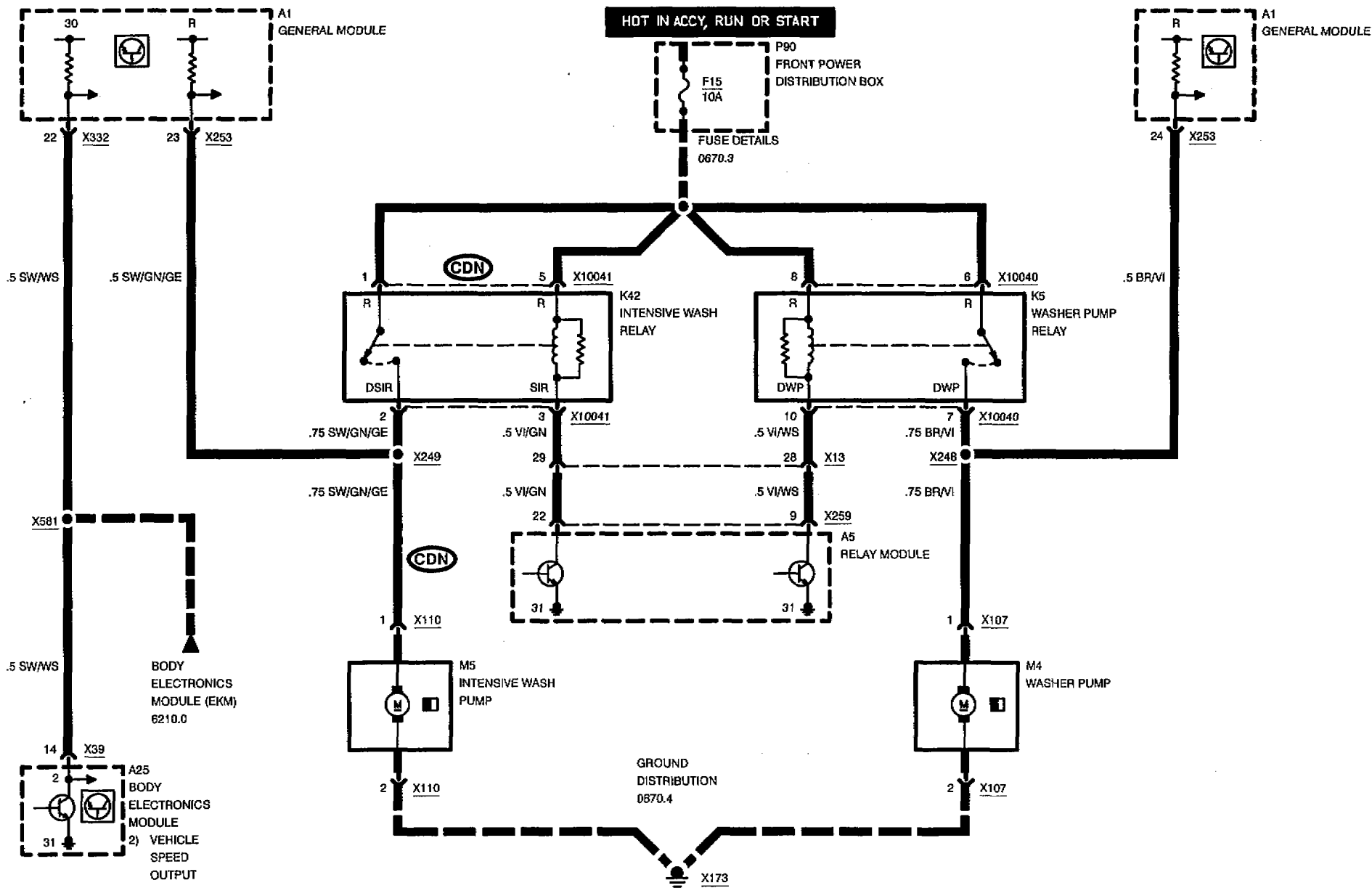


# ZKE WIPER/WASHER CONTROL



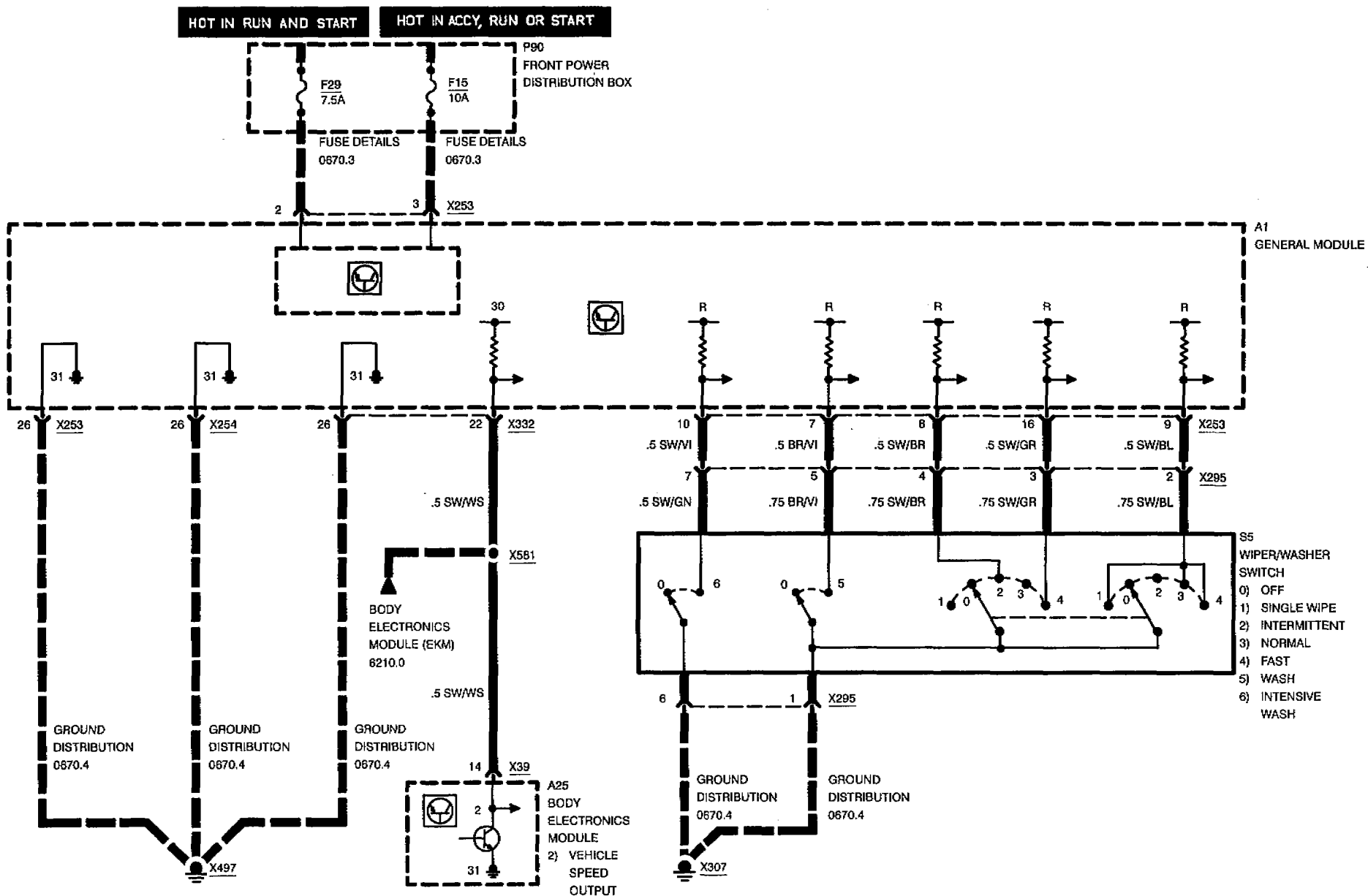


# ZKE WIPER/WASHER CONTROL

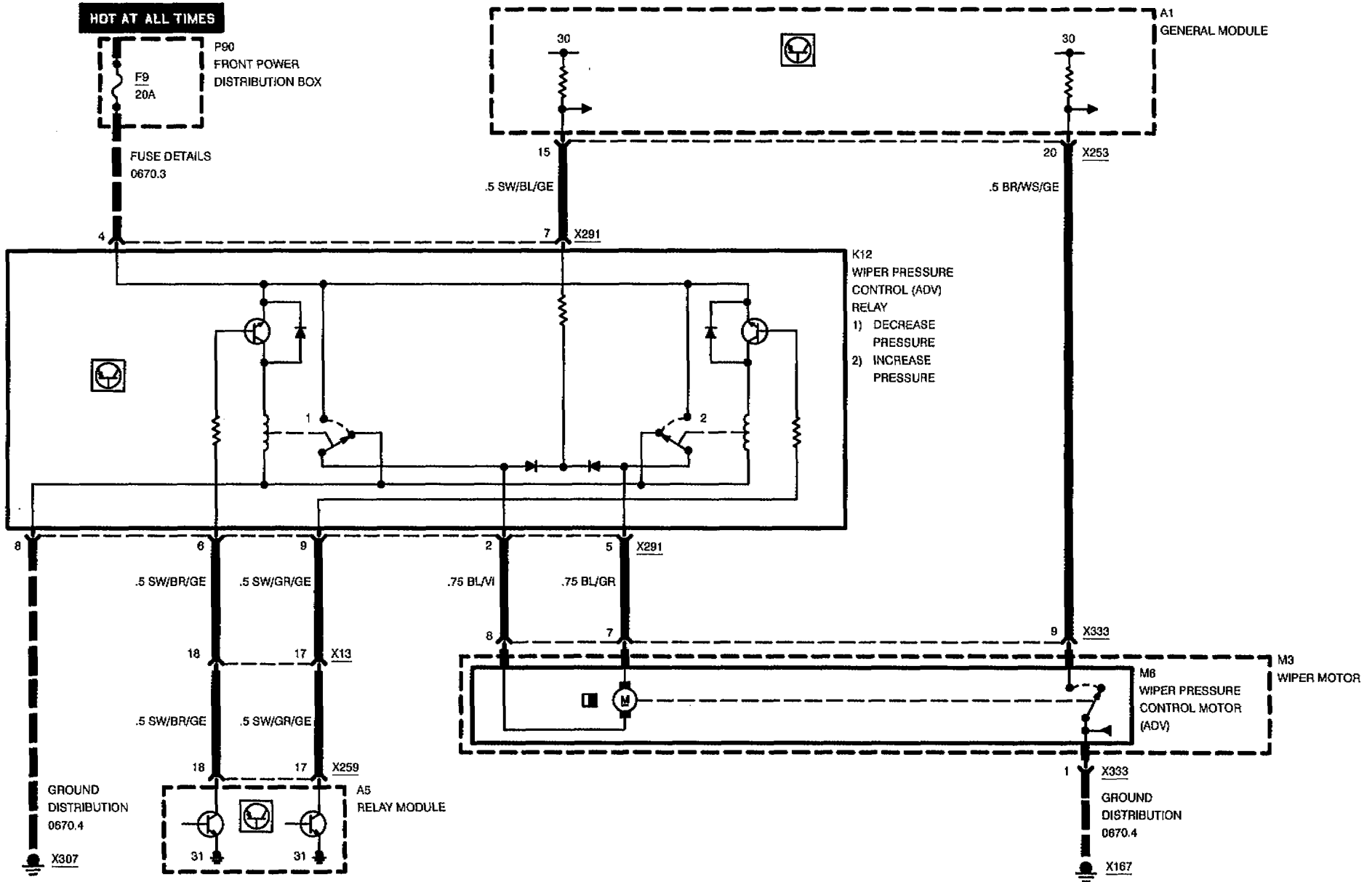




6164.0



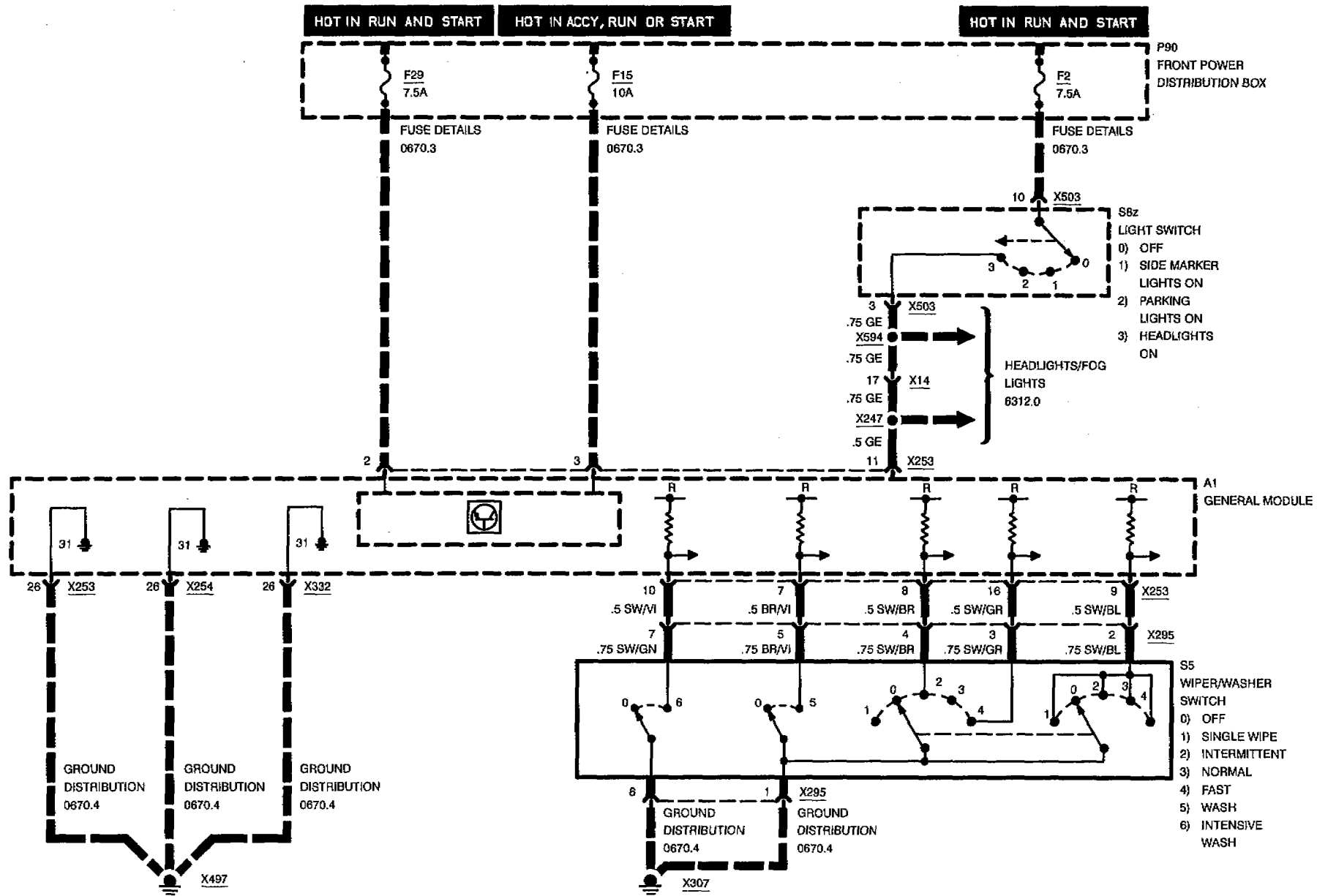
# ZKE WINDSHIELD WIPER PRESSURE CONTROL (ADV)





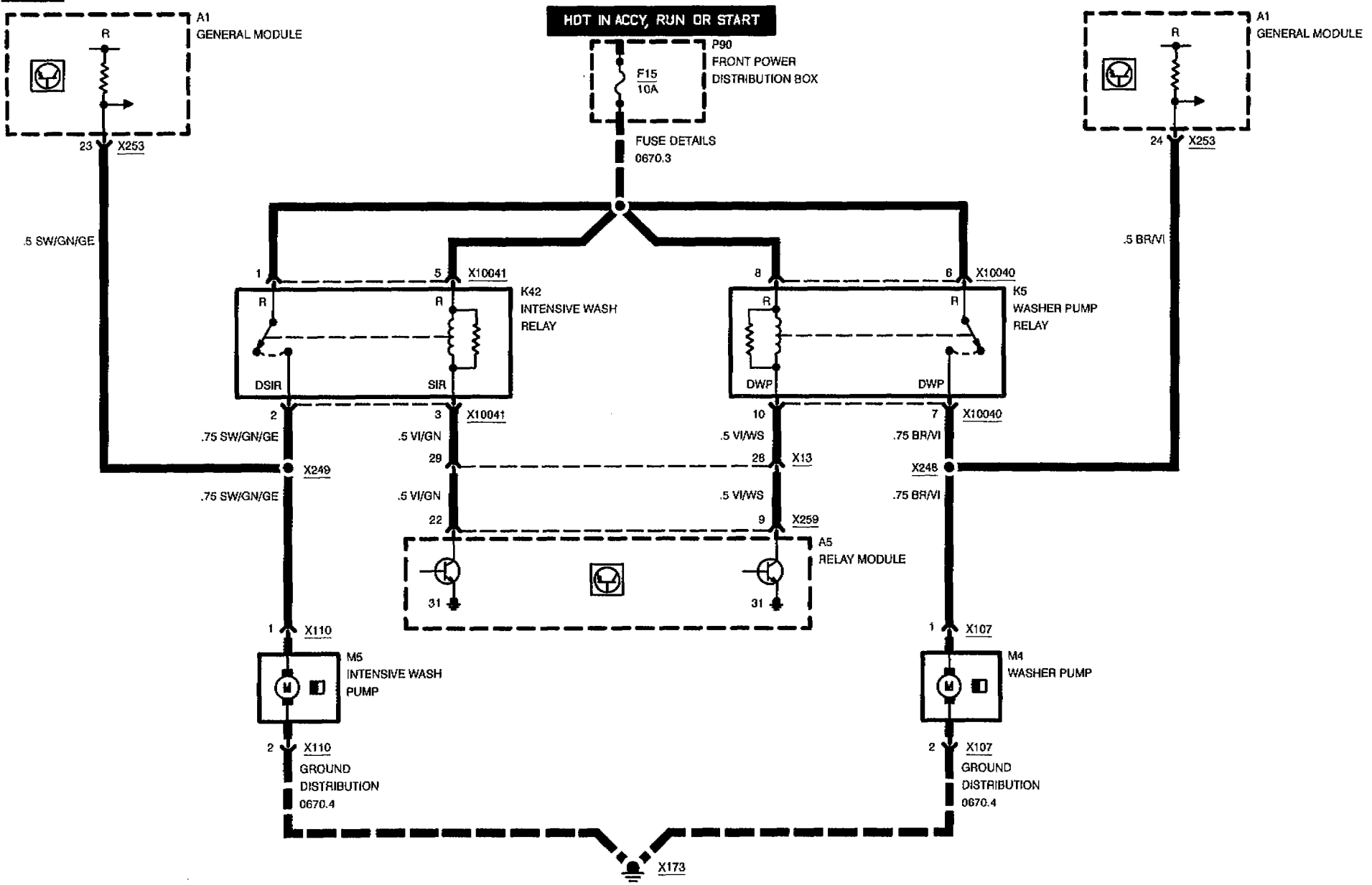


# ZKE HEADLIGHT WASHER (SRA)





# ZKE HEADLIGHT WASHER (SRA)

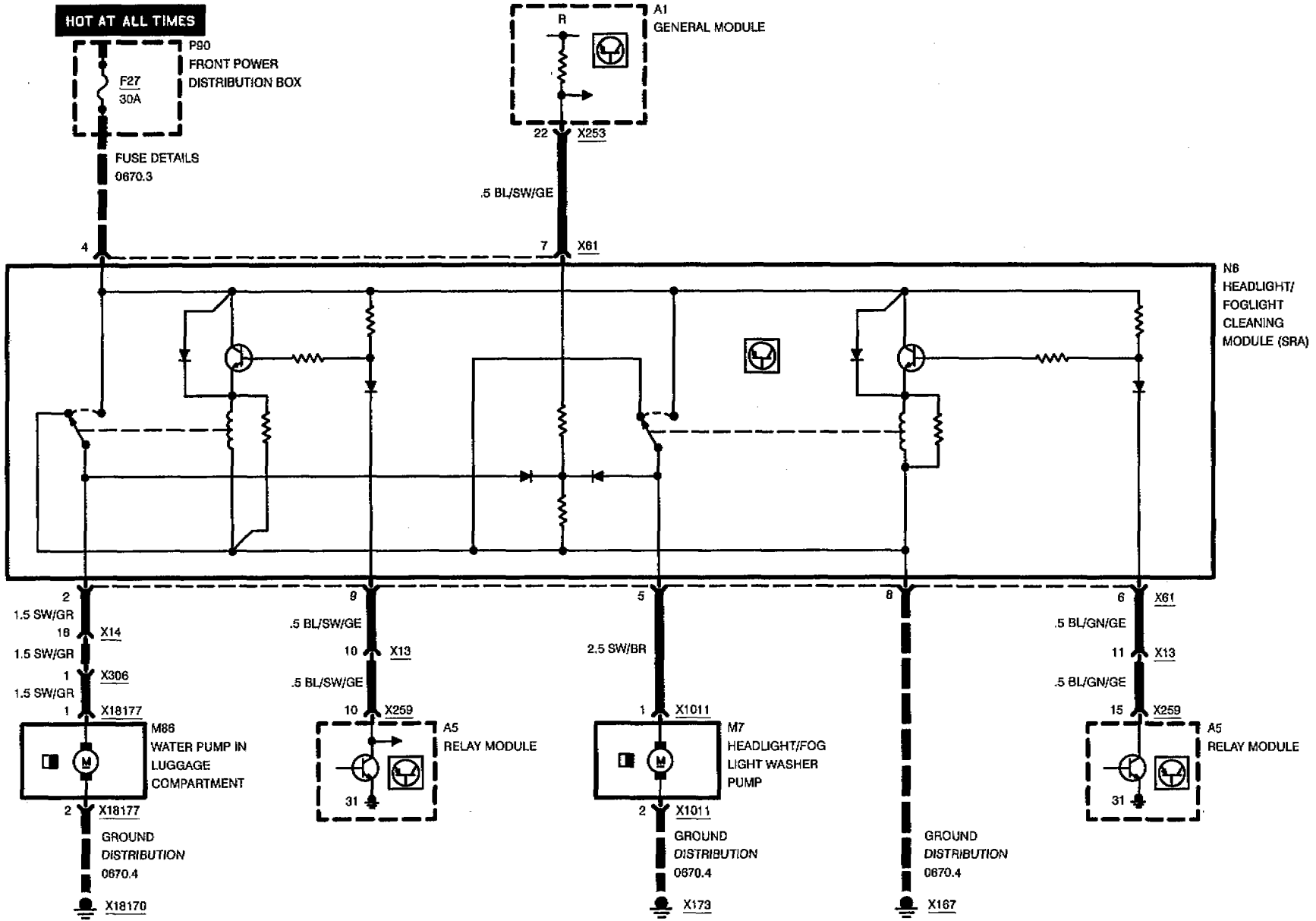




# ZKE HEADLIGHT WASHER (SRA)

CDN

## OUTPUT DETAILS

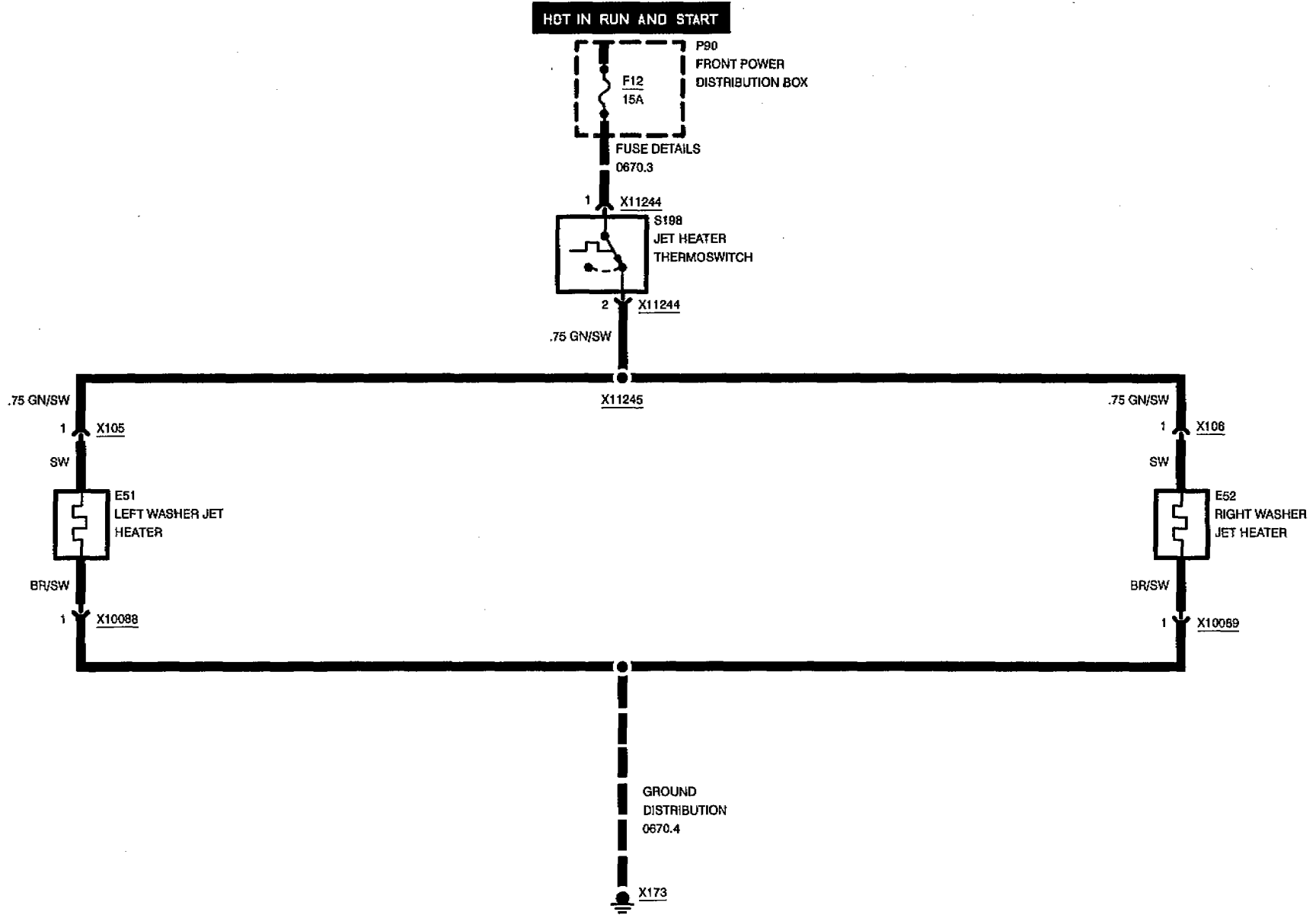


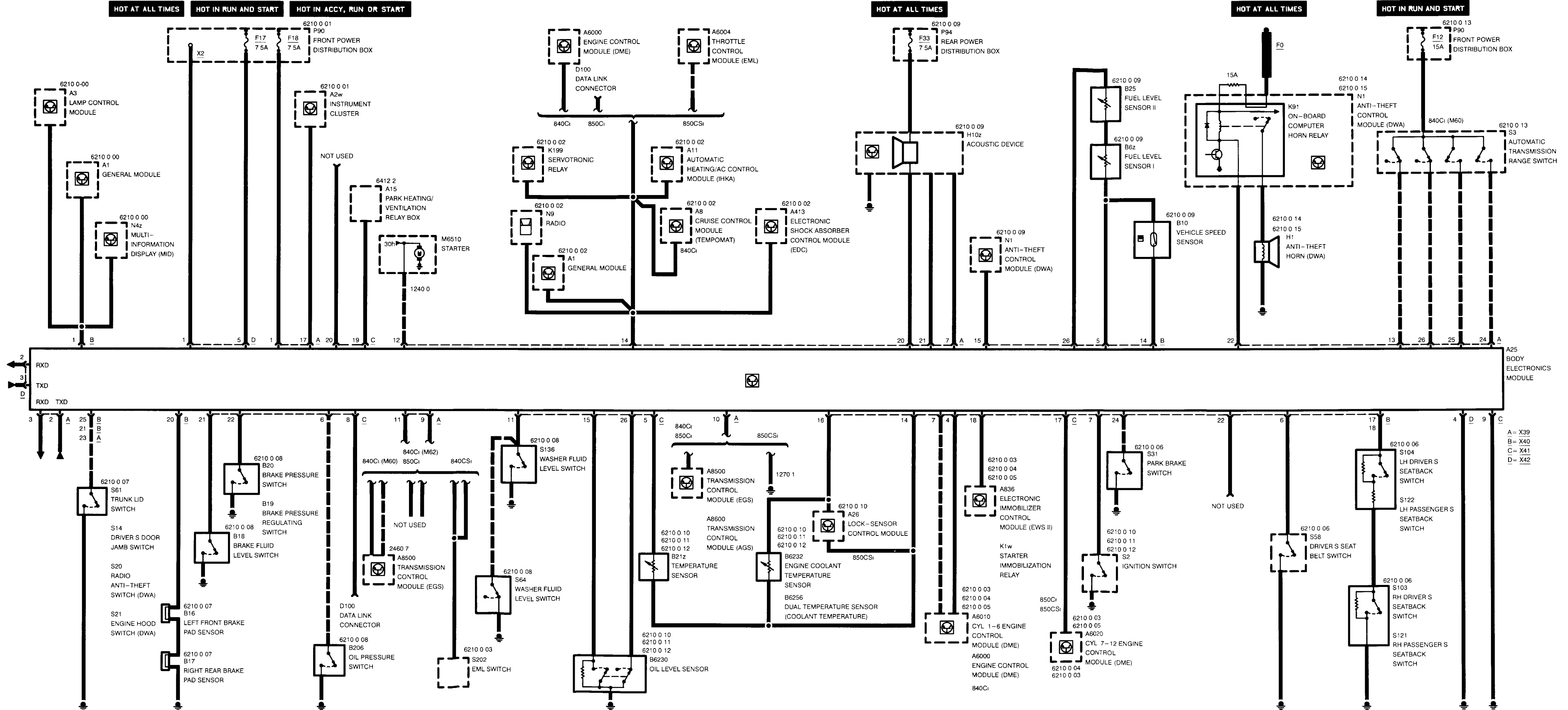
BMW  
8

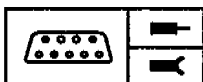
6169.0



# WINDSHIELD WASHER JET HEATERS







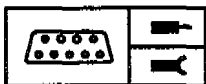
## Pin Assignments

A=X39	26 pins, green
B=X40	26 pins, brown
C=X41	26 pins, blue
D=X42	5 pins, black

### X39

Pin	Type	Description/Function	Connection
1	E	Voltage (terminal R)	Fuse 17
2	E/A	Diagnostic link (TxD)	TxD connection of various control units
3	E/A	Diagnostic link (RxD)	RxD connection of various control units
4		Not used	
5		Not used	
6		Not used	
7	A	Acoustic output 1 (hour reminder signal)	Acoustic device
8		Not used	
9	E	EML program	EML switch (850CSi)
9	E	Program manual	Program selector (840Ci-M60)
10	M	Ground	Ground point (850CSi)
10	E	Fault display	Transmission control module (850Ci, 840Ci)
11	E	EML program	EML switch (850CSi)
11	E	Program manual	Transmission control module (840Ci-M60)
12	E	Starter signal (30h)	Starter
13	E	Position switch L1	Automatic transmission range switch (840Ci-M60)
14	A	Vehicle speed signal	Various control modules
15		Not used	
16		Not used	
17	E/A	Instrument cluster interface/data transfer to instrument cluster	Instrument cluster
18		Not used	
19		Not used	
20	A	Acoustic output 2 (outside temperature warning)	Acoustic device

E = Input, A = Output, M = Ground



## Pin Assignments

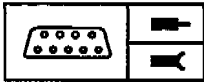
Pin	Type	Description/Function	Connection
21	A	Acoustic output 3 (check control message)	Acoustic device
22	A	Trigger alarm at antitheft horn with drive-away protection active	Antitheft module
23		Radio anti-theft system	Radio contact
24	E	Position switch L 4	Automatic transmission range switch (840Ci-M60)
25	E	Position switch L 3	Automatic transmission range switch (840Ci-M60)
26	E	Position switch L 2	Automatic transmission range switch (840Ci-M60)

### X40

Pin	Type	Description/Function	Connection
1	E/A	I-bus (instrument bus)	I-bus users
2		Not used	
3		Not used	
4		Not used	
5	A	Sensor ground	Fuel level sensor and vehicle speed sensor
6	E	Seat belt buckle signal	Driver's seat belt switch
7	E	Ignition key status	Ignition switch
8		Not used	
9		Not used	
10		Not used	
11		Not used	
12		Not used	
13		Not used	
14	E	Vehicle speed signal	Vehicle speed sensor
15	A	Speed signal for DWA	DWA - Control module
16		Not used	
17	E	Left backrest locked signal	Driver's seatback switches
18	E	Right backrest locked signal	Passenger's seatback switches

E = Input, A = Output, M = Ground





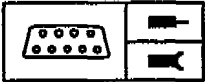
## Pin Assignments

Pin	Type	Description/Function	Connection
19		Not used	
20	E	Brake pad wear indicator	Brake pad sensors
21	E	Driver's door status	Driver's door jamb switch
22		Not used	
23		Not used	
24	E	Park brake status	Park brake switch
25	E	Trunk lid status	Trunk lid switch
26	E	Fuel level	Fuel level sensors

### X41

Pin	Type	Description/Function	Connection
1		Not used	
2		Not used	
3		Not used	
4	E	Injection signal 1 (ti)	Cyl. 1 - 6 engine control module (DME) (850Ci, 850CSi) Engine control module (DME) (840Ci)
5	E	Outside temperature	Temperature sensor
6	E	Engine oil pressure	Oil pressure switch
7	E	Engine speed (rpm) signal (tD)	Cyl. 1 - 6 engine control module (DME) (850Ci, 850CSi) Engine control module (DME) (840Ci)
8	E	SIA reset	Data link connector Pin 7
9	M	Ground	Ground point
10		Not used	
11	E	Washer fluid level	Washer fluid level switches
12		Not used	
13		Not used	
14	A	Sensor ground	Temperature sensor for coolant and out- side temperature
15	E	Dynamic engine oil level	Oil level sensor
16	E	Coolant temperature	Coolant temperature sensor

E = Input, A = Output, M = Ground



## Pin Assignments

Pin	Type	Description/Function	Connection
17	E	Injection signal 2 (ti)	Cyl. 7 - 12 engine control module (DME) (850Ci, 850CSi)
18	A	Drive away protection	Starter immobilization relay (early production) Electronic immobilizer control module (EWS II) (late production)
19	E	Park ventilation	Park heating/ventilation relay box
20		Not used	
21	E	Brake fluid level	Brake fluid level switch
22	E	Brake pressure	Brake pressure switches
23		Not used	
24		Not used	
25		Not used	
26	E	Static engine oil level	Oil level sensor

### X42

Pin	Type	Description/Function	Connection
1	E	Voltage supply (terminal 30)	Battery
2	E/A	RxD diagnostic data line	Data link connector
3	E/A	TxD diagnostic data line	Data link connector
4	E	Ground	Ground point
5	E	Voltage (terminal 15)	Fuse 17

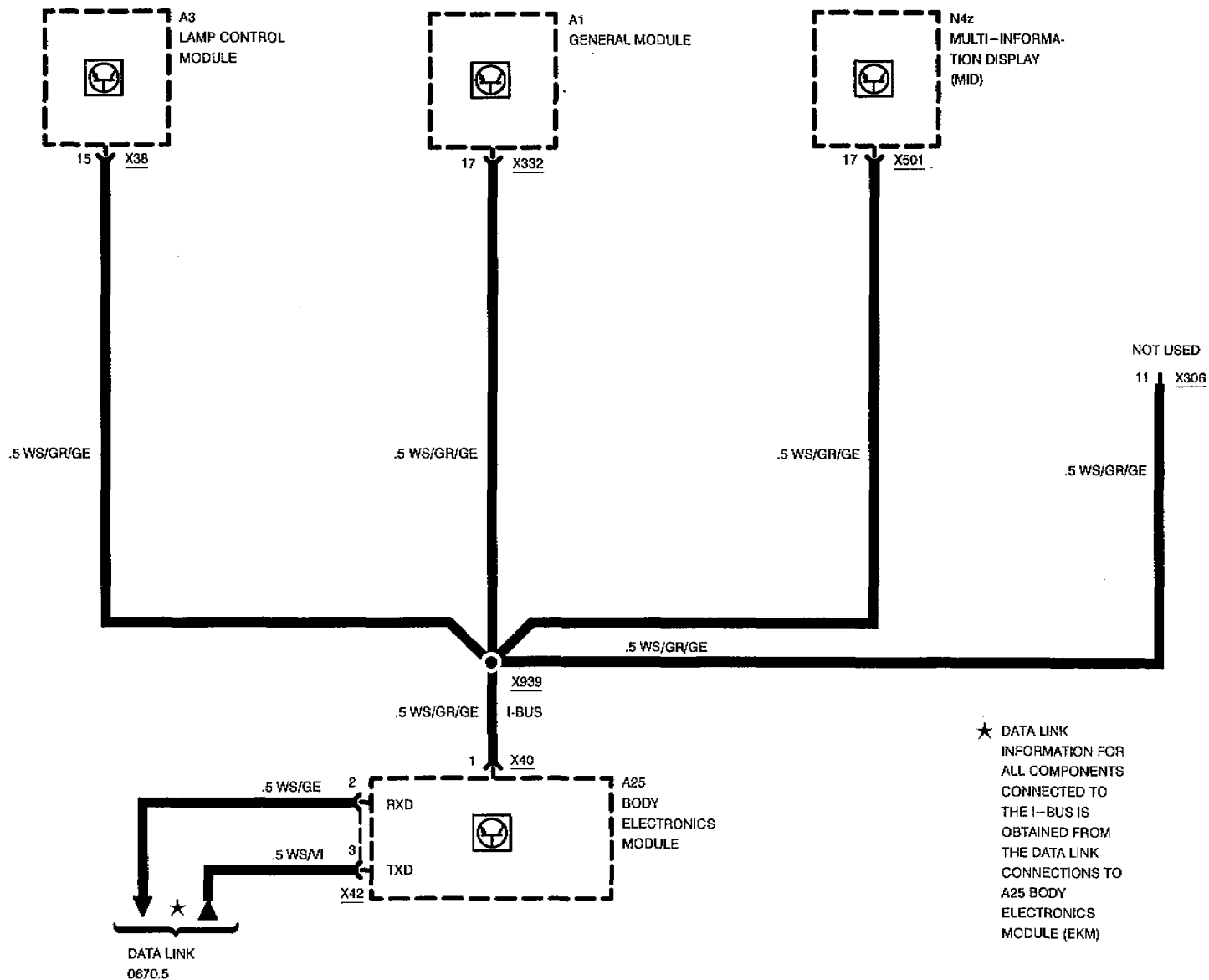
E = Input, A = Output, M = Ground





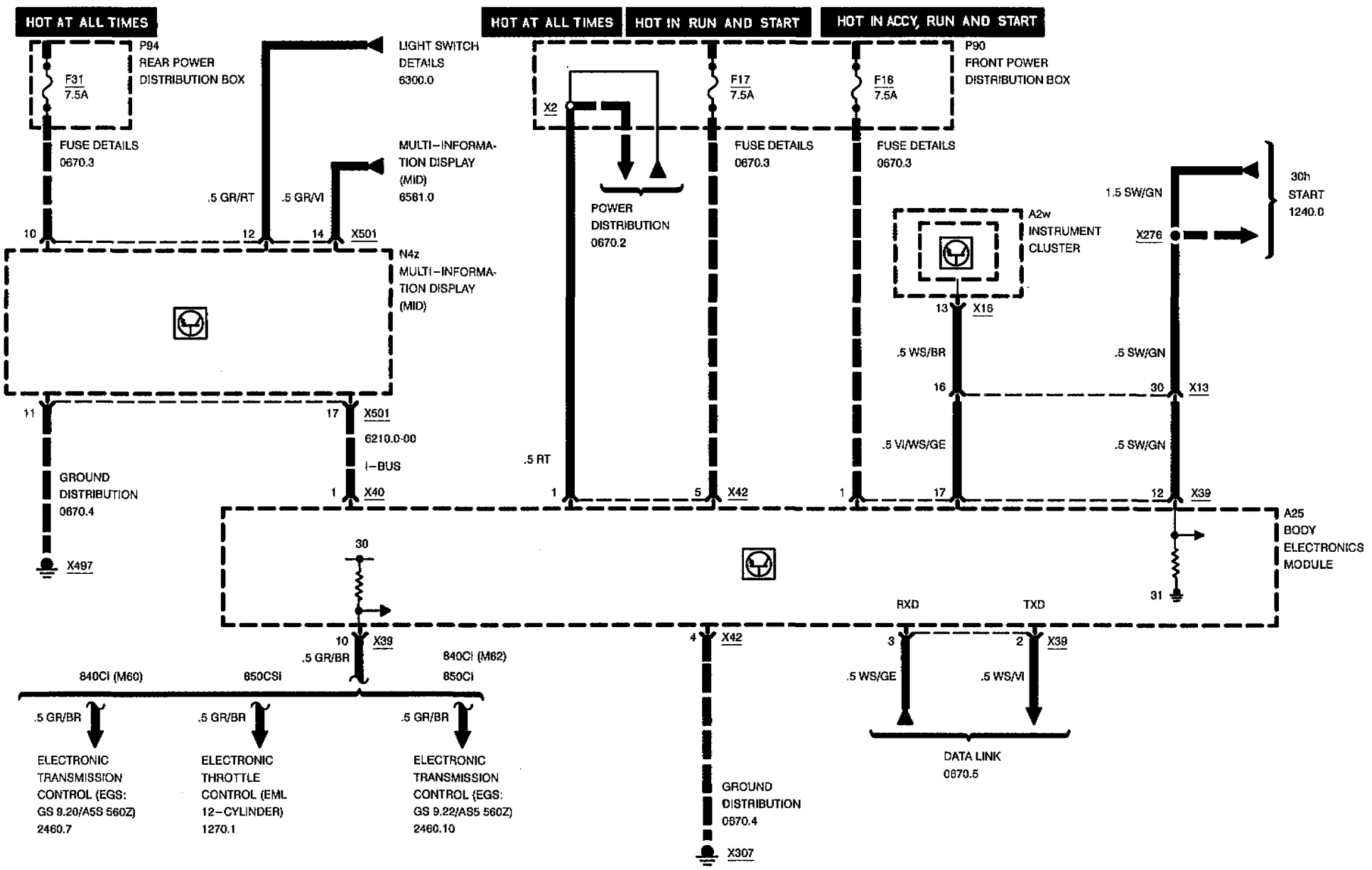
# BODY ELECTRONICS MODULE (EKM)

## INSTRUMENTATION BUS (I-BUS)





# BODY ELECTRONICS MODULE (EKM)

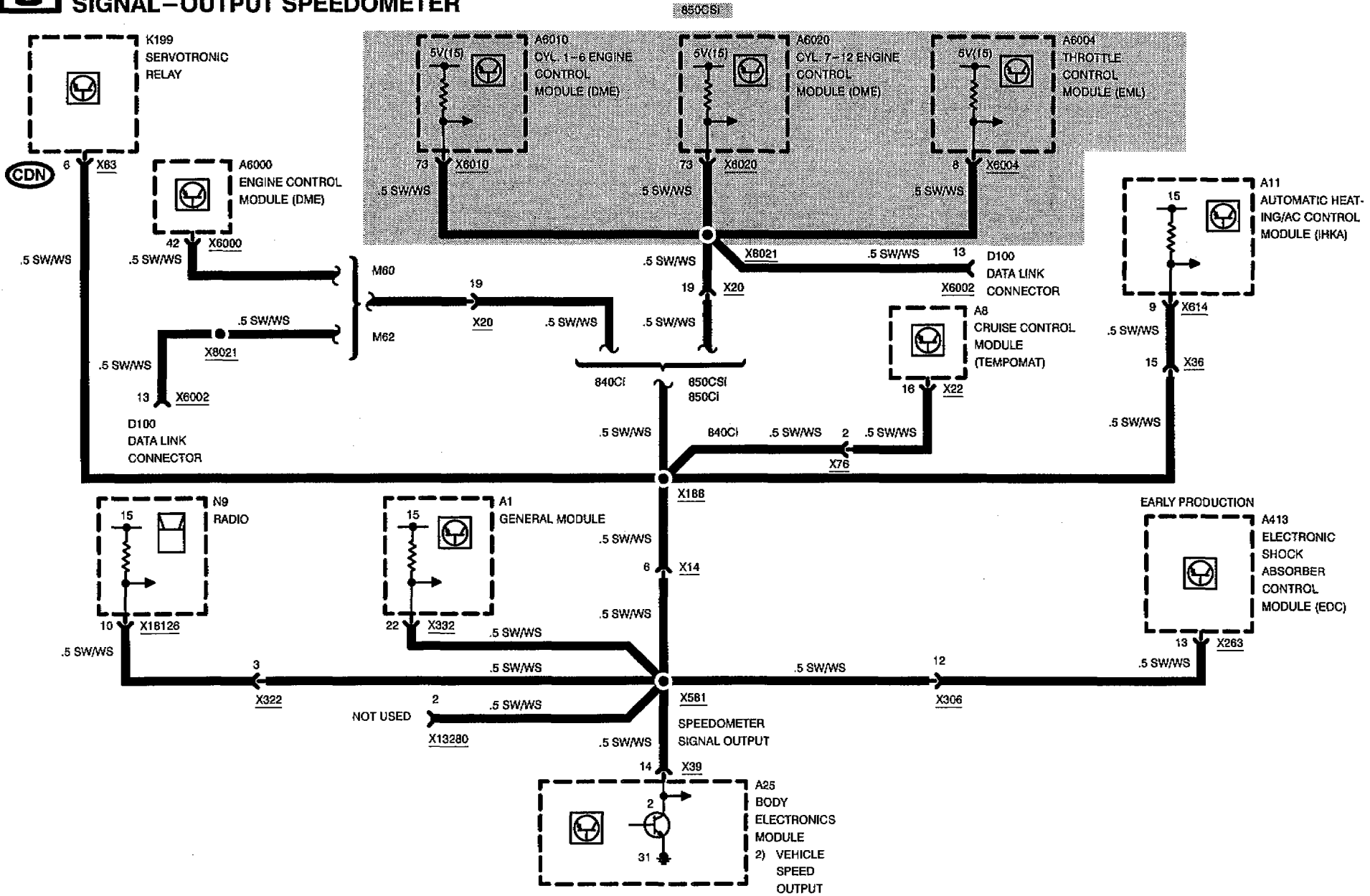


02/97

6210.0-01

95/96

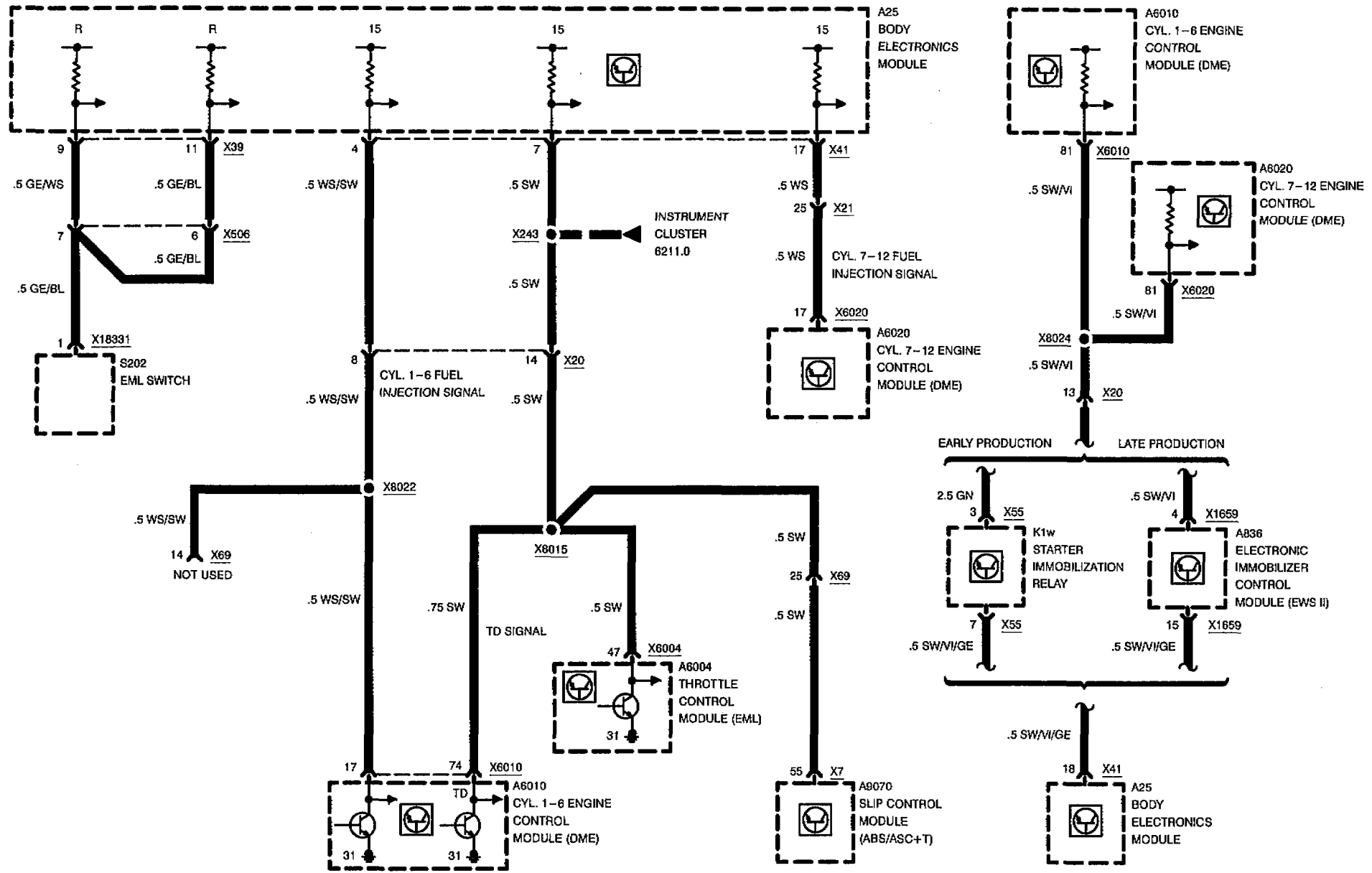
**BMW** **8** **BODY ELECTRONICS MODULE (EKM)**  
**SIGNAL-OUTPUT SPEEDOMETER**





# BODY ELECTRONICS MODULE (EKM)

850CSI



02/97

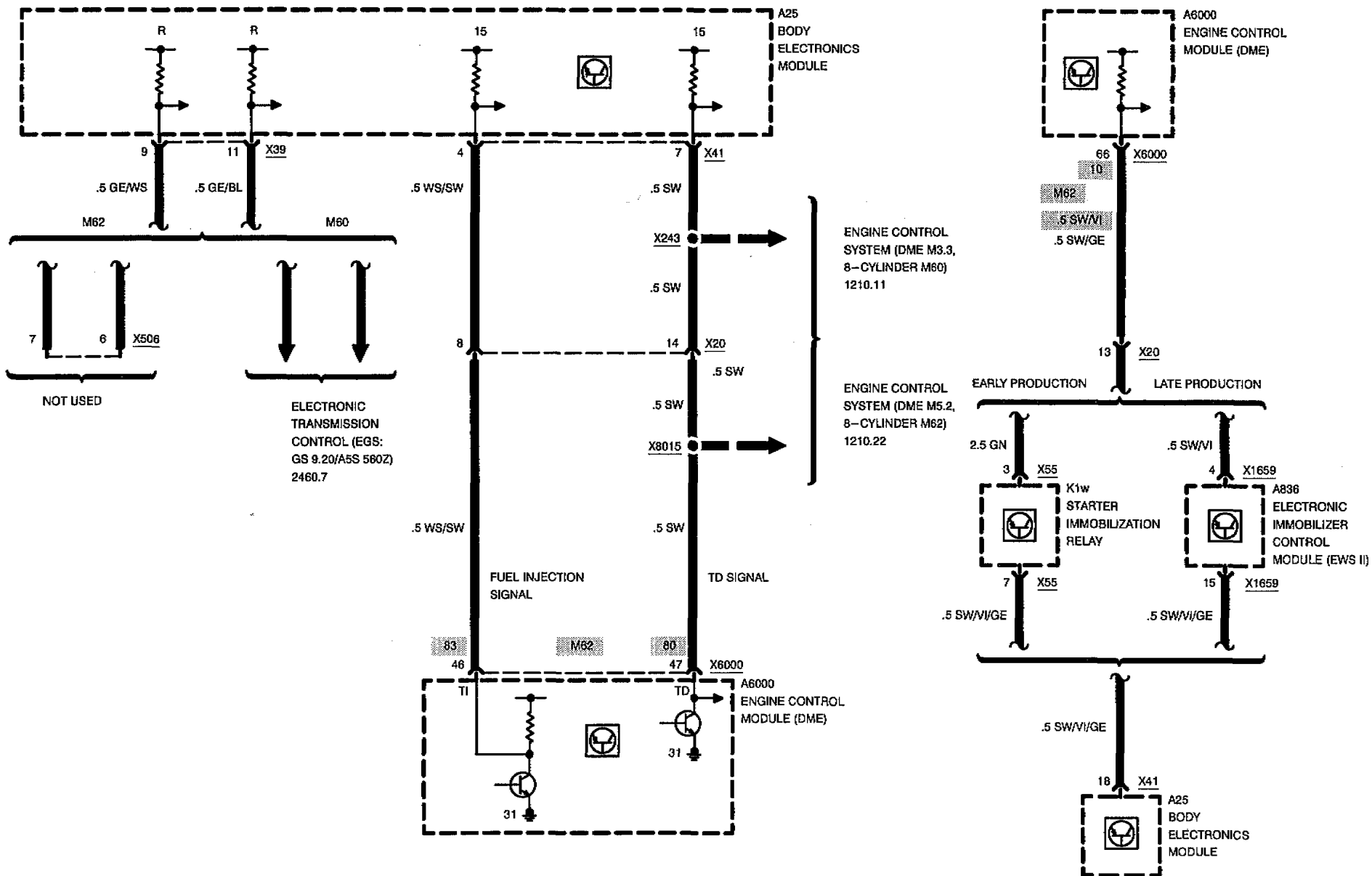
6210.0-03

95/96



# BODY ELECTRONICS MODULE (EKM)

## 840Ci

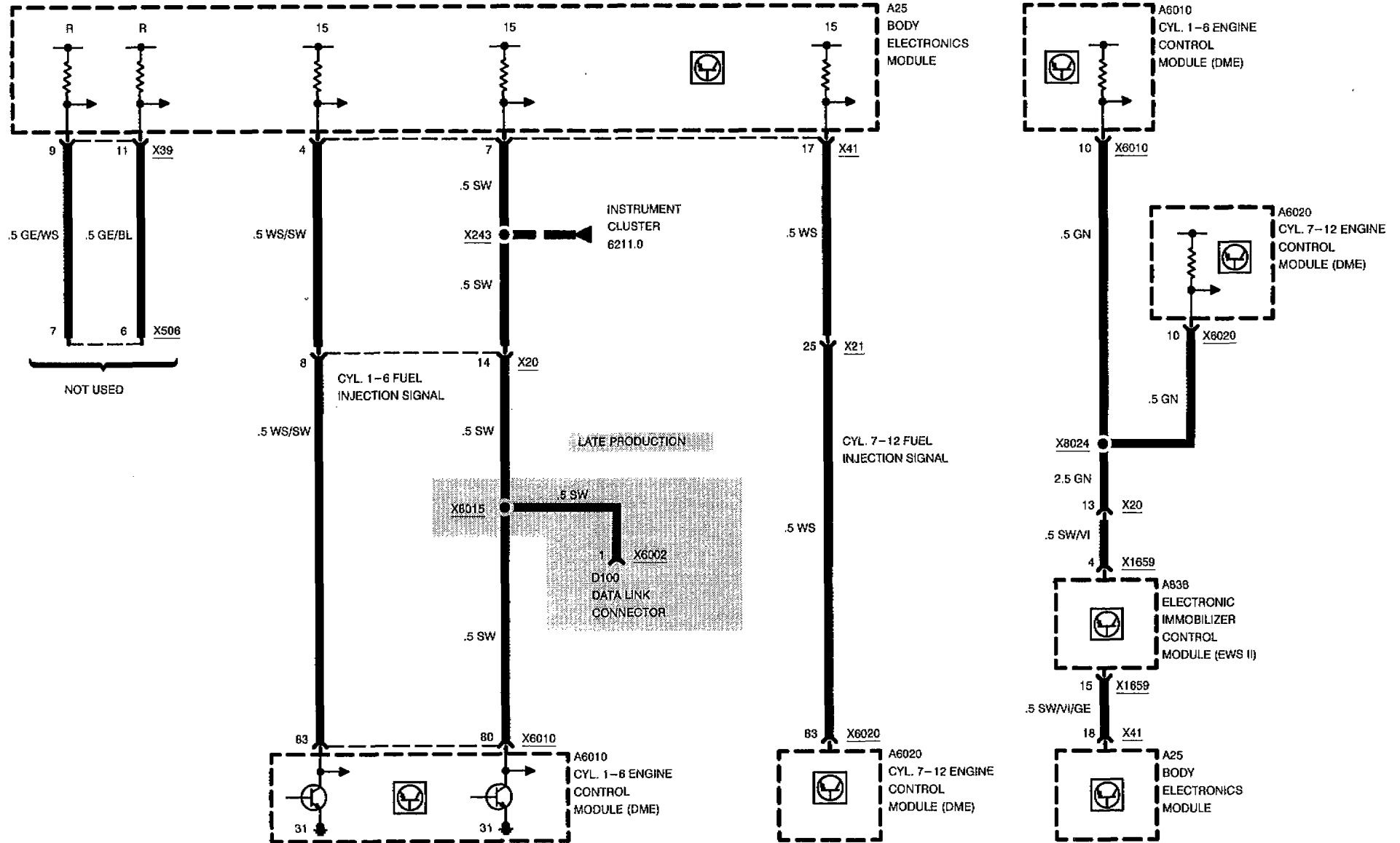






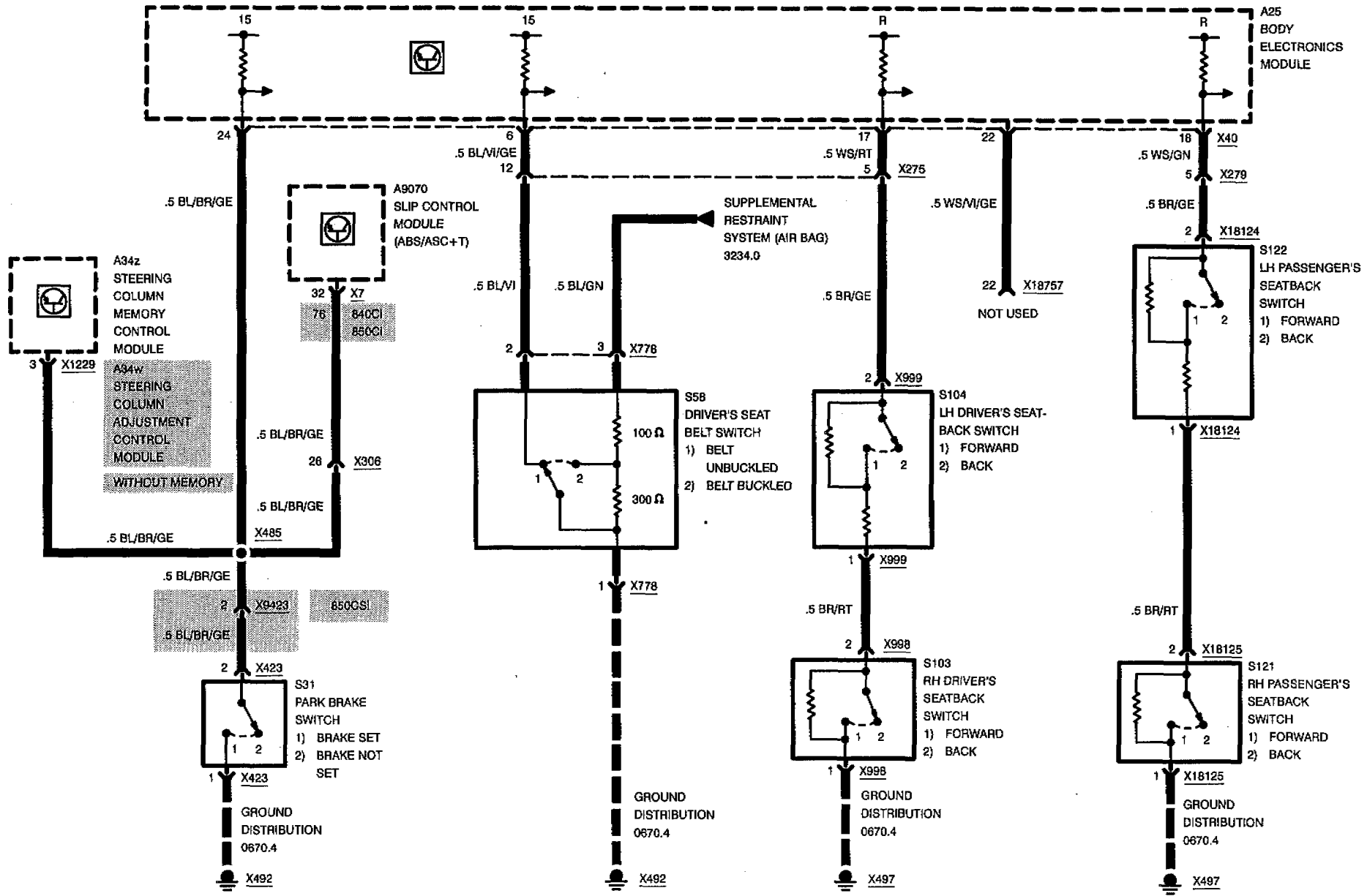
# BODY ELECTRONICS MODULE (EKM)

## 850Ci



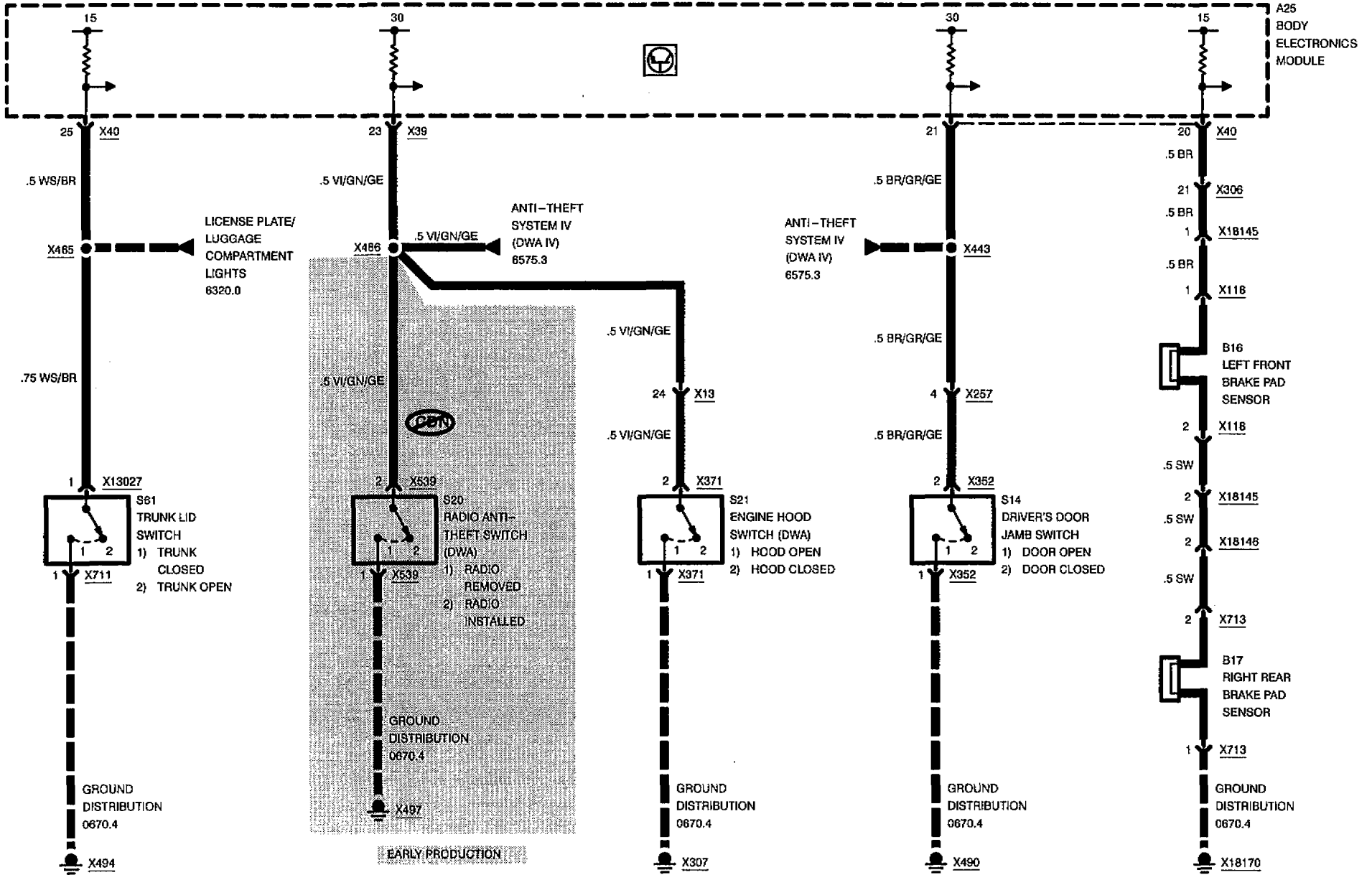


# BODY ELECTRONICS MODULE (EKM)

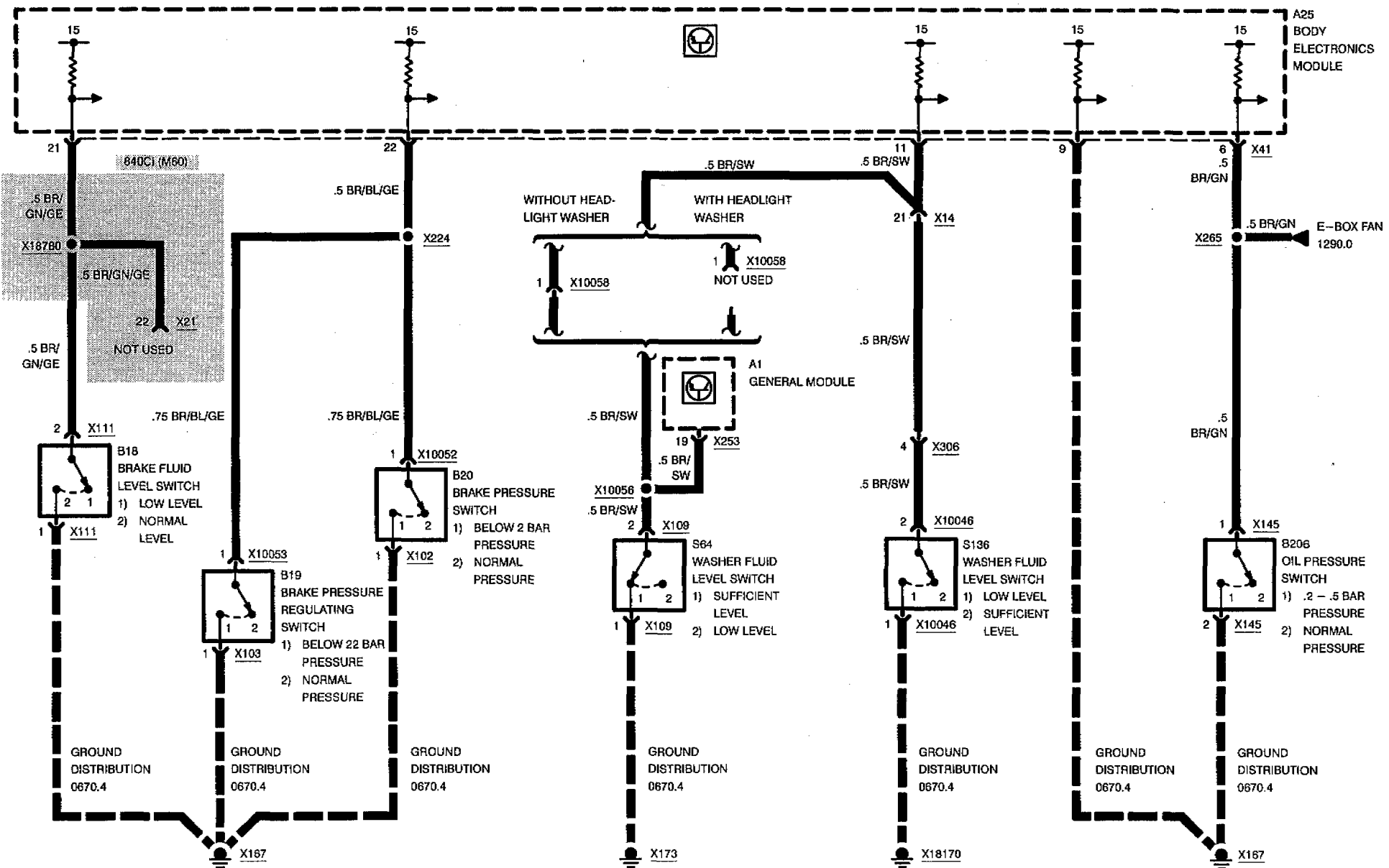




# BODY ELECTRONICS MODULE (EKM)

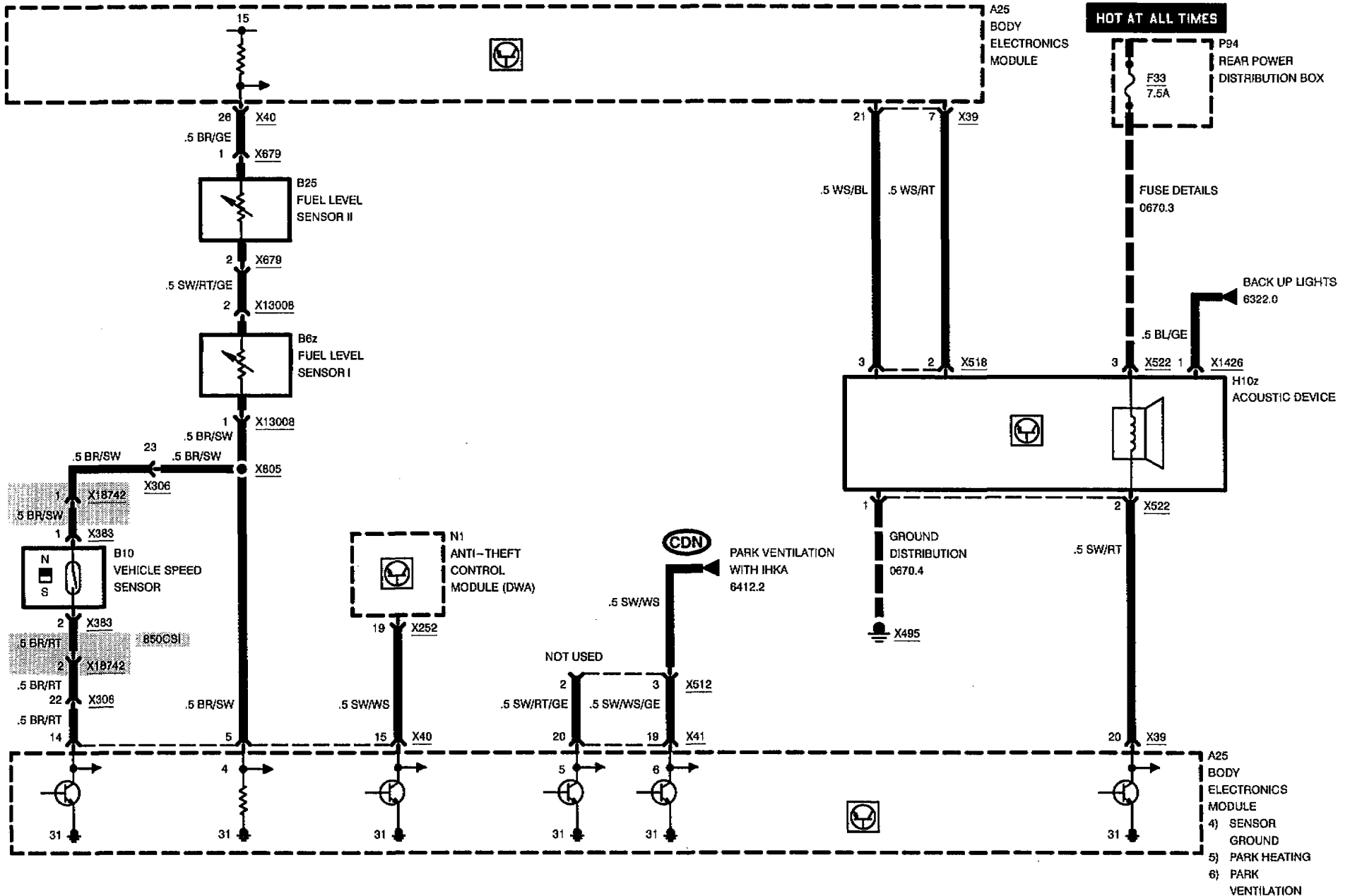


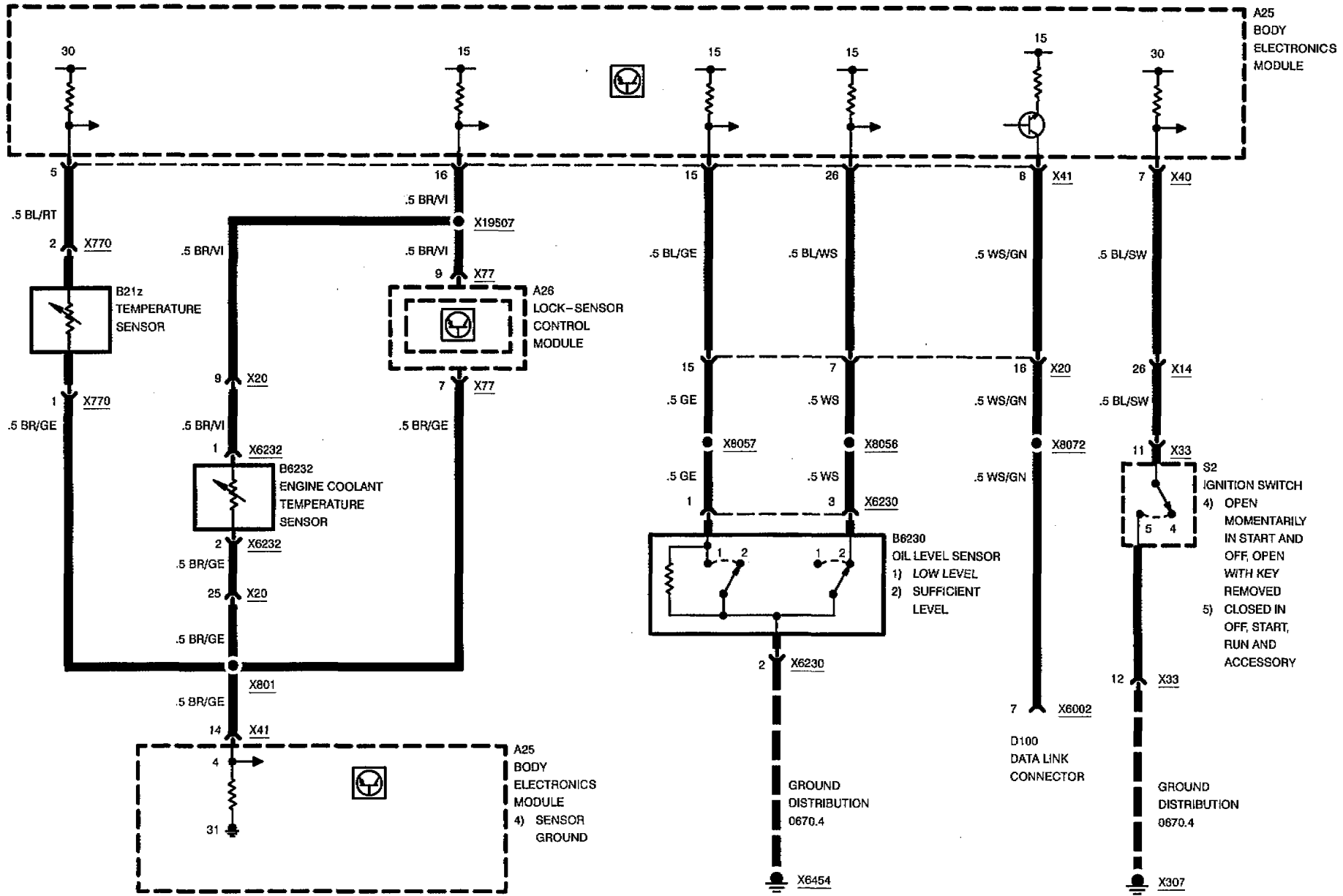
# BODY ELECTRONICS MODULE (EKM)





# BODY ELECTRONICS MODULE (EKM)

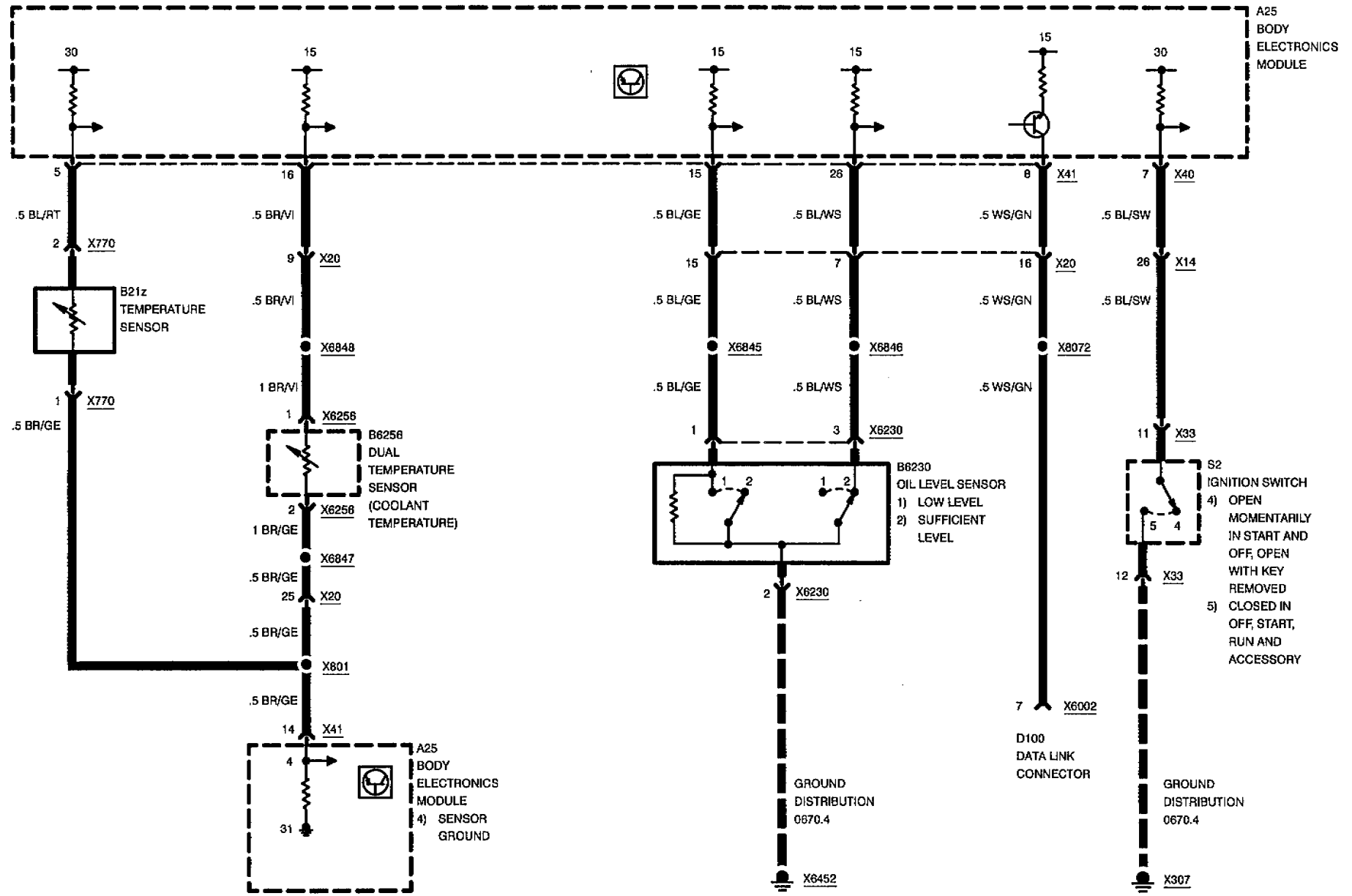






# BODY ELECTRONICS MODULE (EKM)

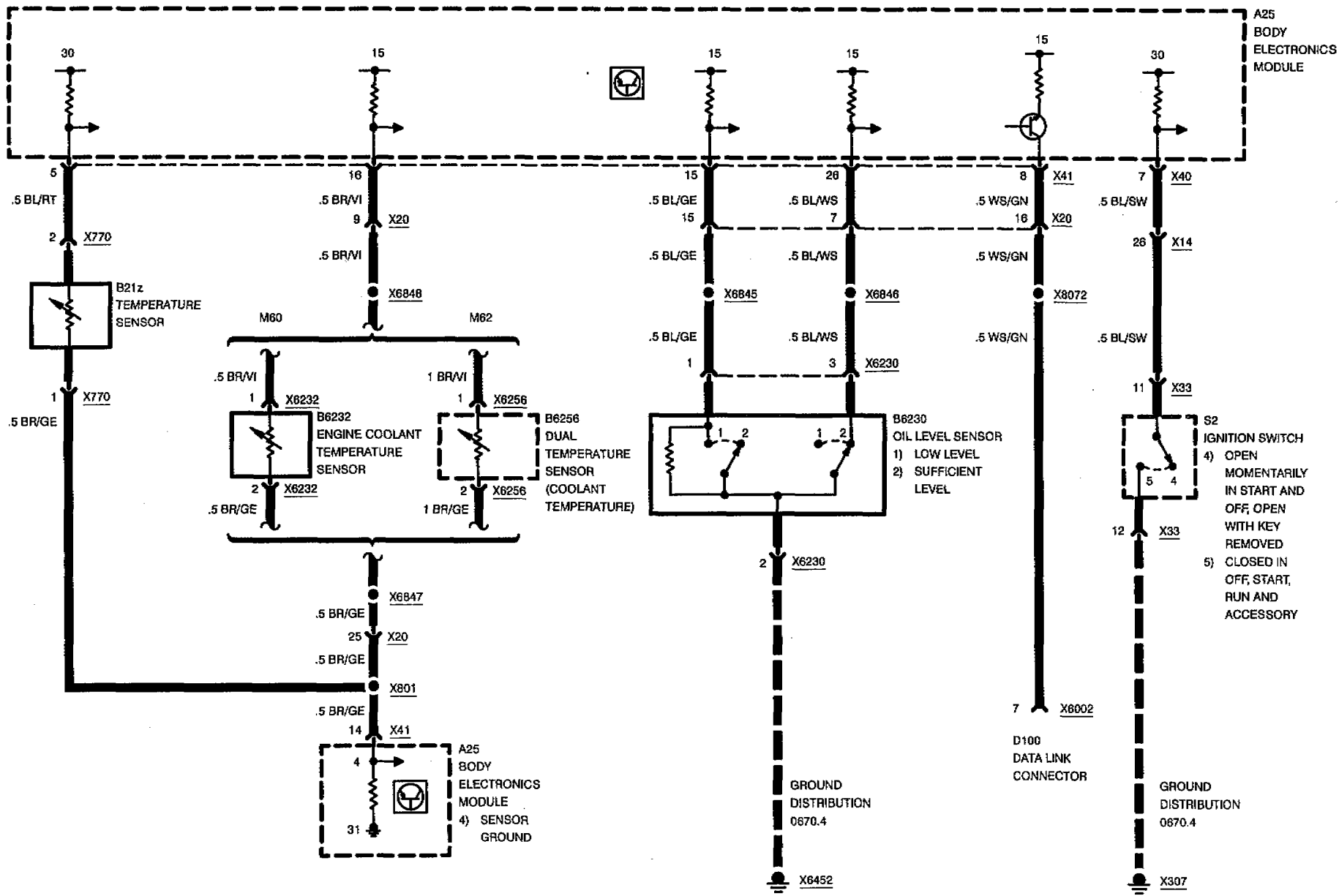
850Ci



02/97

6210.0-11

95/96





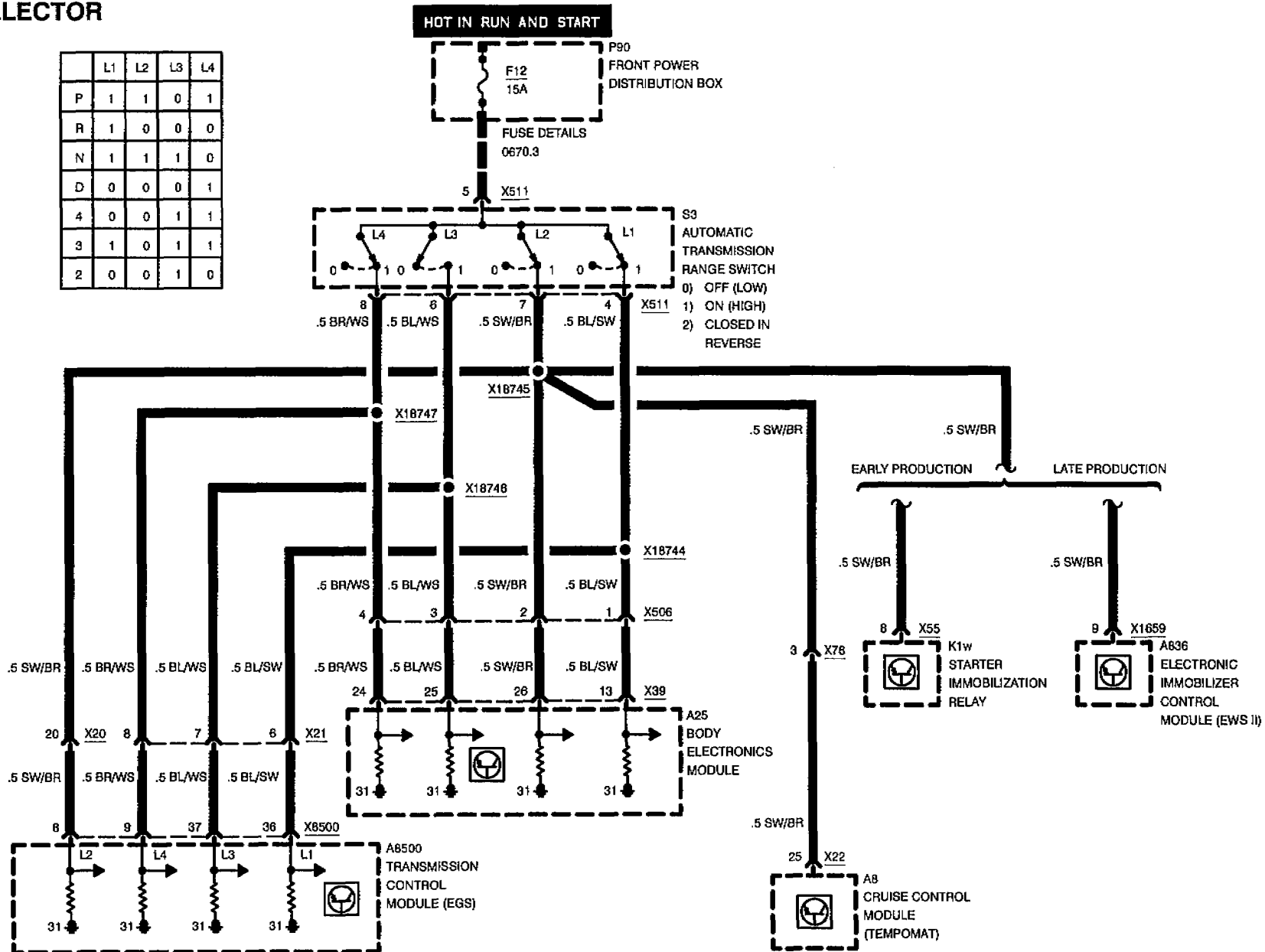


# BODY ELECTRONICS MODULE (EKM)

## 840Ci (M60)

### GEAR SELECTOR

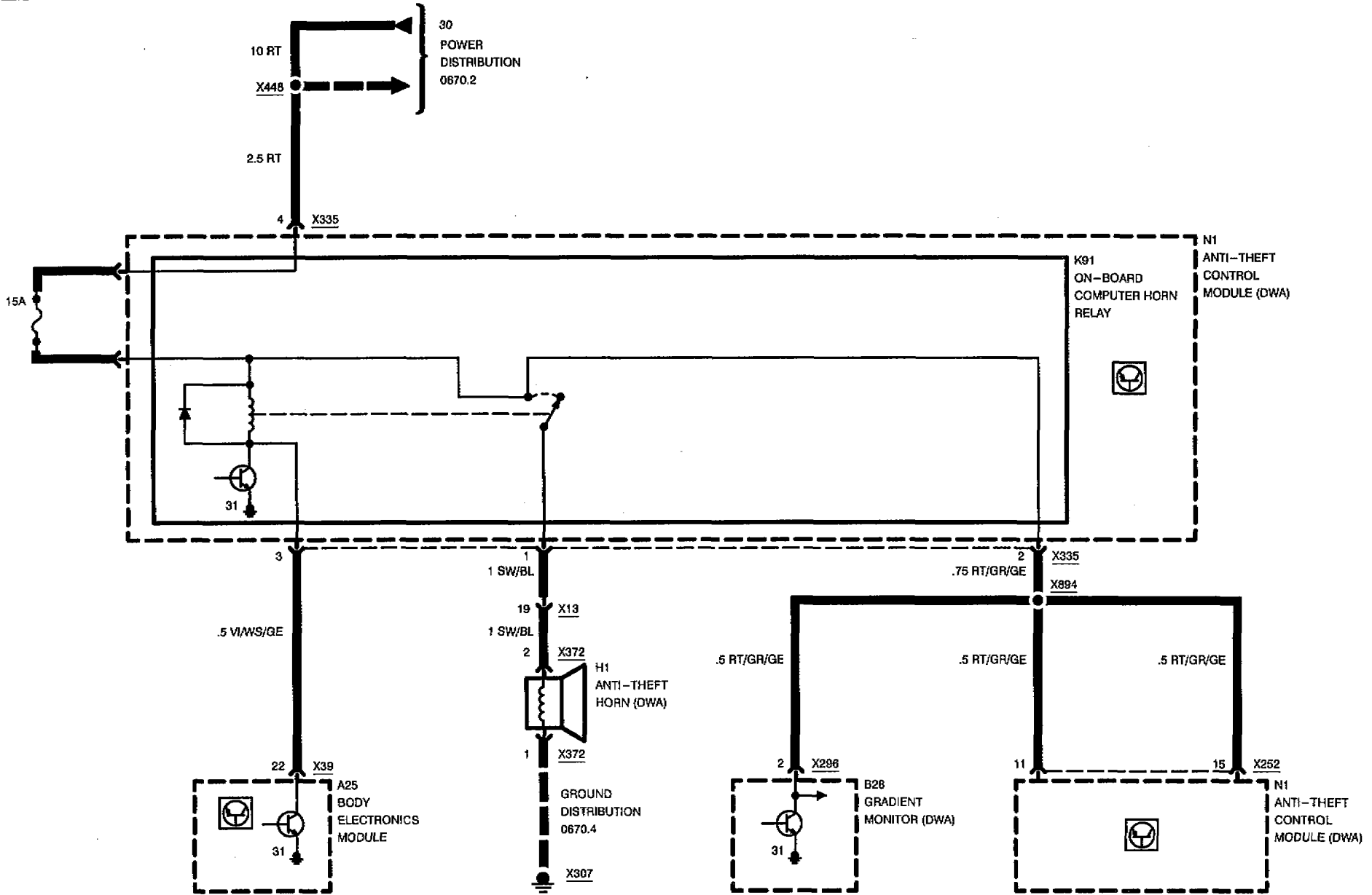
	L1	L2	L3	L4
P	1	1	0	1
R	1	0	0	0
N	1	1	1	0
D	0	0	0	1
4	0	0	1	1
3	1	0	1	1
2	0	0	1	0





# BODY ELECTRONICS MODULE (EKM)

EARLY PRODUCTION



02/97

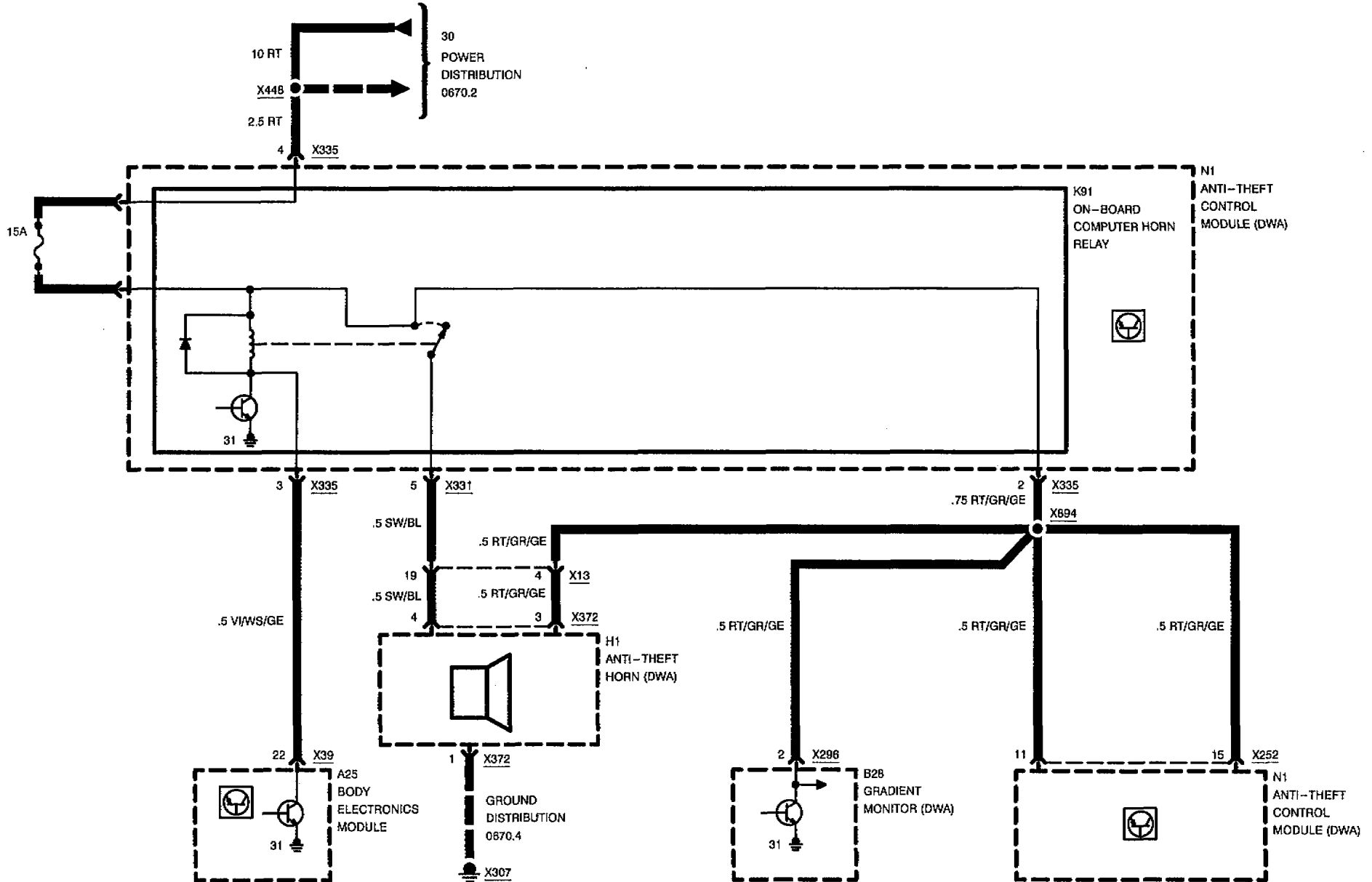
6210.0-14

95/96



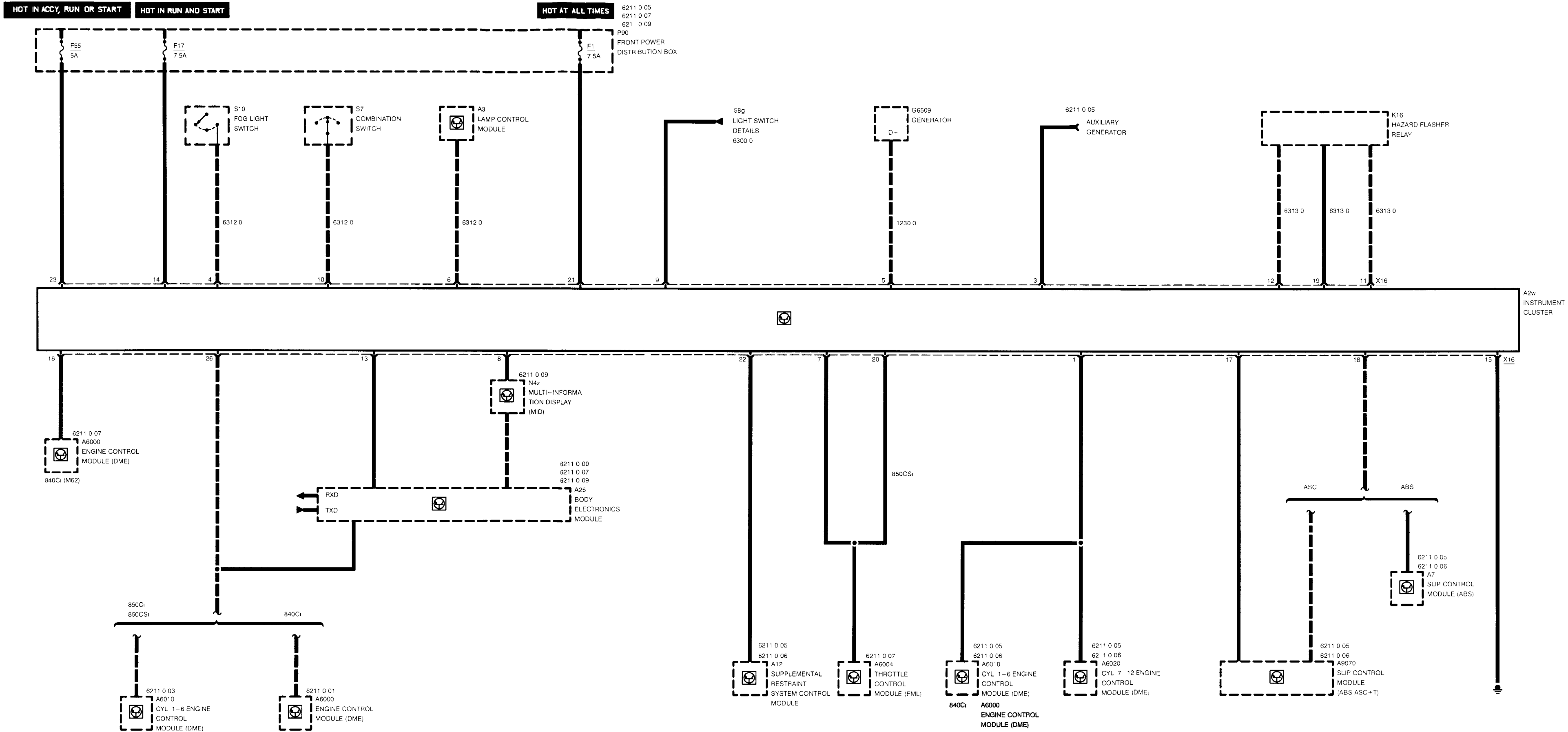
# BODY ELECTRONICS MODULE (EKM)

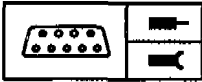
LATE PRODUCTION



BMW  
8

6210.0-16





## Pin Assignments

### X16

Pin	Type	Description/Function	Connection
1	E	Check Engine indicator (US only)	Engine control modules (DME)
2		Not used	
3		Battery charge indicator lamp 2	Auxiliary generator
4	E	Rear fog light indicator lamp	Fog light switch
5		Battery charge indicator lamp 1	Generator
6	E	Fog light indicator light	Lamp control module
7	E	EML warning light	Electronic throttle control module (EML) (850Ci, 850CSi)
8	E	Display lighting electronically dimmed	Multi-information-display (MID)
9	E	Terminal 58g, switch and instrument lighting	Dimmer
10	E	High beam indicator	Combination switch
11	E	Right turn signal indicator	Hazard flasher relay
12	E	Left turn signal indicator	Hazard flasher relay
13	E/A	Serial interface - instrument cluster data link	Body electronics module (EKM)
14	E	Voltage (terminal 15)	Fuse 17
15	M	Ground	Ground point
16	A	Fuel reserve	Engine control module (DME) (840Ci-M62)
17	E	ASC + T indicator lamp	Slip control module (ABS/ASC + T)
18	E	ABS indicator lamp	Slip control module (ABS, ABS/ASC + T)
19	E	Trailer turn signal indicator	Hazard flasher relay
20	E	EML warning lamp	Electronic throttle control module (EML) (850CSi)
21	E	Voltage (terminal 30)	Fuse 1
22	E	Airbag warning lamp	Supplemental restraint system control module
23	E	Voltage (terminal R)	Fuse 55
24		Not used	
25		Not used	
26	E	Engine speed (rpm) signal (tD)	Engine control module (DME)

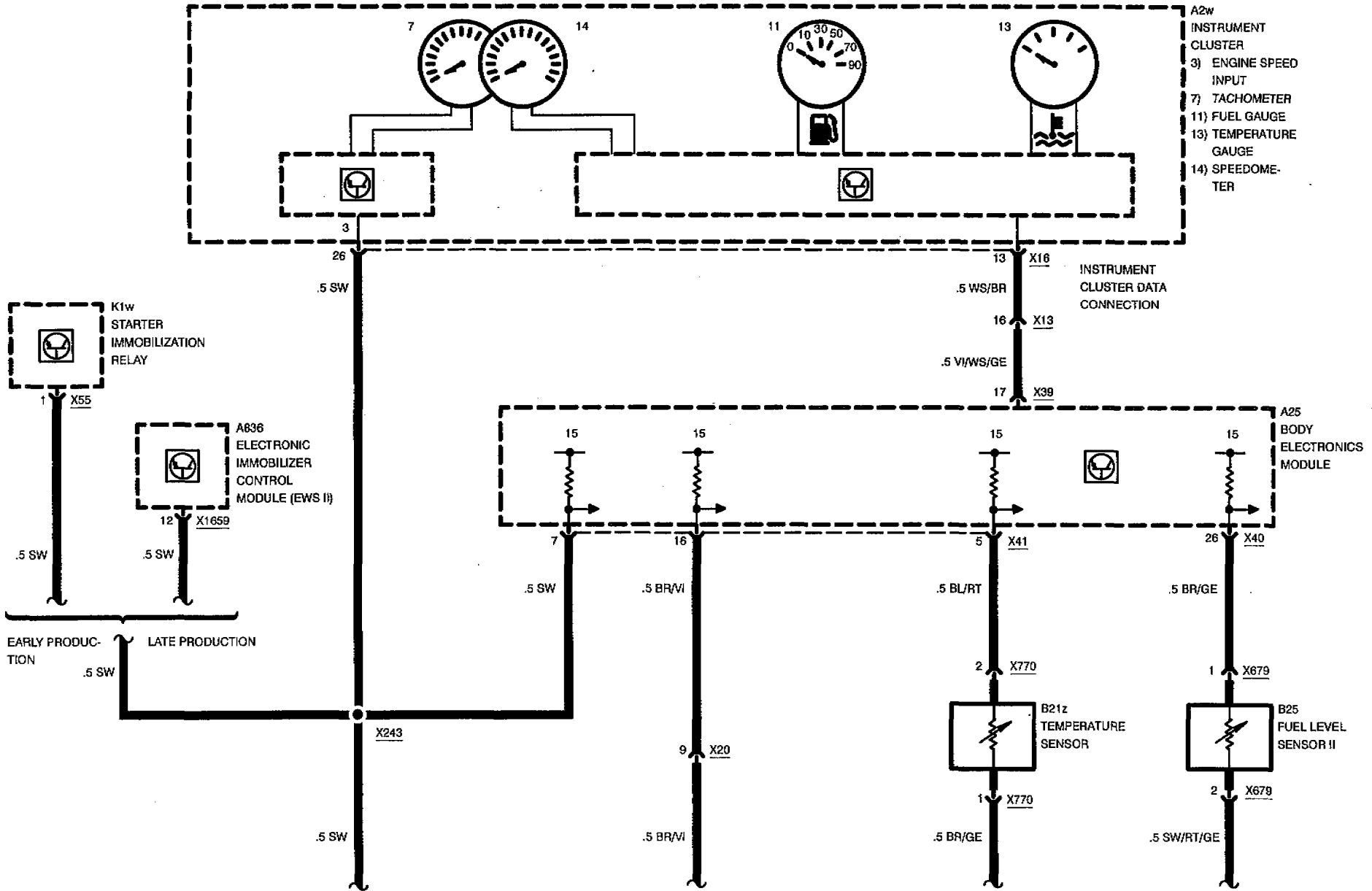
E = Input, A = Output, M = Ground

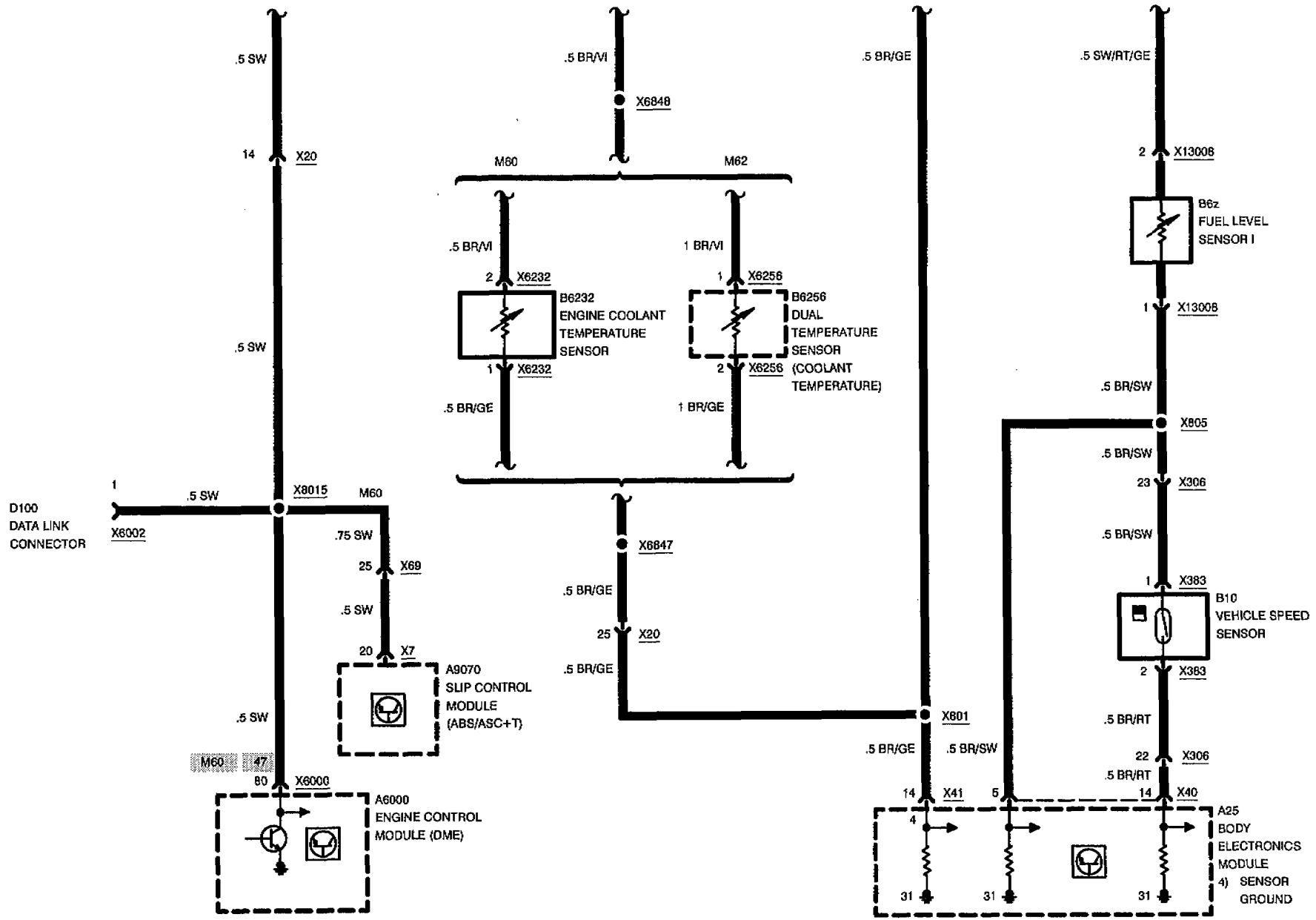


# INSTRUMENT CLUSTER

## INDICATORS

840CI





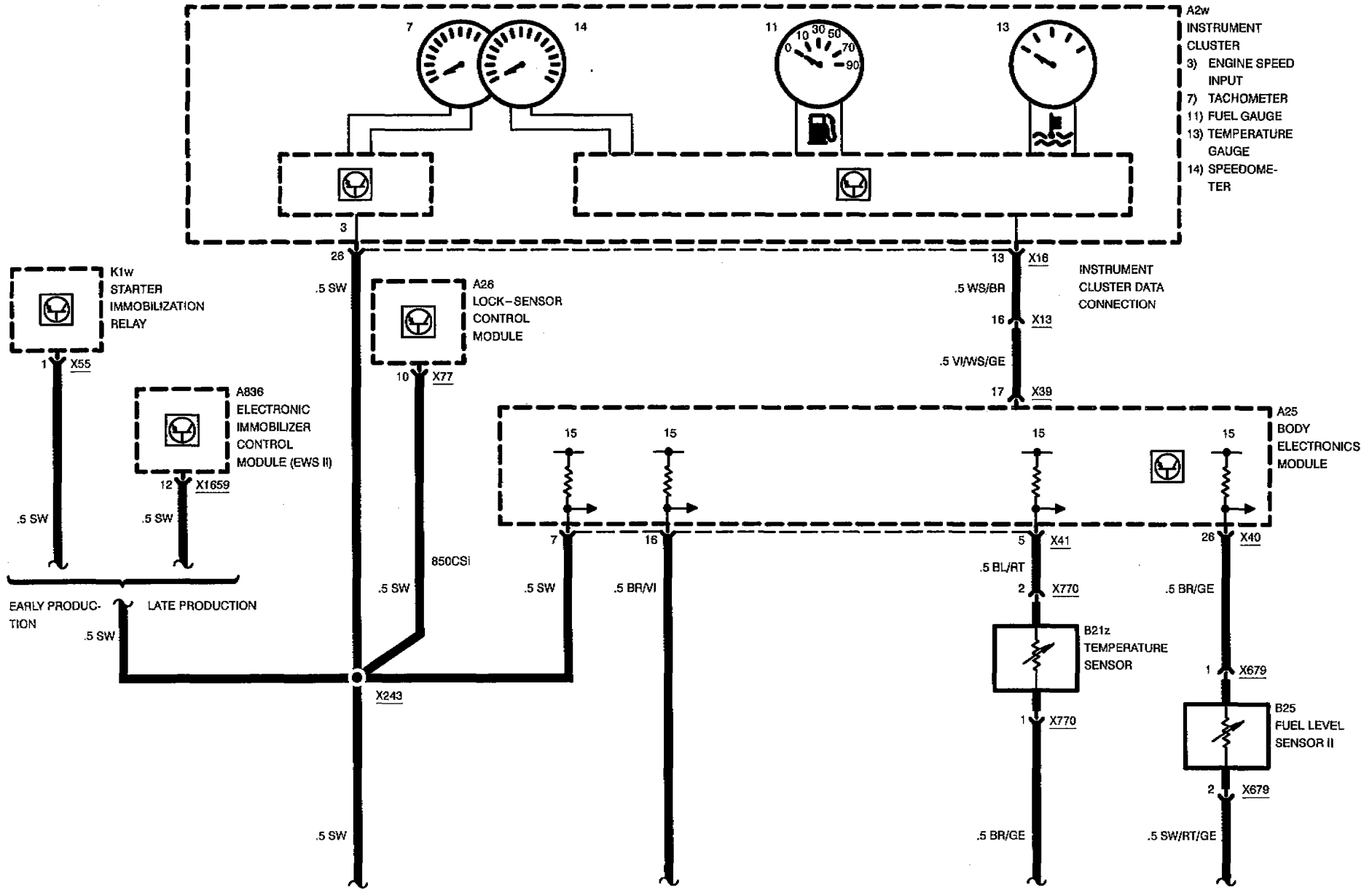


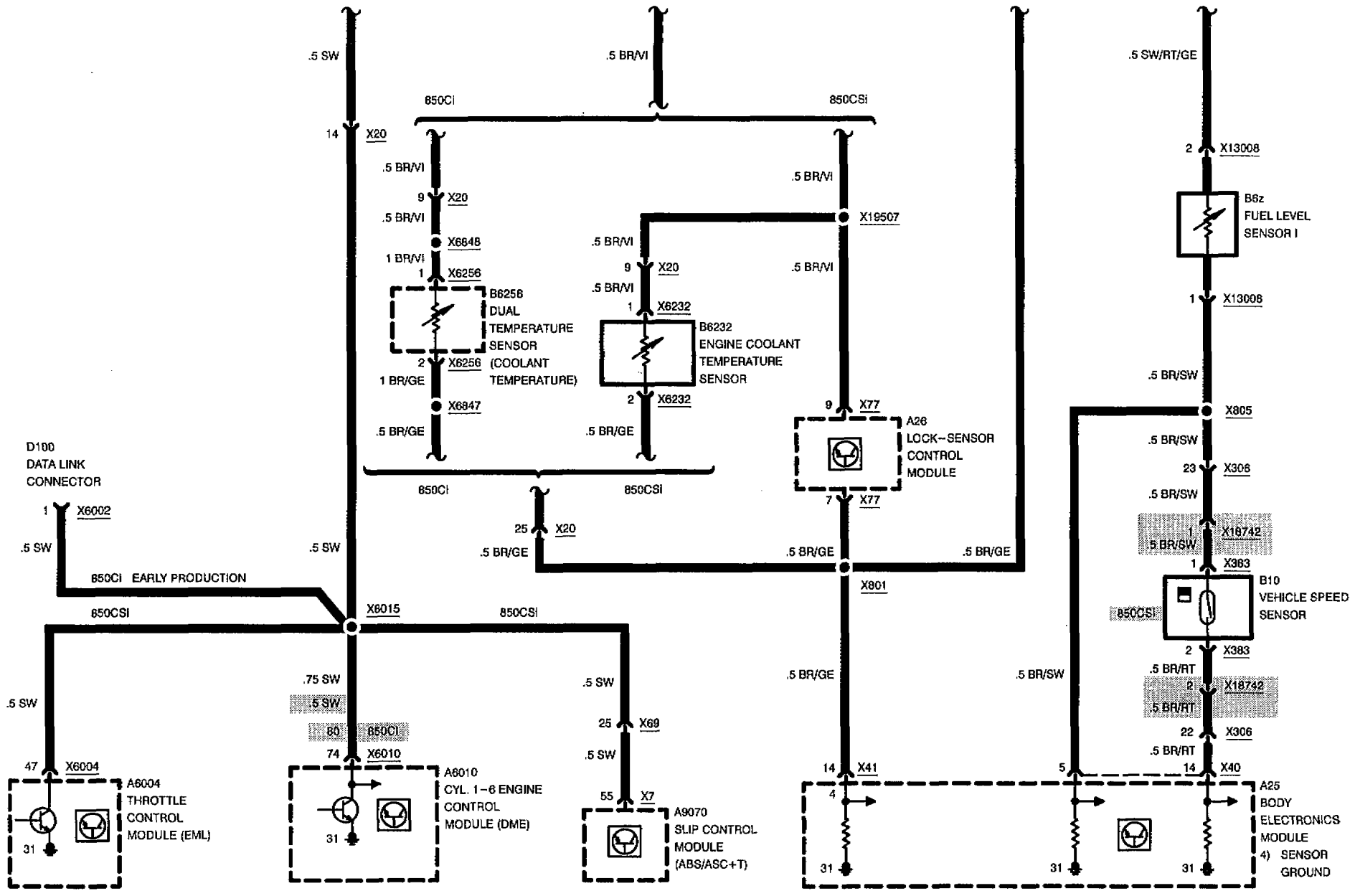


# INSTRUMENT CLUSTER

## 850Ci, 850CSi

### INDICATORS

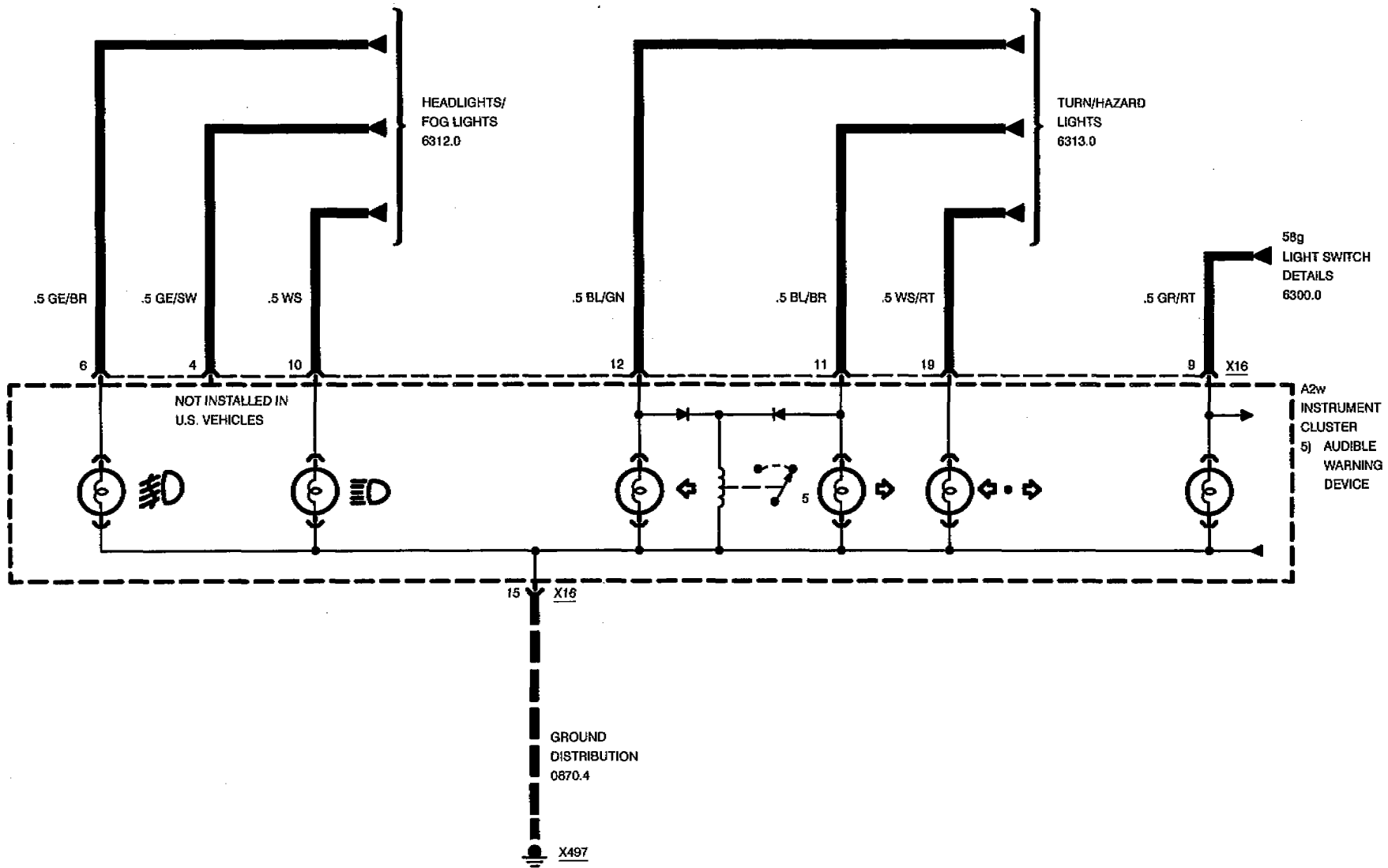






# INSTRUMENT CLUSTER

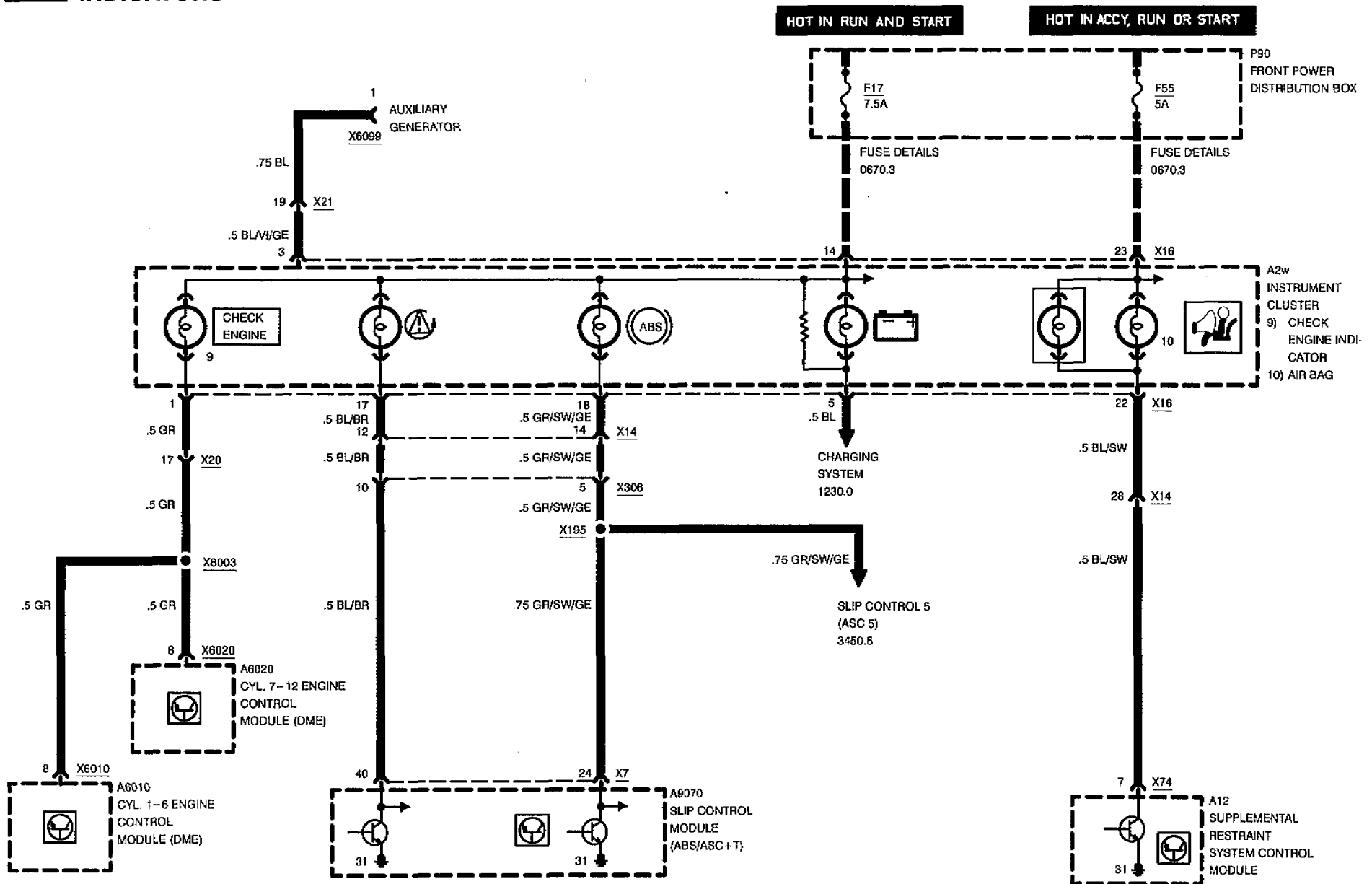
## INDICATORS





# INSTRUMENT CLUSTER INDICATORS

850CSi

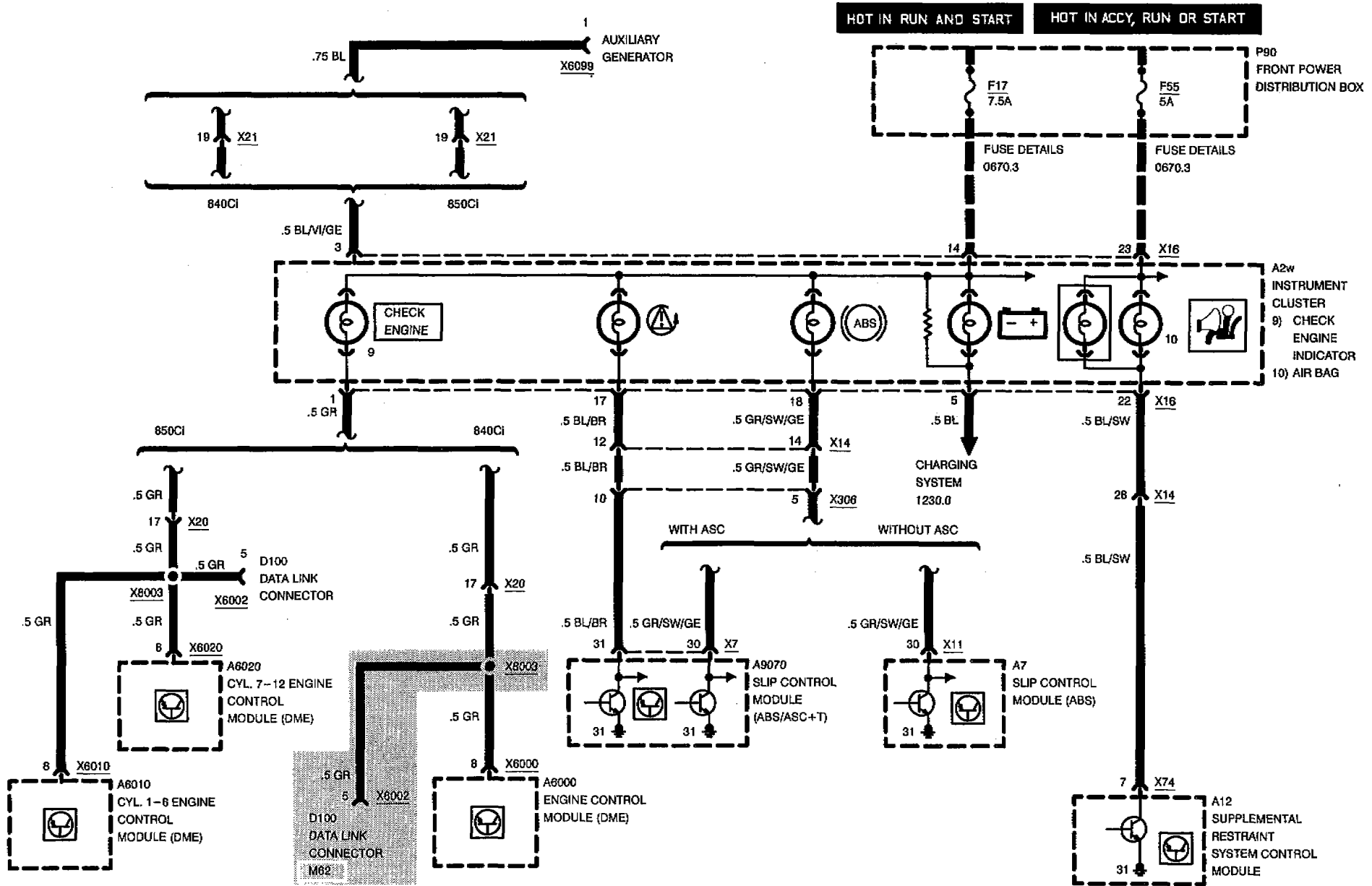




# INSTRUMENT CLUSTER

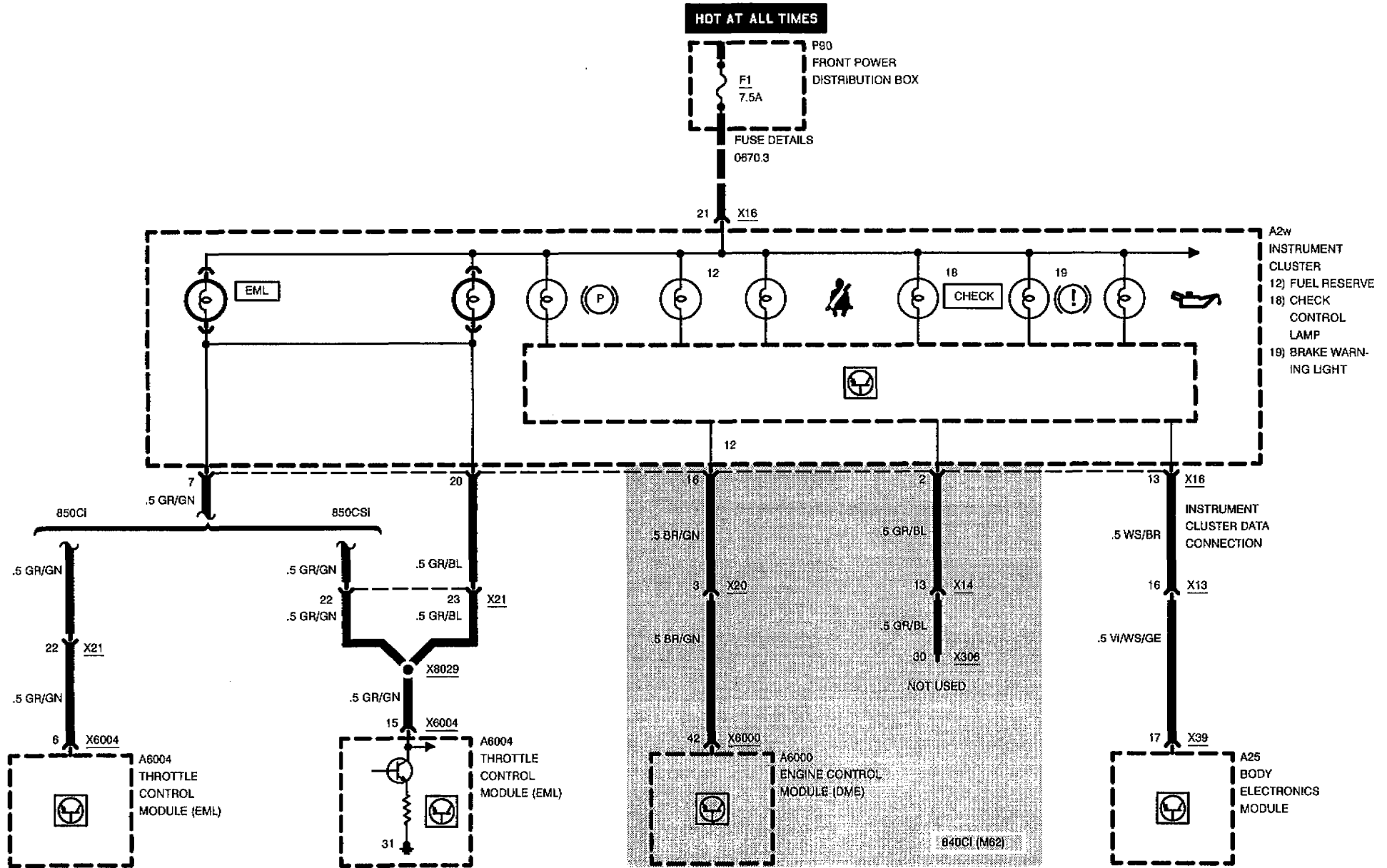
## INDICATORS

840Ci, 850Ci





# INSTRUMENT CLUSTER INDICATORS



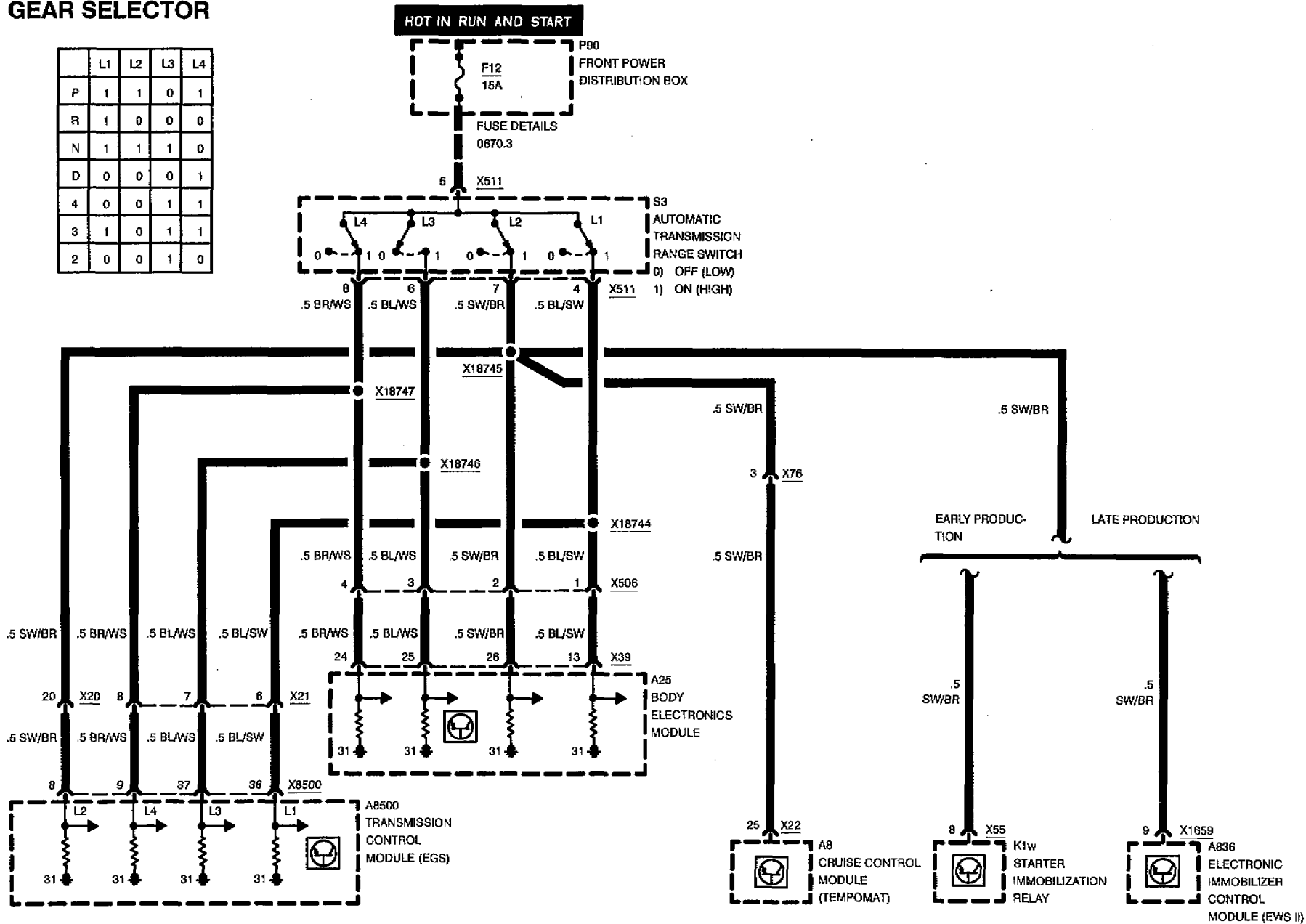


# INSTRUMENT CLUSTER

## GEAR SELECTOR

840Ci (M60)

	L1	L2	L3	L4
P	1	1	0	1
R	1	0	0	0
N	1	1	1	0
D	0	0	0	1
4	0	0	1	1
3	1	0	1	1
2	0	0	1	0





# INSTRUMENT CLUSTER

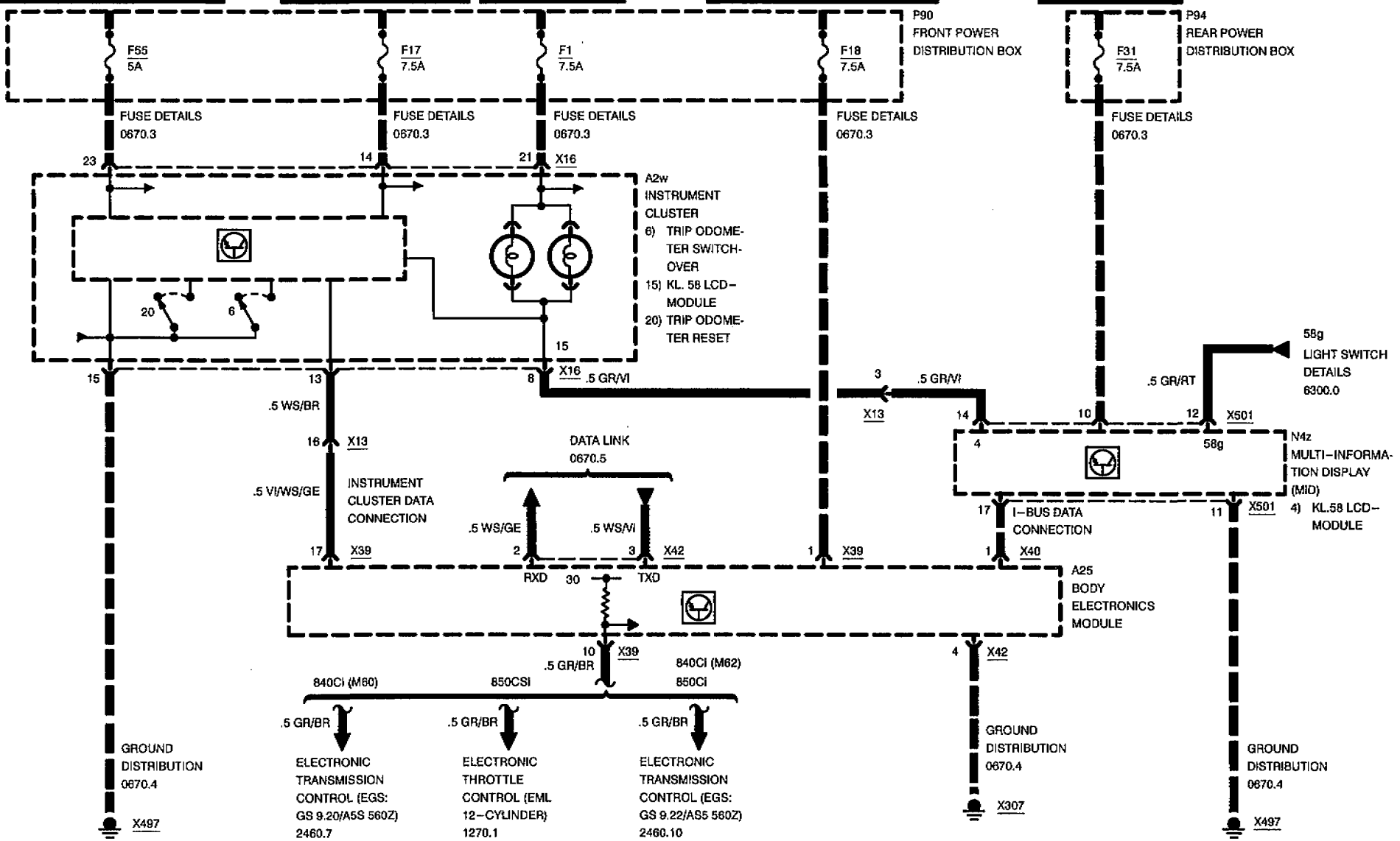
HOT IN ACCY, RUN OR START

HOT IN RUN AND START

HOT AT ALL TIMES

HOT IN ACCY, RUN OR START

HOT AT ALL TIMES





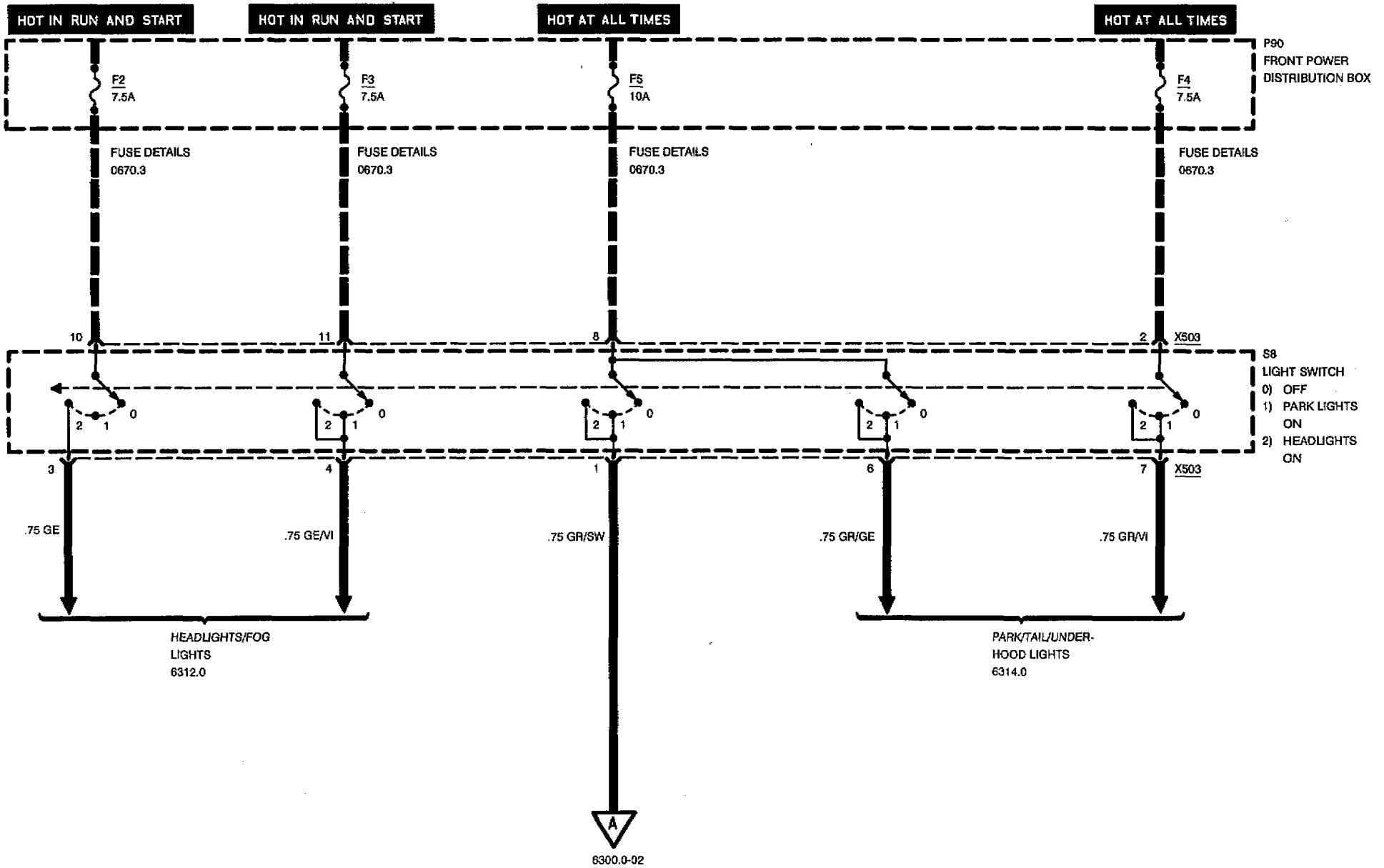


BMW  
8

6300.0

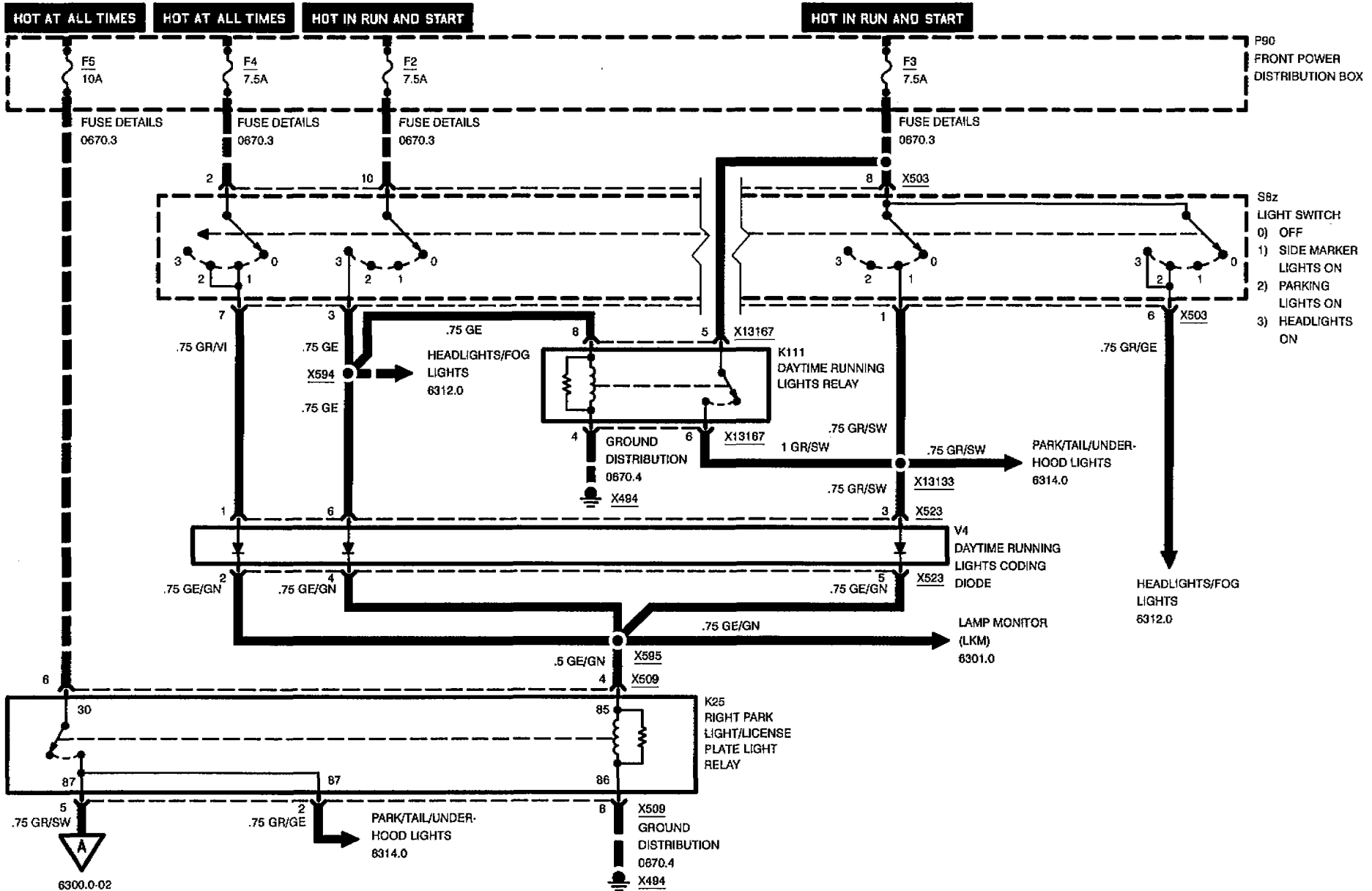


# LIGHT SWITCH DETAILS



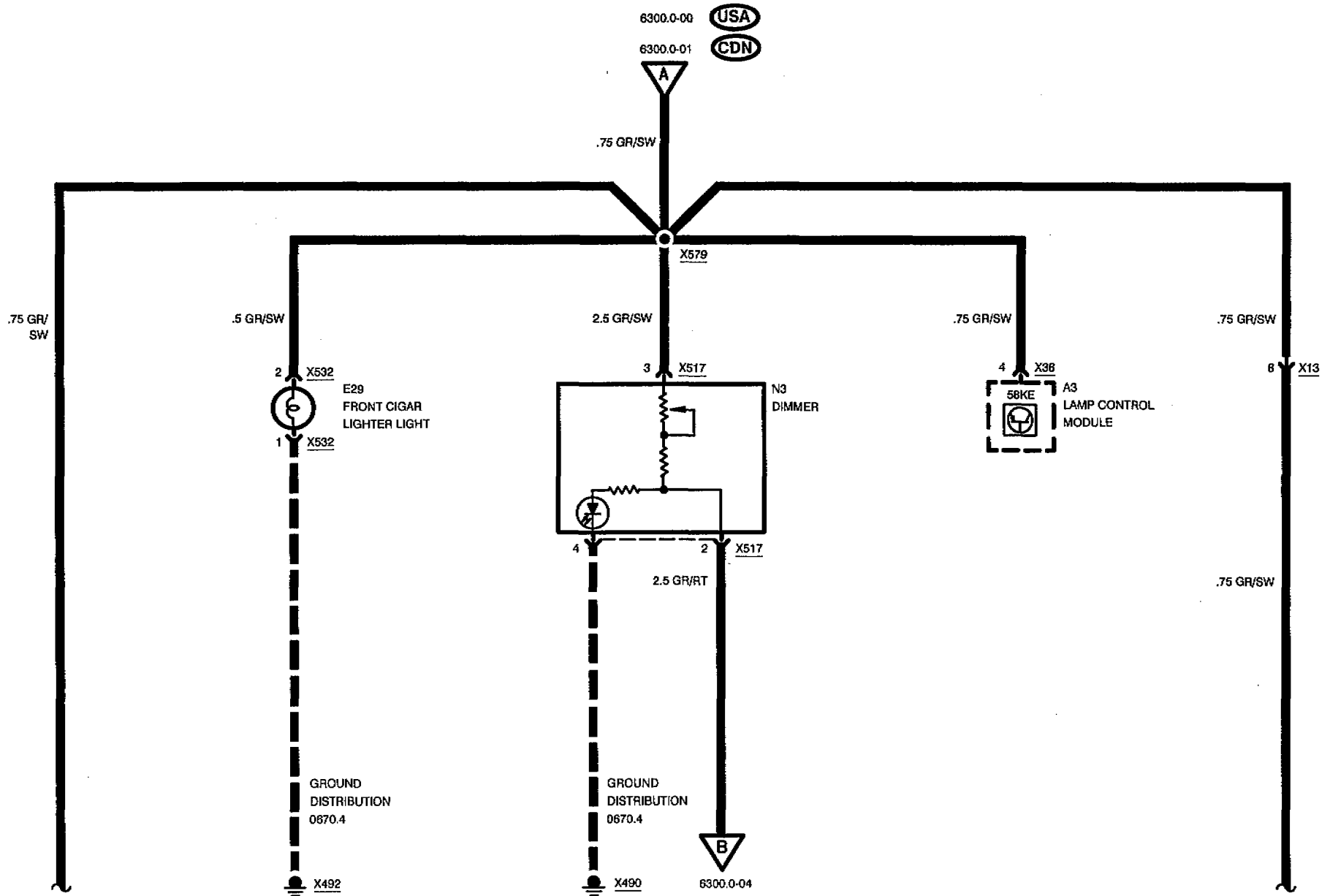


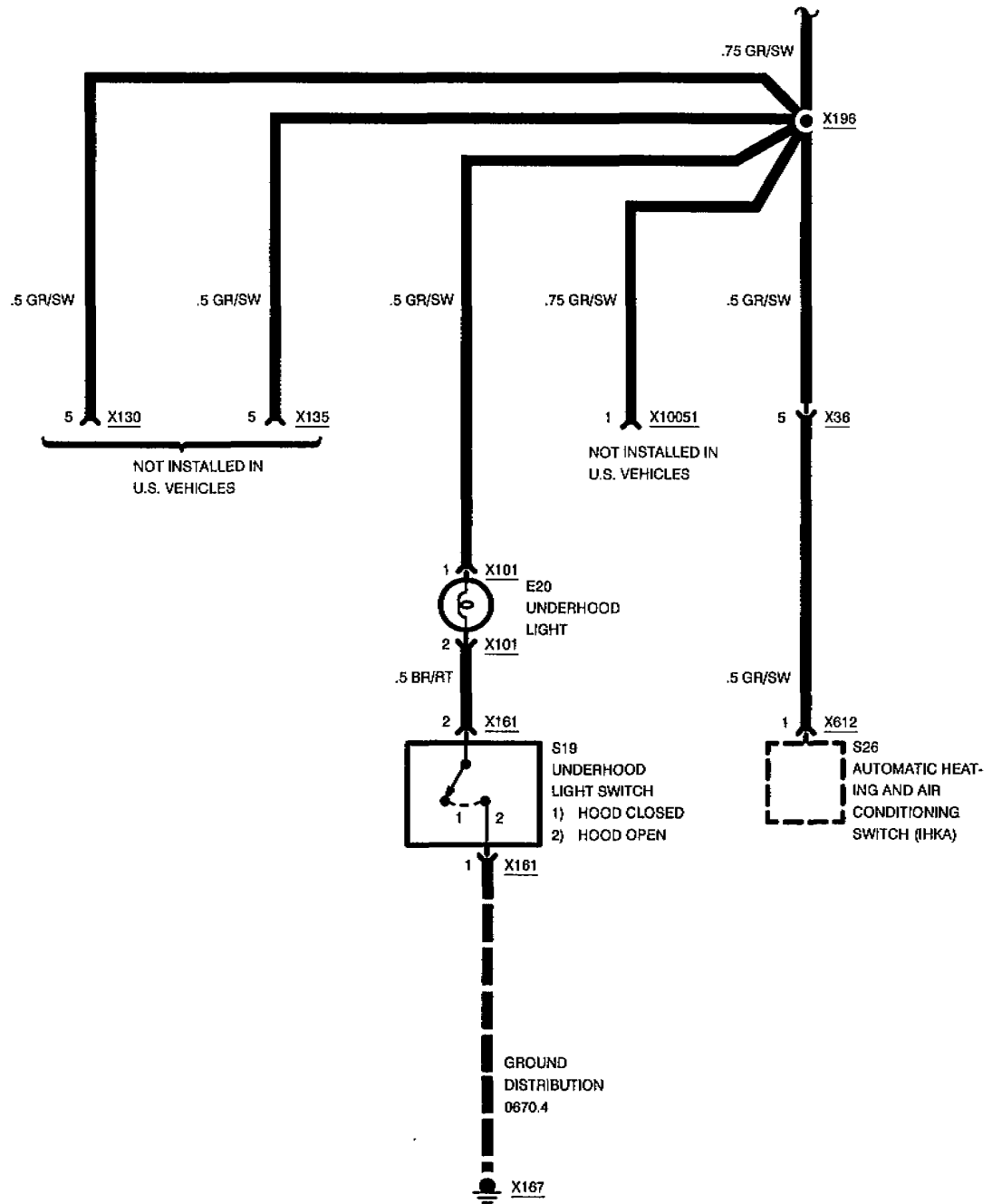
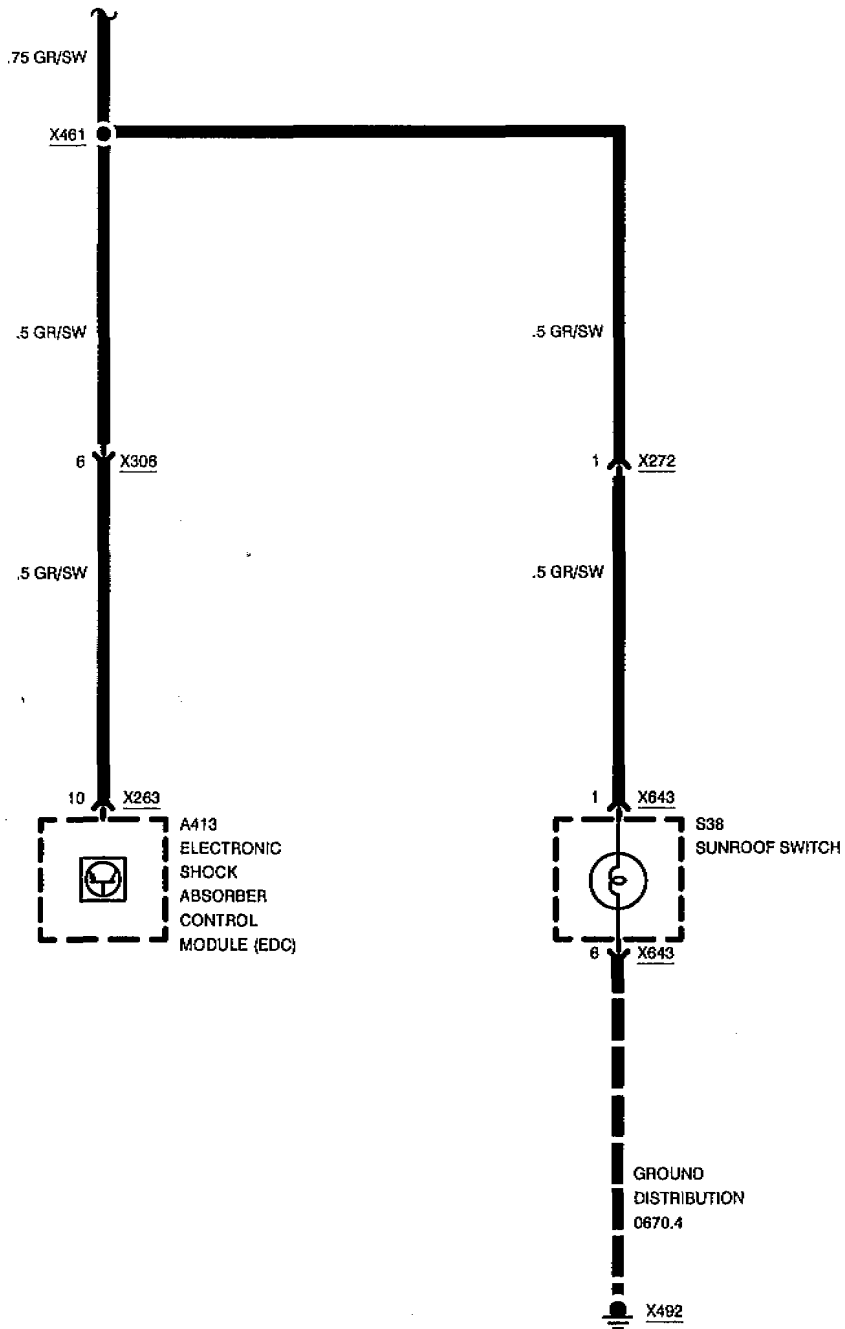
# LIGHT SWITCH DETAILS





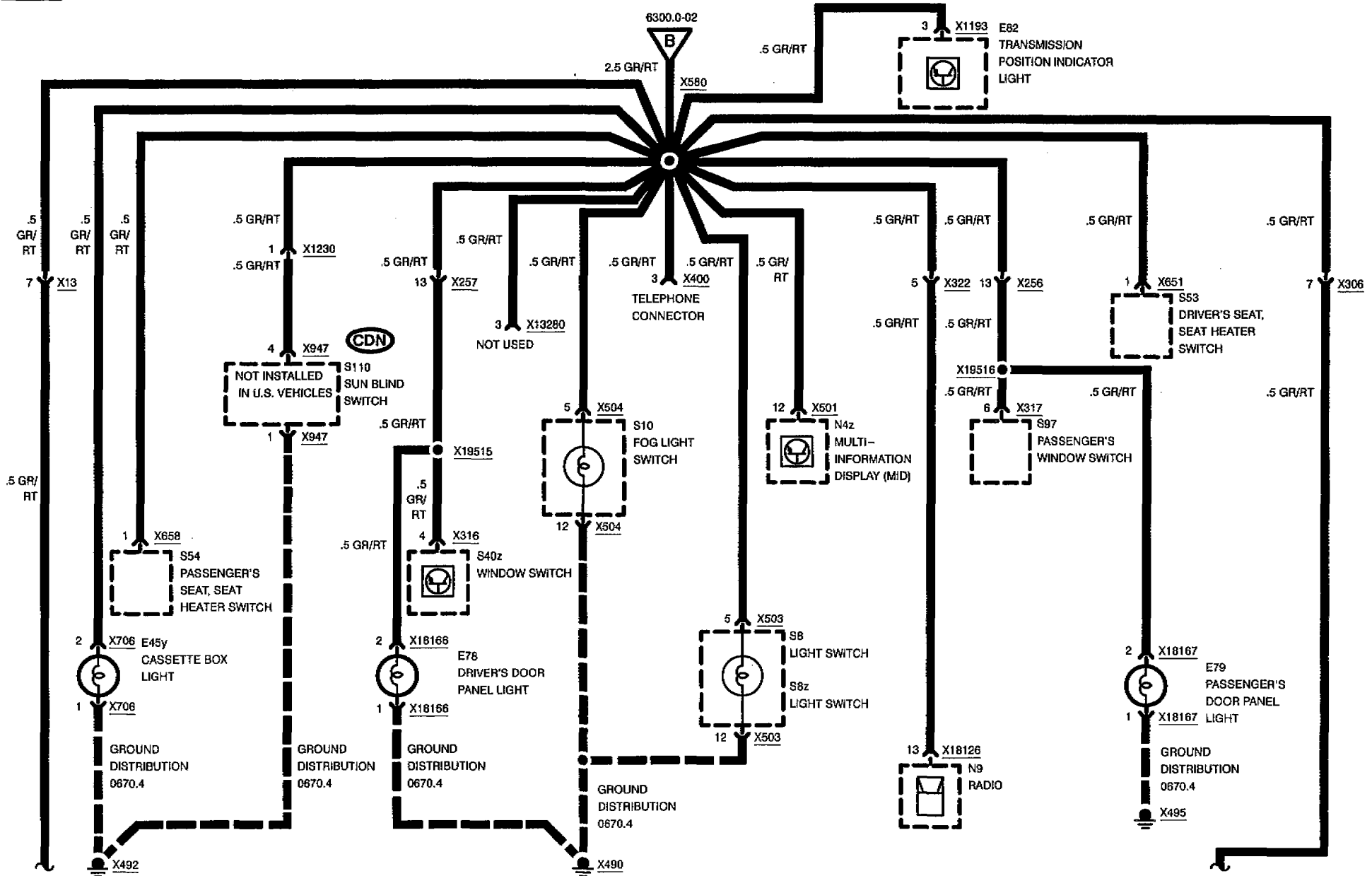
# LIGHT SWITCH DETAILS

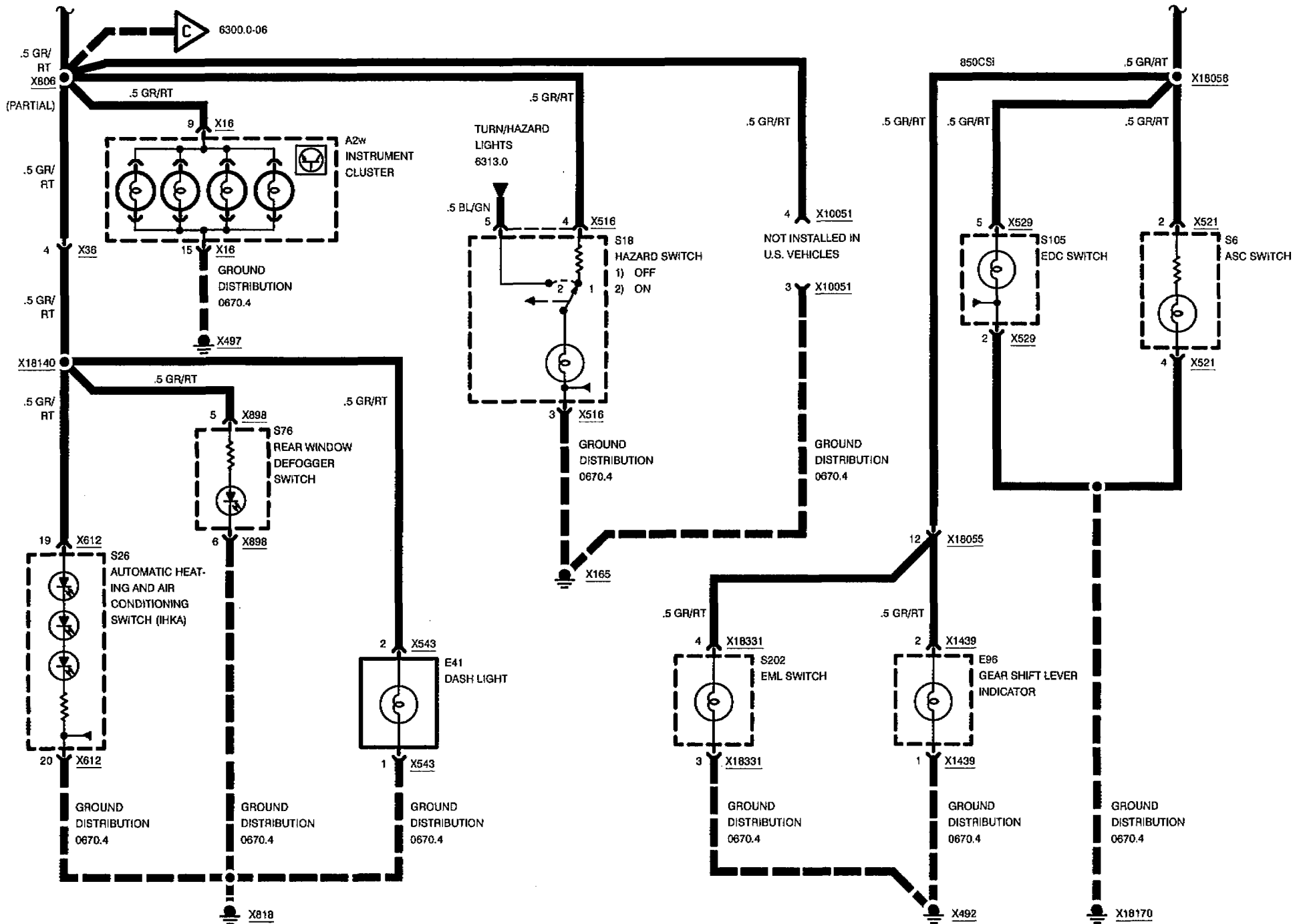






# LIGHT SWITCH DETAILS



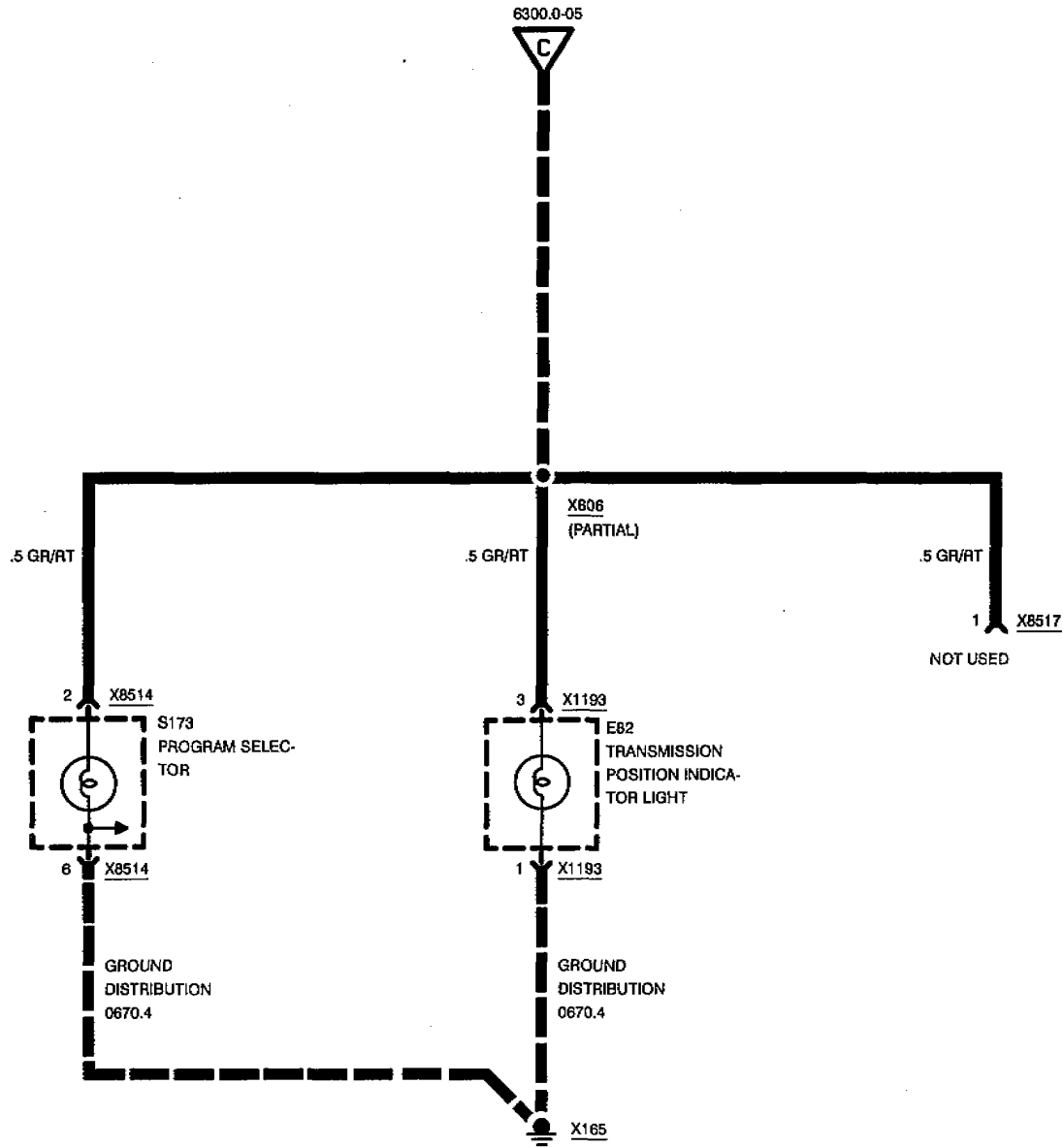


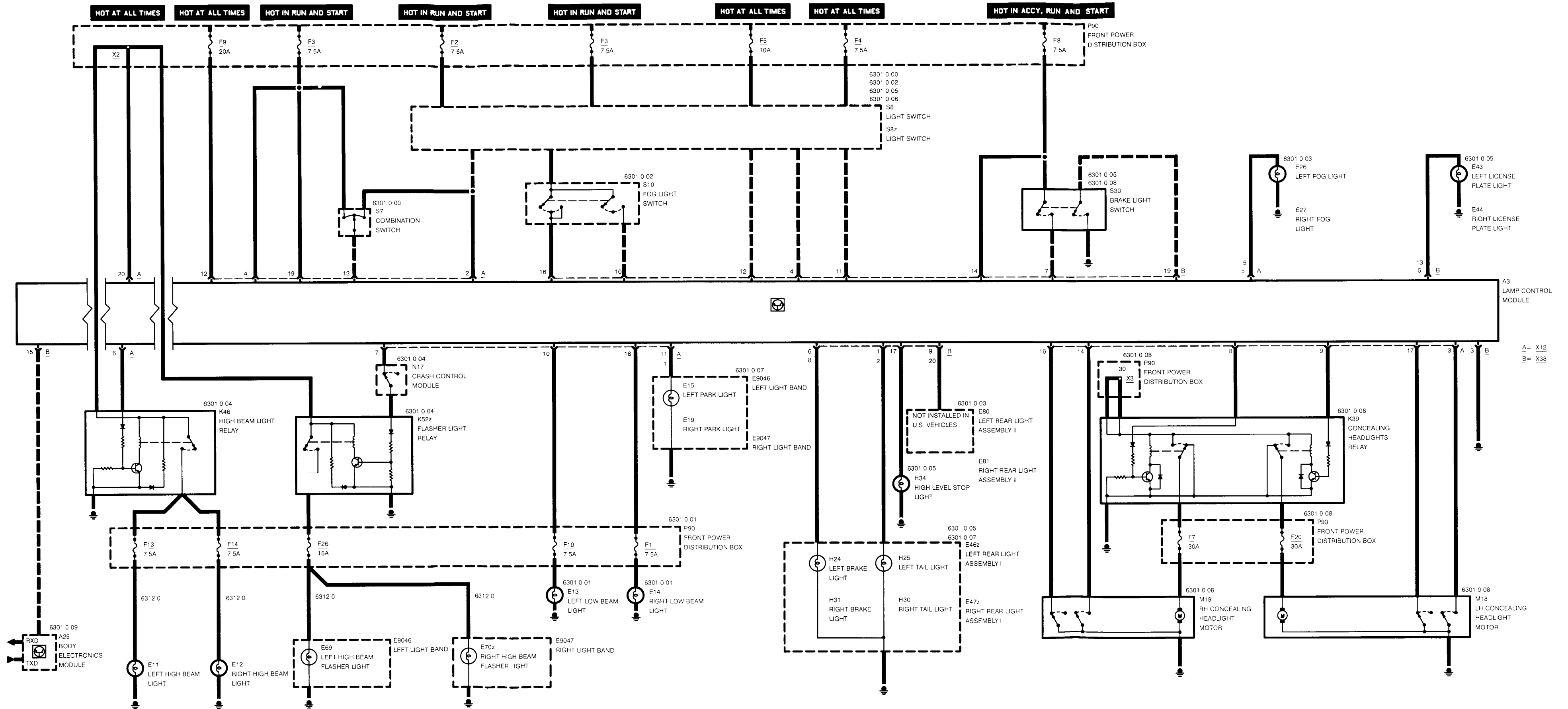




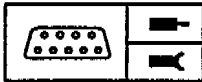
# LIGHT SWITCH DETAILS

840Ci (M60)





A= X12  
B= X38



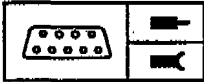
## Pin Assignments

A=X12	20 pins, white
B=X38	20 pins, black

### X12

Pin	Type	Description/Function	Connection
1	A	Right front parking light	Right light assembly
2	E	Light switch/low beam	Light switch
3	E	Left KSW position signal (KSW position OPEN)	Left concealing headlight motor (KSW)
4	E	Power circuit for rear fog light, control circuit for fog lights, low beam, high beam/headlight flasher	Fuse 3
5	A	Right fog light	Right fog light
6	A	High beam relay (double relay high beam/headlight flasher)	High beam light relay
7	A	Headlight flasher relay (double relay high beam/headlight flasher)	Crash control unit
8	A	Right concealing headlight motor signal	Concealing headlight relay
9	A	Left concealing headlight motor signal	Concealing headlight relay
10	A	Left low beam	Left low beam light
11	A	Left front parking light	Left light assembly
12	E	Power circuit for fog lights	Fuse 9
13	E	High beam	Combination switch
14	E	Right KSW position signal (KSW position OPEN)	Right concealing headlight motor (KSW)
15	A	Left fog light	Left fog light
16	E	Right KSW position signal (KSW position CLOSED)	Right concealing headlight motor (KSW)
17	E	Left KSW position signal (KSW position CLOSED)	Left concealing headlight motor (KSW)
18	A	Right low beam	Right low beam light
19	E	Voltage supply terminal 15/control circuit	Fuse 3
20	E	Voltage supply terminal 30/control circuit	Power distribution box

E = Input, A = Output, M = Ground



## Pin Assignments

### X38

Pin	Type	Description/Function	Connection
1	A	Left tail light	Left tail light
2	A	Right tail light	Right tail light
3	M	Ground	Ground point
4	E	License plate light signal	Light switch
5	A	Right license plate light	Right license plate light
6	A	Left brake light	Left brake light
7	E	Brake light signal	Brake light switch
8	A	Right brake light	Right brake light
9	A	Left rear fog light	Left rear light assembly
10	E	Rear fog light voltage	Fog light switch
11	E	Left parking light voltage	Light switch/left park light relay
12	E	Right parking light voltage	Light switch/right park light relay
13	A	Left license plate light	Left license plate light
14	E	Brake lights voltage	Fuse 8
15	E/A	I-bus/data link	All control units with I-bus
16	E	Fog light voltage	Fog light switch
17	A	High level stop light	High level stop light
18		Not used	
19	E	Brake pedal status	Brake light test switch
20	A	Right fog light	Right rear light assembly

E = Input, A = Output, M = Ground

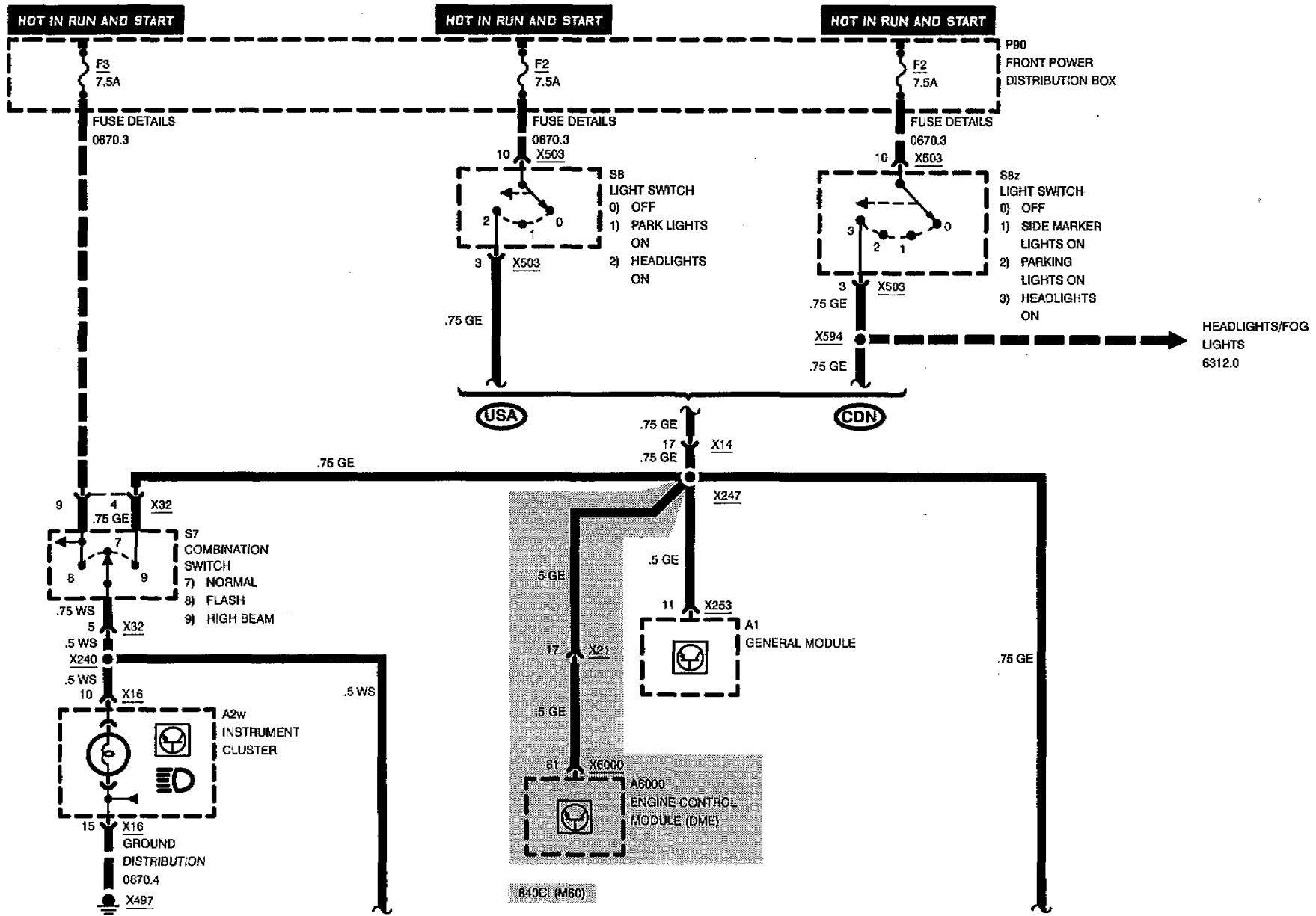


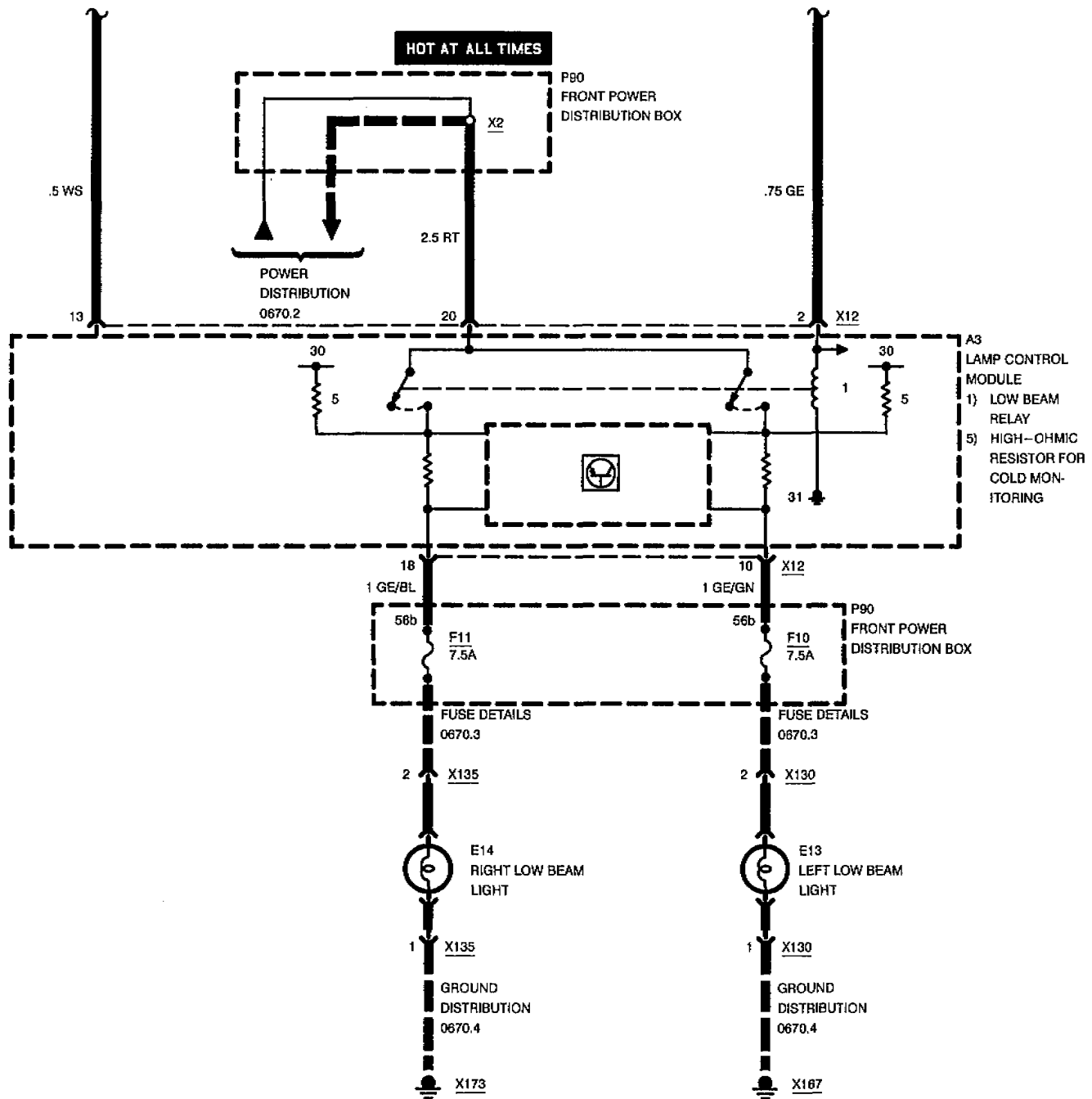
6301.0



# LAMP MONITOR (LKM)

## HEADLIGHTS

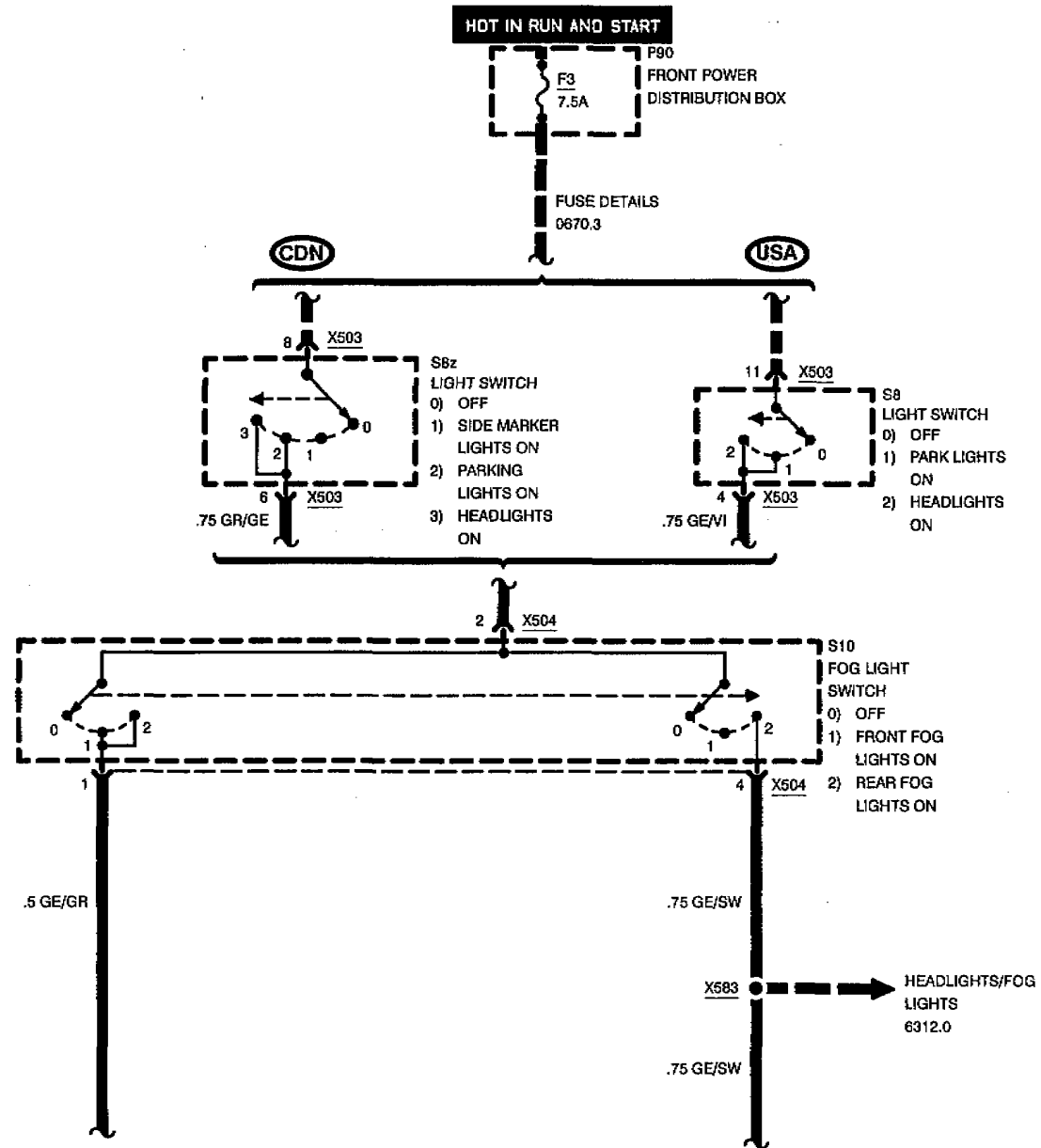




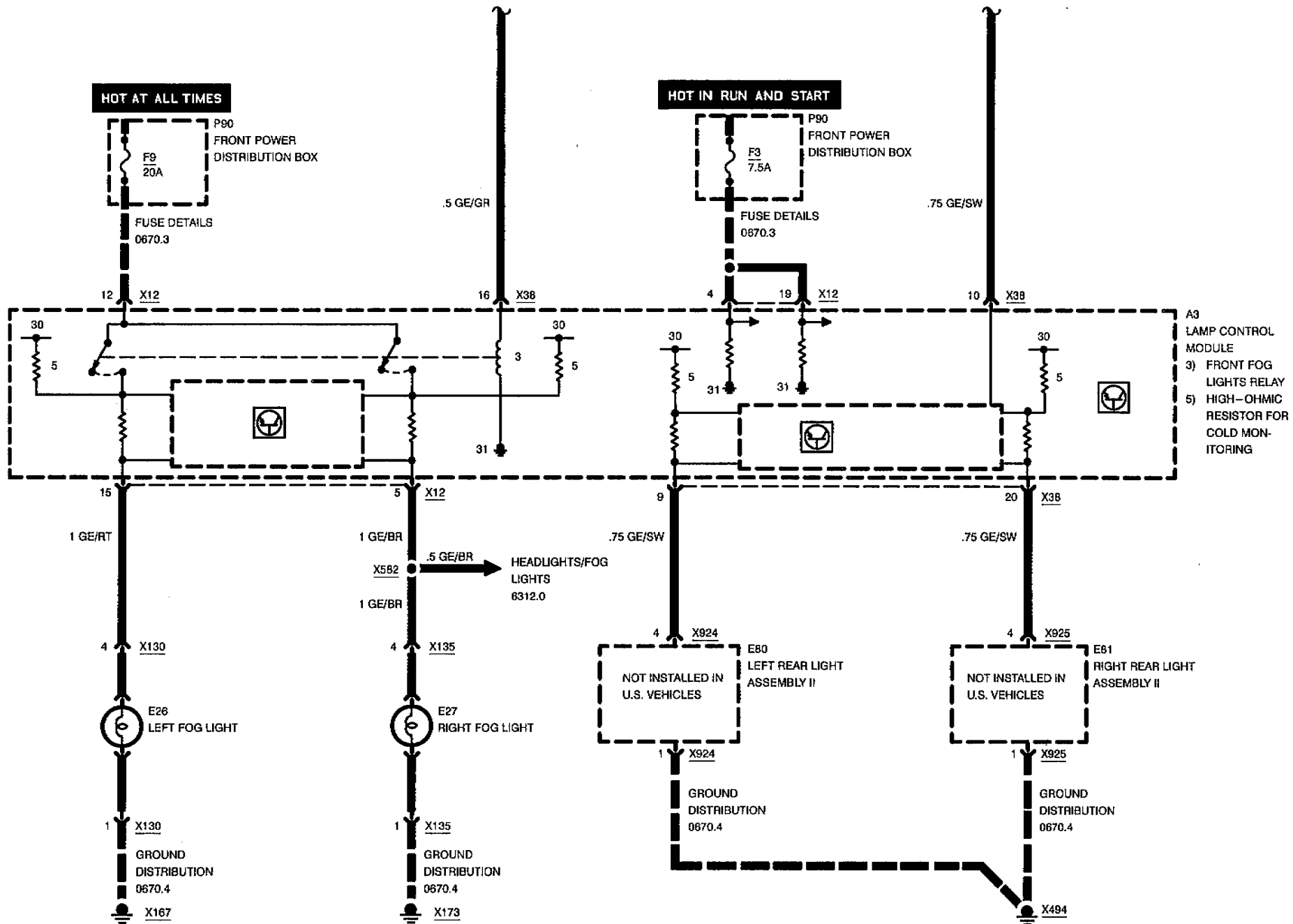


# LAMP MONITOR (LKM)

## FRONT FOG LIGHTS







**HOT AT ALL TIMES**

**HOT IN RUN AND START**

P90  
FRONT POWER  
DISTRIBUTION BOX

P90  
FRONT POWER  
DISTRIBUTION BOX

FUSE DETAILS  
0670.3

FUSE DETAILS  
0670.3

A3  
LAMP CONTROL  
MODULE  
3) FRONT FOG  
LIGHTS RELAY  
5) HIGH-OHMIC  
RESISTOR FOR  
COLD MONI-  
TORING

1 GE/RT

1 GE/BR

HEADLIGHTS/FOG  
LIGHTS  
8312.0

NOT INSTALLED IN  
U.S. VEHICLES

NOT INSTALLED IN  
U.S. VEHICLES

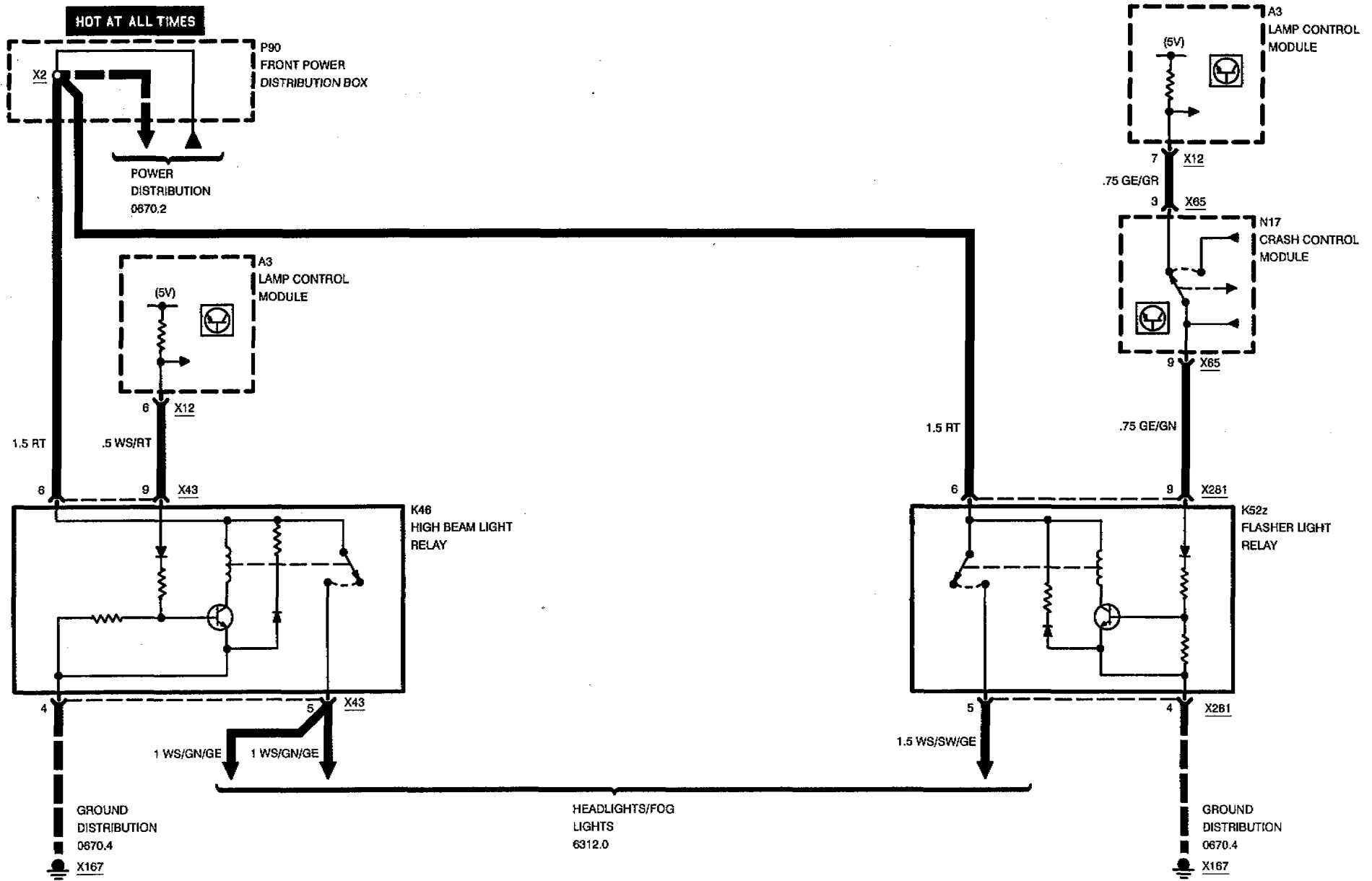
GROUND  
DISTRIBUTION  
0670.4

GROUND  
DISTRIBUTION  
0670.4

GROUND  
DISTRIBUTION  
0670.4

GROUND  
DISTRIBUTION  
0670.4

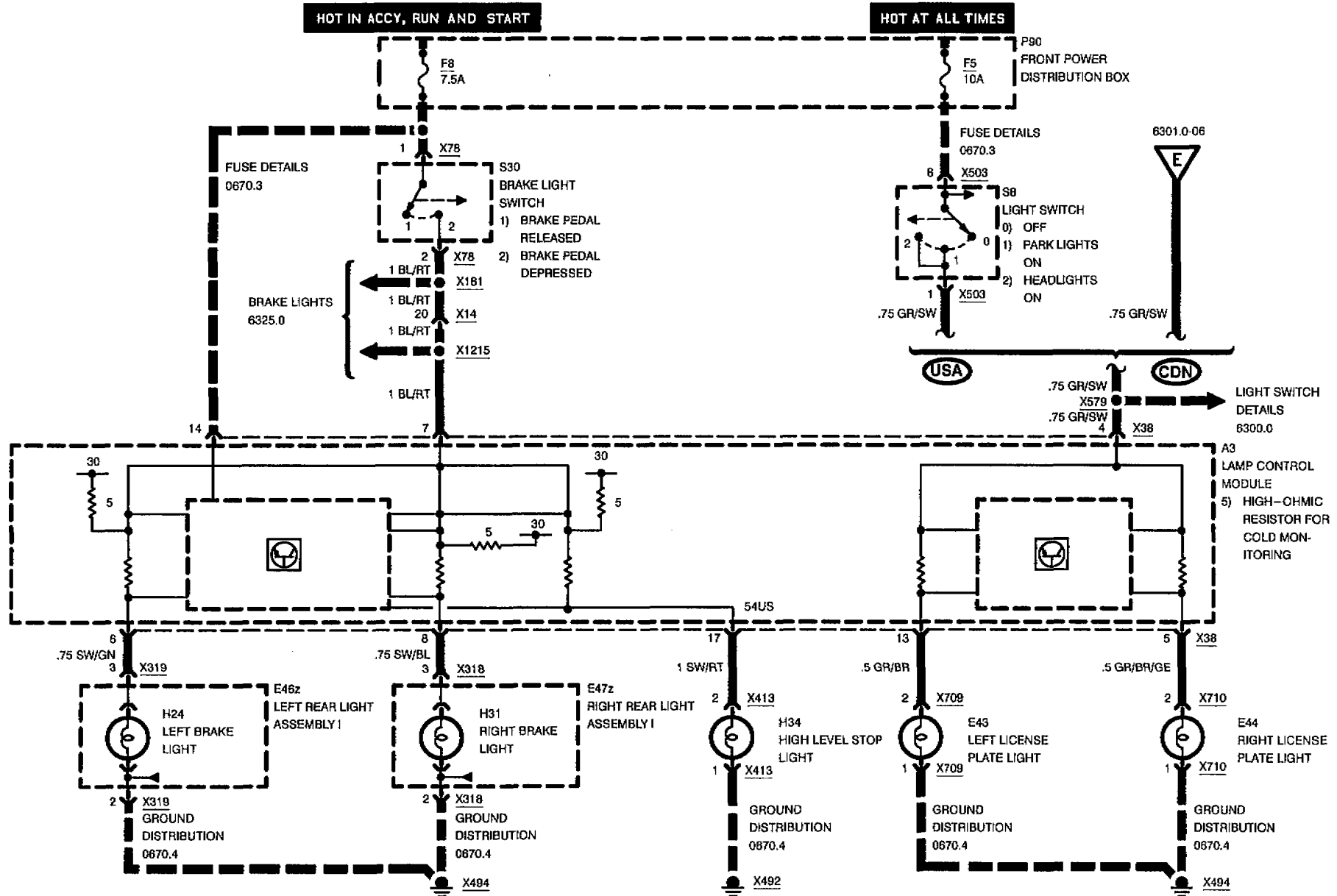
# LAMP MONITOR (LKM)





# LAMP MONITOR (LKM)

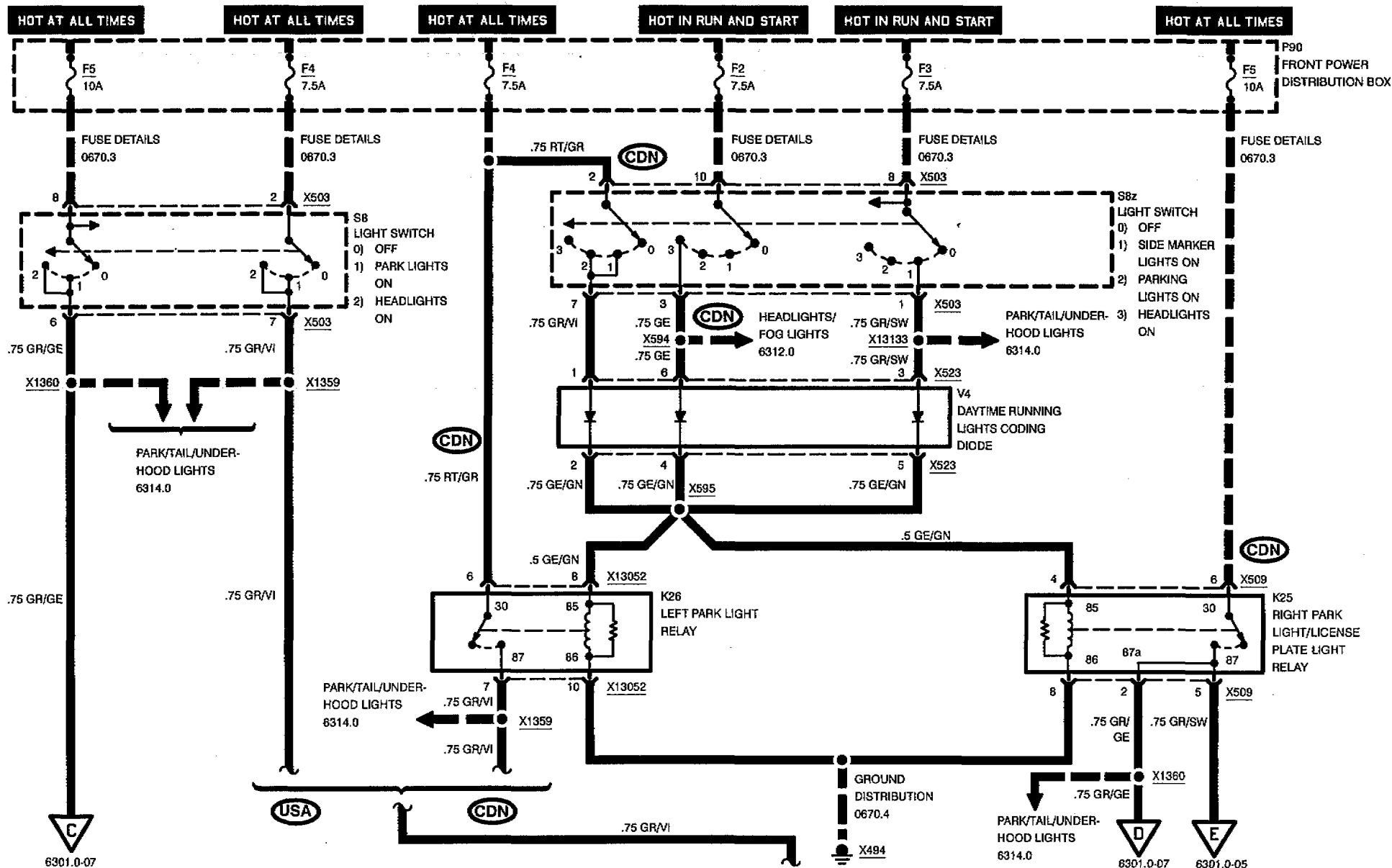
## BRAKE LIGHTS, LICENSE PLATE LIGHTS





# LAMP MONITOR (LKM)

## PARKING LIGHTS



6301.0-07

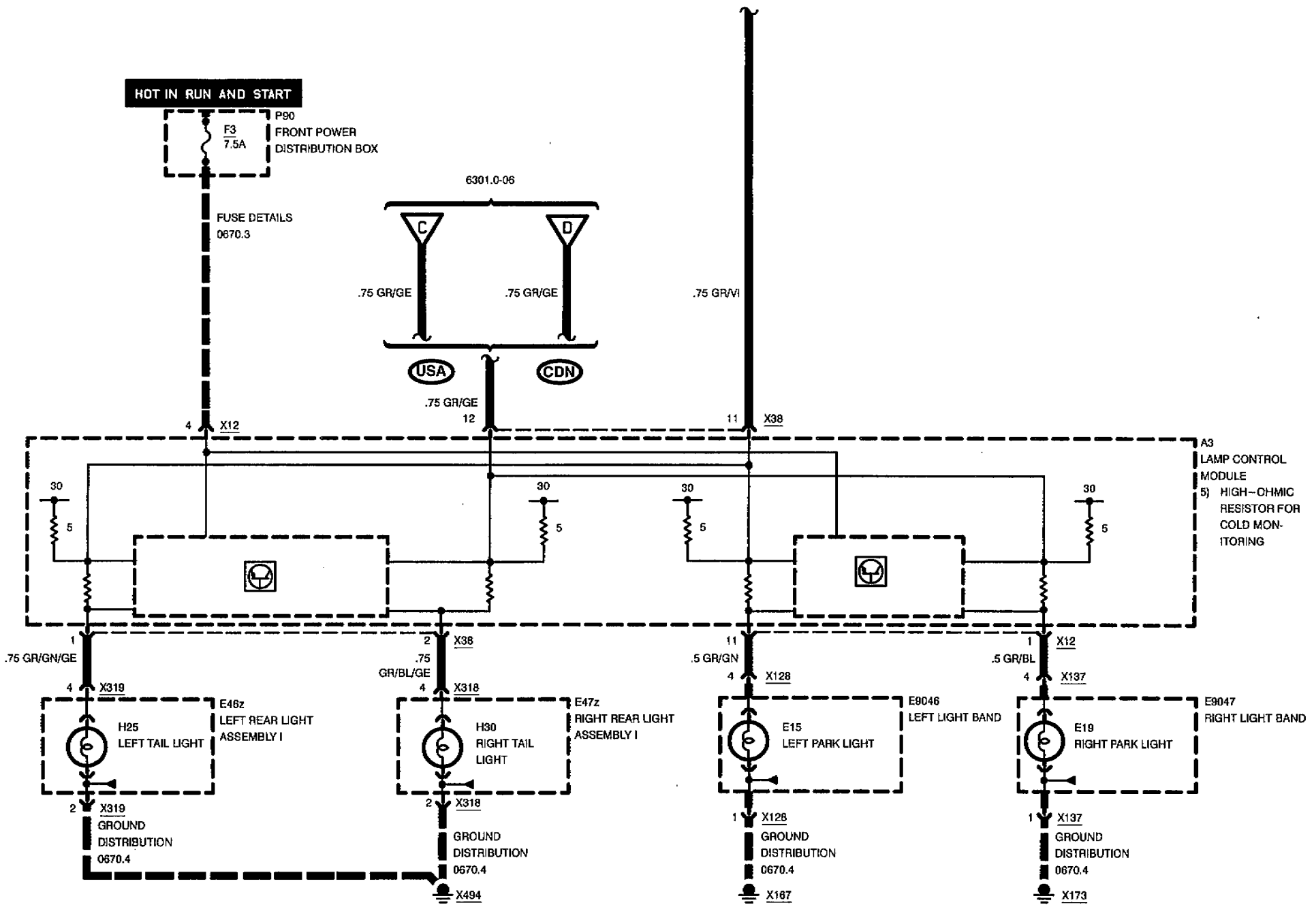
6301.0-07

6301.0-05

02/97

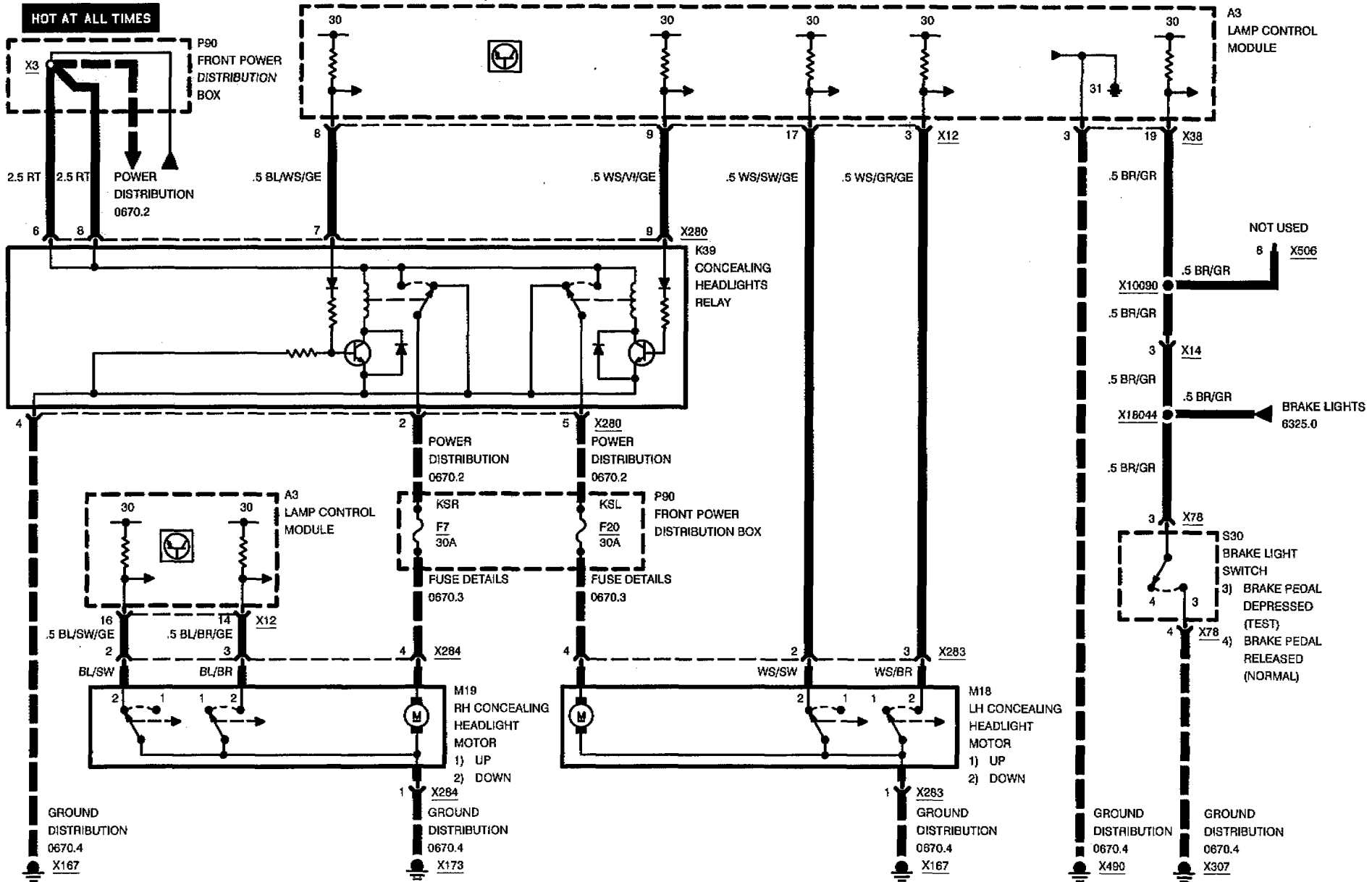
6301.0-06

95/96





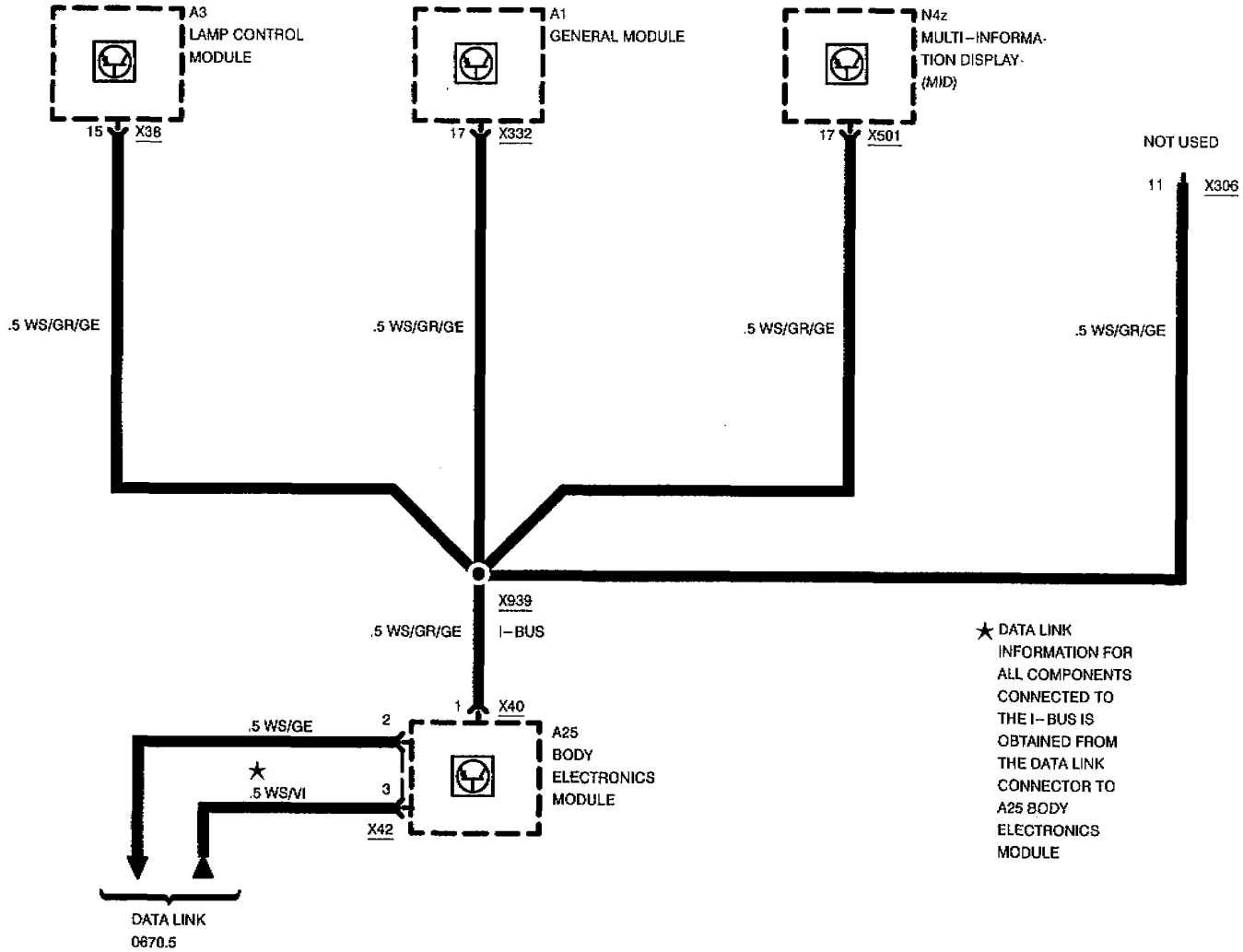
# LAMP MONITOR (LKM) CONCEALING HEADLIGHTS

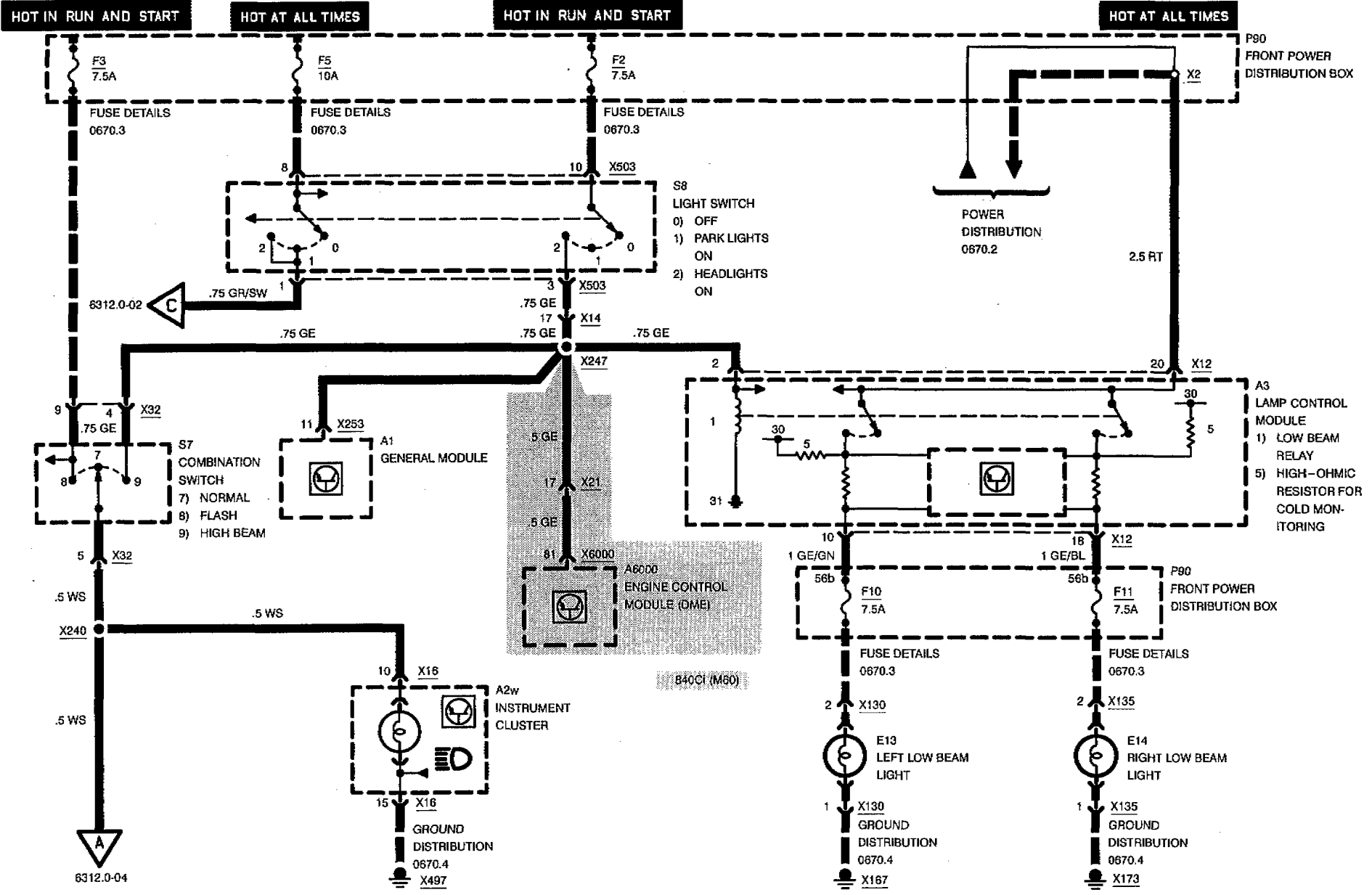




# LAMP MONITOR (LKM)

## INSTRUMENTATION BUS (I-BUS)



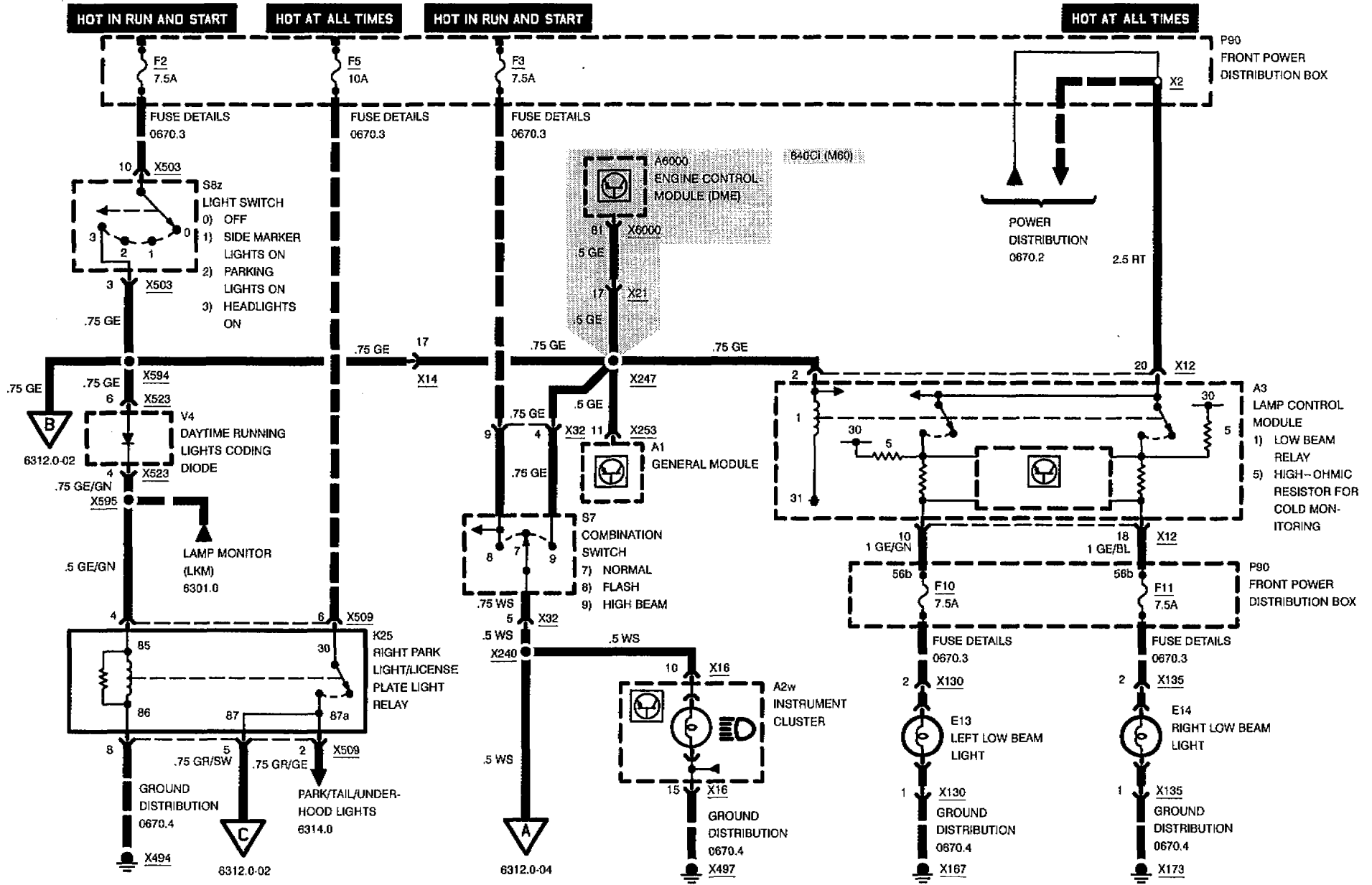






# HEADLIGHTS/FOG LIGHTS

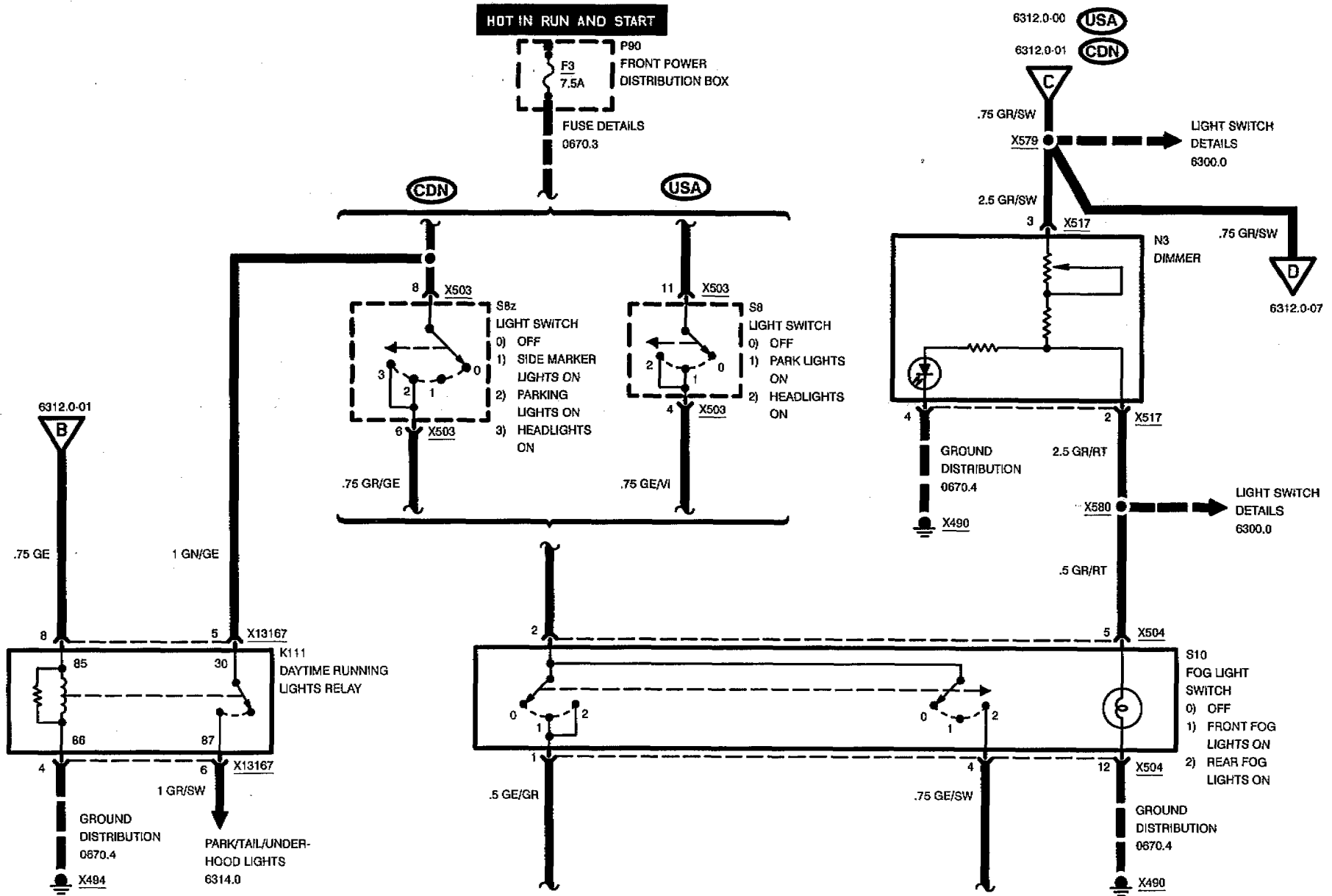
## HEADLIGHTS

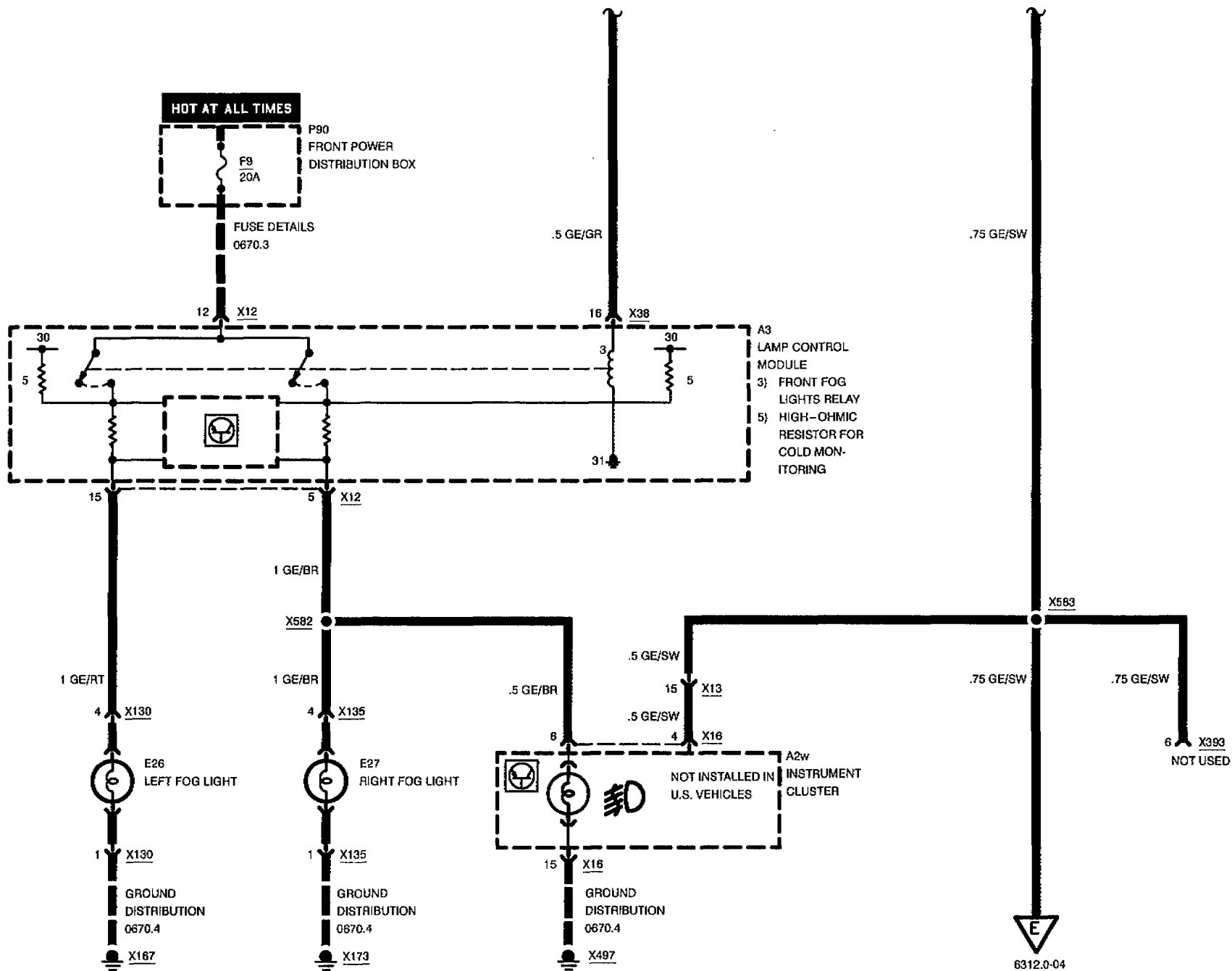




# HEADLIGHTS/FOG LIGHTS

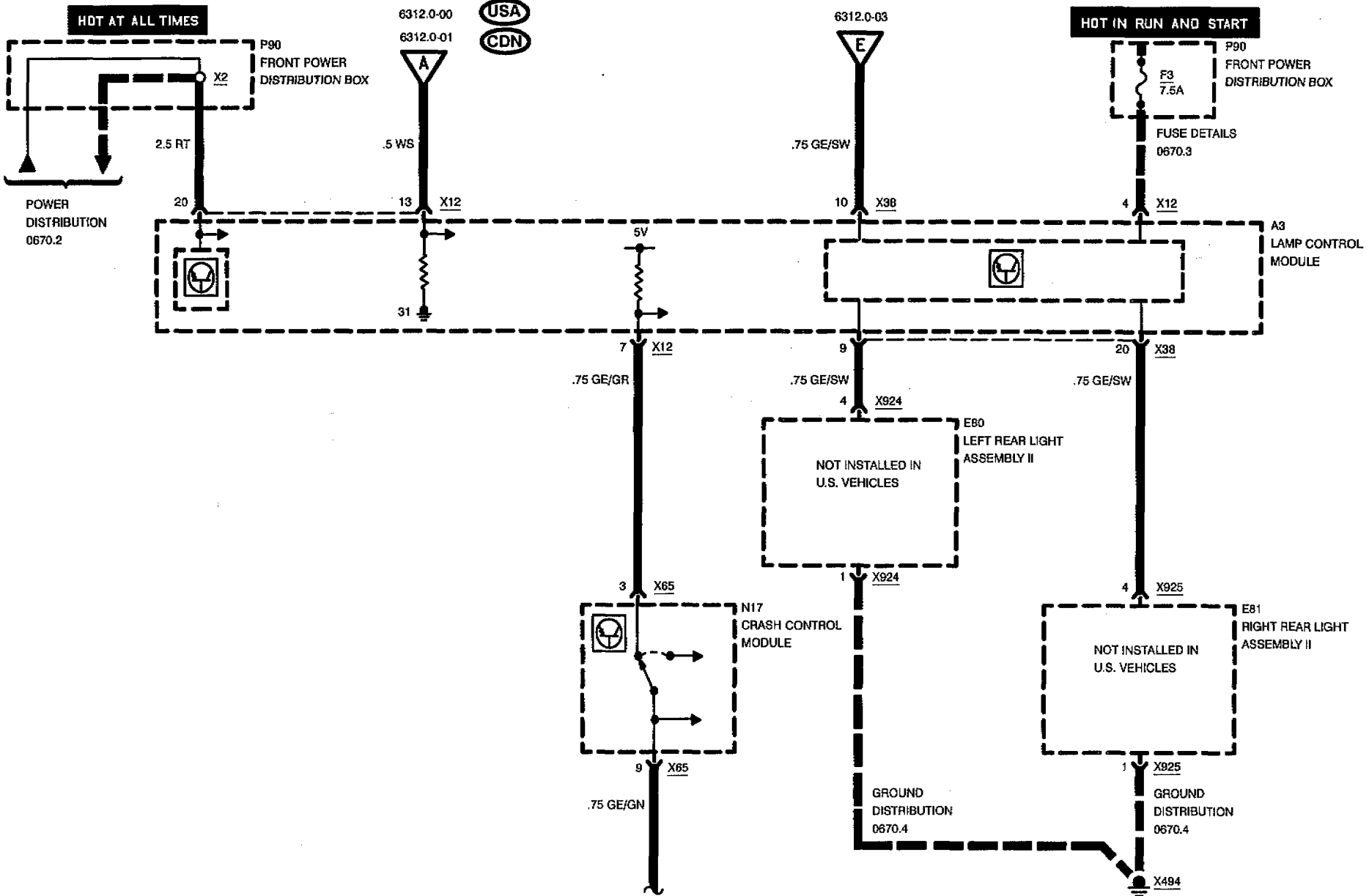
## FRONT FOG LIGHTS

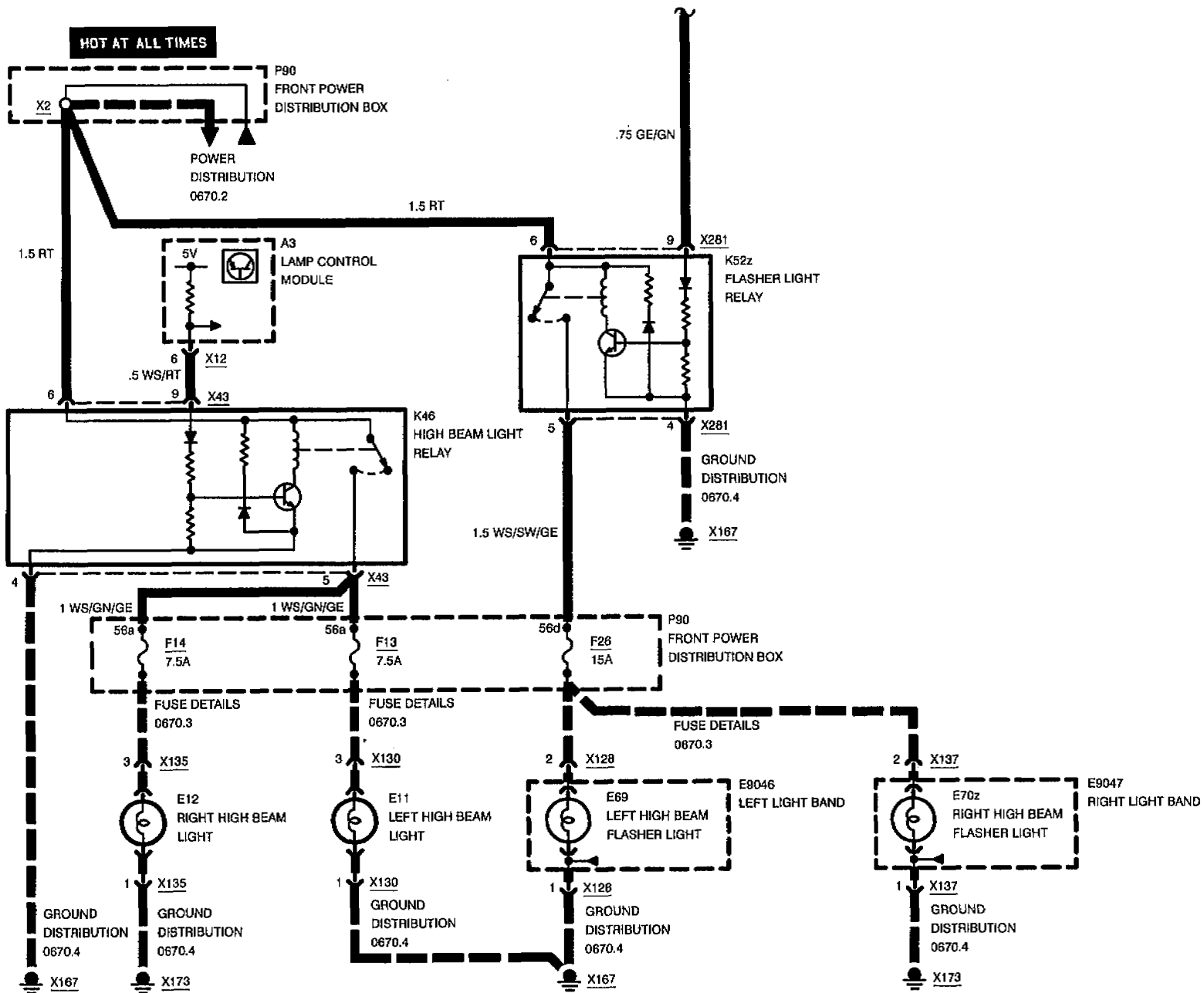






# HEADLIGHTS/FOG LIGHTS HIGH BEAM LIGHTS, FLASHER LIGHTS

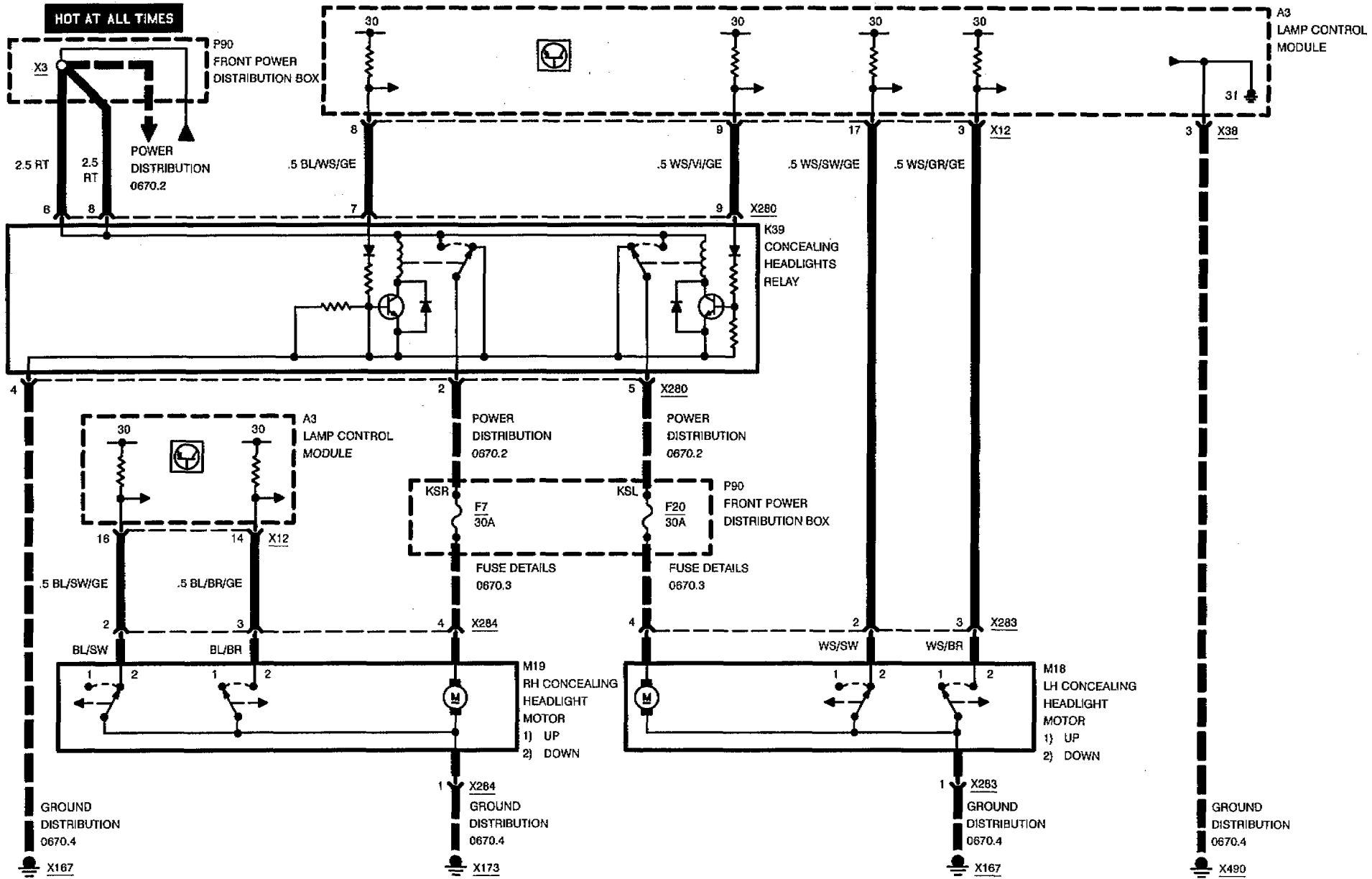






# HEADLIGHTS/FOG LIGHTS

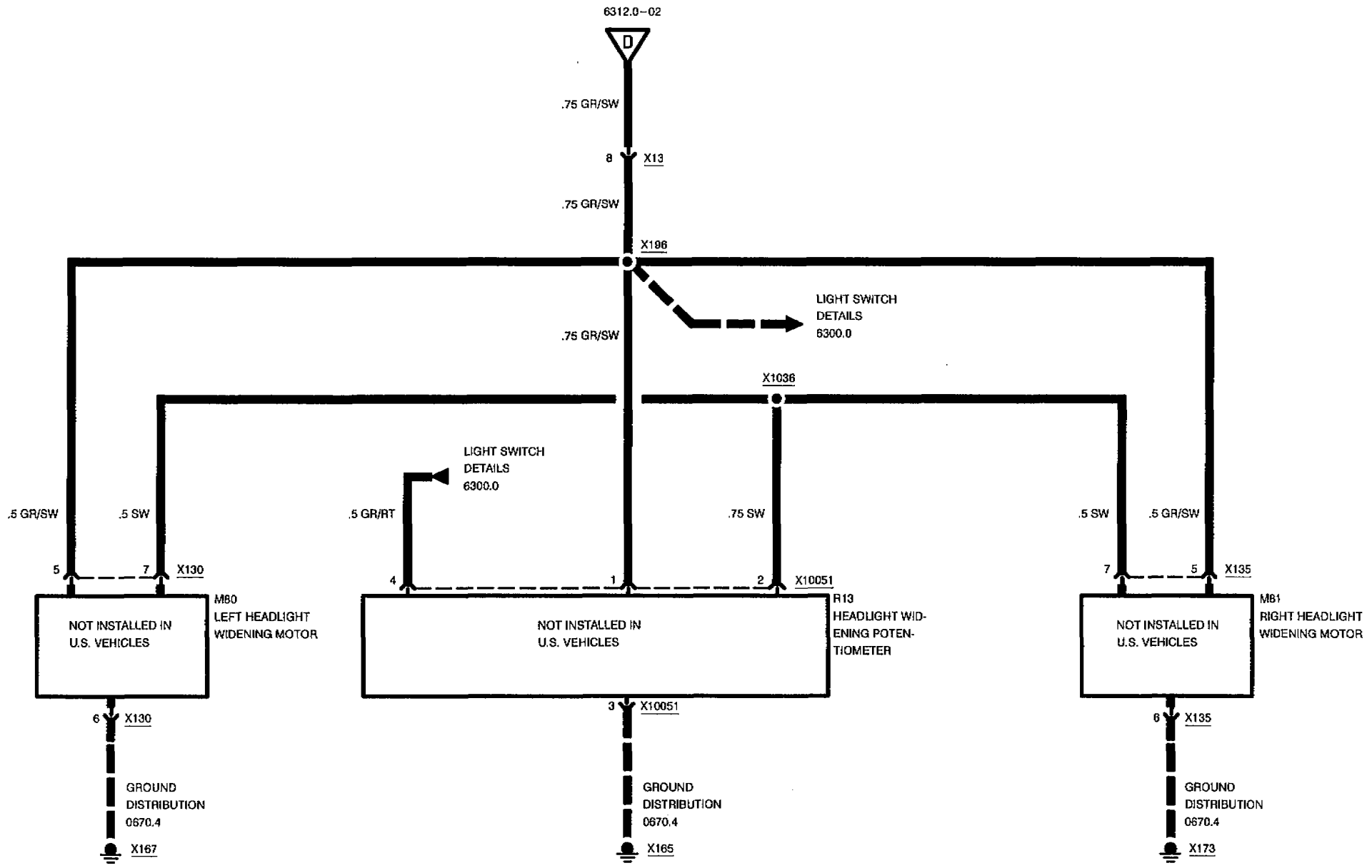
## CONCEALING HEADLIGHTS





# HEADLIGHTS/FOG LIGHTS

## HEADLIGHT BEAM ANGLE ADJUST



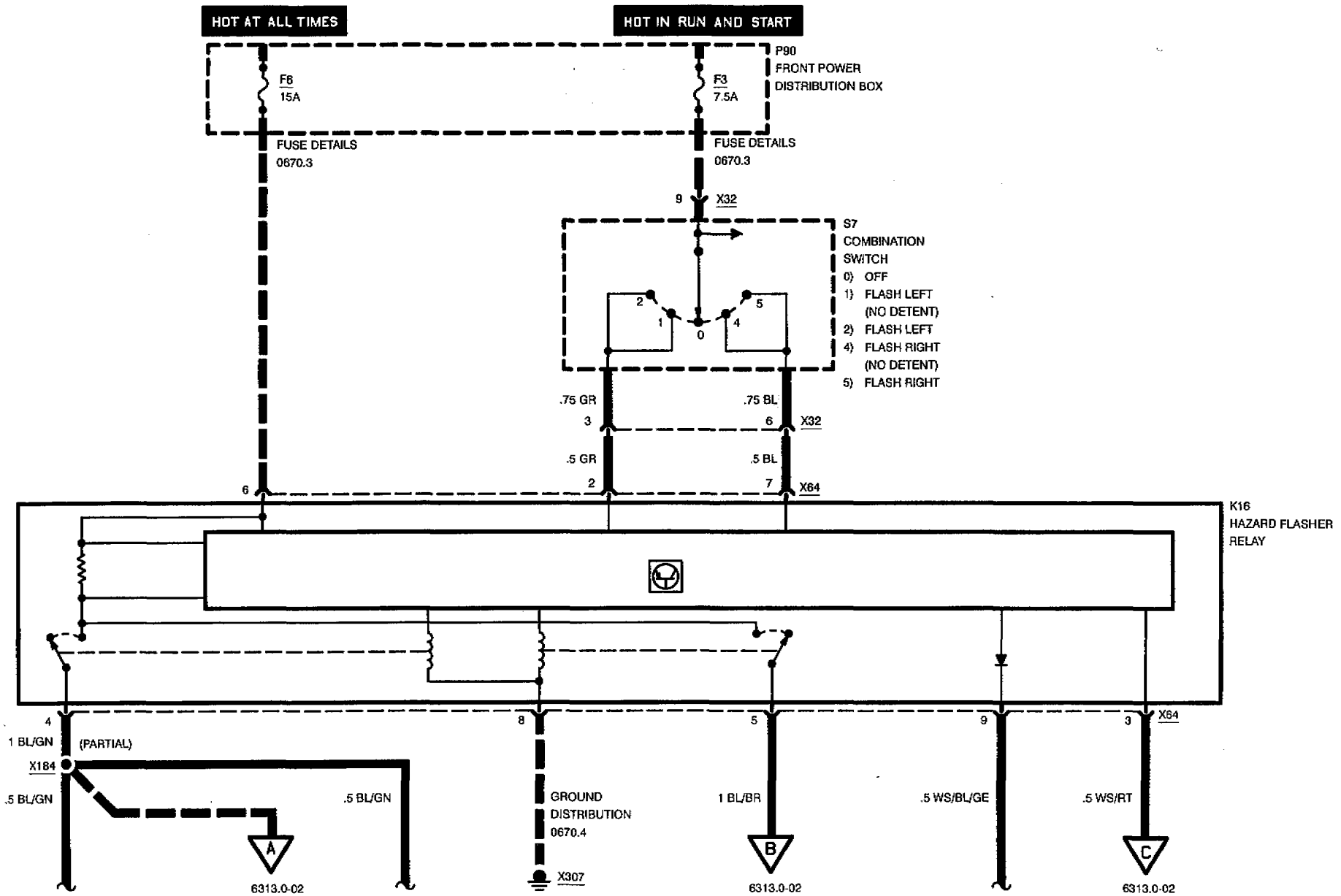
02/97

6312.0-07

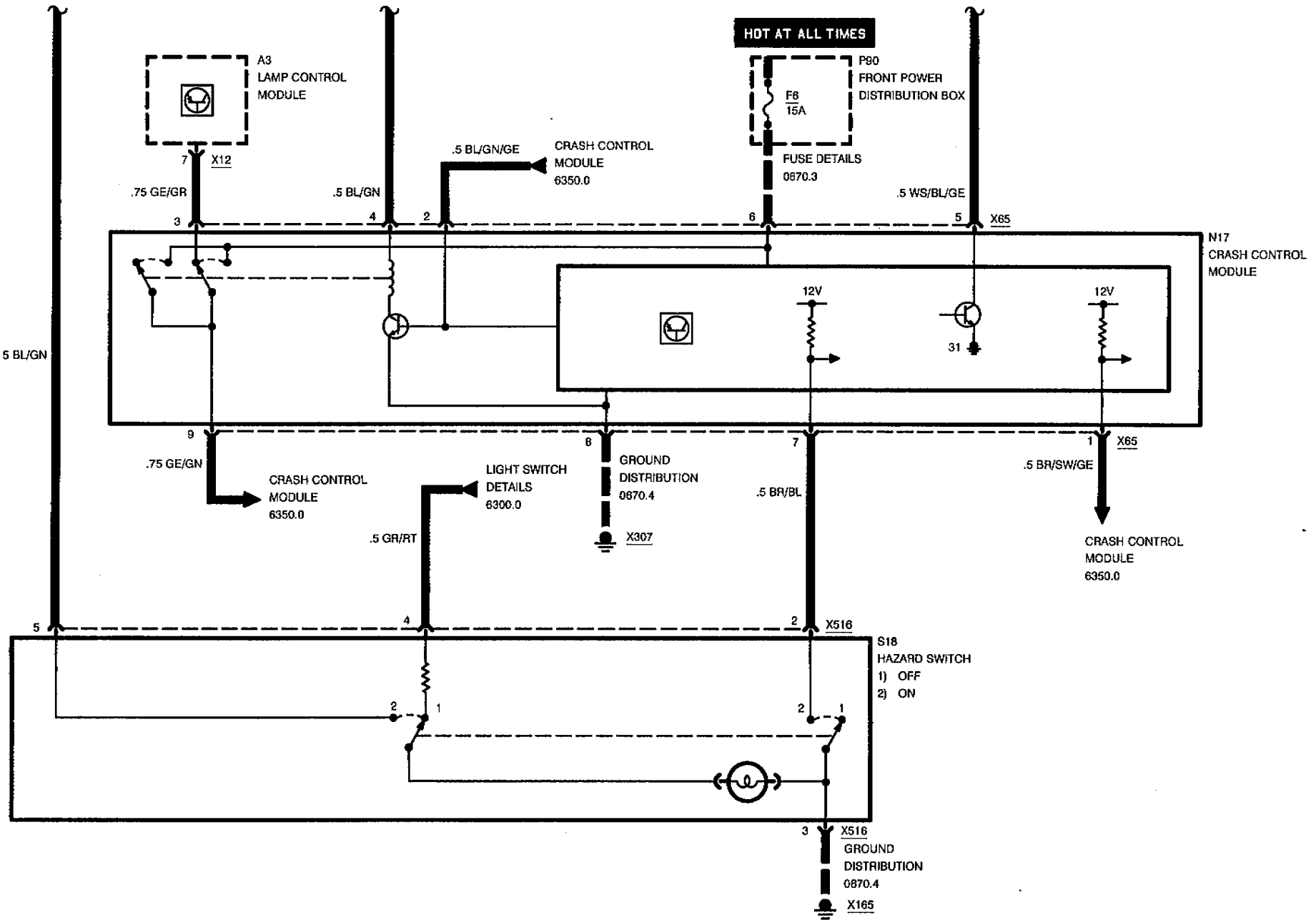
95/96



# TURN/HAZARD LIGHTS

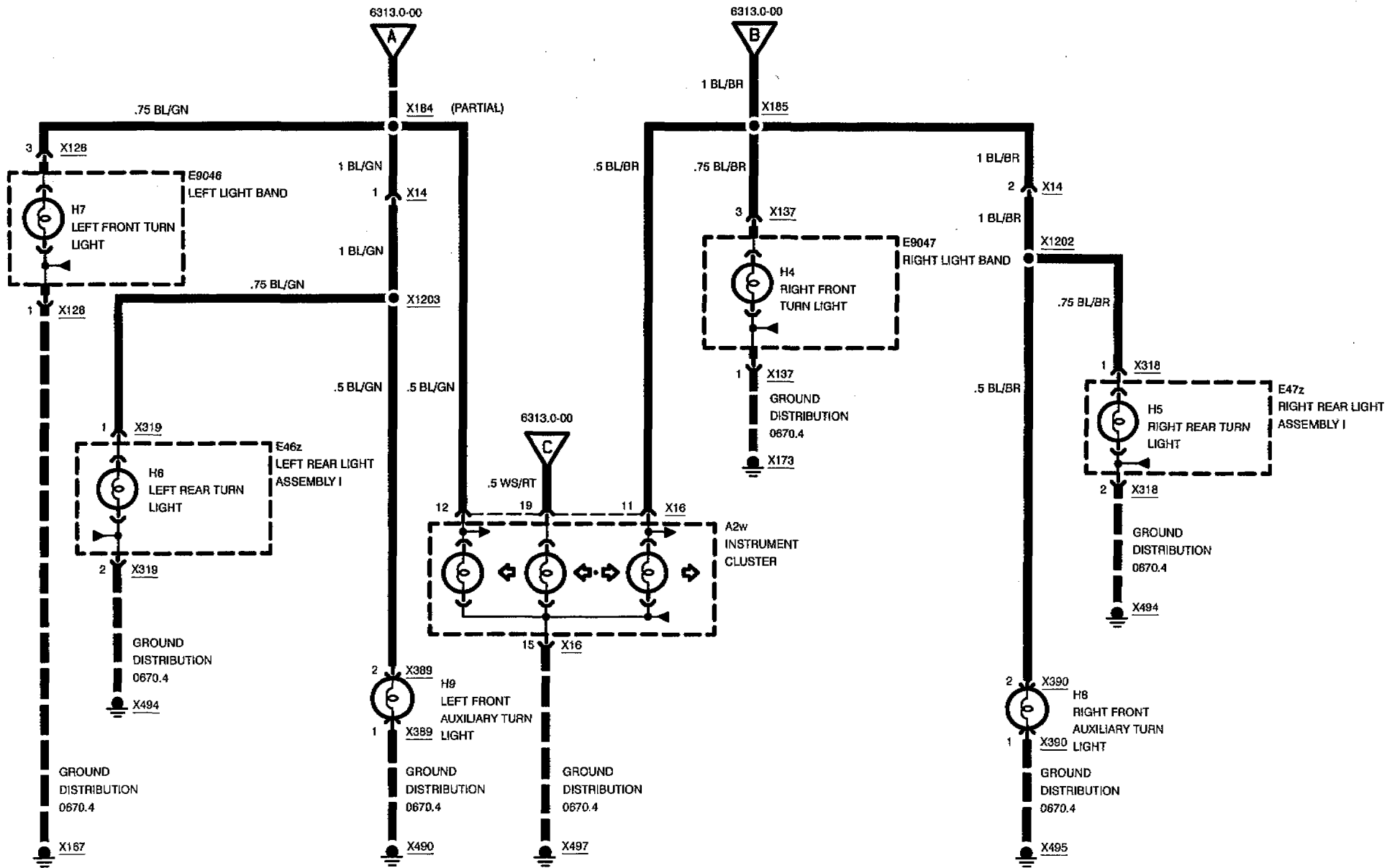








# TURN/HAZARD LIGHTS

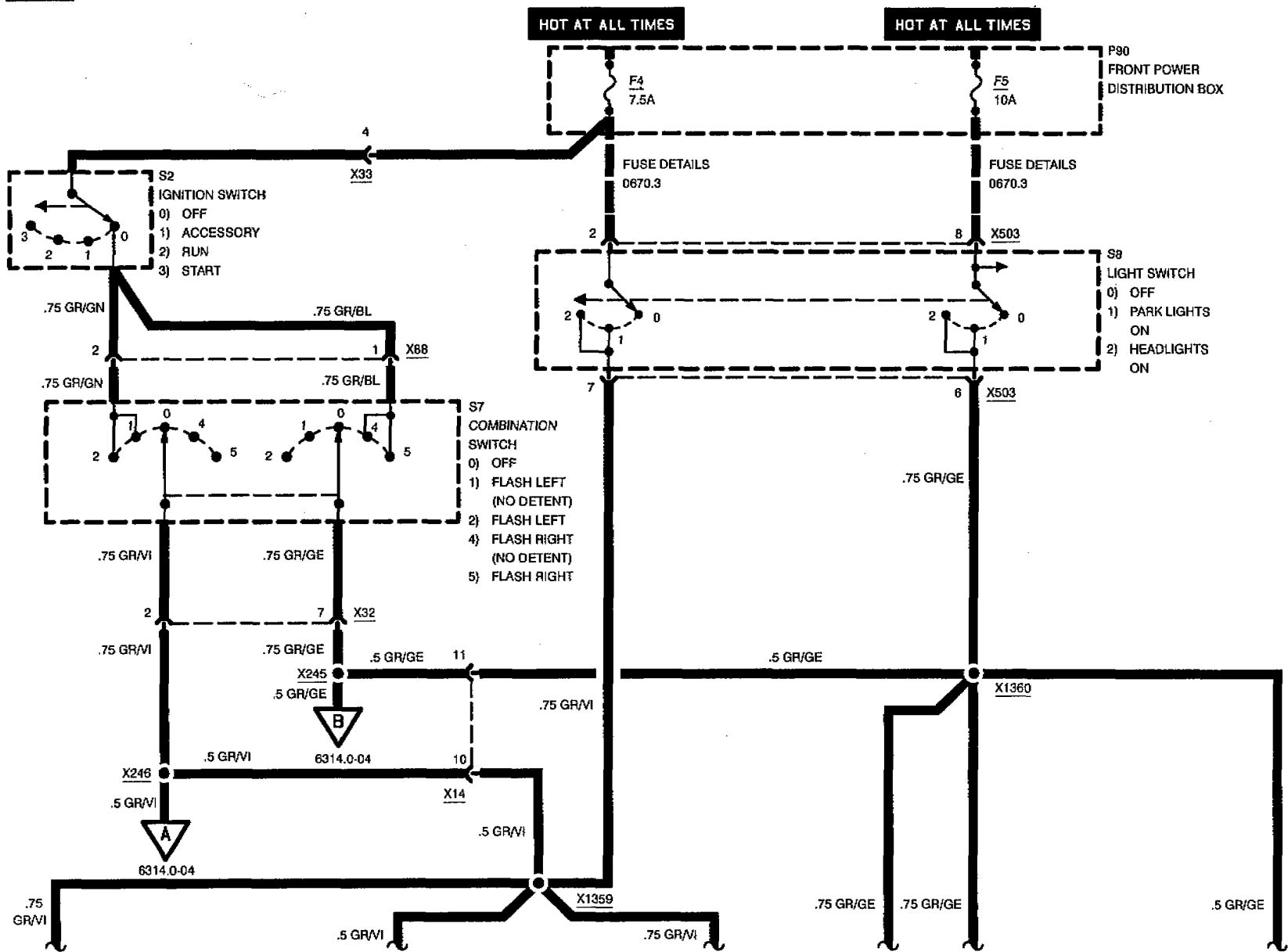






# PARK/TAIL/UNDERHOOD LIGHTS

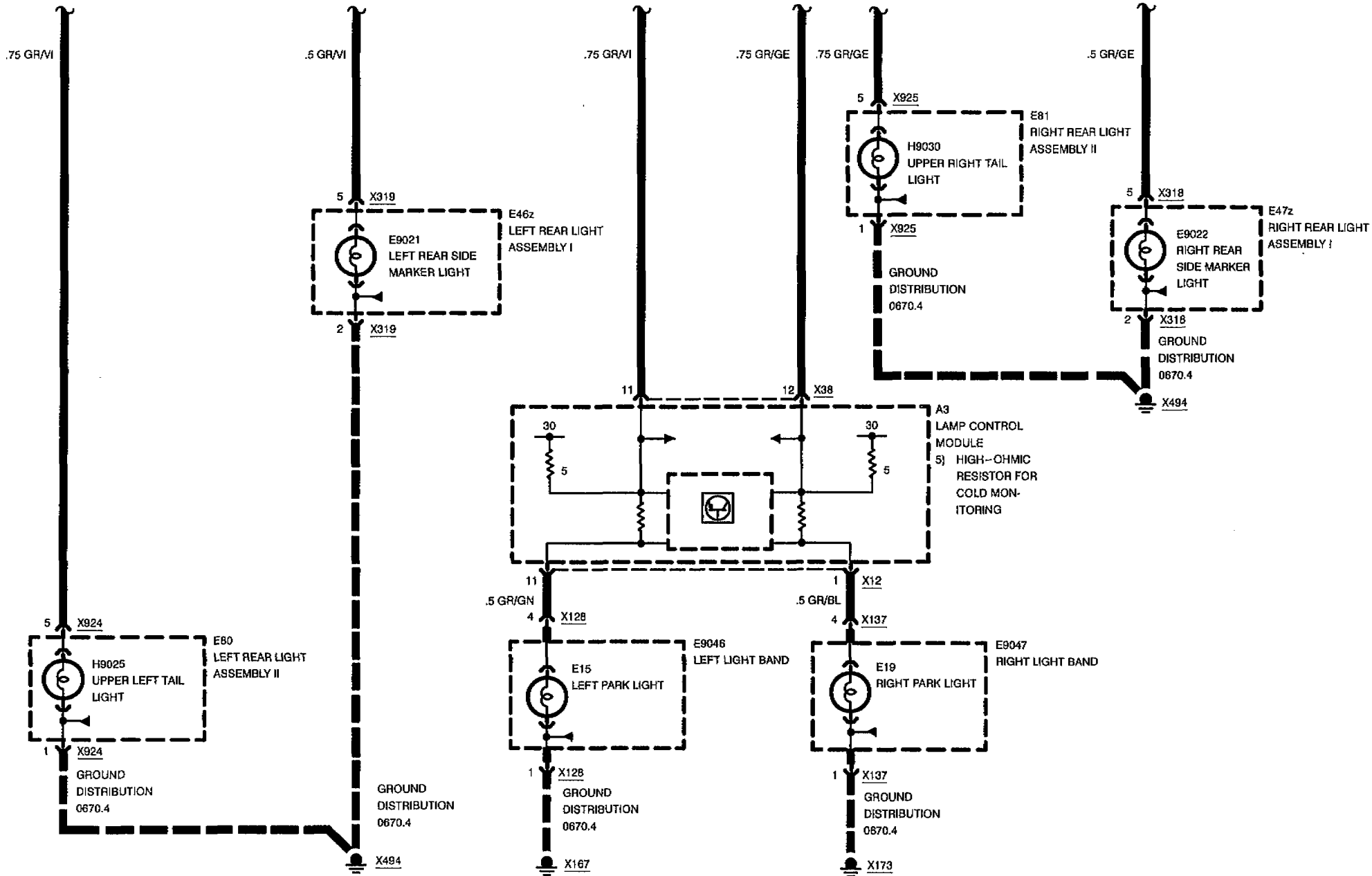
USA



02/97

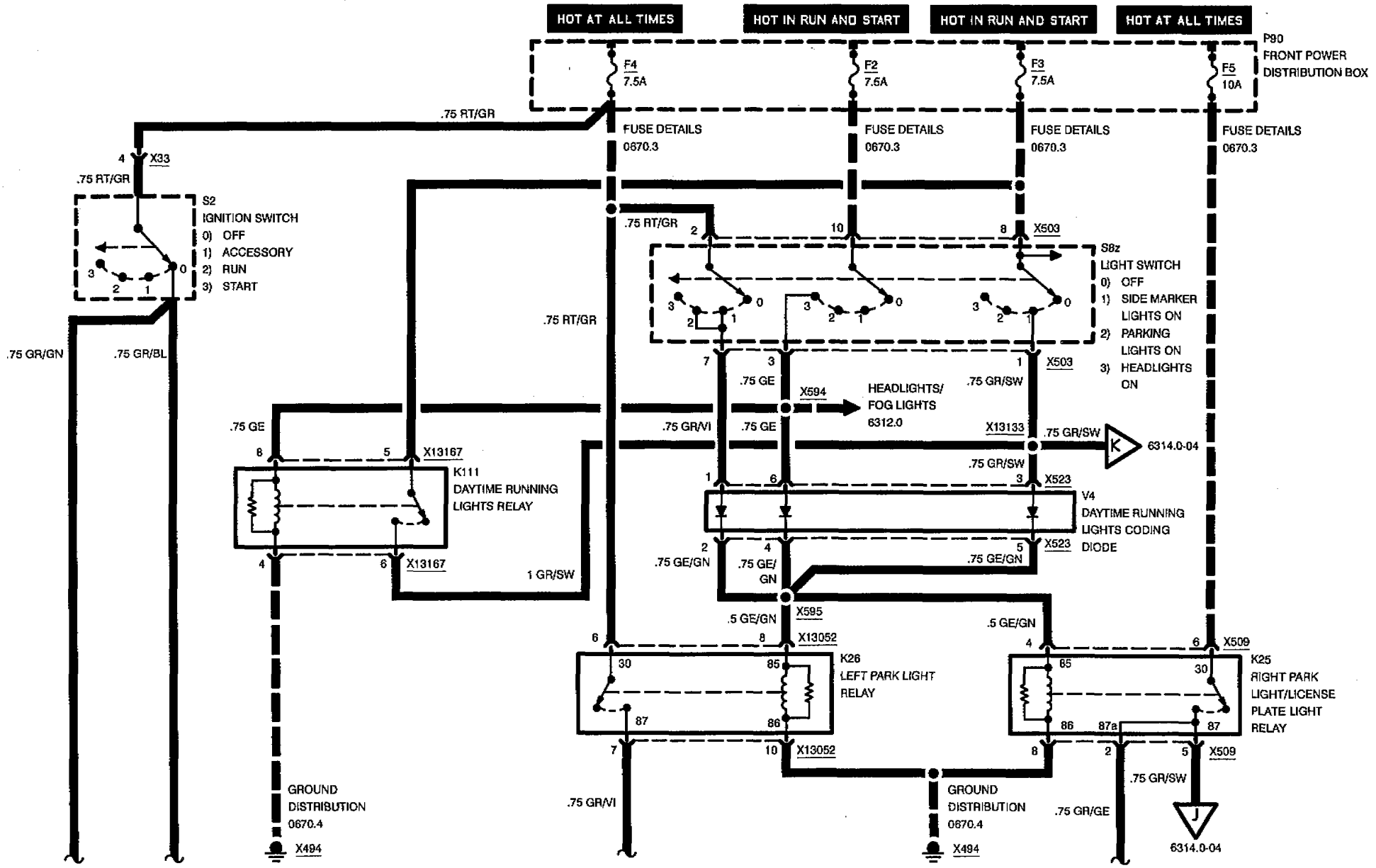
6314.0-00

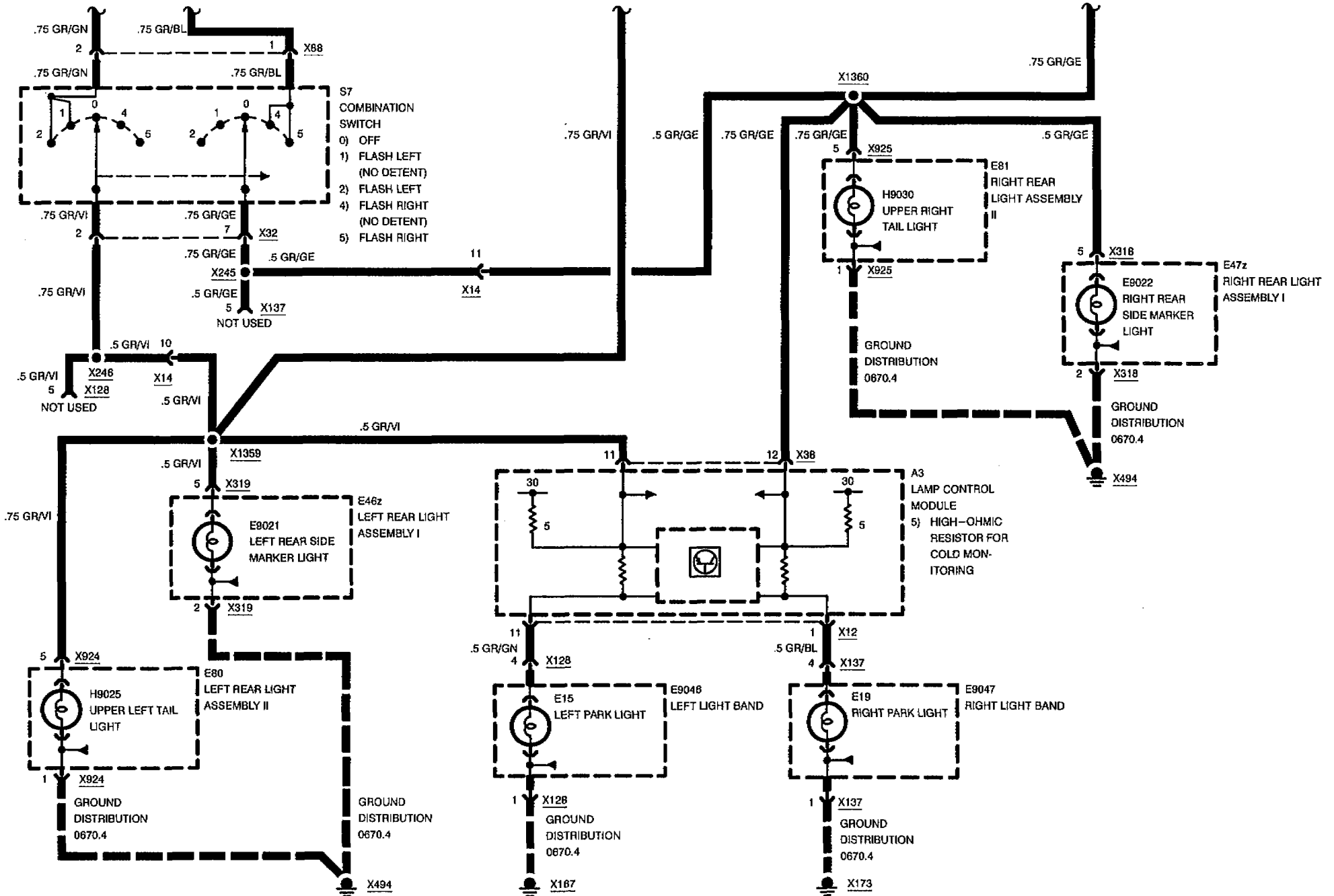
95/96





# PARK/TAIL/UNDERHOOD LIGHTS

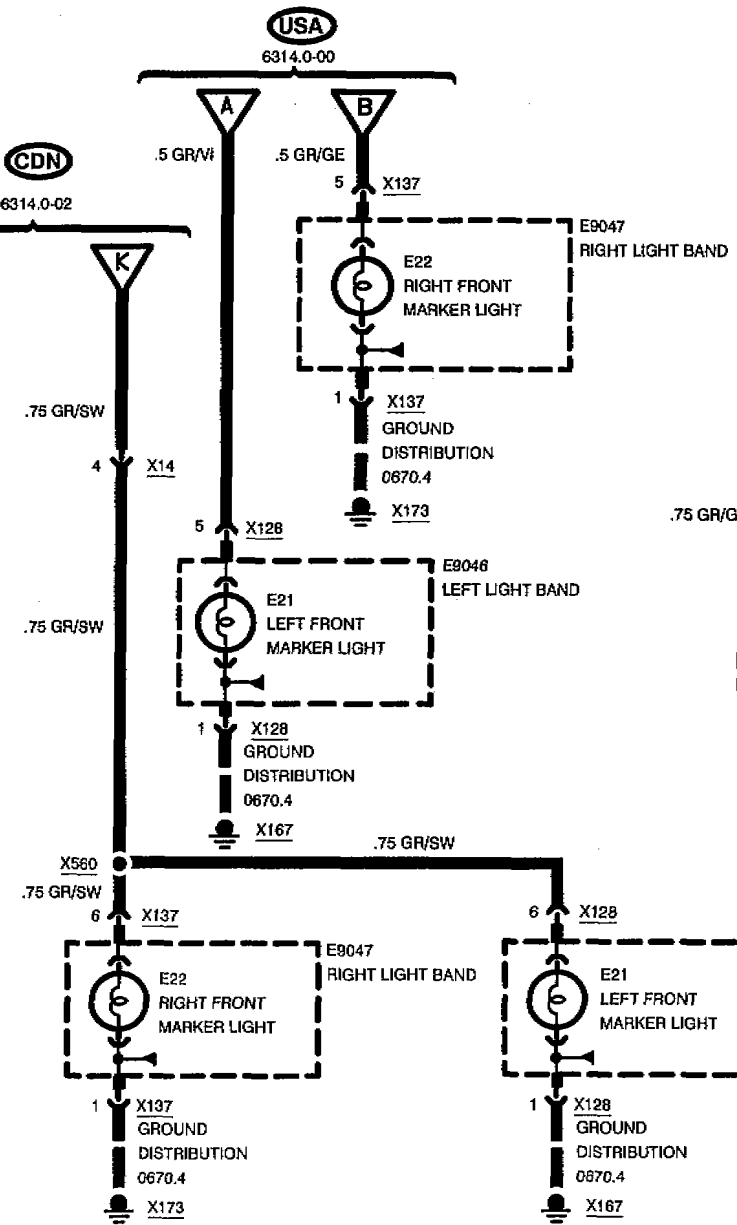
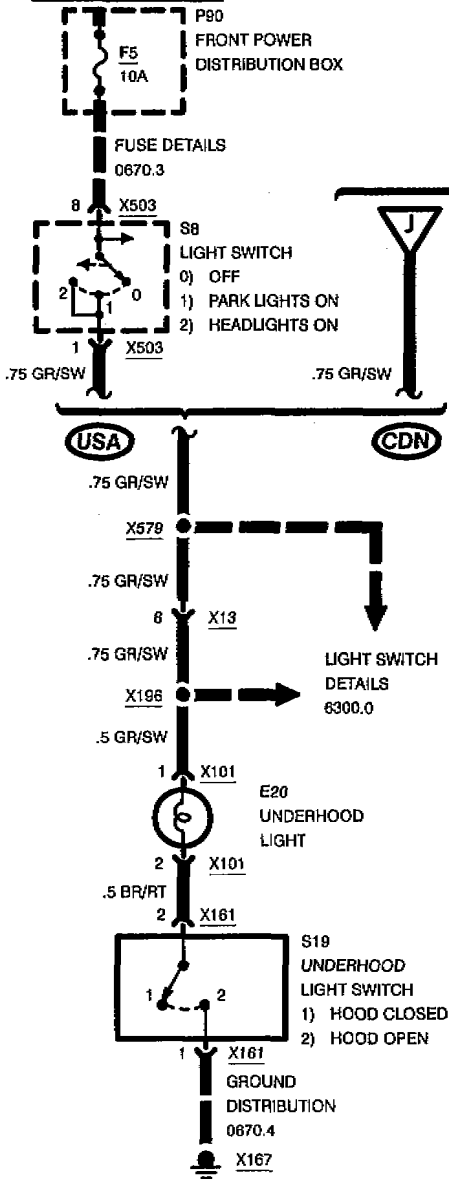




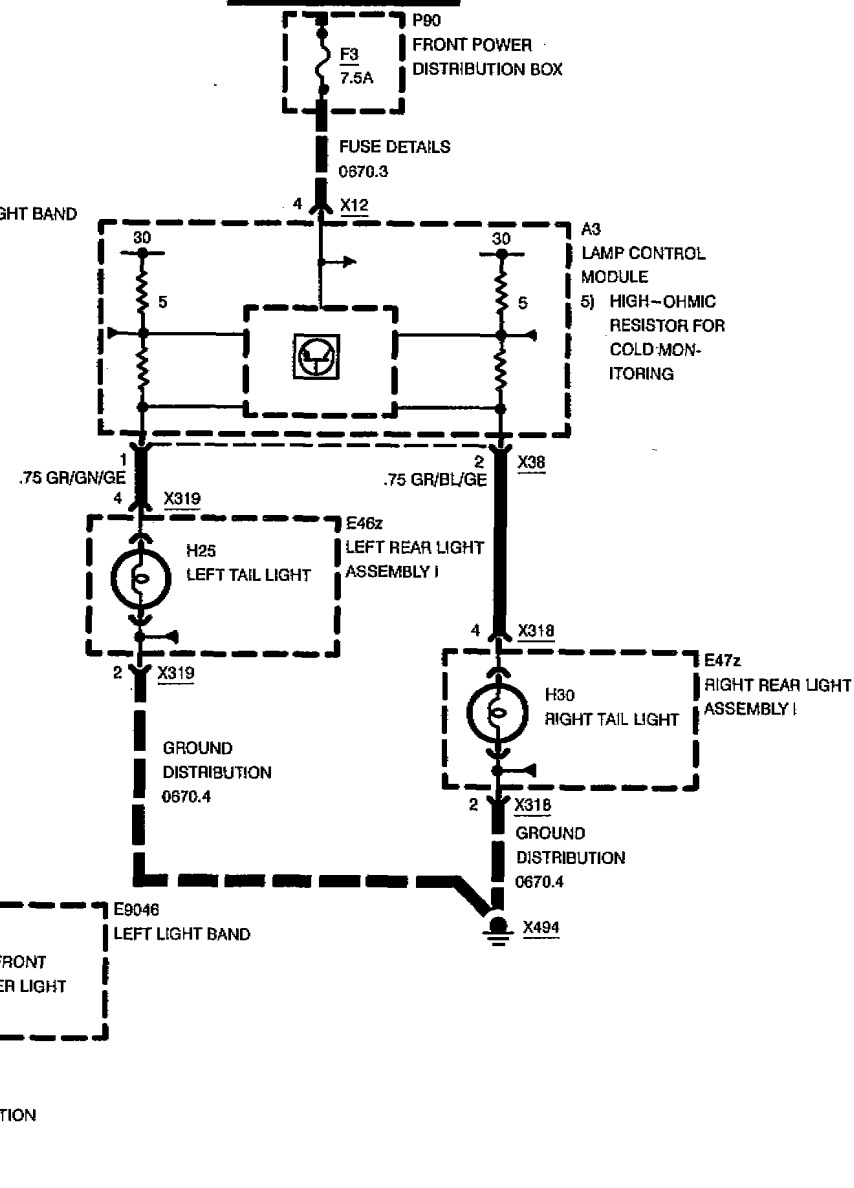
02/97  
 6314.0-03  
 95/96

# PARK/TAIL/UNDERHOOD LIGHTS

HOT AT ALL TIMES



HOT IN RUN AND START





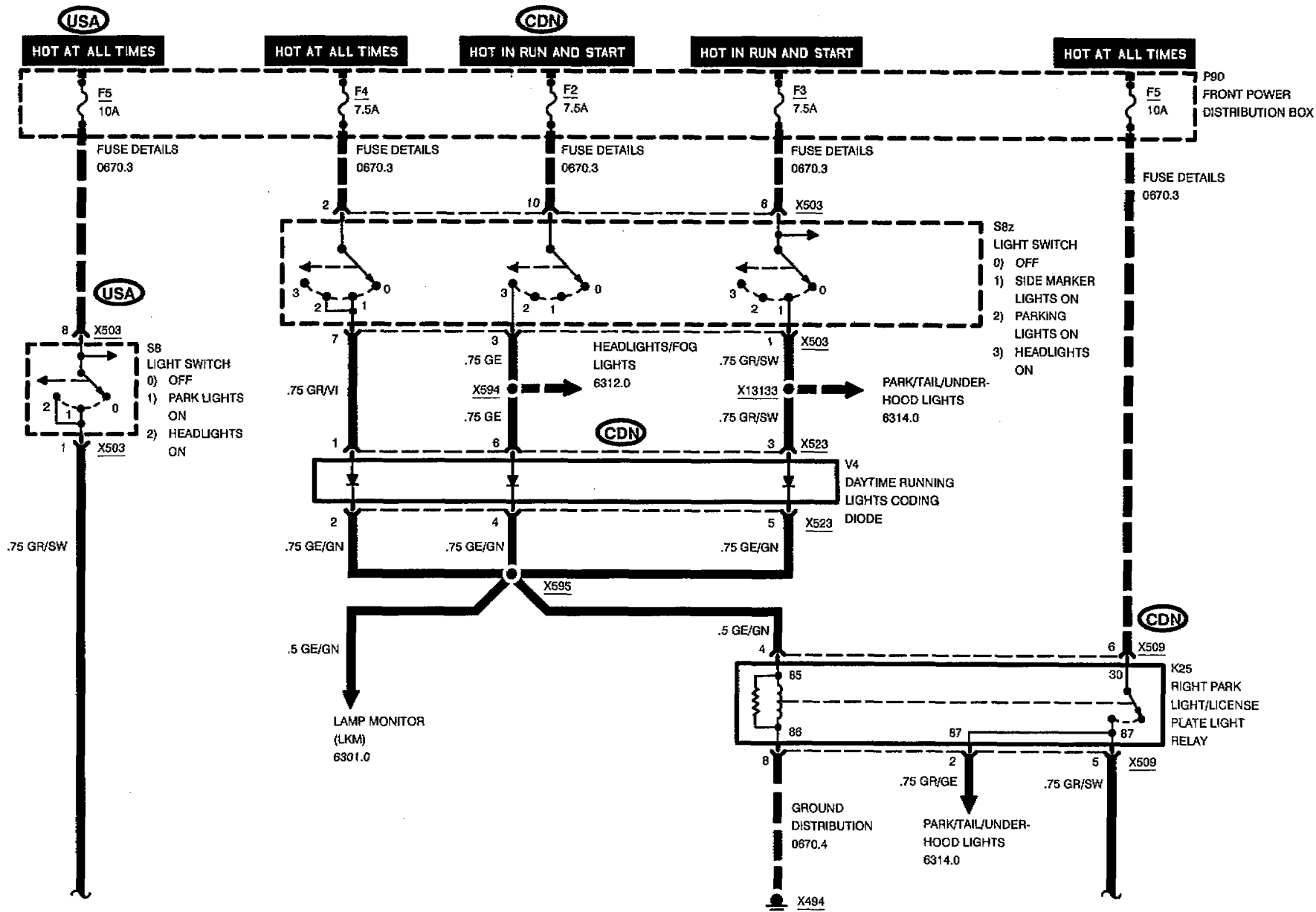


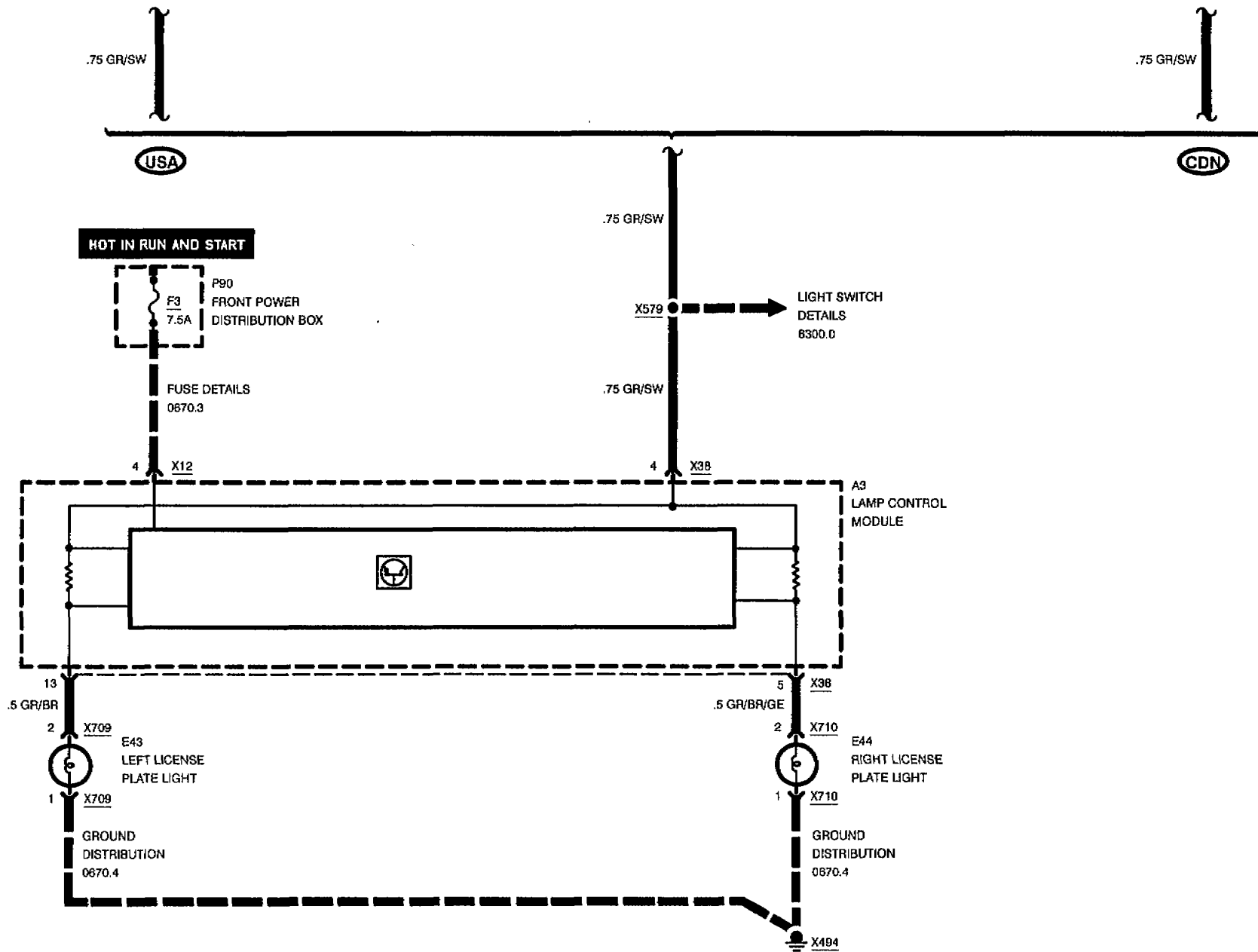
6320.0



# LICENSE PLATE/LUGGAGE COMPARTMENT LIGHTS

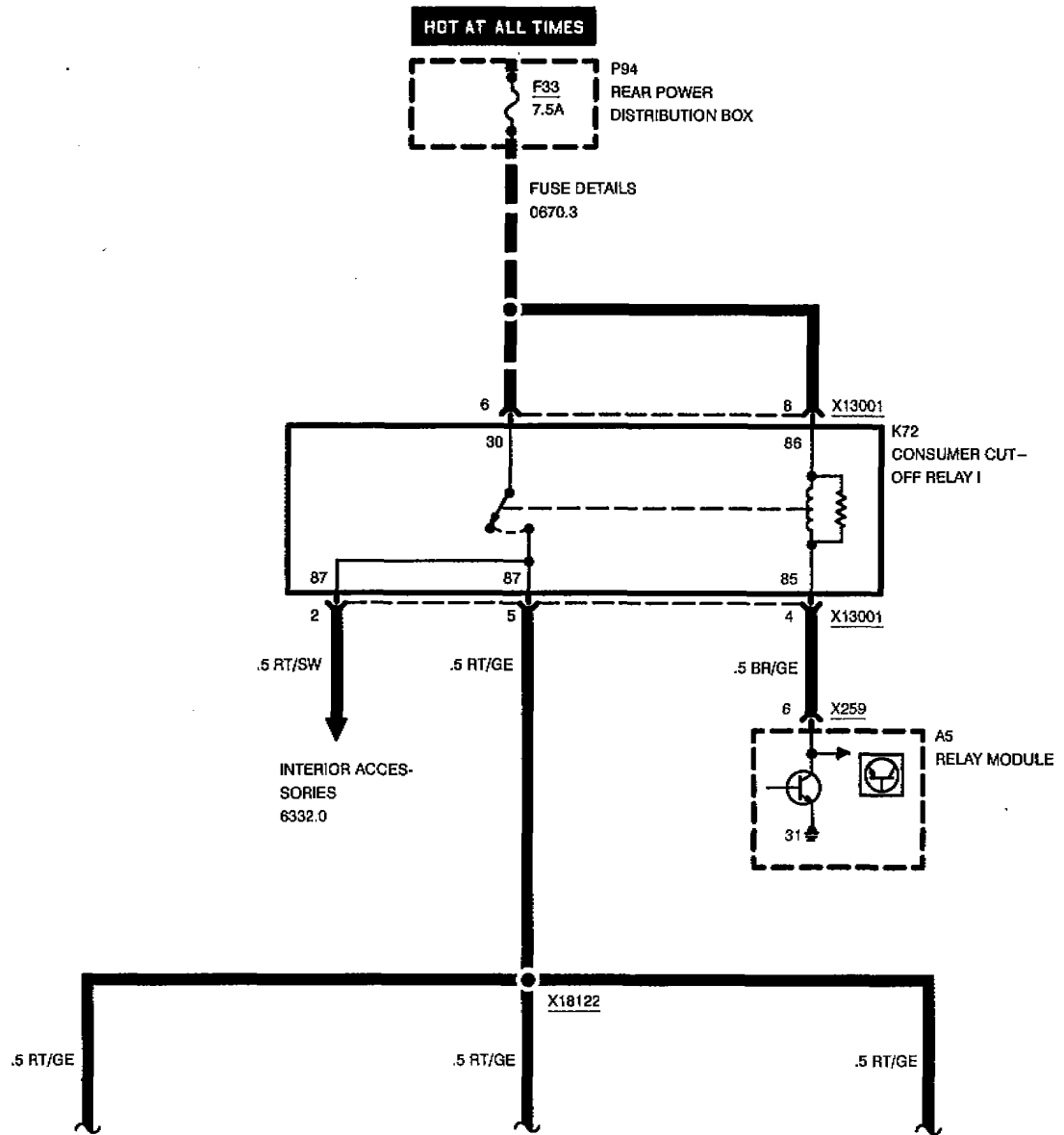
## LICENSE PLATE LIGHTS

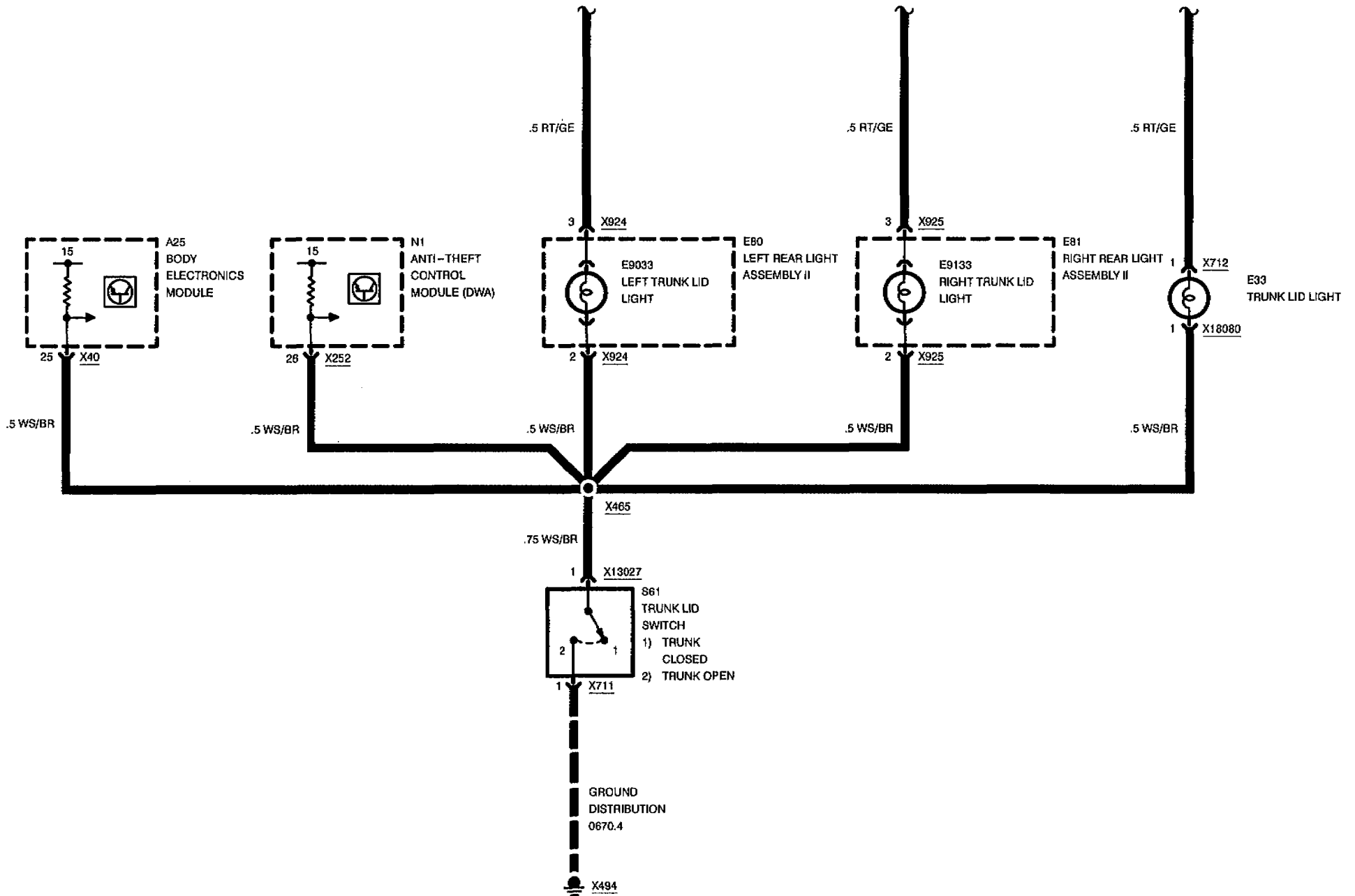






# LICENSE PLATE/LUGGAGE COMPARTMENT LIGHTS

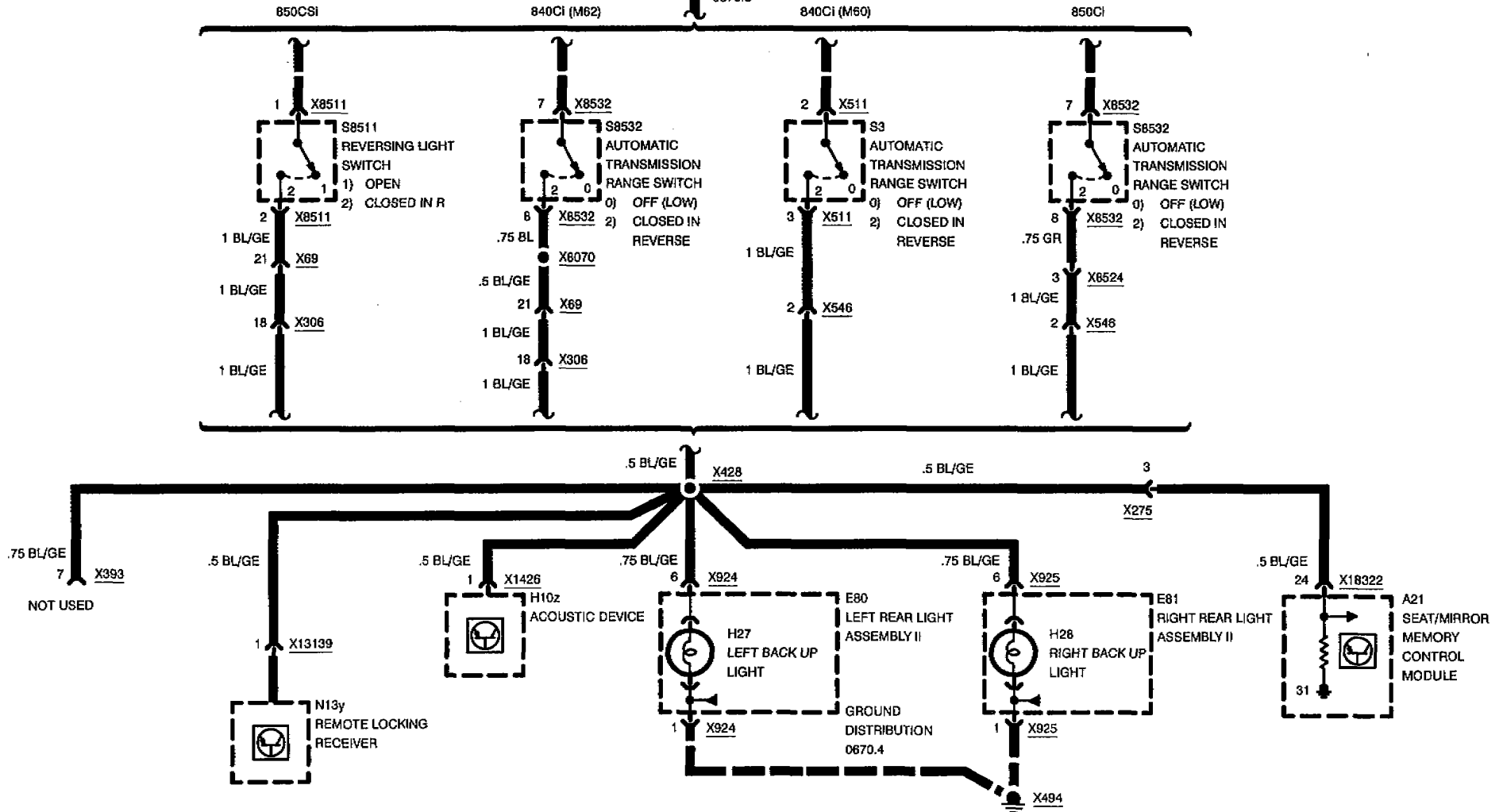
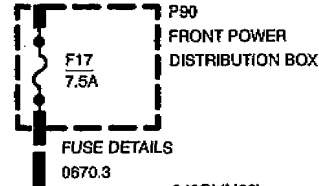






# BACK UP LIGHTS

HOT IN RUN AND START

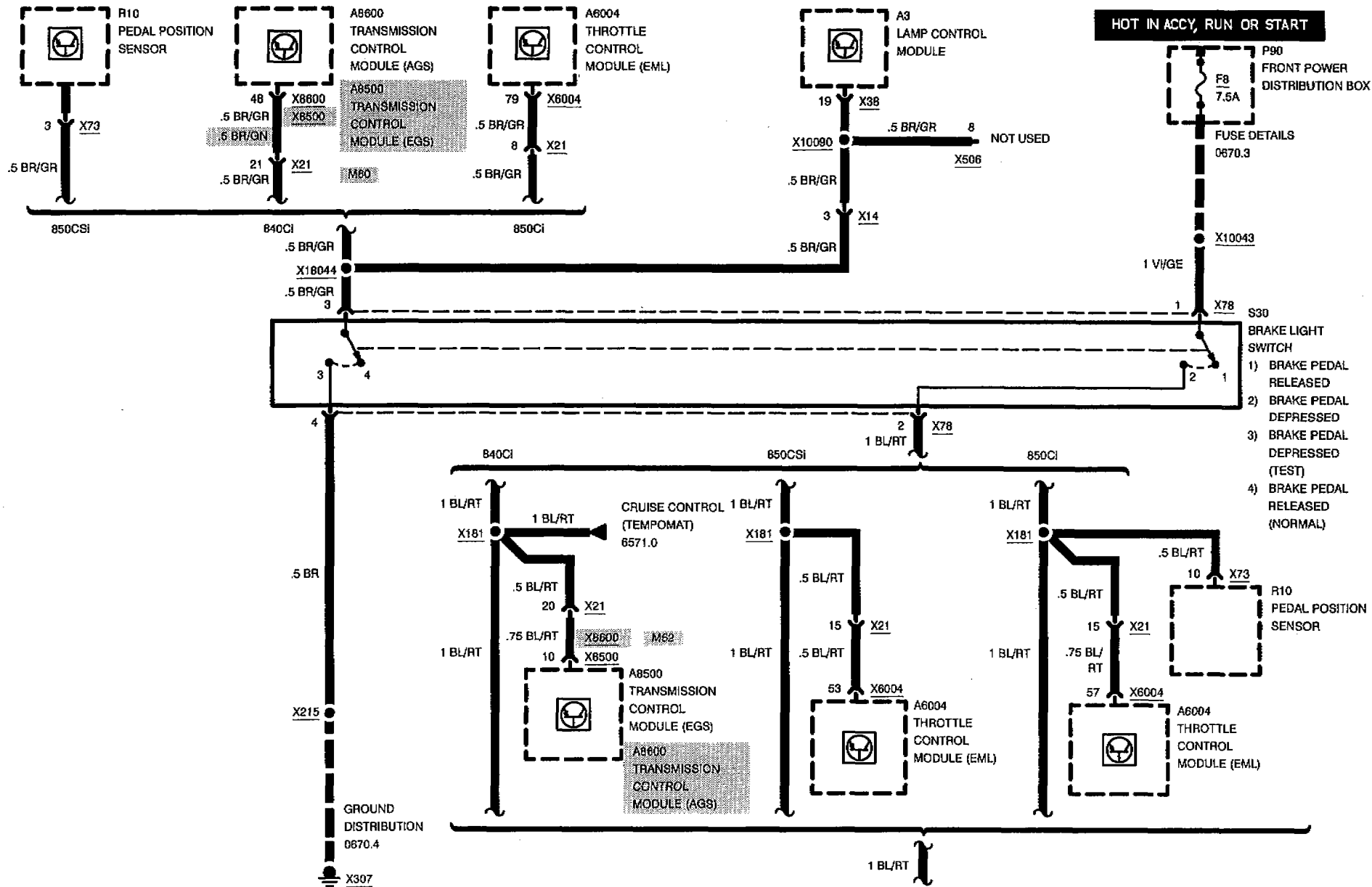


BMW  
8

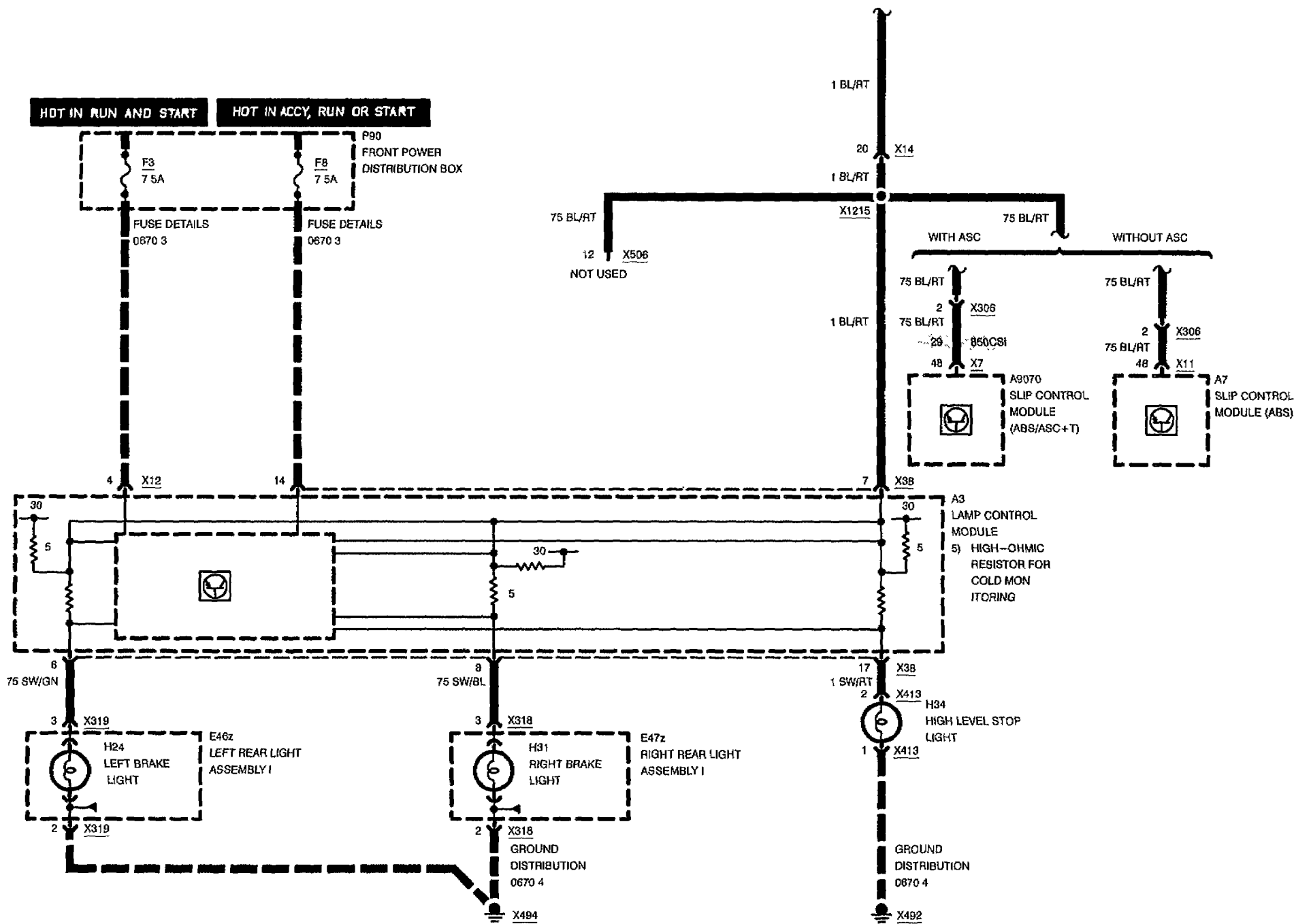
6325.0



# BRAKE LIGHTS



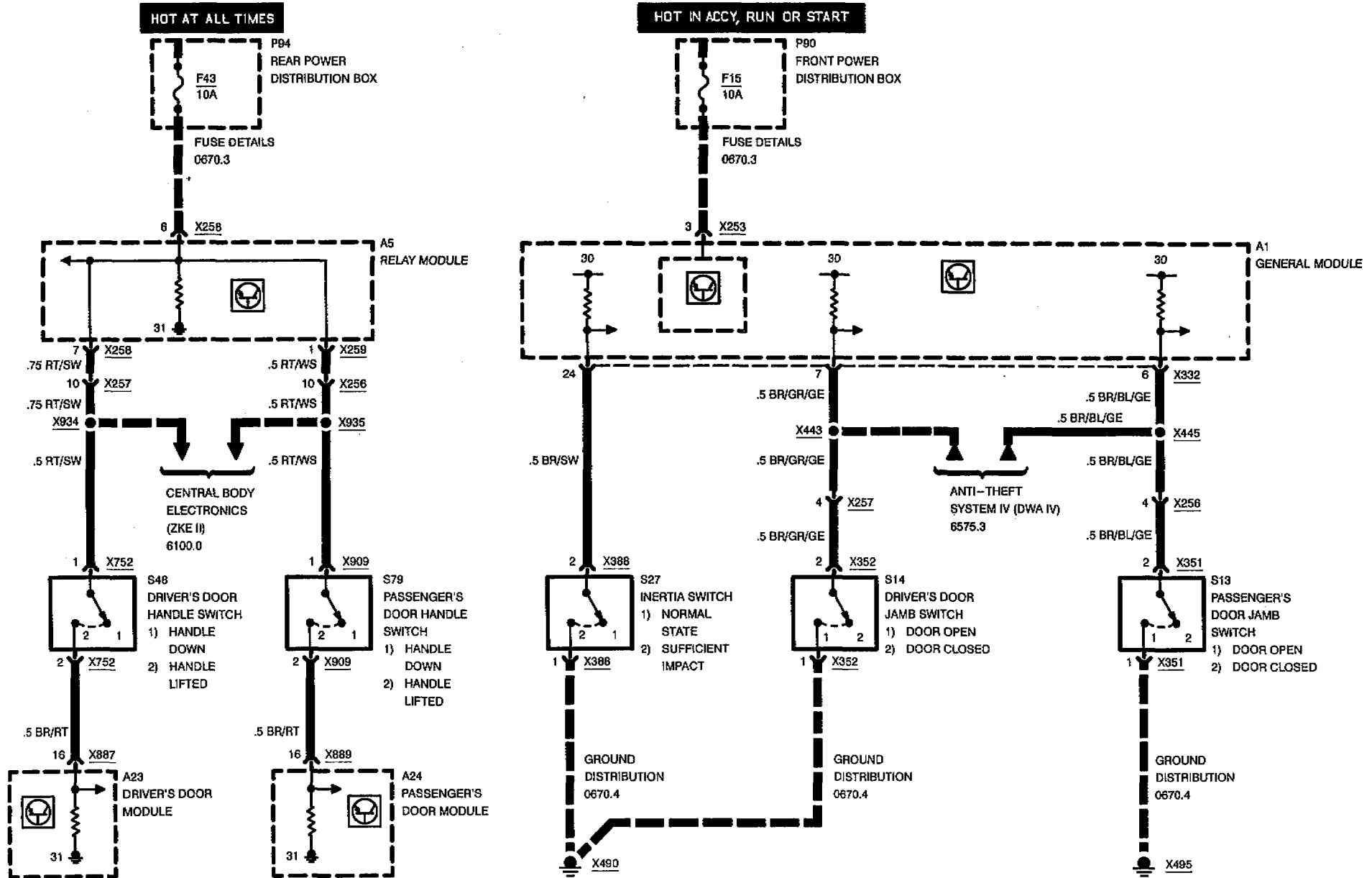




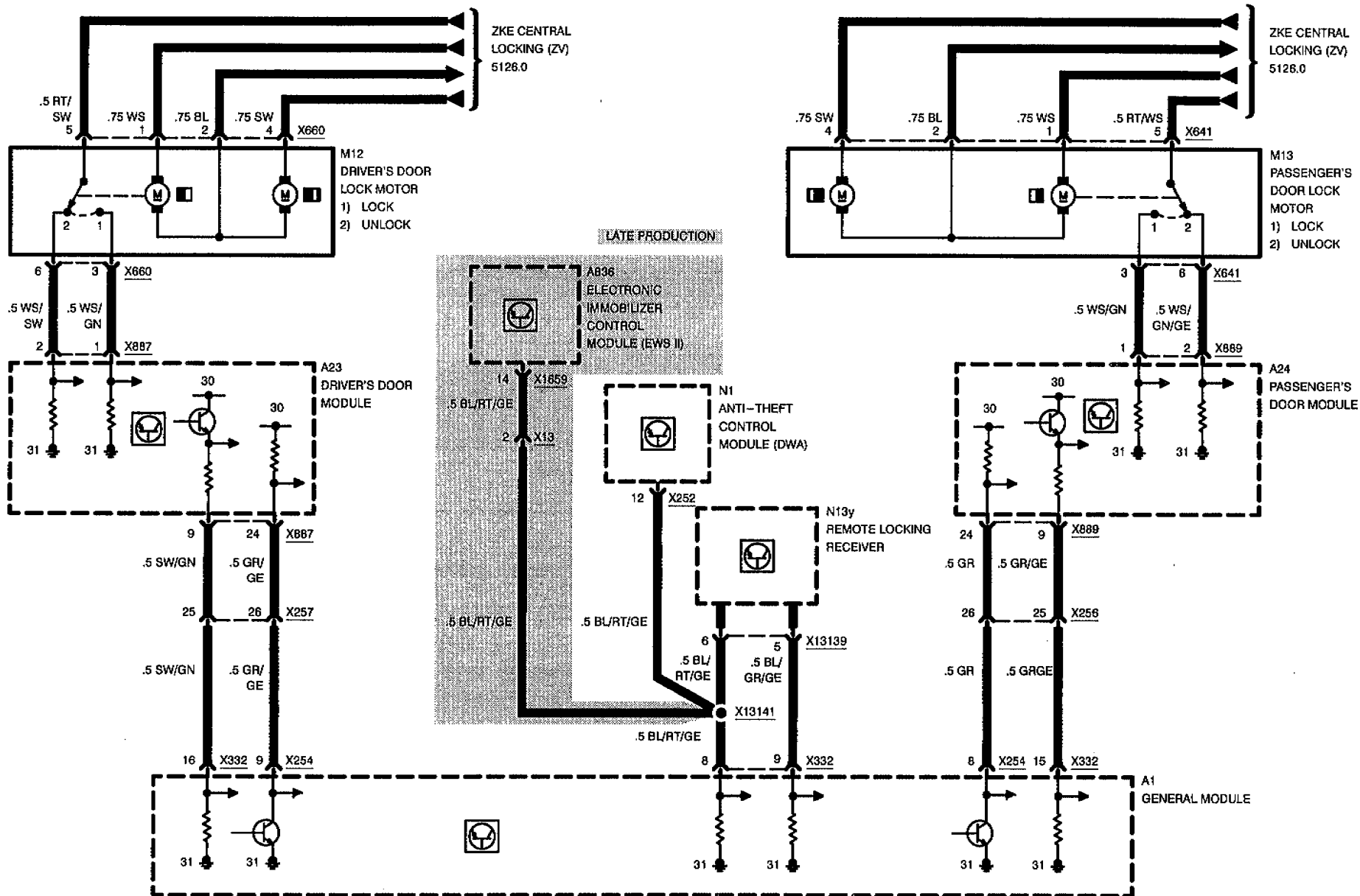


# ZKE INTERIOR LIGHTS (IB)

## (INPUTS)



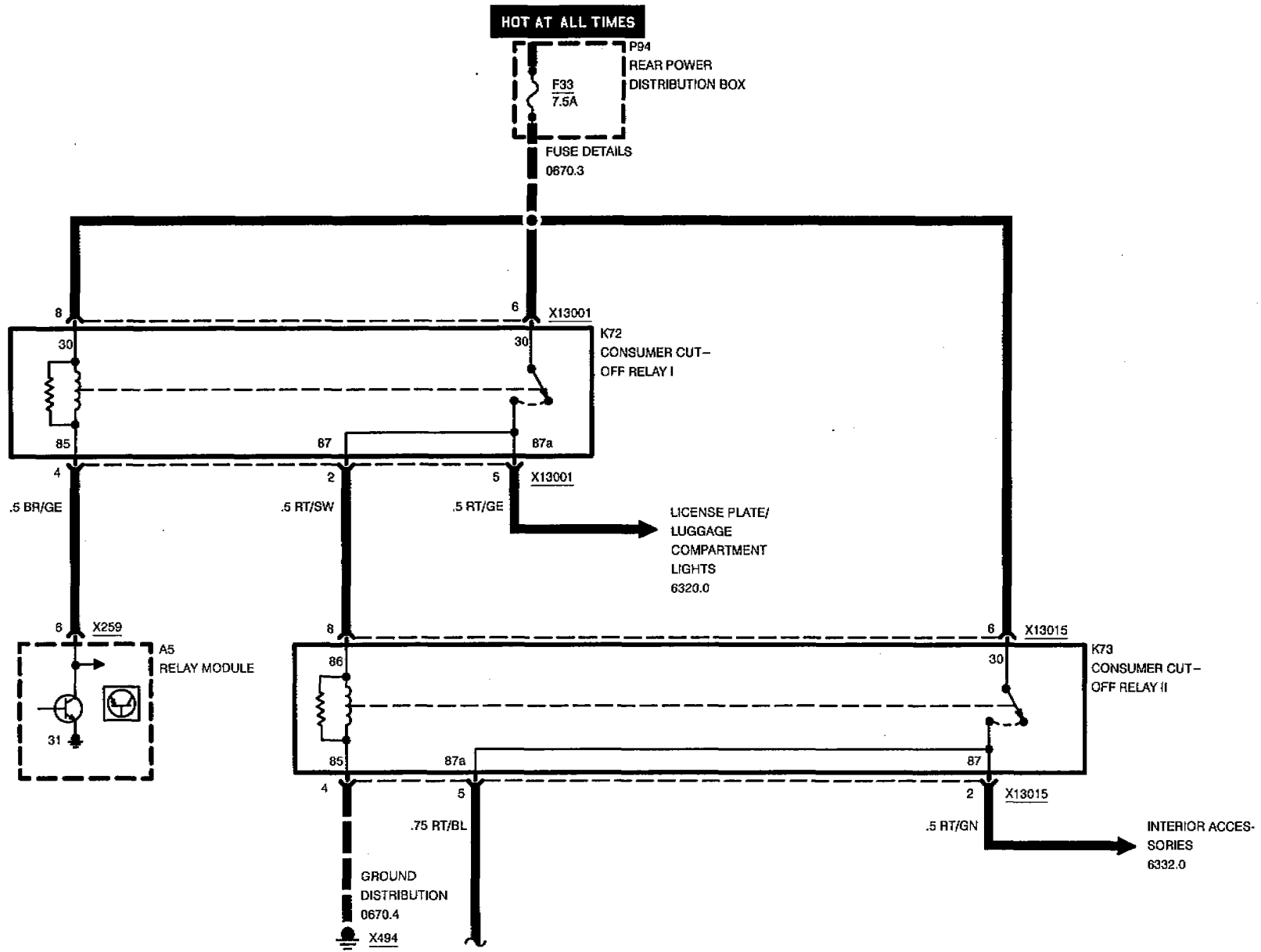
**BMW 8** ZKE INTERIOR LIGHTS (IB)  
(INPUTS)

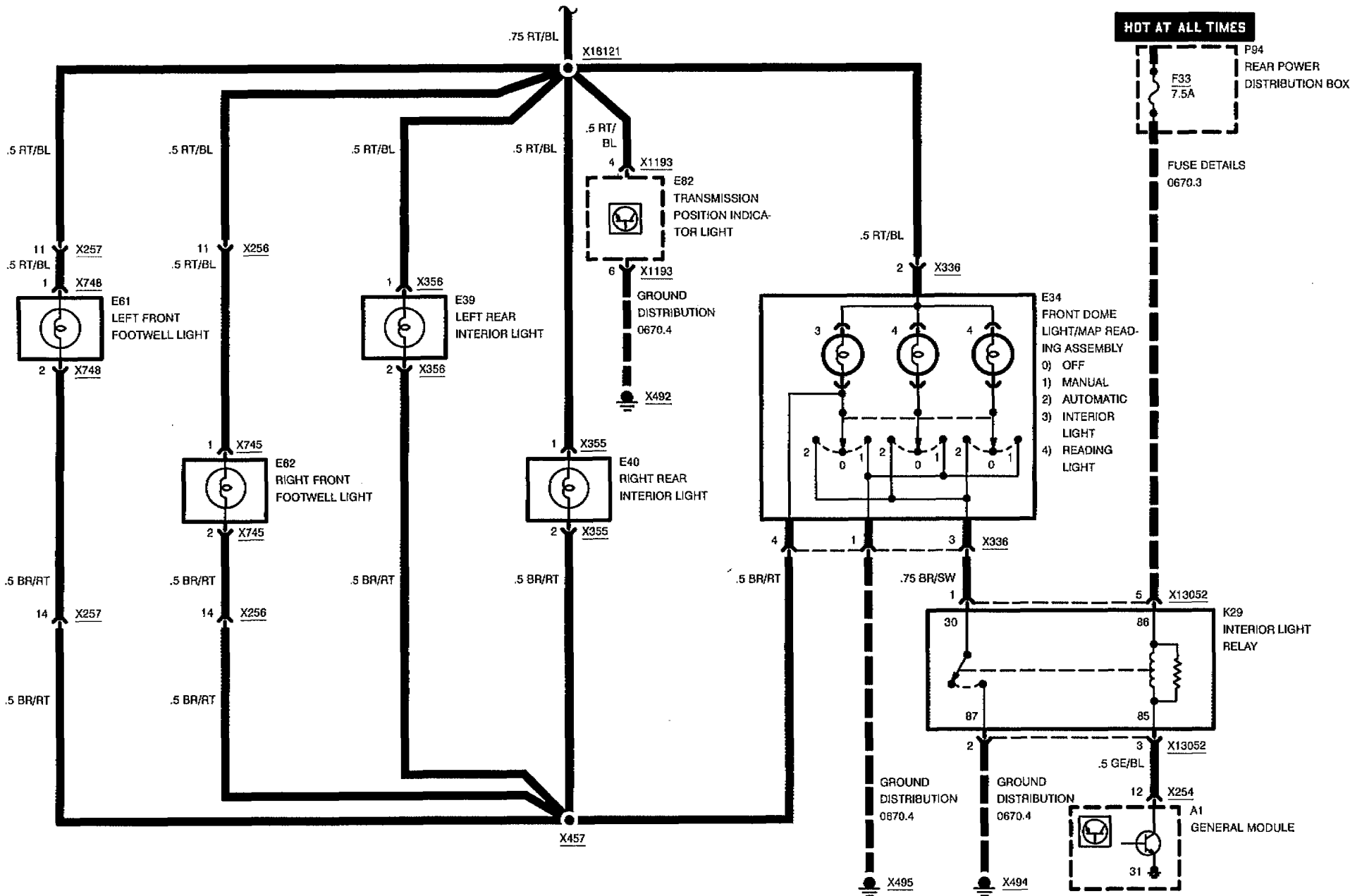


LATE PRODUCTION



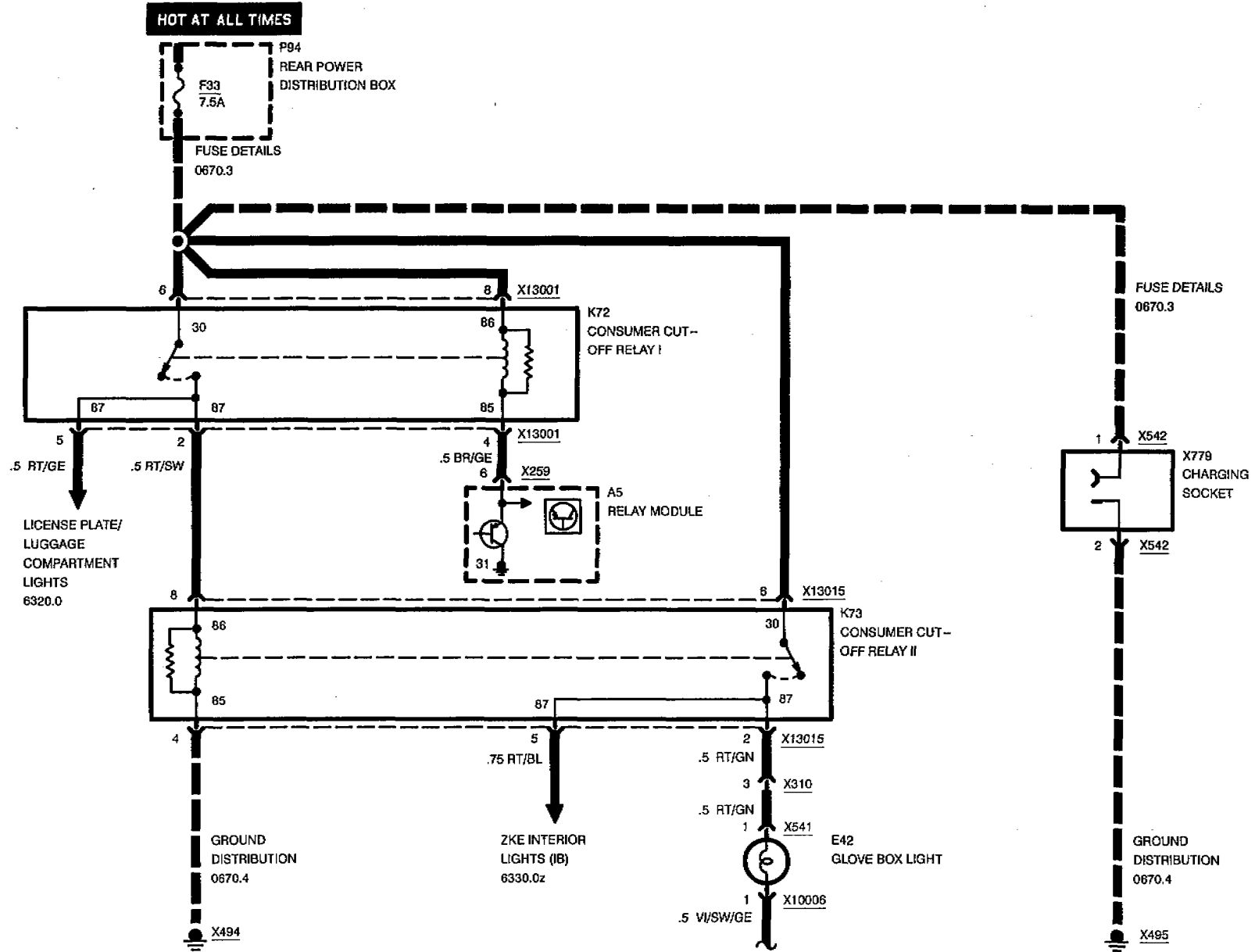
# ZKE INTERIOR LIGHTS (IB)

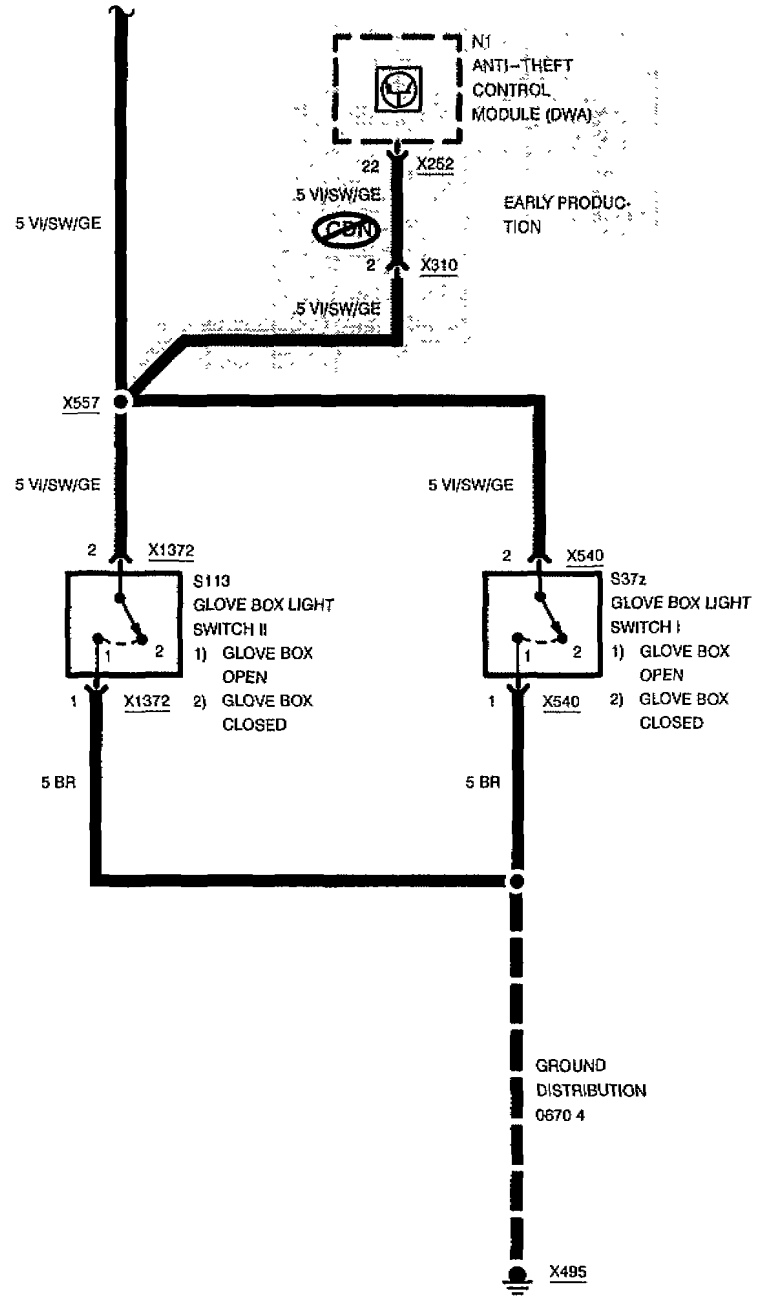
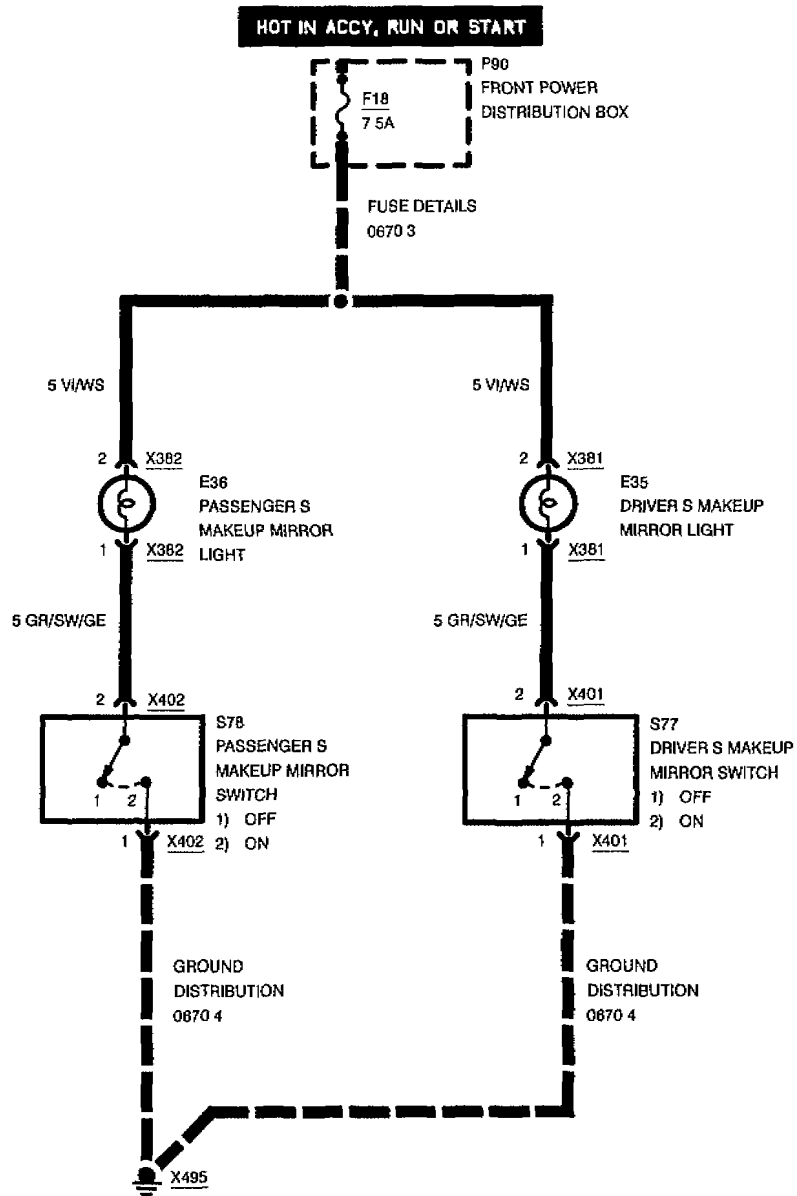






# INTERIOR ACCESSORIES

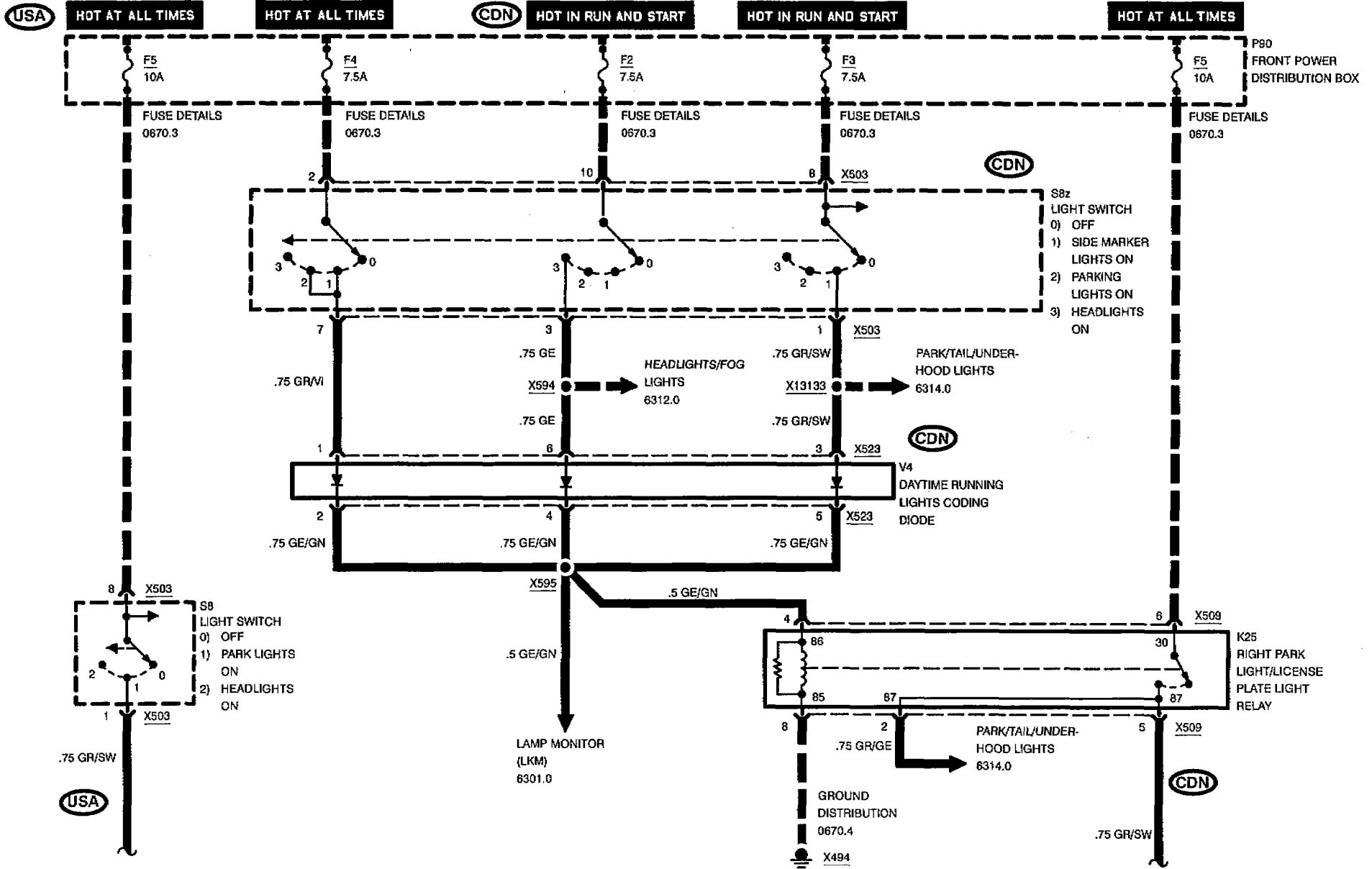




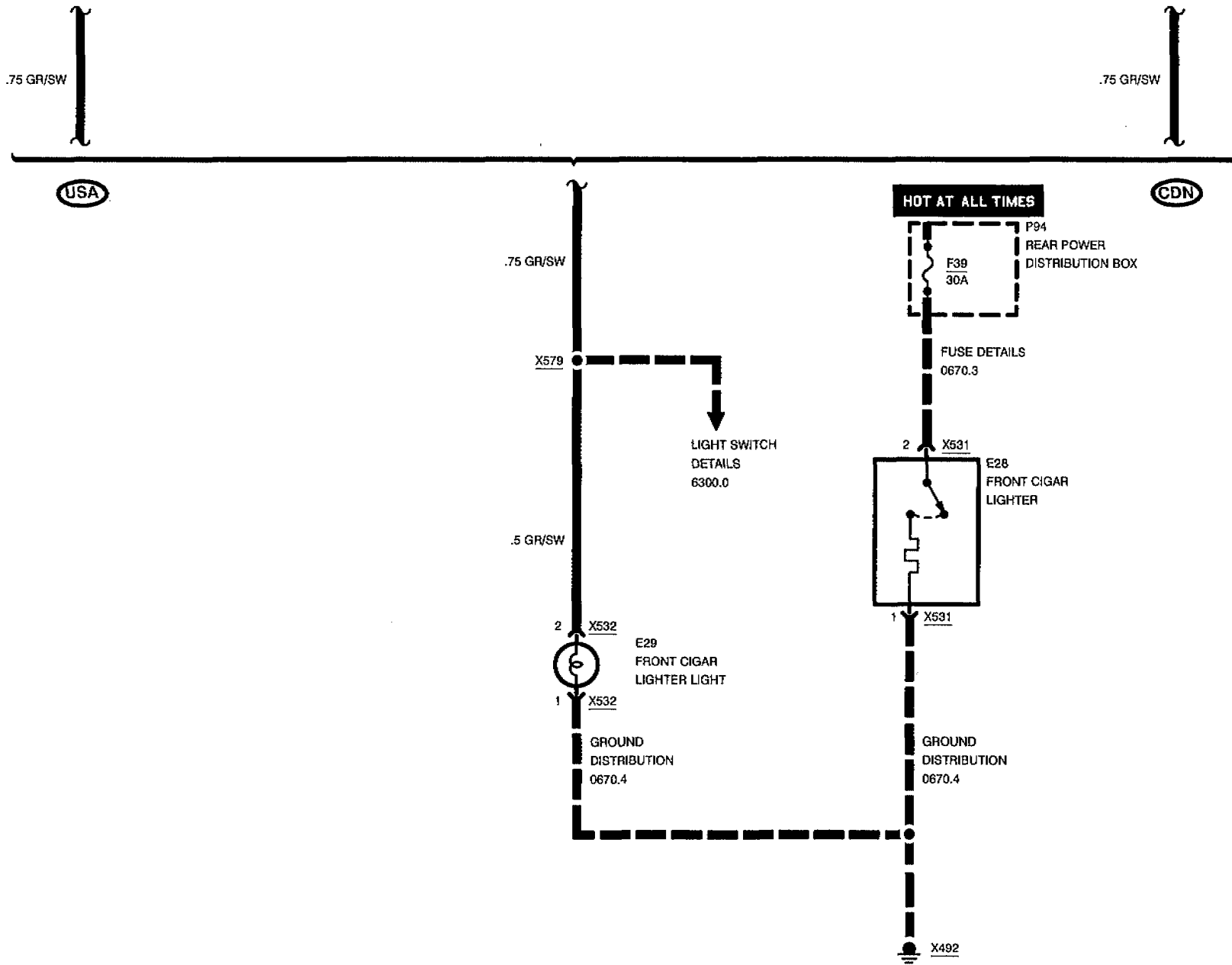


# INTERIOR ACCESSORIES

## CIGARETTE LIGHTER

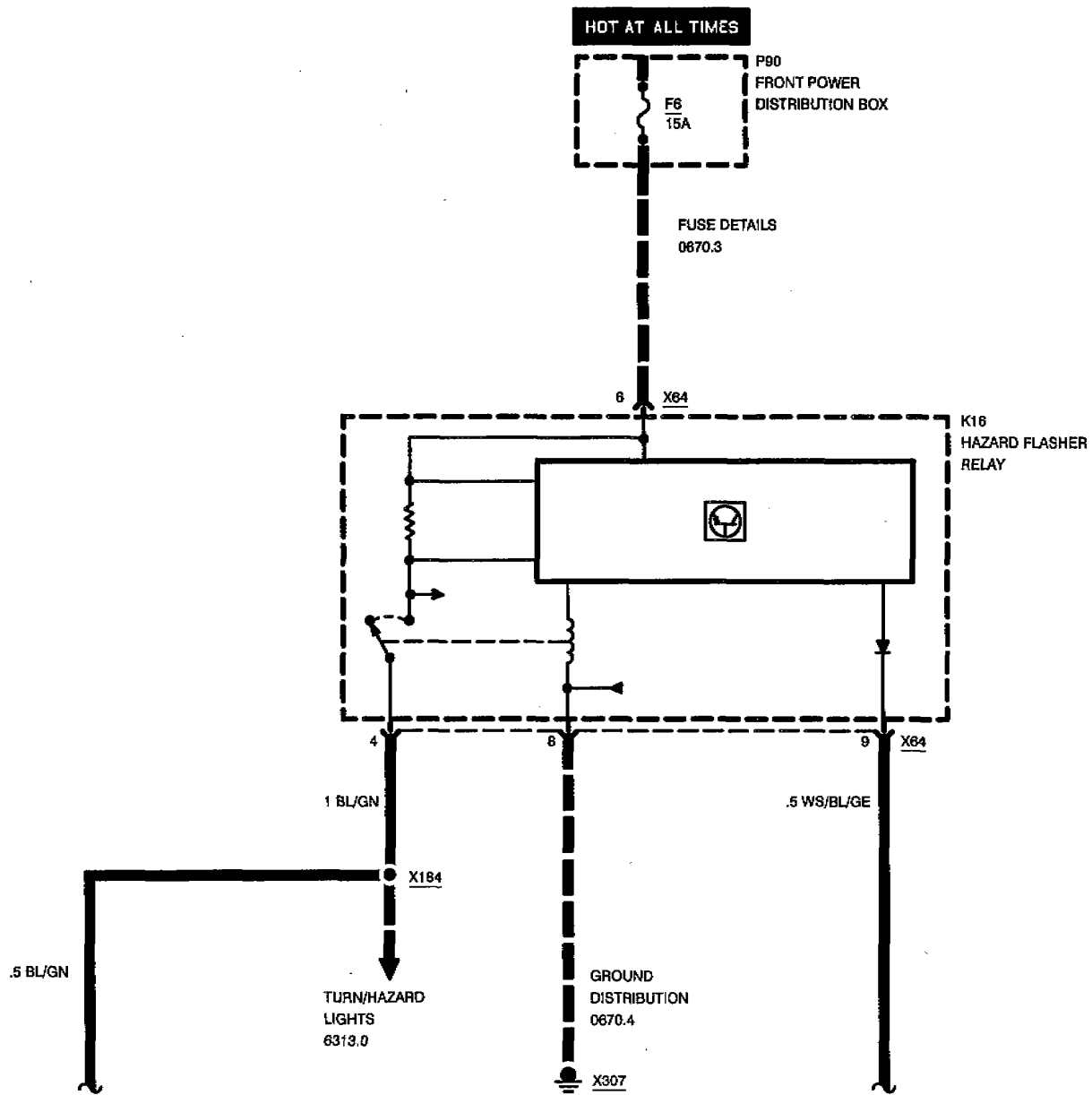


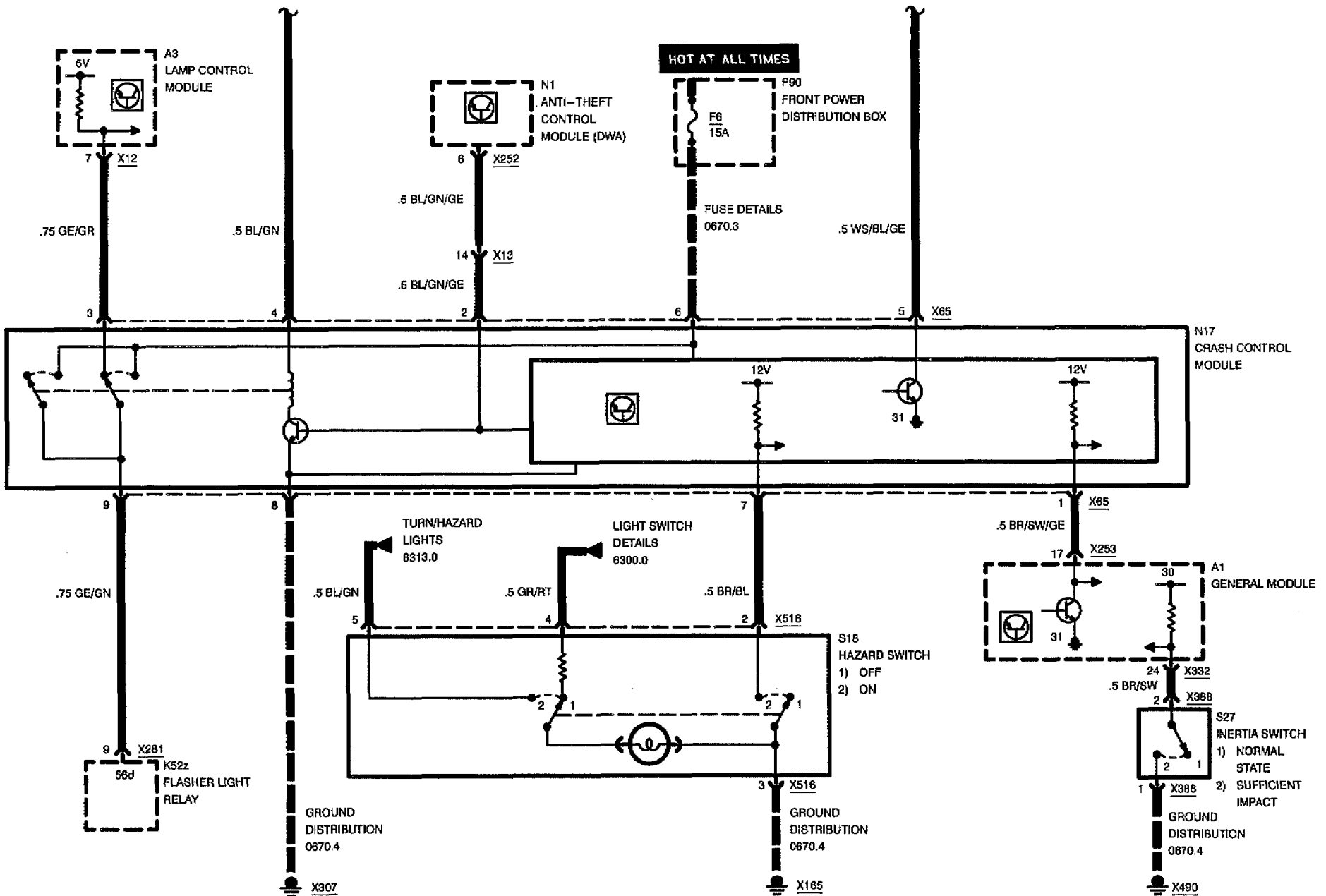






# CRASH CONTROL MODULE







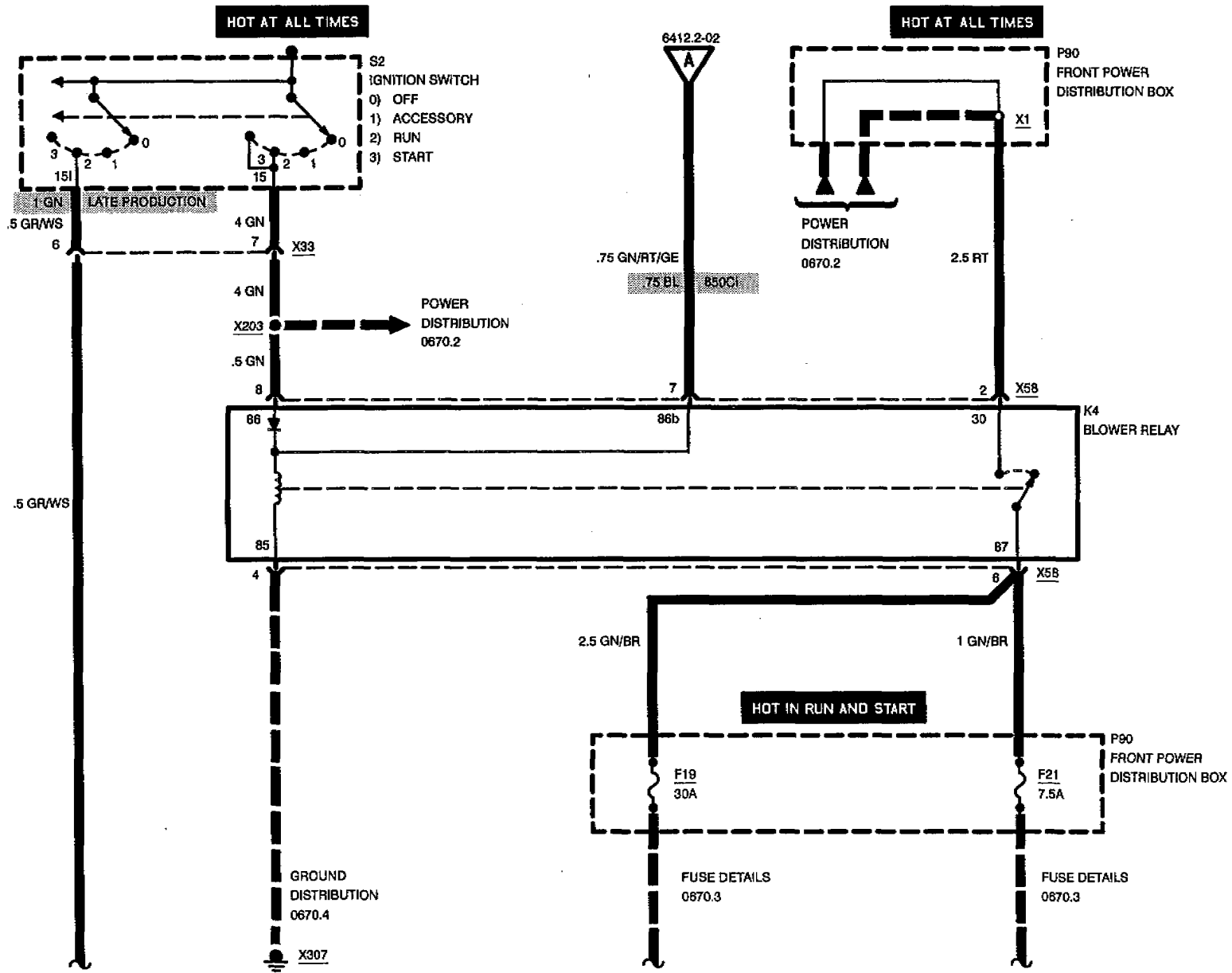
6350.0-02

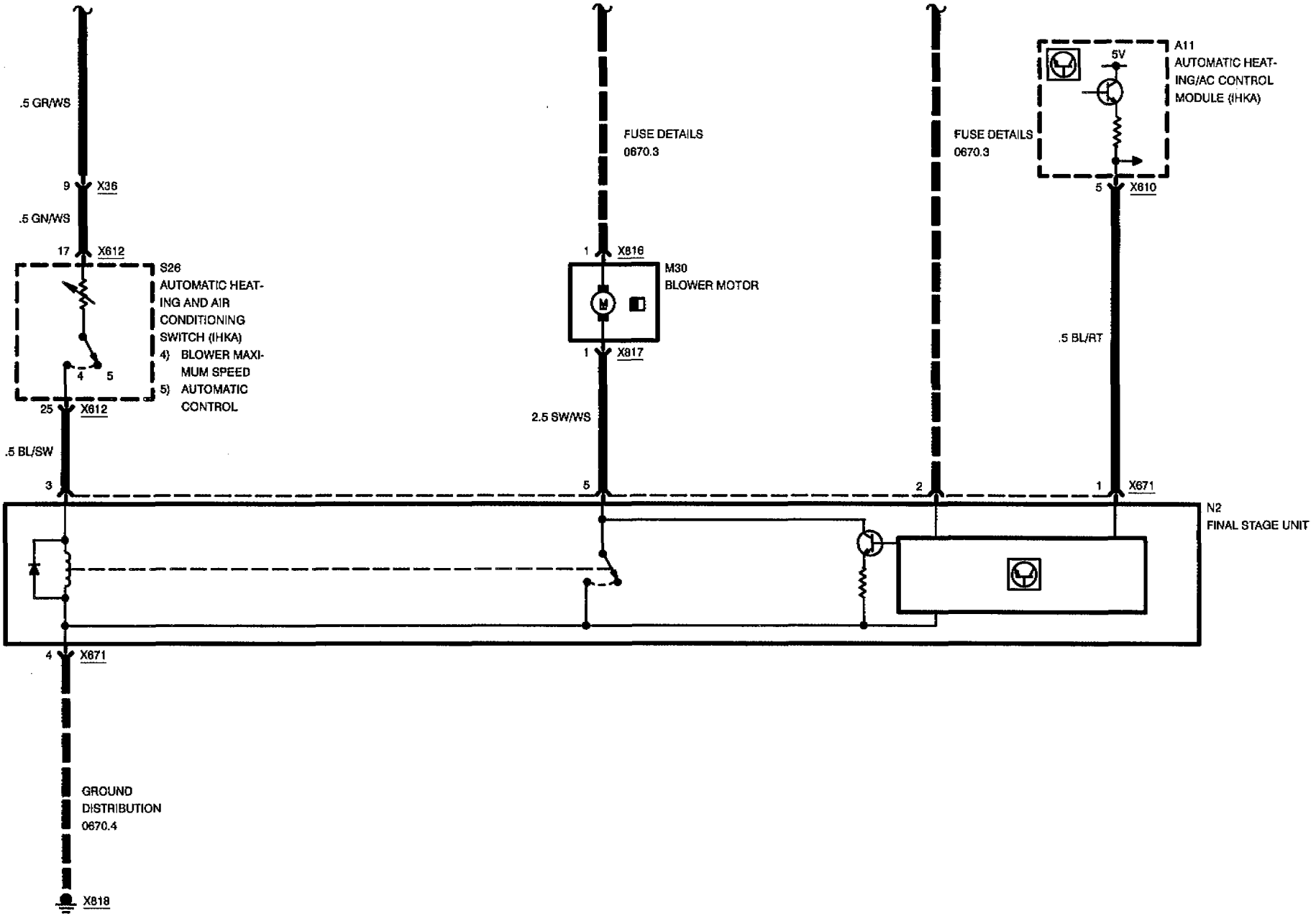


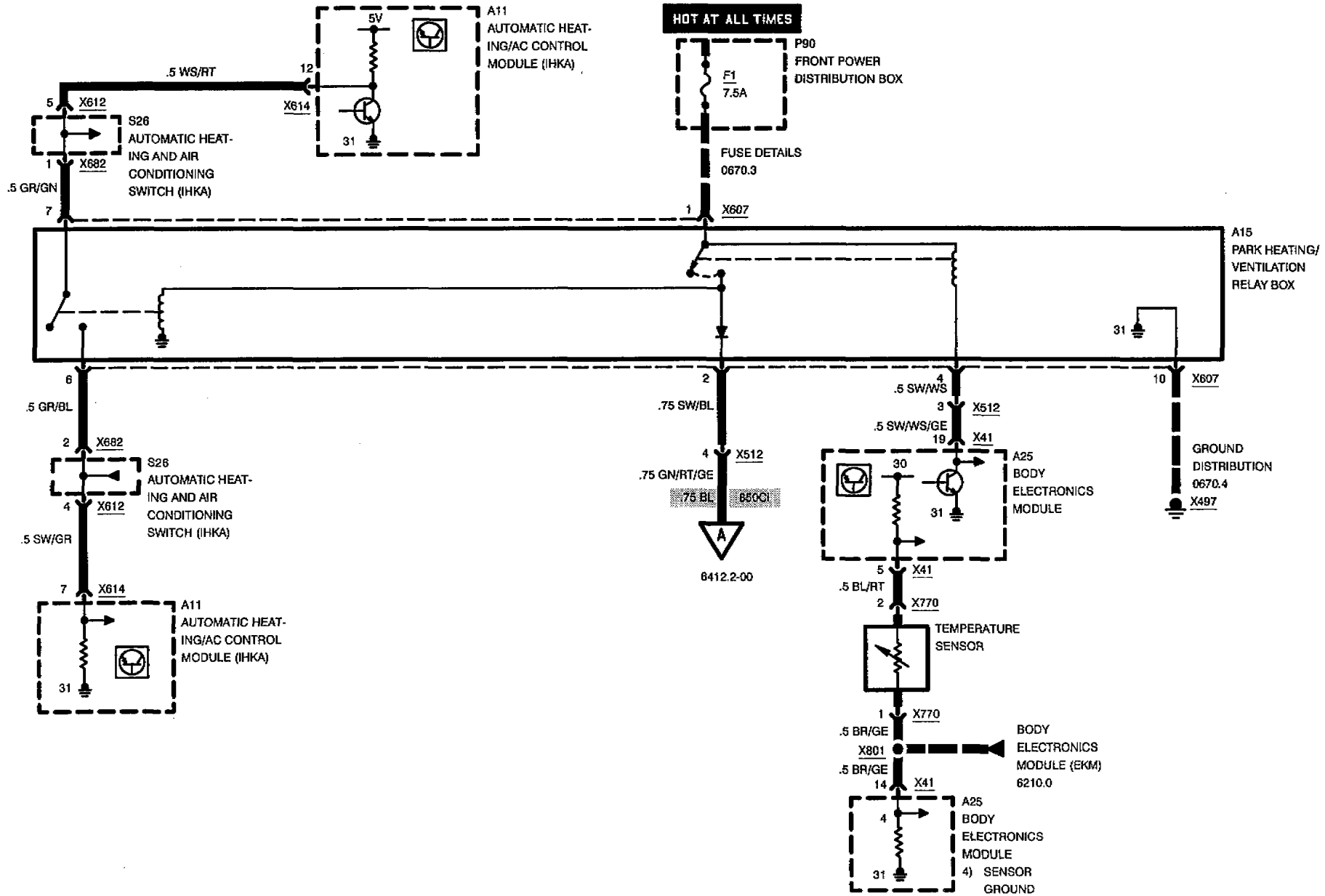
6412.2



# PARK VENTILATION WITH IHKA





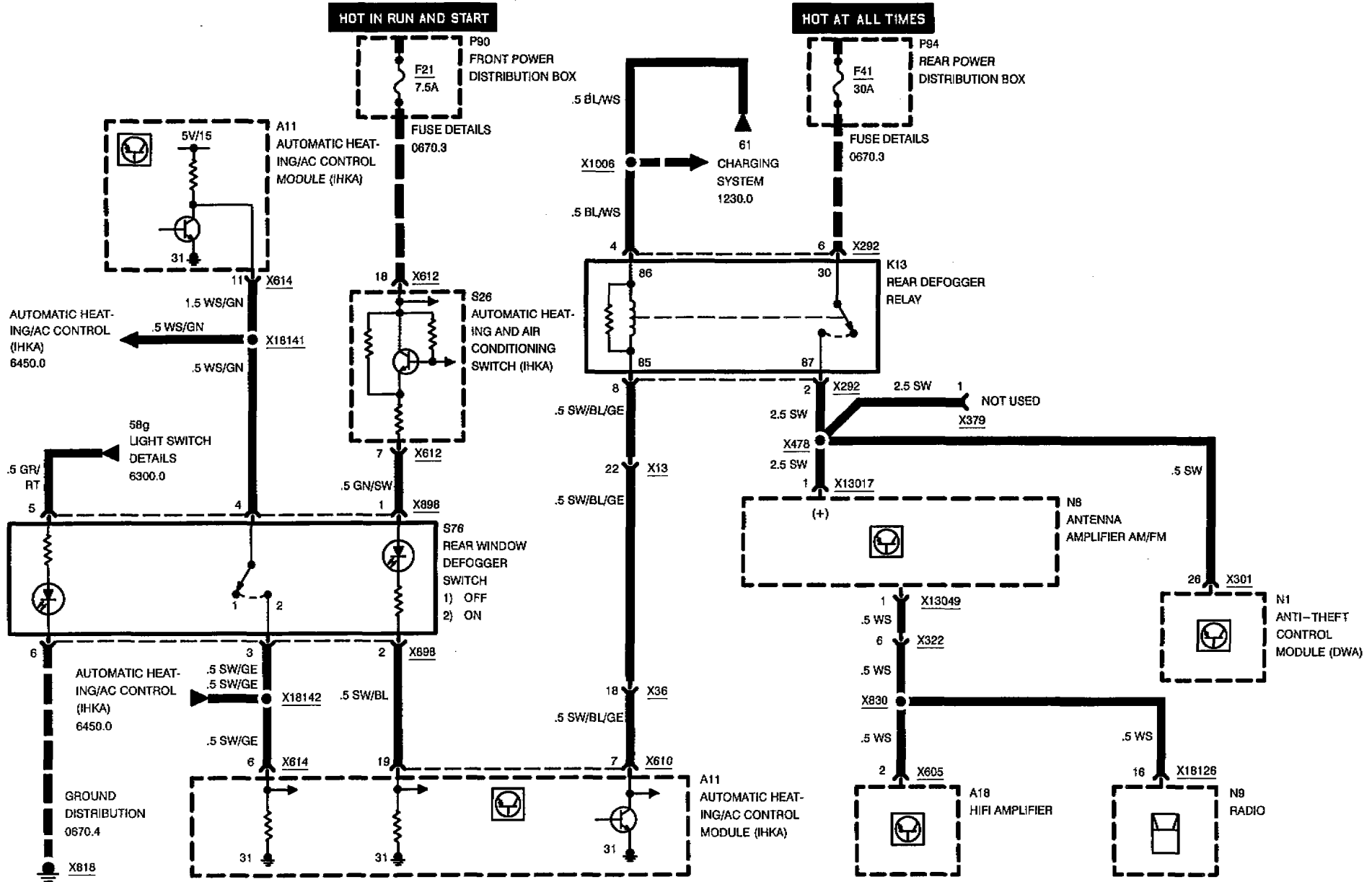




BMW  
8

6424.0

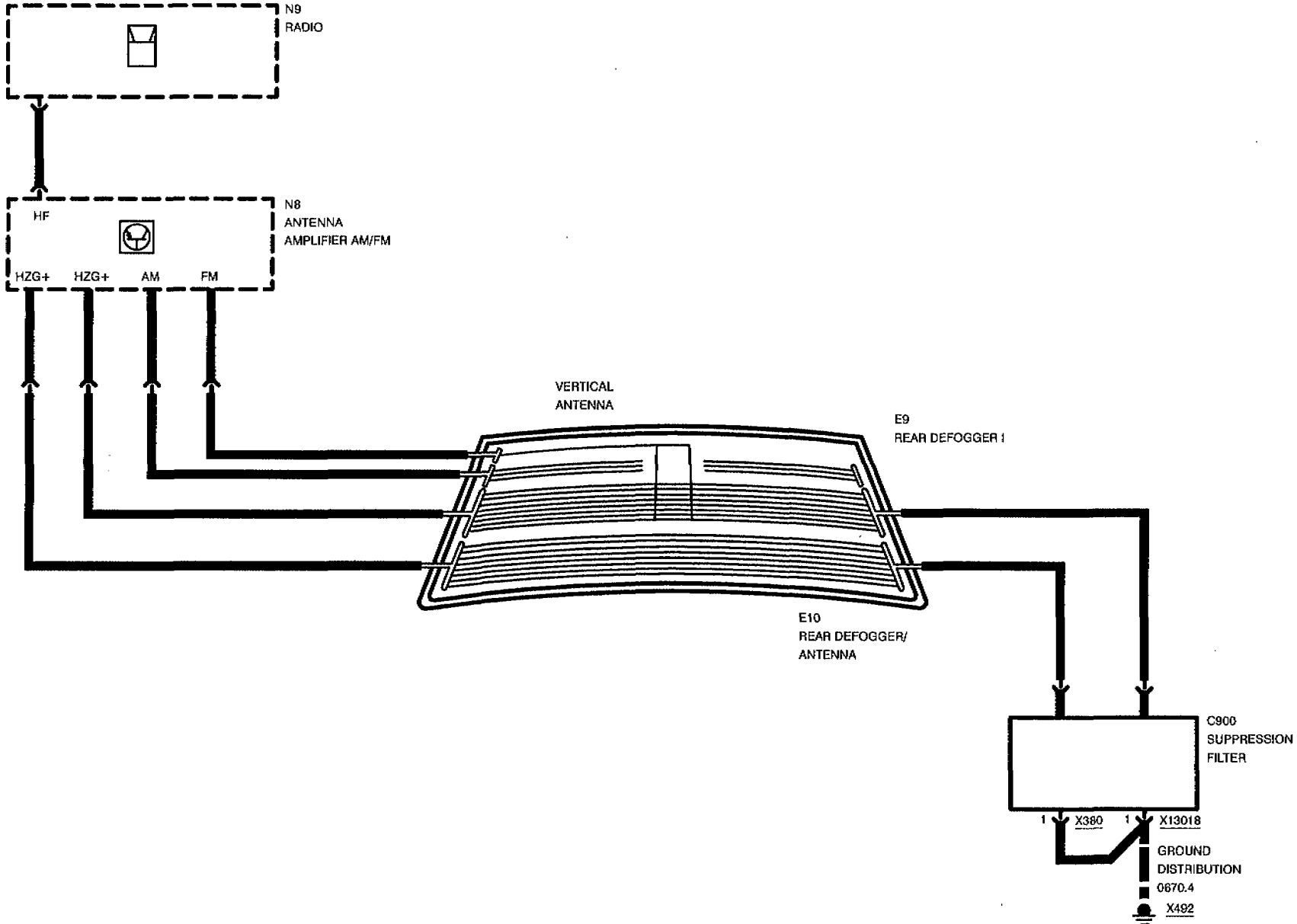
# REAR WINDOW DEFOGGER/ANTENNA





# REAR WINDOW DEFOGGER/ANTENNA

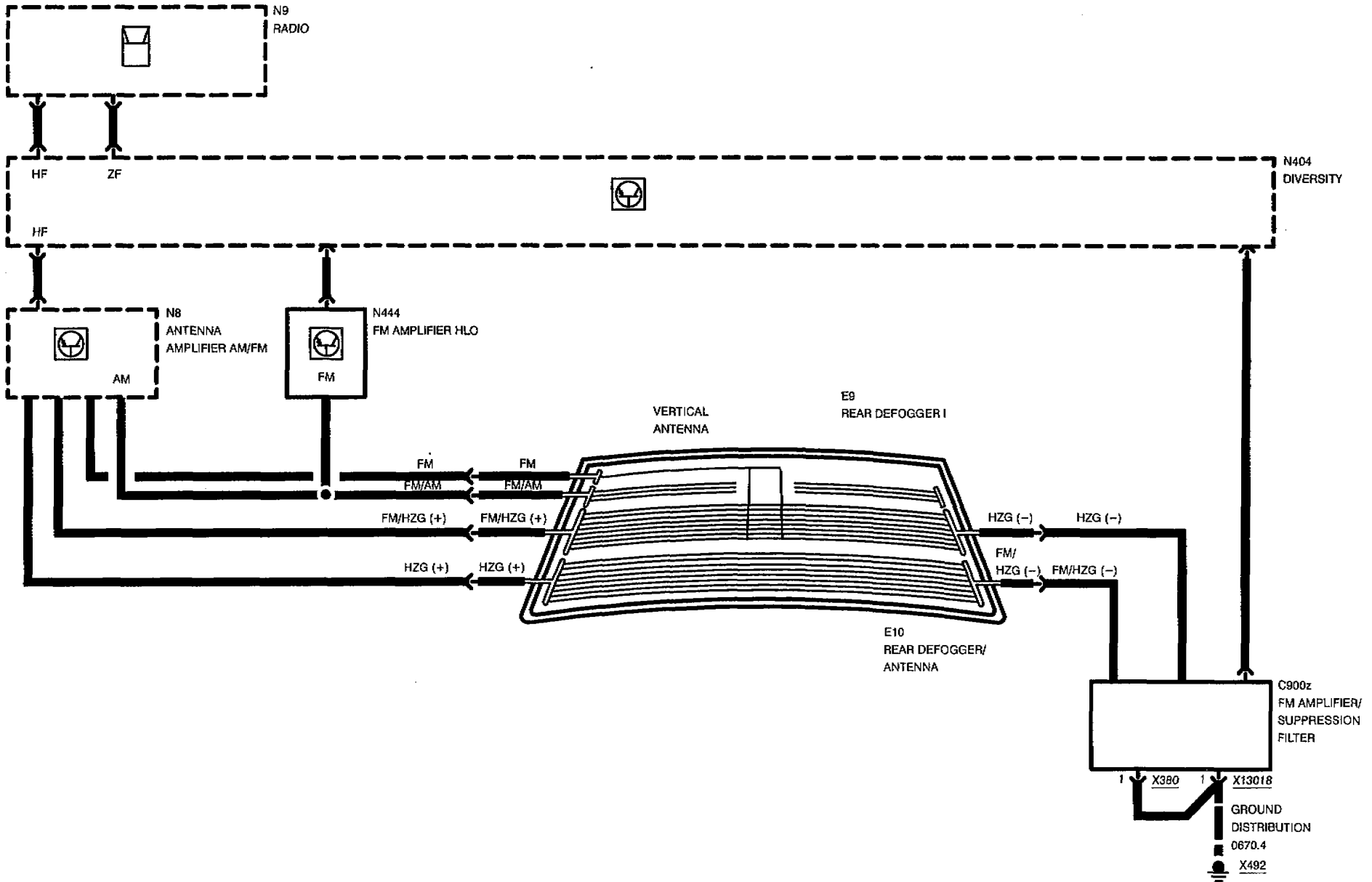
## REAR WINDOW ANTENNA

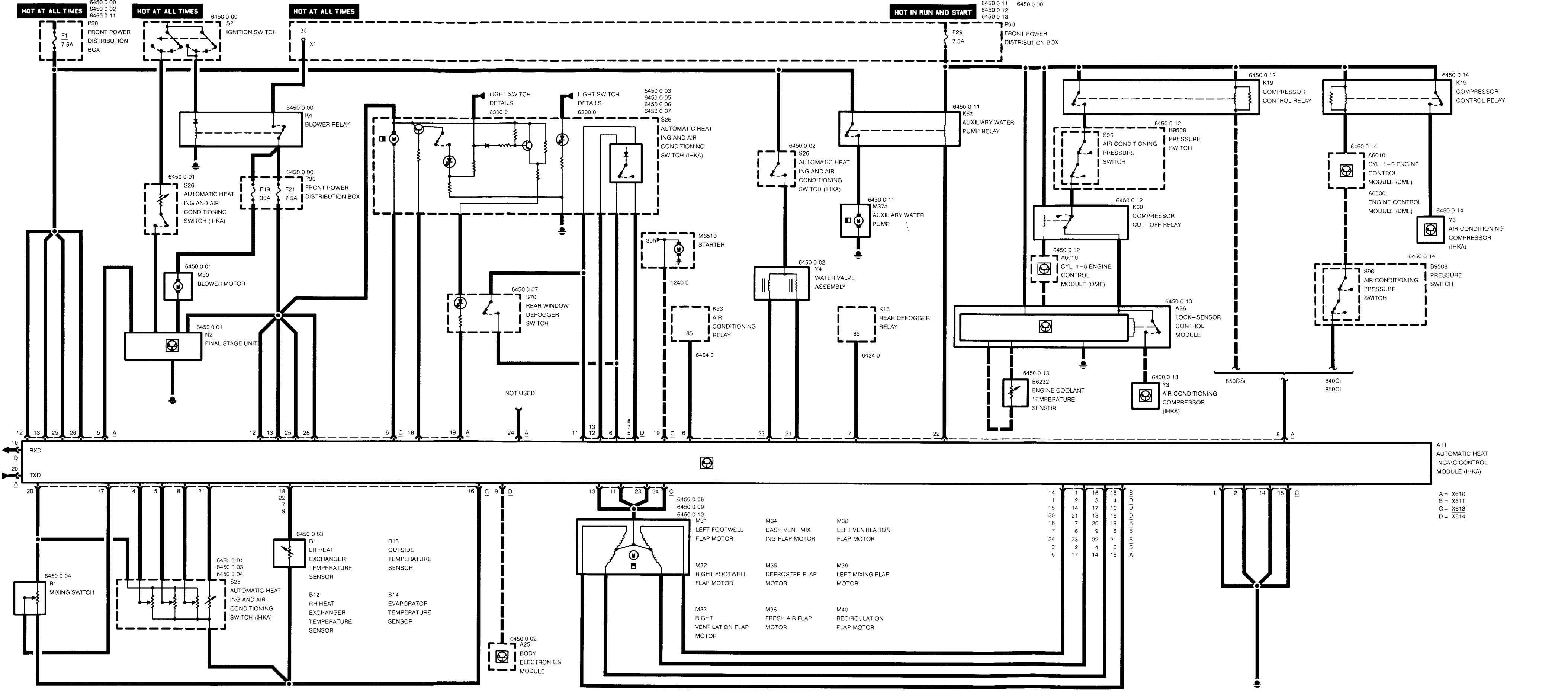




# REAR WINDOW DEFOGGER/ANTENNA

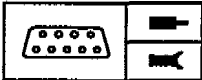
## 3-ANTENNA-DIVERSITY





A11  
AUTOMATIC HEAT  
ING/AC CONTROL  
MODULE (IHKA)

A = X610  
B = X611  
C = X613  
D = X614



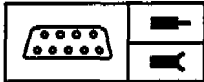
## Pin Assignments

A=X610	26 pins, white
B=X611	26 pins, green
C=X613	26 pins, blue
D=X614	26 pins, yellow

### X610

Pin	Type	Description/Function	Connection
1		Not used	
2		Not used	
3		Not used	
4		Not used	
5	A	Blower output stage activation	Final stage unit
6	A	Air conditioning	Air conditioning relay
7	A	Rear window defogger relay activation	Rear window defogger relay
8	A	Compressor control relay activation	Compressor control relay (850CSi) Conditioning pressure switch (840Ci, 850Ci)
9		Not used	
10		Not used	
11		Not used	
12	E	Voltage (terminal 30)	Fuse 1
13	E	Voltage (terminal 30)	Fuse 1
14	A	Circulating air flap motor activation	Recirculation flap motor
15	A	Circulating air flap motor activation	Recirculation flap motor
16	A	Circulating air flap motor activation	Recirculation flap motor
17	A	Circulating air flap motor activation	Recirculation flap motor
18	A	Function light activation	IHKA switch
19	A	Rear window defogger switch light activation	Rear window defogger switch
20	A	TxD diagnostic data line	Data link connector
21	A	Left water valve activation	Water valve assembly
22	A	Auxiliary water pump relay activation	Auxiliary water pump relay

E = Input, A = Output, M = Ground



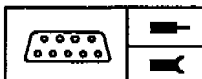
## Pin Assignments

Pin	Type	Description/Function	Connection
23	A	Right water valve activation	Water valve assembly
24		Not used	
25	E	Voltage (terminal 30)	Fuse 1
26	E	Voltage (terminal 30)	Fuse 1

### X611

Pin	Type	Description/Function	Connection
1	A	Left footwell flap motor activation	Left footwell flap motor
2	A	Left mixing flap motor activation	Left mixing flap motor
3	A	Left mixing flap motor activation	Left mixing flap motor
4	A	Left mixing flap motor activation	Left mixing flap motor
5	A	Left mixing flap motor activation	Left mixing flap motor
6	A	Fresh air flap motor activation	Fresh air flap motor
7	A	Fresh air flap motor activation	Fresh air flap motor
8	A	Fresh air flap motor activation	Fresh air flap motor
9	A	Fresh air flap motor activation	Fresh air flap motor
10		Not used	
11		Not used	
12		Not used	
13		Not used	
14	A	Left footwell flap motor activation	Left footwell flap motor
15	A	Left footwell flap motor activation	Left footwell flap motor
16	A	Left footwell flap motor activation	Left footwell flap motor
17	A	Defroster flap motor activation	Defroster flap motor
18	A	Defroster flap motor activation	Defroster flap motor
19	A	Defroster flap motor activation	Defroster flap motor
20	A	Defroster flap motor activation	Defroster flap motor
21	A	Left ventilation flap motor activation	Left ventilation flap motor
22	A	Left ventilation flap motor activation	Left ventilation flap motor
23	A	Left ventilation flap motor activation	Left ventilation flap motor
24	A	Left ventilation flap motor activation	Left ventilation flap motor

E = Input, A = Output, M = Ground



## Pin Assignments

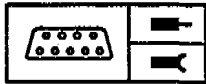
Pin	Type	Description/Function	Connection
25		Not used	
26		Not used	

### X613

Pin	Type	Description/Function	Connection
1	M	Ground	Ground point
2	M	Ground	Ground point
3		Not used	
4	E	Nominal temperature value, left (potentiometer)	IHKA switch
5	E	Nominal air flow value (potentiometer)	IHKA switch
6	M	Interior sensor blower (ground)	IHKA switch
7	A/E	Outside temperature	Outside temperature sensor
8	E	Nominal temperature value, right (potentiometer)	IHKA switch
9	A/E	Evaporator temperature	Evaporator temp. sensor
10	A	Voltage for flap motors	Plus connector for flap motors
11	A	Voltage for flap motors	Plus connector for flap motors
12	E	Ignition voltage (terminal 15)	Blower relay/fuse 21
13	E	Ignition voltage (terminal 15)	Blower relay/fuse 21
14	M	Ground	Ground point
15	M	Ground	Ground point
16	A	Ground for sensors and control wheels	Sensors and control wheels
17	E	Nominal mixing air value	Temperature distribution potentiometer
18	A/E	Left heater temperature	Left heat exchanger temperature sensor
19	E	Starter signal 30h	Starter
20	A	Voltage for control wheels	Control wheels
21	A/E	Inside air temperature sensor	IHKA switch
22	A/E	Right heater temperature	Right heat exchanger temperature sensor
23	A	Voltage for flap motors	Plus connector for flap motors
24	A	Voltage for flap motors	Plus connector for flap motors

E = Input, A = Output, M = Ground





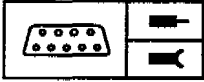
## Pin Assignments

Pin	Type	Description/Function	Connection
25	E	Ignition voltage (terminal 15)	Blower relay/fuse 21
26	E	Ignition voltage (terminal 15)	Blower relay/fuse 21

### X614

Pin	Type	Description/Function	Connection
1	A	Right footwell flap motor activation	Right footwell flap motor
2	A	Right footwell flap motor activation	Right footwell flap motor
3	A	Right footwell flap motor activation	Right footwell flap motor
4	A	Right footwell flap motor activation	Right footwell flap motor
5	E	Switch for circulating air and air conditioning	IHKA switch
6	E	Switch for rear window, max left, bottom left	IHKA switch/rear window defogger switch
7	E	Switch for defrost, park heating, park ventilation	IHKA switch, relay box park heating/park ventilation
8	E	Switch for max right, bottom right, right-hand drive coding diode	IHKA switch
9	E	Vehicle speed signal	Body electronics module (EKM)
10	E	RxD diagnostic data line	Data link connector
11	A	Switch for rear window, park heating, right-hand drive coding diode	IHKA switch/rear window defogger switch
12	A	Switch for circulating air, max left, max right, park ventilation	IHKA switch
13	A	Switch for air conditioning, bottom left, defrost, bottom right	IHKA switch
14	A	Right ventilation flap motor activation	Right ventilation flap motor
15	A	Right ventilation flap motor activation	Right ventilation flap motor
16	A	Right ventilation flap motor activation	Right ventilation flap motor
17	A	Right ventilation flap motor activation	Right ventilation flap motor
18	A	Dash vent mixing flap motor activation	Dash vent mixing flap motor
19	A	Dash vent mixing flap motor activation	Dash vent mixing flap motor
20	A	Dash vent mixing flap motor activation	Dash vent mixing flap motor

E = Input, A = Output, M = Ground



### Pin Assignments

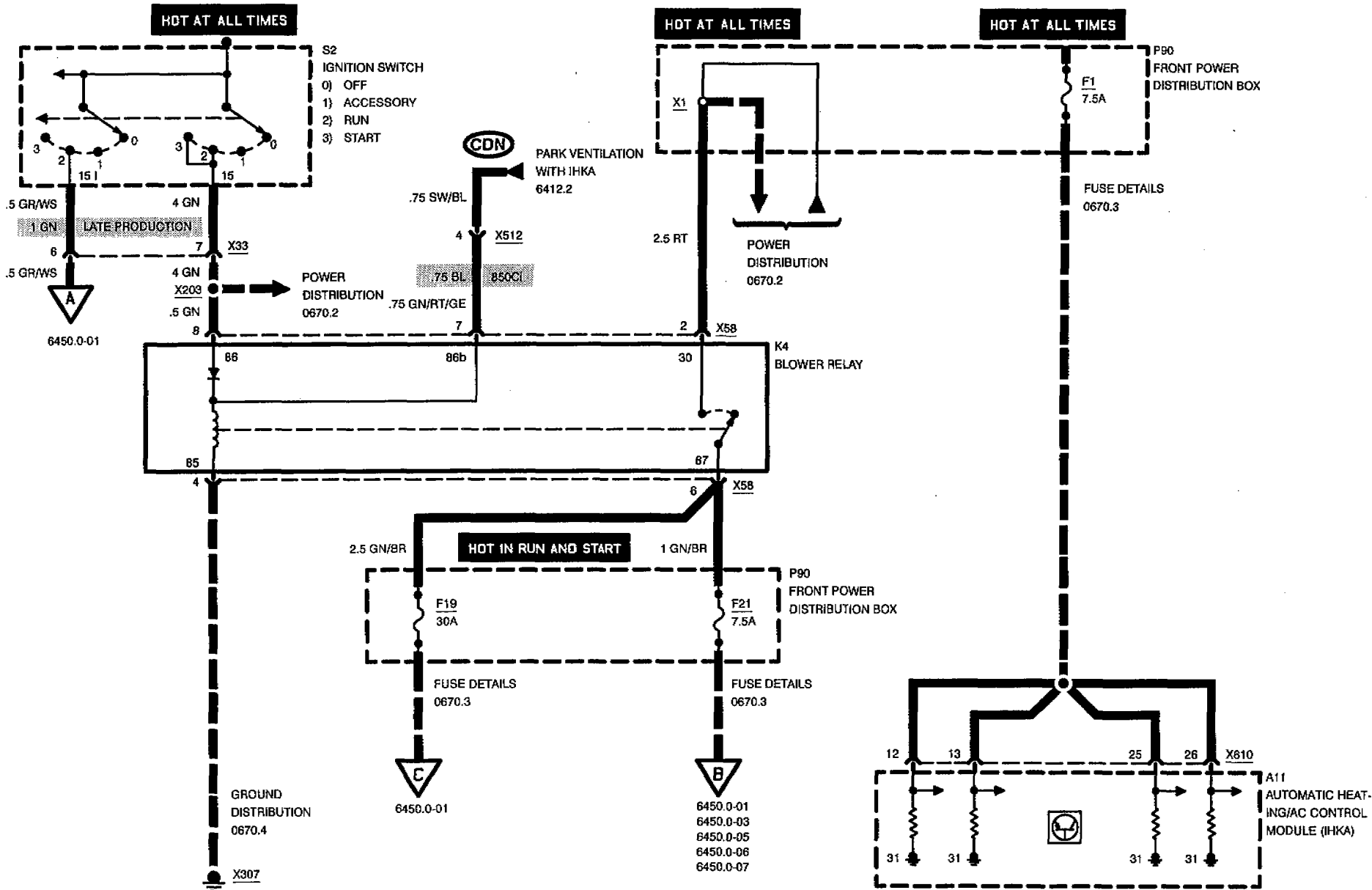
Pin	Type	Description/Function	Connection
21	A	Dash vent mixing flap motor activation	Dash vent mixing flap motor
22		Not used	
23		Not used	
24		Not used	
25		Not used	
26		Not used	

E = Input, A = Output, M = Ground



# AUTOMATIC HEATING/AC CONTROL (IHKA)

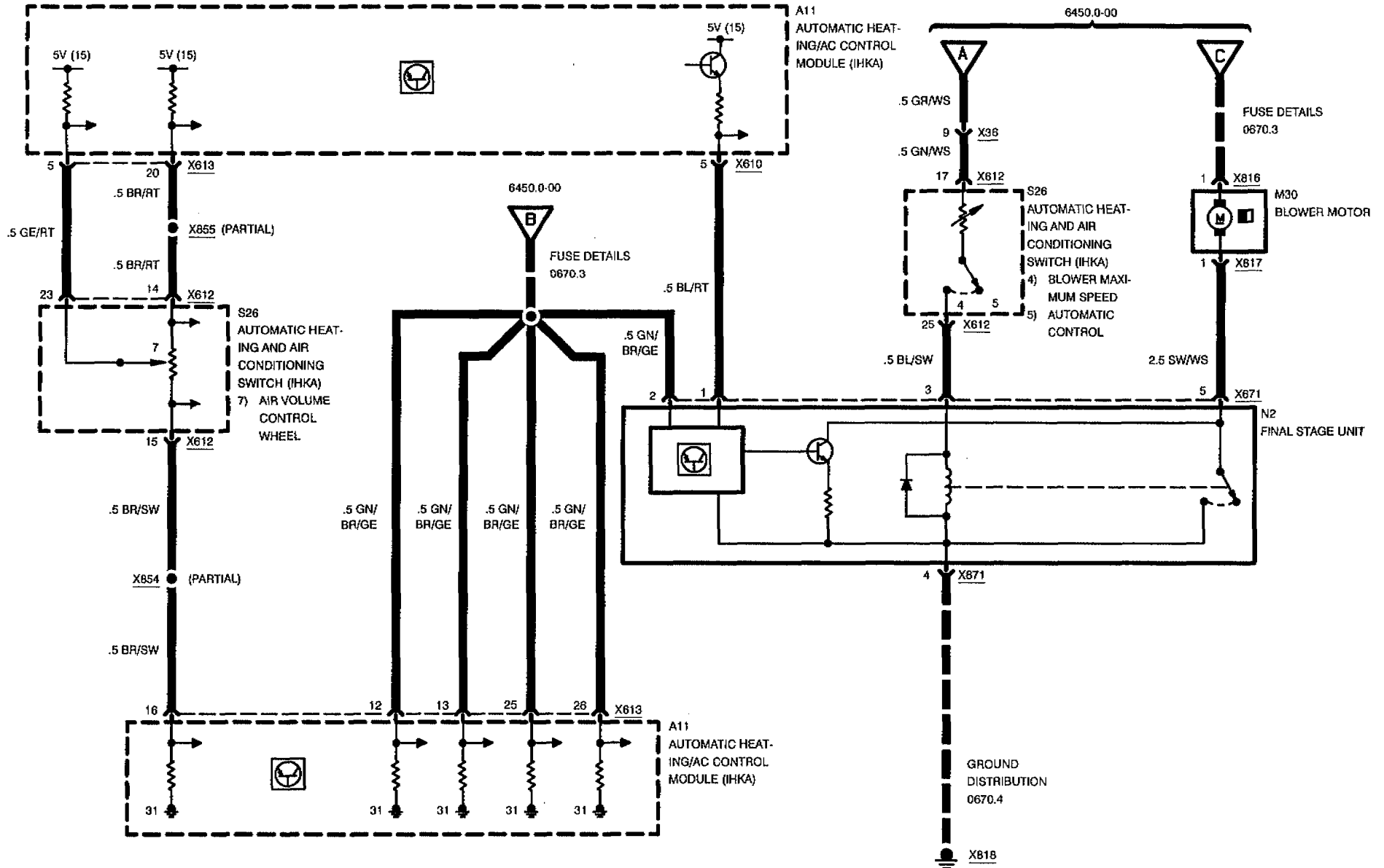
## POWER





# AUTOMATIC HEATING/AC CONTROL (IHKA)

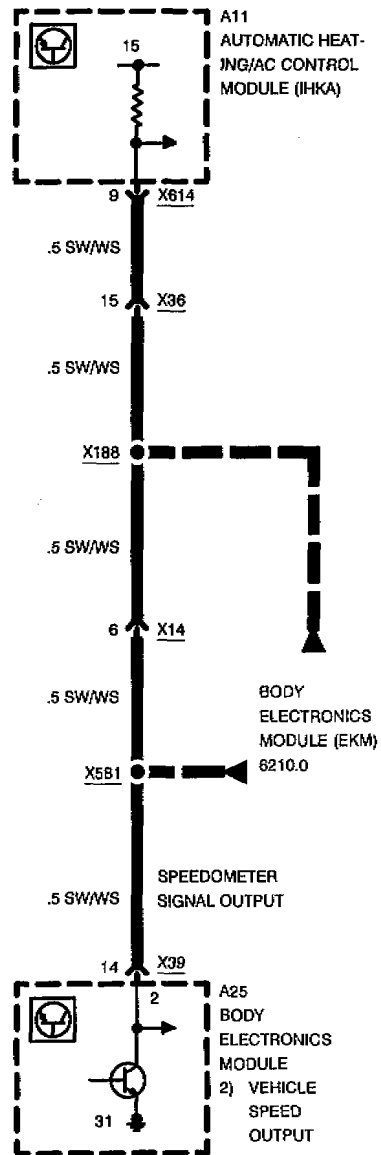
## BLOWER CONTROLS



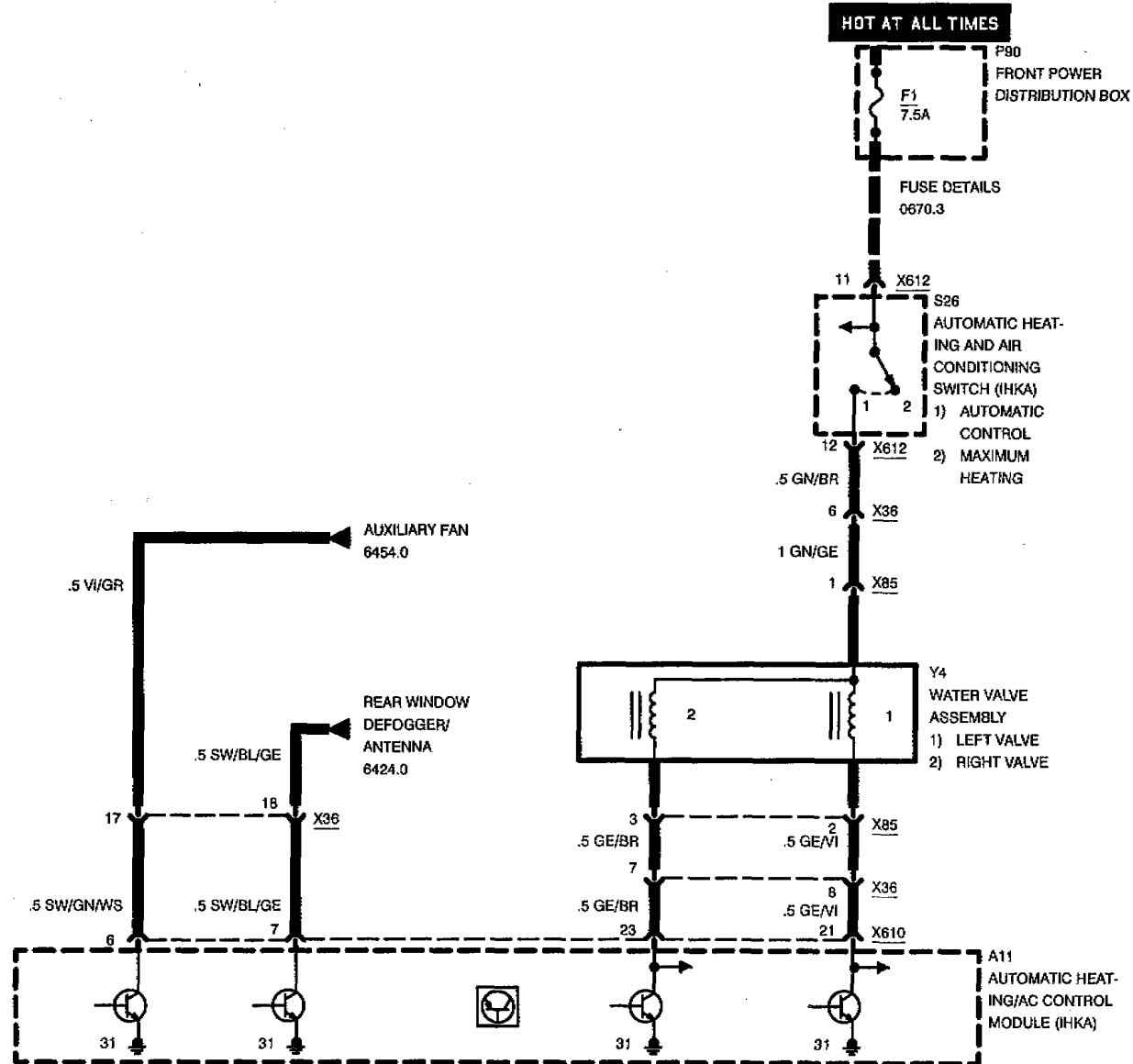


# AUTOMATIC HEATING/AC CONTROL (IHKA)

## BLOWER CONTROLS



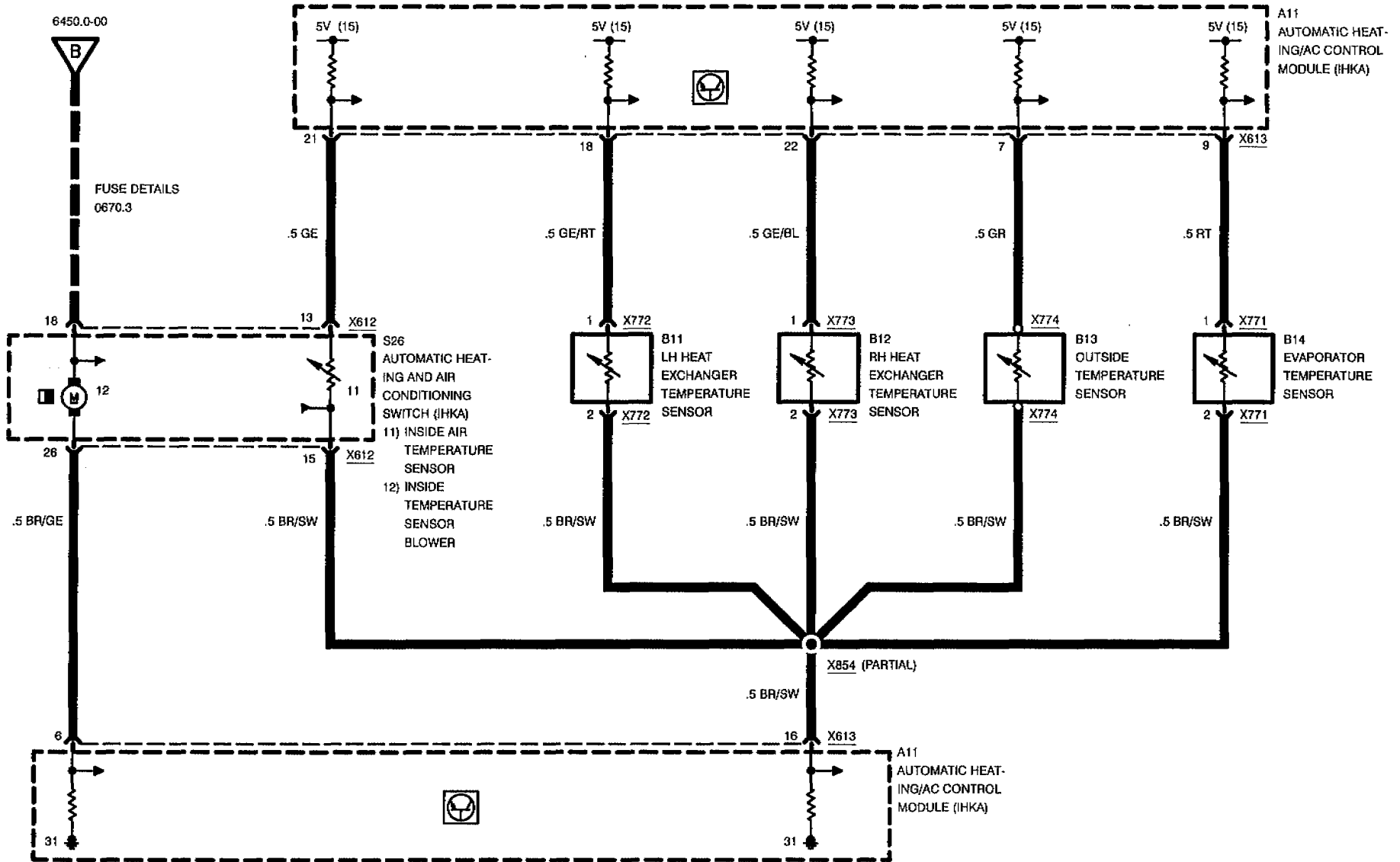
## WATER VALVES





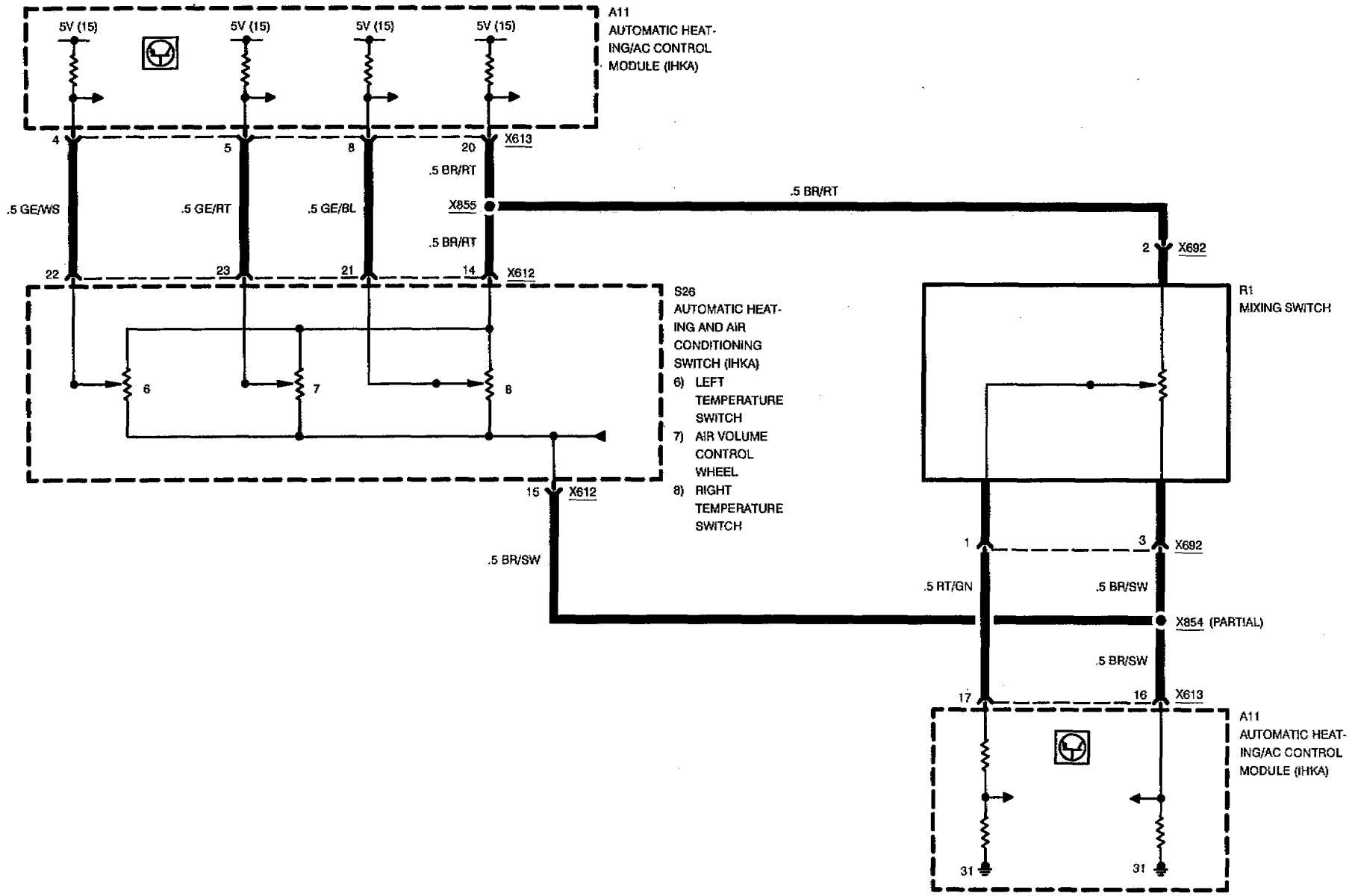
# AUTOMATIC HEATING/AC CONTROL (IHKA)

## TEMPERATURE CONTROLS





# AUTOMATIC HEATING/AC CONTROL (IHKA) TEMPERATURE CONTROLS



02/97

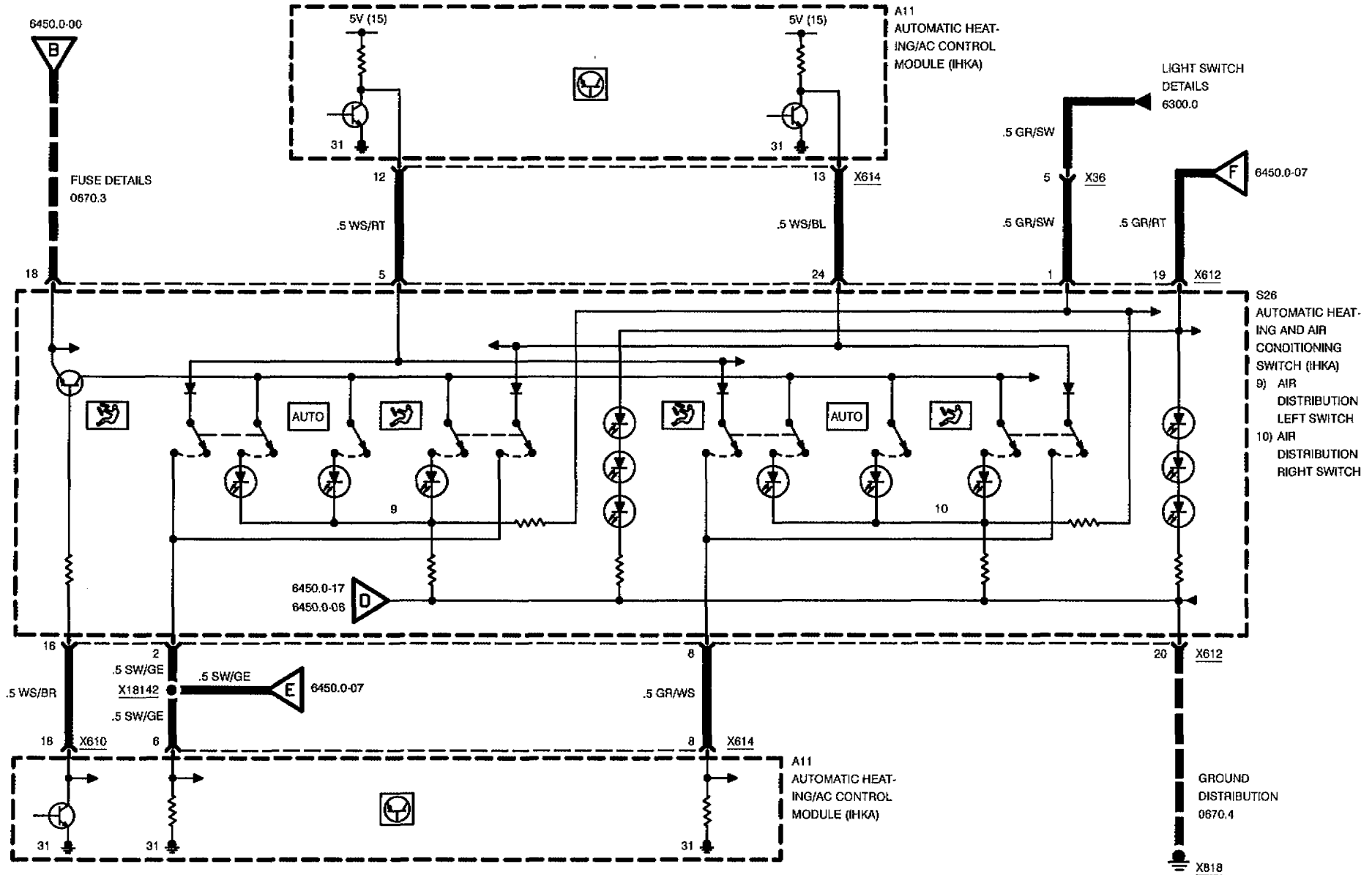
6450.0-04

95/96



# AUTOMATIC HEATING/AC CONTROL (IHKA)

## AIR DELIVERY

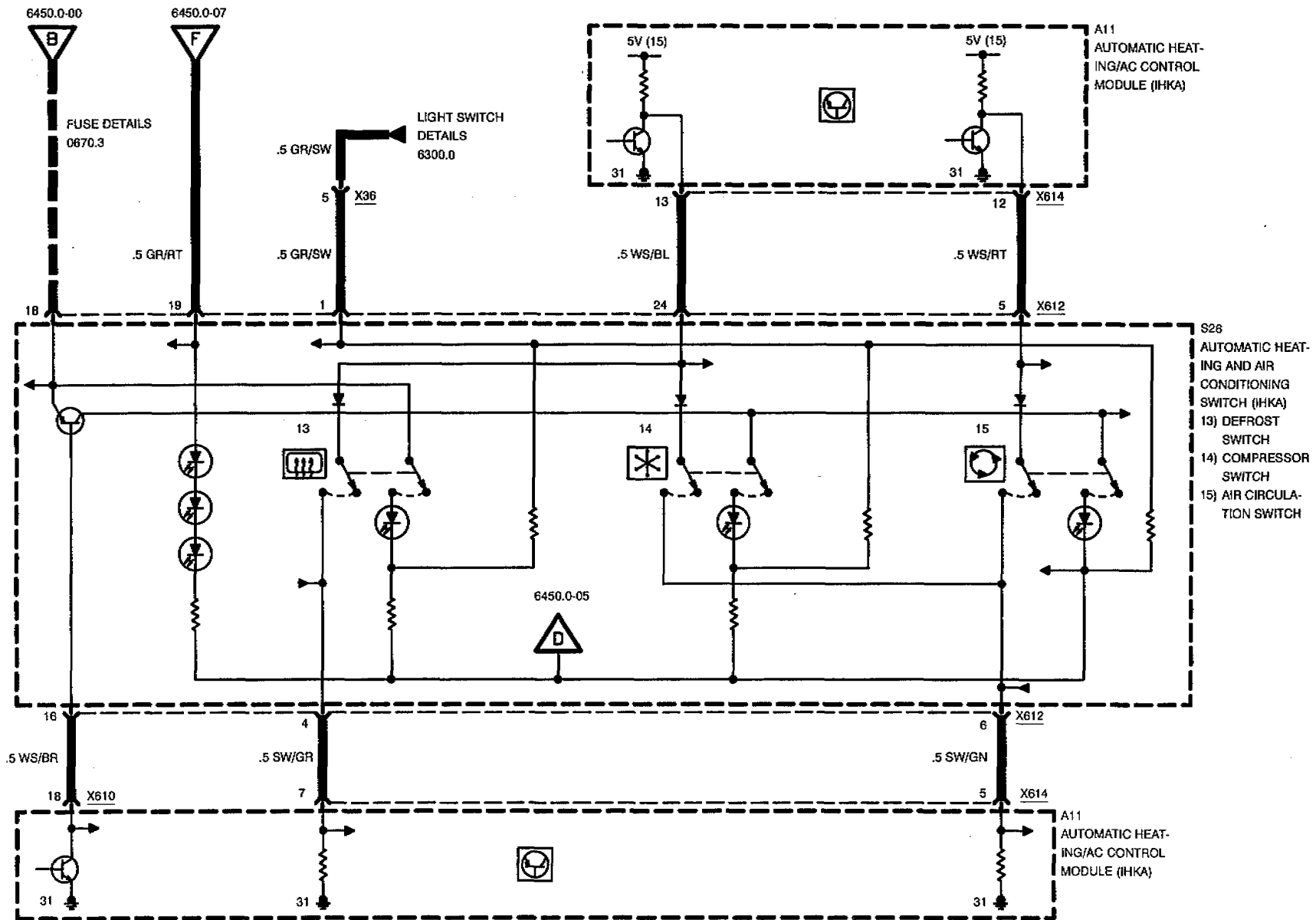






# AUTOMATIC HEATING/AC CONTROL (IHKA)

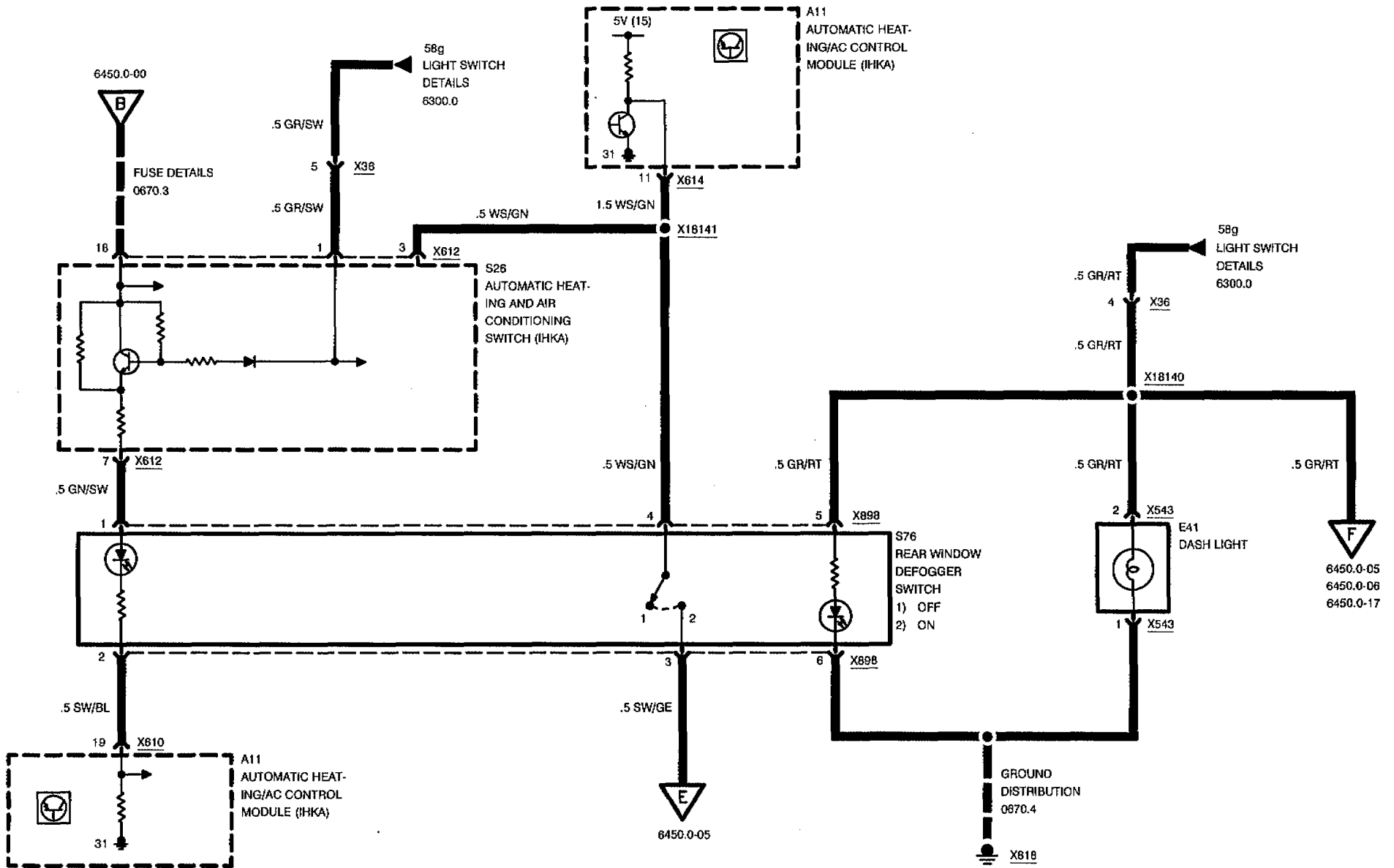
## AIR DELIVERY





# AUTOMATIC HEATING/AC CONTROL (IHKA)

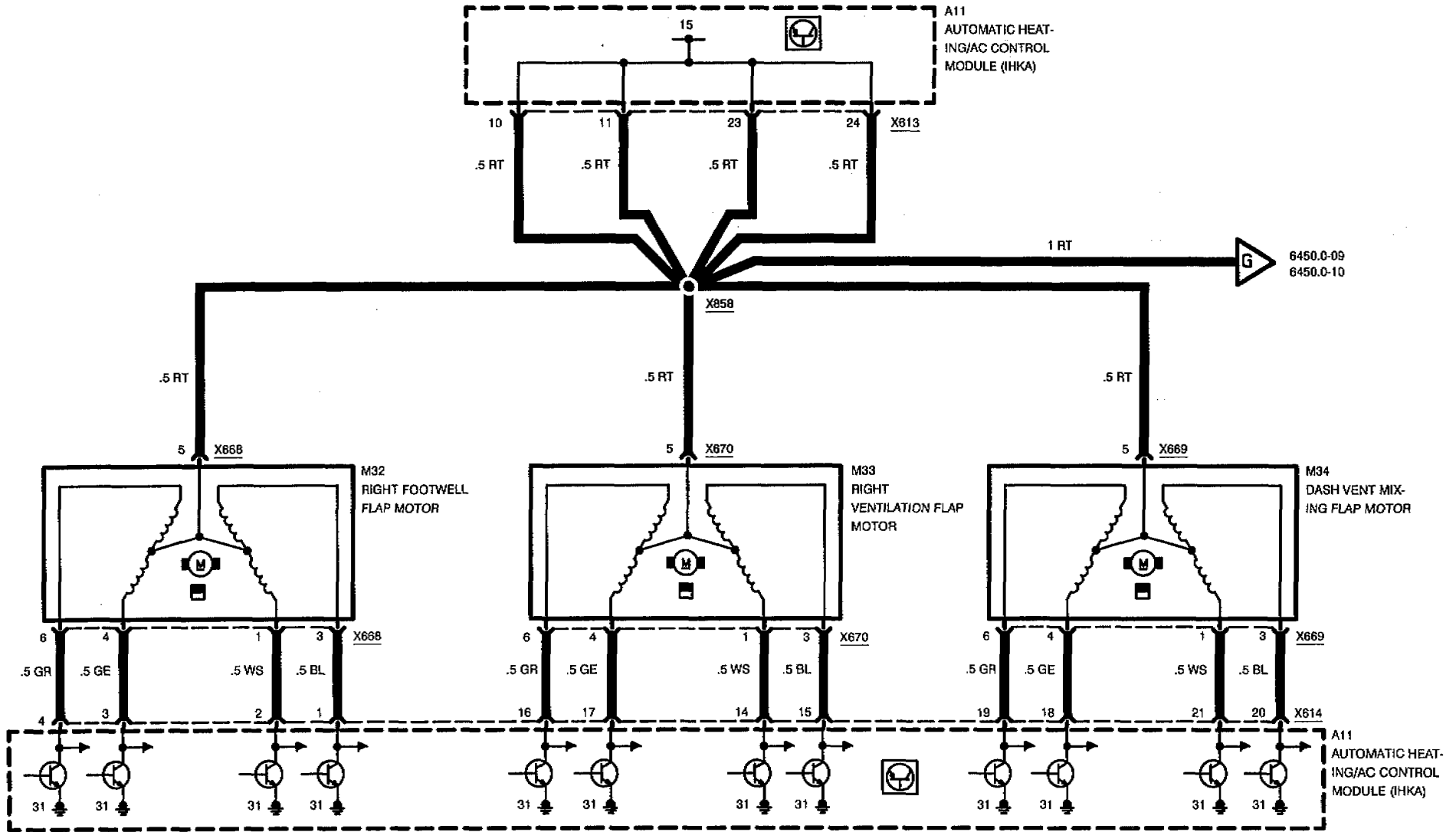
## AIR DELIVERY





# AUTOMATIC HEATING/AC CONTROL (IHKA)

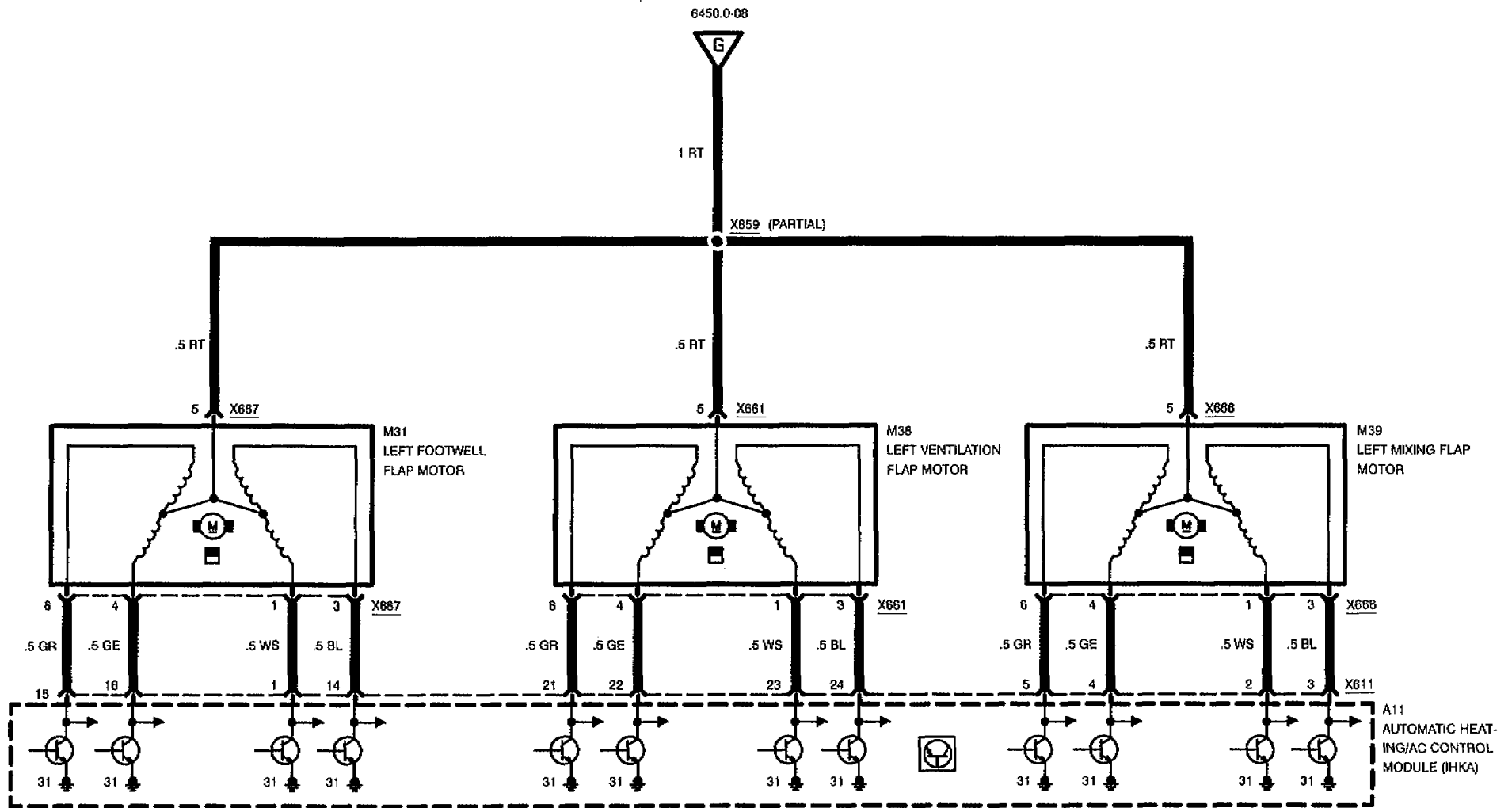
## AIR DELIVERY





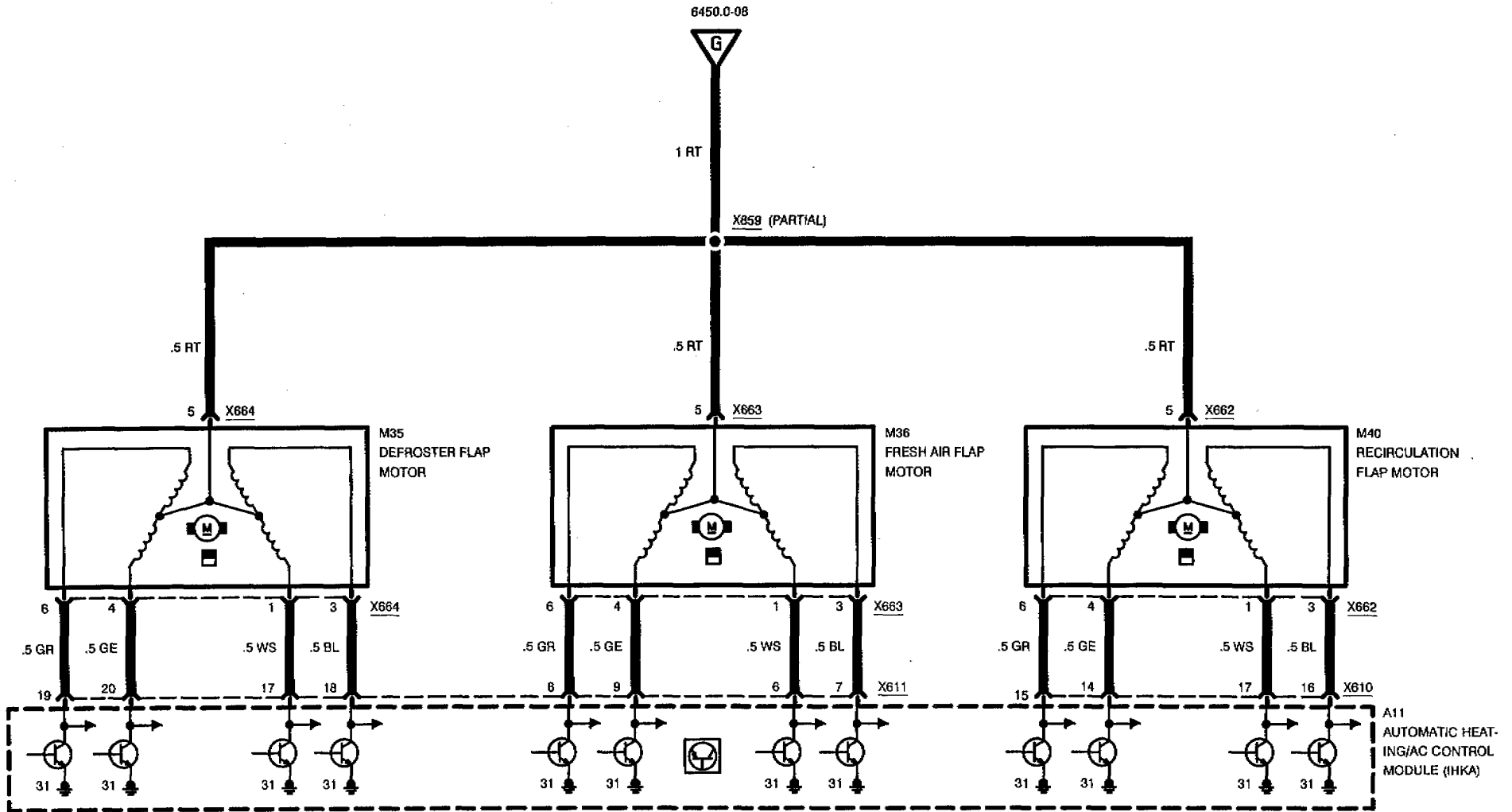
# AUTOMATIC HEATING/AC CONTROL (IHKA)

## AIR DELIVERY





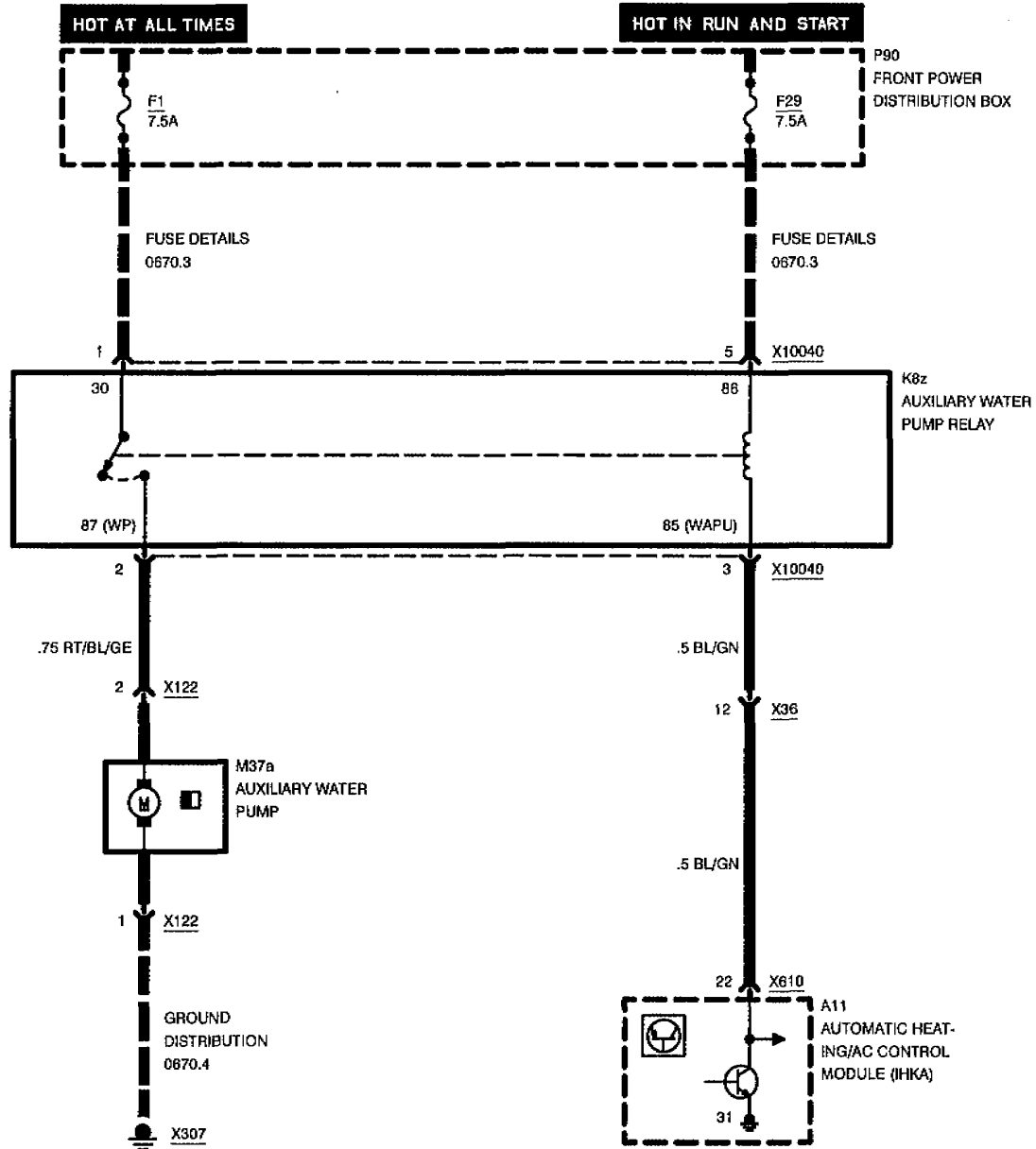
# AUTOMATIC HEATING/AC CONTROL (IHKA) AIR DELIVERY





# AUTOMATIC HEATING/AC CONTROL (IHKA)

## AUXILIARY WATER PUMP

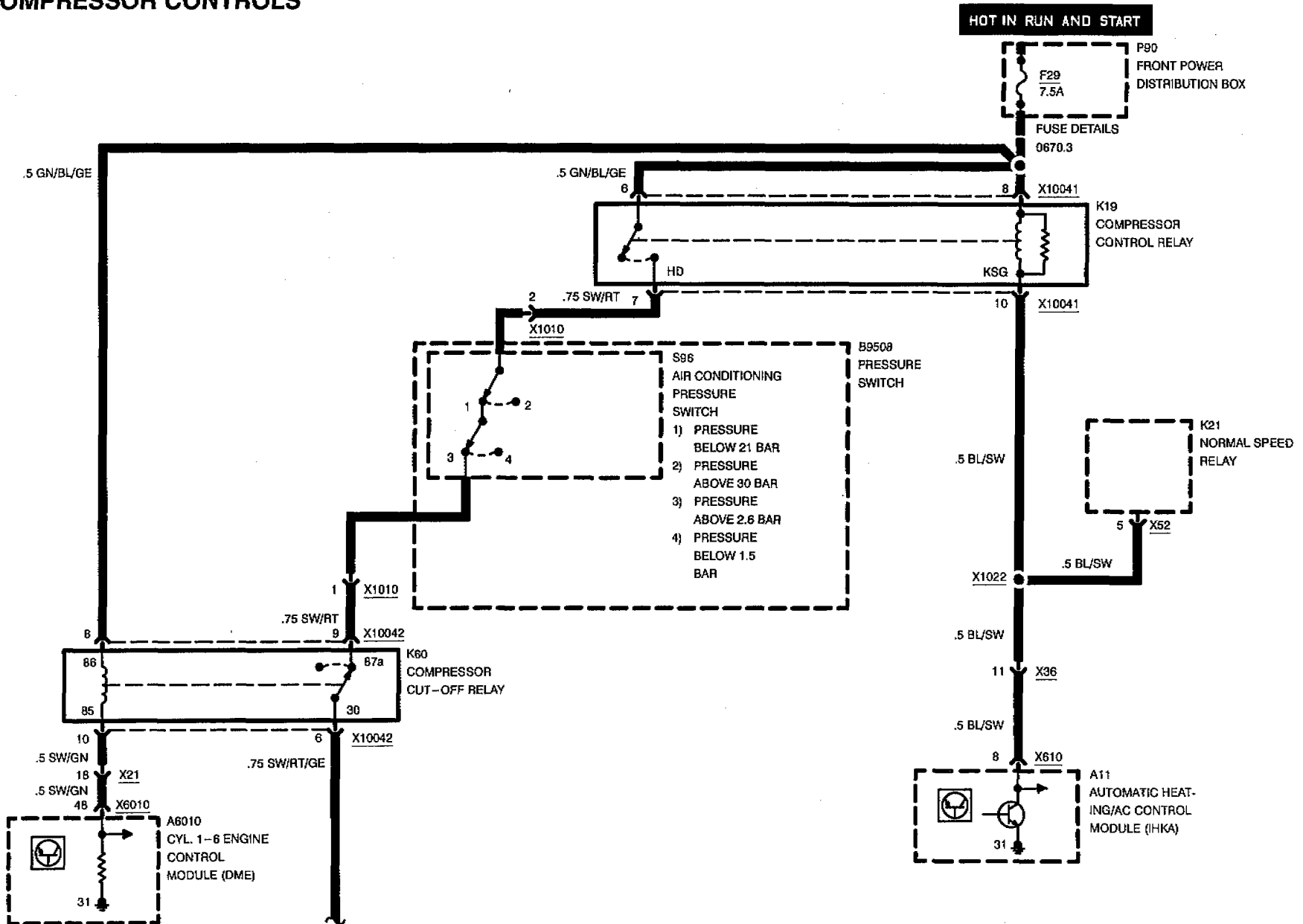


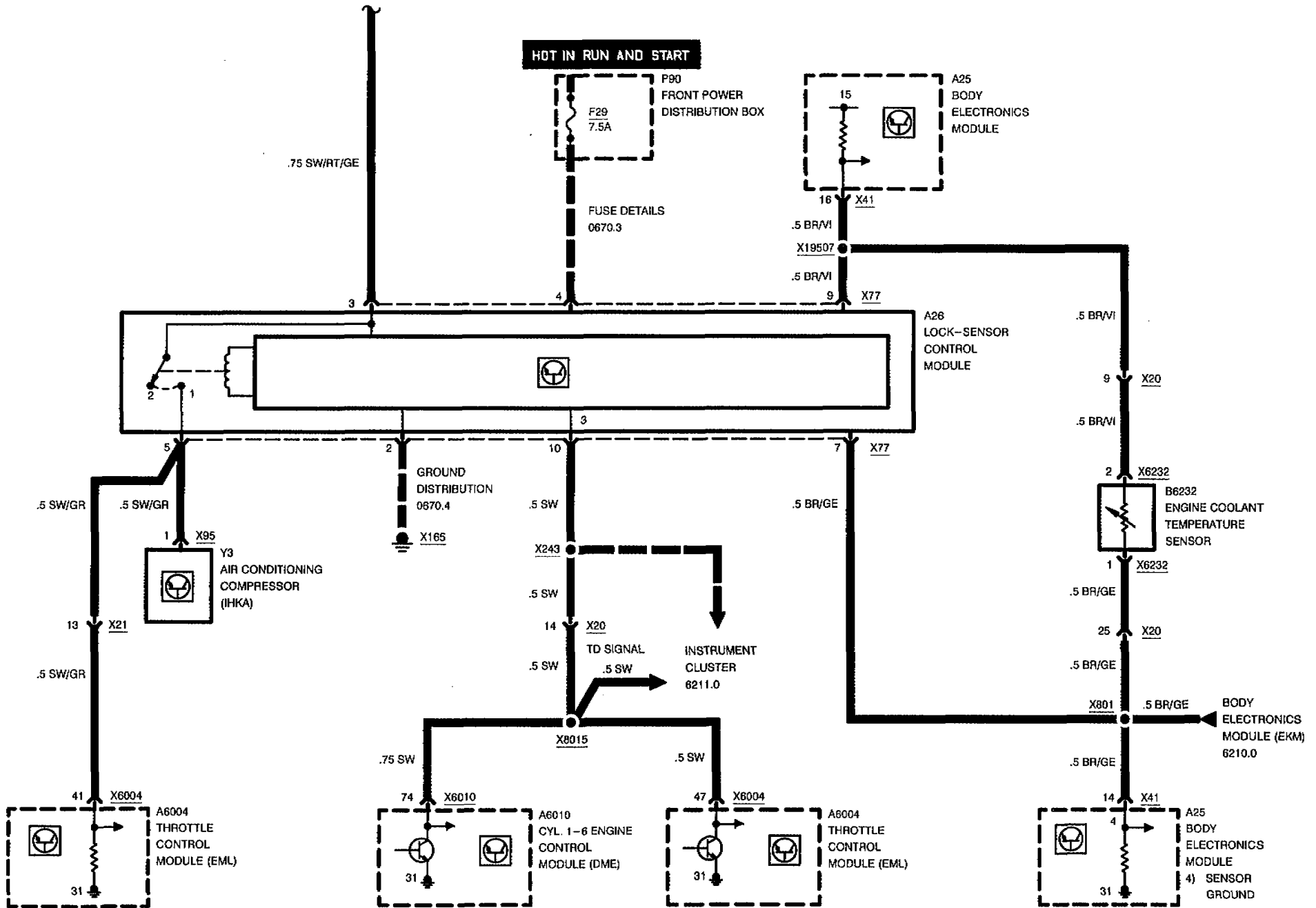


# AUTOMATIC HEATING/AC CONTROL (IHKA)

850CSi

## COMPRESSOR CONTROLS





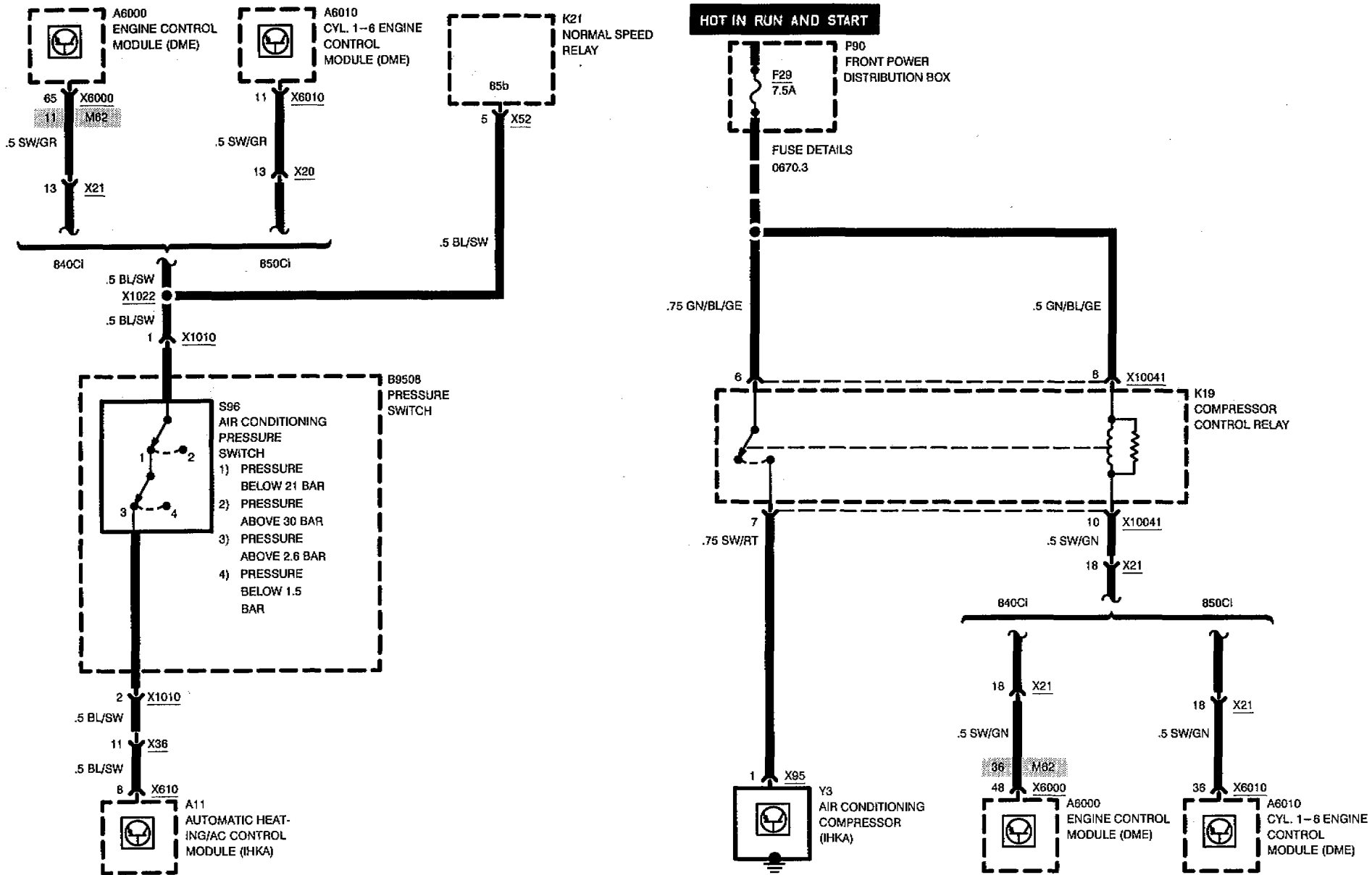




# AUTOMATIC HEATING/AC CONTROL (IHKA)

840Ci, 850Ci

## COMPRESSOR CONTROLS



02/97

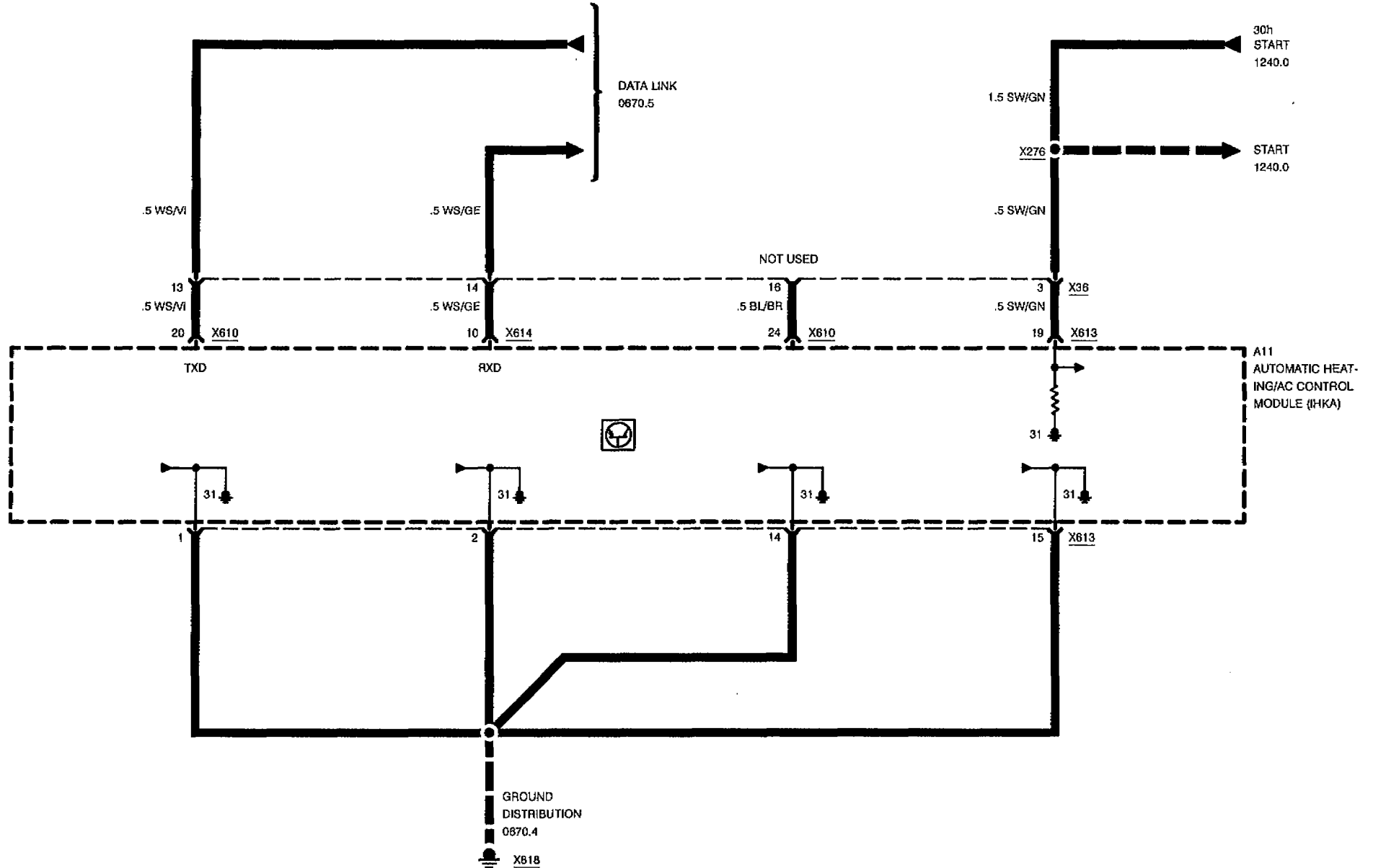
6450.0-14

95/96



# AUTOMATIC HEATING/AC CONTROL (IHKA)

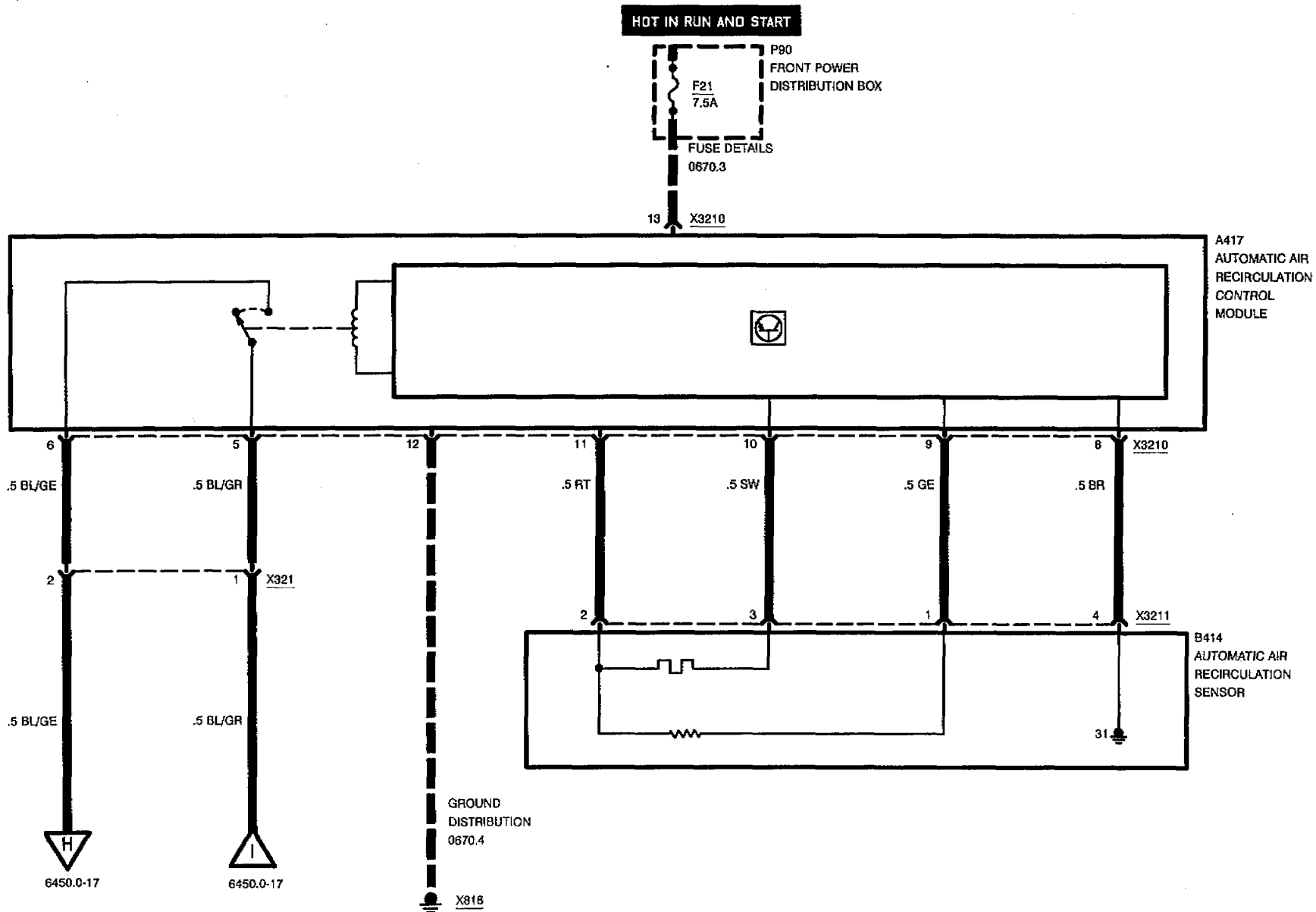
## DATA LINK AND STARTER INPUT





# AUTOMATIC HEATING/AC CONTROL (IHKA)

## AUC

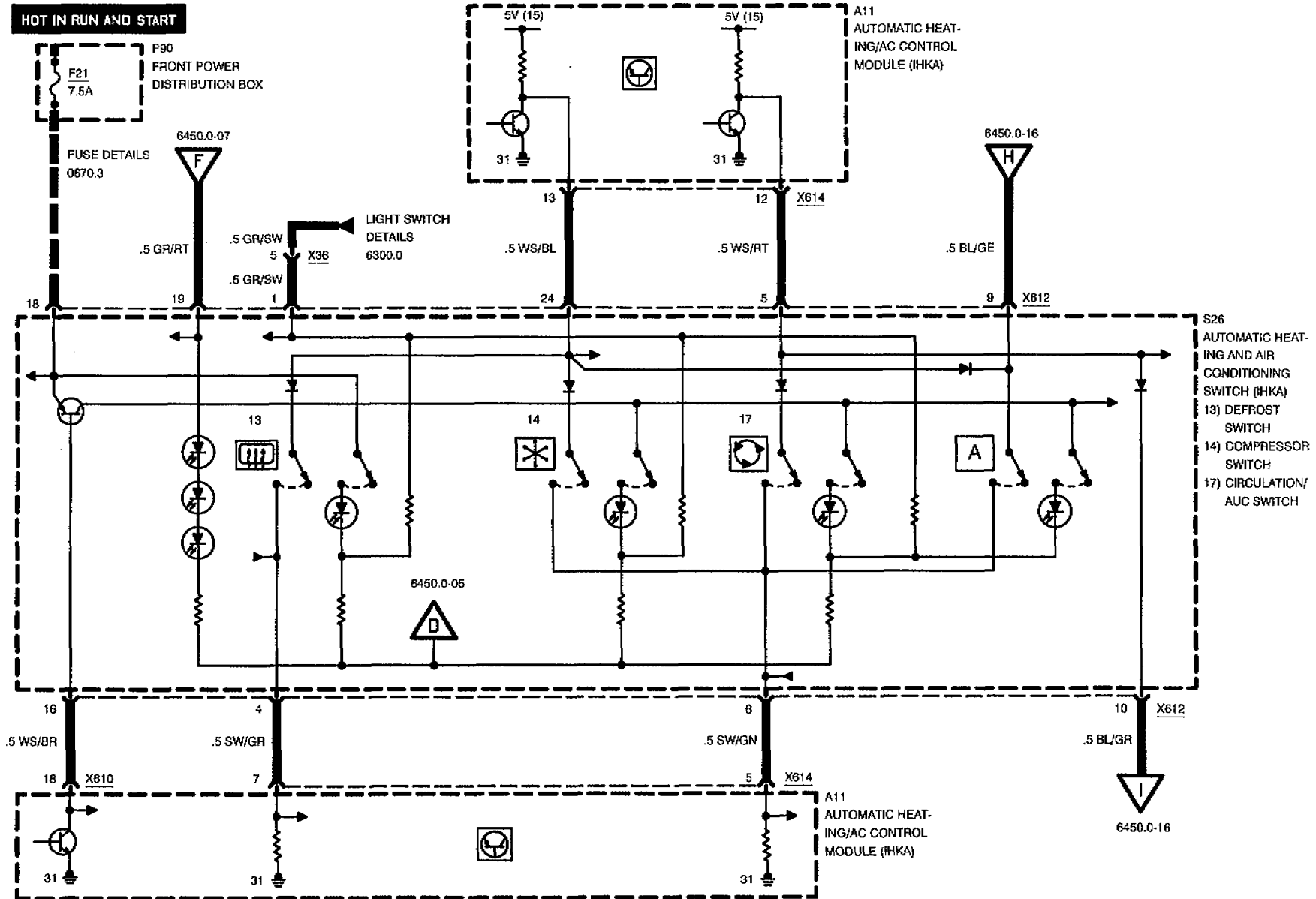


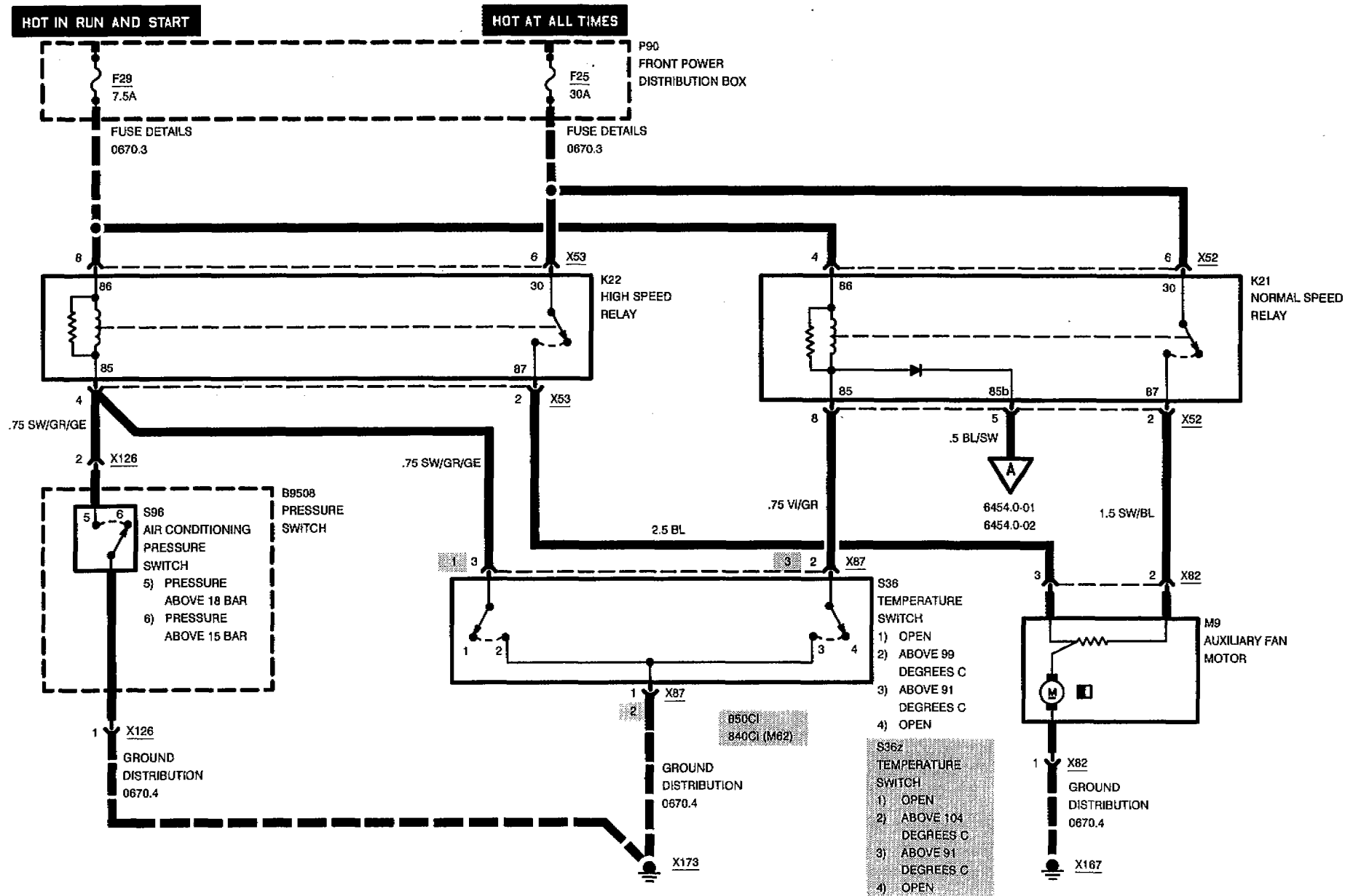


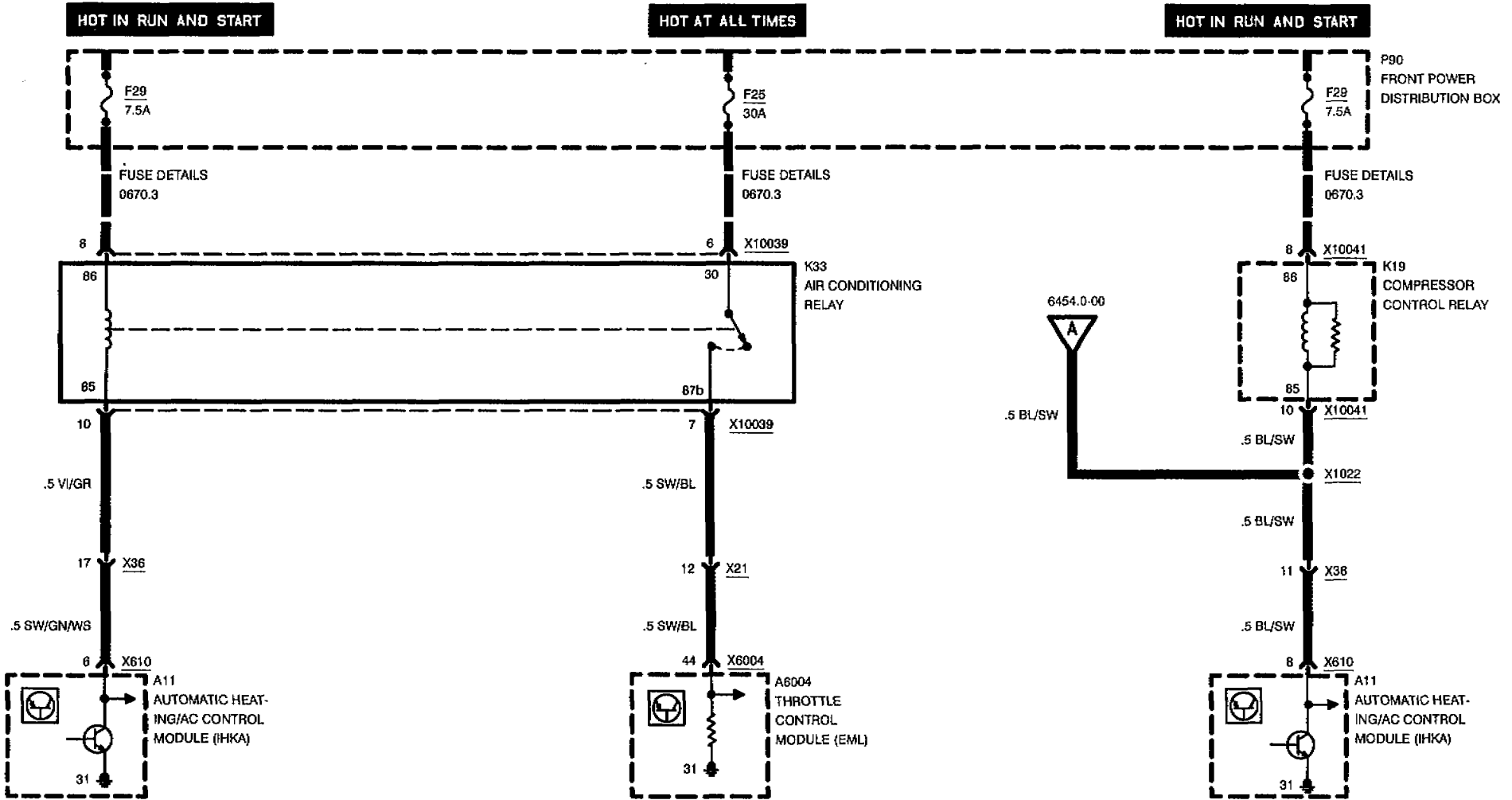
# AUTOMATIC HEATING/AC CONTROL (IHKA)



## AUC



**AUXILIARY FAN**

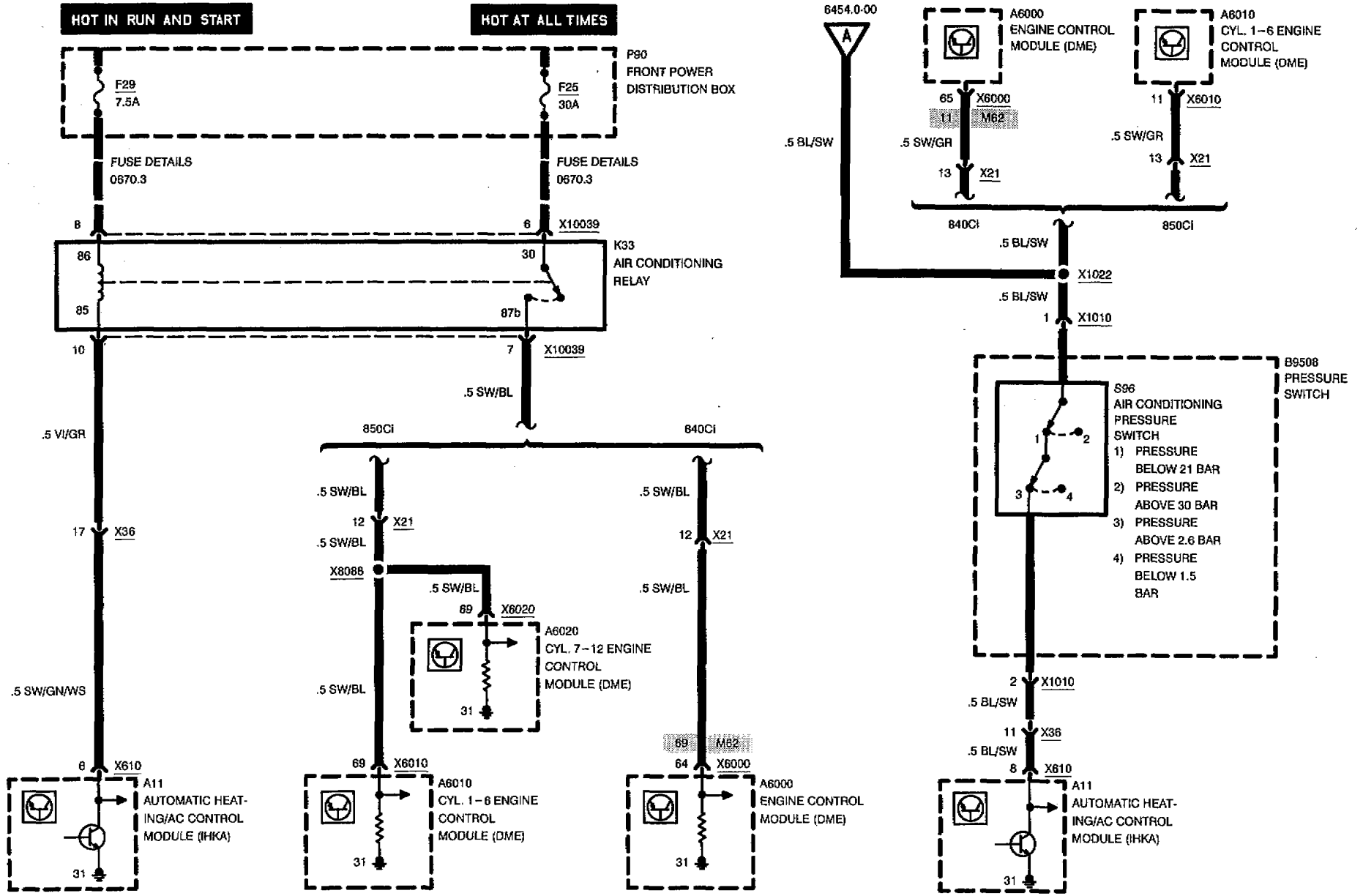




# AUXILIARY FAN

## 840Ci, 850Ci

02/97



6454.0-02

95/96

BMW  
8

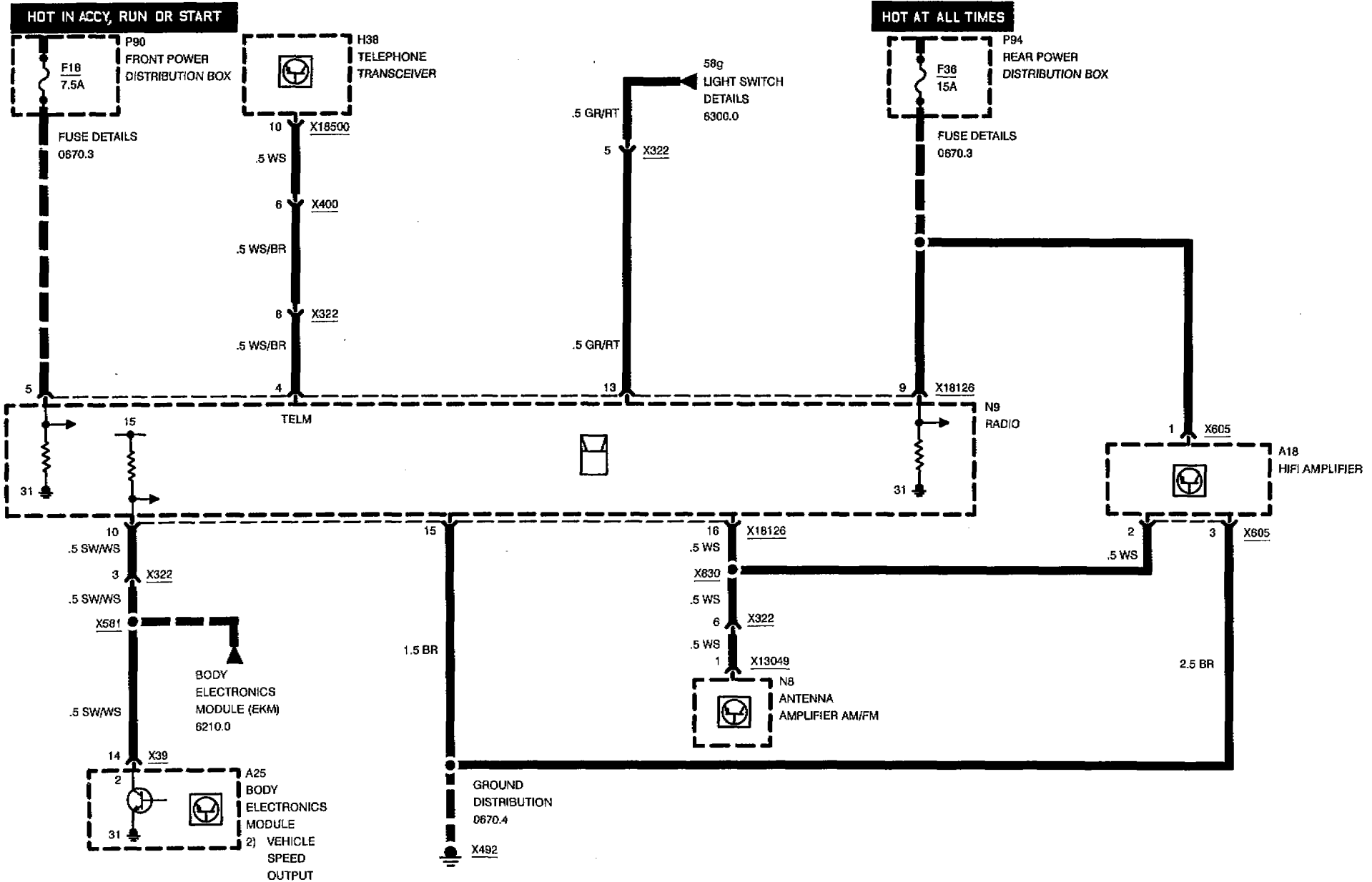
6510.1





# RADIO/HIFI

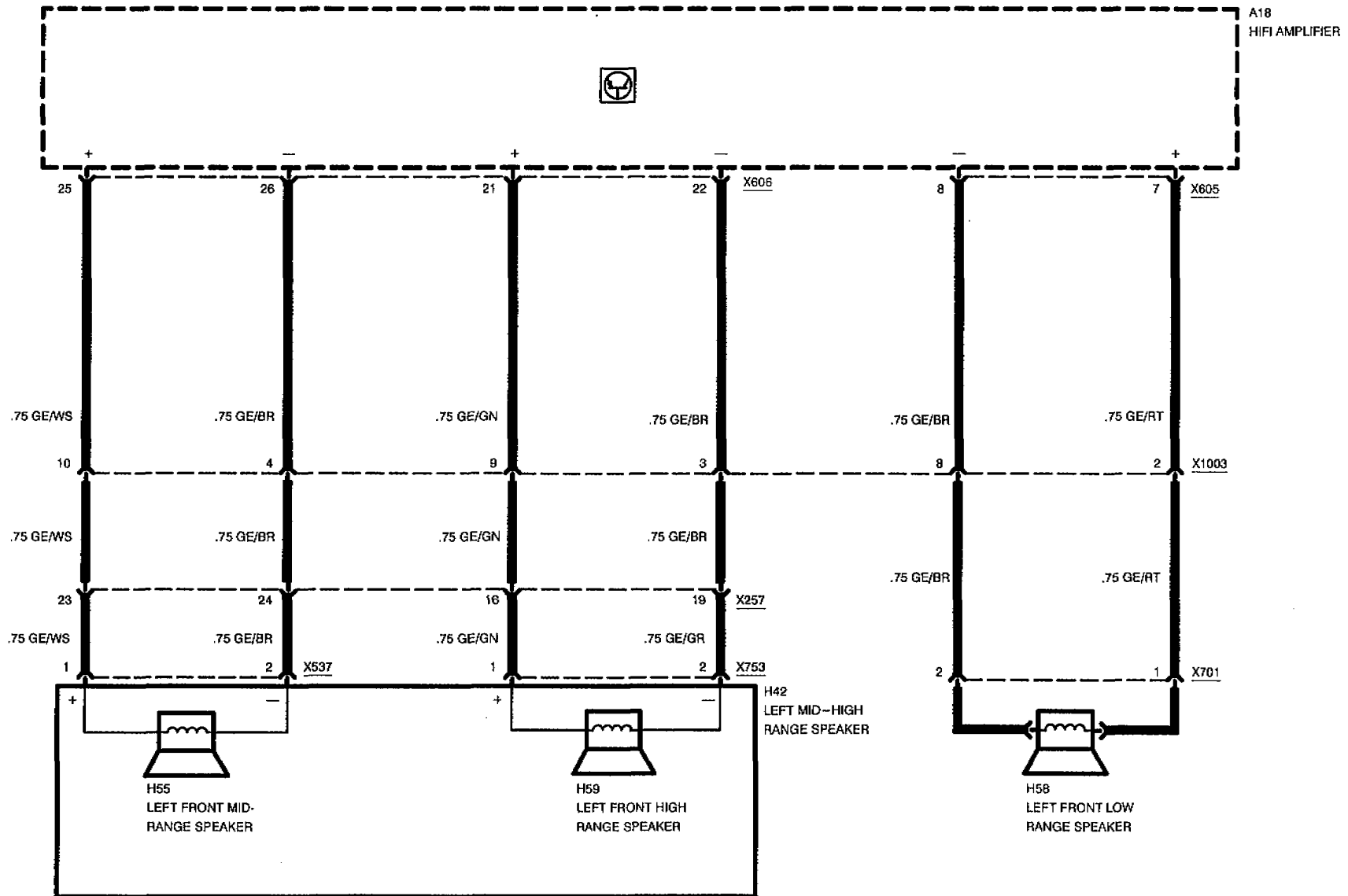
## HIFI, 10-SPEAKER SYSTEM





# RADIO/HIFI

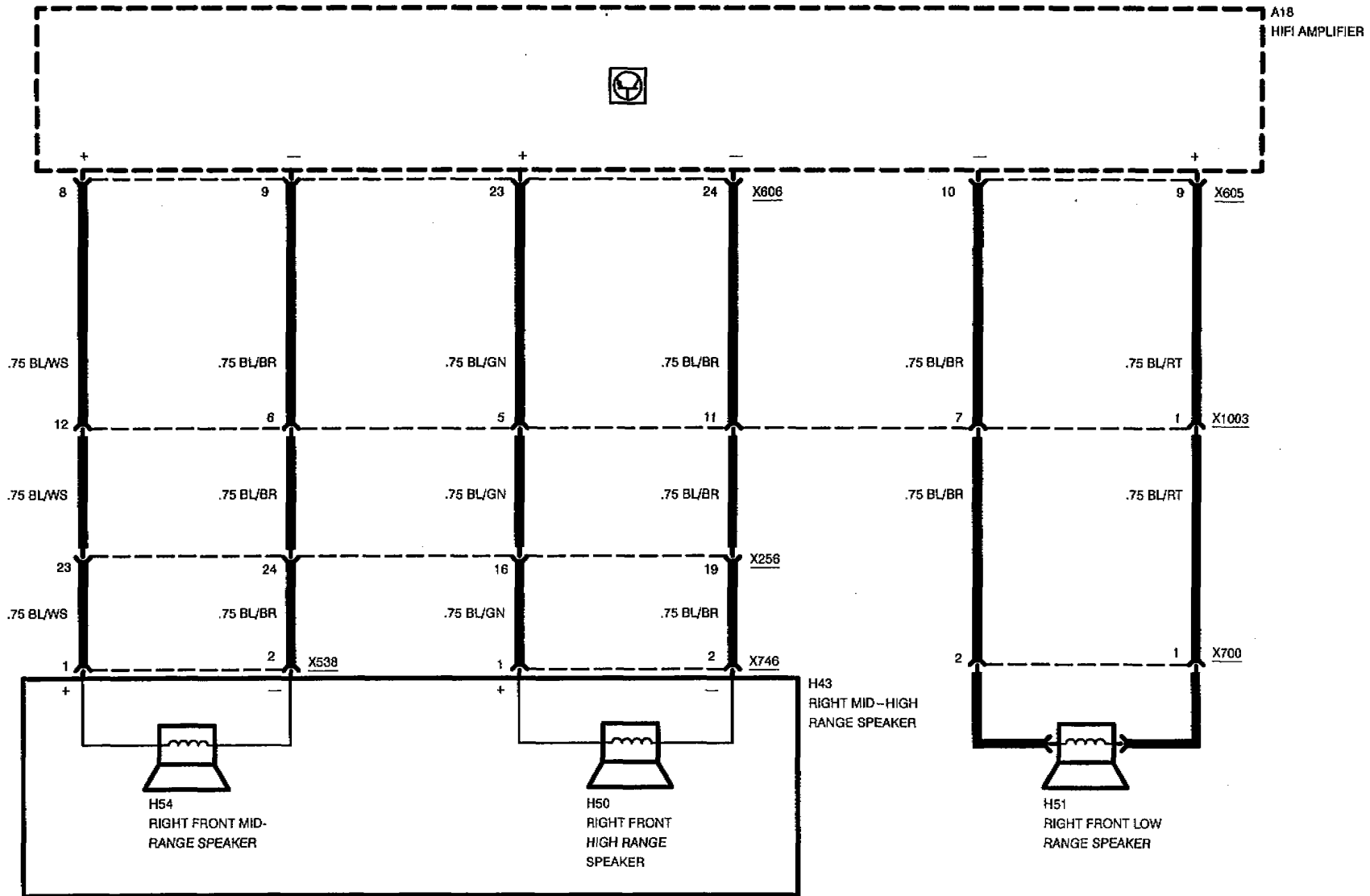
## HIFI, 10-SPEAKER SYSTEM





# RADIO/HIFI

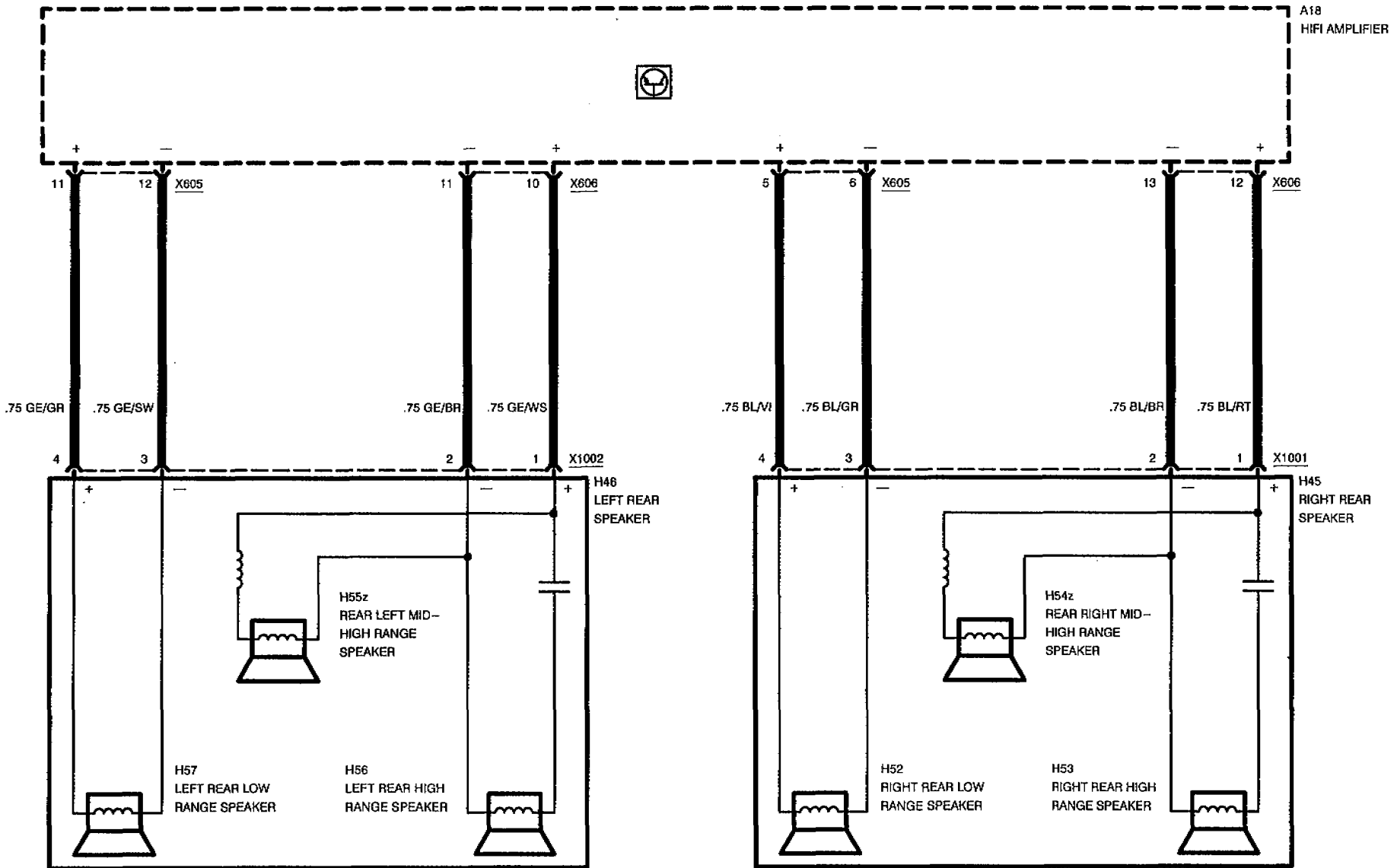
## HIFI, 10-SPEAKER SYSTEM





# RADIO/HIFI

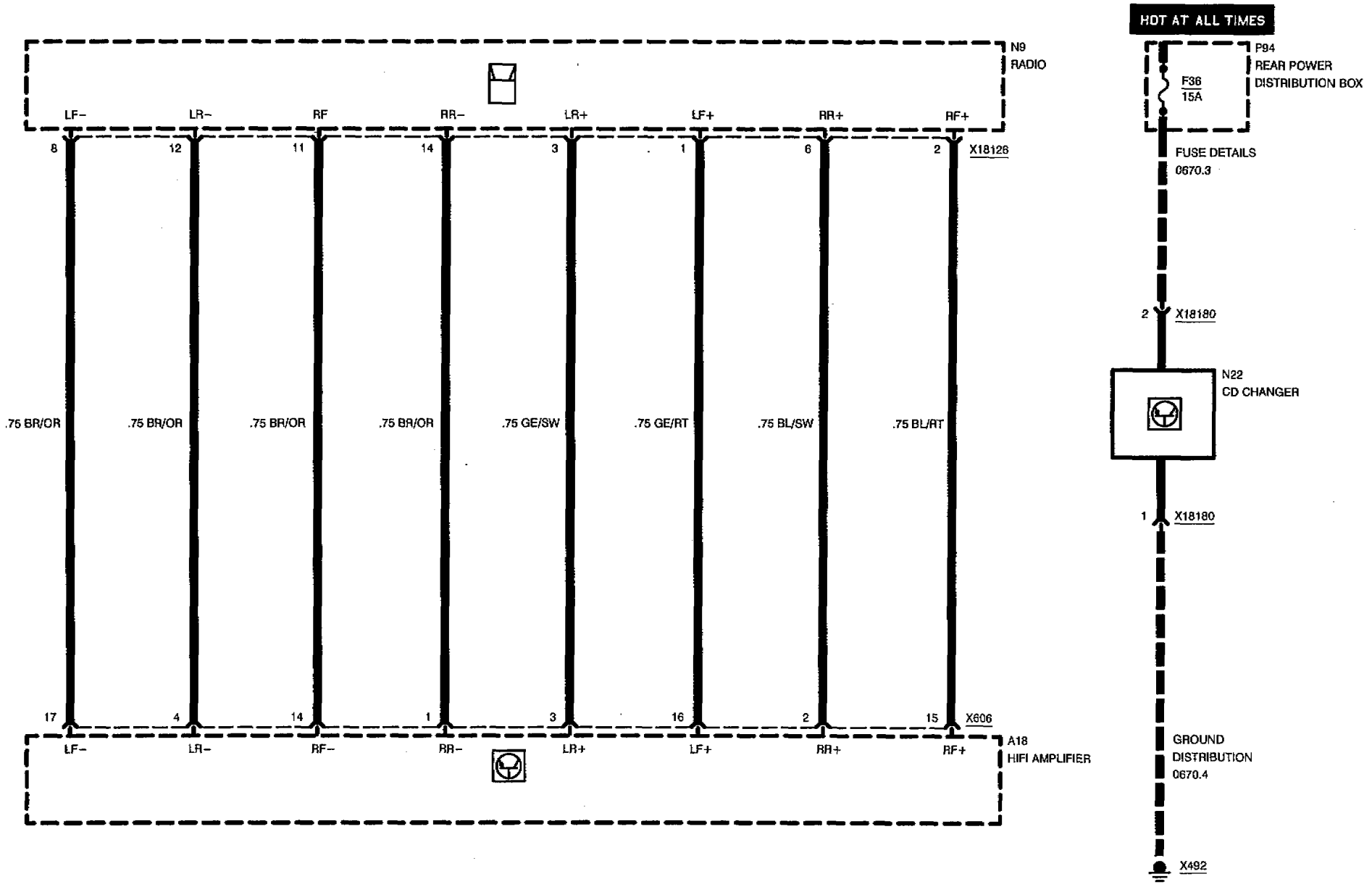
## HIFI, 10-SPEAKER SYSTEM





# RADIO/HIFI

## HIFI, 10-SPEAKER SYSTEM (ONE COMPONENT)

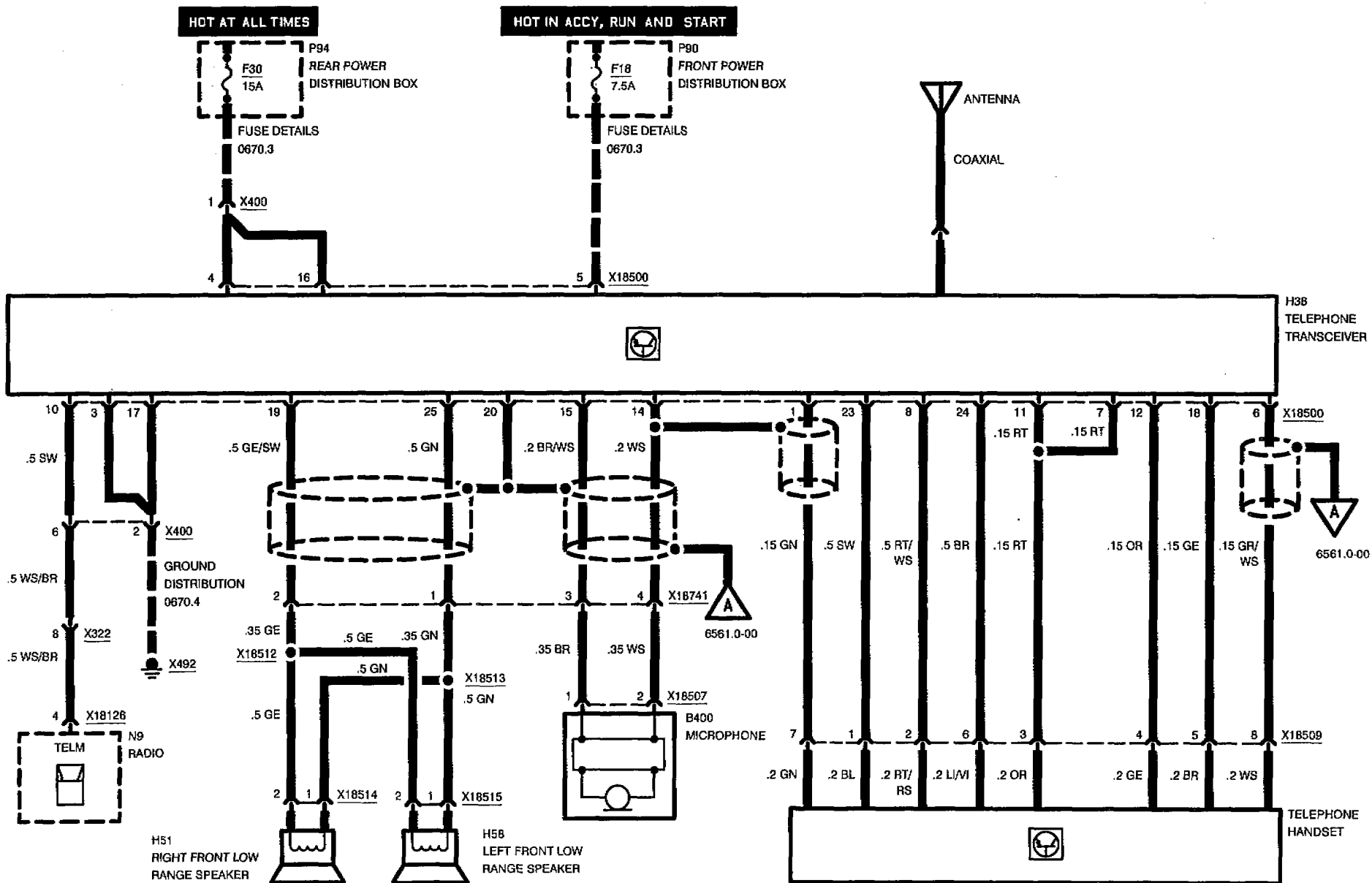




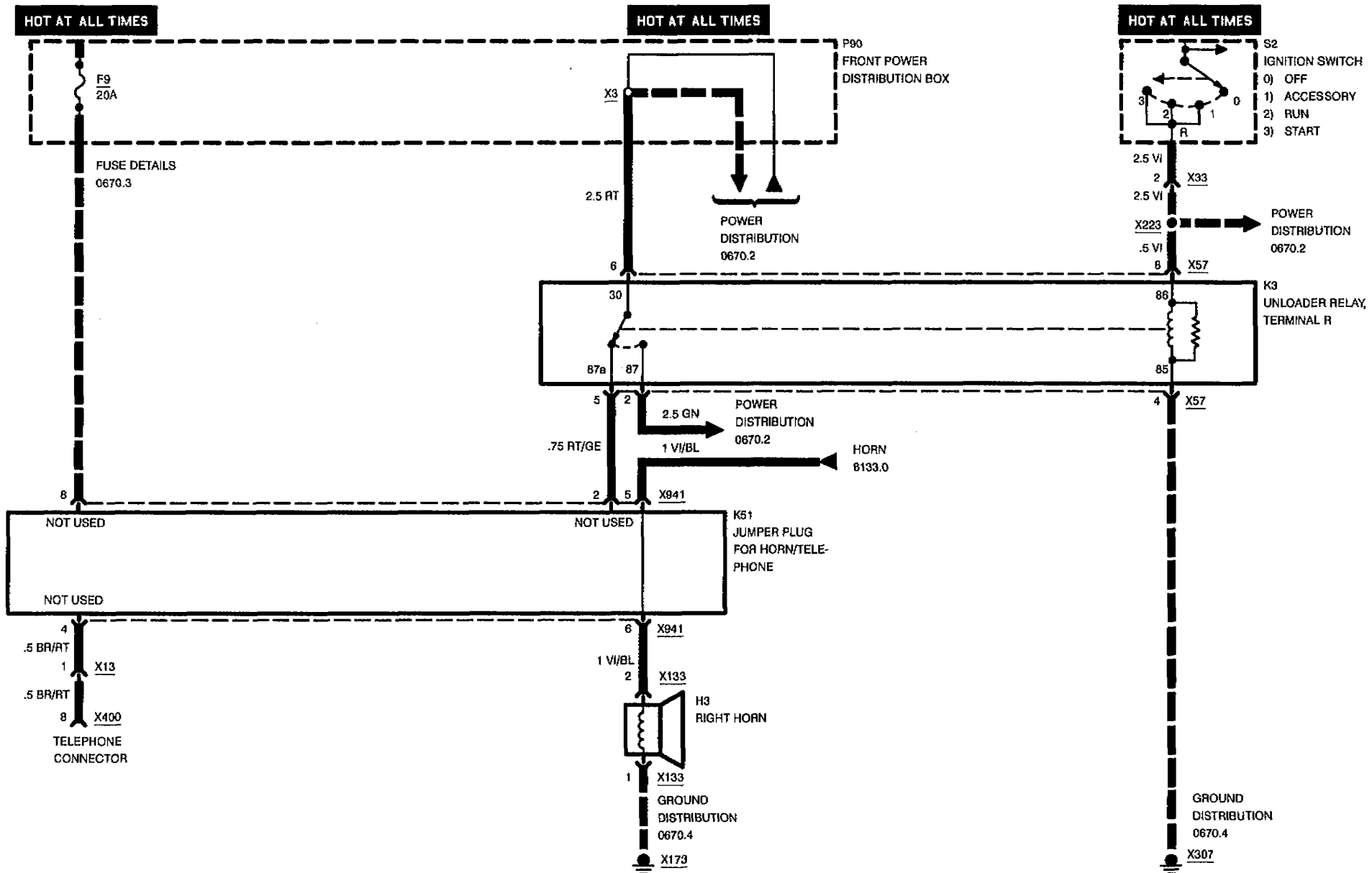


# CELLULAR TELEPHONE (PROVISIONS)

## AMPS SYSTEM



**BMW**  
**8** **CELLULAR TELEPHONE (PROVISIONS)**







# CRUISE CONTROL (TEMPOMAT)

HOT IN RUN AND START

HOT IN ACCY, RUN OR START

F12  
15A

F8  
7.5A

P90  
FRONT POWER  
DISTRIBUTION BOX

FUSE DETAILS  
0670.3

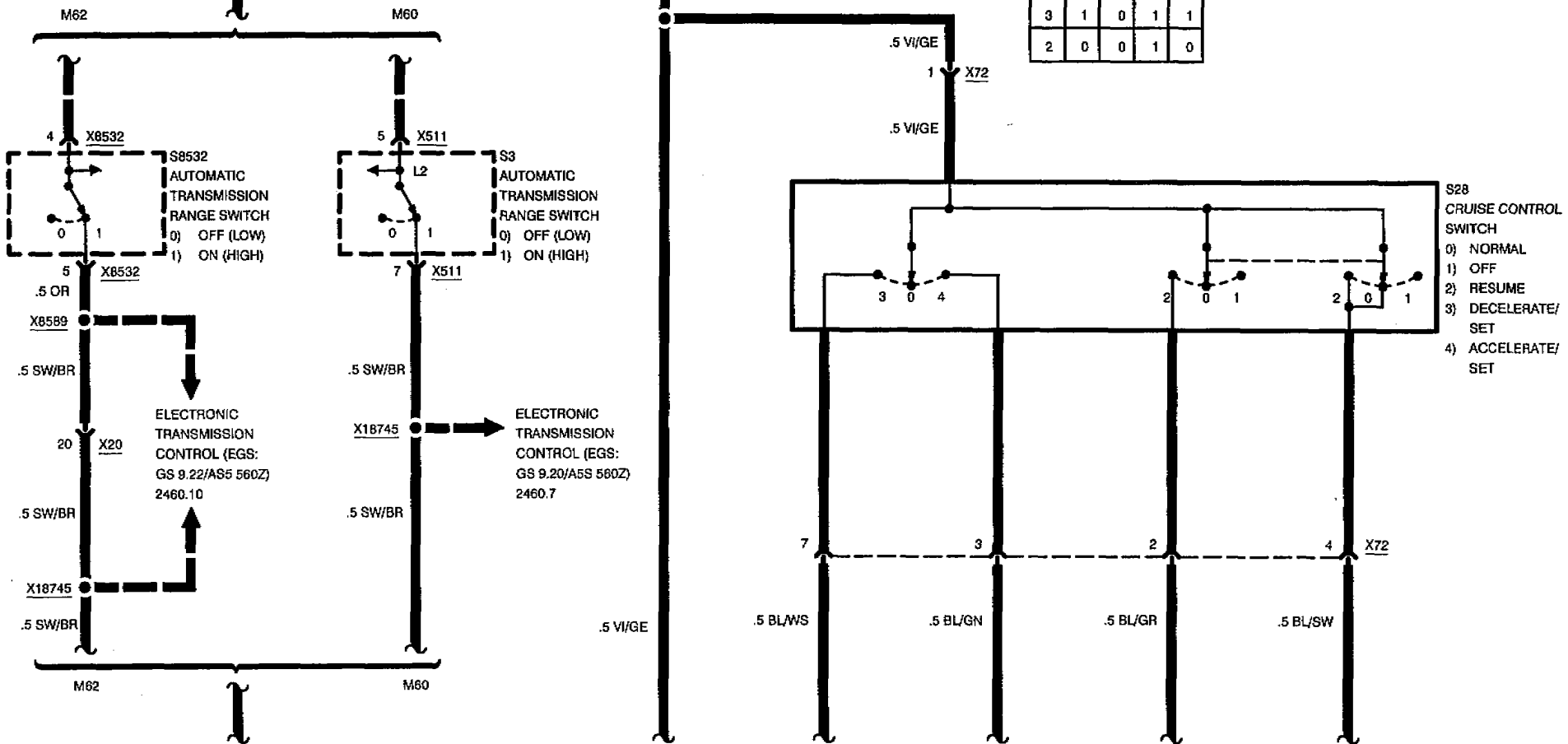
FUSE DETAILS  
0670.3

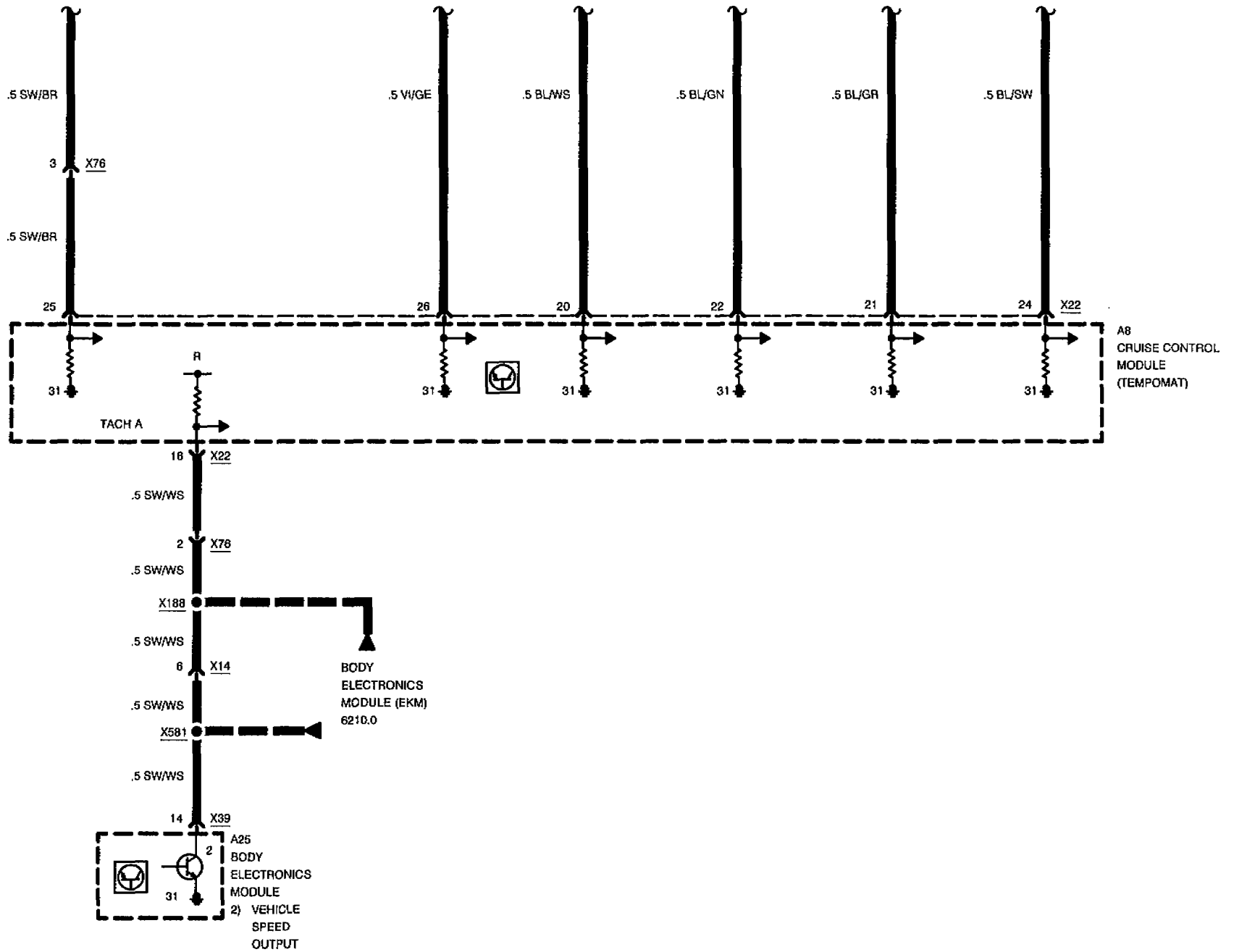
M60

M62

	L1	L2	L3	L4
P	1	1	0	1
R	1	0	0	0
N	1	1	1	0
D	0	0	0	1
4	0	0	1	1
3	1	0	1	1
2	0	0	1	0

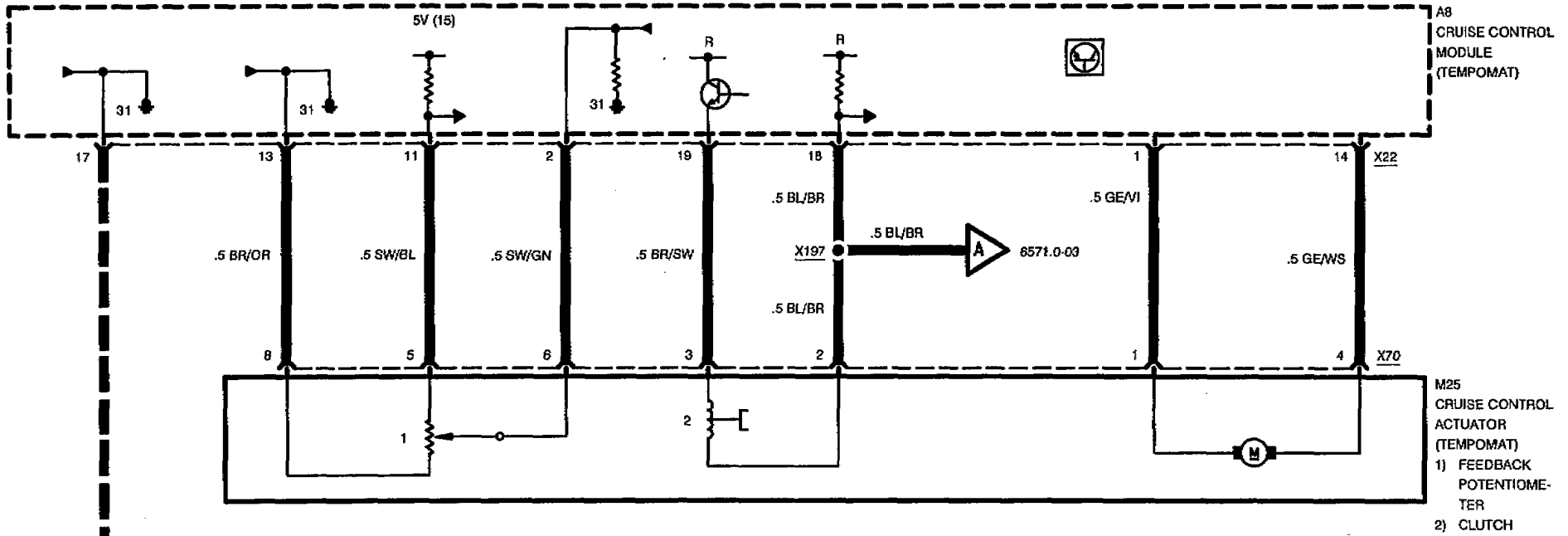
	L1	L2	L3	L4
P	1	1	0	1
R	1	0	0	0
N	1	1	1	0
D	0	0	0	1







# CRUISE CONTROL (TEMPOMAT)

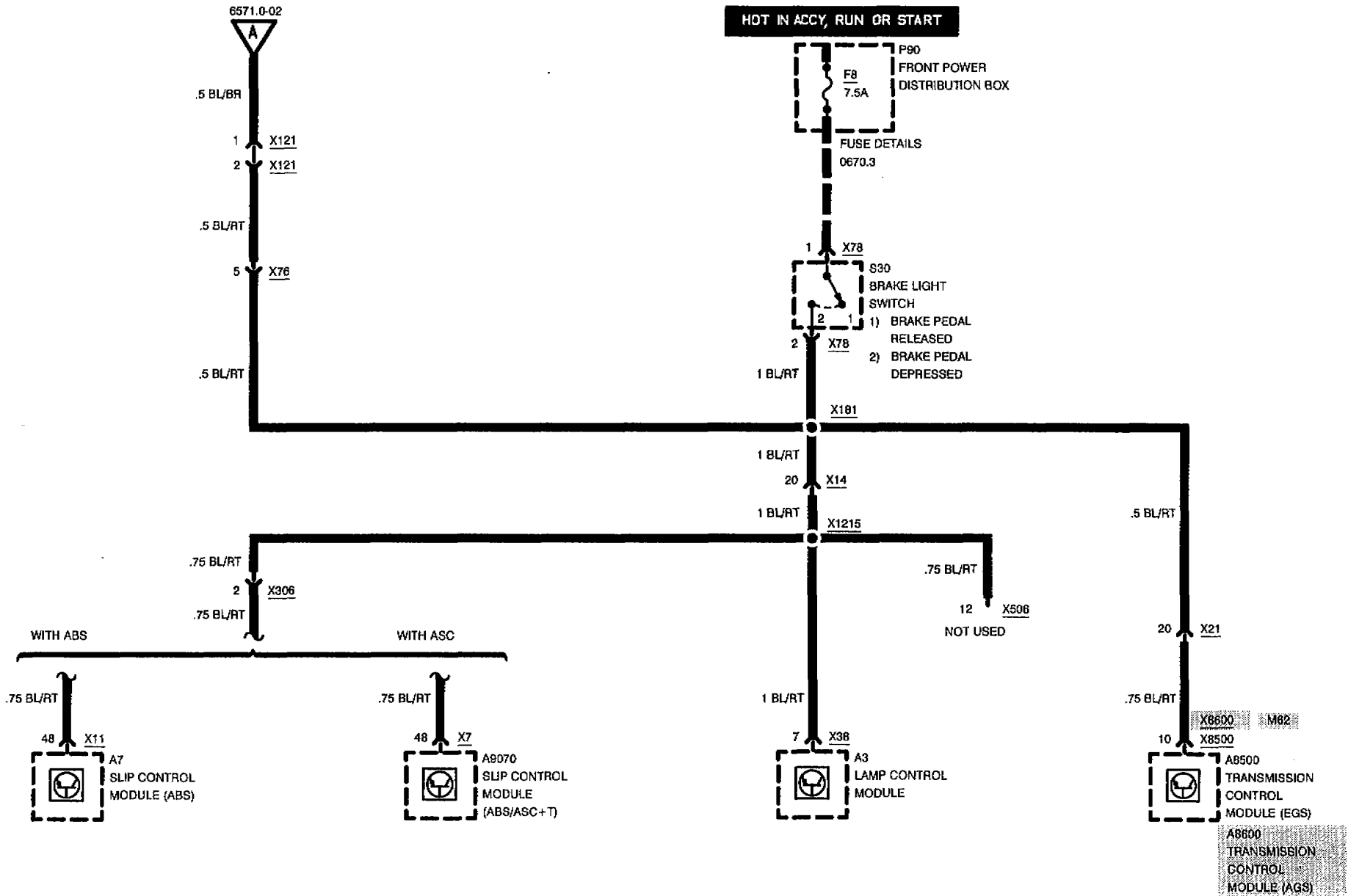


GROUND DISTRIBUTION 0670.4

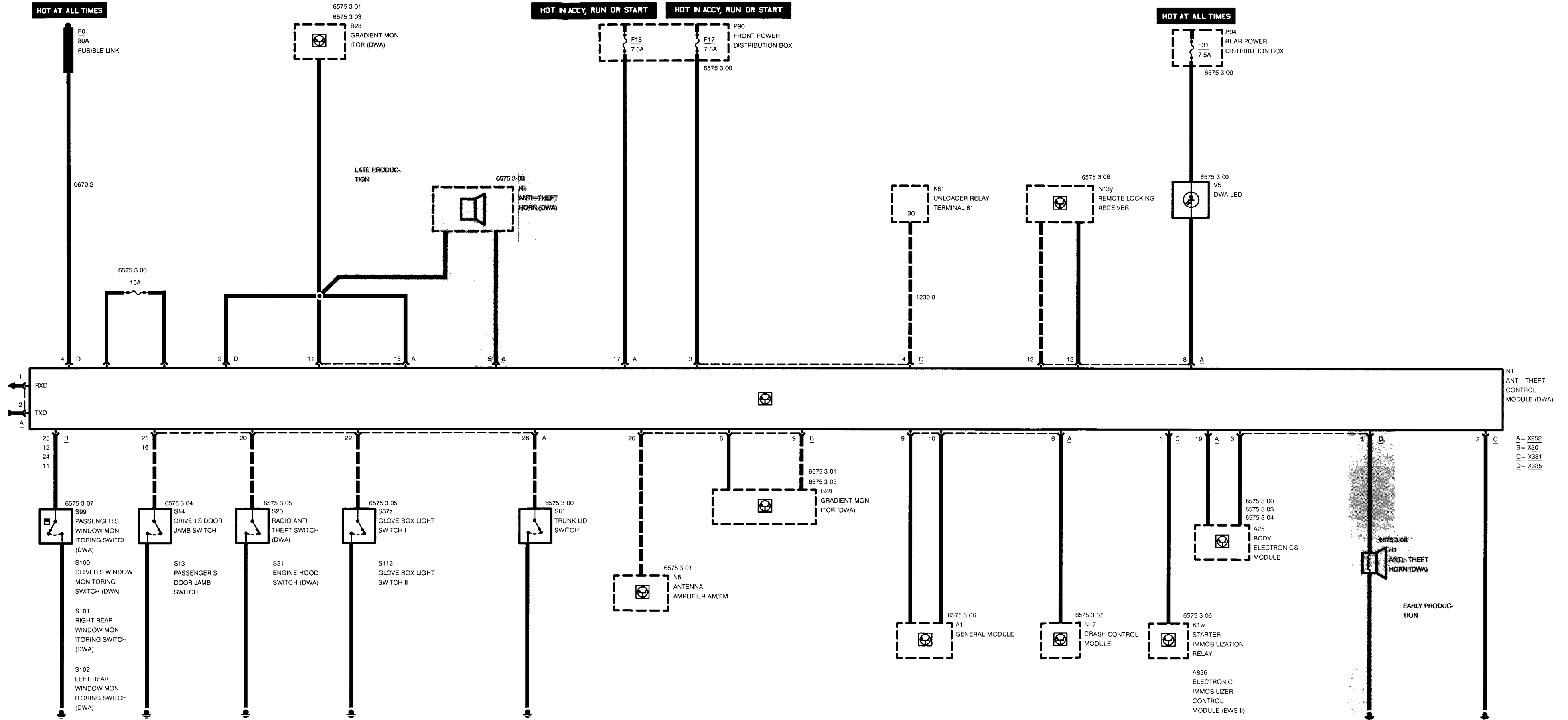
X497



# CRUISE CONTROL (TEMPOMAT)

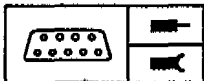






N1  
ANTI-THEFT  
CONTROL  
MODULE (DWA)

EARLY PRODUCTION



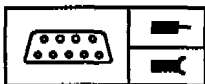
## Pin Assignments

A=X252	26 pins, black
B=X301	26 pins, white
C=X331	5 pins, black
D=X335	4 pins, green

### X252

Pin	Type	Description/Function	Connection
1	E	Diagnostic link RxD	Diagnostic connector
2	E/A	Diagnostic link TxD	Diagnostic connector
3		Not used	
4		Not used	
5		Not used	
6	A	Flash exterior lamps signal	Crash control unit
7		Not used	
8	A	Status-LED	DWA LED
9	E	Lock signal ZS1N	General module
10	E	Lock signal ZS1	General module
11	E	Lock signal ZS21 simulation	Connector Terminal 30
12	E	Interface RC Locking System	Remote locking receiver
13	E	Lock signal ZS22 simulation	Remote locking receiver
14		Not used	
15	E	Lock signal HKS simulation	Connector terminal 30
16	E	Passenger's door contact input	Passenger's door jamb switch
17	E	Connection terminal R	Fuse 18
18		Not used	
19	E	Position pulse	EKM control unit
20	E	Engine hood/radio status	Engine hood/radio switches
21	E	Driver's door contact input	Driver's door jamb switch
22	E	Glove box door status	Glove box door switches
23		Not used	
24		Not used	

E = Input, A = Output, M = Ground



## Pin Assignments

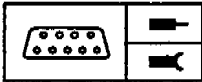
Pin	Type	Description/Function	Connection
25		Not used	
26	E	Trunk lid status signal	Trunk lid switch

### X301

Pin	Type	Description/Function	Connection
1		Not used	
2		Not used	
3		Not used	
4		Not used	
5		Not used	
6		Not used	
7		Not used	
8	E	Tilt signal	Gradient monitor
9	A	Tilt signal	Gradient monitor
10		Not used	
11	E	Left rear window status	Left rear window switch
12	E	Driver's window status	Driver's window switch
13		Not used	
14		Not used	
15		Not used	
16		Not used	
17		Not used	
18		Not used	
19		Not used	
20		Not used	
21		Not used	
22		Not used	
23		Not used	
24	E	Right rear window status	Right rear window status

E = Input, A = Output, M = Ground





## Pin Assignments

Pin	Type	Description/Function	Connection
25	E	Passenger's window status	Passenger's window status
26	E	Rear window status	Antenna amplifier AM/FM

### X331

Pin	Type	Description/Function	Connection
1	A	Drive-away protection	Starter immobilization relay (Early Production) Electronic immobilizer control module EWS II (Late Production)
2	E	Ground	Body ground
3	E	Terminal 15	Fuse 17
4	E	Terminal 61E	Unloader relay terminal 61
5	A	Alarm horn connection	Alarm horn (Late Production)

### X335

Pin	Type	Description/Function	Connection
1	A	Alarm horn connection	Alarm horn (Early Production)
2	A	Terminal 30 for tilt sensor/auxiliary module	Connector NG/ZM
3	E	Input BC-Horn	Body electronics module
4	E	Terminal 30 voltage	Fusible link

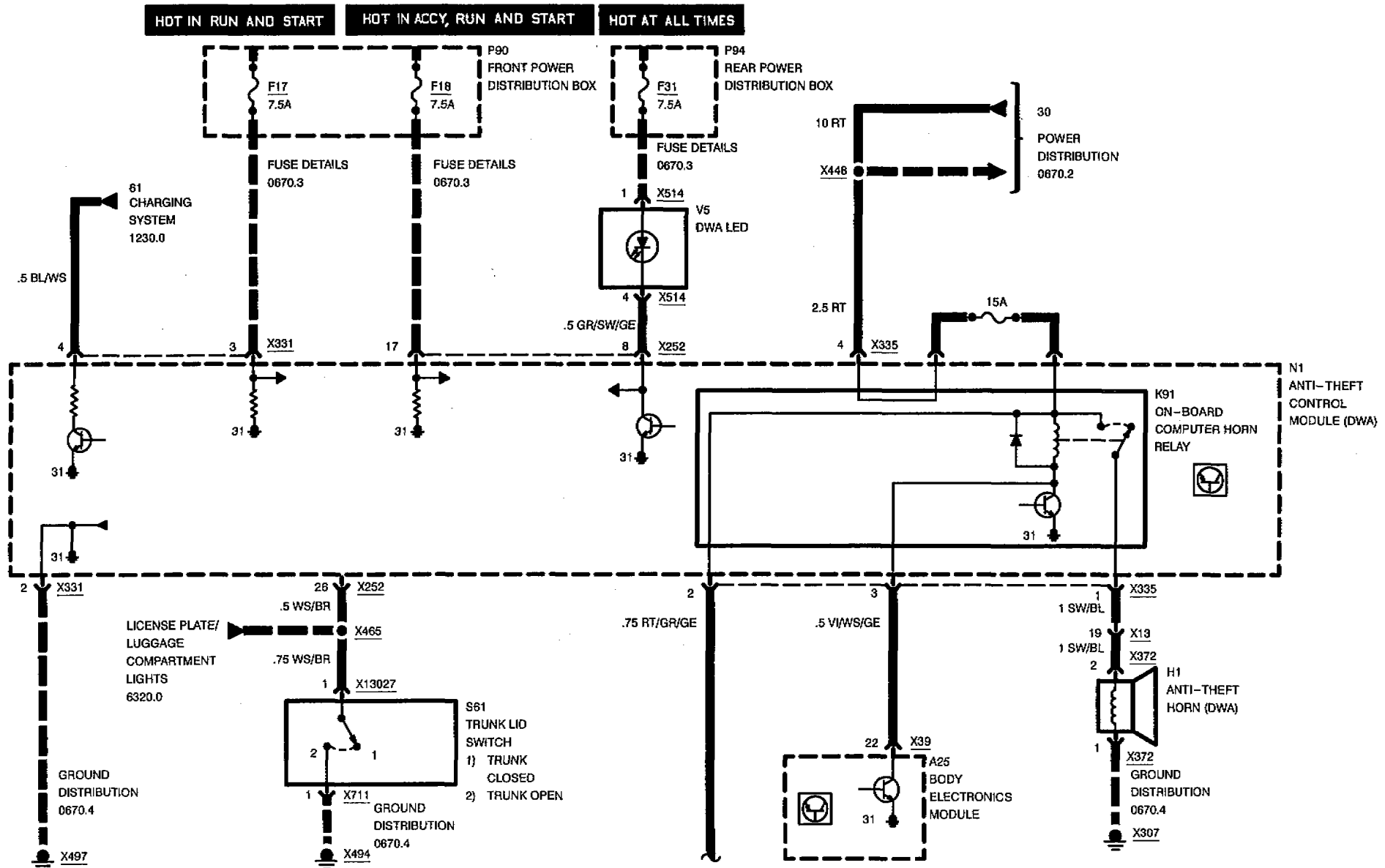
E = Input, A = Output, M = Ground



# ANTI-THEFT SYSTEM IV (DWA IV)

EARLY PRODUCTION

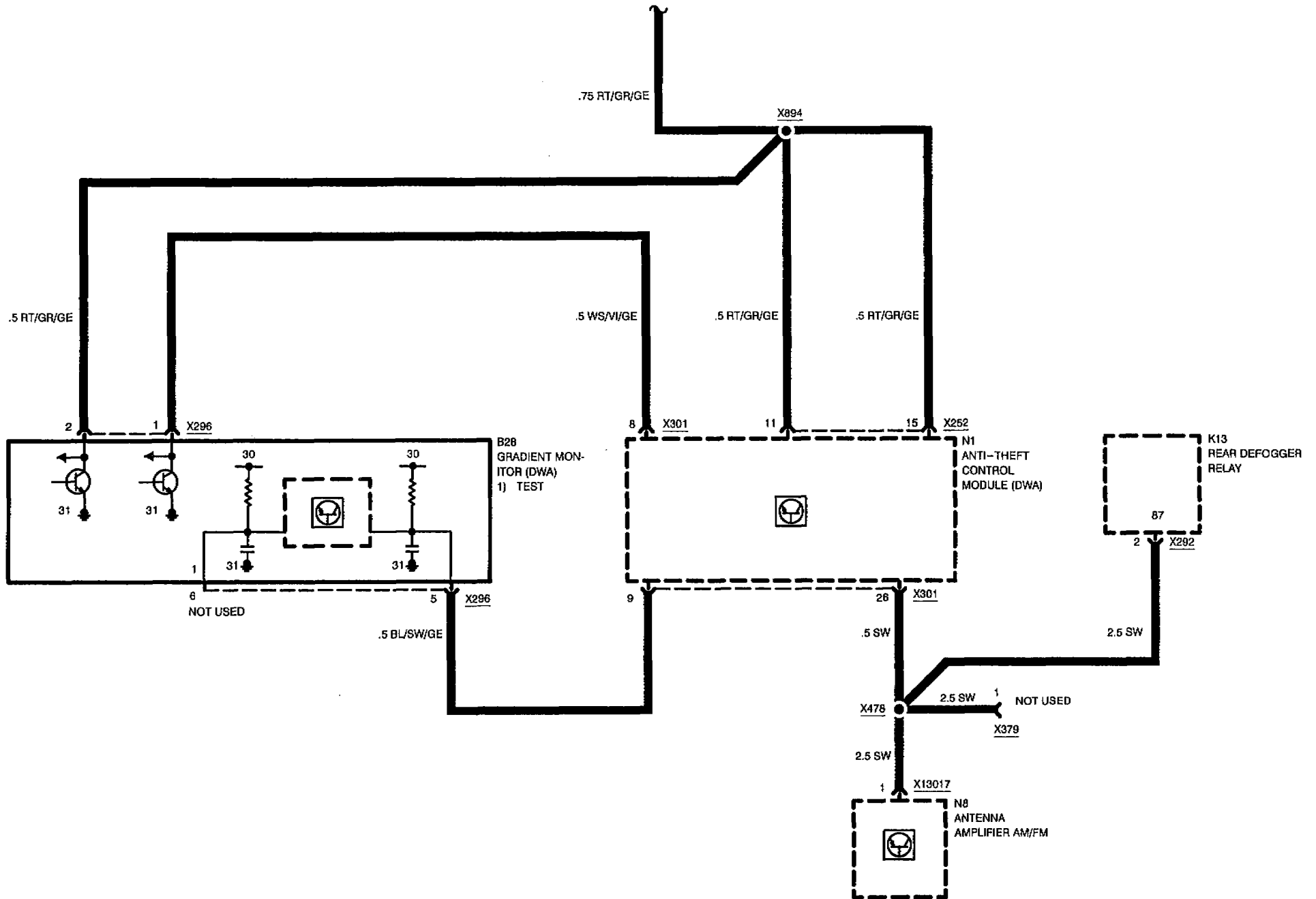
## POWER, ENGINE RUNNING/TRUNK INPUT, ANTI-THEFT HORN, GRADIENT MONITOR, REAR WINDOW MONITOR



02/97

6575.3-00

95/96

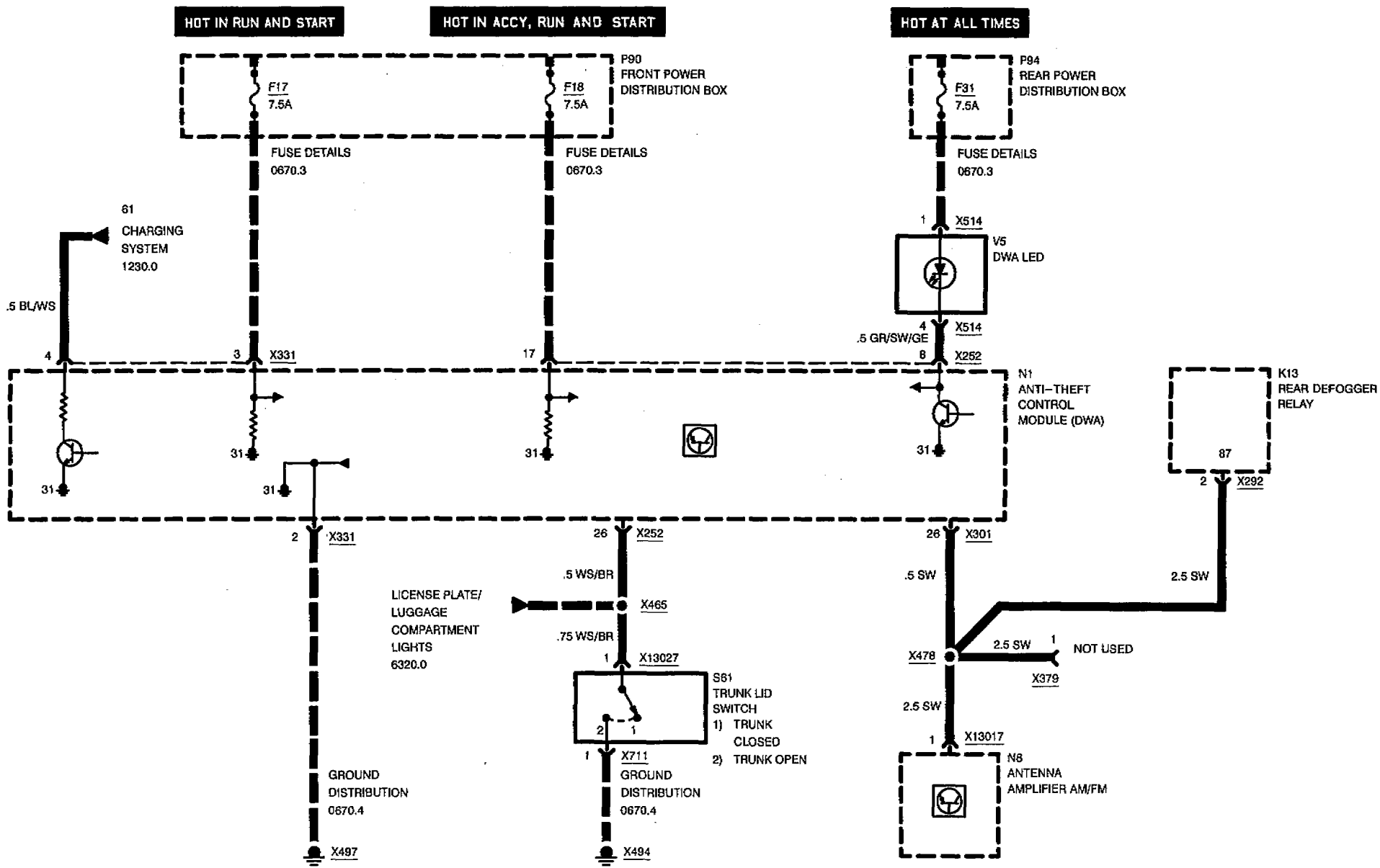




# ANTI-THEFT SYSTEM IV (DWA IV)

## POWER, ENGINE RUNNING INPUT, REAR WINDOW MONITOR

LATE PRODUCTION



02/97

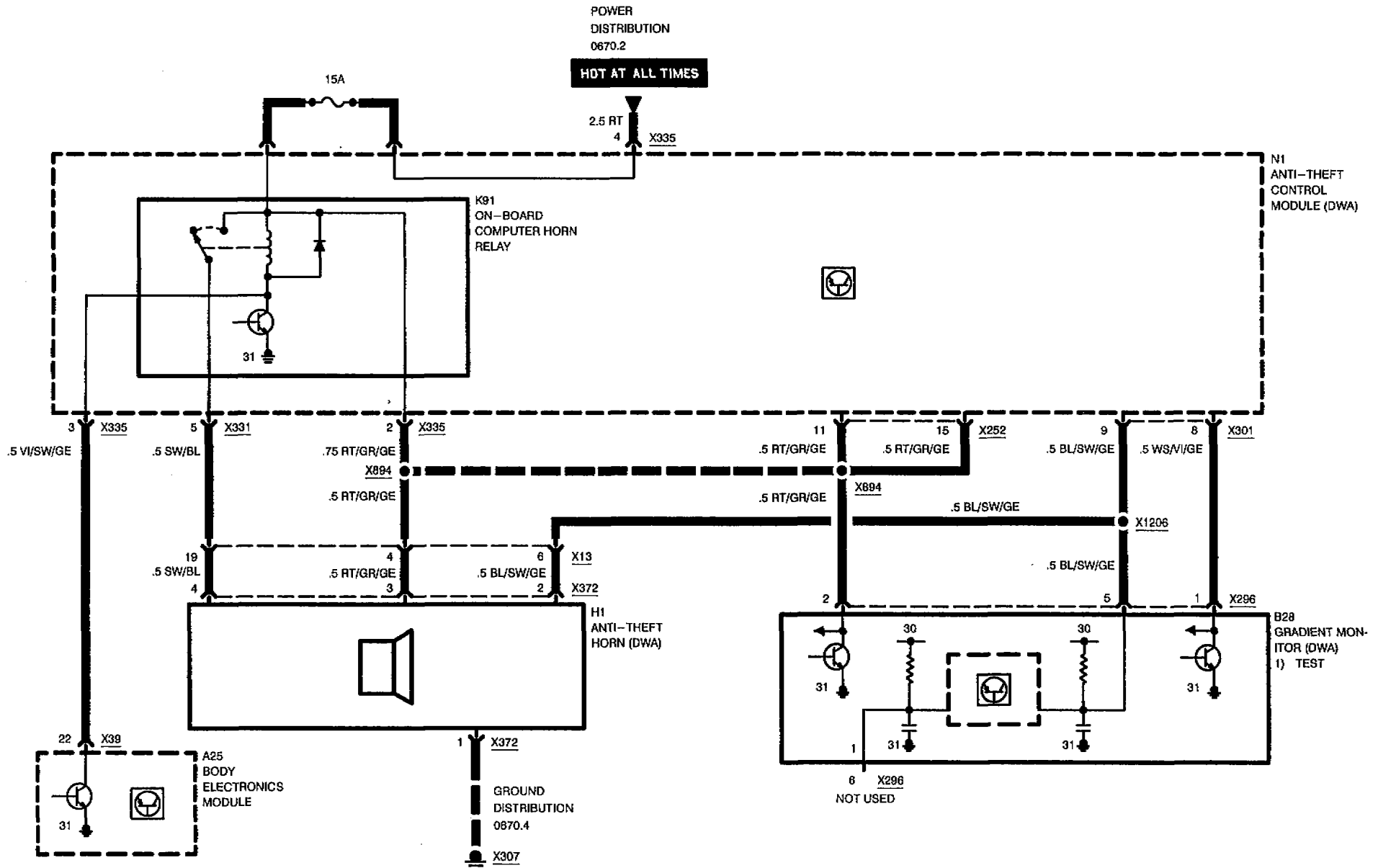
6575.3-02

95/96



# ANTI-THEFT SYSTEM IV (DWA IV) GRADIENT MONITOR AND ANTI-THEFT HORN (DWA)

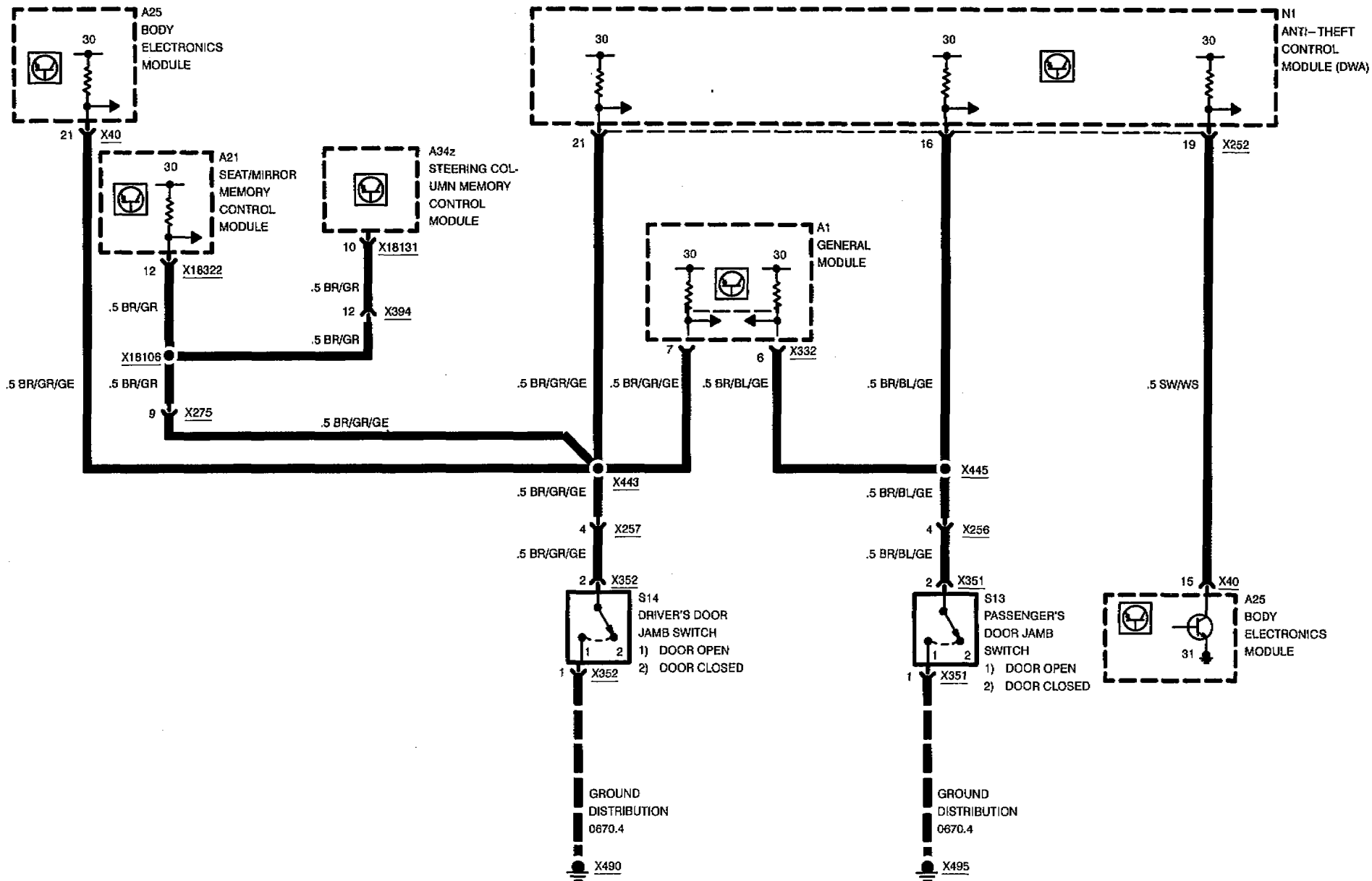
LATE PRODUCTION





# ANTI-THEFT SYSTEM IV (DWA IV)

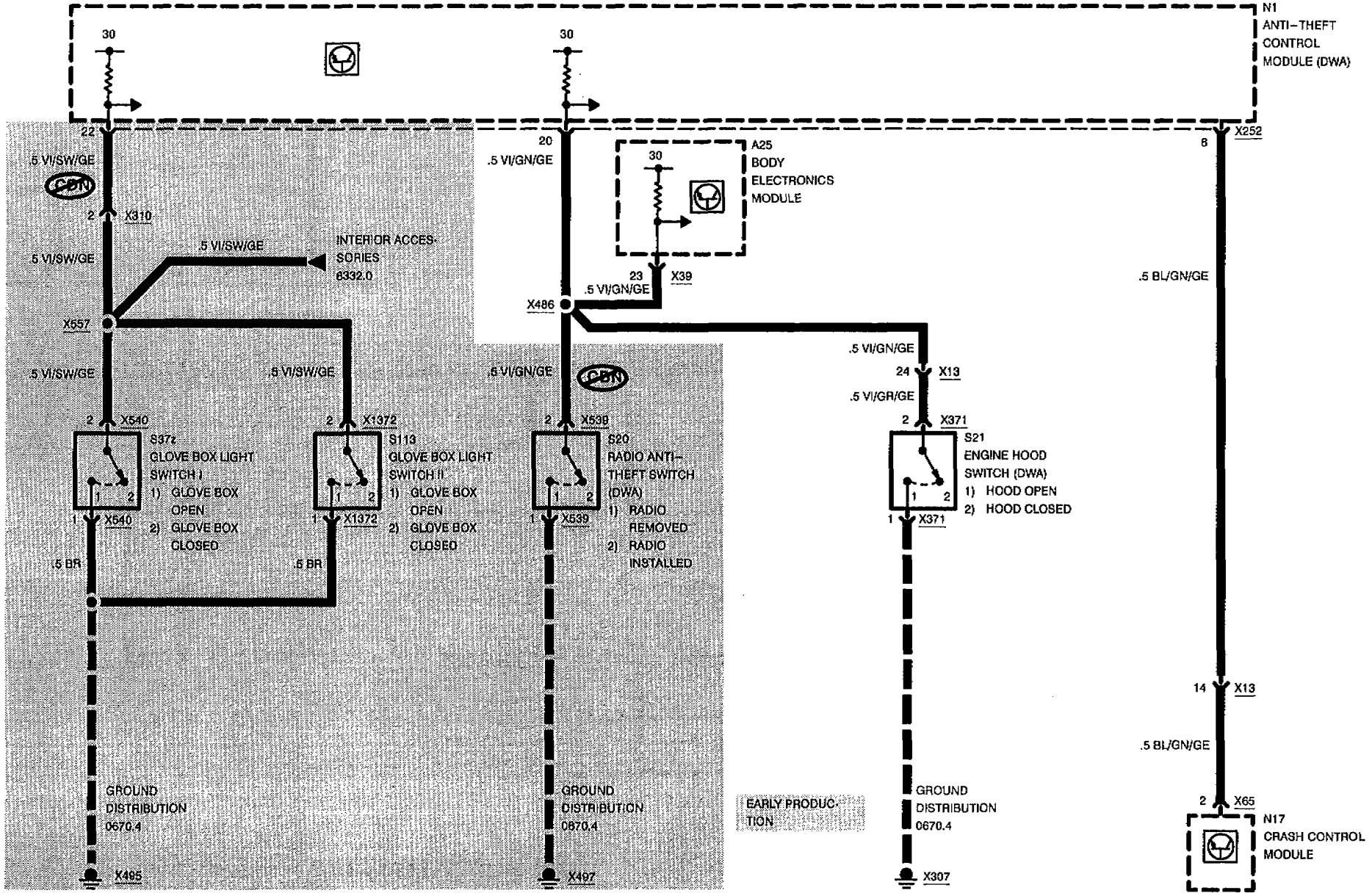
## DOOR CONTACTS





# ANTI-THEFT SYSTEM IV (DWA IV)

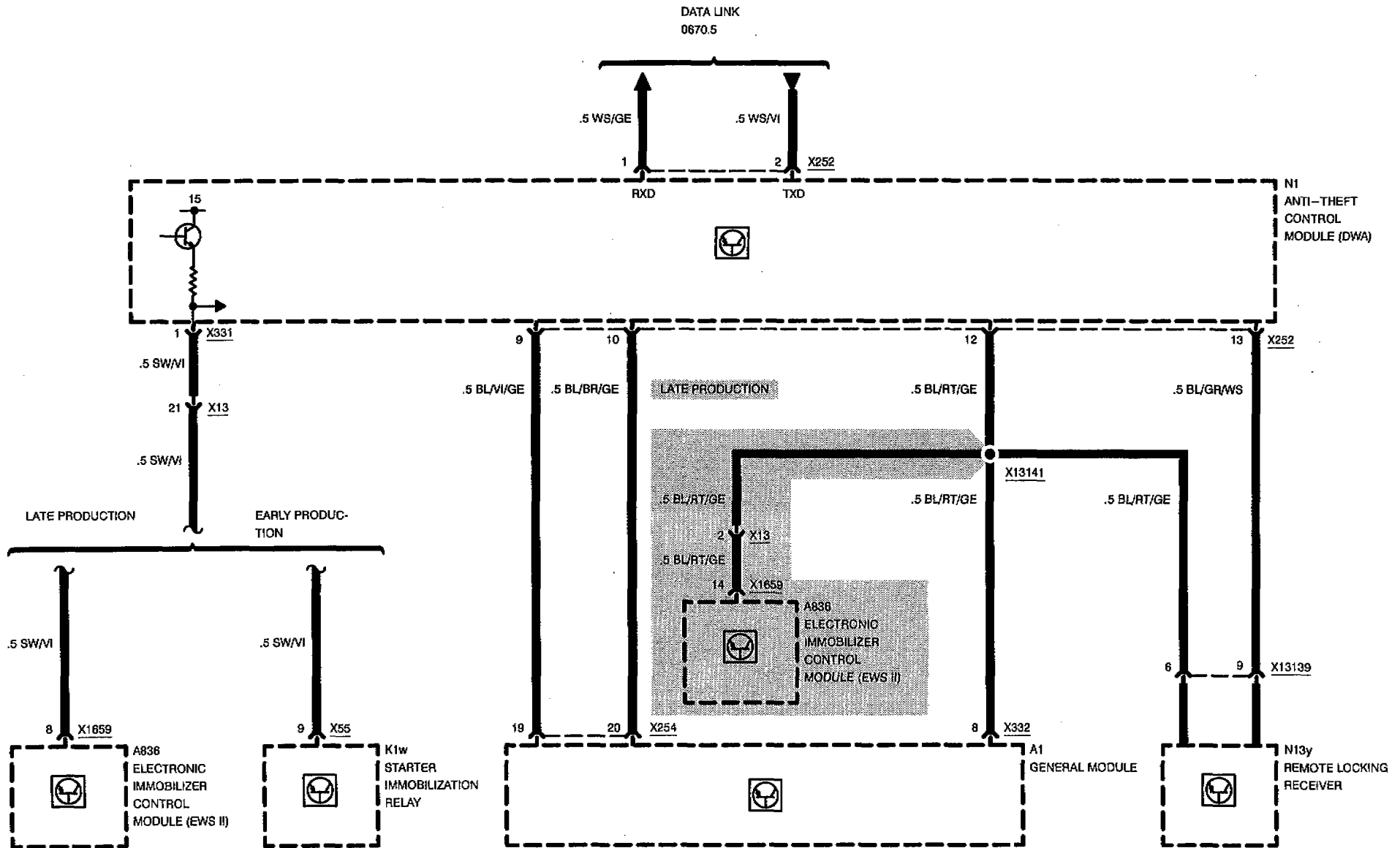
## GLOVE BOX, RADIO, ENGINE HOOD INPUTS AND VISUAL ALARM





# ANTI-THEFT SYSTEM IV (DWA IV)

## DATA LINK, DRIVE-AWAY PROTECTION, QZV

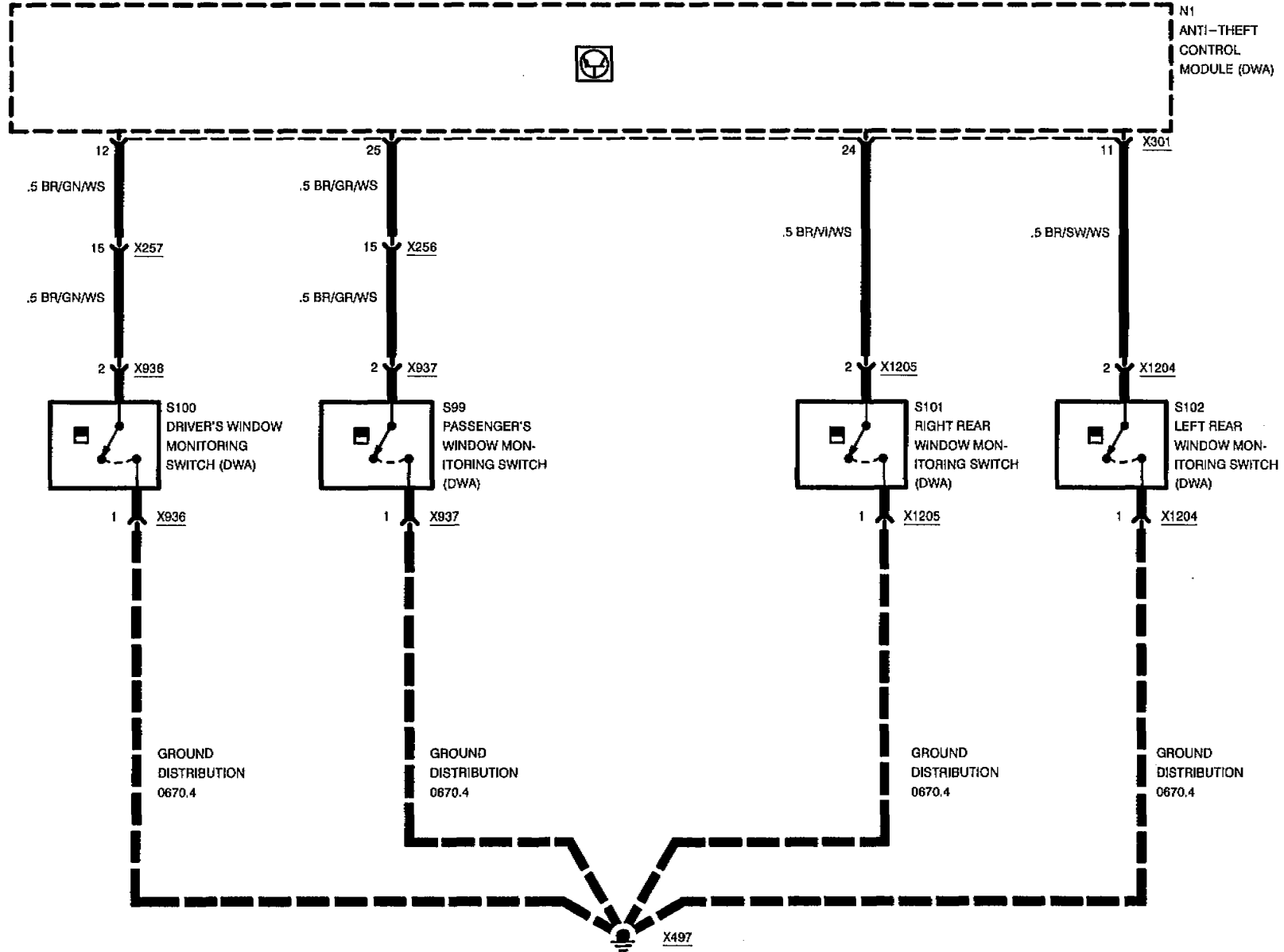






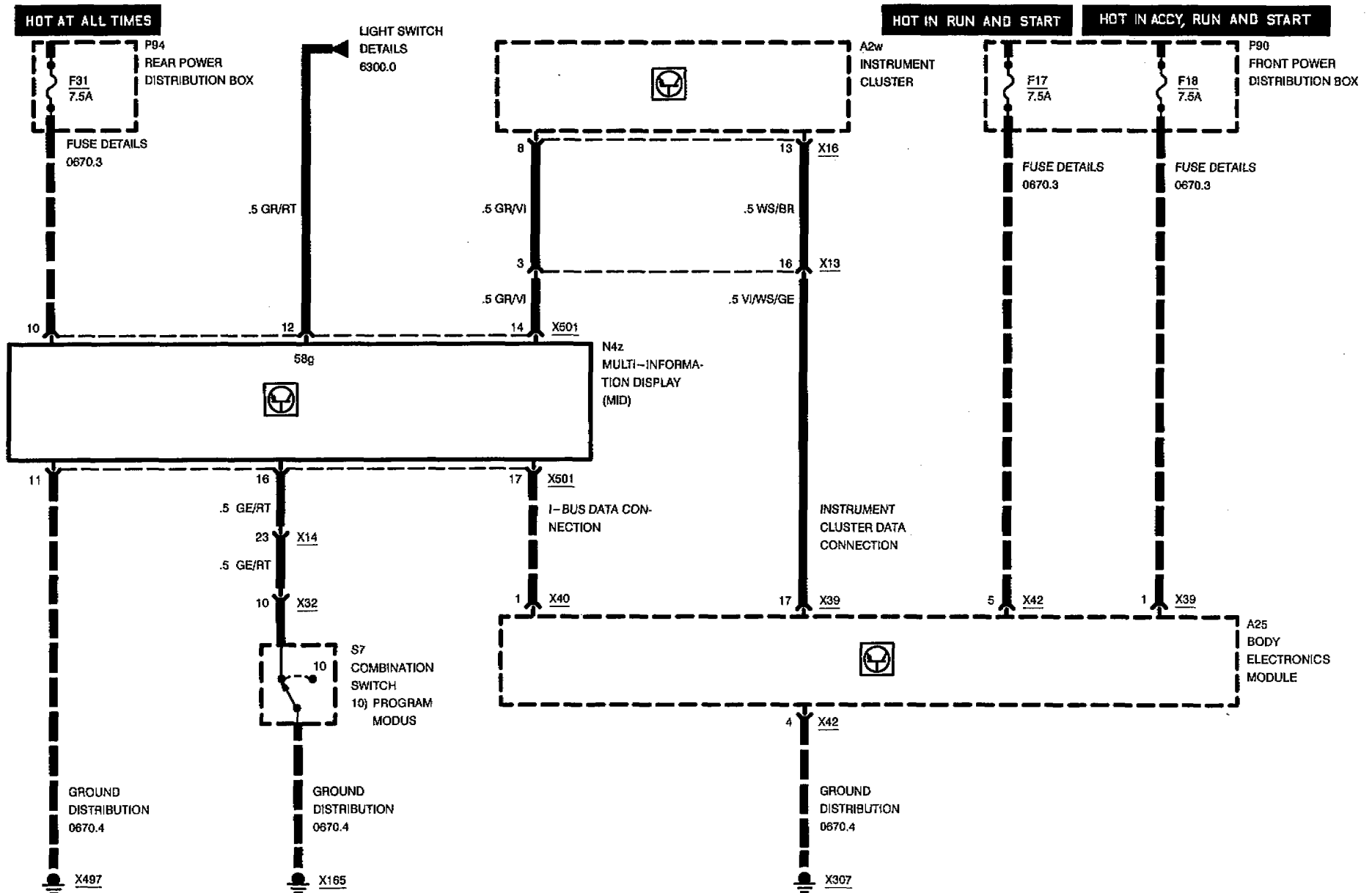
# ANTI-THEFT SYSTEM IV (DWA IV)

## FRONT AND REAR WINDOW SWITCHES

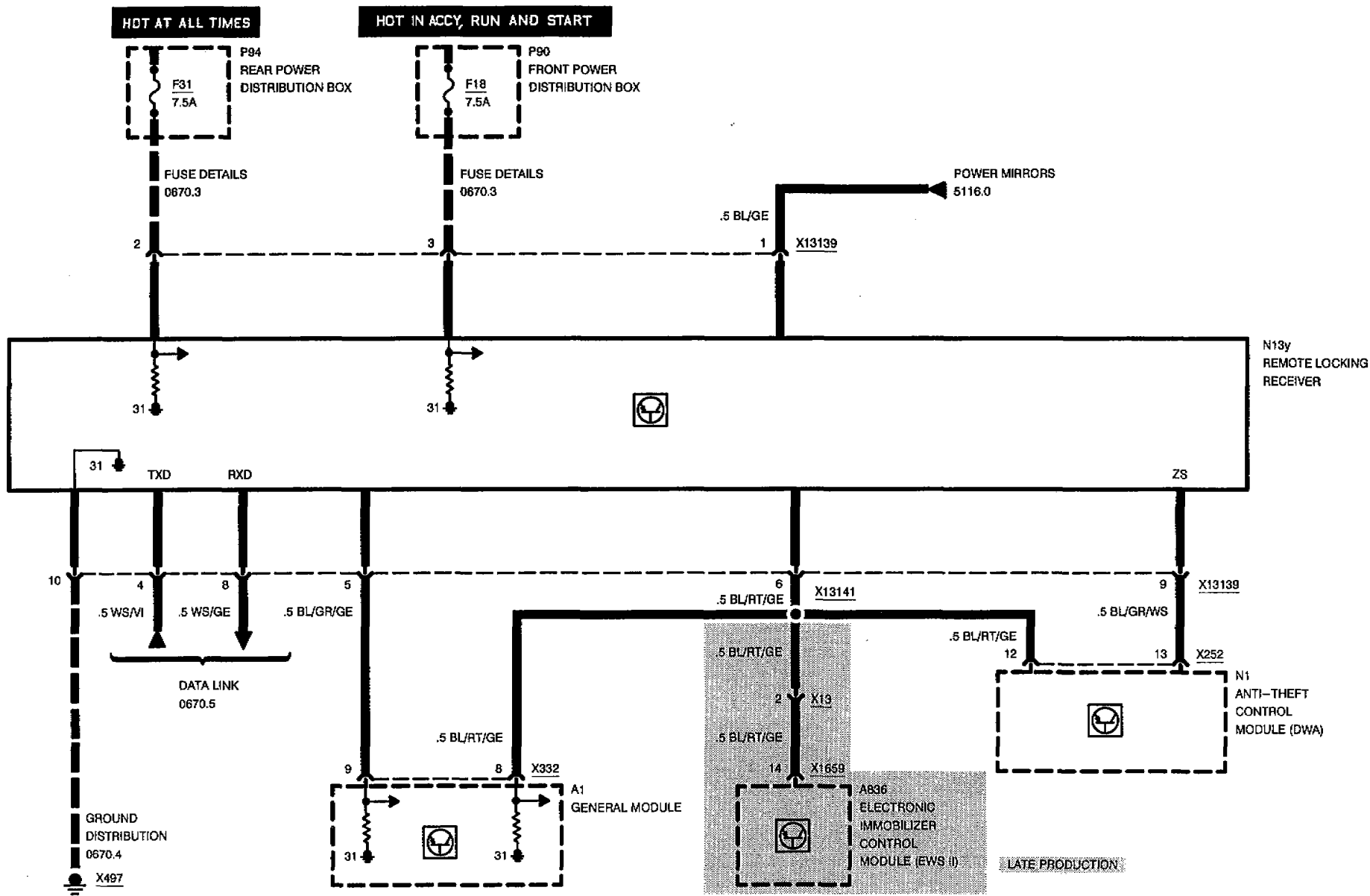




# MULTI-INFORMATION DISPLAY (MID)







BMW  
8

7000.0



# COMPONENT LOCATION CHART

COMP.	DESCRIPTION	LOCATION	7100.0	8500.0
A1	GENERAL MODULE	below LH side of dash	02-1	
A1	GENERAL MODULE	below LH side of dash	26-1	
A2w	INSTRUMENT CLUSTER	LH side of dash		
A3	LAMP CONTROL MODULE	below LH side of dash	02-1	
A3	LAMP CONTROL MODULE	below LH side of dash	26-2	
A5	RELAY MODULE	inside box on interior side of LH door sill	02-3	
A5	RELAY MODULE	inside box on interior side of LH door sill	25-2	
A7	SLIP CONTROL MODULE (ABS)	LH footwell		
A8	CRUISE CONTROL MODULE (TEMPOMAT)	in RH side of luggage compartment	00-3	
A11	AUTOMATIC HEATING/AC CONTROL MODULE (IHKA)	between front footwells		
A12	SUPPLEMENTAL RESTRAINT SYSTEM CONTROL MODULE	below ashtray		
A15	PARK HEATING/VENTILATION RELAY BOX	below RH side of dash	03-3	
A18	HIFI AMPLIFIER	in LH forward side of luggage compartment	01-2	
A18	HIFI AMPLIFIER	in LH forward side of luggage compartment	40-1	
A21	SEAT/MIRROR MEMORY CONTROL MODULE	underside of LH front seat		
A22z	ELECTROCHROMIC REAR VIEW MIRROR	in rear view mirror		
A23	DRIVER'S DOOR MODULE	in lower LH front door	04-2	
A23	DRIVER'S DOOR MODULE	in lower LH front door	35-3	
A24	PASSENGER'S DOOR MODULE	in lower RH front door	04-2	
A24	PASSENGER'S DOOR MODULE	in lower RH front door	35-3	



## COMPONENT LOCATION CHART

COMP.	DESCRIPTION	LOCATION	7100.0	8500.0
A25 ...	BODY ELECTRONICS MODULE	below LH side of dash	02-1	
A25 ...	BODY ELECTRONICS MODULE	below LH side of dash	26-1	
A26 ...	LOCK-SENSOR CONTROL MODULE	LH side of LH footwell	03-2	
A26 ...	LOCK-SENSOR CONTROL MODULE	LH side of LH footwell	28-2	
A33 ...	SUNROOF MODULE	center of windshield header	04-3	
A33 ...	SUNROOF MODULE	center of windshield header	31-1	
A34w .	STEERING COLUMN MEMORY CONTROL MODULE	center of dash behind radio		
A34z ..	STEERING COLUMN MEMORY CONTROL MODULE	center of dash behind radio		
A82 ...	SUN BLIND CONTROL MODULE	at back of rear window shelf	00-1	
A82 ...	SUN BLIND CONTROL MODULE	at back of rear window shelf	13-3	
A113 .	SEAT OCCUPANCY DETECTOR	in passenger's seat area		
A413 .	ELECTRONIC SHOCK ABSORBER CONTROL MODULE (EDC)	in RH side of luggage compartment	00-2	
A413 .	ELECTRONIC SHOCK ABSORBER CONTROL MODULE (EDC)	in RH side of luggage compartment	38-3	
A417 .	AUTOMATIC AIR RECIRCULATION CONTROL MODULE	behind RH footwell speaker grille	04-1	
A417 .	AUTOMATIC AIR RECIRCULATION CONTROL MODULE	behind RH footwell speaker grille	29-3	
A835 .	TRANSMITTER MODULE (EWS II)	RH side of steering column		
A836 .	ELECTRONIC IMMOBILIZER CONTROL MODULE (EWS II)	behind glove box		



# COMPONENT LOCATION CHART

COMP.	DESCRIPTION	LOCATION	7100.0	8500.0
A6000	ENGINE CONTROL MODULE (DME) .....	in E-Box (840Ci)		
A6004	THROTTLE CONTROL MODULE (EML) ....	rear RH side of engine compartment in E-Box (850Ci, 850CSi) .....	05-2	
A6010	CYL. 1-6 ENGINE CONTROL MODULE (DME) .....	rear RH side of engine compartment in E-Box (850Ci, 850CSi) .....	05-2	
A6020	CYL. 7-12 ENGINE CONTROL MODULE (DME) .....	rear RH side of engine compartment in E-Box (850Ci, 850CSi) .....	05-2	
A8500	TRANSMISSION CONTROL MODULE (EGS) .....	rear RH side of engine compartment in E-Box		
A8500	TRANSMISSION CONTROL MODULE (EGS) .....	in RH rear side of luggage compartment (850Ci, 850CSi) .....	38-2	
A8600	TRANSMISSION CONTROL MODULE (AGS) .....	rear RH side of engine compartment in E-Box		
A9070	SLIP CONTROL MODULE (ABS/ASC+T) ...	LH footwell .....	02-2	
A9070	SLIP CONTROL MODULE (ABS/ASC+T) ...	LH footwell .....	25-1	
B1 ....	RIGHT FRONT SPEED SENSOR - ABS ....	behind RH front wheel		
B2 ....	LEFT FRONT SPEED SENSOR - ABS .....	behind LH front wheel		
B3 ....	RIGHT REAR SPEED SENSOR - ABS .....	behind RH rear wheel .....	42-3	
B4 ....	LEFT REAR SPEED SENSOR - ABS .....	behind LH rear wheel .....	13-2	
B6z ...	FUEL LEVEL SENSOR I .....	under RH rear seat .....	33-2	
B10 ..	VEHICLE SPEED SENSOR .....	on differential .....	12-3	
B11 ..	LH HEAT EXCHANGER TEMPERATURE SENSOR .....	below LH side of dash .....	26-3	
B12 ..	RH HEAT EXCHANGER TEMPERATURE SENSOR .....	center console right behind radio		





# COMPONENT LOCATION CHART

COMP.	DESCRIPTION	LOCATION	7100.0	8500.0
B13	OUTSIDE TEMPERATURE SENSOR	behind center of cowl		
B14	EVAPORATOR TEMPERATURE SENSOR	RH side of LH footwell		
B15	ELECTRO-HYDRAULIC CONVERTER (SERVOTRONIC)	under LH front of car	12-2	
B16	LEFT FRONT BRAKE PAD SENSOR	behind LH front wheel	13-1	
B17	RIGHT REAR BRAKE PAD SENSOR	behind RH rear wheel		
B18	BRAKE FLUID LEVEL SWITCH	rear LH side of engine compartment	19-2	
B19	BRAKE PRESSURE REGULATING SWITCH	rear LH side of engine compartment	19-2	
B20	BRAKE PRESSURE SWITCH	rear LH side of engine compartment	19-1	
B21z	TEMPERATURE SENSOR	in ventilation duct left	20-3	
B25	FUEL LEVEL SENSOR II	under LH rear seat	33-1	
B28	GRADIENT MONITOR (DWA)	in LH rear side of luggage compartment	37-2	
B40	STEERING ANGLE SENDER	on steering column		
B41z	FRONT ACCELERATION SENSOR	RH front of wheel well above		
B48	RIGHT REAR ACCELERATION SENSOR	in RH rear side of luggage compartment	38-1	
B49	LONGITUDINAL ACCELERATION SENSOR	in LH forward side of luggage compartment	36-3	
B206	OIL PRESSURE SWITCH	LH side of engine compartment	20-1	
B400	MICROPHONE	center console		
B414	AUTOMATIC AIR RECIRCULATION SENSOR	front LH side of engine compartment	05-3	
B414	AUTOMATIC AIR RECIRCULATION SENSOR	front LH side of engine compartment	15-3	
B900	JUMPER PLUG	rear LH side of engine compartment in Front Power Distribution Box		



# COMPONENT LOCATION CHART

COMP.	DESCRIPTION	LOCATION	7100.0	8500.0
B6203	CRANKSHAFT POSITION/RPM SENSOR . . .	front of engine		
B6203	CRANKSHAFT POSITION/RPM SENSOR . . .	on RH side of transmission (840Ci) . . . . .	42-2	
B6204	CAMSHAFT POSITION SENSOR (CYLINDER IDENTIFICATION) . . . . .	front of engine		
B6205	INTAKE AIR TEMPERATURE SENSOR . . . . .	front RH side of engine compartment		
B6209	HALL EFFECT CAMSHAFT SENSOR . . . . .	top center of engine		
B6210	CYL. 1-6 HEATED OXYGEN SENSOR . . . . .	on catalytic converter . . . . .	14-3	
B6210w	CYL. 1-4 HEATED OXYGEN SENSOR . . . . .	on catalytic converter		
B6211	CYL. 1-6 CYLINDER IDENTIFICATION SENSOR . . . . .	front of engine left		
B6212	CYL. 1-6 CRANKSHAFT POSITION/RPM SENSOR . . . . .	front of engine compartment		
B6213	CRANKSHAFT SENSOR I . . . . .	rear RH side of engine compartment below		
B6215	CYL. 1-6 AIR TEMPERATURE SENSOR . . . . .	rear of engine		
B6215A	INTAKE AIR TEMPERATURE SENSOR . . . . .	front of engine (840Ci) . . . . .	44-2	
B6216	CYL. 1-6 AIR FLOW SENSOR . . . . .	LH side of engine compartment . . . . .	20-2	
B6217	HOT FILM AIR MASS METER . . . . .	front of engine		
B6217w	HOT-FILM AIR MASS METER I . . . . .	front of engine (850Ci)		
B6219	HALL EFFECT CAMSHAFT SENSOR I . . . . .	top RH side of engine		
B6220	CYL. 7-12 HEATED OXYGEN SENSOR . . . . .	on catalytic converter . . . . .	14-3	
B6220w	CYL. 5-8 HEATED OXYGEN SENSOR . . . . .	on catalytic converter		
B6221	CYL. 7-12 CYLINDER IDENTIFICATION SENSOR . . . . .	front of engine right		

02/97

7000.0-4

95/96



# COMPONENT LOCATION CHART

COMP.	DESCRIPTION	LOCATION	7100.0	8500.0
B6222	CYL. 7-12 CRANKSHAFT POSITION/RPM SENSOR .....	front of engine compartment		
B6223	CRANKSHAFT SENSOR II .....	rear LH side of engine compartment below		
B6225	CYL. 7-12 AIR TEMPERATURE SENSOR ...	rear of engine		
B6226	CYL. 7-12 AIR FLOW SENSOR .....	RH side of engine compartment .....	21-1	
B6227w	HOT-FILM AIR MASS METER II .....	RH side of engine compartment		
B6230	OIL LEVEL SENSOR .....	under LH front of car .....	14-1	
B6232	ENGINE COOLANT TEMPERATURE SENSOR .....	on coolant inlet		
B6234	ENGINE COOLANT TEMP. SENSOR (EML) .	on coolant inlet		
B6235	TEMPERATURE SWITCH .....	rear RH side of engine compartment in E-Box .....	24-3	
B6236	ENGINE COOLANT TEMPERATURE SENSOR .....	on coolant inlet		
B6241	CYL. 1-2 KNOCK SENSOR .....	RH cylinder head (840Ci)		
B6241w	CYL. 1-3 KNOCK SENSOR .....	RH cylinder head (850Ci)		
B6242	CYL. 3-4 KNOCK SENSOR .....	RH cylinder head (840Ci)		
B6242w	CYL. 4-6 KNOCK SENSOR .....	RH cylinder head (850Ci)		
B6243	CYL. 5-6 KNOCK SENSOR .....	LH cylinder head (840Ci)		
B6243w	CYL. 7-9 KNOCK SENSOR .....	LH cylinder head (850Ci)		
B6244	CYL. 7-8 KNOCK SENSOR .....	LH cylinder head (840Ci)		
B6244w	CYL. 10-12 KNOCK SENSOR .....	LH cylinder head (850Ci)		
B6256	DUAL TEMPERATURE SENSOR (COOLANT TEMPERATURE) .....	front of engine .....	44-1	



# COMPONENT LOCATION CHART

COMP.	DESCRIPTION	LOCATION	7100.0	8500.0
B9508	PRESSURE SWITCH	RH side of engine compartment under concealing headlight		
B62101	OXYGEN SENSOR I (IN FRONT OF CATALYTIC CONVERTER)	on catalytic converter		
B62101	OXYGEN SENSOR I (IN FRONT OF CATALYTIC CONVERTER)	under center of car (840Ci)	43-2	
B62102	OXYGEN SENSOR I (BEHIND CATALYTIC CONVERTER)	under center of car		
B62102	OXYGEN SENSOR I (BEHIND CATALYTIC CONVERTER)	under center of car (840Ci)	42-1	
B62201	OXYGEN SENSOR II (IN FRONT OF CATALYTIC CONVERTER)	under center of car	43-2	
B62202	OXYGEN SENSOR II (BEHIND CATALYTIC CONVERTER)	under center of car	42-1	
C101	CONTACT RING	on steering wheel		
C900	SUPPRESSION FILTER	in upper RH C-pillar	32-3	
C900z	FM AMPLIFIER/SUPPRESSION FILTER	in upper RH C-pillar		
D100	DATA LINK CONNECTOR	front RH side of engine compartment	21-2	
D110	OBD II CONNECTOR	center console		
E9	REAR DEFOGGER I	in rear window		
E10	REAR DEFOGGER/ANTENNA	in rear window		
E11	LEFT HIGH BEAM LIGHT	front of car		
E12	RIGHT HIGH BEAM LIGHT	front of car		
E13	LEFT LOW BEAM LIGHT	front of car		
E14	RIGHT LOW BEAM LIGHT	front of car		



# COMPONENT LOCATION CHART

COMP.	DESCRIPTION	LOCATION	7100.0	8500.0
E15 ...	LEFT PARK LIGHT .....	front of car		
E19 ...	RIGHT PARK LIGHT .....	front of car		
E20 ...	UNDERHOOD LIGHT .....	on underside of engine hood .....		15-2
E21 ...	LEFT FRONT MARKER LIGHT .....	near LH headlight assembly		
E22 ...	RIGHT FRONT MARKER LIGHT .....	near RH headlight assembly		
E26 ...	LEFT FOG LIGHT .....	front of car		
E27 ...	RIGHT FOG LIGHT .....	front of car		
E28 ...	FRONT CIGAR LIGHTER .....	center of dash below front of console		
E29 ...	FRONT CIGAR LIGHTER LIGHT .....	center of dash below front of console		
E33 ...	TRUNK LID LIGHT .....	underside of trunk lid		
E34 ...	FRONT DOME LIGHT/MAP READING ASSEMBLY .....	underside of trunk lid		
E35 ...	DRIVER'S MAKEUP MIRROR LIGHT .....	in roof panel		
E36 ...	PASSENGER'S MAKEUP MIRROR LIGHT ..	in roof panel		
E39 ...	LEFT REAR INTERIOR LIGHT .....	behind LH footwell trim		
E40 ...	RIGHT REAR INTERIOR LIGHT .....	behind RH footwell trim		
E41 ...	DASH LIGHT .....	center of dash		
E42 ...	GLOVE BOX LIGHT .....	RH side of glove box above		
E43 ...	LEFT LICENSE PLATE LIGHT .....	underside of trunk lid, near license plate		
E44 ...	RIGHT LICENSE PLATE LIGHT .....	underside of trunk lid, near license plate		
E45y ..	CASSETTE BOX LIGHT .....	center console		
E46z ..	LEFT REAR LIGHT ASSEMBLY I .....	in LH rear side of luggage compartment		



# COMPONENT LOCATION CHART

COMP.	DESCRIPTION	LOCATION	7100.0	8500.0
E47z	RIGHT REAR LIGHT ASSEMBLY I	in RH rear side of luggage compartment		
E48	DOOR LOCK HEATER	in upper LH front door		
E51	LEFT WASHER JET HEATER	on underside of engine hood	15-2	
E52	RIGHT WASHER JET HEATER	on underside of engine hood		
E56	DRIVER'S SEATBACK HEATER	in lower LH front seatback		
E57	DRIVER'S SEAT HEATER	underside of LH front seat		
E58	PASSENGER'S SEAT HEATER	underside of RH front seat		
E59	PASSENGER'S SEATBACK HEATER	in lower RH front seatback		
E61	LEFT FRONT FOOTWELL LIGHT	LH front door behind door panel	32-1	
E62	RIGHT FRONT FOOTWELL LIGHT	RH front door behind door panel		
E69	LEFT HIGH BEAM FLASHER LIGHT	front of car		
E70z	RIGHT HIGH BEAM FLASHER LIGHT	front of car		
E78	DRIVER'S DOOR PANEL LIGHT	in upper LH front door		
E79	PASSENGER'S DOOR PANEL LIGHT	in upper RH front door		
E80	LEFT REAR LIGHT ASSEMBLY II	underside of trunk lid left	40-3	
E81	RIGHT REAR LIGHT ASSEMBLY II	underside of trunk lid right	40-3	
E82	TRANSMISSION POSITION INDICATOR LIGHT	center console		
E96	GEAR SHIFT LEVER INDICATOR	center console		
E9021	LEFT REAR SIDE MARKER LIGHT	in LH rear side of luggage compartment		
E9022	RIGHT REAR SIDE MARKER LIGHT	in RH rear side of luggage compartment		
E9033	LEFT TRUNK LID LIGHT	in LH side of luggage compartment		

02/97

7000.0-8

95/96



# COMPONENT LOCATION CHART

COMP.	DESCRIPTION	LOCATION	7100.0	8500.0
E9046	LEFT LIGHT BAND .....	front of car		
E9047	RIGHT LIGHT BAND .....	front of car		
E9133	RIGHT TRUNK LID LIGHT .....	in RH side of luggage compartment		
F0 ...	FUSIBLE LINK .....	in RH side of luggage compartment .....	07-1	
F0 ...	FUSIBLE LINK .....	in RH side of luggage compartment .....	38-2	
G1z ..	RIGHT BATTERY I .....	in RH side of luggage compartment .....	07-1	
G1z ..	RIGHT BATTERY I .....	in RH side of luggage compartment .....	38-2	
G4 ...	LEFT BATTERY II .....	in LH rear side of luggage compartment .....	07-3	
G4 ...	LEFT BATTERY II .....	in LH rear side of luggage compartment .....	37-1	
G5 ...	DRIVER'S AIR BAG GAS GENERATOR .....	on steering wheel		
G6 ...	PASSENGER'S AIR BAG GAS GENERATOR	below RH side of dash		
G6509	GENERATOR .....	LH side of engine compartment		
G6430	B+ JUMP START JUNCTION POINT .....	rear RH side of engine compartment		
H1 ...	ANTI-THEFT HORN (DWA) .....	behind RH fresh air cowl		
H2 ...	LEFT HORN .....	front of car under radiator		
H3 ...	RIGHT HORN .....	front of car under radiator		
H4 ...	RIGHT FRONT TURN LIGHT .....	front of car		
H5 ...	RIGHT REAR TURN LIGHT .....	RH side of body rear end		
H6 ...	LEFT REAR TURN LIGHT .....	LH side of body rear end		
H7 ...	LEFT FRONT TURN LIGHT .....	front of car		
H8 ...	RIGHT FRONT AUXILIARY TURN LIGHT ...	in RH front bumper		
H9 ...	LEFT FRONT AUXILIARY TURN LIGHT .....	in LH front bumper		



## COMPONENT LOCATION CHART

COMP.	DESCRIPTION	LOCATION	7100.0	8500.0
H10z	ACOUSTIC DEVICE .....	below RH side of dash .....	29-1	
H24	LEFT BRAKE LIGHT .....	LH side of body rear end		
H25	LEFT TAIL LIGHT .....	LH side of body rear end		
H27	LEFT BACK UP LIGHT .....	LH side of body rear end		
H28	RIGHT BACK UP LIGHT .....	RH side of body rear end		
H30	RIGHT TAIL LIGHT .....	RH side of body rear end		
H31	RIGHT BRAKE LIGHT .....	RH side of body rear end		
H34	HIGH LEVEL STOP LIGHT .....	at back of rear window shelf		
H38	TELEPHONE TRANSCEIVER .....	in LH forward side of luggage compartment		
H42	LEFT MID-HIGH RANGE SPEAKER .....	driver's door		
H43	RIGHT MID-HIGH RANGE SPEAKER .....	passenger's door		
H45	RIGHT REAR SPEAKER .....	at back of rear window shelf		
H46	LEFT REAR SPEAKER .....	at back of rear window shelf		
H50	RIGHT FRONT HIGH RANGE SPEAKER ...	in upper RH front door		
H51	RIGHT FRONT LOW RANGE SPEAKER ....	behind RH footwell kickpanel		
H52	RIGHT REAR LOW RANGE SPEAKER .....	at back of rear window shelf		
H53	RIGHT REAR HIGH RANGE SPEAKER .....	at back of rear window shelf		
H54	RIGHT FRONT MIDRANGE SPEAKER .....	in upper RH front door		
H54z	REAR RIGHT MID-HIGH RANGE SPEAKER .	at back of rear window shelf		
H55	LEFT FRONT MIDRANGE SPEAKER .....	driver's door		
H55z	REAR LEFT MID-HIGH RANGE SPEAKER ..	at back of rear window shelf		
H56	LEFT REAR HIGH RANGE SPEAKER .....	at back of rear window shelf		





# COMPONENT LOCATION CHART

COMP.	DESCRIPTION	LOCATION	7100.0	8500.0
H57 ..	LEFT REAR LOW RANGE SPEAKER .....	at back of rear window shelf		
H58 ..	LEFT FRONT LOW RANGE SPEAKER .....	footwell, driver's side		
H59 ..	LEFT FRONT HIGH RANGE SPEAKER .....	driver's door		
H9025	UPPER LEFT TAIL LIGHT .....	LH side of body rear end		
H9030	UPPER RIGHT TAIL LIGHT .....	RH side of body rear end		
I1000 .	CAN BUS .....	in E-Box		
K1w ..	STARTER IMMOBILIZATION RELAY .....	rear LH side of engine compartment in Front Power Distribution Box .....	17-1	
K2 ....	HORN RELAY .....	rear LH side of engine compartment in Front Power Distribution Box .....	16-2	
K3 ....	UNLOADER RELAY, TERMINAL R .....	rear LH side of engine compartment in Front Power Distribution Box .....	17-1	
K4 ....	BLOWER RELAY .....	rear LH side of engine compartment in Front Power Distribution Box .....	17-1	
K5 ....	WASHER PUMP RELAY .....	rear LH side of engine compartment in Front Power Distribution Box .....	16-2	
K8z ...	AUXILIARY WATER PUMP RELAY .....	rear LH side of engine compartment in Front Power Distribution Box .....	16-2	
K9 ....	UNLOADER RELAY, TERMINAL 15 .....	rear LH side of engine compartment in Front Power Distribution Box .....	16-1	
K12 ...	WIPER PRESSURE CONTROL (ADV) RELAY .....	rear LH side of engine compartment in Front Power Distribution Box .....	16-1	
K13 ...	REAR DEFOGGER RELAY .....	rear Power Distribution Box in LH side of luggage compartment .....	36-1	
K15 ...	ELECTRIC POWER PROTECTION RELAY ..	rear Power Distribution Box in LH side of luggage compartment .....	36-1	
K16 ...	HAZARD FLASHER RELAY .....	rear LH side of engine compartment in Front Power Distribution Box .....	16-3	
K19 ...	COMPRESSOR CONTROL RELAY .....	rear LH side of engine compartment in Front Power Distribution Box .....	17-2	
K21 ...	NORMAL SPEED RELAY .....	rear LH side of engine compartment in Front Power Distribution Box .....	16-3	
K22 ...	HIGH SPEED RELAY .....	rear LH side of engine compartment in Front Power Distribution Box .....	16-1	



# COMPONENT LOCATION CHART

COMP.	DESCRIPTION	LOCATION	7100.0	8500.0
K25 ...	RIGHT PARK LIGHT/LICENSE PLATE LIGHT RELAY .....	below LH side of dash near hood release lever		
K26 ...	LEFT PARK LIGHT RELAY .....	below LH side of dash near hood release lever		
K29 ...	INTERIOR LIGHT RELAY .....	LH side of LH footwell .....	28-2	
K30 ...	ELECTRIC POWER PROTECTION RELAY II	rear Power Distribution Box in LH side of luggage compartment .....	36-1	
K33 ...	AIR CONDITIONING RELAY .....	rear LH side of engine compartment in Front Power Distribution Box .....	16-2	
K36 ...	WIPER RELAY I .....	rear LH side of engine compartment in Front Power Distribution Box .....	17-1	
K37 ...	WIPER RELAY II .....	rear LH side of engine compartment in Front Power Distribution Box .....	17-1	
K38 ...	WIPER RELAY III .....	rear LH side of engine compartment in Front Power Distribution Box .....	17-1	
K39 ...	CONCEALING HEADLIGHTS RELAY .....	rear LH side of engine compartment in Front Power Distribution Box .....	16-3	
K42 ...	INTENSIVE WASH RELAY .....	rear LH side of engine compartment in Front Power Distribution Box .....	16-2	
K46 ...	HIGH BEAM LIGHT RELAY .....	rear LH side of engine compartment in Front Power Distribution Box .....	16-1	
K51 ...	JUMPER PLUG FOR HORN/TELEPHONE ..	rear LH side of engine compartment in Front Power Distribution Box .....	17-2	
K52z ..	FLASHER LIGHT RELAY .....	rear LH side of engine compartment in Front Power Distribution Box .....	16-3	
K60 ...	COMPRESSOR CUT-OFF RELAY .....	rear LH side of engine compartment in Front Power Distribution Box .....	17-2	
K61 ...	UNLOADER RELAY, TERMINAL 61 .....	rear LH side of engine compartment in Front Power Distribution Box .....	16-2	
K67 ...	EDC RELAY .....	in RH side of luggage compartment .....	38-3	
K70 ...	CENTRAL LOCKING TRUNK LID MOTOR RELAY (ZV) .....	rear Power Distribution Box in LH side of luggage compartment .....	36-2	
K72 ...	CONSUMER CUT-OFF RELAY I .....	rear Power Distribution Box in LH side of luggage compartment .....	36-2	
K73 ...	CONSUMER CUT-OFF RELAY II .....	rear Power Distribution Box in LH side of luggage compartment .....	36-1	
K91 ...	ON-BOARD COMPUTER HORN RELAY ....	inside box on interior side of RH door sill		



# COMPONENT LOCATION CHART

COMP.	DESCRIPTION	LOCATION	7100.0	8500.0
K94 ...	ENGINE CONTROL RELAY (ABS/ASC) .....	LH side of engine compartment	24-1	
K95 ...	VALVE RELAY (ABS/ASC) .....	LH side of engine compartment	24-1	
K109 .	SECONDARY AIR PUMP RELAY .....	in auxiliary relay box LH front of engine compartment .....	44-3	
K111 .	DAYTIME RUNNING LIGHTS RELAY .....	rear Power Distribution Box in LH side of luggage compartment .....	36-2	
K199 .	SERVOTRONIC RELAY .....	rear LH side of engine compartment in Front Power Distribution Box .....	17-2	
K6300	ENGINE CONTROL MODULE RELAY .....	in E-Box		
K6301w	FUEL PUMP RELAY .....	in E-Box		
K6303	OXYGEN SENSOR RELAY .....	in E-Box		
K6304	SECONDARY AIR PUMP RELAY .....	in auxiliary relay box LH front of engine compartment .....	44-3	
K6310	CYL. 1-6 ENGINE CONTROL MODULE RELAY .....	rear RH side of engine compartment in E-Box .....	24-2	
K6311	CYL. 1-6 FUEL PUMP RELAY .....	rear RH side of engine compartment in E-Box .....	24-2	
K6320	CYL. 7-12 ENGINE CONTROL MODULE RELAY .....	rear RH side of engine compartment in E-Box .....	24-2	
K6321	CYL. 7-12 FUEL PUMP RELAY .....	rear RH side of engine compartment in E-Box .....	24-2	
M2 ...	FUEL PUMP .....	in RH side of luggage compartment		
M2z ..	CYL. 1-6 FUEL PUMP .....	in RH side of luggage compartment		
M3 ...	WIPER MOTOR .....	behind LH fresh air cowl		
M4 ...	WASHER PUMP .....	RH side of engine compartment on washer fluid reservoir .....	23-1	
M5 ...	INTENSIVE WASH PUMP .....	front RH side of engine compartment near windshield washer reservoir		
M6 ...	WIPER PRESSURE CONTROL MOTOR (ADV) .....	behind LH fresh air cowl		
M7 ...	HEADLIGHT/FOG LIGHT WASHER PUMP ..	front RH side of engine compartment near windshield washer reservoir .....	23-2	



# COMPONENT LOCATION CHART

COMP.	DESCRIPTION	LOCATION	7100.0	8500.0
M9	AUXILIARY FAN MOTOR	behind front grille	15-3	
M11	CYL. 7-12 FUEL PUMP	in RH side of luggage compartment		
M12	DRIVER'S DOOR LOCK MOTOR	in lower LH front door	34-1	
M13	PASSENGER'S DOOR LOCK MOTOR	in lower RH front door	34-1	
M16	GAS FILLER LOCK MOTOR	in RH rear side of luggage compartment	39-3	
M17	TRUNK LOCK MOTOR	rear of car rear side of luggage compartment		
M18	LH CONCEALING HEADLIGHT MOTOR	front LH side of engine compartment		
M19	RH CONCEALING HEADLIGHT MOTOR	front RH side of engine compartment		
M20	LEFT REAR WINDOW MOTOR	left from LH rear seat behind trim panel		
M21z	DRIVER'S POWER WINDOW MOTOR/ INCREMENT SENSOR	in lower LH front door	35-2	
M22	RIGHT REAR WINDOW MOTOR	RH side of RH rear seat behind trim panel		
M23z	PASSENGER'S POWER WINDOW MOTOR/ INCREMENT SENSOR	in lower RH front door		
M24	SUNROOF MOTOR	center of windshield header	31-2	
M25	CRUISE CONTROL ACTUATOR (TEMPOMAT)	LH side of engine compartment		
M30	BLOWER MOTOR	behind center of cowl		
M31	LEFT FOOTWELL FLAP MOTOR	below LH side of dash		
M32	RIGHT FOOTWELL FLAP MOTOR	LH side of RH footwell		
M33	RIGHT VENTILATION FLAP MOTOR	LH side of RH footwell		
M34	DASH VENT MIXING FLAP MOTOR	RH side of dash behind glove box RH side of IHKA Plenum		
M35	DEFROSTER FLAP MOTOR	LH side of IHKA Plenum		



# COMPONENT LOCATION CHART

COMP.	DESCRIPTION	LOCATION	7100.0	8500.0
M36	FRESH AIR FLAP MOTOR	LH side of IHKA Plenum		
M37a	AUXILIARY WATER PUMP	rear LH side of engine compartment		
M38	LEFT VENTILATION FLAP MOTOR	behind LH fresh air cowl		
M39	LEFT MIXING FLAP MOTOR	center of dash left of radio		
M40	RECIRCULATION FLAP MOTOR	below LH side of dash		
M50	DRIVER'S SEAT CUSHION TILT MOTOR	under LH front seat		
M51	DRIVER'S SEAT MOVEMENT MOTOR	under LH front seat		
M52	DRIVER'S SEAT HEIGHT MOTOR	under LH front seat		
M53	DRIVER'S SEATBACK RECLINER MOTOR	in lower LH front seatback		
M55z	DRIVER'S SEAT LUMBAR SUPPORT MOTOR/VALVE	in upper LH front seatback		
M56z	PASSENGER'S SEAT LUMBAR SUPPORT MOTOR/VALVE	in upper RH front seatback		
M58	PASSENGER'S SEATBACK RECLINER MOTOR	in lower RH front seatback		
M59	PASSENGER'S SEAT HEIGHT MOTOR	under RH front seat		
M60	PASSENGER'S SEAT MOVEMENT MOTOR	under RH front seat		
M61	PASSENGER'S SEAT CUSHION TILT MOTOR	under RH front seat		
M63	SECONDARY AIR PUMP	front RH side of engine compartment		
M65	DRIVER'S THIGH SUPPORT MOTOR	under LH front seat		
M66	PASSENGER'S THIGH SUPPORT MOTOR	under RH front seat		
M74	SUN BLIND MOTOR	at back of rear window shelf		13-3



# COMPONENT LOCATION CHART

COMP.	DESCRIPTION	LOCATION	7100.0	8500.0
M80 ..	LEFT HEADLIGHT WIDENING MOTOR	front LH side of engine compartment		
M81 ..	RIGHT HEADLIGHT WIDENING MOTOR	front RH side of engine compartment		
M82 ..	STEERING COLUMN LENGTH ADJUST MOTOR	bottom of steering column		
M83 ..	STEERING COLUMN ANGLE ADJUST MOTOR	bottom of steering column		
M86 ..	WATER PUMP IN LUGGAGE COMPARTMENT	in luggage compartment in spare tire compartment	41-2	
M93 ..	AUXILIARY THROTTLE POSITION MOTOR (ADS)	LH side of engine compartment		
M6360	EML ACTUATOR MOTOR I	front LH side of engine compartment	22-3	
M6370	EML ACTUATOR MOTOR II	front RH side of engine compartment	22-3	
M6506	E-BOX FAN	rear RH side of engine compartment in E-Box	24-3	
M6510	STARTER	in the engine compartment		
N1 ...	ANTI-THEFT CONTROL MODULE (DWA)	inside box on interior side of RH door sill	03-1	
N1 ...	ANTI-THEFT CONTROL MODULE (DWA)	inside box on interior side of RH door sill	28-1	
N2 ...	FINAL STAGE UNIT	LH side of RH footwell		
N3 ...	DIMMER	LH side of dash		
N4z ..	MULTI-INFORMATION DISPLAY (MID)	center console		
N6 ...	HEADLIGHT/FOGLIGHT CLEANING MODULE (SRA)	rear LH side of engine compartment in Front Power Distribution Box	05-1	
N6 ...	HEADLIGHT/FOGLIGHT CLEANING MODULE (SRA)	rear LH side of engine compartment in Front Power Distribution Box	16-1	
N8 ...	ANTENNA AMPLIFIER AM/FM	in upper LH C-pillar	01-1	



# COMPONENT LOCATION CHART

COMP.	DESCRIPTION	LOCATION	7100.0	8500.0
N8 ...	ANTENNA AMPLIFIER AM/FM	in upper LH C-pillar	32-2	
N9 ...	RADIO	center console		
N13y .	REMOTE LOCKING RECEIVER	in rear view mirror		
N17 ..	CRASH CONTROL MODULE	rear LH side of engine compartment in Front Power Distribution Box	05-1	
N17 ..	CRASH CONTROL MODULE	rear LH side of engine compartment in Front Power Distribution Box	16-3	
N22 ..	CD CHANGER	in luggage compartment		
N444 .	FM AMPLIFIER HLO	in upper LH C-pillar		
P1 ....	AUXILIARY RELAY BOX - ENGINE COMPARTMENT	LH side of engine compartment	17-3	
P90 ...	FRONT POWER DISTRIBUTION BOX	rear LH side of engine compartment	06-1	
P90 ...	FRONT POWER DISTRIBUTION BOX	rear LH side of engine compartment	19-2	
P93 ...	E-BOX	rear RH side of engine compartment	06-2	
P93 ...	E-BOX	rear RH side of engine compartment	23-3	
P94 ...	REAR POWER DISTRIBUTION BOX	in LH side of luggage compartment	07-2	
P94 ...	REAR POWER DISTRIBUTION BOX	in LH side of luggage compartment	36-3	
P95 ...	AUXILIARY FUSE BOX	rear RH side of engine compartment in E-Box		
P97 ...	AUXILIARY FUSE BOX	rear RH side of engine compartment in E-Box		
P98 ...	FUSE HOLDER IN E-BOX	rear RH side of engine compartment in E-Box		
R1 ....	MIXING SWITCH	center of dash		
R6 ....	SEAT HEIGHT POTENTIOMETER	LH front seat		
R7 ....	SEATBACK POTENTIOMETER	in lower LH front seatback		



# COMPONENT LOCATION CHART

COMP.	DESCRIPTION	LOCATION	7100.0	8500.0
R8 ....	SEAT CUSHION REAR HEIGHT POTENTIOMETER .....	LH front seat		
R9 ....	SEAT CUSHION MOVEMENT POTENTIOMETER .....	under LH front seat		
R10 ..	PEDAL POSITION SENSOR .....	below LH side of dash .....	27-3	
R13 ..	HEADLIGHT WIDENING POTENTIOMETER	LH side of dash		
R14 ..	SERIES RESISTOR (FOR SECONDARY AIR PUMP) .....	LH side of engine compartment		
R15 ..	THIGH SUPPORT POTENTIOMETER .....	under LH front seat		
R18z ..	STEERING COLUMN LENGTH ADJUST POTENTIOMETER .....	bottom of steering column		
R19z ..	STEERING COLUMN ANGLE ADJUST POTENTIOMETER .....	bottom of steering column		
R26 ..	DSC STEERING WHEEL ANGLE SENSOR .	on steering column		
R6240	RESISTOR .....	RH front of engine		
R6252	THROTTLE POSITION SENSOR .....	front of engine		
R6253	AUXILIARY THROTTLE POSITION SENSOR	front of engine .....	44-1	
S2 ....	IGNITION SWITCH .....	on steering column above right		
S3 ....	AUTOMATIC TRANSMISSION RANGE SWITCH .....	center console		
S4 ....	HORN SWITCH .....	on steering wheel behind DRIVER'S AIR BAG GAS GENERATOR		
S5 ....	WIPER/WASHER SWITCH .....	on steering column		
S6 ....	ASC SWITCH .....	center console .....	30-1	
S7 ....	COMBINATION SWITCH .....	on steering column above left		





# COMPONENT LOCATION CHART

COMP.	DESCRIPTION	LOCATION	7100.0	8500.0
S8	LIGHT SWITCH	LH side of dash		
S10	FOG LIGHT SWITCH	LH side of dash		
S11	CRUISE CONTROL SWITCH (EML)	on steering column		
S12	MEMORY MIRRORS CONTROL SWITCH	in upper LH front door		
S13	PASSENGER'S DOOR JAMB SWITCH	in upper RH front door		
S14	DRIVER'S DOOR JAMB SWITCH	in upper LH front door		
S17	MIRROR CONTROL SWITCH	in upper LH front door		
S18	HAZARD SWITCH	center console		
S19	UNDERHOOD LIGHT SWITCH	near LH headlight assembly		
S20	RADIO ANTI-THEFT SWITCH (DWA)	behind radio		
S21	ENGINE HOOD SWITCH (DWA)	near RH headlight assembly		
S26	AUTOMATIC HEATING AND AIR CONDITIONING SWITCH (IHKA)	center of dash		
S27	INERTIA SWITCH	behind LH footwell speaker grille	28-3	
S28	CRUISE CONTROL SWITCH	top of steering column		
S30	BRAKE LIGHT SWITCH	below LH side of dash	27-2	
S31	PARK BRAKE SWITCH	below front of console		
S32	CLUTCH SWITCH	behind LH footwell trim on clutch pedal support bracket		
S36z	TEMPERATURE SWITCH	front RH side of engine compartment		
S36	TEMPERATURE SWITCH	front RH side of engine compartment	19-3	
S38	SUNROOF SWITCH	center of windshield header		
S45	LEFT REAR WINDOW LIMIT SWITCH	left from LH rear seat		



# COMPONENT LOCATION CHART

COMP.	DESCRIPTION	LOCATION	7100.0	8500.0
S46 ...	RIGHT REAR WINDOW LIMIT SWITCH .....	RH side of RH rear seat		
S47 ...	DRIVER'S DOOR LOCK SWITCH .....	LH front door behind door panel		
S48 ...	DRIVER'S DOOR HANDLE SWITCH .....	LH front door behind door panel		
S49 ...	PASSENGER'S DOOR LOCK SWITCH .....	RH front door		
S50 ...	DRIVER'S MEMORY SEAT ADJUSTMENT SWITCH .....	LH front seat		
S51 ...	DRIVER'S SEAT, SEAT CONTROL SWITCH .	LH front seat		
S52 ...	DRIVER'S SEAT LUMBAR SWITCH .....	LH front seat		
S53 ...	DRIVER'S SEAT, SEAT HEATER SWITCH ...	LH front seat		
S54 ...	PASSENGER'S SEAT, SEAT HEATER SWITCH .....	RH front seat		
S55 ...	PASSENGER'S SEAT LUMBAR SUPPORT SWITCH .....	RH front seat		
S56 ...	PASSENGER'S SEAT, SEAT CONTROL SWITCH .....	RH front seat		
S57 ...	MEMORY SEAT MIRRORS SWITCH .....	LH front seat		
S58 ...	DRIVER'S SEAT BELT SWITCH .....	LH front seat		
S59 ...	PASSENGER'S SEAT BELT SWITCH .....	RH front seat		
S61 ...	TRUNK LID SWITCH .....	underside of trunk lid		
S64 ...	WASHER FLUID LEVEL SWITCH .....	RH side of engine compartment on washer fluid reservoir .....		23-2
S76 ...	REAR WINDOW DEFOGGER SWITCH .....	LH side of dash		
S77 ...	DRIVER'S MAKEUP MIRROR SWITCH .....	above LH sun visor		
S78 ...	PASSENGER'S MAKEUP MIRROR SWITCH	above RH sun visor		



# COMPONENT LOCATION CHART

COMP.	DESCRIPTION	LOCATION	7100.0	8500.0
S79 ...	PASSENGER'S DOOR HANDLE SWITCH ..	RH front door		
S89 ...	DRIVER'S INSIDE DOOR HANDLE SWITCH	in lower LH front door		
S8z ...	LIGHT SWITCH .....	LH side of dash		
S90 ...	PASSENGER'S INSIDE DOOR HANDLE SWITCH .....	in upper RH front door		
S93 ...	DRIVER'S THIGH SUPPORT SWITCH .....	LH front seat		
S94 ...	PASSENGER'S THIGH SUPPORT SWITCH .	RH front seat		
S96 ...	AIR CONDITIONING PRESSURE SWITCH ..	RH side of engine compartment under concealing headlight		
S97 ...	PASSENGER'S WINDOW SWITCH .....	RH front door		
S99 ...	PASSENGER'S WINDOW MONITORING SWITCH (DWA) .....	in upper RH front door		
S100 .	DRIVER'S WINDOW MONITORING SWITCH (DWA) .....	in upper LH front door		
S101 .	RIGHT REAR WINDOW MONITORING SWITCH (DWA) .....	RH side of RH rear seat behind trim panel		
S102 .	LEFT REAR WINDOW MONITORING SWITCH (DWA) .....	left from LH rear seat behind trim panel		
S103 .	RH DRIVER'S SEATBACK SWITCH .....	LH front seat		
S104 .	LH DRIVER'S SEATBACK SWITCH .....	LH front seat		
S105 .	EDC SWITCH .....	center console		
S110 .	SUN BLIND SWITCH .....	center console		
S113 .	GLOVE BOX LIGHT SWITCH II .....	LH side of glove box		
S117 .	TRUNK LID LOCKING SWITCH .....	underside of trunk lid .....		40-2
S118 .	GLOVE BOX CENTRAL LOCKING SWITCH .	LH side of glove box		



# COMPONENT LOCATION CHART

COMP.	DESCRIPTION	LOCATION	7100.0	8500.0
S121	RH PASSENGER'S SEATBACK SWITCH . . .	RH front seat		
S122	LH PASSENGER'S SEATBACK SWITCH . . .	RH front seat		
S136	WASHER FLUID LEVEL SWITCH . . . . .	in spare-wheel well . . . . .	41-2	
S173	PROGRAM SELECTOR . . . . .	center console		
S198	JET HEATER THERMOSWITCH . . . . .	in ventilation duct right		
S202	EML SWITCH . . . . .	center console		
S224	GEAR STEP TRANSMISSION SWITCH . . . .	near gearshift lever . . . . .	29-2	
S227	SELECTOR LEVER POSITION SWITCH . . . .	near gearshift lever . . . . .	29-2	
S37z	GLOVE BOX LIGHT SWITCH I . . . . .	LH side of glove box		
S40z	WINDOW SWITCH . . . . .	LH front door		
S119z	STEERING COLUMN POSITION SWITCH . .	on steering column above left		
S8507	KICK-DOWN SWITCH . . . . .	RH side of LH footwell		
S8511	REVERSING LIGHT SWITCH . . . . .	on RH side of transmission		
S8522	SHIFT LOCK . . . . .	center console near gearshift lever		
S8532	AUTOMATIC TRANSMISSION RANGE SWITCH . . . . .	center console		
T6151	CYL. 1 IGNITION COIL . . . . .	RH cylinder head		
T6152	CYL. 2 IGNITION COIL . . . . .	RH cylinder head		
T6153	CYL. 3 IGNITION COIL . . . . .	RH cylinder head		
T6154	CYL. 4 IGNITION COIL . . . . .	RH cylinder head		
T6155	CYL. 5 IGNITION COIL . . . . .	LH cylinder head		
T6156	CYL. 6 IGNITION COIL . . . . .	LH cylinder head		



# COMPONENT LOCATION CHART

COMP.	DESCRIPTION	LOCATION	7100.0	8500.0
T6157	CYL. 7 IGNITION COIL	LH cylinder head		
T6158	CYL. 8 IGNITION COIL	LH cylinder head		
T6151z	CYL. 1-6 IGNITION COIL	RH side of engine compartment	21-1	
T6152z	CYL. 7-12 IGNITION COIL	LH side of engine compartment	17-3	
V4	DAYTIME RUNNING LIGHTS CODING DIODE	inside box on interior side of LH door sill		
V5	DWA LED	center console		
X0	(1 PIN, ---)	LH footwell	06-3	
X0	(1 PIN, ---)	LH footwell	25-3	
X2	BATTERY B+ START POINT	in Front Power Distribution Box		
X3	B+ JUNCTION POINT	in Front Power Distribution Box		
X7	(55 PINS, NATURAL)	inside box on interior side of LH door sill	25-1	00-2
X7	(88 PINS, NATURAL)	inside box on interior side of LH door sill	25-1	00-1
X8	CABLE SOCKET	in auxiliary relay box LH front of engine compartment	24-1	
X11	(55 PINS, NATURAL)	inside box on interior side of LH door sill		00-2
X12	(20 PINS, WHITE)	below LH side of dash	26-2	02-1
X13	(30 PINS, BLACK)	LH footwell	25-1	01-1
X14	(30 PINS, WHITE)	LH footwell	25-1	01-1
X16	(26 PINS, BLACK)	LH side of dash		01-2
X20	(25 PINS, GRAY)	rear RH side of engine compartment	23-3	01-5
X20	(25 PINS, GRAY)	rear RH side of engine compartment (840Ci)	43-3	01-5
X21	(25 PINS, BLUE)	rear RH side of engine compartment	23-3	01-5



# COMPONENT LOCATION CHART

COMP.	DESCRIPTION	LOCATION	7100.0	8500.0
X21 ...	(25 PINS, BLUE)	LH cylinder head (840Ci)	18-3	01-5
X22 ...	(26 PINS, BLUE)	in RH side of luggage compartment	00-3	
X25 ...	(4 PINS, BLACK)	RH side of engine compartment on washer fluid reservoir	23-1	10-1
X27 ...	CABLE SOCKET	in auxiliary relay box LH front of engine compartment	24-1	
X31 ...	(15 PINS, BLACK)	LH side of engine compartment under concealing headlight		03-4
X31 ...	(12 PINS, BLACK)	LH side of engine compartment under concealing headlight (850CSi)		14-2
X32 ...	(12 PINS, WHITE)	below LH side of dash	27-1	04-3
X33 ...	(12 PINS, BLACK)	below LH side of dash	27-1	04-3
X36 ...	(21 PINS, BLACK)	below center console	30-3	01-6
X38 ...	(20 PINS, BLACK)	below LH side of dash	26-2	02-1
X39 ...	(26 PINS, GREEN)	below LH side of dash	26-1	01-2
X40 ...	(26 PINS, BROWN)	below LH side of dash	26-1	01-2
X41 ...	(26 PINS, BLUE)	below LH side of dash	26-1	01-2
X42 ...	(5 PINS, BLACK)	below LH side of dash	26-1	08-4
X43 ...	(9 PINS, BLACK)	rear LH side of engine compartment in Front Power Distribution Box		05-4
X46 ...	GROUND	below ashtray		
X52 ...	(9 PINS, BLACK)	rear LH side of engine compartment in Front Power Distribution Box		05-4
X53 ...	(9 PINS, BLACK)	rear LH side of engine compartment in Front Power Distribution Box		05-4
X54 ...	(9 PINS, BLACK)	rear LH side of engine compartment in Front Power Distribution Box		05-4
X55 ...	(9 PINS, BLACK)	rear LH side of engine compartment in Front Power Distribution Box		05-4
X57 ...	(9 PINS, BLACK)	rear LH side of engine compartment in Front Power Distribution Box		05-4
X58 ...	(9 PINS, BLACK)	rear LH side of engine compartment in Front Power Distribution Box		05-4



# COMPONENT LOCATION CHART

COMP.	DESCRIPTION	LOCATION	7100.0	8500.0
X61 ...	(9 PINS, BLACK)	rear LH side of engine compartment in Front Power Distribution Box		05-4
X63 ...	(9 PINS, BLACK)	rear LH side of engine compartment in Front Power Distribution Box		05-4
X64 ...	(9 PINS, BLACK)	rear LH side of engine compartment in Front Power Distribution Box		05-4
X65 ...	(9 PINS, BROWN)	rear LH side of engine compartment in Front Power Distribution Box		05-4
X69 ...	(25 PINS, BLACK)	rear RH side of engine compartment	23-3	01-5
X70 ...	(8 PINS, BLACK)	LH side of engine compartment		
X72 ...	(8 PINS, WHITE)	below LH side of dash	27-1	06-3
X73 ...	(8 PINS, WHITE)	below LH side of dash (850CSi)	27-3	06-4
X73 ...	(18 PINS, BLACK)	below LH side of dash		02-3
X74 ...	(30 PINS, ORANGE)	below ashtray		12-5
X76 ...	(8 PINS, BLACK)	below LH side of dash		
X77 ...	(10 PINS, BLACK)	LH side of LH footwell	28-2	04-6
X78 ...	(4 PINS, BLACK)	below LH side of dash	27-2	09-2
X82 ...	(3 PINS, BLACK)	front of engine compartment on auxiliary fan	15-3	11-4
X83 ...	(9 PINS, BLACK)	in Front Power Distribution Box		05-4
X85 ...	(3 PINS, BLACK)	rear LH side of engine compartment	18-2	11-4
X87 ...	(3 PINS, BLACK)	front RH side of engine compartment	19-3	11-4
X88 ...	(2 PINS, BLACK)	LH side of dash		
X95 ...	(3 PINS, BLACK)	front RH side of engine compartment under air filter		11-4
X101	(2 PINS, BLACK)	on underside of engine hood left		
X102	(1 PIN, --)	rear LH side of engine compartment	19-1	
X103	(1 PIN, --)	rear LH side of engine compartment	19-2	



# COMPONENT LOCATION CHART

COMP.	DESCRIPTION	LOCATION	7100.0	8500.0
X105	(2 PINS, GRAY)	on underside of engine hood left	15-2	
X106	(2 PINS, GRAY)	on underside of engine hood		
X107	(2 PINS, GRAY)	RH side of engine compartment on washer fluid reservoir	23-1	
X109	(2 PINS, BLACK)	RH side of engine compartment on washer fluid reservoir	23-2	
X110	(2 PINS, GRAY)	RH side of engine compartment on washer fluid reservoir		
X111	(2 PINS, BLACK)	rear LH side of engine compartment		
X113	(3 PINS, WHITE)	RH front of wheel well		13-1
X114	(3 PINS, GRAY)	behind LH front wheel		13-1
X118	(2 PINS, BLACK)	behind LH front wheel	13-1	
X119	(2 PINS, BLACK)	rear LH side of engine compartment near brake fluid reservoir	19-1	
X120	(2 PINS, BLACK)	under LH front of car	12-2	
X121	(2 PINS, WHITE)	below LH side of dash	27-2	
X122	(2 PINS, BLACK)	rear LH side of engine compartment	18-2	
X126	(2 PINS, WHITE)	RH side of engine compartment under concealing headlight		
X128	(7 PINS, BLACK)	near LH headlight assembly front of vehicle	11-3	06-6
X130	(7 PINS, BLACK)	LH side of engine compartment	18-1	06-6
X132	(2 PINS, BLACK)	front of car		
X133	(2 PINS, BLACK)	front of car		
X135	(7 PINS, BLACK)	front RH side of engine compartment	23-2	06-6
X137	(7 PINS, BLACK)	near RH headlight assembly front of vehicle	12-1	06-6
X142	(3 PINS, GRAY)	behind LH rear wheel		13-1
X143	(3 PINS, GRAY)	under RH rear of car	12-3	13-1





# COMPONENT LOCATION CHART

COMP.	DESCRIPTION	LOCATION	7100.0	8500.0
X145	(2 PINS, BLACK)	LH side of engine compartment	20-1	
X161	(2 PINS, BLACK)	near LH headlight assembly	11-1	
X165	GROUND	LH side of LH footwell		
X167	GROUND	LH side of engine compartment	08-2	
X167	GROUND	LH side of engine compartment	18-1	
X168	(1 PIN, BLACK)	on steering column		
X170	(1 PIN, --)	front LH side of engine compartment under concealing headlight		
X173	GROUND	front RH side of engine compartment (headlights removed)	08-3	
X252	(26 PINS, BLACK)	inside box on interior side of RH door sill	28-1	01-2
X253	(26 PINS, BLACK)	below LH side of dash	26-2	01-2
X254	(26 PINS, YELLOW)	below LH side of dash	26-2	01-2
X256	(26 PINS, BLACK)	ahead of RH front door		01-3
X257	(26 PINS, BLACK)	ahead of LH front door		01-3
X258	(20 PINS, BLACK)	inside box on interior side of LH door sill on RELAY MODULE	25-2	02-1
X259	(26 PINS, BLACK)	inside box on interior side of LH door sill on RELAY MODULE	25-2	01-2
X263	(26 PINS, WHITE)	in RH side of luggage compartment	38-3	01-2
X272	(6 PINS, BLACK)	left from LH rear seat behind trim panel		07-6
X275	(12 PINS, WHITE)	underside of LH front seat	41-1	04-1
X279	(12 PINS, WHITE)	under RH front seat		04-1
X280	(9 PINS, BLACK)	rear LH side of engine compartment in Front Power Distribution Box		05-4
X281	(9 PINS, BLACK)	rear LH side of engine compartment in Front Power Distribution Box		05-4
X283	(4 PINS, BLACK)	LH side of engine compartment	18-1	09-4



# COMPONENT LOCATION CHART

COMP.	DESCRIPTION	LOCATION	7100.0	8500.0
X284	(4 PINS, BLACK)	front RH side of engine compartment	23-2	09-4
X287	(9 PINS, BLACK)	in LH side of luggage compartment		05-4
X291	(9 PINS, BLACK)	rear LH side of engine compartment in Front Power Distribution Box		05-4
X292	(9 PINS, BLACK)	in LH side of luggage compartment Power Distribution Box		05-4
X294	(9 PINS, BLACK)	rear Power Distribution Box in LH side of luggage compartment		05-4
X295	(8 PINS, BLACK)	below LH side of dash	27-1	06-3
X296	(6 PINS, NATURAL)	in LH rear side of luggage compartment	37-2	07-6
X301	(26 PINS, WHITE)	inside box on interior side of RH door sill	28-1	01-2
X306	(30 PINS, BLUE)	LH footwell	25-1	01-1
X307	GROUND	behind LH footwell speaker grille	10-1	
X307	GROUND	behind LH footwell speaker grille	28-3	
X310	(6 PINS, BLACK)	behind glove box right		07-6
X311	(2 PINS, BLACK)	rear of car		
X312	(6 PINS, BLACK)	in RH rear side of luggage compartment	39-3	08-2
X316	(6 PINS, WHITE)	LH front door behind door panel	35-1	07-2
X317	(6 PINS, BLACK)	RH front door		07-2
X318	(6 PINS, BLACK)	in RH rear side of luggage compartment	39-2	07-6
X319	(6 PINS, BLACK)	in LH rear side of luggage compartment	37-2	07-6
X321	(4 PINS, BLACK)	below center console	30-3	09-6
X322	(8 PINS, BLACK)	below center console	30-3	06-3
X331	(5 PINS, BLACK)	inside box on interior side of RH door sill	28-1	08-4
X332	(26 PINS, WHITE)	below LH side of dash	26-2	01-2



# COMPONENT LOCATION CHART

COMP.	DESCRIPTION	LOCATION	7100.0	8500.0
X333	(12 PINS, BLACK)	rear LH side of engine compartment	19-1	03-3
X335	(4 PINS, BLACK)	inside box on interior side of RH door sill	28-1	10-3
X336	(4 PINS, WHITE)	center of windshield header	31-2	09-3
X351	(2 PINS, BLACK)	in lower RH side of front door	34-1	
X352	(2 PINS, BLACK)	in lower LH front door	34-1	
X355	(2 PINS, BLACK)	behind RH footwell trim		
X356	(2 PINS, BLACK)	in upper LH C-pillar	32-2	
X371	(2 PINS, BLACK)	near RH headlight assembly	11-2	
X372	(2 PINS, WHITE)	behind RH fresh air cowl (EARLY PRODUCTION)		
X372	(4 PINS, WHITE)	behind RH fresh air cowl (LATE PRODUCTION)		14-3
X379	(1 PIN, BLACK)	in upper LH C-pillar	32-2	
X380	(1 PIN, BLACK)	in upper RH C-pillar	32-3	
X381	(2 PINS, BLACK)	in roof panel DRIVER'S MAKEUP MIRROR LIGHT		
X382	(2 PINS, BLACK)	in roof panel PASSENGER'S MAKEUP MIRROR LIGHT		
X383	(2 PINS, BLACK)	on differential	12-3	
X388	(2 PINS, BLACK)	behind LH footwell speaker grille	28-3	
X389	(2 PINS, BLACK)	in LH front bumper LEFT FRONT AUXILIARY TURN LIGHT		
X390	(2 PINS, BLACK)	in RH front bumper RIGHT FRONT AUXILIARY TURN LIGHT		
X393	(8 PINS, BLACK)	in LH rear side of luggage compartment behind trim panel	37-1	06-4
X394	(12 PINS, BLACK)	underside of LH front seat	41-1	04-3
X400	(8 PINS, BLACK)	in LH rear side of luggage compartment	37-3	06-3
X401	(2 PINS, BLACK)	above LH sun visor		



# COMPONENT LOCATION CHART

COMP.	DESCRIPTION	LOCATION	7100.0	8500.0
X402	(2 PINS, BLACK)	above RH sun visor		
X405	(3 PINS, BLUE)	behind LH front wheel		11-1
X406	(3 PINS, BLUE)	RH front of wheel well		11-1
X407	(3 PINS, BLUE)	behind LH rear wheel		11-1
X408	(3 PINS, BLUE)	under RH rear of car	12-3	11-1
X413	(2 PINS, BLACK)	at back of rear window shelf		
X423	(2 PINS, BLACK)	below front of console		
X490	GROUND	inside box on interior side of LH door sill	10-2	
X490	GROUND	inside box on interior side of LH door sill	25-2	
X492	GROUND	behind LH footwell speaker grille	10-1	
X492	GROUND	behind LH footwell speaker grille	28-3	
X494	GROUND	in RH side of luggage compartment	09-3	
X494	GROUND	in RH side of luggage compartment	39-2	
X495	GROUND	underside of RH rear seat		
X497	GROUND	in LH rear side of luggage compartment	09-2	
X497	GROUND	in LH rear side of luggage compartment	37-2	
X500	(1 PIN, --)	in RH side of luggage compartment FUSIBLE LINK		
X501	(18 PINS, BLACK)	center console		02-3
X503	(12 PINS, BLACK)	LH side of dash		04-2
X504	(12 PINS, BLACK)	LH side of dash FOG LIGHT SWITCH		04-2
X506	(12 PINS, WHITE)	below center console	30-2	04-3
X509	(9 PINS, WHITE)	below LH side of dash RIGHT PARK LIGHT/LICENSE PLATE LIGHT RELAY		05-4



# COMPONENT LOCATION CHART

COMP.	DESCRIPTION	LOCATION	7100.0	8500.0
X511	(8 PINS, BLACK)	near gearshift lever		06-3
X512	(12 PINS, BLACK)	inside box on interior side of RH door sill	28-1	04-1
X514	(4 PINS, BLACK)	center of dash		09-2
X516	(5 PINS, BLACK)	center console		08-5
X517	(4 PINS, BLACK)	LH side of dash DIMMER		09-2
X518	(4 PINS, BLACK)	below RH side of dash under glove box	29-1	09-2
X521	(6 PINS, BLUE)	center console	30-1	07-2
X522	(3 PINS, WHITE)	below RH side of dash under glove box	29-1	10-6
X523	(6 PINS, BLACK)	inside box on interior side of LH door sill		08-3
X529	(6 PINS, BLACK)	center console		07-2
X531	(2 PINS, WHITE)	center of dash FRONT CIGAR LIGHTER		
X532	(2 PINS, BLACK)	center of dash FRONT CIGAR LIGHTER LIGHT		
X537	(2 PINS, BLACK)	LH front door behind door panel LEFT FRONT MIDRANGE SPEAKER	32-1	
X538	(2 PINS, BLACK)	at back of rear window shelf RIGHT FRONT MIDRANGE SPEAKER		
X539	(2 PINS, WHITE)	below center console	30-2	
X540	(2 PINS, BLACK)	RH side of dash behind glove box RH side of IHKA Plenum		
X541	(1 PIN, BLACK)	RH side of glove box		
X542	(2 PINS, BLACK)	RH side of dash behind glove box RH side of IHKA Plenum		
X543	(3 PINS, BLACK)	center of dash DASH LIGHT		10-5
X546	(2 PINS, WHITE)	below center console	30-2	
X601	(26 PINS, YELLOW)	underside of LH front seat	41-1	01-4
X603	(12 PINS, BLACK)	LH front seat DRIVER'S MEMORY SEAT ADJUSTMENT SWITCH		04-4



# COMPONENT LOCATION CHART

COMP.	DESCRIPTION	LOCATION	7100.0	8500.0
X604	(12 PINS, BLACK)	RH front seat PASSENGER'S SEAT, SEAT CONTROL SWITCH		04-4
X605	(12 PINS, BLACK)	in LH forward side of luggage compartment	40-1	04-1
X606	(26 PINS, WHITE)	in LH forward side of luggage compartment	40-1	01-2
X607	(12 PINS, WHITE)	behind dashboard behind glove box	03-3	03-6
X610	(26 PINS, WHITE)	between front footwells		01-2
X611	(26 PINS, BLACK)	between front footwells		01-2
X612	(26 PINS, BLUE)	center of dash		01-2
X613	(26 PINS, BLUE)	between front footwells		01-2
X614	(26 PINS, YELLOW)	between front footwells		01-2
X621	(10 PINS, BLACK)	ahead of RH front door		05-3
X622	(10 PINS, BLACK)	ahead of LH front door		05-2
X623	(10 PINS, BLACK)	in upper LH front door	34-2	05-1
X624	(10 PINS, BLACK)	in upper RH front door	34-2	05-1
X625	(6 PINS, WHITE)	LH front door behind door panel	35-1	08-2
X627	(2 PINS, BLACK)	center of windshield header		
X638	(3 PINS, BLACK)	under RH rear seat	33-2	11-4
X641	(6 PINS, BLACK)	in lower RH side of front door		07-5
X643	(6 PINS, BLUE)	center of windshield header SUNROOF SWITCH	31-2	08-2
X650	(6 PINS, BLACK)	LH front seat MEMORY SEAT MIRRORS SWITCH		07-2
X651	(6 PINS, YELLOW)	LH front seat DRIVER'S SEAT, SEAT HEATER SWITCH	30-1	07-2
X652	(4 PINS, BLACK)	LH front seat DRIVER'S SEAT LUMBAR SWITCH		09-2
X658	(6 PINS, YELLOW)	RH front seat PASSENGER'S SEAT, SEAT HEATER SWITCH	30-1	07-2



# COMPONENT LOCATION CHART

COMP. DESCRIPTION	LOCATION	7100.0	8500.0
X659 . (4 PINS, BLACK) .....	RH front seat PASSENGER'S SEAT, SEAT HEATER SWITCH .....		09-2
X660 . (6 PINS, BLACK) .....	in lower LH front door .....		07-5
X661 . (6 PINS, GRAY) .....	behind center of dashboard left .....		08-1
X662 . (6 PINS, GRAY) .....	below LH side of dash .....		08-1
X663 . (6 PINS, GRAY) .....	LH side of IHKA Plenum .....		08-1
X664 . (6 PINS, GRAY) .....	LH side of IHKA Plenum .....		08-1
X666 . (6 PINS, GRAY) .....	center of dash left of radio .....		08-1
X667 . (6 PINS, GRAY) .....	below LH side of dash .....		08-1
X668 . (6 PINS, GRAY) .....	LH side of RH footwell .....		08-1
X669 . (6 PINS, GRAY) .....	RH side of dash behind glove box .....		08-1
X670 . (6 PINS, GRAY) .....	behind center of dashboard right .....		08-1
X671 . (5 PINS, BLACK) .....	LH side of RH footwell .....		08-4
X672 . (4 PINS, BLACK) .....	in luggage compartment .....		09-5
X675 . (4 PINS, WHITE) .....	in luggage compartment .....		08-6
X676 . (4 PINS, BLACK) .....	in luggage compartment .....		08-6
X678 . (12 PINS, WHITE) .....	underside of LH front seat .....	41-1	04-3
X679 . (2 PINS, WHITE) .....	under LH rear seat .....	33-1	
X682 . (3 PINS, BLACK) .....	center of dash .....		10-5
X684 . (3 PINS, BLACK) .....	RH front door right .....		11-4
X685 . (3 PINS, BLACK) .....	in upper LH front door left .....	34-3	11-4
X686 . (3 PINS, BLUE) .....	underside of LH front seat .....	41-1	10-4
X687 . (3 PINS, BLUE) .....	LH front seat .....		10-4



# COMPONENT LOCATION CHART

COMP.	DESCRIPTION	LOCATION	7100.0	8500.0
X688	(3 PINS, BLUE)	LH front seat		10-4
X690	(3 PINS, BLUE)	underside of LH front seat	41-1	10-4
X692	(3 PINS, BLACK)	center of dash		12-2
X700	(2 PINS, BLACK)	behind RH footwell kickpanel		
X701	(2 PINS, BLACK)	behind LH footwell speaker grille	28-3	
X706	(2 PINS, BLACK)	center console CASSETTE TAPE PLAYER LIGHT		
X709	(2 PINS, BLACK)	underside of trunk lid LEFT LICENSE PLATE LIGHT		
X710	(2 PINS, BLACK)	underside of trunk lid RIGHT LICENSE PLATE LIGHT		
X711	(1 PIN, BLACK)	underside of trunk lid TRUNK LID SWITCH		
X712	(1 PIN, BLACK)	underside of trunk lid TRUNK LID LIGHT		
X713	(2 PINS, BLACK)	behind RH rear wheel	42-3	
X714	(4 PINS, BLACK)	RH side of RH rear seat behind trim panel	33-3	09-2
X715	(2 PINS, BLACK)	left from LH rear seat behind trim panel	33-3	
X720	(4 PINS, BLACK)	left from LH rear seat behind trim panel		09-2
X721	(2 PINS, BLACK)	RH side of RH rear seat behind trim panel		
X726	(2 PINS, BLACK)	under LH front seat		
X727	(2 PINS, WHITE)	under LH front seat		
X728	(2 PINS, WHITE)	under LH front seat		
X729	(2 PINS, BLACK)	in lower LH front seatback		
X734	(2 PINS, BLACK)	under RH front seat		
X735	(2 PINS, WHITE)	under RH front seat		
X736	(2 PINS, BLACK)	in lower RH front seatback		





# COMPONENT LOCATION CHART

COMP.	DESCRIPTION	LOCATION	7100.0	8500.0
X737	(2 PINS, WHITE)	under RH front seat		
X742	(2 PINS, YELLOW)	RH front door		
X744	(6 PINS, BLACK)	in lower RH side of front door		07-5
X745	(2 PINS, BLACK)	in upper RH C-pillar	32-3	
X746	(2 PINS, BLACK)	in upper RH front door		
X747	(2 PINS, YELLOW)	in upper LH front door left	34-3	
X748	(2 PINS, WHITE)	in lower LH front door behind door panel	32-1	
X749	(6 PINS, BLACK)	in lower LH front door	35-2	07-5
X751	(2 PINS, WHITE)	in upper LH front door left	34-3	
X752	(2 PINS, GRAY)	in upper LH front door left	34-3	
X753	(2 PINS, BLACK)	in lower LH front door behind door panel	32-1	
X770	(2 PINS, YELLOW)	in ventilation duct left	20-3	
X771	(2 PINS, BLACK)	RH side of LH footwell		
X772	(2 PINS, WHITE)	center console left behind radio		
X773	(2 PINS, WHITE)	center console right behind radio		
X774	(2 PINS, GRAY)	behind center of cowl under RH side of windshield		
X778	(3 PINS, BLACK)	underside of LH front seat		10-5
X779	CHARGING SOCKET	LH side of glove box		
X782	(3 PINS, ORANGE)	below RH side of dash		11-6
X816	(1 PIN, BLACK)	behind center of cowl		
X817	(1 PIN, BLACK)	behind center of cowl		
X818	GROUND	below LH side of dash	10-3	



# COMPONENT LOCATION CHART

COMP.	DESCRIPTION	LOCATION	7100.0	8500.0
X818	GROUND	below LH side of dash	27-3	
X848	(4 PINS, GREEN)	at back of rear window shelf	13-3	10-3
X881	(6 PINS, WHITE)	RH front seat PASSENGER'S THIGH SUPPORT SWITCH		08-2
X882	(2 PINS, BLACK)	under LH front seat		
X883	(2 PINS, BLACK)	under RH front seat		
X884	(3 PINS, BLUE)	under LH front seat		10-4
X886	(6 PINS, WHITE)	LH front seat DRIVER'S THIGH SUPPORT SWITCH		08-2
X887	(26 PINS, BLACK)	in lower LH front door	35-3	01-2
X889	(26 PINS, WHITE)	in upper RH front door	35-3	01-2
X898	(6 PINS, BLACK)	center of dash REAR WINDOW DEFOGGER SWITCH		07-2
X909	(2 PINS, GRAY)	RH front door right		
X916	(5 PINS, BLACK)	center of windshield header	31-1	08-4
X917	(6 PINS, BLACK)	center of windshield header	31-1	07-2
X924	(6 PINS, BLACK)	underside of trunk lid left	40-3	07-6
X925	(6 PINS, BLACK)	underside of trunk lid right	40-3	07-6
X932	(2 PINS, GRAY)	in lower LH front door	34-1	
X933	(2 PINS, GRAY)	in lower RH side of front door	34-1	
X936	(2 PINS, WHITE)	in lower LH front door	35-3	
X937	(2 PINS, WHITE)	RH front door	35-3	
X941	(9 PINS, BLACK)	rear LH side of engine compartment in Front Power Distribution Box		05-4
X945	(10 PINS, WHITE)	in RH side of luggage compartment	38-3	04-6
X947	(6 PINS, BLACK)	center console	31-3	07-2



# COMPONENT LOCATION CHART

COMP.	DESCRIPTION	LOCATION	7100.0	8500.0
X949	(5 PINS, BLACK)	at back of rear window shelf	13-3	08-4
X998	(2 PINS, NATURAL)	LH front seat RH DRIVER'S SEATBACK SWITCH		
X999	(2 PINS, WHITE)	RH front seat LH DRIVER'S SEATBACK SWITCH		
X1001	(4 PINS, NATURAL)	in RH rear side of luggage compartment	39-1	09-2
X1002	(4 PINS, NATURAL)	in LH rear side of luggage compartment	37-3	09-2
X1003	(12 PINS, BLACK)	below center console	30-3	04-3
X1010	(2 PINS, BLACK)	RH side of engine compartment under concealing headlight		
X1011	(2 PINS, GRAY)	RH side of engine compartment on washer fluid reservoir	23-2	
X1021	(9 PINS, BLACK)	rear LH side of engine compartment in Front Power Distribution Box		05-4
X1124	(2 PINS, YELLOW)	front RH side of engine compartment		
X1165	GROUND	front LH side of engine compartment		
X1178	(2 PINS, BLACK)	near gearshift lever		
X1178	(3 PINS, BLACK)	near gearshift lever (840Ci)	43-1	
X1193	(3 PINS, BLACK)	below center console		10-5
X1193	(12 PINS, BLACK)	near gearshift lever (LATE PRODUCTION)	43-1	03-5
X1204	(2 PINS, WHITE)	left from LH rear seat behind trim panel	33-3	
X1205	(2 PINS, WHITE)	RH side of RH rear seat behind trim panel		
X1229	(4 PINS, BLACK)	center of dash behind radio		10-3
X1230	(4 PINS, WHITE)	left from LH rear seat behind trim panel	33-3	09-3
X1282	(3 PINS, BLACK)	in E-Box		13-1
X1372	(2 PINS, BLACK)	LH side of glove box		
X1375	(2 PINS, BLACK)	LH side of glove box left		



# COMPONENT LOCATION CHART

COMP.	DESCRIPTION	LOCATION	7100.0	8500.0
X1376	(9 PINS, BLACK)	rear Power Distribution Box		05-4
X1377	(2 PINS, BLACK)	underside of trunk lid	40-2	
X1426	(1 PIN, BROWN)	below RH side of dash		
X1439	(2 PINS, BLACK)	center console		
X1544	(9 PINS, BLACK)	in auxiliary relay box LH front of engine compartment	44-3	05-4
X1599	(6 PINS, BLACK)	center console	29-2	14-4
X1659	(15 PINS, YELLOW)	behind glove box		03-4
X1660	(3 PINS, WHITE)	RH side of steering column		10-5
X3210	(26 PINS, BLUE)	behind RH footwell speaker grille	29-3	01-4
X3211	(4 PINS, BLACK)	front LH side of engine compartment	15-3	14-3
X6000	(88 PINS, BLACK)	in E-Box		00-1
X6002	(20 PINS, BLACK)	RH side of engine compartment	21-2	02-2
X6004	(55 PINS, BLACK)	rear RH side of engine compartment in E-Box (850CSI)		00-2
X6004	(88 PINS, BLACK)	rear RH side of engine compartment in E-Box (850Ci)		00-1
X6010	(88 PINS, BLACK)	rear RH side of engine compartment in E-Box		00-1
X6020	(88 PINS, BLACK)	rear RH side of engine compartment in E-Box		00-1
X6051	(26 PINS, BLACK)	rear RH side of engine compartment in E-Box (850Ci)		01-2
X6099	(1 PIN, BLACK)	front of engine left		
X6101	(2 PINS, BLACK)	RH cylinder head (840Ci)		
X6101	(2 PINS, BLACK)	RH side of engine		
X6102	(2 PINS, BLACK)	RH cylinder head		00-1
X6102	(2 PINS, BLACK)	RH side of engine		



# COMPONENT LOCATION CHART

COMP.	DESCRIPTION	LOCATION	7100.0	8500.0
X6103	(2 PINS, BLACK)	RH cylinder head		00-1
X6103	(2 PINS, BLACK)	RH side of engine		
X6104	(2 PINS, BLACK)	RH cylinder head		00-1
X6104	(2 PINS, BLACK)	RH side of engine		
X6105	(2 PINS, BLACK)	LH cylinder head		00-1
X6105	(2 PINS, BLACK)	RH side of engine		
X6106	(2 PINS, BLACK)	LH cylinder head		00-1
X6106	(2 PINS, BLACK)	RH side of engine		
X6107	(2 PINS, BLACK)	LH cylinder head		00-1
X6107	(2 PINS, BLACK)	LH side of engine		
X6108	(2 PINS, BLACK)	LH cylinder head		00-1
X6108	(2 PINS, BLACK)	LH side of engine		
X6109	(2 PINS, BLACK)	LH side of engine		
X6110	(2 PINS, BLACK)	LH side of engine		
X6111	(2 PINS, BLACK)	LH side of engine		
X6112	(2 PINS, BLACK)	LH side of engine		
X6120	(2 PINS, BLACK)	front of engine		
X6121	(2 PINS, BLACK)	RH side of engine compartment under air filter	21-2	
X6122	(2 PINS, WHITE)	RH side of engine compartment under air filter	21-2	
X6130	(3 PINS, GRAY)	front of engine	44-1	06-2
X6151	(3 PINS, BLACK)	RH side of engine compartment (850Ci, 850CSi)		03-2
X6151	(3 PINS, BLACK)	RH cylinder head (840Ci)		03-2



# COMPONENT LOCATION CHART

COMP.	DESCRIPTION	LOCATION	7100.0	8500.0
X6152	(3 PINS, BLACK)	RH cylinder head (840Ci)		03-2
X6152	(3 PINS, BLACK)	LH side of engine compartment (850Ci, 850CSi)		03-2
X6153	(3 PINS, BLACK)	RH cylinder head (840Ci)		03-2
X6154	(3 PINS, BLACK)	RH cylinder head (840Ci)		03-2
X6155	(3 PINS, BLACK)	LH cylinder head (840Ci)		03-2
X6156	(3 PINS, BLACK)	LH cylinder head (840Ci)		03-2
X6157	(3 PINS, BLACK)	LH cylinder head (840Ci)		03-2
X6158	(3 PINS, BLACK)	LH cylinder head (840Ci)		03-2
X6164	(2 PINS, BLACK)	LH side of engine		
X6203	(2 PINS, BLACK)	front of engine		
X6203	(2 PINS, BLACK)	on RH side of transmission (840Ci)	42-2	
X6204	(3 PINS, BLACK)	front of engine		
X6205	(2 PINS, BLACK)	front RH side of engine compartment		
X6209	(3 PINS, BLACK)	top center of engine		07-4
X6210	(4 PINS, BLACK)	on catalytic converter under center of car	14-3	10-1
X6211	(3 PINS, GRAY)	front of engine left	21-3	12-1
X6212	(3 PINS, BLACK)	front of engine compartment	21-3	12-1
X6213	(2 PINS, BLACK)	rear RH side of engine compartment below		
X6215	(2 PINS, BLACK)	front of engine	44-2	
X6216	(7 PINS, BLACK)	LH side of engine compartment	20-2	06-5
X6217	(4 PINS, GRAY)	front of engine		07-1
X6219	(3 PINS, BLACK)	RH cylinder head (840Ci)	43-3	02-5



# COMPONENT LOCATION CHART

COMP.	DESCRIPTION	LOCATION	7100.0	8500.0
X6220	(4 PINS, BLACK)	on catalytic converter under center of car	14-3	10-1
X6221	(3 PINS, BLACK)	front of engine	21-3	12-1
X6222	(3 PINS, GRAY)	front of engine	21-3	12-1
X6223	(2 PINS, BLACK)	rear LH side of engine compartment below		
X6225	(2 PINS, BLACK)	rear of engine		
X6226	(7 PINS, BLACK)	RH side of engine compartment		06-5
X6227	(4 PINS, GRAY)	RH side of engine compartment		07-1
X6230	(3 PINS, BLACK)	under LH front of car	14-1	12-1
X6232	(2 PINS, BLACK)	on coolant inlet		
X6234	(2 PINS, WHITE)	on coolant inlet		
X6235	(2 PINS, BLACK)	rear RH side of engine compartment in E-Box	24-3	
X6236	(3 PINS, BLACK)	on coolant inlet		06-2
X6241	(2 PINS, BLACK)	RH cylinder head		
X6241	(2 PINS, BLACK)	RH cylinder head (840Ci)	43-3	
X6242	(2 PINS, BLACK)	RH cylinder head		
X6242	(2 PINS, BLACK)	RH cylinder head (840Ci)	43-3	
X6243	(2 PINS, BLACK)	LH cylinder head		
X6243	(2 PINS, BLACK)	LH cylinder head (840Ci)	18-3	
X6244	(2 PINS, BLACK)	LH cylinder head		
X6244	(2 PINS, BLACK)	LH cylinder head (840Ci)	18-3	
X6252	(3 PINS, BLACK)	front of engine	44-2	06-2
X6253	(3 PINS, BLACK)	front of engine	44-1	12-3



# COMPONENT LOCATION CHART

COMP.	DESCRIPTION	LOCATION	7100.0	8500.0
X6256	(4 PINS, BLACK)	front of engine	44-1	07-1
X6300	(9 PINS, BLACK)	rear RH side of engine compartment in E-Box		05-4
X6301	(9 PINS, BLACK)	rear RH side of engine compartment in E-Box		05-4
X6303	(9 PINS, BLACK)	rear RH side of engine compartment in E-Box		05-4
X6310	(9 PINS, WHITE)	rear RH side of engine compartment in E-Box		05-4
X6311	(9 PINS, YELLOW)	rear RH side of engine compartment in E-Box		05-4
X6320	(9 PINS, WHITE)	rear RH side of engine compartment in E-Box		05-4
X6321	(9 PINS, YELLOW)	rear RH side of engine compartment in E-Box		05-4
X6360	(8 PINS, BLACK)	front of engine left	22-3	05-5
X6370	(8 PINS, BLACK)	front RH side of engine compartment	22-3	05-5
X6400	B+ JUNCTION POINT	rear RH side of engine compartment in E-Box	06-2	
X6400	B+ JUNCTION POINT	rear RH side of engine compartment in E-Box	24-2	
X6401	B+ JUNCTION POINT	behind rear panel in the luggage compartment on top of battery		
X6402	GROUND	in LH rear side of luggage compartment behind trim panel	37-1	
X6403	(1 PIN, --)	in RH side of luggage compartment		
X6405	GROUND	in RH side of luggage compartment	09-1	
X6405	GROUND	in RH side of luggage compartment	38-2	
X6406	B+	in RH side of luggage compartment	07-1	
X6406	B+	in RH side of luggage compartment	38-2	
X6452	GROUND	rear RH side of engine compartment near shock tower	08-1	
X6452	GROUND	rear RH side of engine compartment near shock tower	23-3	
X6453	GROUND	rear RH side of engine compartment near shock tower	08-1	





# COMPONENT LOCATION CHART

COMP. DESCRIPTION	LOCATION	7100.0	8500.0
X6453 GROUND .....	rear RH side of engine compartment near shock tower .....	23-3	
X6506 (4 PINS, BLACK) .....	rear RH side of engine compartment in E-Box .....	24-3	09-2
X6510 (1 PIN, ---) .....	at starter		
X6511 (1 PIN, ---) .....	at starter		
X6512 (1 PIN, ---) .....	at starter		
X6519 (1 PIN, ---) .....	at generator		
X6524 (3 PINS, BLACK) .....	at generator .....		06-2
X6916 (2 PINS, BLACK) .....	under RH front of car (840Ci)		
X6916 (4 PINS, BLACK) .....	under RH front of car .....		07-4
X7151 (1 PIN, ---) .....	RH side of engine compartment .....	21-1	
X7152 (1 PIN, ---) .....	LH side of engine compartment .....	17-3	
X7512 B+ JUNCTION POINT .....	rear LH side of engine compartment .....	06-1	
X7512 B+ JUNCTION POINT .....	rear LH side of engine compartment .....	18-2	
X7519 (1 PIN, BLACK) .....	LH side of engine compartment below intake manifold		
X8063 (3 PINS, BLACK) .....	in E-Box .....		11-3
X8064 (3 PINS, BLACK) .....	in E-Box .....		11-3
X8065 (3 PINS, BLACK) .....	in E-Box .....		11-3
X8069 (3 PINS, BLACK) .....	in E-Box .....		11-3
X8151 (1 PIN, ---) .....	RH side of engine compartment .....	21-1	
X8152 (1 PIN, ---) .....	LH side of engine compartment .....	17-3	
X8500 (35 PINS, NATURAL) .....	in RH rear side of luggage compartment .....		00-3
X8505 (8 PINS, BLACK) .....	under center of car (840Ci) .....		06-1



# COMPONENT LOCATION CHART

COMP.	DESCRIPTION	LOCATION	7100.0	8500.0
X8505	(16 PINS, BLACK)	under center of car	43-2	13-5
X8507	(1 PIN, BLACK)	RH side of LH footwell		
X8509	(8 PINS, BLACK)	center console near gearshift lever	30-1	06-4
X8511	(2 PINS, BLACK)	on RH side of transmission	14-3	
X8517	(10 PINS, WHITE)	center console near gearshift lever	30-2	05-3
X8518	(3 PINS, BLACK)	center console near gearshift lever		10-5
X8522	(2 PINS, BLACK)	center console		
X8532	(10 PINS, BLACK)	center console		03-1
X8532	(10 PINS, BLACK)	center console (840Ci)	43-2	
X8586	(4 PINS, YELLOW)	near gearshift lever	43-1	09-1
X8586	(6 PINS, BLACK)	center console		
X8600	(88 PINS, BLACK)	rear RH side of engine compartment in E-Box		
X9423	(2 PINS, BLACK)	below front of console		
X10006	(1 PIN, BLACK)	RH side of glove box above		
X10039	(10 PINS, BLACK)	rear LH side of engine compartment in Front Power Distribution Box		04-5
X10040	(10 PINS, BLACK)	rear LH side of engine compartment in Front Power Distribution Box		04-5
X10041	(10 PINS, BLACK)	rear LH side of engine compartment in Front Power Distribution Box		04-5
X10042	(10 PINS, BLACK)	rear LH side of engine compartment in Front Power Distribution Box		04-5
X10044	(9 PINS, BLACK)	rear LH side of engine compartment in Front Power Distribution Box		05-4
X10045	(9 PINS, BLACK)	rear LH side of engine compartment in Front Power Distribution Box		05-4
X10046	(2 PINS, BLACK)	in spare-wheel well	41-2	
X10047	(9 PINS, BLACK)	rear LH side of engine compartment in Front Power Distribution Box		05-4



# COMPONENT LOCATION CHART

COMP. DESCRIPTION	LOCATION	7100.0	8500.0
X10051 (4 PINS, BLACK)	LH side of dash		09-6
X10052 (1 PIN, BLACK)	rear LH side of engine compartment	19-1	
X10053 (1 PIN, BLACK)	rear LH side of engine compartment	19-2	
X10058 (1 PIN, YELLOW)	LH footwell	25-3	
X10088 (1 PIN, BLACK)	on underside of engine hood		
X10089 (1 PIN, BLACK)	on underside of engine hood		
X10094 (2 PINS, BLACK)	LH side of engine compartment		
X10195 (3 PINS, BLACK)	on steering wheel		11-5
X10218 (3 PINS, NATURAL)	in passenger's seat area		10-5
X11200 (2 PINS, BLACK)	LH side of engine compartment		
X11244 (2 PINS, BLACK)	in ventilation duct right		
X11255 (9 PINS, BLACK)	in auxillary relay box LH front of engine compartment	44-3	05-4
X13001 (9 PINS, BLACK)	rear Power Distribution Box CONSUMER CUT-OFF RELAY I		05-4
X13008 (2 PINS, WHITE)	under RH rear seat	33-2	
X13015 (9 PINS, BLACK)	in LH side of luggage compartment CONSUMER CUT-OFF RELAY II		05-4
X13017 (1 PIN, BLACK)	in upper LH C-pillar	32-2	
X13018 (1 PIN, BLACK)	in upper RH C-pillar	32-3	
X13027 (1 PIN, BLACK)	underside of trunk lid TRUNK LID SWITCH		
X13049 (1 PIN, BROWN)	in upper LH C-pillar	32-2	
X13052 (10 PINS, BLACK)	LH side of LH footwell	28-2	04-5
X13109 (6 PINS, BLACK)	under LH front seat		07-3
X13110 (6 PINS, BLACK)	under RH front seat		07-3



# COMPONENT LOCATION CHART

COMP. DESCRIPTION	LOCATION	7100.0	8500.0
X13139 (10 PINS, BLACK)	in rear view mirror		05-1
X13167 (9 PINS, BLACK)	below LH side of dash		05-4
X13280 (3 PINS, BLACK)	center console		10-5
X18024 (6 PINS, BLACK)	LH side of engine compartment		07-5
X18025 (4 PINS, BLACK)	LH side of engine compartment		10-2
X18029 (4 PINS, BLACK)	LH footwell		09-1
X18031 (3 PINS, BLACK)	RH front of wheel well above	15-1	10-6
X18055 (12 PINS, BLACK)	below center console	30-2	04-3
X18066 (3 PINS, WHITE)	in RH rear side of luggage compartment	38-1	11-5
X18067 (3 PINS, WHITE)	in LH forward side of luggage compartment behind trim panel	36-3	11-2
X18068 (9 PINS, BLACK)	in RH side of luggage compartment		05-4
X18080 (1 PIN, BLACK)	underside of trunk lid TRUNK LID LIGHT		
X18093 (6 PINS, BLACK)	LH side of dash	27-1	07-3
X18094 (3 PINS, BLUE)	bottom of steering column		10-4
X18095 (3 PINS, BLUE)	bottom of steering column		10-4
X18096 (2 PINS, BLACK)	bottom of steering column		
X18097 (2 PINS, BLACK)	bottom of steering column		
X18098 (5 PINS, BLACK)	behind dashboard behind radio		08-4
X18099 (12 PINS, BLACK)	behind dashboard behind radio		13-2
X18124 (2 PINS, WHITE)	under RH front seat		
X18125 (2 PINS, WHITE)	under RH front seat		
X18126 (17 PINS, BLACK)	center console		02-4



## COMPONENT LOCATION CHART

COMP. DESCRIPTION	LOCATION	7100.0	8500.0
X18131 (12 PINS, WHITE) .....	center of dash behind radio .....		03-5
X18135 (4 PINS, WHITE) .....	in upper LH front seatback .....		09-3
X18138 (4 PINS, WHITE) .....	in upper RH front seatback .....		09-3
X18145 (2 PINS, BLACK) .....	under rear of car .....	12-3	
X18146 (2 PINS, BLACK) .....	under RH rear of car .....	12-3	
X18165 (3 PINS, BLACK) .....	underside of RH front seat .....		10-5
X18166 (2 PINS, BLACK) .....	in upper LH front door DRIVER'S DOOR PANEL LIGHT		
X18167 (2 PINS, BLACK) .....	in upper RH front door PASSENGER'S DOOR PANEL LIGHT		
X18170 GROUND .....	inside box on interior side of LH door sill .....	10-2	
X18170 GROUND .....	inside box on interior side of LH door sill .....	25-2	
X18171 (10 PINS, BLACK) .....	in upper LH front door DRIVER'S SIDE MEMORY MIRROR .....	34-2	05-1
X18172 (10 PINS, BLACK) .....	in upper RH front door .....	34-2	05-1
X18173 (6 PINS, BLACK) .....	in upper LH front door .....		07-2
X18177 (2 PINS, GRAY) .....	in spare-wheel well .....	41-2	
X18178 (4 PINS, BLACK) .....	underside of LH front seat .....		09-6
X18179 (4 PINS, BLACK) .....	under RH front seat .....		09-6
X18180 (3 PINS, WHITE) .....	in luggage compartment .....	00-3	12-2
X18246 (3 PINS, YELLOW) .....	center of windshield header .....		12-4
X18304 (4 PINS, YELLOW) .....	on steering column .....		09-1
X18319 (18 PINS, BLACK) .....	under LH front seat .....		02-3
X18320 (26 PINS, WHITE) .....	under LH front seat .....		01-2
X18321 (10 PINS, BLACK) .....	under LH front seat .....		05-2



# COMPONENT LOCATION CHART

COMP.	DESCRIPTION	LOCATION	7100.0	8500.0
X18322	(26 PINS, BLACK)	under LH front seat		01-2
X18323	(4 PINS, BLACK)	under LH front seat		10-3
X18324	(6 PINS, BLUE)	under LH front seat		08-3
X18331	(6 PINS, GREEN)	center console	31-3	07-2
X18500	(25 PINS, BLACK)	in LH forward side of luggage compartment	40-1	13-4
X18507	(4 PINS, BLACK)	center console		09-2
X18509	(8 PINS, BLACK)	center console		13-3
X18514	(2 PINS, NATURAL)	footwell, driver's side		
X18515	(2 PINS, NATURAL)	behind LH footwell speaker grille	28-3	
X18736	(1 PIN, BLUE)	inside box on interior side of LH door sill		
X18741	(4 PINS, BLACK)	center of dash		09-1
X18742	(2 PINS, BLACK)	under rear of car		
X18757	(3 PINS, WHITE)	left from LH rear seat behind trim panel	33-3	10-6
X18766	(9 PINS, BLACK)	in auxiliary relay box LH front of engine compartment		05-4
X18767	(9 PINS, BLACK)	in auxiliary relay box LH front of engine compartment		05-4
X18978	(4 PINS, BLACK)	under center of car	42-1	13-6
X18979	(4 PINS, BLACK)	under center of car	42-1	13-6
X19527	(16 PINS, BLACK)	LH footwell		14-1
X19529	(6 PINS, BLACK)	in lower RH front door		07-3
X62101	(4 PINS, BLACK)	on catalytic converter		13-6
X62101	(4 PINS, BLACK)	under center of car (840Ci)	43-2	
X62201	(4 PINS, BLACK)	on catalytic converter		13-6



# COMPONENT LOCATION CHART

COMP.	DESCRIPTION	LOCATION	7100.0	8500.0
X62202	(4 PINS, BLACK)	under center of car		13-6
X90260	(3 PINS, BLACK)	RH side of steering column		10-5
Y1	ABS HYDRAULIC UNIT	front LH side of engine compartment under concealing headlight	20-3	
Y3	AIR CONDITIONING COMPRESSOR (IHKA)	front RH side of engine compartment under air filter		
Y4	WATER VALVE ASSEMBLY	rear LH side of engine compartment	18-2	
Y5	DRIVER'S SIDE MIRROR	in upper LH front door		
Y6	PASSENGER'S SIDE MIRROR	in upper RH front door		
Y9	DRIVER'S SIDE MEMORY MIRROR	in upper LH front door		
Y10	PASSENGER'S SIDE MEMORY MIRROR	in upper RH front door		
Y16	PRESSURE SENSOR/PLUNGER	LH side of engine compartment		
Y19	SHIFT-LOCK	near gearshift lever	29-2	
Y1w	ABS HYDRAULIC UNIT	front LH side of engine compartment under concealing headlight		
Y401z	LEFT FRONT EDC VALVES	behind LH front wheel		
Y402z	RIGHT FRONT EDC VALVES	behind RH front wheel	14-2	
Y403z	LEFT REAR EDC VALVES	behind LH rear wheel	13-2	
Y404z	RIGHT REAR EDC VALVES	behind RH rear wheel		
Y6101	CYL. 1 FUEL INJECTION VALVE	RH cylinder head	22-2	
Y6101	CYL. 1 FUEL INJECTION VALVE	RH cylinder head (840Ci)	44-2	
Y6102	CYL. 2 FUEL INJECTION VALVE	RH cylinder head	22-2	
Y6102	CYL. 2 FUEL INJECTION VALVE	RH cylinder head (840Ci)		
Y6103	CYL. 3 FUEL INJECTION VALVE	RH cylinder head	22-2	
Y6103	CYL. 3 FUEL INJECTION VALVE	RH cylinder head (840Ci)		



# COMPONENT LOCATION CHART

COMP.	DESCRIPTION	LOCATION	7100.0	8500.0
Y6104	CYL. 4 FUEL INJECTION VALVE	RH cylinder head	22-2	
Y6104	CYL. 4 FUEL INJECTION VALVE	RH cylinder head (840Ci)		
Y6105	CYL. 5 FUEL INJECTION VALVE	RH cylinder head	22-2	
Y6105	CYL. 5 FUEL INJECTION VALVE	LH cylinder head (840Ci)		
Y6106	CYL. 6 FUEL INJECTION VALVE	RH cylinder head	22-2	
Y6106	CYL. 6 FUEL INJECTION VALVE	LH cylinder head (840Ci)		
Y6107	CYL. 7 FUEL INJECTION VALVE	LH cylinder head	22-1	
Y6107	CYL. 7 FUEL INJECTION VALVE	LH cylinder head (840Ci)		
Y6108	CYL. 8 FUEL INJECTION VALVE	LH cylinder head	22-1	
Y6108	CYL. 8 FUEL INJECTION VALVE	LH cylinder head (840Ci)		
Y6109	CYL. 9 FUEL INJECTION VALVE	LH cylinder head	22-1	
Y6110	CYL. 10 FUEL INJECTION VALVE	LH cylinder head	22-1	
Y6111	CYL. 11 FUEL INJECTION VALVE	LH cylinder head	22-1	
Y6112	CYL. 12 FUEL INJECTION VALVE	LH cylinder head	22-1	
Y6120	EVAPORATIVE EMISSION VALVE	front of engine		
Y6121	CYL. 1-6 EVAPORATIVE EMISSION VALVE	front RH side of engine compartment	21-2	
Y6122	CYL. 7-12 EVAPORATIVE EMISSION VALVE	front RH side of engine compartment	21-2	
Y6130	IDLE SPEED CONTROL VALVE	front of engine	44-1	
Y6164	SECONDARY AIR PUMP VALVE	LH side of engine		
Y8505w	TRANSMISSION VALVE UNIT	under center of car		



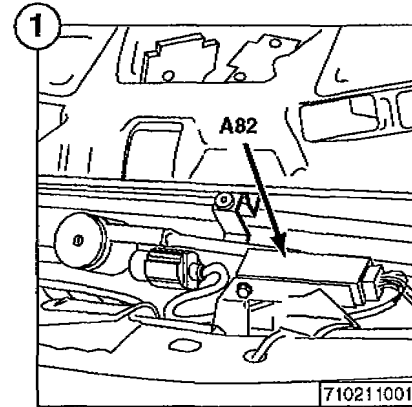
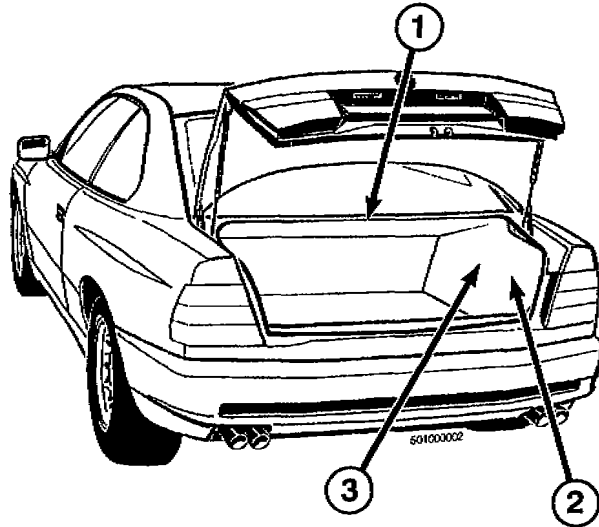


7100.0

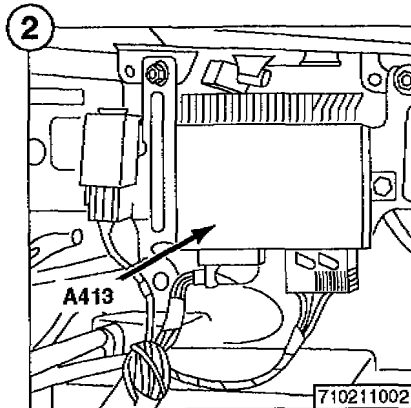


# COMPONENT LOCATION VIEWS

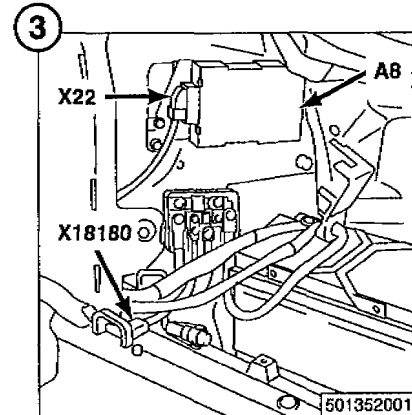
## ELECTRICAL CONTROL MODULE LOCATIONS



A82  
SUN BLIND  
CONTROL  
MODULE



A413  
ELECTRONIC  
SHOCK  
ABSORBER  
CONTROL  
MODULE (EDC)



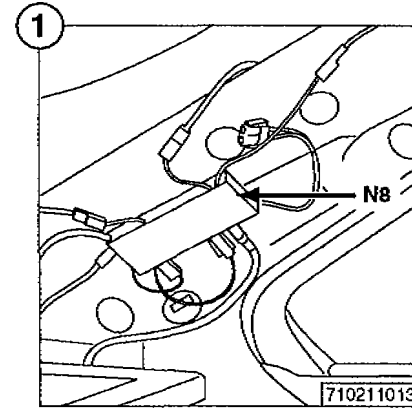
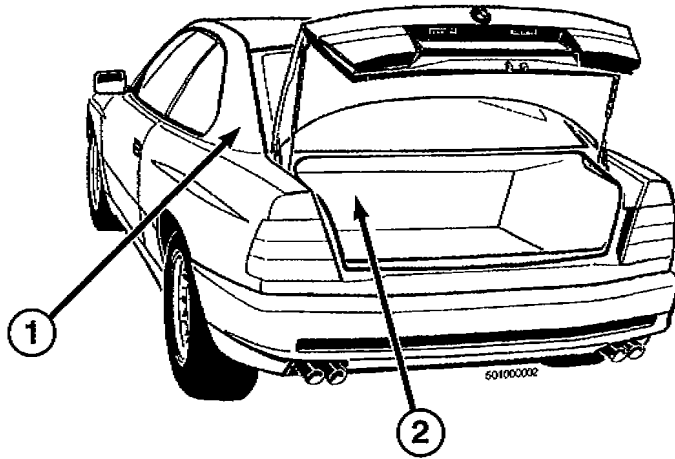
A8  
CRUISE CONTROL  
MODULE  
(TEMPOMAT)

X22  
X18180

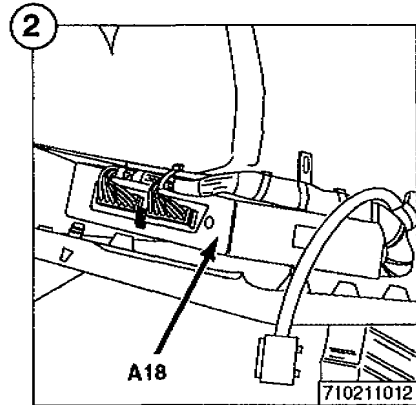


# COMPONENT LOCATION VIEWS

## ELECTRICAL CONTROL MODULE LOCATIONS



N8  
ANTENNA  
AMPLIFIER AM/FM

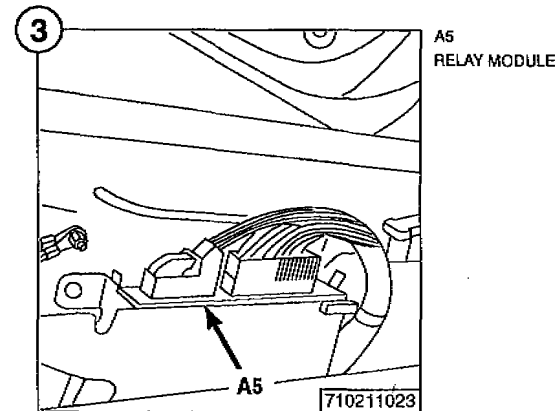
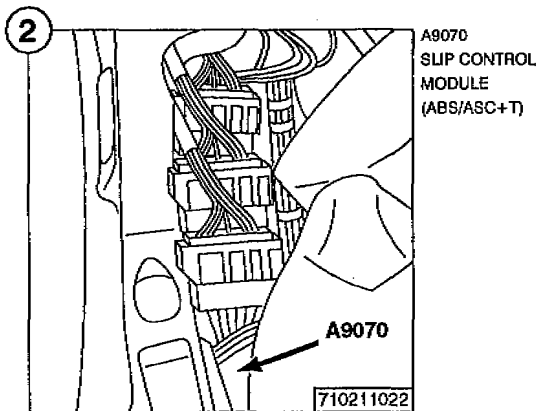
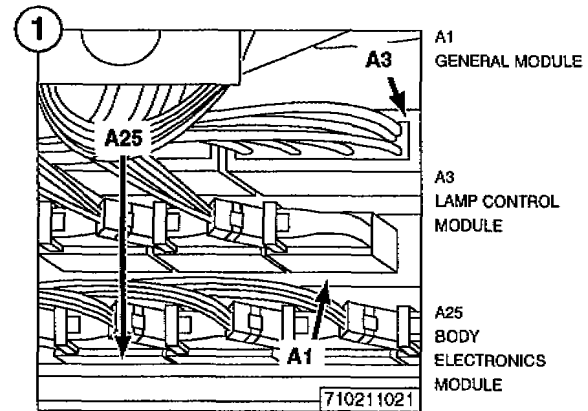
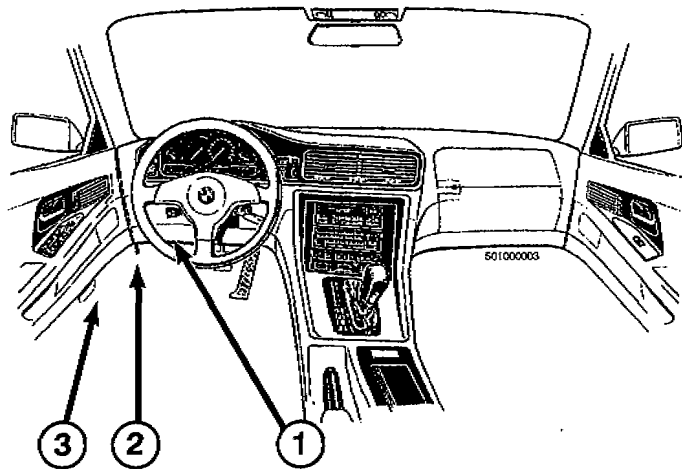


A18  
HIFI AMPLIFIER



# COMPONENT LOCATION VIEWS

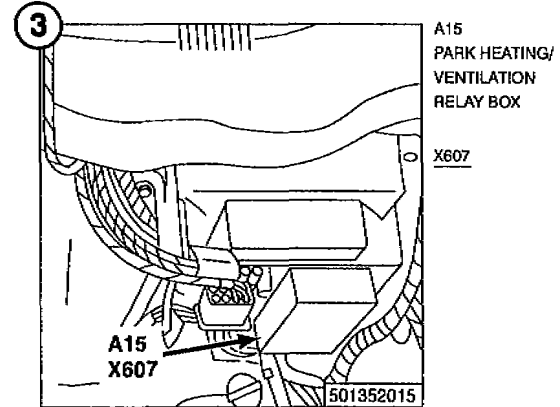
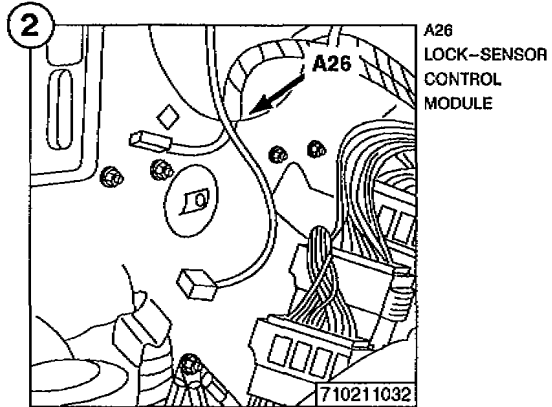
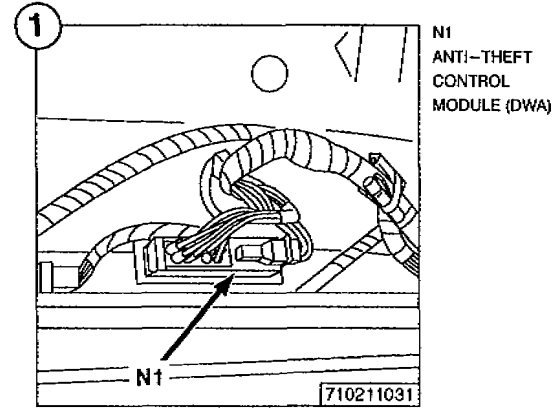
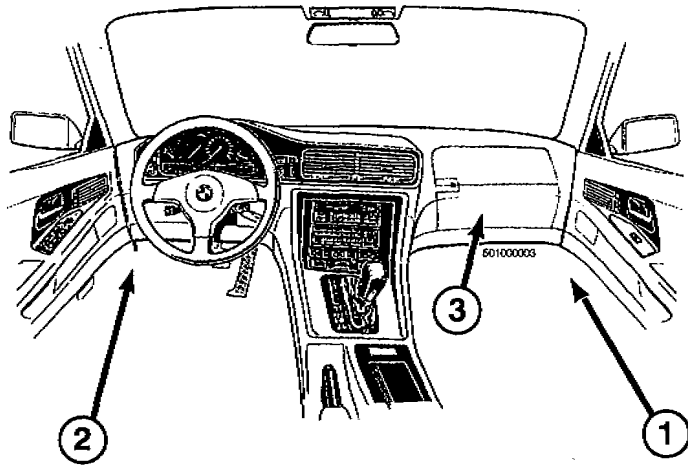
## ELECTRICAL CONTROL MODULE LOCATIONS





# COMPONENT LOCATION VIEWS

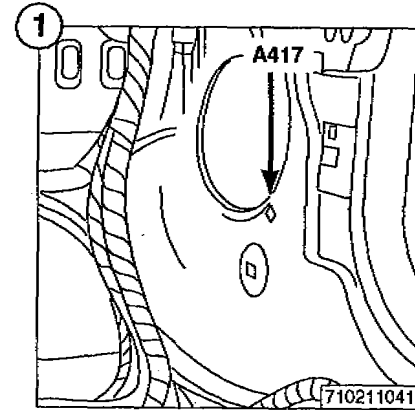
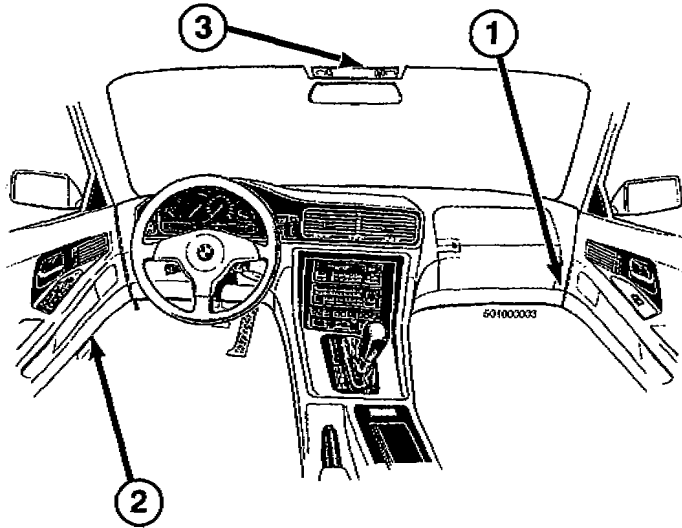
## ELECTRICAL CONTROL MODULE LOCATIONS



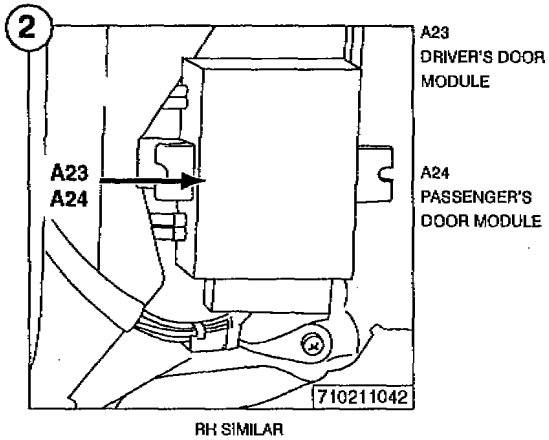


# COMPONENT LOCATION VIEWS

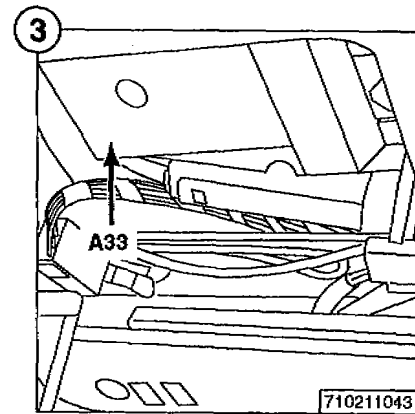
## ELECTRICAL CONTROL MODULE LOCATIONS



A417  
AUTOMATIC AIR  
RECIRCULATION  
CONTROL  
MODULE



RH SIMILAR

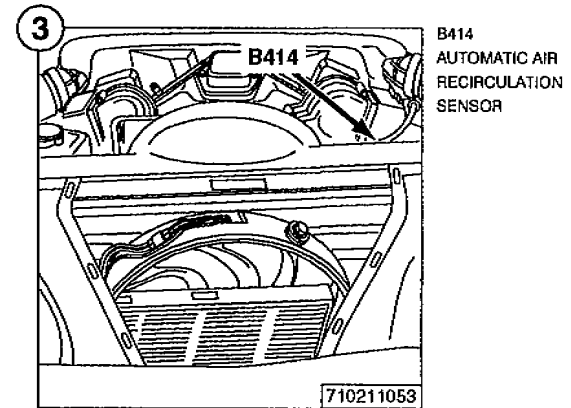
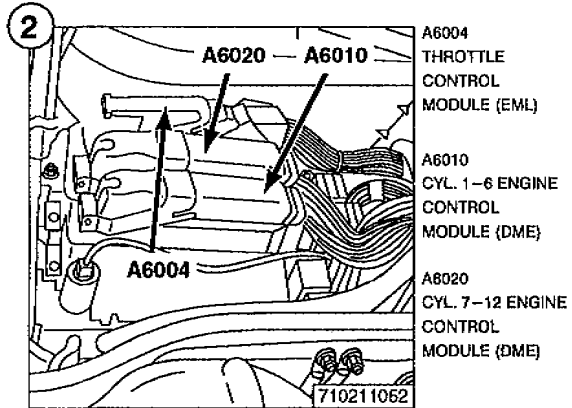
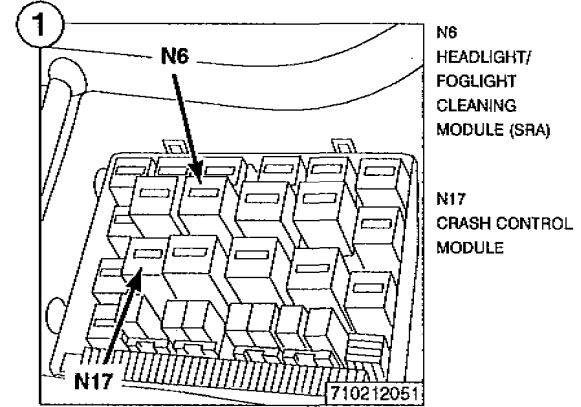
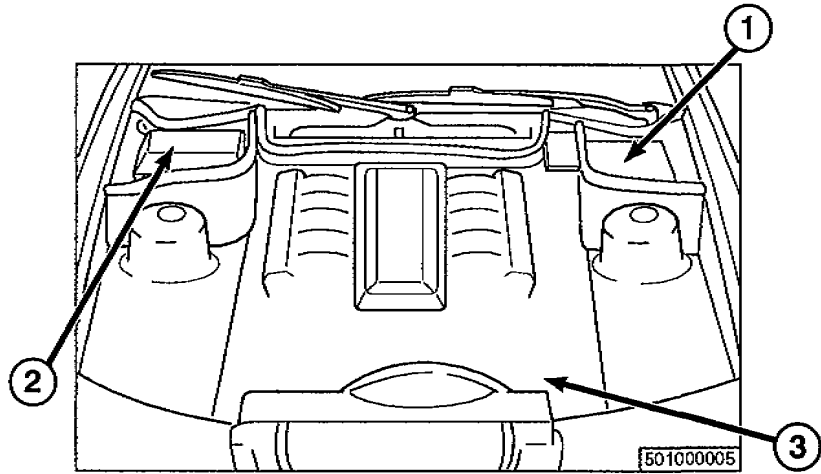


A33  
SUNROOF  
MODULE



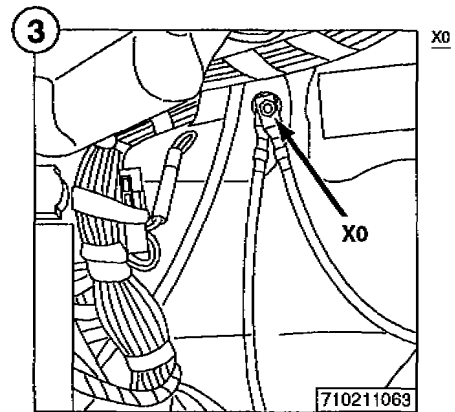
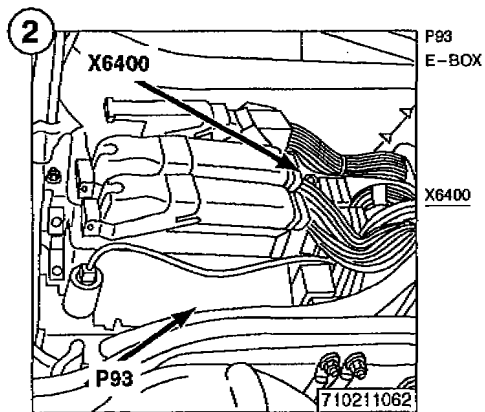
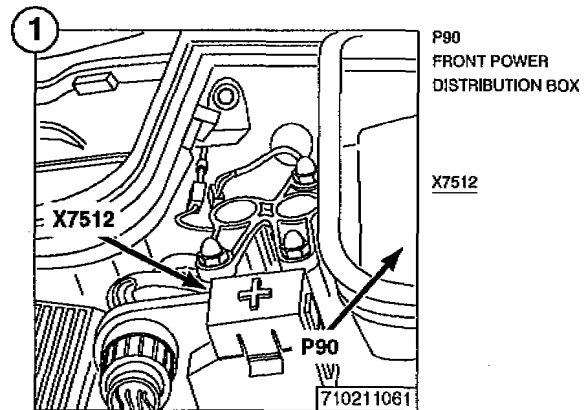
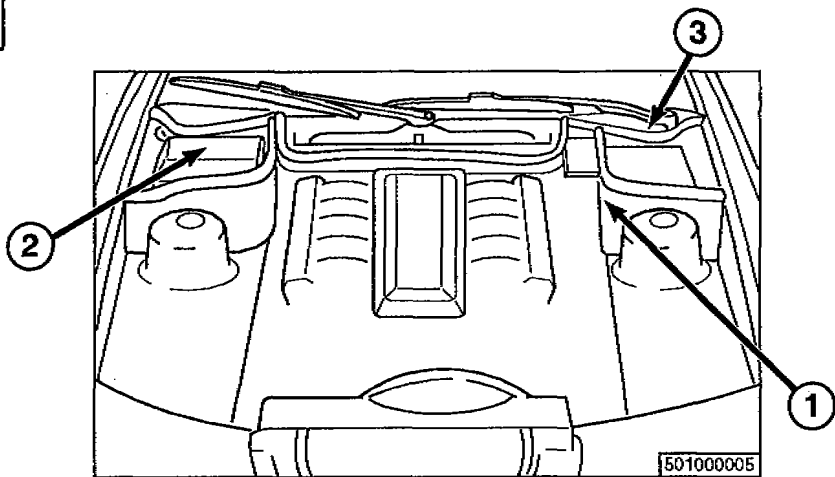
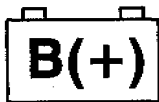
# COMPONENT LOCATION VIEWS

## ELECTRICAL CONTROL MODULE LOCATIONS





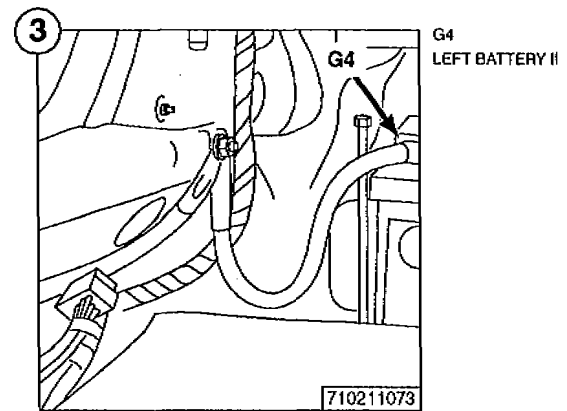
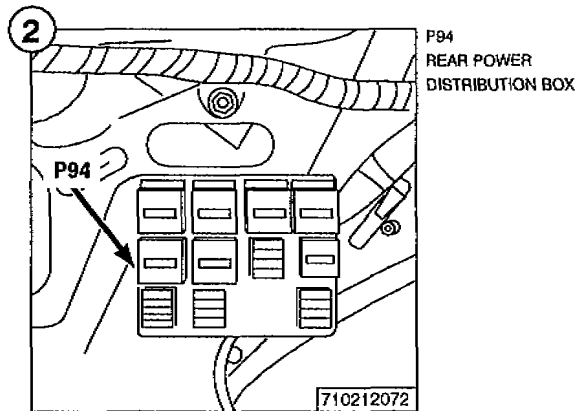
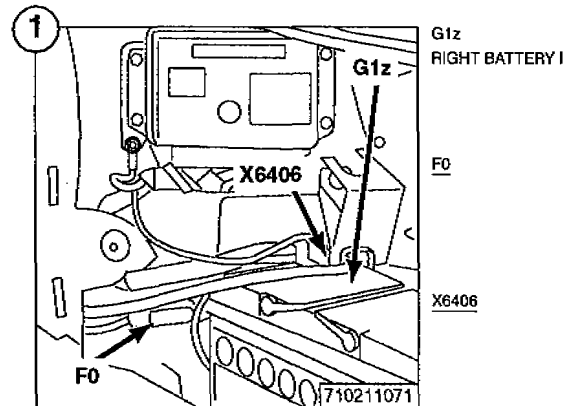
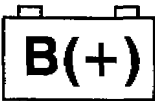
# COMPONENT LOCATION VIEWS







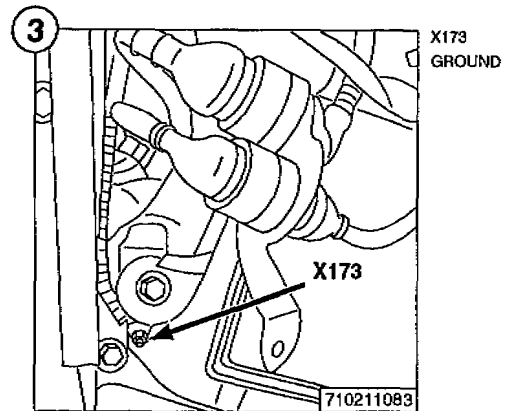
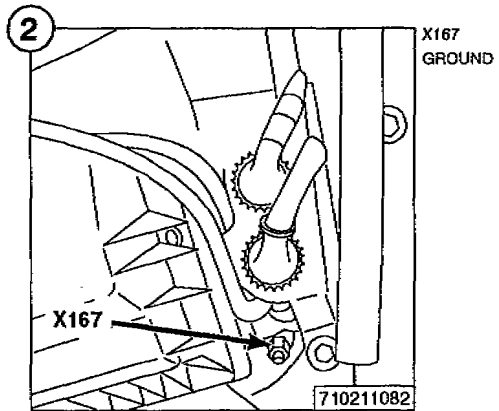
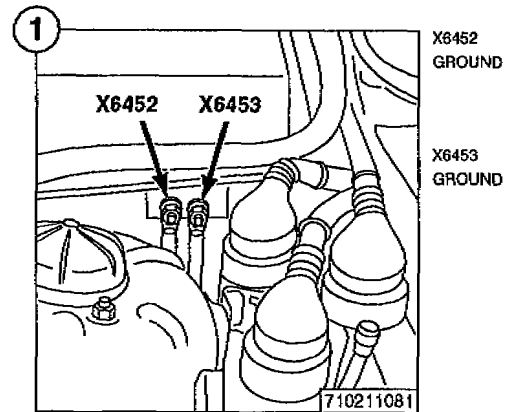
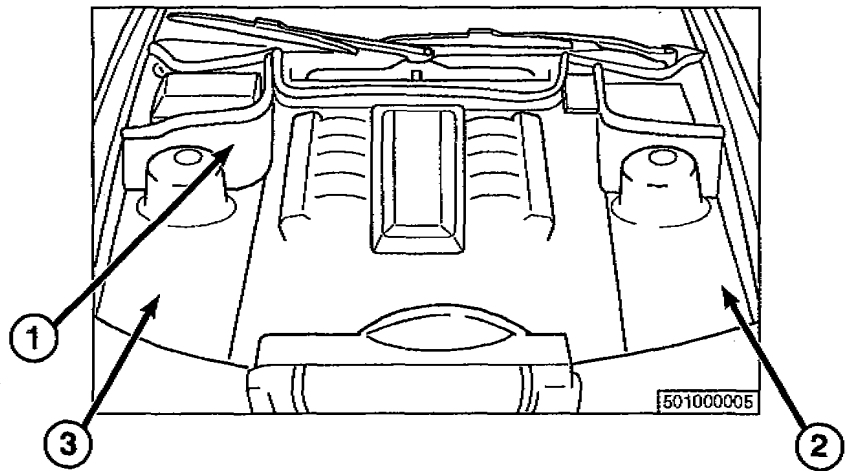
# COMPONENT LOCATION VIEWS





# COMPONENT LOCATION VIEWS

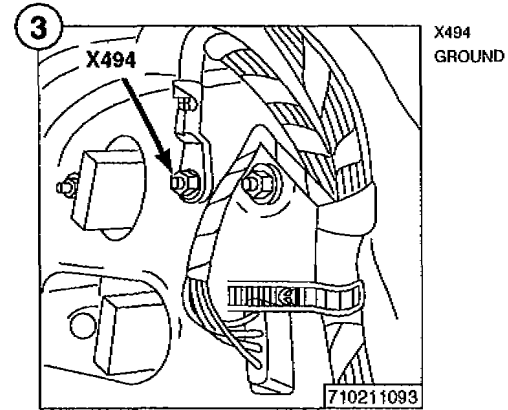
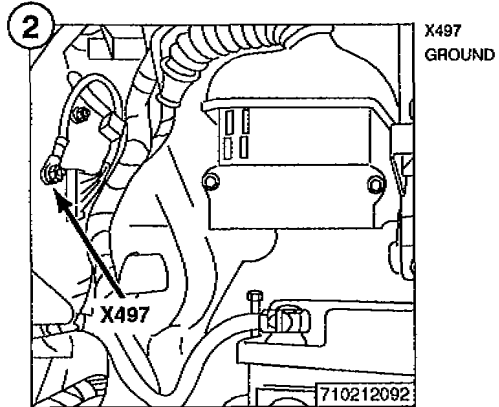
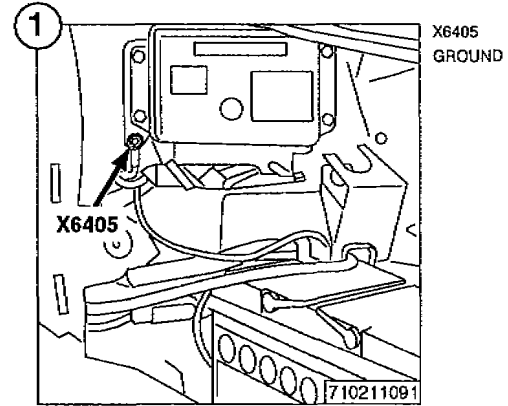
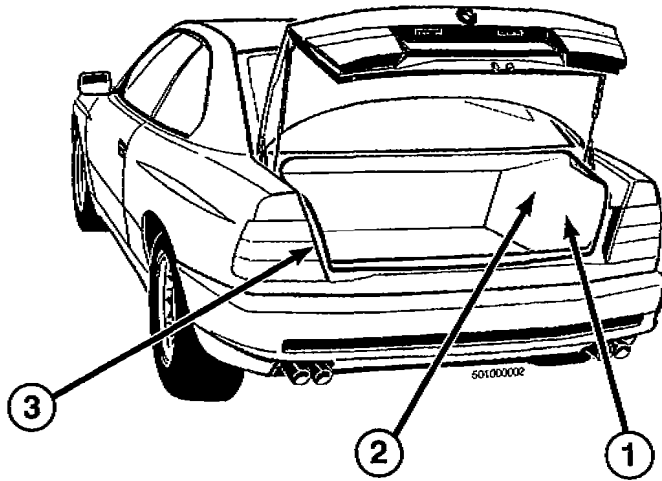
**B(-)**





# COMPONENT LOCATION VIEWS

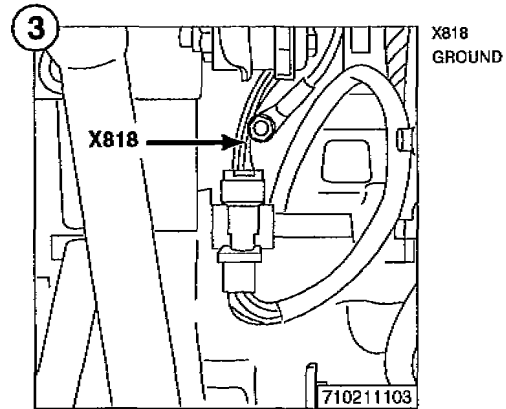
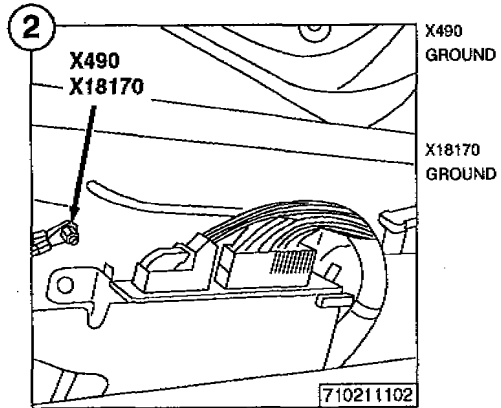
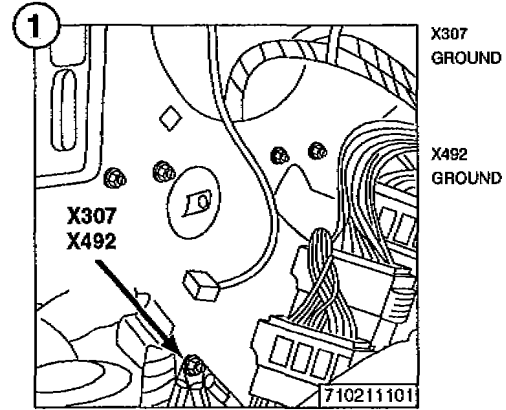
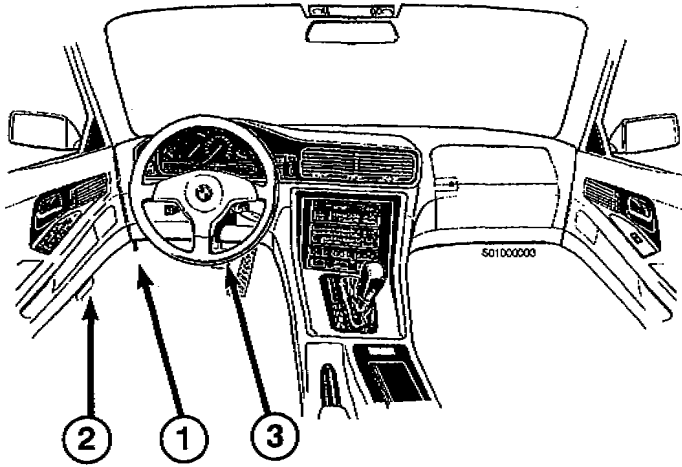
**B(-)**





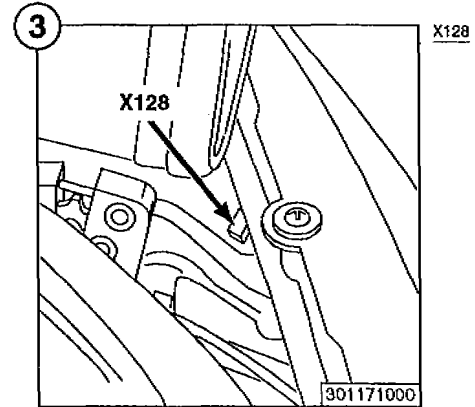
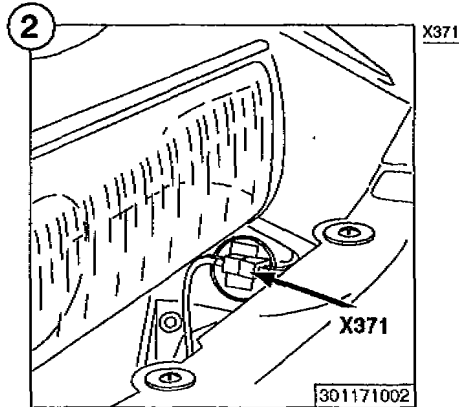
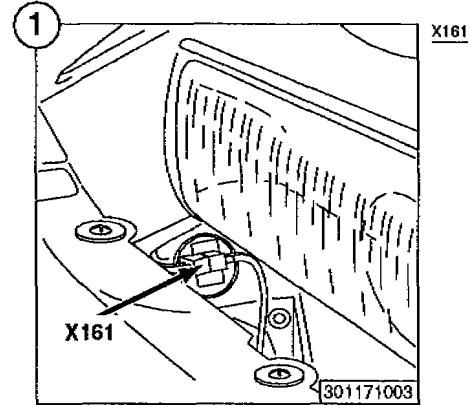
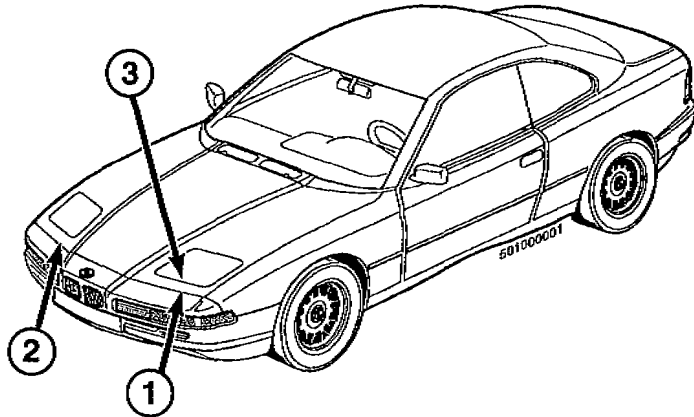
# COMPONENT LOCATION VIEWS

**B(-)**



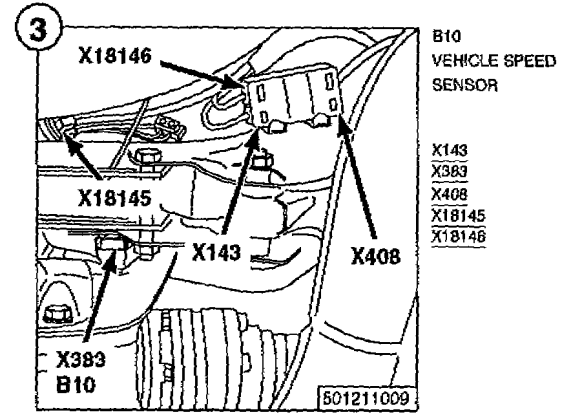
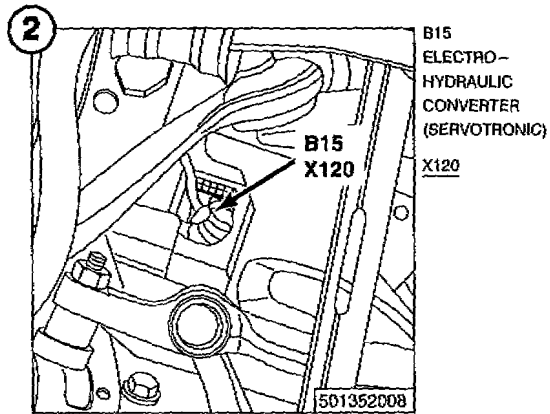
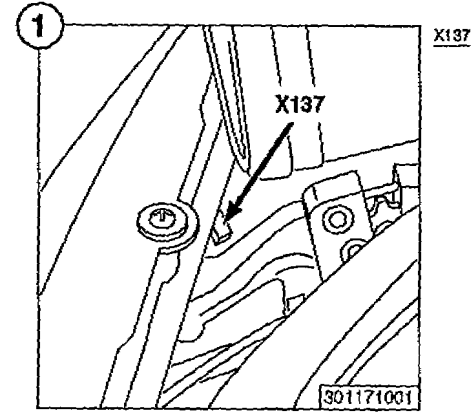
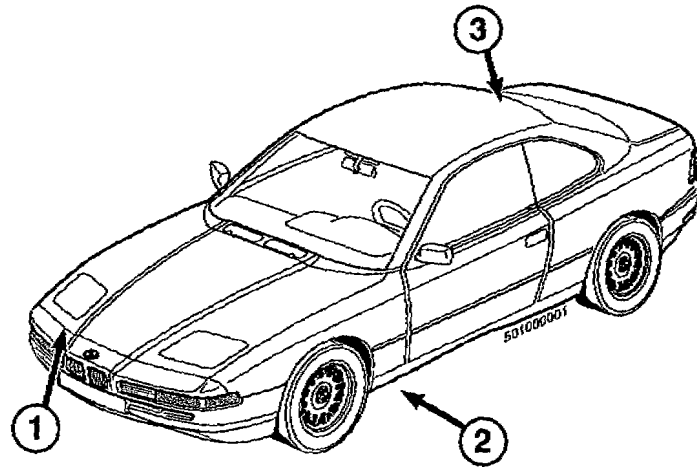


# COMPONENT LOCATION VIEWS



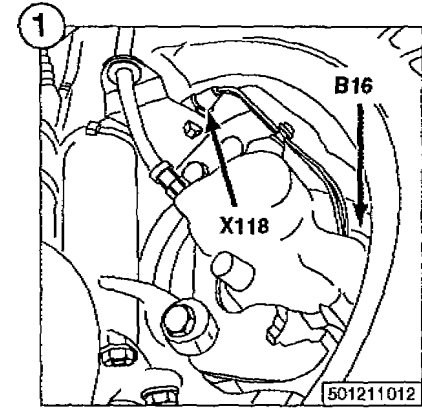
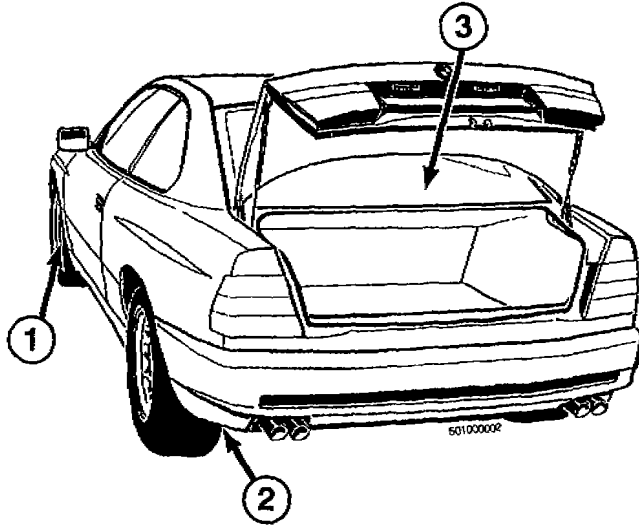


# COMPONENT LOCATION VIEWS



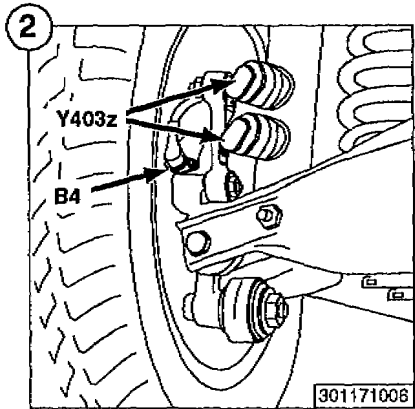


# COMPONENT LOCATION VIEWS



B16  
LEFT FRONT  
BRAKE PAD  
SENSOR  
  
X118

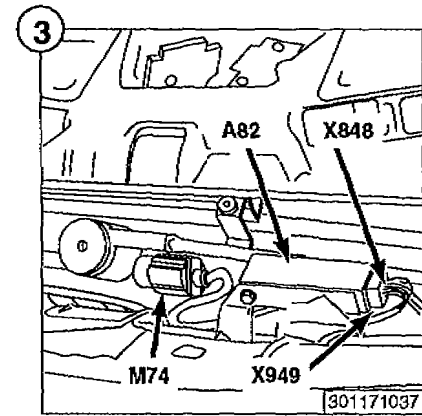
501211012



B4  
LEFT REAR SPEED  
SENSOR - ABS

Y403z  
LEFT REAR EDC  
VALVES

301171006



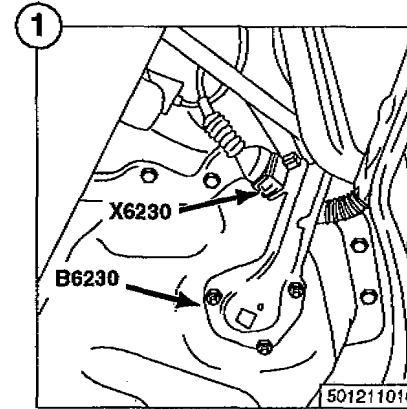
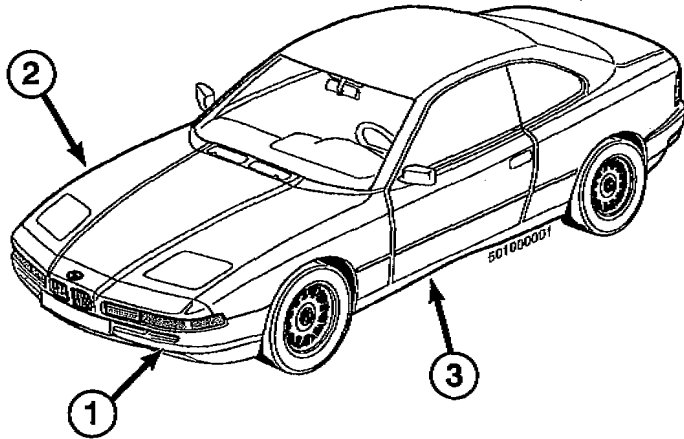
A82  
SUN BLIND  
CONTROL  
MODULE  
  
M74  
SUN BLIND MOTOR

X848  
X949

301171037

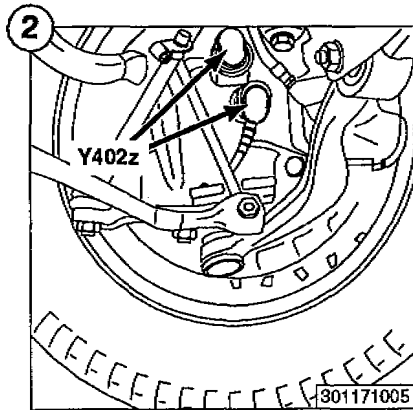


# COMPONENT LOCATION VIEWS

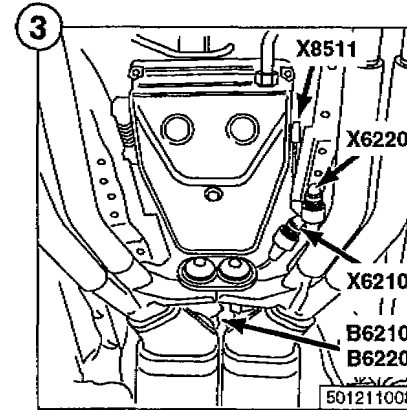


B6230  
OIL LEVEL SENSOR

X6230



Y402z  
RIGHT FRONT EDC  
VALVES



B6210  
CYL. 1-6 HEATED  
OXYGEN SENSOR

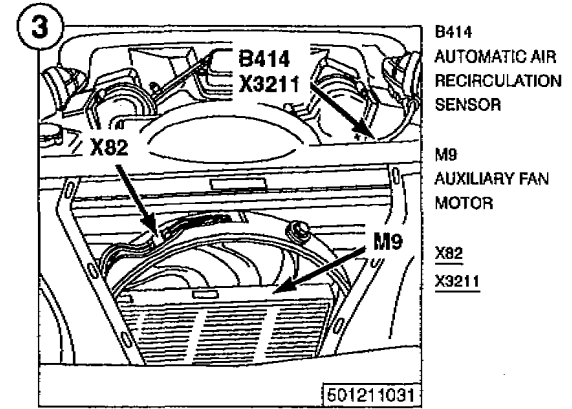
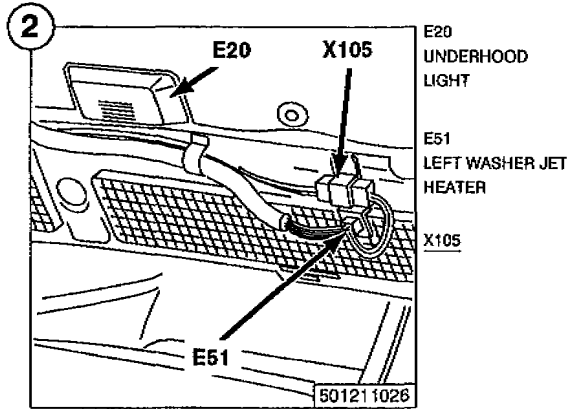
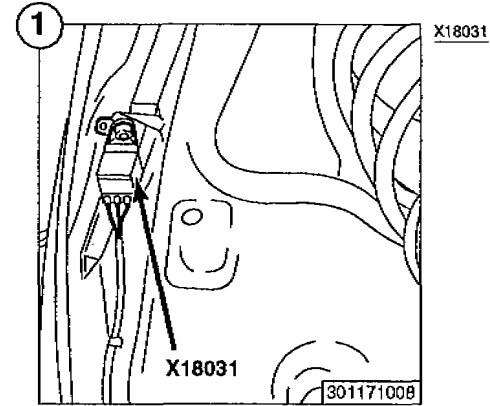
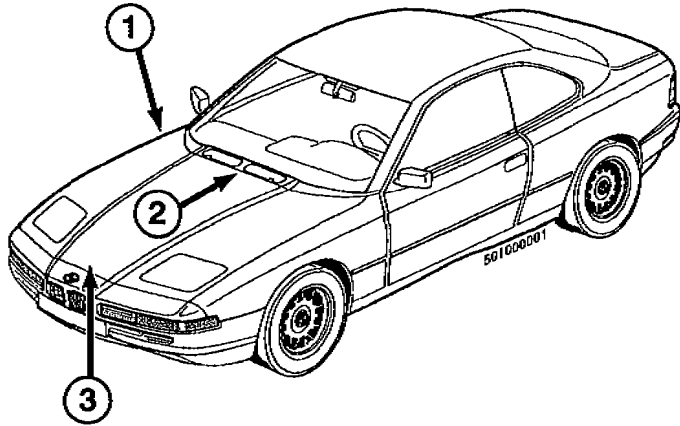
B6220  
CYL. 7-12 HEATED  
OXYGEN SENSOR

X6210  
X6220  
X8511



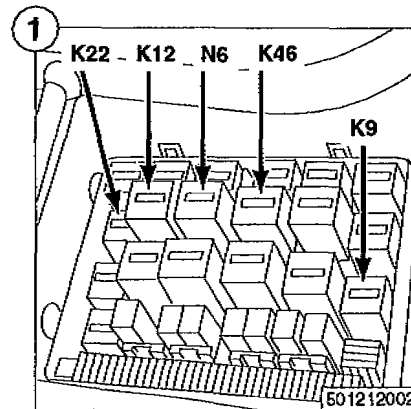
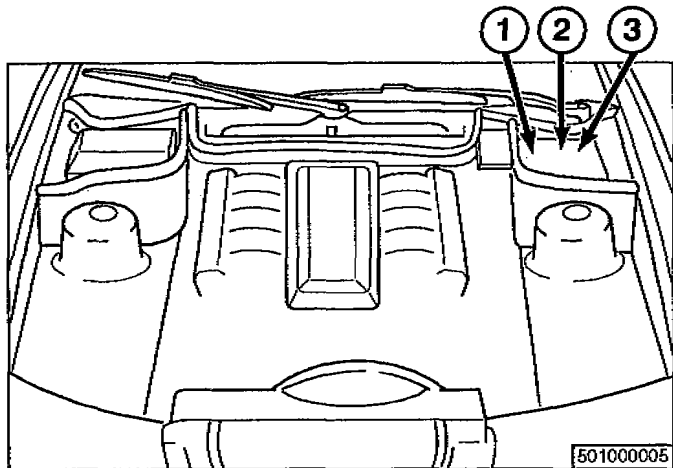


# COMPONENT LOCATION VIEWS

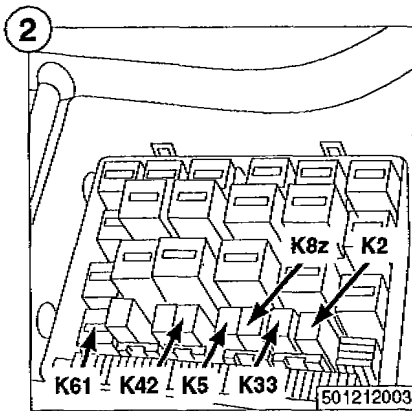




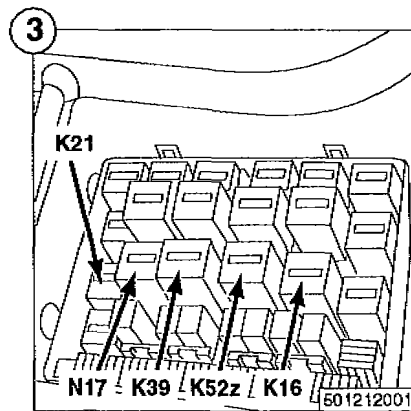
# COMPONENT LOCATION VIEWS



- K9 UNLOADER RELAY, TERMINAL 15
- N6 HEADLIGHT/FOGLIGHT CLEANING MODULE (SRA)
- K12 WIPER PRESSURE CONTROL (ADV) RELAY
- K22 HIGH SPEED RELAY
- K46 HIGH BEAM LIGHT RELAY



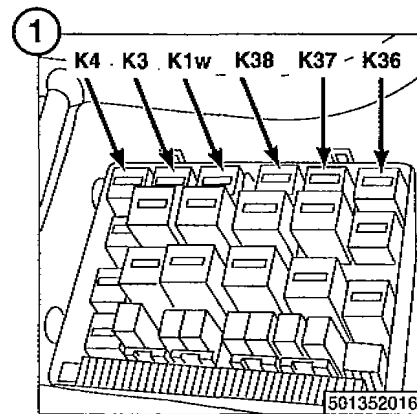
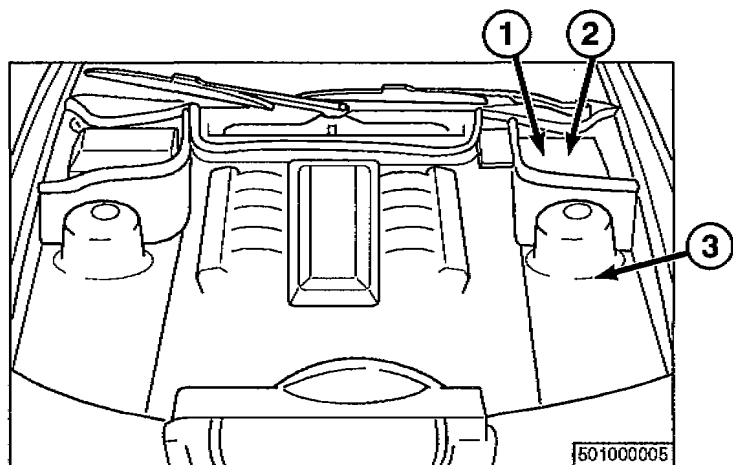
- K2 HORN RELAY
- K5 WASHER PUMP RELAY
- K8z AUXILIARY WATER PUMP RELAY
- K33 AIR CONDITIONING RELAY
- K42 INTENSIVE WASH RELAY
- K61 UNLOADER RELAY, TERMINAL 61



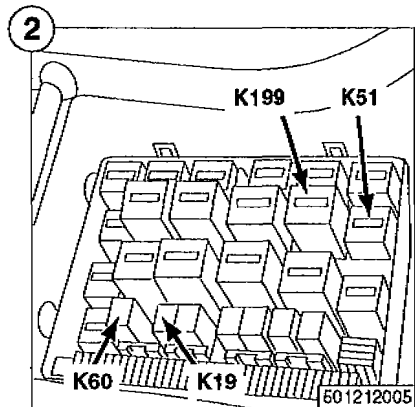
- K16 HAZARD FLASHER RELAY
- K21 NORMAL SPEED RELAY
- K39 CONCEALING HEADLIGHTS RELAY
- K52z FLASHER LIGHT RELAY
- N17 CRASH CONTROL MODULE



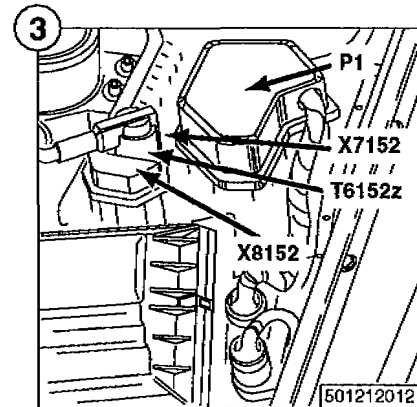
# COMPONENT LOCATION VIEWS



- K1w STARTER IMMOBILIZATION RELAY
- K3 UNLOADER RELAY, TERMINAL R
- K4 BLOWER RELAY
- K36 WIPER RELAY I
- K37 WIPER RELAY II
- K38 WIPER RELAY III



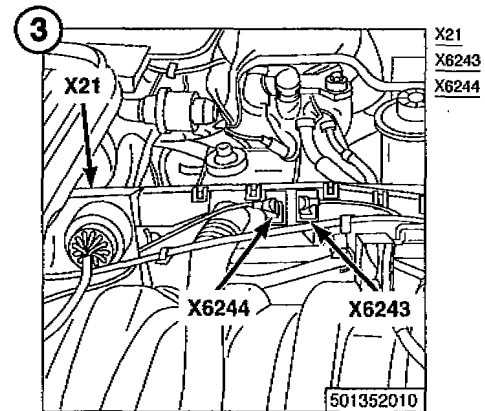
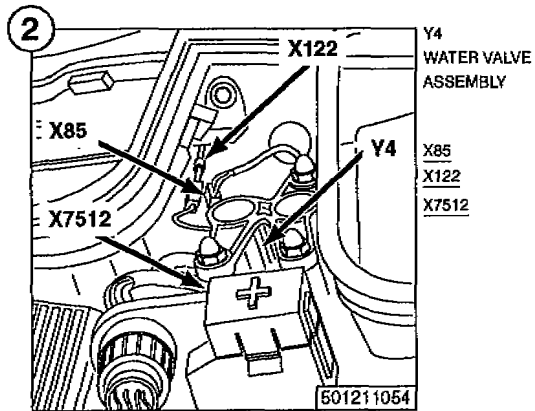
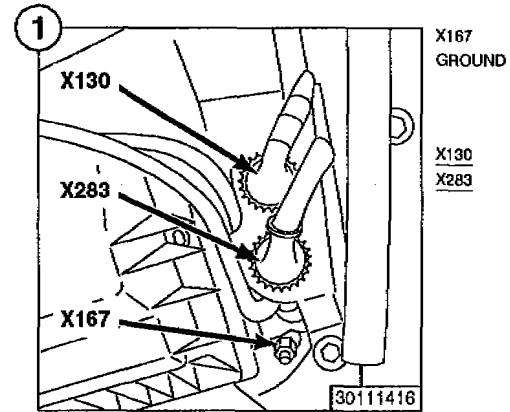
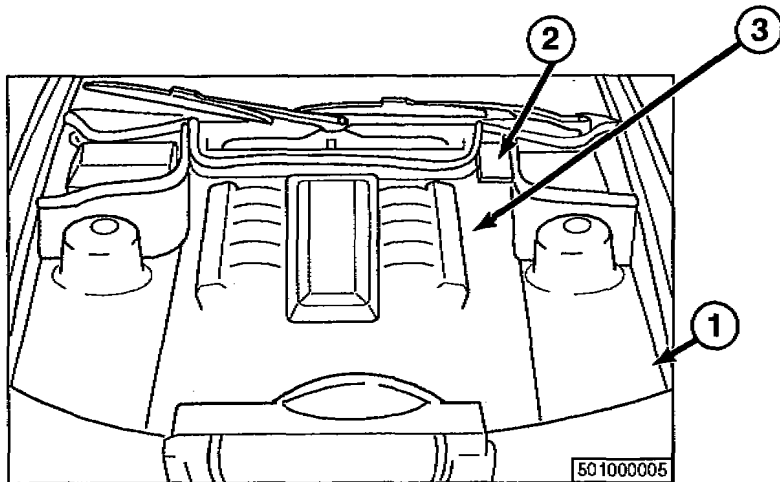
- K19 COMPRESSOR CONTROL RELAY
- K51 JUMPER PLUG FOR HORN/TELEPHONE
- K60 COMPRESSOR CUT-OFF RELAY
- K199 SERVOTRONIC RELAY



- P1 AUXILIARY RELAY BOX - ENGINE COMPARTMENT
- T6152z CYL. 7-12 IGNITION COIL
- X7152
- X8152

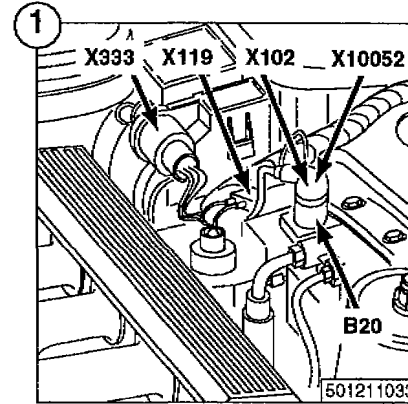
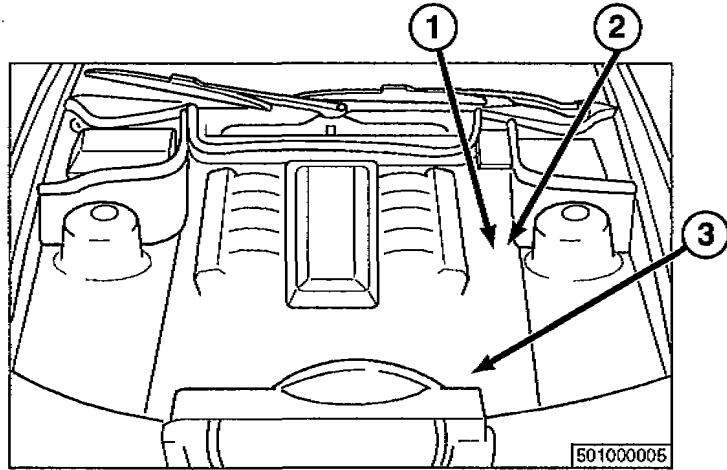


# COMPONENT LOCATION VIEWS



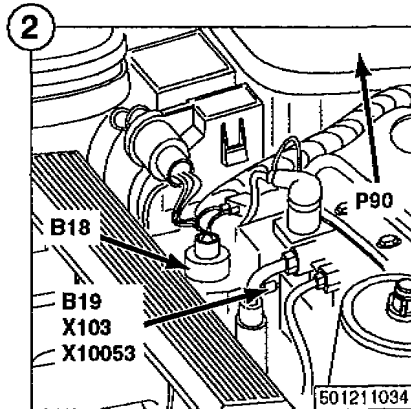


# COMPONENT LOCATION VIEWS



B20  
BRAKE PRESSURE  
SWITCH

X102  
X119  
X333  
X10052

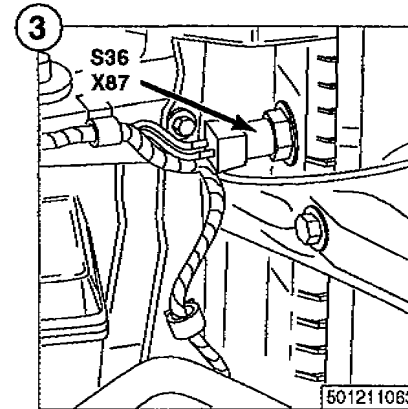


B18  
BRAKE FLUID  
LEVEL SWITCH

B19  
BRAKE PRESSURE  
REGULATING  
SWITCH

P90  
FRONT POWER  
DISTRIBUTION  
BOX

X103  
X10053

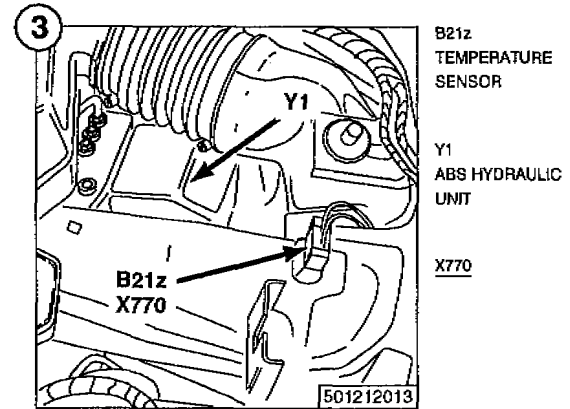
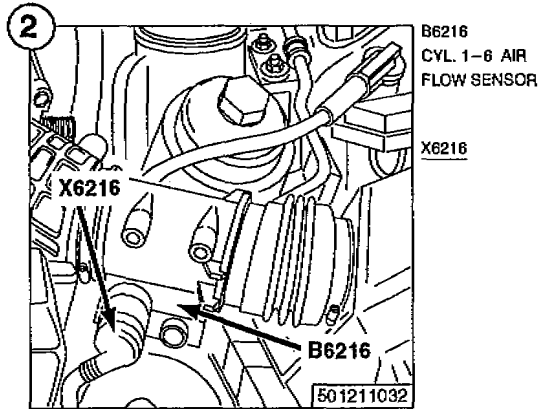
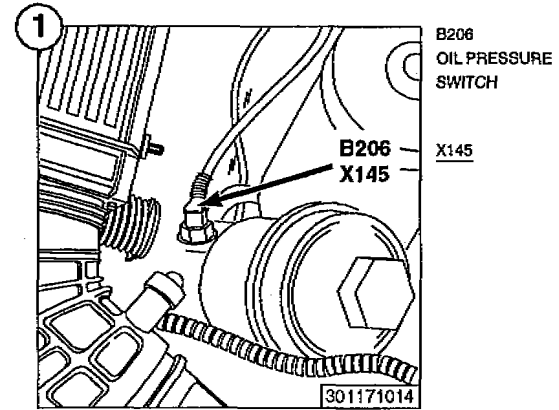
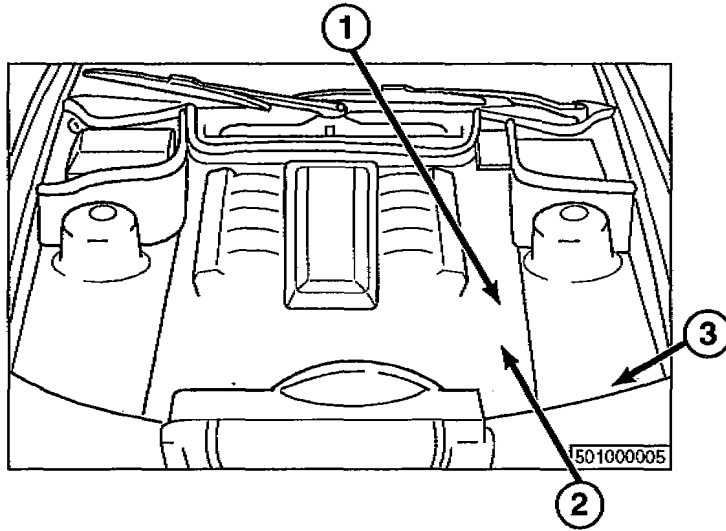


S36  
TEMPERATURE  
SWITCH

X87

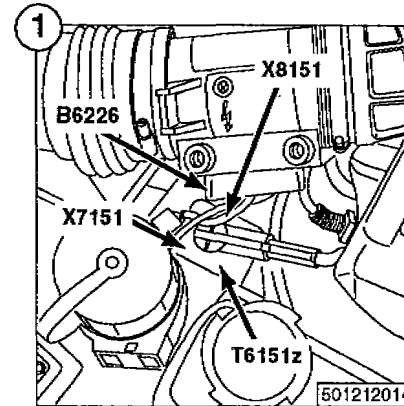
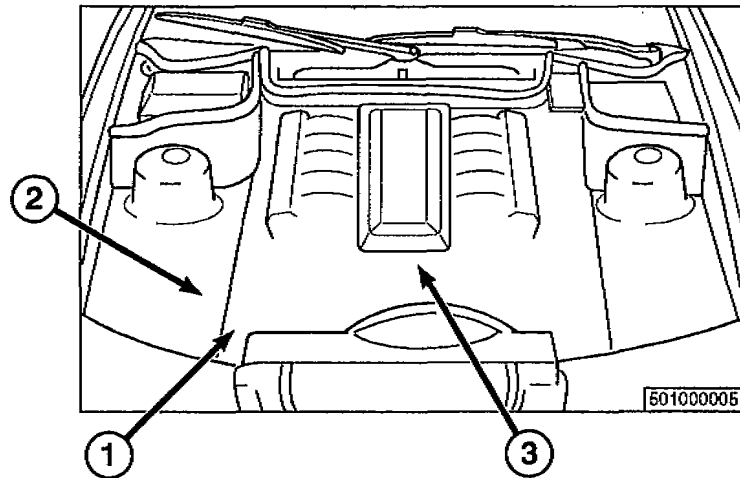


# COMPONENT LOCATION VIEWS





# COMPONENT LOCATION VIEWS

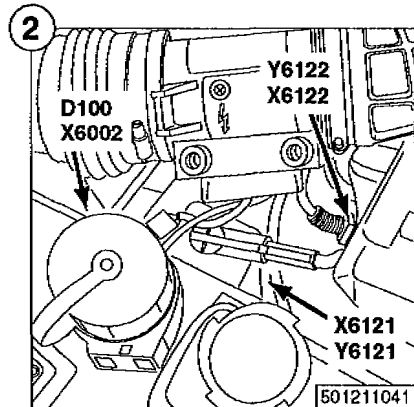


B6226  
CYL. 7-12 AIR  
FLOW SENSOR

T6151z  
CYL. 1-6 IGNITION  
COIL

X7151

X8151



D100  
DATA LINK  
CONNECTOR

Y6121  
CYL. 1-6 EVAP-  
ORATIVE EMISSION  
VALVE

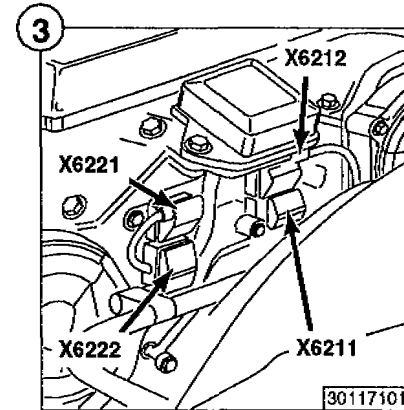
Y6122  
CYL. 7-12 EVAP-  
ORATIVE EMISSION  
VALVE

X6121  
Y6121

X6002

X8121

X8122



X6211

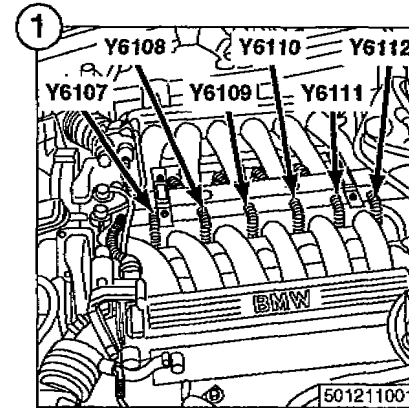
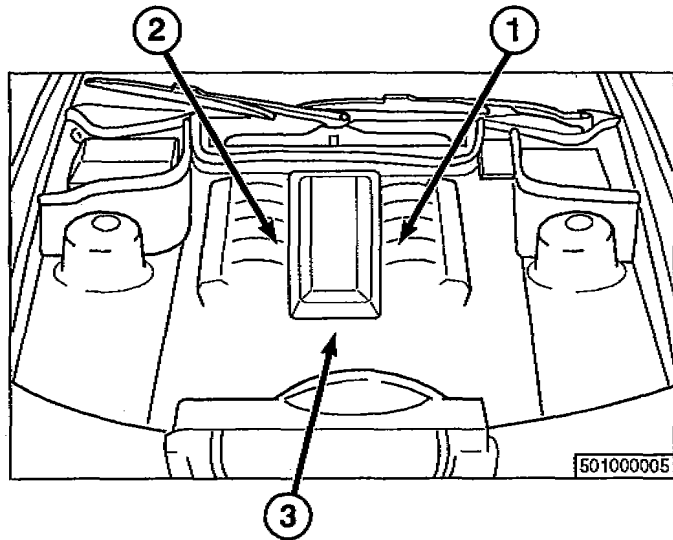
X6212

X6221

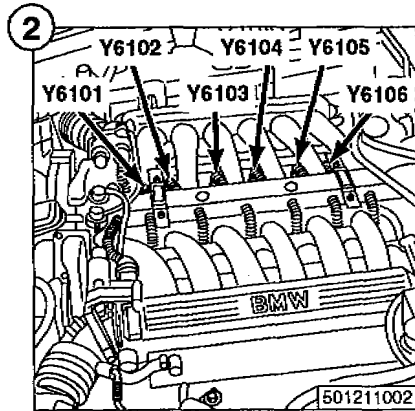
X6222



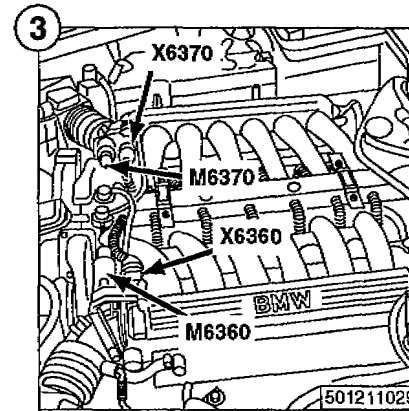
# COMPONENT LOCATION VIEWS



- |   |  |
|---|--|
| Y6107<br>CYL. 7 FUEL<br>INJECTION VALVE | Y6110<br>CYL. 10 FUEL<br>INJECTION VALVE |
| Y6108<br>CYL. 8 FUEL<br>INJECTION VALVE | Y6111<br>CYL. 11 FUEL<br>INJECTION VALVE |
| Y6109<br>CYL. 9 FUEL<br>INJECTION VALVE | Y6112<br>CYL. 12 FUEL<br>INJECTION VALVE |



- |   |   |
|---|---|
| Y6101<br>CYL. 1 FUEL<br>INJECTION VALVE | Y6104<br>CYL. 4 FUEL<br>INJECTION VALVE |
| Y6102<br>CYL. 2 FUEL<br>INJECTION VALVE | Y6105<br>CYL. 5 FUEL<br>INJECTION VALVE |
| Y6103<br>CYL. 3 FUEL<br>INJECTION VALVE | Y6106<br>CYL. 6 FUEL<br>INJECTION VALVE |

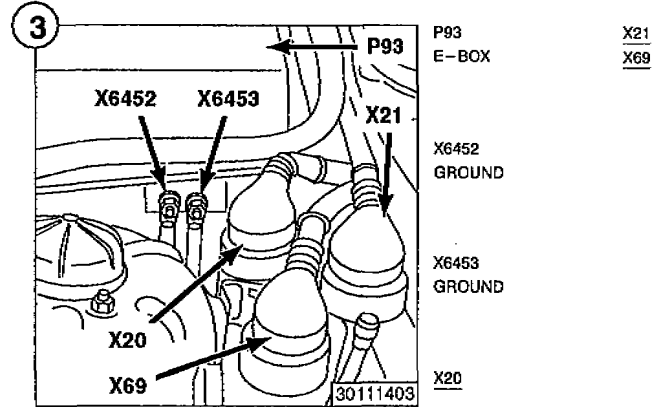
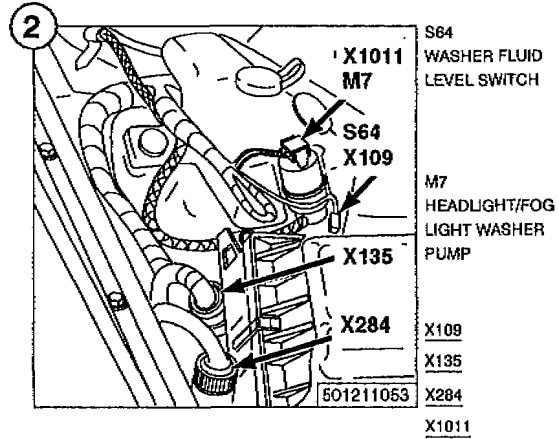
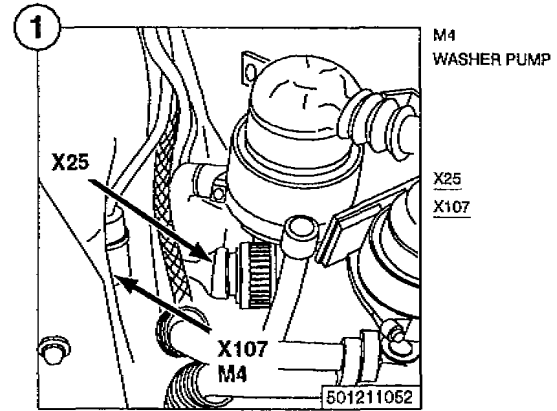
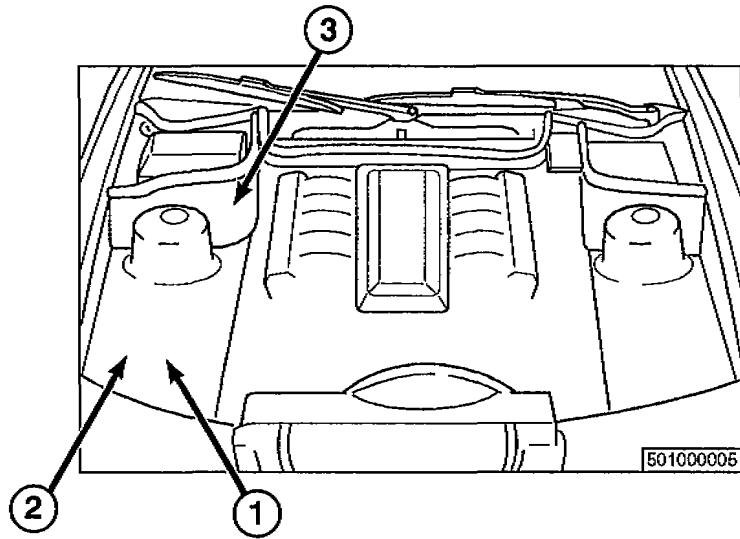


- |                                   |
|-----------------------------------|
| M6360<br>EML ACTUATOR<br>MOTOR I  |
| M6370<br>EML ACTUATOR<br>MOTOR II |
| X6360                             |
| X6370                             |



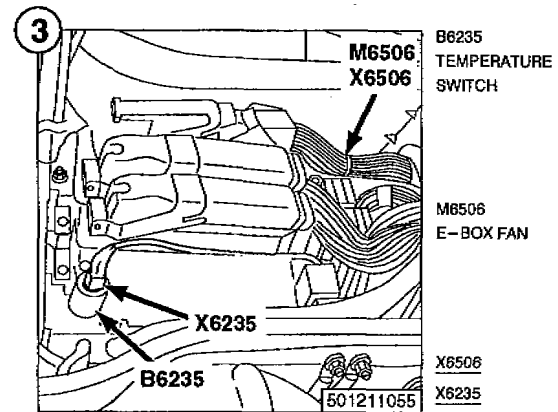
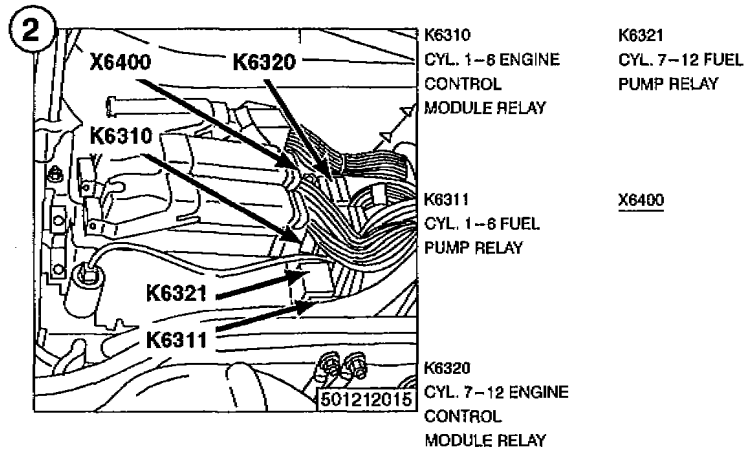
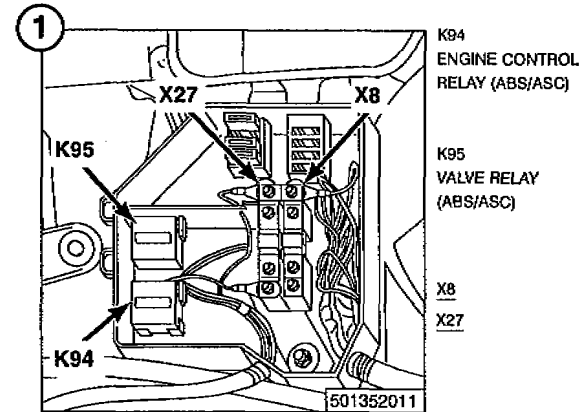
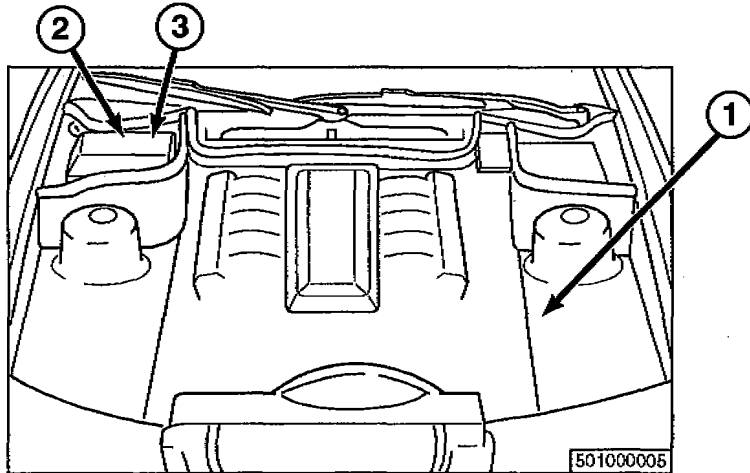


# COMPONENT LOCATION VIEWS



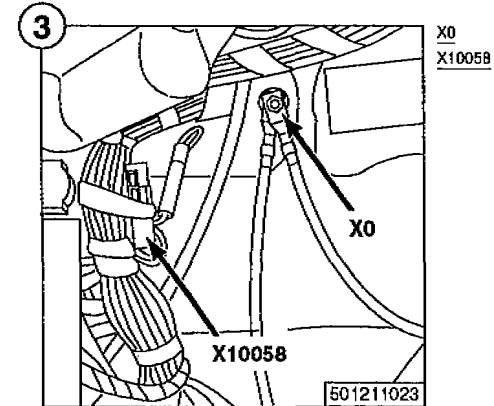
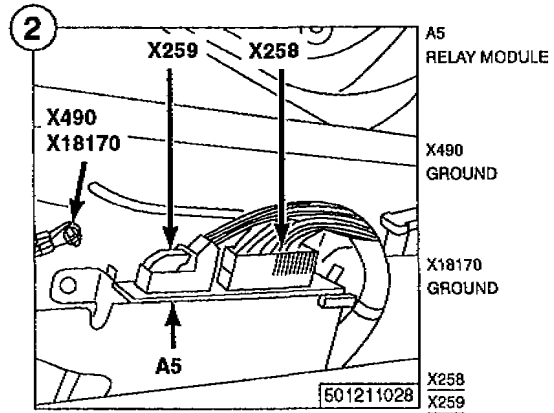
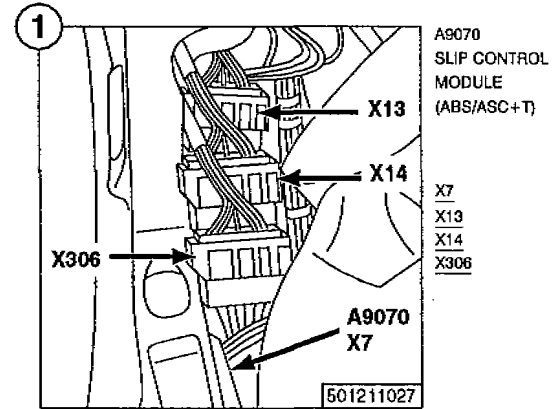
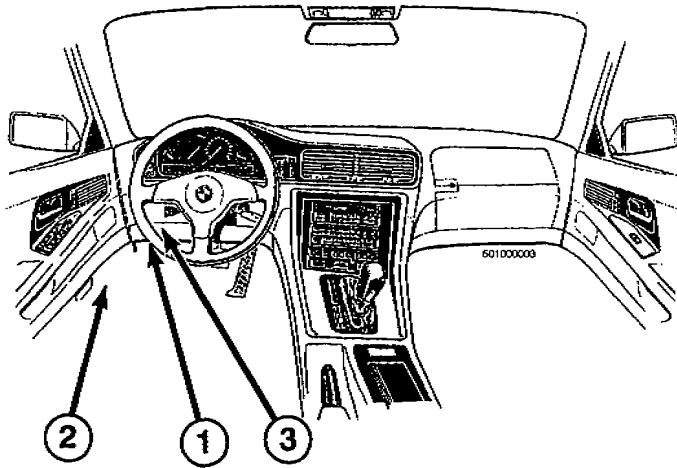


# COMPONENT LOCATION VIEWS



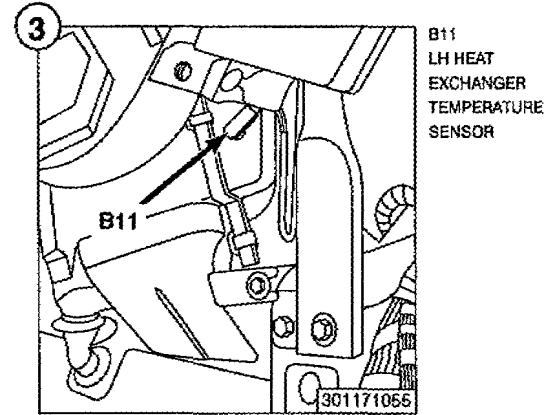
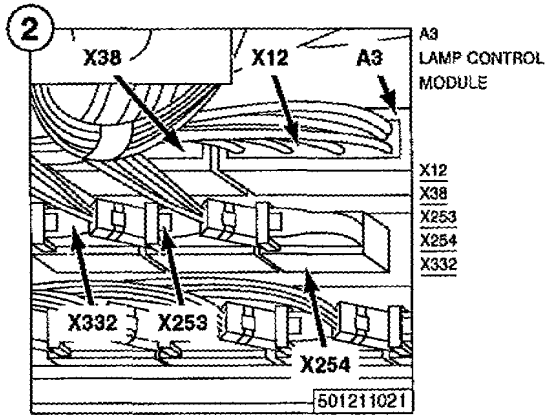
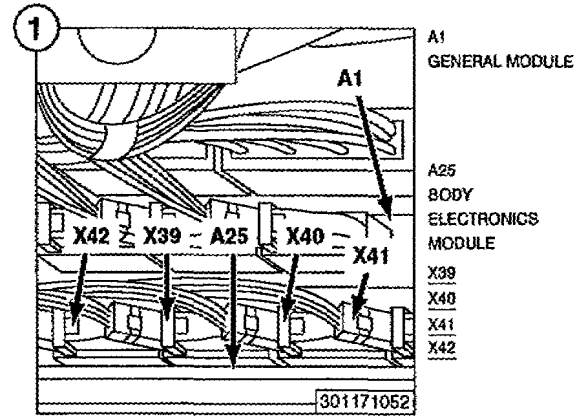
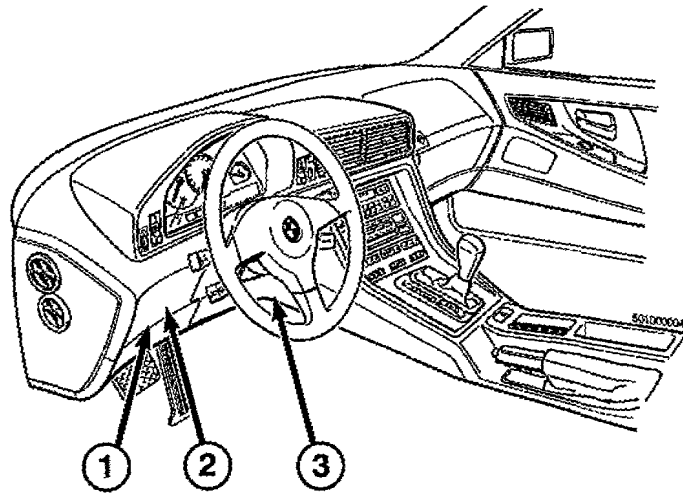


# COMPONENT LOCATION VIEWS



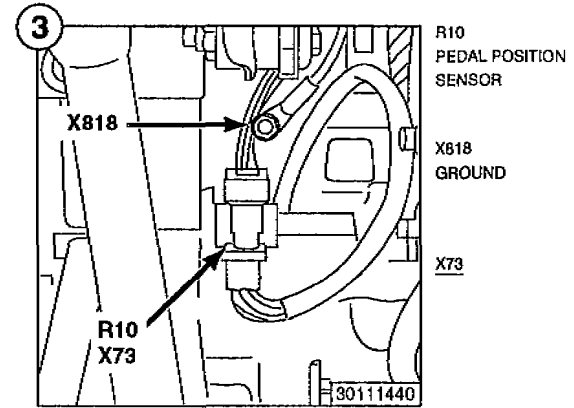
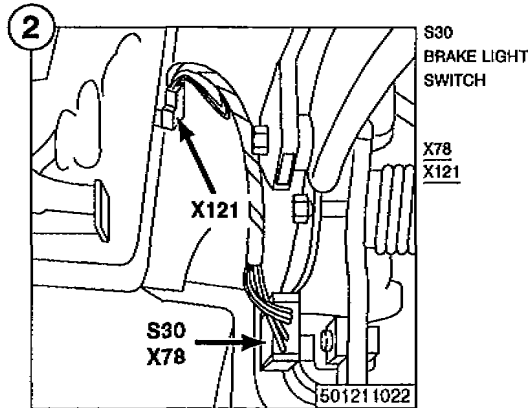
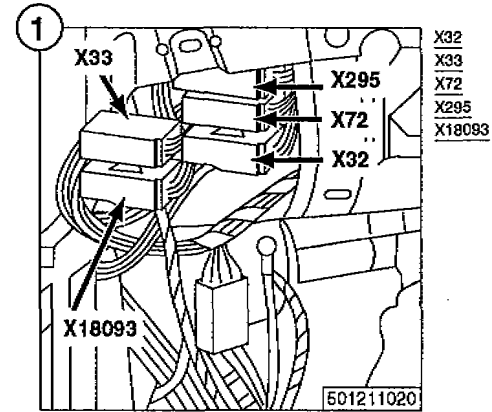
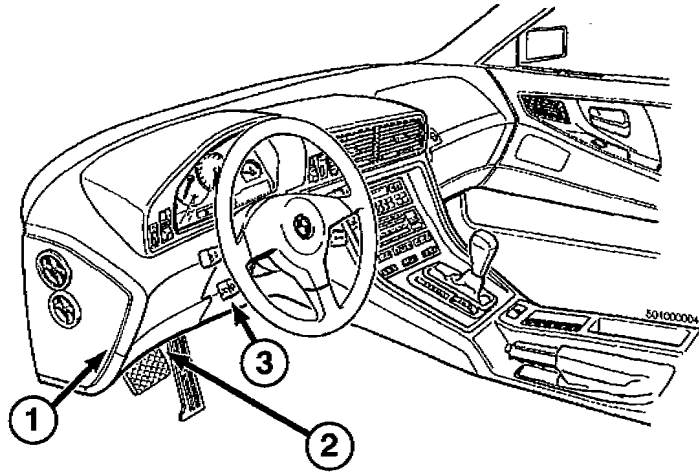


# COMPONENT LOCATION VIEWS



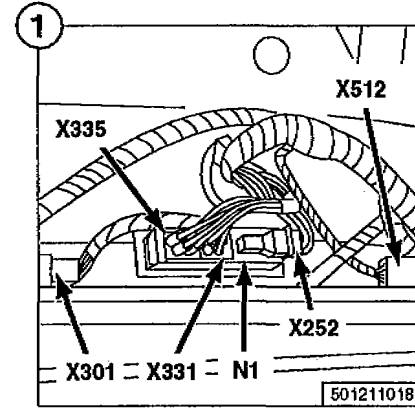
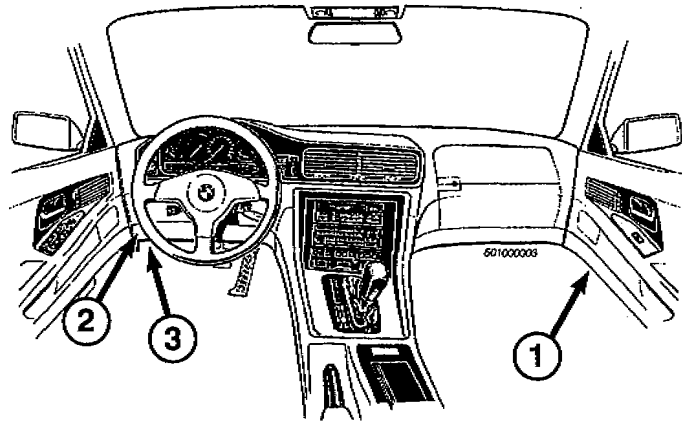


# COMPONENT LOCATION VIEWS



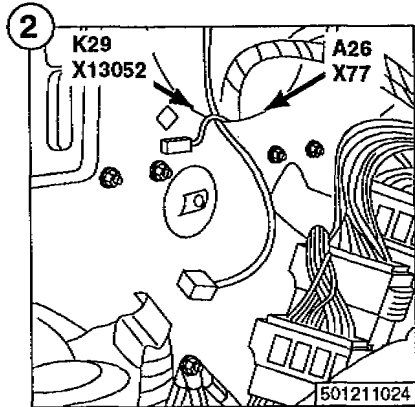


# COMPONENT LOCATION VIEWS



N1  
ANTI-THEFT  
CONTROL  
MODULE (DWA)

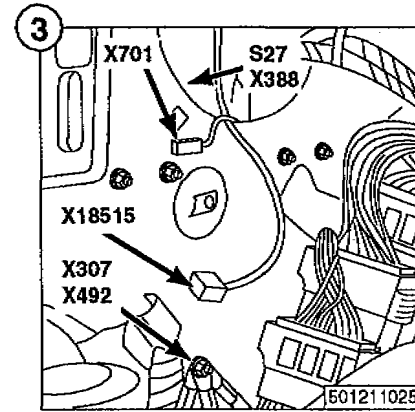
X252  
X301  
X331  
X335  
X512



A26  
LOCK-SENSOR  
CONTROL  
MODULE

K29  
INTERIOR LIGHT  
RELAY

X77  
X13052



S27  
INERTIA SWITCH

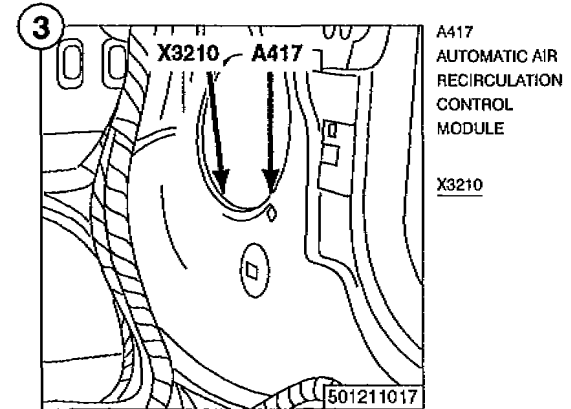
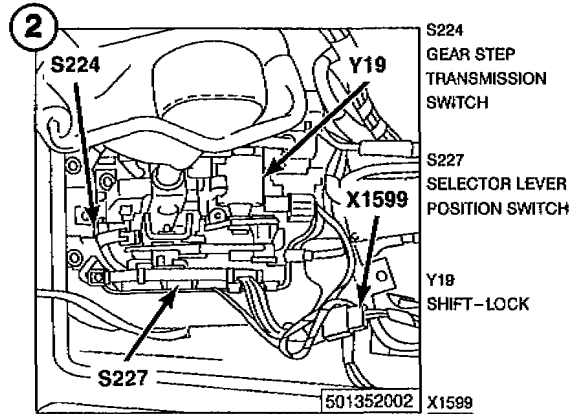
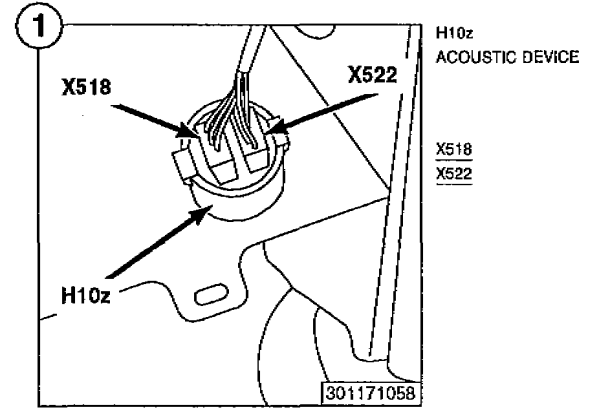
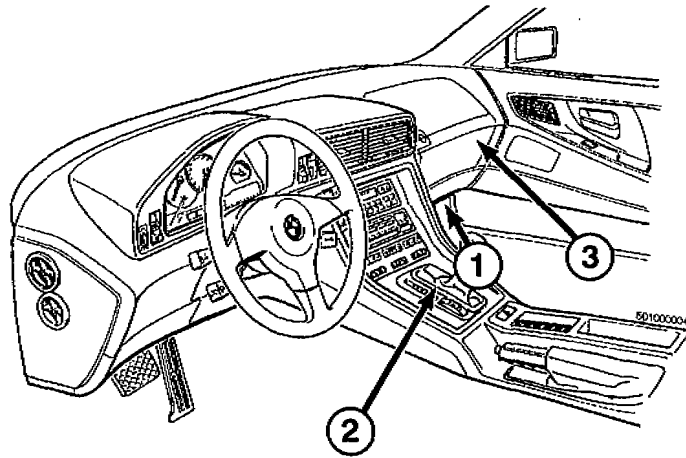
X307  
GROUND

X492  
GROUND

X388  
X701  
X18515

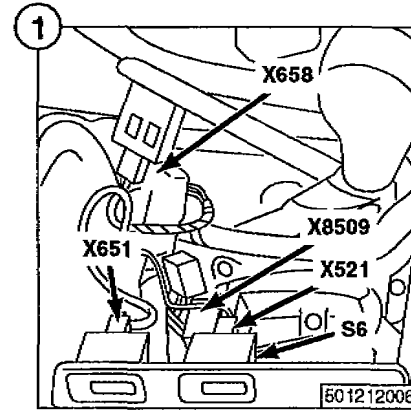
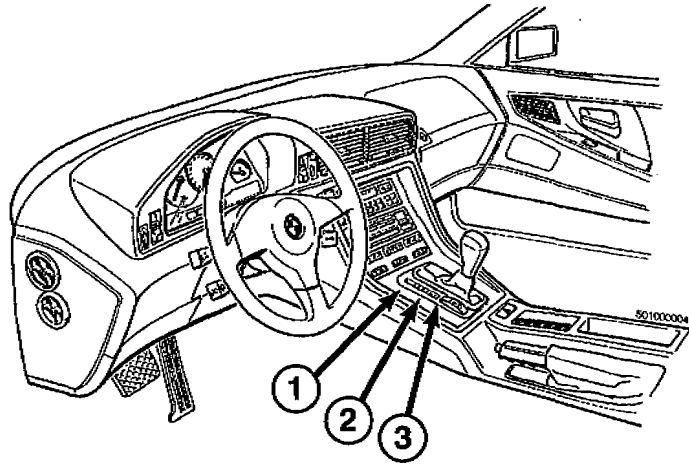


# COMPONENT LOCATION VIEWS



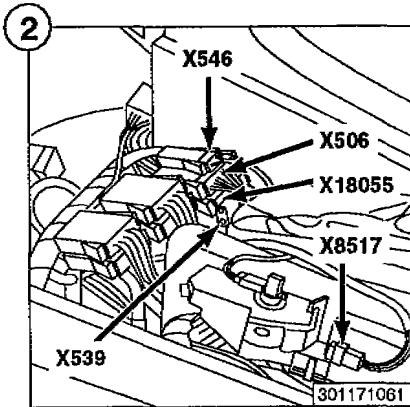


# COMPONENT LOCATION VIEWS

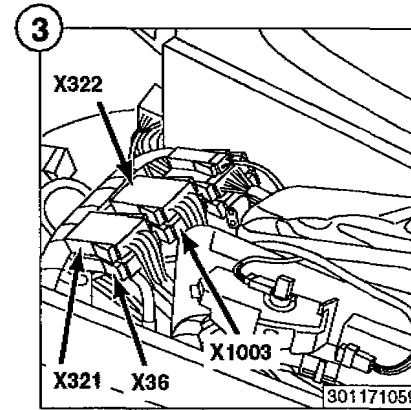


S6  
ASC SWITCH

X521  
X651  
X658  
X8509



X506  
X539  
X546  
X8517  
X18055

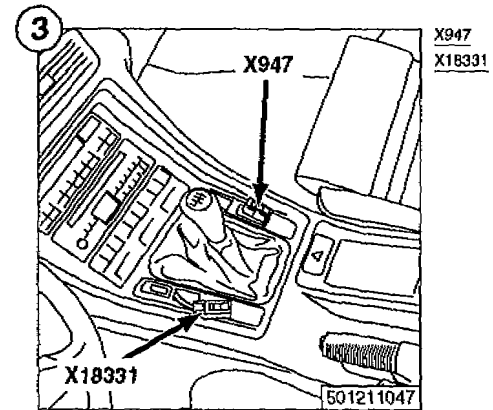
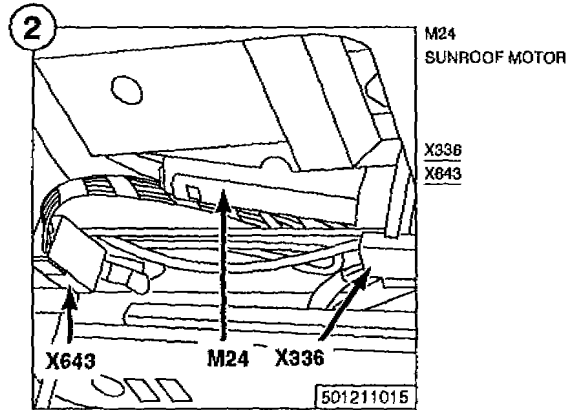
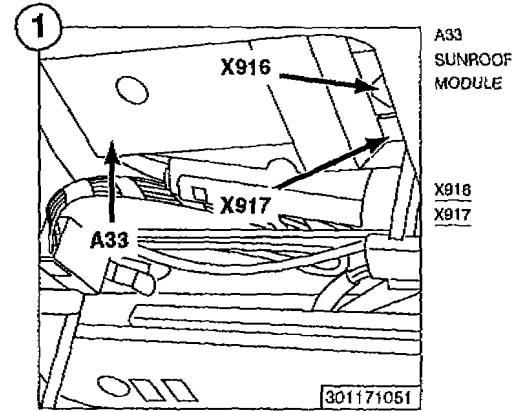
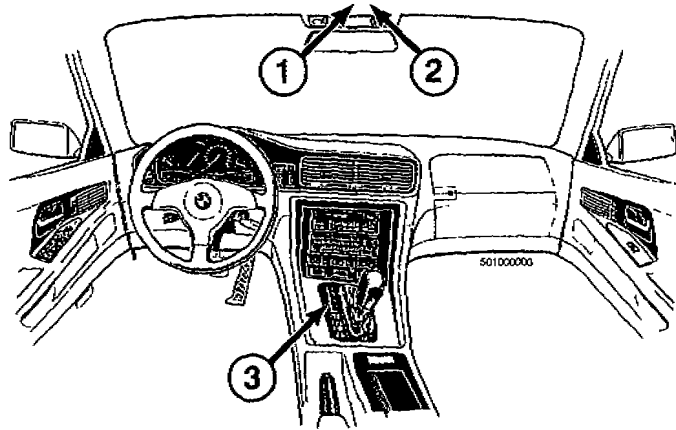


X36  
X321  
X322  
X1003



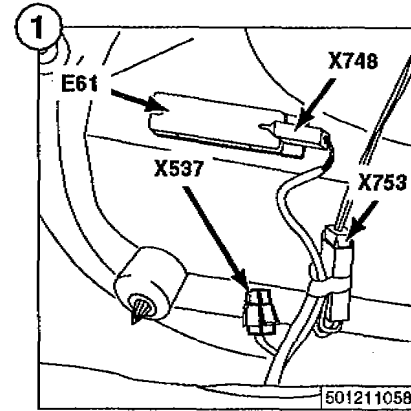
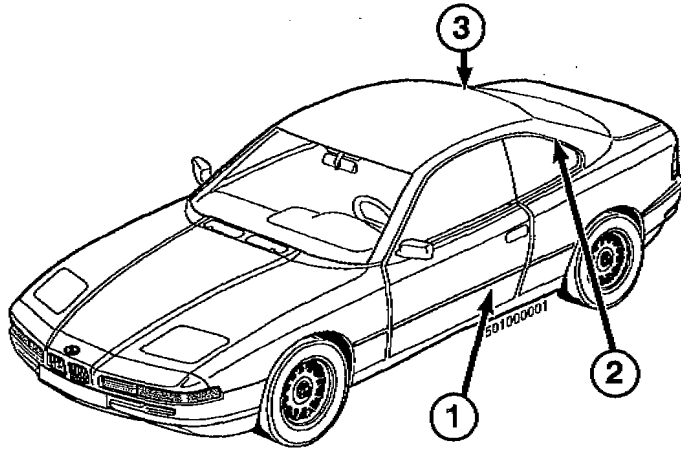


# COMPONENT LOCATION VIEWS



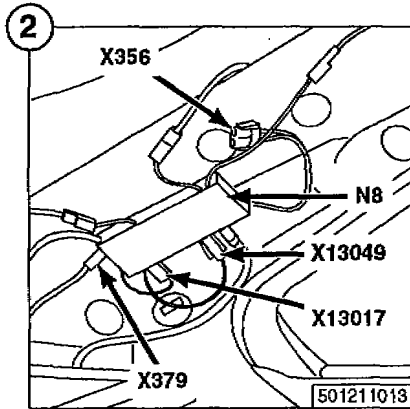


# COMPONENT LOCATION VIEWS



E61  
LEFT FRONT  
FOOTWELL LIGHT

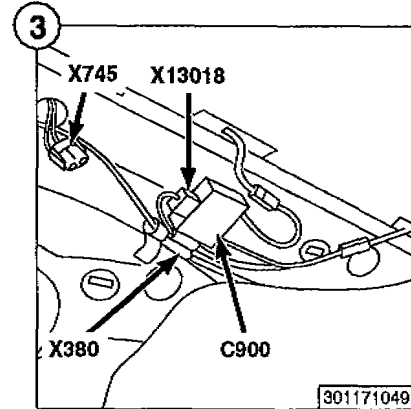
X537  
X748  
X753



N8  
ANTENNA  
AMPLIFIER AM/FM

X356  
X379  
X13017  
X13049

501211013

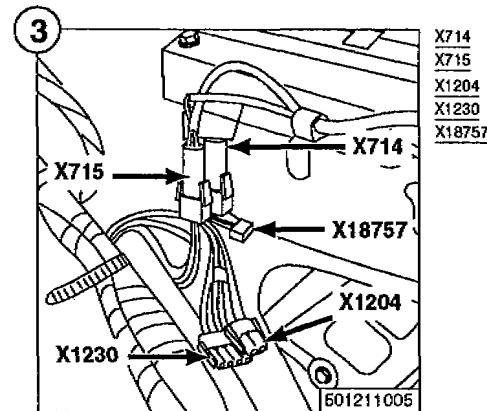
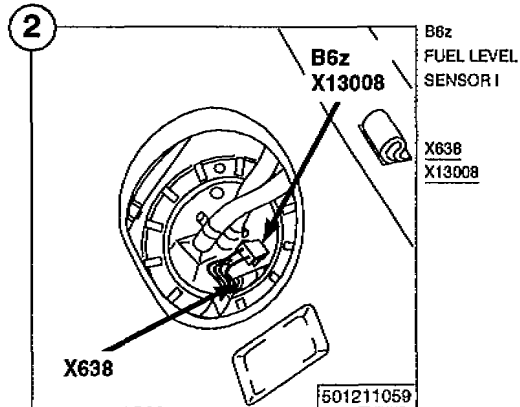
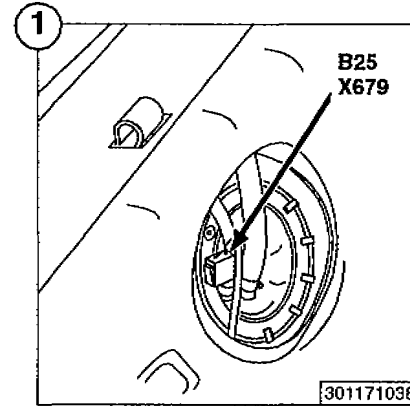
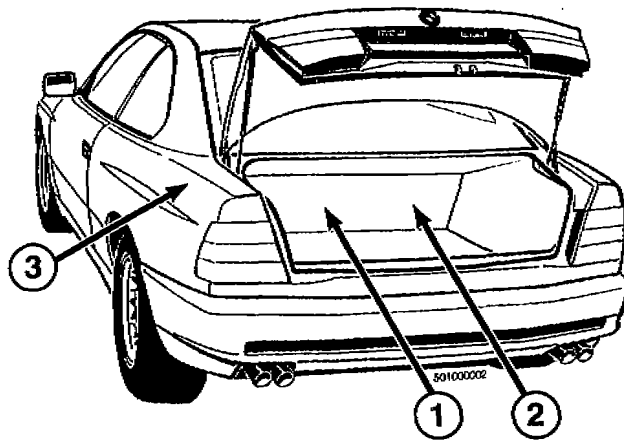


C900  
SUPPRESSION  
FILTER

X380  
X745  
X13018

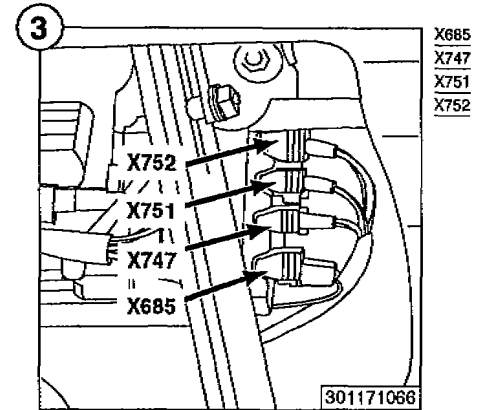
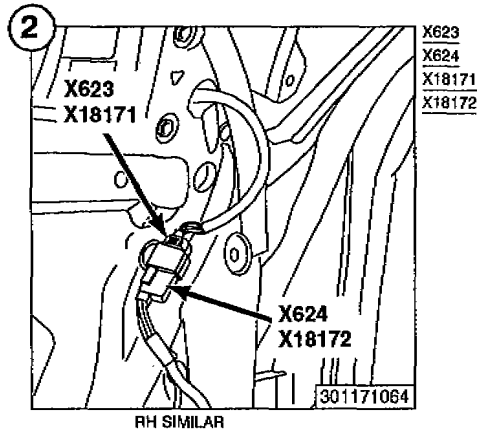
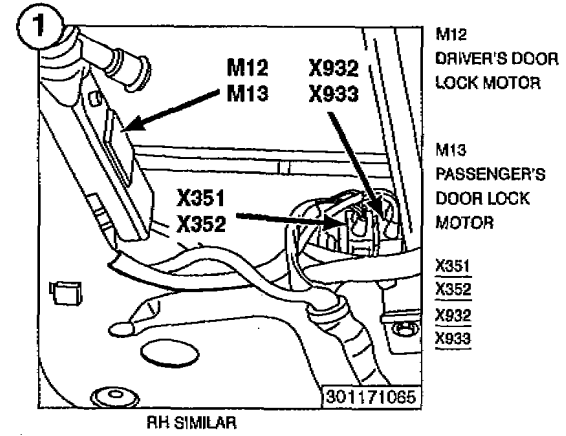
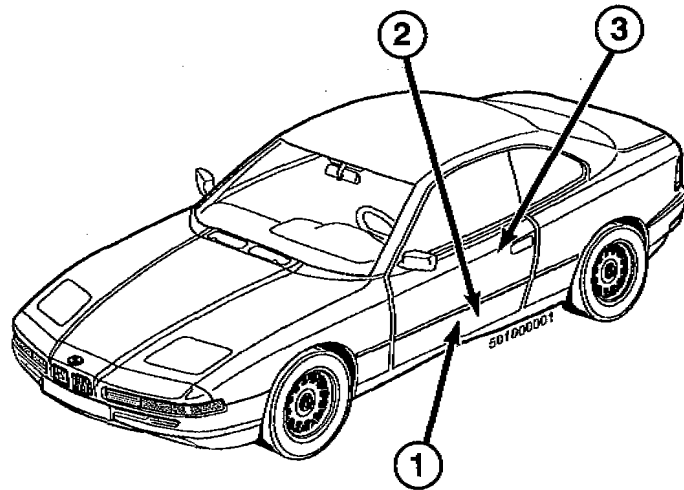


# COMPONENT LOCATION VIEWS



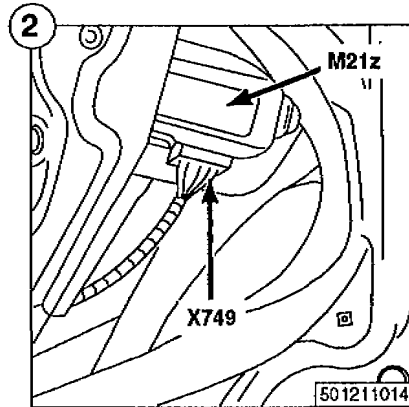
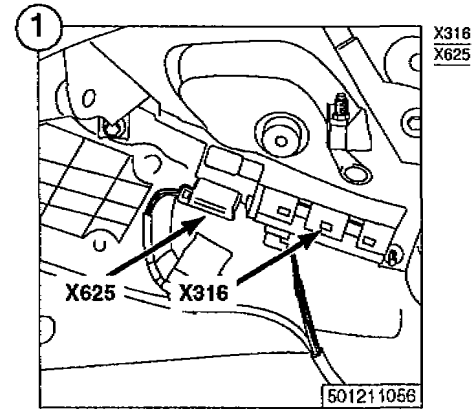
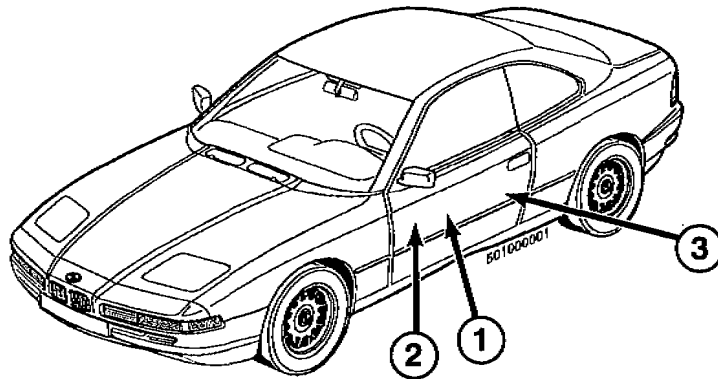


# COMPONENT LOCATION VIEWS



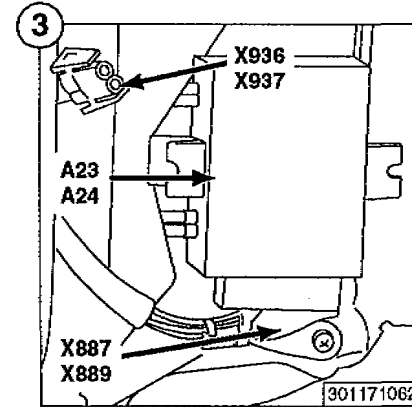


# COMPONENT LOCATION VIEWS



M21z  
DRIVER'S POWER  
WINDOW MOTOR/  
INCREMENT  
SENSOR

X749

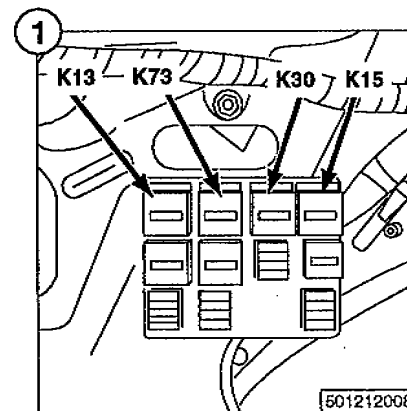
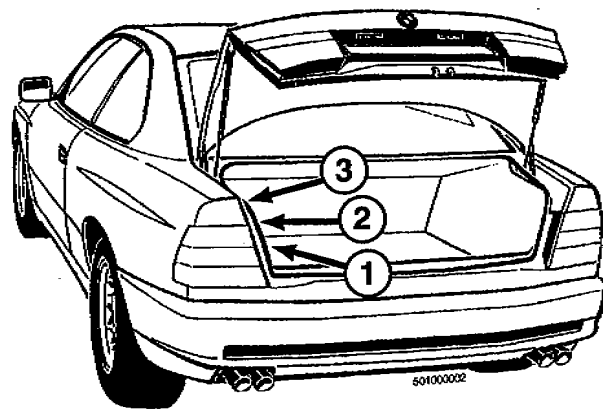


A23  
DRIVER'S DOOR  
MODULE

A24  
PASSENGER'S  
DOOR MODULE

X887  
X889  
X936  
X937

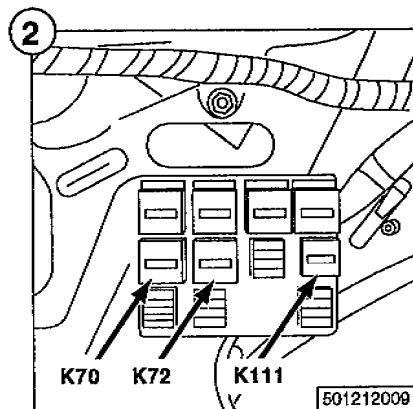
RH SIMILAR



K13 REAR DEFOGGER RELAY  
K73 CONSUMER CUT-OFF RELAY II

K15 ELECTRIC POWER PROTECTION RELAY

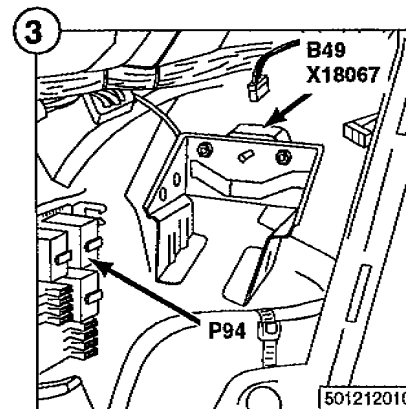
K30 ELECTRIC POWER PROTECTION RELAY I



K70 CENTRAL LOCKING TRUNK LID MOTOR RELAY (ZV)

K72 CONSUMER CUT-OFF RELAY I

K111 DAYTIME RUNNING LIGHTS RELAY



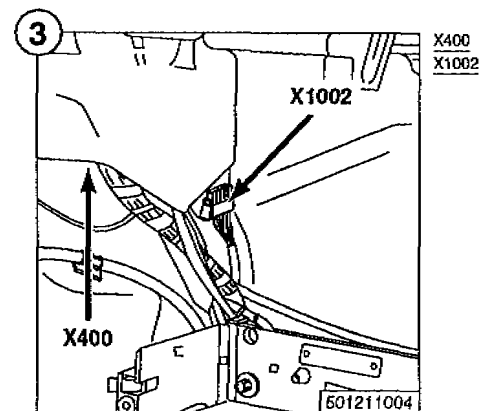
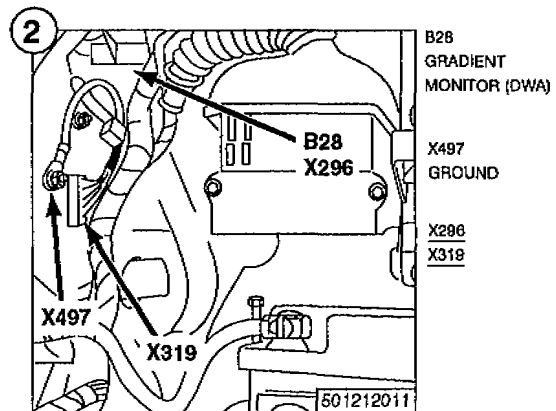
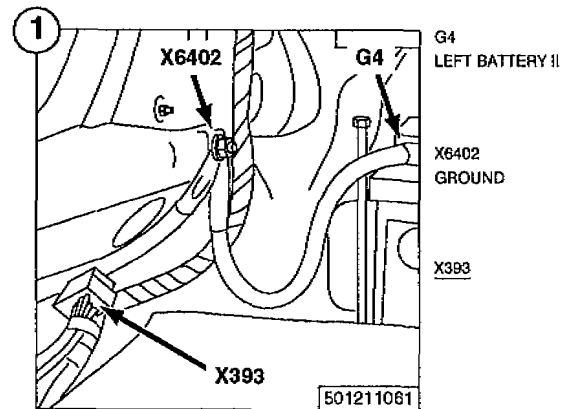
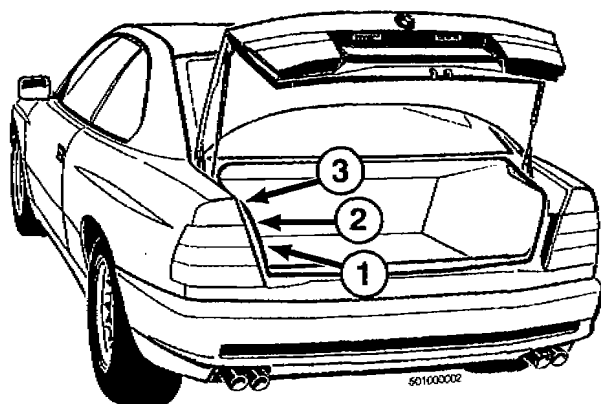
B49 LONGITUDINAL ACCELERATION SENSOR

P94 REAR POWER DISTRIBUTION BOX

X18067

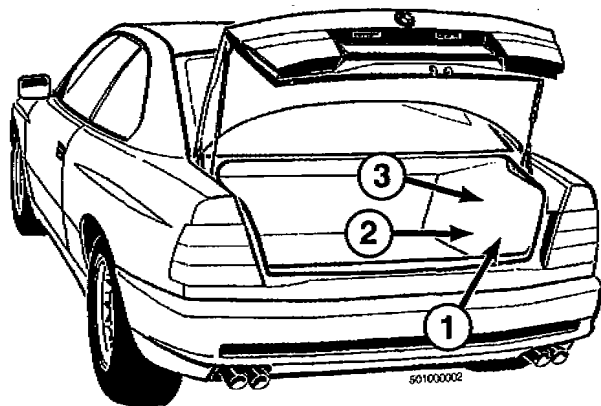


# COMPONENT LOCATION VIEWS

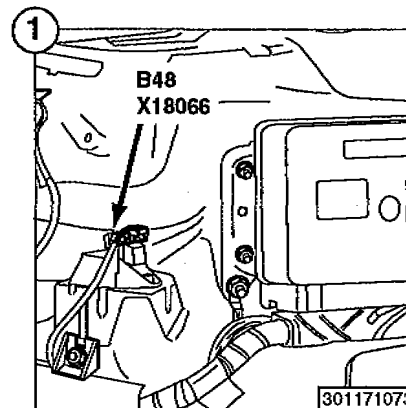




# COMPONENT LOCATION VIEWS



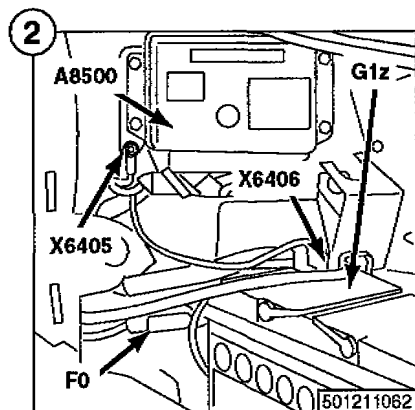
50100002



B48  
RIGHT REAR  
ACCELERATION  
SENSOR

X18066

301171073



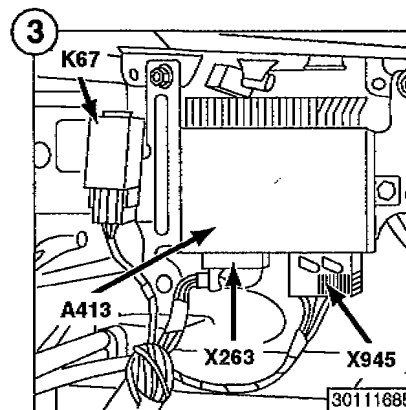
A8500  
TRANSMISSION  
CONTROL  
MODULE (EGS)

G1z  
RIGHT BATTERY I

F0  
X6405  
GROUND

X6406

501211062



A413  
ELECTRONIC  
SHOCK  
ABSORBER  
CONTROL  
MODULE (EDC)

K67  
EDC RELAY

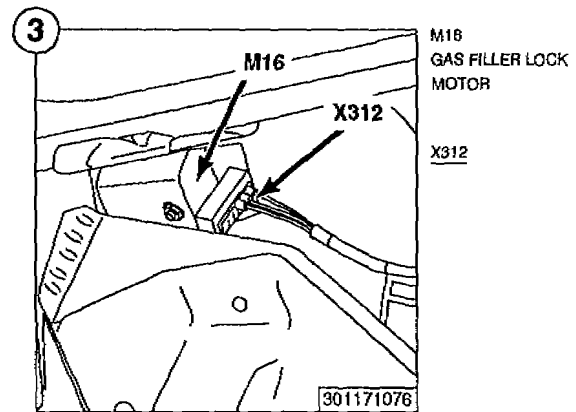
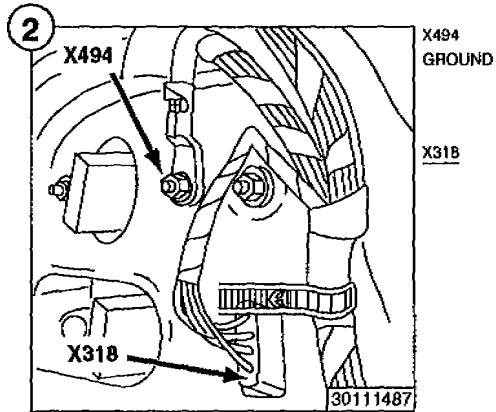
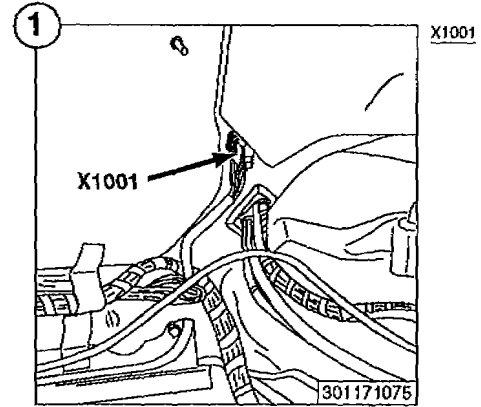
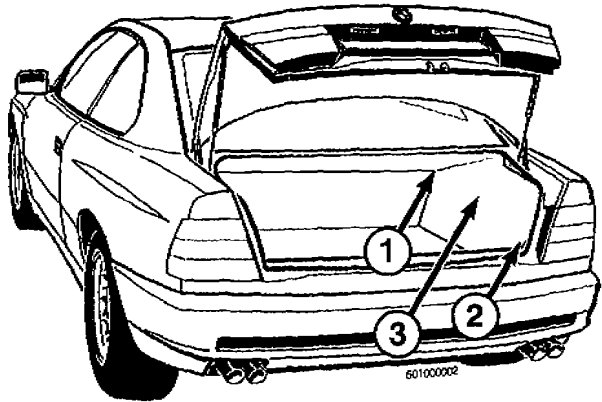
X263  
X945

30111685



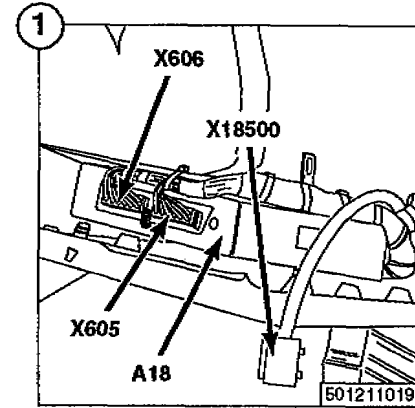
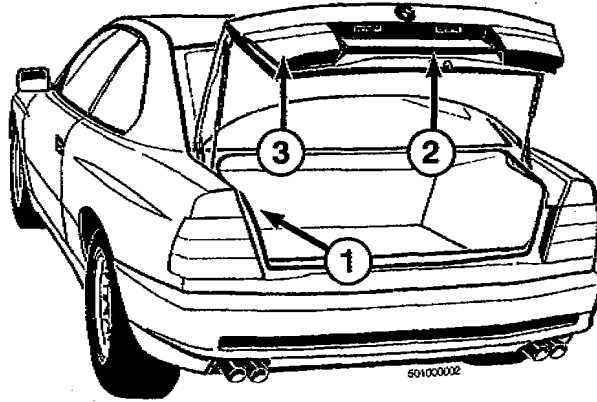


# COMPONENT LOCATION VIEWS



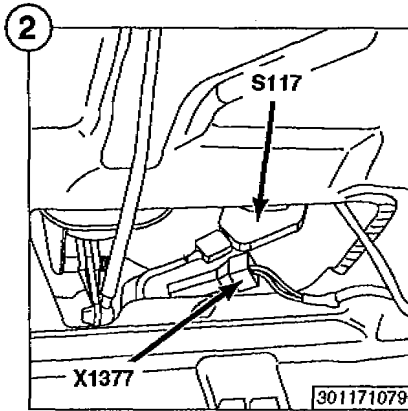


# COMPONENT LOCATION VIEWS



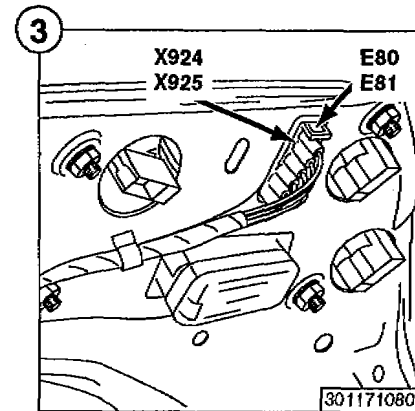
A18  
HIFI AMPLIFIER

X605  
X606  
X18500



S117  
TRUNK LID LOCK-  
ING SWITCH

X1377



E80  
LEFT REAR LIGHT  
ASSEMBLY II

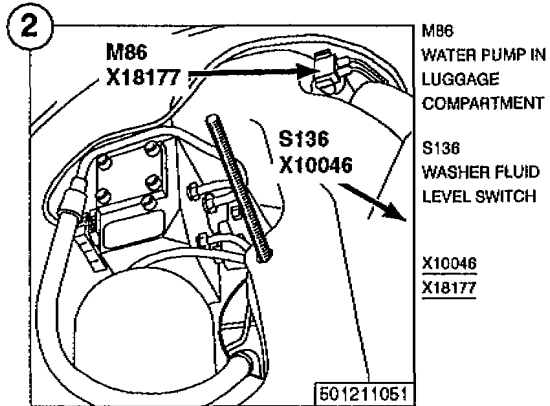
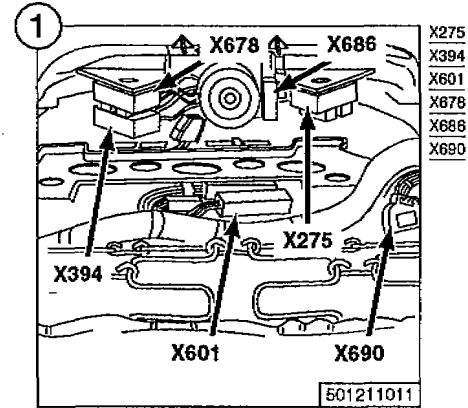
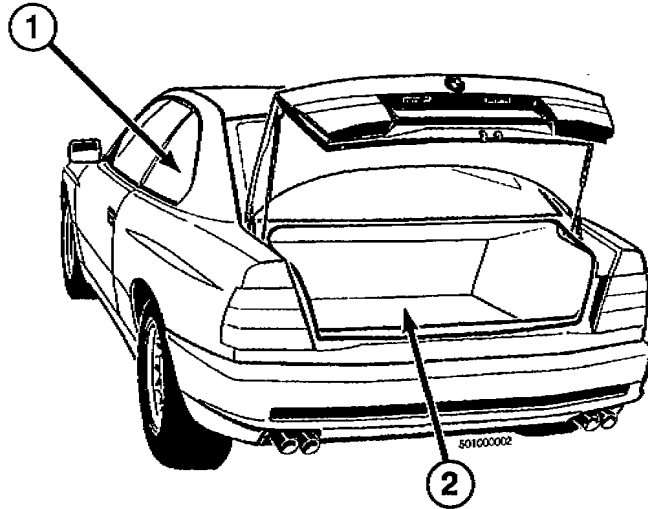
E81  
RIGHT REAR LIGHT  
ASSEMBLY II

X924  
X925

RH SIMILAR

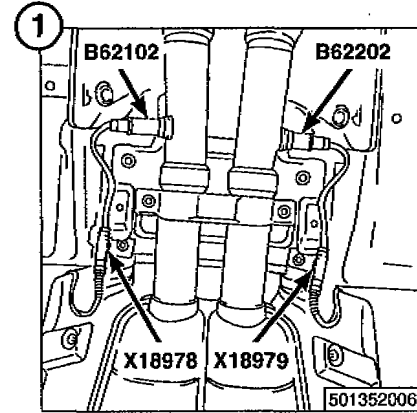
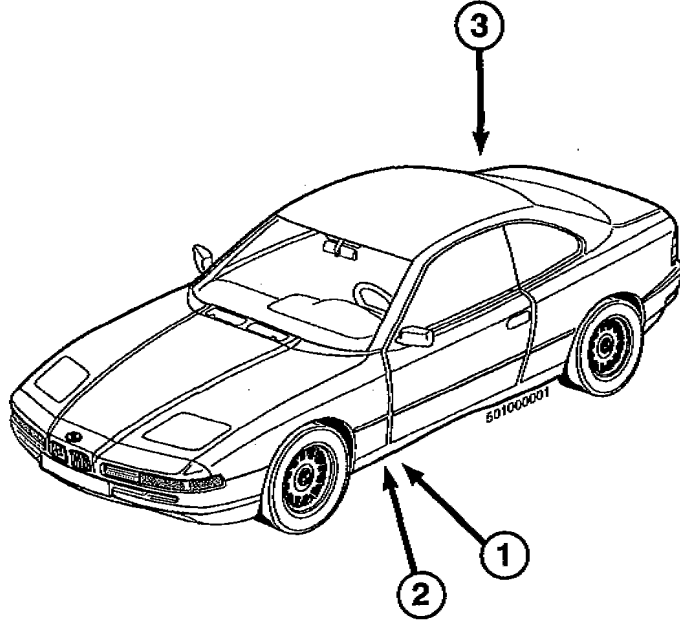


# COMPONENT LOCATION VIEWS





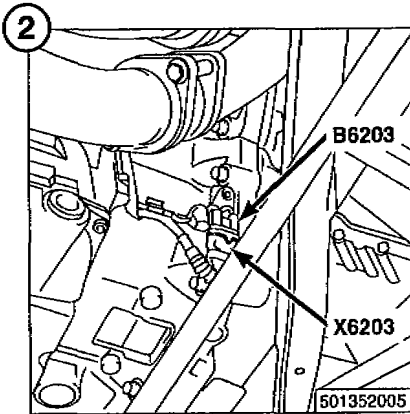
# COMPONENT LOCATION VIEWS



B62102  
OXYGEN SENSOR I  
(BEHIND  
CATALYTIC  
CONVERTER)

B62202  
OXYGEN SENSOR  
II (BEHIND  
CATALYTIC  
CONVERTER)

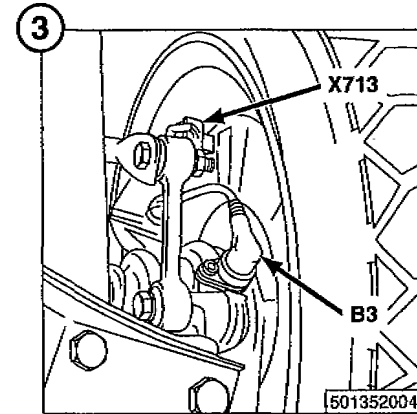
X18978  
X18979



B6203  
CRANKSHAFT  
POSITION/RPM  
SENSOR

X6203

501352005



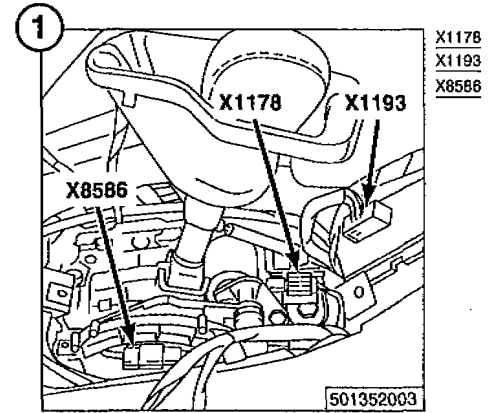
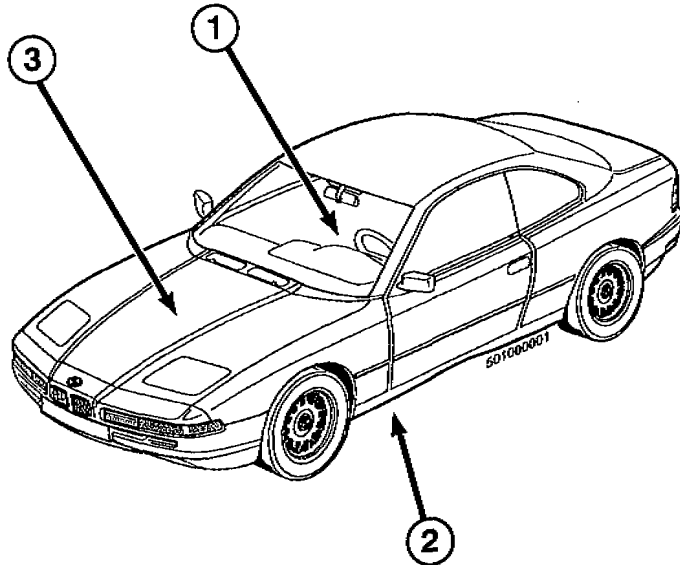
B3  
RIGHT REAR  
SPEED SENSOR -  
ABS

X713

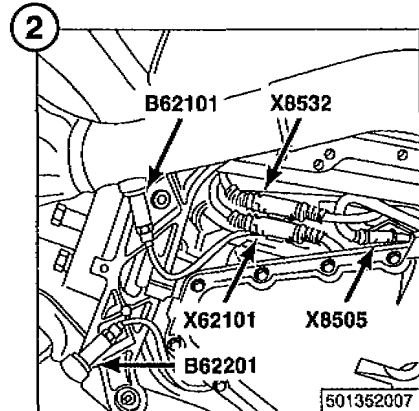
501352004



# COMPONENT LOCATION VIEWS



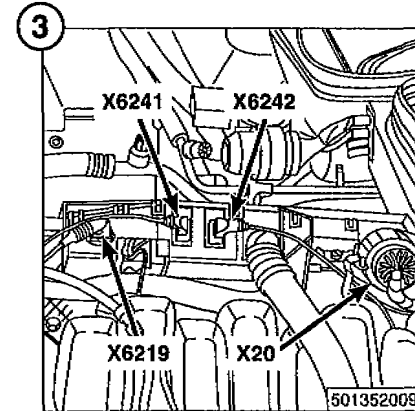
X1178  
X1193  
X8586



B62101  
OXYGEN SENSOR I  
(IN FRONT OF  
CATALYTIC  
CONVERTER)

B62201  
OXYGEN SENSOR  
II (IN FRONT OF  
CATALYTIC  
CONVERTER)

X8505  
X8532  
X62101

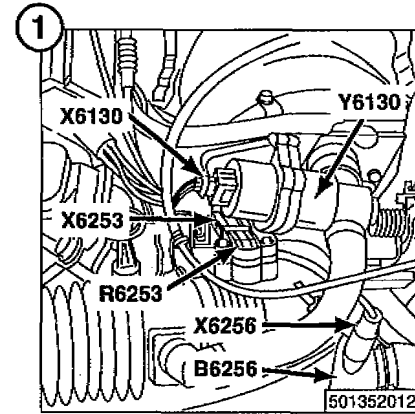
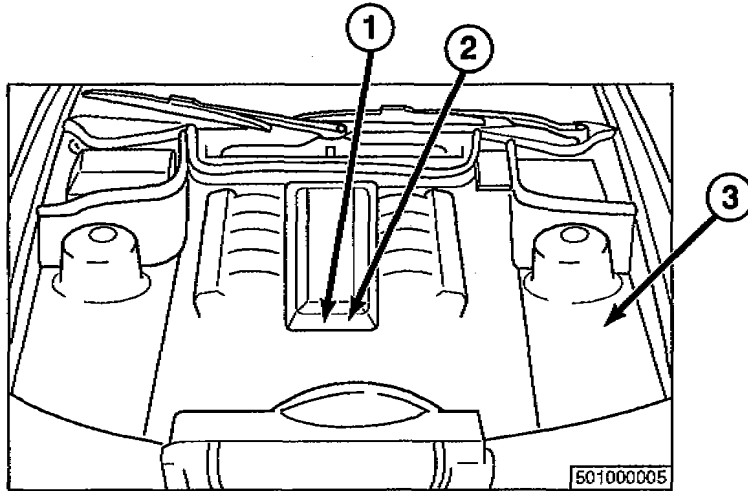


X20  
X6219  
X6241  
X6242



# COMPONENT LOCATION VIEWS

## ELECTRICAL CONTROL MODULE LOCATIONS

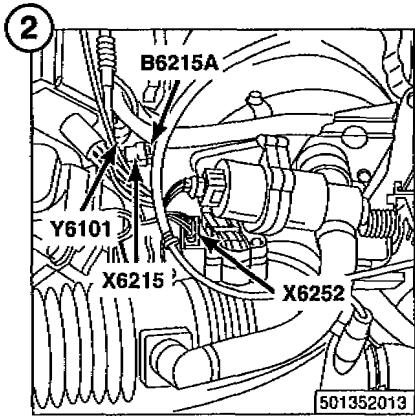


B6256  
DUAL  
TEMPERATURE  
SENSOR (COOLANT  
TEMPERATURE)

R6253  
AUXILIARY  
THROTTLE  
POSITION SENSOR

Y6130  
IDLE SPEED  
CONTROL VALVE

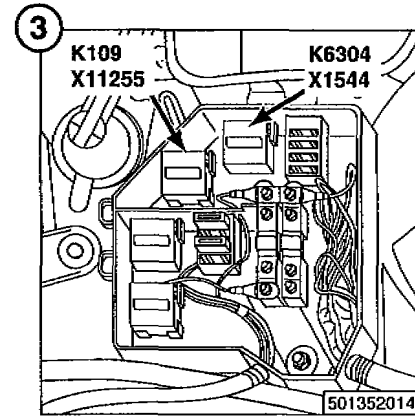
X6130  
X6253  
X6256



B6215A  
INTAKE AIR  
TEMPERATURE  
SENSOR

Y6101  
CYL. 1 FUEL  
INJECTION VALVE

X6215  
X6252



K109  
SECONDARY AIR  
PUMP RELAY

K6304  
SECONDARY AIR  
PUMP RELAY

X1544  
X11255



8000.0



# SPLICE LOCATION VIEWS

SPLICE	HARNESS	PAGE NUMBER	SPLICE	HARNESS	PAGE NUMBER
X181-X190	FRONT	8000.0-02	X934	DRIVER'S DOOR	NOT SHOWN
X195	CHASSIS	8000.0-03	X935	PASSENGER'S DOOR	NOT SHOWN
X196-X208	FRONT	8000.0-02	X939	REAR	8000.0-04
X212-X265	FRONT	8000.0-02	X943	SUNSHADE	NOT SHOWN
X267	REAR	8000.0-04	X960-X980	BATTERY	NOT SHOWN
X276	FRONT	8000.0-02	X1006	REAR	8000.0-04
X427-X486	REAR	8000.0-04	X1017-X1018	CHASSIS	8000.0-03
X557	GLOVE BOX LIGHTS	NOT SHOWN	X1022-X1036	FRONT	8000.0-02
X558-X559	REAR	8000.0-04	X1180	CHASSIS	8000.0-03
X560	FRONT	8000.0-02	X1183	FRONT	8000.0-02
X566-X567	CHASSIS	8000.0-03	X1200	FRONT	8000.0-02
X582-X704	FRONT	8000.0-02	X1202-X1215	REAR	8000.0-04
X801	FRONT	8000.0-02	X1351-X1356	CHASSIS	8000.0-03
X805	REAR	8000.0-04	X1359-X1378	REAR	8000.0-04
X806	FRONT	8000.0-02	X1411-X1414	CHASSIS	8000.0-03
X824	RADIO	NOT SHOWN	X1449	FRONT	8000.0-02
X830	RADIO	NOT SHOWN	X1472	REAR	8000.0-04
X833	REAR	8000.0-04	X1735	REAR	8000.0-04
X840	DRIVER'S SEAT	NOT SHOWN	X6245	M60 ENGINE	8000.0-05
X844	PASSENGER'S SEAT	NOT SHOWN	X6410-X6491	M73 ENGINE	8000.0-07
X848-X851	DRIVER'S DOOR	NOT SHOWN	X6411-X6491	M70 ENGINE	8000.0-08
X852-X859	IHKA	NOT SHOWN	X6412-X6491	M60 ENGINE	8000.0-05
X878	RADIO	NOT SHOWN	X6412-X6492	M62 ENGINE	8000.0-06
X891-X892	PASSENGER'S DOOR	NOT SHOWN	X6801-X6866	M70 ENGINE	8000.0-08
X894	REAR	8000.0-04	X6810-X6868	M62 ENGINE	8000.0-06
X914	FRONT	8000.0-02	X6810-X6866	M60 ENGINE	8000.0-05
X926-X927	DRIVER'S DOOR	NOT SHOWN	X6821-X6868	M73 ENGINE	8000.0-07
X928-X929	PASSENGER'S DOOR	NOT SHOWN	X6900-6908	M60 ENGINE	8000.0-05





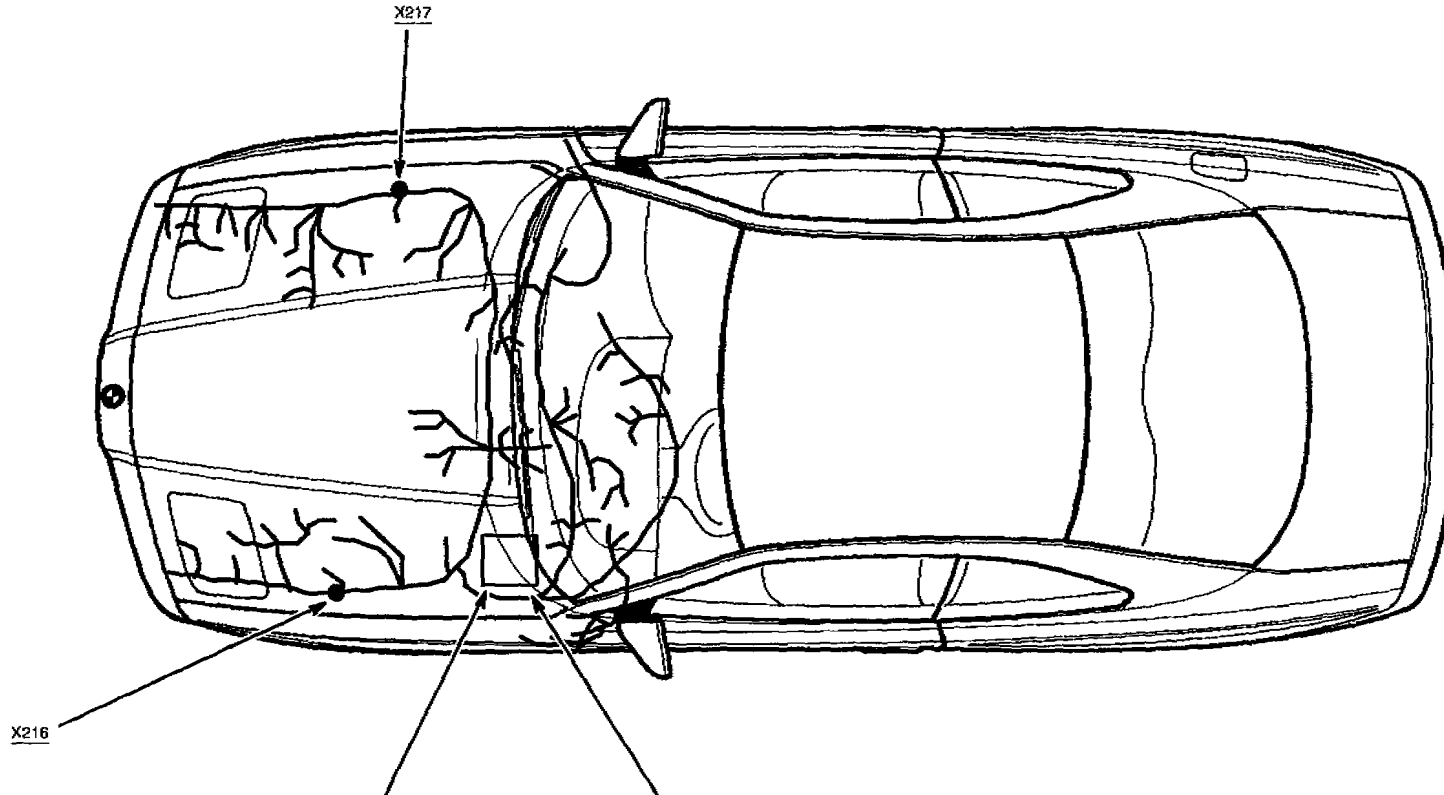
## SPLICE LOCATION VIEWS

SPLICE	HARNESS	PAGE NUMBER	SPLICE	HARNESS	PAGE NUMBER
X6901-X6908	M62 ENGINE	8000.0-06	X18104-X18106	DRIVER'S SEAT	NOT SHOWN
X6932-X6949	M73 ENGINE	8000.0-07	X18108	PARK HEATING/VENTILATION	NOT SHOWN
X8002-X8072	M70 ENGINE	8000.0-08	X18121-X18122	REAR	8000.0-04
X8003-X8072	M62 ENGINE	8000.0-06	X18123	DRIVER'S DOOR	NOT SHOWN
X8003-X8088	M73 ENGINE	8000.0-07	X18140-X18142	IHKA	NOT SHOWN
X8004-X8072	M60 ENGINE	8000.0-05	X18174	RADIO	NOT SHOWN
X8561-X8576	M60 ENGINE	8000.0-05	X18175	DRIVER'S SEAT	NOT SHOWN
X8561-X8596	M62 ENGINE	8000.0-06	X18182	RADIO	NOT SHOWN
X8564-X8565	FRONT	8000.0-02	X18217	DRIVER'S DOOR	NOT SHOWN
X8589-X8594	M73 ENGINE	8000.0-07	X18226-X18241	CHASSIS	8000.0-03
X10014-X10056	FRONT	8000.0-02	X18247	DRIVER'S SEAT	NOT SHOWN
X10064	CHASSIS	8000.0-03	X18299-X18335	CHASSIS	8000.0-03
X10090	REAR	8000.0-04	X18737	DRIVER'S SEAT	NOT SHOWN
X11245	FRONT	8000.0-02	X18738	PASSENGER'S SEAT	NOT SHOWN
X11267	FRONT	8000.0-02	X18740	GLOVE BOX LIGHTS	NOT SHOWN
X13000	REAR	8000.0-04	X18744-X18747	FRONT	8000.0-02
X13047	REAR	8000.0-04	X18749	CHASSIS	8000.0-03
X13115	REAR	8000.0-04	X18751	CHASSIS	8000.0-03
X13133	REAR	8000.0-04	X18768	CHASSIS	8000.0-03
X13141	REAR	8000.0-04	X18769	CHASSIS	8000.0-03
X13315	REAR	8000.0-04	X18780	FRONT	8000.0-02
X18026-X18046	CHASSIS	8000.0-03	X19507	FRONT	8000.0-02
X18044	FRONT	8000.0-02	X19515	DRIVER'S DOOR	NOT SHOWN
X18048	REAR	8000.0-04	X19516	PASSENGER'S DOOR	NOT SHOWN
X18056-X18087	CHASSIS	8000.0-03	X19525-X19526	CHASSIS	8000.0-03
X18091	DRIVER'S SEAT	NOT SHOWN	X80251-X80255	M62 ENGINE	8000.0-06
X18092	PASSENGER'S SEAT	NOT SHOWN	X80253-X80254	M73 ENGINE	8000.0-07
X18100-X18102	DRIVER'S SEAT	NOT SHOWN			



# SPLICE LOCATION VIEWS

## FRONT HARNESS



X216

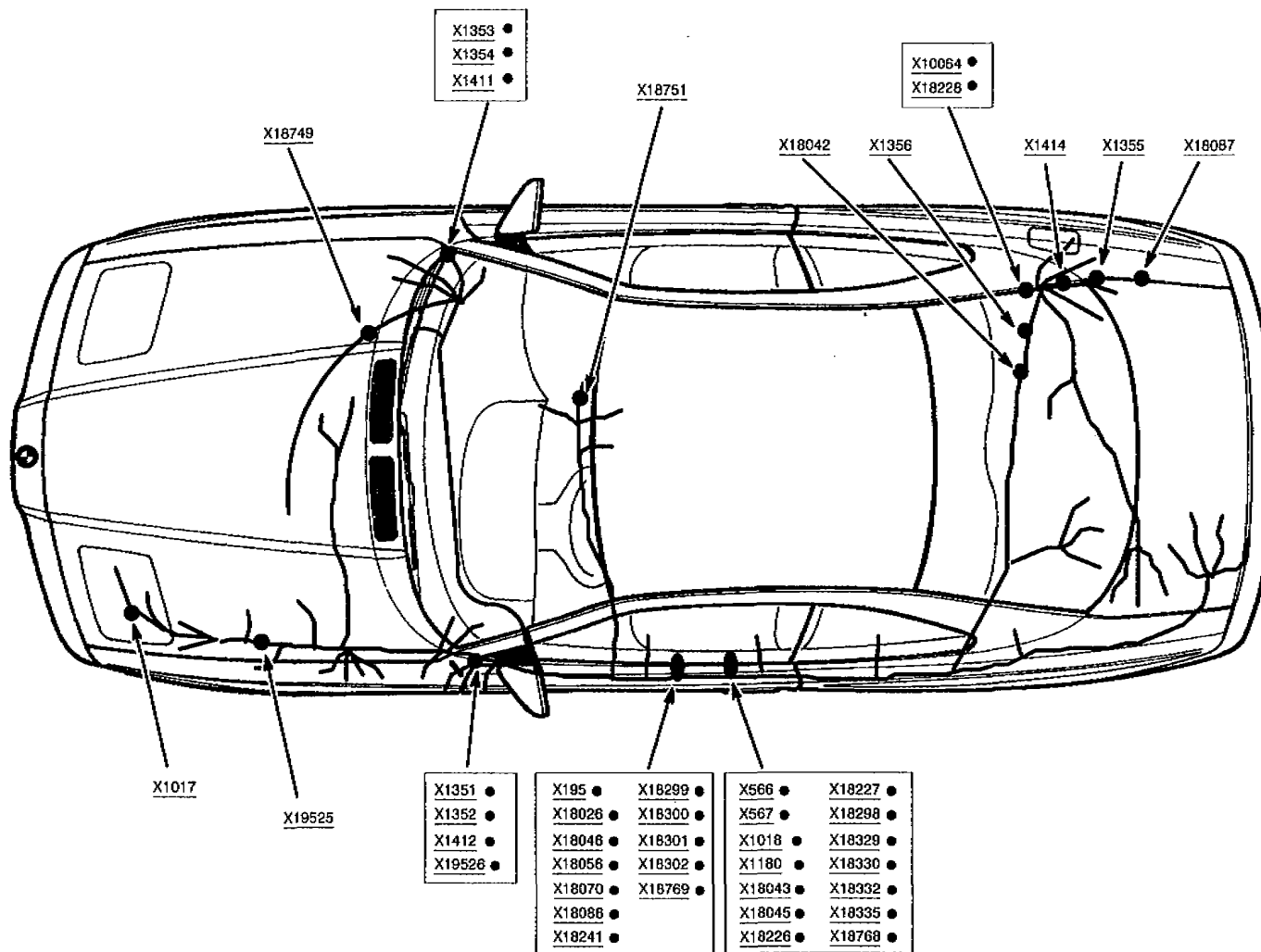
X184	•	X245	•	X914	•
X185	•	X246	•	X1022	•
X188	•	X247	•	X1200	•
X201	•	X248	•	X8564	•
X203	•	X249	•	X8565	•
X205	•	X250	•	X10014	•
X208	•	X261	•	X11245	•
X212	•	X264	•	X18744	•
X215	•	X265	•	X18745	•
X224	•	X582	•	X18746	•
X240	•	X801	•		

X181	•	X223	•	X10043	•
X182	•	X226	•	X10056	•
X183	•	X241	•	X11267	•
X190	•	X243	•	X18044	•
X196	•	X276	•	X18747	•
X198	•	X560	•	X18780	•
X199	•	X806	•	X19507	•
X200	•	X1023	•		
X204	•	X1036	•		
X213	•	X1183	•		
X222	•	X1449	•		



# SPLICE LOCATION VIEWS

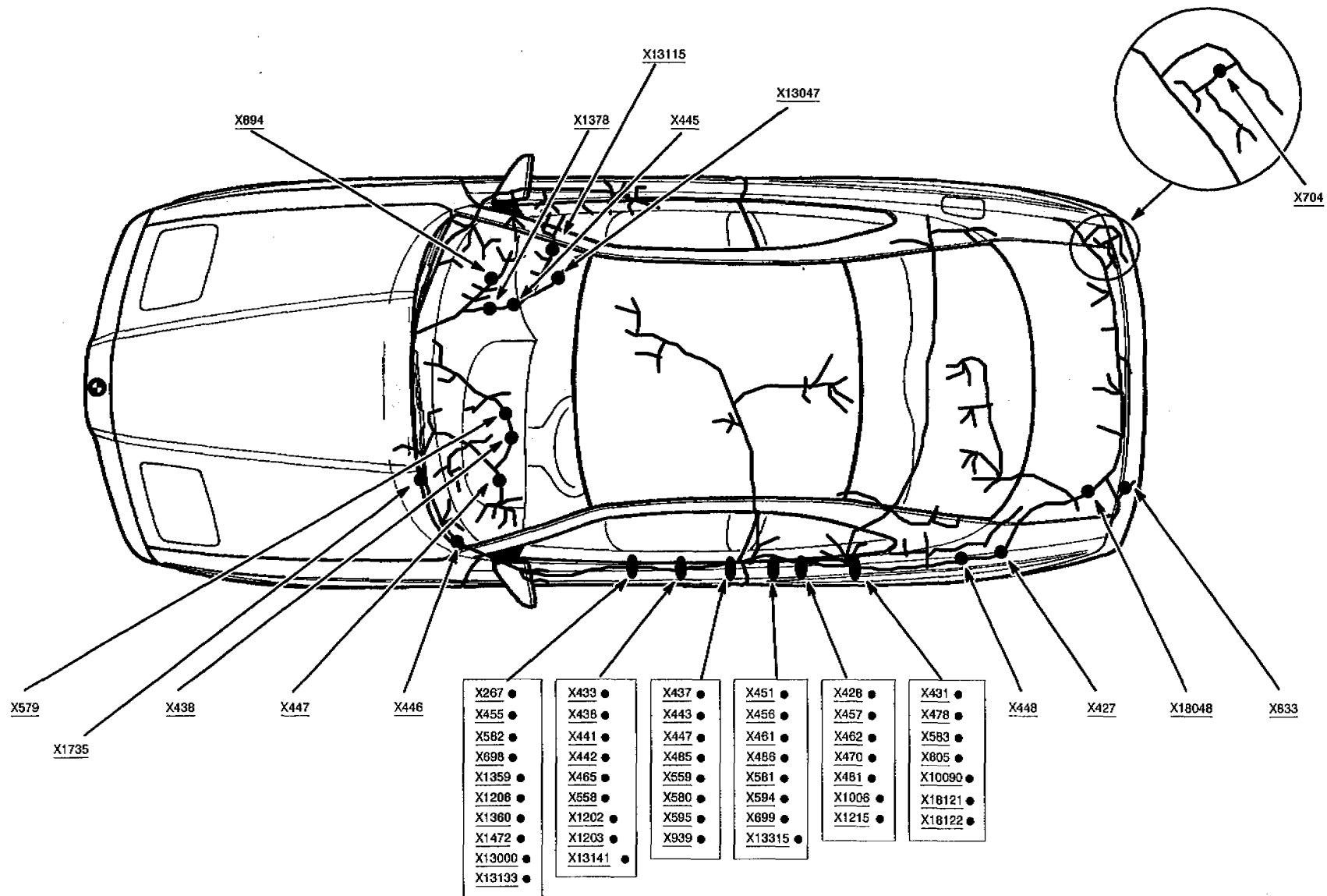
## CHASSIS HARNESS





# SPLICE LOCATION VIEWS

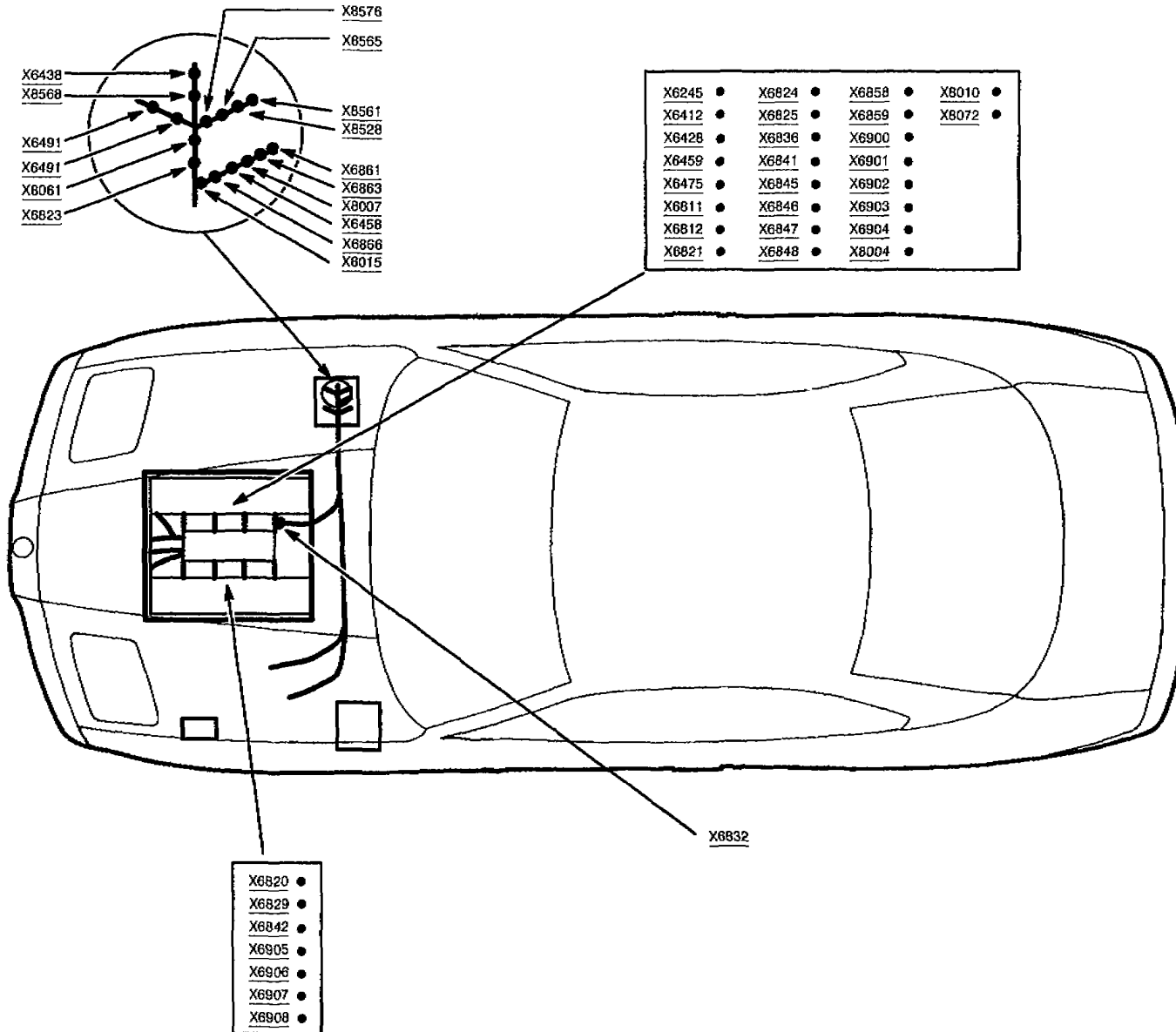
## REAR HARNESS





# SPLICE LOCATION VIEWS

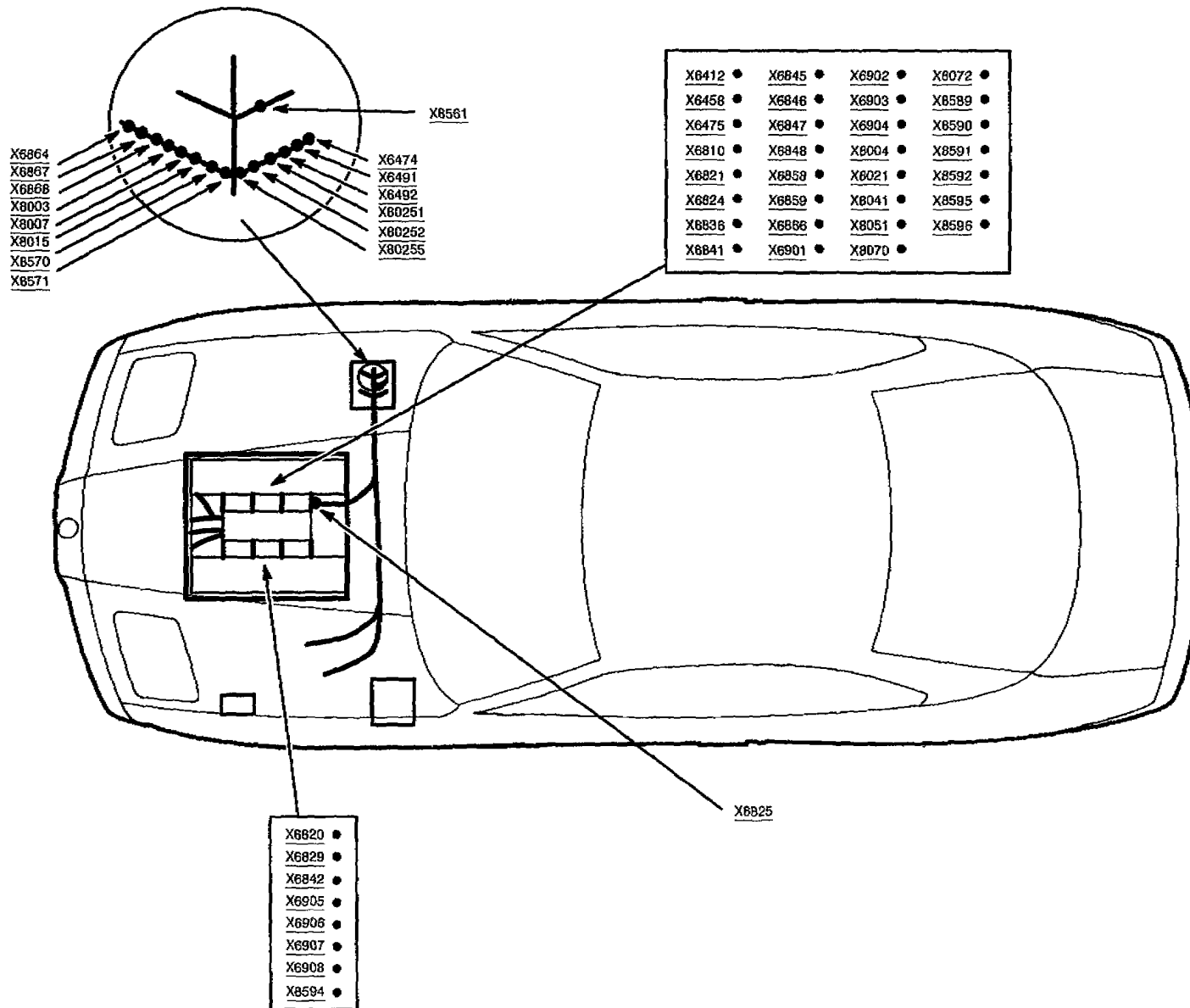
## M60 HARNESS





# SPLICE LOCATION VIEWS

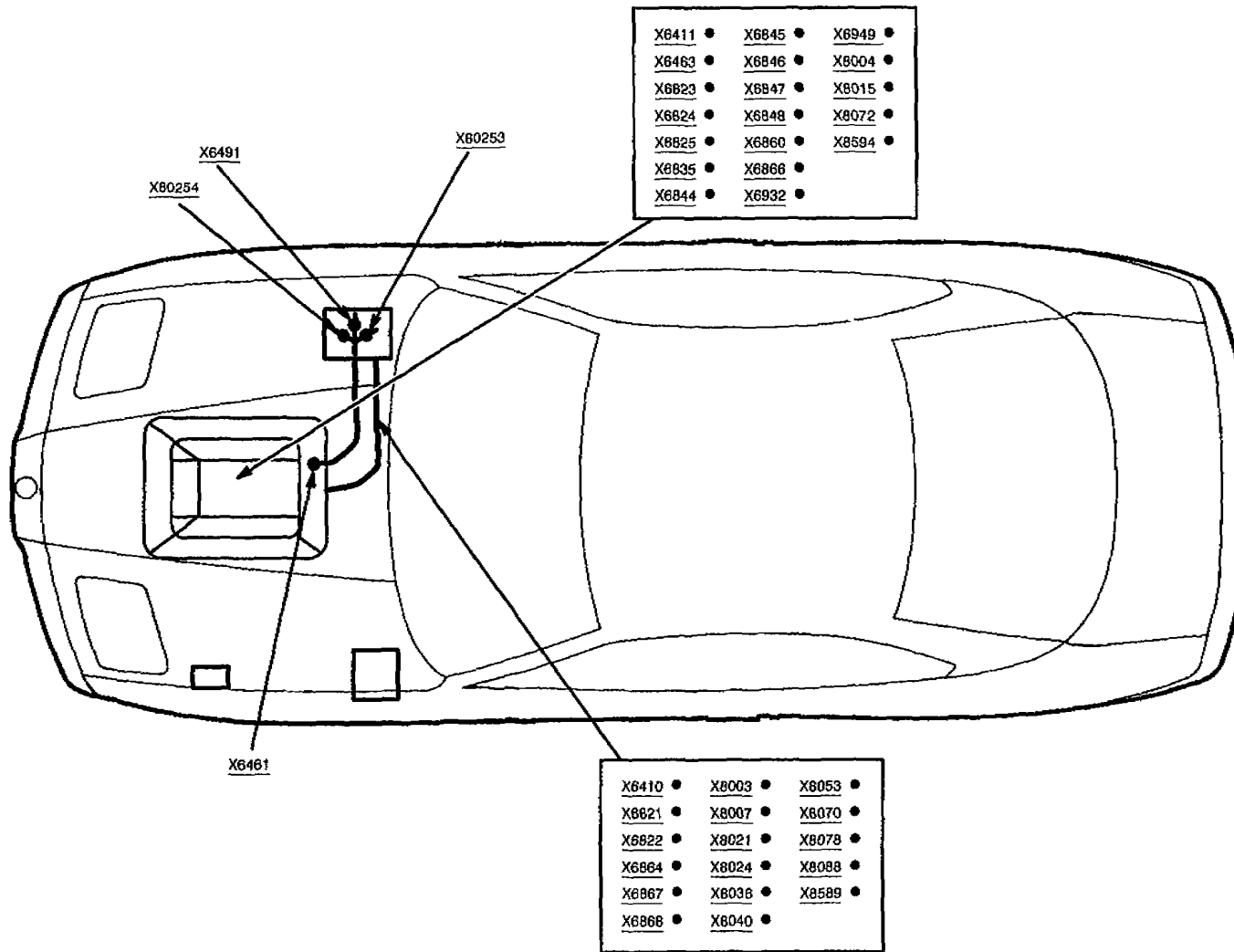
## M62 HARNESS





# SPLICE LOCATION VIEWS

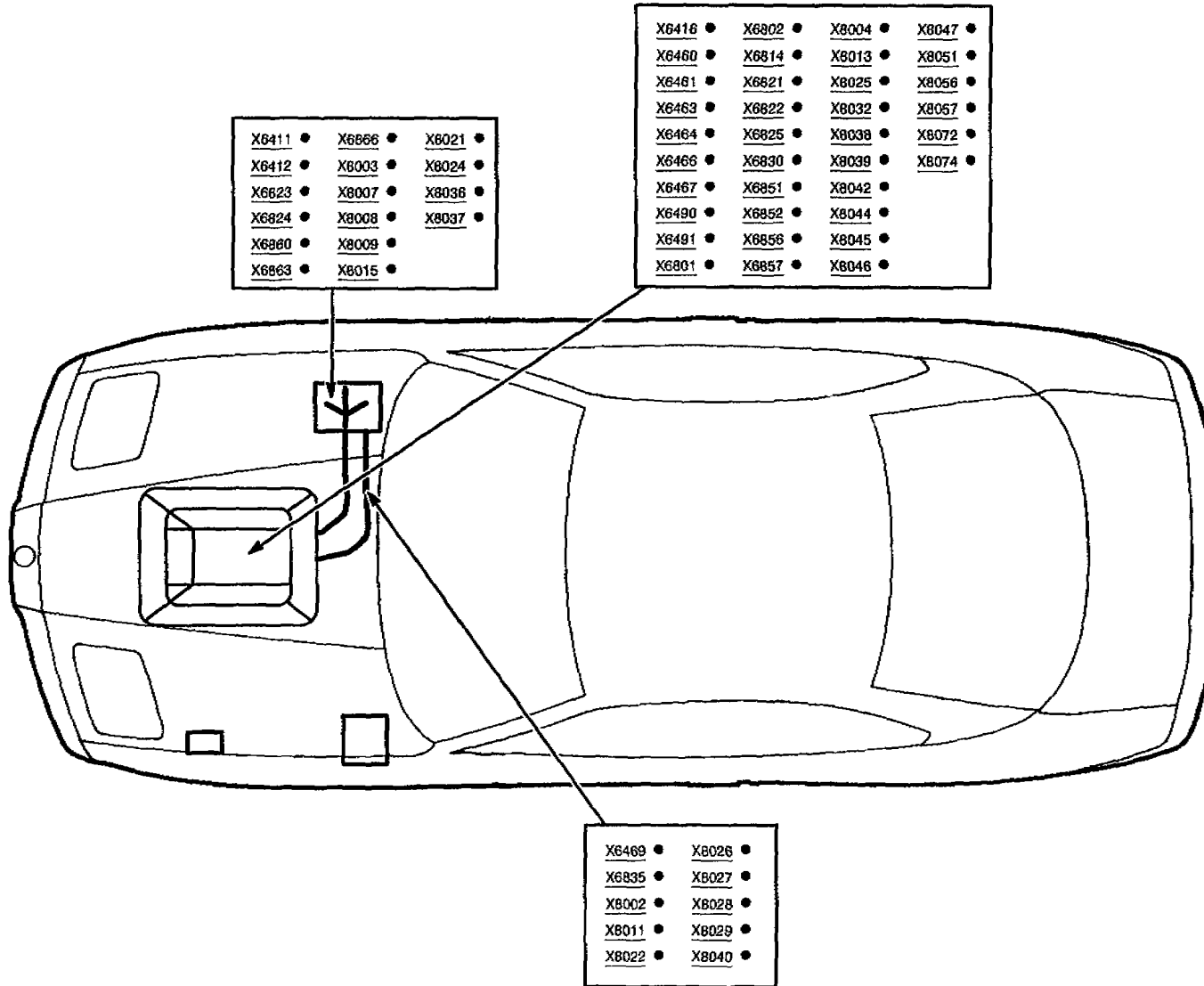
## M73 HARNESS





# SPLICE LOCATION VIEWS

## M70 HARNESS





BMW  
8

8500.0



# CONNECTOR VIEWS

FIG 1

B880001 00

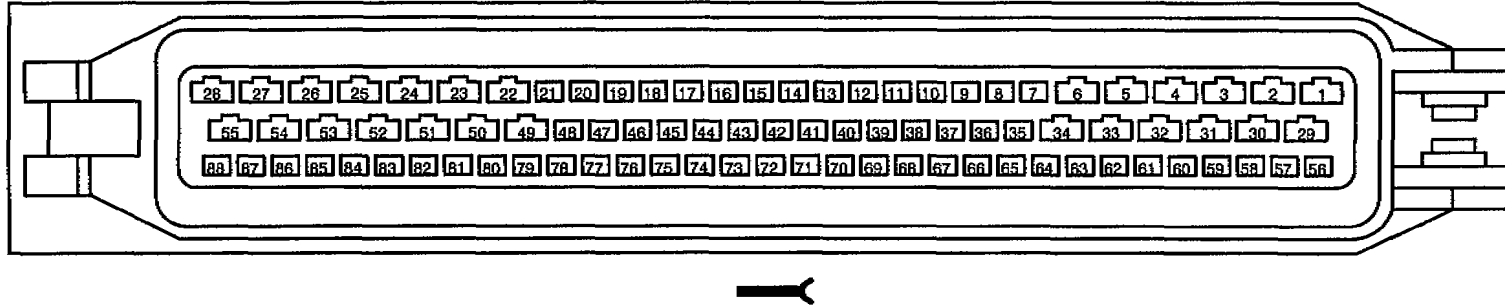


FIG 2

B550001 00

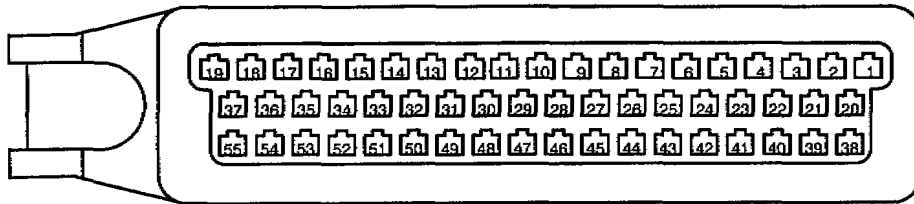
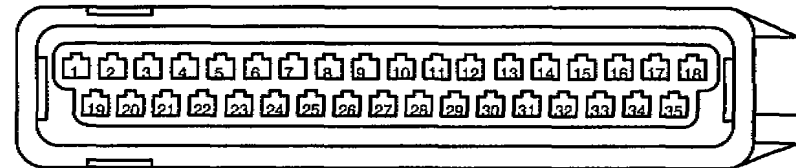


FIG 3

B350002 05





# CONNECTOR VIEWS

FIG. 1

B300001.01

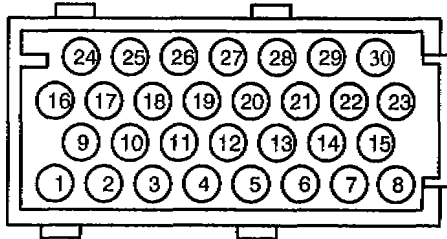


FIG. 2

B260005.01

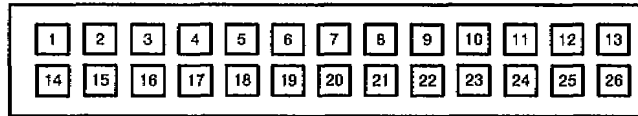


FIG. 3

B260002.00

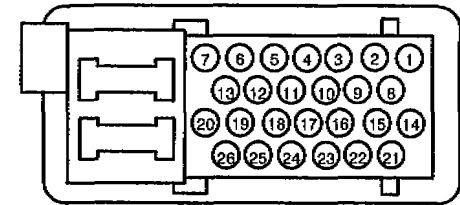


FIG. 4

B260002.00

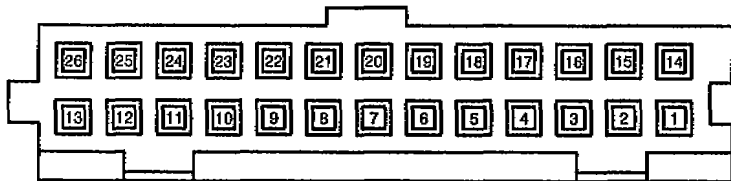


FIG. 5

B250001.02

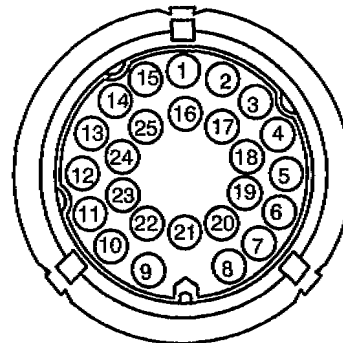
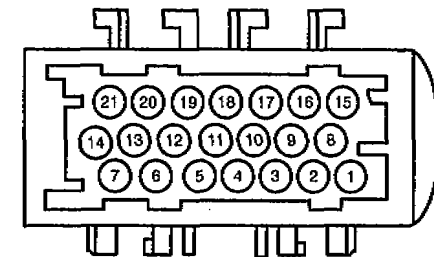


FIG. 6

B210001.00





# CONNECTOR VIEWS

FIG. 1

B200007.00

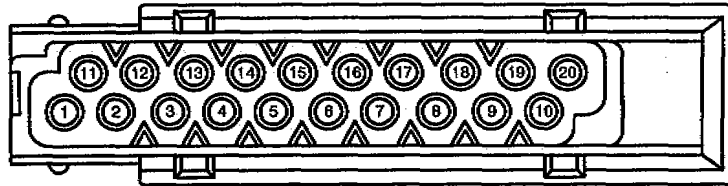


FIG. 2

B200003.00

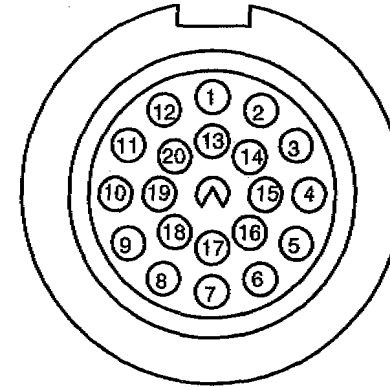


FIG. 3

B180000.01

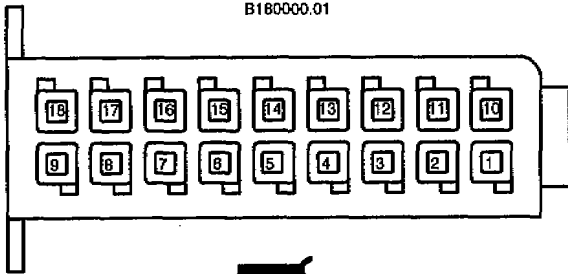


FIG. 4

B170001.00

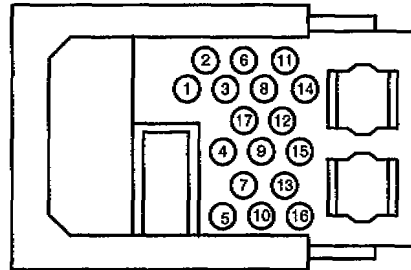
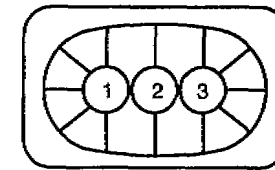


FIG. 5

B030023.00





# CONNECTOR VIEWS

FIG. 1

8100011.02

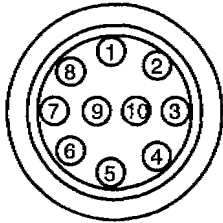


FIG. 2

B030015.08

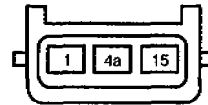


FIG. 3

B120015.02

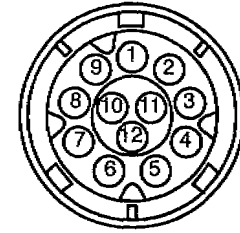


FIG. 4

8150002.00

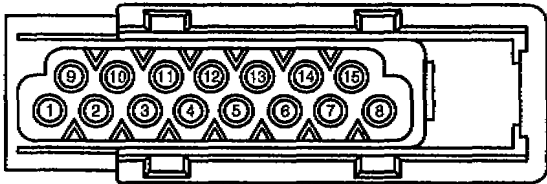


FIG. 5

B120011.01

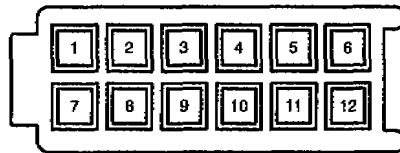


FIG. 6

B120005.00

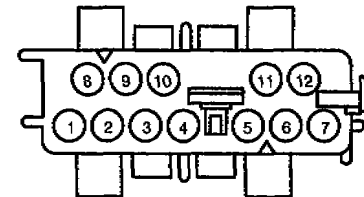


FIG. 1

B120002.02

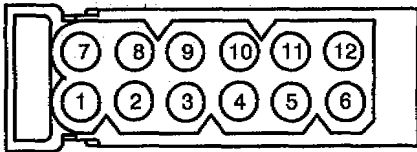


FIG. 2

B120006.00

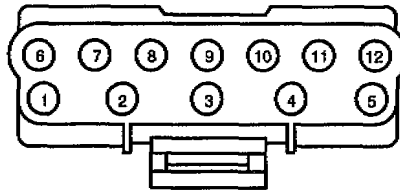


FIG. 3

B120004.05

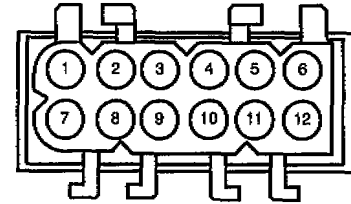


FIG. 4

B120008.00

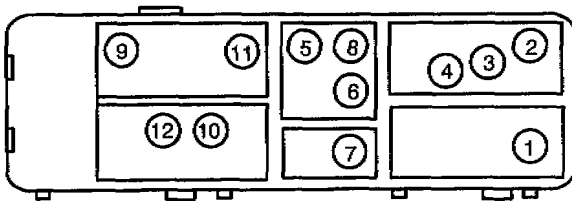


FIG. 5

B100004.01

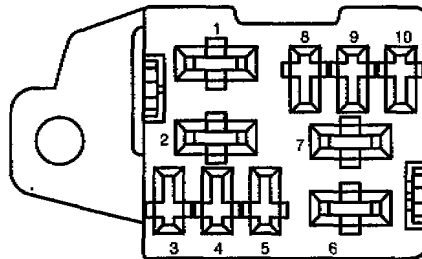
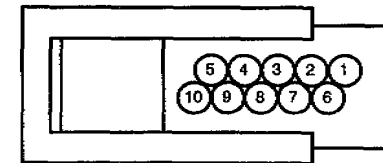


FIG. 6

B100007.00





# CONNECTOR VIEWS

FIG. 1

B100009.00

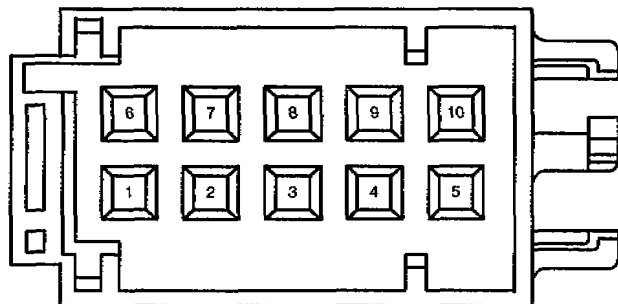


FIG. 2

B100010.00

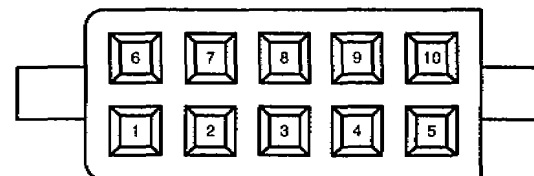


FIG. 3

B100008.00

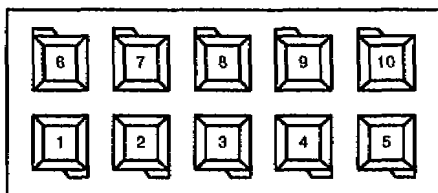


FIG. 4

B090001.00

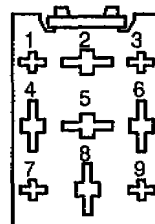


FIG. 5

B060003.01

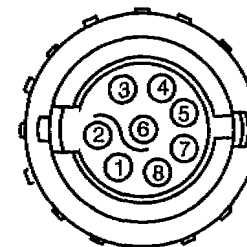


FIG. 1

B080005.00

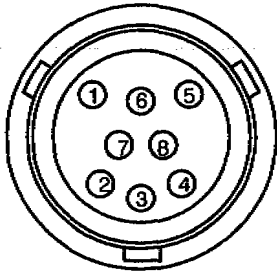


FIG. 2

B030018.02

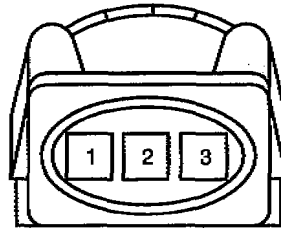


FIG. 3

B080001.01

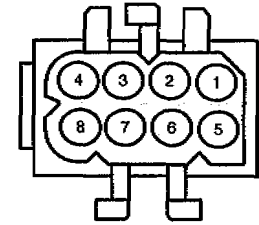


FIG. 4

B080002.00

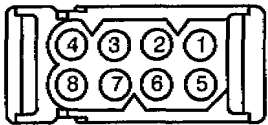


FIG. 5

B070005.01

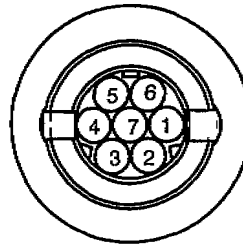
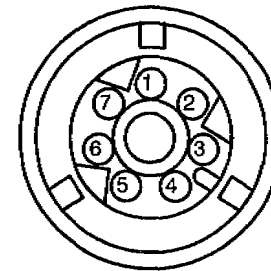


FIG. 6

B070007.02







# CONNECTOR VIEWS

FIG. 1

B040023.01

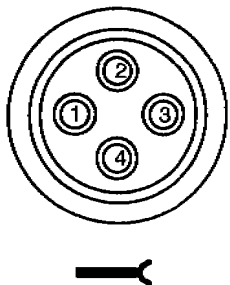


FIG. 2

B060035.03

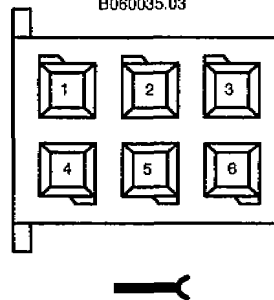


FIG. 3

B060038.00

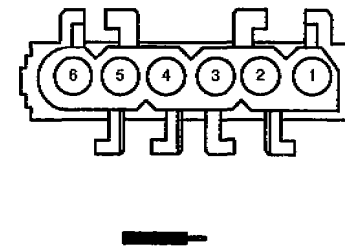


FIG. 4

B040018.01

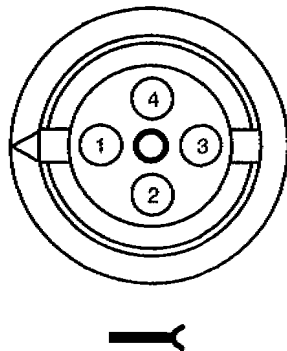


FIG. 5

B060009.00

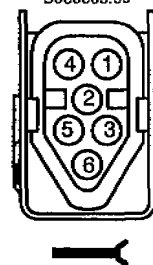
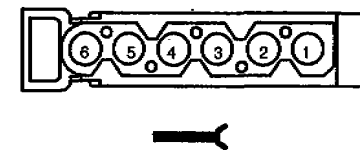


FIG. 6

B060017.00





# CONNECTOR VIEWS

FIG. 1

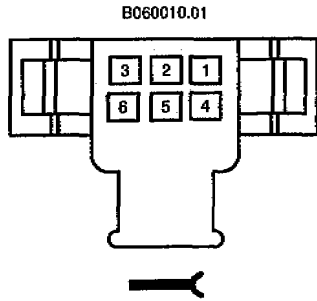


FIG. 2

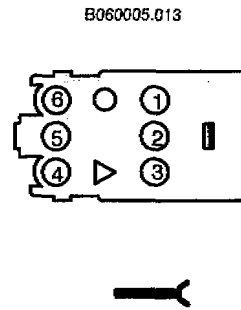


FIG. 3

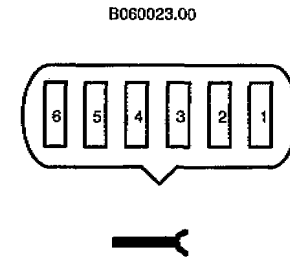


FIG. 4

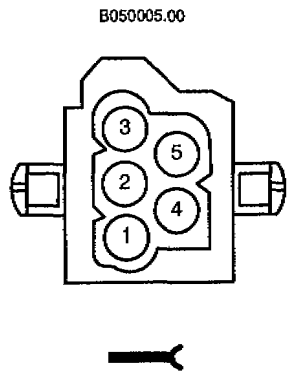


FIG. 5

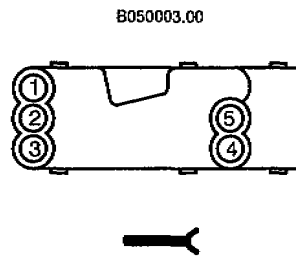
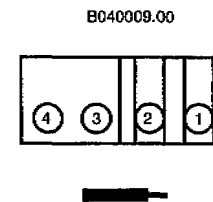


FIG. 6





# CONNECTOR VIEWS

FIG. 1

B040021

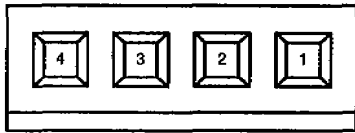


FIG. 2

B040004.00



FIG. 3

B040002.00

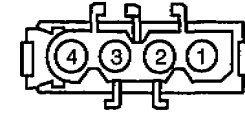


FIG. 4

B040017.01

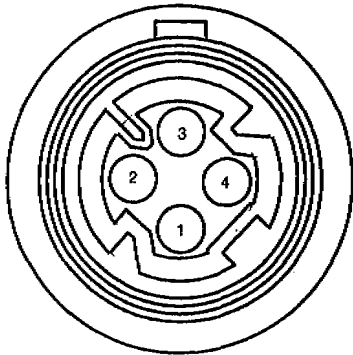


FIG. 5

B040013

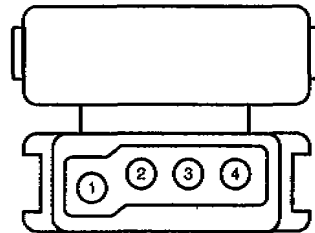
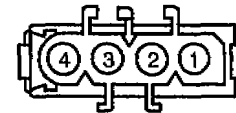


FIG. 6

B040002.04





# CONNECTOR VIEWS

FIG. 1

B040018.04

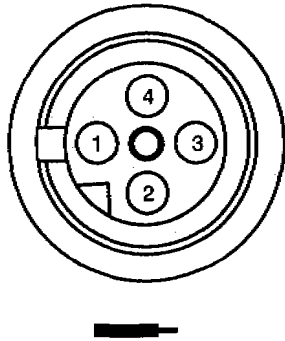


FIG. 2

B040015.00

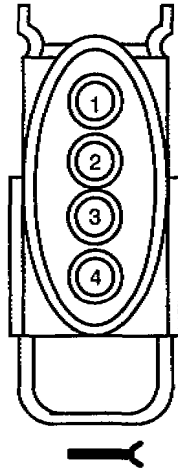


FIG. 3

B040003.00

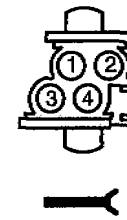


FIG. 4

B030041.00

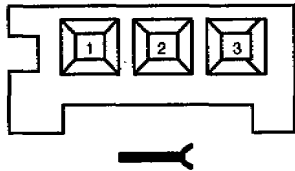


FIG. 5

B030024

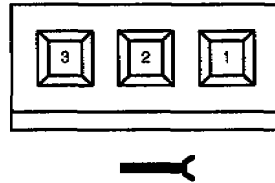
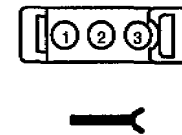


FIG. 6

B030003.04





# CONNECTOR VIEWS

FIG. 1

B030026.00

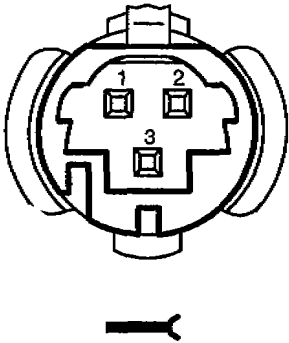


FIG. 2

B030009.00

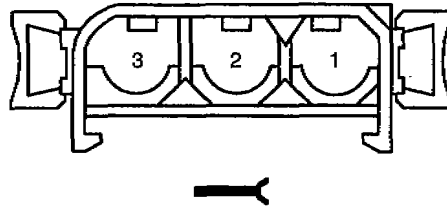


FIG. 3

B0300045.00

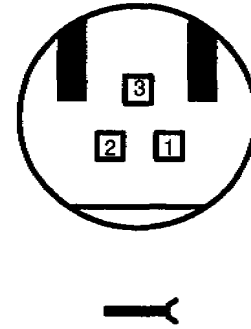


FIG. 4

B030004.00

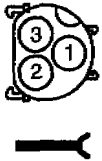


FIG. 5

B030012.00

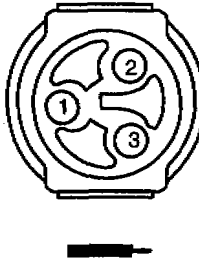
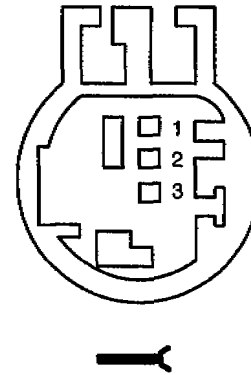


FIG. 6

B030042.00





# CONNECTOR VIEWS

FIG. 1

B030015.00

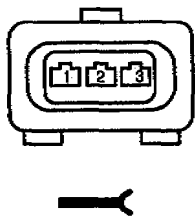


FIG. 2

B030001.00

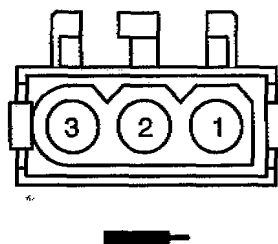


FIG. 3

B030021.00

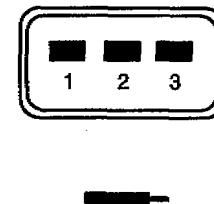


FIG. 4

B030022.00

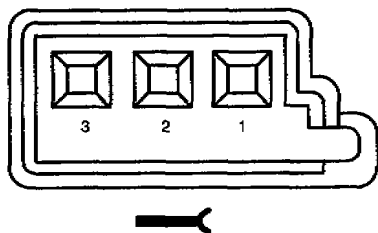
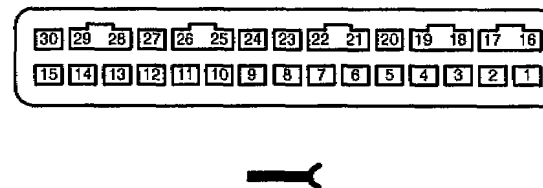


FIG. 5

B300003.00





# CONNECTOR VIEWS

FIG. 1

B030037.00

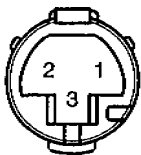


FIG. 2

B120016.00

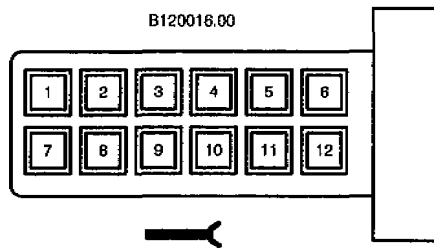


FIG. 3

B080019.00

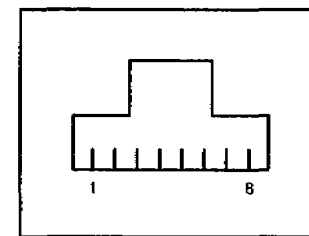


FIG. 4

B250003.00

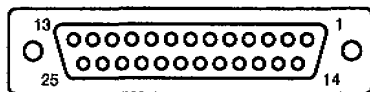


FIG. 5

B160001.00

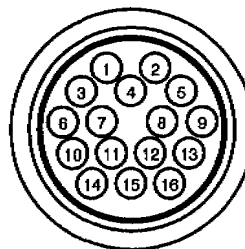
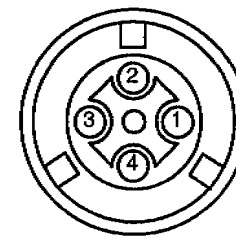


FIG. 6

B040016.01





# CONNECTOR VIEWS

FIG. 1

B160002.00

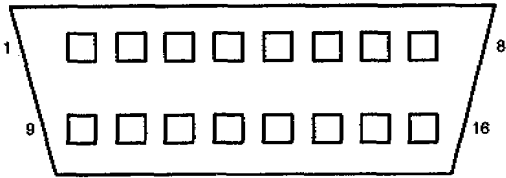


FIG. 2

B120013.00

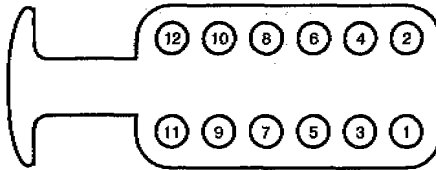


FIG. 3

B040027.00

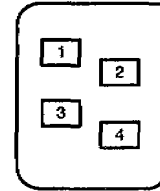


FIG. 4

B060042

