



1985

BMW 528e/535i

Electrical

Troubleshooting

Manual

BMW of North America, Inc.
Montvale, New Jersey

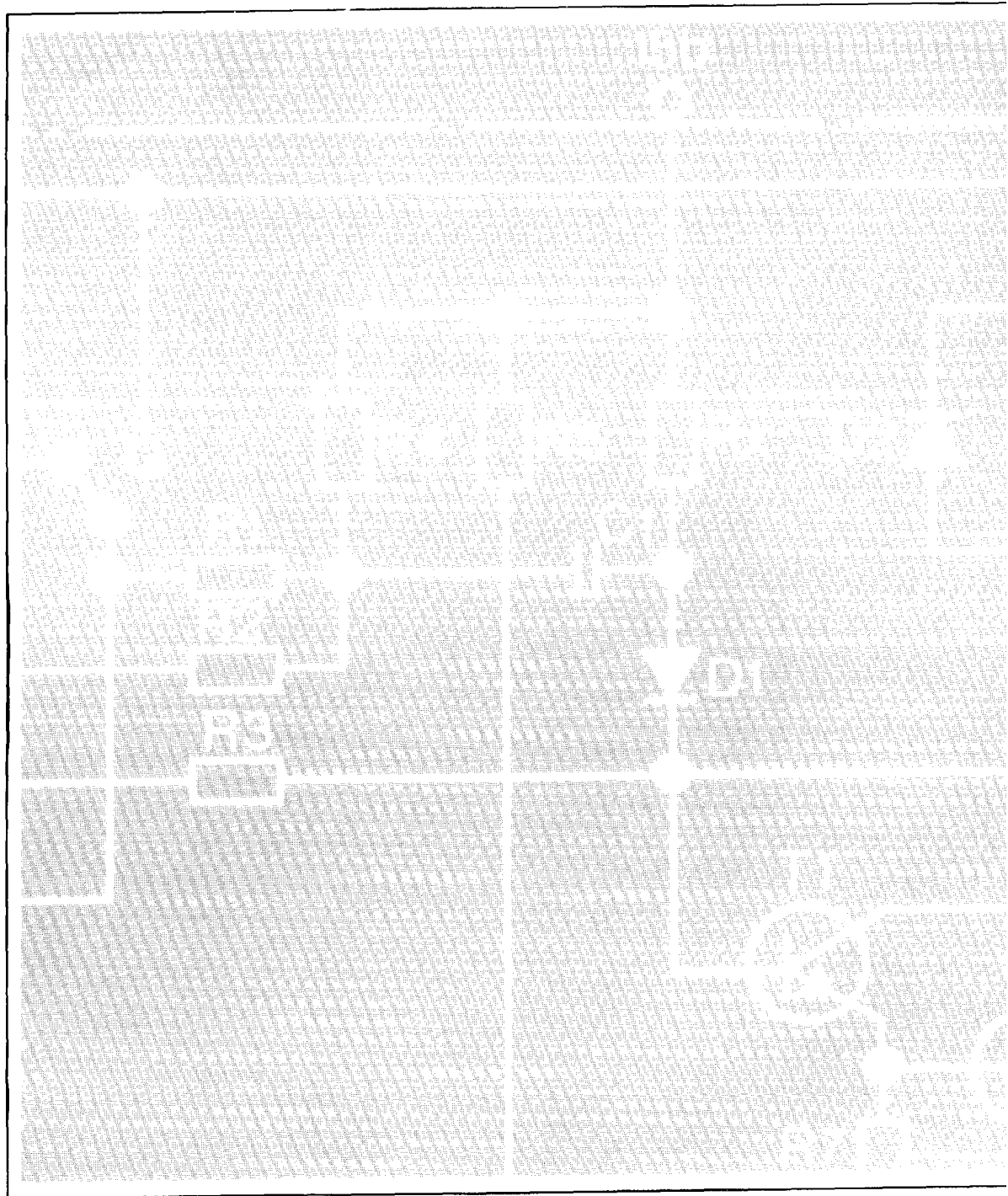
FOREWORD

In the interests of continuing technical development work we reserve the right to modify designs and equipment.

Printed in USA

©Copyright BMW of North America, Inc.

Not to be reproduced wholly or in part
without written permission of BMW of
North America, Inc.
PN 89 89 1 000 160



**1985
BMW 528e/535i
Electrical
Troubleshooting
Manual**

CONTENTS

Index	2
How To Use This Manual	3
Symbols	4
Wire Size Conversion Chart	5
Systematic Troubleshooting	6
Section A: 528e Schematic Diagrams	
528e Index	100
528e Schematic Diagrams	101
Section B: 535i Schematic Diagrams	
535i Index	100
535i Schematic Diagrams	101
Component Charts and Figures	201

The purpose of this manual is to show electrical schematics in a manner that makes electrical troubleshooting easier. Electrical components which work together are shown together on one schematic. The Wiper-Washer schematic, for example, shows all of the electrical components in one diagram. At the top of the page is the fuse (positive) that powers the circuit. The flow of current is shown through all wires, connectors, switches, and motors to ground (negative) at the bottom of the page.

Within the schematic, all switches and sensors are shown "at rest," as though the Ignition Switch were off. For identification, component names are underlined and placed next to or above each component. Notes are included, describing how switches and other components work.

The power distribution schematic shows the current feed through all the connections from the Battery and Alternator to each fuse and the Ignition and Light Switches. If the Power Distribution schematic is combined with any other circuit schematic, a complete picture is made of how that circuit works. The Ground Distribution schematics show how several circuits are connected to common grounds.

All wiring between components is shown exactly as it exists in the vehicle; however, the wiring is not drawn to scale. To aid in understanding electrical operation, wiring inside complicated components has been simplified. The "Solid State" label designates electronic components.

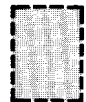
WIRE SIZE CONVERSION CHART	
METRIC (CROSSSECTIONAL AREA IN MM ²)	AWG (AMERICAN WIRE GAUGE)
.5	20
.75	18
1	16
1.5	14
2	14
2.5	12
4	10
6	8
8	8
16	4
20	4
25	2
32	2

WIRE INSULATION	
ABBREVIATIONS	COLOR
BK	BLACK
BR	BROWN
RD	RED
YL	YELLOW
GN	GREEN
BU	BLUE
VI	VIOLET
GY	GRAY
WT	WHITE
PK	PINK

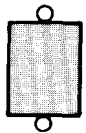
4 SYMBOLS



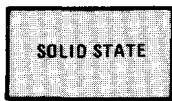
ENTIRE COMPONENT SHOWN



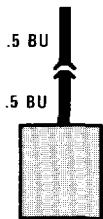
PART OF A COMPONENT SHOWN



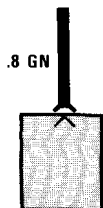
COMPONENT WITH SCREW TERMINALS



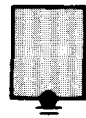
SOLID STATE (INCLUDES ONLY ELECTRONIC PARTS)



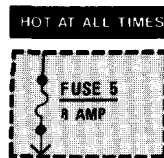
CONNECTOR ON COMPONENT LEAD (PIGTAIL)



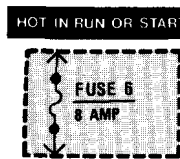
CONNECTOR ATTACHED TO COMPONENT



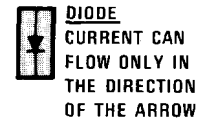
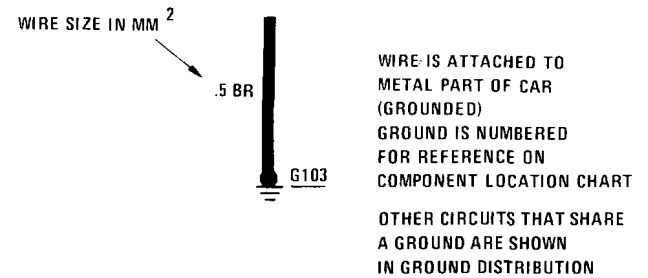
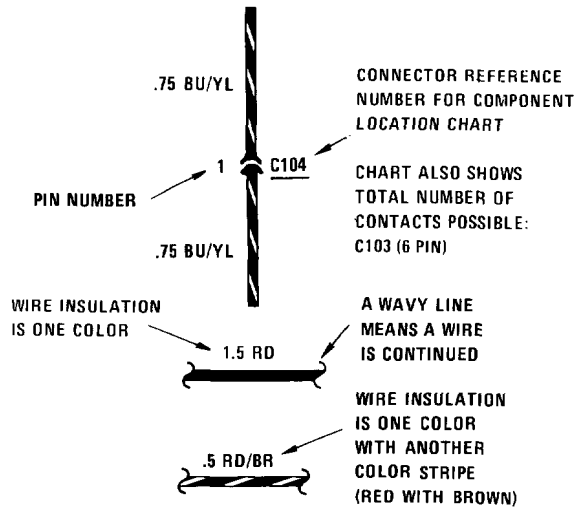
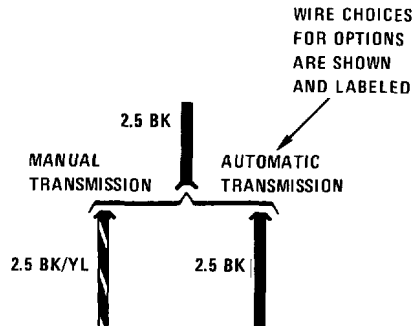
COMPONENT CASE IS DIRECTLY ATTACHED TO METAL PART OF CAR (GROUNDED)



INDICATES THAT FUSE 5 IS ALWAYS SUPPLIED WITH POWER



INDICATES THAT FUSE 6 IS SUPPLIED WITH POWER WITH THE IGNITION SWITCH IN THE RUN OR START POSITIONS

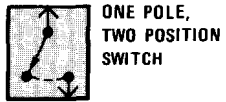


DIODE CURRENT CAN FLOW ONLY IN THE DIRECTION OF THE ARROW

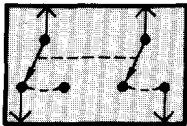
CIRCUIT REFERENCE - A WIRE WHICH CONNECTS TO ANOTHER CIRCUIT



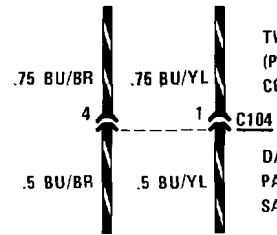
ACTIVE CHECK CONTROL



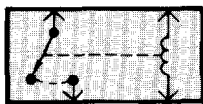
ONE POLE,
TWO POSITION
SWITCH



SWITCHES THAT
MOVE TOGETHER
DASHED LINE SHOWS
A MECHANICAL
CONNECTION
BETWEEN SWITCHES

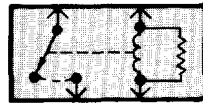


TWO CONNECTIONS
(PINS) IN THE SAME
CONNECTOR
DASHED LINE SHOWS
PARTS OF THE
SAME CONNECTOR



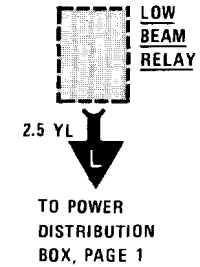
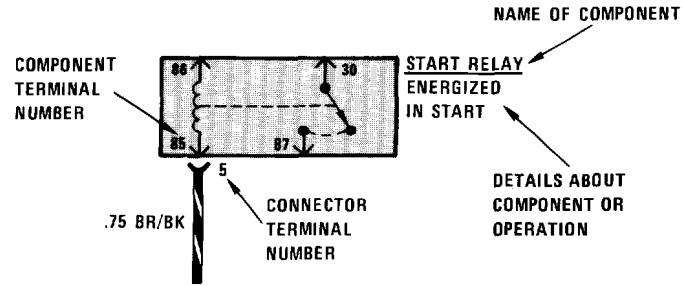
WHEN COIL IS
ENERGIZED,
SWITCH
IS PULLED CLOSED

RELAY SHOWN
WITH NO
CURRENT
FLOWING
THROUGH
COIL

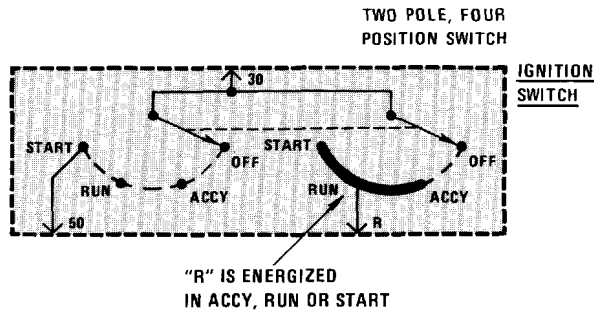


RESISTOR ACROSS COIL
IS FOR NOISE
SUPPRESSION

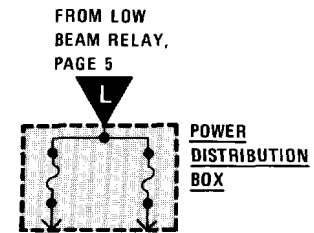
RELAY SHOWN
WITH RESISTOR
ACROSS COIL



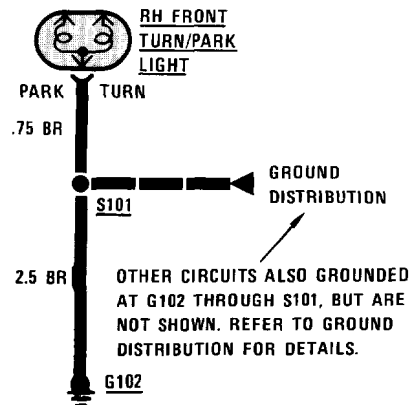
CURRENT PATH
IS CONTINUED
AS LABELED.
THE ARROW SHOWS
DIRECTION OF CURRENT
FLOW AND IS REPEATED
WHERE CURRENT
PATH CONTINUES.



TWO POLE, FOUR
POSITION SWITCH



LIGHT
EMITTING
DIODE



6 SYSTEMATIC TROUBLESHOOTING

TROUBLESHOOTING PROCEDURE

1. Verify the Problem

Operate the problem circuit to check the accuracy of the complaint. Note the symptoms of the inoperative circuit.

2. Analyze the Problem

Refer to the schematic of the problem circuit in the ETM. Determine how the circuit is supposed to work by tracing the current path(s) from the power feed through the circuit components to ground. Then based on the symptoms you noted in step 1 and your understanding of circuit operation, identify one or more possible causes of the problem.

3. Isolate the Problem

Make circuit tests to prove or disprove the preliminary diagnosis made in step 2. Keep in mind that a logical simple procedure is the key to efficient troubleshooting. Test for the most likely cause of failure first. Try to make tests at points which are easily accessible.

4. Repair the Problem

Once the specific problem is identified, make the repair using the proper tools and safe procedures.

5. Check the Problem

Operate the circuit to check for satisfactory circuit operation. Good repair practice calls for rechecking all circuits you have worked on.

TROUBLESHOOTING TOOLS

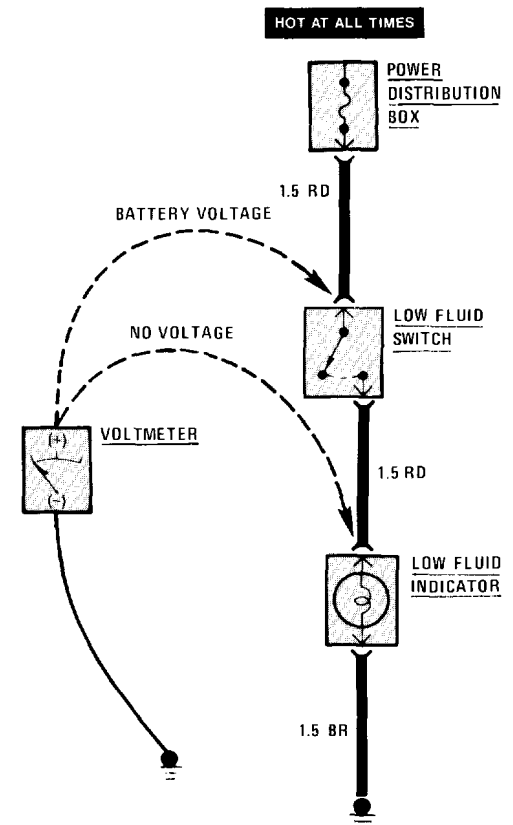
Isolating the problem (Step 3 of TROUBLESHOOTING PROCEDURES) requires the use of a **voltmeter** and/or **ohmmeter**. A voltmeter measures voltage at selected points in a circuit. An ohmmeter measures a circuit's resistance to current flow. It has an internal battery that provides current to the circuit under test. Disconnect the car battery when using an ohmmeter because the battery voltage will cause the ohmmeter to give false readings. Also, do not use an ohmmeter on solid-state components. The voltage that the ohmmeter applies to the circuit could damage these components.

TROUBLESHOOTING TESTS

Voltage Test

This test measures voltage in a circuit. By taking measurements at several points (terminals or connectors) along the circuit, you can isolate the problem.

To take a voltage measurement, connect the negative lead of the voltmeter to the battery's negative terminal or other known good ground. Then connect the positive lead of the voltmeter to the point you want to test. The voltmeter will measure the voltage present at that point in the circuit.

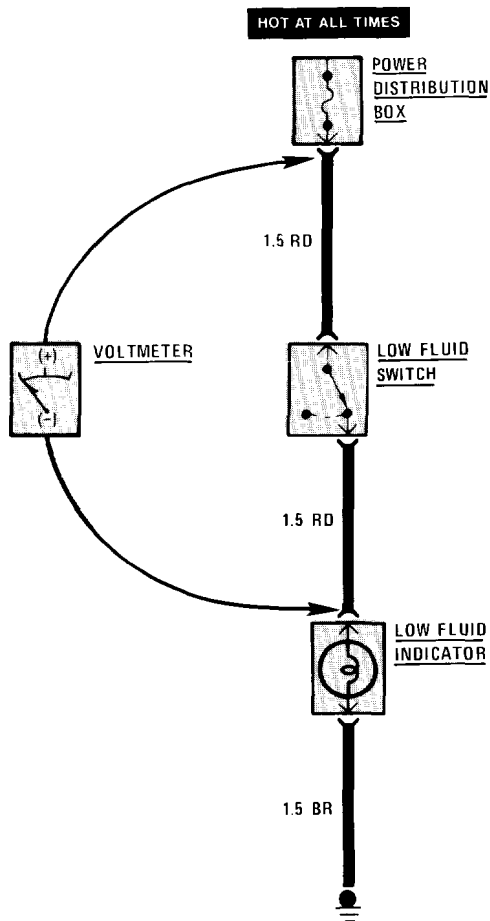


Voltage Test

Voltage Drop Test

Wires, connectors, and switches are designed to conduct current with a minimum loss of voltage. A voltage drop of more than one volt indicates a problem.

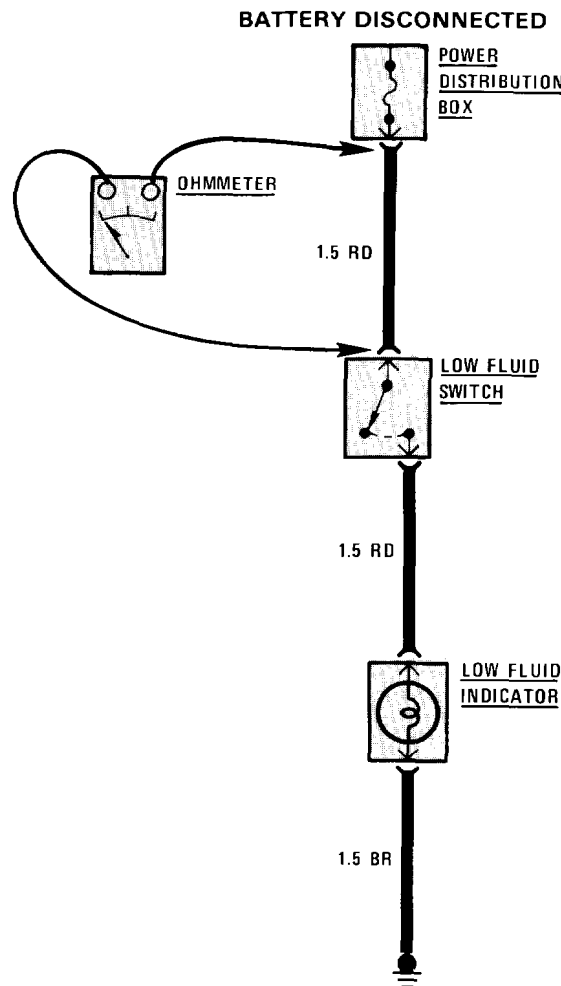
To test for voltage drop, connect the voltmeter leads to connectors at either end of the circuit's suspected problem area. The positive lead should be connected to the connector closest to the power source. The voltmeter will show the voltage drop between these two points.



Voltage Drop Test

Continuity Test

To perform a continuity test, first disconnect the car battery. Then adjust the ohmmeter to read zero while holding the leads together. Connect the ohmmeter leads to connector or terminals at either end of the circuit's suspected problem area. The ohmmeter will show the resistance across that part of the circuit.

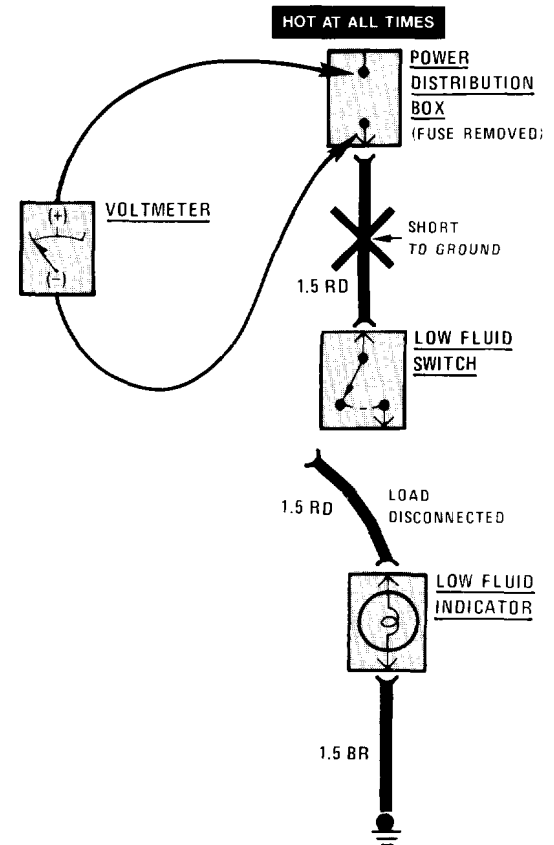


Continuity Test

Short Test Using Voltmeter

Remove the blown fuse and disconnect the load. Connect the voltmeter leads to the fuse terminals. The positive lead should be connected to the terminal closest to the power source.

Starting near the POWER DISTRIBUTION BOX, move the wire harness back and forth and watch the voltmeter reading. If the voltmeter registers a reading, there is a short to ground in the wiring. Somewhere in the area of the harness being moved, the wire insulation is worn away and the circuit is grounding.



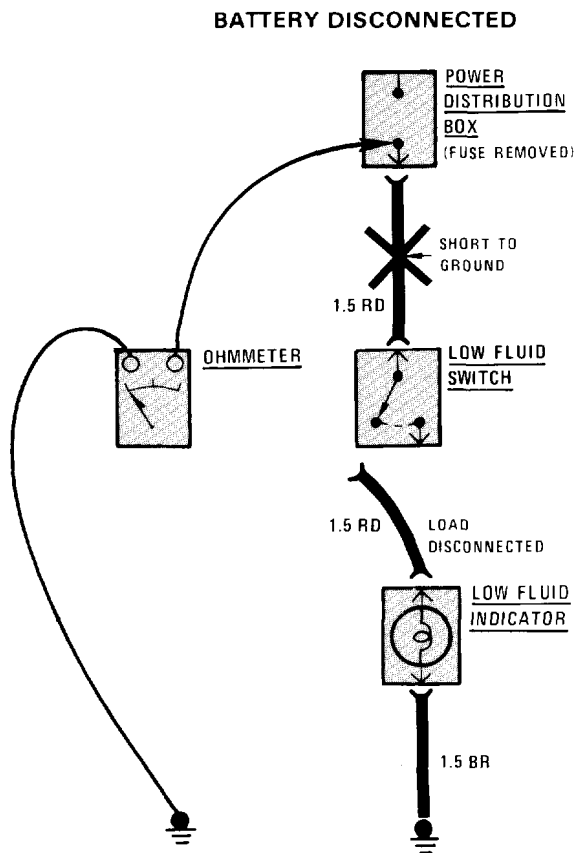
Short Test Using Voltmeter

8 SYSTEMATIC TROUBLESHOOTING

Short Test Using Ohmmeter

Disconnect the battery. Adjust the ohmmeter to read zero while holding the leads together. Remove the blown fuse and disconnect the load. Connect one lead of the ohmmeter to the fuse terminal that is closest to the load. Connect the other lead to a known good ground.

Starting near the POWER DISTRIBUTION BOX, move the wire harness back and forth and watch the ohmmeter reading. Low or no resistance indicates a short to ground in the wiring. Infinitely high resistance indicates no short.



Short Test Using Ohmmeter

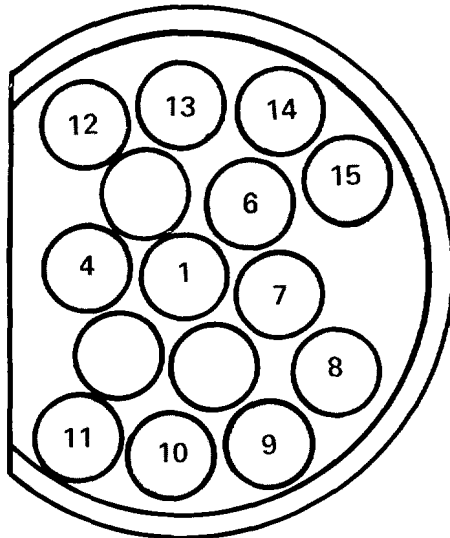
Section A

528e

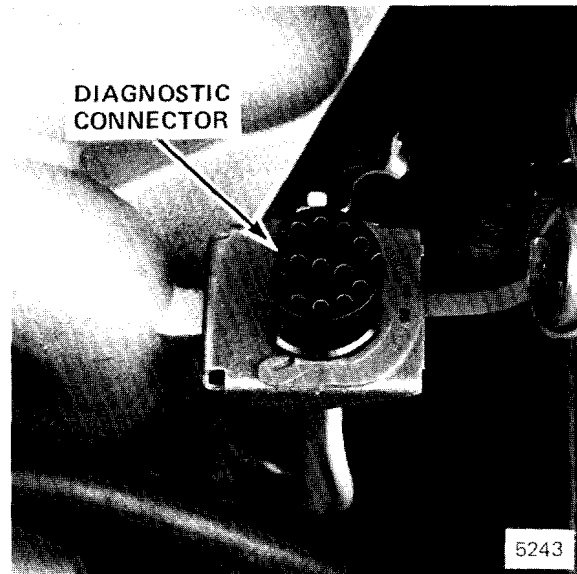
Schematic Diagrams

INDEX (528e)

	PAGE		PAGE		PAGE
Active Check Control	129	Horn	160	— Front Marker	136
Air Conditioning		Idle Speed Control	119	— Front Park	136
— Blower	154	Ignition	120	— Glove Box	145
— Temperature Control	155	Ignition Key Warning	132	— Hazard Warning	137
Auto Charging Flashlight	145	Indicators		— Headlights	133
Auxiliary Fan	158	— “Brake Lights Fault”	130	— Interior	143
Brake Lining Warning	128	— “Brake Lining Wear”	128	— License	135
Central Locking	148	— “Brake” Warning	126	— Rear Marker	135
Charging System	116	— “Charge”	124	— Stoplight	141
Cigar Lighter	145	— “Coolant” Level Fault	131	— Tail	136
Connectors		— “Engine Oil” Fault	131	— Transmission Range	139
— Accessory	103	— Fasten Seatbelts	131	— Turn	137
— Diagnostic	101	— Foglights	126	— Trunk	135
Cruise Control	141	— High Beam	126	Light Switch Details	112
Engine Block Diagram	114	— Inspection	127	On-Board Computer	150
Fuel Control	123	— LH Turn	126	Power Antenna	153
Fuel Delivery	122	— License Plate	130	Power Distribution	104
Fuel Gauge	125	— “Low Beam” Fault	129	Power Distribution Box	105A
Fuse Data	105B	— Low Fuel Warning	125	Power Mirrors	161
Fuse Details		— “O ₂ Sensor”	131	Power Seats	156
— Fuse 4	107	— Oil Pressure Warning	125	Power Windows	146
— Fuse 5	110	— Oil Service	127	Radio	153
— Fuse 6	106	— “Park Brake”	125	Rear Defogger	152
— Fuse 11	108	— Rear Lights Fault	130	Seatbelt Warning	132
— Fuse 12	109	— RH Turn	126	Service Interval Indicator	127
— Fuse 13	107	— “Washer Fluid” Fault	131	Speedometer	124
— Fuse 14	109	Lights		Splice Locations	166
— Fuse 17	107	— A/C Panel	140	Start	
Gauges	124	— Ashtray	140	— Automatic	117
Ground Distribution	162	— Backup	144	— Manual	118
Heated Door Lock	152	— Brake	142	Sunroof	160
Heating		— Dash	139	Warnings	
— Blower	154	— Dome	143	— Ignition Key	132
— Temperature Controls	155	— Fog	133	— Seatbelt	132
				Washer Jet Heaters	159
				Wiper/Washer	159



DIAGNOSTIC CONNECTOR FACE



528e - AS MOUNTED ON MANIFOLD

Figure 1 - Top Of Engine

PIN	WIRE SIZE	WIRE COLOR	CIRCUIT AND COMPONENT CONNECTED
1	1.5	BR	Ground Distribution, G103
4	.5	BR/VI	Gauges/Warning Indicators, Coolant Temperature Sender.
6	.5	WT/BK	Not Used
7	.5	WT/BU	Service Interval Indicator, Service Interval Processor (Reset).
8	.5	YL	Ignition, TDC Sensor.
9		SHIELD	Ignition, TDC Sensor.
10	.5	BK	Ignition, TDC Sensor.
11	2.5	BK/YL	Start, Start Signal.
12	.75	BU	Charge System, Alternator..
13	1	GN	Ignition, Ignition Coil.
14	2.5	RD	Charge System, Alternator.
15	1.5	GN/YL	Idle Speed, Idle Speed Control Unit.

BLANK

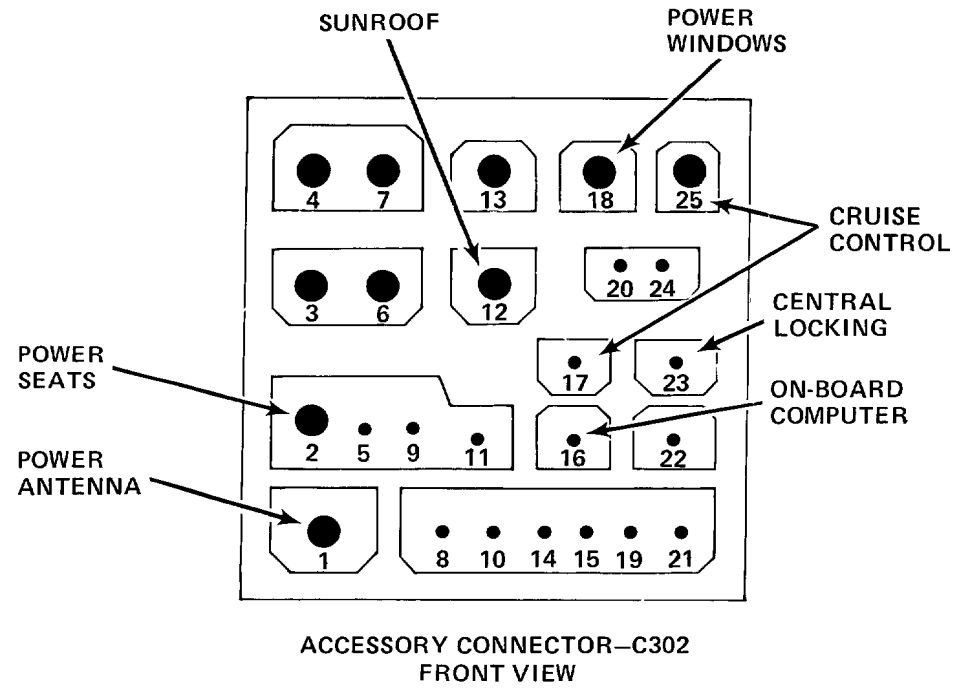
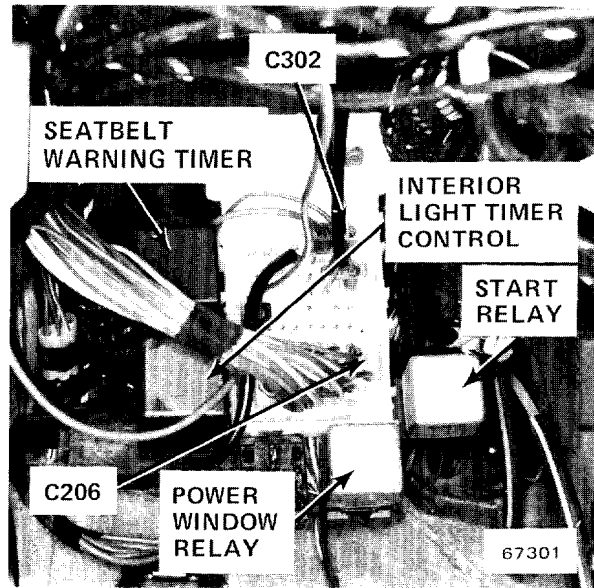
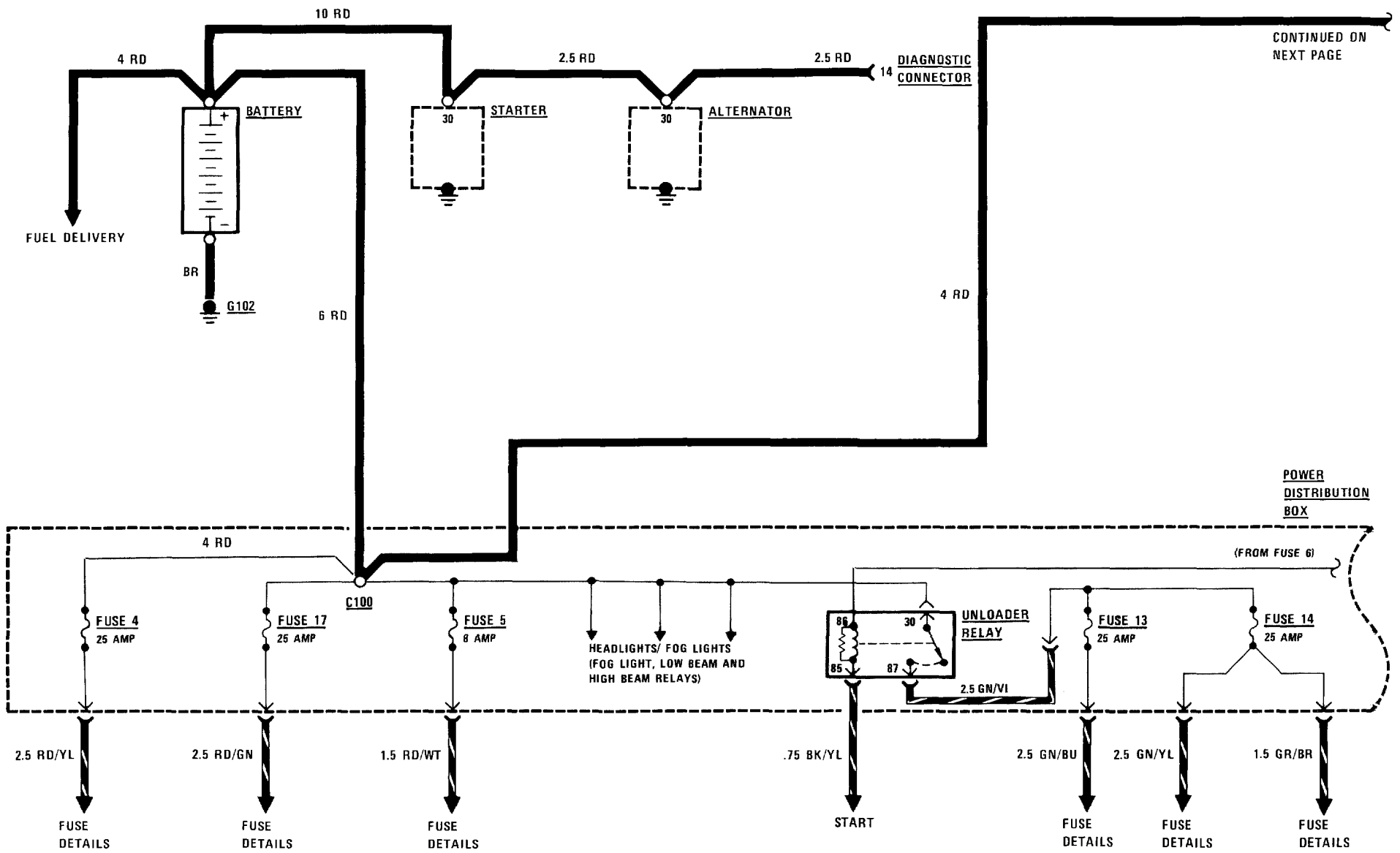


Figure 1 - Under Left Side Of Dash

104 POWER DISTRIBUTION

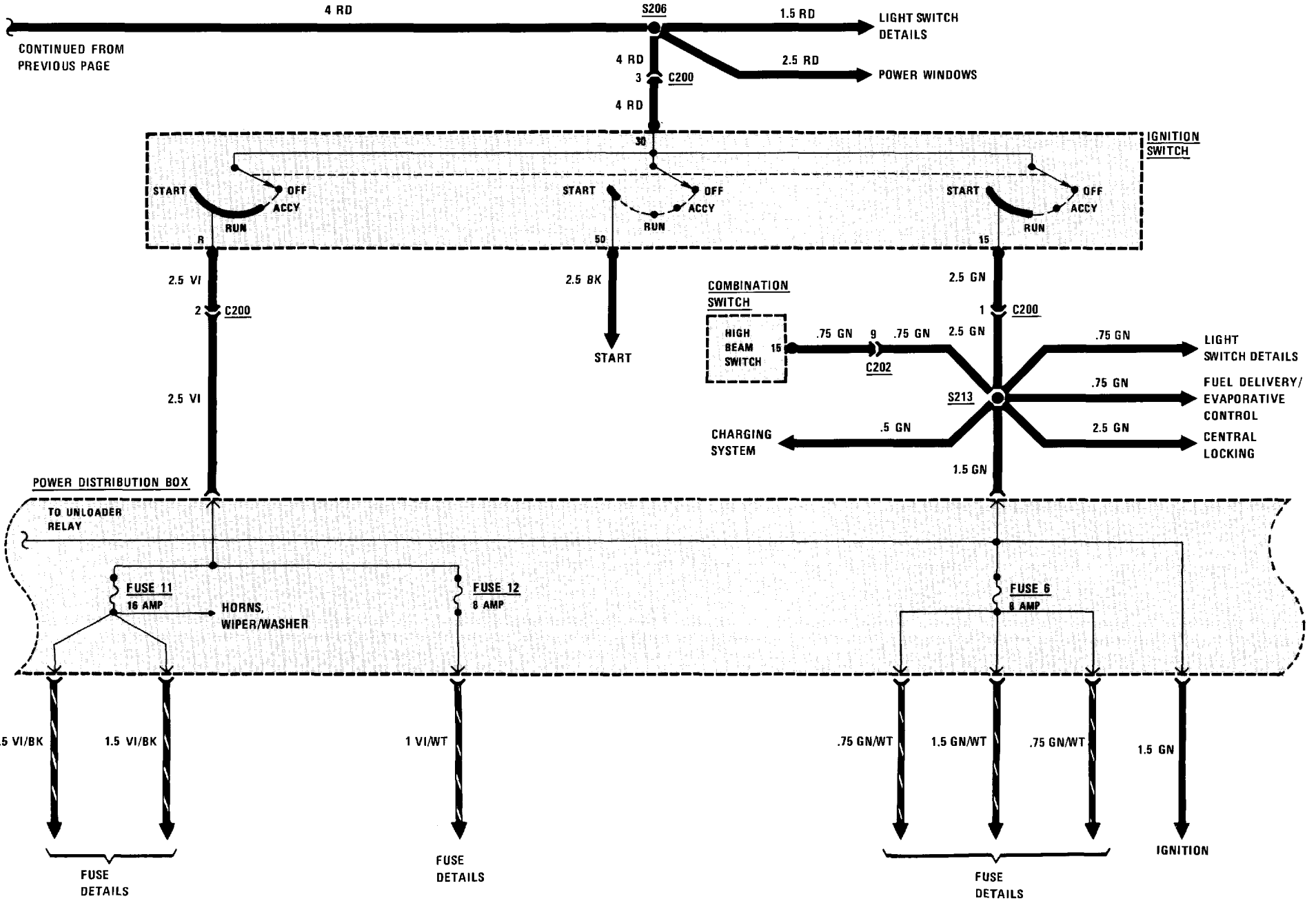
(For Component Locations See Page 210)



CONTINUED ON
NEXT PAGE

POWER
DISTRIBUTION
BOX

(For Component Locations See Page 210)



105A POWER DISTRIBUTION BOX

NOTE
 On some cars, the position of the side mounted relays may be interchanged on their respective sides. Check relay wire colors for positive identification.

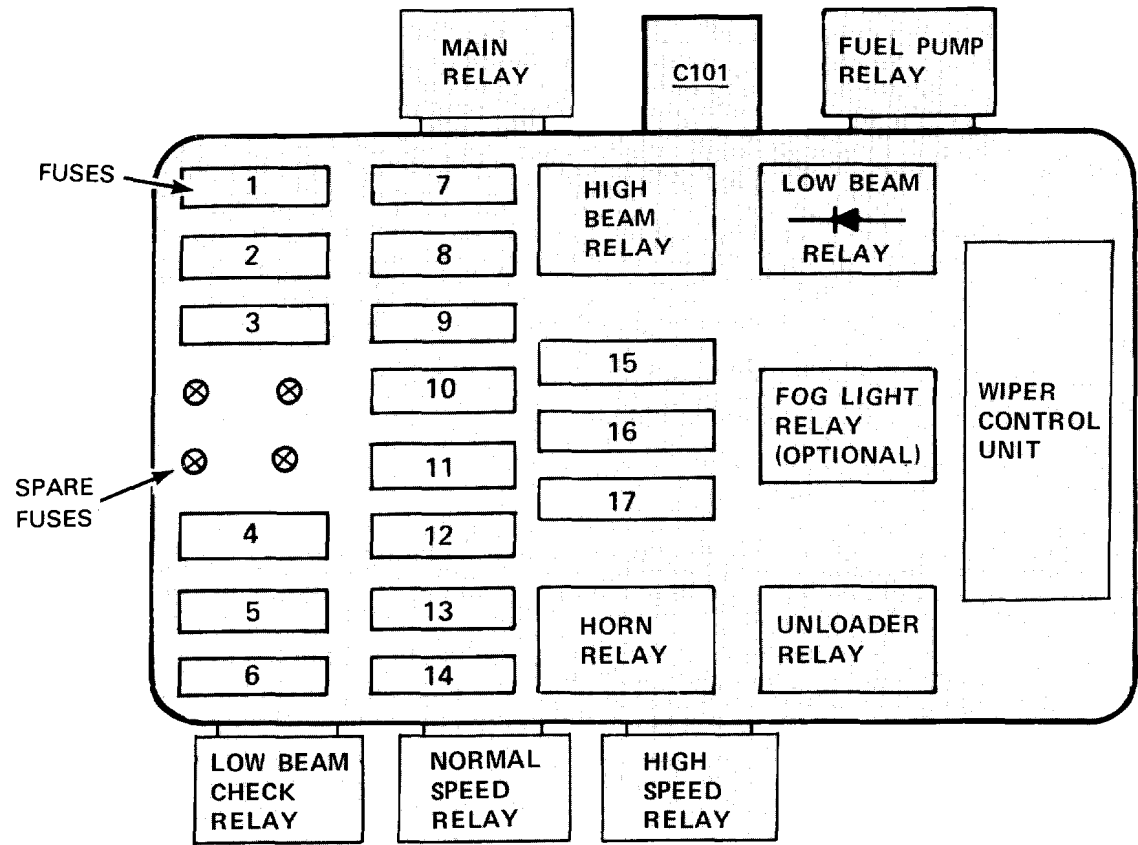
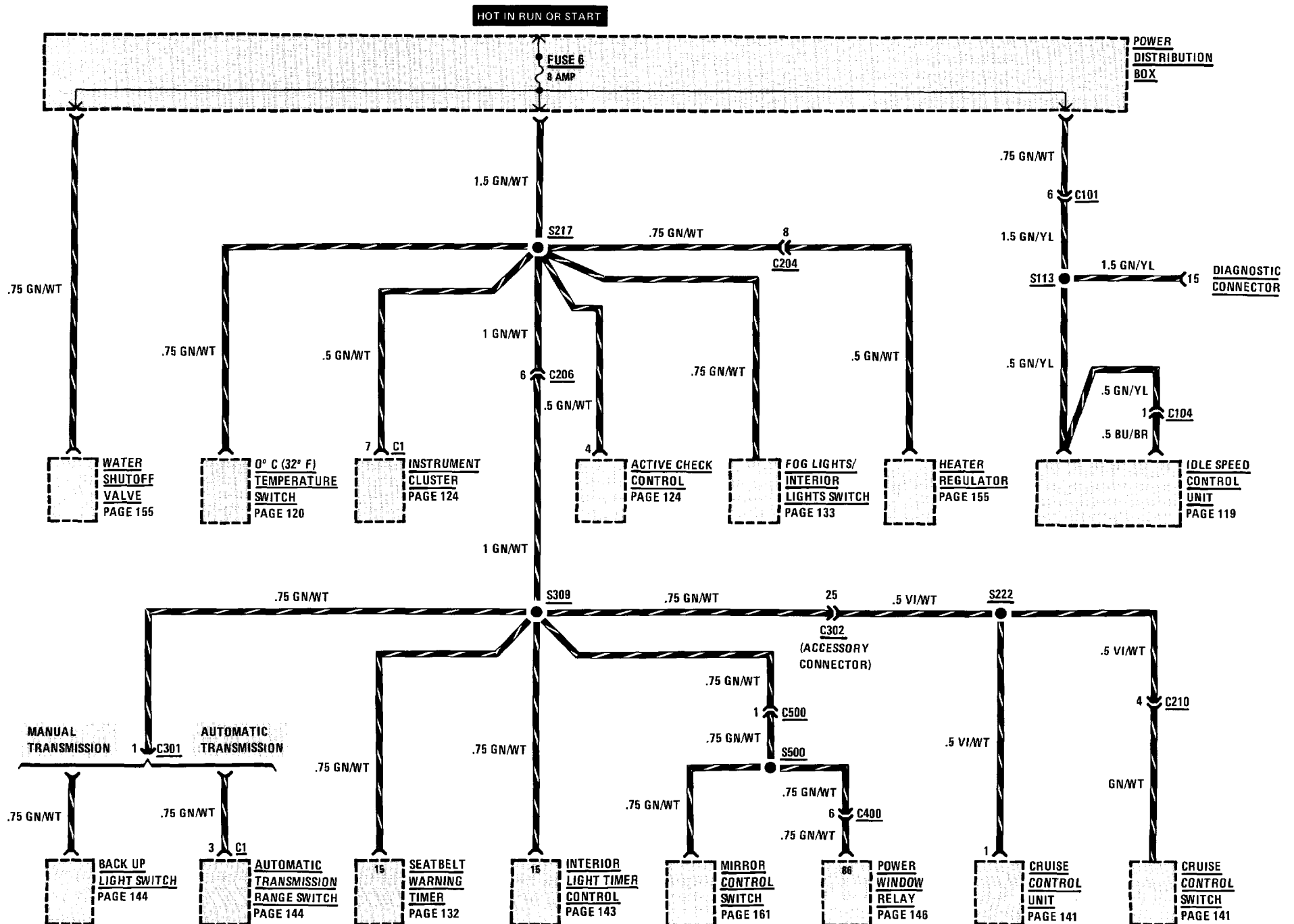
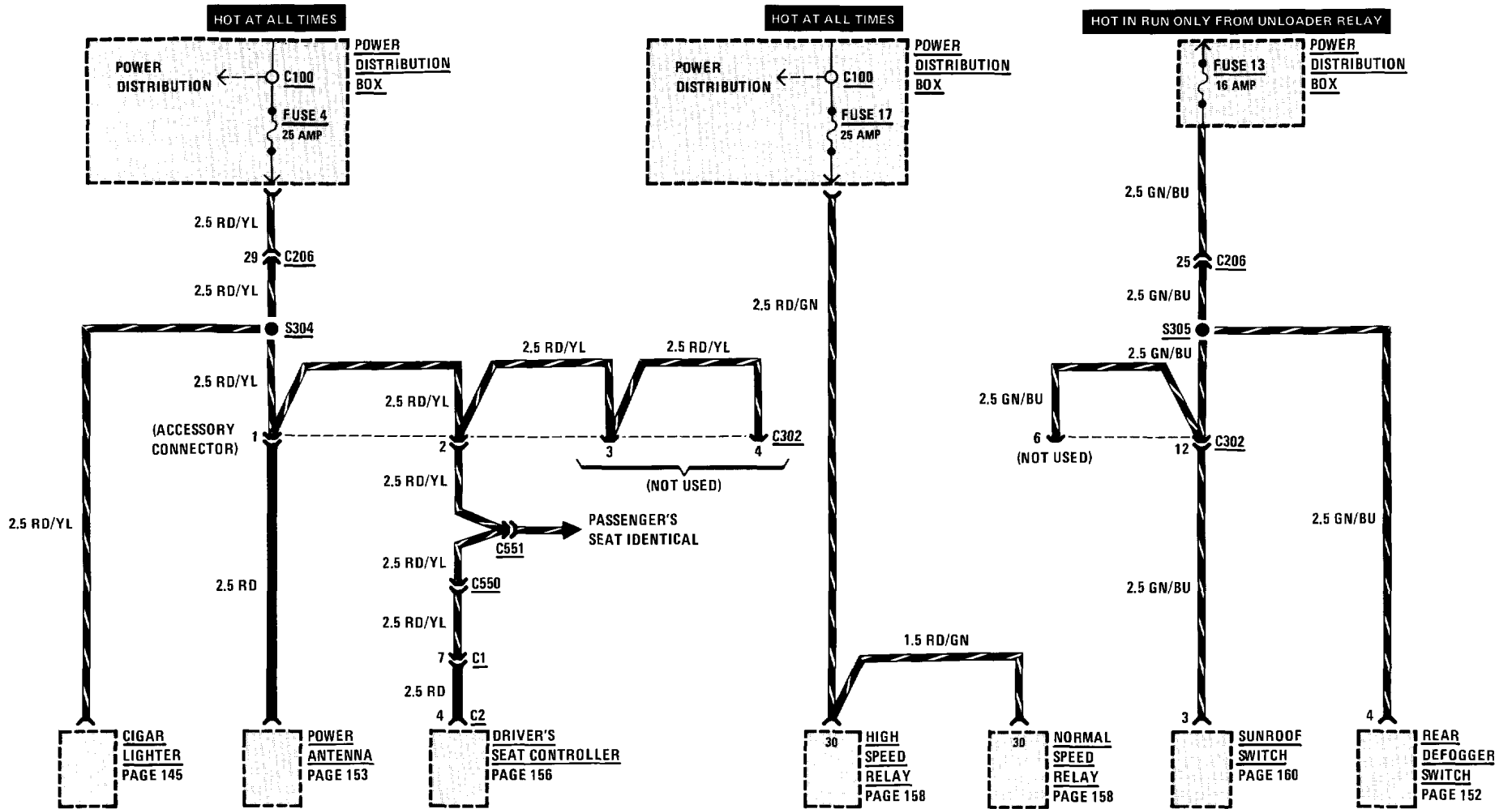


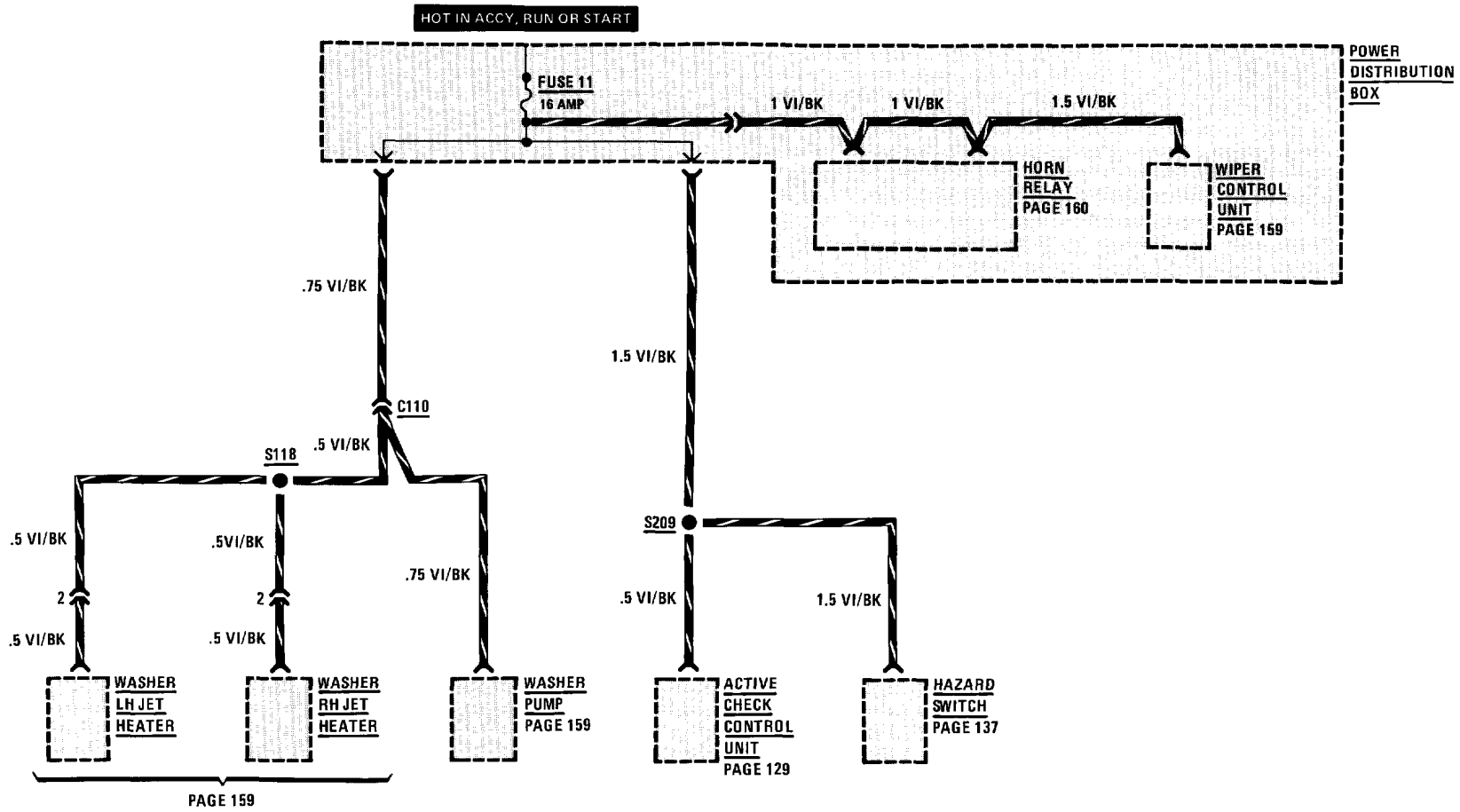
Figure 1- Top Of Left Front Wheel Well

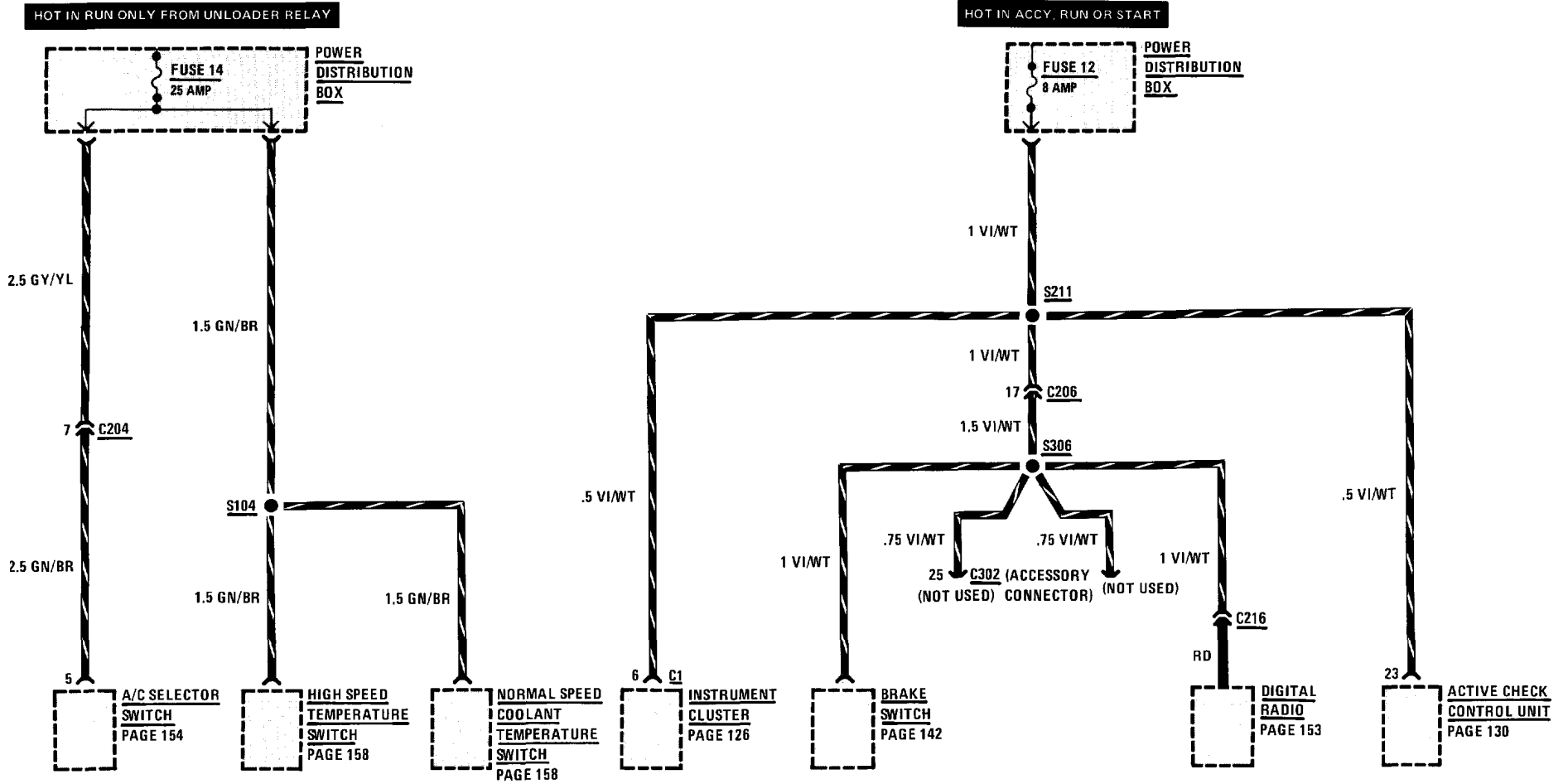
FUSE NO.	SIZE/ COLOR	CIRCUIT NAME
1	16A (RD)	Fuel Delivery
2	8A (WT)	Active Check Control (also fuse 3, 5, 6, 9, 10, 11, 12); Headlights (RH Low Beam).
3	8A (WT)	Active Check Control (also fuses 2, 5, 6, 9, 10, 11, 12); Headlights (LH Low Beam).
4	25 (BU)	Cigar Lighter; Radio/Power Antenna (also fuses 5, 12); Power Seats.
5	8A (WT)	Active Check Control (also fuses 2, 3, 6, 9, 10, 11, 12); Heated Door Locks; Ignition Key Warning/Seatbelt Warning (also fuse 6); Interior Lights (also fuse 6); Lights: Turn/Hazard Warning (also fuse 11); Lights: Trunk; Glove Box/Auto-Charging Flashlight; Central Locking; On-Board Computer (also fuses 6, 12); Radio/Power Antenna (also fuses 4, 12); Service Interval Indicator (also fuse 6).
6	8A (WT)	Active Check Control (also fuses 2, 3, 5, 9, 10, 11, 12); Back Up Lights/Transmission Range Lights; Cruise Control (also fuse 12); Dash Lights (also fuse 9, 14); Fog Lights (also fuses 15, 16); Gauges; Heater/Air Conditioning (also fuse 14); Idle Speed Control; Ignition; Interior Lights (also fuse 5); On-Board Computer (also fuses 5, 12); Power Mirrors; Power Windows (also Power Window Circuit Breaker); Seatbelt Warning (also fuse 5); Speedometer; Warning Indicators;
7	8A (WT)	Headlights (RH High Beams).

FUSE NO.	SIZE/ COLOR	CIRCUIT NAME
8	8A (WT)	Headlights (LH High Beams);
9	8A (WT)	Active Check Control (also fuses 2, 3, 5, 6, 10, 11, 12); Dash Lights (also fuses 6, 14); Lights: Front Park/Front Marker/Tail; Lights: Rear Marker/License.
10	8A (WT)	Active Check Control (also fuses 2, 3, 5, 6, 9, 11, 12); Lights: Front Park/Front Marker/Tail; Lights: Rear Marker/License
11	16A (RD)	Active Check Control (also fuses 2, 3, 5, 6, 9, 11, 12); Lights: Turn/Hazard Warning (also fuse 5); Wiper/Washer and Heater Washer Jets; Horn.
12	8A (WT)	Active Check Control (also fuses 2, 3, 5, 6, 9, 10, 11); Cruise Control; Radio (also fuses 4, 5); Stoplights; On-Board Computer (also fuses 5, 6); Power Antenna (also fuses 4, 5).
13	16A (BU)	Rear Defogger; Sunroof.
14	25A (BU)	Auxiliary Fan (also fuse 17); Dash Lights (also fuses 6, 9); Heater/Air Conditioning (also fuse 6).
15	8A (WT)	Fog Lights (RH).
16	8A (WT)	Fog Lights (LH).
17	25A (BU)	Auxiliary Fan (also fuse 14).
Power Window Circuit Breaker	2.5A	Power Windows (also fuse 6).

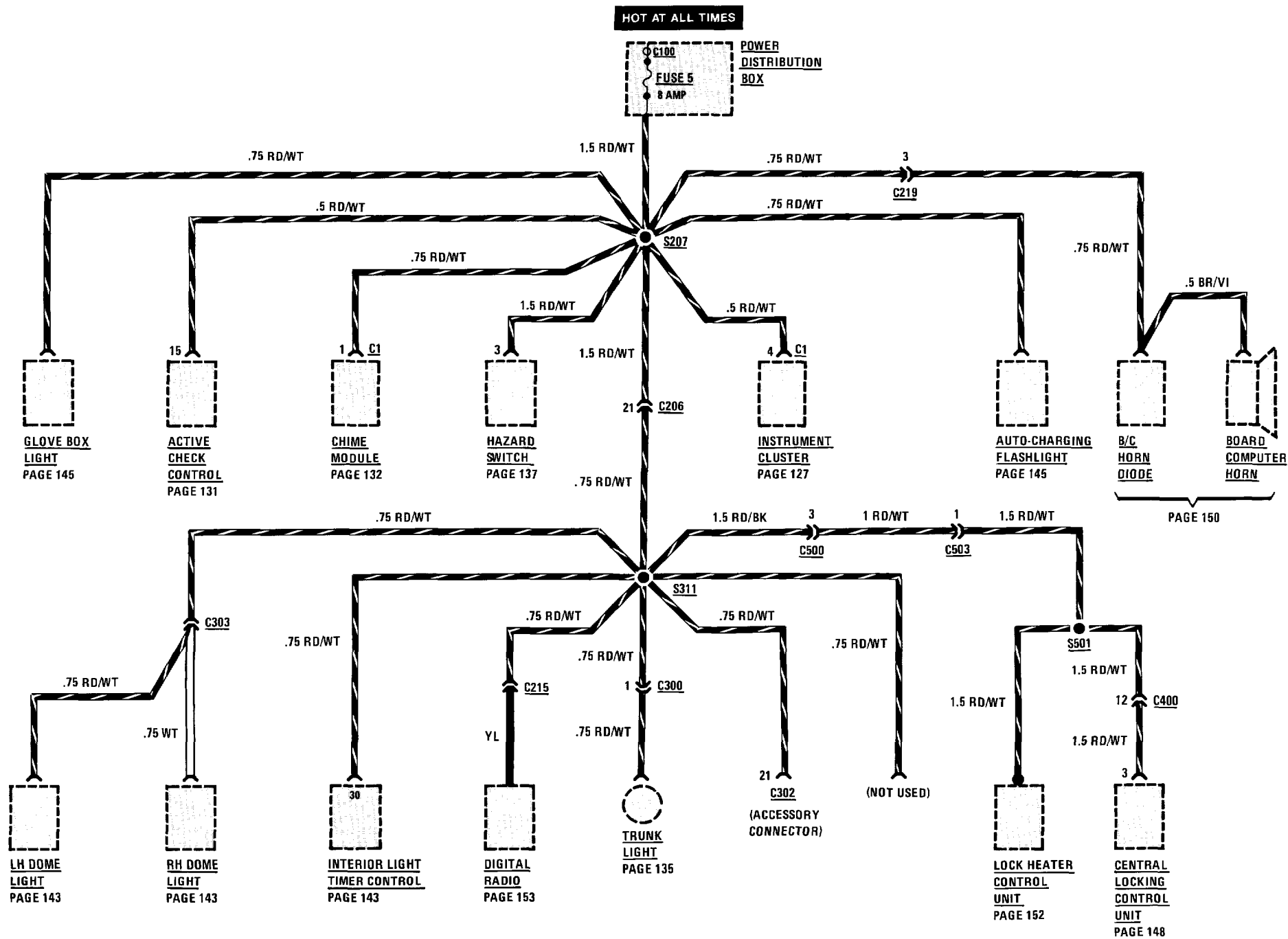






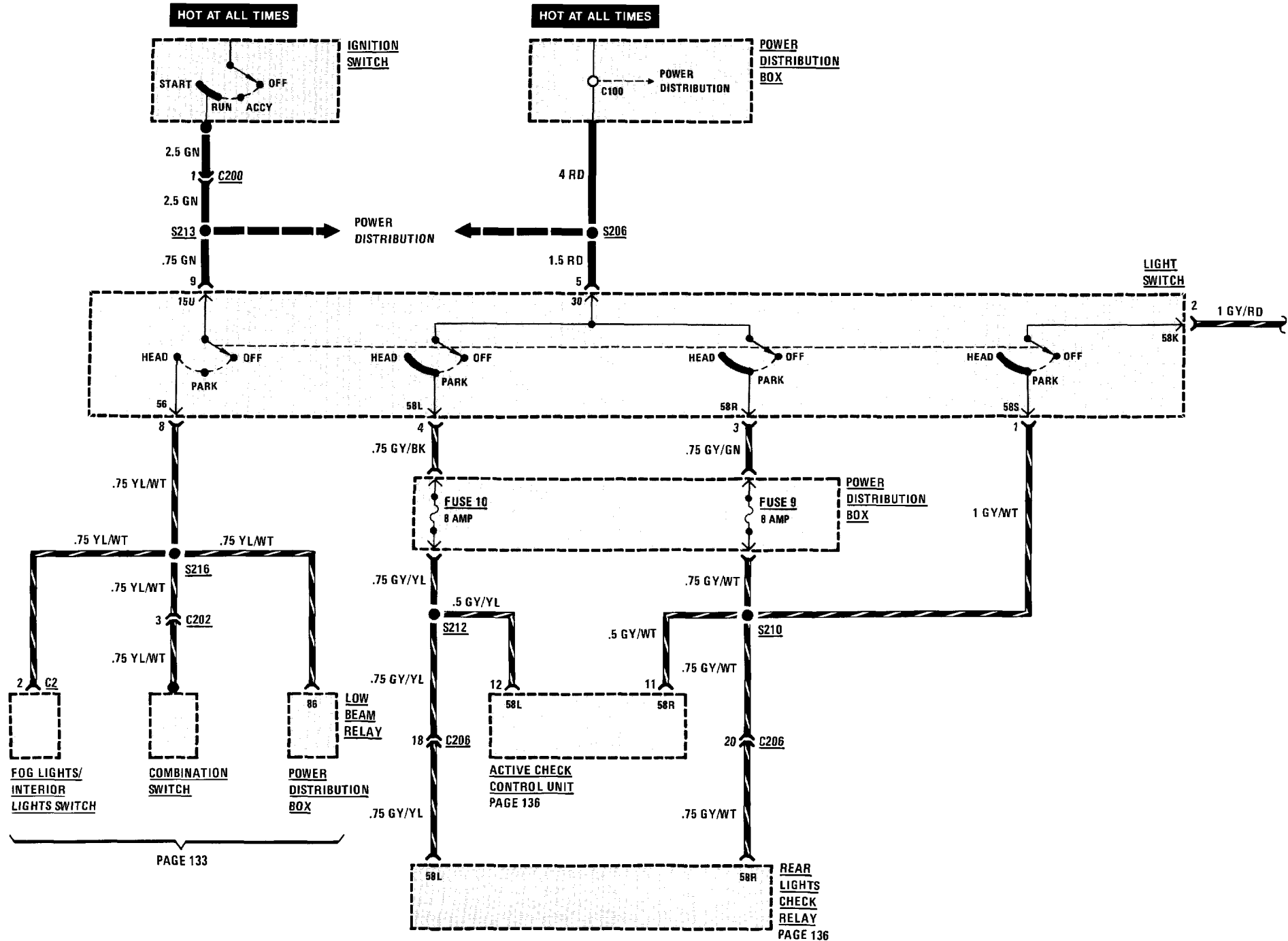


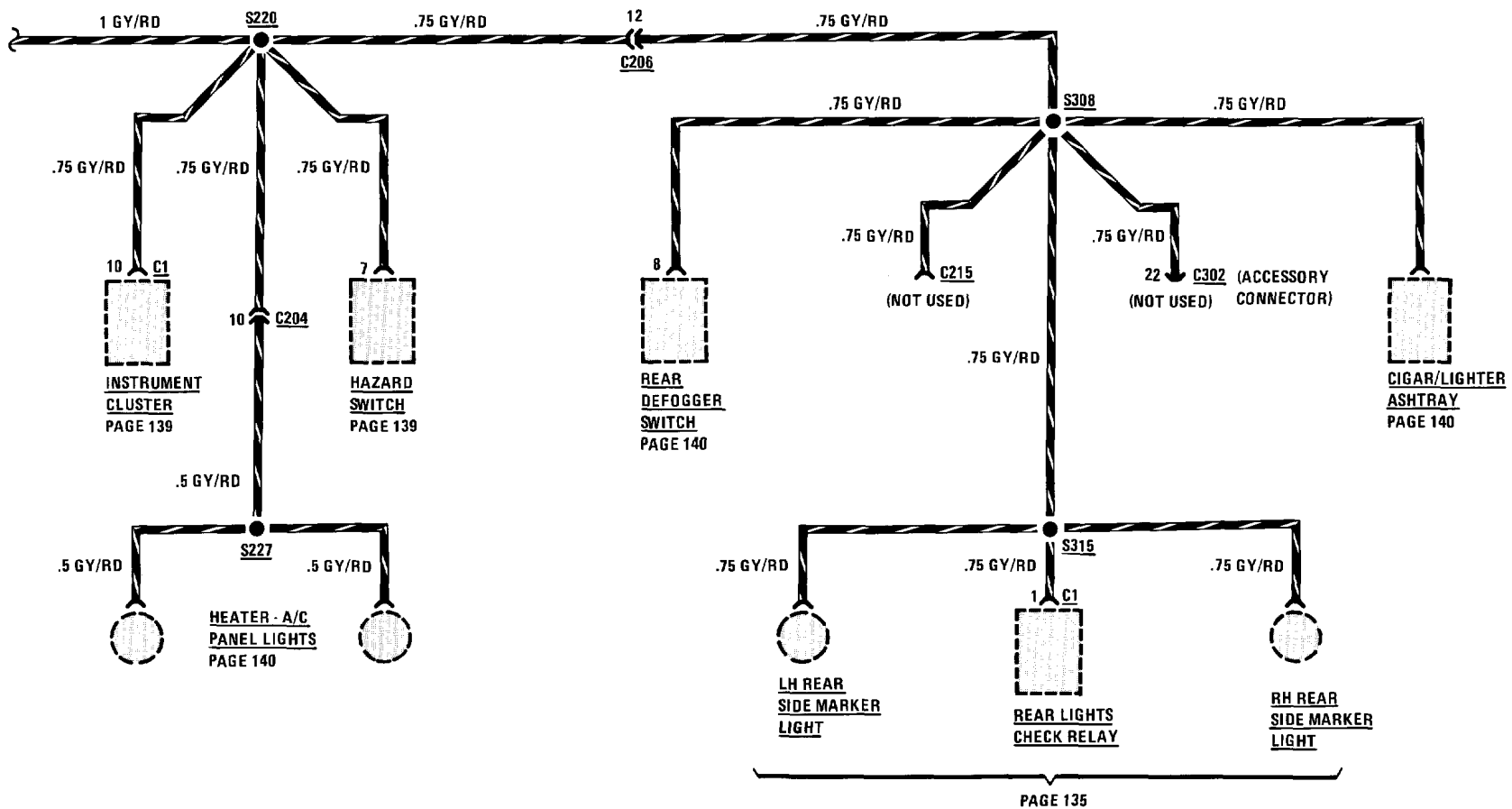
110 FUSE DETAILS: FUSE 5



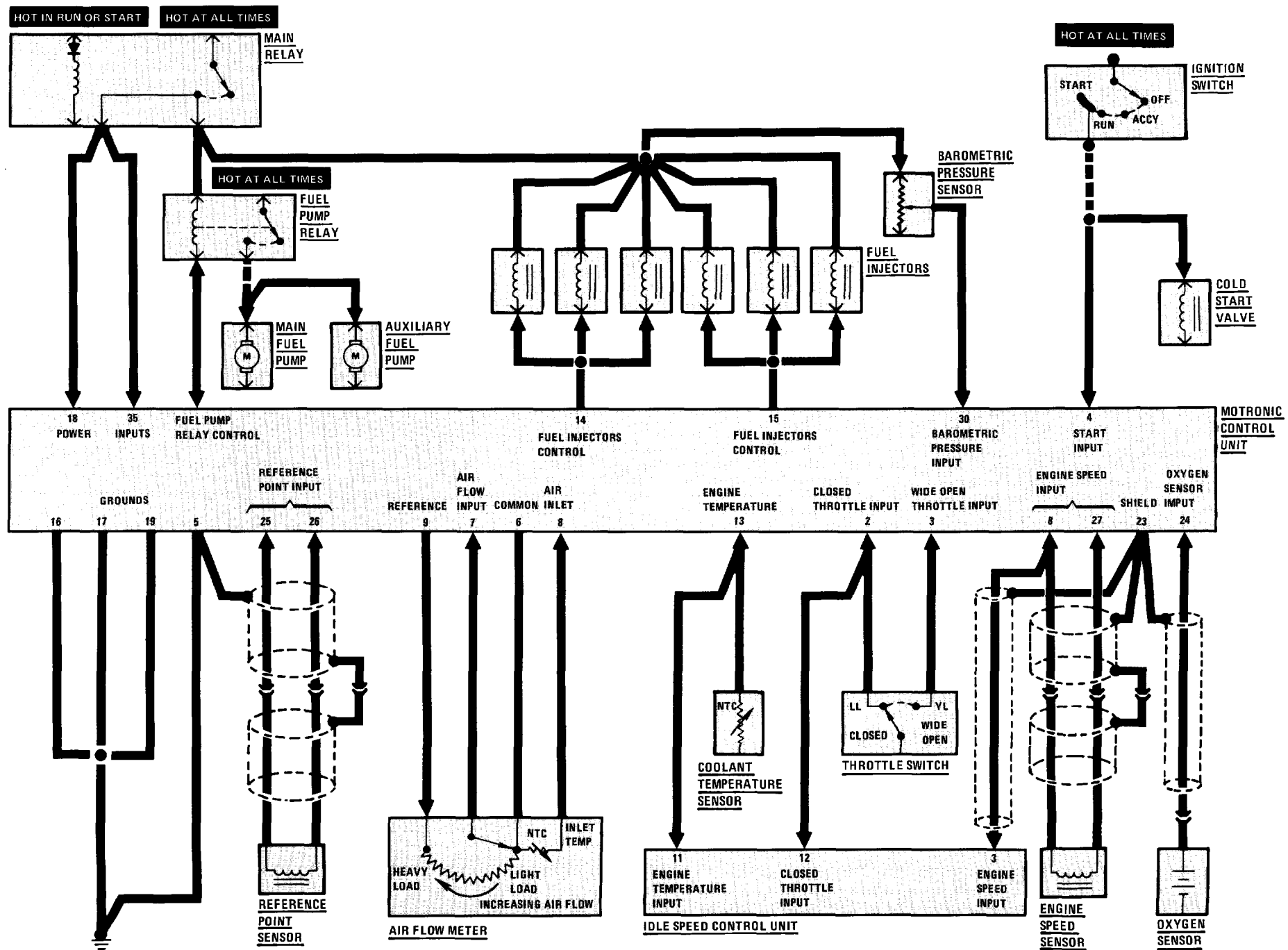
BLANK

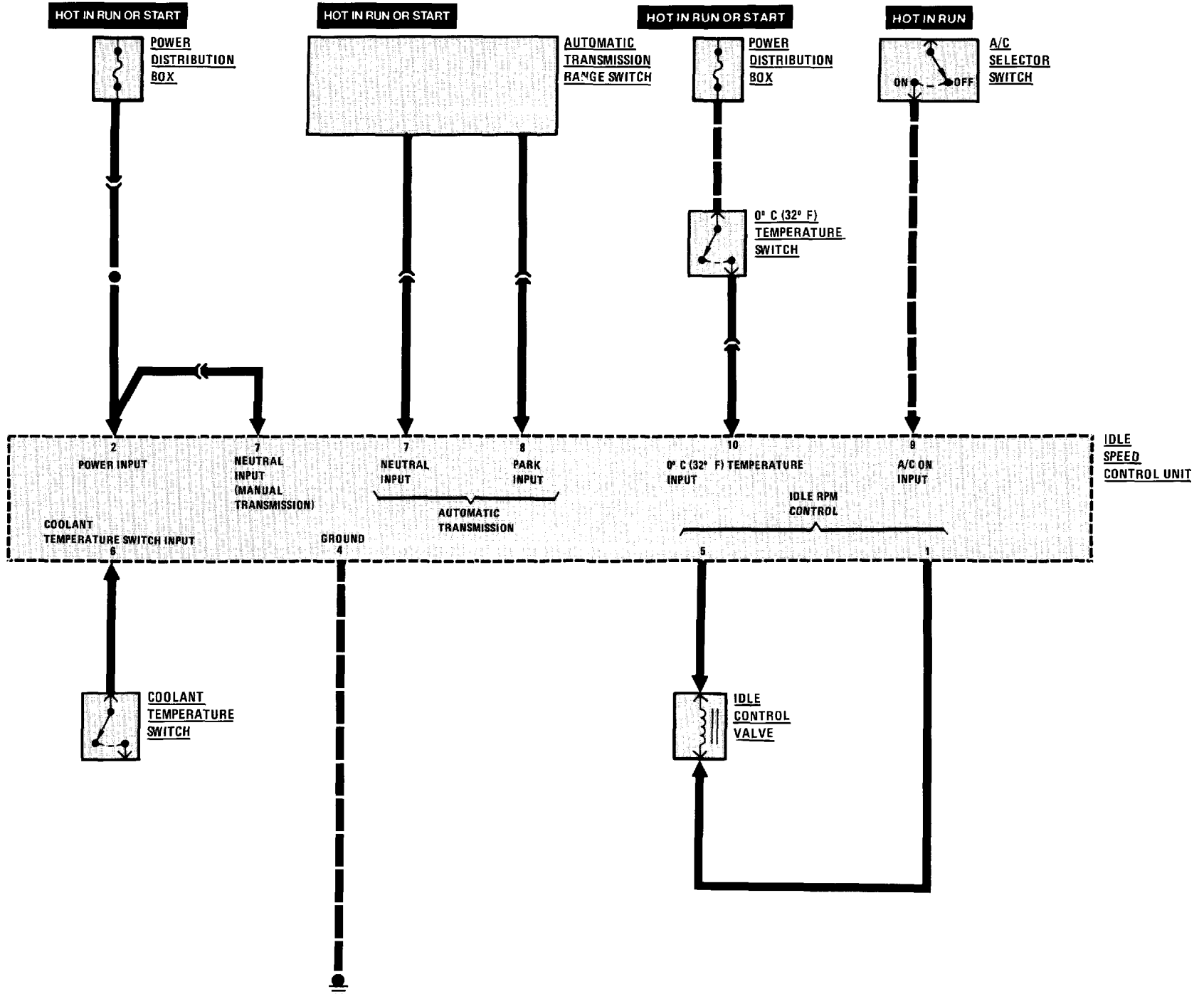
112 LIGHT SWITCH DETAILS





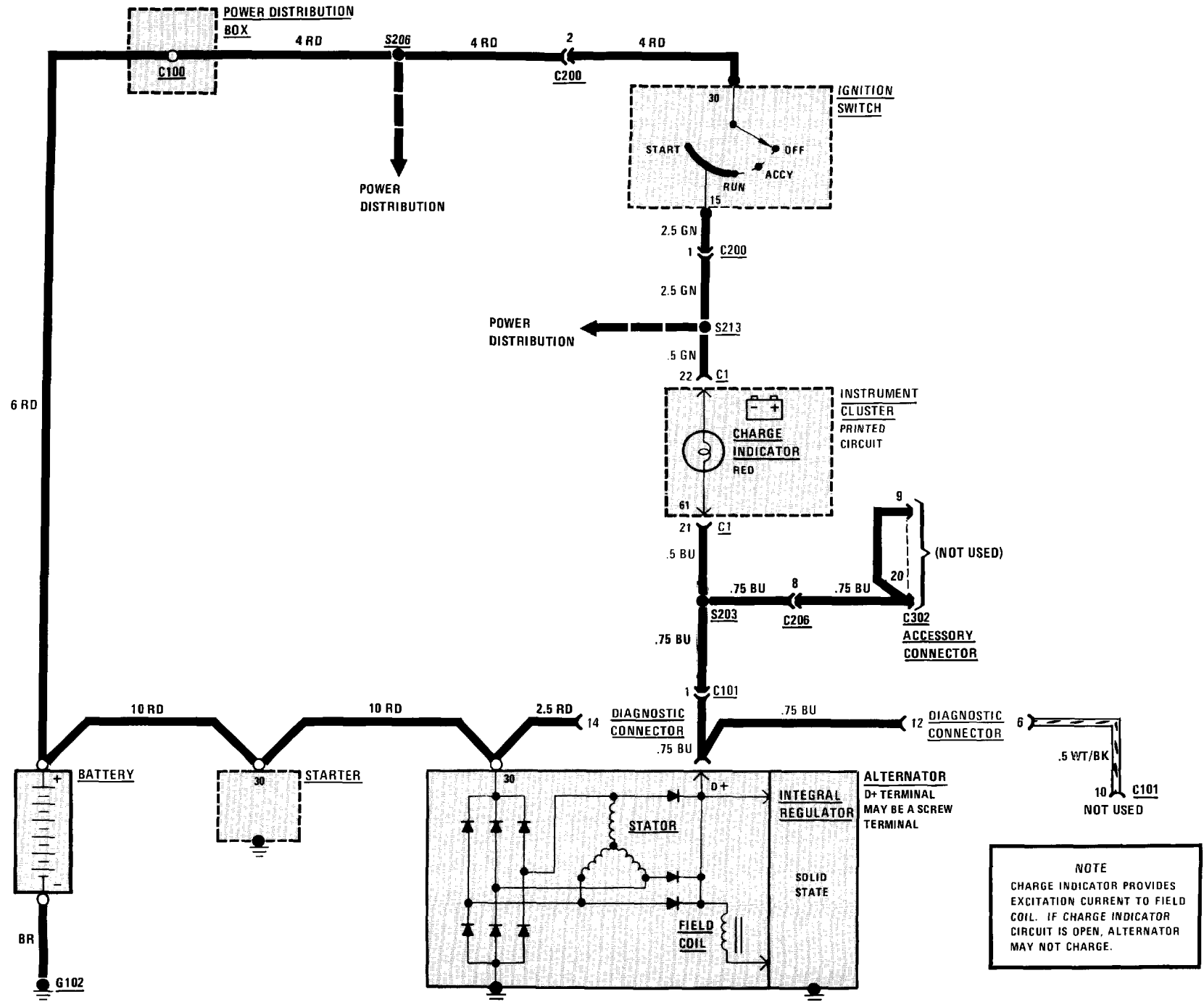
114 BLOCK DIAGRAM FOR 528e ENGINE CONTROLS



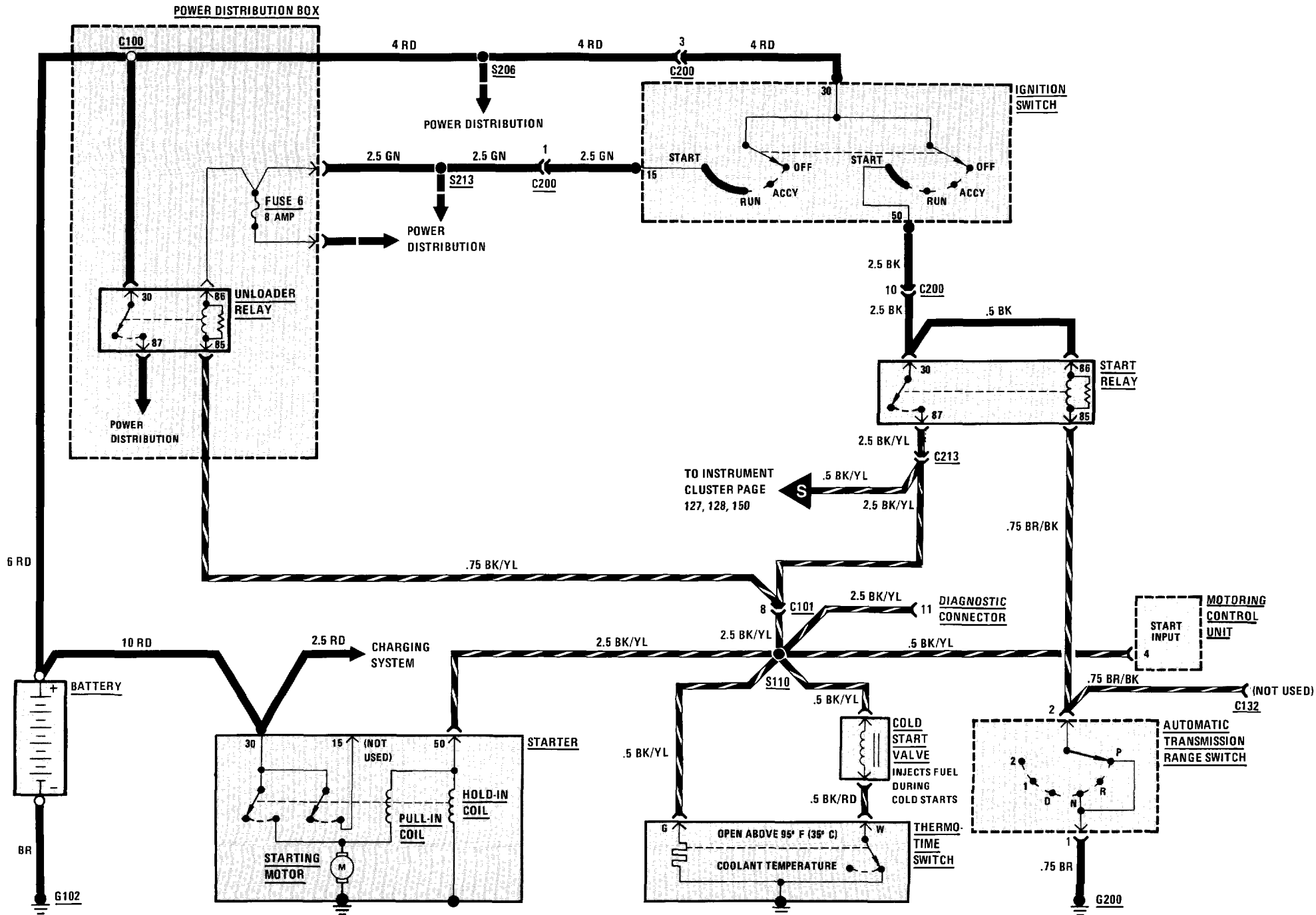


116 CHARGING SYSTEM

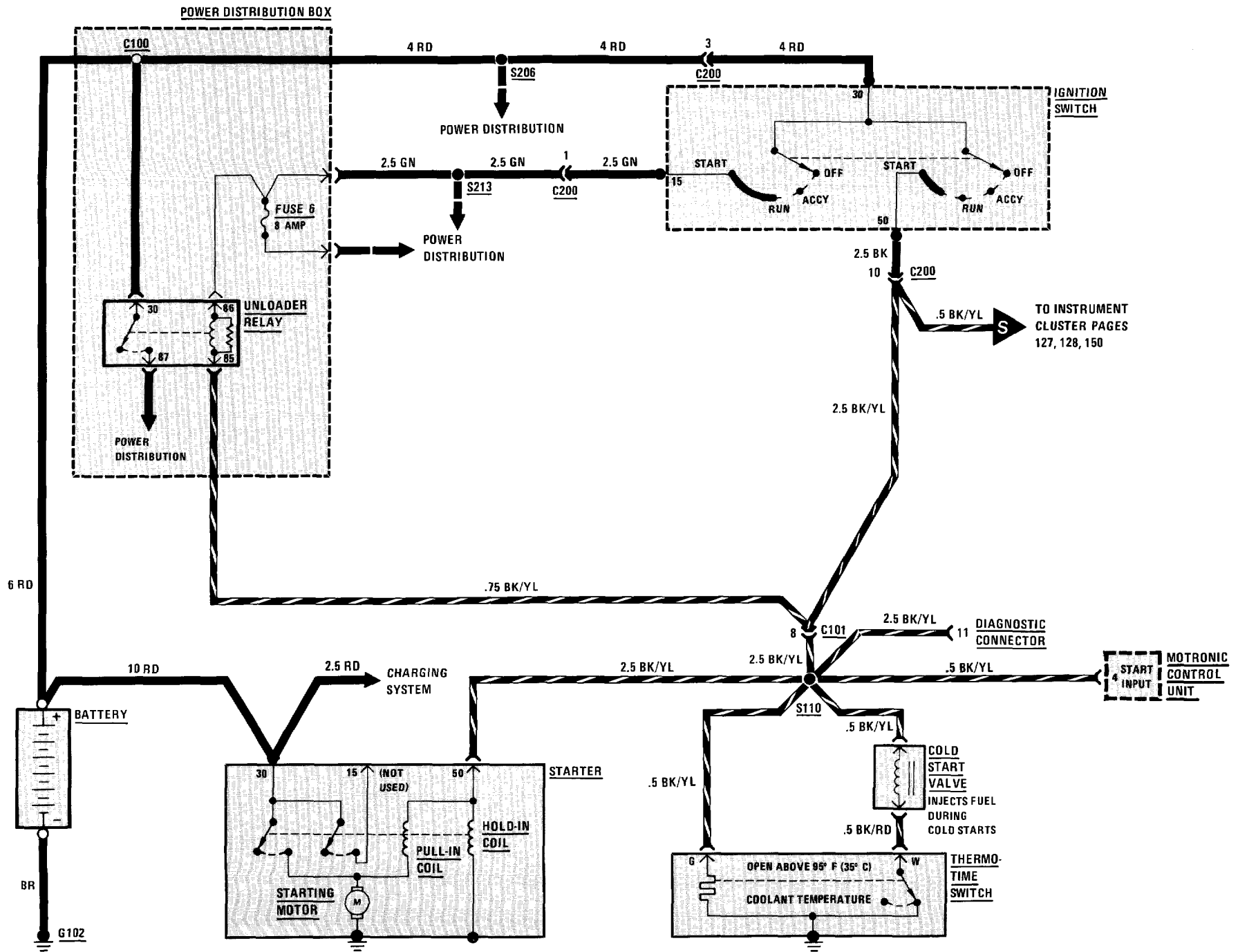
(For Component Location See Page 203)



(For Component Location See Page 217)

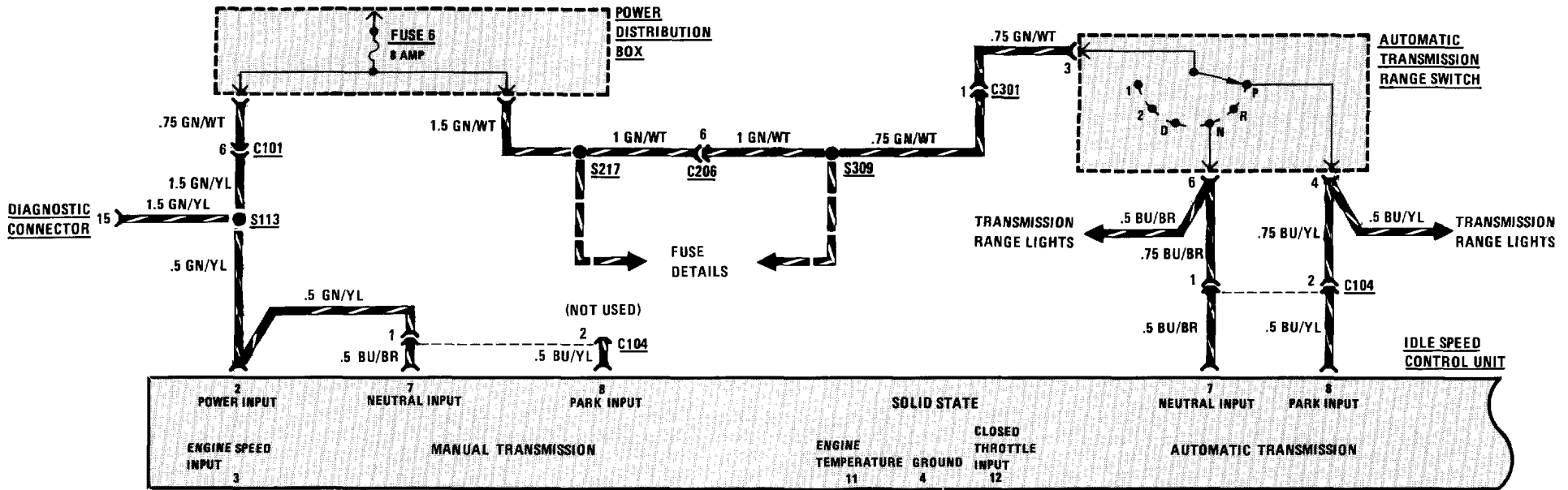


(For Component Location See Page 217)

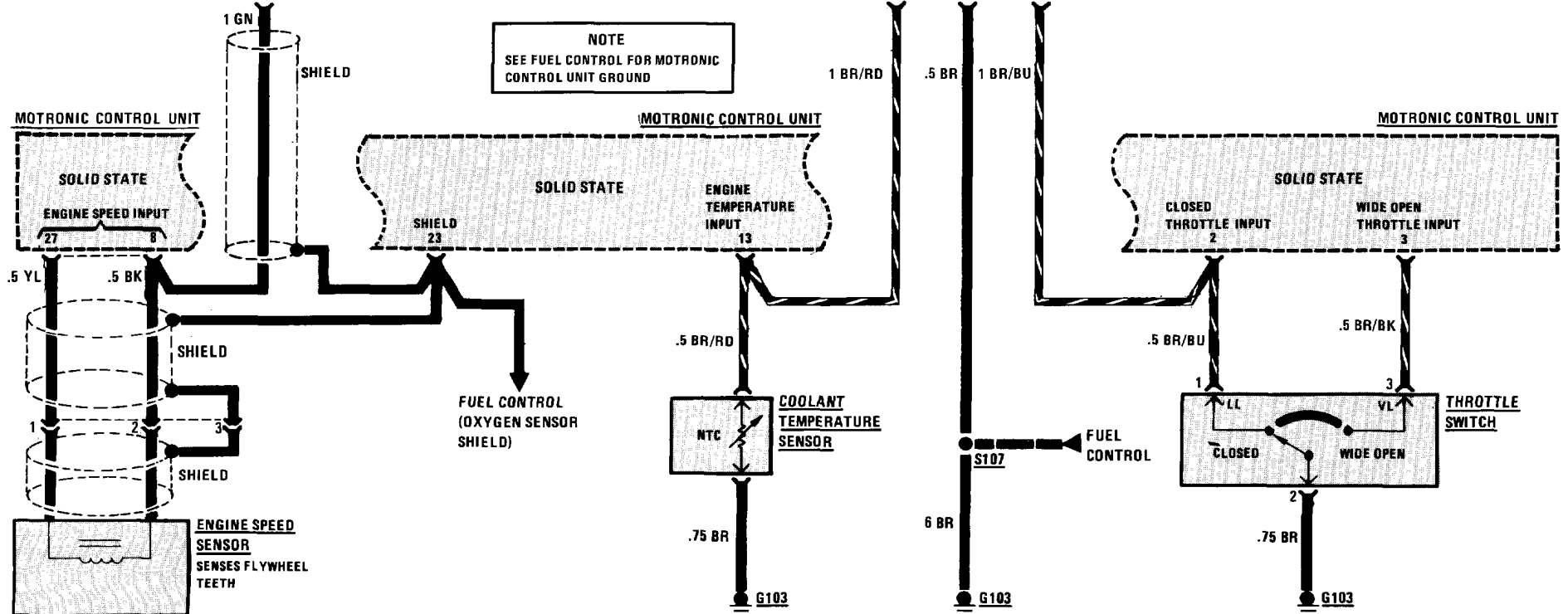


(For Component Location See Page 206)

HOT IN RUN OR START

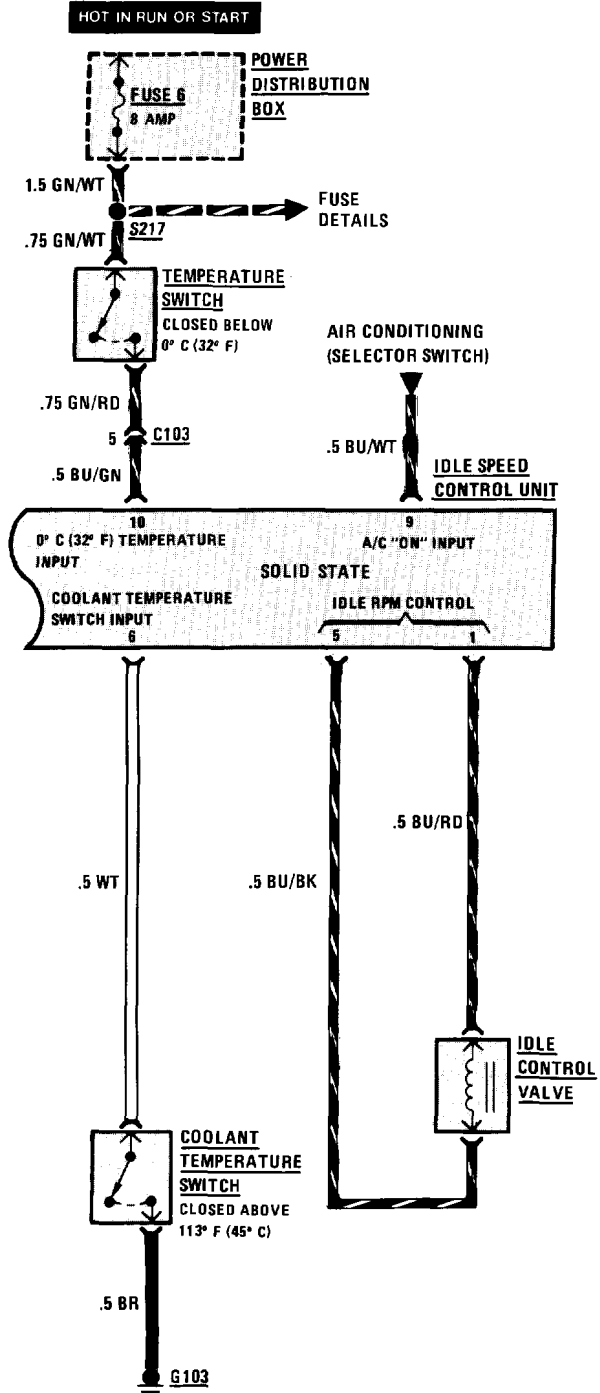


NOTE
 SEE FUEL CONTROL FOR MOTRONIC CONTROL UNIT GROUND



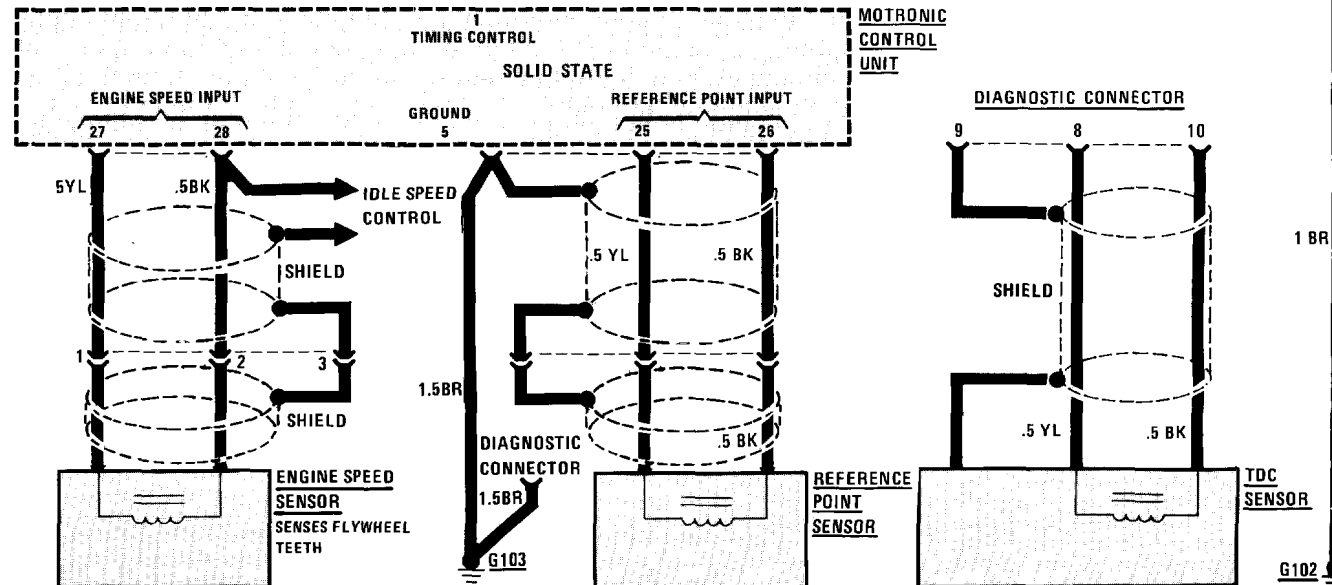
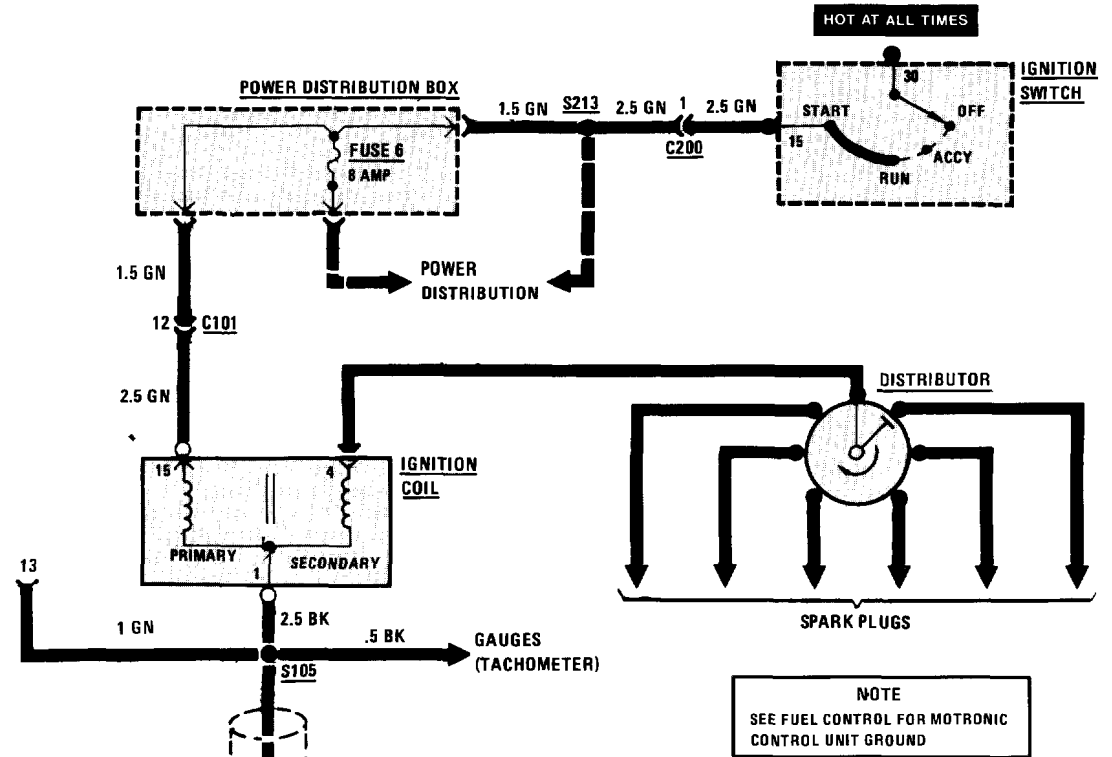
120 IDLE SPEED CONTROL

(For Component Locations See Page 206)



IGNITION

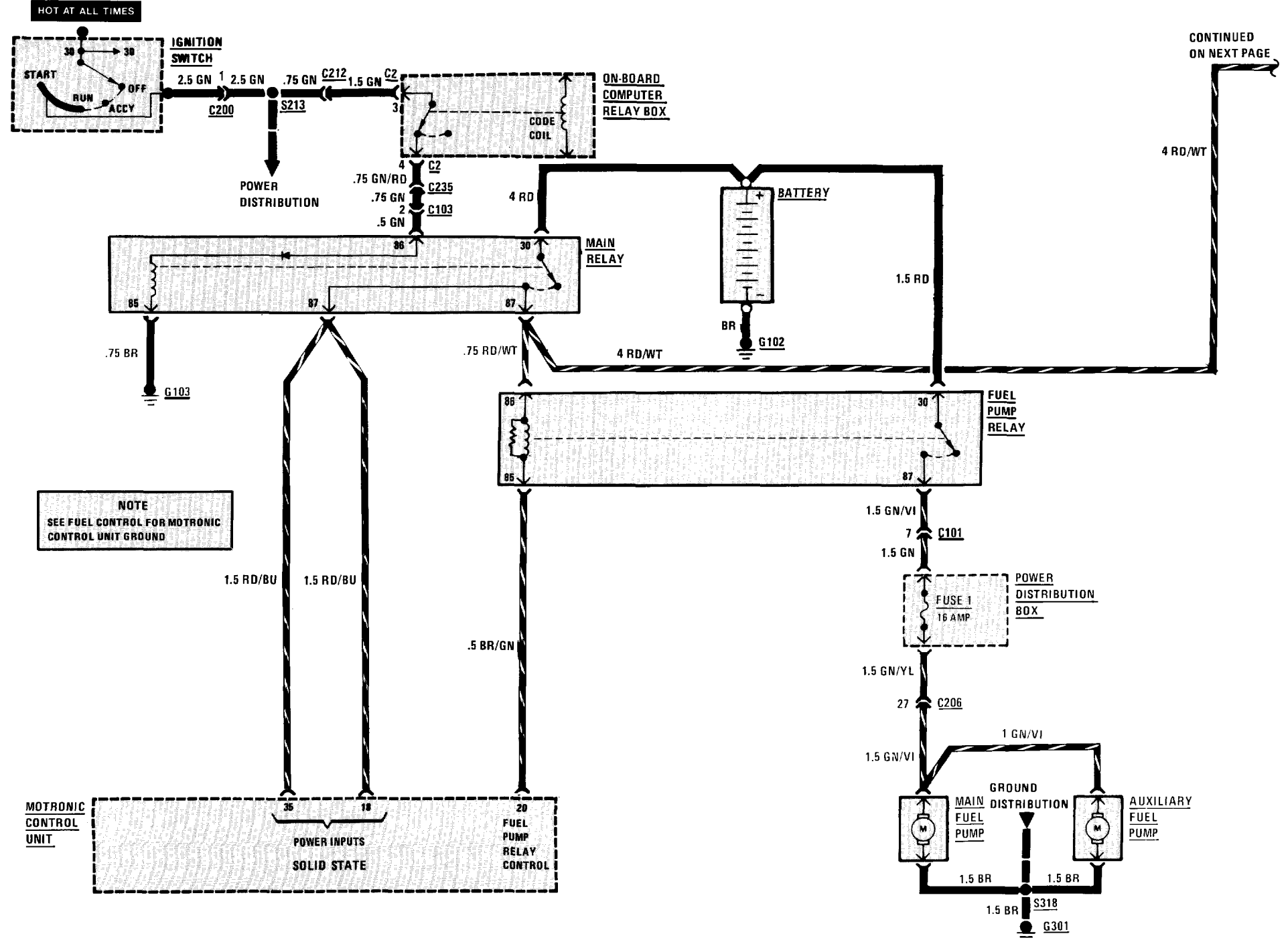
(For Component Locations See Page 207)



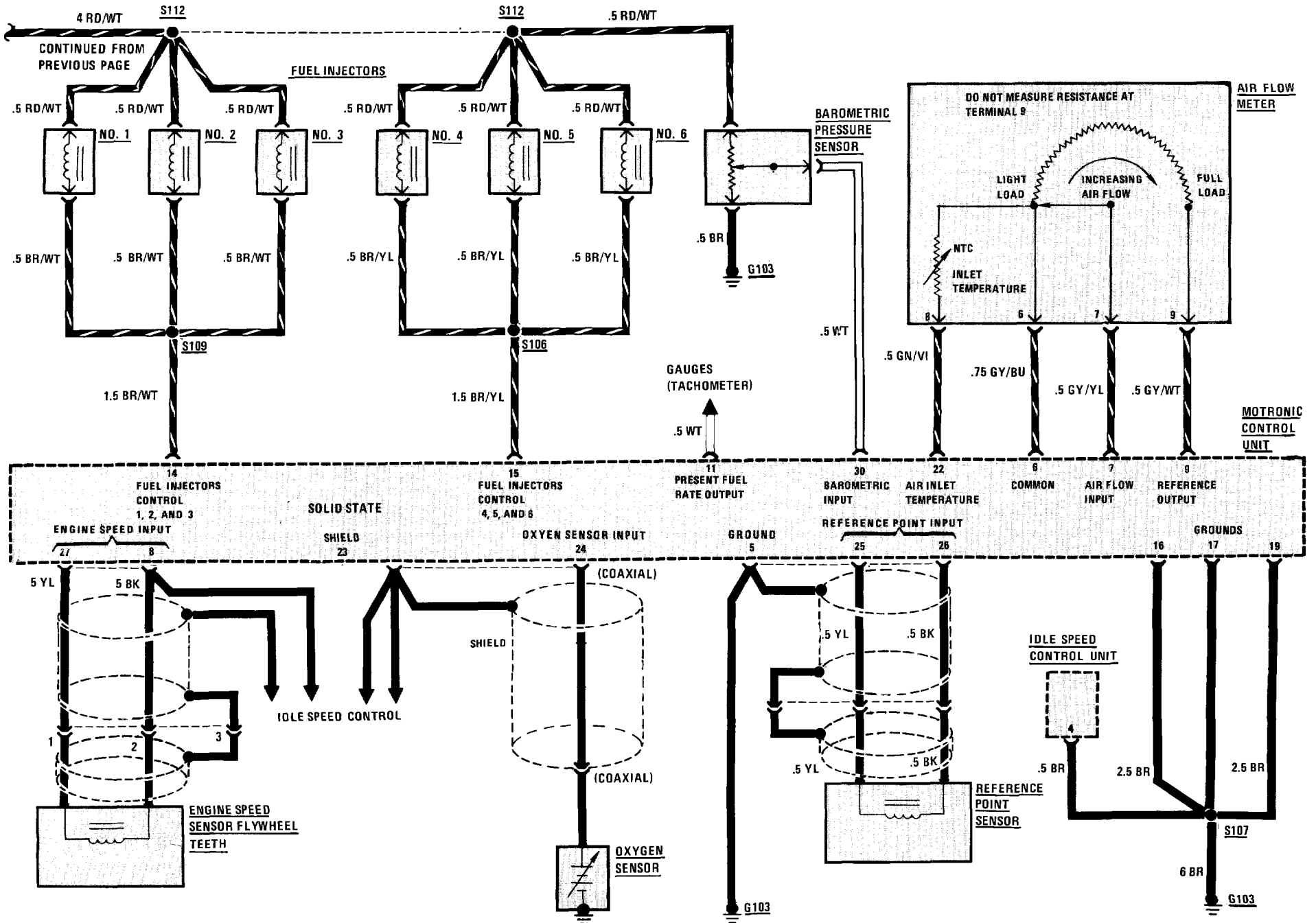
BLANK

122 FUEL DELIVERY

(For Component Location See Page 204)

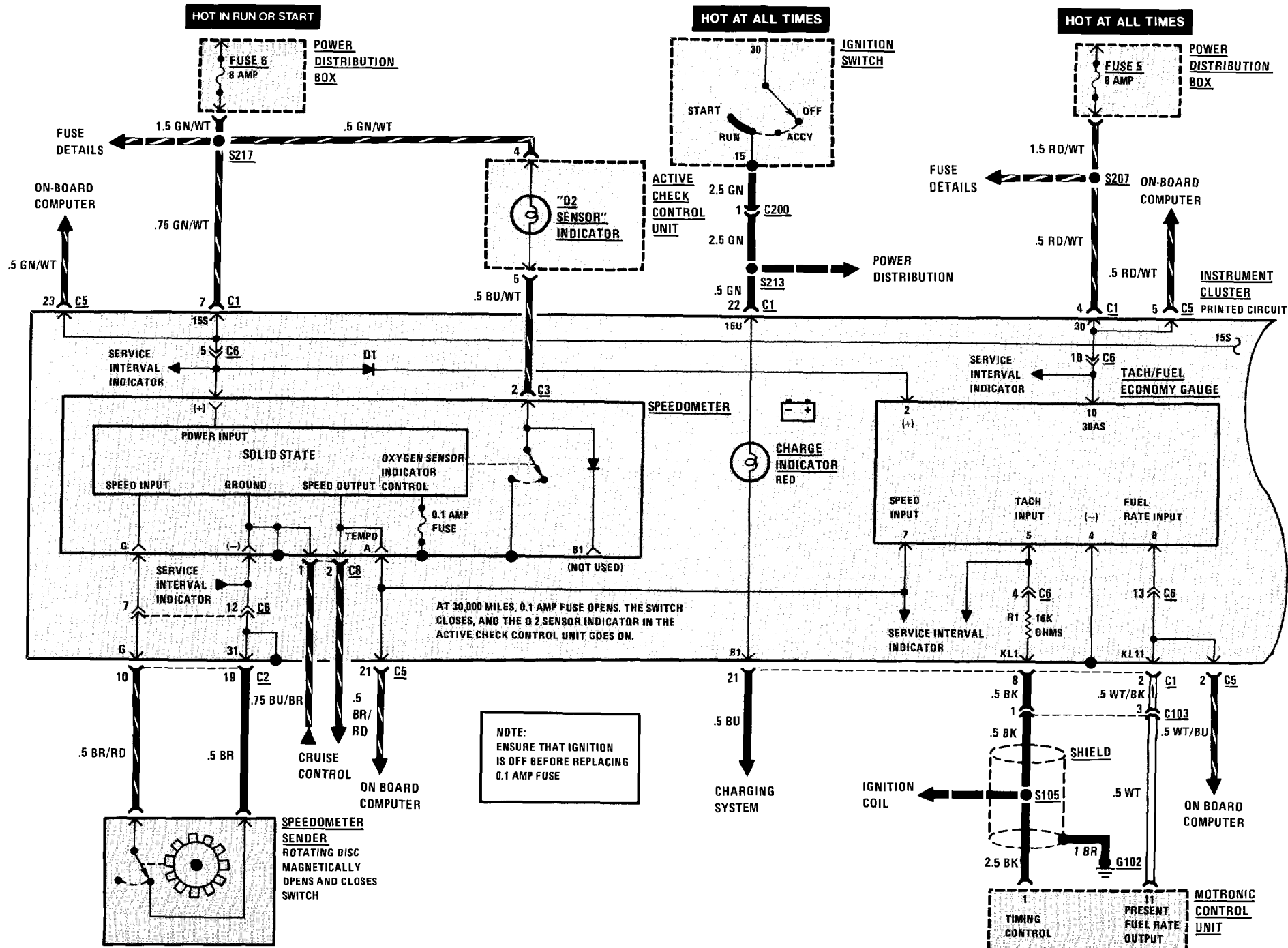


(For Component Location See Page 204)

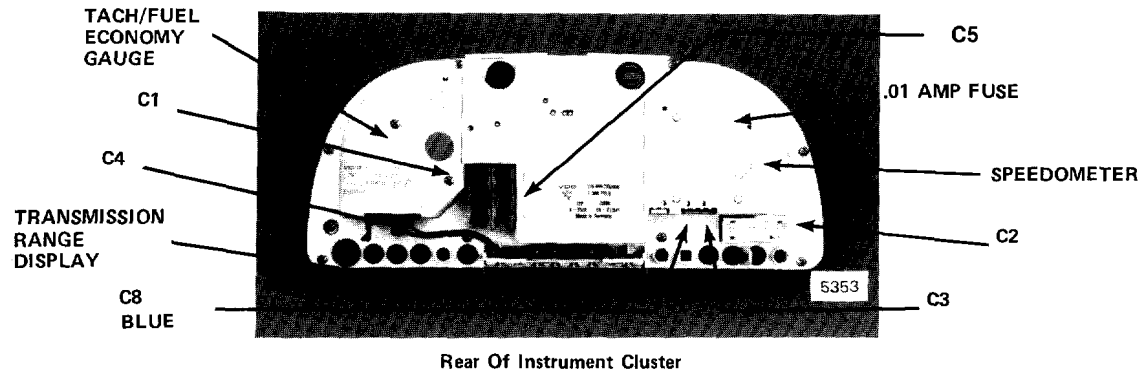


124 SPEEDOMETER/GAUGES/WARNING INDICATORS

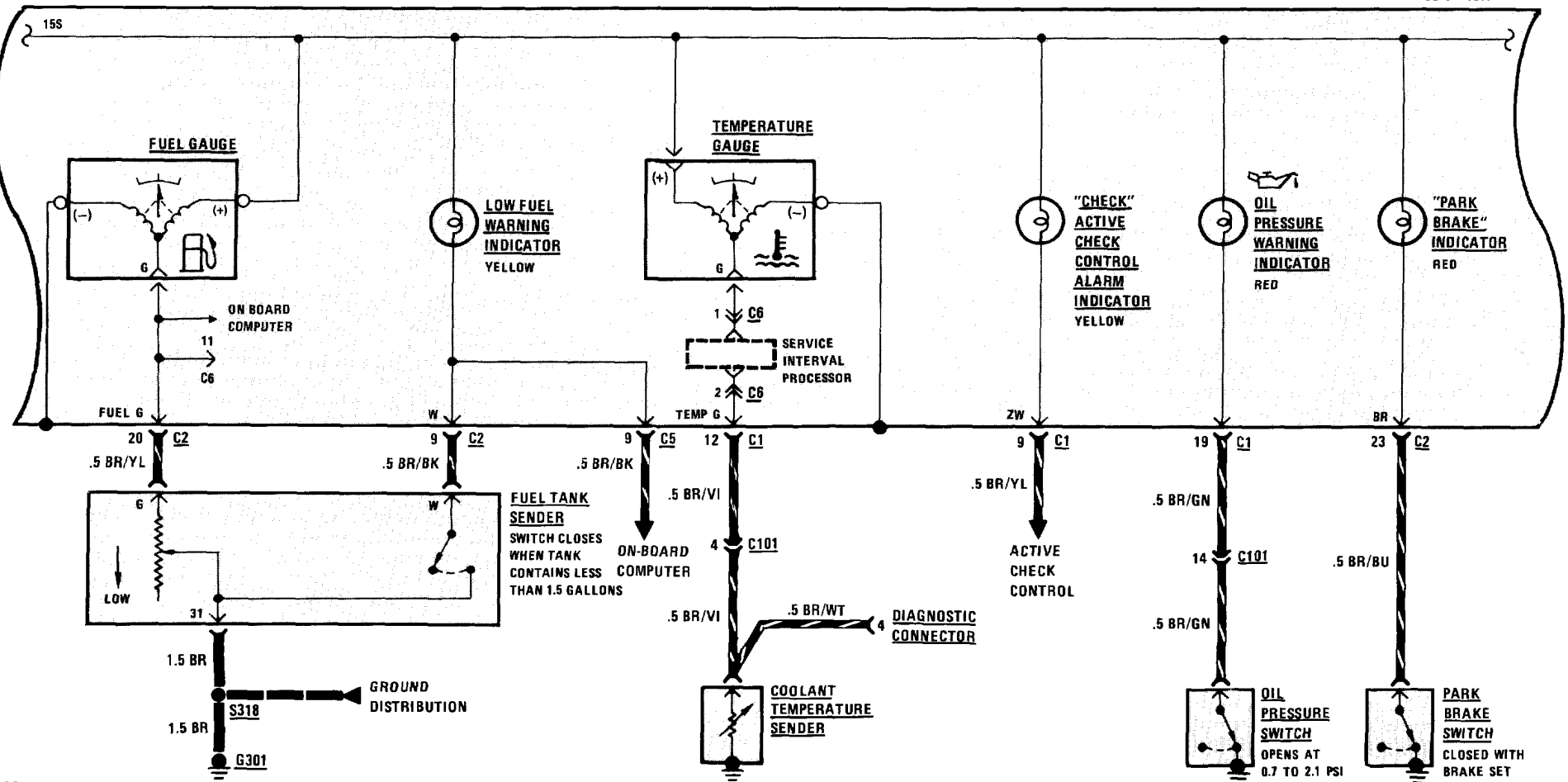
(For Component Locations See Page 216)



(For Component Locations See Page 216)

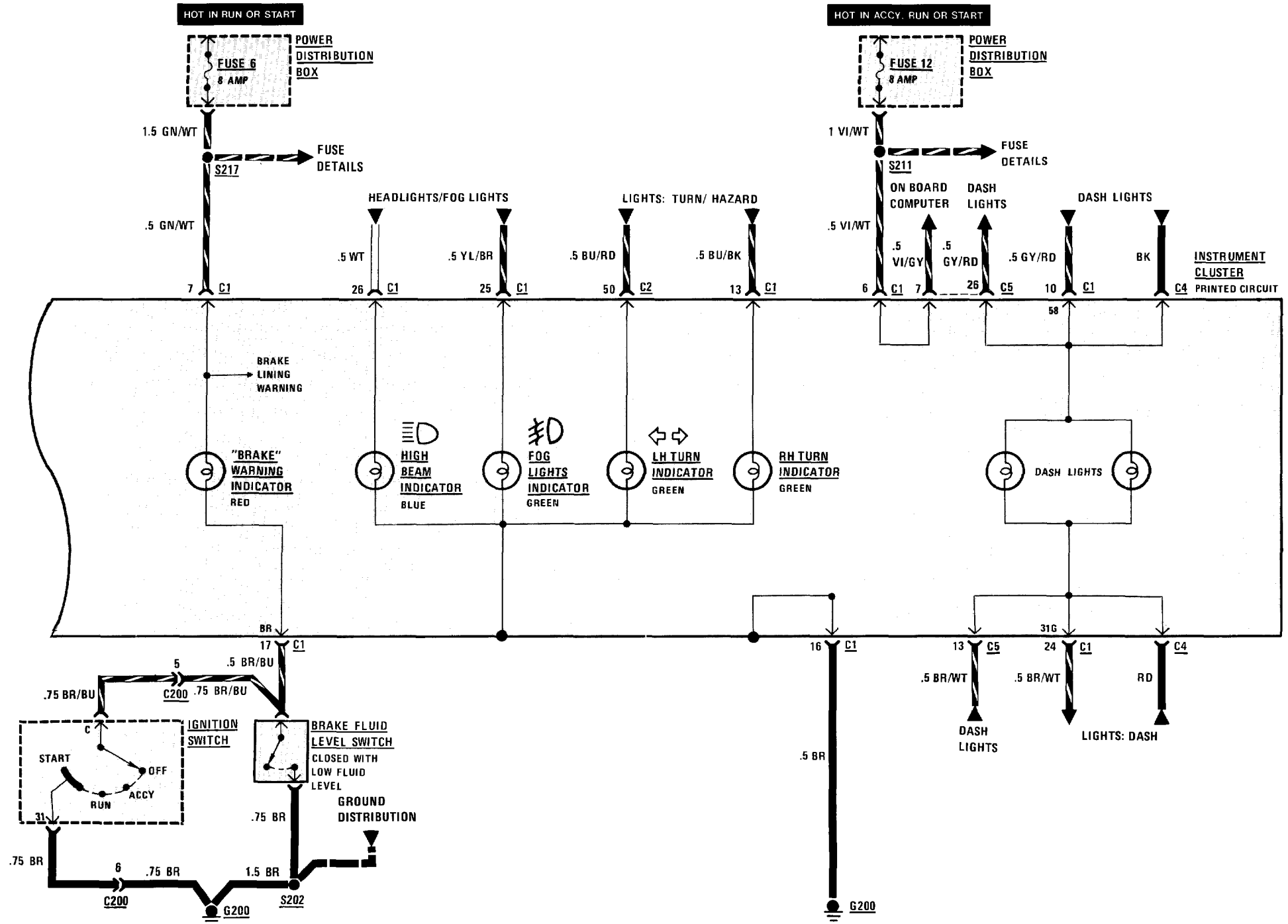


INSTRUMENT CLUSTER
PRINTED CIRCUIT

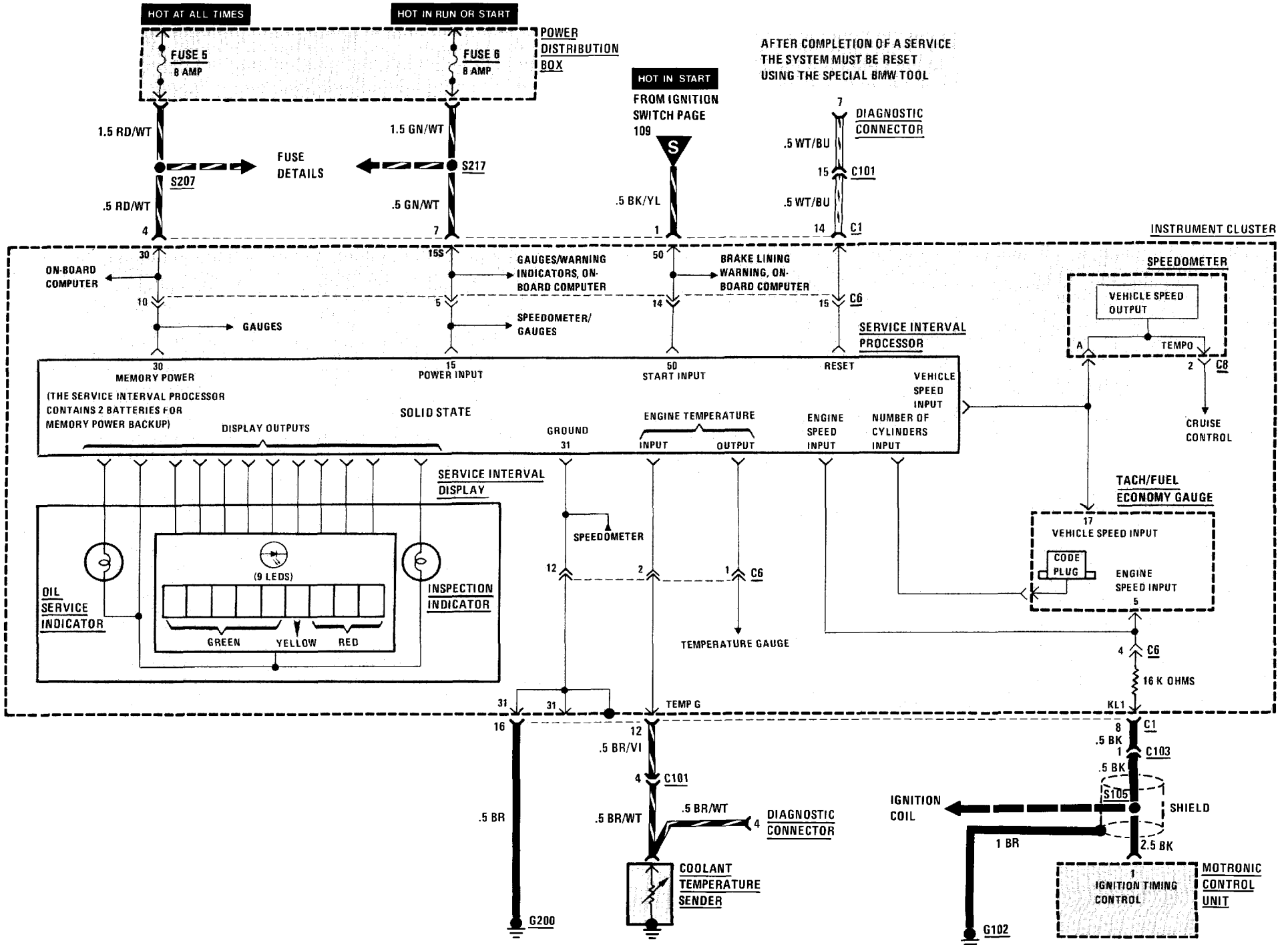


126 WARNING INDICATORS

(For Component Locations See Page 216)

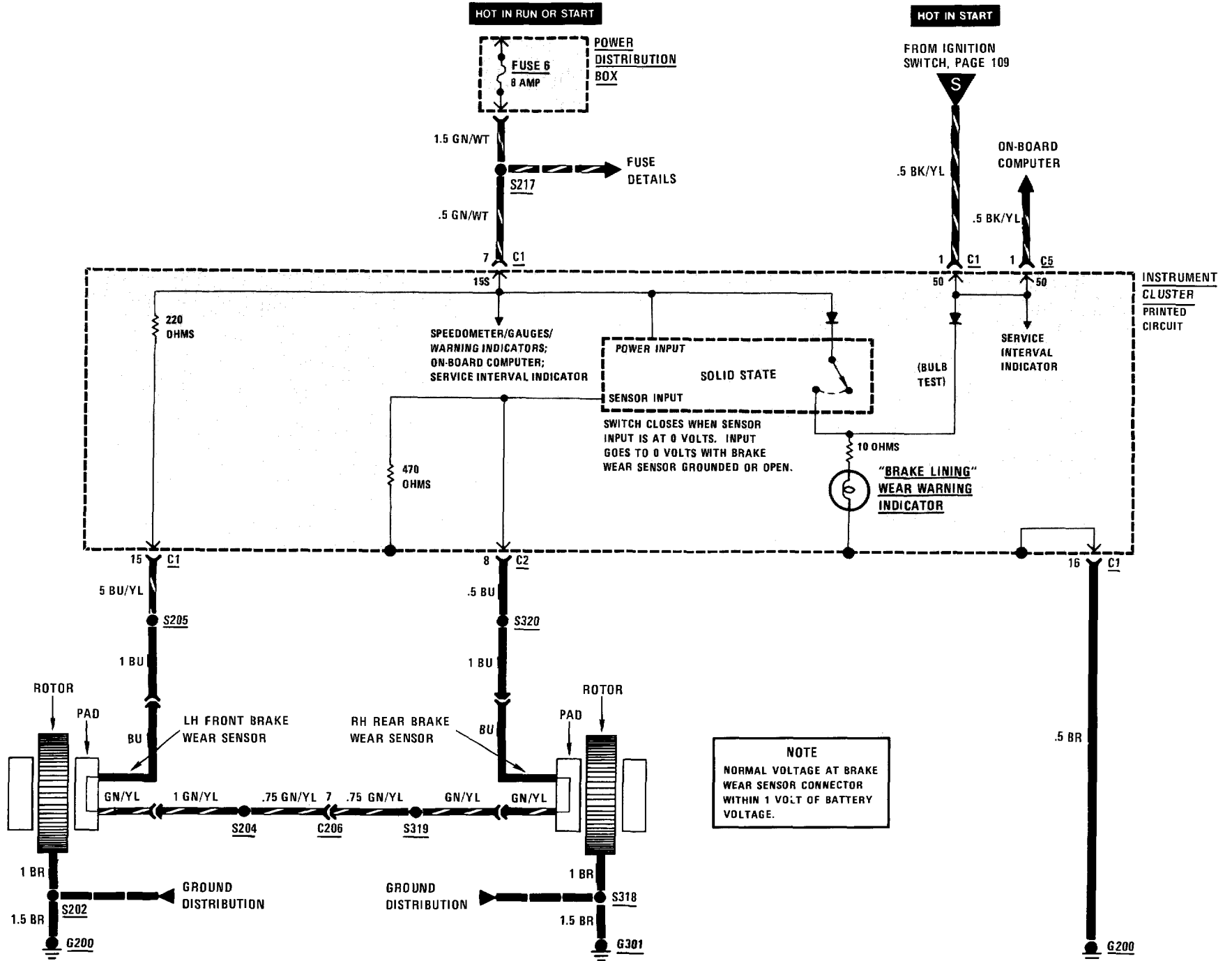


(For Component Location See Page 216)



128 BRAKE LINING WARNING

(For Component Location See Page 202)



(For Component Locations See Page 201)

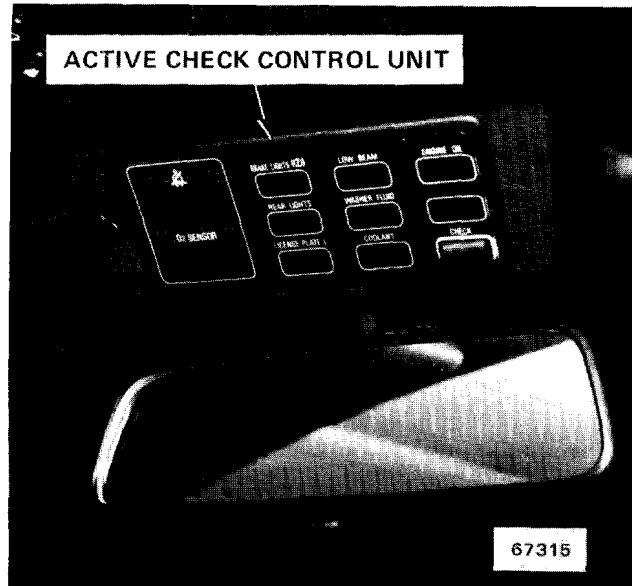
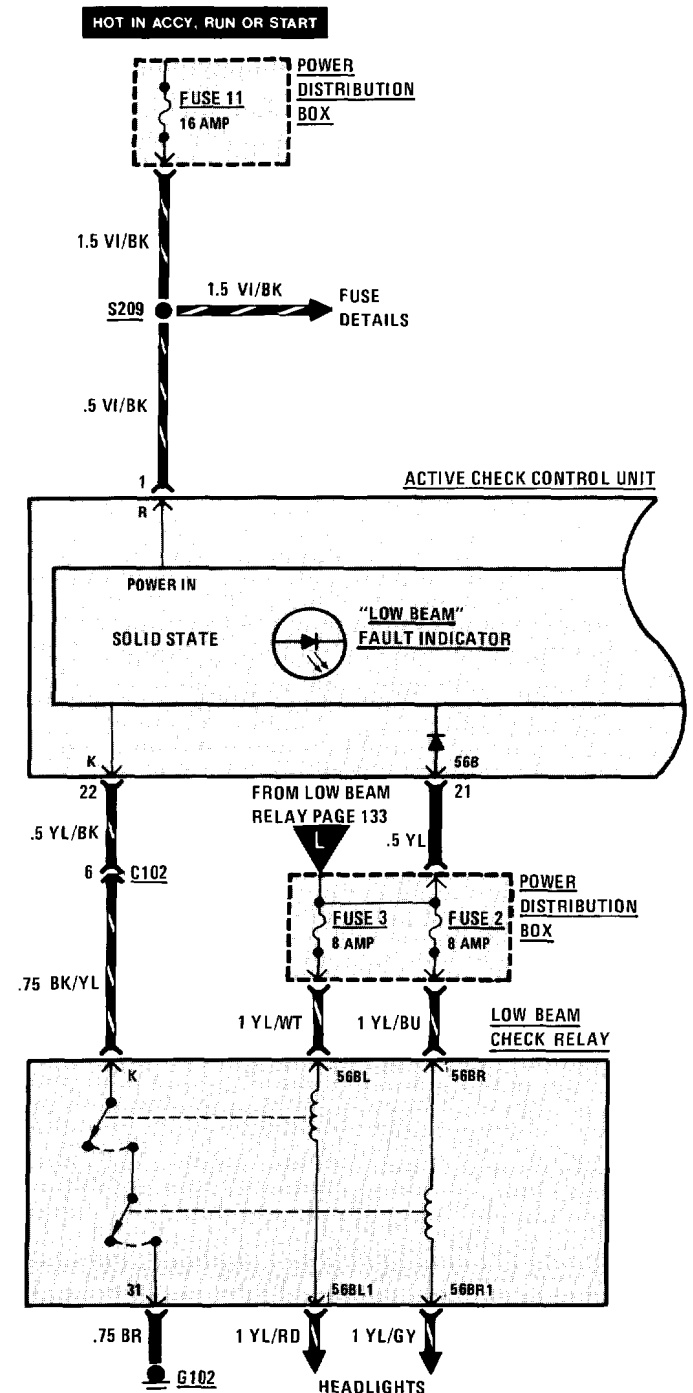


Figure 1 - Above Rear View Mirror

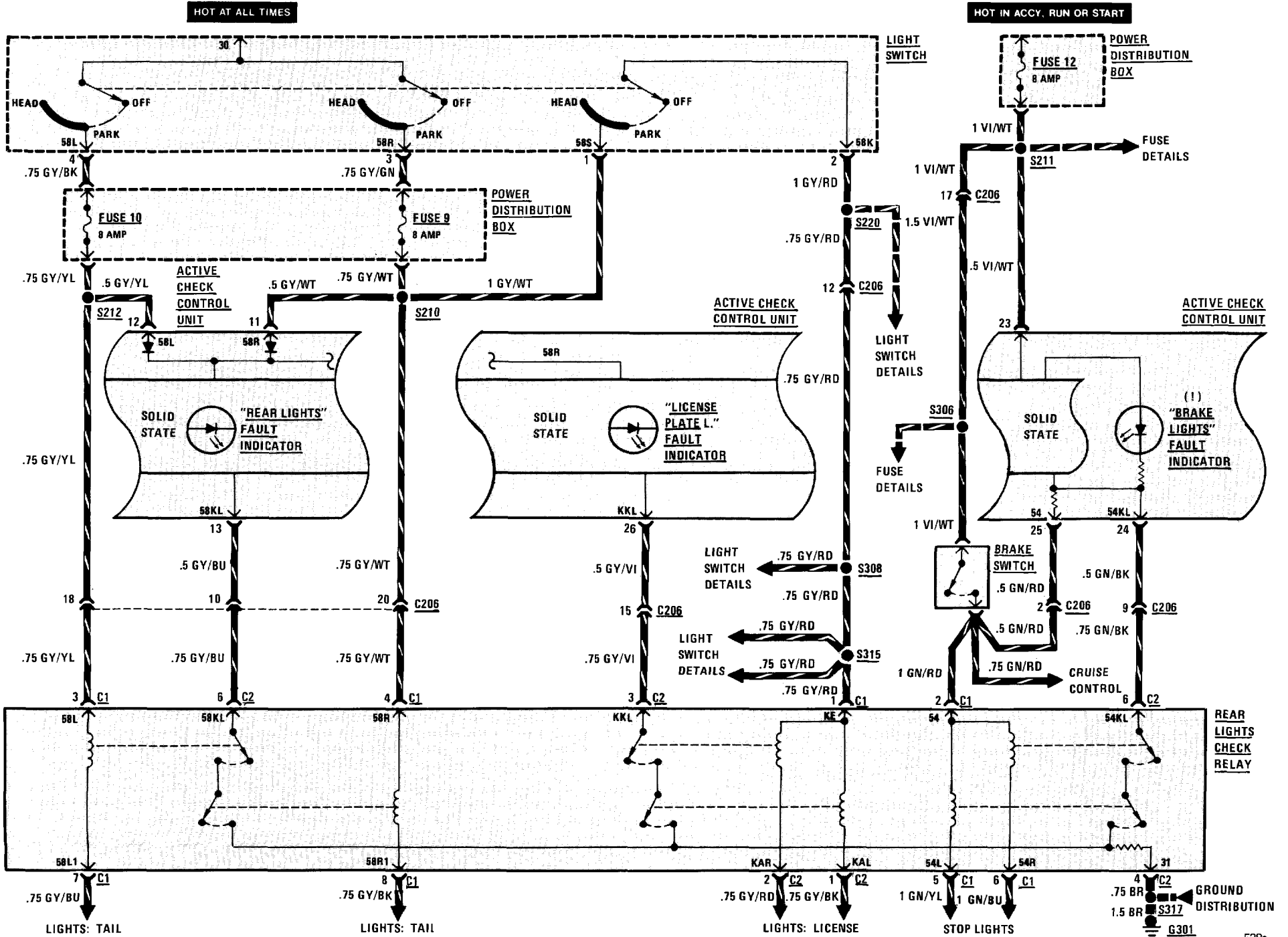
ACTIVE CHECK CONTROL

1. When the Ignition Switch is initially placed in "Run," the Active Check Control Alarm Indicator flashes, and the Active Check Control Unit Brake Light LED and panel light illuminate for test purposes. Depressing the brake pedal clears the display.
2. When the Ignition Switch is placed in "Run," fault monitoring begins. To monitor the low beams, rear lights, or license lights, those circuits must be on. The brake lights are monitored only while the brake pedal is depressed.
3. When a fault occurs, the alarm indicator flashes, the appropriate LED indicator lights, and the panel light goes on for five seconds. Depressing the test button will clear the alarm indicator, but the LED fault indicator remains on.
4. To test the unit, depress the test button. The LED fault indicators and panel light should go on.

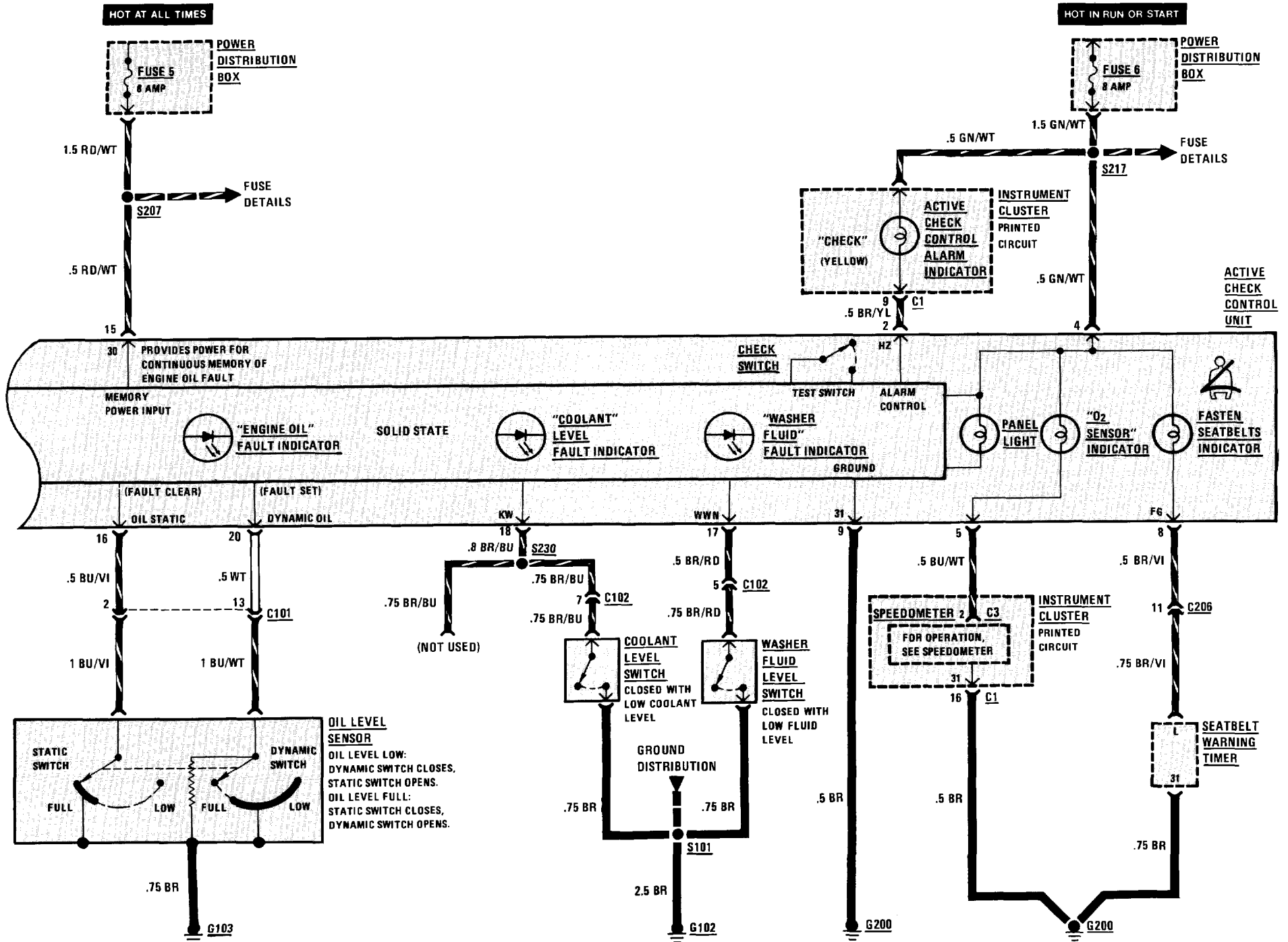


130 ACTIVE CHECK CONTROL

(For Component Location See Page 201)

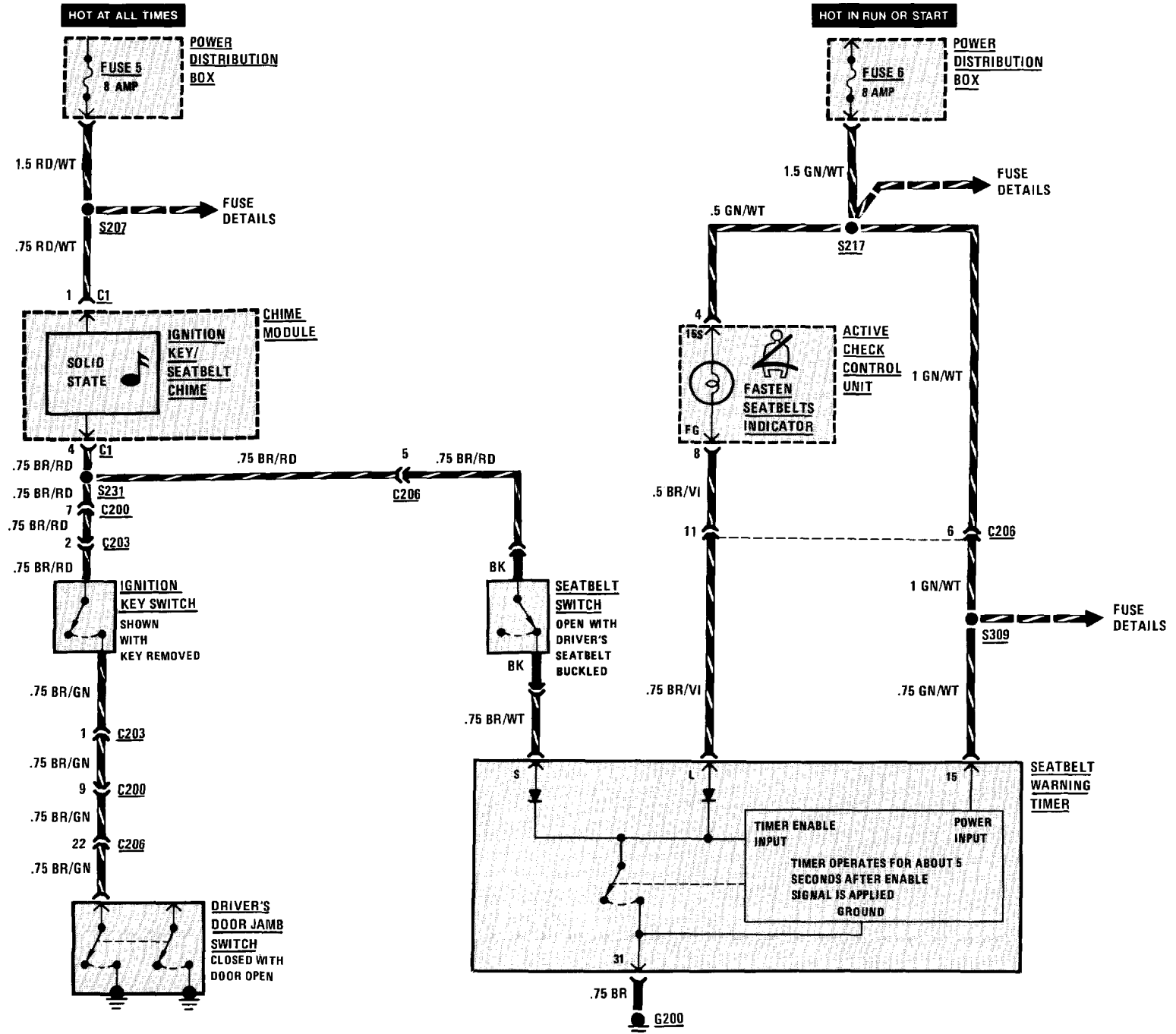


(For Component Locations See Page 201)

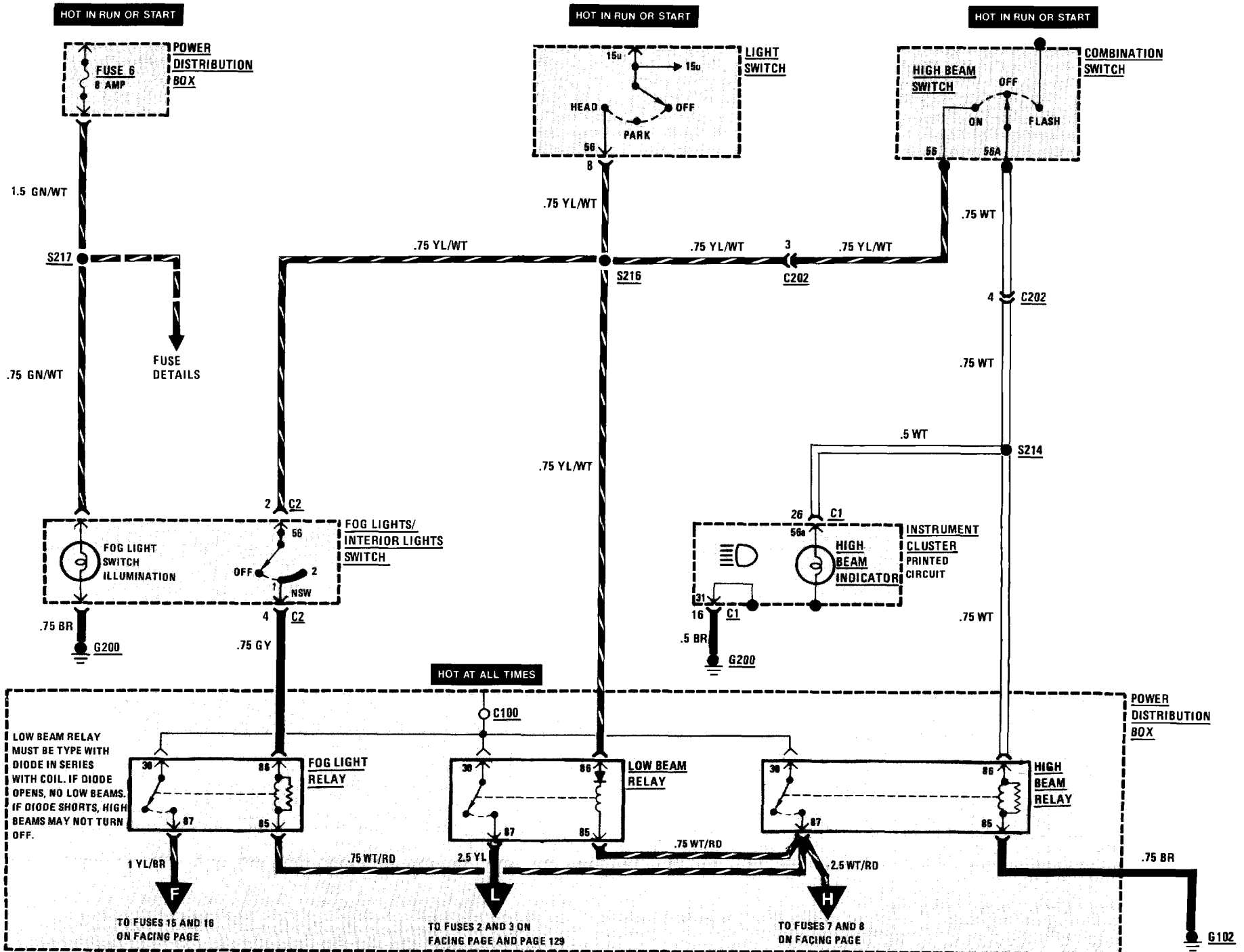


132 IGNITION KEY WARNING/SEATBELT WARNING

(For Component Location See Page 208)

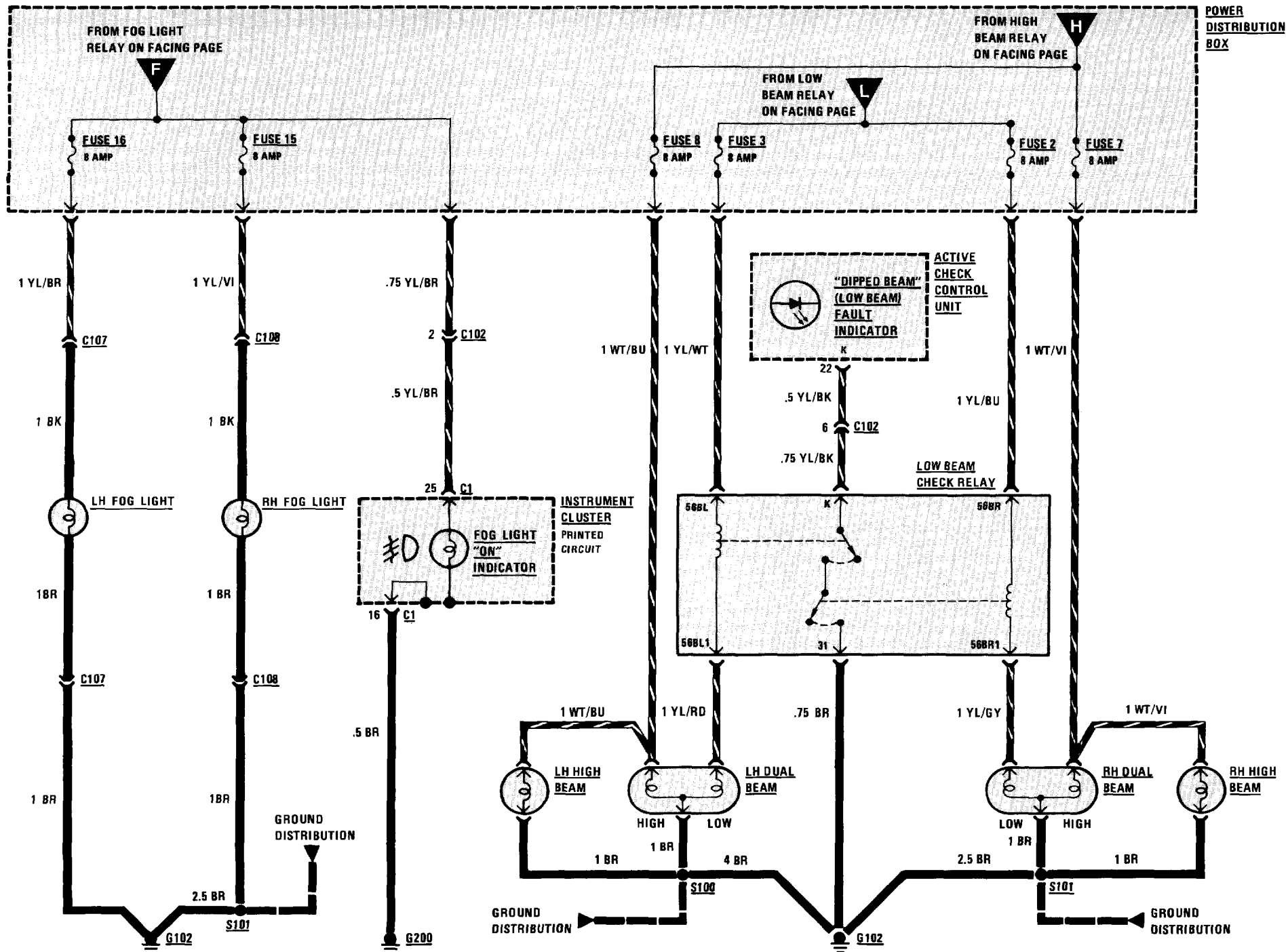


(For Component Locations See Page 205)

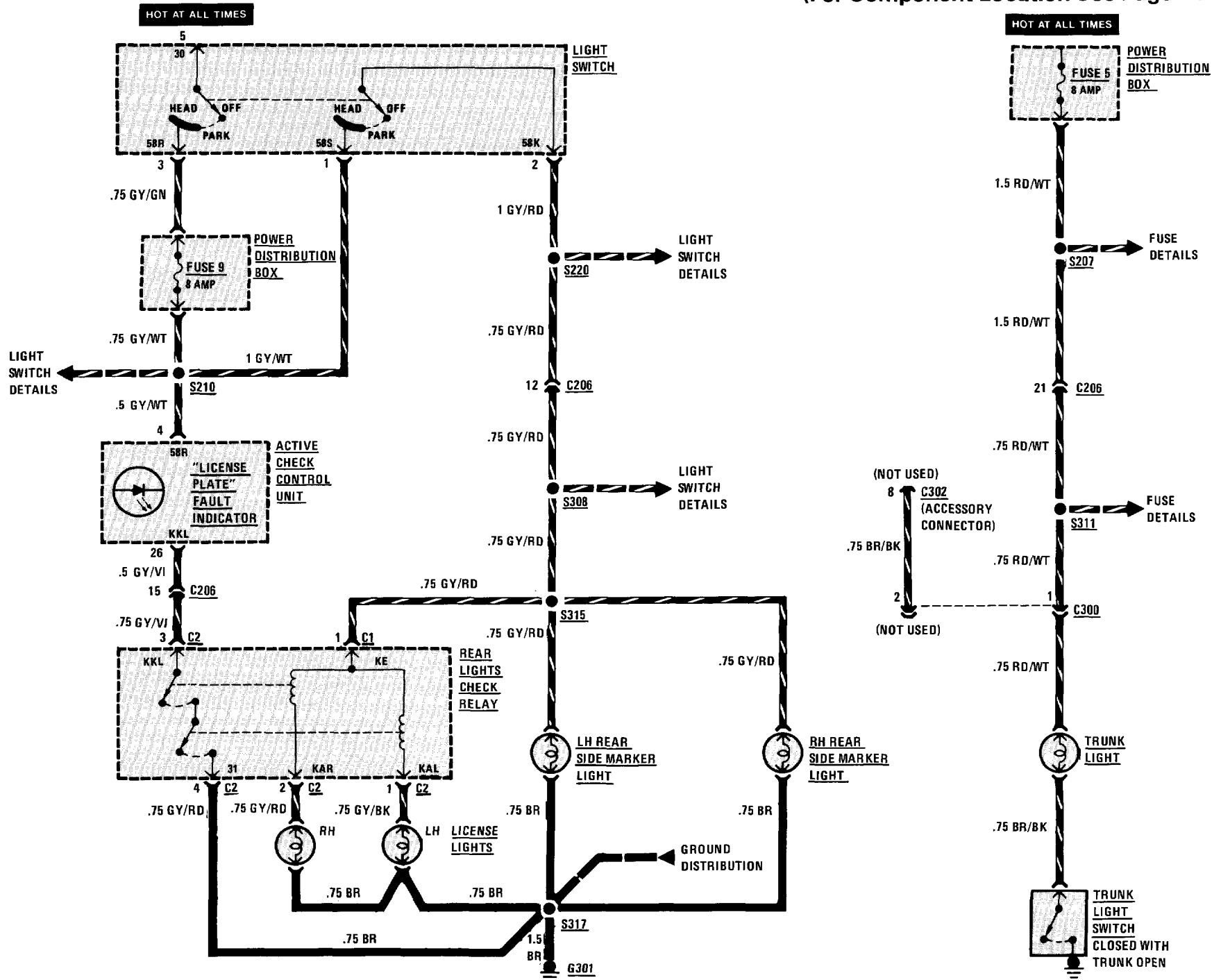


134 HEADLIGHTS (POWER)/FOGLIGHTS (POWER)

(For Component Locations See Page 205)

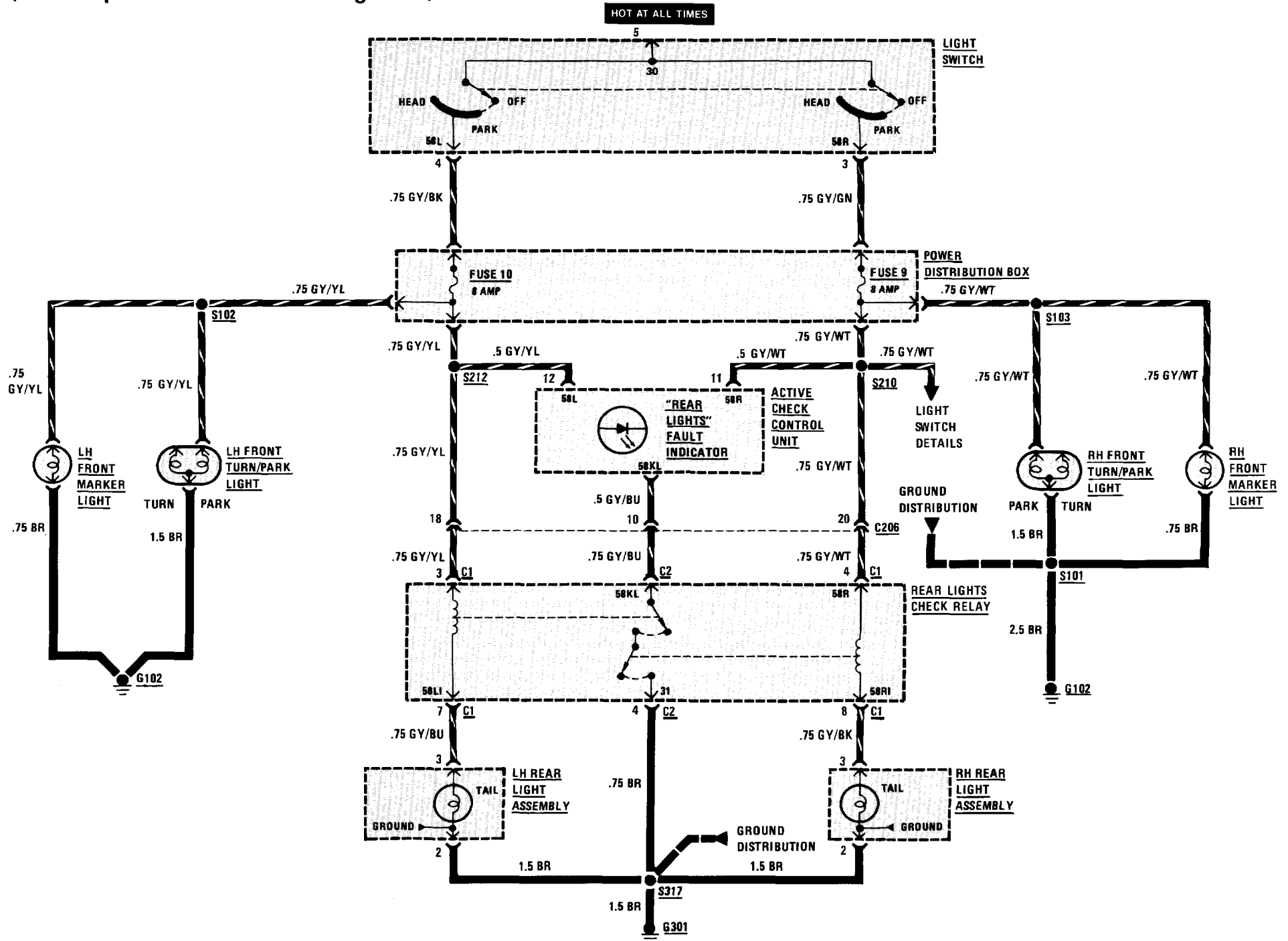


(For Component Location See Page 209)

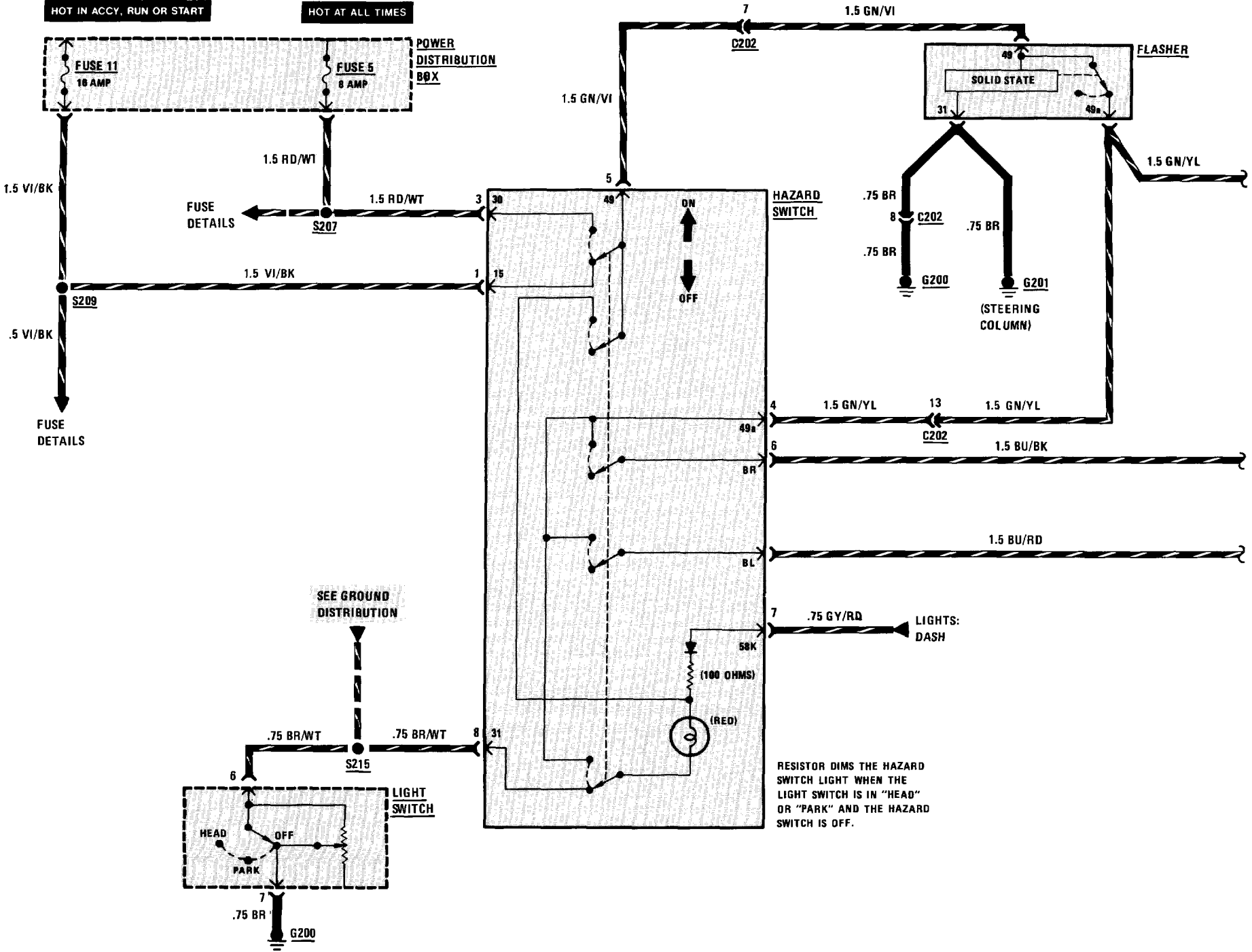


136 LIGHTS: FRONT PARK/Front MARKER/TAIl

(For Component Locations See Page 209)



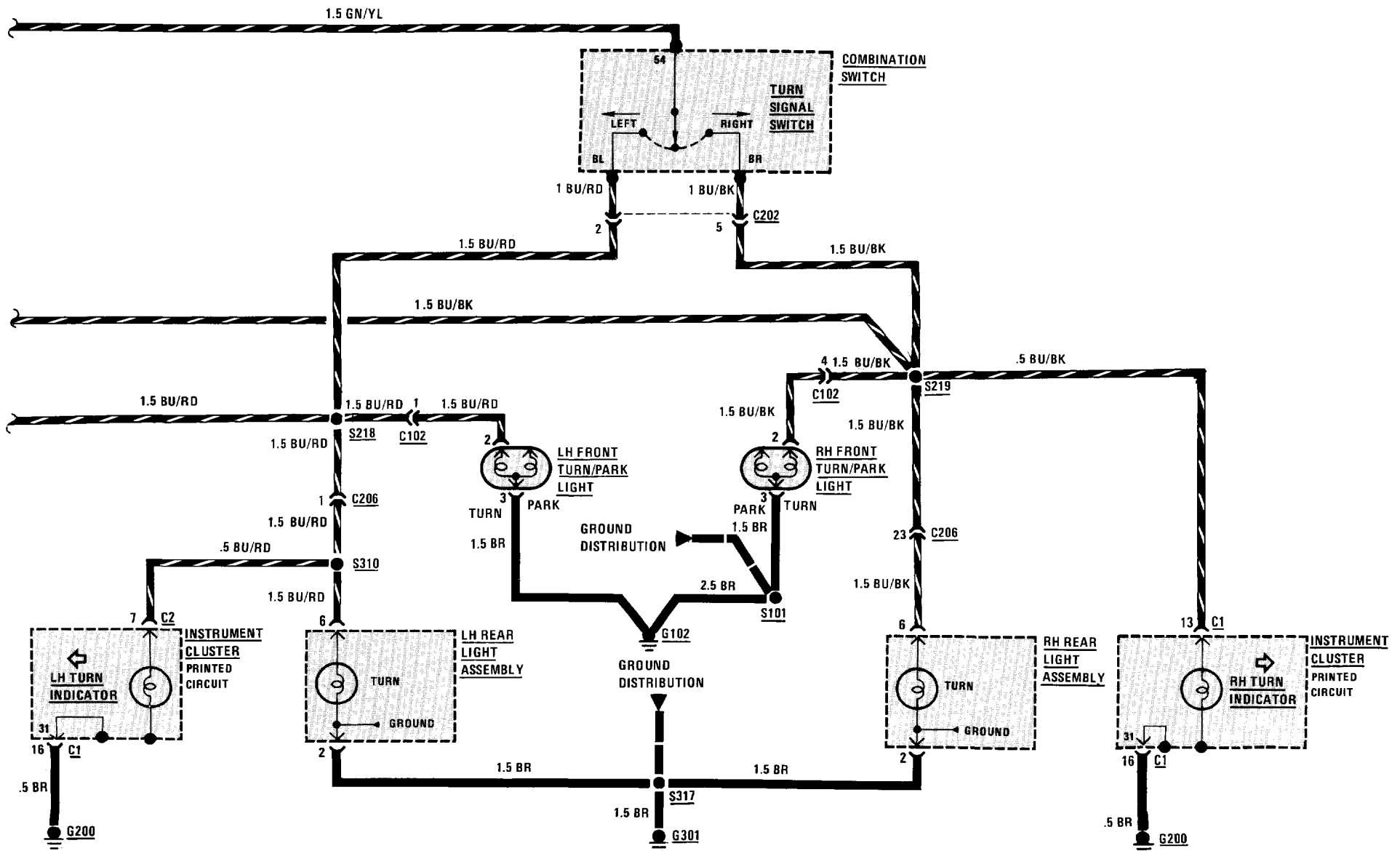
(For Component Locations See Page 209)



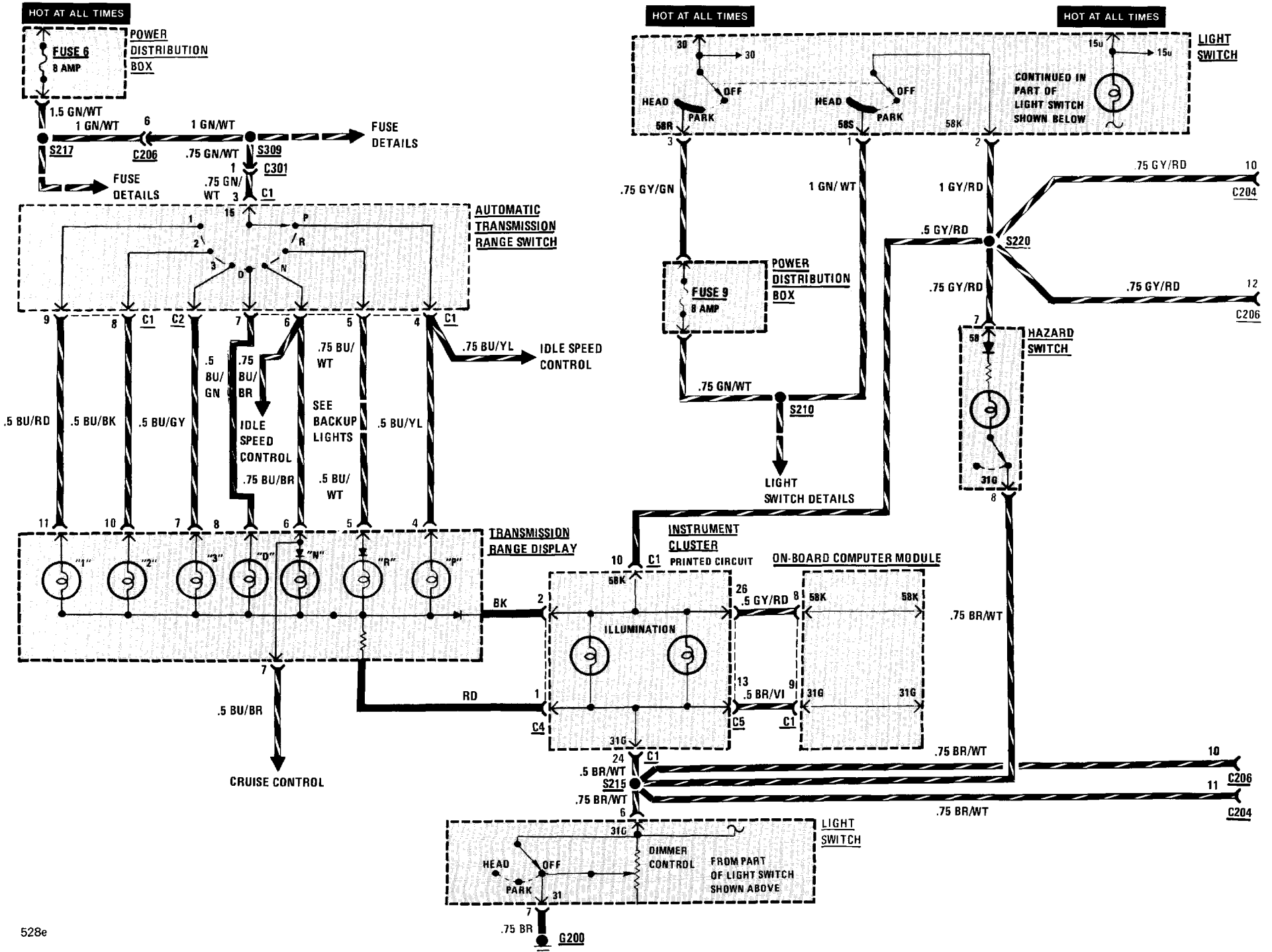
RESISTOR DIMS THE HAZARD SWITCH LIGHT WHEN THE LIGHT SWITCH IS IN "HEAD" OR "PARK" AND THE HAZARD SWITCH IS OFF.

138 LIGHTS: TURN/HAZARD WARNING

(For Component Locations See Page 208)

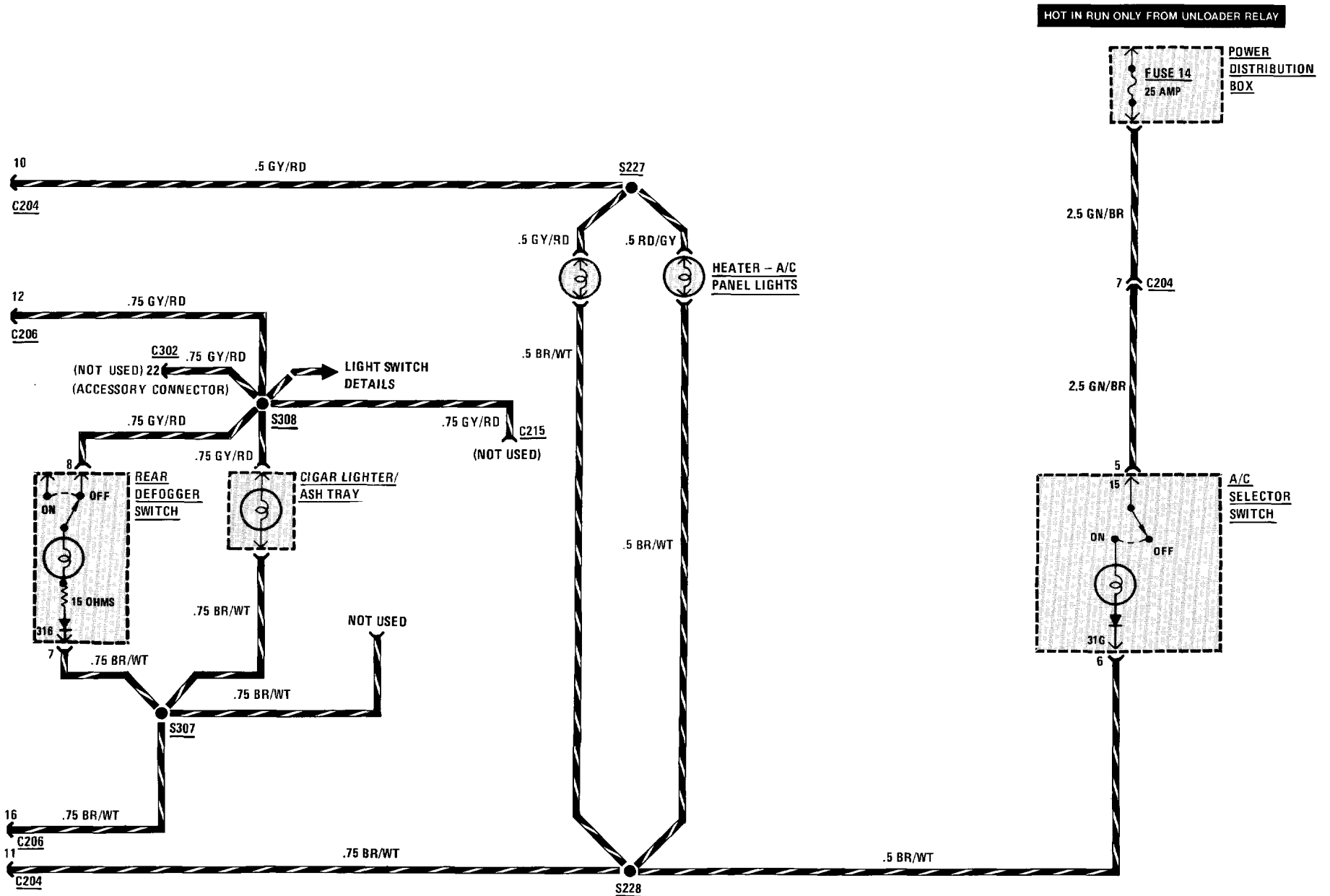


(For Component Locations See Page 208)

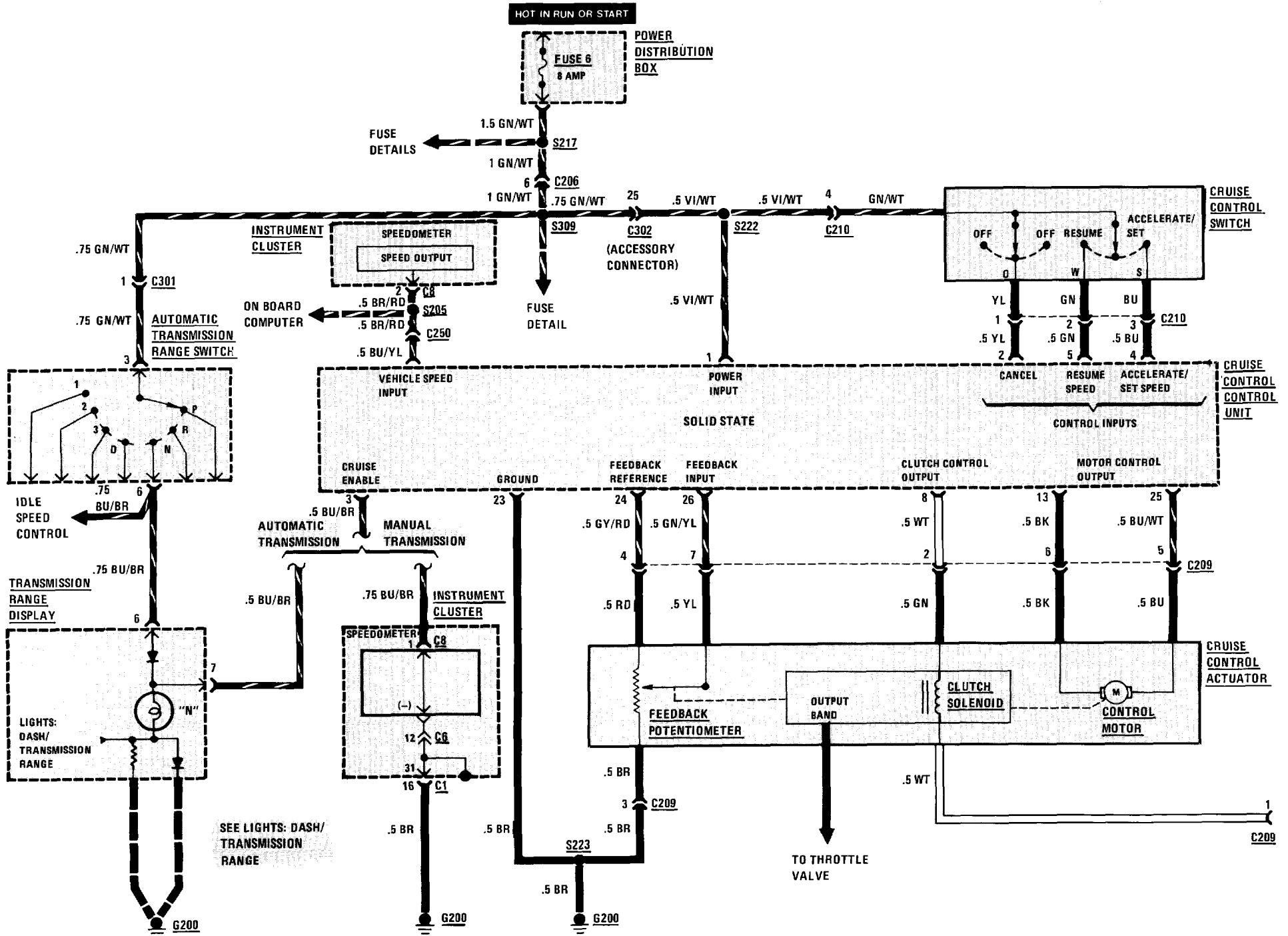


140 LIGHTS: DASH/TRANSMISSION RANGE

(For Component Locations See Page 208)

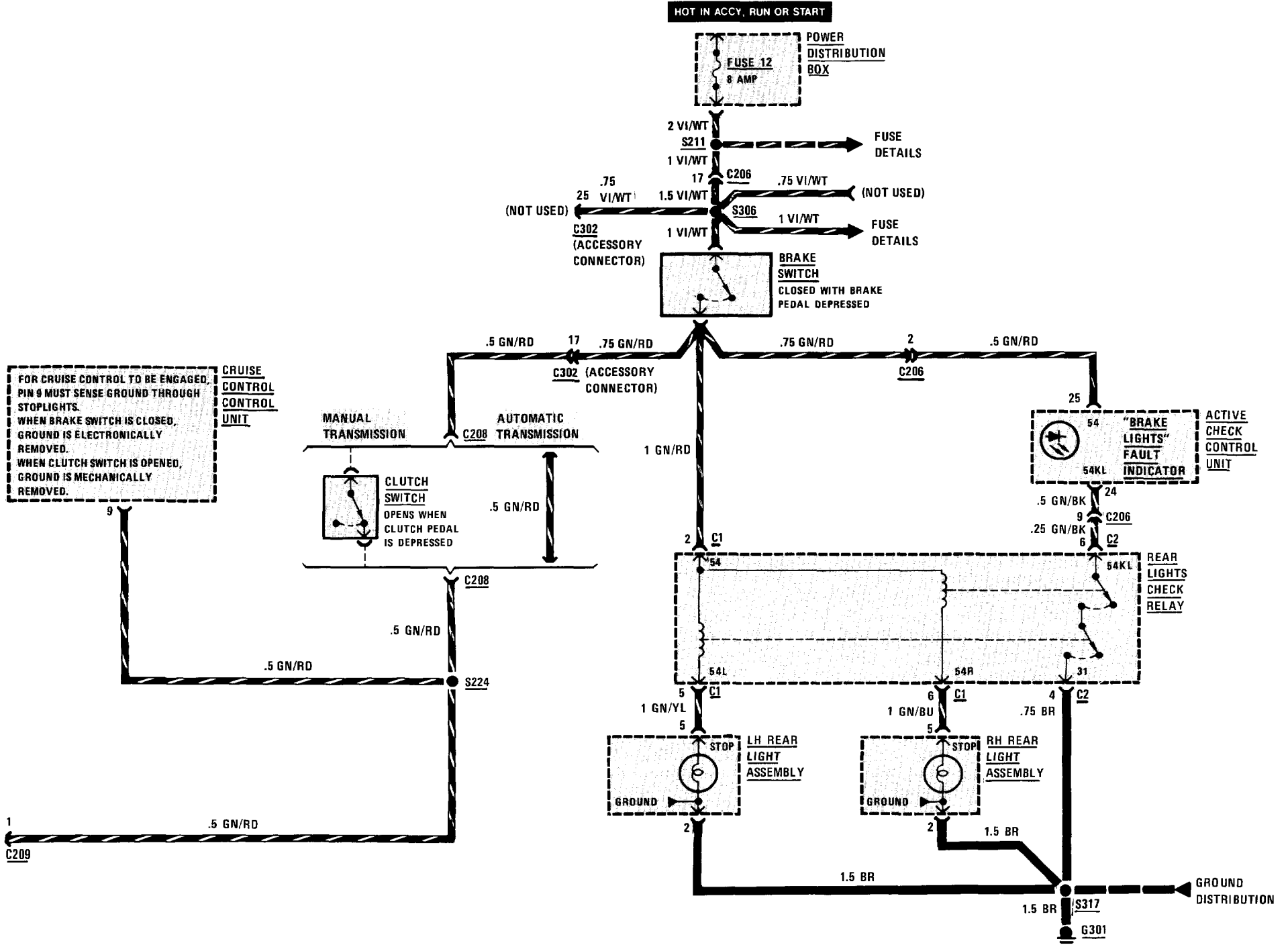


(For Component Locations See Page 203)



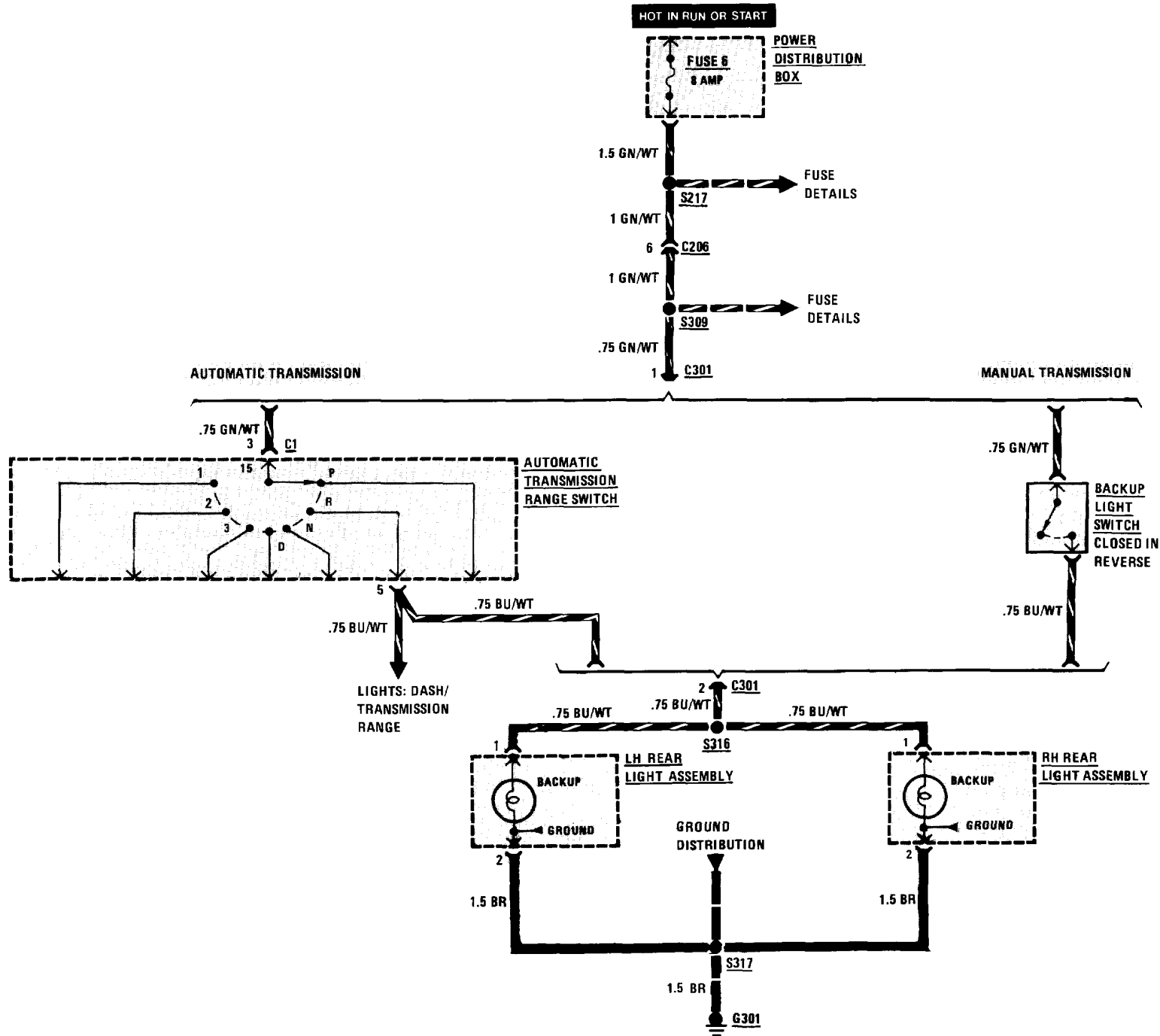
142 CRUISE CONTROL/STOPLIGHTS

(For Component Location See Page 203)

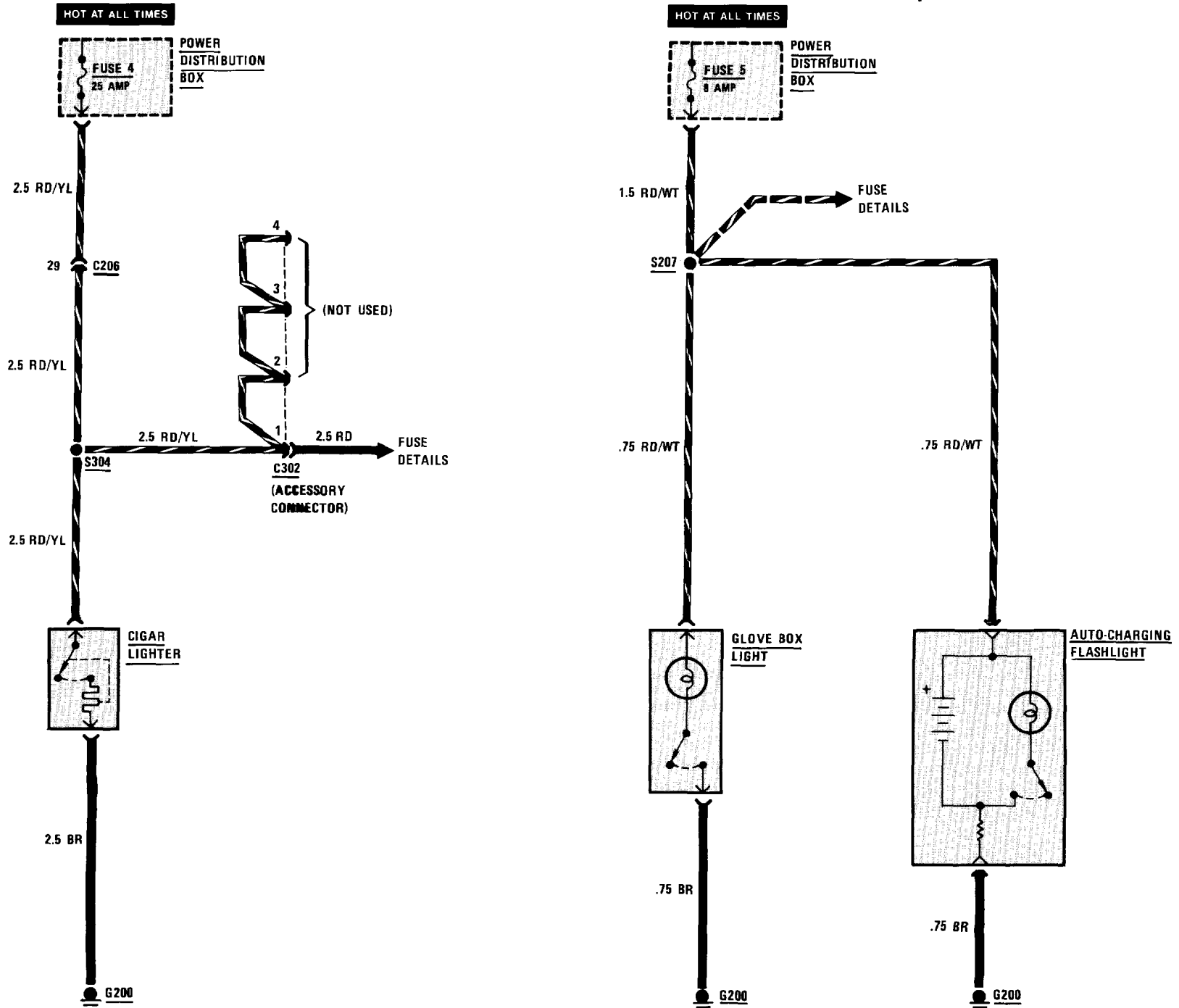


144 BACKUP LIGHTS

(For Component Location See Page 202)

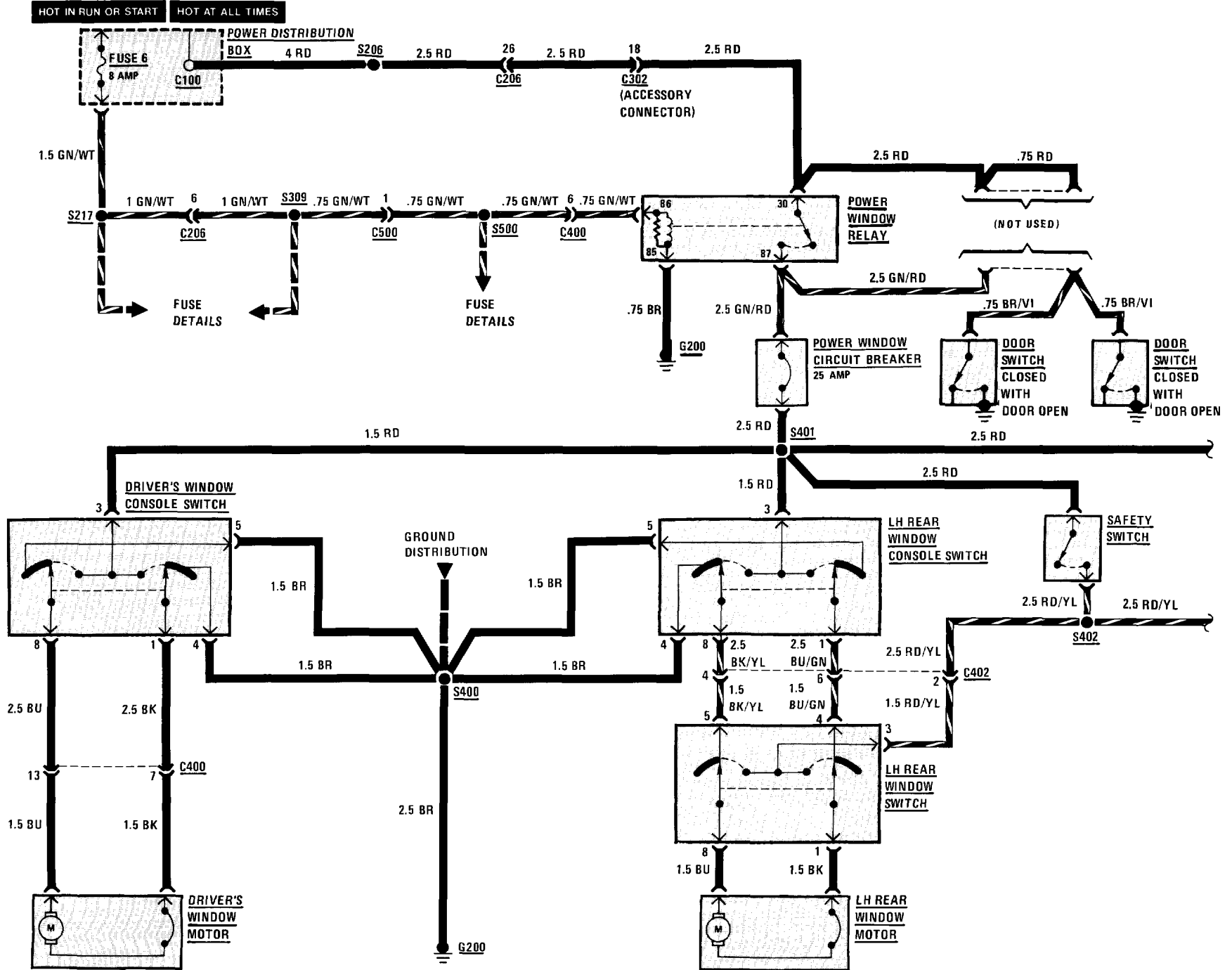


(For Component Locations See Page 203)

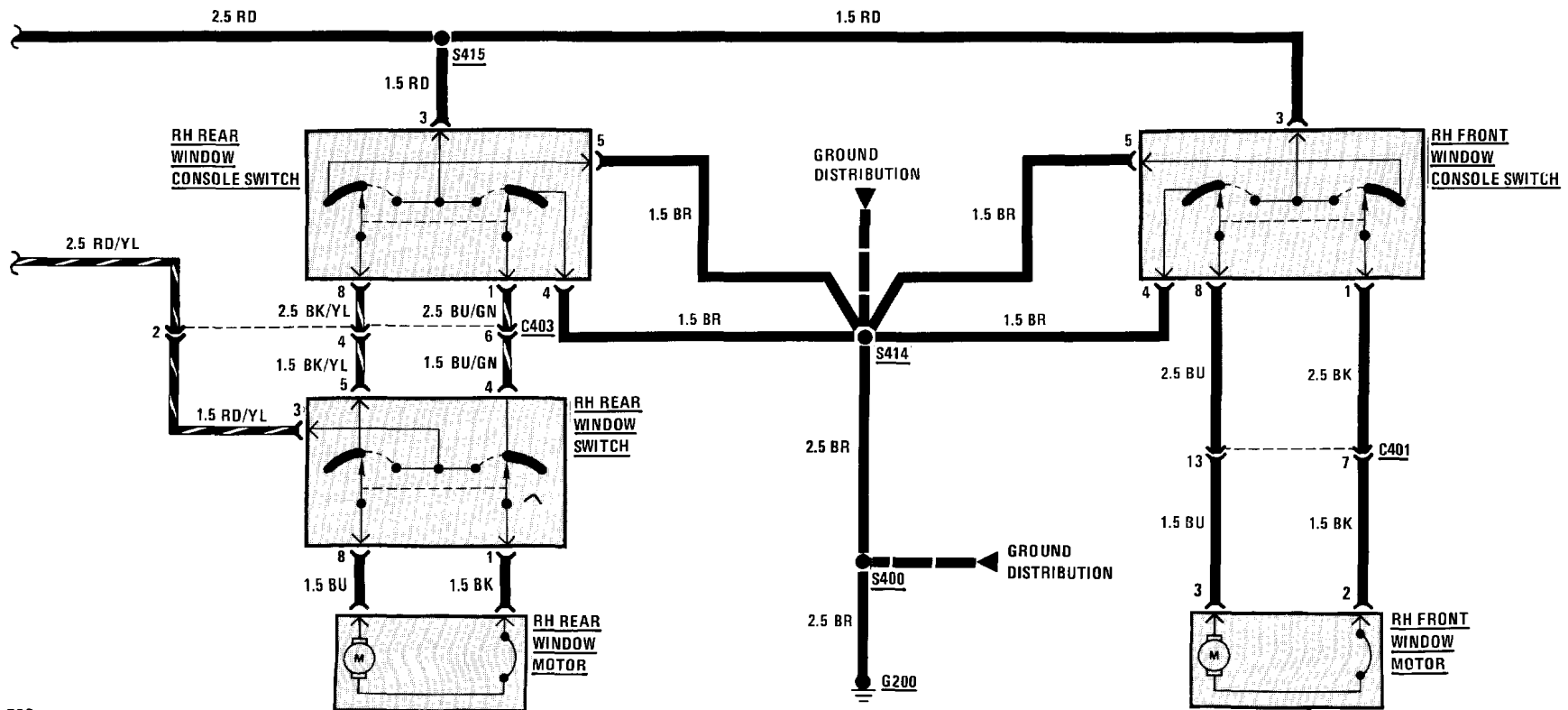


146 POWER WINDOWS

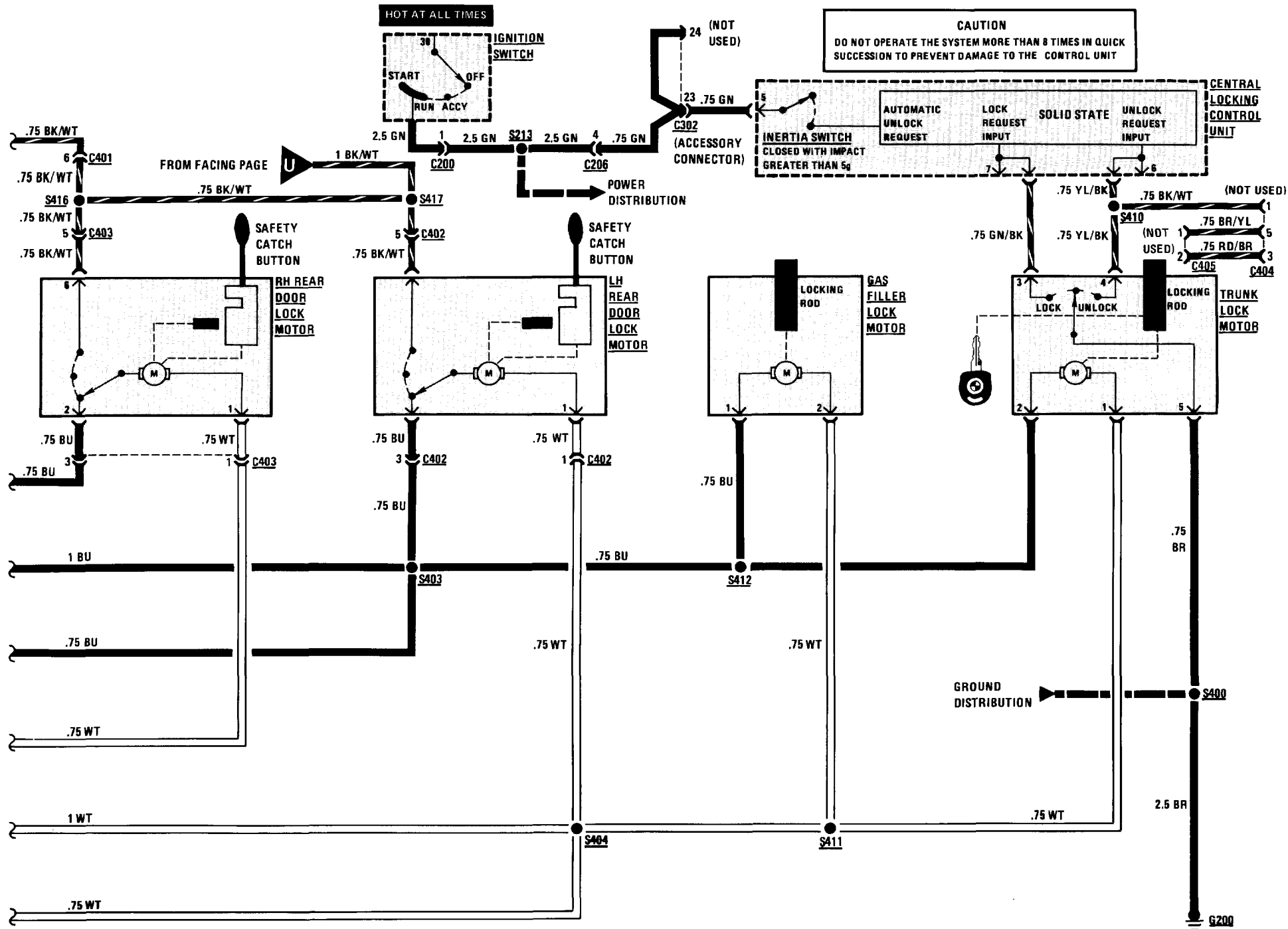
(For Component Locations See Page 211)



(For Component Locations See Page 211)

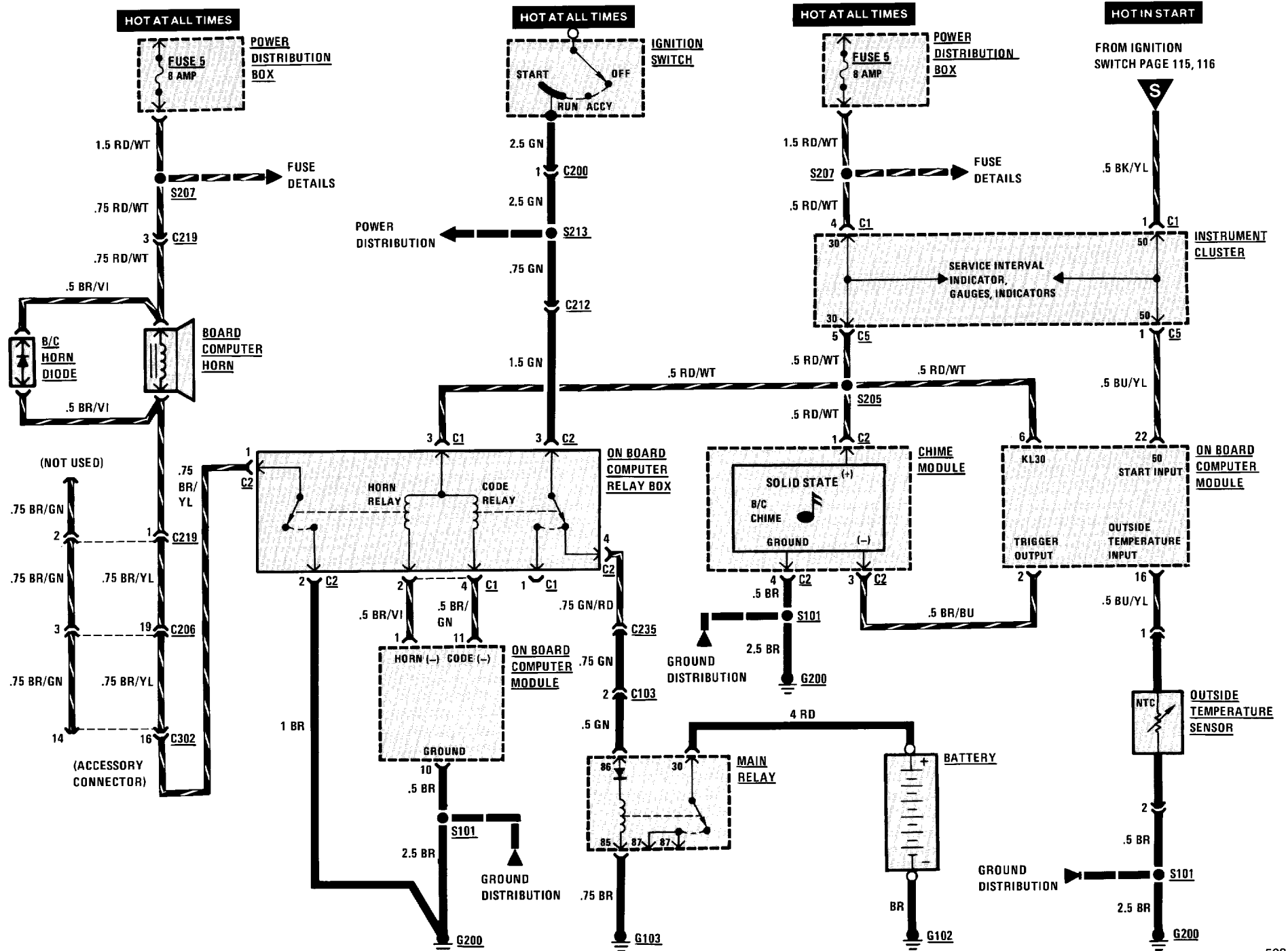


(For Component Location See Page 202)

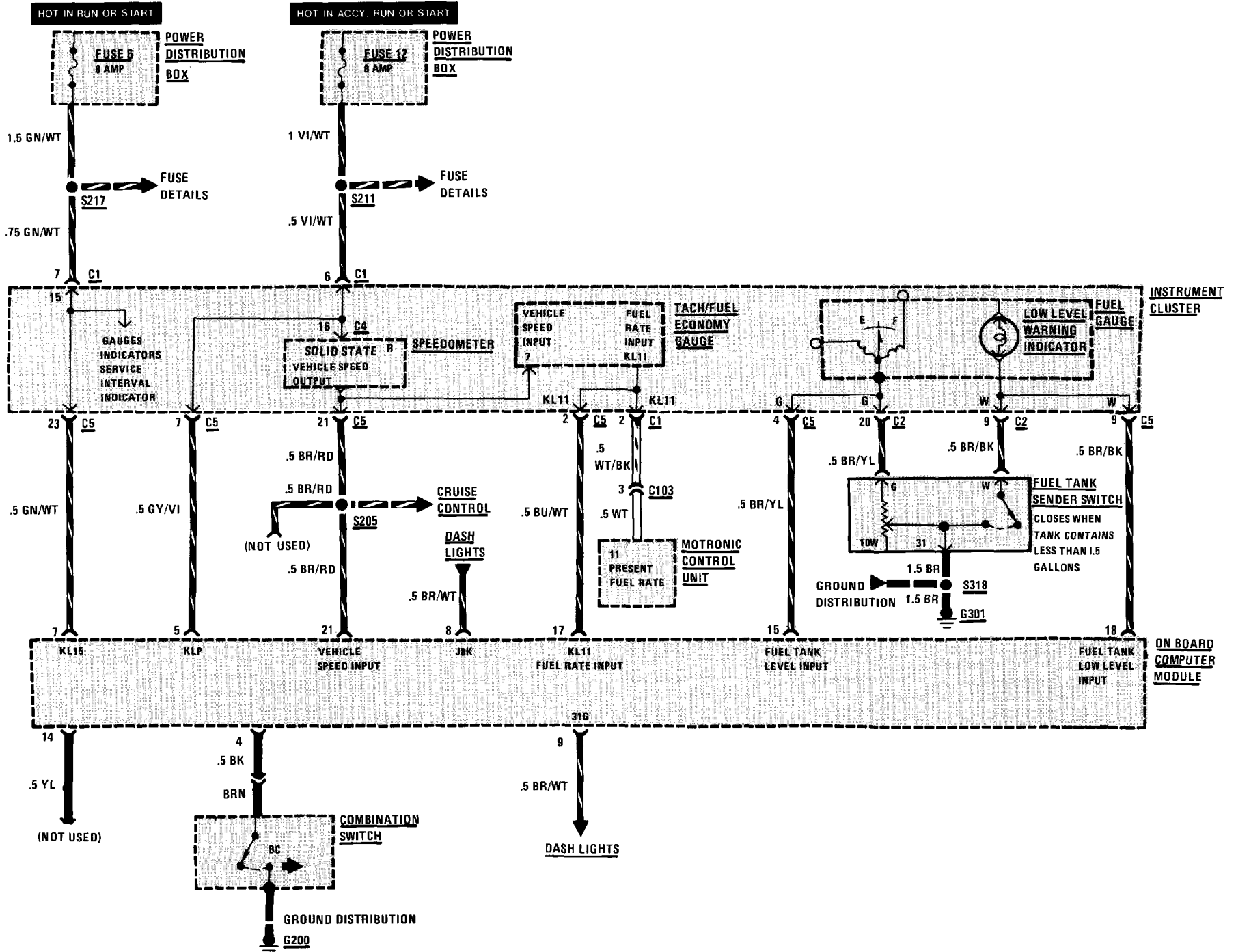


150 ON BOARD COMPUTER

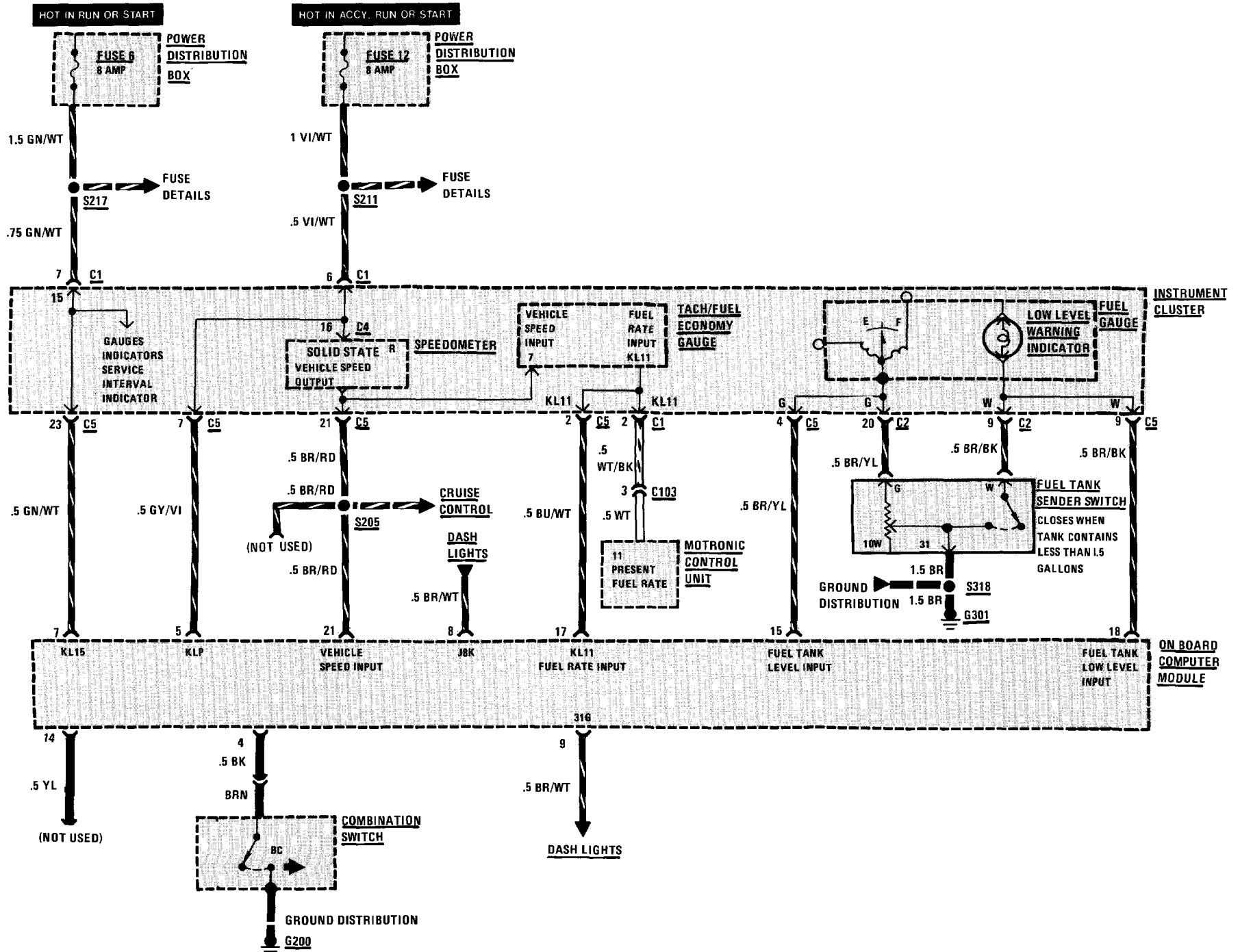
(For Component Locations See Page 209)



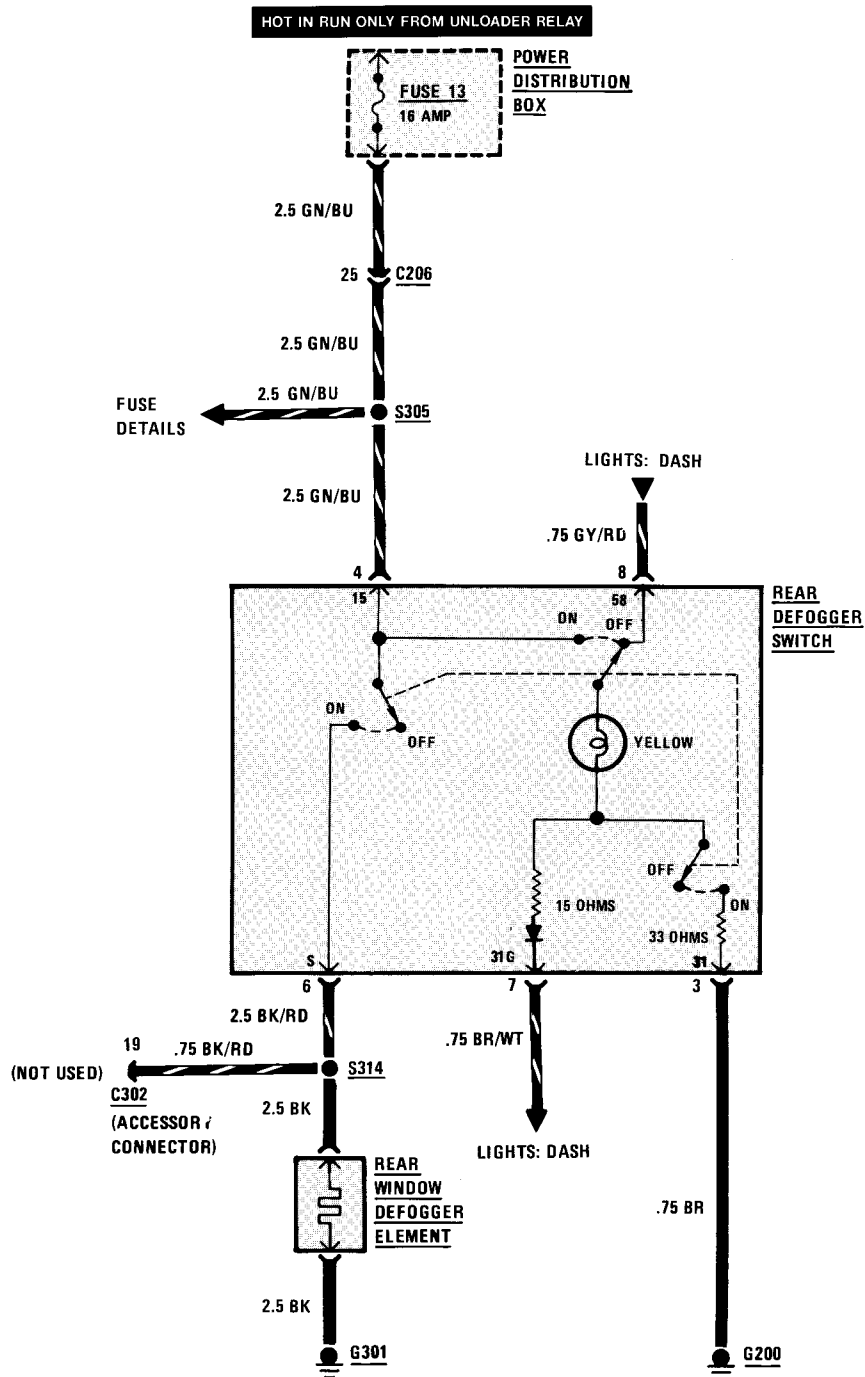
(For Component Locations See Page 209)



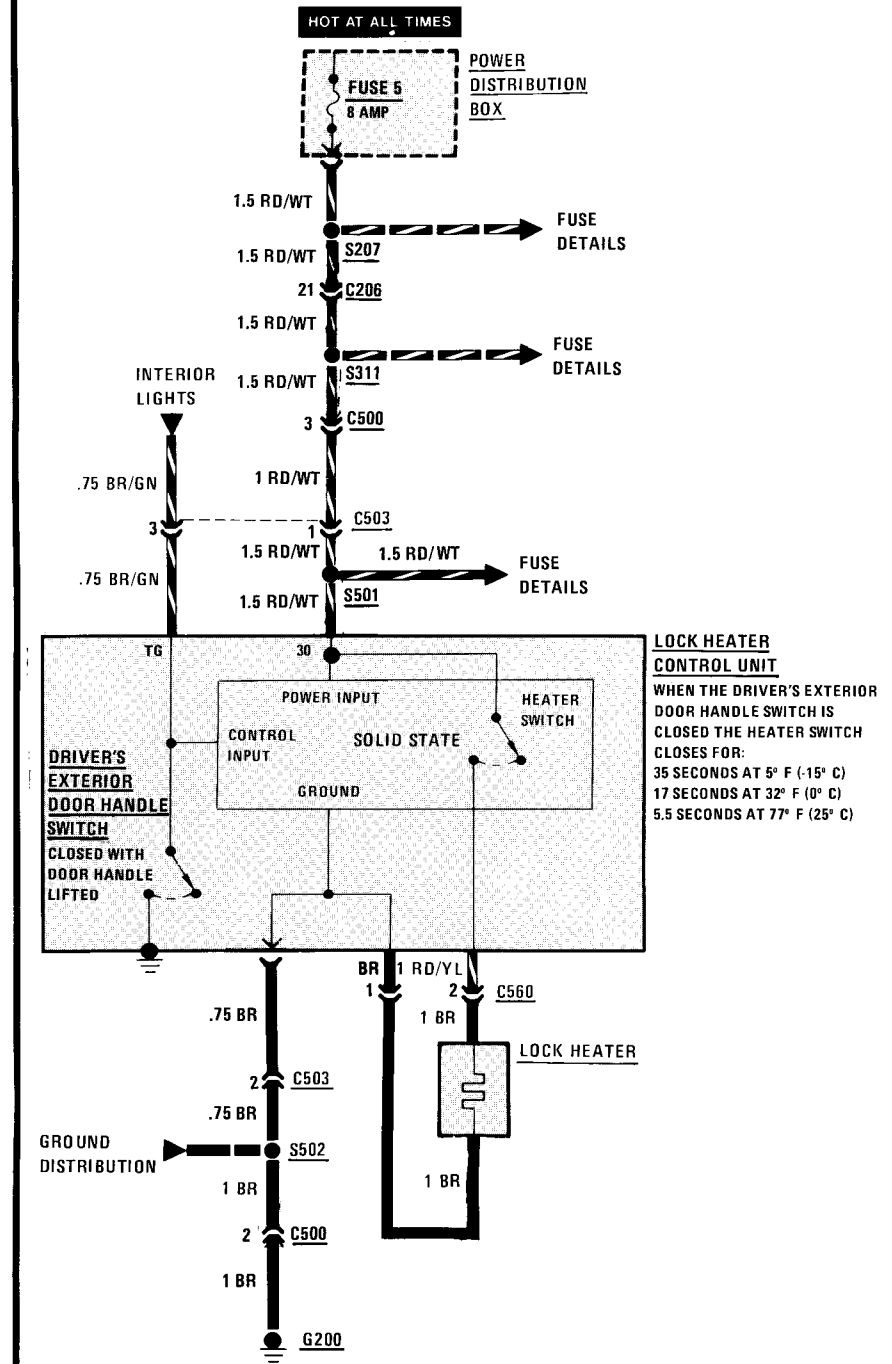
(For Component Locations See Page 209)



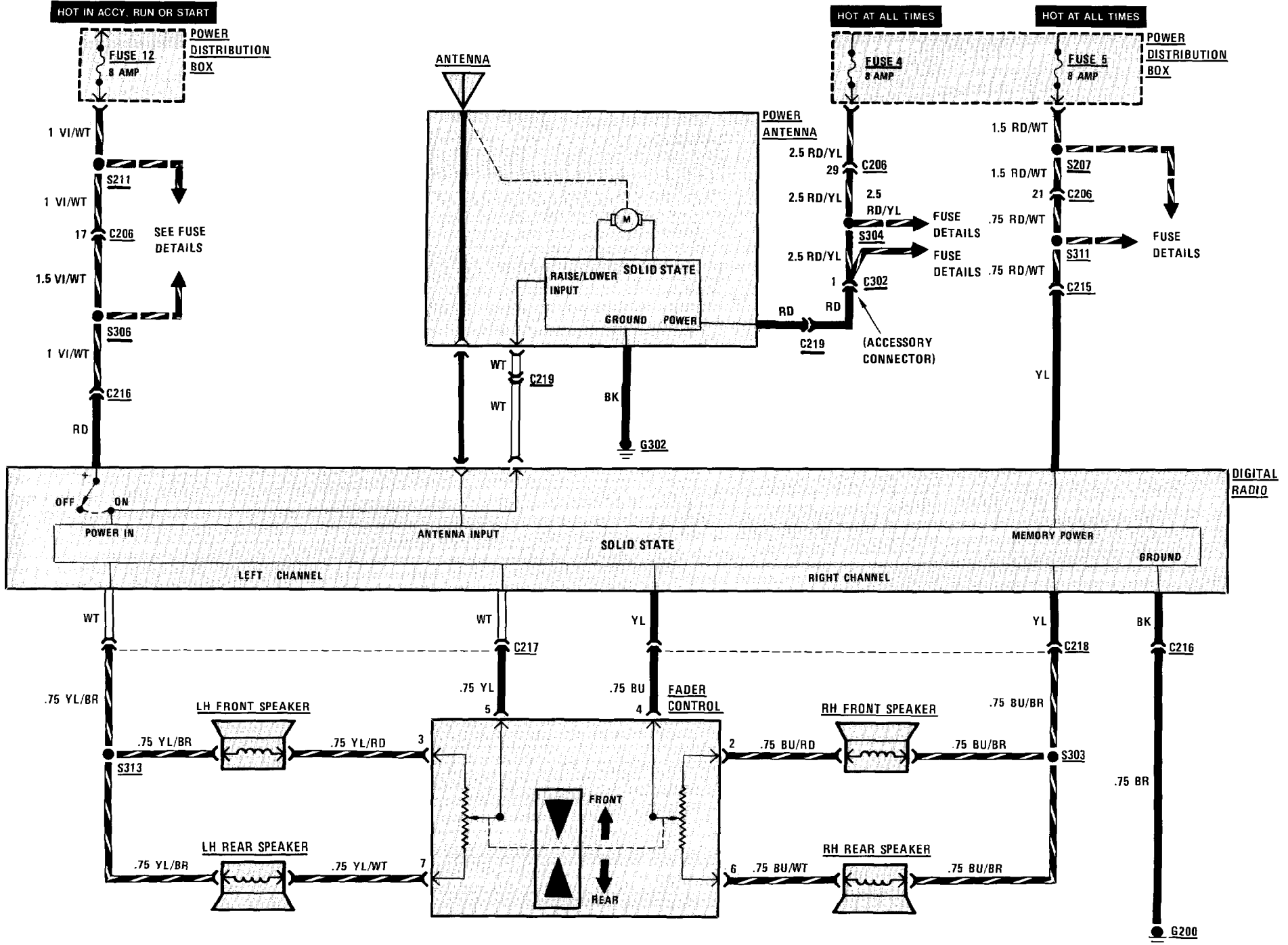
(For Component Locations See Page 211)



(For Component Locations See Page 211)



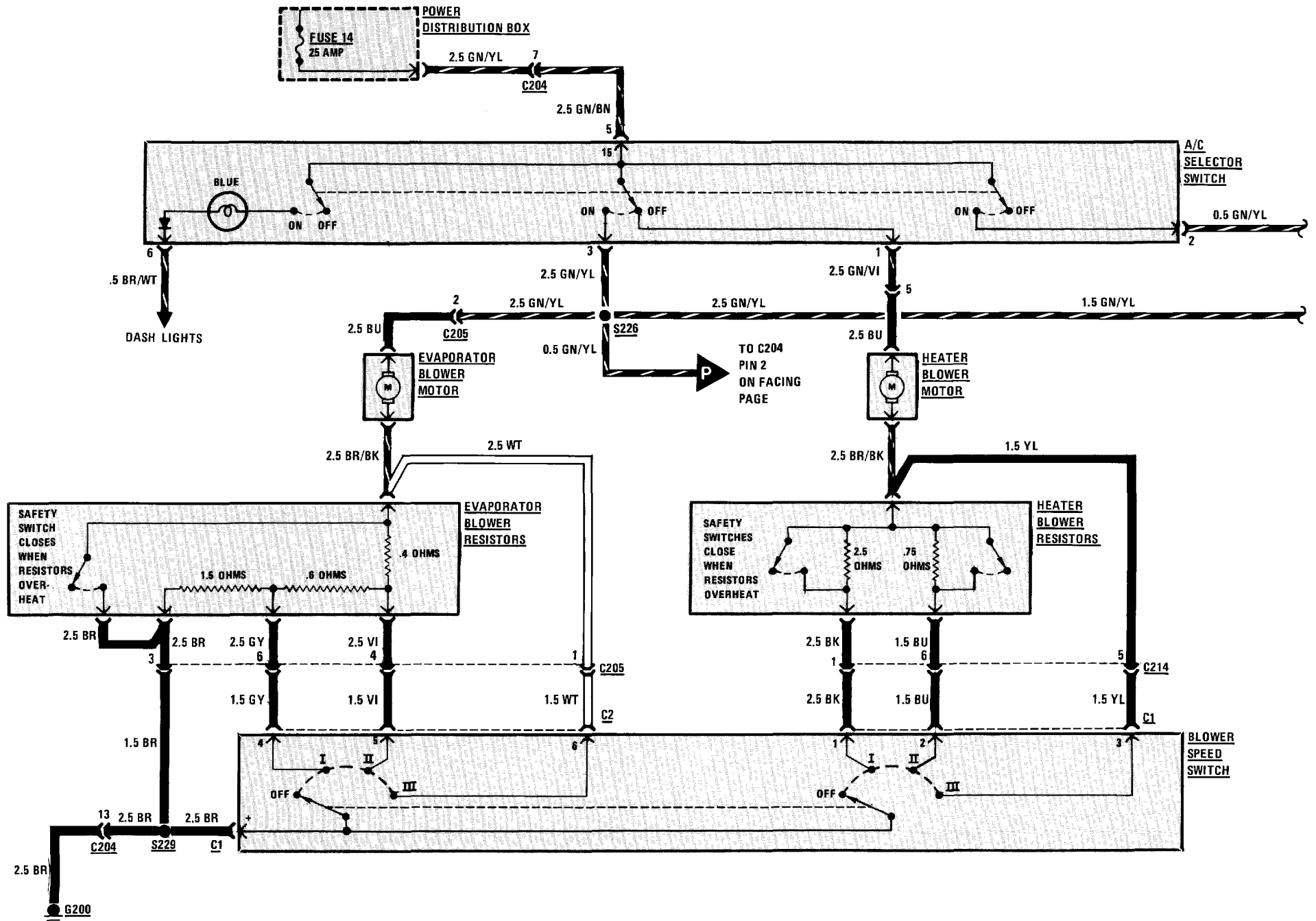
(For Component Locations See Page 211)



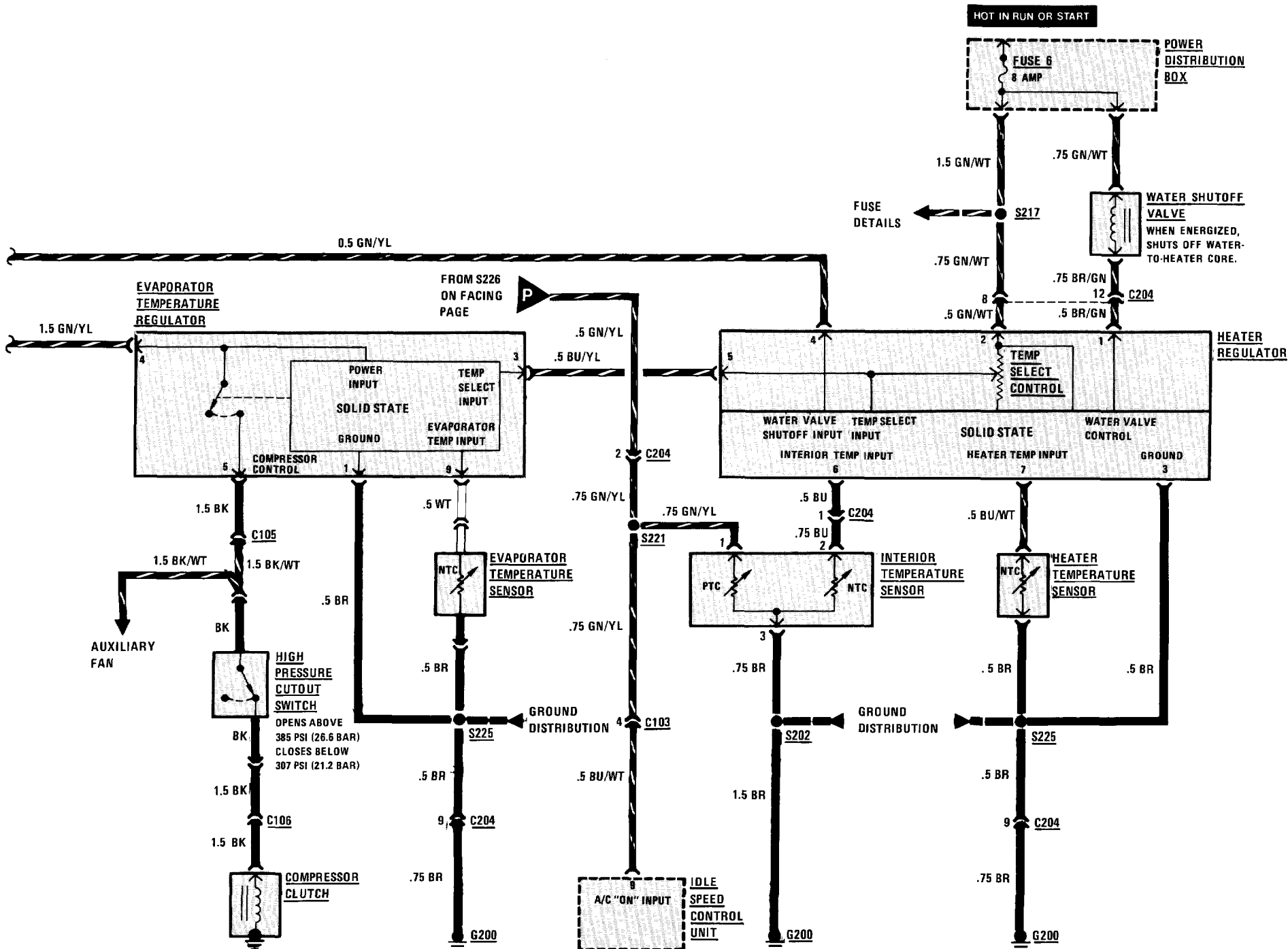
154 HEATER/AIR CONDITIONING (BLOWER)

(For Component Locations See Page 205)

HOT IN RUN ONLY FROM UNLOADER RELAY

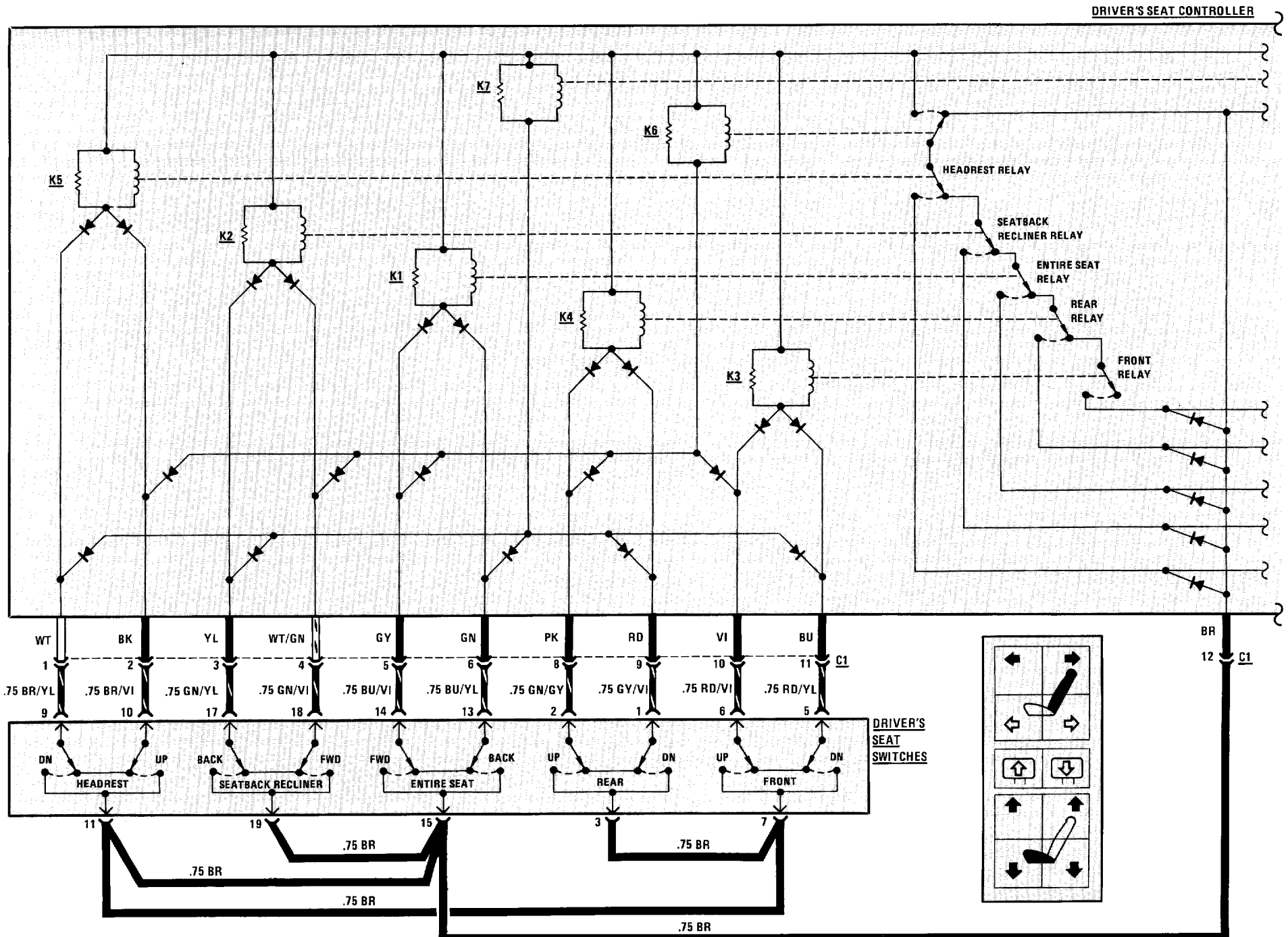


(For Component Location See Page 205)

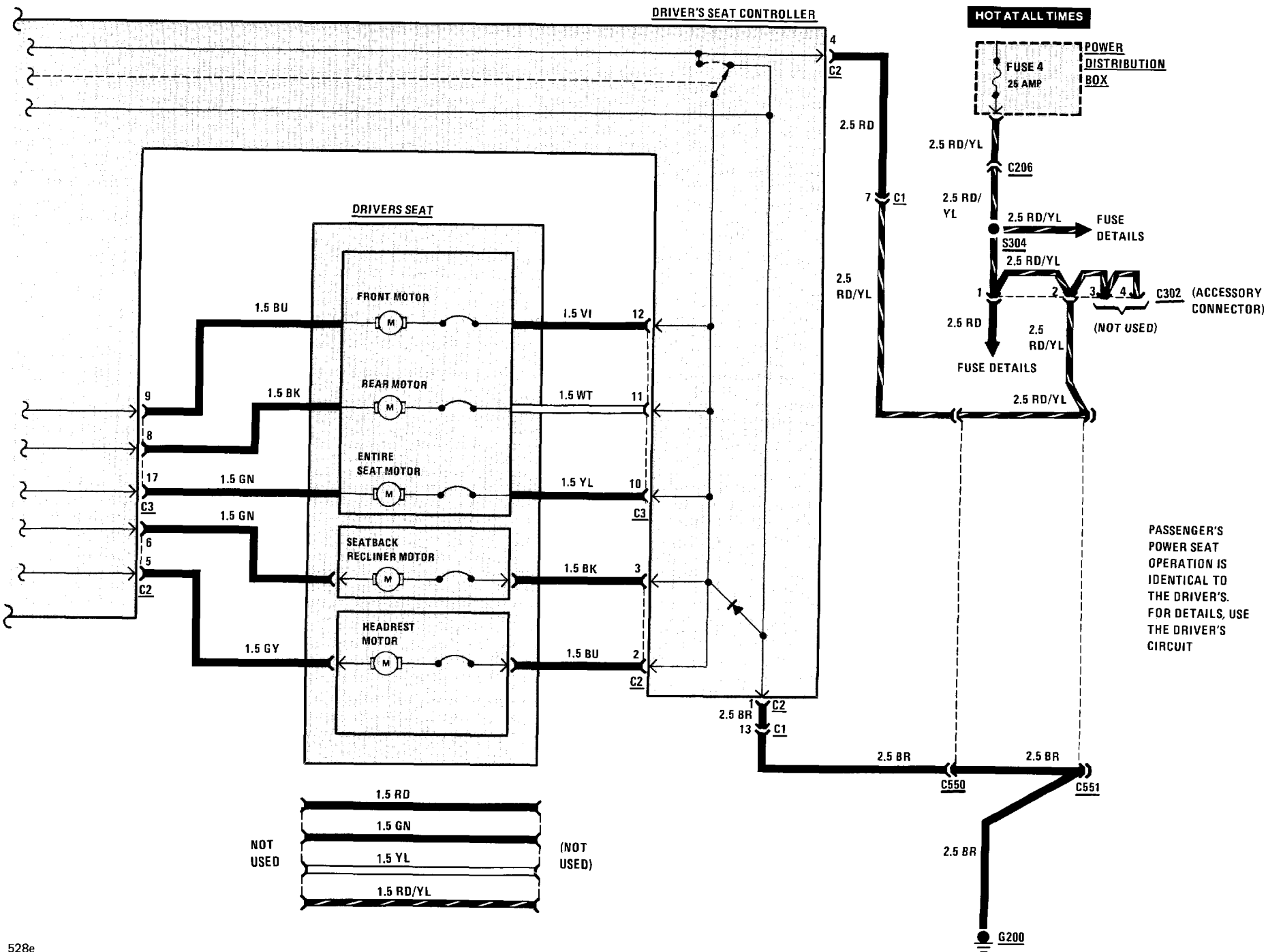


156 POWER SEATS

(For Component Location See Page 211)

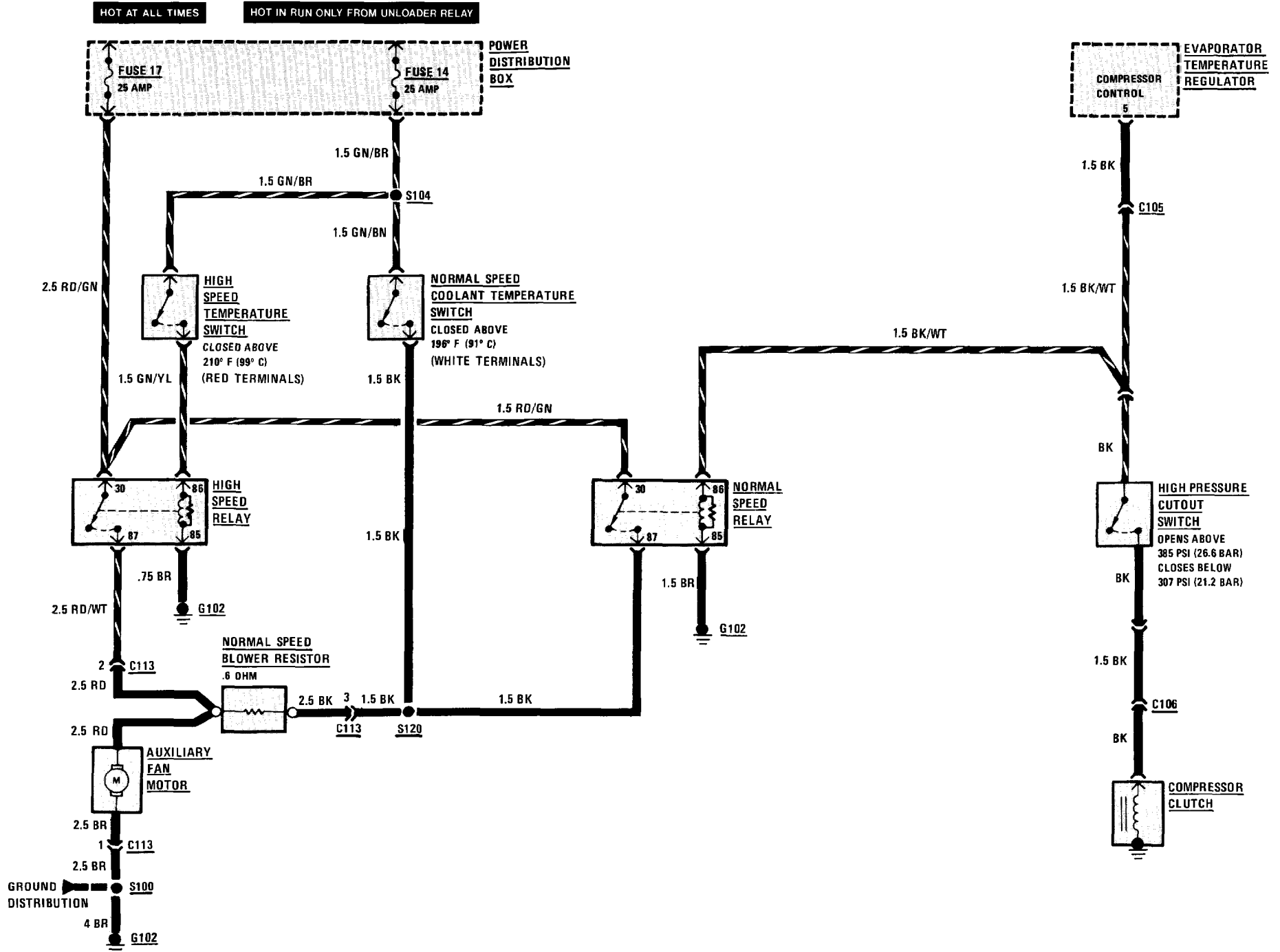


(For Component Locations See Page 211)

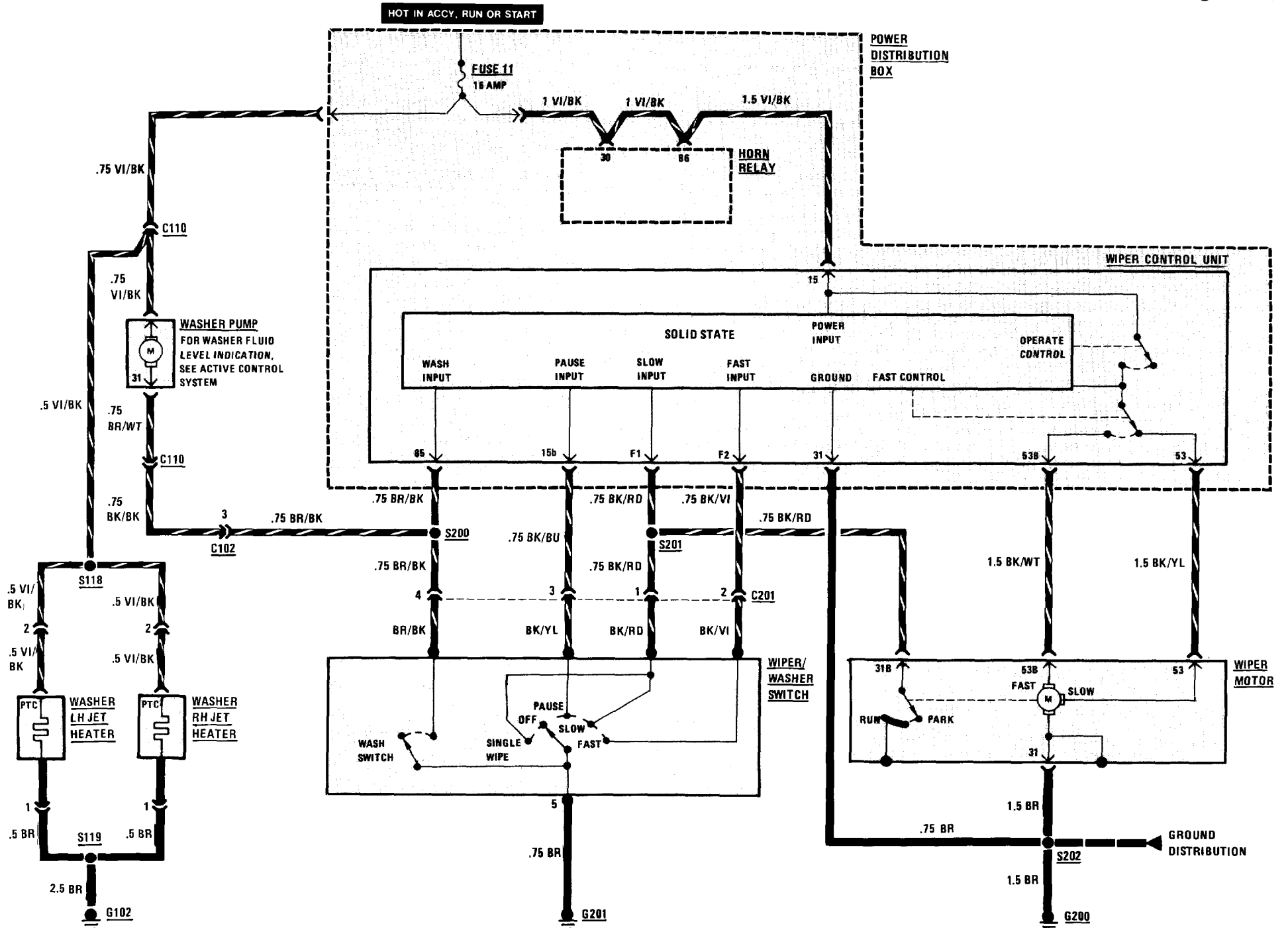


158 AUXILIARY FAN

(For Component Locations See Page 201)

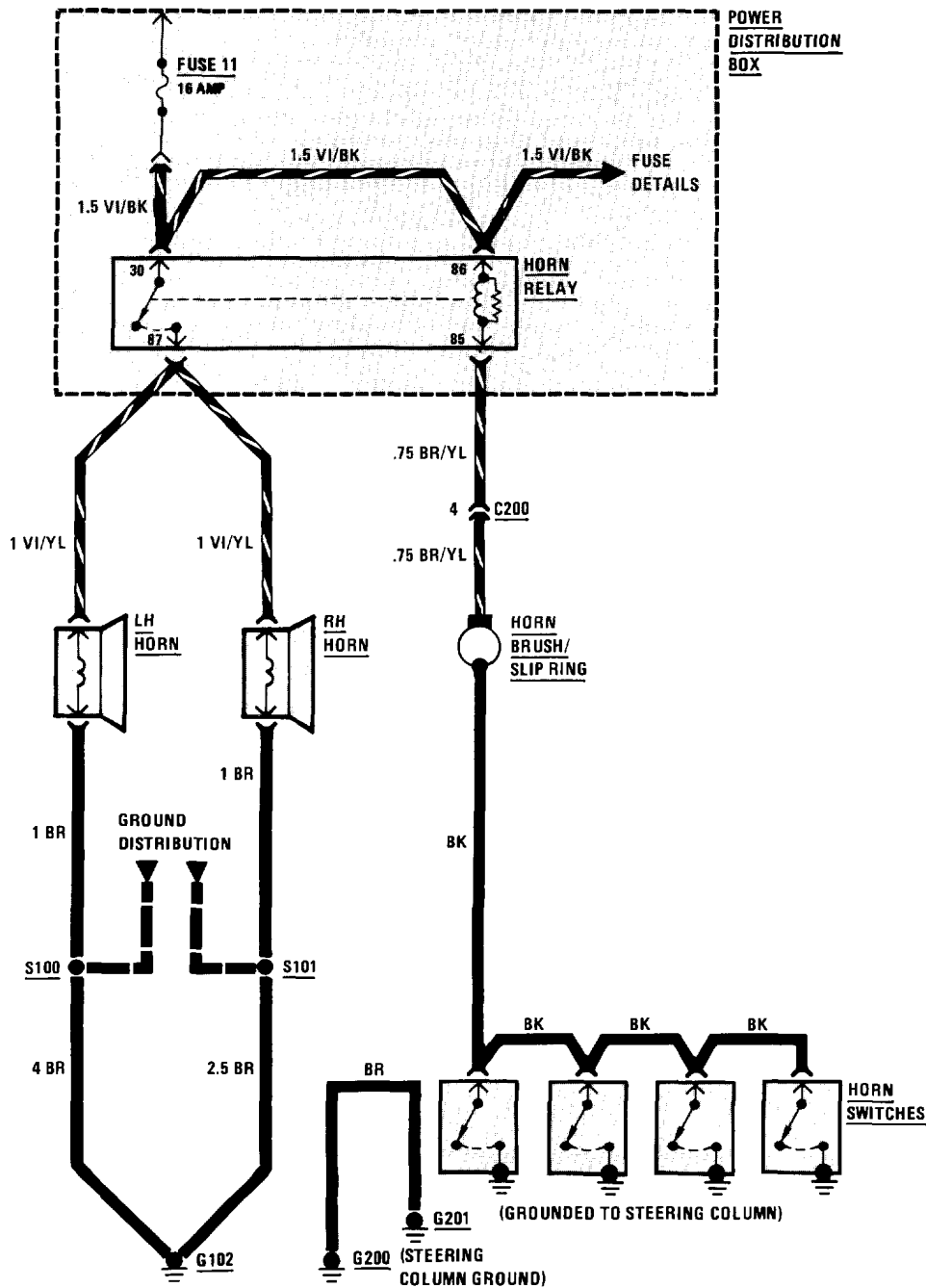


(For Component Location See Page 217)



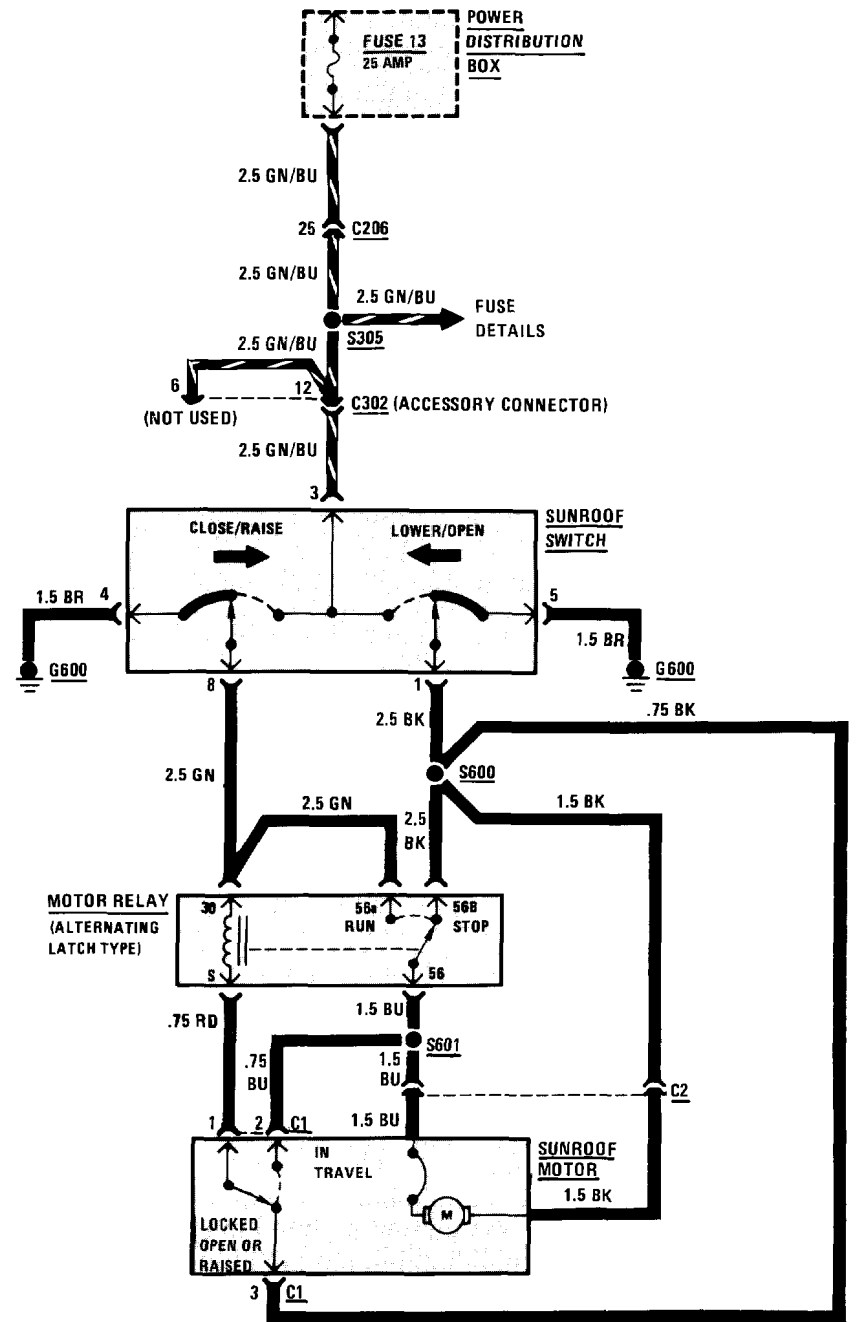
(For Component Location See Page 206)

HOT IN ACCY. RUN OR START



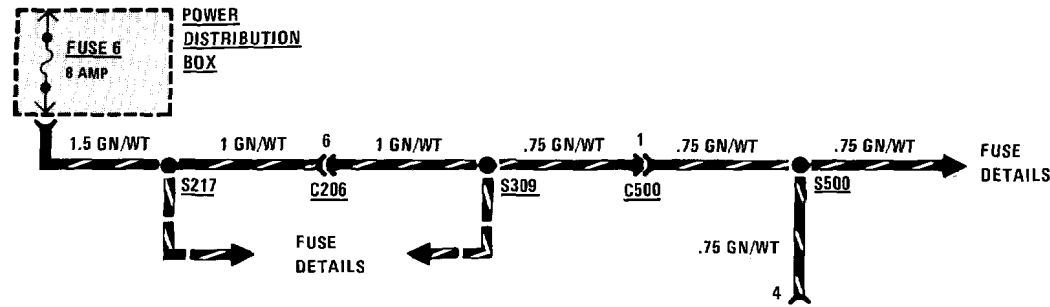
(For Component Location See Page 206)

HOT IN RUN ONLY FROM UNLOADER RELAY

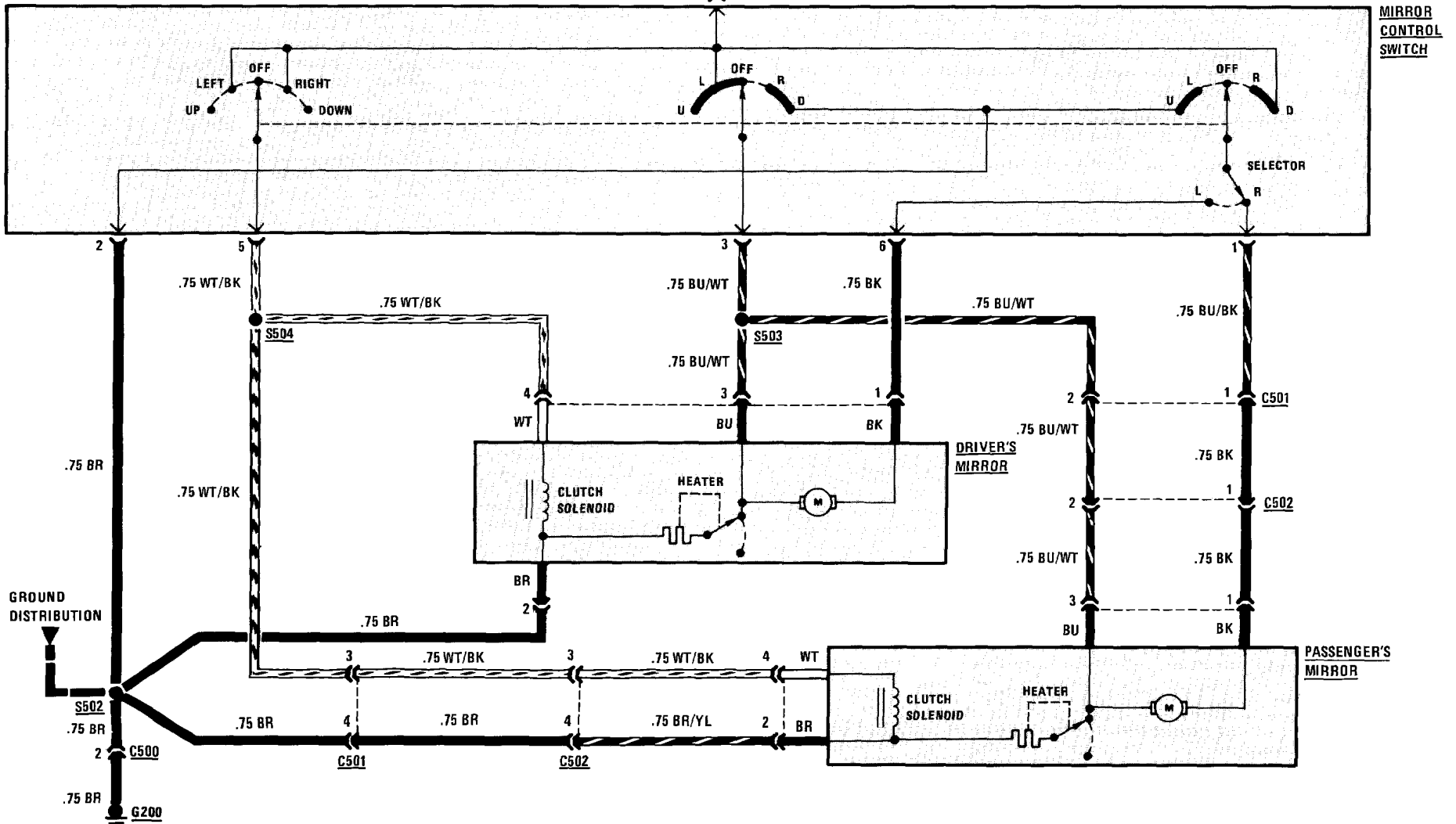


(For Component Locations See Page 210)

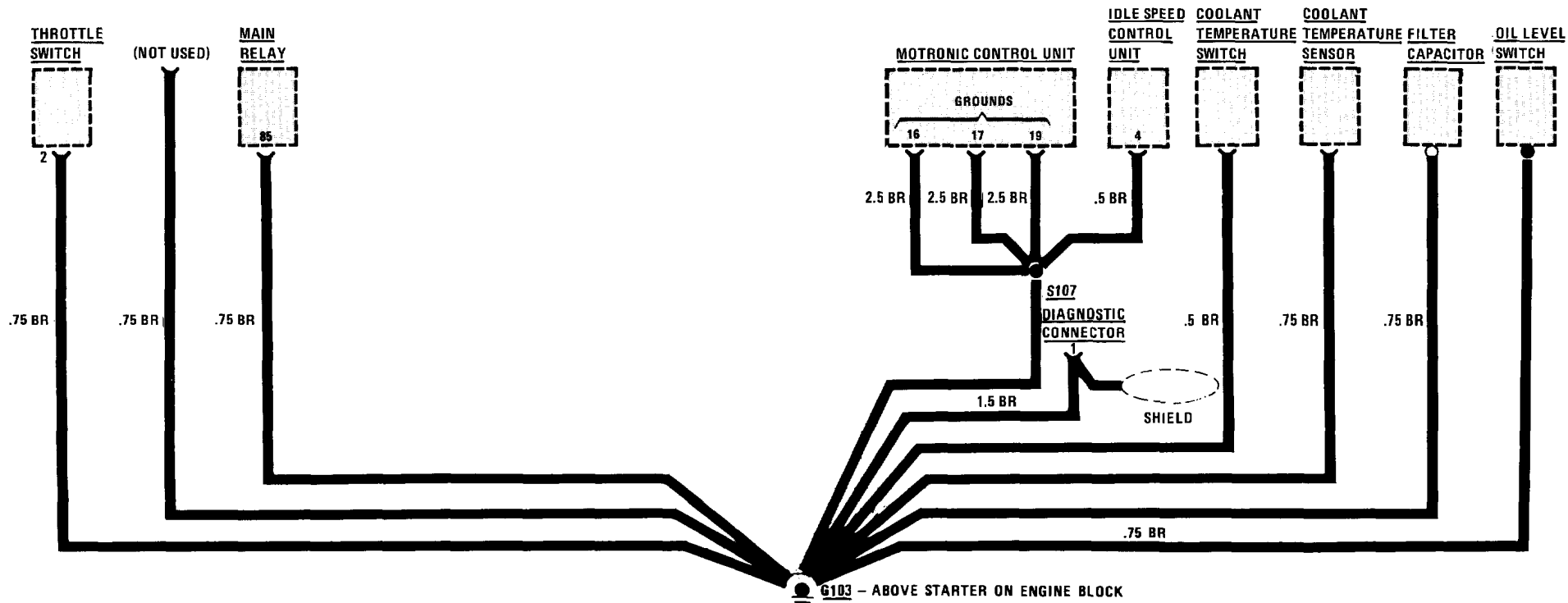
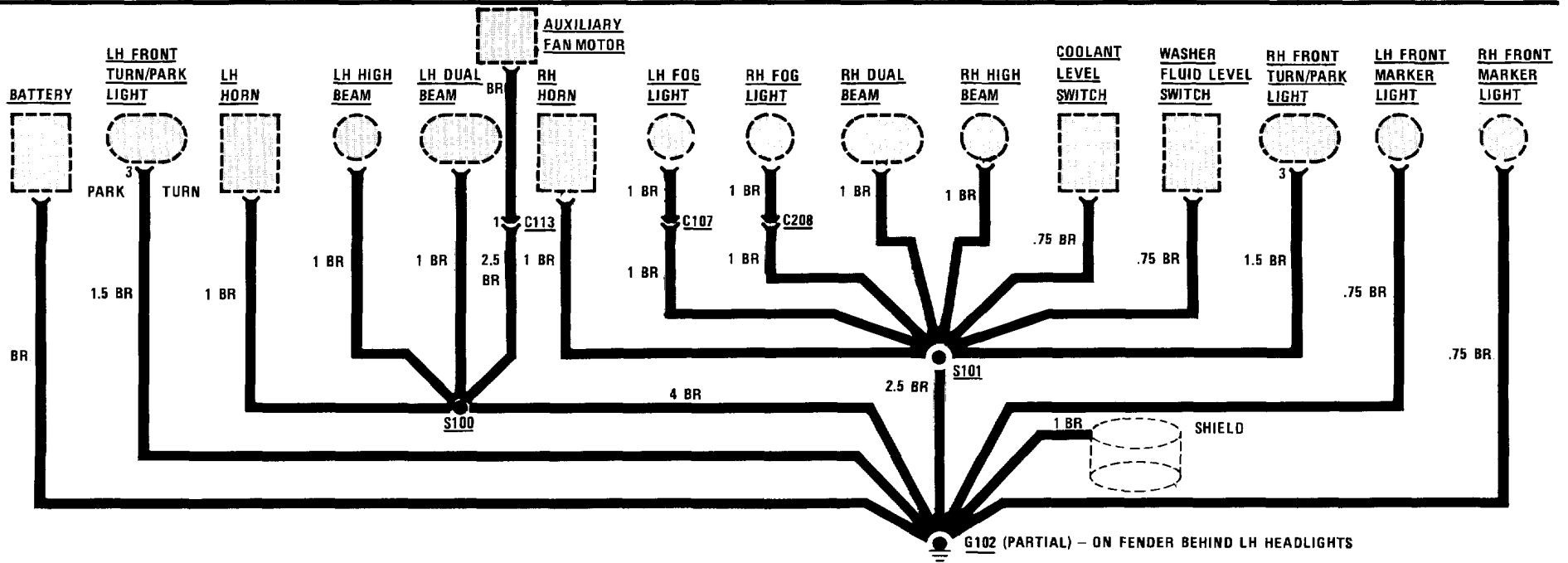
HOT IN RUN OR START

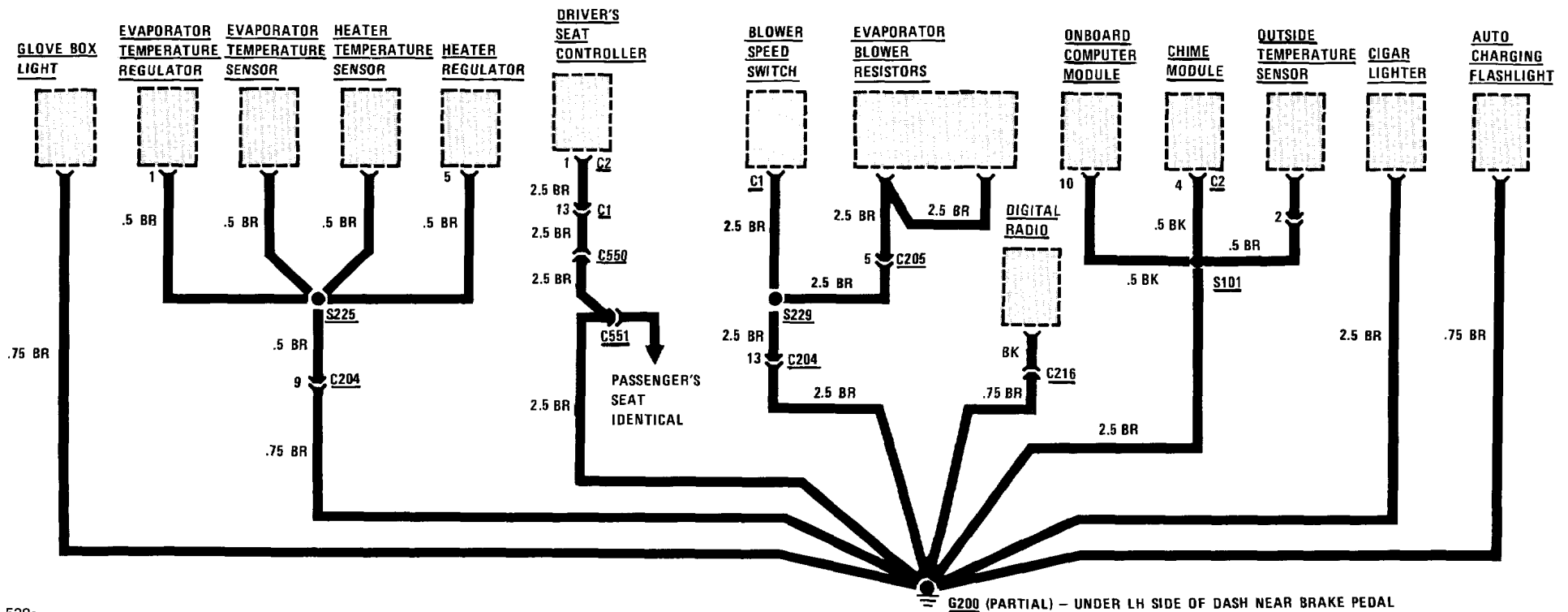
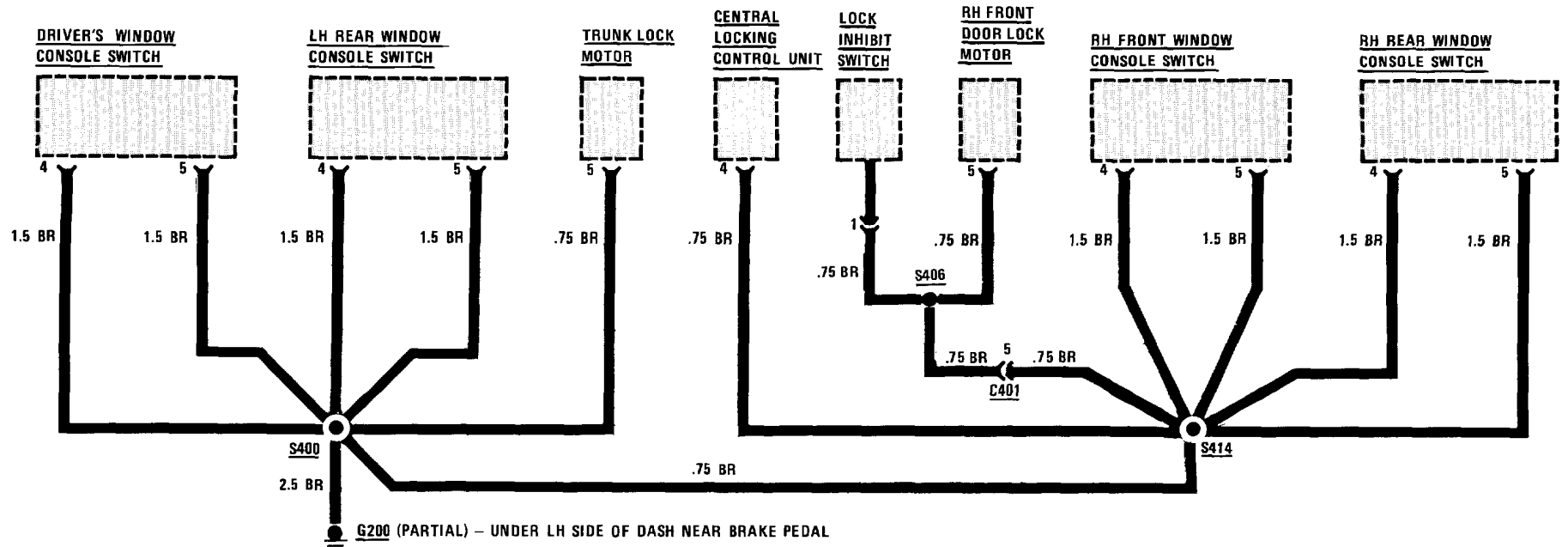


1. MOTOR DIRECTION CONTROLLED BY POLARITY
2. WITH CLUTCH SOLENOID ENERGIZED MOTOR TURNS MIRROR LEFT OR RIGHT
3. ELECTRICALLY HEATED MIRROR TURNS ON BELOW $59 \pm 9^\circ \text{ F}$ AND TURNS OFF ABOVE $122 \pm 18^\circ \text{ F}$

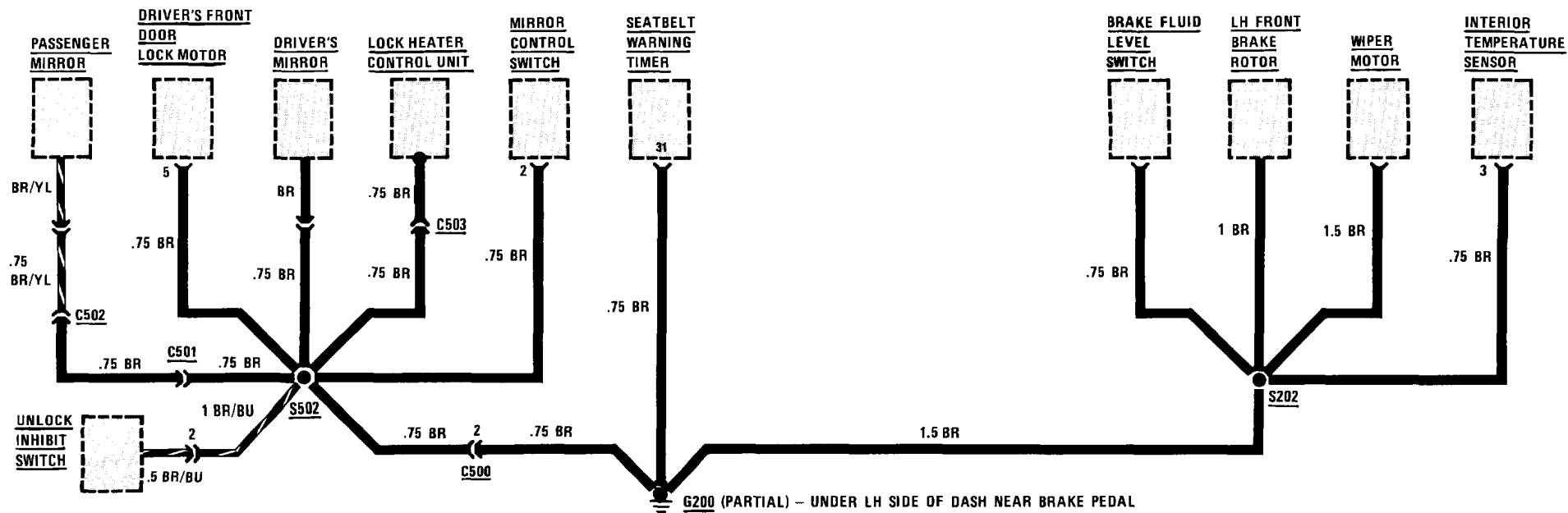
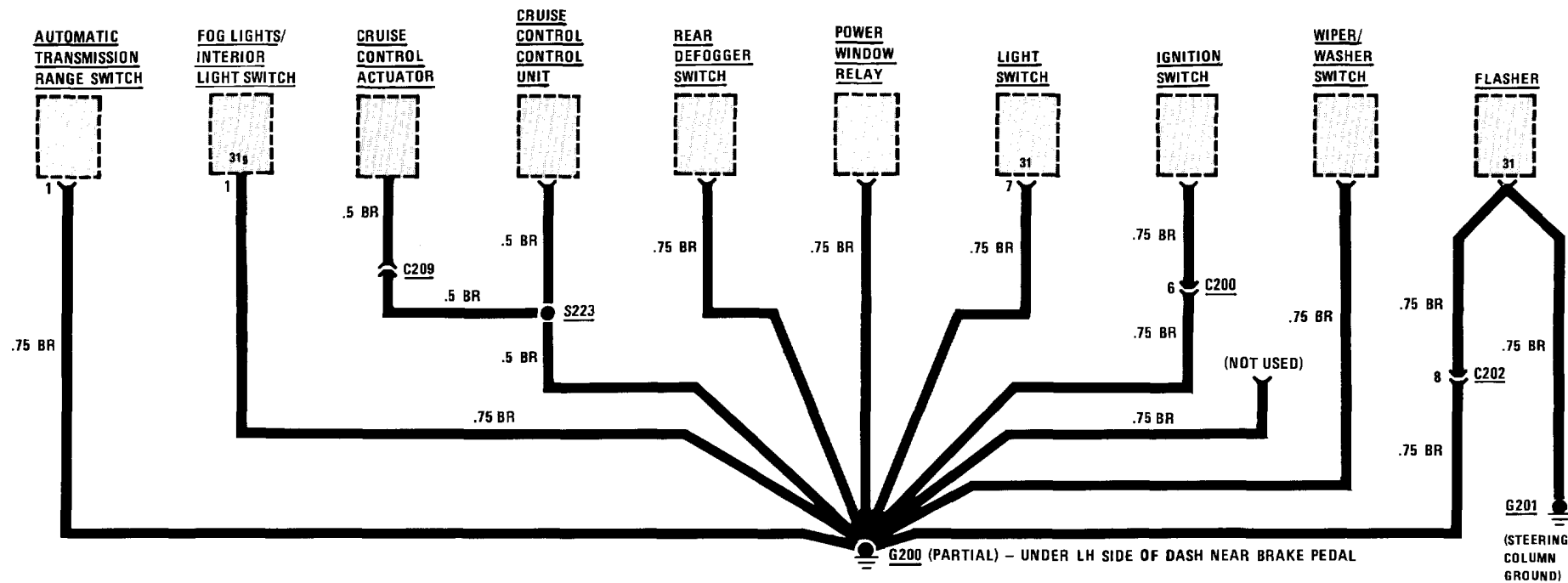


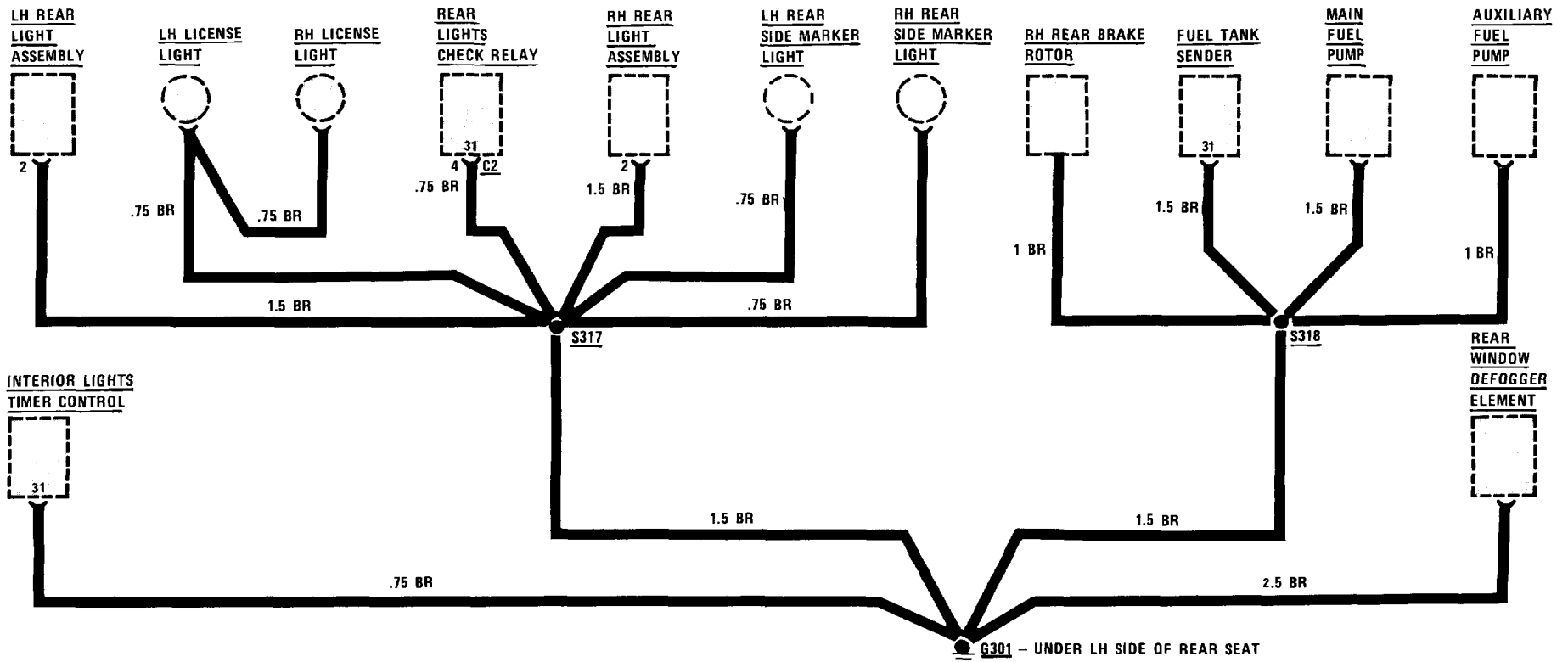
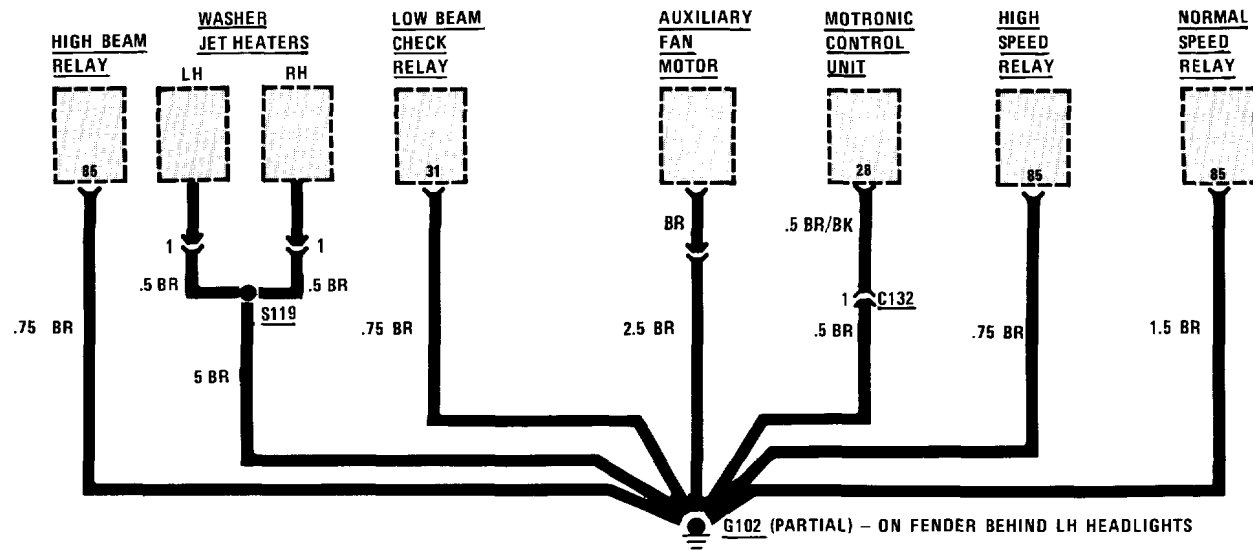
162 GROUND DISTRIBUTION (G102, G103)





164 GROUND DISTRIBUTION (G200)





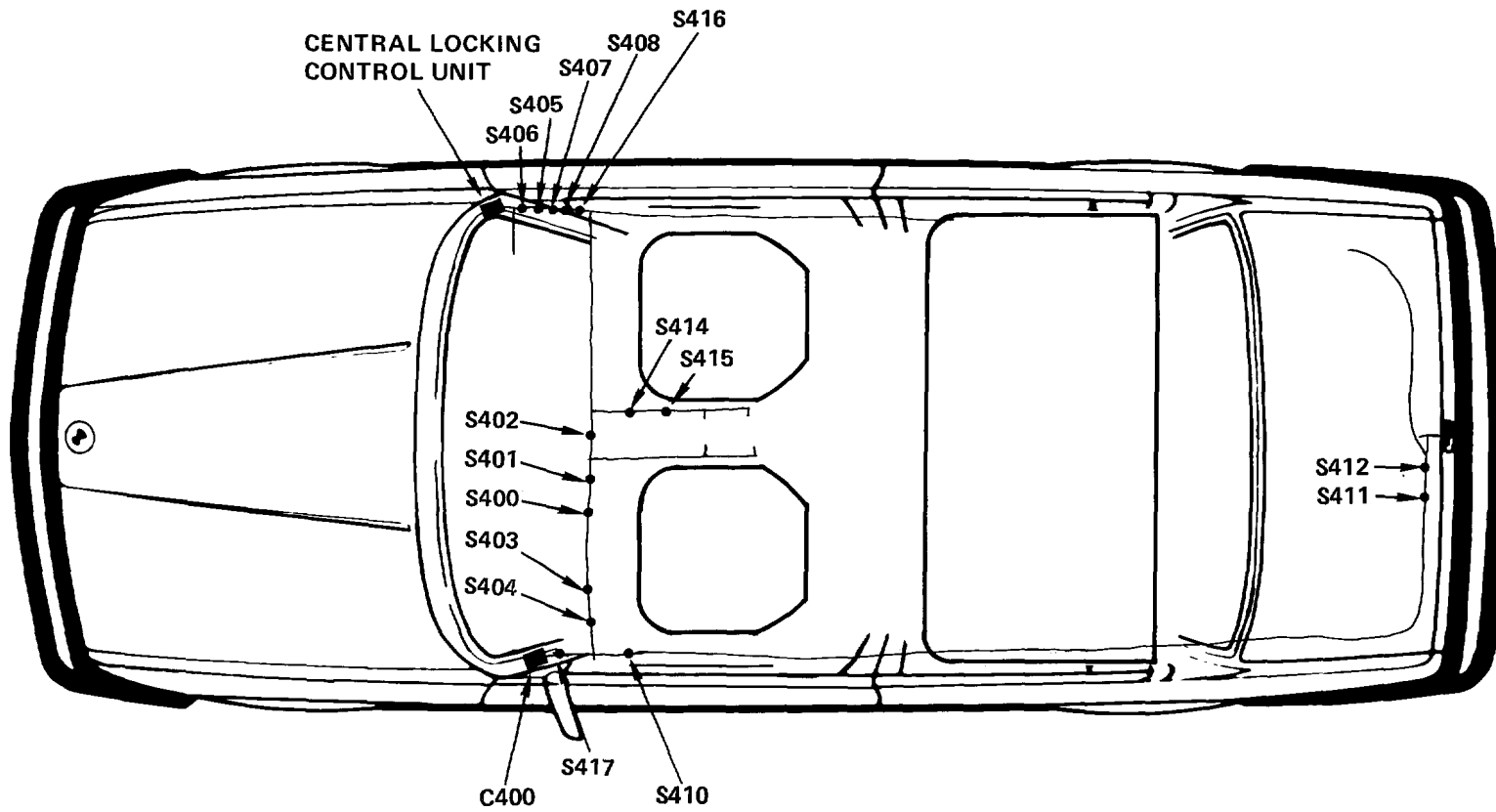
166 Index-Splice Locations 528e

This index contains all the splices in the car, what harness each one is in, and the page that the splices appear on. The drawings after the index show how the harness is routed through the car and where the splices are located on the harness.

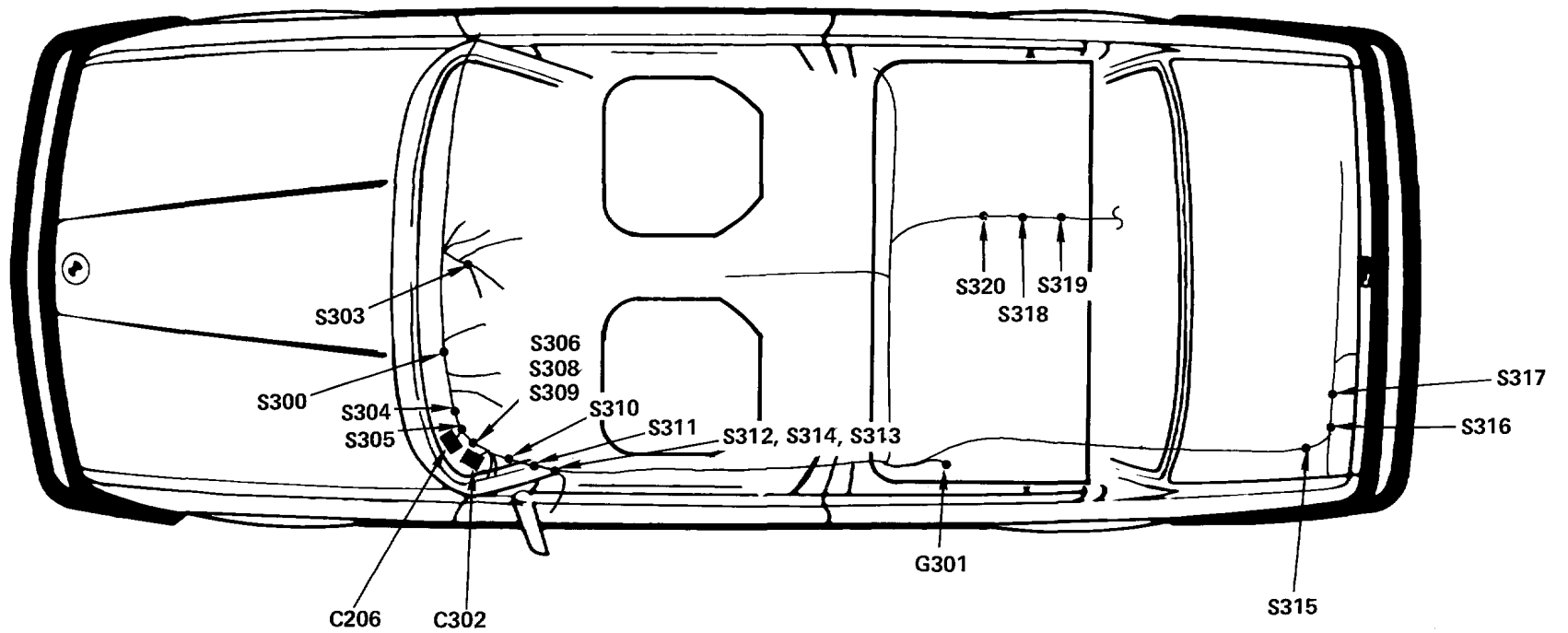
SPLICE	HARNESS	PAGE NUMBER	SPLICE	HARNESS	PAGE NUMBER
S100	FRONT	170	S212	MIDDLE	NOT SHOWN
S101	FRONT	170	S213	MIDDLE	171
S102	FRONT	170	S214	MIDDLE	171
S103	FRONT	170	S215	MIDDLE	171
S104	FRONT	170	S216	MIDDLE	NOT SHOWN
S105	ENGINE	NOT SHOWN	S217	MIDDLE	171
S106	ENGINE	173	S218	MIDDLE	171
S107	ENGINE	173	S219	MIDDLE	171
S109	ENGINE	173	S220	MIDDLE	171
S110	ENGINE	173	S221	MIDDLE	171
S112	ENGINE	173	S222	CRUISE CONTROL	172
S113	ENGINE	173	S223	CRUISE CONTROL	172
S118	HEATED WASHER JETS	NOT SHOWN	S224	CRUISE CONTROL	172
S119	HEATED WASHER JETS	NOT SHOWN	S225	A/C	NOT SHOWN
S120	FRONT	170	S226	A/C	NOT SHOWN
S200	MIDDLE	171	S227	A/C	NOT SHOWN
S201	MIDDLE	171	S228	A/C	172
S202	MIDDLE	171	S229	A/C	172
S203	MIDDLE	171	S231	MIDDLE	171
S204	MIDDLE	171	S240	MIDDLE	171
S205	MIDDLE	171	S300	REAR	168
S206	MIDDLE	171	S303	REAR	168
S207	MIDDLE	171	S304	REAR	168
S208	MIDDLE	171	S305	REAR	168
S209	MIDDLE	171			
S210	MIDDLE	171			
S211	MIDDLE	171			

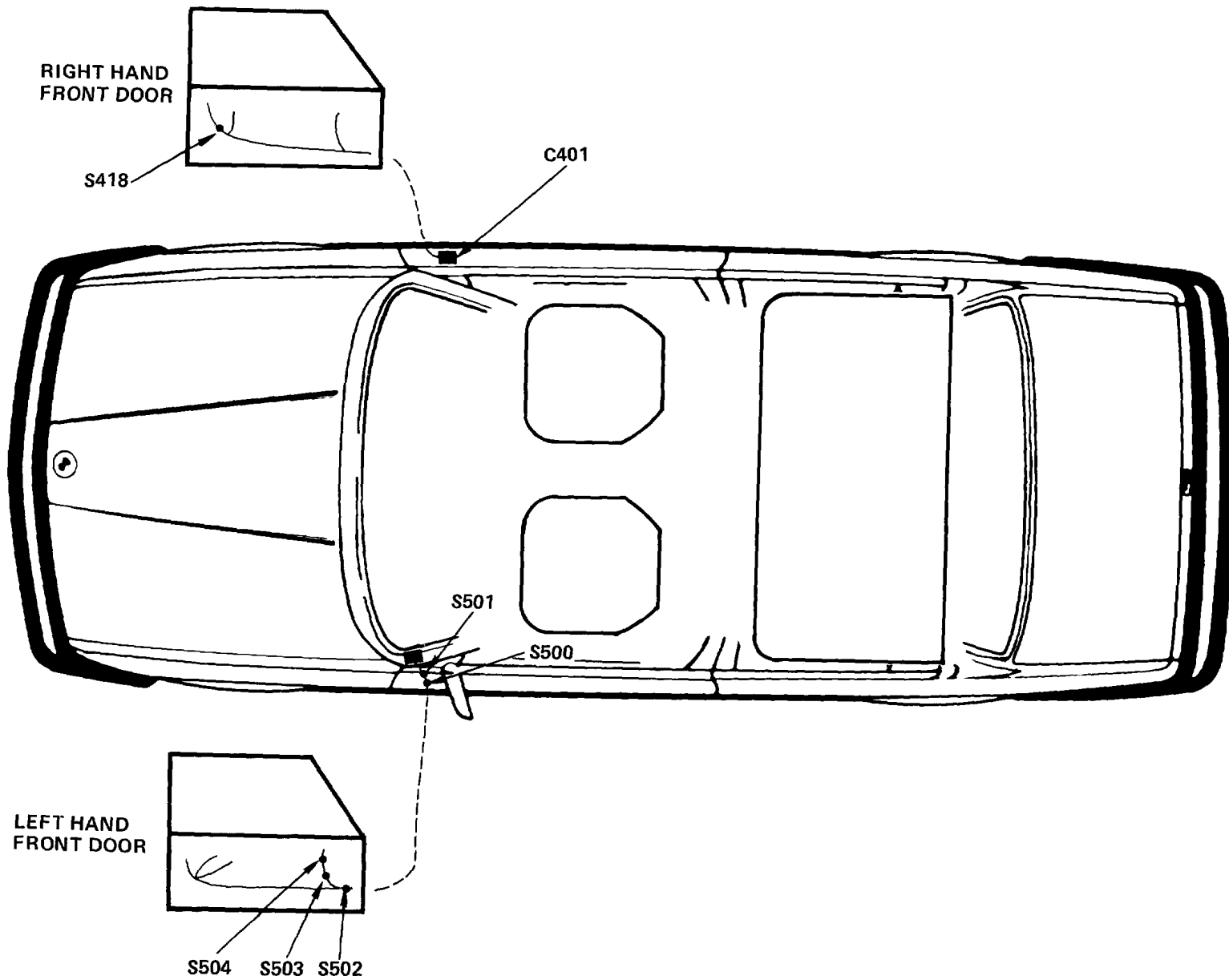
SPLICE	HARNESS	PAGE NUMBER	SPLICE	HARNESS	PAGE NUMBER
S306	REAR	168	S410	ELEC LOCK/ CENTRAL LOCK	167
S308	REAR	168	S411	ELEC LOCK/ CENTRAL LOCK	167
S309	REAR	168	S412	ELEC LOCK/ CENTRAL LOCK	167
S310	REAR	168	S414	ELEC LOCK/ CENTRAL LOCK	167
S311	REAR	168	S415	ELEC LOCK/ CENTRAL LOCK	167
S312	REAR	168	S416	ELEC LOCK/ CENTRAL LOCK	167
S313	REAR	168	S417	ELEC LOCK/ CENTRAL LOCK	167
S314	REAR	168	S418	PASSENGER DOOR	169
S315	REAR	168	S500	DRIVERS DOOR	169
S316	REAR	168	S501	DRIVERS DOOR	169
S317	REAR	168	S502	DRIVERS DOOR	169
S318	REAR	168	S503	DRIVERS DOOR	169
S319	REAR	168	S504	DRIVERS DOOR	169
S320	REAR	168	S600	SUNROOF	NOT SHOWN
S400	ELEC LOCK/ CENTRAL LOCK	167	S601	SUNROOF	NOT SHOWN
S401	ELEC LOCK/ CENTRAL LOCK	167			
S402	ELEC LOCK/ CENTRAL LOCK	167			
S403	ELEC LOCK/ CENTRAL LOCK	167			
S404	ELEC LOCK/ CENTRAL LOCK	167			
S405	ELEC LOCK/ CENTRAL LOCK	167			
S406	ELEC LOCK/ CENTRAL LOCK	167			
S407	ELEC LOCK/ CENTRAL LOCK	167			
S408	ELEC LOCK/ CENTRAL LOCK	167			
S409	ELEC LOCK/ CENTRAL LOCK	NOT SHOWN			

BLANK

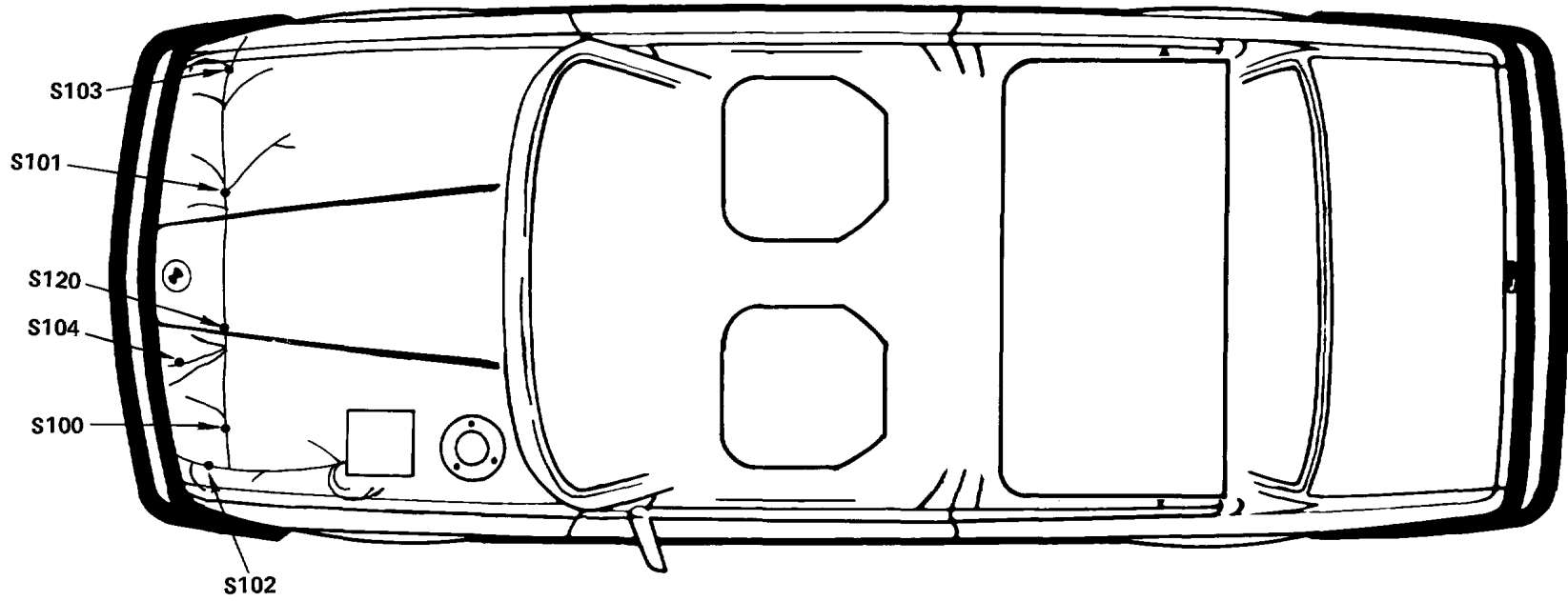


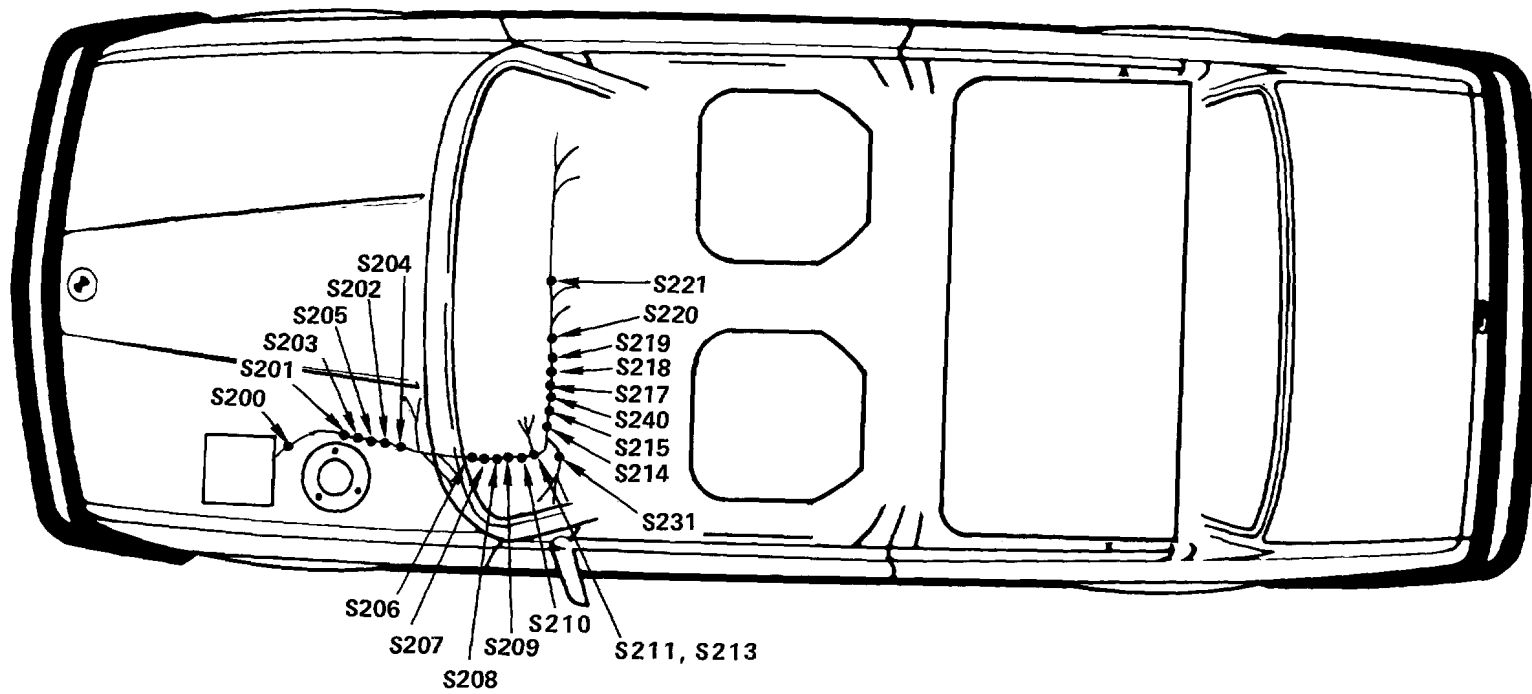
168 REAR HARNESS SPLICE LOCATIONS



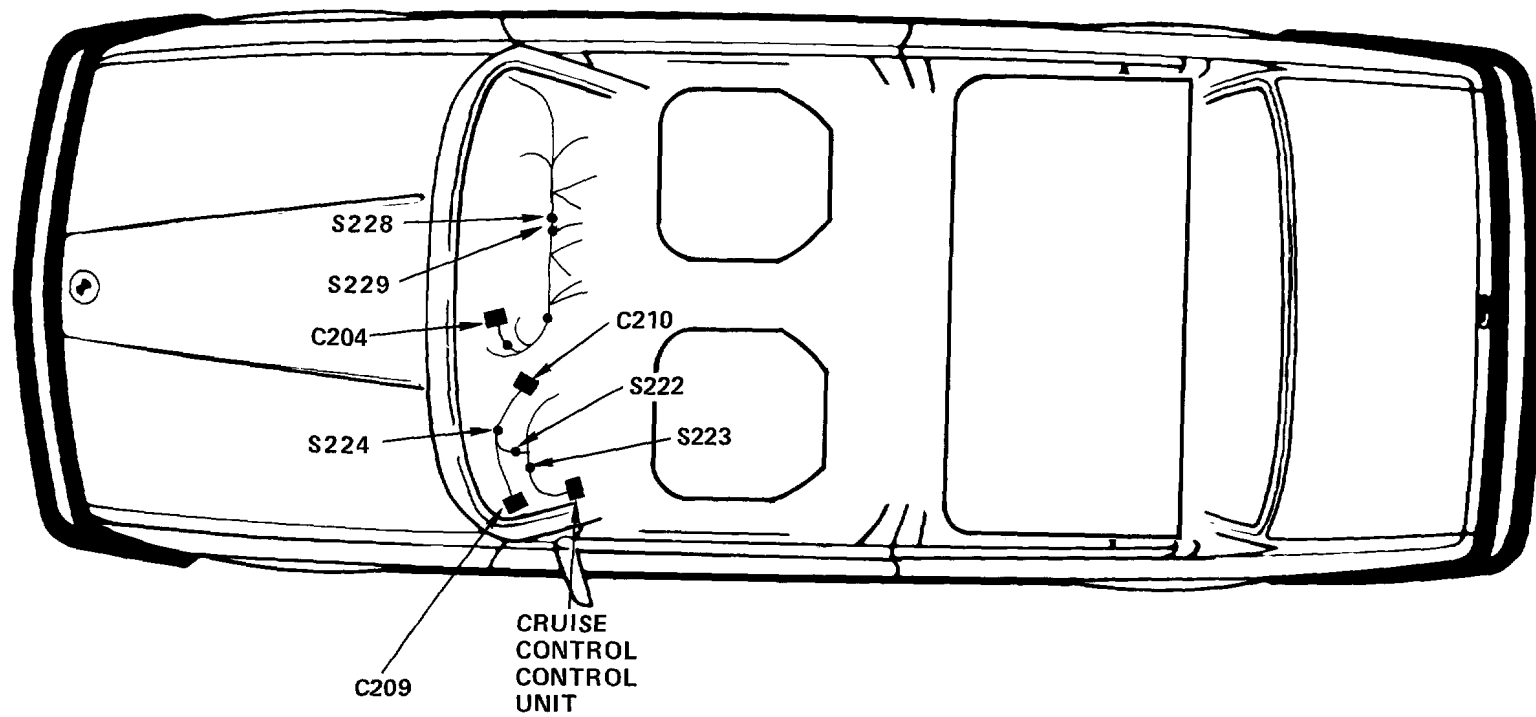


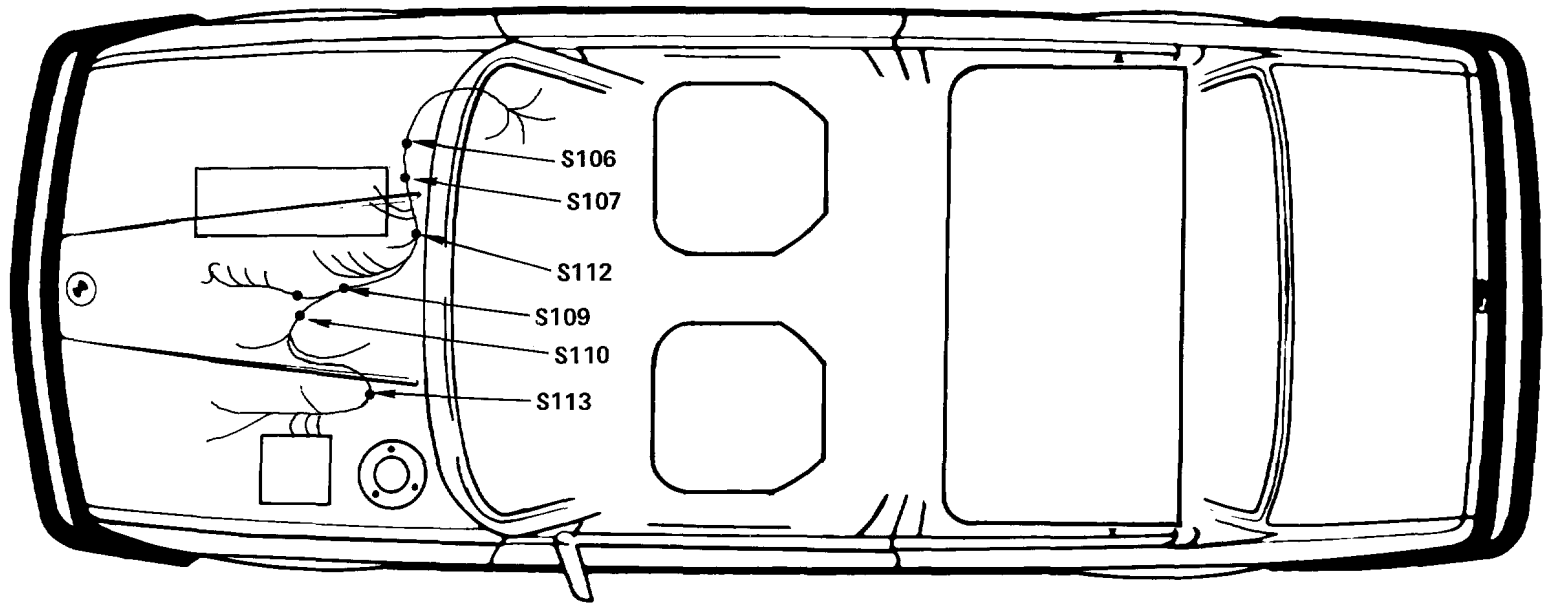
170 FRONT HARNESS SPLICE LOCATIONS





172 A/C AND CRUISE SPLICE LOCATIONS





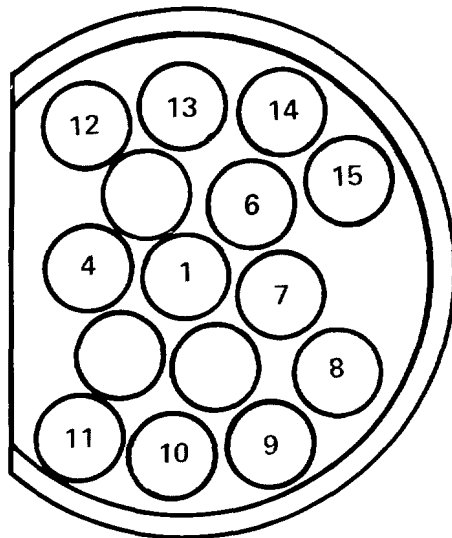
Section B

535i

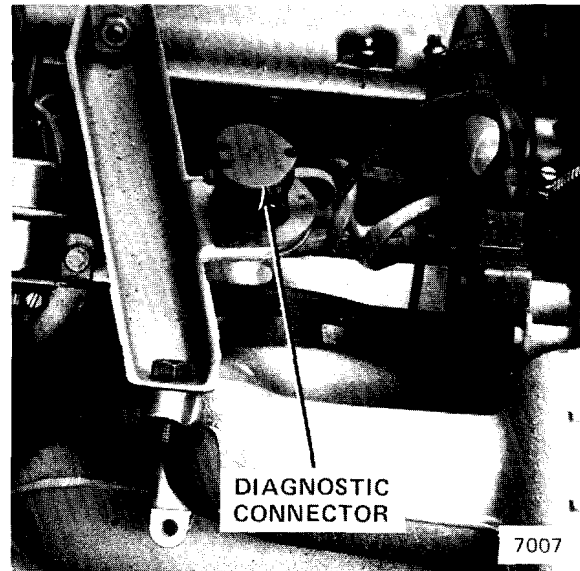
Schematic Diagrams

Index — Alphabetical Listing of Electrical Circuits

	PAGE		PAGE		PAGE
Active Check Control	127	Ignition	119	— Headlights (Control)	132
Air Conditioning		Ignition Key Warning	131	— Headlights (Power)	133
— Blower Controls	154	Indicators		— Interior	142
— Temperature Control	155	— Active Check Control Alarm	129	— Instrument Cluster	140
Anti Lock Brake System	160	— “Brake Lights” Fault	128	— License	137
Auto Charging Flashlight	144	— “Brake Lining” Wear	130	— Light Switch Details	112
Auxiliary Fan	153	— “Brake” Warning	126	— Rear Marker	137
Brake Warning System	130	— “Charge”	124	— Stop Lights	138
Central Locking	150	— “Coolant” Level Fault	129	— Tail	138
Charging System	116	— “Engine Oil” Fault	129	— Transmission Range	140
Cigar Lighter	144	— Fasten Seatbelts	129	— Trunk	137
Connectors		— Fog Lights	133	— Turn	134
— Accessory	103	— High Beam	132	On-Board Computer	156
— Diagnostic	101	— Inspection	123	Power Antenna	152
Cruise Control	138	— LH Turn	126	Power Distribution	104
Engine Block Diagram	114	— “License Plate” Fault	128	Power Distribution Box	105A
Fuel Control	122	— “Low Beam” Fault	127	Power Mirrors	147
Fuel Delivery	120	— Low Fuel Warning	125	Power Windows	148
Fuel Gauge	125	— Oil Pressure Warning	125	Radio	152
Fuse Data	105B	— Oil Service	123	Rear Defogger	146
Fuse Details	106	— “Park Brake”	125	Seatbelt Warning	131
— Fuse 4	107	— Rear Lights Fault	136	Service Internal Indicator	123
— Fuse 5	110	— RH Turn	126	Speedometer	124
— Fuse 6	106	— “Washer Fluid” Fault	129	Splice Locations	167
— Fuse 11	108	Lights		Start	
— Fuse 12	109	— A/C Control	141	— Automatic	117
— Fuse 13	107	— Ashtray	141	— Manual	118
— Fuse 14	109	— Back Up	143	Sunroof	145
— Fuse 17	107	— Brake	139	Tachometer	124
Gauges	124	— Cigar Lighter	144	Temperature Gauge	125
Ground Distribution	163	— Dash	140	Warnings	
Heating		— Fog	133	— Ignition Key	130
— Blower Controls	154	— Front Marker	136	— Seatbelt	131
— Temperature Control	155	— Front Park	136	Washer Jet Heaters	162
Horns	145	— Glove Box	144	Wiper/Washer	162
Idle Speed Control	120	— Hazard Warning	134		



DIAGNOSTIC CONNECTOR FACE



533i - TOP, FRONT OF ENGINE

Figure 1 - Top Of Engine

PIN	WIRE SIZE	WIRE COLOR	CIRCUIT AND COMPONENT CONNECTED
1	1.5	BR	Ground Distribution, G103
4	.5	BR/VI	Gauges/Warning Indicators, Coolant Temperature Sender.
6	.5	WT/BK	Not Used
7	.5	WT/BU	Service Interval Indicator, Service Interval Processor (Reset).
8	.5	YL	Ignition, TDC Sensor.
9		SHIELD	Ignition, TDC Sensor.
10	.5	BK	Ignition, TDC Sensor.
11	2.5	BK/YL	Start, Start Signal.
12	.75	BU	Charge System, Alternator..
13	.75	BK	Ignition, Ignition Coil.
14	2.5	RD	Charge System, Alternator.
15	1.5	GN/YL	Oxygen Sensor, Oxygen Sensor Heater Relay

BLANK

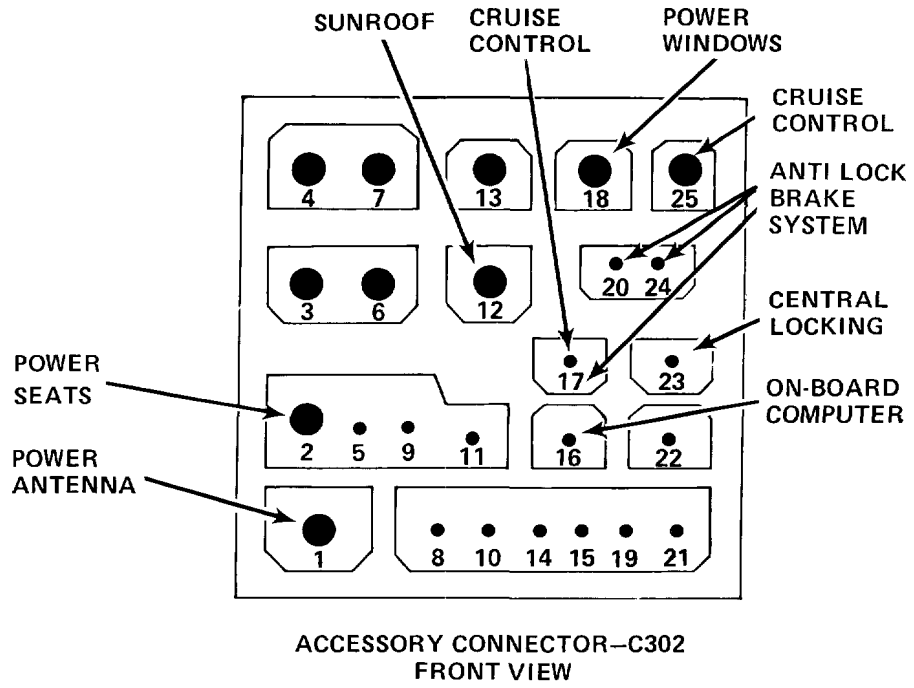
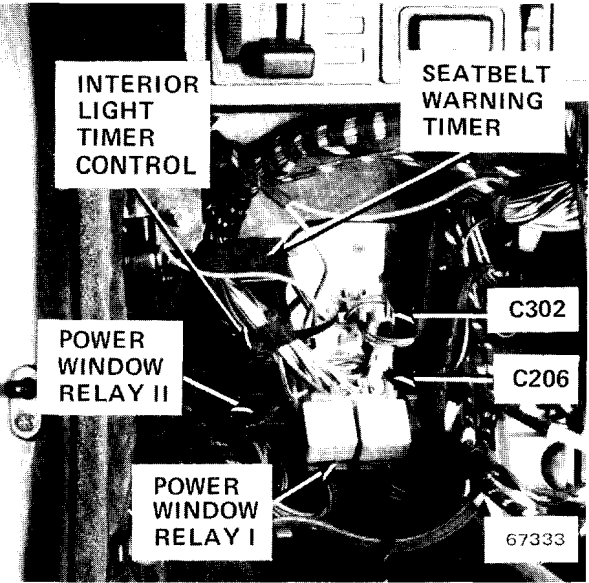
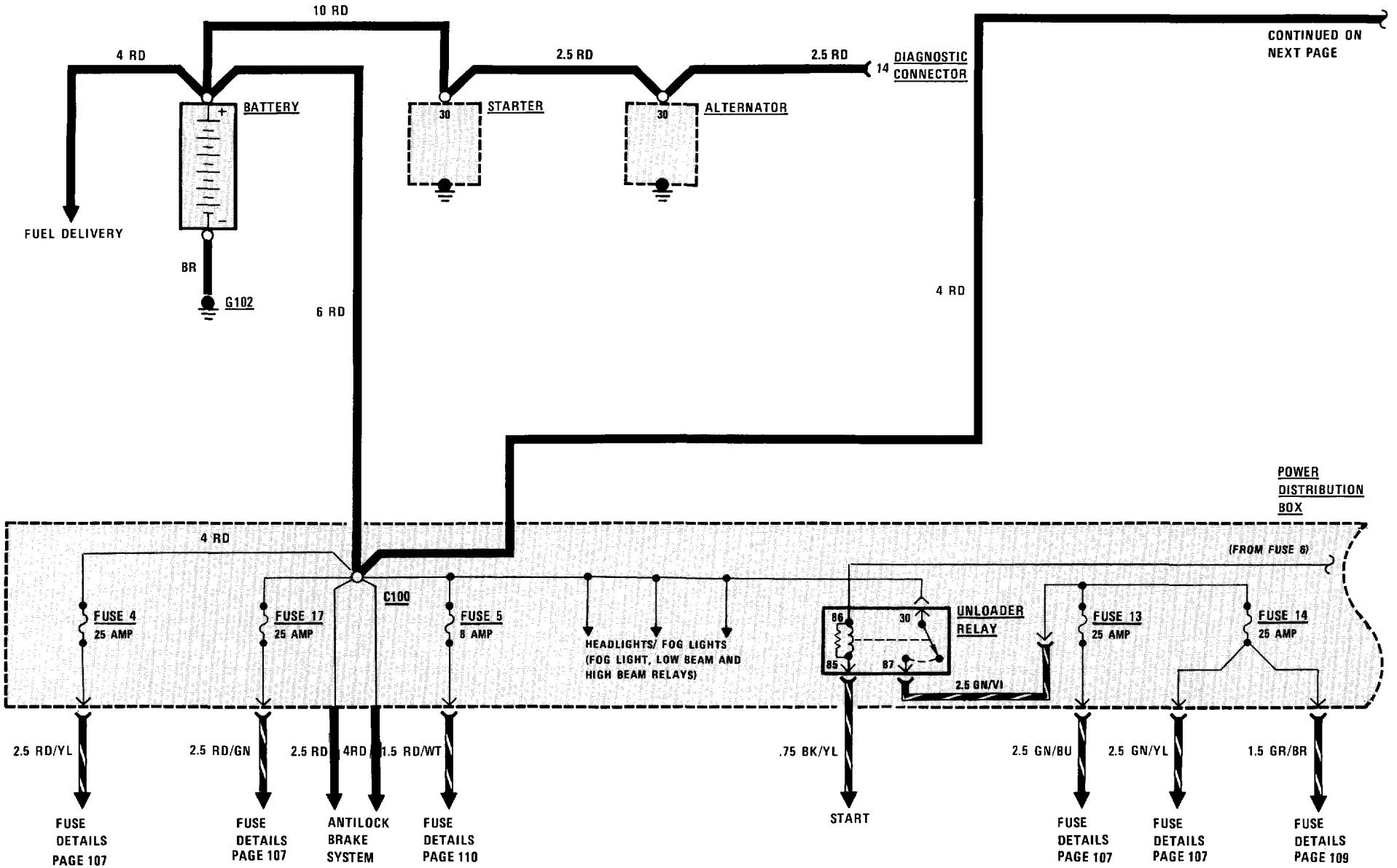


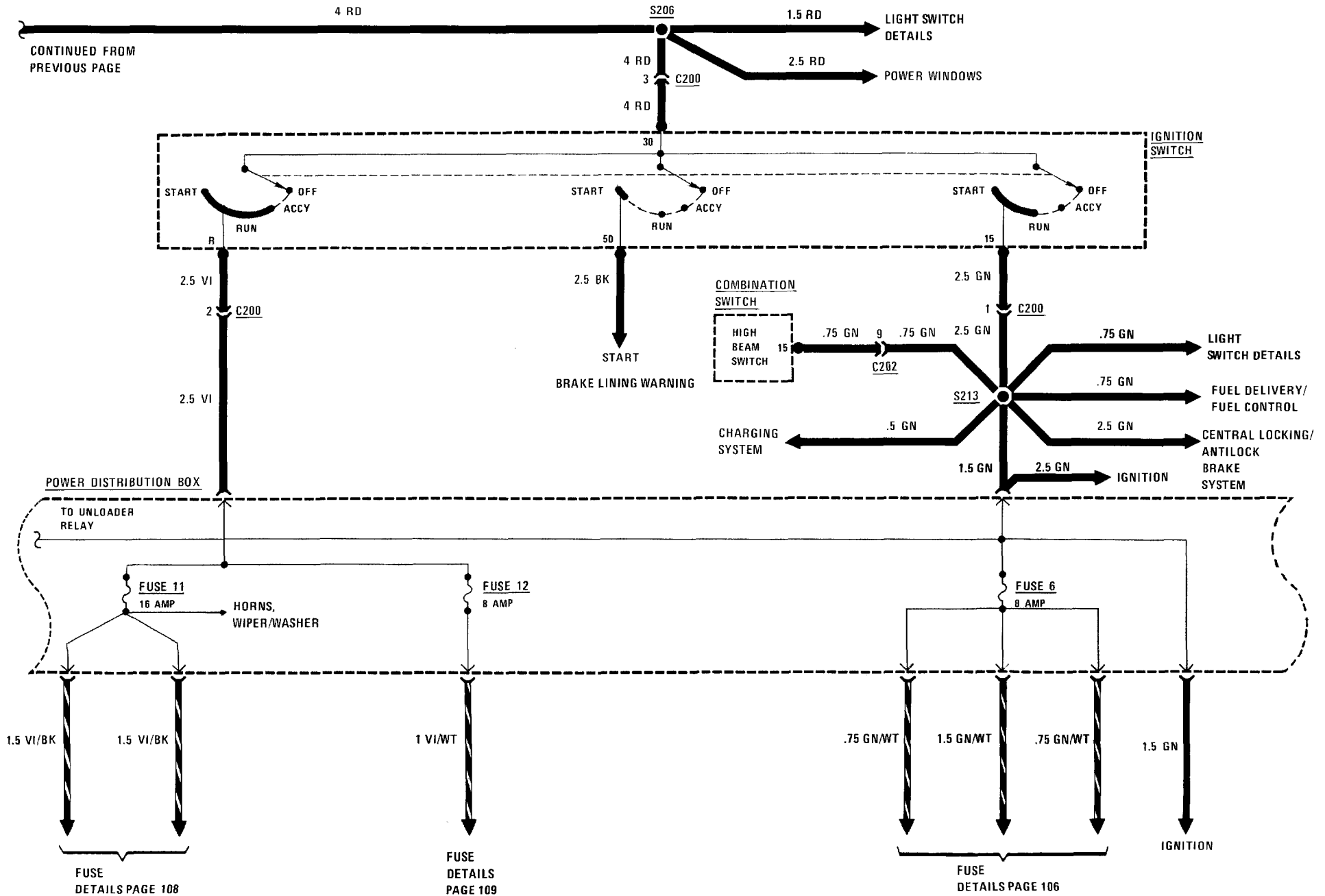
Figure 1 - Under Left Side Of Dash

104 POWER DISTRIBUTION

(For Component Location See Page 210)



(For Component Location See Page 210)



NOTE
 On some cars, the position of the side mounted relays may be interchanged on their respective sides. Check relay wire colors for positive identification.

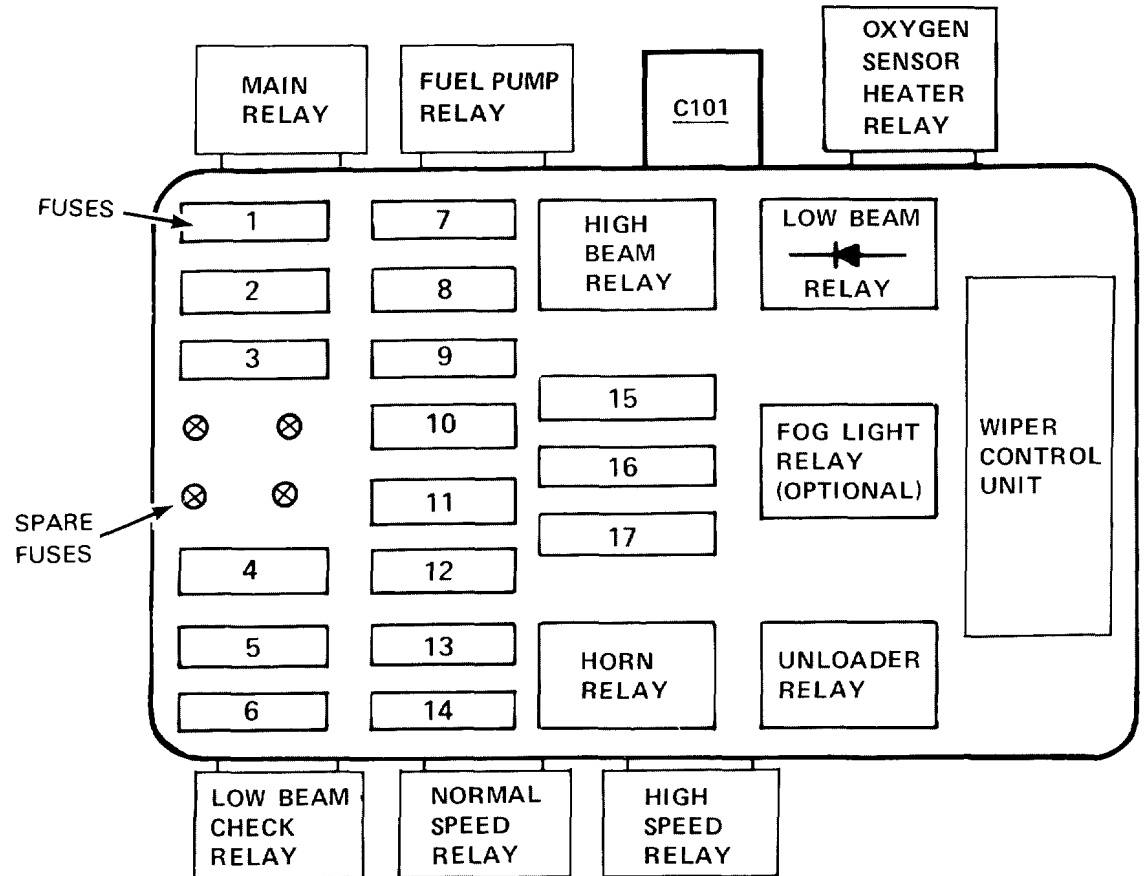
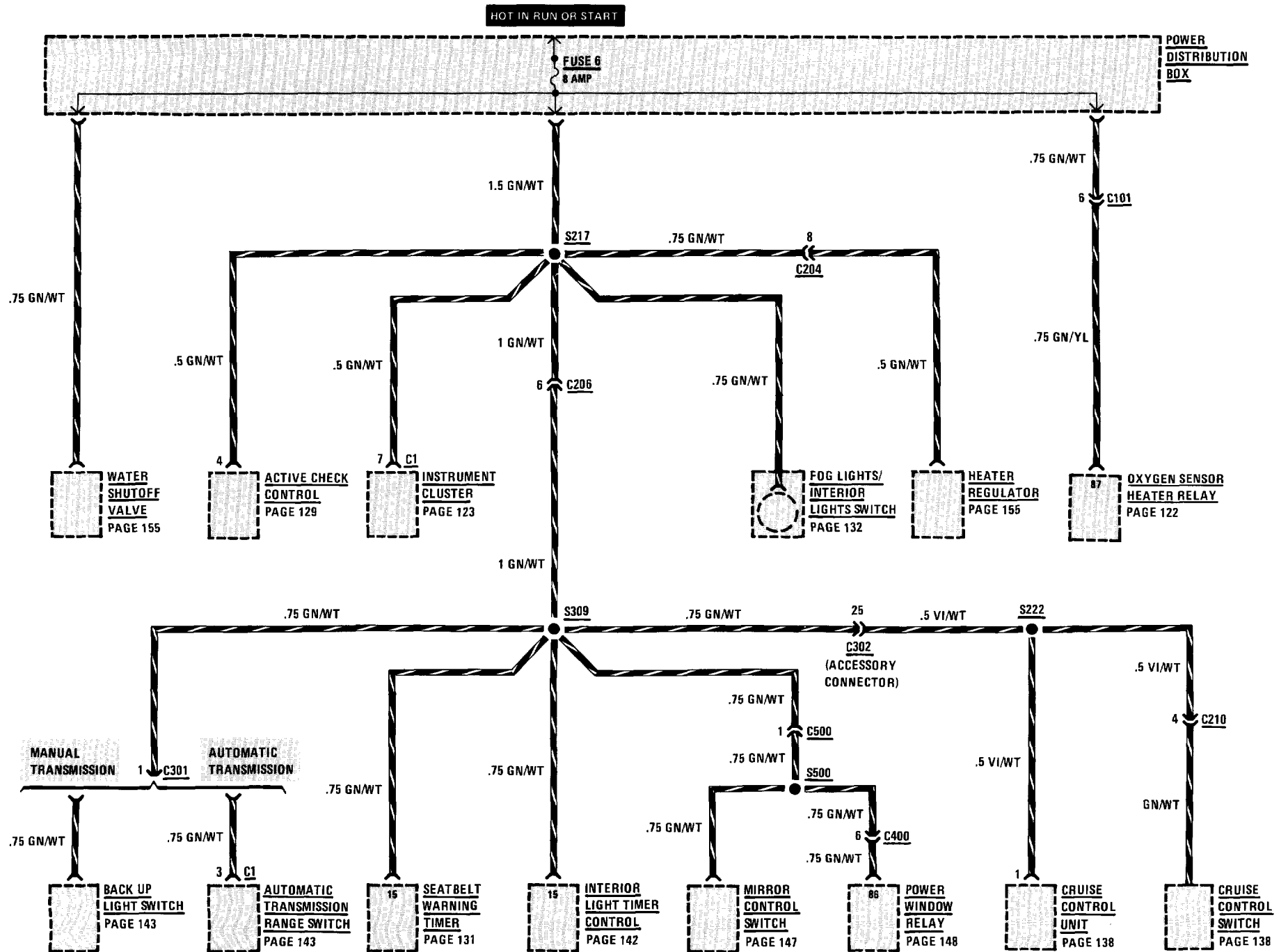
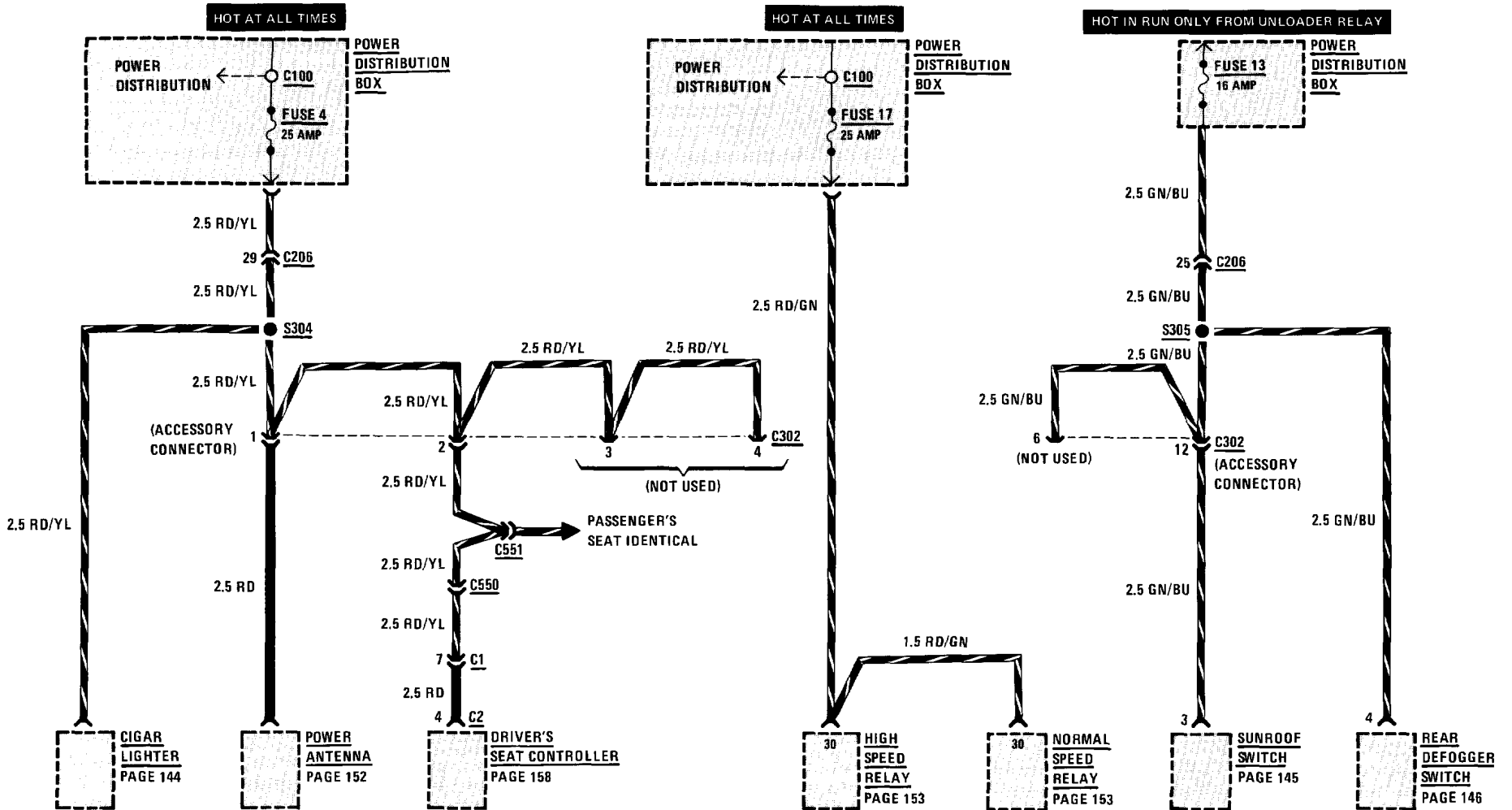


Figure 1- Top Of Left Front Wheel Well

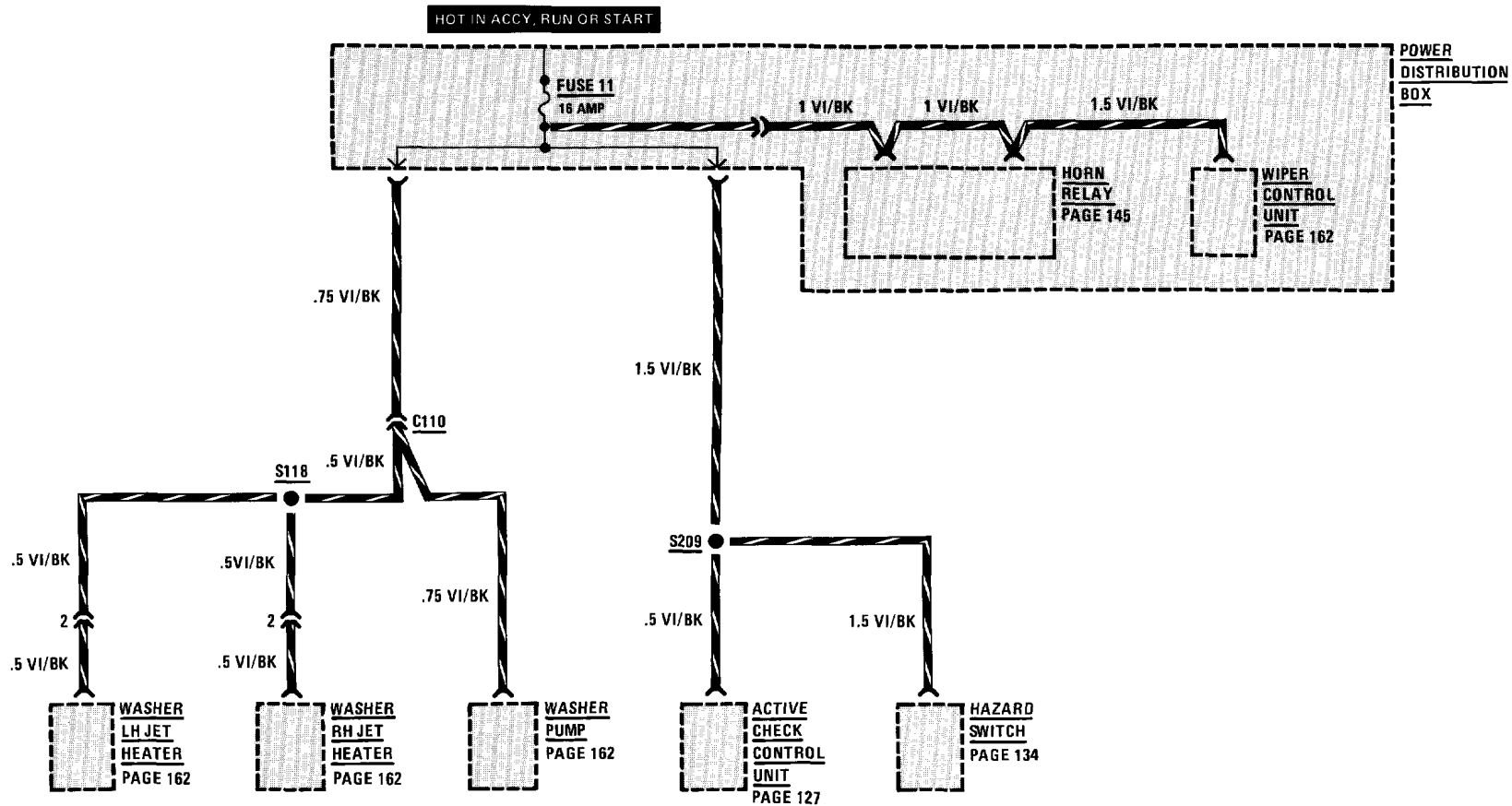
FUSE NO.	SIZE/ COLOR	CIRCUIT NAME
1	16A (RD)	Fuel Delivery
2	8A (WT)	Active Check Control (also fuse 5, 6, 9, 10, 11, 12); Headlights (RH Low Beam).
3	8A (WT)	Active Check Control (also fuses 5, 6, 9, 10, 11, 12); Headlights (LH Low Beam).
4	25 (BU)	Cigar Lighter ; Power Seats ; Radio/Power Antenna(Also Fuse 5,12).
5	8A (WT)	Active Check Control(Also Fuse 2,3,6,9,10,11,12); Central Locking ; Glove Box/Auto-Charging Flashlight ; Heated Door Locks ; Ignition Key Warning/Seatbelt Warning (also fuse 6); Interior Lights (also fuse 6); Lights: Turn/Hazard Warning (also fuse 11). Lights: Trunk; On-Board Computer (also fuses 6, 12); Radio/Power Antenna (also fuses 4, 12); Service Interval Indicator (also fuse 6).
6	8A (WT)	Active Check Control (also fuses 2, 3, 5, 9, 10, 11, 12); Back Up Lights/Transmission Range Lights. Cruise Control (also fuse 12); Fog Lights (also fuses 15, 16); Fuel Control ; Gauges ; Heater/Air Conditioning (also fuse 14); Idle Speed Control; Ignition; Interior Lights (also fuse 5); On-Board Computer (also fuses 5, 12); Power Mirrors; Power Windows (also Power Window Circuit Breaker); Seatbelt Warning (also fuse 5); Speedometer; Warning Indicators (also fuse 15).
7	8A (WT)	Headlights (RH High Beams).

FUSE NO.	SIZE/ COLOR	CIRCUIT NAME
8	8A (WT)	Headlights (LH High Beams).
9	8A (WT)	Active Check Control (also fuses 2, 3, 5, 6, 10, 11, 12); Dash Lights (also fuses 6, 14); Lights: Front Park/Front Marker/Tail; Lights: Rear Marker/License.
10	8A (WT)	Active Check Control (also fuse 2, 3, 5, 6, 9, 11, 12); Lights: Front Park/Front Marker/Tail; Lights: Rear Marker/License.
11	16A (RD)	Active Check Control (also fuse 2, 3, 5, 6, 9, 11, 12); Horn; Lights: Turn/Hazard Warning (also fuse 5); Wiper/Washer and Heater Washer Jets.
12	8A (WT)	Active Check Control (also fuses 2, 3, 5, 6, 9, 10, 11); Cruise Control; Radio (also fuses 4, 5); Stoplights; On-Board Computer (also fuses 5, 6); Power Antenna (also fuses 4, 5).
13	16A (BU)	Rear Defogger; Sunroof.
14	25A (BU)	Auxiliary Fan (also fuse 17); Dash Lights (also fuses 6, 9); Heater/Air Conditioning (also fuse 6).
15	8A (WT)	Fog Lights (RH).
16	8A (WT)	Fog Lights (LH).
17	25A (BU)	Auxiliary Fan (also fuse 14).
Power Window Circuit Breaker	25A	Power Windows (also fuse 6).



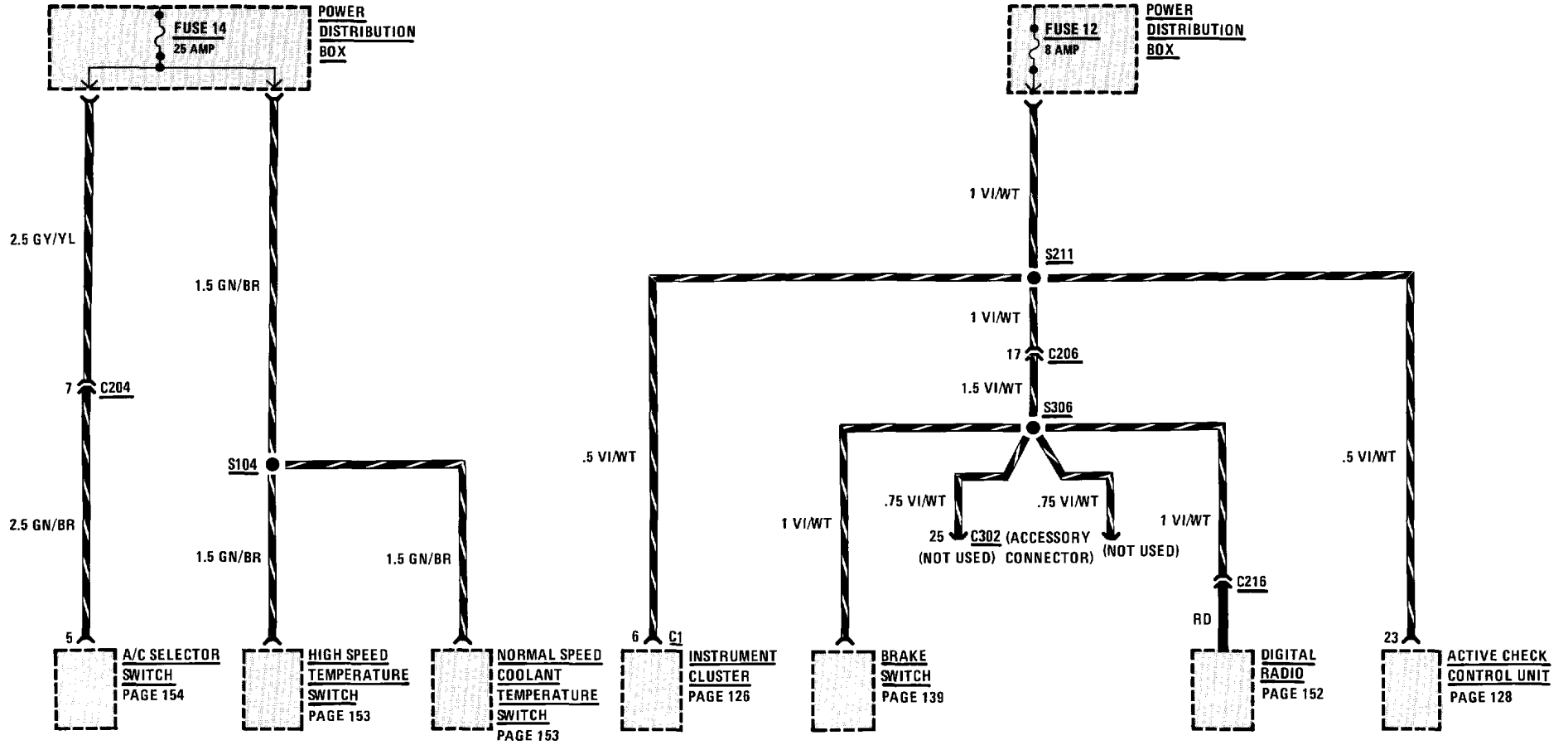


108 FUSE DETAILS: FUSE 11

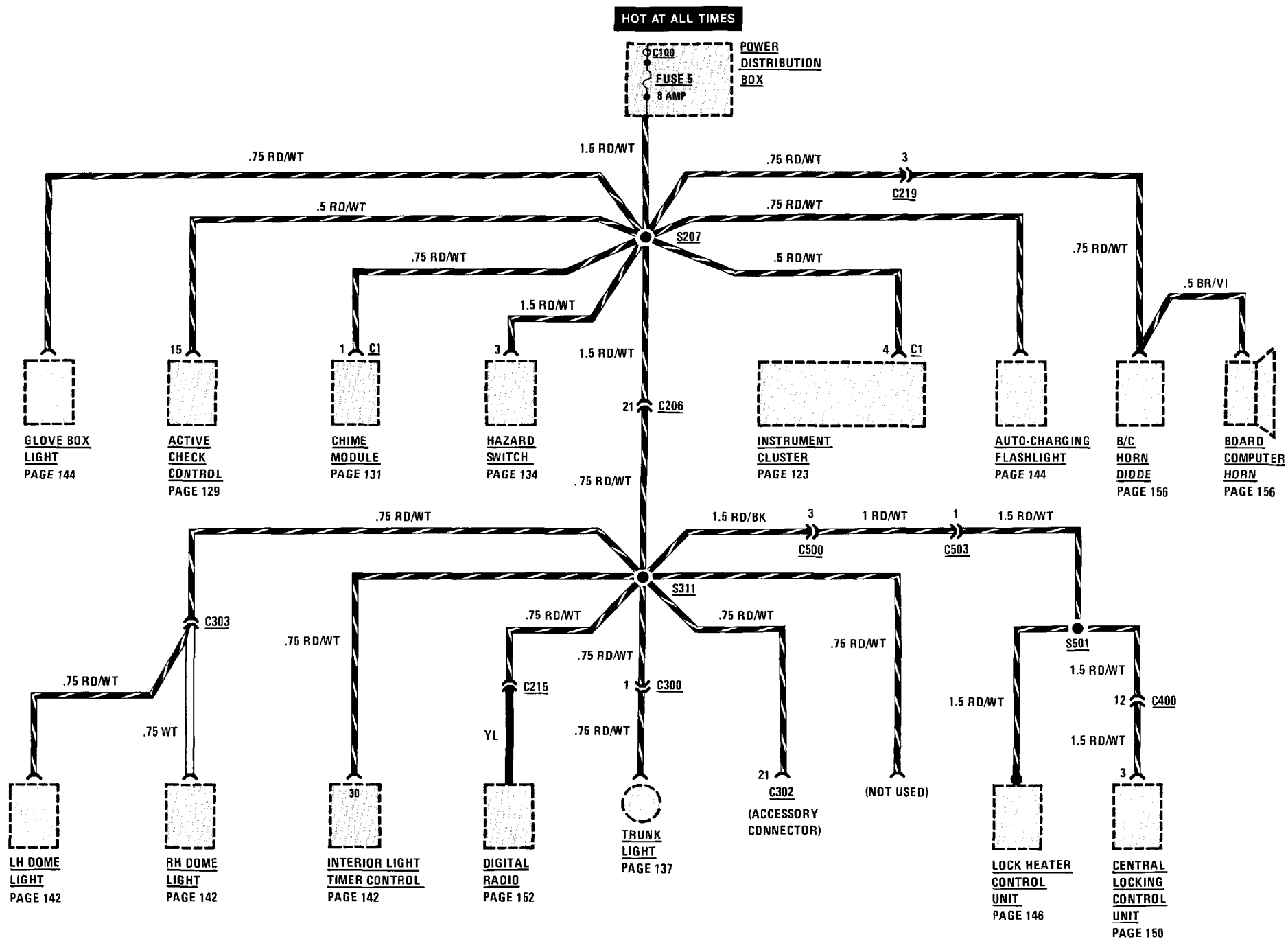


HOT IN RUN ONLY FROM UNLOADER RELAY

HOT IN ACCY. RUN OR START

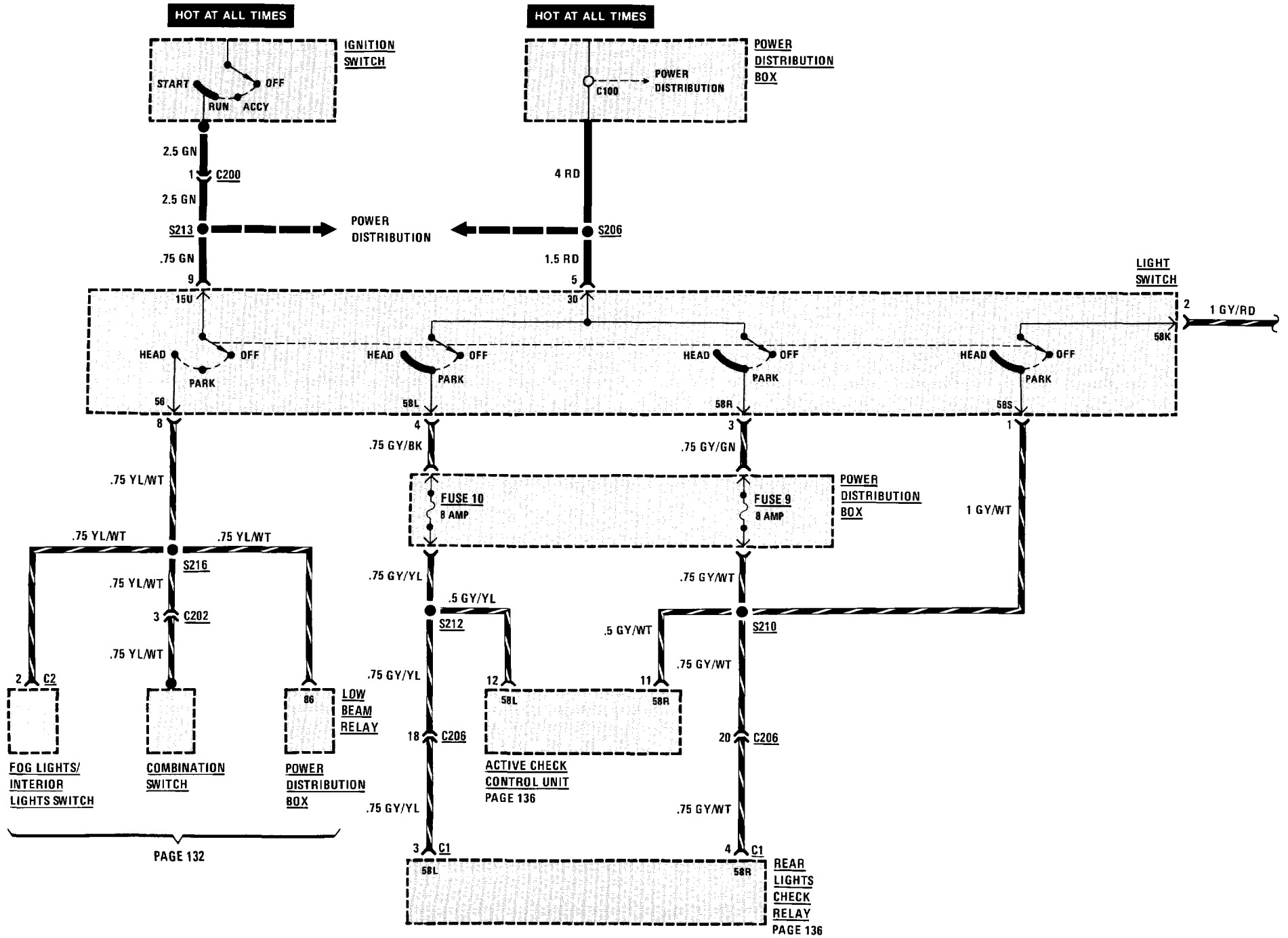


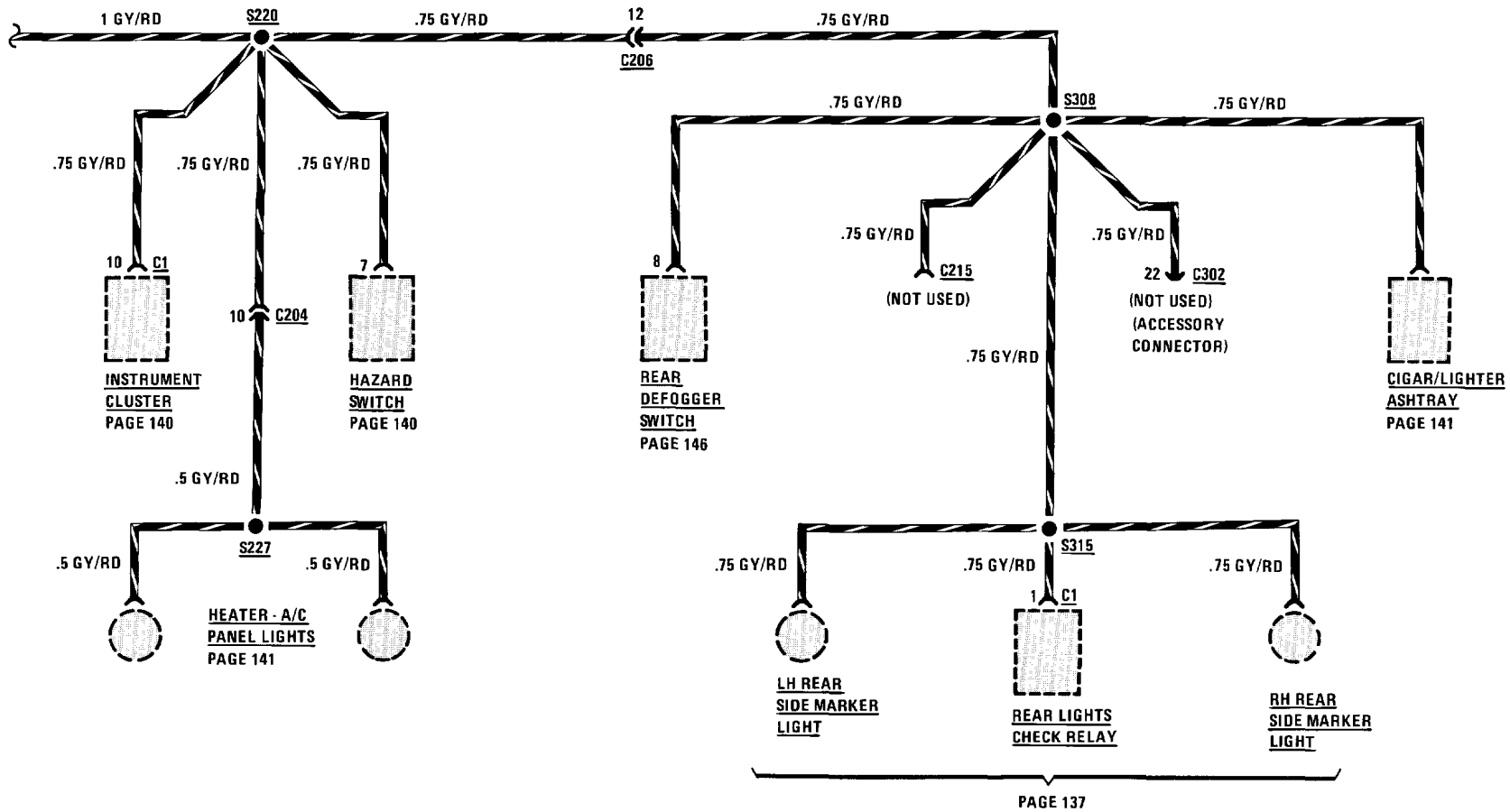
110 FUSE DETAILS: FUSE 5



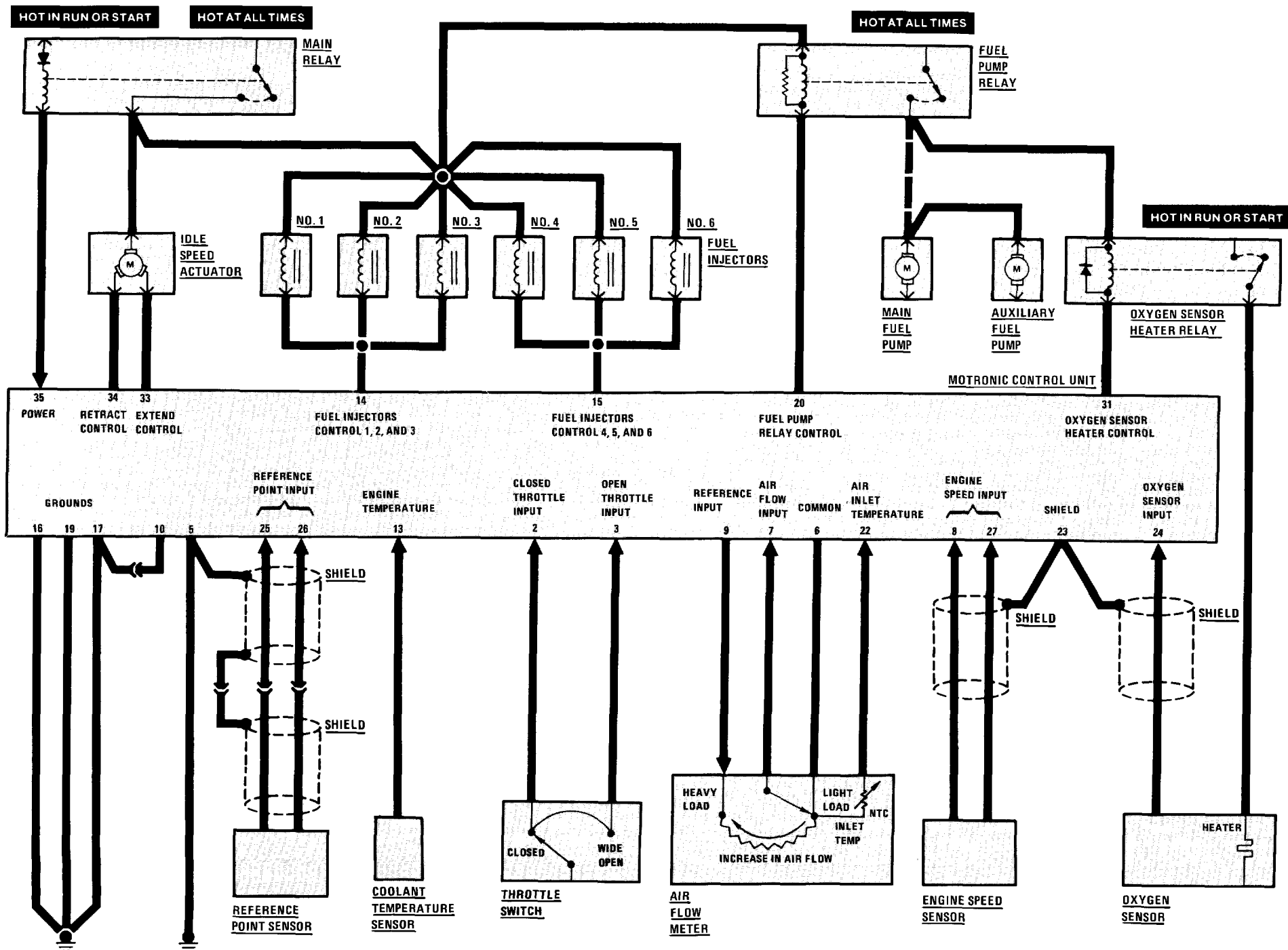
BLANK

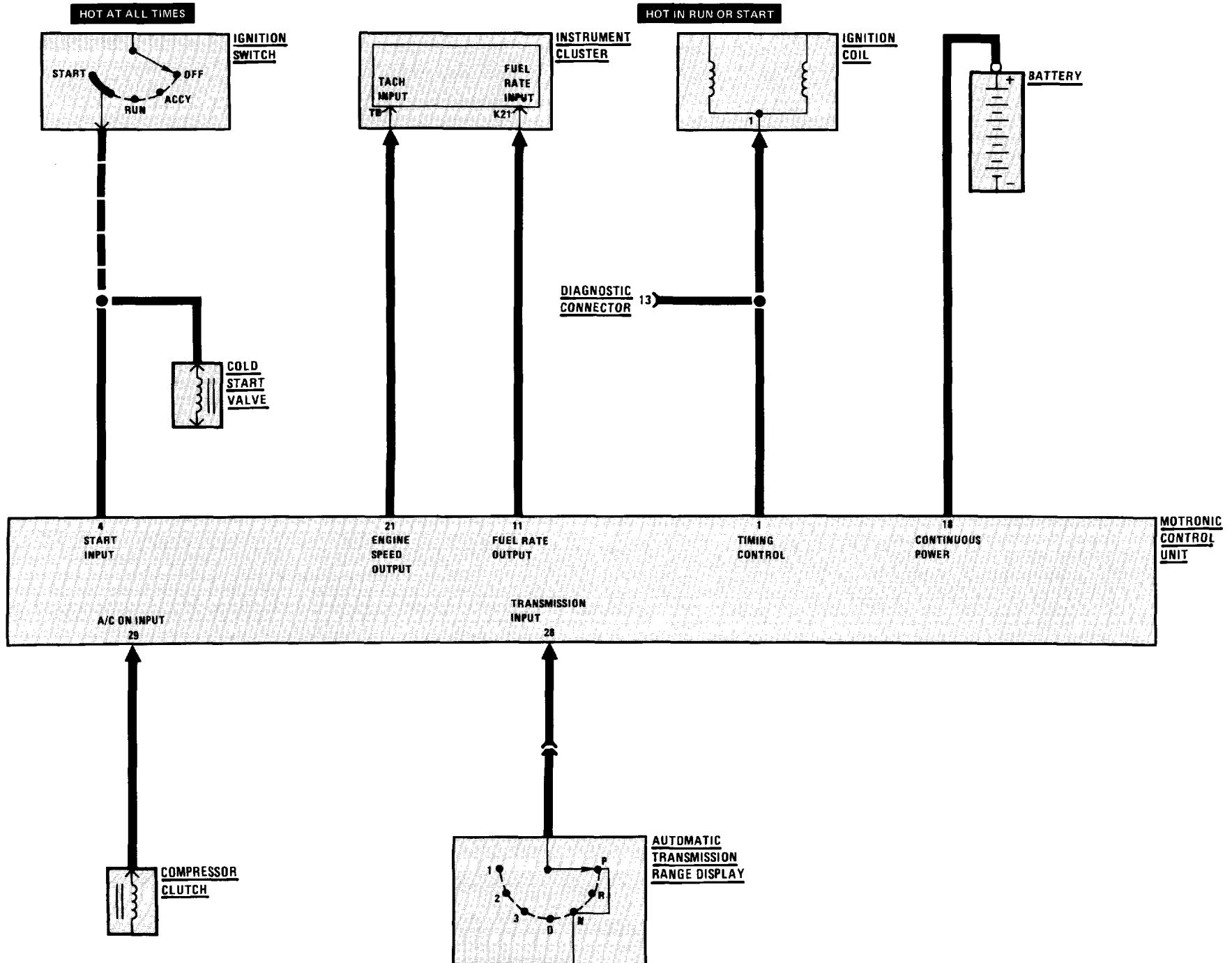
112 LIGHTS SWITCH DETAILS





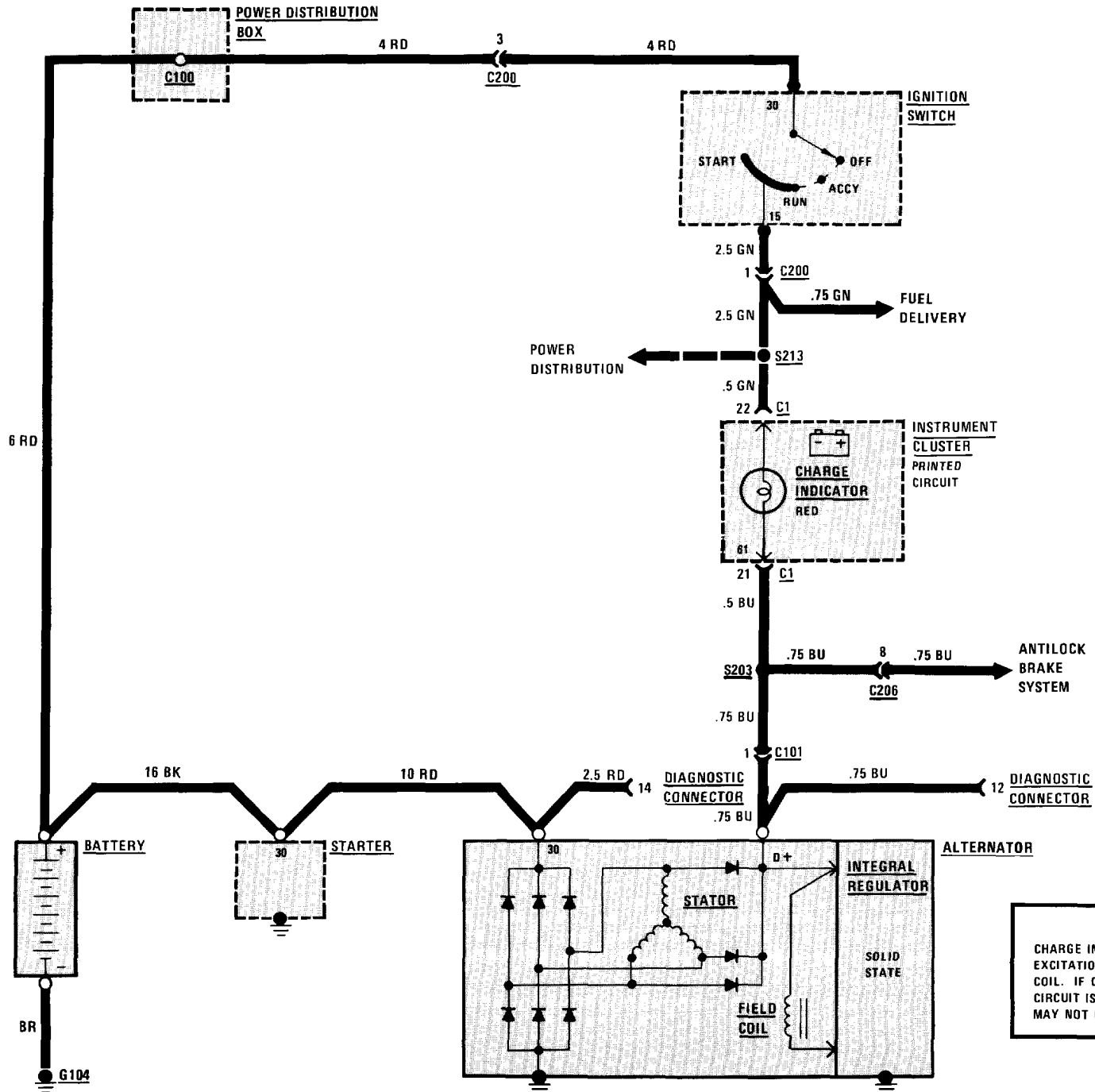
114 BLOCK DIAGRAM FOR 535i ENGINE CONTROLS





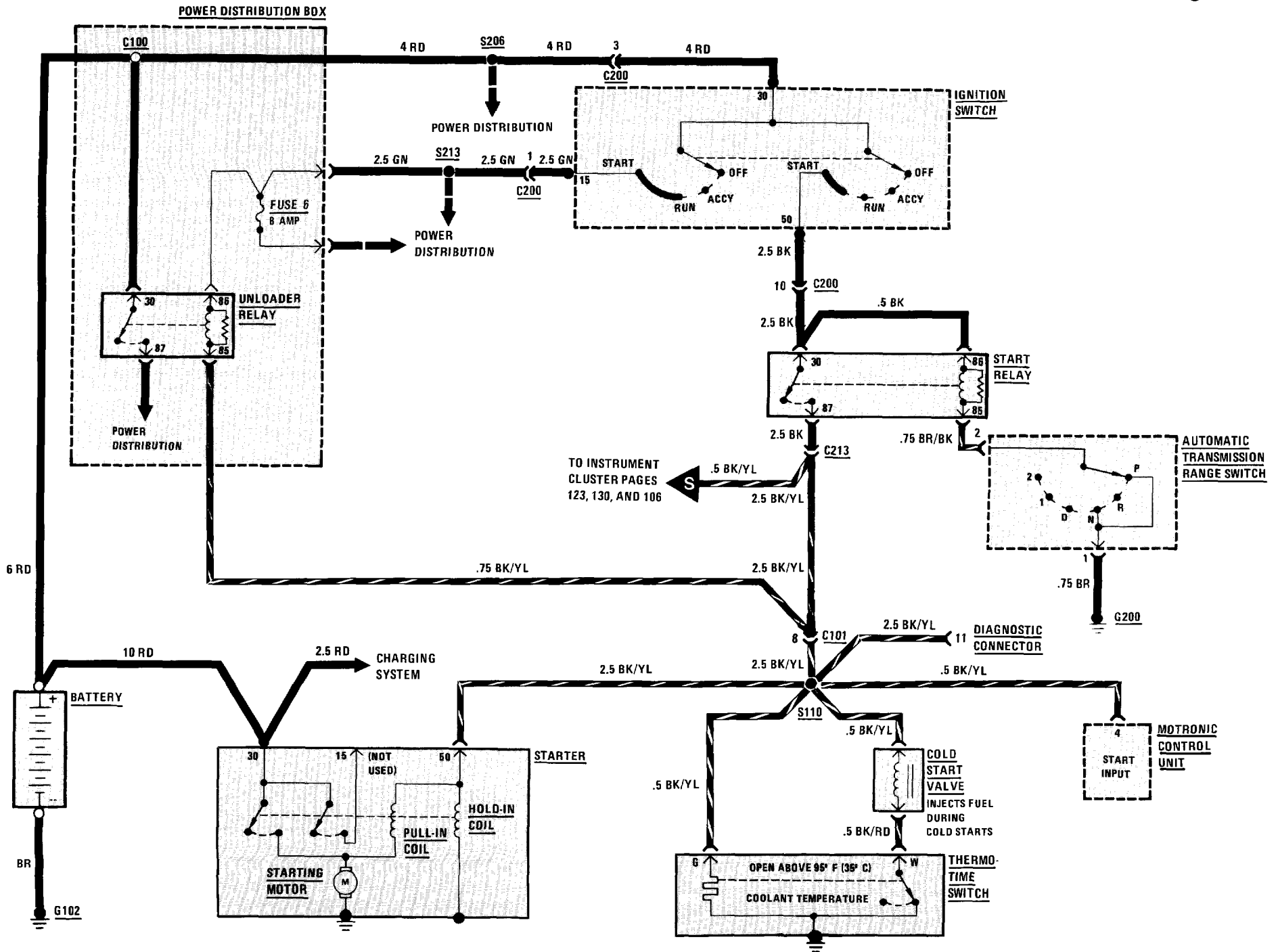
116 CHARGING SYSTEM

(For Component Location See Page 203)



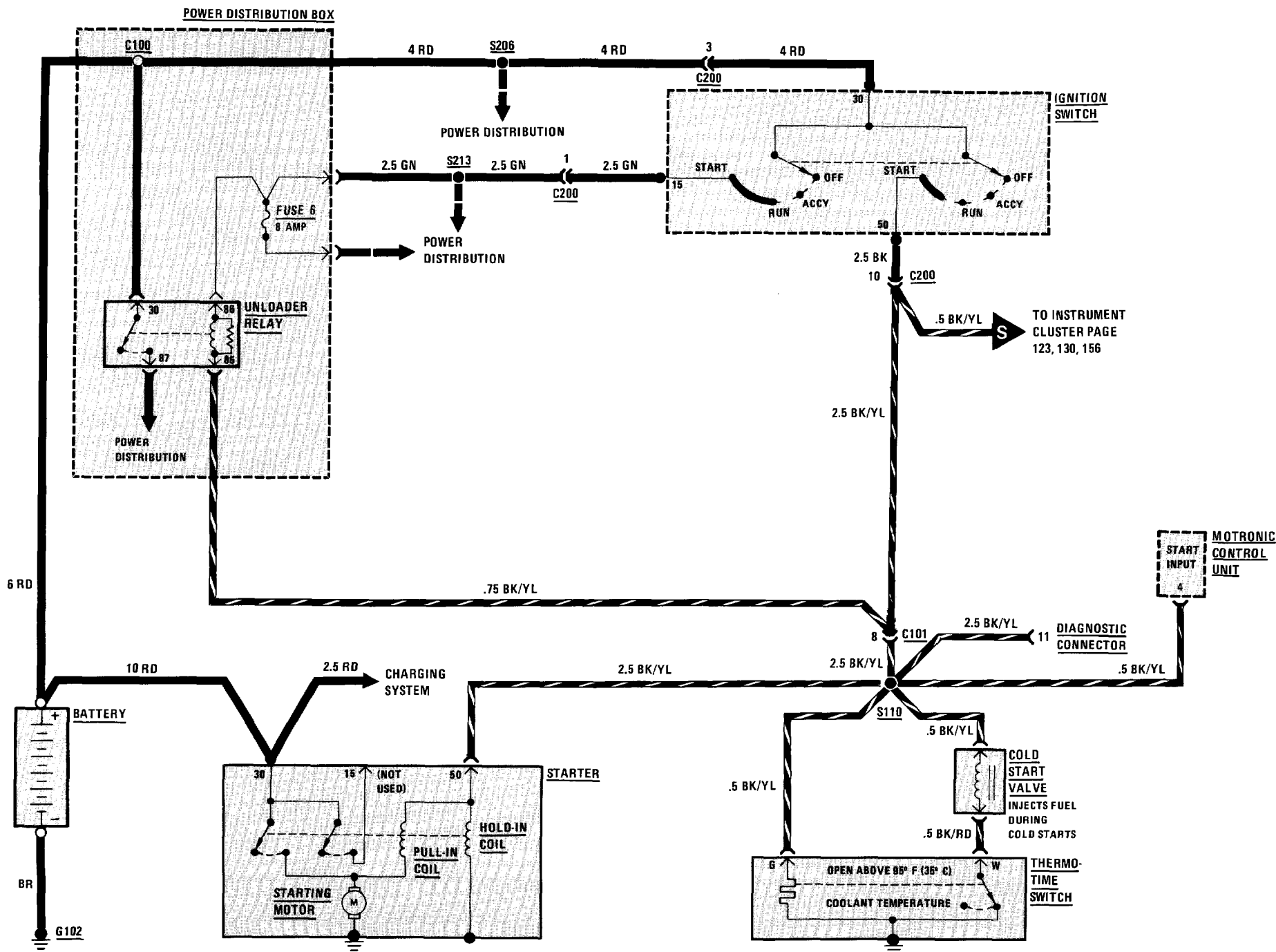
NOTE
 CHARGE INDICATOR PROVIDES EXCITATION CURRENT TO FIELD COIL. IF CHARGE INDICATOR CIRCUIT IS OPEN, ALTERNATOR MAY NOT CHARGE.

(For Component Location See Page 217)

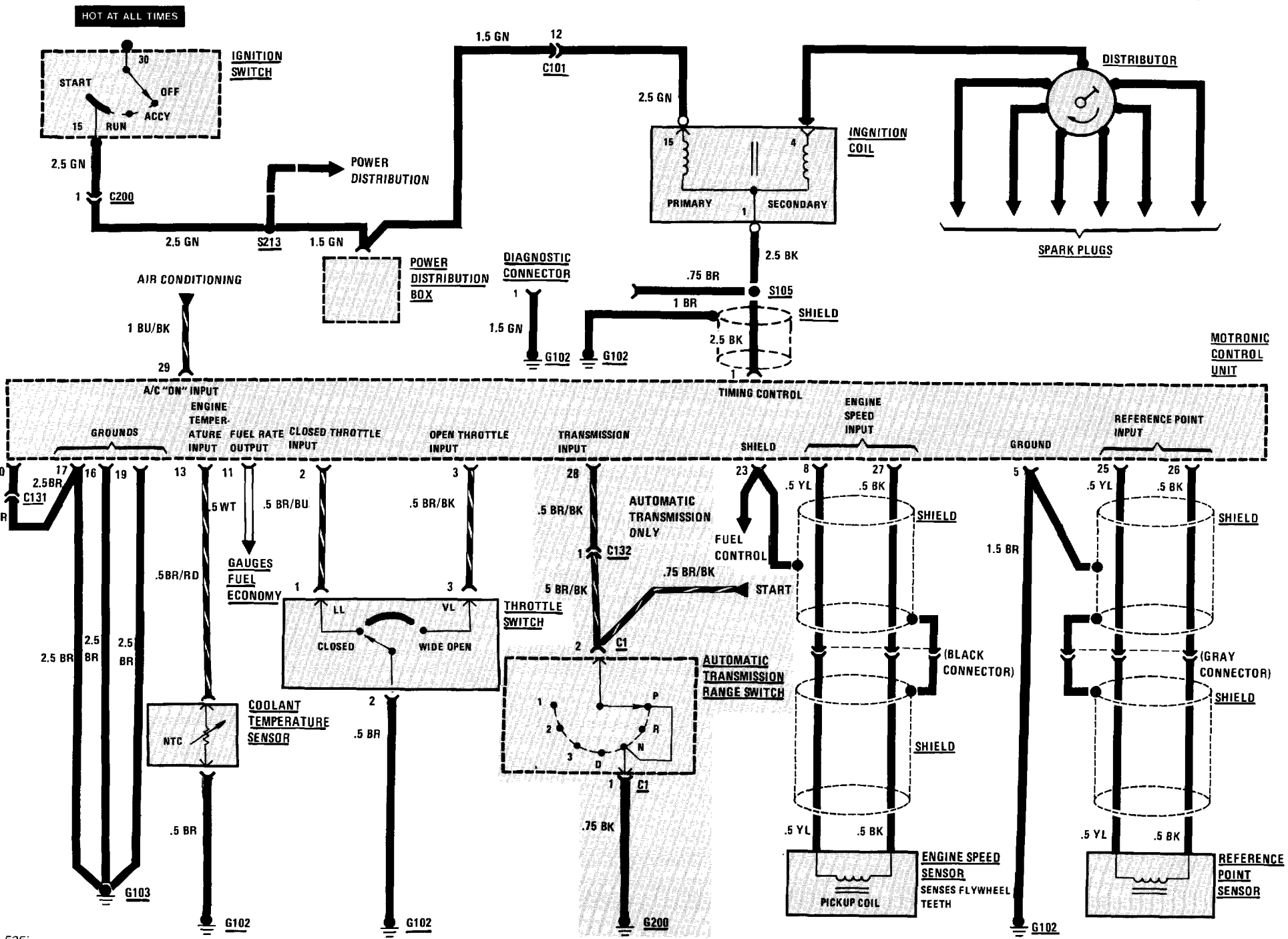


118 START (MANUAL TRANSMISSION)

(For Component Location See Page 217)

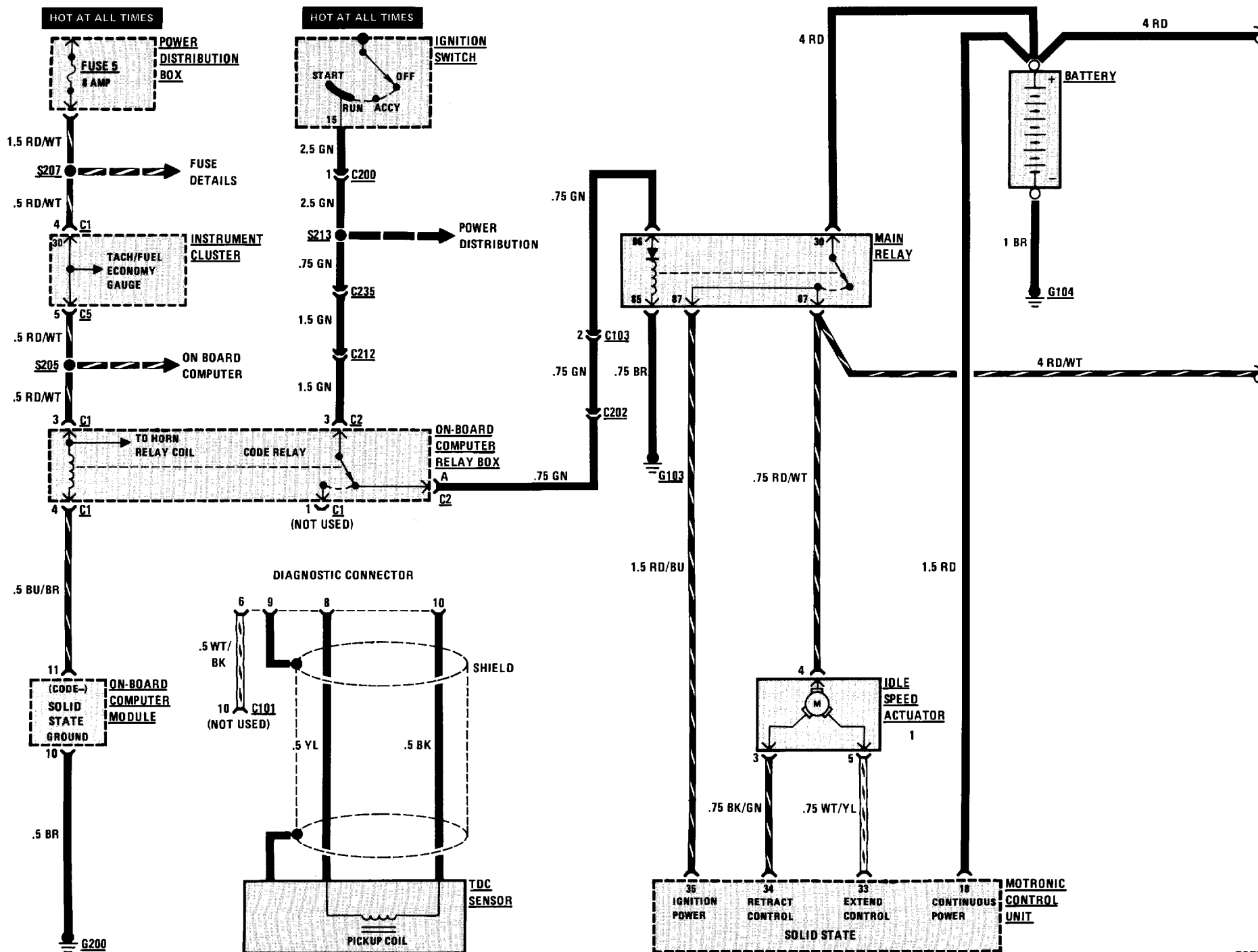


(For Component Location See Page 207)

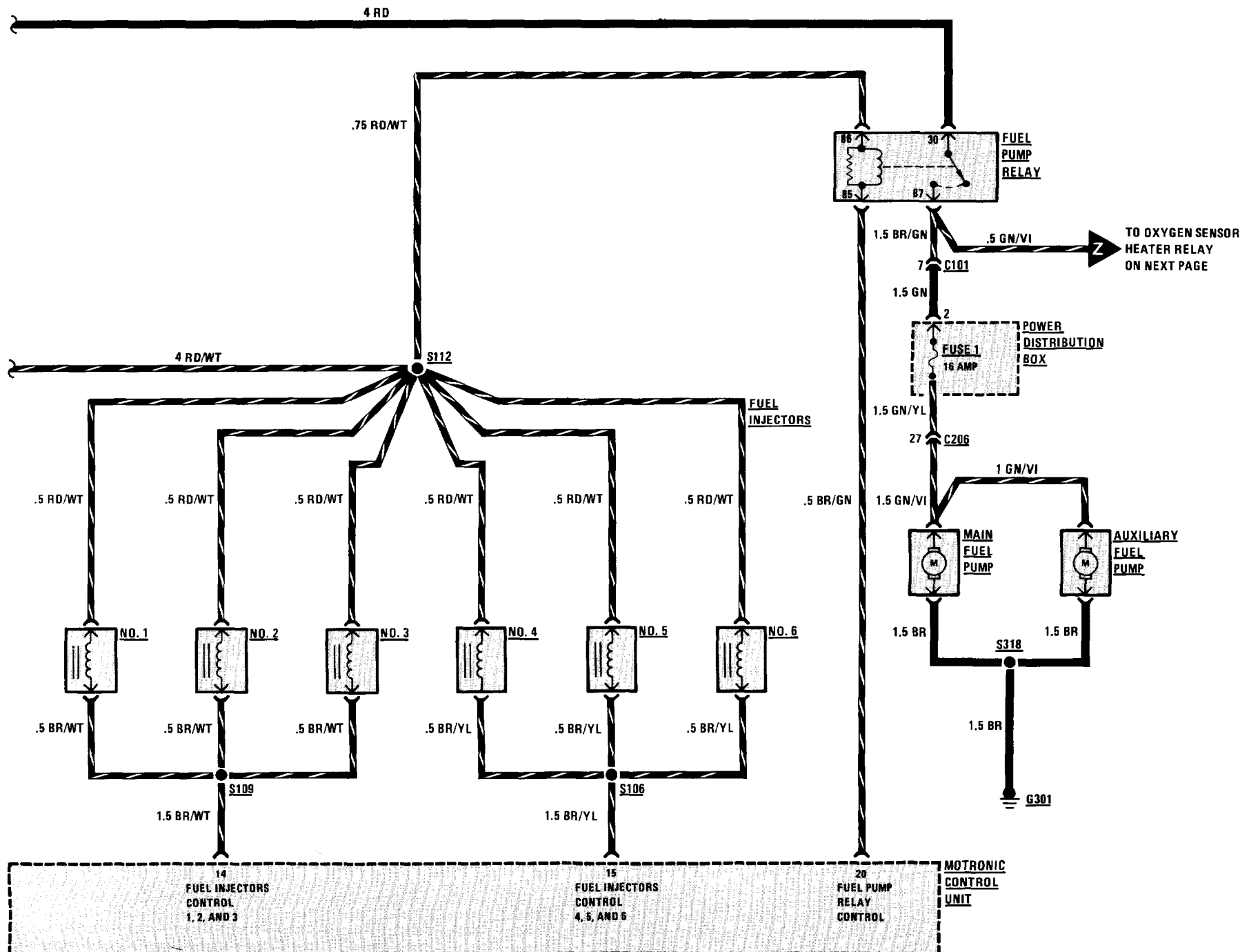


120 FUEL DELIVERY

(For Component Locations See Page 204)

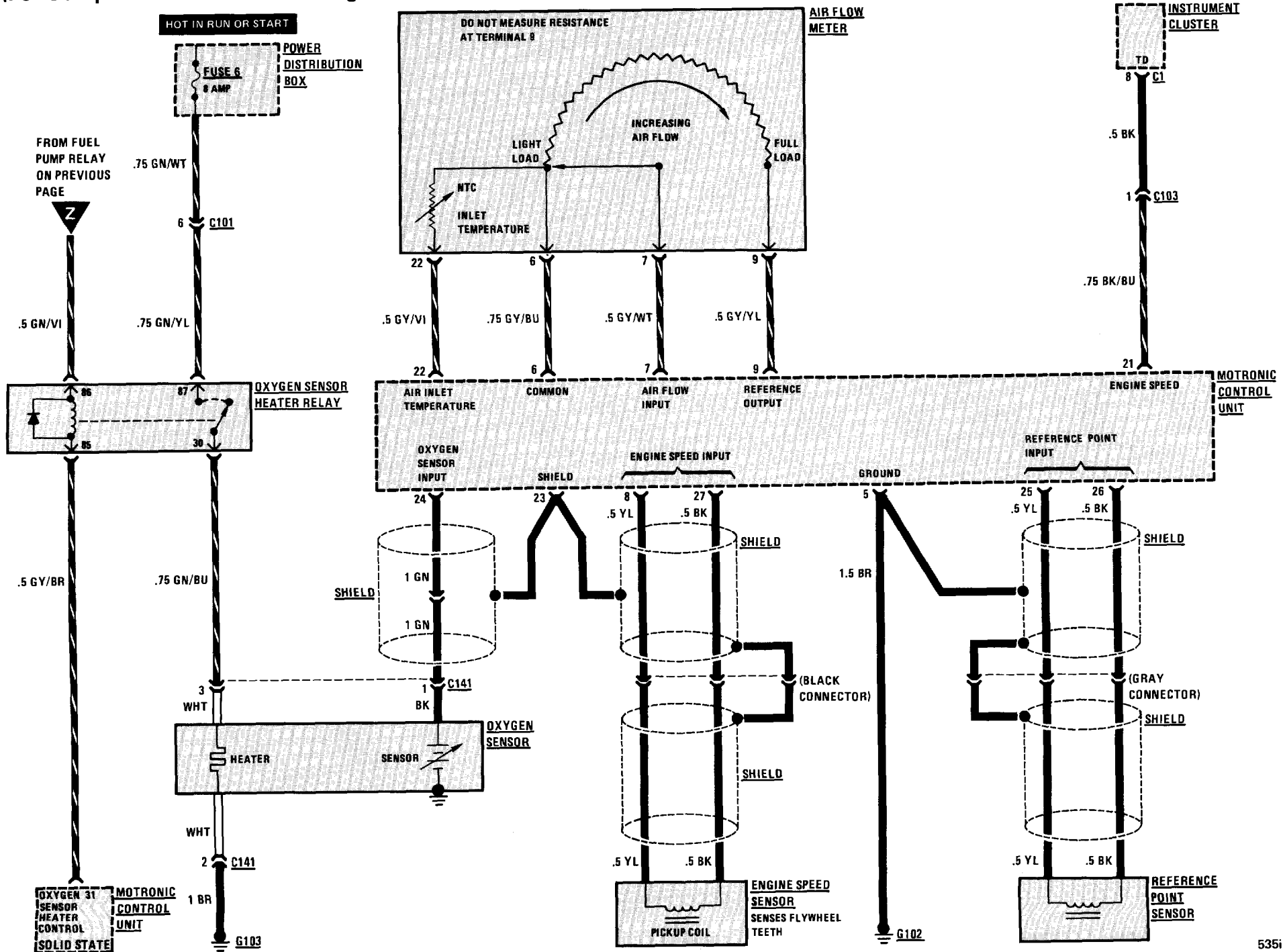


(For Component Locations See Page 204)

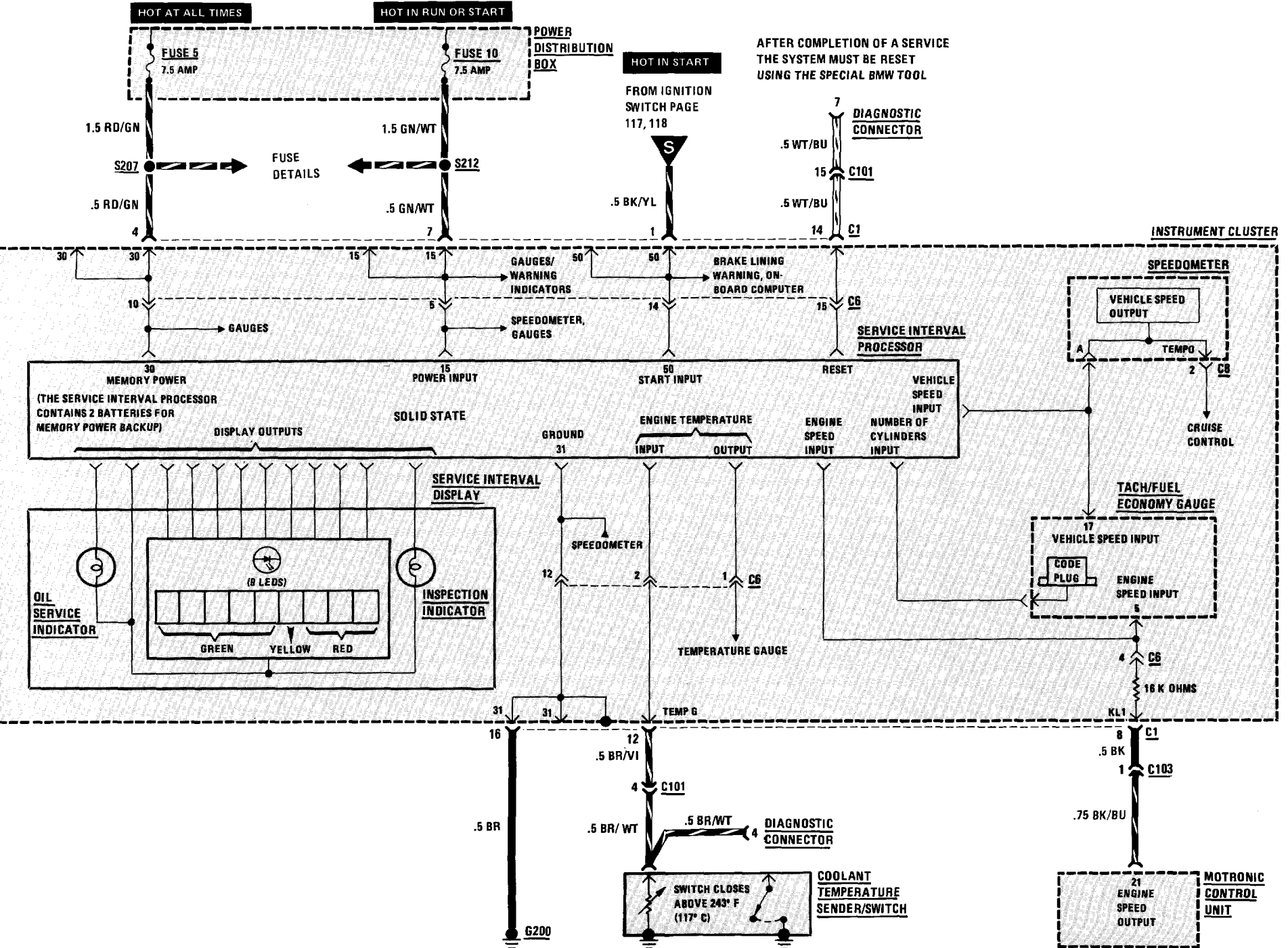


122 FUEL CONTROL

(For Component Locations See Page 204)

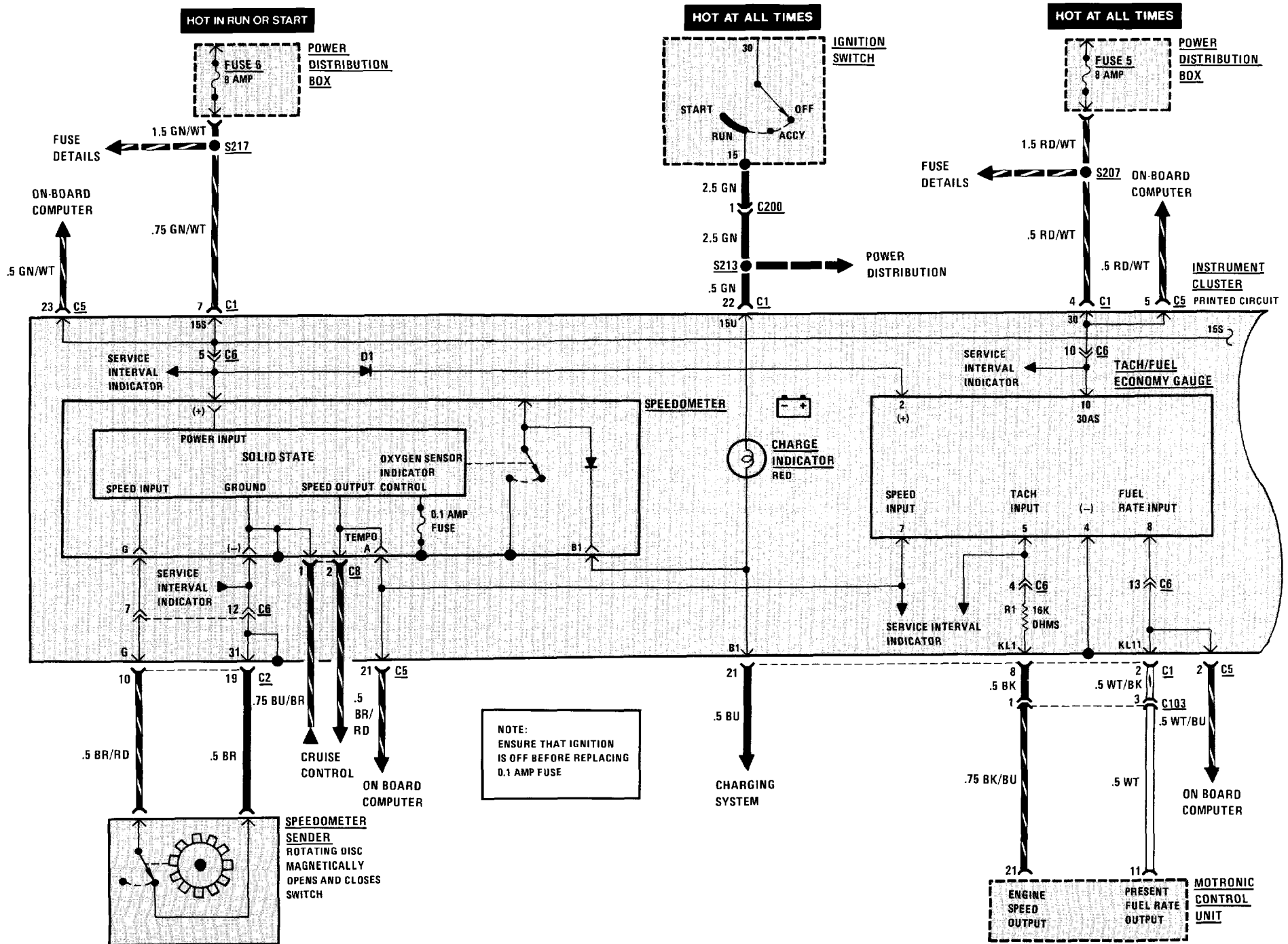


(For Component Locations See Page 216)

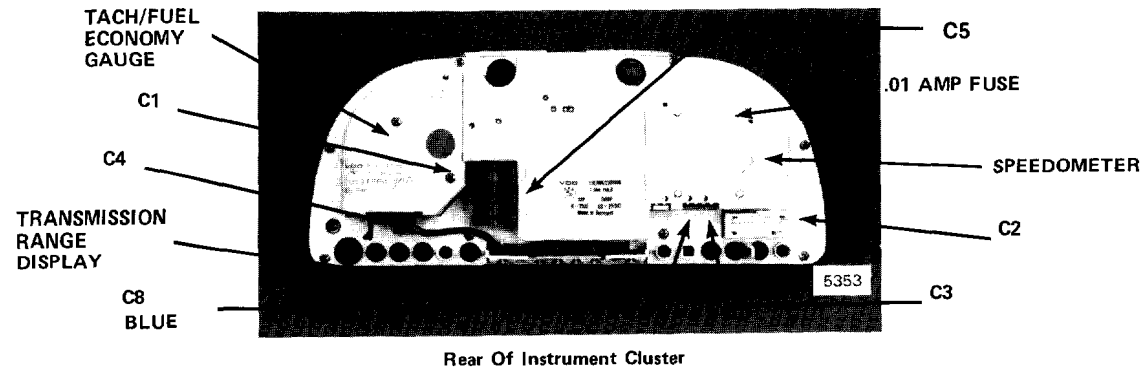


124 SPEEDOMETER/GAUGES/WARNING INDICATORS

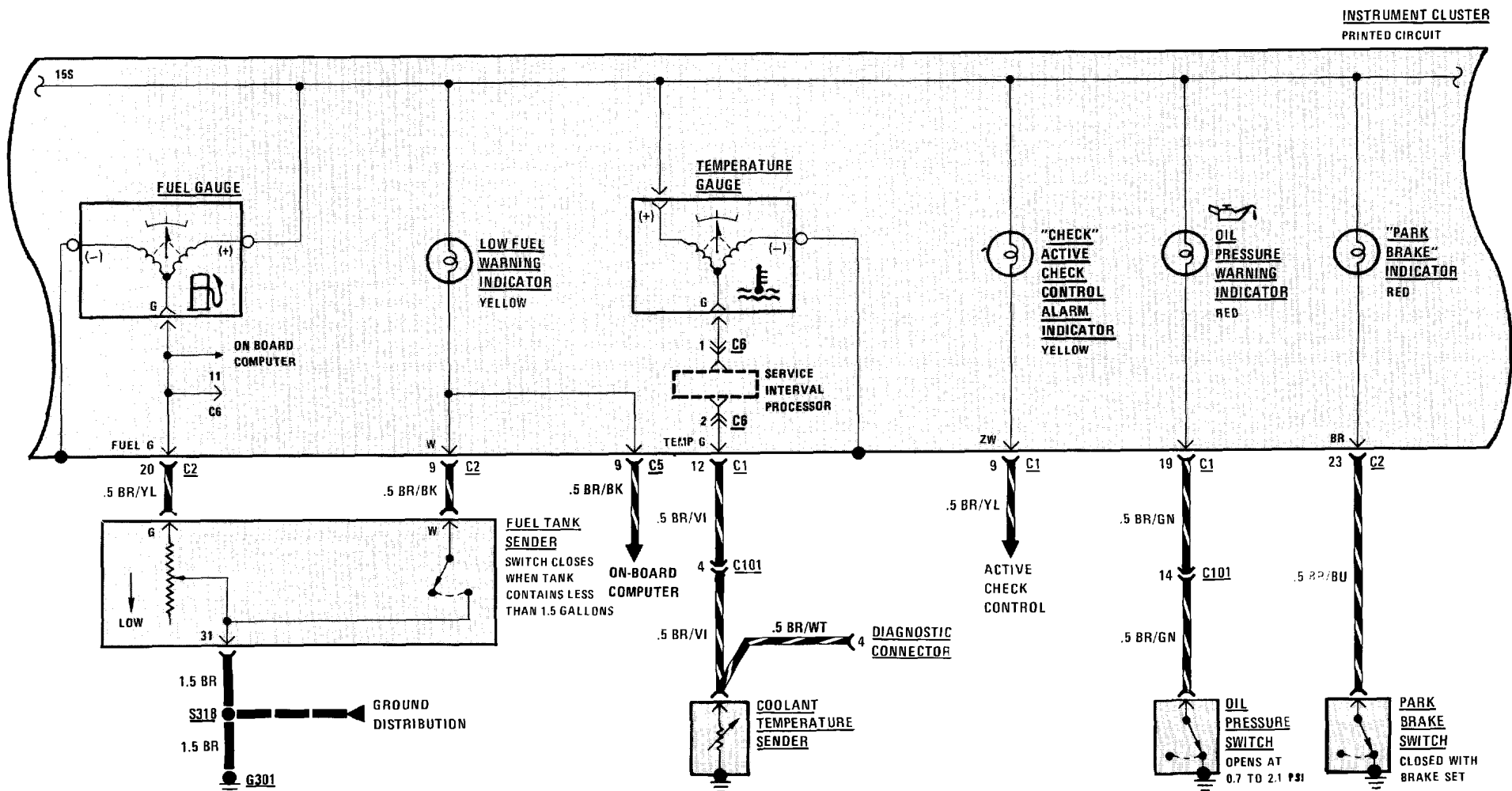
(For Component Locations See Page 216)



(For Component Locations See Page 216)

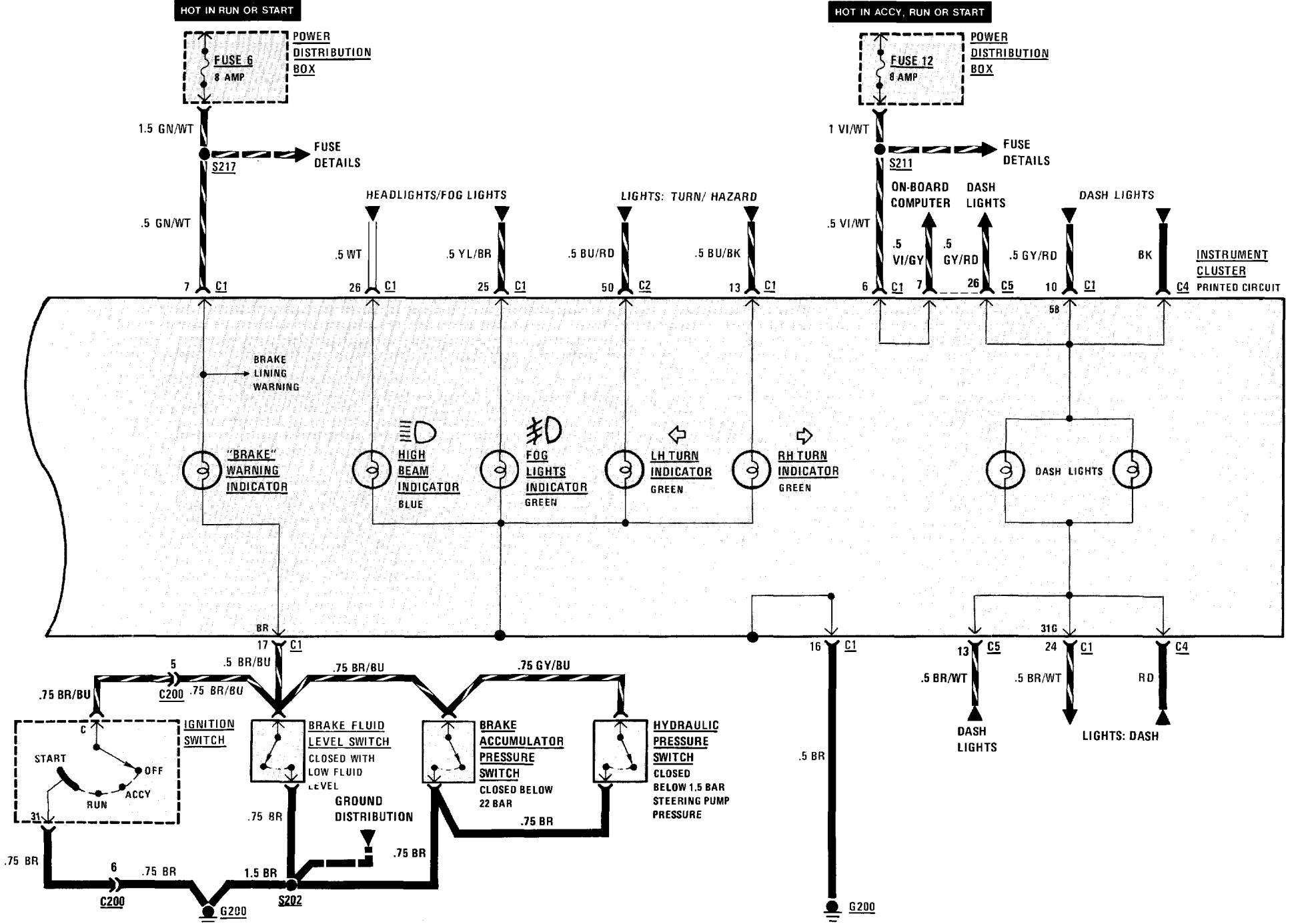


Rear Of Instrument Cluster



126 WARNING INDICATORS

(For Component Location See Page 216)



(For Component Locations See Page 201)

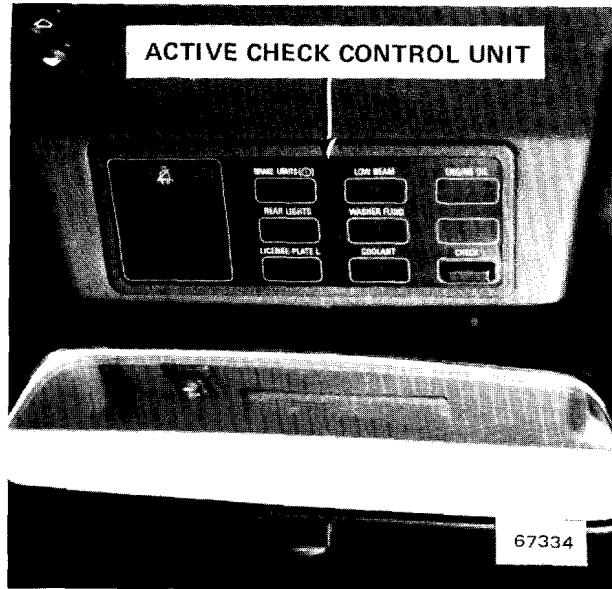
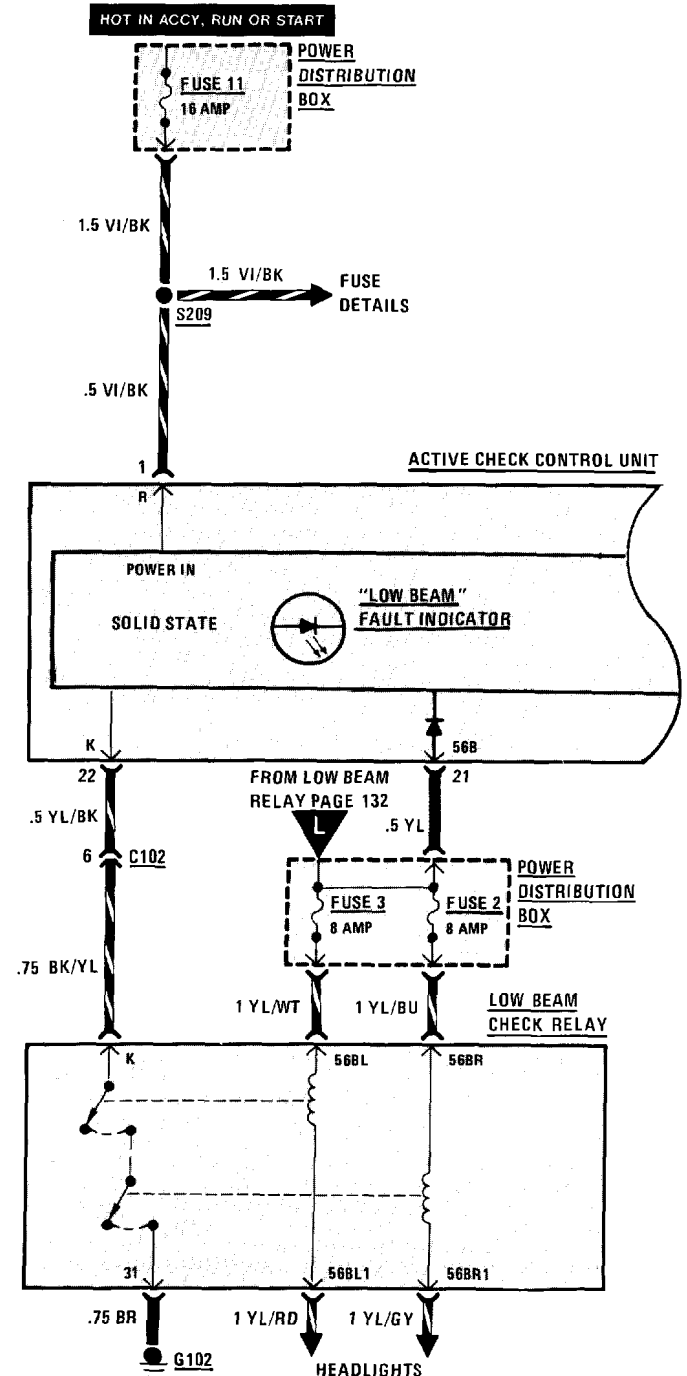


Figure 1 - Above Rear View Mirror

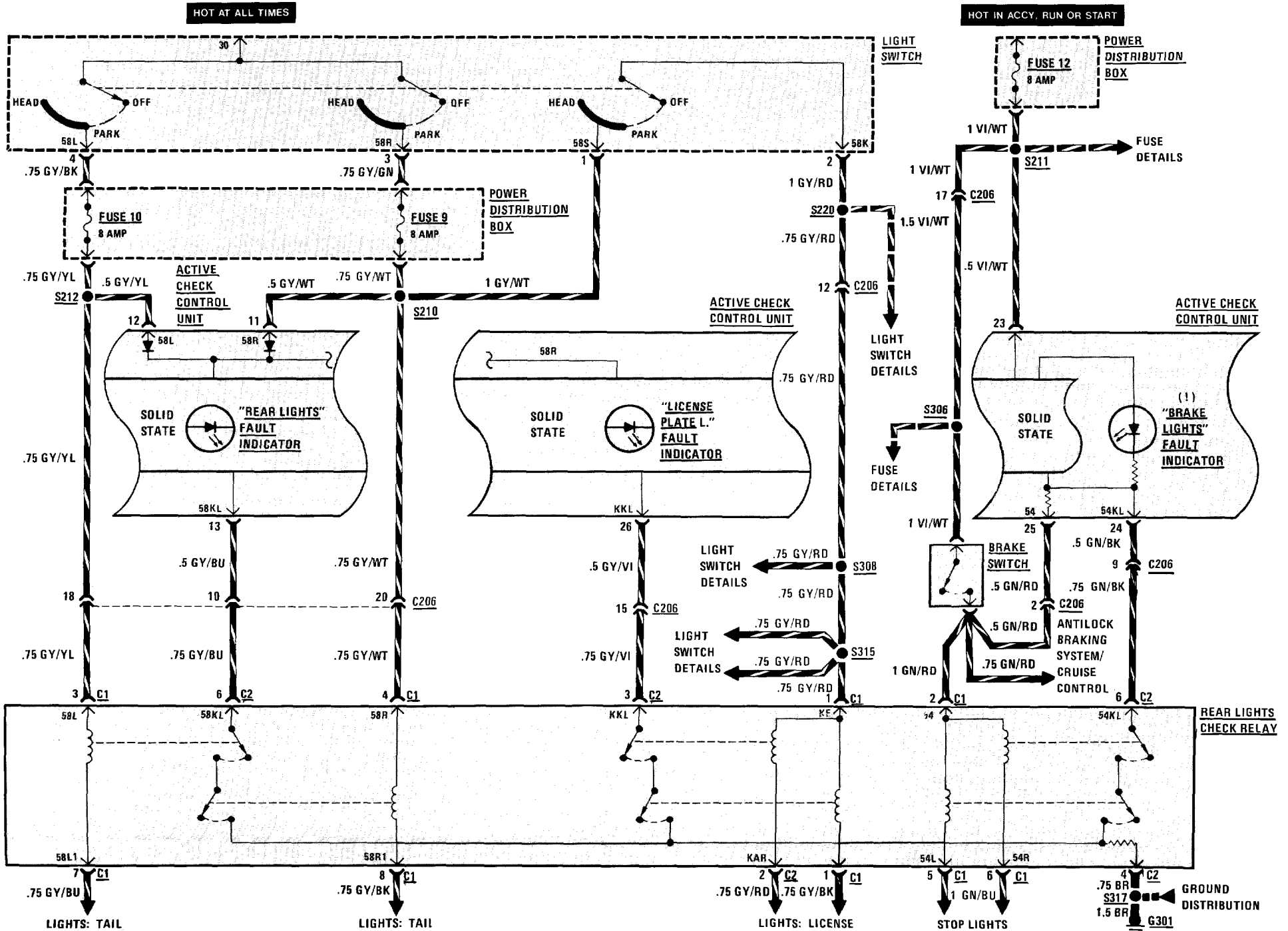
ACTIVE CHECK CONTROL

1. When the Ignition Switch is initially placed in "Run," the Active Check Control Alarm Indicator flashes, and the Active Check Control Unit Brake Light LED and panel light illuminate for test purposes. Depressing the brake pedal clears the display.
2. When the Ignition Switch is placed in "Run," fault monitoring begins. To monitor the low beams, rear lights, or license lights, those circuits must be on. The brake lights are monitored only while the brake pedal is depressed.
3. When a fault occurs, the alarm indicator flashes, the appropriate LED indicator lights, and the panel light goes on for five seconds. Depressing the test button will clear the alarm indicator, but the LED fault indicator remains on.
4. To test the unit, depress the test button. The LED fault indicators and panel light should go on.



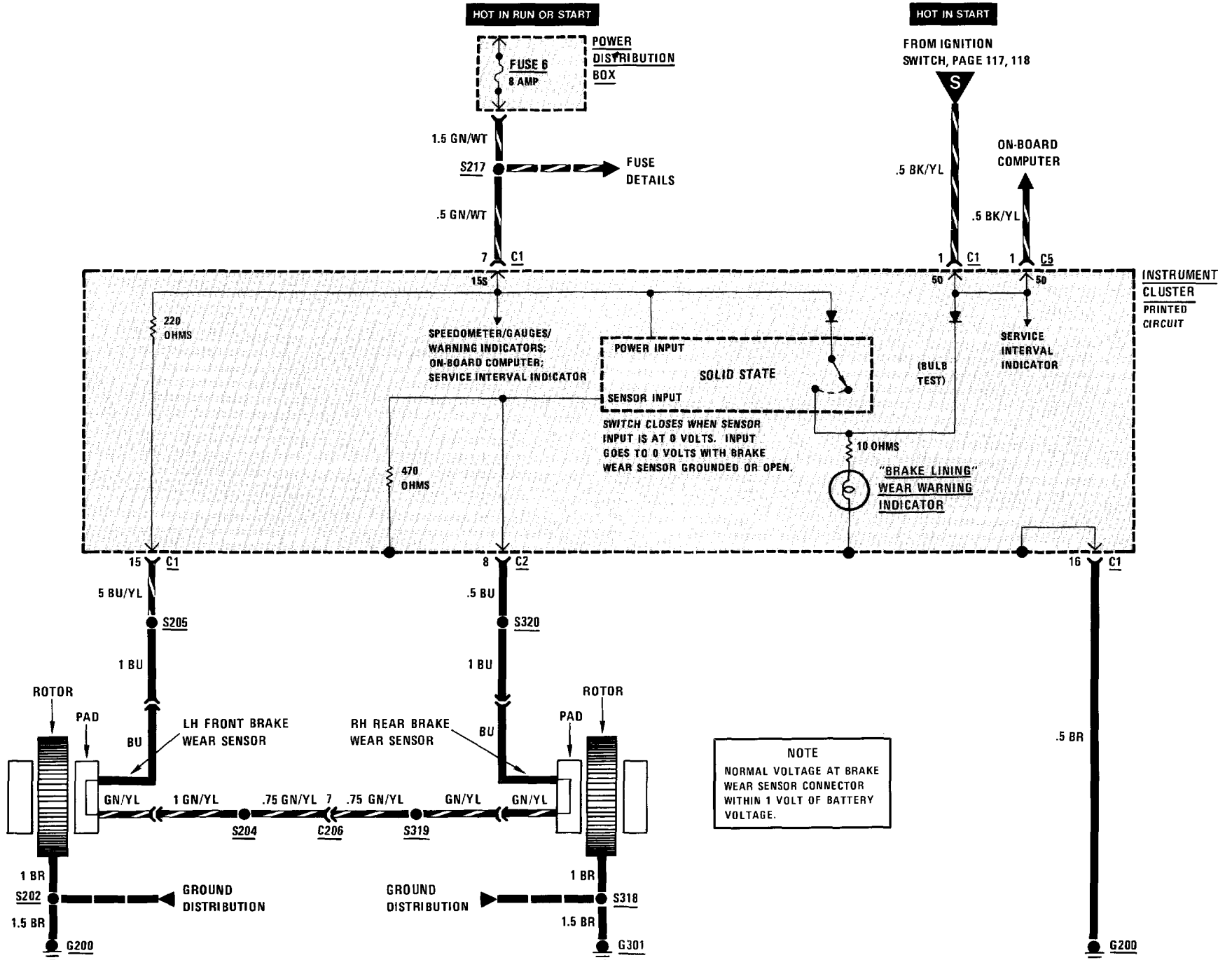
128 ACTIVE CHECK CONTROLS

(For Component Locations See Page 201)

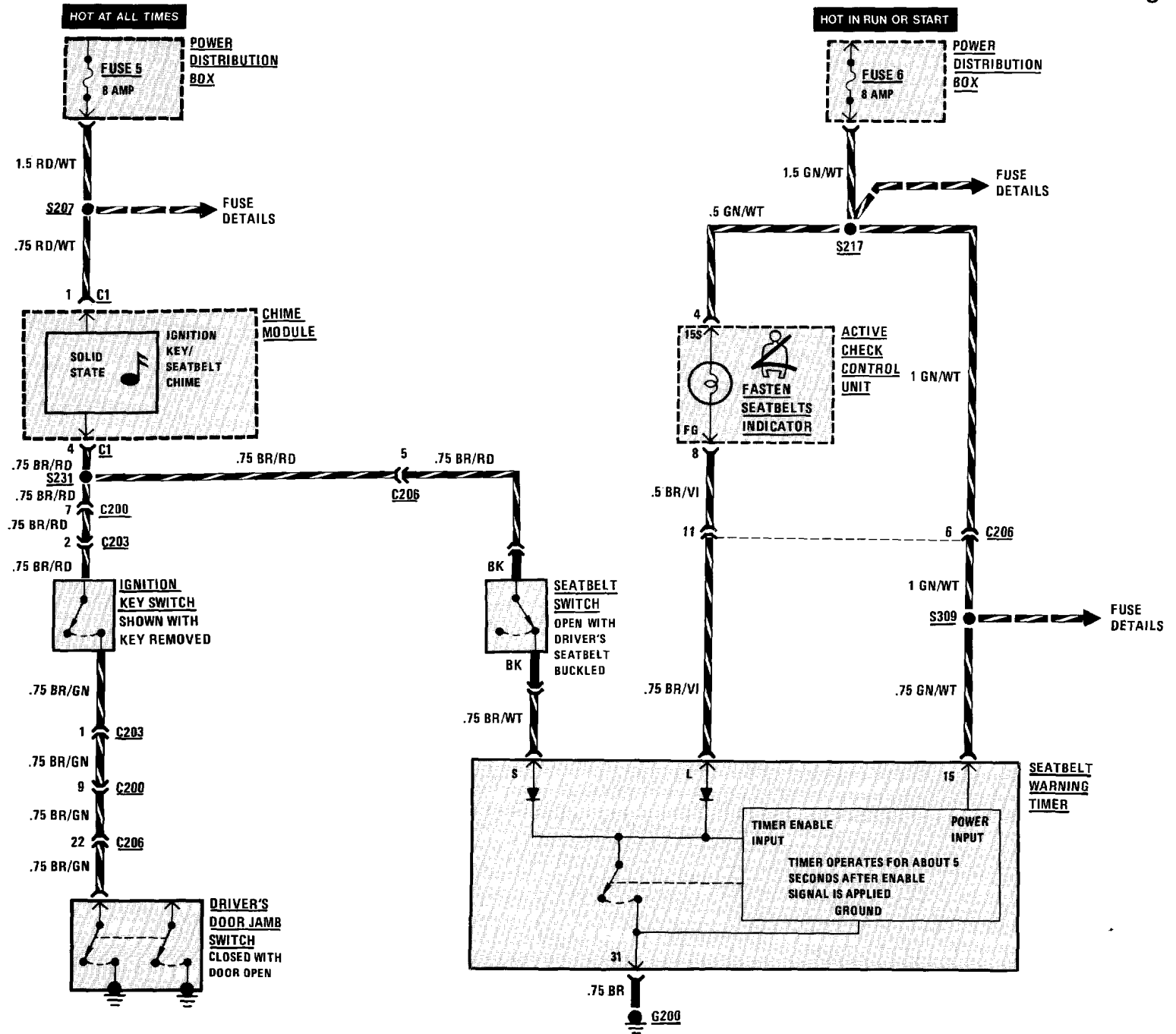


130 BRAKE LINING WARNING

(For Component Locations See Page 202)

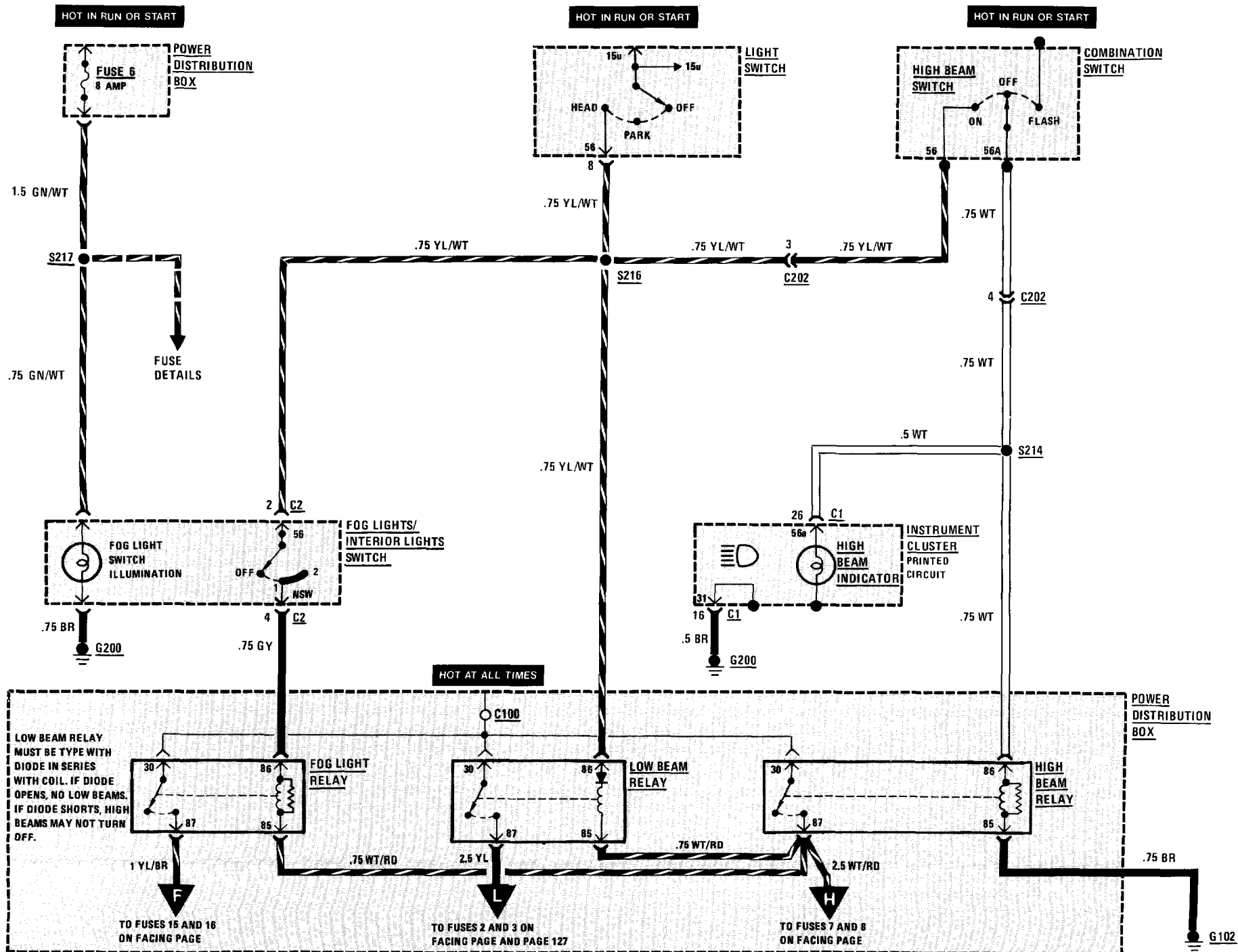


(For Component Location See Page 208)



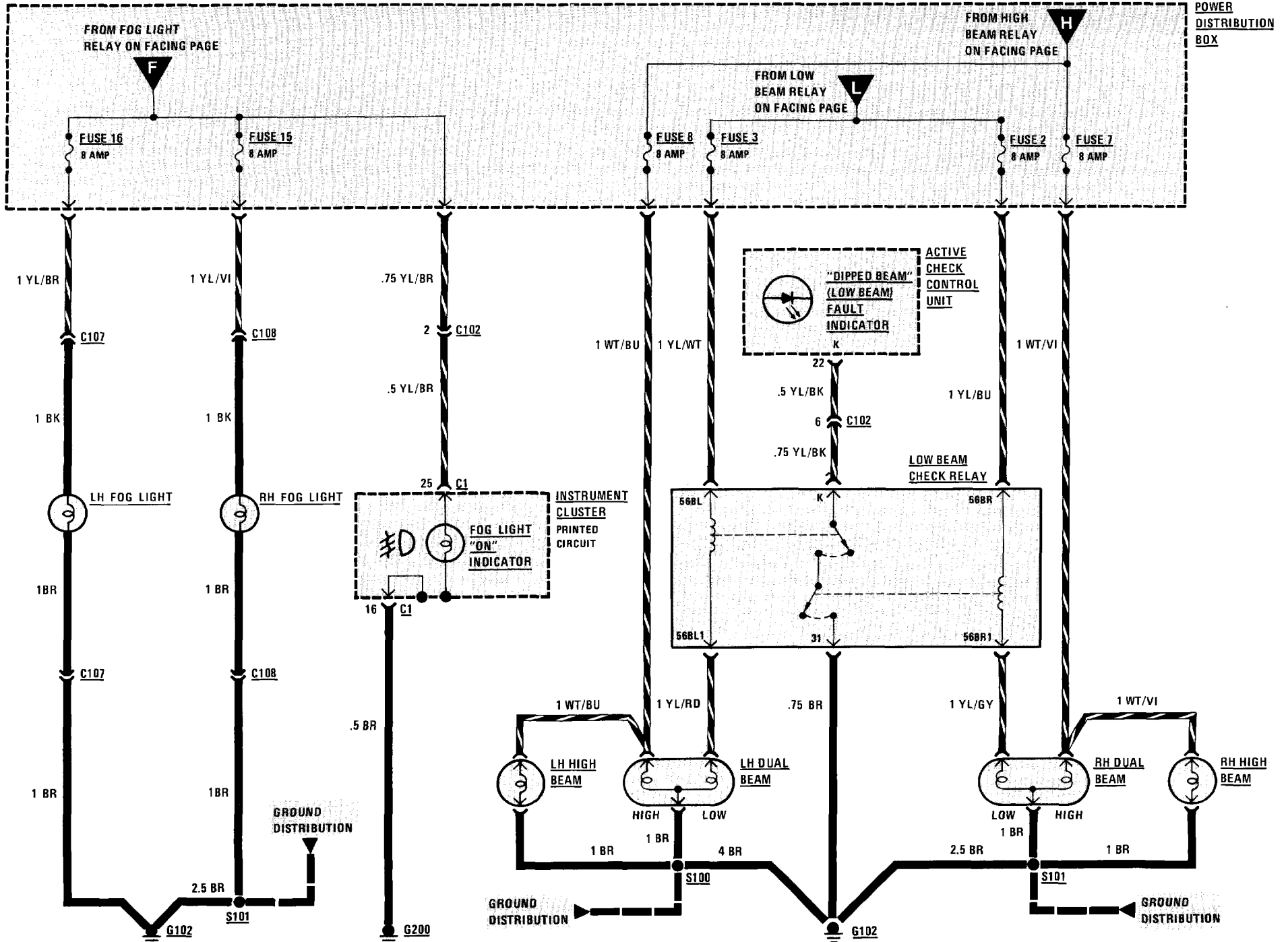
132 HEADLIGHTS (CONTROL)/FOG LIGHTS (CONTROL)

(For Component Locations See Page 205)



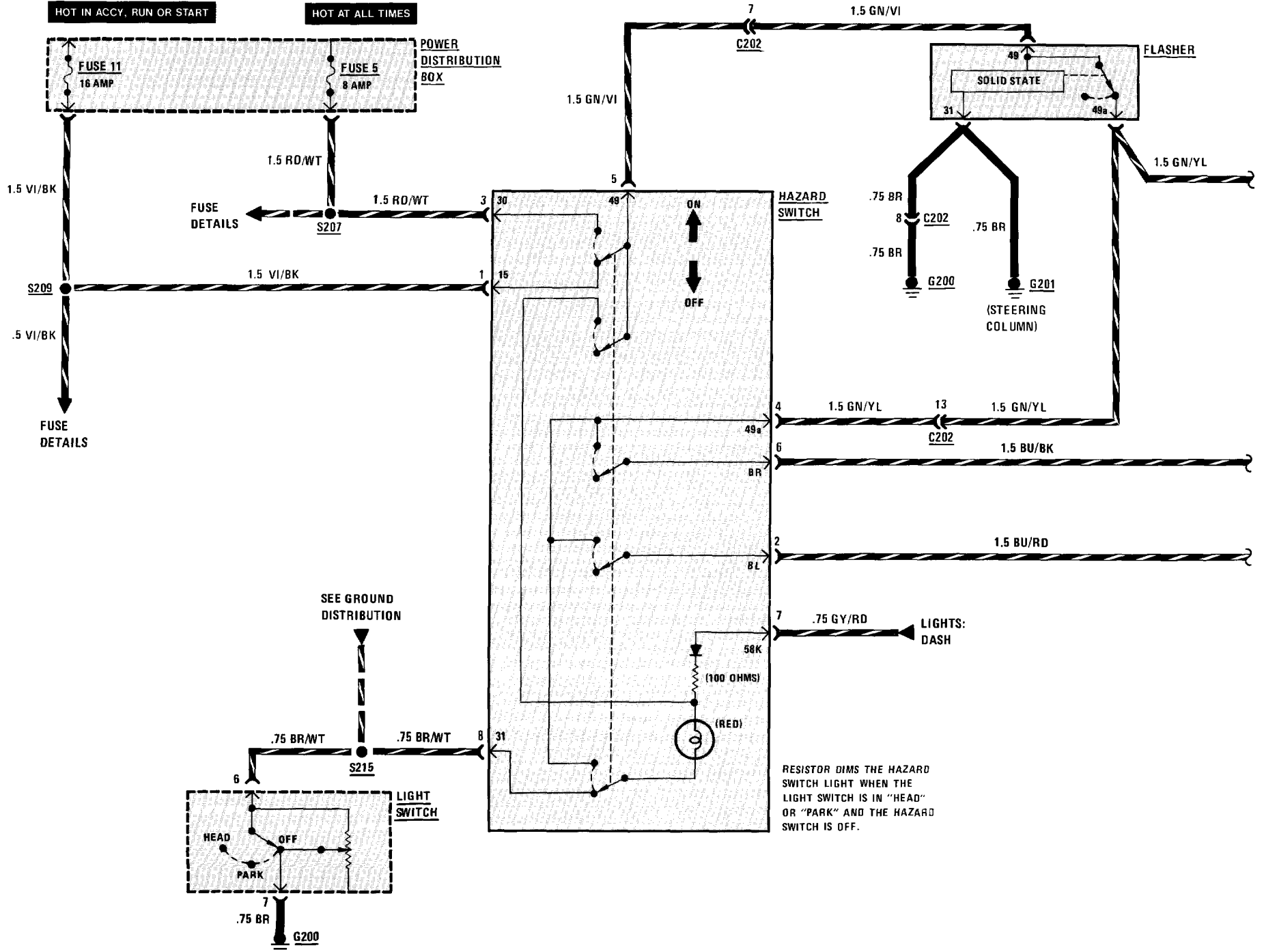
CONTINUED ON PAGE 133

(For Component Location See Page 205)

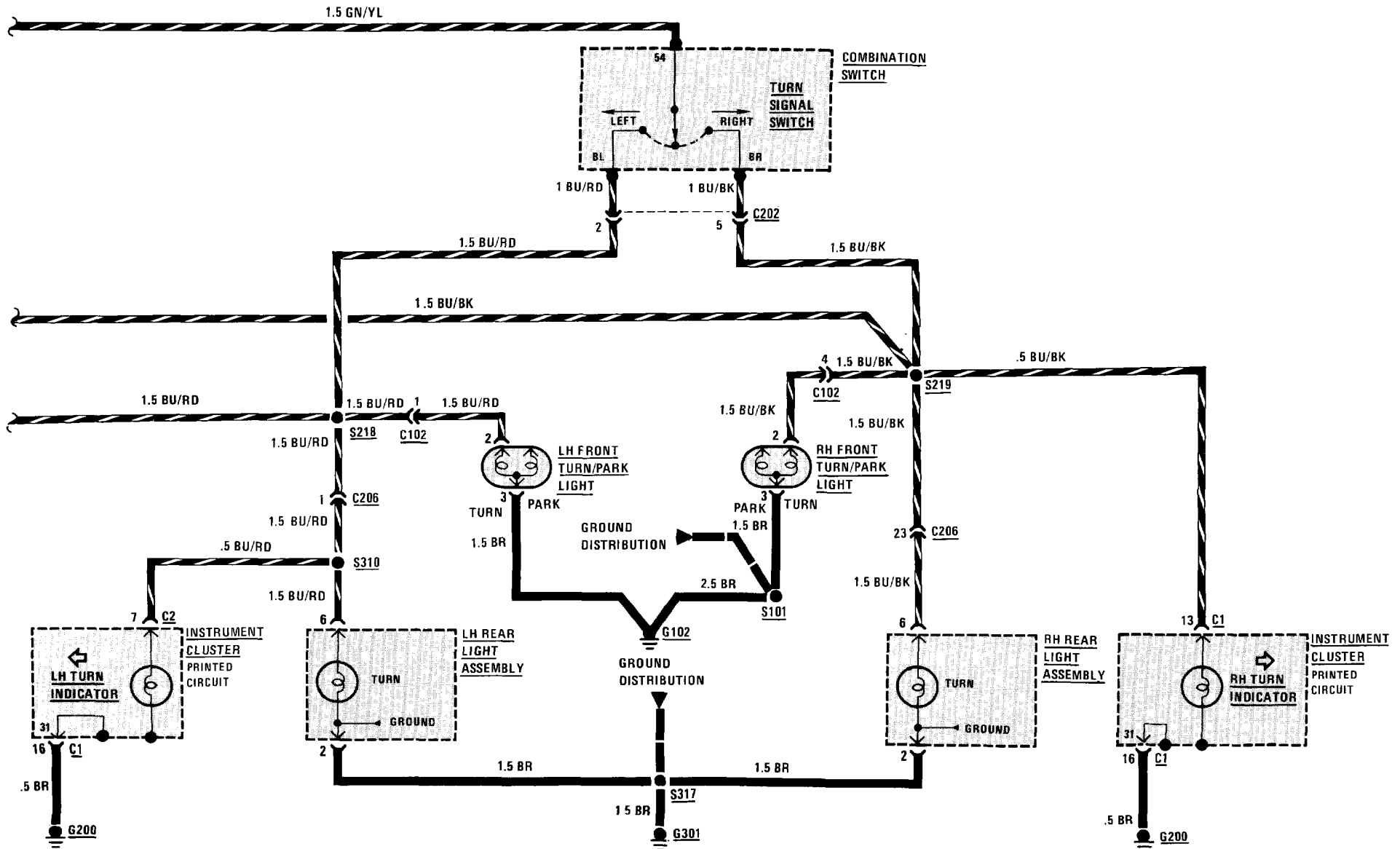


134 LIGHTS TURN/HAZARD WARNING

(For Component Location See Page 209)

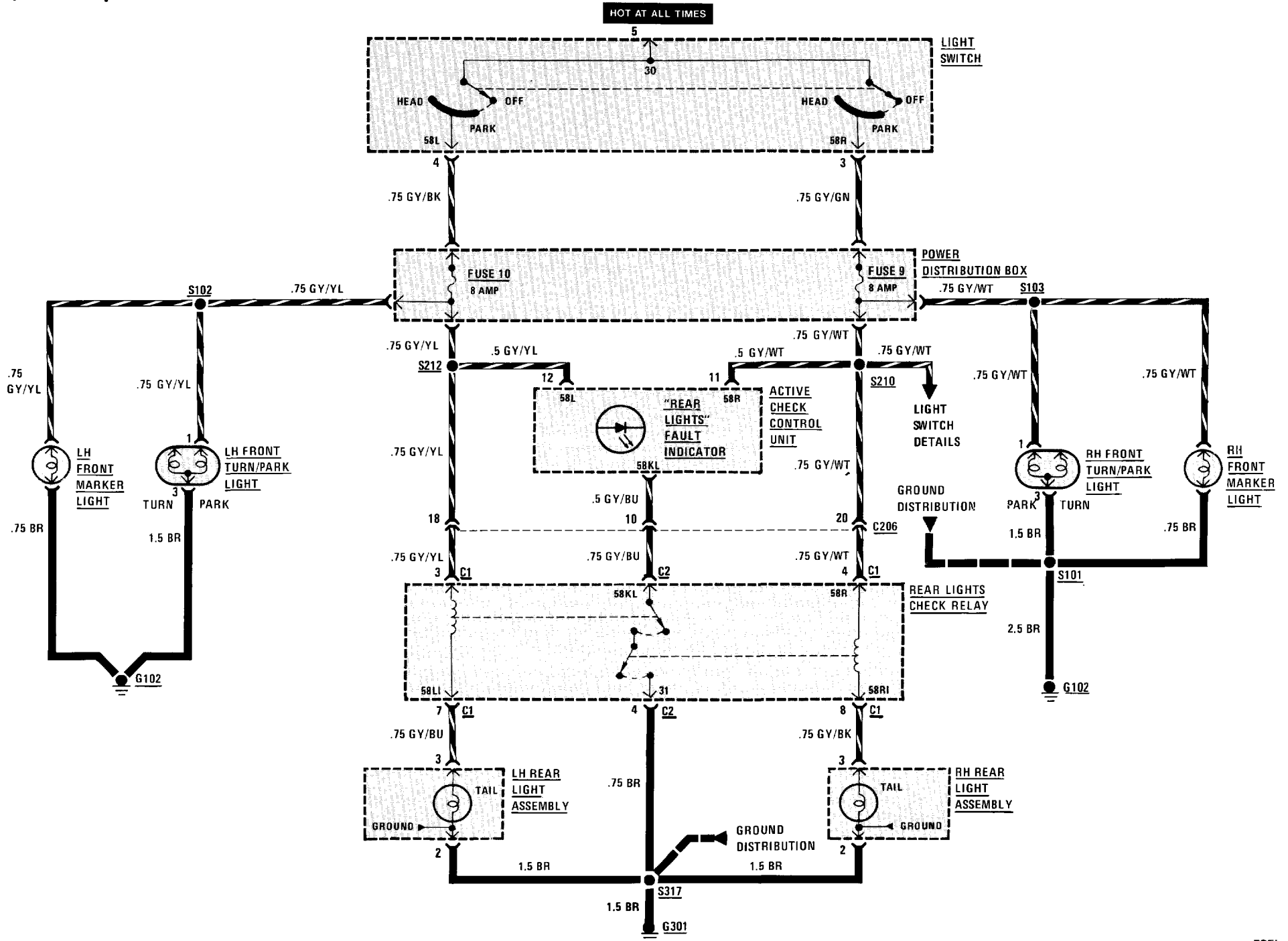


(For Component Location See Page 209)

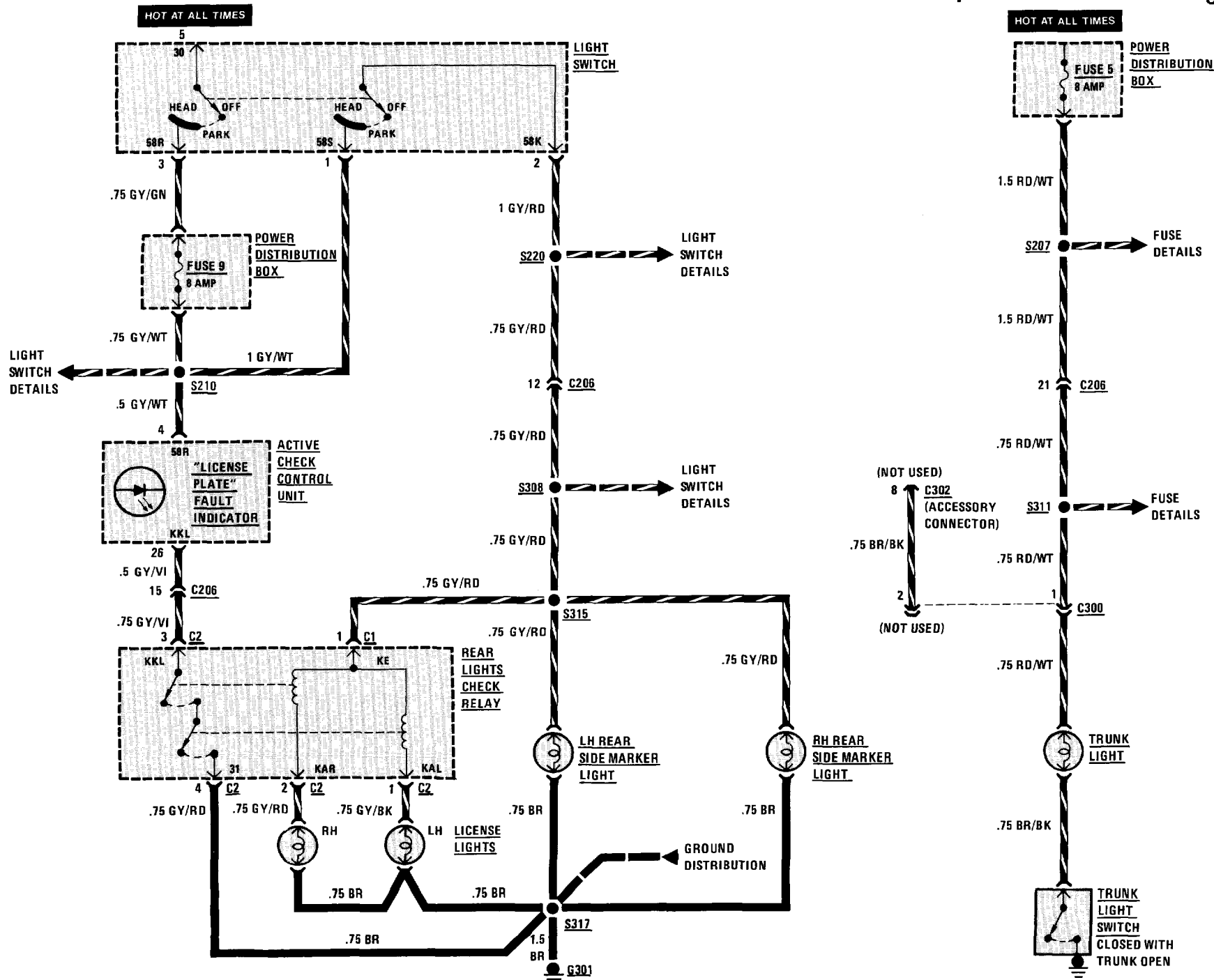


136 LIGHTS: FRONT PARK/FRONT MARKER/TAIL

(For Component Locations See Page 209)

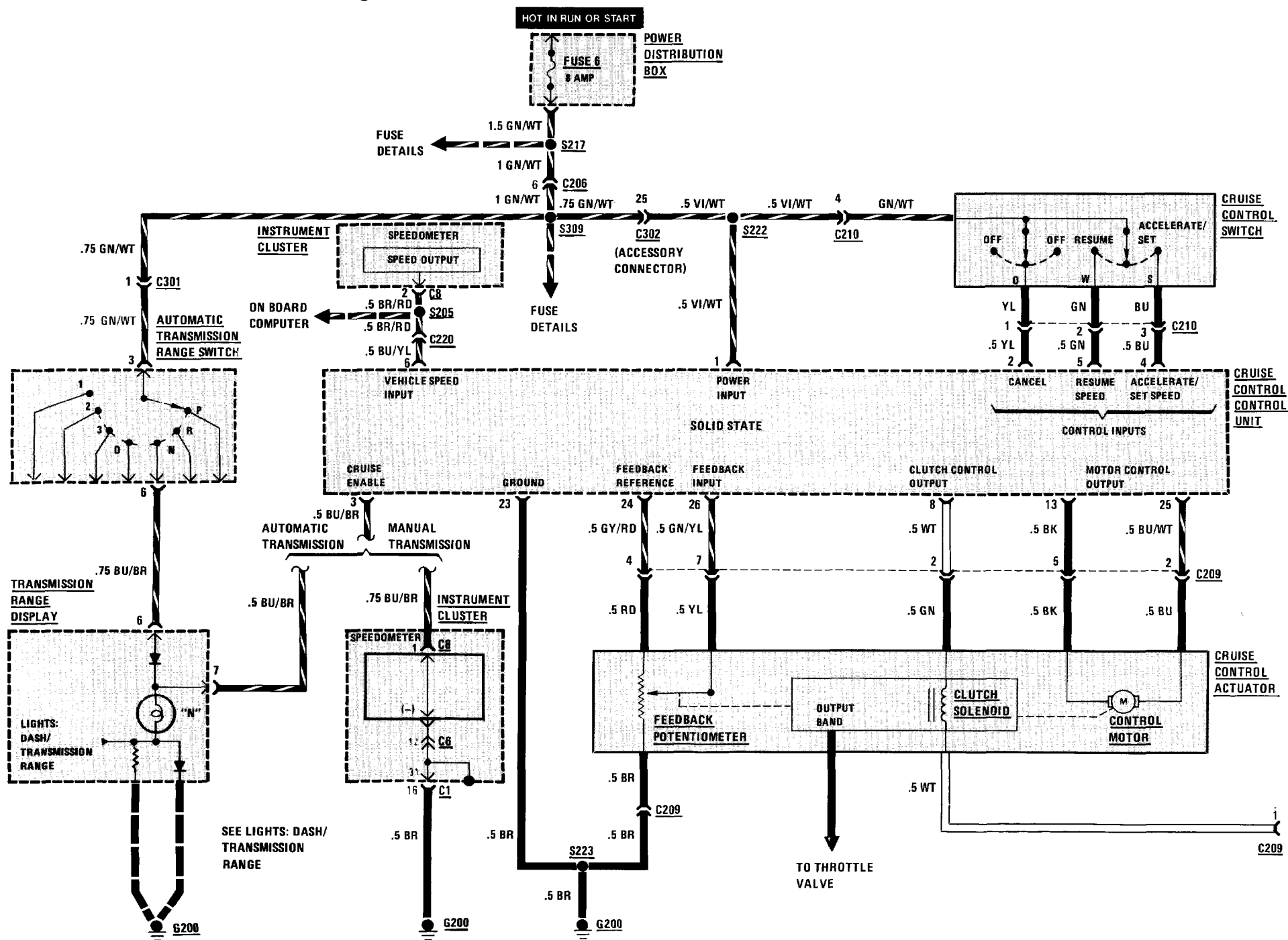


(For Component Location See Page 209)

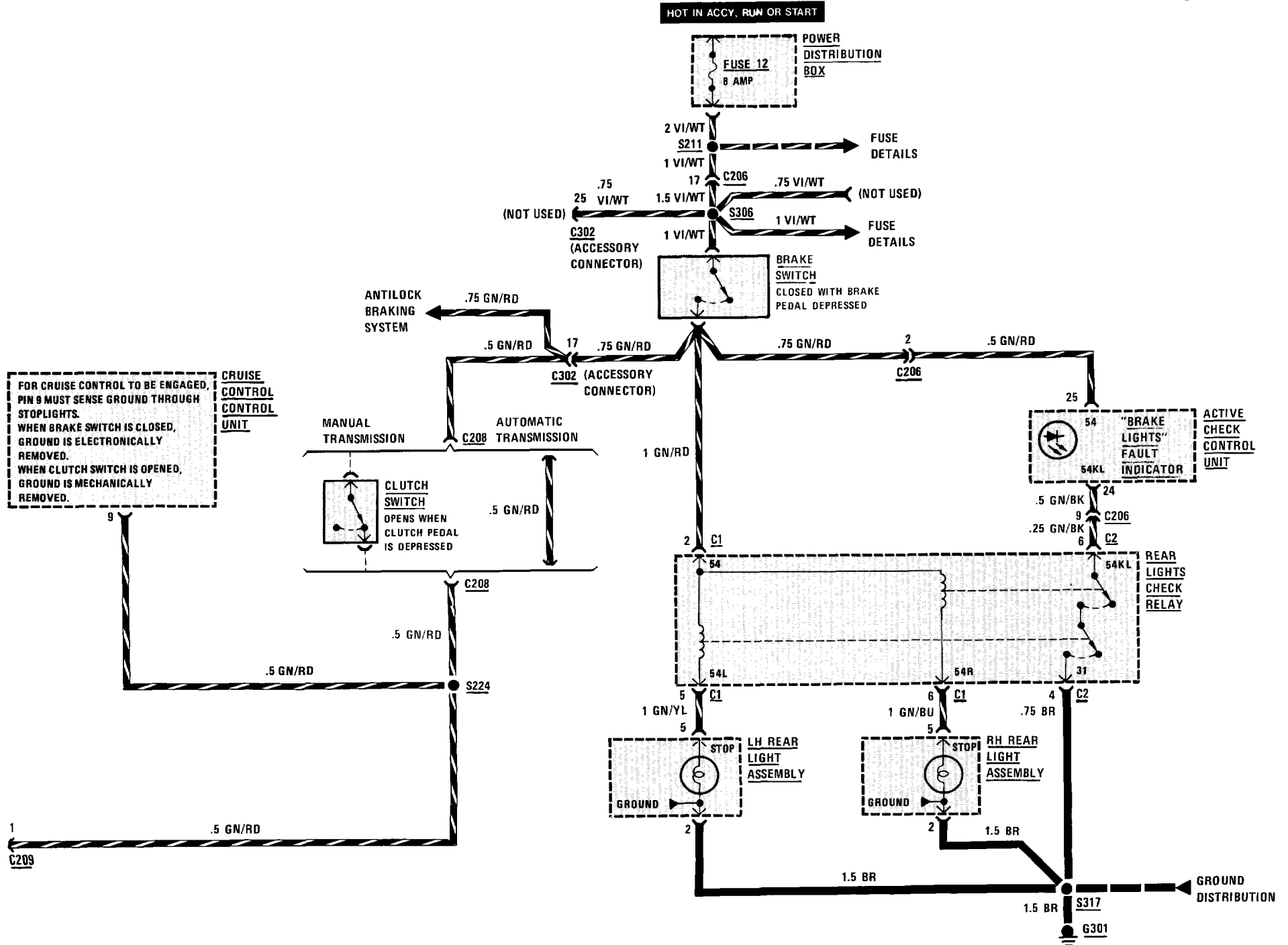


138 CRUISE CONTROL/STOPLIGHTS

(For Component Locations See Page 203)

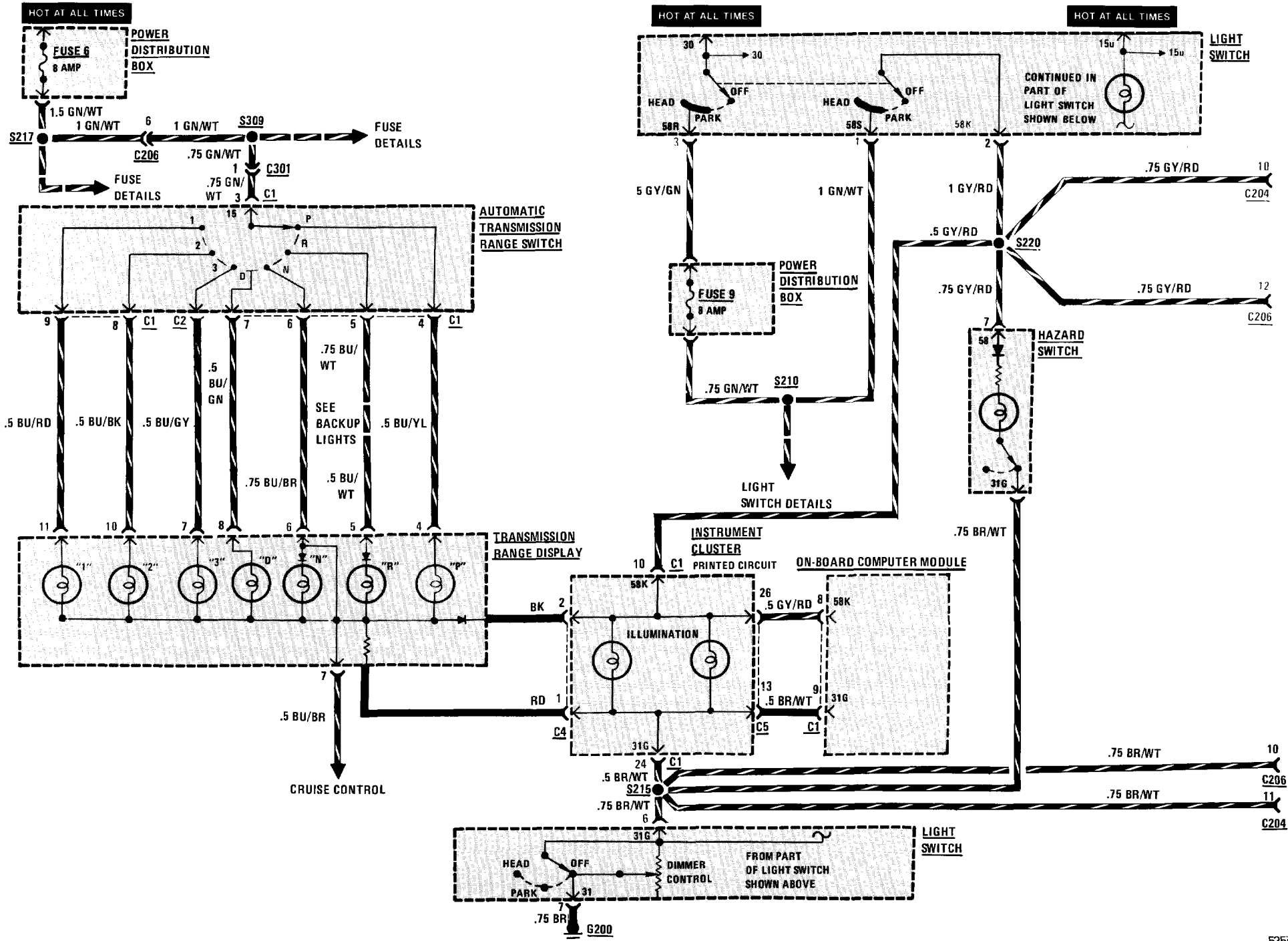


(For Component Location See Page 203)



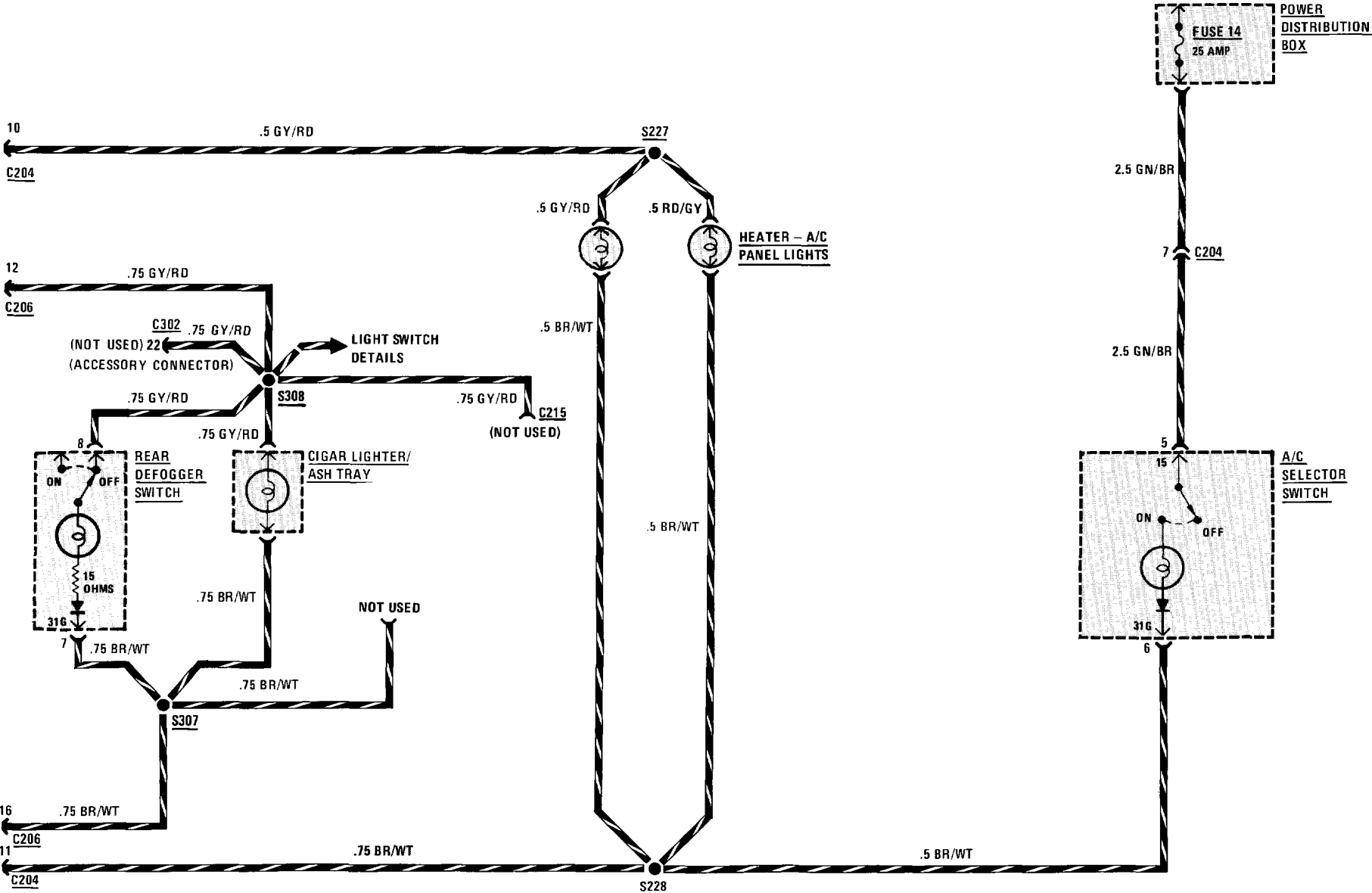
140 LIGHTS: DASH/TRANSMISSION RANGE

(For Component Locations See Page 208)



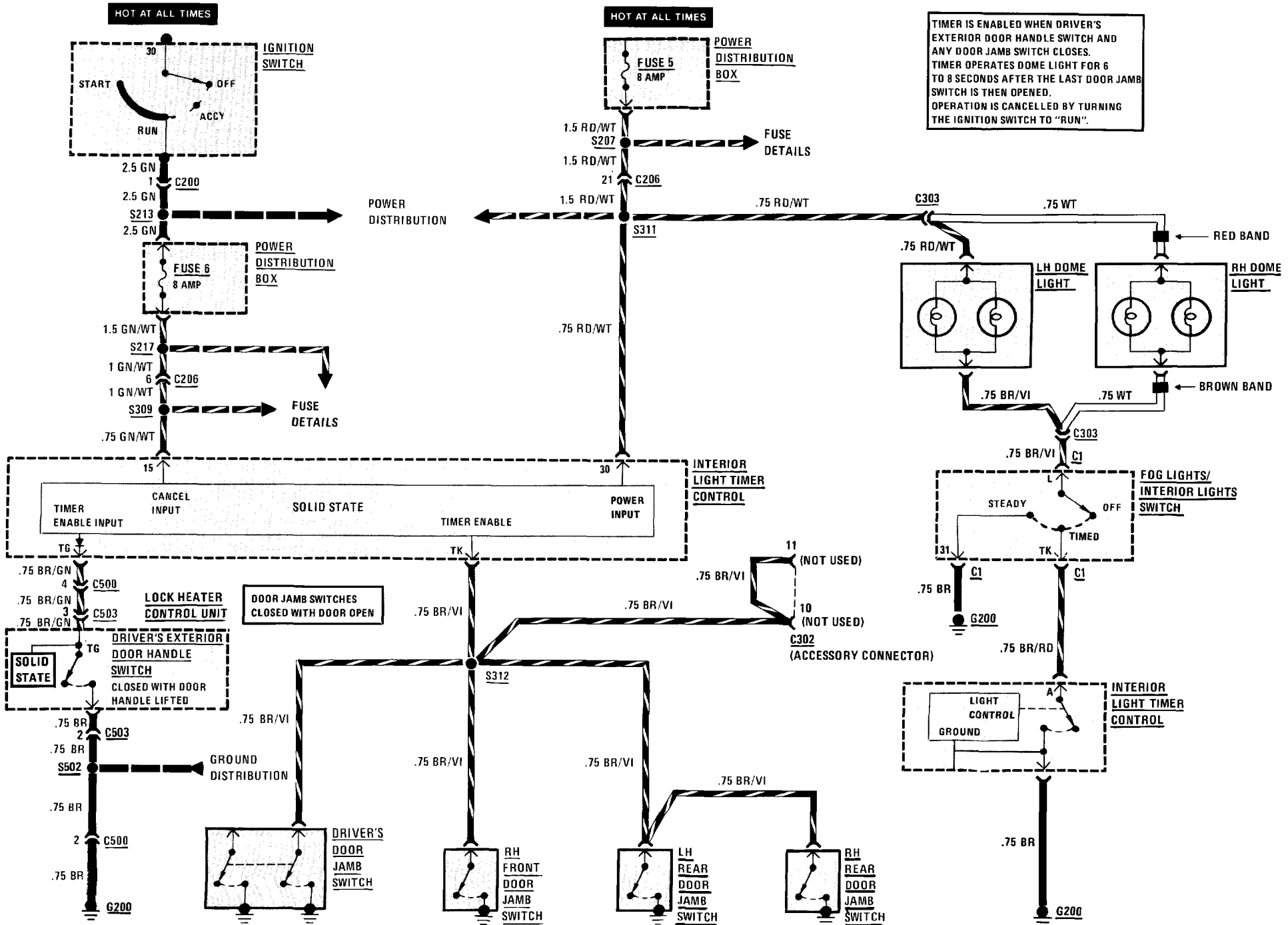
(For Component Locations See Page 208)

HOT IN RUN ONLY FROM UNLOADER RELAY

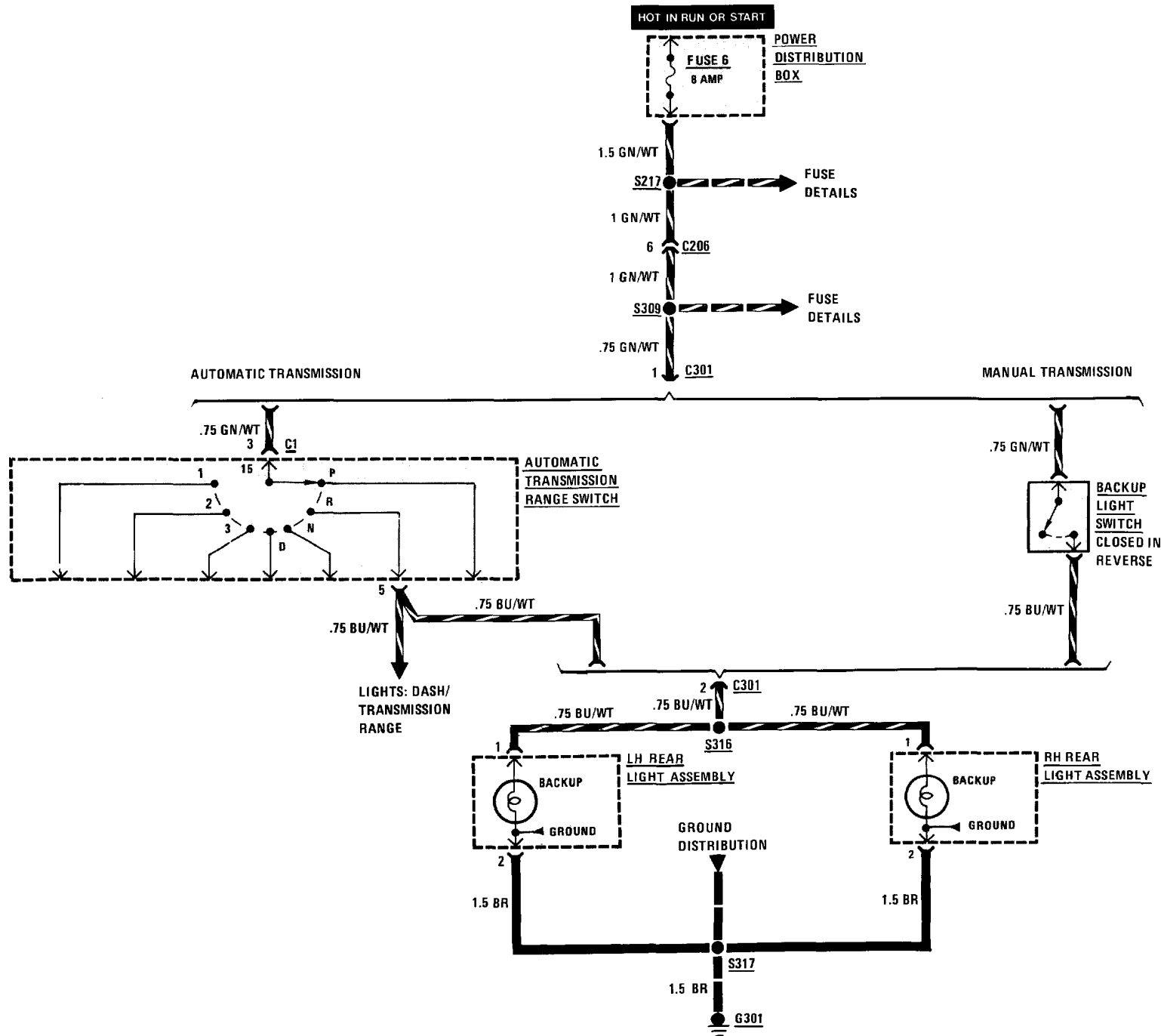


142 INTERIOR LIGHTS

(For Component Locations See Page 208)

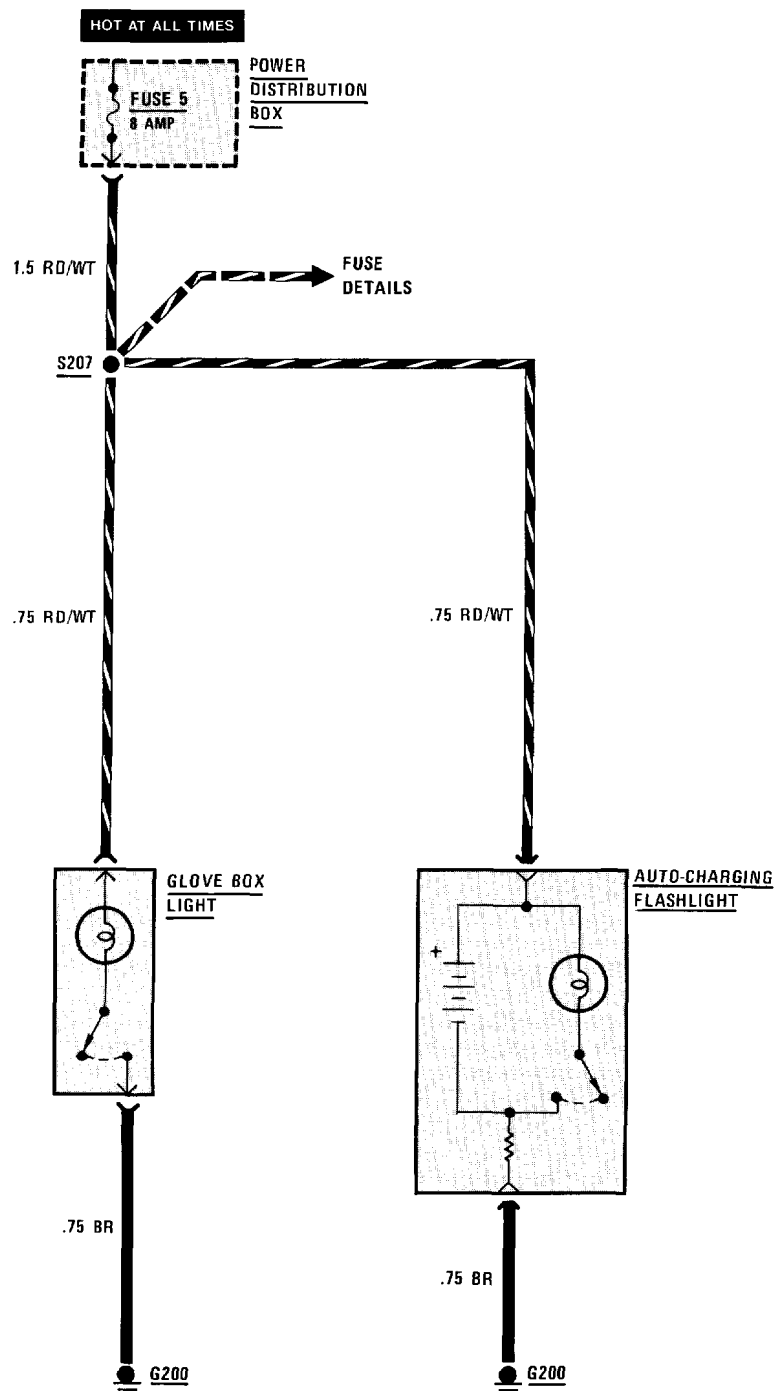
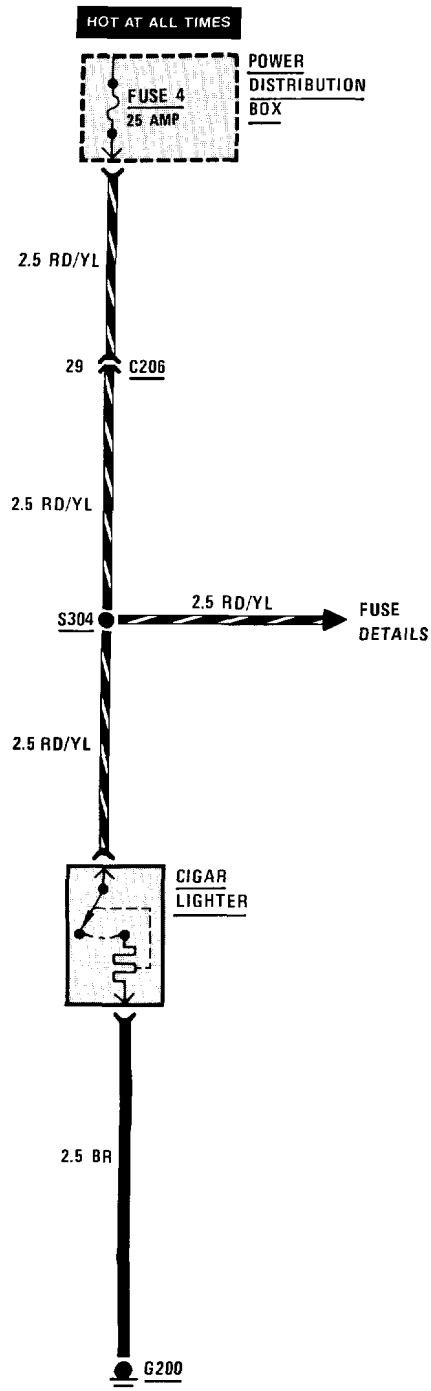


(For Component Location See Page 202)



144 CIGAR LIGHTER/GLOVE BOX LIGHT/AUTO-CHARGING FLASHLIGHT

(For Component Locations See Page 203)

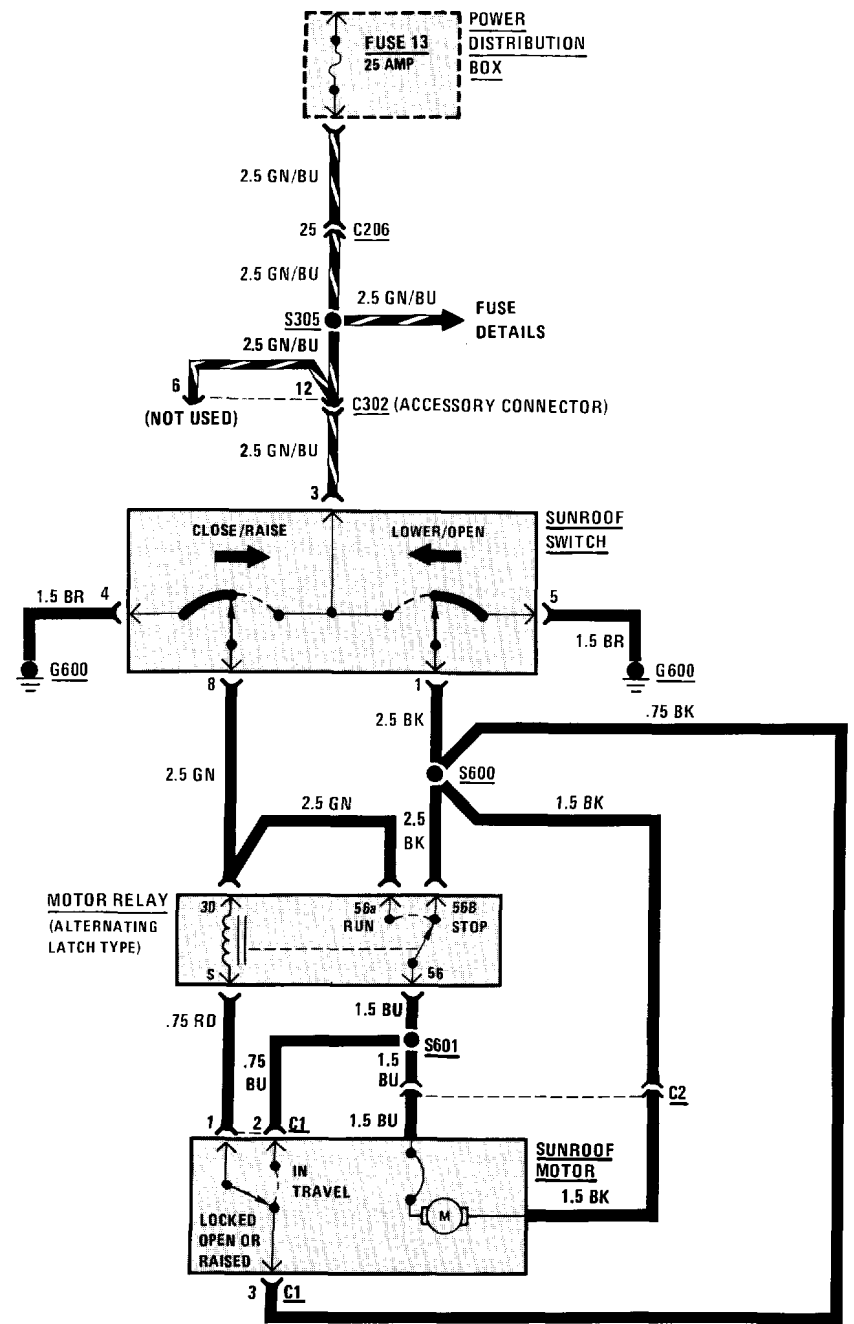
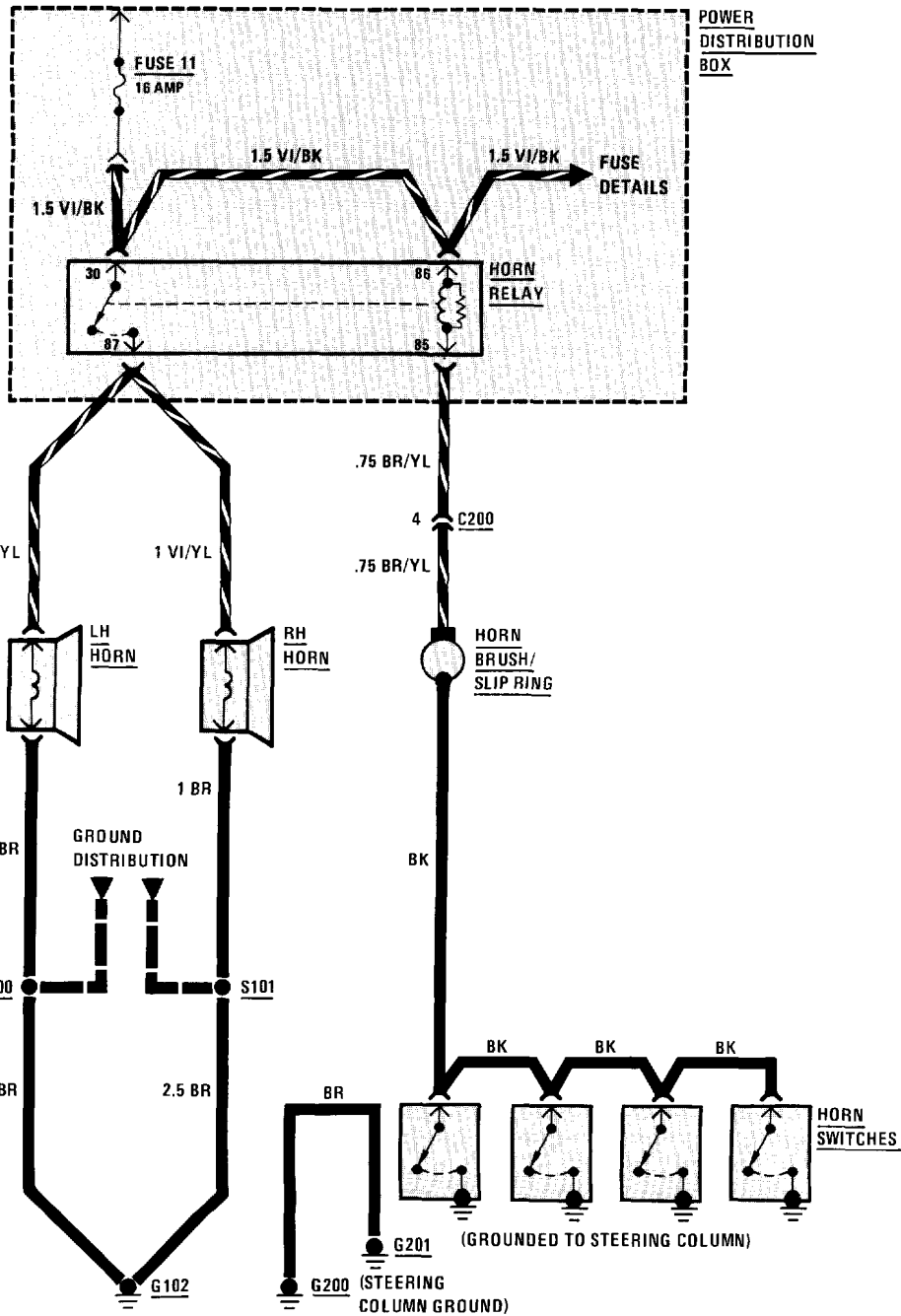


(For Component Location See Page 206)

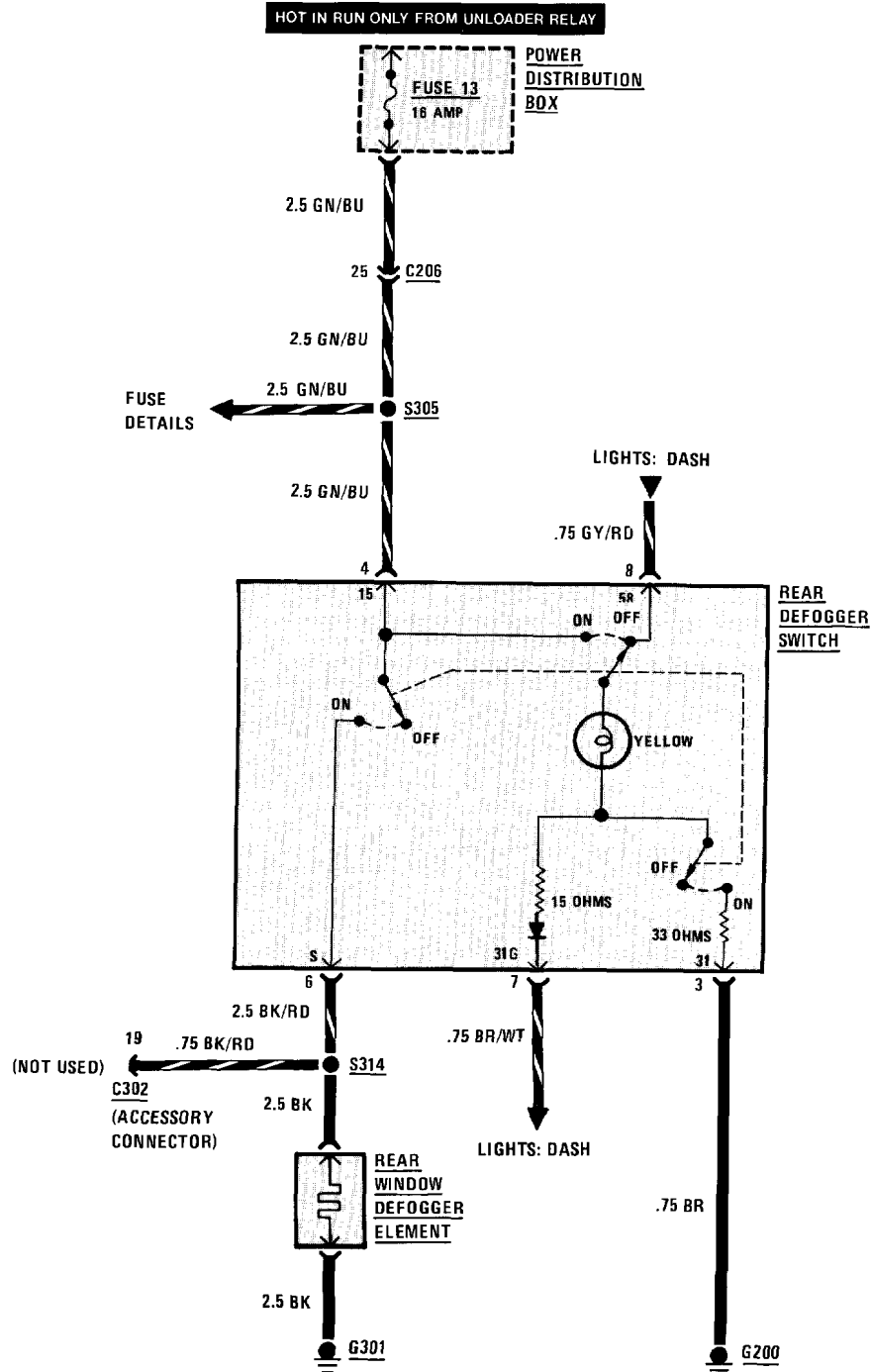
(For Component Location See Page 206)

HOT IN ACCY. RUN OR START

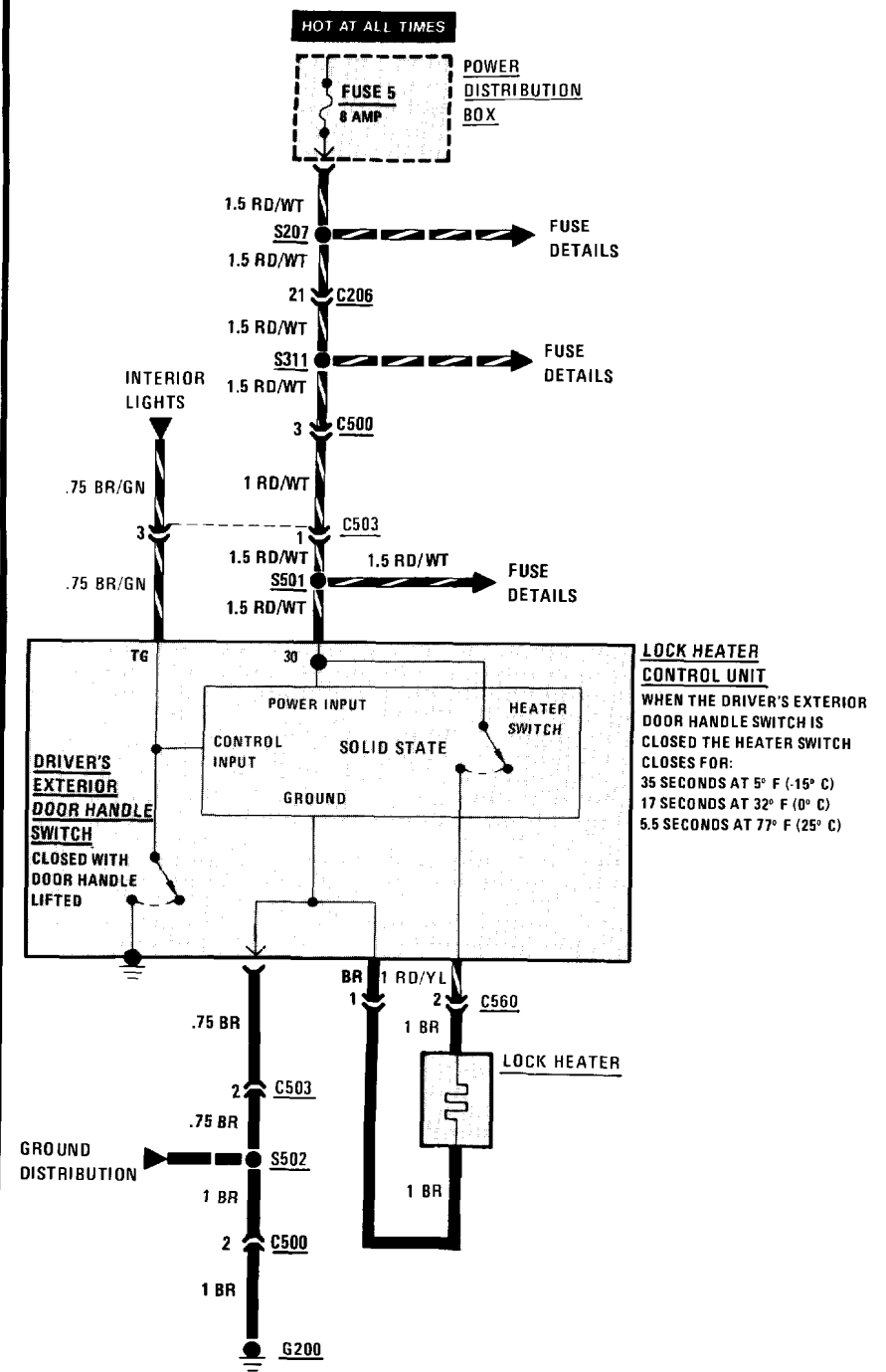
HOT IN RUN ONLY FROM UNLOADER RELAY



(For Component Location See Page 211)

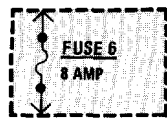


(For Component Locations See Page 211)

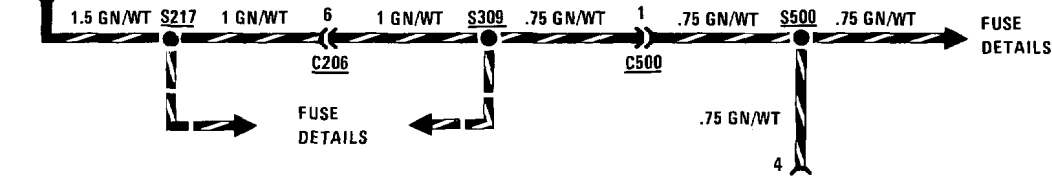


(For Component Locations See Page 210)

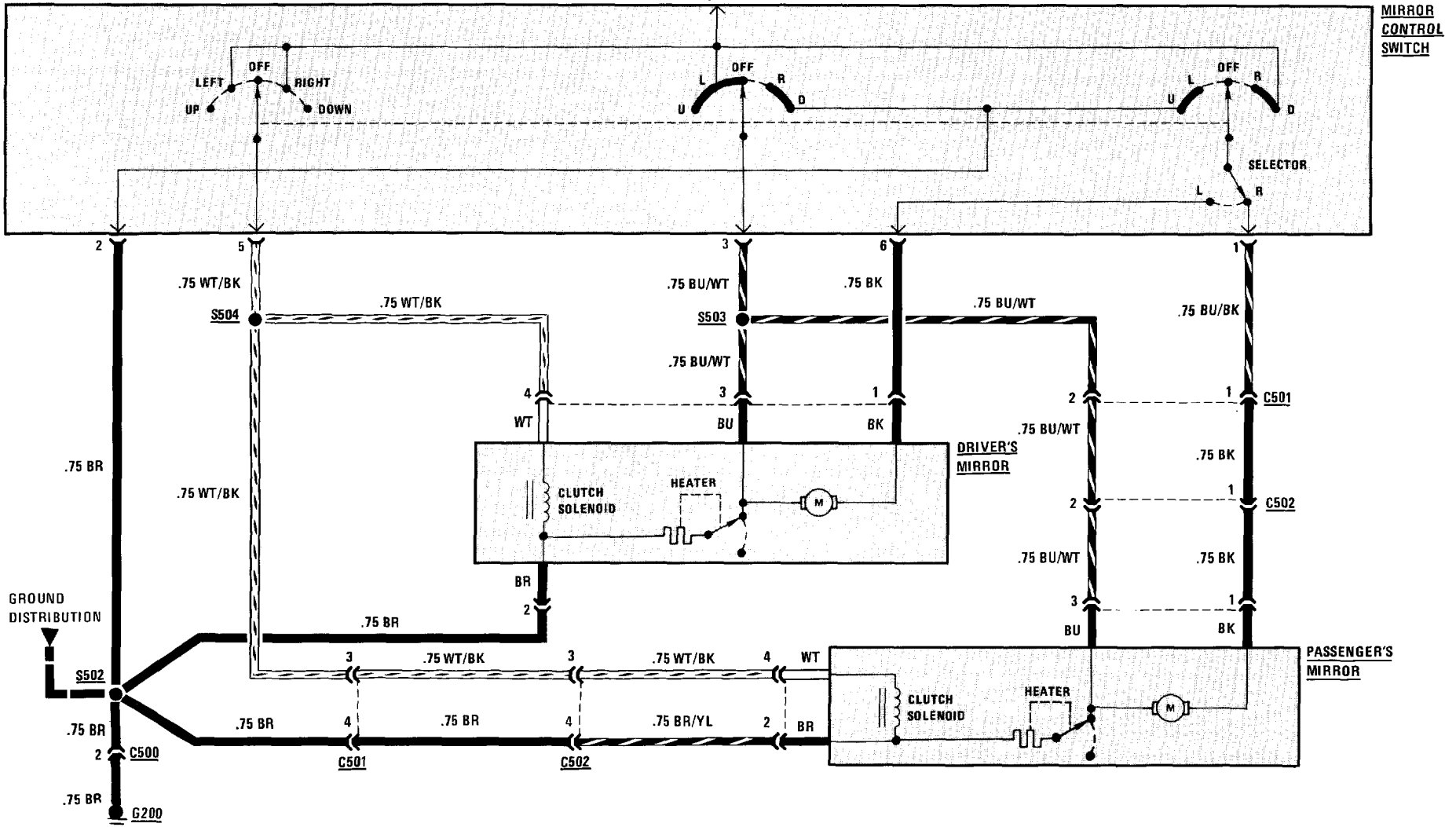
HOT IN RUN OR START



POWER DISTRIBUTION BOX



- 1. MOTOR DIRECTION CONTROLLED BY POLARITY
- 2. WITH CLUTCH SOLENOID ENERGIZED MOTOR TURNS MIRROR LEFT OR RIGHT
- 3. ELECTRICALLY HEATED MIRROR TURNS ON BELOW 59 ± 9° F AND TURNS OFF ABOVE 122 ± 18° F

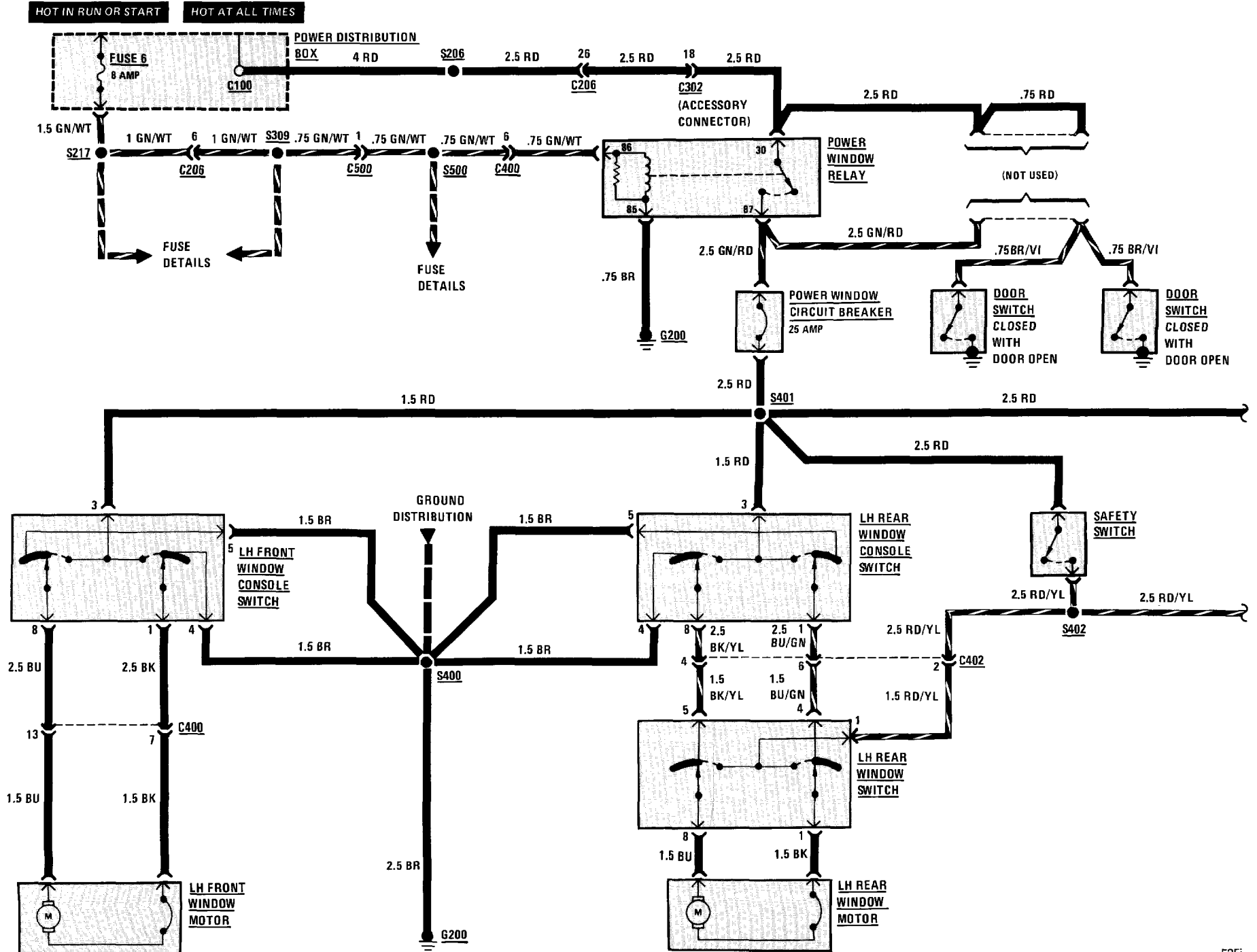


MIRROR CONTROL SWITCH

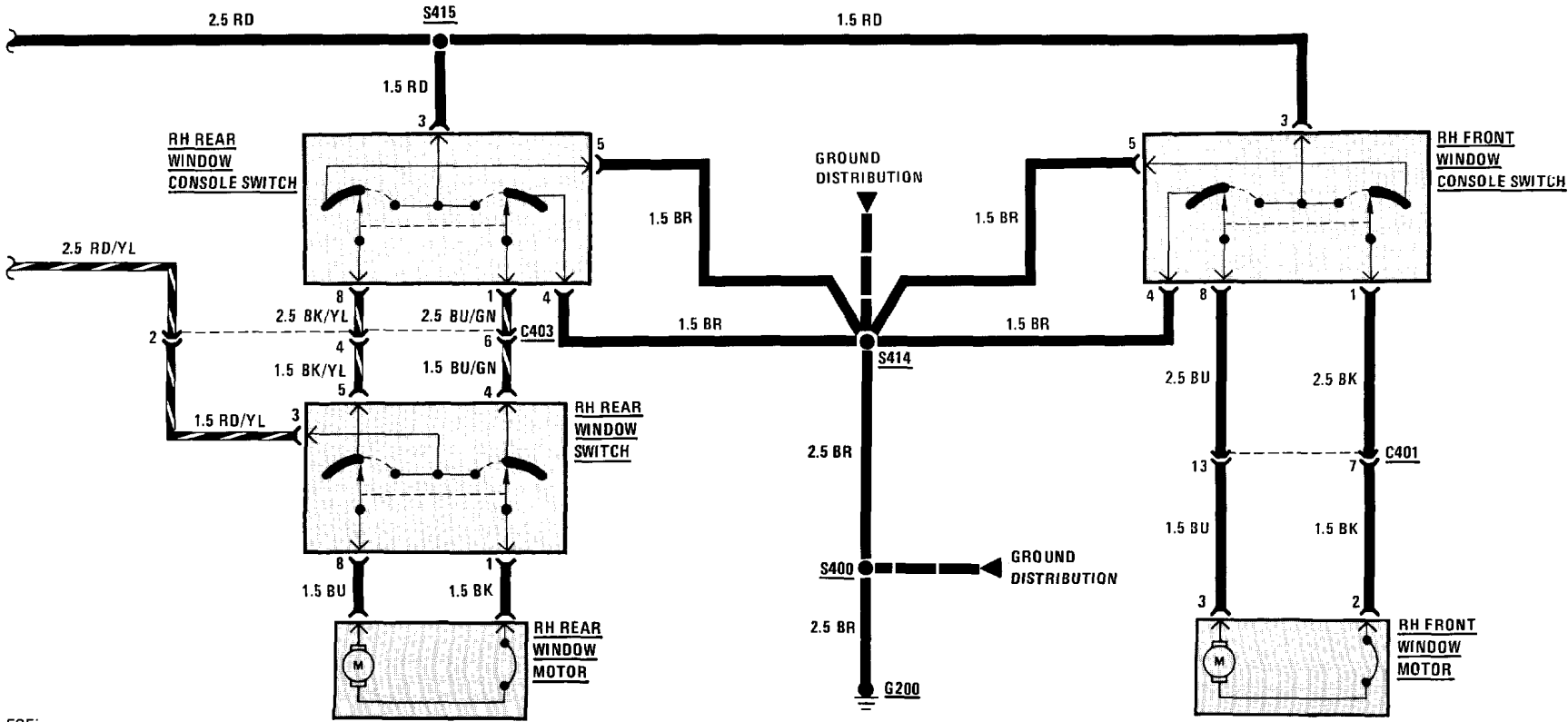
DRIVER'S MIRROR

PASSENGER'S MIRROR

(For Component Locations See Page 211)

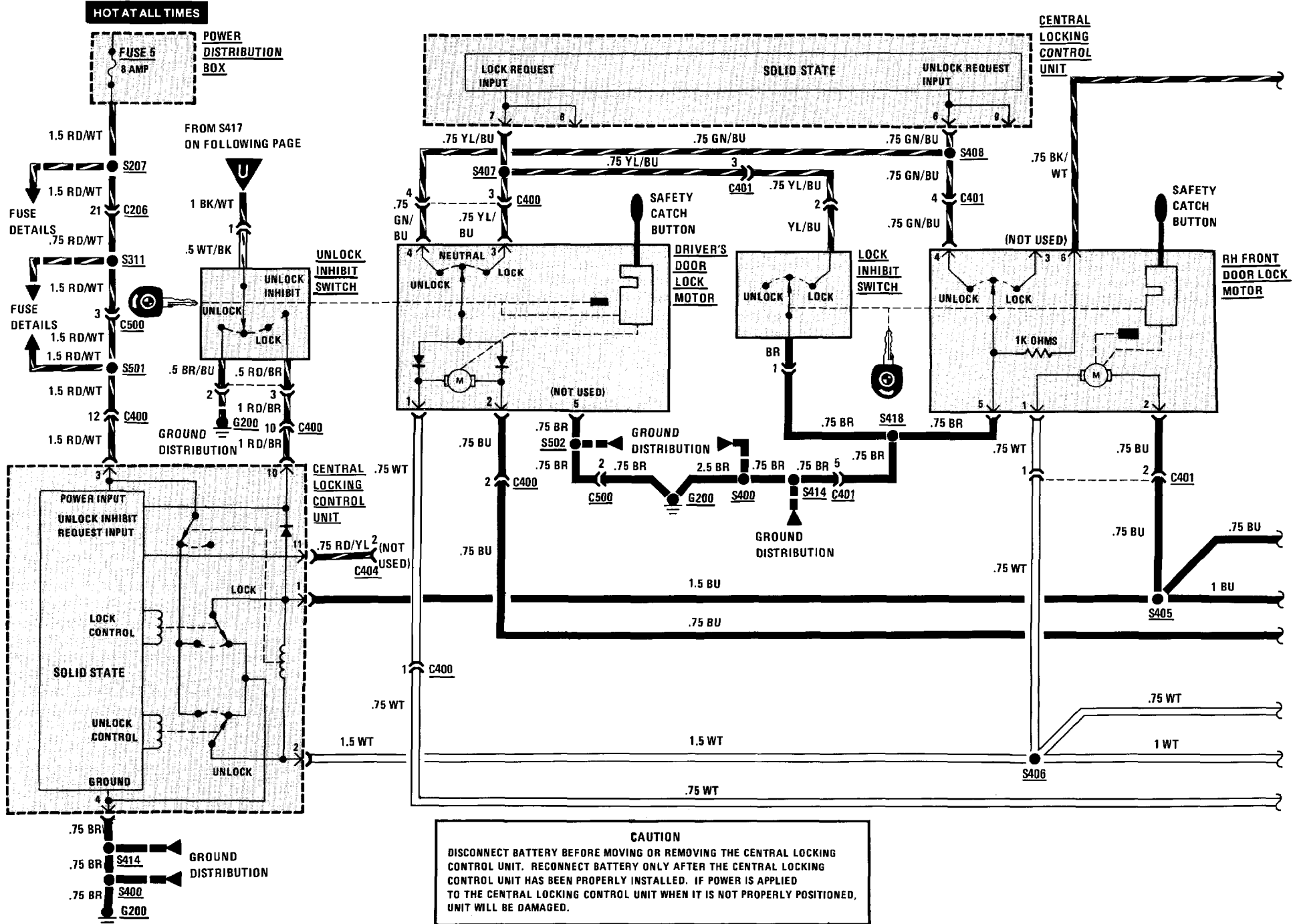


(For Component Location See Page 211)



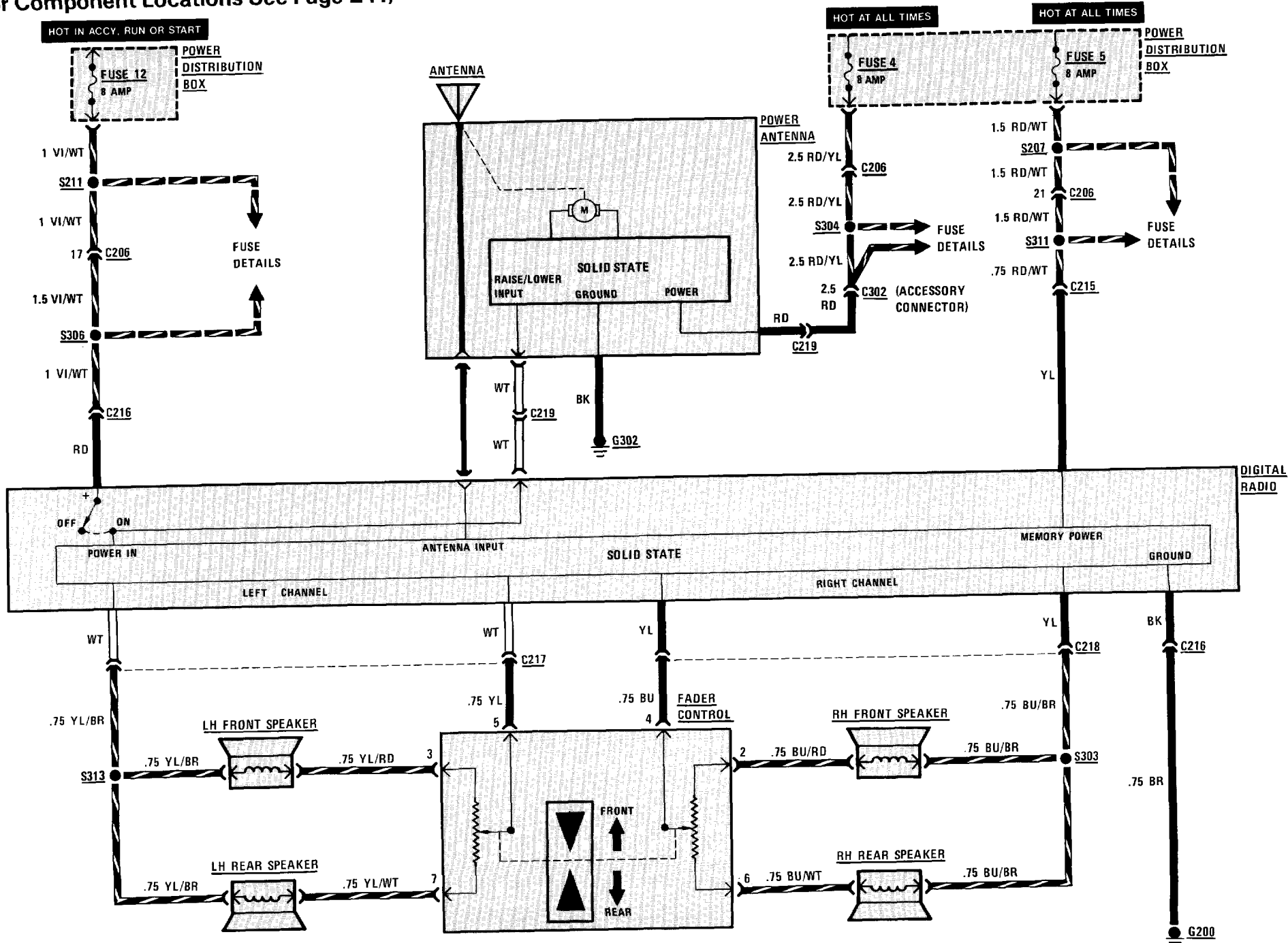
150 CENTRAL LOCKING

(For Component Location See Page 202)



152 RADIO/POWER ANTENNA

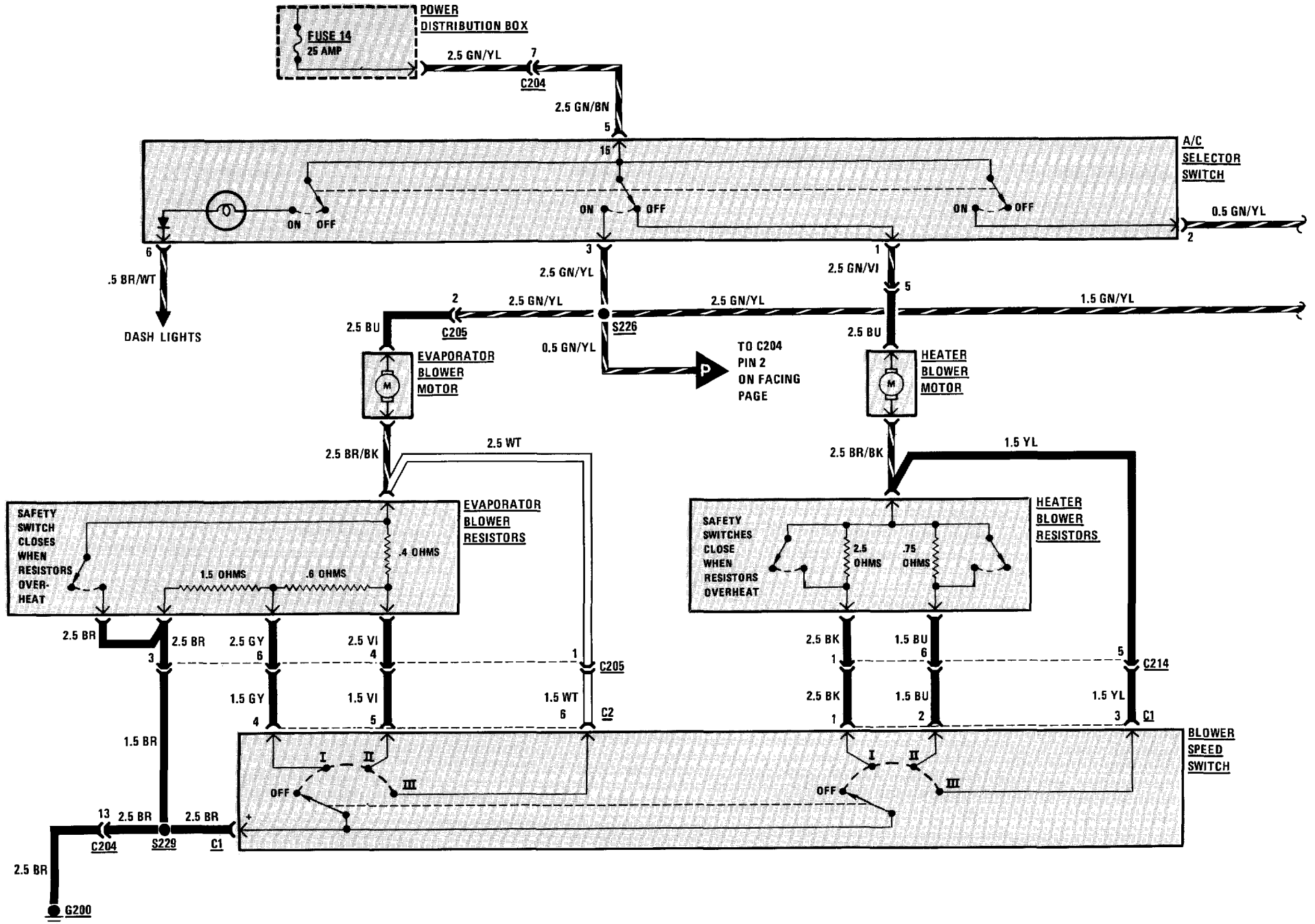
(For Component Locations See Page 211)



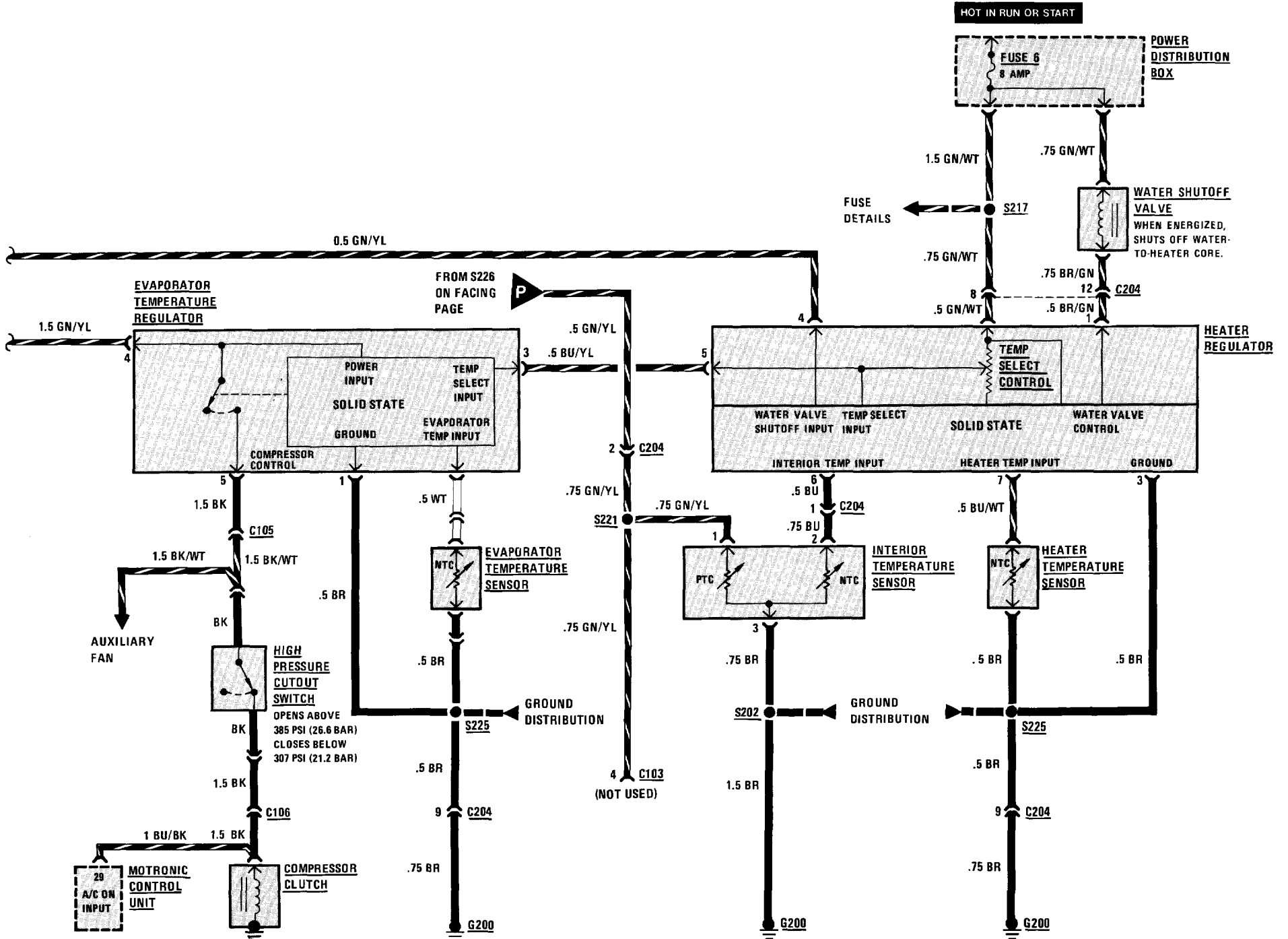
154 HEATER/AIR CONDITIONING (BLOWER)

(For Component Locations See Page 205)

HOT IN RUN ONLY FROM UNLOADER RELAY

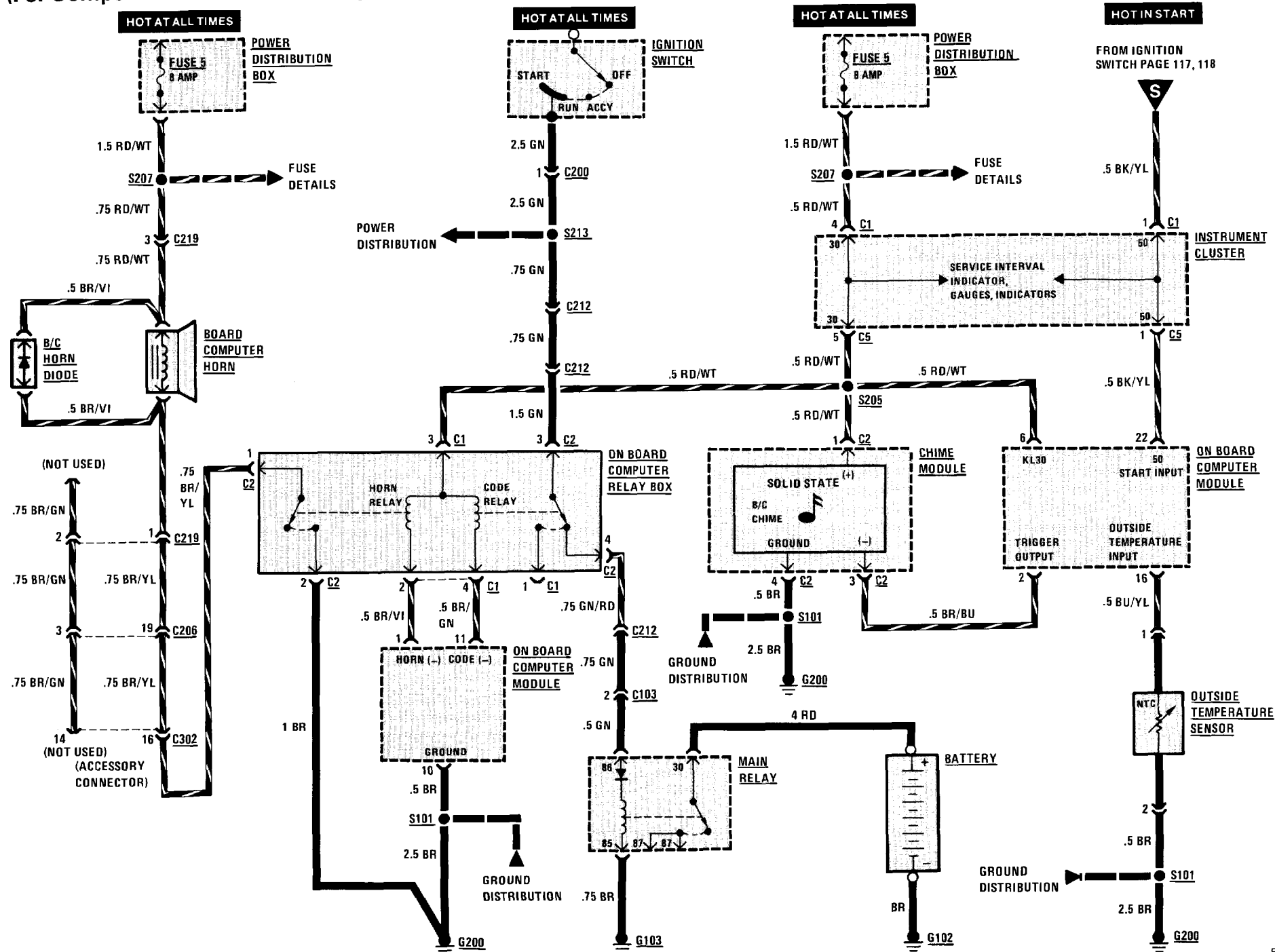


(For Component Location See Page 205)

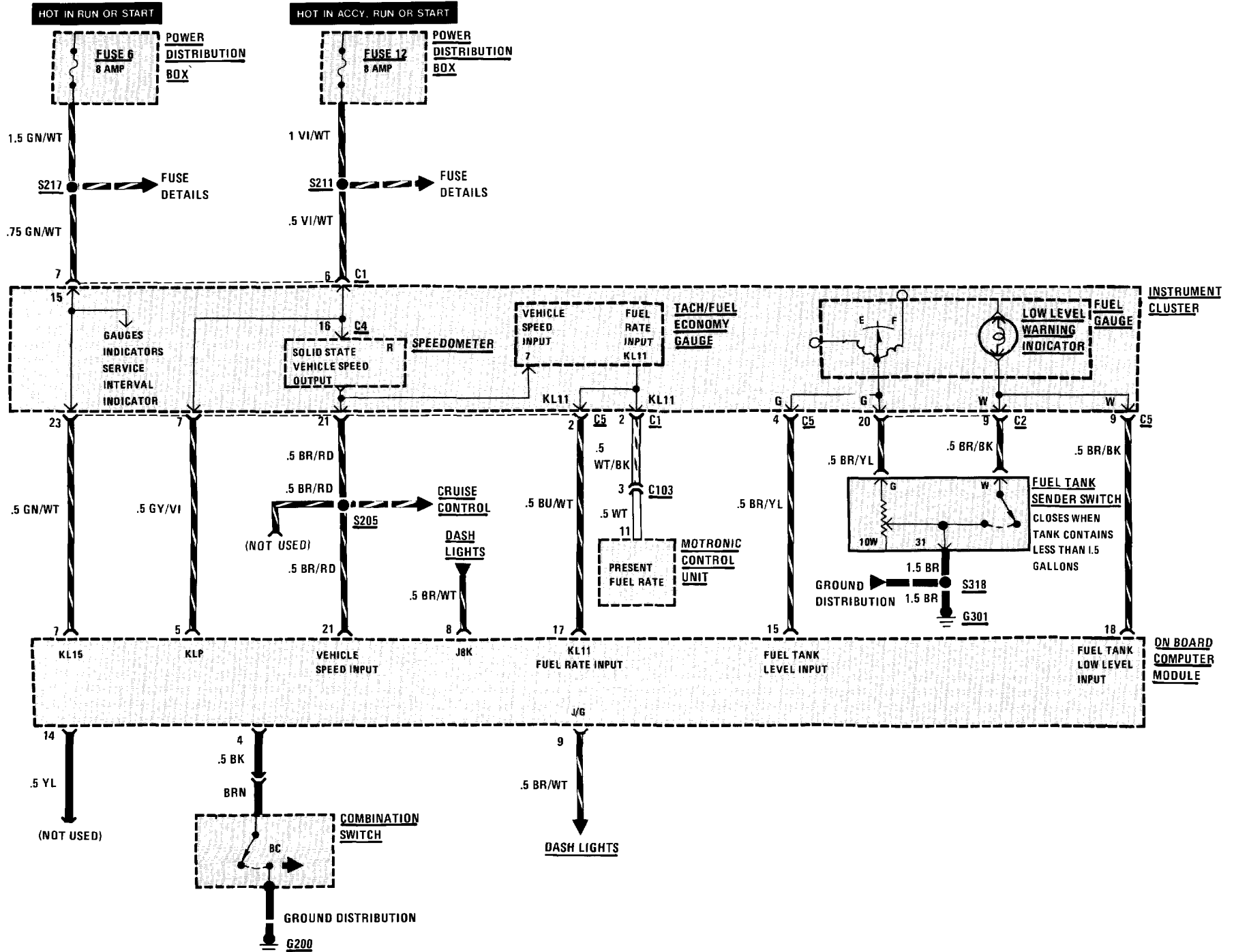


156 ON-BOARD COMPUTER

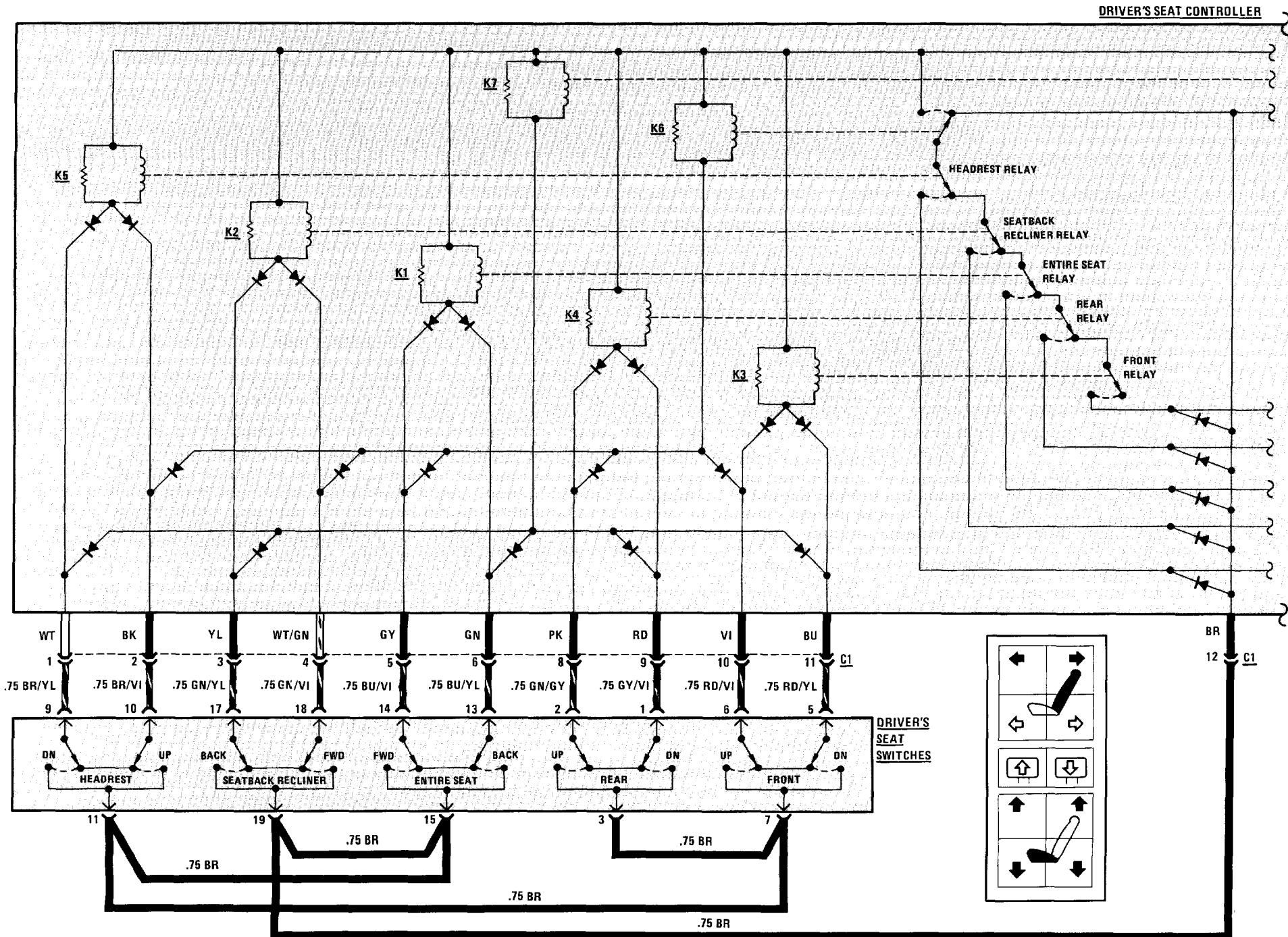
(For Component Locations See Page 209)



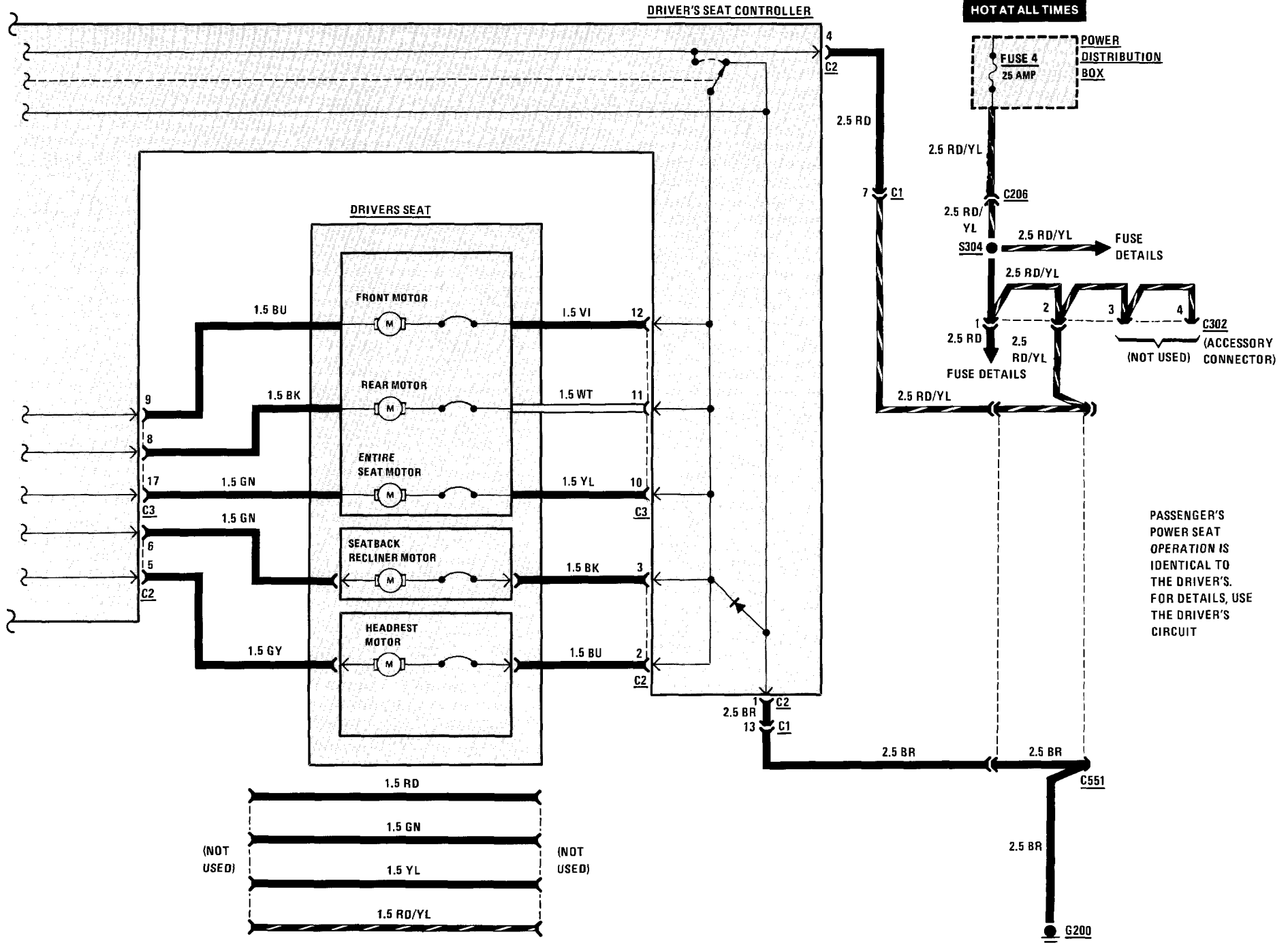
(For Component Locations See Page 209)



(For Component Location See Page 211)

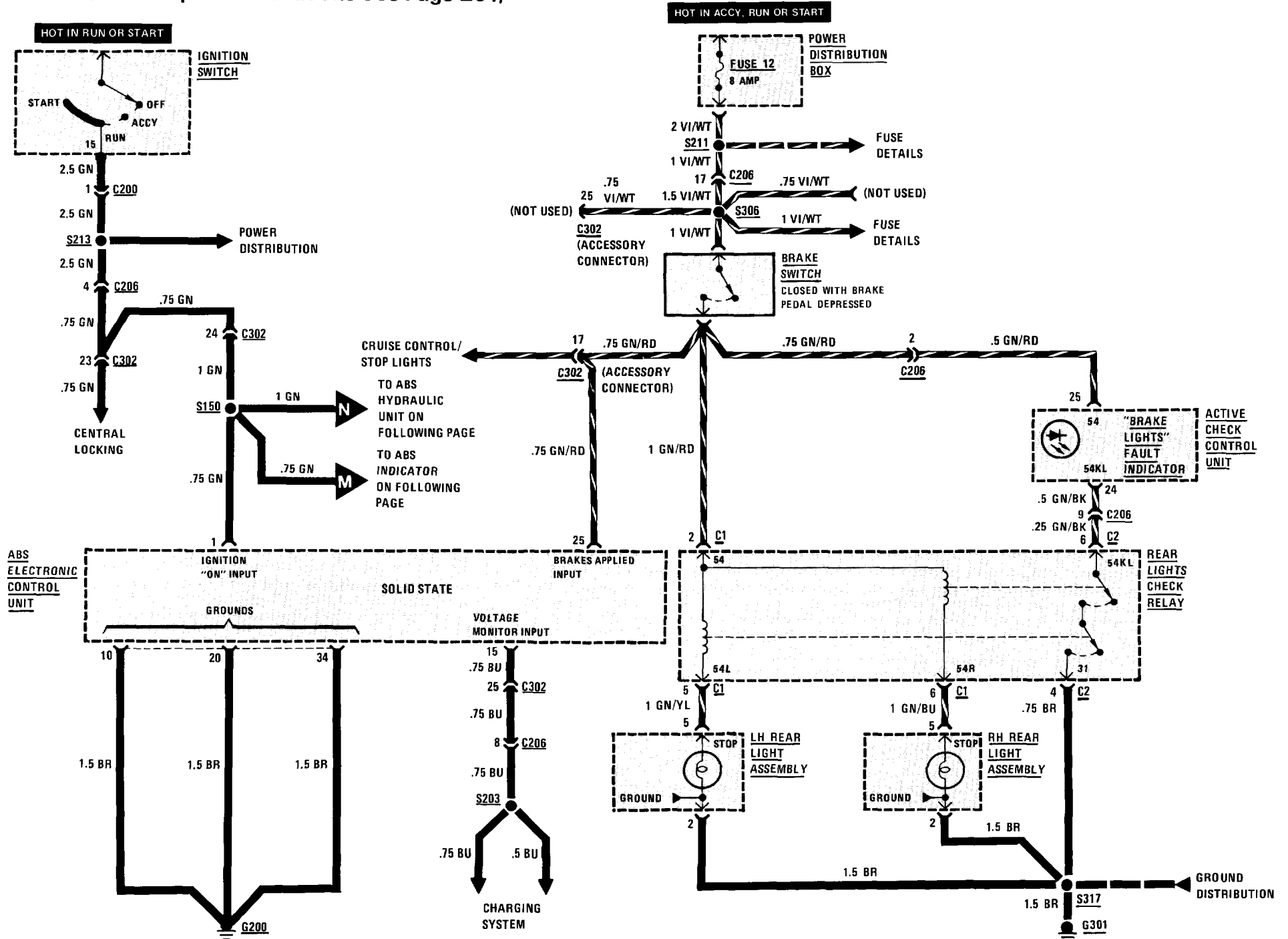


(For Component Locations See Page 211)

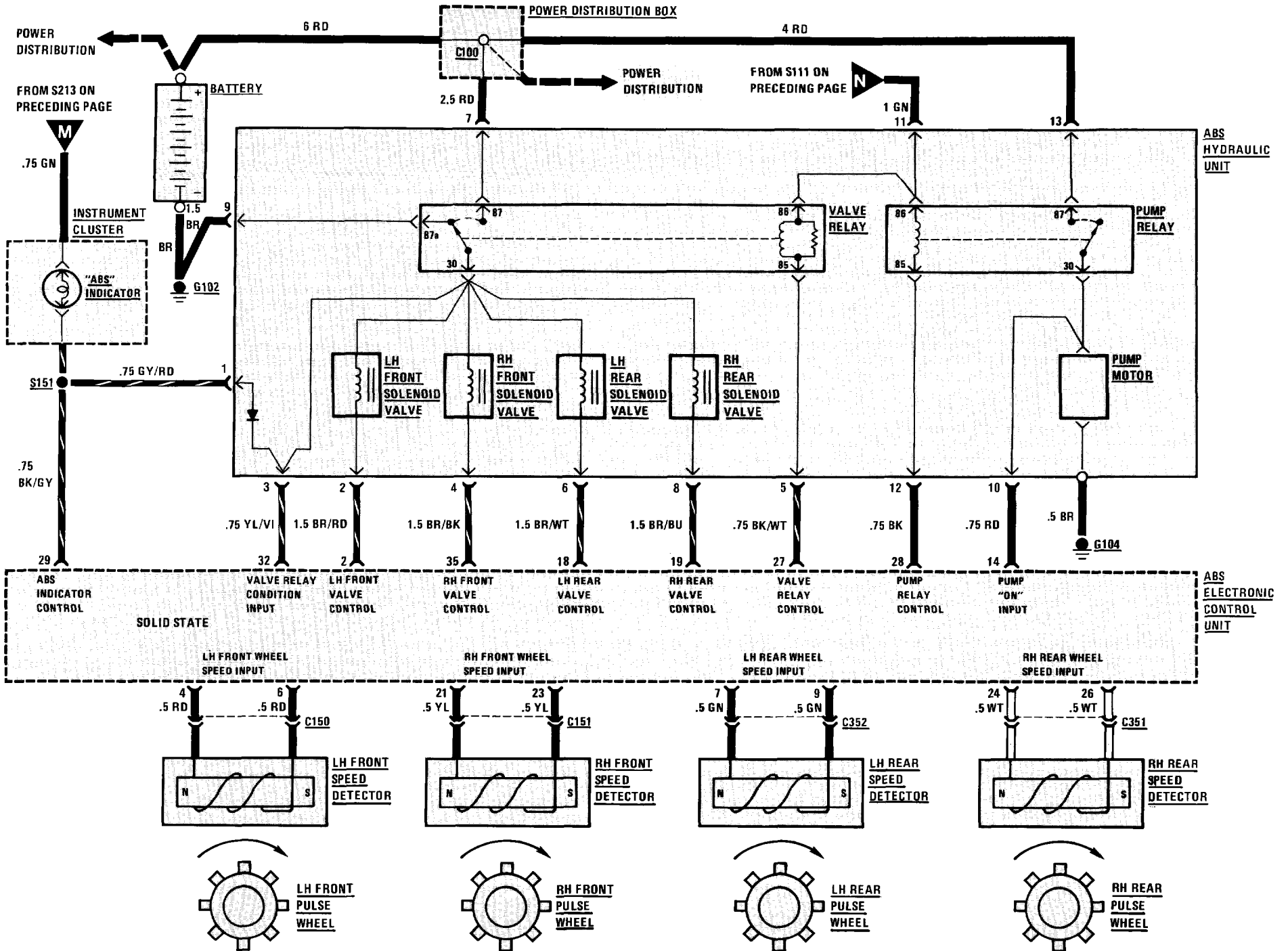


160 ANTILOCK BRAKING SYSTEM (ABS)

(For Component Locations See Page 201)

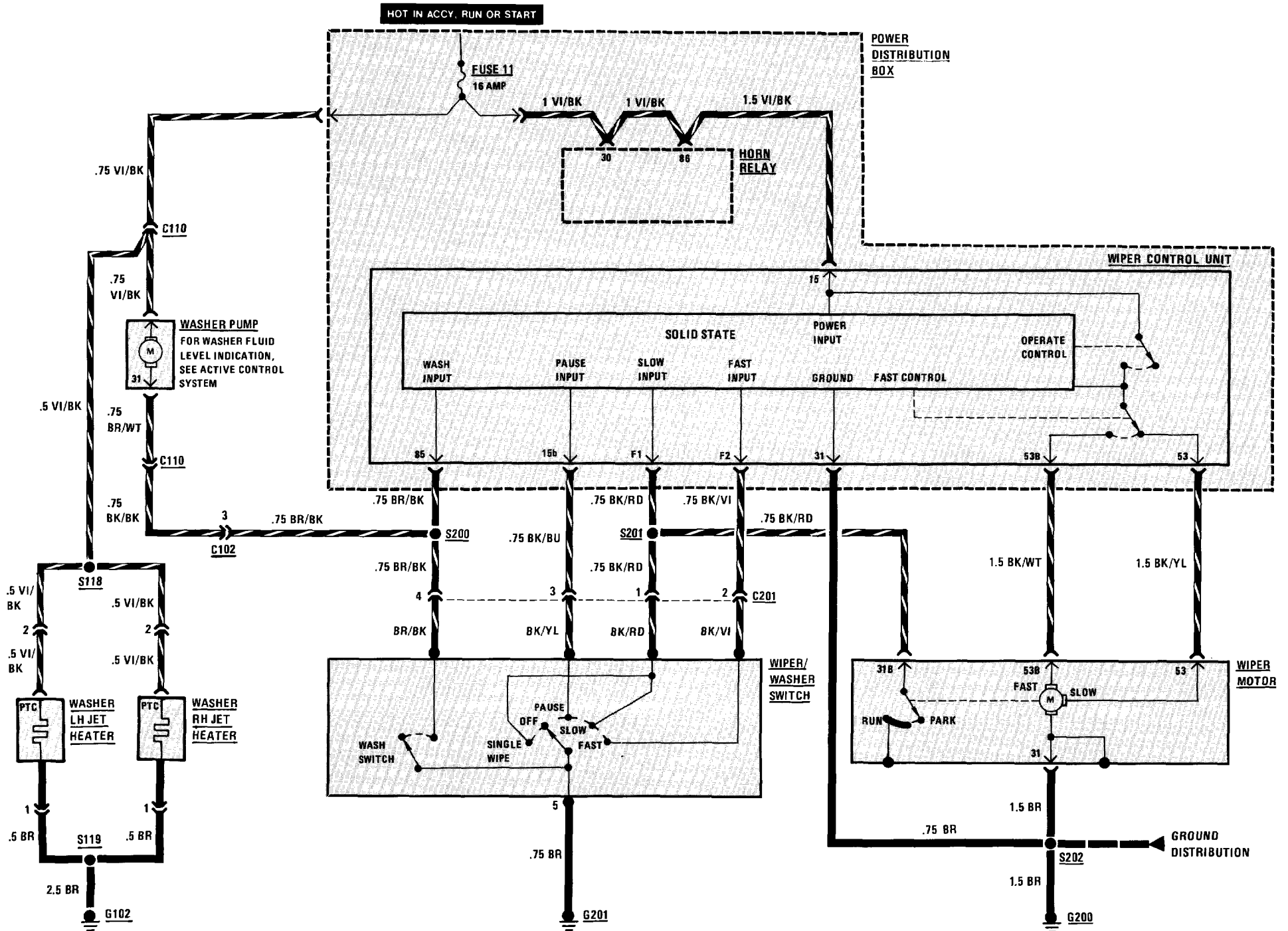


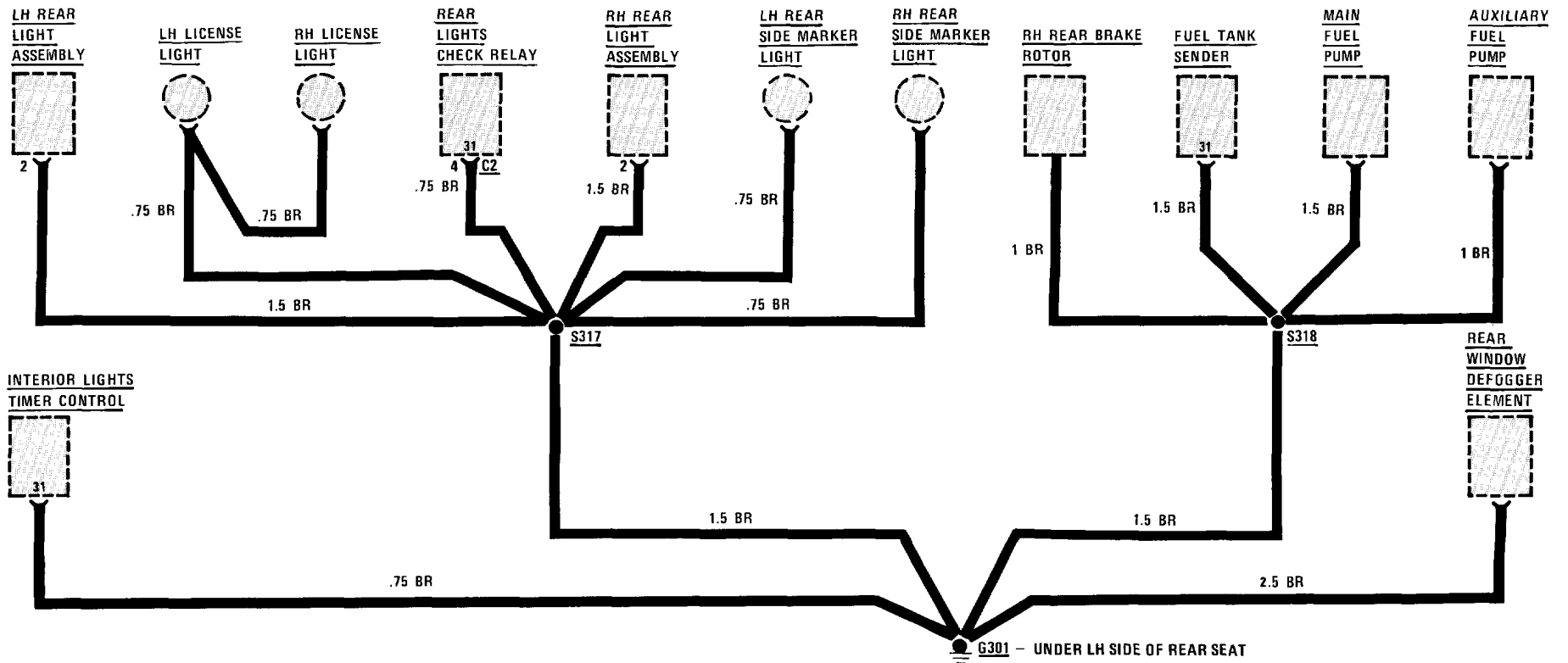
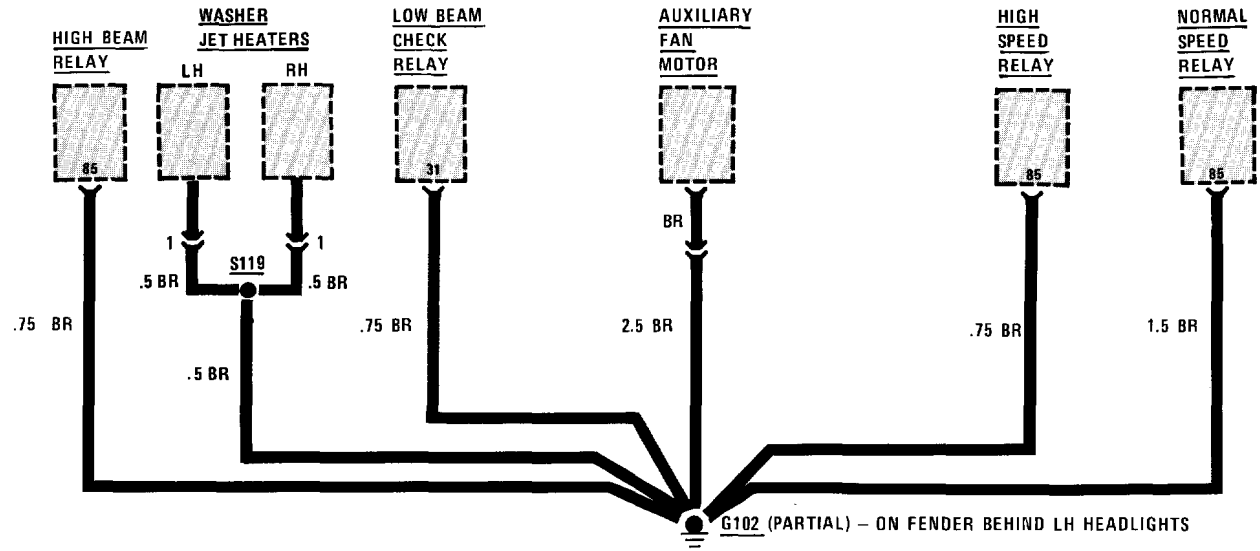
(For Component Locations See Page 201)



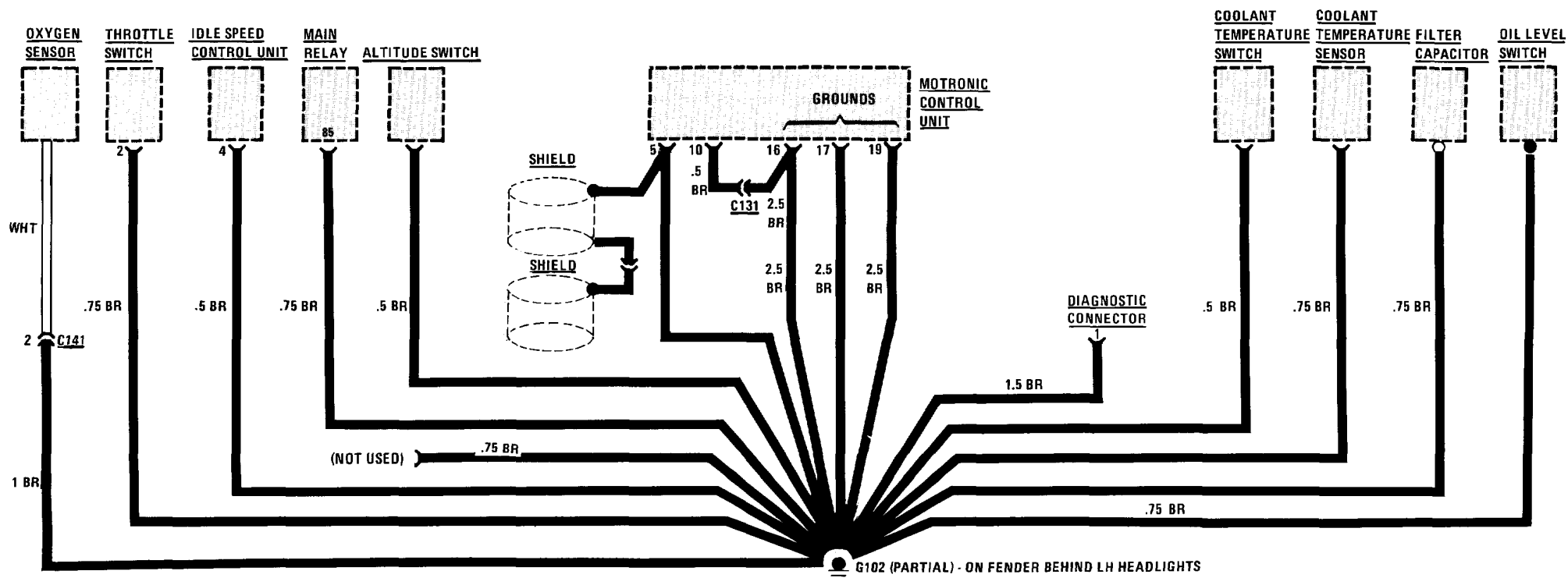
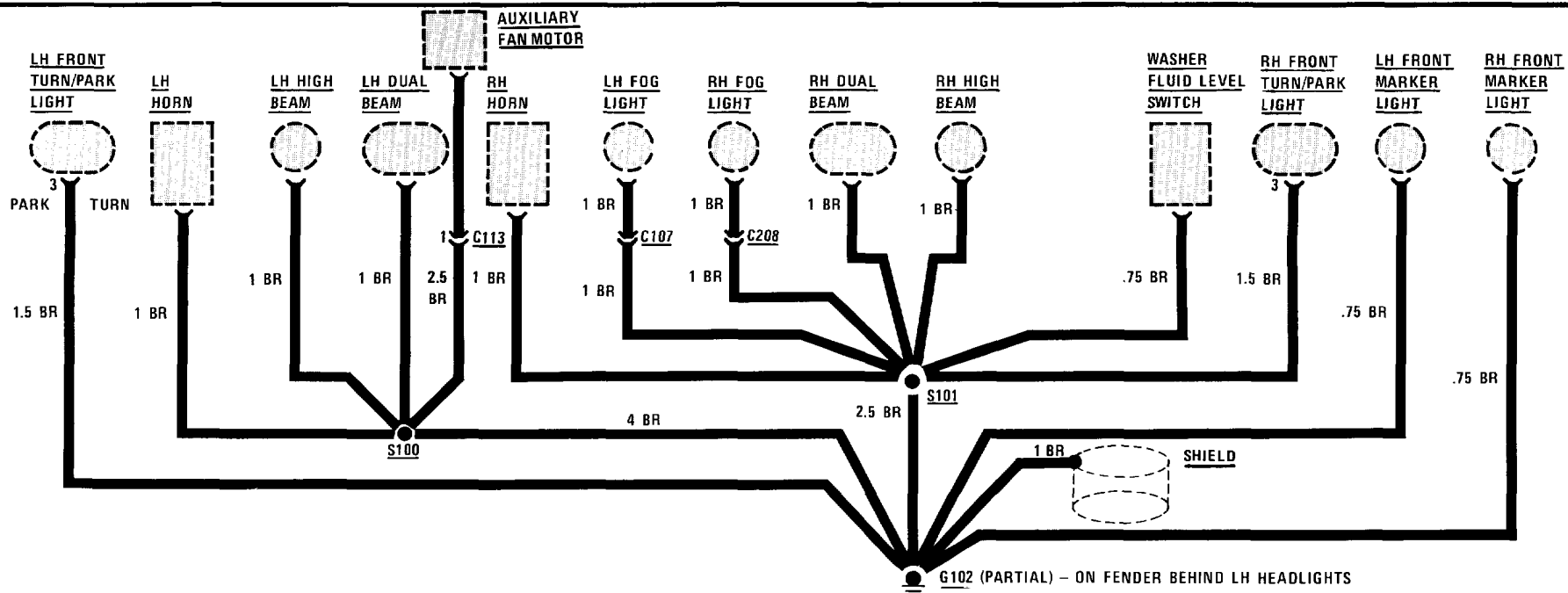
162 WIPER/WASHER AND HEATER WASHER JETS

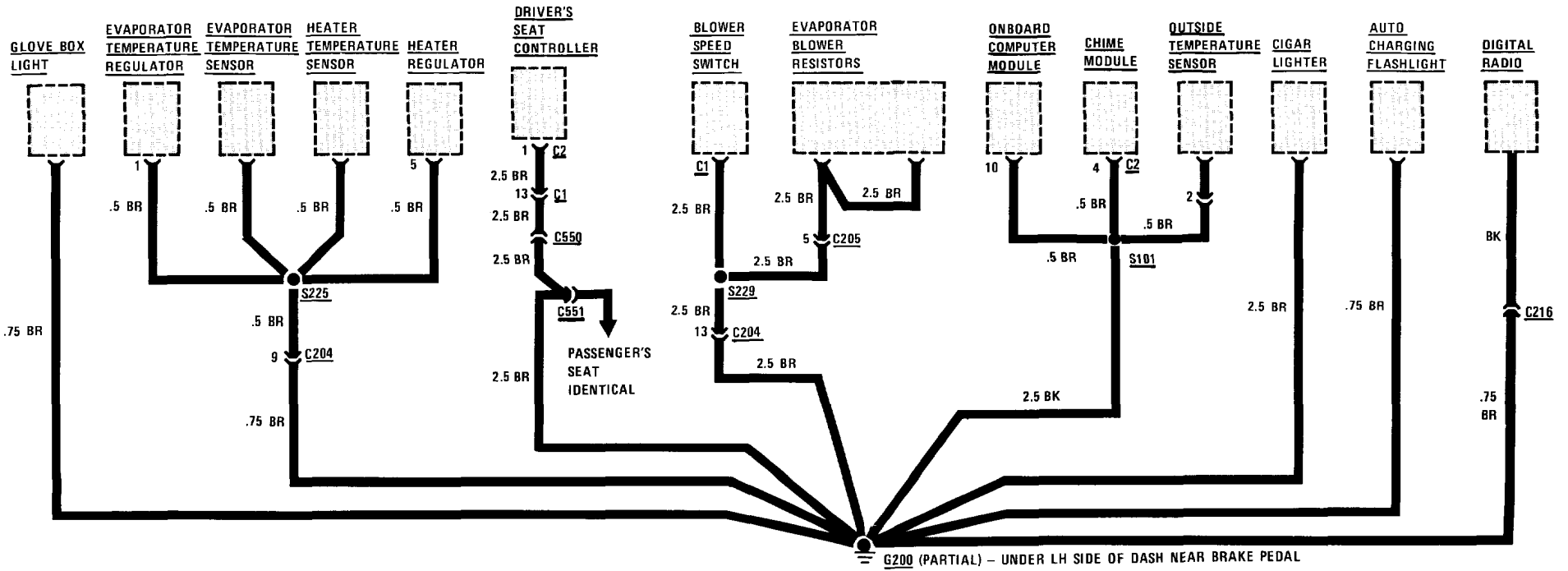
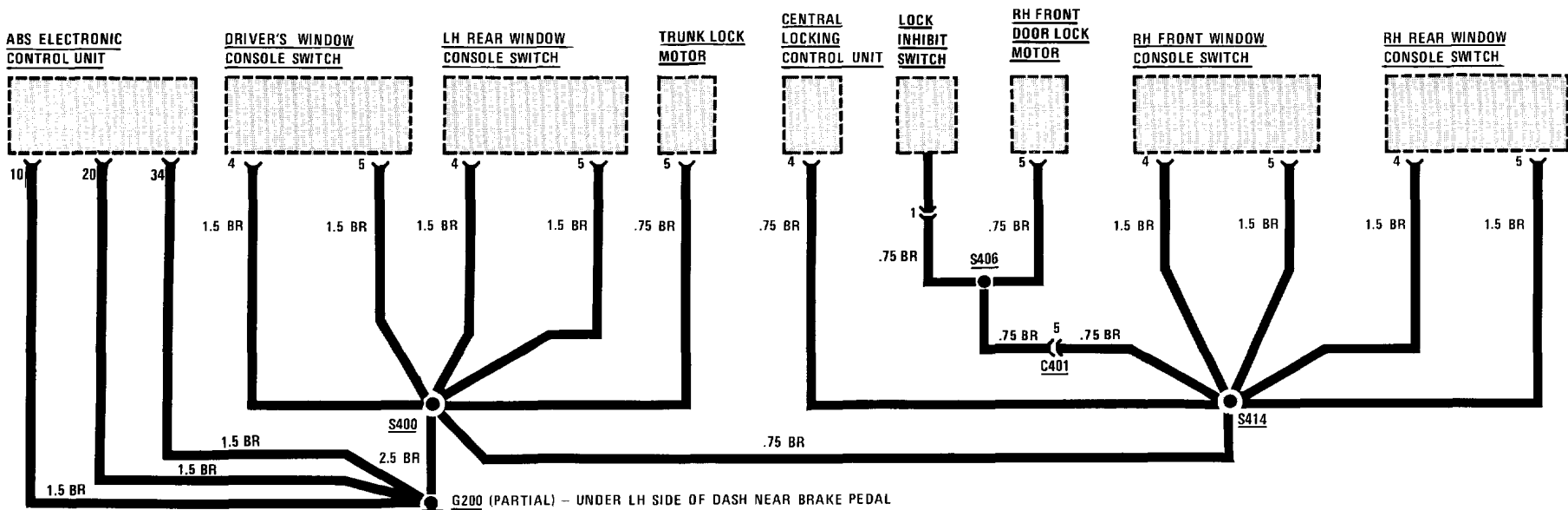
(For Component Location See Page 217)

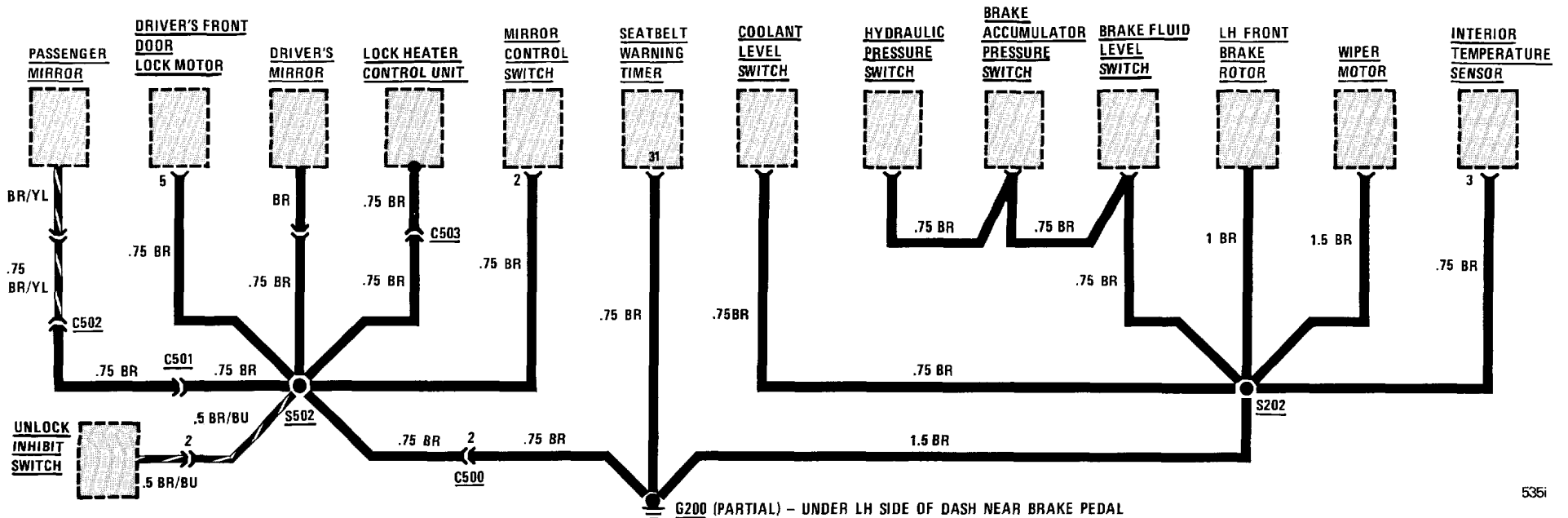
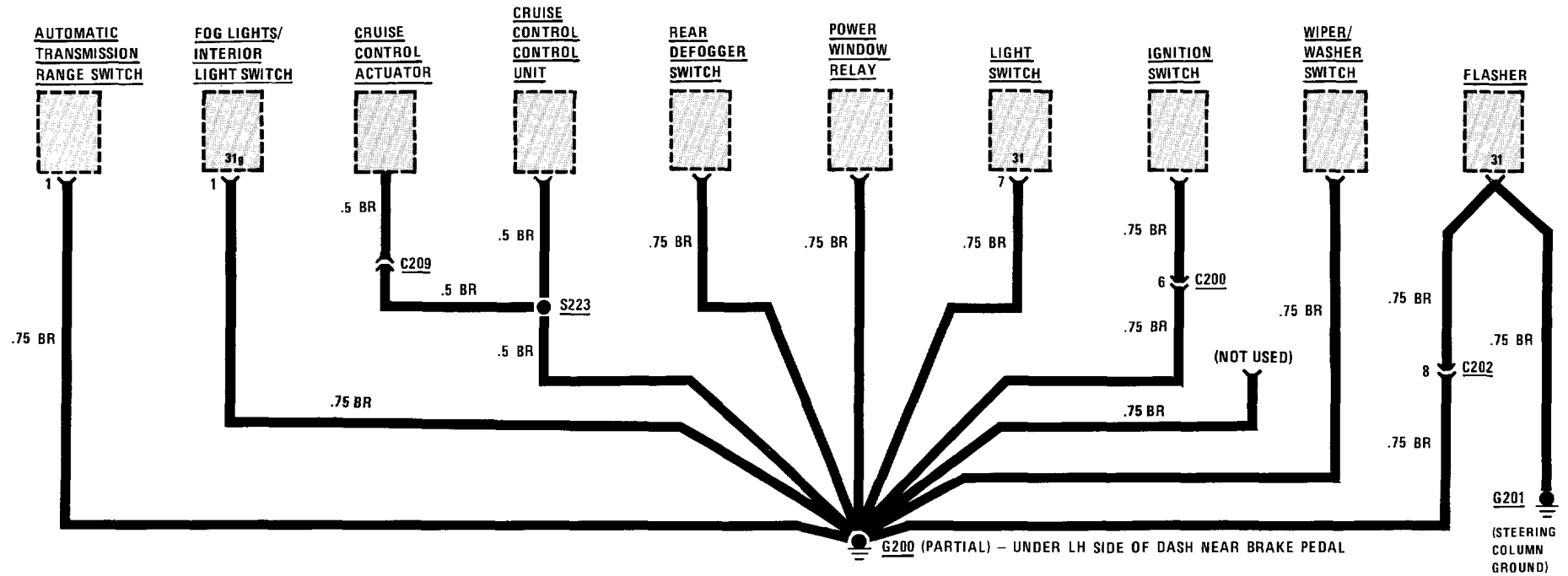




164 GROUND DISTRIBUTION (G102)



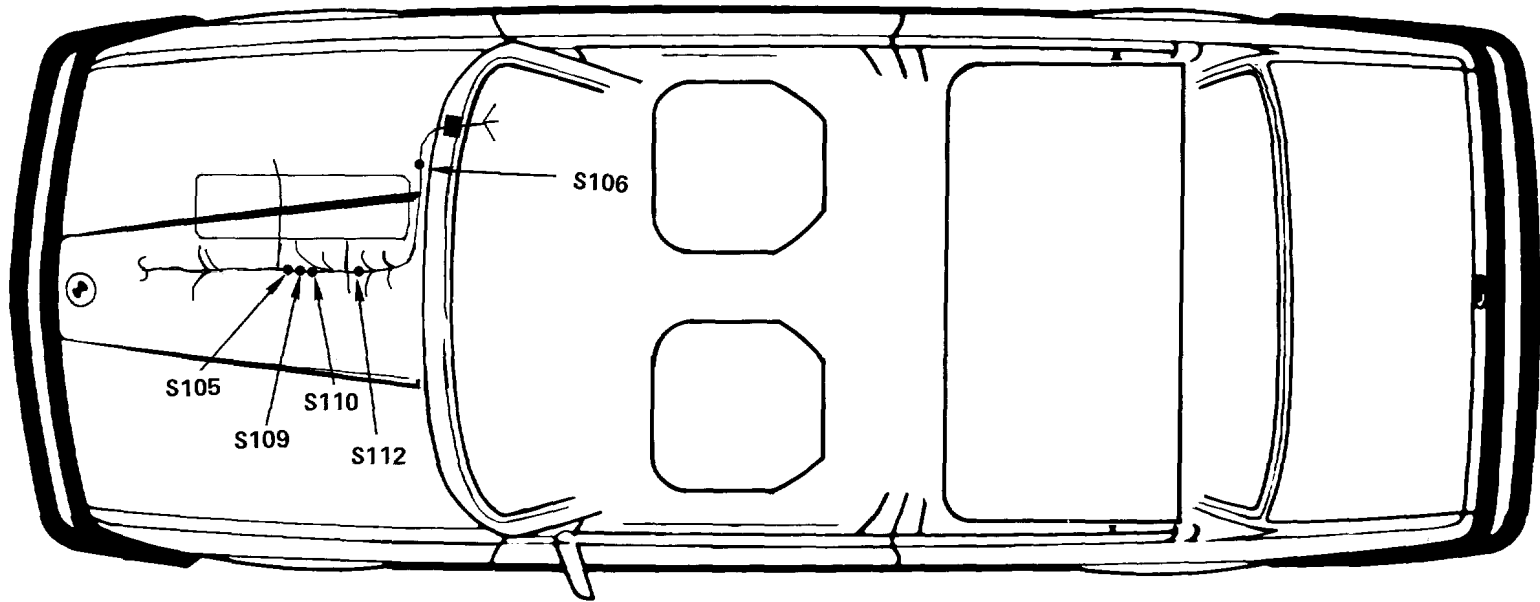


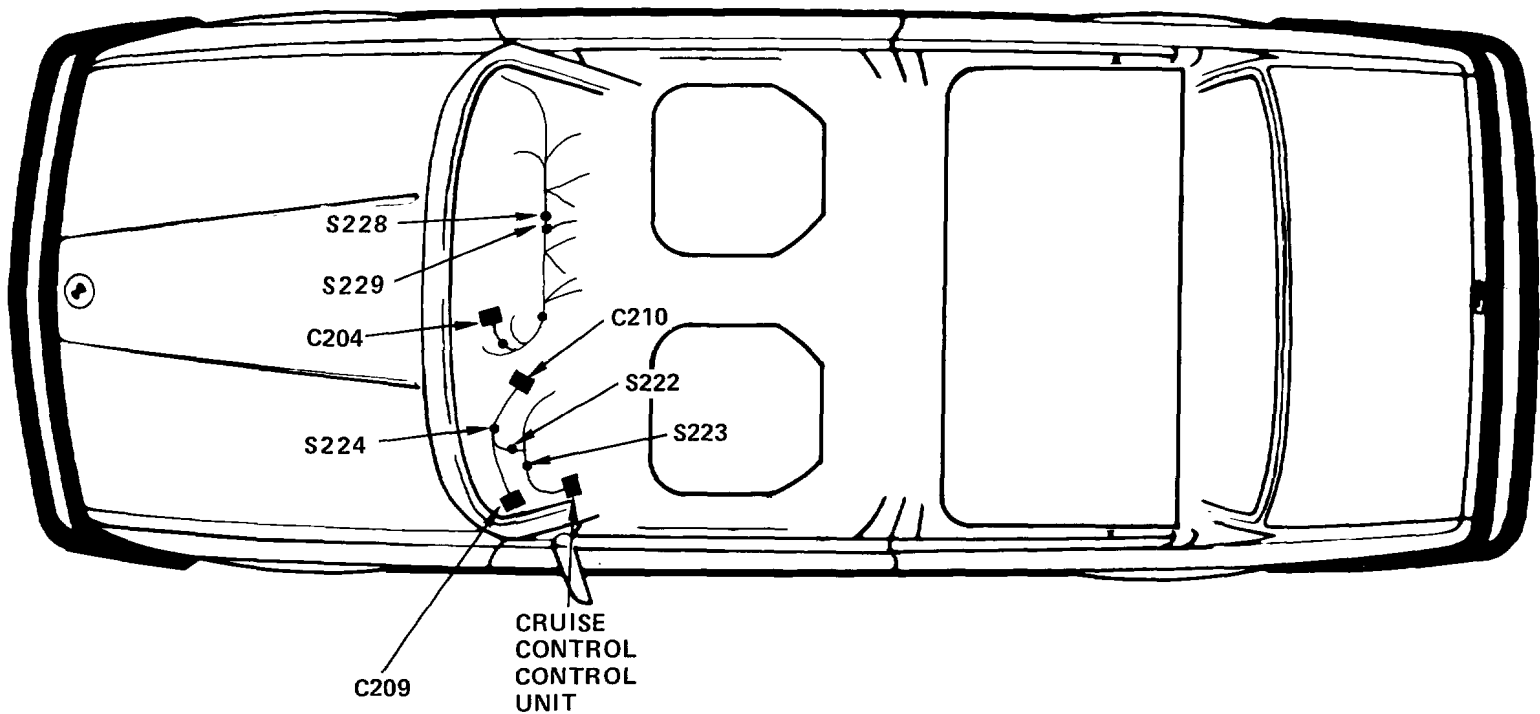


This index contains all the splices in the car, what harness each one is in, and the page that the splices appear on. The drawings after the index show how the harness is routed through the car and where the splices are located on the harness.

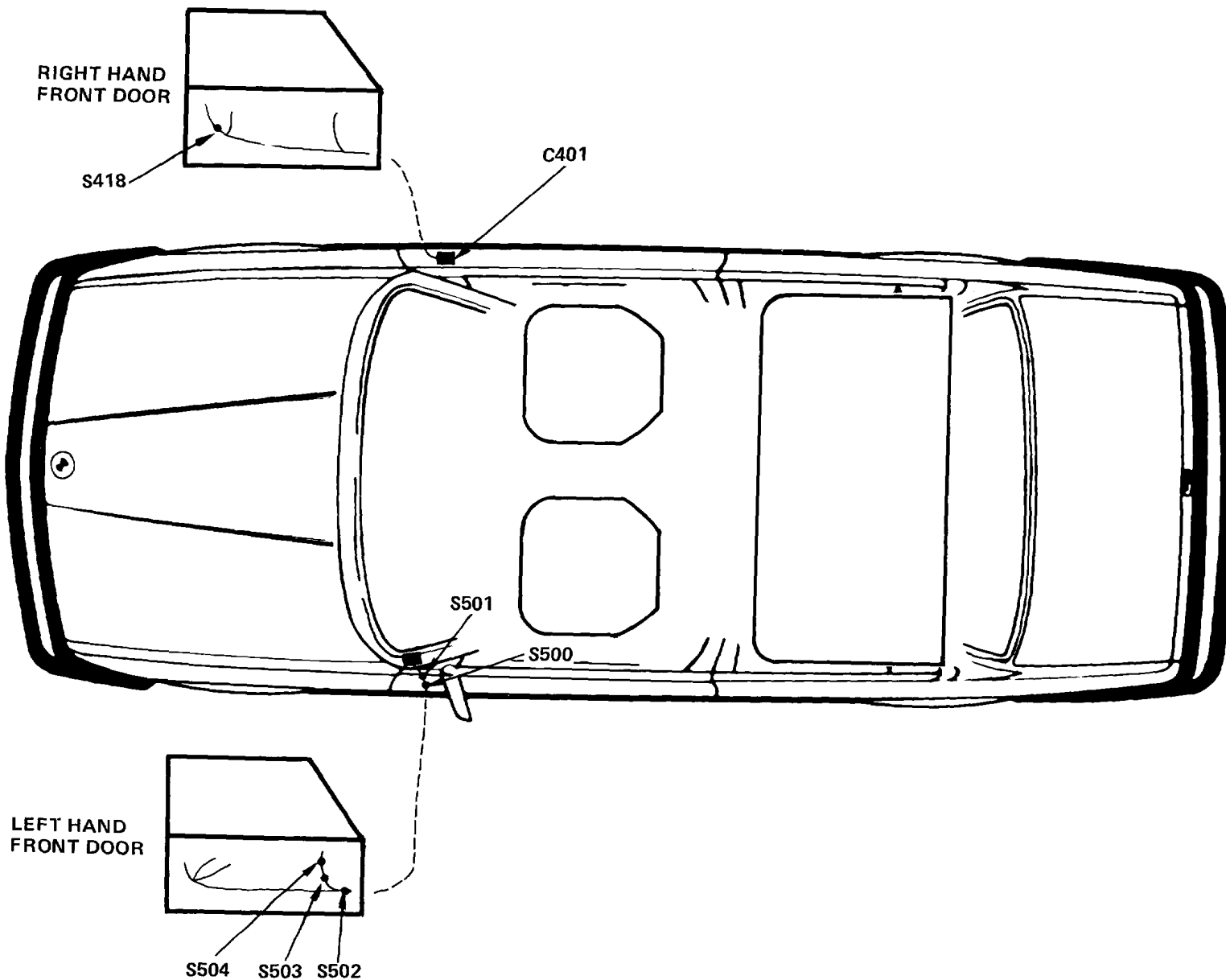
SPLICE	HARNESS	PAGE NUMBER	SPLICE	HARNESS	PAGE NUMBER	SPLICE	HARNESS	PAGE NUMBER
S100	FRONT	172	S224	CRUISE		S405	CENTRAL	
S101	FRONT	172		CONTROL	169		LOCKING	174
S102	FRONT	172	S225	A/C	NOT	S406	CENTRAL	
S103	FRONT	172			SHOWN		LOCKING	174
S104	FRONT	172	S226	A/C	NOT	S407	CENTRAL	
S105	ENGINE	168			SHOWN		LOCKING	174
S106	ENGINE	168	S227	A/C	NOT	S408	CENTRAL	
S109	ENGINE	168			SHOWN		LOCKING	174
S110	ENGINE	168	S228	A/C	169	S409	CENTRAL	NOT
S112	ENGINE	168	S229	A/C	169		LOCKING	SHOWN
S120	FRONT	172	S231	MIDDLE	173	S410	CENTRAL	
S200	MIDDLE	173	S240	MIDDLE	173		LOCKING	174
S201	MIDDLE	173	S300	REAR	171	S411	CENTRAL	
S202	MIDDLE	173	S303	REAR	171		LOCKING	174
S203	MIDDLE	173	S304	REAR	171	S412	CENTRAL	
S204	MIDDLE	173	S305	REAR	171		LOCKING	174
S205	MIDDLE	173	S306	REAR	171	S414	CENTRAL	
S206	MIDDLE	173	S308	REAR	171		LOCKING	174
S207	MIDDLE	173	S309	REAR	171	S415	CENTRAL	
S208	MIDDLE	173	S310	REAR	171		LOCKING	174
S209	MIDDLE	173	S311	REAR	171	S416	CENTRAL	
S210	MIDDLE	173	S312	REAR	171		LOCKING	174
S211	MIDDLE	173	S313	REAR	171	S417	CENTRAL	
S212	MIDDLE	NOT	S314	REAR	171		LOCKING	174
		SHOWN	S315	REAR	171	S418	PASSENGER	
S213	MIDDLE	173	S316	REAR	171		DOOR	170
S214	MIDDLE	173	S317	REAR	171	S500	DRIVERS	
S215	MIDDLE	173	S318	REAR	171		DOOR	170
S216	MIDDLE	NOT	S319	REAR	171	S501	DRIVERS	
		SHOWN	S320	REAR	171		DOOR	170
S217	MIDDLE	173	S400	CENTRAL		S502	DRIVERS	
S218	MIDDLE	173		LOCKING	174		DOOR	170
S219	MIDDLE	173	S401	CENTRAL		S503	DRIVERS	
S220	MIDDLE	173		LOCKING	174		DOOR	170
S221	MIDDLE	173	S402	CENTRAL		S504	DRIVERS	
S222	CRUISE			LOCKING	174		DOOR	170
	CONTROL	169	S403	CENTRAL		S600	SUNROOF	NOT
S223	CRUISE			LOCKING	174			SHOWN
	CONTROL	169	S404	CENTRAL		S601	SUNROOF	NOT
				LOCKING	174			SHOWN

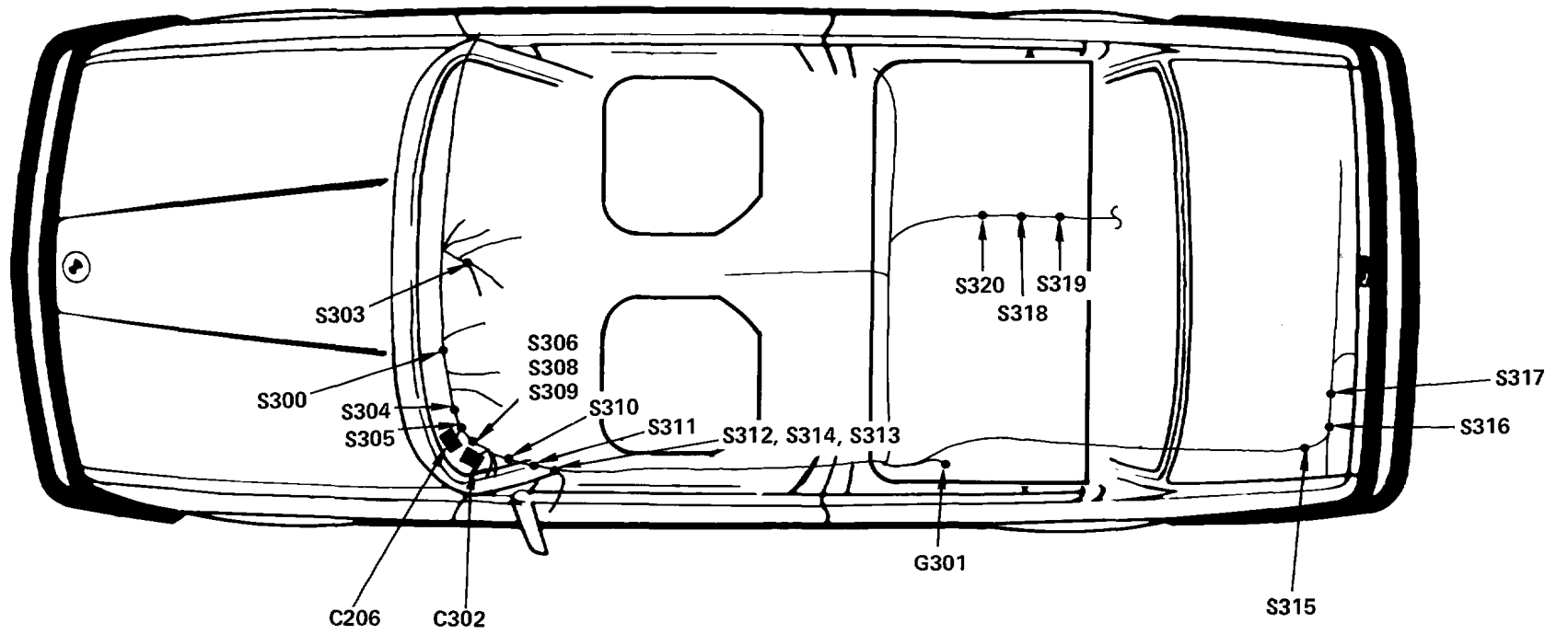
168 ENGINE HARNESS SPLICE LOCATIONS



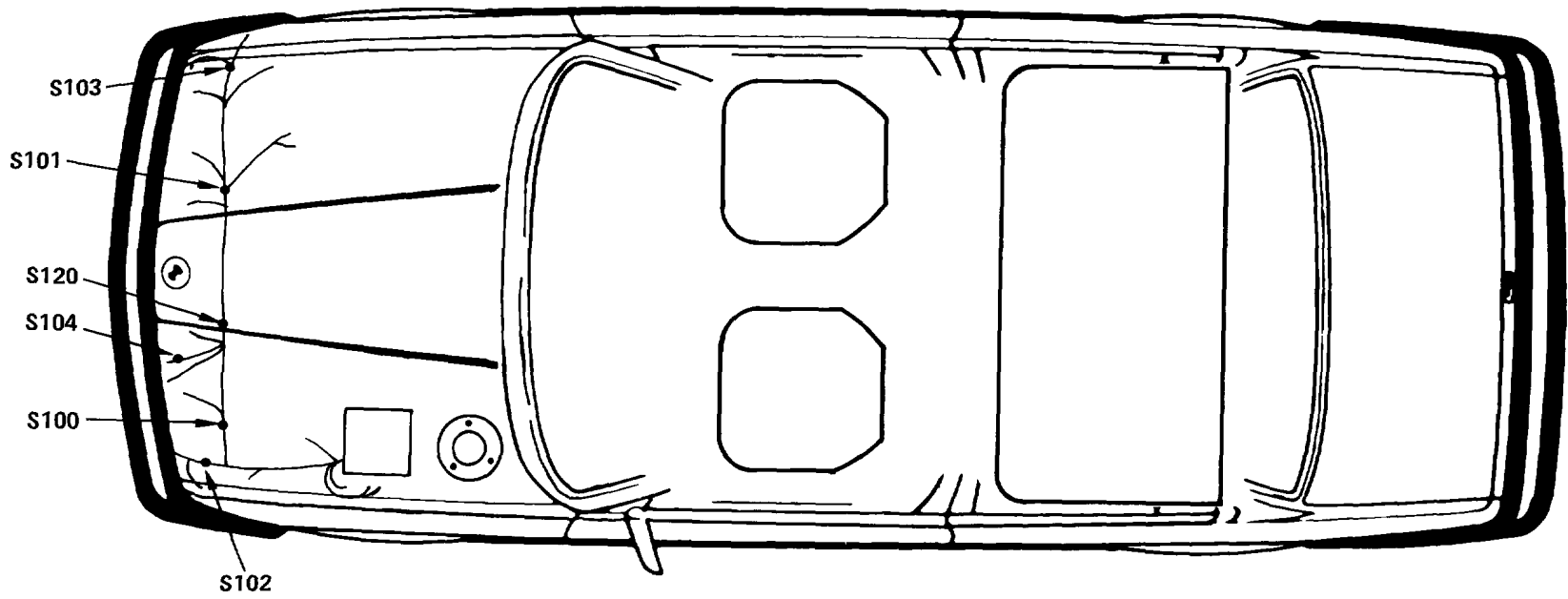


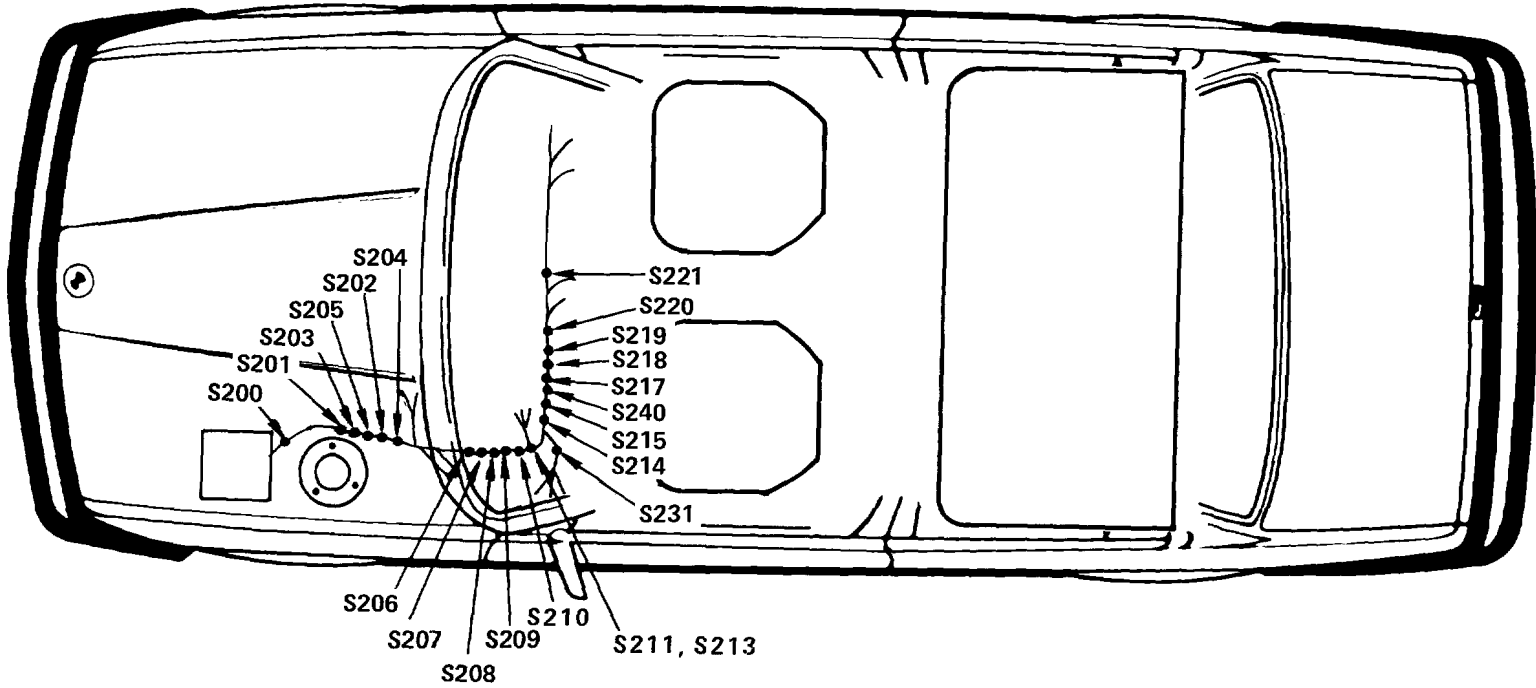
170 DOOR HARNESS SPLICE LOCATIONS



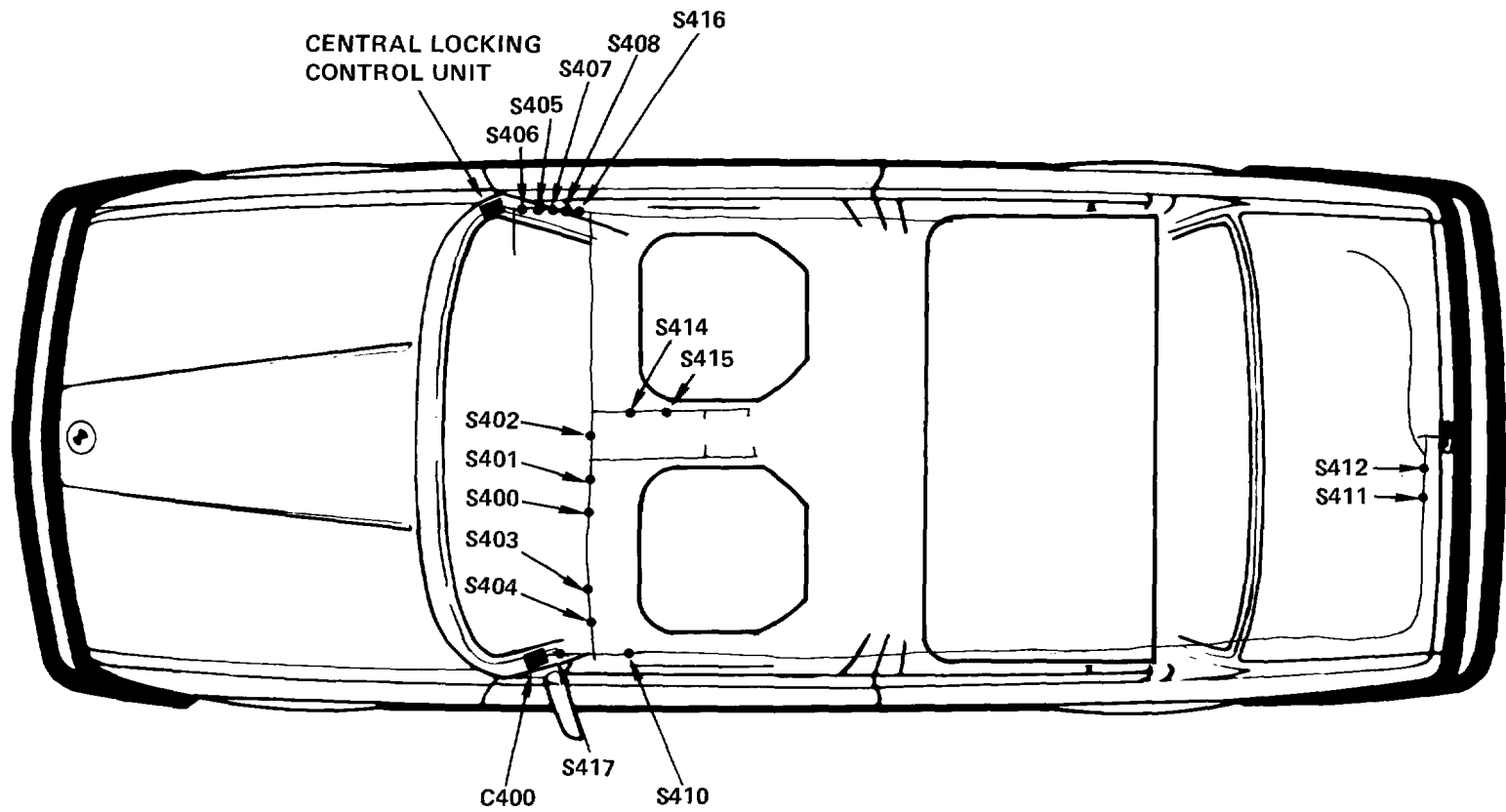


172 FRONT HARNESS SPLICE LOCATIONS





174 CENTRAL LOCKING HARNESS SPLICE LOCATIONS



ACTIVE CHECK CONTROL

Active Check Control Unit.....	Above rear view mirror	218-2
Brake Switch	Above brake pedal	213-2
Coolant Level Switch (528e)	On RH front wheel well, in coolant reservoir	212-3
Coolant Level Switch (535i)	On LH front wheel well, in coolant reservoir	212-6
Low Beam Check Relay	Attached to power distribution box.....	215-2
Oil Level Sensor	Bottom of engine oil pan	210-2
Power Distribution Box	On LH front wheel well	215-2
Rear Lights Check Relay	Mounted on trunk lock support.....	201-1
Seatbelt Warning Timer	Under LH side of dash	212-1
Washer Fluid Level Switch	In reservoir, behind RH headlights	211-1
C101 (17 pin) (528e)	In power distribution box	205-1
C101 (17 pin) (535i).....	In power distribution box	215-2
C102 (7 pin)	In power distribution box	205-1
C206 (29 pin).....	On connector bracket under LH side of dash	212-1
G102 (Main Body Ground)	On fender well behind LH headlights	203-1
G103 (Engine Ground) (535i) ...	Top rear of engine	202-1
G200 (Front Interior Ground) ..	Under LH side of dash, near brake bracket	
G301 (Rear Interior Ground)...	Under LH side of rear seat.....	208-1

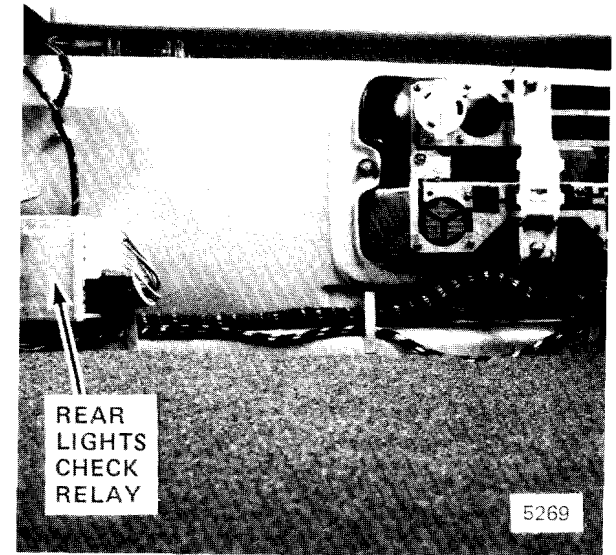


Figure 1 - Rear LH Side Of Trunk

ANTILOCK BRAKE SYSTEM (ABS)

ABS Electronic Control Unit	Below RH side of dash	216-2
ABS Hydraulic Unit	Forward of RH front wheel well	213-1
Brake Switch	Above brake pedal.....	213-2
Ignition Switch.....	Upper part of steering column	
Power Distribution Box.....	On LH front wheel well.....	215-2
Rear Lights Check Relay.....	Mounted on trunk lock support	
Speed Detector	Behind each wheel hub.....	208-2

AUXILIARY FAN

Auxiliary Fan Motor	Forward of radiator.....	214-3
Evaporator Temp. Regulator ...	On LH side of heater/evaporator housing	214-5
High Pressure Cut-Out Switch ..	On receiver-drier behind RH headlights	207-1
High Speed Cool. Temp. Switch	On upper LH side of radiator (red terminals).....	214-2
High Speed Relay	Attached to power distribution box.....	215-2
Normal Speed Blower Resistor ..	Ahead of radiator, on auxiliary fan shield	214-3
Normal Speed Cool.Temp. Switch	On upper LH side of radiator (white terminals).....	214-2
Normal Speed Relay	Attached to power distribution box.....	217-1
Power Distribution Box	On LH front wheel well	215-2
C105 (1 pin) (528e)	At RH wheel well, below coolant reservoir	
C105 (1 pin) (535i).....	At RH wheel well, below coolant reservoir	
C106 (1 pin) (528e)	Near air conditioning compressor.....	214-4
C106 (1 pin) (528i).....	Near air conditioning compressor	
C113 (3 pin).....	Forward of radiator	
G102 (Main Body Ground)	On fender well behind LH headlights	203-1

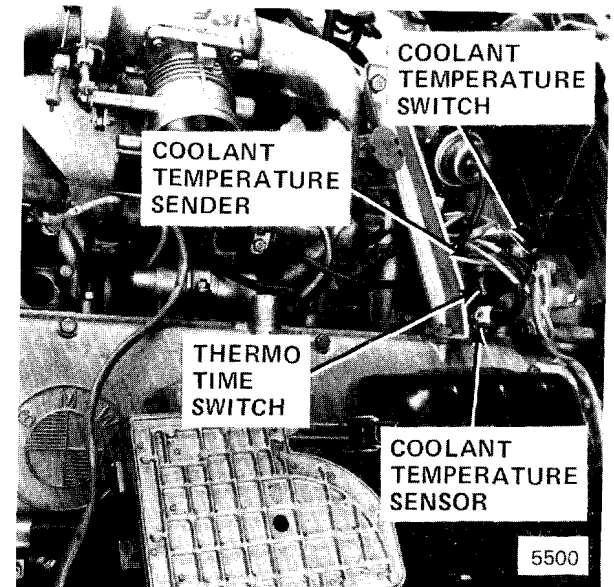


Figure 2 - Top Front Of 535i Engine

202 COMPONENT LOCATIONS

BACKUP LIGHTS

Auto. Trans. Range Switch ...	At base of shift lever	215-5
Backup Light Switch	On LH side of transmission	
Power Distribution Box	On LH front wheel well	215-2
C206 (29 pin)	On connector bracket under LH side of dash	212-1
C301 (2 pin)	In center console, ahead of shift lever	
G301 (Rear Interior Ground) ..	Under LH side of rear seat	208-1

BRAKE LINING WARNING

Power Distribution Box	On LH front wheel well	215-2
C206 (29 pin)	On connector bracket under LH side of dash	212-1
G200 (Front Interior Ground) ..	Under LH side of dash, near brake bracket	
G301 (Rear Interior Ground) ..	Under LH side of rear seat	208-1

CENTRAL LOCKING

Central Locking Control Unit ..	Above right front speaker	
Driver's Door Lock Motor	In LH front door	
Gas Filler Lock Motor	In trunk, right of power antenna	
Ignition Switch	Upper part of steering column	
LH Rear Door Lock Motor ...	In LH rear door	
Lock Inhibit Switch	In RH door	
Power Distribution Box	On LH front wheel well	215-2
RH Front Door Lock Motor	In RH front door	
RH Rear Door Lock Motor ...	In RH rear door	
Trunk Lock Actuator	In rear panel of trunk	
Unlock Inhibit Switch	In LH door	218-1
C200 (10 pin)	On LH side of steering column	203-2
C206 (29 pin)	On connector bracket under LH side of dash	212-1
C302 (Accessory Connector)	Under LH side of dash	212-1
C400 (13 pin)	Behind RH front speaker	
C401 (13 pin)	Behind RH front speaker	
C402 (7 pin)	In LH B pillar	
C403 (7 pin)	In RH B pillar	
C404 (5 pin)	In bottom rear of driver's door	
C405 (2 pin)	In trunk near trunk lock	
C500 (6 pin)	Behind LH front speaker	
G200 (Front Interior Ground) ..	Under LH side of dash, near brake bracket	

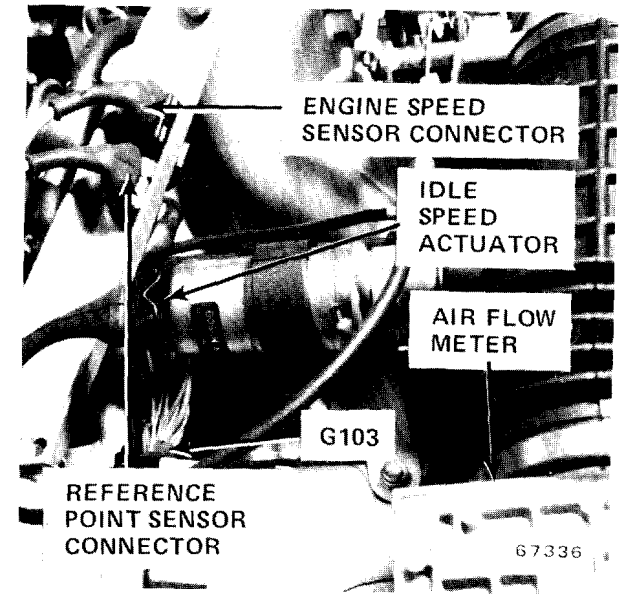


Figure 1 - Top Detail Of 535i Engine

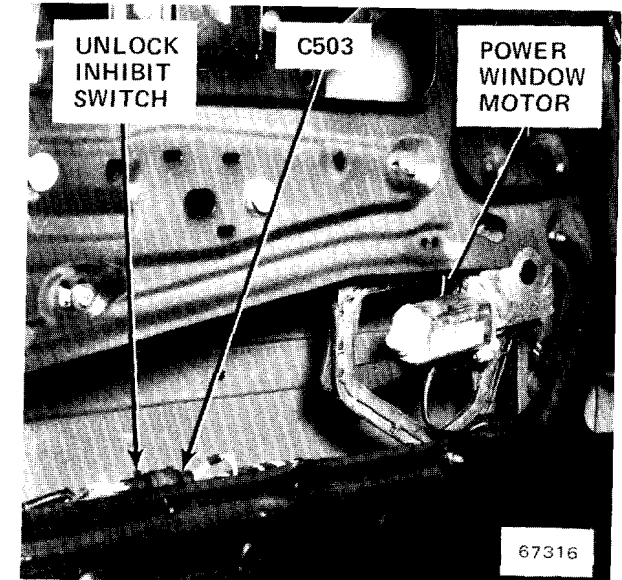


Figure 2 - Inside Driver's Door

CHARGING SYSTEM

Diagnostic Connector (528e)	LH side of engine	
Diagnostic Connector (535i)	Top front of engine	
Ignition Switch	Upper part of steering column	
Power Distribution Box	On LH front wheel well	215-2
Starter	Lower rear LH side of engine	
C101 (17 pin) (528e)	In power distribution box	205-1
C101 (17 pin) (535i)	In power distribution box	215-2
C200 (10 pin)	On LH side of steering column	203-2
C206 (29 pin)	On connector bracket under LH side of dash	212-1
C302 (Accessory Connector)	Under LH side of dash	212-1
G102 (Main Body Ground)	On fender well behind LH headlights	203-1

CIGAR LIGHTER/GLOVE BOX LIGHT/ AUTO-CHARGING FLASHLIGHT

Auto-Charging Flashlight	In glove box	
Power Distribution Box	On LH front wheel well	215-2
C206 (29 pin)	On connector bracket under LH side of dash	212-1
C302 (Accessory Connector)	Under LH side of dash	212-1
G200 (Front Interior Ground)	Under LH side of dash, near brake bracket	

CRUISE CONTROL/STOP LIGHTS

Active Check Control Unit	Above rear view mirror	
Auto. Trans. Range Switch	At base of shift lever	215-5
Brake Switch	Above brake pedal	213-2
Clutch Switch	Above clutch pedal	
Cruise Control Actuator (528e)	Forward of power distribution box	203-1
Cruise Control Actuator (535i)	Forward of power distribution box	217-1
Cruise Control Control Unit	Mounted on left under dash cover	203-2
Cruise Control Switch	On RH side of steering column	207-2
Power Distribution Box	On LH front wheel well	215-2
Rear Lights Check Relay	Mounted on trunk lock support	201-1
C206 (29 pin)	On connector bracket under LH side of dash	212-1
C208 (2 pin)	Near clutch pedal	
C209 (7 pin)	Near cruise control control unit	203-2
C210 (4 pin)	On LH side of steering column	203-2
C301 (2 pin)	In center console, ahead of shift lever	
C302 (Accessory Connector)	Under LH side of dash	212-1
G200 (Front Interior Ground)	Under LH side of dash, near brake bracket	
G301 (Rear Interior Ground)	Under LH side of rear seat	208-1

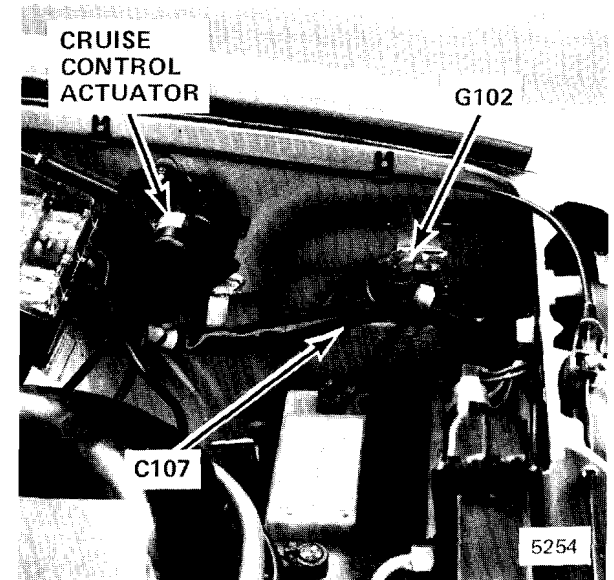


Figure 1 - Above Battery

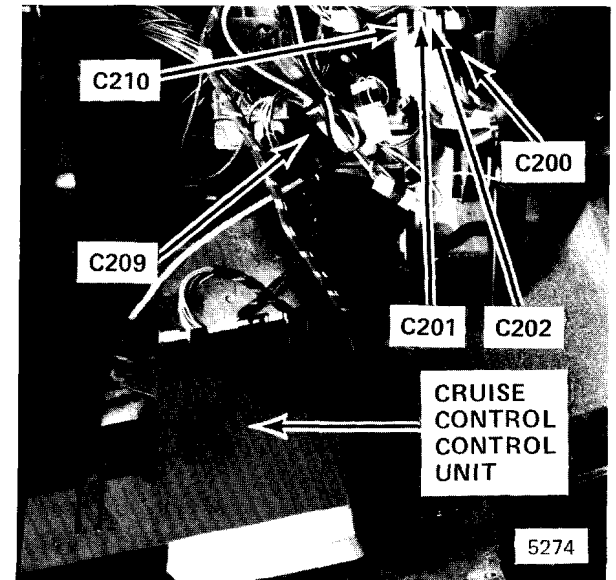


Figure 2 - Lower LH Side Of Dash

FUEL CONTROL (528e)

Air Flow Meter	LH side of engine	212-2
Barometric Pressure Sensor	On RH front of air cleaner housing	
Idle Speed Control Unit	Under RH side of dash, above glove box	216-1
Montronic Control Unit	Above glove box	216-1
Oxygen Sensor	In exhaust manifold at rear of engine	212-3
G103 (Engine Ground)	Above starter on engine block	214-1

FUEL CONTROL (535i)

Air Flow Meter	Top right side of engine	202-1
Diagnostic Connector	Top front of engine	
Engine Speed Sensor	On transmission bell housing	202-1
Motronic Control Unit	Above glove box	216-2
Oxygen Sensor Heater Relay	On power distribution box	217-1
Power Distribution Box	On LH front wheel well	102-1
Reference Point Sensor	On transmission bell housing	202-1
C101 (17 pin)	In power distribution box	215-2
C103 (6 pin)	RH side of dash near Motronic control unit	216-2
C141	Rear of engine in exhaust manifold	
G102 (Main Body Ground)	On fender well behind LH headlights	203-1
G103 (Engine Ground)	Above starter on engine block	202-1

FUEL DELIVERY (528e)

Auxiliary Fuel Pump	In fuel tank, under trunk	213-5
Fuel Pump Relay	On power distribution box	206-1
Ignition Switch	Upper part of steering column	
Main Fuel Pump	Forward and right of differential housing	
Main Relay	On power distribution box	206-1
Motronic Control Unit	Above glove box	216-1
On-Board Computer Relay Box	Mounted on left under dash cover	
Power Distribution Box	On LH front wheel well	206-1
C101 (17 pin)	In power distribution box	205-1
C103 (6 pin)	RH side of dash near Motronic control unit	216-1
C200 (10 pin)	On LH side of steering column	203-2
C206 (29 pin)	On connector bracket under LH side of dash	212-1
C212 (1 pin)	Under LH side of dash taped to harness	
C235 (1 pin)	Under LH side of dash, near on-board computer	
G102 (Main Body Ground)	On fender well behind LH headlights	203-1
G103 (Engine Ground)	Above starter on engine block	214-1
G301 (Rear Interior Ground)	Under LH side of rear seat	208-1

FUEL DELIVERY/FUEL CONTROL (535i)

Auxiliary Fuel Pump	In fuel tank, under trunk	213-5
Diagnostic Connector	Top front of engine	

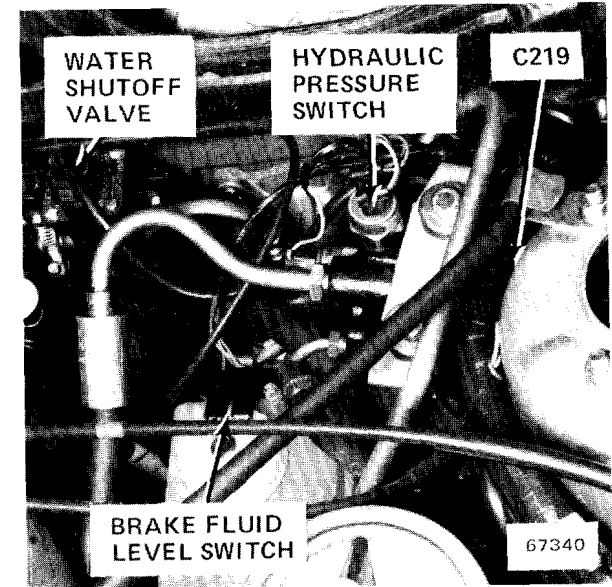


Figure 1 - Below RH Side Of Dash (528e)

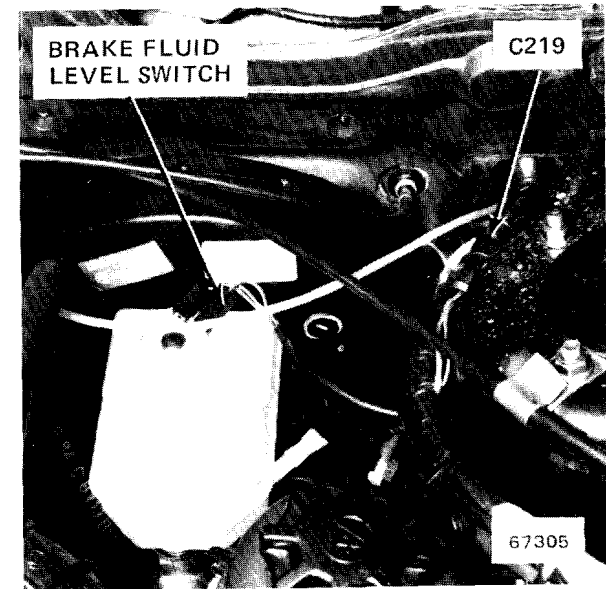


Figure 2 - Top Of LH Front Wheel Well

(continued)

Fuel Pump Relay	On power distribution box	206-1
Idle Speed Actuator	Top center of engine	202-1
Ignition Switch	Upper part of steering column	
Main Fuel Pump	Forward and right of differential housing	
Main Relay	On power distribution box	206-1
Motronic Control Unit	Above glove box	216-2
On-Board Computer Relay Box ...	Mounted on left under dash cover	
Oxygen Sensor	Rear of engine in exhaust manifold	
Power Distribution Box	On LH front wheel well	215-2
TDC Sensor	Above crankshaft vibration damper	
C101 (17 pin)	In power distribution box	215-2
C103 (6 pin)	RH side of dash near Motronic control unit	216-2
C200 (10 pin)	On LH side of steering column	203-2
C206 (29 pin)	On connector bracket under LH side of dash	212-1
C212 (1 pin)	Under LH side of dash taped to harness	
G102 (Main Body Ground)	On fender well behind LH headlights	203-1
G103 (Engine Ground)	Above starter on engine block	202-1
G200 (Front Interior Ground)	Under LH side of dash near brake bracket	
G301 (Rear Interior Ground)	Under LH side of rear seat	208-1

HEADLIGHTS (CONTROL/POWER)/FOG LIGHTS (CONTROL/POWER)

Active Check Control Unit	Above rear view mirror	218-2
Combination Switch	On LH side of steering column	
Low Beam Check Relay	Attached to power distribution box	215-2
Power Distribution Box	On LH front wheel well	215-2
C102 (7 pin)	In power distribution box	205-1
C107 (2 pin)	Behind LH headlights	203-1
C108 (2 pin)	Behind RH headlights	211-1
C202 (13 pin)	On LH side of steering column	203-2
G102 (Main Body Ground)	On fender well behind LH headlights	203-1
G200 (Front Interior Ground) ...	Under LH side of dash, near brake bracket	

HEATER/AIR CONDITIONING

Blower Speed Switch	In center console	214-6
Evaporator Blower Motor	Under center of dash	205-2
Evaporator Blower Resistors ...	On RH side of evaporator housing	205-2
Evaporator Temp. Regulator ...	On LH side of heater/evaporator housing	214-5
Evaporator Temp. Sensor	In evaporator, above evaporator blower motor	
Heater Blower Motor	Below windshield, behind cover panel	
Heater Blower Resistors	Below heater cover motor	
Heater Regulator	Behind A/C selector switch	210-1
Heater Temperature Sensor ...	LH side heater/evaporator, near heater core	214-5

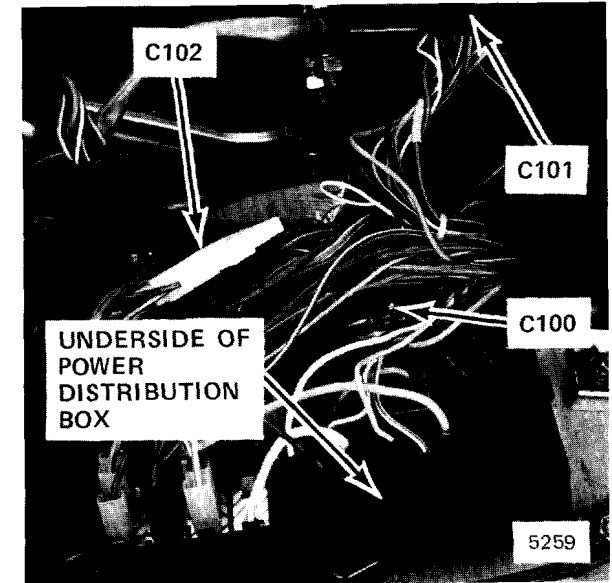


Figure 1 - Top Of LH Front Wheel Well

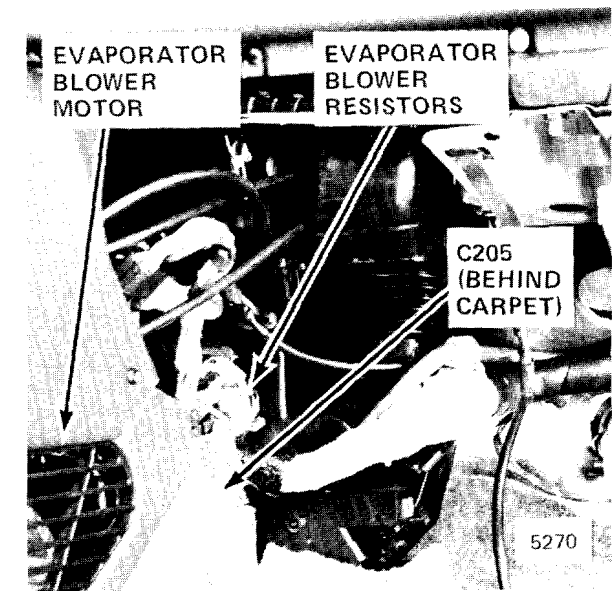


Figure 2 - RH Side Of Upper Console

206 COMPONENT LOCATIONS

(continued)

High Pressure Cut-Out Switch ..	On receiver-drier behind RH headlights	207-1
Idle Speed Control Unit (528e) ...	Under RH side of dash, above glove box.....	216-1
Interior Temp. Sensor.....	Mounted in left under dash cover	
Motronic Control Unit.....	Above glove box	216-1
Power Distribution Box.....	On LH front wheel well.....	215-2
Water Shutoff Valve (528e)	Below brake master cylinder	
Water Shutoff Valve (535i).....	Center rear of engine compartment	215-3
C103 (6 pin).....	Rh side of dash near Motronic control unit	
C105 (1 pin) (528e)	At RH wheel well, below coolant reservoir.....	212-3
C105 (1 pin) (535i).....	At RH wheel well, below coolant reservoir	
C106 (1 pin) (528e)	Near air conditioning compressor	214-4
C106 (1 pin) (535i).....	Near air conditioning compressor	
C204 (13 pin).....	On LH side of heater/evaporator housing	
C205 (6 pin)	On RH side of heater/evaporator housing	205-2
C214 (6 pin)	Behind center of dash, near heater blower	
G200 (Front Interior Ground) ..	Under LH side of dash, near brake bracket	

HORN/SUNROOF

Horn Brush/Slip Ring	Below hub of steering wheel	
Horn Switches	In each spoke on steering wheel	
Motor Relay	Behind header, above rear view mirror	
Power Distribution Box	On LH front wheel well	215-2
Sunroof Motor	Behind header, above rear view mirror	
Sunroof Switch	Above rear view mirror	
C200 (10 pin).....	On LH side of steering column	203-2
C206 (29 pin).....	On connector bracket under LH side of dash	212-1
C302 (Accessory Connector)....	Under LH side of dash	212-1
G102 (Main Body Ground).....	On fender well behind LH headlights.....	203-1
G200 (Front Interior Ground)....	Under LH side of dash, near brake bracket	
G600	Near sunroof switch	

IDLE SPEED CONTROL

0°C Temperature Switch	On right inlet of heater blower housing	
Auto. Trans. Range Switch	At base of shift lever	215-5
Coolant Temp. Sensor	Front of engine, top of thermostat housng.....	206-2
Coolant Temp. Switch	Front of engine, top of thermostat housing	211-2
Diagnostic Connector.....	LH side of engine	
Engine Speed Sensor	On transmission bell housing.....	212-4
Idle Control Valve	Top rear RH side of engine.....	212-3
Idle Speed Control Unit	Under RH side of dash, above glove box.....	216-1

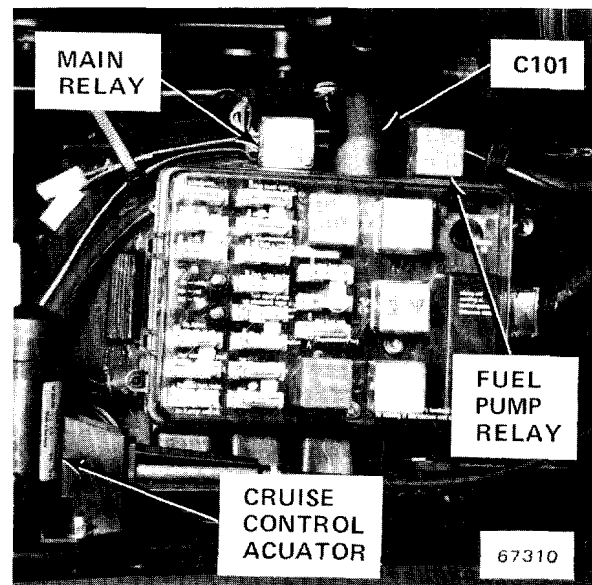


Figure 1 - Lower LH Side Of Dash

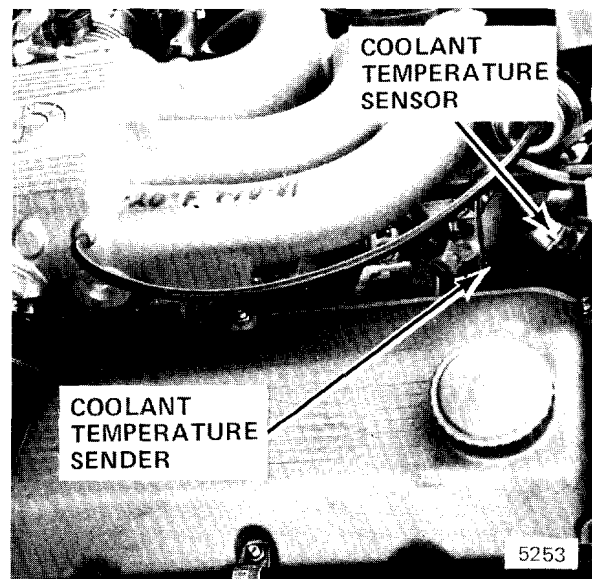


Figure 2 - Top RH Side Of 528e Engine

(continued)

Motronic Control Unit.....	Above glove box	216-1
Power Distribution Box.....	On LH front wheel well.....	215-2
Throttle Switch	Top LH side of engine, below throttle body	212-5
C101 (17 pin).....	In power distribution box	205-1
C103 (6 pin).....	RH side of dash near Motronic control unit.....	216-1
C104 (2 pin).....	RH side of dash near Motronic control unit.....	216-1
C206 (29 pin)	On connector bracket under LH side of dash	212-1
C301 (2 pin).....	In center console, ahead of shift lever	
G103 (Engine Ground)	Top rear of engine	202-1

IGNITION (528e)

Diagnostic Connector.....	LH side of engine	
Ignition Coil	On fender well, behind RH headlights	213-1
Ignition Switch.....	Upper part of steering column	
Motronic Control Unit.....	Above glove box	216-1
Power Distribution Box.....	On LH front wheel well.....	215-2
Reference Point Sensor	On transmission bell housing.....	212-4
TDC Sensor	Above crankshaft vibration damper	
C101 (17 pin).....	In power distribution box	205-1
C200 (10 pin).....	On LH side of steering column	203-2
G102 (Main Body Ground).....	On fender well behind headlights	203-1
G103 (Engine Ground)	Above starter on engine block.....	214-1

IGNITION (535i)

Automatic Transmission Range Switch.....	At base of shift lever.....	215-5
Coolant Temperature Sensor	Front of engine, top of thermostat housing	201-2
Diagnostic Connector.....	Top front of engine	
Ignition Coil	On fender well behind RH headlights.....	213-1
Ignition Switch.....	Upper part of steering column	
Motronic Control Unit.....	Above glove box	216-1
Power Distribution Box.....	On LH front wheel well.....	215-2
Throttle Switch	Top LH side of engine below throttle body	
C101 (17 pin).....	In power distribution box.....	205-1
C131 (1 pin).....	RH side of dash near Motronic control unit.....	213-2
C132 (1 pin).....	RH side of dash near Motronic control unit.....	213-2
C200 (10 pin).....	On LH side of steering column	203-2
G102 (Main Body Ground).....	On fender well behind LH headlights	203-1
G103 (Engine Ground)	Above starter on engine block.....	202-1
G200 (Front Interior Ground)	Under LH side of dash, near brake bracket	

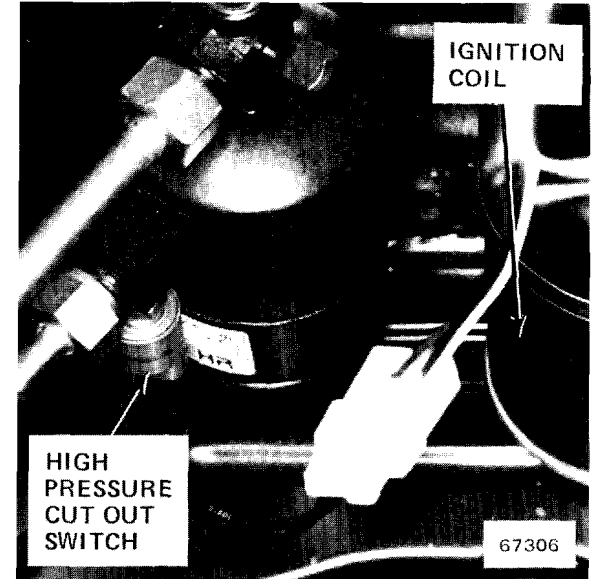


Figure 1 - Foward Of Washer Reservoir

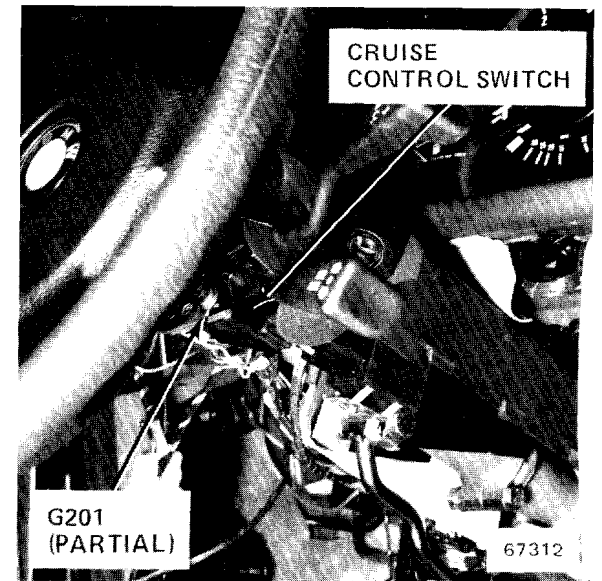


Figure 2 - Upper Part Of Steering Column

IGNITION KEY WARNING/SEATBELT WARNING

Active Check Control Unit.....	Above rear view mirror	218-2
Chime Module	Mounted on left under dash cover	212-3
Ignition Key Switch.....	In upper portion steering column	
Power Distribution Box	On LH front wheel well	215-2
Seatbelt Switch	In driver's seatbelt buckle	
Seatbelt Warning Timer	Under LH side of dash	212-1
C200 (10 pin).....	On LH side of steering column	203-2
C203 (2 pin)	At upper end of steering column	
C206 (29 pin).....	On connector bracket under LH side of dash	212-1
G200 (Front Interior Ground) ...	Under LH side of dash, near brake bracket	

INTERIOR LIGHTS

Ignition Switch.....	Upper part of steering column	
Interior Light Timer Control.....	Under LH side of dash	212-1
Lock Heater Control Unit	In LH front door	213-4
Power Distribution Box	On LH front wheel well	215-2
C200 (10 pin).....	On LH side of steering column	203-2
C206 (29 pin).....	On connector bracket under LH side of dash	212-1
C302 (Accessory Connector) ...	Under LH side of dash	212-1
C303 (2 pin)	In headliner, near LH dome light	
C500 (6 pin)	Behind LH front speaker	
C503 (8 pin)	In driver's door.....	218-1
G200 (Front Interior Ground)...	Under LH side of dash, near brake bracket	

LIGHTS: DASH/TRANSMISSION RANGE

Auto. Trans. Range Switch	At base of shift lever	215-5
Fog Light Switch.....	Under LH side of instrument cluster	
Hazard Switch	To right of instrument cluster	
Heater-A/C Panel Lights	Behind heater-air conditioning control panel	
On-Board Computer	Mounted on left under dash cover	
Power Distribution Box	On LH front wheel well	215-2
C204 (13 pin).....	On LH side of heater/evaporator housing	
C206 (29 pin).....	On connector bracket under LH side of dash	212-1
C215 (2 pin)	Behind radio	
C301 (2 pin)	In center console, ahead of shift lever	
C302 (Accessory Connector)...	Under LH side of dash	212-1
G200 (Front Interior Ground)...	Under LH side of dash, near brake bracket	

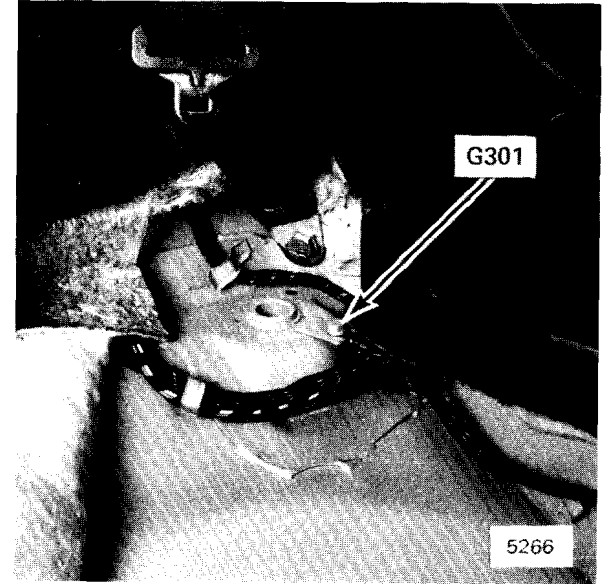


Figure 1 - Under LH Rear Seat

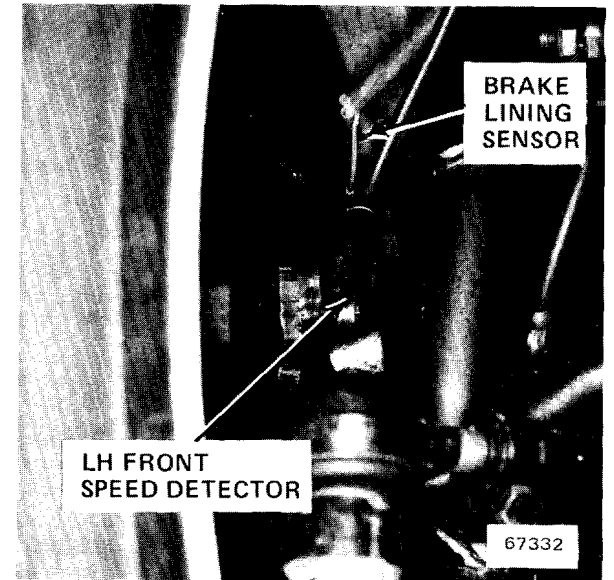


Figure 2 - LH Front Wheel

LIGHTS: FRONT PARK/FRONT MARKER/TAIL

Active Check Control Unit.....	Above rear view mirror	218-1
Power Distribution Box	On LH front wheel well	215-2
Rear Lights Check Relay	Mounted on trunk lock support.....	201-1
C206 (29 pin)	On connector bracket under LH side of dash	212-1
G102 (Main Body Ground).....	On fender well behind LH headlights	203-1
G301 (Rear Interior Ground)	Under LH side of rear seat.....	208-1

LIGHTS: REAR MARKER/LICENSE/TRUNK

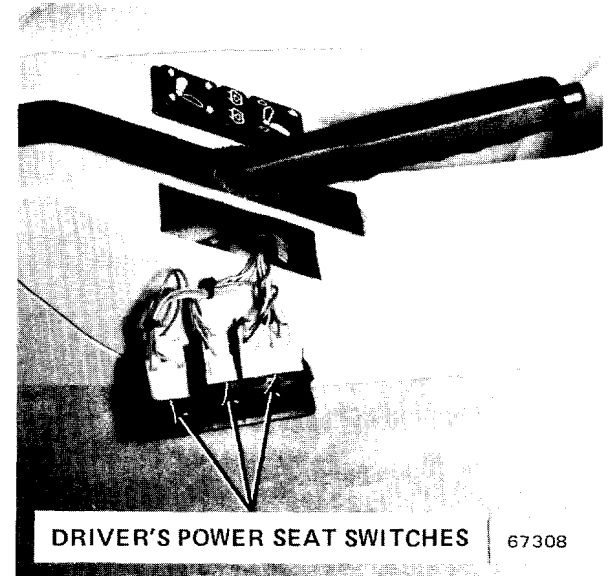
Active Check Control Unit.....	Above rear view mirror	
Power Distribution Box	On LH front wheel well	215-2
Rear Lights Check Relay	Mounted on trunk lock support.....	201-1
Trunk Light Switch	In trunk lid near trunk lock.	
C206 (29 pin).....	On connector bracket under LH side of dash	212-1
C300 (2 pin)	Near trunk light	
C302 (Accessory Connector)....	Under LH side of dash	212-1
G301 (Rear Interior Ground) ...	Under LH side of rear seat.....	208-1

LIGHTS TURN/HAZARD WARNING

Combination Switch	On LH side of steering column	
Flasher	Upper part of steering column	
Hazard Switch	To right of instrument cluster	
Power Distribution Box	On LH front wheel well	215-2
C102 (7 pin)	In power distribution box	205-1
C202 (13 pin)	On LH side of steering column	203-2
C206 (29 pin)	On connector bracket under LH side of dash	212-1
G102 (Main Body Ground)	On fender well behind LH headlights	203-1
G200 (Front Interior Ground) ..	Under LH side of dash, near brake bracket	
G201 (Steering Column Ground)	Upper part of steering column.....	207-2
G301 (Rear Interior Ground) ..	Under LH side of rear seat.....	208-1

ON-BOARD COMPUTER

B/C Horn Diode	Behind battery	215-4
Board Computer Horn.....	Behind battery	215-4
Chime Module	Mounted on left under dash cover	
Fuel Tank Sender Switch.....	Under trunk top of RH side of fuel tank.....	213-5
Ignition Switch.....	Upper part of steering column	
Main Relay	On power distribution box	206-1
Motronic Control Unit (528e)	Above glove box	216-1
Motronic Control Unit (535i).....	Above glove box	216-2



DRIVER'S POWER SEAT SWITCHES 67308

Figure 1- Upper Part Of Steering Column

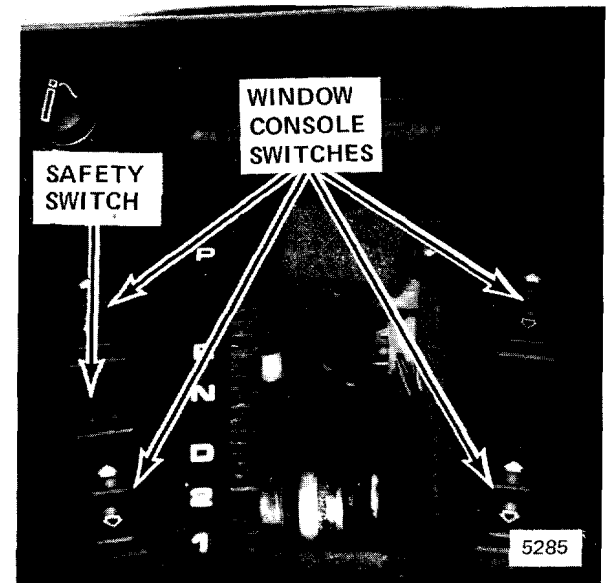


Figure 2 - Shift Console Near Shift Lever

210 COMPONENT LOCATIONS

(continued)

On-Board Computer Relay Box ...	Mounted on left under dash cover	
Outside Temp. Sensor	Under front bumper, left side	
Power Distribution Box	On LH front wheel well	215-2
C101 (17 pin).....	In power distribution box	205-1
C103 (6 pin).....	RH side of dash near Motronic control unit.....	216-1
C200 (10 pin).....	On LH side of steering column	203-2
C206 (29 pin).....	On connector bracket under LH side of dash	212-1
C212 (1 pin).....	Under LH side of dash taped to harness	
C219 (3 pin) (528e)	Taped to harness, near LH shock tower	204-2
C219 (3 pin) (535i).....	Taped to harness, near LH shock tower	204-1
C302 (Accessory Connector)....	Under LH side of dash.....	212-1
G102 (Main Body Ground).....	On fender well behind LH headlights	203-1
G103 (Engine Ground)	Top rear of engine	202-1
G200 (Front Interior Ground)	Under LH side of dash, near brake bracket	
G301 (Rear Interior Ground)	Under LH side of rear seat	208-1

POWER DISTRIBUTION

Combination Switch	On LH side of steering column	
Diagnostic Connector (528e)	LH side of engine	
Diagnostic Connector (535i).....	Top front of engine	
Ignition Switch.....	Upper part of steering column	
Low Beam Check Relay	Attached to power distribution box	215-2
Power Distribution Box	On LH front wheel well	215-2
Starter	Lower rear LH side of engine	
C200 (10 pin).....	On LH side of steering column	203-2
C202 (13 pin).....	On LH side of steering column	203-2
C206 (29 pin).....	On connector bracket under LH side of dash	212-1
C302 (Accessory Connector)....	Under LH side of dash	212-1
G102 (Main Body Ground)	On fender well behind LH headlights	203-1

POWER MIRRORS

Mirror Control Switch	On driver's door	
Power Distribution Box	On LH front wheel well	215-2
C206 (29 pin).....	On connector bracket under LH side of dash	212-1
C500 (6 pin)	Behind LH front speaker	
C501 (4 pin)	Behind LH front speaker	
C502 (4 pin)	Behind RH front speaker	
G200 (Front Interior Ground) ...	Under LH side of dash, near brake bracket	

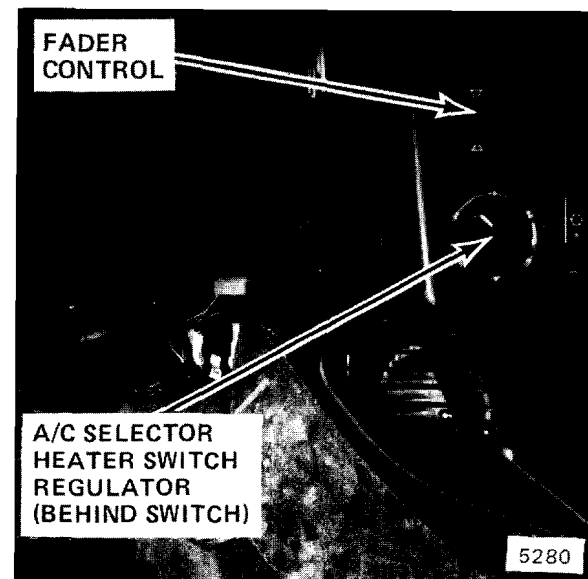


Figure 1 - Upper Console Below Dash

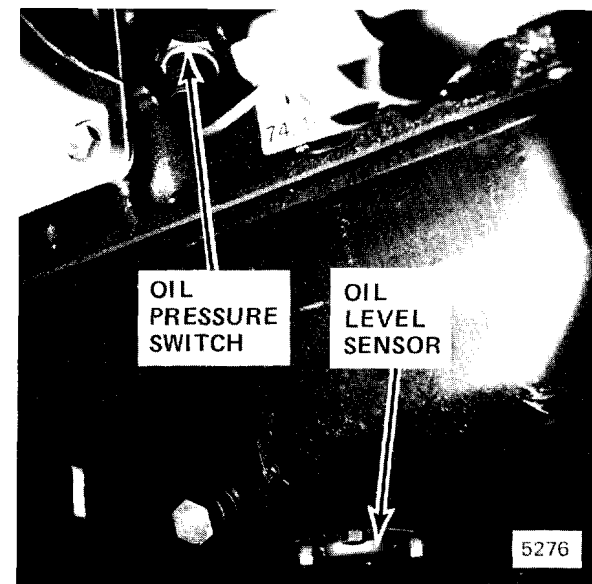


Figure 2 - RH Side Of Oil Pan

POWER SEATS

Driver's Seat Controller	Under driver's seat on frame	218-4
Passenger's Seat Controller	Under passenger's seat on frame	
C206 (29 pin).....	On connector bracket under LH side of dash	212-1
C302 (Accessory Connector) ...	Under LH side of dash.....	212-1
C550 (2 pin)	Under center console	
C551 (2 pin)	Under center console	
G200 (Front Interior Ground)....	Under LH side of dash, near bracket	

POWER WINDOWS

Power Distribution Box	On LH front wheel well	215-2
Power Window Circuit Brkr ...	Mounted in left under dash cover	213-6
Power Window Relay	Under LH side of dash	
Safety Switch	On shift console	209-2
Window Console Switches	On shift console	209-2
Window Motors	In each door	
C206 (29 pin).....	On connector bracket under LH side of dash	212-1
C302 (accessory connector)...	Under LH side of dash	212-1
C400 (13 pin).....	Behind RH front speaker	
C401 (13 pin).....	Behind RH front speaker	
C402 (6 pin)	At LH rear door grommet	
C403 (6 pin)	At RH rear door grommet	
C500 (6 pin)	Behind Left front speaker	
G200 (Front Interior Ground) ...	Under LH side of dash, near brake bracket	

RADIO/POWER ANTENNA

Fader Control	In upper part of center console	210-1
Power Antenna	Trunk	218-5
Power Distribution Box	On LH front wheel well	215-2
C206 (29 pin).....	On connector bracket under LH side of dash	212-1
C215 (2 pin)	Behind radio	
C216 (2 pin)	Behind radio	
C217 (2 pin)	Behind radio	
C218 (2 pin)	Behind radio	
C302 (Accessory Connector)....	Under LH side of dash	212-1
G200 (Front Interior Ground)...	Under LH side of dash, near brake bracket	

REAR DEFOGGER/HEATER DOOR LOCK

Lock Heater Control Unit	In LH front door	213-4
Lock Heater	In LH front door	
Power Distribution Box	On LH front wheel well	215-2

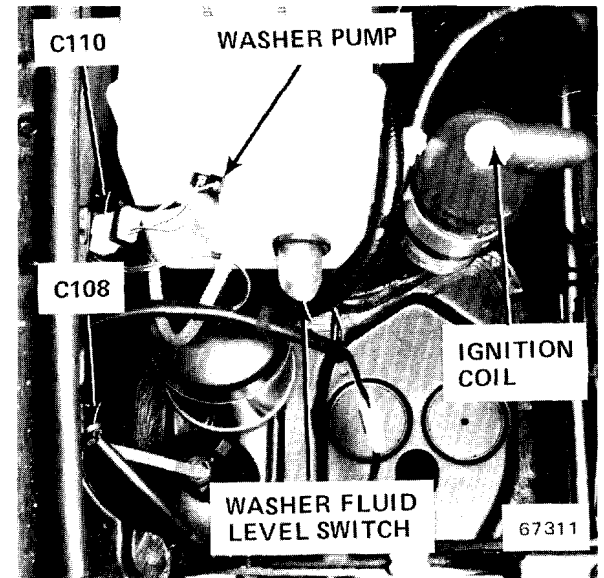


Figure 1 - Forward Of Washer Reservoir

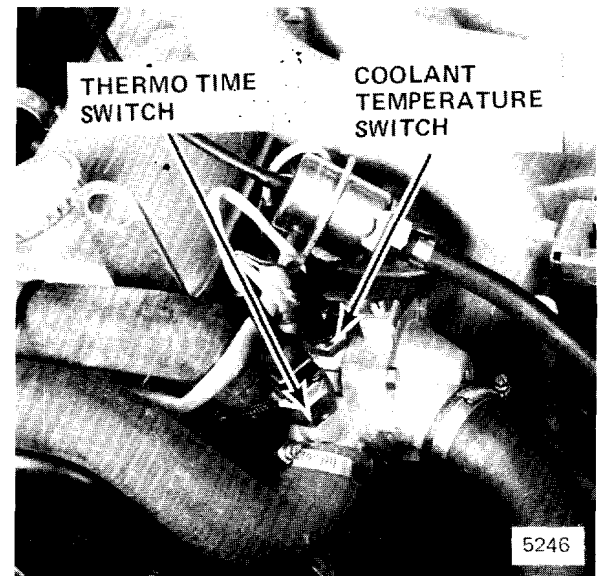


Figure 2 - Top Front Of 528e Engine

212 COMPONENT LOCATIONS

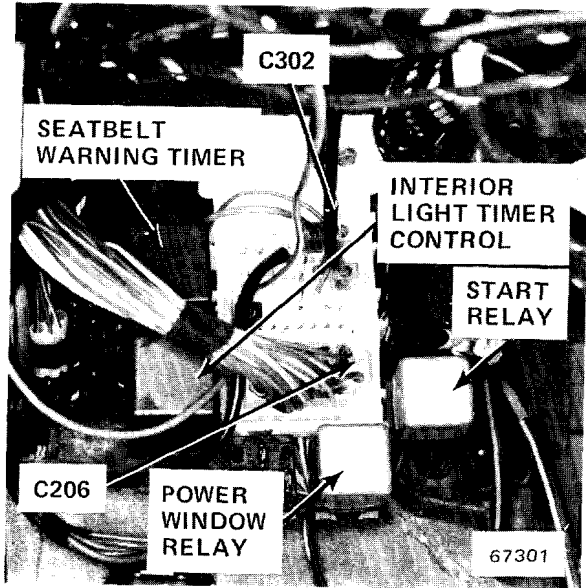


Figure 1 - Lower LH Side Of Dash

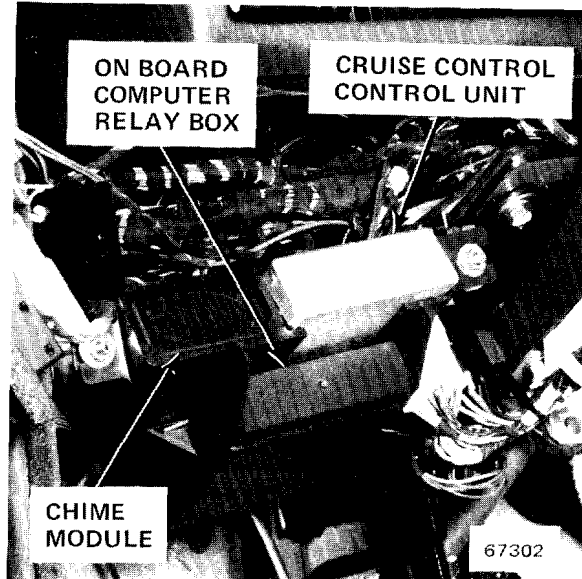


Figure 3 - Left Of 528e RH Front Wheel Well

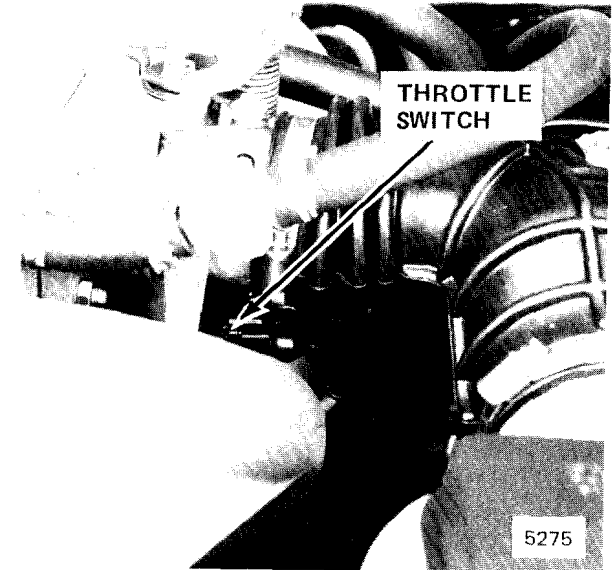


Figure 5 - Below Throttle Of 528e Engine



Figure 2 - Top Front LH Side Of 528e Engine

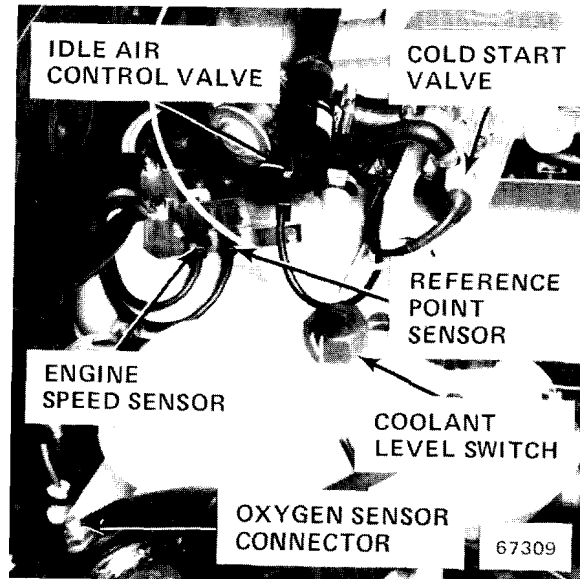


Figure 4 - RH Rear Side Of 528e Engine

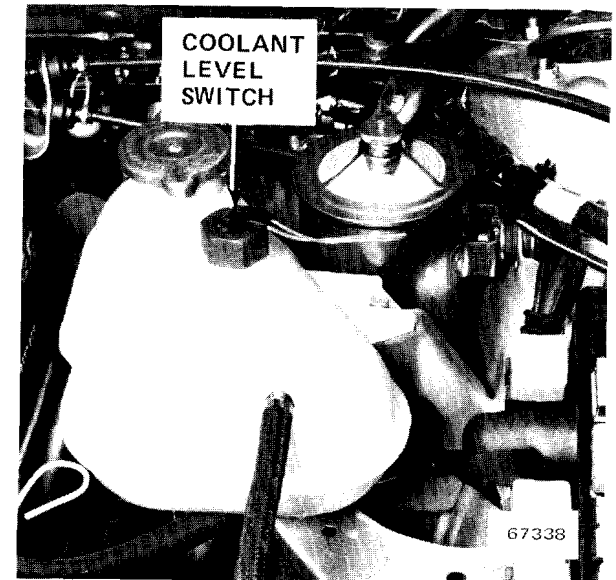


Figure 6 - Left Of 535i RH Front Wheel Well

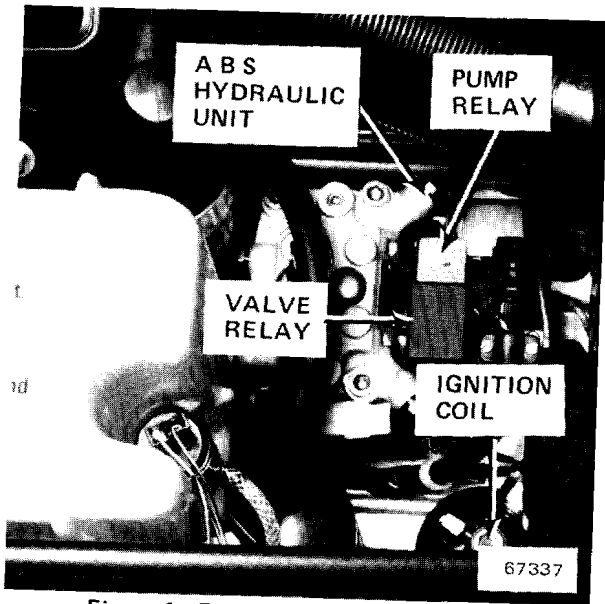


Figure 1 - Forward Of Washer Reservoir

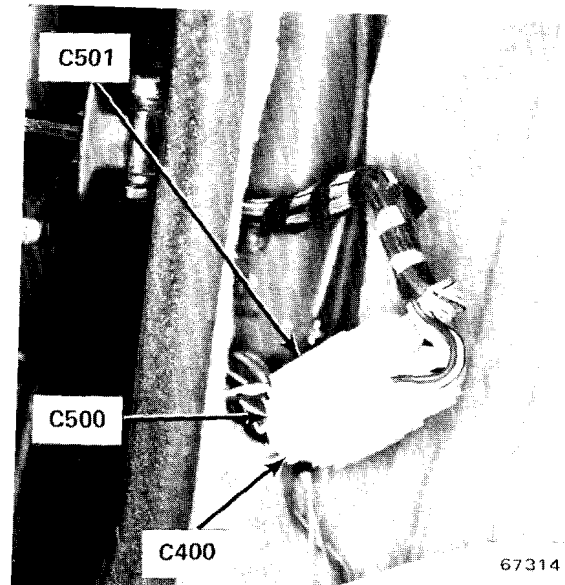


Figure 3 - Behind Right Front Speaker

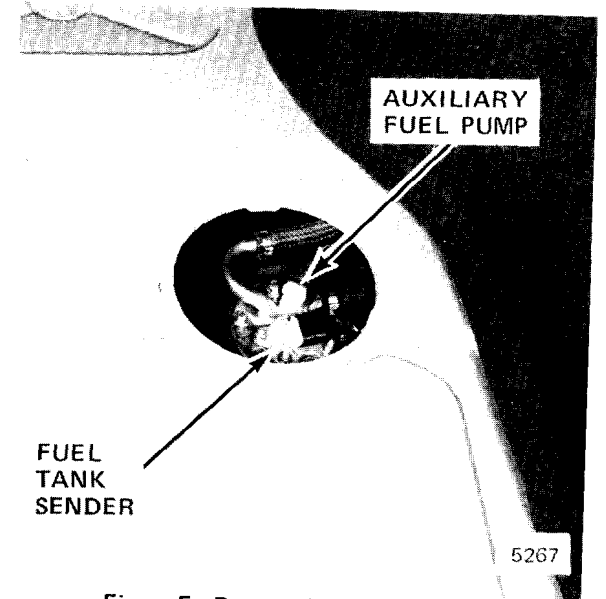


Figure 5 - Bottom RH Side Of Trunk

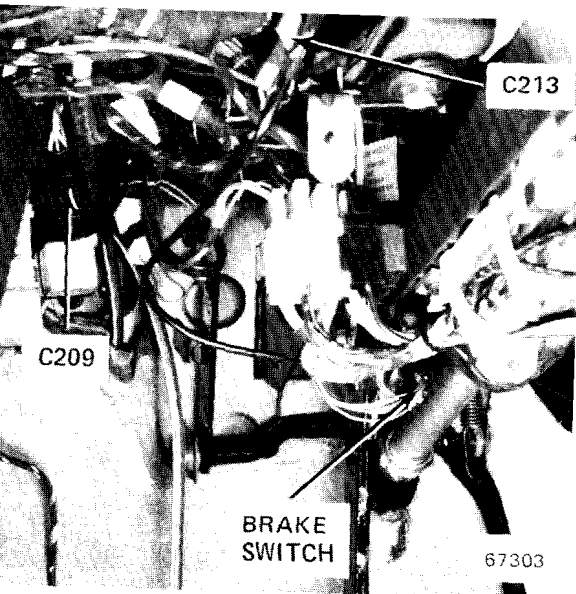


Figure 2 - Lower LH Side Of Dash

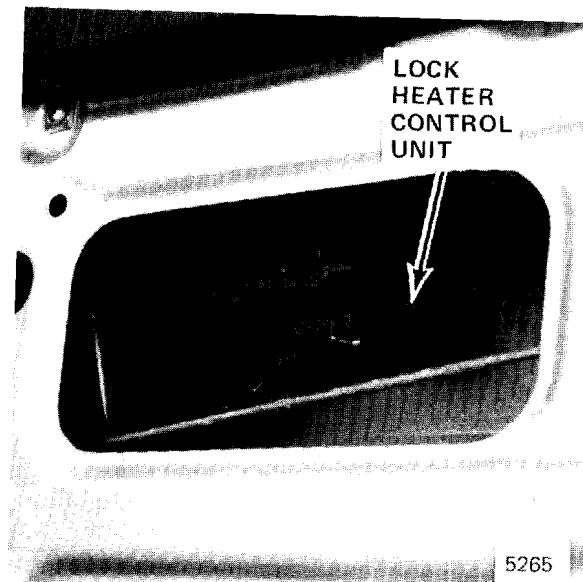


Figure 4 - Inside Driver's Door

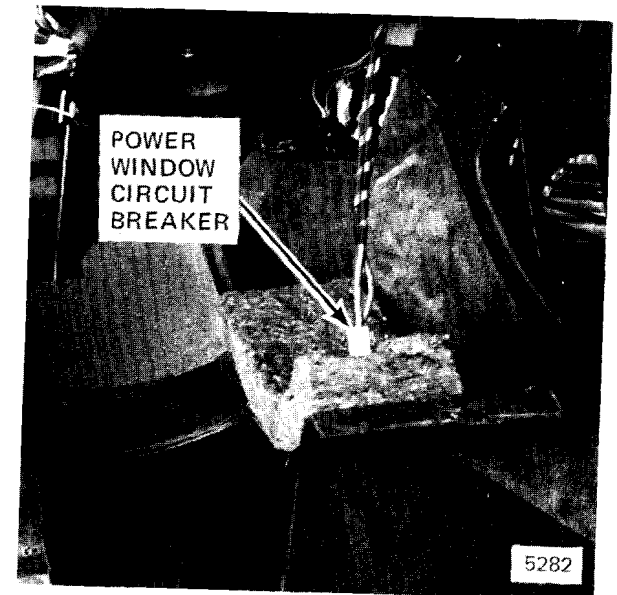


Figure 6 - Left Of Upper Console

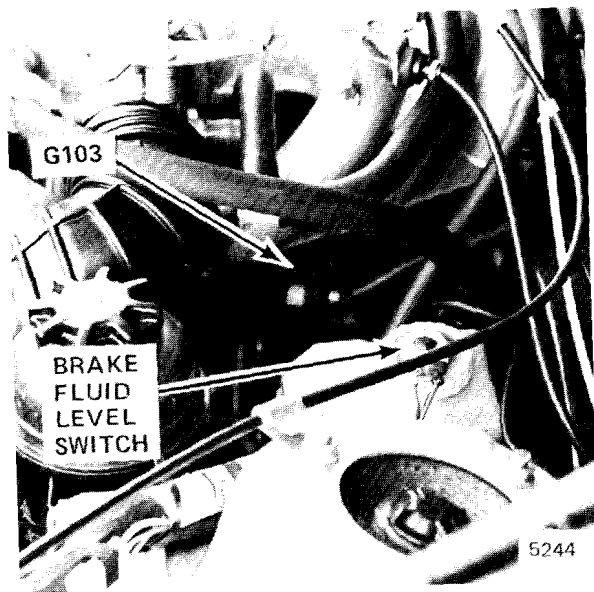


Figure 1 - LH Rear Of Side Of 528e Engine

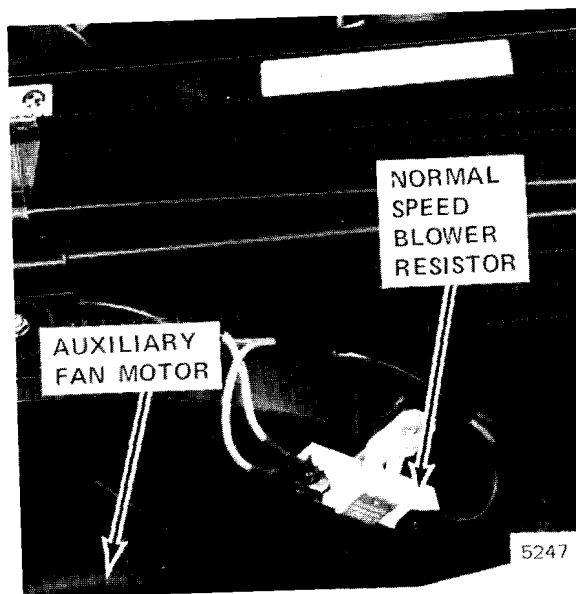


Figure 3 - Forward Of Radiator

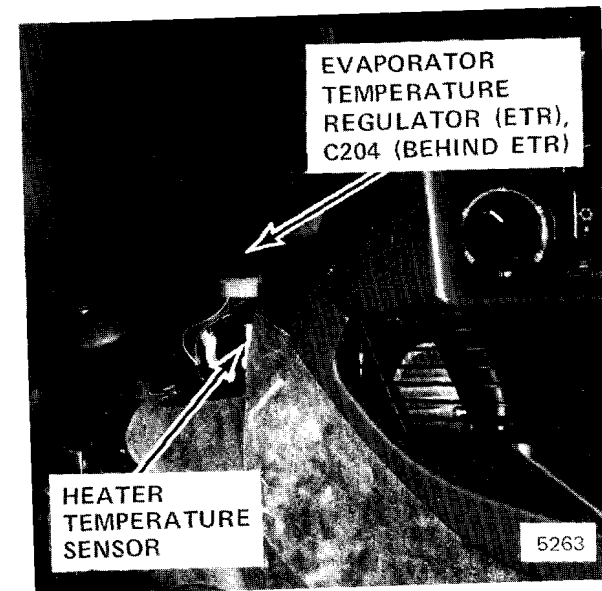


Figure 5 - LH Side Of Upper Console

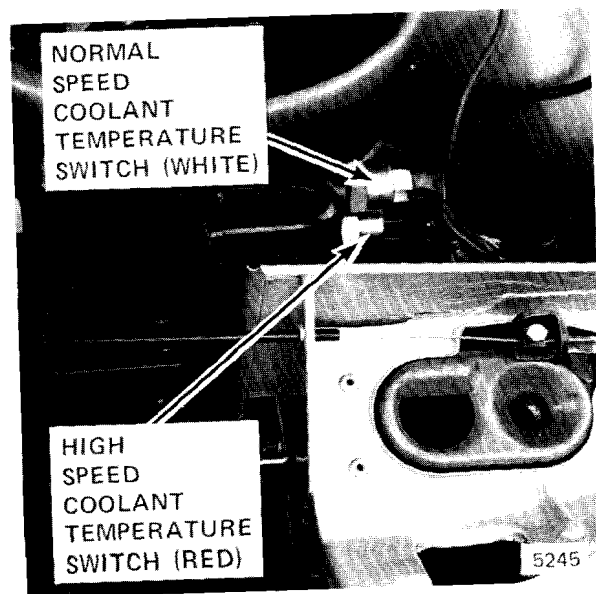


Figure 2 - LH Side Of Radiator

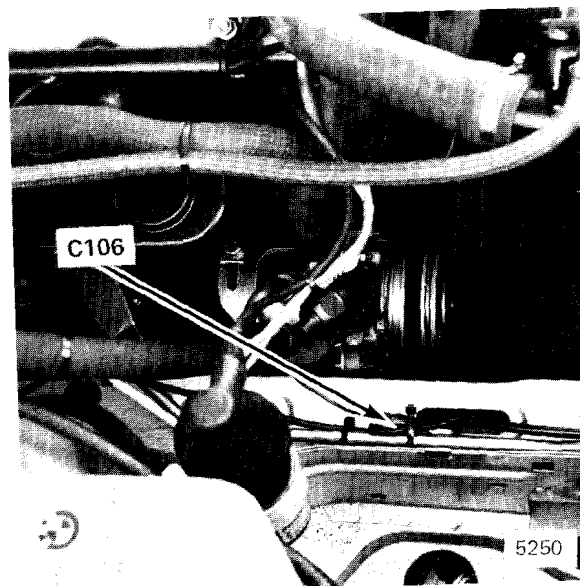


Figure 4 - Below Washer Reservoir Of 528e



Figure 6 - RH Side Of Upper Console



Figure 1 - LH Rear Side Of 535i Engine

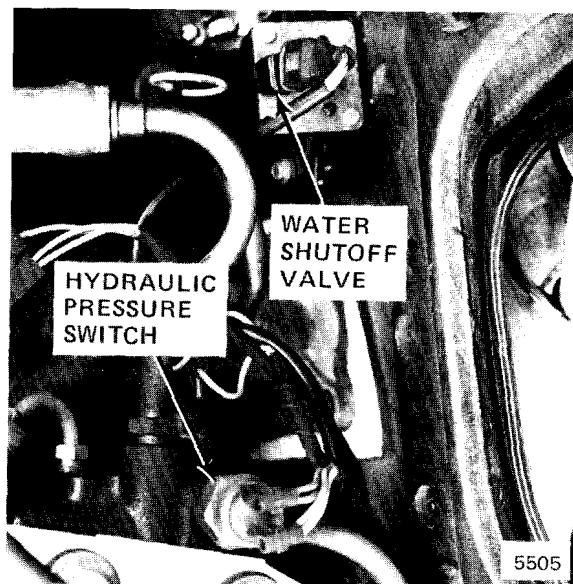


Figure 3 - Front Of LH Wheel Well



Figure 5 - Console, At Gear Shift Selector

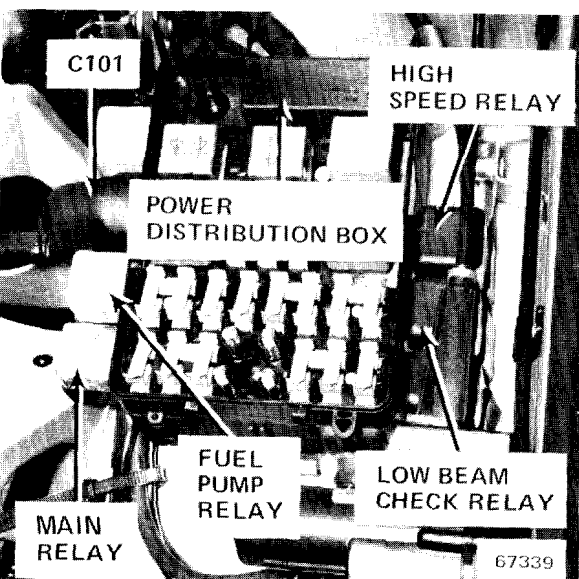


Figure 2 - LH Rear Side Of 535i Engine

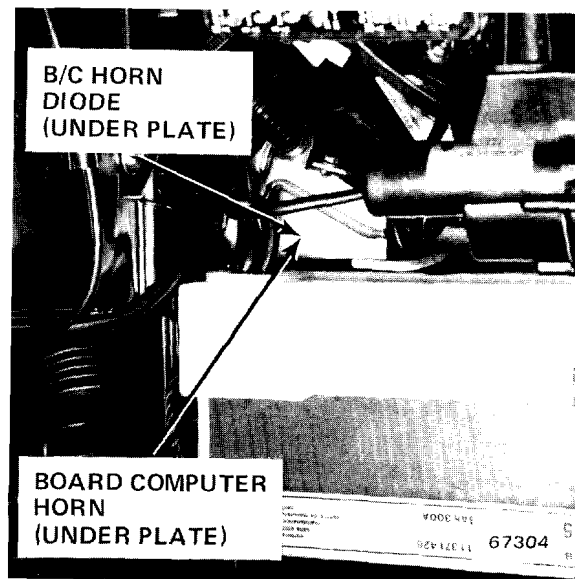


Figure 4 - Behind Battery

216 COMPONENT LOCATIONS

(continued)

C206 (29 pin)	On connector bracket under LH side of dash	212-1
C302 (Accessory Connector)...	Under LH side of dash	212-1
C500 (6 pin)	Behind LH front speaker	
C503 (8 pin)	In driver's door	218-1
C560 (2 pin)	In LH front door	
G200 (Front Interior Ground)...	Under LH side of dash, near brake bracket	
G301 (Rear Interior Ground) ...	Under LH side of rear seat.....	208-1

SERVICE INTERVAL INDICATOR

Coolant Temp. Sender (528e)....	Front of engine, on thermostat housing	206-2
Coolant Temp. Sender (535i)	Front of engine, on thermostat housing	201-2
Diagnostic Connector (528e)	LH side of engine	
Diagnostic Connector (535i).....	Top front of engine	
Motronic Control Unit.....	Above glove box	204-1
Power Distribution Box	On LH front wheel well	215-2
C101 (17 pin) (528e).....	In power distribution box	205-1
C101 (17 pin) (535i).....	In power distribution box	215-2
C103 (6 pin)	RH side of dash near Motronic control unit.....	216-1
G200 (Front Interior Ground)...	Under LH side of dash, near brake bracket	

SPEEDOMETER/GAUGES/WARNING INDICATORS

Active Check Control Unit.....	Above rear view mirror	218-2
Brake Accumulator Pres. Switch	Right of left front shock tower	215-1
Brake Fluid Level Switch (528e)	LH rear of engine, on brake fluid reservoir	214-1
Brake Fluid Level Switch (535i) ..	LH rear of engine, on brake fluid reservoir	215-1
Coolant Temp. Sender (528e)....	Front of engine, on thermostat housing	206-2
Coolant Temp. Sender (535i)	Front of engine, on thermostat housing	201-2
Diagnostic Connector (528e)	LH side of engine	
Diagnostic Connector (535i).....	Top front of engine	
Fuel Tank Sender	Under trunk, top RH side of fuel tank	213-5
Hydraulic Pressure Switch.....	Right of left front shock tower	215-3
Ignition Switch.....	Upper part of steering column	
Motronic Control Unit	Above glove box	216-1
Oil Pressure Switch	RH side of engine, below oil filter	210-2
Parking Brake Switch	In shift console at base of parking brake	
Power Distribution Box	On LH front wheel well	215-2
Speedometer Sender	In rear of differential	
C101 (17 pin) (528e).....	In power distribution box	205-1
C101 (17 pin) (535i).....	In power distribution box	215-2

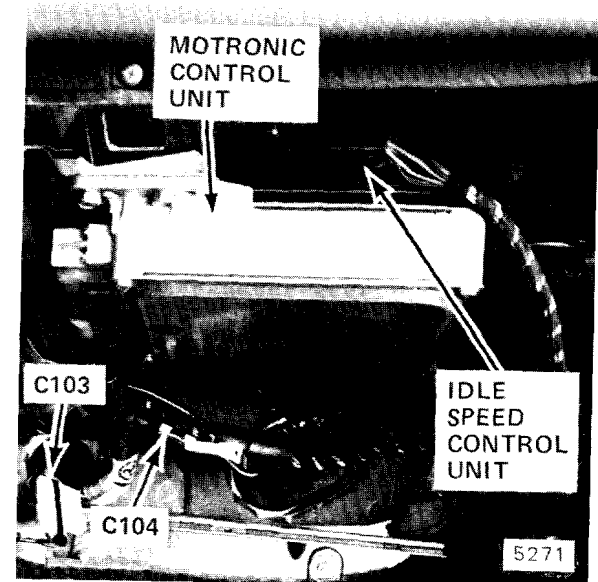


Figure 1 - Below RH Side Of Dash (528e)

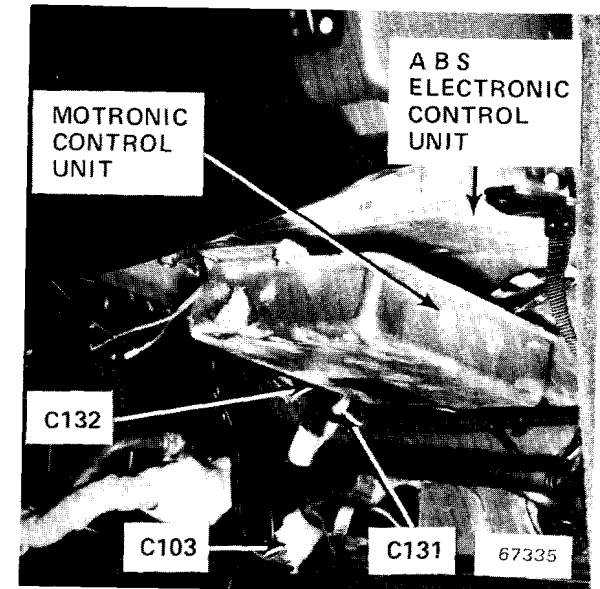


Figure 2 - Below RH Side Of Dash (535i)

(continued)

C103 (6 pin)	RH side of dash near Motronic control unit.....	216-1
C200 (10 pin).....	On LH side of steering column	203-2
G200 (Front Interior Ground) ...	Under LH side of dash, near brake bracket	
G301 (Rear Interior Ground) ...	Under LH side of rear seat.....	208-1

START

Auto. Trans. Range Switch	At base of shift lever	215-5
Cold Start Valve (528e).....	RH side of engine.....	212-4
Cold Start Valve (535i).....	Between intake ports 3 and 4	
Diagnostic Connector (528e)	LH side of engine	
Diagnostic Connector (535i).....	Top front of engine	
Ignition Switch.....	Upper part of steering column	
Power Distribution Box.....	On LH front wheel well.....	215-2
Motronic Control Unit (528e)....	Above glove box	216-1
Motronic Control Unit (535i)....	Above glove box	216-2
Starter	Lower rear LH side of engine	
Start Relay	On connector bracket under LH side of dash	212-1
Thermo-Time Switch (528e).....	Front of engine, top of thermostat housing	211-2
Thermo-Time Switch (535i)	Front of engine, top of thermostat housing	201-2
C101 (17 pin) (528e)	In power distribution box	205-1
C101 (17 pin) (533i).....	In power distribution box	215-2
C200 (10 pin).....	On LH side of steering column	203-2
C213 (1 pin)	Near start relay under LH side of dash	213-2
G102 (Main Body Ground) ...	On fender well behind LH headlights	203-1
G200 (Front Interior Ground) ...	Under LH side of dash, near brake bracket	

WIPER/WASHER

Power Distribution Box	On LH front wheel well	215-2
Washer Jet Heaters	On washer jet nozzles	
Washer Pump	Forward of RH front wheel well, in reservoir	211-1
Wiper Motor.....	Above brake master cylinder	
Wiper/Washer Switch	On RH side of steering column.....	218-3
C102 (7 pin)	In power distribution box	205-1
C110 (2 pin)	Near washer pump	
C201 (6 pin)	On LH side of steering column	203-2
G200 (Front Interior Ground) ...	Under LH side of dash, near brake bracket	
G201 (Steering Column Ground)	Upper part of steering column.....	207-2

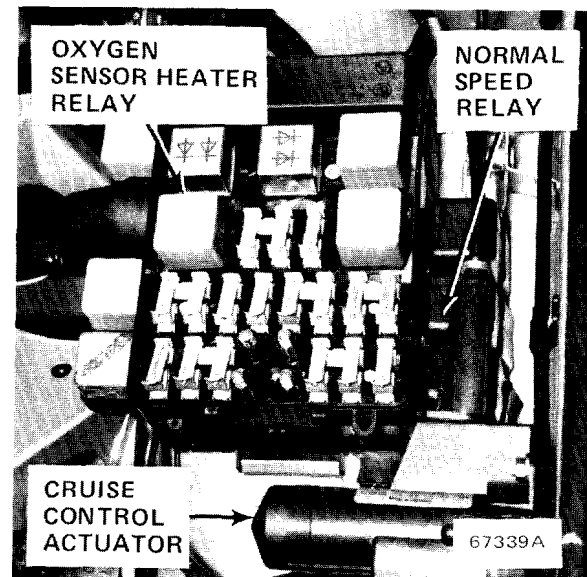


Figure 1 - LH Rear Side of 535i Engine

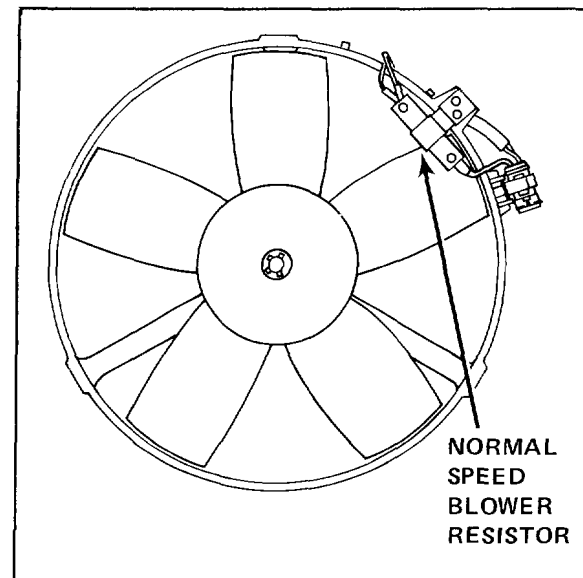


Figure 2 - On Fan

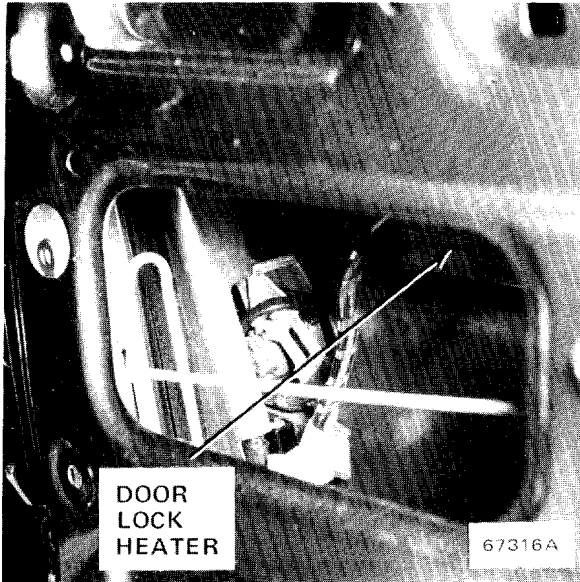


Figure 1 - Inside RH Door



Figure 3 - Upper LH Part Of Steering

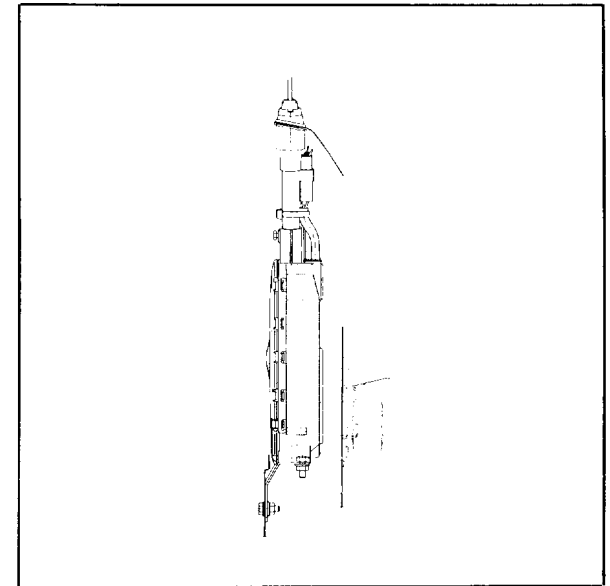


Figure 5 - In Trunk

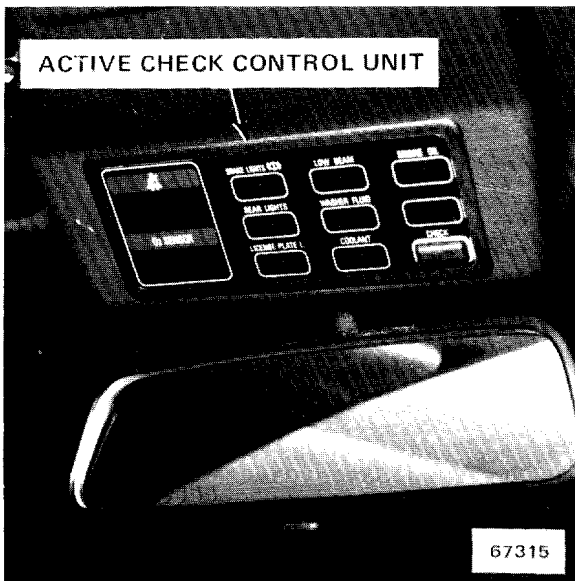


Figure 2 - Above Rear View Mirror

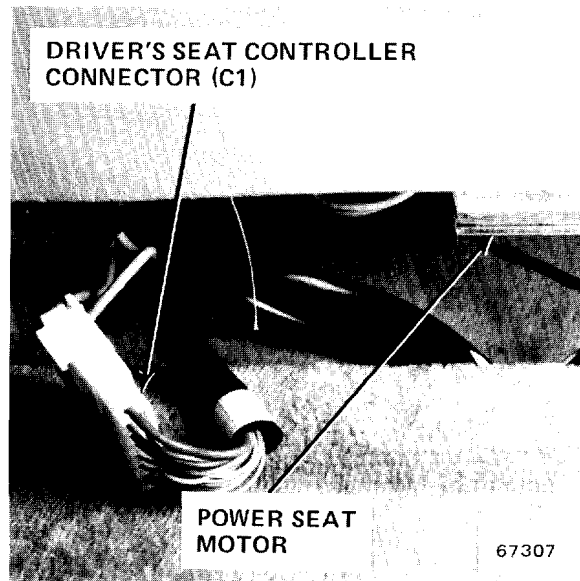


Figure 4 - Under Driver's

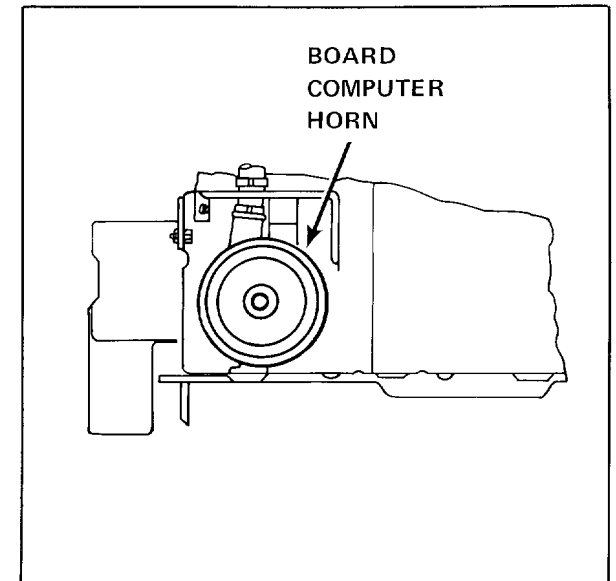
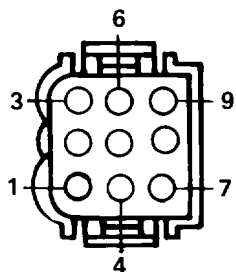
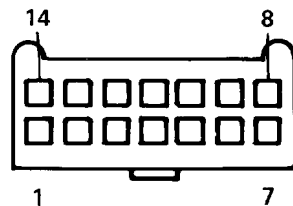


Figure 6 - Behind Battery



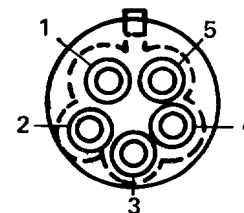
Wiring Face

AUTOMATIC TRANSMISSION RANGE SWITCH



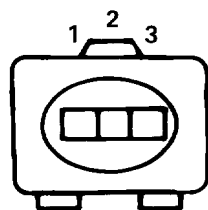
Wiring Face

CENTRAL LOCKING CONTROL UNIT



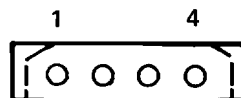
Wiring Face

DASH WARNING DISPLAY



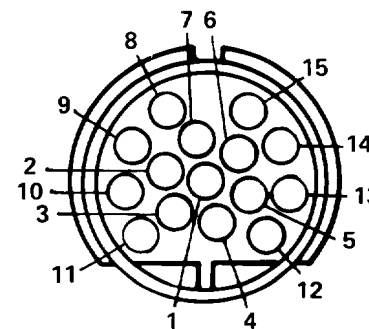
Wiring Face

BAROMETRIC PRESSURE SENSOR



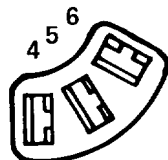
Wiring Face

CHIME MODULE (C1)



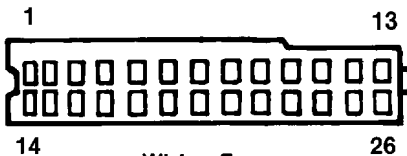
Mating Face

DIAGNOSTIC CONNECTOR



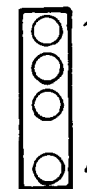
Wiring Face

BLOWER SPEED SWITCH (C2)



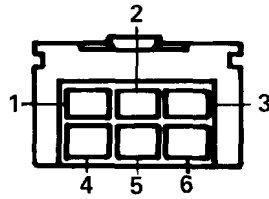
Wiring Face

CRUISE CONTROL



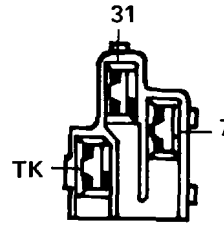
Wiring Face

DIGITAL CLOCK



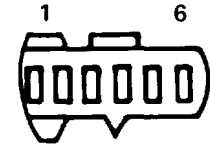
Wiring Face

EVAPORATOR TEMPERATURE REGULATOR



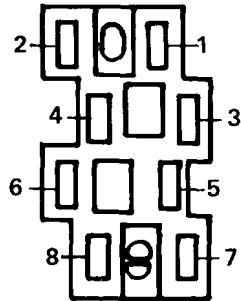
Wiring Face

FOG LIGHTS/INTERNAL LIGHTS SWITCH (C1)



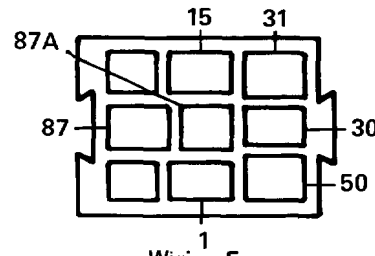
Wiring Face

GAS FILLER LOCK MOTOR



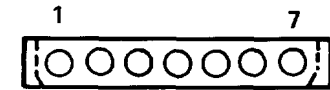
Mating Face

FADER CONTROL



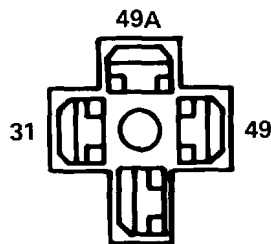
Wiring Face

FUEL PUMP RELAY
(318 EARLY PRODUCTION)



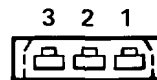
Wiring Face

HEATER REGULATOR



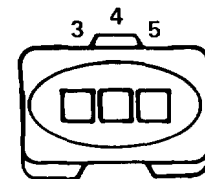
Wiring Face

FLASHER



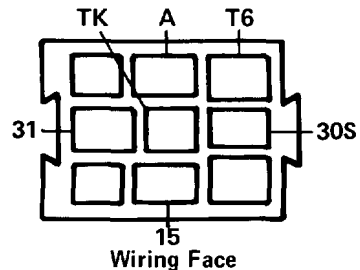
Wiring Face

FUEL TANK SENDER

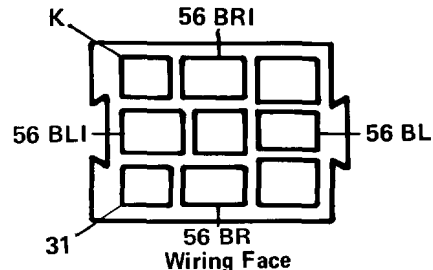


Wiring Face

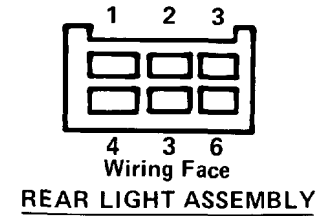
IDLE SPEED ACTUATOR



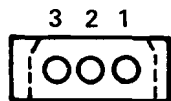
Wiring Face
INTERIOR LIGHT TIMER CONTROL



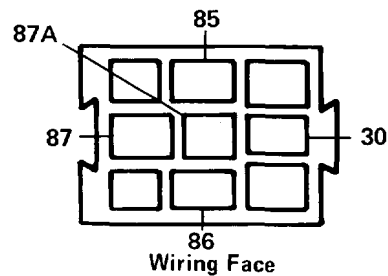
Wiring Face
LOW BEAM CHECK RELAY



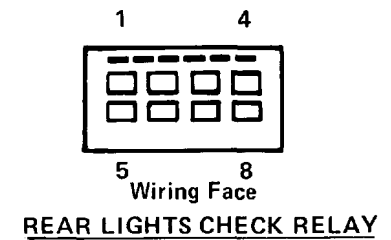
Wiring Face
REAR LIGHT ASSEMBLY



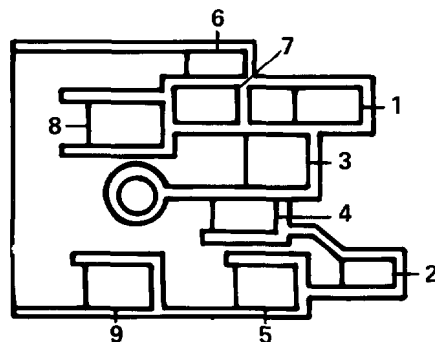
Wiring Face
INTERIOR TEMPERATURE SENSOR



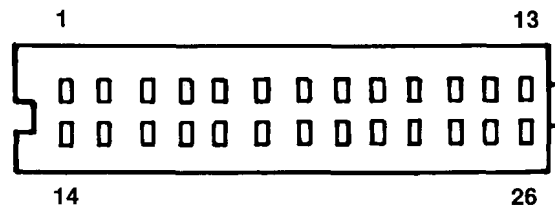
Wiring Face
MAIN RELAY



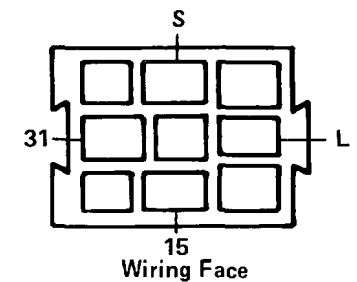
Wiring Face
REAR LIGHTS CHECK RELAY



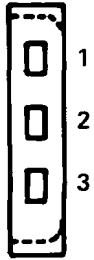
Wiring Face
LIGHT SWITCH



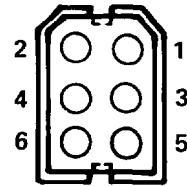
Wiring Face
ON BOARD COMPUTER MODULE



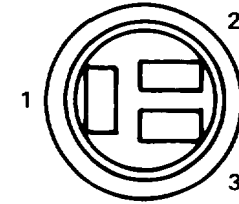
Wiring Face
SEAT BELT WARNING TIMER



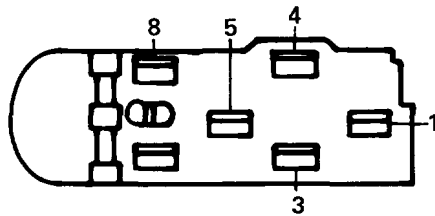
Wiring Face
SUNROOF MOTOR (CI)



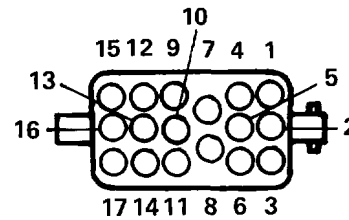
Wiring Face
WIPER MOTOR



Wiring Face
C113



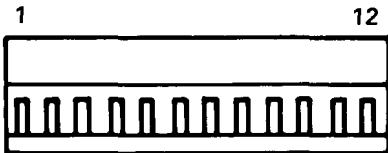
Wiring Face
SUNROOF SWITCH



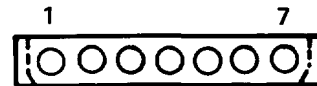
Wiring Face
C101



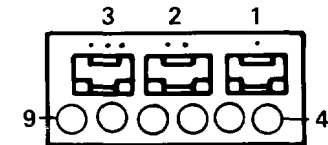
Wiring Face
C114



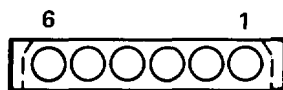
Wiring Face
TRANSMISSION RANGE DISPLAY



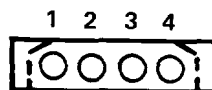
Wiring Face
C102



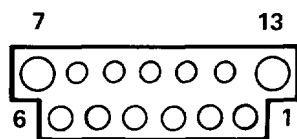
Wiring Face
C200



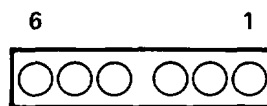
Wiring Face
C201



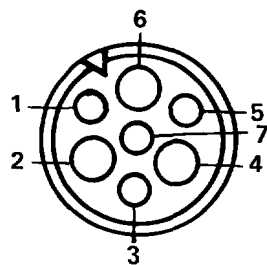
Wiring Face
C210



Wiring Face
C202



Wiring Face
C500



Wiring Face
C209