

---

**1994**

---

**BMW  
840Ci, 850Ci,  
850CSi (E31)**

---

**Electrical  
Troubleshooting  
Manual**

---

Vehicles Produced 9/93 to 5/94



## ELECTRICAL TROUBLESHOOTING MANUAL

8 SERIES – E31 (840Ci, 850Ci, 850CSi)

### SCHEMATICS

### MODEL YEAR 1994

0100.0	INDEX	3240.0	POWER ASSIST STEERING (SERVOTRONIC)
0110.0	INTRODUCTION	3334.0	ACTIVE REAR AXLE KINEMATICS (AHK)
0140.0	SYMBOLS	3450.0	SLIP CONTROL (ABS)
0670.0	POWER DISTRIBUTION CHART	3450.2	SLIP CONTROL (ABS/ASC + T)
0670.1	FUSE CHART	3450.5	SLIP CONTROL 5 (ASC 5)
0670.2	POWER DISTRIBUTION	3715.2	ELECTRONIC SHOCK ABSORBER CONTROL (EDC III +)
0670.3	FUSE DETAILS	5116.0	POWER MIRRORS
0670.4	GROUND DISTRIBUTION	5120.0	ZKE DOOR LOCK HEATING (TSH)
0670.5	DATA LINK	5126.0	ZKE CENTRAL LOCKING (ZV)
1210.6	ENGINE CONTROL SYSTEM (DME M1.7, 12-CYLINDER M70)	5133.0	ZKE POWER WINDOWS (FH)
1210.11	ENGINE CONTROL SYSTEM (DME M3.3, 8-CYLINDER M60)	5146.0	POWER SUN SHADES
1230.0	CHARGING SYSTEM	5200.0	POWER SEATS
1240.0	START	5200.1	SEAT/MIRROR MEMORY SYSTEM (SM/SPM)
1270.1	ELECTRONIC THROTTLE CONTROL (EML 12-CYLINDER)	5203.0	HEATED SEATS
1290.0	E-BOX FAN	5212.0	LUMBAR SUPPORT
2460.0	ELECTRONIC TRANSMISSION CONTROL (EGS 4HP-24)	5410.0	ZKE SUNROOF (SHD)
2460.7	ELECTRONIC TRANSMISSION CONTROL (EGS: GS 9.20/A5S 560Z)	6100.0	CENTRAL BODY ELECTRONICS (ZKE II)
3231.0	ELECTRIC STEERING COLUMN ADJUSTMENT	6133.0	HORN
3231.1	STEERING COLUMN MEMORY (LSM)	6160.0	ZKE WIPER/WASHER CONTROL
3234.0	SUPPLEMENTAL RESTRAINT SYSTEM (AIRBAG)	6164.0	ZKE WINDSHIELD WIPER PRESSURE CONTROL (ADV)
		6167.0	ZKE HEADLIGHT WASHER (SRA)
		6169.0	WINDSHIELD WASHER JET HEATERS
		6210.0	BODY ELECTRONICS MODULE (EKM)
		6211.0	INSTRUMENT CLUSTER

## **SCHEMATICS**

6300.0	LIGHT SWITCH DETAILS	(IHKA)	
6301.0	LAMP MONITOR (LKM)	6454.0	AUXILIARY FAN
6312.0	HEADLIGHTS/FOG LIGHTS	6510.1	RADIO/HIFI
6313.0	TURN/HAZARD LIGHTS	6561.0	CELLULAR TELEPHONE (PROVISIONS)
6314.0	PARK/TAIL/UNDERHOOD LIGHTS	6571.0	CRUISE CONTROL (TEMPOMAT)
6320.0	LICENSE PLATE/LUGGAGE COMPARTMENT LIGHTS	6575.3	ANTI-THEFT SYSTEM IV (DWA IV)
6322.0	BACK UP LIGHTS	6581.1	MULTI-INFORMATION DISPLAY (MID)
6325.0	BRAKE LIGHTS	6610.1	REMOTE CONTROLLED LOCKING SYSTEM
6330.0	ZKE INTERIOR LIGHTS CONTROL (IB)	7000.0	COMPONENT LOCATION CHART
6332.0	INTERIOR ACCESSORIES	7100.0	COMPONENT LOCATION VIEWS
6350.0	CRASH CONTROL MODULE	8000.0	SPLICE LOCATION VIEWS
6412.2	PARK VENTILATION WITH IHKA	8500.0	CONNECTOR VIEWS
6424.0	REAR WINDOW DEFOGGER		
6450.0	AUTOMATIC HEATING/AC CONTROL		

BMW  
8

0100.0





# INDEX

ABS HYDRAULIC UNIT, Y1 .....	3450.0
ABS HYDRAULIC UNIT, Y1 .....	3450.2
ABS HYDRAULIC UNIT, Y1w .....	3450.5
ABS PUMP MOTOR RELAY, K94 .....	3450.5-08
ACCELERATION SENSOR, RIGHT REAR, B48 .....	3715.2-01
ACCUMULATOR CHARGING UNIT, B52 .....	3334.0-01
ACOUSTIC DEVICE, H10z .....	6210.0-08
ACTIVE REAR AXLE KINEMATICS (AHK) .....	3334.0
AHK ACTUATOR, B53 .....	3334.0-02
AHK CONTROL MODULE, A57 .....	3334.0
AHK RELAY, K82 .....	3334.0-00
AIR BAG GAS GENERATOR, DRIVER'S, G5 .....	3234.0-01
AIR BAG GAS GENERATOR I, PASSENGER'S, G6 .....	3234.0-01
AIR CONDITIONING COMPRESSOR (IHKA), Y3 .....	6450.0-13
AIR CONDITIONING PRESSURE SWITCH, S96 .....	6450.0-12
AIR CONDITIONING RELAY, K33 .....	6454.0-01
ANTENNA AMPLIFIER AM/FM, N8 .....	6424.0-00
ANTI-THEFT CONTROL MODULE (DWA), N1 .....	6575.3
ANTI-THEFT HORN (DWA), H1 .....	6575.3-00
ANTI-THEFT SYSTEM IV (DWA IV) .....	6575.3
ASC SWITCH, S6 .....	3450.2
ASC SWITCH, S6 .....	3450.5-00
AUTOMATIC AIR RECIRCULATION CONTROL MODULE, A417 ..	6450.0-15
AUTOMATIC AIR RECIRCULATION SENSOR, B414 .....	6450.0-15
AUTOMATIC HEATING/AC CONTROL (IHKA) .....	6450.0
AUTOMATIC HEATING/AC CONTROL MODULE (IHKA), A11 ..	6450.0-00
AUTOMATIC HEATING AND AIR CONDITIONING SWITCH (IHKA), S26 .....	6450.0-01
AUTOMATIC TRANSMISSION RANGE SWITCH, S3 .....	2460.7-04
AUTOMATIC TRANSMISSION RANGE SWITCH, S8515 .....	2460.0-04
AUXILIARY FAN .....	6454.0
AUXILIARY FAN MOTOR, M9 .....	6454.0-00
AUXILIARY RELAY BOX - ENGINE COMPARTMENT, P1 .....	0670.2
AUXILIARY THROTTLE POSITION MOTOR (ADS), M93 .....	3450.5-09
AUXILIARY THROTTLE POSITION SENSOR, R6253 .....	3450.5-09
AUXILIARY TURN LIGHT, RIGHT FRONT, H8 .....	6313.0-02
AUXILIARY WATER PUMP, M37a .....	6450.0-11

AUXILIARY WATER PUMP RELAY, K8z .....	6450.0-11
BACK UP LIGHT, LEFT, H27 .....	6322.0-00
BACK UP LIGHT, RIGHT, H28 .....	6322.0-00
BACK UP LIGHTS .....	6322.0
BATTERY I, RIGHT, G1z .....	0670.2-00
BATTERY II, LEFT, G4 .....	0670.2-00
BLOWER MOTOR, M30 .....	6450.0-01
BLOWER RELAY, K4 .....	6450.0-00
BODY ELECTRONICS MODULE, A25 .....	6210.0-00
BODY ELECTRONICS MODULE (EKM) .....	6210.0
BRAKE FLUID LEVEL SWITCH, B18 .....	6210.0-06
BRAKE LIGHT, LEFT, H24 .....	6325.0-00
BRAKE LIGHT, RIGHT, H31 .....	6314.0-04
BRAKE LIGHT SWITCH, S30 .....	6325.0-00
BRAKE LIGHTS .....	6325.0
BRAKE PAD SENSOR, RIGHT REAR, B17 .....	6210.0-05
BRAKE PRESSURE REGULATING SWITCH, B19 .....	6210.0-06
BRAKE PRESSURE SWITCH, B20 .....	6210.0-06
CAMSHAFT POSITION SENSOR (CYLINDER IDENTIFICATION), B6204 .....	1210.11-09
CASSETTE BOX LIGHT, E45y .....	6300.0-04
CD CHANGER, N22 .....	6510.1-04
CELLULAR TELEPHONE (PROVISIONS) .....	6561.0
CENTRAL BODY ELECTRONICS (ZKE II) .....	6100.0
CENTRAL LOCKING TRUNK LID MOTOR RELAY (ZV), K70 .....	5126.0-02
CHARGING SYSTEM .....	1230.0
CLUTCH SWITCH, S32 .....	1270.1-09
COMBINATION SWITCH, S7 .....	6301.0-00
COMPONENT LOCATION CHART .....	7000.0
COMPONENT LOCATION VIEWS .....	7100.0
COMPRESSOR CONTROL RELAY, K19 .....	6450.0-12
COMPRESSOR CUT-OFF RELAY, K60 .....	6450.0-12
CONCEALING HEADLIGHT MOTOR, LH, M18 .....	6312.0-06
CONCEALING HEADLIGHT MOTOR, RH, M19 .....	6312.0-06
CONCEALING HEADLIGHTS RELAY, K39 .....	6312.0-06
CONNECTOR VIEWS .....	8500.0
CONSUMER CUT-OFF RELAY I, K72 .....	6330.0-02



# INDEX

CONSUMER CUT-OFF RELAY II, K73	6330.0-02
CONTACT RING, C101	3234.0-01
CRANKSHAFT POSITION/RPM SENSOR, B6203	1210.11-09
CRASH CONTROL MODULE	6350.0
CRASH CONTROL MODULE, N17	6350.0-01
CRUISE CONTROL (TEMPOMAT)	6571.0
CRUISE CONTROL MODULE (TEMPOMAT), A8	6571.0
CRUISE CONTROL SWITCH (EML), S11	1270.1-02
CYL. 1 FUEL INJECTION VALVE, Y6101	1210.6-02
CYL. 1 FUEL INJECTION VALVE, Y6101	1210.11-01
CYL. 1 IGNITION COIL, T6151	1210.11-03
CYL. 1-2 KNOCK SENSOR, B6241	1210.11-08
CYL. 1-4 HEATED OXYGEN SENSOR, B6210w	1210.11-06
CYL. 1-6 AIR TEMPERATURE SENSOR, B6215	1210.6-08
CYL. 1-6 CRANKSHAFT POSITION/RPM SENSOR, B6212	1210.6-05
CYL. 1-6 CYLINDER IDENTIFICATION SENSOR, B6211	1210.6-05
CYL. 1-6 ENGINE CONTROL MODULE (DME), A6010	1210.6
CYL. 1-6 ENGINE CONTROL MODULE RELAY, K6310	1210.6-01
CYL. 1-6 EVAPORATIVE EMISSION VALVE, Y6121	1210.6-03
CYL. 1-6 FUEL PUMP, M2z	1210.6-04
CYL. 1-6 FUEL PUMP RELAY, K6311	1210.6-04
CYL. 1-6 HEATED OXYGEN SENSOR, B6210	1210.6-05
CYL. 1-6 IGNITION COIL, T6151z	1210.6-00
CYL. 1-6 MASS AIR FLOW SENSOR, B6216	1210.6-03
CYL. 2 FUEL INJECTION VALVE, Y6102	1210.11-01
CYL. 2 FUEL INJECTION VALVE, Y6102	1210.6-02
CYL. 2 IGNITION COIL, T6152	1210.11-03
CYL. 3 FUEL INJECTION VALVE, Y6103	1210.6-02
CYL. 3 FUEL INJECTION VALVE, Y6103	1210.11-01
CYL. 3 IGNITION COIL, T6153	1210.11-03
CYL. 3-4 KNOCK SENSOR, B6242	1210.11-08
CYL. 4 FUEL INJECTION VALVE, Y6104	1210.11-01
CYL. 4 FUEL INJECTION VALVE, Y6104	1210.6-02
CYL. 4 IGNITION COIL, T6154	1210.11-03
CYL. 5 FUEL INJECTION VALVE, Y6105	1210.6-02
CYL. 5 FUEL INJECTION VALVE, Y6105	1210.11-02
CYL. 5 IGNITION COIL, T6155	1210.11-04

CYL. 5-6 KNOCK SENSOR, B6243	1210.11-08
CYL. 5-8 HEATED OXYGEN SENSOR, B6220w	1210.11-06
CYL. 6 FUEL INJECTION VALVE, Y6106	1210.11-02
CYL. 6 FUEL INJECTION VALVE, Y6106	1210.6-02
CYL. 6 IGNITION COIL, T6156	1210.11-04
CYL. 7 FUEL INJECTION VALVE, Y6107	1210.6-12
CYL. 7 FUEL INJECTION VALVE, Y6107	1210.11-02
CYL. 7 IGNITION COIL, T6157	1210.11-04
CYL. 7-8 KNOCK SENSOR, B6244	1210.11-08
CYL. 7-12 AIR TEMPERATURE SENSOR, B6225	1210.6-16
CYL. 7-12 CRANKSHAFT POSITION/RPM SENSOR, B6222	1210.6-15
CYL. 7-12 CYLINDER IDENTIFICATION SENSOR, B6221	1210.6-15
CYL. 7-12 ENGINE CONTROL MODULE (DME), A6020	1210.6
CYL. 7-12 ENGINE CONTROL MODULE RELAY, K6320	1210.6-11
CYL. 7-12 EVAPORATIVE EMISSION VALVE, Y6122	1210.6-13
CYL. 7-12 FUEL PUMP, M11	1210.6-14
CYL. 7-12 FUEL PUMP RELAY, K6321	1210.6-14
CYL. 7-12 HEATED OXYGEN SENSOR, B6220	1210.6-15
CYL. 7-12 IGNITION COIL, T6152z	1210.6-10
CYL. 7-12 MASS AIR FLOW SENSOR, B6226	1210.6-13
CYL. 8 FUEL INJECTION VALVE, Y6108	1210.11-02
CYL. 8 FUEL INJECTION VALVE, Y6108	1210.6-12
CYL. 8 IGNITION COIL, T6158	1210.11-04
CYL. 9 FUEL INJECTION VALVE, Y6109	1210.6-12
CYL. 10 FUEL INJECTION VALVE, Y6110	1210.6-12
CYL. 11 FUEL INJECTION VALVE, Y6111	1210.6-12
CYL. 12 FUEL INJECTION VALVE, Y6112	1210.6-12
DASH LIGHT, E41	6450.0-05
DASH VENT MIXING FLAP MOTOR, M34	6450.0-08
DATA LINK	0670.5
DATA LINK CONNECTOR, D100	0670.5-02
DAYTIME RUNNING LIGHTS CODING DIODE, V4	6314.0-02
DAYTIME RUNNING LIGHTS RELAY, K111	6314.0-02
DEFROSTER FLAP MOTOR, M35	6450.0-10
DIMMER, N3	6300.0-02
DIVERSITY, N404	6424.0-02
DOOR HANDLE SWITCH, DRIVER'S, S48	5120.0-00



# INDEX

DOOR HANDLE SWITCH, PASSENGER'S, S79	6100.0-03
DOOR JAMB SWITCH, DRIVER'S, S14	6575.3-01
DOOR JAMB SWITCH, PASSENGER'S, S13	6575.3-01
DOOR LOCK HEATER, E48	5120.0-00
DOOR LOCK MOTOR, DRIVER'S, M12	5126.0-03
DOOR LOCK MOTOR, PASSENGER'S, M13	5126.0-03
DOOR LOCK SWITCH, DRIVER'S, S47	5126.0-00
DOOR LOCK SWITCH, PASSENGER'S, S49	5126.0-00
DOOR MODULE, DRIVER'S, A23	6100.0-00
DOOR MODULE, PASSENGER'S, A24	6100.0-00
DOOR PANEL LIGHT, DRIVER'S, E78	6300.0-04
DOOR PANEL LIGHT, PASSENGER'S, E79	6300.0-04
DRIVER'S SEATBACK SWITCH, LH, S104	6210.0-04
DRIVER'S SEATBACK SWITCH, RH, S103	6210.0-04
DWA LED, V5	6575.3-00
E-BOX, P93	0670.2
E-BOX FAN	1290.0
E-BOX FAN, M6506	1290.0-00
EDC RELAY, K67	3715.2-00
EDC SWITCH, S105	3715.2-00
EDC VALVES, LEFT REAR, Y403z	3715.2-02
EDC VALVES, RIGHT FRONT, Y402z	3715.2-02
EDC VALVES, RIGHT REAR, Y404z	3715.2-02
ELECTRIC POWER PROTECTION RELAY, K15	5126.0-02
ELECTRIC POWER PROTECTION RELAY II, K30	5126.0-02
ELECTRIC STEERING COLUMN ADJUSTMENT	3231.0
ELECTRO-HYDRAULIC CONVERTER (SERVOTRONIC), B15	3240.0-00
ELECTROCHROMIC REAR VIEW MIRROR, A22z	5116.0-02
ELECTRONIC SHOCK ABSORBER CONTROL (EDC III+)	3715.2
ELECTRONIC SHOCK ABSORBER CONTROL MODULE (EDC), A413	3715.2
ELECTRONIC THROTTLE CONTROL (EML 12-CYLINDER)	1270.1
ELECTRONIC TRANSMISSION CONTROL (EGS 4HP-22)	2460.0
ELECTRONIC TRANSMISSION CONTROL (EGS: GS 9.20/A5S 560Z)	2460.7
EML ACTUATOR MOTOR I, M6360	1270.1-05
EML ACTUATOR MOTOR II, M6370	1270.1-06

EML SWITCH, S202	1270.1-04
ENGINE CONTROL MODULE (DME), A6000	1210.11
ENGINE CONTROL MODULE RELAY, K6300	1210.11-00
ENGINE CONTROL SYSTEM (DME M1.7, 12-CYLINDER M70)	1210.6
ENGINE CONTROL SYSTEM (DME M3.3, 8-CYLINDER M60)	1210.11
ENGINE COOLANT TEMP. SENSOR (EML), B6234	1270.1-03
ENGINE COOLANT TEMPERATURE SENSOR, B6232	6210.0-07
ENGINE COOLANT TEMPERATURE SENSOR, B6236	1210.6-08
ENGINE COOLANT TEMPERATURE SENSOR, B6236	1210.11-07
ENGINE HOOD SWITCH (DWA), S21	6575.3-02
EVAPORATIVE EMISSION VALVE, Y6120	1210.11-01
EVAPORATOR TEMPERATURE SENSOR, B14	6450.0-03
FINAL STAGE UNIT, N2	6450.0-01
FLASHER LIGHT RELAY, K52z	6312.0-05
FM AMPLIFIER HLO, N444	6424.0-02
FM AMPLIFIER/SUPPRESSION FILTER, C900z	6424.0-02
FOG LIGHT, LEFT, E26	6312.0-03
FOG LIGHT, RIGHT, E27	6312.0-03
FOG LIGHT SWITCH, S10	6312.0-02
FOOTWELL LIGHT, RIGHT FRONT, E62	6330.0-03
FOOTWELL FLAP MOTOR, LEFT, M31	6450.0-09
FOOTWELL FLAP MOTOR, RIGHT, M32	6450.0-08
FRESH AIR FLAP MOTOR, M36	6450.0-10
FRONT ACCELERATION SENSOR, B41z	3715.2-01
FRONT AUXILIARY TURN LIGHT, LEFT, H9	6313.0-02
FRONT BRAKE PAD SENSOR, LEFT, B16	6210.0-05
FRONT CIGAR LIGHTER, E28	6332.0-03
FRONT CIGAR LIGHTER LIGHT, E29	6332.0-02
FRONT DOME LIGHT/MAP READING ASSEMBLY, E34	6330.0-03
FRONT EDC VALVES, LEFT, Y401z	3715.2-02
FRONT FOOTWELL LIGHT, LEFT, E61	6330.0-03
FRONT HIGH RANGE SPEAKER, LEFT, H59	6510.1-01
FRONT LOW RANGE SPEAKER, LEFT, H58	6510.1-01
FRONT MARKER LIGHT, LEFT, E21	6314.0-04
FRONT MIDRANGE SPEAKER, LEFT, H55	6510.1-01
FRONT POWER DISTRIBUTION BOX, P90	0670.2
FRONT SPEED SENSOR - ABS, LEFT, B2	3450.0-03



# INDEX

FRONT SPEED SENSOR - ABS, LEFT, B2	3450.2
FRONT SPEED SENSOR - ABS, LEFT, B2	3450.5
FRONT TURN LIGHT, LEFT, H7	6313.0-02
FUEL LEVEL SENSOR I, B6z	6210.0-08
FUEL LEVEL SENSOR II, B25	6210.0-08
FUEL PUMP, M2	1210.11-05
FUEL PUMP RELAY, K6301w	1210.11-05
FUSE CHART	0670.1
FUSE DETAILS	0670.3
FUSIBLE LINK, F0	0670.2-00
GAS FILLER LOCK MOTOR, M16	5126.0-03
GEAR SHIFT LEVER INDICATOR, E96	6300.0-05
GENERAL MODULE, A1	6100.0-00
GENERATOR, G6509	1230.0-00
GLOVE BOX CENTRAL LOCKING SWITCH, S118	5126.0-01
GLOVE BOX LIGHT, E42	6332.0-00
GLOVE BOX LIGHT SWITCH I, S37z	6332.0-01
GLOVE BOX LIGHT SWITCH II, S113	6332.0-01
GRADIENT MONITOR (DWA), B28	6575.3-04
GROUND DISTRIBUTION	0670.4
HAZARD FLASHER RELAY, K16	6313.0-00
HAZARD SWITCH, S18	6313.0-01
HEADLIGHT/FOG LIGHT WASHER PUMP, M7	6167.0-02
HEADLIGHT/FOGLIGHT CLEANING MODULE (SRA), N6	6167.0-02
HEADLIGHT WIDENING MOTOR, LEFT, M80	6312.0-07
HEADLIGHT WIDENING MOTOR, RIGHT, M81	6312.0-07
HEADLIGHT WIDENING POTENTIOMETER, R13	6312.0-07
HEADLIGHTS/FOG LIGHTS	6312.0
HEATED SEATS	5203.0
HEAT EXCHANGER TEMPERATURE SENSOR, LH, B11	6450.0-03
HEAT EXCHANGER TEMPERATURE SENSOR, RH, B12	6450.0-03
HIFI AMPLIFIER, A18	6510.1-00
HIGH BEAM FLASHER LIGHT, LEFT, E69	6312.0-05
HIGH BEAM FLASHER LIGHT, RIGHT, E70z	6312.0-05
HIGH BEAM LIGHT, RIGHT, E12	6312.0-05
HIGH BEAM LIGHT, LEFT, E11	6312.0-05
HIGH BEAM LIGHT RELAY, K46	6312.0-05

HIGH LEVEL STOP LIGHT, H34	6325.0-00
HIGH RANGE SPEAKER, LEFT REAR, H56	6510.1-03
HIGH RANGE SPEAKER, RIGHT FRONT, H50	6510.1-02
HIGH RANGE SPEAKER, RIGHT REAR, H53	6510.1-03
HIGH SPEED RELAY, K22	6454.0-00
HORN	6133.0
HORN, LEFT, H2	6133.0-00
HORN, RIGHT, H3	6133.0-00
HORN RELAY, K2	6133.0-00
HORN SWITCH, S4	6133.0-00
HOT FILM AIR MASS METER, B6217	1210.11-07
IDLE SPEED CONTROL VALVE, Y6130	1210.11-00
IGNITION SWITCH, S2	0670.2
INDEX	0100.0
INERTIA SWITCH, S27	6350.0-01
INSIDE DOOR HANDLE SWITCH, DRIVER'S, S89	5120.0-01
INSIDE DOOR HANDLE SWITCH, PASSENGER'S, S90	6100.0-03
INSTRUMENT CLUSTER	6211.0
INSTRUMENT CLUSTER, A2w	6211.0
INTAKE AIR TEMPERATURE SENSOR, B6215A	1210.11-07
INTENSIVE WASH PUMP, M5	6160.0-02
INTENSIVE WASH RELAY, K42	6160.0-02
INTERIOR ACCESSORIES	6332.0
INTERIOR LIGHT, LEFT REAR, E39	6330.0-03
INTERIOR LIGHT, RIGHT REAR, E40	6330.0-03
INTERIOR LIGHT RELAY, K29	6330.0-03
INTRODUCTION	0110.0
JET HEATER THERMOSWITCH, S198	6169.0-00
JUMPER PLUG, B900	1240.0-01
JUMPER PLUG FOR HORN/TELEPHONE, K51	6561.0-01
KICK-DOWN SWITCH, S8507	2460.7-03
LAMP CONTROL MODULE, A3	6301.0
LAMP MONITOR (LKM)	6301.0
LICENSE PLATE LIGHT, LEFT, E43	6320.0-01
LICENSE PLATE LIGHT, RIGHT, E44	6320.0-01
LICENSE PLATE/LUGGAGE COMPARTMENT LIGHTS	6320.0
LIGHT ASSEMBLY I, LEFT REAR, E46z	0670.4-12

LIGHT ASSEMBLY I, RIGHT REAR, E47z	0670.4-12
LIGHT ASSEMBLY II, LEFT REAR, E80	6301.0-03
LIGHT ASSEMBLY II, RIGHT REAR, E81	6301.0-03
LIGHT BAND, LEFT, E9046	0670.4-01
LIGHT BAND, RIGHT, E9047	0670.4-02
LIGHT SWITCH, S8	6300.0
LIGHT SWITCH, S8z	6300.0
LIGHT SWITCH DETAILS	6300.0
LOCK-SENSOR CONTROL MODULE, A26	6450.0-13
LONGITUDINAL ACCELERATION SENSOR, B49	3715.2-01
LOW BEAM LIGHT, LEFT, E13	6312.0-00
LOW BEAM LIGHT, RIGHT, E14	6312.0-00
LOW RANGE SPEAKER, LEFT REAR, H57	6510.1-03
LOW RANGE SPEAKER, RIGHT FRONT, H51	6510.1-02
LOW RANGE SPEAKER, RIGHT REAR, H52	6510.1-03
LUMBAR SUPPORT	5212.0
MAKEUP MIRROR LIGHT, DRIVER'S, E35	6332.0-01
MAKEUP MIRROR LIGHT, PASSENGER'S, E36	6332.0-01
MAKEUP MIRROR SWITCH, DRIVER'S, S77	6332.0-01
MAKEUP MIRROR SWITCH, PASSENGER'S, S78	6332.0-01
MARKER LIGHT, RIGHT FRONT, E22	6314.0-04
MEMORY MIRRORS CONTROL SWITCH, S12	5200.1-06
MEMORY SEAT ADJUSTMENT SWITCH, DRIVER'S, S50	5200.1-00
MEMORY SEAT MIRRORS SWITCH, S57	5200.1-01
MIDRANGE SPEAKER, RIGHT FRONT, H54	6510.1-02
MID-HIGH RANGE SPEAKER, LEFT, H42	6510.1-01
MID-HIGH RANGE SPEAKER, RIGHT, H43	6510.1-02
MIRROR CONTROL SWITCH, S17	5116.0-00
MIXING FLAP MOTOR, LEFT, M39	6450.0-09
MIXING SWITCH, R1	6450.0-04
MULTI-INFORMATION DISPLAY (MID)	6581.1
MULTI-INFORMATION DISPLAY (MID), N4z	6581.1-00
NORMAL SPEED RELAY, K21	6454.0-00
OIL LEVEL SENSOR, B6230	6210.0-07
OIL PRESSURE SWITCH, B206	6210.0-06
ON-BOARD COMPUTER HORN RELAY, K91	6575.3-00
OUTSIDE TEMPERATURE SENSOR, B13	6450.0-03

OXYGEN SENSOR RELAY, K6303	1210.11-06
PARK BRAKE SWITCH, S31	6210.0-04
PARK HEATING/VENTILATION RELAY BOX, A15	6412.2-02
PARK LIGHT, LEFT, E15	6314.0-03
PARK LIGHT, RIGHT, E19	6314.0-03
PARK LIGHT RELAY, LEFT, K26	6314.0-02
PARK LIGHT/LICENSE PLATE LIGHT RELAY, RIGHT, K25	6314.0-02
PARK/TAIL/UNDERHOOD LIGHTS	6314.0
PARK VENTILATION WITH IHKA	6412.2
PASSENGER'S SEATBACK SWITCH, LH, S122	6210.0-04
PEDAL POSITION SENSOR, R10	1270.1-03
POWER ASSIST STEERING (SERVOTRONIC)	3240.0
POWER DISTRIBUTION	0670.2
POWER DISTRIBUTION CHART	0670.0
POWER MIRRORS	5116.0
POWER SEATS	5200.0
POWER SUN SHADES	5146.0
POWER WINDOW MOTOR/INCREMENT SENSOR, DRIVER'S, M21z	5133.0-03
POWER WINDOW MOTOR/INCREMENT SENSOR, PASSENGER'S, M23z	5133.0-01
PRESSURE SENSOR/PLUNGER, Y16	3450.2
PRESSURE SENSOR/PLUNGER, Y16	3450.5-06
PRESSURE SWITCH, B9508	6450.0-12
PROGRAM SELECTOR, S173	2460.7-02
PROGRAM SWITCH, S8517	2460.0-02
RADIO, N9	6510.1-00
RADIO ANTI-THEFT SWITCH (DWA), S20	6575.3-02
RADIO/HIFI	6510.1
REAR DEFOGGER/ANTENNA, E10	6424.0-01
REAR DEFOGGER I, E9	6424.0-01
REAR DEFOGGER RELAY, K13	6424.0-00
REAR LEFT MID-HIGH RANGE SPEAKER, H55z	6510.1-03
REAR POWER DISTRIBUTION BOX, P94	0670.2-07
REAR RIGHT MID-HIGH RANGE SPEAKER, H54z	6510.1-03
REAR WINDOW DEFOGGER	6424.0
REAR WINDOW DEFOGGER SWITCH, S76	6450.0-07



# INDEX

RECIRCULATION FLAP MOTOR, M40	6450.0-10	SIDE MARKER LIGHT, LEFT REAR, E9021	6314.0-01
RELAY MODULE, A5	6100.0	SIDE MARKER LIGHT, RIGHT REAR, E9022	6314.0-01
REMOTE CONTROLLED LOCKING SYSTEM	6610.1	SIDE MEMORY MIRROR, DRIVER'S, Y9	5200.1-07
REMOTE LOCKING RECEIVER, N13y	6610.1-00	SIDE MEMORY MIRROR, PASSENGER'S, Y10	5200.1-08
REVERSING LIGHT SWITCH, S8511	6322.0-00	SIDE MIRROR, DRIVER'S, Y5	5116.0-01
SEATBACK HEATER, DRIVER'S, E56	5203.0-00	SIDE MIRROR, PASSENGER'S, Y6	5116.0-01
SEATBACK HEATER, PASSENGER'S, E59	5203.0-00	SLIP CONTROL (ABS/ASC+T)	3450.2
SEATBACK POTENTIOMETER, R7	5200.1-03	SLIP CONTROL (ABS)	3450.0
SEATBACK RECLINER MOTOR, DRIVER'S, M53	5200.0-00	SLIP CONTROL 5 (ASC 5)	3450.5
SEATBACK RECLINER MOTOR, PASSENGER'S, M58	5200.0-01	SLIP CONTROL MODULE (ABS/ASC+T), A9070	3450.2
SEATBACK SWITCH, RH, PASSENGER'S, S121	6210.0-04	SLIP CONTROL MODULE (ABS/ASC+T), A9070	3450.5
SEAT BELT SWITCH, DRIVER'S, S58	3234.0-00	SLIP CONTROL MODULE (ABS), A7	3450.0
SEAT CUSHION MOVEMENT POTENTIOMETER, R9	5200.1-02	SPEAKER, LEFT REAR, H46	6510.0-03
SEAT CUSHION REAR HEIGHT POTENTIOMETER, R8	5200.1-02	SPEAKER, RIGHT REAR, H45	6510.0-03
SEAT CUSHION TILT MOTOR, DRIVER'S, M50	5200.0-00	SPEED SENSOR - ABS, LEFT REAR, B4	3450.0-03
SEAT CUSHION TILT MOTOR, PASSENGER'S, M61	5200.0-01	SPEED SENSOR - ABS, LEFT REAR, B4	3450.2
SEAT HEATER, DRIVER'S, E57	5203.0-00	SPEED SENSOR - ABS, LEFT REAR, B4	3450.5
SEAT HEATER, PASSENGER'S, E58	5203.0-00	SPEED SENSOR - ABS, RIGHT FRONT, B1	3450.0-03
SEAT HEIGHT MOTOR, DRIVER'S, M52	5200.0-00	SPEED SENSOR - ABS, RIGHT FRONT, B1	3450.2
SEAT HEIGHT MOTOR, PASSENGER'S, M59	5200.0-01	SPEED SENSOR - ABS, RIGHT FRONT, B1	3450.5
SEAT HEIGHT POTENTIOMETER, R6	5200.1-03	SPEED SENSOR - ABS, RIGHT REAR, B3	3450.0-03
SEAT LUMBAR SUPPORT MOTOR/VALVE, DRIVER'S, M55z	5212.0-00	SPEED SENSOR - ABS, RIGHT REAR, B3	3450.2
SEAT LUMBAR SUPPORT MOTOR/VALVE, PASSENGER'S, M56z	5212.0-00	SPEED SENSOR - ABS, RIGHT REAR, B3	3450.5
SEAT LUMBAR SUPPORT SWITCH, PASSENGER'S, S55	5212.0-00	SPLICE LOCATION VIEWS	8000.0
SEAT LUMBAR SWITCH, DRIVER'S, S52	5212.0-00	START	1240.0
SEAT/MIRROR MEMORY CONTROL MODULE, A21	5200.1-00	STARTER, M6510	1240.0-01
SEAT/MIRROR MEMORY SYSTEM (SM/SPM)	5200.1	STARTER IMMOBILIZATION RELAY, K1w	1240.0-01
SEAT MOVEMENT MOTOR, DRIVER'S, M51	5200.0-00	STARTER RELAY, K1	1240.0
SEAT MOVEMENT MOTOR, PASSENGER'S, M60	5200.0-01	STEERING ANGLE SENDER, B40	3715.2-01
SEAT OCCUPANCY DETECTOR, A113	3234.0-00	STEERING COLUMN ADJUSTMENT CONTROL MODULE, A34w	3231.0-00
SEAT, SEAT CONTROL SWITCH, DRIVER'S, S51	5200.0-00	STEERING COLUMN ANGLE ADJUST MOTOR, M83	3231.0-00
SEAT, SEAT CONTROL SWITCH, PASSENGER'S, S56	5200.0-01	STEERING COLUMN ANGLE ADJUST POTENTIOMETER, R19z	3231.1-00
SEAT, SEAT HEATER SWITCH, DRIVER'S, S53	5203.0-00	STEERING COLUMN LENGTH ADJUST MOTOR, M82	3231.0-00
SEAT, SEAT HEATER SWITCH, PASSENGER'S, S54	5203.0-00	STEERING COLUMN LENGTH ADJUST POTENTIOMETER, R18z	3231.1-00
SERVOTRONIC RELAY, K199	3240.0-00	STEERING COLUMN MEMORY (LSM)	3231.1
SHIFT-LOCK, Y19	2460.7-03	STEERING COLUMN MEMORY CONTROL MODULE, A34z	3231.1-00
SHIFT LOCK, S8522	2460.0-00	STEERING COLUMN POSITION SWITCH, S119z	3231.0-00



# INDEX

STEERING WHEEL ANGLE SENSOR, R24	3334.0-01
SUN BLIND CONTROL MODULE, A82	5146.0-00
SUN BLIND MOTOR, M74	5146.0-00
SUN BLIND SWITCH, S110	5146.0-00
SUNROOF MODULE, A33	5410.0-01
SUNROOF MOTOR, M24	5410.0-01
SUNROOF SWITCH, S38	5410.0-01
SUPPLEMENTAL RESTRAINT SYSTEM (AIR BAG)	3234.0
SUPPLEMENTAL RESTRAINT SYSTEM CONTROL MODULE, A12	3234.0-00
SUPPRESSION FILTER, C900	6424.0-01
SYMBOLS	0140.0
TAIL LIGHT, LEFT, H25	6314.0-04
TAIL LIGHT, RIGHT, H30	6314.0-04
TELEPHONE TRANSCEIVER, H38	6510.1-00
TEMPERATURE SENSOR, B21z	6210.0-07
TEMPERATURE SWITCH, B6235	1290.0-00
TEMPERATURE SWITCH, S36	6454.0-00
THIGH SUPPORT MOTOR, DRIVER'S, M65	5200.0-02
THIGH SUPPORT MOTOR, PASSENGER'S, M66	5200.0-02
THIGH SUPPORT SWITCH, DRIVER'S, S93	5200.0-02
THIGH SUPPORT SWITCH, PASSENGER'S, S94	5200.0-02
THIGH SUPPORT POTENTIOMETER, R15	5200.1-04
THROTTLE CONTROL MODULE (EML), A6004	1270.1
THROTTLE POSITION SENSOR, R6252	1210.11-07
TRANSMISSION CONTROL MODULE (EGS), A8500	2460.0
TRANSMISSION CONTROL MODULE (EGS), A8500	2460.7
TRANSMISSION POSITION INDICATOR LIGHT, E82	2460.7-02
TRANSMISSION RANGE SELECTOR LEVER LIGHT, S8518	2460.0-02
TRANSMISSION VALVE UNIT, Y8505	2460.0-01
TRANSMISSION VALVE UNIT, Y8505w	2460.7-01
TRUNK LID LIGHT, E33	6320.0-03
TRUNK LID LIGHT, LEFT, E9033	6320.0-03
TRUNK LID LIGHT, RIGHT, E9133	6320.0-03
TRUNK LID LOCKING SWITCH, S117	5126.0-01
TRUNK LID SWITCH, S61	6320.0-03
TRUNK LOCK MOTOR, M17	5126.0-02
TURN/HAZARD LIGHTS	6312.0

TURN LIGHT, LEFT REAR, H6	6313.0-02
TURN LIGHT, RIGHT FRONT, H4	6313.0-02
TURN LIGHT, RIGHT REAR, H5	6313.0-02
UNDERHOOD LIGHT, E20	6314.0-04
UNDERHOOD LIGHT SWITCH, S19	6314.0-04
UNLOADER RELAY, TERMINAL 15, K9	0670.2-04
UNLOADER RELAY, TERMINAL 61, K61	1230.0-00
UNLOADER RELAY, TERMINAL R, K3	0670.2-04
UPPER LEFT TAIL LIGHT, H9025	6314.0-01
UPPER RIGHT TAIL LIGHT, H9030	6314.0-01
VALVE RELAY (ABS/ASC), K95	3450.5-08
VEHICLE SPEED SENSOR, B10	6210.0-08
VENTILATION FLAP MOTOR, LEFT, M38	6450.0-09
VENTILATION FLAP MOTOR, RIGHT, M33	6450.0-08
WARNING LIGHT RELAY, K81	3334.0-00
WASHER FLUID LEVEL SWITCH, S64	6210.0-06
WASHER FLUID LEVEL SWITCH, S136	6210.0-06
WASHER JET HEATER, LEFT, E51	6169.0-00
WASHER JET HEATER, RIGHT, E52	6169.0-00
WASHER PUMP, M4	6160.0-02
WASHER PUMP RELAY, K5	6160.0-02
WATER PUMP IN LUGGAGE COMPARTMENT, M86	6167.0-02
WATER VALVE ASSEMBLY, Y4	6450.0-02
WINDOW LIMIT SWITCH, LEFT REAR, S45	5133.0-04
WINDOW LIMIT SWITCH, RIGHT REAR, S46	5133.0-04
WINDOW MONITORING SWITCH (DWA), DRIVER'S, S100	6575.3-05
WINDOW MONITORING SWITCH (DWA), PASSENGER'S, S99	6575.3-05
WINDOW MONITORING SWITCH (DWA), LEFT REAR, S102	6575.3-05
WINDOW MONITORING SWITCH (DWA), RIGHT REAR, S101	6575.3-05
WINDOW MOTOR, LEFT REAR, M20	5133.0-04
WINDOW MOTOR, RIGHT REAR, M22	5133.0-04
WINDOW SWITCH, S40z	5133.0-00
WINDOW SWITCH, PASSENGER'S, S97	5133.0-02
WINDSHIELD WASHER JET HEATERS	6169.0
WIPER MOTOR, M3	6160.0-01
WIPER PRESSURE CONTROL (ADV) RELAY, K12	6164.0-01
WIPER PRESSURE CONTROL MOTOR (ADV), M6	6164.0-01



# INDEX

---

WIPER RELAY II, K37 .....	6160.0-01
WIPER RELAY I, K36 .....	6160.0-01
WIPER RELAY III, K38 .....	6160.0-01
WIPER/WASHER SWITCH, S5 .....	6160.0-00
ZKE CENTRAL LOCKING (ZV) .....	5126.0
ZKE DOOR LOCK HEATING (TSH) .....	5120.0
ZKE HEADLIGHT WASHER (SRA) .....	6167.0
ZKE INTERIOR LIGHTS CONTROL (IB) .....	6330.0
ZKE POWER WINDOWS (FH) .....	5133.0
ZKE SUNROOF (SHD) .....	5410.0
ZKE WINDSHIELD WIPER PRESSURE CONTROL (ADV) .....	6164.0
ZKE WIPER/WASHER CONTROL .....	6160.0



## Schematics

The schematics divide the entire vehicle electrical system into individual circuits. Interacting electrical components are shown on one common schematic.

Switches and other components are represented in such a way that their general layout and function are self-explicit. They are arranged on the sheet such that the current path can be followed from positive (top) to negative (bottom).

**Important:** The components and wires are not drawn to scale. For instance, a lead with a length of over 1m can be shown as a lead that is only a few cm long. To ensure clear arrangement, all connectors, line branches and connected components from the fuses to the component and from the component to ground connection are not shown within the individual cells. If required, reference can be made to cells **0670.3 Fuse Details** and **0670.4 Ground Distribution** where all lines are illustrated with all plug connections, line branches and connected components.

All circuit symbols used are listed and explained in cell **0140.0 Symbols**.

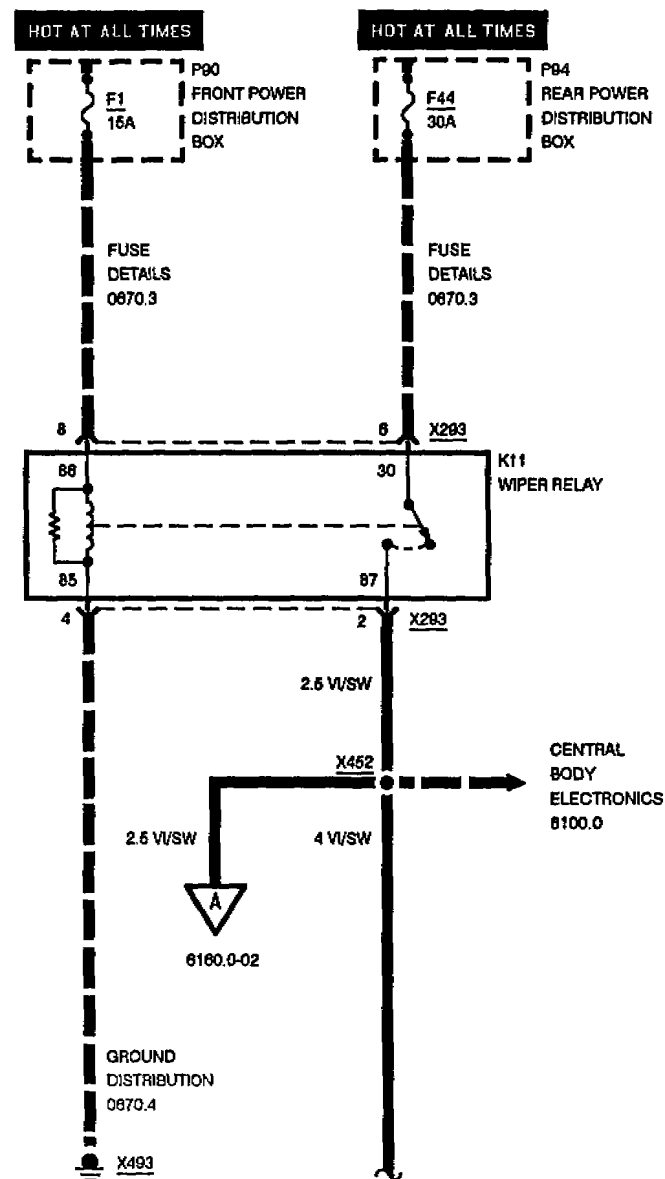
In cell **7000.0 Component Location Chart** all important connectors, ground points and components are listed in tabular form. It provides a precise description of the component locations in the vehicle.

In cell **7100.0 Component Location Views** the location of connectors and components which are difficult to locate are shown in line arts or illustrations. In cell **8500.0 Connector Views** diagrams of connectors with more than 2 pins are illustrated.

Included in this ETM are foldout block diagrams. These are overviews of the entire system (EGS, ABS, AC etc.) which helps understand the relationships between various components and control module of the system being diagnosed.

### Example

General conventions can be explained based on the following schematic example.

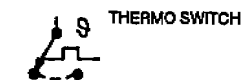
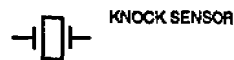
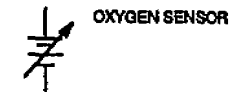
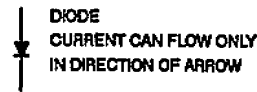
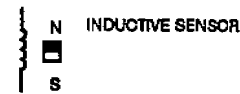
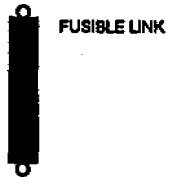
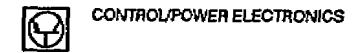
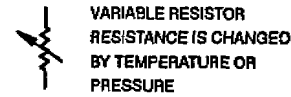
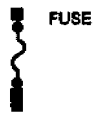
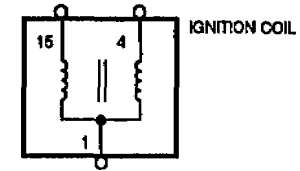
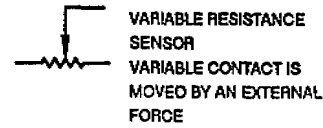
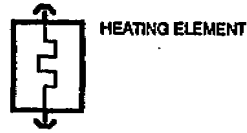
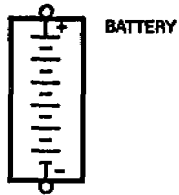




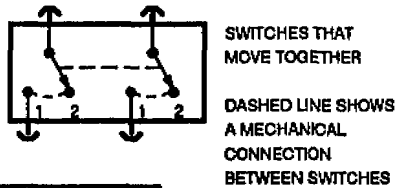
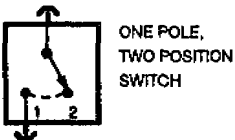
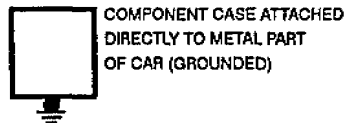
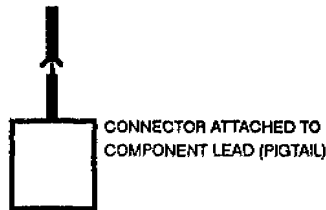
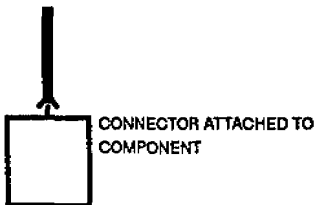
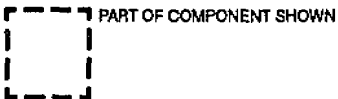
## General Conventions

1. Switches and relays are always shown in rest position (e.g. K11).
2. A component shown in a dashed frame signifies that the component is illustrated only in part (e.g. P90 and P91).
3. A component shown in a completely drawn frame signifies that the component is illustrated in full (e.g. K11).
4. The dashed line between pin 8 and pin 6 of connector X293 indicates that both pins belong to connector X293.
5. The dashed line from fuse F1 to pin 8 of connector X293 shows the positive supply of relay K11. If required, refer to cell **0670.3 Fuse Details** at fuse F1 for the complete line progressing with plug connections, line branches, wire colors and cross sections.
6. The dashed line with an arrow at splice X452 indicates that several wires lead to splice X452. All lines leading to the connection are illustrated in cell **6100.0 Central Body Electronics (ZKE)**. An interrupted line with an arrow indicates that only this one wire leads to another circuit.
7. The dashed line from pin 4 of connector X293 to ground X493 shows the ground supply for relay K11. If required, refer to cell **0670.4 Ground Distribution** at ground X493 for the complete line progression with all plug connections, line branches, wire colors and cross sections.
8. The interrupted line from splice X452 with an A in the open arrow is continued on page 6160.0-02. Termination of wire 4 VI/SW from splice X452 with a wavy line indicates that the wire is continued on the opposite page.

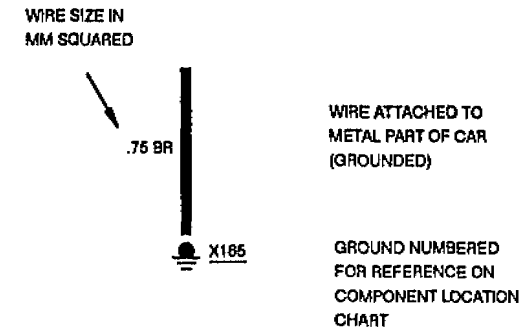
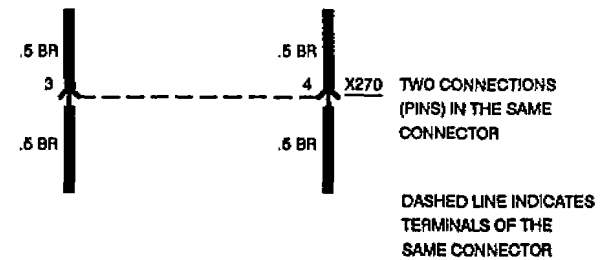
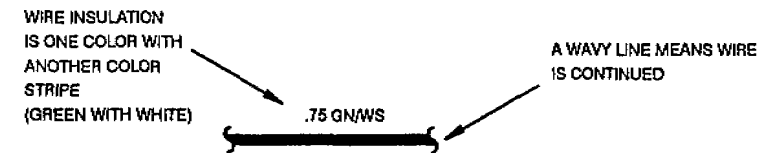
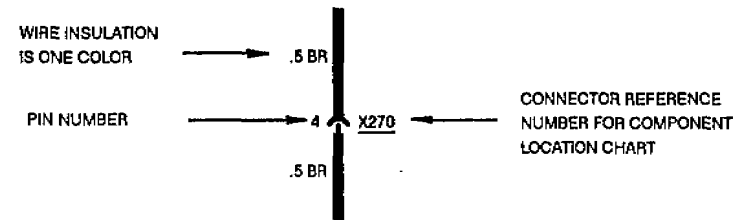
# SYMBOLS



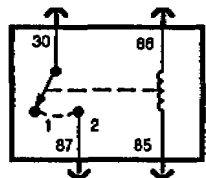
# SYMBOLS



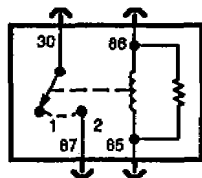
WIRE COLOR	
BL	BLUE
BR	BROWN
GE	YELLOW
GN	GREEN
GR	GRAY
OR	ORANGE
RS	PINK
RT	RED
SW	BLACK
VI	VIOLET
WS	WHITE
TR	TRANSPARENT



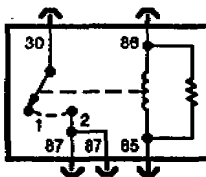
**BMW**  
**8** **SYMBOLS**



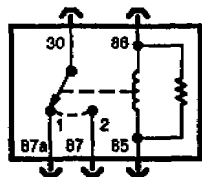
CONTACT RELAY



RELAY WITH RESISTOR ACROSS WINDING

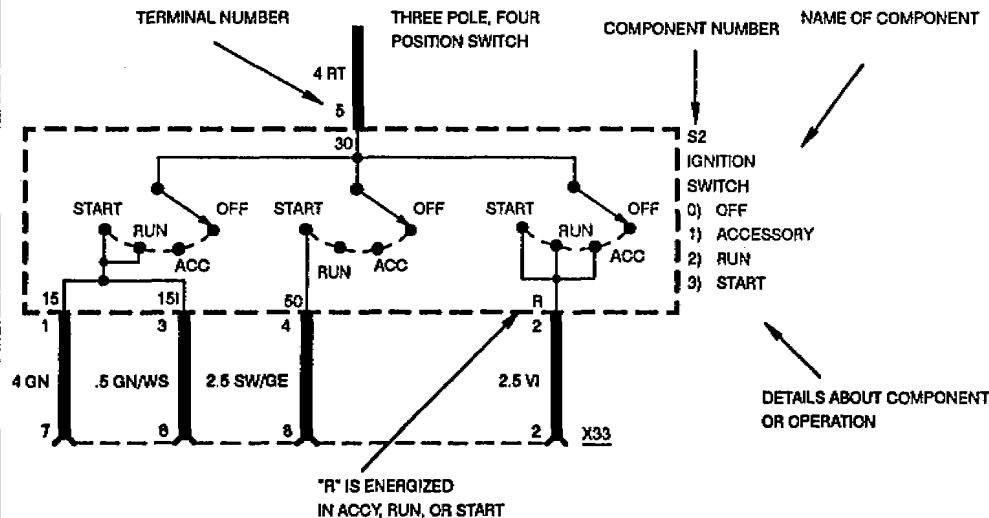


CONTACT RELAY WITH TWO OUTPUTS



CHANGEOVER RELAY WITH TWO OUTPUTS

TERMINAL NUMBER	DESCRIPTION
30	RELAY INPUT
85	RELAY OUTPUT (WINDING)
86	RELAY INPUT (WINDING)
87	RELAY OUTPUT (ENERGIZED)
87a	RELAY OUTPUT (AT REST)



TERMINAL NUMBER	DESCRIPTION	TERMINAL NUMBER	DESCRIPTION
50	VOLTAGE: IGNITION SWITCH IN START	15I	VOLTAGE: IGNITION SWITCH IN RUN
30	VOLTAGE: SUPPLIED AT ALL TIMES	R	VOLTAGE: IGNITION SWITCH IN ACCESSORY, RUN OR START
15	VOLTAGE: IGNITION SWITCH IN RUN OR START	31	GROUND

**HOT AT ALL TIMES**



INDICATES THAT FUSE 9 IS SUPPLIED WITH POWER AT ALL TIMES

POWER STATUS

**HOT AT ALL TIMES**

**HOT IN RUN AND START**

**HOT IN ACCY, RUN AND START**

DESCRIPTION

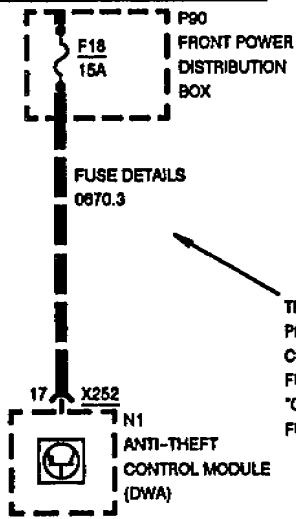
VOLTAGE: SUPPLIED AT ALL TIMES

VOLTAGE: IGNITION SWITCH IN RUN OR START

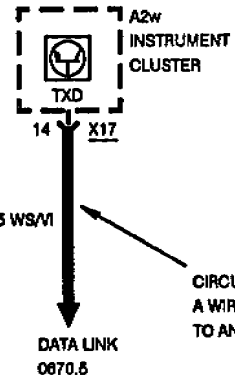
VOLTAGE: IGNITION SWITCH IN ACCESSORY, RUN OR START

**SYMBOLS**

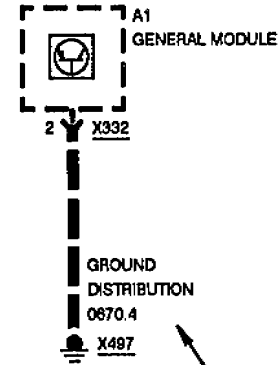
**HOT IN ACCY, RUN AND START**



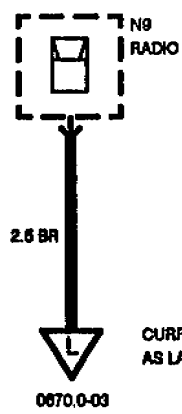
THE COMPLETE WIRE  
PROGRESSION AND FURTHER  
CIRCUITS CONNECTED TO  
FUSE 18 ARE SHOWN IN CELL  
'0670.3 FUSE DETAILS' AT  
FUSE 18



CIRCUIT REFERENCE-  
A WIRE WHICH CONNECTS  
TO ANOTHER CIRCUIT



THE COMPLETE WIRE  
PROGRESSION AND FURTHER  
CIRCUITS CONNECTED TO  
GROUND X497 ARE SHOWN IN  
CELL '0670.4 GROUND  
DISTRIBUTION' AT  
GROUND X497



CURRENT PATH IS CONTINUED  
AS LABELED

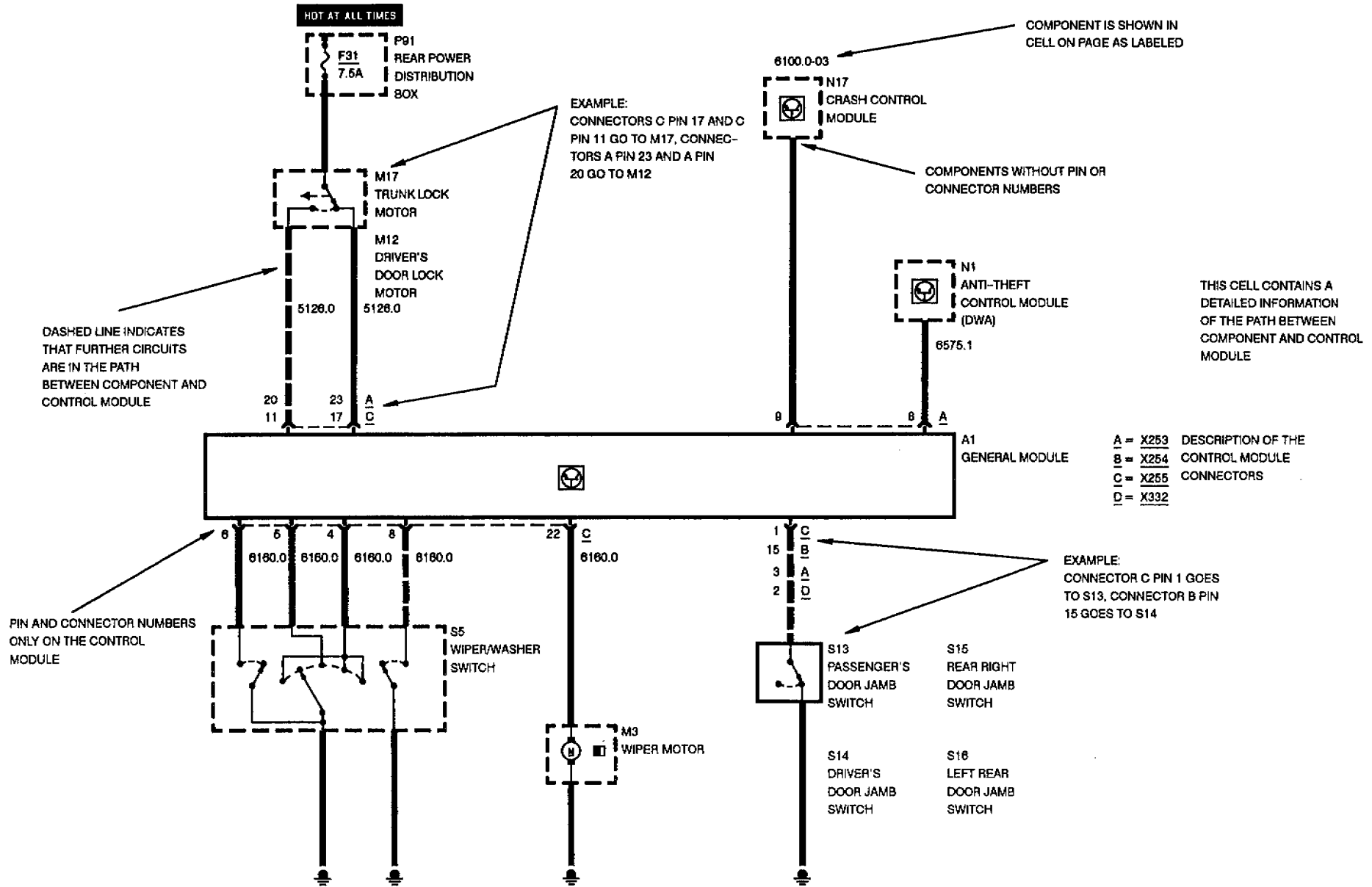


ARROW SHOWS  
DIRECTION OF CURRENT  
FLOW AND IS REPEATED  
WHERE CURRENT  
PATH CONTINUES



# SYMBOLS

## BLOCK DIAGRAM



BMW  
8

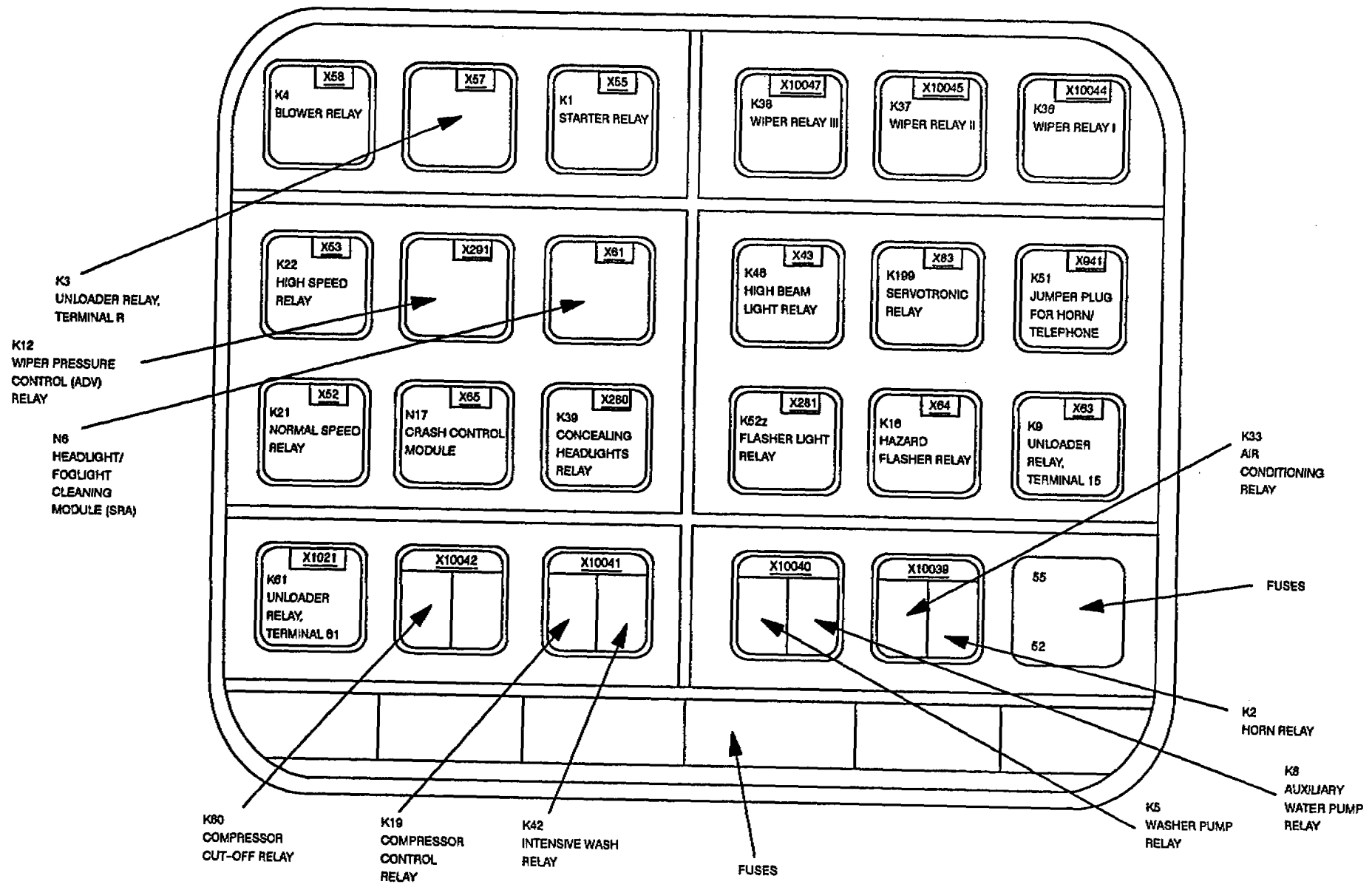
0670.0





# POWER DISTRIBUTION CHART

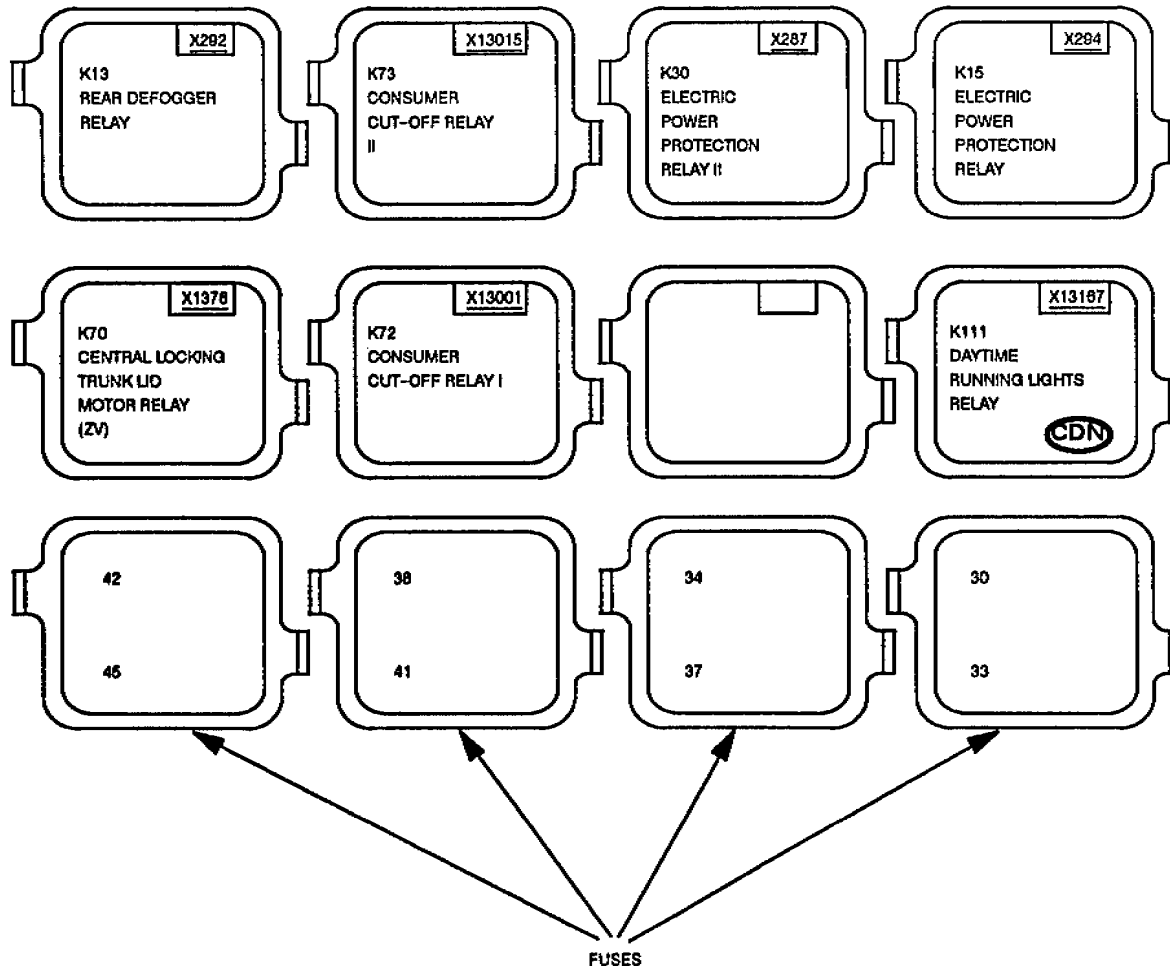
## FRONT POWER DISTRIBUTION BOX





# POWER DISTRIBUTION CHART

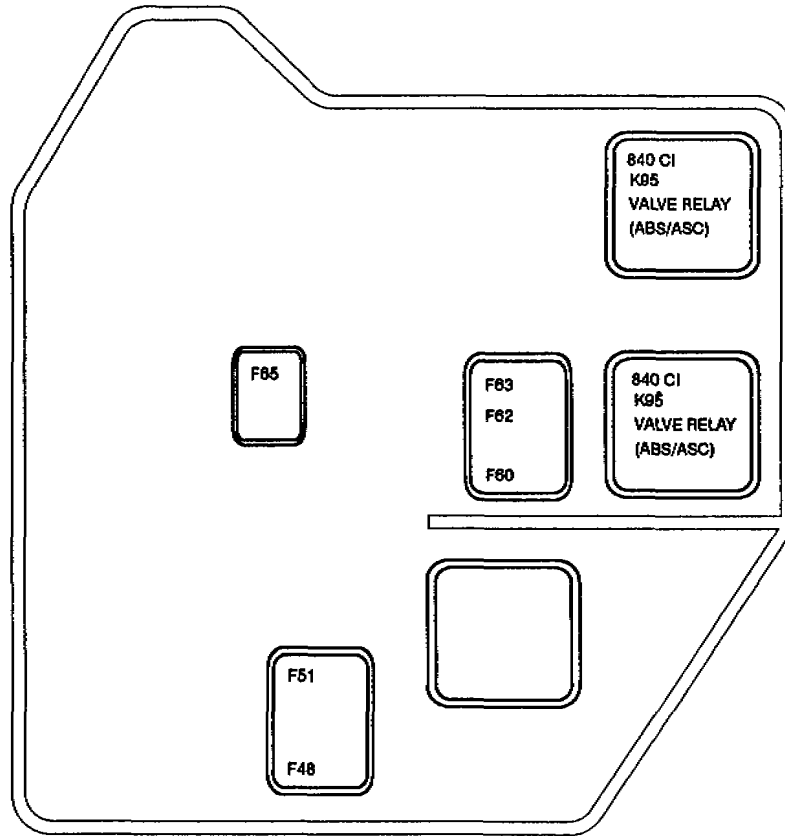
## REAR POWER DISTRIBUTION BOX





# POWER DISTRIBUTION CHART

## AUXILIARY RELAY BOX - ENGINE COMPARTMENT



BMW  
8

0670.1



# FUSE CHART

## CELLS OVERVIEW

<b>0670.5</b>	<b>DATA LINK</b>
	F28
<b>1210.6</b>	<b>ENGINE CONTROL SYSTEM (DME M1.7, 12-CYLINDER M70)</b>
	F12, F23, F24, F28
<b>1210.11</b>	<b>ENGINE CONTROL SYSTEM (DME M3.3, 8-CYLINDER M60)</b>
	F60, F23, F25
<b>1230.0</b>	<b>CHARGING SYSTEM</b>
	F17
<b>1240.0</b>	<b>START</b>
	F12, F17
<b>1270.1</b>	<b>ELECTRONIC THROTTLE CONTROL (EML 12-CYLINDER)</b>
	F1, F8, F12
<b>1290.0</b>	<b>E-BOX FAN</b>
<b>2460.0</b>	<b>ELECTRONIC TRANSMISSION CONTROL (EGS 4HP-24)</b>
	F8, F12
<b>2460.7</b>	<b>ELECTRONIC TRANSMISSION CONTROL (EGS: GS 9.20/ A5S 560Z)</b>
	F8, F12, F17
<b>3231.0</b>	<b>ELECTRIC STEERING COLUMN ADJUSTMENT</b>
	F40

## FUSES OVERVIEW

<b>F1</b>	1270.1, 6160.0, 6211.0, 6412.2, 6450.0
<b>7.5A</b>	
<b>F2</b>	6167.0, 6300.0, 6301.0, 6312.0, 6314.0, 6320.0, 6332.0
<b>7.5A</b>	
<b>F3</b>	6300.0, 6301.0, 6312.0, 6313.0, 6314.0, 6320.0, 6325.0, 6332.0
<b>7.5A</b>	
<b>F4</b>	6300.0, 6301.0, 6314.0, 6320.0, 6332.0
<b>7.5A</b>	
<b>F5</b>	6300.0, 6301.0, 6312.0, 6314.0, 6320.0, 6332.0
<b>10A</b>	
<b>F6</b>	6313.0, 6350.0
<b>15A</b>	
<b>F7</b>	6301.0, 6312.0
<b>30A</b>	
<b>F8</b>	1270.1, 2460.0, 3450.2, 6301.0, 6325.0
<b>7.5A</b>	2460.7, 3450.0, 6571.0
<b>F9</b>	6133.0, 6164.0, 6301.0, 6312.0, 6561.0
<b>20A</b>	
<b>F10</b>	6301.0, 6312.0
<b>7.5A</b>	
<b>F11</b>	6301.0, 6312.0
<b>7.5A</b>	
<b>F12</b>	1210.6, 1240.0, 1270.1, 2460.0, 5116.0, 5200.1, 6169.0, 6210.0, 6211.0
<b>15A</b>	2460.7, 6571.0
<b>F13</b>	6312.0
<b>7.5A</b>	
<b>F14</b>	6312.0
<b>7.5A</b>	
<b>F15</b>	5410.0, 6100.0, 6160.0, 6164.0, 6167.0, 6330.0
<b>10A</b>	



# FUSE CHART

## CELLS OVERVIEW

<b>3231.1</b>	STEERING COLUMN MEMORY (LSM)
	F16, F18, F40
<b>3234.0</b>	SUPPLEMENTAL RESTRAINT SYSTEM (AIR BAG)
	F53, F54
<b>3240.0</b>	POWER ASSIST STEERING (SERVOTRONIC)
	F28
<b>3334.0</b>	ACTIVE REAR AXLE KINEMATICS (AHK)
	F17, F29, F31
<b>3450.0</b>	SLIP CONTROL (ABS)
	F8, F17, F60
<b>3450.2</b>	SLIP CONTROL (ABS/ASC+T)
	F8, F17, F60, F62, F65
<b>3450.5</b>	SLIP CONTROL 5 (ASC 5)
	F8, F17, F60, F62, F63, F65
<b>3715.2</b>	ELECTRONIC SHOCK ABSORBER CONTROL (EDC III+)
	F29, F32
<b>5116.0</b>	POWER MIRRORS
	F12, F17, F18
<b>5120.0</b>	ZKE DOOR LOCK HEATING (TSH)
	F43

## FUSES OVERVIEW

<b>F16</b>	3231.1, 5200.1, 5203.0
20A	
<b>F17</b>	1230.0, 3334.0, 3450.2, 5116.0, 5200.1, 6210.0, 6211.0, 6322.0, 6581.0, 6575.3
7.5A	1240.0, 2460.7, 3450.0, 3450.5
<b>F18</b>	3231.1, 5116.0, 5146.0, 5200.1, 6332.0, 6510.1, 6561.0, 6581.0, 6210.0, 6211.0,
7.5A	6575.3, 6610.1
<b>F19</b>	6412.2, 6450.0
30A	
<b>F20</b>	6301.0, 6312.0
30A	
<b>F21</b>	6412.2, 6424.0, 6450.0
7.5A	
<b>F22</b>	6160.0
30A	
<b>F23</b>	1210.6, 1210.11
15A	
<b>F24</b>	1210.6
15A	
<b>F25</b>	1210.11, 6454.0
30A	
<b>F26</b>	6312.0
15A	
<b>F27</b>	6167.0
30A	
<b>F28</b>	1210.6, 3240.0, 0670.5
15A	
<b>F29</b>	3715.2, 5133.0, 5410.0, 6100.0, 6160.0, 6164.0, 6167.0, 6450.0, 6454.0, 3334.0
7.5A	
<b>F30</b>	6561.0
15A	



# FUSE CHART

## CELLS OVERVIEW

5126.0	ZKE CENTRAL LOCKING (ZV)
	F31, F33, F34, F42, F43
5133.0	ZKE POWER WINDOWS (FH)
	F29, F31, F33, F34, F42, F43
5146.0	POWER SUN SHADES
	F18, F32
5200.0	POWER SEATS
	F37, F38
5200.1	SEAT/MIRROR MEMORY SYSTEM (SM/SPM)
	F12, F16, F17, F18, F37
5203.0	HEATED SEATS
	F16
5212.0	LUMBAR SUPPORT
	F37, F38
5410.0	ZKE SUNROOF (SHD)
	F15, F29, F31, F33, F34, F42, F43
6100.0	CENTRAL BODY ELECTRONICS (ZKE II)
	F15, F29, F31, F33, F34, F42, F43
6133.0	HORN
	F9

## FUSES OVERVIEW

F31	5126.0, 5133.0, 5410.0, 6100.0, 6160.0, 6210.0, 6211.0, 6575.3, 6581.0, 6610.1
7.5A	
F32	3715.2, 5146.0
20A	
F33	5126.0, 5133.0, 5410.0, 6100.0, 6160.0, 6210.0, 6320.0, 6330.0, 6332.0
7.5A	
F34	5126.0, 5133.0, 5410.0, 6100.0, 6160.0
30A	
F35	3334.0
15A	
F36	6510.1
15A	
F37	5200.0, 5200.1, 5212.0
30A	
F38	5200.0, 5212.0
30A	
F39	6332.0
30A	
F40	3231.0, 3231.1
15A	
F41	6424.0
30A	
F42	5126.0, 5133.0, 5410.0, 6100.0, 6160.0
30A	
F43	5120.0, 5126.0, 5133.0, 5410.0, 6100.0, 6160.0, 6330.0
10A	



# FUSE CHART

## CELLS OVERVIEW

<b>6160.0</b>	ZKE WIPER/WASHER CONTROL
	F1, F15, F22, F29, F31, F33, F34, F42, F43
<b>6164.0</b>	ZKE WINDSHIELD WIPER PRESSURE CONTROL (ADV)
	F9, F15, F29
<b>6167.0</b>	ZKE HEADLIGHT WASHER (SRA)
	F2, F15, F27, F29
<b>6169.0</b>	WINDSHIELD WASHER JET HEATERS
	F12
<b>6210.0</b>	BODY ELECTRONICS MODULE (EKM)
	F12, F17, F18, F31, F33
<b>6211.0</b>	INSTRUMENT CLUSTER
	F1, F12, F17, F18, F31, F55
<b>6300.0</b>	LIGHT SWITCH DETAILS
	F2, F3, F4, F5
<b>6301.0</b>	LAMP MONITOR (LKM)
	F2, F3, F4, F6, F7, F8, F9, F10, F11
<b>6312.0</b>	HEADLIGHTS/ FOG LIGHTS
	F2, F3, F5, F7, F9, F10, F11, F13, F14, F20, F26
<b>6313.0</b>	TURN/HAZARD LIGHTS
	F3, F6

## FUSES OVERVIEW

<b>F54</b>	<b>3234.0</b>
<b>5A</b>	
<b>F55</b>	<b>3234.0, 6211.0</b>
<b>5A</b>	
<b>F60</b>	<b>1210.11, 2460.0, 3450.0, 3450.2, 3450.5</b>
<b>10A</b>	





# FUSE CHART

## CELLS OVERVIEW

6314.0	PARK/TAIL/ UNDERHOOD LIGHTS
	F2, F3, F4, F5
6320.0	LICENSE PLATE/ LUGGAGE COMPARTMENT LIGHTS
	F2, F3, F4, F5, F33
6322.0	BACK UP LIGHTS
	F17
6325.0	BRAKE LIGHTS
	F3, F8
6330.0	ZKE INTERIOR LIGHTS CONTROL (IB)
	F15, F33, F43
6332.0	INTERIOR ACCESSORIES
	F2, F3, F4, F5, F18, F33, F39
6350.0	CRASH CONTROL MODULE
	F8
6412.2	PARK VENTILATION WITH IHKA
	F1, F19, F21
6424.0	REAR WINDOW DEFOGGER
	F21, F41
6450.0	AUTOMATIC HEATING/AC CONTROL (IHKA)
	F1, F19, F21

## FUSES OVERVIEW

F62	3450.0, 3450.2, 3450.5
25A	
F63	3450.5
25A	
F65	3450.2, 3450.5
50A	



# FUSE CHART

## CELLS OVERVIEW

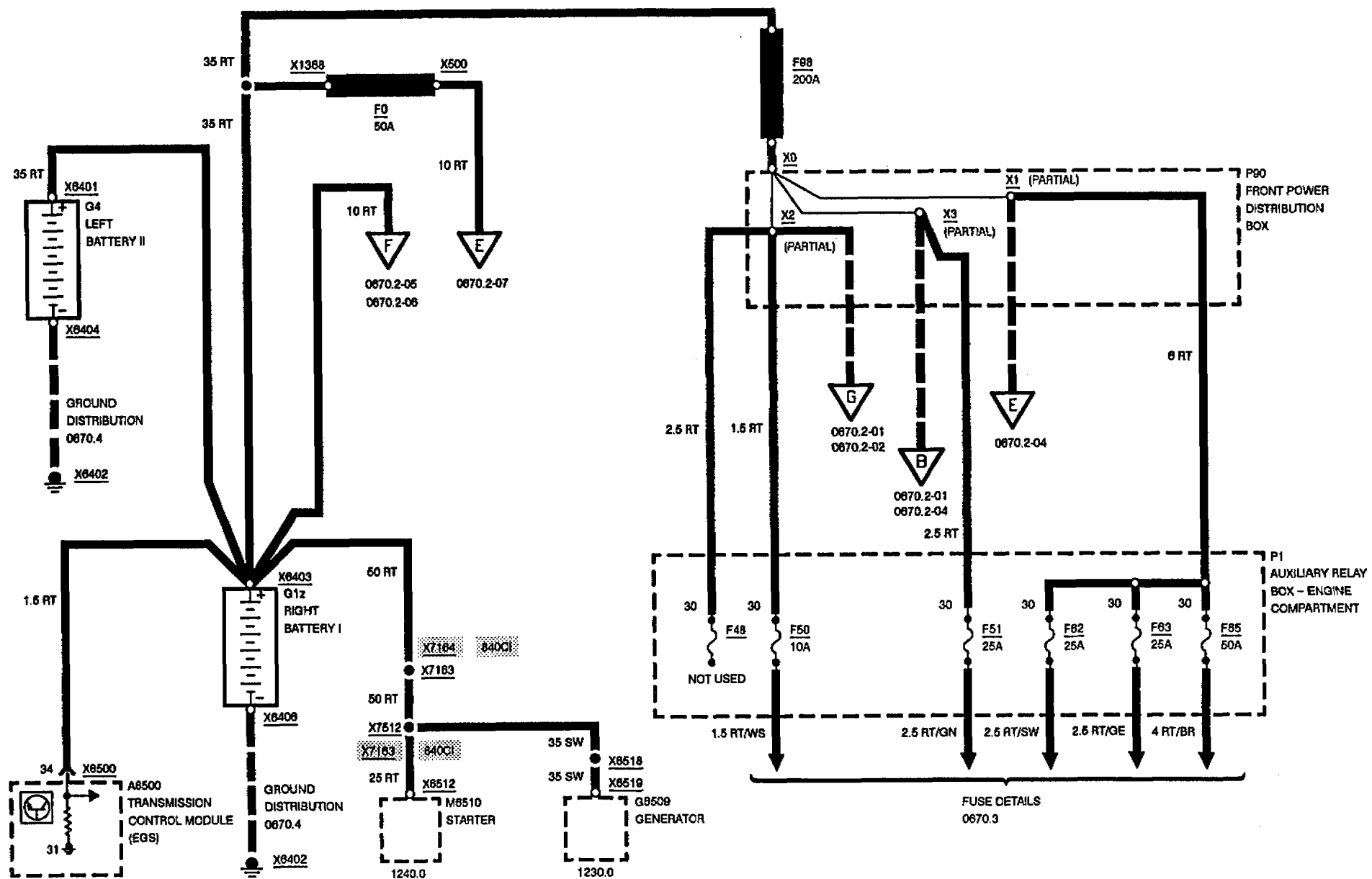
6454.0	AUXILIARY FAN
	F25, F29
6510.1	RADIO/HIFI
	F18, F36
6561.0	CELLULAR TELEPHONE (PROVISIONS)
	F9, F18, F30
6571.0	CRUISE CONTROL (TEMPOMAT)
	F8, F12
6575.3	ANTI-THEFT SYSTEM IV (DWA IV)
	F17, F18, F31
6581.0	ON-BOARD COMPUTER (BCIV)
	F17, F18, F31
6610.1	REMOTE CONTROLLED LOCKING SYSTEM
	F18, F31

## FUSES OVERVIEW




# POWER DISTRIBUTION

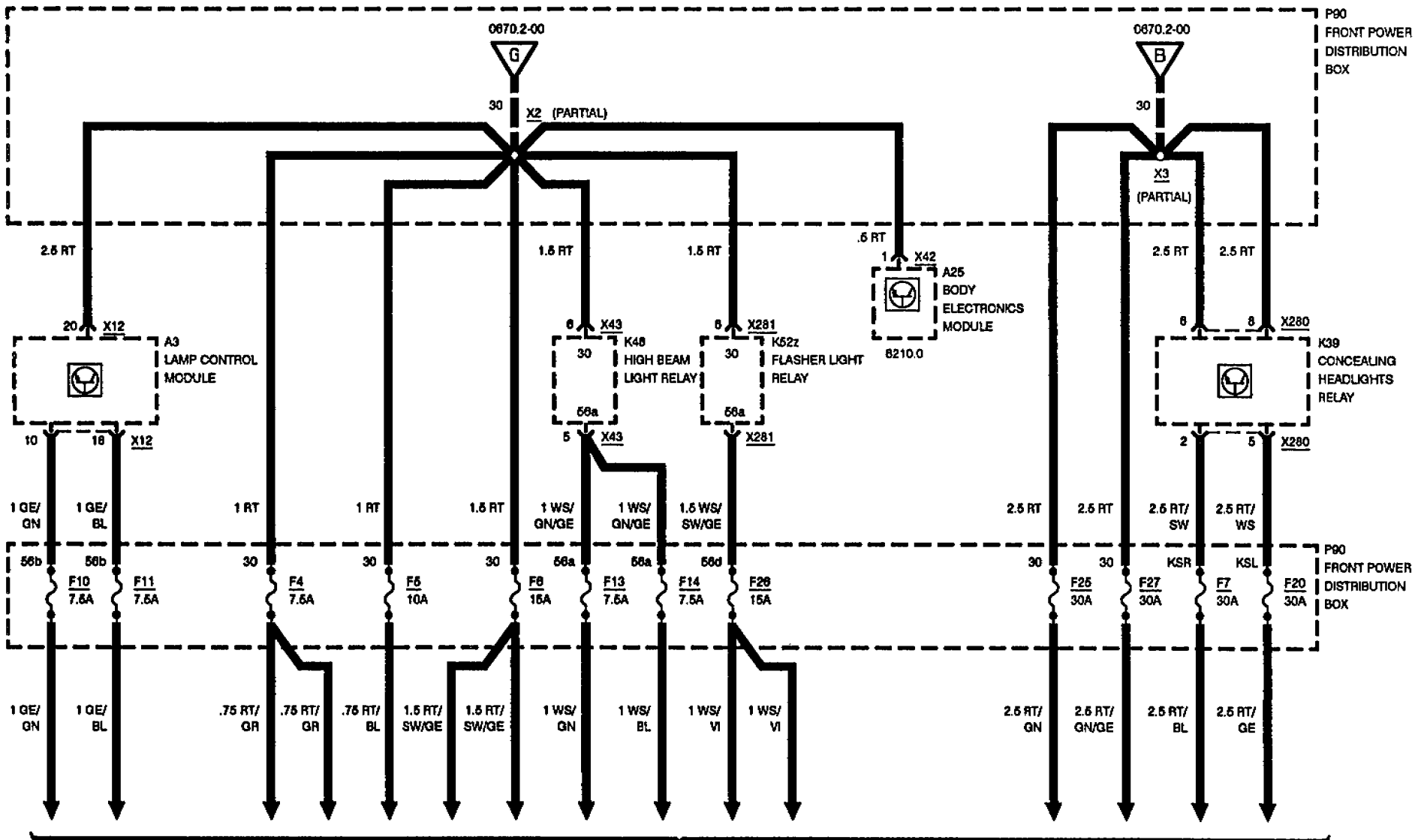
## FRONT POWER DISTRIBUTION BOX





# POWER DISTRIBUTION

## FRONT POWER DISTRIBUTION BOX



FUSE DETAILS  
0670.3

09/93

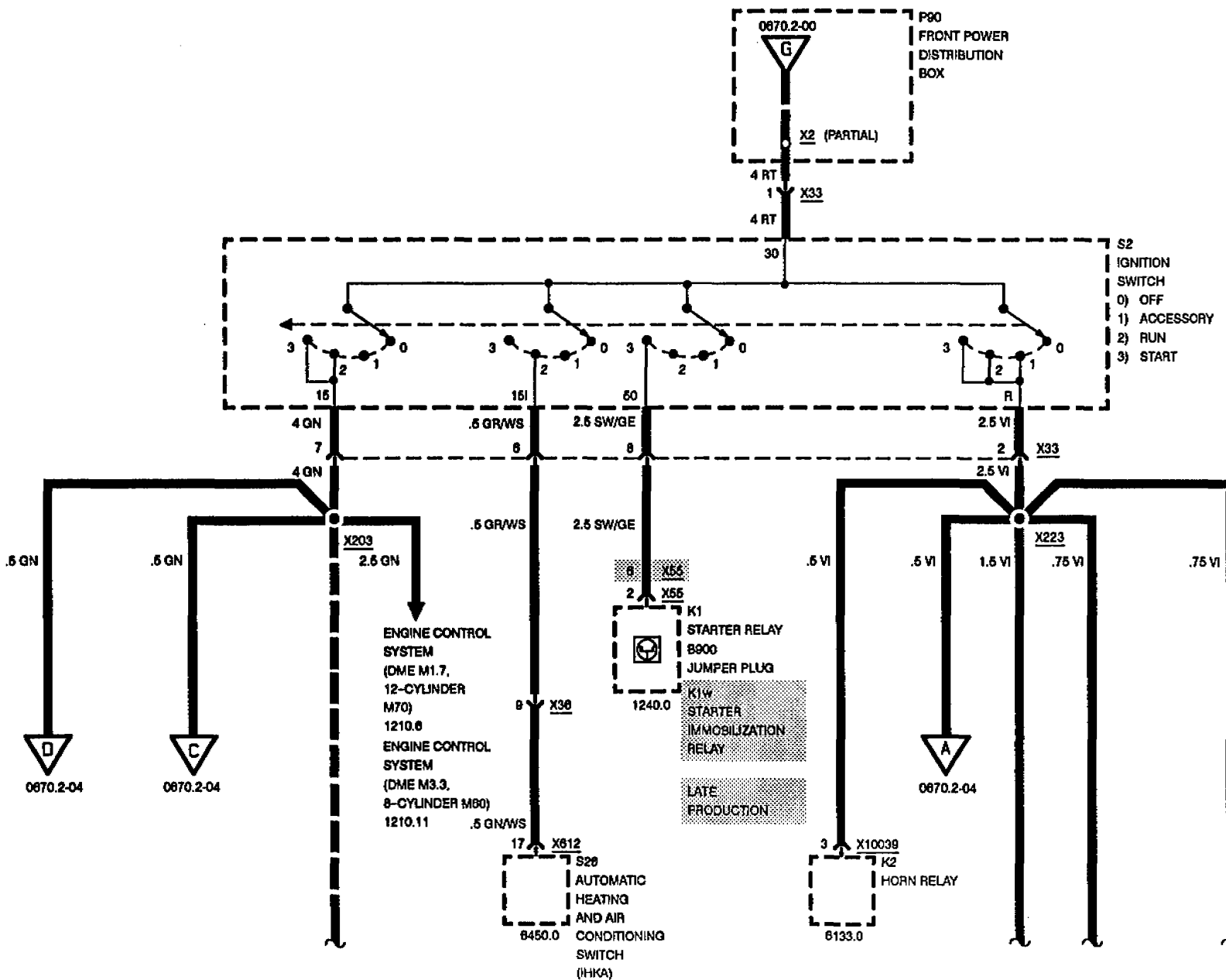
0670.2-01

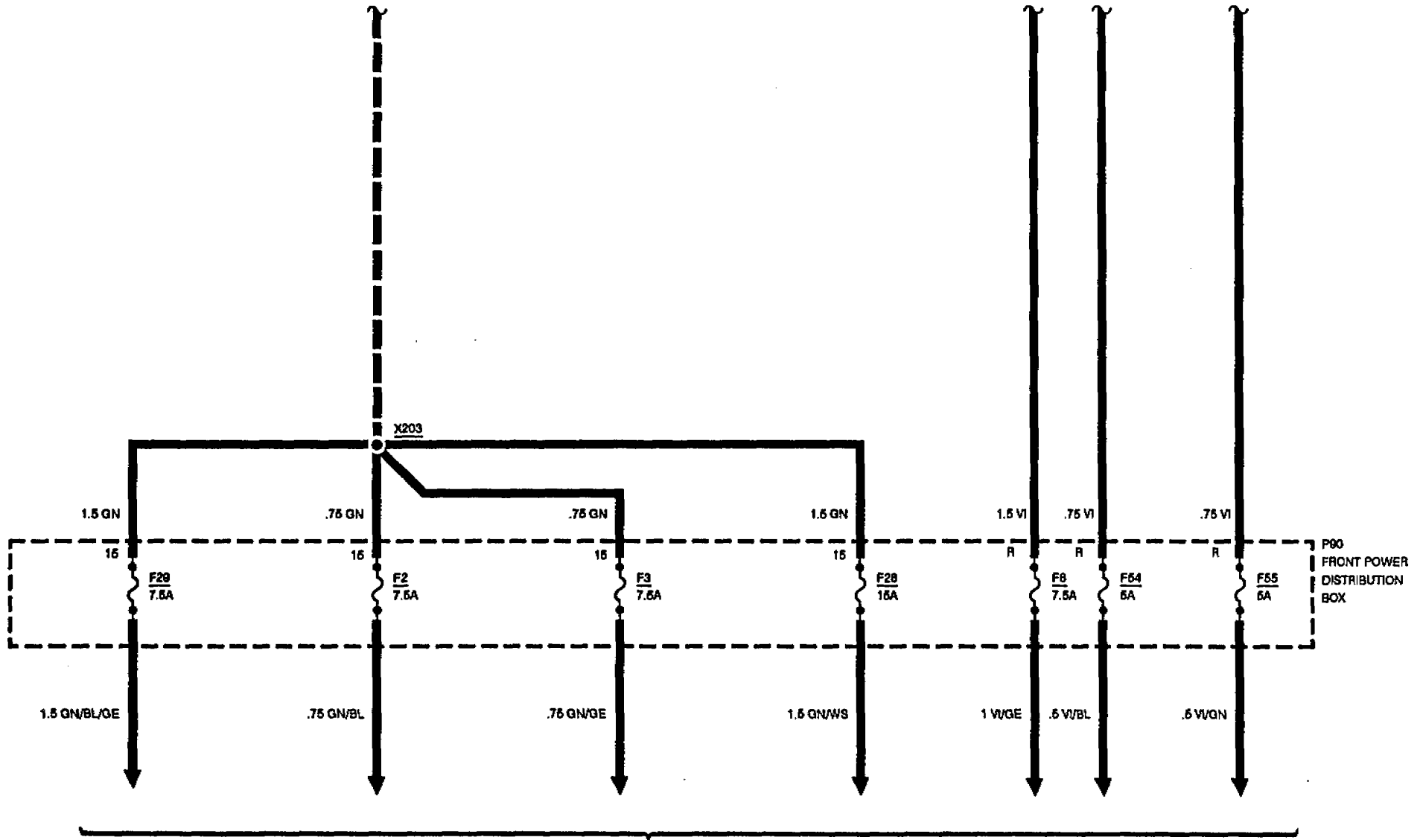
1994



# POWER DISTRIBUTION

## FRONT POWER DISTRIBUTION BOX



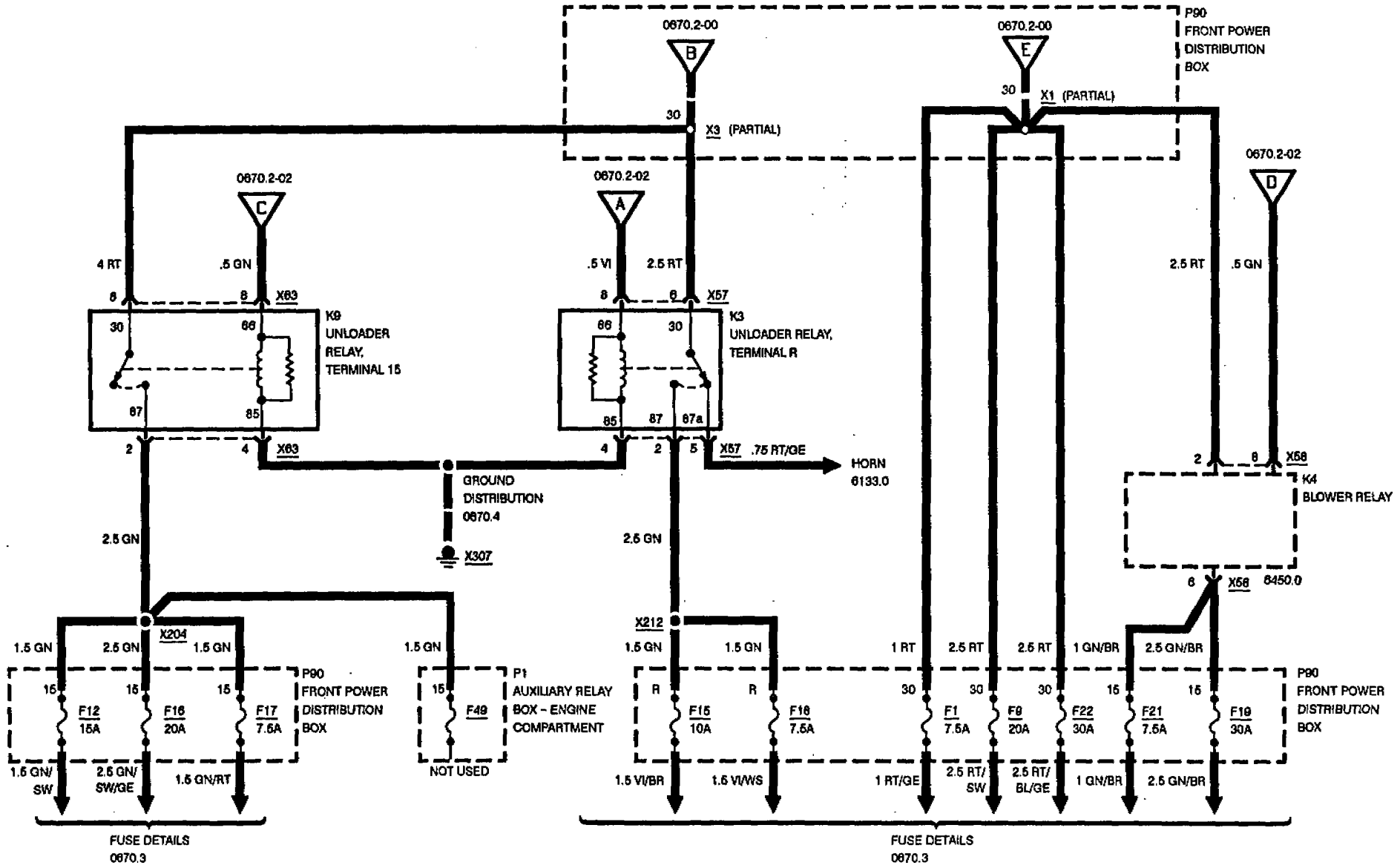


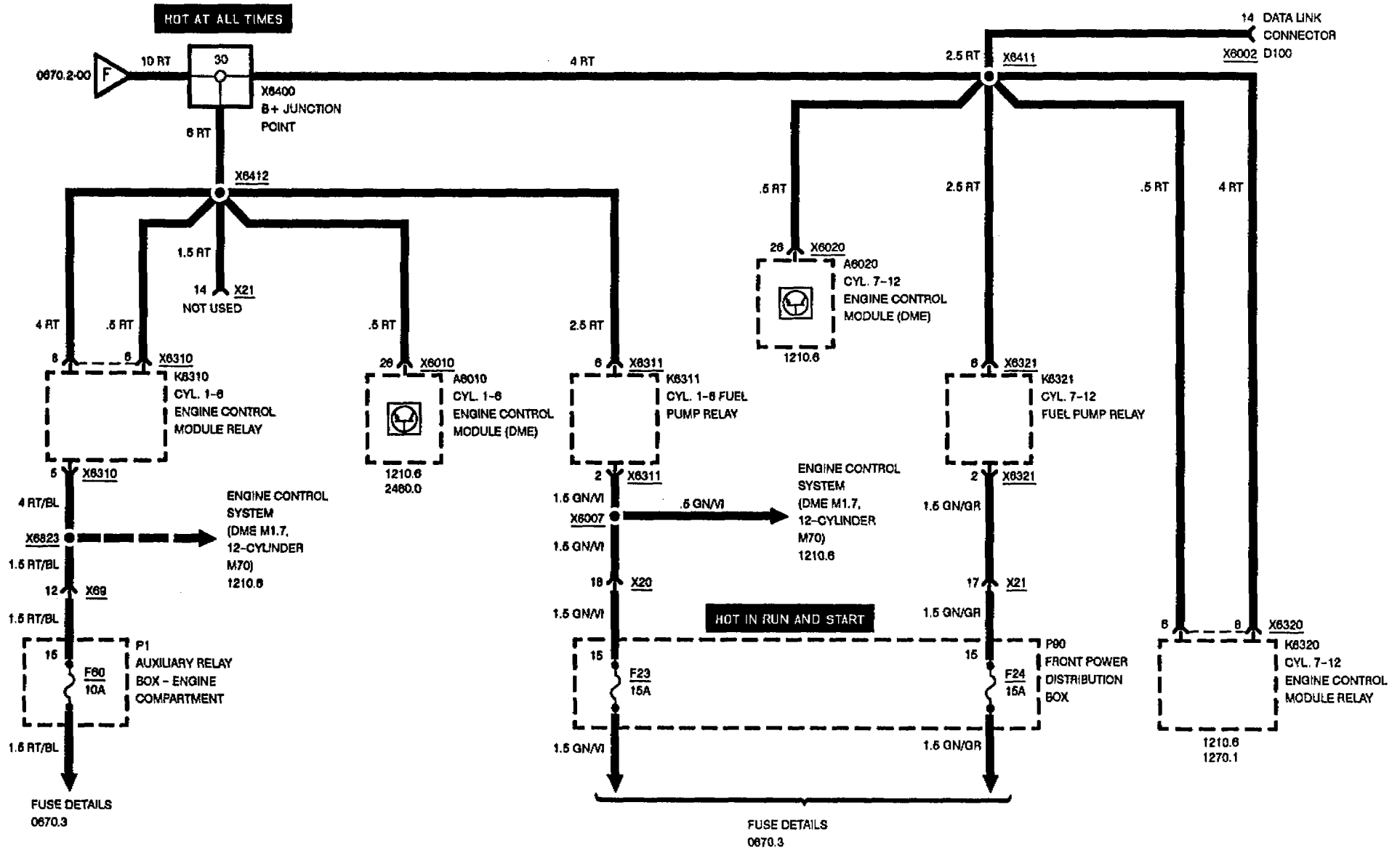
FUSE DETAILS  
0670.3



# POWER DISTRIBUTION

## FRONT POWER DISTRIBUTION BOX



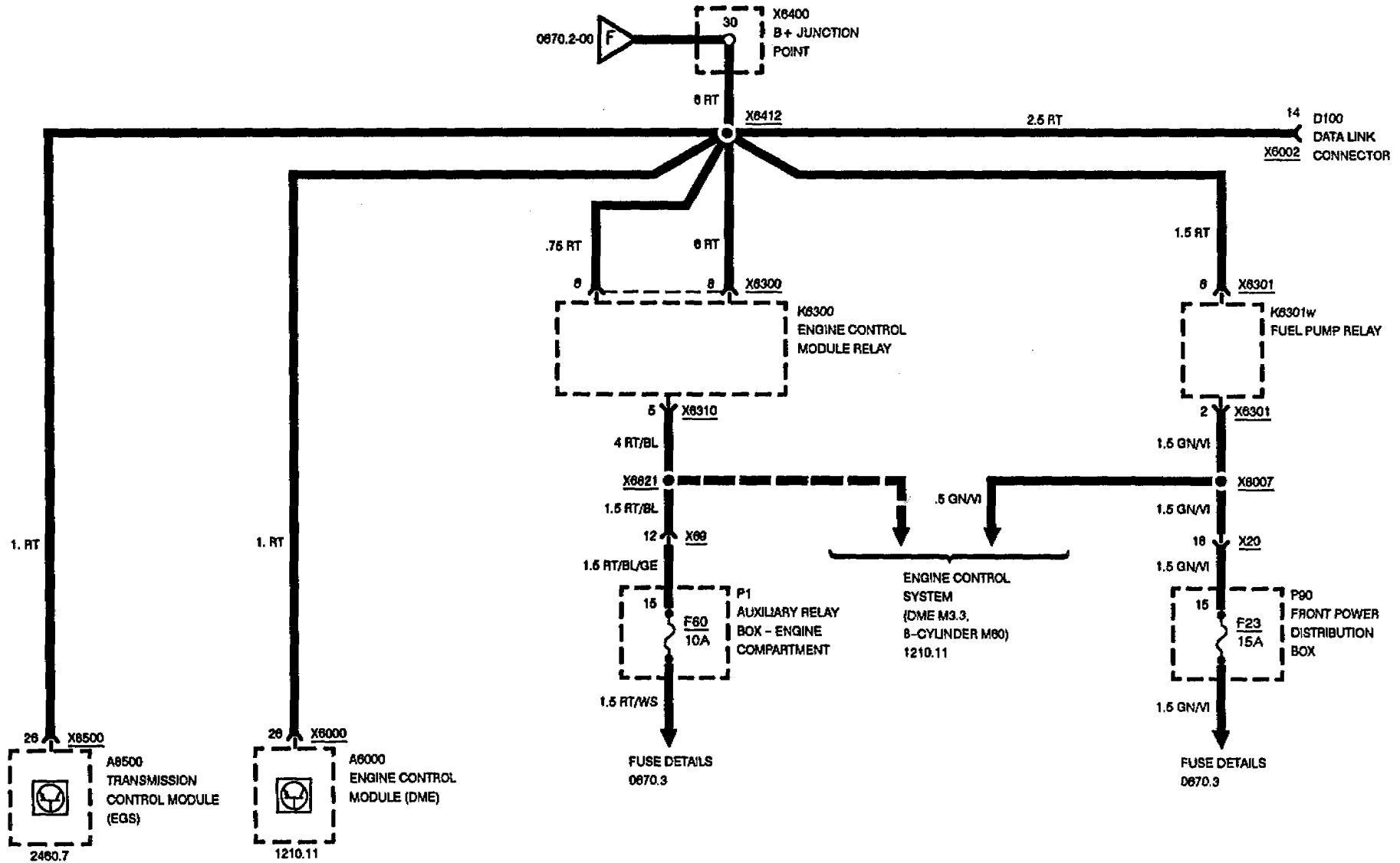






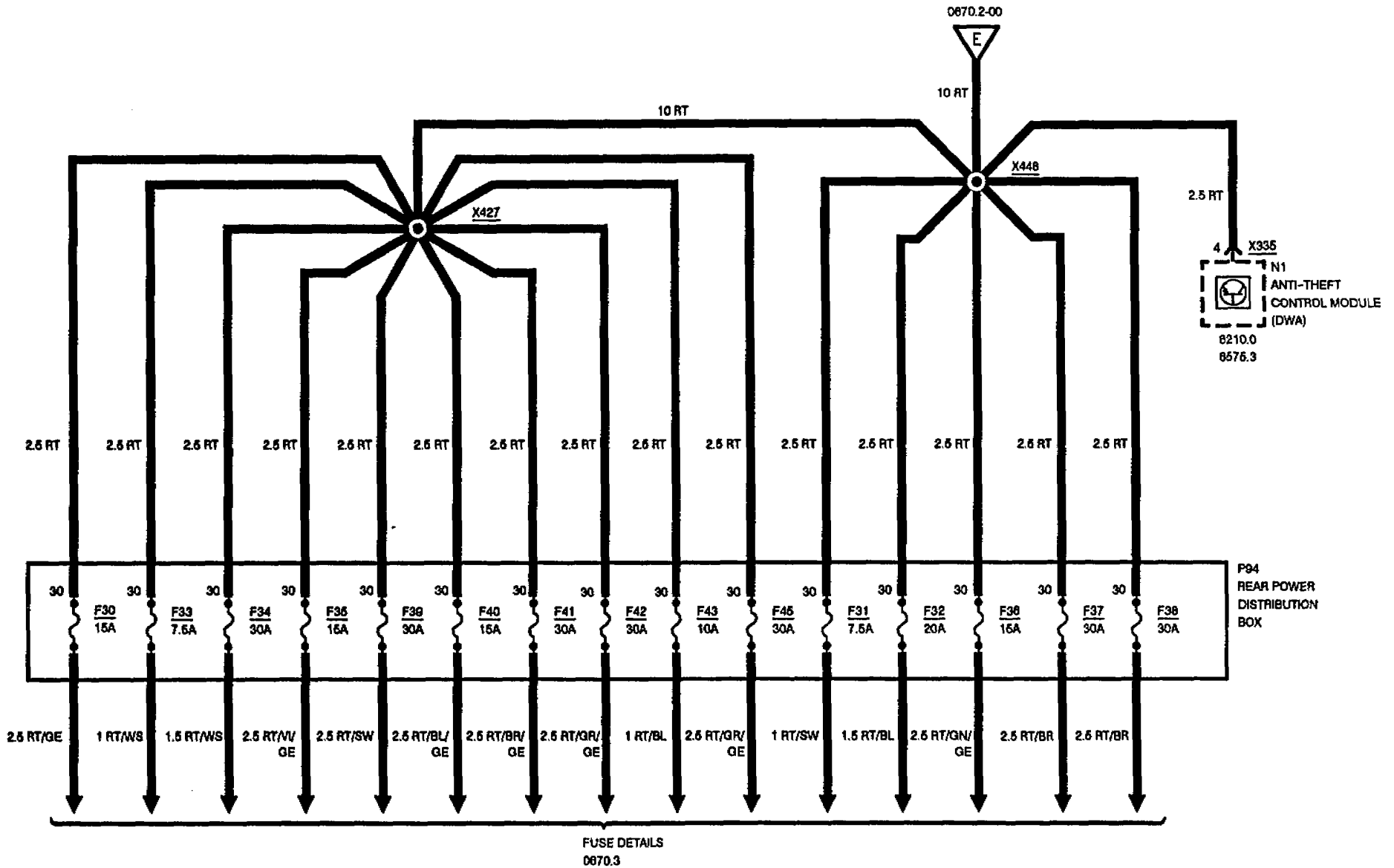
# POWER DISTRIBUTION

## 840Ci





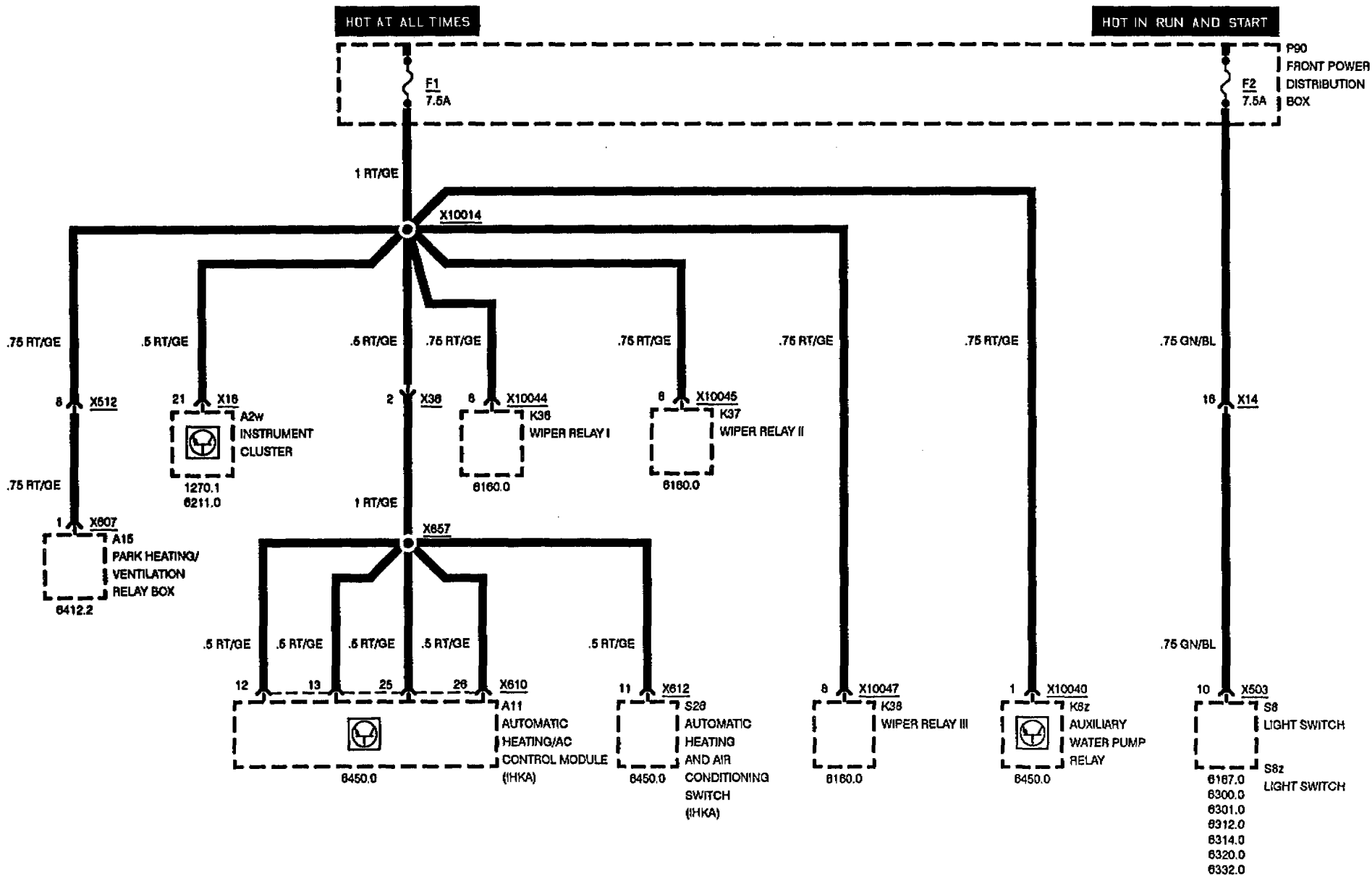
# POWER DISTRIBUTION





# FUSE DETAILS

## FUSES 1 AND 2



09/93

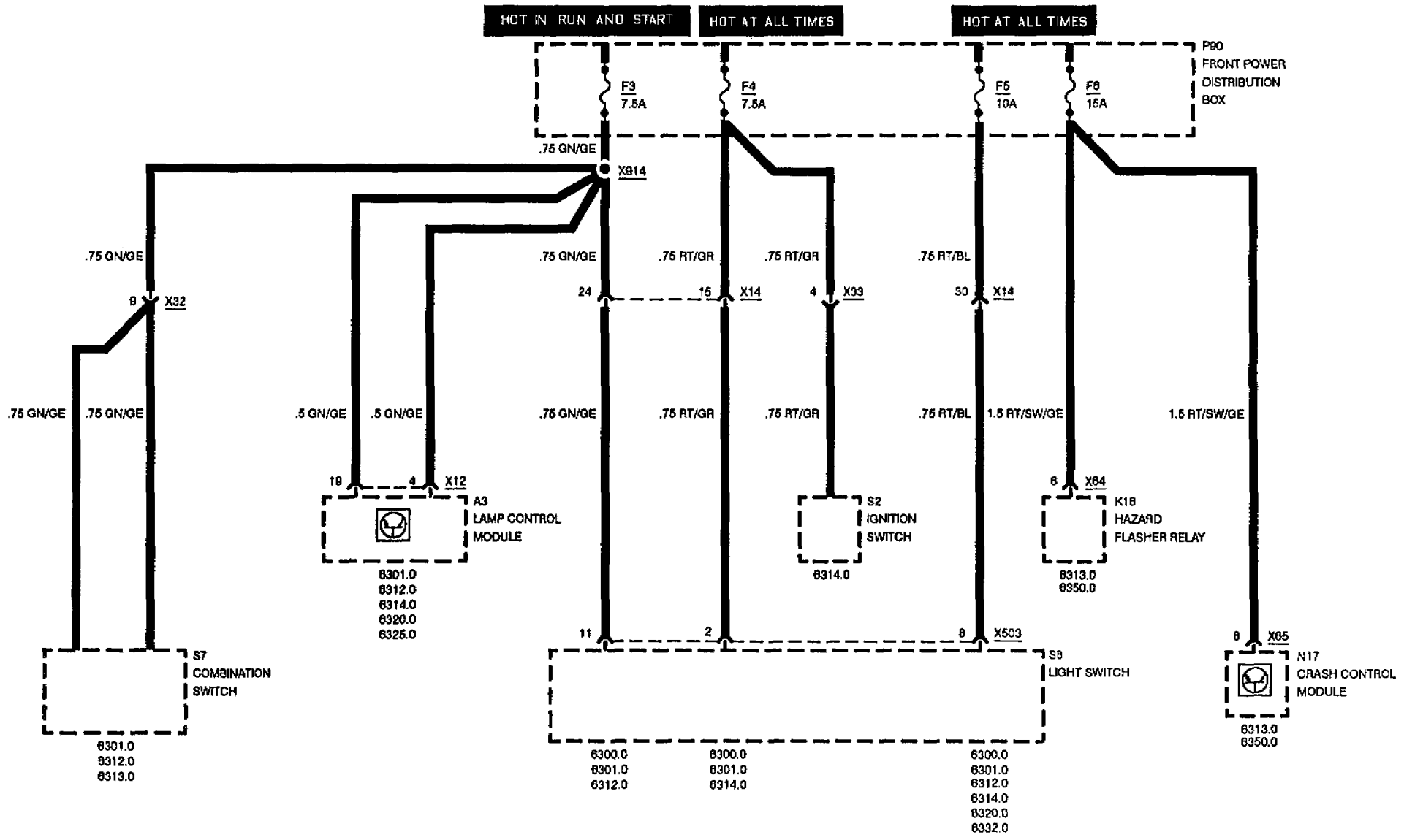
0670.3-00

1994



# FUSE DETAILS

## FUSES 3, 4, 5, AND 6



09/93

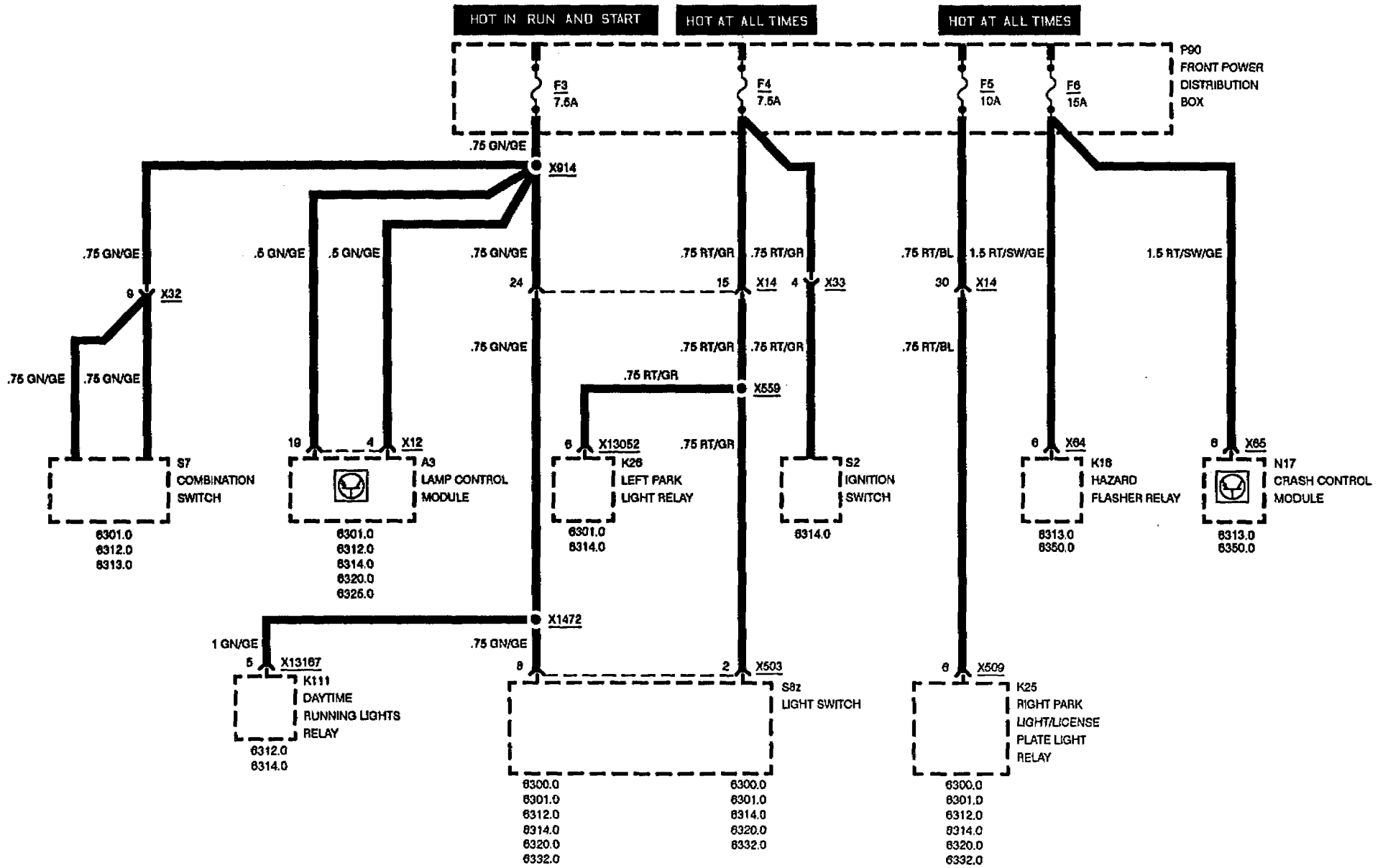
0670.3-01

1994



# FUSE DETAILS

## FUSES 3, 4, 5, AND 6



09/93

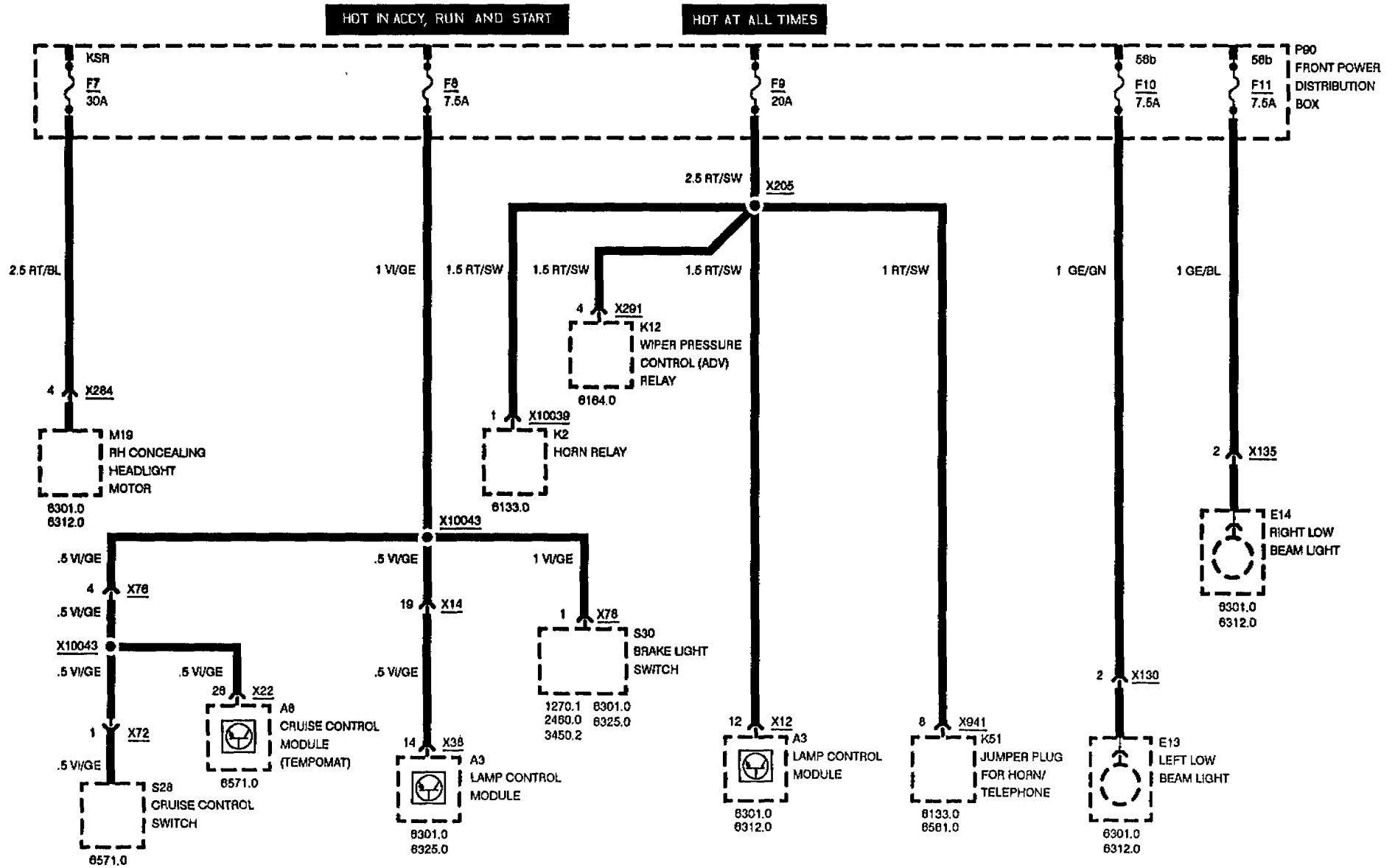
0670.3-02

1994



# FUSE DETAILS

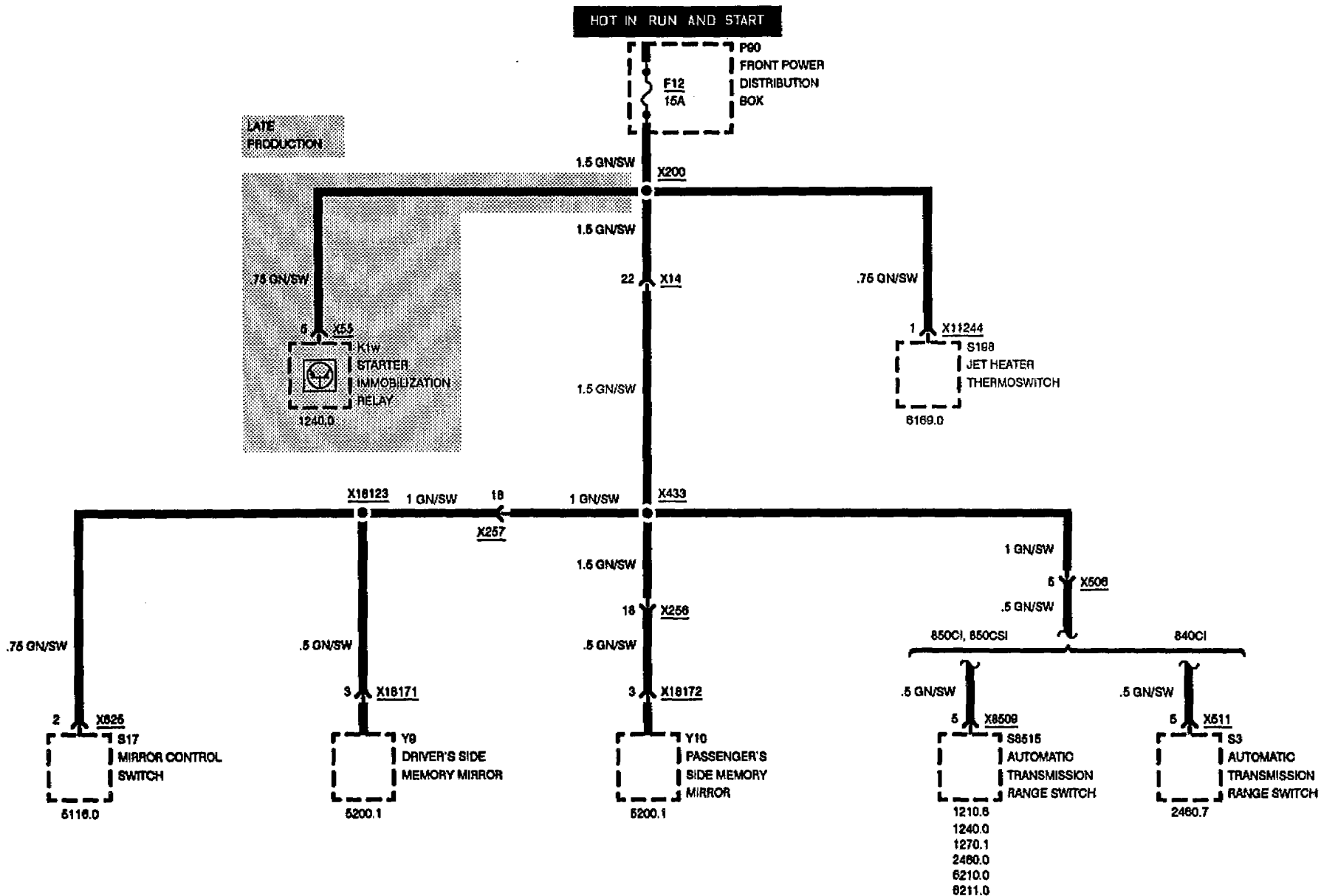
## FUSES 7, 8, 9, 10, AND 11





# FUSE DETAILS

## FUSE 12



12/94

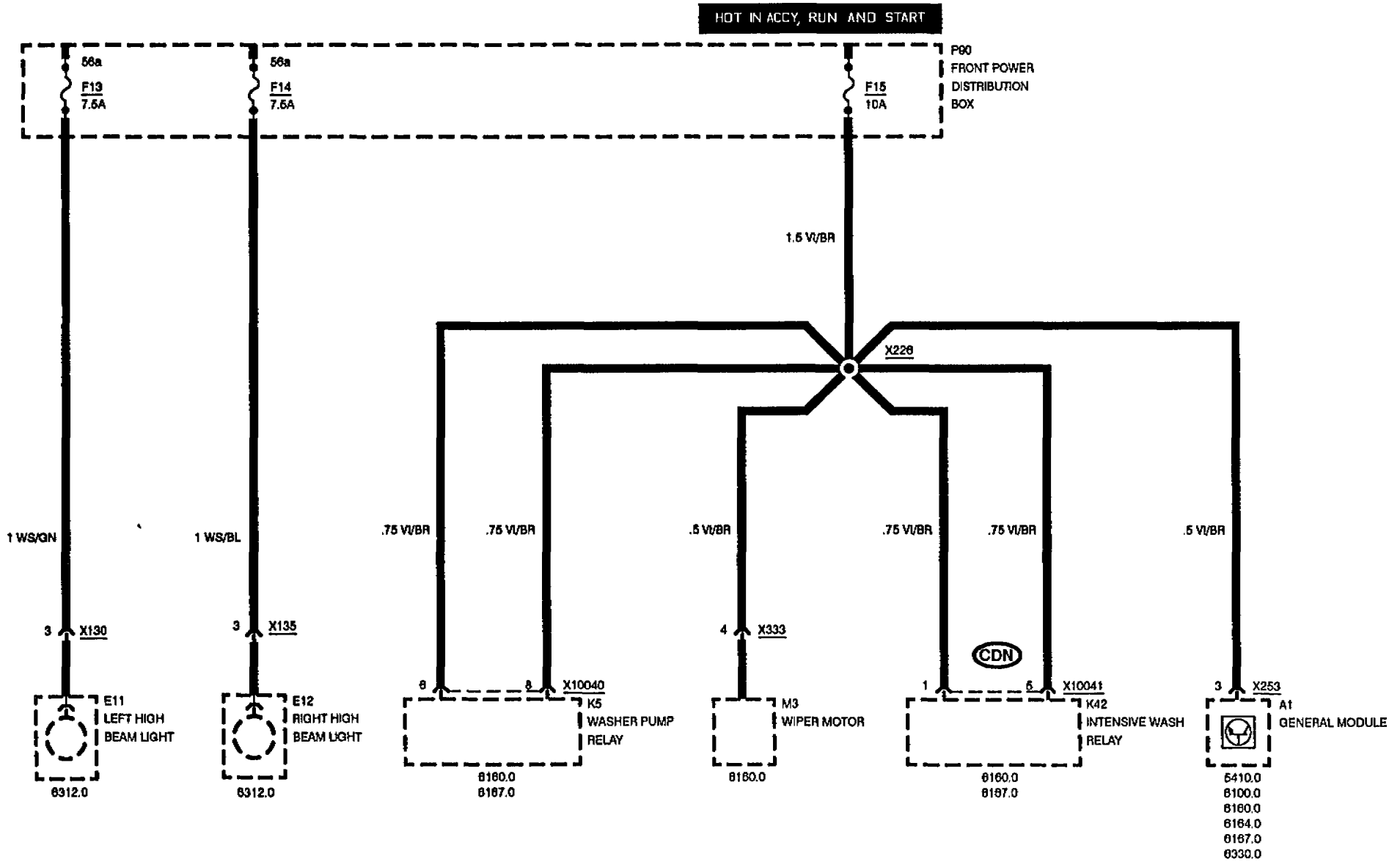
0670.3-04

1994



# FUSE DETAILS

## FUSES 13, 14, AND 15

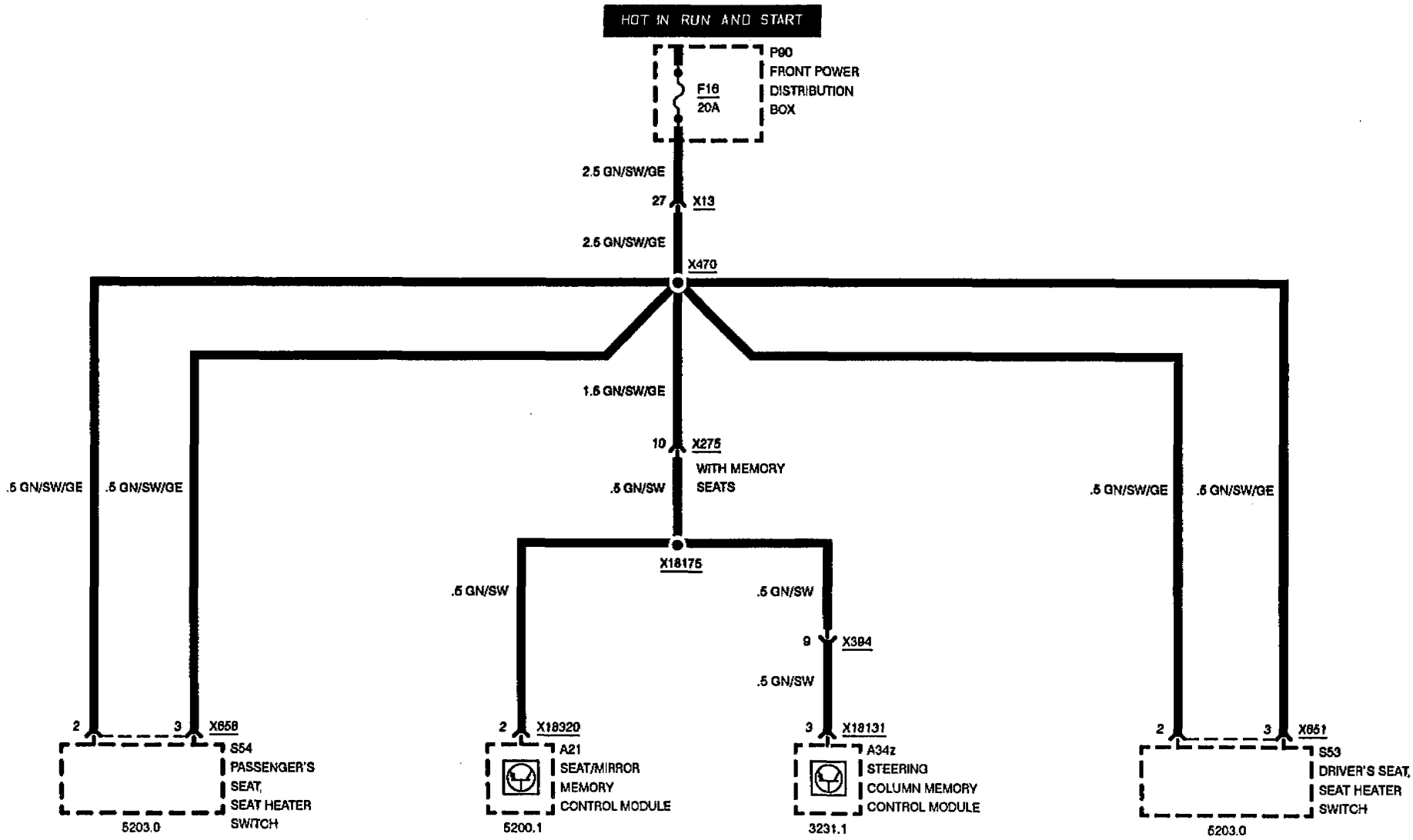






# FUSE DETAILS

## FUSE 16



09/93

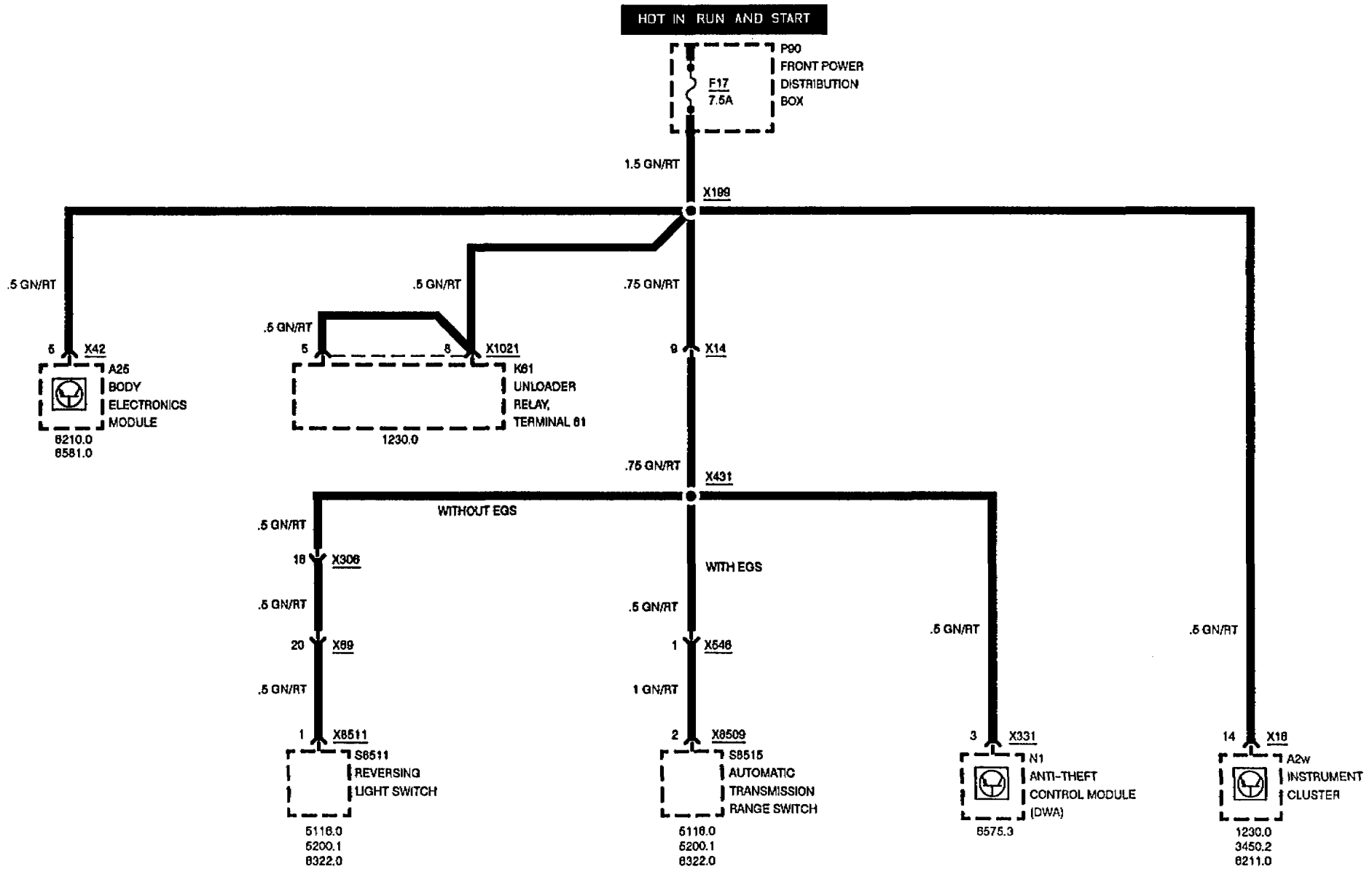
0670.3-06

1994



# FUSE DETAILS

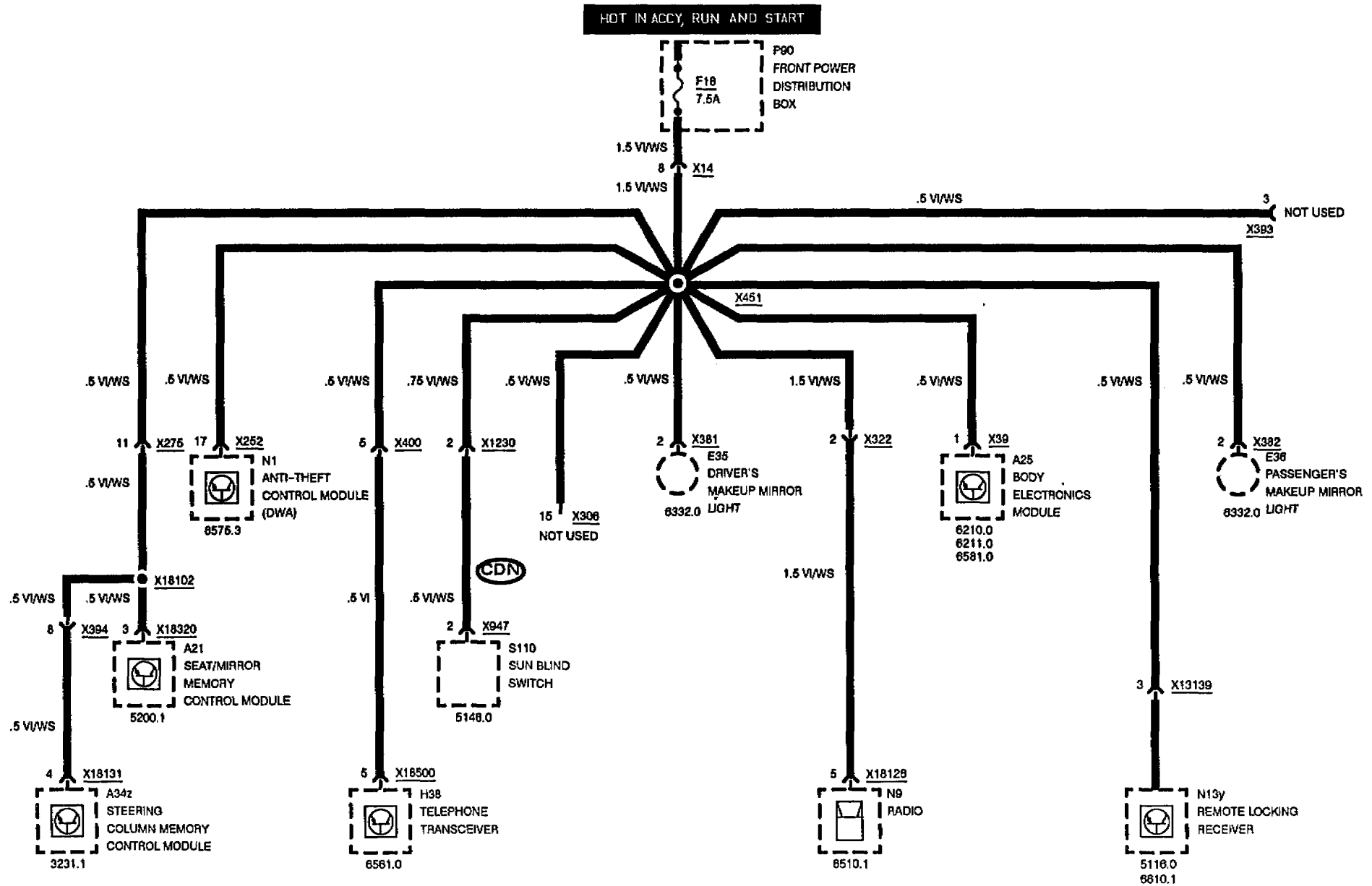
## FUSE 17





# FUSE DETAILS

## FUSE 18



09/93

0670.3-08

1994

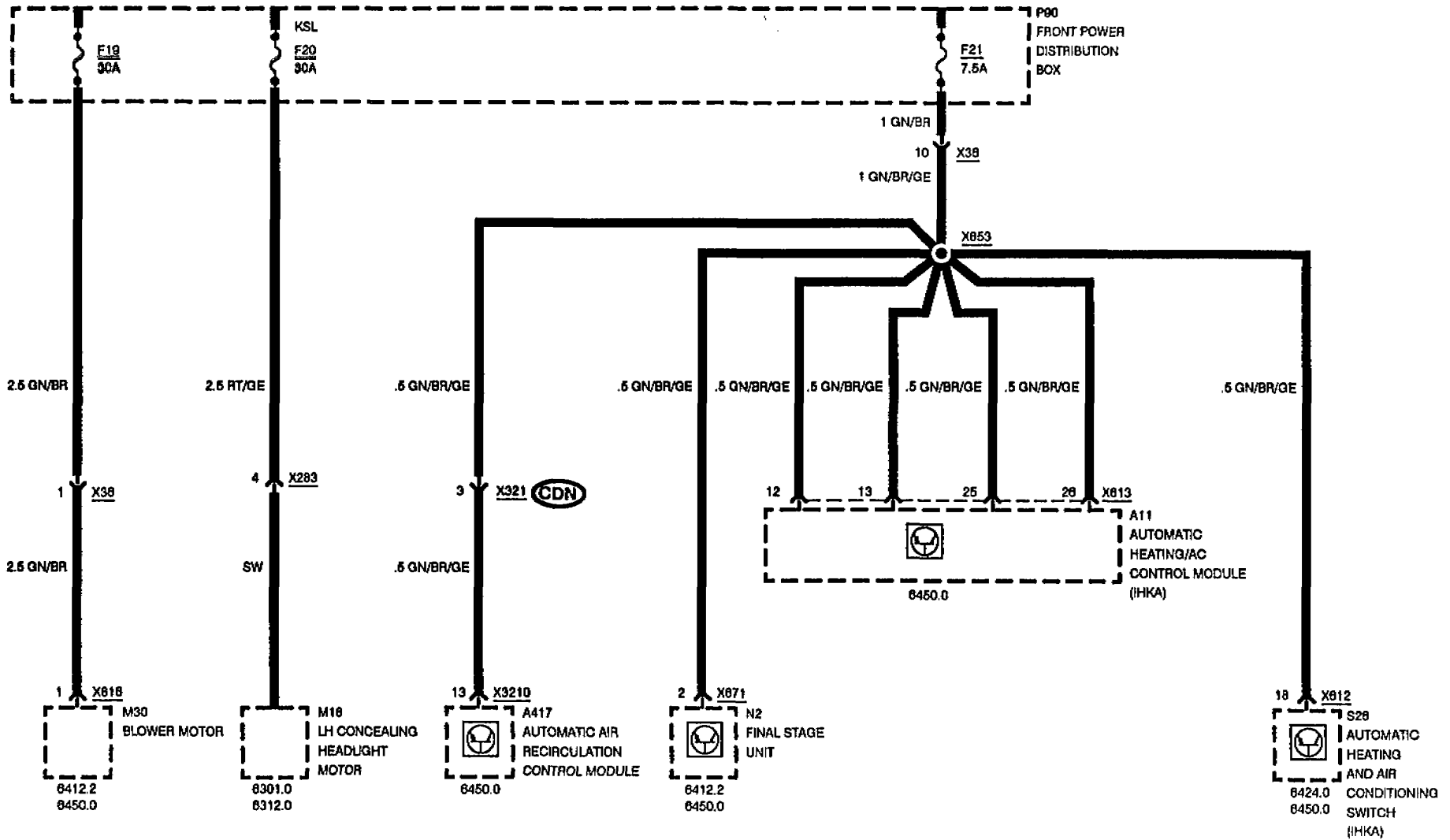


# FUSE DETAILS

## FUSES 19, 20, AND 21

HOT IN RUN AND START

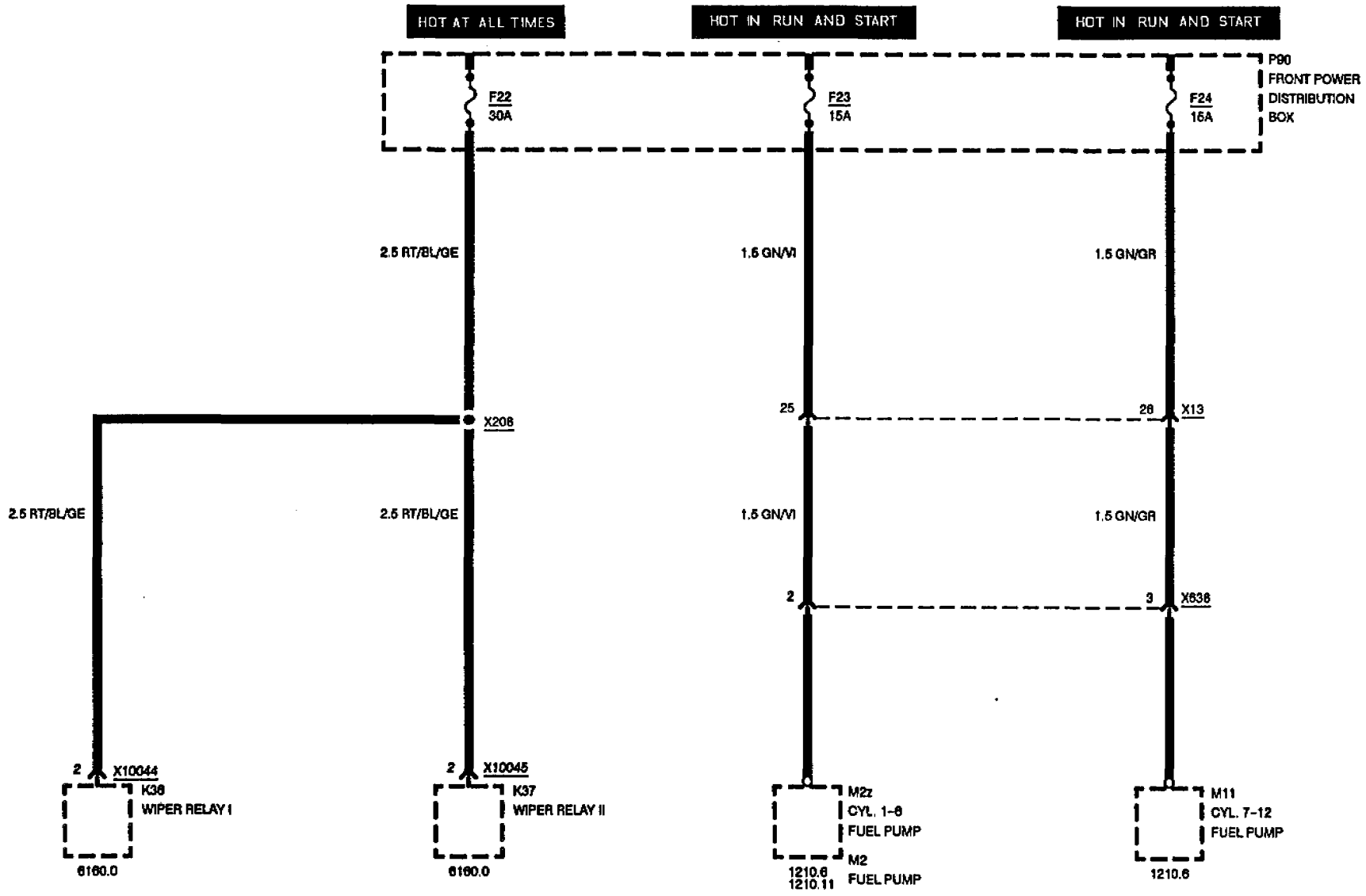
HOT IN RUN AND START





# FUSE DETAILS

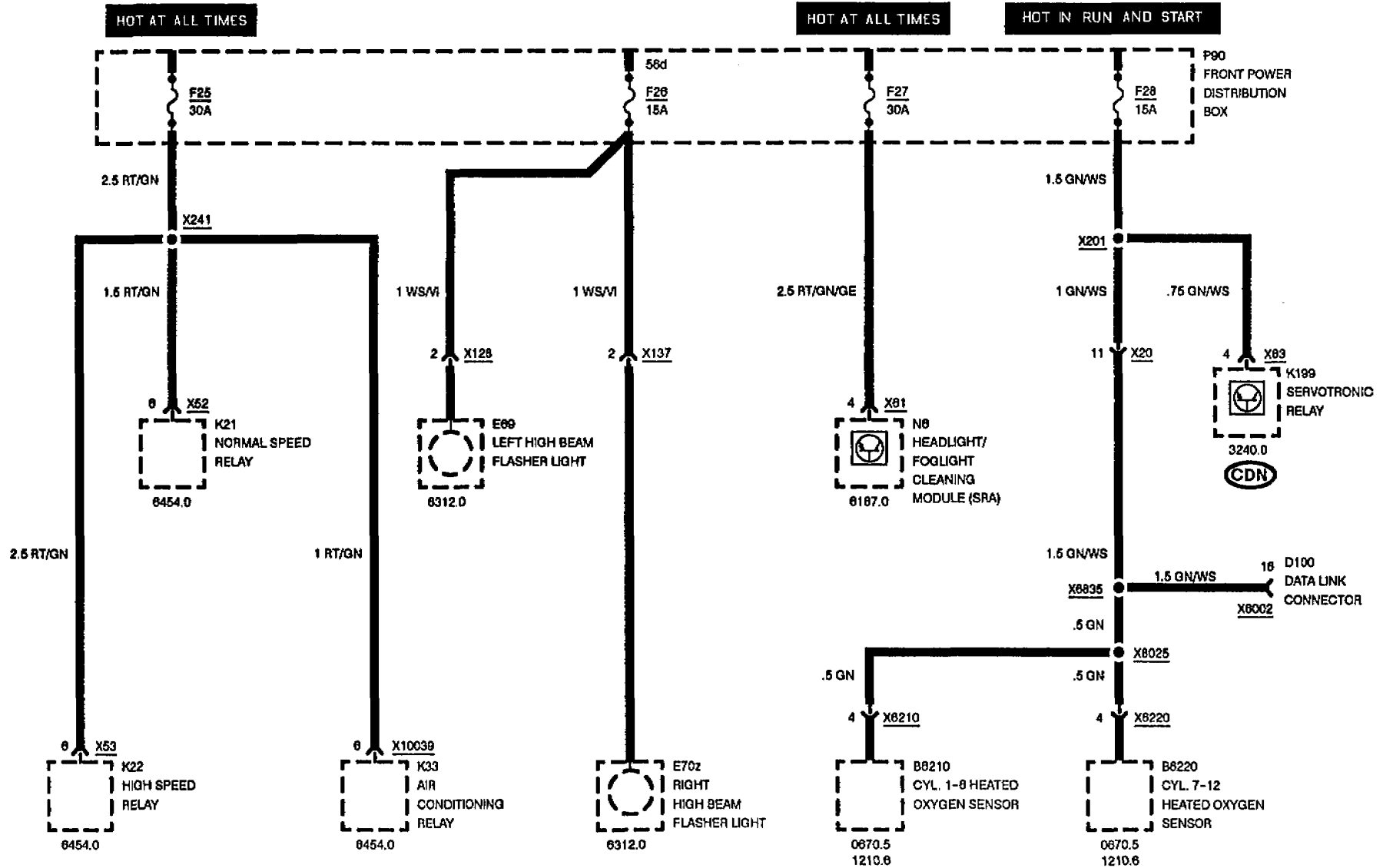
## FUSES 22, 23, AND 24



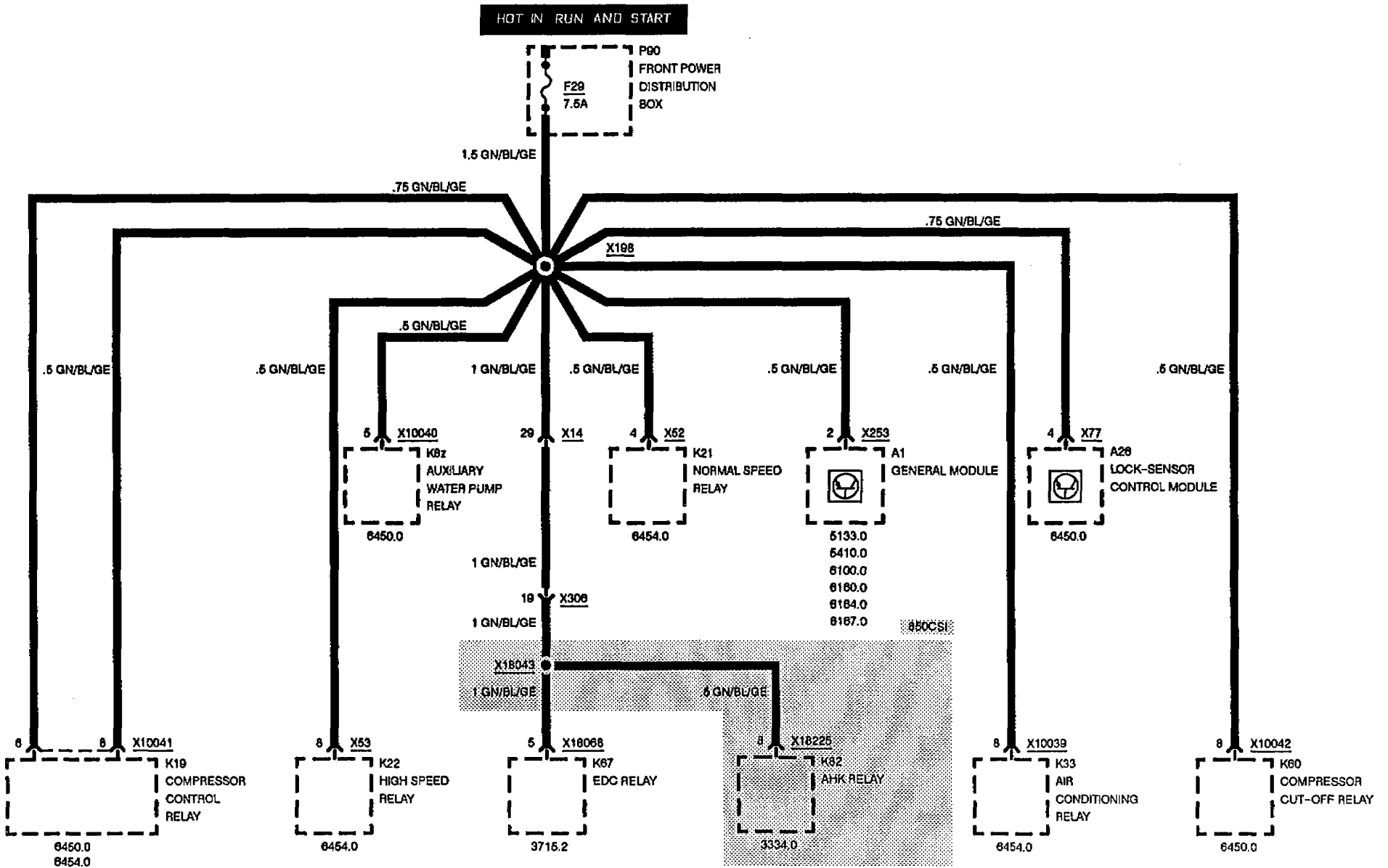


# FUSE DETAILS

## FUSES 25, 26, 27, AND 28



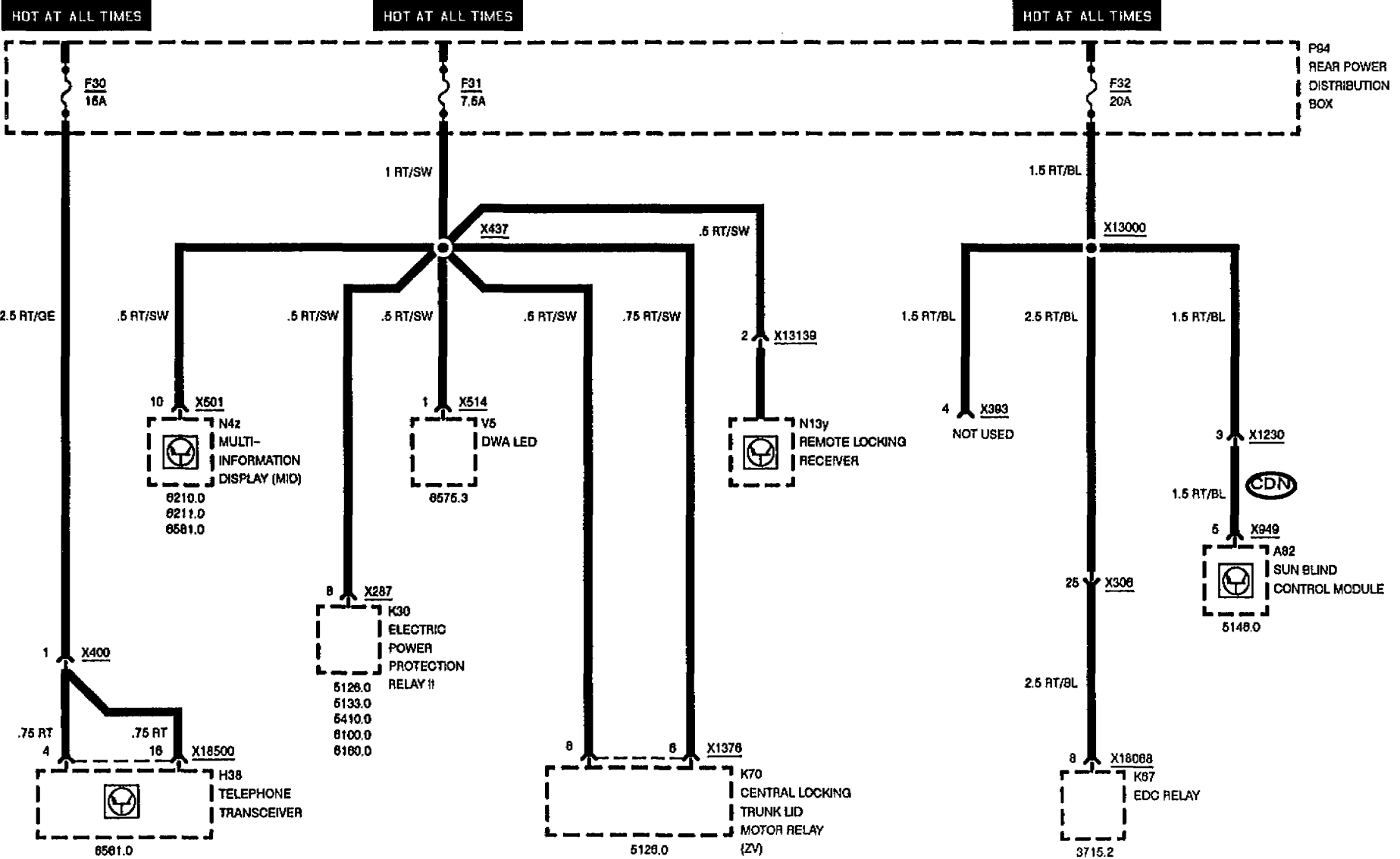
**BMW**  
**8** FUSE DETAILS  
FUSE 29





# FUSE DETAILS

## FUSES 30, 31, AND 32



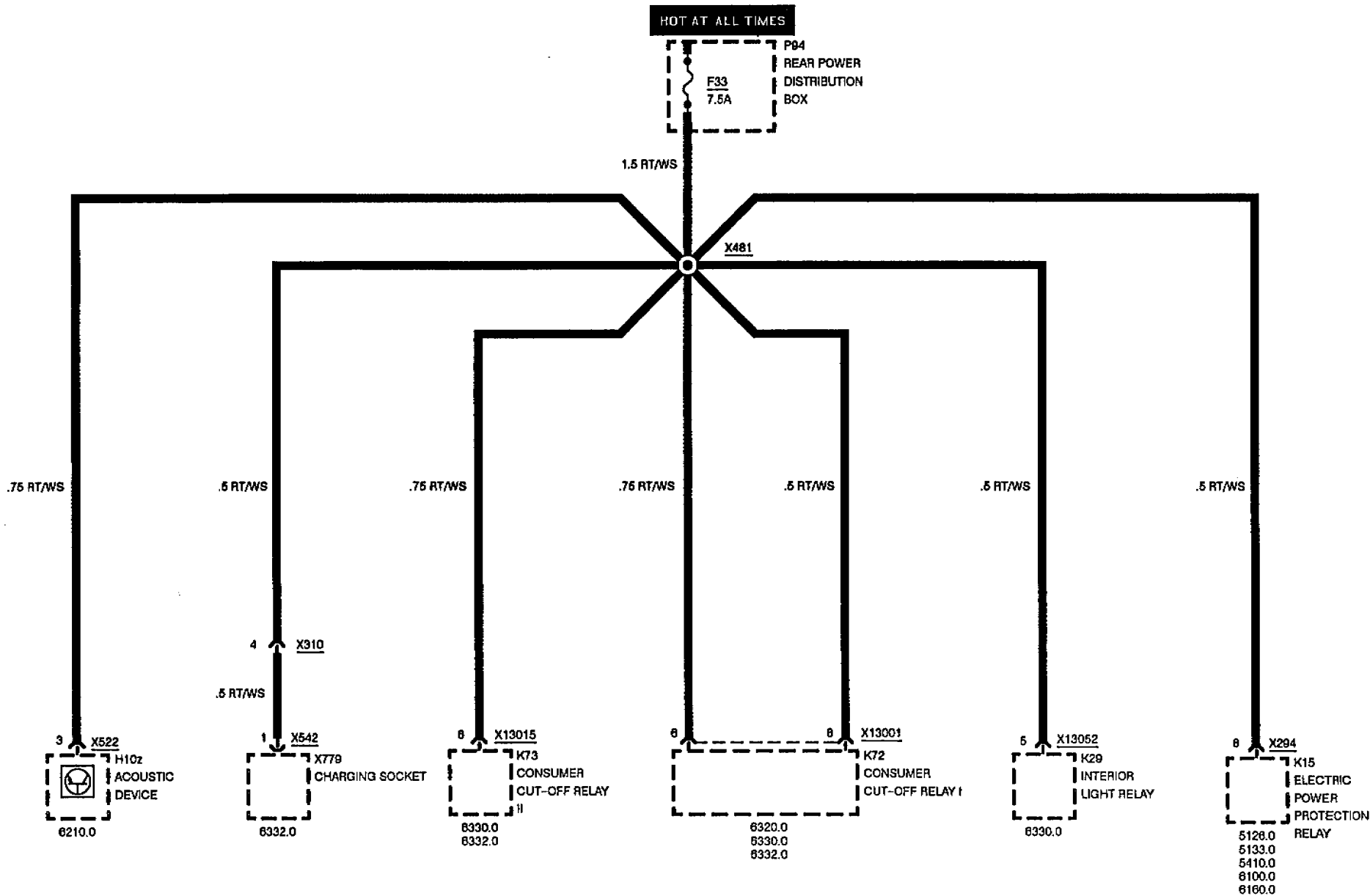
09/93

0670.3-13

1994



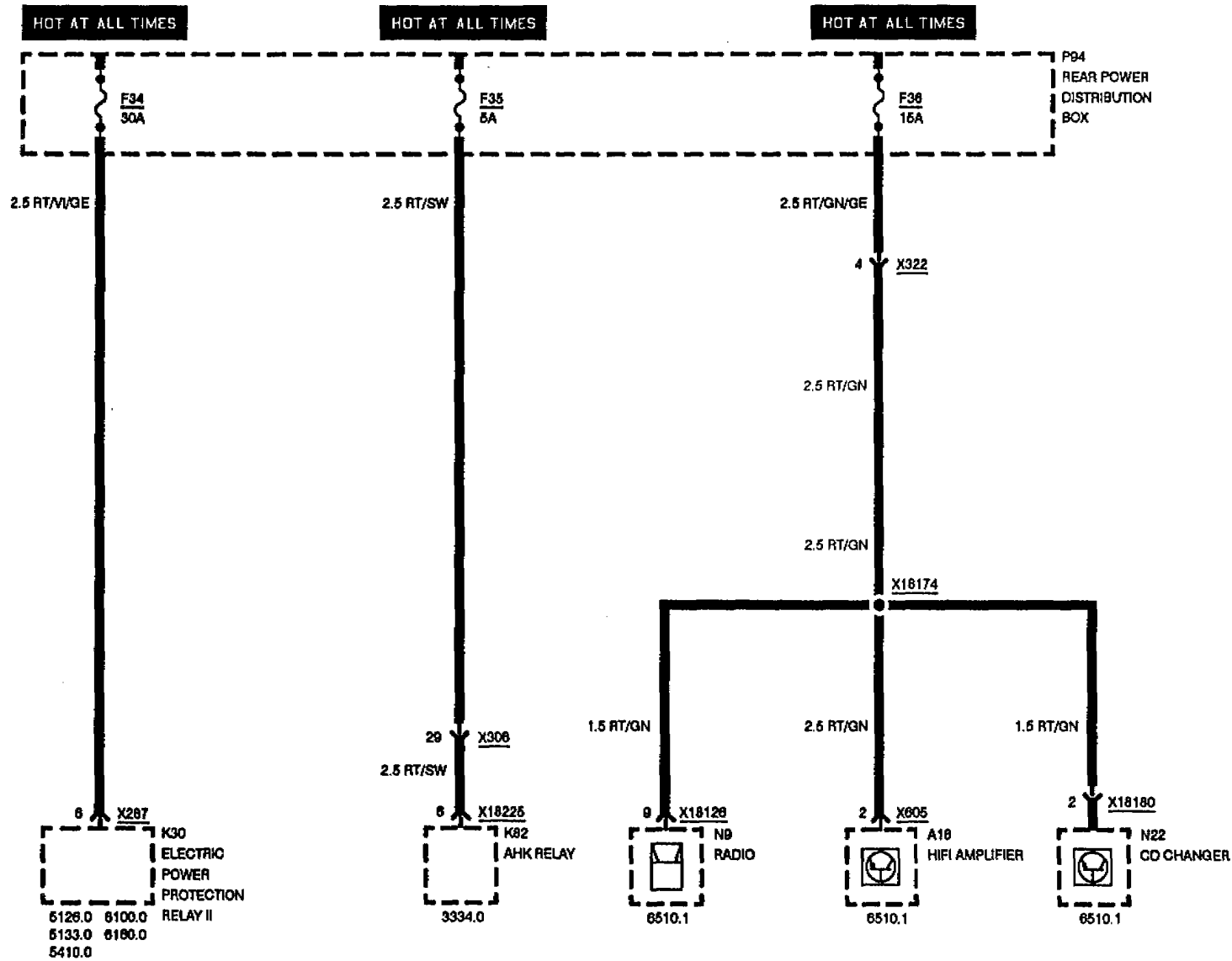
**BMW**  
**8** **FUSE DETAILS**  
**FUSE 33**





# FUSE DETAILS

## FUSES 34, 35, AND 36

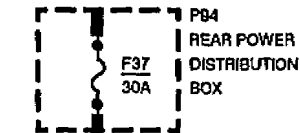




# FUSE DETAILS

## FUSE 37

HOT AT ALL TIMES



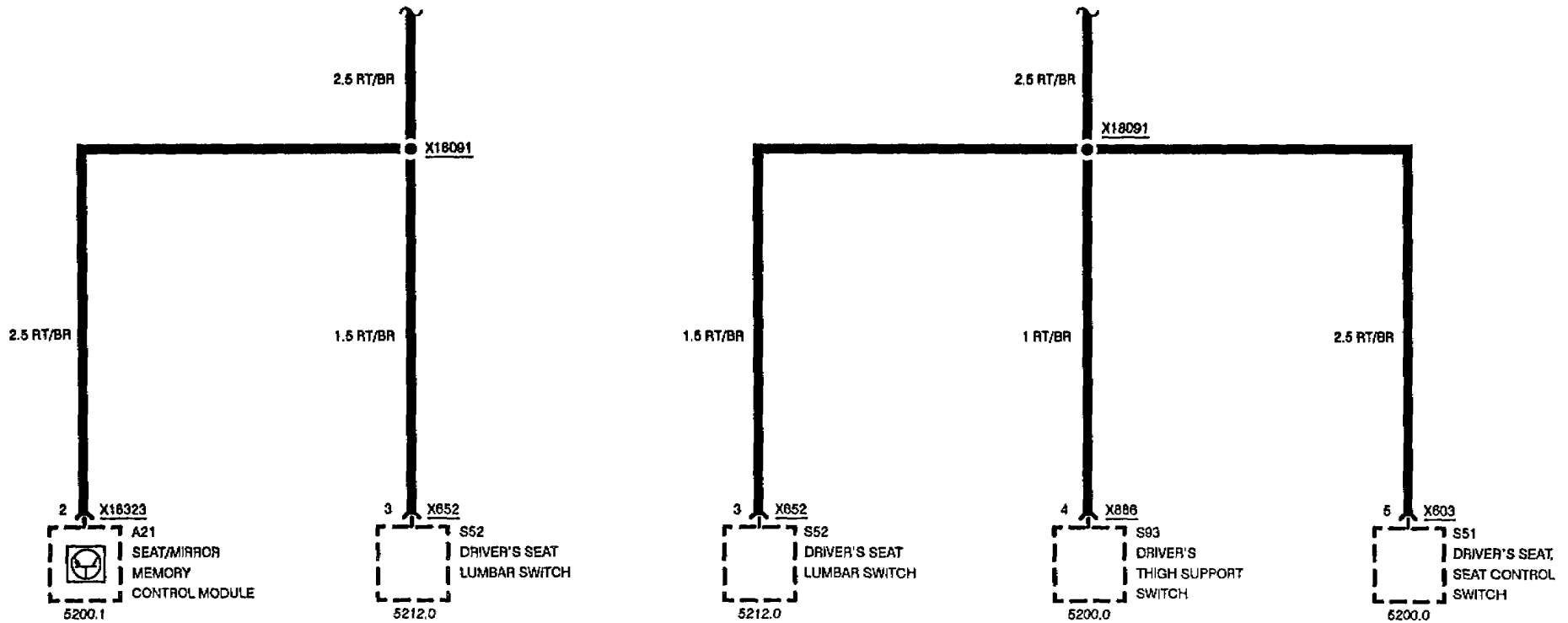
2.5 RT/BR

2

2.5 RT/BR

WITH MEMORY

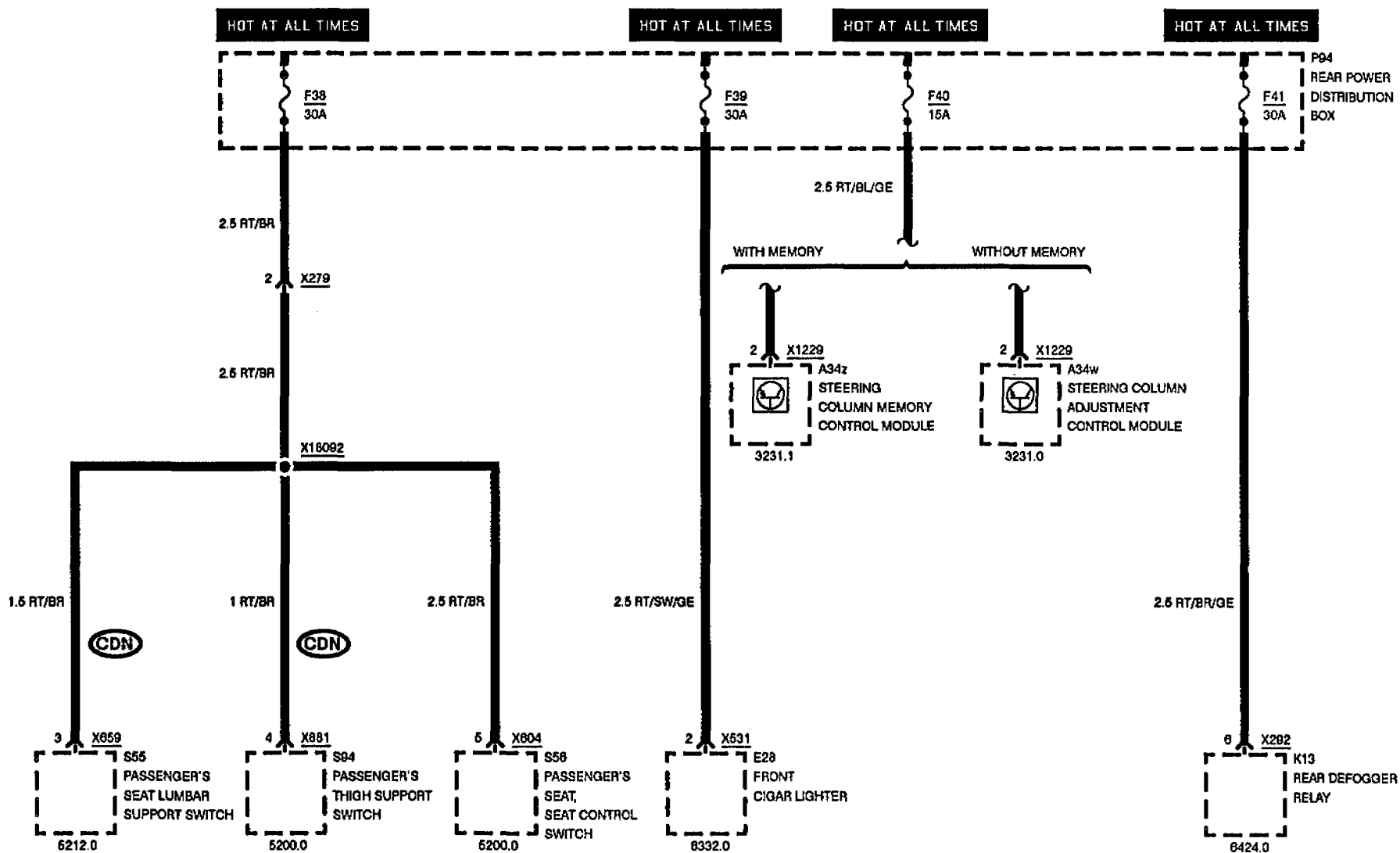
WITHOUT MEMORY





# FUSE DETAILS

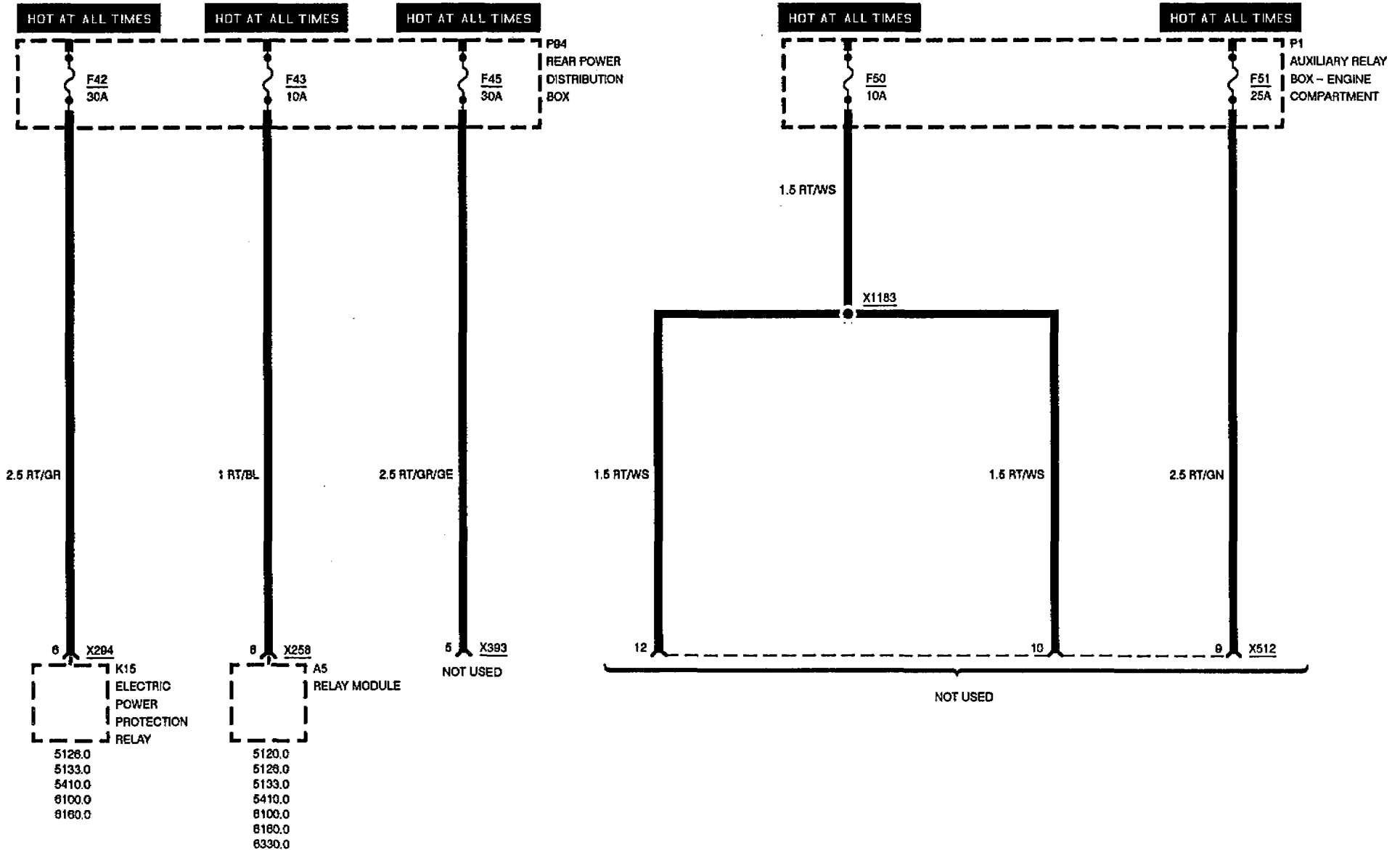
## FUSES 38, 39, 40, AND 41





# FUSE DETAILS

## FUSES 42, 43, 45, 50, AND 51





# FUSE DETAILS

## FUSES 54, 55, 60, 62, AND 65

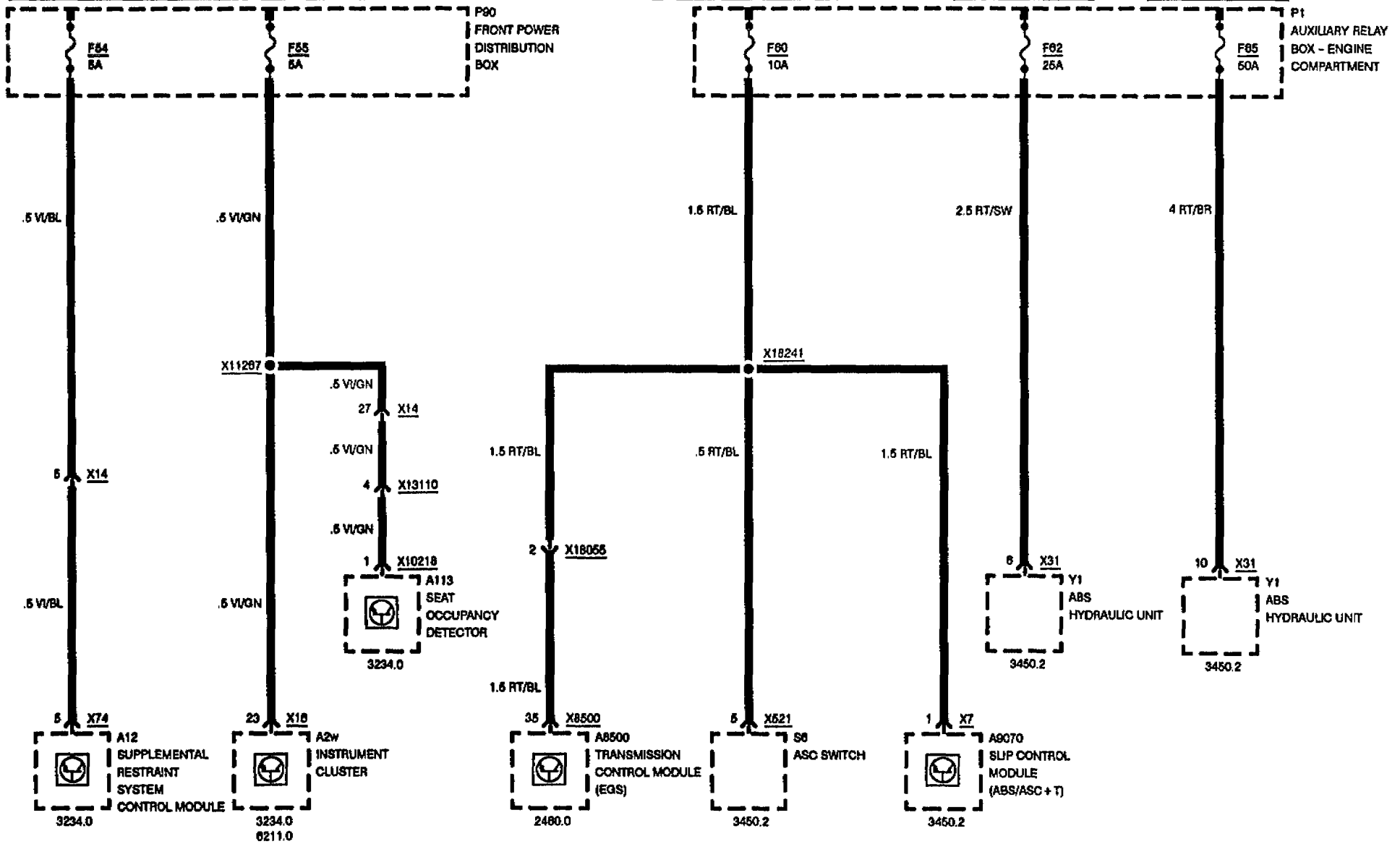
HOT IN ACCY, RUN AND START

HOT IN ACCY, RUN AND START

HOT IN RUN AND START

HOT AT ALL TIMES

HOT AT ALL TIMES

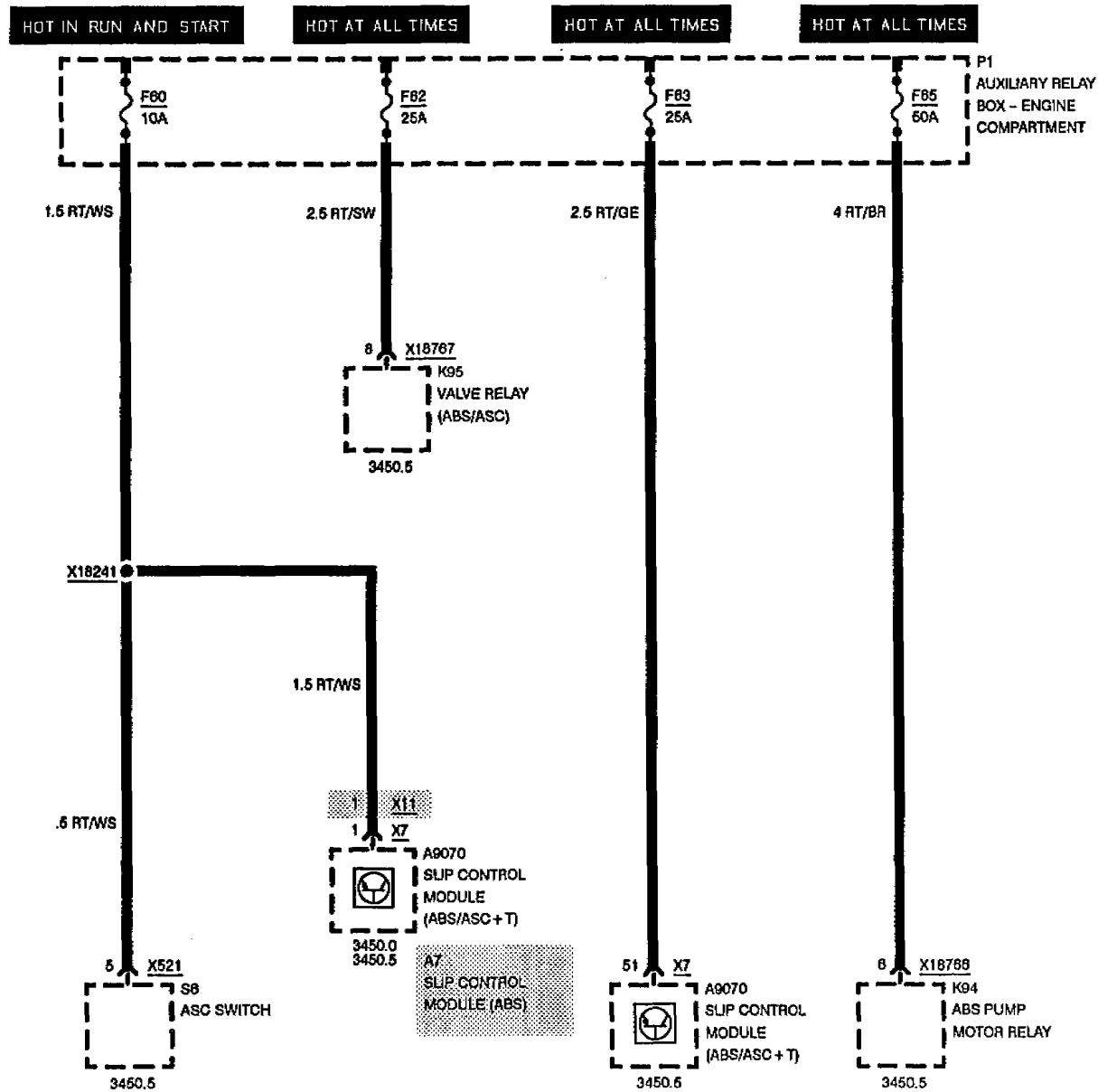




# FUSE DETAILS

840Ci

## FUSES 60, 62, 63, AND 65



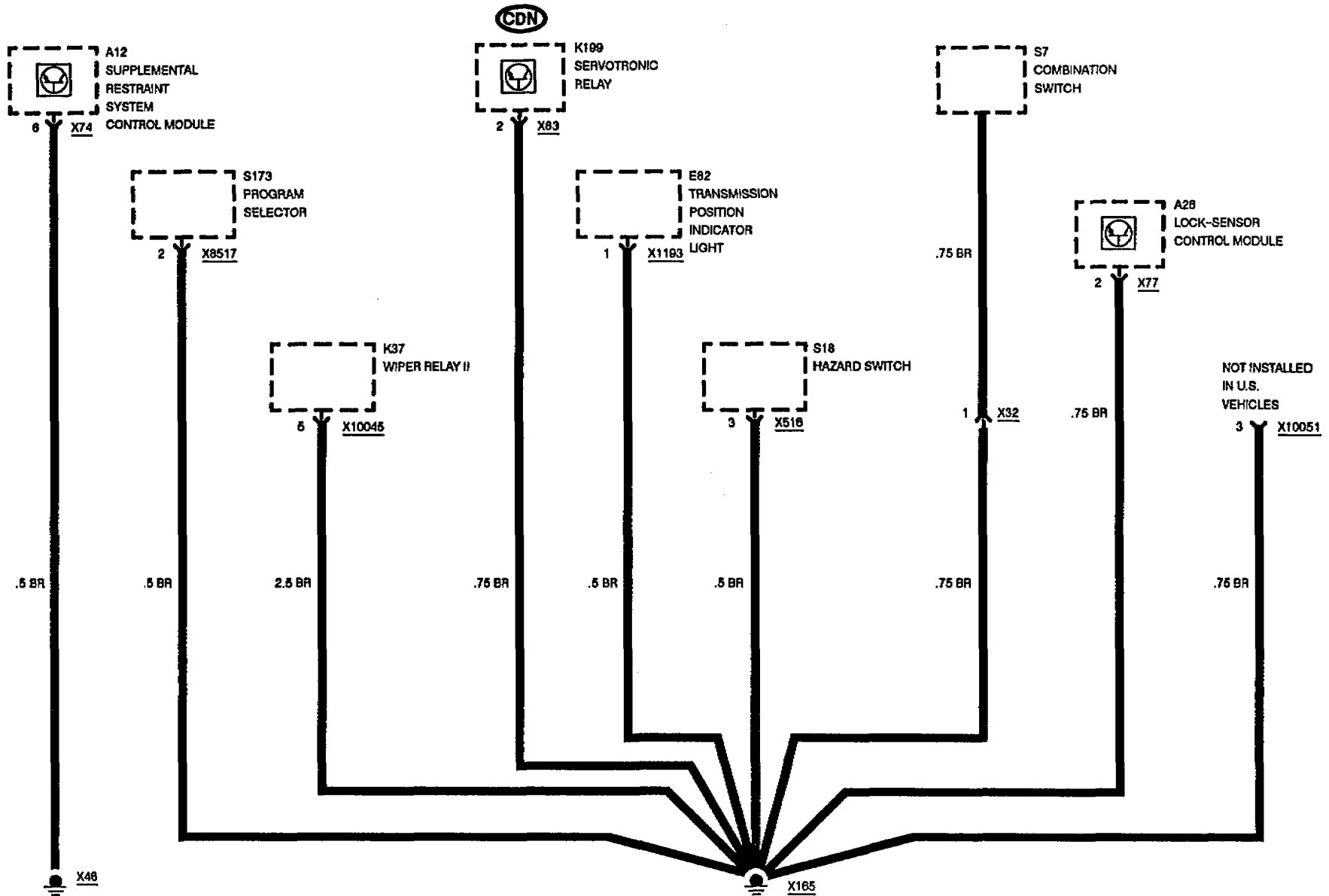
BMW  
8

0670.4





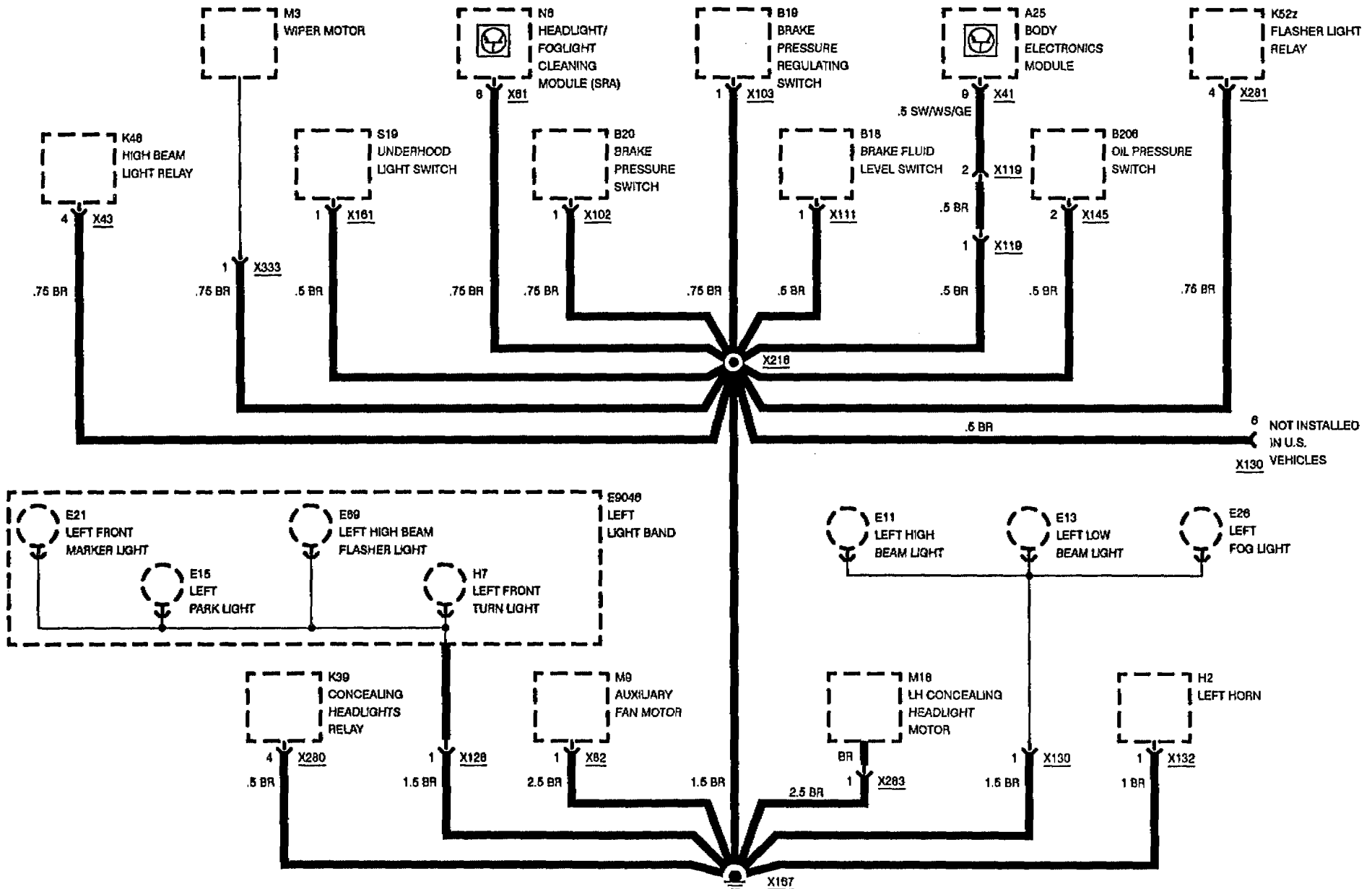
# GROUND DISTRIBUTION GROUNDS X46 AND X165





# GROUND DISTRIBUTION

## GROUND X167

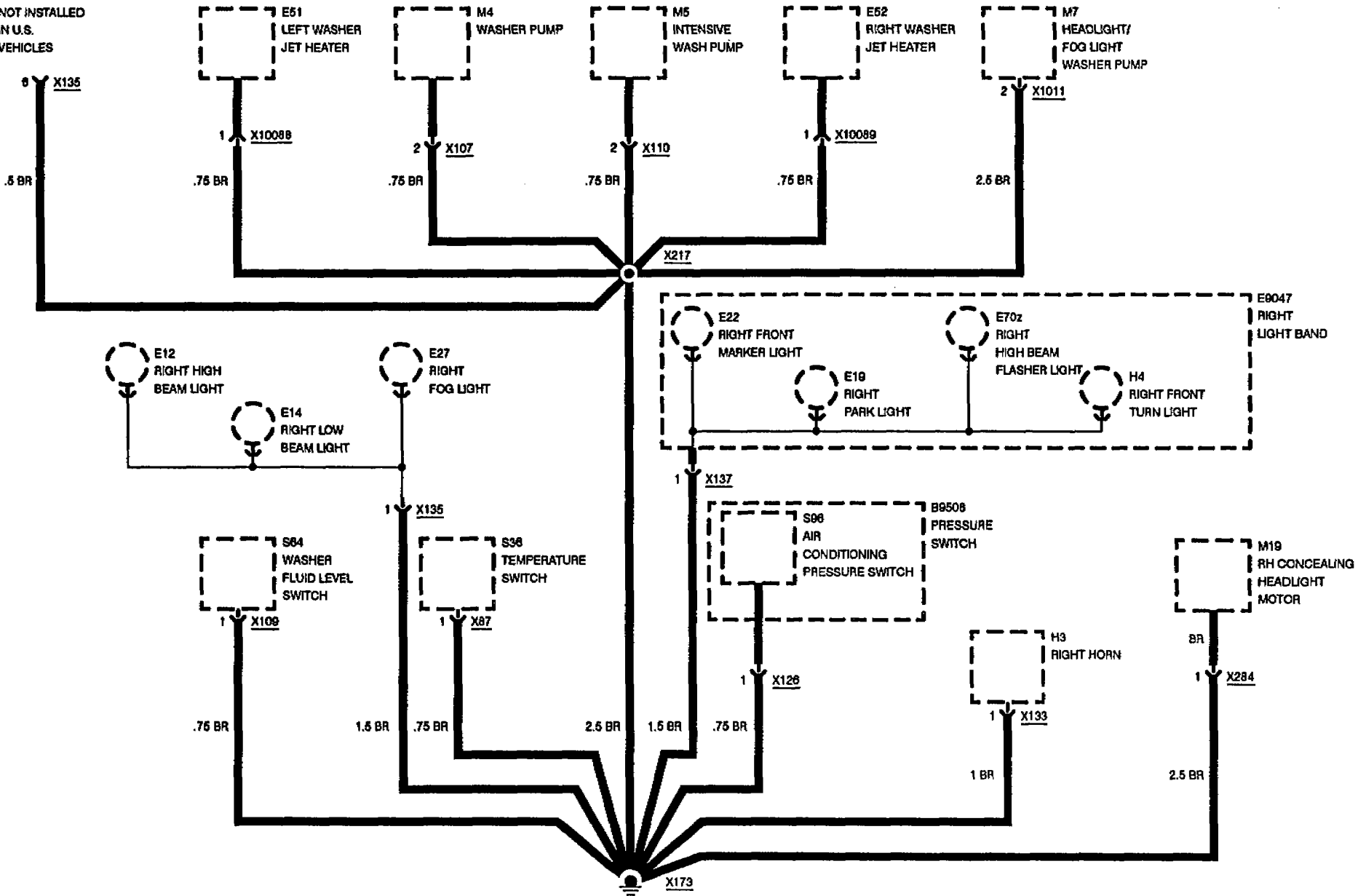




# GROUND DISTRIBUTION

## GROUND X173

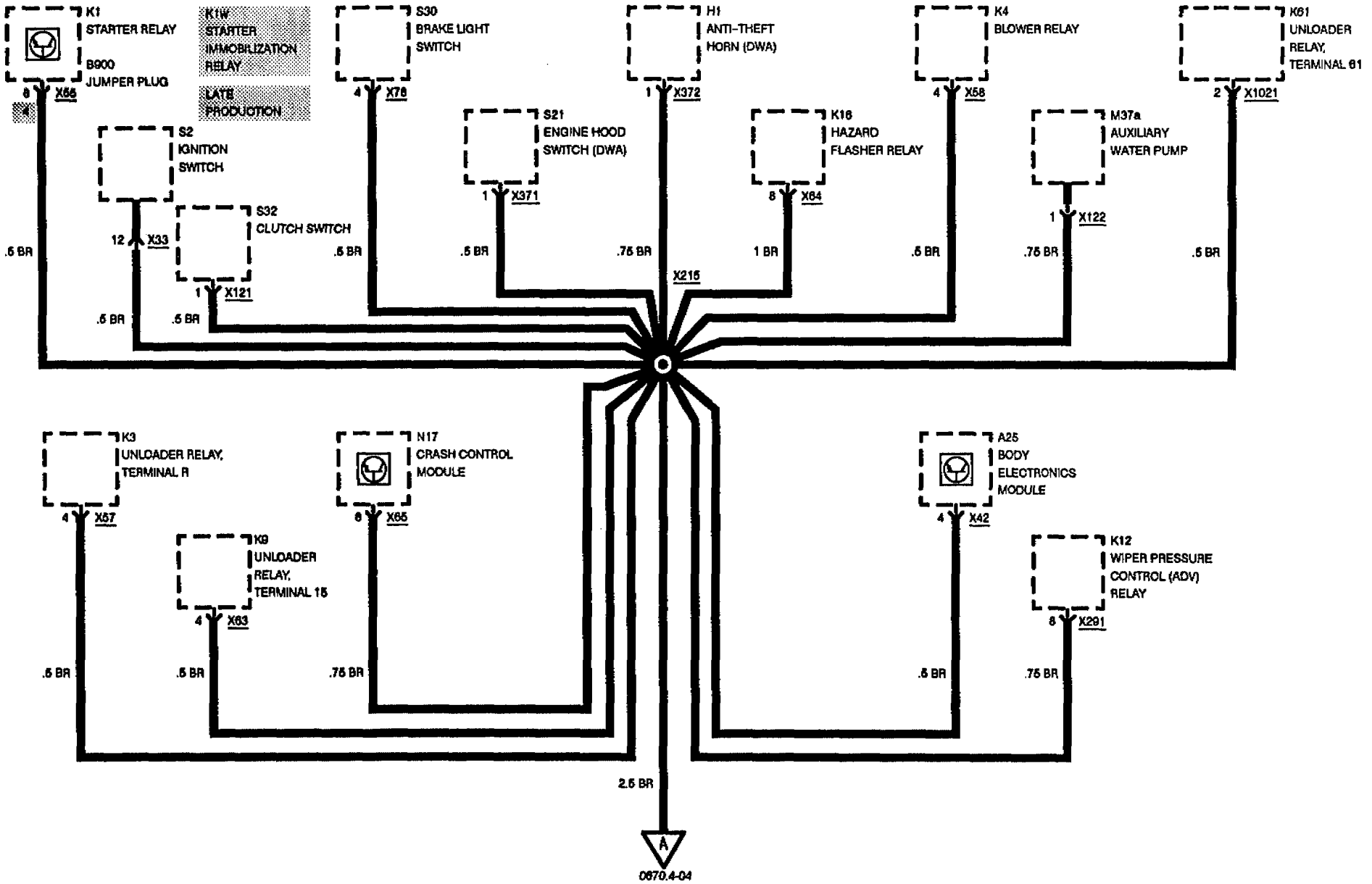
NOT INSTALLED  
IN U.S.  
VEHICLES





# GROUND DISTRIBUTION

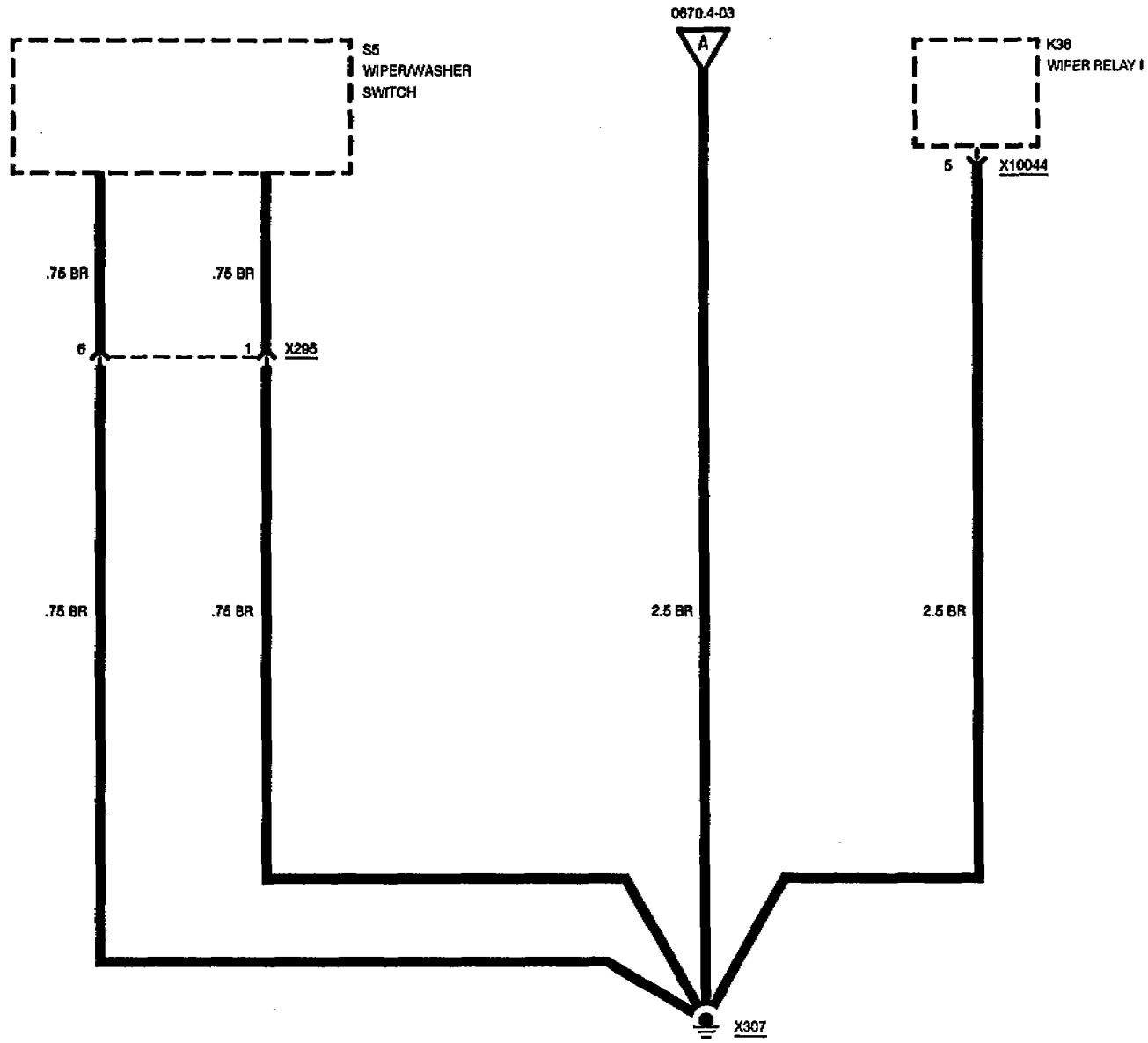
## GROUND X307





# GROUND DISTRIBUTION

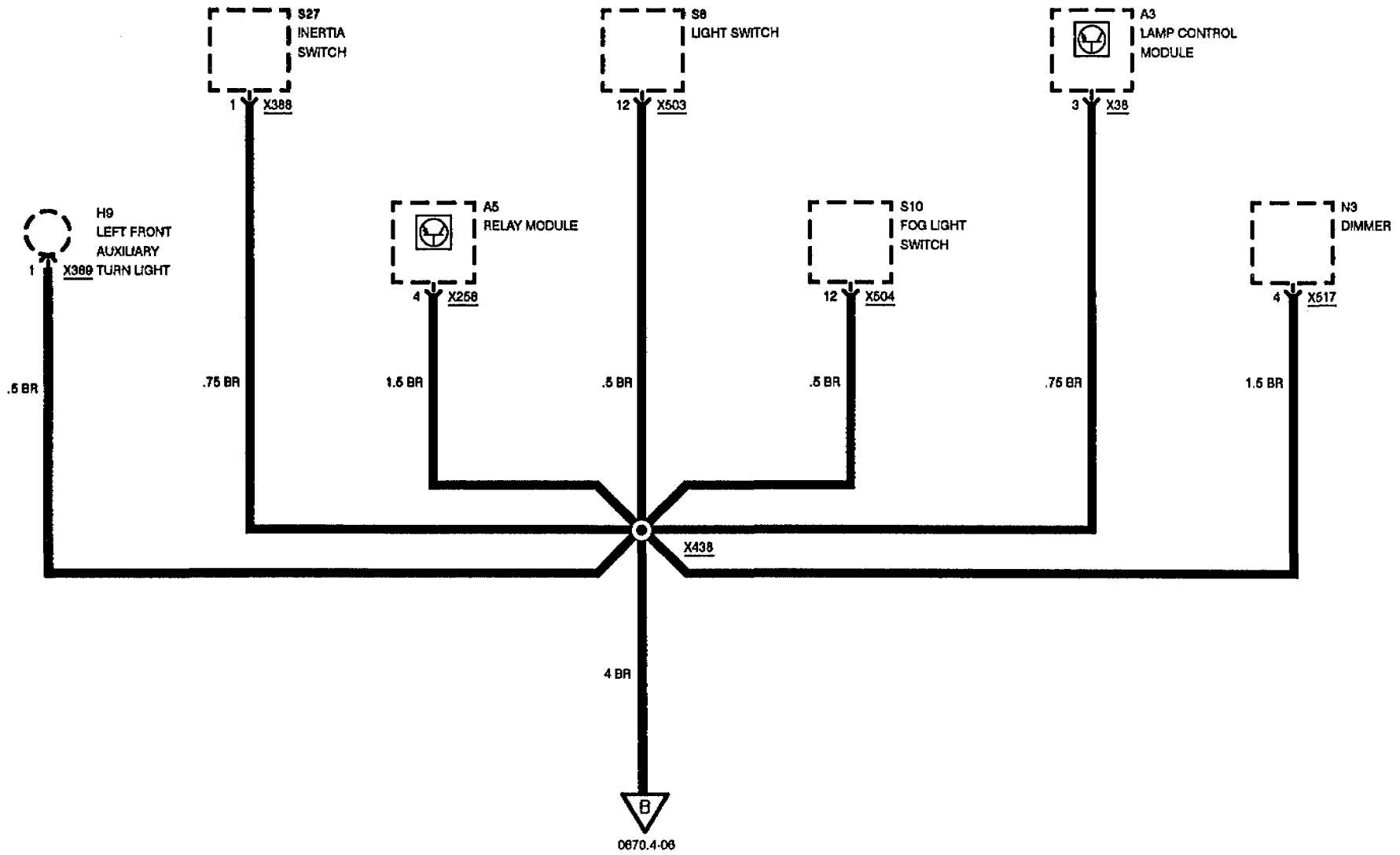
## GROUND X307





# GROUND DISTRIBUTION

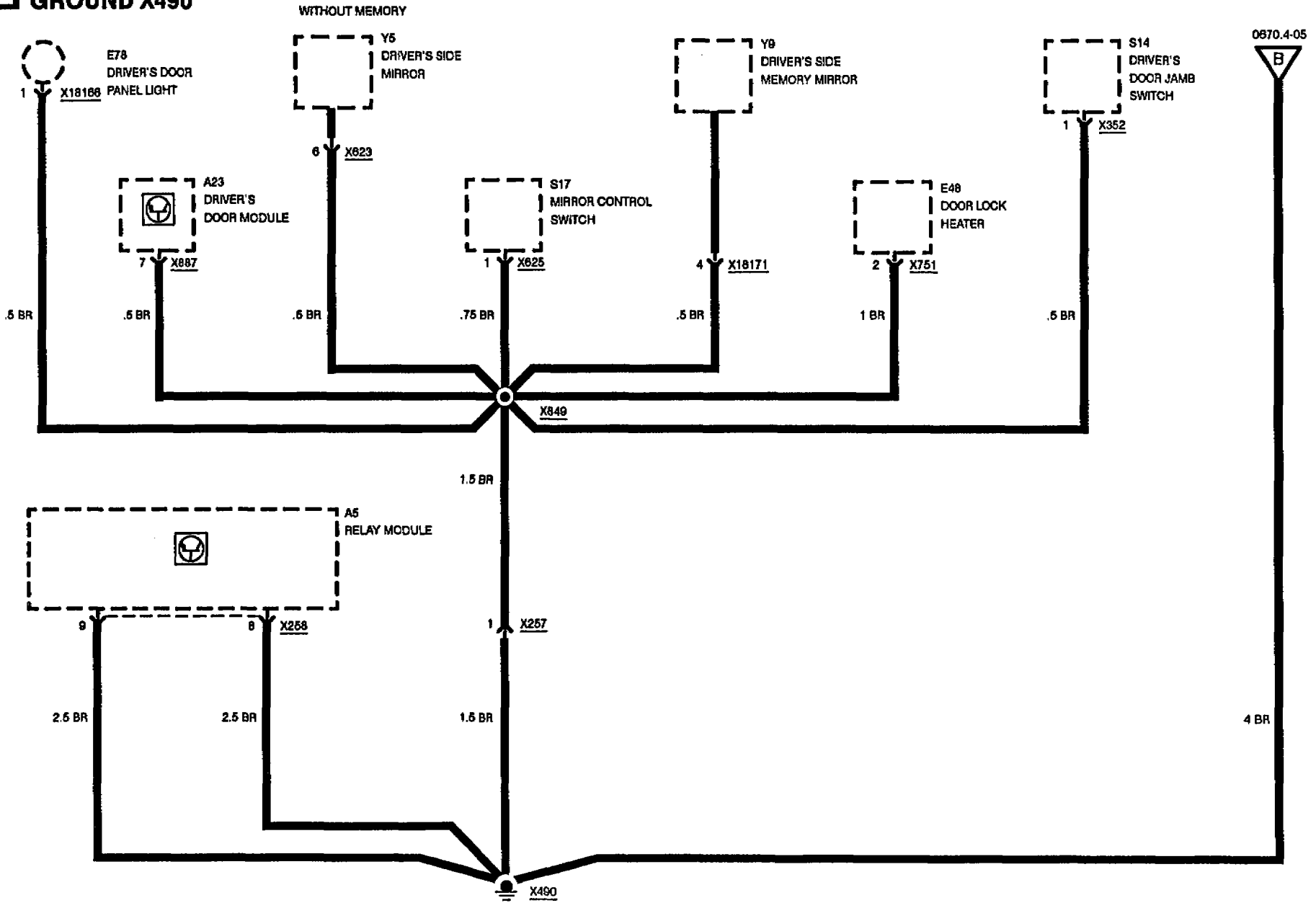
## GROUND X490





# GROUND DISTRIBUTION

## GROUND X490



09/93

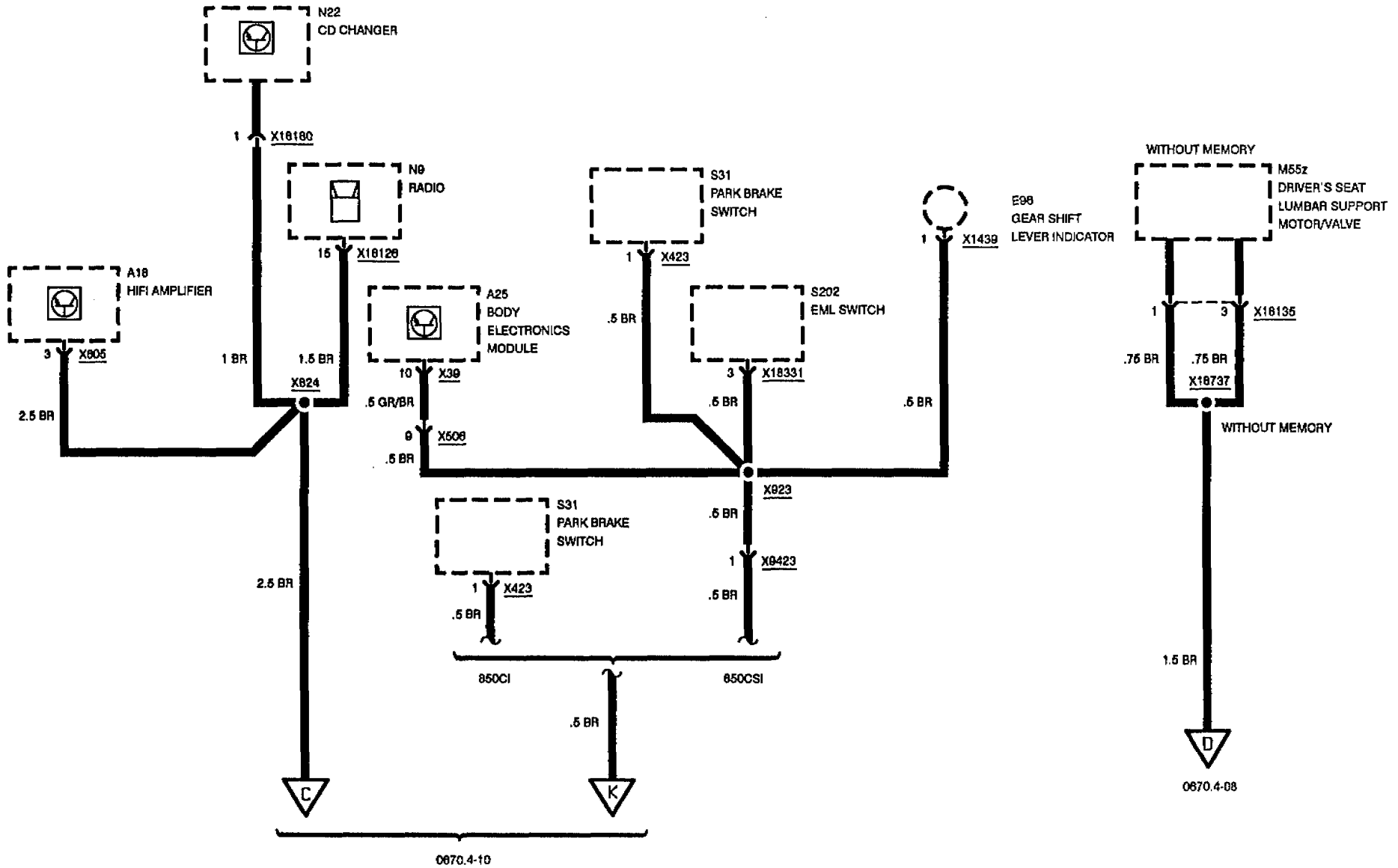
0670.4-06

1994



# GROUND DISTRIBUTION

## GROUND X492

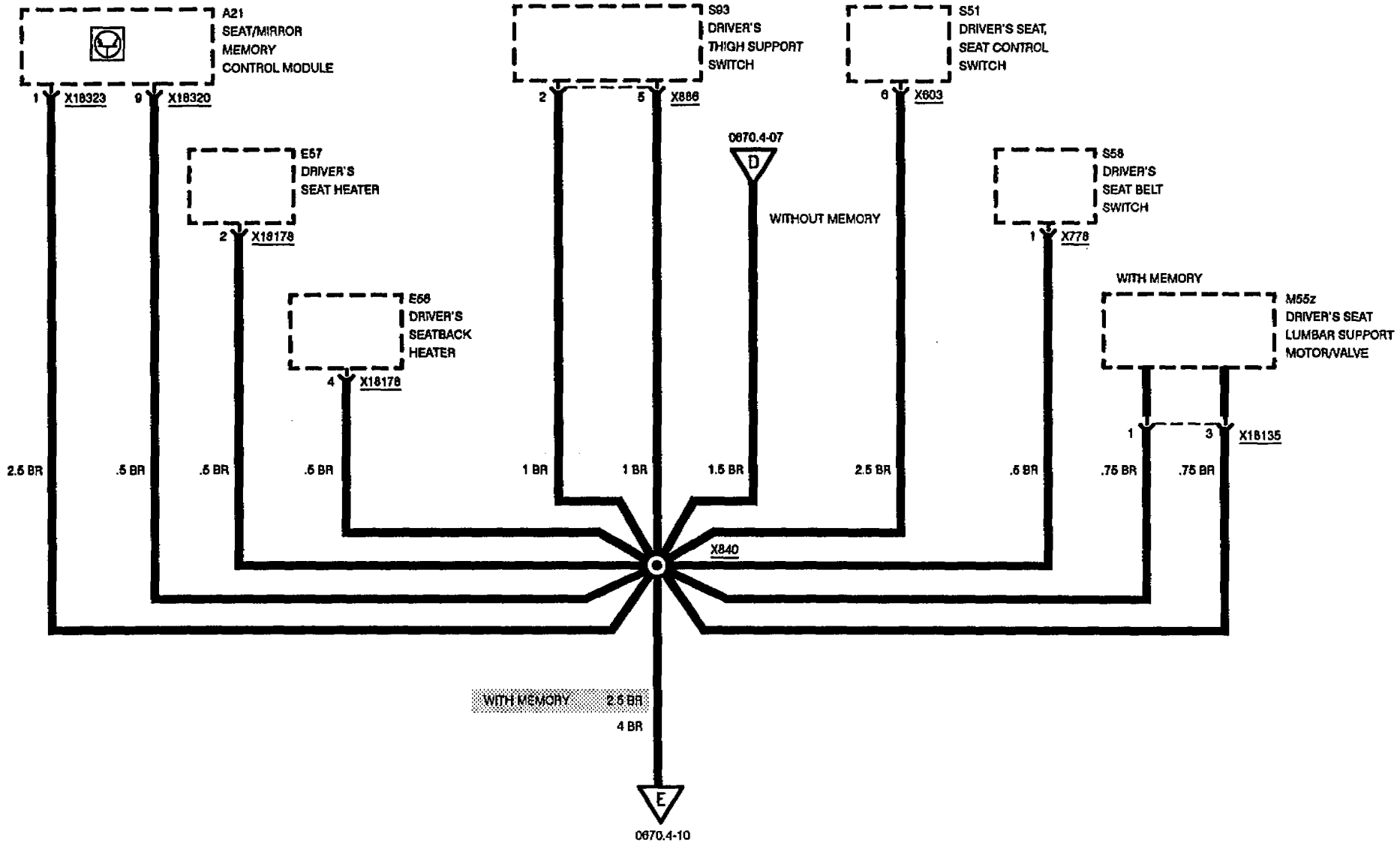






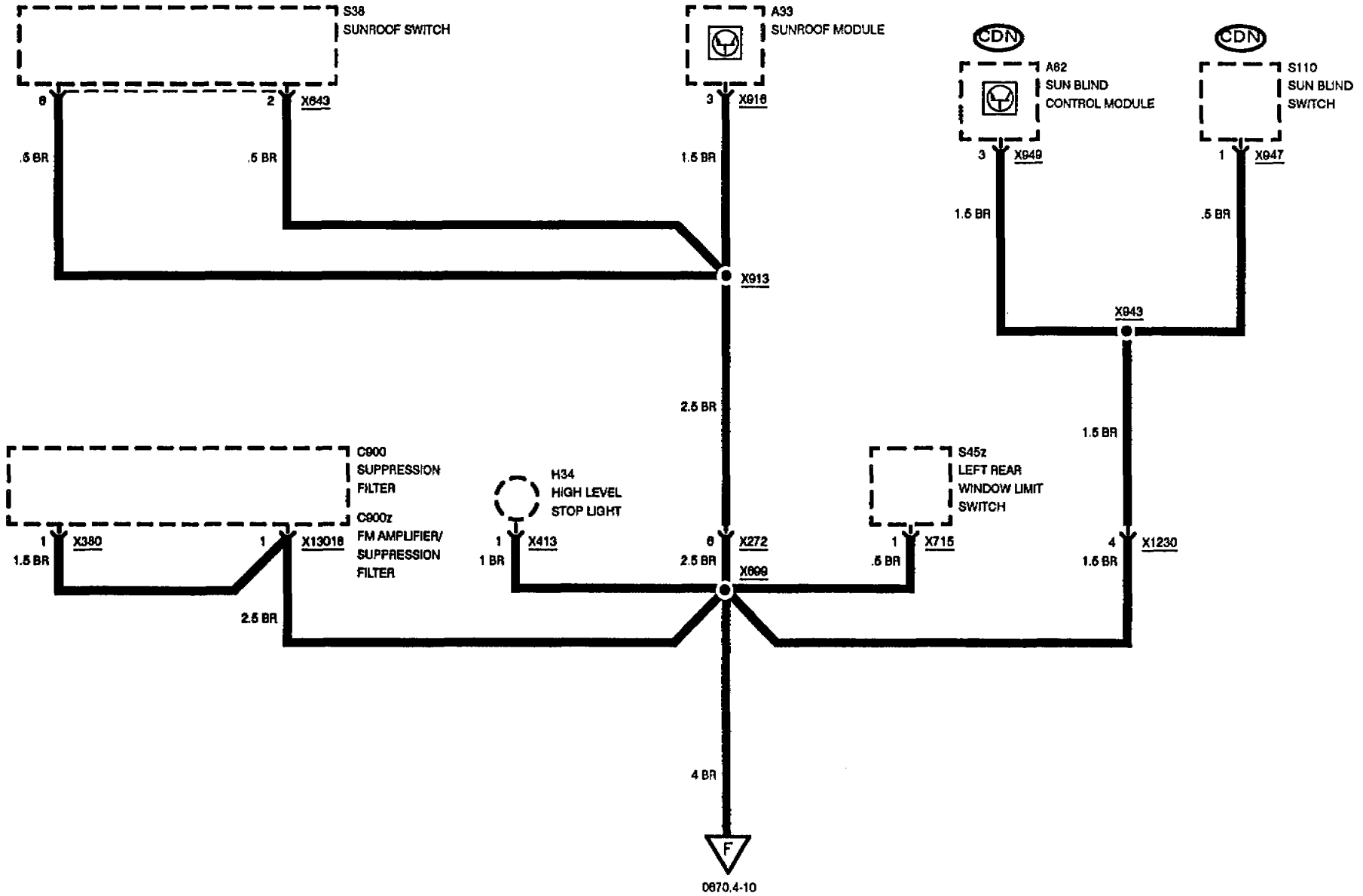
# GROUND DISTRIBUTION

## GROUND X492





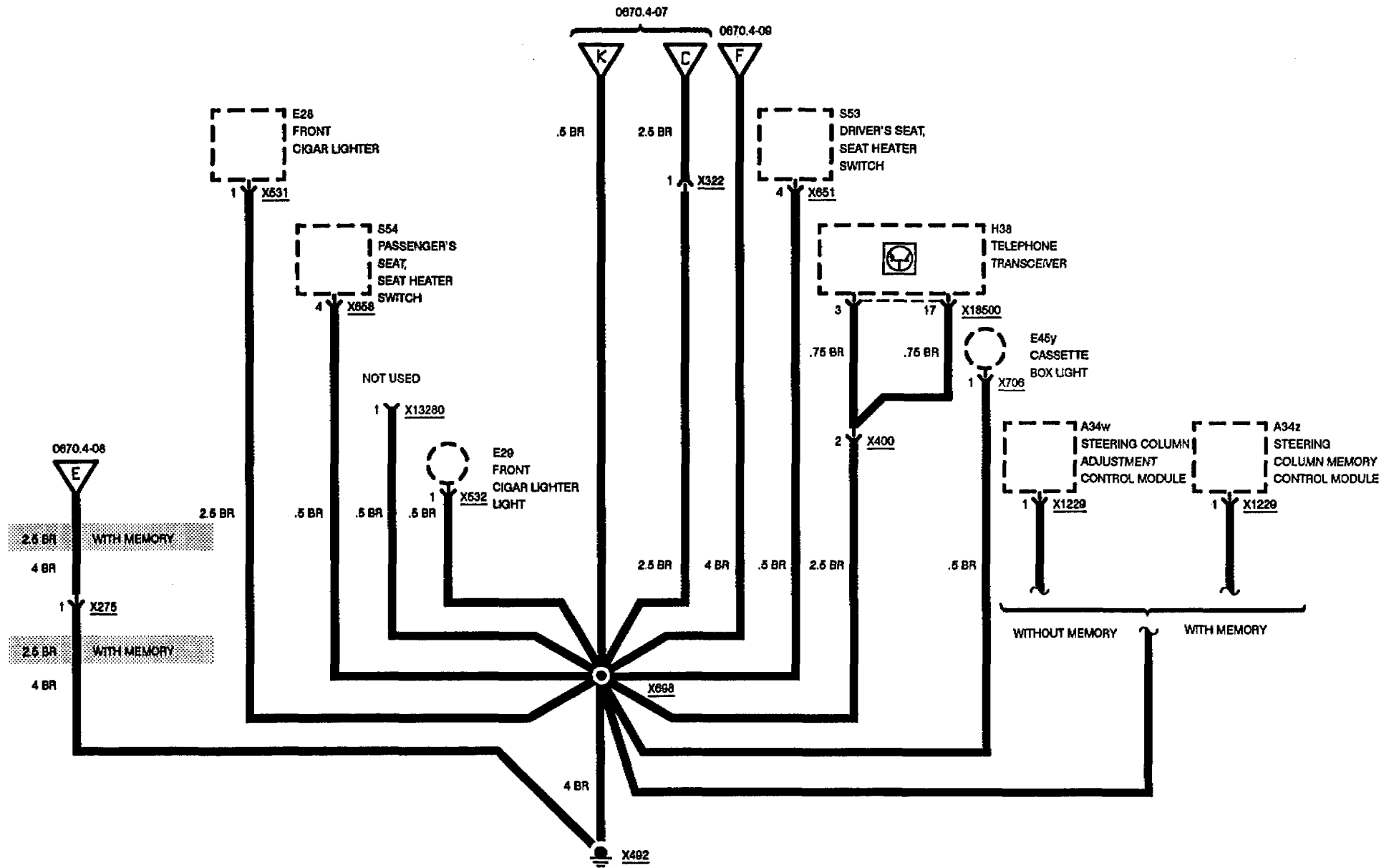
# GROUND DISTRIBUTION GROUND X492





# GROUND DISTRIBUTION

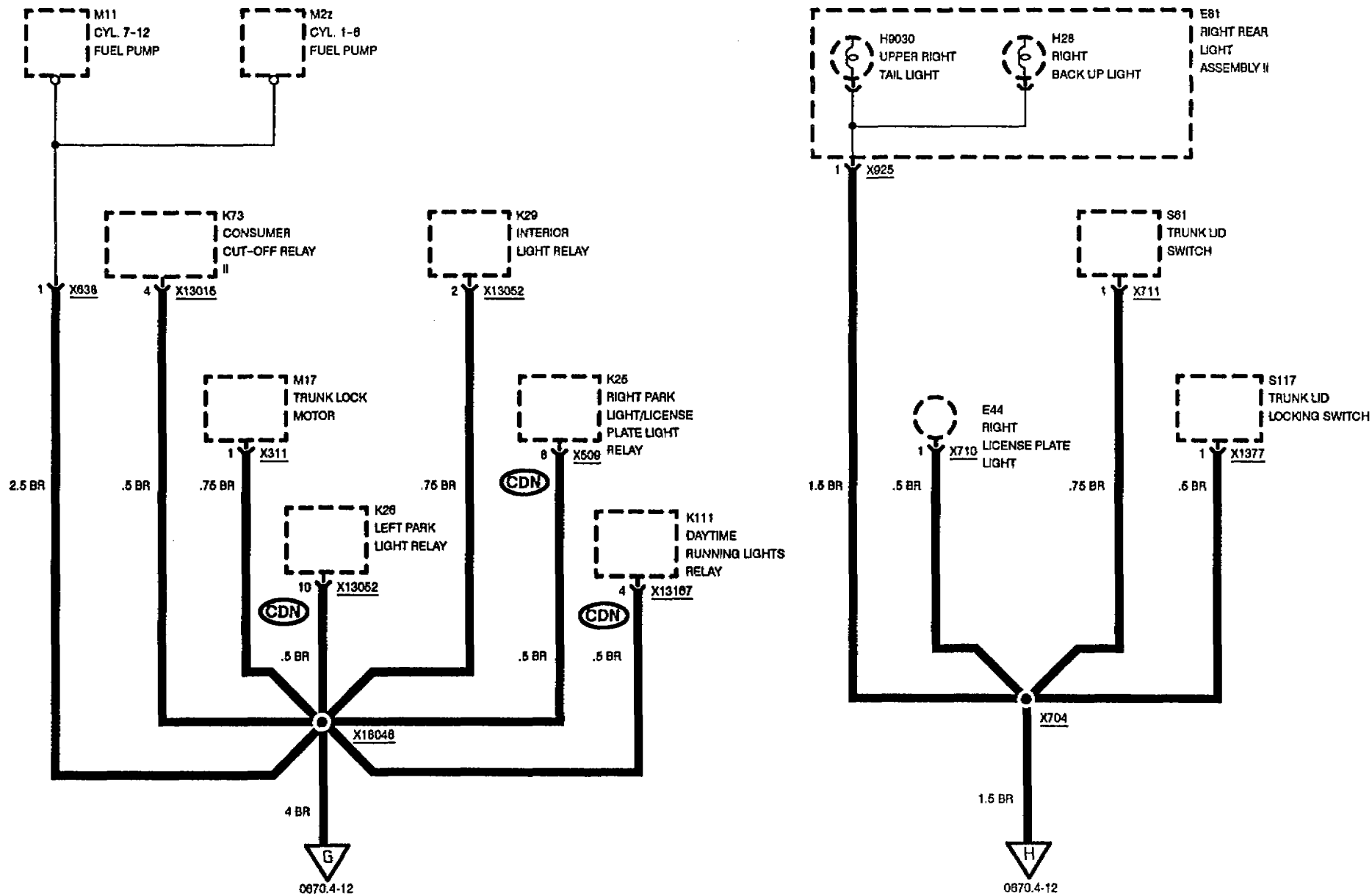
## GROUND X492





# GROUND DISTRIBUTION

## GROUND X494



09/93

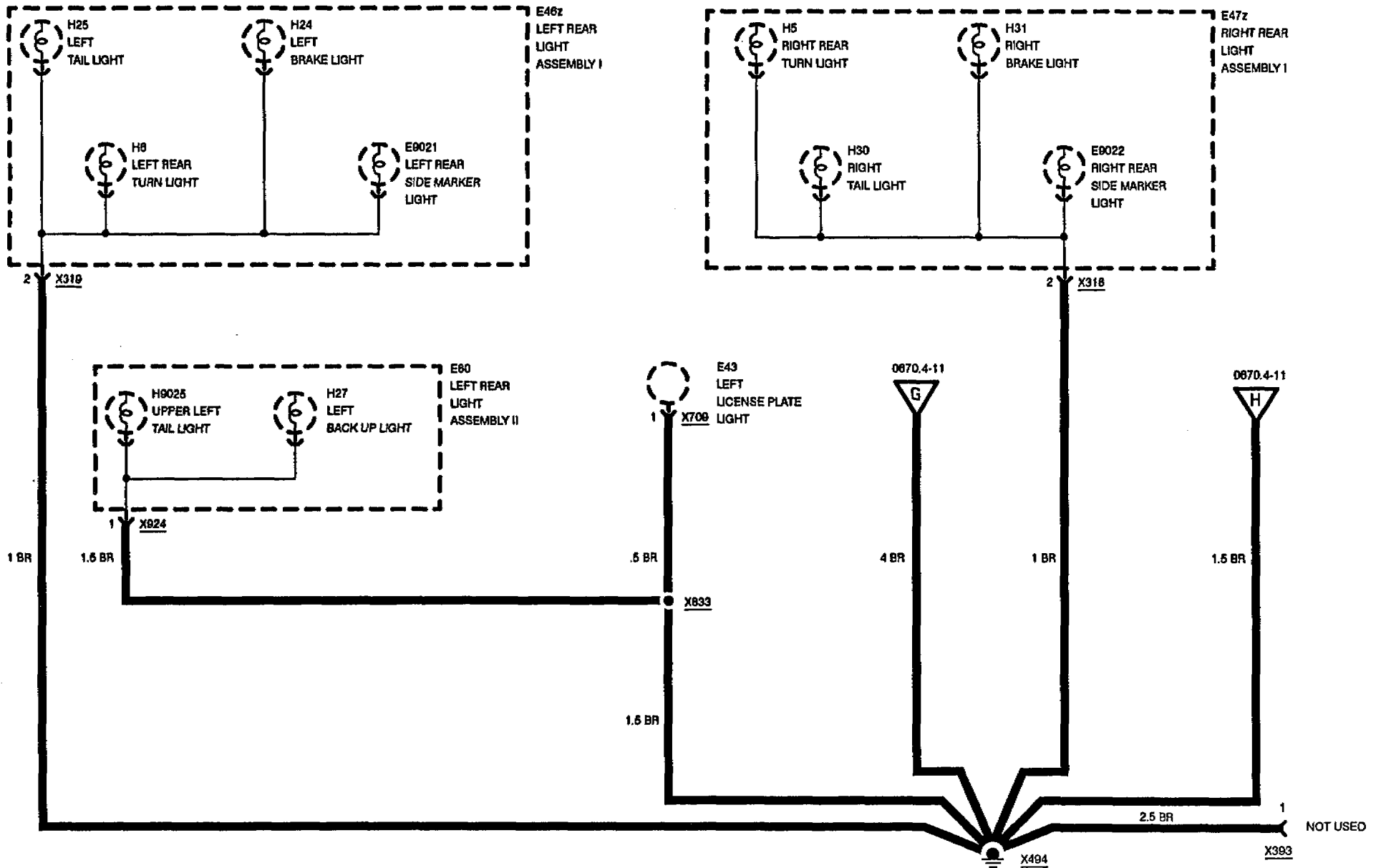
0670.4-11

1994



# GROUND DISTRIBUTION

## GROUND X494



09/93

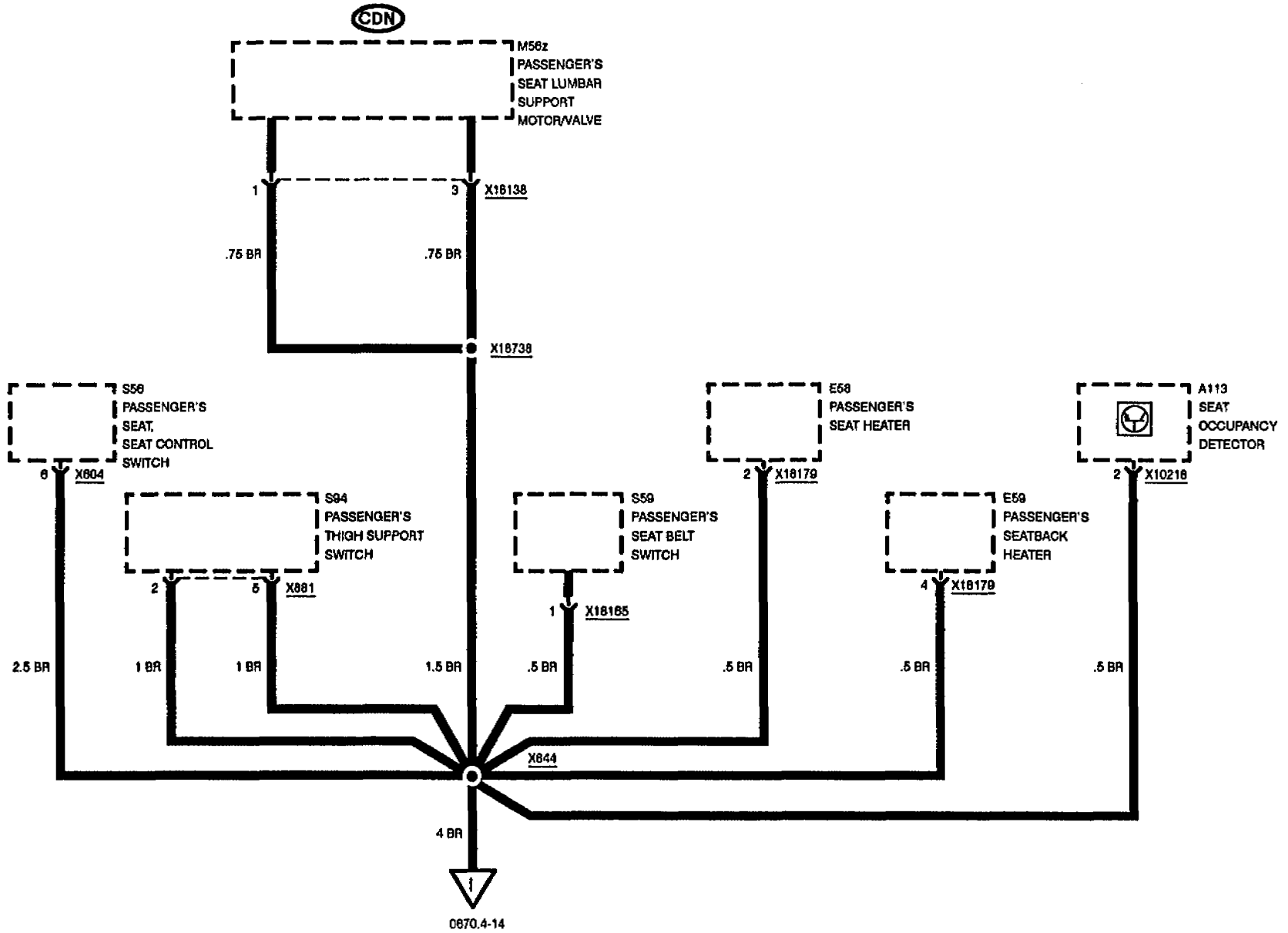
0670.4-12

1994



# GROUND DISTRIBUTION

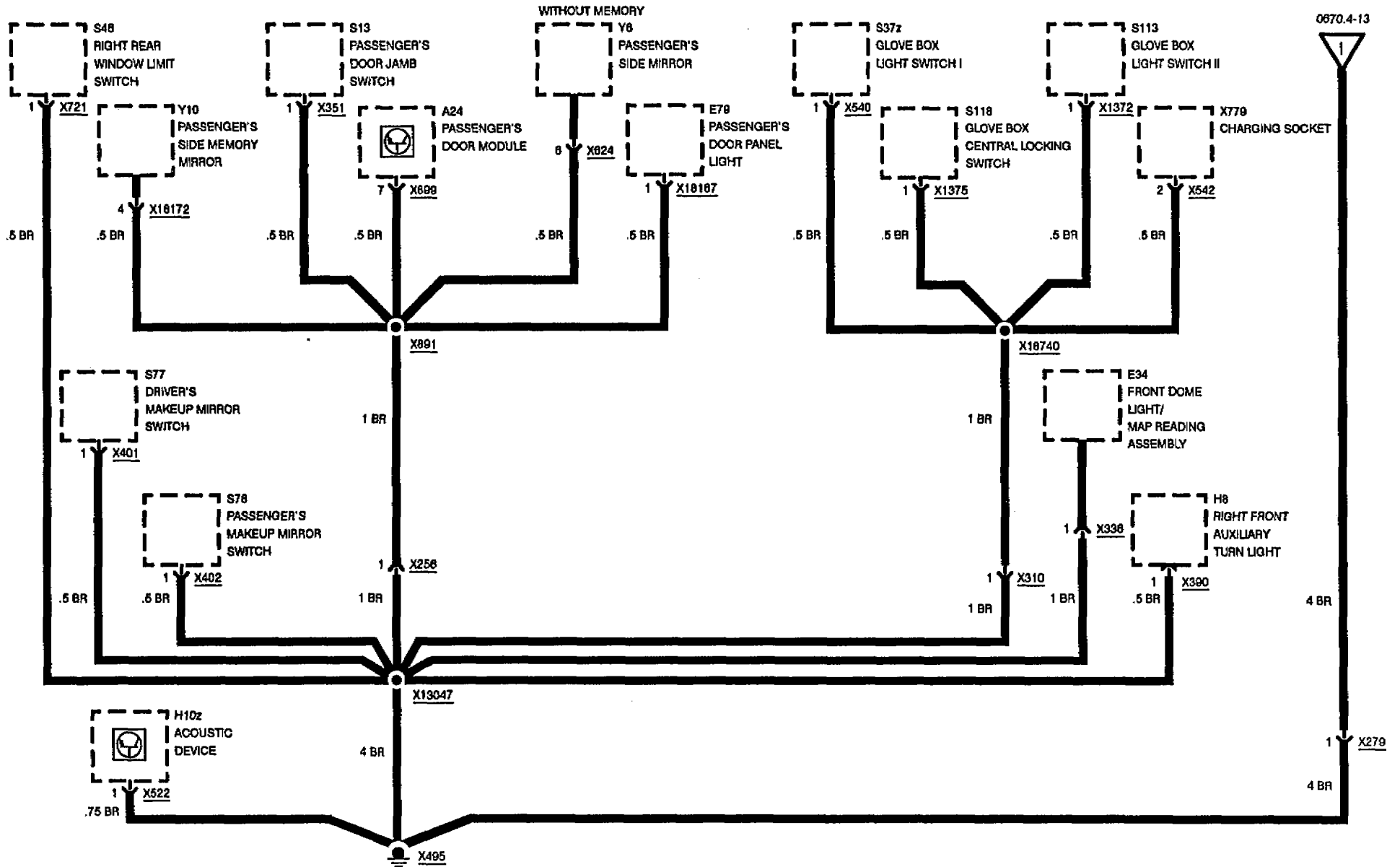
## GROUND X495





# GROUND DISTRIBUTION

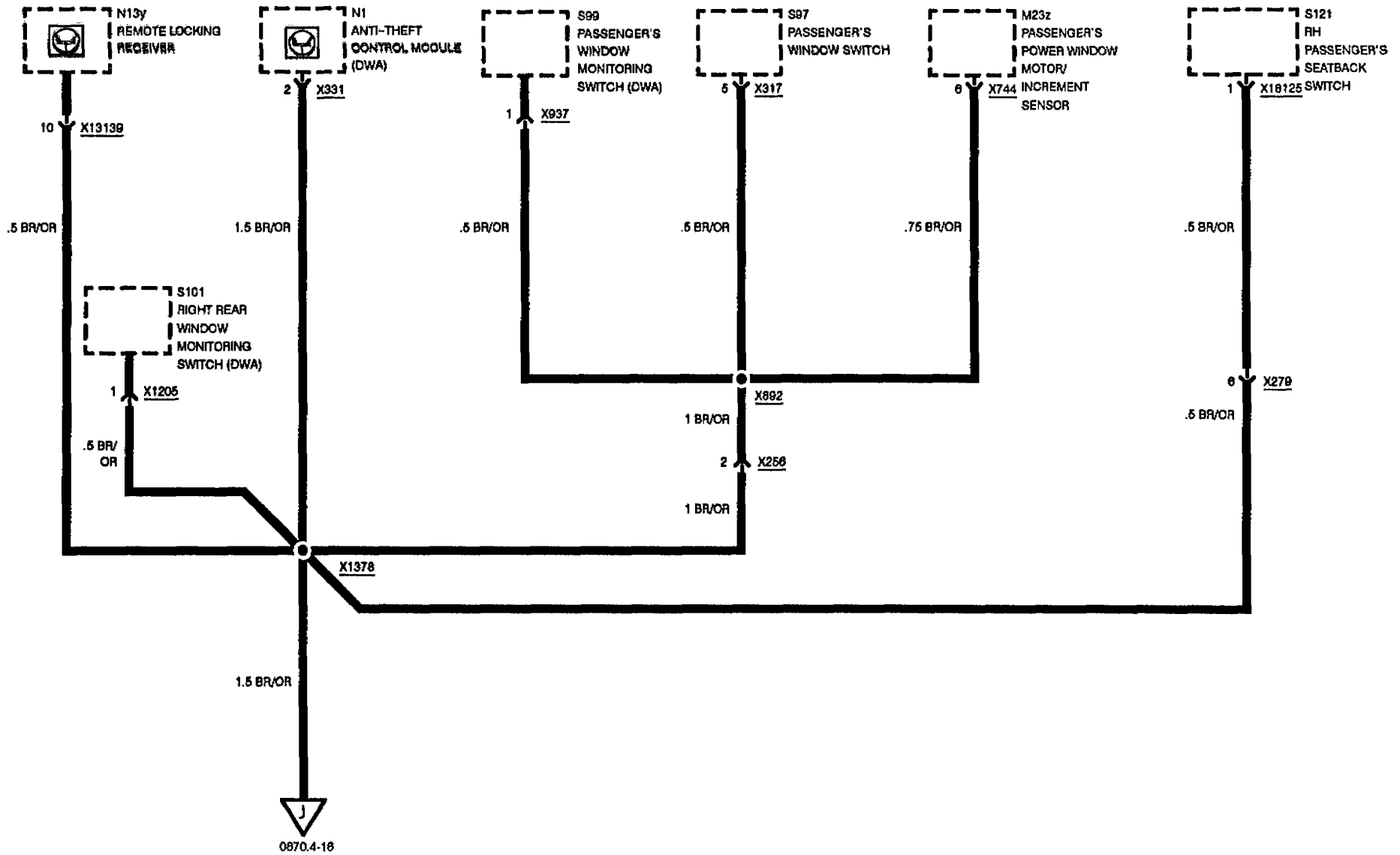
## GROUND X495





# GROUND DISTRIBUTION

## GROUND X497



09/93

0670.4-15

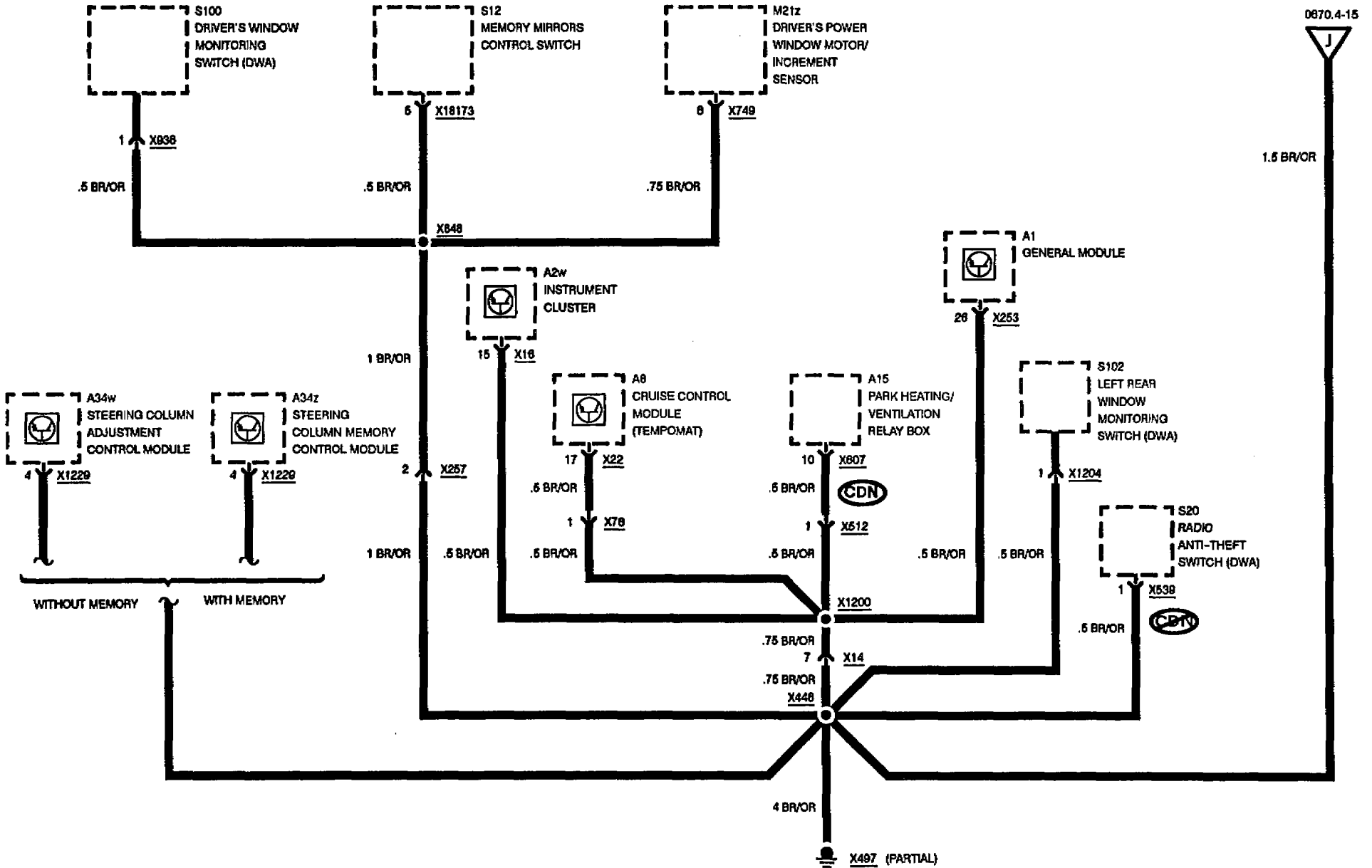
1994





# GROUND DISTRIBUTION

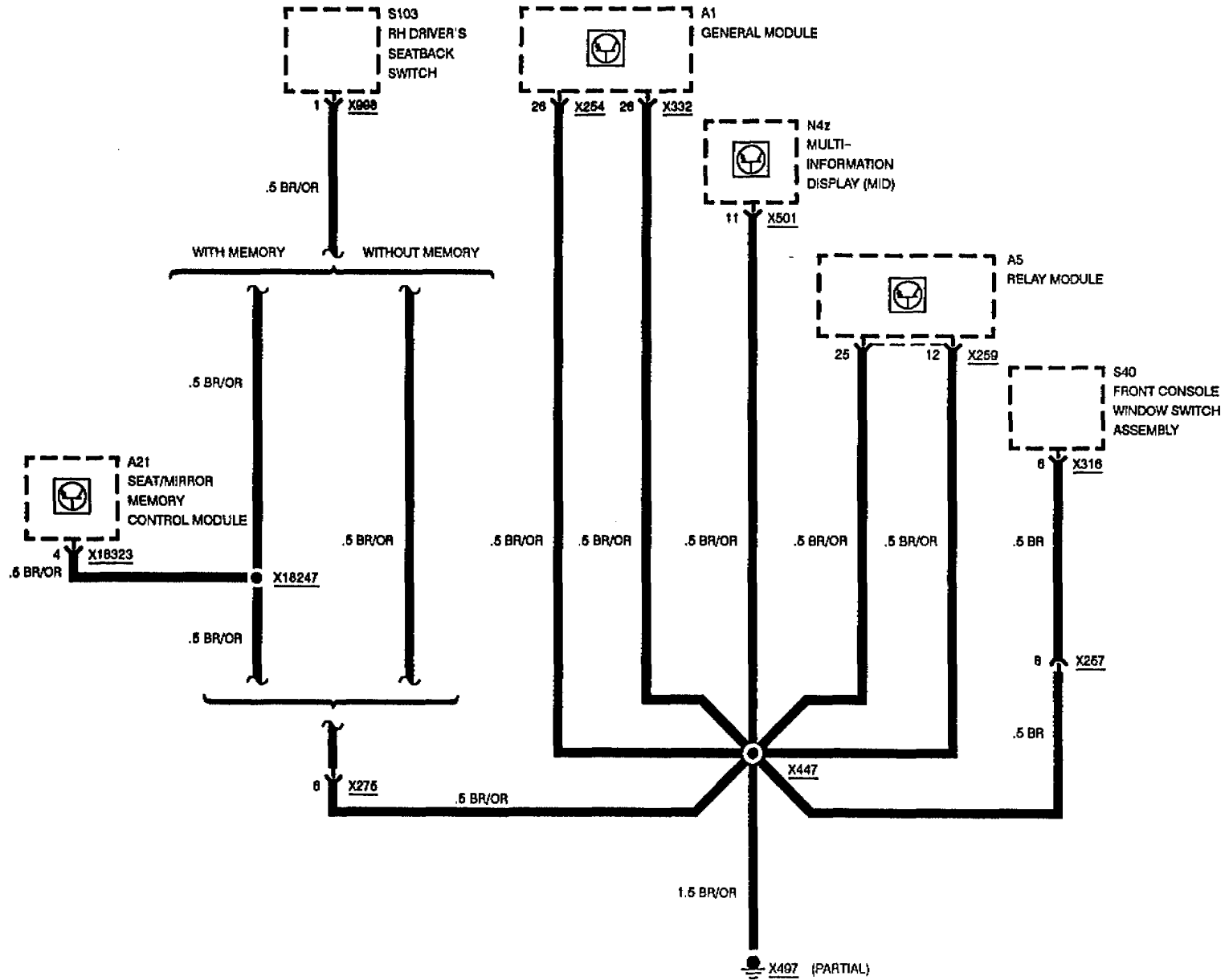
## GROUND X497





# GROUND DISTRIBUTION

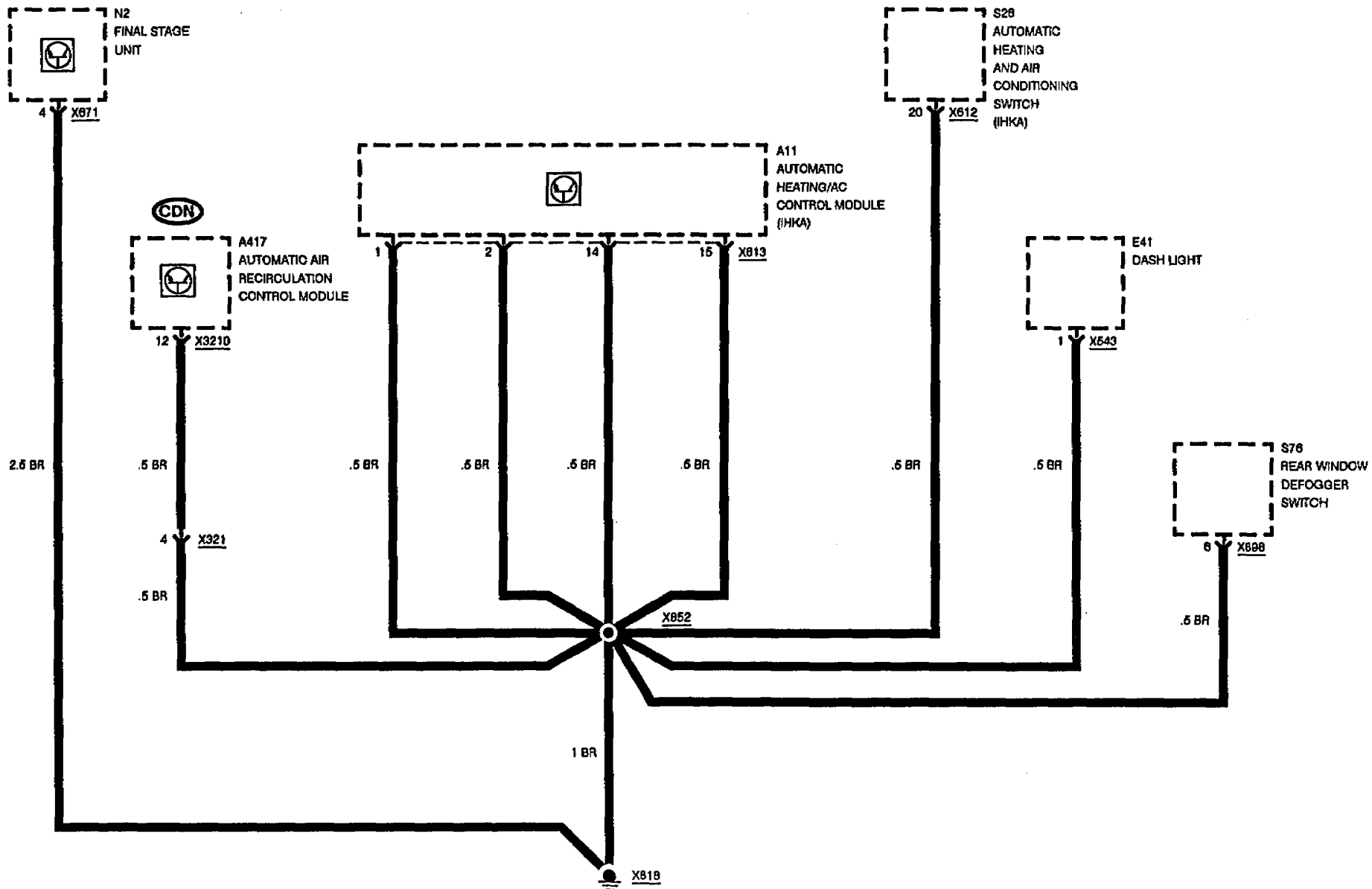
## GROUND X497





# GROUND DISTRIBUTION

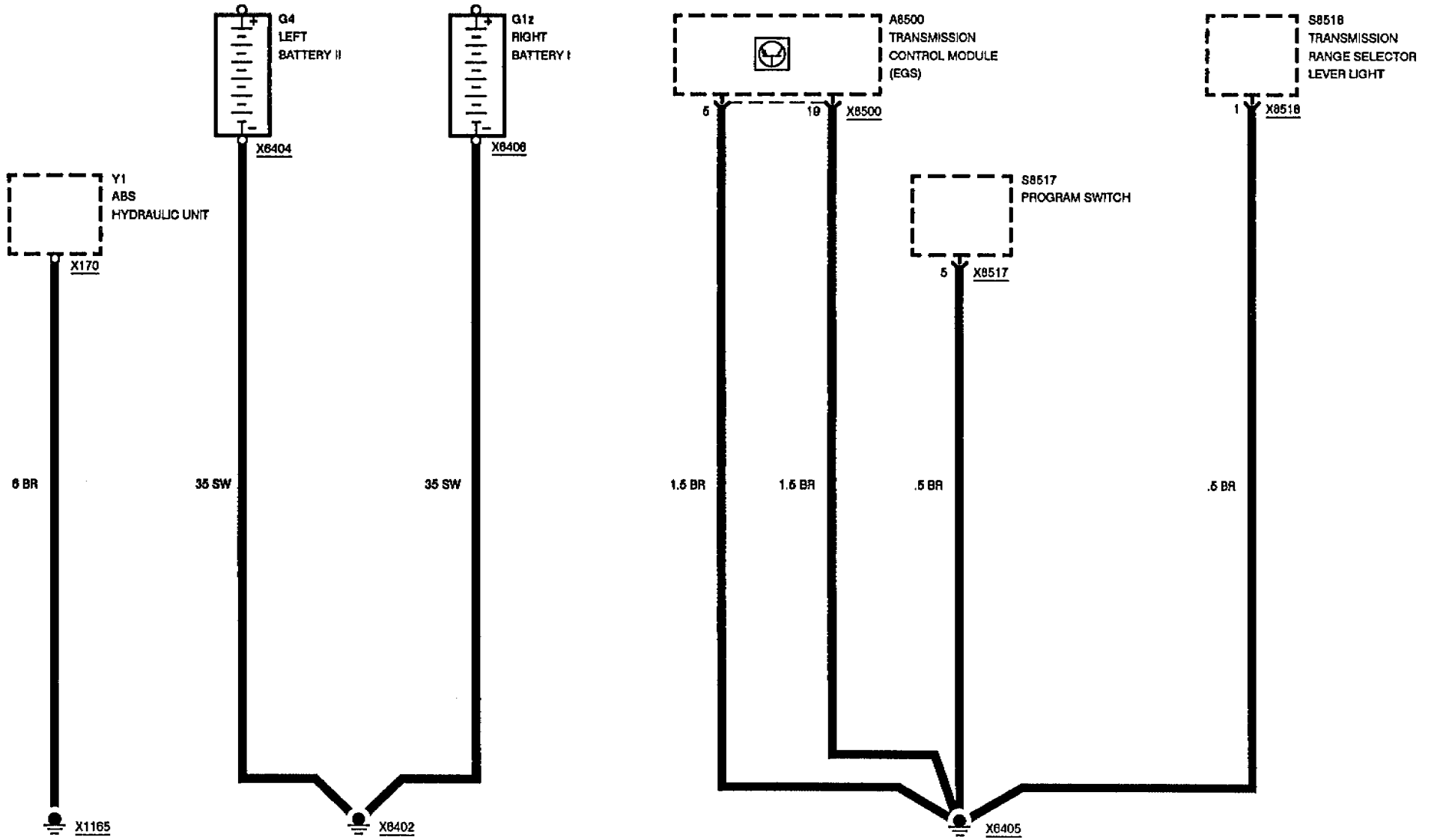
## GROUND X818





# GROUND DISTRIBUTION

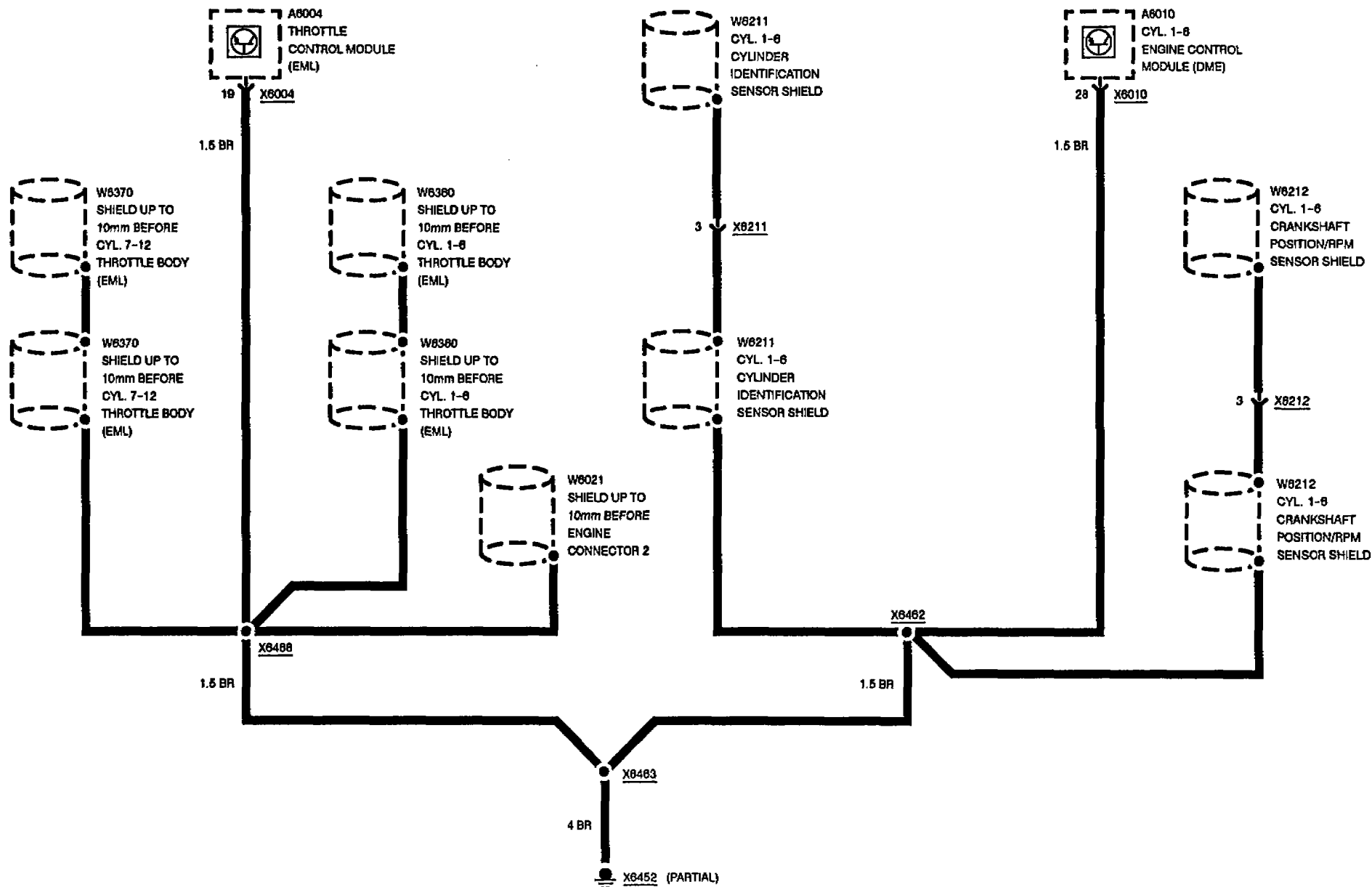
## GROUNDS X1165, X6402, AND X6405





# GROUND DISTRIBUTION

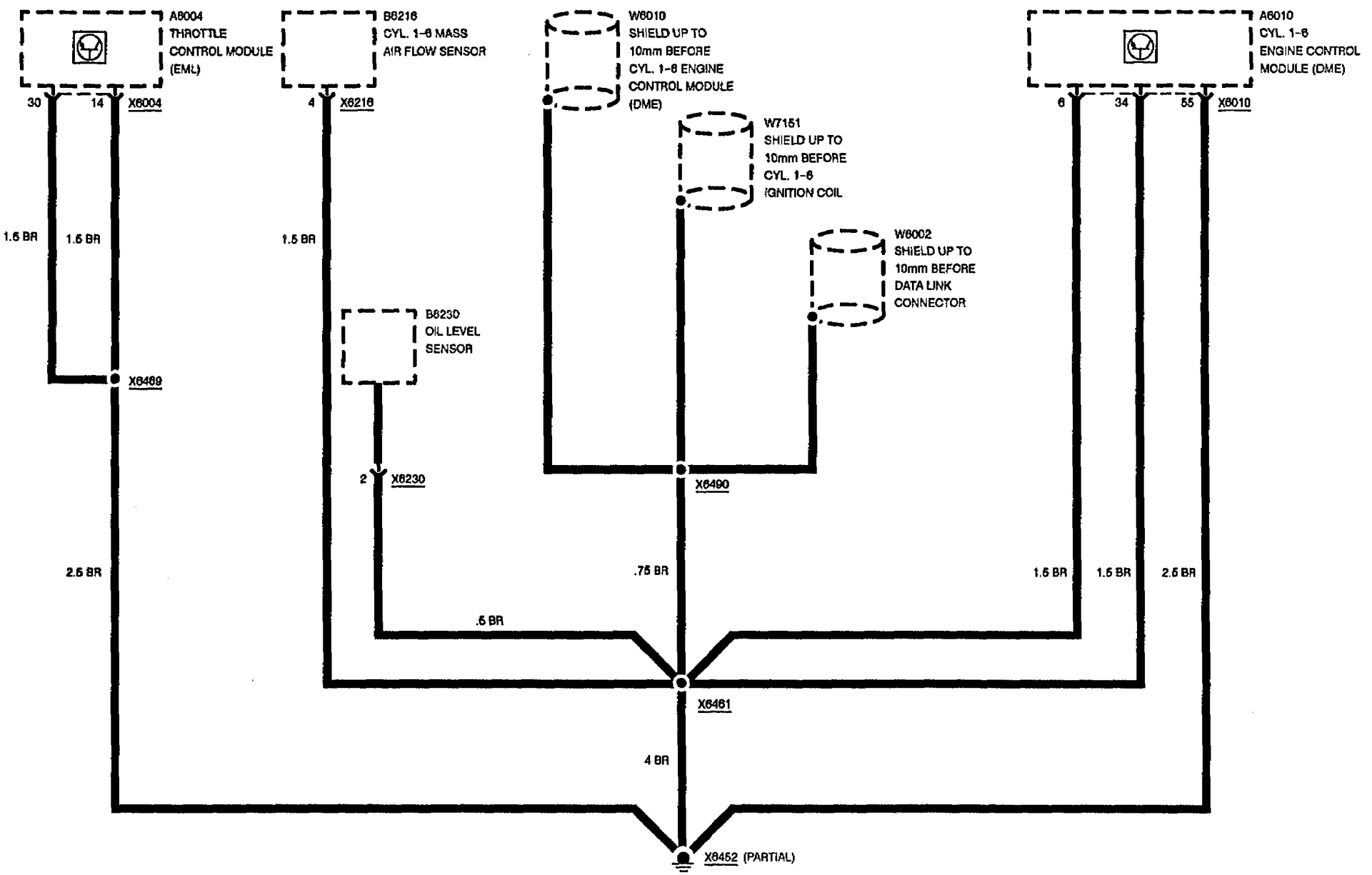
## GROUND X6452





# GROUND DISTRIBUTION

## GROUND X6452

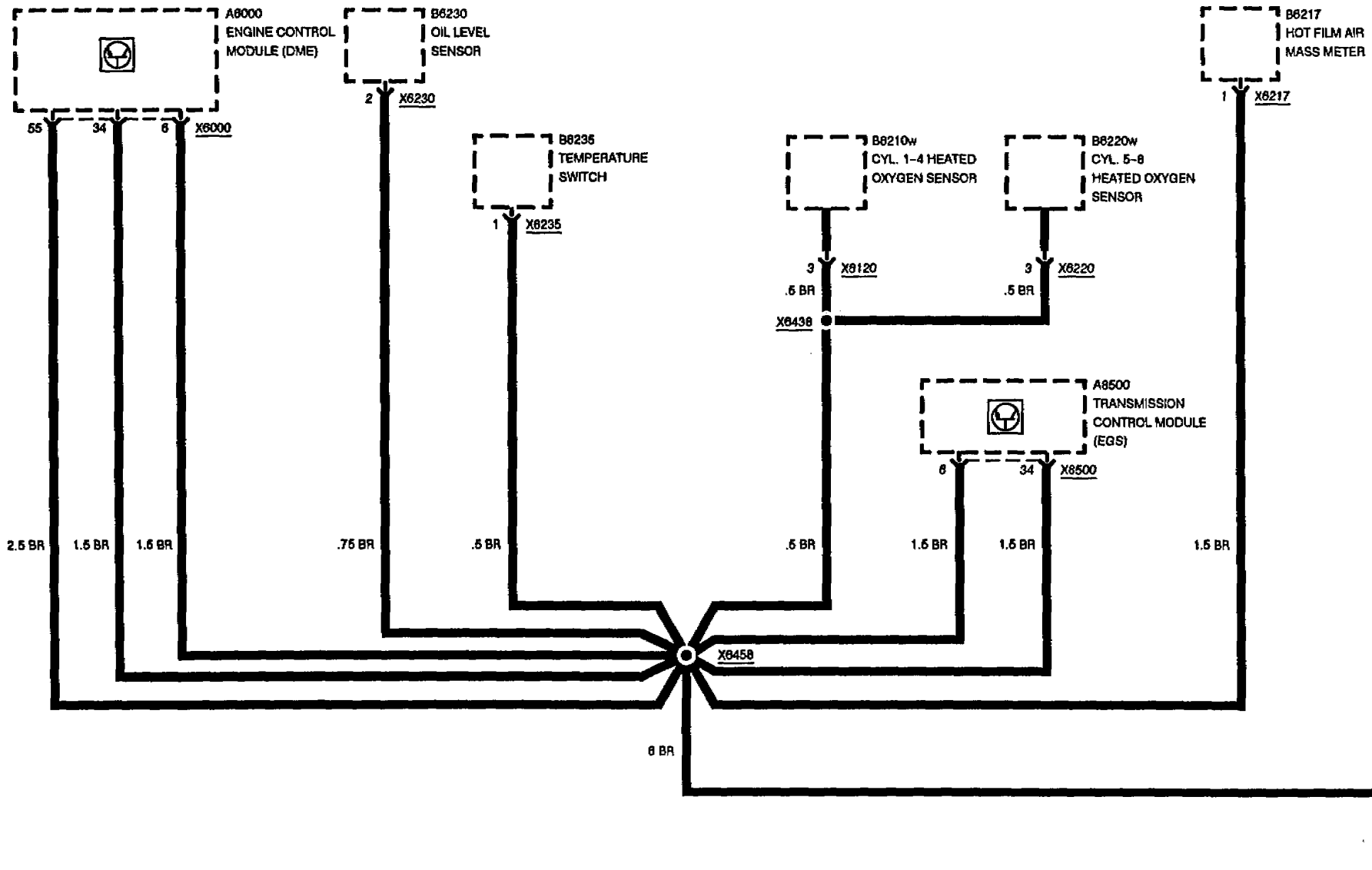


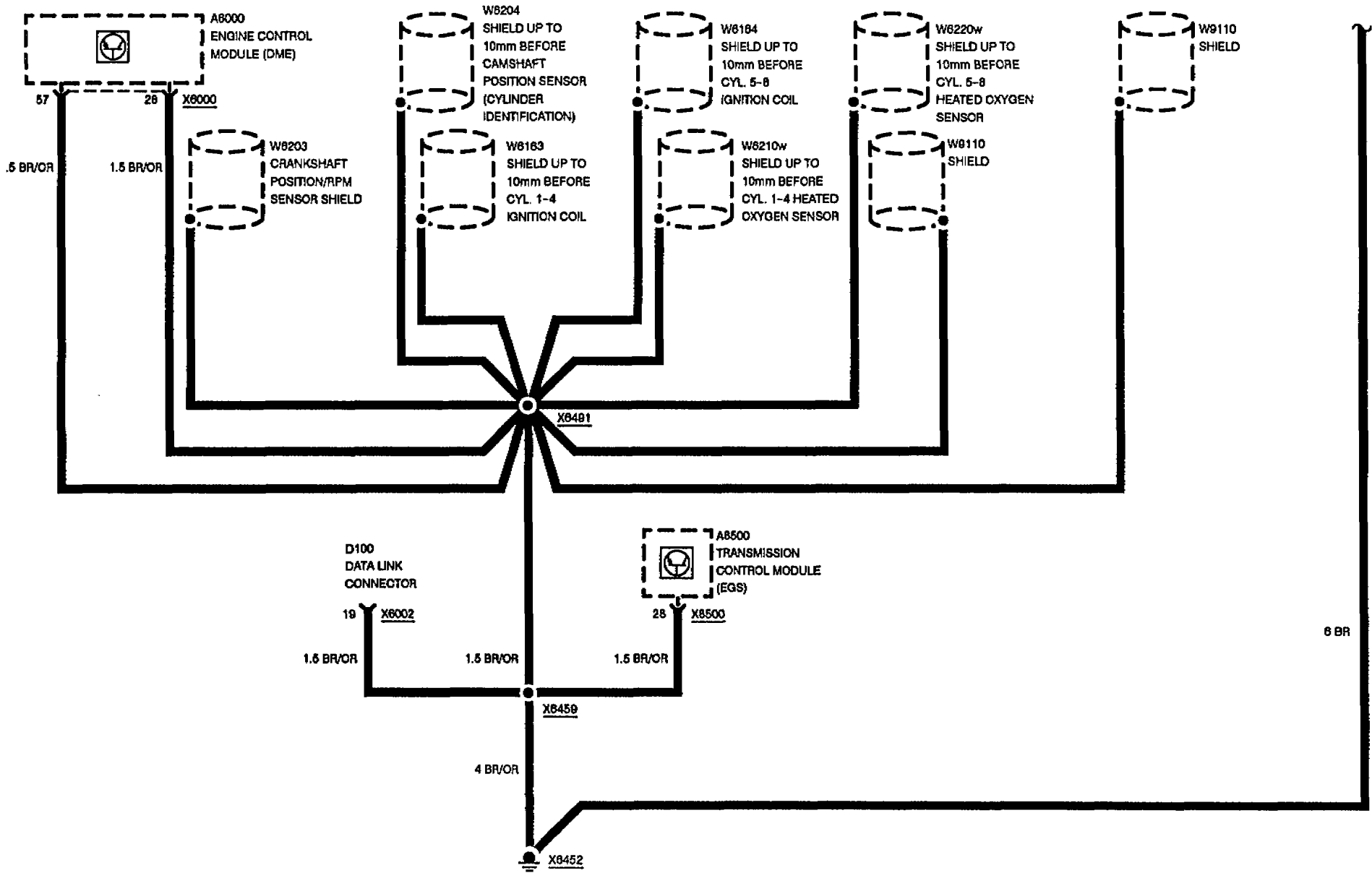


# GROUND DISTRIBUTION

840Ci

## GROUND X6452



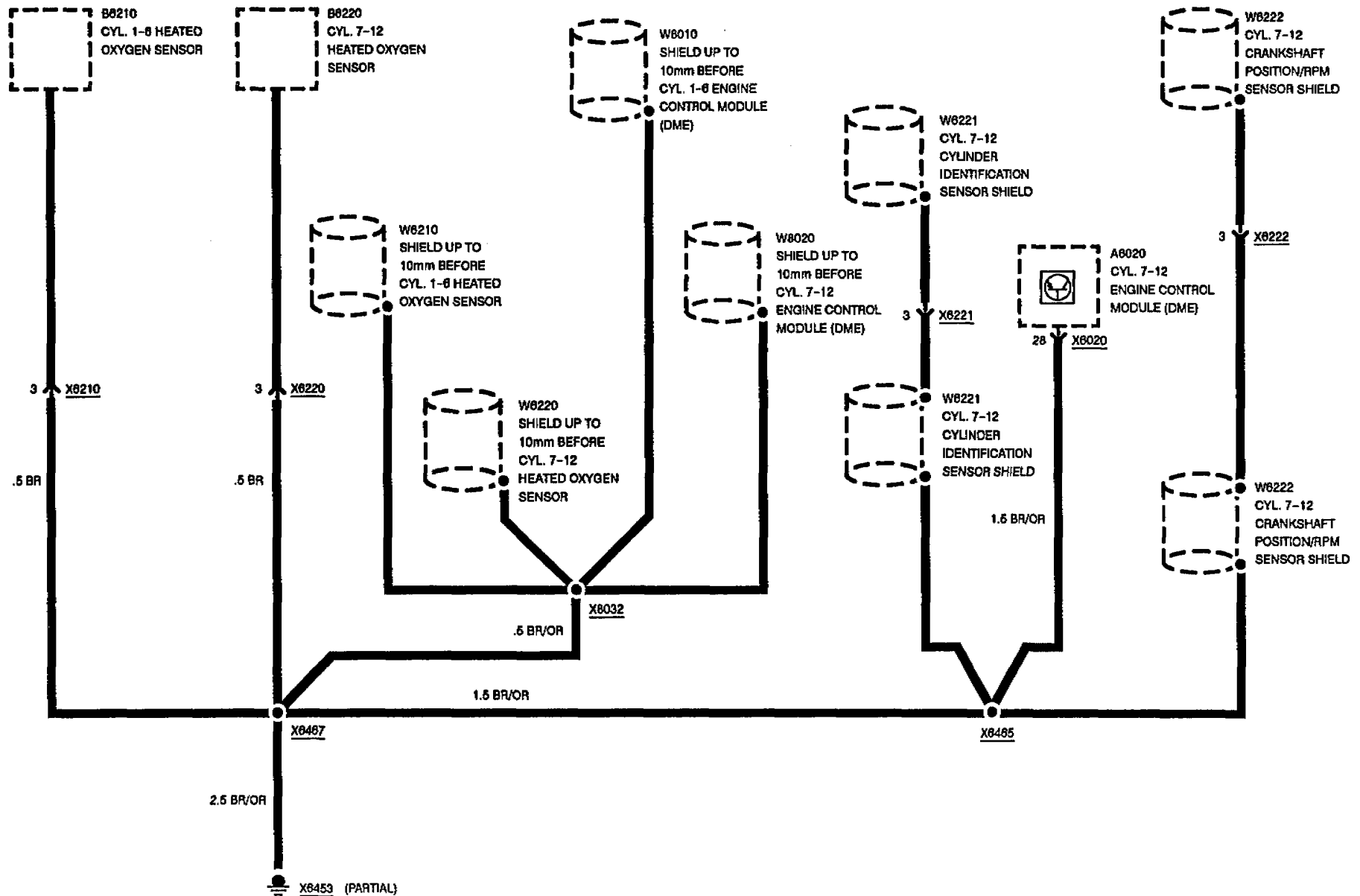






# GROUND DISTRIBUTION

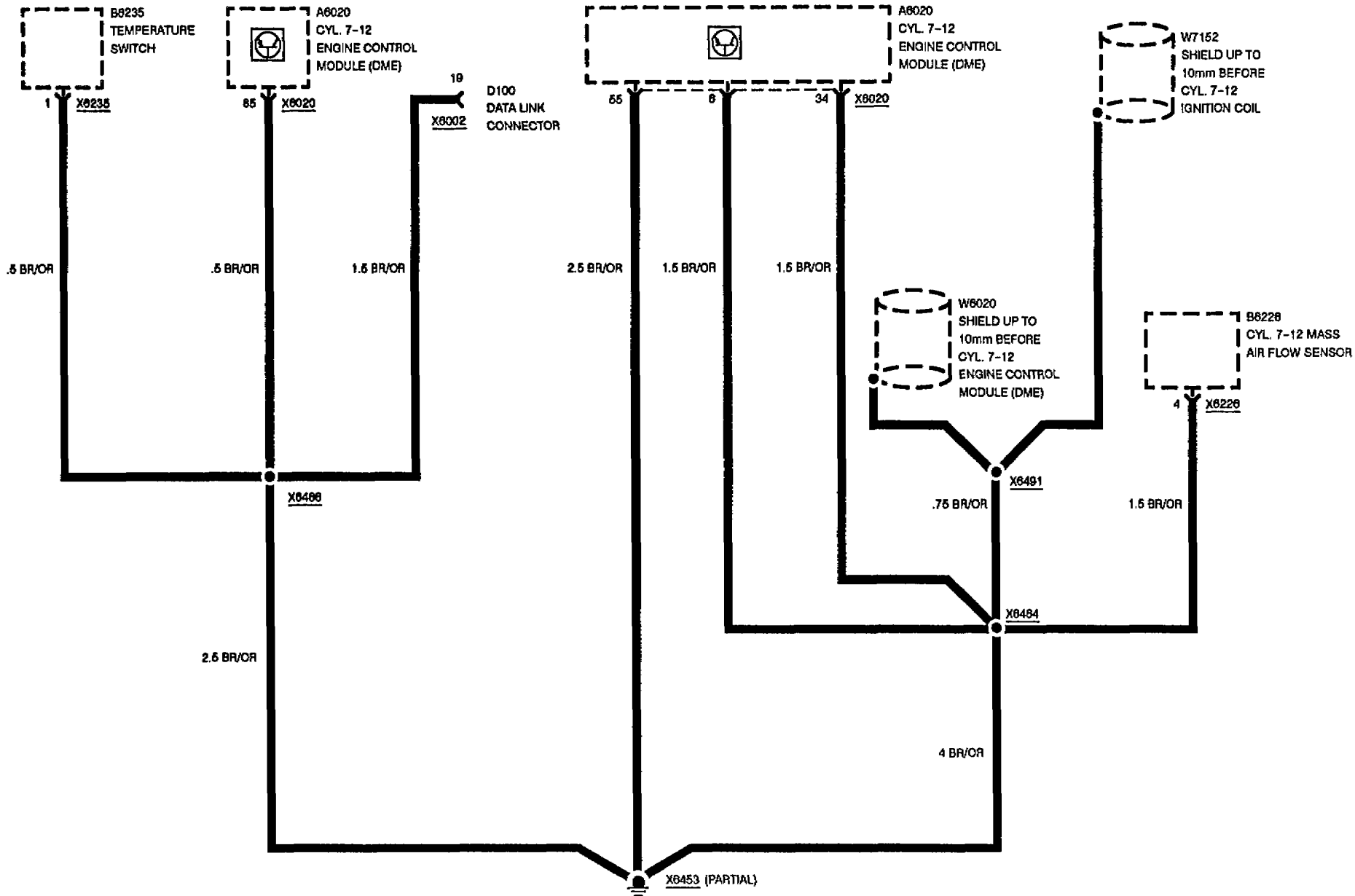
## GROUND X6453





# GROUND DISTRIBUTION

## GROUND X6453

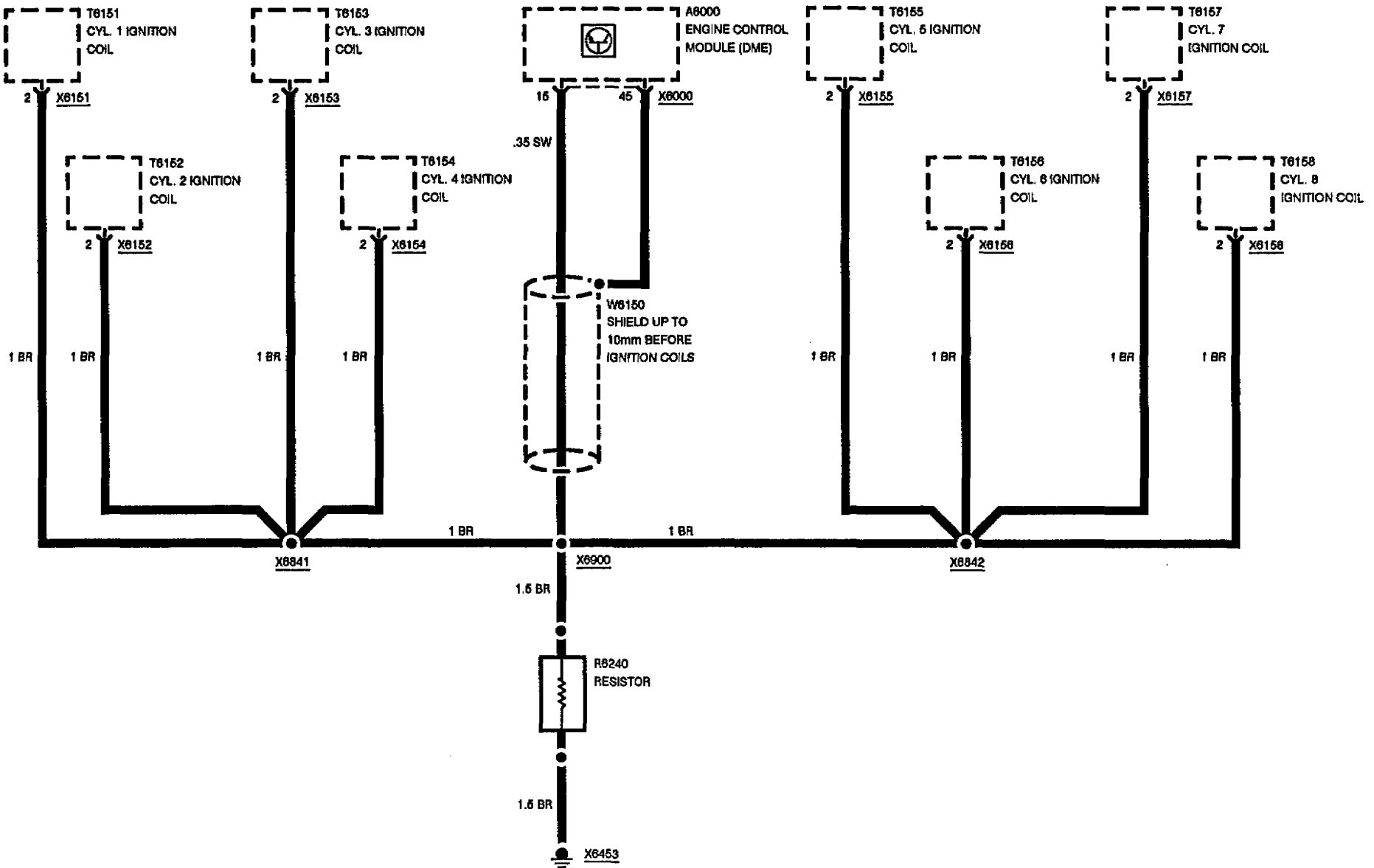




# GROUND DISTRIBUTION

840Ci

## GROUND X6453



05/94

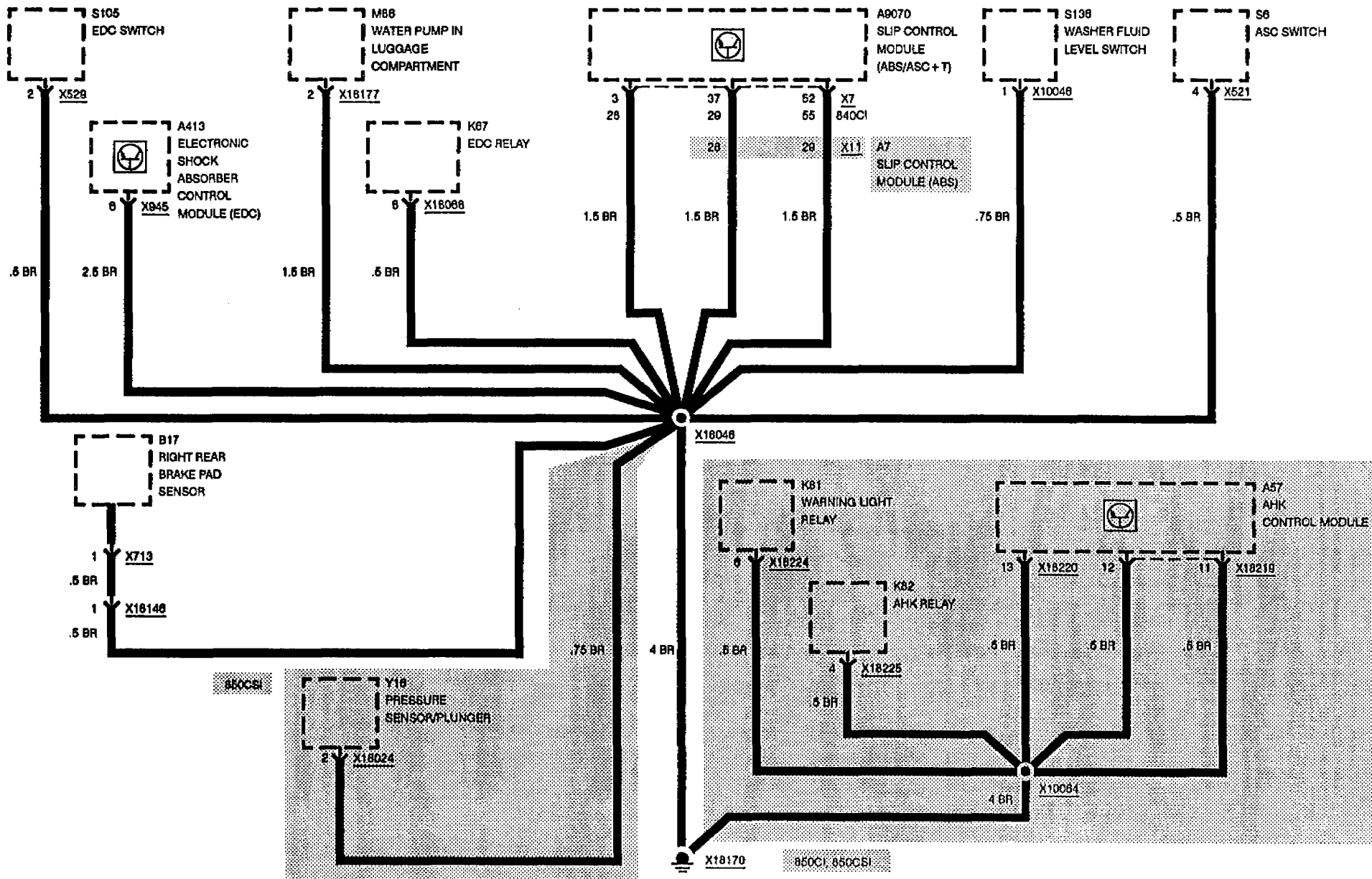
0670.4-26

1995

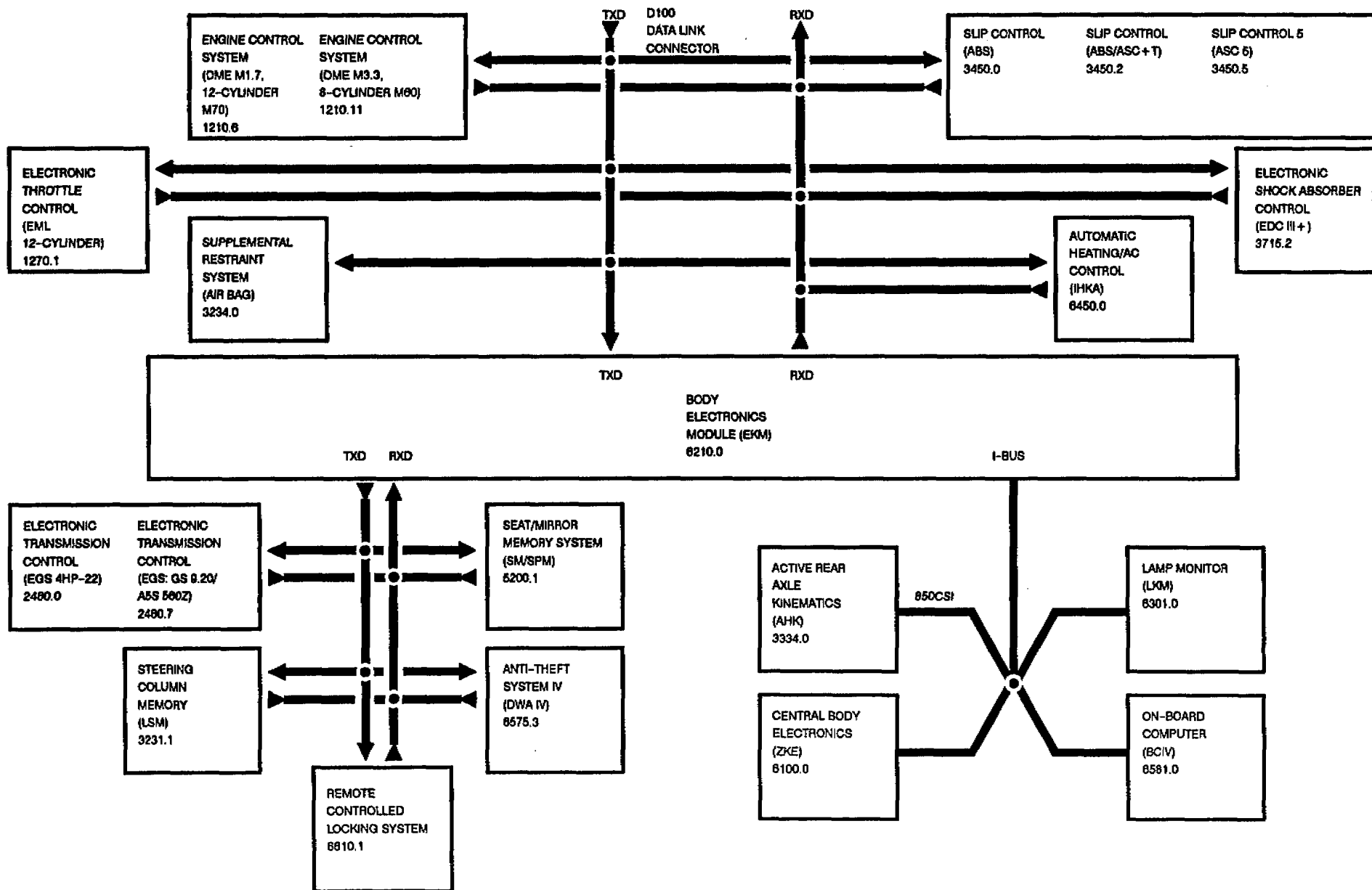


# GROUND DISTRIBUTION

## GROUND X18170



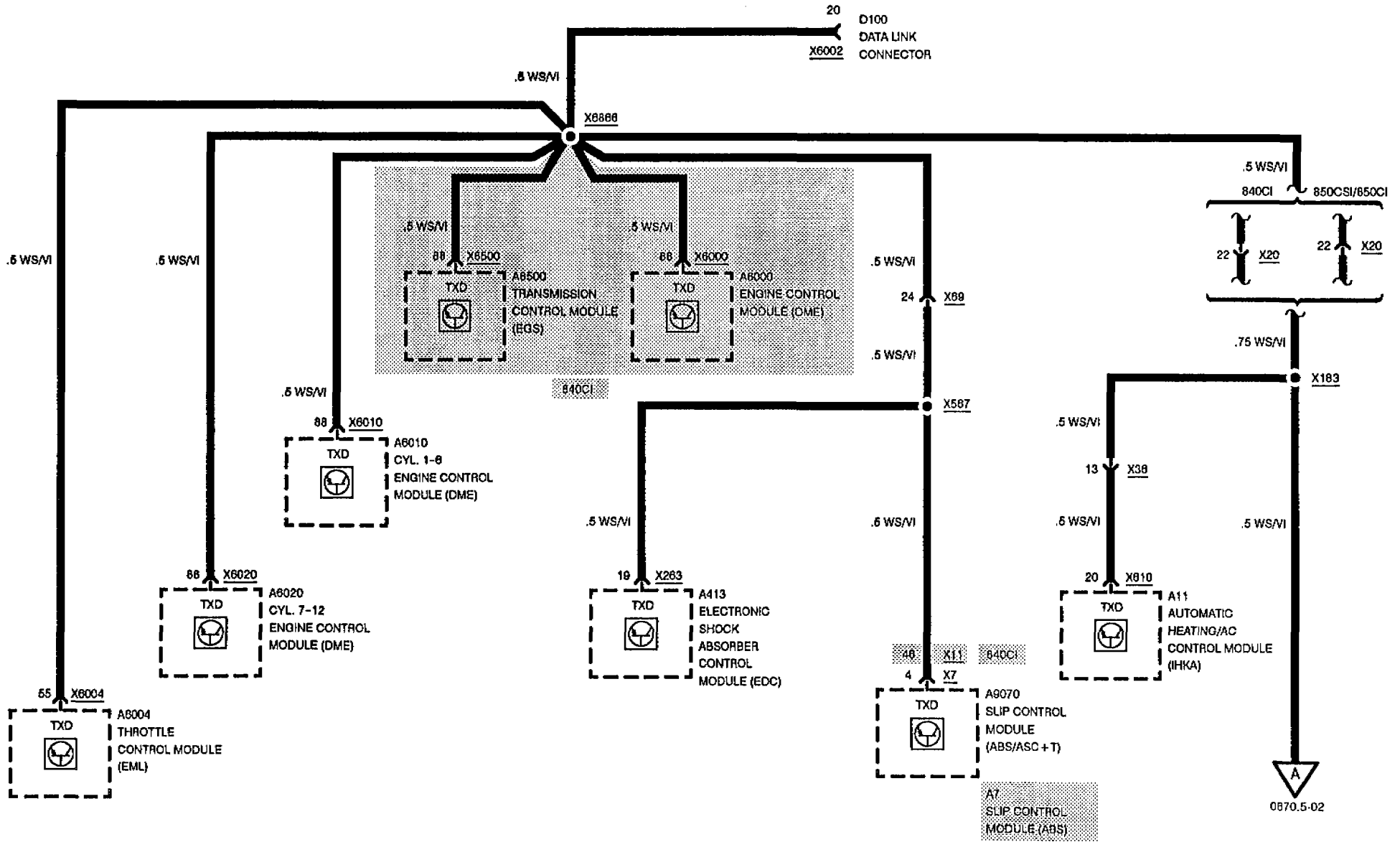
**BMW** DATA LINK  
BLOCK DIAGRAM





# DATA LINK

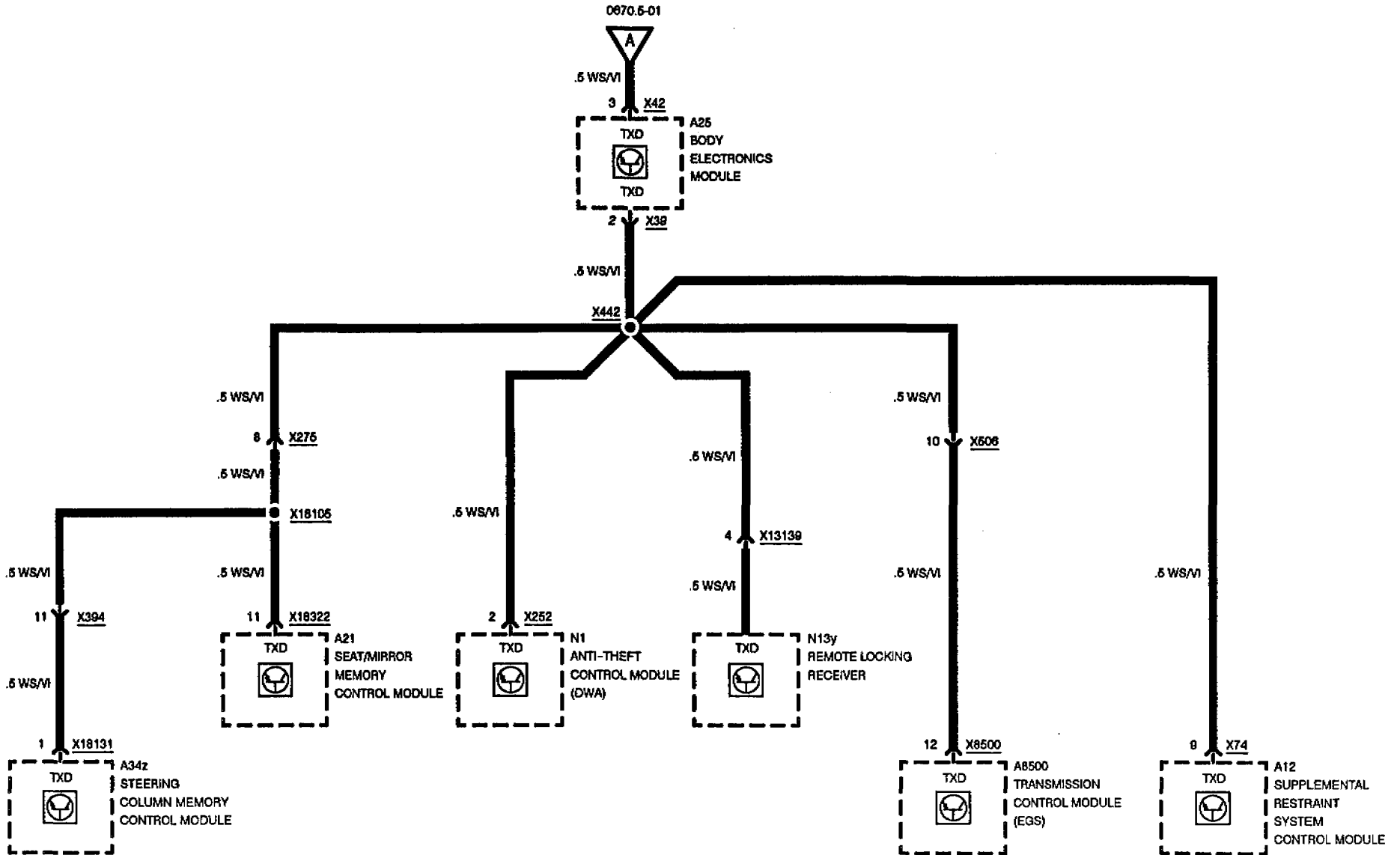
## TXD, PIN 20





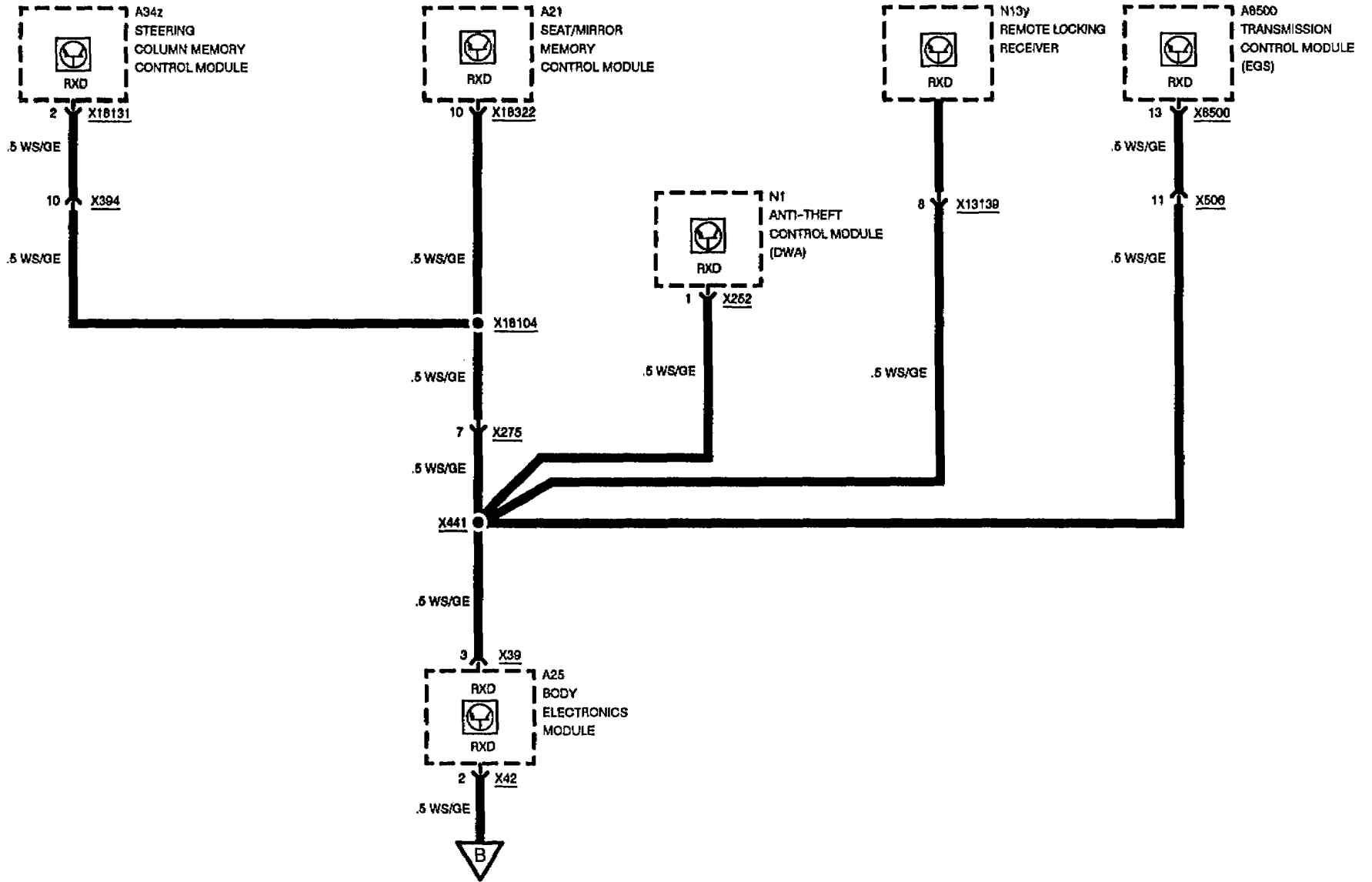
# DATA LINK

## TXD





# DATA LINK RXD



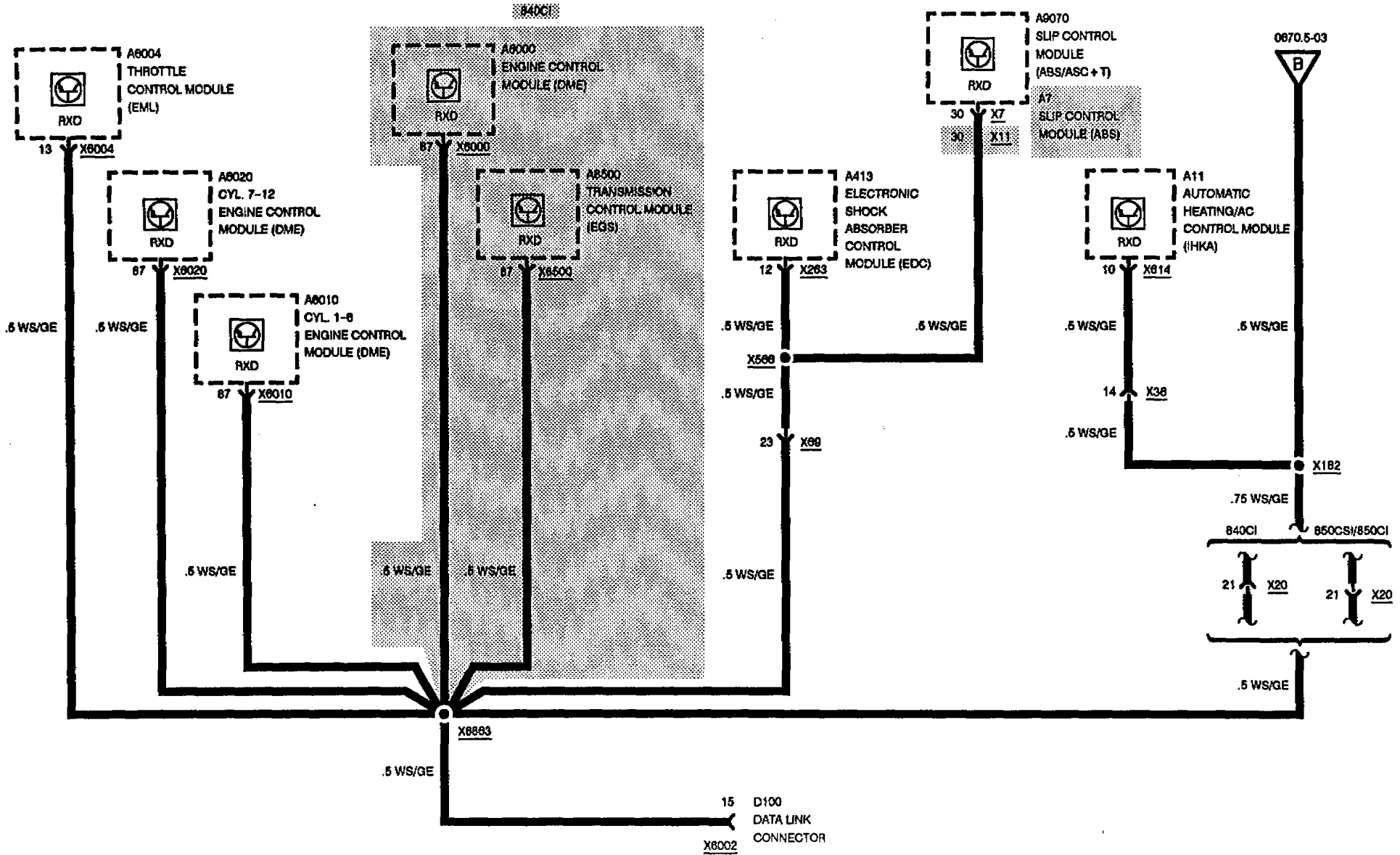
0670.5-04





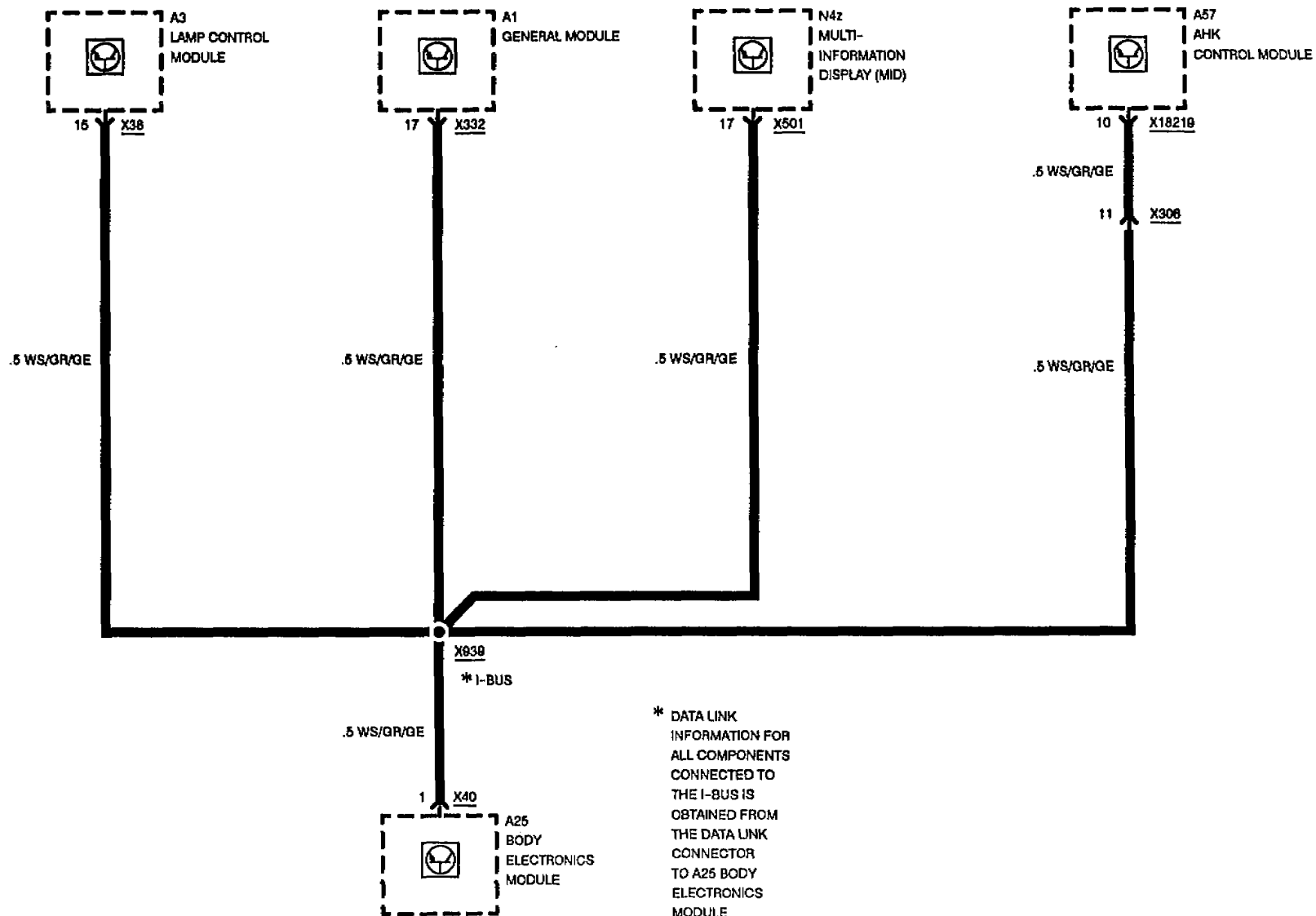
# DATA LINK

## RXD, PIN 15





# DATA LINK INSTRUMENTATION BUS (I-BUS)

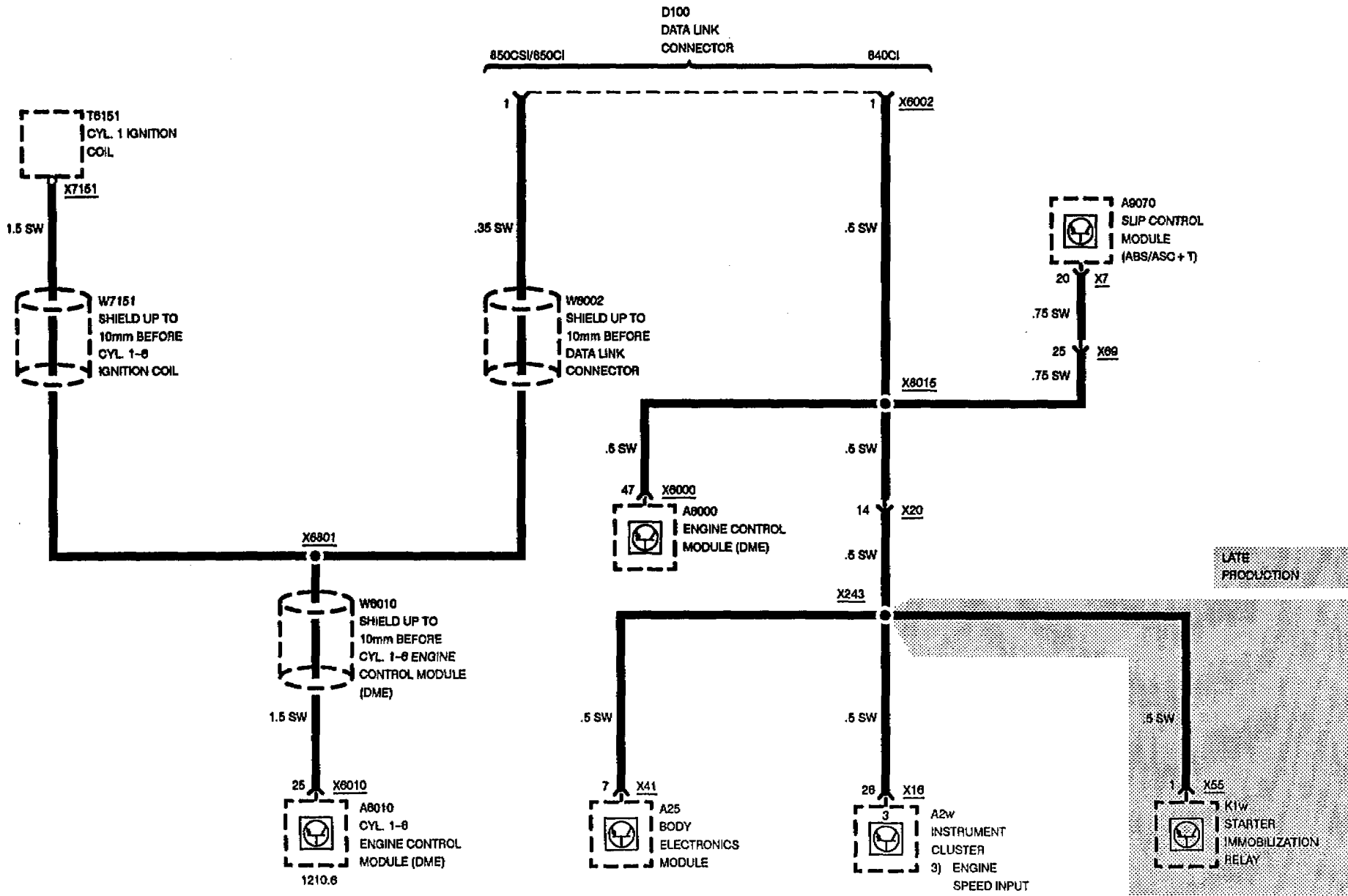


\* DATA LINK  
INFORMATION FOR  
ALL COMPONENTS  
CONNECTED TO  
THE I-BUS IS  
OBTAINED FROM  
THE DATA LINK  
CONNECTOR  
TO A25 BODY  
ELECTRONICS  
MODULE



# DATA LINK

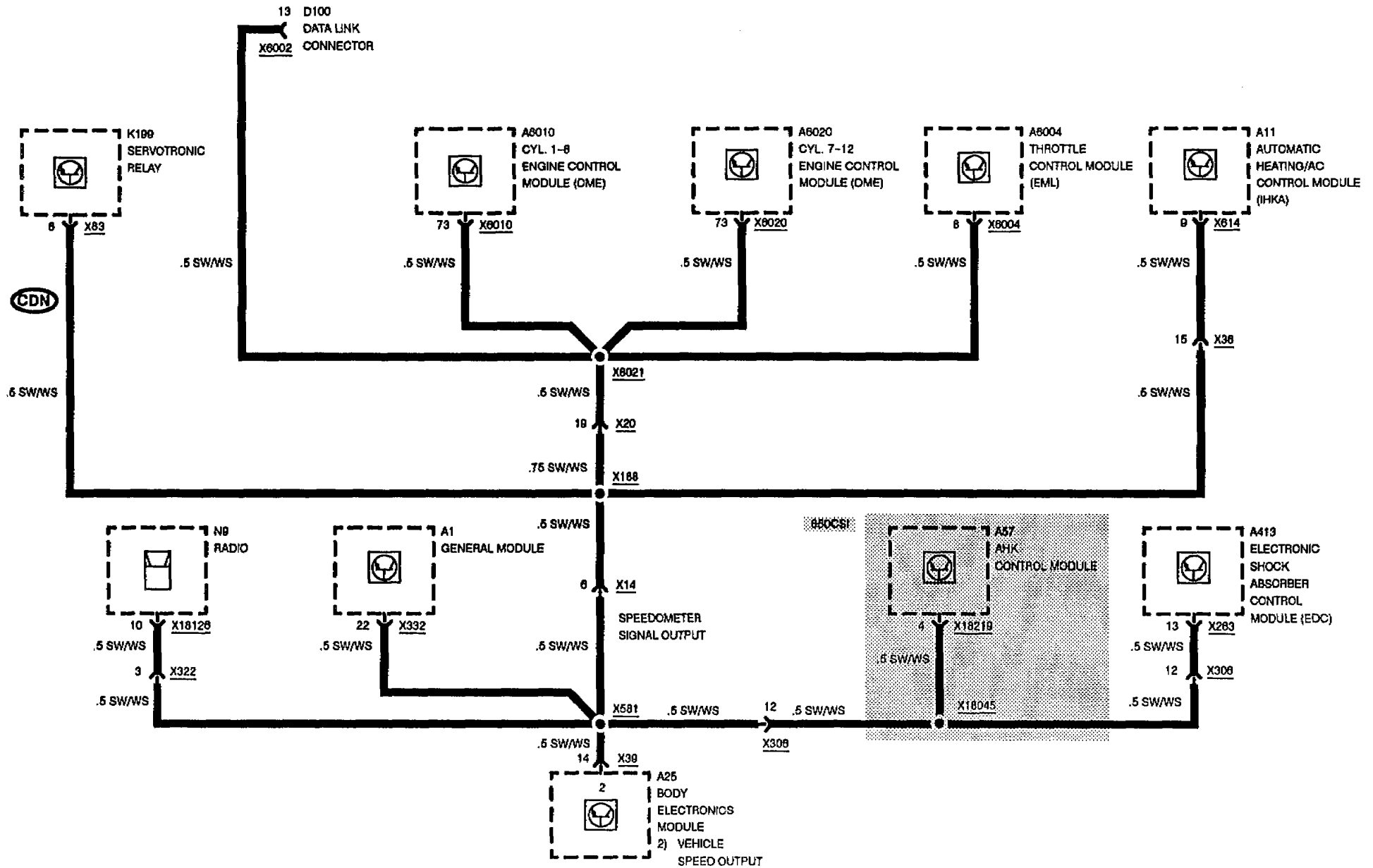
## DATA LINK CONNECTOR PIN 1





# DATA LINK

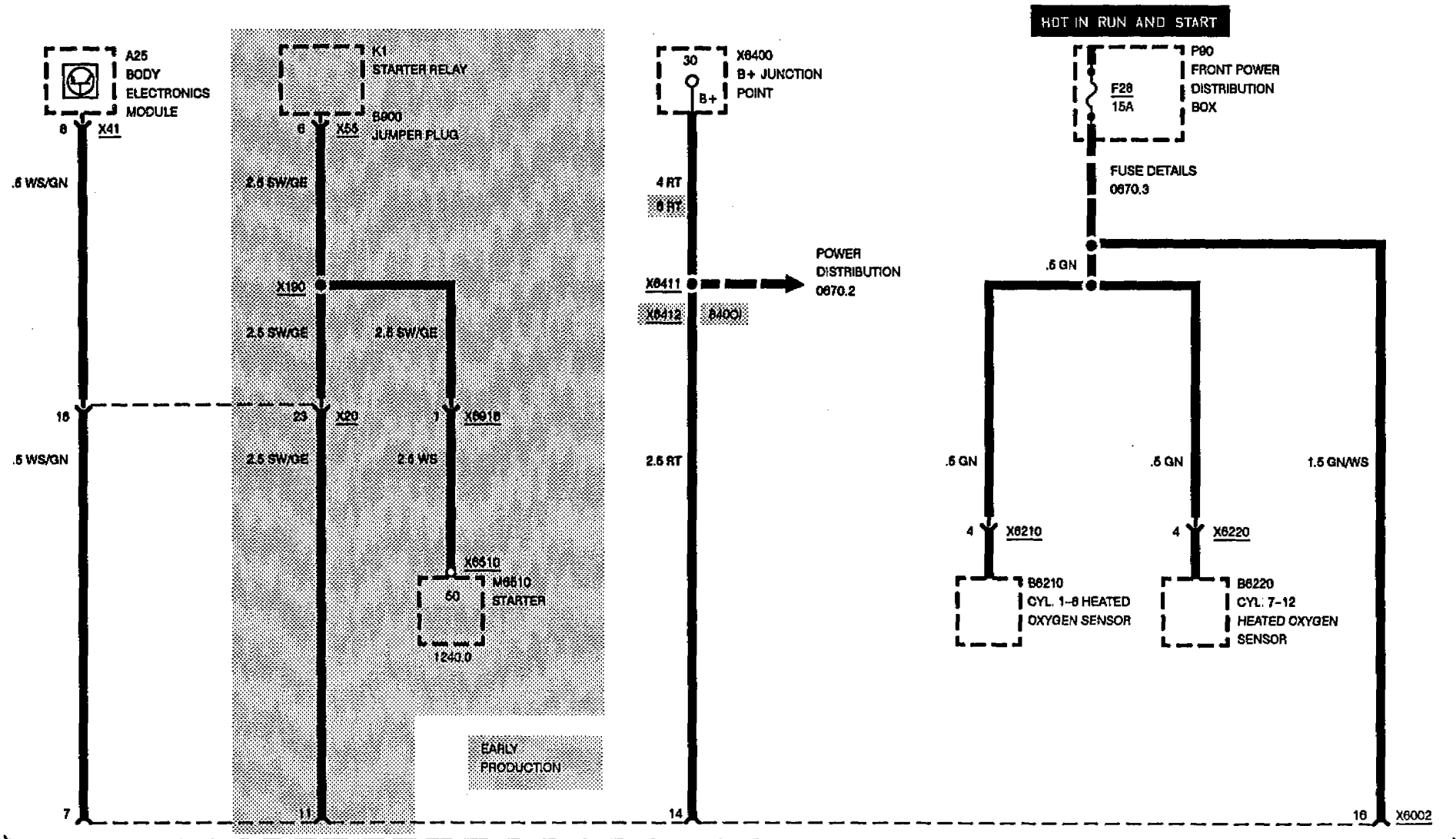
## DATA LINK CONNECTOR PIN 13





# DATA LINK

## DATA LINK CONNECTOR PINS 7, 11, 14, AND 16



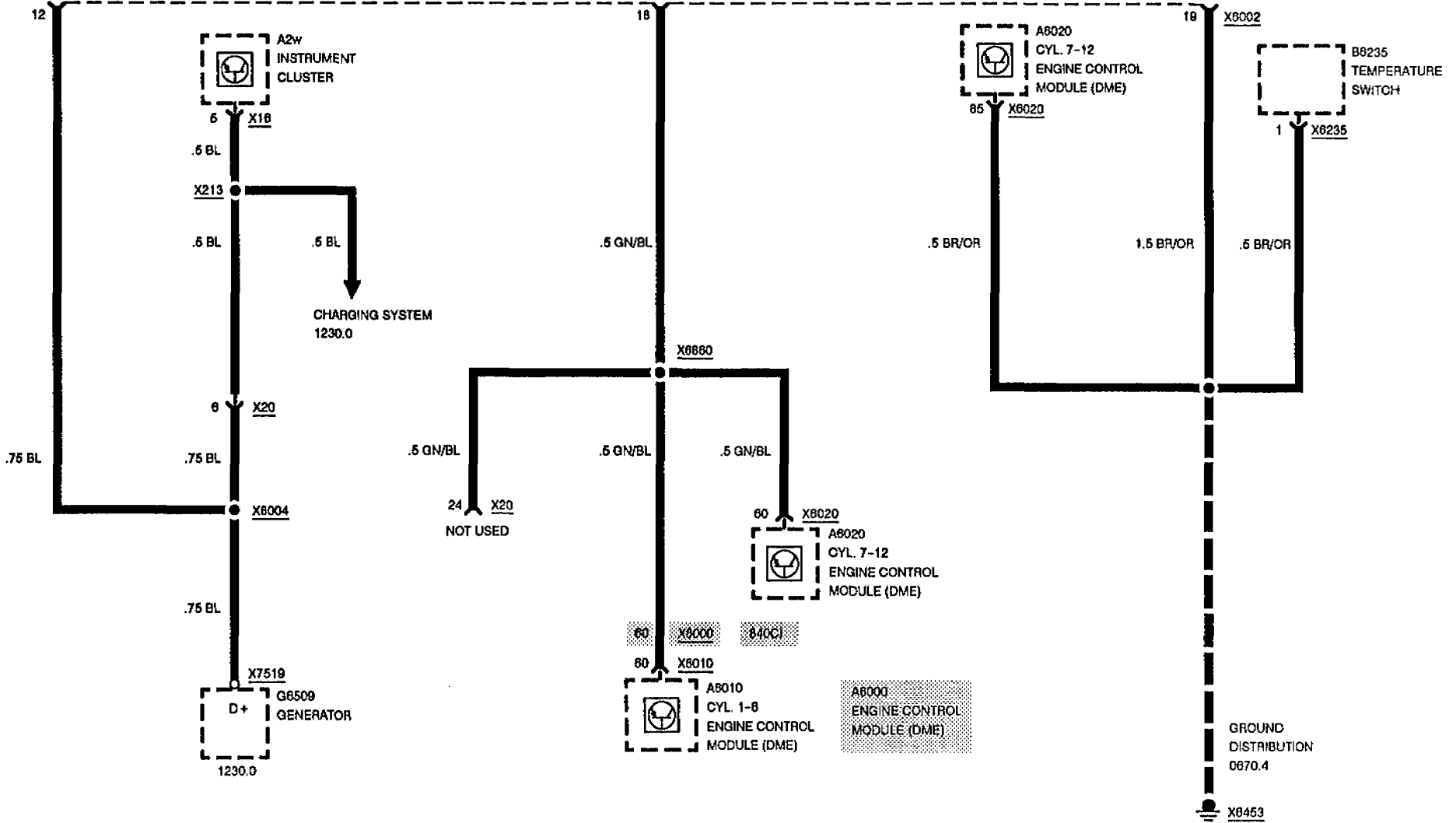
D100  
DATA LINK  
CONNECTOR



# DATA LINK

## DATA LINK CONNECTOR PINS 12, 18, AND 19

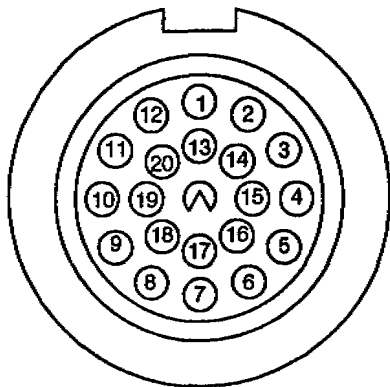
D100  
DATA LINK  
CONNECTOR





# DATA LINK

## DATA LINK CONNECTOR (X6002)

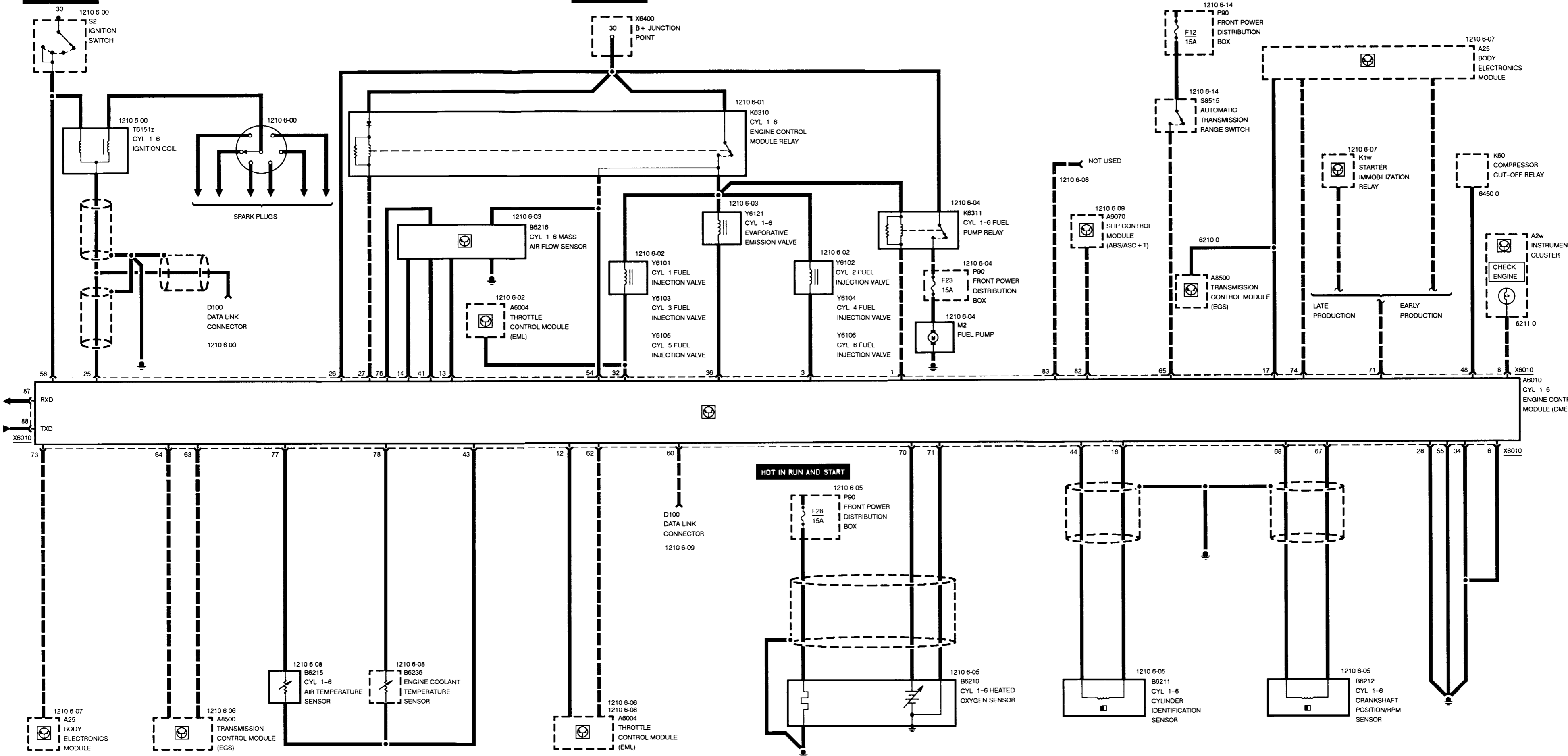


PIN NUMBER	TERMINAL NUMBER	TERMINAL DESCRIPTION	WIRE COLOR
1 (850CSI, 850CI)	1	IGNITION COIL	SW
1 (840CI)	RPM	SIGNAL ENGINE SPEED	SW
3	-	NOT OCCUPIED	
4		NOT OCCUPIED	
5	-	NOT OCCUPIED	
6	-	NOT OCCUPIED	
7	SI	SERVICE INDICATOR REMINDER	WS/GN
8	-	NOT OCCUPIED	
9	-	NOT OCCUPIED	
10	-	NOT OCCUPIED	
11 EARLY PROD.	50	VOLTAGE: IGNITION SWITCH IN START	SW/GE
11 LATE PROD.	-	NOT OCCUPIED	
12	61(D+)	GENERATOR CHARGE INDICATOR	BL
13	TACH	SPEEDOMETER SIGNAL OUTPUT	SW/WS
14	30	VOLTAGE: HOT AT ALL TIMES	RT
15	RXD	DIAGNOSTIC DATA LINK	WS/GE
16	15S	VOLTAGE: IGNITION SWITCH IN RUN AND START	GN/WS
17	-	NOT OCCUPIED	
18	PGS	PROGRAM SELECT FOR ENGINE CONTROL MODULE (DME)	GN/BL
19	31	GROUND	BR
20	TXD	DIAGNOSTIC DATA LINK	WS/VI

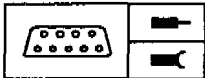
HOT AT ALL TIMES

HOT AT ALL TIMES

HOT IN RUN AND START





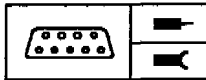


## Pin Assignments

### X6010

Pin	Type	Description/Function	Connection
1	A	Fuel pump relay and crankshaft reference signal (TR)	Fuel pump relay and transmission control module (EGS) torque converter clutch
2		Not used	
3	A	Fuel injector valves cyl. 2 - 4 - 6	Fuel injector valves
4		Not used	
5		Not used	
6	M	Ground, fuel injector valve output stages	Ground point
7		Not used	
8	A	Service reminder indicator (US only)	Instrument cluster
9		Not used	
10		Not used	
11		Not used	
12	E	Wide open throttle signal (VL)	Electronic throttle control module (EML)
13	A	Free combustion	Mass air flow sensor
14	M	Ground, mass air flow sensor	Mass air flow sensor
15		Not used	
16	E	Cylinder identification sensor (ignition)	Cylinder identification sensor (connection B)
17	A	Injection measuring signal (ti) (KVA signal)	Body electronics module (EKM)
18		Not used	
19		Not used	
20		Not used	
21		Not used	
22		Not used	
23		Not used	
24		Not used	
25	A	Ignition, terminal 1	Cyl. 1 - 6 ignition coil
26	E	Battery voltage	B+ junction point
27	A	Engine control module relay	Engine control module relay terminal 85 (additionally, jumper to second engine control module relay)

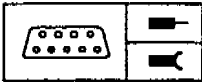
E = Input, A = Output, M = Ground



## Pin Assignments

Pin	Type	Description/Function	Connection
28	M	Ground for electronics and shielding the sensors	Ground point
29		Not used	
30		Not used	
31		Not used	
32	A	Fuel injector valves cyl. 1 - 3 - 5	Fuel injector valves and electronic throttle control module (EML)
33		Not used	
34	M	Ground, remaining output stages (except for ignition and fuel injector valves)	Ground point
35		Not used	
36	A	Fuel evaporation purge valve	Fuel evaporation purge valve
37		Not used	
38		Not used	
39		Not used	
40		Not used	
41	E	Mass air flow sensor signal	Mass air flow sensor
42		Not used	
43	M	Ground for sensors	Temperature sensors
44	E	Cylinder identification sensor (ignition)	Cylinder identification sensor (connection A)
45		Not used	
46		Not used	
47		Not used	
48	A	Compressor cut-off signal	Compressor cut-off relay
49		Not used	
50		Not used	
51		Not used	
52		Not used	
53		Not used	
54	E	Battery voltage from engine control module relay	Engine control module relay
55	M	Ground, ignition	Ground point
56	E	Ignition, terminal 15	Ignition switch

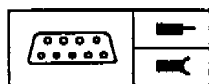
E = Input, A = Output, M = Ground



## Pin Assignments

Pin	Type	Description/Function	Connection
57		Not used	
58		Not used	
59		Not used	
60	E	Programming voltage	Data link connector
61		Not used	
62	E	Idle signal (LL)	Electronic throttle control module (EML)
63	E	Torque converter clutch (WK)	Transmission control module (EGS)
64	E	Ignition timing intervention	Transmission control module (EGS)
65	E	Park/Neutral sensing	Automatic transmission range switch
66		Not used	
67	E	Inductive pulse generator (connection B)	Pulse generator, crankshaft rpm sensor
68	E	Inductive pulse generator (connection A)	Pulse generator, crankshaft rpm sensor
69		Not used	
70	E	Oxygen sensor signal	Heated oxygen sensor
71	M	Ground, oxygen sensor	Heated oxygen sensor
72		Not used	
73	E	Speedometer signal	Body electronics module (EKM)
74	A	Engine speed signal (TD)	Body electronics module (EKM)
75		Not used	
76	E	Idle CO-potentiometer	Mass air flow sensor
77	E	Intake air temperature	Engine intake air temperature sensor
78	E	Engine coolant temperature	Engine coolant temperature sensor
79		Not used	
80		Not used	
81	E	Antitheft signal (Early Production)	Body electronics module (EKM)
81	E	Antitheft signal (Late Production)	Starter immobilization relay
82	E	ASC ignition angle control (MSR)	ASC + T control unit
83		Not used	
84		Not used	
85		Not used	
86		Not used	

E = Input, A = Output, M = Ground



## Pin Assignments

Pin	Type	Description/Function	Connection
87	E	RxD diagnostic data line	Data link connector
88	E/A	TxD diagnostic data line	Data link connector

E = Input, A = Output, M = Ground

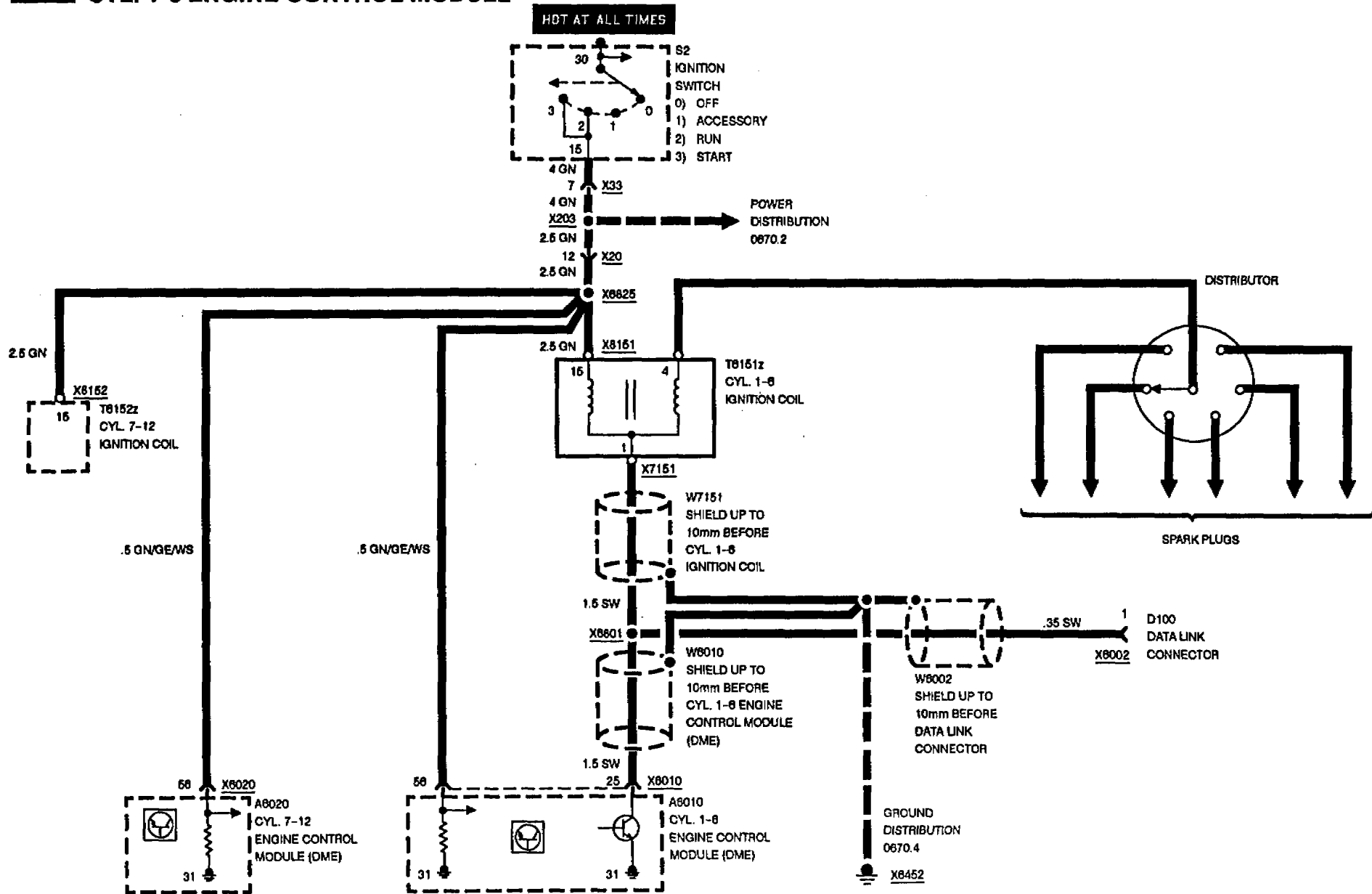
BMW  
8

1210.6



# ENGINE CONTROL SYSTEM (DME M1.7, 12-CYLINDER M70)

## CYL. 1-6 ENGINE CONTROL MODULE



09/93

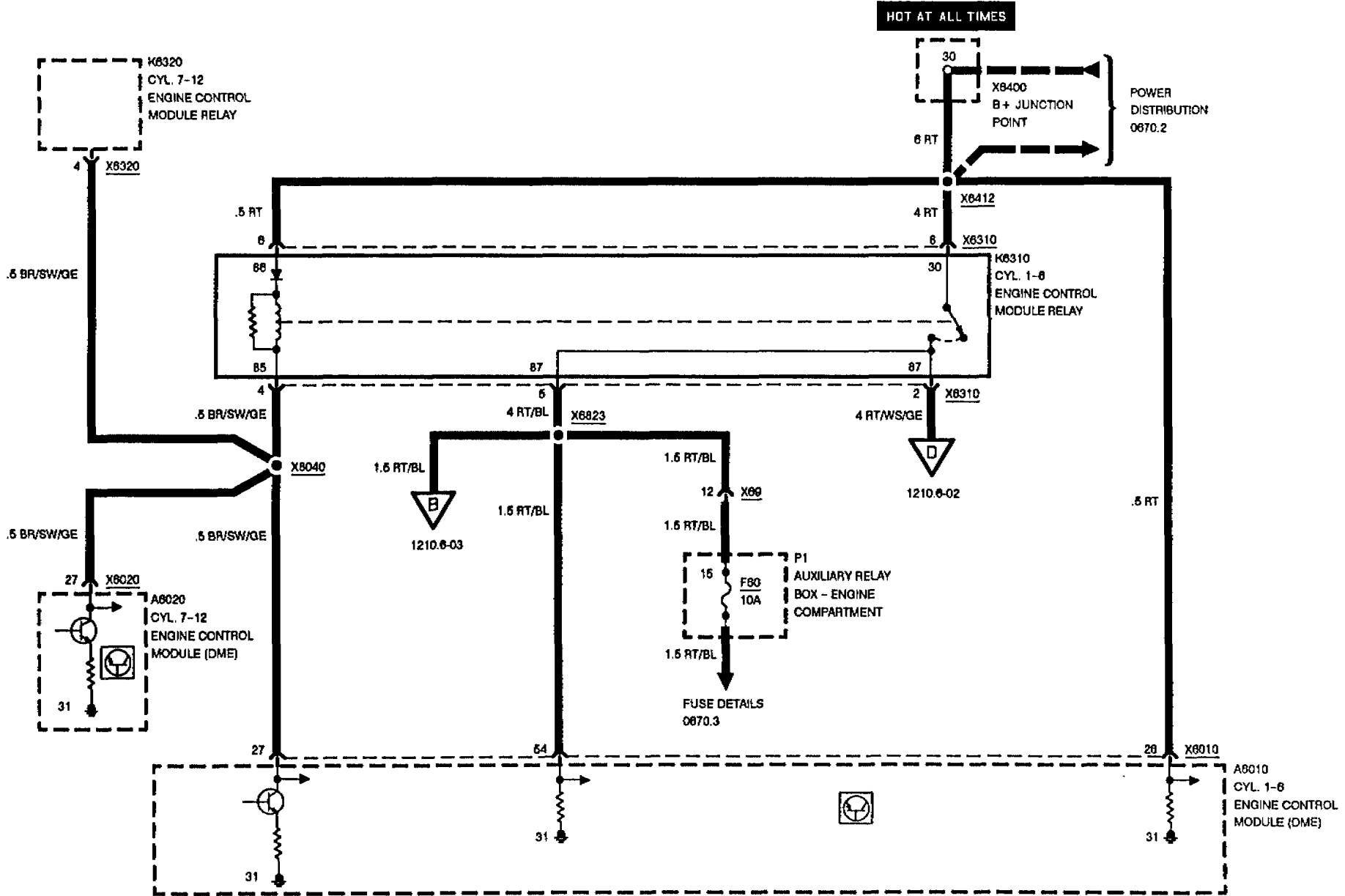
1210.6-00

1994



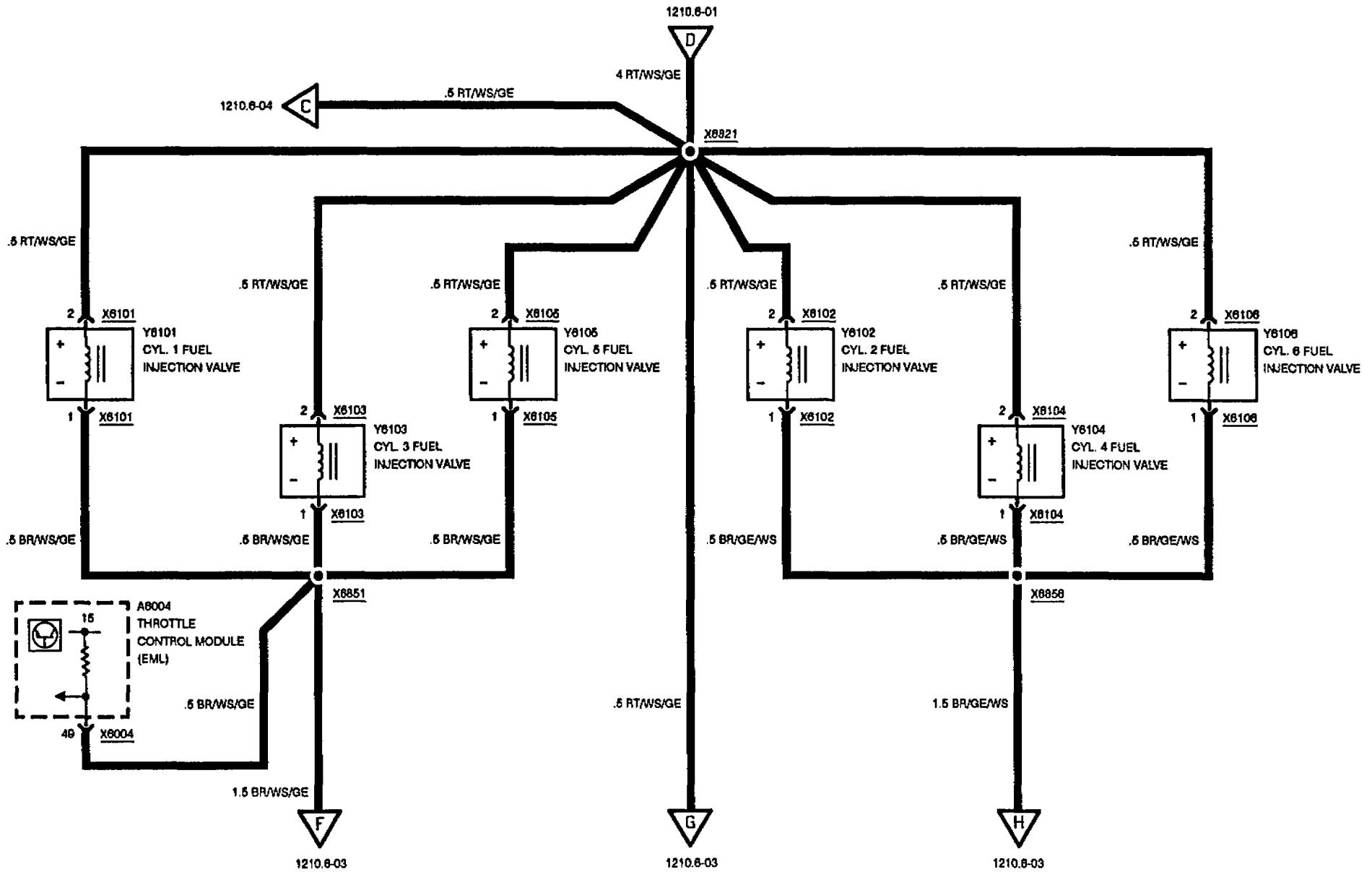
# ENGINE CONTROL SYSTEM (DME M1.7, 12-CYLINDER M70)

## CYL. 1-6 ENGINE CONTROL MODULE





# ENGINE CONTROL SYSTEM (DME M1.7, 12-CYLINDER M70) FUEL INJECTION VALVES

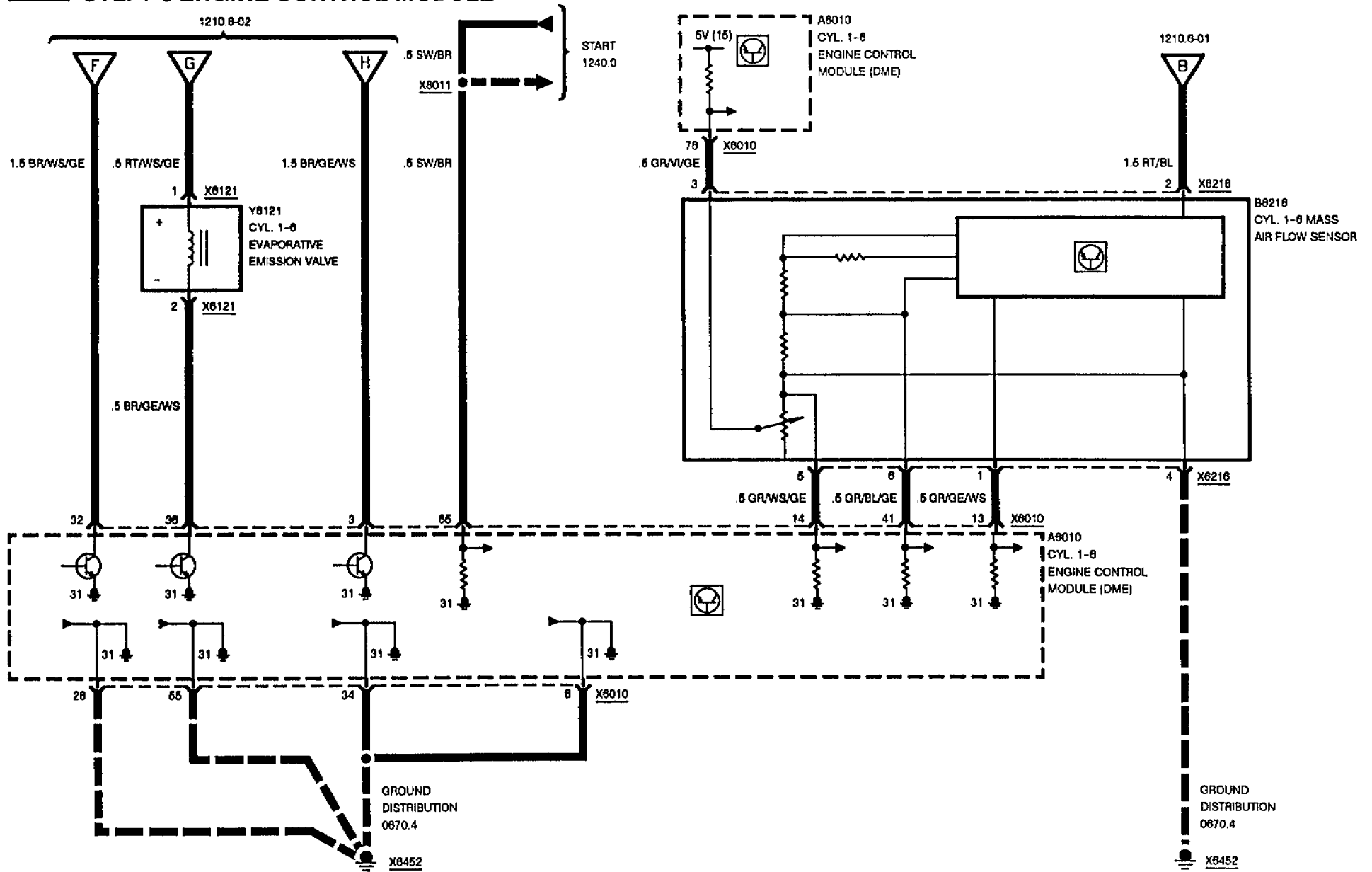






# ENGINE CONTROL SYSTEM (DME M1.7, 12-CYLINDER M70)

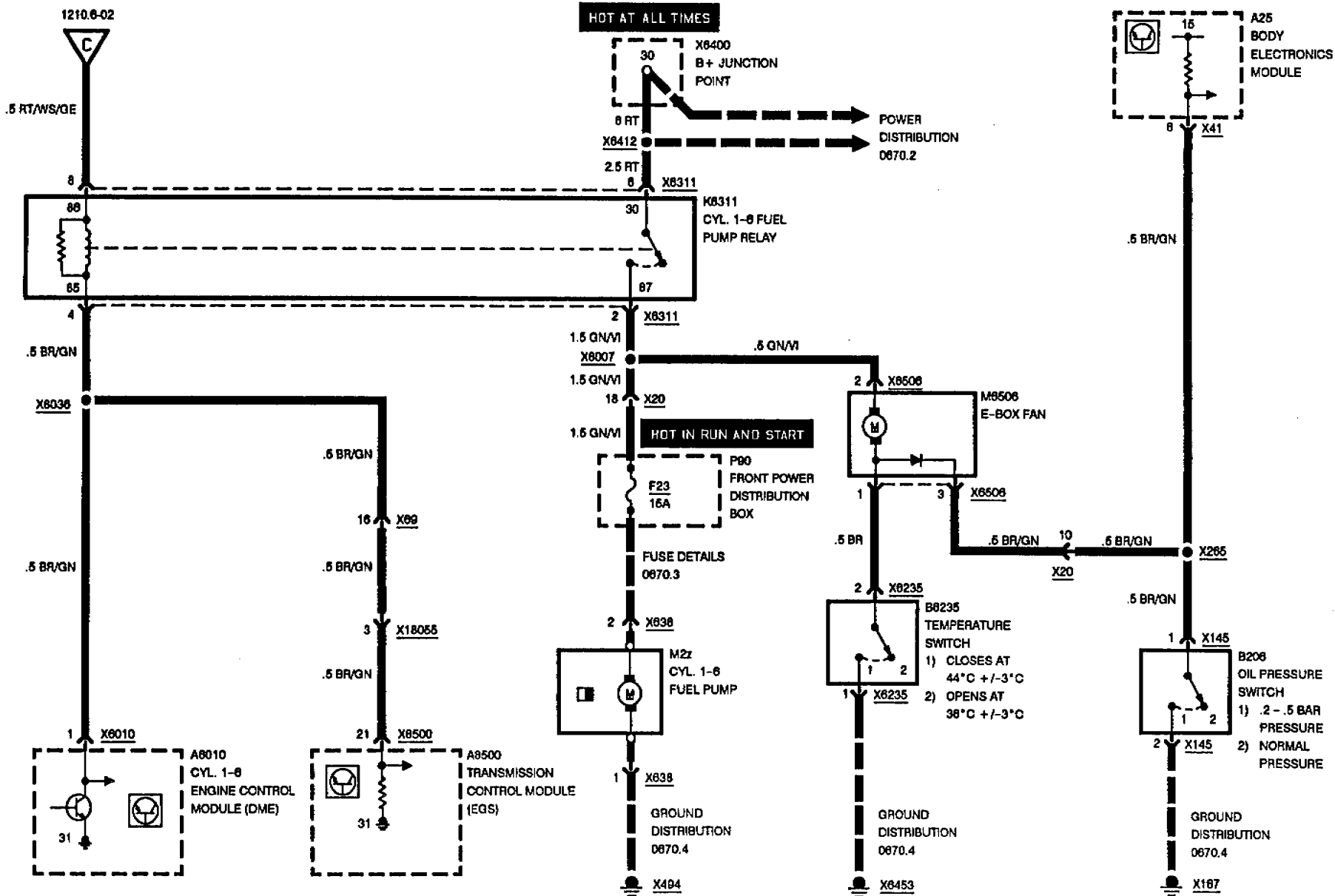
## CYL. 1-6 ENGINE CONTROL MODULE





# ENGINE CONTROL SYSTEM (DME M1.7, 12-CYLINDER M70)

## CYL. 1-6 ENGINE CONTROL MODULE

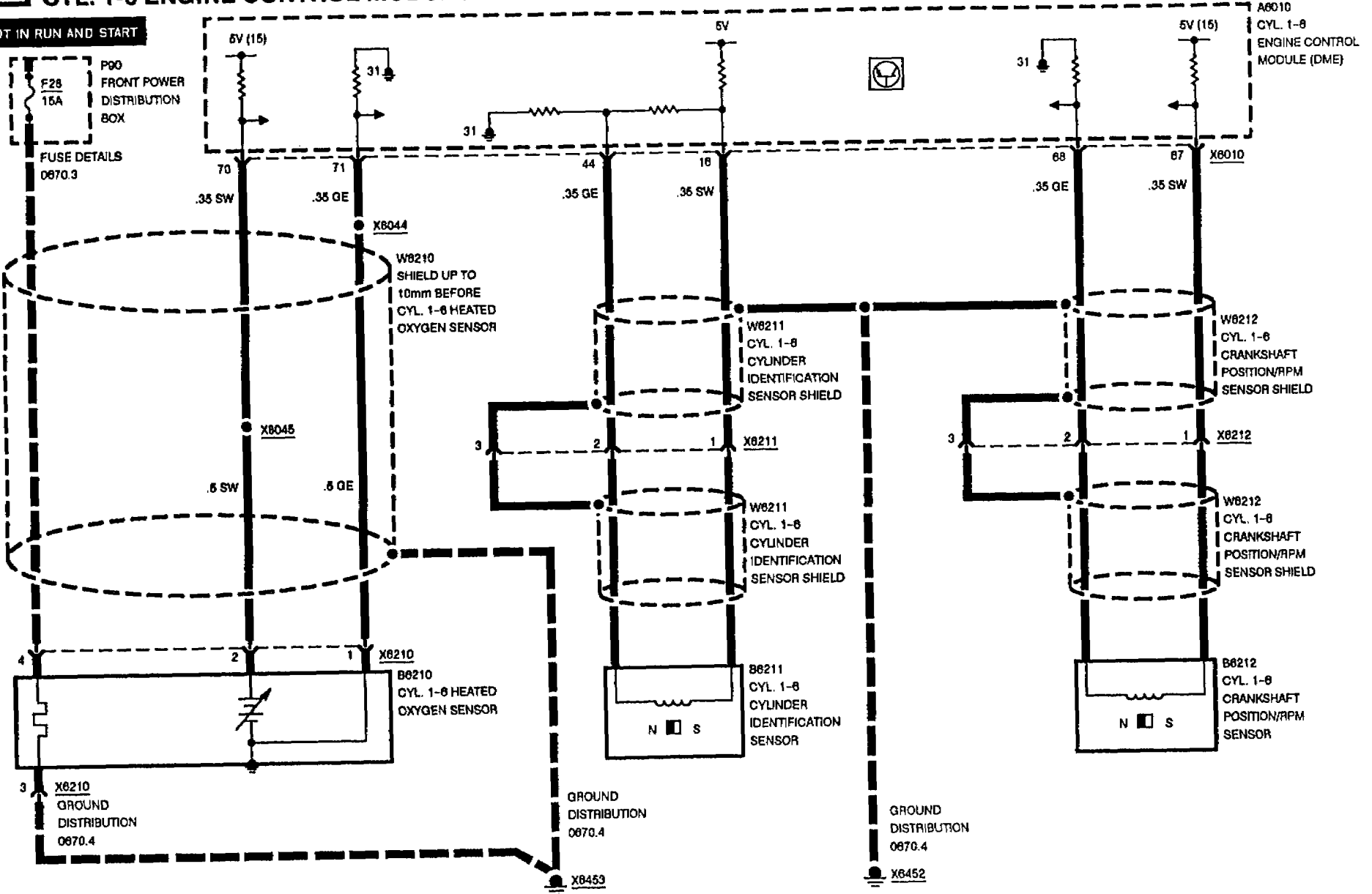




# ENGINE CONTROL SYSTEM (DME M1.7, 12-CYLINDER M70)

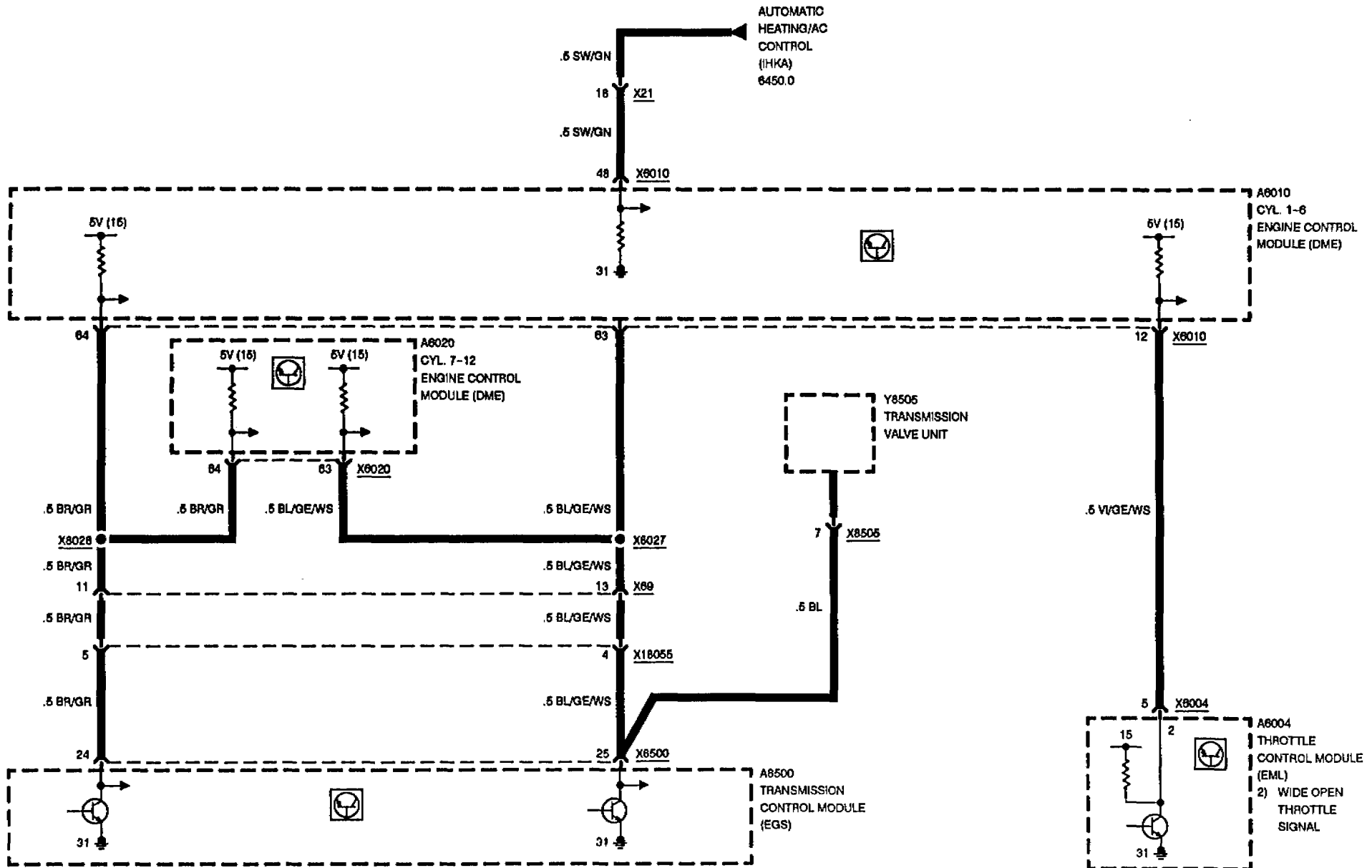
## CYL. 1-6 ENGINE CONTROL MODULE

HOT IN RUN AND START





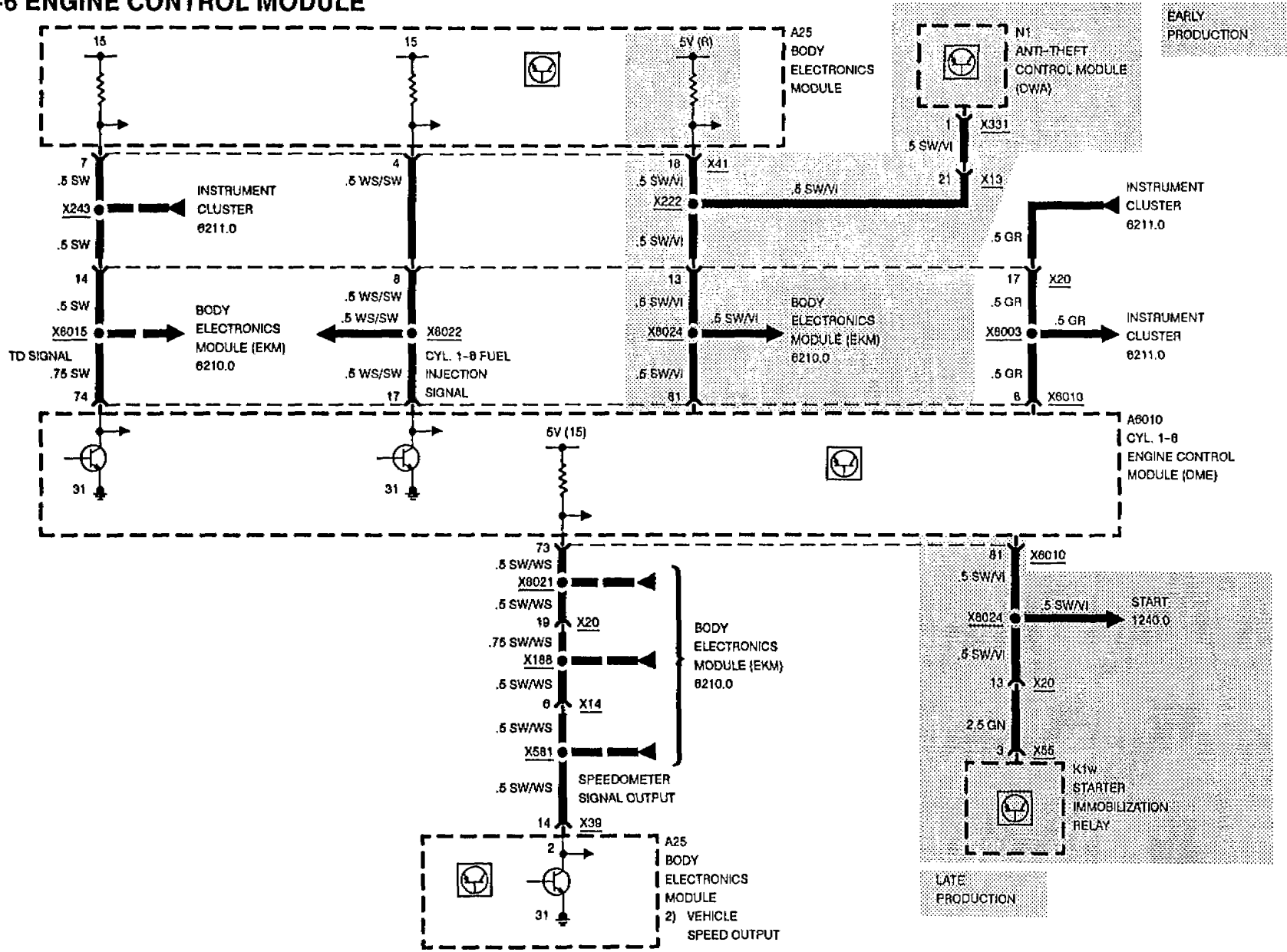
# ENGINE CONTROL SYSTEM (DME M1.7, 12-CYLINDER M70) CYL. 1-6 ENGINE CONTROL MODULE





# ENGINE CONTROL SYSTEM (DME M1.7, 12-CYLINDER M70)

## CYL. 1-6 ENGINE CONTROL MODULE



12/94

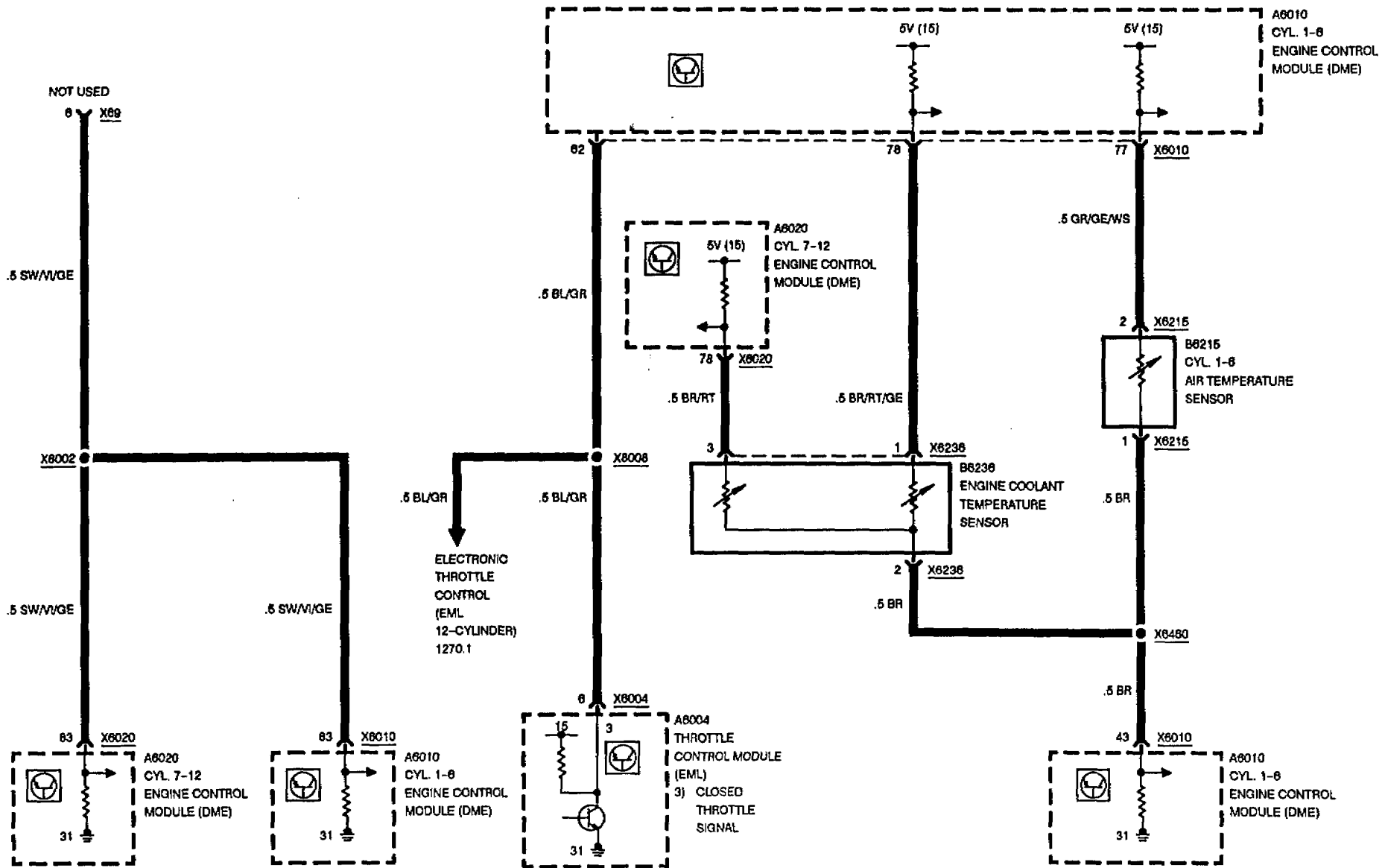
1210.6-07

1994



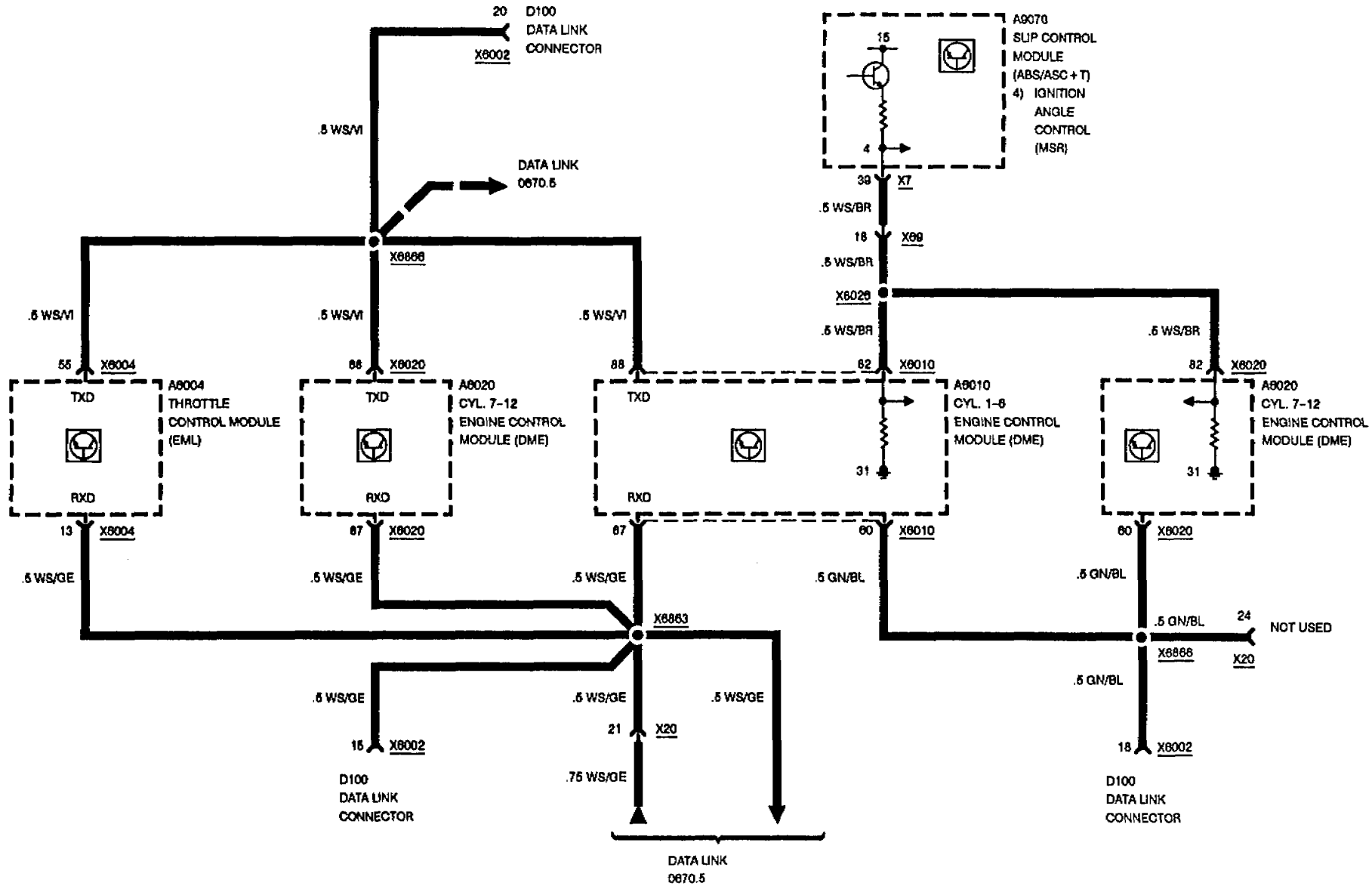
# ENGINE CONTROL SYSTEM (DME M1.7, 12-CYLINDER M70)

## CYL. 1-6 ENGINE CONTROL MODULE





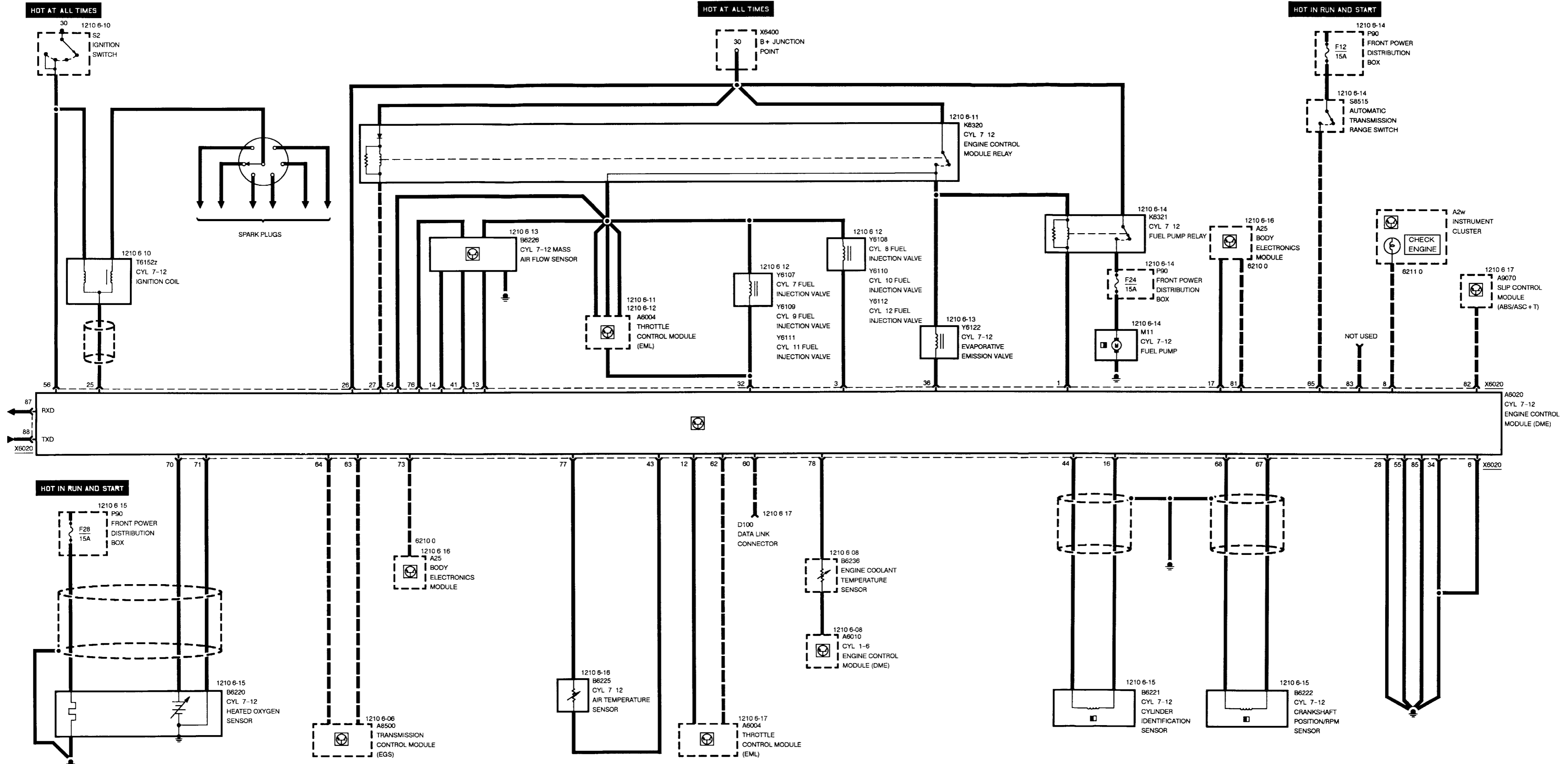
# ENGINE CONTROL SYSTEM (DME M1.7, 12-CYLINDER M70) CYL. 1-6 ENGINE CONTROL MODULE

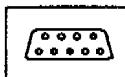


BMW  
8

1210.6





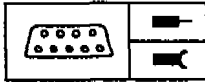


## Pin Assignments

### X6020

Pin	Type	Description/Function	Connection
1	A	Fuel pump relay and crankshaft reference signal (TR)	Fuel pump relay and transmission control module (EGS) torque converter clutch
2		Not used	
3	A	Fuel injector valves cyl. 8 - 10 - 12	Fuel injector valves
4		Not used	
5		Not used	
6	M	Ground, fuel injector valve output stages	Ground point
7		Not used	
8	A	Service reminder indicator (US only)	Instrument cluster
9		Not used	
10		Not used	
11		Not used	
12	E	Wide open throttle signal (VL)	Electronic throttle control module (EML)
13	A	Free combustion	Mass air flow sensor
14	M	Ground, mass air flow sensor	Mass air flow sensor
15		Not used	
16	E	Cylinder identification sensor (ignition)	Cylinder identification sensor (connection B)
17	A	Injection measuring signal (ti) (KVA signal)	Body electronics module (EKM)
18		Not used	
19		Not used	
20		Not used	
21		Not used	
22		Not used	
23		Not used	
24		Not used	
25	A	Ignition, terminal 1	Cyl. 7 - 12 ignition coil
26	E	Battery voltage	B+ junction point
27	A	Engine control module relay	Engine control module relay terminal 85 (additionally, jumper to second engine control module relay)

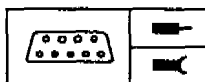
E = Input, A = Output, M = Ground



## Pin Assignments

Pin	Type	Description/Function	Connection
28	M	Ground for electronics and shielding the sensors	Ground point
29		Not used	
30		Not used	
31		Not used	
32	A	Fuel injector valves cyl. 7 - 9 - 11	Fuel injector valves and electronic throttle control module (EML)
33		Not used	
34	M	Ground, remaining output stages (except for ignition and fuel injector valves)	Ground point
35		Not used	
36	A	Fuel evaporation purge valve	Fuel evaporation purge valve
37		Not used	
38		Not used	
39		Not used	
40		Not used	
41	E	Mass air flow sensor signal	Mass air flow sensor
42		Not used	
43	M	Ground for sensors	Temperature sensors
44	E	Cylinder identification sensor (ignition)	Cylinder identification sensor (connection A)
45		Not used	
46		Not used	
47		Not used	
48		Not used	
49		Not used	
50		Not used	
51		Not used	
52		Not used	
53		Not used	
54	E	Battery voltage from engine control module relay	Engine control module relay, terminal 87
55	M	Ground, ignition	Ground point
56	E	Ignition, terminal 15	Ignition switch

E = Input, A = Output, M = Ground



## Pin Assignments

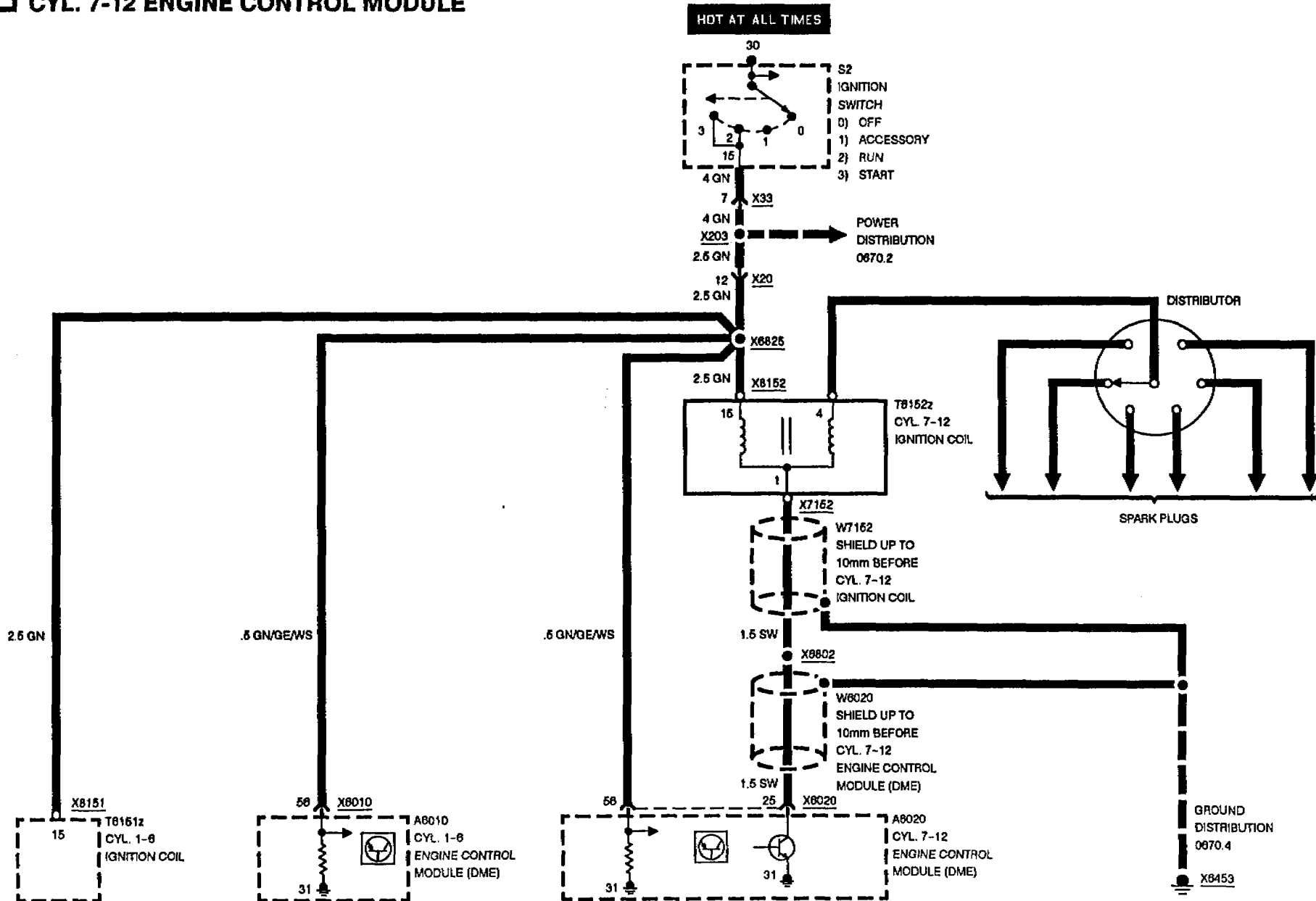
Pin	Type	Description/Function	Connection
57		Not used	
58		Not used	
59		Not used	
60	E	Programming voltage	Data link connector
61		Not used	
62	E	Idle signal (LL)	Electronic throttle control module (EML)
63	E	Torque converter clutch (WK)	Transmission control module (EGS)
64	E	Ignition timing intervention	Transmission control module (EGS)
65	E	Park/Neutral sensing	Automatic transmission range switch
66		Not used	
67	E	Inductive pulse generator (connection B)	Pulse generator, crankshaft rpm sensor
68	E	Inductive pulse generator (connection A)	Pulse generator, crankshaft rpm sensor
69		Not used	
70	E	Oxygen sensor signal	Heated oxygen sensor
71	M	Ground, oxygen sensor	Heated oxygen sensor
72		Not used	
73	E	Speedometer signal	Body electronics module (EKM)
74		Not used	
75		Not used	
76	E	Idle CO-potentiometer	Mass air flow sensor
77	E	Intake air temperature	Engine intake air temperature sensor
78	E	Engine coolant temperature	Engine coolant temperature sensor
79		Not used	
80		Not used	
81	E	Antitheft signal	Body electronics module (EKM)
82	E	ASC ignition angle control	ASC + T control unit
83		Not used	
84		Not used	
85	E	Identifier, Cyl. 7 - 12 engine control module	Ground point
86		Not used	
87	E	RxD diagnostic data line	Data link connector
88	E/A	TxD diagnostic data line	Data link connector

E = Input, A = Output, M = Ground



# ENGINE CONTROL SYSTEM (DME M1.7, 12-CYLINDER M70)

## CYL. 7-12 ENGINE CONTROL MODULE



09/93

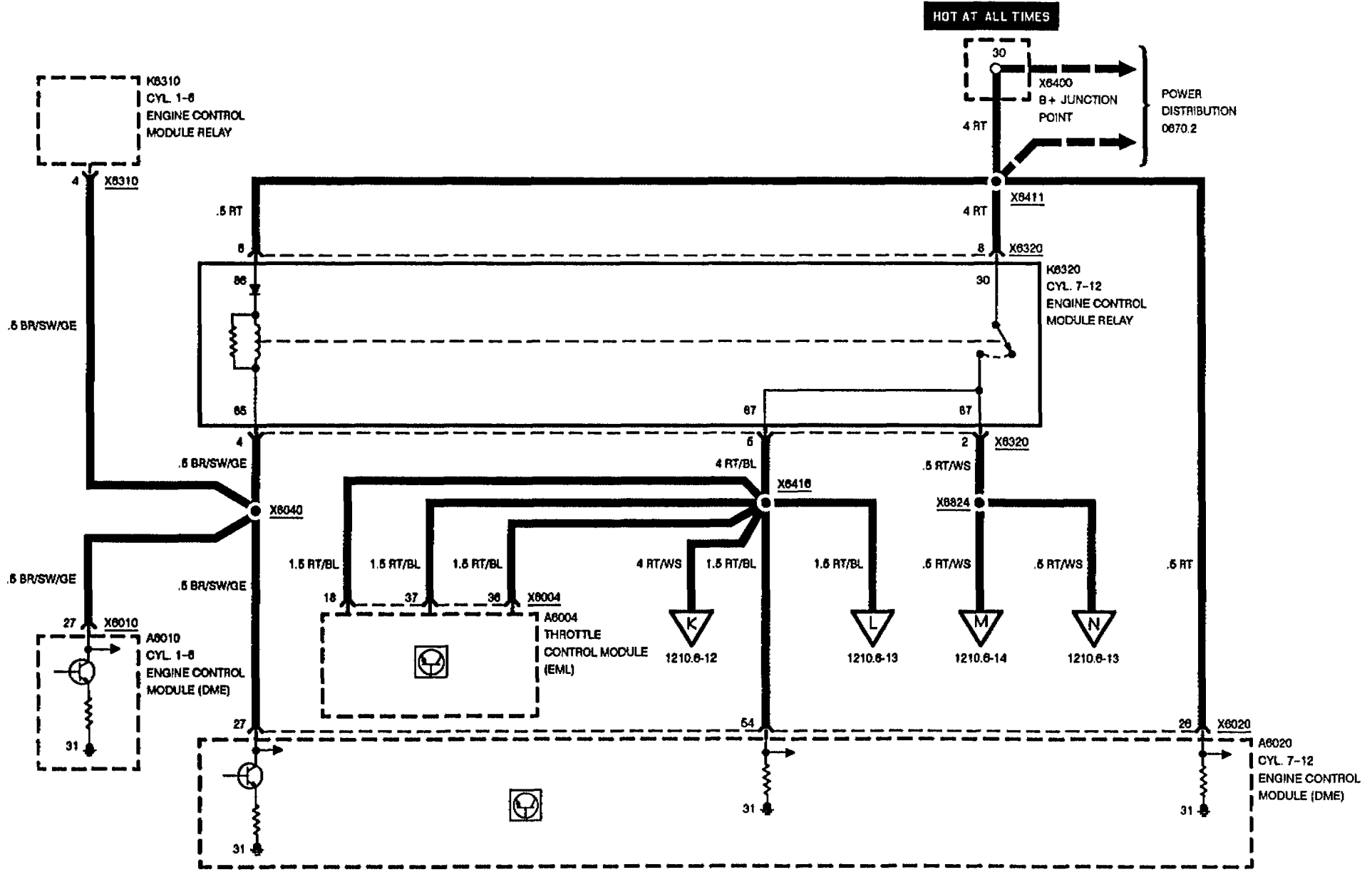
1210.6-10

1994



# ENGINE CONTROL SYSTEM (DME M1.7, 12-CYLINDER M70)

## CYL. 7-12 ENGINE CONTROL MODULE



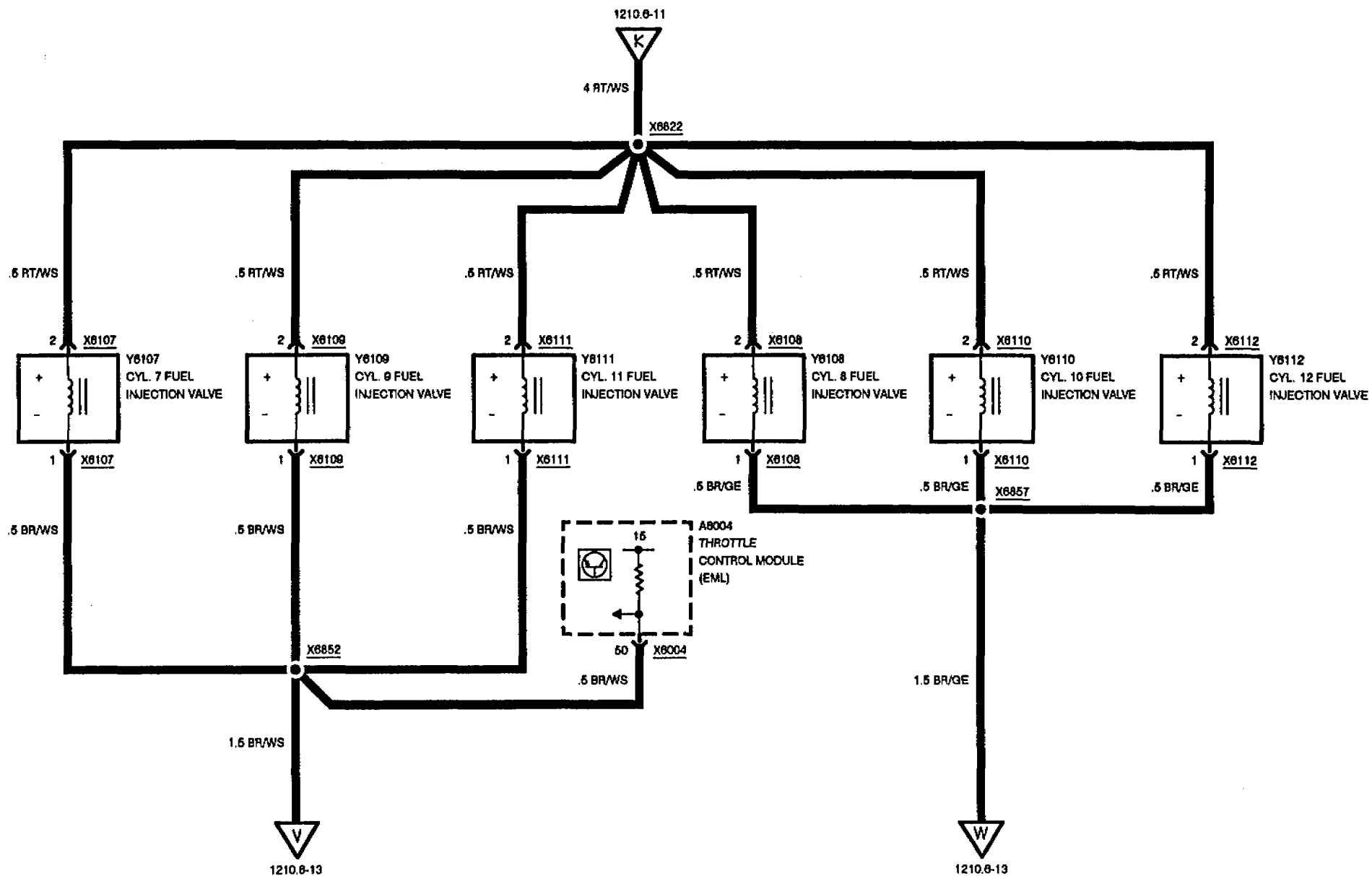
09/93

1210.6-11

1994



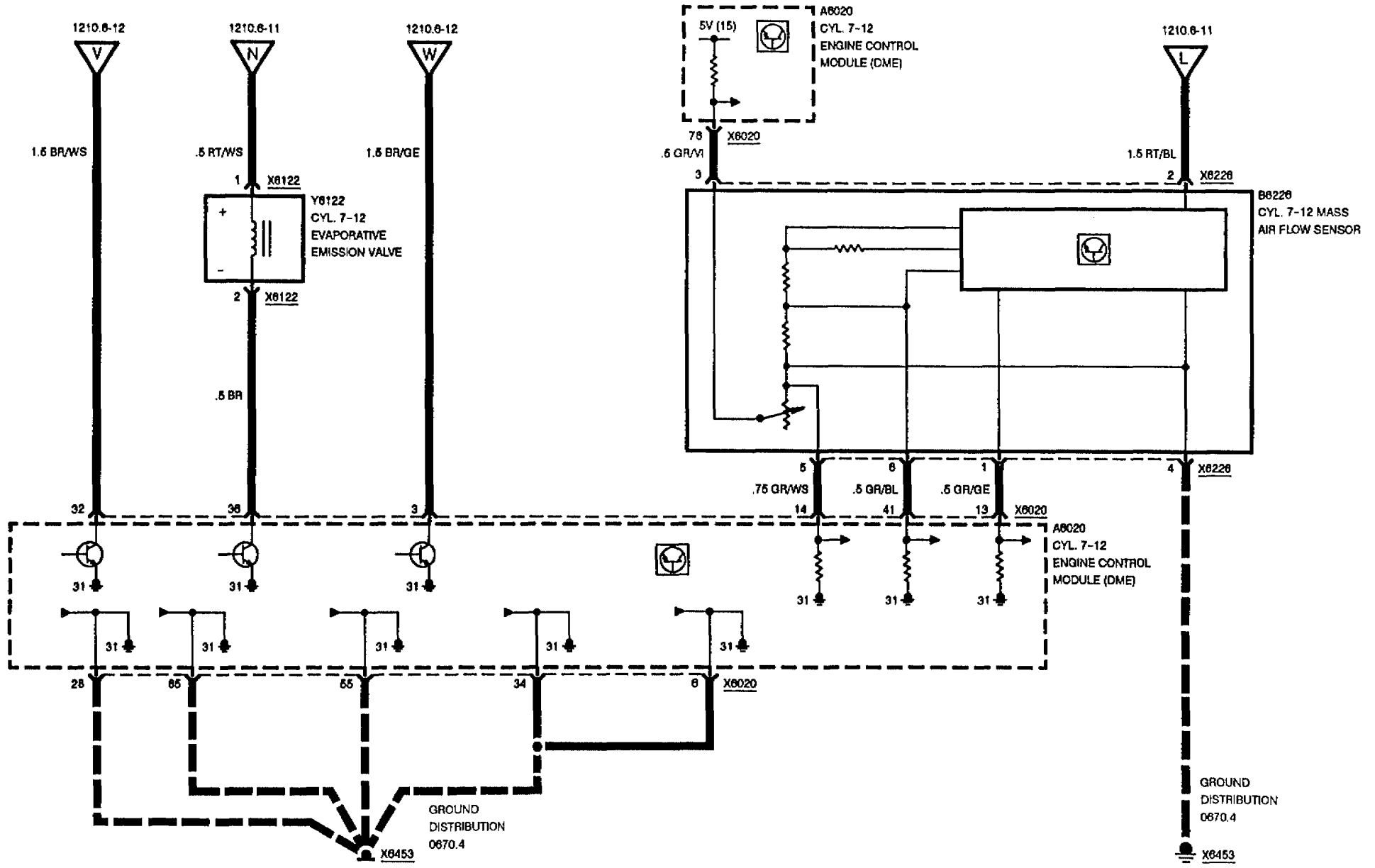
# ENGINE CONTROL SYSTEM (DME M1.7, 12-CYLINDER M70) FUEL INJECTION VALVES





# ENGINE CONTROL SYSTEM (DME M1.7, 12-CYLINDER M70)

## CYL. 7-12 ENGINE CONTROL MODULE

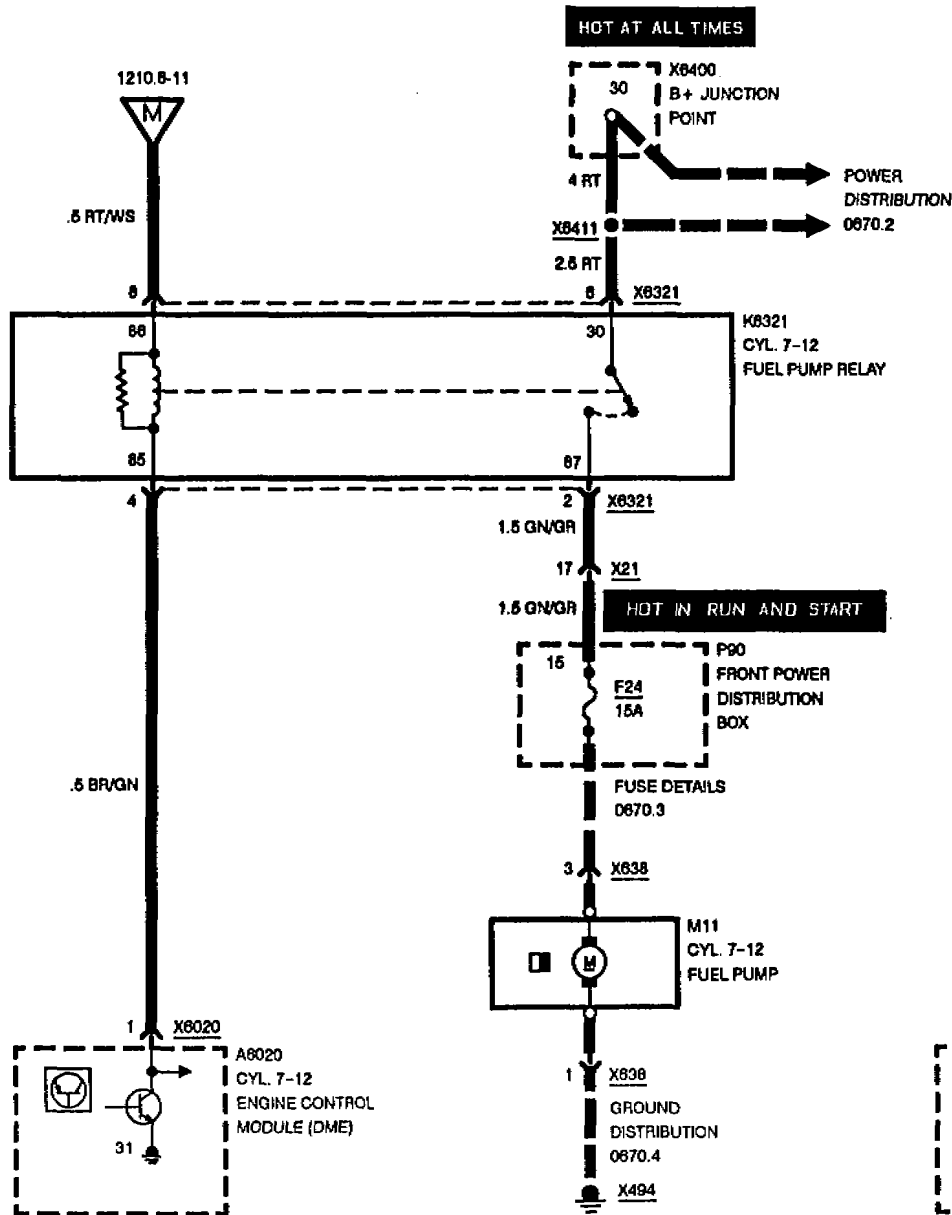




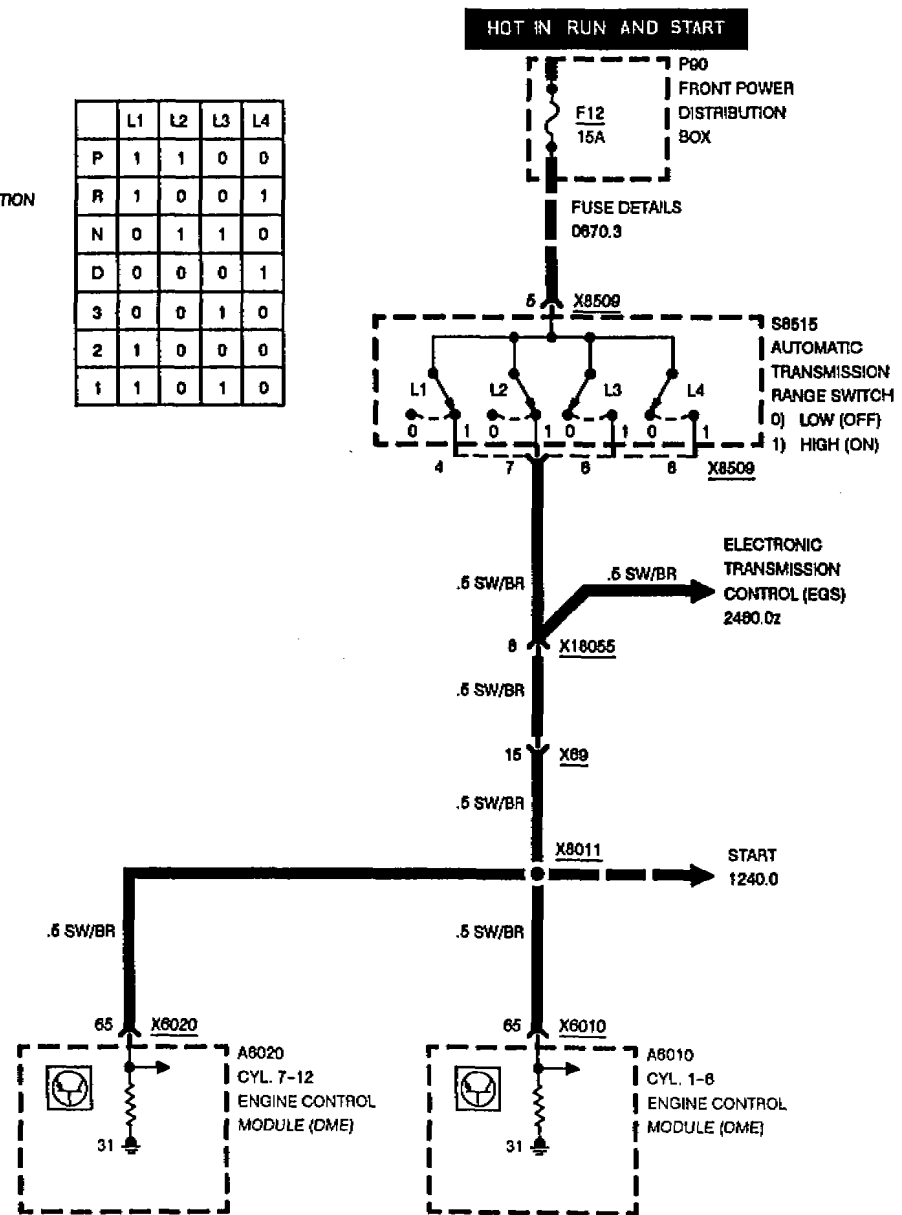


# ENGINE CONTROL SYSTEM (DME M1.7, 12-CYLINDER M70)

## CYL. 7-12 ENGINE CONTROL MODULE



	L1	L2	L3	L4
P	1	1	0	0
R	1	0	0	1
N	0	1	1	0
D	0	0	0	1
3	0	0	1	0
2	1	0	0	0
1	1	0	1	0

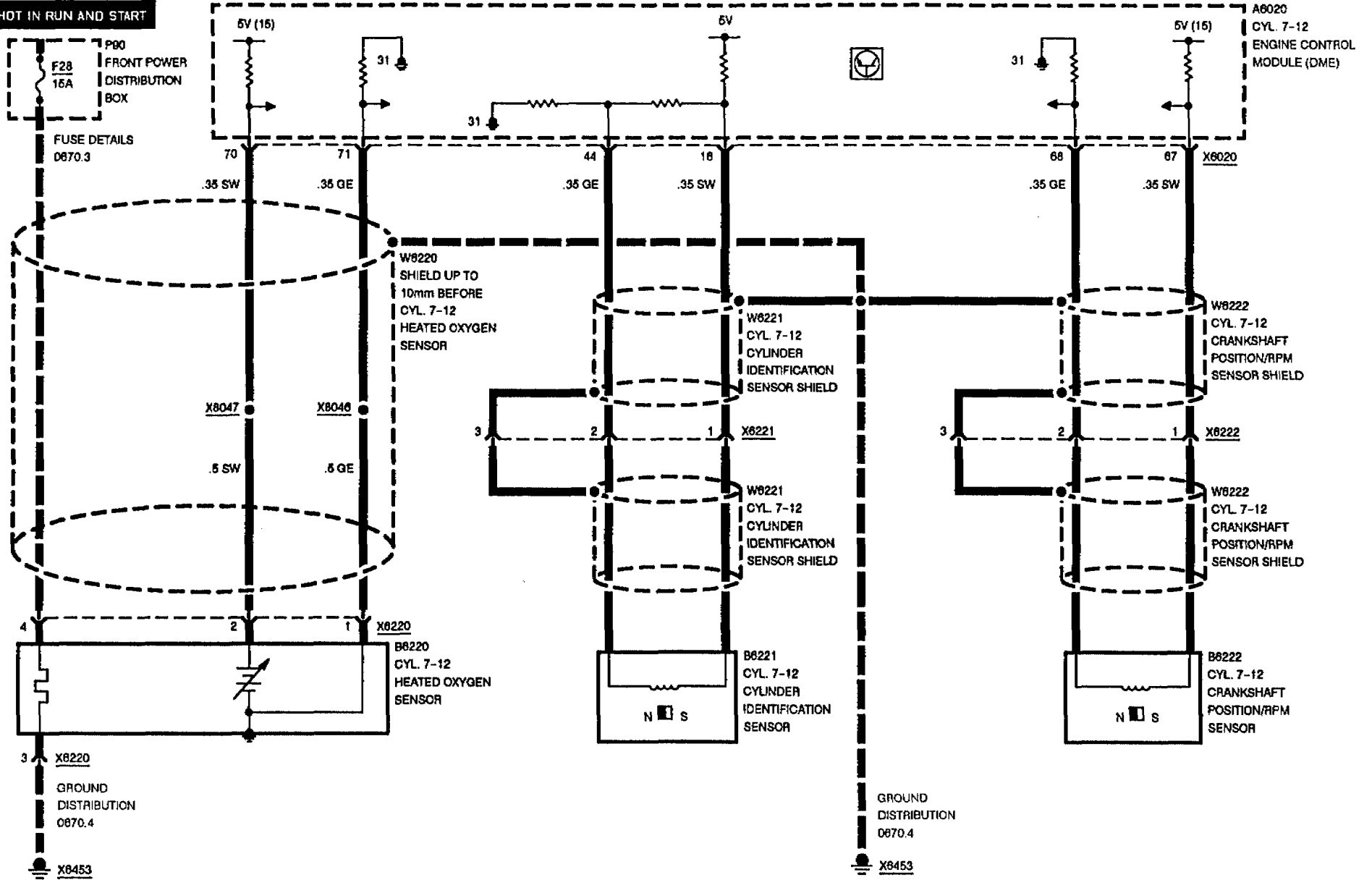




# ENGINE CONTROL SYSTEM (DME M1.7, 12-CYLINDER M70)

## CYL. 7-12 ENGINE CONTROL MODULE

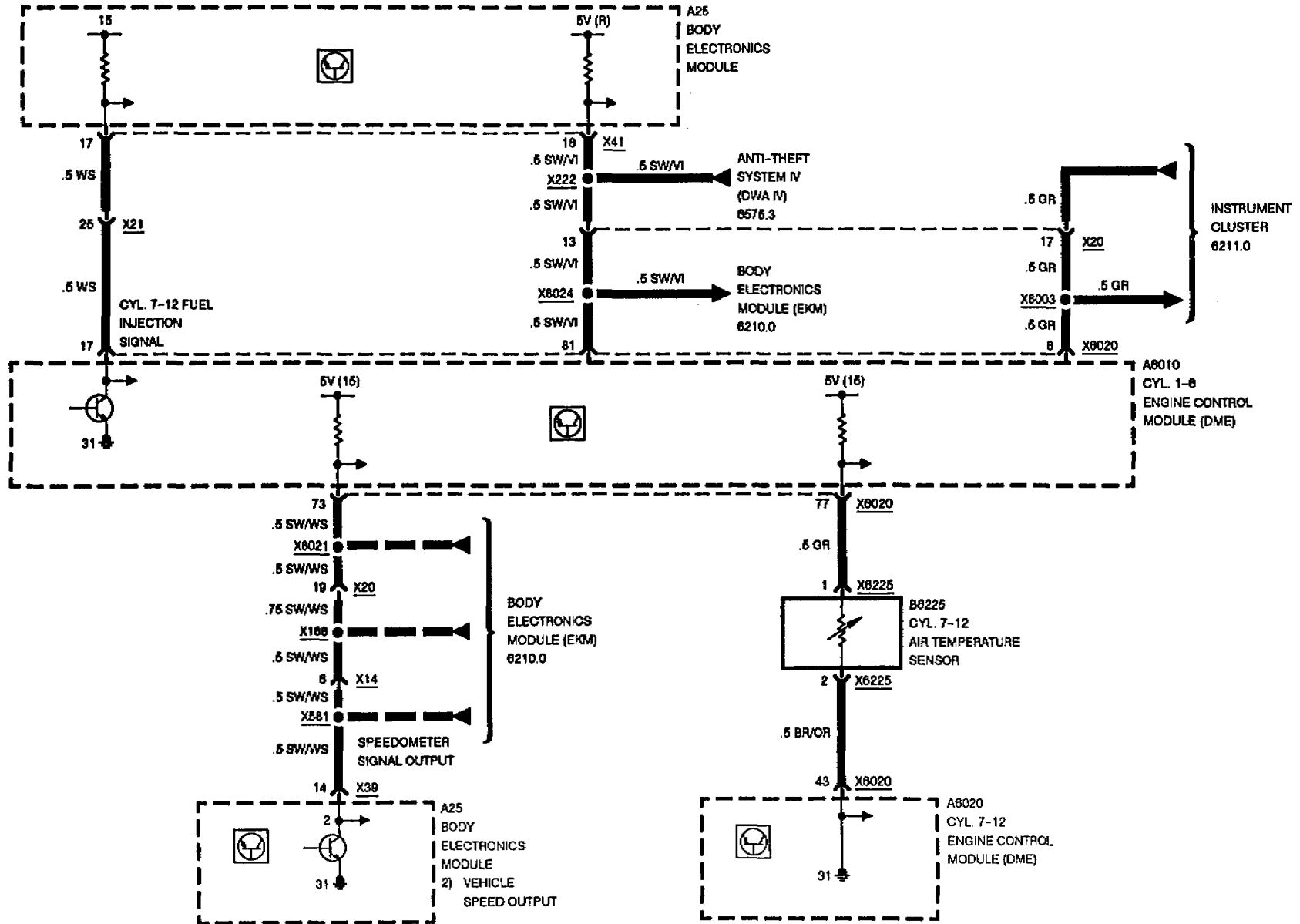
HOT IN RUN AND START





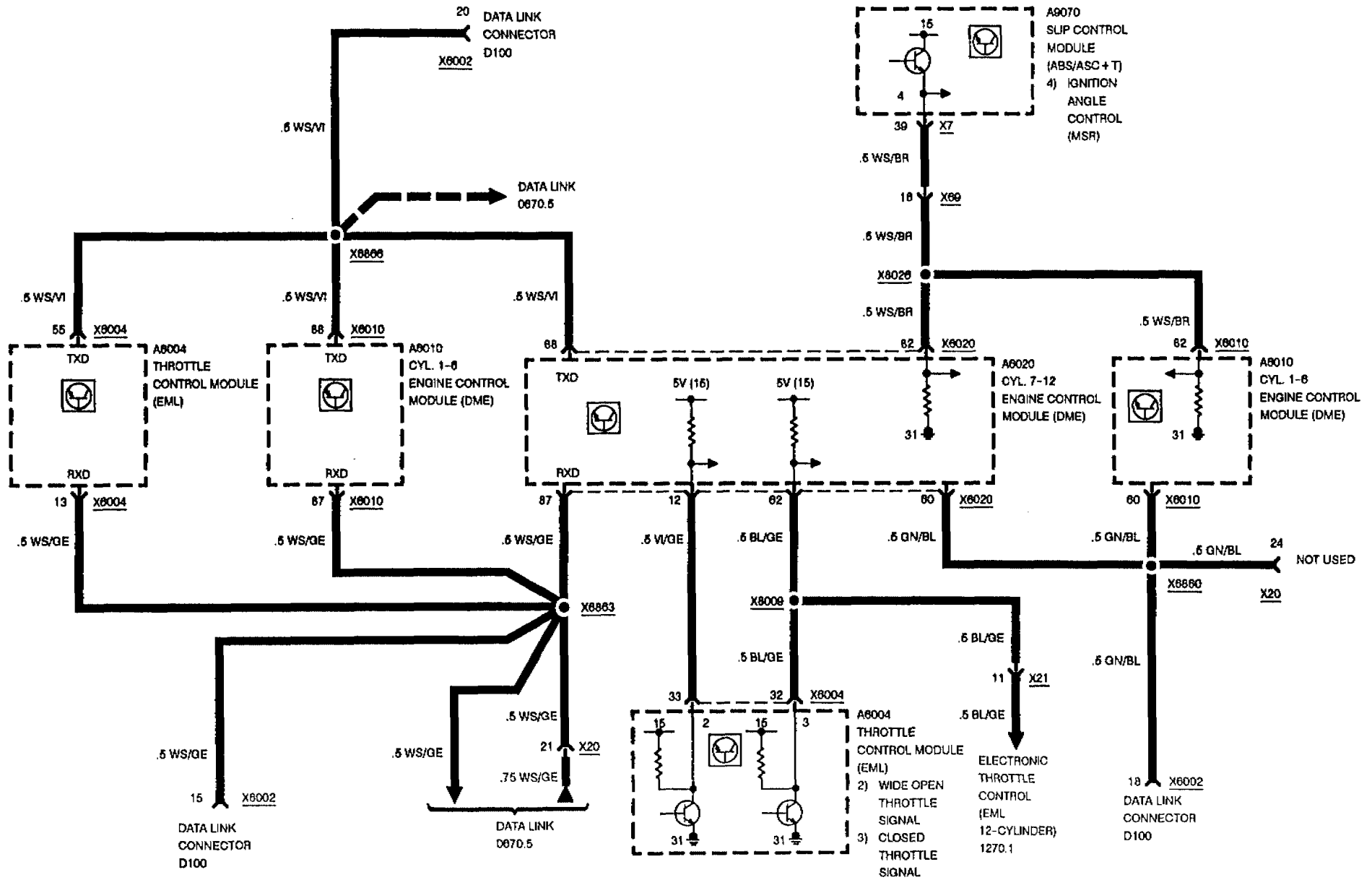
# ENGINE CONTROL SYSTEM (DME M1.7, 12-CYLINDER M70)

## CYL. 7-12 ENGINE CONTROL MODULE



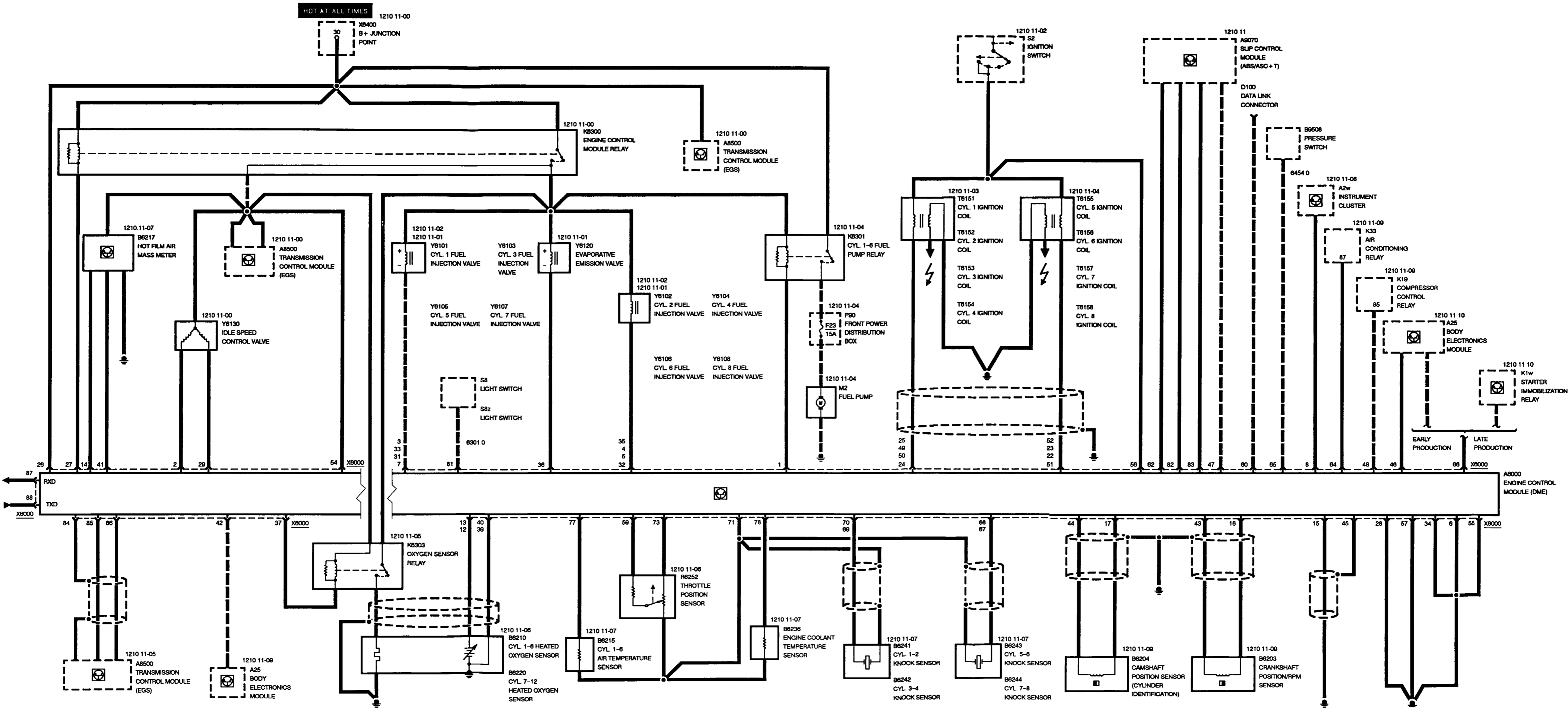


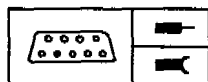
# ENGINE CONTROL SYSTEM (DME M1.7, 12-CYLINDER M70) CYL. 7-12 ENGINE CONTROL MODULE



BMW  
8

1210.6-18



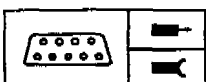


## Pin Assignments

### X6000

Pin	Type	Description/Function	Connection
1	A	Fuel pump relay	Cyl. 1 - 8 fuel pump relay, K6301
2	A	Air control valve closed	Idle speed control valve, Y6130
3	A	Cyl. 1 fuel injection valve	Cyl. 1 fuel injection valve, Y6101
4	A	Cyl. 4 fuel injection valve	Cyl. 4 fuel injection valve, Y6104
5	A	Cyl. 6 fuel injection valve	Cyl. 6 fuel injection valve, Y6106
6	M	Ground	Ground point, X6452
7	A	Cyl. 7 fuel injection valve	Cyl. 7 fuel injection valve, Y6107
8	A	"CHECK ENGINE"-lamp	Instrument cluster, A2
9		Not used	
10		Not used	
11		Not used	
12	E	Signal Cyl. 5 - 8 heated oxygen sensor	Cyl. 5 - 8 heated oxygen sensor, B6220
13	E	Signal Cyl. 1 - 4 heated oxygen sensor	Cyl. 1 - 4 heated oxygen sensor, B6210
14	M	Ground from mass air flow sensor	Mass air flow sensor, B6206
15	M	Injection signal	Resistor, R6240
16	E	Signal crankshaft/RPM	Crankshaft position/RPM sensor, B6203
17	E	Signal camshaft position	Camshaft position sensor, B6201
18		Not used	
19		Not used	
20		Not used	
21		Not used	
22	A	Cyl. 7 ignition signal	Cyl. 7 ignition coil, T6157
23	A	Cyl. 6 ignition signal	Cyl. 6 ignition coil, T6156
24	A	Cyl. 4 ignition signal	Cyl. 4 ignition coil, T6154
25	A	Cyl. 1 ignition signal	Cyl. 1 ignition coil, T6151
26	E	Continuous plus supply terminal 30	Front power distribution box
27	A	Signal to engine control module relay	Engine control module relay, K6300
28	M	Ground	Ground point, X6452
29	A	Air control valve open	Idle speed control valve, Y6130
30		Not used	

E = Input, A = Output, M = Ground

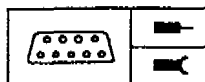


## Pin Assignments

Pin	Type	Description/Function	Connection
31	A	Cyl. 5 fuel injection valve	Cyl. 5 fuel injection valve, Y6105
32	A	Cyl. 8 fuel injection valve	Cyl. 8 fuel injection valve, Y6108
33	A	Cyl. 3 fuel injection valve	Cyl. 3 fuel injection valve, Y6103
34	M	Ground	Ground point, X6452
35	A	Cyl. 2 fuel injection valve	Cyl. 2 fuel injection valve, Y6102
36	A	Signal evaporative emission	Evaporative emission valve, Y6120
37	A	Signal oxygen sensor heating	Oxygen sensor relay, K6303
38		Not used	
39	M	Ground Cyl. 5 - 8 oxygen sensor	Cyl. 5 - 8 heated oxygen sensor, B6220
40	M	Ground Cyl. 1 - 4 oxygen sensor	Cyl. 1 - 4 heated oxygen sensor, B6210
41	E	Signal air flow	Mass air flow sensor, B6206
42	E	Speed A-Signal	Instrument cluster, A2
43	M	Ground, camshaft RPM sensor	Crankshaft position/RPM sensor, B6203
44	M	Ground, crankshaft position sensor	Camshaft position sensor, B6201
45	M	Ground, ignition signal shield	Shield, ignition signal, R6240
46	A	Signal fuel consumption	Instrument cluster, A2
47	A	Signal engine speed (RPM)	Instrument cluster, A2
48	A	Signal climate compressor	Compressor control relay, K19
49	A	Cyl. 2 ignition signal	Cyl. 2 ignition coil, T6152
50	A	Cyl. 3 ignition signal	Cyl. 3 ignition coil, T6153
51	A	Cyl. 8 ignition signal	Cyl. 8 ignition coil, T6158
52	A	Cyl. 5 ignition signal	Cyl. 5 ignition coil, T6155
53		Not used	
54	E	Signal engine control module relay	Engine control module relay, K6300
55	M	Ground	Ground point, X6452
56	E	Plus supply terminal 15	Ignition switch, S2
57	M	Ground for sensors and shields	Ground point
58		Not used	
59	A	Plus supply (+5V)	Throttle position sensor, R6252
60	E	Programming voltage	Data link connector, D100
61		Not used	
62	E	Signal electronic throttle control	Slip control module (ABS/ASC + T), A9070

E = Input, A = Output, M = Ground





## Pin Assignments

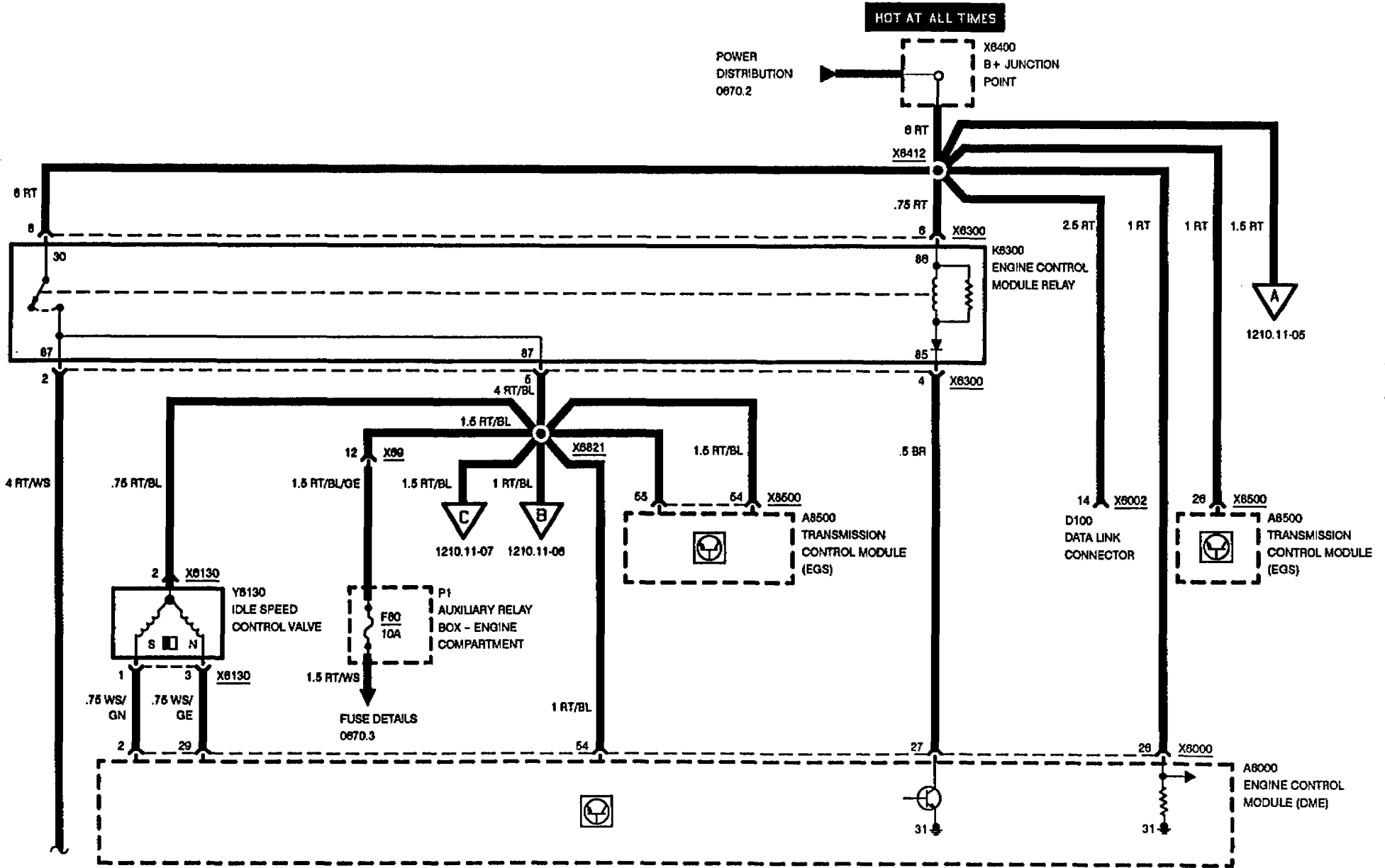
Pin	Type	Description/Function	Connection
63		Not used	
64	E	Signal AC ready	Air conditioning relay for engine control module, K33
65	E	Signal AC-compressor	Pressure switch, B8y
66	E	Antiheft signal (Early Production)	Body electronics module (EKM)
66	E	Antiheft signal (Late Production)	Starter Immobilization relay
67	E	Signal, Cyl. 7 - 8 knock sensor	Cyl. 7 - 8 knock sensor, B6244
68	E	Signal, Cyl. 5 - 6 knock sensor	Cyl. 5 - 6 knock sensor, B6243
69	E	Signal, Cyl. 3 - 4 knock sensor	Cyl. 3 - 4 knock sensor, B6242
70	E	Signal, Cyl. 1 - 2 knock sensor	Cyl. 1 - 2 knock sensor, B6241
71	M	Ground, knock sensors	Knock sensors
72		Not used	
73	E	Signal throttle position sensor	Throttle position sensor, R6252
74		Not used	
75		Not used	
76		Not used	
77	E	Signal intake air temperature	Engine intake air temperature sensor, B6215
78	E	Signal engine coolant temperature	Engine coolant temperature sensor, B6238
79		Not used	
80		Not used	
81	E	Signal headlights on	Light switch, S8
82	E	Engine coasting signal	Slip control module (ABS/ASC + T), A9070
83	E	Traction control regulation signal	Slip control module (ABS/ASC + T), A9070
84	A	CAN - Shield	Transmission control module A8500
85	E/A	CAN - L	Transmission control module, A8500
86	E/A	CAN - H	Transmission control module, A8500
87	A	Diagnosis	Data link connector, RxD
88	E/A	Diagnosis	Data link connector, TxD

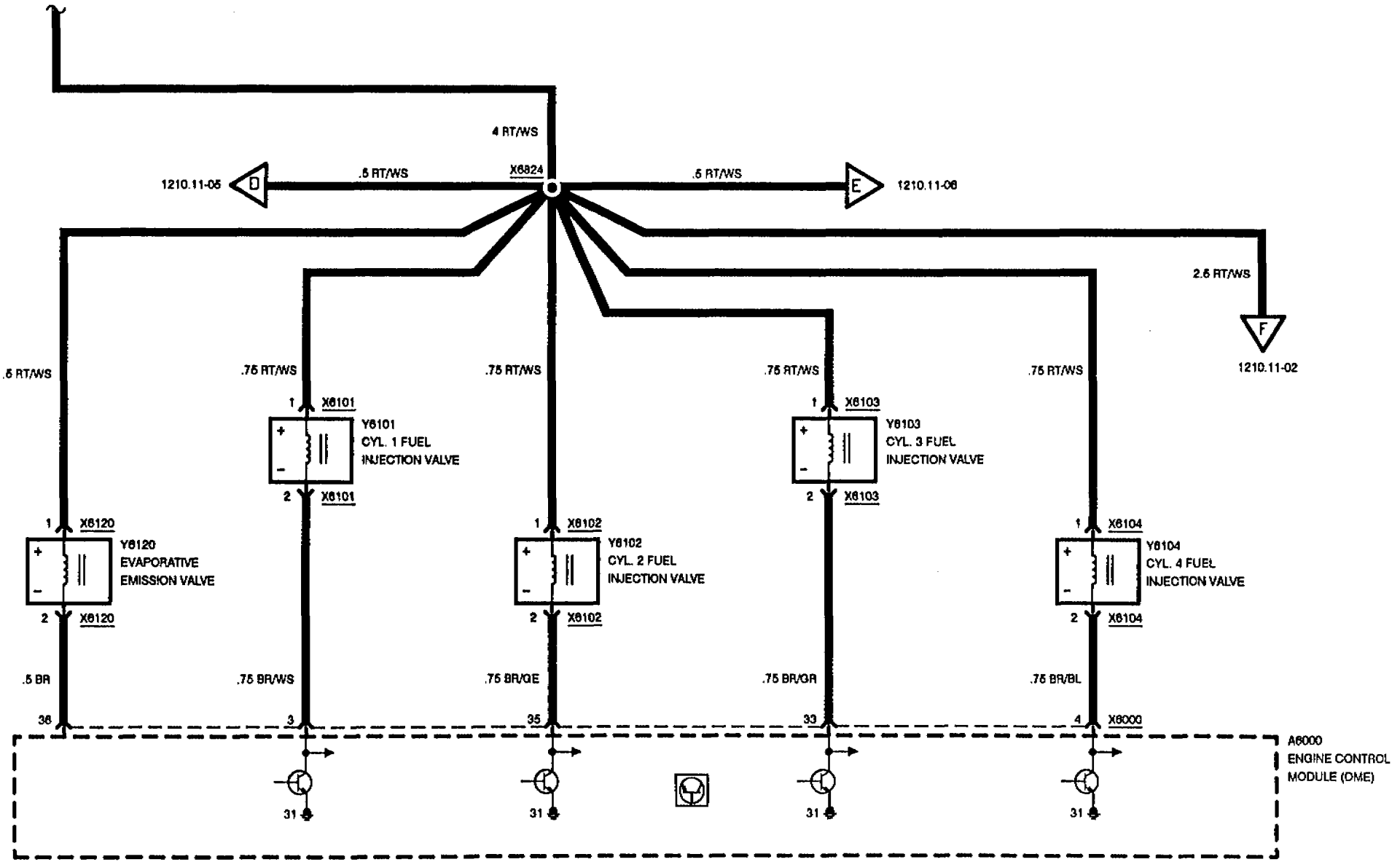
E = Input, A = Output, M = Ground

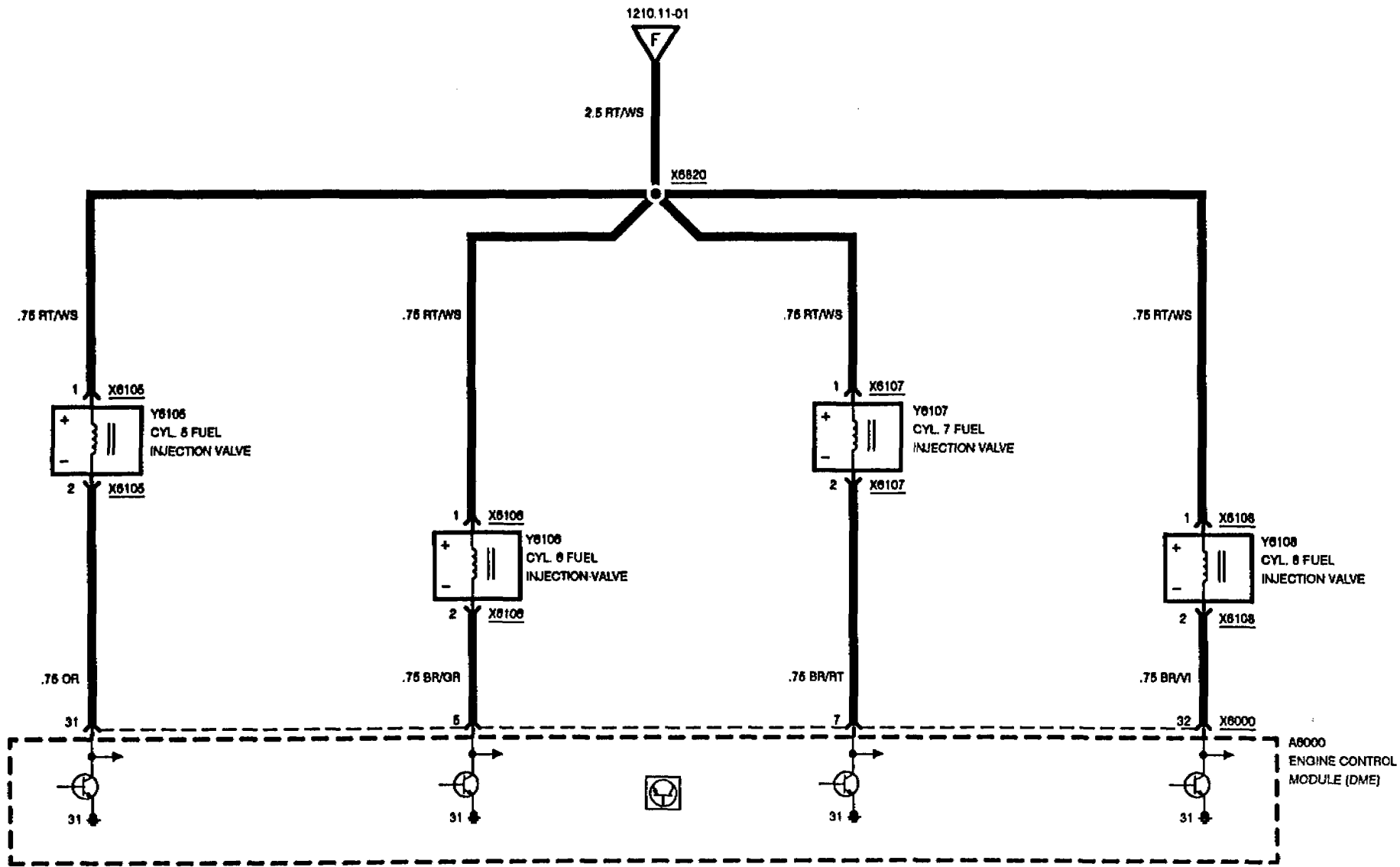


# ENGINE CONTROL SYSTEM (DME M3.3, 8-CYLINDER M60)

## POWER



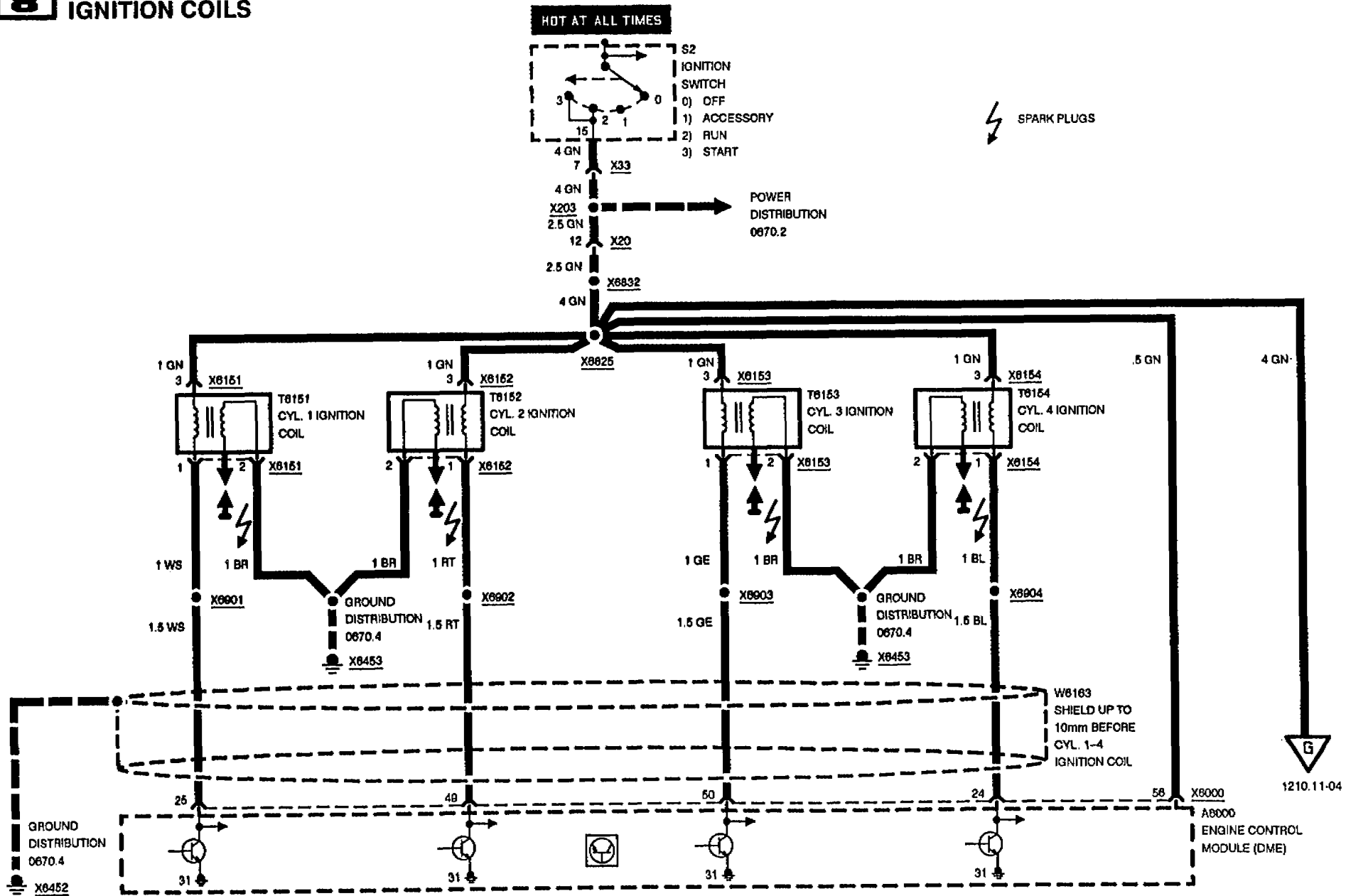






# ENGINE CONTROL SYSTEM (DME M3.3, 8-CYLINDER M60)

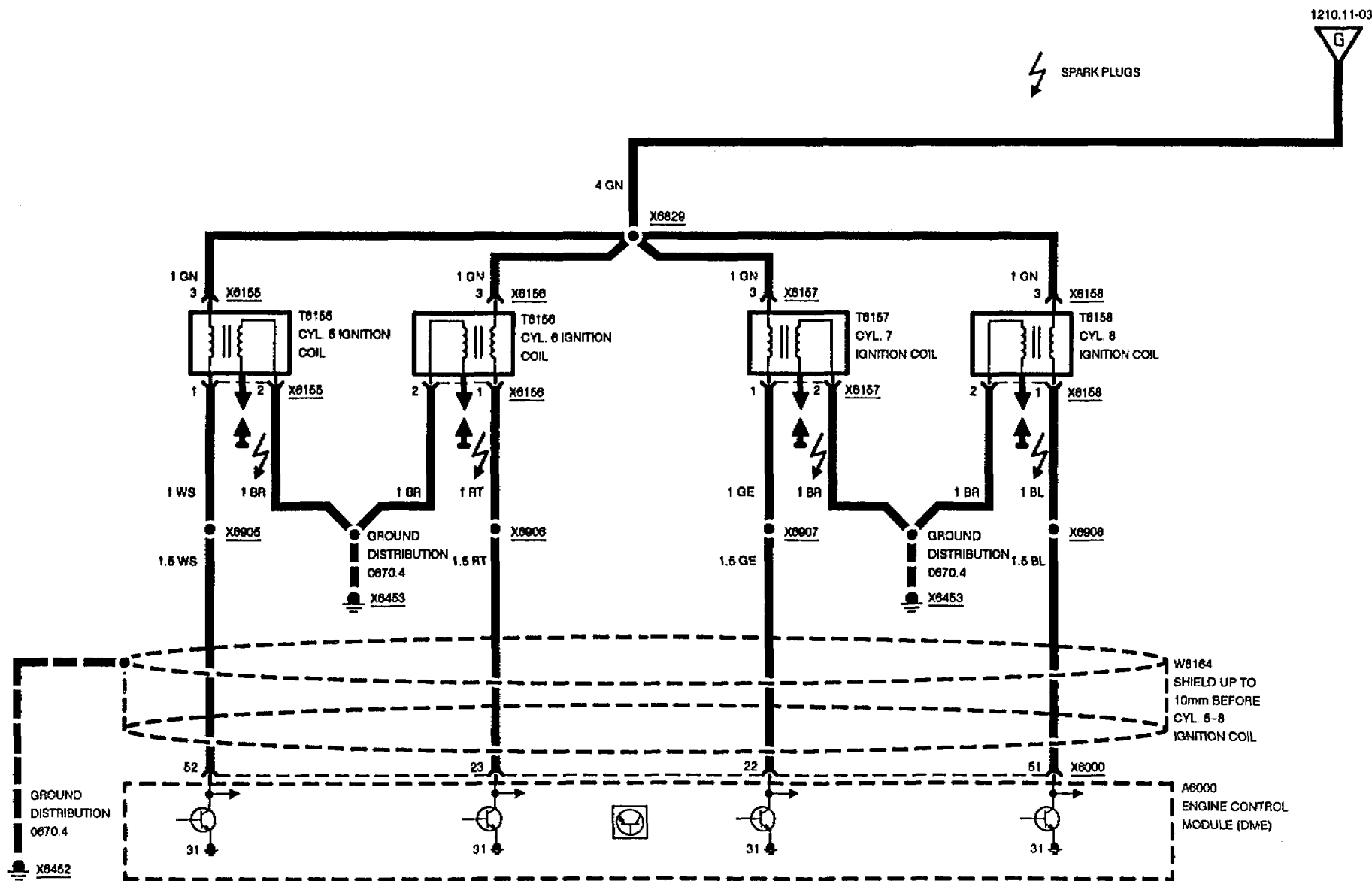
## IGNITION COILS





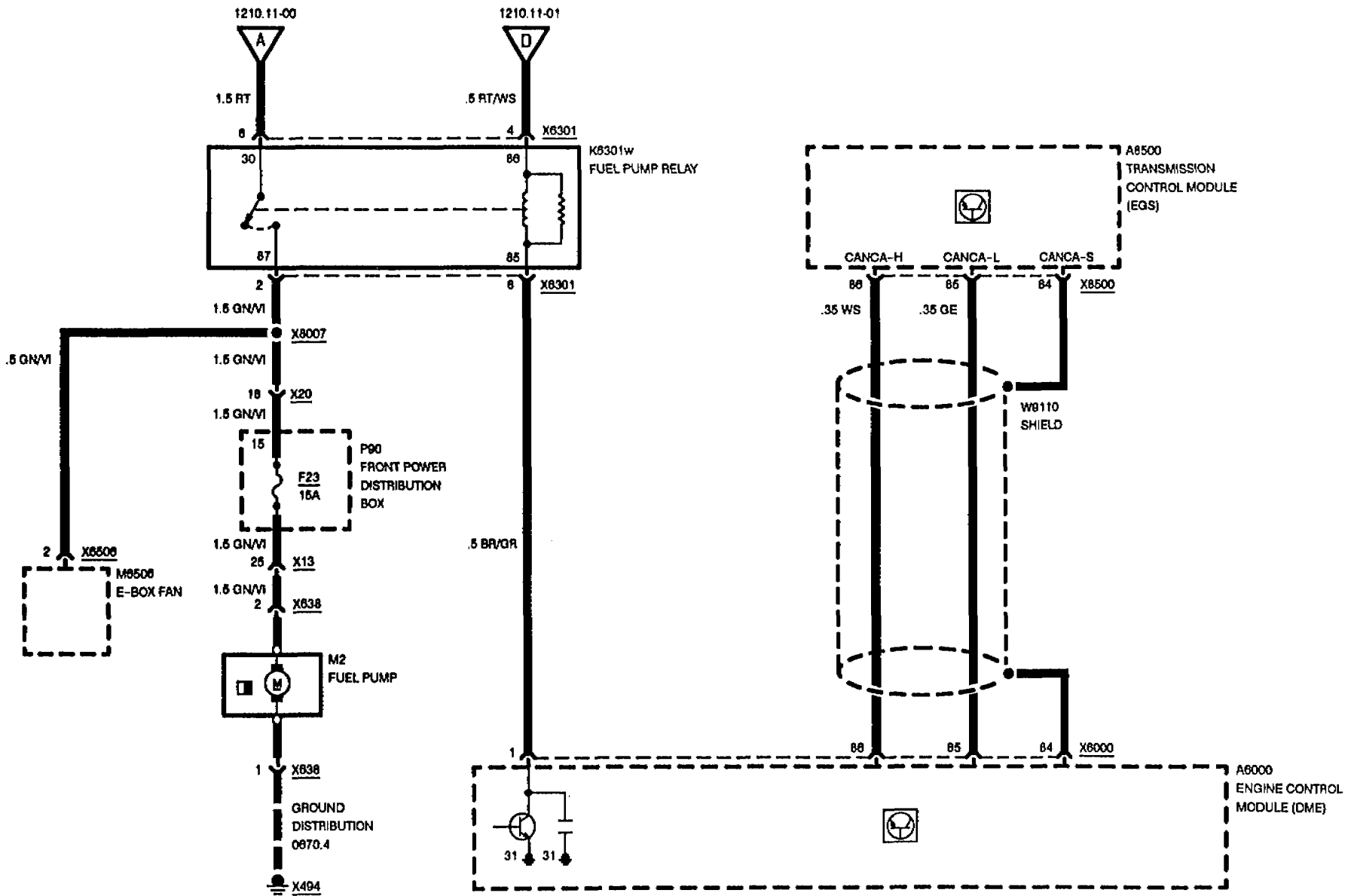
# ENGINE CONTROL SYSTEM (DME M3.3, 8-CYLINDER M60)

## IGNITION COILS



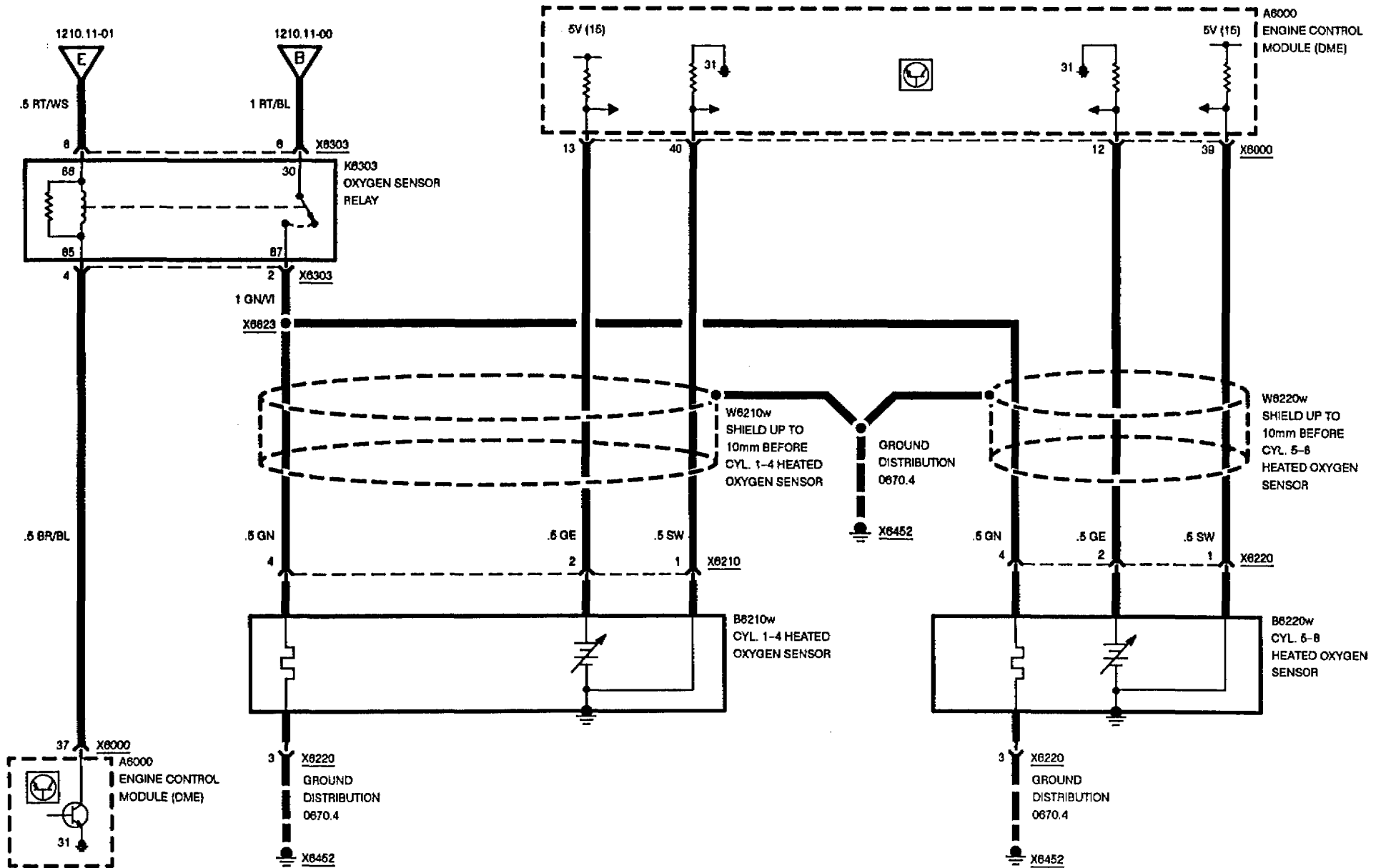


# ENGINE CONTROL SYSTEM (DME M3.3, 8-CYLINDER M60)





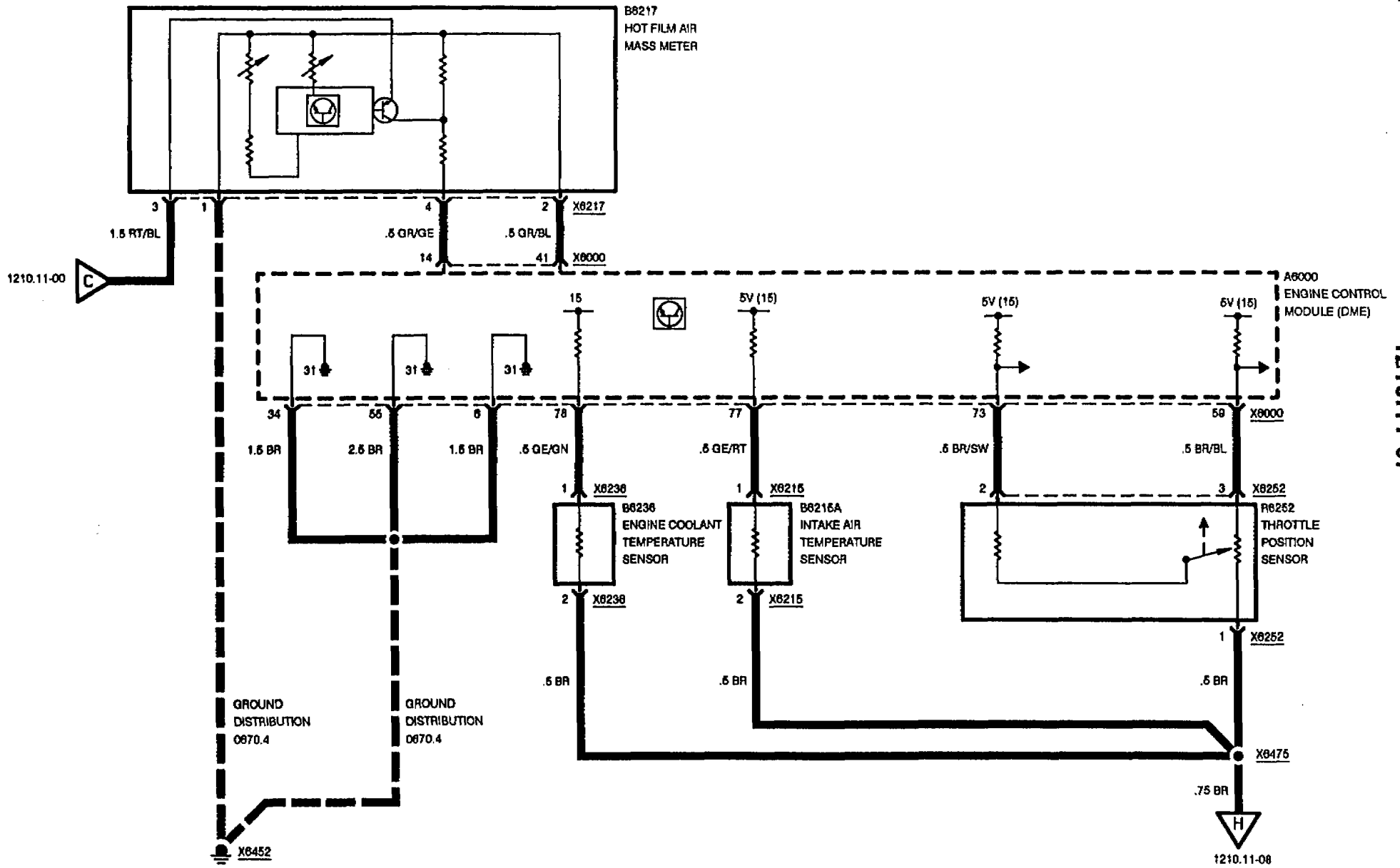
# ENGINE CONTROL SYSTEM (DME M3.3, 8-CYLINDER M60) OXYGEN SENSORS



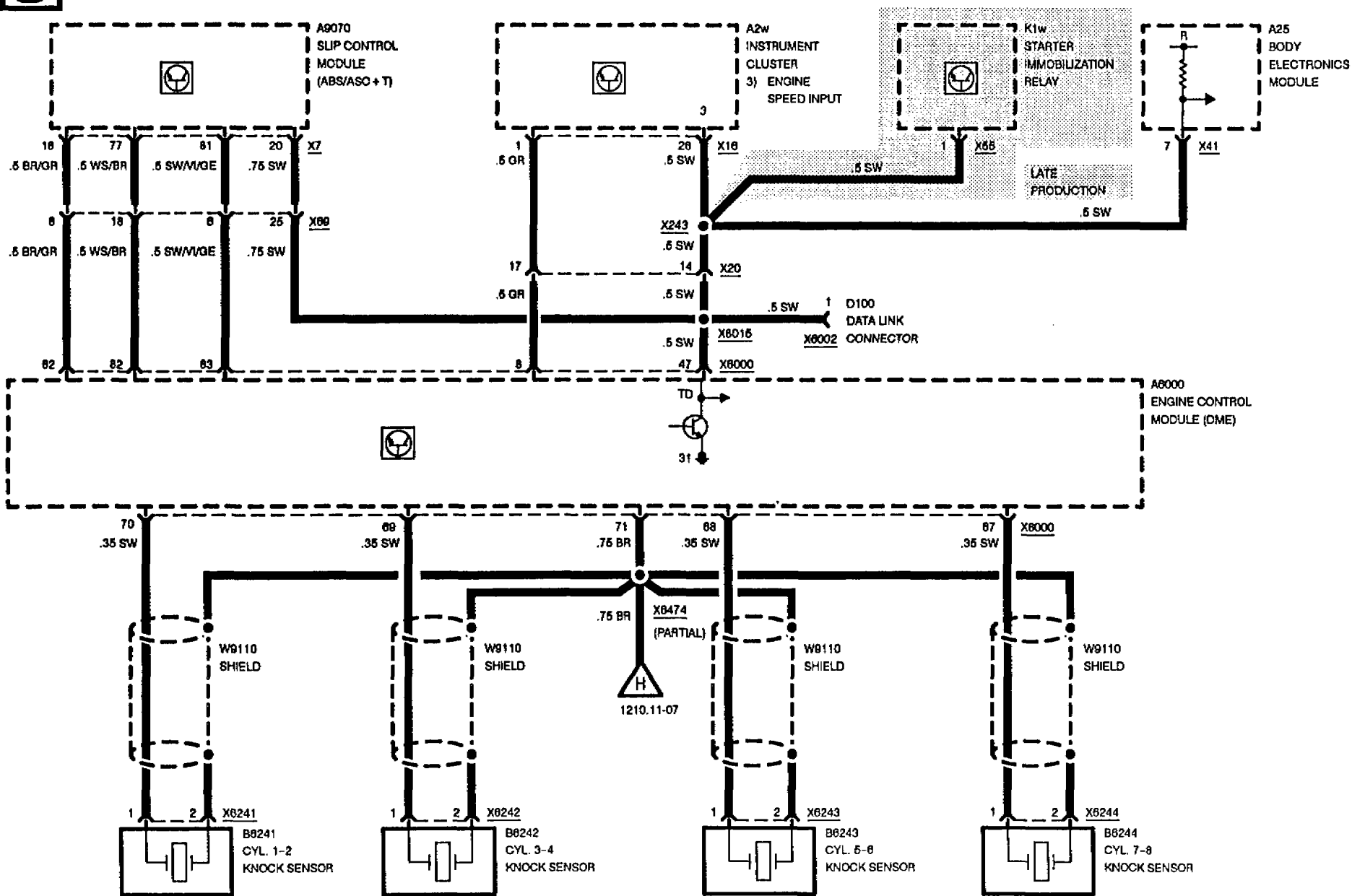




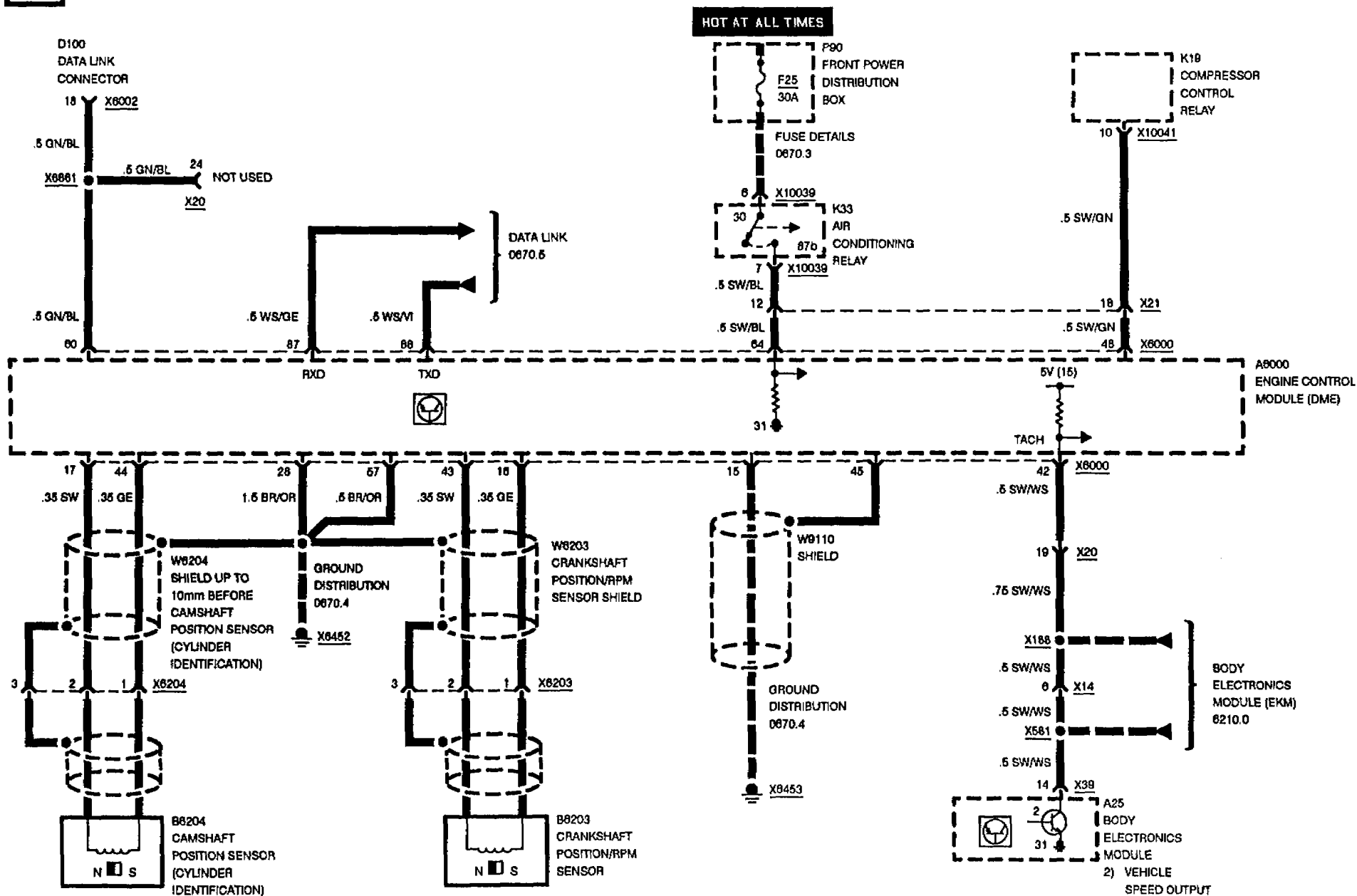
# ENGINE CONTROL SYSTEM (DME M3.3, 8-CYLINDER M60) SENSORS



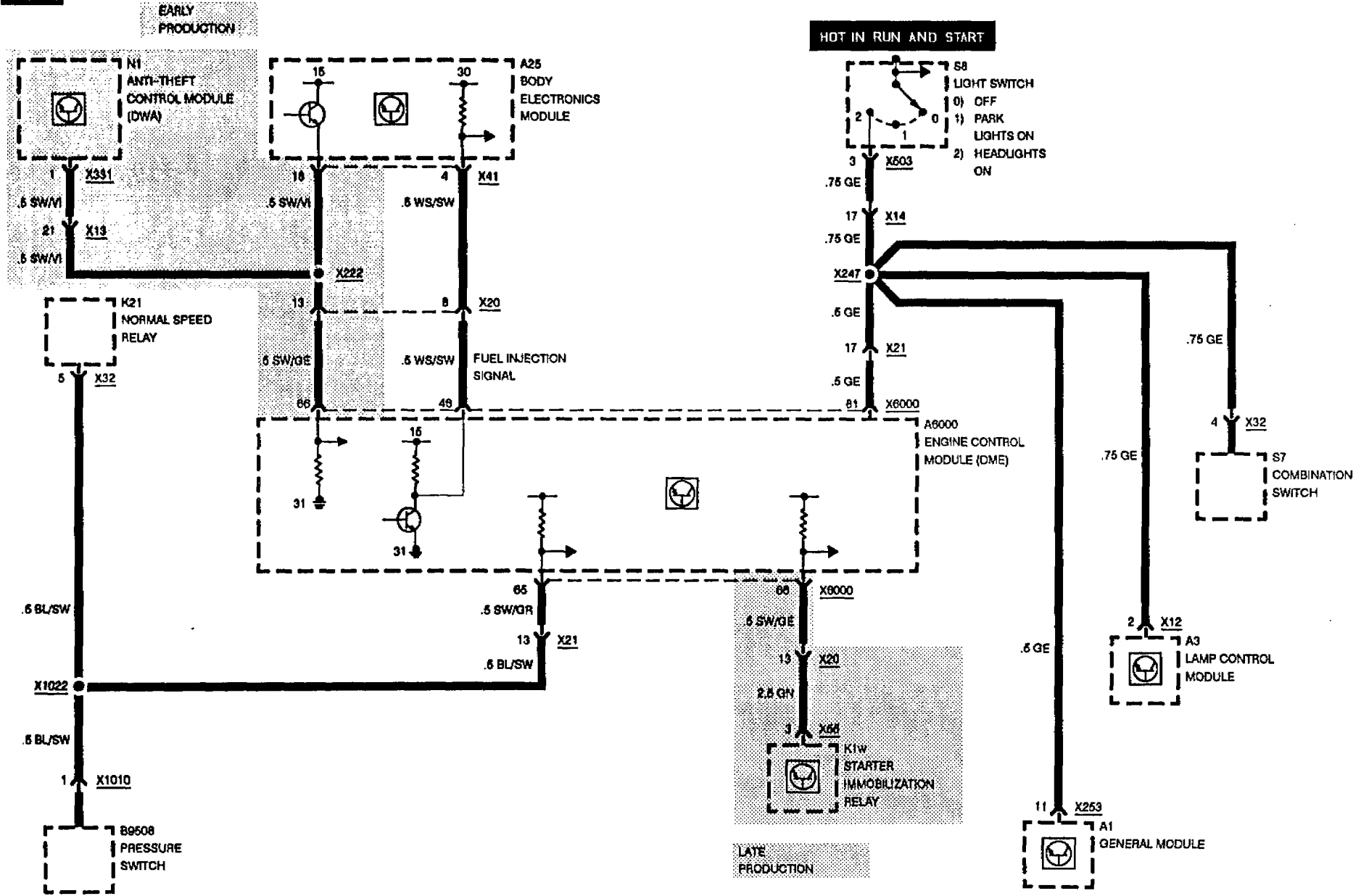
# ENGINE CONTROL SYSTEM (DME M3.3, 8-CYLINDER M60)



# ENGINE CONTROL SYSTEM (DME M3.3, 8-CYLINDER M60)



# ENGINE CONTROL SYSTEM (DME M3.3, 8-CYLINDER M60)

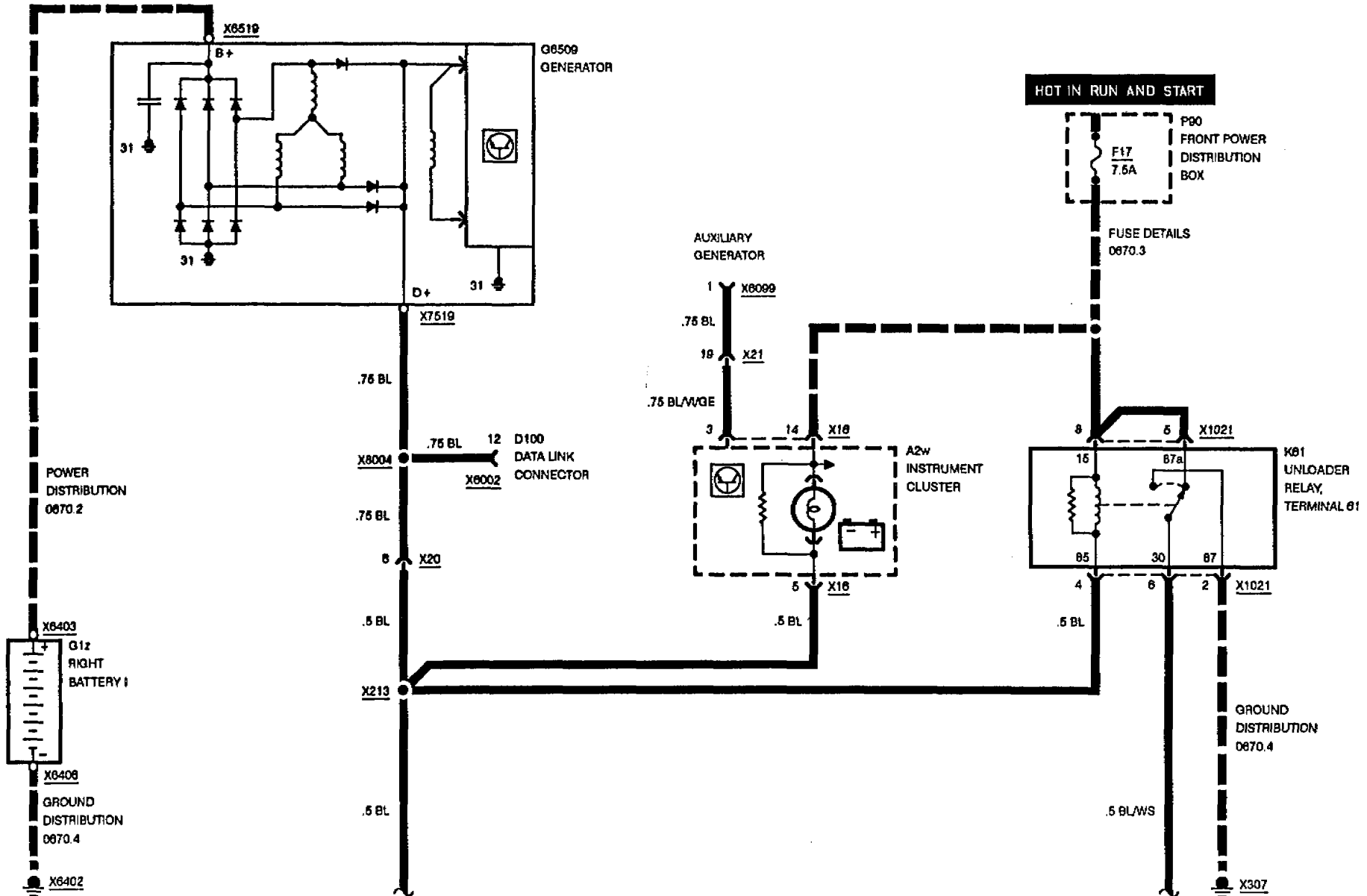


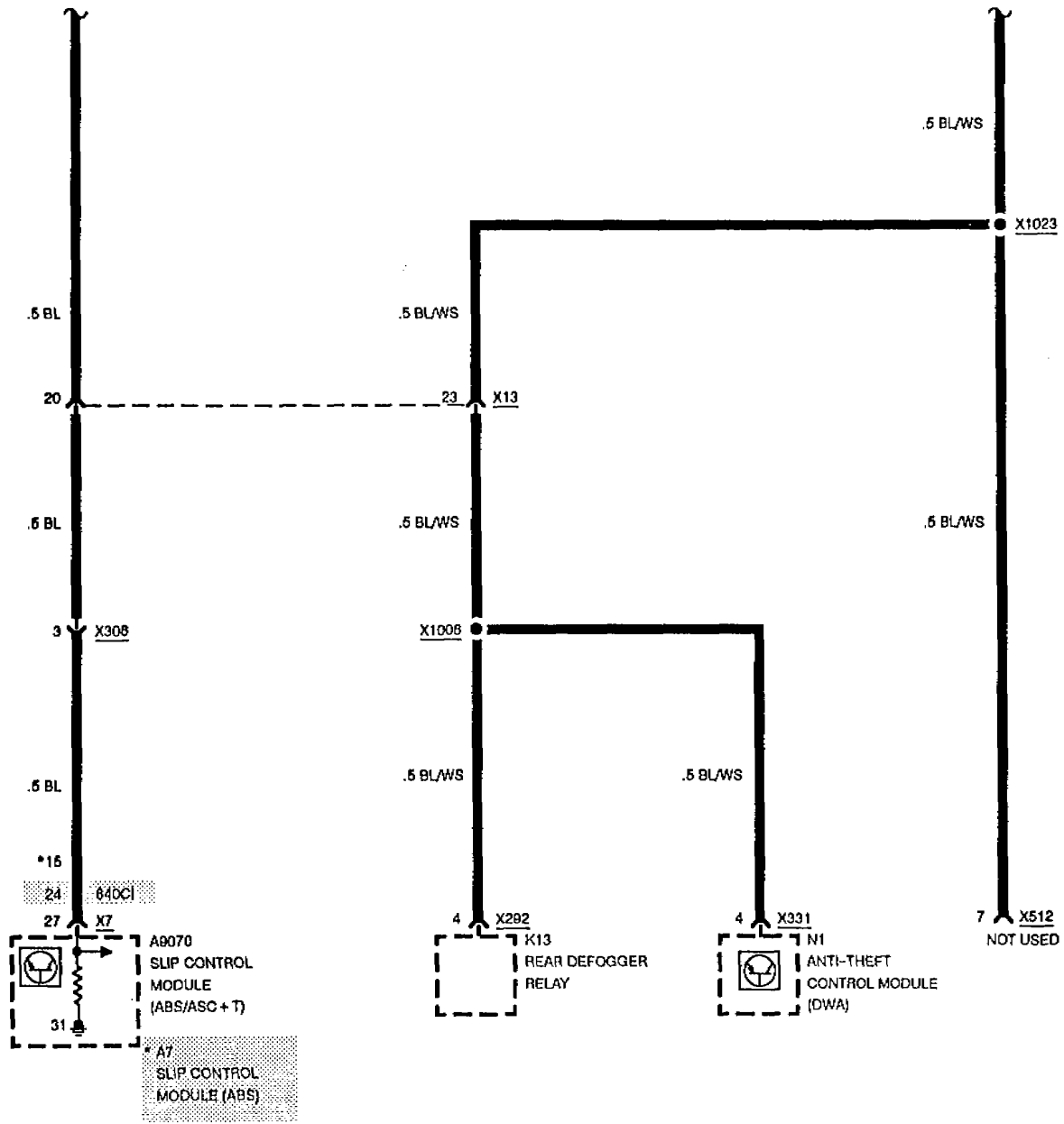
BMW  
**8**

1230.0



# CHARGING SYSTEM



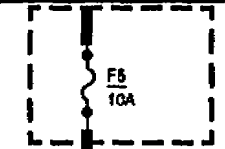




# START

# EARLY PRODUCTION

HOT IN RUN AND START



FUSE DETAILS  
0670.3

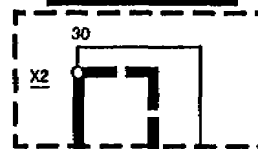
850CI

	L1	L2	L3	L4
P	1	1	0	0
R	1	0	0	1
N	0	1	1	0
D	0	0	0	1
3	0	0	1	0
2	1	0	0	0
1	1	0	1	0

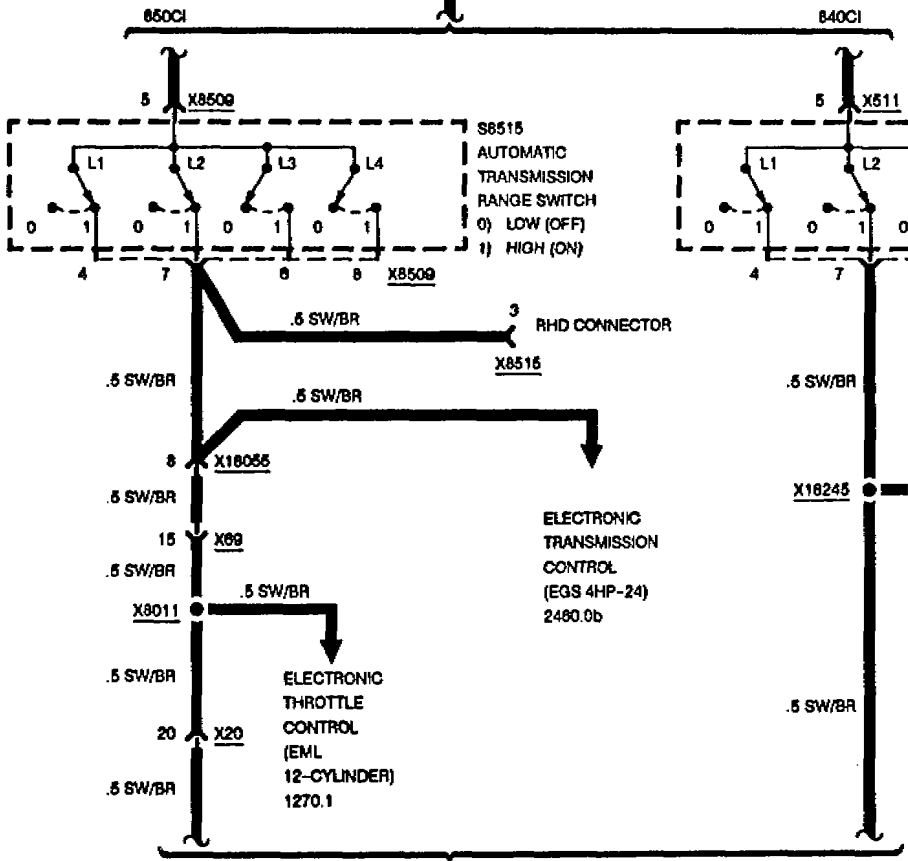
840CI

	L1	L2	L3	L4
P	1	1	0	1
R	1	0	0	0
N	1	1	1	0
D	0	0	0	1
4	0	0	1	1
3	1	0	1	1
2	0	0	1	0

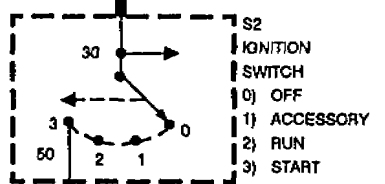
HOT AT ALL TIMES



POWER DISTRIBUTION  
0670.2



ELECTRONIC  
TRANSMISSION  
CONTROL  
(EGS: GS 9.20/  
ASS 580Z)  
2480.7



S2  
IGNITION  
SWITCH  
0) OFF  
1) ACCESSORY  
2) RUN  
3) START



1240.0-01

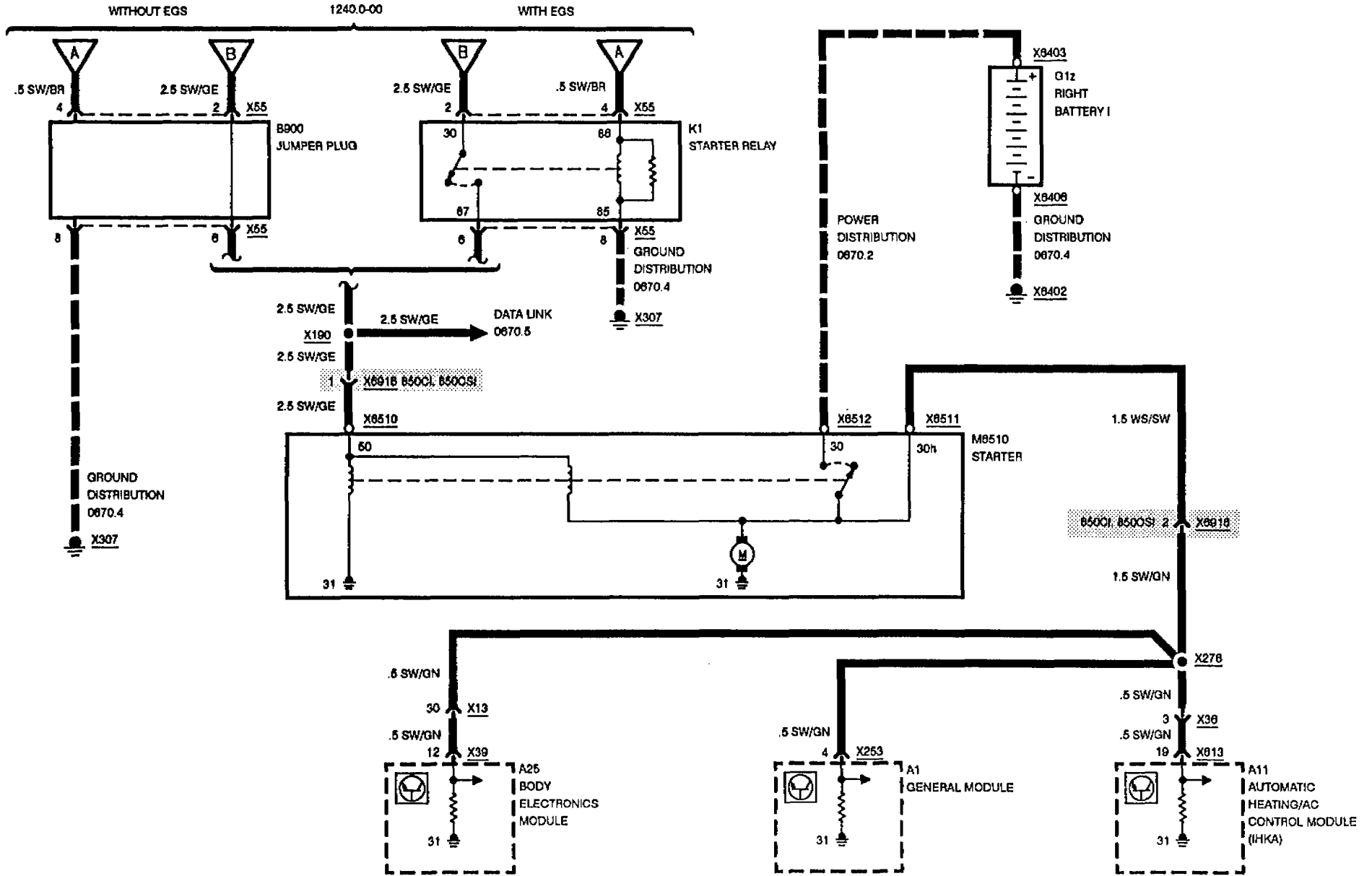


1240.0-01



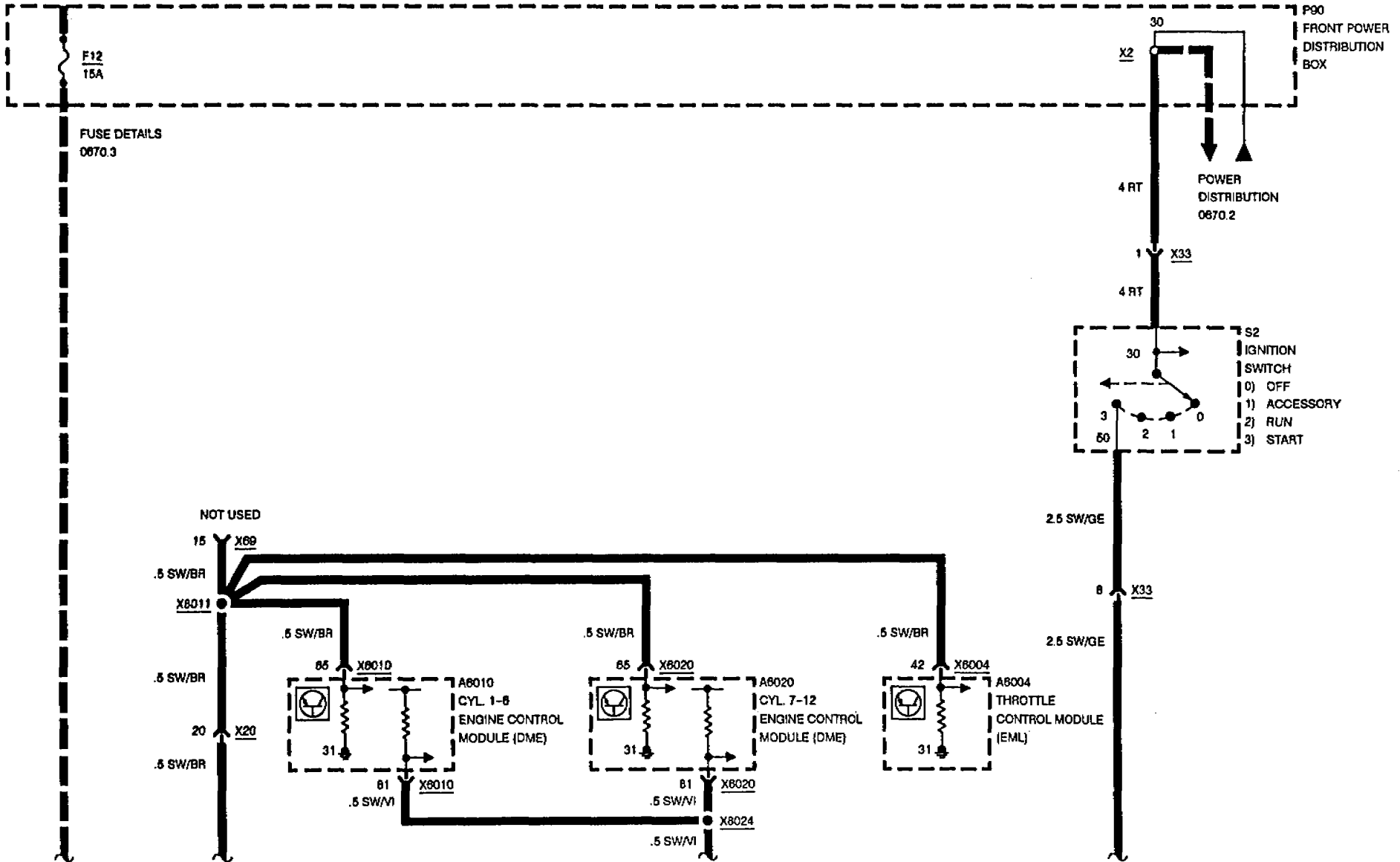


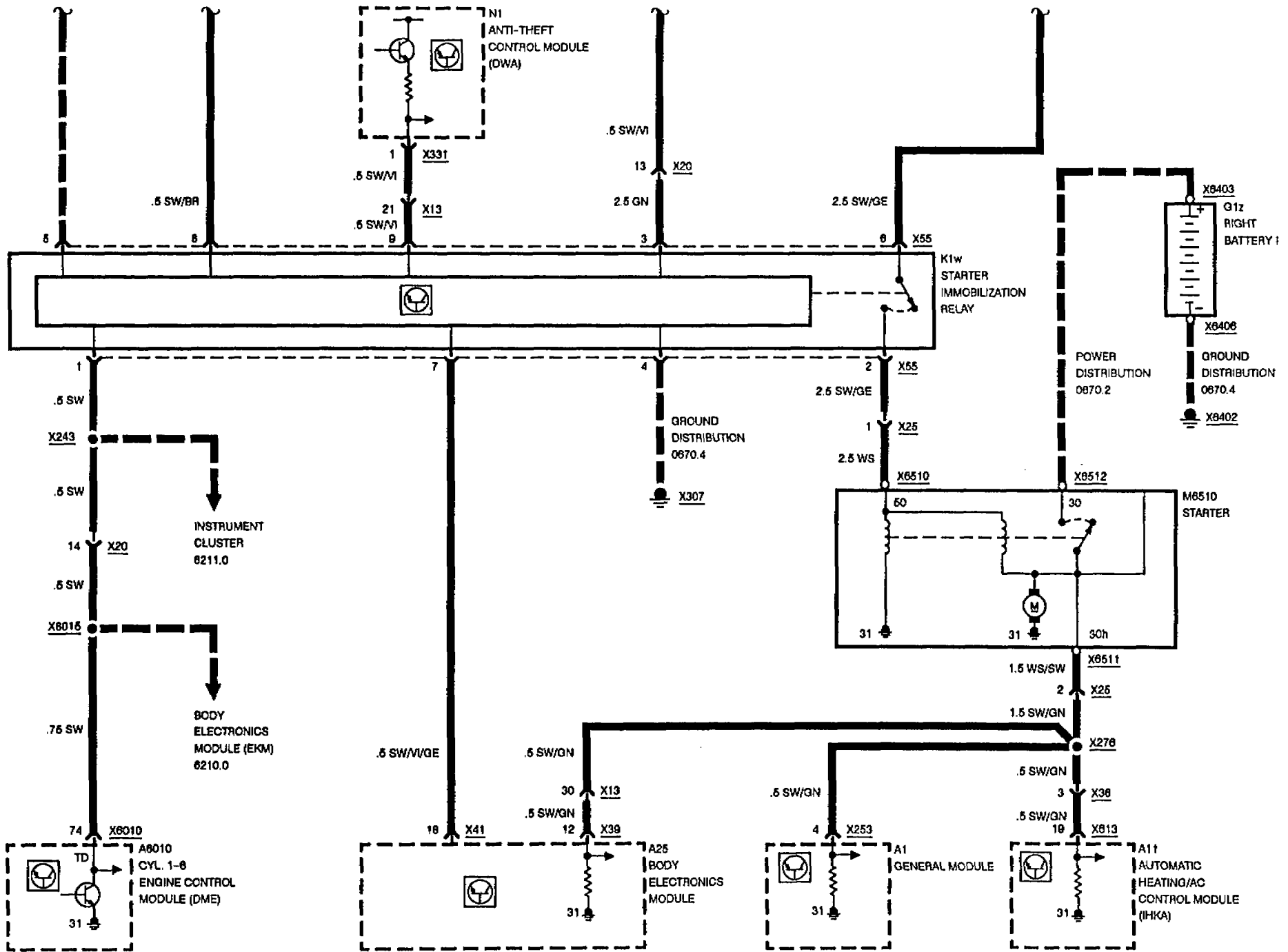
# START



HOT IN RUN AND START

HOT AT ALL TIMES







# START

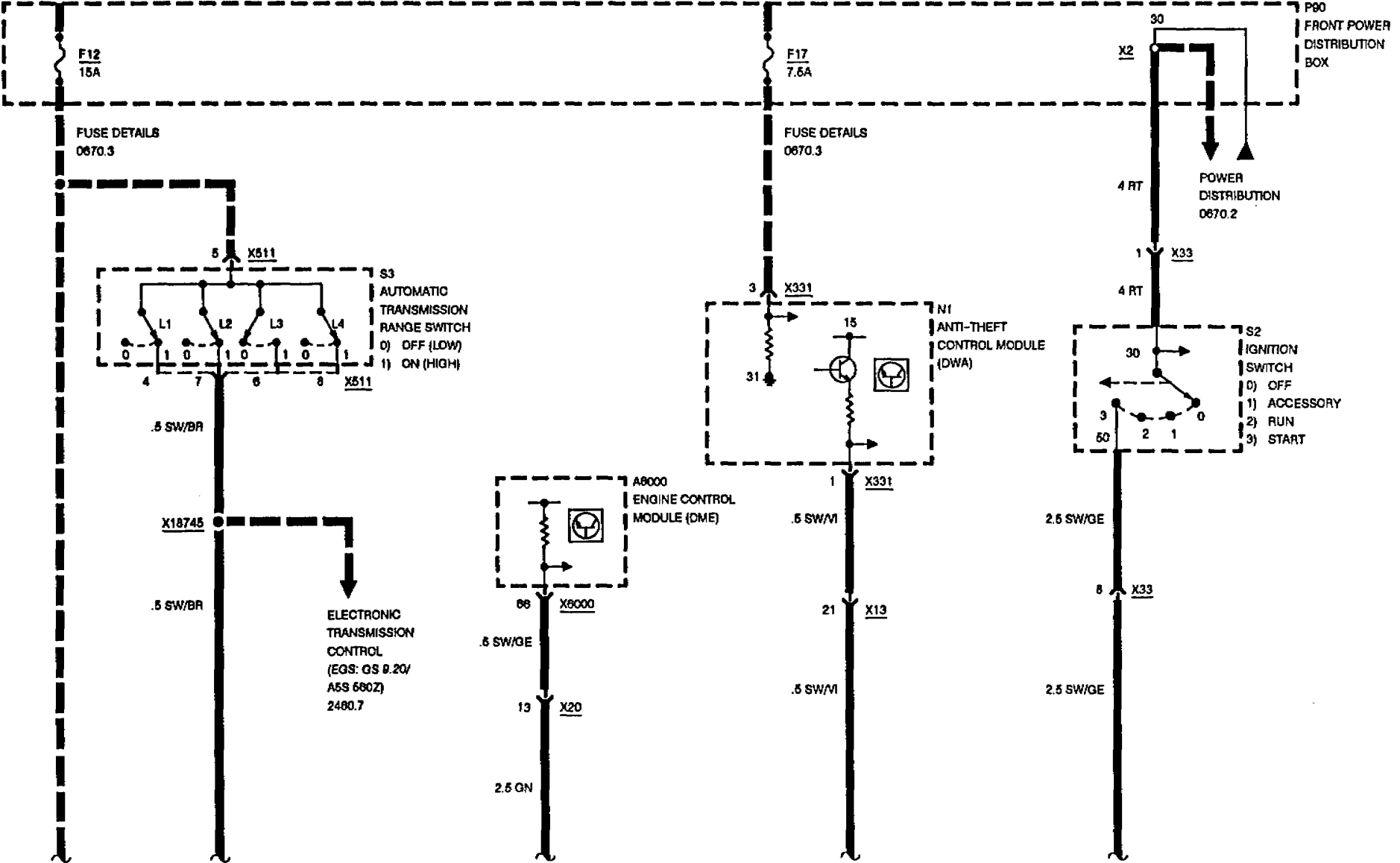
## 840CI

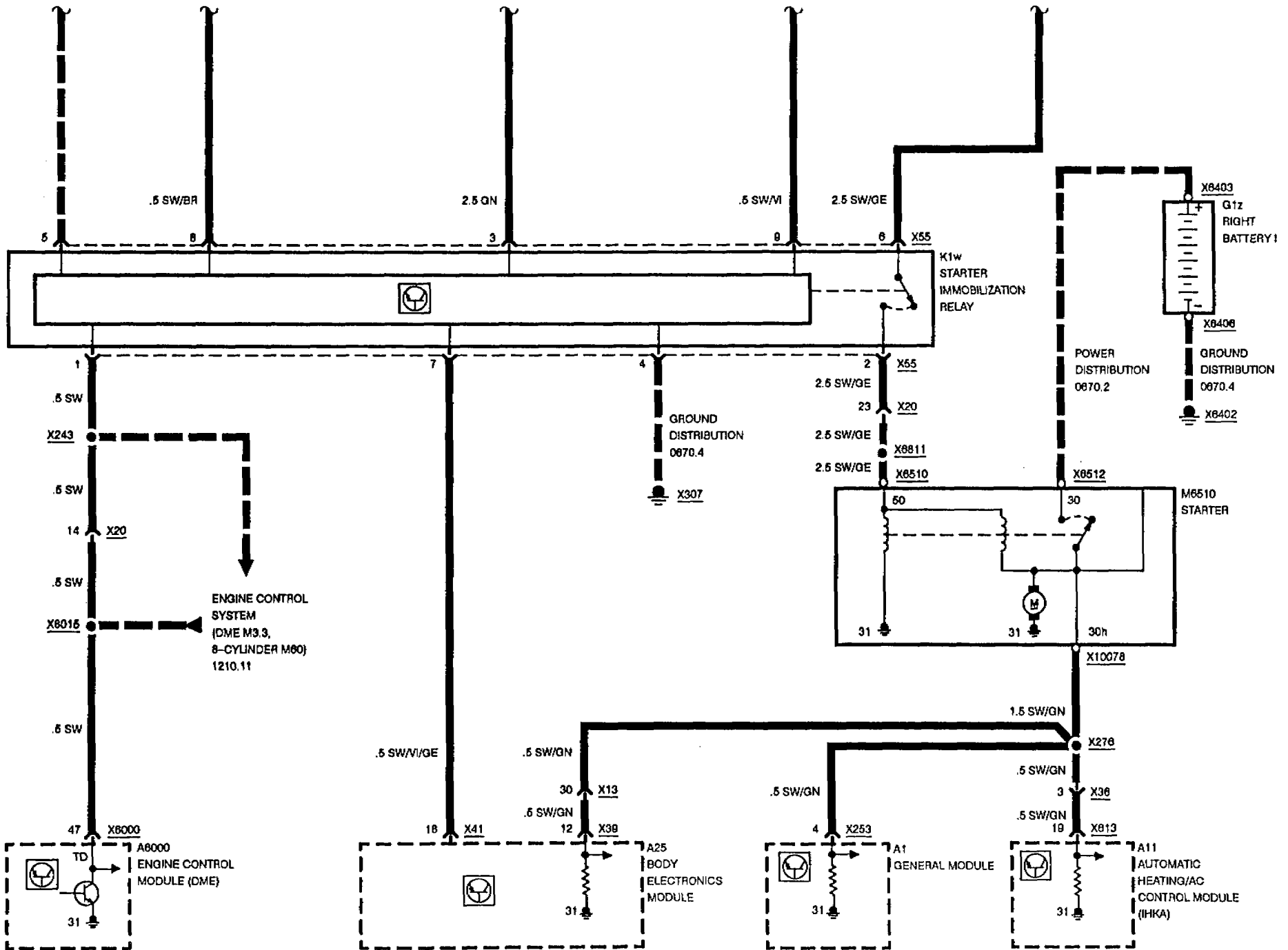
## LATE PRODUCTION

HOT IN RUN AND START

HOT IN RUN AND START

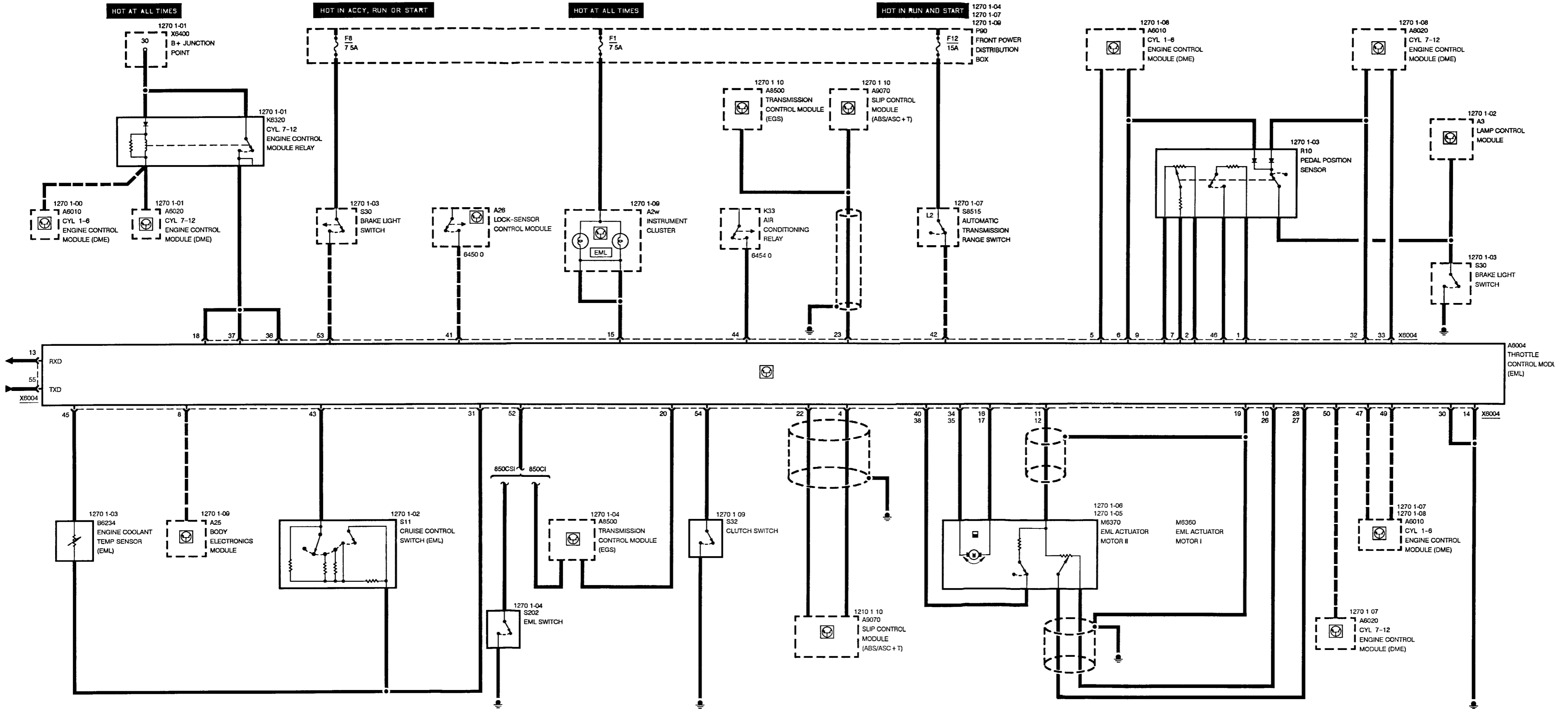
HOT AT ALL TIMES

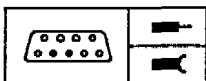




BMW  
8

1240.0-06





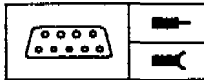
## Pin Assignments

### X6004

Pin	Type	Description/Function	Connection
1	A	5 V (not short-circuit-proof)	Pedal position sensor
2	M	Ground (electronic ground)	Pedal position sensor ground
3		Not used	
4	E	Throttle valve angle reduction (DKR)	Slip control module (ASC + T)
5	A	Wide open throttle signal	Cyl. 1-6 engine control module (DME)
6	A	Idle signal	Cyl. 1-6 engine control module (DME)
7	E	Pedal position	Pedal position sensor
8	E	Speedometer signal	Body electronics module (EKM)
9	A	5 V (not short-circuit-proof)	Pedal position sensor
10	M	Ground (electronic ground)	Component ground Cyl. 7-12 throttle body
11	A	5 V (not short-circuit-proof)	Cyl. 7-12 throttle body
12	A	5 V (not short-circuit-proof)	Cyl. 1-6 throttle body
13	E	RxD diagnostic data line	Data link connector
14	M	Ground (Output ground)	Output ground Cyl. 1-6 throttle body
15	A E	EML warning lamp Voltage supply for defect code memory	Instrument cluster
16	A	Throttle actuator (DK)	Cyl. 7-12 throttle body
17	A	Throttle actuator (DK)	Cyl. 1-6 throttle body
18	E	Voltage supply (+)	Cyl. 7-12 engine control module relay
19	M	Ground	Ground point
20	A	Kick-down signal	Transmission control module (EGS)
21		Not used	
22	E	Throttle valve angle increase (DKE)	Slip control module (ASC + T)
23	A	Throttle valve angle signal (DKV)	Slip control module (ASC + T)
24		Not used	
25		Not used	
26	M	Ground (electronic ground)	Component ground Cyl. 1-6 throttle body
27	E	Throttle position	Cyl. 1-6 throttle body potentiometer
28	E	Throttle position	Cyl. 7-12 throttle body potentiometer

E = Input, A = Output, M = Ground





## Pin Assignments

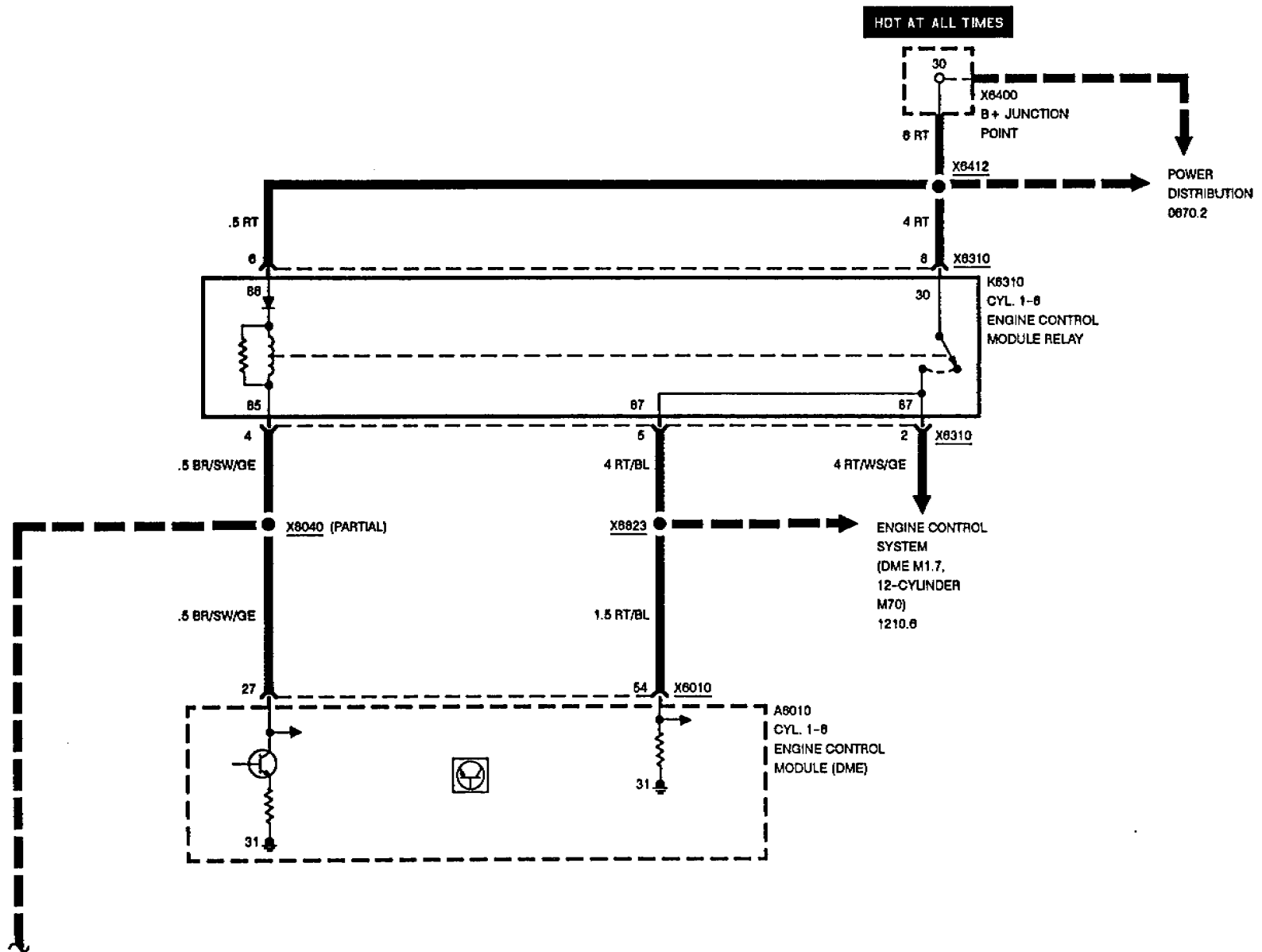
Pin	Type	Description/Function	Connection
29		Not used	
30	M	Ground (output ground)	Output ground Cyl. 7-12 throttle body
31	M	Ground (electronic ground)	Engine coolant temperature sensor (EML)
32	A	Idle signal	Cyl. 7-12 engine control module (DME)
33	A	Wide open throttle	Cyl. 7-12 engine control module (DME)
34	A	Throttle actuator (DK)	Cyl. 7-12 throttle body
35	A	Throttle actuator (DK)	Cyl. 1-6 throttle body
36	E	Voltage supply (+)	Cyl. 7-12 engine control module relay
37	E	Voltage supply (+)	Cyl. 7-12 engine control module relay
38	E	Throttle angle 17° switch	Cyl. 1-6 throttle body
39		Not Used	
40	E	Throttle angle 17° switch	Cyl. 7-12 throttle body
41	E	A/C compressor ON	Lock sensor control module
42	E	Park/Neutral sensing	Automatic transmission range switch
43	E/A	Cruise control	Cruise control switch
44	E	A/C status signal	Air conditioning relay
45	E/A	Engine coolant temperature	Engine coolant temperature sensor (EML)
46	E	Pedal position sensor 9° switch	Pedal position sensor
47	E	Engine speed signal (TD)	Cyl. 1-6 engine control module (DME)
48		Not Used	
49	E	Injection signal (ti)	Cyl. 1-6 engine control module (DME)
50	E	Injection signal (ti)	Cyl. 1-6 engine control module (DME)
51		Not Used	
52	E	S-program identifier	850Ci Transmission control module 850CSi EML - Switch
53	E	Brake pedal position	Brake light switch
54	E	Clutch pedal position	Clutch switch
55	E/A	TxD diagnostic data line	Data link connector

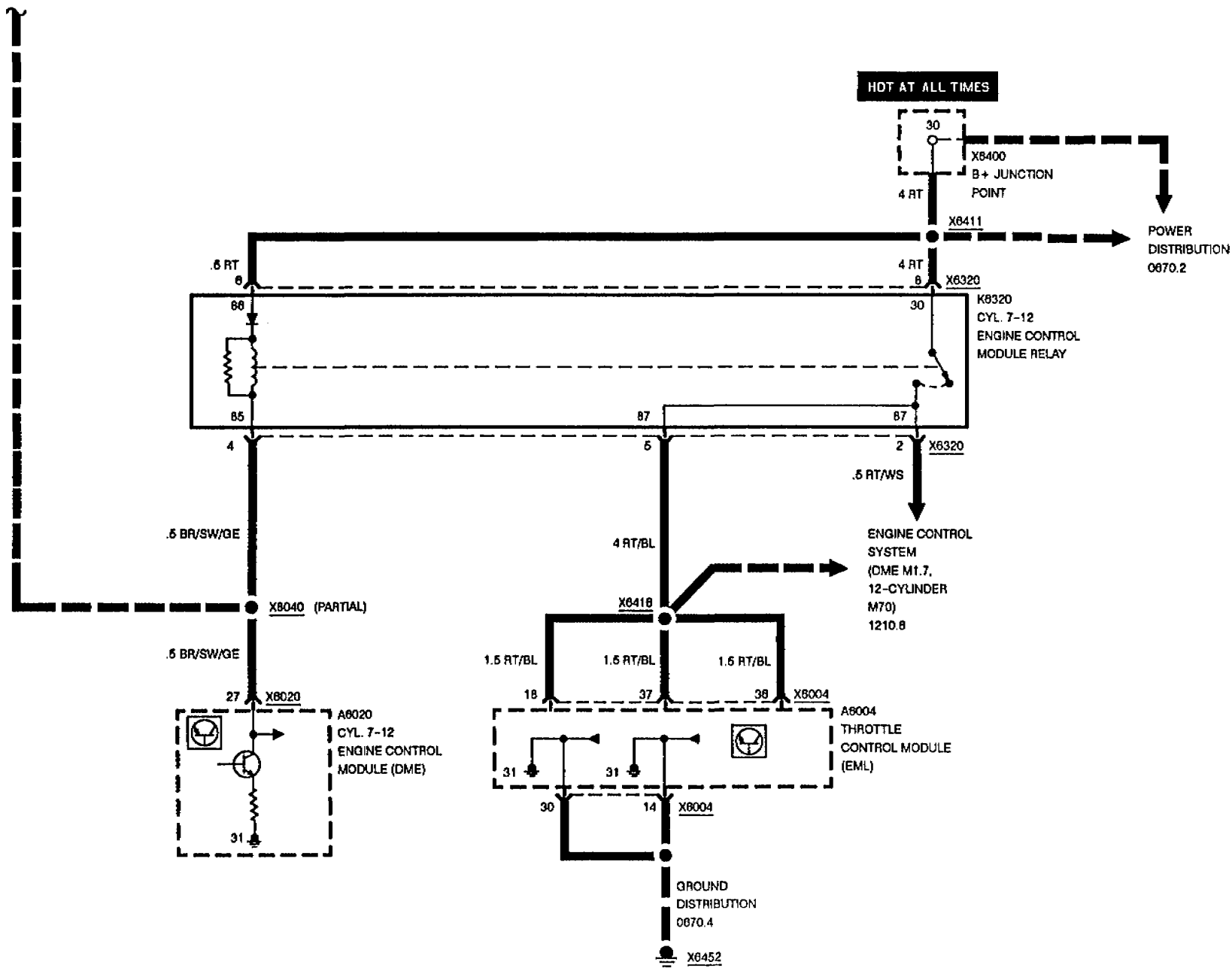
E = Input, A = Output, M = Ground





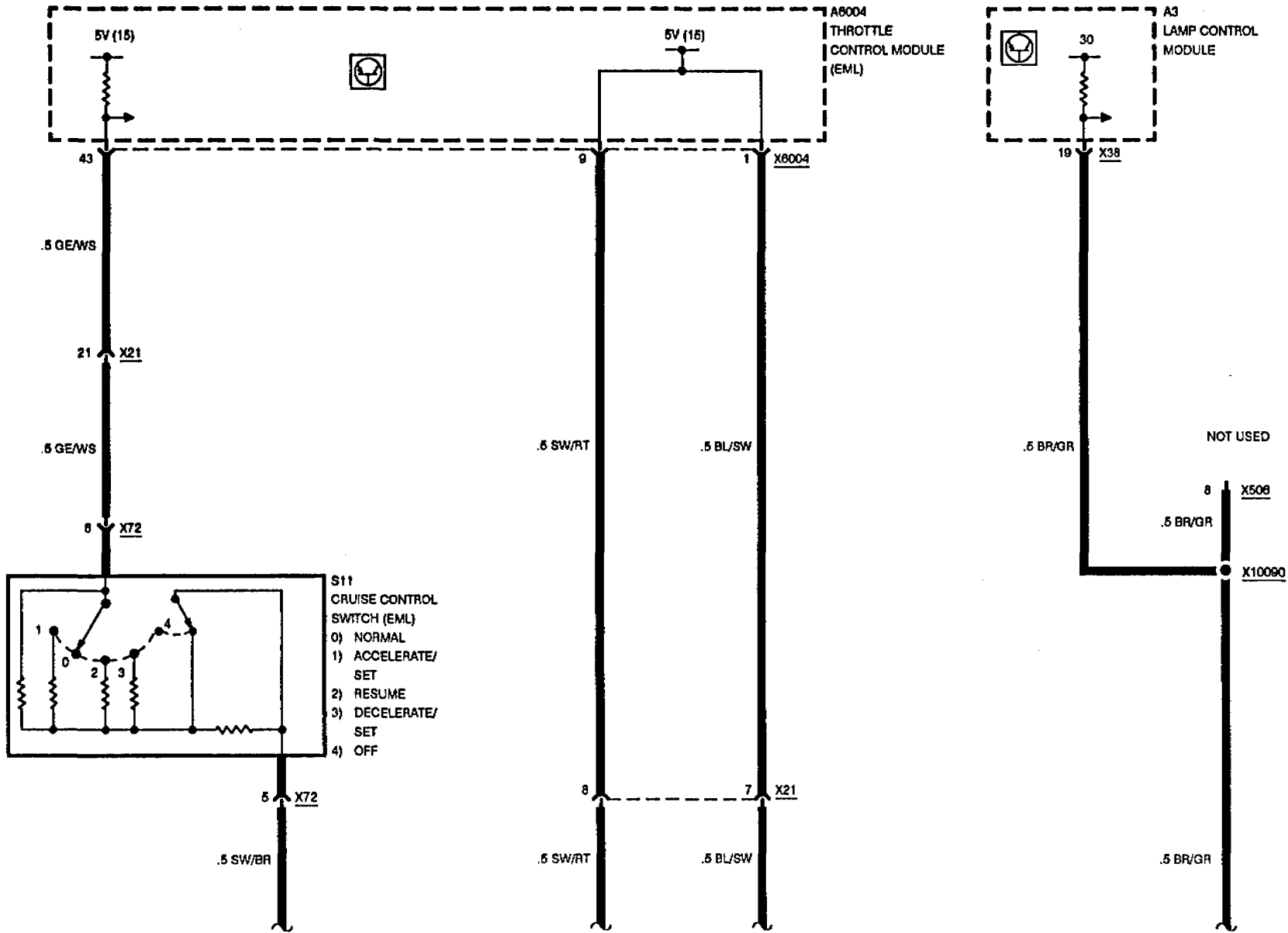
# ELECTRONIC THROTTLE CONTROL (EML 12-CYLINDER)

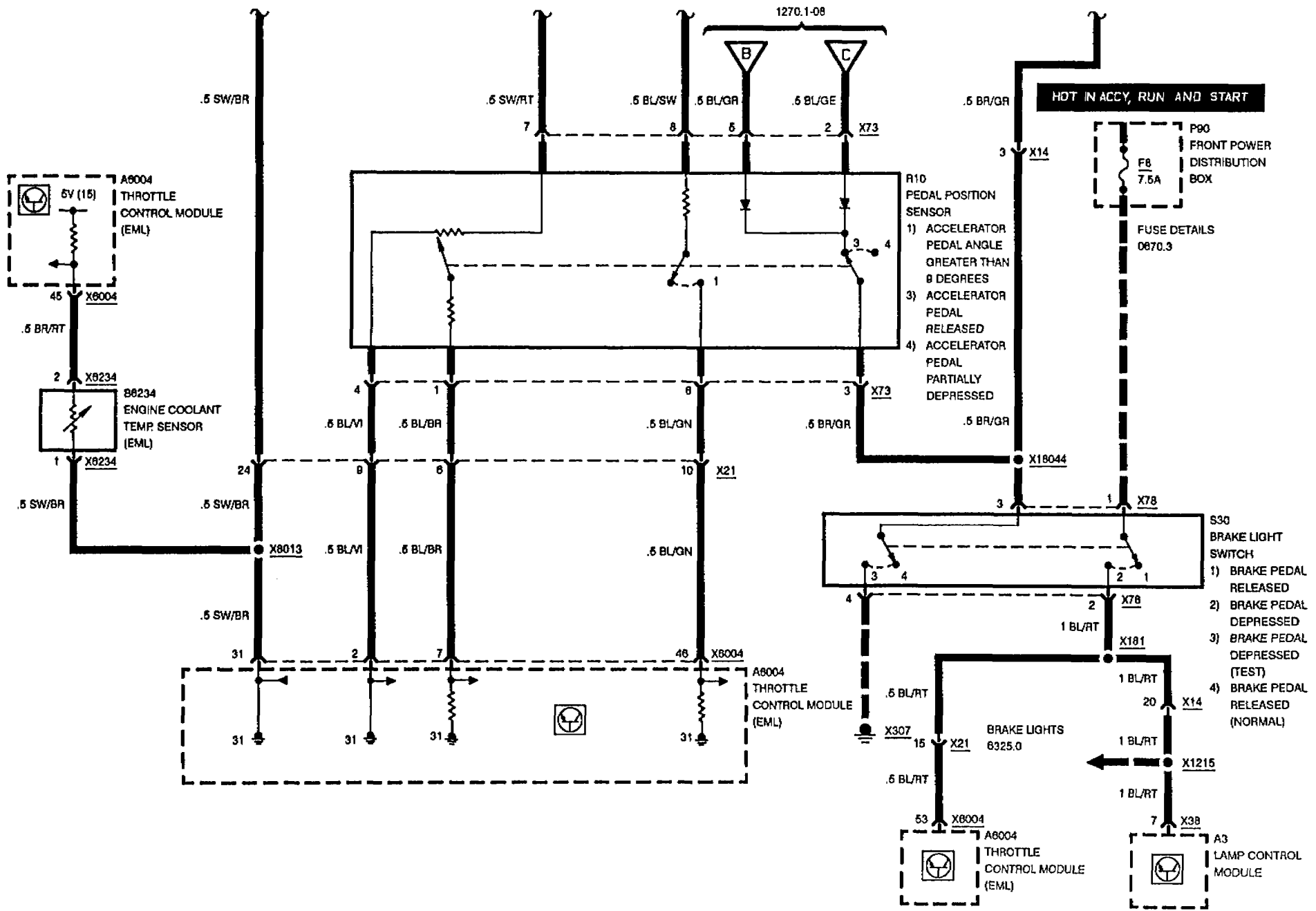






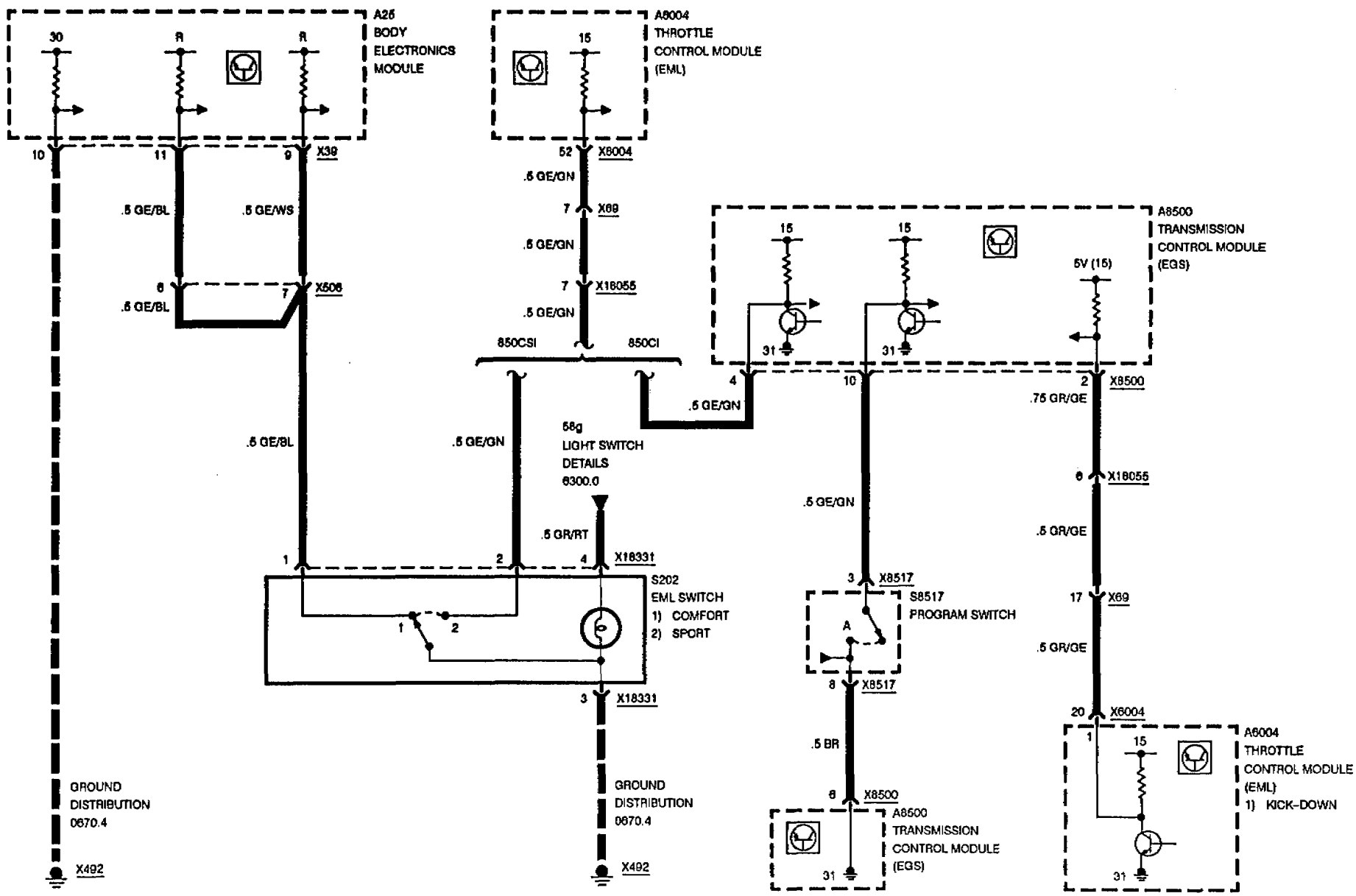
# ELECTRONIC THROTTLE CONTROL (EML 12-CYLINDER)





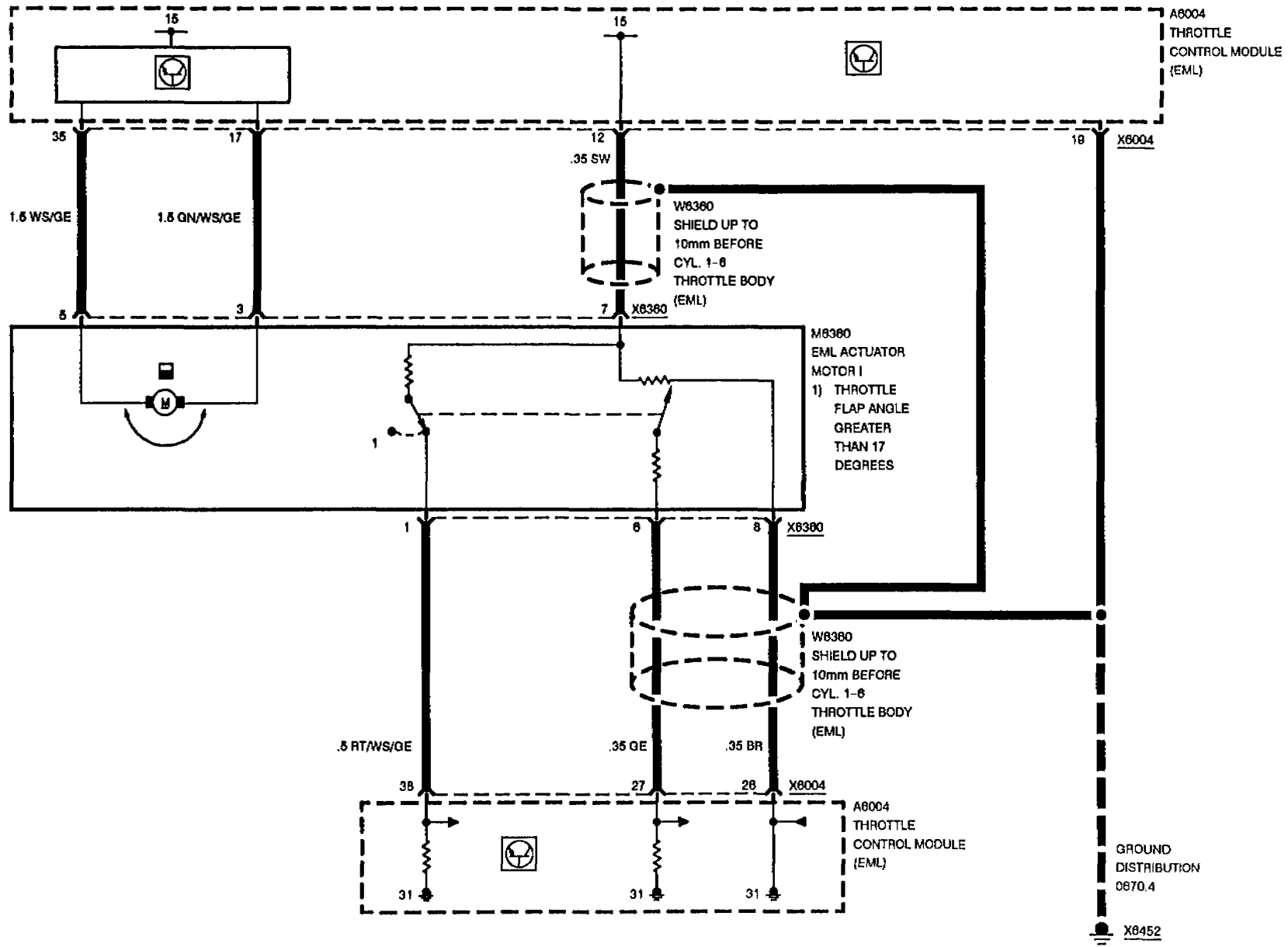


# ELECTRONIC THROTTLE CONTROL (EML 12-CYLINDER)





# ELECTRONIC THROTTLE CONTROL (EML 12-CYLINDER)

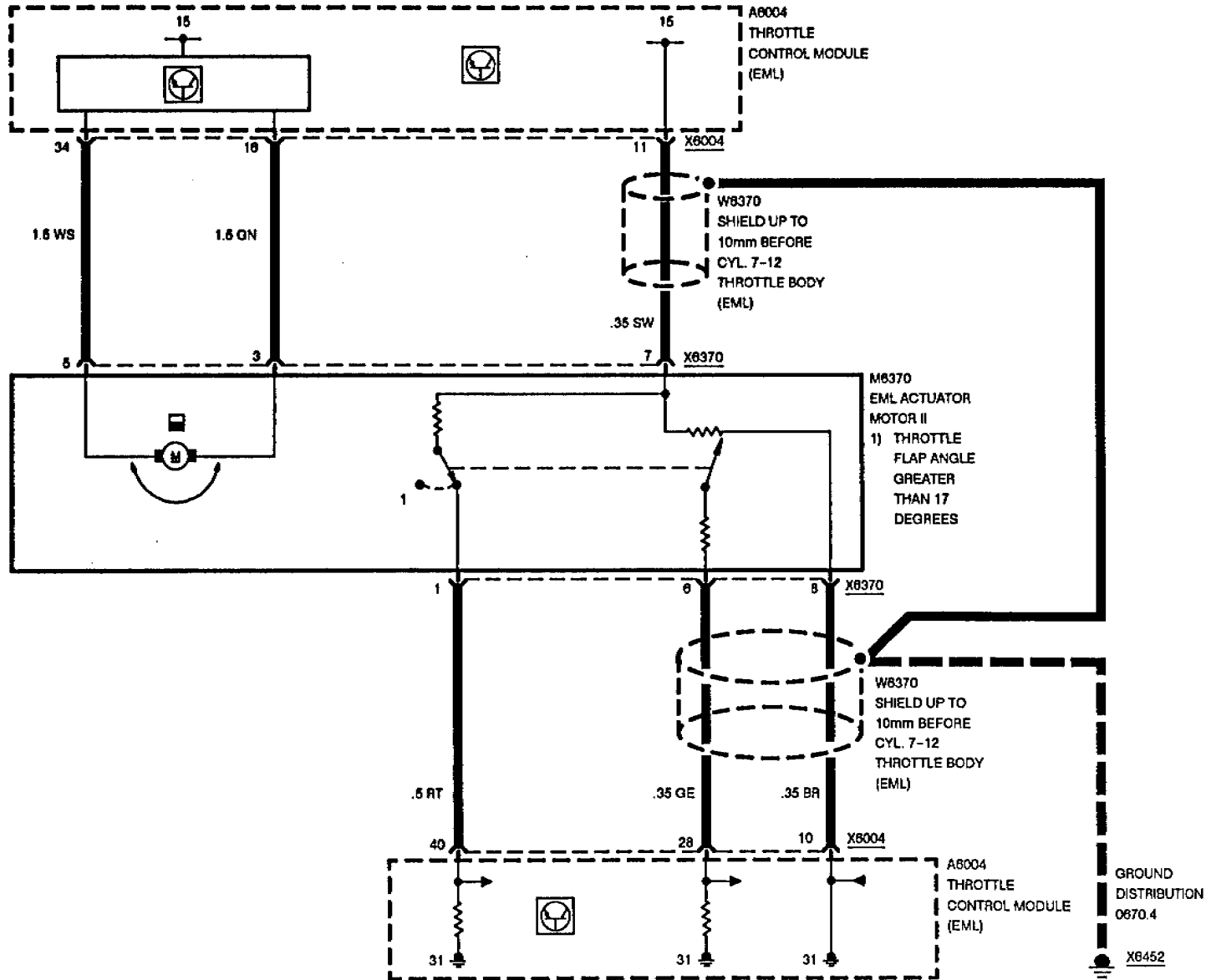


12/94 ————— 1270.1-05 ————— 1994

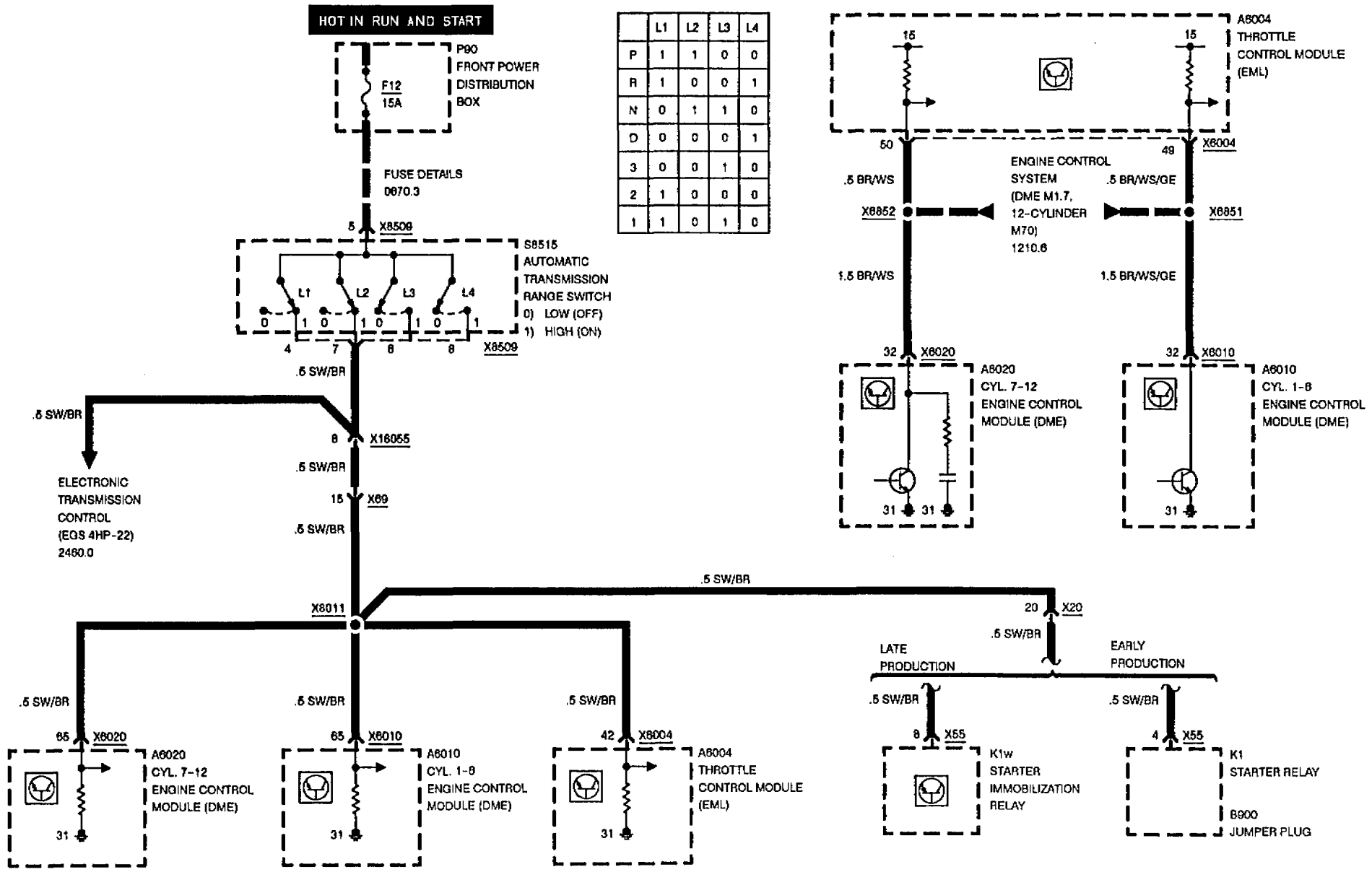




# ELECTRONIC THROTTLE CONTROL (EML 12-CYLINDER)

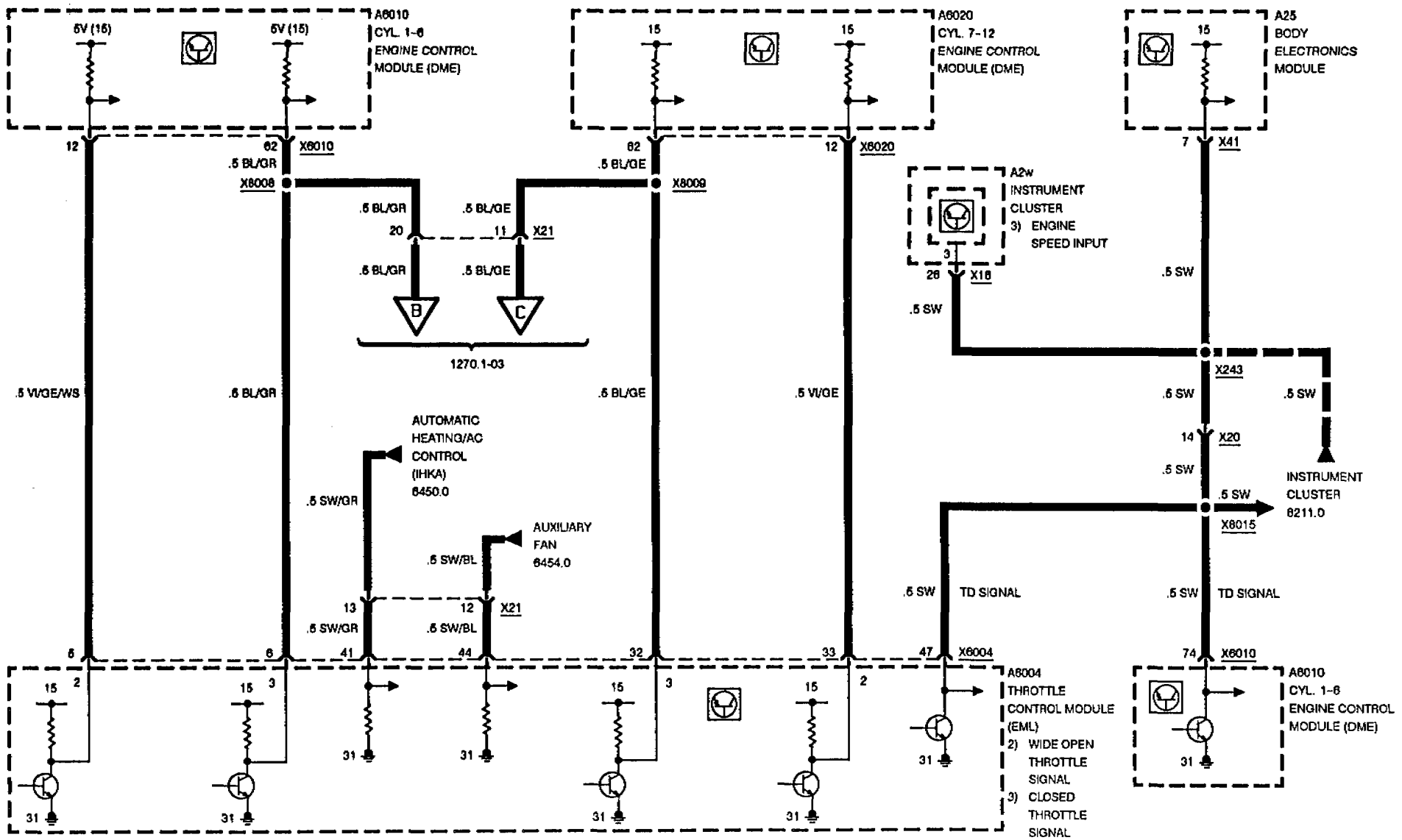


# ELECTRONIC THROTTLE CONTROL (EML 12-CYLINDER)

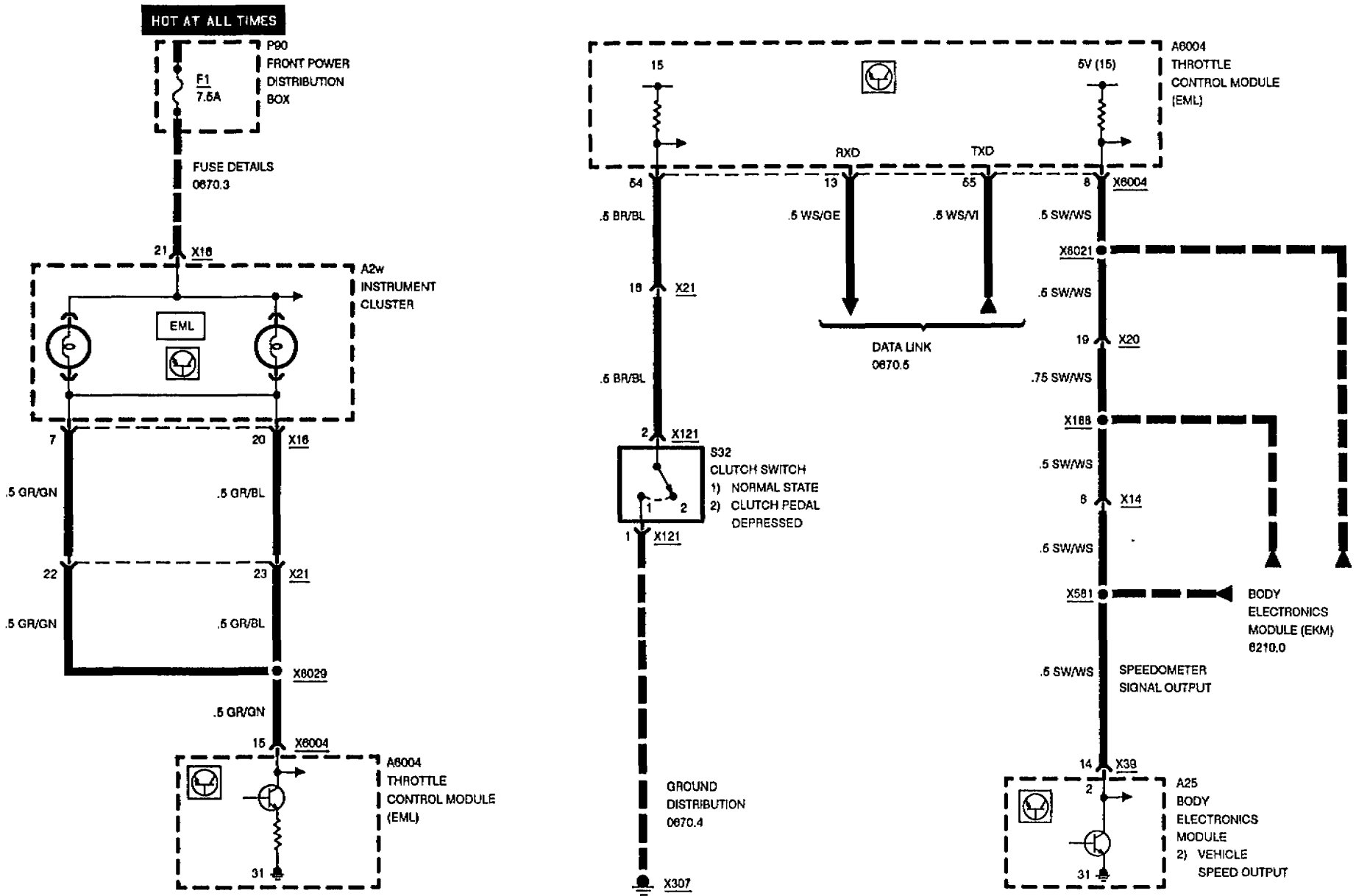




# ELECTRONIC THROTTLE CONTROL (EML 12-CYLINDER)



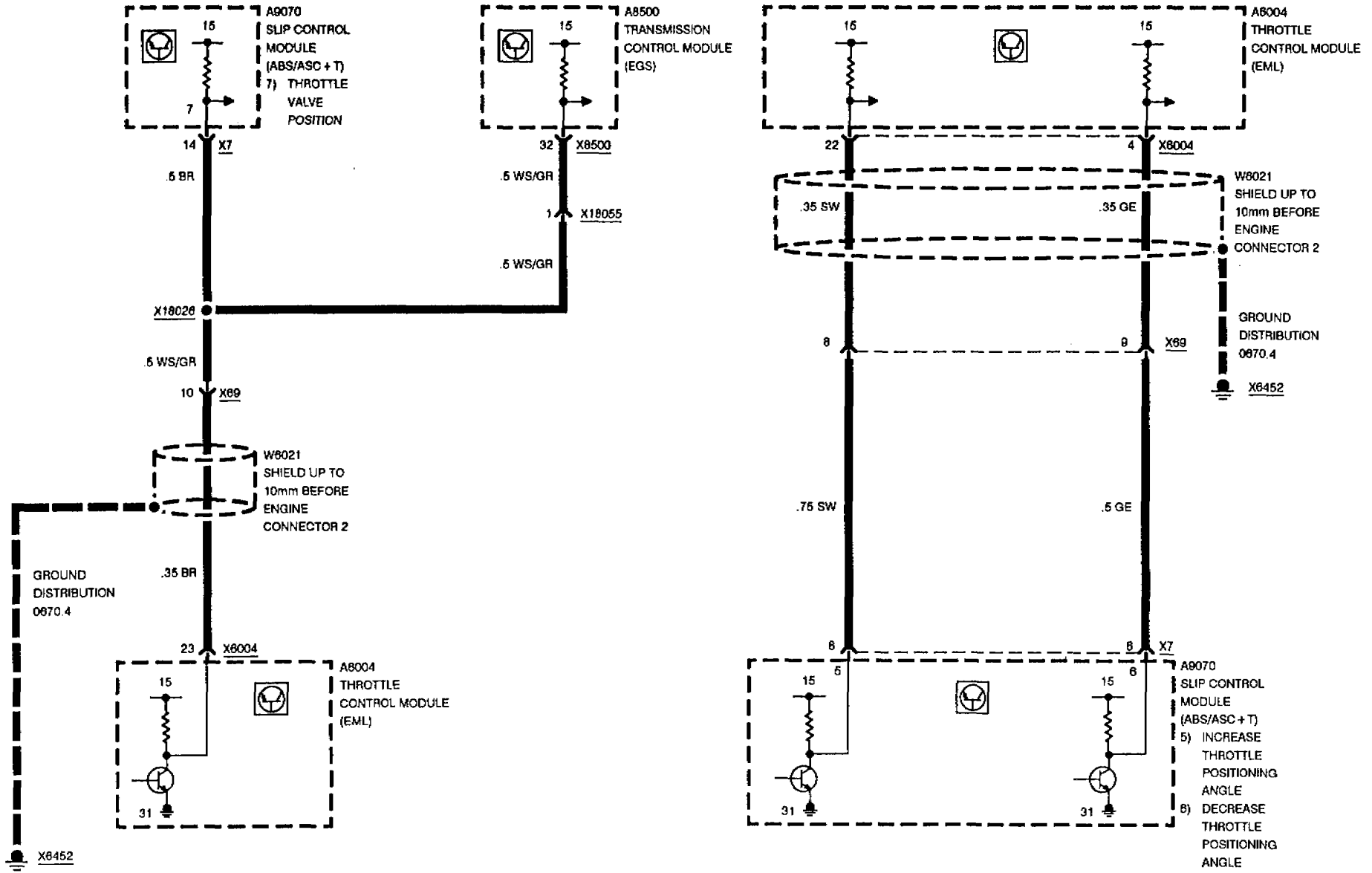
# ELECTRONIC THROTTLE CONTROL (EML 12-CYLINDER)





# ELECTRONIC THROTTLE CONTROL (EML 12-CYLINDER)

## ASC + T INTERFACE

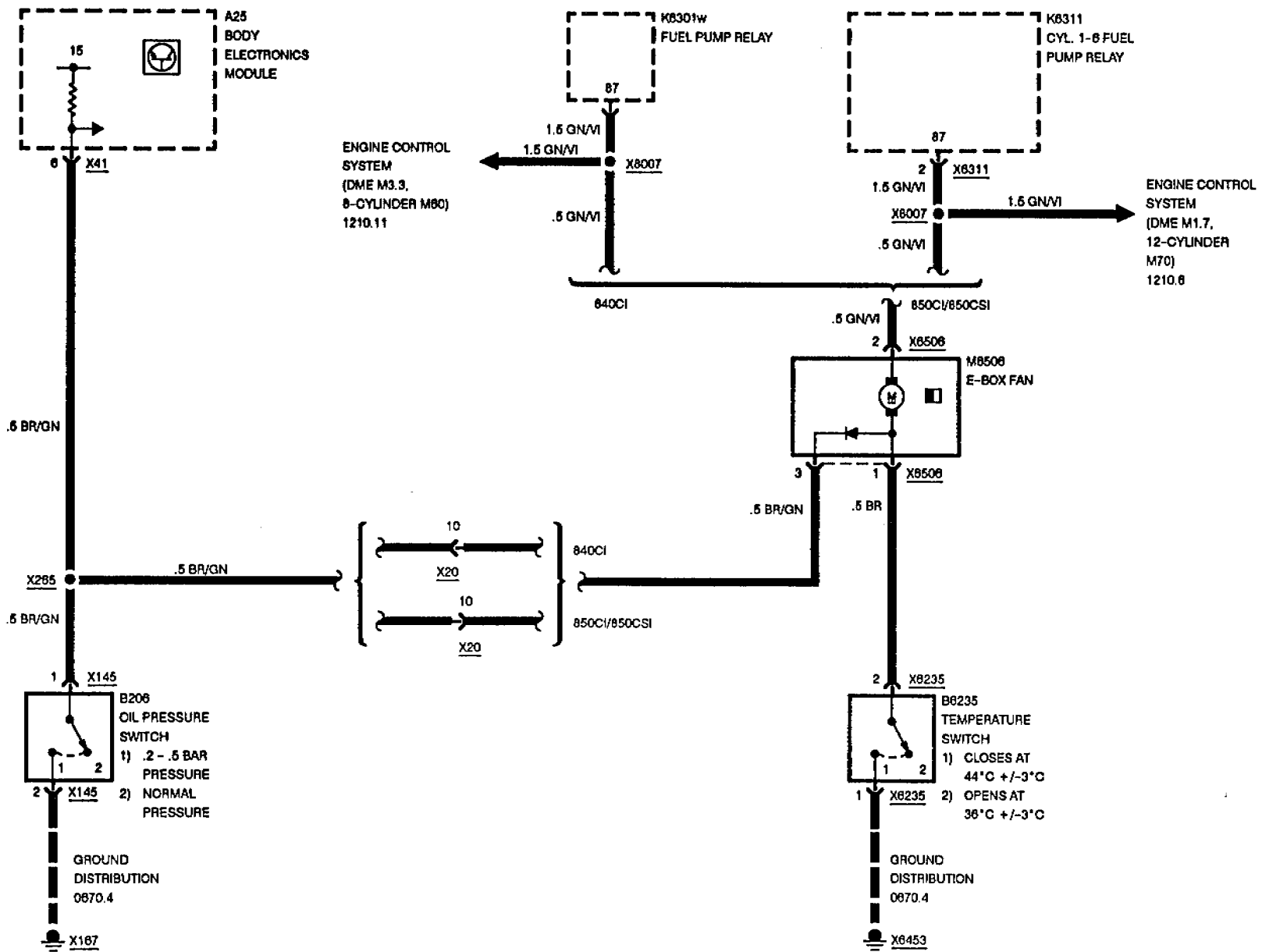


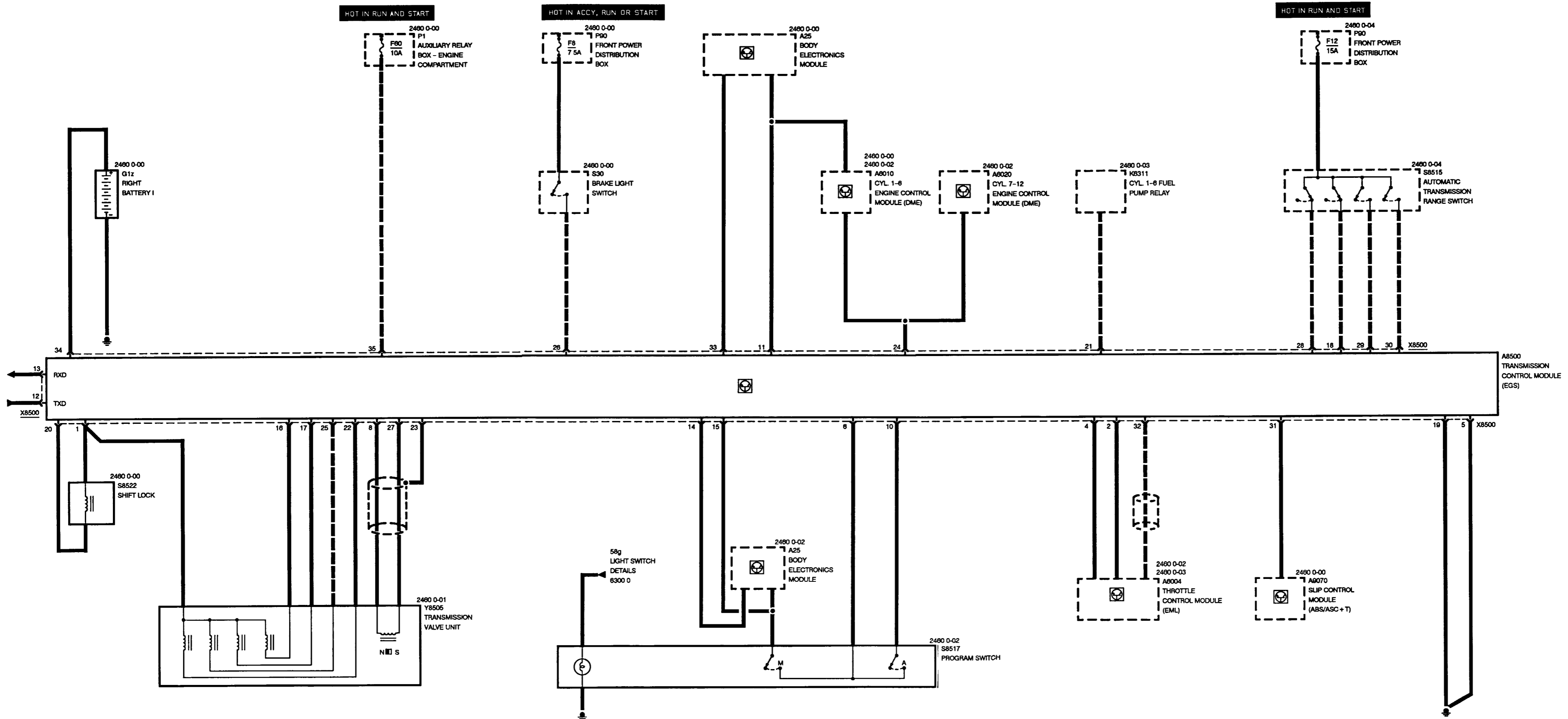
BMW  
**8**

1290.0

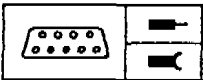


# E-BOX FAN







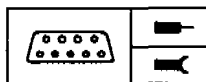


## Pin Assignments

### X8500

Pin	Type	Description/Function	Connection
1	A	Voltage supply, solenoid valves and pressure regulator	Transmission gearshift, shiftlock
2	E	Kick-Down	Electronic throttle control module (EML)
3		Not used	
4	E/A	S-Program identifier	Electronic throttle control module (EML)
5	M	Ground	Ground point
6	M	Ground, program switch	Program switch
7		Not used	
8	E	Output speed (+)	Transmission gearshift
9		Not used	
10	E	A-program	Program switch
11	E	Injection signal (ti)	Body electronics module (EKM)
12	E/A	TxD diagnostic data link	Data link connector
13	E	RxD diagnostic data link	Data link connector
14	E/A		Body electronics module (EKM)
15	E/A	M-program	Program switch, Body electronics module (EKM)
16	A	Solenoid valve 1	Transmission gearshift
17	A	Solenoid valve 2	Transmission gearshift
18	E	Position switch L1	Automatic transmission range switch
19	M	Ground, pressure regulator and solenoid valves	Ground point
20	A	Unlock shift lever	Shift lock
21	E	Engine speed (TR signal)	Cyl. 1-6 fuel pump relay
22	A	Pressure regulator solenoid valve	Transmission gearshift
23	M	Speed sensor shield ground	Speed sensor shield
24	A	Engine intervention	Engine control modules (DME)
25	A	Torque converter clutch solenoid valve	Transmission gearshift
26	E	Brake pedal position	Brake light switch
27	E	Output speed (-)	Transmission gearshift
28	E	Position switch L2	Automatic transmission range switch

E = Input, A = Output, M = Ground



## Pin Assignments

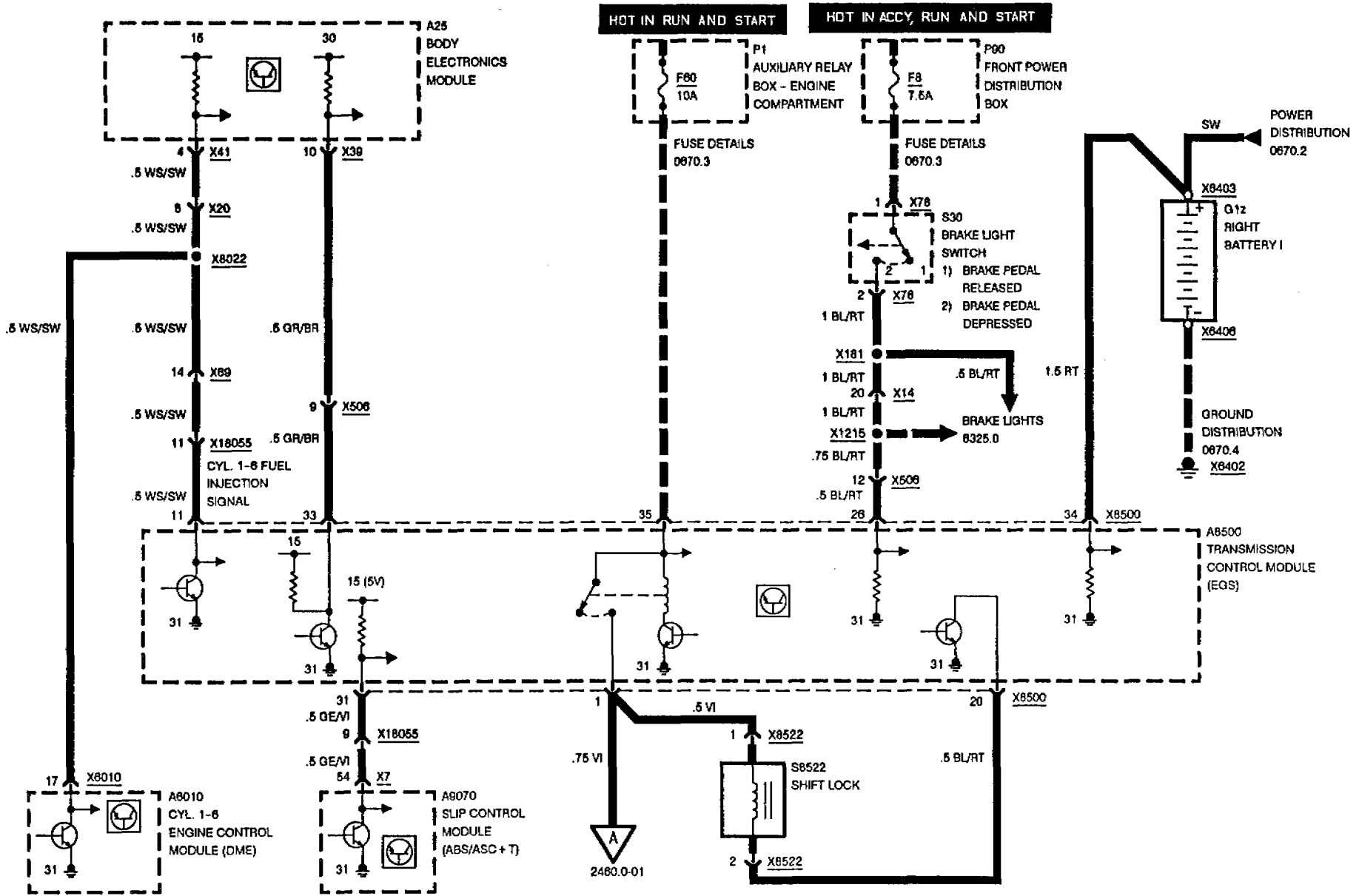
Pin	Type	Description/Function	Connection
29	E	Position switch L3	Automatic transmission range switch
30	E	Position switch L4	Automatic transmission range switch
31	E	ASC active	Slip control module (ASC + T)
32	E	Throttle position	Electronic throttle control module (EML)
33	A	Fault display	Body electronics module (EKM)
34	E	Battery voltage	Battery (+)
35	E	Voltage supply	Fuse F60

E = Input, A = Output, M = Ground

BMW  
8

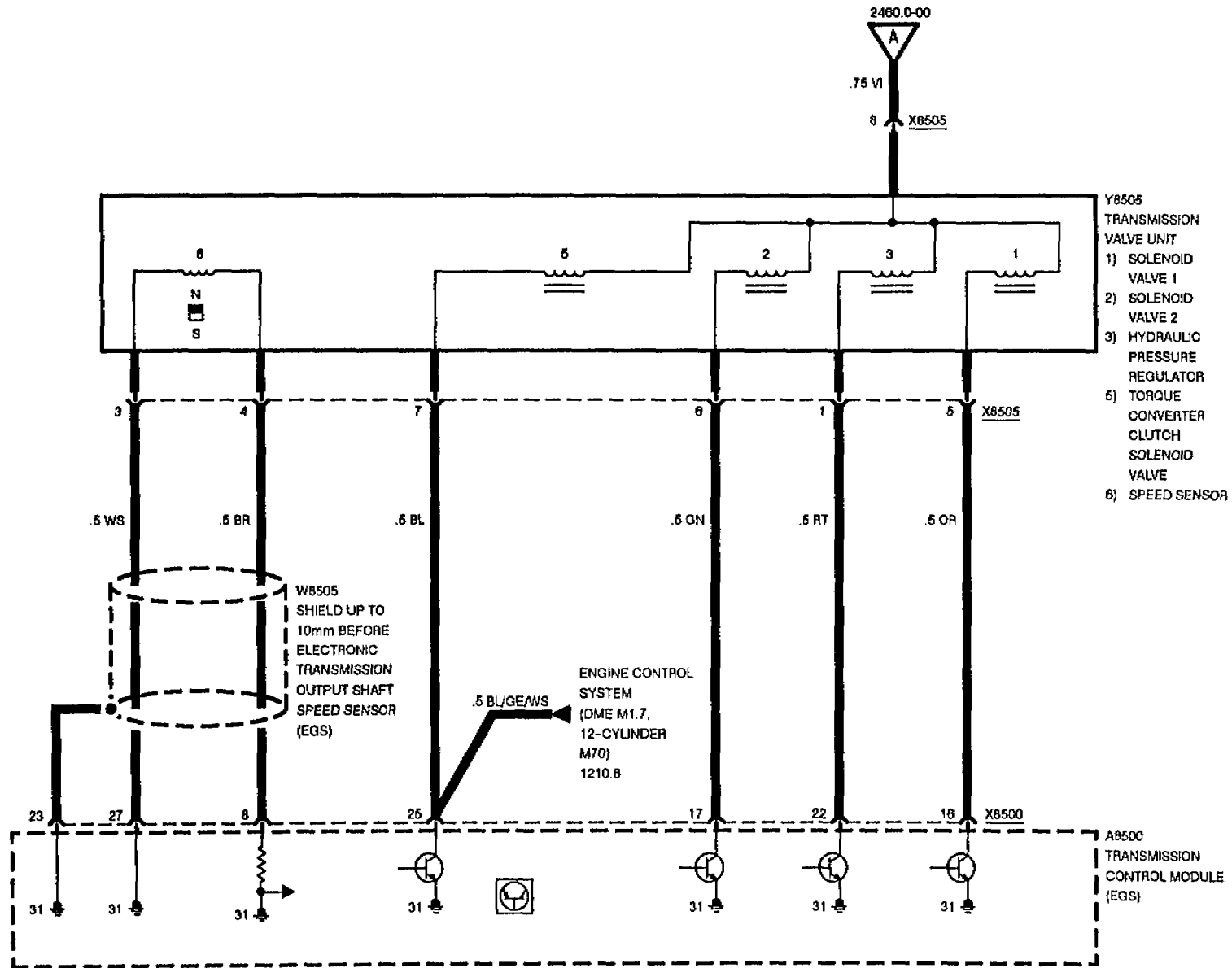
2460.0

**ELECTRONIC TRANSMISSION CONTROL (EGS 4HP-24)**



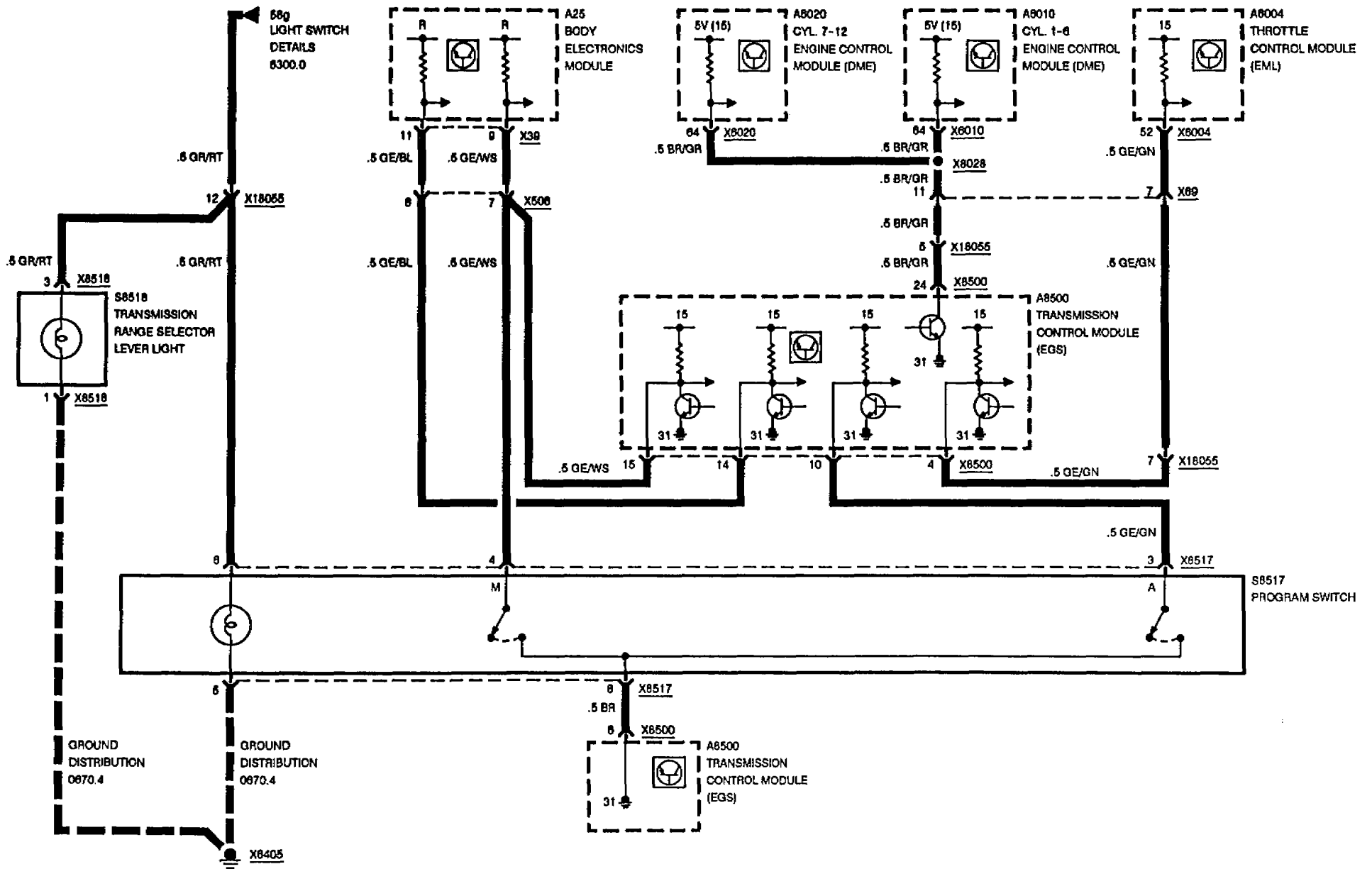


# ELECTRONIC TRANSMISSION CONTROL (EGS 4HP-24)



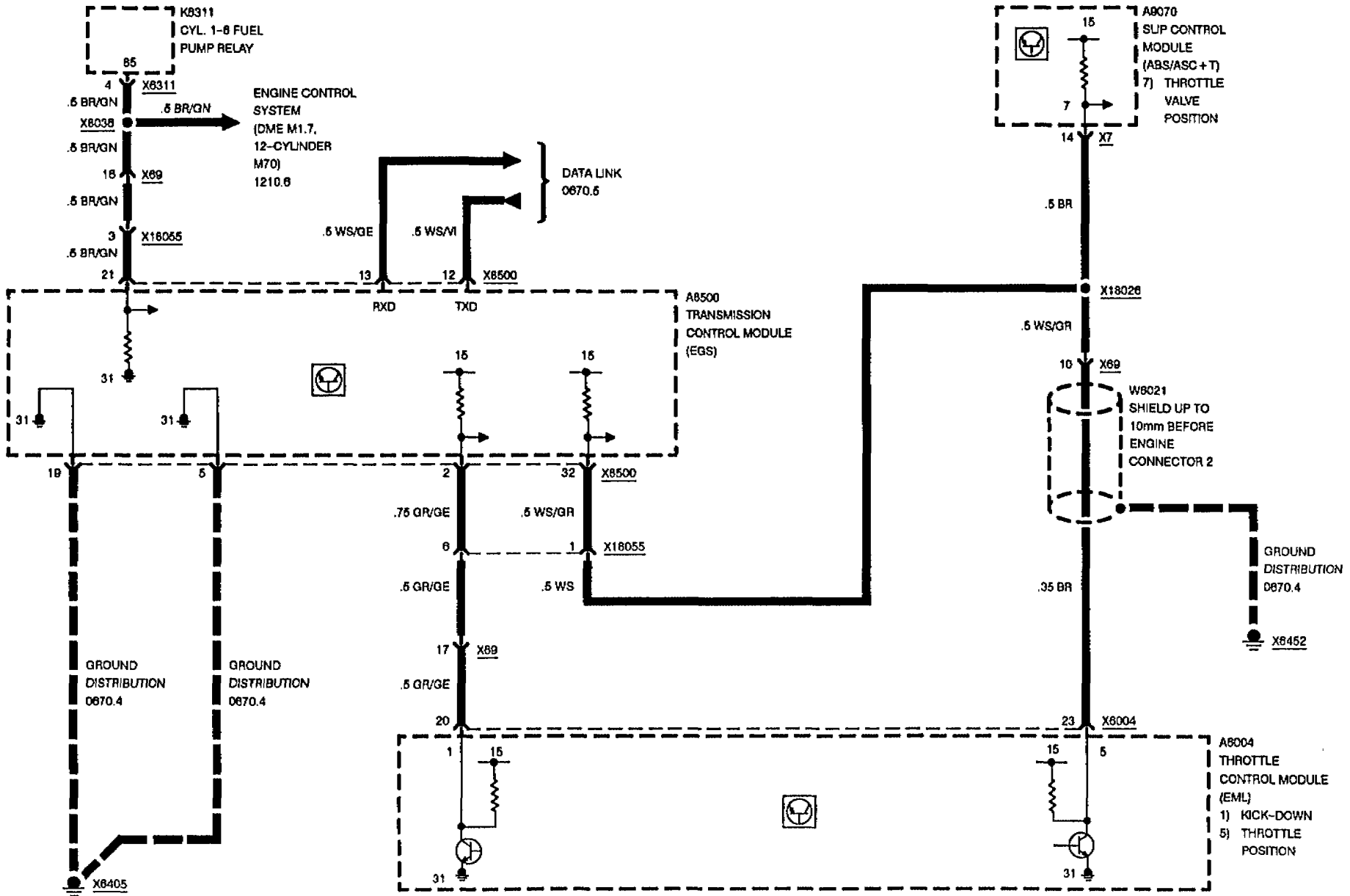


# ELECTRONIC TRANSMISSION CONTROL (EGS 4HP-24)



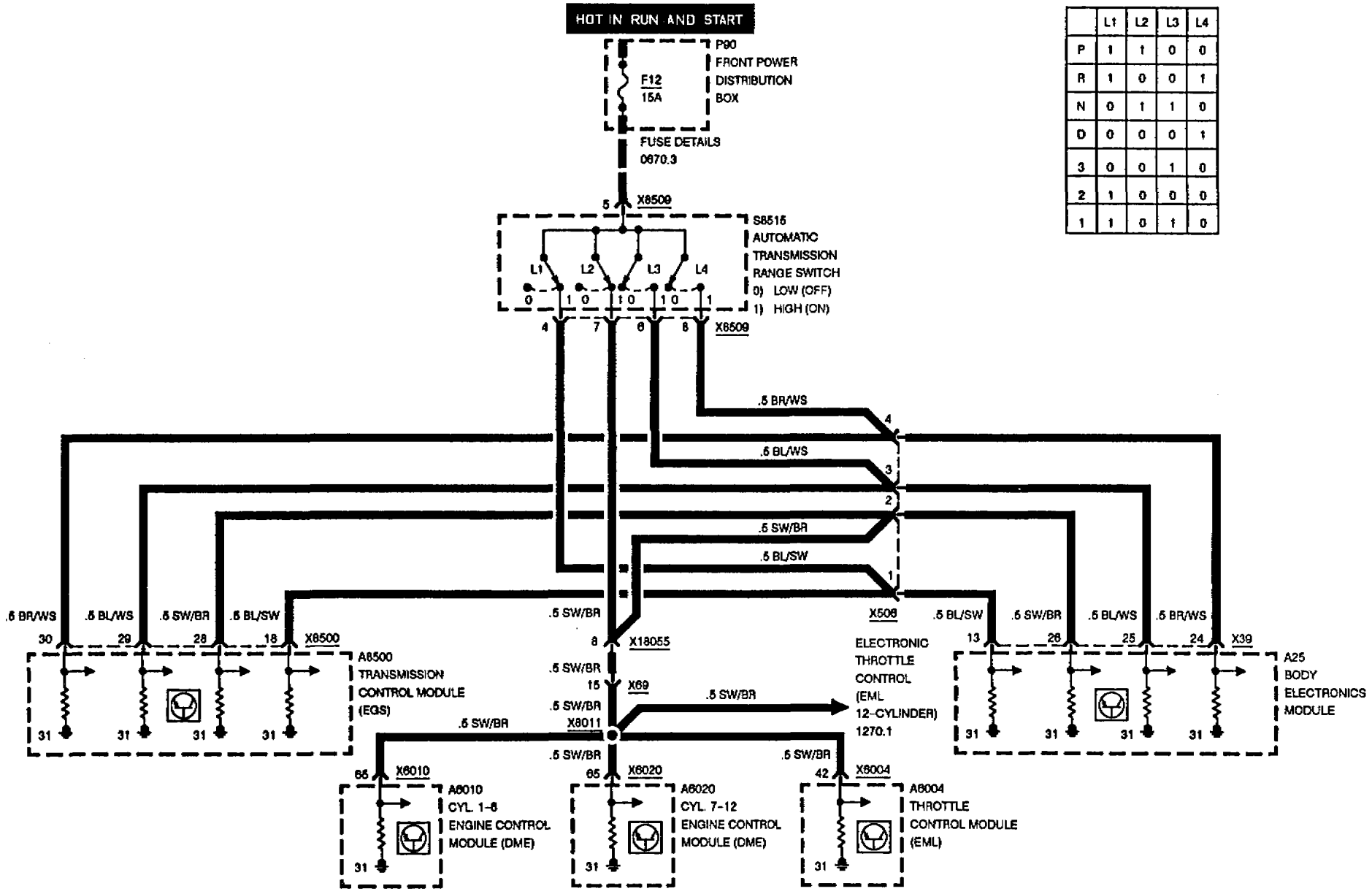


# ELECTRONIC TRANSMISSION CONTROL (EGS 4HP-24)



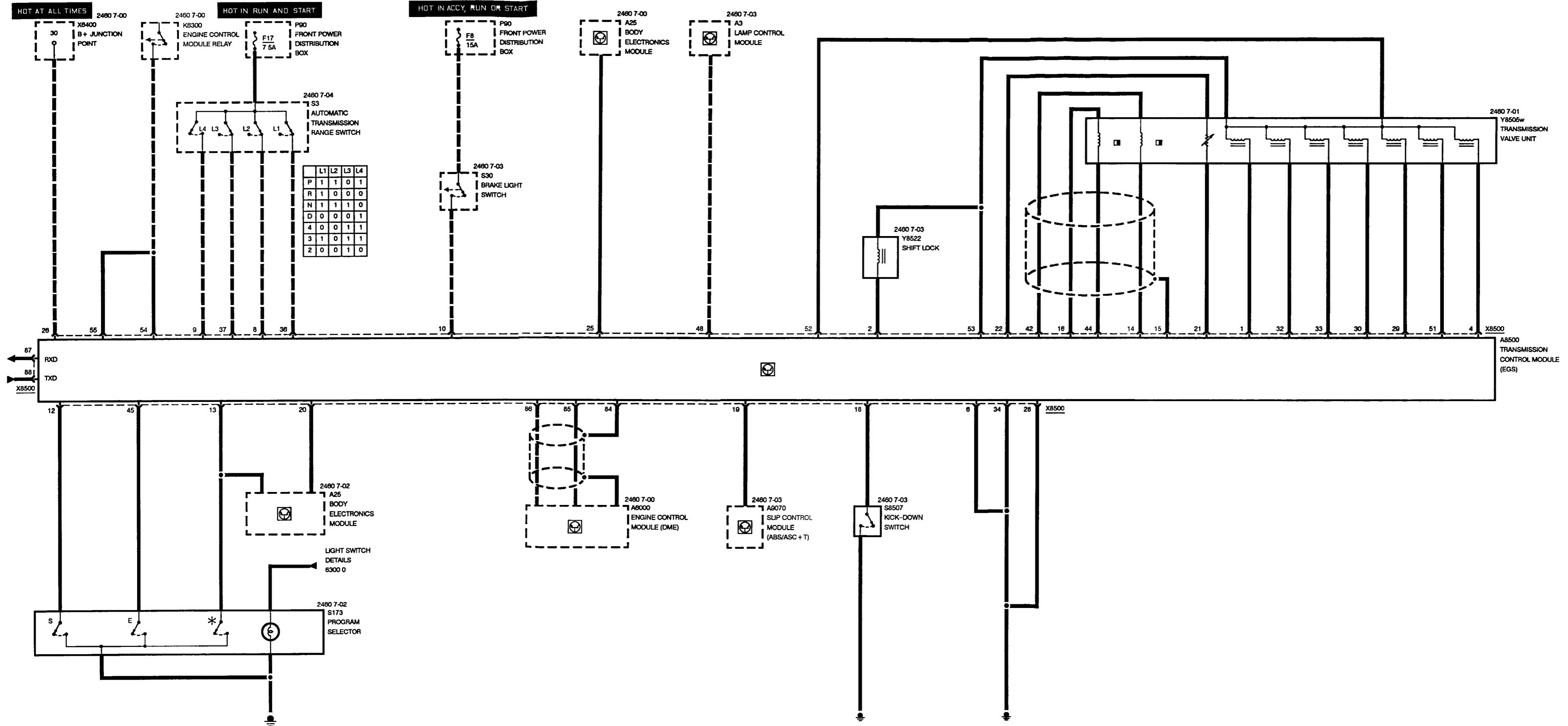


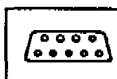
# ELECTRONIC TRANSMISSION CONTROL (EGS 4HP-24)



	L1	L2	L3	L4
P	1	1	0	0
R	1	0	0	1
N	0	1	1	0
D	0	0	0	1
3	0	0	1	0
2	1	0	0	0
1	1	0	1	0





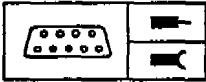


## Pin Assignments

### X8500

Pin	Type	Description/Function	Connection
1	A	Pressure regulator 2	Transmission gear shift unit, Y8505w
2	A	Shift lock solenoid	Shift lock solenoid, Y19
3		Not used	
4	A	Pressure regulator 4	Transmission gear shift unit, Y8505w
5	A	Pressure regulator 1	Transmission gear shift unit, Y8505w
6	M	Ground	Ground point
7		Not used	
8	E	Position switch L2	Automatic transmission range switch, S3
9	E	Position switch L4	Automatic transmission range switch, S3
10	E	Brake light	Brake light switch, S30
11		Not used	
12	E	Program S	Program switch, S173
13	E/A	Program W	Program switch, S173
14	E	Maximum speed sensor n-ab (-)	Transmission gear shift unit, Y8505w
15	M	Shield	Shield to transmission gear shift unit
16	E	Speed sensor turbine n-T (+)	Transmission gear shift unit, Y8505w
17		Not used	
18	E	Kick down	Kick down switch, S8507
19	E	ASC-Signal	Slip control module (ABS/ASC + T), A9070
20	A	Program E	Body electronics module, A25
21	M	Ground, oil temperature sensor (-)	Transmission gear shift unit, Y8505w
22	E	Oil temperature sensor (+)	Transmission gear shift unit, Y8505w
23	M	Shield Speed Sensor	Ground point
24		Not used	
25	A	Fault display	Body electronics module, A25
26	E	Plus supply (terminal 30)	B+ junction point, X6400
27		Not used	
28	M	Ground (electronic)	Ground point
29	A	Pressure regulator 3	Transmission gear shift unit, Y8505w
30	A	Solenoid valve 1	Transmission gear shift unit, Y8505w

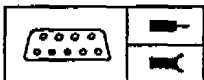
E = Input, A = Output, M = Ground



## Pin Assignments

Pin	Type	Description/Function	Connection
31		Not used	
32	A	Solenoid valve 3	Transmission gear shift unit, Y8505w
33	A	Solenoid valve 2	Transmission gear shift unit, Y8505w
34	M	Ground	Ground point
35		Not used	
36	E	Position switch L1	Transmission range switch, S3
37	E	Position switch L3	Transmission range switch, S3
38		Not used	
39		Not used	
40		Not used	
41		Not used	
42	E	Output speed n-ab (+)	Transmission valve unit, Y8505w
43		Not used	
44	E	Speed sensor turbine n-T (-)	Transmission gear shift unit, Y8505w
45	E	Program E	Program switch, S173
46		Not used	
47		Not used	
48	E	Brake test	Brake test switch, S30
49		Not used	
50		Not used	
51	A	Pressure regulator 5	Transmission gear shift unit, Y8505w
52	A	Plus supply pressure regulator 3/4/5	Transmission gear shift unit, Y8505w
53	A	Plus supply DR 1/2-MV 1/2/3	Transmission gear shift unit, Y8505w
54	A	Plus supply (terminal 15)	Engine control module relay
55	A	Plus supply (terminal 15)	Engine control module relay
56		Not used	
57		Not used	
58		Not used	
59		Not used	
60		Not used	
61		Not used	
62		Not used	

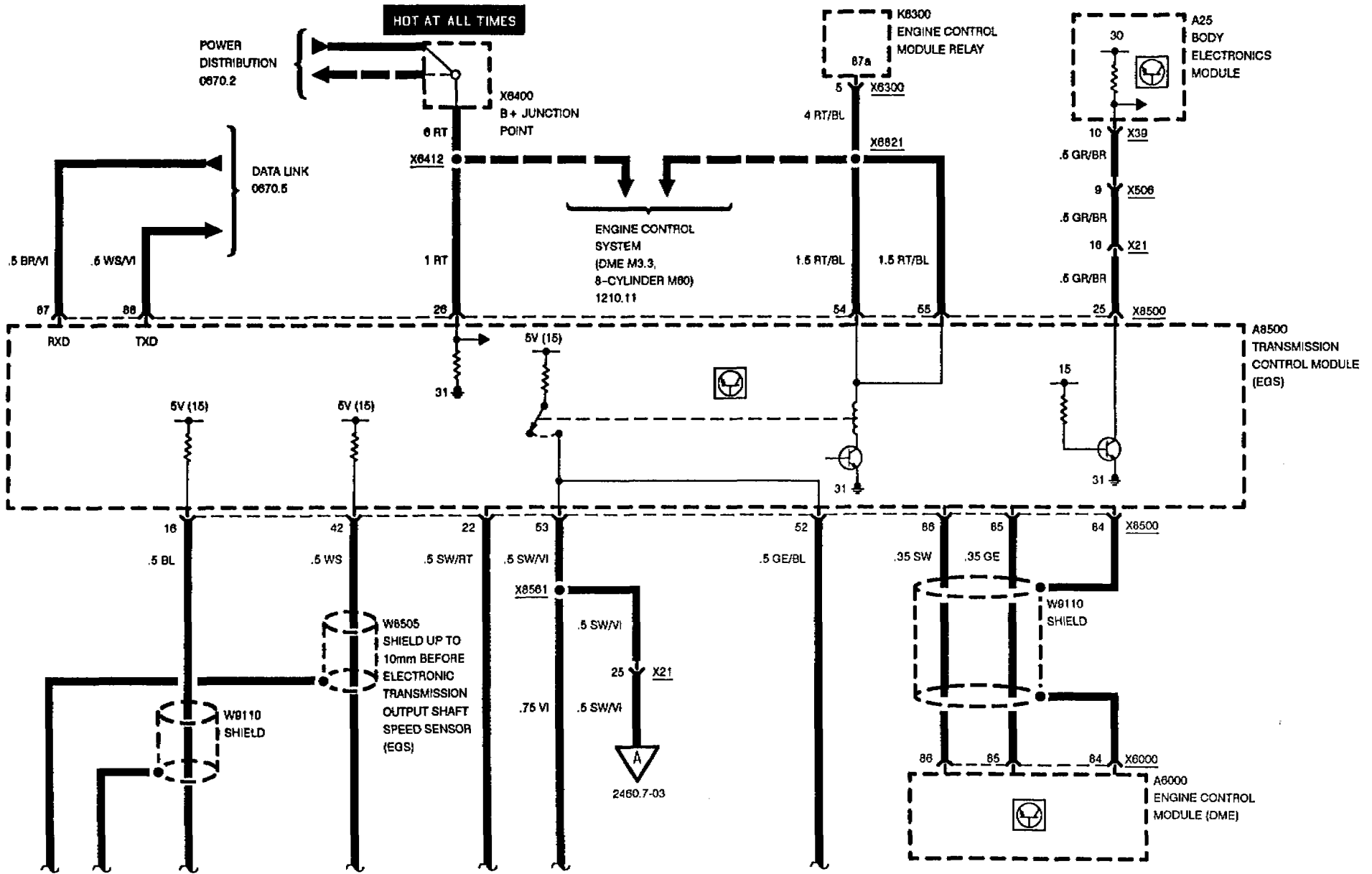
E = Input, A = Output, M = Ground

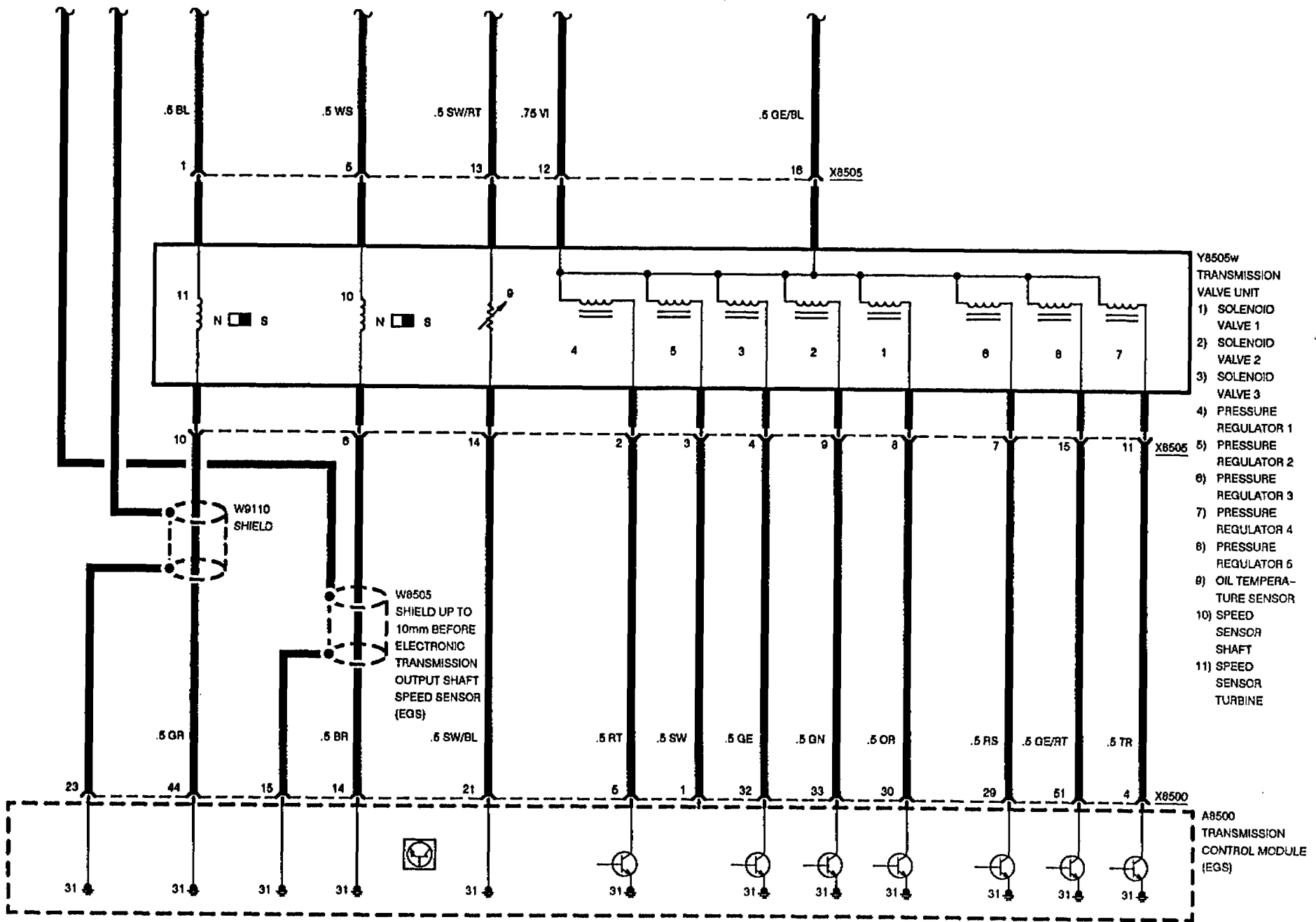


## Pin Assignments

Pin	Type	Description/Function	Connection
63		Not used	
64		Not used	
65		Not used	
66		Not used	
67		Not used	
68		Not used	
69		Not used	
70		Not used	
71		Not used	
72		Not used	
73		Not used	
74		Not used	
75		Not used	
76		Not used	
77		Not used	
78		Not used	
79		Not used	
80		Not used	
81		Not used	
82		Not used	
83		Not used	
84	M	Ground shield	Engine control module, A6000
85	E/A	CAN-L	Engine control module, A6000
86	E/A	CAN-H	Engine control module, A6000
87	E	RxD	Data link connector, RxD
88	E/A	TxD	Data link connector, TxD

E = Input, A = Output, M = Ground

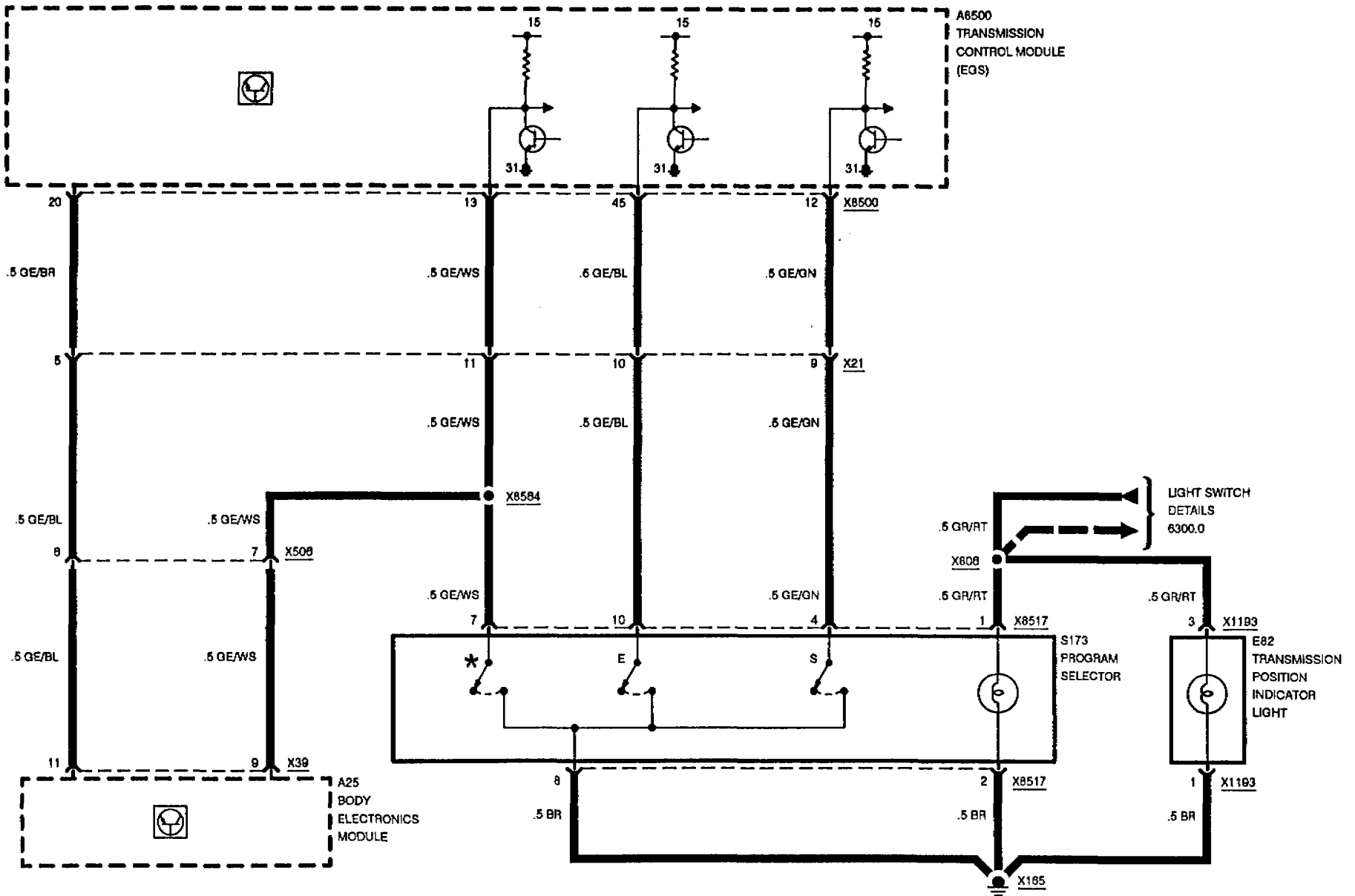






# ELECTRONIC TRANSMISSION CONTROL (EGS: GS 9.20/ A5S 560Z)

840CI



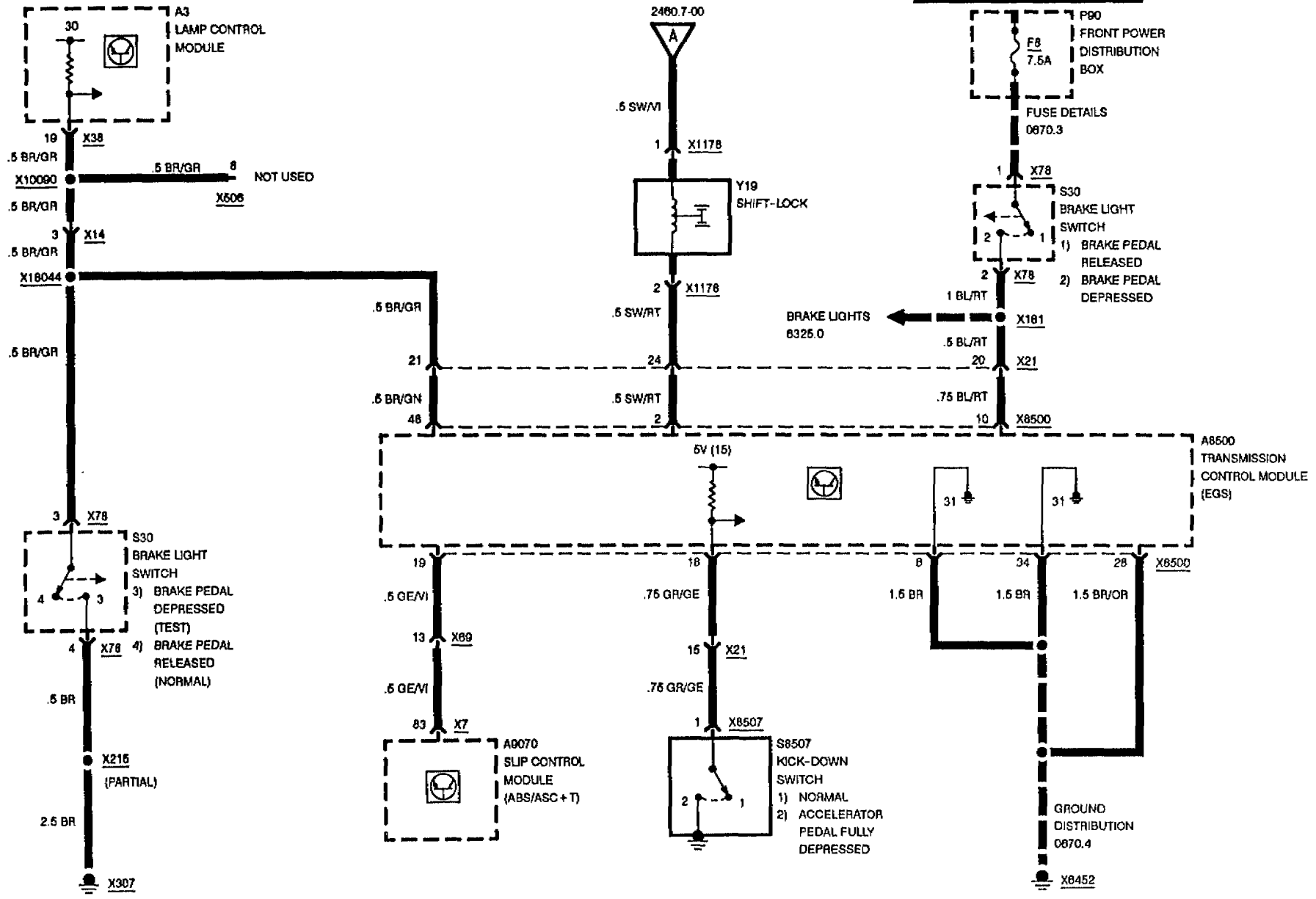
05/94 ————— 2460.7-02 ————— 1995



# ELECTRONIC TRANSMISSION CONTROL (EGS: GS 9.20/ A5S 560Z)

840Ci

HOT IN ACCY, RUN OR START





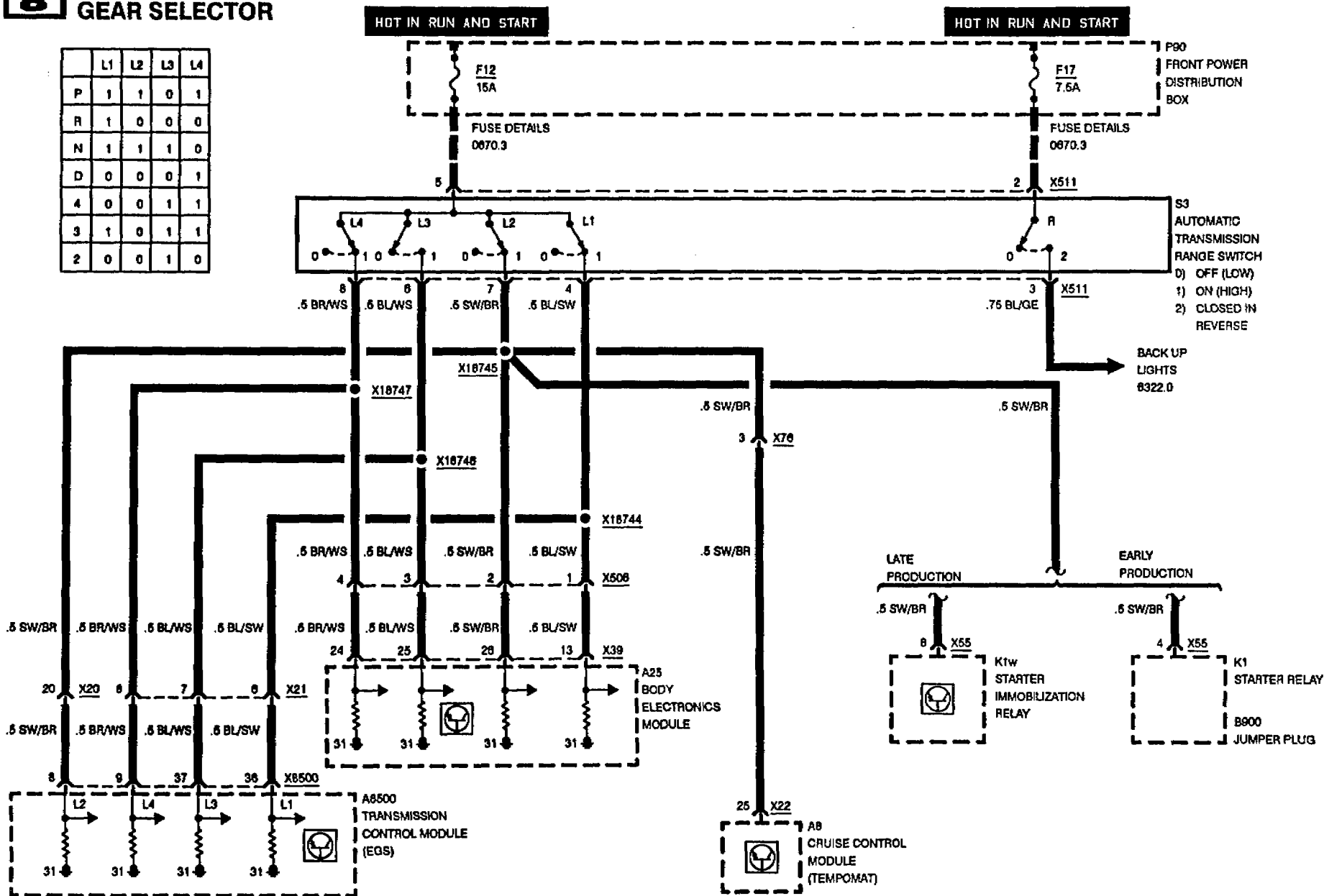


# ELECTRONIC TRANSMISSION CONTROL (EGS: GS 9.20/ A5S 560Z)

840CI

## GEAR SELECTOR

	L1	L2	L3	L4
P	1	1	0	1
R	1	0	0	0
N	1	1	1	0
D	0	0	0	1
4	0	0	1	1
3	1	0	1	1
2	0	0	1	0

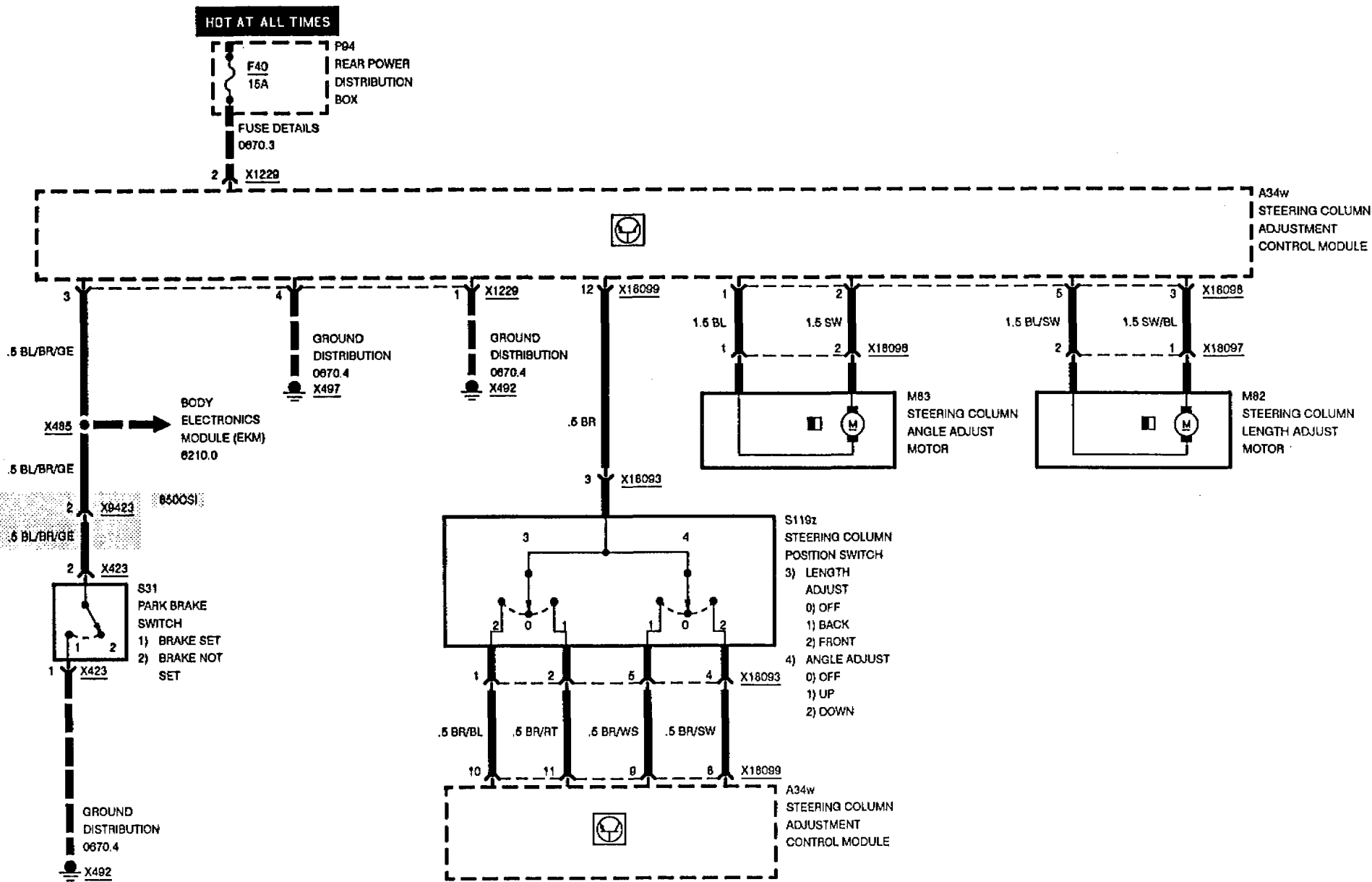


BMW  
**8**

3231.0



# ELECTRIC STEERING COLUMN ADJUSTMENT

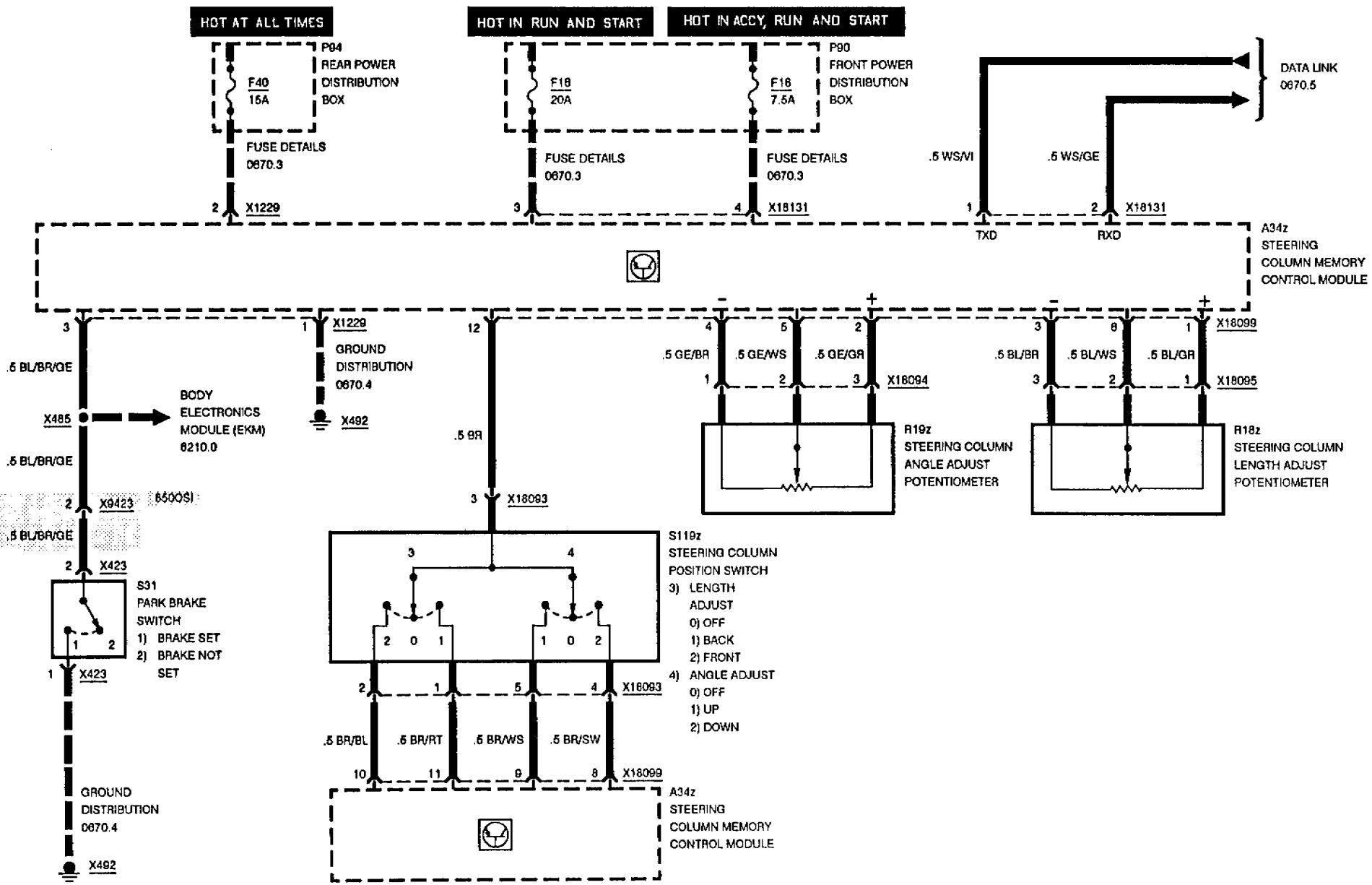




3231.1

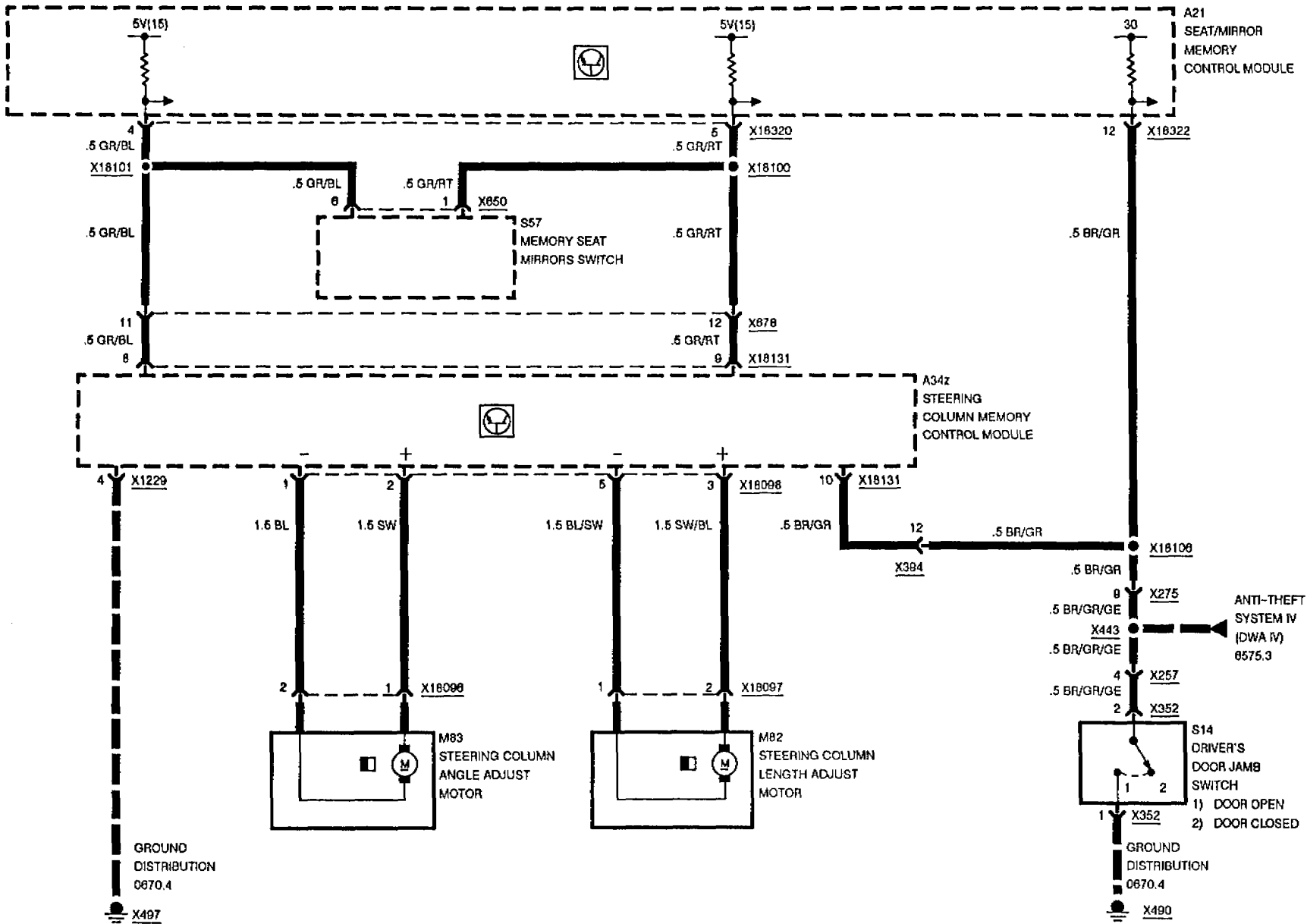


# STEERING COLUMN MEMORY (LSM)



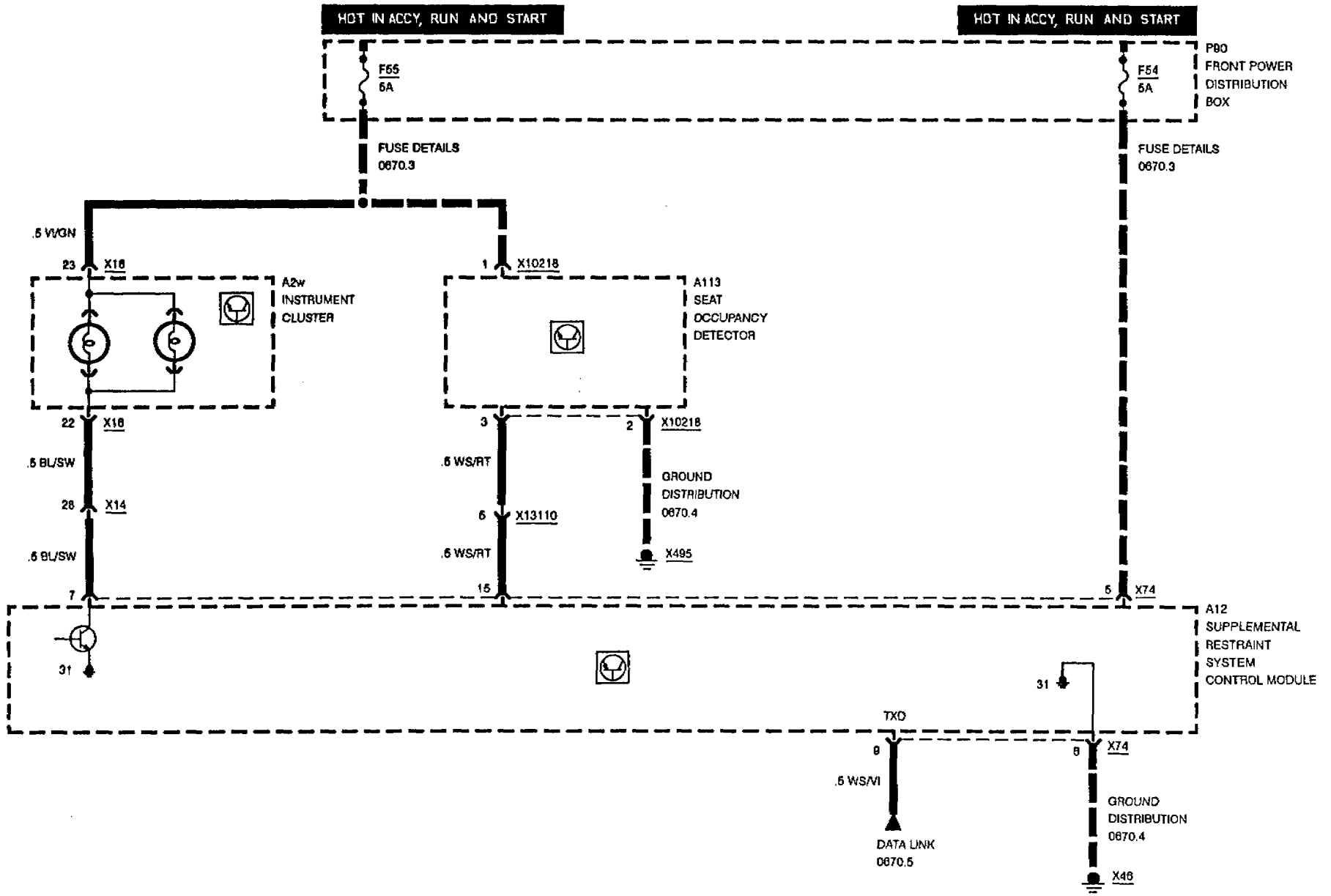


# STEERING COLUMN MEMORY (LSM)





# SUPPLEMENTAL RESTRAINT SYSTEM (AIR BAG)

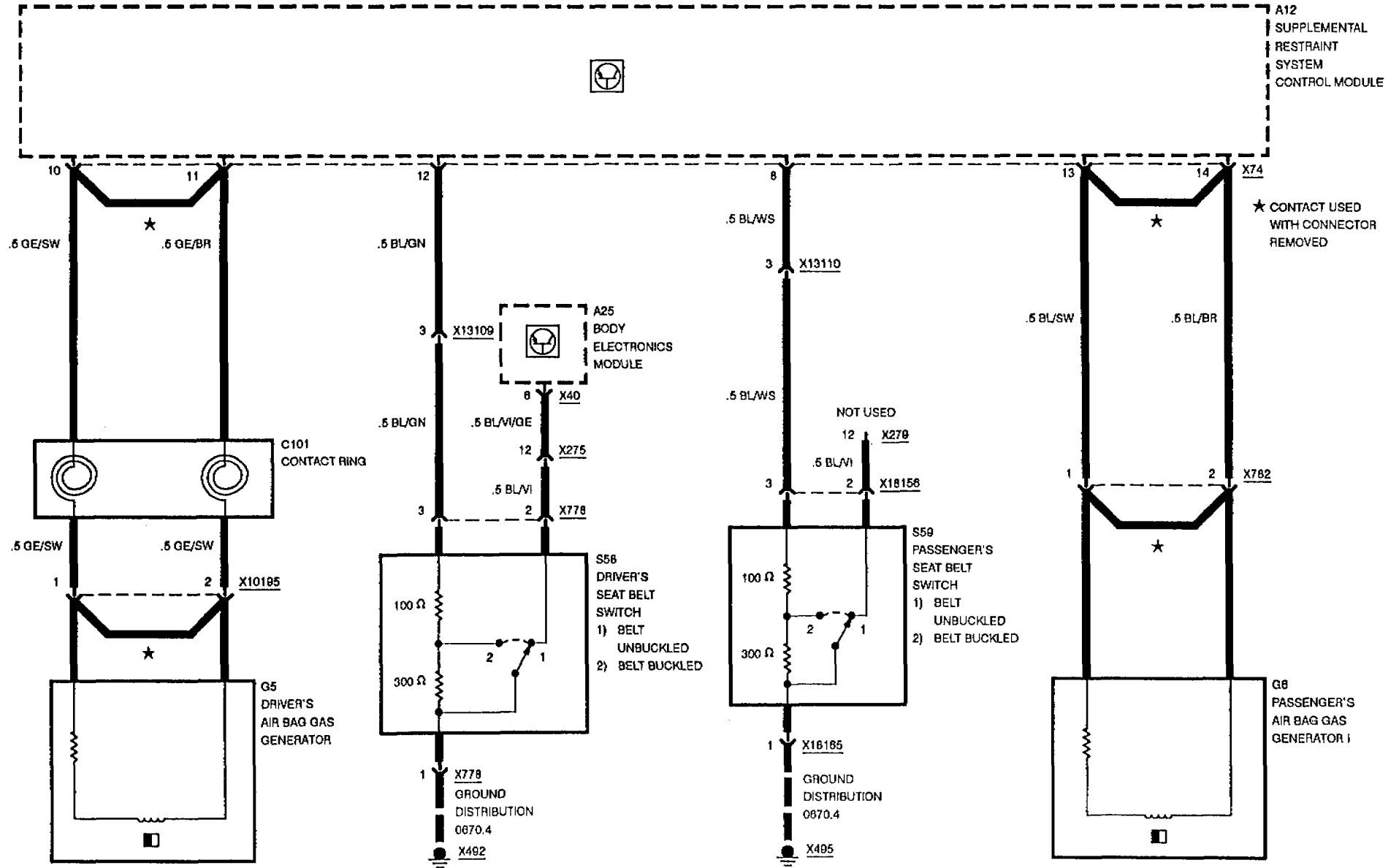


09/93

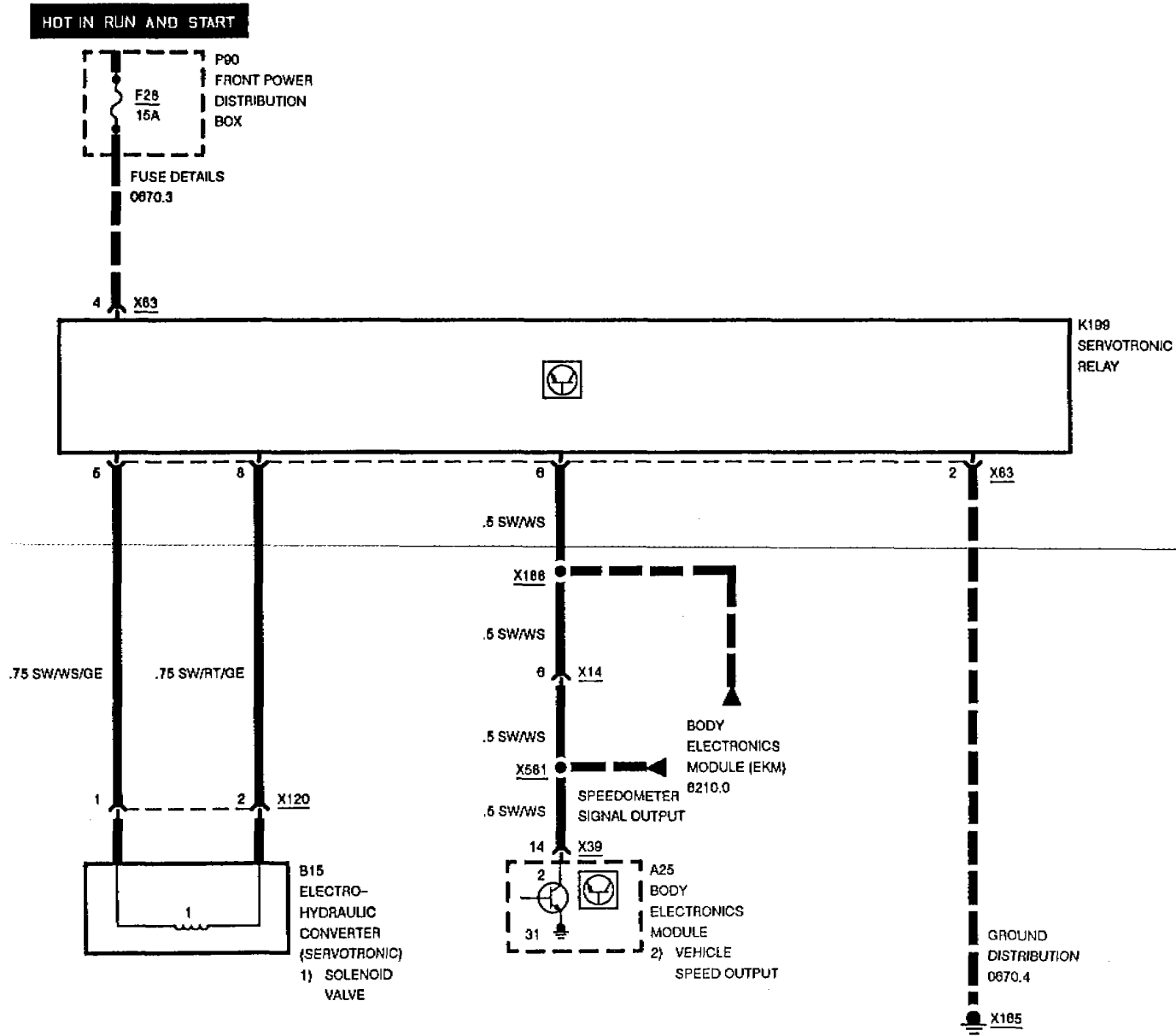
3234.0-00

1994

# SUPPLEMENTAL RESTRAINT SYSTEM (AIR BAG)



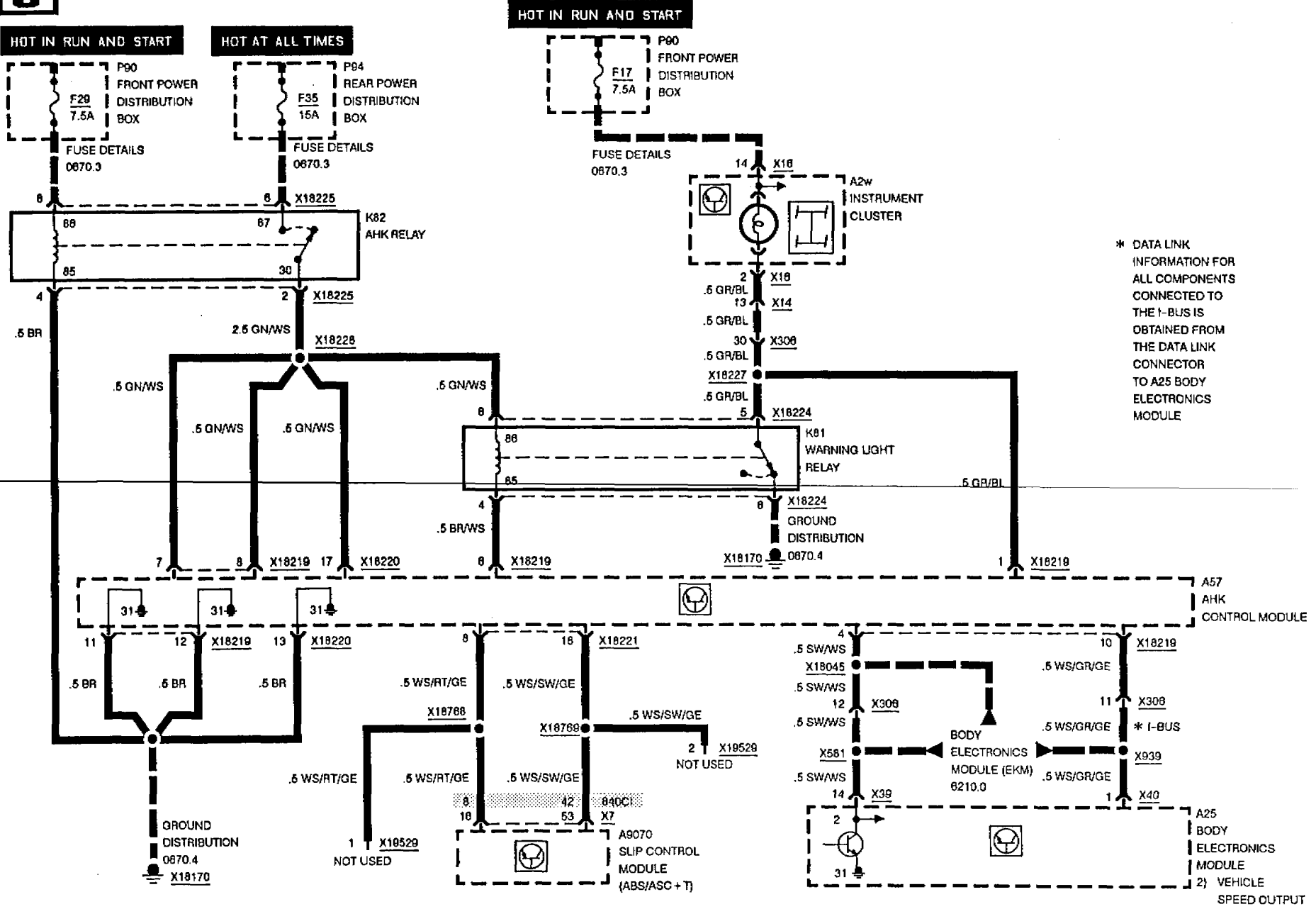




BMW  
8

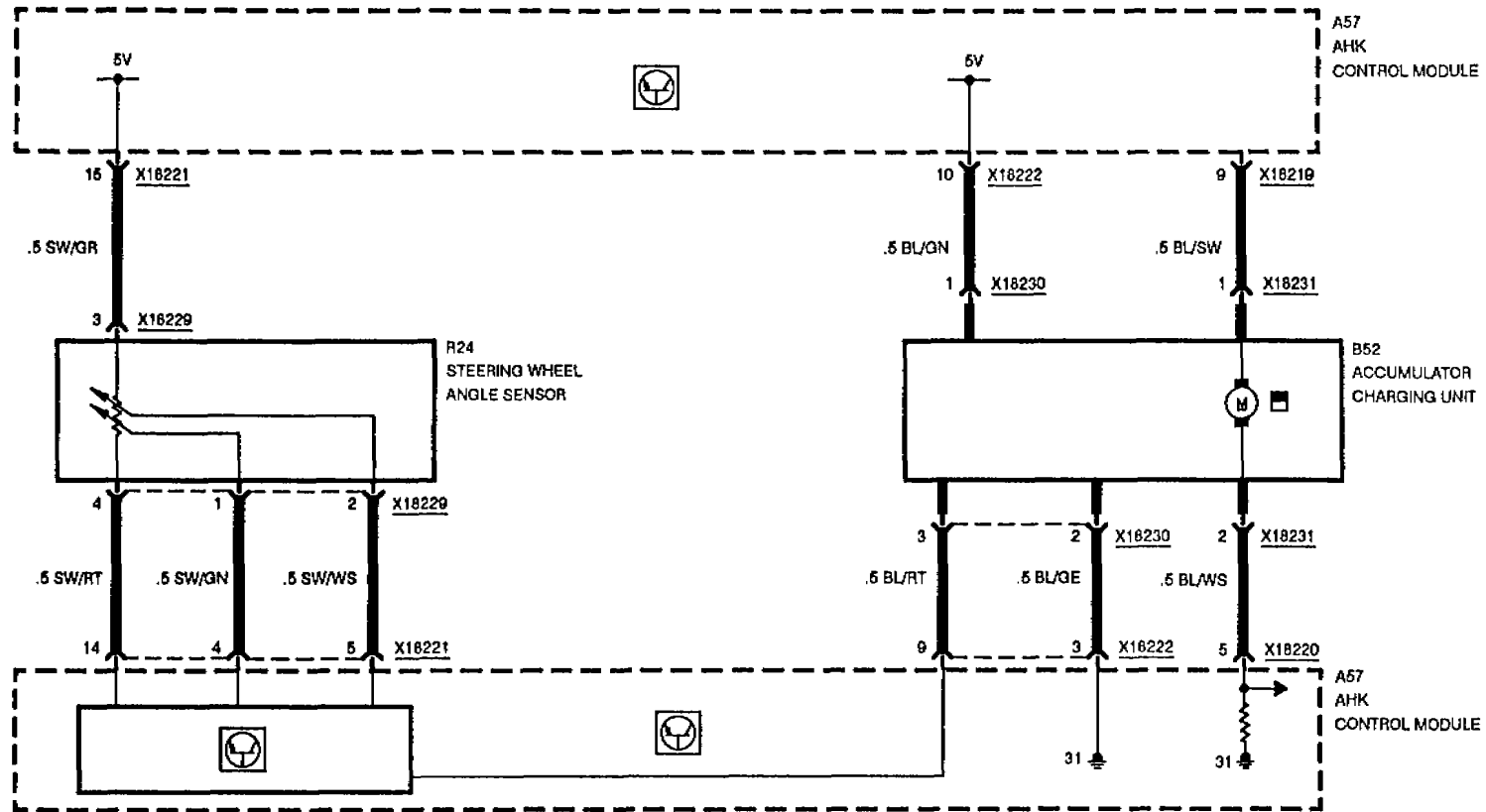
3334.0

# ACTIVE REAR AXLE KINEMATICS (AHK)



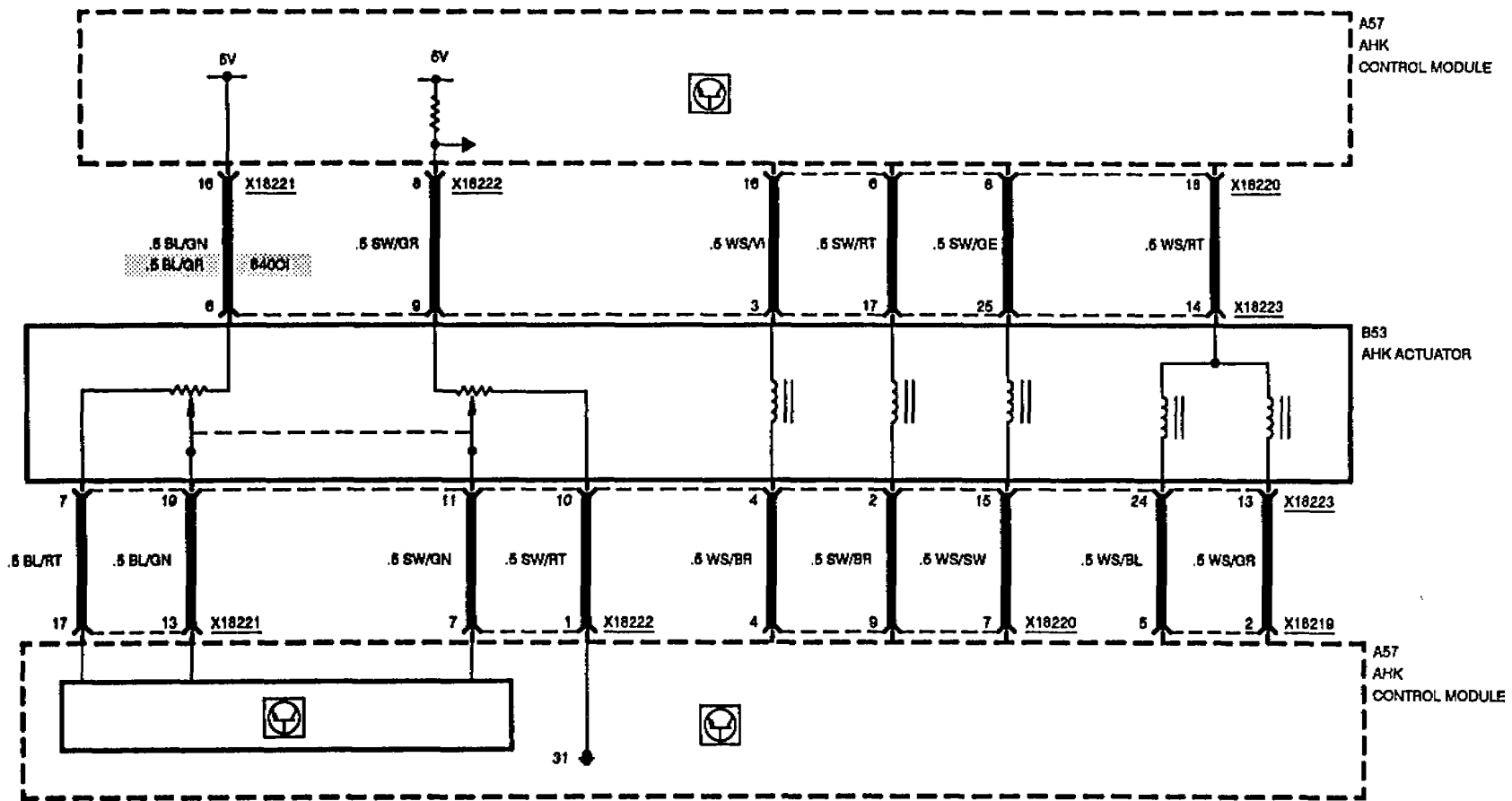


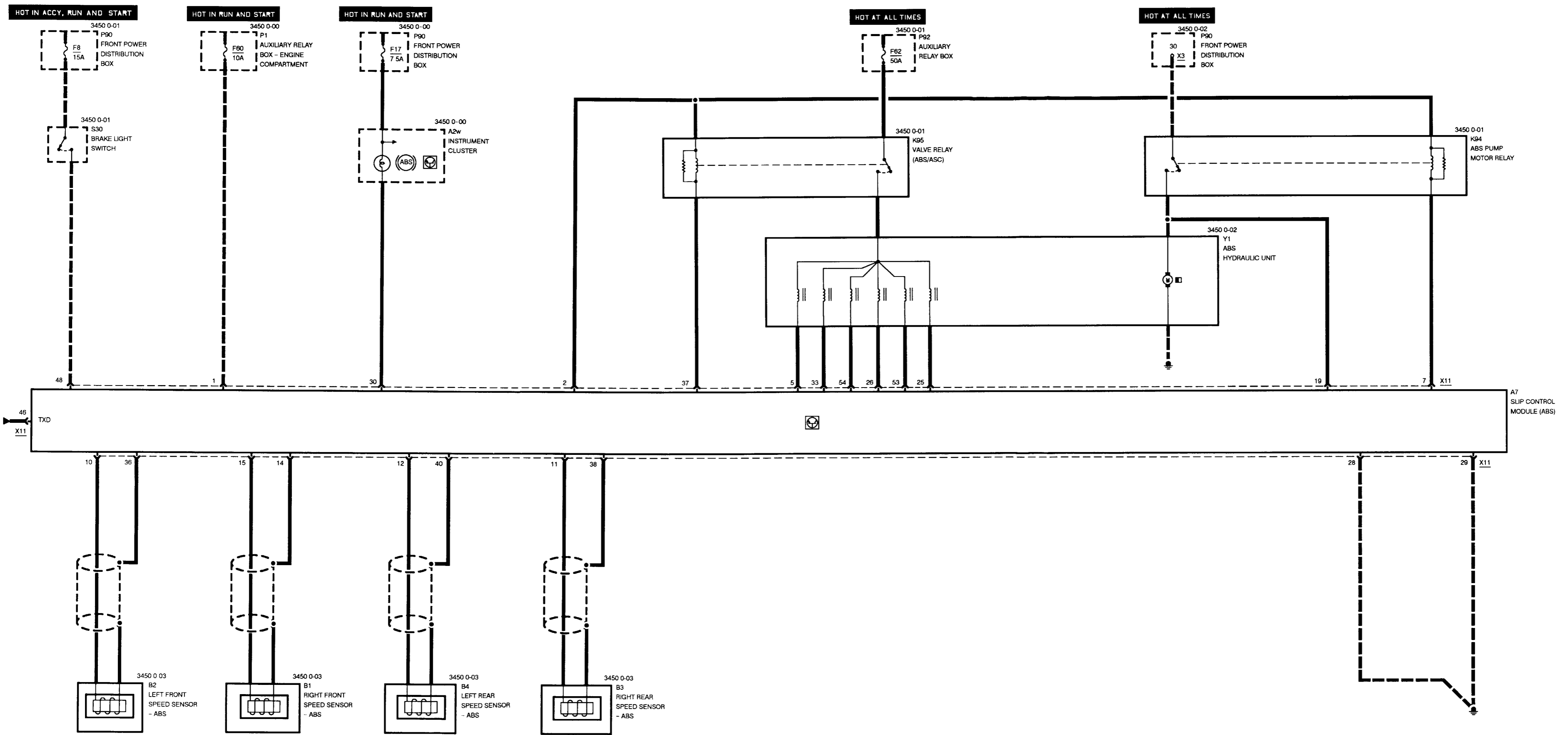
# ACTIVE REAR AXLE KINEMATICS (AHK)





# ACTIVE REAR AXLE KINEMATICS (AHK)





46 TXD  
X11

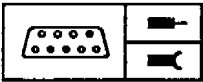
A7  
SLIP CONTROL  
MODULE (ABS)

3450 0-03  
B2  
LEFT FRONT  
SPEED SENSOR  
- ABS

3450 0-03  
B1  
RIGHT FRONT  
SPEED SENSOR  
- ABS

3450 0-03  
B4  
LEFT REAR  
SPEED SENSOR  
- ABS

3450 0-03  
B3  
RIGHT REAR  
SPEED SENSOR  
- ABS

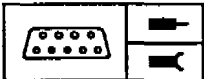


## Pin Assignments

### X11

Pin	Type	Description/Function	Connection
1	E	Battery voltage	Engine control module relay
2	A	ABS valve relay, ABS engine control relay	ABS valve relay, ABS engine control relay
3		Not used	
4		Not used	
5	A	Left front inlet relay	ABS hydraulic unit
6		Not used	
7	A	Voltage signal ABS engine control relay	Engine control relay (ABS)
8		Not used	
9		Not used	
10	A	Left front speed sensor ground	Left front speed sensor
11	E	Right rear speed sensor voltage signal	Right rear speed sensor (ABS)
12	A	Left rear speed sensor ground	Left rear speed sensor
13		Not used	
14	A	Right front speed sensor ground	Right front speed sensor
15	E	Right front speed sensor voltage	Right front speed sensor (ABS)
16		Not used	
17		Not used	
18		Not used	
19	E	Plug signal	ABS engine control relay
20		Not used	
21		Not used	
22		Not used	
23		Not used	
24		Not used	
25	A	Rear axle outlet valve	ABS hydraulic unit
26	A	Right front outlet valve	ABS hydraulic unit
27		Not used	ABS hydraulic unit
28	M	Ground	Ground point

E = Input, A = Output, M = Ground

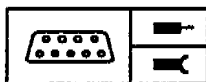


## Pin Assignments

Pin	Type	Description/Function	Connection
29	M	Ground	Ground point
30	A	Voltage signal, ABS warning lamp	Instrument cluster
31		Not used	
32		Not used	
33	A	Left front outlet valve	ABS hydraulic unit
34		Not used	
35		Not used	
36	E	Left front speed sensor voltage signal	Left front speed sensor (ABS)
37	A	Voltage signal, ABS valve relay	ABS valve relay
38	A	Right rear speed sensor ground	Right rear speed sensor
39		Not used	
40	E	Left rear speed sensor voltage signal	Left rear speed sensor (ABS)
41		Not used	
42		Not used	
43		Not used	
44		Not used	
45		Not used	
46	E/A	TxD diagnostic data line	Data link connector
47		Not used	
48	E	Brake light signal	Brake light switch
49		Not used	
50		Not used	
51		Not used	
52		Not used	
53	A	Rear axle inlet valve	ABS hydraulic unit
54	A	Right front inlet valve	ABS hydraulic unit
55		Not used	
56		Not used	
57		Not used	
58		Not used	
59		Not used	
60		Not used	

E = Input, A = Output, M = Ground





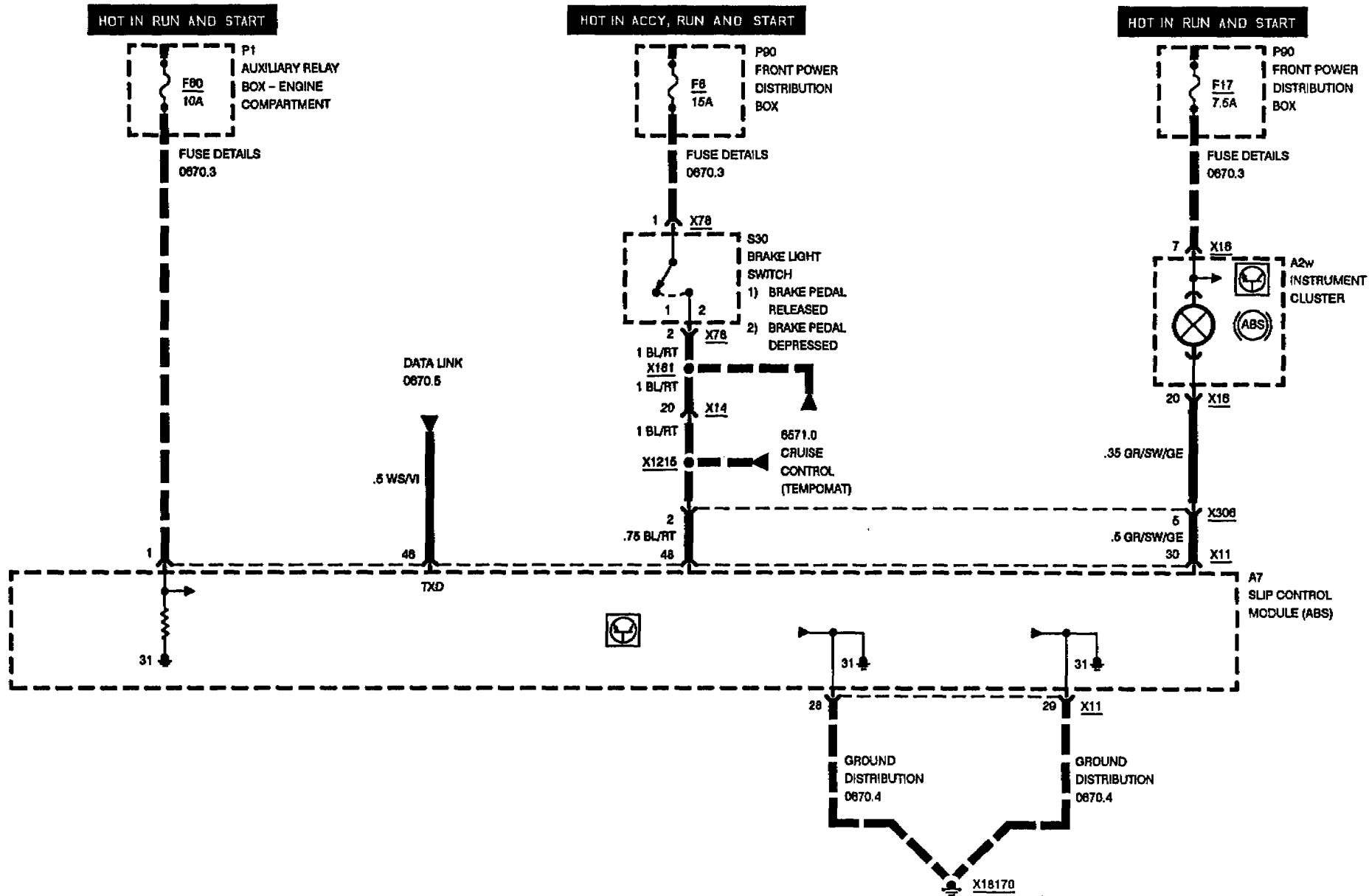
## Pin Assignments

Pin	Type	Description/Function	Connection
61		Not used	
62		Not used	
63		Not used	
64		Not used	
65		Not used	
66		Not used	
67		Not used	
68		Not used	
69		Not used	
70		Not used	
71		Not used	
72		Not used	
73		Not used	
74		Not used	
75		Not used	
76		Not used	
77		Not used	
78		Not used	
79		Not used	
80		Not used	
81		Not used	
82		Not used	
83		Not used	
84		Not used	
85		Not used	
86		Not used	
87		Not used	
88		Not used	

E = Input, A = Output, M = Ground

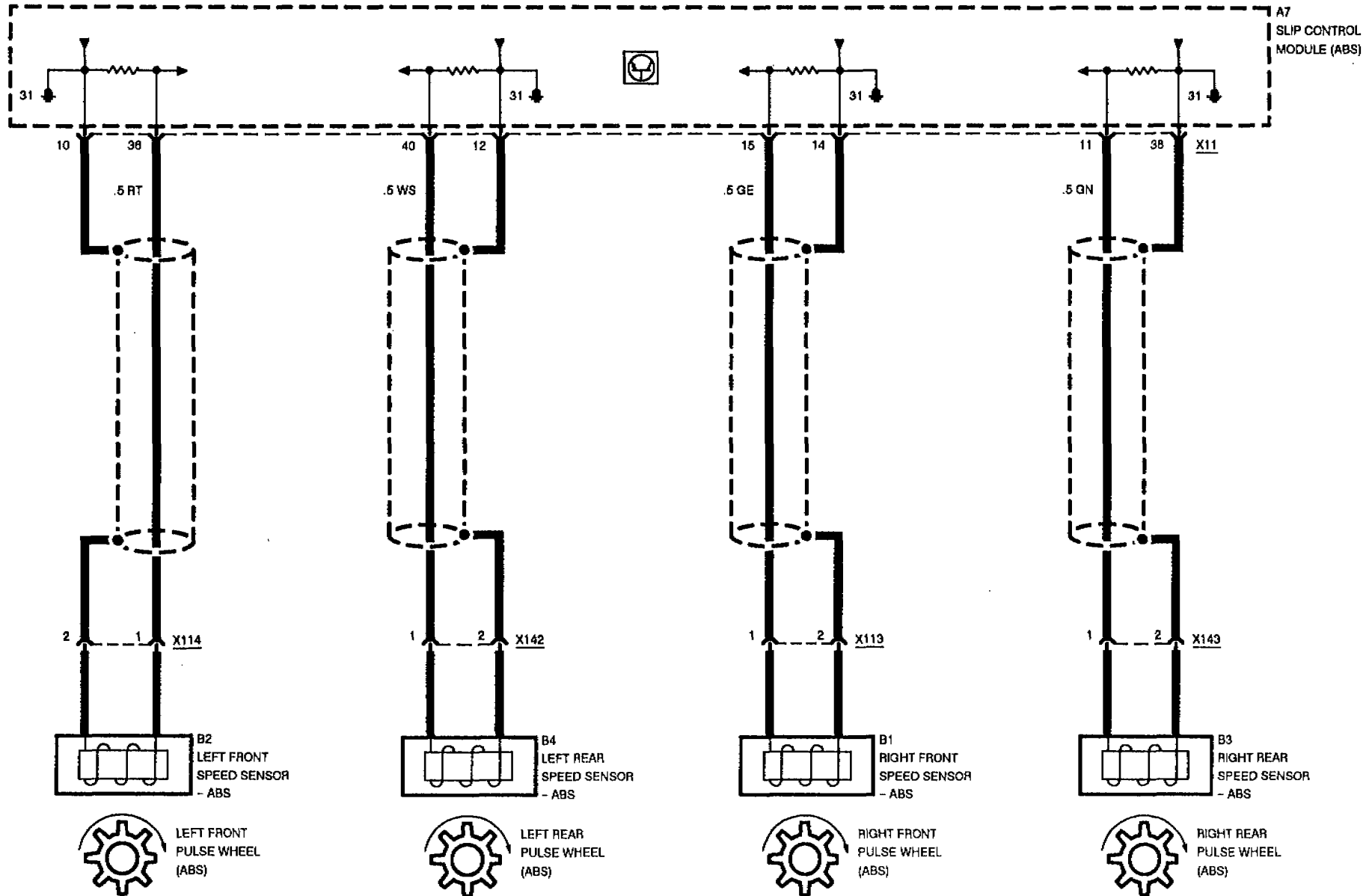


# SLIP CONTROL (ABS)



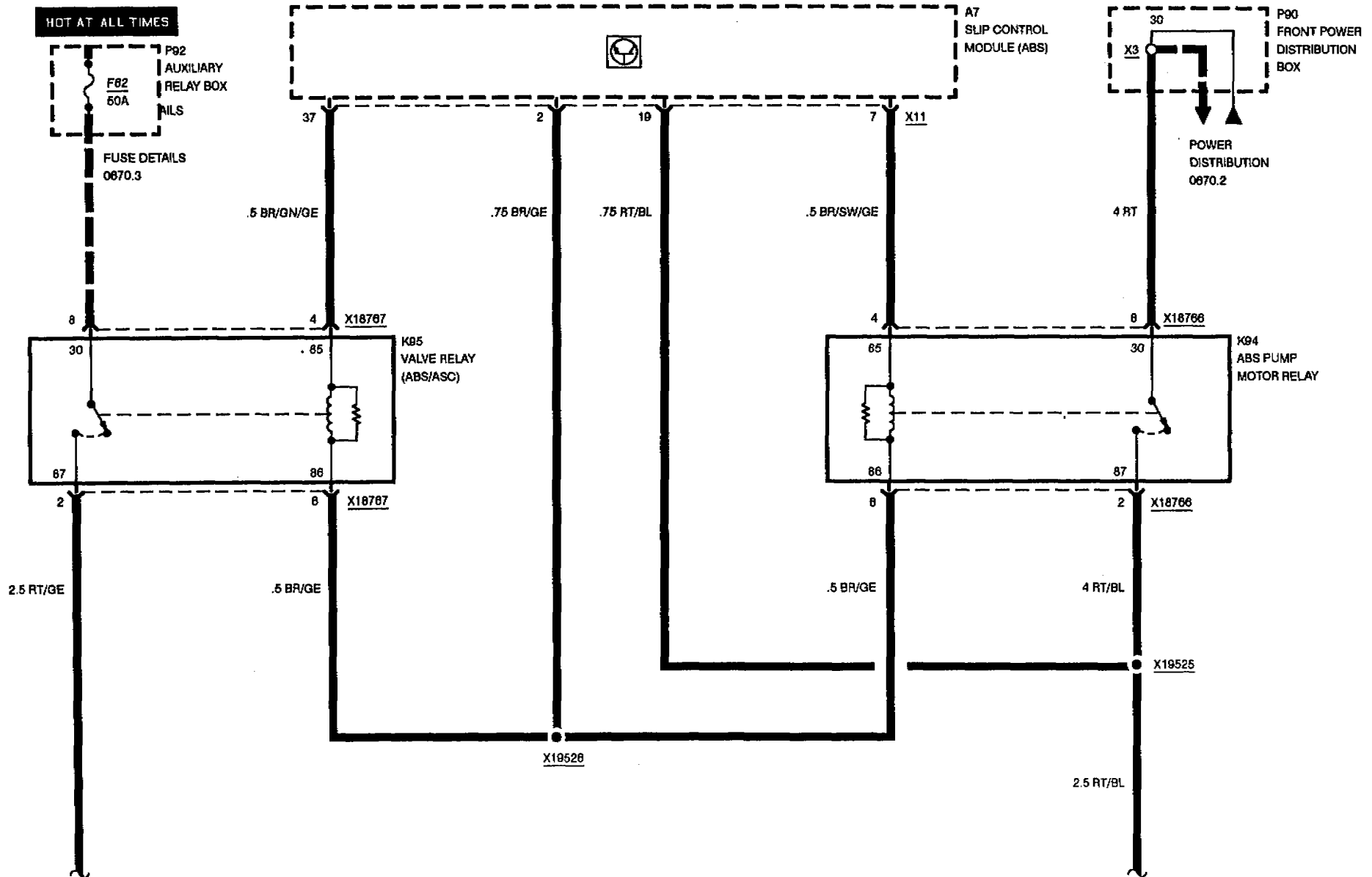


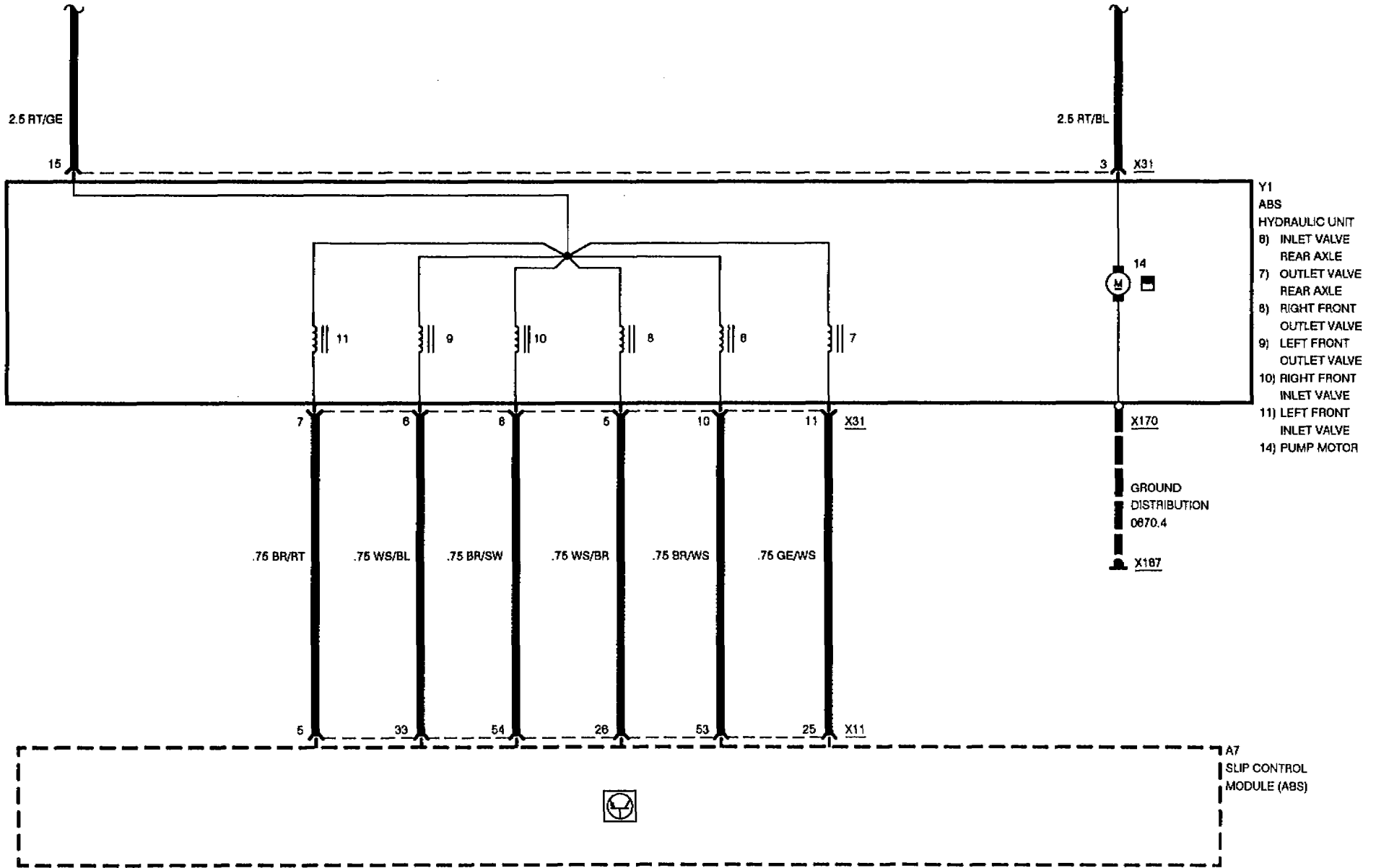
# SLIP CONTROL (ABS)





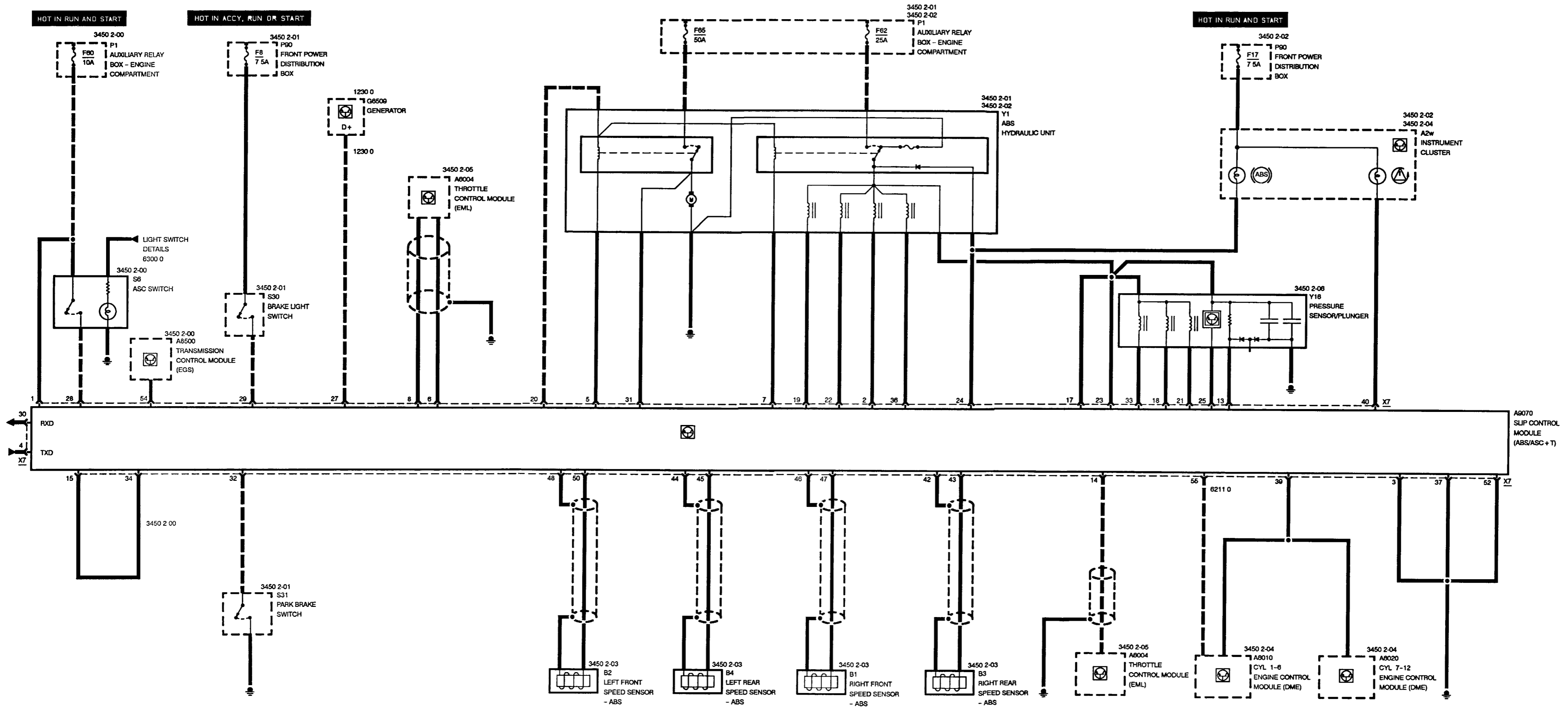
# SLIP CONTROL (ABS)

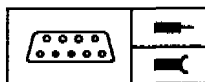






3450.0-04





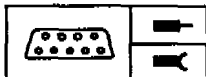
## Pin Assignments

### X7

Pin	Type	Description/Function	Connection
1	E	Terminal 15	Fuse
2	A	Rear left solenoid valve activation	ABS hydraulic unit
3	M	Ground	Ground point
4	E/A	TxD diagnostic data line	Data link connector
5	A	Pump relay activation	ABS hydraulic unit
6	A	Throttle valve angle reduction (DKR)	Electronic throttle control module (EML)
7	A	Valve relay activation	ABS hydraulic unit
8	A	Throttle valve angle increase (DKE)	Electronic throttle control module (EML)
9		Not used	
10		Not used	
11		Not used	
12		Not used	
13	E	Operating pressure signal	Pressure sensor/plunger
14	E	Throttle valve position	Electronic throttle control module (EML)
15	A	Coding plug for manual transmission	Pin 34 (stabilized voltage)
16	E	Signal line AHK	Control module AHK (850CSi)
17	E	Voltage signal, valve relay	ABS hydraulic unit
18	A	Rear right plunger valve activation	Pressure sensor/plunger
19	A	Front left solenoid valve activation	ABS hydraulic unit
20	A	Voltage signal pump relay	ABS hydraulic unit
21	A	Rear left plunger valve activation	Pressure sensor/plunger
22	A	Front right solenoid valve activation	ABS hydraulic unit
23	E	Voltage signal, valve relay	ABS hydraulic unit
24	E	Voltage signal ABS warning lamp	Instrument cluster
25	E	Accumulator warning pressure threshold	Pressure sensor/plunger
26		Not used	
27	E	Terminal 61 D+	Generator
28	E	ASC switch signal	ASC switch
29	E	Brake light signal	Brake light switch
30	E	RxD diagnostic data line	Data link connector

E = Input, A = Output, M = Ground





## Pin Assignments

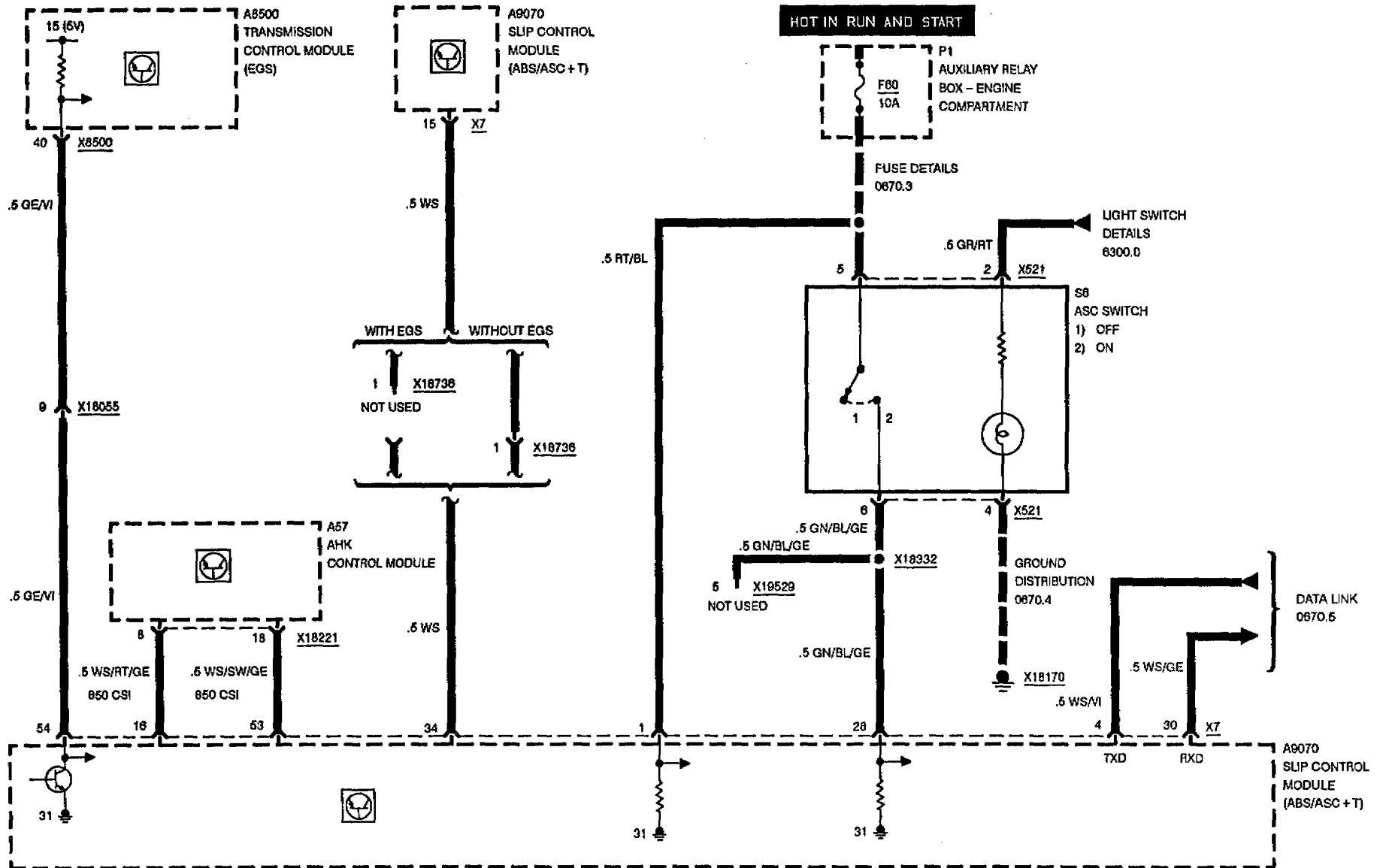
Pin	Type	Description/Function	Connection
31	E	Pump relay signal	ABS hydraulic unit
32	E	Park brake switch signal	Park brake switch
33	A	Recharging valve activation	Pressure sensor/plunger
34	E	Coding plug for manual transmission	Pin 15
35		Not used	
36	A	Rear right solenoid valve activation	ABS hydraulic unit
37	M	Ground	Ground point
38		Not used	
39	A	Ignition angle adjustment	Engine control modules (DME)
40	A	ASC multi-function lamp	Instrument cluster
41		Not used	
42	A	Right rear wheel speed sensor ground	Speed sensor
43	E	Right rear wheel speed signal	Speed sensor
44	A	Left rear wheel speed sensor ground	Speed sensor
45	E	Left rear wheel speed signal	Speed sensor
46	A	Right front wheel speed sensor ground	Speed sensor
47	E	Right front wheel speed signal	Speed sensor
48	A	Left front wheel speed sensor ground	Speed sensor
49		Not used	
50	E	Left front wheel speed signal	Speed sensor
51		Not used	
52	M	Ground	Ground point
53	E	Signal line AHK	Control module AHK (850CSi)
54	A	Signal, transmission intervention	Transmission control module (EGS)
55	E	RPM signal	Engine control module (DME)

E = Input, A = Output, M = Ground

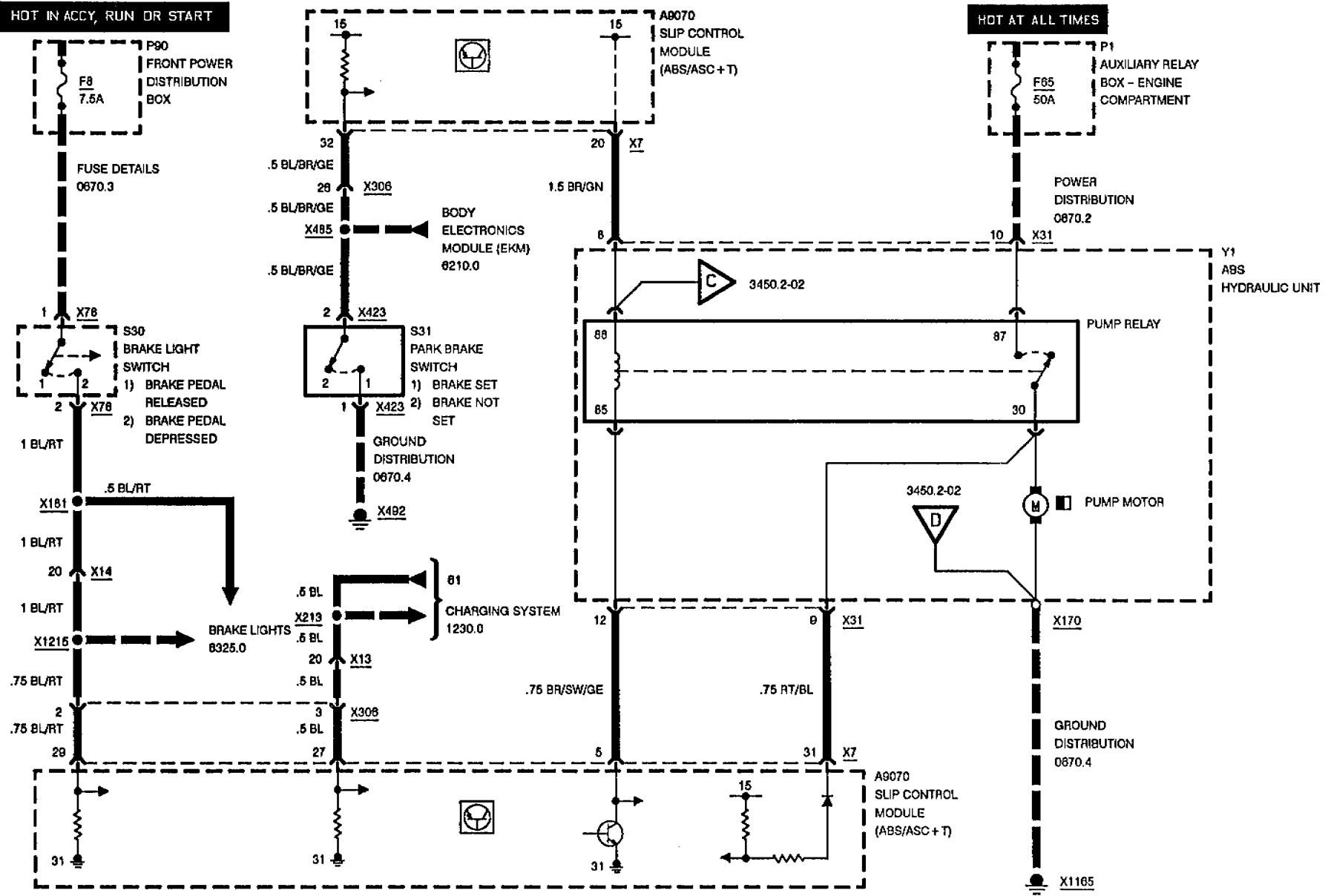
BMW  
8

3450.2

# SLIP CONTROL (ABS/ASC+T)

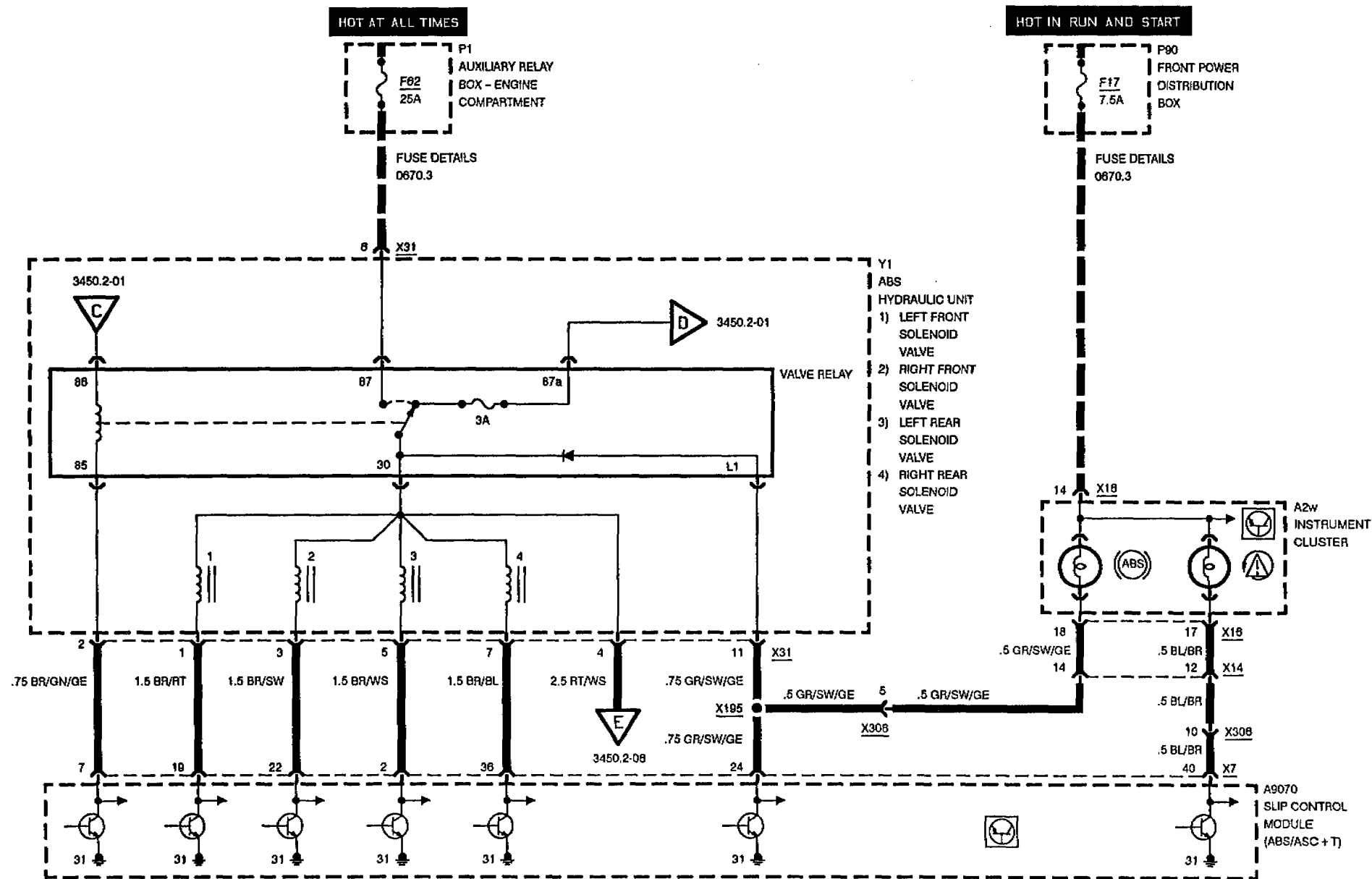


# SLIP CONTROL (ABS/ASC+T)

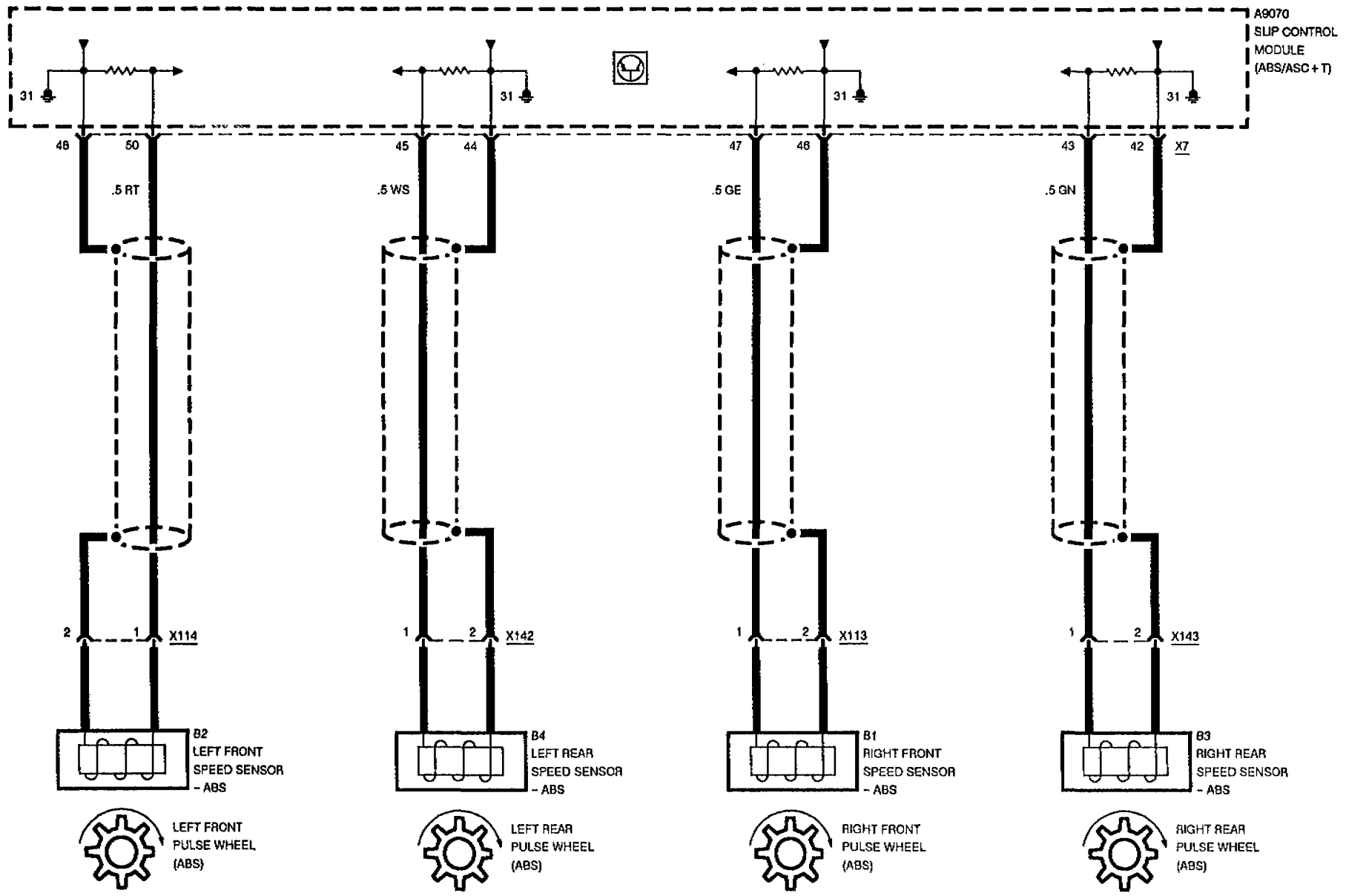




# SLIP CONTROL (ABS/ASC + T)

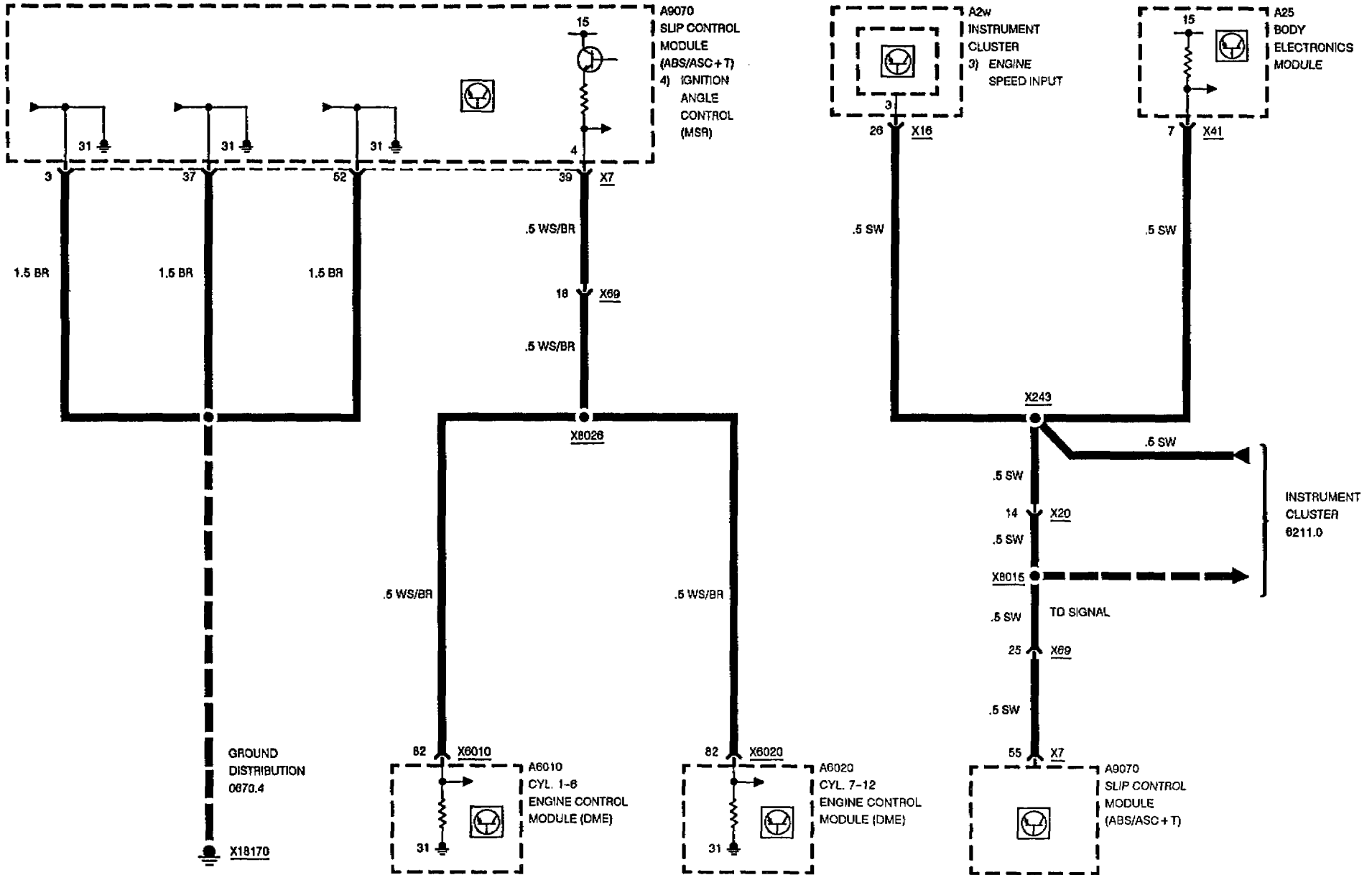


# SLIP CONTROL (ABS/ASC+T)



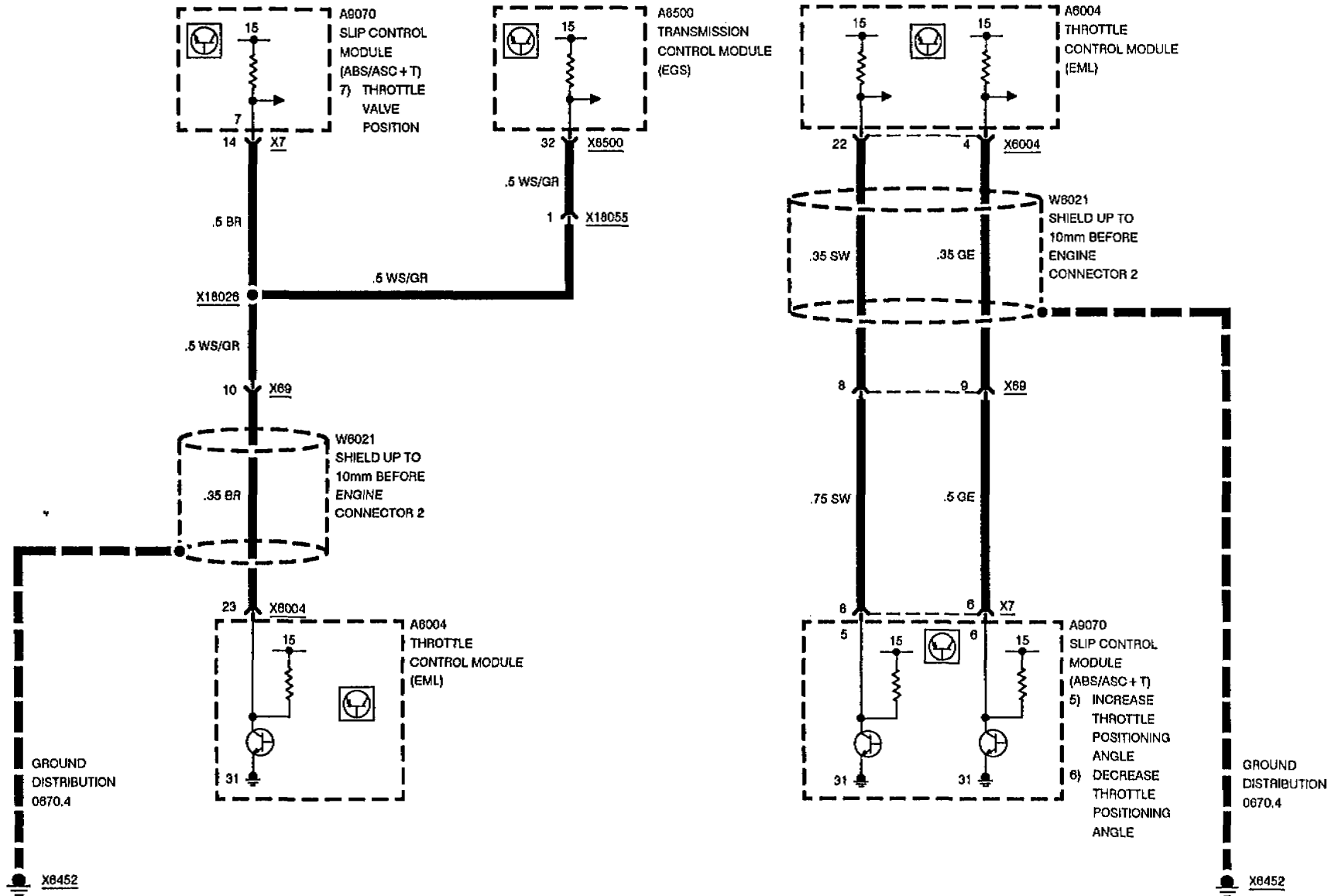


# SLIP CONTROL (ABS/ASC+T) ENGINE CONTROL (DME) INTERFACE





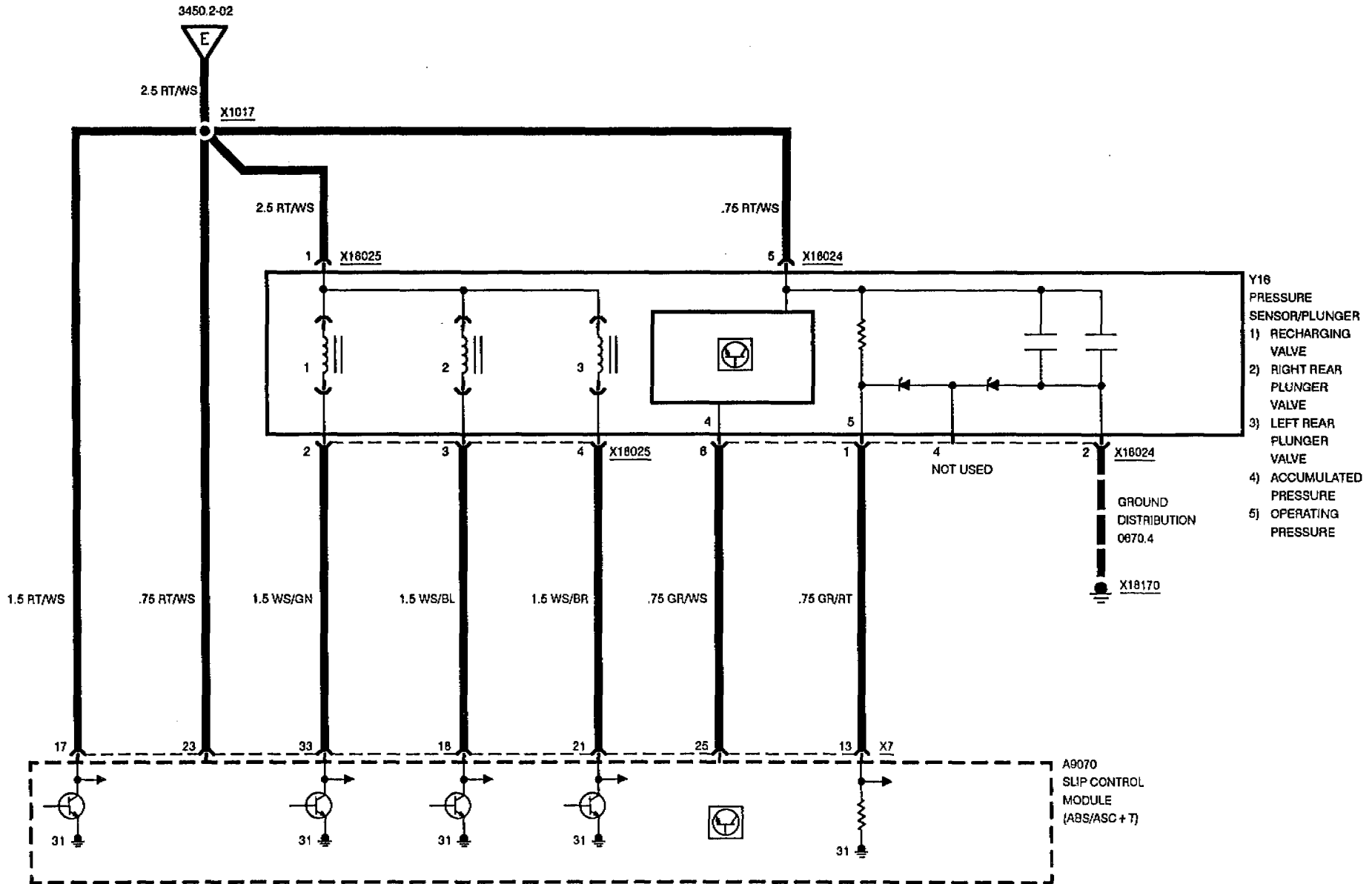
# SLIP CONTROL (ABS/ASC + T) EML INTERFACE

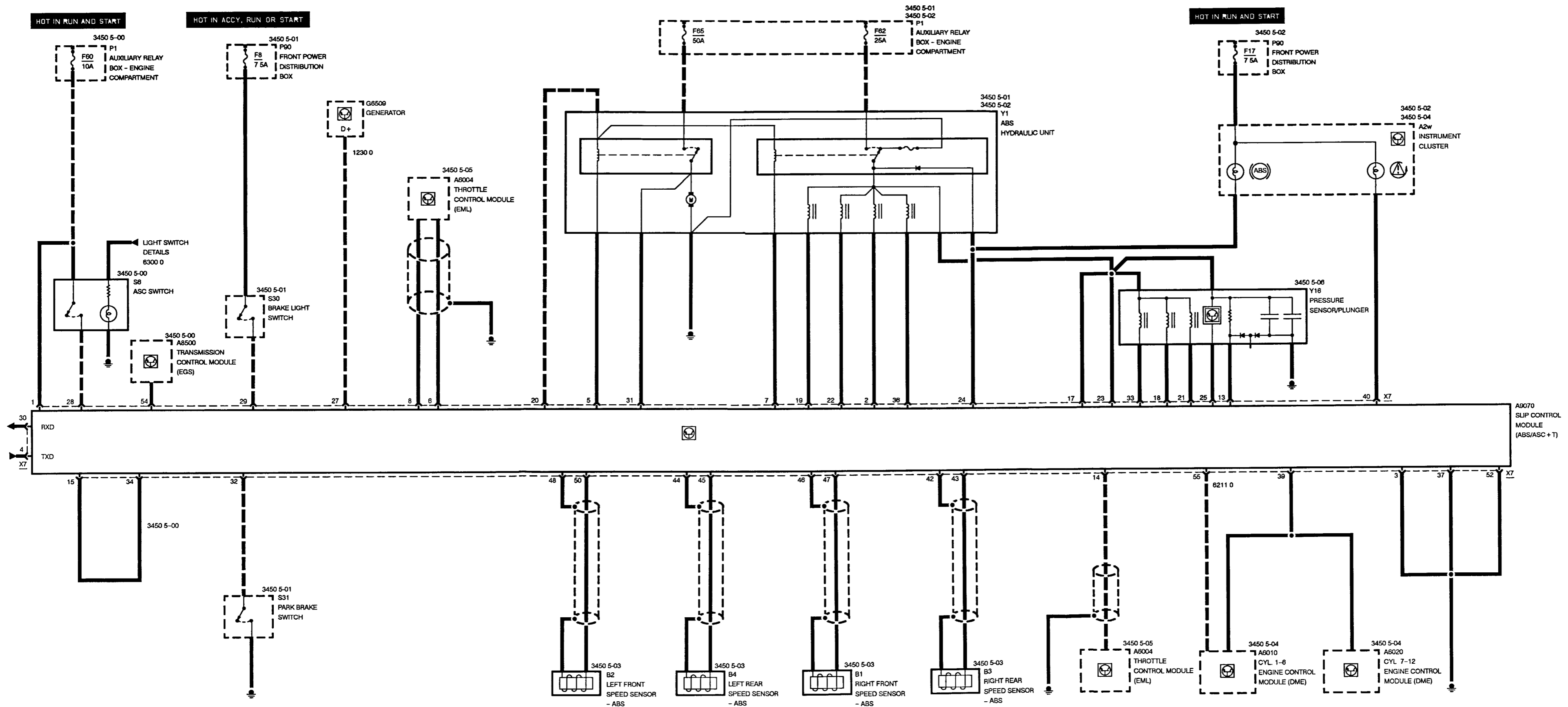


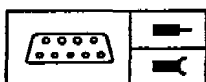




# SLIP CONTROL (ABS/ASC + T)





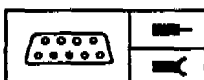


## Pin Assignments

### X7

Pin	Type	Description/Function	Connection
1	E	terminal 15	Fuse
2	A	Rear left solenoid valve activation	ABS hydraulic unit
3	M	Ground	Ground point
4	E/A	TxD diagnostic data line	Data link connector
5	A	Pump relay activation	ABS hydraulic unit
6	A	Throttle valve angle reduction (DKR)	Electronic throttle control module (EML)
7	A	Valve relay activation	ABS hydraulic unit
8	A	Throttle valve angle increase (DKE)	Electronic throttle control module (EML)
9		Not used	
10		Not used	
11		Not used	
12		Not used	
13	E	Operating pressure signal	Pressure sensor/plunger
14	E	Throttle valve position	Electronic throttle control module (EML)
15	A	Coding plug for manual transmission	Pin 34 (stabilized voltage)
16	E	Signal line AHK	Control module AHK (850CSi)
17	E	Voltage signal, valve relay	ABS hydraulic unit
18	A	Rear right plunger valve activation	Pressure sensor/plunger
19	A	Front left solenoid valve activation	ABS hydraulic unit
20	A	Voltage signal pump relay	ABS hydraulic unit
21	A	Rear left plunger valve activation	Pressure sensor/plunger
22	A	Front right solenoid valve activation	ABS hydraulic unit
23	E	Voltage signal, valve relay	ABS hydraulic unit
24	E	Voltage signal ABS warning lamp	Instrument cluster
25	E	Accumulator warning pressure threshold	Pressure sensor/plunger
26		Not used	
27	E	Terminal 61 D+	Generator
28	E	ASC switch signal	ASC switch
29	E	Brake light signal	Brake light switch
30	E	RxD diagnostic data line	Data link connector

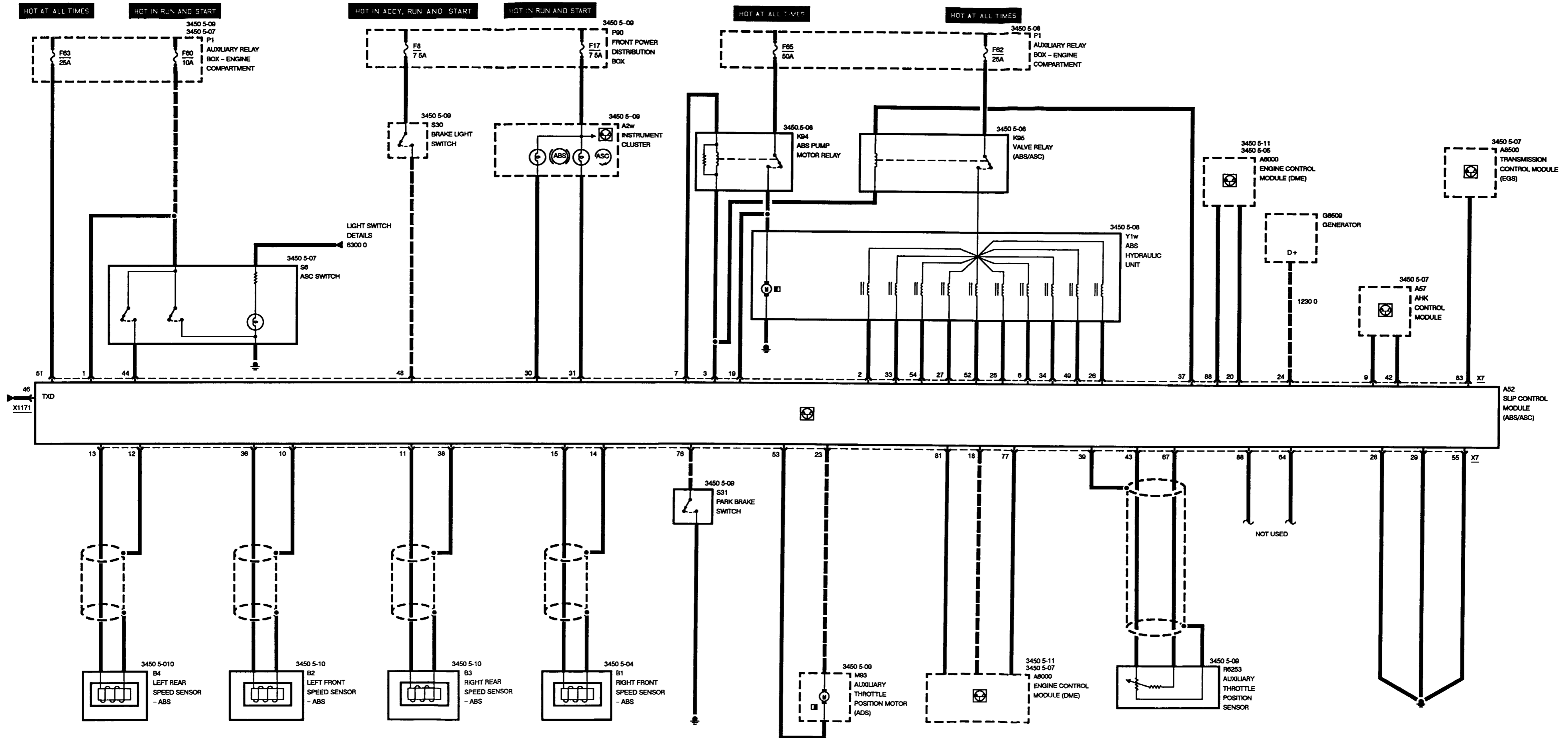
E = input, A = Output, M = Ground

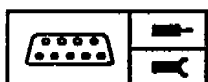


## Pin Assignments

Pin	Type	Description/Function	Connection
31	E	Pump relay signal	ABS hydraulic unit
32	E	Park brake switch signal	Park brake switch
33	A	Recharging valve activation	Pressure sensor/plunger
34	E	Coding plug for manual transmission	Pin 15
35		Not used	
36	A	Rear right solenoid valve activation	ABS hydraulic unit
37	M	Ground	Ground point
38		Not used	
39	A	Ignition angle adjustment	Engine control modules (DME)
40	A	ASC multi-function lamp	Instrument cluster
41		Not used	
42	A	Right rear wheel speed sensor ground	Speed sensor
43	E	Right rear wheel speed signal	Speed sensor
44	A	Left rear wheel speed sensor ground	Speed sensor
45	E	Left rear wheel speed signal	Speed sensor
46	A	Right front wheel speed sensor ground	Speed sensor
47	E	Right front wheel speed signal	Speed sensor
48	A	Left front wheel speed sensor ground	Speed sensor
49		Not used	
50	E	Left front wheel speed signal	Speed sensor
51		Not used	
52	M	Ground	Ground point
53	E	Signal line AHK	Control module AHK (850CSi)
54	A	Signal, transmission intervention	Transmission control module (EGS)
55	E	RPM signal	Engine control module (DME)

E = Input, A = Output, M = Ground



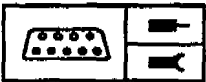


## Pin Assignments

### X7

Pin	Type	Description/Function	Connection
1	E	Battery voltage	Fuse F60, Auxillary Relay Box
2	A	Left front inlet valve	ABS hydraulic unit
3	A	ABS/ASC valve relay, ABS/ASC engine control relay	ABS/ASC valve relay, ABS/ASC engine control relay
4		Not used	
5		Not used	
6	A	Right rear inlet valve	ABS hydraulic unit
7	A	Voltage signal ABS/ASC engine control relay	Engine control relay (ABS/ASC + T)
8		Not used	
9	A	Left front wheel speed sensor signal	AHK control module
10	A	Left front speed sensor ground	Left front speed sensor
11	E	Right rear speed sensor voltage signal	Right rear speed sensor (ABS)
12	A	Left rear speed sensor ground	Left rear speed sensor
13	A	Left rear speed voltage signal	Left rear speed sensor (ABS)
14	A	Right front speed sensor ground	Right front speed sensor
15	E	Right front speed sensor voltage signal	Right front speed sensor (ABS)
16		Not used	
17		Not used	
18	E	EML-signal	Engine control module (DME)
19	E	ABS/ASC engine control relay, voltage signal	ABS/ASC engine control relay
20	E	Engine speed signal	Engine control module
21		Not used	
22		Not used	
23	A	Auxiliary throttle control motor, voltage	ADS throttle control motor
24	E	Terminal 61 D+	Generator
25	A	Left rear outlet valve	ABS hydraulic unit
26	A	Pressure intake valve	ABS hydraulic unit
27	A	Right front outlet valve	ABS hydraulic unit
28	M	Ground	Ground point

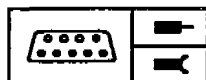
E = Input, A = Output, M = Ground



## Pin Assignments

Pin	Type	Description/Function	Connection
29	M	Ground	Ground point
30	A	Voltage signal, ABS warning lamp	Instrument cluster
31	A	ASC multi-function lamp	Instrument cluster
32		Not used	
33	A	Left front outlet valve	ABS hydraulic unit
34	A	Right rear outlet valve	ABS hydraulic unit
35		Not used	
36	E	Left front speed sensor, voltage signal	Left front speed sensor (ABS)
37	A	Voltage signal, ABS/ASC valve relay	ABS valve relay
38	A	Right rear speed sensor ground	Right rear speed sensor
39	A	Throttle control potentiometer ground	Throttle control potentiometer
40	A	Left rear wheel speed signal	Transmission control unit (AGS)
41		Not used	
42	A	Right front wheel speed signal	AHK control module
43	A	Throttle control potentiometer, voltage	Throttle flap potentiometer (ASC)
44	E	ASC passive button voltage signal	ASC switch
45		Not used	
46	E/A	TxD diagnostic data line	Data link connector
47		Not used	
48	E	Brake light signal	Brake light switch
49	A	Plunger valve	ABS hydraulic unit
50		Not used	
51	E	Voltage supply	Fuse F63, Auxiliary Relay Box
52	A	Left rear outlet valve	ABS hydraulic unit
53	E	Auxiliary throttle control motor, ground	ADS throttle control motor
54	A	Left front inlet valve	ABS hydraulic unit
55	M	Ground	Ground point
56		Not used	
57		Not used	
58		Not used	
59		Not used	
60		Not used	

E = Input, A = Output, M = Ground



## Pin Assignments

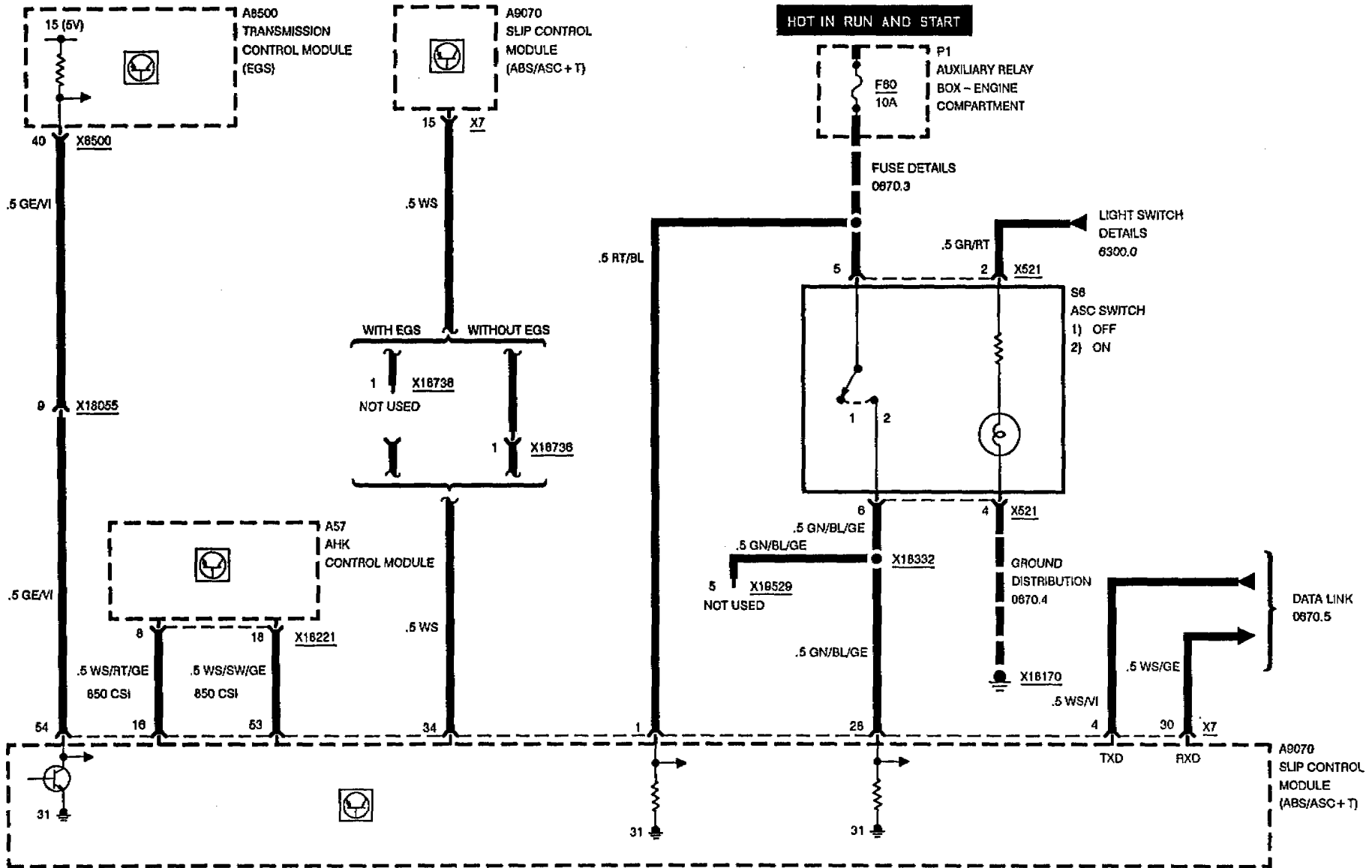
Pin	Type	Description/Function	Connection
61		Not used	
62		Not used	
63		Not used	
64		Not Used	
65		Not used	
66		Not used	
67	E	Throttle control potentiometer, signal	Throttle flap potentiometer (ASC)
68		Not used	
69		Not used	
70		Not used	
71		Not used	
72		Not used	
73		Not used	
74		Not used	
75		Not used	
76	E	Park brake signal	Park brake switch
77	A	Ignition timing set	Engine control module (DME)
78		Not used	
79		Not used	
80		Not used	
81	E	Signal line	Engine control module (DME)
82		Not used	
83	A	Transmission intervention	Transmission control unit (EGS)
84		Not used	
85		Not used	
86		Not used	
87		Not used	
88		Not used	

E = Input, A = Output, M = Ground





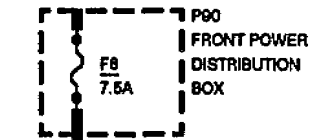
# SLIP CONTROL 5 (ASC 5)



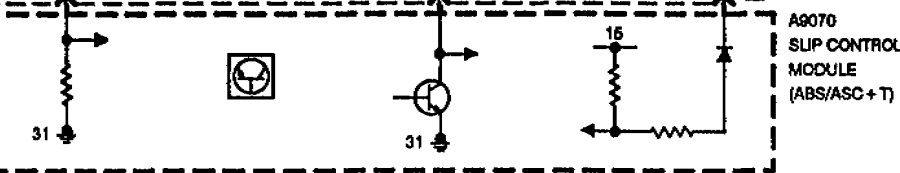
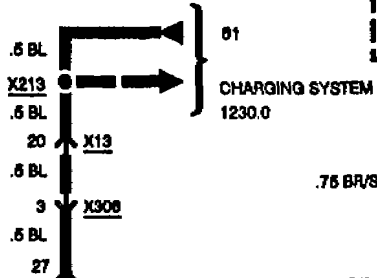
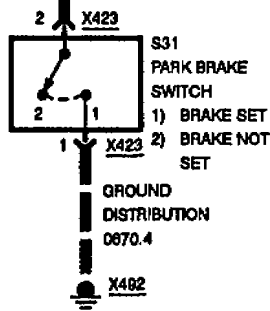
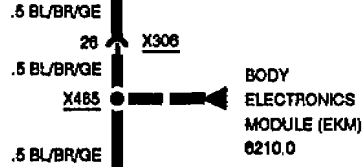
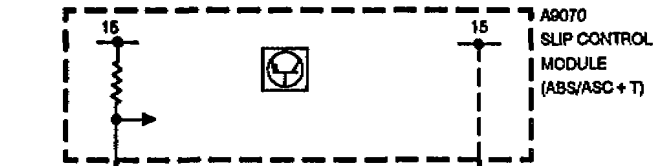
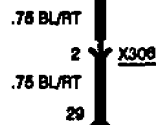
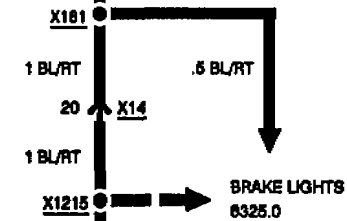
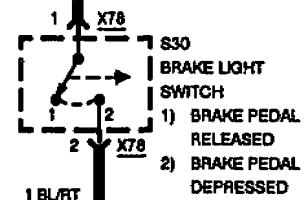


# SLIP CONTROL 5 (ASC 5)

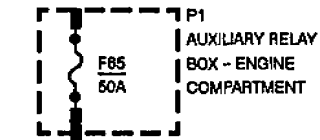
HOT IN ACCY, RUN OR START



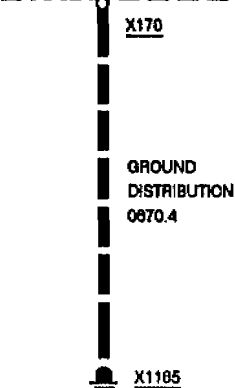
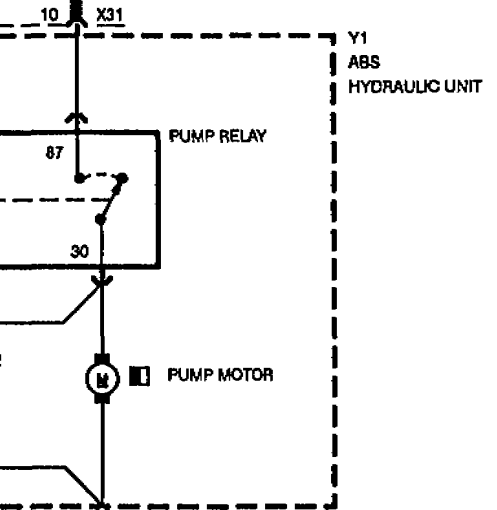
FUSE DETAILS 0670.3



HOT AT ALL TIMES

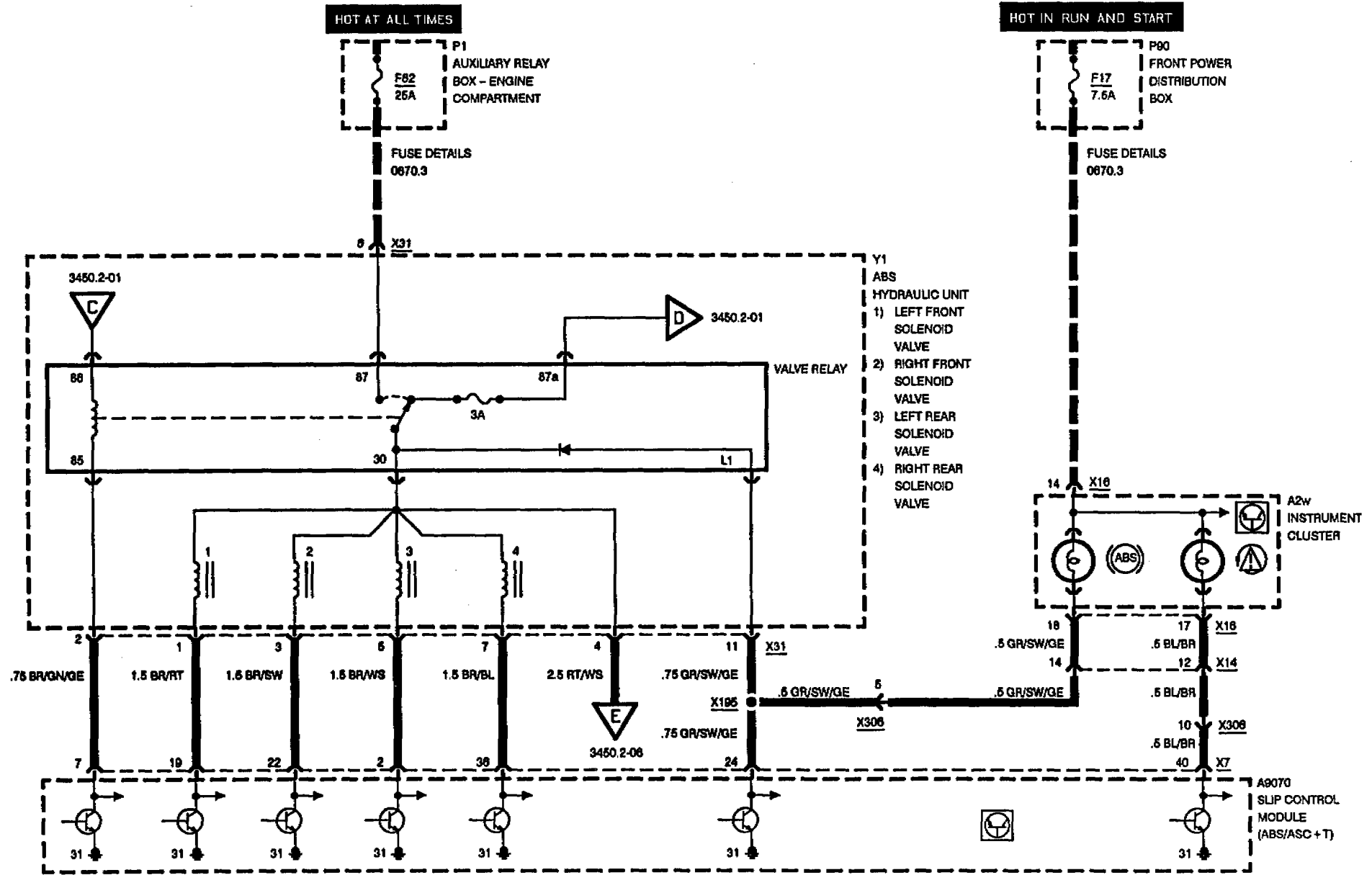


POWER DISTRIBUTION 0670.2

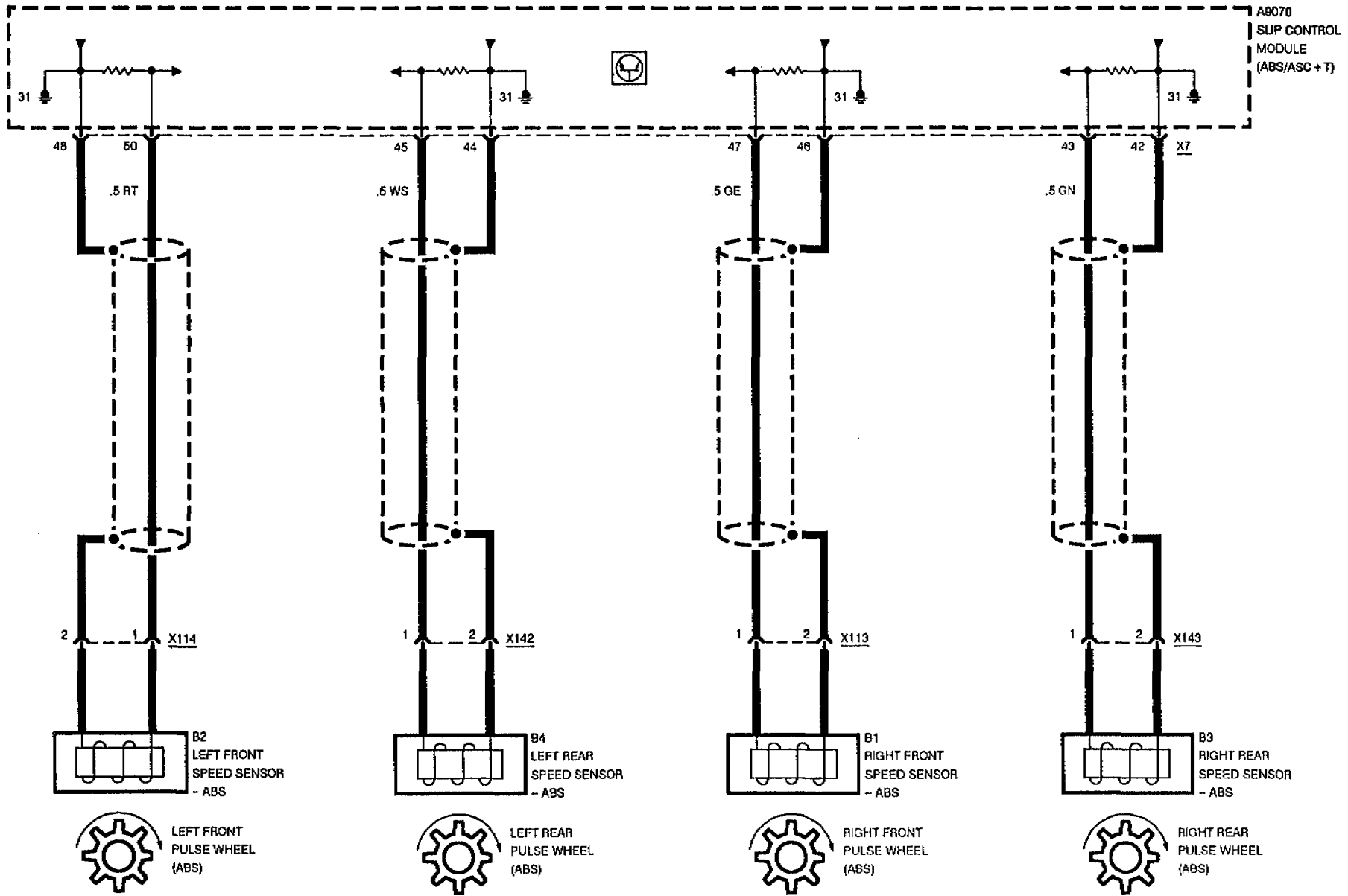




# SLIP CONTROL 5 (ASC 5)

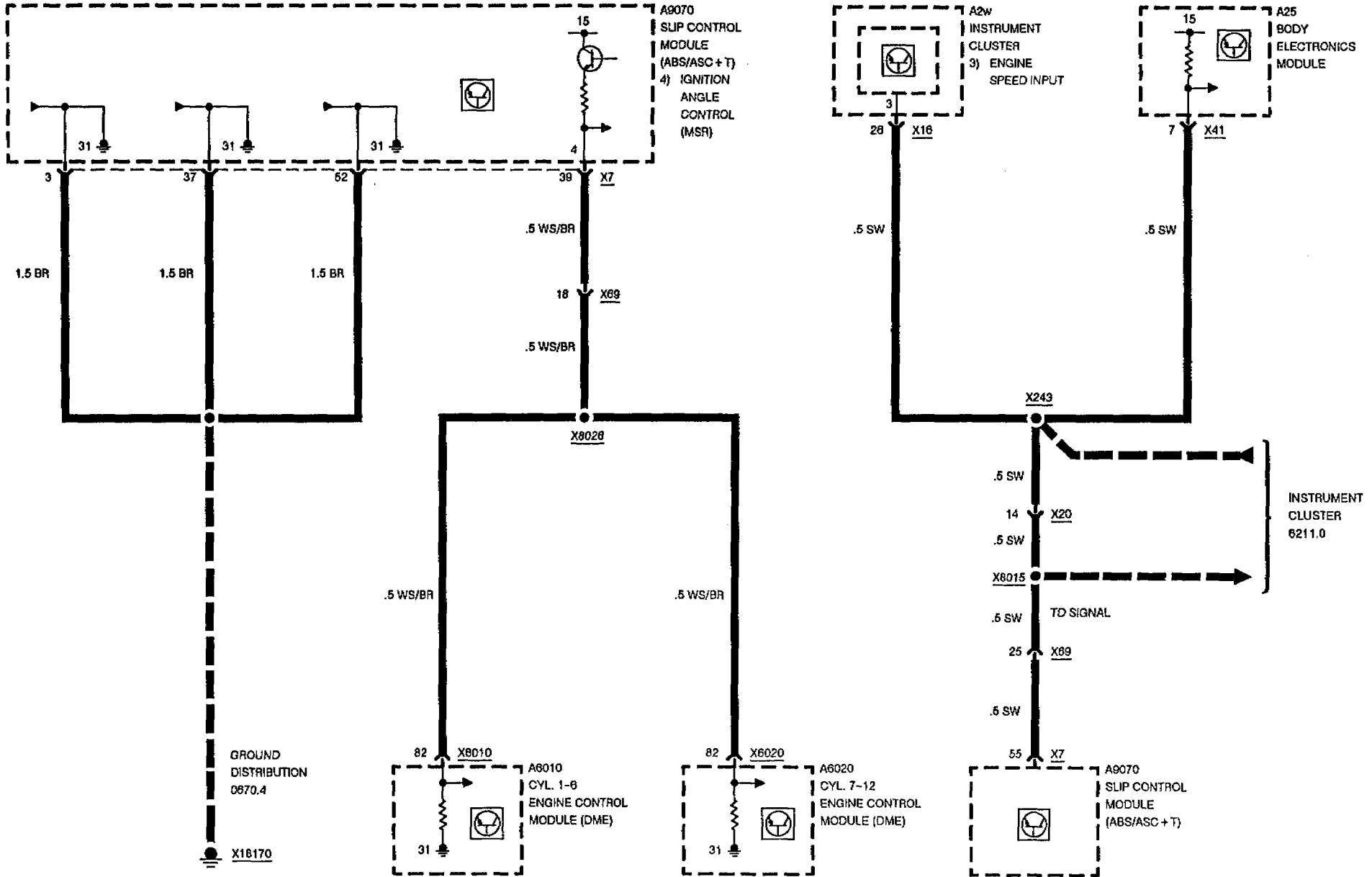


# SLIP CONTROL 5 (ASC 5)



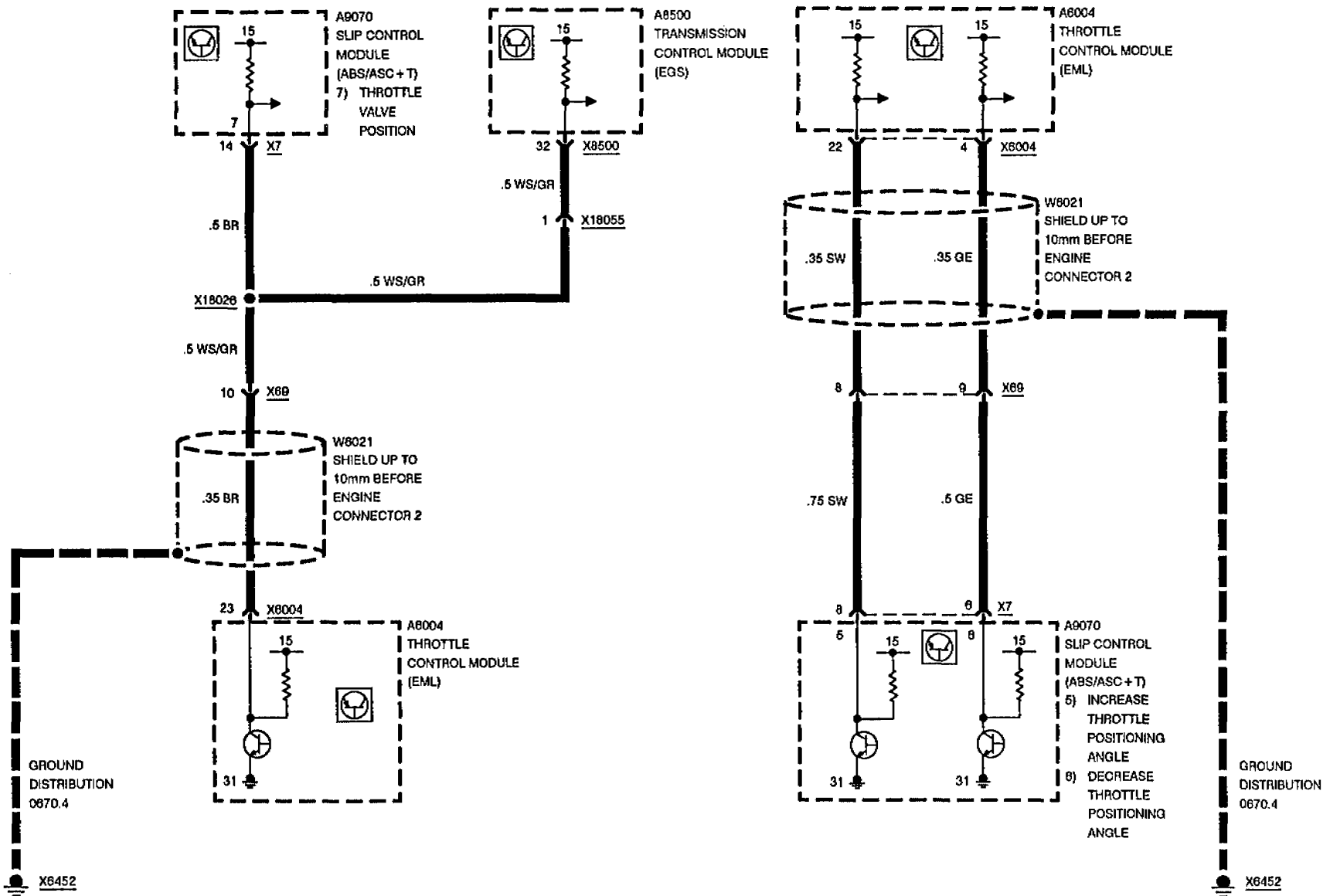


# SLIP CONTROL 5 (ASC 5) ENGINE CONTROL (DME) INTERFACE



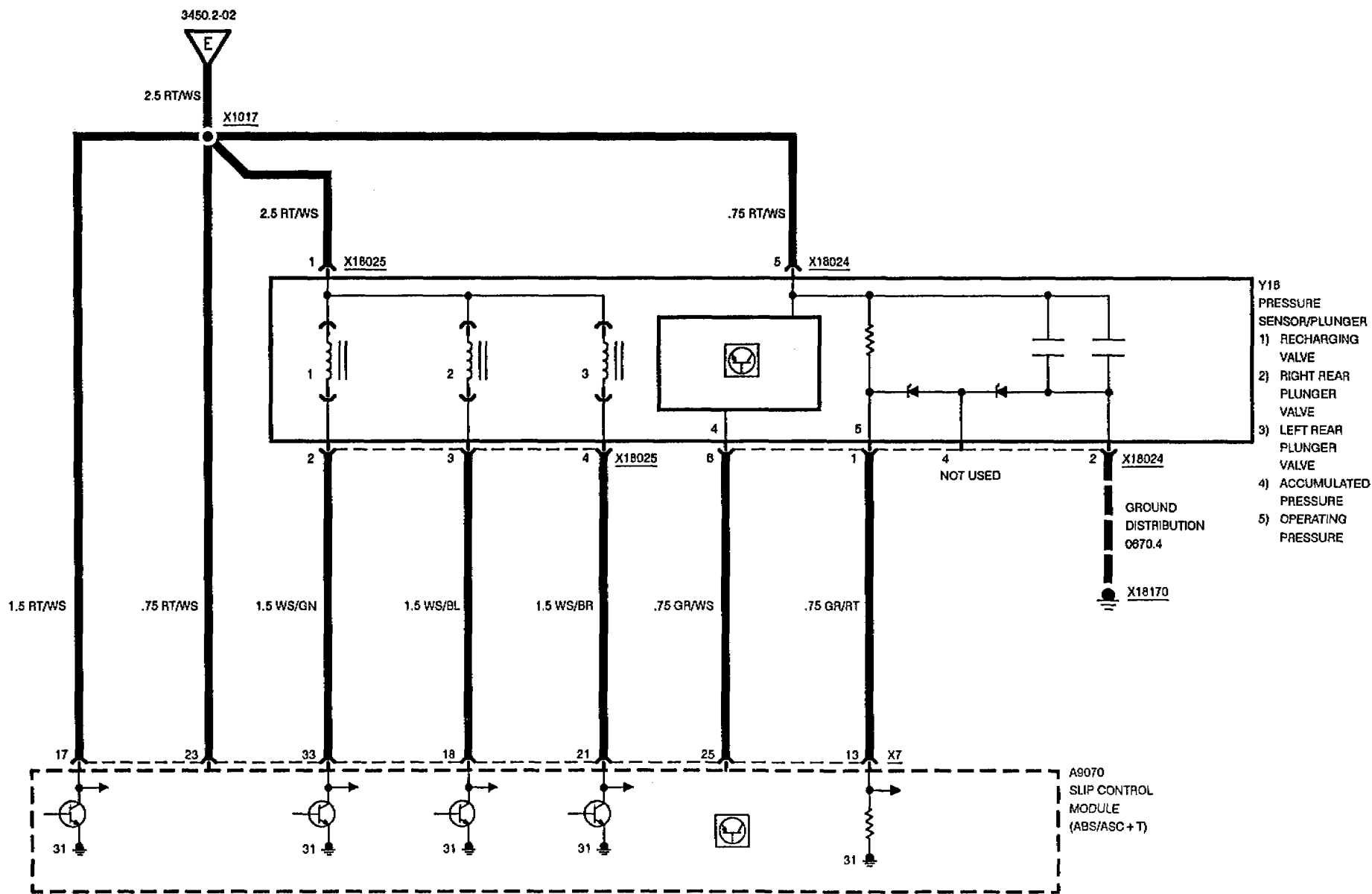


# SLIP CONTROL 5 (ASC 5) EML INTERFACE





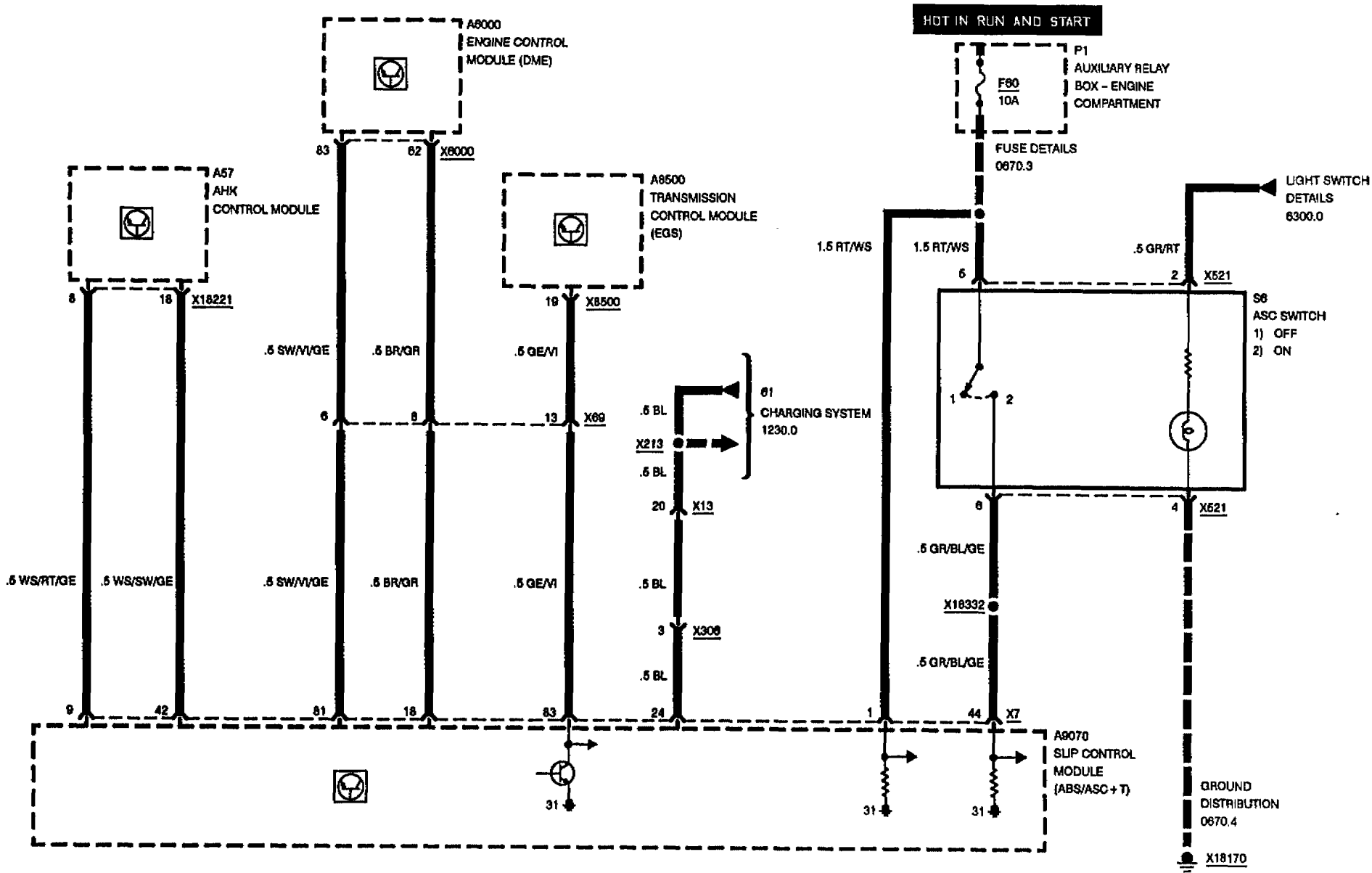
# SLIP CONTROL 5 (ASC 5)





# SLIP CONTROL 5 (ASC 5)

840Ci



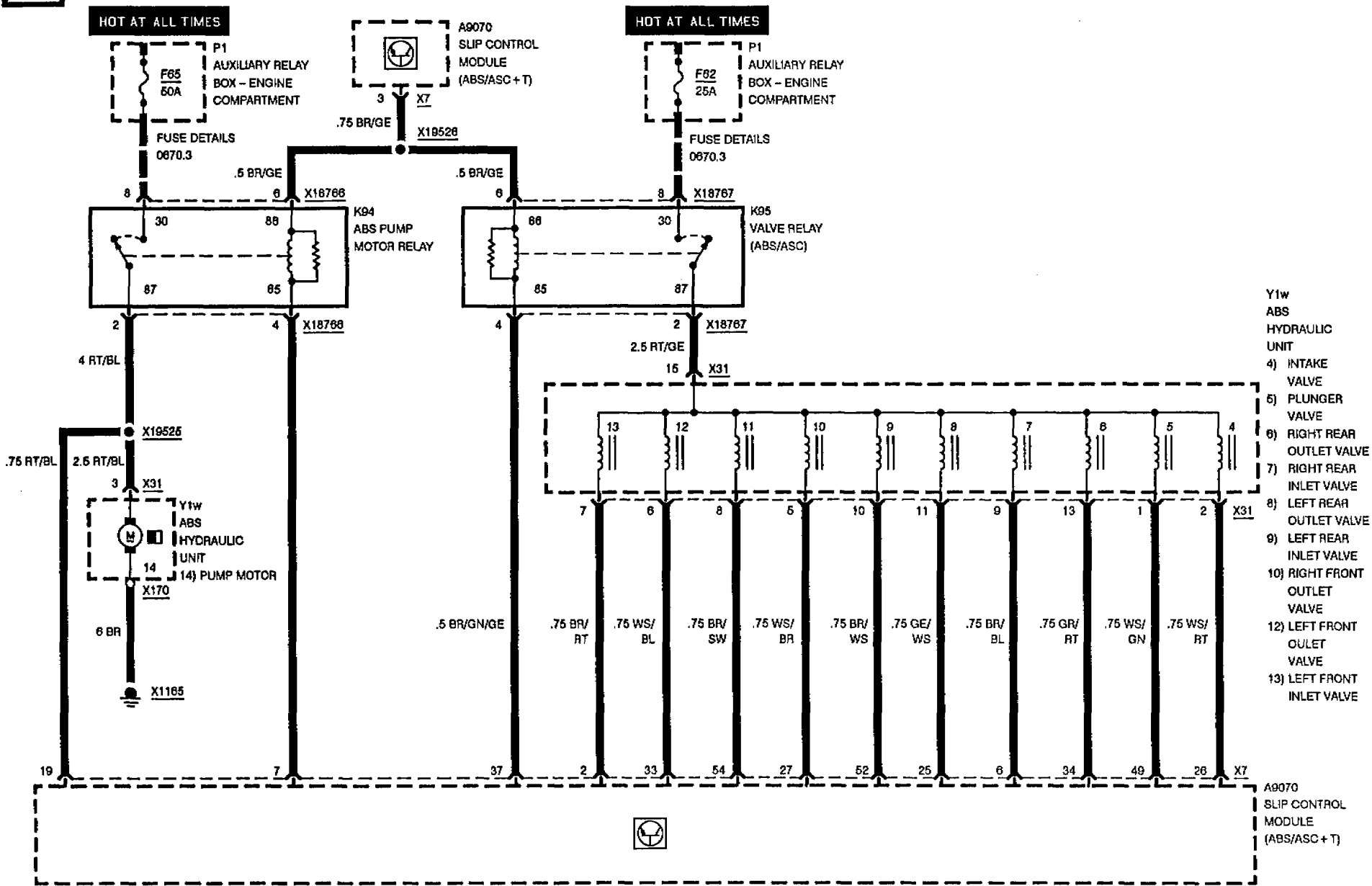
05/94  
3450.5-07  
1995





# SLIP CONTROL 5 (ASC 5)

840Ci



05/94

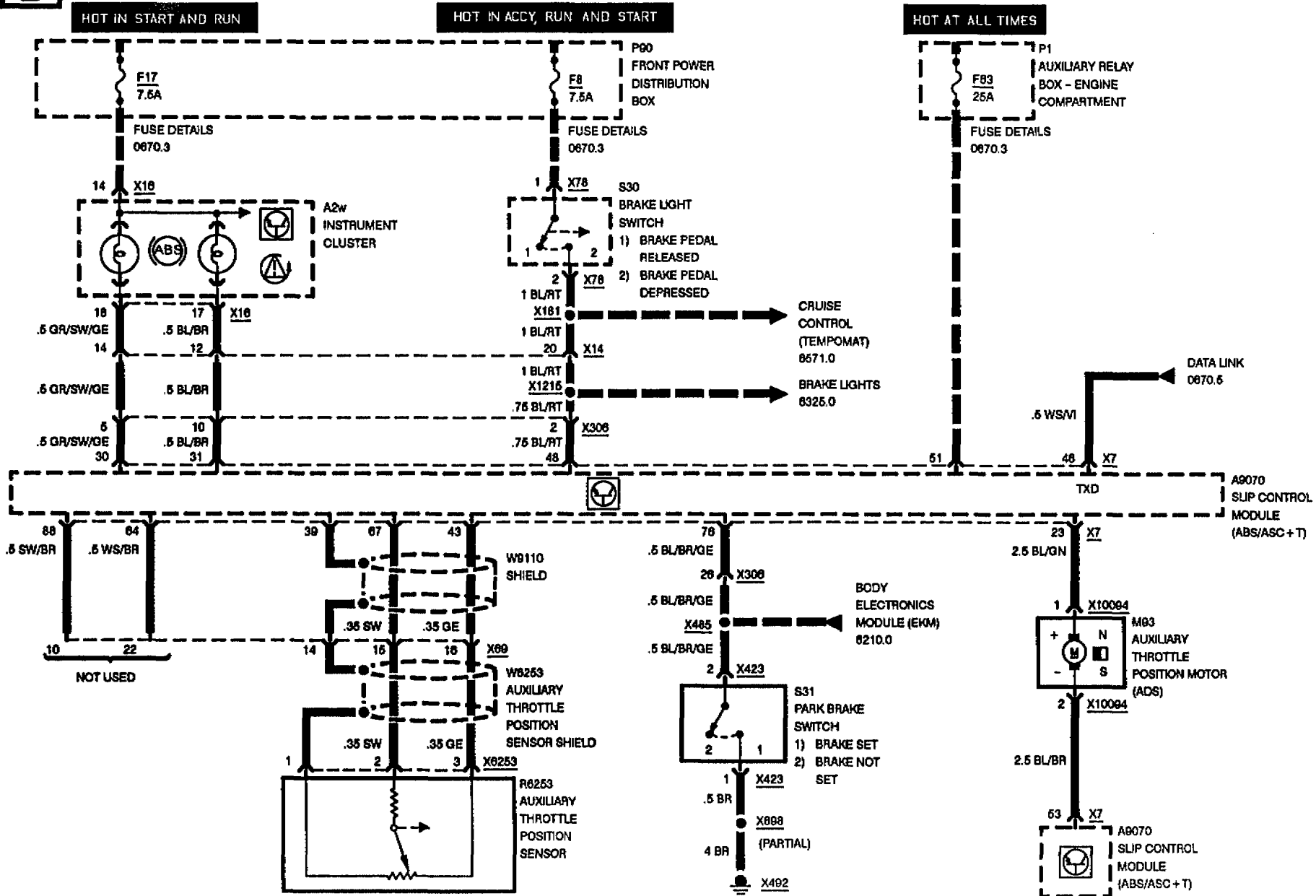
3450.5-08

1995



# SLIP CONTROL 5 (ASC 5)

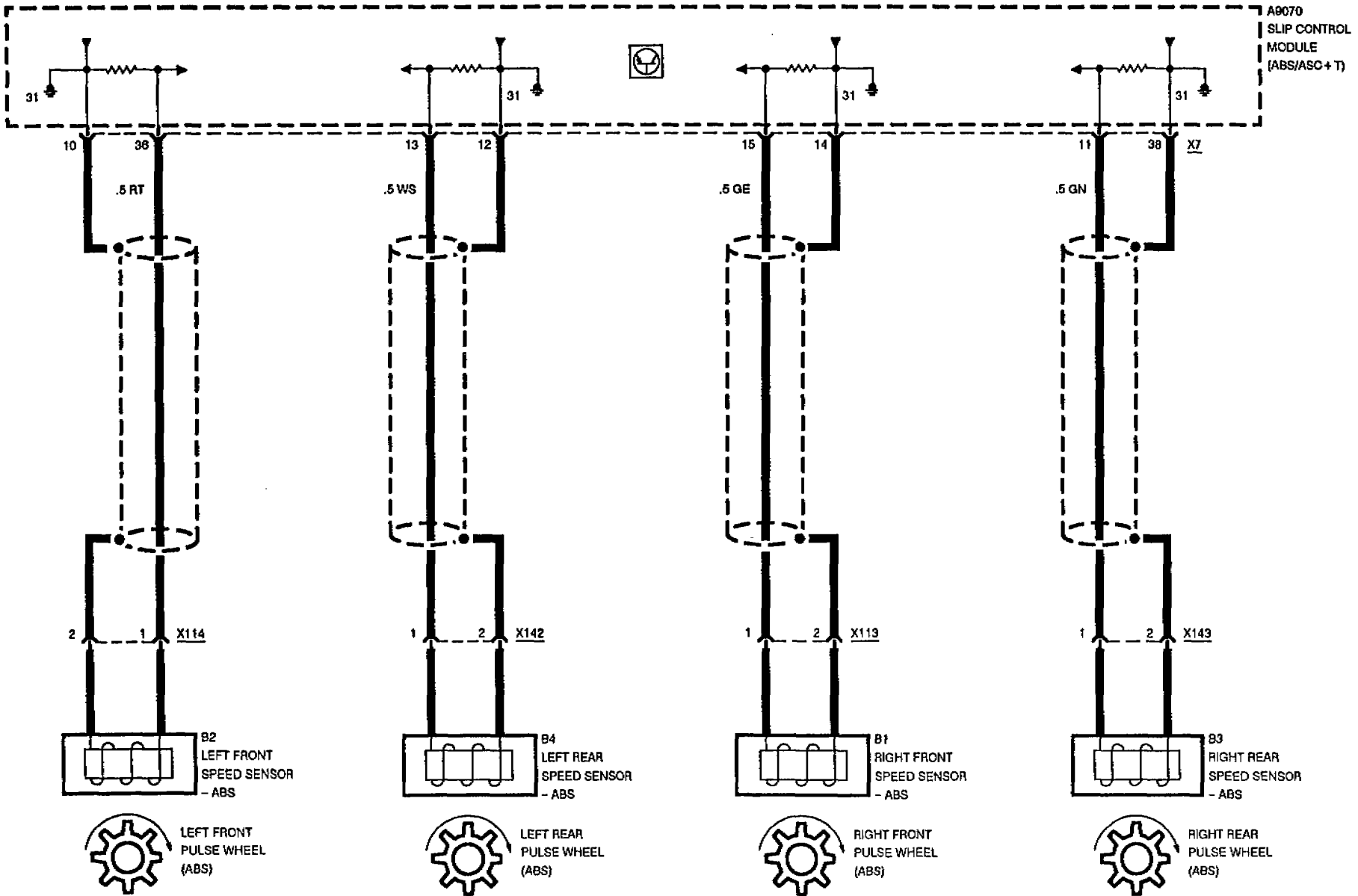
840Ci





# SLIP CONTROL 5 (ASC 5)

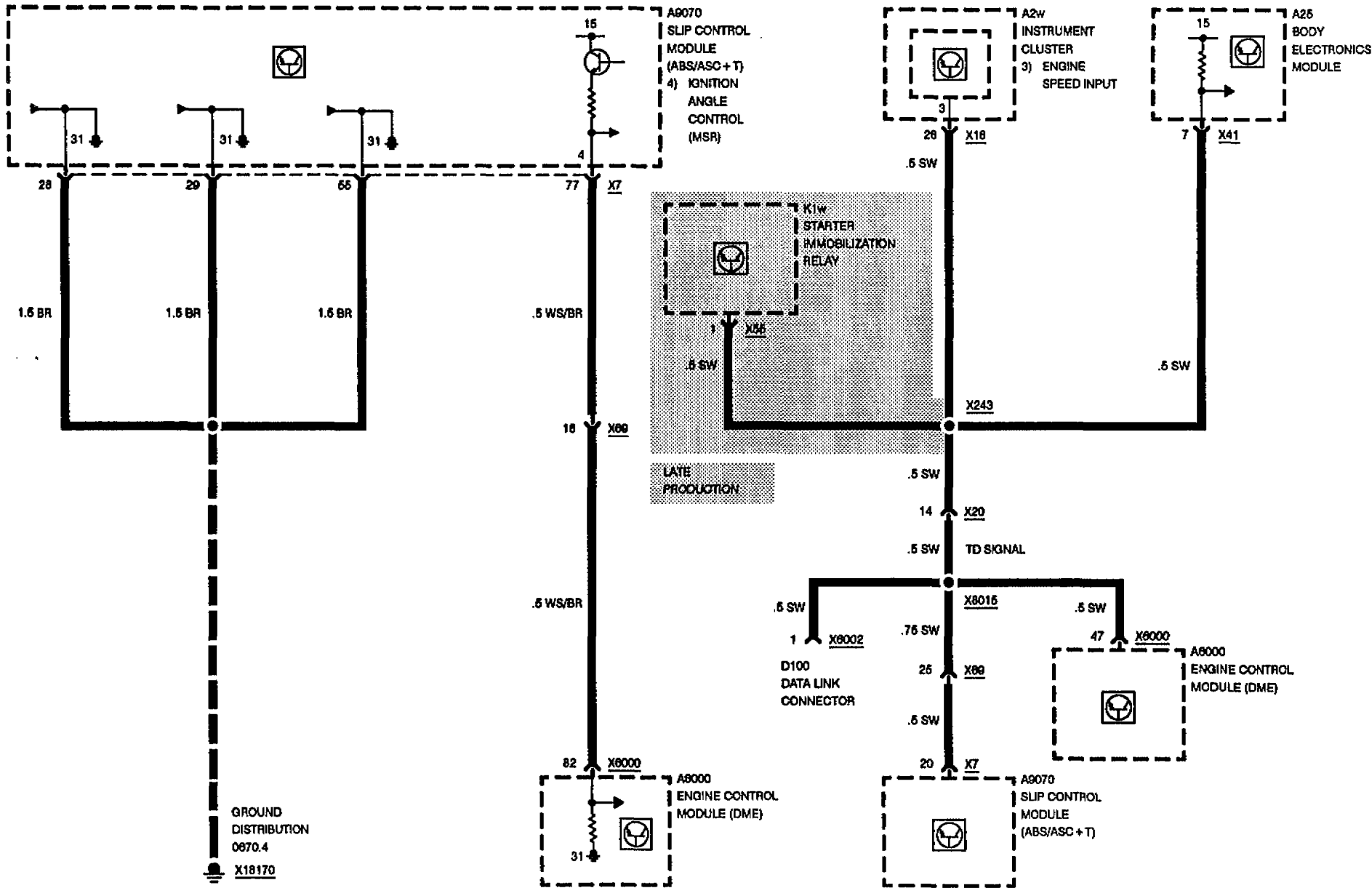
840Ci





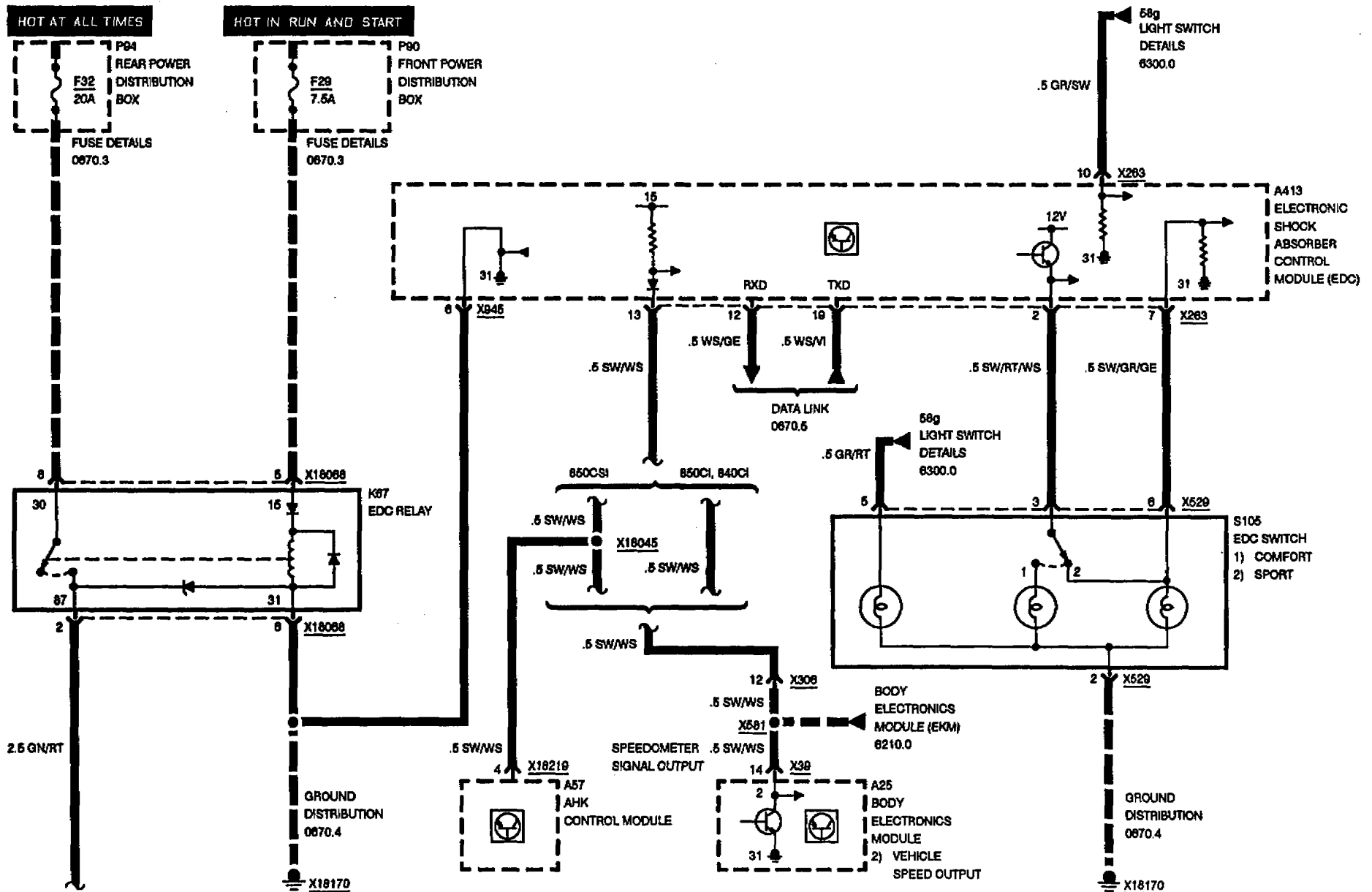
# SLIP CONTROL 5 (ASC 5) ENGINE CONTROL MODULE (DME) INTERFACE AND TD SIGNAL

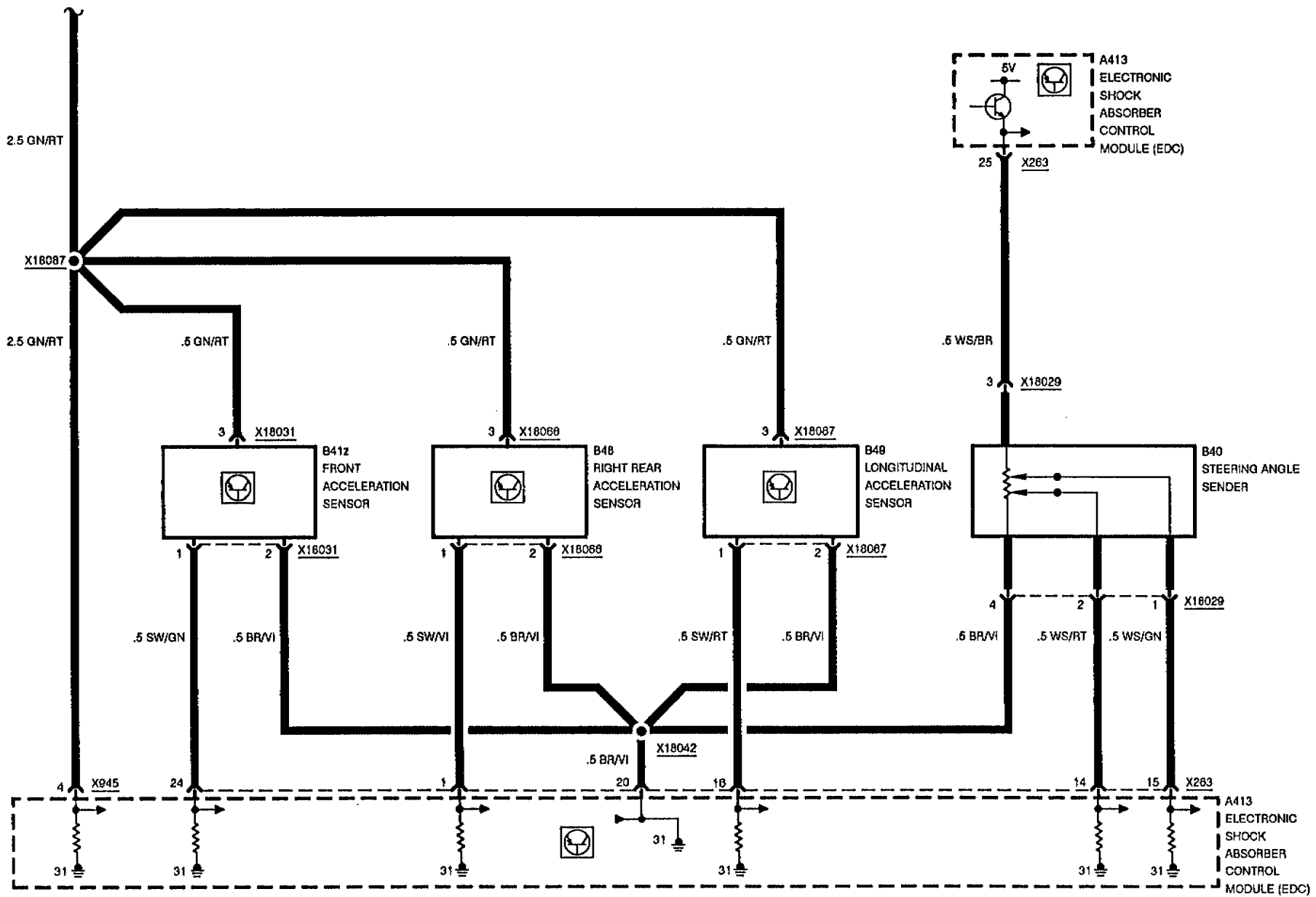
840Ci



12/94 ————— 3450.5-11 ————— 1994

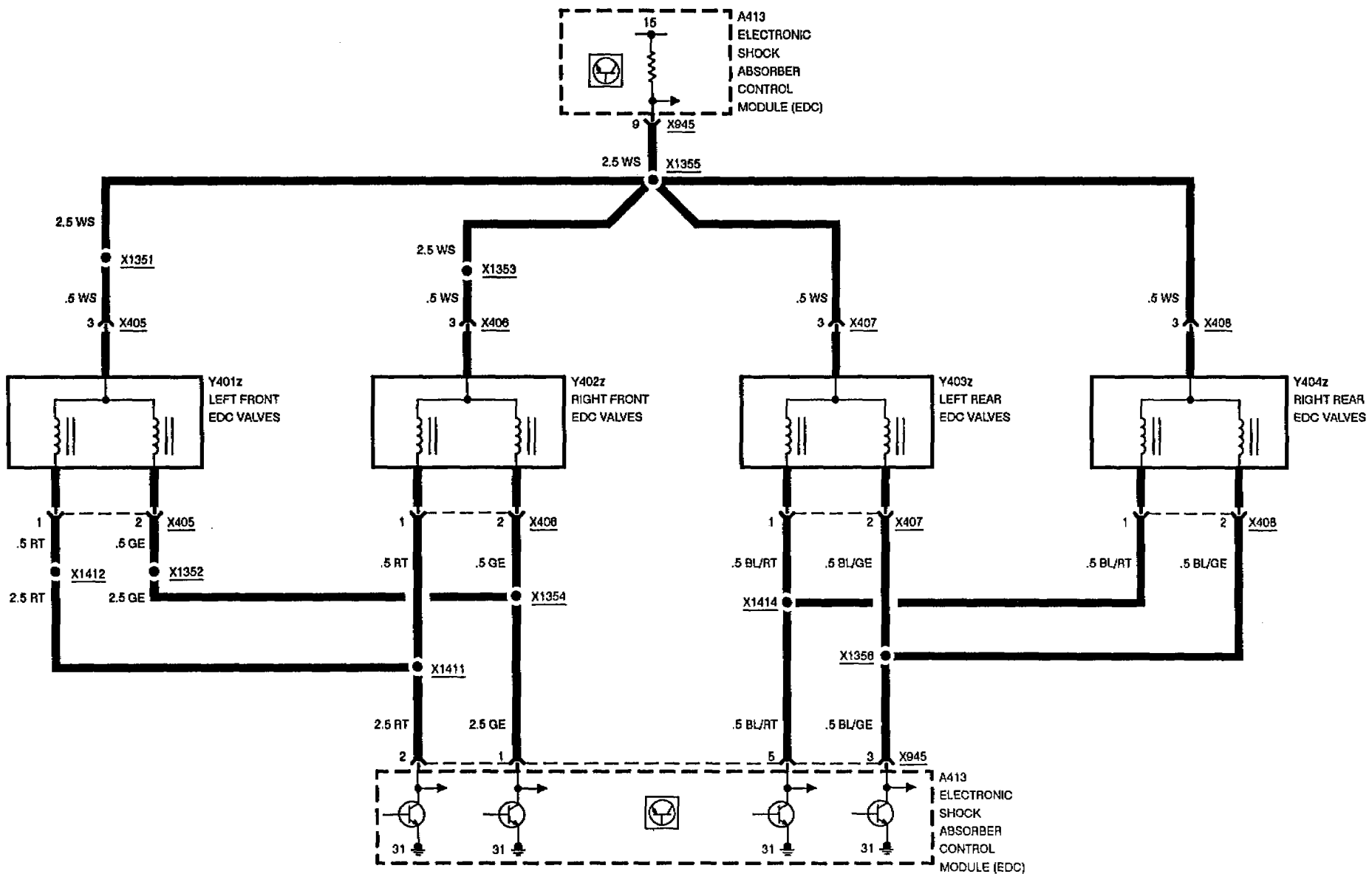
# ELECTRONIC SHOCK ABSORBER CONTROL (EDC III+)







# ELECTRONIC SHOCK ABSORBER CONTROL (EDC III +)



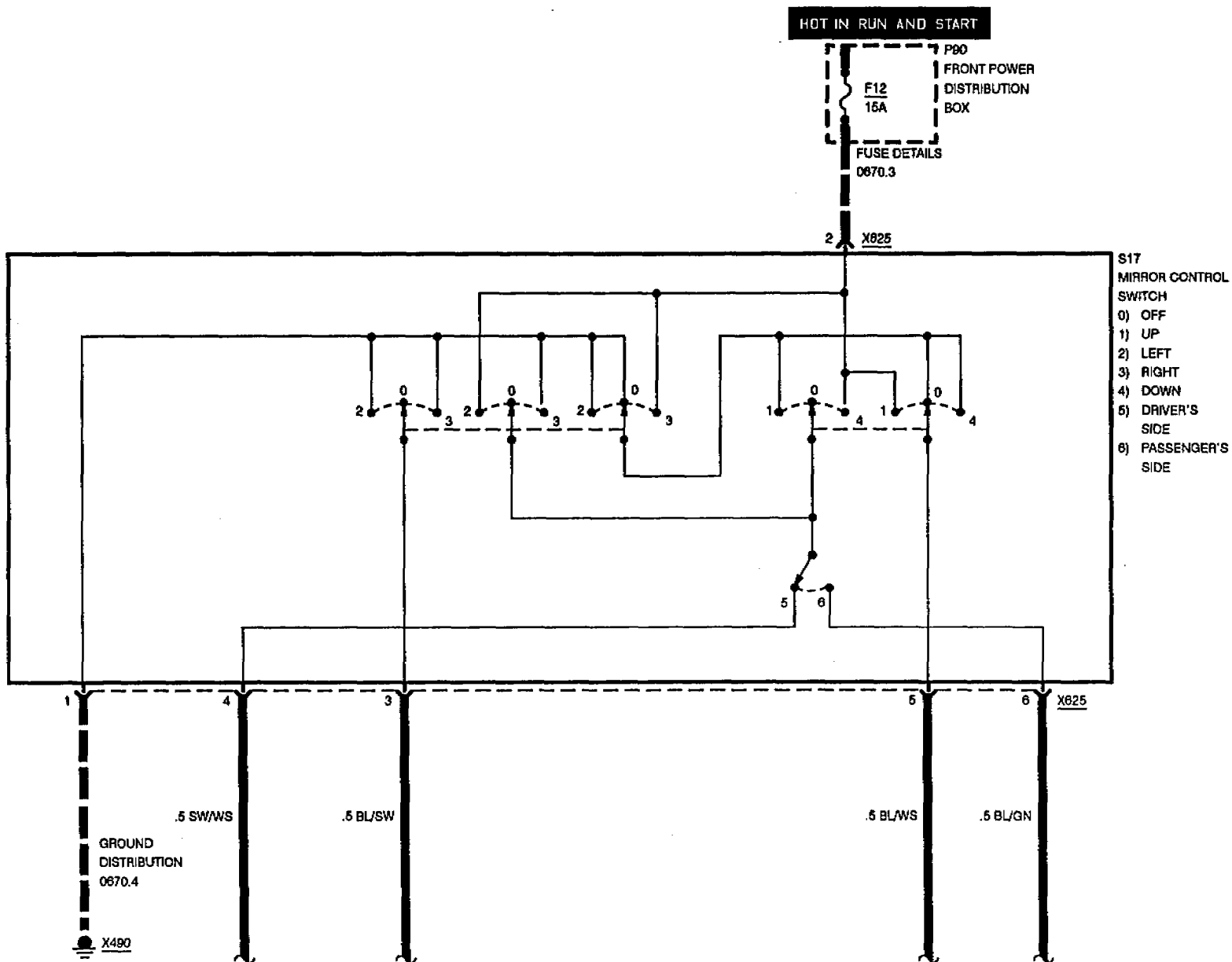
BMW  
**8**

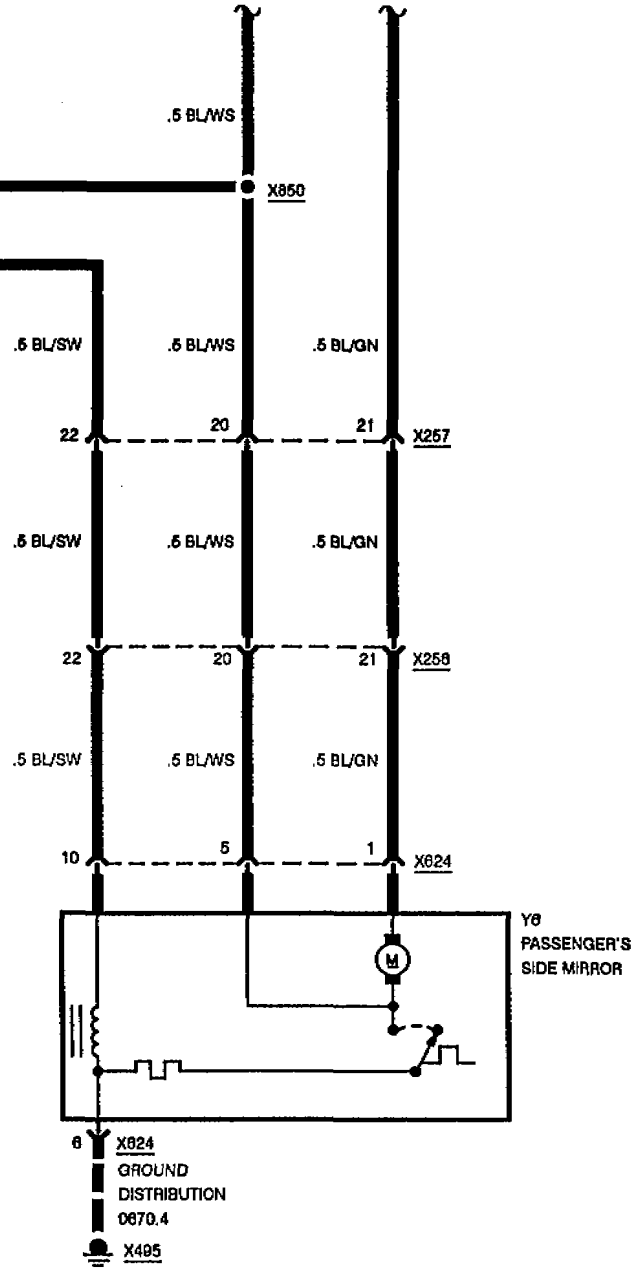
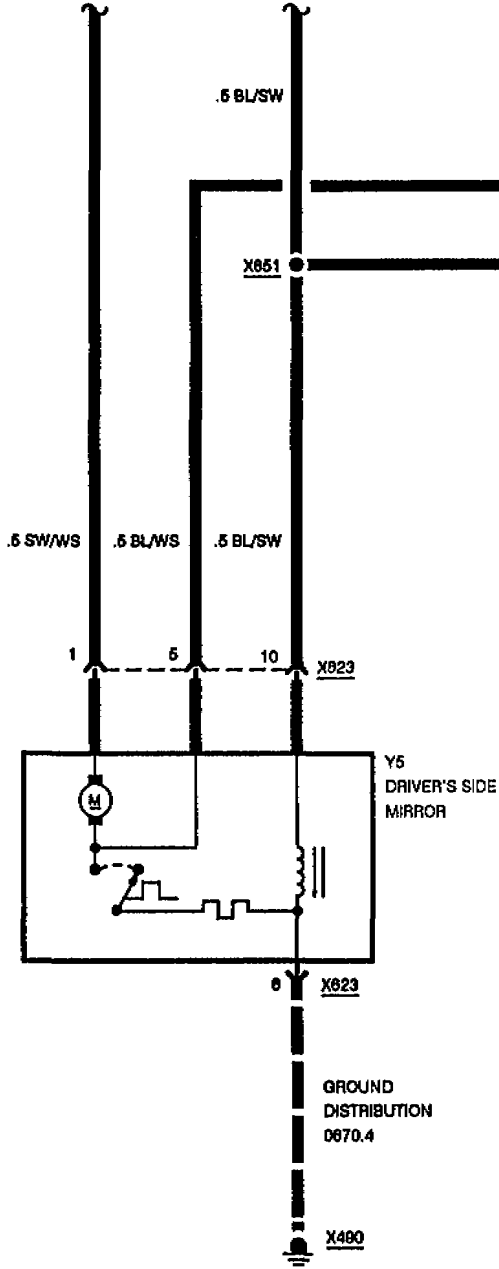
5116.0





# POWER MIRRORS OUTSIDE MIRRORS





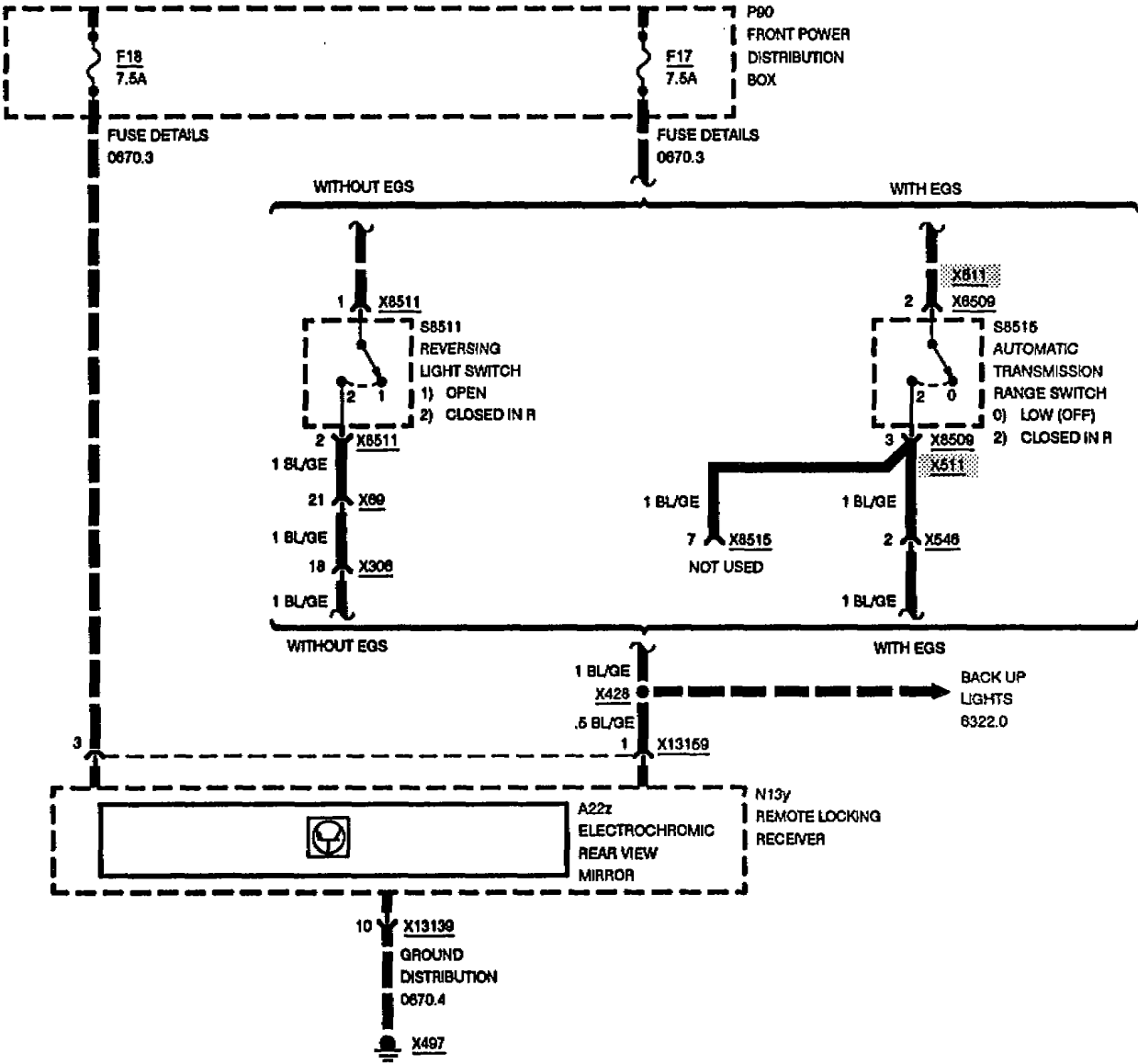


# POWER MIRRORS

## INSIDE MIRROR

HOT IN ACCY, RUN AND START

HOT IN RUN AND START



**S3**  
 AUTOMATIC TRANSMISSION RANGE SWITCH  
 0) OFF (LOW)  
 2) CLOSED IN REVERSE

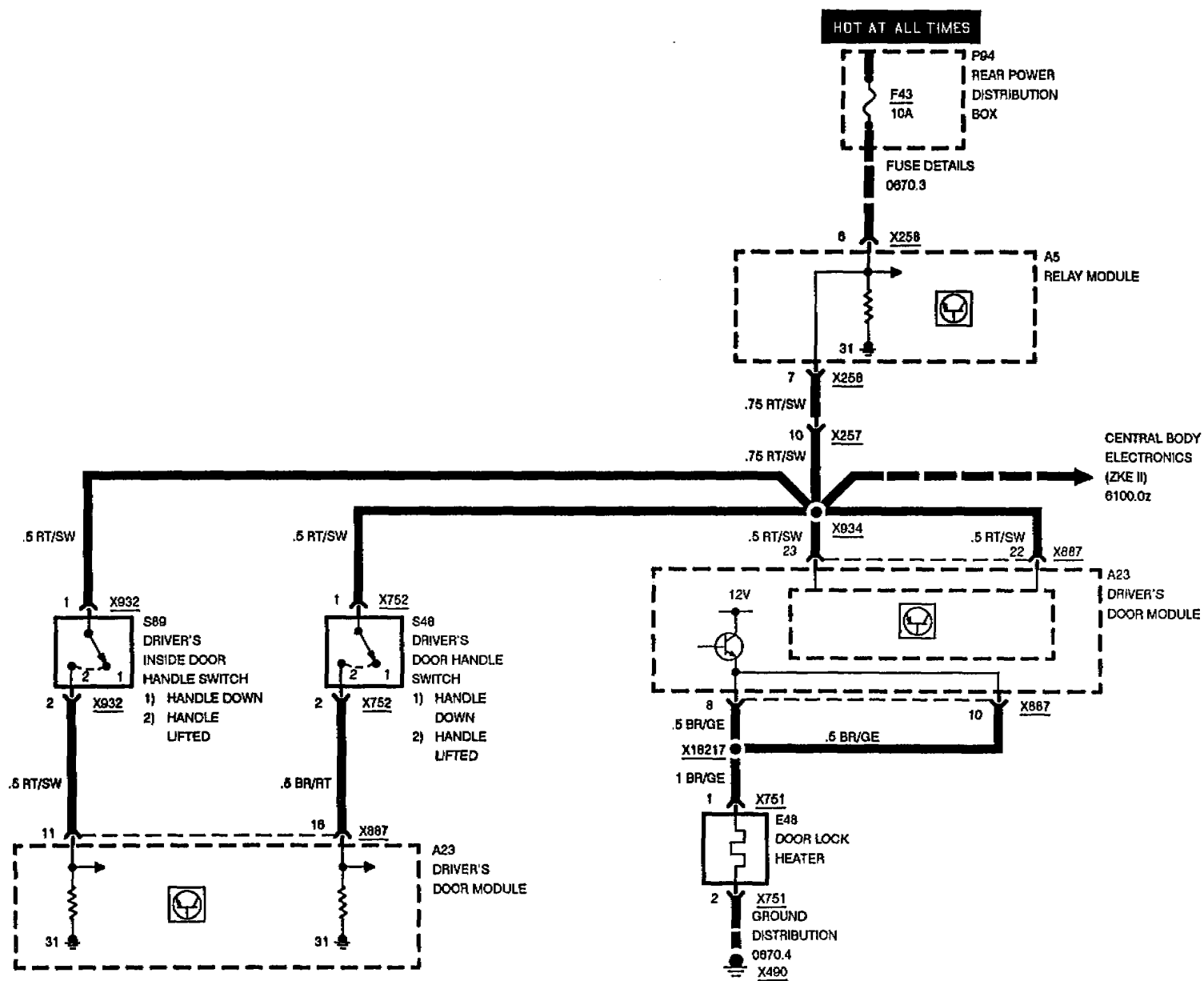
**840CI**

BMW  
8

5120.0



# ZKE DOOR LOCK HEATING (TSH)



09/93

5120.0-00

1994

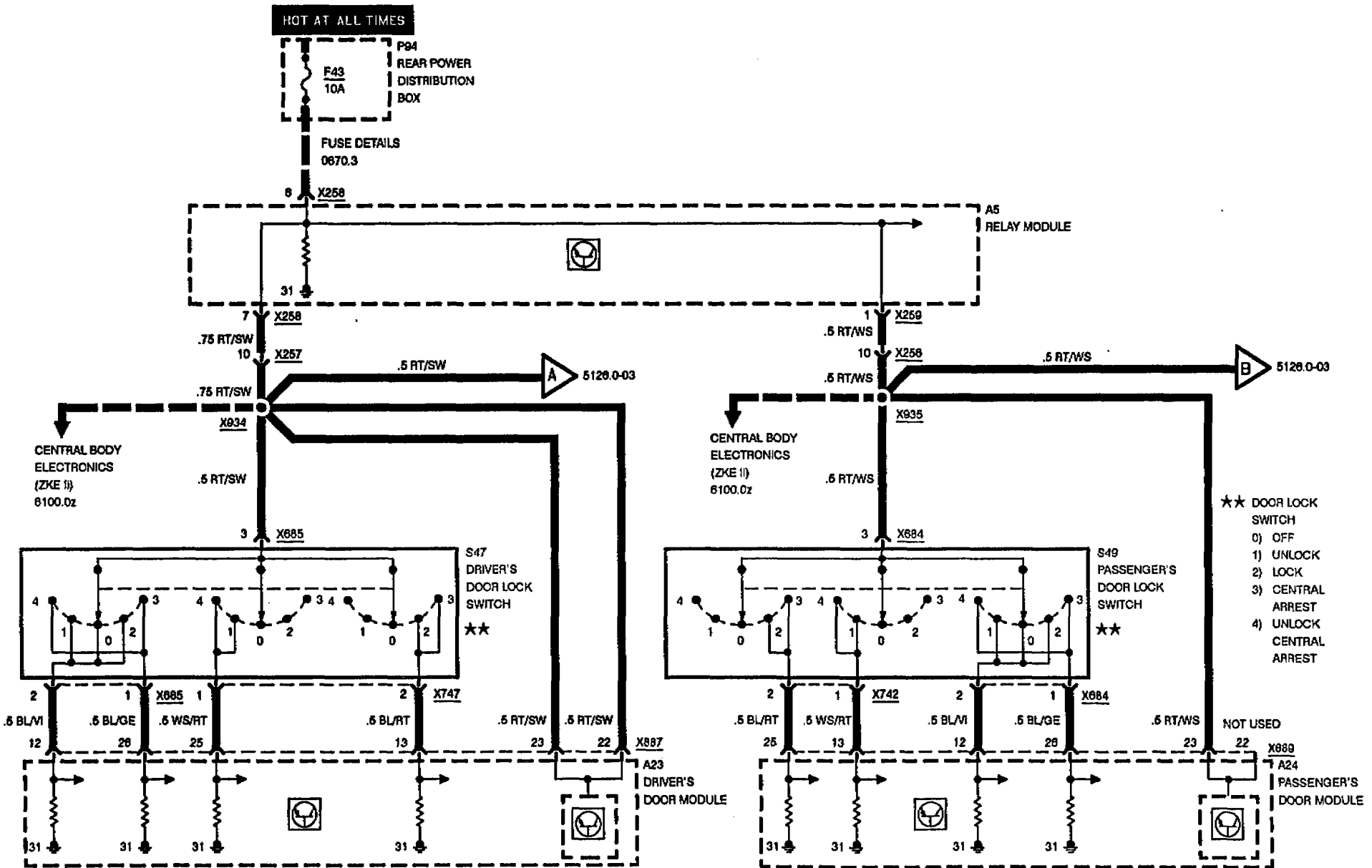
BMW  
8

5126.0



# ZKE CENTRAL LOCKING (ZV)

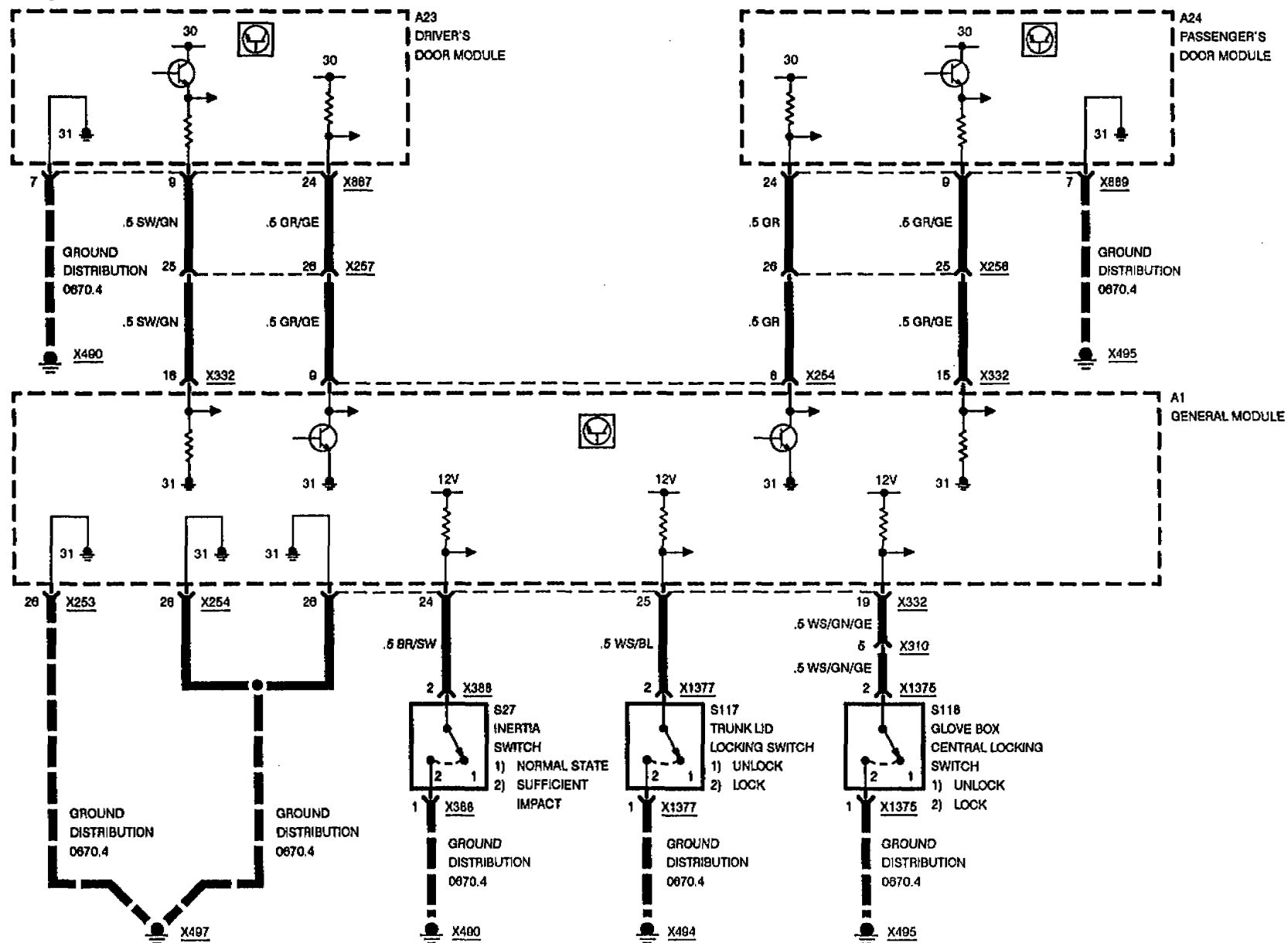
## (INPUTS)





# ZKE CENTRAL LOCKING (ZV)

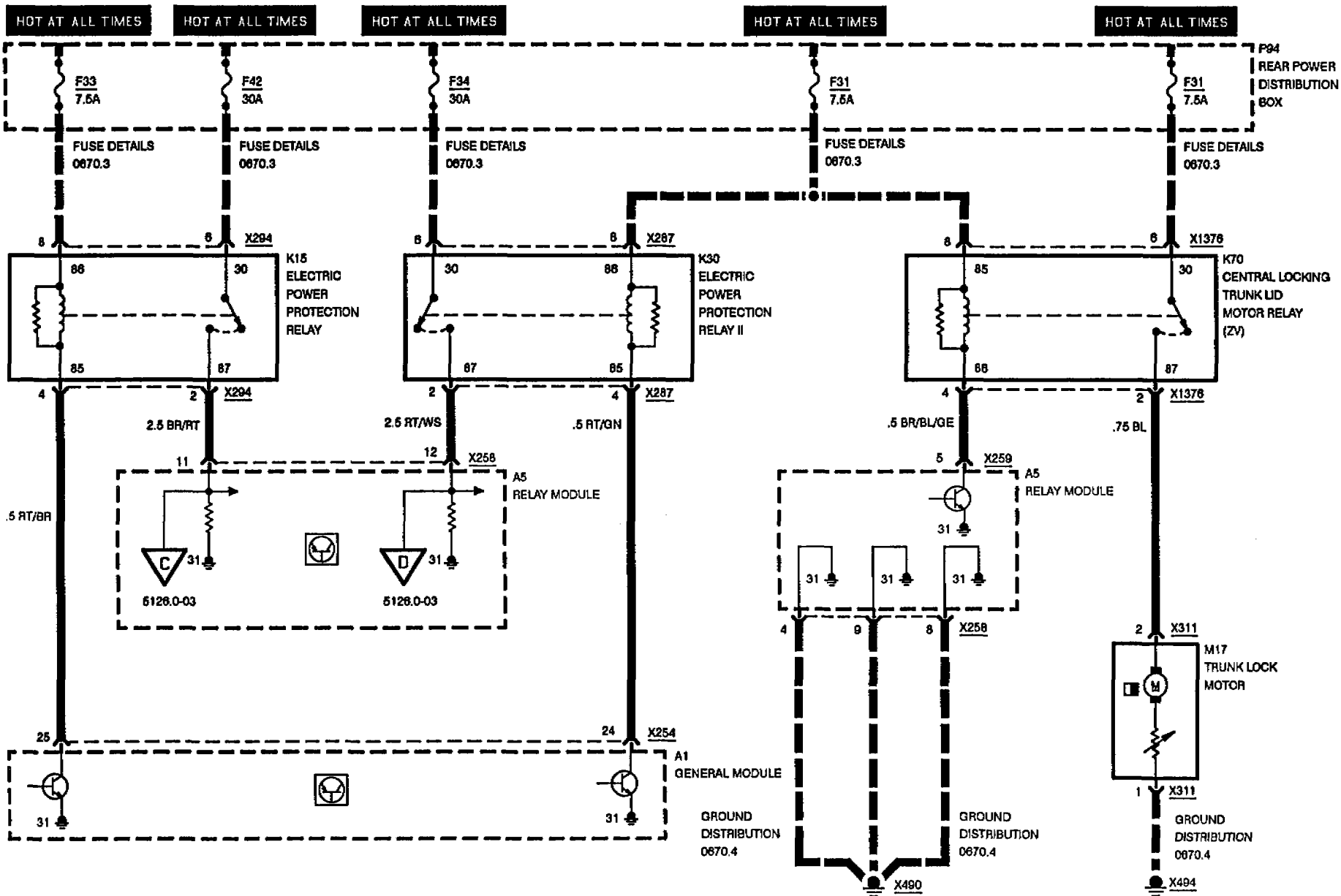
## (INPUTS)





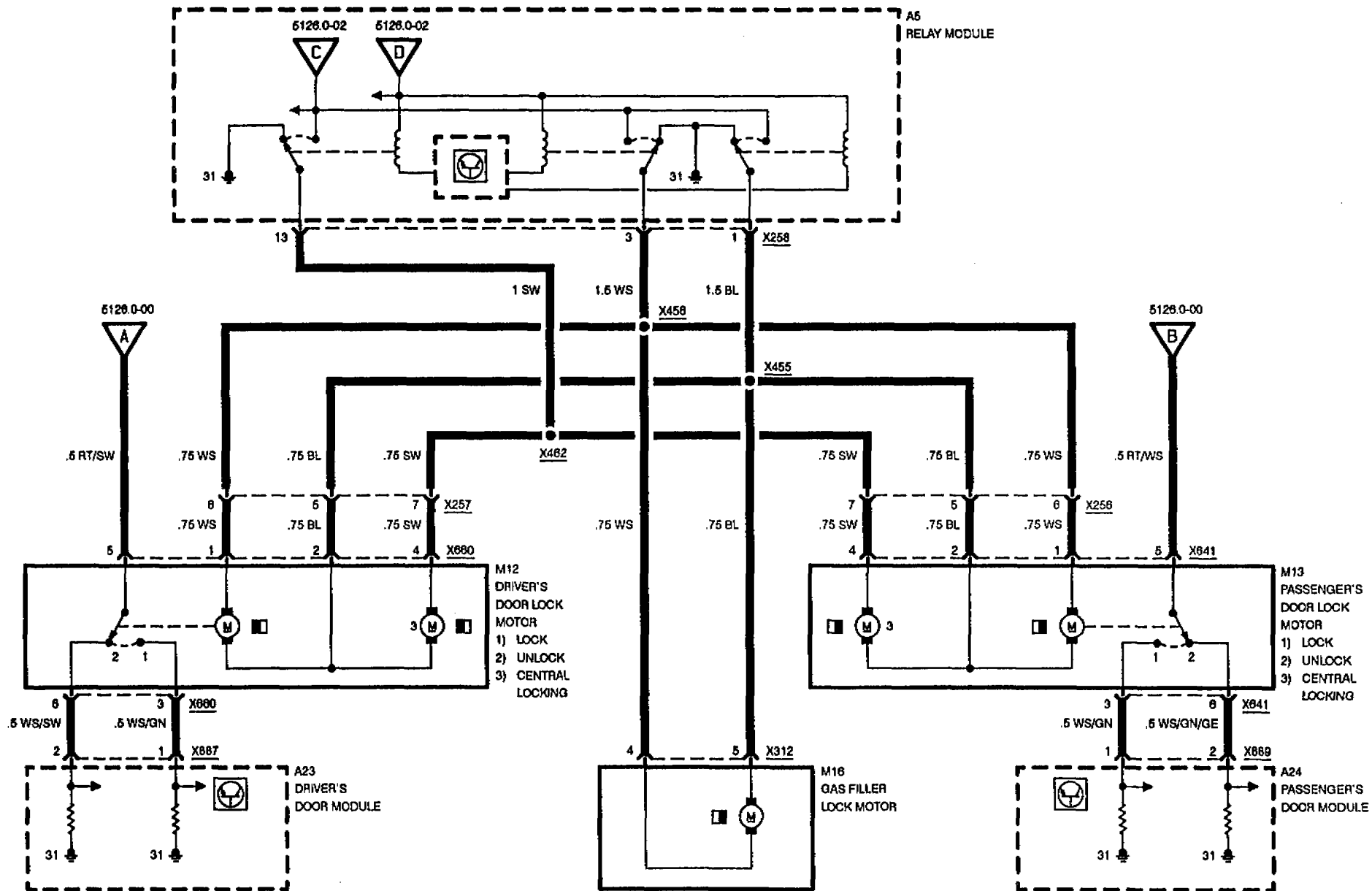


# ZKE CENTRAL LOCKING (ZV)



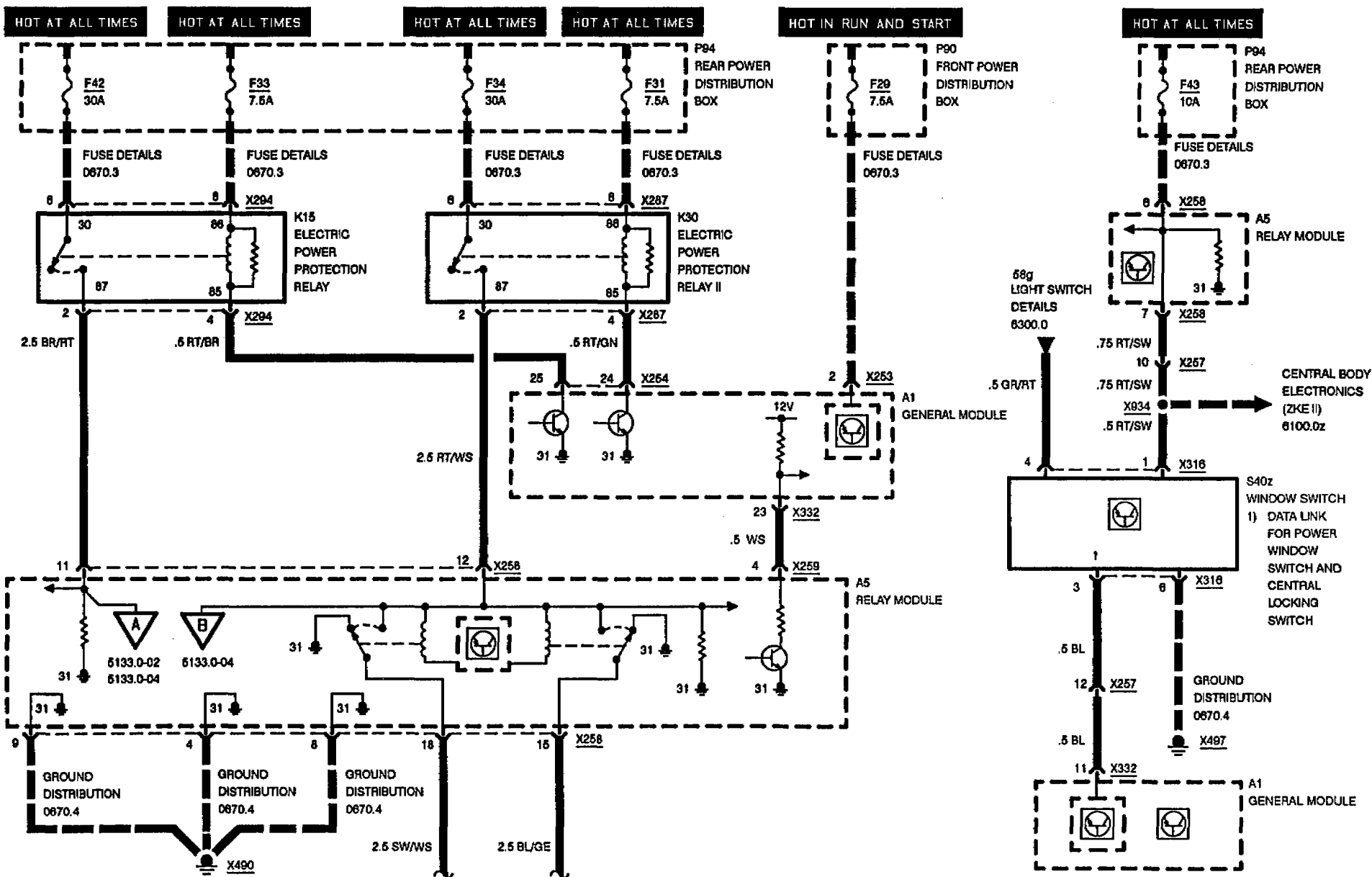


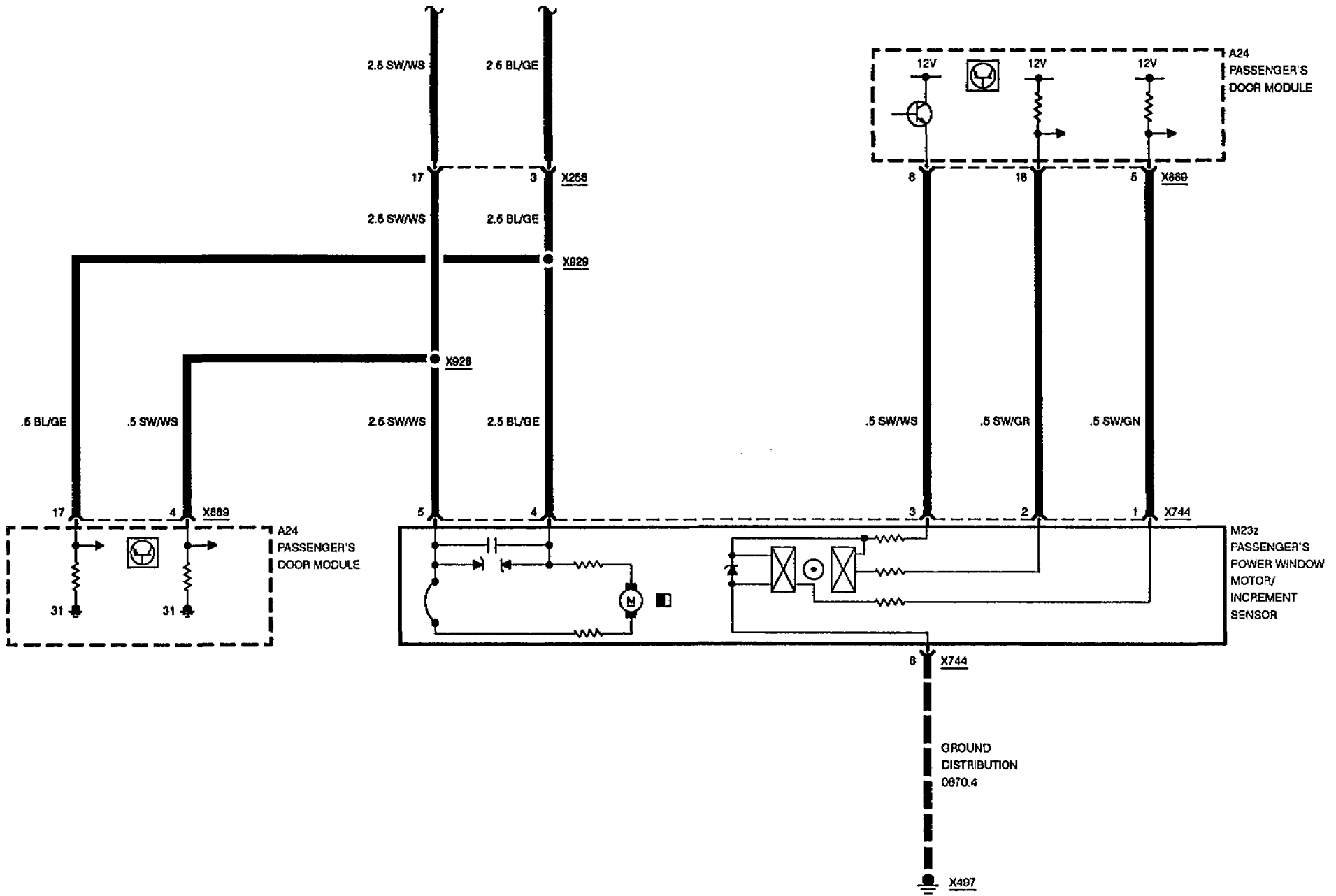
# ZKE CENTRAL LOCKING (ZV) (OUTPUTS)





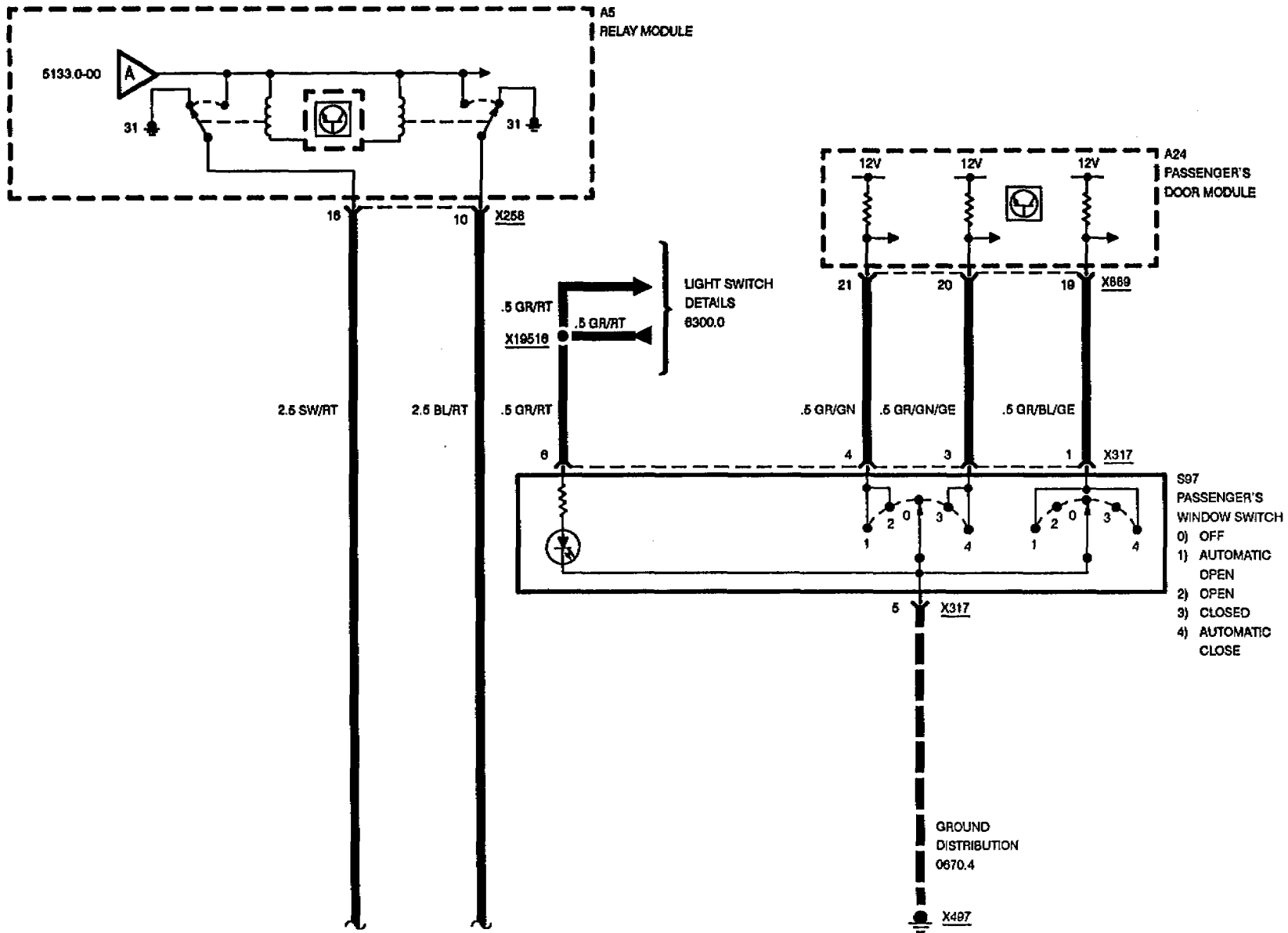
# ZKE POWER WINDOWS (FH)

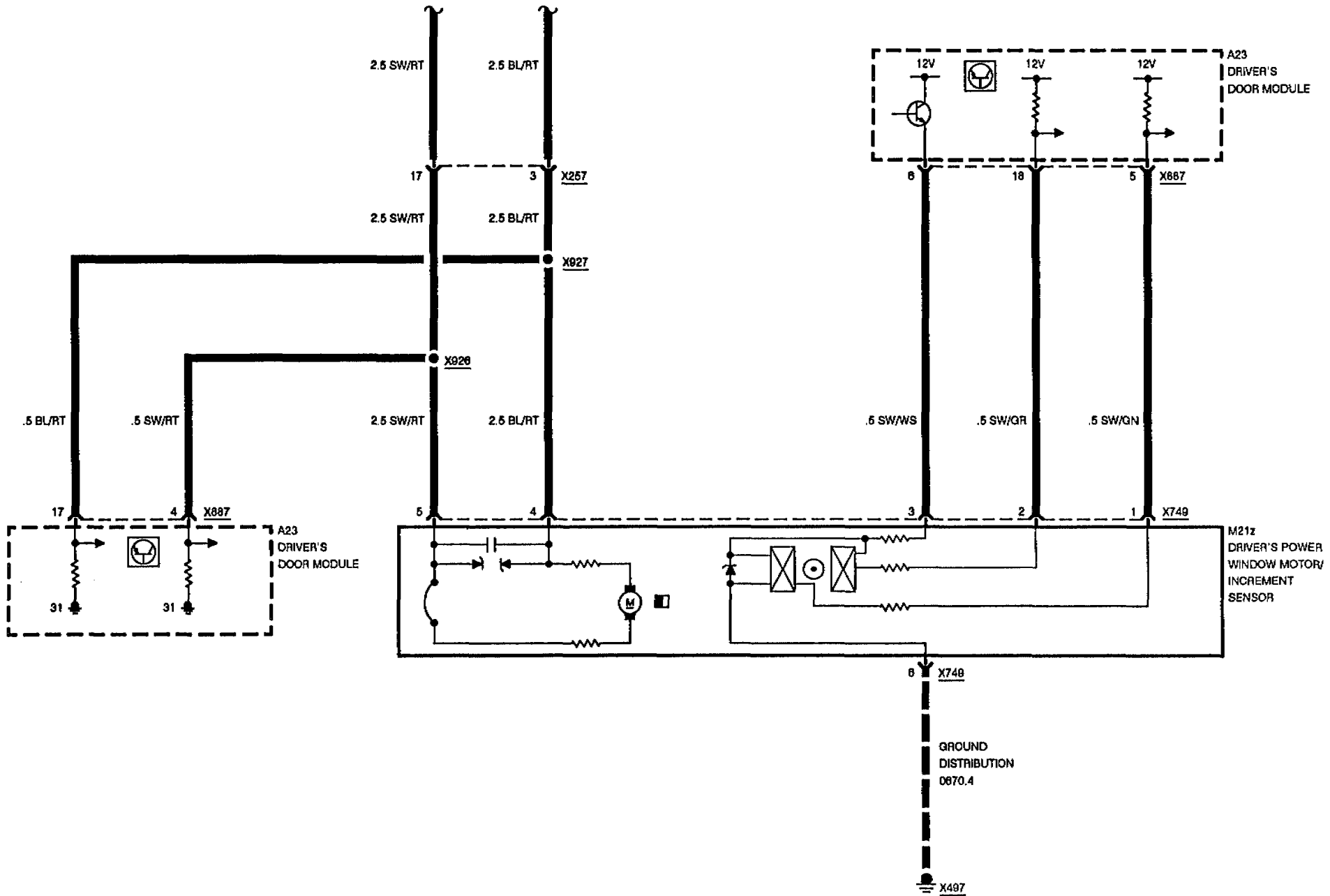






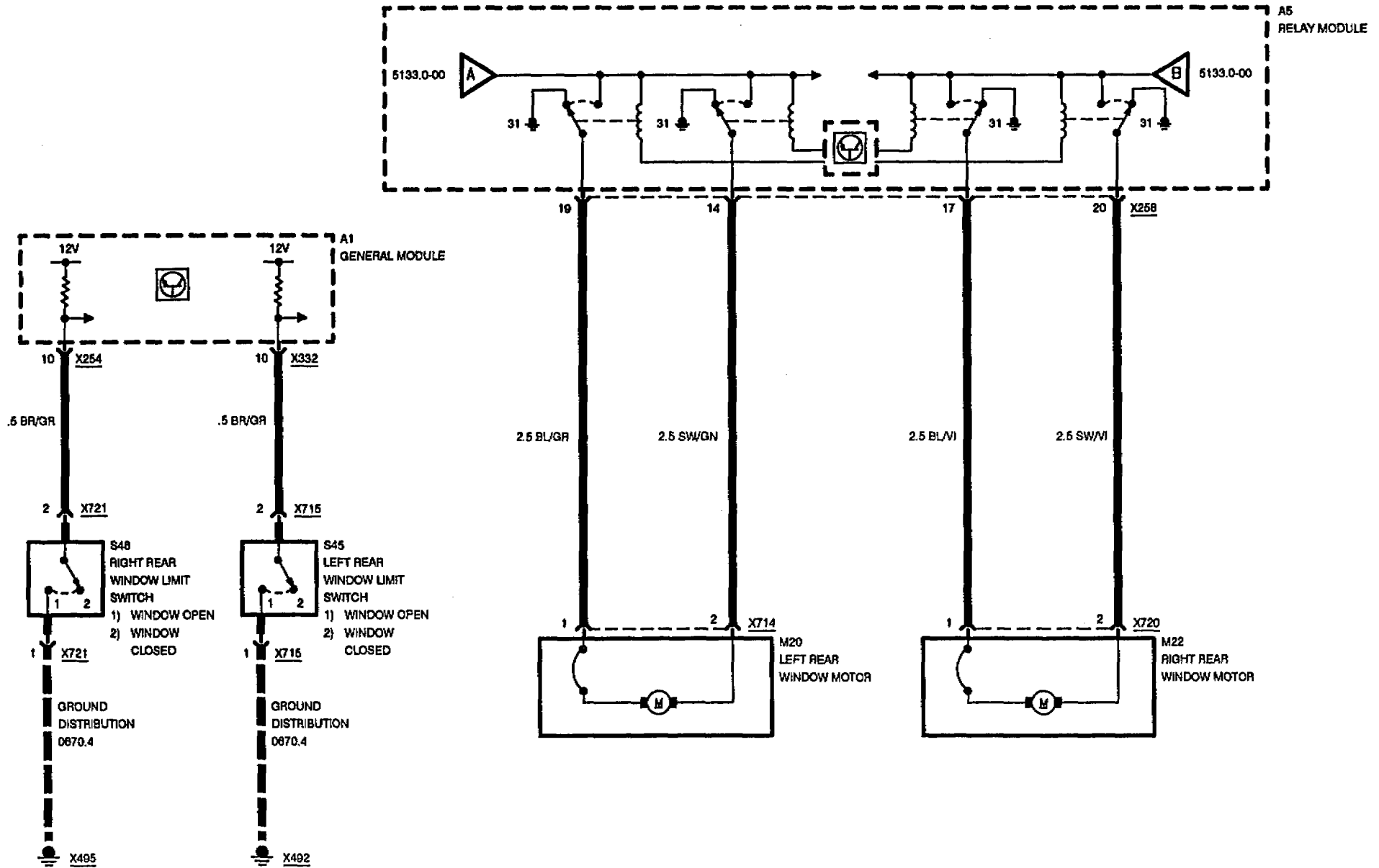
# ZKE POWER WINDOWS (FH)







# ZKE POWER WINDOWS (FH)



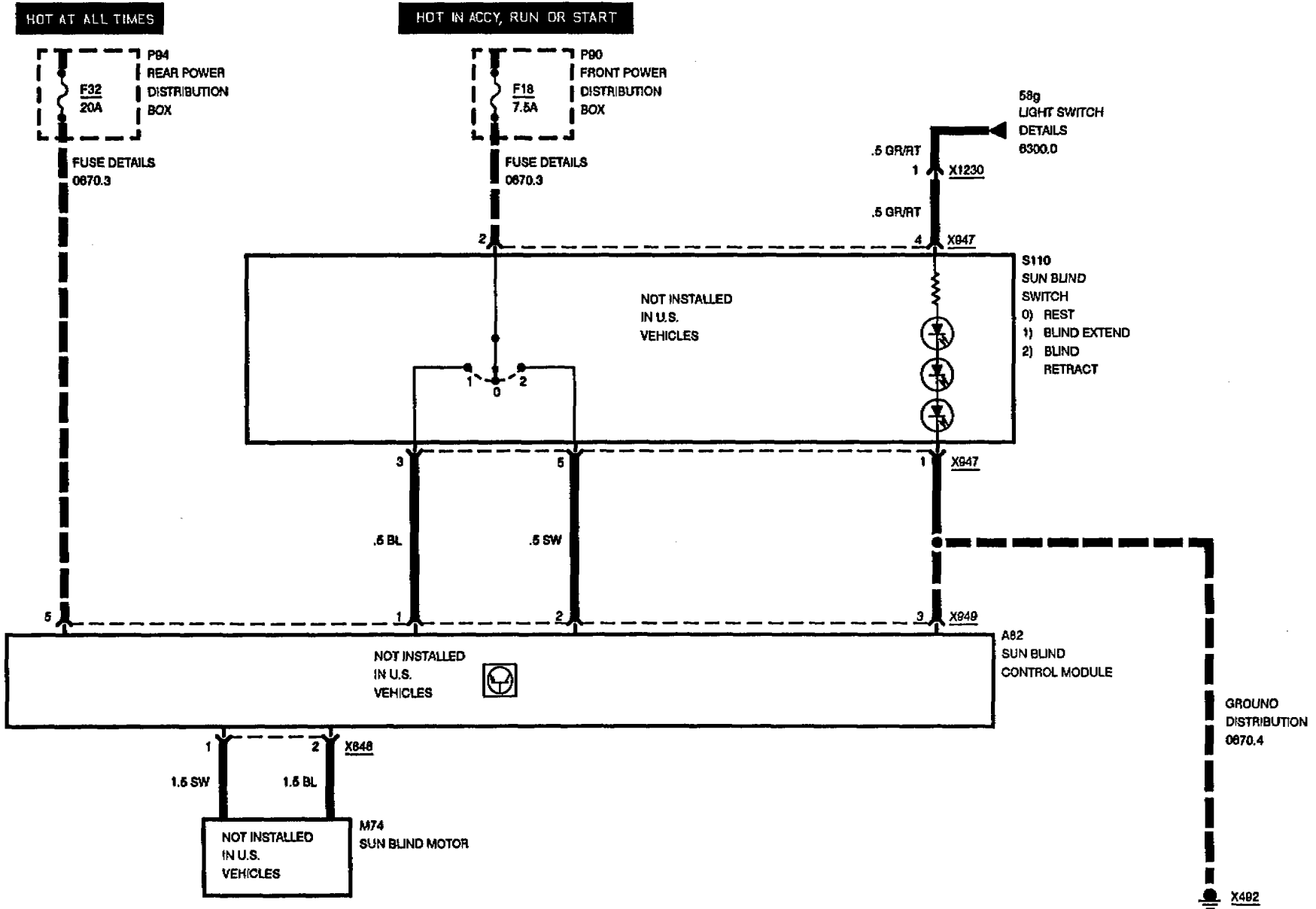
BMW  
8

5146.0





# POWER SUN SHADES



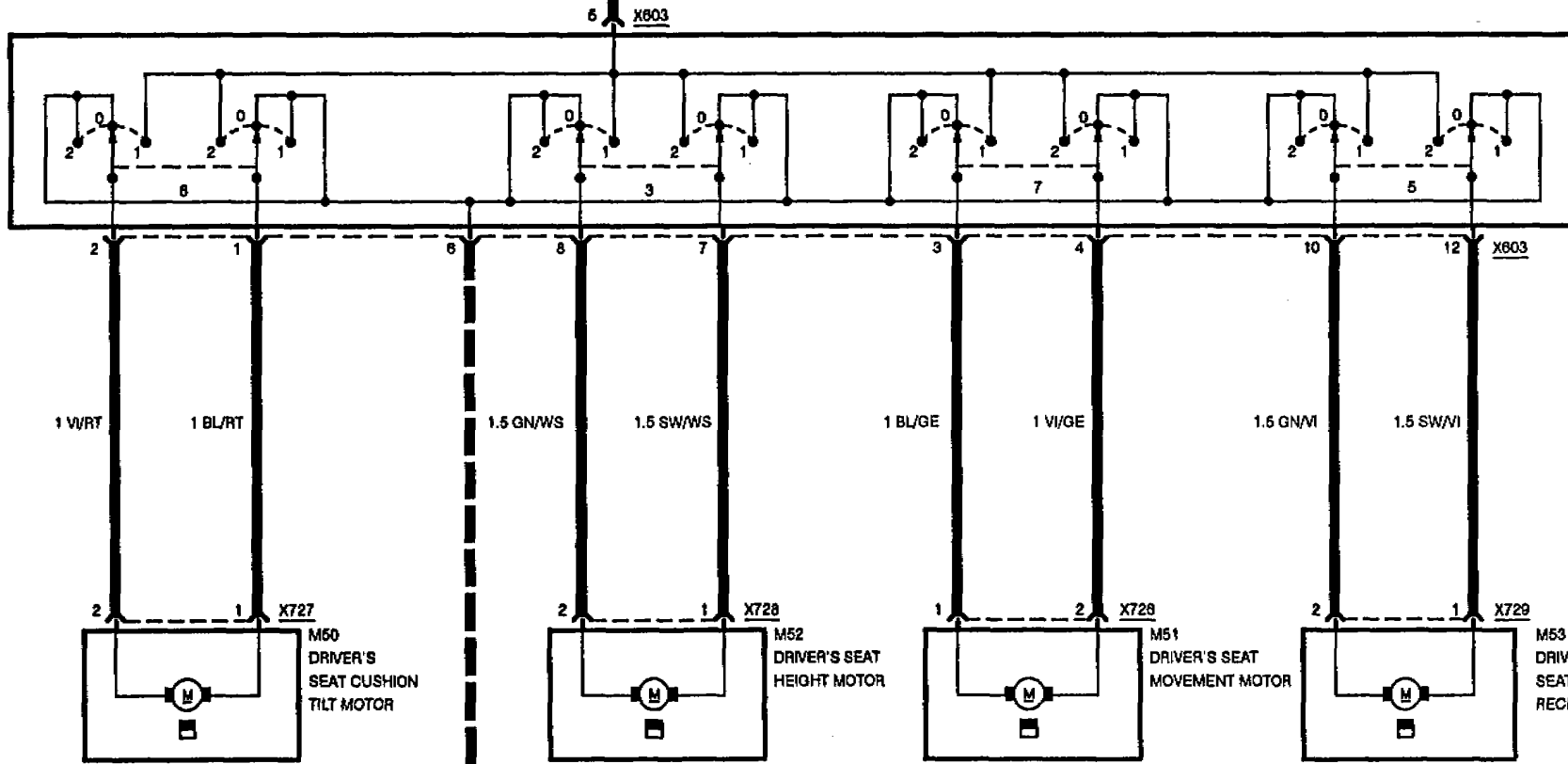
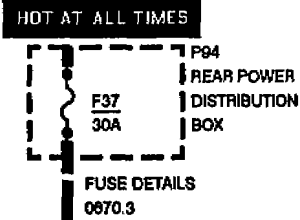
BMW  
8

5200.0

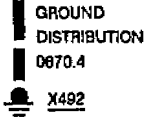


# POWER SEATS

## DRIVER'S SEAT



- S51  
DRIVER'S SEAT,  
SEAT CONTROL  
SWITCH
- 3) SEAT HEIGHT  
SWITCH
- 0) OFF  
1) UP  
2) DOWN
- 5) SEATBACK  
SWITCH
- 0) OFF  
1) FRONT  
2) BACK
- 6) SEAT CUSHION  
TILT SWITCH
- 0) OFF  
1) UP  
2) DOWN
- 7) SEAT  
POSITION  
SWITCH
- 0) OFF  
1) FRONT  
2) BACK

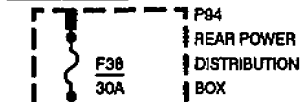




# POWER SEATS

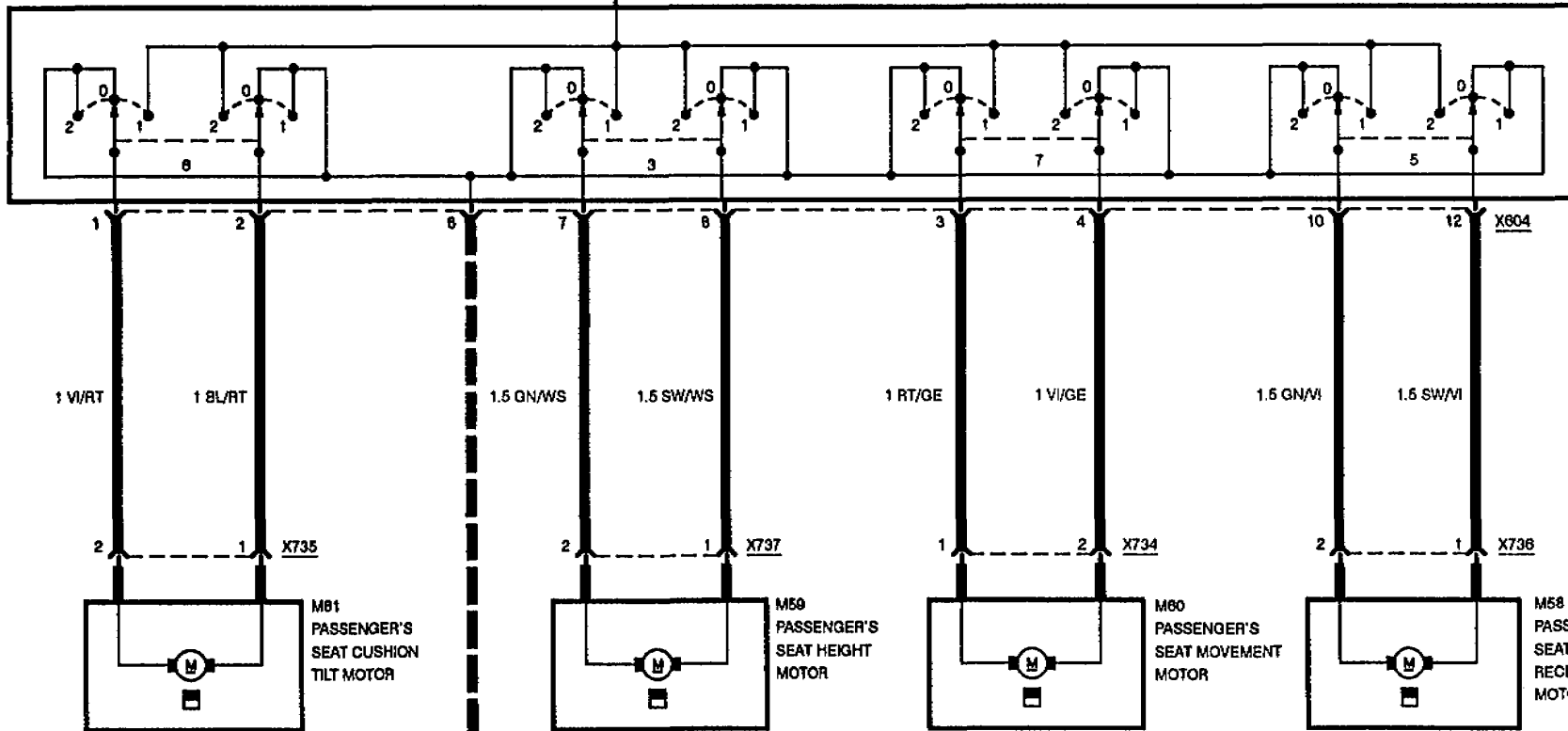
## PASSENGER'S SEAT

HOT AT ALL TIMES



FUSE DETAILS  
0870.3

5 X604



S58

PASSENGER'S SEAT, SEAT CONTROL SWITCH

- 3) SEAT HEIGHT SWITCH
- 0) OFF
- 1) UP
- 2) DOWN
- 5) SEATBACK SWITCH
- 0) OFF
- 1) FRONT
- 2) BACK
- 6) SEAT CUSHION TILT SWITCH
- 0) OFF
- 1) UP
- 2) DOWN
- 7) SEAT POSITION SWITCH
- 0) OFF
- 1) FRONT
- 2) BACK

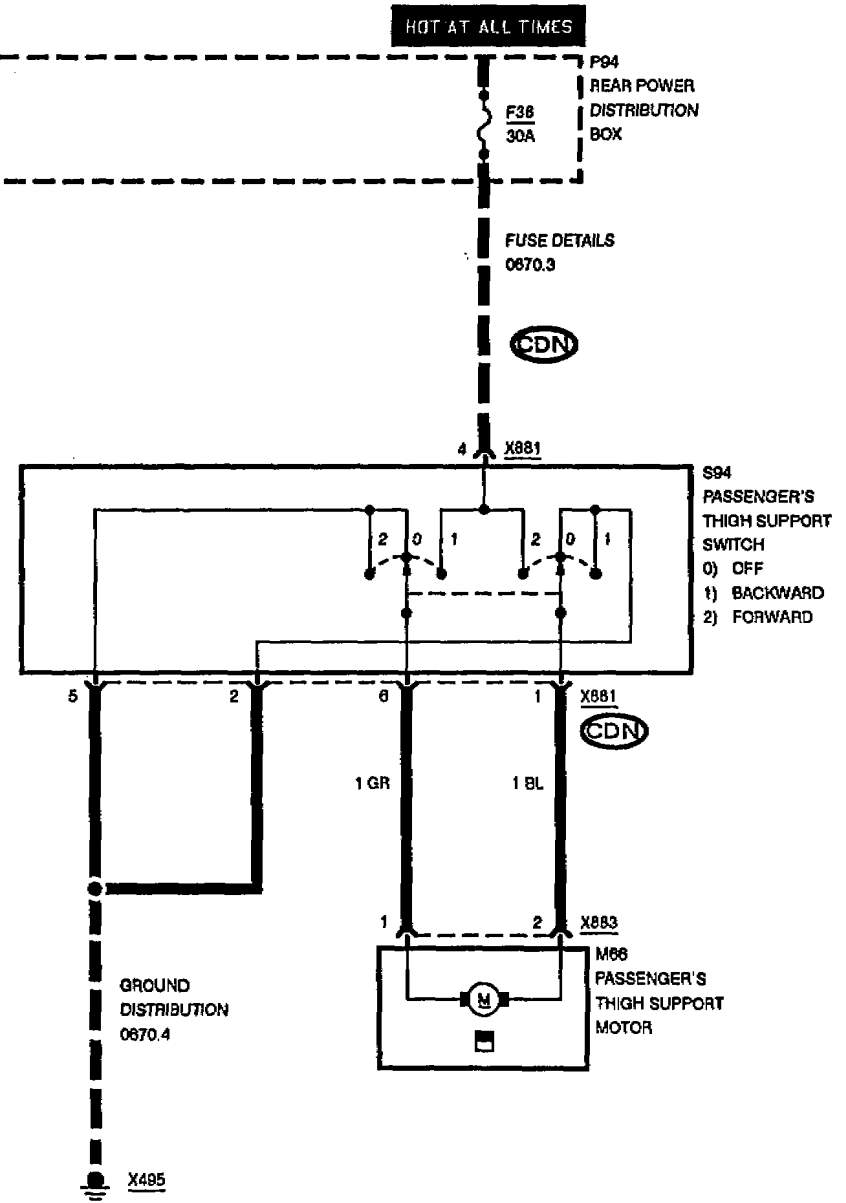
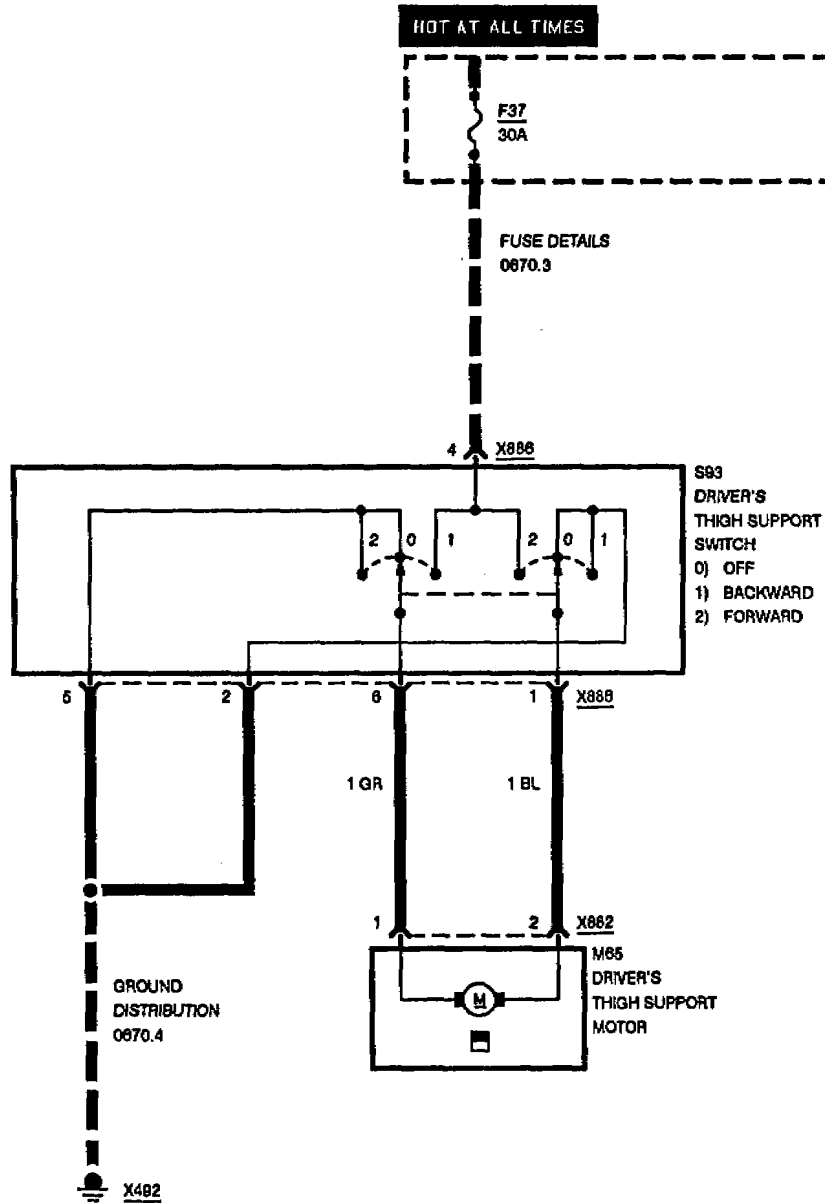
GROUND DISTRIBUTION  
0870.4

X485



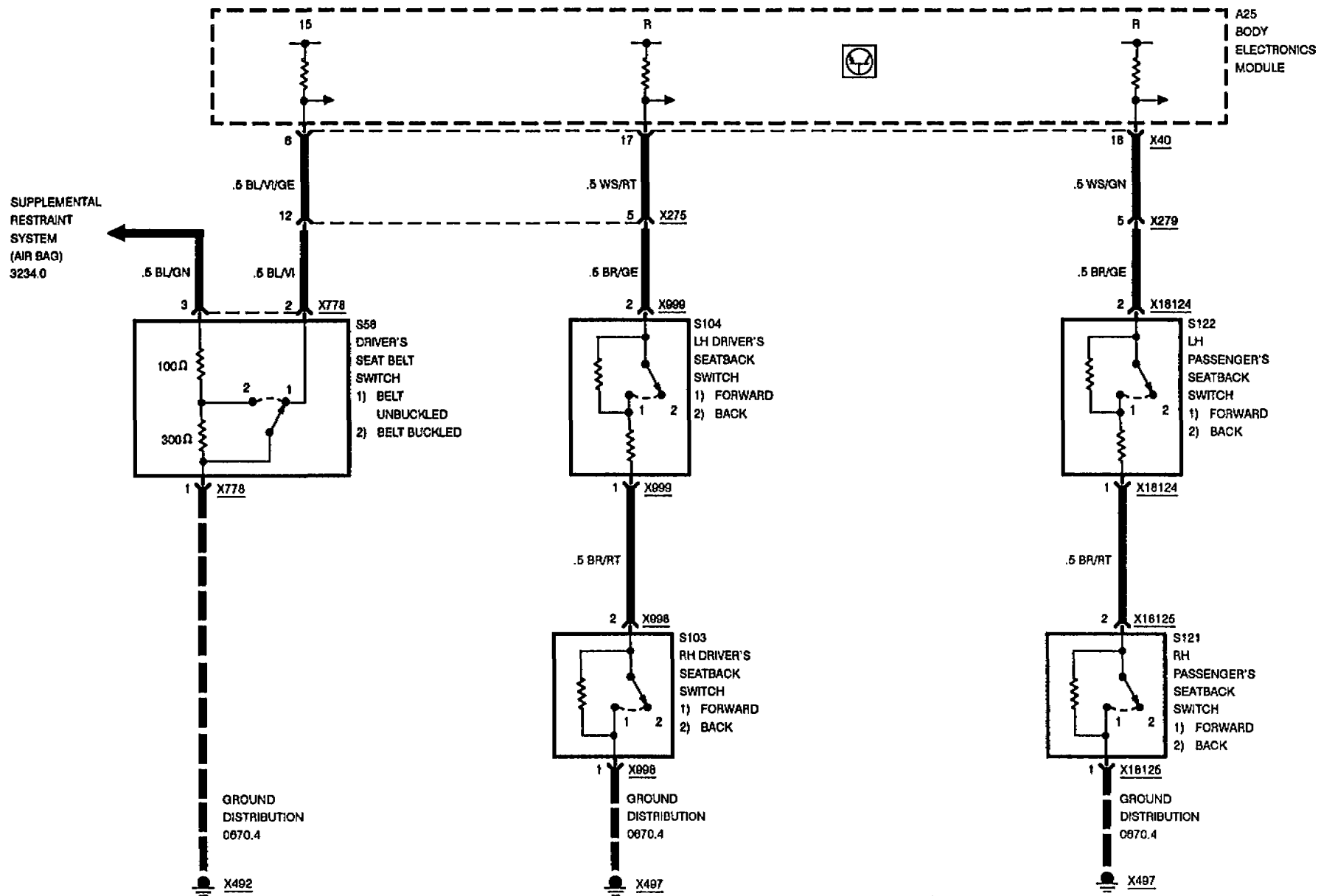
# POWER SEATS

## THIGH SUPPORT



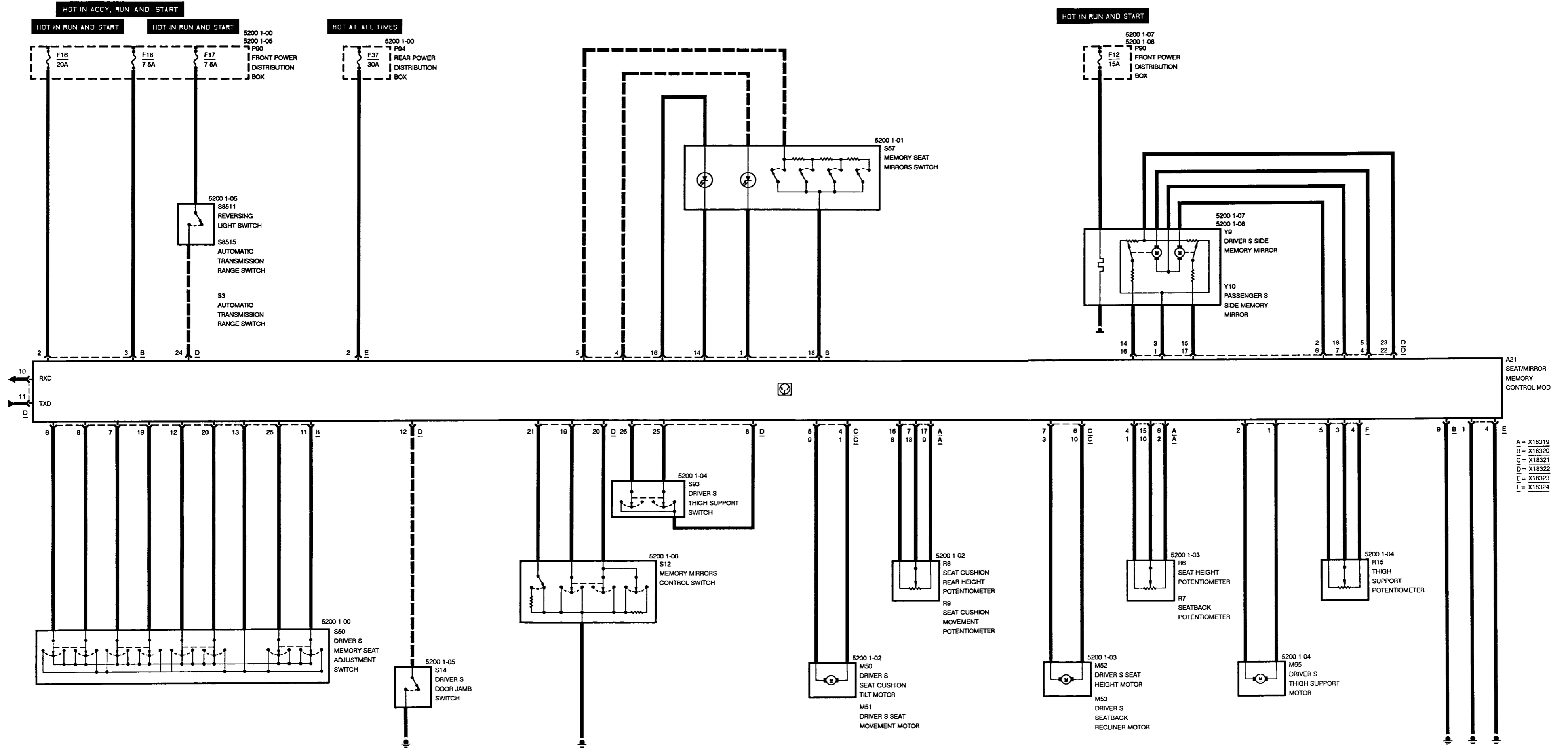


# POWER SEATS

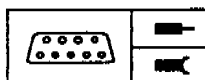




5200.0-04







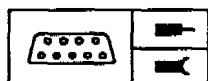
## Pin Assignments

A=X18319	18 pins, black
B=X18320	26 pins, white
C=X18321	10 pins, black
D=X18322	26 pins, black
E=X18323	4 pins, black
F=X18324	5 pins, black

### X18319

Pin	Type	Description/Function	Connection
1	A	Potentiometer voltage	Driver's seat back potentiometer
2	M	Ground	Driver's seat back potentiometer
3		Not used	
4	A	Potentiometer voltage	Driver's seat height potentiometer
5		Not used	
6	M	Ground	Driver's seat height potentiometer
7	E	Seat rear height signal	Driver's seat rear height potentiometer
8	A	Potentiometer voltage	Driver's seat movement potentiometer
9	M	Ground	Driver's seat movement potentiometer
10	E	Seat back position signal	Driver's seat back potentiometer
11		Not used	
12		Not used	
13		Not used	
14		Not used	
15	E	Seat height position signal	Driver's seat height potentiometer
16	A	Potentiometer voltage	Driver's seat rear height potentiometer
17	M	Ground	Driver's seat rear height potentiometer
18	E	Seat cushion position signal	Driver's seat movement potentiometer

E = Input, A = Output, M = Ground

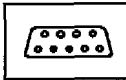


## Pin Assignments

### X18320

Pin	Type	Description/Function	Connection
1	E	Memory switch connection	Memory switch
2	E	Terminal 15 voltage	Fuse
3	E	Terminal R voltage	Fuse
4	E	Memory switch connection	Memory switch
5	E	Memory switch pin 1	Memory switch
6	E	Seat movement forward	Seat adjustment switch
7	E	Tilt up	Seat adjustment switch
8	E	Seat movement back	Seat adjustment switch
9	M	Ground	Ground point
10		Not used	
11	E	Backrest back	Seat adjustment switch
12	E	Height up	Seat adjustment switch
13	M	Ground	Seat adjustment switch
14	A	Illumination	Memory switch
15		Not used	
16	A	Illumination	Memory switch
17		Not used	
18	E	Memory switch connection	Memory switch
19	E	Tilt down	Seat adjustment switch
20	E	Height down	Seat adjustment switch
21		Not used	
22		Not used	
23		Not used	
24		Not used	
25	E	Backrest forward	Seat adjustment switch
26		Not used	

E = Input, A = Output, M = Ground



## Pin Assignments

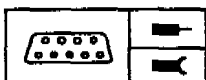
### X18321

Pin	Type	Description/Function	Connection
1	E/A	Motor voltage/ground	Driver's seat movement motor
2		Not used	
3	E/A	Motor voltage/ground	Driver's seat back recliner motor
4	E/A	Motor voltage/ground	Driver's seat cushion tilt motor
5	E/A	Motor voltage/ground	Driver's seat cushion tilt motor
6	E/A	Motor voltage/ground	Driver's seat height motor
7	E/A	Motor voltage/ground	Driver's seat height motor
8		Not used	
9	E/A	Motor voltage/ground	Driver's seat movement motor
10	E/A	Motor voltage/ground	Driver's seat back recliner motor

### X18322

Pin	Type	Description/Function	Connection
1	E	Potentiometer connection	Passenger's mirror
2	A	Connection, driver's mirror adjustment motor	Driver's mirror
3	M	Ground	Driver's mirror
4	A	Connection, passenger's mirror adjustment motor	Passenger's mirror
5	A	Connection, driver's mirror adjustment motor	Driver's mirror
6	A	Connection, passenger's mirror adjustment motor	Passenger's mirror
7	A	Connection, passenger's mirror adjustment motor	Passenger's mirror
8	M	Ground	Thigh support switch
9		Not used	
10	A	Diagnosis (RxD)	Data link connector
11	E	Diagnosis (TxD)	Data link connector
12	E	Driver's door status	Driver's door jamb switch

E = Input, A = Output, M = Ground



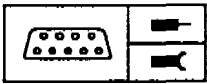
## Pin Assignments

Pin	Type	Description/Function	Connection
13		Not used	
14	E	Potentiometer connection	Driver's mirror
15	E	Potentiometer connection	Driver's mirror
16	E	Potentiometer connection	Passenger's mirror
17	E	Potentiometer connection	Passenger's mirror
18	A	Connection, driver's mirror adjustment motor	Driver's mirror
19	E	Mirror adjustment	Mirror control switch
20	E	Mirror adjustment	Mirror control switch
21	E	Mirror adjustment	Mirror control switch
22	E	Potentiometer connection	Passenger's mirror
23	E	Potentiometer connection	Driver's mirror
24	E	Reverse gear signal	Back-up switch
25	E	Thigh support forward	Thigh support switch
26	E	Thigh support backward	Thigh support switch

### X18323

Pin	Type	Description/Function	Connection
1	M	Ground	Ground point
2	E	Terminal 30 voltage	Fuse
3		Not used	
4	M	Ground	Ground point

E = Input, A = Output, M = Ground



## Pin Assignments

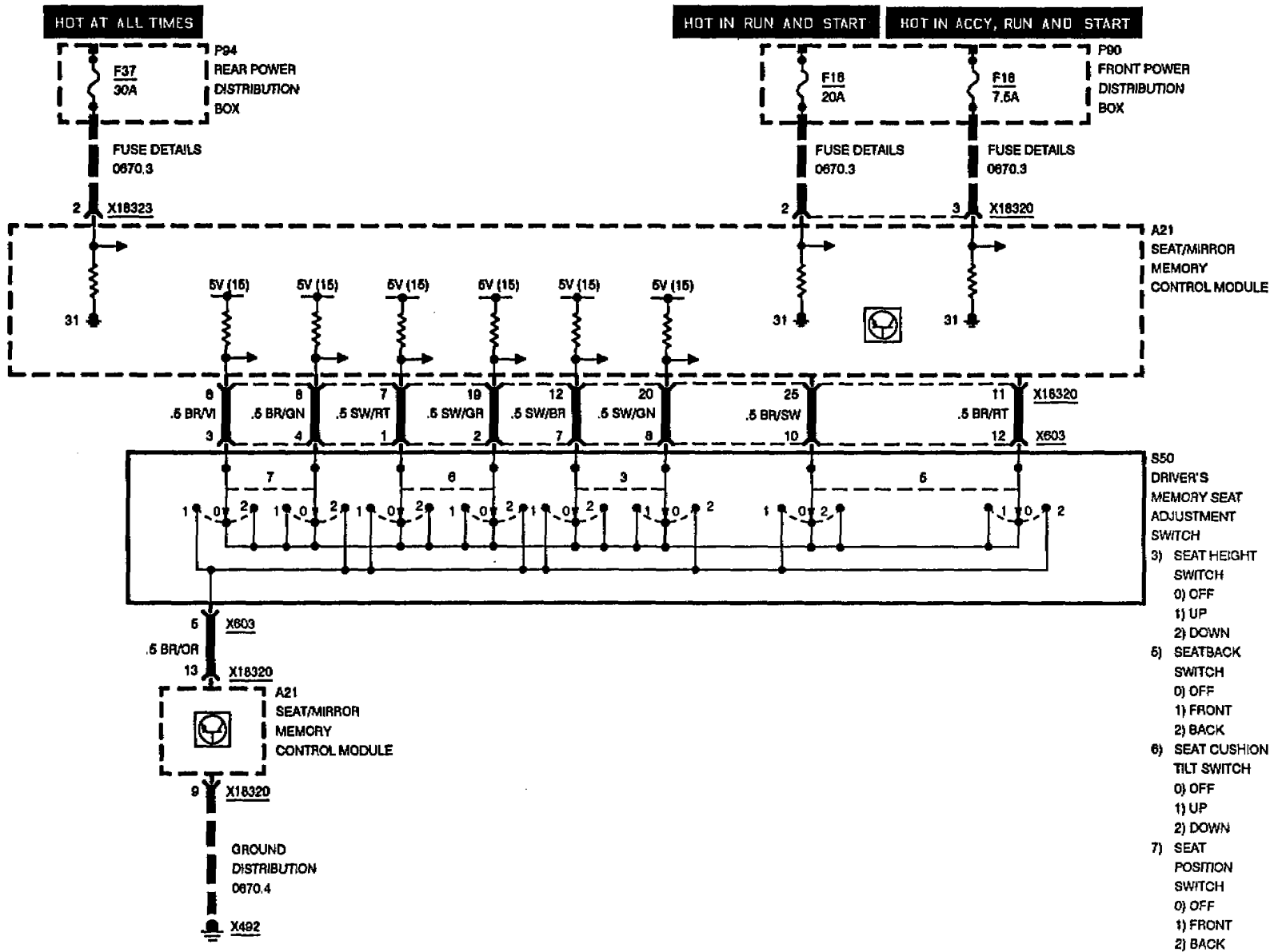
### X18324

1	E/A	Motor voltage/ground	Driver's seat thigh support motor
2	E/A	Motor voltage/ground	Driver's seat thigh support motor
3	E	Thigh support position signal	Driver's seat thigh support potentiometer
4	M	Ground	Driver's seat thigh support potentiometer
5	A	Potentiometer voltage	Driver's seat thigh support potentiometer
6		Not used	

E = Input, A = Output, M = Ground

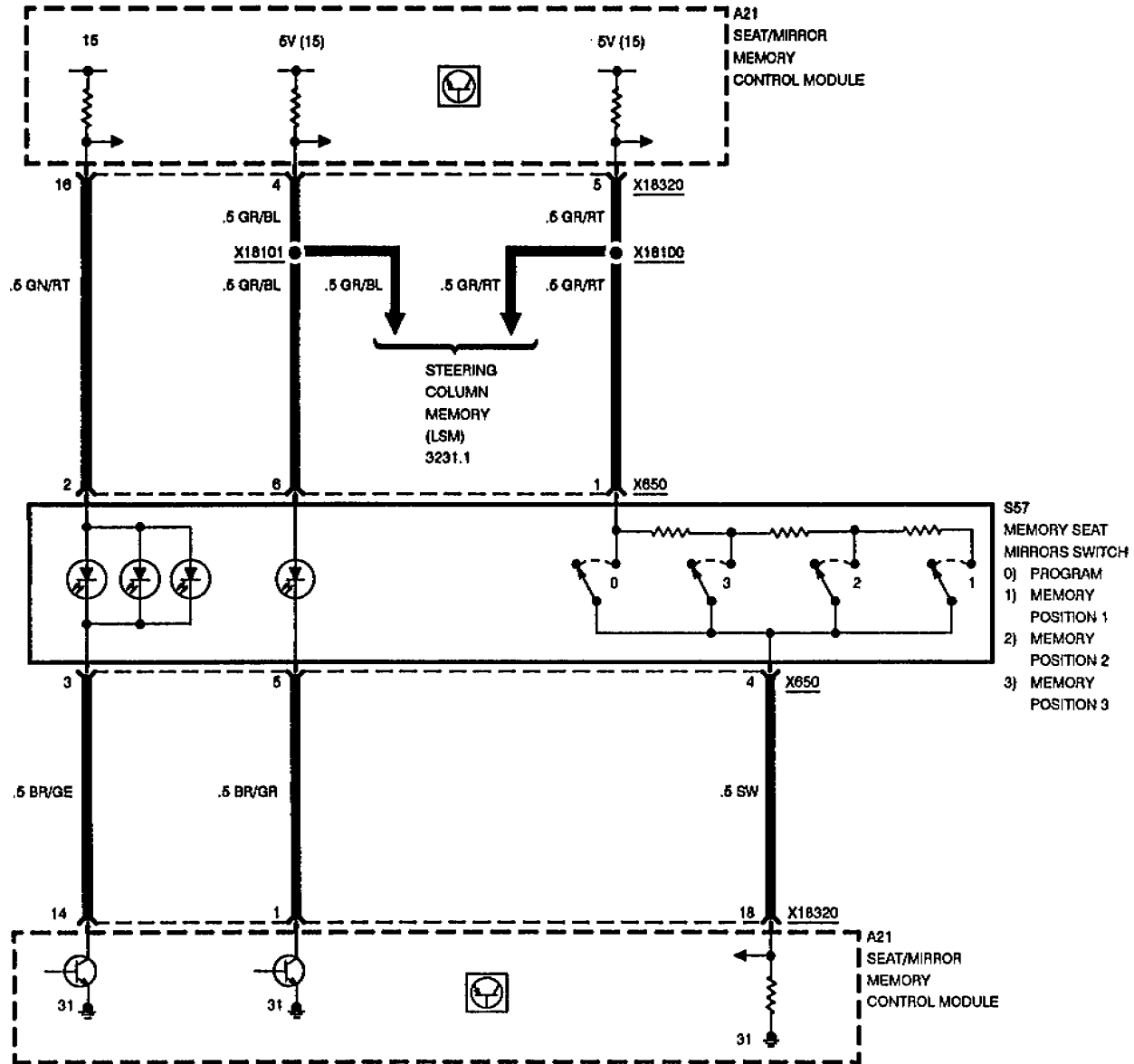


# SEAT/MIRROR MEMORY SYSTEM (SM/SPM)





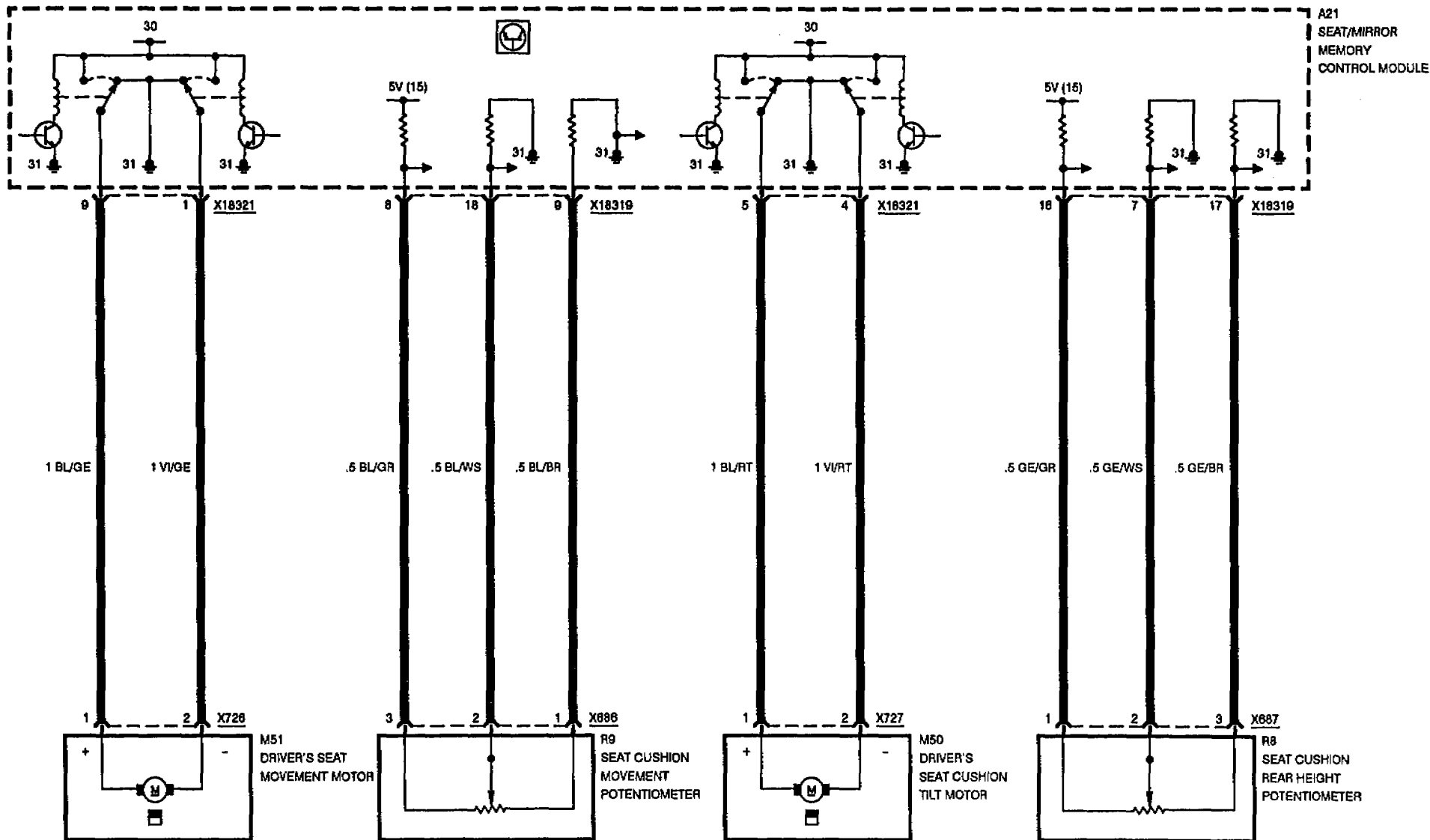
# SEAT/MIRROR MEMORY SYSTEM (SM/SPM)





# SEAT/MIRROR MEMORY SYSTEM (SM/SPM)

## SEAT

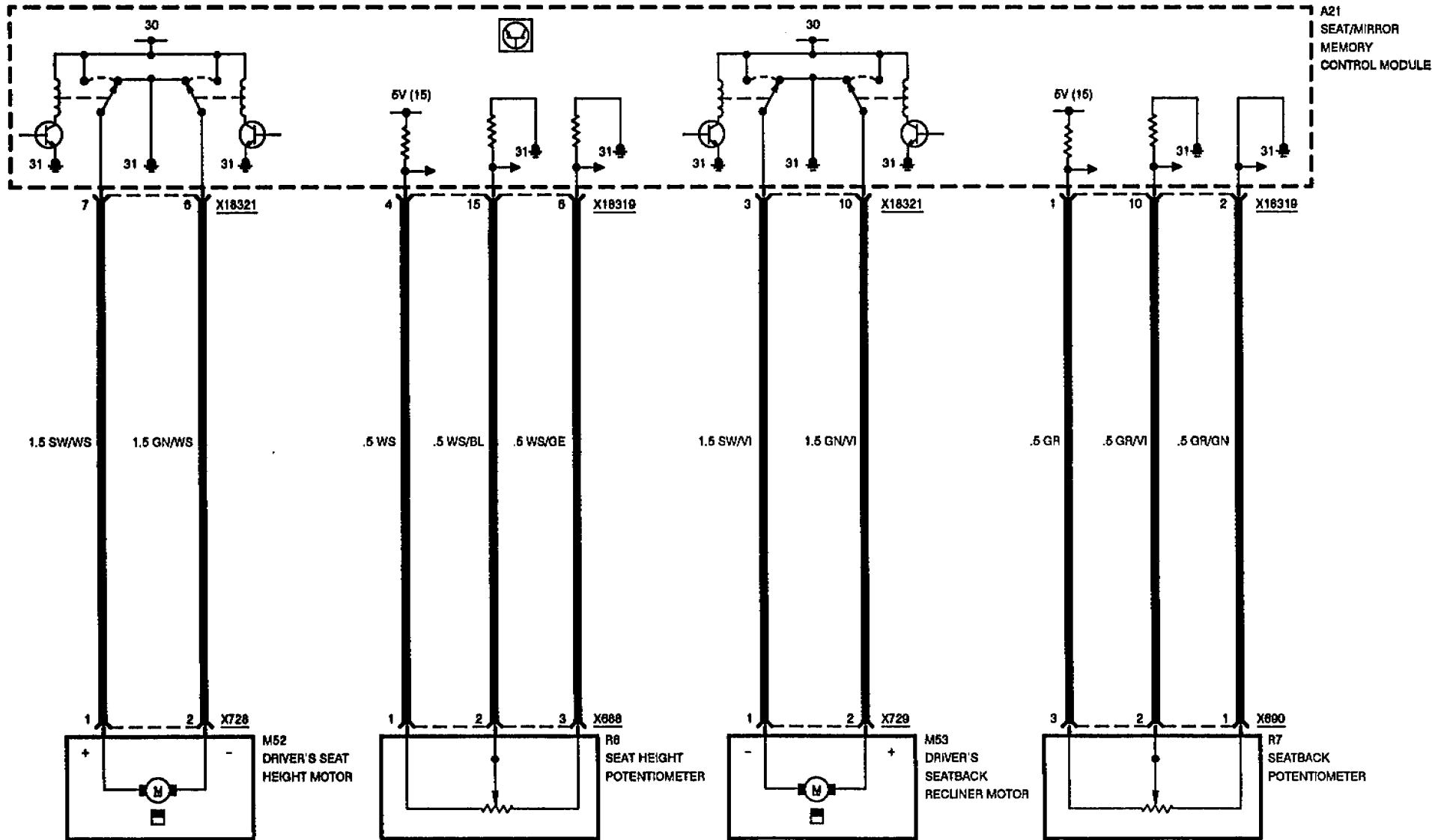






# SEAT/MIRROR MEMORY SYSTEM (SM/SPM)

## SEAT

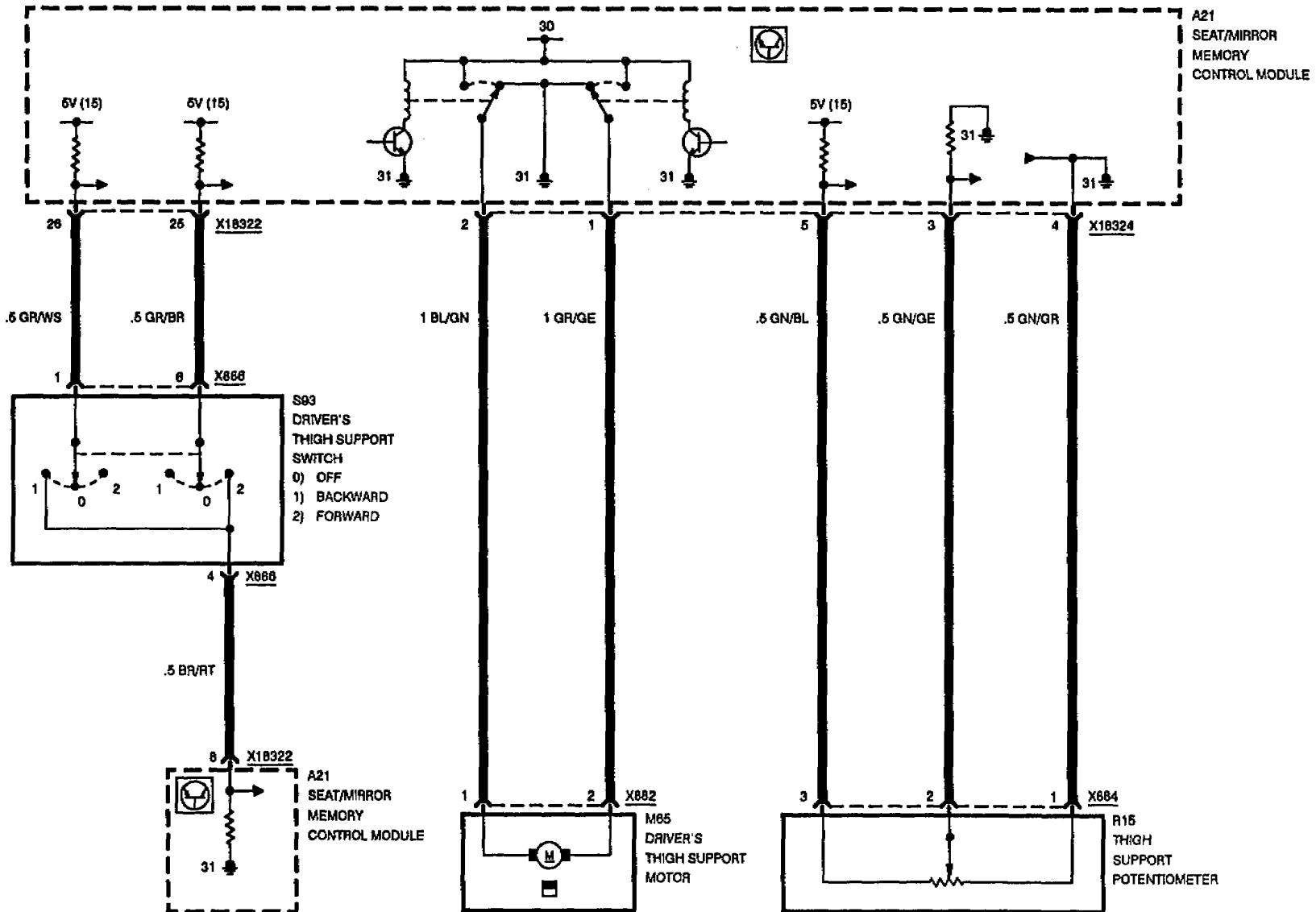




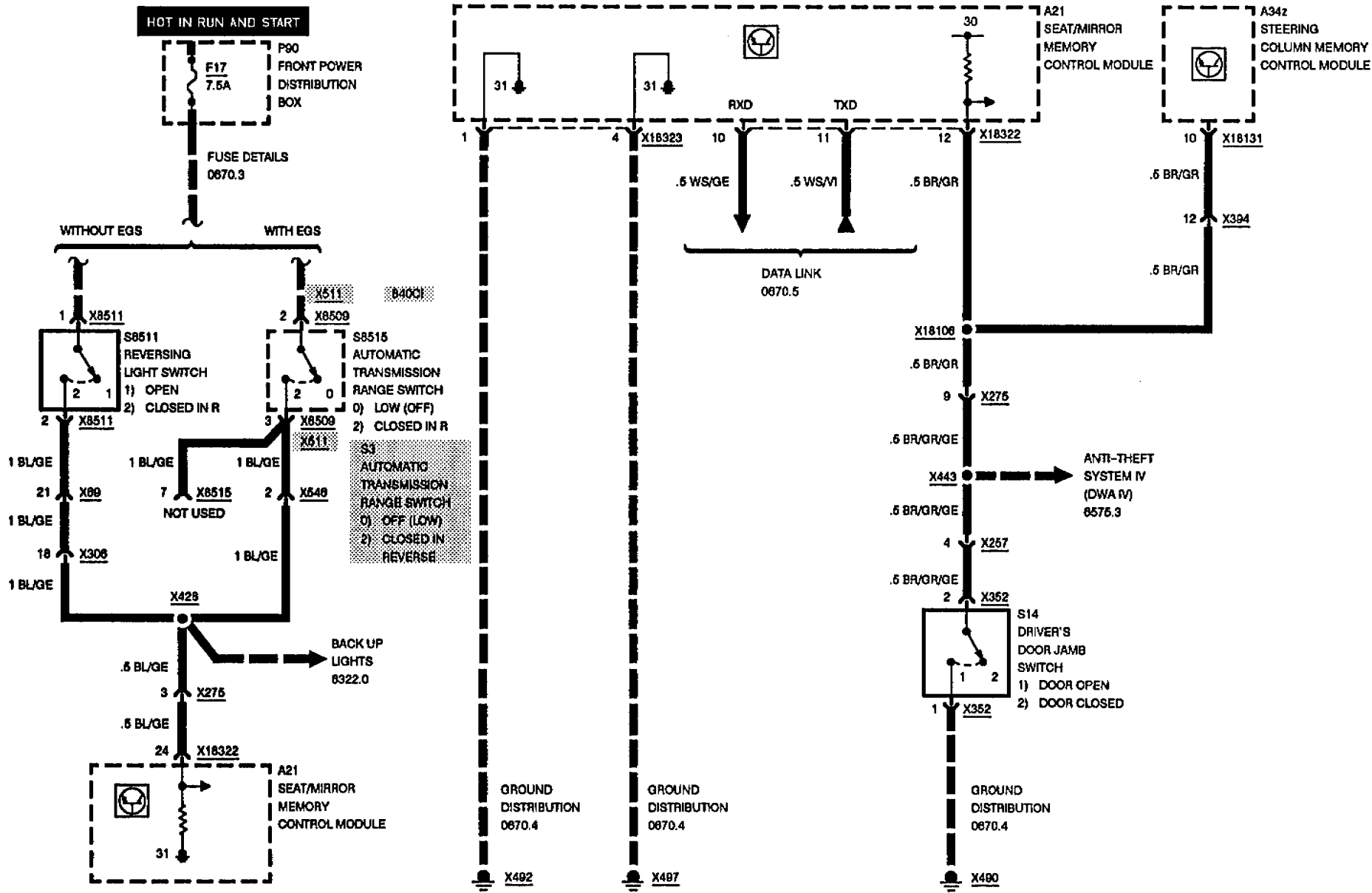
# SEAT/MIRROR MEMORY SYSTEM (SM/SPM)

## WITH SPORT SEAT

CDN



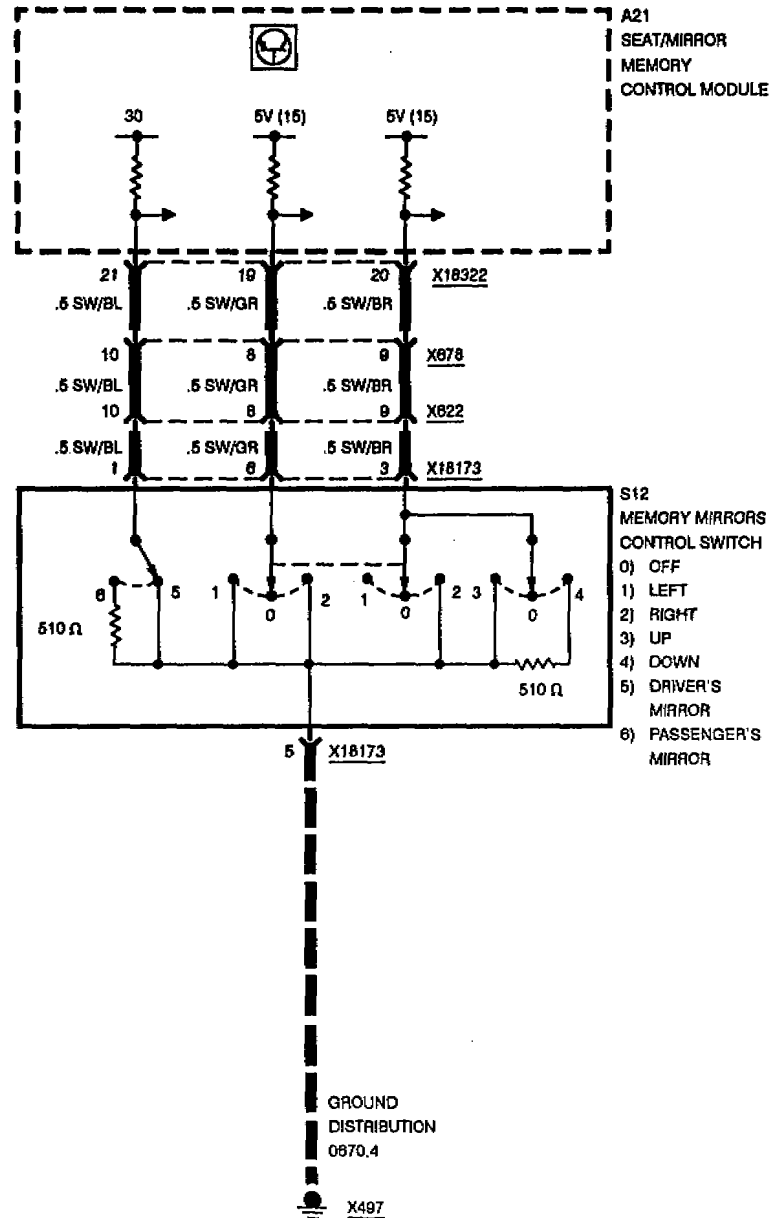
# SEAT/MIRROR MEMORY SYSTEM (SM/SPM)





# SEAT/MIRROR MEMORY SYSTEM (SM/SPM)

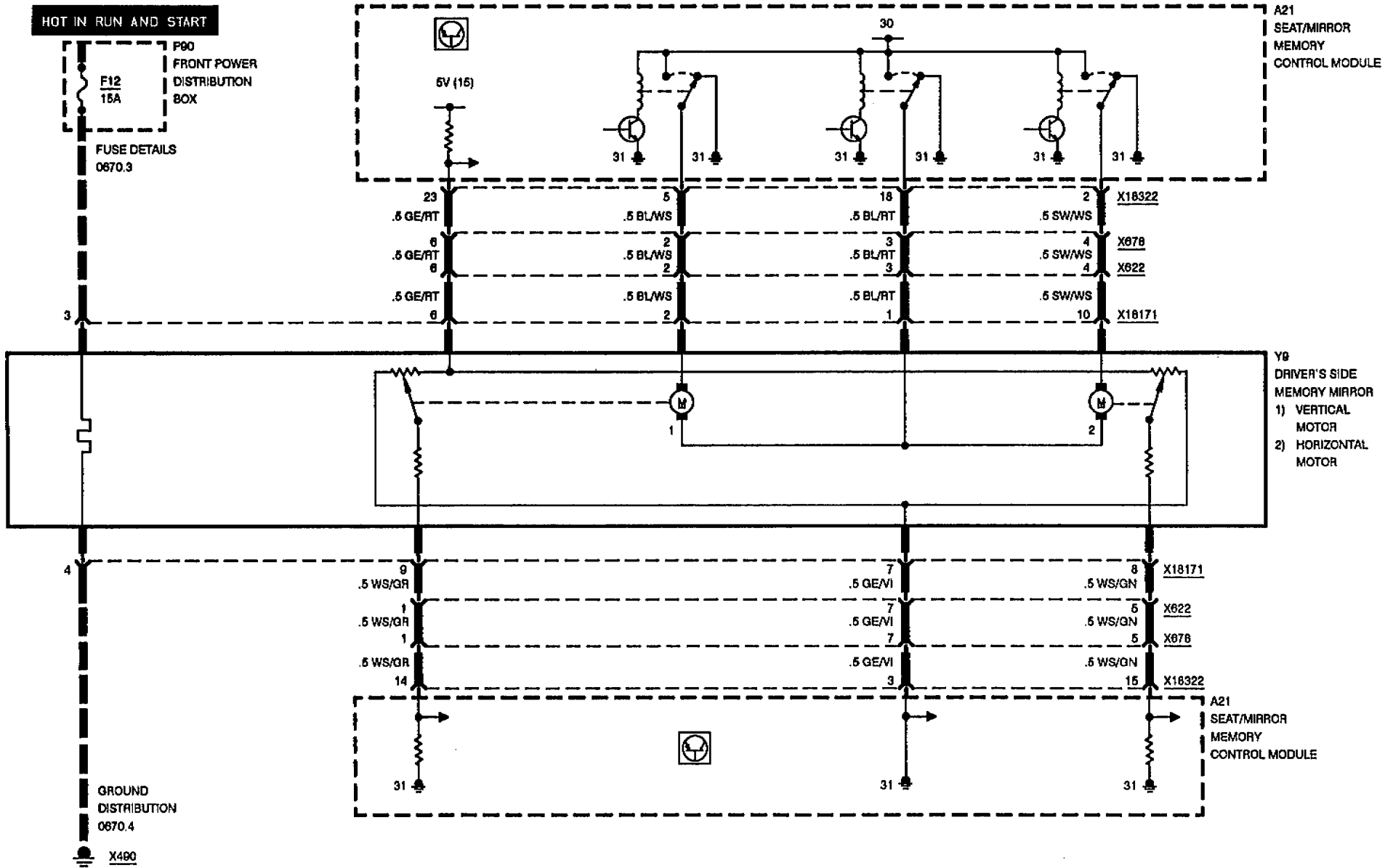
## MIRROR





# SEAT/MIRROR MEMORY SYSTEM (SM/SPM)

## MIRROR

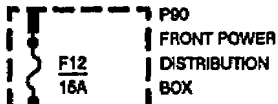




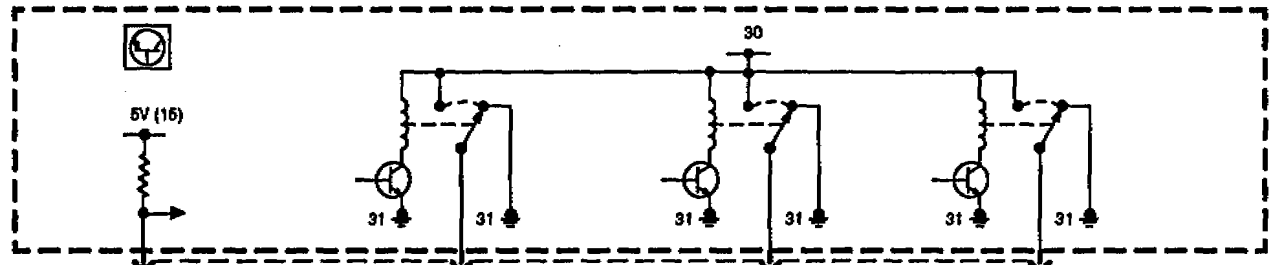
# SEAT/MIRROR MEMORY SYSTEM (SM/SPM)

## MIRROR

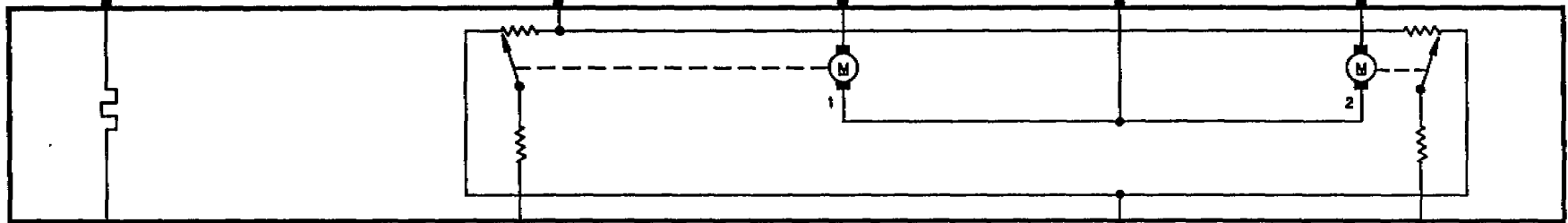
HOT IN RUN AND START



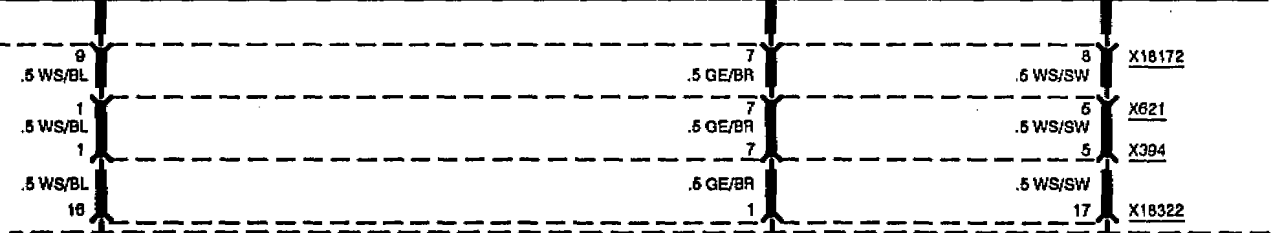
FUSE DETAILS  
0670.3



A21  
SEAT/MIRROR  
MEMORY  
CONTROL MODULE



Y10  
PASSENGER'S  
SIDE MEMORY  
MIRROR



A21  
SEAT/MIRROR  
MEMORY  
CONTROL MODULE

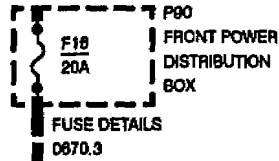






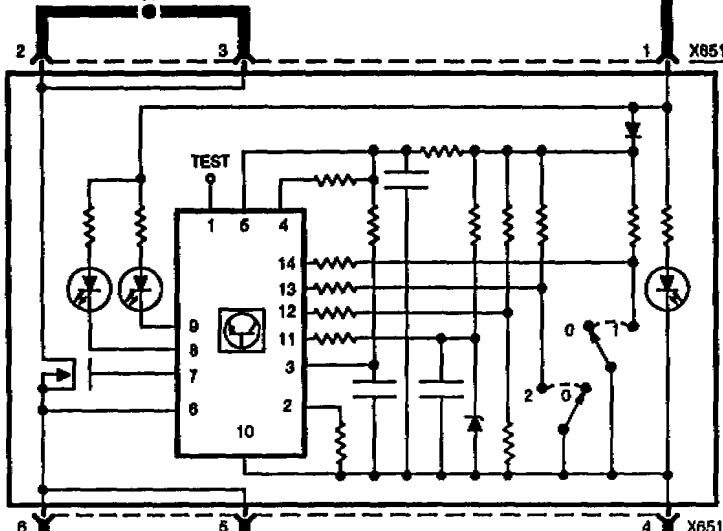
# HEATED SEATS

HOT IN RUN AND START



58g LIGHT SWITCH DETAILS 6300.0

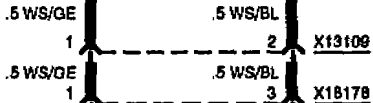
.5 GR/RT



S53 DRIVER'S SEAT SEAT HEATER SWITCH  
0) OFF  
1) MINIMUM  
2) MAXIMUM

X851

X851

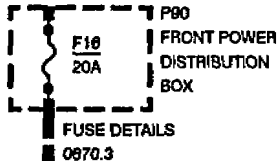


E57 DRIVER'S SEAT HEATER

E58 DRIVER'S SEATBACK HEATER

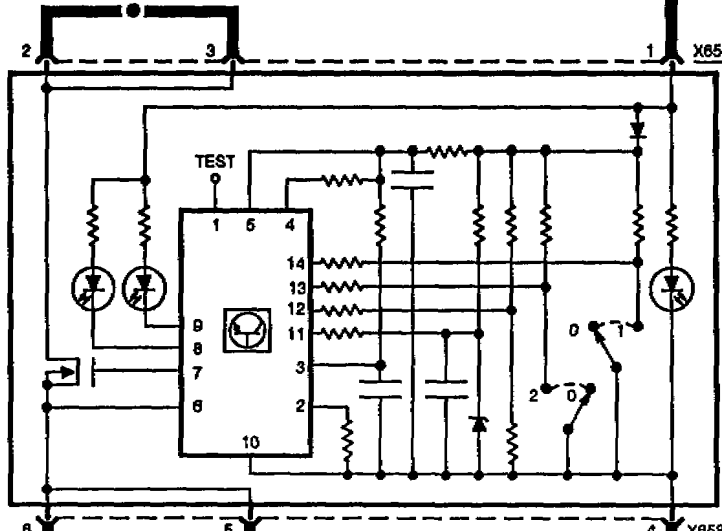


HOT IN RUN AND START



58g LIGHT SWITCH DETAILS 6300.0

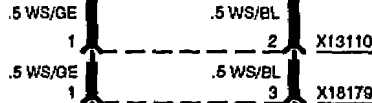
.5 GR/RT



S54 PASSENGER'S SEAT SEAT HEATER SWITCH  
0) OFF  
1) MINIMUM  
2) MAXIMUM

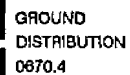
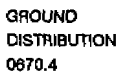
X858

X858



E58 PASSENGER'S SEAT HEATER

E59 PASSENGER'S SEATBACK HEATER



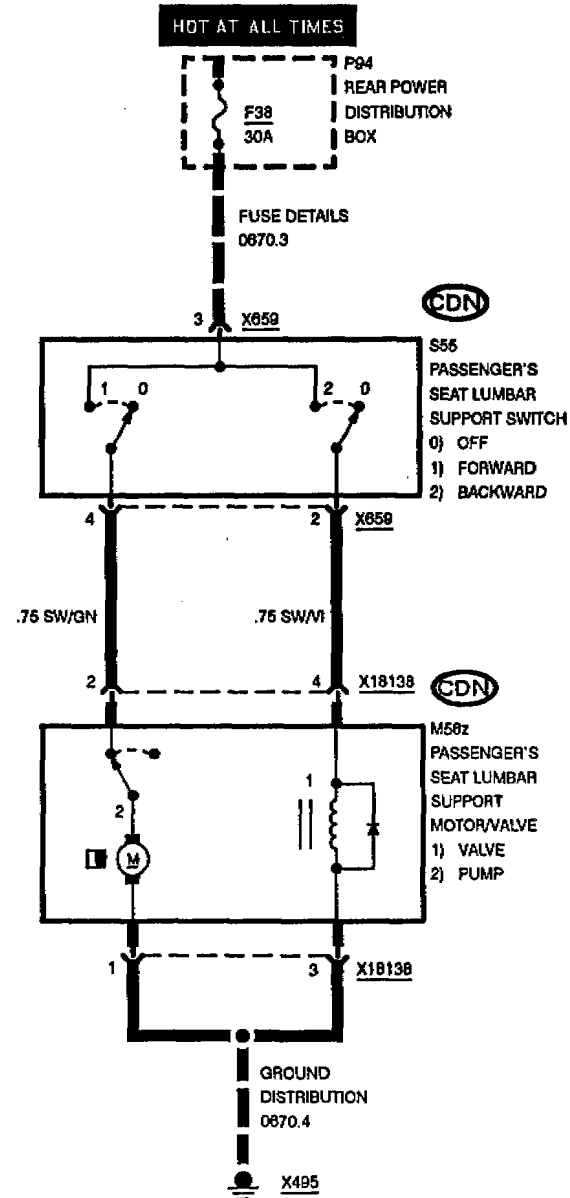
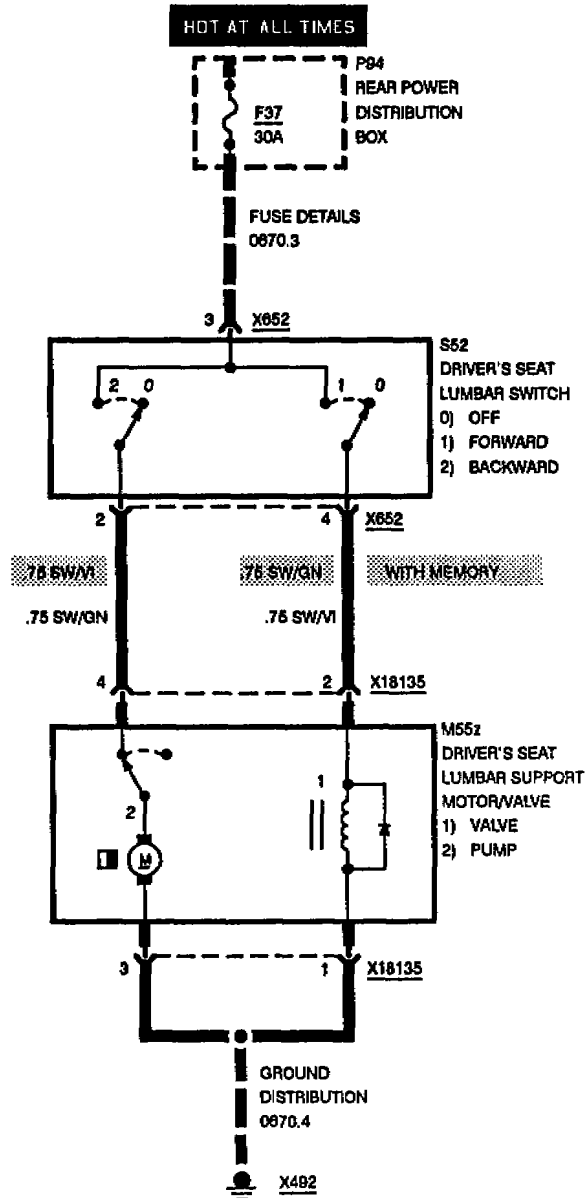


BMW  
8

5212.0



# LUMBAR SUPPORT

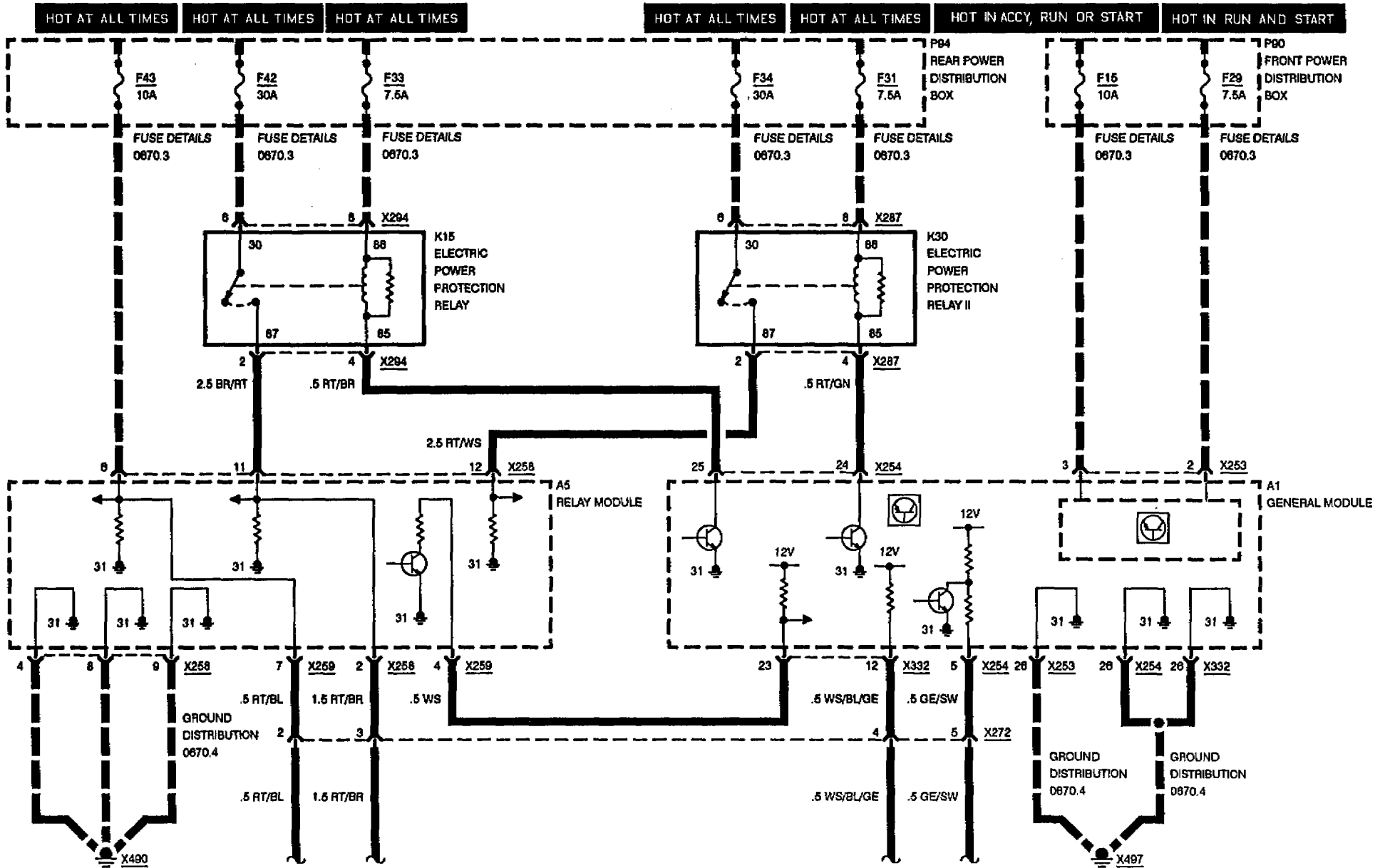


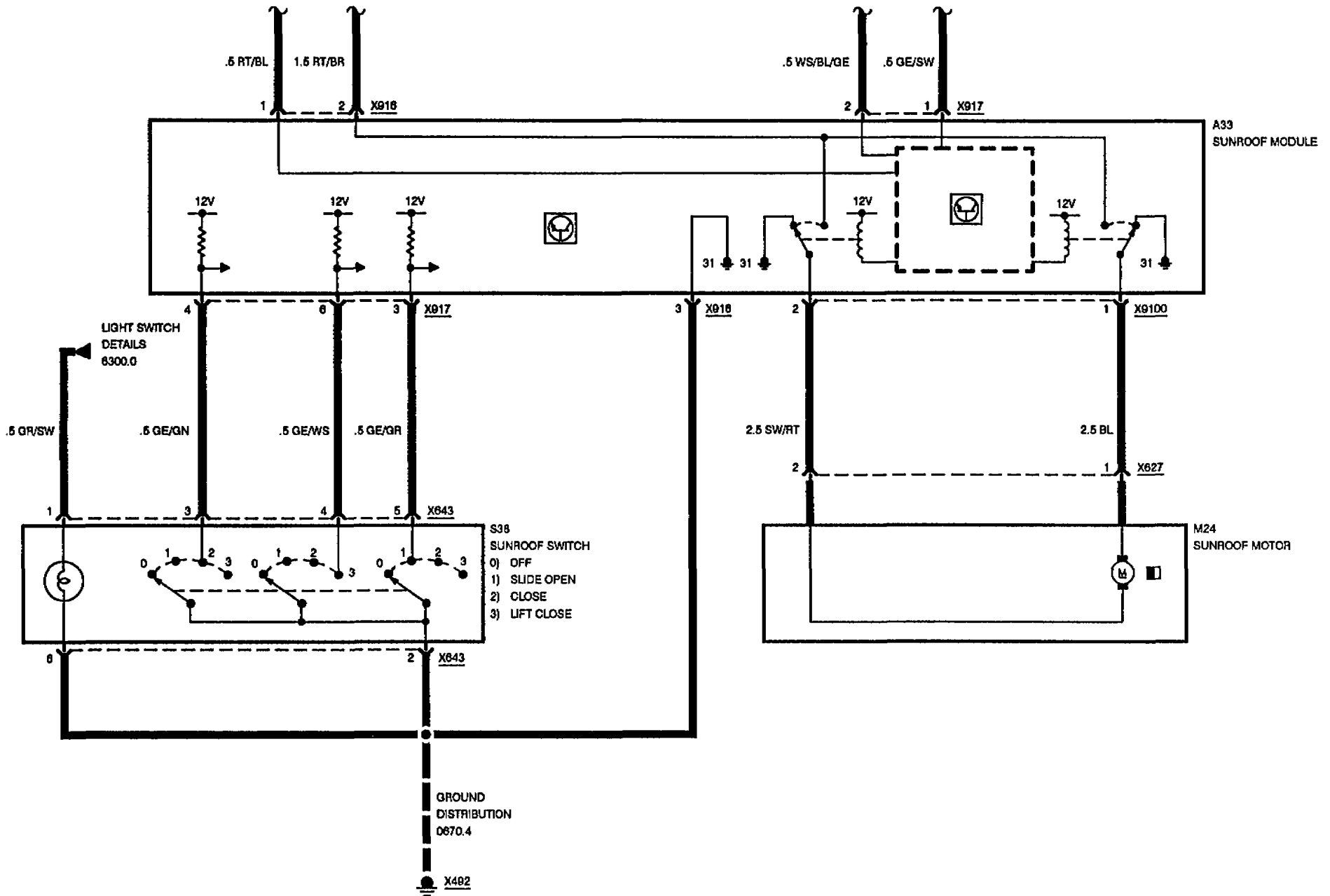
BMW  
8

5410.0



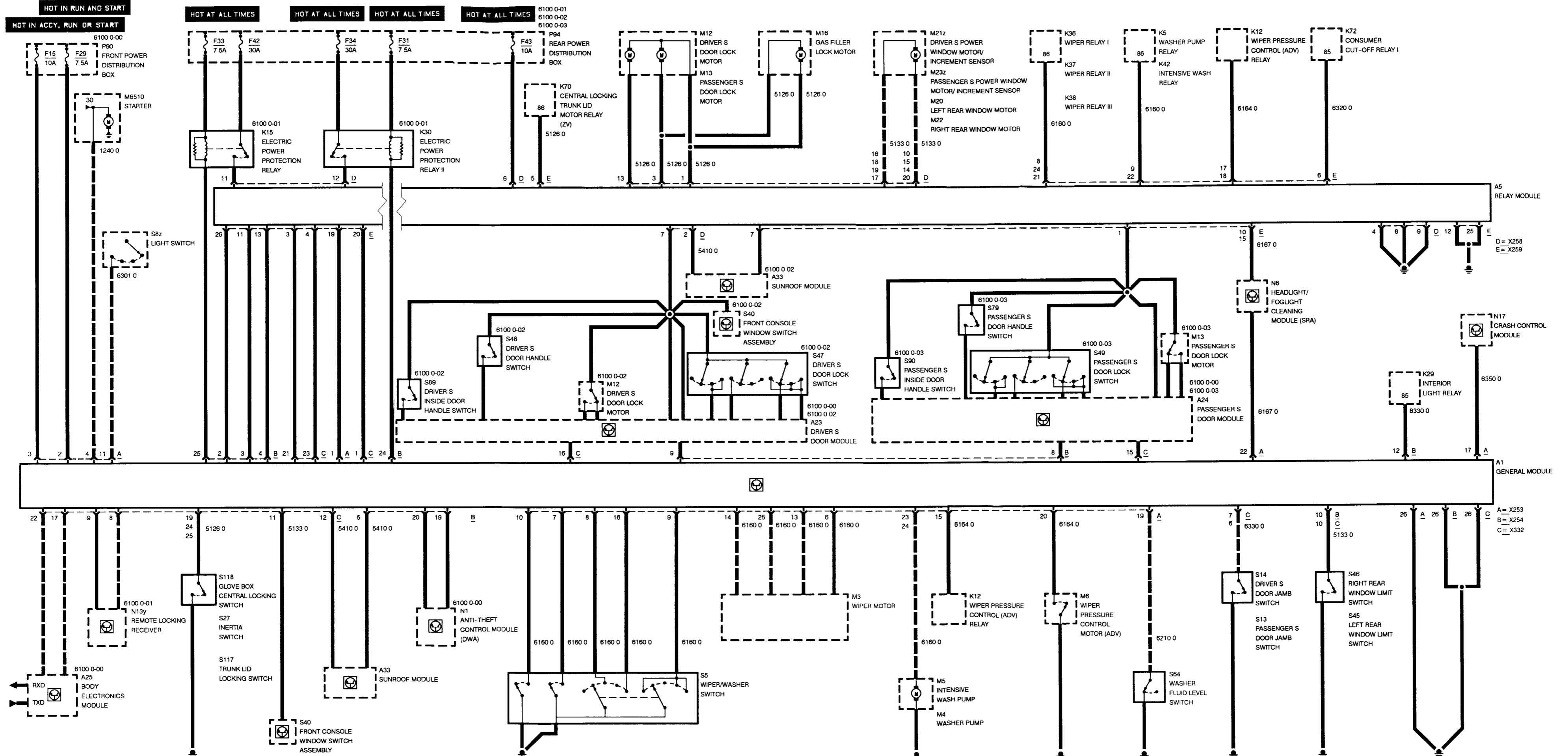
# ZKE SUNROOF (SHD)





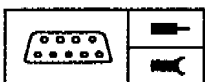
BMW  
8

5410.0-02



A = X253  
 B = X254  
 C = X332

D = X258  
 E = X259



## Pin Assignments

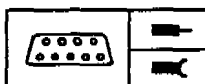
A = X253	26 pins, black
B = X254	26 pins, yellow
C = X332	26 pins, white
D = X258	20 pins, black
E = X259	26 pins, black

### X253

Pin	Type	Description/Function	Connection
1	E	Voltage for electronics (30)	Relay module
2	E	Ignition voltage (15)	Fuse
3	E	Voltage (R)	Fuse
4	E	Starter signal (30h)	Starter
5		Not used	
6	E	Wiper reset contact	Wiper motor
7	E	Wash	Wiper/washer switch
8	E	Intermittent wipe	Wiper/washer switch
9	E	Wiper speed: 1	Wiper/washer switch
10	E	Intensive wash/telephone	Wiper/washer switch
11	E	Headlamp on (58)	Light switch
12		Not used	
13	E	Diagnosis, wiper relay (speed 1/2)	Wiper relay III/wiper motor
14	E	Diagnosis, wiper relay (park)	Wiper relay I/wiper motor
15	E	Diagnosis, ADV	Wiper pressure control (ADV) relay
16	E	Wiper speed: 2	Wiper/washer switch
17	A	Interface to hazard warning lights	Crash control unit
18		Not used	
19	E	Low washer fluid warning	Washer fluid level switch
20	E	ADV cam switch	Wiper pressure control motor (ADV)
21		Not used	
22	E	Diagnosis, headlight washer module	Headlight washer (SRA)
23	E	Diagnosis, intensive wash	Intensive wash relay and pump
24	E	Diagnosis, washer pump and relay	Washer pump and relay

E = Input, A = Output, M = Ground





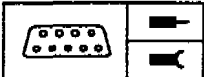
## Pin Assignments

Pin	Type	Description/Function	Connection
25	E	Diagnosis, wiper relay (speed 1/2)	Wiper relay III/wiper motor
26	M	Ground for electronics (31)	Ground point

### X254

Pin	Type	Description/Function	Connection
1		Not used	
2	A	Relay module interface	Relay module
3	A	Relay module interface	Relay module
4	A	Relay module interface	Relay module
5	A	Interface to sunroof	Sunroof module
6		Not used	
7		Not used	
8	A	Interface to passenger's door module	Passenger's door module
9	A	Interface to driver's door module	Driver's door module
10	E	Right rear window contact	Window limit switch
11		Not used	
12	A	Interior light relay activation	Interior light relay
13		Not used	
14		Not used	
15		Not used	
16		Not used	
17		Not used	
18		Not used	
19	A	Interface to DWA	DWA
20	A	Interface to DWA	DWA
21		Not used	
22		Not used	
23		Not used	
24	A	Electronic power protection: Activation for passenger's side relay	Electric power protection relay

E = Input, A = Output, M = Ground



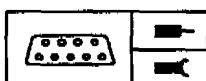
## Pin Assignments

Pin	Type	Description/Function	Connection
25	A	Electronic power protection: Activation for driver's side relay	Electric power protection relay
26	M	Ground for electronics (31)	Ground point

### X332

Pin	Type	Description/Function	Connection
1	E	Voltage for electronics (30)	Relay module
2		Not used	
3		Not used	
4		Not used	
5		Not used	
6	E	Passenger's door contact	Passenger's door jamb switch
7	E	Driver's door contact	Driver's door jamb switch
8	E	Interface from antitheft	N13y Remote control
9	E	Interface from antitheft	N13y Remote control
10	E	Left rear window contact	Window limit switch
11	E	Interface from power windows	Power window switch assembly
12	E	Interface from sunroof	Sunroof module
13		Not used	
14		Not used	
15	E	Interface from passenger's door module	Passenger's door module
16	E	Interface from driver's door module	Driver's door module
17	E/A	I-bus interface	Body electronics module (EKM)
18		Not used	
19	E	Lock glove box signal	Glove box locking switch
20		Not used	
21	E	Interface from relay module; diagnostic feedback RM functions	Relay module
22	E	Vehicle speed signal	Body electronics module (EKM)
23	E	Interface from relay module; power measurement RM functions	Relay module

E = Input, A = Output, M = Ground



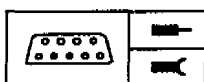
## Pin Assignments

Pin	Type	Description/Function	Connection
24	E	Crash sensor	Inertia switch
25	E	Command, unlock rear lid	Trunk lid locking switch
26	M	Ground for electronics (31)	Ground point

### X258

Pin	Type	Description/Function	Connection
1	A	Activation of ZV motors: Unlock	Door and gas filler lock motors
2	A	Voltage for power circuit on driver's side from electronic power protection	Sunroof module
3	A	Activation of ZV motors: Lock	Door and gas filler lock motors
4	M	Ground for electronics	Ground point
5		Not used	
6	E	Voltage (30) for electronics for all ZKE modules	Fuse
7	A	Voltage for driver's door module electronics	Driver's door module
8	M	Ground for ZV and FH motors	Ground point
9	M	Ground for ZV and FH motors	Ground point
10	A	Activation FH motor: driver's door, open	Driver's window motor (FH)
11	E	Voltage for power circuit on driver's side from electronic power protection	Electric power protection relay
12	E	Voltage for power circuit on passenger's side from electronic power protection	Electric power protection relay
13	A	Activation ZV motors: Central arrest	Door lock motors (ZV)
14	A	Activation FH motor: Left rear side, close	Left rear window motor (FH)
15	A	Activation FH motor: Passenger's door, open	Passenger's window motor (FH)
16	A	Activation FH motor: Driver's door, close	Driver's window motor (FH)
17	A	Activation FH motor: Right rear side, open	Right rear window motor (FH)
18	A	Activation FH motor: Passenger's door, close	Passenger's window motor (FH)
19	A	Activation FH motor: Left rear side, open	Left rear window motor (FH)
20	A	Activation FH motor: Right rear side, close	Right rear window motor (FH)

E = Input, A = Output, M = Ground



## Pin Assignments

### X259

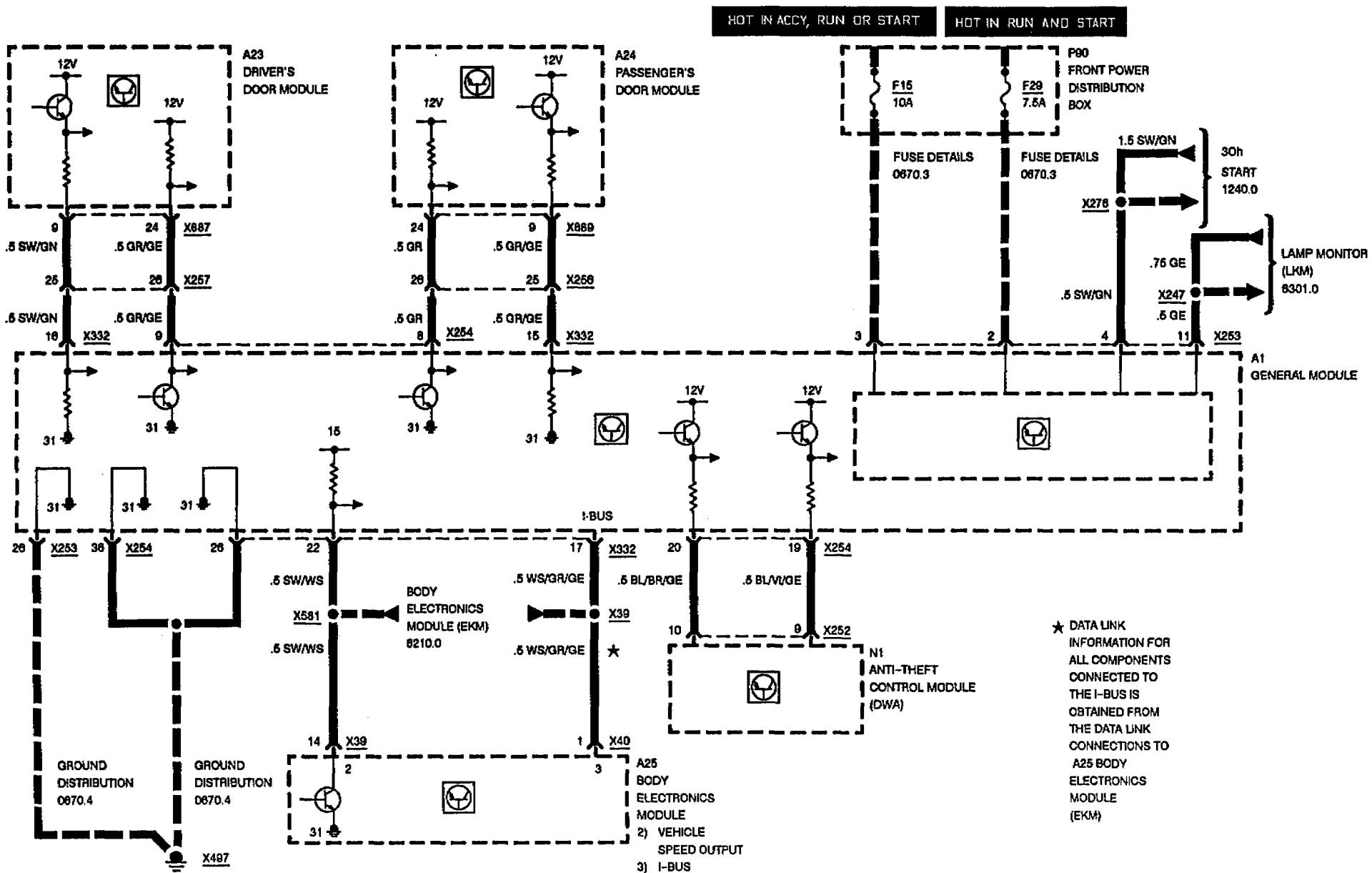
Pin	Type	Description/Function	Connection
1	A	Voltage for passenger's door module electronics	Passenger's door module
2		Not used	
3	A	Interface to general module, diagnostic feedback RM function	General module
4	A	Interface to general module, power measurement RM	General module
5	A	Relay activation, unlock rear lid	Trunk lid motor relay
6	A	Relay activation, load cut-out	Consumer cut-off relay I
7	A	Voltage for sunroof module electronics	Sunroof module
8	A	Relay activation, wiper park position	Wiper relay I
9	A	Relay activation, washer pump	Washer pump relay
10	A	SRA module activation: Headlight washer	Headlight washer module (SRA)
11	A	General module interface	General module
12	M	Ground for electronics	Ground point
13	A	General module interface	General module
14		Not used	
15	A	SRA module activation: Washer pump luggage compartment	Headlight washer module (SRA)
16		Not used	
17	A	ADV module activation: Reduce pressure	Wiper pressure control relay (ADV)
18	A	ADV module activation: Increase pressure	Wiper pressure control relay (ADV)
19	A	Voltage for general module electronics	General module
20	A	Voltage for general module electronics	General module
21	A	Relay activation, wiper speed 2	Wiper relay III
22	A	Relay activation, intensive wash (SIR)	Intensive wash relay
23		Not used	
24	A	Relay activation, wiper speed 1	Wiper relay II
25	M	Ground for electronics	Ground point
26	A	General module interface	General module

E = Input, A = Output, M = Ground



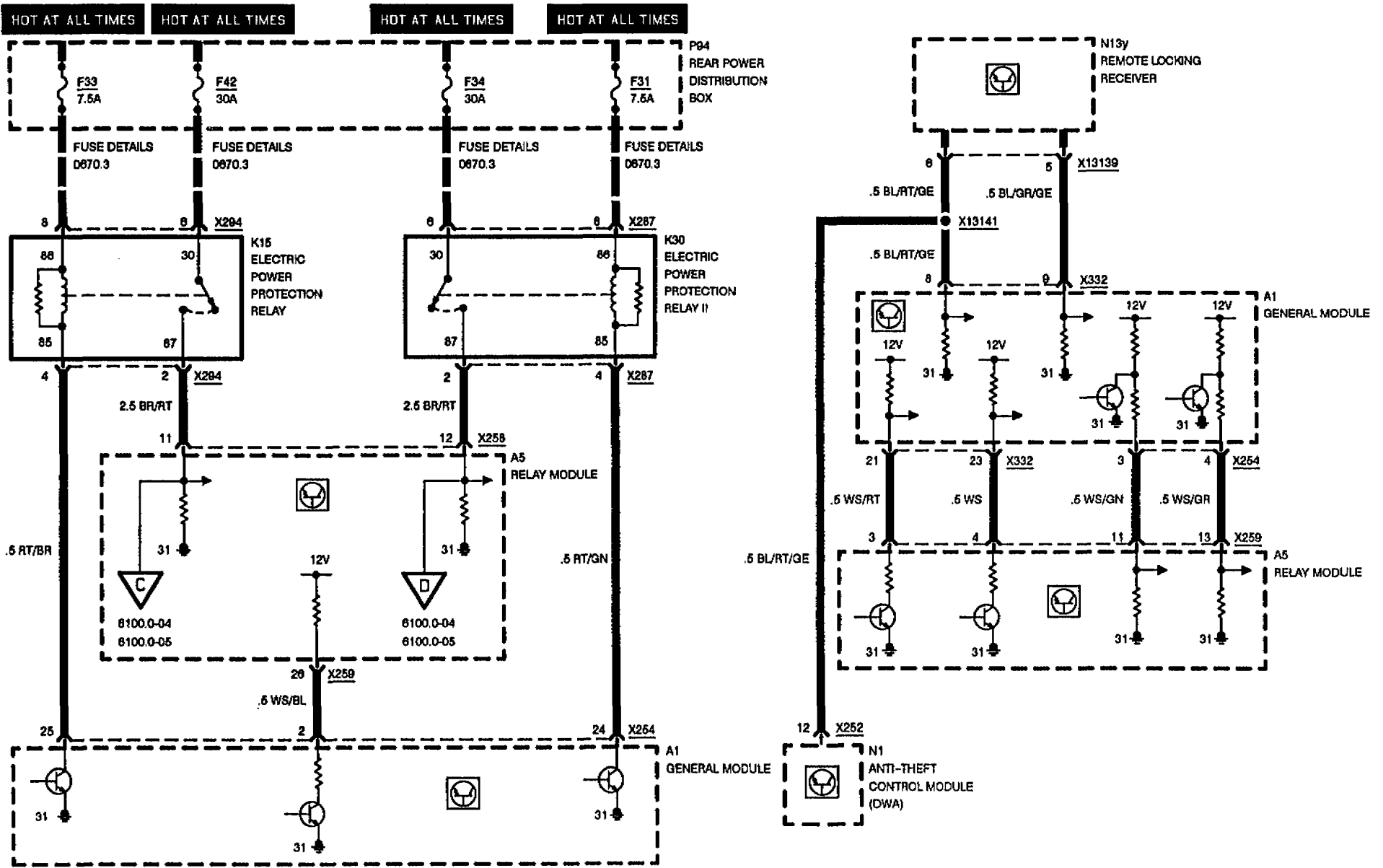
# CENTRAL BODY ELECTRONICS (ZKE II)

## GENERAL MODULE



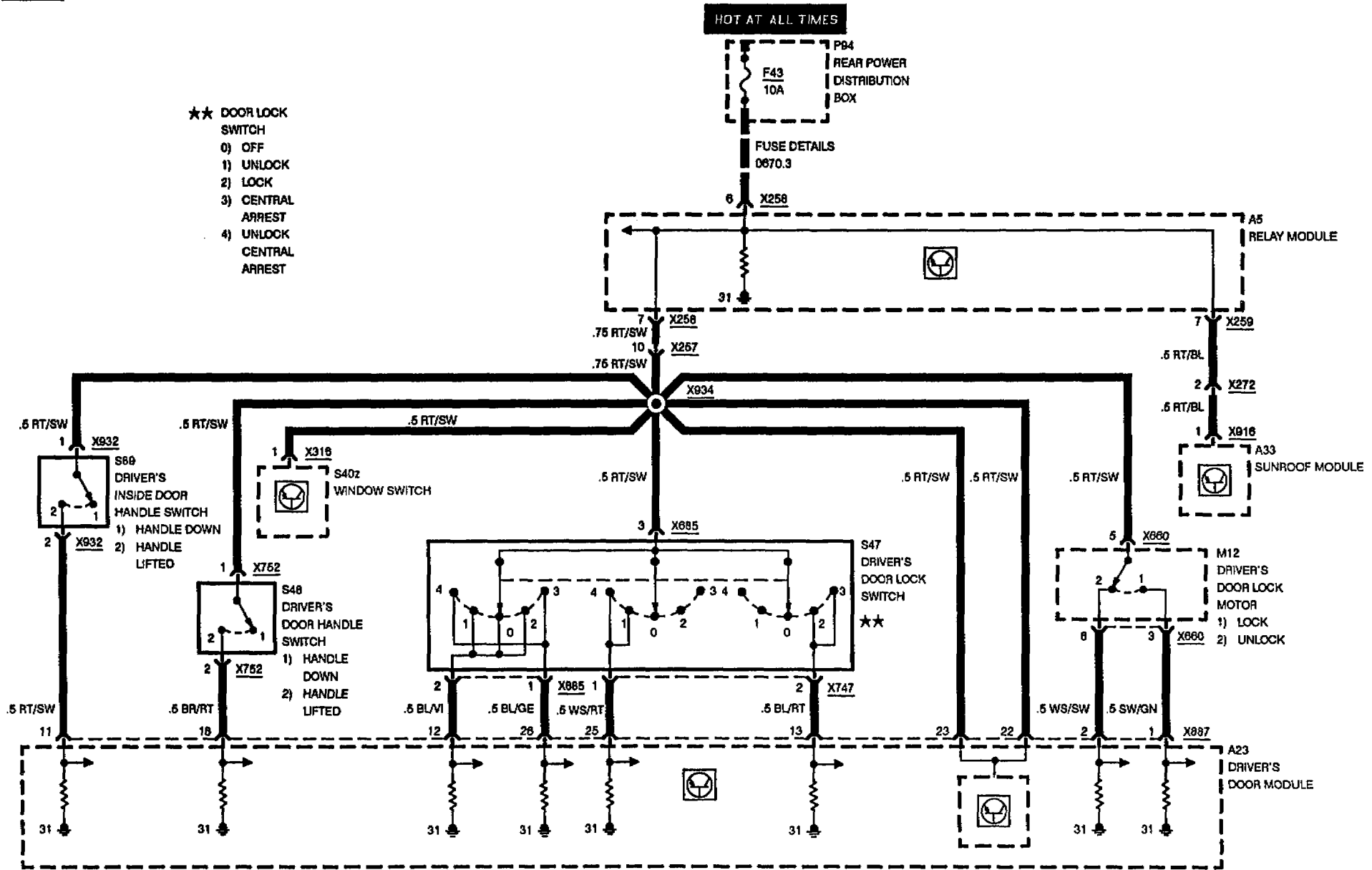


# CENTRAL BODY ELECTRONICS (ZKE II)





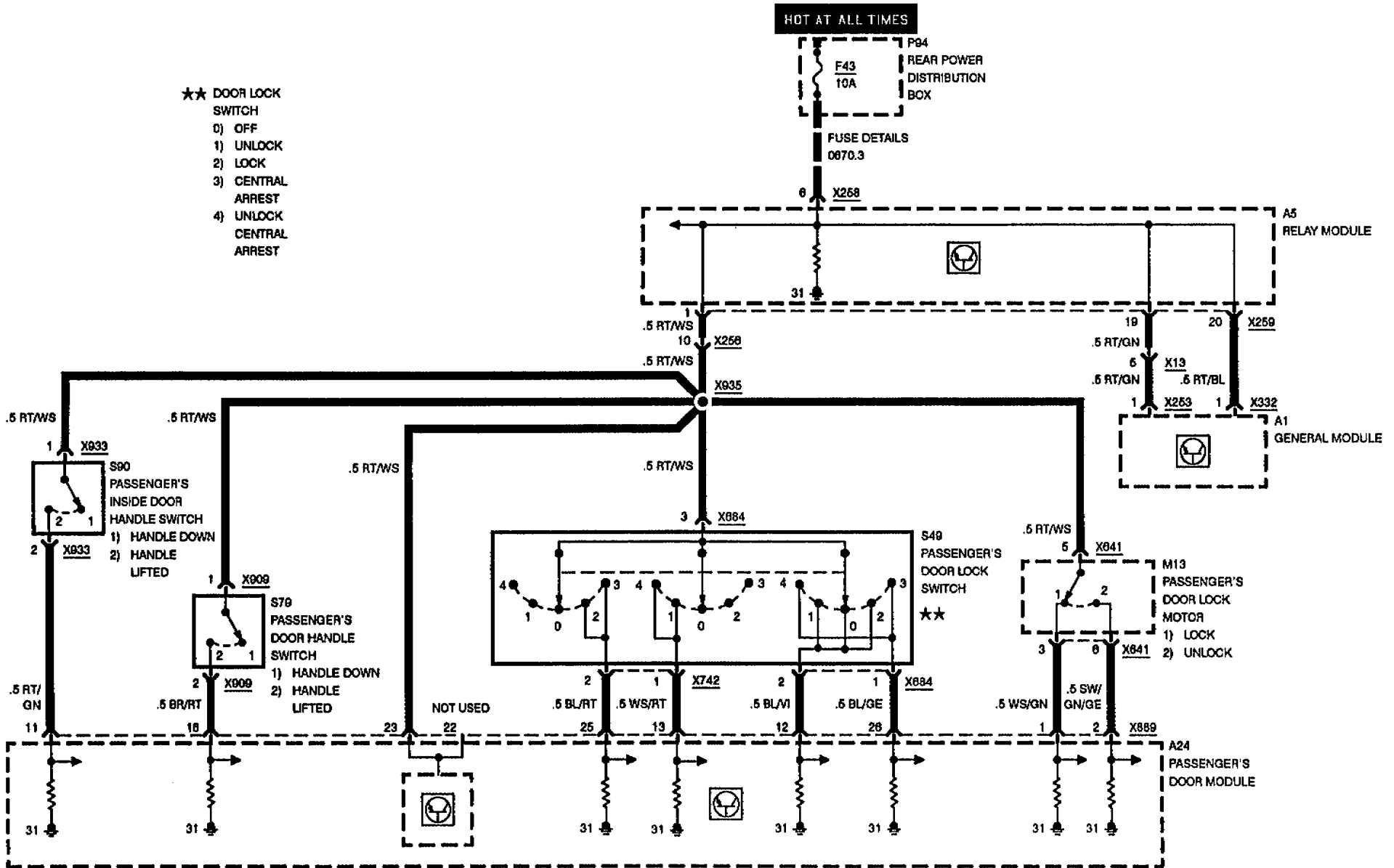
# CENTRAL BODY ELECTRONICS (ZKE II)





# CENTRAL BODY ELECTRONICS (ZKE II)

- ★★ DOOR LOCK SWITCH
- 0) OFF
- 1) UNLOCK
- 2) LOCK
- 3) CENTRAL ARREST
- 4) UNLOCK CENTRAL ARREST

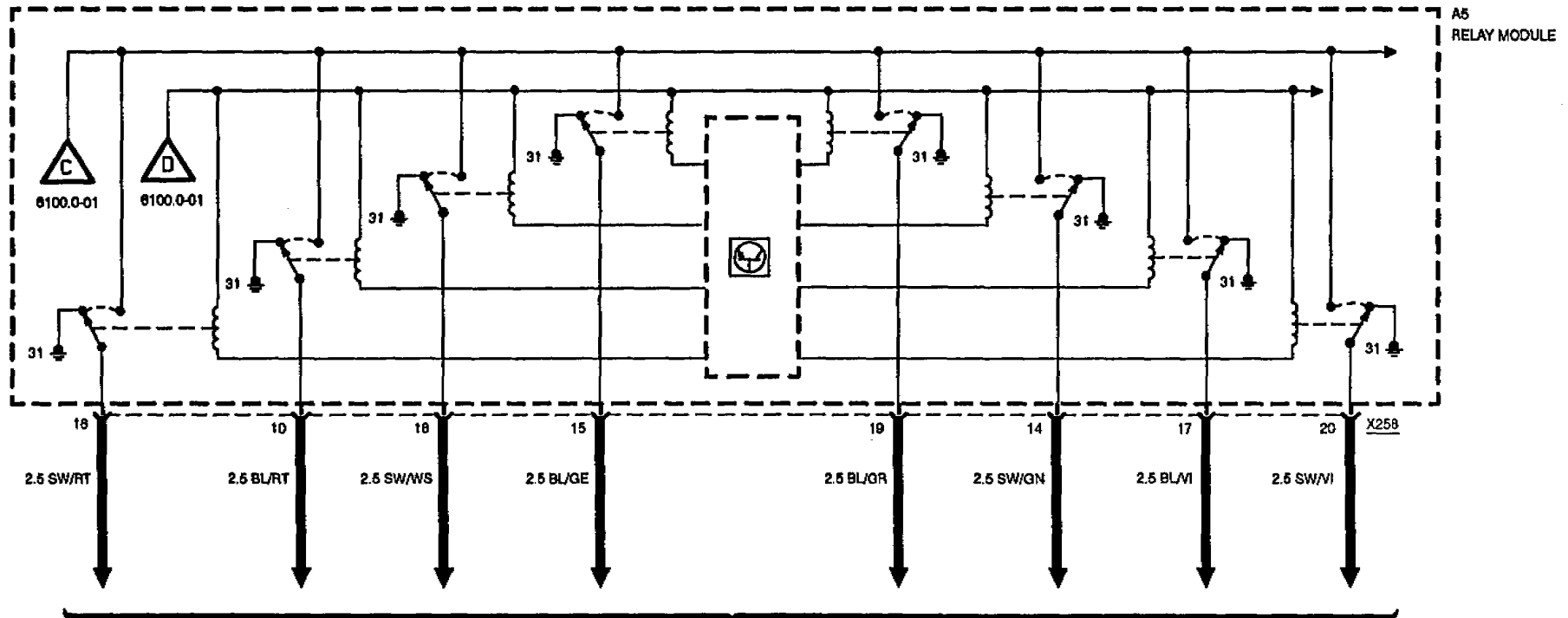






# CENTRAL BODY ELECTRONICS (ZKE II)

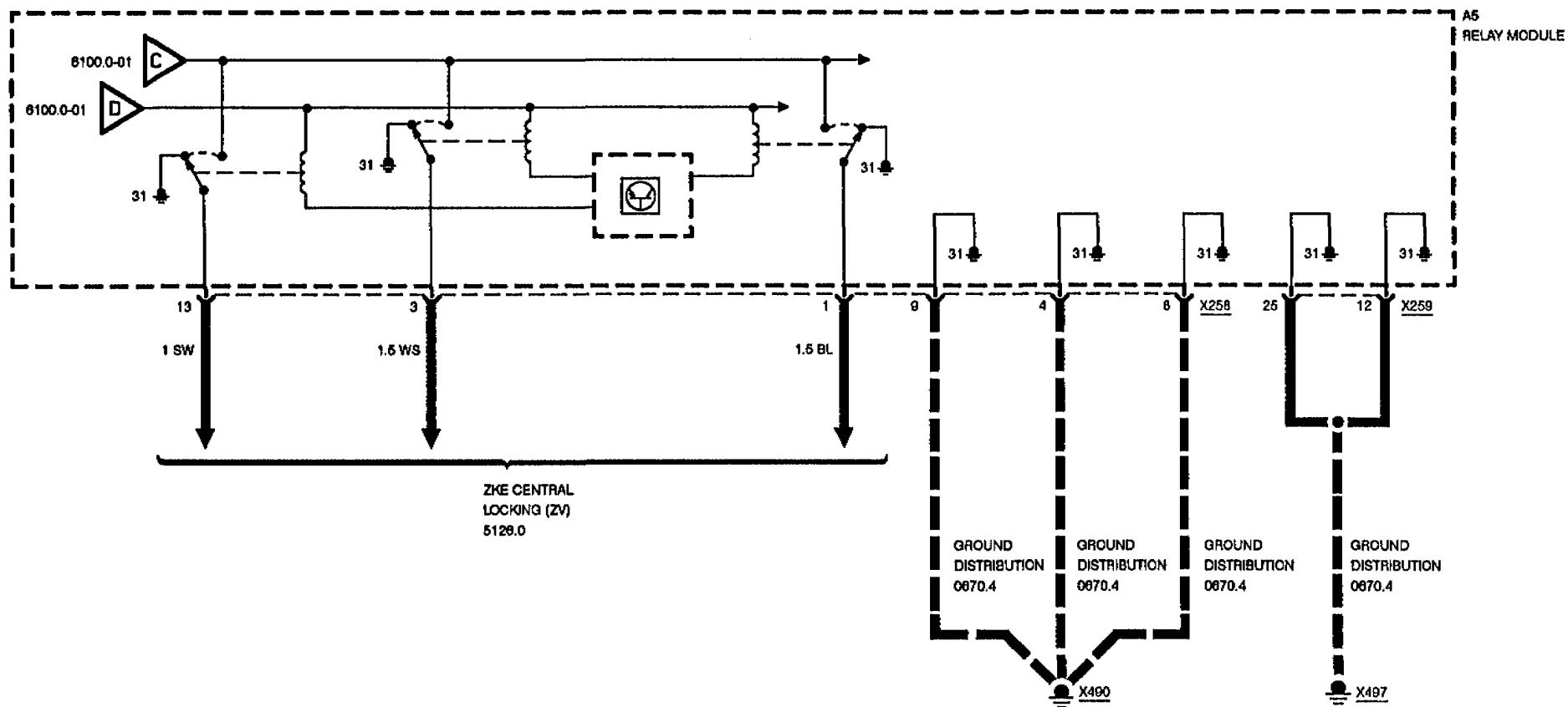
## RELAY MODULE



ZKE  
POWER WINDOWS  
(FH)  
5133.0

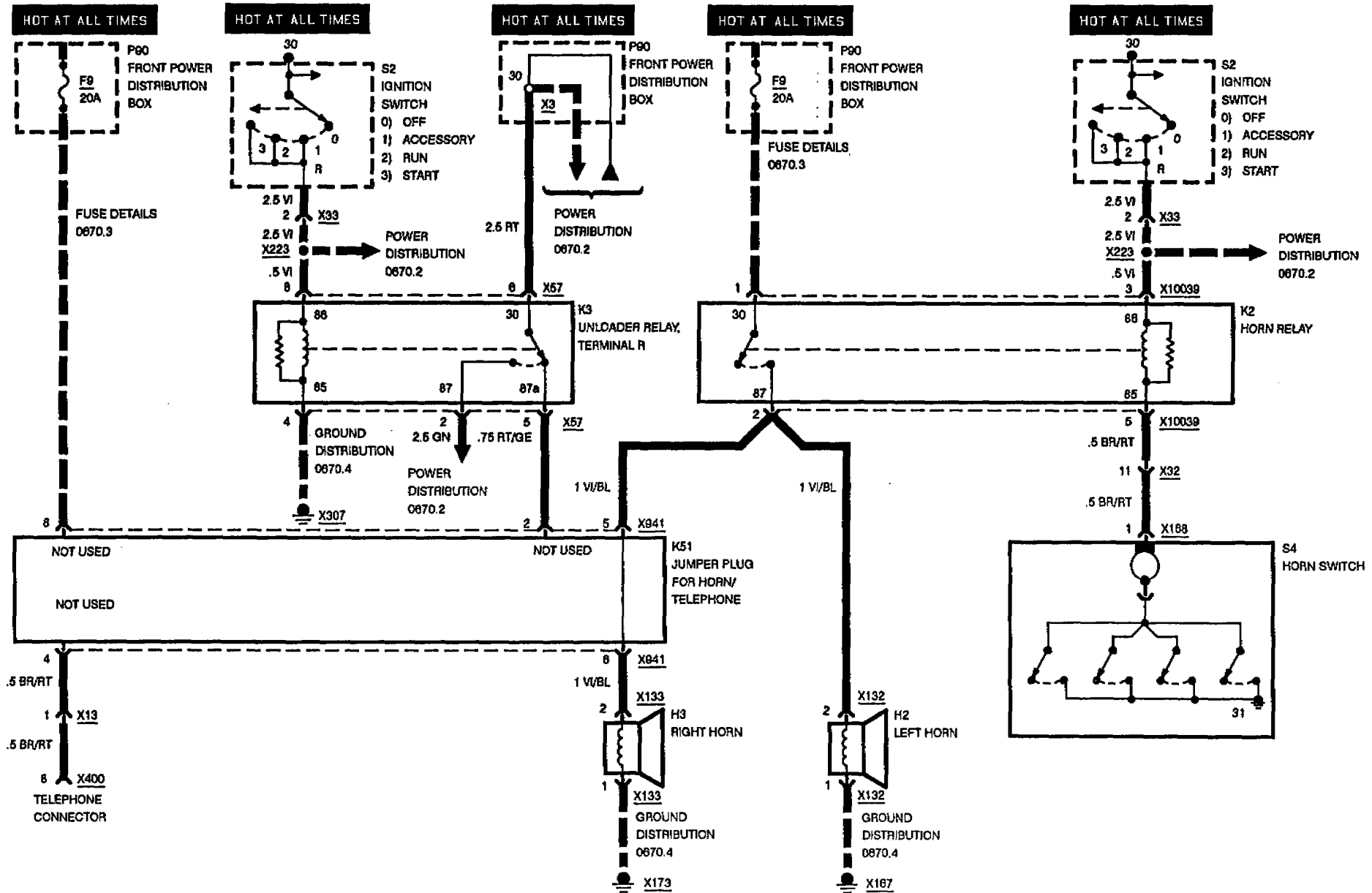


# CENTRAL BODY ELECTRONICS (ZKE II) RELAY MODULE





# HORN

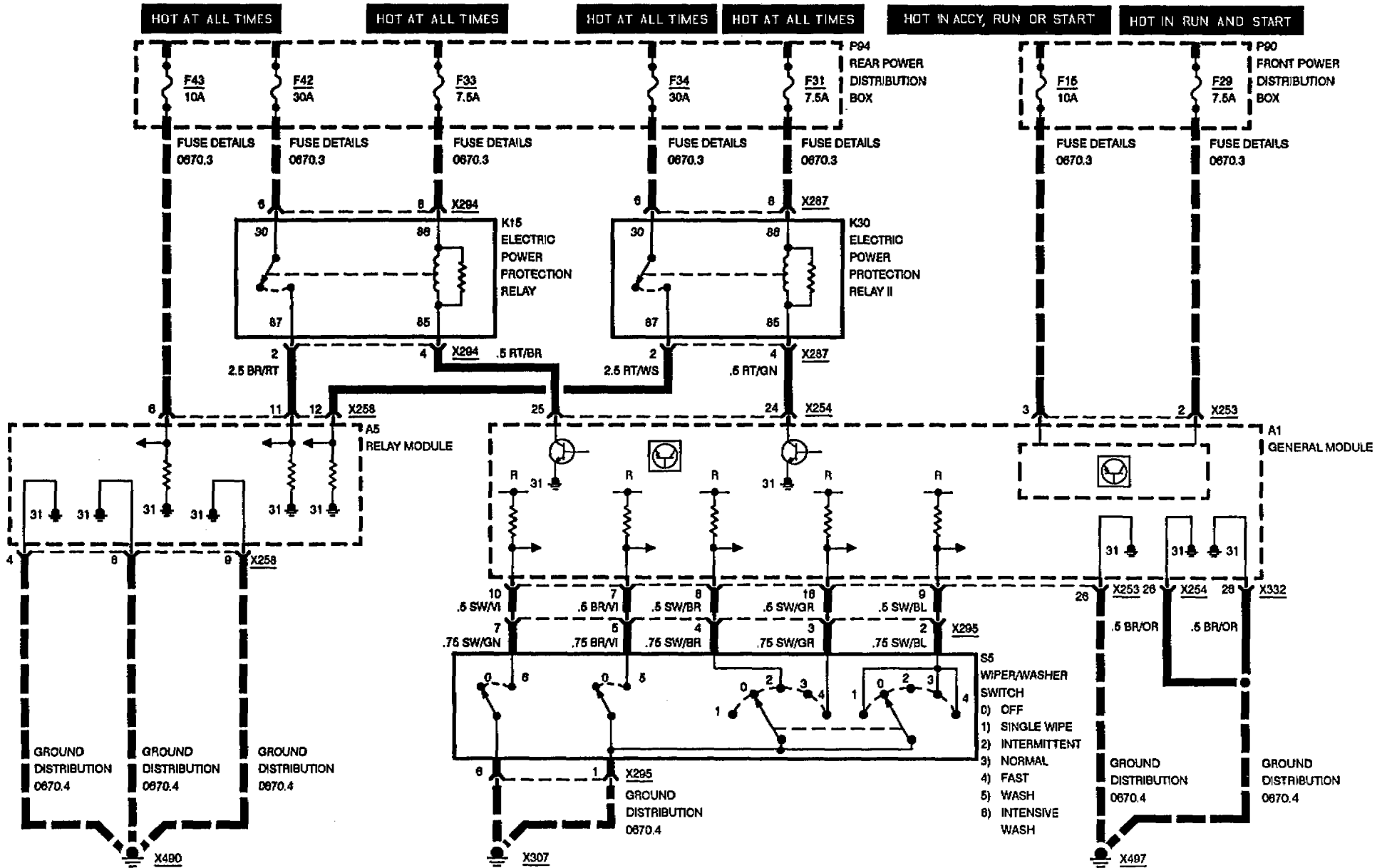


BMW  
8

6160.0

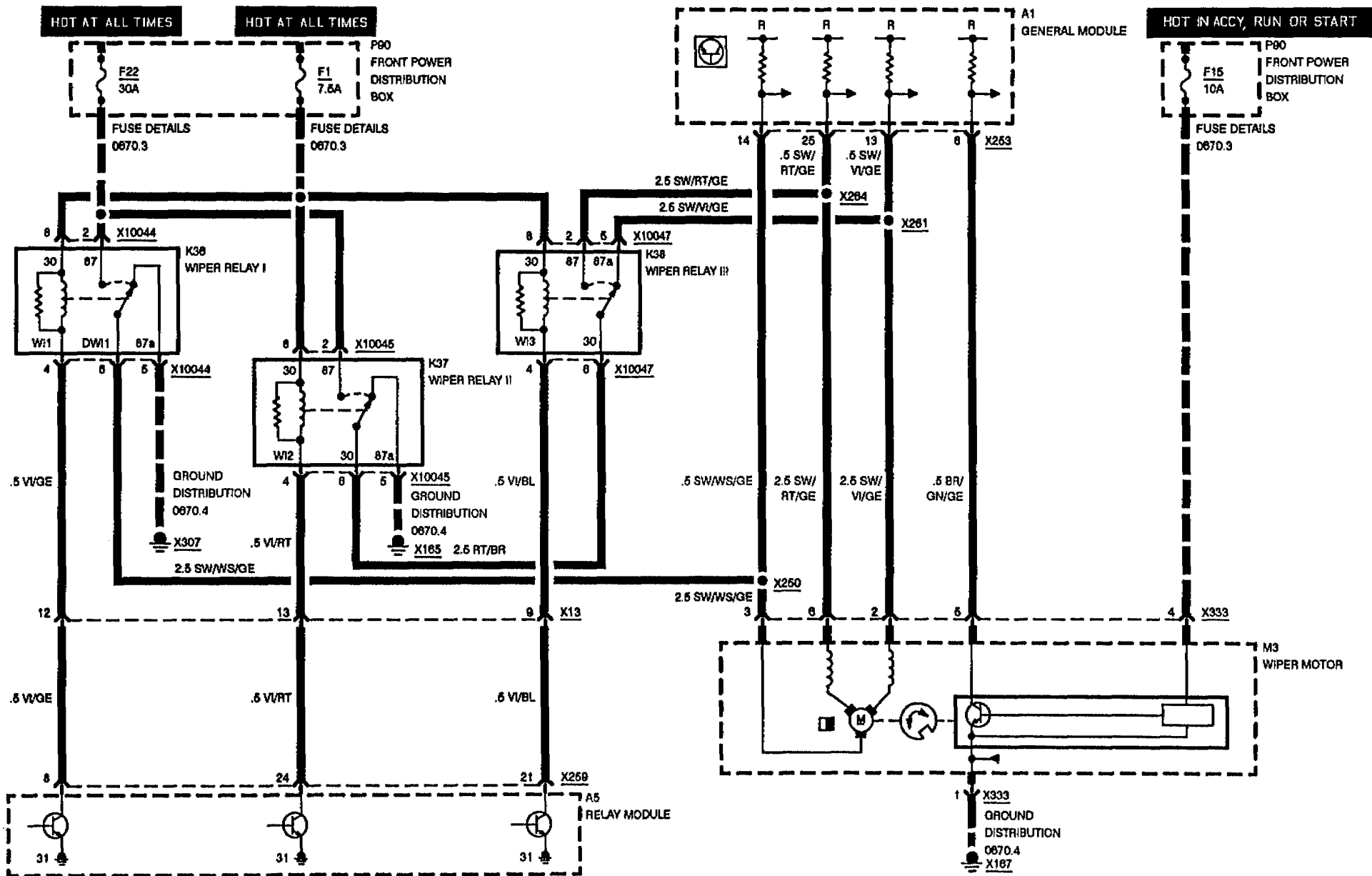


# ZKE WIPER/WASHER CONTROL

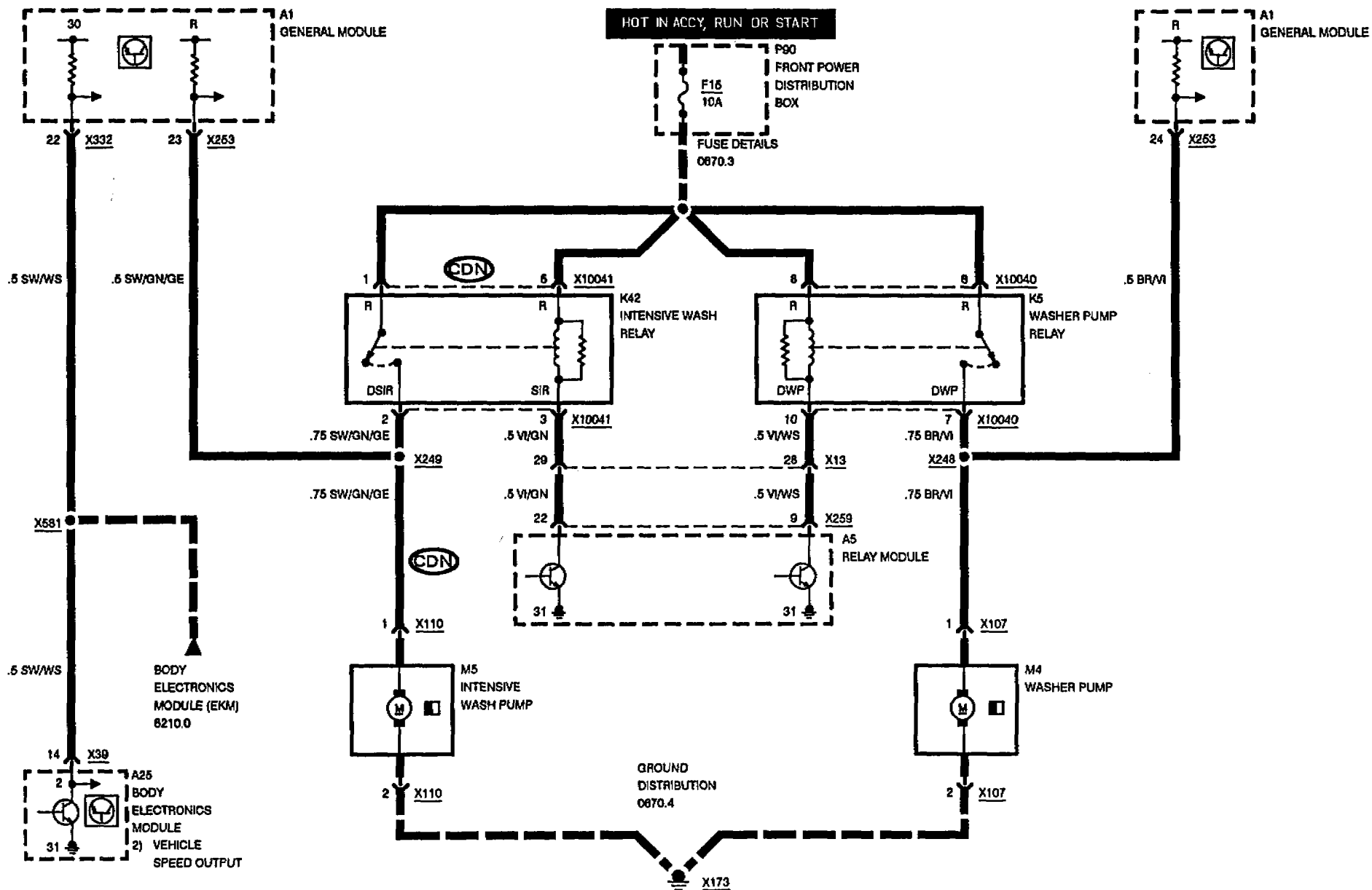




# ZKE WIPER/WASHER CONTROL



# ZKE WIPER/WASHER CONTROL





6164.0





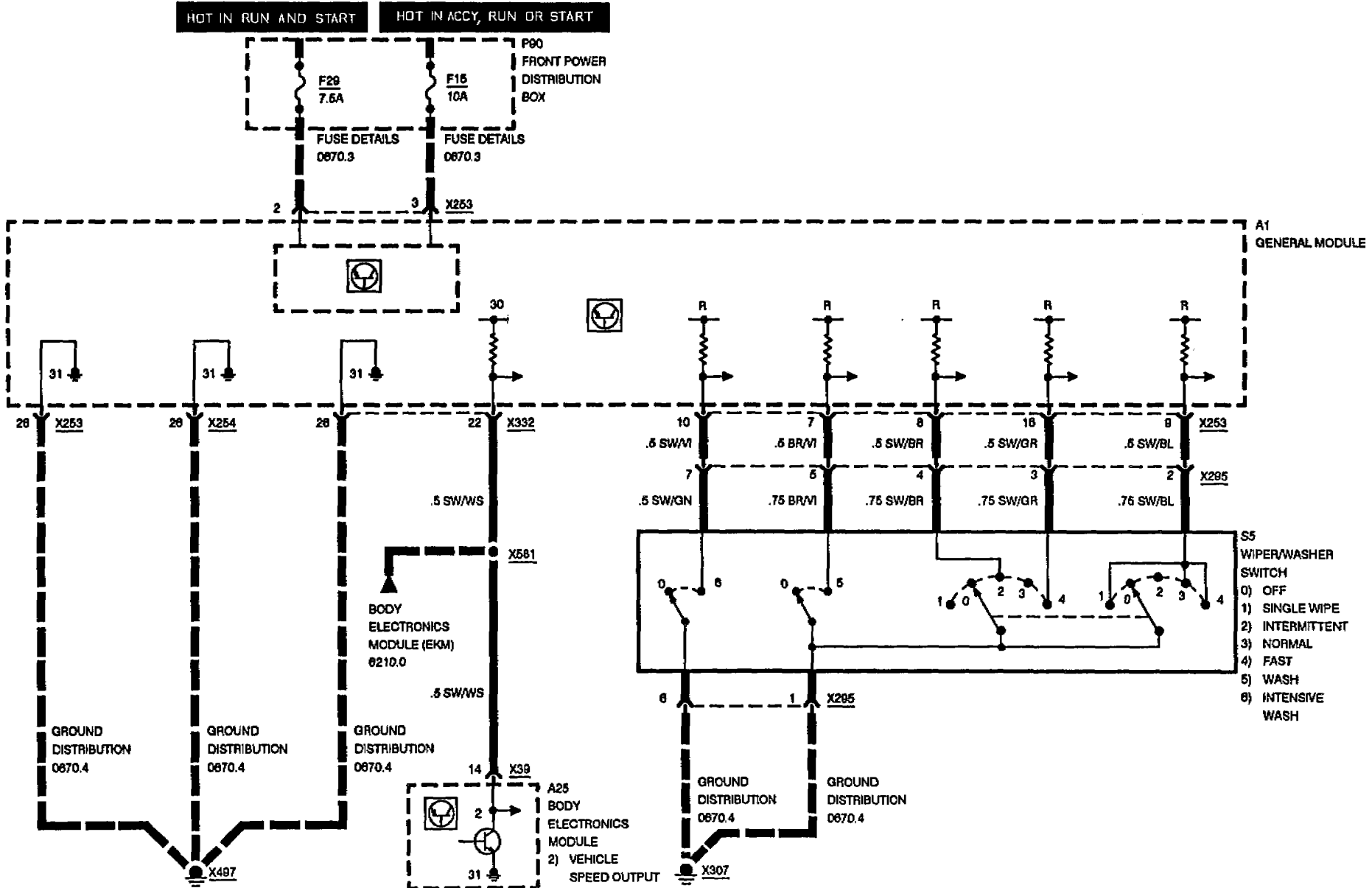
# ZKE WINDSHIELD WIPER PRESSURE CONTROL (ADV)



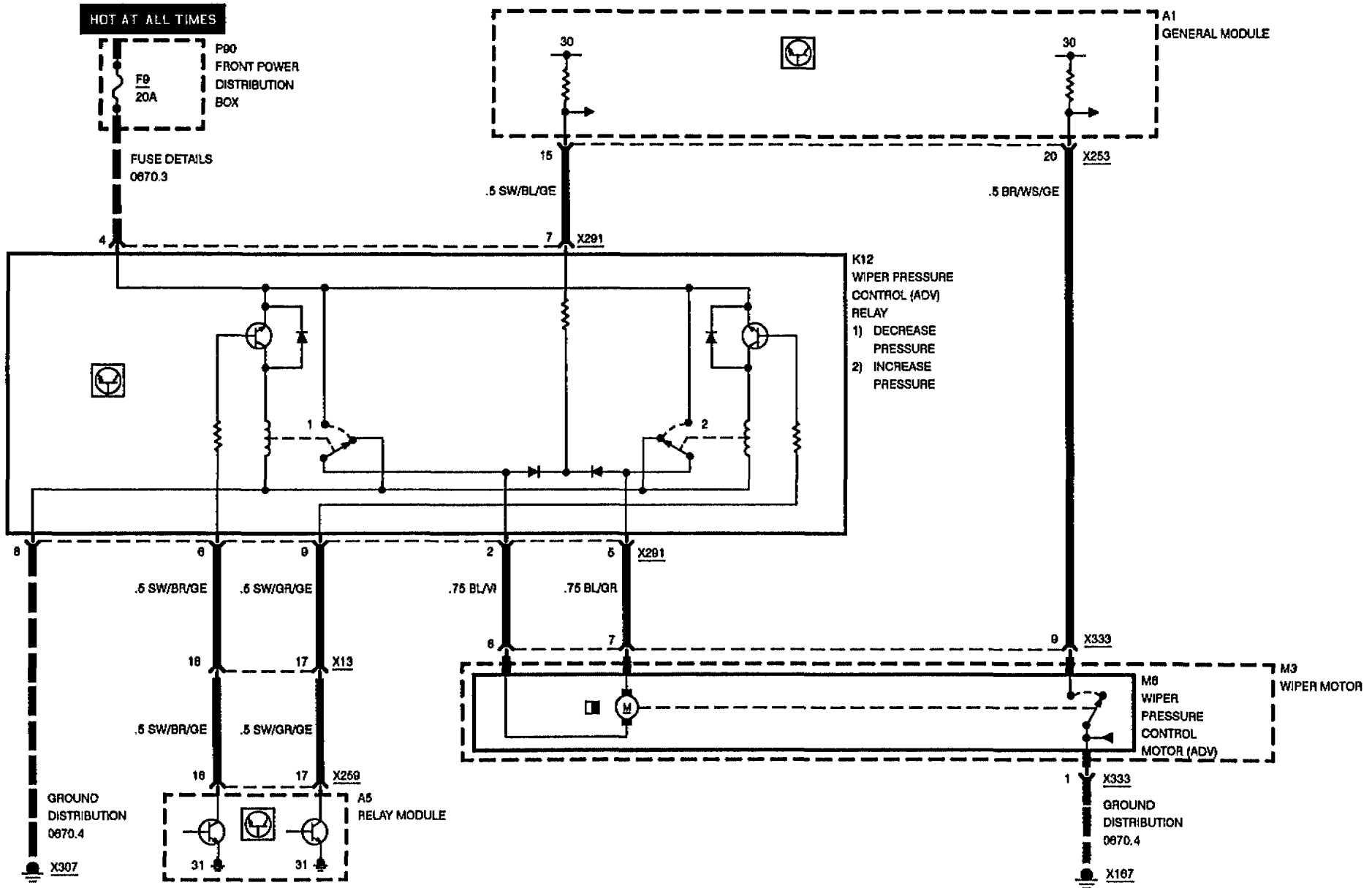
09/93

6164.0-00

1994

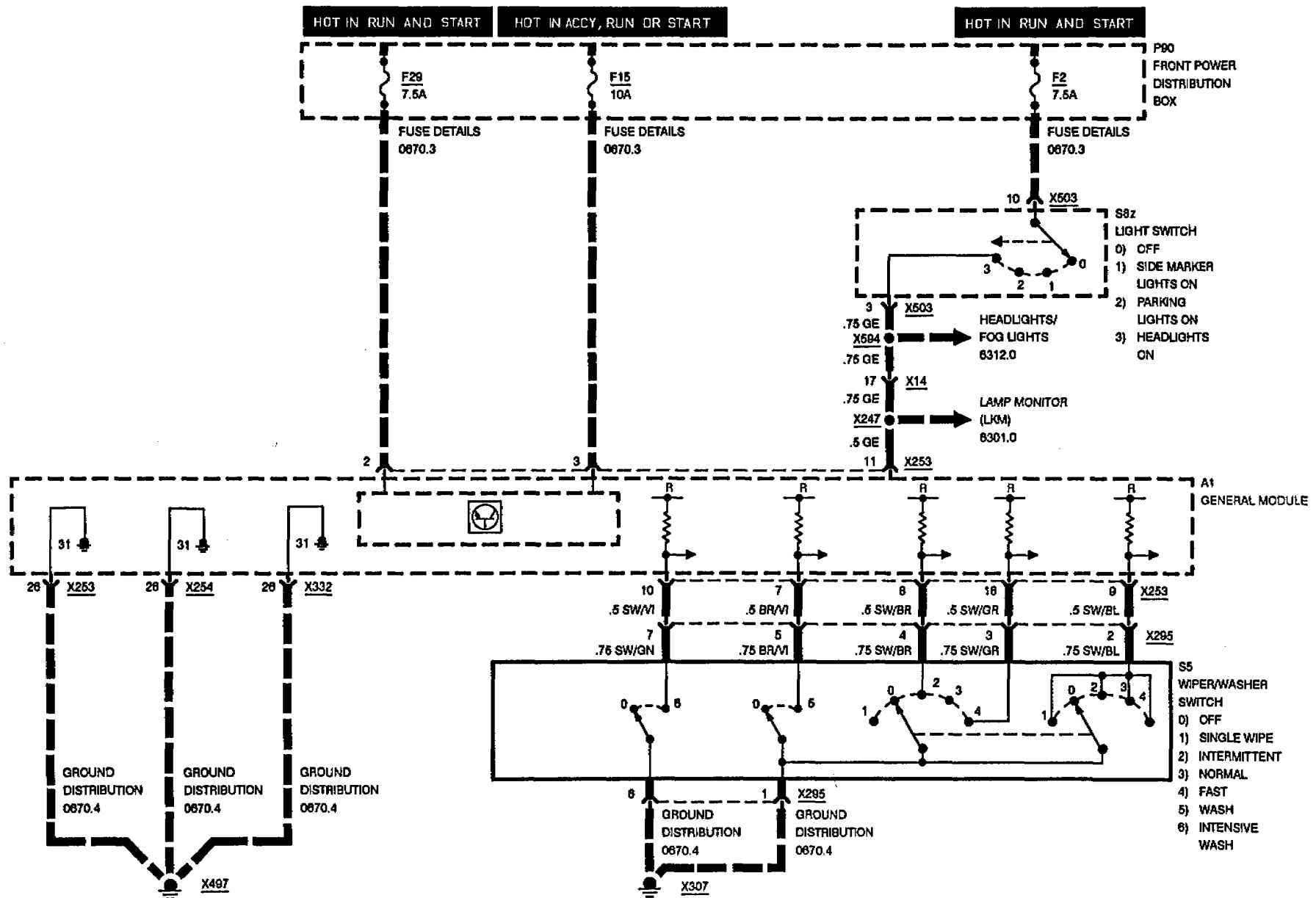


# ZKE WINDSHIELD WIPER PRESSURE CONTROL (ADV)

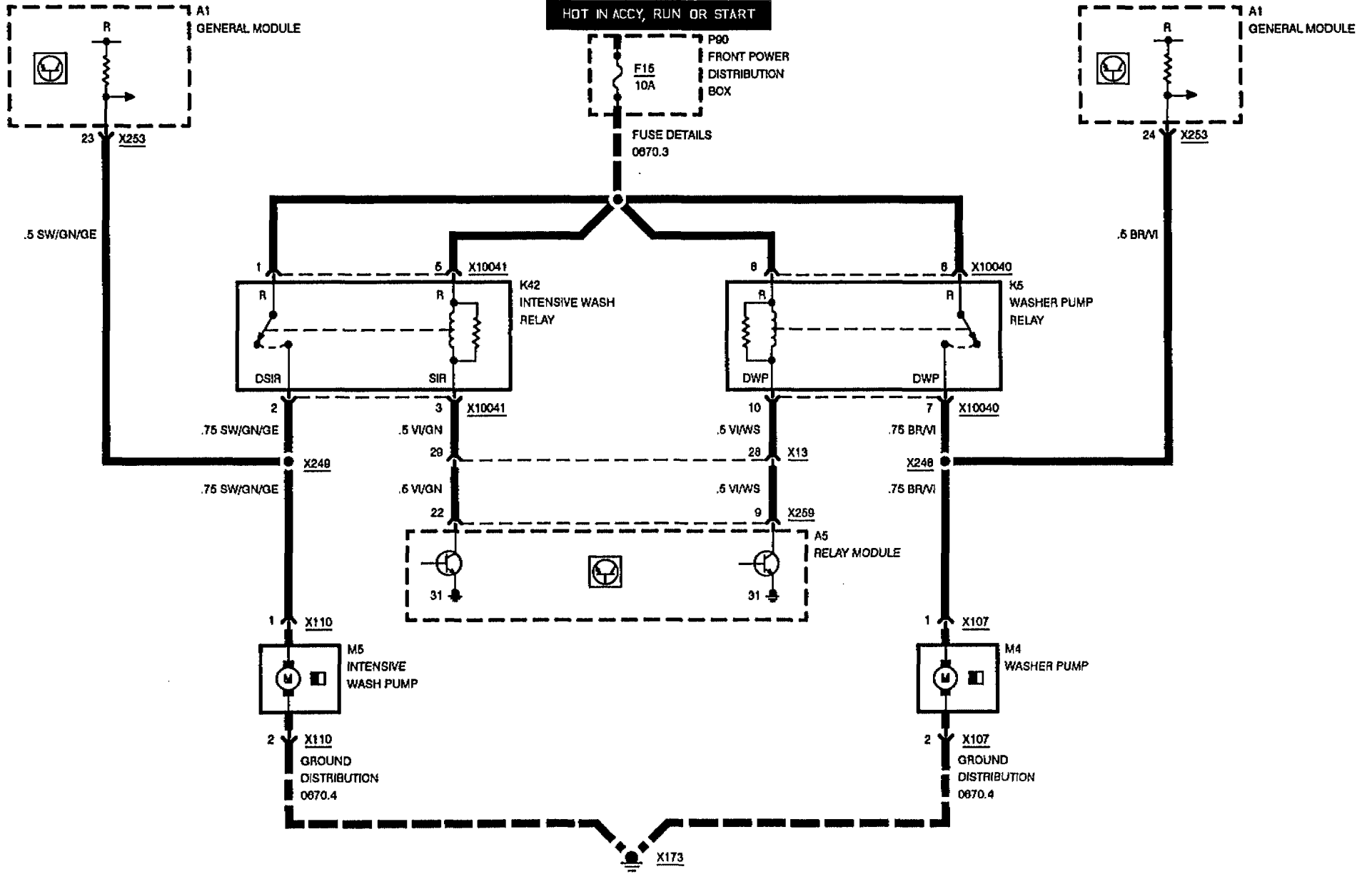




# ZKE HEADLIGHT WASHER (SRA)



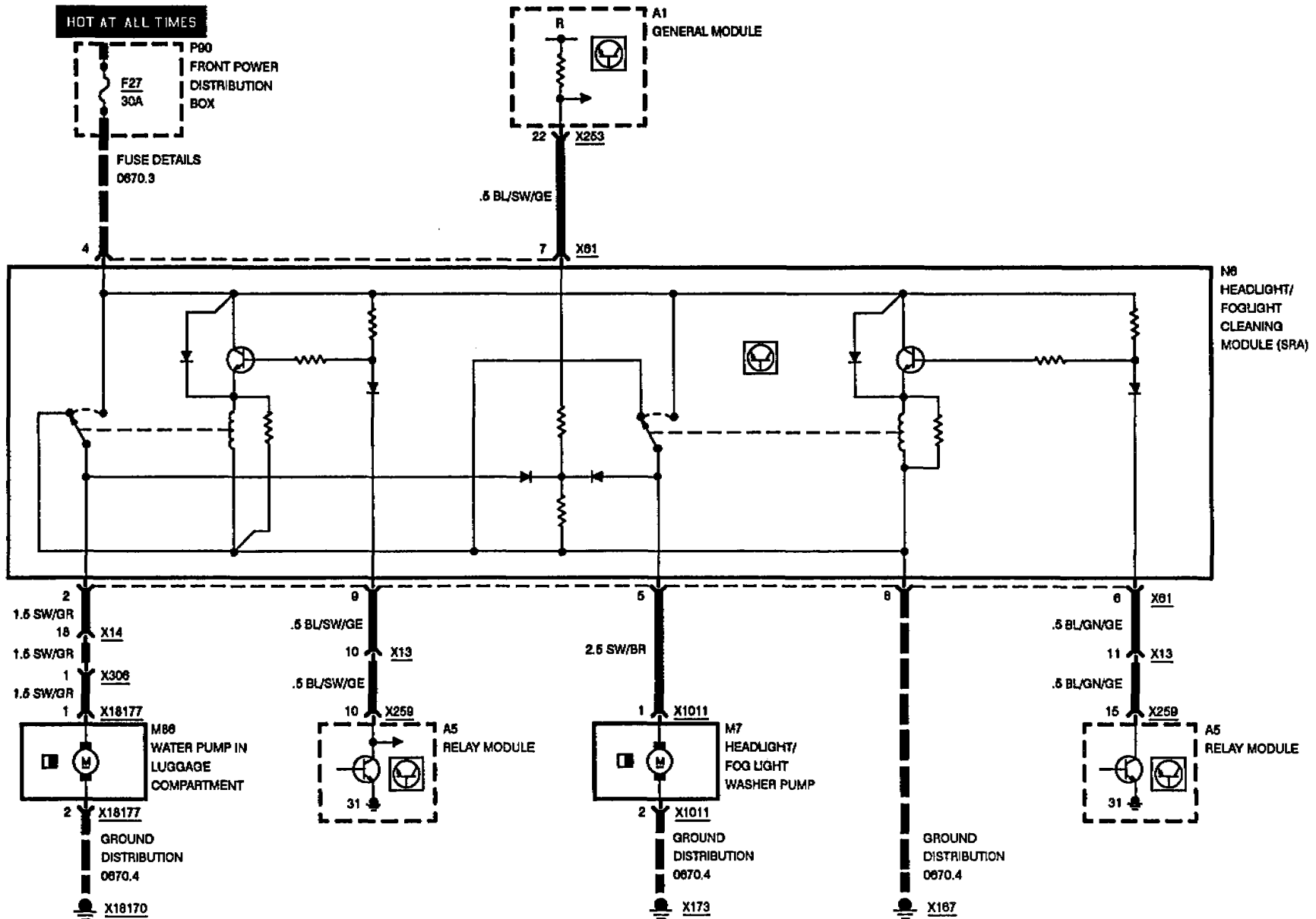
# ZKE HEADLIGHT WASHER (SRA)





# ZKE HEADLIGHT WASHER (SRA)

## OUTPUT DETAILS

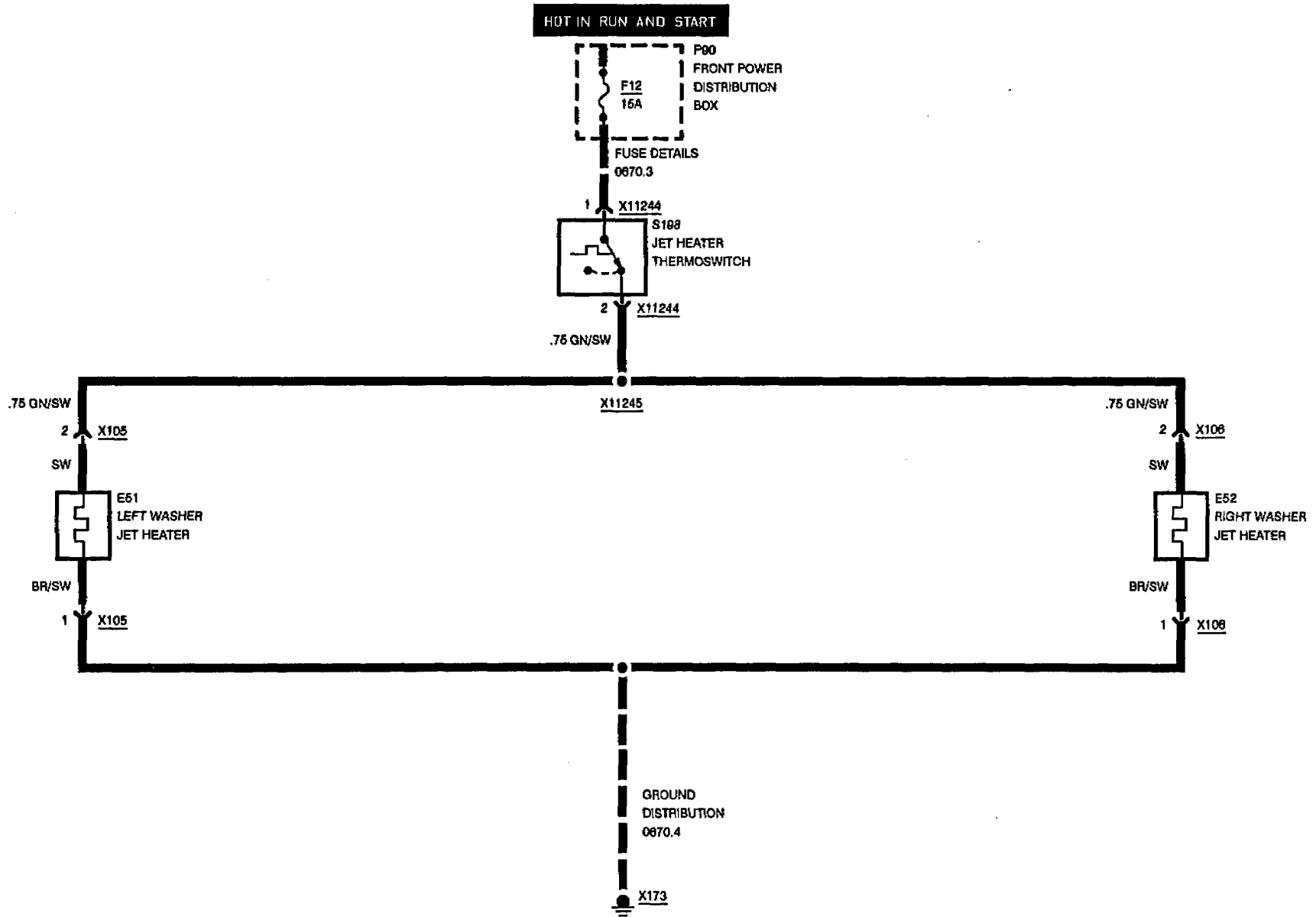


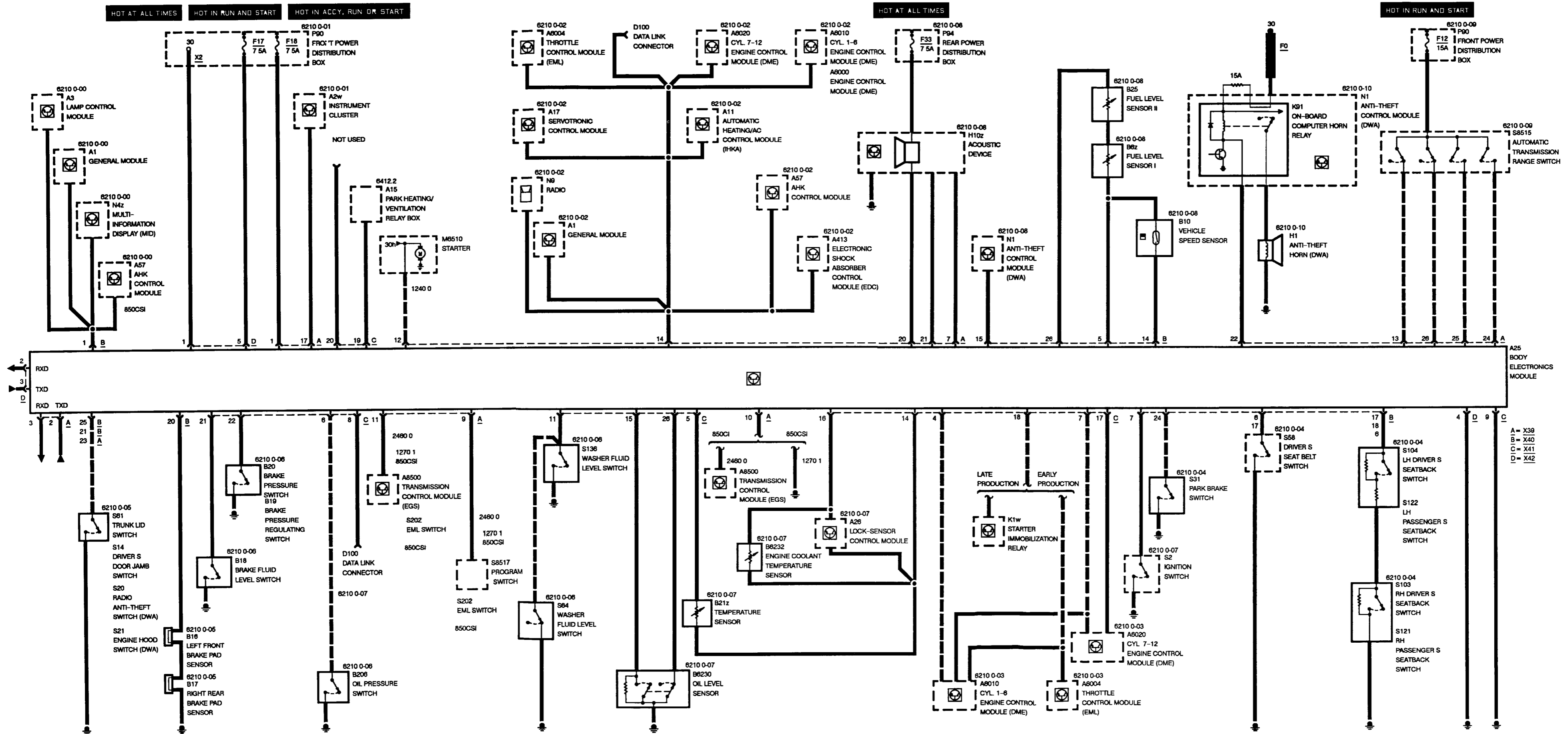
BMW  
8

6169.0

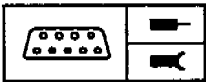


# WINDSHIELD WASHER JET HEATERS









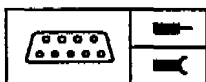
## Pin Assignments

A=X39	26 pins, green
B=X40	26 pins, brown
C=X41	26 pins, blue
D=X42	5 pins, black

### X39

Pin	Type	Description/Function	Connection
1	E	Voltage (terminal R)	Fuse
2	E/A	Diagnostic link (TxD)	TxD connection of various control units
3	E/A	Diagnostic link (RxD)	RxD connection of various control units
4		Not used	
5		Not used	
6		Not used	
7	A	Acoustic output 1 (hour reminder signal)	Acoustic device
8		Not used	
9	E	Transmission program	850Ci Program switch 850CSi EML - switch
10	E	850Ci Transmission defect (EGS)	Transmission control module (EGS)
	M	850CSi Ground	Ground point
11	E	Transmission program	850Ci Transmission control module (EGS) 850CSi EML - switch
12	E	Starter signal (30h)	Starter
13	E	Position switch L1	Automatic transmission range switch
14	A	Vehicle speed signal	Various control modules
15		Not used	
16		Not used	
17	E/A	Instrument cluster interface/data transfer to instrument cluster	Instrument cluster
18		Not used	
19		Not used	
20	A	Acoustic output 2 (outside temperature warning)	Acoustic device

E = Input, A = Output, M = Ground



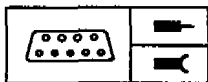
## Pin Assignments

Pin	Type	Description/Function	Connection
21	A	Acoustic output 3 (check control message)	Acoustic device
22	A	Trigger alarm at antitheft horn with drive-away protection active	Antitheft module
23		Radio anti-theft system	Radio contact
24	E	Position switch L 4	Automatic transmission range switch
25	E	Position switch L 3	Automatic transmission range switch
26	E	Position switch L 2	Automatic transmission range switch

### X40

Pin	Type	Description/Function	Connection
1	E/A	I-bus (instrument bus)	I-bus users
2		Not used	
3		Not used	
4		Not used	
5	A	Sensor ground	Fuel level sensor and vehicle speed sensor
6	E	Seat belt buckle signal/Left backrest locked signal	Driver's seat belt switch/Driver's seatback switches
7	E	Ignition key status	Ignition switch
8		Not used	
9		Not used	
10		Not used	
11		Not used	
12		Not used	
13		Not used	
14	E	Vehicle speed signal	Vehicle speed sensor
15	A	Speed signal for DWA	DWA - Control module
16		Not used	
17	E	Left backrest locked signal/Seat belt buckle signal	Driver's seatback switches/Driver's seat belt switch
18	E	Right backrest locked signal	Passenger's seatback switches
19		Not used	

E = Input, A = Output, M = Ground



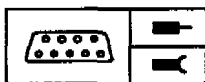
## Pin Assignments

Pin	Type	Description/Function	Connection
20	E	Brake pad wear indicator	Brake pad sensors
21	E	Driver's door status	Driver's door jamb switch
22		Not used	
23		Not used	
24	E	Park brake status	Park brake switch
25	E	Trunk lid status	Trunk lid switch
26	E	Fuel level	Fuel level sensors

### X41

Pin	Type	Description/Function	Connection
1		Not used	
2		Not used	
3		Not used	
4	E	Injection signal 1 (ti)	Cyl. 1 - 6 engine control module (DME)
5	E	Outside temperature	Temperature sensor
6	E	Engine oil pressure	Oil pressure switch
7	E	Engine speed (rpm) signal (tD)	Cyl. 1 - 6 engine control module (DME)
8	E	SIA reset	Data link connector Pin 7
9	M	Ground	Ground point
10		Not used	
11	E	Washer fluid level	Washer fluid level switches
12		Not used	
13		Not used	
14	A	Sensor ground	Temperature sensor for coolant and outside temperature
15	E	Dynamic engine oil level	Oil level sensor
16	E	Coolant temperature	Coolant temperature sensor
17	E	Injection signal 2 (ti)	Cyl. 7 - 12 engine control module (DME)
18	A	Starter blocking	Engine control modules (DME)
19		Park ventilation	Park heating/ventilation relay box
20		Not used	

E = Input, A = Output, M = Ground



## Pin Assignments

Pin	Type	Description/Function	Connection
21	E	Brake fluid level	Brake fluid level switch
22	E	Brake pressure	Brake pressure switches
23		Not used	
24		Not used	
25		Not used	
26	E	Static engine oil level	Oil level sensor

### X42

Pin	Type	Description/Function	Connection
1	E	Voltage supply (terminal 30)	Battery
2	E/A	RxD diagnostic data line	Data link connector
3	E/A	TxD diagnostic data line	Data link connector
4	E	Ground	Ground point
5	E	Voltage (terminal 15)	Fuse

E = Input, A = Output, M = Ground

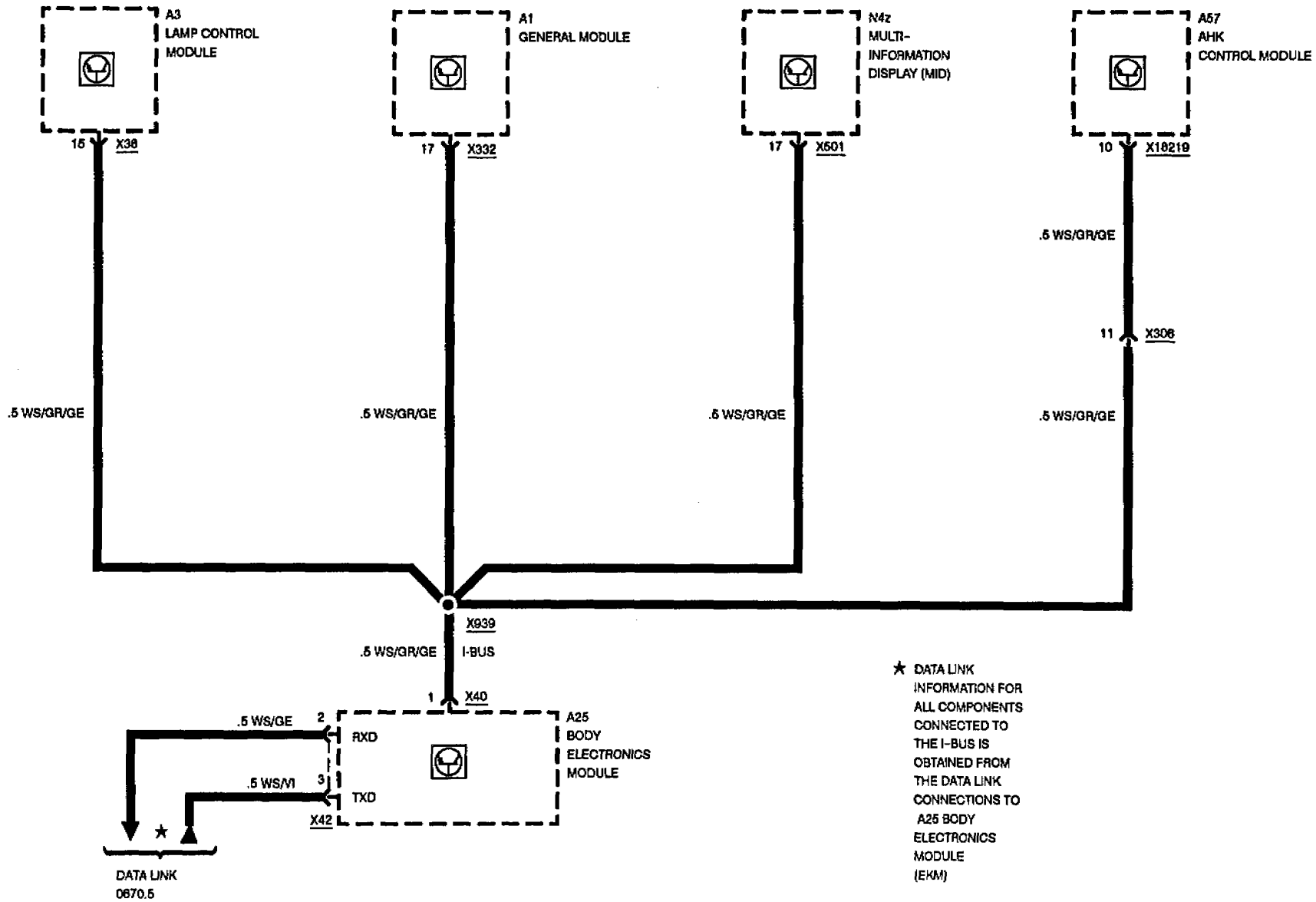
BMW  
**8**

6210.0

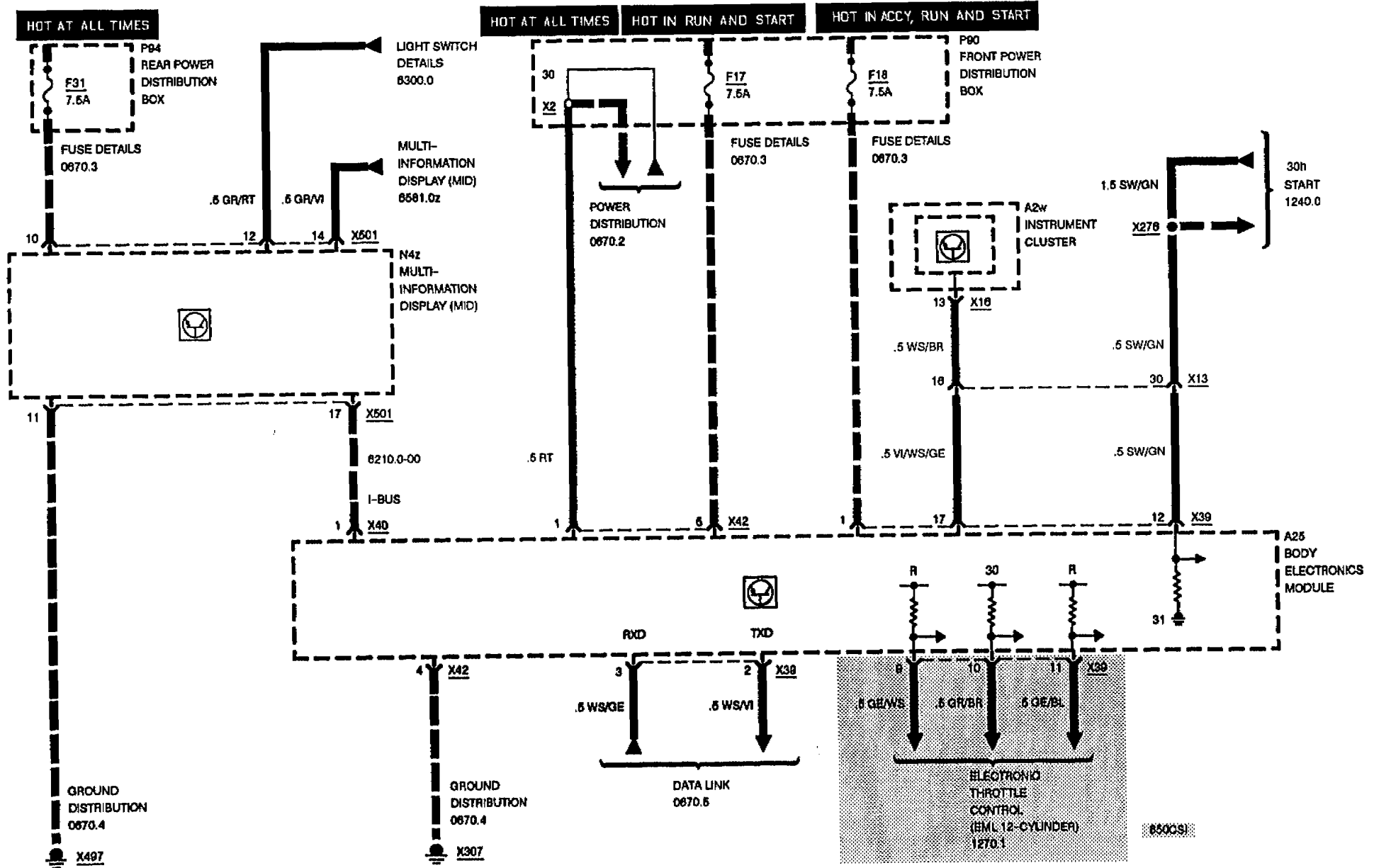


# BODY ELECTRONICS MODULE (EKM)

## INSTRUMENTATION BUS (I-BUS)



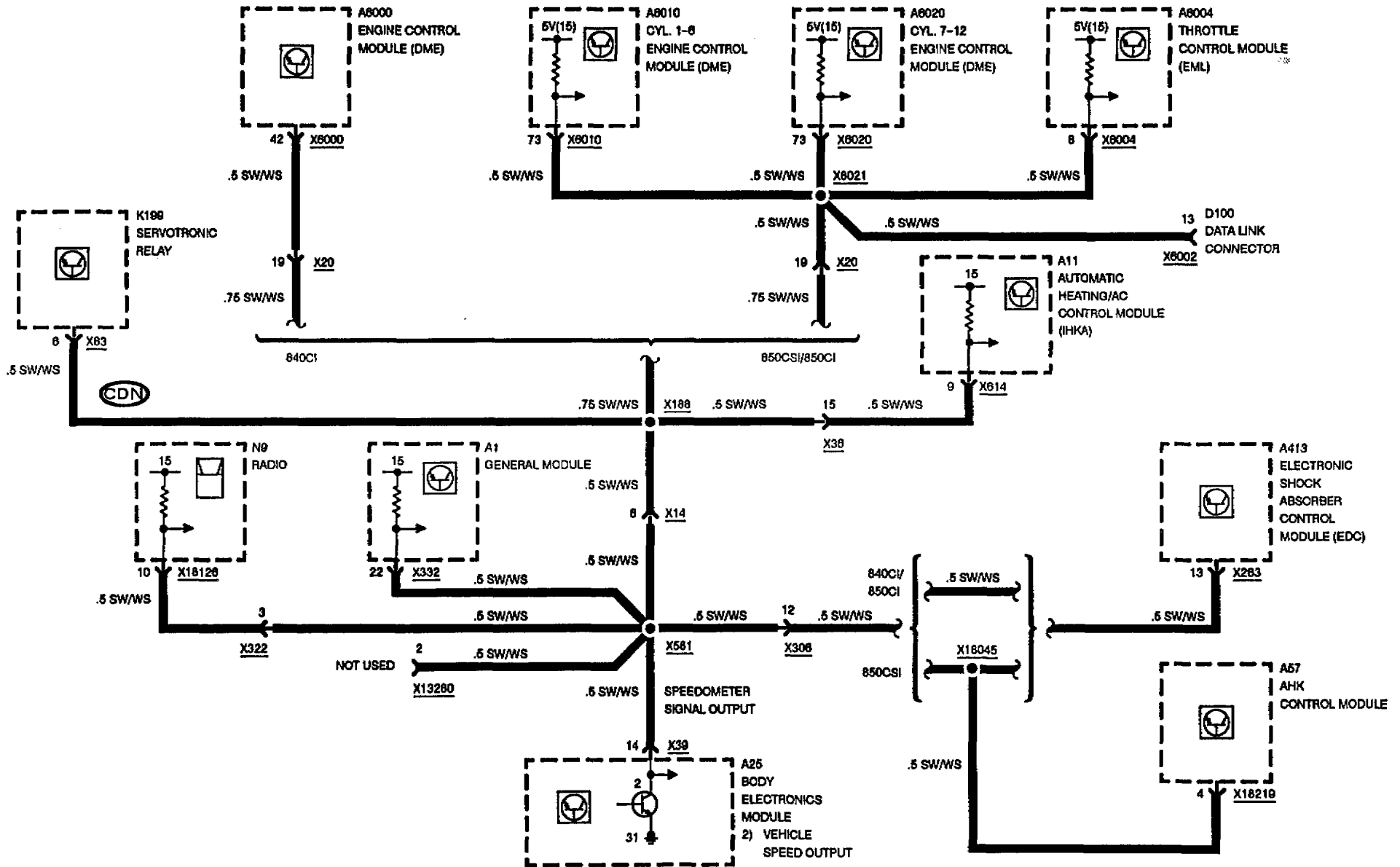
# BODY ELECTRONICS MODULE (EKM)





# BODY ELECTRONICS MODULE (EKM)

## SIGNAL-OUTPUT SPEEDOMETER

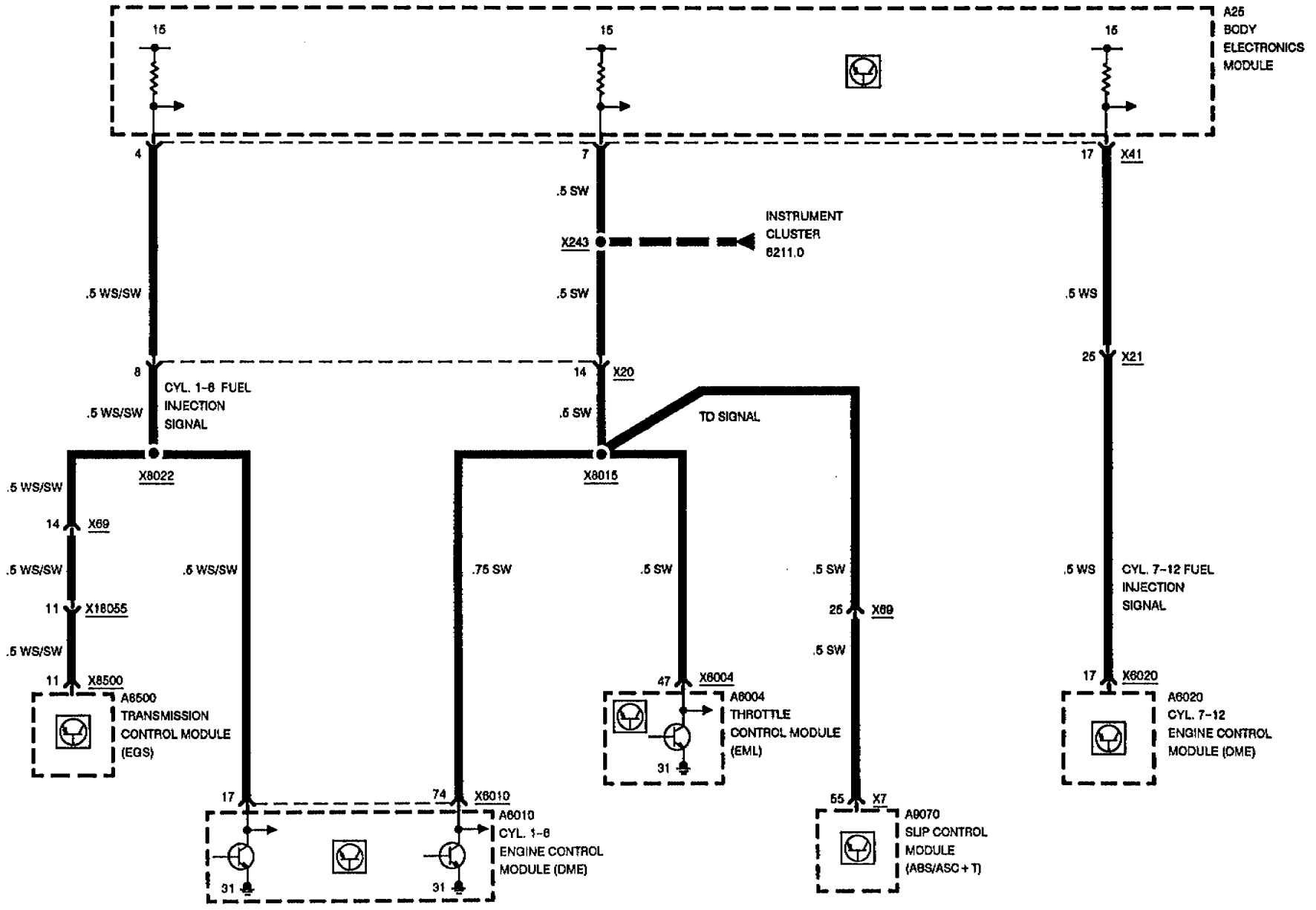






# BODY ELECTRONICS MODULE (EKM)

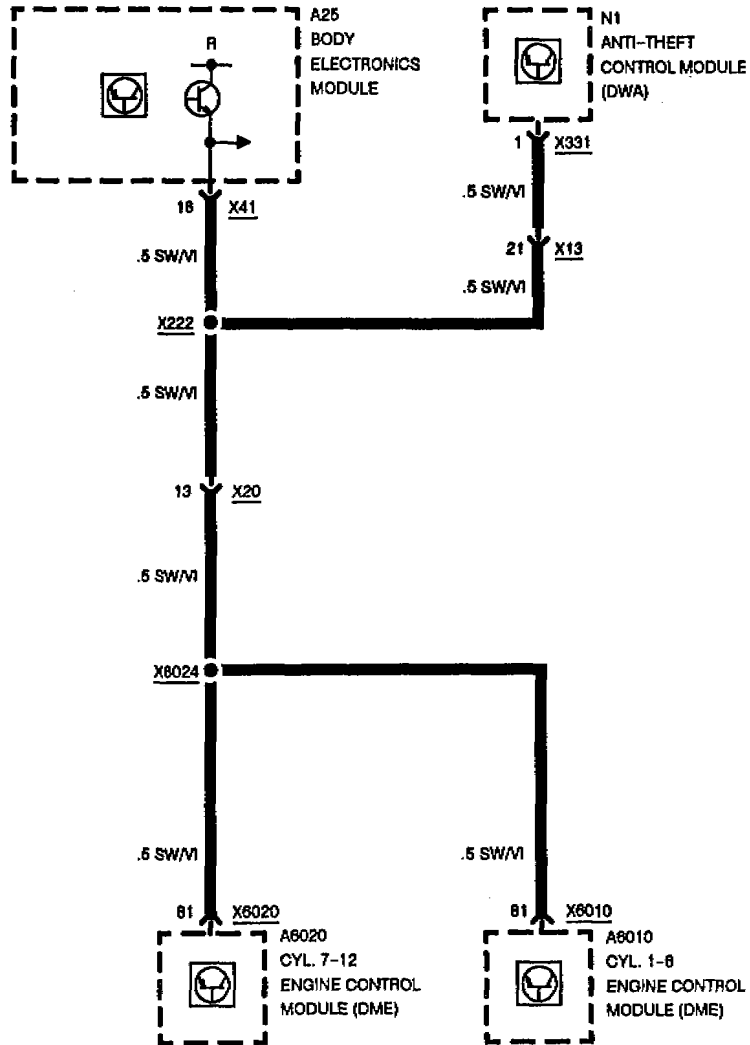
## 850CSi, 850Ci



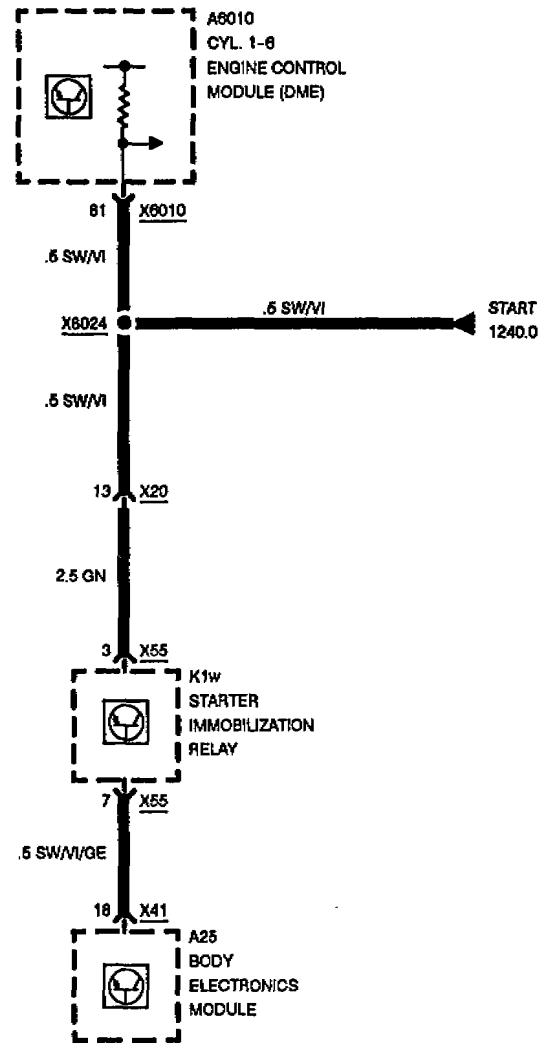


# BODY ELECTRONICS MODULE (EKM)

## EARLY PRODUCTION



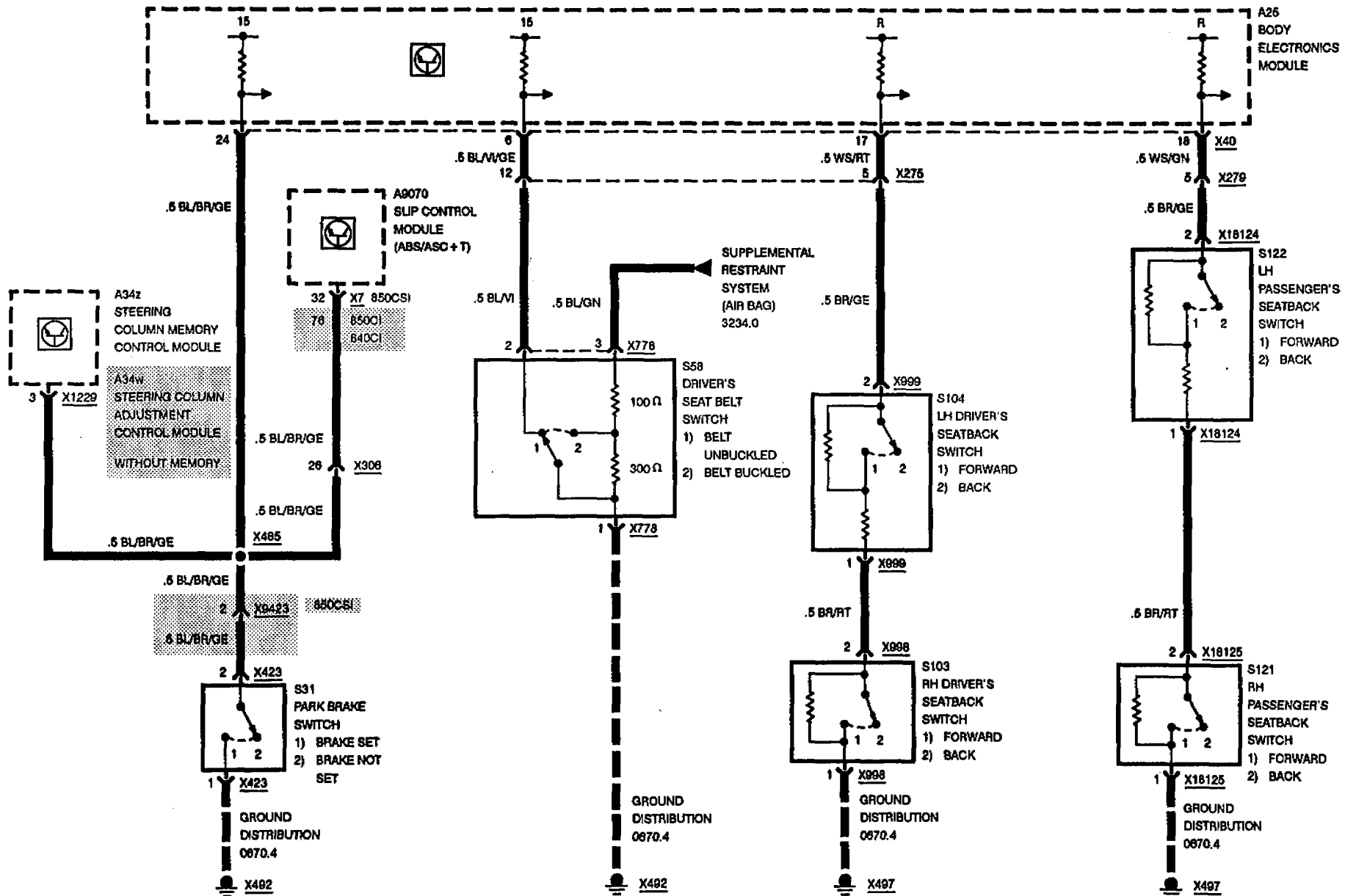
## LATE PRODUCTION





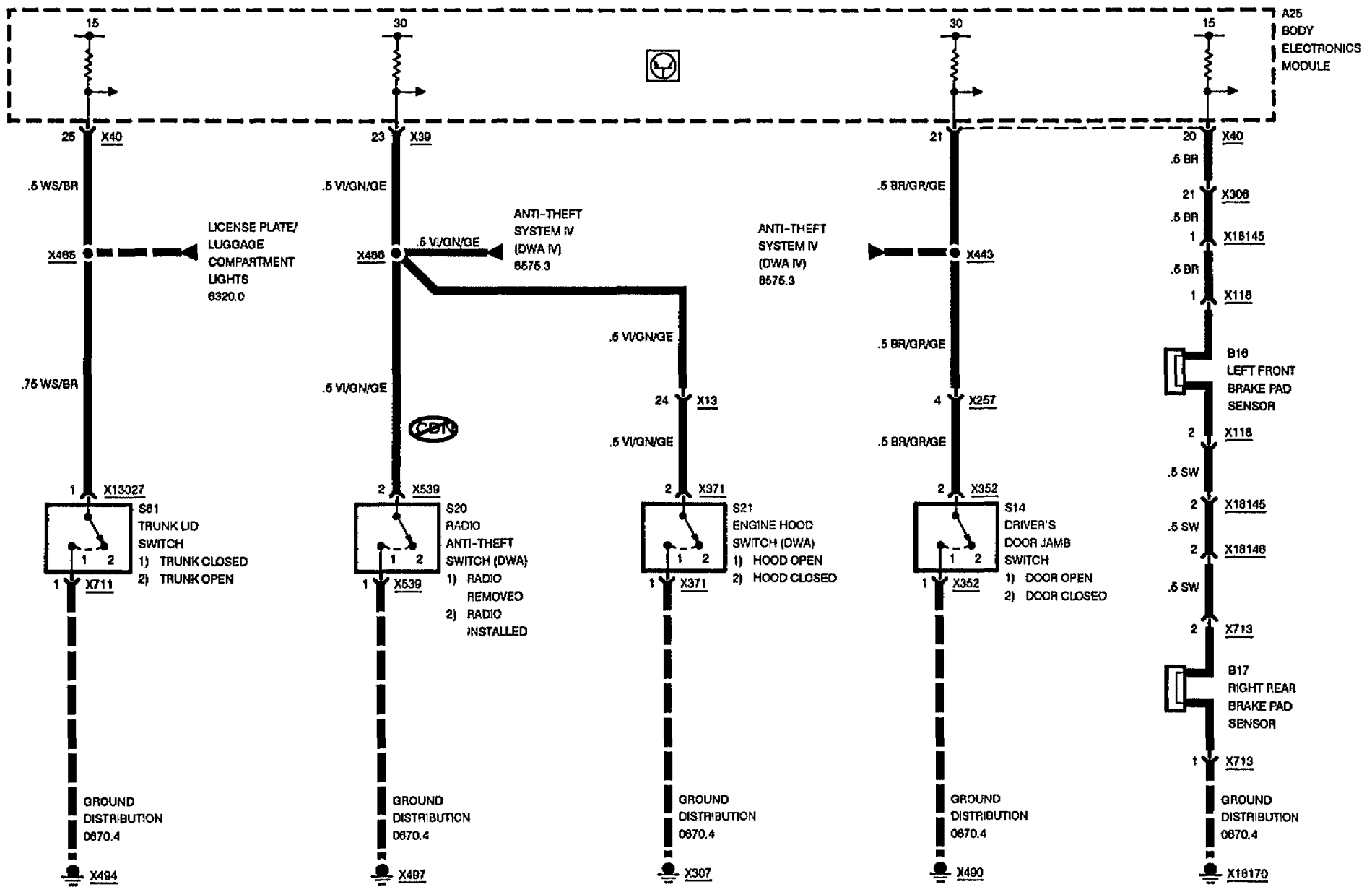


# BODY ELECTRONICS MODULE (EKM)

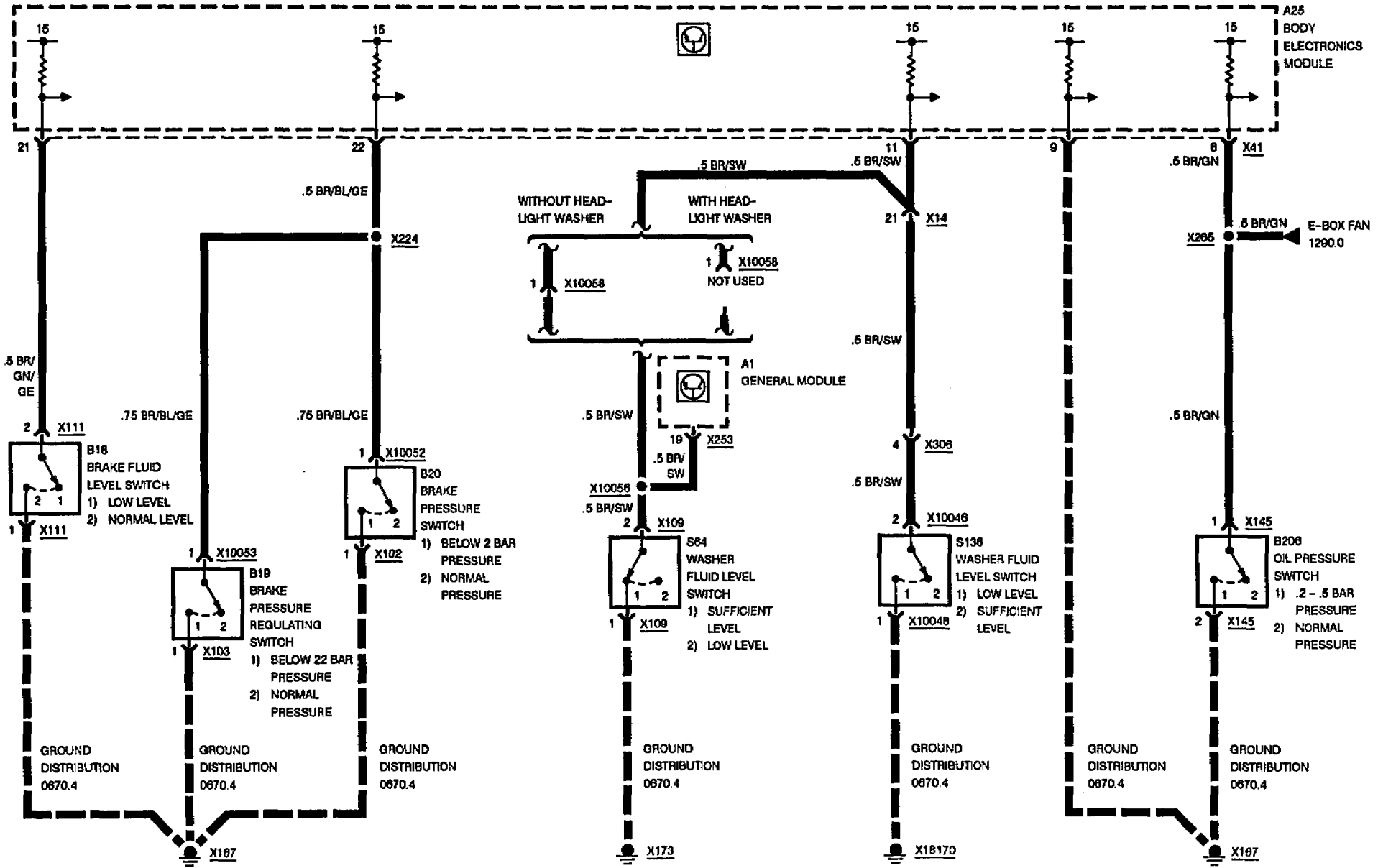




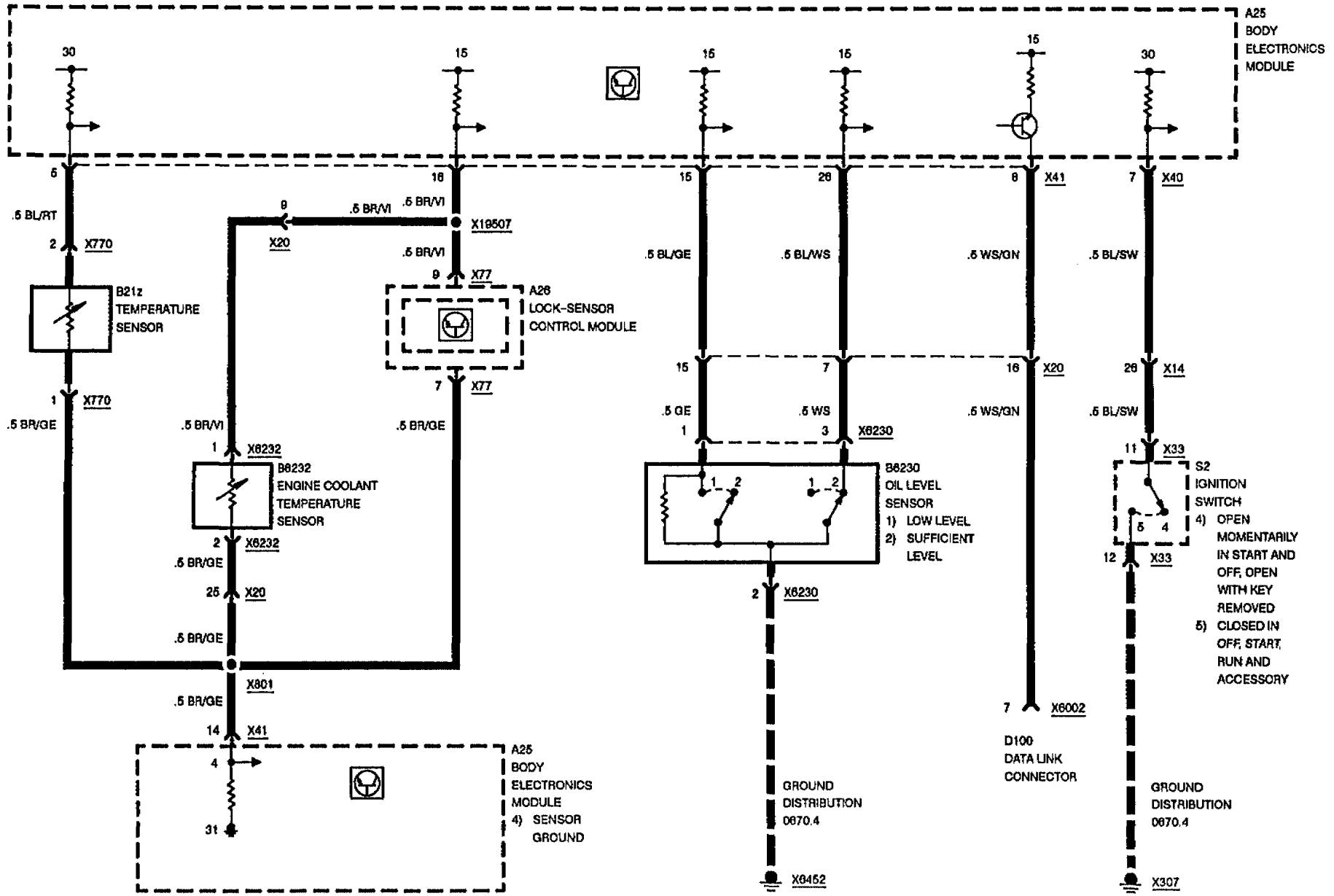
# BODY ELECTRONICS MODULE (EKM)



**BODY ELECTRONICS MODULE (EKM)**

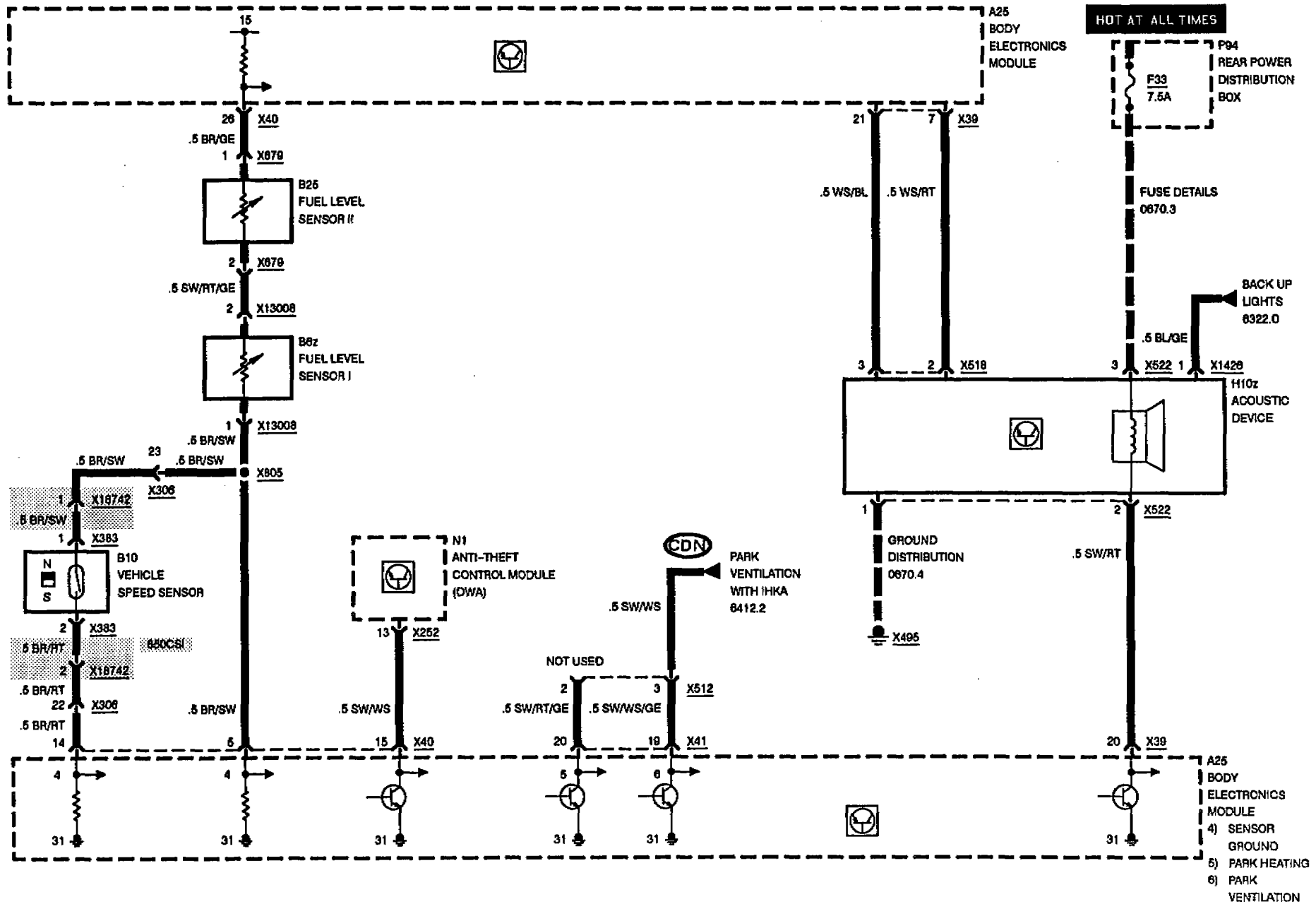


**BODY ELECTRONICS MODULE (EKM)**





# BODY ELECTRONICS MODULE (EKM)





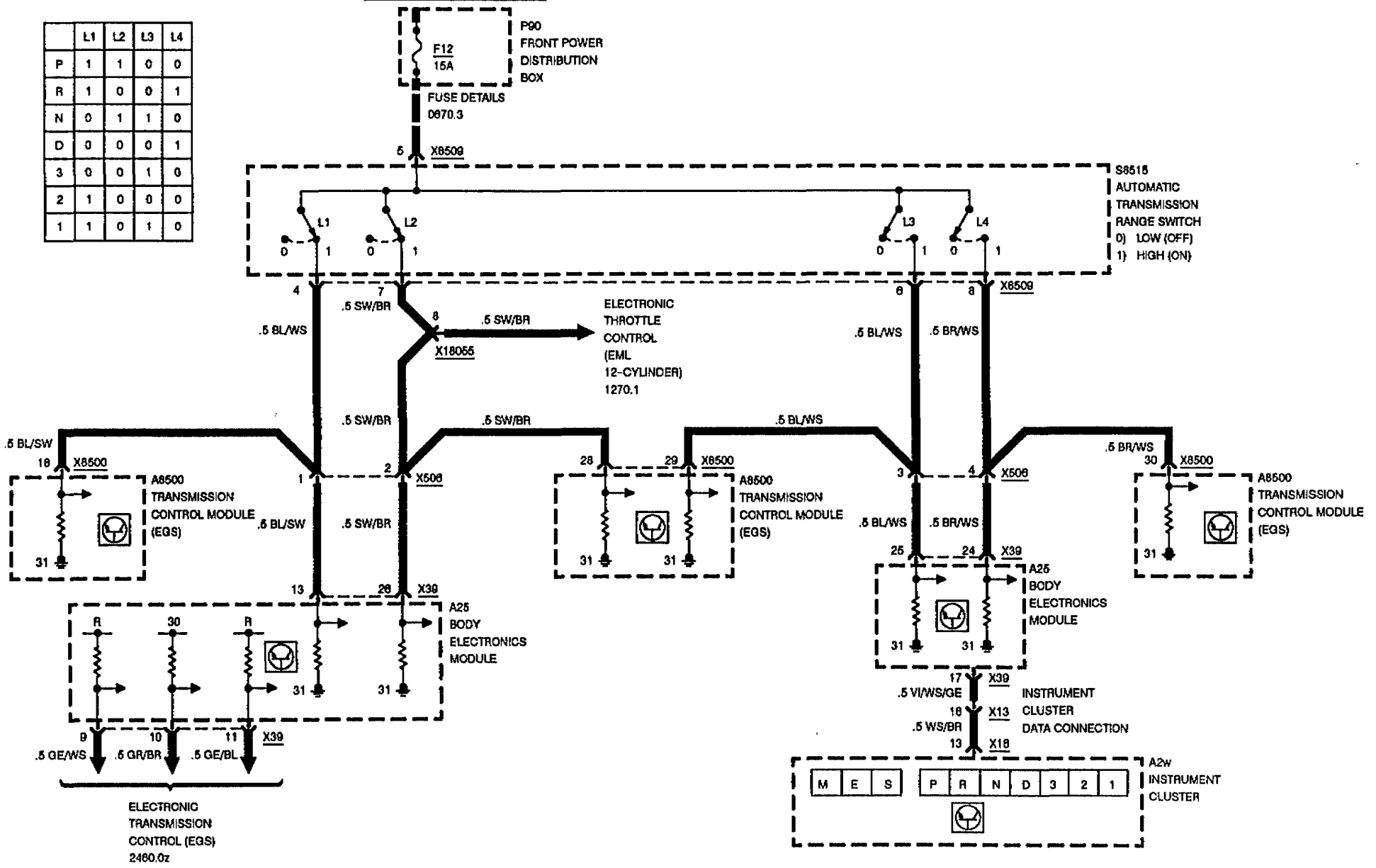


# BODY ELECTRONICS MODULE (EKM)

850Ci

	L1	L2	L3	L4
P	1	1	0	0
R	1	0	0	1
N	0	1	1	0
D	0	0	0	1
3	0	0	1	0
2	1	0	0	0
1	1	0	1	0

HOT IN RUN AND START



12/94

6210.0-11

1994

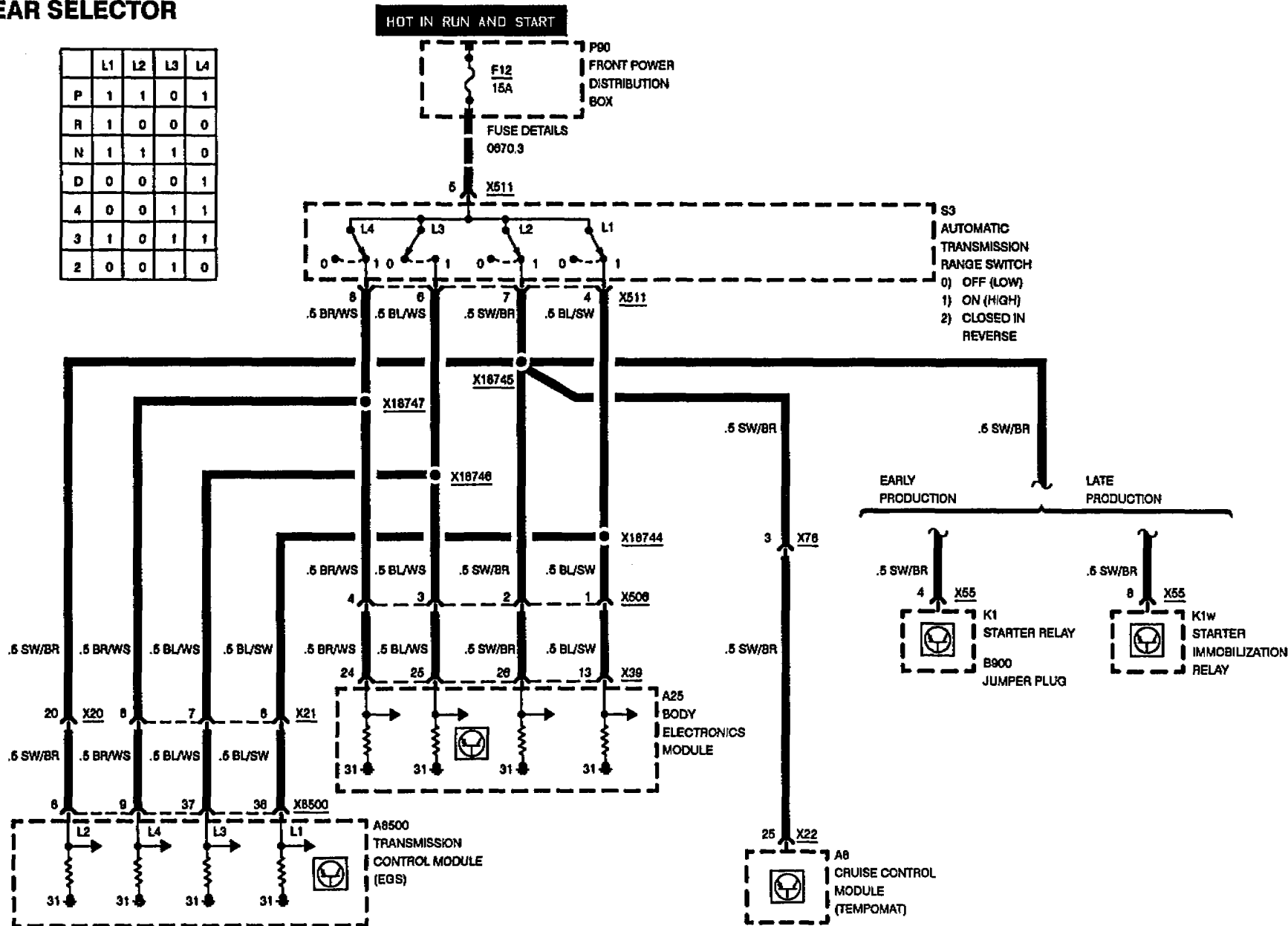


# BODY ELECTRONICS MODULE (EKM)

840Ci

## GEAR SELECTOR

	L1	L2	L3	L4
P	1	1	0	1
R	1	0	0	0
N	1	1	1	0
D	0	0	0	1
4	0	0	1	1
3	1	0	1	1
2	0	0	1	0



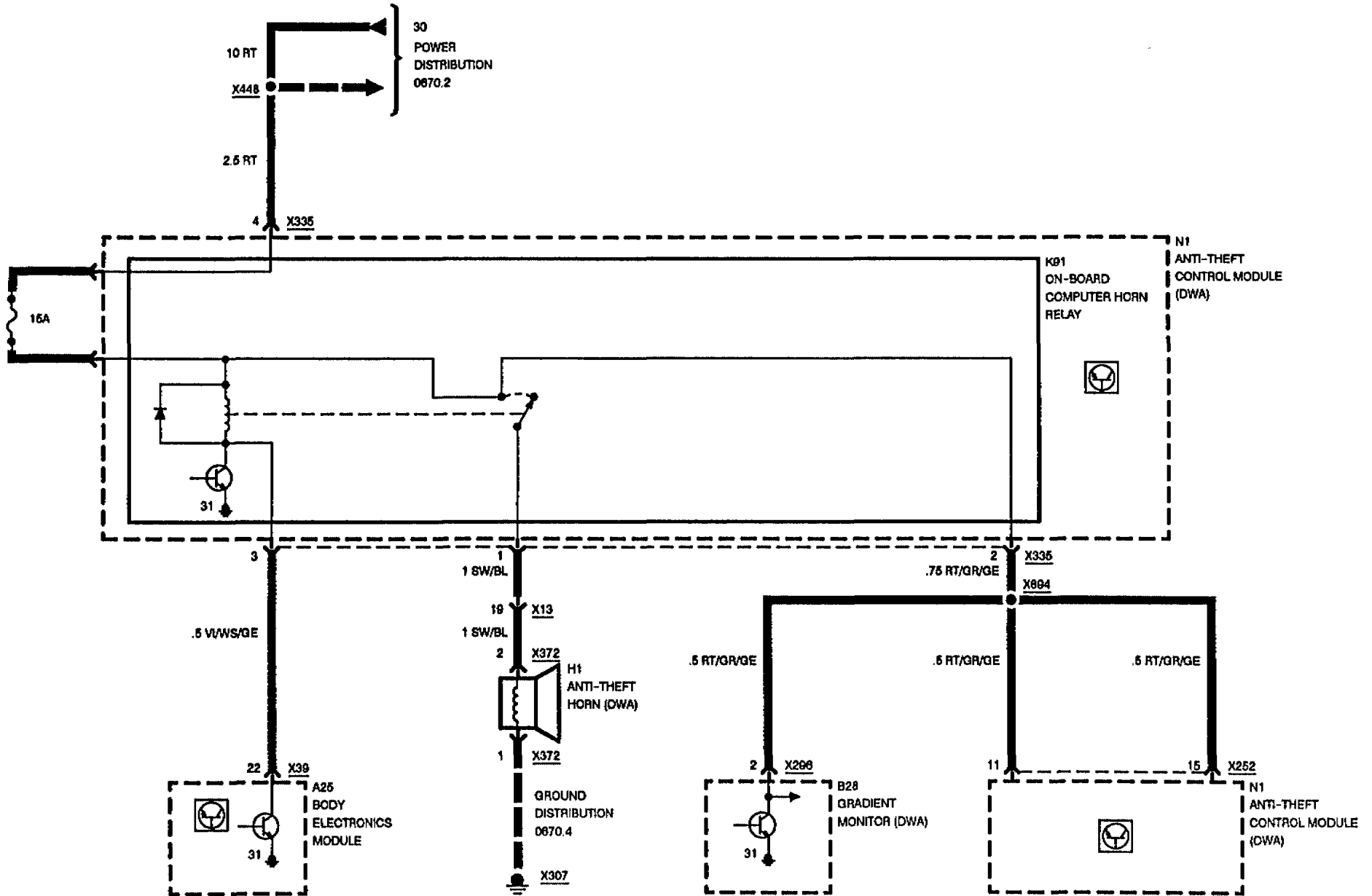
1294

6210.0-12

1994



# BODY ELECTRONICS MODULE (EKM)





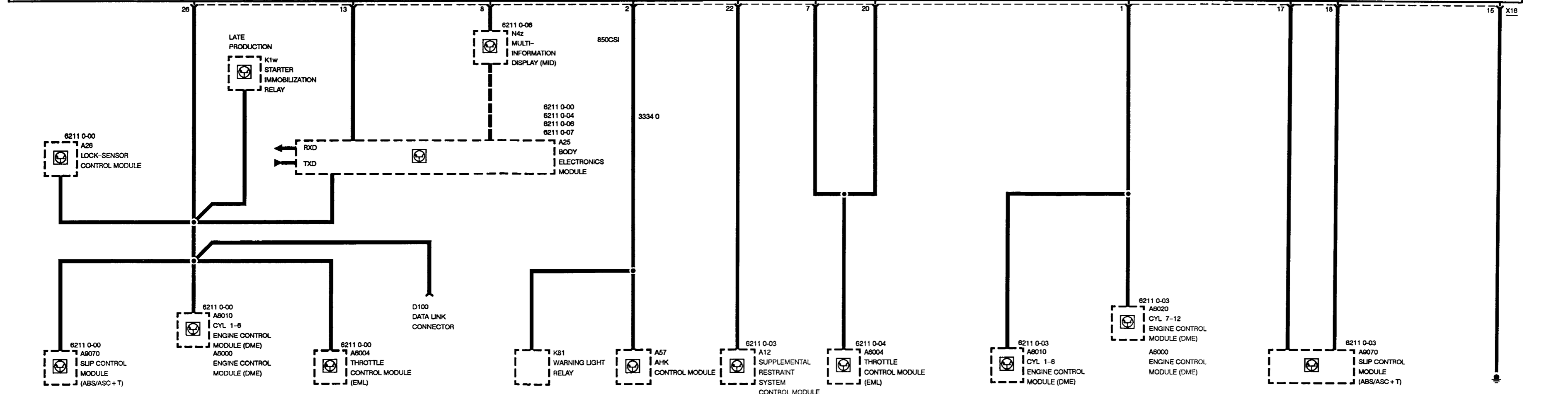
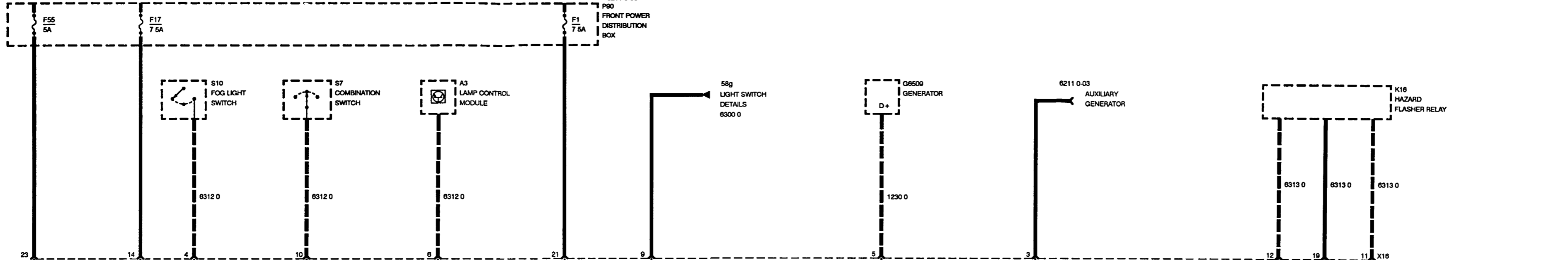
HOT IN ACCY, RUN OR START

HOT IN RUN AND START

HOT AT ALL TIMES

6211 0-03  
6211 0-04  
6211 0-06

P90  
FRONT POWER  
DISTRIBUTION  
BOX





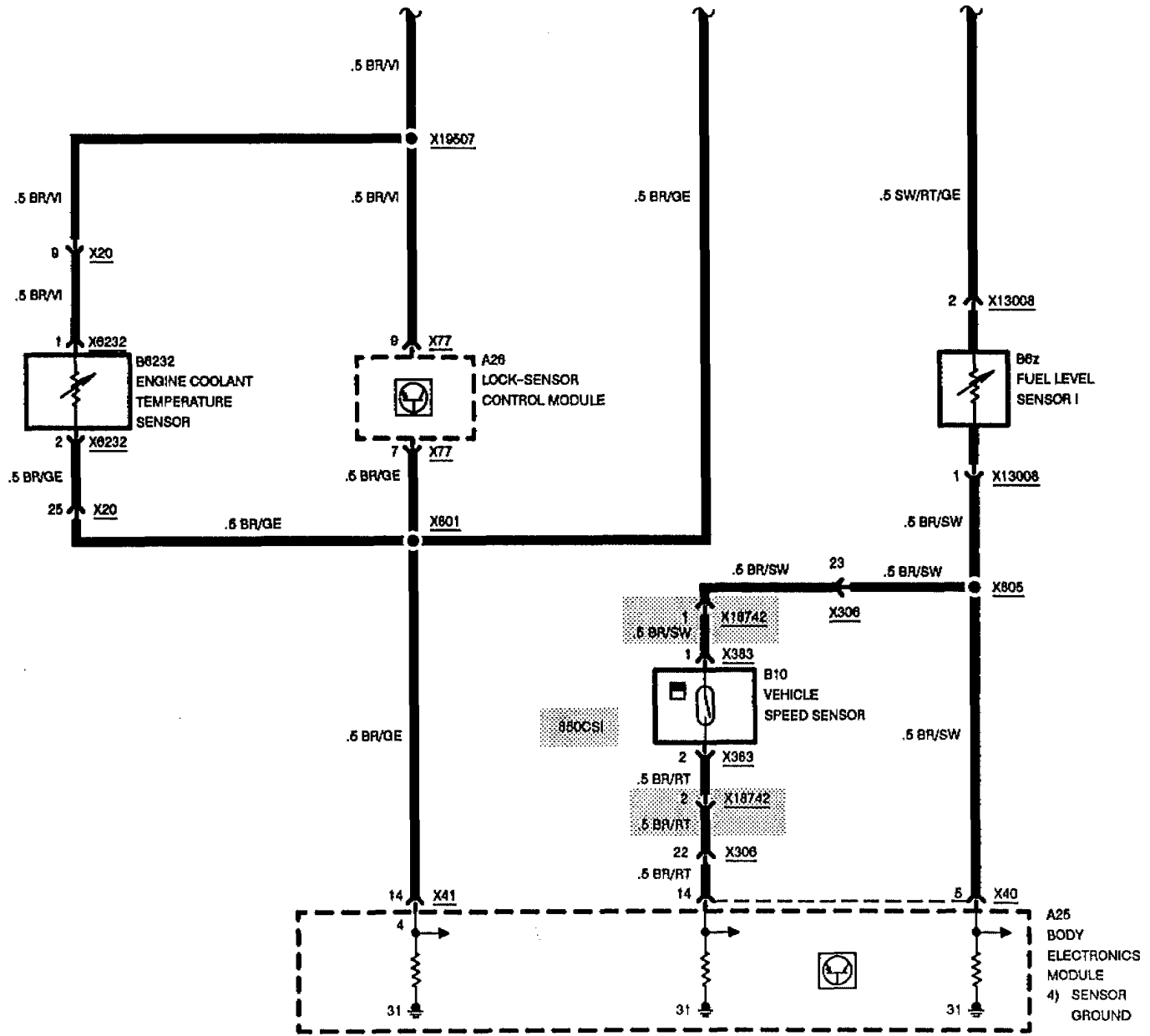
## Pin Assignments

### X16

Pin	Type	Description/Function	Connection
1	E	Service reminder indicator (US only)	Engine control modules (DME)
2	E	Only 850CSi indicator lamp	Active rear axle kinematics (AHK)
3		Battery charge indicator lamp 2	Auxiliary generator
4	E	Rear fog light indicator lamp	Fog light switch
5		Battery charge indicator lamp 1	Generator
6	E	Fog light indicator light	Lamp control module
7	E	EML warning light	Electronic throttle control module (EML)
8	E	Display lighting electronically dimmed	Multi-information-display (MID)
9	E	Terminal 58g, switch and instrument lighting	Dimmer
10	E	High beam indicator	Combination switch
11	E	Right turn signal indicator	Hazard flasher relay
12	E	Left turn signal indicator	Hazard flasher relay
13	E/A	Serial interface - instrument cluster data link	Body electronics module (EKM)
14	E	Voltage (terminal 15)	Fuse
15	M	Ground	Ground point
16		Not used	
17	E	ASC + T indicator lamp	Slip control module (ASC + T)
18	E	ABS indicator lamp	Slip control module (ASC + T)
19	E	Trailer turn signal indicator	Hazard flasher relay
20	E	EML warning lamp	Electronic throttle control module (EML)
21	E	Voltage (terminal 30)	Fuse
22	E	Airbag warning lamp	Supplemental restraint system control module
23	E	Voltage (terminal R)	Fuse
24		Not used	
25		Not used	
26	E	Engine speed (rpm) signal (tD)	Cyl. 1 - 6 engine control module (DME)

E = Input, A = Output, M = Ground

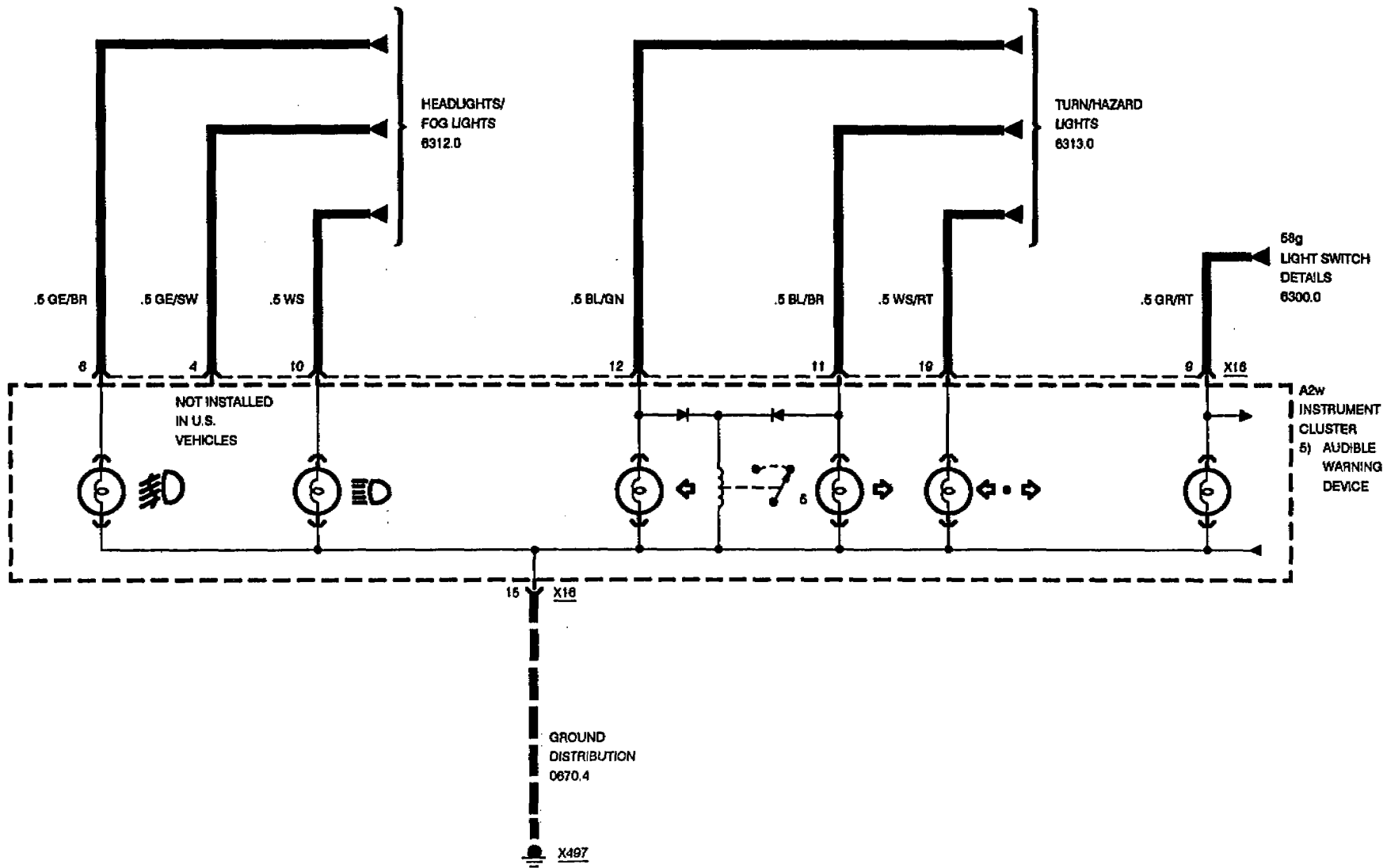






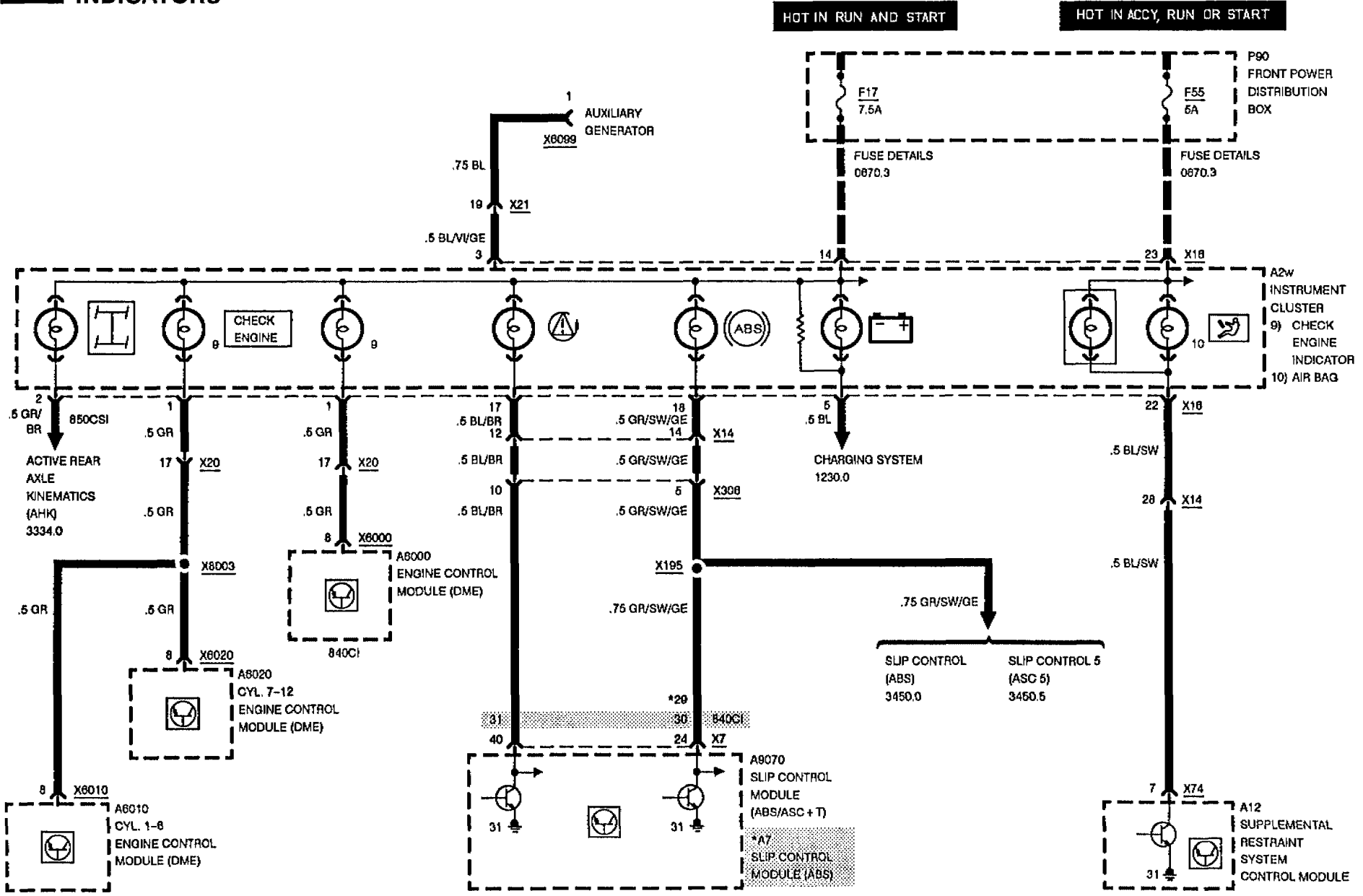


# INSTRUMENT CLUSTER INDICATORS





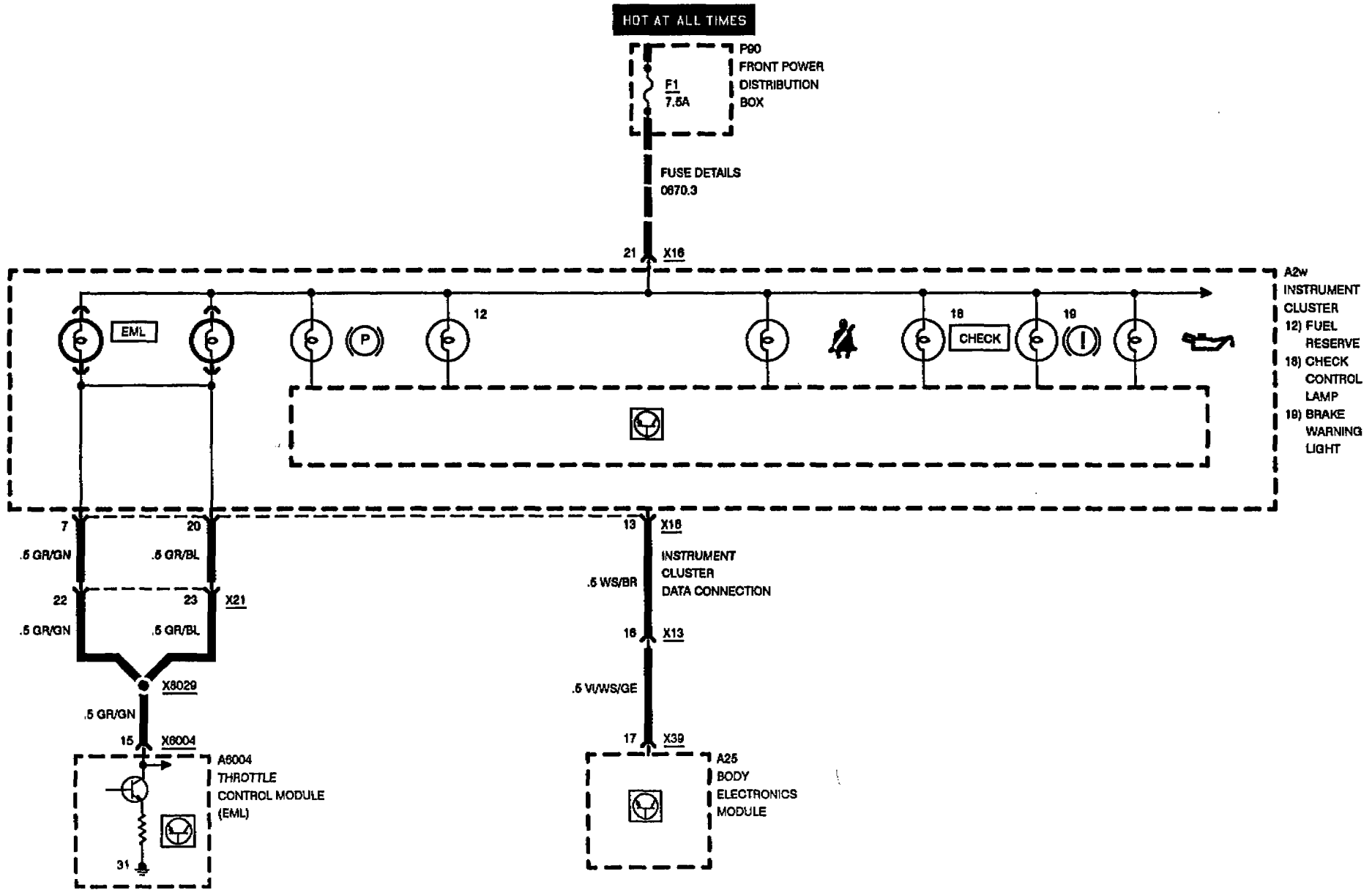
# INSTRUMENT CLUSTER INDICATORS





# INSTRUMENT CLUSTER

## INDICATORS



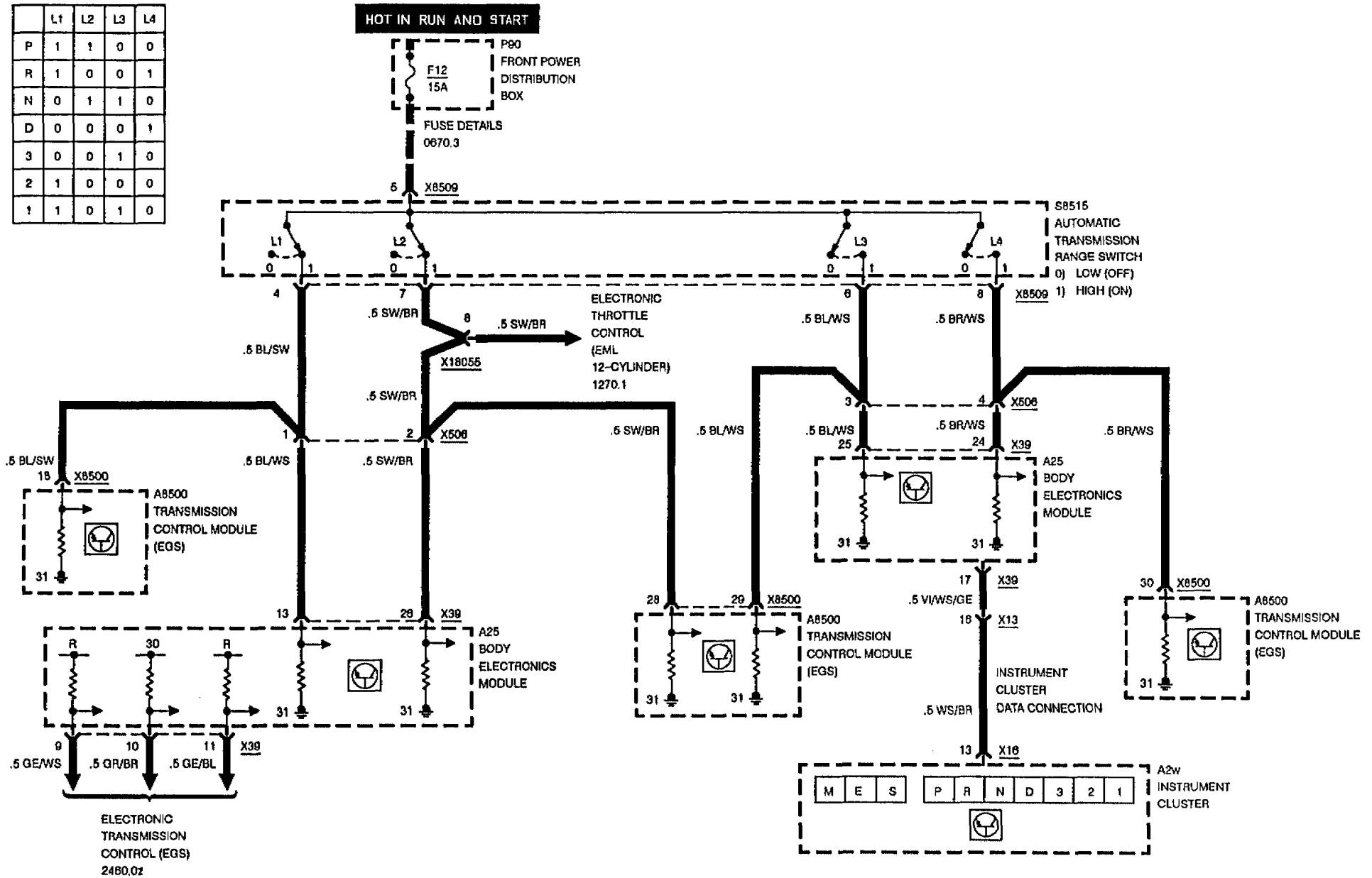


# INSTRUMENT CLUSTER

## GEAR SELECTOR

850Ci

	L1	L2	L3	L4
P	1	1	0	0
R	1	0	0	1
N	0	1	1	0
D	0	0	0	1
3	0	0	1	0
2	1	0	0	0
1	1	0	1	0





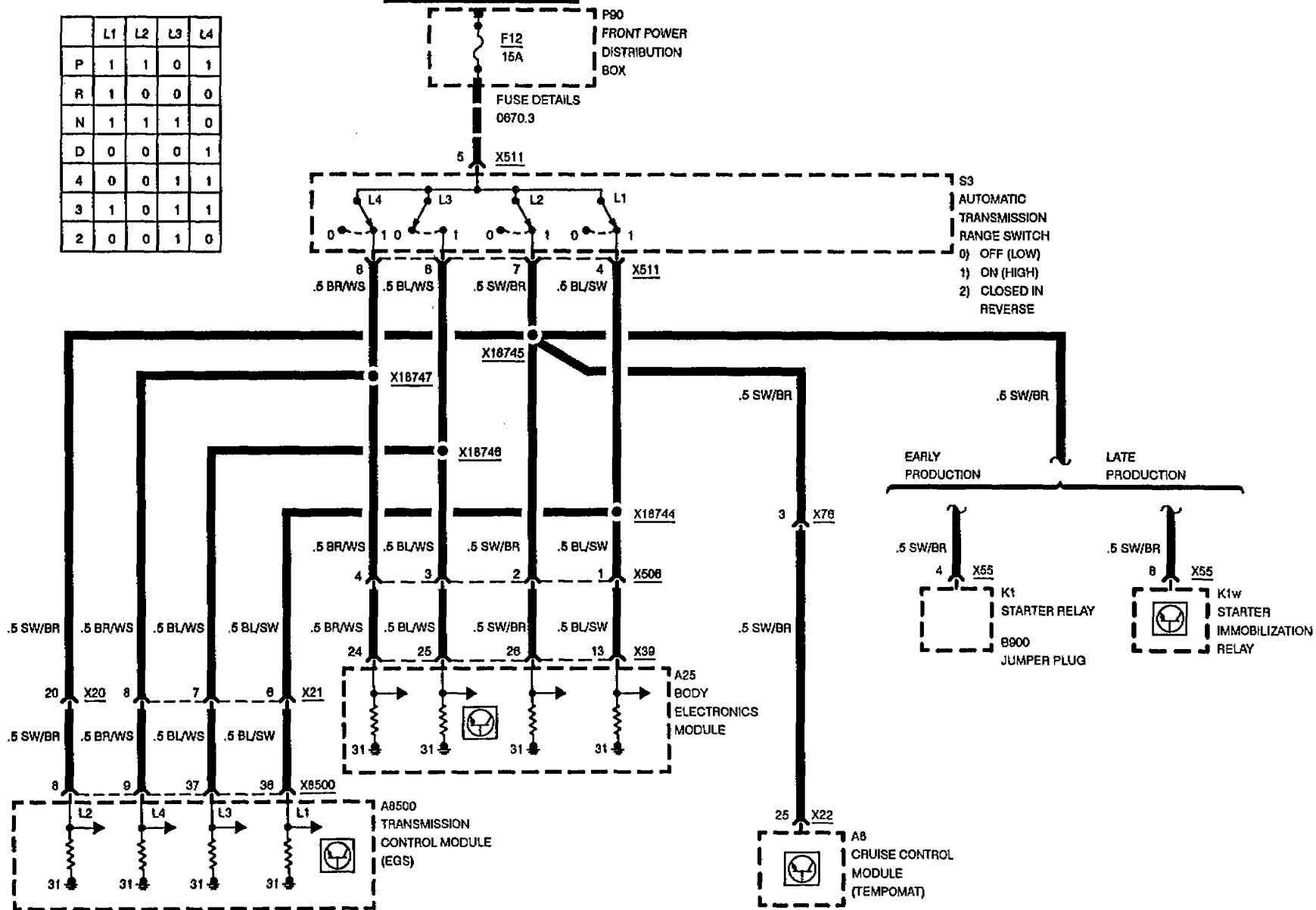
# INSTRUMENT CLUSTER

## GEAR SELECTOR

840Ci

	L1	L2	L3	L4
P	1	1	0	1
R	1	0	0	0
N	1	1	1	0
D	0	0	0	1
4	0	0	1	1
3	1	0	1	1
2	0	0	1	0

HOT IN RUN AND START



12/94

6211.0-06

1994



# INSTRUMENT CLUSTER

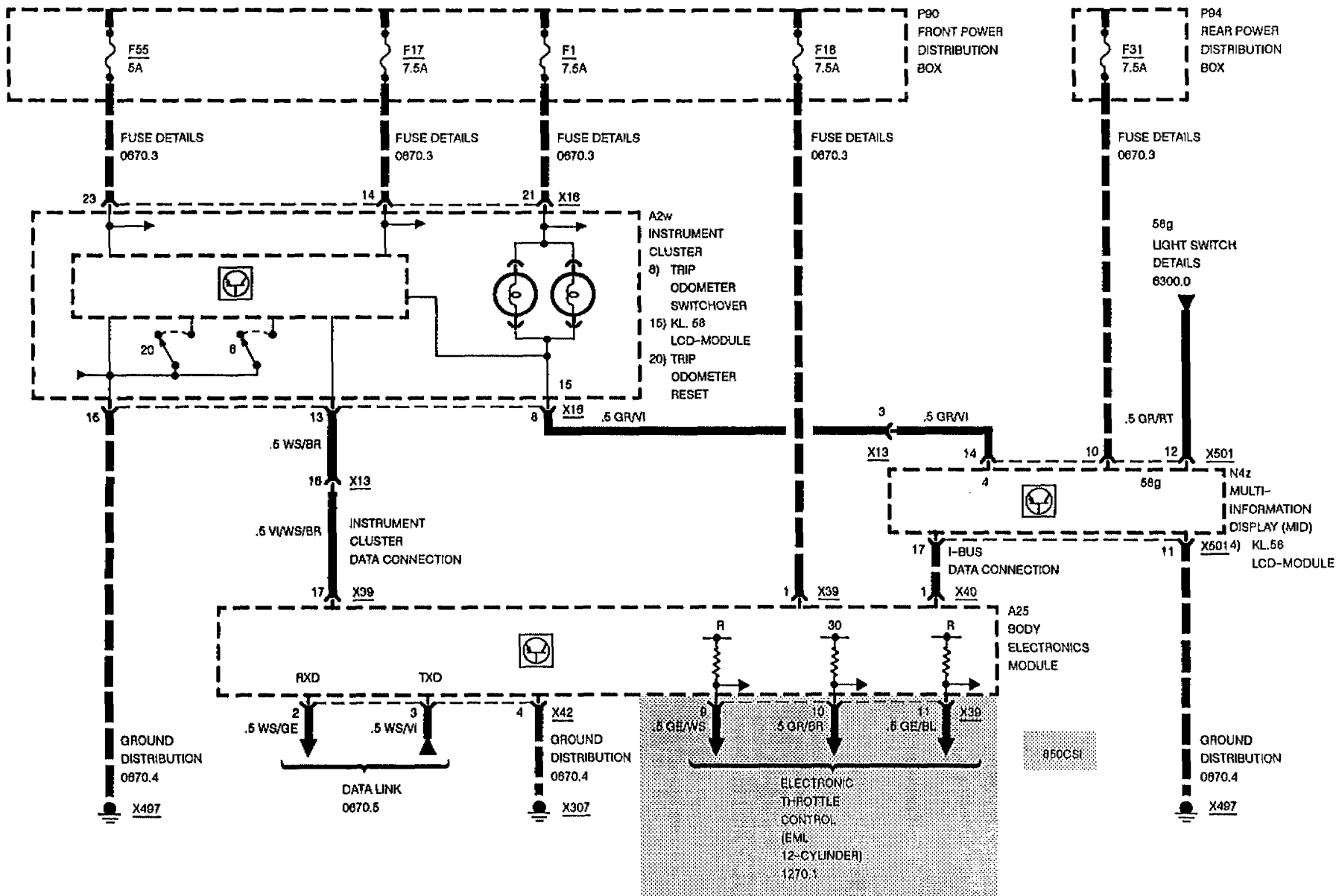
HOT IN ACCY, RUN OR START

HOT IN RUN AND START

HOT AT ALL TIMES

HOT IN ACCY, RUN OR START

HOT AT ALL TIMES



BMW  
**8**

6211.0-08

BMW  
8

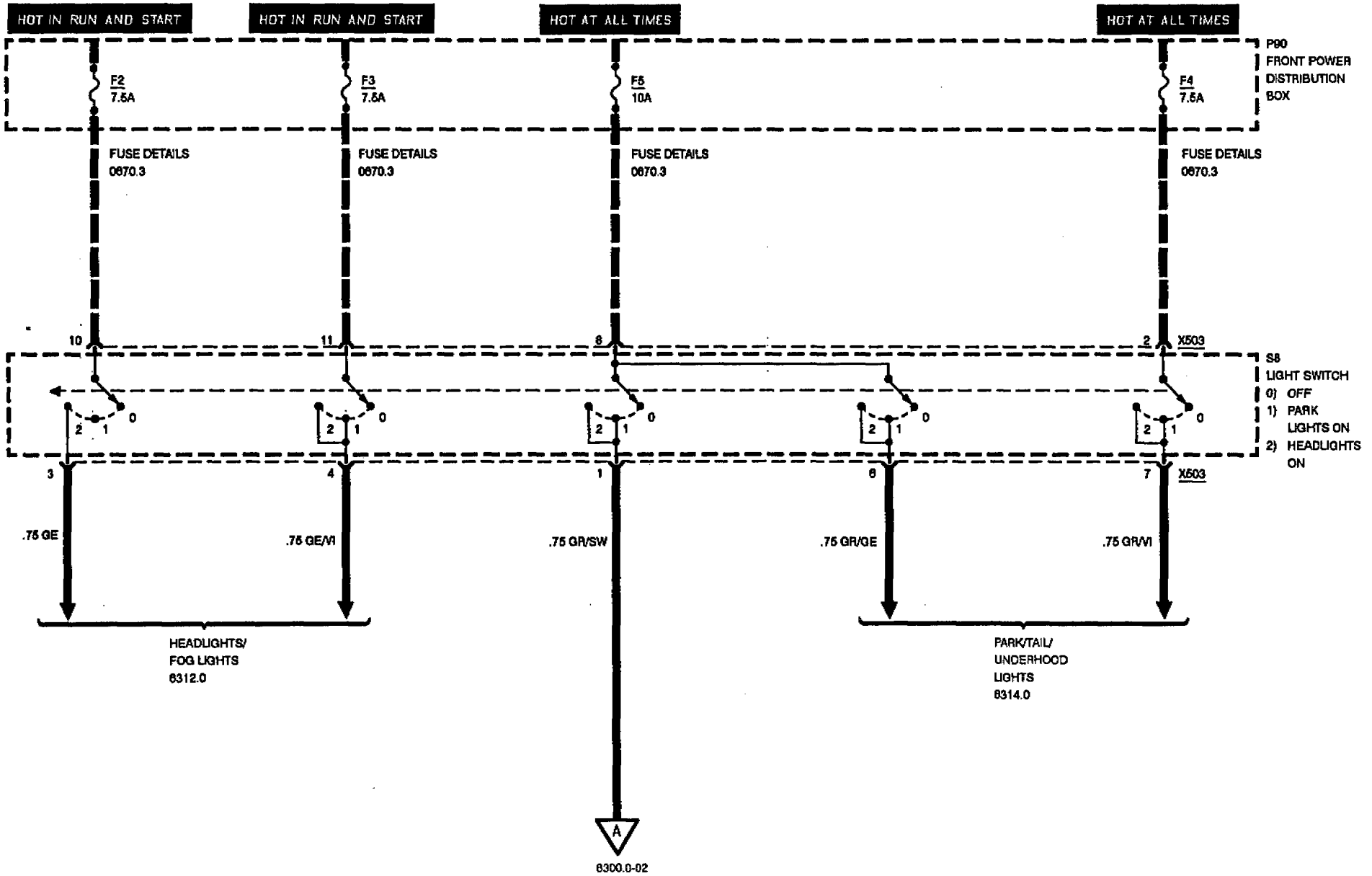
6300.0





# LIGHT SWITCH DETAILS

USA

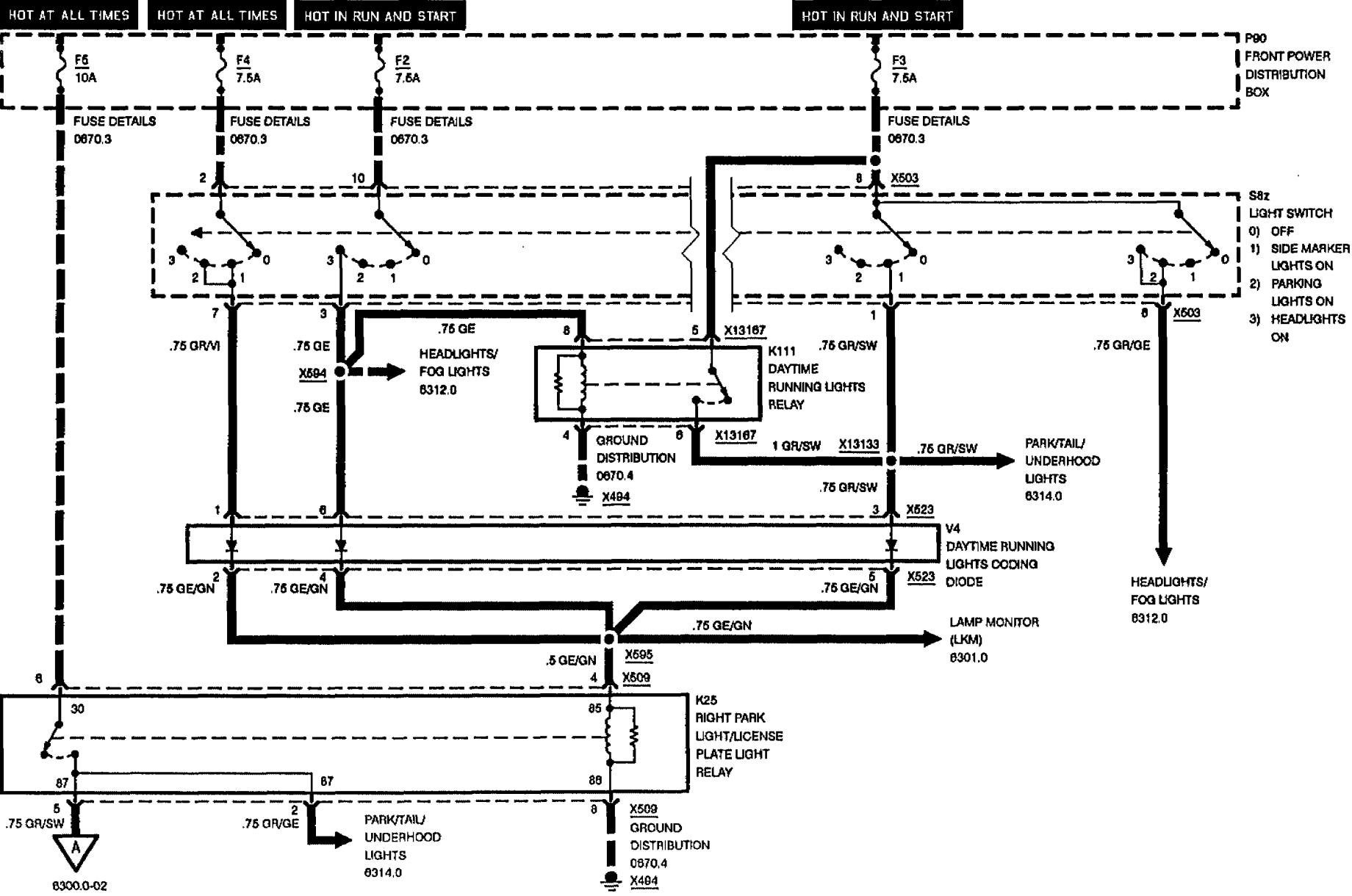


09/93

6300.0-00

1994

# LIGHT SWITCH DETAILS



6300.0-02

PARK/TAIL/ UNDERHOOD LIGHTS 6314.0

X509 GROUND DISTRIBUTION 0670.4

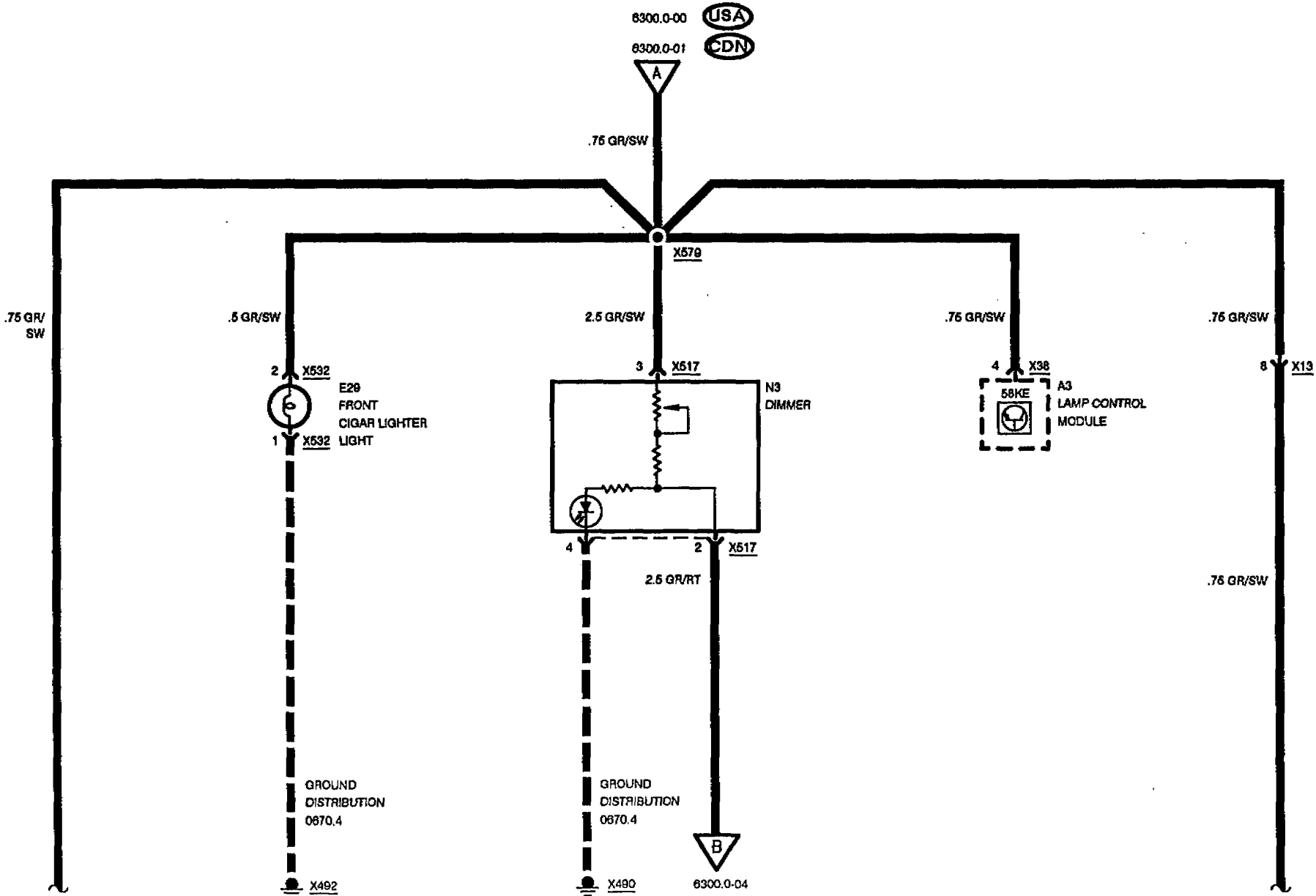
LAMP MONITOR (LKM) 6301.0

PARK/TAIL/ UNDERHOOD LIGHTS 6314.0

HEADLIGHTS/ FOG LIGHTS 6312.0



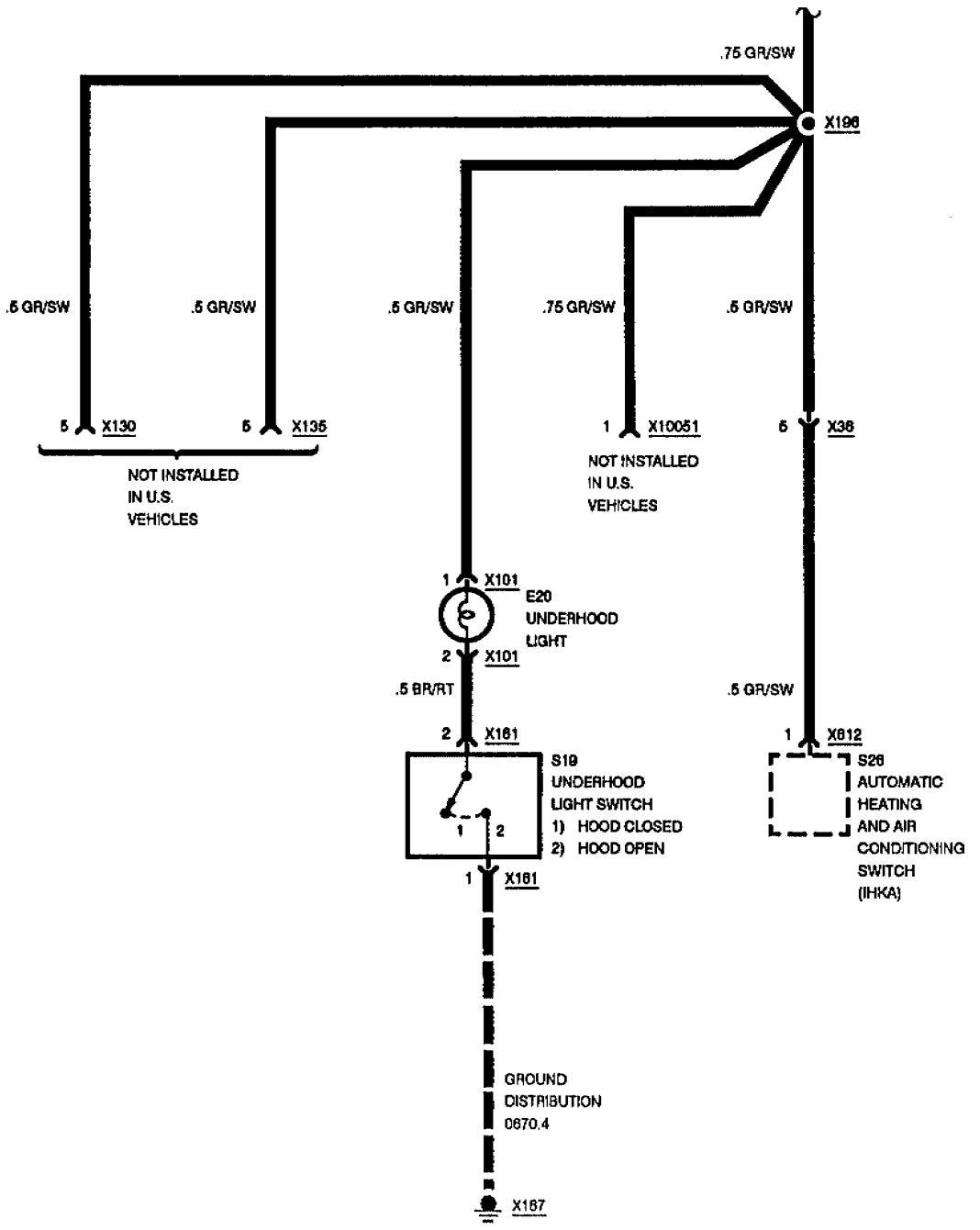
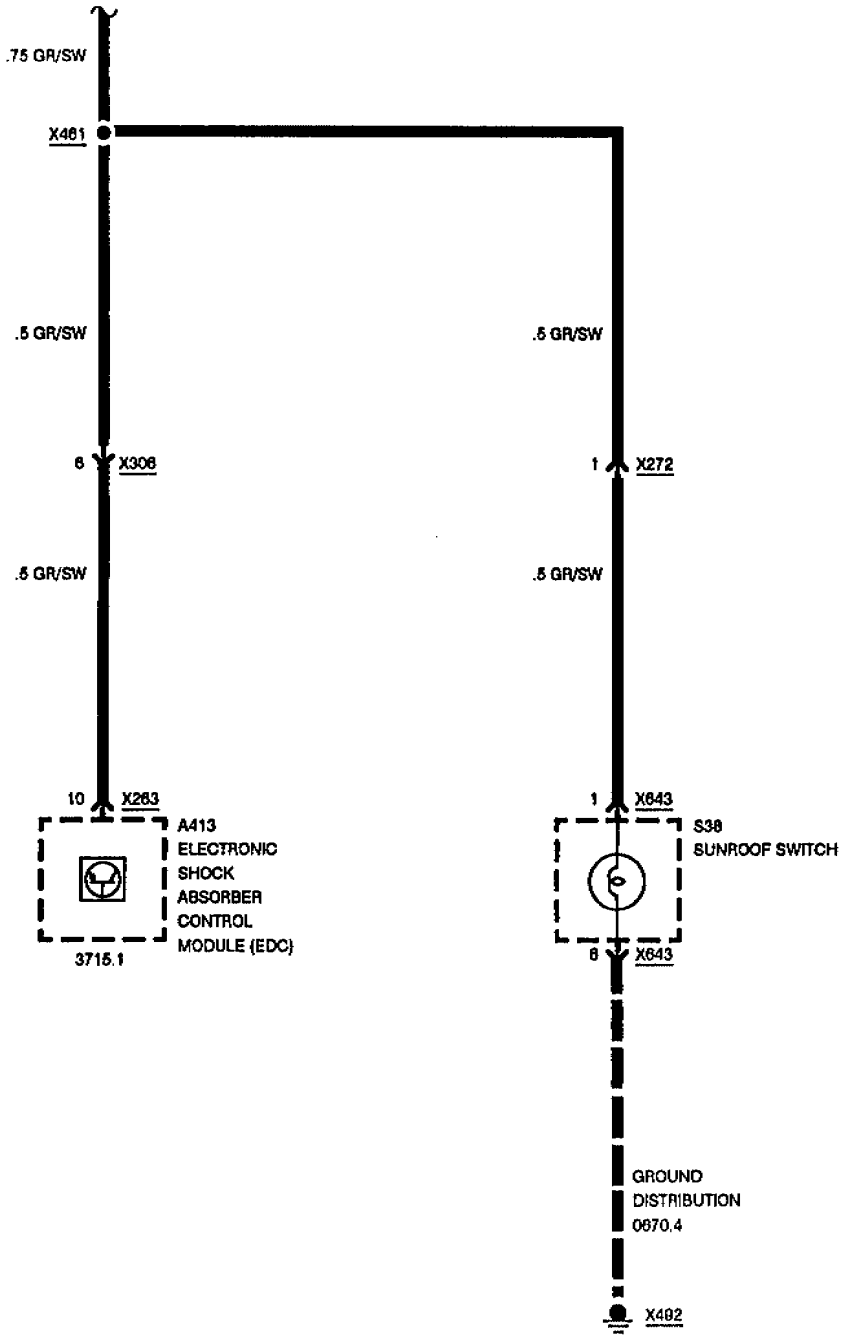
# LIGHT SWITCH DETAILS



09/93

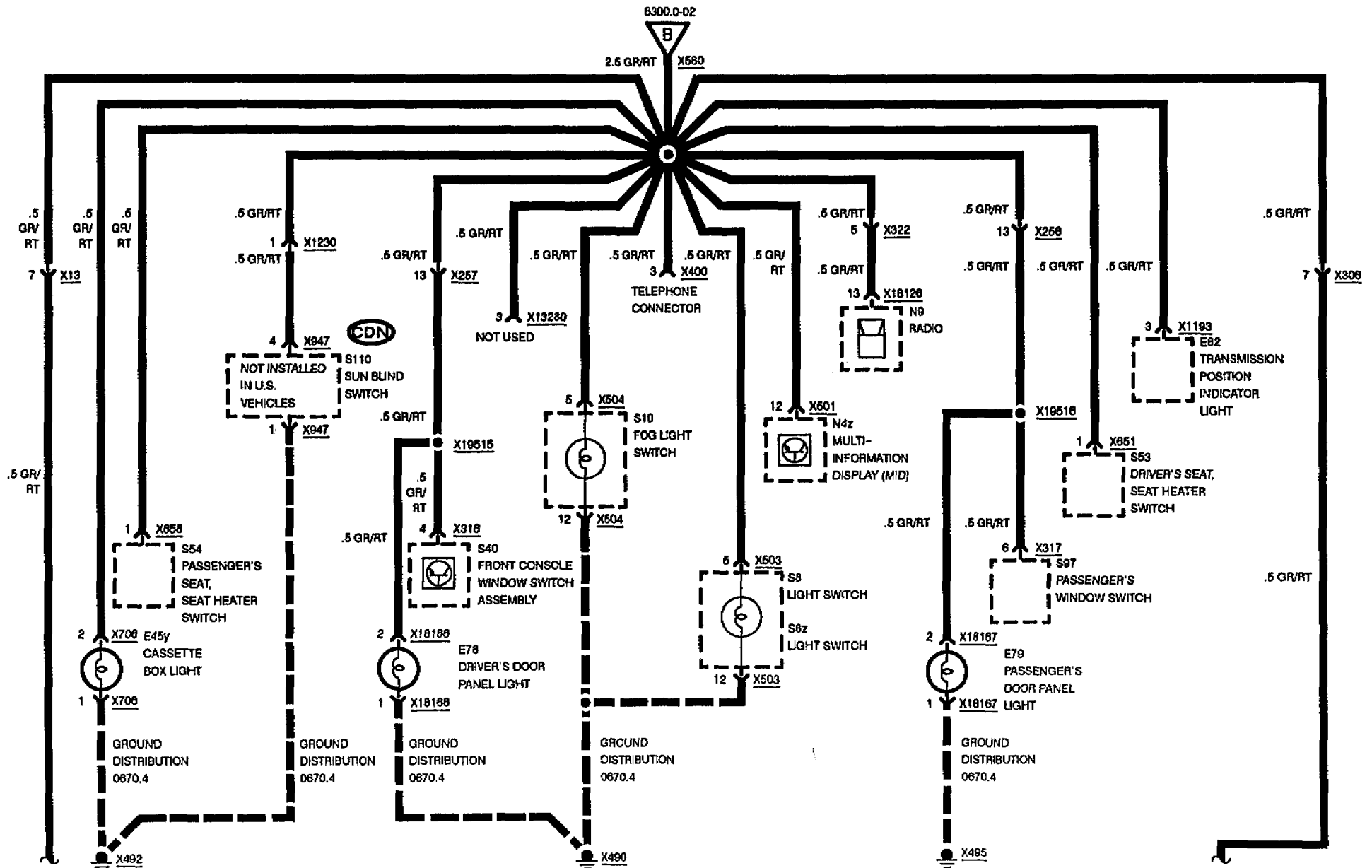
6300.0-02

1994





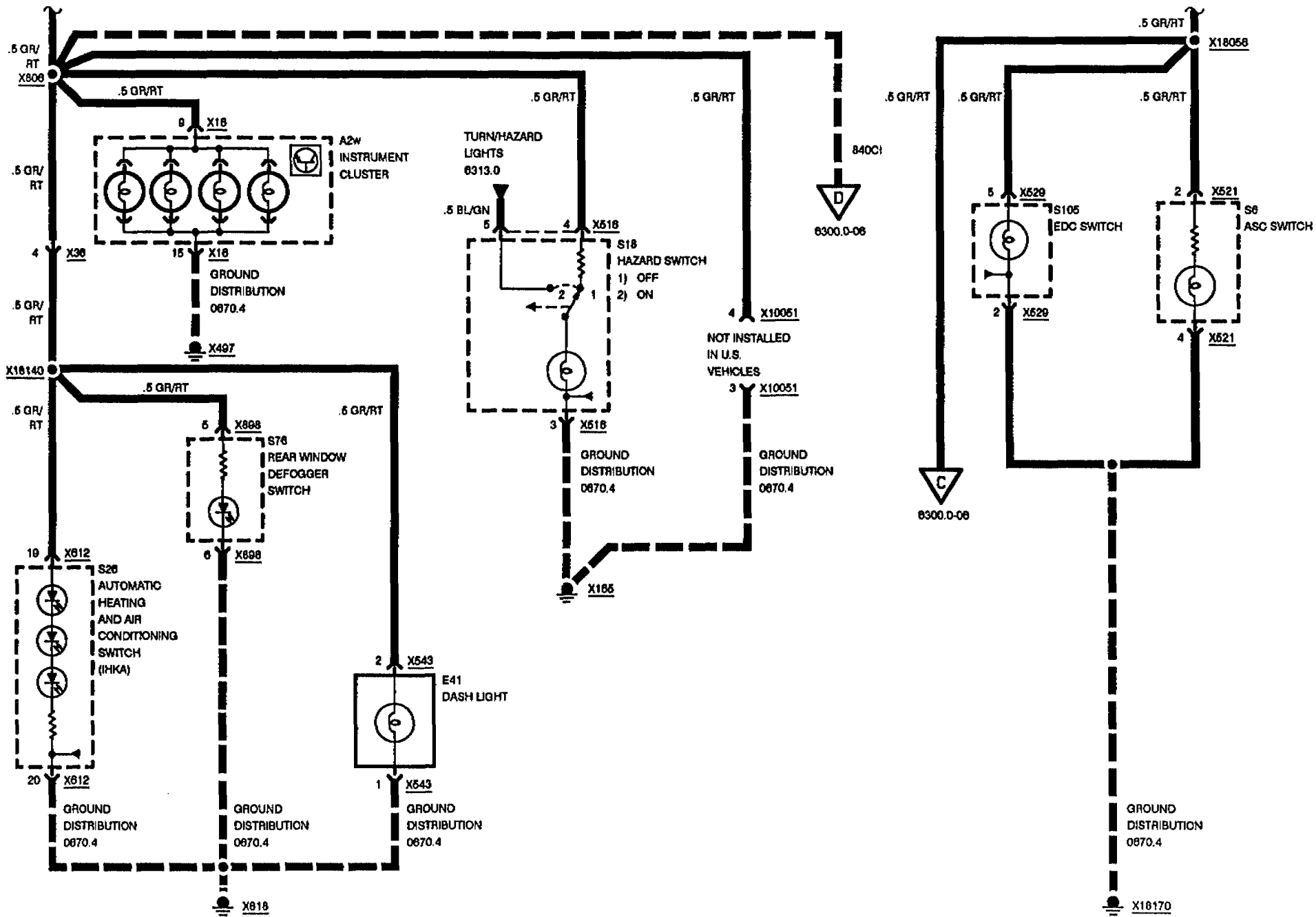
# LIGHT SWITCH DETAILS



12/94

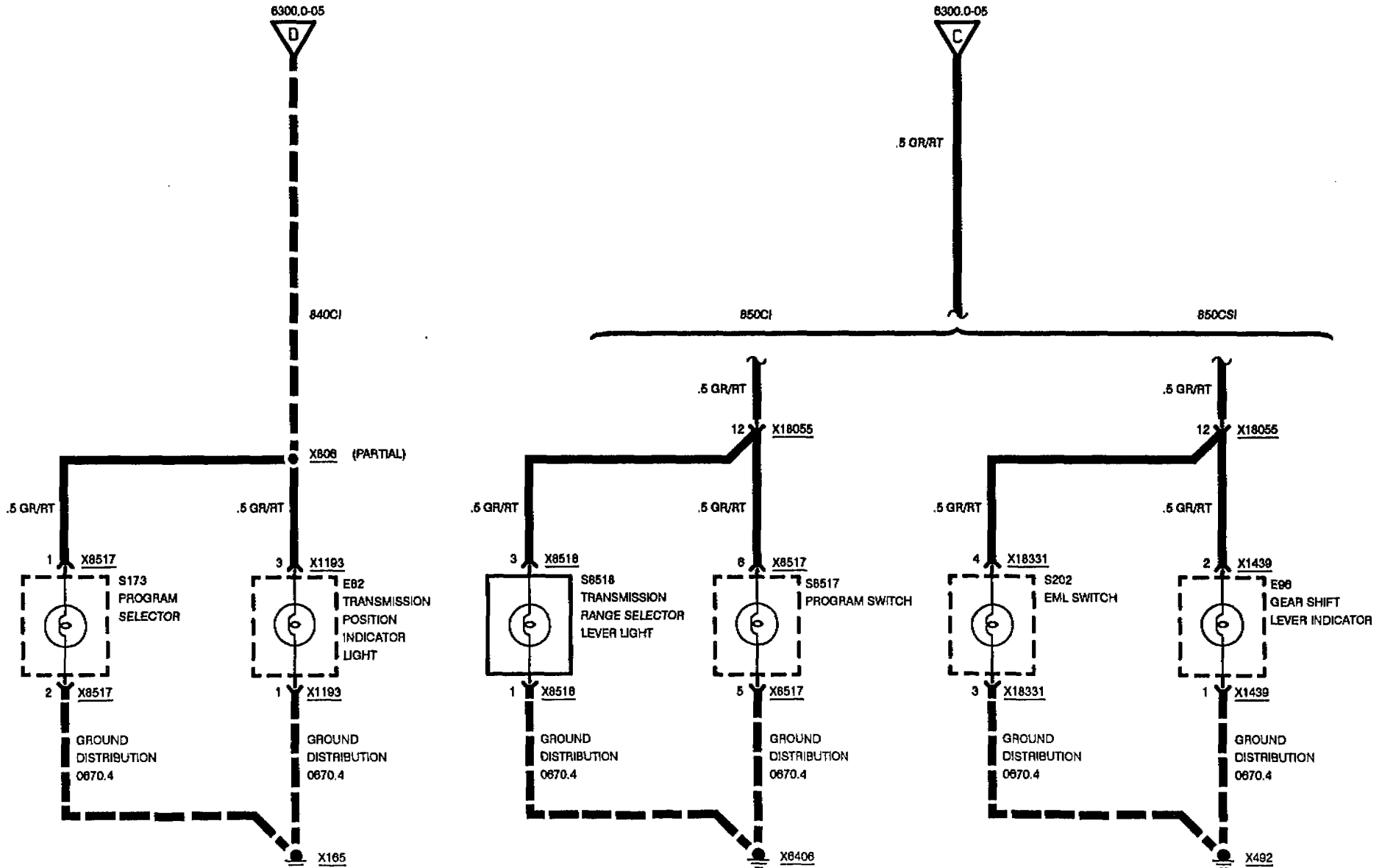
6300.0-04

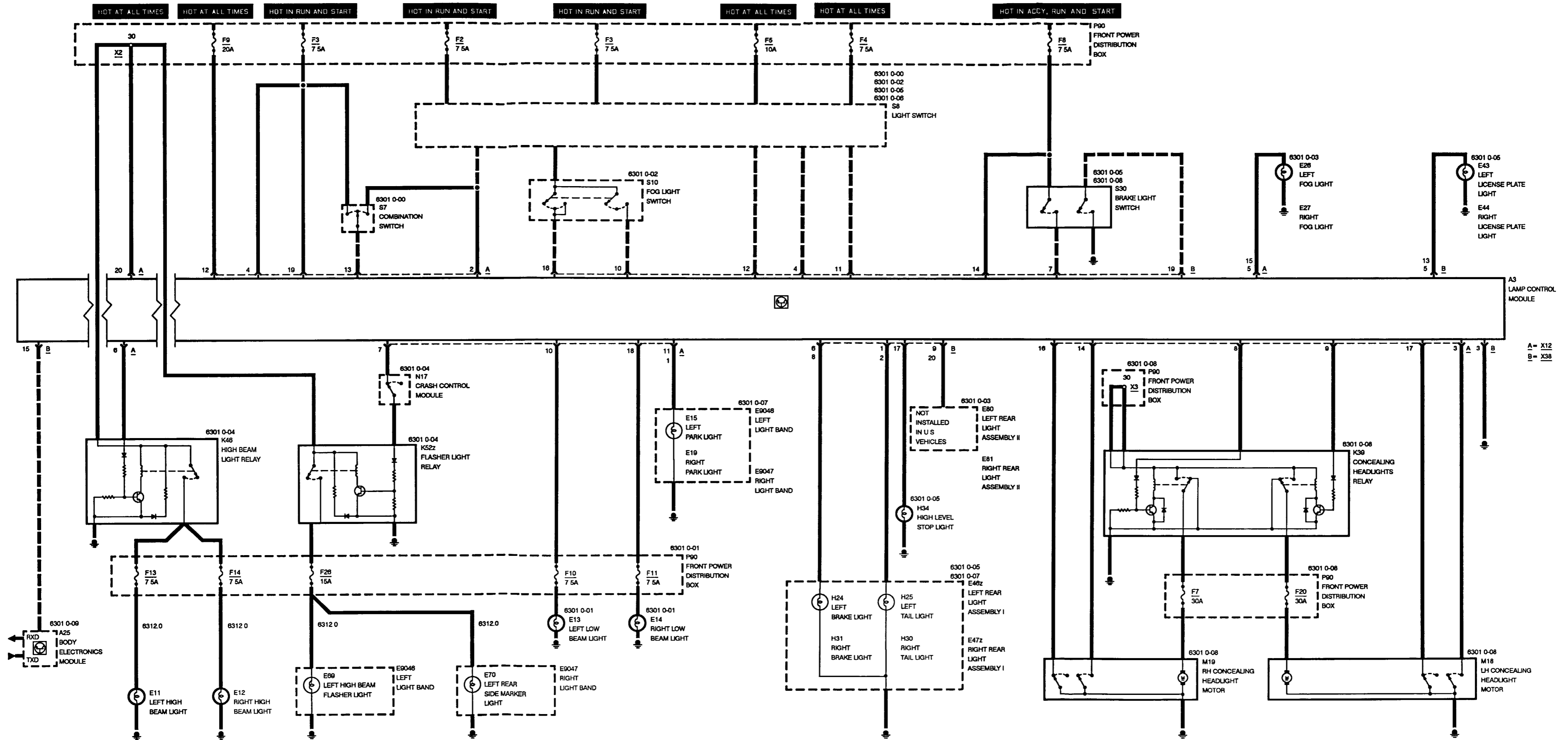
1/94



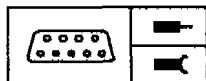


# LIGHT SWITCH DETAILS









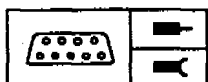
## Pin Assignments

A=X12	20 pins, white
B=X38	20 pins, black

### X12

Pin	Type	Description/Function	Connection
1	A	Right front parking light	Rear light assembly
2	E	Light switch/low beam	Light switch
3	E	Left KSW position signal (KSW position OPEN)	Left concealing headlight motor (KSW)
4	E	Power circuit for rear fog light, control circuit for fog lights, low beam, high beam/head- light flasher	Fuse
5	A	Right fog light	Right fog light
6	A	High beam relay (double relay high beam/headlight flasher)	High beam light relay
7	A	Headlight flasher relay (double relay high beam/headlight flasher)	Crash control unit
8	A	Right concealing headlight motor signal	Concealing headlight relay
9	A	Left concealing headlight motor signal	Concealing headlight relay
10	A	Left low beam	Left low beam light
11	A	Left front parking light	Left light assembly
12	E	Power circuit for fog lights	Fuse
13	E	High beam	Combination switch
14	E	Right KSW position signal (KSW position OPEN)	Right concealing headlight motor (KSW)
15	A	Left fog light	Left fog light
16	E	Right KSW position signal (KSW position CLOSED)	Right concealing headlight motor (KSW)
17	E	Left KSW position signal (KSW position CLOSED)	Left concealing headlight motor (KSW)
18	A	Right low beam	Right low beam light
19	E	Voltage supply terminal 15/control circuit	Fuse
20	E	Voltage supply terminal 30/control circuit	Power distribution box

E = Input, A = Output, M = Ground



## Pin Assignments

### X38

Pin	Type	Description/Function	Connection
1	A	Left tail light	Left tail light
2	A	Right tail light	Right tail light
3	M	Ground	Ground point
4	E	License plate light signal	Light switch
5	A	Right license plate light	Right license plate light
6	A	Left brake light	Left brake light
7	E	Brake light signal	Brake light switch
8	A	Right brake light	Right brake light
9	A	Left rear fog light	Left rear light assembly
10	E	Rear fog light voltage	Fog light switch
11	E	Left parking light voltage	Light switch/left park light relay
12	E	Right parking light voltage	Light switch/right park light relay
13	A	Left license plate light	Left license plate light
14	E	Brake lights voltage	Fuse
15	E/A	I-bus/data link	All control units with I-bus
16	E	Fog light voltage	Fog light switch
17	A	High level stop light	High level stop light
18		Not used	
19	E	Brake pedal status	Brake light test switch
20	A	Right fog light	Right rear light assembly

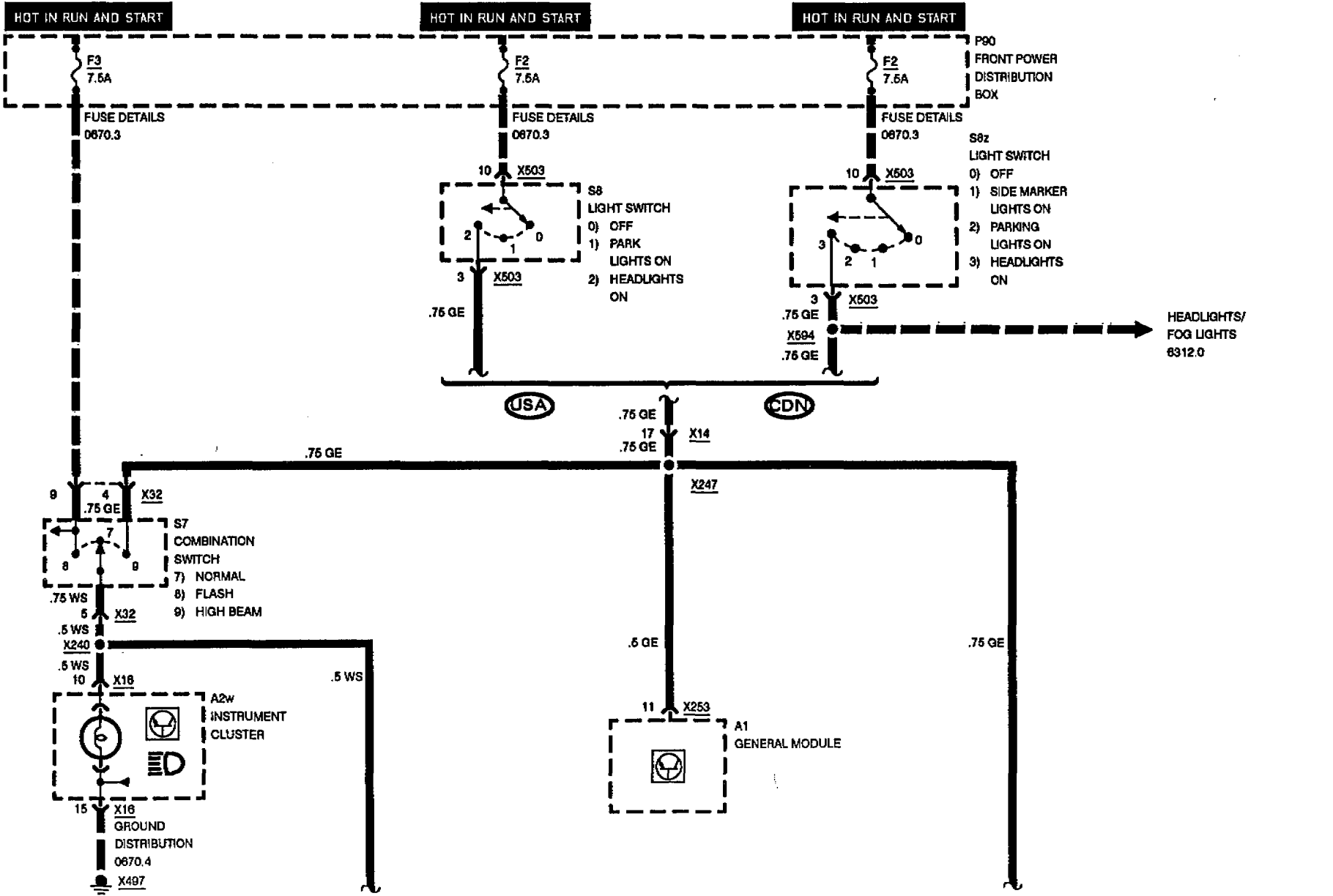
E = Input, A = Output, M = Ground

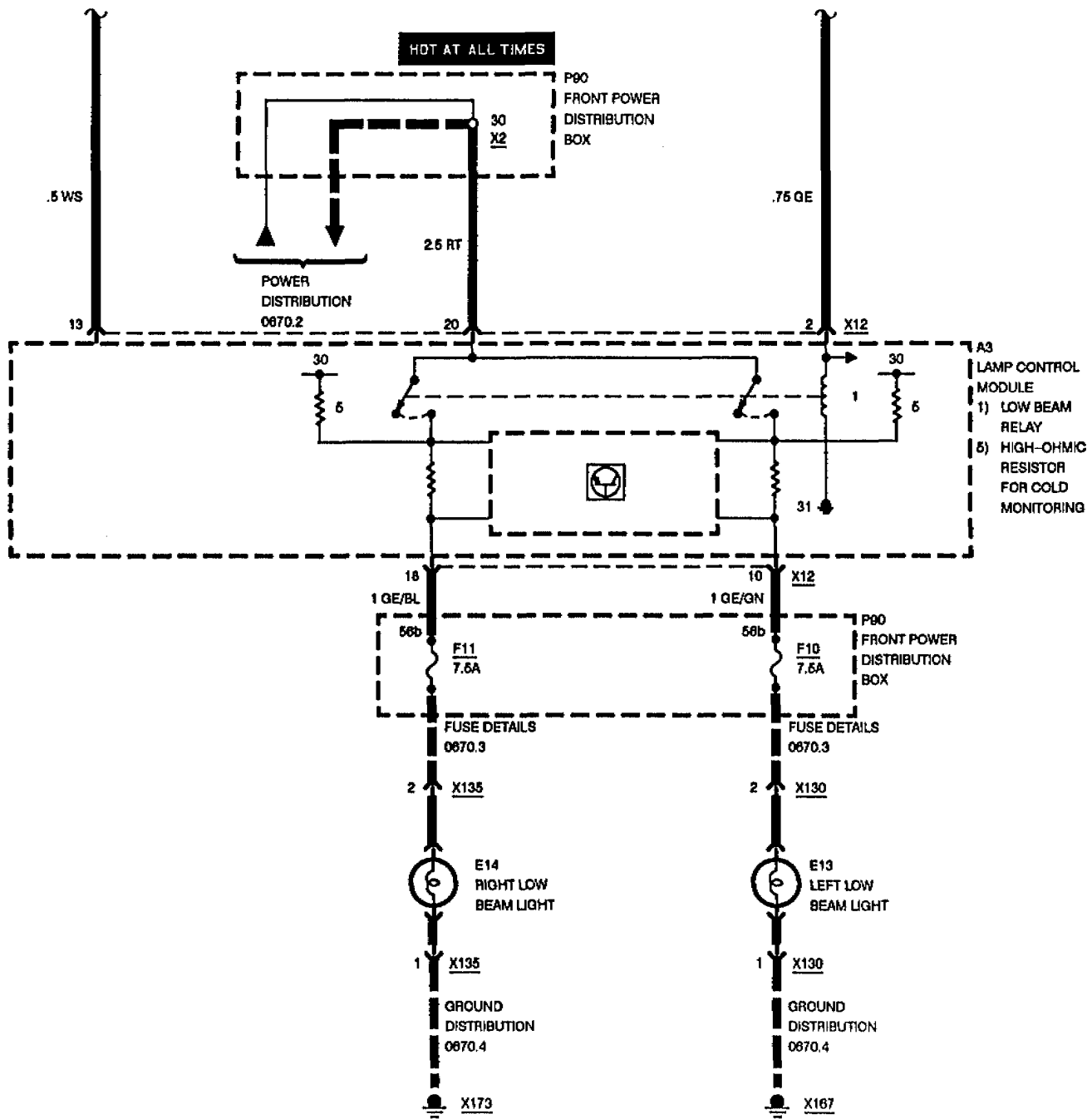
BMW  
8

6301.0



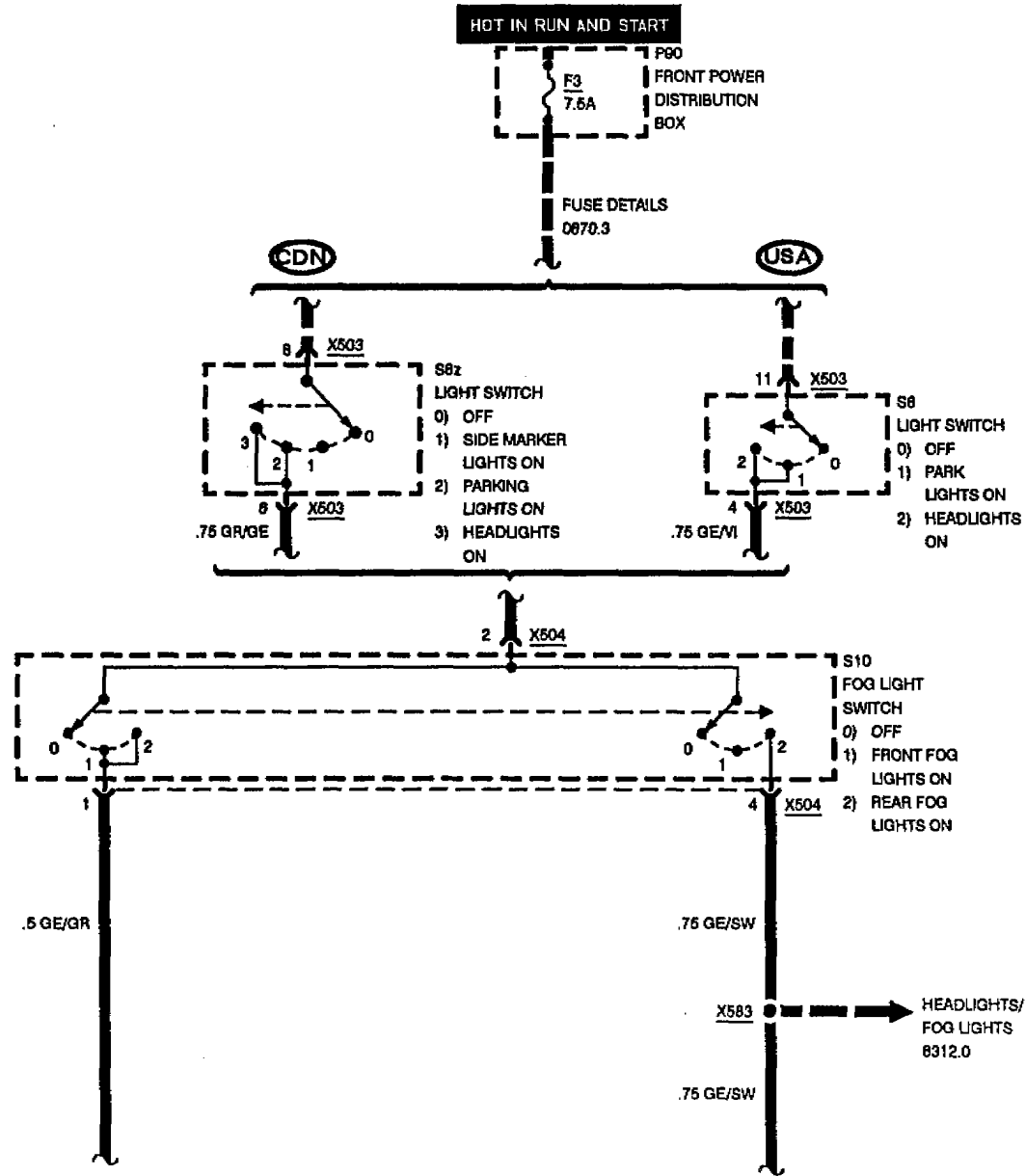
# LAMP MONITOR (LKM) HEADLIGHTS

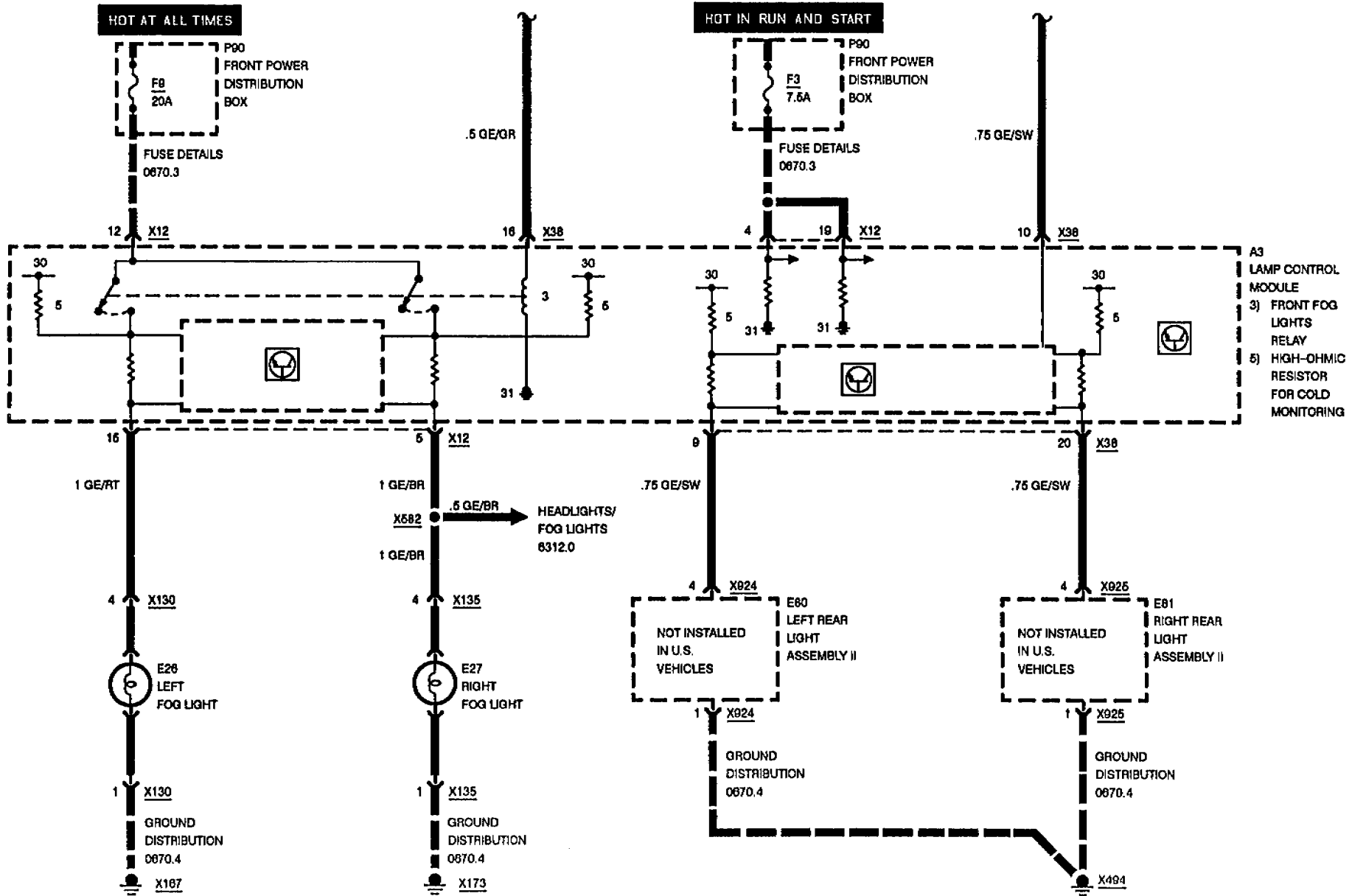




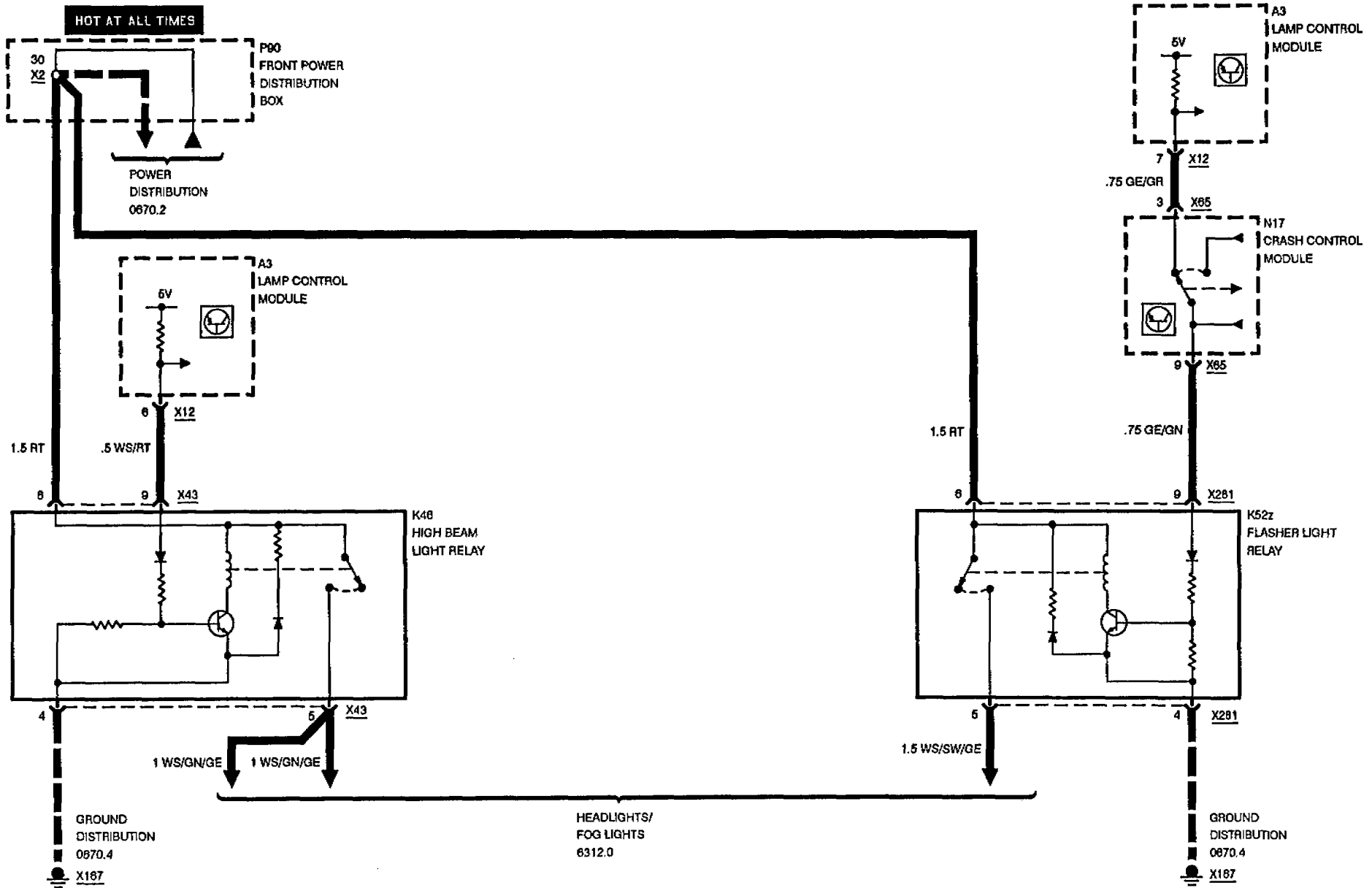


# LAMP MONITOR (LKM) FRONT FOG LIGHTS





# LAMP MONITOR (LKM)

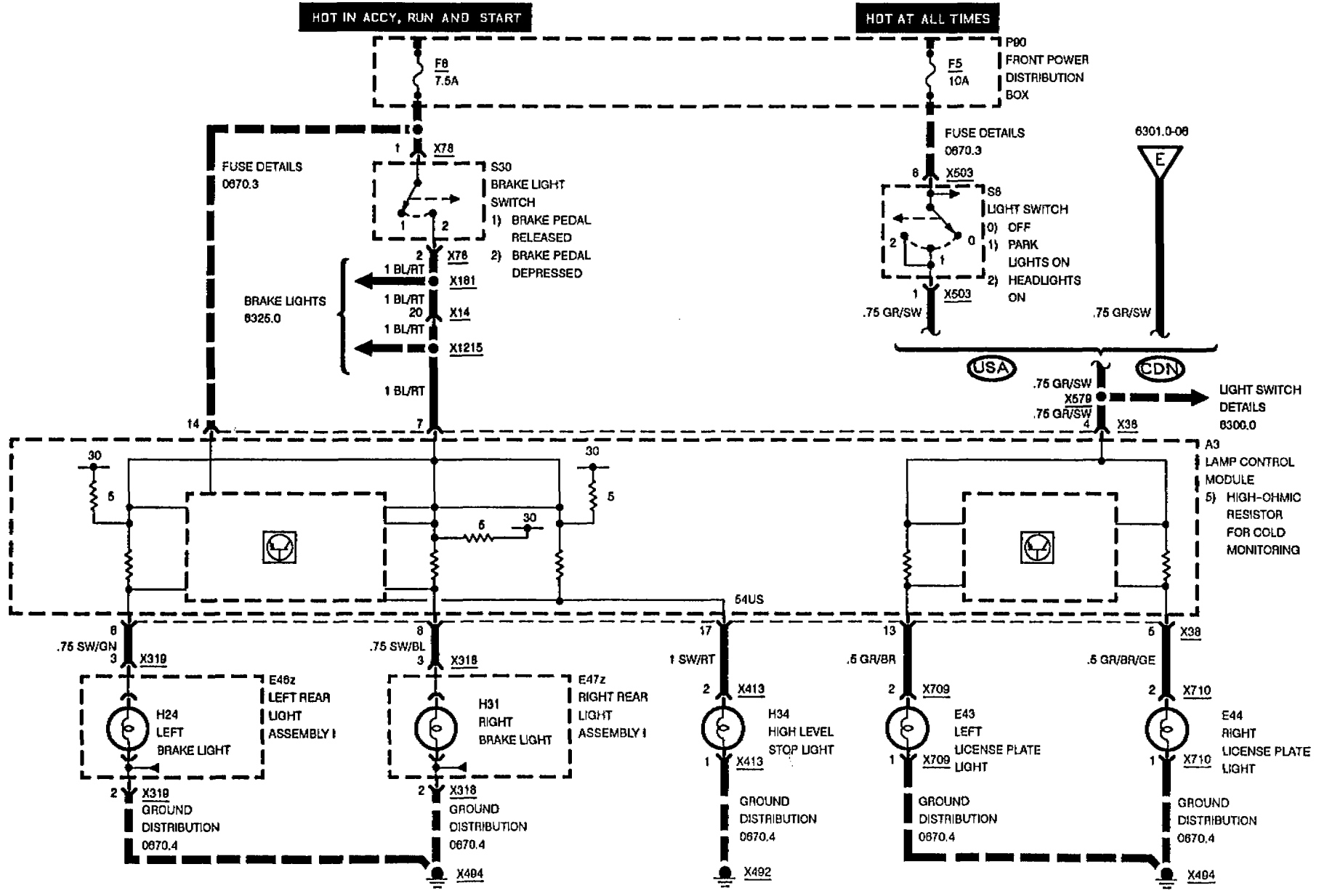






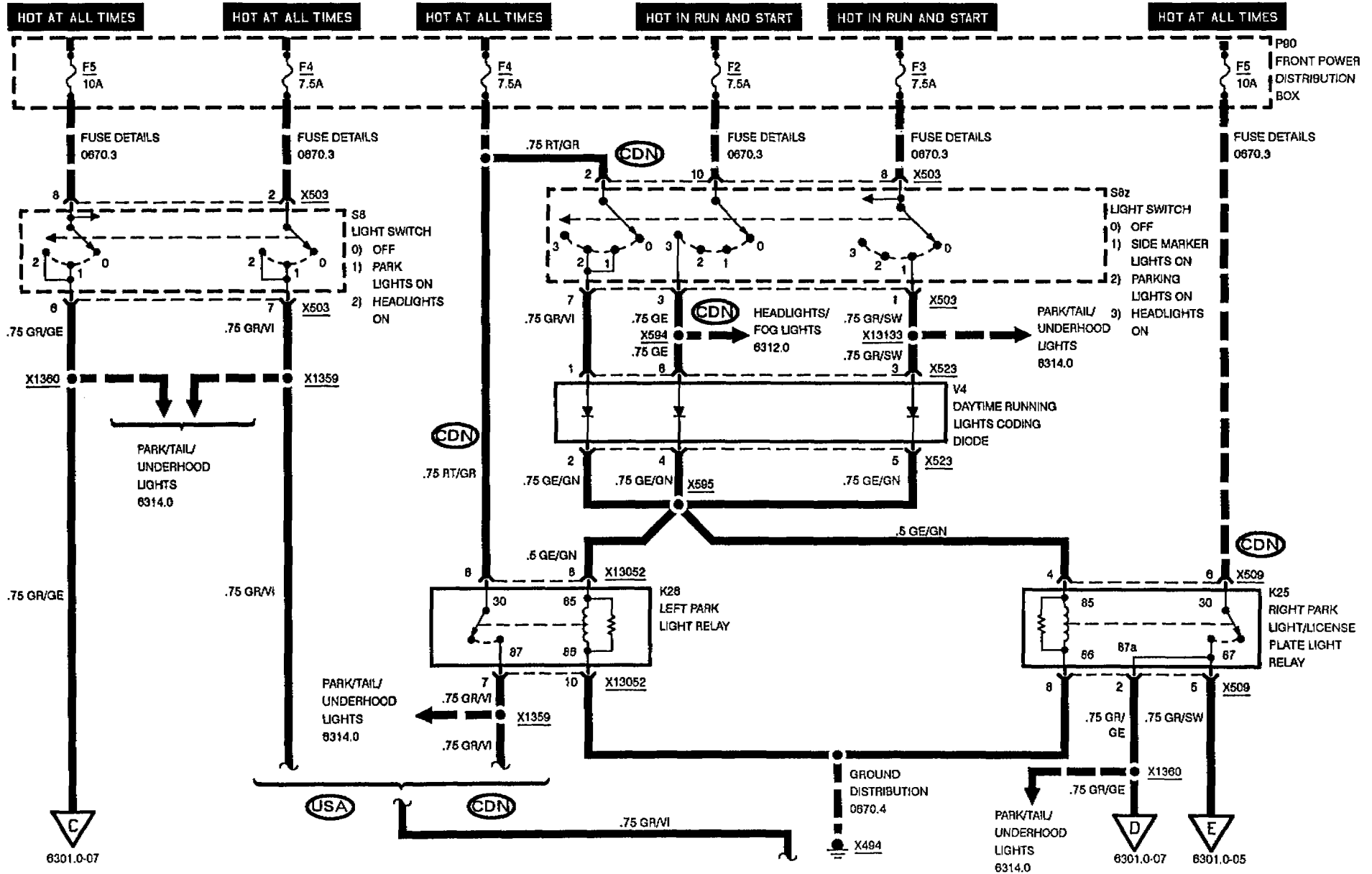
# LAMP MONITOR (LKM)

## BRAKE LIGHTS, LICENSE PLATE LIGHTS





# LAMP MONITOR (LKM) PARKING LIGHTS

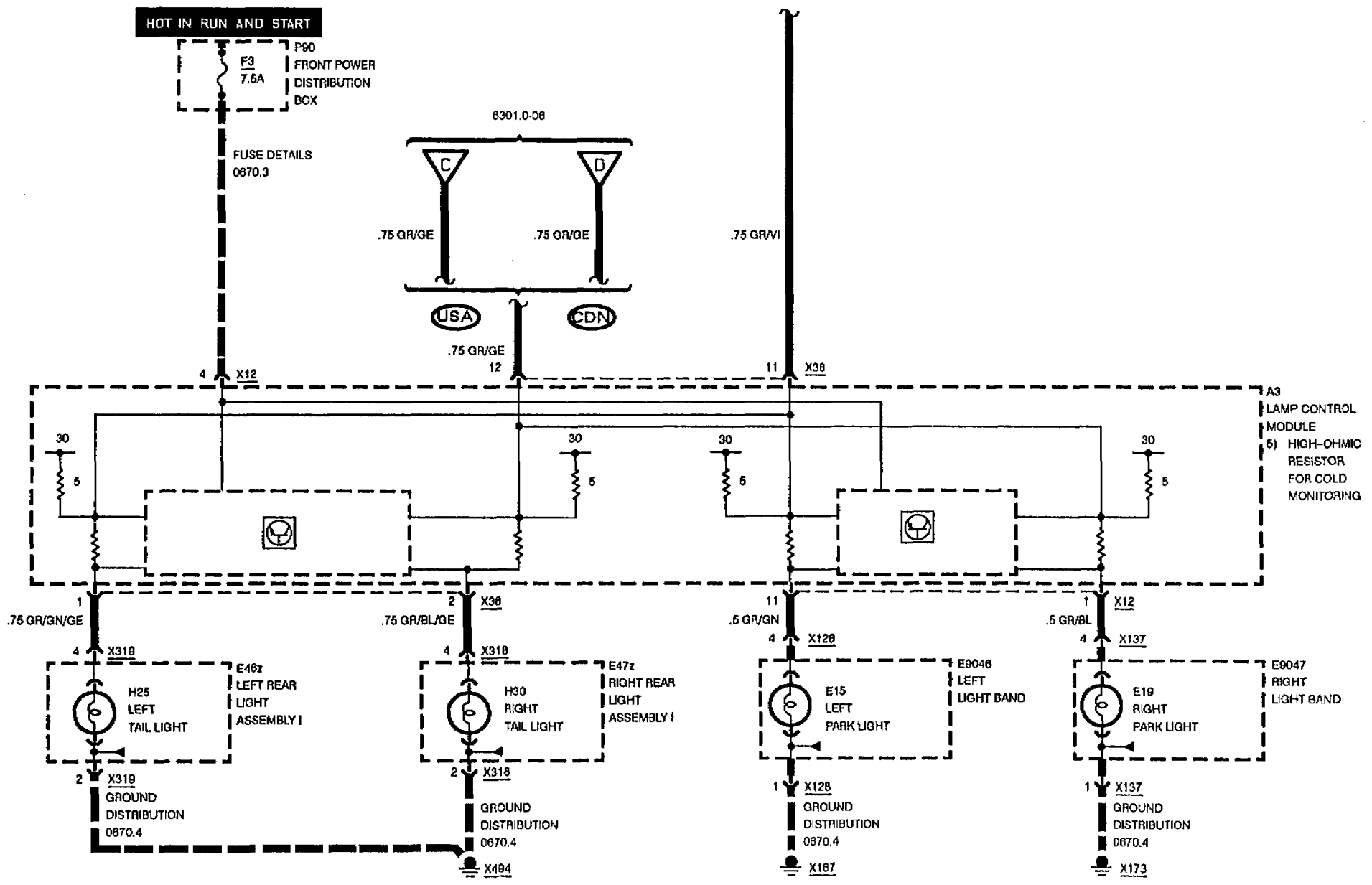


6301.0-07

09/93

6301.0-06

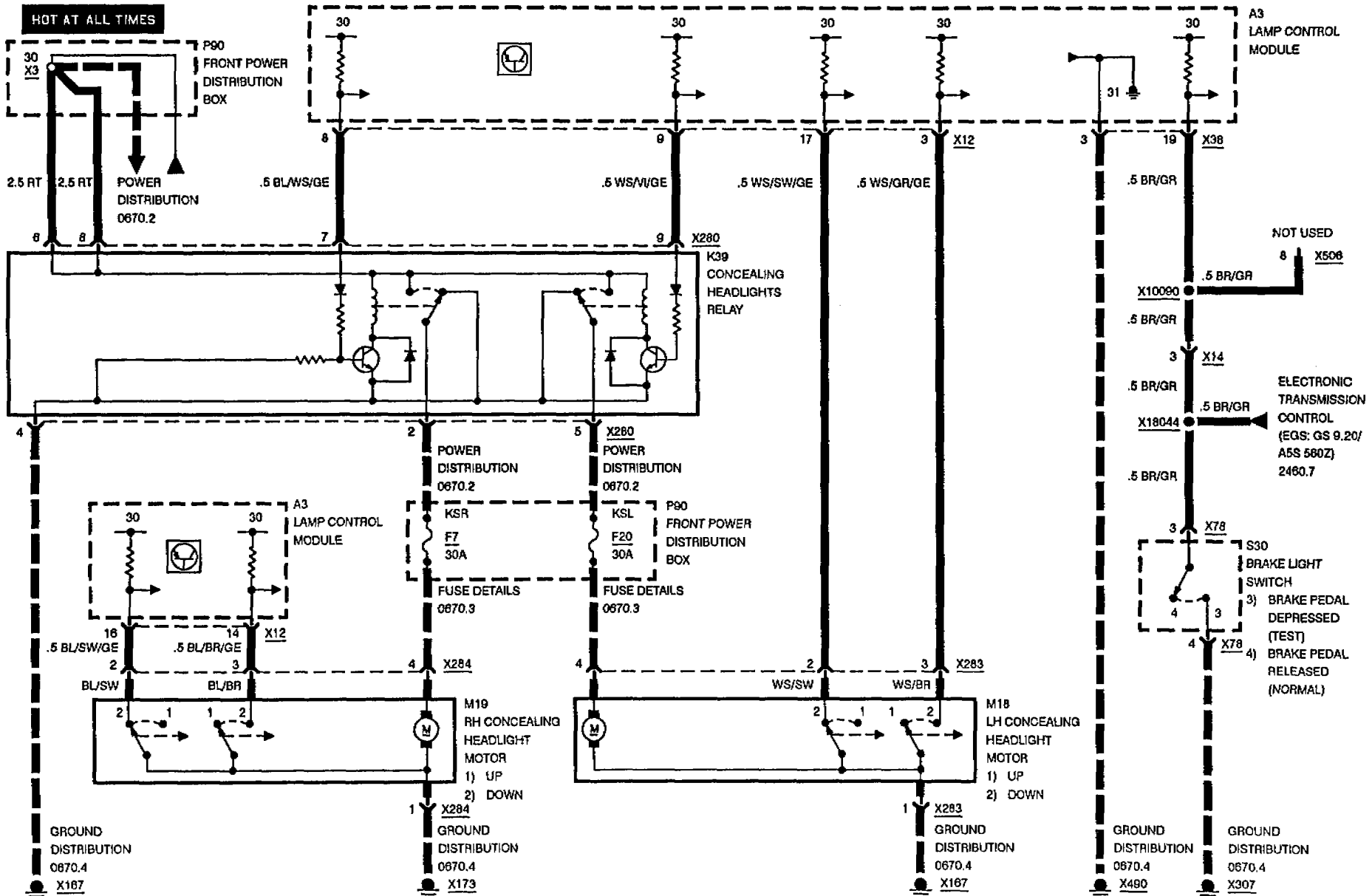
1994





# LAMP MONITOR (LKM)

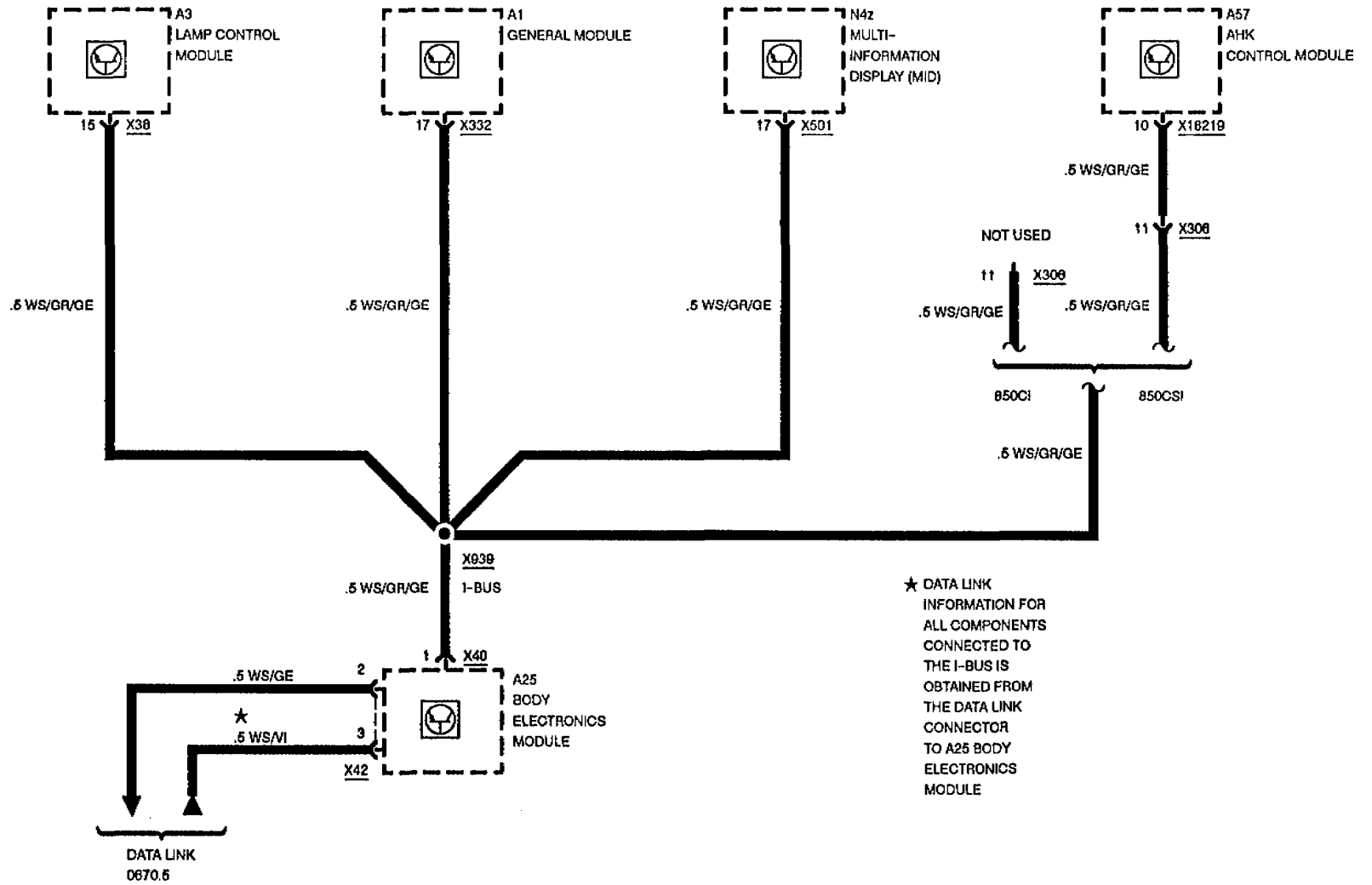
## M60 HARNESS



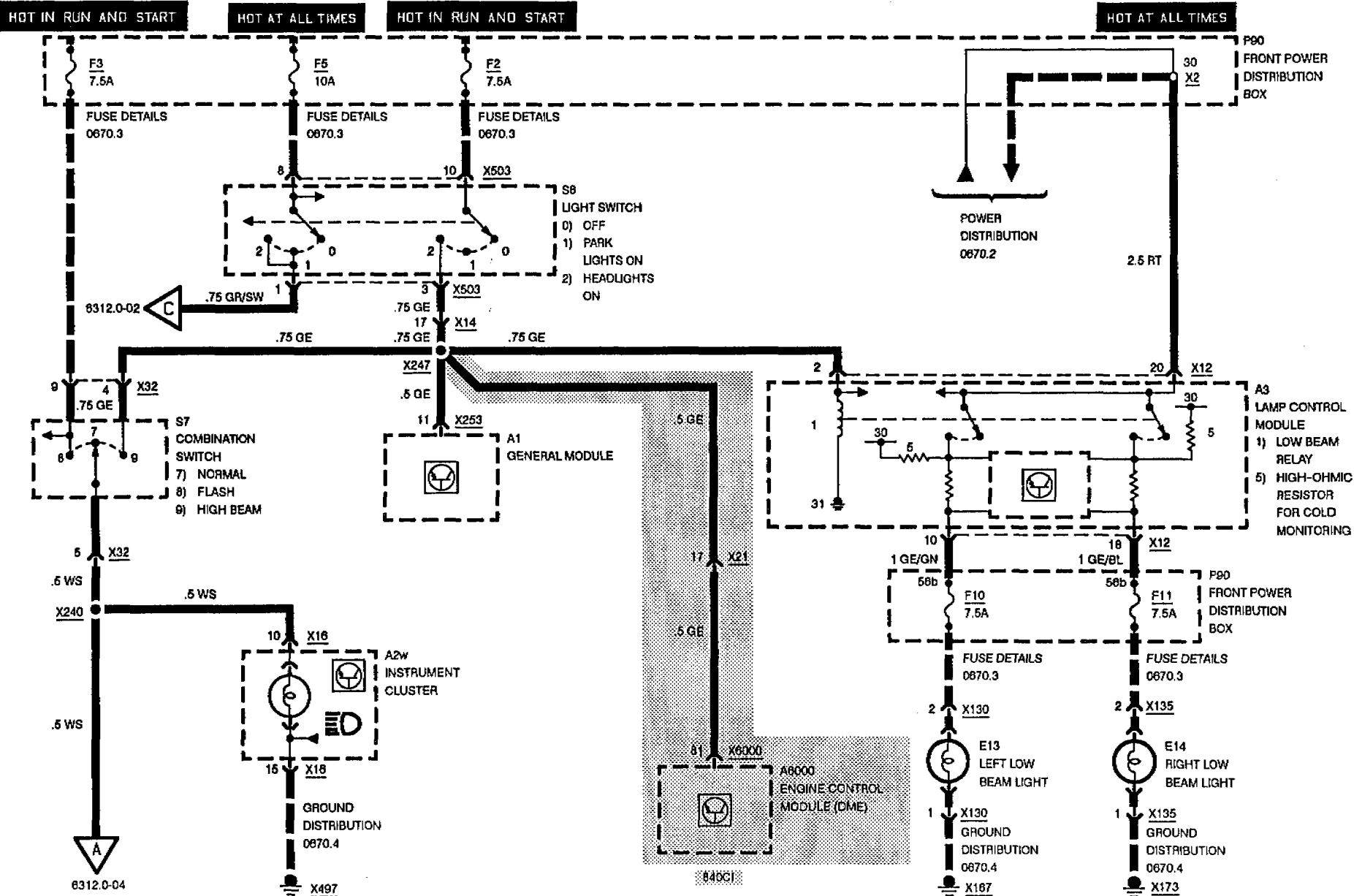


# LAMP MONITOR (LKM)

## INSTRUMENTATION BUS (I-BUS)



## HEADLIGHTS

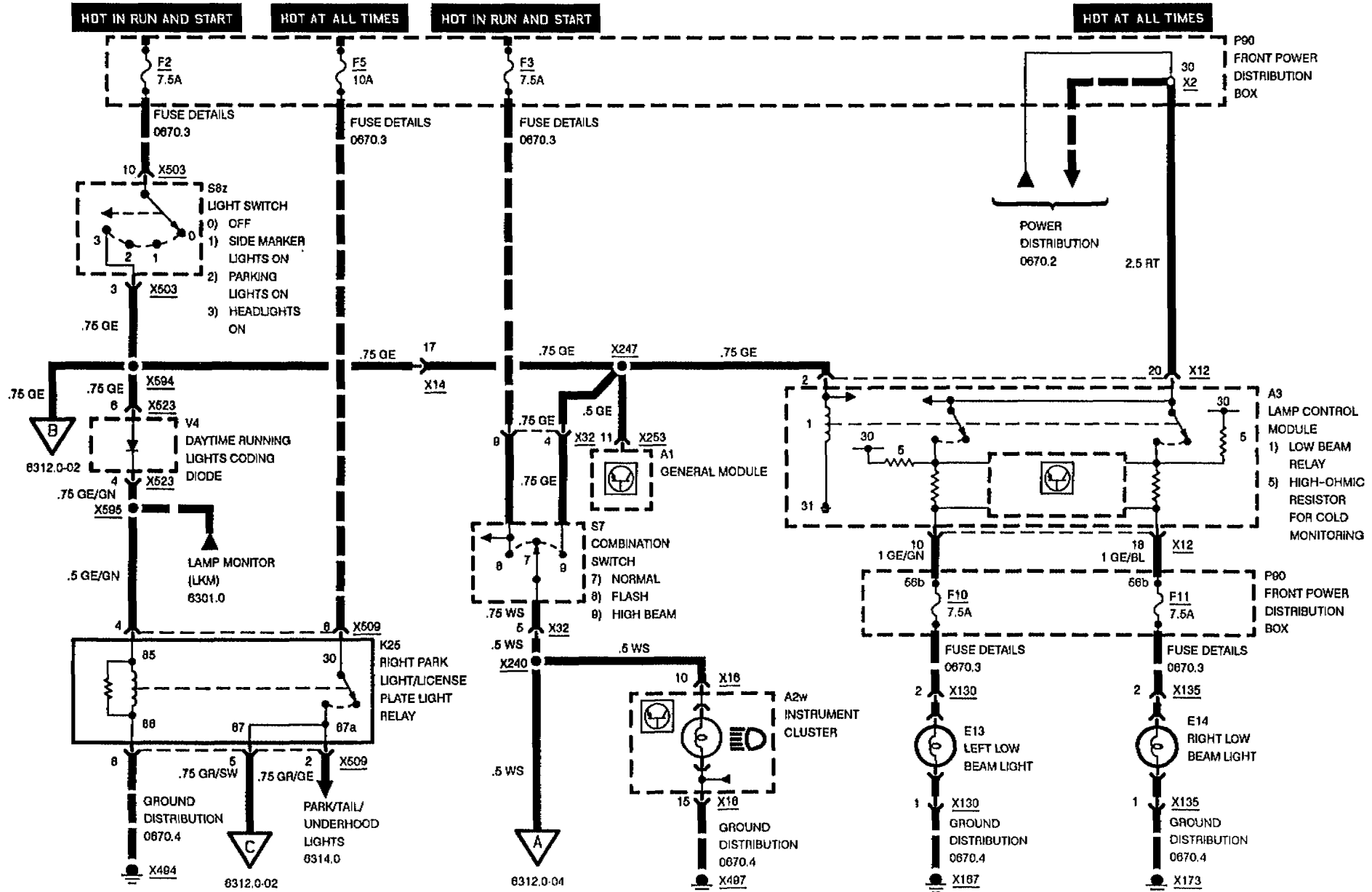




# HEADLIGHTS/ FOG LIGHTS



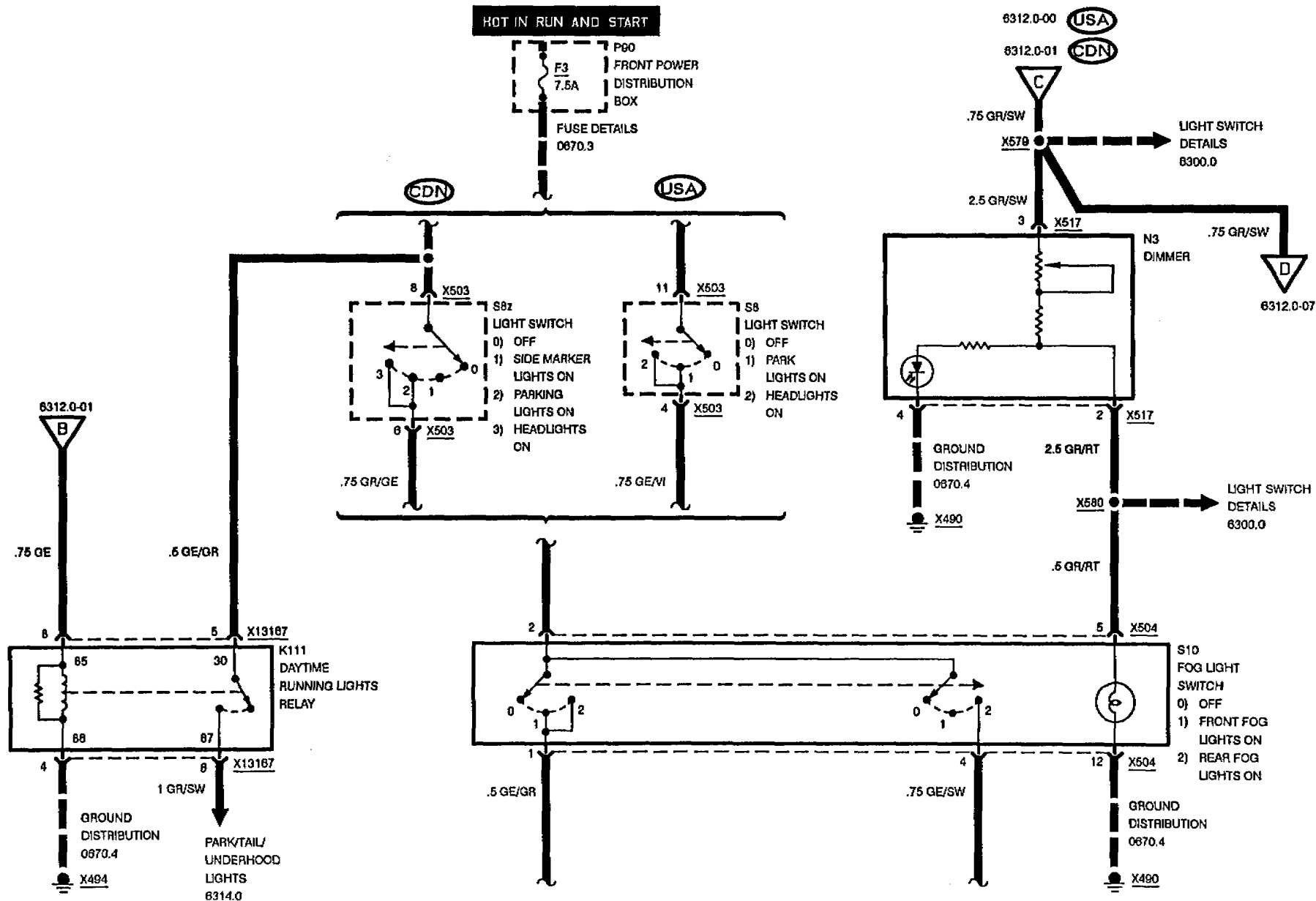
## HEADLIGHTS



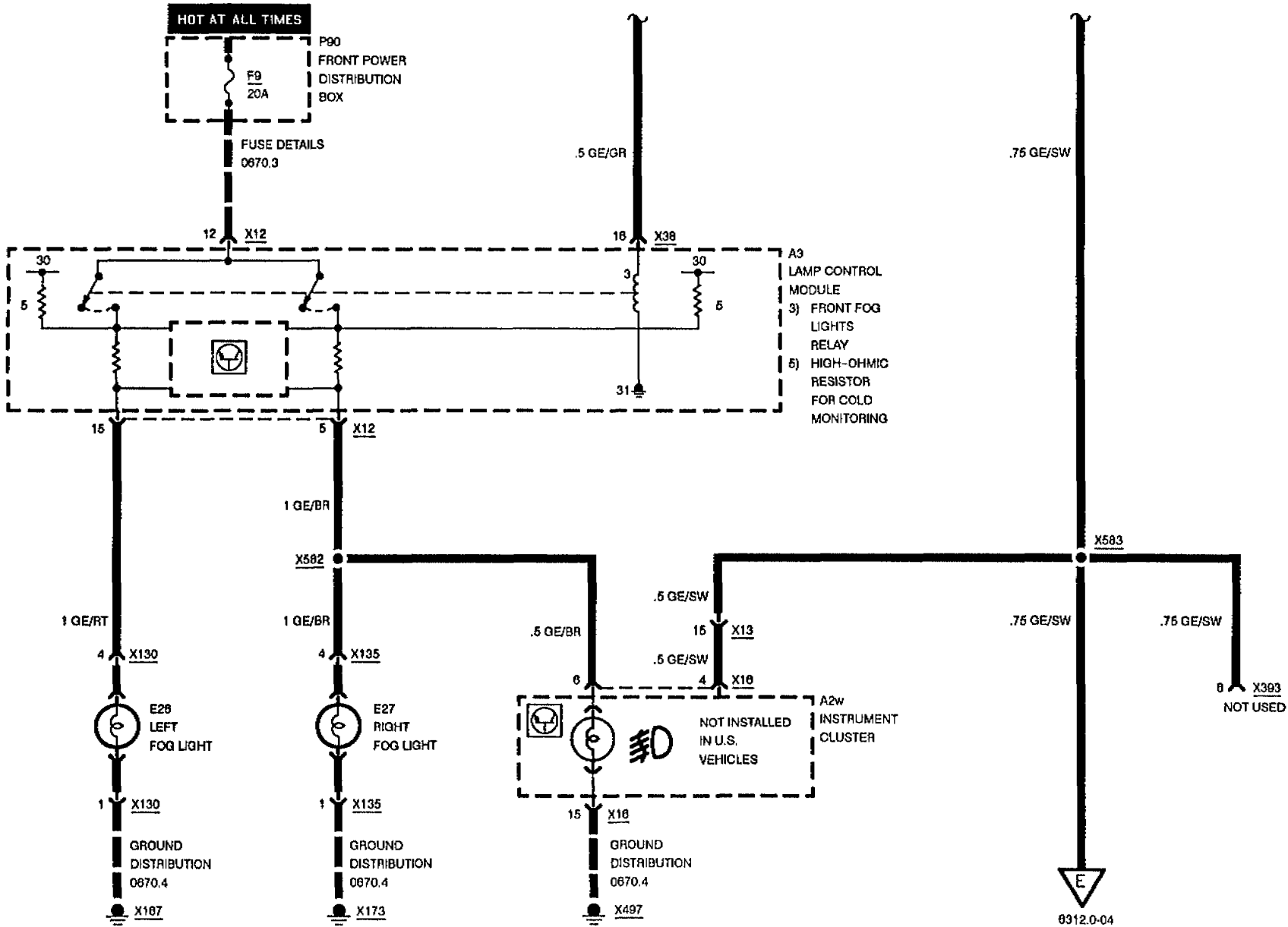


# HEADLIGHTS/ FOG LIGHTS

## FRONT FOG LIGHTS



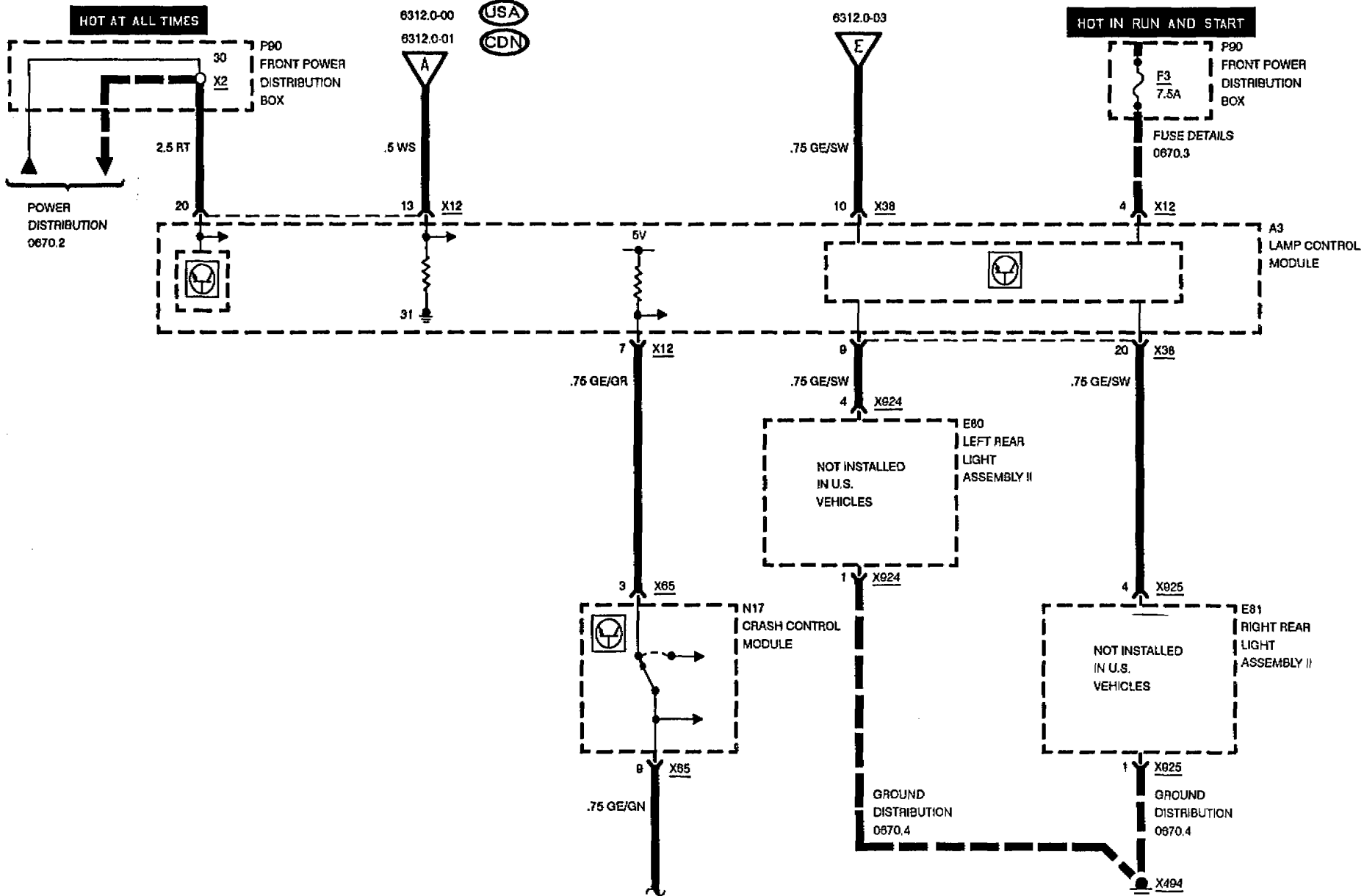


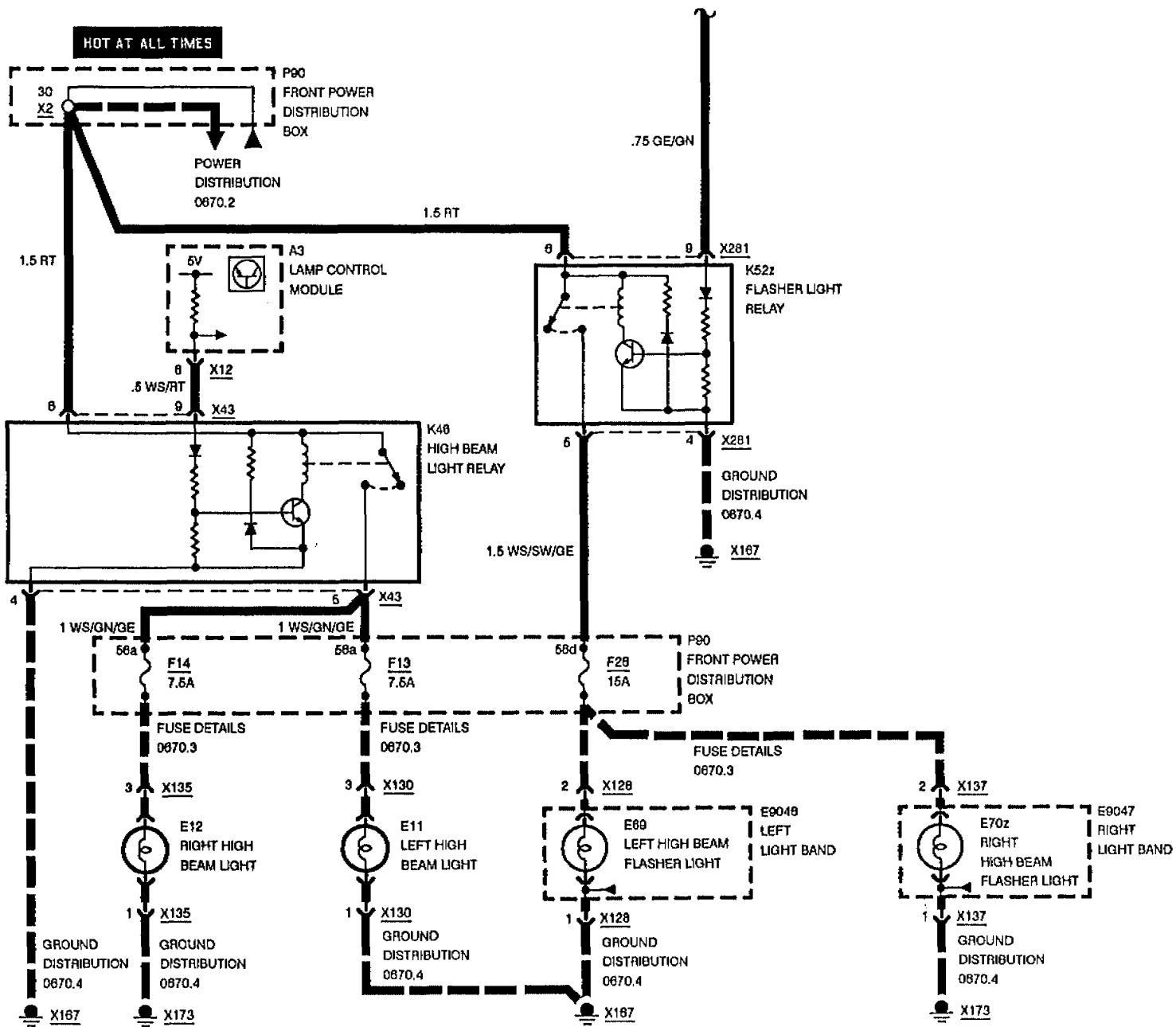




# HEADLIGHTS/ FOG LIGHTS

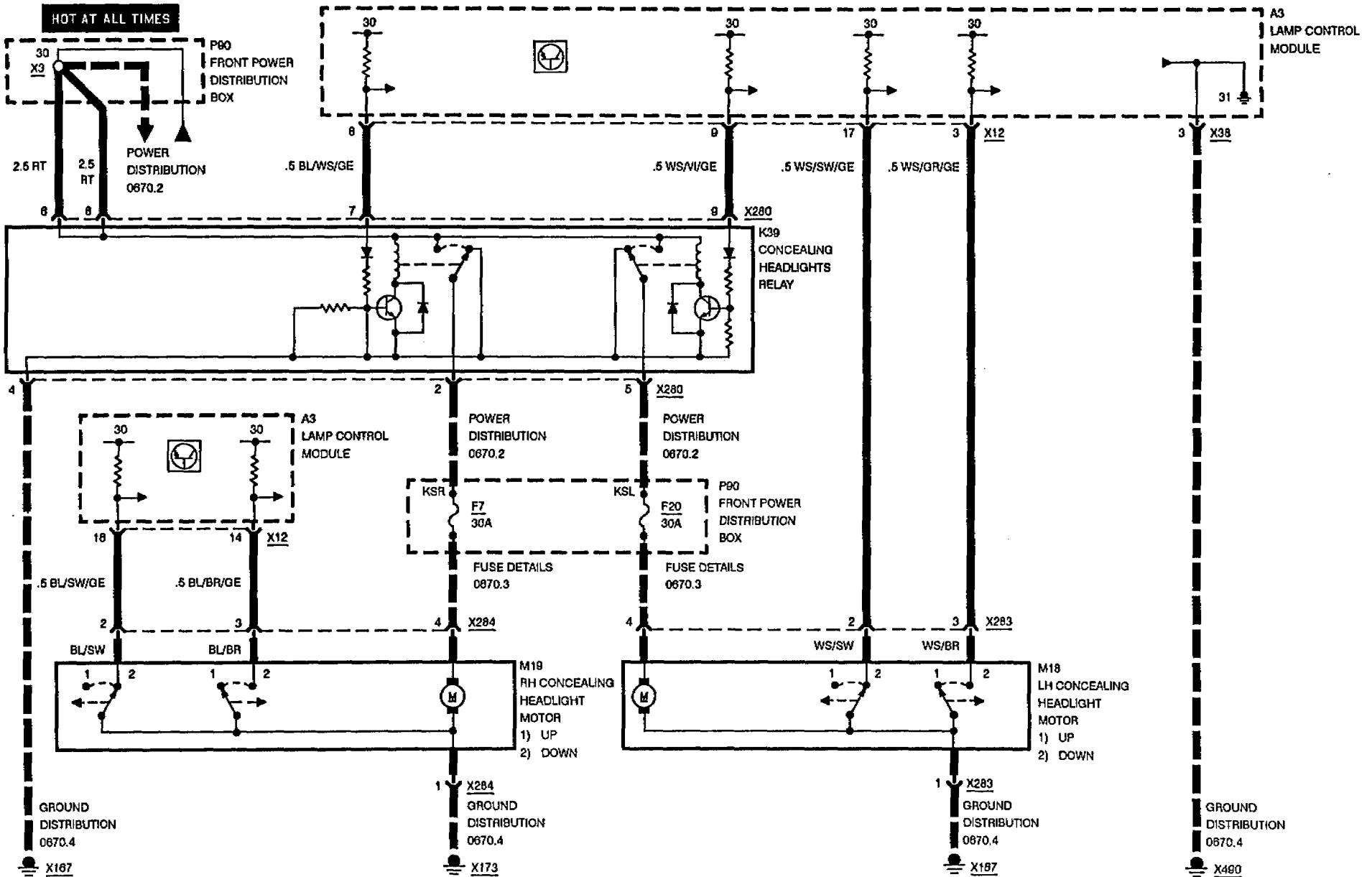
## HIGH BEAM LIGHTS, FLASHER LIGHTS







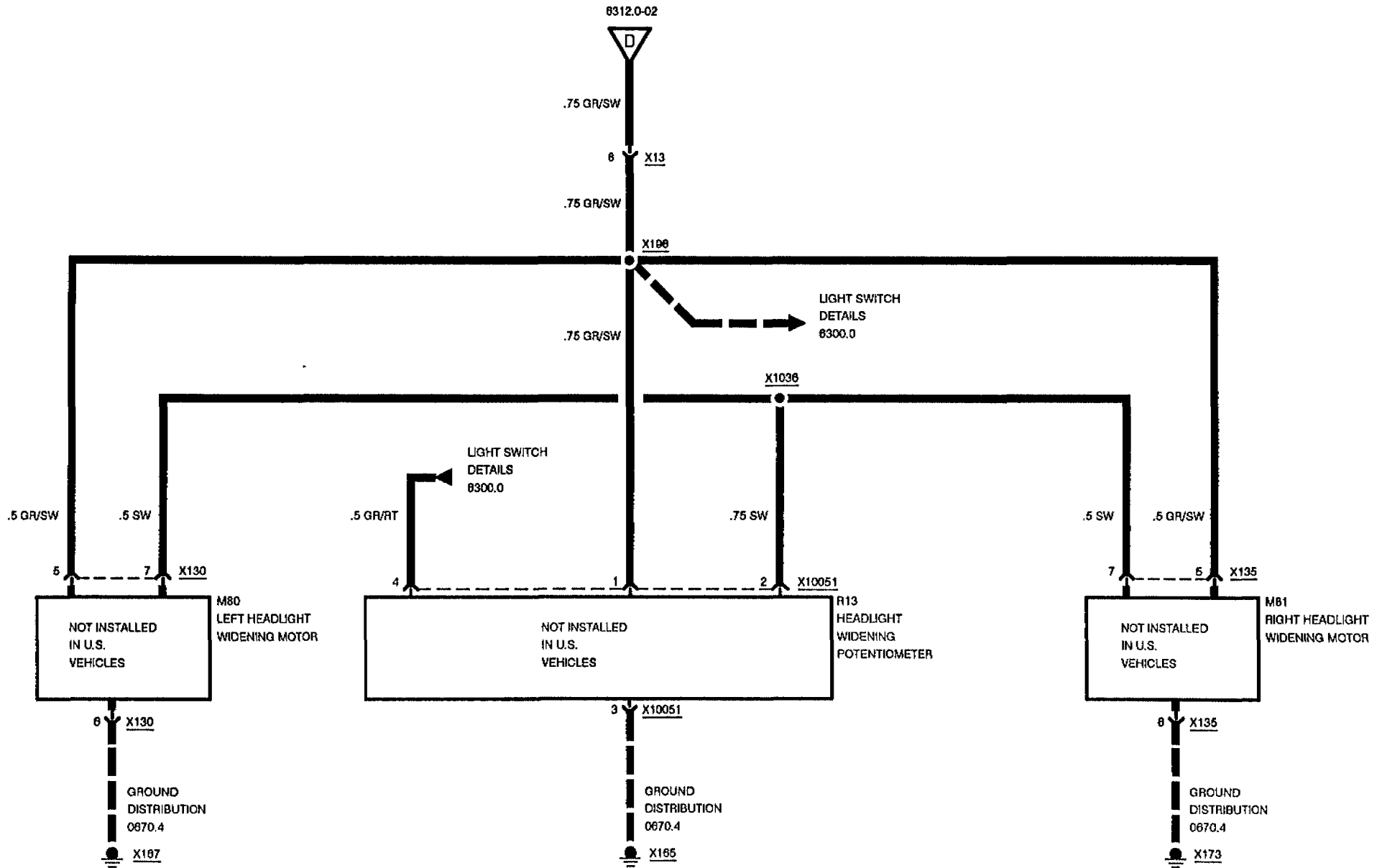
# HEADLIGHTS/ FOG LIGHTS





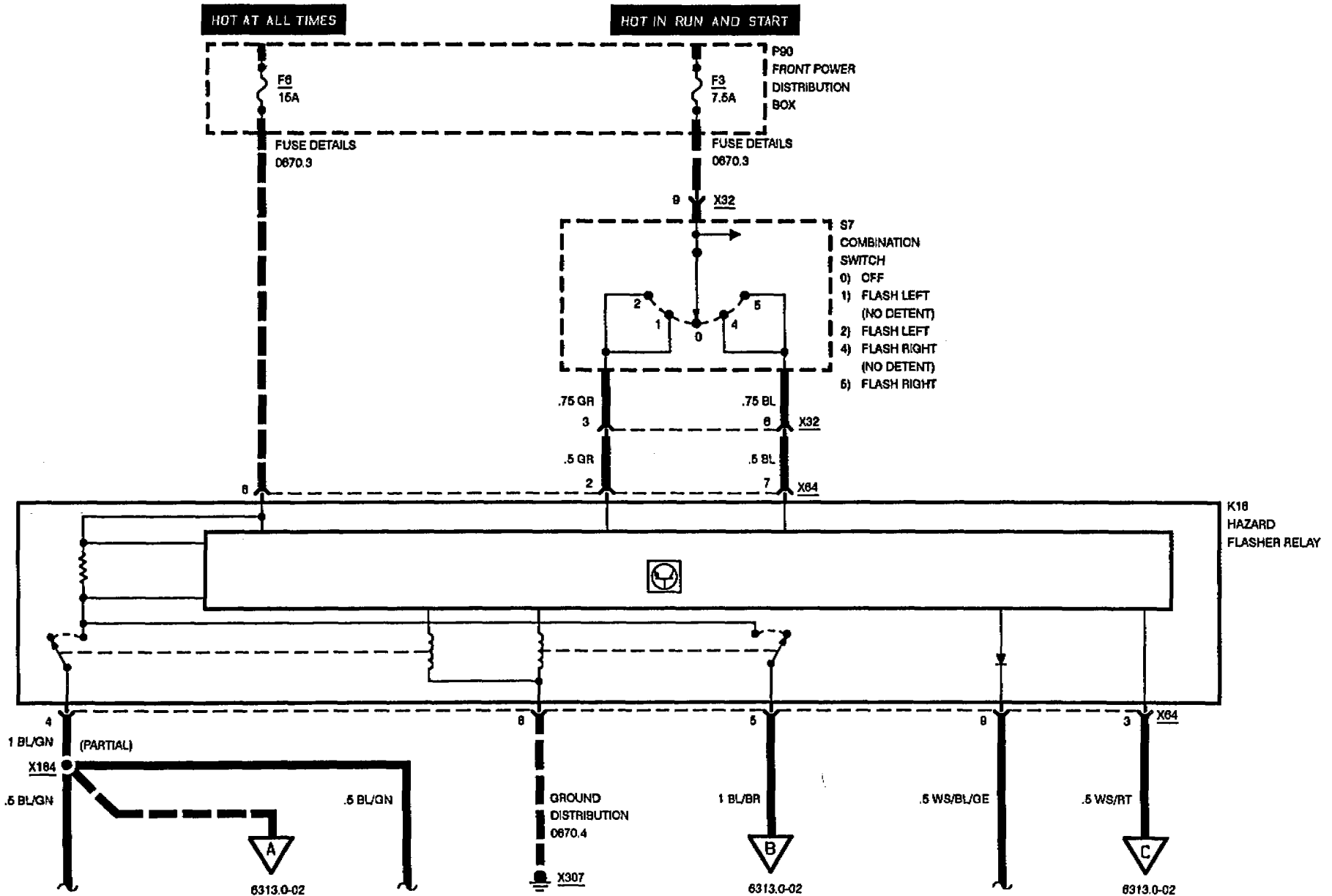
# HEADLIGHTS/ FOG LIGHTS

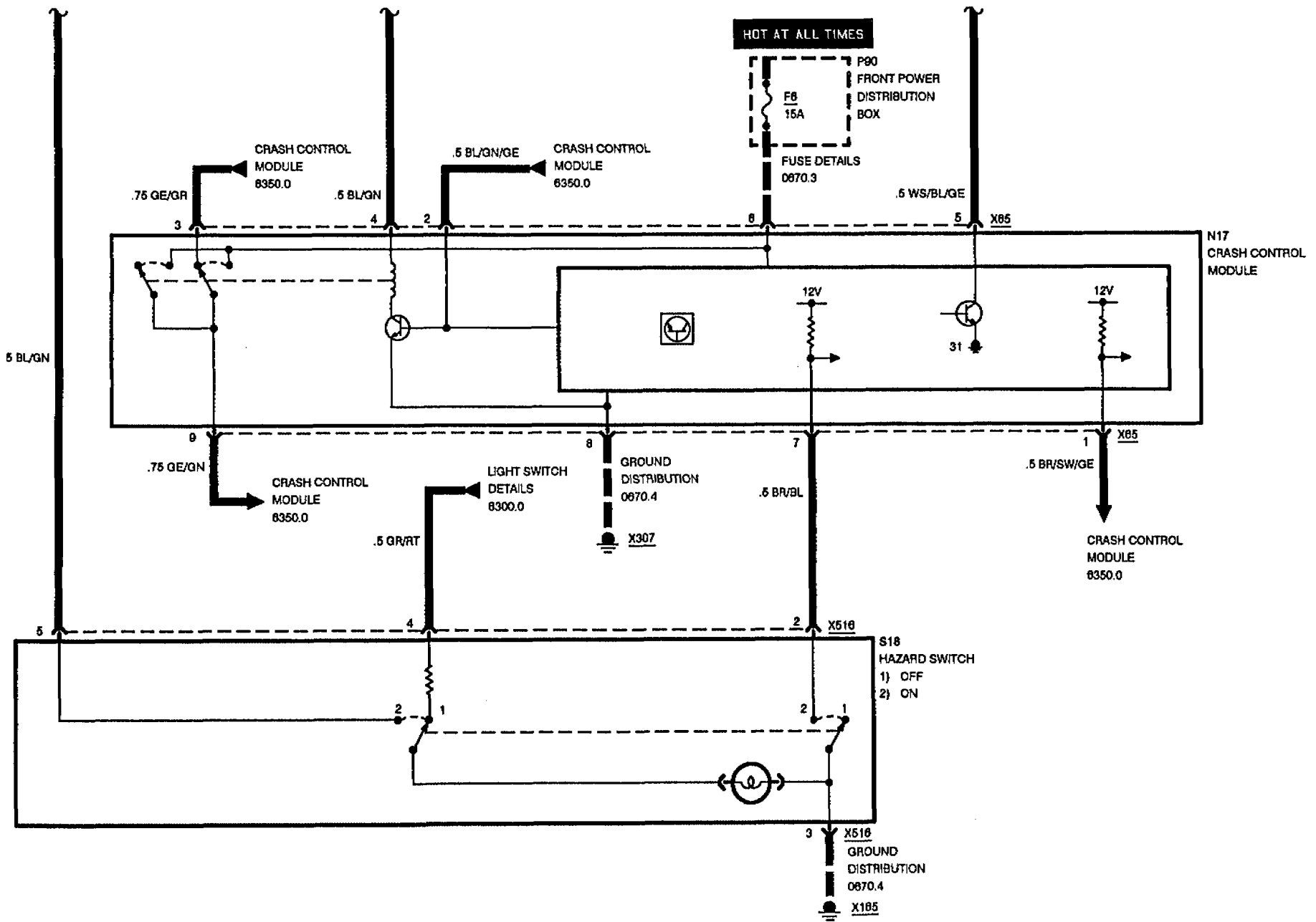
## HEADLIGHT BEAM ANGLE ADJUST





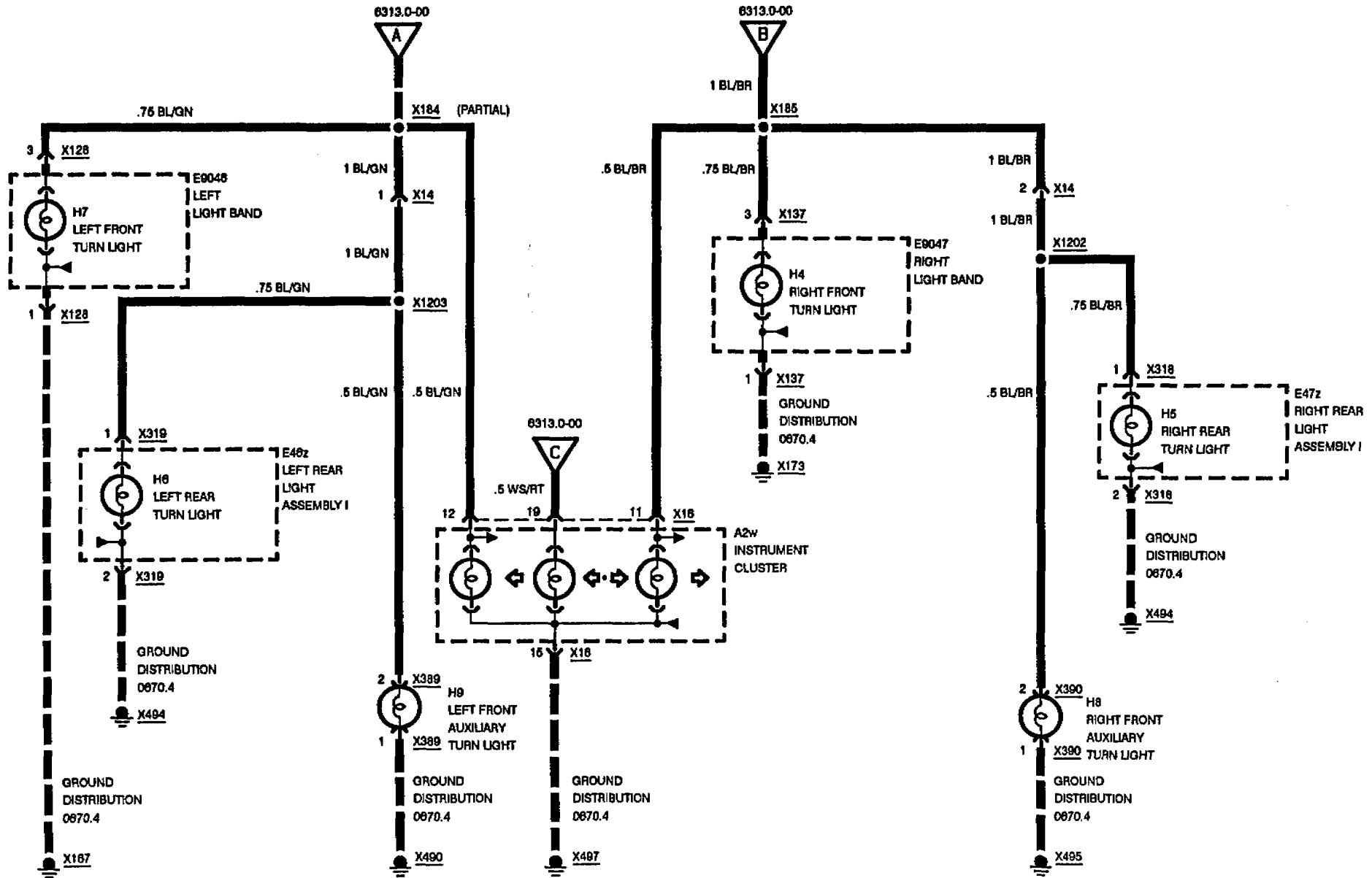
# TURN/HAZARD LIGHTS







# TURN/HAZARD LIGHTS





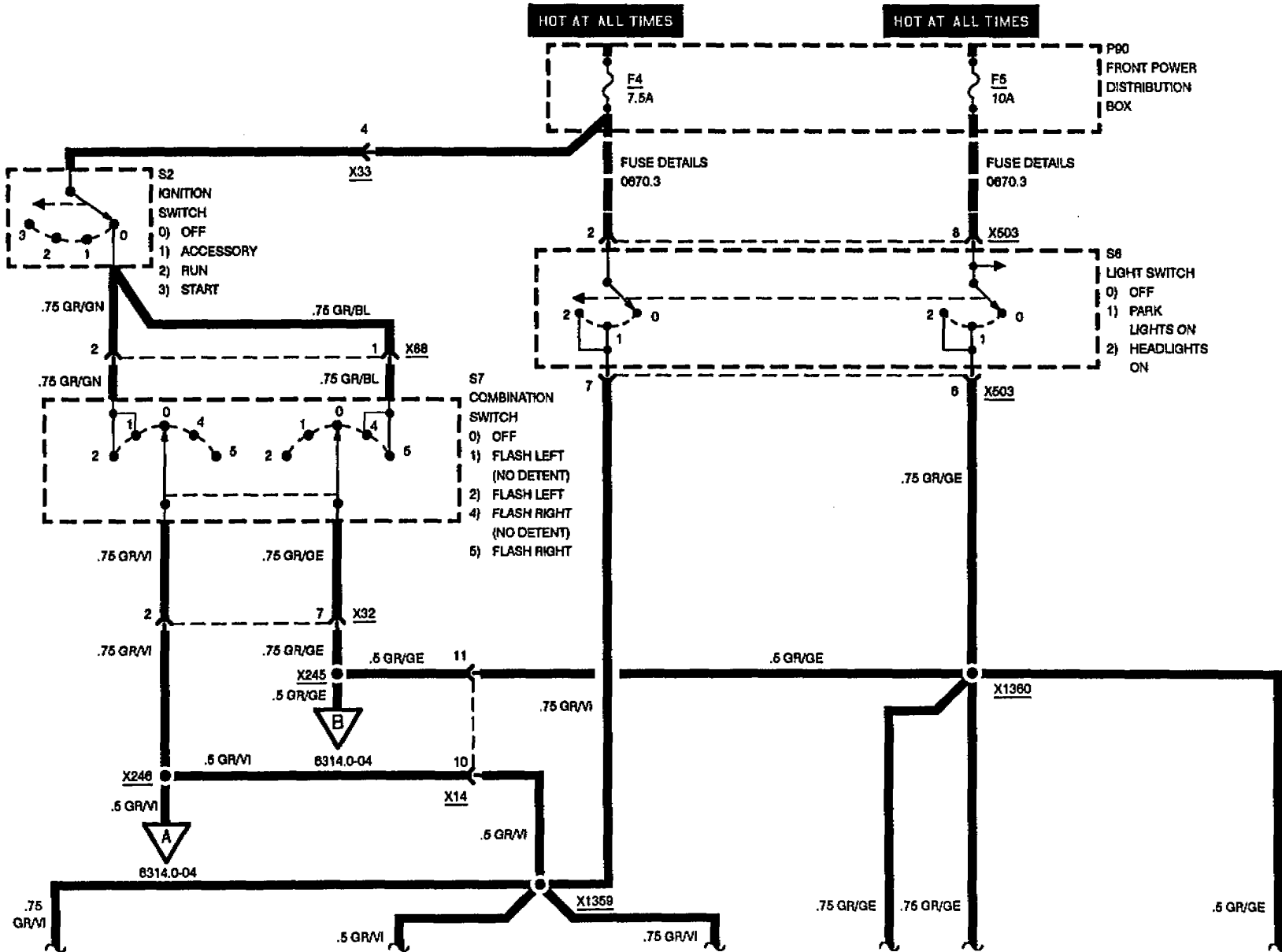
BMW  
**8**

6314.0



# PARK/TAIL/ UNDERHOOD LIGHTS

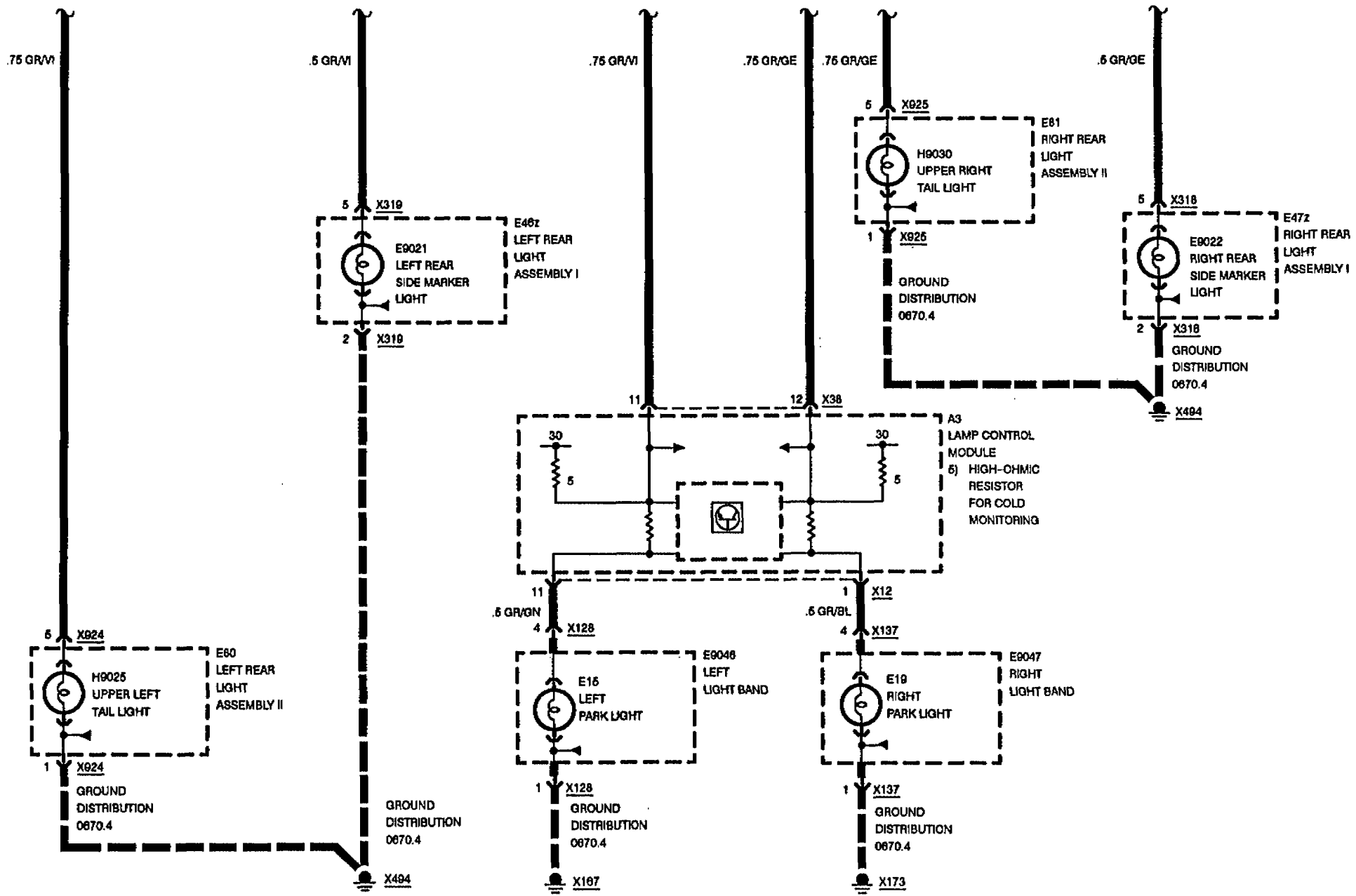
USA



09/93

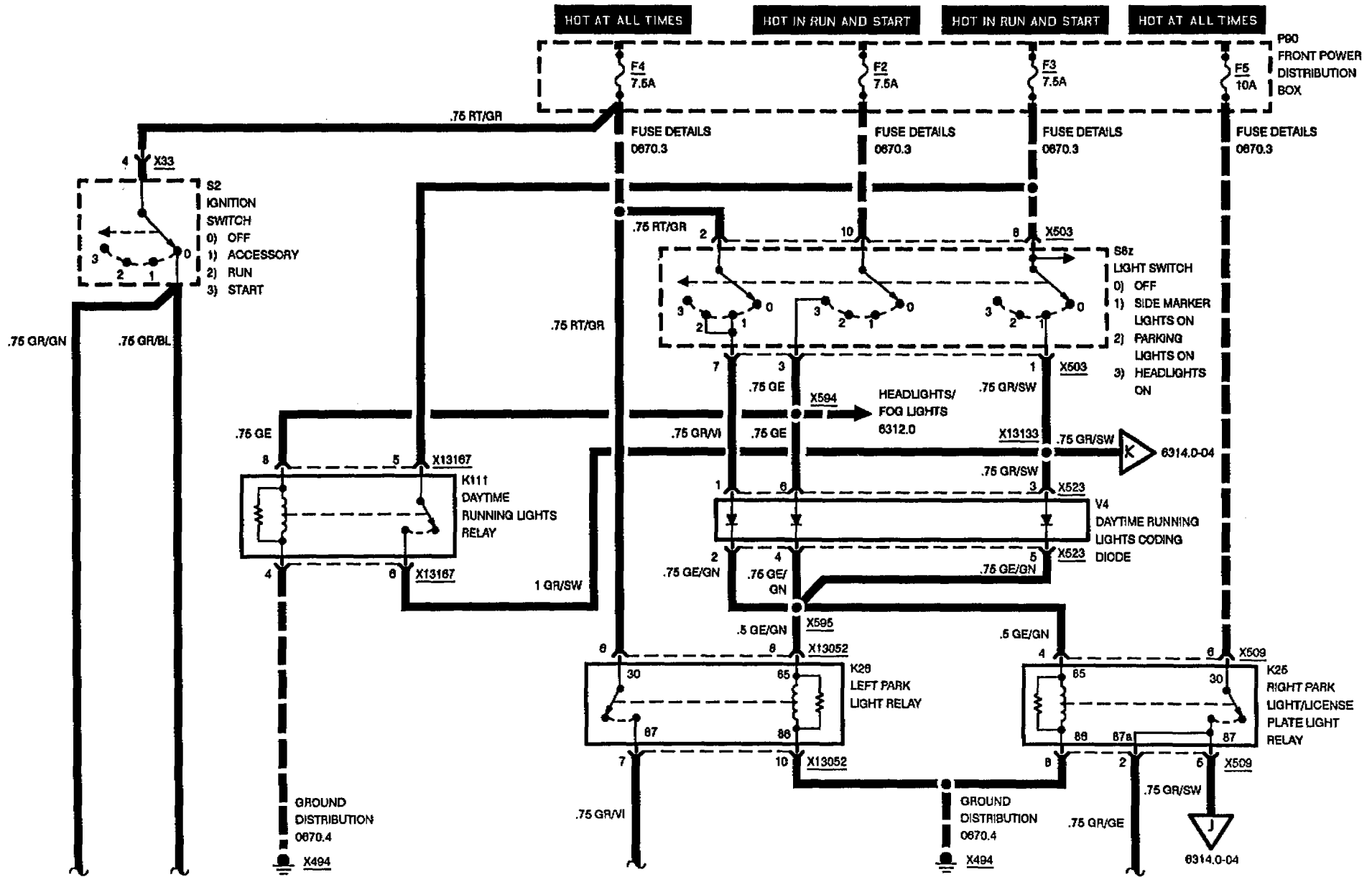
6314.0-00

1994





# PARK/TAIL/ UNDERHOOD LIGHTS

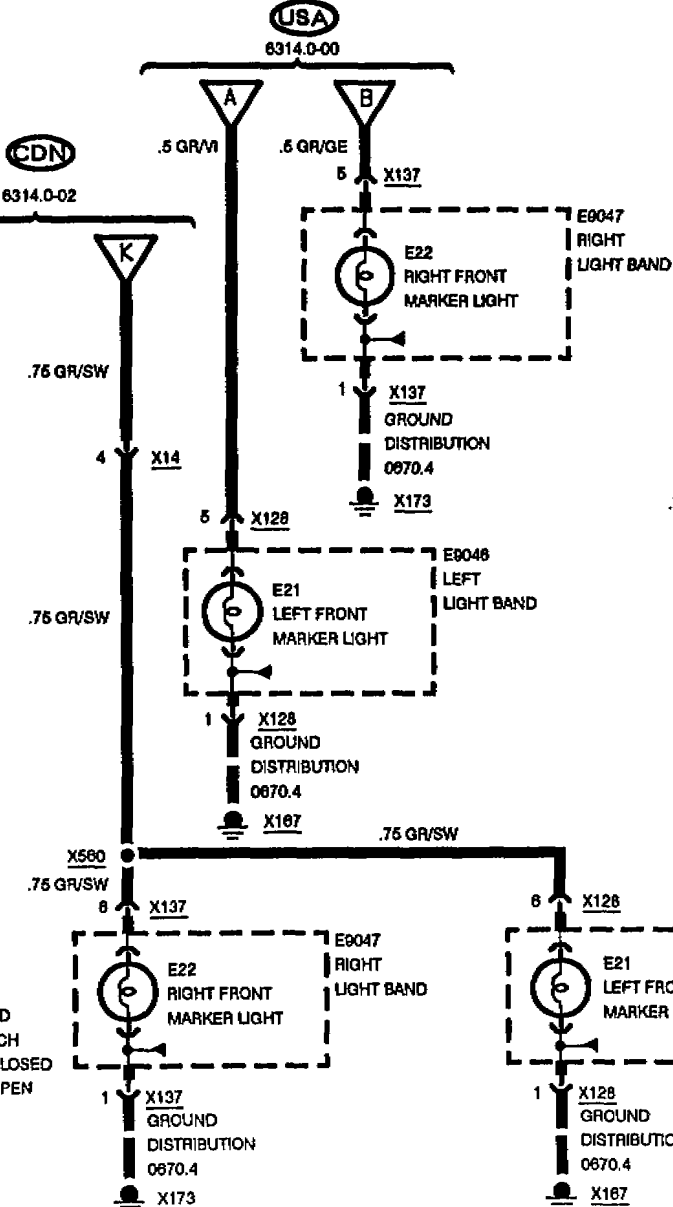
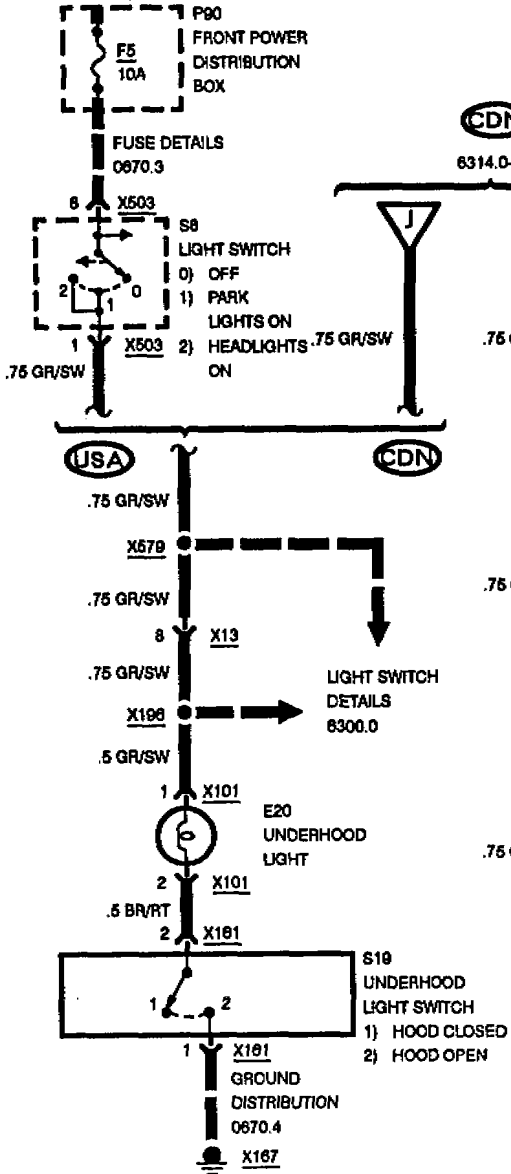




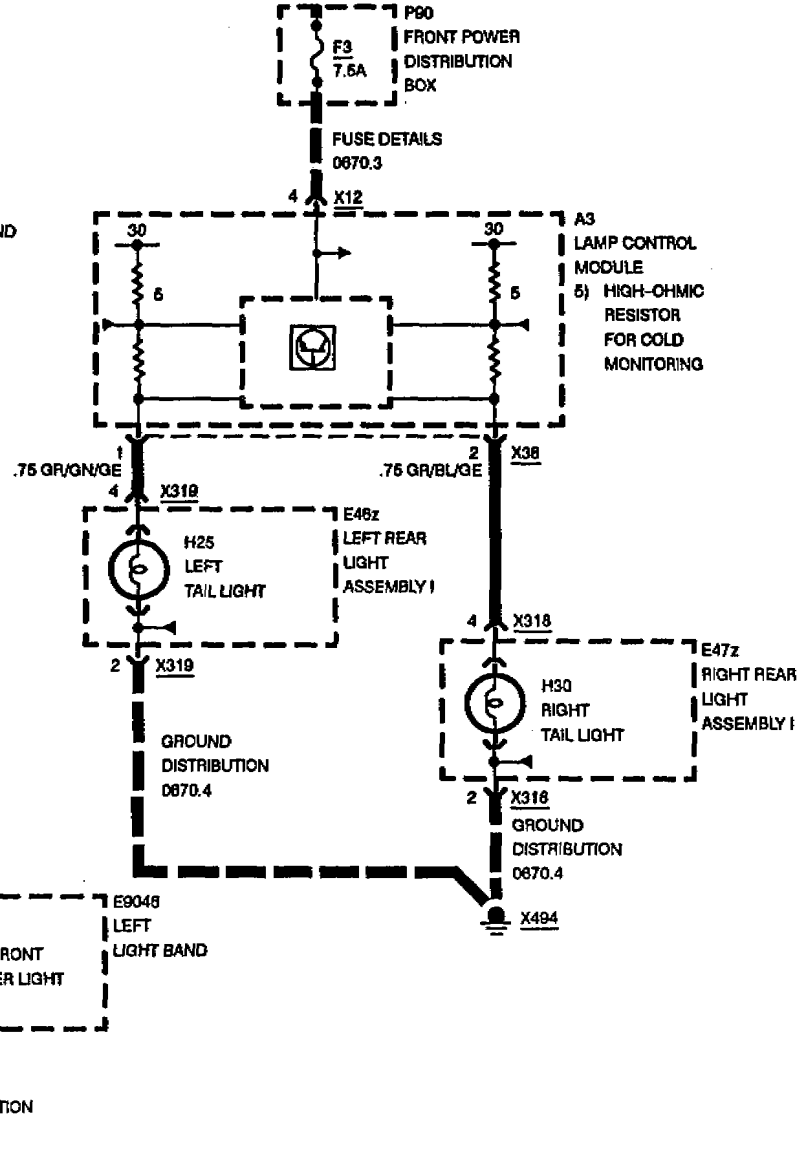


# PARK/TAIL/ UNDERHOOD LIGHTS

HOT AT ALL TIMES



HOT IN RUN AND START



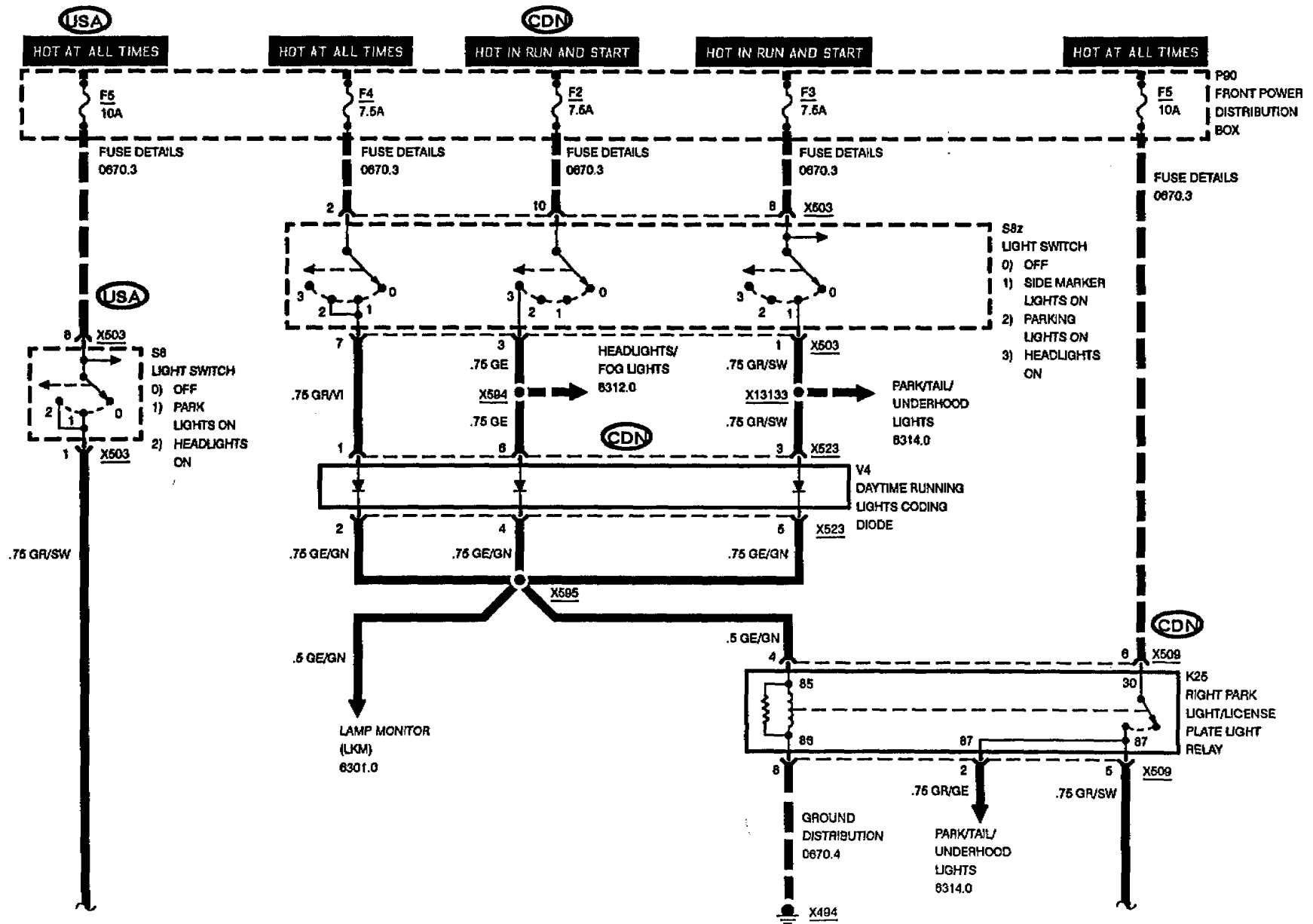
BMW  
8

6320.0

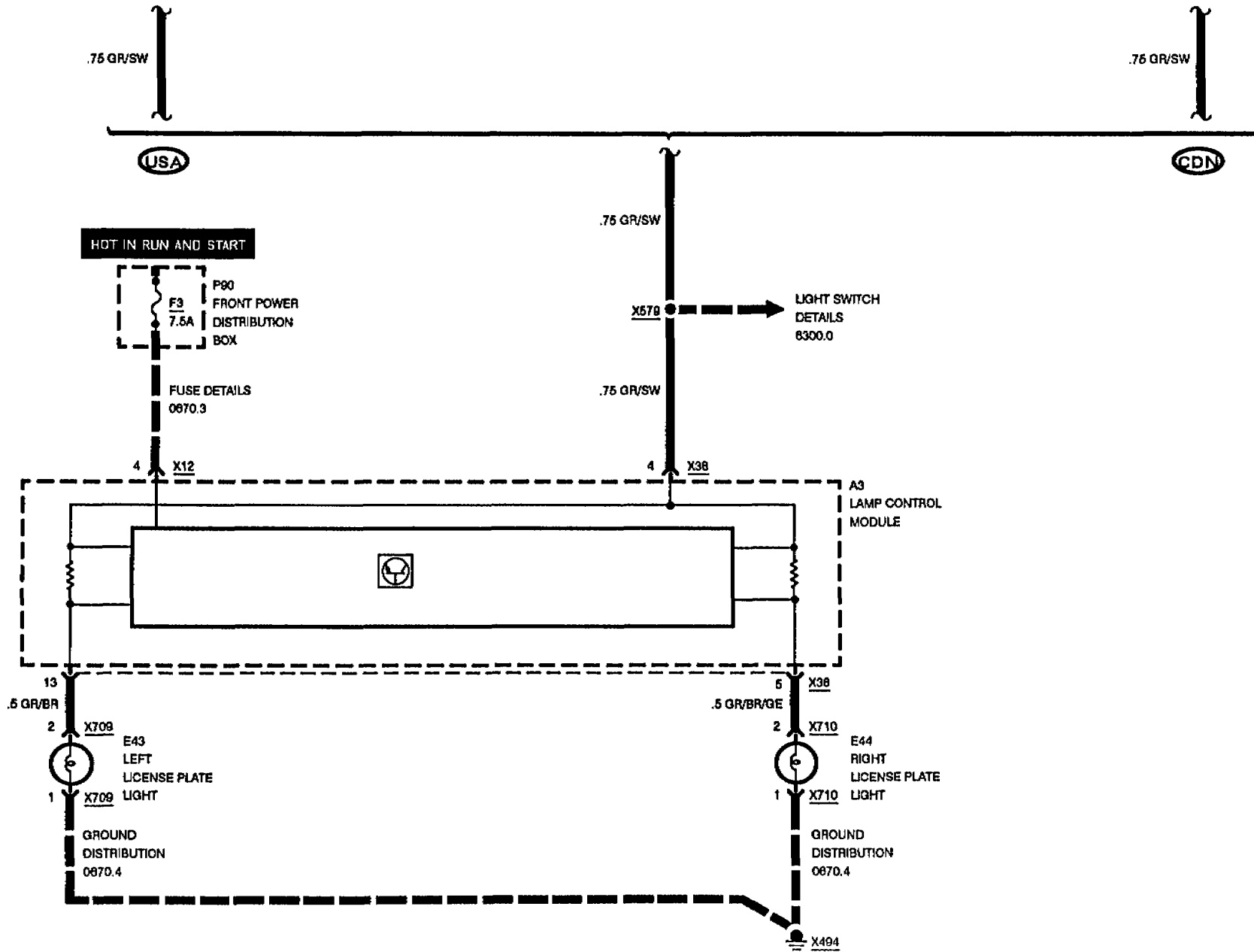


# LICENSE PLATE/ LUGGAGE COMPARTMENT LIGHTS

## LICENSE PLATE LIGHTS

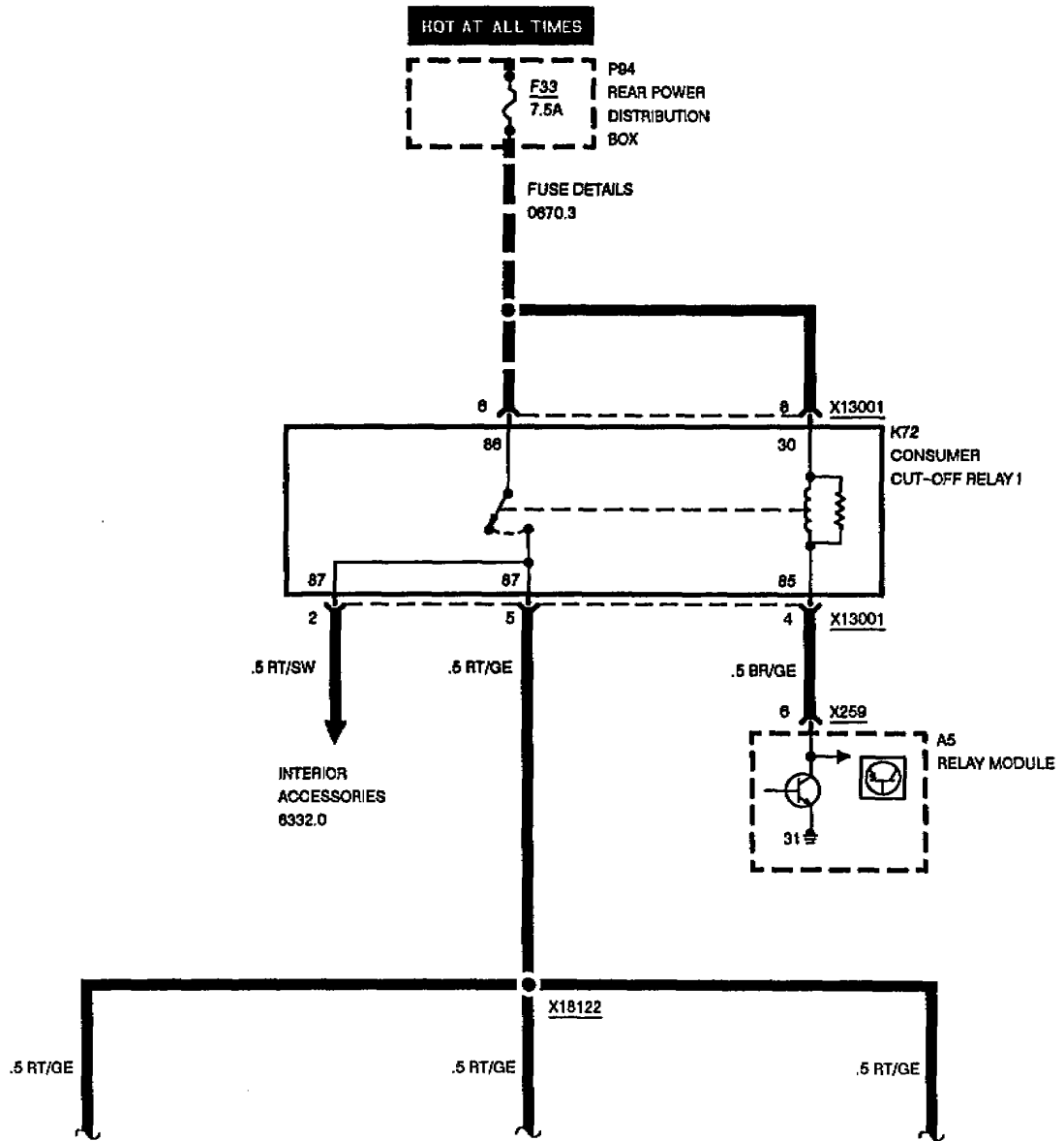


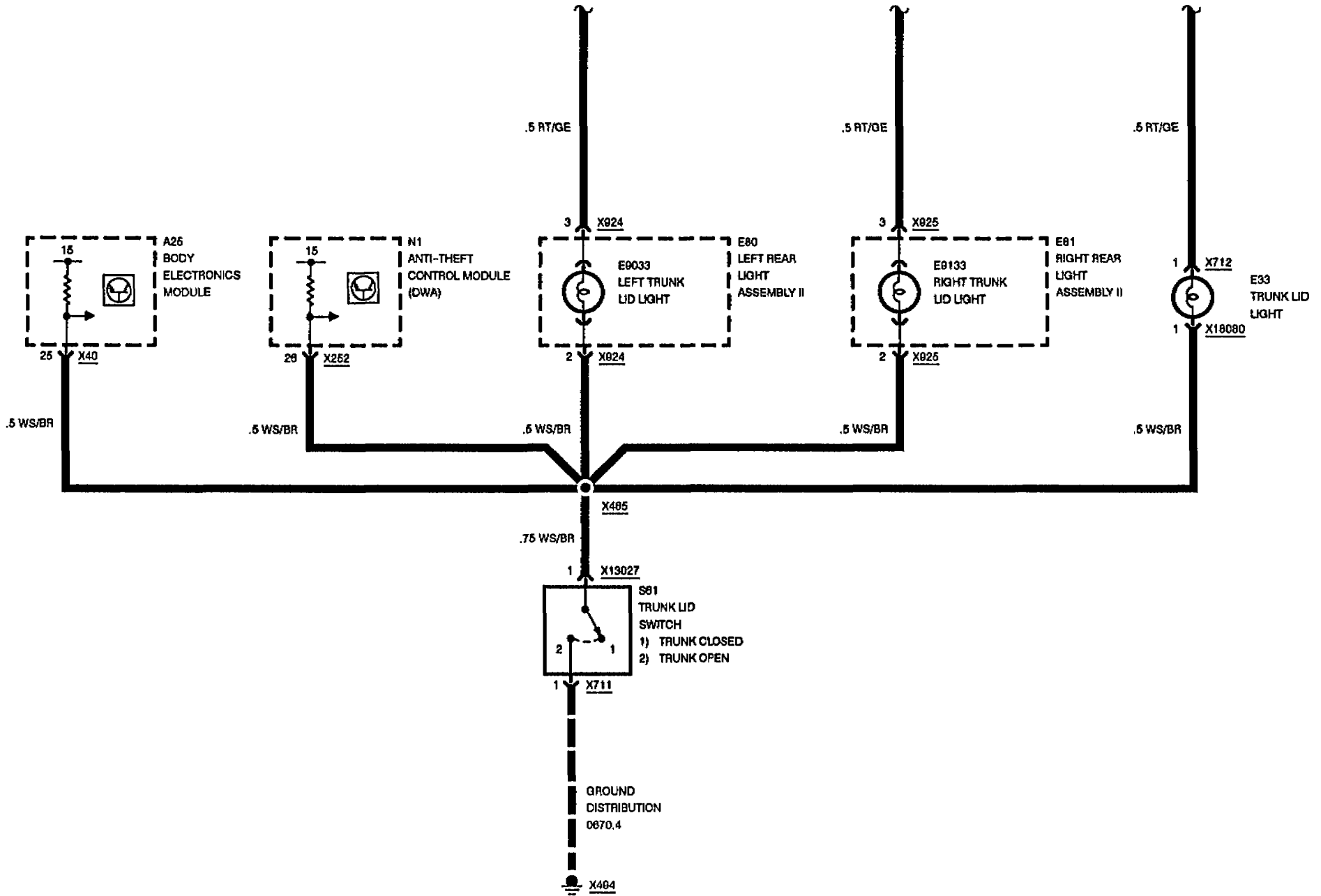






# LICENSE PLATE/ LUGGAGE COMPARTMENT LIGHTS

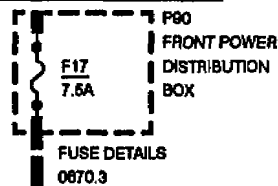






# BACK UP LIGHTS

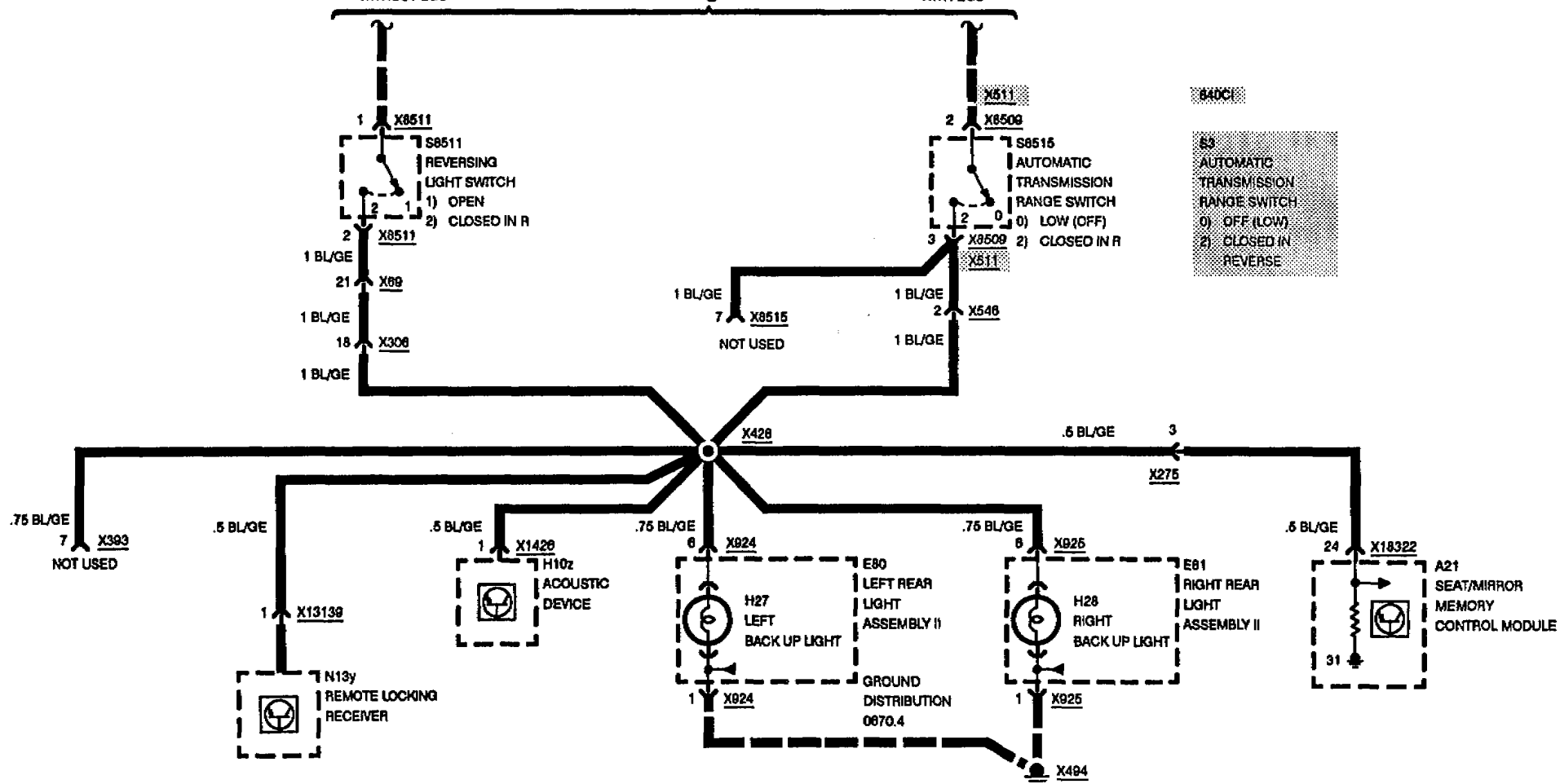
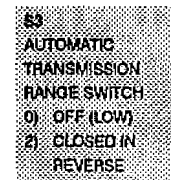
HOT IN RUN AND START



WITHOUT EGS

WITH EGS

64DC



BMW  
8

6325.0

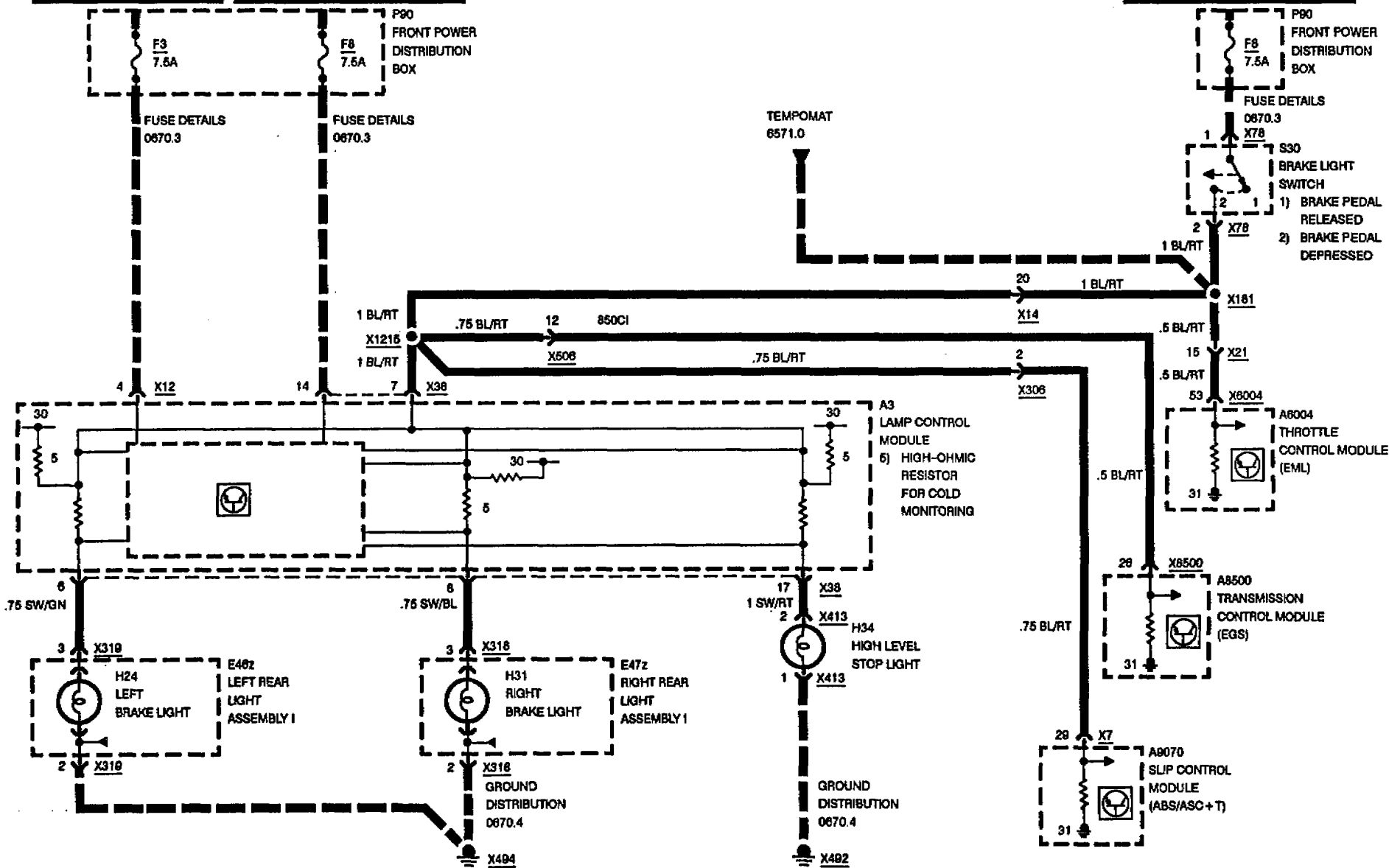


# BRAKE LIGHTS

HOT IN RUN AND START

HOT IN ACCY, RUN OR START

HOT IN ACCY, RUN OR START



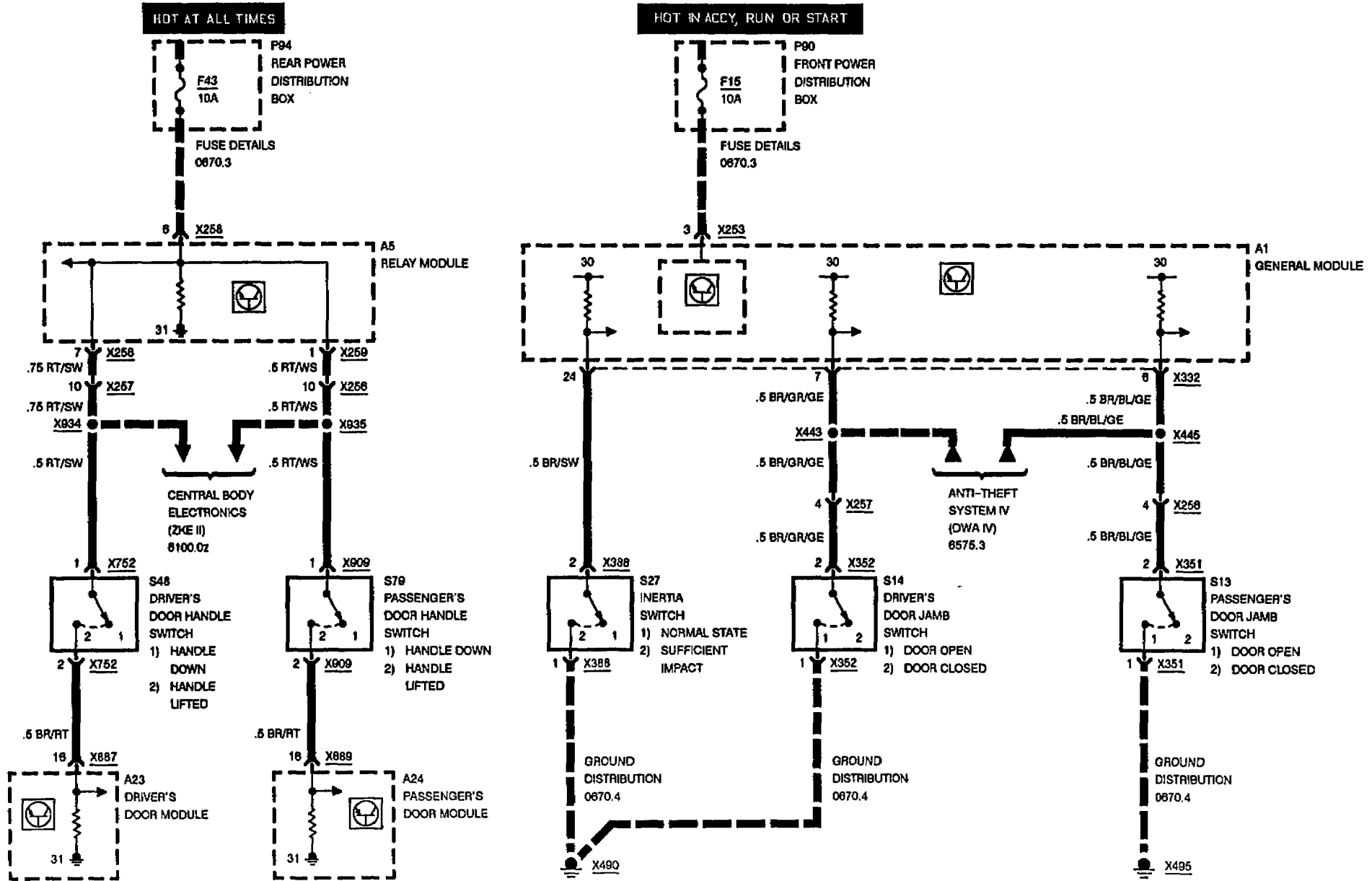
BMW  
8

6330.0



# ZKE INTERIOR LIGHTS (IB)

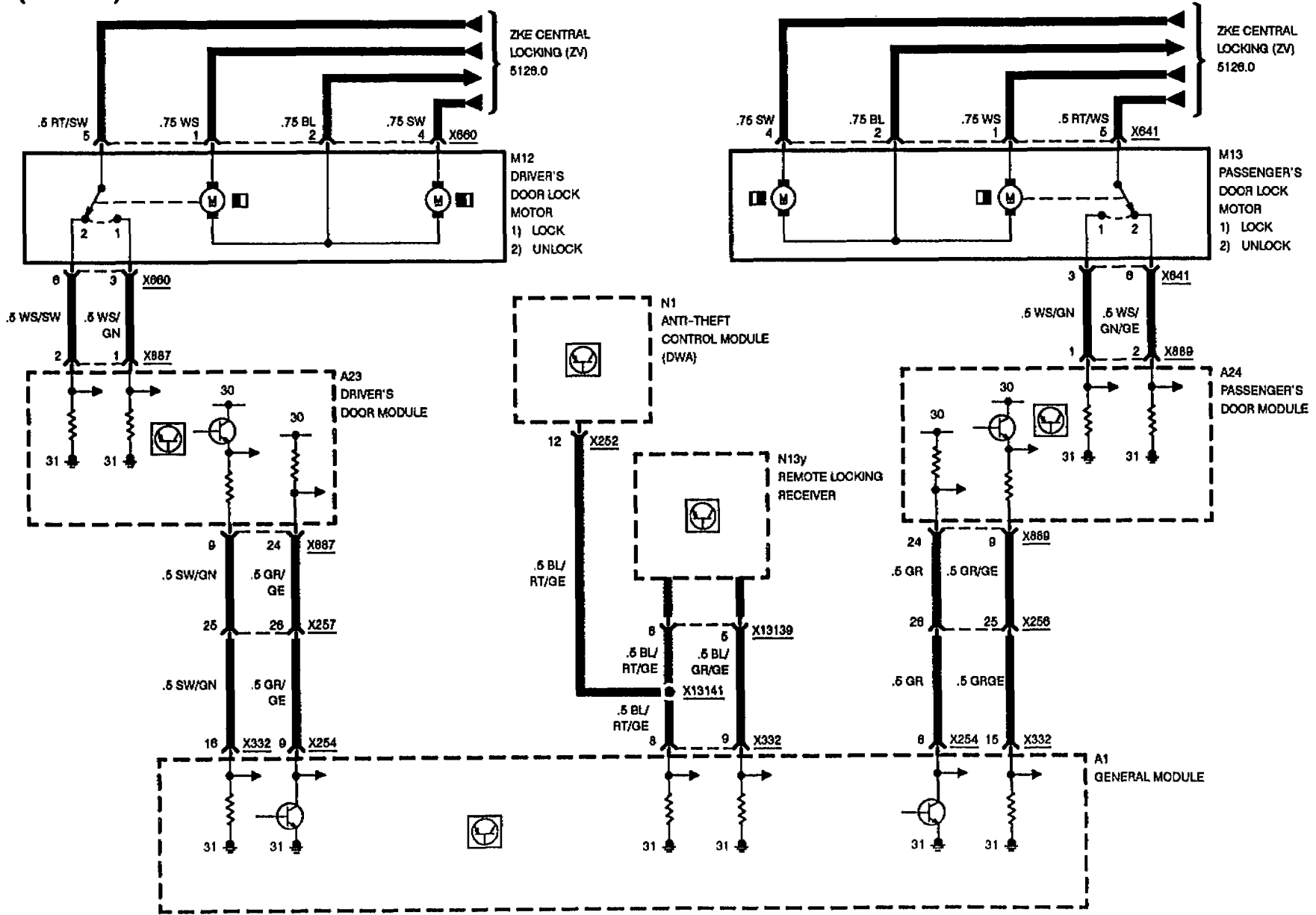
## (INPUTS)





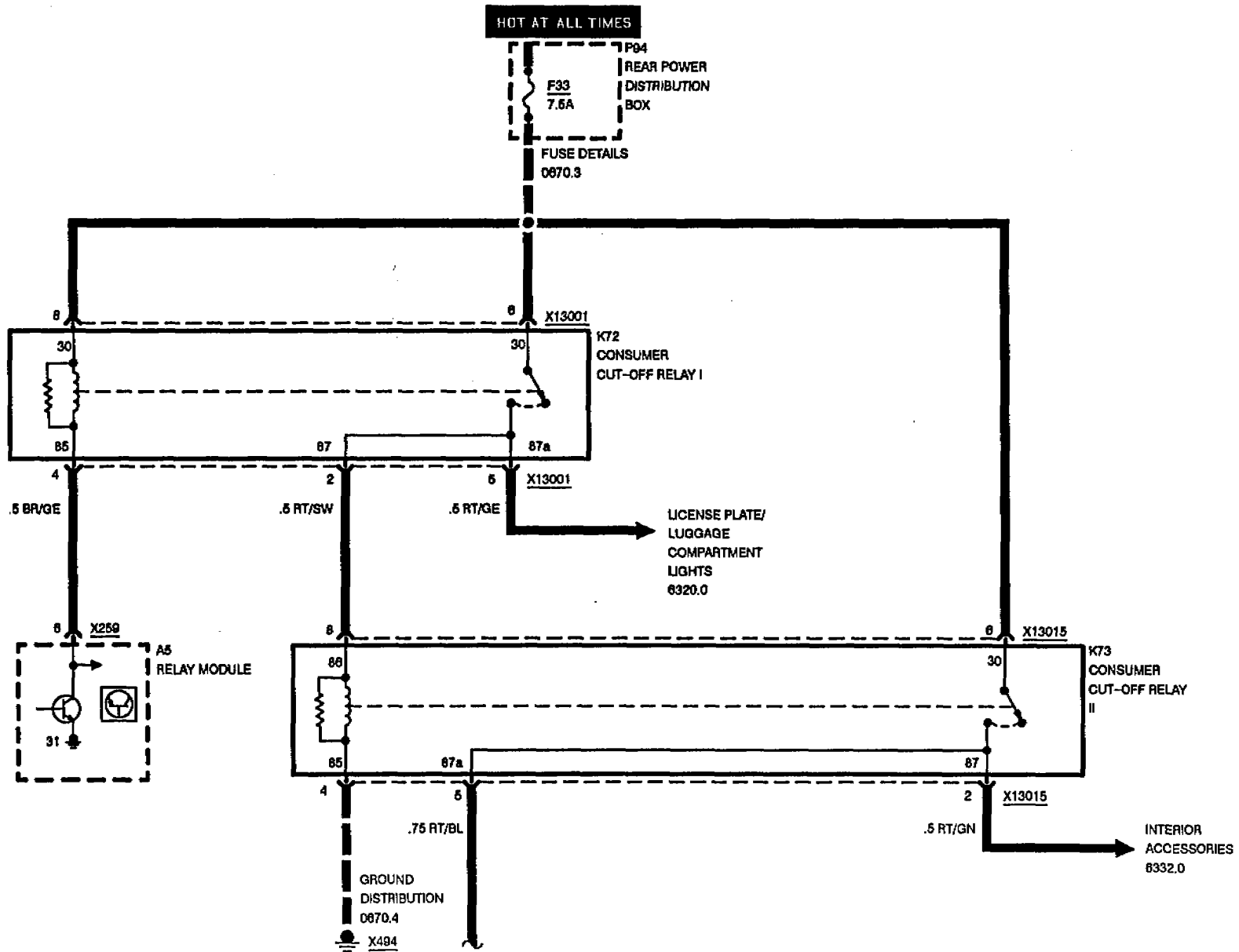


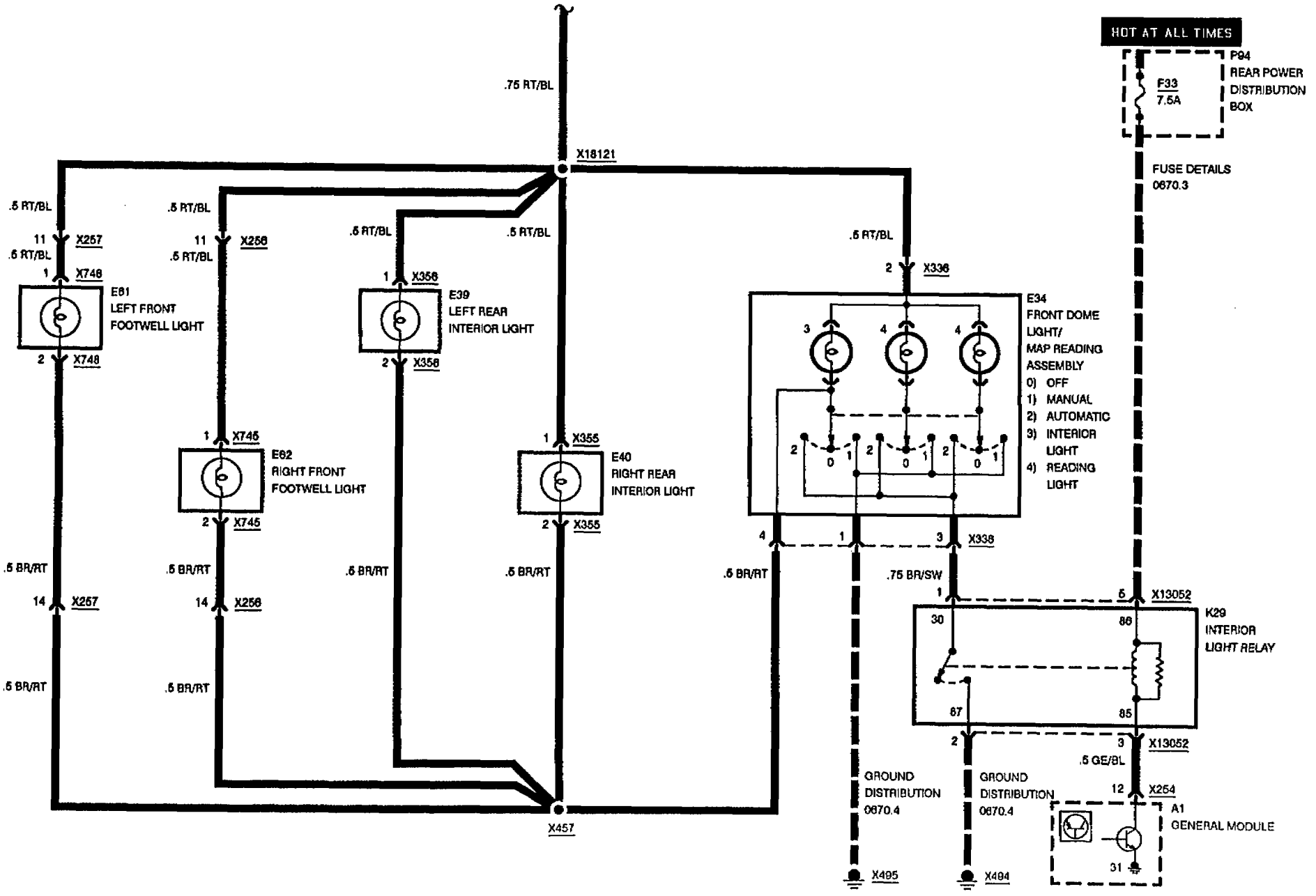
# ZKE INTERIOR LIGHTS (IB) (INPUTS)





# ZKE INTERIOR LIGHTS (IB)





**HOT AT ALL TIMES**

P94  
REAR POWER  
DISTRIBUTION  
BOX

FUSE DETAILS  
0670.3

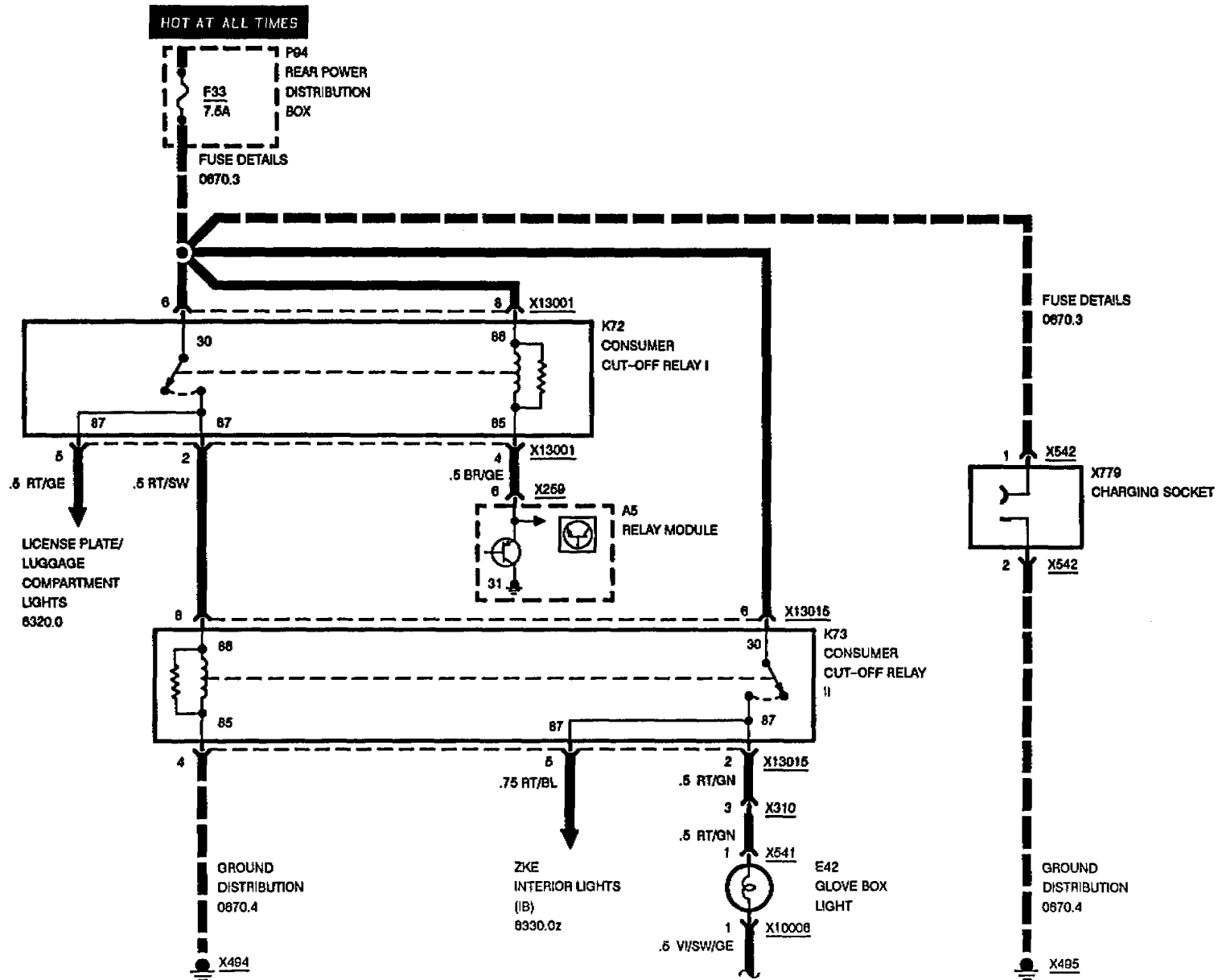
09/93

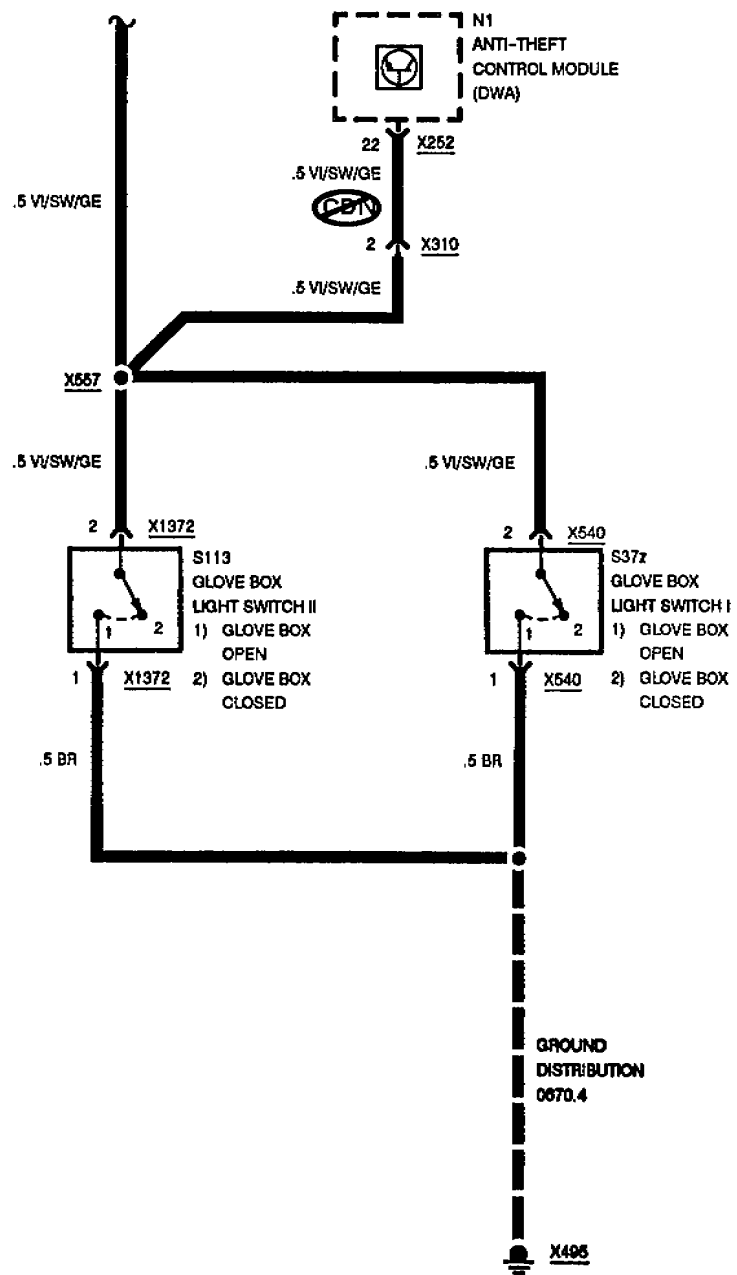
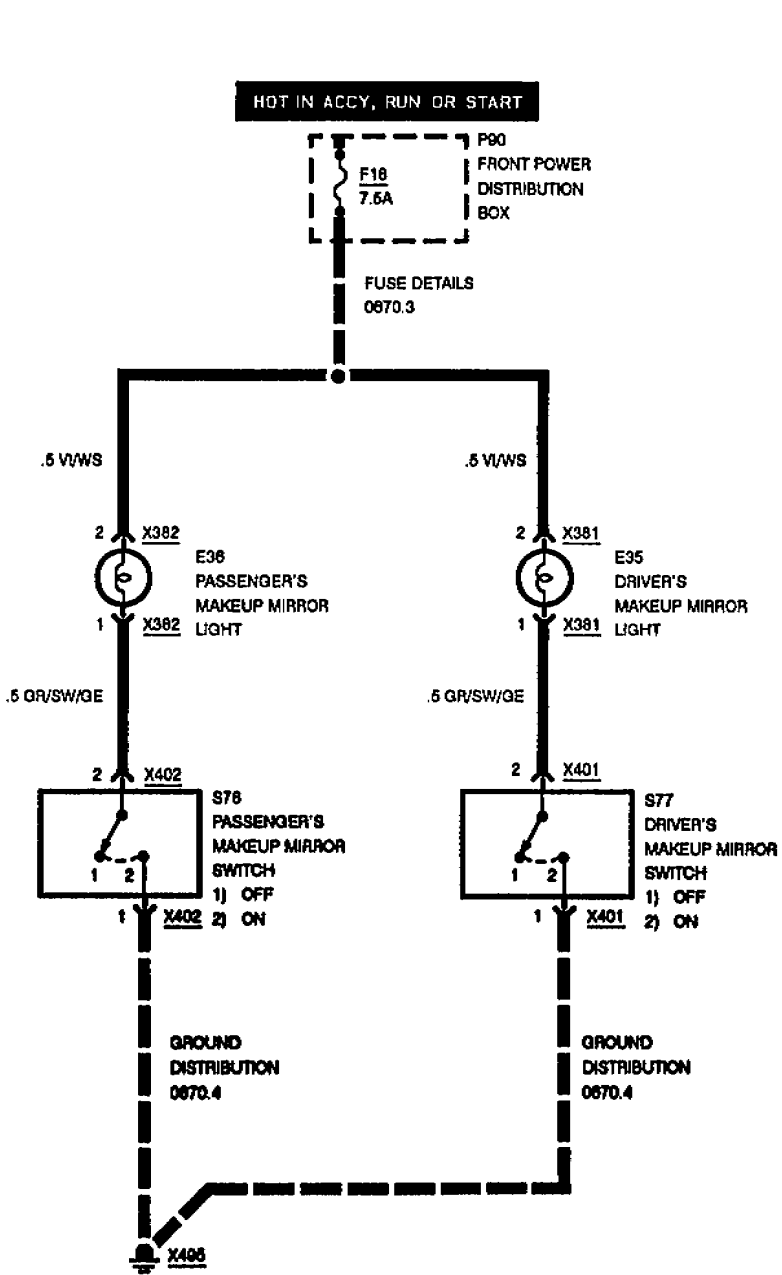
6330.0-03

1994



# INTERIOR ACCESSORIES

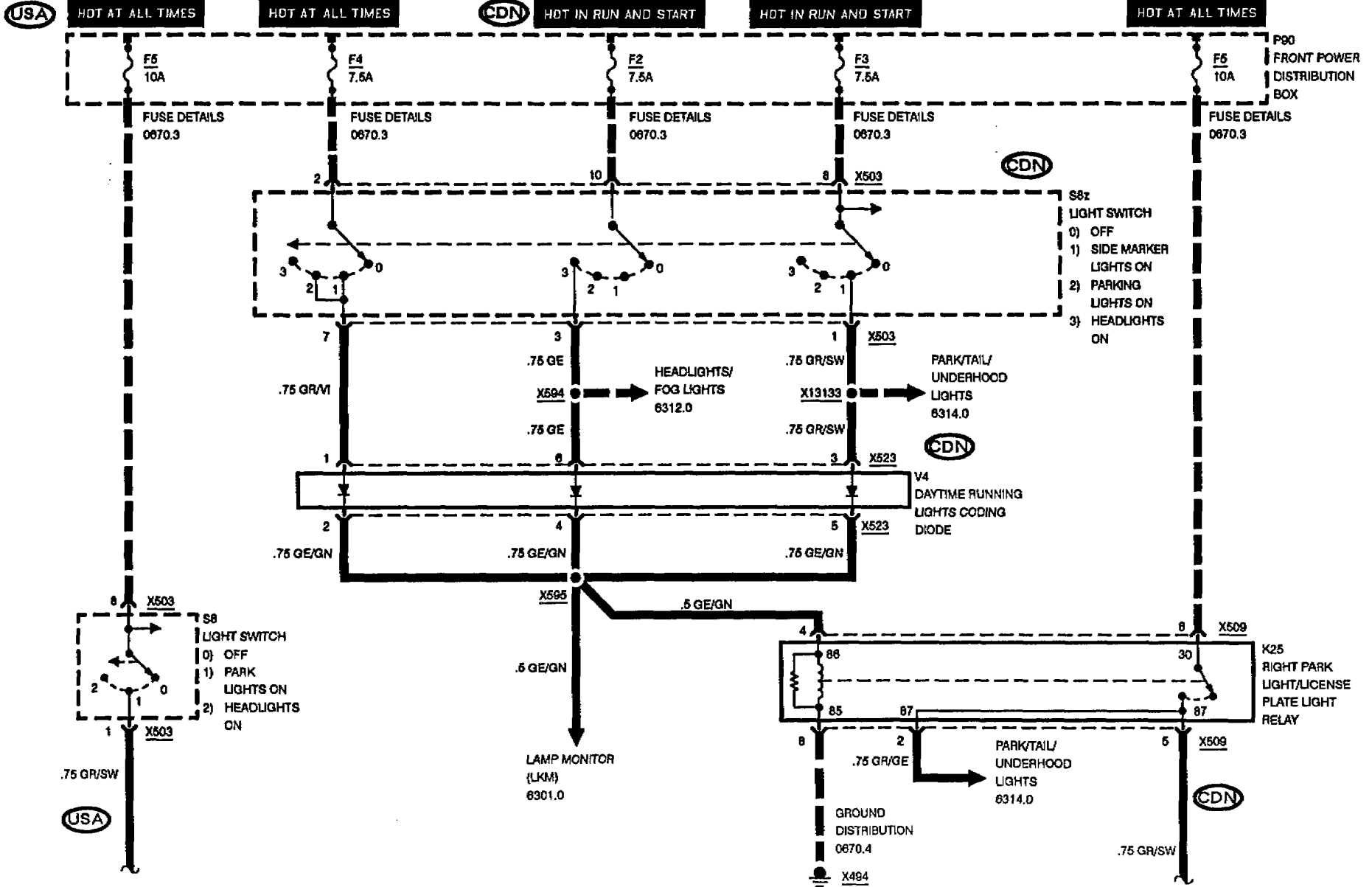


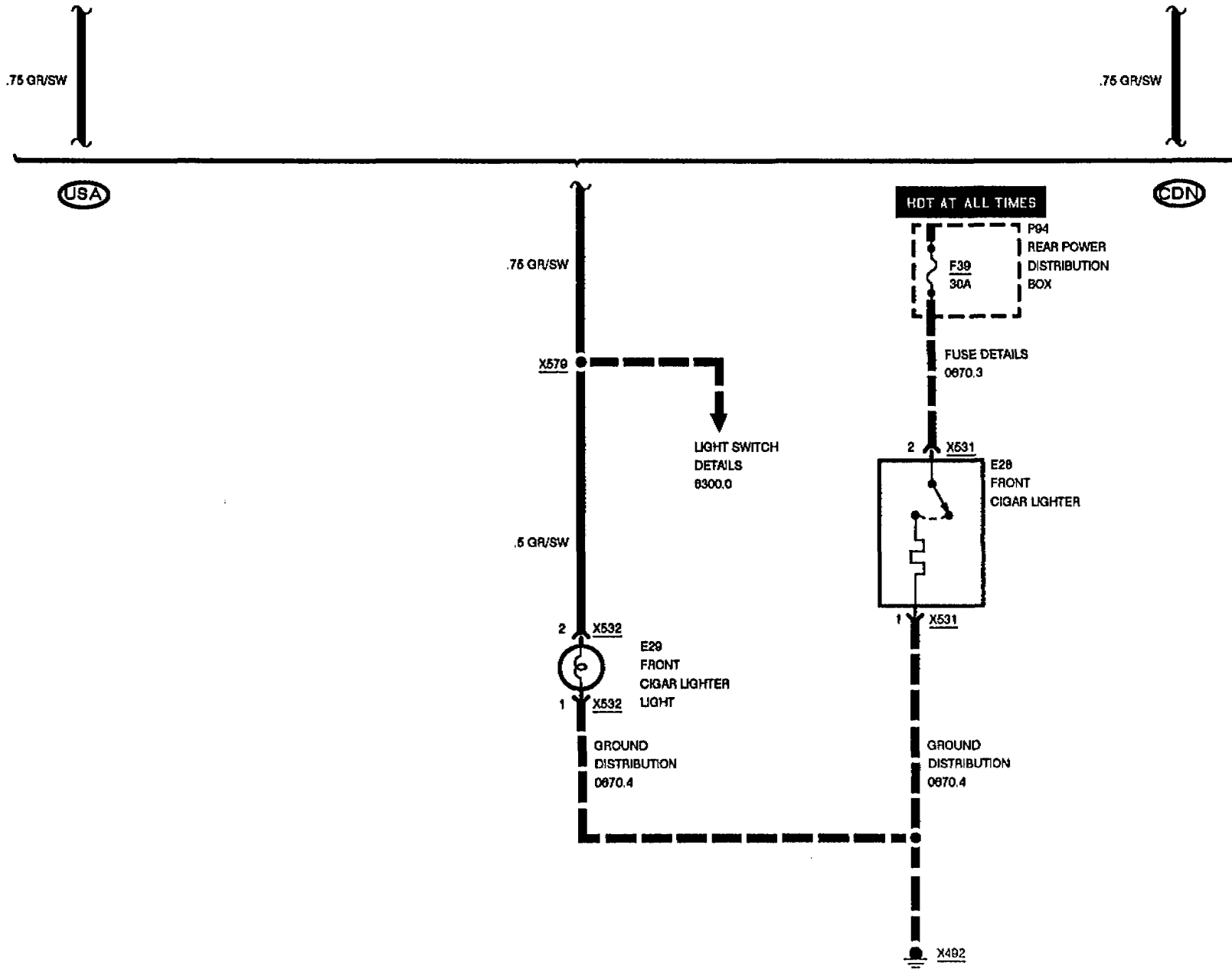




# INTERIOR ACCESSORIES

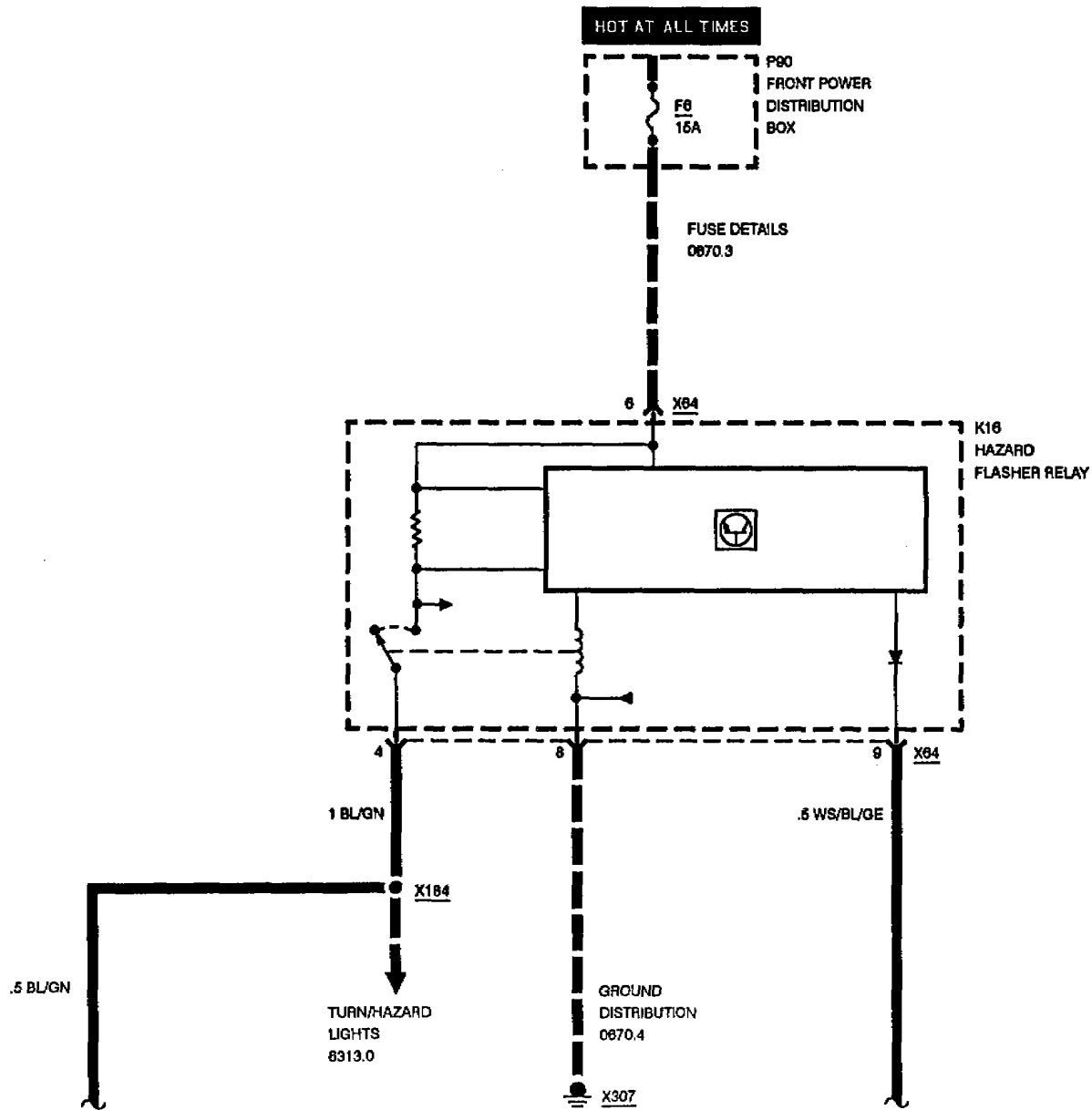
## CIGARETTE LIGHTER



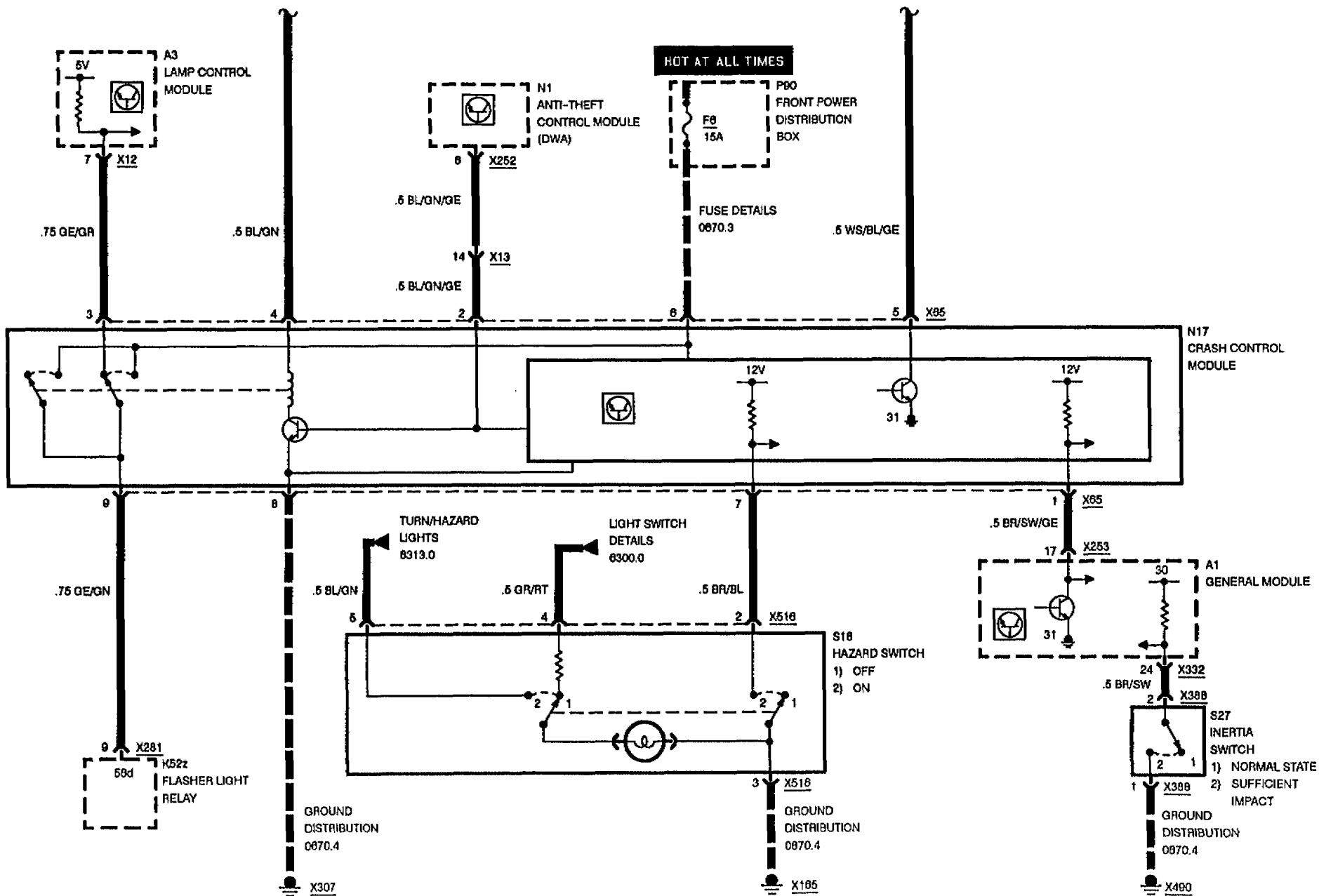




# CRASH CONTROL MODULE









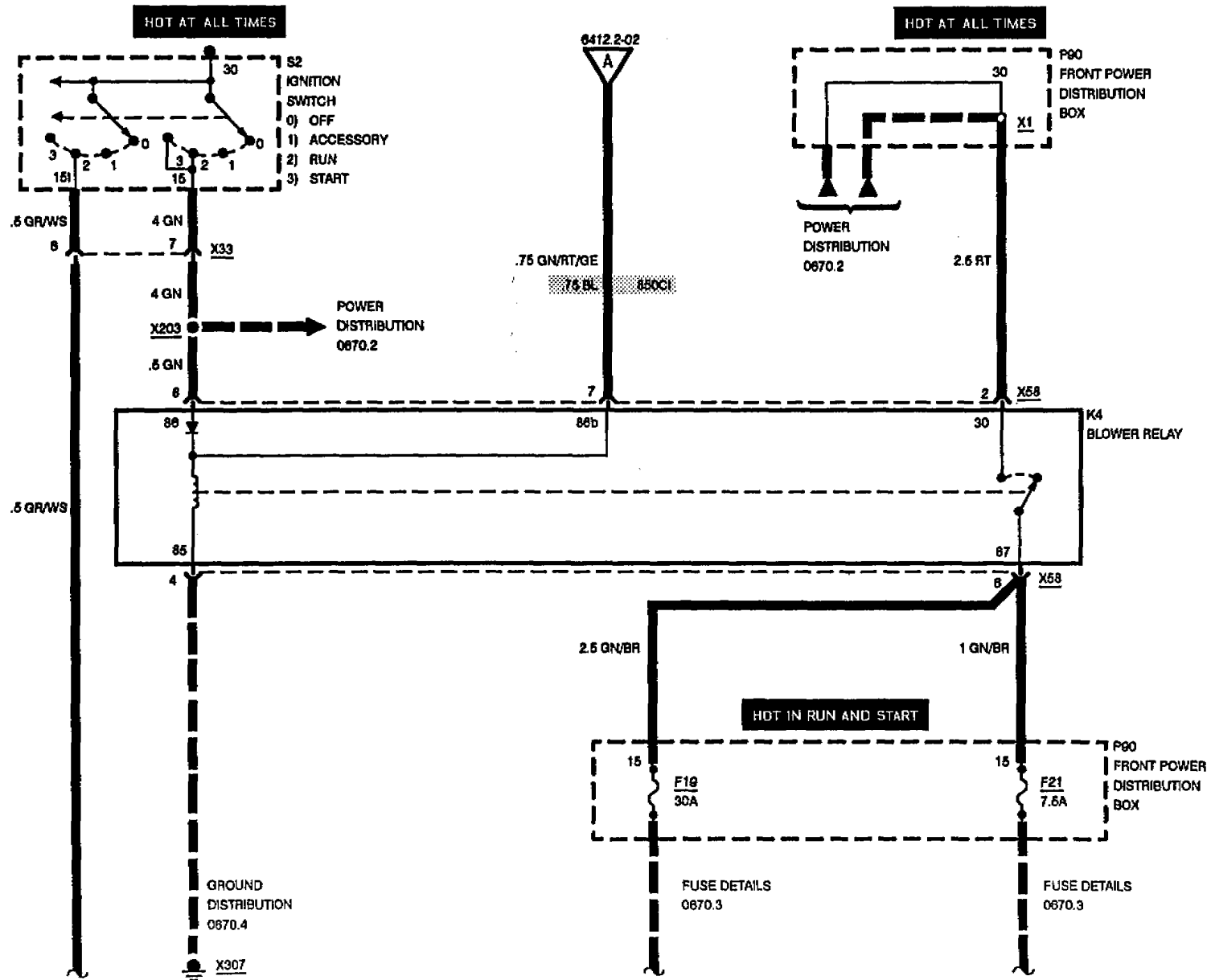
6350.0-02

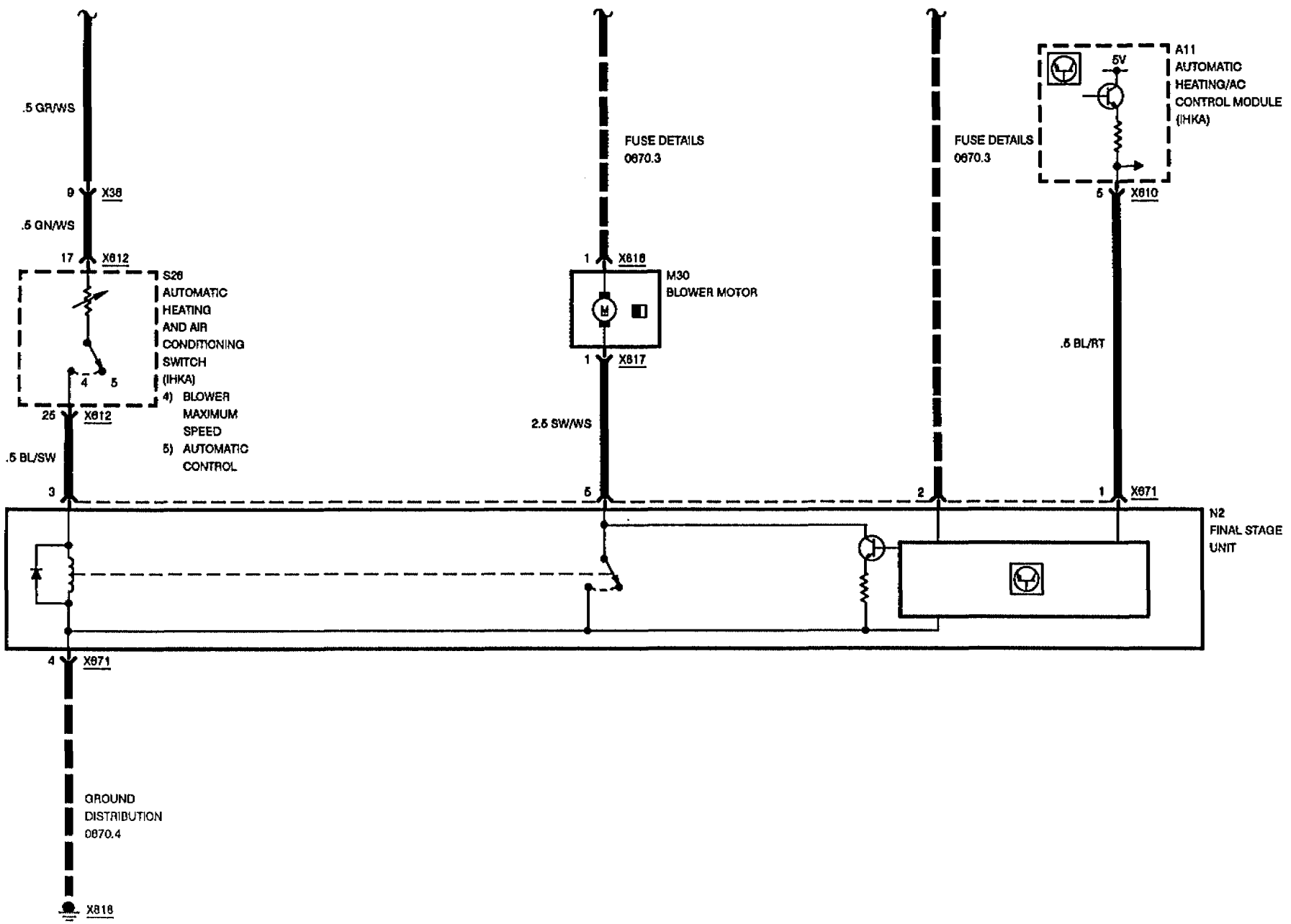


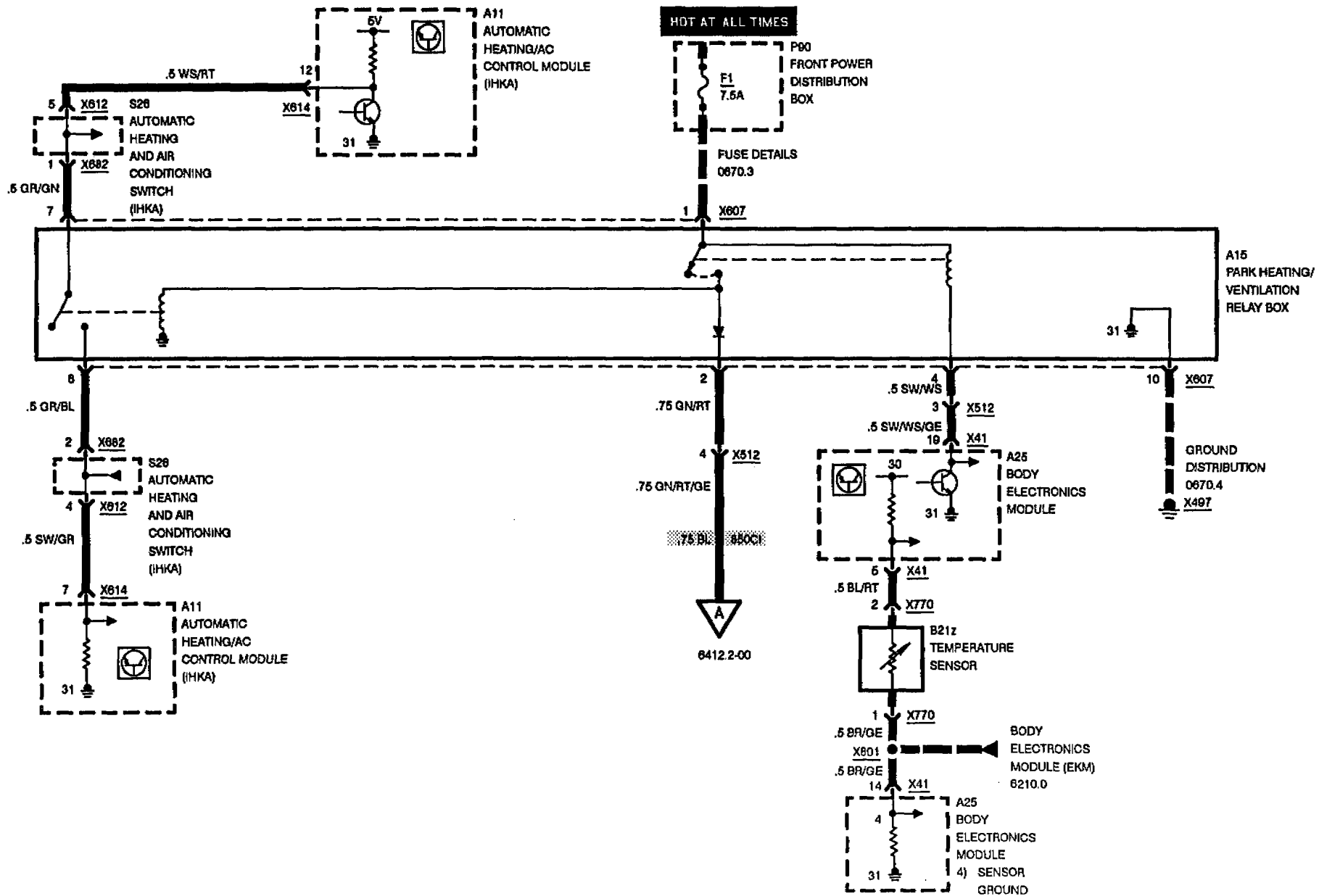
6412.2



# PARK VENTILATION WITH IHKA





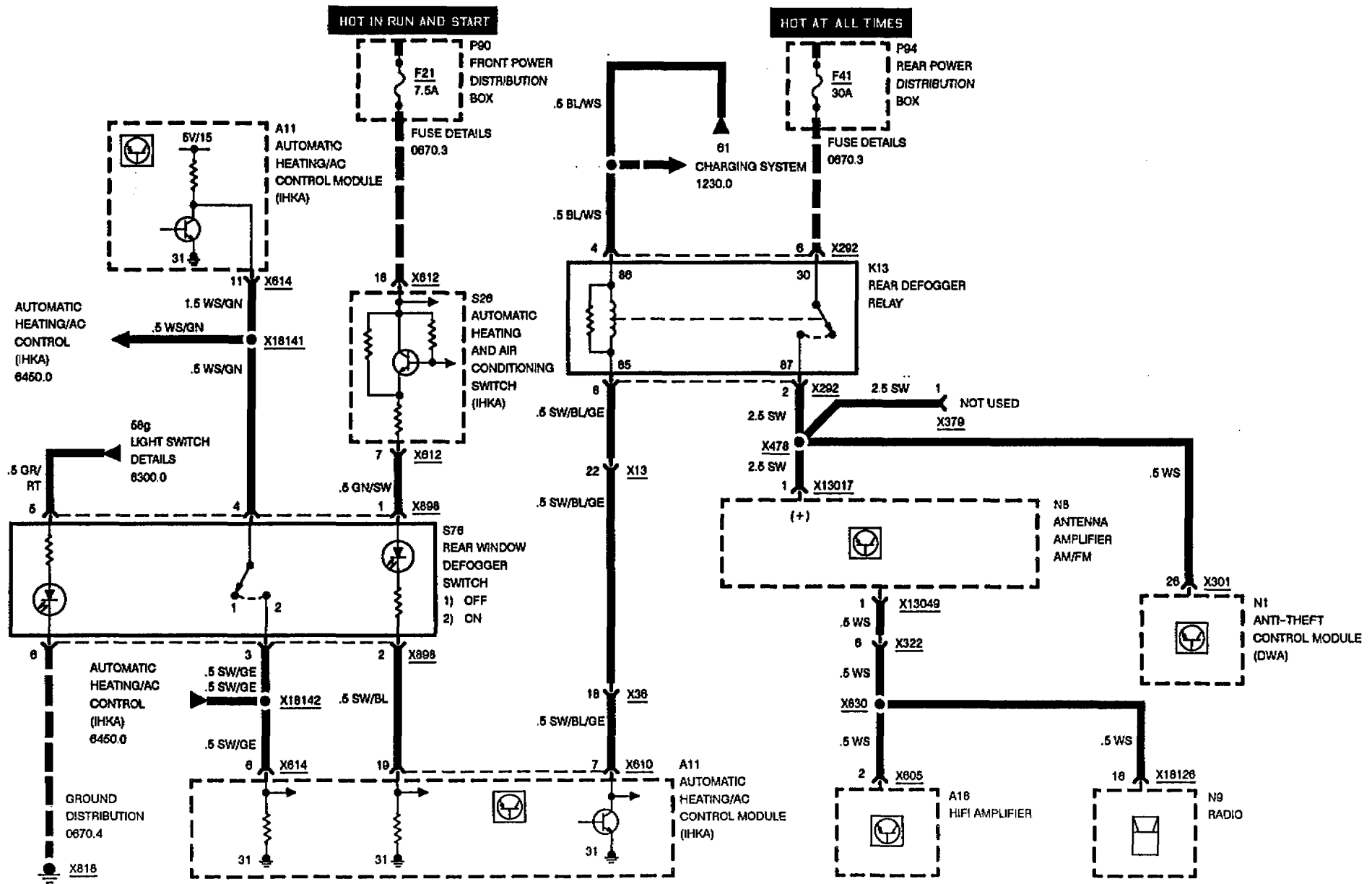


BMW  
8

6424.0

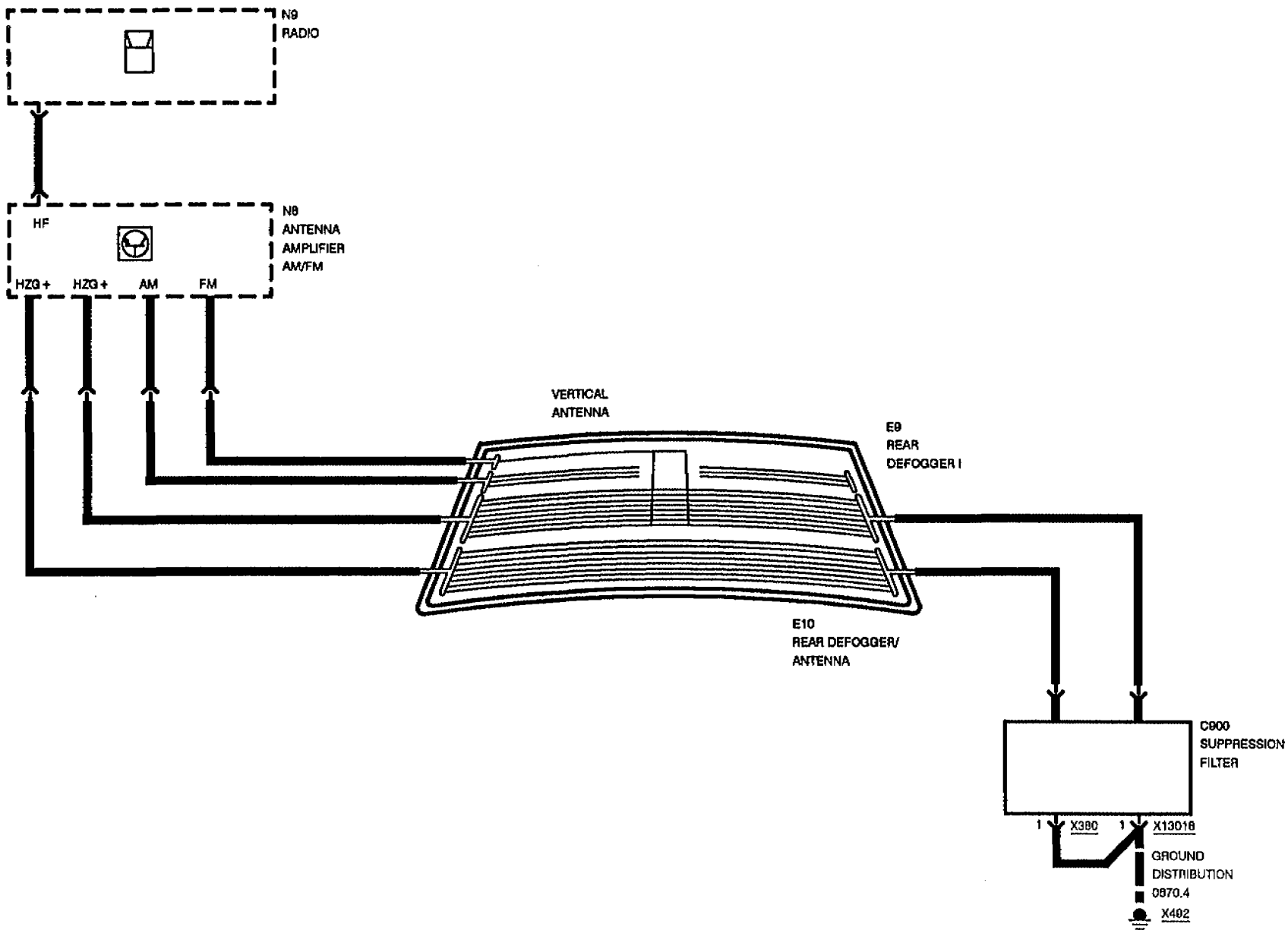


# REAR WINDOW DEFOGGER/ ANTENNA

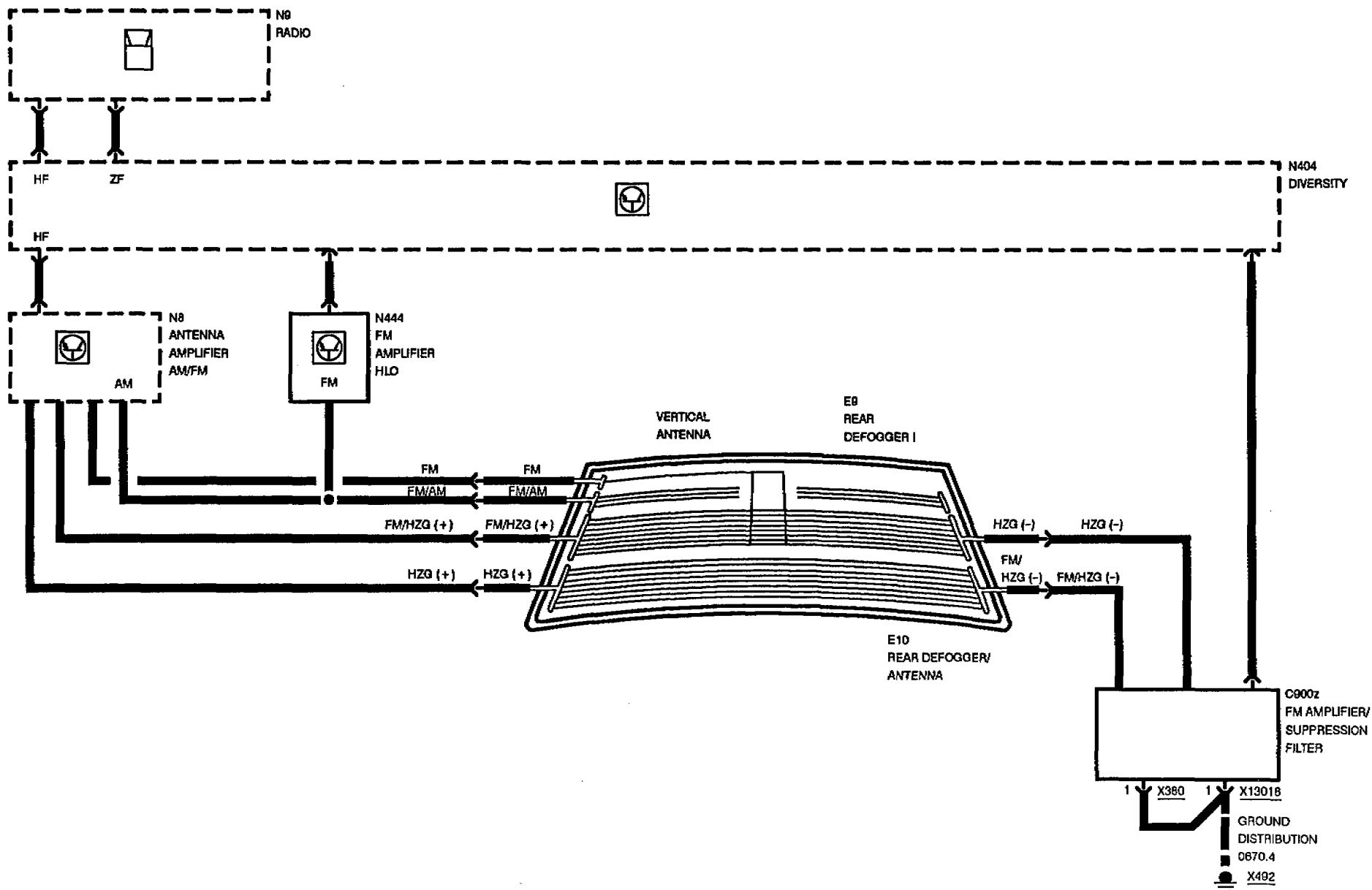


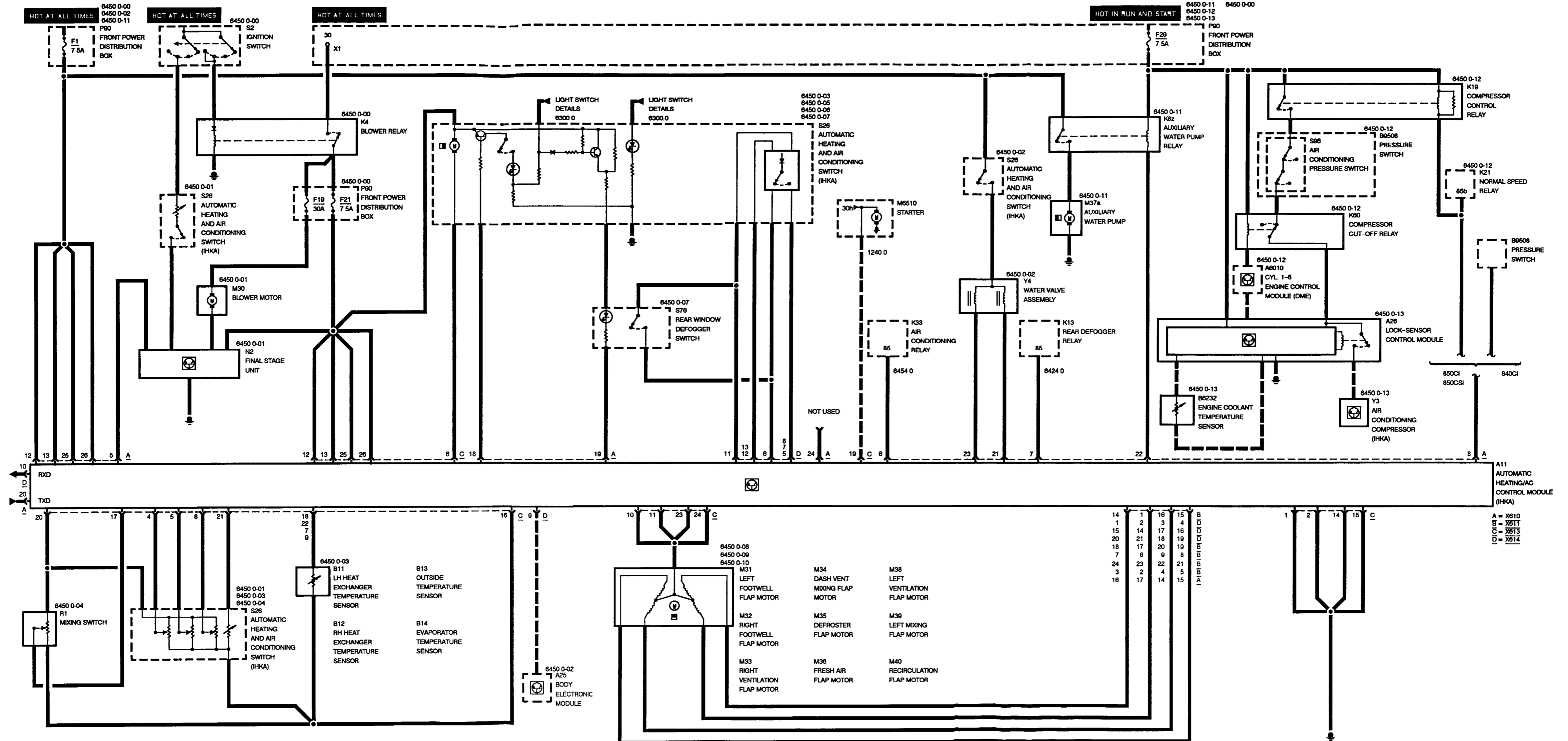


**BMW 8 REAR WINDOW DEFOGGER/ ANTENNA**  
**REAR WINDOW ANTENNA**



**BMW 8 REAR WINDOW DEFOGGER/ ANTENNA**  
**3-ANTENNA-DIVERSITY**





12 RXD  
13 TXD  
10  
20  
A

12  
13  
25  
26  
5  
A

12  
13  
25  
26  
8  
C  
18

18  
A

11  
13  
12  
6  
8  
7  
5  
D  
24  
A

19  
C  
6

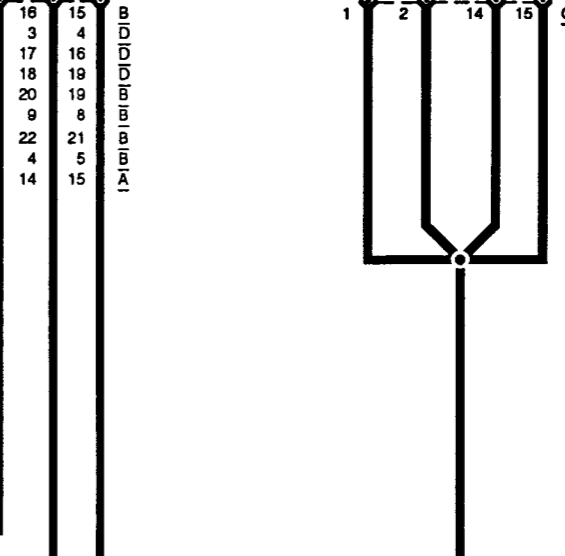
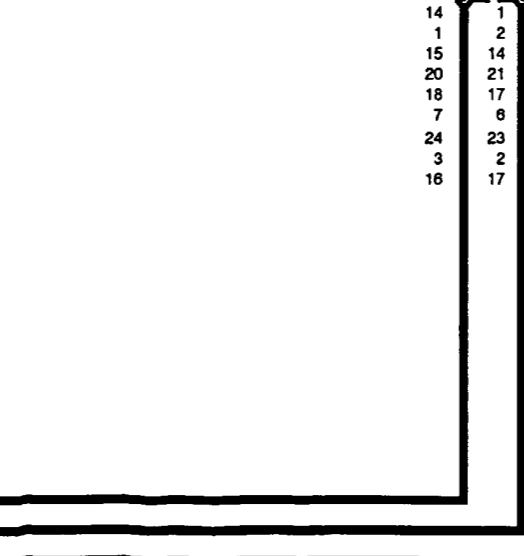
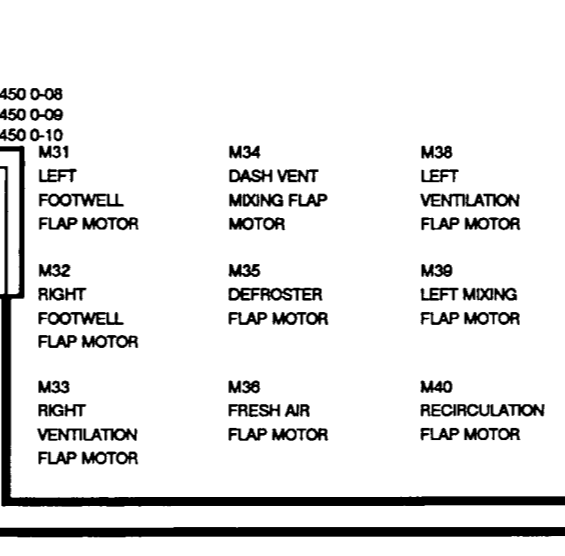
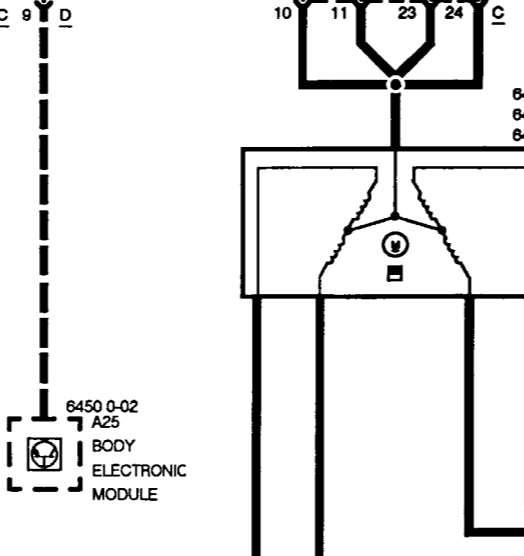
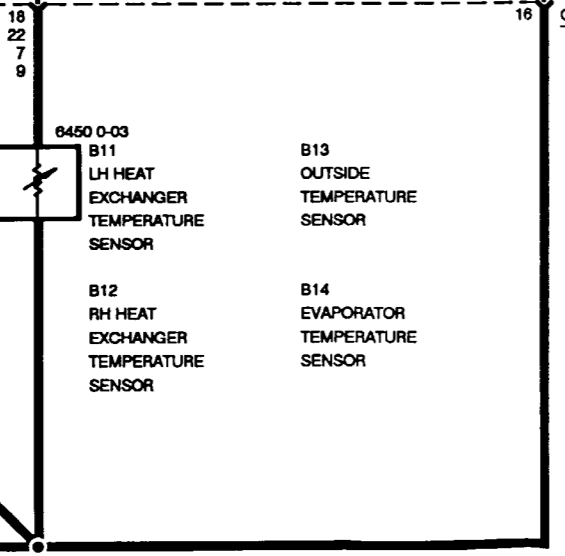
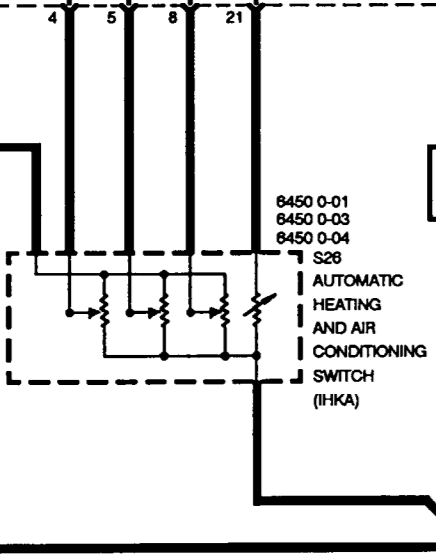
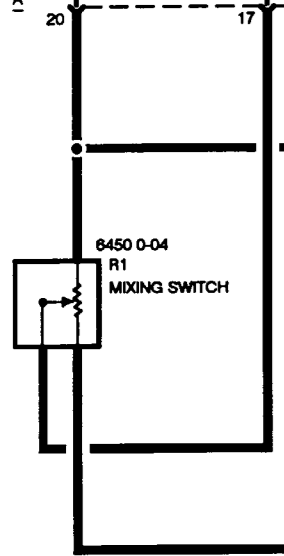
23  
21  
7

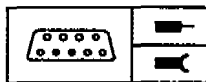
22

8  
A

A11  
AUTOMATIC  
HEATING/AC  
CONTROL MODULE  
(IHKA)

A = X810  
B = X811  
C = X813  
D = X814





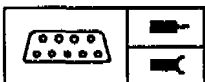
## Pin Assignments

A=X610	26 pins, white
B=X611	26 pins, green
C=X613	26 pins, blue
D=X614	26 pins, yellow

### X610

Pin	Type	Description/Function	Connection
1		Not used	
2		Not used	
3		Not used	
4		Not used	
5	A	Blower output stage activation	Final stage unit
6	A	Air conditioning	Air conditioning relay
7	A	Rear window defogger relay activation	Rear window defogger relay
8	A	Compressor control relay/normal speed relay activation	Compressor control relay/normal speed relay
9		Not used	
10		Not used	
11		Not used	
12	E	Voltage (terminal 30)	Fuse
13	E	Voltage (terminal 30)	Fuse
14	A	Circulating air flap motor activation	Footwell flap motor
15	A	Circulating air flap motor activation	Footwell flap motor
16	A	Circulating air flap motor activation	Footwell flap motor
17	A	Circulating air flap motor activation	Footwell flap motor
18	A	Function light activation	IHKA switch
19	A	Rear window defogger switch light activation	Rear window defogger switch
20	A	TxD diagnostic data line	Data link connector
21	A	Left water valve activation	Water valve assembly
22	A	Auxiliary water pump relay activation	Auxiliary water pump relay
23	A	Right water valve activation	Water valve assembly

E = Input, A = Output, M = Ground



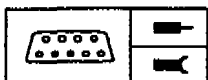
## Pin Assignments

Pin	Type	Description/Function	Connection
24		Not used	
25	E	Voltage (terminal 30)	Fuse
26	E	Voltage (terminal 30)	Fuse

### X611

Pin	Type	Description/Function	Connection
1	A	Left footwell flap motor activation	Left footwell flap motor
2	A	Left mixing flap motor activation	Left mixing flap motor
3	A	Left mixing flap motor activation	Left mixing flap motor
4	A	Left mixing flap motor activation	Left mixing flap motor
5	A	Left mixing flap motor activation	Left mixing flap motor
6	A	Fresh air flap motor activation	Fresh air flap motor
7	A	Fresh air flap motor activation	Fresh air flap motor
8	A	Fresh air flap motor activation	Fresh air flap motor
9	A	Fresh air flap motor activation	Fresh air flap motor
10		Not used	
11		Not used	
12		Not used	
13		Not used	
14	A	Left footwell flap motor activation	Left footwell flap motor
15	A	Left footwell flap motor activation	Left footwell flap motor
16	A	Left footwell flap motor activation	Left footwell flap motor
17	A	Defroster flap motor activation	Defroster flap motor
18	A	Defroster flap motor activation	Defroster flap motor
19	A	Defroster flap motor activation	Defroster flap motor
20	A	Defroster flap motor activation	Defroster flap motor
21	A	Left ventilation flap motor activation	Left ventilation flap motor
22	A	Left ventilation flap motor activation	Left ventilation flap motor
23	A	Left ventilation flap motor activation	Left ventilation flap motor
24	A	Left ventilation flap motor activation	Left ventilation flap motor

E = Input, A = Output, M = Ground



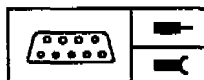
## Pin Assignments

Pin	Type	Description/Function	Connection
25		Not used	
26		Not used	

### X613

Pin	Type	Description/Function	Connection
1	M	Ground	Ground point
2	M	Ground	Ground point
3		Not used	
4	E	Nominal temperature value, left (potentiometer)	IHKA switch
5	E	Nominal air flow value (potentiometer)	IHKA switch
6	M	Interior sensor blower (ground)	IHKA switch
7	A/E	Outside temperature	Outside temperature sensor
8	E	Nominal temperature value, right (potentiometer)	IHKA switch
9	A/E	Evaporator temperature	Evaporator temp. sensor
10	A	Voltage for flap motors	Plus connector for flap motors
11	A	Voltage for flap motors	Plus connector for flap motors
12	E	Ignition voltage (terminal 15)	Blower relay/fuse
13	E	Ignition voltage (terminal 15)	Blower relay/fuse
14	M	Ground	Ground point
15	M	Ground	Ground point
16	A	Ground for sensors and control wheels	Sensors and control wheels
17	E	Nominal mixing air value	Temperature distribution potentiometer
18	A/E	Left heater temperature	Left heat exchanger temperature sensor
19	E	Starter signal 30h	Starter
20	A	Voltage for control wheels	Control wheels
21	A/E	Inside air temperature sensor	IHKA switch
22	A/E	Right heater temperature	Right heat exchanger temperature sensor
23	A	Voltage for flap motors	Plus connector for flap motors
24	A	Voltage for flap motors	Plus connector for flap motors

E = Input, A = Output, M = Ground



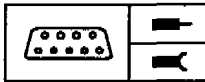
## Pin Assignments

Pin	Type	Description/Function	Connection
25	E	Ignition voltage (terminal 15)	Blower relay/fuse
26	E	Ignition voltage (terminal 15)	Blower relay/fuse

### X614

Pin	Type	Description/Function	Connection
1	A	Right footwell flap motor activation	Right footwell flap motor
2	A	Right footwell flap motor activation	Right footwell flap motor
3	A	Right footwell flap motor activation	Right footwell flap motor
4	A	Right footwell flap motor activation	Right footwell flap motor
5	E	Switch for circulating air and air conditioning	IHKA switch
6	E	Switch for rear window, max left, bottom left	IHKA switch/rear window defogger switch
7	E	Switch for defrost, park heating, park ventilation	IHKA switch, relay box park heating/park ventilation
8	E	Switch for max right, bottom right, right-hand drive coding diode	IHKA switch
9	E	Vehicle speed signal	Body electronics module (EKM)
10	E	RxD diagnostic data line	Data link connector
11	A	Switch for rear window, park heating, right-hand drive coding diode	IHKA switch/rear window defogger switch
12	A	Switch for circulating air, max left, max right, park ventilation	IHKA switch
13	A	Switch for air conditioning, bottom left, defrost, bottom right	IHKA switch
14	A	Right ventilation flap motor activation	Right ventilation flap motor
15	A	Right ventilation flap motor activation	Right ventilation flap motor
16	A	Right ventilation flap motor activation	Right ventilation flap motor
17	A	Right ventilation flap motor activation	Right ventilation flap motor
18	A	Dash vent mixing flap motor activation	Dash vent mixing flap motor
19	A	Dash vent mixing flap motor activation	Dash vent mixing flap motor
20	A	Dash vent mixing flap motor activation	Dash vent mixing flap motor
21	A	Dash vent mixing flap motor activation	Dash vent mixing flap motor
22		Not used	

E = Input, A = Output, M = Ground



## Pin Assignments

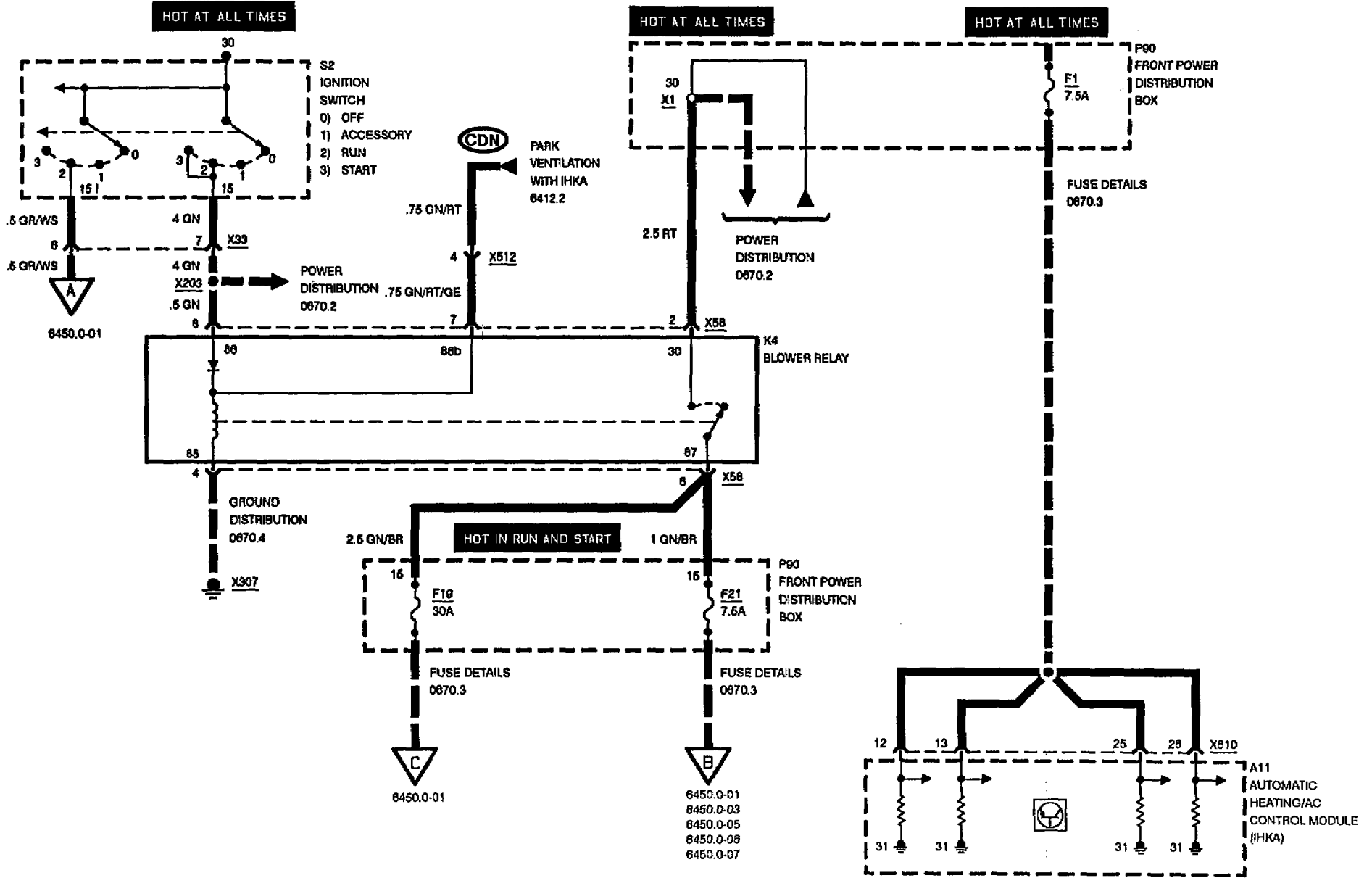
Pin	Type	Description/Function	Connection
23		Not used	
24		Not used	
25		Not used	
26		Not used	





# AUTOMATIC HEATING/AC CONTROL (IHKA)

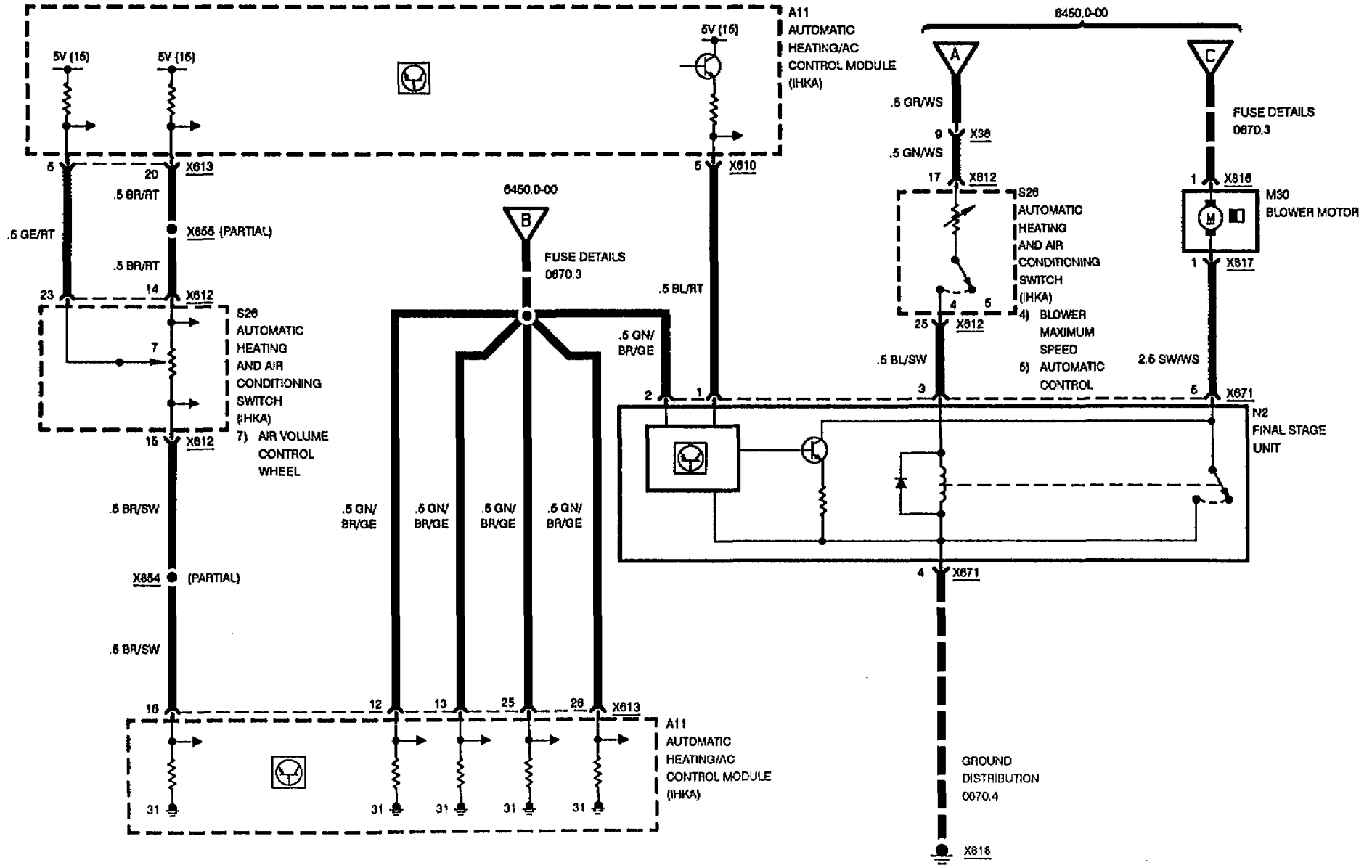
## POWER





# AUTOMATIC HEATING/AC CONTROL (IHKA)

## BLOWER CONTROLS

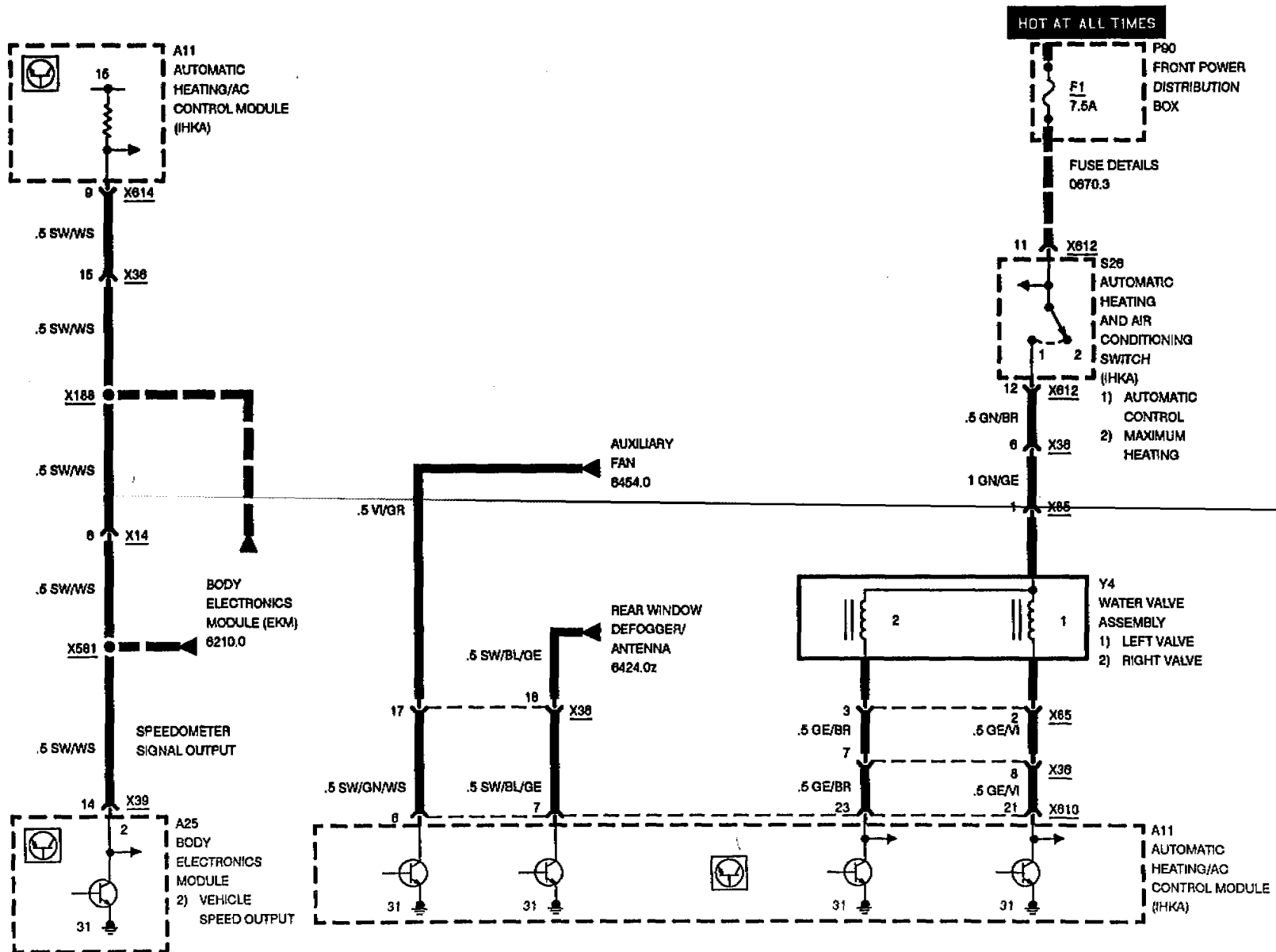




# AUTOMATIC HEATING/AC CONTROL (IHKA)

## BLOWER CONTROLS

## WATER VALVES



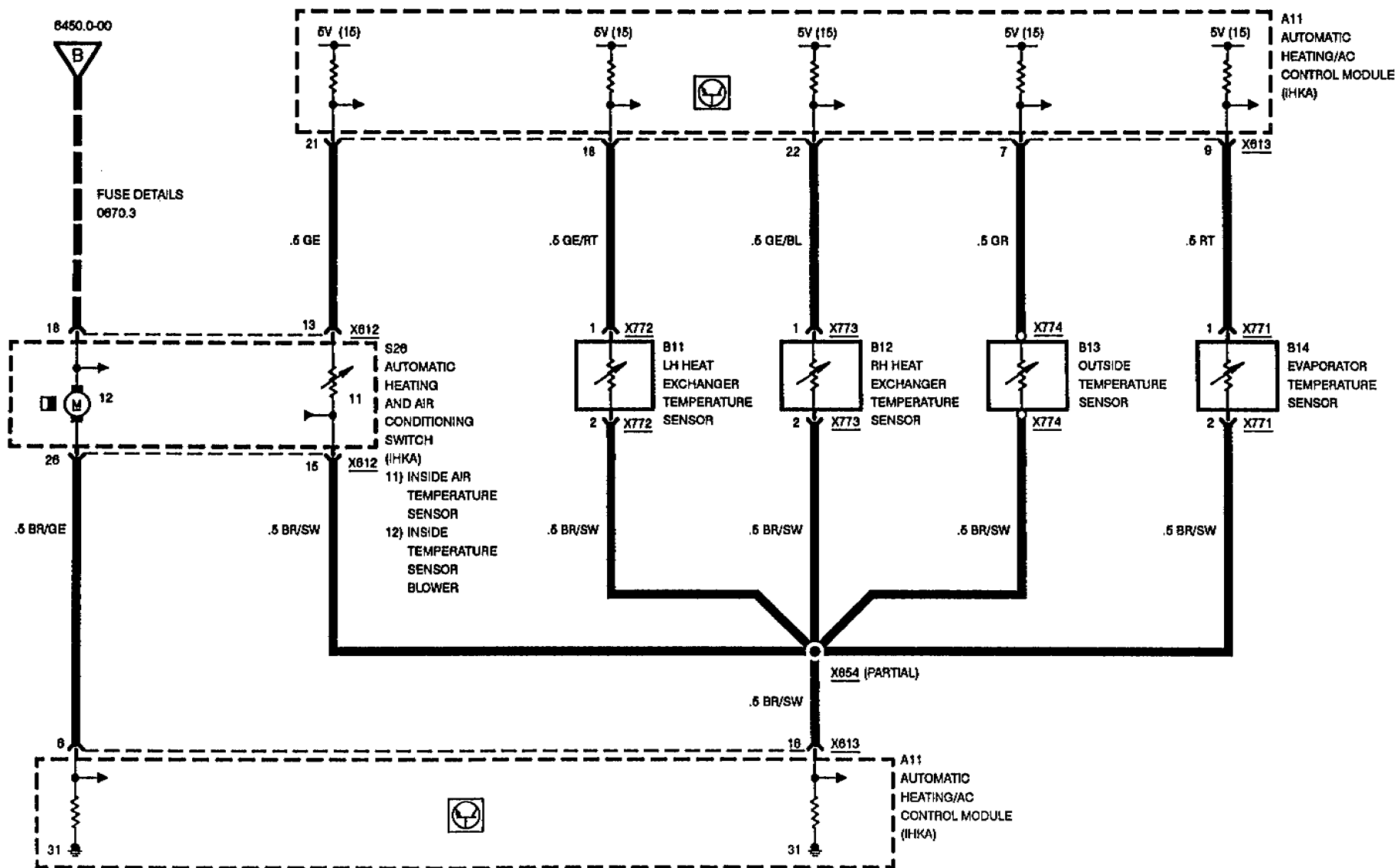
09/93

6450.0-02

1994

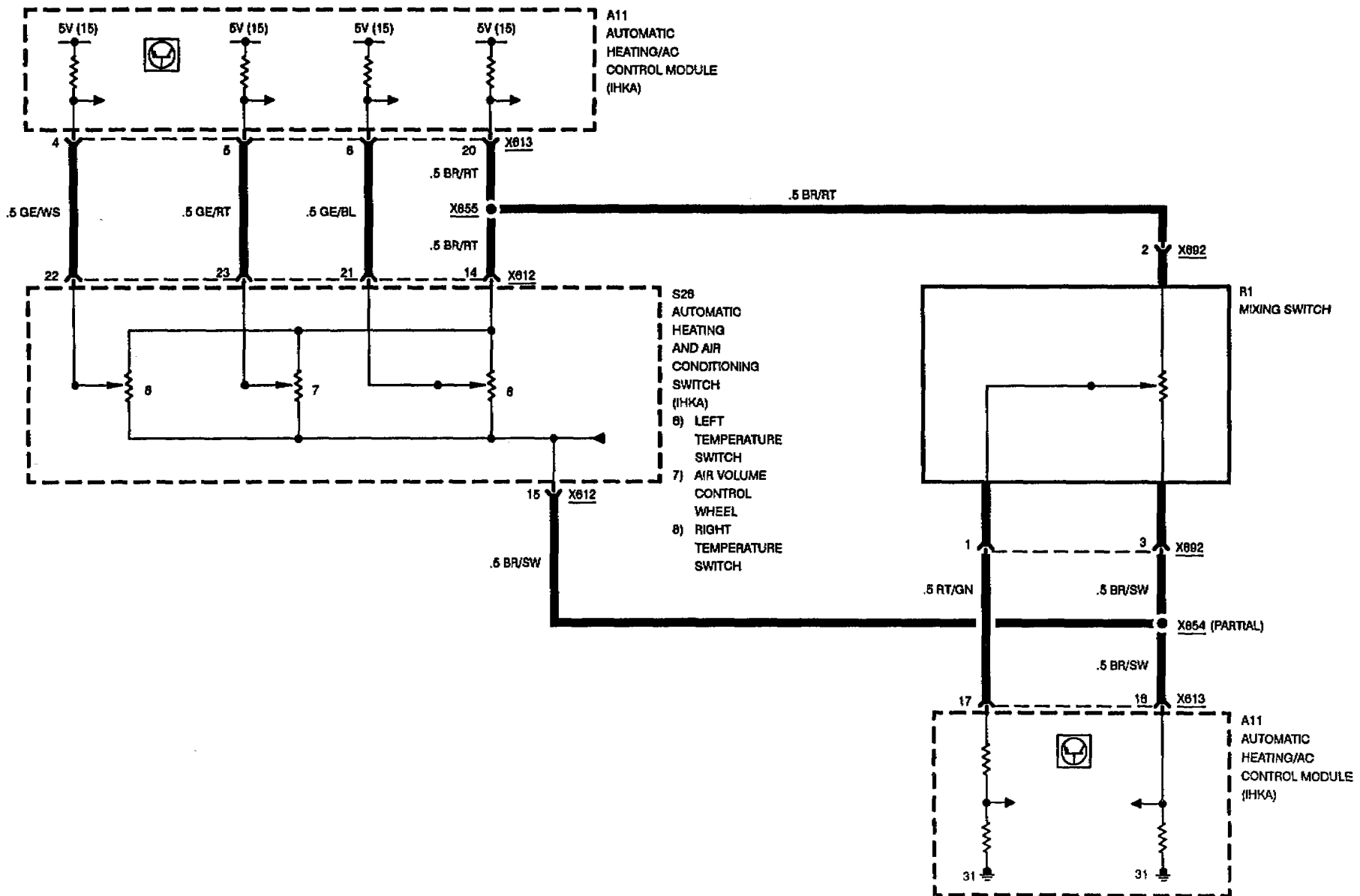


# AUTOMATIC HEATING/AC CONTROL (IHKA) TEMPERATURE CONTROLS



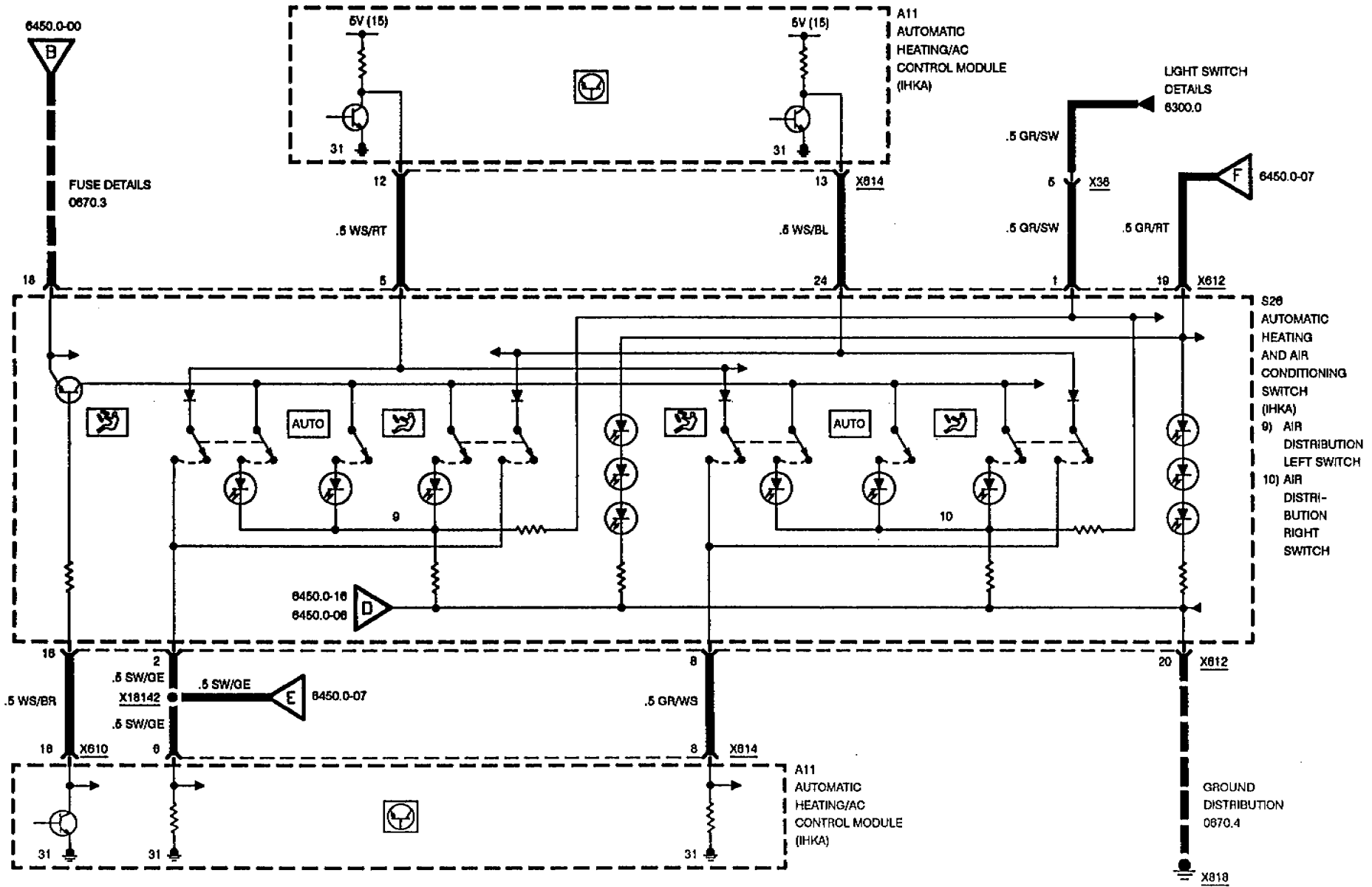


# AUTOMATIC HEATING/AC CONTROL (IHKA) TEMPERATURE CONTROLS



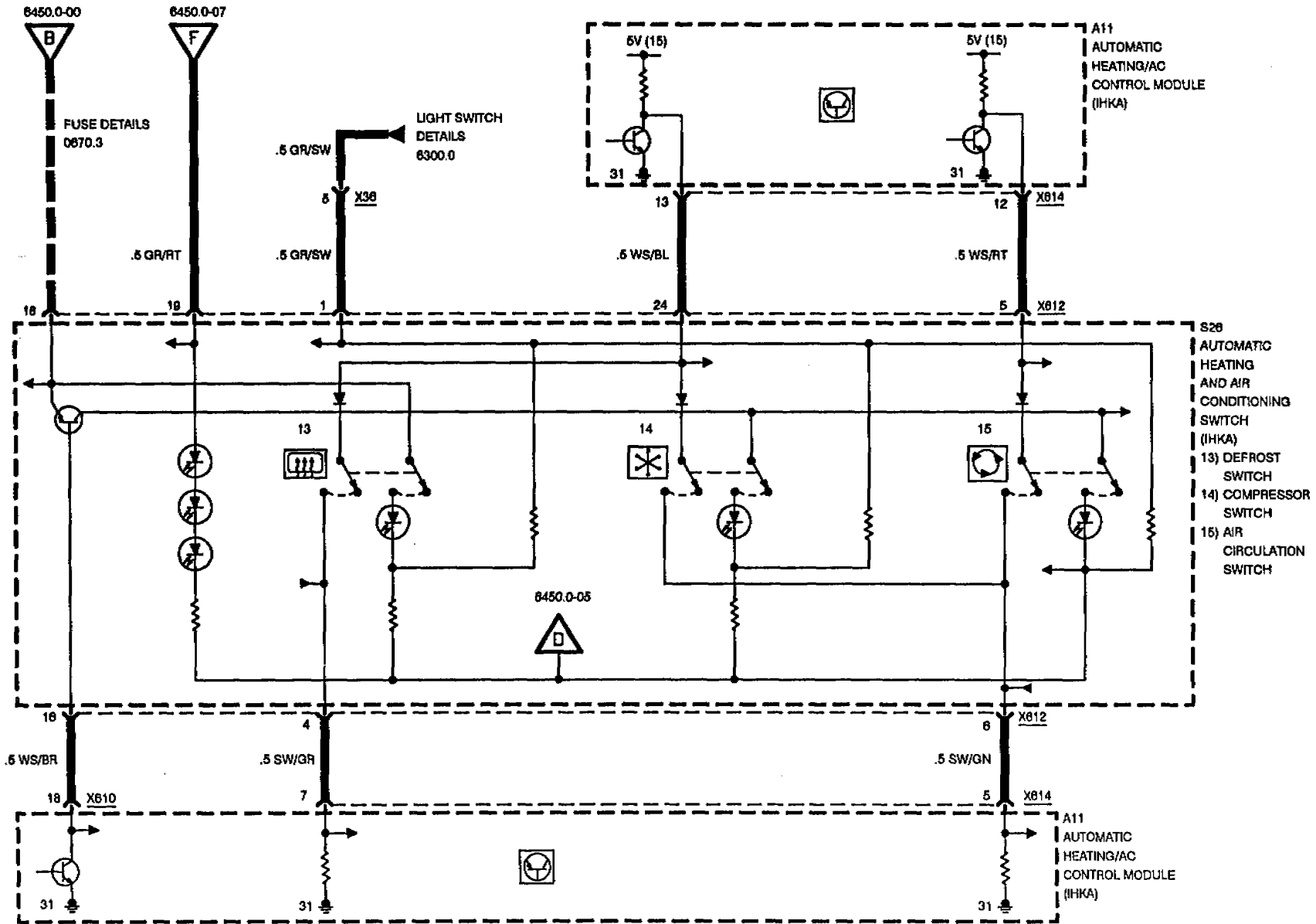


# AUTOMATIC HEATING/AC CONTROL (IHKA) AIR DELIVERY



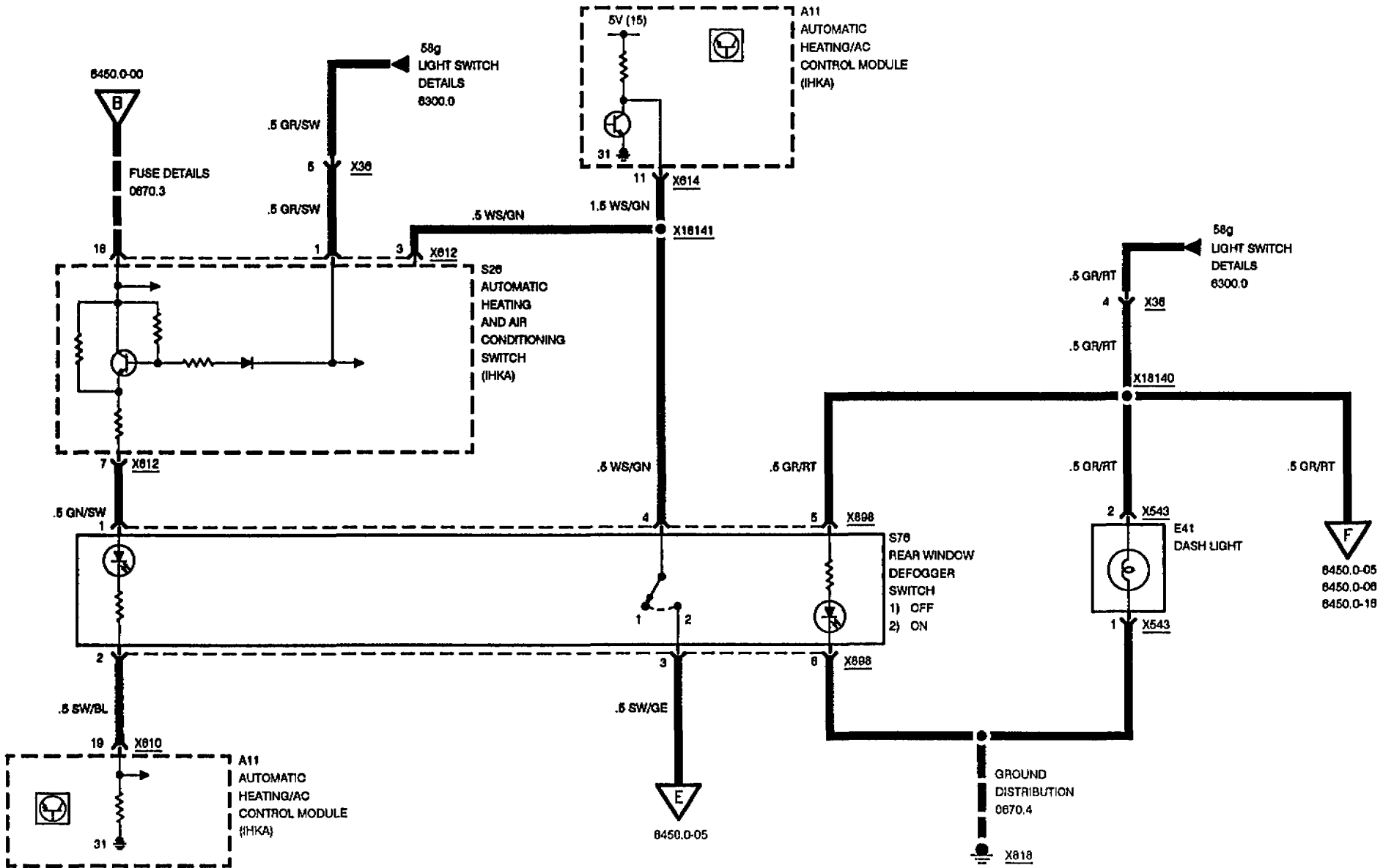


# AUTOMATIC HEATING/AC CONTROL (IHKA) AIR DELIVERY





# AUTOMATIC HEATING/AC CONTROL (IHKA) AIR DELIVERY

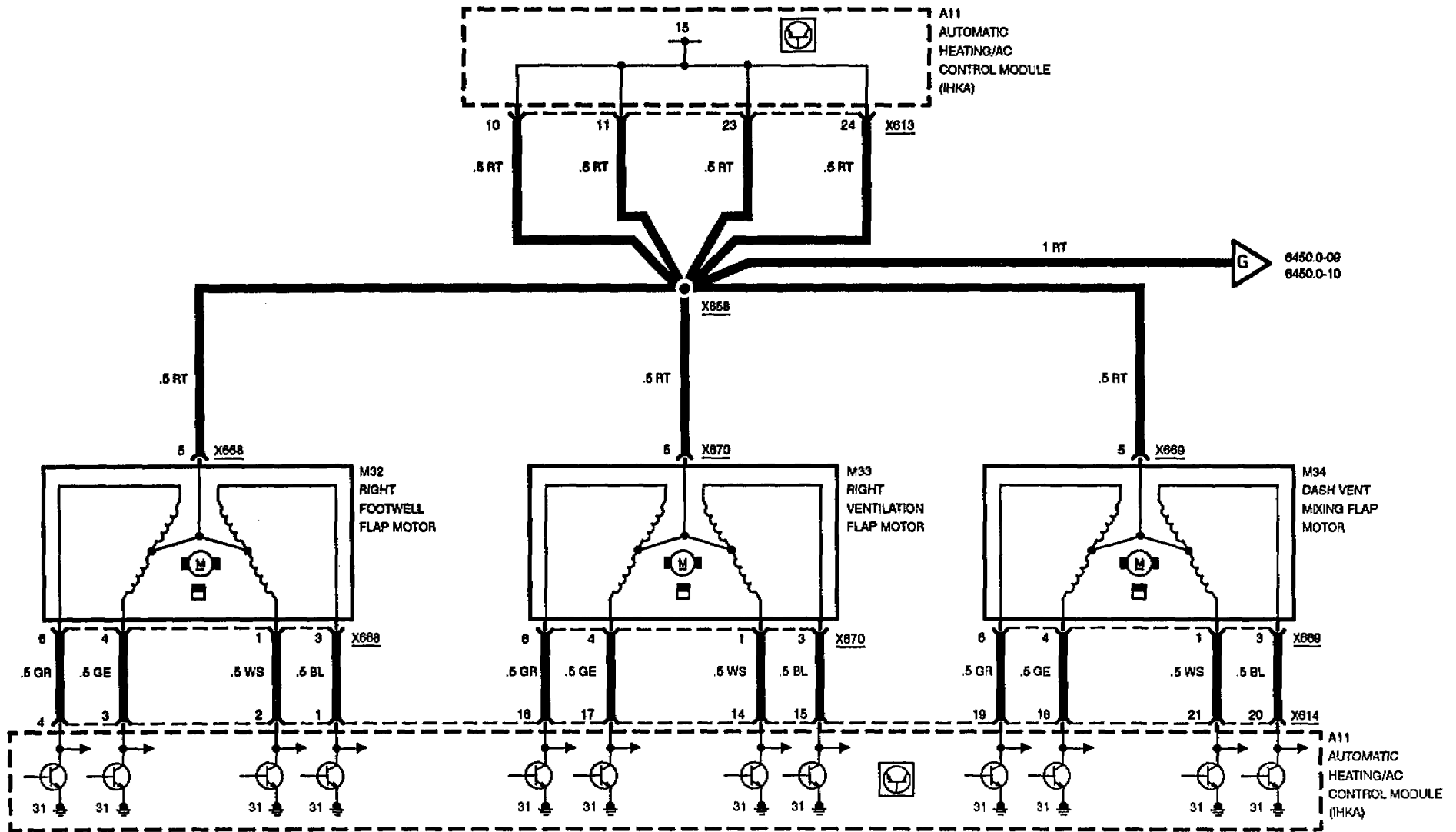






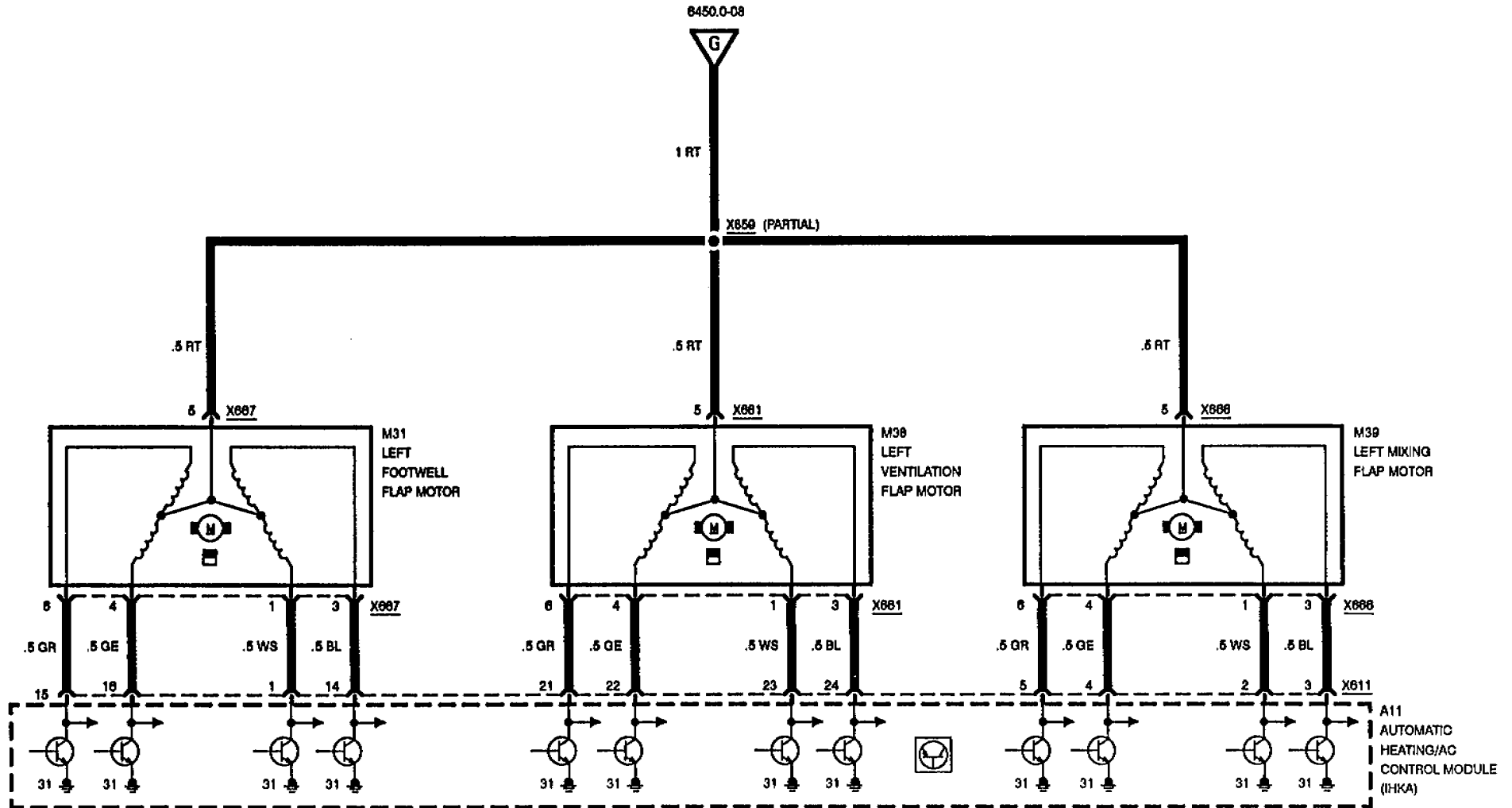
# AUTOMATIC HEATING/AC CONTROL (IHKA)

## AIR DELIVERY





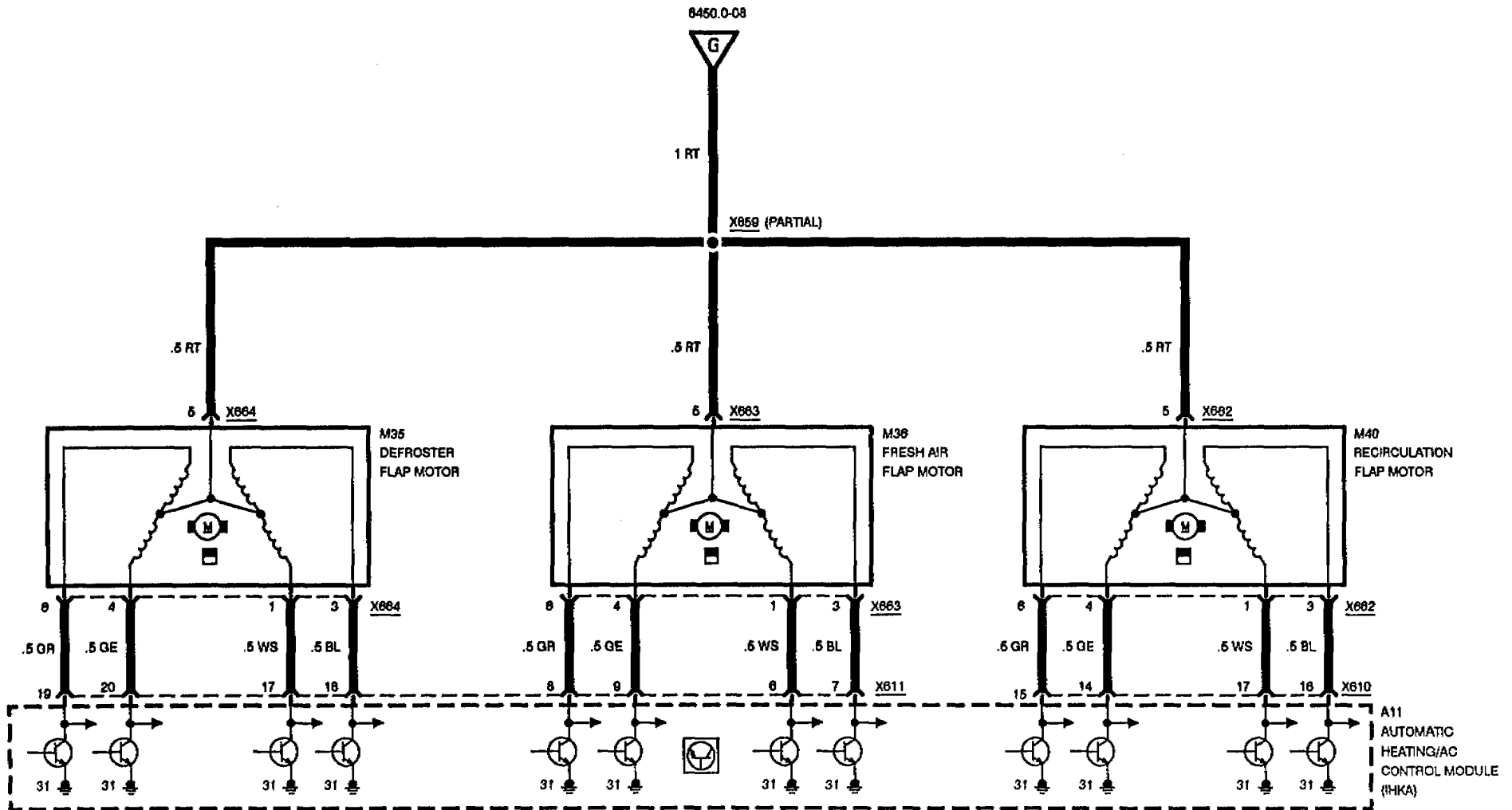
# AUTOMATIC HEATING/AC CONTROL (IHKA) AIR DELIVERY





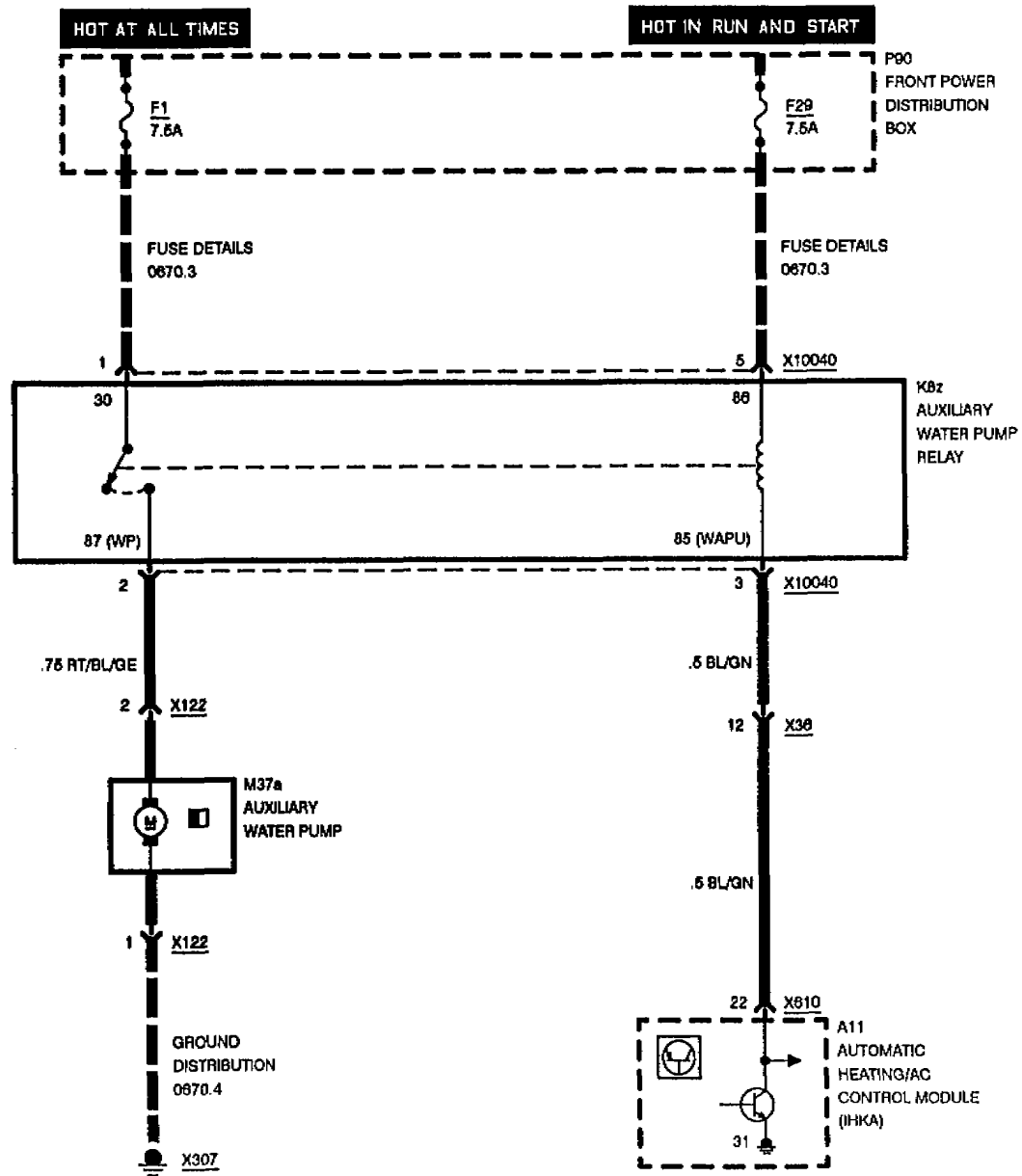
# AUTOMATIC HEATING/AC CONTROL (IHKA)

## AIR DELIVERY



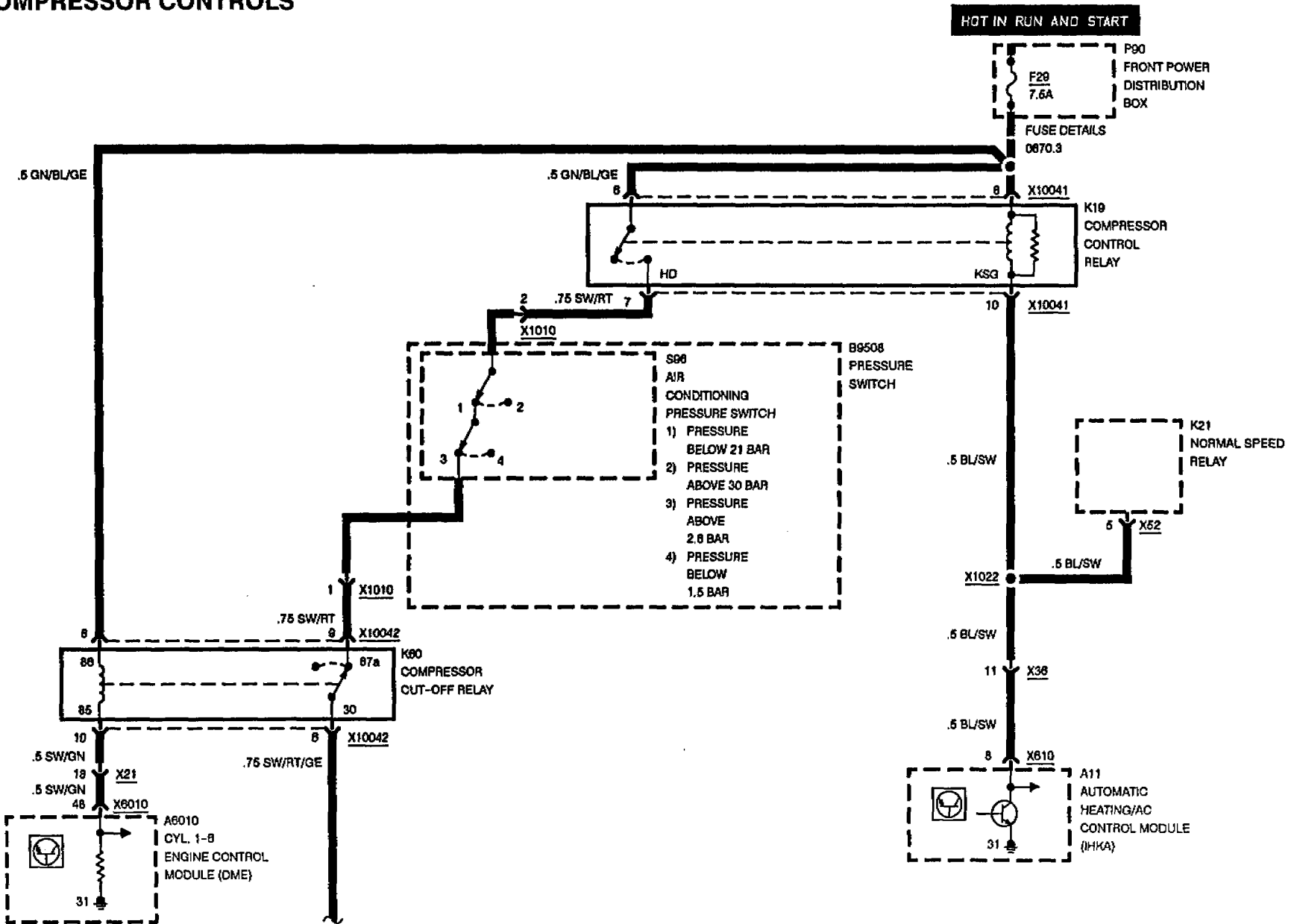


# AUTOMATIC HEATING/AC CONTROL (IHKA) AUXILIARY WATER PUMP





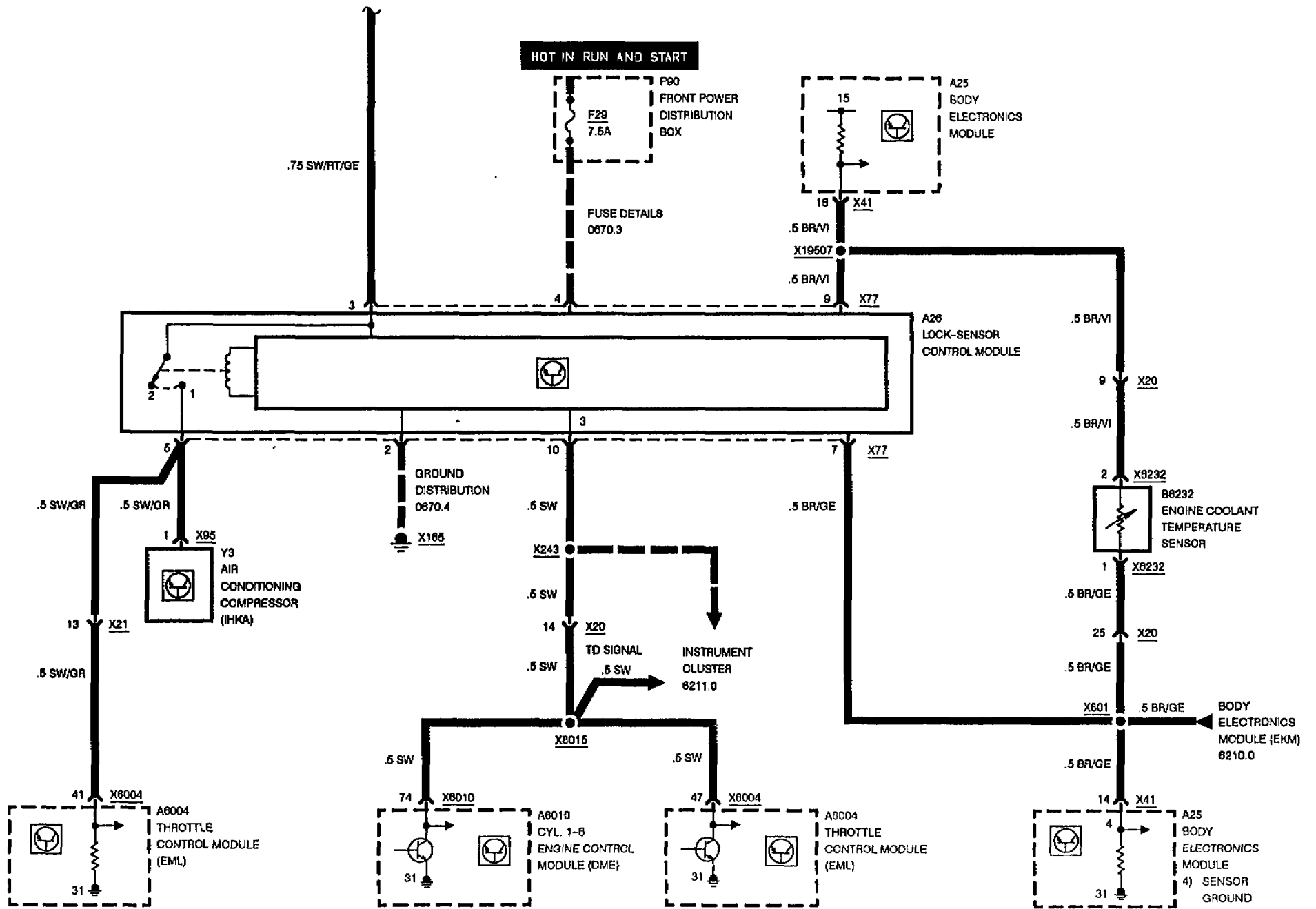
# AUTOMATIC HEATING/AC CONTROL (IHKA) COMPRESSOR CONTROLS



09/93

6450.0-12

1994

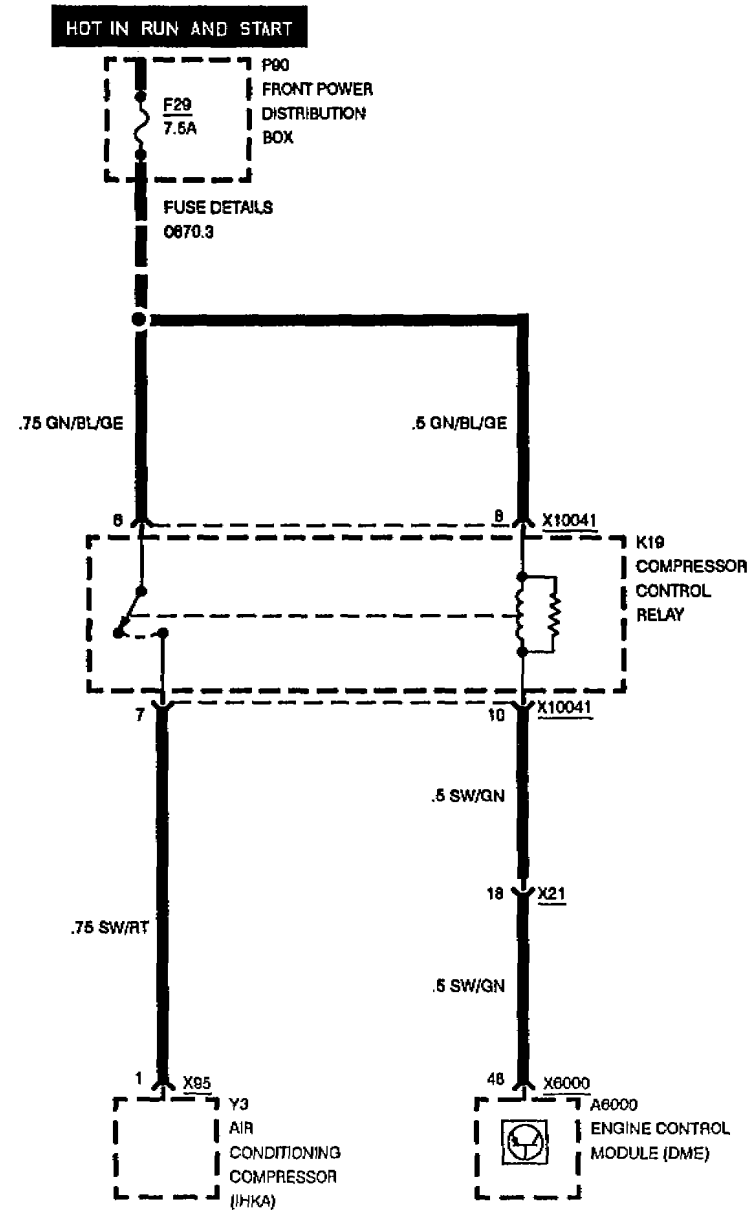
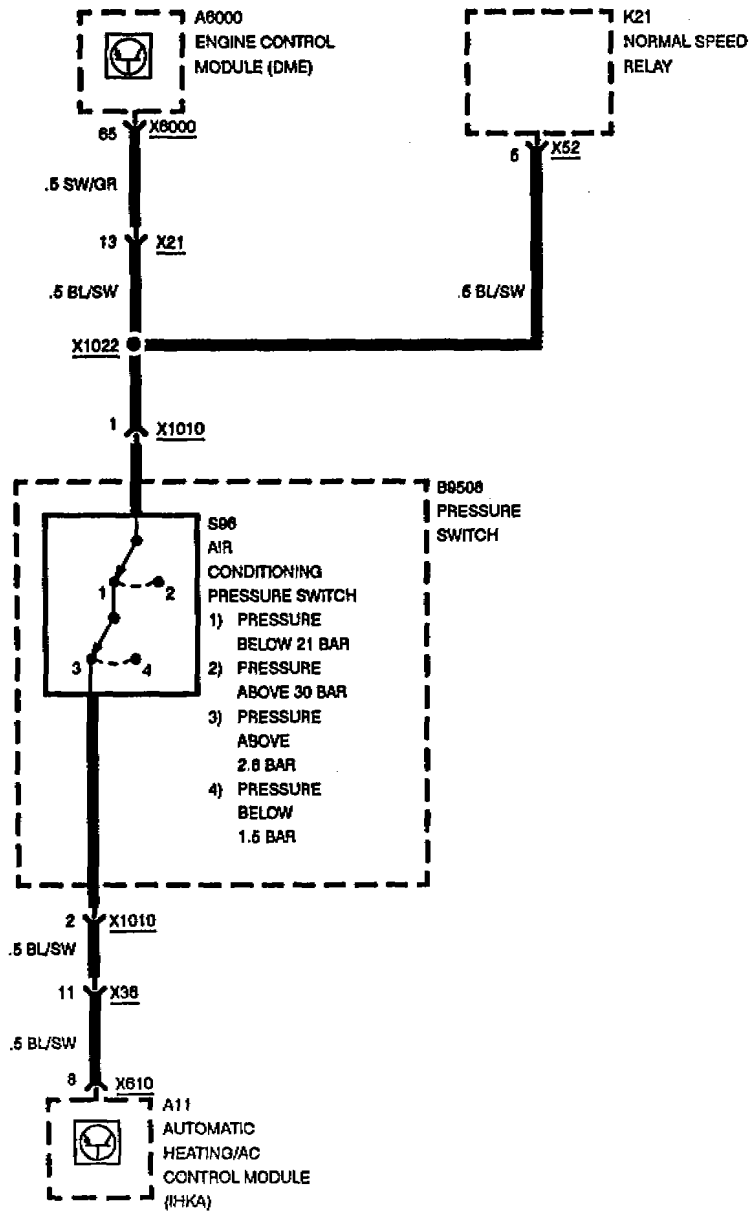




# AUTOMATIC HEATING/AC CONTROL (IHKA)

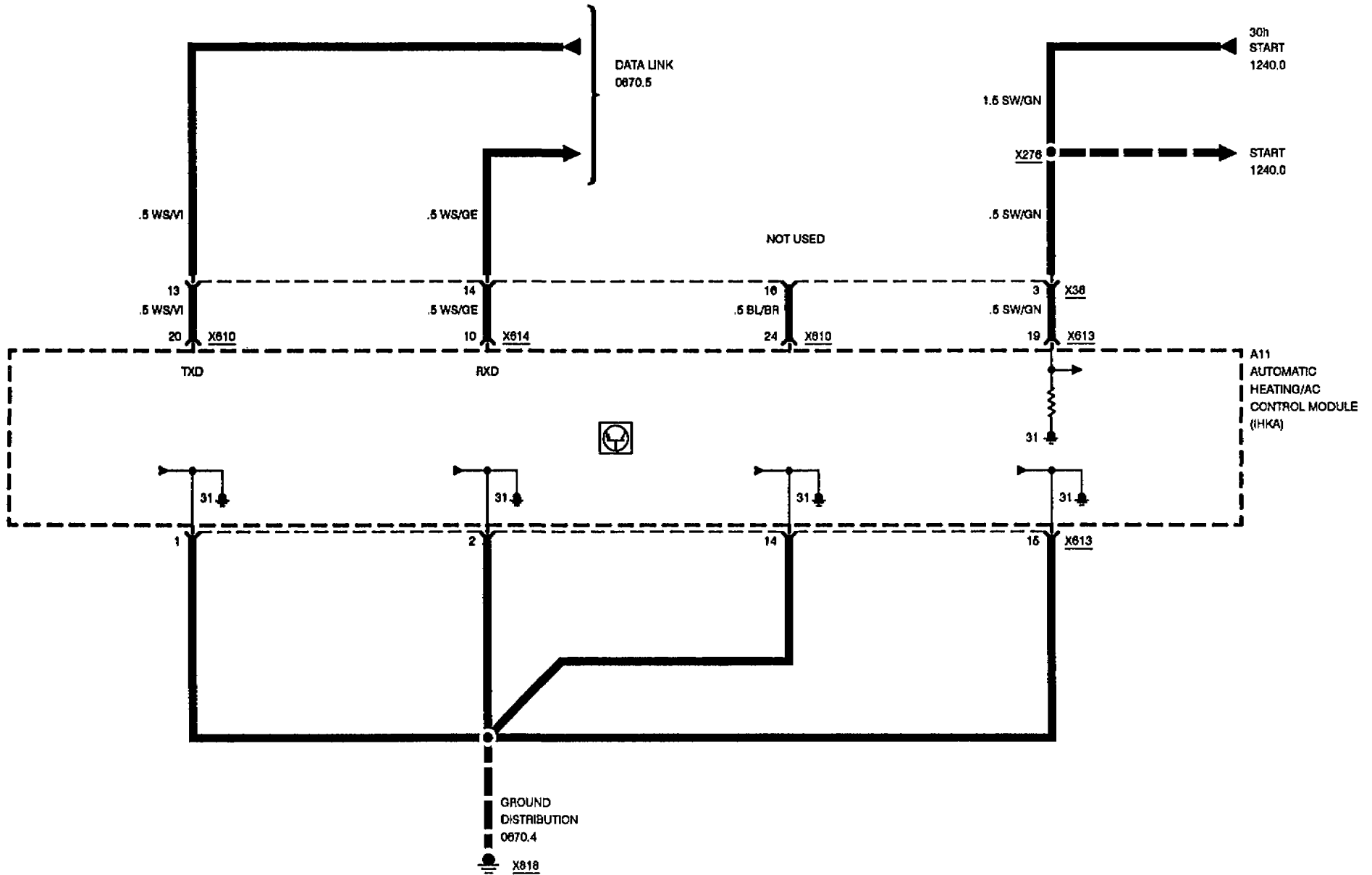
840Ci

## COMPRESSOR CONTROLS





# AUTOMATIC HEATING/AC CONTROL (IHKA) DATA LINK AND STARTER INPUT







# AUTOMATIC HEATING/AC CONTROL (IHKA)

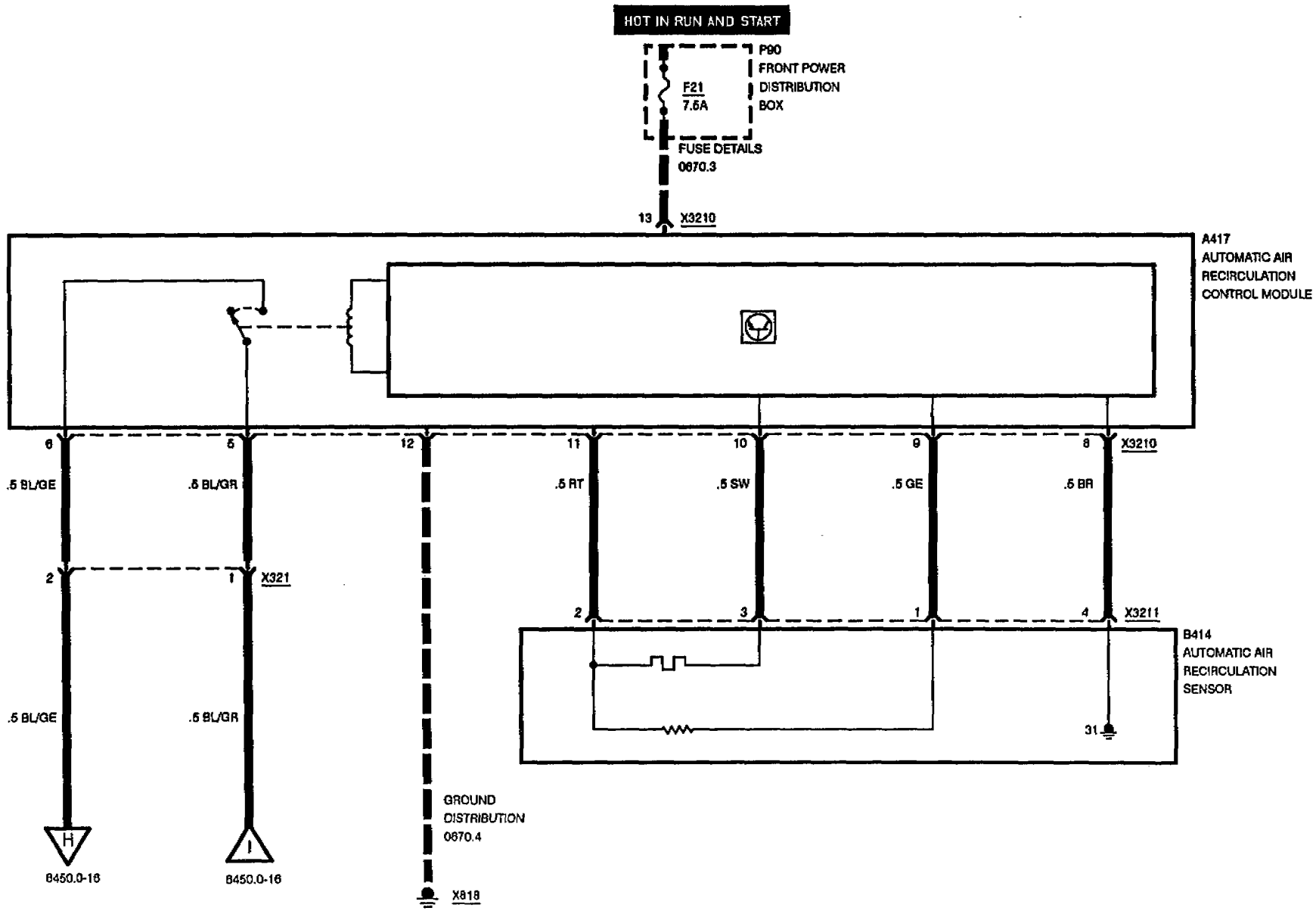
## AUC

CDN

12/94

6450.0-16

1994

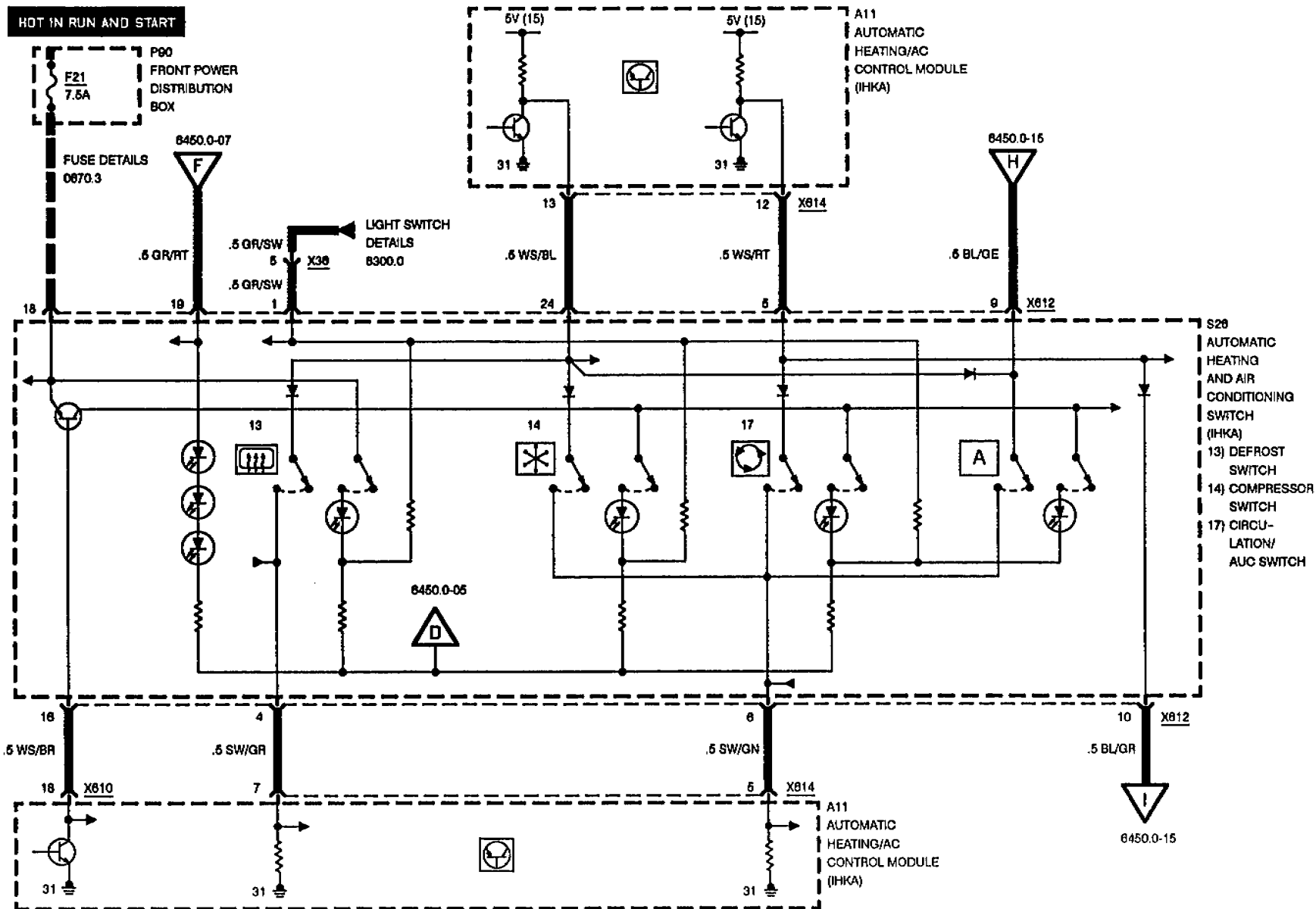




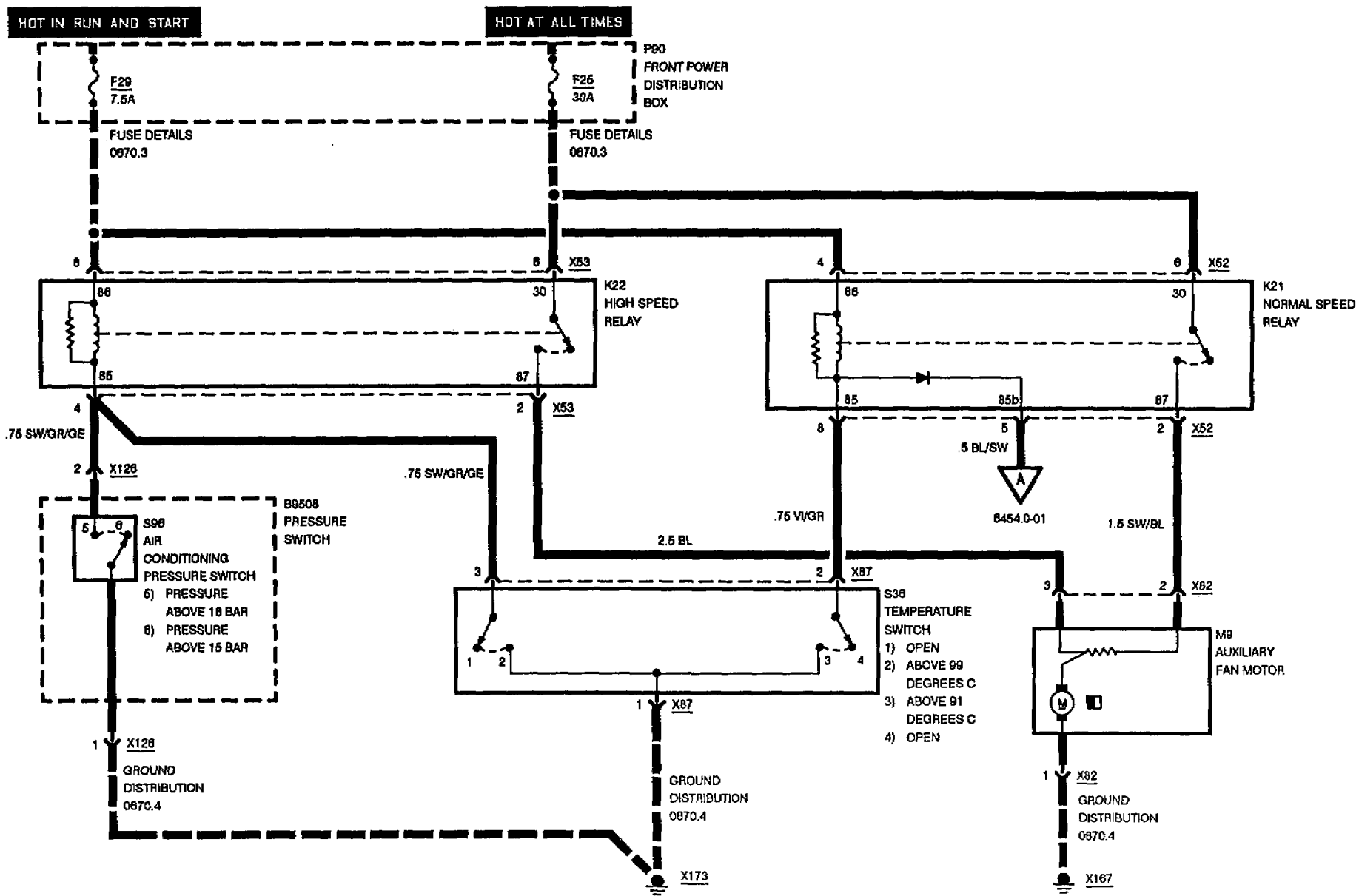
# AUTOMATIC HEATING/AC CONTROL (IHKA)



## AUC

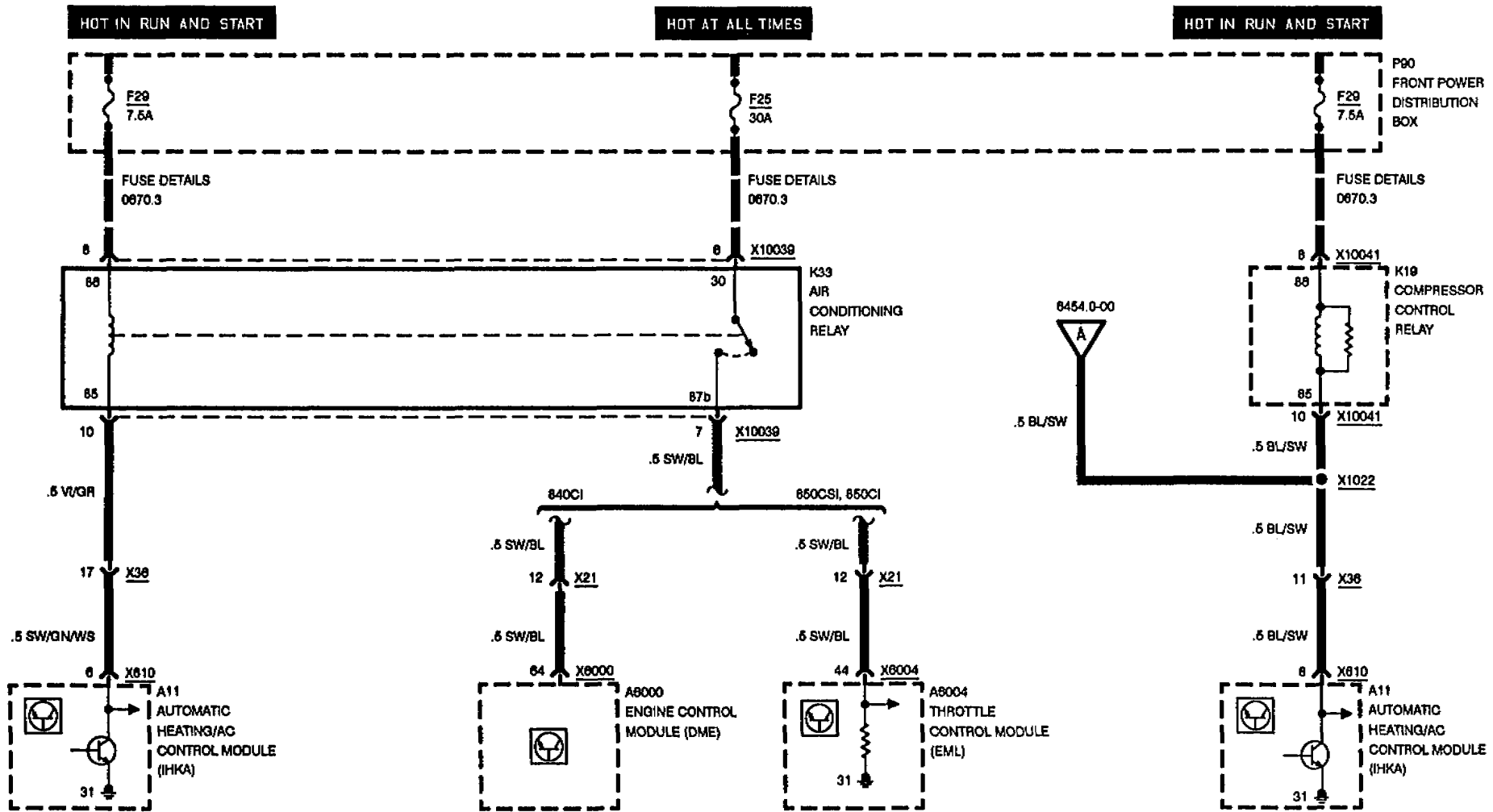


# AUXILIARY FAN





# AUXILIARY FAN





6454.0-02

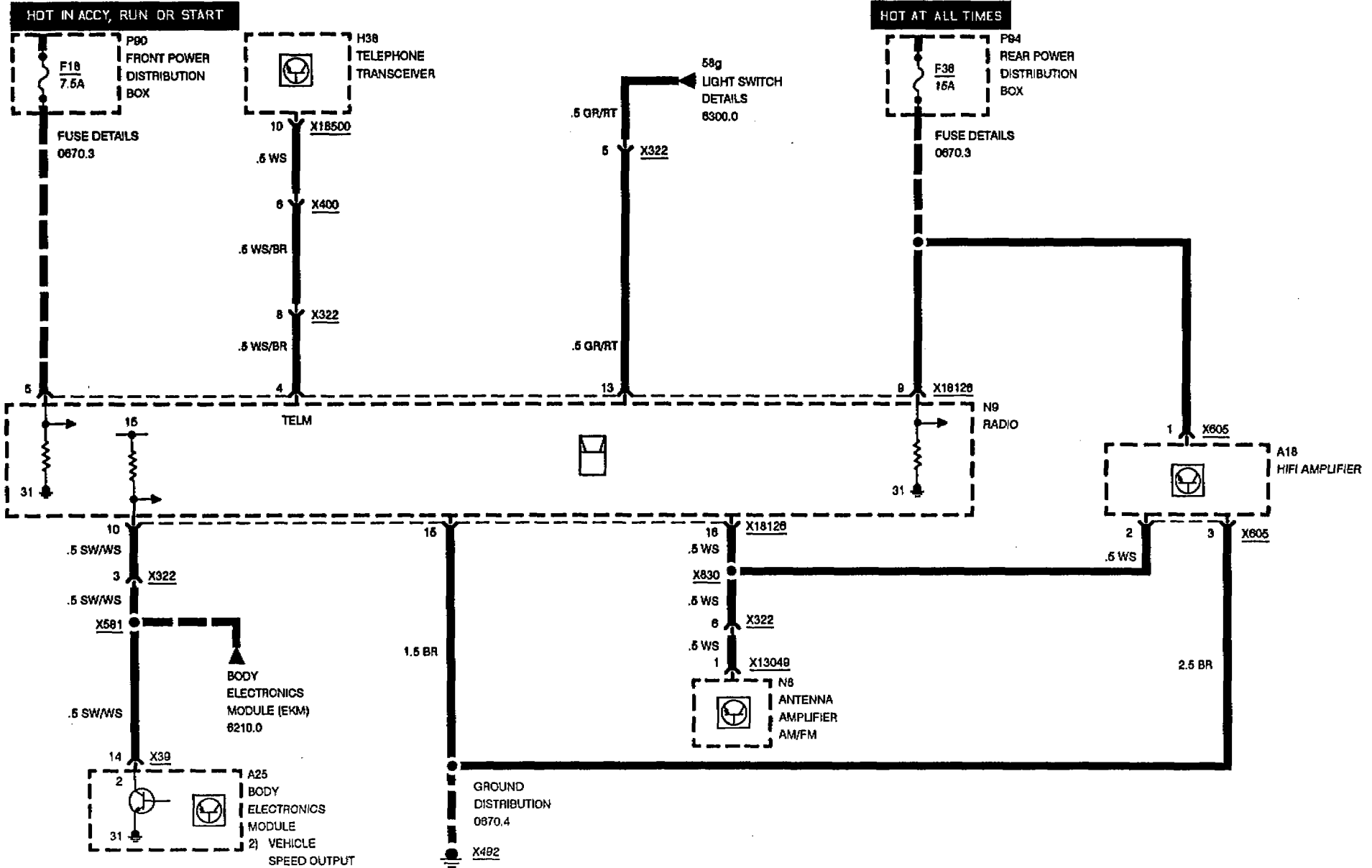
BMW  
8

6510.1



# RADIO/HIFI

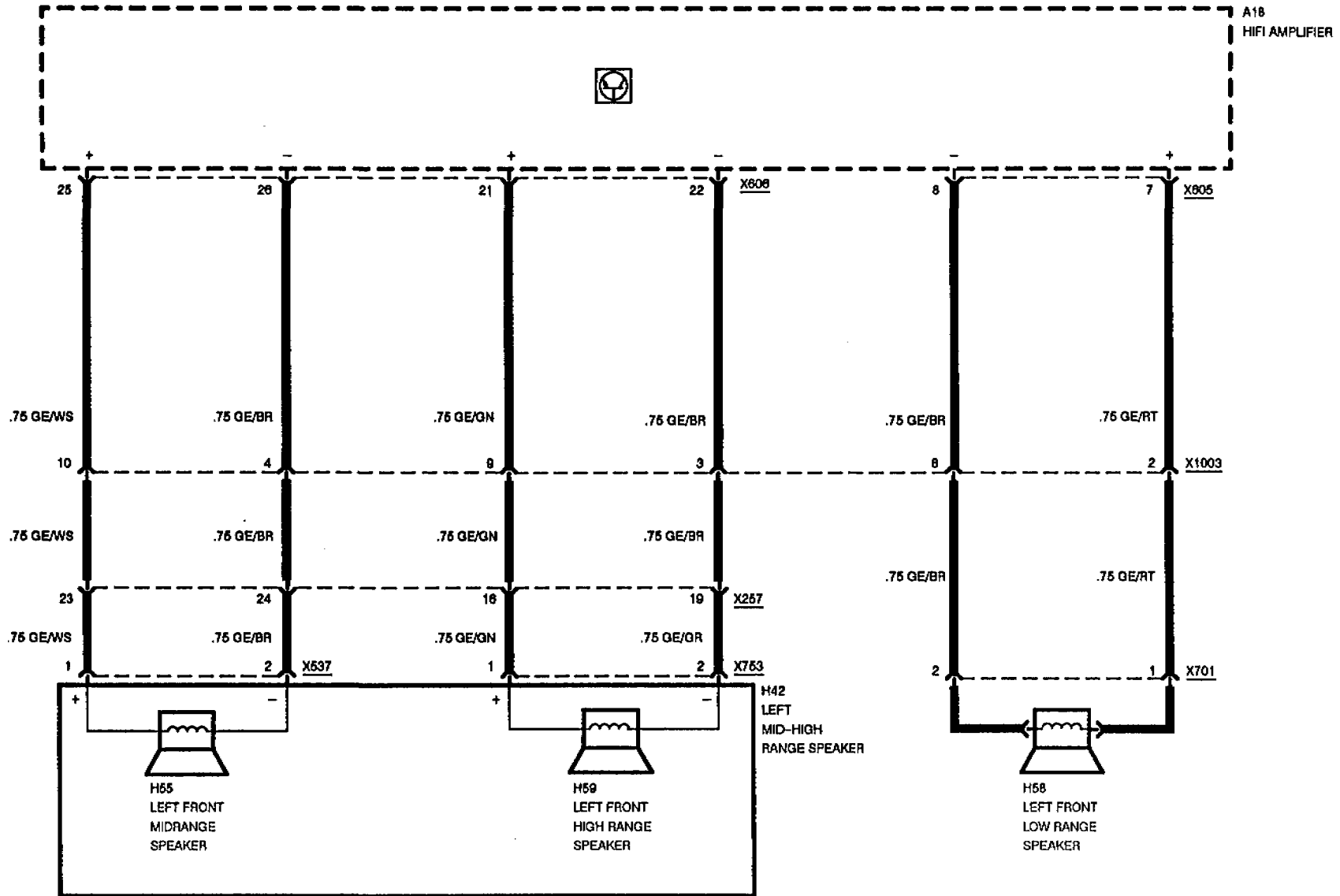
## HIFI, 10-SPEAKER SYSTEM





# RADIO/HIFI

## HIFI, 10-SPEAKER SYSTEM

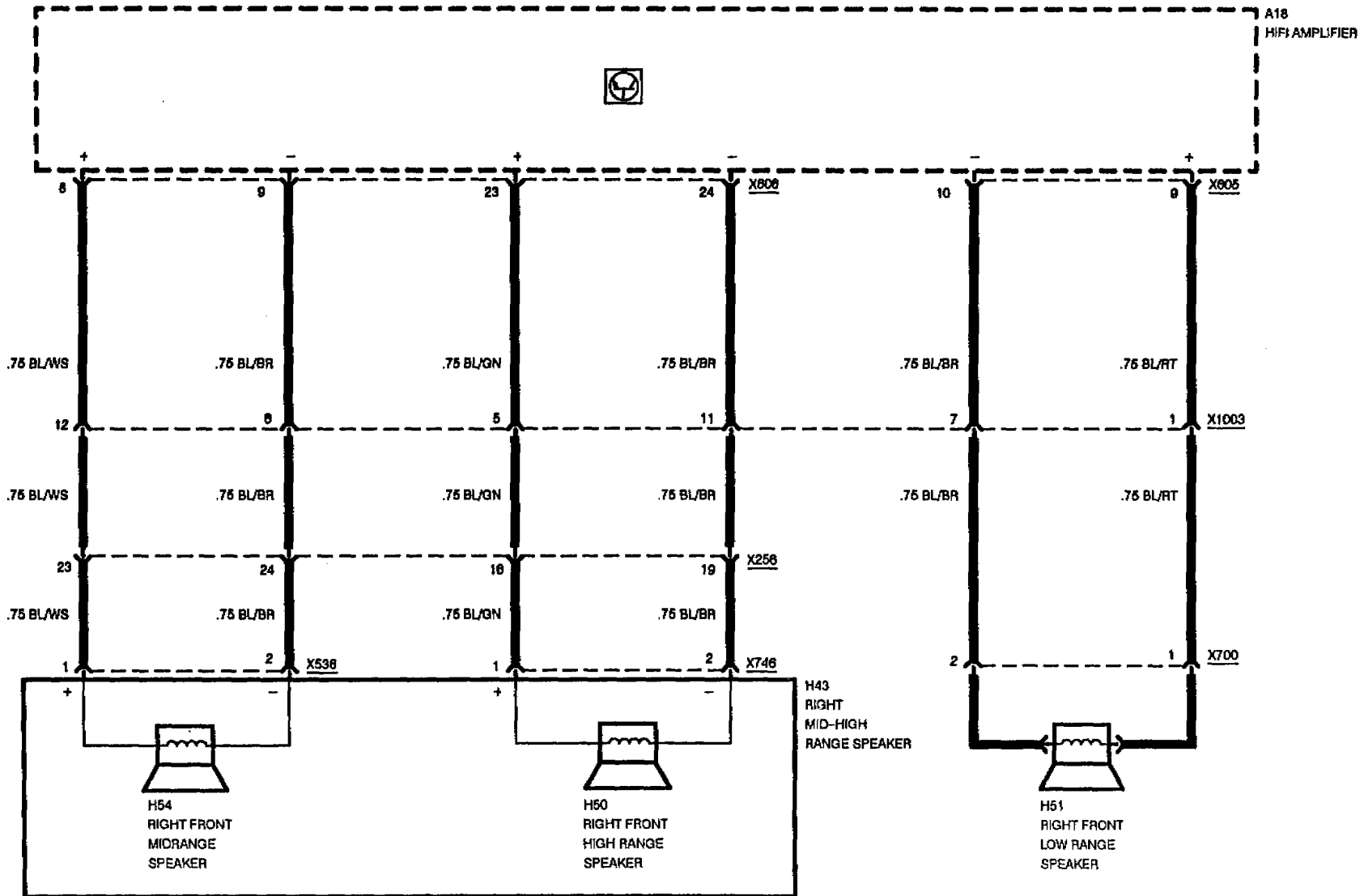






# RADIO/HIFI

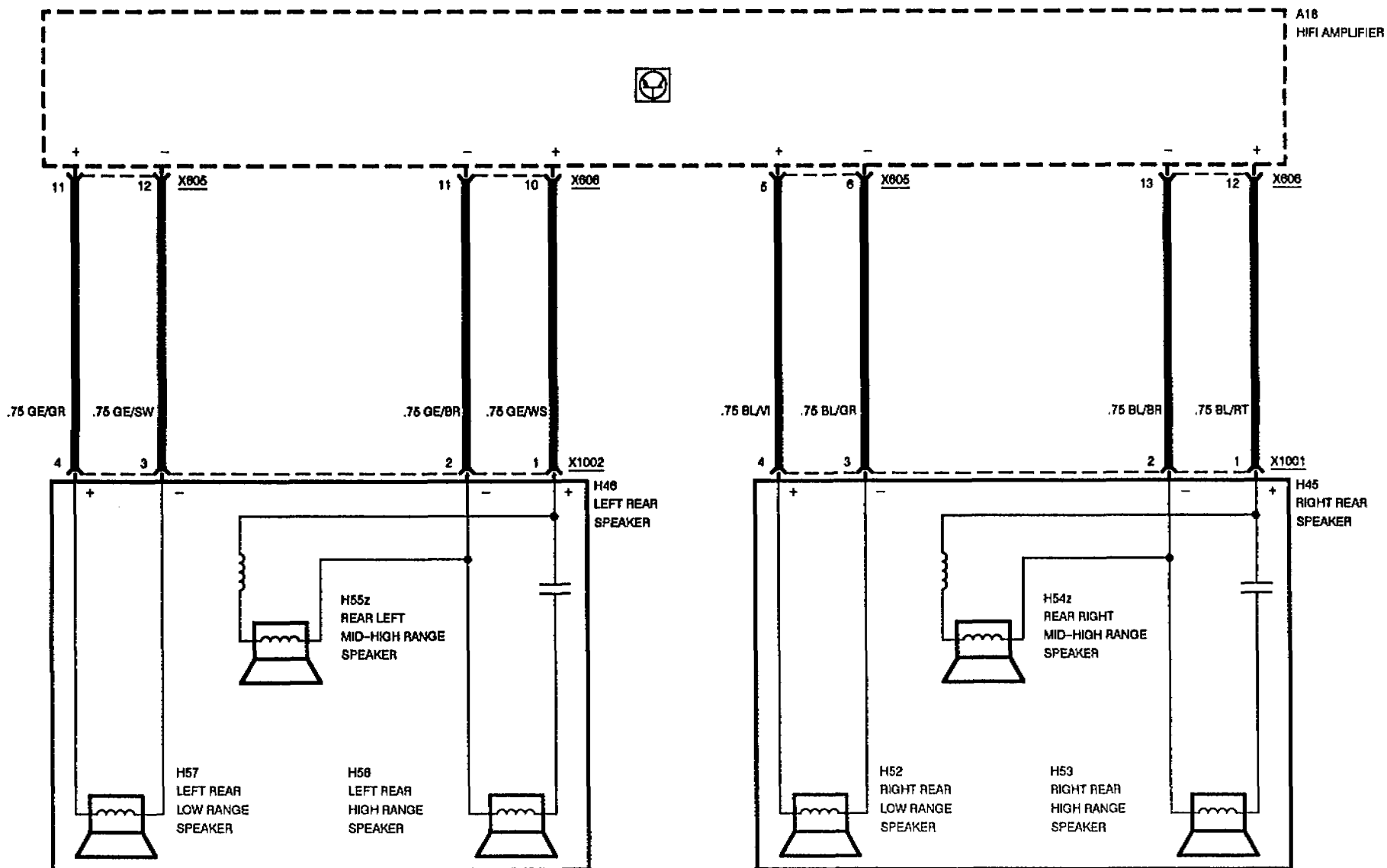
## HIFI, 10-SPEAKER SYSTEM





# RADIO/HIFI

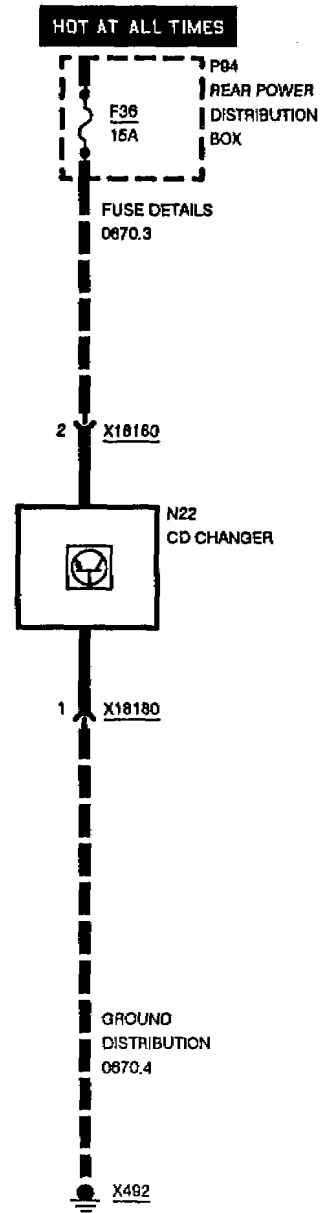
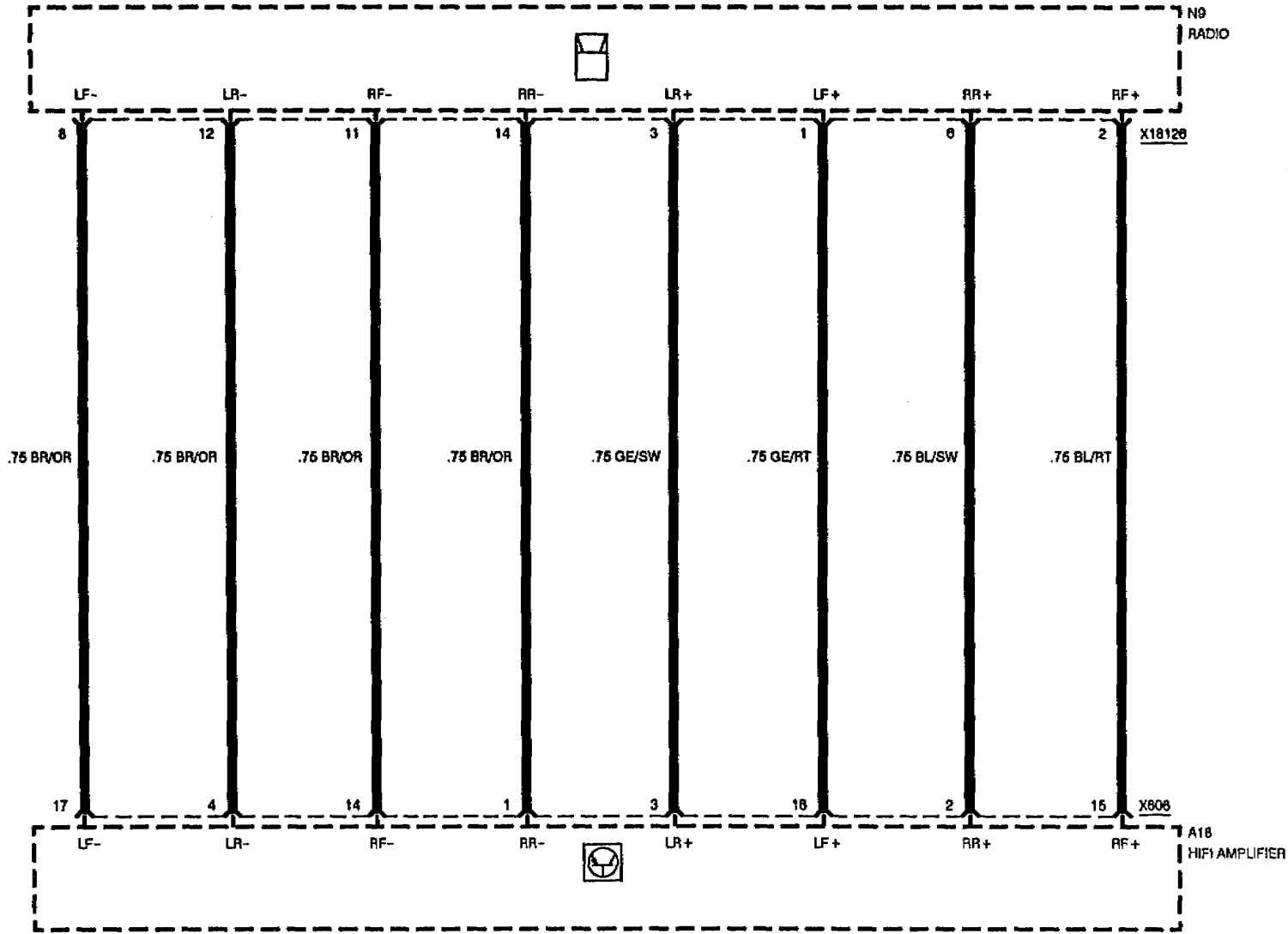
## HIFI, 10-SPEAKER SYSTEM





# RADIO/HIFI

## HIFI, 10-SPEAKER SYSTEM (ONE COMPONENT)



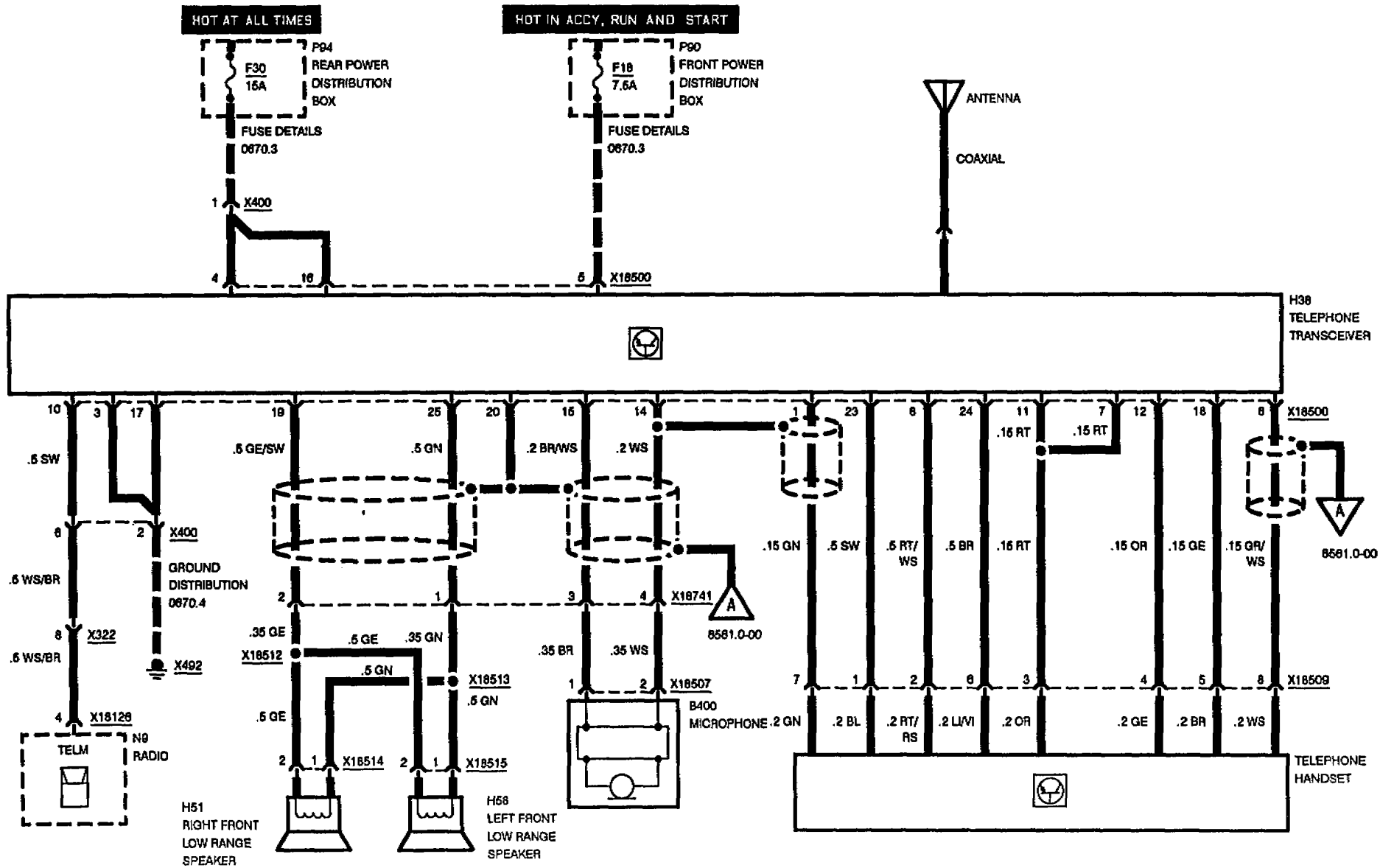
BMW  
8

6561.0



# CELLULAR TELEPHONE (PROVISIONS)

## AMPS SYSTEM

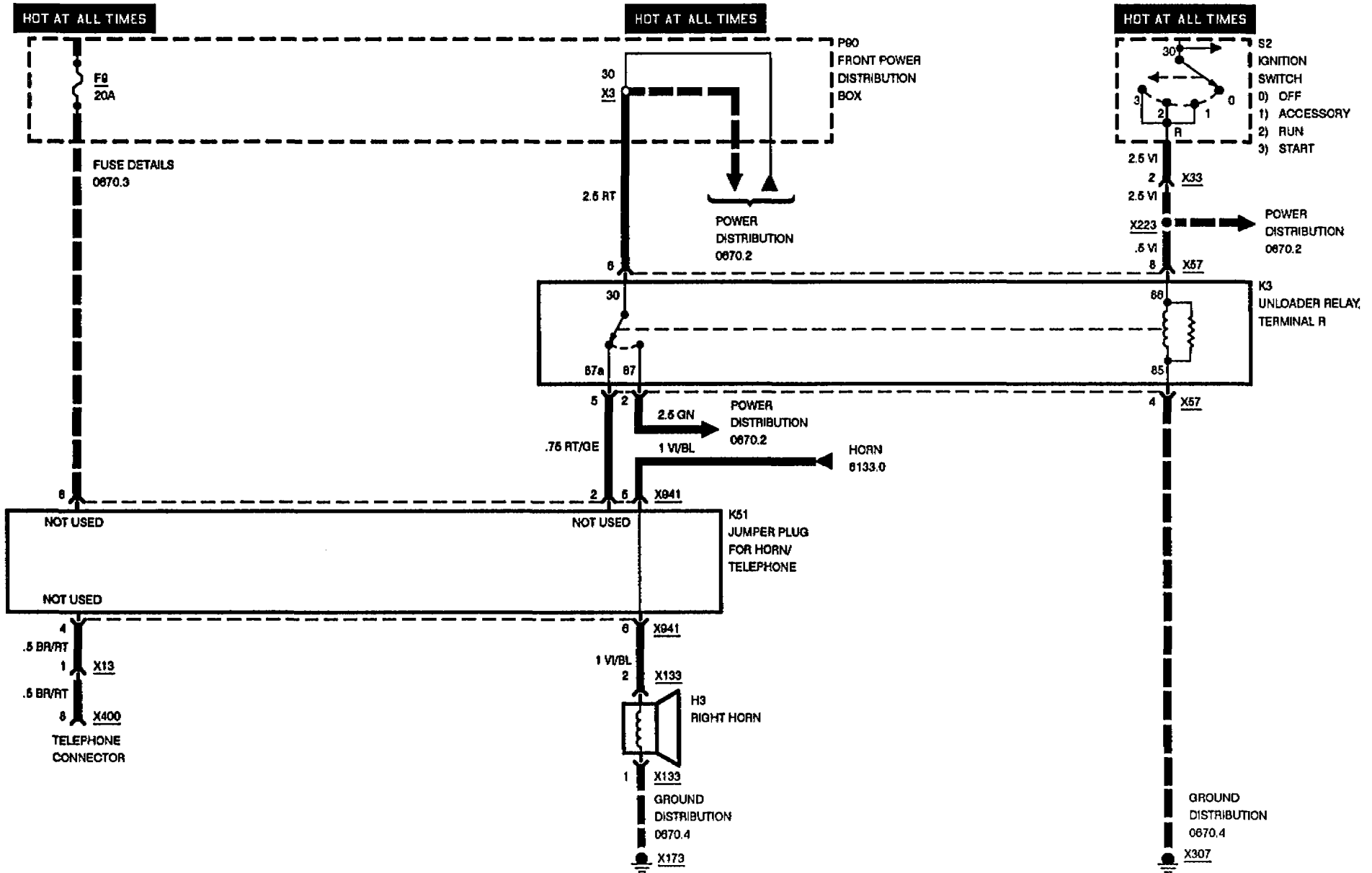


09/93

6561.0-00

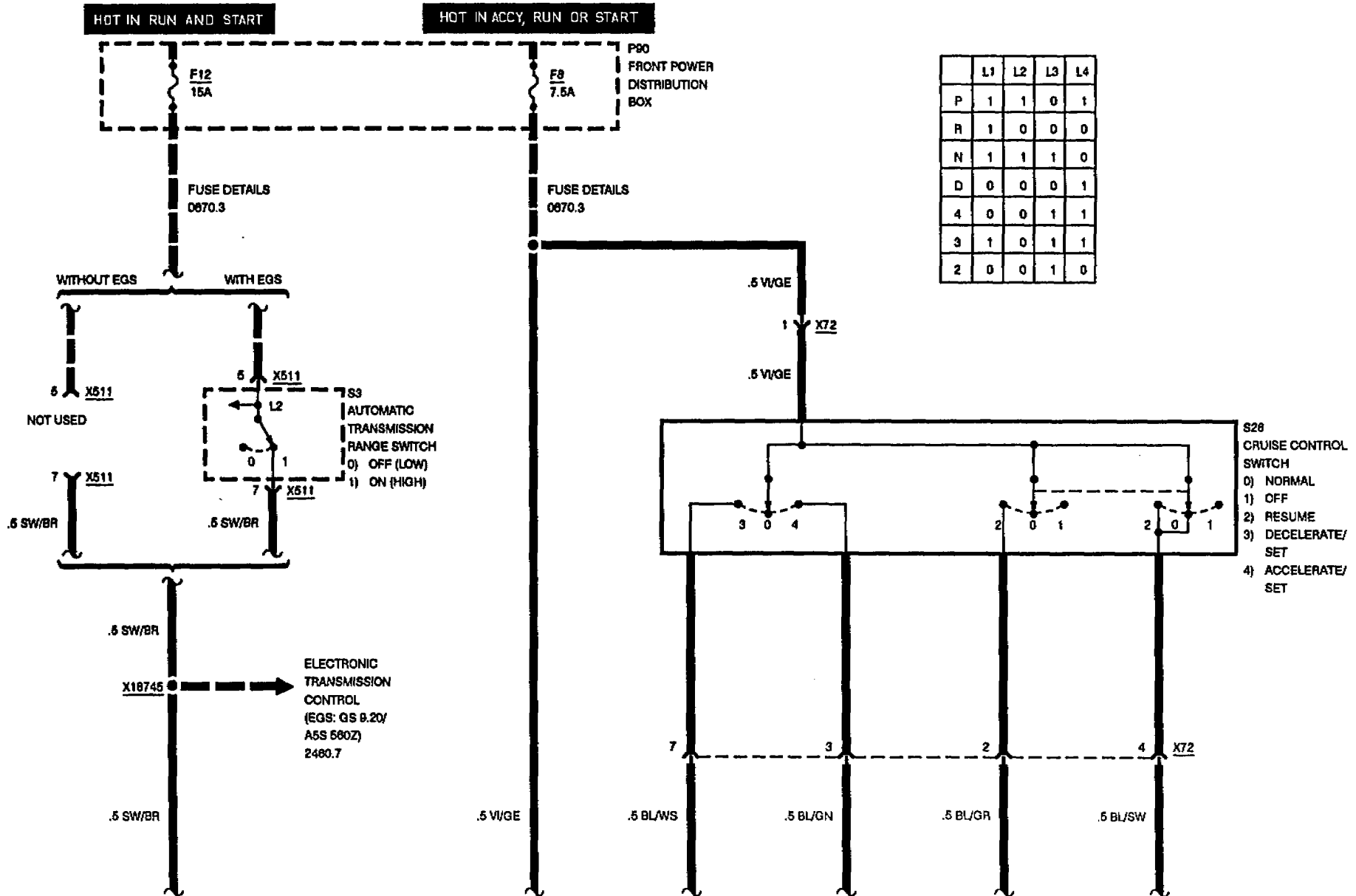
1994

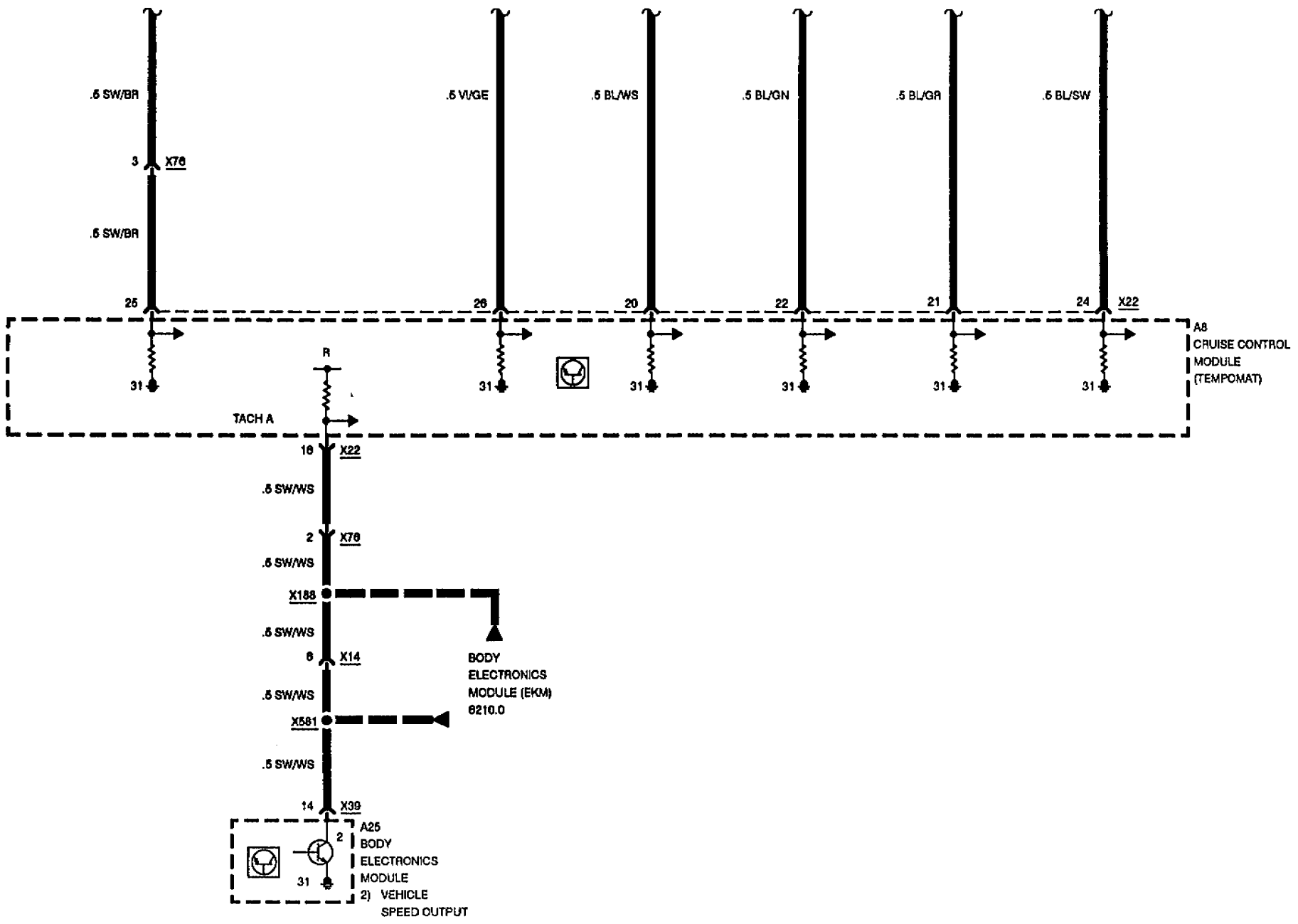
# CELLULAR TELEPHONE (PROVISIONS)





# CRUISE CONTROL (TEMPOMAT)

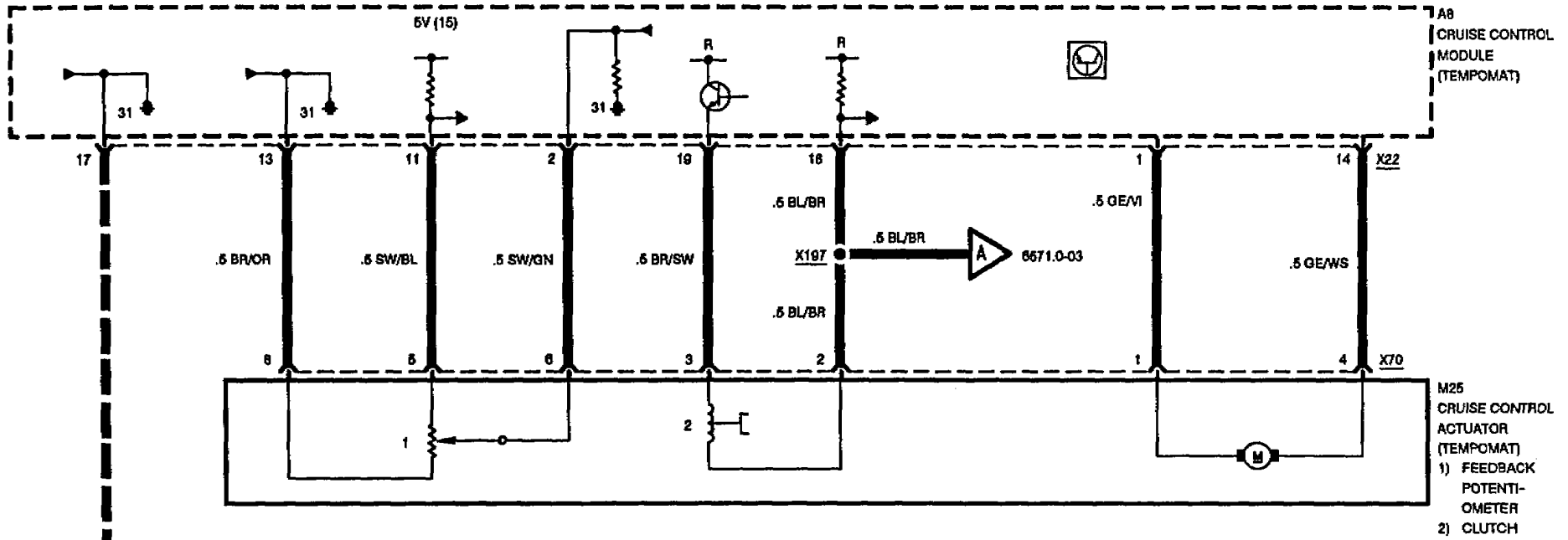








# CRUISE CONTROL (TEMPOMAT)

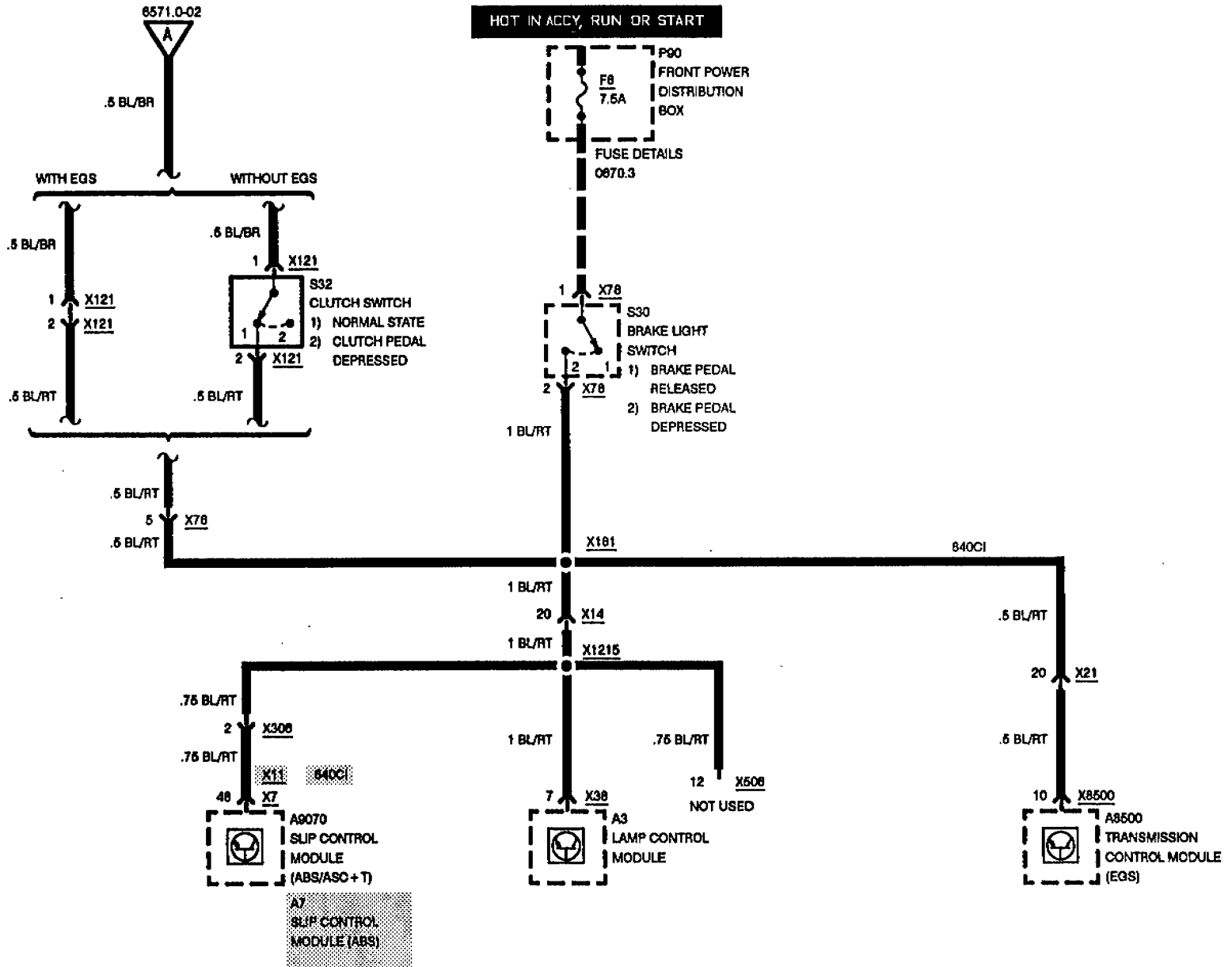


GROUND DISTRIBUTION 0670.4

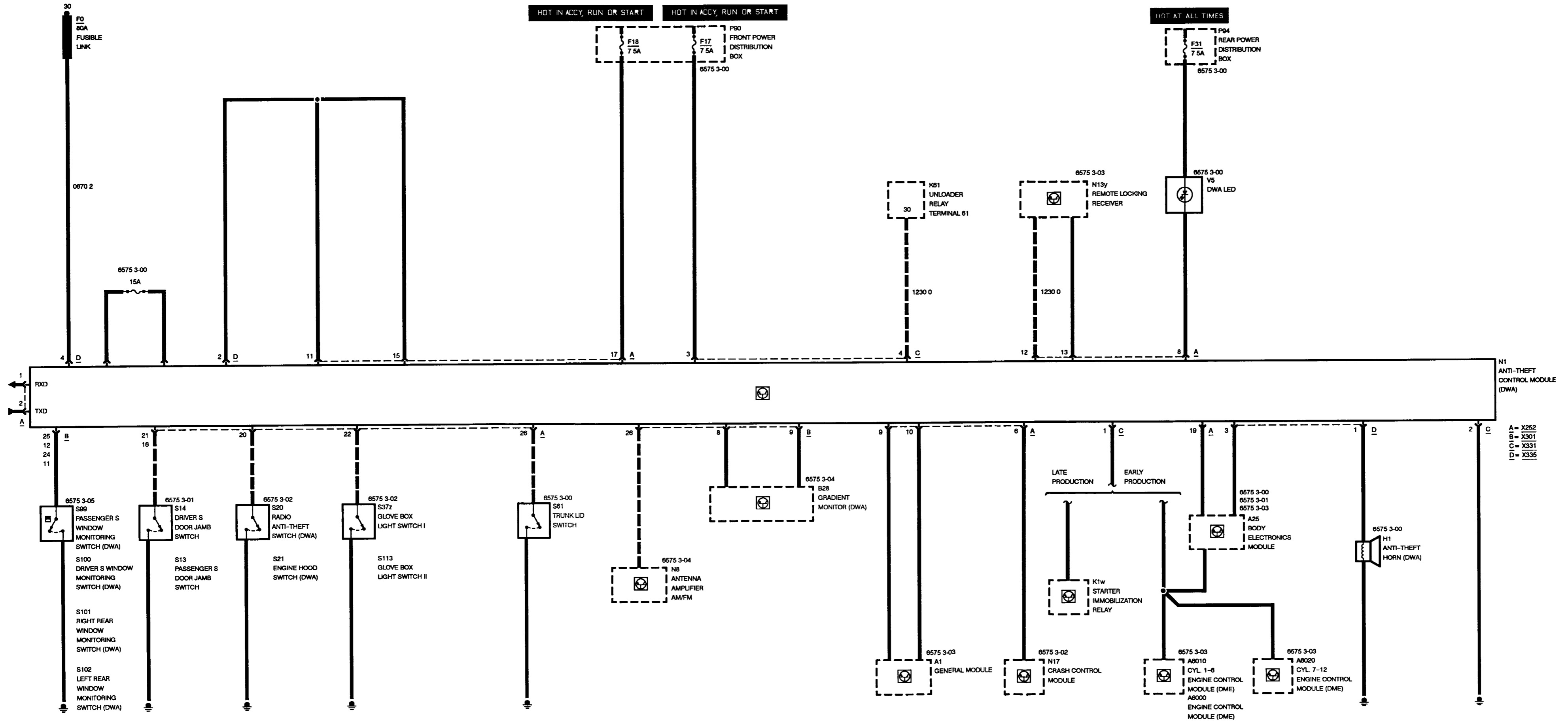
X497



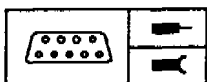
# CRUISE CONTROL (TEMPOMAT)







A = X252  
 B = X301  
 C = X331  
 D = X335



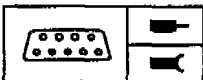
## Pin Assignments

A=X252	26 pins, black
B=X301	26 pins, natural
C=X331	5 pins, black
D=X335	4 pins, black

### X252

Pin	Type	Description/Function	Connection
1	E	Not used	Diagnostic connector
2	E/A	Diagnostic link Rx/D	Diagnostic connector
3		Not used	
4		Not used	
5		Not used	
6	A	Flash exterior lamps signal	Crash control unit
7		Not used	
8	A	Status-LED	DWA LED
9	E	Lock signal ZS1N	General module
10	E	Lock signal ZS1	General module
11	E	Lock signal ZS21 simulation	Connector Terminal 30
12	E	Interface RC Locking System	Remote locking receiver
13	E	Lock signal ZS22 simulation	Remote locking receiver
14		Not used	
15	E	Lock signal HKS simulation	Connector terminal 30
16	E	Passenger's door contact input	Passenger's door jamb switch
17	E	Connection terminal R	Fuse
18		Not used	
19	E	Position pulse	EKM control unit
20	E	Engine hood/radio status	Engine hood/radio switches
21	E	Driver's door contact input	Driver's door jamb switch
22	E	Glove box door status	Glove box door switches
23		Not used	
24		Not used	

E = Input, A = Output, M = Ground



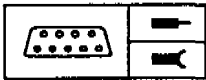
## Pin Assignments

Pin	Type	Description/Function	Connection
25		Not used	
26	E	Trunk lid status signal	Trunk lid switch

### X301

Pin	Type	Description/Function	Connection
1		Not used	
2		Not used	
3		Not used	
4		Not used	
5		Not used	
6		Not used	
7		Not used	
8	E	Tilt signal	Gradient monitor
9	A	Tilt signal	Gradient monitor
10		Not used	
11	E	Left rear window status	Left rear window switch
12	E	Driver's window status	Driver's window switch
13		Not used	
14		Not used	
15		Not used	
16		Not used	
17		Not used	
18		Not used	
19		Not used	
20		Not used	
21		Not used	
22		Not used	
23		Not used	
24	E	Right rear window status	Right rear window status

E = Input, A = Output, M = Ground



## Pin Assignments

Pin	Type	Description/Function	Connection
25	E	Passenger's window status	Passenger's window status
26	E	Rear window status	Antenna amplifier AM/FM

### X331

Pin	Type	Description/Function	Connection
1	A	Drive-away protection	DME control unit
2	E	Ground	Body ground
3	E	Terminal 15	Fuse
4	E	Terminal 61E	Battery charge indicator
5		Not used	

### X335

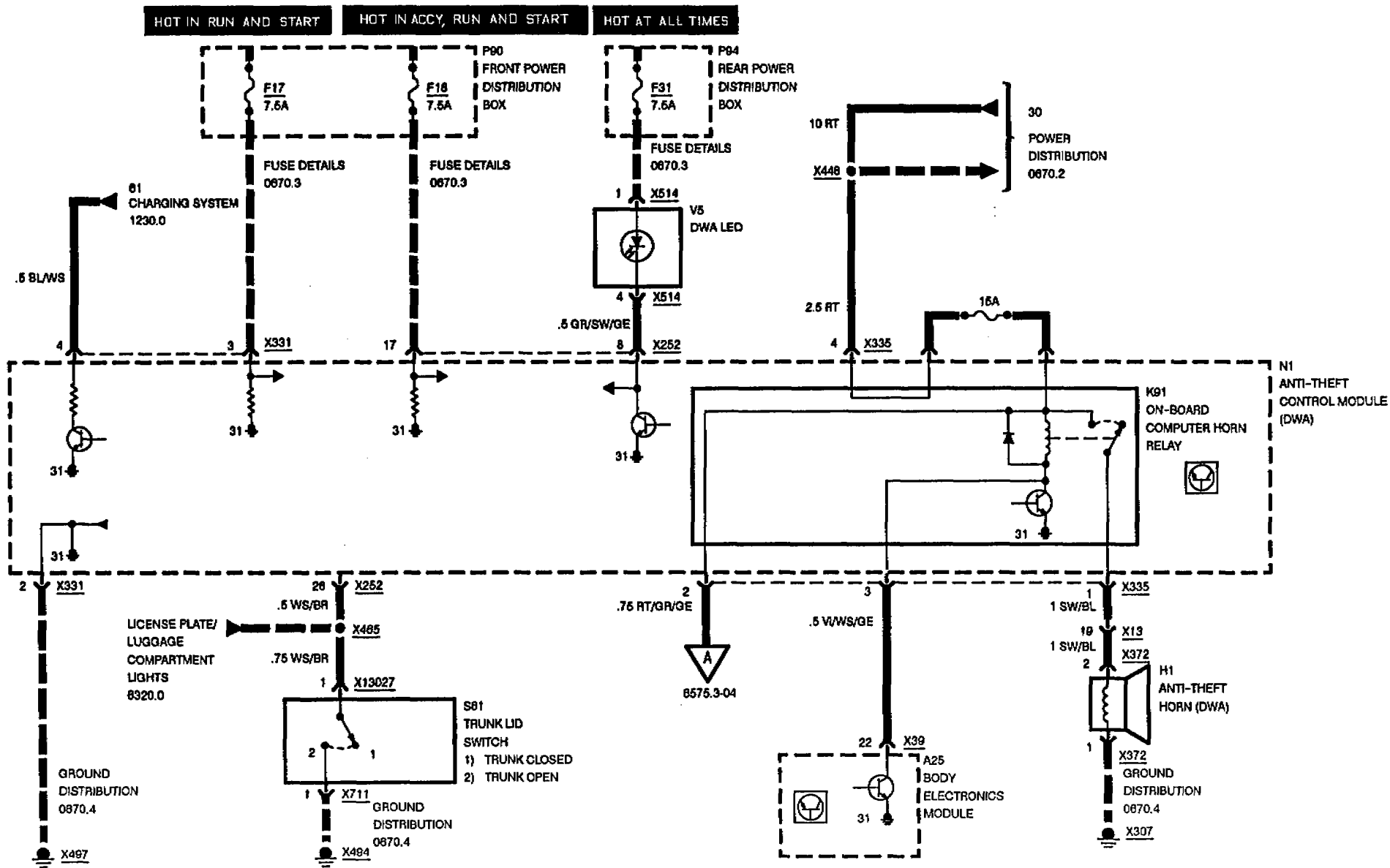
Pin	Type	Description/Function	Connection
1	A	Alarm horn connection	Alarm horn
2	A	Terminal 30 for tilt sensor/auxiliary module	Connector NG/ZM
3	E	Input BC-Horn	EKM control unit
4	E	Terminal 30 voltage	Fusible link

E = Input, A = Output, M = Ground



# ANTI-THEFT SYSTEM IV (DWA IV)

## POWER, ENGINE RUNNING INPUT, TRUNK INPUT, ANTI-THEFT HORN (DWA)

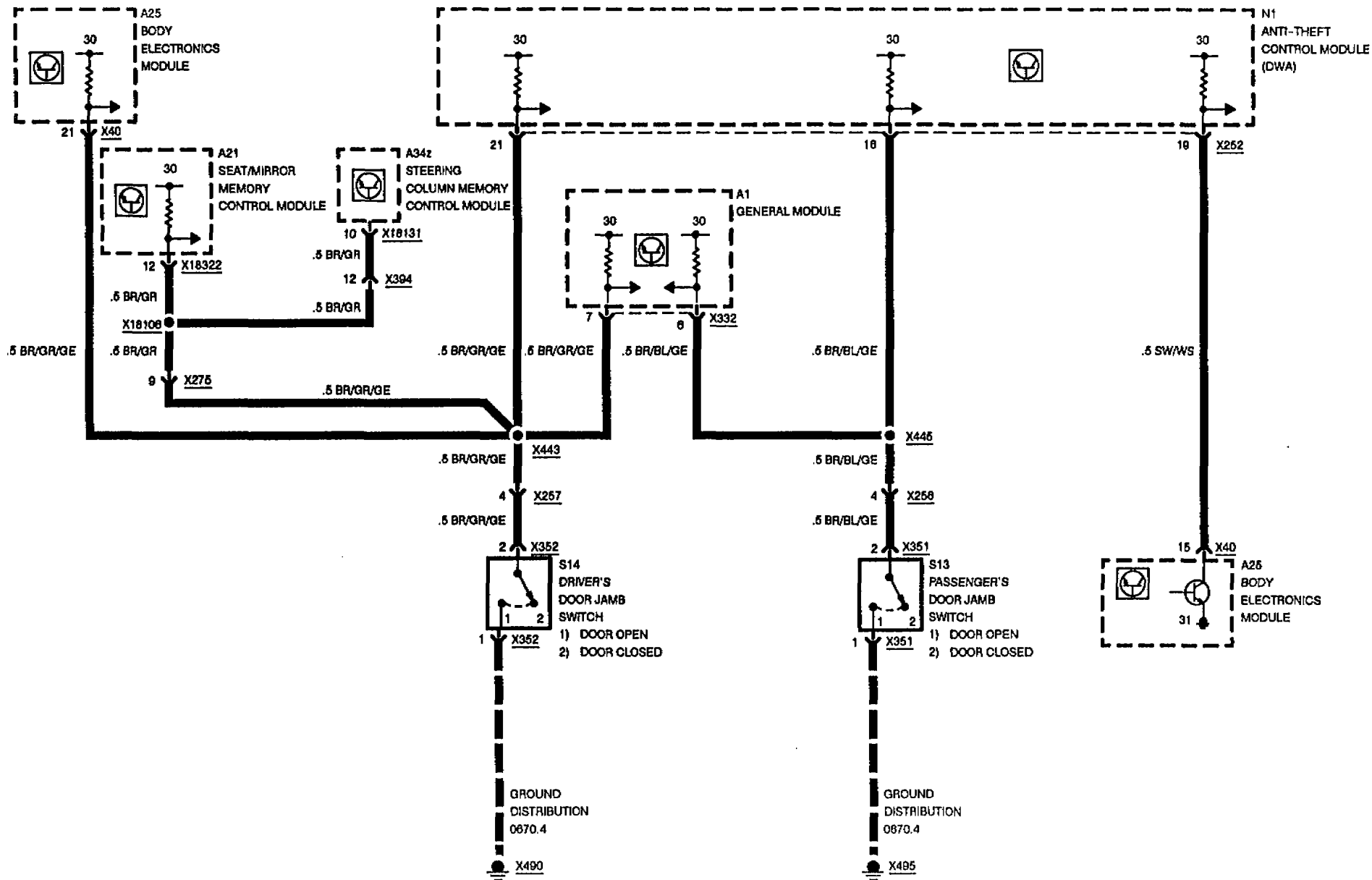






# ANTI-THEFT SYSTEM IV (DWA IV)

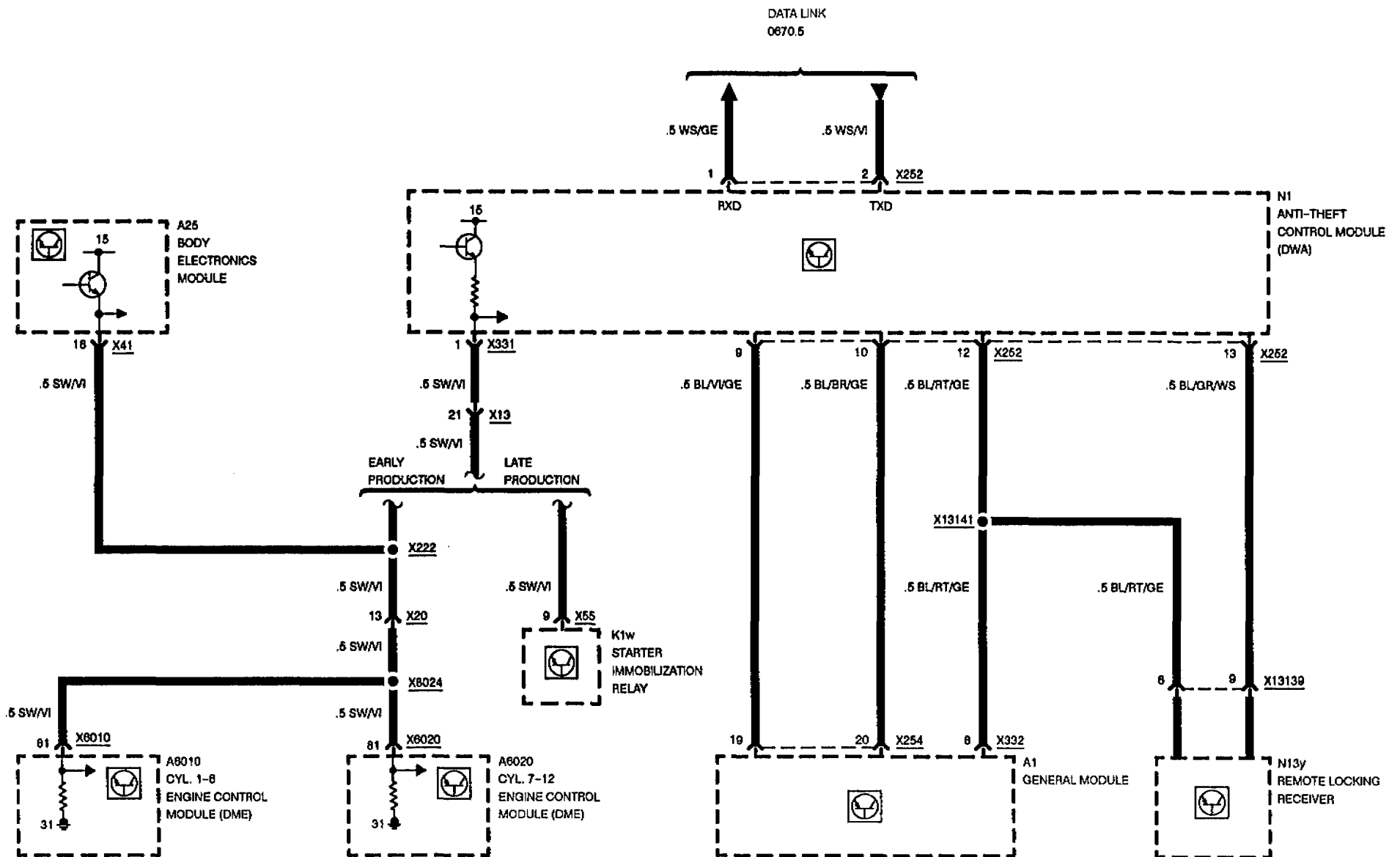
## FRONT DOOR CONTACTS







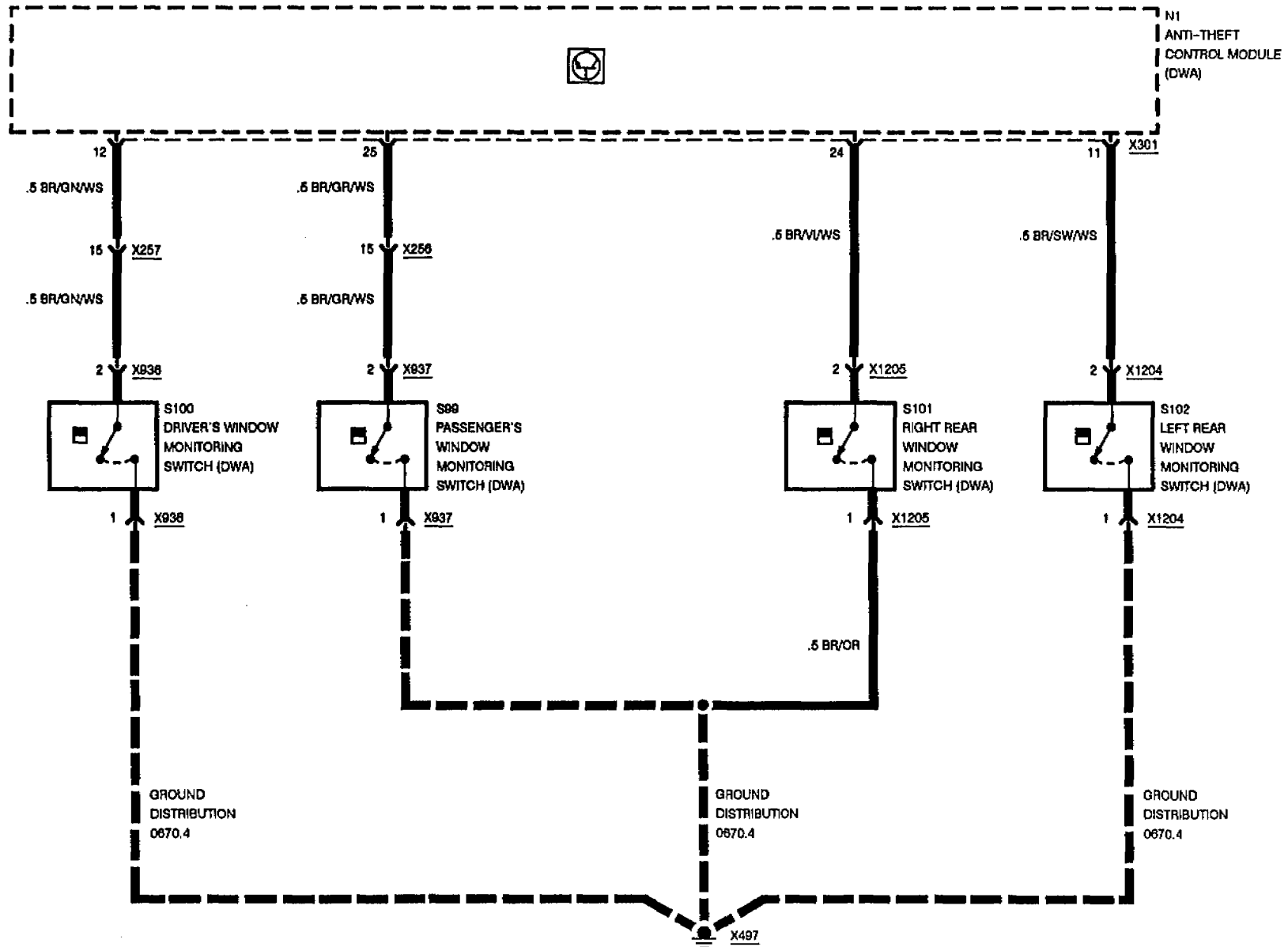
# ANTI-THEFT SYSTEM IV (DWA IV) DATA LINK, DRIVE AWAY PROTECTION, QZV





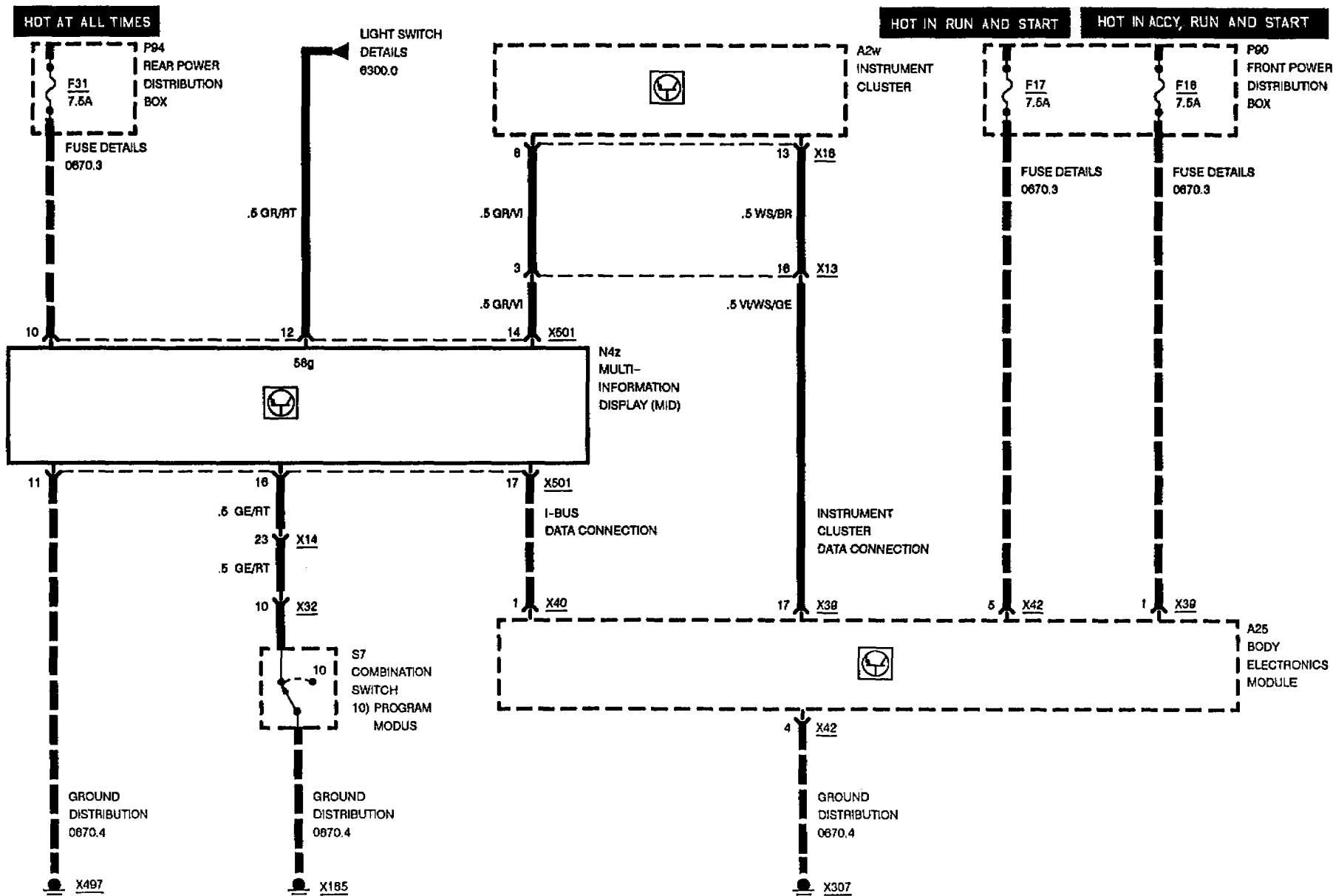


# ANTI-THEFT SYSTEM IV (DWA IV) FRONT AND REAR WINDOW SWITCHES





# MULTI- INFORMATION DISPLAY (MID)

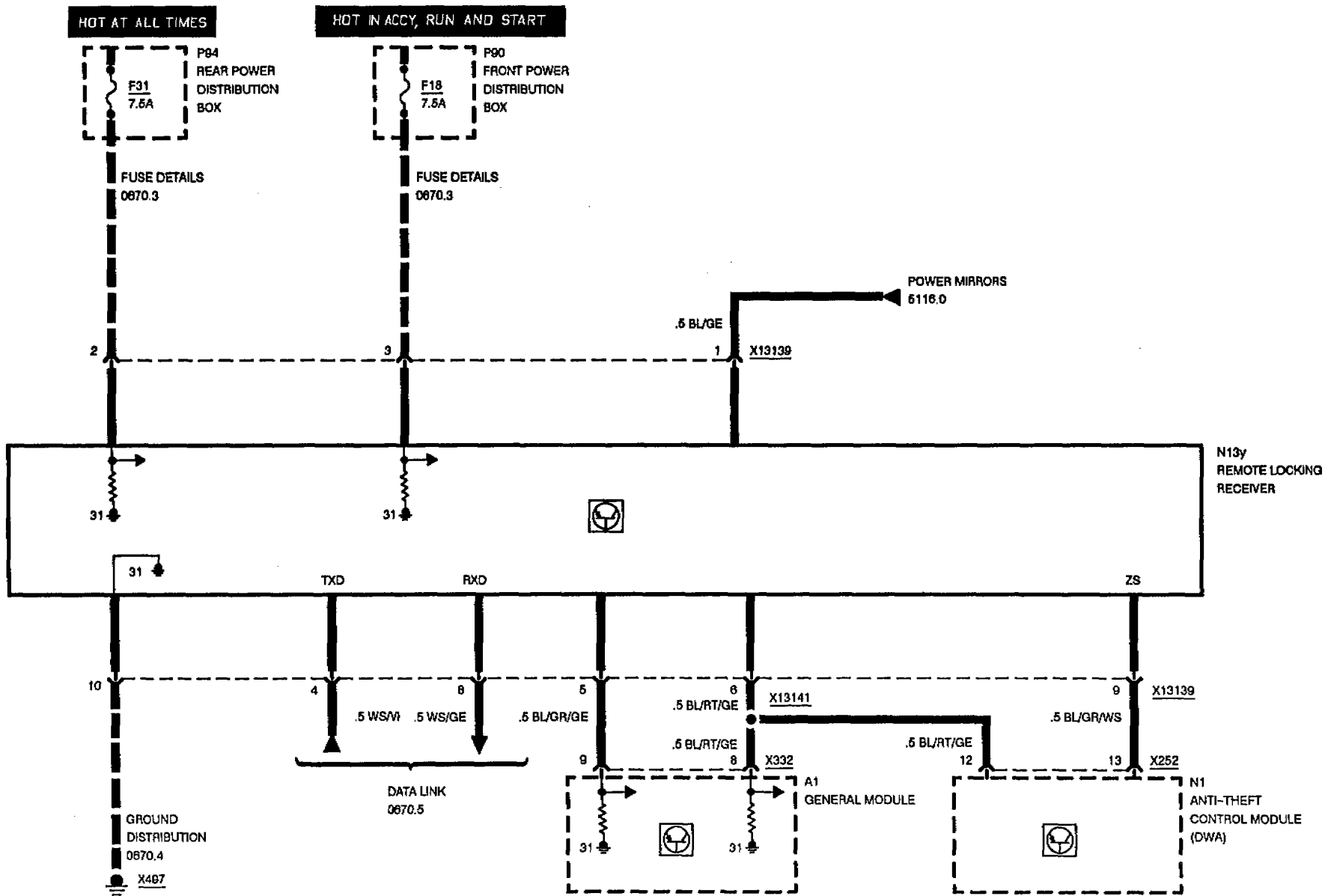


BMW  
8

6610.1



# REMOTE CONTROLLED LOCKING SYSTEM



12/94

6610.1-00

1994



BMW  
**8**

7000.0



# COMPONENT LOCATION CHART

## COMPONENT

PAGE - FIGURE  
7100.0 8500.0

A1	.... GENERAL MODULE	..... Below LH side of dash	..... 02-1
A1	.... GENERAL MODULE	..... Below LH side of dash	..... 30-1
A3	.... LAMP CONTROL MODULE	..... Below LH side of dash	..... 02-1
A3	.... LAMP CONTROL MODULE	..... Below LH side of dash	..... 30-2
A5	.... RELAY MODULE	..... Inside box on interior side of LH door sill	..... 02-3
A5	.... RELAY MODULE	..... Inside box on interior side of LH door sill	..... 29-2
A7	.... SLIP CONTROL MODULE (ABS)	..... LH side of LH footwell (840Ci)	..... 03-2
A8	.... CRUISE CONTROL MODULE (TEMPOMAT)	... In RH rear side of luggage compartment (840Ci)	..... 03-3
A11	... AUTOMATIC HEATING/AC CONTROL MODULE (IHKA)	..... Between front footwells	
A12	... SUPPLEMENTAL RESTRAINT SYSTEM CONTROL MODULE	..... Below RH side of dash	..... 04-3
A12	... SUPPLEMENTAL RESTRAINT SYSTEM CONTROL MODULE	..... Below RH side of dash	..... 33-2
A15	... PARK HEATING/VENTILATION RELAY BOX	... Below RH side of dash	..... 04-3
A15	... PARK HEATING/VENTILATION RELAY BOX	... Below RH side of dash	..... 33-2
A18	... HIFI AMPLIFIER	..... In LH forward side of luggage compartment	..... 01-2
A18	... HIFI AMPLIFIER	..... In LH forward side of luggage compartment	..... 44-1
A21	... SEAT/MIRROR MEMORY CONTROL MODULE	..... Underside of LH front seat	
A23	... DRIVER'S DOOR MODULE	..... In lower LH front door	..... 05-2



# COMPONENT LOCATION CHART

## COMPONENT

PAGE - FIGURE  
7100.0 8500.0

A23 ... DRIVER'S DOOR MODULE	In lower LH front door	39-3
A24 ... PASSENGER'S DOOR MODULE	In lower RH front door	05-2
A24 ... PASSENGER'S DOOR MODULE	In lower RH front door	39-3
A25 ... BODY ELECTRONICS MODULE	Below LH side of dash	02-1
A25 ... BODY ELECTRONICS MODULE	Below LH side of dash	30-1
A26 ... LOCK-SENSOR CONTROL MODULE	LH side of LH footwell	04-2
A26 ... LOCK-SENSOR CONTROL MODULE	LH side of LH footwell	32-2
A2w ... INSTRUMENT CLUSTER	LH side of dash	
A33 ... SUNROOF MODULE	Center of windshield header	05-3
A33 ... SUNROOF MODULE	Center of windshield header	35-1
A57 ... AHK CONTROL MODULE	In RH rear side of luggage compartment	01-1
A57 ... AHK CONTROL MODULE	In RH rear side of luggage compartment	46-1
A82 ... SUN BLIND CONTROL MODULE	At back of rear window shelf	00-1
A82 ... SUN BLIND CONTROL MODULE	At back of rear window shelf	14-3
A113 .. SEAT OCCUPANCY DETECTOR	In passenger's seat area	
A34z .. STEERING COLUMN MEMORY CONTROL MODULE	Center of dash behind radio	
A413 .. ELECTRONIC SHOCK ABSORBER CONTROL MODULE (EDC)	In RH side of luggage compartment	00-2
A413 .. ELECTRONIC SHOCK ABSORBER CONTROL MODULE (EDC)	In RH side of luggage compartment	42-3



# COMPONENT LOCATION CHART

## COMPONENT

PAGE - FIGURE  
7100.0 8500.0

A417 ..	AUTOMATIC AIR RECIRCULATION CONTROL MODULE .....	Behind RH footwell speaker grille .....	05-1
A417 ..	AUTOMATIC AIR RECIRCULATION CONTROL MODULE .....	Behind RH footwell speaker grille .....	33-3
A6000 .	ENGINE CONTROL MODULE (DME) .....	In E-Box (840Ci) .....	03-1
A6004 .	THROTTLE CONTROL MODULE (EML) .....	Rear RH side of engine compartment In E-Box .....	06-2
A6010 .	CYL. 1-6 ENGINE CONTROL MODULE (DME)	Rear RH side of engine compartment In E-Box .....	06-2
A6020 .	CYL. 7-12 ENGINE CONTROL MODULE (DME) .....	Rear RH side of engine compartment In E-Box .....	06-2
A8500 .	TRANSMISSION CONTROL MODULE (EGS) .	In RH rear side of luggage compartment .....	00-3
A8500 .	TRANSMISSION CONTROL MODULE (EGS) .	In RH rear side of luggage compartment .....	42-2
A8600 .	TRANSMISSION CONTROL MODULE (AGS) .	In E-Box (840Ci) .....	03-1
A9070 .	SLIP CONTROL MODULE (ABS/ASC+T) ....	LH side of LH footwell .....	02-2
B1 ....	RIGHT FRONT SPEED SENSOR - ABS .....	Behind RH front wheel	
B2 ....	LEFT FRONT SPEED SENSOR - ABS .....	Behind LH front wheel	
B3 ....	RIGHT REAR SPEED SENSOR - ABS .....	Behind RH rear wheel	
B4 ....	LEFT REAR SPEED SENSOR - ABS .....	Behind LH rear wheel .....	14-2
B10 ...	VEHICLE SPEED SENSOR .....	On differential .....	13-3
B11 ...	LH HEAT EXCHANGER TEMPERATURE SENSOR .....	Below LH side of dash .....	30-3
B12 ...	RH HEAT EXCHANGER TEMPERATURE SENSOR .....	Center console right behind radio	
B13 ...	OUTSIDE TEMPERATURE SENSOR .....	Behind center of cowl	



# COMPONENT LOCATION CHART

## COMPONENT

PAGE - FIGURE  
7100.0 8500.0

B14 ...	EVAPORATOR TEMPERATURE SENSOR	....	RH side of LH footwell	
B15 ...	ELECTRO- HYDRAULIC CONVERTER (SERVOTRONIC)	.....	Under LH front of car	
B16 ...	LEFT FRONT BRAKE PAD SENSOR	.....	Behind LH front wheel	14-1
B17 ...	RIGHT REAR BRAKE PAD SENSOR	.....	Behind RH rear wheel	
B18 ...	BRAKE FLUID LEVEL SWITCH	.....	Rear LH side of engine compartment	23-2
B19 ...	BRAKE PRESSURE REGULATING SWITCH	...	Rear LH side of engine compartment	23-2
B20 ...	BRAKE PRESSURE SWITCH	.....	Rear LH side of engine compartment	23-1
B25 ...	FUEL LEVEL SENSOR II	.....	Under LH rear seat	37-1
B28 ...	GRADIENT MONITOR (DWA)	.....	In LH rear side of luggage compartment	41-2
B40 ...	STEERING ANGLE SENDER	.....	On steering column	
B48 ...	RIGHT REAR ACCELERATION SENSOR	....	In RH rear side of luggage compartment	42-1
B49 ...	LONGITUDINAL ACCELERATION SENSOR	...	In LH forward side of luggage compartment	40-3
B52 ...	ACCUMULATOR CHARGING UNIT	.....	In spare-wheel well	45-1
B53 ...	AHK ACTUATOR	.....	Under rear of car	13-2
B6z ...	FUEL LEVEL SENSOR I	.....	Under RH rear seat	37-2
B206 ..	OIL PRESSURE SWITCH	.....	LH side of engine compartment	24-1
B21z ..	TEMPERATURE SENSOR	.....	In ventilation duct left	24-3
B414 ..	AUTOMATIC AIR RECIRCULATION SENSOR	..	Front LH side of engine compartment	06-3
B414 ..	AUTOMATIC AIR RECIRCULATION SENSOR	..	Front LH side of engine compartment	16-3



# COMPONENT LOCATION CHART

## COMPONENT

PAGE - FIGURE  
7100.0 8500.0

B41z	.. FRONT ACCELERATION SENSOR .....	RH front of wheel well above	
B900	.. JUMPER PLUG .....	Rear LH side of engine compartment in Front Power Distribution Box	
B6203	.. CRANKSHAFT POSITION/RPM SENSOR .....	Front of engine (840Ci) .....	21-1
B6204	.. CAMSHAFT POSITION SENSOR (CYLINDER IDENTIFICATION) .....	Front of engine (840Ci) .....	21-1
B6210	.. CYL. 1-6 HEATED OXYGEN SENSOR .....	On catalytic converter .....	15-3
B6211	.. CYL. 1-6 CYLINDER IDENTIFICATION SENSOR .....	Front of engine left	
B6212	.. CYL. 1-6 CRANKSHAFT POSITION/RPM SENSOR .....	Front of engine compartment	
B6215	.. CYL. 1-6 AIR TEMPERATURE SENSOR .....	Rear of engine	
B6216	.. CYL. 1-6 MASS AIR FLOW SENSOR .....	LH side of engine compartment .....	24-2
B6217	.. HOT FILM AIR MASS METER .....	Front of engine .....	22-2
B6220	.. CYL. 7-12 HEATED OXYGEN SENSOR .....	On catalytic converter .....	15-3
B6221	.. CYL. 7-12 CYLINDER IDENTIFICATION SENSOR .....	Front of engine right	
B6222	.. CYL. 7-12 CRANKSHAFT POSITION/RPM SENSOR .....	Front of engine compartment	
B6225	.. CYL. 7-12 AIR TEMPERATURE SENSOR .....	Rear of engine	
B6226	.. CYL. 7-12 MASS AIR FLOW SENSOR .....	RH side of engine compartment .....	25-1
B6230	.. OIL LEVEL SENSOR .....	Under LH front of car .....	15-1
B6232	.. ENGINE COOLANT TEMPERATURE SENSOR	RH side of engine rear (840Ci) .....	21-2
B6234	.. ENGINE COOLANT TEMP. SENSOR (EML) ...	On coolant inlet	



# COMPONENT LOCATION CHART

## COMPONENT

PAGE - FIGURE  
7100.0 8500.0

B6235 . TEMPERATURE SWITCH .....	Rear RH side of engine compartment in E-Box .....	28-3
B6236 . ENGINE COOLANT TEMPERATURE SENSOR	RH side of engine rear (840Ci) .....	21-2
B6241 . CYL. 1-2 KNOCK SENSOR .....	RH cylinder head (840Ci)	
B6242 . CYL. 3-4 KNOCK SENSOR .....	RH cylinder head (840Ci)	
B6243 . CYL. 5-6 KNOCK SENSOR .....	LH cylinder head (840Ci)	
B6244 . CYL. 7-8 KNOCK SENSOR .....	LH cylinder head (840Ci)	
B9508 . PRESSURE SWITCH .....	RH side of engine compartment under concealing headlight	
B6210w CYL. 1-4 HEATED OXYGEN SENSOR .....	On catalytic converter .....	22-3
B6210w CYL. 1-4 HEATED OXYGEN SENSOR .....	On catalytic converter	
B6215A INTAKE AIR TEMPERATURE SENSOR .....	On coolant inlet	
B6220w CYL. 5-8 HEATED OXYGEN SENSOR .....	On catalytic converter .....	22-3
B6220w CYL. 5-8 HEATED OXYGEN SENSOR .....	On catalytic converter	
C101 .. CONTACT RING .....	On steering wheel	
C900 .. SUPPRESSION FILTER .....	In upper RH C-pillar .....	36-3
C900z . FM AMPLIFIER/SUPPRESSION FILTER .....	In upper RH C-pillar	
D100 .. DATA LINK CONNECTOR .....	Front RH side of engine compartment .....	25-2
E9 .... REAR DEFOGGER I .....	In rear window	
E10 ... REAR DEFOGGER/ANTENNA .....	In rear window	
E11 ... LEFT HIGH BEAM LIGHT .....	Front of car	
E12 ... RIGHT HIGH BEAM LIGHT .....	Front of car	



## COMPONENT LOCATION CHART

### COMPONENT

PAGE - FIGURE  
7100.0 8500.0

E13	LEFT LOW BEAM LIGHT	Front of car
E14	RIGHT LOW BEAM LIGHT	Front of car
E15	LEFT PARK LIGHT	Front of car
E19	RIGHT PARK LIGHT	Front of car
E20	UNDERHOOD LIGHT	On underside of engine hood ..... 16-2
E21	LEFT FRONT MARKER LIGHT	Near LH headlight assembly
E22	RIGHT FRONT MARKER LIGHT	Near RH headlight assembly
E26	LEFT FOG LIGHT	Front of car
E27	RIGHT FOG LIGHT	Front of car
E28	FRONT CIGAR LIGHTER	Center of dash below front of console
E29	FRONT CIGAR LIGHTER LIGHT	Center of dash below front of console
E33	TRUNK LID LIGHT	Underside of trunk lid
E34	FRONT DOME LIGHT/MAP READING ASSEMBLY	Underside of trunk lid
E35	DRIVER'S MAKEUP MIRROR LIGHT	In roof panel
E36	PASSENGER'S MAKEUP MIRROR LIGHT	In roof panel
E39	LEFT REAR INTERIOR LIGHT	Behind LH footwell trim
E40	RIGHT REAR INTERIOR LIGHT	Behind RH footwell trim
E41	DASH LIGHT	Center of dash
E42	GLOVE BOX LIGHT	RH side of glove box above
E43	LEFT LICENSE PLATE LIGHT	Underside of trunk lid, near license plate





# COMPONENT LOCATION CHART

## COMPONENT

PAGE - FIGURE  
7100.0 8500.0

E44	... RIGHT LICENSE PLATE LIGHT	Underside of trunk lid, near license plate	
E48	... DOOR LOCK HEATER	In upper LH front door	
E51	... LEFT WASHER JET HEATER	On underside of engine hood	16-2
E52	... RIGHT WASHER JET HEATER	On underside of engine hood	
E56	... DRIVER'S SEATBACK HEATER	In lower LH front seatback	
E57	... DRIVER'S SEAT HEATER	Underside of LH front seat	
E58	... PASSENGER'S SEAT HEATER	Underside of RH front seat	
E59	... PASSENGER'S SEATBACK HEATER	In lower RH front seatback	
E61	... LEFT FRONT FOOTWELL LIGHT	LH front door behind door panel	36-1
E62	... RIGHT FRONT FOOTWELL LIGHT	RH front door behind door panel	
E69	... LEFT HIGH BEAM FLASHER LIGHT	Front of car	
E78	... DRIVER'S DOOR PANEL LIGHT	In upper LH front door	
E79	... PASSENGER'S DOOR PANEL LIGHT	In upper RH front door	
E80	... LEFT REAR LIGHT ASSEMBLY II	Underside of trunk lid left	44-3
E81	... RIGHT REAR LIGHT ASSEMBLY II	Underside of trunk lid right	44-3
E82	... TRANSMISSION POSITION INDICATOR LIGHT	Center console	
E96	... GEAR SHIFT LEVER INDICATOR	Center console	
E45y	... CASSETTE BOX LIGHT	Center console	
E46z	... LEFT REAR LIGHT ASSEMBLY I	In LH rear side of luggage compartment	
E47z	... RIGHT REAR LIGHT ASSEMBLY I	In RH rear side of luggage compartment	



# COMPONENT LOCATION CHART

## COMPONENT

PAGE - FIGURE  
7100.0 8500.0

E70z	..	RIGHT HIGH BEAM FLASHER LIGHT	.....	Front of car	
E9021	..	LEFT REAR SIDE MARKER LIGHT	.....	In LH rear side of luggage compartment	
E9022	..	RIGHT REAR SIDE MARKER LIGHT	.....	In RH rear side of luggage compartment	
E9033	..	LEFT TRUNK LID LIGHT	.....	In LH side of luggage compartment	
E9046	..	LEFT LIGHT BAND	.....	Front of car	
E9047	..	RIGHT LIGHT BAND	.....	Front of car	
E9133	..	RIGHT TRUNK LID LIGHT	.....	In RH side of luggage compartment	
F0	....	FUSIBLE LINK	.....	In RH side of luggage compartment	08-1
F0	....	FUSIBLE LINK	.....	In RH side of luggage compartment	42-2
F97	....	FUSIBLE LINK	.....	In RH rear side of luggage compartment (840Ci)	46-3
F99	....	FUSIBLE LINK (50A)	.....	In RH rear side of luggage compartment (840Ci)	46-3
G4	....	LEFT BATTERY II	.....	In LH rear side of luggage compartment	08-3
G4	....	LEFT BATTERY II	.....	In LH rear side of luggage compartment	41-1
G5	....	DRIVER'S AIR BAG GAS GENERATOR	.....	On steering wheel	
G6	....	PASSENGER'S AIR BAG GAS GENERATOR I	.....	Below RH side of dash	
G1z	....	RIGHT BATTERY I	.....	In RH side of luggage compartment	08-1
G1z	....	RIGHT BATTERY I	.....	In RH side of luggage compartment	42-2
G6430	..	B+ JUMP START JUNCTION POINT	.....	Rear RH side of engine compartment near shock tower (840Ci)	19-3
G6509	..	GENERATOR	.....	LH side of engine compartment	
H1	....	ANTI-THEFT HORN (DWA)	.....	Behind RH fresh air cowl	



## COMPONENT LOCATION CHART

### COMPONENT

PAGE - FIGURE  
7100.0 8500.0

H2	LEFT HORN	Front of car under radiator
H3	RIGHT HORN	Front of car under radiator
H4	RIGHT FRONT TURN LIGHT	In RH front bumper
H5	RIGHT REAR TURN LIGHT	RH side of body rear end
H6	LEFT REAR TURN LIGHT	LH side of body rear end
H7	LEFT FRONT TURN LIGHT	In LH front bumper
H8	RIGHT FRONT AUXILIARY TURN LIGHT	Near RH front wheel well
H9	LEFT FRONT AUXILIARY TURN LIGHT	Near LH front wheel well
H24	LEFT BRAKE LIGHT	LH side of body rear end
H25	LEFT TAIL LIGHT	LH side of body rear end
H27	LEFT BACK UP LIGHT	LH side of body rear end
H28	RIGHT BACK UP LIGHT	RH side of body rear end
H30	RIGHT TAIL LIGHT	RH side of body rear end
H31	RIGHT BRAKE LIGHT	RH side of body rear end
H34	HIGH LEVEL STOP LIGHT	At back of rear window shelf
H38	TELEPHONE TRANSCEIVER	In LH forward side of luggage compartment
H42	LEFT MID-HIGH RANGE SPEAKER	Driver's door
H43	RIGHT MID-HIGH RANGE SPEAKER	Passenger's door
H45	RIGHT REAR SPEAKER	At back of rear window shelf
H46	LEFT REAR SPEAKER	At back of rear window shelf



# COMPONENT LOCATION CHART

## COMPONENT

PAGE - FIGURE  
7100.0 8500.0

H50 ...	RIGHT FRONT HIGH RANGE SPEAKER	.....	In upper RH front door	
H51 ...	RIGHT FRONT LOW RANGE SPEAKER	.....	Behind RH footwell kickpanel	
H52 ...	RIGHT REAR LOW RANGE SPEAKER	.....	At back of rear window shelf	
H53 ...	RIGHT REAR HIGH RANGE SPEAKER	.....	At back of rear window shelf	
H54 ...	RIGHT FRONT MIDRANGE SPEAKER	.....	In upper RH front door	
H55 ...	LEFT FRONT MIDRANGE SPEAKER	.....	Driver's door	
H56 ...	LEFT REAR HIGH RANGE SPEAKER	.....	At back of rear window shelf	
H57 ...	LEFT REAR LOW RANGE SPEAKER	.....	At back of rear window shelf	
H58 ...	LEFT FRONT LOW RANGE SPEAKER	.....	Footwell, driver's side	
H59 ...	LEFT FRONT HIGH RANGE SPEAKER	.....	Driver's door	
H10z ..	ACOUSTIC DEVICE	.....	Below RH side of dash	33-1
H54z ..	REAR RIGHT MID-HIGH RANGE SPEAKER	..	At back of rear window shelf	
H55z ..	REAR LEFT MID-HIGH RANGE SPEAKER	....	At back of rear window shelf	
H9025 .	UPPER LEFT TAIL LIGHT	.....	LH side of body rear end	
H9030 .	UPPER RIGHT TAIL LIGHT	.....	RH side of body rear end	
K1 ....	STARTER RELAY	.....	Rear LH side of engine compartment in Front Power Distribution Box	18-1
K2 ....	HORN RELAY	.....	Rear LH side of engine compartment in Front Power Distribution Box	17-2
K3 ....	UNLOADER RELAY, TERMINAL R	.....	Rear LH side of engine compartment in Front Power Distribution Box	18-1
K4 ....	BLOWER RELAY	.....	Rear LH side of engine compartment in Front Power Distribution Box	18-1
K5 ....	WASHER PUMP RELAY	.....	Rear LH side of engine compartment in Front Power Distribution Box	17-2



# COMPONENT LOCATION CHART

## COMPONENT

PAGE - FIGURE  
7100.0 8500.0

K9	UNLOADER RELAY, TERMINAL 15	Rear LH side of engine compartment in Front Power Distribution Box	17-1
K12	WIPER PRESSURE CONTROL (ADV) RELAY	Rear LH side of engine compartment in Front Power Distribution Box	17-1
K13	REAR DEFOGGER RELAY	Rear Power Distribution Box in LH side of luggage compartment	40-1
K15	ELECTRIC POWER PROTECTION RELAY	Rear Power Distribution Box in LH side of luggage compartment	40-1
K16	HAZARD FLASHER RELAY	Rear LH side of engine compartment in Front Power Distribution Box	17-3
K19	COMPRESSOR CONTROL RELAY	Rear LH side of engine compartment in Front Power Distribution Box	18-2
K1w	STARTER IMMOBILIZATION RELAY	Behind LH footwell speaker grille	
K21	NORMAL SPEED RELAY	Rear LH side of engine compartment in Front Power Distribution Box	17-3
K22	HIGH SPEED RELAY	Rear LH side of engine compartment in Front Power Distribution Box	17-1
K25	RIGHT PARK LIGHT/LICENSE PLATE LIGHT RELAY	Below LH side of dash near hood release lever	
K26	LEFT PARK LIGHT RELAY	Below LH side of dash near hood release lever	
K29	INTERIOR LIGHT RELAY	LH side of LH footwell	32-2
K30	ELECTRIC POWER PROTECTION RELAY II	Rear Power Distribution Box in LH side of luggage compartment	40-1
K33	AIR CONDITIONING RELAY	Rear LH side of engine compartment in Front Power Distribution Box	17-2
K36	WIPER RELAY I	Rear LH side of engine compartment in Front Power Distribution Box	18-1
K37	WIPER RELAY II	Rear LH side of engine compartment in Front Power Distribution Box	18-1
K38	WIPER RELAY III	Rear LH side of engine compartment in Front Power Distribution Box	18-1
K39	CONCEALING HEADLIGHTS RELAY	Rear LH side of engine compartment in Front Power Distribution Box	17-3
K42	INTENSIVE WASH RELAY	Rear LH side of engine compartment in Front Power Distribution Box	17-2



# COMPONENT LOCATION CHART

## COMPONENT

PAGE - FIGURE  
7100.0 8500.0

K46 ... HIGH BEAM LIGHT RELAY .....	Rear LH side of engine compartment in Front Power Distribution Box .....	17-1
K51 ... JUMPER PLUG FOR HORN/TELEPHONE ....	Rear LH side of engine compartment in Front Power Distribution Box .....	18-2
K60 ... COMPRESSOR CUT-OFF RELAY .....	Rear LH side of engine compartment in Front Power Distribution Box .....	18-2
K61 ... UNLOADER RELAY, TERMINAL 61 .....	Rear LH side of engine compartment in Front Power Distribution Box .....	17-2
K67 ... EDC RELAY .....	In RH side of luggage compartment .....	42-3
K70 ... CENTRAL LOCKING TRUNK LID MOTOR RELAY (ZV) .....	Rear Power Distribution Box in LH side of luggage compartment .....	40-2
K72 ... CONSUMER CUT-OFF RELAY I .....	Rear Power Distribution Box in LH side of luggage compartment .....	40-2
K73 ... CONSUMER CUT-OFF RELAY II .....	Rear Power Distribution Box in LH side of luggage compartment .....	40-1
K81 ... WARNING LIGHT RELAY .....	In RH rear side of luggage compartment .....	45-3
K82 ... AHK RELAY .....	In RH rear side of luggage compartment .....	45-3
K8z ... AUXILIARY WATER PUMP RELAY .....	Rear LH side of engine compartment in Front Power Distribution Box .....	17-2
K91 ... ON-BOARD COMPUTER HORN RELAY ....	Inside box on interior side of RH door sill	
K94 ... ABS PUMP MOTOR RELAY .....	In LH auxiliary relay box, engine compartment .....	22-1
K94 ... ABS PUMP MOTOR RELAY .....	LH side of engine compartment in auxiliary relay box LH front of engine compartment	
K95 ... VALVE RELAY (ABS/ASC) .....	In LH auxiliary relay box, engine compartment .....	22-1
K95 ... VALVE RELAY (ABS/ASC) .....	LH side of engine compartment in auxiliary relay box LH front of engine compartment	
K111 .. DAYTIME RUNNING LIGHTS RELAY .....	Rear Power Distribution Box in LH side of luggage compartment .....	40-2



# COMPONENT LOCATION CHART

## COMPONENT

PAGE - FIGURE  
7100.0 8500.0

K199	..	SERVOTRONIC RELAY	.....	Rear LH side of engine compartment in Front Power Distribution Box	.....	18-2
K52z	..	FLASHER LIGHT RELAY	.....	Rear LH side of engine compartment in Front Power Distribution Box	.....	17-3
K6300	..	ENGINE CONTROL MODULE RELAY	.....	In E-Box	.....	21-3
K6300	..	ENGINE CONTROL MODULE RELAY	.....	In E-Box		
K6303	..	OXYGEN SENSOR RELAY	.....	In E-Box (840Ci)	.....	21-3
K6303	..	OXYGEN SENSOR RELAY	.....	In E-Box		
K6310	..	CYL. 1-6 ENGINE CONTROL MODULE RELAY		Rear RH side of engine compartment In E-Box	.....	28-2
K6311	..	CYL. 1-6 FUEL PUMP RELAY	.....	Rear RH side of engine compartment In E-Box	.....	28-2
K6320	..	CYL. 7-12 ENGINE CONTROL MODULE RELAY	.....	Rear RH side of engine compartment In E-Box	.....	28-2
K6321	..	CYL. 7-12 FUEL PUMP RELAY	.....	Rear RH side of engine compartment In E-Box	.....	28-2
K6301w	..	FUEL PUMP RELAY	.....	In E-Box (840Ci)	.....	21-3
M2	....	FUEL PUMP	.....	In RH side of luggage compartment		
M3	....	WIPER MOTOR	.....	Behind LH fresh air cowl		
M4	....	WASHER PUMP	.....	RH side of engine compartment on washer fluid reservoir	.....	27-1
M5	....	INTENSIVE WASH PUMP	.....	Front RH side of engine compartment near windshield washer reservoir		
M6	....	WIPER PRESSURE CONTROL MOTOR (ADV)	.....	Behind LH fresh air cowl		
M7	....	HEADLIGHT/FOG LIGHT WASHER PUMP	....	Front RH side of engine compartment near windshield washer reservoir	.....	27-2
M9	....	AUXILIARY FAN MOTOR	.....	Behind front grille	.....	16-3
M11	...	CYL. 7-12 FUEL PUMP	.....	In RH side of luggage compartment		
M12	...	DRIVER'S DOOR LOCK MOTOR	.....	In lower LH front door	.....	38-1



# COMPONENT LOCATION CHART

## COMPONENT

PAGE - FIGURE  
7100.0 8500.0

M13 ... PASSENGER'S DOOR LOCK MOTOR	In lower RH front door	38-1
M16 ... GAS FILLER LOCK MOTOR	In RH rear side of luggage compartment	43-3
M17 ... TRUNK LOCK MOTOR	Rear of car rear side of luggage compartment	
M18 ... LH CONCEALING HEADLIGHT MOTOR	Front LH side of engine compartment	
M19 ... RH CONCEALING HEADLIGHT MOTOR	Front RH side of engine compartment	
M20 ... LEFT REAR WINDOW MOTOR	Left from LH rear seat behind trim panel	
M22 ... RIGHT REAR WINDOW MOTOR	RH side of RH rear seat behind trim panel	
M24 ... SUNROOF MOTOR	Center of windshield header	35-2
M25 ... CRUISE CONTROL ACTUATOR (TEMPOMAT)	Front LH side of engine compartment	19-1
M2z ... CYL. 1-6 FUEL PUMP	In RH side of luggage compartment	
M30 ... BLOWER MOTOR	Behind center of cowl	
M31 ... LEFT FOOTWELL FLAP MOTOR	Below LH side of dash	
M32 ... RIGHT FOOTWELL FLAP MOTOR	LH side of RH footwell	
M33 ... RIGHT VENTILATION FLAP MOTOR	LH side of RH footwell	
M34 ... DASH VENT MIXING FLAP MOTOR	RH side of dash behind glove box RH side of IHKA Plenum	
M35 ... DEFROSTER FLAP MOTOR	LH side of IHKA Plenum	
M36 ... FRESH AIR FLAP MOTOR	LH side of IHKA Plenum	
M38 ... LEFT VENTILATION FLAP MOTOR	Behind LH fresh air cowl	
M39 ... LEFT MIXING FLAP MOTOR	Center of dash left of radio	
M40 ... RECIRCULATION FLAP MOTOR	Below LH side of dash	





# COMPONENT LOCATION CHART

## COMPONENT

PAGE - FIGURE  
7100.0 8500.0

M50 ... DRIVER'S SEAT CUSHION TILT MOTOR	..... Under LH front seat	
M51 ... DRIVER'S SEAT MOVEMENT MOTOR	..... Under LH front seat	
M52 ... DRIVER'S SEAT HEIGHT MOTOR	..... Under LH front seat	
M53 ... DRIVER'S SEATBACK RECLINER MOTOR	... In lower LH front seatback	
M58 ... PASSENGER'S SEATBACK RECLINER MOTOR	..... In lower RH front seatback	
M59 ... PASSENGER'S SEAT HEIGHT MOTOR	..... Under RH front seat	
M60 ... PASSENGER'S SEAT MOVEMENT MOTOR	.. Under RH front seat	
M61 ... PASSENGER'S SEAT CUSHION TILT MOTOR	Under RH front seat	
M65 ... DRIVER'S THIGH SUPPORT MOTOR	..... Under LH front seat	
M66 ... PASSENGER'S THIGH SUPPORT MOTOR	... Under RH front seat	
M74 ... SUN BLIND MOTOR	..... At back of rear window shelf	..... 14-3
M80 ... LEFT HEADLIGHT WIDENING MOTOR	..... Front LH side of engine compartment	
M81 ... RIGHT HEADLIGHT WIDENING MOTOR	..... Front RH side of engine compartment	
M82 ... STEERING COLUMN LENGTH ADJUST MOTOR	..... Bottom of steering column	
M83 ... STEERING COLUMN ANGLE ADJUST MOTOR	Bottom of steering column	
M86 ... WATER PUMP IN LUGGAGE COMPARTMENT	In luggage compartment In spare tire compartment	..... 45-2
M93 ... AUXILIARY THROTTLE POSITION MOTOR (ADS)	..... Front LH side of engine compartment	..... 19-1
M93 ... AUXILIARY THROTTLE POSITION MOTOR (ADS)	..... LH side of engine compartment	
M21z ... DRIVER'S POWER WINDOW MOTOR/ INCREMENT SENSOR	..... In lower LH front door	..... 39-2



# COMPONENT LOCATION CHART

## COMPONENT

PAGE - FIGURE  
7100.0 8500.0

M23z .. PASSENGER'S POWER WINDOW MOTOR/ INCREMENT SENSOR .....	In lower RH front door	
M37a .. AUXILIARY WATER PUMP .....	Rear LH side of engine compartment	
M55z .. DRIVER'S SEAT LUMBAR SUPPORT MOTOR/VALVE .....	In upper LH front seatback	
M56z .. PASSENGER'S SEAT LUMBAR SUPPORT MOTOR/VALVE .....	In upper RH front seatback	
M6360 . EML ACTUATOR MOTOR I .....	Front LH side of engine compartment	26-3
M6370 . EML ACTUATOR MOTOR II .....	Front RH side of engine compartment	26-3
M6506 . E-BOX FAN .....	Rear RH side of engine compartment in E-Box	28-3
M6510 . STARTER .....	In the engine compartment	
N1 .... ANTI-THEFT CONTROL MODULE (DWA) ....	Inside box on interior side of RH door sill	04-1
N1 .... ANTI-THEFT CONTROL MODULE (DWA) ....	Inside box on interior side of RH door sill	32-1
N2 .... FINAL STAGE UNIT .....	LH side of RH footwell	
N3 .... DIMMER .....	LH side of dash	
N6 .... HEADLIGHT/FOGLIGHT CLEANING MODULE (SRA) .....	Rear LH side of engine compartment In Front Power Distribution Box	06-1
N6 .... HEADLIGHT/FOGLIGHT CLEANING MODULE (SRA) .....	Rear LH side of engine compartment In Front Power Distribution Box	17-1
N8 .... ANTENNA AMPLIFIER AM/FM .....	In upper LH C-pillar	01-3
N8 .... ANTENNA AMPLIFIER AM/FM .....	In upper LH C-pillar	36-2
N9 .... RADIO .....	Center console	
N17 ... CRASH CONTROL MODULE .....	Rear LH side of engine compartment In Front Power Distribution Box	06-1



# COMPONENT LOCATION CHART

## COMPONENT

PAGE - FIGURE  
7100.0 8500.0

N17 ...	CRASH CONTROL MODULE	Rear LH side of engine compartment in Front Power Distribution Box	17-3
N22 ...	CD CHANGER	In luggage compartment	
N4z ...	MULTI- INFORMATION DISPLAY (MID)	Center console	
N13y ..	REMOTE LOCKING RECEIVER	In rear view mirror	
N444 ..	FM AMPLIFIER HLO	In upper LH C-pillar	
P1 ....	AUXILIARY RELAY BOX - ENGINE COMPARTMENT	LH side of engine compartment	18-3
P90 ...	FRONT POWER DISTRIBUTION BOX	Rear LH side of engine compartment	07-1
P90 ...	FRONT POWER DISTRIBUTION BOX	Rear LH side of engine compartment	23-2
P93 ...	E-BOX	Rear RH side of engine compartment	07-2
P93 ...	E-BOX	Rear RH side of engine compartment	27-3
P94 ...	REAR POWER DISTRIBUTION BOX	In LH side of luggage compartment	08-2
P94 ...	REAR POWER DISTRIBUTION BOX	In LH side of luggage compartment	40-3
R1 ....	MIXING SWITCH	Center of dash	
R6 ....	SEAT HEIGHT POTENTIOMETER	LH front seat	
R7 ....	SEATBACK POTENTIOMETER	In lower LH front seatback	
R8 ....	SEAT CUSHION REAR HEIGHT POTENTIOMETER	LH front seat	
R9 ....	SEAT CUSHION MOVEMENT POTENTIOMETER	Under LH front seat	
R10 ...	PEDAL POSITION SENSOR	Below LH side of dash	31-3
R13 ...	HEADLIGHT WIDENING POTENTIOMETER	LH side of dash	
R15 ...	THIGH SUPPORT POTENTIOMETER	Under LH front seat	



# COMPONENT LOCATION CHART

## COMPONENT

PAGE - FIGURE  
7100.0 8500.0

R24 ...	STEERING WHEEL ANGLE SENSOR .....	On steering column	
R18z ..	STEERING COLUMN LENGTH ADJUST POTENTIOMETER .....	Bottom of steering column	
R19z ..	STEERING COLUMN ANGLE ADJUST POTENTIOMETER .....	Bottom of steering column	
R6240 .	RESISTOR .....	RH front of engine	
R6252 .	THROTTLE POSITION SENSOR .....	Front of engine (840Ci) .....	20-3
R6253 .	AUXILIARY THROTTLE POSITION SENSOR ..	Front of engine (840Ci) .....	20-3
S2 ....	IGNITION SWITCH .....	On steering column above right	
S3 ....	AUTOMATIC TRANSMISSION RANGE SWITCH	Center console	
S4 ....	HORN SWITCH .....	On steering wheel behind DRIVER'S AIR BAG GAS GENERATOR, G5	
S5 ....	WIPER/WASHER SWITCH .....	On steering column	
S6 ....	ASC SWITCH .....	Center console .....	34-1
S7 ....	COMBINATION SWITCH .....	On steering column above left	
S8 ....	LIGHT SWITCH .....	LH side of dash	
S10 ...	FOG LIGHT SWITCH .....	LH side of dash	
S11 ...	CRUISE CONTROL SWITCH (EML) .....	On steering column	
S12 ...	MEMORY MIRRORS CONTROL SWITCH ....	In upper LH front door	
S13 ...	PASSENGER'S DOOR JAMB SWITCH .....	In upper RH front door	
S14 ...	DRIVER'S DOOR JAMB SWITCH .....	In upper LH front door	



# COMPONENT LOCATION CHART

## COMPONENT

PAGE - FIGURE  
7100.0 8500.0

S17 ... MIRROR CONTROL SWITCH	..... In upper LH front door	
S18 ... HAZARD SWITCH	..... Center console	
S19 ... UNDERHOOD LIGHT SWITCH	..... Near LH headlight assembly	
S20 ... RADIO ANTI-THEFT SWITCH (DWA)	..... Behind radio	
S21 ... ENGINE HOOD SWITCH (DWA)	..... Near RH headlight assembly	
S26 ... AUTOMATIC HEATING AND AIR CONDITIONING SWITCH (IHKA)	..... Center of dash	
S27 ... INERTIA SWITCH	..... Behind LH footwell speaker grille	..... 32-3
S30 ... BRAKE LIGHT SWITCH	..... Below LH side of dash	..... 31-2
S31 ... PARK BRAKE SWITCH	..... Below front of console	
S32 ... CLUTCH SWITCH	..... Behind LH footwell trim on clutch pedal support bracket	
S36 ... TEMPERATURE SWITCH	..... Front RH side of engine compartment	..... 23-3
S38 ... SUNROOF SWITCH	..... Center of windshield header	
S45 ... LEFT REAR WINDOW LIMIT SWITCH	..... Left from LH rear seat	
S46 ... RIGHT REAR WINDOW LIMIT SWITCH	..... RH side of RH rear seat	
S47 ... DRIVER'S DOOR LOCK SWITCH	..... LH front door behind door panel	
S48 ... DRIVER'S DOOR HANDLE SWITCH	..... LH front door behind door panel	
S49 ... PASSENGER'S DOOR LOCK SWITCH	..... RH front door	
S50 ... DRIVER'S MEMORY SEAT ADJUSTMENT SWITCH	..... LH front seat	
S51 ... DRIVER'S SEAT, SEAT CONTROL SWITCH	..... LH front seat	



# COMPONENT LOCATION CHART

## COMPONENT

PAGE - FIGURE  
7100.0 8500.0

- S52 ... DRIVER'S SEAT LUMBAR SWITCH ..... LH front seat
- S53 ... DRIVER'S SEAT, SEAT HEATER SWITCH ..... LH front seat
- S54 ... PASSENGER'S SEAT, SEAT HEATER SWITCH RH front seat
- S55 ... PASSENGER'S SEAT LUMBAR SUPPORT  
SWITCH ..... RH front seat
- S56 ... PASSENGER'S SEAT, SEAT CONTROL  
SWITCH ..... RH front seat
- S57 ... MEMORY SEAT MIRRORS SWITCH ..... LH front seat
- S58 ... DRIVER'S SEAT BELT SWITCH ..... LH front seat
- S59 ... PASSENGER'S SEAT BELT SWITCH ..... RH front seat
- S61 ... TRUNK LID SWITCH ..... Underside of trunk lid
- S64 ... WASHER FLUID LEVEL SWITCH ..... RH side of engine compartment on washer fluid reservoir ..... 27-2
- S76 ... REAR WINDOW DEFOGGER SWITCH ..... LH side of dash
- S77 ... DRIVER'S MAKEUP MIRROR SWITCH ..... Above LH sun visor
- S78 ... PASSENGER'S MAKEUP MIRROR SWITCH .. Above RH sun visor
- S79 ... PASSENGER'S DOOR HANDLE SWITCH .... RH front door
- S89 ... DRIVER'S INSIDE DOOR HANDLE SWITCH .. In lower LH front door
- S8z ... LIGHT SWITCH ..... LH side of dash
- S90 ... PASSENGER'S INSIDE DOOR HANDLE  
SWITCH ..... In upper RH front door
- S93 ... DRIVER'S THIGH SUPPORT SWITCH ..... LH front seat
- S94 ... PASSENGER'S THIGH SUPPORT SWITCH ... RH front seat
- S96 ... AIR CONDITIONING PRESSURE SWITCH .... RH side of engine compartment under concealing headlight



# COMPONENT LOCATION CHART

## COMPONENT

PAGE - FIGURE  
7100.0 8500.0

- S97 ... PASSENGER'S WINDOW SWITCH ..... RH front door
- S99 ... PASSENGER'S WINDOW MONITORING SWITCH (DWA) ..... In passenger's door
- S100 .. DRIVER'S WINDOW MONITORING SWITCH (DWA) ..... In upper LH front door
- S101 .. RIGHT REAR WINDOW MONITORING SWITCH (DWA) ..... RH side of RH rear seat behind trim panel
- S102 .. LEFT REAR WINDOW MONITORING SWITCH (DWA) ..... Left from LH rear seat behind trim panel
- S103 .. RH DRIVER'S SEATBACK SWITCH ..... LH front seat
- S104 .. LH DRIVER'S SEATBACK SWITCH ..... LH front seat
- S105 .. EDC SWITCH ..... Center console
- S110 .. SUN BLIND SWITCH ..... Center console
- S113 .. GLOVE BOX LIGHT SWITCH II ..... LH side of glove box
- S117 .. TRUNK LID LOCKING SWITCH ..... Underside of trunk lid ..... 44-2
- S118 .. GLOVE BOX CENTRAL LOCKING SWITCH ... LH side of glove box
- S121 .. RH PASSENGER'S SEATBACK SWITCH ..... RH front seat
- S122 .. LH PASSENGER'S SEATBACK SWITCH ..... RH front seat
- S136 .. WASHER FLUID LEVEL SWITCH ..... In spare-wheel well ..... 45-2
- S173 .. PROGRAM SELECTOR ..... Center console
- S198 .. JET HEATER THERMOSWITCH ..... In ventilation duct right
- S202 .. EML SWITCH ..... Center console



# COMPONENT LOCATION CHART

## COMPONENT

PAGE - FIGURE  
7100.0 8500.0

S37z	..	GLOVE BOX LIGHT SWITCH I .....	LH side of glove box	
S40z	..	WINDOW SWITCH .....	LH front door	
S119z	..	STEERING COLUMN POSITION SWITCH .....	On steering column above left	
S8507	..	KICK-DOWN SWITCH .....	RH side of LH footwell	
S8511	..	REVERSING LIGHT SWITCH .....	On RH side of transmission	
S8515	..	AUTOMATIC TRANSMISSION RANGE SWITCH	Center console	
S8517	..	PROGRAM SWITCH .....	Center console near gearshift lever	
S8518	..	TRANSMISSION RANGE SELECTOR LEVER LIGHT .....	Center console near gearshift lever	
S8522	..	SHIFT LOCK .....	Center console near gearshift lever	
T6151	..	CYL. 1 IGNITION COIL .....	RH cylinder head	
T6152	..	CYL. 2 IGNITION COIL .....	RH cylinder head	
T6153	..	CYL. 3 IGNITION COIL .....	RH cylinder head	
T6154	..	CYL. 4 IGNITION COIL .....	RH cylinder head	
T6155	..	CYL. 5 IGNITION COIL .....	LH cylinder head	
T6156	..	CYL. 6 IGNITION COIL .....	LH cylinder head	
T6157	..	CYL. 7 IGNITION COIL .....	LH cylinder head	
T6158	..	CYL. 8 IGNITION COIL .....	LH cylinder head	
T6151z	..	CYL. 1-6 IGNITION COIL .....	RH side of engine compartment .....	25-1
T6152z	..	CYL. 7-12 IGNITION COIL .....	LH side of engine compartment .....	18-3
V4	....	DAYTIME RUNNING LIGHTS CODING DIODE	Inside box on interior side of LH door sill	





# COMPONENT LOCATION CHART

## COMPONENT

PAGE - FIGURE  
7100.0 8500.0

V5	DWA LED	Center console		
X0	CONNECTOR (1-PINS, (---))	LH footwell	07-3	
X0	CONNECTOR (1-PINS, (---))	LH footwell	29-3	
X2	BATTERY B+ START POINT	In Front Power Distribution Box		
X3	B+ JUNCTION POINT	In Front Power Distribution Box		
X7	CONNECTOR (55-PINS, NATURAL)	Inside box on interior side of LH door sill	29-1	00-2
X8	CONNECTOR (1-PINS, (---))	In LH auxiliary relay box, engine compartment	22-1	
X11	CONNECTOR (55-PINS, BLACK)	Inside box on interior side of LH door sill	29-1	00-2
X12	CONNECTOR (20-PINS, WHITE)	Below LH side of dash	30-2	02-1
X13	CONNECTOR (30-PINS, BLACK)	LH side of LH footwell	29-1	01-1
X14	CONNECTOR (30-PINS, WHITE)	LH side of LH footwell	29-1	01-1
X16	CONNECTOR (26-PINS, BLACK)	LH side of dash		01-2
X20	CONNECTOR (25-PINS, BLACK)	RH cylinder head (840Ci)	20-2	01-5
X20	CONNECTOR (25-PINS, GRAY)	Rear RH side of engine compartment	27-3	01-5
X21	CONNECTOR (25-PINS, BLACK)	LH side of engine (840Ci)	20-1	01-5
X21	CONNECTOR (25-PINS, BLUE)	Rear RH side of engine compartment	27-3	01-5
X22	CONNECTOR (26-PINS, BLUE)	In RH rear side of luggage compartment (840Ci)	46-3	01-2
X25	CONNECTOR (4-PINS, BLACK)	RH side of engine compartment on washer fluid reservoir	27-1	10-1
X27	CONNECTOR (1-PINS, (---))	In LH auxiliary relay box, engine compartment	22-1	
X31	CONNECTOR (12-PINS, BLACK)	LH side of engine compartment under concealing headlight		03-4



# COMPONENT LOCATION CHART

## COMPONENT

PAGE - FIGURE  
7100.0 8500.0

X32 ... CONNECTOR (12-PINS, WHITE) .....	Below LH side of dash .....	31-1	04-3
X33 ... CONNECTOR (12-PINS, BLACK) .....	Below LH side of dash .....	31-1	04-3
X36 ... CONNECTOR (21-PINS, BLACK) .....	Below center console .....	34-3	01-6
X38 ... CONNECTOR (20-PINS, BLACK) .....	Below LH side of dash .....	30-2	02-1
X39 ... CONNECTOR (26-PINS, GREEN) .....	Below LH side of dash .....	30-1	01-2
X40 ... CONNECTOR (26-PINS, BROWN) .....	Below LH side of dash .....	30-1	01-2
X41 ... CONNECTOR (26-PINS, BLUE) .....	Below LH side of dash .....	30-1	01-2
X42 ... CONNECTOR (5-PINS, BLACK) .....	Below LH side of dash .....	30-1	08-4
X43 ... CONNECTOR (9-PINS, BLACK) .....	Rear LH side of engine compartment in Front Power Distribution Box .....		05-4
X46 ... GROUND .....	RH side of dash		
X52 ... CONNECTOR (9-PINS, BLACK) .....	Rear LH side of engine compartment in Front Power Distribution Box .....		05-4
X53 ... CONNECTOR (9-PINS, BLACK) .....	Rear LH side of engine compartment in Front Power Distribution Box .....		05-4
X54 ... CONNECTOR (9-PINS, BLACK) .....	Rear LH side of engine compartment in Front Power Distribution Box .....		05-4
X55 ... CONNECTOR (9-PINS, BLACK) .....	Rear LH side of engine compartment in Front Power Distribution Box .....		05-4
X57 ... CONNECTOR (9-PINS, BLACK) .....	Rear LH side of engine compartment in Front Power Distribution Box .....		05-4
X58 ... CONNECTOR (9-PINS, BLACK) .....	Rear LH side of engine compartment in Front Power Distribution Box .....		05-4
X61 ... CONNECTOR (9-PINS, BLACK) .....	Rear LH side of engine compartment in Front Power Distribution Box .....		05-4
X63 ... CONNECTOR (9-PINS, BLACK) .....	Rear LH side of engine compartment in Front Power Distribution Box .....		05-4
X64 ... CONNECTOR (9-PINS, BLACK) .....	Rear LH side of engine compartment in Front Power Distribution Box .....		05-4
X65 ... CONNECTOR (9-PINS, BROWN) .....	Rear LH side of engine compartment in Front Power Distribution Box .....		05-4



# COMPONENT LOCATION CHART

## COMPONENT

PAGE - FIGURE  
7100.0 8500.0

X69 ... CONNECTOR (25-PINS, BLACK) .....	Rear RH side of engine compartment near shock tower (840Ci) .....	19-3	01-5
X69 ... CONNECTOR (25-PINS, BLACK) .....	Rear RH side of engine compartment .....	27-3	01-5
X70 ... CONNECTOR (8-PINS, BLACK) .....	Front LH side of engine compartment .....	19-1	05-5
X72 ... CONNECTOR (8-PINS, WHITE) .....	Below LH side of dash .....	31-1	06-3
X73 ... CONNECTOR (8-PINS, WHITE) .....	Below LH side of dash .....	31-3	06-4
X74 ... CONNECTOR (30-PINS, ORANGE) .....	Below RH side of dash .....	33-2	12-5
X76 ... CONNECTOR (8-PINS, BLACK) .....	Below LH side of dash		
X77 ... CONNECTOR (10-PINS, BLACK) .....	LH side of LH footwell .....	32-2	04-6
X78 ... CONNECTOR (4-PINS, BLACK) .....	Below LH side of dash .....	31-2	09-2
X82 ... CONNECTOR (3-PINS, BLACK) .....	Front of engine compartment on auxillary fan .....	16-3	11-4
X83 ... CONNECTOR (9-PINS, BLACK) .....	In Front Power Distribution Box .....		05-4
X85 ... CONNECTOR (3-PINS, BLACK) .....	Rear LH side of engine compartment .....	19-2	11-4
X87 ... CONNECTOR (3-PINS, BLACK) .....	Front RH side of engine compartment .....	23-3	11-4
X88 ... CONNECTOR (2-PINS, BLACK) .....	LH side of dash		
X95 ... CONNECTOR (3-PINS, BLACK) .....	Front of engine right (840Ci) .....	21-1	11-4
X101 .. CONNECTOR (2-PINS, BLACK) .....	On underside of engine hood left		
X102 .. CONNECTOR (1-PINS, (---)) .....	Rear LH side of engine compartment .....	23-1	
X103 .. CONNECTOR (1-PINS, (---)) .....	Rear LH side of engine compartment .....	23-2	
X105 .. CONNECTOR (2-PINS, GRAY) .....	On underside of engine hood left .....	16-2	
X106 .. CONNECTOR (2-PINS, GRAY) .....	On underside of engine hood		



# COMPONENT LOCATION CHART

## COMPONENT

PAGE - FIGURE  
7100.0 8500.0

X107 ..	CONNECTOR (2-PINS, GRAY) .....	RH side of engine compartment on washer fluid reservoir .....	27-1	
X109 ..	CONNECTOR (2-PINS, BLACK) .....	RH side of engine compartment on washer fluid reservoir .....	27-2	
X110 ..	CONNECTOR (2-PINS, GRAY) .....	RH side of engine compartment on washer fluid reservoir		
X111 ..	CONNECTOR (2-PINS, BLACK) .....	Rear LH side of engine compartment		
X113 ..	CONNECTOR (3-PINS, WHITE) .....	RH front of wheel well .....		13-1
X114 ..	CONNECTOR (3-PINS, GRAY) .....	Behind LH front wheel .....		13-1
X118 ..	CONNECTOR (2-PINS, BLACK) .....	Behind LH front wheel .....	14-1	
X119 ..	CONNECTOR (2-PINS, BLACK) .....	Rear LH side of engine compartment near brake fluid reservoir .....	23-1	
X120 ..	CONNECTOR (2-PINS, BLACK) .....	Under LH front of car		
X121 ..	CONNECTOR (2-PINS, WHITE) .....	Below LH side of dash .....	31-2	
X122 ..	CONNECTOR (2-PINS, BLACK) .....	Rear LH side of engine compartment .....	19-2	
X126 ..	CONNECTOR (2-PINS, WHITE) .....	RH side of engine compartment under concealing headlight		
X128 ..	CONNECTOR (7-PINS, BLACK) .....	Near LH headlight assembly front of vehicle .....	12-3	06-6
X130 ..	CONNECTOR (7-PINS, BLACK) .....	Front LH side of engine compartment .....	19-1	06-6
X132 ..	CONNECTOR (2-PINS, BLACK) .....	Front of car		
X133 ..	CONNECTOR (2-PINS, BLACK) .....	Front of car		
X135 ..	CONNECTOR (7-PINS, BLACK) .....	Front RH side of engine compartment .....	27-2	06-6
X137 ..	CONNECTOR (7-PINS, BLACK) .....	Near RH headlight assembly front of vehicle .....	13-1	06-6
X142 ..	CONNECTOR (3-PINS, GRAY) .....	Behind LH rear wheel .....		13-1
X143 ..	CONNECTOR (3-PINS, GRAY) .....	Under RH rear of car .....	13-3	13-1



# COMPONENT LOCATION CHART

## COMPONENT

PAGE - FIGURE  
7100.0 8500.0

X145	.. CONNECTOR (2-PINS, BLACK)	LH side of engine compartment	24-1	
X161	.. CONNECTOR (2-PINS, BLACK)	Near LH headlight assembly	12-1	
X165	.. GROUND	Behind LH footwell speaker grille	11-1	
X167	.. GROUND	LH side of engine compartment	09-2	
X168	.. CONNECTOR (1-PINS, BLACK)	On steering column		
X170	.. CONNECTOR (1-PINS, (---))	Front LH side of engine compartment under concealing headlight		
X173	.. GROUND	Front RH side of engine compartment (headlights removed)	09-3	
X252	.. CONNECTOR (26-PINS, BLACK)	Inside box on interior side of RH door sill	32-1	01-2
X253	.. CONNECTOR (26-PINS, BLACK)	Below LH side of dash	30-2	01-2
X254	.. CONNECTOR (26-PINS, YELLOW)	Below LH side of dash	30-2	01-2
X256	.. CONNECTOR (26-PINS, BLACK)	Ahead of RH front door		01-3
X257	.. CONNECTOR (26-PINS, BLACK)	Ahead of LH front door		01-3
X258	.. CONNECTOR (20-PINS, BLACK)	Inside box on interior side of LH door sill on RELAY MODULE, A5	29-2	02-1
X259	.. CONNECTOR (26-PINS, BLACK)	Inside box on interior side of LH door sill on RELAY MODULE, A5	29-2	01-2
X263	.. CONNECTOR (26-PINS, WHITE)	In RH side of luggage compartment	42-3	01-2
X272	.. CONNECTOR (6-PINS, BLACK)	Left from LH rear seat behind trim panel		07-6
X275	.. CONNECTOR (12-PINS, WHITE)	Underside of LH front seat	46-2	04-1
X279	.. CONNECTOR (12-PINS, WHITE)	Under RH front seat		04-1
X280	.. CONNECTOR (9-PINS, BLACK)	Rear LH side of engine compartment in Front Power Distribution Box		05-4
X281	.. CONNECTOR (9-PINS, BLACK)	Rear LH side of engine compartment in Front Power Distribution Box		05-4



# COMPONENT LOCATION CHART

## COMPONENT

		PAGE - FIGURE	
		7100.0	8500.0
X283	CONNECTOR (4-PINS, BLACK) .....	Front LH side of engine compartment .....	19-1 09-4
X284	CONNECTOR (4-PINS, BLACK) .....	Front RH side of engine compartment .....	27-2 09-4
X287	CONNECTOR (9-PINS, BLACK) .....	In LH side of luggage compartment .....	05-4
X291	CONNECTOR (9-PINS, BLACK) .....	Rear LH side of engine compartment in Front Power Distribution Box .....	05-4
X292	CONNECTOR (9-PINS, BLACK) .....	In LH side of luggage compartment Power Distribution Box .....	05-4
X294	CONNECTOR (9-PINS, BLACK) .....	Rear Power Distribution Box in LH side of luggage compartment .....	05-4
X295	CONNECTOR (8-PINS, BLACK) .....	Below LH side of dash .....	31-1 06-3
X296	CONNECTOR (6-PINS, NATURAL) .....	In LH rear side of luggage compartment .....	41-2 07-6
X301	CONNECTOR (26-PINS, WHITE) .....	Inside box on interior side of RH door sill .....	32-1 01-2
X306	CONNECTOR (30-PINS, BLUE) .....	LH side of LH footwell .....	29-1 01-1
X307	GROUND .....	Behind LH footwell speaker grille .....	11-1
X307	GROUND .....	Behind LH footwell speaker grille .....	32-3
X310	CONNECTOR (6-PINS, BLACK) .....	Behind glove box right .....	07-6
X311	CONNECTOR (2-PINS, BLACK) .....	Rear of car	
X312	CONNECTOR (6-PINS, BLACK) .....	In RH rear side of luggage compartment .....	43-3 08-2
X316	CONNECTOR (6-PINS, WHITE) .....	In driver's door .....	39-1 07-2
X317	CONNECTOR (6-PINS, BLACK) .....	In passenger's door .....	07-2
X318	CONNECTOR (6-PINS, BLACK) .....	In RH rear side of luggage compartment .....	43-2 07-6
X319	CONNECTOR (6-PINS, BLACK) .....	In LH rear side of luggage compartment .....	41-2 07-6
X321	CONNECTOR (4-PINS, BLACK) .....	Below center console .....	34-3 09-6



# COMPONENT LOCATION CHART

## COMPONENT

PAGE - FIGURE  
7100.0 8500.0

X322 .. CONNECTOR (8-PINS, BLACK) .....	Below center console .....	34-3	06-3
X331 .. CONNECTOR (5-PINS, BLACK) .....	Inside box on interior side of RH door sill .....	32-1	08-4
X332 .. CONNECTOR (26-PINS, WHITE) .....	Below LH side of dash .....	30-2	01-2
X333 .. CONNECTOR (12-PINS, BLACK) .....	Rear LH side of engine compartment .....	23-1	03-3
X335 .. CONNECTOR (4-PINS, BLACK) .....	Inside box on interior side of RH door sill .....	32-1	10-3
X336 .. CONNECTOR (4-PINS, WHITE) .....	Center of windshield header .....	35-2	09-3
X351 .. CONNECTOR (2-PINS, BLACK) .....	In passenger's door .....	38-1	
X352 .. CONNECTOR (2-PINS, BLACK) .....	In driver's door .....	38-1	
X355 .. CONNECTOR (2-PINS, BLACK) .....	Behind RH footwell trim		
X356 .. CONNECTOR (2-PINS, BLACK) .....	In upper LH C-pillar .....	36-2	
X371 .. CONNECTOR (2-PINS, BLACK) .....	Near RH headlight assembly .....	12-2	
X372 .. CONNECTOR (2-PINS, WHITE) .....	Behind RH fresh air cowl		
X379 .. CONNECTOR (1-PINS, BLACK) .....	In upper LH C-pillar .....	36-2	
X380 .. CONNECTOR (1-PINS, BLACK) .....	In upper RH C-pillar .....	36-3	
X381 .. CONNECTOR (2-PINS, BLACK) .....	In roof panel DRIVER'S MAKEUP MIRROR LIGHT, E35		
X382 .. CONNECTOR (2-PINS, BLACK) .....	In roof panel PASSENGER'S MAKEUP MIRROR LIGHT, E36		
X383 .. CONNECTOR (2-PINS, BLACK) .....	On differential .....	13-3	
X388 .. CONNECTOR (2-PINS, BLACK) .....	Behind LH footwell speaker grille .....	32-3	
X389 .. CONNECTOR (2-PINS, BLACK) .....	In LH front bumper LEFT FRONT AUXILIARY TURN LIGHT, H9		
X390 .. CONNECTOR (2-PINS, BLACK) .....	In RH front bumper RIGHT FRONT AUXILIARY TURN LIGHT, H8		



# COMPONENT LOCATION CHART

## COMPONENT

PAGE - FIGURE  
7100.0 8500.0

X393 .. CONNECTOR (8-PINS, BLACK) .....	In LH rear side of luggage compartment behind trim panel .....	41-1	06-4
X394 .. CONNECTOR (12-PINS, BLACK) .....	Underside of LH front seat .....	46-2	04-3
X400 .. CONNECTOR (8-PINS, BLACK) .....	In LH rear side of luggage compartment .....	41-3	06-3
X401 .. CONNECTOR (2-PINS, BLACK) .....	Above LH sun visor		
X402 .. CONNECTOR (2-PINS, BLACK) .....	Above RH sun visor		
X405 .. CONNECTOR (3-PINS, BLUE) .....	Behind LH front wheel .....		11-1
X406 .. CONNECTOR (3-PINS, BLUE) .....	RH front of wheel well .....		11-1
X407 .. CONNECTOR (3-PINS, BLUE) .....	Behind LH rear wheel .....		11-1
X408 .. CONNECTOR (3-PINS, BLUE) .....	Under RH rear of car .....	13-3	11-1
X413 .. CONNECTOR (2-PINS, BLACK) .....	At back of rear window shelf		
X423 .. CONNECTOR (2-PINS, BLACK) .....	Below front of console		
X490 .. GROUND .....	Inside box on interior side of LH door sill .....	11-2	
X490 .. GROUND .....	Inside box on interior side of LH door sill .....	29-2	
X492 .. GROUND .....	Behind LH footwell speaker grille .....	11-1	
X492 .. GROUND .....	Behind LH footwell speaker grille .....	32-3	
X494 .. GROUND .....	In RH side of luggage compartment .....	10-3	
X494 .. GROUND .....	In RH side of luggage compartment .....	43-2	
X495 .. GROUND .....	Underside of RH rear seat		
X497 .. GROUND .....	In LH rear side of luggage compartment .....	10-2	
X497 .. GROUND .....	In LH rear side of luggage compartment .....	41-2	





# COMPONENT LOCATION CHART

## COMPONENT

PAGE - FIGURE  
7100.0 8500.0

X500	.. CONNECTOR (1-PINS, (---))	..... In RH side of luggage compartment FUSIBLE LINK, F0		
X501	.. CONNECTOR (18-PINS, BLACK)	..... Center console		02-3
X503	.. CONNECTOR (12-PINS, BLACK)	..... LH side of dash		04-2
X504	.. CONNECTOR (12-PINS, BLACK)	..... LH side of dash FOG LIGHT SWITCH, S10		04-2
X506	.. CONNECTOR (12-PINS, WHITE)	..... Below center console	34-2	04-3
X509	.. CONNECTOR (9-PINS, WHITE)	..... Below LH side of dash RIGHT PARK LIGHT/LICENSE PLATE LIGHT RELAY, K25		05-4
X511	.. CONNECTOR (8-PINS, BLACK)	..... Near gearshift lever		06-4
X512	.. CONNECTOR (12-PINS, BLACK)	..... Inside box on interior side of RH door sill	32-1	04-1
X514	.. CONNECTOR (4-PINS, BLACK)	..... Center of dash		09-2
X516	.. CONNECTOR (5-PINS, BLACK)	..... Center console		08-5
X517	.. CONNECTOR (4-PINS, BLACK)	..... LH side of dash DIMMER, N3		09-2
X518	.. CONNECTOR (4-PINS, BLACK)	..... Below RH side of dash under glove box	33-1	09-2
X521	.. CONNECTOR (6-PINS, BLUE)	..... Center console	34-1	07-2
X522	.. CONNECTOR (3-PINS, WHITE)	..... Below RH side of dash under glove box	33-1	10-6
X523	.. CONNECTOR (6-PINS, BLACK)	..... Inside box on interior side of LH door sill		08-3
X529	.. CONNECTOR (6-PINS, BLACK)	..... Center console		07-2
X531	.. CONNECTOR (2-PINS, WHITE)	..... Center of dash FRONT CIGAR LIGHTER, E28		
X532	.. CONNECTOR (2-PINS, BLACK)	..... Center of dash FRONT CIGAR LIGHTER LIGHT, E29		
X537	.. CONNECTOR (2-PINS, BLACK)	..... LH front door behind door panel LEFT FRONT MIDRANGE SPEAKER, H55	36-1	
X538	.. CONNECTOR (2-PINS, BLACK)	..... At back of rear window shelf RIGHT FRONT MIDRANGE SPEAKER, H54		



# COMPONENT LOCATION CHART

## COMPONENT

PAGE - FIGURE  
7100.0 8500.0

X539 .. CONNECTOR (2-PINS, WHITE) .....	Below center console .....	34-2	
X540 .. CONNECTOR (2-PINS, BLACK) .....	RH side of dash behind glove box RH side of IHKA Plenum		
X541 .. CONNECTOR (1-PINS, BLACK) .....	RH side of glove box		
X542 .. CONNECTOR (2-PINS, BLACK) .....	RH side of dash behind glove box RH side of IHKA Plenum		
X543 .. CONNECTOR (3-PINS, BLACK) .....	Center of dash DASH LIGHT, E41 .....		10-5
X546 .. CONNECTOR (2-PINS, WHITE) .....	Below center console .....	34-2	
X601 .. CONNECTOR (26-PINS, YELLOW) .....	Underside of LH front seat .....	46-2	01-4
X603 .. CONNECTOR (12-PINS, BLACK) .....	LH front seat DRIVER'S MEMORY SEAT ADJUSTMENT SWITCH, S50 .....		04-4
X604 .. CONNECTOR (12-PINS, BLACK) .....	RH front seat PASSENGER'S SEAT, SEAT CONTROL SWITCH, S56 .....		04-4
X605 .. CONNECTOR (12-PINS, BLACK) .....	In LH forward side of luggage compartment .....	44-1	04-1
X606 .. CONNECTOR (26-PINS, WHITE) .....	In LH forward side of luggage compartment .....	44-1	01-2
X607 .. CONNECTOR (12-PINS, WHITE) .....	Behind dashboard behind glove box .....	33-2	03-6
X610 .. CONNECTOR (26-PINS, WHITE) .....	Between front footwells .....		01-2
X611 .. CONNECTOR (26-PINS, BLACK) .....	Between front footwells .....		01-2
X612 .. CONNECTOR (26-PINS, BLUE) .....	Center of dash .....		01-2
X613 .. CONNECTOR (26-PINS, BLUE) .....	Between front footwells .....		01-2
X614 .. CONNECTOR (26-PINS, YELLOW) .....	Between front footwells .....		01-2
X621 .. CONNECTOR (10-PINS, BLACK) .....	Ahead of RH front door .....		05-3
X622 .. CONNECTOR (10-PINS, BLACK) .....	Ahead of LH front door .....		05-2
X623 .. CONNECTOR (10-PINS, BLACK) .....	In upper LH front door .....	38-2	05-1



# COMPONENT LOCATION CHART

## COMPONENT

PAGE - FIGURE  
7100.0 8500.0

X624	CONNECTOR (10-PINS, BLACK)	In upper RH front door	38-2	05-1
X625	CONNECTOR (6-PINS, WHITE)	In driver's door behind door panel	39-1	08-2
X627	CONNECTOR (2-PINS, BLACK)	Center of windshield header		
X638	CONNECTOR (3-PINS, BLACK)	Under RH rear seat	37-2	11-4
X641	CONNECTOR (6-PINS, BLACK)	In lower RH side of front door		07-5
X643	CONNECTOR (6-PINS, BLUE)	Center of windshield header SUNROOF SWITCH, S38	35-2	08-2
X650	CONNECTOR (6-PINS, BLACK)	LH front seat MEMORY SEAT MIRRORS SWITCH, S57		07-2
X651	CONNECTOR (6-PINS, YELLOW)	LH front seat DRIVER'S SEAT, SEAT HEATER SWITCH, S53	34-1	07-2
X652	CONNECTOR (4-PINS, BLACK)	LH front seat DRIVER'S SEAT LUMBAR SWITCH, S52		09-2
X658	CONNECTOR (6-PINS, YELLOW)	RH front seat PASSENGER'S SEAT, SEAT HEATER SWITCH, S54	34-1	07-2
X659	CONNECTOR (4-PINS, BLACK)	RH front seat PASSENGER'S SEAT, SEAT HEATER SWITCH, S54		09-2
X660	CONNECTOR (6-PINS, BLACK)	In lower LH front door		07-5
X661	CONNECTOR (6-PINS, GRAY)	Behind center of dashboard left		08-1
X662	CONNECTOR (6-PINS, GRAY)	Below LH side of dash		08-1
X663	CONNECTOR (6-PINS, GRAY)	LH side of IHKA Plenum		08-1
X664	CONNECTOR (6-PINS, GRAY)	LH side of IHKA Plenum		08-1
X666	CONNECTOR (6-PINS, GRAY)	Center of dash left of radio		08-1
X667	CONNECTOR (6-PINS, GRAY)	Below LH side of dash		08-1
X668	CONNECTOR (6-PINS, GRAY)	LH side of RH footwell		08-1
X669	CONNECTOR (6-PINS, GRAY)	RH side of dash behind glove box		08-1



# COMPONENT LOCATION CHART

## COMPONENT

PAGE - FIGURE  
7100 0    8500 0

X670	CONNECTOR (6-PINS, GRAY)	Behind center of dashboard right		08-1
X671	CONNECTOR (5-PINS, BLACK)	LH side of RH footwell		08-4
X672	CONNECTOR (4-PINS, BLACK)	In luggage compartment		09-5
X675	CONNECTOR (4-PINS, WHITE)	in luggage compartment		08-6
X676	CONNECTOR (4-PINS, BLACK)	In luggage compartment		08-6
X678	CONNECTOR (12-PINS, WHITE)	Underside of LH front seat	46-2	04-3
X679	CONNECTOR (2-PINS, WHITE)	Under LH rear seat	37-1	
X682	CONNECTOR (3-PINS, BLACK)	Center of dash		10-5
X684	CONNECTOR (3-PINS, BLACK)	RH front door right		11-4
X685	CONNECTOR (3-PINS, BLACK)	In upper LH front door left	38-3	11-4
X686	CONNECTOR (3-PINS, BLUE)	Underside of LH front seat	46-2	10-4
X687	CONNECTOR (3-PINS, BLUE)	LH front seat		10-4
X688	CONNECTOR (3-PINS, BLUE)	LH front seat		10-4
X690	CONNECTOR (3-PINS, BLUE)	Underside of LH front seat	46-2	10-4
X692	CONNECTOR (3-PINS, BLACK)	Center of dash		12-2
X700	CONNECTOR (2-PINS, BLACK)	Behind RH footwell kickpanel		
X701	CONNECTOR (2-PINS, BLACK)	Behind LH footwell speaker grille	32-3	
X706	CONNECTOR (2-PINS, BLACK)	Center console CASSETTE TAPE PLAYER LIGHT, E45		
X709	CONNECTOR (2-PINS, BLACK)	Underside of trunk lid LEFT LICENSE PLATE LIGHT, E43		
X710	CONNECTOR (2-PINS, BLACK)	Underside of trunk lid RIGHT LICENSE PLATE LIGHT, E44		



## COMPONENT LOCATION CHART

### COMPONENT

PAGE - FIGURE

7100 0 8500 0

X711	CONNECTOR (1-PINS, BLACK)	Underside of trunk lid TRUNK LID SWITCH, S61		
X712	CONNECTOR (1-PINS, BLACK)	Underside of trunk lid TRUNK LID LIGHT, E33		
X713	CONNECTOR (2-PINS, BLACK)	Behind RH rear wheel		
X714	CONNECTOR (4-PINS, BLACK)	RH side of RH rear seat behind trim panel	37-3	09-2
X715	CONNECTOR (2-PINS, BLACK)	Left from LH rear seat behind trim panel	37-3	
X720	CONNECTOR (4-PINS, BLACK)	Left from LH rear seat behind trim panel		09-2
X721	CONNECTOR (2-PINS, BLACK)	RH side of RH rear seat behind trim panel		
X726	CONNECTOR (2-PINS, BLACK)	Under LH front seat		
X727	CONNECTOR (2-PINS, WHITE)	Under LH front seat		
X728	CONNECTOR (2-PINS, WHITE)	Under LH front seat		
X729	CONNECTOR (2-PINS, BLACK)	In lower LH front seatback		
X734	CONNECTOR (2-PINS, BLACK)	Under RH front seat		
X735	CONNECTOR (2-PINS, WHITE)	Under RH front seat		
X736	CONNECTOR (2-PINS, BLACK)	In lower RH front seatback		
X737	CONNECTOR (2-PINS, WHITE)	Under RH front seat		
X742	CONNECTOR (2-PINS, YELLOW)	RH front door		
X744	CONNECTOR (6-PINS, BLACK)	In lower RH side of front door		07-5
X745	CONNECTOR (2-PINS, BLACK)	In upper RH C-pillar	36-3	
X746	CONNECTOR (2-PINS, BLACK)	In upper RH front door		
X747	CONNECTOR (2-PINS, YELLOW)	In upper LH front door left	38-3	



## COMPONENT LOCATION CHART

### COMPONENT

			PAGE - FIGURE	
			7100 0	8500 0
X748	CONNECTOR (2-PINS, WHITE)	In lower LH front door behind door panel	36-1	
X749	CONNECTOR (6-PINS, BLACK)	In lower LH front door	39-2	07-5
X751	CONNECTOR (2-PINS, WHITE)	In upper LH front door left	38-3	
X752	CONNECTOR (2-PINS, GRAY)	In upper LH front door left	38-3	
X753	CONNECTOR (2-PINS, BLACK)	In lower LH front door behind door panel	36-1	
X770	CONNECTOR (2-PINS, YELLOW)	In ventilation duct left	24-3	
X771	CONNECTOR (2-PINS, BLACK)	RH side of LH footwell		
X772	CONNECTOR (2-PINS, WHITE)	Center console left behind radio		
X773	CONNECTOR (2-PINS, WHITE)	Center console right behind radio		
X774	CONNECTOR (2-PINS, GRAY)	Behind center of cowl under RH side of windshield		
X778	CONNECTOR (3-PINS, BLACK)	Underside of LH front seat		10-5
X779	CHARGING SOCKET	LH side of glove box		
X782	CONNECTOR (3-PINS, ORANGE)	Below RH side of dash		11-6
X816	CONNECTOR (1-PINS, BLACK)	Behind center of cowl		
X817	CONNECTOR (1-PINS, BLACK)	Behind center of cowl		
X818	GROUND	Below LH side of dash	11-3	
X818	GROUND	Below LH side of dash	31-3	
X848	CONNECTOR (4-PINS, GREEN)	At back of rear window shelf	14-3	10-3
X881	CONNECTOR (6-PINS, WHITE)	RH front seat PASSENGER'S THIGH SUPPORT SWITCH, S94		08-2
X882	CONNECTOR (2-PINS, BLACK)	Under LH front seat		



# COMPONENT LOCATION CHART

## COMPONENT

PAGE - FIGURE  
7100.0 8500.0

X883	.. CONNECTOR (2-PINS, BLACK)	Under RH front seat		
X884	.. CONNECTOR (3-PINS, BLUE)	Under LH front seat		10-4
X886	.. CONNECTOR (6-PINS, WHITE)	LH front seat DRIVER'S THIGH SUPPORT SWITCH, S93		08-2
X887	.. CONNECTOR (26-PINS, BLACK)	In driver's door	39-3	01-2
X889	.. CONNECTOR (26-PINS, WHITE)	In passenger's door	39-3	01-2
X898	.. CONNECTOR (6-PINS, BLACK)	Center of dash REAR WINDOW DEFOGGER SWITCH, S76		07-2
X909	.. CONNECTOR (2-PINS, GRAY)	RH front door right		
X916	.. CONNECTOR (5-PINS, BLACK)	Center of windshield header	35-1	08-4
X917	.. CONNECTOR (6-PINS, BLACK)	Center of windshield header	35-1	07-2
X924	.. CONNECTOR (6-PINS, BLACK)	Underside of trunk lid left	44-3	07-6
X925	.. CONNECTOR (6-PINS, BLACK)	Underside of trunk lid right	44-3	07-6
X932	.. CONNECTOR (2-PINS, GRAY)	In driver's door	38-1	
X933	.. CONNECTOR (2-PINS, GRAY)	In passenger's door	38-1	
X936	.. CONNECTOR (2-PINS, WHITE)	In driver's door	39-3	
X937	.. CONNECTOR (2-PINS, WHITE)	In passenger's door	39-3	
X941	.. CONNECTOR (9-PINS, BLACK)	Rear LH side of engine compartment in Front Power Distribution Box		05-4
X945	.. CONNECTOR (10-PINS, WHITE)	In RH side of luggage compartment	42-3	04-6
X947	.. CONNECTOR (6-PINS, BLACK)	Center console	35-3	07-2
X949	.. CONNECTOR (5-PINS, BLACK)	At back of rear window shelf	14-3	08-4
X998	.. CONNECTOR (2-PINS, NATURAL)	LH front seat RH DRIVER'S SEATBACK SWITCH, S103		



# COMPONENT LOCATION CHART

## COMPONENT

PAGE - FIGURE  
7100.0 8500.0

X999	.. CONNECTOR (2-PINS, WHITE)	..... RH front seat LH DRIVER'S SEATBACK SWITCH, S104		
X1001	. CONNECTOR (4-PINS, NATURAL)	..... In RH rear side of luggage compartment	43-1	09-2
X1002	. CONNECTOR (4-PINS, NATURAL)	..... In LH rear side of luggage compartment	41-3	09-2
X1003	. CONNECTOR (12-PINS, BLACK)	..... Below center console	34-3	04-3
X1010	. CONNECTOR (2-PINS, BLACK)	..... RH side of engine compartment under concealing headlight		
X1011	. CONNECTOR (2-PINS, GRAY)	..... RH side of engine compartment on washer fluid reservoir	27-2	
X1021	. CONNECTOR (9-PINS, BLACK)	..... Rear LH side of engine compartment in Front Power Distribution Box		05-4
X1165	. GROUND	..... Front LH side of engine compartment		
X1178	. CONNECTOR (2-PINS, BLACK)	..... Near gearshift lever		
X1193	. CONNECTOR (3-PINS, BLACK)	..... Below center console		
X1204	. CONNECTOR (2-PINS, WHITE)	..... Left from LH rear seat behind trim panel	37-3	
X1205	. CONNECTOR (2-PINS, WHITE)	..... RH side of RH rear seat behind trim panel		
X1229	. CONNECTOR (4-PINS, BLACK)	..... Center of dash behind radio		10-3
X1230	. CONNECTOR (4-PINS, WHITE)	..... Left from LH rear seat behind trim panel	37-3	09-3
X1372	. CONNECTOR (2-PINS, BLACK)	..... LH side of glove box		
X1375	. CONNECTOR (2-PINS, BLACK)	..... LH side of glove box left		
X1376	. CONNECTOR (9-PINS, BLACK)	..... Rear Power Distribution Box		05-4
X1377	. CONNECTOR (2-PINS, BLACK)	..... Underside of trunk lid	44-2	
X1426	. CONNECTOR (1-PINS, BROWN)	..... Below RH side of dash		
X1439	. CONNECTOR (2-PINS, BLACK)	..... Center console		





# COMPONENT LOCATION CHART

## COMPONENT

PAGE - FIGURE  
7100.0 8500.0

X3210 . CONNECTOR (26-PINS, BLUE) . . . . .	Behind RH footwell speaker grille . . . . .	33-3	01-4
X3211 . CONNECTOR (4-PINS, BLACK) . . . . .	Front LH side of engine compartment . . . . .	16-3	10-2
X6000 . CONNECTOR (88-PINS, BLACK) . . . . .	In E-Box (840Ci) . . . . .	21-3	00-1
X6002 . CONNECTOR (20-PINS, BLACK) . . . . .	Rear RH side of engine compartment near shock tower (840Ci) . . . . .	19-3	02-2
X6002 . CONNECTOR (20-PINS, BLACK) . . . . .	RH side of engine compartment . . . . .	25-2	02-2
X6004 . CONNECTOR (55-PINS, BLACK) . . . . .	Rear RH side of engine compartment in E-Box . . . . .	28-1	00-2
X6010 . CONNECTOR (88-PINS, BLACK) . . . . .	Rear RH side of engine compartment in E-Box . . . . .	28-1	00-1
X6020 . CONNECTOR (88-PINS, BLACK) . . . . .	Rear RH side of engine compartment in E-Box . . . . .	28-1	00-1
X6099 . CONNECTOR (1-PINS, BLACK) . . . . .	Front of engine left		
X6101 . CONNECTOR (2-PINS, BLACK) . . . . .	RH cylinder head (840Ci)		
X6101 . CONNECTOR (2-PINS, BLACK) . . . . .	RH side of engine		
X6102 . CONNECTOR (2-PINS, BLACK) . . . . .	RH cylinder head (840Ci)		
X6102 . CONNECTOR (2-PINS, BLACK) . . . . .	RH side of engine		
X6103 . CONNECTOR (2-PINS, BLACK) . . . . .	RH cylinder head (840Ci)		
X6103 . CONNECTOR (2-PINS, BLACK) . . . . .	RH side of engine		
X6104 . CONNECTOR (2-PINS, BLACK) . . . . .	RH cylinder head (840Ci)		
X6104 . CONNECTOR (2-PINS, BLACK) . . . . .	RH side of engine		
X6105 . CONNECTOR (2-PINS, BLACK) . . . . .	LH cylinder head (840Ci)		
X6105 . CONNECTOR (2-PINS, BLACK) . . . . .	RH side of engine		
X6106 . CONNECTOR (2-PINS, BLACK) . . . . .	LH cylinder head (840Ci)		



# COMPONENT LOCATION CHART

## COMPONENT

PAGE - FIGURE  
7100.0 8500.0

X6106 . CONNECTOR (2-PINS, BLACK) . . . . .	RH side of engine		
X6107 . CONNECTOR (2-PINS, BLACK) . . . . .	LH cylinder head (840Ci)		
X6107 . CONNECTOR (2-PINS, BLACK) . . . . .	LH side of engine		
X6108 . CONNECTOR (2-PINS, BLACK) . . . . .	LH cylinder head (840Ci)		
X6108 . CONNECTOR (2-PINS, BLACK) . . . . .	LH side of engine		
X6109 . CONNECTOR (2-PINS, BLACK) . . . . .	LH side of engine		
X6110 . CONNECTOR (2-PINS, BLACK) . . . . .	LH side of engine		
X6111 . CONNECTOR (2-PINS, BLACK) . . . . .	LH side of engine		
X6112 . CONNECTOR (2-PINS, BLACK) . . . . .	LH side of engine		
X6120 . CONNECTOR (2-PINS, BLACK) . . . . .	Front of engine (840Ci) . . . . .	21-1	
X6121 . CONNECTOR (2-PINS, BLACK) . . . . .	RH side of engine compartment under air filter . . . . .	25-2	
X6122 . CONNECTOR (2-PINS, WHITE) . . . . .	RH side of engine compartment under air filter . . . . .	25-2	
X6130 . CONNECTOR (3-PINS, GRAY) . . . . .	Front of engine (840Ci) . . . . .	20-3	12-1
X6151 . CONNECTOR (3-PINS, BLACK) . . . . .	RH cylinder head (840Ci) . . . . .		13-6
X6152 . CONNECTOR (3-PINS, BLACK) . . . . .	RH cylinder head (840Ci) . . . . .		13-6
X6153 . CONNECTOR (3-PINS, BLACK) . . . . .	RH cylinder head (840Ci) . . . . .		13-6
X6154 . CONNECTOR (3-PINS, BLACK) . . . . .	RH cylinder head (840Ci) . . . . .		13-6
X6155 . CONNECTOR (3-PINS, BLACK) . . . . .	LH cylinder head (840Ci) . . . . .		13-6
X6156 . CONNECTOR (3-PINS, BLACK) . . . . .	LH cylinder head (840Ci) . . . . .		13-6
X6157 . CONNECTOR (3-PINS, BLACK) . . . . .	LH cylinder head (840Ci) . . . . .		13-6



# COMPONENT LOCATION CHART

## COMPONENT

	PAGE - FIGURE	
	7100.0	8500.0
X6158 . CONNECTOR (3-PINS, BLACK) . . . . . LH cylinder head (840Ci) . . . . .		13-6
X6203 . CONNECTOR (3-PINS, BLACK) . . . . . RH cylinder head (840Ci) . . . . .	20-2	
X6204 . CONNECTOR (3-PINS, BLACK) . . . . . LH cylinder head (840Ci) . . . . .	20-1	
X6210 . CONNECTOR (4-PINS, BLACK) . . . . . On catalytic converter under center of car . . . . .	15-3	10-1
X6210 . CONNECTOR (4-PINS, BLACK) . . . . . On catalytic converter under center of car . . . . .	22-3	10-1
X6211 . CONNECTOR (3-PINS, GRAY) . . . . . Front of engine left . . . . .	25-3	12-1
X6212 . CONNECTOR (3-PINS, BLACK) . . . . . Front of engine compartment . . . . .	25-3	12-1
X6215 . CONNECTOR (2-PINS, BLACK) . . . . . Front of engine (840Ci) . . . . .	20-2	
X6216 . CONNECTOR (7-PINS, BLACK) . . . . . LH side of engine compartment . . . . .	24-2	06-5
X6217 . CONNECTOR (4-PINS, BLACK) . . . . . Front of engine . . . . .	22-2	10-1
X6220 . CONNECTOR (4-PINS, BLACK) . . . . . On catalytic converter under center of car . . . . .	15-3	10-1
X6220 . CONNECTOR (4-PINS, BLACK) . . . . . On catalytic converter under center of car . . . . .	22-3	10-1
X6221 . CONNECTOR (3-PINS, BLACK) . . . . . Front of engine . . . . .	25-3	12-1
X6222 . CONNECTOR (3-PINS, GRAY) . . . . . Front of engine . . . . .	25-3	12-1
X6225 . CONNECTOR (2-PINS, BLACK) . . . . . Rear of engine		
X6226 . CONNECTOR (7-PINS, BLACK) . . . . . RH side of engine compartment . . . . .		06-5
X6230 . CONNECTOR (3-PINS, BLACK) . . . . . Under LH front of car . . . . .	15-1	12-1
X6232 . CONNECTOR (2-PINS, BLACK) . . . . . RH side of engine rear (840Ci) . . . . .	21-2	
X6234 . CONNECTOR (2-PINS, WHITE) . . . . . On coolant inlet		
X6235 . CONNECTOR (2-PINS, BLACK) . . . . . Rear RH side of engine compartment in E-Box . . . . .	28-3	



# COMPONENT LOCATION CHART

## COMPONENT

PAGE - FIGURE  
7100.0 8500.0

X6236 . CONNECTOR (2-PINS, WHITE) . . . . .	RH side of engine rear (840Ci) . . . . .	21-2	12-1
X6241 . CONNECTOR (2-PINS, BLACK) . . . . .	RH cylinder head (840Ci) . . . . .	20-2	
X6242 . CONNECTOR (2-PINS, BLACK) . . . . .	RH cylinder head (840Ci) . . . . .	20-2	
X6243 . CONNECTOR (2-PINS, BLACK) . . . . .	LH cylinder head (840Ci) . . . . .	20-1	
X6244 . CONNECTOR (2-PINS, BLACK) . . . . .	LH cylinder head (840Ci) . . . . .	20-1	
X6252 . CONNECTOR (3-PINS, BLACK) . . . . .	Front of engine (840Ci) . . . . .	20-3	12-1
X6253 . CONNECTOR (3-PINS, BLACK) . . . . .	Front of engine (840Ci) . . . . .	20-3	12-1
X6300 . CONNECTOR (9-PINS, BLACK) . . . . .	In E-Box . . . . .		05-4
X6301 . CONNECTOR (9-PINS, BLACK) . . . . .	In E-Box . . . . .		05-4
X6303 . CONNECTOR (9-PINS, BLACK) . . . . .	In E-Box . . . . .		05-4
X6310 . CONNECTOR (9-PINS, WHITE) . . . . .	Rear RH side of engine compartment in E-Box . . . . .		05-4
X6311 . CONNECTOR (9-PINS, YELLOW) . . . . .	Rear RH side of engine compartment in E-Box . . . . .		05-4
X6320 . CONNECTOR (9-PINS, WHITE) . . . . .	Rear RH side of engine compartment in E-Box . . . . .		05-4
X6321 . CONNECTOR (9-PINS, YELLOW) . . . . .	Rear RH side of engine compartment in E-Box . . . . .		05-4
X6360 . CONNECTOR (8-PINS, BLACK) . . . . .	Front of engine left . . . . .	26-3	05-5
X6370 . CONNECTOR (8-PINS, BLACK) . . . . .	Front RH side of engine compartment . . . . .	26-3	05-5
X6400 . B+ JUNCTION POINT . . . . .	Rear RH side of engine compartment in E-Box . . . . .	07-2	
X6400 . B+ JUNCTION POINT . . . . .	In E-Box (840Ci) . . . . .	21-3	
X6400 . B+ JUNCTION POINT . . . . .	Rear RH side of engine compartment in E-Box . . . . .	28-2	



# COMPONENT LOCATION CHART

## COMPONENT

PAGE - FIGURE  
7100.0 8500.0

X6401 . B+ JUNCTION POINT	..... Behind rear panel in the luggage compartment in RH side of luggage compartment behind side panel		
X6402 . GROUND	..... In LH rear side of luggage compartment behind trim panel	41-1	
X6403 . CONNECTOR (1-PINS, (---))	..... In RH rear side of luggage compartment (840Ci)	46-3	
X6405 . GROUND	..... In RH side of luggage compartment	10-1	
X6405 . GROUND	..... In RH side of luggage compartment	42-2	
X6406 . B+	..... In RH side of luggage compartment	08-1	
X6406 . B+	..... In RH side of luggage compartment	42-2	
X6452 . GROUND	..... Rear RH side of engine compartment near shock tower	09-1	
X6452 . GROUND	..... Rear RH side of engine compartment near shock tower (840Ci)	19-3	
X6452 . GROUND	..... Rear RH side of engine compartment near shock tower	27-3	
X6453 . GROUND	..... Rear RH side of engine compartment near shock tower	09-1	
X6453 . GROUND	..... RH side of engine rear (840Ci)	21-2	
X6453 . GROUND	..... Rear RH side of engine compartment near shock tower	27-3	
X6506 . CONNECTOR (4-PINS, BLACK)	..... Rear RH side of engine compartment in E-Box	28-3	09-2
X6510 . CONNECTOR (1-PINS, (---))	..... At starter		
X6511 . CONNECTOR (1-PINS, (---))	..... At starter		
X6512 . CONNECTOR (1-PINS, (---))	..... At starter		
X6519 . CONNECTOR (1-PINS, (---))	..... At generator		
X7151 . CONNECTOR (1-PINS, (---))	..... RH side of engine compartment	25-1	



## COMPONENT LOCATION CHART

### COMPONENT

			PAGE - FIGURE	
			7100 0	8500 0
X7152	CONNECTOR (1-PINS, (---))	LH side of engine compartment	18-3	
X7512	B+ JUNCTION POINT	Rear LH side of engine compartment	07-1	
X7512	B+ JUNCTION POINT	Rear LH side of engine compartment	19-2	
X7519	CONNECTOR (1-PINS, BLACK)	LH side of engine compartment below intake manifold		
X8151	CONNECTOR (1-PINS, (---))	RH side of engine compartment	25-1	
X8152	CONNECTOR (1-PINS, (---))	LH side of engine compartment	18-3	
X8500	CONNECTOR (35-PINS, NATURAL)	In RH rear side of luggage compartment		00-3
X8505	CONNECTOR (16-PINS, BLACK)	On RH side of transmission	22-3	13-5
X8505	CONNECTOR (8-PINS, BLACK)	Under center of car		06-1
X8507	CONNECTOR (1-PINS, BLACK)	RH side of LH footwell		
X8509	CONNECTOR (8-PINS, BLACK)	Center console near gearshift lever	34-1	06-4
X8511	CONNECTOR (2-PINS, BLACK)	On RH side of transmission	15-3	
X8517	CONNECTOR (6-PINS, WHITE)	Center console near gearshift lever	34-2	07-2
X8518	CONNECTOR (3-PINS, BLACK)	Center console near gearshift lever		10-5
X8522	CONNECTOR (2-PINS, BLACK)	Center console		
X8600	CONNECTOR (88-PINS, BLACK)	In E-Box (840Ci)	21-3	00-1
X9423	CONNECTOR (2-PINS, BLACK)	Below front of console		
X10006	CONNECTOR (1-PINS, BLACK)	RH side of glove box above		
X10039	CONNECTOR (10-PINS, BLACK)	Rear LH side of engine compartment In Front Power Distribution Box		04-5
X10040	CONNECTOR (10-PINS, BLACK)	Rear LH side of engine compartment In Front Power Distribution Box		04-5



# COMPONENT LOCATION CHART

## COMPONENT

PAGE - FIGURE  
7100.0 8500.0

X10041	CONNECTOR (10-PINS, BLACK)	Rear LH side of engine compartment In Front Power Distribution Box	04-5
X10042	CONNECTOR (10-PINS, BLACK)	Rear LH side of engine compartment In Front Power Distribution Box	04-5
X10044	CONNECTOR (9-PINS, BLACK)	Rear LH side of engine compartment In Front Power Distribution Box	05-4
X10045	CONNECTOR (9-PINS, BLACK)	Rear LH side of engine compartment In Front Power Distribution Box	05-4
X10046	CONNECTOR (2-PINS, BLACK)	In spare-wheel well	45-2
X10047	CONNECTOR (9-PINS, BLACK)	Rear LH side of engine compartment In Front Power Distribution Box	05-4
X10051	CONNECTOR (4-PINS, BLACK)	LH side of dash	09-6
X10052	CONNECTOR (1-PINS, BLACK)	Rear LH side of engine compartment	23-1
X10053	CONNECTOR (1-PINS, BLACK)	Rear LH side of engine compartment	23-2
X10058	CONNECTOR (1-PINS, YELLOW)	LH footwell	29-3
X10094	CONNECTOR (2-PINS, BLACK)	Front LH side of engine compartment	19-1
X10094	CONNECTOR (2-PINS, BLACK)	LH side of engine compartment	
X10195	CONNECTOR (3-PINS, BLACK)	On steering wheel	11-5
X10218	CONNECTOR (3-PINS, NATURAL)	In passenger's seat area	10-5
X11244	CONNECTOR (2-PINS, BLACK)	In ventilation duct right	
X11257	CONNECTOR (1-PINS, (---))	In LH auxiliary relay box, engine compartment	22-1
X13001	CONNECTOR (9-PINS, BLACK)	Rear Power Distribution Box CONSUMER CUT-OFF RELAY I, K72	05-4
X13008	CONNECTOR (2-PINS, WHITE)	Under RH rear seat	37-2
X13015	CONNECTOR (9-PINS, BLACK)	In LH side of luggage compartment CONSUMER CUT-OFF RELAY II, K73	05-4
X13017	CONNECTOR (1-PINS, BLACK)	In upper LH C-pillar	36-2



## COMPONENT LOCATION CHART

### COMPONENT

			PAGE - FIGURE	
			7100 0	8500 0
X13018	CONNECTOR (1-PINS, BLACK)	In upper RH C-pillar	36-3	
X13027	CONNECTOR (1-PINS, BLACK)	Underside of trunk lid TRUNK LID SWITCH, S61		
X13049	CONNECTOR (1-PINS, BROWN)	In upper LH C-pillar	36-2	
X13052	CONNECTOR (10-PINS, BLACK)	LH side of LH footwell	32-2	04-5
X13109	CONNECTOR (6-PINS, BLACK)	Under LH front seat		07-3
X13110	CONNECTOR (6-PINS, BLACK)	Under RH front seat		07-3
X13139	CONNECTOR (10-PINS, BLACK)	In rear view mirror		05-1
X13167	CONNECTOR (9-PINS, BLACK)	Below LH side of dash		05-4
X13280	CONNECTOR (3-PINS, BLACK)	Center console		10-5
X18024	CONNECTOR (6-PINS, BLACK)	LH side of engine compartment		07-5
X18025	CONNECTOR (4-PINS, BLACK)	LH side of engine compartment		10-2
X18029	CONNECTOR (4-PINS, BLACK)	LH footwell		09-1
X18031	CONNECTOR (3-PINS, BLACK)	RH front of wheel well above	16-1	10-6
X18055	CONNECTOR (12-PINS, BLACK)	Below center console	34-2	04-3
X18066	CONNECTOR (3-PINS, WHITE)	In RH rear side of luggage compartment	42-1	11-5
X18067	CONNECTOR (3-PINS, WHITE)	In LH forward side of luggage compartment behind trim panel	40-3	11-2
X18068	CONNECTOR (9-PINS, BLACK)	In RH side of luggage compartment		05-4
X18080	CONNECTOR (1-PINS, BLACK)	Underside of trunk lid TRUNK LID LIGHT, E33		
X18093	CONNECTOR (6-PINS, BLACK)	LH side of dash	31-1	07-3
X18094	CONNECTOR (3-PINS, BLUE)	Bottom of steering column		10-4





# COMPONENT LOCATION CHART

## COMPONENT

PAGE - FIGURE  
7100.0 8500.0

X18095	CONNECTOR (3-PINS, BLUE)	Bottom of steering column		10-4
X18096	CONNECTOR (2-PINS, BLACK)	Bottom of steering column		
X18097	CONNECTOR (2-PINS, BLACK)	Bottom of steering column		
X18098	CONNECTOR (5-PINS, BLACK)	Behind dashboard behind radio		08-4
X18099	CONNECTOR (12-PINS, BLACK)	Behind dashboard behind radio		13-2
X18124	CONNECTOR (2-PINS, WHITE)	Under RH front seat		
X18125	CONNECTOR (2-PINS, WHITE)	Under RH front seat		
X18126	CONNECTOR (17-PINS, BLACK)	Center console		02-4
X18131	CONNECTOR (12-PINS, WHITE)	Center of dash behind radio		03-5
X18135	CONNECTOR (4-PINS, WHITE)	In upper LH front seatback		09-3
X18138	CONNECTOR (4-PINS, WHITE)	In upper RH front seatback		09-3
X18145	CONNECTOR (2-PINS, BLACK)	Under rear of car	13-3	
X18146	CONNECTOR (2-PINS, BLACK)	Under RH rear of car	13-3	
X18165	CONNECTOR (3-PINS, BLACK)	Underside of RH front seat		10-5
X18166	CONNECTOR (2-PINS, BLACK)	In upper LH front door DRIVER'S DOOR PANEL LIGHT, E78		
X18167	CONNECTOR (2-PINS, BLACK)	In upper RH front door PASSENGER'S DOOR PANEL LIGHT, E79		
X18170	GROUND	Inside box on interior side of LH door sill	11-2	
X18170	GROUND	Inside box on interior side of LH door sill	29-2	
X18171	CONNECTOR (10-PINS, BLACK)	In upper LH front door DRIVER'S SIDE MEMORY MIRROR, Y9	38-2	05-1
X18172	CONNECTOR (10-PINS, BLACK)	In upper RH front door	38-2	05-1



## COMPONENT LOCATION CHART

### COMPONENT

			PAGE - FIGURE	
			7100 0	8500 0
X18173	CONNECTOR (6-PINS, BLACK)	In upper LH front door		07-2
X18177	CONNECTOR (2-PINS, GRAY)	In spare-wheel well	45-2	
X18178	CONNECTOR (4-PINS, BLACK)	Underside of LH front seat		09-6
X18179	CONNECTOR (4-PINS, BLACK)	Under RH front seat		09-6
X18180	CONNECTOR (3-PINS, NATURAL)	In RH rear side of luggage compartment (840Ci)	46-3	12-2
X18219	CONNECTOR (12-PINS, BLACK)	In RH rear side of luggage compartment	46-1	03-5
X18220	CONNECTOR (18-PINS, BLACK)	In RH rear side of luggage compartment	46-1	02-3
X18221	CONNECTOR (18-PINS, NATURAL)	In RH rear side of luggage compartment	46-1	02-3
X18222	CONNECTOR (12-PINS, NATURAL)	In RH rear side of luggage compartment	46-1	03-5
X18223	CONNECTOR (25-PINS, BLACK)	Under rear of car	13-2	01-5
X18224	CONNECTOR (9-PINS, BLACK)	In RH rear side of luggage compartment	45-3	05-4
X18225	CONNECTOR (9-PINS, BLACK)	In RH rear side of luggage compartment	45-3	05-4
X18229	CONNECTOR (4-PINS, YELLOW)	On steering column		09-1
X18230	CONNECTOR (4-PINS, BLACK)	In spare-wheel well	45-1	09-2
X18231	CONNECTOR (2-PINS, WHITE)	In spare-wheel well	45-1	
X18246	CONNECTOR (3-PINS, YELLOW)	Center of windshield header		12-4
X18319	CONNECTOR (18-PINS, BLACK)	Under LH front seat		02-3
X18320	CONNECTOR (26-PINS, WHITE)	Under LH front seat		01-2
X18321	CONNECTOR (10-PINS, BLACK)	Under LH front seat		05-2
X18322	CONNECTOR (26-PINS, BLACK)	Under LH front seat		01-2



# COMPONENT LOCATION CHART

## COMPONENT

		PAGE - FIGURE	
		7100.0	8500.0
X18323	CONNECTOR (4-PINS, BLACK) . . . . . Under LH front seat . . . . .		10-3
X18324	CONNECTOR (6-PINS, BLUE) . . . . . Under LH front seat . . . . .		08-3
X18331	CONNECTOR (6-PINS, GREEN) . . . . . Center console . . . . .	35-3	07-2
X18500	CONNECTOR (25-PINS, BLACK) . . . . . In LH forward side of luggage compartment . . . . .	44-1	13-4
X18507	CONNECTOR (4-PINS, BLACK) . . . . . Center console . . . . .		09-2
X18509	CONNECTOR (8-PINS, BLACK) . . . . . Center console . . . . .		13-3
X18514	CONNECTOR (2-PINS, NATURAL) . . . . . Footwell, driver's side		
X18515	CONNECTOR (2-PINS, NATURAL) . . . . . Behind LH footwell speaker grille . . . . .	32-3	
X18736	CONNECTOR (1-PINS, BLUE) . . . . . Inside box on interior side of LH door sill		
X18741	CONNECTOR (4-PINS, BLACK) . . . . . Center of dash . . . . .		09-1
X18742	CONNECTOR (2-PINS, BLACK) . . . . . Under rear of car . . . . .	13-2	
X18757	CONNECTOR (3-PINS, WHITE) . . . . . Left from LH rear seat behind trim panel . . . . .	37-3	10-6
X18766	CONNECTOR (9-PINS, BLACK) . . . . . In auxiliary relay box LH front of engine compartment . . . . .		05-4
X18767	CONNECTOR (9-PINS, BLACK) . . . . . In auxiliary relay box LH front of engine compartment . . . . .		05-4
X19529	CONNECTOR (8-PINS, BLACK) . . . . . In lower RH front door . . . . .		06-1
X19535	CONNECTOR (1-PINS, (---)) . . . . . In LH auxiliary relay box, engine compartment . . . . .	22-1	
Y1	ABS HYDRAULIC UNIT . . . . . Front LH side of engine compartment under concealing headlight . . . . .	24-3	
Y3	AIR CONDITIONING COMPRESSOR (IHKA) . . Front RH side of engine compartment under air filter		
Y4	WATER VALVE ASSEMBLY . . . . . Rear LH side of engine compartment . . . . .	19-2	
Y5	DRIVER'S SIDE MIRROR . . . . . In upper LH front door		

12/94  
7000.0-49  
1994



# COMPONENT LOCATION CHART

## COMPONENT

PAGE - FIGURE  
7100.0 8500.0

Y6	.... PASSENGER'S SIDE MIRROR	..... In upper RH front door	
Y9	.... DRIVER'S SIDE MEMORY MIRROR	..... In upper LH front door	
Y10	... PASSENGER'S SIDE MEMORY MIRROR	..... In upper RH front door	
Y16	... PRESSURE SENSOR/PLUNGER	..... LH side of engine compartment	
Y19	... SHIFT-LOCK	..... Near gearshift lever	
Y1w	... ABS HYDRAULIC UNIT	..... Front LH side of engine compartment under concealing headlight	
Y401z	. LEFT FRONT EDC VALVES	..... Behind LH front wheel	
Y402z	. RIGHT FRONT EDC VALVES	..... Behind RH front wheel	..... 15-2
Y403z	. LEFT REAR EDC VALVES	..... Behind LH rear wheel	..... 14-2
Y404z	. RIGHT REAR EDC VALVES	..... Behind RH rear wheel	
Y6101	. CYL. 1 FUEL INJECTION VALVE	..... RH cylinder head	..... 26-2
Y6101	. CYL. 1 FUEL INJECTION VALVE	..... RH cylinder head (840Ci)	
Y6102	. CYL. 2 FUEL INJECTION VALVE	..... RH cylinder head	..... 26-2
Y6102	. CYL. 2 FUEL INJECTION VALVE	..... RH cylinder head (840Ci)	
Y6103	. CYL. 3 FUEL INJECTION VALVE	..... RH cylinder head	..... 26-2
Y6103	. CYL. 3 FUEL INJECTION VALVE	..... RH cylinder head (840Ci)	
Y6104	. CYL. 4 FUEL INJECTION VALVE	..... RH cylinder head	..... 26-2
Y6104	. CYL. 4 FUEL INJECTION VALVE	..... RH cylinder head (840Ci)	
Y6105	. CYL. 5 FUEL INJECTION VALVE	..... RH cylinder head	..... 26-2
Y6105	. CYL. 5 FUEL INJECTION VALVE	..... LH cylinder head (840Ci)	



# COMPONENT LOCATION CHART

## COMPONENT

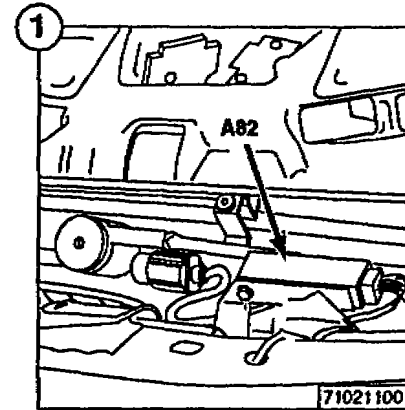
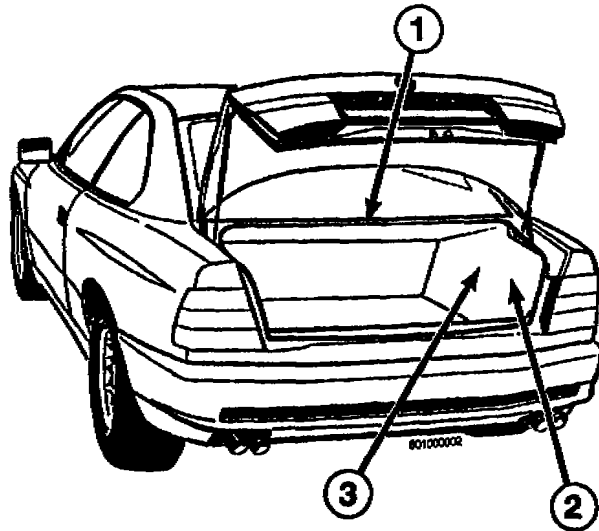
PAGE - FIGURE  
7100.0 8500.0

Y6106 .	CYL. 6 FUEL INJECTION VALVE . . . . .	RH cylinder head . . . . .	26-2
Y6106 .	CYL. 6 FUEL INJECTION VALVE . . . . .	LH cylinder head (840Ci)	
Y6107 .	CYL. 7 FUEL INJECTION VALVE . . . . .	LH cylinder head . . . . .	26-1
Y6107 .	CYL. 7 FUEL INJECTION VALVE . . . . .	LH cylinder head (840Ci)	
Y6108 .	CYL. 8 FUEL INJECTION VALVE . . . . .	LH cylinder head . . . . .	26-1
Y6108 .	CYL. 8 FUEL INJECTION VALVE . . . . .	LH cylinder head (840Ci)	
Y6109 .	CYL. 9 FUEL INJECTION VALVE . . . . .	LH cylinder head . . . . .	26-1
Y6110 .	CYL. 10 FUEL INJECTION VALVE . . . . .	LH cylinder head . . . . .	26-1
Y6111 .	CYL. 11 FUEL INJECTION VALVE . . . . .	LH cylinder head . . . . .	26-1
Y6112 .	CYL. 12 FUEL INJECTION VALVE . . . . .	LH cylinder head . . . . .	26-1
Y6120 .	EVAPORATIVE EMISSION VALVE . . . . .	Front of engine (840Ci) . . . . .	21-1
Y6121 .	CYL. 1-6 EVAPORATIVE EMISSION VALVE . . .	Front RH side of engine compartment . . . . .	25-2
Y6122 .	CYL. 7-12 EVAPORATIVE EMISSION VALVE . .	Front RH side of engine compartment . . . . .	25-2
Y6130 .	IDLE SPEED CONTROL VALVE . . . . .	Front of engine (840Ci) . . . . .	20-3
Y8505 .	TRANSMISSION VALVE UNIT . . . . .	Under center of car	



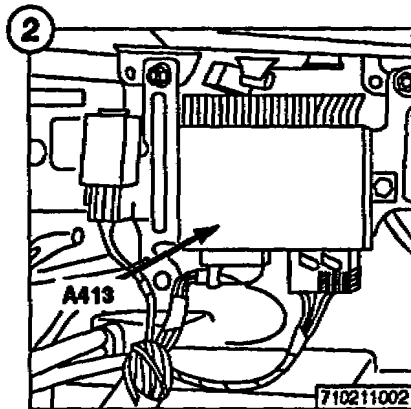
# COMPONENT LOCATION VIEWS

## ELECTRICAL CONTROL MODULE LOCATIONS



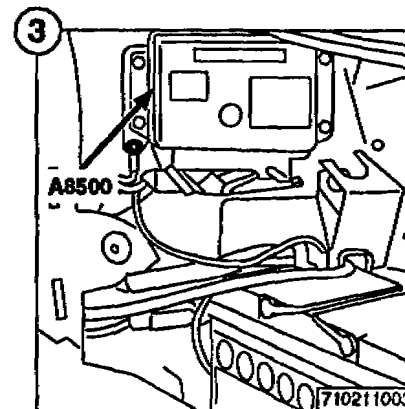
A82  
SUN BLIND  
CONTROL MODULE

710211001



A413  
ELECTRONIC  
SHOCK  
ABSORBER  
CONTROL  
MODULE (EDC)

710211002



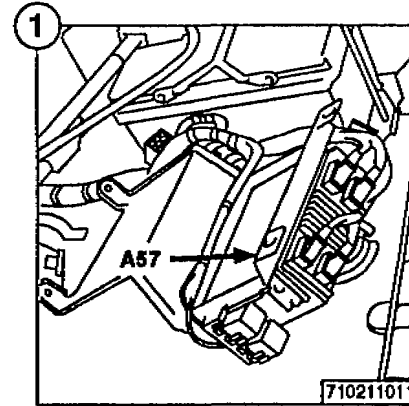
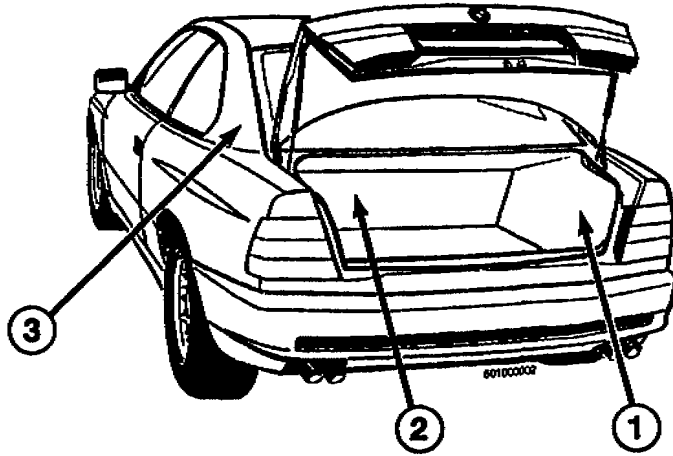
A8500  
TRANSMISSION  
CONTROL MODULE  
(EGS)

710211003



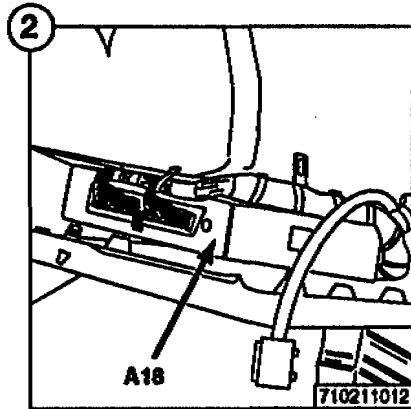
# COMPONENT LOCATION VIEWS

## ELECTRICAL CONTROL MODULE LOCATIONS



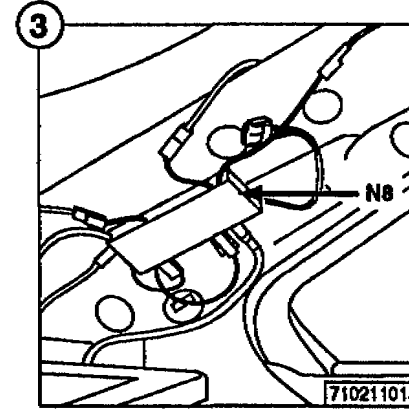
A57  
AHK  
CONTROL MODULE

710211011



A18  
HIFI AMPLIFIER

710211012



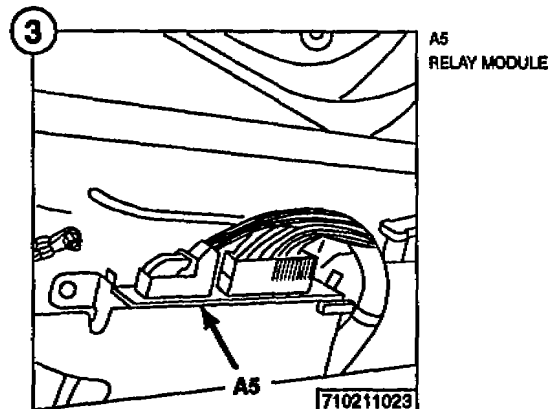
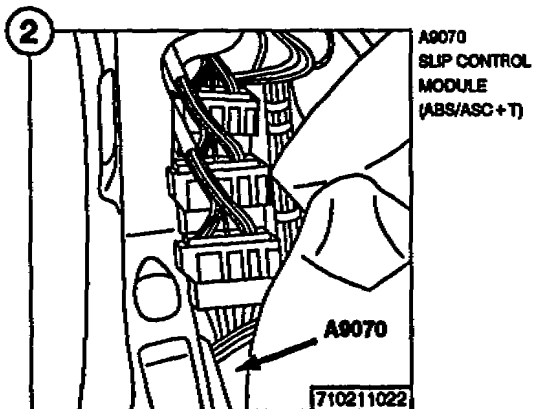
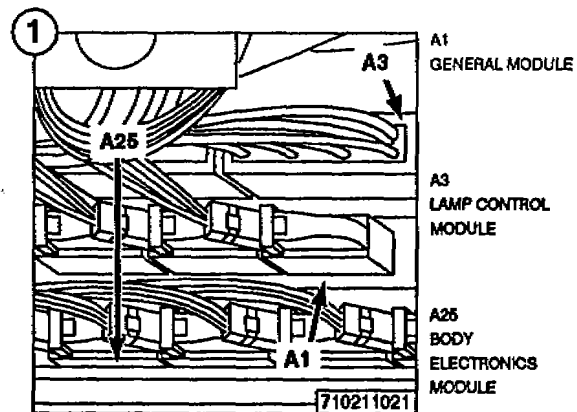
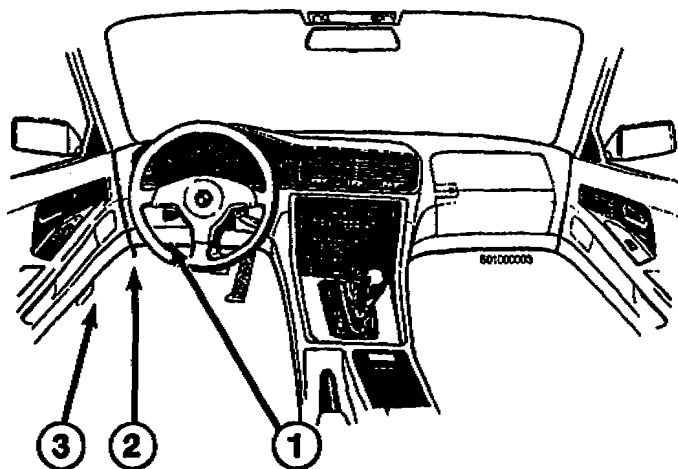
N8  
ANTENNA  
AMPLIFIER  
AM/FM

710211013



# COMPONENT LOCATION VIEWS

## ELECTRICAL CONTROL MODULE LOCATIONS

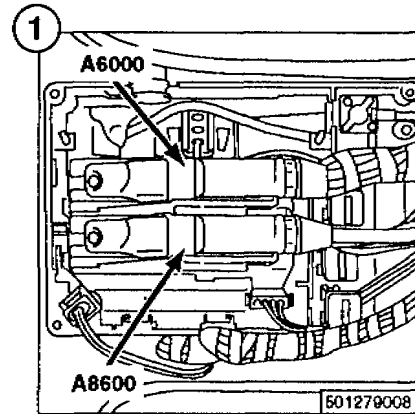
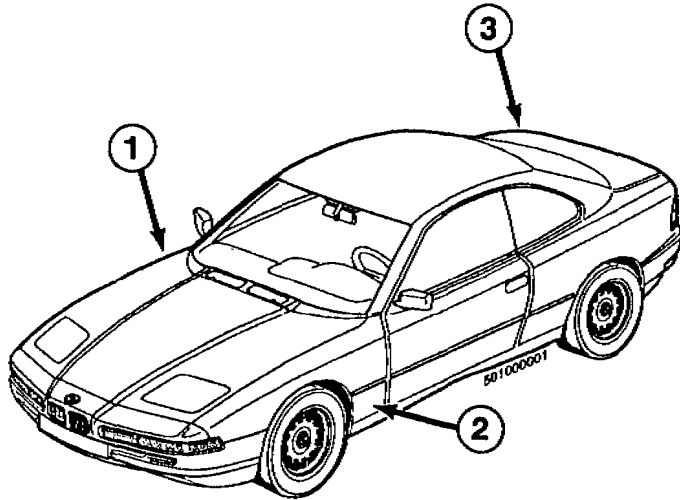






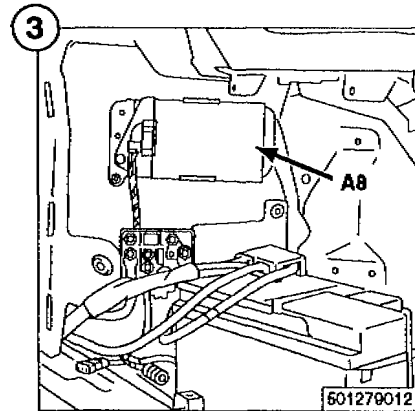
# COMPONENT LOCATION VIEWS

## ELECTRICAL CONTROL MODULE LOCATIONS



A6000  
ENGINE CONTROL  
MODULE (DME)

A8800  
TRANSMISSION  
CONTROL MODULE  
(AGS)

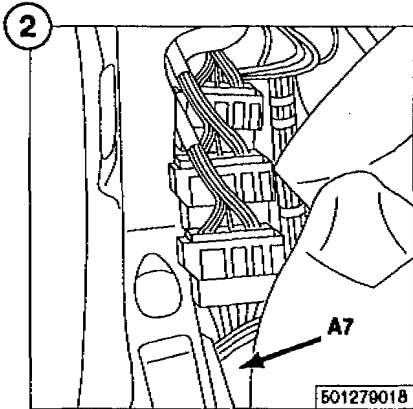


A8  
CRUISE CONTROL  
MODULE  
(TEMPOMAT)

F97  
FUSIBLE LINK

F99  
FUSIBLE  
LINK (50A)

X22  
X6403  
X18180

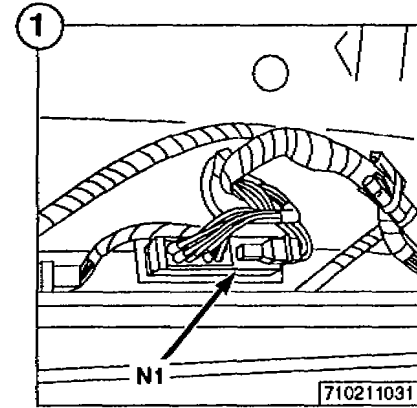
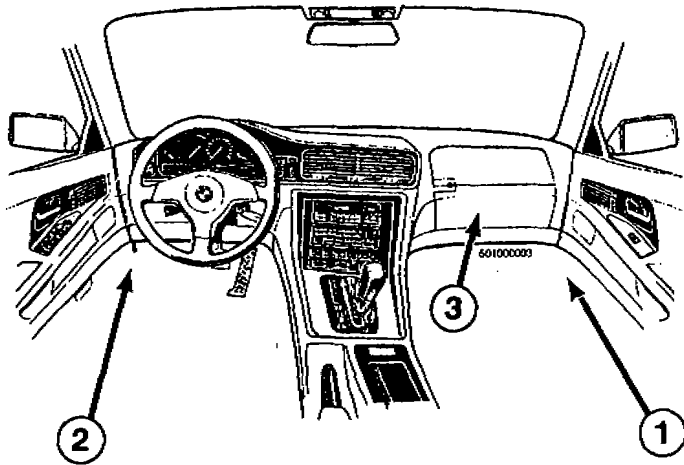


A7  
SLIP CONTROL  
MODULE (ABS)

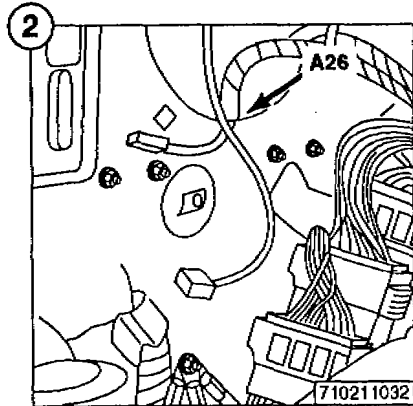


# COMPONENT LOCATION VIEWS

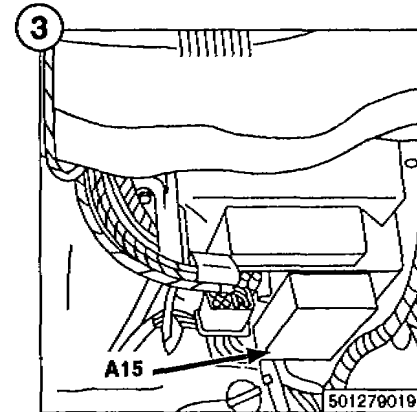
## ELECTRICAL CONTROL MODULE LOCATIONS



N1  
ANTI-THEFT  
CONTROL MODULE  
(DWA)



A26  
LOCK-SENSOR  
CONTROL MODULE

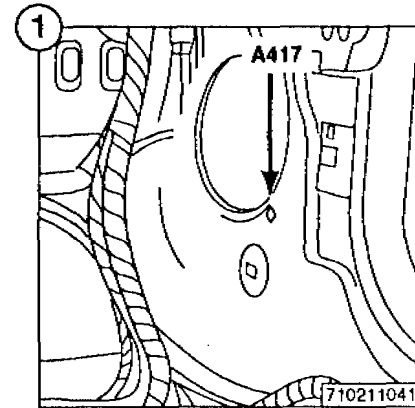
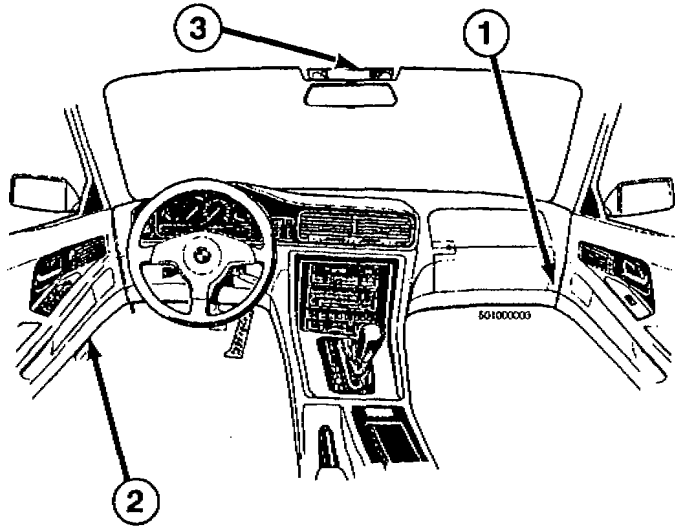


A15  
PARK HEATING/  
VENTILATION  
RELAY BOX

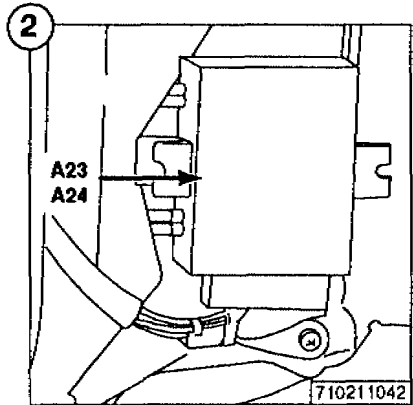


# COMPONENT LOCATION VIEWS

## ELECTRICAL CONTROL MODULE LOCATIONS



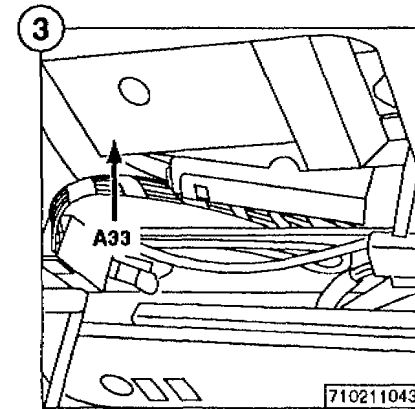
A417  
AUTOMATIC AIR  
RECIRCULATION  
CONTROL MODULE



A23  
DRIVER'S  
DOOR MODULE

A24  
PASSENGER'S  
DOOR MODULE

RH SIMILAR

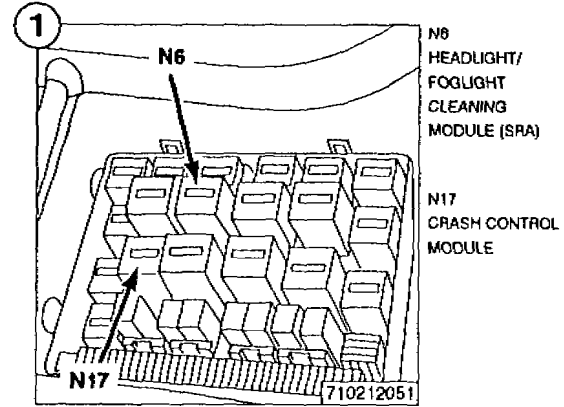
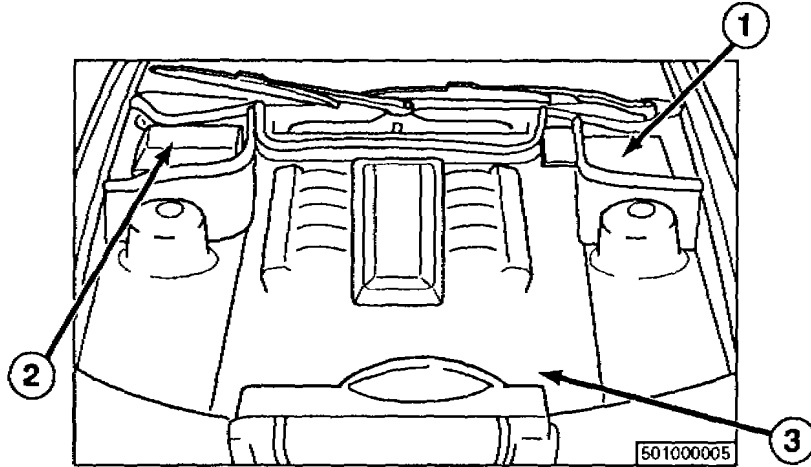


A33  
SUNROOF MODULE



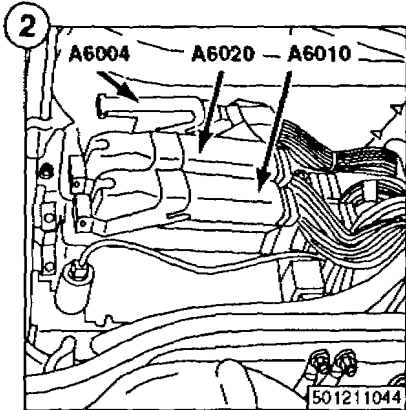
# COMPONENT LOCATION VIEWS

## ELECTRICAL CONTROL MODULE LOCATIONS



N6  
HEADLIGHT/  
FOGLIGHT  
CLEANING  
MODULE (SRA)

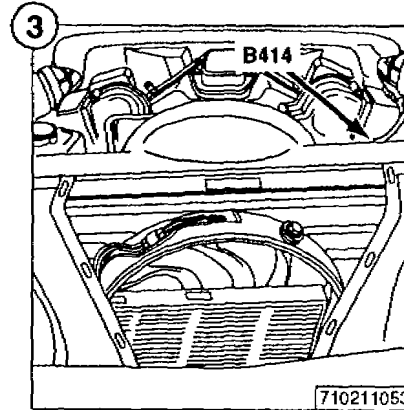
N17  
CRASH CONTROL  
MODULE



A6004  
THROTTLE  
CONTROL MODULE  
(EML)

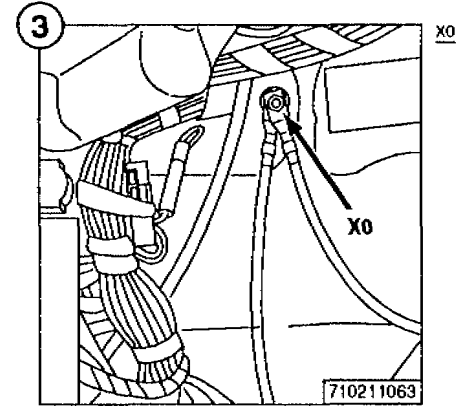
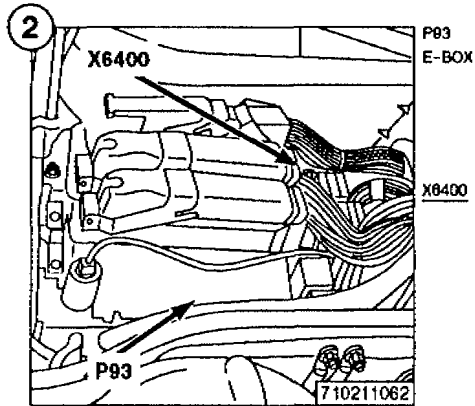
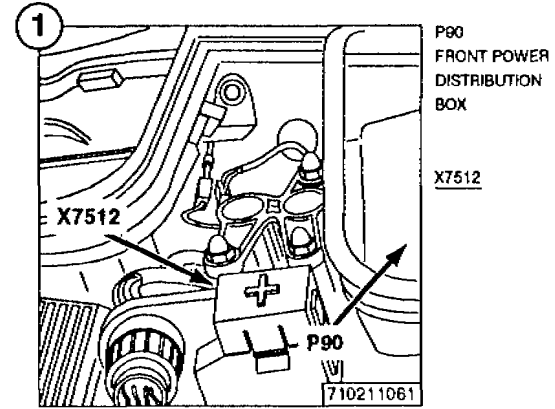
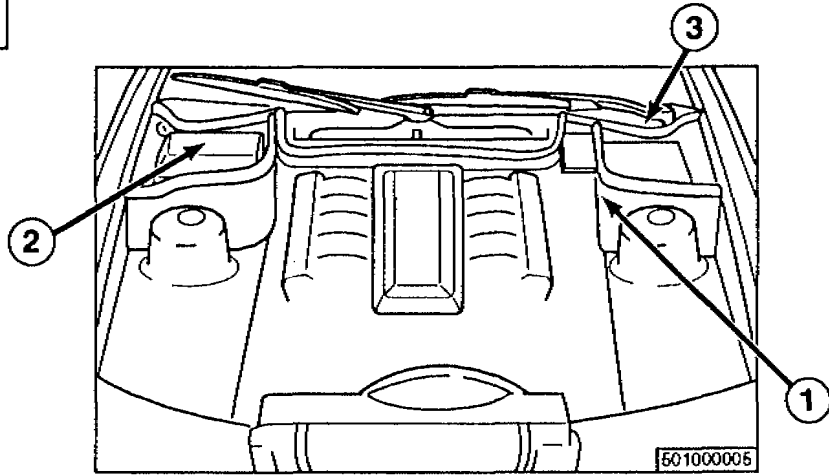
A6010  
CYL 1-6  
ENGINE CONTROL  
MODULE (DME)

A6020  
CYL 7-12  
ENGINE CONTROL  
MODULE (DME)



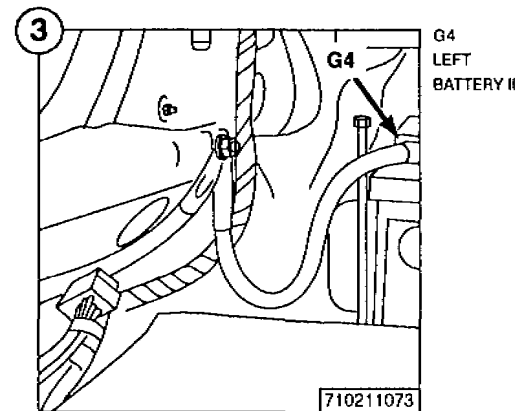
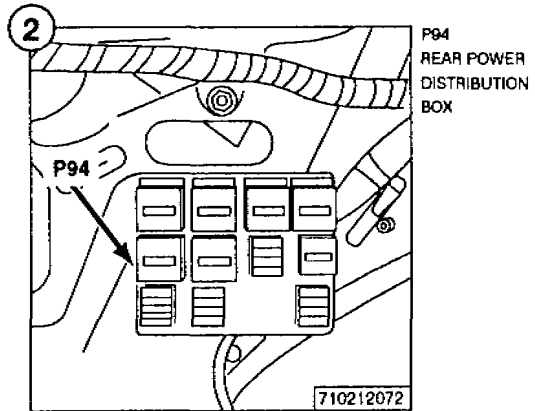
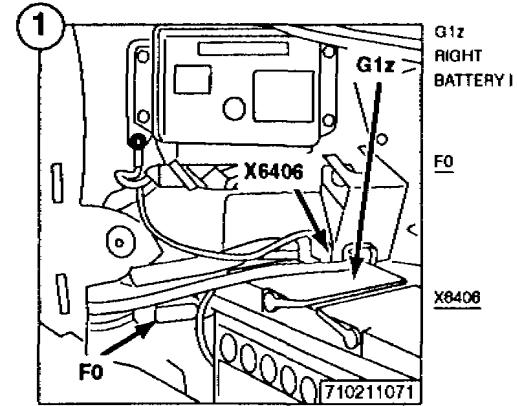
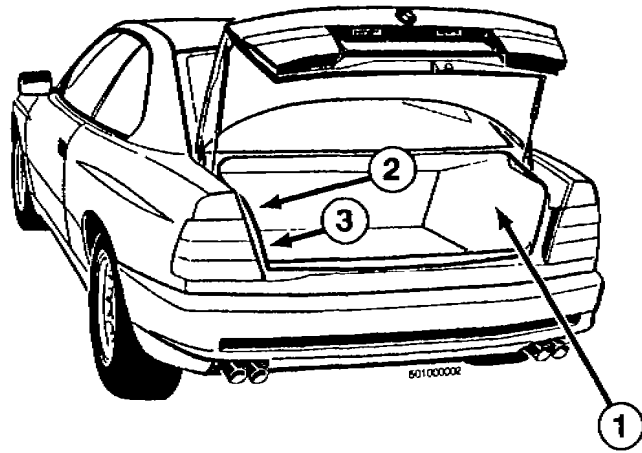
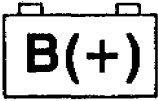
B414  
AUTOMATIC AIR  
RECIRCULATION  
SENSOR

B(+)





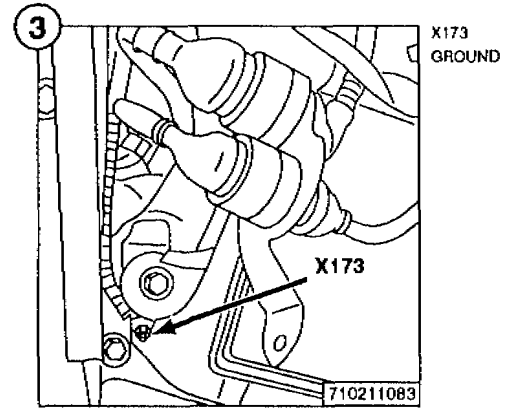
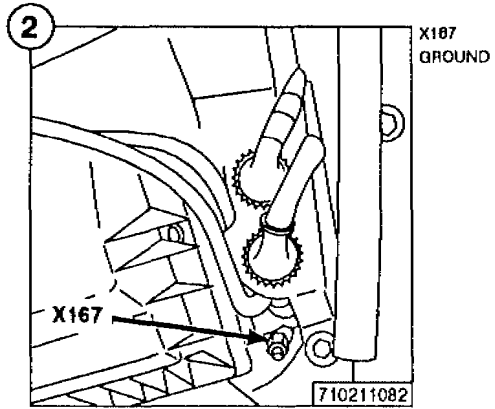
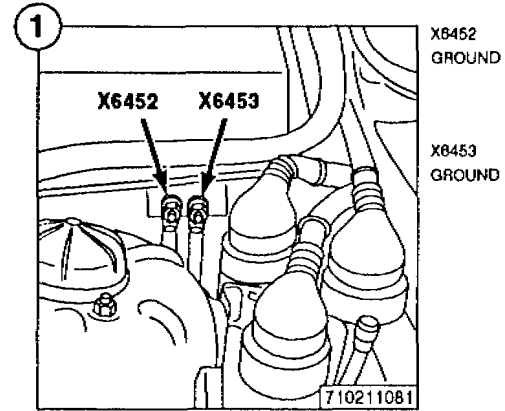
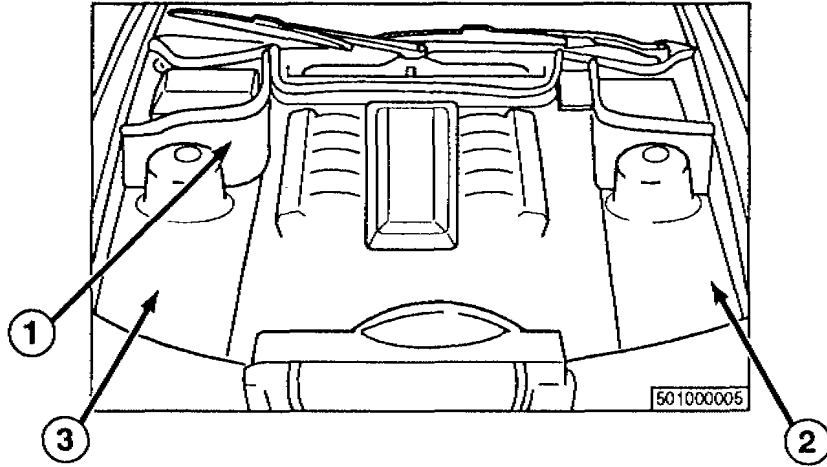
# COMPONENT LOCATION VIEWS





# COMPONENT LOCATION VIEWS

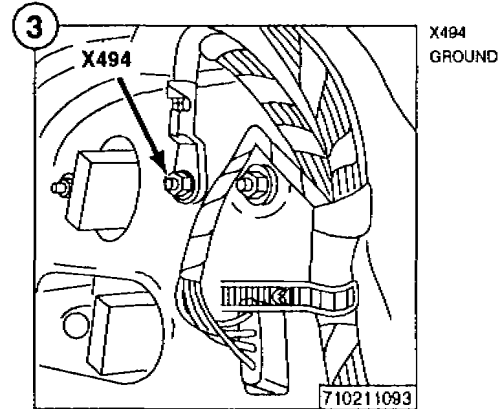
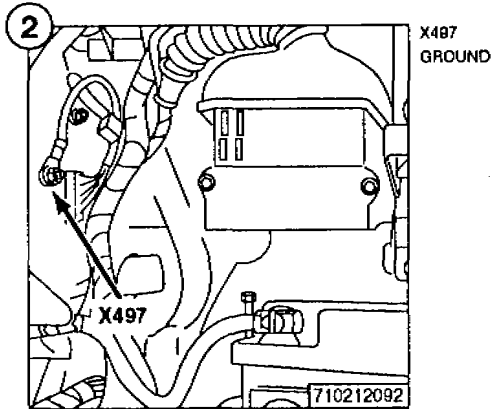
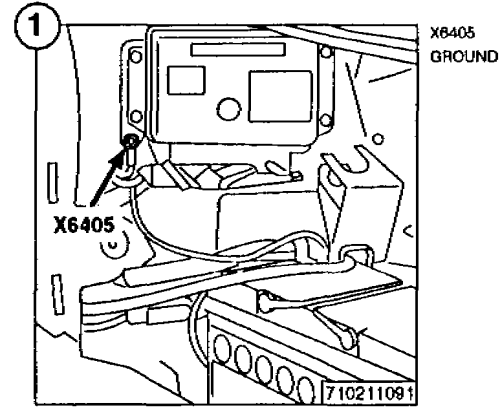
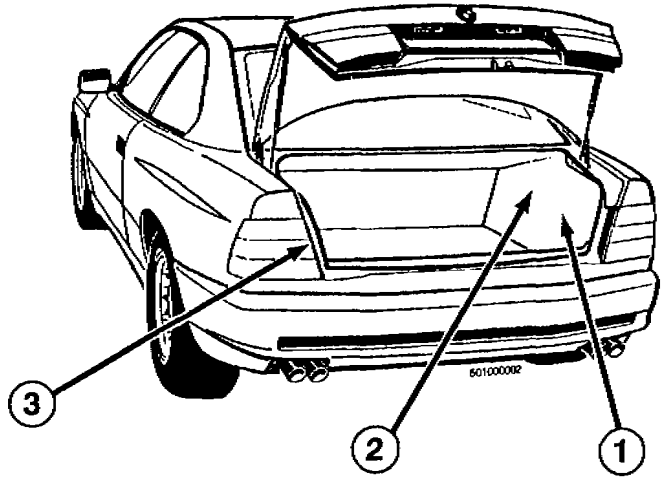
**B(-)**





# COMPONENT LOCATION VIEWS

**B(-)**

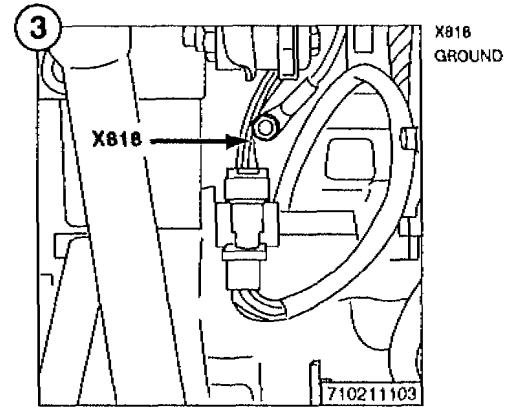
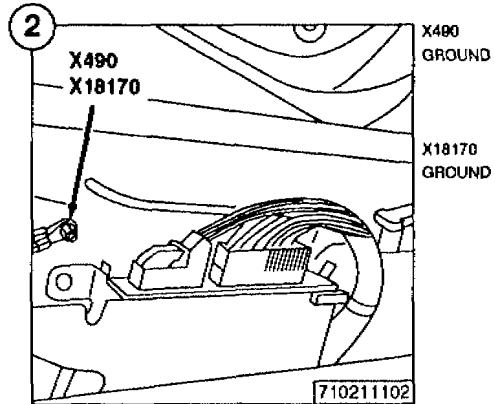
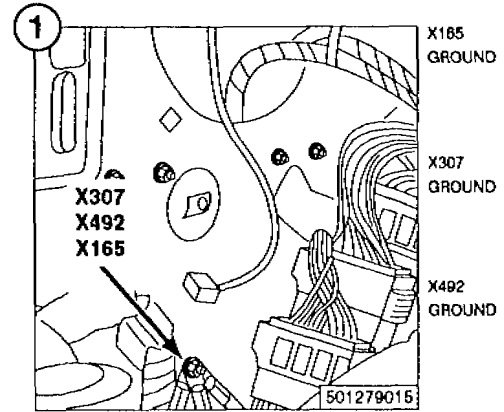
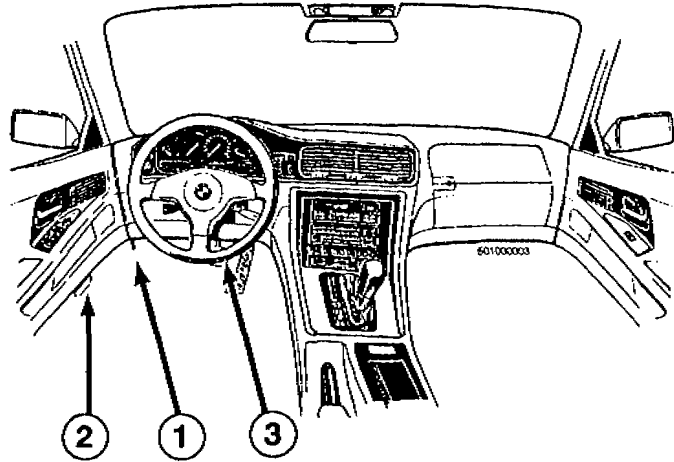






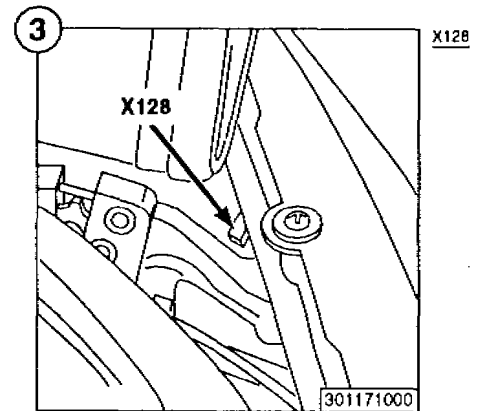
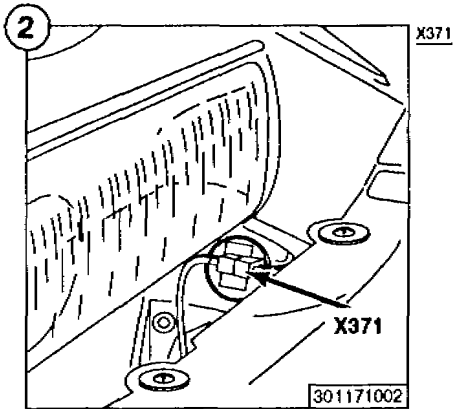
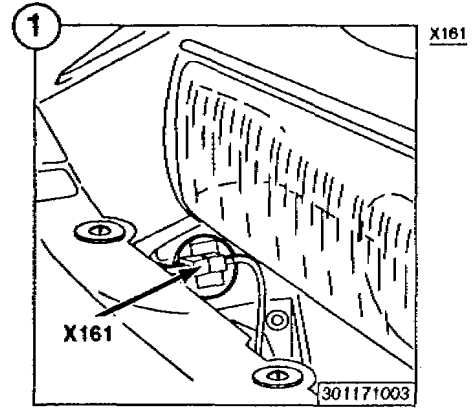
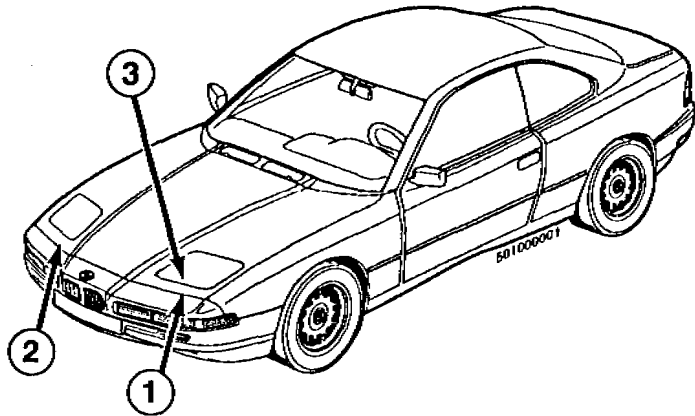
# COMPONENT LOCATION VIEWS

**B(-)**

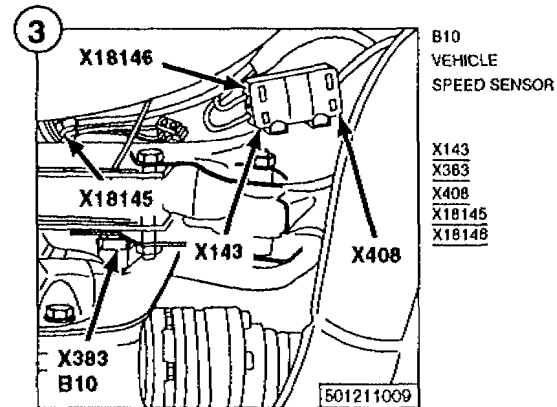
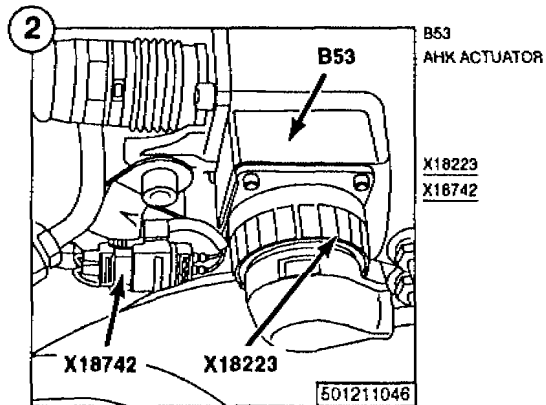
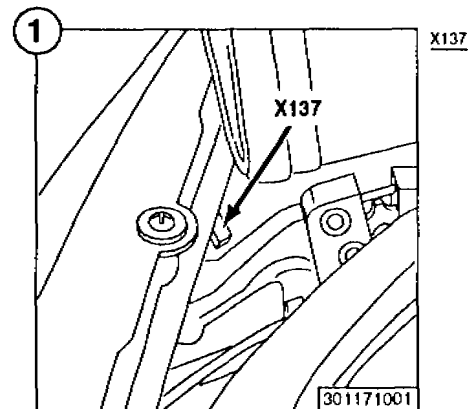
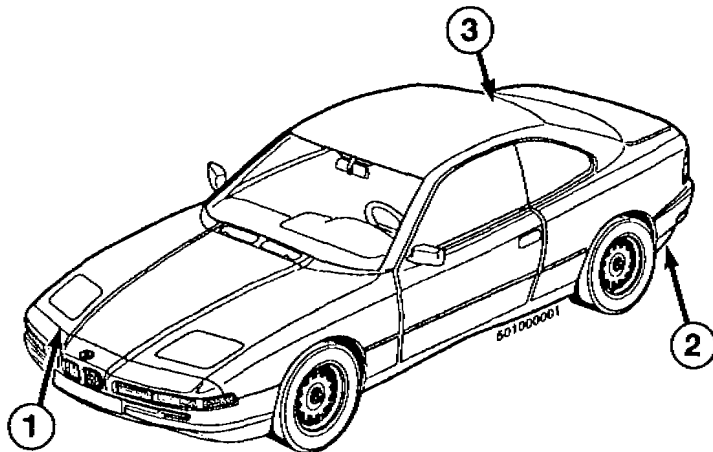




# COMPONENT LOCATION VIEWS

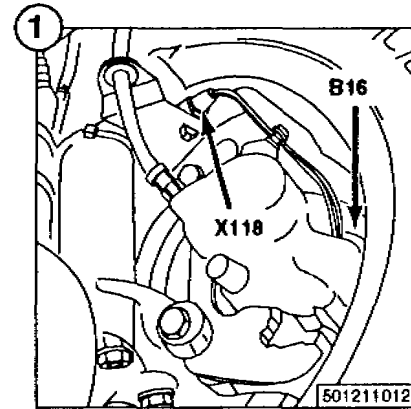
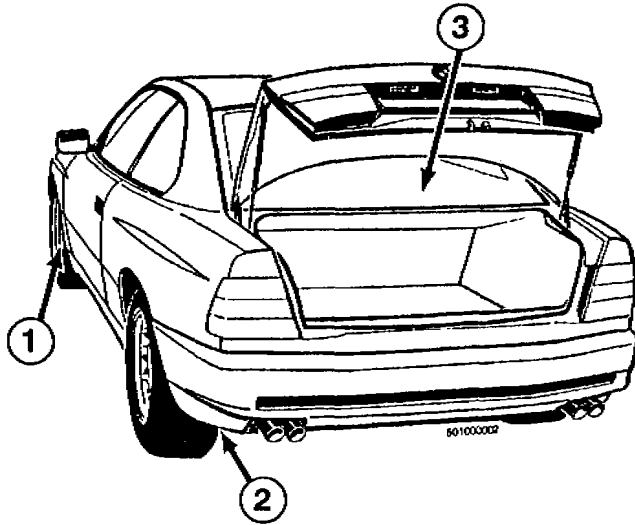


# COMPONENT LOCATION VIEWS



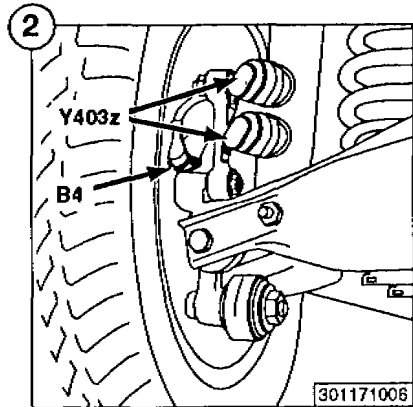


# COMPONENT LOCATION VIEWS



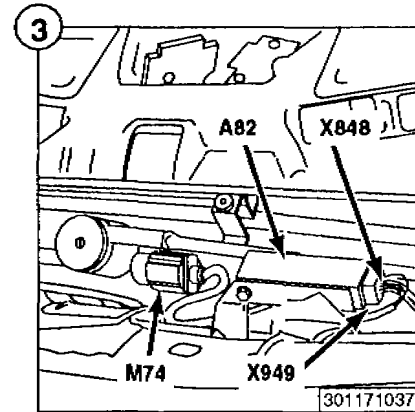
B16  
LEFT FRONT  
BRAKE PAD  
SENSOR  
  
X118

501211012



B4  
LEFT REAR  
SPEED SENSOR  
- ABS  
  
Y403z  
LEFT REAR  
EDC VALVES

301171006



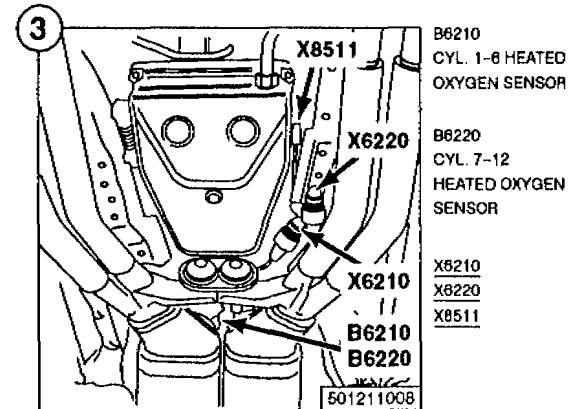
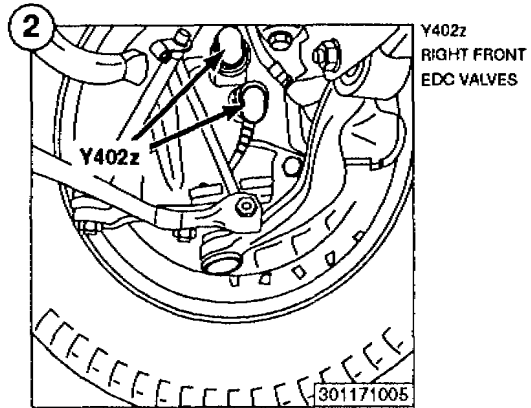
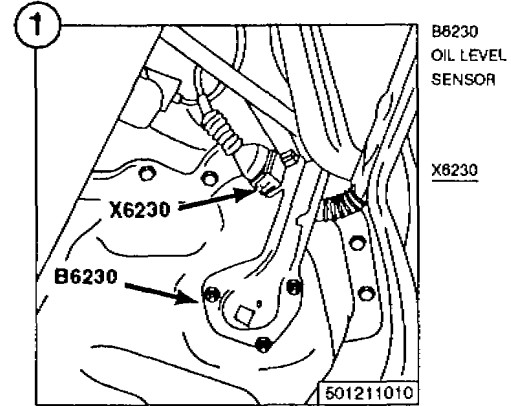
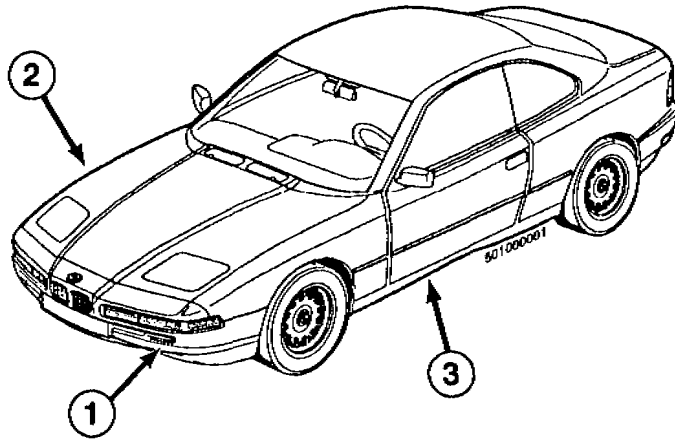
A82  
SUN BLIND  
CONTROL MODULE  
  
M74  
SUN BLIND  
MOTOR

X648  
X949

301171037

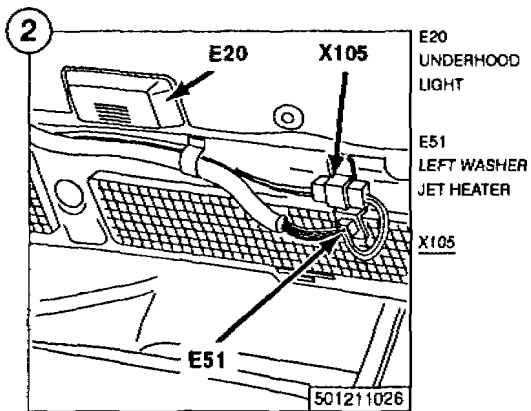
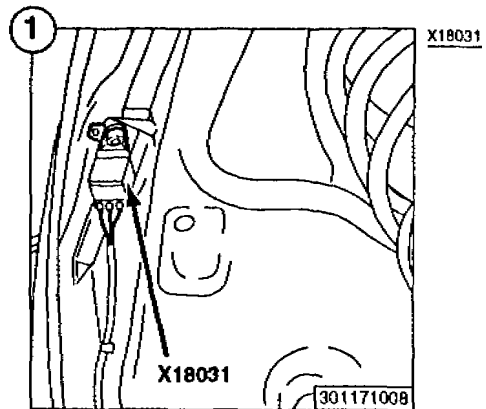
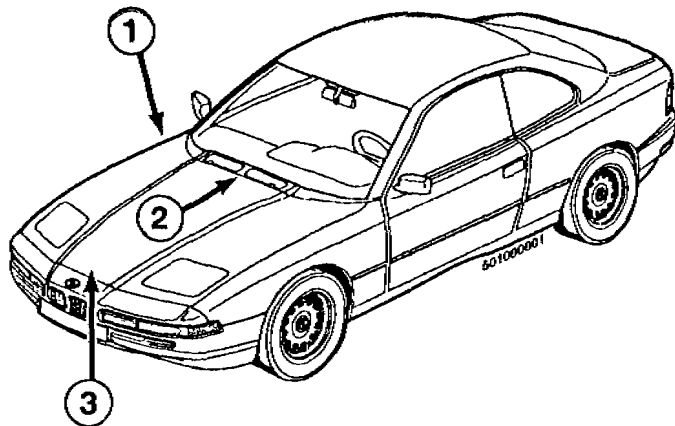


# COMPONENT LOCATION VIEWS





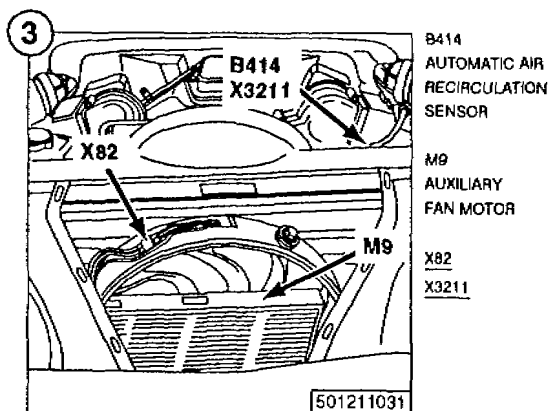
# COMPONENT LOCATION VIEWS



E20  
UNDERHOOD  
LIGHT

E51  
LEFT WASHER  
JET HEATER

X105



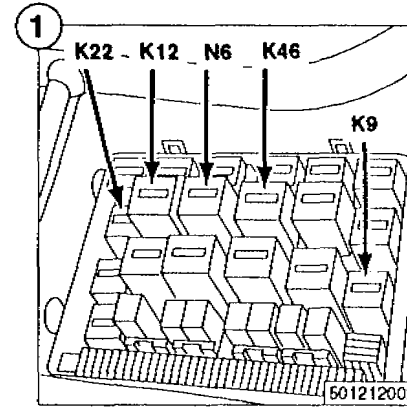
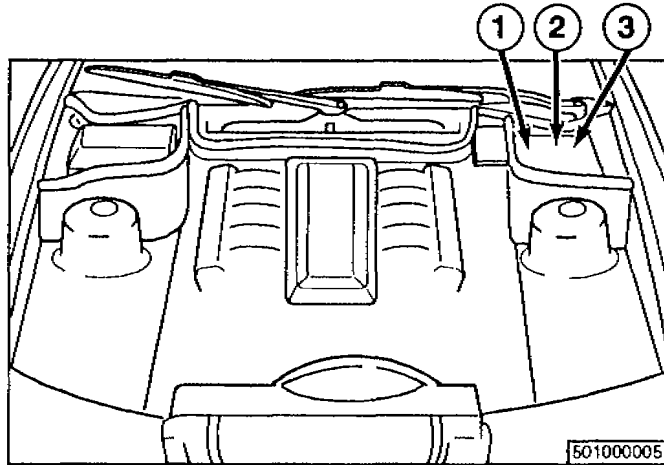
B414  
AUTOMATIC AIR  
RECIRCULATION  
SENSOR

M9  
AUXILIARY  
FAN MOTOR

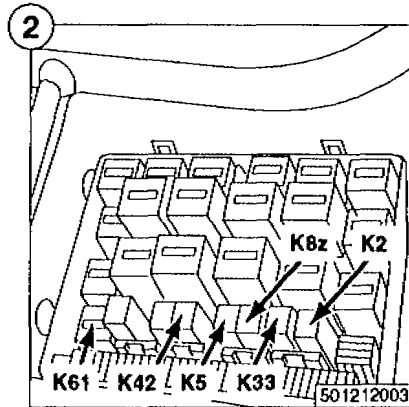
X82  
X3211



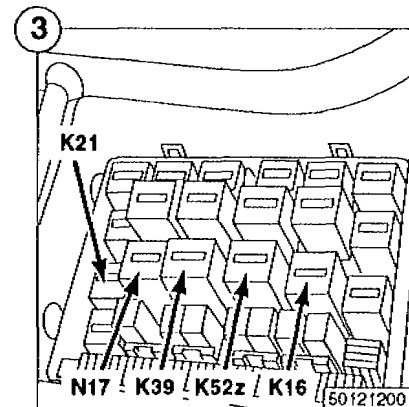
# COMPONENT LOCATION VIEWS



- K9 UNLOADER RELAY, TERMINAL 15
- K12 WIPER PRESSURE CONTROL (ADV) RELAY
- K22 HIGH SPEED RELAY
- K48 HIGH BEAM LIGHT RELAY
- N8 HEADLIGHT/FOGLIGHT CLEANING MODULE (SRA)



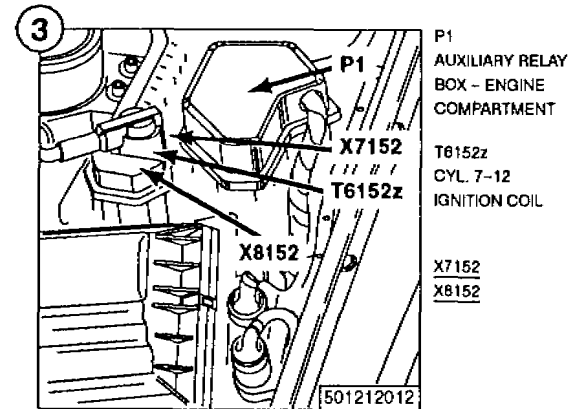
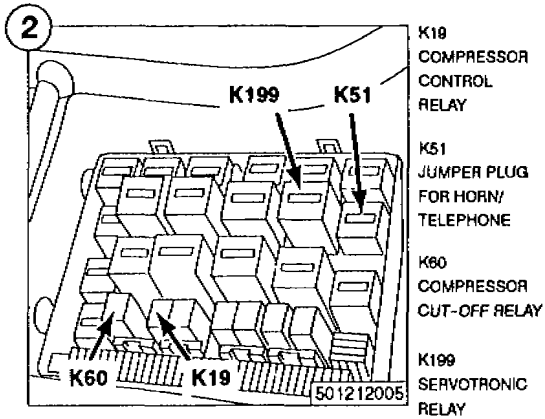
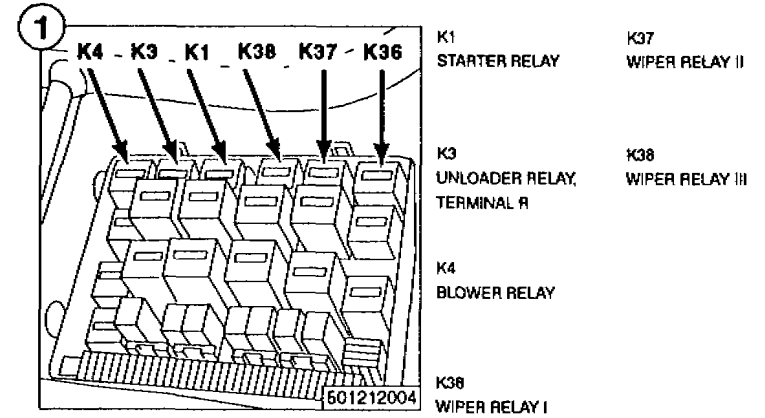
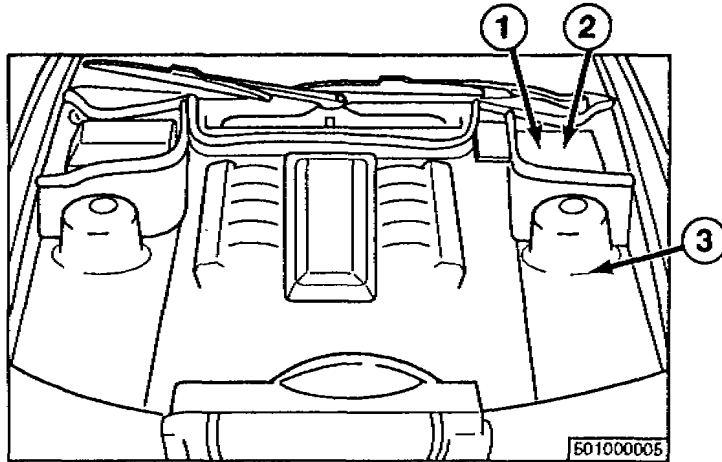
- K2 HORN RELAY
- K5 WASHER PUMP RELAY
- K8z AUXILIARY WATER PUMP RELAY
- K33 AIR CONDITIONING RELAY
- K42 INTENSIVE WASH RELAY
- K61 UNLOADER RELAY, TERMINAL B1



- K18 HAZARD FLASHER RELAY
- K21 NORMAL SPEED RELAY
- K39 CONCEALING HEADLIGHTS RELAY
- K52z FLASHER LIGHT RELAY
- N17 CRASH CONTROL MODULE



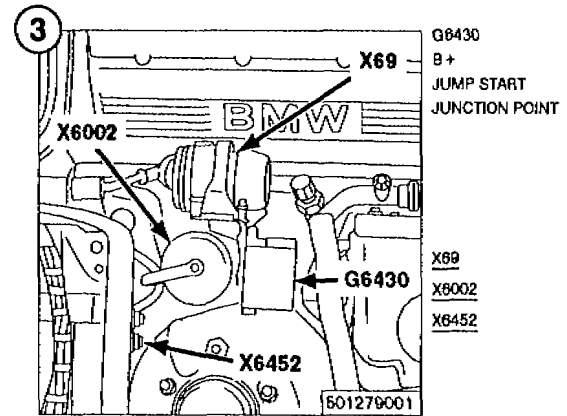
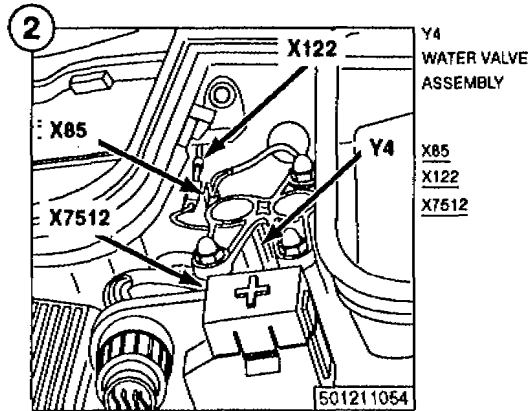
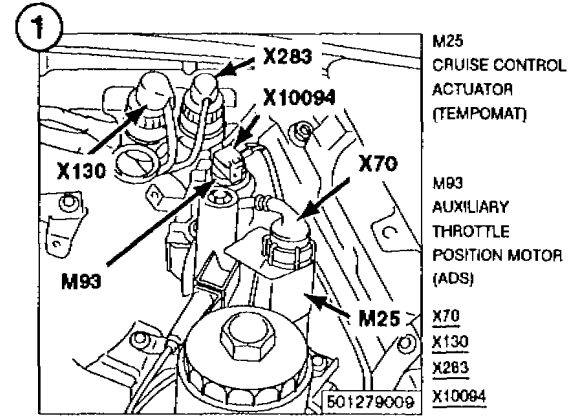
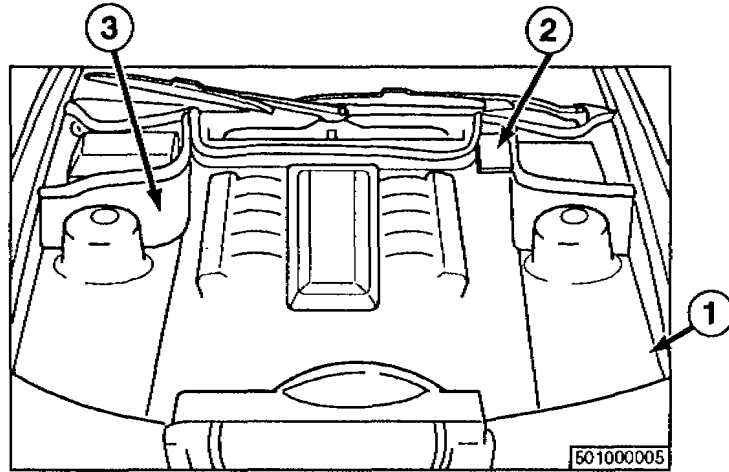
# COMPONENT LOCATION VIEWS





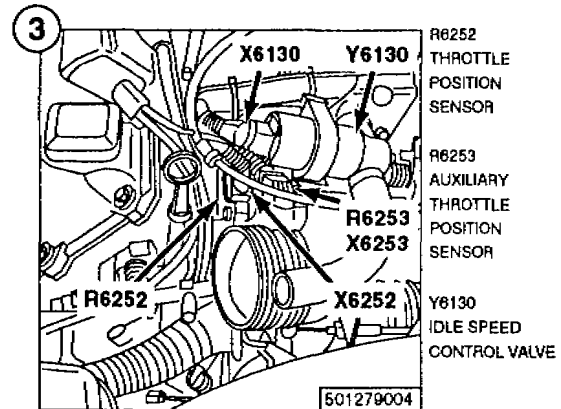
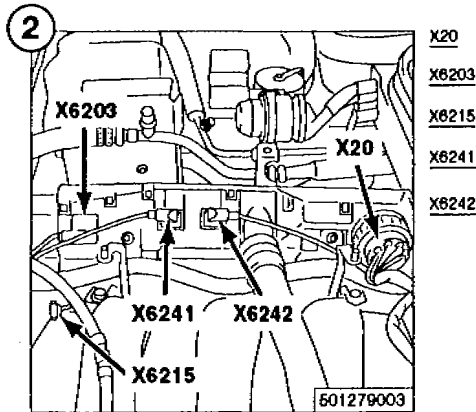
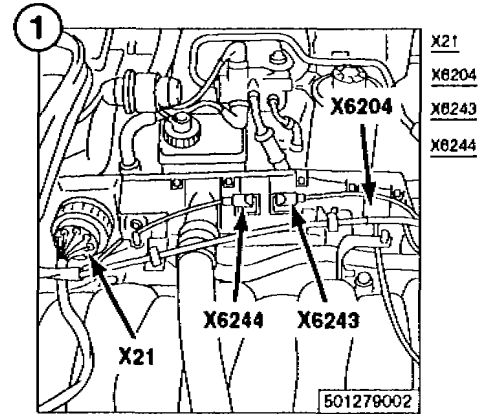
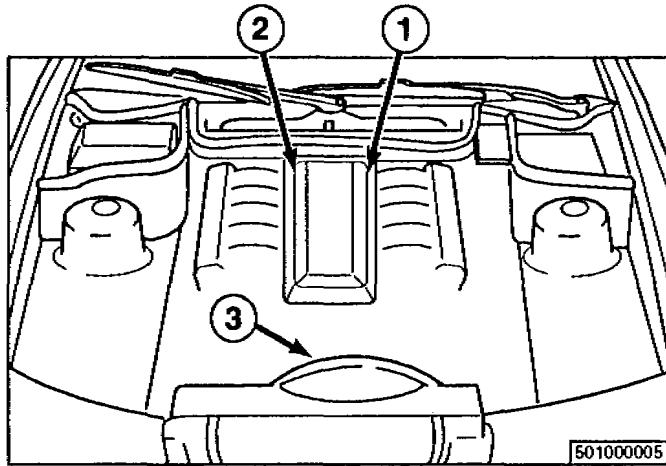


# COMPONENT LOCATION VIEWS

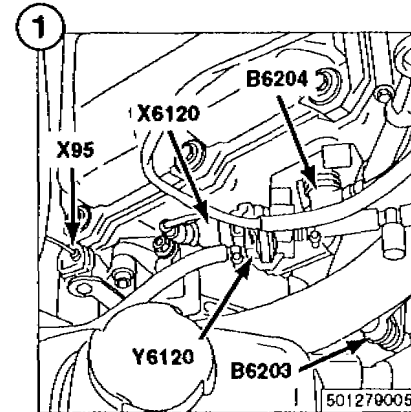
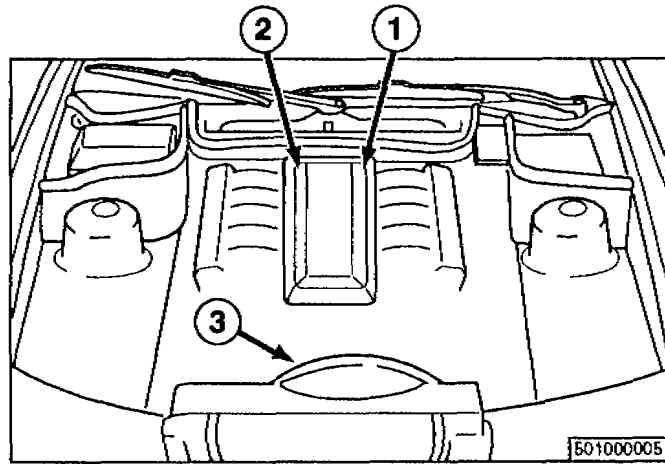




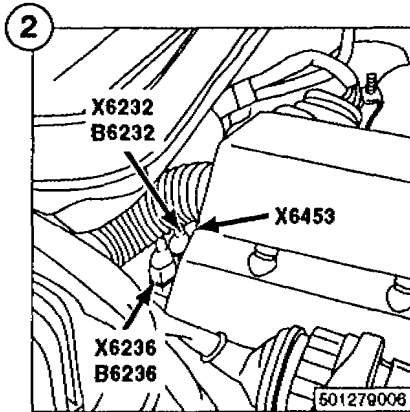
# COMPONENT LOCATION VIEWS



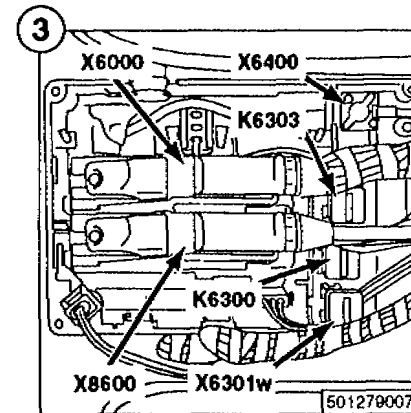
**COMPONENT LOCATION VIEWS**



- B6203 CRANKSHAFT POSITION/RPM SENSOR X95  
X6120
- B6204 CAMSHAFT POSITION SENSOR (CYLINDER IDENTIFICATION)
- Y6120 EVAPORATIVE EMISSION VALVE



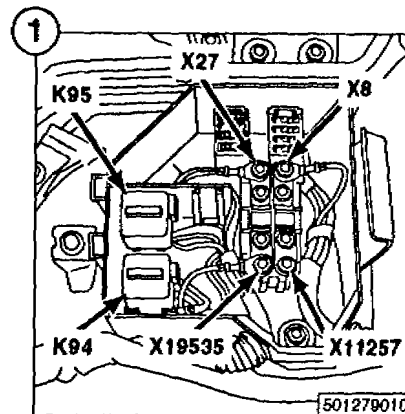
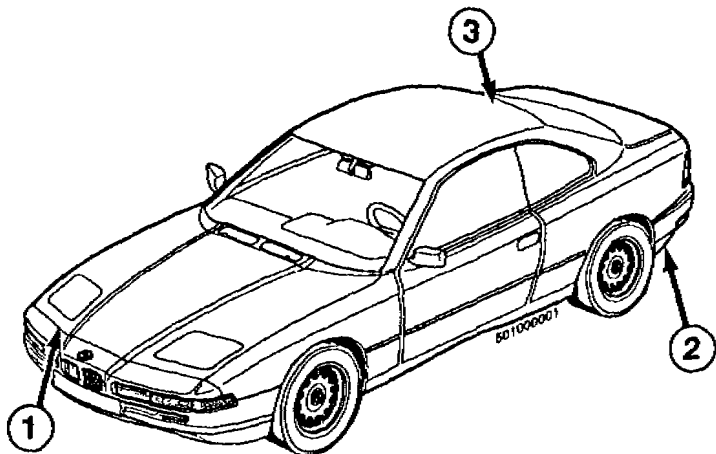
- B6232 ENGINE COOLANT TEMPERATURE SENSOR
- B6236 ENGINE COOLANT TEMPERATURE SENSOR
- X6453 GROUND
- X6232
- X6236



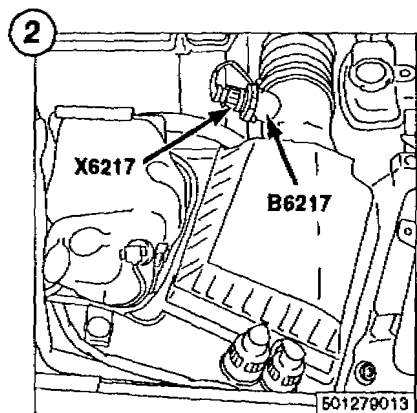
- X6000 X6400 K6303 K6300 X8600 X6301w
- K6300 ENGINE CONTROL MODULE RELAY X8600
- X6400 B+ JUNCTION POINT
- K6301w FUEL PUMP RELAY
- K6303 OXYGEN SENSOR RELAY



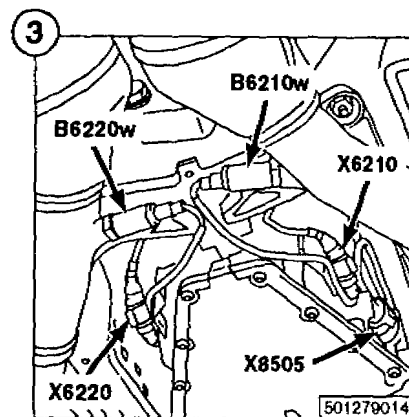
# COMPONENT LOCATION VIEWS



- K94  
ABS PUMP MOTOR RELAY
- K95  
VALVE RELAY (ABS/ASC)
- X8
- X27
- X11257
- X19535



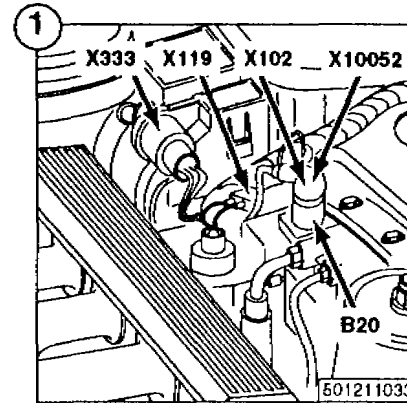
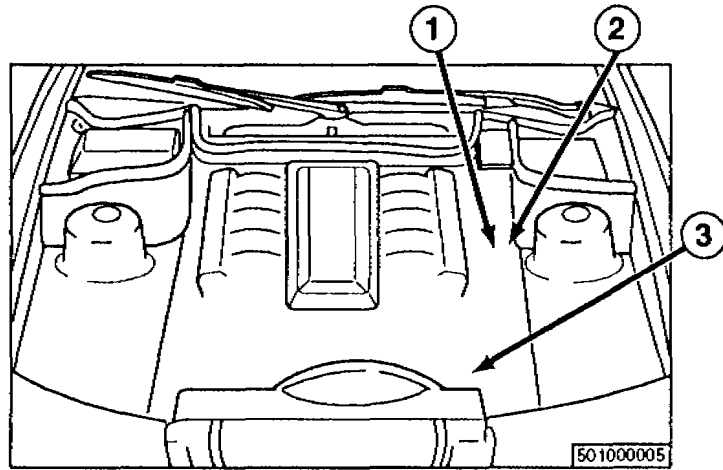
- B6217  
HOT FILM AIR MASS METER
- X6217



- B6210w  
CYL 1 4 HEATED OXYGEN SENSOR
- B6220w  
CYL 5 8 HEATED OXYGEN SENSOR
- X6210
- X8505
- X6220
- X8505

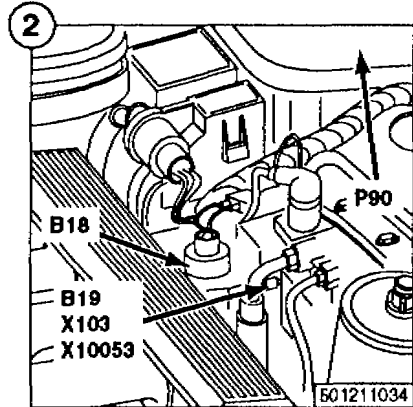


# COMPONENT LOCATION VIEWS



B20  
BRAKE  
PRESSURE  
SWITCH

X102  
X119  
X333  
X10052

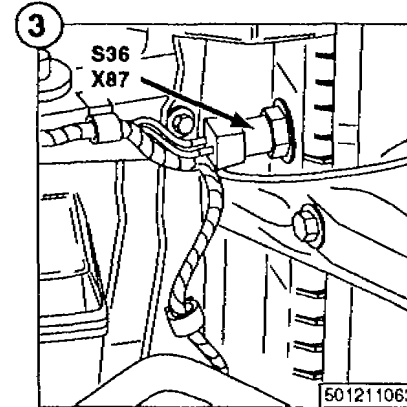


B18  
BRAKE FLUID  
LEVEL SWITCH

B19  
BRAKE  
PRESSURE  
REGULATING  
SWITCH

P90  
FRONT POWER  
DISTRIBUTION  
BOX

X103  
X10053

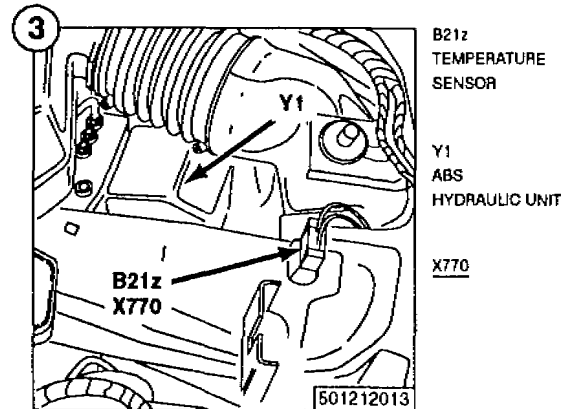
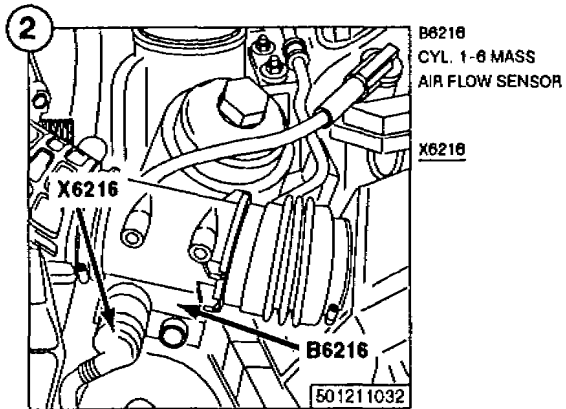
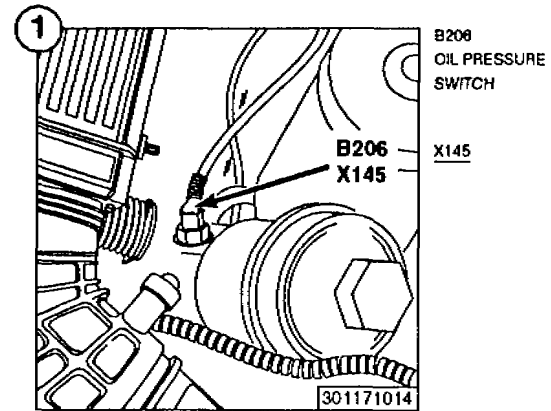
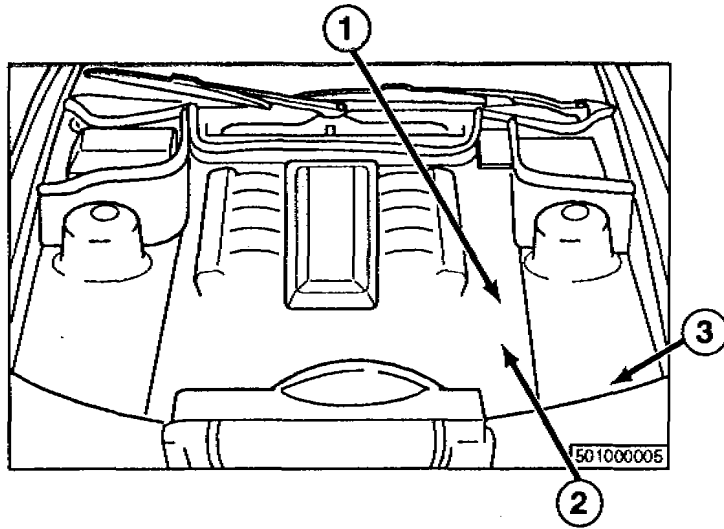


S36  
TEMPERATURE  
SWITCH

X87

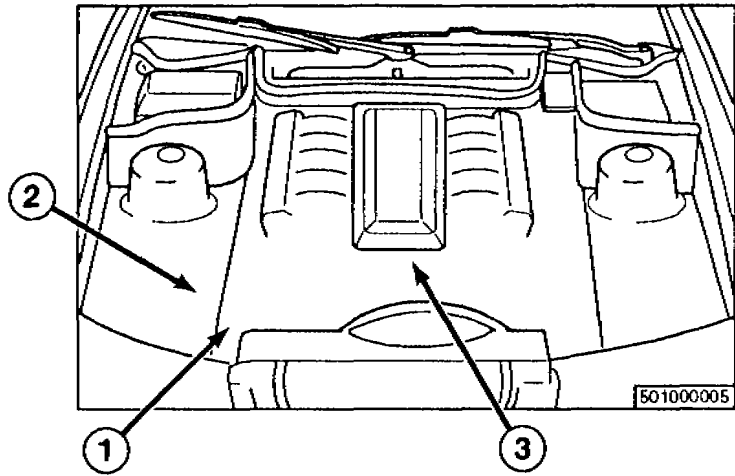


# COMPONENT LOCATION VIEWS

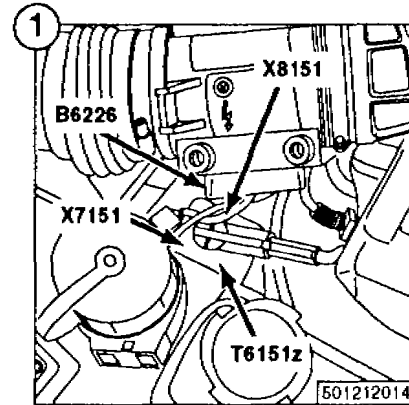




# COMPONENT LOCATION VIEWS



501000005



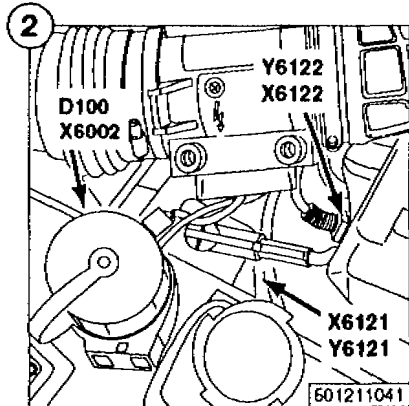
B6226  
CYL. 7-12 MASS  
AIR FLOW SENSOR

T6151z  
CYL. 1-8  
IGNITION COIL

X7151

X8151

501212014



D100  
DATA LINK  
CONNECTOR

Y6121  
CYL. 1-6  
EVAPORATIVE  
EMISSION VALVE

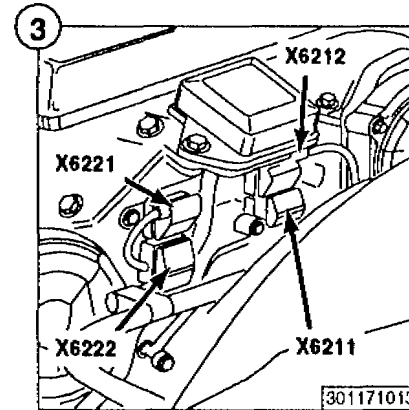
Y6122  
CYL. 7-12  
EVAPORATIVE  
EMISSION VALVE

X6002

X6121

X6122

501211041



X6211

X6212

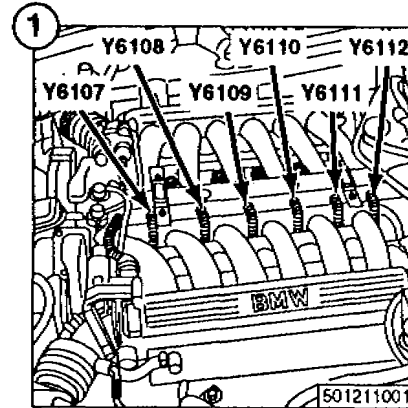
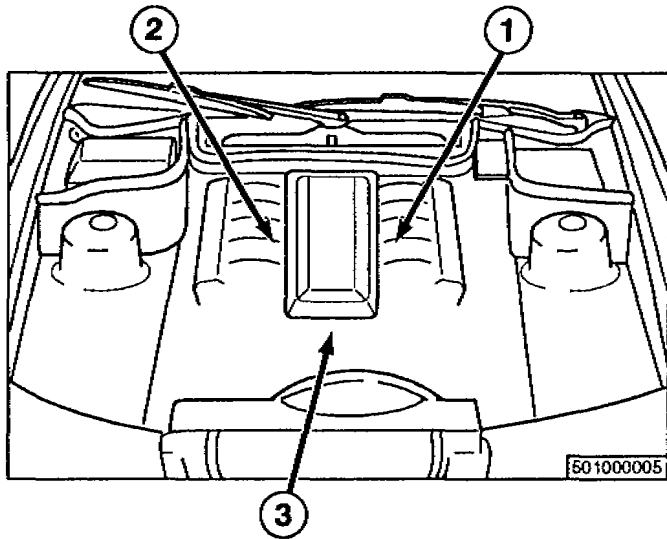
X6221

X6222

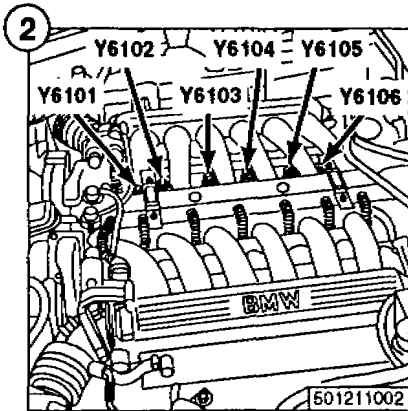
301171013



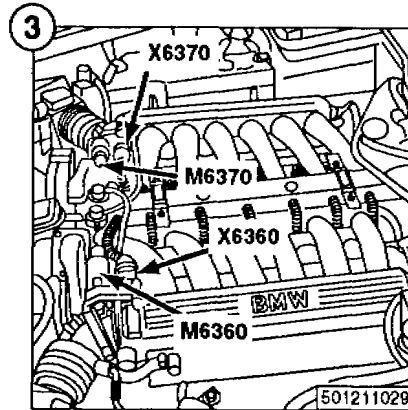
# COMPONENT LOCATION VIEWS



- |   |  |
|---|--|
| Y6107<br>CYL. 7 FUEL<br>INJECTION VALVE | Y6110<br>CYL. 10 FUEL<br>INJECTION VALVE |
| Y6108<br>CYL. 8 FUEL<br>INJECTION VALVE | Y6111<br>CYL. 11 FUEL<br>INJECTION VALVE |
| Y6109<br>CYL. 9 FUEL<br>INJECTION VALVE | Y6112<br>CYL. 12 FUEL<br>INJECTION VALVE |



- |   |   |
|---|---|
| Y6101<br>CYL. 1 FUEL<br>INJECTION VALVE | Y6104<br>CYL. 4 FUEL<br>INJECTION VALVE |
| Y6102<br>CYL. 2 FUEL<br>INJECTION VALVE | Y6105<br>CYL. 5 FUEL<br>INJECTION VALVE |
| Y6103<br>CYL. 3 FUEL<br>INJECTION VALVE | Y6106<br>CYL. 6 FUEL<br>INJECTION VALVE |

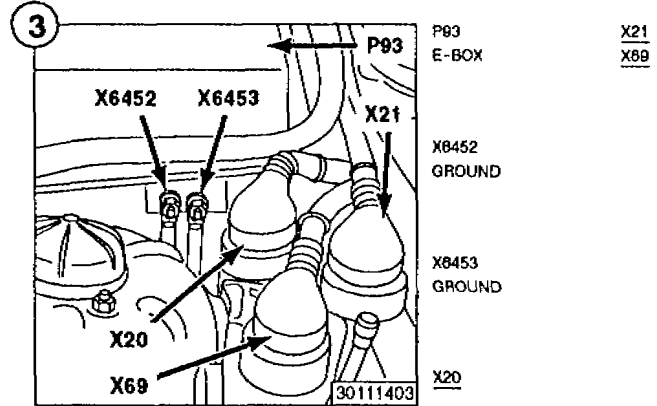
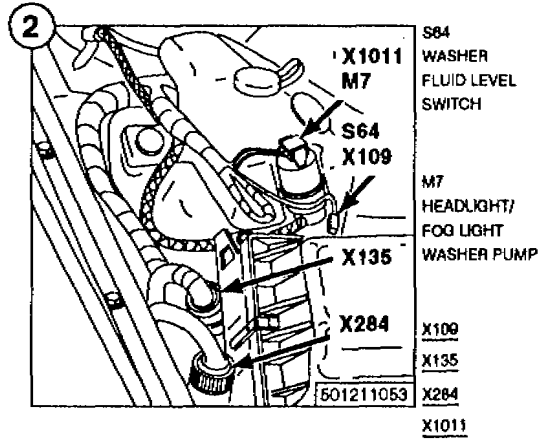
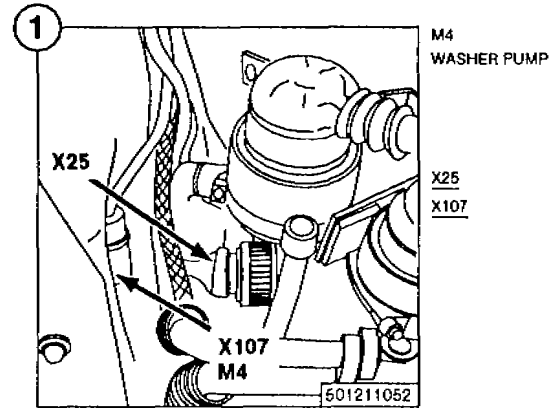
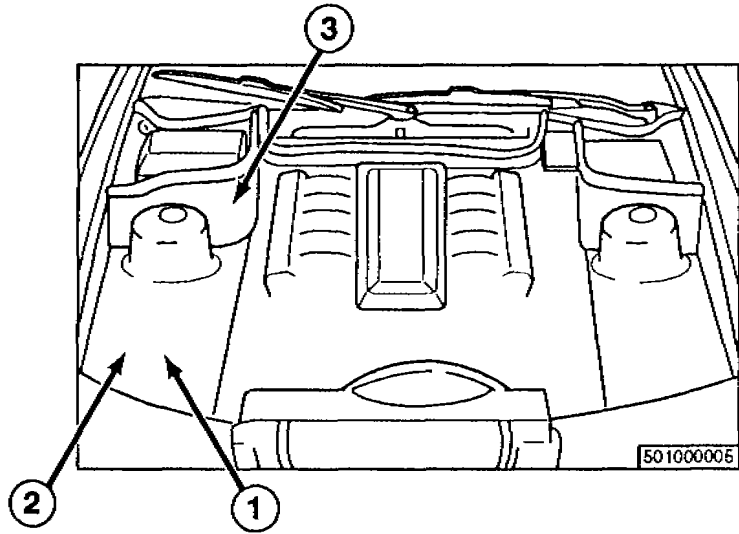


- |                                   |
|-----------------------------------|
| M6360<br>EML ACTUATOR<br>MOTOR I  |
| M6370<br>EML ACTUATOR<br>MOTOR II |
| X6360                             |
| X6370                             |



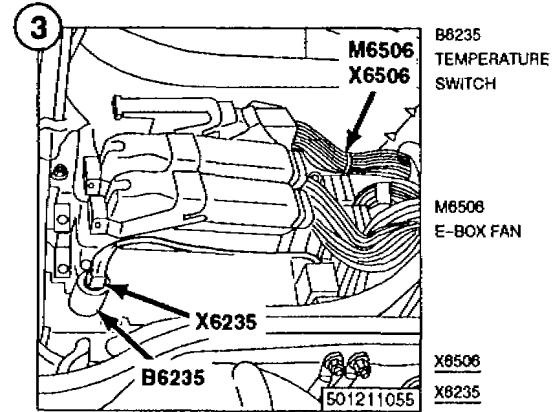
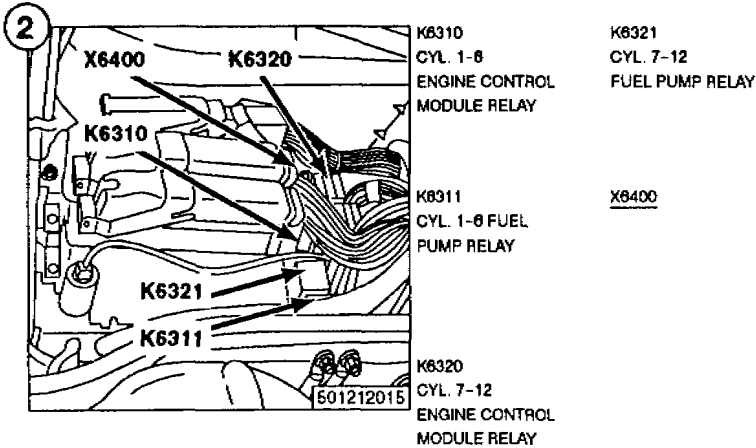
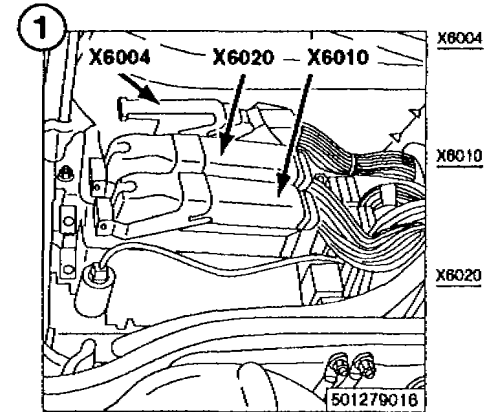
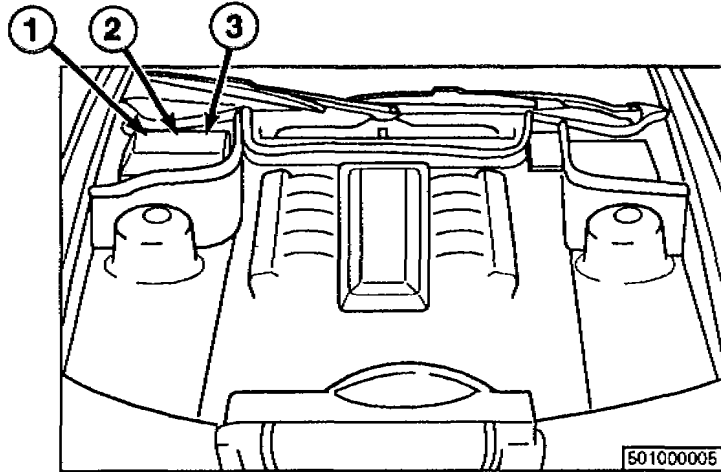


# COMPONENT LOCATION VIEWS



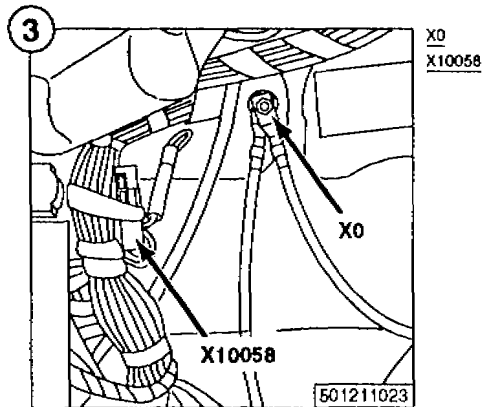
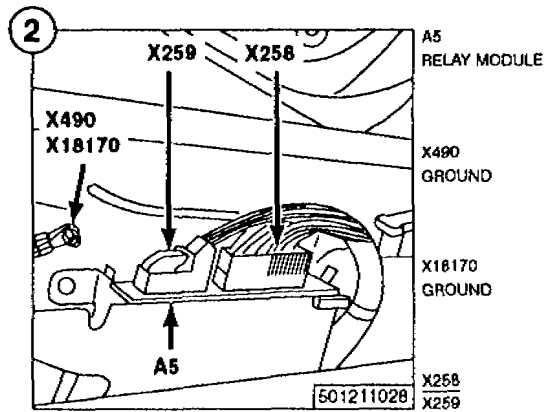
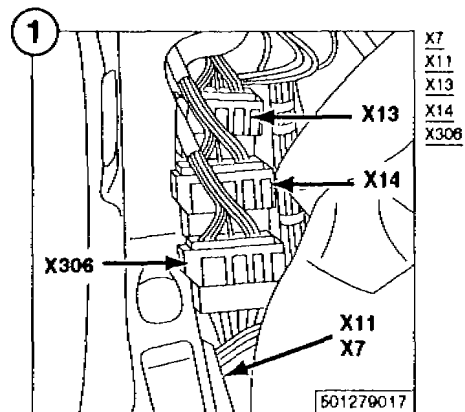
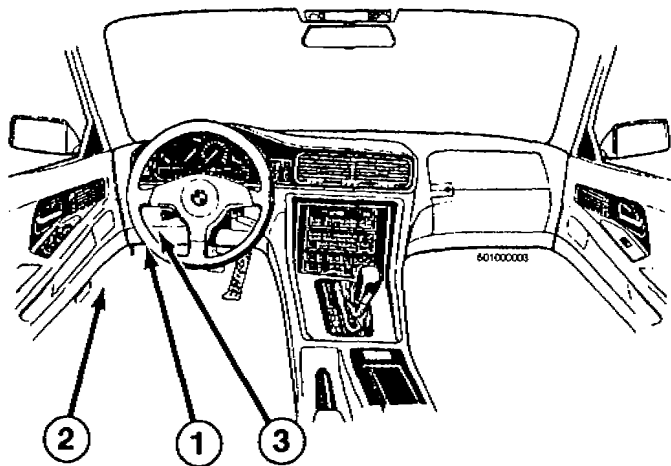


# COMPONENT LOCATION VIEWS



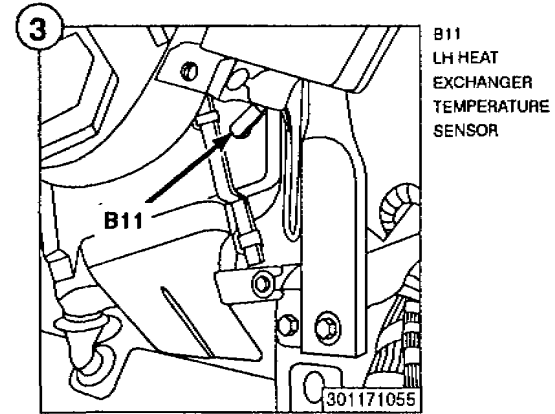
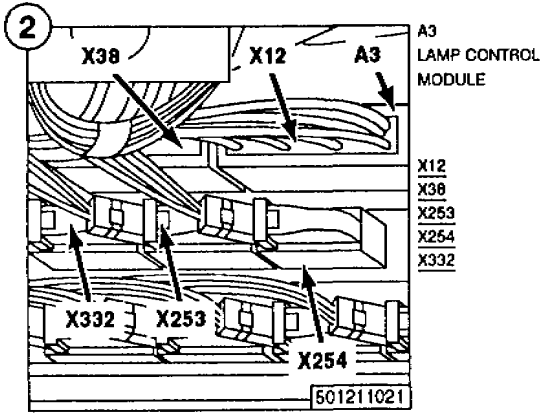
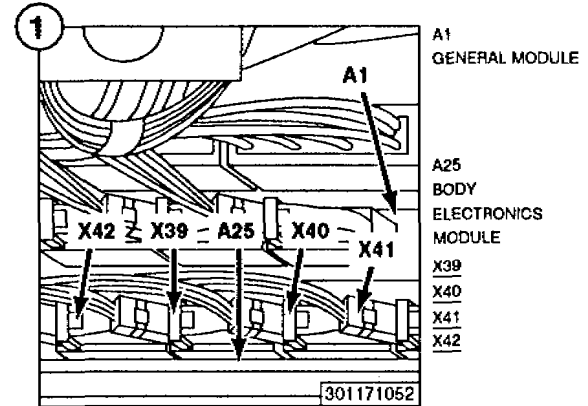
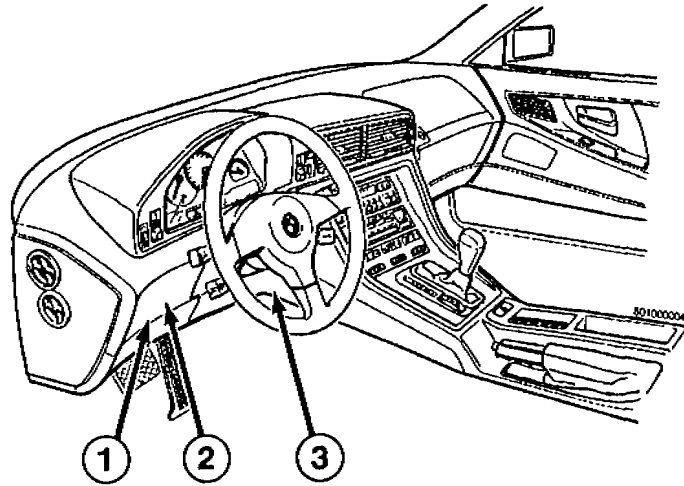


# COMPONENT LOCATION VIEWS



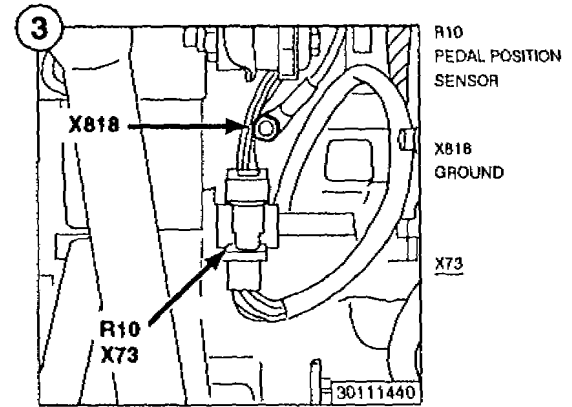
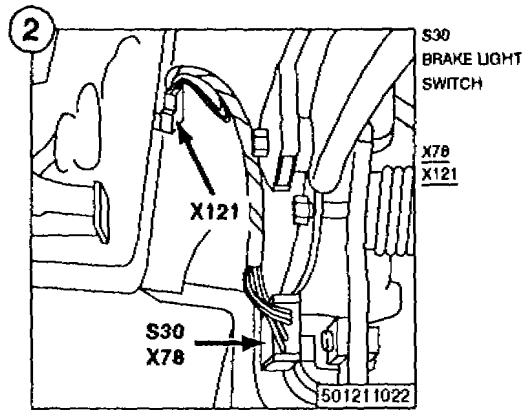
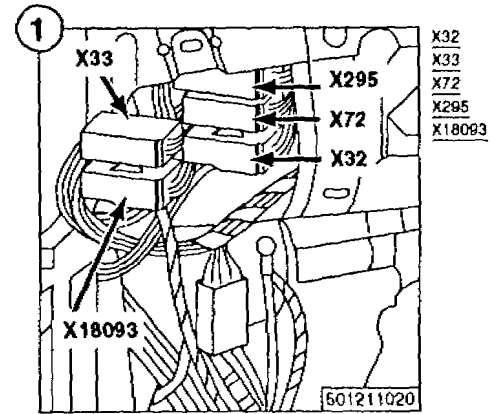
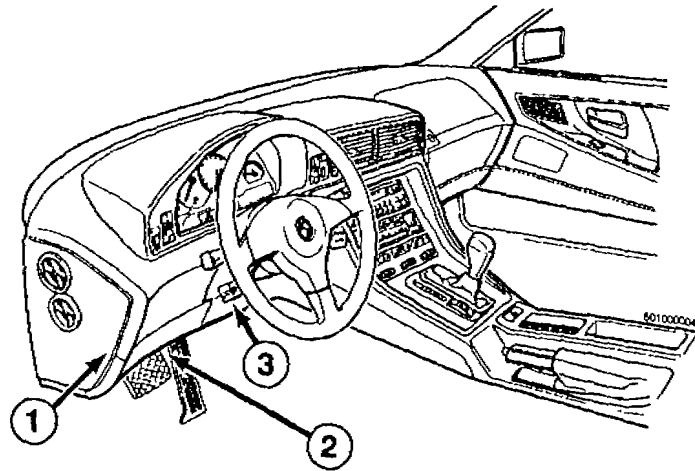


# COMPONENT LOCATION VIEWS



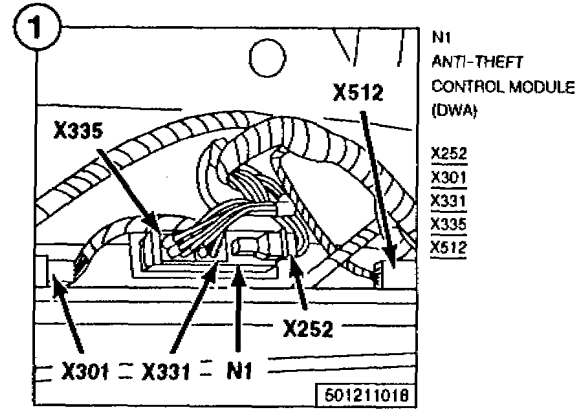
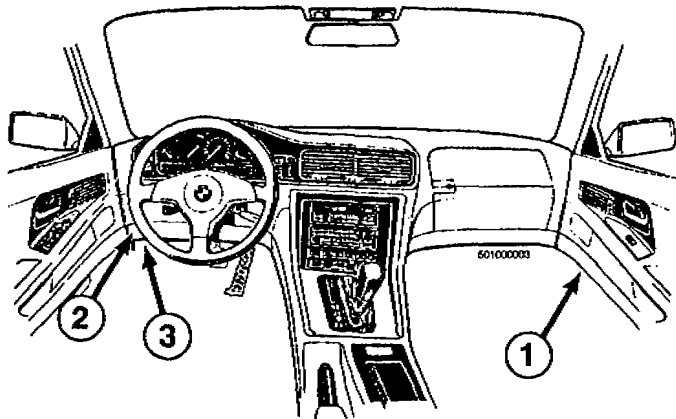


# COMPONENT LOCATION VIEWS



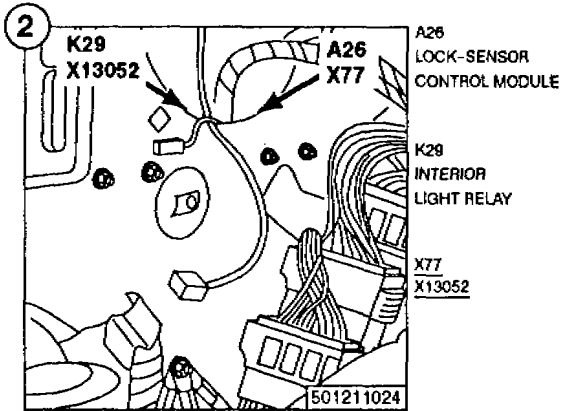


# COMPONENT LOCATION VIEWS



N1  
ANTI-THEFT  
CONTROL MODULE  
(DWA)

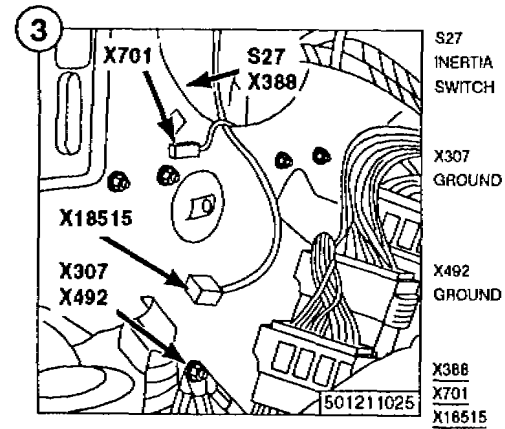
X252  
X301  
X331  
X335  
X512



A26  
LOCK-SENSOR  
CONTROL MODULE

K29  
INTERIOR  
LIGHT RELAY

X77  
X13052



S27  
INERTIA  
SWITCH

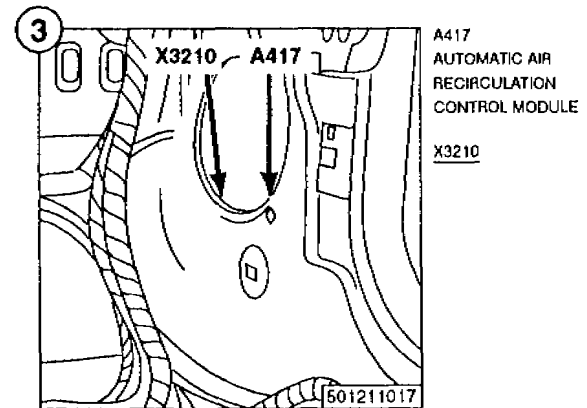
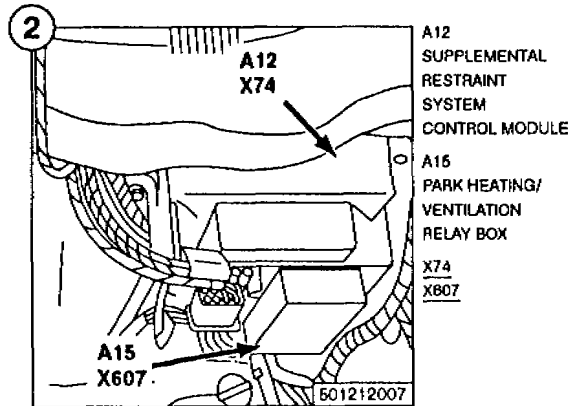
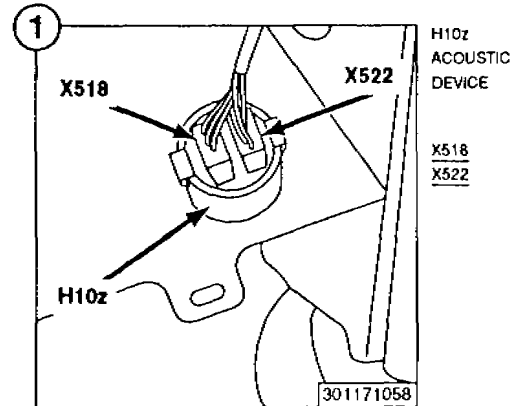
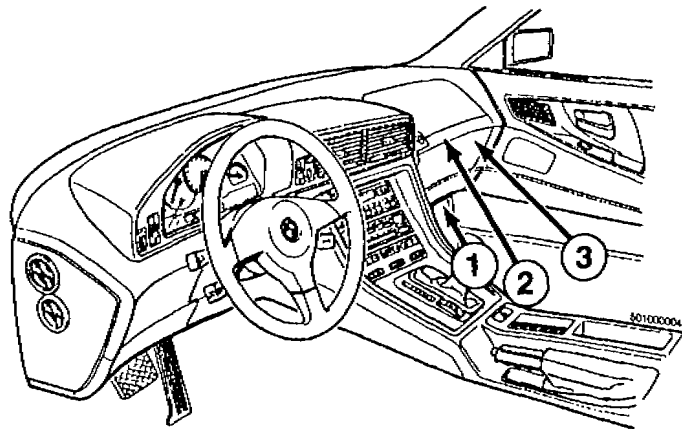
X307  
GROUND

X492  
GROUND

X388  
X701  
X18515

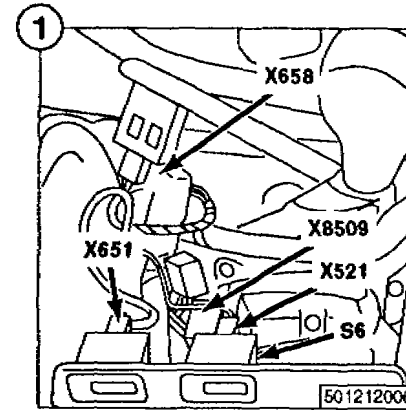
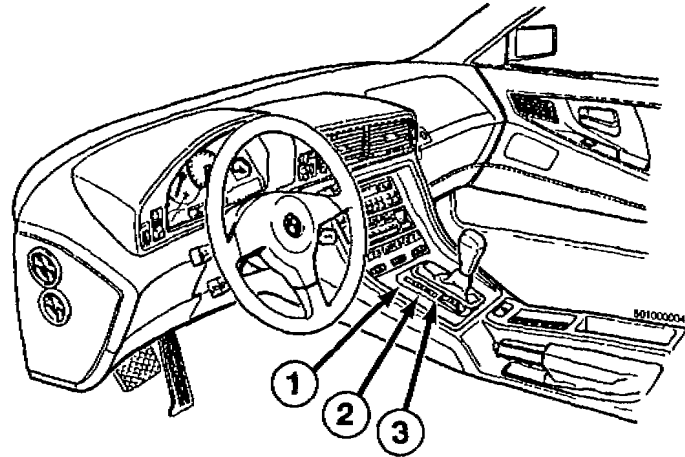


# COMPONENT LOCATION VIEWS



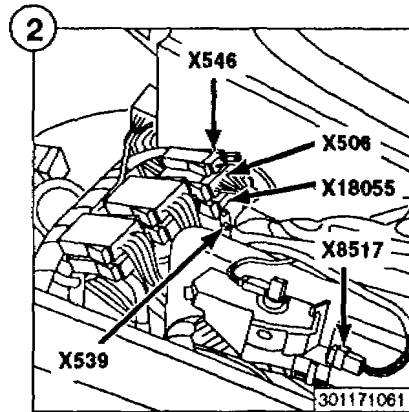


# COMPONENT LOCATION VIEWS

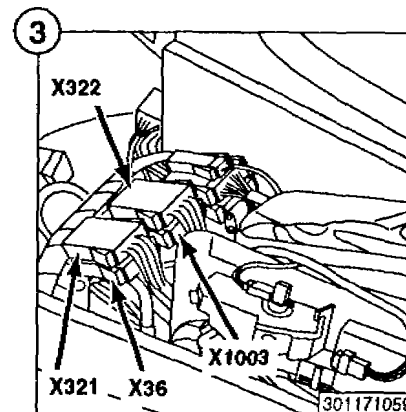


S6  
ASC SWITCH

X621  
X651  
X656  
X8509



X506  
X539  
X546  
X8517  
X18055

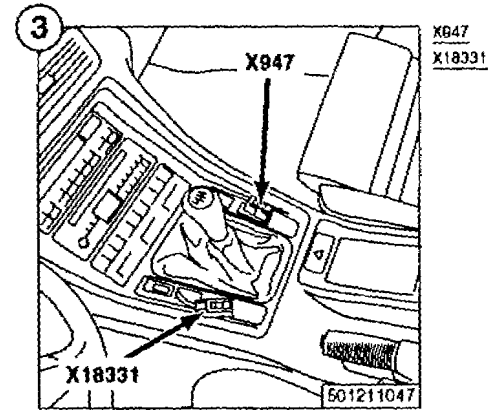
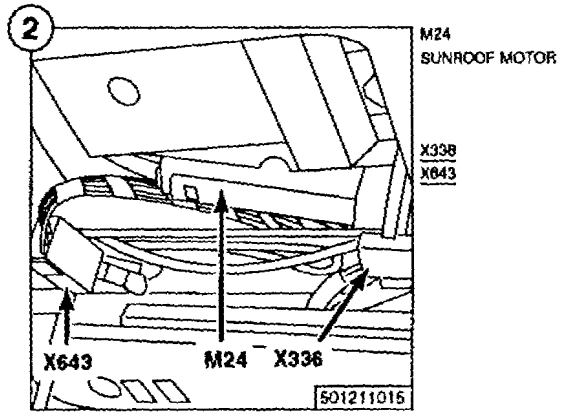
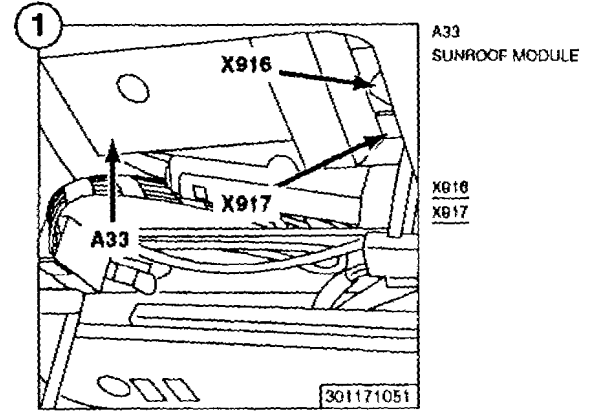
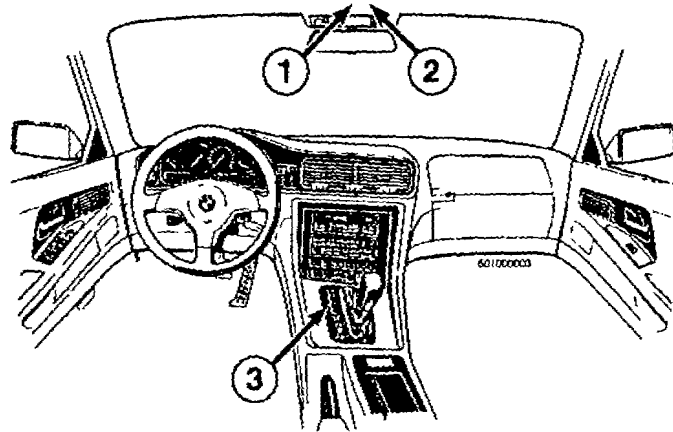


X38  
X321  
X322  
X1003



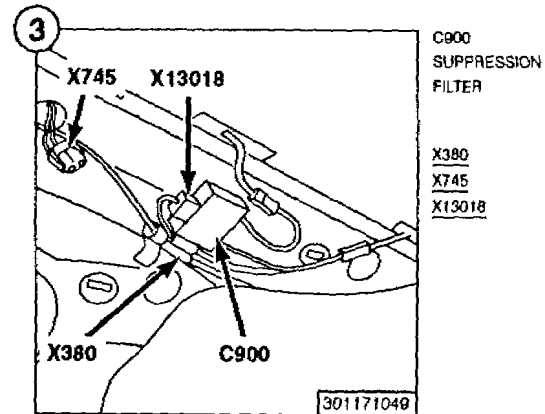
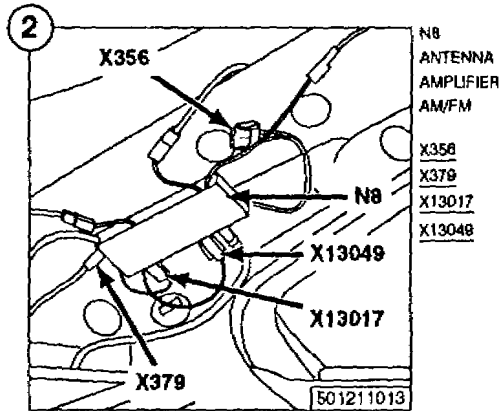
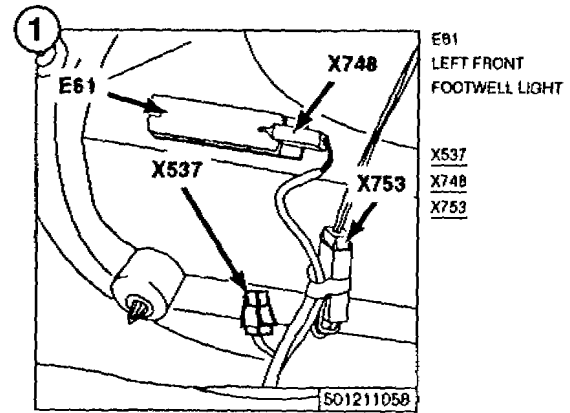
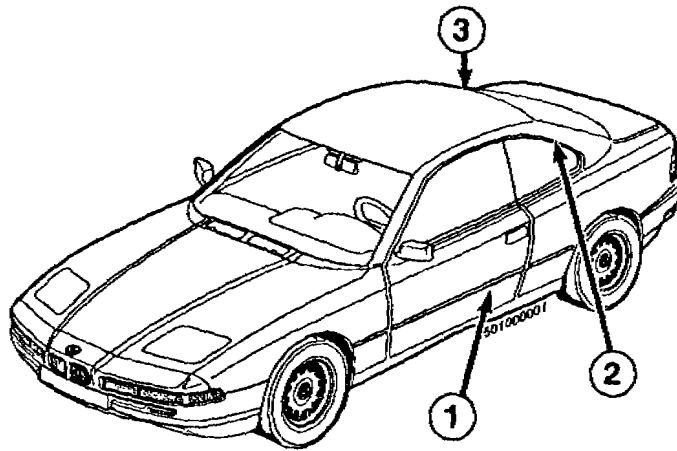


# COMPONENT LOCATION VIEWS



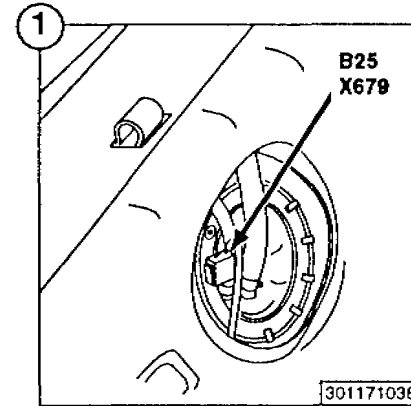
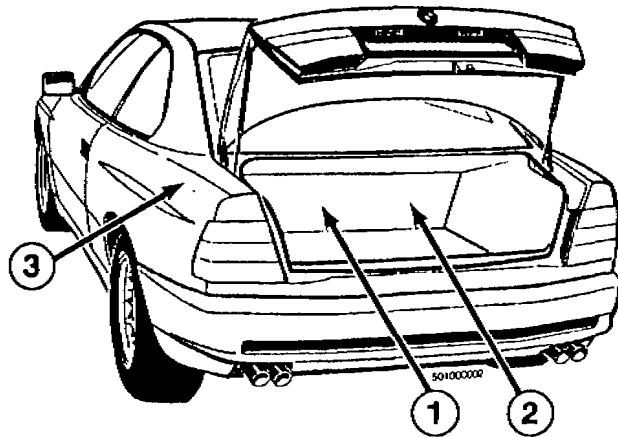


# COMPONENT LOCATION VIEWS



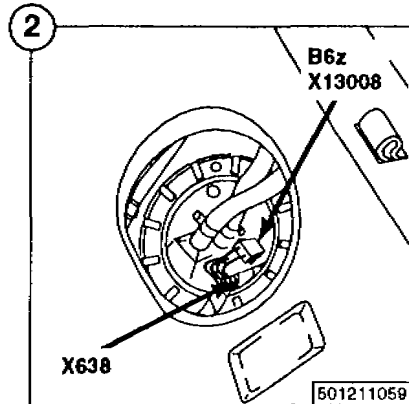


# COMPONENT LOCATION VIEWS



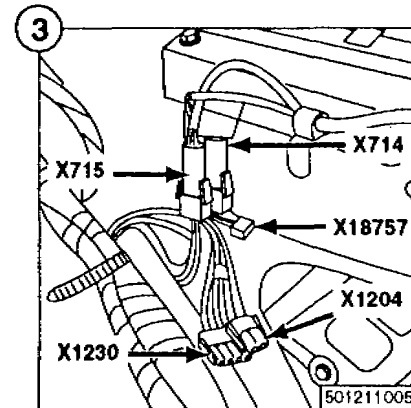
B25  
FUEL LEVEL  
SENSOR II

X879



B6z  
FUEL LEVEL  
SENSOR I

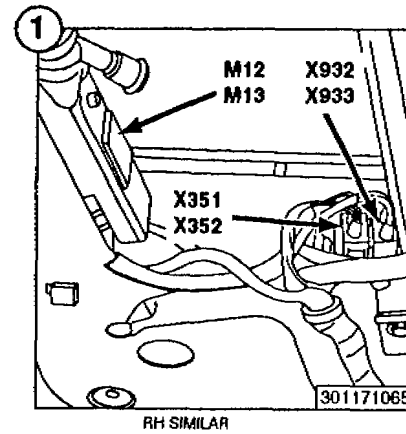
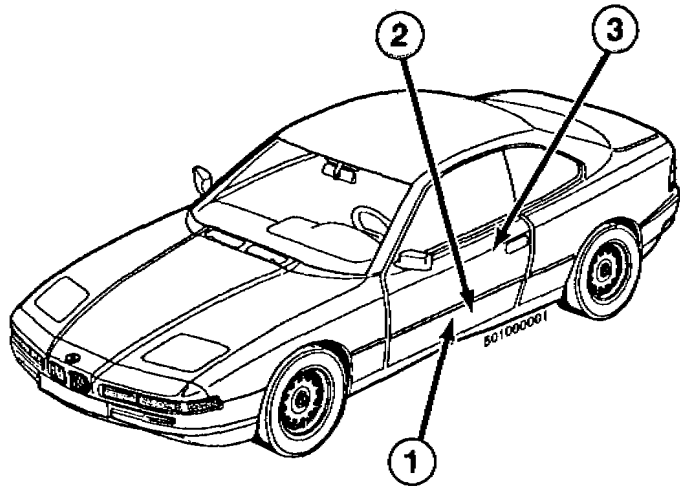
X838  
X13008



X714  
X715  
X1204  
X1230  
X18757

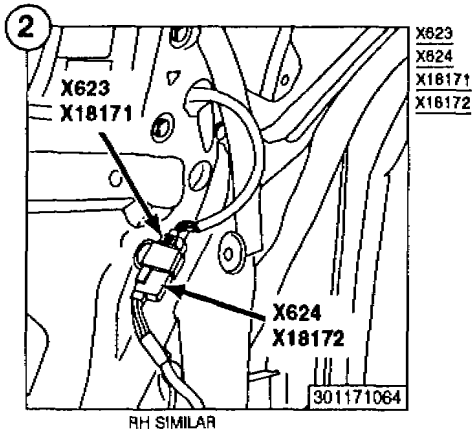


# COMPONENT LOCATION VIEWS

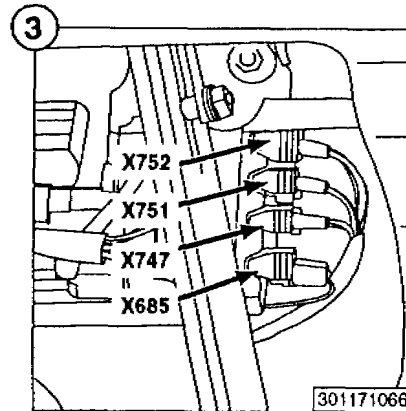


- M12 DRIVER'S DOOR LOCK MOTOR
- M13 PASSENGER'S DOOR LOCK MOTOR
- X351
- X352
- X932
- X933

RH SIMILAR



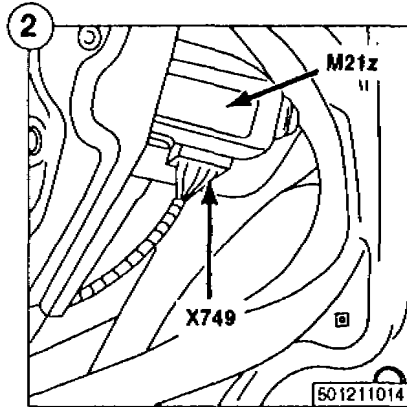
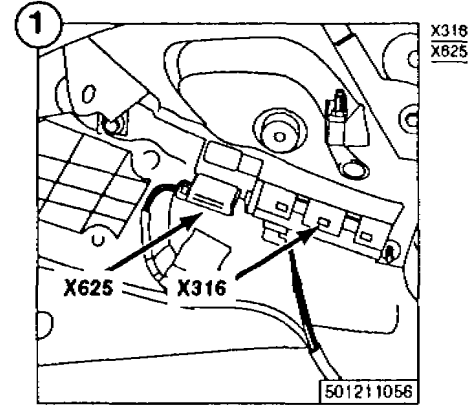
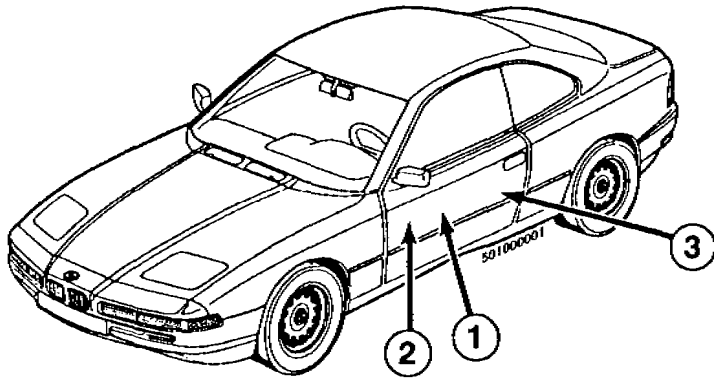
RH SIMILAR



- X885
- X747
- X751
- X752

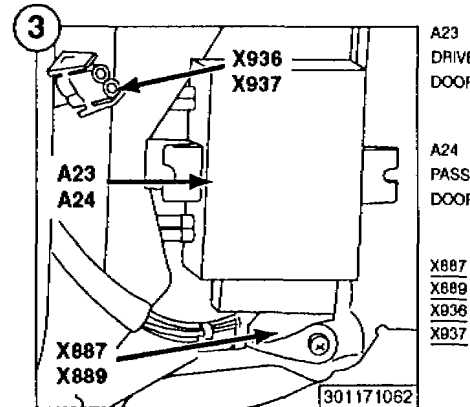


# COMPONENT LOCATION VIEWS



M21z  
DRIVER'S POWER  
WINDOW MOTOR/  
INCREMENT  
SENSOR

X749



A23  
DRIVER'S  
DOOR MODULE

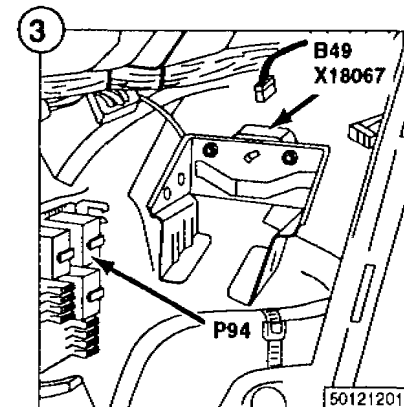
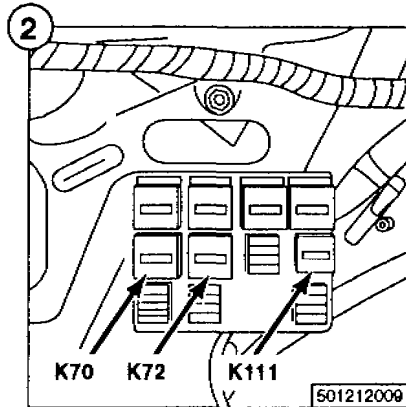
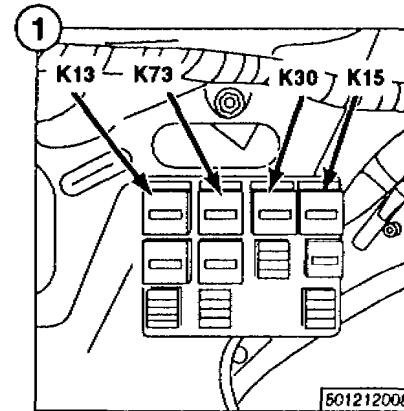
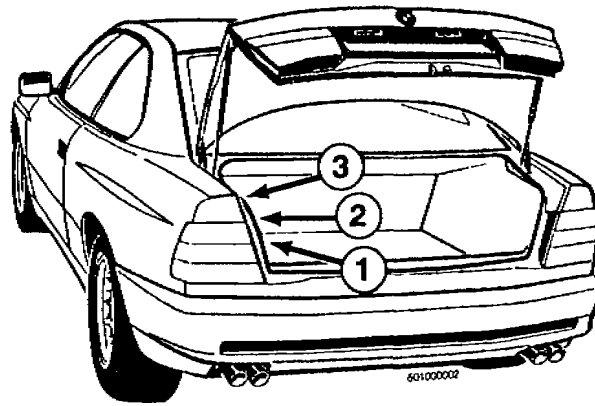
A24  
PASSENGER'S  
DOOR MODULE

X887  
X889  
X936  
X937

RH SIMILAR

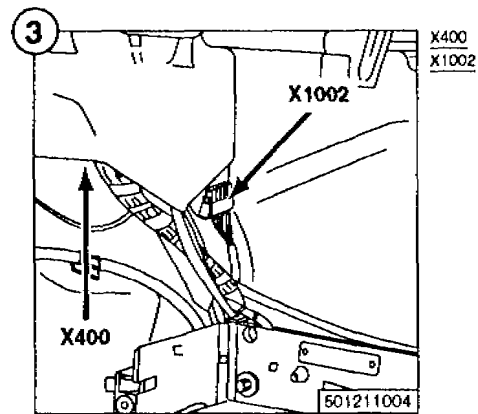
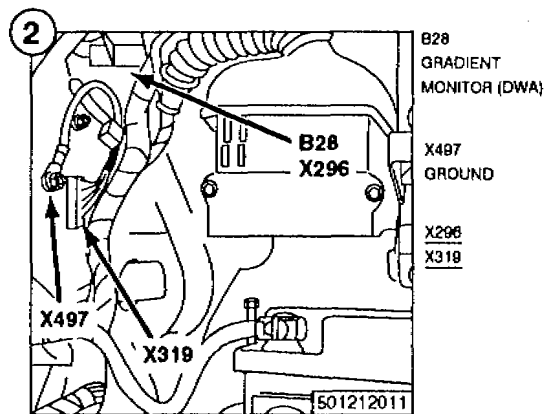
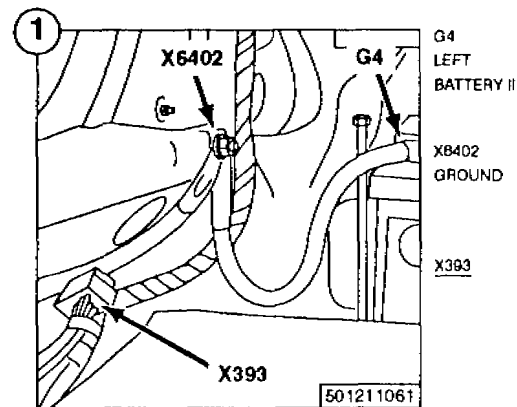
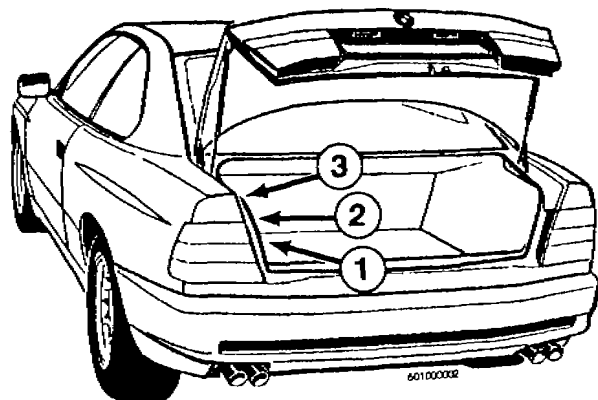


# COMPONENT LOCATION VIEWS



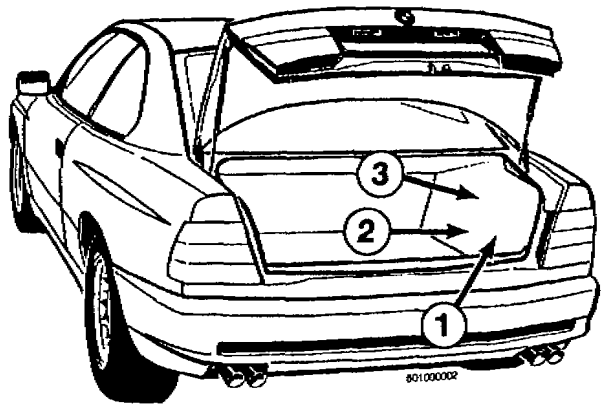


# COMPONENT LOCATION VIEWS

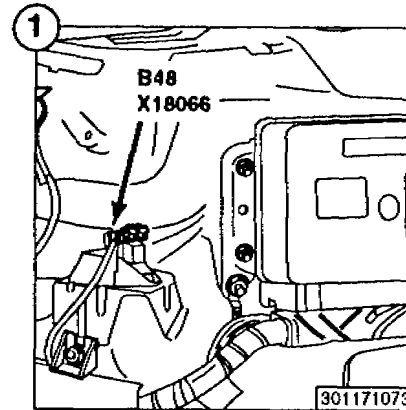




# COMPONENT LOCATION VIEWS



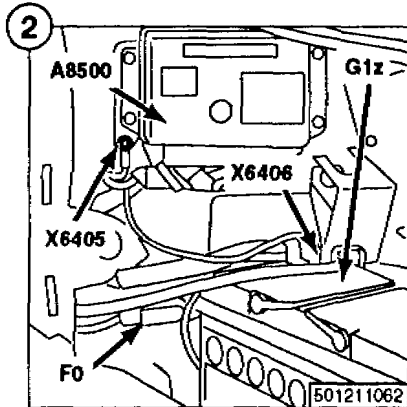
50100002



B48  
RIGHT REAR  
ACCELERATION  
SENSOR

X18066

301171073



A8500  
TRANSMISSION  
CONTROL MODULE  
(EGS)

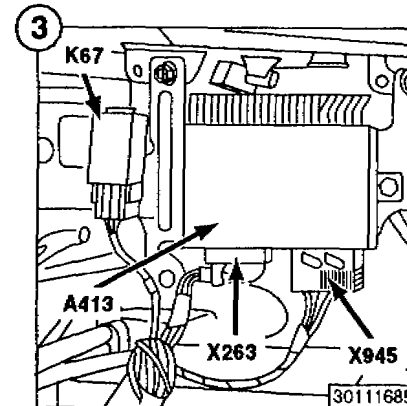
X6406

G1z  
RIGHT  
BATTERY I

F0  
FUSIBLE LINK

X6405  
GROUND

501211062



A413  
ELECTRONIC  
SHOCK  
ABSORBER  
CONTROL  
MODULE (EDC)

K67  
EDC RELAY

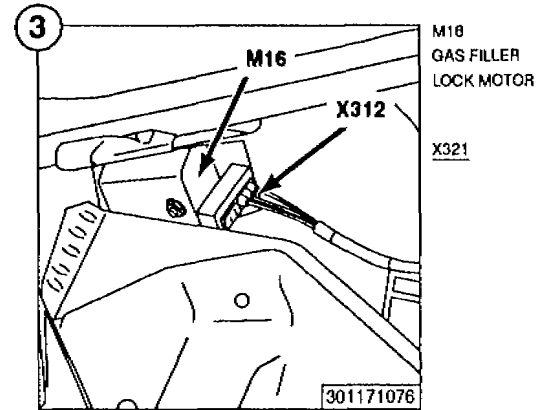
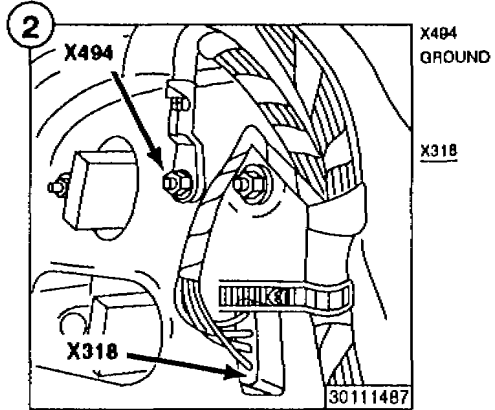
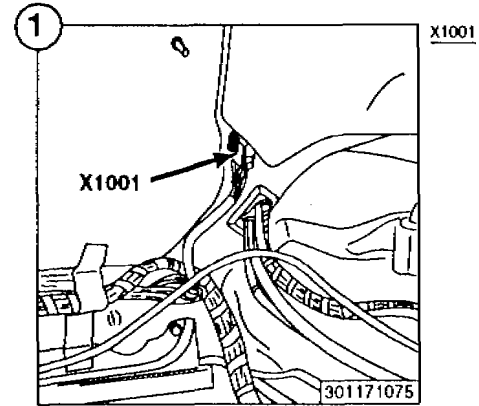
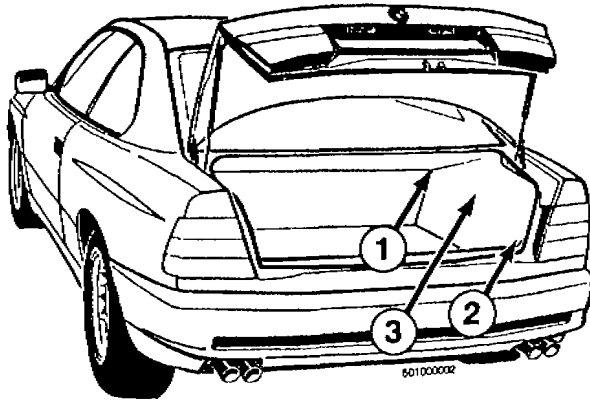
X263  
X945

30111685



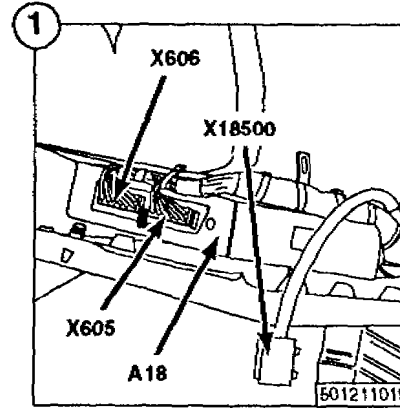
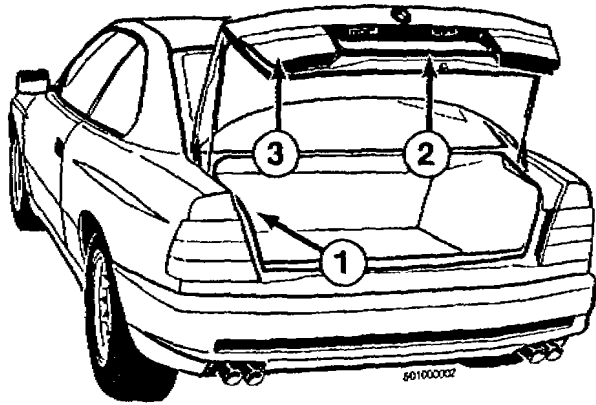


# COMPONENT LOCATION VIEWS



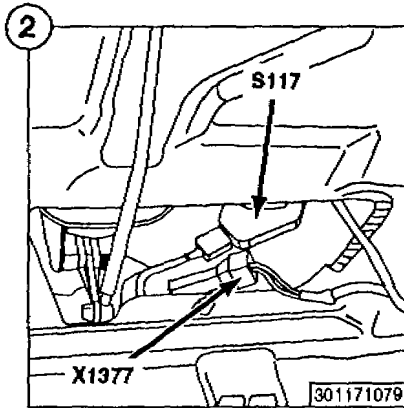


# COMPONENT LOCATION VIEWS



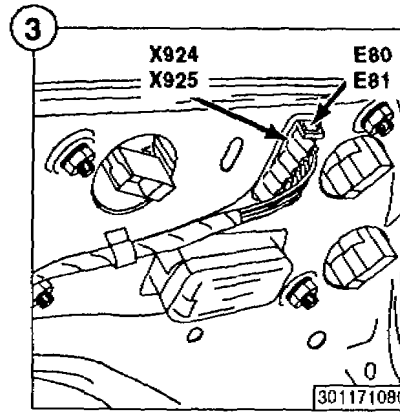
A18  
HIFI AMPLIFIER

X605  
X606  
X18500



S117  
TRUNK LID  
LOCKING SWITCH

X1377



E80  
LEFT REAR  
LIGHT  
ASSEMBLY II

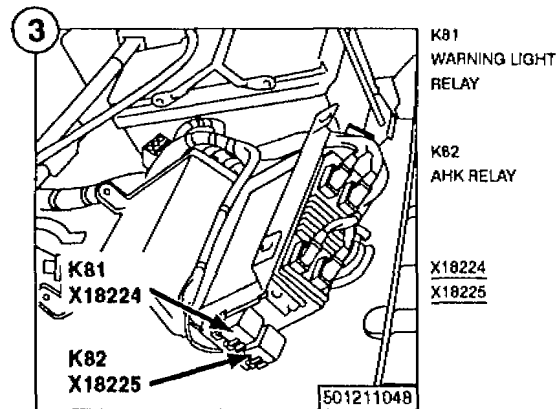
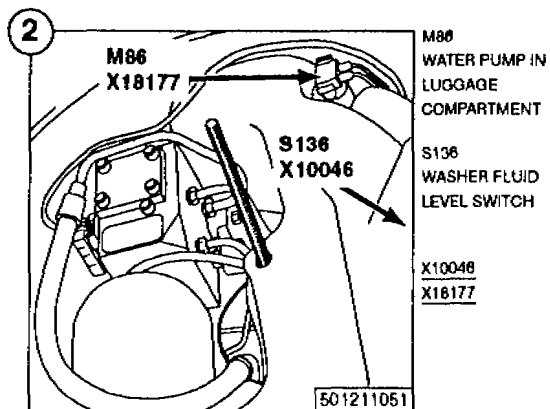
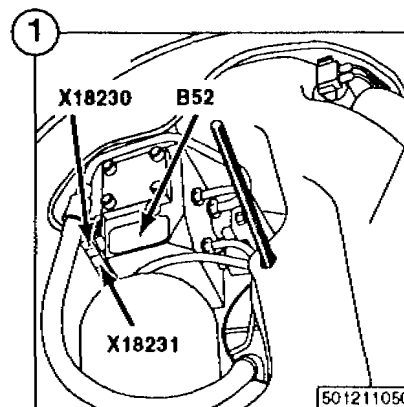
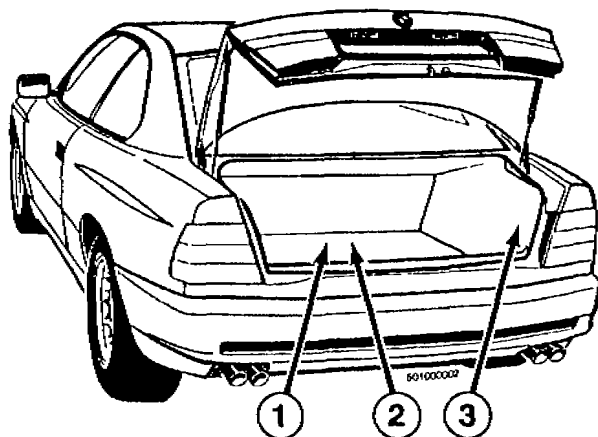
E81  
RIGHT REAR  
LIGHT  
ASSEMBLY II

X924  
X925

RH SIMILAR

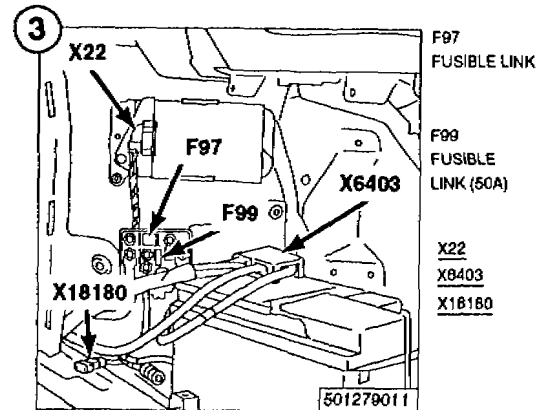
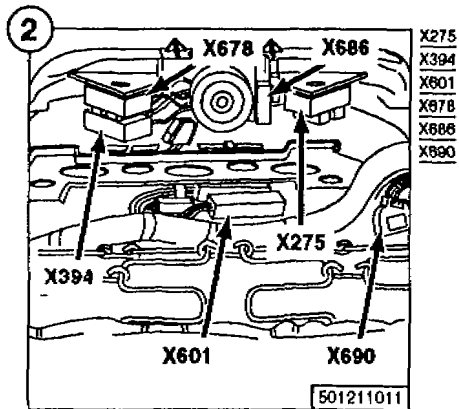
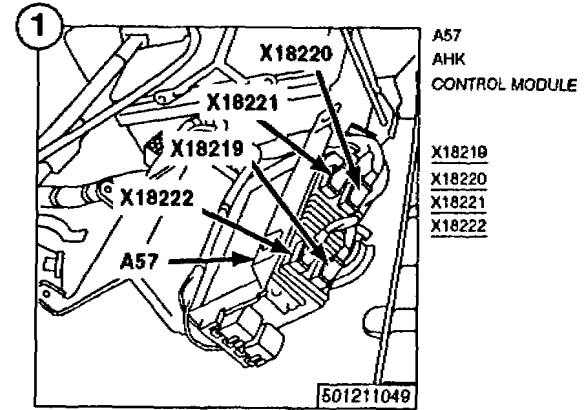
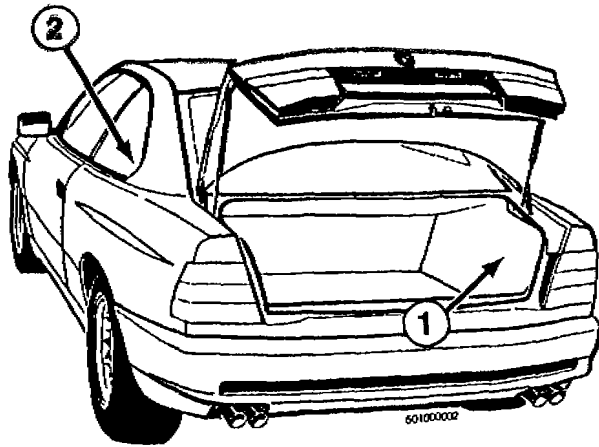


# COMPONENT LOCATION VIEWS





# COMPONENT LOCATION VIEWS



BMW  
8

8000.0



# SPLICE LOCATION VIEWS

## SPLICE LOCATION INDEX

SPLICE	HARNESS	PAGE NUMBER	SPLICE	HARNESS	PAGE NUMBER
X181-X190	FRONT	8000.0-02	X934	DRIVER'S DOOR	NOT SHOWN
X195	CHASSIS	8000.0-03	X935	PASSENGER'S DOOR	NOT SHOWN
X196-X208	FRONT	8000.0-02	X939	REAR	8000.0-04
X212-X265	FRONT	8000.0-02	X943	SUNSHADE	NOT SHOWN
X267	REAR	8000.0-04	X960-X980	BATTERY	NOT SHOWN
X276	FRONT	8000.0-02	X1006	REAR	8000.0-04
X427-X486	REAR	8000.0-04	X1017-X1018	CHASSIS	8000.0-03
X557	GLOVE BOX LIGHTS	NOT SHOWN	X1022-X1036	FRONT	8000.0-02
X558-X559	REAR	8000.0-04	X1180	CHASSIS	8000.0-03
X560	FRONT	8000.0-02	X1183	FRONT	8000.0-02
X566-X567	CHASSIS	8000.0-03	X1200	FRONT	8000.0-02
X582-X704	FRONT	8000.0-02	X1202-X1215	REAR	8000.0-04
X801	FRONT	8000.0-02	X1351-X1356	CHASSIS	8000.0-03
X805	REAR	8000.0-04	X1359-X1378	REAR	8000.0-04
X806	FRONT	8000.0-02	X1411-X1414	CHASSIS	8000.0-03
X824	RADIO	NOT SHOWN	X1472	REAR	8000.0-04
X830	RADIO	NOT SHOWN	X6245	ENGINE	8000.0-05
X833	REAR	8000.0-04	X6412-X6491	M60 ENGINE	8000.0-05
X840	DRIVER'S SEAT	NOT SHOWN	X6411-X8047	ENGINE	NOT SHOWN
X844	PASSENGER'S SEAT	NOT SHOWN	X6810-X6866	M60 ENGINE	8000.0-05
X848-X851	DRIVER'S DOOR	NOT SHOWN	X6900-6908	M60 ENGINE	8000.0-05
X852-X859	IHKA	NOT SHOWN	X8004-X8072	M60 ENGINE	8000.0-05
X878	RADIO	NOT SHOWN	X8561-X8576	M60 ENGINE	8000.0-05
X891-X892	PASSENGER'S DOOR	NOT SHOWN	X8564-X8565	FRONT	8000.0-02
X894	REAR	8000.0-04	X10014-X10056	FRONT	8000.0-02
X914	FRONT	8000.0-02	X10064	CHASSIS	8000.0-03
X926-X927	DRIVER'S DOOR	NOT SHOWN	X10090	REAR	8000.0-04
X928-X929	PASSENGER'S DOOR	NOT SHOWN	X11245	FRONT	8000.0-02



# SPLICE LOCATION VIEWS

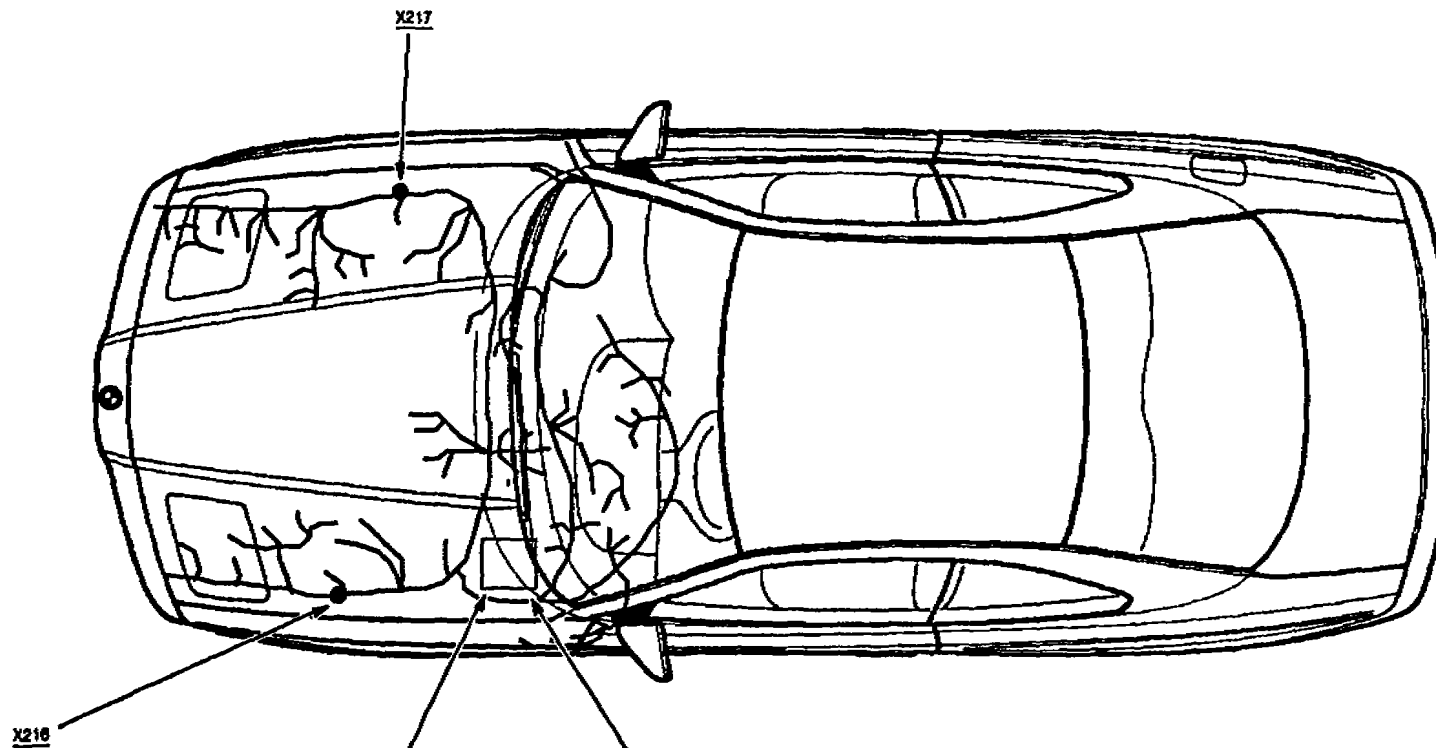
## SPLICE LOCATION INDEX

SPLICE	HARNESS	PAGE NUMBER	SPLICE	HARNESS	PAGE NUMBER
X11267	FRONT	8000.0-02	X18768	CHASSIS	8000.0-03
X13000	REAR	8000.0-04	X18769	CHASSIS	8000.0-03
X13047	REAR	8000.0-04	X18780	FRONT	8000.0-02
X13133	REAR	8000.0-04	X19507	FRONT	8000.0-02
X13141	REAR	8000.0-04	X19515	DRIVER'S DOOR	NOT SHOWN
X18026-X18046	CHASSIS	8000.0-03	X19516	PASSENGER'S DOOR	NOT SHOWN
X18044	FRONT	8000.0-02	X19526	CHASSIS	8000.0-03
X18048	REAR	8000.0-04			
X18056-X18087	CHASSIS	8000.0-03			
X18091	DRIVER'S SEAT	NOT SHOWN			
X18092	PASSENGER'S SEAT	NOT SHOWN			
X18100-X18102	DRIVER'S SEAT	NOT SHOWN			
X18104-X18106	DRIVER'S SEAT	NOT SHOWN			
X18108	PARK HEATING/VENTILATION	NOT SHOWN			
X18121-X18122	REAR	8000.0-04			
X18123	DRIVER'S DOOR	NOT SHOWN			
X18140-X18142	IHKA	NOT SHOWN			
X18174	RADIO	NOT SHOWN			
X18175	DRIVER'S SEAT	NOT SHOWN			
X18182	RADIO	NOT SHOWN			
X18217	DRIVER'S DOOR	NOT SHOWN			
X18226-X18241	CHASSIS	8000.0-03			
X18299-X18335	CHASSIS	8000.0-03			
X18247	DRIVER'S SEAT	NOT SHOWN			
X18737	DRIVER'S SEAT	NOT SHOWN			
X18738	PASSENGER'S SEAT	NOT SHOWN			
X18740	GLOVE BOX LIGHTS	NOT SHOWN			
X18744-X18747	FRONT	8000.0-02			



# SPLICE LOCATION VIEWS

## FRONT HARNESS



X184	X245	X801
X185	X246	X814
X188	X247	X1022
X201	X248	X1200
X203	X249	X10014
X205	X250	X18744
X208	X261	X18745
X212	X284	X18746
X224	X285	X18747
X240	X560	

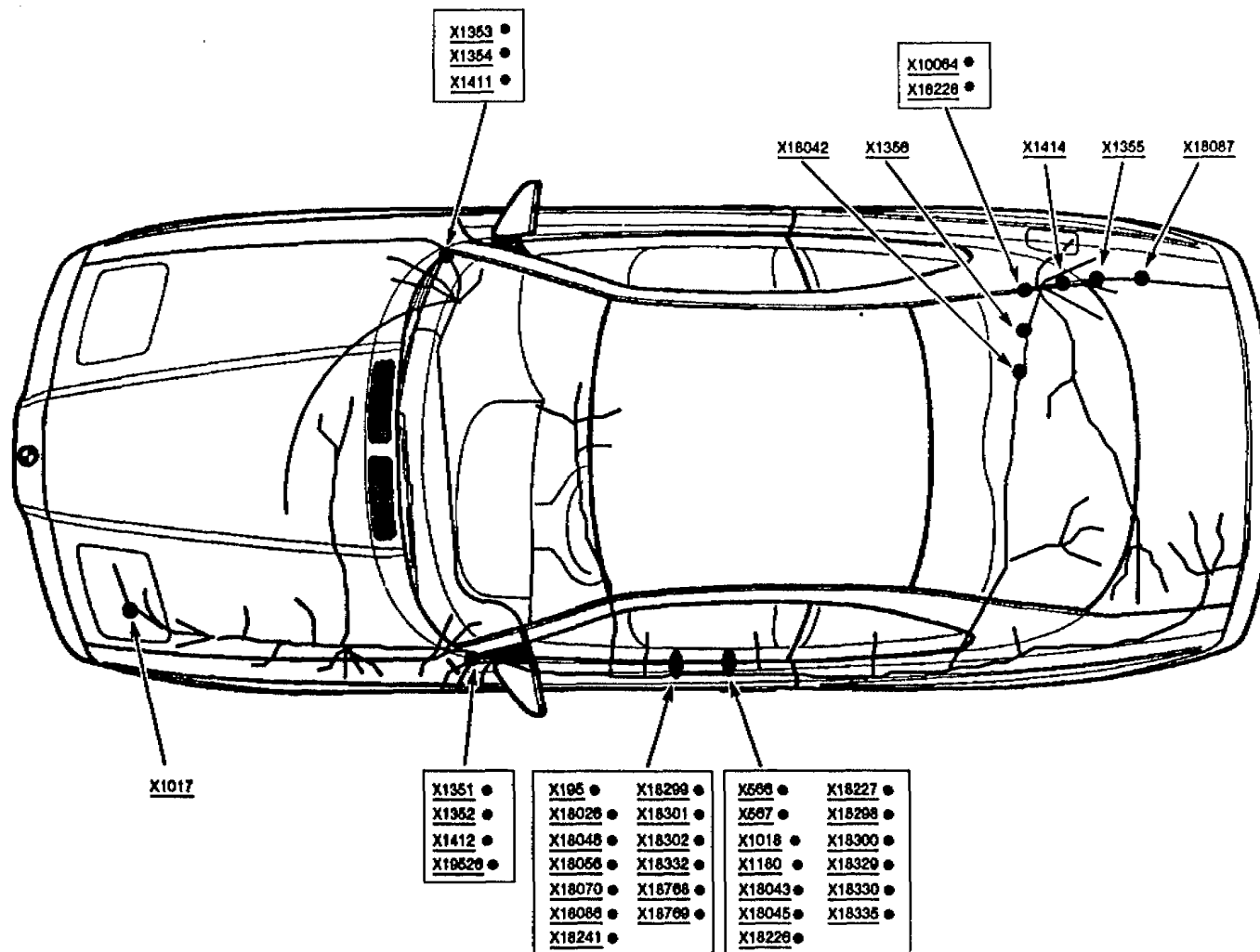
X181	X215	X1038
X182	X222	X1183
X183	X223	X8584
X190	X226	X8585
X196	X241	X10043
X198	X243	X10058
X199	X276	X11267
X200	X582	X18044
X204	X806	X18780
X213	X1023	X18507





# SPLICE LOCATION VIEWS

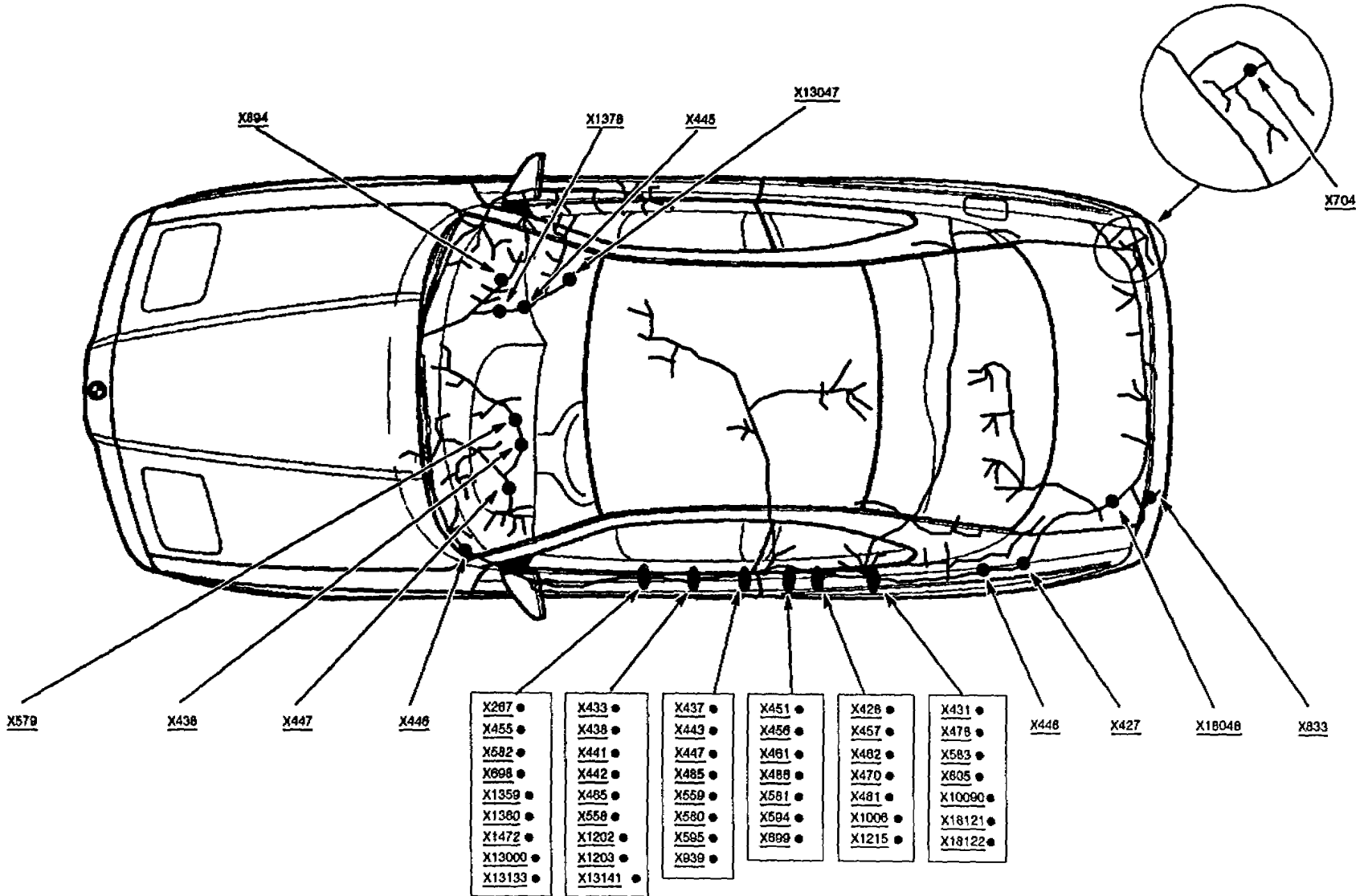
## CHASSIS HARNESS





# SPLICE LOCATION VIEWS

## REAR HARNESS



BMW  
**8**

8500.0



# CONNECTOR VIEWS

FIG. 1

B880001.00

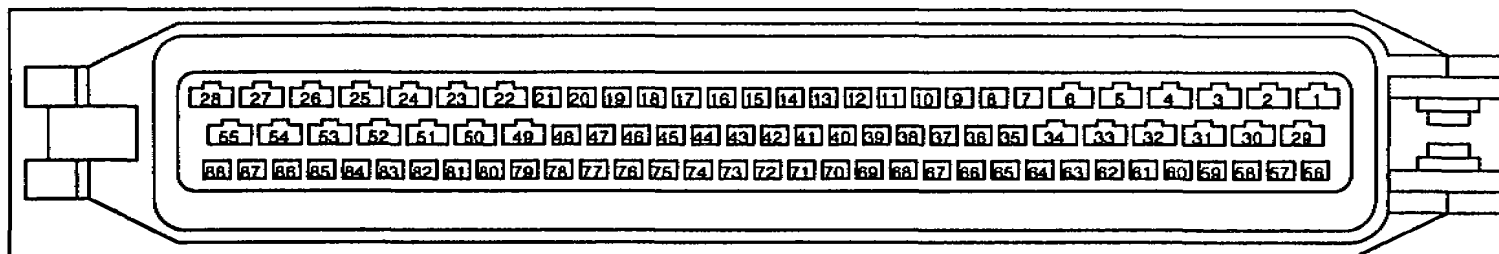


FIG. 2

B550001.00

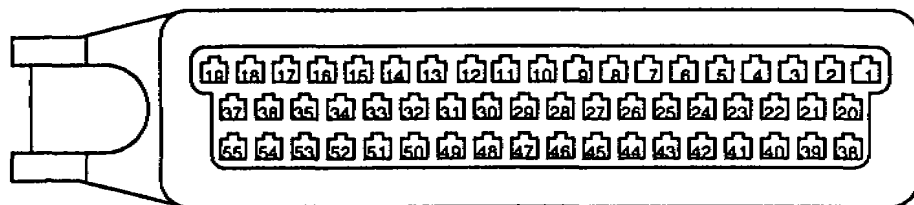
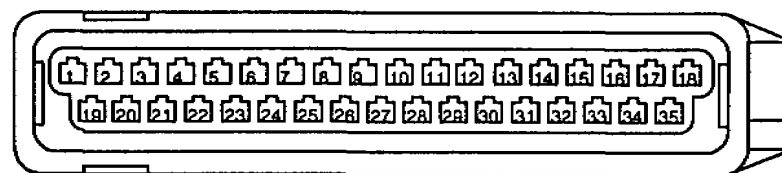


FIG. 3

B350002.05





# CONNECTOR VIEWS

FIG. 1

B300001.01

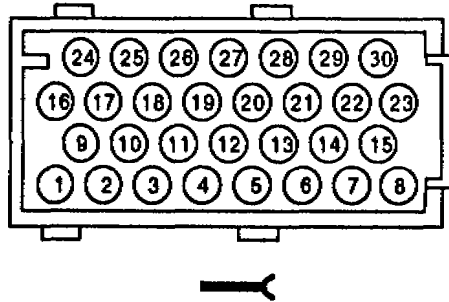


FIG. 2

B260005.01

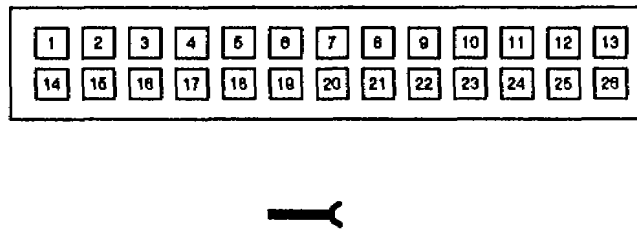


FIG. 3

B260002.00

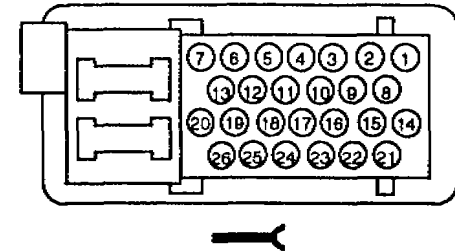


FIG. 4

B260002.00

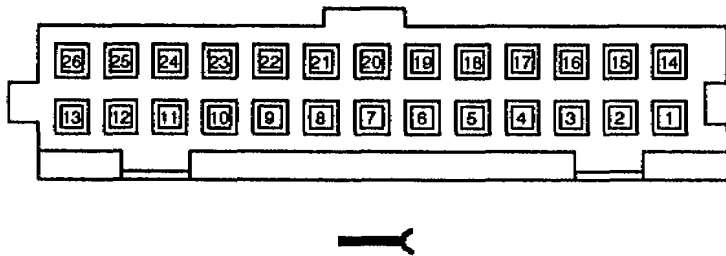


FIG. 5

B250001.02

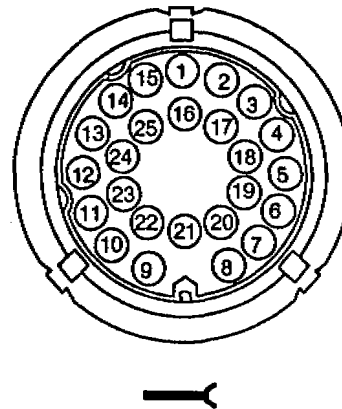
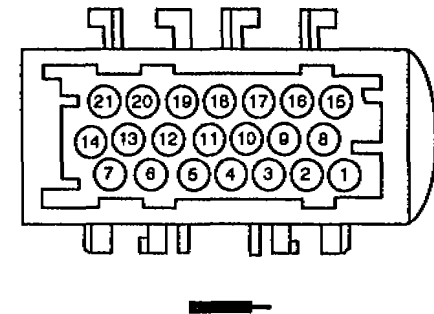


FIG. 6

B210001.00





# CONNECTOR VIEWS

FIG. 1

B200007.00

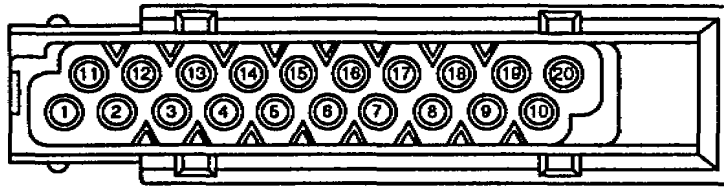


FIG. 2

B200003.00

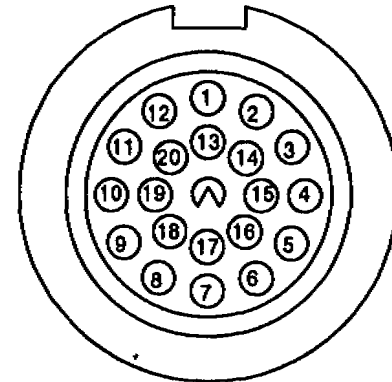


FIG. 3

B180000.01

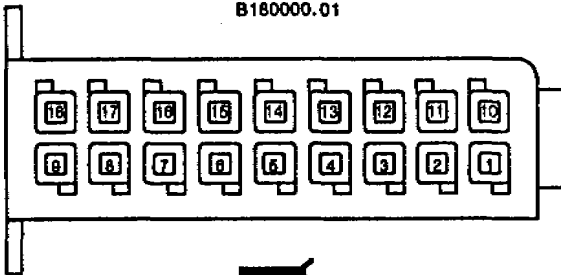


FIG. 4

B170001.00

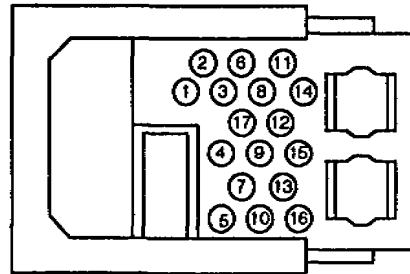
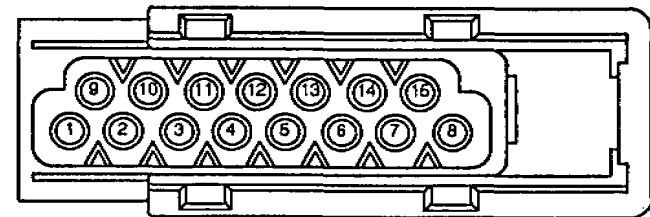


FIG. 5

B150002.00





# CONNECTOR VIEWS

FIG. 1

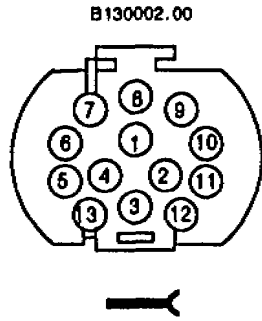


FIG. 2

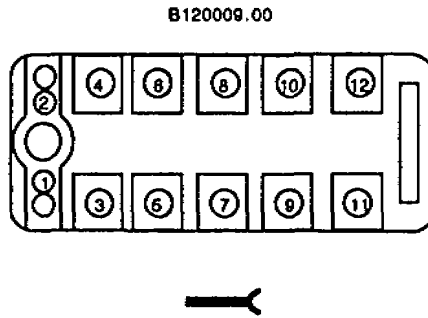


FIG. 3

B120015.02

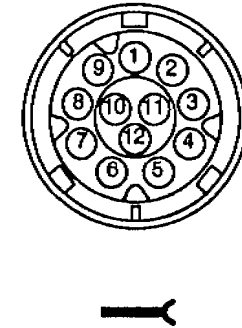


FIG. 4

B120013.00

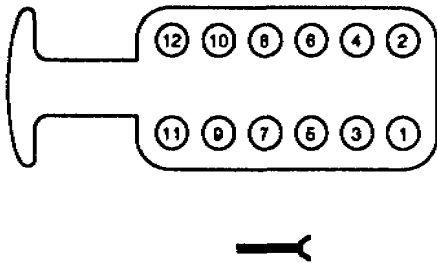


FIG. 5

B120011.01

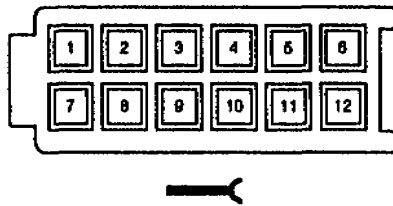
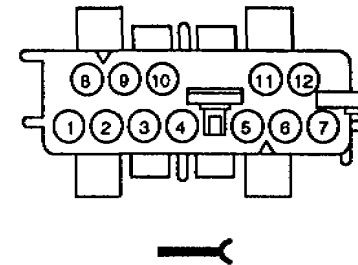


FIG. 6

B120005.00





# CONNECTOR VIEWS

FIG. 1

B120002.02

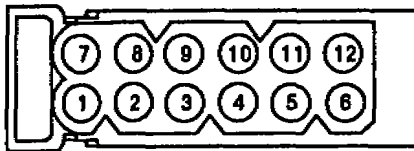


FIG. 2

B120006.00

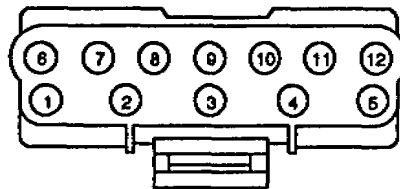


FIG. 3

B120004.05

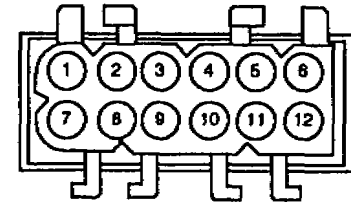


FIG. 4

B120008.00

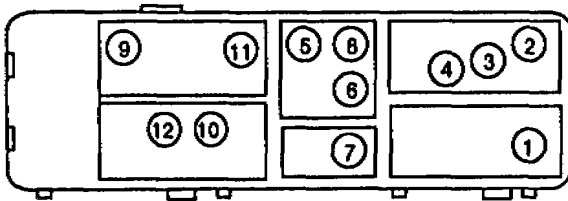


FIG. 5

B100004.01

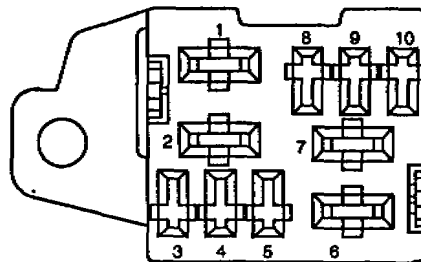
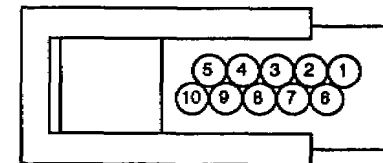


FIG. 6

B100007.00







# CONNECTOR VIEWS

FIG. 1

B100009.00

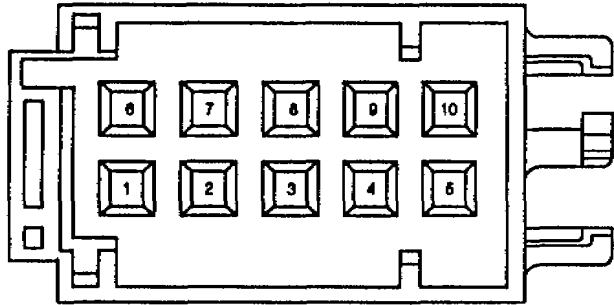


FIG. 2

B100010.00

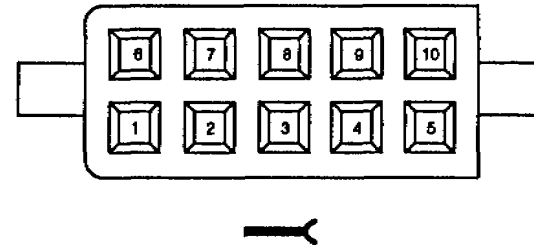


FIG. 3

B100008.00

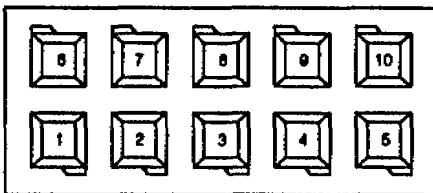


FIG. 4

B080001.00

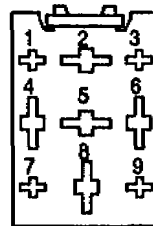
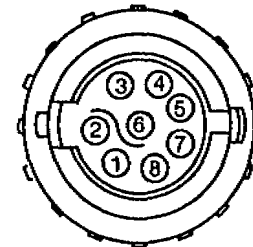


FIG. 5

B080003.01





# CONNECTOR VIEWS

FIG. 1

B080005.00

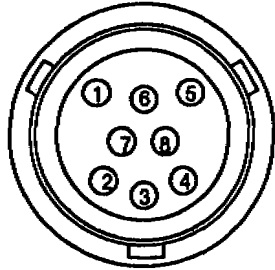


FIG. 2

B080006.00

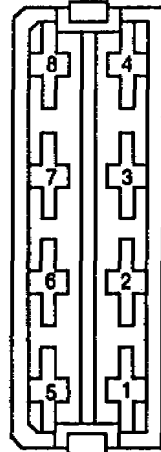


FIG. 3

B080001.01

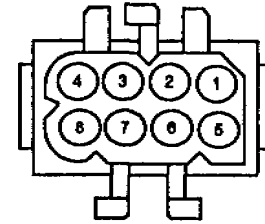


FIG. 4

B080002.00

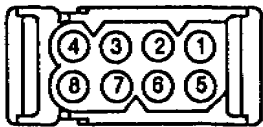


FIG. 5

B070005.01

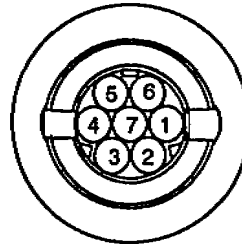
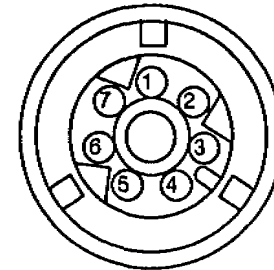


FIG. 6

B070007.02





# CONNECTOR VIEWS

FIG. 1

B060006.00

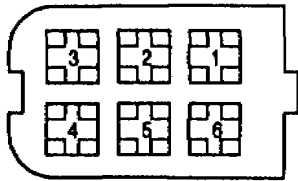


FIG. 2

B060035.00

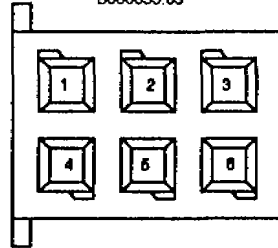


FIG. 3

B060038.00

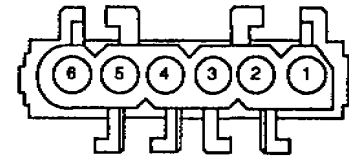


FIG. 4

B060016.00

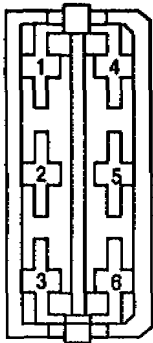


FIG. 5

B060009.00

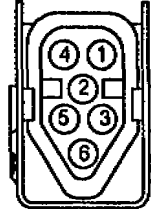
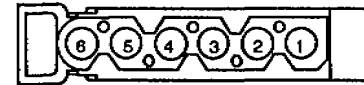


FIG. 6

B060017.00





# CONNECTOR VIEWS

FIG. 1

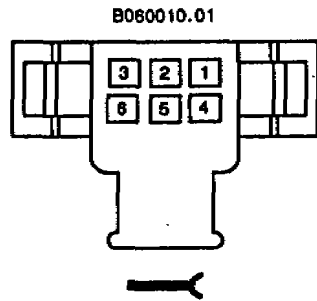


FIG. 2

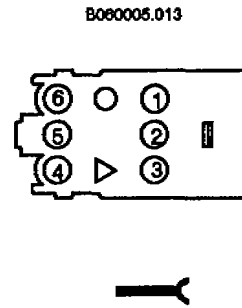


FIG. 3

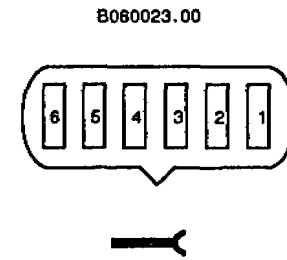


FIG. 4

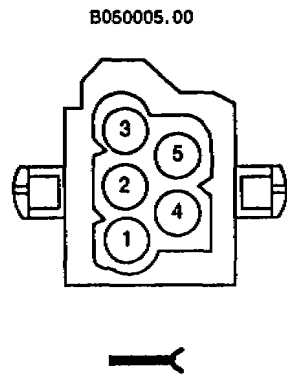


FIG. 5

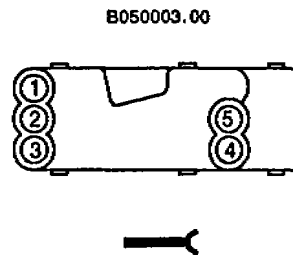
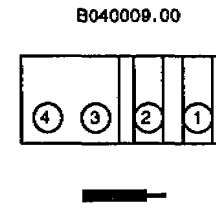


FIG. 6





# CONNECTOR VIEWS

FIG. 1

B040021

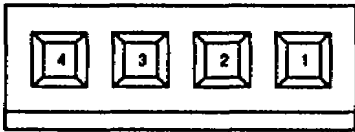


FIG. 2

B040004.00



FIG. 3

B040002.00

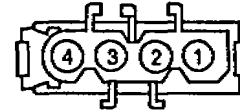


FIG. 4

B040017.01

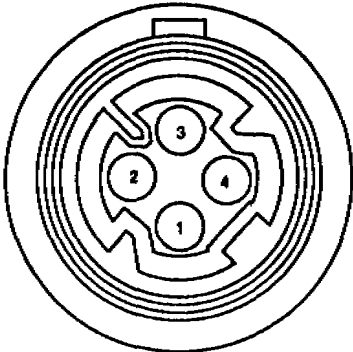


FIG. 5

B040013

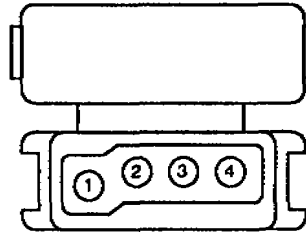
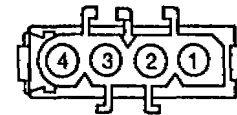


FIG. 6

B040002.04





# CONNECTOR VIEWS

FIG. 1

B040018.04

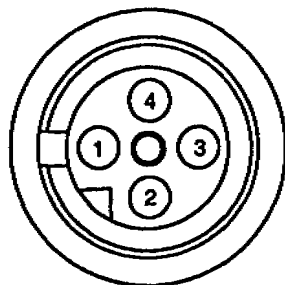


FIG. 2

B040015.00

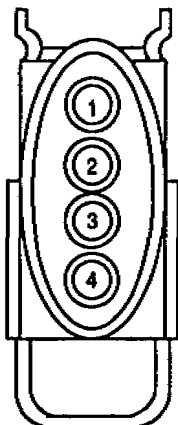


FIG. 3

B040003.00

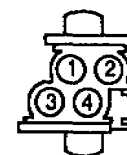


FIG. 4

B030041.00

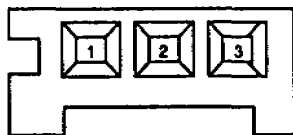


FIG. 5

B030024

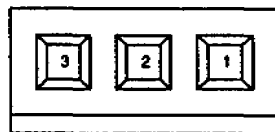
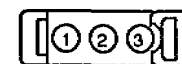


FIG. 6

B030003.04





# CONNECTOR VIEWS

FIG. 1

B030015.00

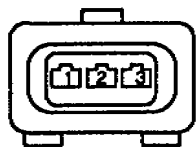


FIG. 2

B030001.00

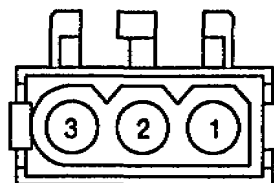


FIG. 3

B030027.00

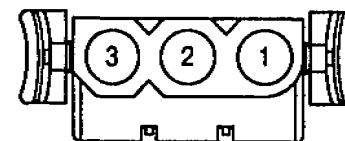


FIG. 4

B030022.00

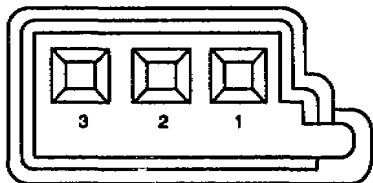
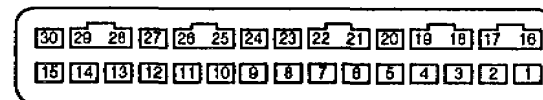


FIG. 5

B300003.00





# CONNECTOR VIEWS

FIG. 1

B030037.00

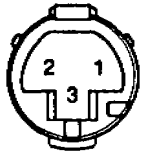


FIG. 2

B120016.00

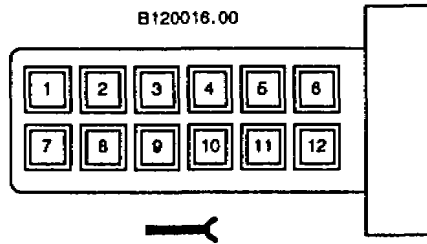


FIG. 3

B080019.00

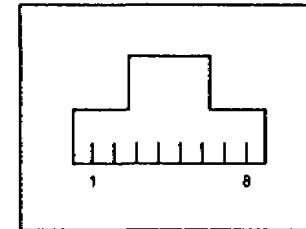


FIG. 4

B250003.00

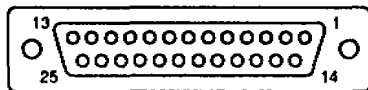


FIG. 5

B160001.00

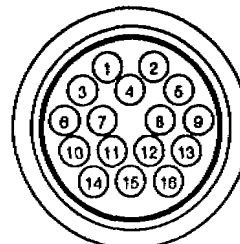
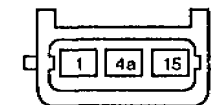


FIG. 6

B030015.12





BMW  
8

8500.0-14