

1995

BMW

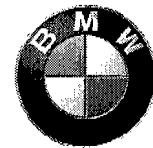
**525i, 525it, 530i,
530it, 540i (E34)**

Electrical

Troubleshooting

Manual

Vehicles Produced 5/94 to 12/95



ELECTRICAL TROUBLESHOOTING MANUAL

5 SERIES – E34 (525i/t, 530i/t, 540i)

SCHEMATICS

MODEL YEAR 1995

0100.0	INDEX	3715.2	ELECTRONIC SHOCK ABSORBER CONTROL (EDC III+)
0110.0	INTRODUCTION	5116.0	POWER MIRRORS
0140.0	SYMBOLS	5120.0	ZKE DOOR LOCK HEATING (TSH)
0670.0	POWER DISTRIBUTION CHART	5126.0	ZKE CENTRAL LOCKING (ZV)
0670.1	FUSE CHART	5133.0	ZKE POWER WINDOWS (FH)
0670.2	POWER DISTRIBUTION	5200.0	POWER SEATS
0670.3	FUSE DETAILS	5200.1	SEAT/MIRROR MEMORY SYSTEM (SM/SPM)
0670.4	GROUND DISTRIBUTION	5203.0	HEATED SEATS
0670.5	DATA LINK	5212.0	LUMBAR SUPPORT
1210.11	ENGINE CONTROL SYSTEM (DME M3.3, 8-CYLINDER M60)	5410.0	ZKE SUNROOF (SHD)
1210.13	ENGINE CONTROL SYSTEM (DME M3.3.1, 6-CYLINDER M50)	5410.2	DOUBLE PANEL POWER SUNROOF (ZKE)
1230.0	CHARGING SYSTEM	6100.0	CENTRAL BODY ELECTRONICS (ZKE)
1240.0	START	6133.0	HORN
1290.0	E-BOX FAN	6135.0	DRIVE-AWAY PROTECTION (EWS II)
2460.2	ELECTRONIC TRANSMISSION CONTROL (EGS A4S 310R)	6160.0	ZKE WIPER/WASHER CONTROL
2460.7	ELECTRONIC TRANSMISSION CONTROL (AGS: GS 9.22/A5S 560Z)	6162.0	REAR WINDOW WIPER/WASHER CONTROL
2460.8	ELECTRONIC TRANSMISSION CONTROL (AGS: GS 7.32/A5S 310Z)	6167.0	ZKE HEADLIGHT WASHER (SRA)
3231.0	ELECTRIC STEERING COLUMN ADJUSTMENT	6169.0	WINDSHIELD WASHER JET HEATERS
3234.0	SUPPLEMENTAL RESTRAINT SYSTEM (AIR BAG)	6200.0	INSTRUMENT CLUSTER/CHECK CONTROL (K/CC)
3450.0	SLIP CONTROL (ABS)	6213.2	MULTI-FUNCTION CLOCK
3450.5	SLIP CONTROL 5 (ASC 5)		

SCHEMATICS

6300.0	LIGHT SWITCH DETAILS	6450.5	INTEGRATED CLIMATE REGULATION WITH FILTER (IHKR/F3)
6301.0	LAMP MONITOR (LKM)	6454.0	AUXILIARY FAN
6312.0	HEADLIGHTS/FOG LIGHTS	6510.1	RADIO/HIFI
6313.0	TURN/HAZARD LIGHTS	6510.2	RADIO PROVISIONS
6314.0	PARK/TAIL/UNDERHOOD LIGHTS	6561.0	CELLULAR TELEPHONE (PROVISIONS)
6320.0	LICENSE PLATE/LUGGAGE COMPARTMENT LIGHTS	6571.0	CRUISE CONTROL (TEMPOMAT)
6322.0	BACK UP LIGHTS	6575.2	ANTI-THEFT SYSTEM (ALPINE)
6325.0	BRAKE LIGHTS	6575.3	ANTI-THEFT SYSTEM IV (DWA IV)
6330.0	ZKE INTERIOR LIGHTS CONTROL (IB)	6581.0	ON-BOARD COMPUTER (BCIV)
6332.0	INTERIOR ACCESSORIES	6610.1	REMOTE CONTROLLED LOCKING SYSTEM
6350.0	CRASH CONTROL MODULE	7000.0	COMPONENT LOCATION CHART
6412.19	PARK VENTILATION WITH IHKR/F3	7100.0	COMPONENT LOCATION VIEWS
6424.0	REAR WINDOW DEFOGGER/ ANTENNA	8000.0	SPLICE LOCATION VIEWS
		8500.0	CONNECTOR VIEWS

BMW
5

0100.0



INDEX

ABS HYDRAULIC UNIT, Y1	3450.0-03	BATTERY, G1	0670.2-00
ABS HYDRAULIC UNIT, Y1w	3450.5-03	BLOWER MOTOR, M30	6412.19-00
AIR BAG GAS GENERATOR, DRIVER'S, G5	3234.0-01	BLOWER MOTOR, M30	6450.5-02
AIR BAG GAS GENERATOR, PASSENGER'S, G6	3234.0-01	BLOWER POTENTIOMETER, R90001	6450.5-01
AIR CONDITIONING COMPRESSOR, Y2	6450.5-05	BLOWER RELAY, K4	6450.5-00
AIR FLOW SENSOR, B6206	1210.11-06	BLOWER RESISTORS, R11	6412.19-00
AIR TEMPERATURE SENSOR, CYL. 1-8, B6215w	1210.11-06	BLOWER RESISTORS, R11	6450.5-02
ANTENNA AMPLIFIER AM/FM, N8	6424.0-01	BLOWER SWITCH, S75	6412.19-00
ANTENNA AMPLIFIER AM/FM, N8	6510.1-00	BLOWER SWITCH, S75	6450.5-02
ANTI-THEFT CONTROL MODULE (ALPINE), N12w	6575.2-00	BRAKE FLUID LEVEL SWITCH, B18	6200.0-01
ANTI-THEFT CONTROL MODULE (DWA), N1	6575.3-00	BRAKE LIGHT SWITCH, S30	6325.0-00
ANTI-THEFT HORN, H1y	6575.3-03	BRAKE LIGHT, LEFT, H24	6325.0-01
ANTI-THEFT SYSTEM (ALPINE)	6575.2-00	BRAKE LIGHT, RIGHT, H31	6325.0-01
ANTI-THEFT SYSTEM IV (DWA IV)	6575.3-00	BRAKE LIGHTS	6325.0-00
ASC SWITCH, S6	3450.5-01	BRAKE PAD SENSOR, LEFT FRONT, B16	6200.0-01
AUTOMATIC TRANSMISSION RANGE SWITCH, S3	2460.2-04	BRAKE PAD SENSOR, RIGHT REAR, B17	6200.0-01
AUTOMATIC TRANSMISSION RANGE SWITCH, S3	2460.7-04	CAMSHAFT ACTUATOR, B6208	1210.13-01
AUTOMATIC TRANSMISSION RANGE SWITCH, S3	2460.8-04	CAMSHAFT POSITION SENSOR	
AUXILIARY FAN	6454.0-00	(CYLINDER IDENTIFICATION), B6204	1210.11-09
AUXILIARY FAN MOTOR, M9	6454.0-00	CARBON CANISTER, B60	1210.11-10
AUXILIARY RELAY BOX, P92	0670.2-06	CD CHANGER, N22	6510.1-05
AUXILIARY THROTTLE POSITION MOTOR (ADS), M93	3450.5-04	CELLULAR TELEPHONE (PROVISIONS)	6561.0-00
AUXILIARY THROTTLE POSITION SENSOR, R6253	3450.5-04	CENTRAL BODY ELECTRONICS (ZKE)	6100.0-00
AUXILIARY TURN LIGHT, LEFT FRONT, H9	6313.0-02	CHARGING SOCKET, X779	6332.0-00
AUXILIARY TURN LIGHT, RIGHT FRONT, H8	6313.0-02	CHARGING SYSTEM	1230.0-00
AUXILIARY WATER PUMP RELAY, K8	6450.5-06	CHECK CONTROL MODULE, A4	6200.0-11
AUXILIARY WATER PUMP, M37a	6450.5-06	CHIME MODULE, H10	6581.0-03
B+ DISTRIBUTOR, X7163	0670.2-00	CLUTCH SWITCH, S32	6571.0-03
B+ JUMP START JUNCTION POINT, G6430	0670.2-00	COMBINATION SWITCH, S7	6301.0-01
B+ JUNCTION POINT, X6400	0670.2-00	COMBINATION SWITCH, S7	6312.0-00
BACK UP LIGHT SWITCH (MANUAL TRANSMISSION),		COMBINATION SWITCH, S7	6313.0-00
S92	6322.0-00	COMPONENT LOCATION CHART	7000.0-00
BACK UP LIGHT, LEFT, H27	6322.0-01	COMPONENT LOCATION VIEWS	7100.0-00
BACK UP LIGHT, RIGHT, H28	6322.0-01	COMPRESSOR CONTROL RELAY, K19	6450.5-05
BACK UP LIGHTS	6322.0-00	CONNECTOR VIEWS	8500.0-00



INDEX

CONTACT RING, C101	3234.0-01	EDC SWITCH, S105	3715.2-00
CRANKSHAFT POSITION/RPM SENSOR, B6203	1210.11-09	EDC VALVES, LEFT FRONT, Y401z	3715.2-02
CRANKSHAFT POSITION/RPM SENSOR, B6203	1210.13-04	EDC VALVES, LEFT REAR, Y403z	3715.2-02
CRASH CONTROL MODULE	6350.0-00	EDC VALVES, RIGHT FRONT, Y402z	3715.2-02
CRASH CONTROL MODULE, N17	6350.0-01	EDC VALVES, RIGHT REAR, Y404z	3715.2-02
CRUISE CONTROL (TEMPOMAT)	6571.0-00	ELECTRIC POWER PROTECTION RELAY, K15	6100.0-00
CRUISE CONTROL ACTUATOR (TEMPOMAT), M25	6571.0-02	ELECTRIC STEERING COLUMN ADJUSTMENT	3231.0-00
CRUISE CONTROL MODULE (TEMPOMAT), A8	6571.0-01	ELECTRIC STEERING COLUMN ADJUSTMENT RELAY, K87	3231.0-00
CRUISE CONTROL SWITCH, S28	6571.0-00	ELECTROCHROMIC REAR VIEW MIRROR, A22z	5116.0-02
DATA LINK	0670.5-00	ELECTRONIC IMMOBILIZER CONTROL MODULE (EWS II), A836	6135.0
DATA LINK CONNECTOR, D100	0670.5-00	ELECTRONIC SHOCK ABSORBER CONTROL (EDC III+)	3715.2-00
DAYTIME RUNNING LIGHTS CODING DIODE, V4	6300.0-04	ELECTRONIC SHOCK ABSORBER CONTROL MODULE (EDC), A413	3715.2
DIMMER, N3	6300.0-00	ELECTRONIC TRANSMISSION CONTROL (AGS: GS 7.32/A5S 310Z)	2460.8-00
DIVERSITY, N404	6424.0-02	ELECTRONIC TRANSMISSION CONTROL (AGS: GS 9.22/A5S 560Z)	2460.7-00
DOOR HANDLE SWITCH, DRIVER'S, S48	5120.0-00	ELECTRONIC TRANSMISSION CONTROL (EGS A4S 310R)	2460.2-00
DOOR JAMB SWITCH, DRIVER'S, S14	6330.0-00	ELECTRONIC TRANSMISSION ENGINE SPEED SENSOR (EGS), Y8516	2460.2-01
DOOR JAMB SWITCH, LEFT REAR, S16	6330.0-00	ENGINE CONTROL MODULE (DME), A6000	1210.11-00
DOOR JAMB SWITCH, PASSENGER'S, S13	6330.0-00	ENGINE CONTROL MODULE (DME), A6000	1210.13-00
DOOR LOCK HEATER, E48	5120.0-01	ENGINE CONTROL MODULE RELAY, K6300	1210.11-00
DOOR LOCK MOTOR, DRIVER'S, M12	5126.0-04	ENGINE CONTROL MODULE RELAY, K6300	1210.13-00
DOOR LOCK MOTOR, LEFT REAR, M15	5126.0-04	ENGINE CONTROL RELAY (ABS/ASC), K94	3450.0-02
DOOR LOCK MOTOR, PASSENGER'S, M13	5126.0-04	ENGINE CONTROL RELAY (ABS/ASC), K94	3450.5-02
DOOR LOCK MOTOR, RIGHT REAR, M14	5126.0-04	ENGINE CONTROL SYSTEM (DME M3.3.1, 6-CYLINDER M50)	1210.13-00
DOOR LOCK SWITCH, DRIVER'S, S47	5126.0-00	ENGINE CONTROL SYSTEM (DME M3.3, 8-CYLINDER M60)	1210.11-00
DOOR LOCK SWITCH, PASSENGER'S, S49	5126.0-00	ENGINE COOLANT LEVEL SWITCH, S63	6200.0-11
DOUBLE PANEL POWER SUN ROOF SENSOR I, B54	5410.2-02		
DOUBLE PANEL POWER SUN ROOF SENSOR II, B55	5410.2-02		
DOUBLE PANEL POWER SUNROOF CONTROL MODULE, A99	5410.2-00		
DOUBLE PANEL POWER SUNROOF (ZKE)	5410.2-00		
DRIVE-AWAY PROTECTION (EWS II)	6135.0-00		
DWA LED, V5	6571.3-01		
E-BOX FAN	1290.0-00		
E-BOX FAN, M6506	1290.0-00		
EDC RELAY, K67	3715.2-00		



INDEX

ENGINE COOLANT TEMPERATURE SENSOR, B6236	1210.11-06	FUSIBLE LINK, F0	0670.2-00
ENGINE COOLANT TEMPERATURE SENSOR, B6236	1210.13-05	FUSIBLE LINK, F97	0670.2-00
ENGINE HOOD SWITCH (DWA), S21	6575.3-04	GAS FILLER LOCK MOTOR, M16	5126.0-05
EVAPORATIVE EMISSION VALVE, Y6120	1210.13-01	GENERAL MODULE, A1	6100.0-00
EVAPORATOR TEMPERATURE SENSOR, B14	6450.5-03	GENERATOR, G6509	1230.0-00
FOG LIGHT SWITCH, S10	6312.0-01	GLOVE BOX LIGHT SWITCH, S37	6332.0-00
FOG LIGHT, LEFT, E26	6312.0-02	GLOVE BOX LIGHT, E42	6332.0-00
FOG LIGHT, RIGHT, E27	6312.0-02	GRADIENT MONITOR (DWA), B28	6575.3-06
FRESH AIR FLAP MOTOR, M36	6450.5-04	GROUND DISTRIBUTION	0670.4-00
FRONT CIGAR LIGHTER LIGHT, E29	6300.0-00	HALL EFFECT CAMSHAFT SENSOR, B6209	1210.13-01
FRONT CIGAR LIGHTER, E28	6332.0-01	HAZARD FLASHER RELAY, K16	6313.0-00
FRONT CONSOLE WINDOW SWITCH ASSEMBLY, S40	5133.0-00	HAZARD SWITCH, S18	6313.0-01
FRONT DOME LIGHT/MAP READING ASSEMBLY, E34	6330.0-01	HEADLIGHT/FOG LIGHT WASHER PUMP, M7	6167.0-02
FRONT POWER DISTRIBUTION BOX, P90	0670.2-00	HEADLIGHT/FOGLIGHT CLEANING MODULE (SRA), N6	6167.0-02
FUEL INJECTION VALVE, CYL. 1, Y6101	1210.11-01	HEADLIGHTS/FOG LIGHTS	6312.0-00
FUEL INJECTION VALVE, CYL. 1, Y6101	1210.13-06	HEADREST MOTOR, DRIVER'S, M54	5200.0-00
FUEL INJECTION VALVE, CYL. 2, Y6102	1210.11-01	HEADREST POTENTIOMETER, R5	5200.1-04
FUEL INJECTION VALVE, CYL. 2, Y6102	1210.13-06	HEAT EXCHANGER TEMPERATURE SENSOR, LH, B11	6450.5-03
FUEL INJECTION VALVE, CYL. 3, Y6103	1210.11-01	HEAT EXCHANGER TEMPERATURE SENSOR, RH, B12	6450.5-03
FUEL INJECTION VALVE, CYL. 3, Y6103	1210.13-06	HEATED OXYGEN SENSOR, B6200	1210.13-04
FUEL INJECTION VALVE, CYL. 4, Y6104	1210.11-01	HEATED OXYGEN SENSOR, CYL. 1-4, B6210w	1210.11-05
FUEL INJECTION VALVE, CYL. 4, Y6104	1210.13-06	HEATED OXYGEN SENSOR, CYL. 5-8, B6220w	1210.11-05
FUEL INJECTION VALVE, CYL. 5, Y6105	1210.11-01	HEATED SEATS	5203.0-00
FUEL INJECTION VALVE, CYL. 5, Y6105	1210.13-06	HEIGHT MOTOR, PASSENGER'S SEAT, M59	5200.0-03
FUEL INJECTION VALVE, CYL. 6, Y6106	1210.11-01	HIFI AMPLIFIER, A18	6510.1-00
FUEL INJECTION VALVE, CYL. 6, Y6106	1210.13-06	HIGH BEAM LIGHT, LEFT, E11	6312.0-01
FUEL INJECTION VALVE, CYL. 7, Y6107	1210.11-01	HIGH BEAM LIGHT, RIGHT, E12	6312.0-01
FUEL INJECTION VALVE, CYL. 8, Y6108	1210.11-01	HIGH LEVEL STOP LIGHT, H34	6325.0-01
FUEL LEVEL SENSOR, B6	6200.0-07	HIGH RANGE SPEAKER, LEFT FRONT, H59	6510.1-02
FUEL PUMP RELAY, CYL. 1-6, K6301	1210.13-02	HIGH RANGE SPEAKER, LEFT REAR, H56	6510.1-04
FUEL PUMP RELAY, K6301w	1210.11-04	HIGH RANGE SPEAKER, RIGHT FRONT, H50	6510.1-03
FUEL PUMP, M2	1210.11-04	HIGH RANGE SPEAKER, RIGHT REAR, H53	6510.1-04
FUEL PUMP, M2	1210.13-02	HIGH SPEED RELAY, K22	6454.0-00
FUSE CHART	0670.1-00	HORN	6133.0-00
FUSE DETAILS	0670.3-00		



INDEX

HORN RELAY, K2	6133.0-00	(IHKR/F3)	6450.5-00
HORN SWITCH, S4	6133.0-00	INTERIOR ACCESSORIES	6332.0-00
HORN, LEFT, H2	6133.0-00	INTERIOR LIGHT, LEFT REAR, E39	6330.0-01
HORN, RIGHT, H3	6133.0-00	INTERIOR LIGHT, RIGHT REAR, E40	6330.0-01
HOT FILM AIR MASS METER, B6217	1210.13-05	INTRODUCTION	0110.0-00
IDLE SPEED CONTROL VALVE, Y6130	1210.11-00	JET HEATER THERMOSWITCH, S198	6169.0-00
IDLE SPEED CONTROL VALVE, Y6130	1210.13-01	KICK-DOWN SWITCH, S8507	2460.2-05
IGNITION COIL, CYL. 1, T6151	1210.11-02	KICK-DOWN SWITCH, S8507	2460.7-03
IGNITION COIL, CYL. 1, T6151	1210.13-03	KICK-DOWN SWITCH, S8507	2460.8-03
IGNITION COIL, CYL. 2, T6152	1210.11-02	KNOCK SENSOR, CYL. 1-2, B6241	1210.11-07
IGNITION COIL, CYL. 2, T6152	1210.13-03	KNOCK SENSOR, CYL. 1-3, B6241w	1210.13-04
IGNITION COIL, CYL. 3, T6153	1210.11-02	KNOCK SENSOR, CYL. 3-4, B6242	1210.11-07
IGNITION COIL, CYL. 3, T6153	1210.13-03	KNOCK SENSOR, CYL. 4-6, B6242w	1210.13-04
IGNITION COIL, CYL. 4, T6154	1210.11-02	KNOCK SENSOR, CYL. 5-6, B6243	1210.11-07
IGNITION COIL, CYL. 4, T6154	1210.13-03	KNOCK SENSOR, CYL. 7-8, B6244	1210.11-07
IGNITION COIL, CYL. 5, T6155	1210.11-03	LAMP CONTROL MODULE, A3	6301.0-00
IGNITION COIL, CYL. 5, T6155	1210.13-03	LAMP MONITOR (LKM)	6301.0-00
IGNITION COIL, CYL. 6, T6156	1210.11-03	LICENSE PLATE LIGHT, LEFT, E43	6320.0-00
IGNITION COIL, CYL. 6, T6156	1210.13-03	LICENSE PLATE LIGHT, RIGHT, E44	6320.0-00
IGNITION COIL, CYL. 7, T6157	1210.11-03	LICENSE PLATE/LUGGAGE COMPARTMENT LIGHTS	6320.0-00
IGNITION COIL, CYL. 8, T6158	1210.11-03	LIFT GATE LIMIT SWITCH, S171	5126.0-07
IGNITION SWITCH, S2	0670.2-04	LIFT GATE LOCK SWITCH, S167	5126.0-06
IHKR/F3 CONTROL PANEL, S134w	6450.5-01	LIFT GATE MOTOR, M97	5126.0-07
IHKR/F3 SWITCHING UNIT, S135w	6450.5-02	LIFT GATE SWITCH, S172	6320.0-02
INDEX	0100.0-00	LIGHT ASSEMBLY, LEFT FRONT, E9001	6313.0-02
INERTIA SWITCH, S27	6350.0-01	LIGHT ASSEMBLY, LEFT REAR, E16	6313.0-02
INFRARED LOCKING (IRS)	6610.0-00	LIGHT ASSEMBLY, RIGHT FRONT, E9000	6313.0-02
INSTRUMENT CLUSTER, A2w	6200.0-00	LIGHT ASSEMBLY, RIGHT REAR, E17	6313.0-02
INSTRUMENT CLUSTER/CHECK CONTROL (K/CC)	6200.0-00	LIGHT SWITCH DETAILS	6300.0-00
INTAKE AIR TEMPERATURE SENSOR, B6205	1210.13-05	LIGHT SWITCH, S8	6300.0-00
INTEGRATED CLIMATE REGULATION		LIGHT SWITCH, S8	6312.0-00
CONTROL MODULE (IHKR/F3), A87w	6412.19-00	LIGHT SWITCH, S8	6314.0-00
INTEGRATED CLIMATE REGULATION		LOW BEAM LIGHT, LEFT, E13	6312.0-02
CONTROL MODULE (IHKR/F3), A87w	6450.5-00	LOW BEAM LIGHT, RIGHT, E14	6312.0-02
INTEGRATED CLIMATE REGULATION WITH FILTER		LOW RANGE SPEAKER, LEFT FRONT, H58	6510.1-02



LOW RANGE SPEAKER, LEFT REAR, H57	6510.1-04	PARK HEATING/VENTILATION RELAY BOX, A15	6412.19-00
LOW RANGE SPEAKER, RIGHT REAR, H52	6510.1-04	PARK LIGHT RELAY, LEFT, K26	6314.0-00
LOW RANGE, RIGHT FRONT SPEAKER, H51	6510.1-03	PARK LIGHT, LEFT, E15	6314.0-01
LUMBAR SUPPORT	5212.0-00	PARK LIGHT, RIGHT, E19	6314.0-01
MAKEUP MIRROR LIGHT, DRIVER'S, E35	6332.0-00	PARK LIGHT/LICENSE PLATE LIGHT RELAY, RIGHT, K25	6314.0-00
MAKEUP MIRROR LIGHT, PASSENGER'S, E36	6332.0-00	PARK LIGHT/LICENSE PLATE LIGHT RELAY, RIGHT, K25	6320.0-00
MAKEUP MIRROR SWITCH, DRIVER'S, S77	6332.0-00	PARK VENTILATION WITH IHKR/F3	6412.19-00
MAKEUP MIRROR SWITCH, PASSENGER'S, S78	6332.0-00	PARK/TAIL/UNDERHOOD LIGHTS	6314.0-00
MEMORY MIRRORS CONTROL SWITCH, S12	5200.1-06	POWER DISTRIBUTION	0670.2-00
MEMORY SEAT MIRRORS SWITCH, S57	5200.1-01	POWER DISTRIBUTION CHART	0670.0-00
MICROPHONE, B400	6561.0-00	POWER MIRRORS	5116.0-00
MIDRANGE SPEAKER, LEFT FRONT, H55	6510.1-02	POWER SEATS	5200.0-00
MIDRANGE SPEAKER, RIGHT FRONT, H54	6510.1-03	PRESSURE SWITCH, B8y	6450.5-05
MIRROR CONTROL SWITCH, S17	5116.0-00	PRESSURE SWITCH, B8y	6450.5-05
MOTOR DRIVE I DOUBLE PANEL POWER SUNROOF, M87	5410.2-02	PRESSURE SWITCH, B8y	6454.0-01
MOTOR DRIVE II DOUBLE PANEL POWER SUNROOF, M88	5410.2-02	PRESSURE SWITCH, B9508	6450.5-05
MOVEMENT MOTOR, PASSENGER'S SEAT, M60	5200.0-02	PRESSURE SWITCH, B9508	6454.0-00
MULTI-FUNCTION CLOCK	6213.2-00	PRESSURE SWITCH, B9y	6454.0-00
MULTI-FUNCTION CLOCK, N10	6213.2-00	PROGRAM SWITCH, S8503	2460.2-02
NORMAL SPEED RELAY, K21	6454.0-00	PROGRAM SWITCH, S8503	2460.7-02
OIL LEVEL SENSOR, B6230	6200.0-12	PROGRAM SWITCH, S8503	2460.8-02
OIL PRESSURE SWITCH, B6231	1290.0-00	QUARTER WINDOW SWITCH (DWA), LEFT REAR, R21	6575.3-06
OIL PRESSURE SWITCH, B6231	6200.0-02	QUARTER WINDOW SWITCH (DWA), RIGHT REAR R22	6575.3-06
ON-BOARD COMPUTER (BCIV)	6581.0-00	RADIO PROVISIONS	6510.2-00
ON-BOARD COMPUTER HORN RELAY, K91	6575.2-00	RADIO, N9	6510.1-00
ON-BOARD COMPUTER HORN RELAY, K91	6581.0-01	RADIO/HIFI	6510.1-00
ON-BOARD COMPUTER TEMPERATURE SENSOR, B21	6213.2-00	REAR DEFOGGER I, E9	6424.0-00
ON-BOARD COMPUTER, N4	6581.0-00	REAR DEFOGGER RELAY, K13	6424.0-00
OUTSIDE TEMPERATURE SENSOR, B13	6450.5-03	REAR DEFOGGER/ANTENNA, E10	6424.0-00
OXYGEN SENSOR RELAY, K6303	1210.11-05	REAR LID/REAR WINDOW SERVO OPENING MODULE, K70w	5126.0-07
OXYGEN SENSOR RELAY, K6303	1210.13-04	REAR POWER DISTRIBUTION BOX, P91	0670.2-07
PARK BRAKE SWITCH, S31	6200.0-00		



INDEX

REAR RIGHT DOOR JAMB SWITCH, S15	6330.0-00	SEAT OCCUPANCY DETECTOR, A113	3234.0-00
REAR WINDOW DEFOGGER/ANTENNA	6424.0-00	SEAT/MIRROR MEMORY CONTROL MODULE, A21	5200.1-00
REAR WINDOW LIMIT SWITCH, S170	5126.0-07	SEAT/MIRROR MEMORY SYSTEM (SM/SPM)	5200.1-00
REAR WINDOW MOTOR, M96	5126.0-07	SEATBACK HEATER, DRIVER'S, E56	5203.0-00
REAR WINDOW OPENING SWITCH, S147	6162.0-01	SEATBACK HEATER, PASSENGER'S, E59	5203.0-00
REAR WINDOW WASHER PUMP, M95	6162.0-01	SEATBACK POTENTIOMETER, R7	5200.1-03
REAR WINDOW WIPER MOTOR, M94	6162.0-01	SEATBACK RECLINER MOTOR, DRIVER'S, M53	5200.0-00
REAR WINDOW WIPER/WASHER CONTROL	6162.0-00	SEATBACK RECLINER MOTOR, PASSENGER'S, M58	5200.0-03
REAR WIPER/WASHER FLUID LEVEL SWITCH, S176	6200.0-11	SECONDARY AIR PUMP RELAY, K6304	1210.11-11
REAR WIPER/WASHER INTERVAL CONTROL MODULE, A36	6162.0-00	SECONDARY AIR PUMP VALVE, B6163	1210.11-11
RECIRCULATION FLAP MOTOR, M40	6450.5-04	SECONDARY AIR PUMP, M63	1210.11-11
RELAY MODULE, A5	6100.0-05	SHIFT LOCK, S8522	2460.2-06
REMOTE LOCKING RECEIVER, N13y	6610.0-00	SHIFT LOCK, Y8522	2460.7-03
RESISTOR, R6240	0670.4-24	SIDE MEMORY MIRROR, DRIVER'S, Y9	5200.1-07
RESISTOR, R6240	0670.4-27	SIDE MEMORY MIRROR, PASSENGER'S, Y10	5200.1-08
REVERSING LIGHT SWITCH, S8524	6322.0-00	SIDE MIRROR, DRIVER'S, Y5	5116.0-01
SEAT BELT SWITCH, DRIVER'S, S58	3234.0-01	SIDE MIRROR, PASSENGER'S, Y6	5116.0-01
SEAT BELT SWITCH, PASSENGER'S, S59	3234.0-01	SLIP CONTROL (ABS)	3450.0-00
SEAT CONTROL SWITCH, DRIVER'S SEAT, S51	5200.0-00	SLIP CONTROL 5 (ASC 5)	3450.5-00
SEAT CONTROL SWITCH, PASSENGER'S SEAT, S56	5200.0-02	SLIP CONTROL MODULE (ABS), A7	3450.0-00
SEAT CUSHION MOVEMENT POTENTIOMETER, R9	5200.1-02	SLIP CONTROL MODULE (ABS/ASC), A52	3450.5-00
SEAT CUSHION REAR HEIGHT POTENTIOMETER, R8	5200.1-02	SPEAKER, LEFT FRONT, H41	6561.1-00
SEAT CUSHION TILT MOTOR, DRIVER'S, M50	5200.0-01	SPEED SENSOR - ABS, LEFT REAR, B4	3450.0-04
SEAT CUSHION TILT MOTOR, PASSENGER'S, M61	5200.0-02	SPEED SENSOR - ABS, LEFT FRONT, B2	3450.0-04
SEAT HEADREST MOTOR, PASSENGER'S, M57	5200.0-03	SPEED SENSOR - ABS, LEFT FRONT, B2	3450.5-06
SEAT HEATER SWITCH, DRIVER'S SEAT, S53	5203.0-00	SPEED SENSOR - ABS, LEFT REAR, B4	3450.5-06
SEAT HEATER SWITCH, PASSENGER'S SEAT, S54	5203.0-00	SPEED SENSOR - ABS, RIGHT FRONT, B1	3450.0-04
SEAT HEATER, DRIVER'S, E57	5203.0-00	SPEED SENSOR - ABS, RIGHT FRONT, B1	3450.5-06
SEAT HEATER, PASSENGER'S, E58	5203.0-00	SPEED SENSOR - ABS, RIGHT REAR, B3	3450.0-04
SEAT HEIGHT MOTOR, DRIVER'S, M52	5200.0-00	SPEED SENSOR - ABS, RIGHT REAR, B3	3450.5-06
SEAT HEIGHT POTENTIOMETER, R6	5200.1-03	SPlice LOCATION VIEWS	8000.0-00
SEAT LUMBAR SUPPORT MOTOR, DRIVER'S, M55	5212.0-00	START	1240.0-00
SEAT LUMBAR SWITCH, DRIVER'S, S52	5212.0-00	STARTER IMMOBILIZATION RELAY, K1w	1240.0-01
SEAT MOVEMENT MOTOR, DRIVER'S, M51	5200.0-01	STARTER, M6510	1240.0-01
		STEERING COLUMN LENGTH ADJUST MOTOR, M82	3231.0-00



STEERING COLUMN POSITION SWITCH, S119z	3231.0-00	TRUNK LID SWITCH, S61	6320.0-01
SUNROOF MOTOR, M24	5410.0-03	TRUNK LIGHT ASSEMBLY, LEFT, E46	6320.0-01
SUNROOF POSITION SWITCH, S39	5410.0-02	TRUNK LIGHT ASSEMBLY, RIGHT, E47	6320.0-01
SUNROOF SWITCH, S38	5410.0-02	TRUNK LIGHT, LEFT H90	6320.0-01
SUNROOF SWITCH, S38	5410.2-01	TRUNK LIGHT, RIGHT, H91	6320.0-01
SUPPLEMENTAL RESTRAINT SYSTEM		TRUNK LOCK MOTOR, M17	5126.0-05
CONTROL MODULE, A12	3234.0-00	TURN LIGHT, LEFT FRONT, H7	6313.0-02
SUPPLEMENTAL RESTRAINT SYSTEM (AIR BAG)	3234.0-00	TURN LIGHT, LEFT REAR, H6	6313.0-02
SUPPRESSION FILTER, C900	6424.0-01	TURN LIGHT, RIGHT FRONT, H4	6313.0-02
SYMBOLS	0140.0-00	TURN LIGHT, RIGHT REAR, H5	6313.0-02
TAIL LIGHT, LEFT, H25	6314.0-01	TURN/HAZARD LIGHTS	6313.0-00
TAIL LIGHT, RIGHT, H30	6314.0-01	UNLOADER RELAY, TERMINAL 15, K9	0670.2-06
TELEPHONE HANDSET, U4	6561.0-01	UNLOADER RELAY, TERMINAL 61, K61	1230.0-00
TELEPHONE INTERFACE US, A192	6561.0-01	UNLOADER RELAY, TERMINAL R, K3	0670.2-06
TELEPHONE TRANSCEIVER, H38	6561.0-00	VALVE RELAY (ABS/ASC), K95	3450.0-02
TEMPERATURE SWITCH, B6235	1290.0-00	VALVE RELAY (ABS/ASC), K95	3450.5-02
TEMPERATURE SWITCH, S36	6454.0-00	VEHICLE SPEED SENSOR, B10	6200.0-05
THIGH SUPPORT MOTOR, DRIVER'S, M65	5200.0-04	WASHER FLUID LEVEL SWITCH, S64	6200.0-11
THIGH SUPPORT MOTOR, PASSENGER'S, M66	5200.0-04	WASHER JET HEATER, LEFT, E51	6169.0-00
THIGH SUPPORT POTENTIOMETER, R15	5200.0-06	WASHER JET HEATER, RIGHT, E52	6169.0-00
THIGH SUPPORT SWITCH, DRIVER'S, S93	5200.0-04	WASHER PUMP, M4	6160.0-00
THIGH SUPPORT SWITCH, PASSENGER'S, S94	5200.0-04	WATER VALVE ASSEMBLY, Y4	6450.5-01
THROTTLE FLAP HEATER, E104	3450.5-04	WHEEL CAMBER CONTROL MODULE, B22	6200.0-13
THROTTLE POSITION SENSOR, R6252	1210.11-06	WINDOW LIMIT SWITCH, DRIVER'S, S43	5133.0-01
THROTTLE POSITION SENSOR, R6252	1210.13-05	WINDOW LIMIT SWITCH, RIGHT REAR, S46	5133.0-03
TRANSMISSION CONTROL MODULE (AGS), A8600	2460.7-00	WINDOW LIMIT SWITCH, S44	5133.0-01
TRANSMISSION CONTROL MODULE (AGS), A8600	2460.8-00	WINDOW LIMIT SWITCH, S45	5133.0-03
TRANSMISSION CONTROL MODULE (EGS), A8500	2460.2-00	WINDOW MONITORING SWITCH	
TRANSMISSION POSITION INDICATOR LIGHT, E82	6300.0-03	(DWA), PASSENGER'S, S99	6575.3-06
TRANSMISSION VALVE UNIT, Y8505	2460.2-01	WINDOW MONITORING SWITCH	
TRANSMISSION VALVE UNIT, Y8505w	2460.7-01	(DWA), RIGHT REAR, S101	6575.3-06
TRANSMISSION VALVE UNIT, Y8505w	2460.8-01	WINDOW MONITORING SWITCH	
TRANSMITTER MODULE (EWS II), A835	6135.0-01	(DWA), LEFT REAR, S102	6575.3-06
TRUNK COMPARTMENT LIGHT, E32	6320.0-01	WINDOW MONITORING SWITCH (DWA), DRIVER'S,	
TRUNK LID LIGHT, E33w	6320.0-02	S100	6575.3-06



INDEX

WINDOW MOTOR, DRIVER'S, M21	5133.0-04
WINDOW MOTOR, LEFT REAR, M20	5133.0-04
WINDOW MOTOR, PASSENGER'S, M23	5133.0-05
WINDOW MOTOR, RIGHT REAR, M22	5133.0-05
WINDOW SWITCH, LEFT REAR, S41	5133.0-01
WINDOW SWITCH, RIGHT REAR, S42	5133.0-01
WINDSHIELD WASHER JET HEATERS	6169.0-00
WIPER MOTOR, M3	6160.0-01
WIPER RELAY, K11	6160.0-00
WIPER/WASHER SWITCH, S5	6160.0-00
WIPER/WASHER SWITCH, S5	6162.0-00
WIPER/WASHER SWITCH, S5	6167.0-01
ZKE CENTRAL LOCKING (ZV)	5126.0-00
ZKE DOOR LOCK HEATING (TSH)	5120.0-00
ZKE HEADLIGHT WASHER (SRA)	6167.0-00
ZKE INTERIOR LIGHTS CONTROL (IB)	6330.0-00
ZKE POWER WINDOWS (FH)	5133.0-00
ZKE SUNROOF (SHD)	5410.0-00
ZKE WIPER/WASHER CONTROL	6160.0-00

Schematics

The schematics divide the entire vehicle electrical system into individual circuits. Interacting electrical components are shown on one common schematic.

Switches and other components are represented in such a way that their general layout and function are self-explicit. They are arranged on the sheet such that the current path can be followed from positive (top) to negative (bottom).

Important: The components and wires are not drawn to scale. For instance, a lead with a length of over 1 m can be shown as a lead that is only a few cm long. To ensure clear arrangement, all connectors, lines branches and connected components from the fuses to the component and from the component to ground connection are not shown within the individual cells. If required, reference can be made to cells **0670.3 Fuse Details** and **0670.4 Ground Distribution** where all lines are illustrated with all plug connections, line branches and connected components.

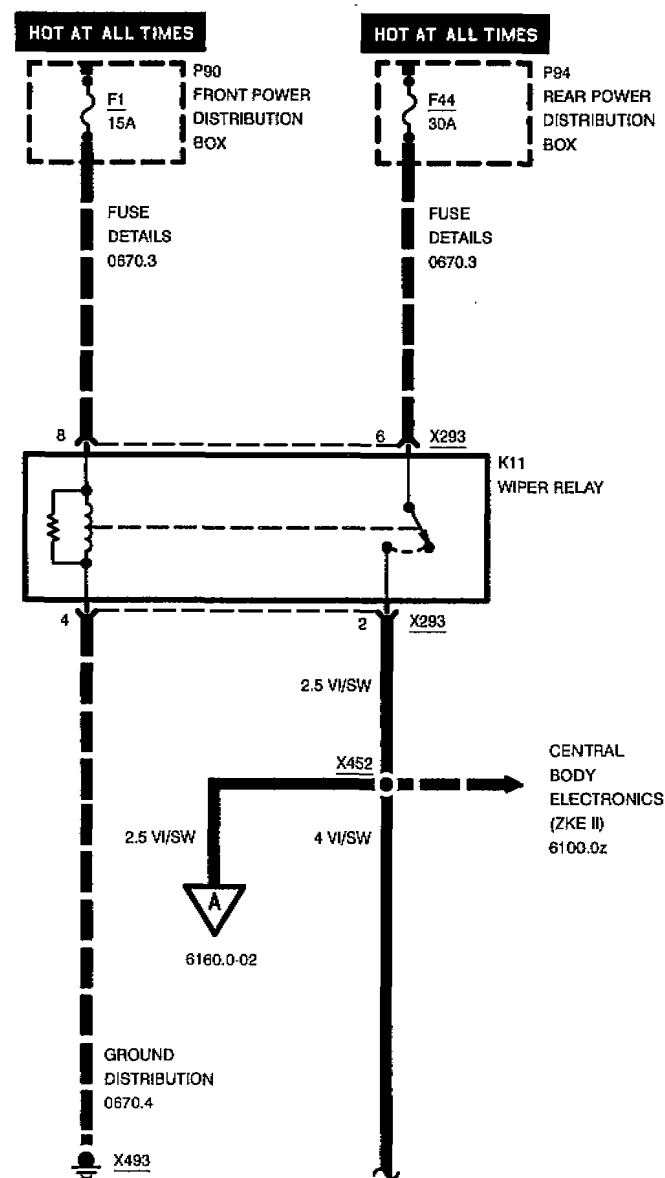
All circuit symbols used are listed and explained in cell **0140.0 Symbols**.

In cell **7000.0 Component Location Chart** all important connectors, ground points and components are listed in tabular form. It provides a precise description of the component locations in the vehicle.

In cell **7100.0 Component Location Views** the location of connectors and components which are difficult to locate are shown in line arts or illustrations. In cell **8500.0 Connector Views** diagrams of connectors with more than 2 pins are illustrated.

Example

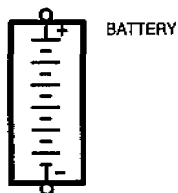
General conventions can be explained based on the following schematic example.





General Conventions

1. Switches and relays are always shown in rest position (e.g. K11).
2. A component shown in a dashed frame signifies that the component is illustrated only in part (e.g. P90 and P94).
3. A component shown in a completely drawn frame signifies that the component is illustrated in full (e.g. K11).
4. The dashed line between pin 8 and pin 6 of connector X293 indicates that both pins belong to connector X293.
5. The dashed line from fuse F1 to pin 8 of connector X293 shows the positive supply of relay K11. If required, refer to cell **0670.3 Fuse Details** at fuse F1 for the complete line progressing with plug connections, line branches, wire colors and cross sections.
6. The dashed line with an arrow at splice X452 indicates that several wires lead to splice X452. All lines leading to the connection are illustrated in cell **6100.0 Central Body Electronics (ZKE II)**. An interrupted line with an arrow indicates that only this one wire leads to another circuit.
7. The dashed line from pin 4 of connector X293 to ground X493 shows the ground supply for relay K11. If required, refer to cell **0670.4 Ground Distribution** at ground X493 for the complete line progression with all plug connections, line branches, wire colors and cross sections.
8. The interrupted line from splice X452 with an **A** in the open arrow is continued on page 6160.0-02. Termination of wire 4 VI/SW from splice X452 with a wavy line indicates that the wire is continued on the opposite page.



BATTERY



FUSE DETAILS



FUSIBLE LINK



CIRCUIT BREAKER



THERMO SWITCH



SOLENOID



SOLENOID CONTROLLED VALVE
OR CLUTCH SOLENOID



HEATING ELEMENT



LOUDSPEAKER OR HORN



LIGHT



PERMANENT MAGNET MOTOR
ONE SPEED



PERMANENT MAGNET MOTOR
TWO SPEEDS



VARIABLE RESISTANCE
SENSOR VARIABLE
CONTACT IS MOVED BY
AN EXTERNAL FORCE



VARIABLE RESISTOR
RESISTANCE IS CHANGED BY
TEMPERATURE OR PRESSURE



INDUCTIVE SENSOR



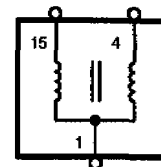
DIODE
CURRENT CAN FLOW
ONLY IN DIRECTION OF
ARROW



Q7
ZENER DIODE
TO REGULATE VOLTAGE



LIGHT EMITTING DIODE



IGNITION COIL



CONTROL/POWER ELECTRONICS



RADIO



TRANSISTORIZED SWITCH



OXYGEN SENSOR

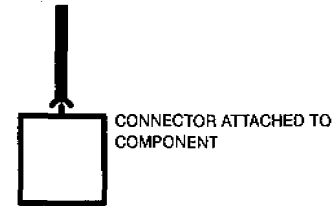
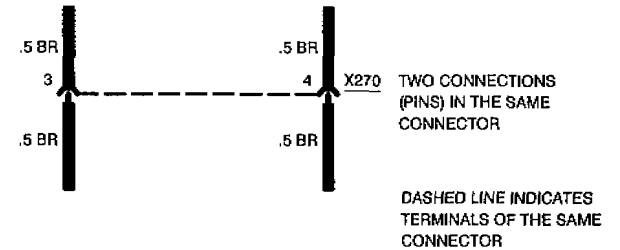
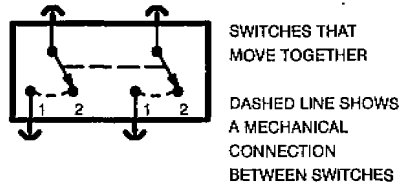
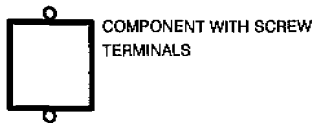
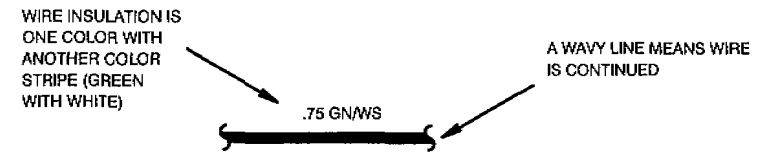
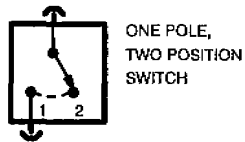
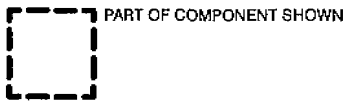
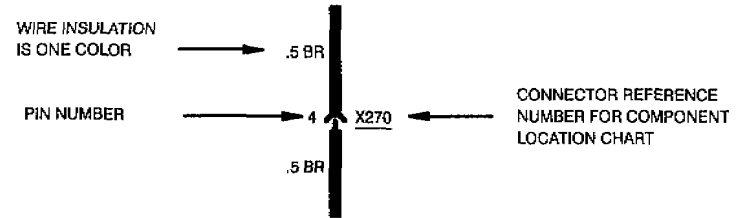
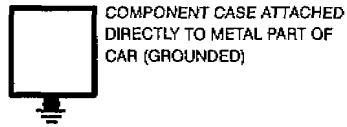


VEHICLE SPEED SENSOR

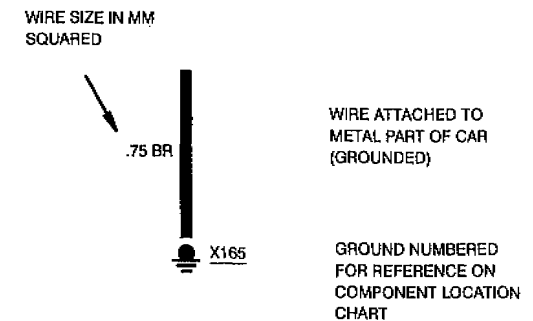
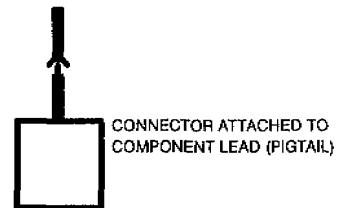


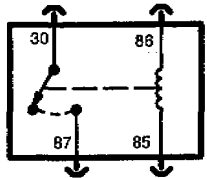
KNOCK SENSOR

SYMBOLS

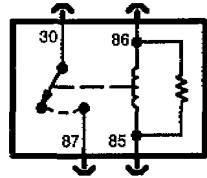


WIRE COLOR	
BL	BLUE
BR	BROWN
GE	YELLOW
GN	GREEN
GR	GRAY
OR	ORANGE
RS	PINK
RT	RED
SW	BLACK
VI	VIOLET
WS	WHITE
TR	TRANSPARENT

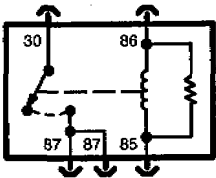




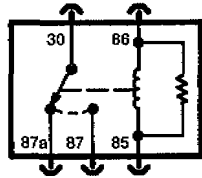
CONTACT RELAY



RELAY WITH RESISTOR ACROSS WINDING



CONTACT RELAY WITH TWO OUTPUTS



CHANGEOVER RELAY WITH TWO OUTPUTS

TERMINAL NUMBER DESCRIPTION

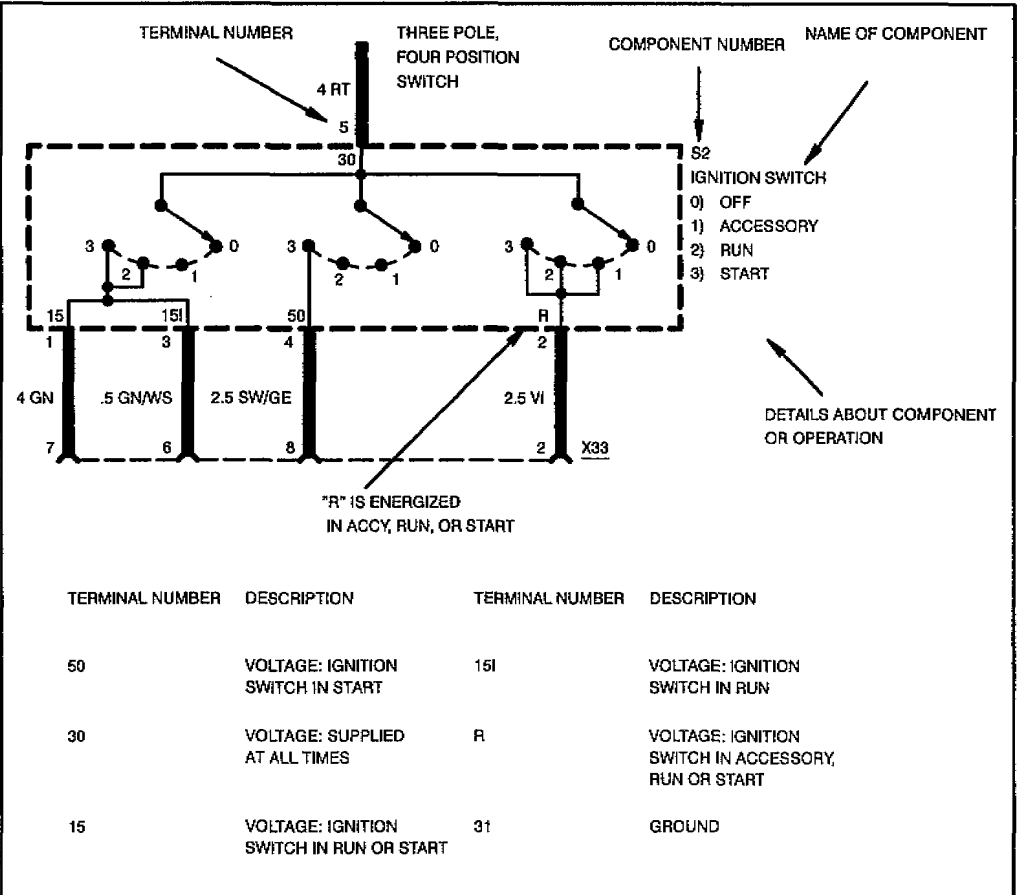
30 RELAY INPUT

85 RELAY OUTPUT (WINDING)

86 RELAY INPUT (WINDING)

87 RELAY OUTPUT (ENERGIZED)

87a RELAY OUTPUT (AT REST)



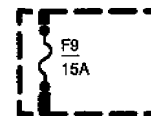
TERMINAL NUMBER DESCRIPTION TERMINAL NUMBER DESCRIPTION

50 VOLTAGE: IGNITION SWITCH IN START 15I VOLTAGE: IGNITION SWITCH IN RUN

30 VOLTAGE: SUPPLIED AT ALL TIMES R VOLTAGE: IGNITION SWITCH IN ACCESSORY, RUN OR START

15 VOLTAGE: IGNITION SWITCH IN RUN OR START 31 GROUND

HOT AT ALL TIMES



INDICATES THAT FUSE 9 IS SUPPLIED WITH POWER AT ALL TIMES

POWER STATUS

HOT AT ALL TIMES

HOT IN RUN AND START

HOT IN ACCY, RUN AND START

DESCRIPTION

VOLTAGE: SUPPLIED AT ALL TIMES

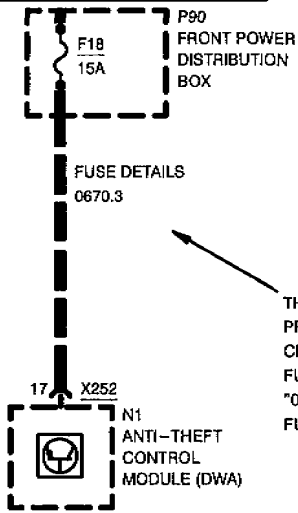
VOLTAGE: IGNITION SWITCH IN RUN OR START

VOLTAGE: IGNITION SWITCH IN ACCESSORY, RUN OR START

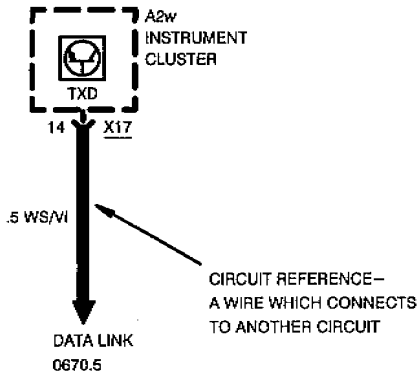


SYMBOLS

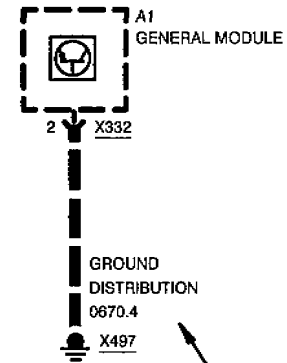
HOT IN ACCY, RUN AND START



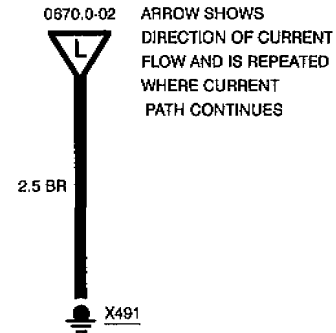
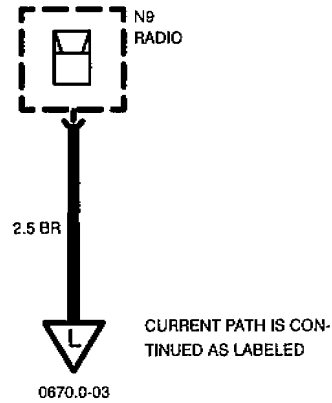
THE COMPLETE WIRE PROGRESSION AND FURTHER CIRCUITS CONNECTED TO FUSE 18 ARE SHOWN IN CELL "0670.3 FUSE DETAILS" AT FUSE 18



CIRCUIT REFERENCE— A WIRE WHICH CONNECTS TO ANOTHER CIRCUIT



THE COMPLETE WIRE PROGRESSION AND FURTHER CIRCUITS CONNECTED TO GROUND X497 ARE SHOWN IN CELL "0670.4 GROUND DISTRIBUTION" AT GROUND X497

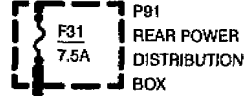




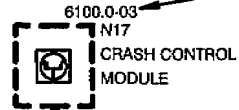
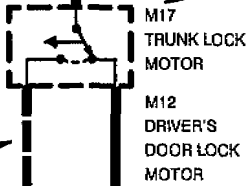
SYMBOLS

BLOCK DIAGRAM

HOT AT ALL TIMES



EXAMPLE:
CONNECTORS C PIN 17 AND
C PIN 11 GO TO M17, CON-
NECTORS A PIN 23 AND A PIN
20 GO TO M12



COMPONENT IS SHOWN IN
CELL ON PAGE AS LABELED

COMPONENTS WITHOUT PIN OR
CONNECTOR NUMBERS



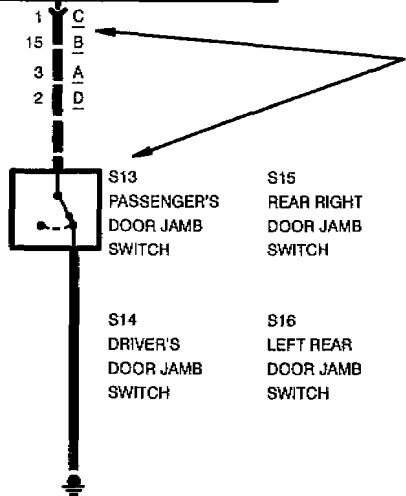
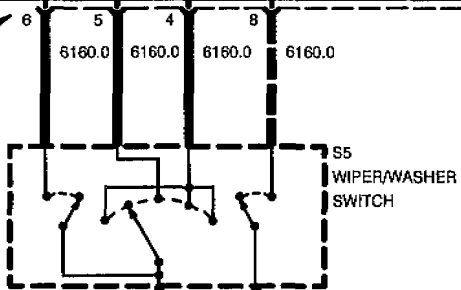
THIS CELL CONTAINS A
DETAILED INFORMATION
OF THE PATH BETWEEN
COMPONENT AND
CONTROL MODULE

DASHED LINE INDICATES
THAT FURTHER CIRCUITS
ARE IN THE PATH
BETWEEN COMPONENT
AND CONTROL MODULE



A = X253 DESCRIPTION OF THE
CONTROL MODULE
B = X254
C = X255 CONNECTORS
D = X332

PIN AND CONNECTOR NUMBERS
ONLY ON THE CONTROL
MODULE



EXAMPLE:
CONNECTOR C PIN 1 GOES
TO S13, CONNECTOR B PIN
15 GOES TO S14

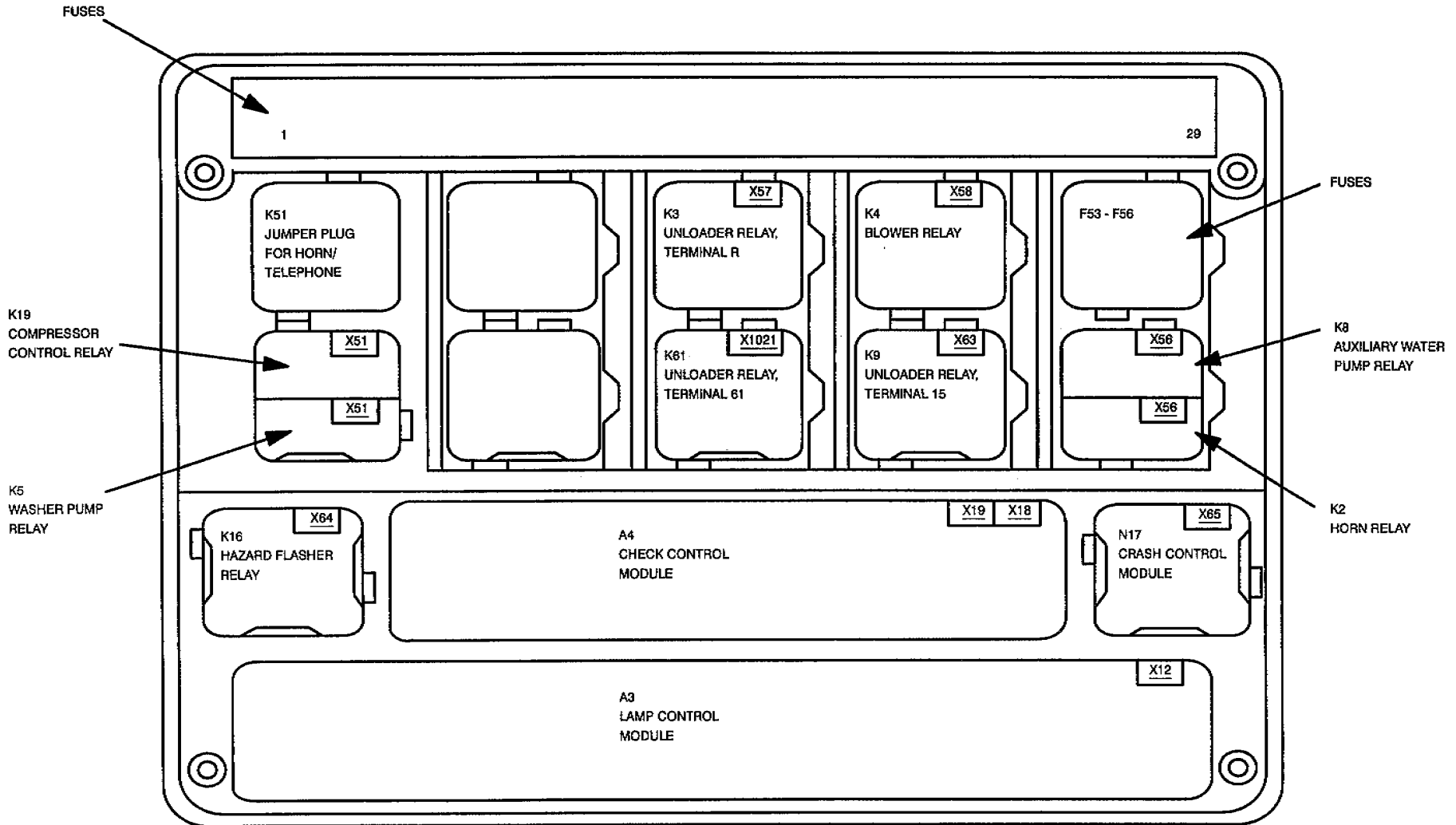
BMW
5

0670.0



POWER DISTRIBUTION CHART

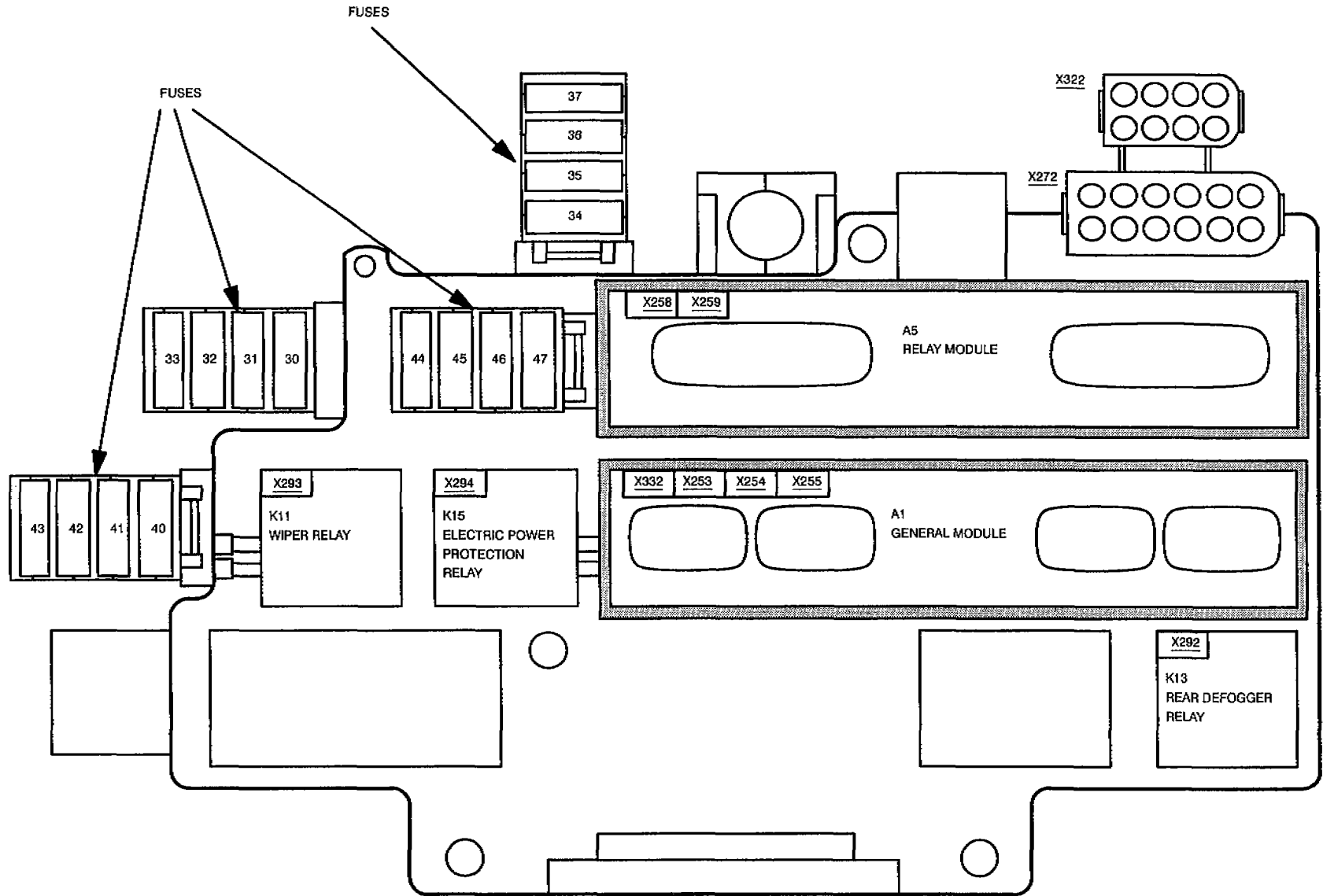
FRONT POWER DISTRIBUTION BOX





POWER DISTRIBUTION CHART

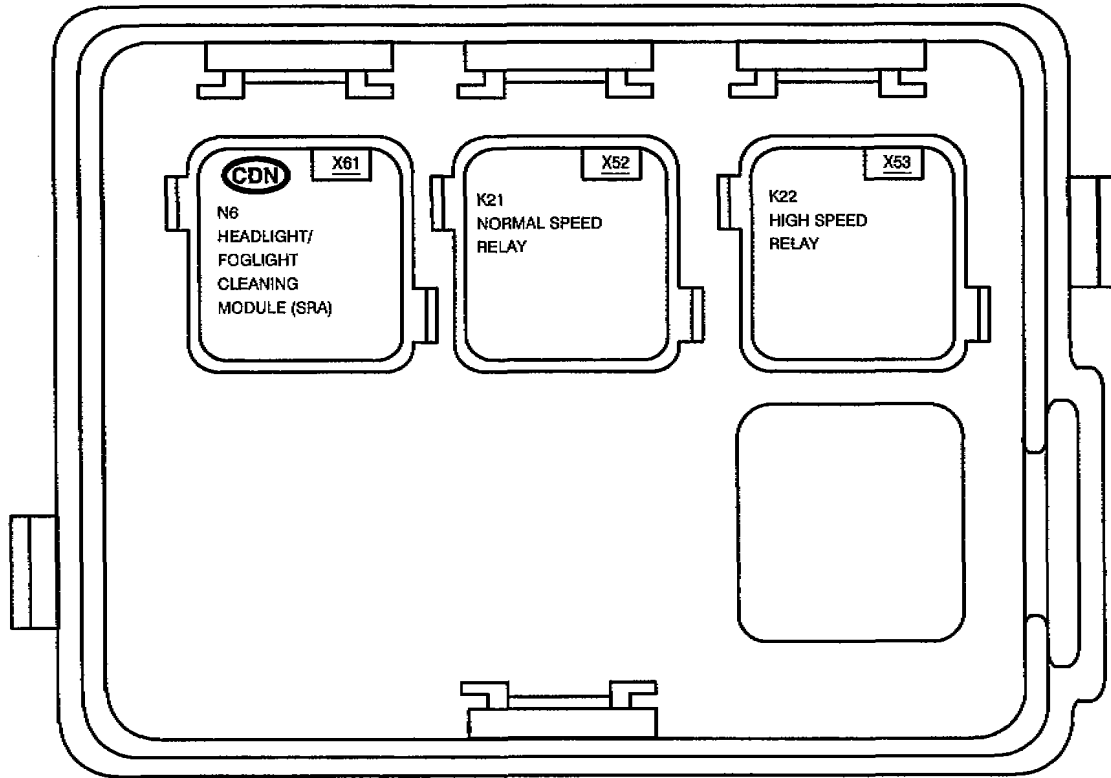
REAR POWER DISTRIBUTION BOX





POWER DISTRIBUTION CHART

AUXILIARY RELAY BOX





0670.1



FUSE CHART

FUSES 1 TO 29

	FUSE NUMBER																												
	1	2	3	4	5	6	7	8	9	10	11	12	13	14	15	16	17	18	19	20	21	22	23	24	25	26	27	28	29
	15A	7.5A	7.5A	7.5A	10A	15A	15A		15A	7.5A	7.5A	15A	7.5A	7.5A	7.5A	30A	7.5A	15A	30A	15A	10A	30A	15A	10A	30A	30A	7.5A	15A	7.5A
1210.11 ENGINE CONTROL SYSTEM (DME M3.3, 8-CYLINDER M60)		●										●					●						●						
1210.13 ENGINE CONTROL SYSTEM (DME M3.3.1, 6-CYLINDER M50)												●					●						●						
1230.0 CHARGING SYSTEM																	●												
1240.0 START																	●											●	
1290.0 E-BOX FAN																	●											●	
2460.2 ELECTRONIC TRANSMISSION CONTROL (EGS A4S 310R)	●																●												
2460.7 ELECTRONIC TRANSMISSION CONTROL (AGS: GS 9.22/A5S 560Z)	●											●					●												
2460.8 ELECTRONIC TRANSMISSION CONTROL (AGS: GS 7.32/A5S 310Z)	●											●					●												
3231.0 ELECTRIC STEERING COLUMN ADJUSTMENT																													
3234.0 SUPPLEMENTAL RESTRAINT SYSTEM (AIR BAG)																													
3450.0 SLIP CONTROL (ABS)	●																●												
3450.5 SLIP CONTROL 5 (ASC 5)	●											●					●												
3715.2 ELECTRONIC SHOCK ABSORBER CONTROL (EDC III+)																	●												
5116.0 POWER MIRRORS												●						●											
5120.0 ZKE DOOR LOCK HEATING (TSH)																	●												
5126.0 ZKE CENTRAL LOCKING (ZV)																													
5133.0 ZKE POWER WINDOWS (FH)																	●												
5200.0 POWER SEATS												●																	
5200.1 SEAT/MIRROR MEMORY SYSTEM (SM/SPM)												●			●		●												



FUSE CHART

FUSES 1 TO 29

	FUSE NUMBER																												
	1	2	3	4	5	6	7	8	9	10	11	12	13	14	15	16	17	18	19	20	21	22	23	24	25	26	27	28	29
	15A	7.5A	7.5A	7.5A	10A	15A	15A		15A	7.5A	7.5A	15A	7.5A	7.5A	7.5A	30A	7.5A	15A	30A	15A	10A	30A	15A	10A	30A	30A	7.5A	15A	7.5A
5203.0 HEATED SEATS																●													
5410.0 ZKE SUNROOF (SHD)																	●												
5410.2 DOUBLE PANEL POWER SUNROOF (ZKE)																													
6100.0 CENTRAL BODY ELECTRONICS (ZKE)			●	●	●												●							●					
6133.0 HORN									●																				
6135.0 DRIVE-AWAY PROTECTION (EWS II)															●		●			●									
6160.0 ZKE WIPER/WASHER CONTROL	●																							●					
6162.0 REAR WINDOW WIPER/WASHER CONTROL																			●										
6167.0 ZKE HEADLIGHT WASHER (SRA)			●	●	●												●					●							
6169.0 WINDSHIELD WASHER JET HEATERS												●																	
6200.0 INSTRUMENT CLUSTER/CHECK CONTROL (K/CC)	●																●			●									●
6213.2 MULTI-FUNCTION CLOCK	●																				●								
6300.0 LIGHT SWITCH DETAILS		●	●	●	●																								
6301.0 LAMP MONITOR (LKM)	●	●	●	●	●		●			●	●		●	●	●														
6312.0 HEADLIGHTS/FOG LIGHTS		●	●		●		●			●	●		●	●															
6313.0 TURN/HAZARD LIGHTS		●	●			●							●	●															
6314.0 PARK/TAIL/UNDERHOOD LIGHTS				●	●										●					●									
6320.0 LICENSE PLATE/LUGGAGE COMPARTMENT LIGHTS					●										●							●							
6322.0 BACK UP LIGHTS												●																	



FUSE CHART

FUSES 1 TO 29

	FUSE NUMBER																												
	1	2	3	4	5	6	7	8	9	10	11	12	13	14	15	16	17	18	19	20	21	22	23	24	25	26	27	28	29
	15A	7.5A	7.5A	7.5A	10A	15A	15A		15A	7.5A	7.5A	15A	7.5A	7.5A	7.5A	30A	7.5A	15A	30A	15A	10A	30A	15A	10A	30A	30A	7.5A	15A	7.5A
6325.0 BRAKE LIGHTS	●														●														
6330.0 ZKE INTERIOR LIGHTS CONTROL (IB)																		●			●								
6332.0 INTERIOR ACCESSORIES					●													●			●						●		
6350.0 CRASH CONTROL MODULE		●				●				●	●		●	●															
6412.19 PARK VENTILATION WITH IHKR/F3																				●	●								
6424.0 REAR WINDOW DEFOGGER/ANTENNA																													
6450.5 INTEGRATED CLIMATE REGULATION WITH FILTER (IHKR/F3)									●											●	●							●	●
6454.0 AUXILIARY FAN								●																		●			●
6510.1 RADIO/HIFI																			●										
6510.2 RADIO PROVISIONS																			●										
6561.0 CELLULAR TELEPHONE (PROVISIONS)																			●										
6571.0 CRUISE CONTROL (TEMPOMAT)	●																●												
6575.2 ANTI-THEFT SYSTEM (ALPINE)																			●			●							
6575.3 ANTI-THEFT SYSTEM IV (DWA IV)	●																	●			●								
6581.0 ON-BOARD COMPUTER (BCIV)	●																	●			●								
6610.1 REMOTE CONTROLLED LOCKING SYSTEM																	●	●											



FUSE CHART

FUSES 30 TO 56

		FUSE NUMBER																												
		30	31	32	33	34	35	36	37	38	39	40	41	42	43	44	45	46	47	48	49	50	51	52	53	54	55	56		
		10A	7.5A	7.5A	30A	30A	30A	30A			7.5A	30A	30A	30A	20A	30A		10A									50A	25A		
1210.11	ENGINE CONTROL SYSTEM (DME M3.3, 8-CYLINDER M60)																													
1210.13	ENGINE CONTROL SYSTEM (DME M3.3.1, 6-CYLINDER M50)																													
1230.0	CHARGING SYSTEM																													
1240.0	START																													
1290.0	E-BOX FAN																													
2460.2	ELECTRONIC TRANSMISSION CONTROL (EGS A4S 310R)																													
2460.7	ELECTRONIC TRANSMISSION CONTROL (AGS: GS 9.22/A5S 560Z)																													
2460.8	ELECTRONIC TRANSMISSION CONTROL (AGS: GS 7.32/A5S 310Z)																													
3231.0	ELECTRIC STEERING COLUMN ADJUSTMENT												●																	
3234.0	SUPPLEMENTAL RESTRAINT SYSTEM (AIR BAG)																			●										
3450.0	SLIP CONTROL (ABS)																											●		
3450.5	SLIP CONTROL 5 (ASC 5)																											●	●	
3715.2	ELECTRONIC SHOCK ABSORBER CONTROL (EDC III+)																		●											
5116.0	POWER MIRRORS																													
5120.0	ZKE DOOR LOCK HEATING (TSH)			●																										
5126.0	ZKE CENTRAL LOCKING (ZV)			●	●				●							●														
5133.0	ZKE POWER WINDOWS (FH)			●	●				●																					
5200.0	POWER SEATS																													
5200.1	SEAT/MIRROR MEMORY SYSTEM (SM/SPM)																													



FUSE CHART

FUSES 30 TO 56

		FUSE NUMBER																											
		30	31	32	33	34	35	36	37	38	39	40	41	42	43	44	45	46	47	48	49	50	51	52	53	54	55	56	
		10A	7.5A	7.5A	30A	30A	30A	30A				7.5A	30A	30A	30A	20A	30A		10A									50A	25A
5203.0	HEATED SEATS																												
5410.0	ZKE SUNROOF (SHD)			●	●				●																				
5410.2	DOUBLE PANEL POWER SUNROOF (ZKE)			●																									
6100.0	CENTRAL BODY ELECTRONICS (ZKE)			●					●																				
6133.0	HORN																												
6135.0	DRIVE-AWAY PROTECTION (EWS II)																												
6160.0	ZKE WIPER/WASHER CONTROL					●																							
6162.0	REAR WINDOW WIPER/WASHER CONTROL															●													
6167.0	ZKE HEADLIGHT WASHER (SRA)																												
6169.0	WINDSHIELD WASHER JET HEATERS																												
6200.0	INSTRUMENT CLUSTER/CHECK CONTROL (K/CC)																												
6213.2	MULTI-FUNCTION CLOCK																												
6300.0	LIGHT SWITCH DETAILS																												
6301.0	LAMP MONITOR (LKM)																												
6312.0	HEADLIGHTS/FOG LIGHTS																												
6313.0	TURN/HAZARD LIGHTS																												
6314.0	PARK/TAIL/UNDERHOOD LIGHTS																												
6320.0	LICENSE PLATE/LUGGAGE COMPARTMENT LIGHTS																												
6322.0	BACK UP LIGHTS																												



FUSE CHART

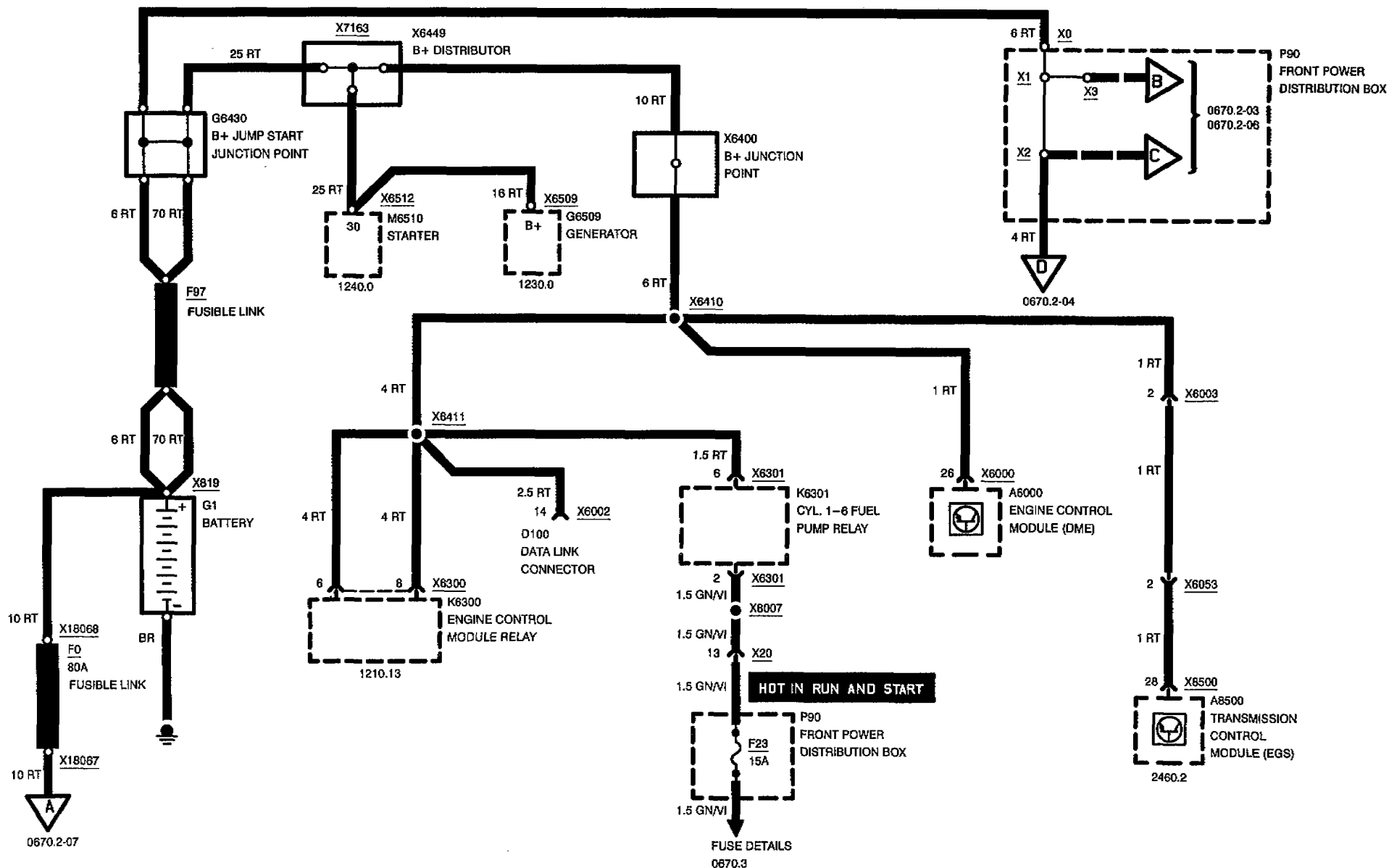
FUSES 30 TO 56

	FUSE NUMBER																											
	30	31	32	33	34	35	36	37	38	39	40	41	42	43	44	45	46	47	48	49	50	51	52	53	54	55	56	
	10A		7.5A	7.5A	30A	30A	30A	30A				7.5A	30A	30A	30A	20A	30A		10A								50A	25A
6325.0 BRAKE LIGHTS																												
6330.0 ZKE INTERIOR LIGHTS CONTROL (IB)			●																									
6332.0 INTERIOR ACCESSORIES																												
6350.0 CRASH CONTROL MODULE																												
6412.19 PARK VENTILATION WITH IHKR/F3																												
6424.0 REAR WINDOW DEFOGGER/ANTENNA						●																						
6450.5 INTEGRATED CLIMATE REGULATION WITH FILTER (IHKR/F3)																												
6454.0 AUXILIARY FAN																												
6510.1 RADIO/HIFI							●																					
6510.2 RADIO PROVISIONS							●																					
6561.0 CELLULAR TELEPHONE (PROVISIONS)											●																	
6571.0 CRUISE CONTROL (TEMPOMAT)																												
6575.2 ANTI-THEFT SYSTEM (ALPINE)								●																				
6575.3 ANTI-THEFT SYSTEM IV (DWA IV)			●	●	●																							
6581.0 ON-BOARD COMPUTER (BCIV)																												
6610.1 REMOTE CONTROLLED LOCKING SYSTEM				●																								



POWER DISTRIBUTION

525i/t



02/97

0670.2-00

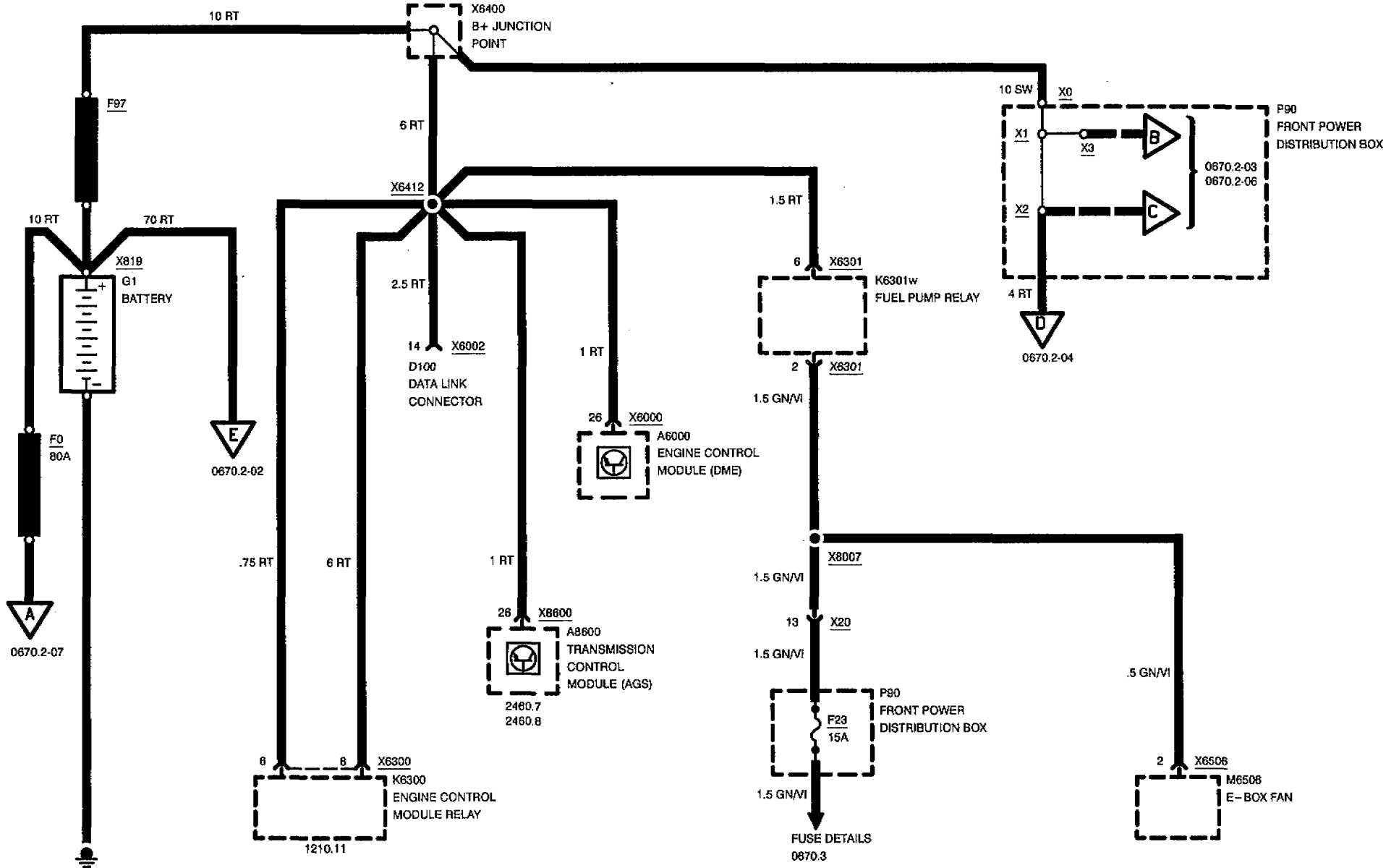
1995



POWER DISTRIBUTION

530i/t, 540i

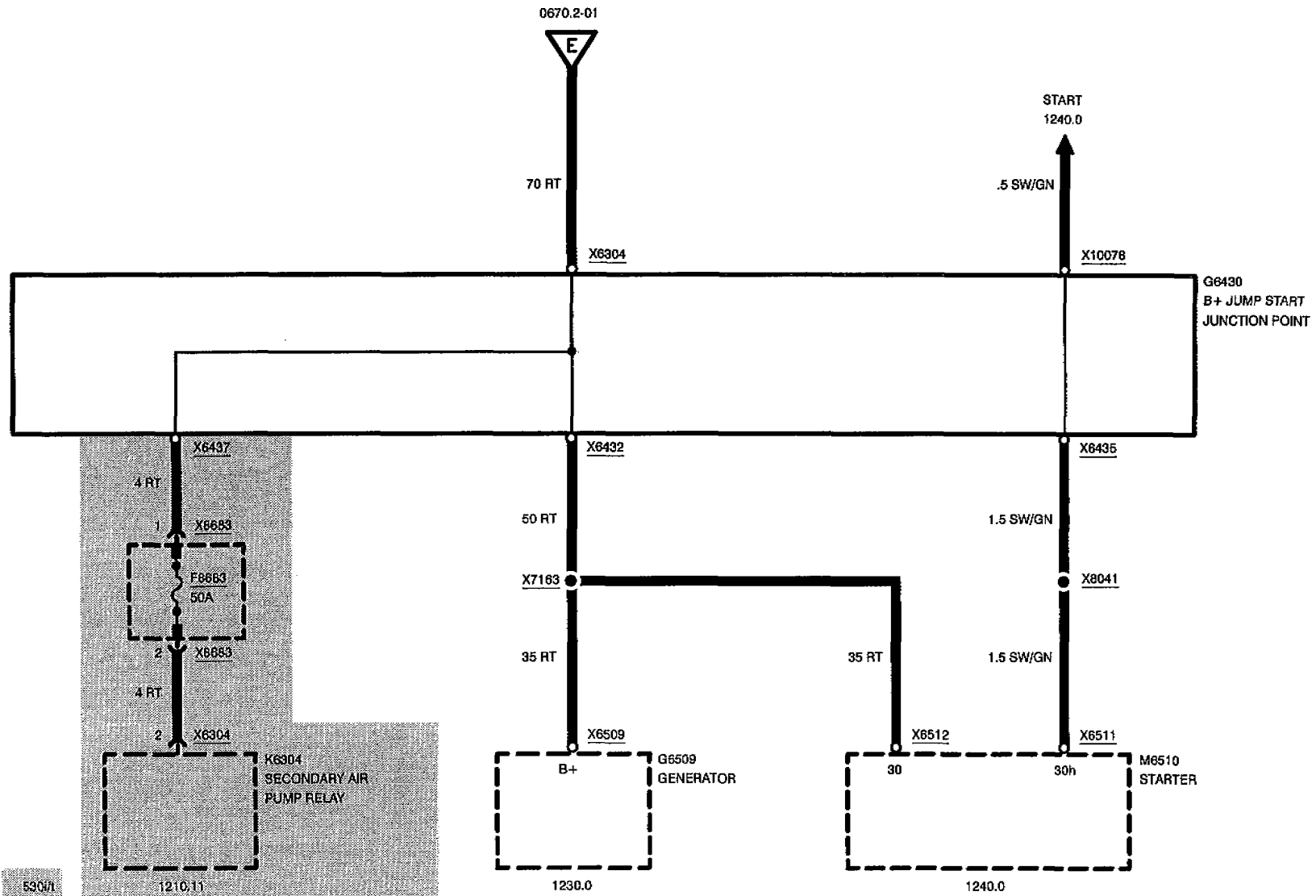
GRADIENT MONITOR AND ANTI-THEFT HORN (DWA)





POWER DISTRIBUTION

GRADIENT MONITOR AND ANTI-THEFT HORN (DWA)

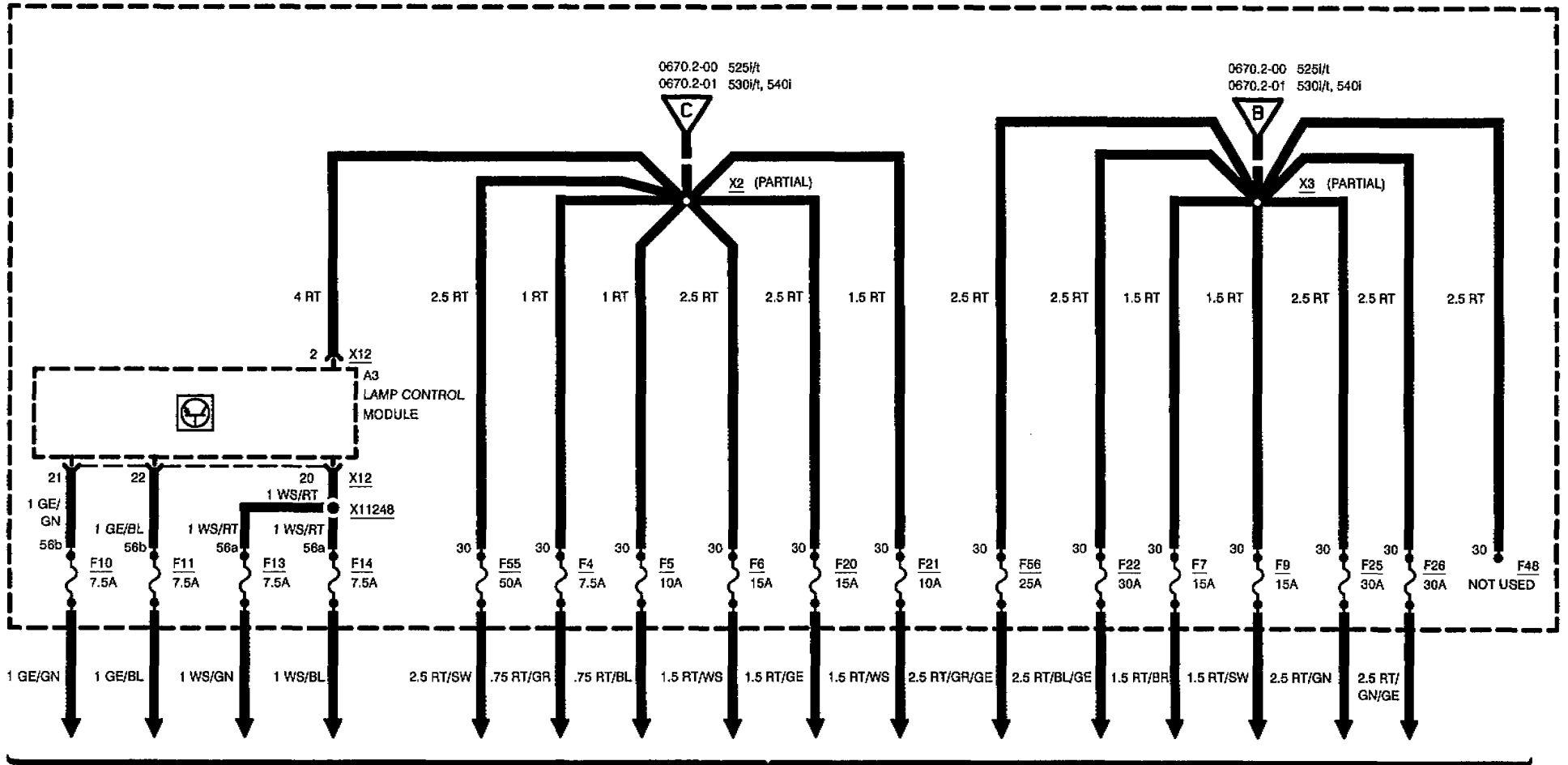




POWER DISTRIBUTION

FRONT POWER DISTRIBUTION BOX

P90
FRONT POWER
DISTRIBUTION BOX

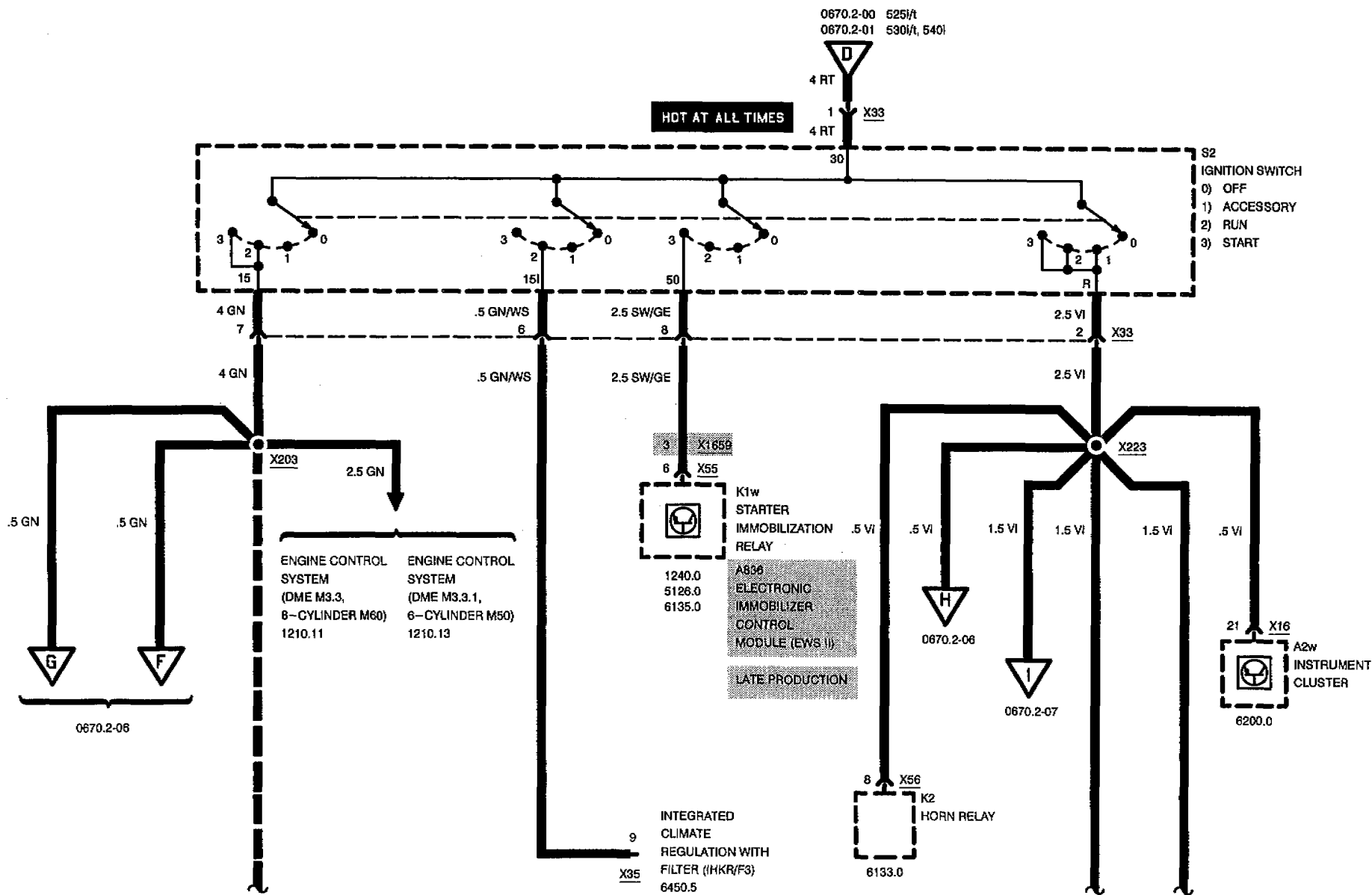


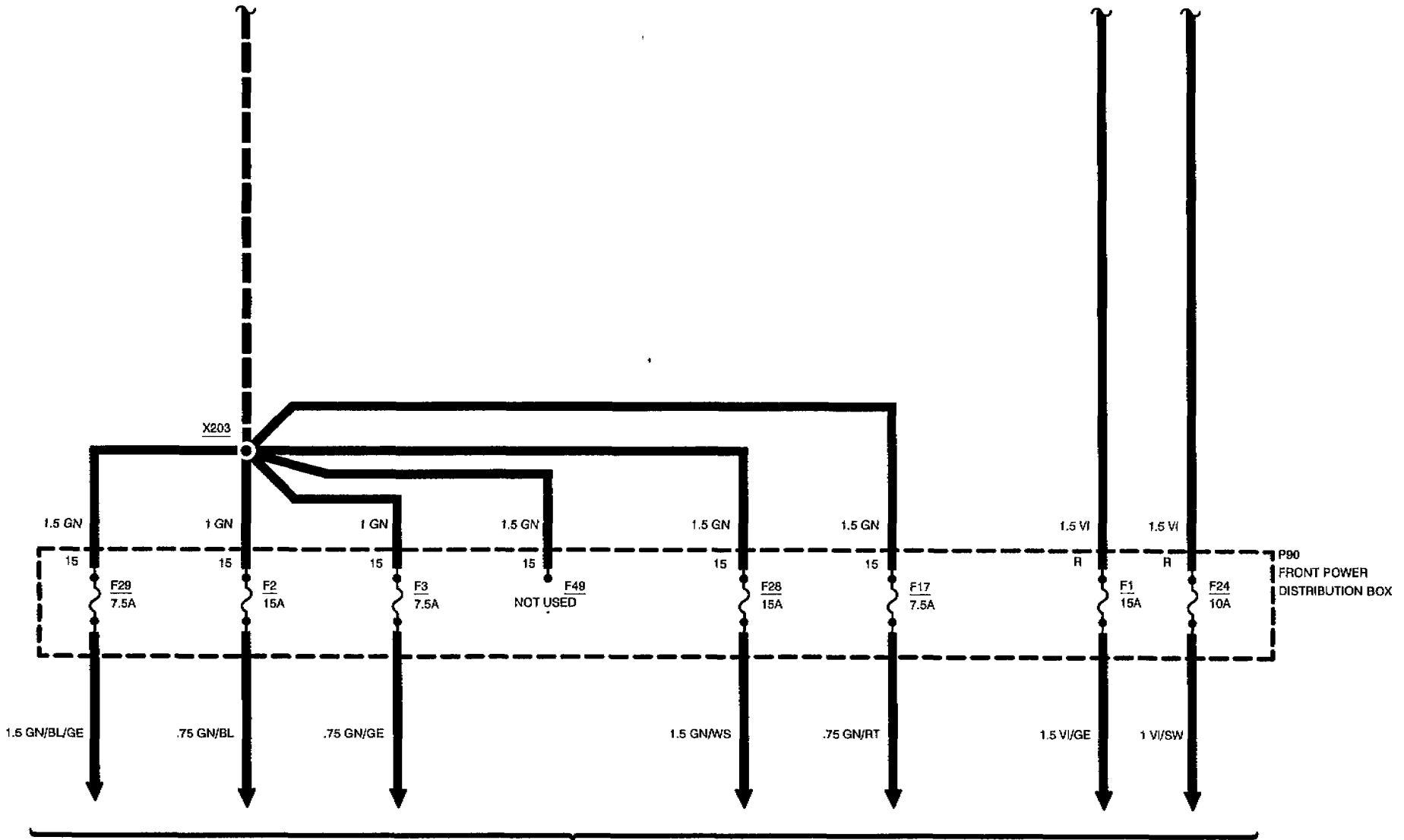
FUSE DETAILS
0670.3



POWER DISTRIBUTION

FRONT POWER DISTRIBUTION BOX

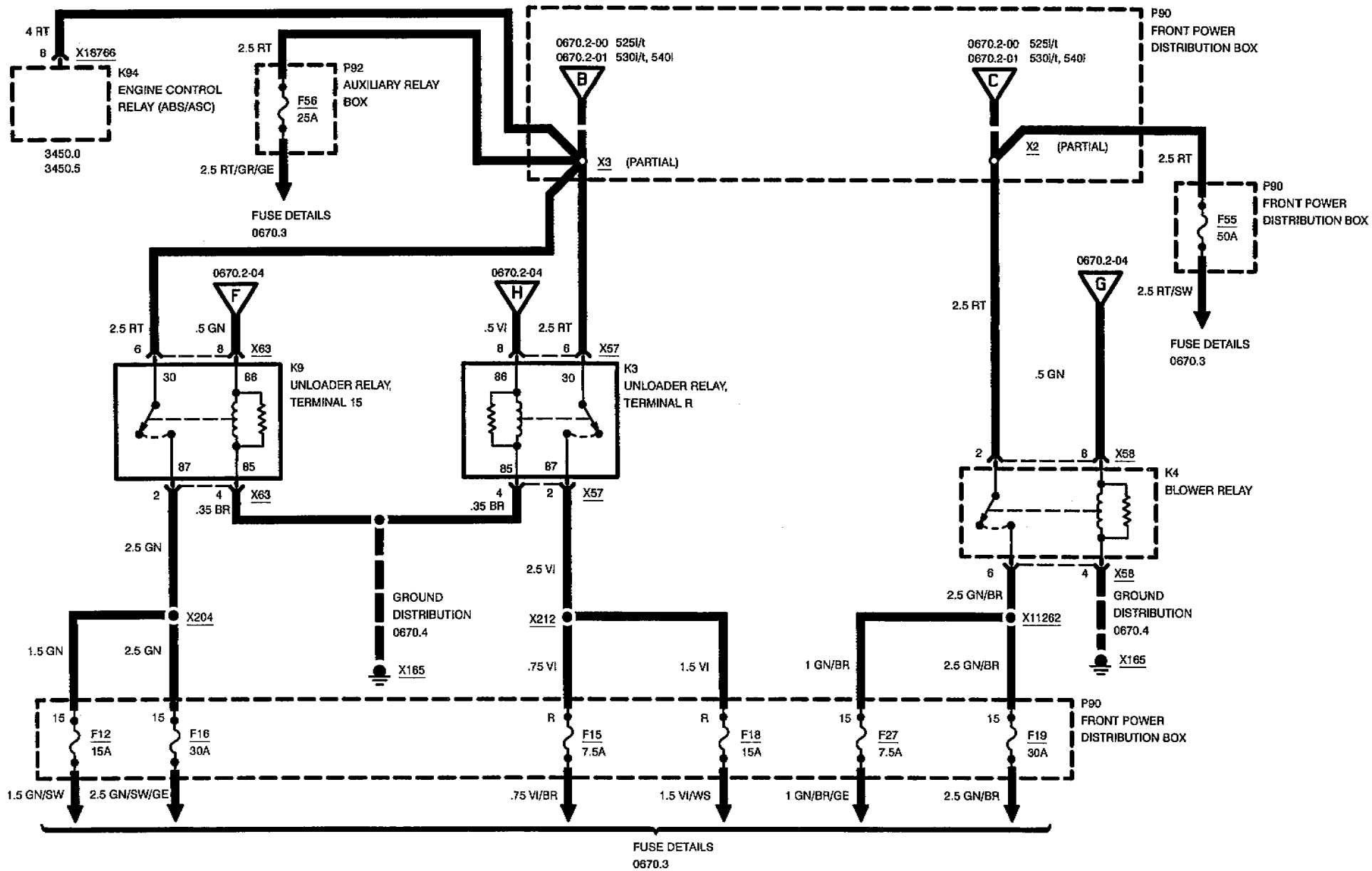




FUSE DETAILS
0670.3

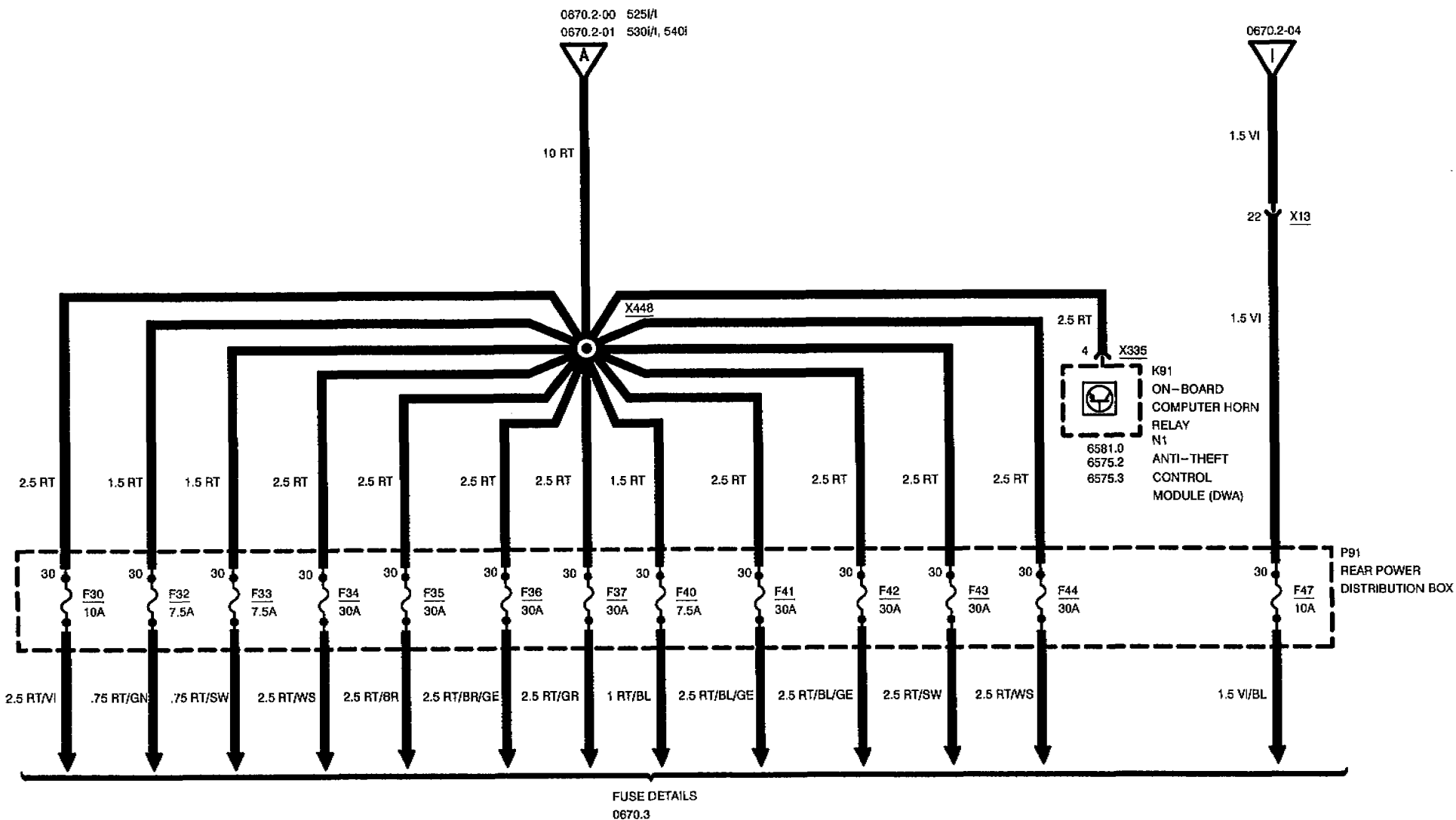


POWER DISTRIBUTION FRONT POWER DISTRIBUTION BOX





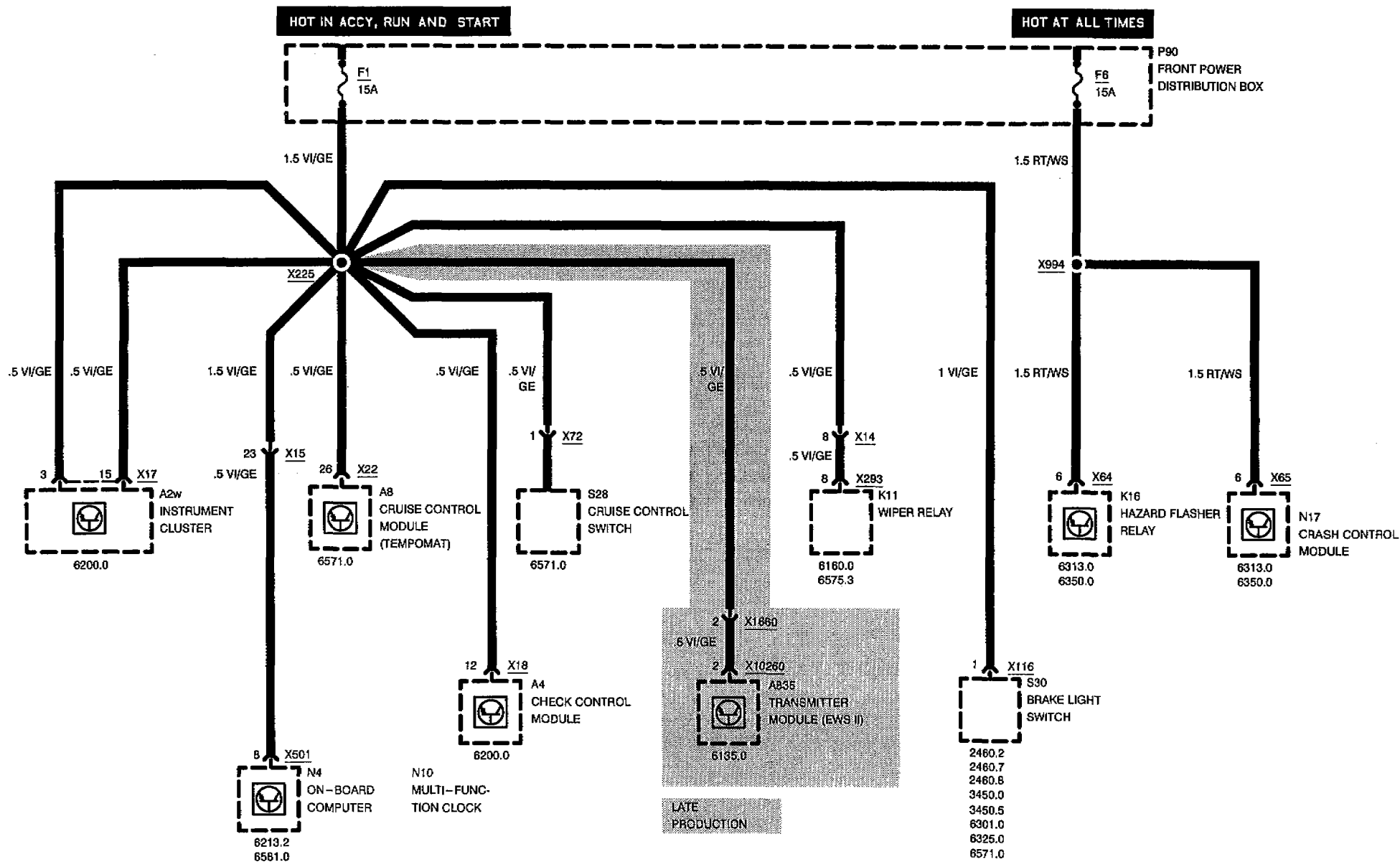
POWER DISTRIBUTION REAR POWER DISTRIBUTION BOX





FUSE DETAILS

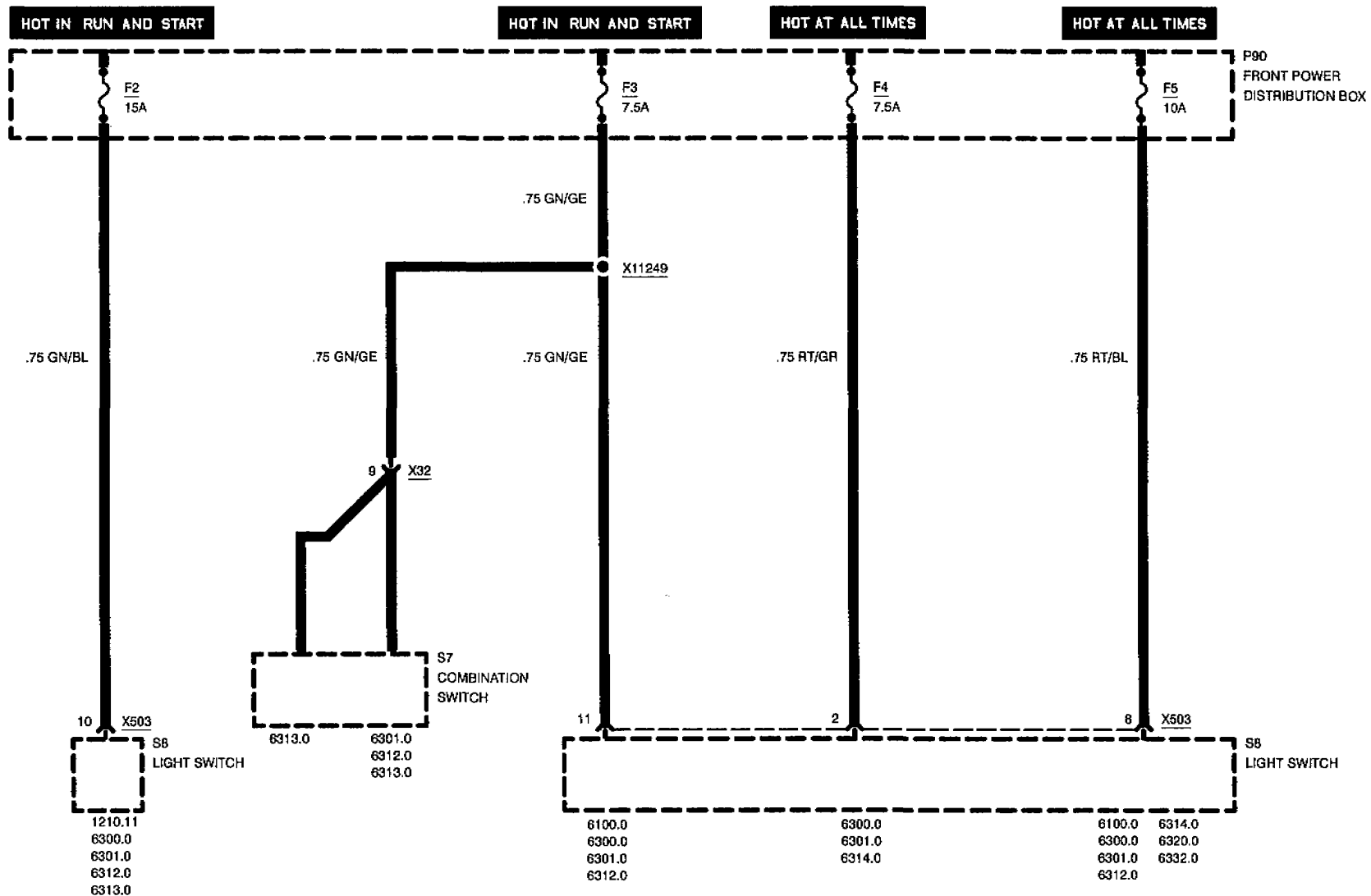
FUSES 1 AND 6





FUSE DETAILS

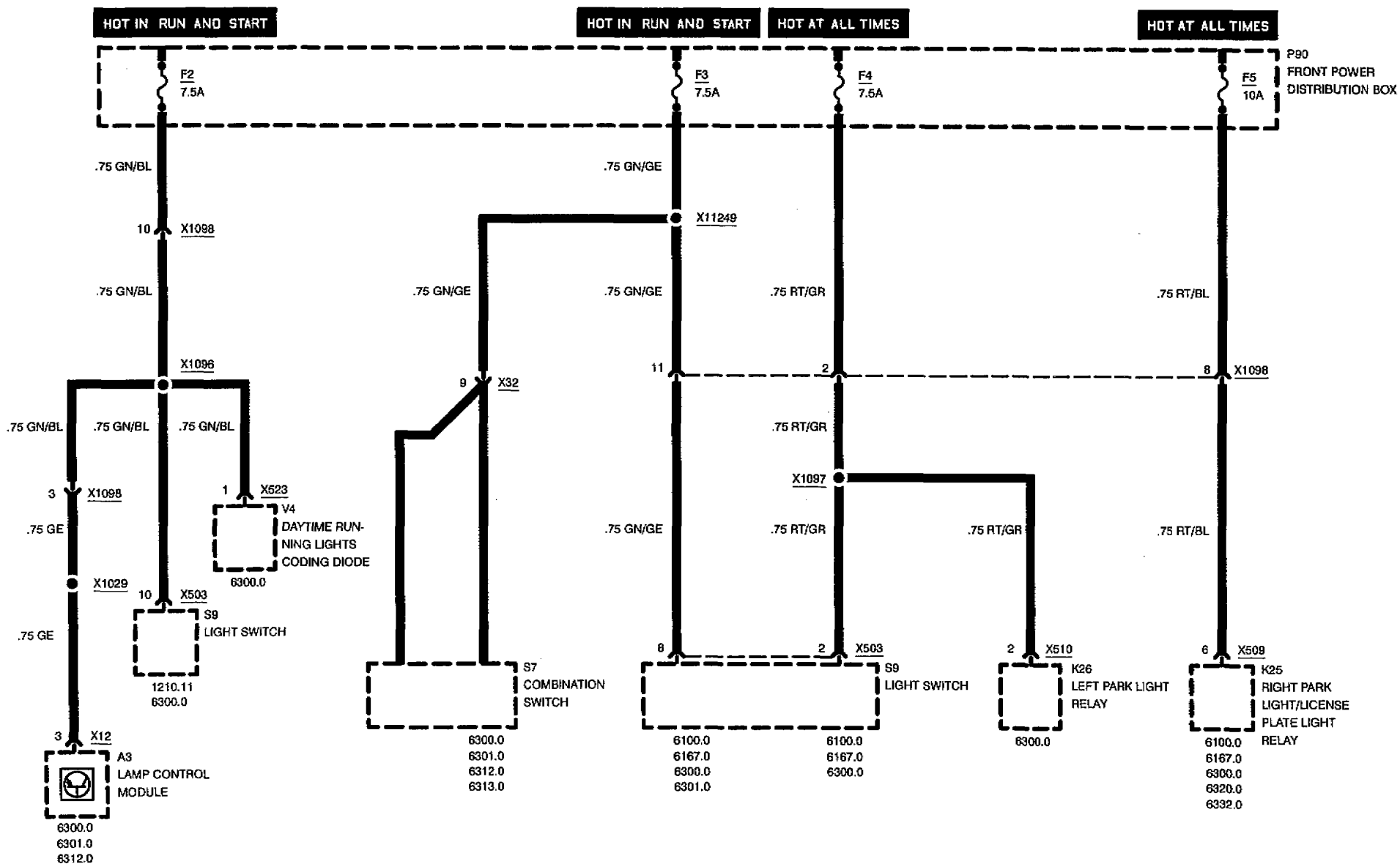
FUSES 2, 3, 4, AND 5





FUSE DETAILS

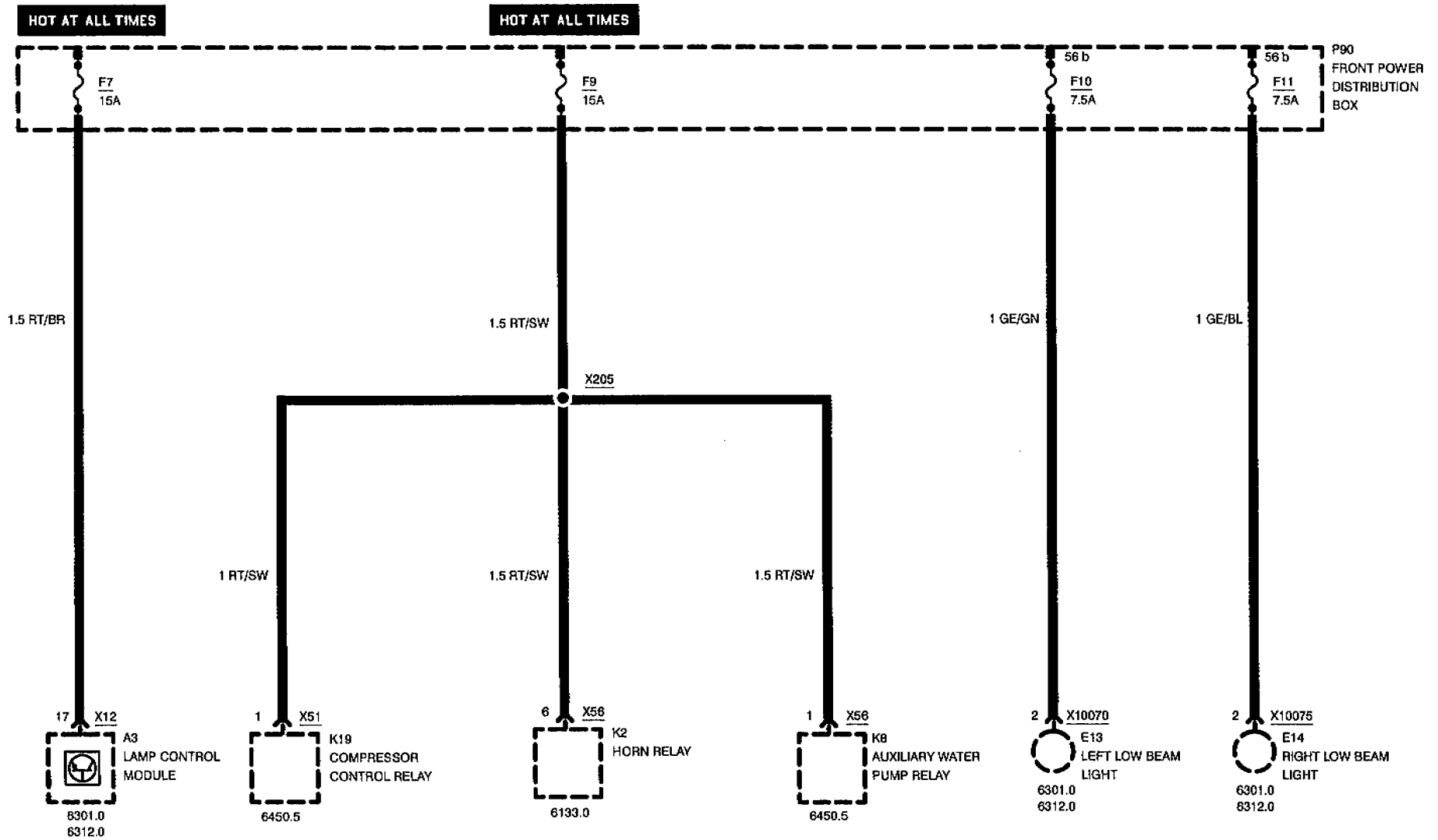
FUSES 2, 3, 4, AND 5





FUSE DETAILS

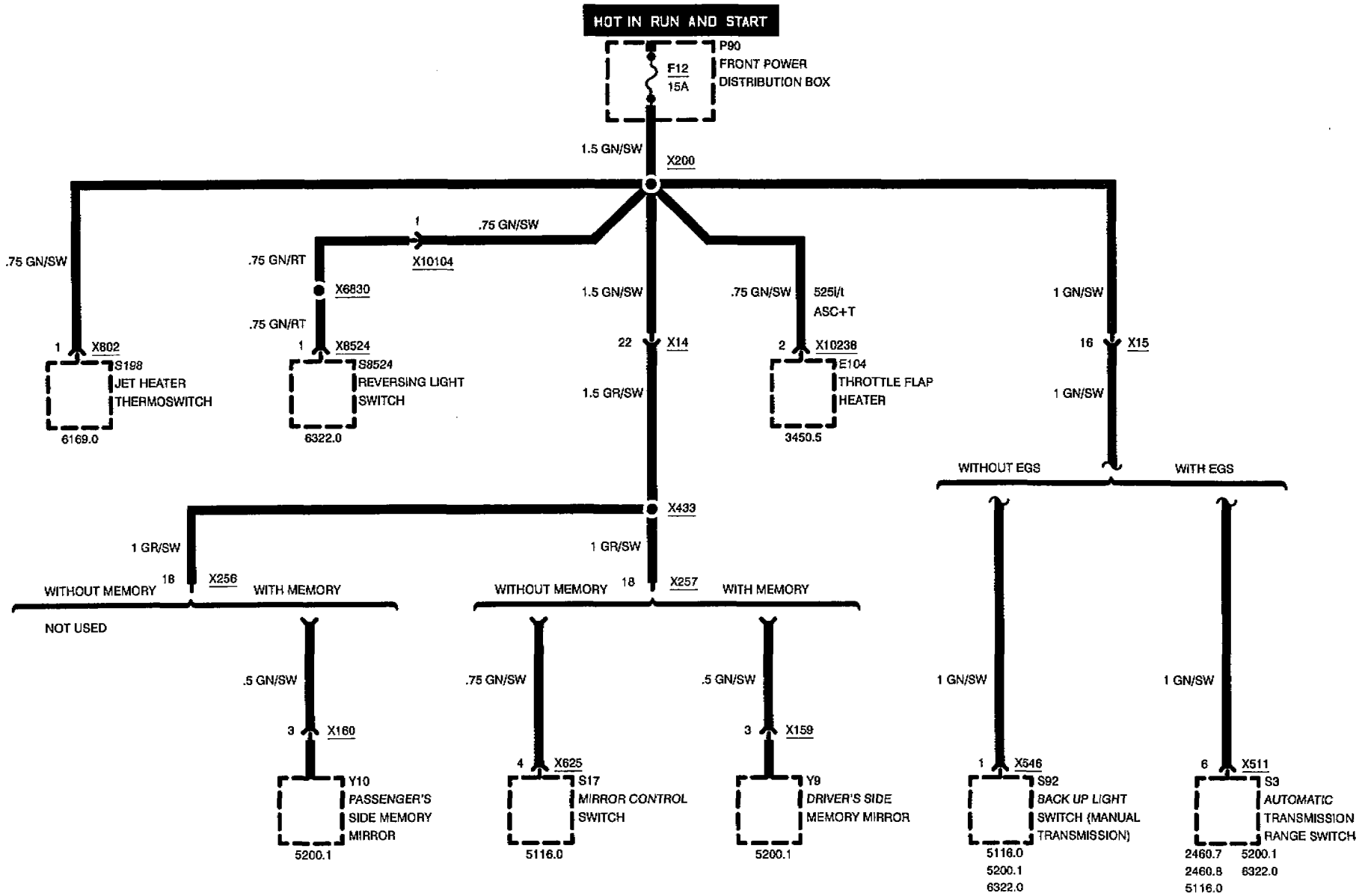
FUSES 7, 9, 10, AND 11





FUSE DETAILS

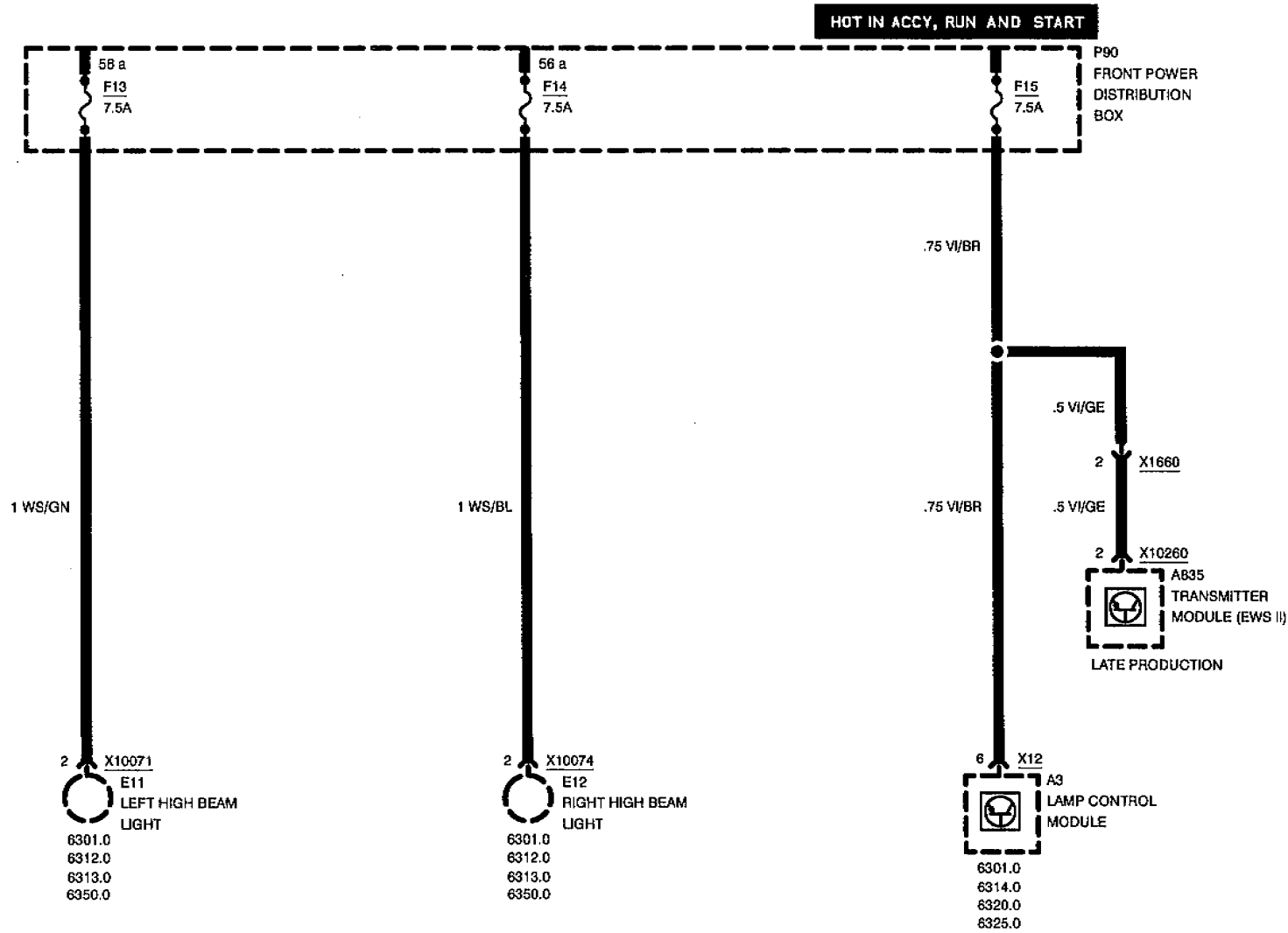
FUSE 12





FUSE DETAILS

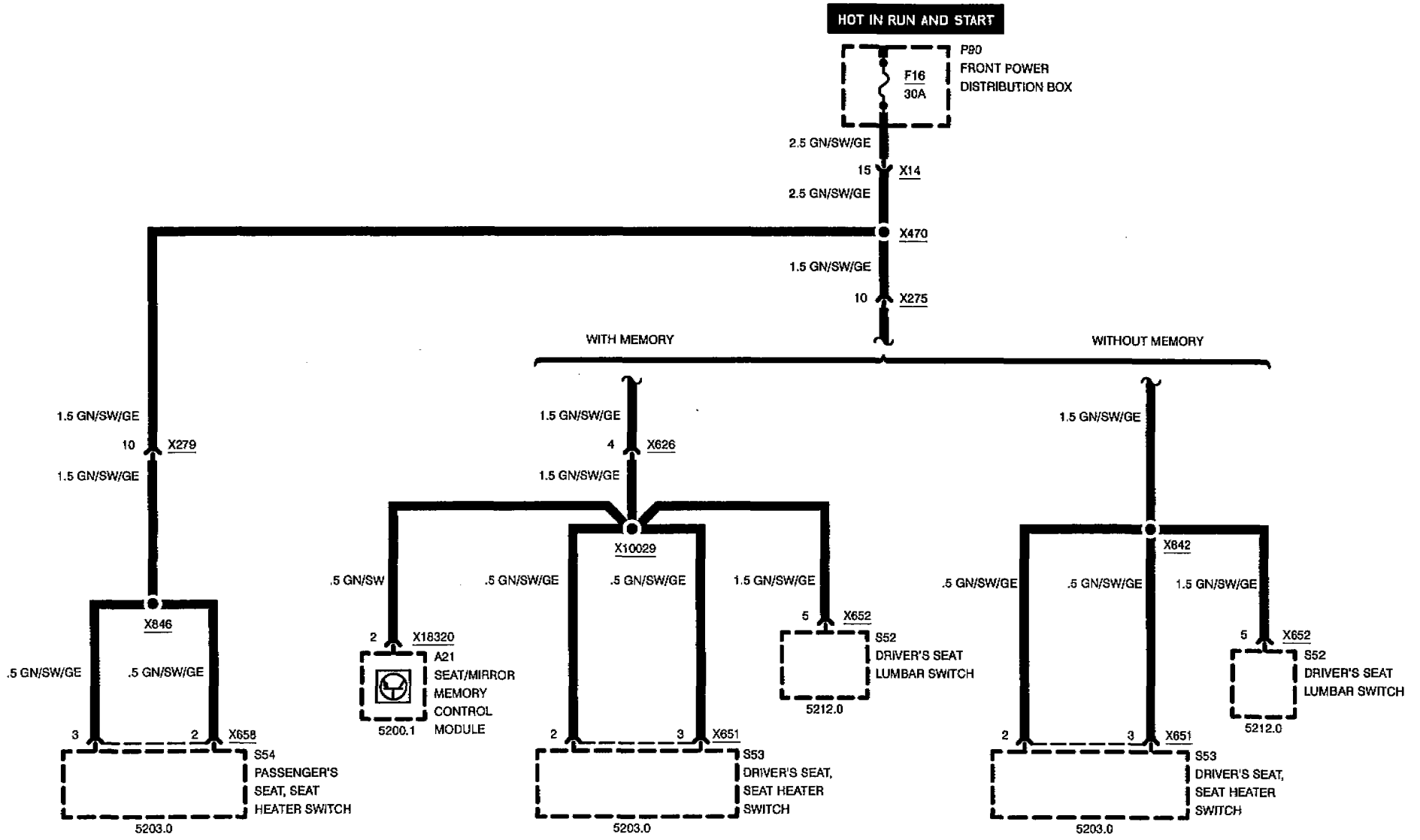
FUSES 13, 14, AND 15





FUSE DETAILS

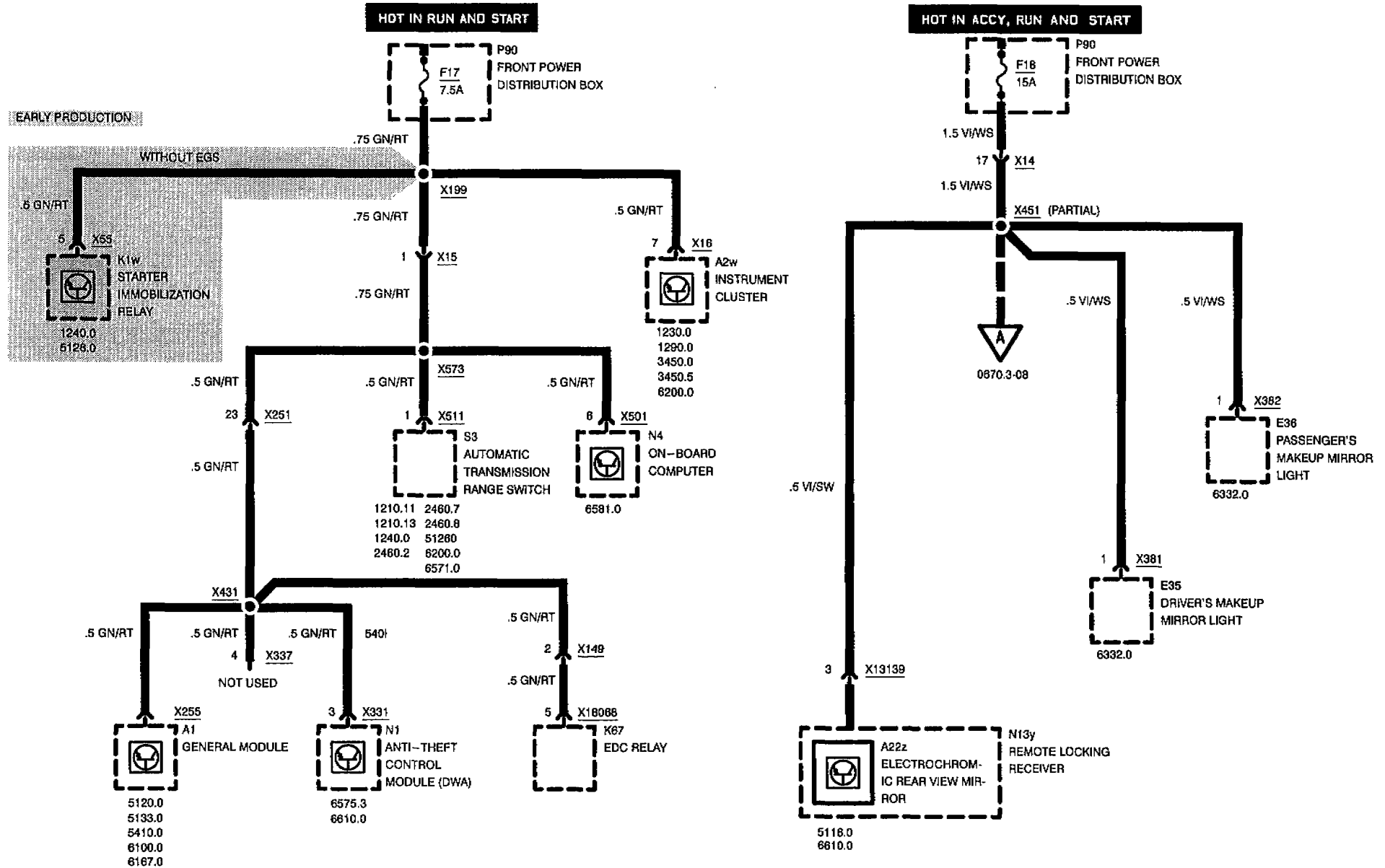
FUSE 16





FUSE DETAILS

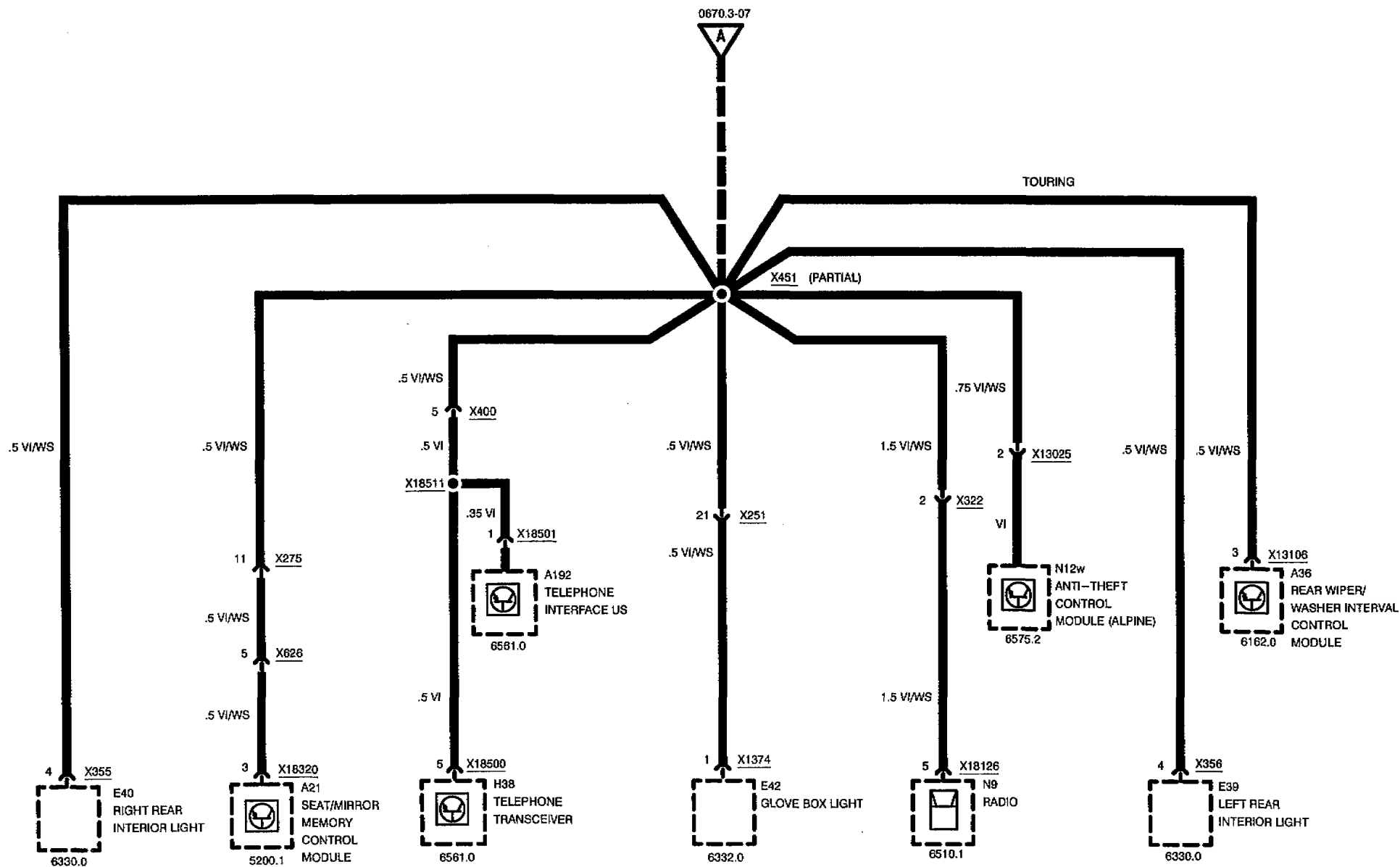
FUSES 17 AND 18





FUSE DETAILS

FUSE 18



02/97

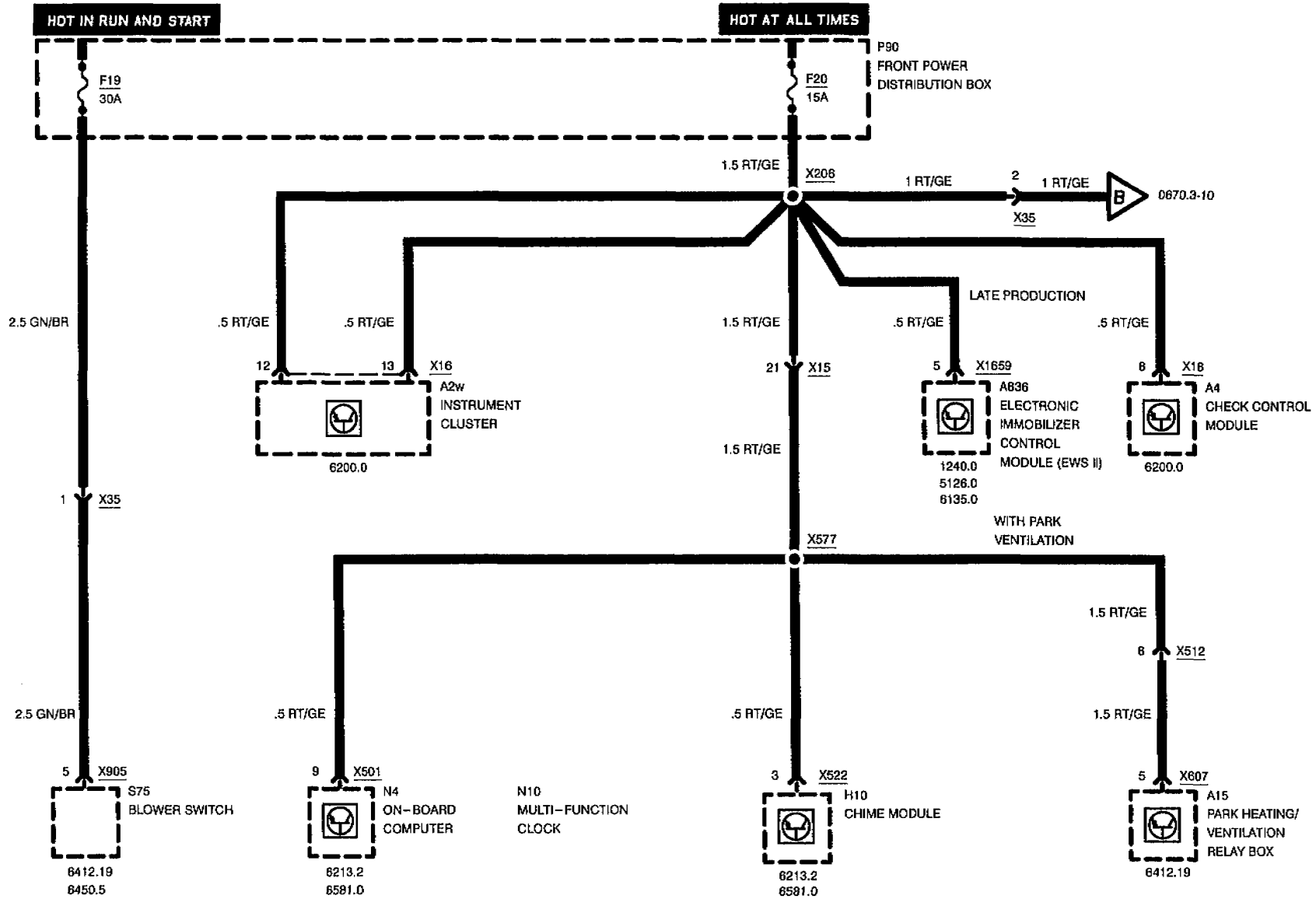
0670.3-08

1995



FUSE DETAILS

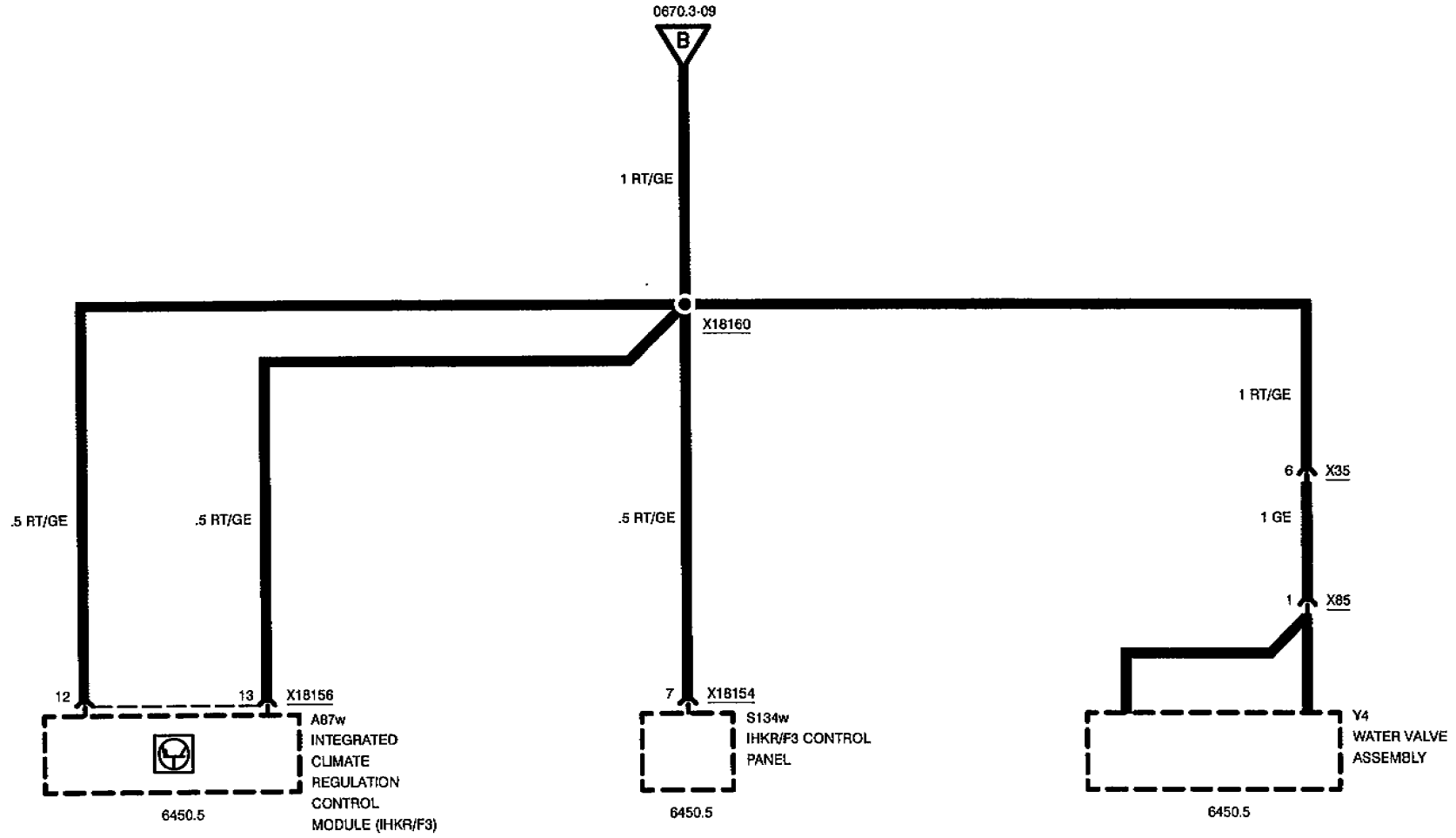
FUSES 19 AND 20





FUSE DETAILS

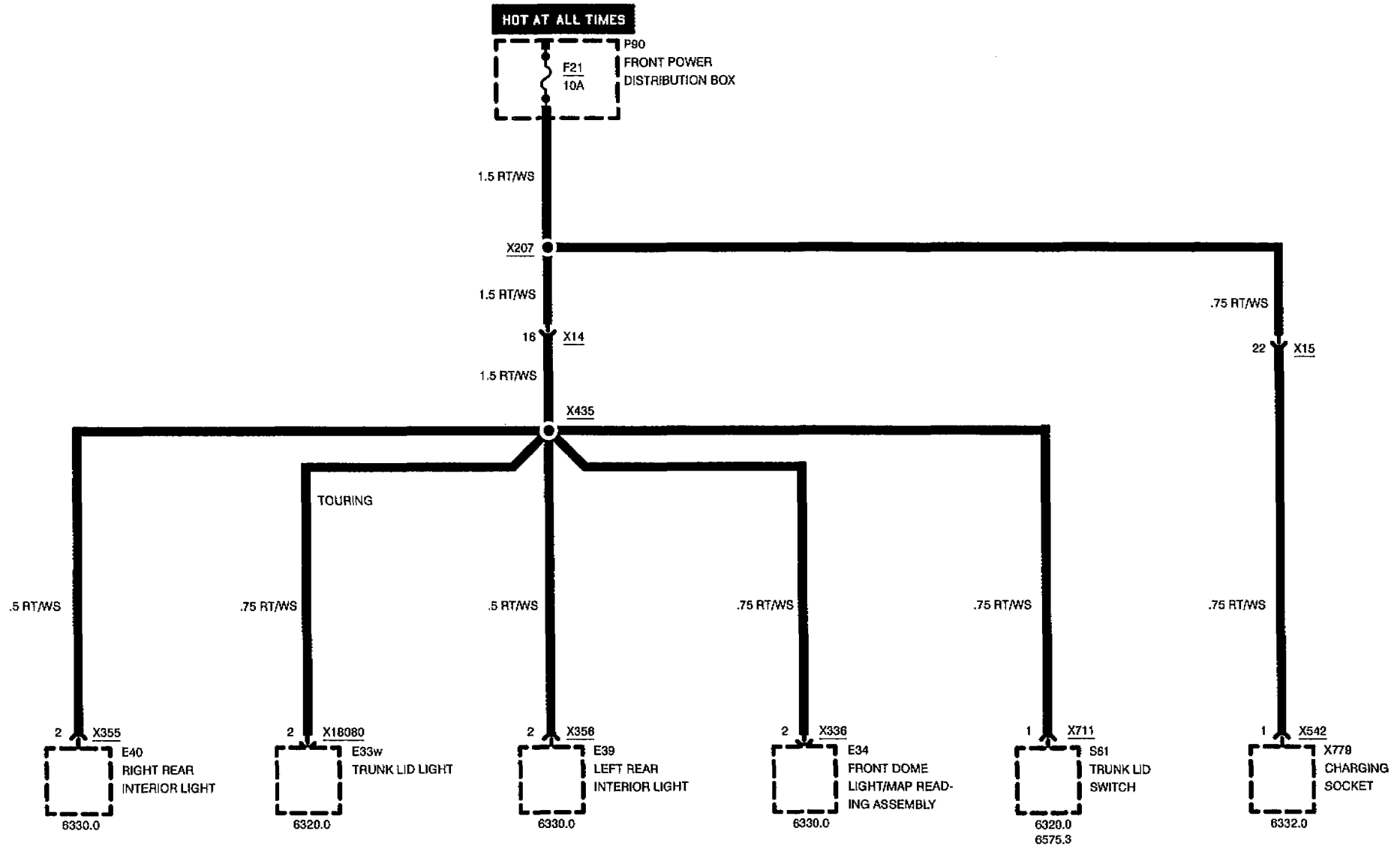
FUSE 20





FUSE DETAILS

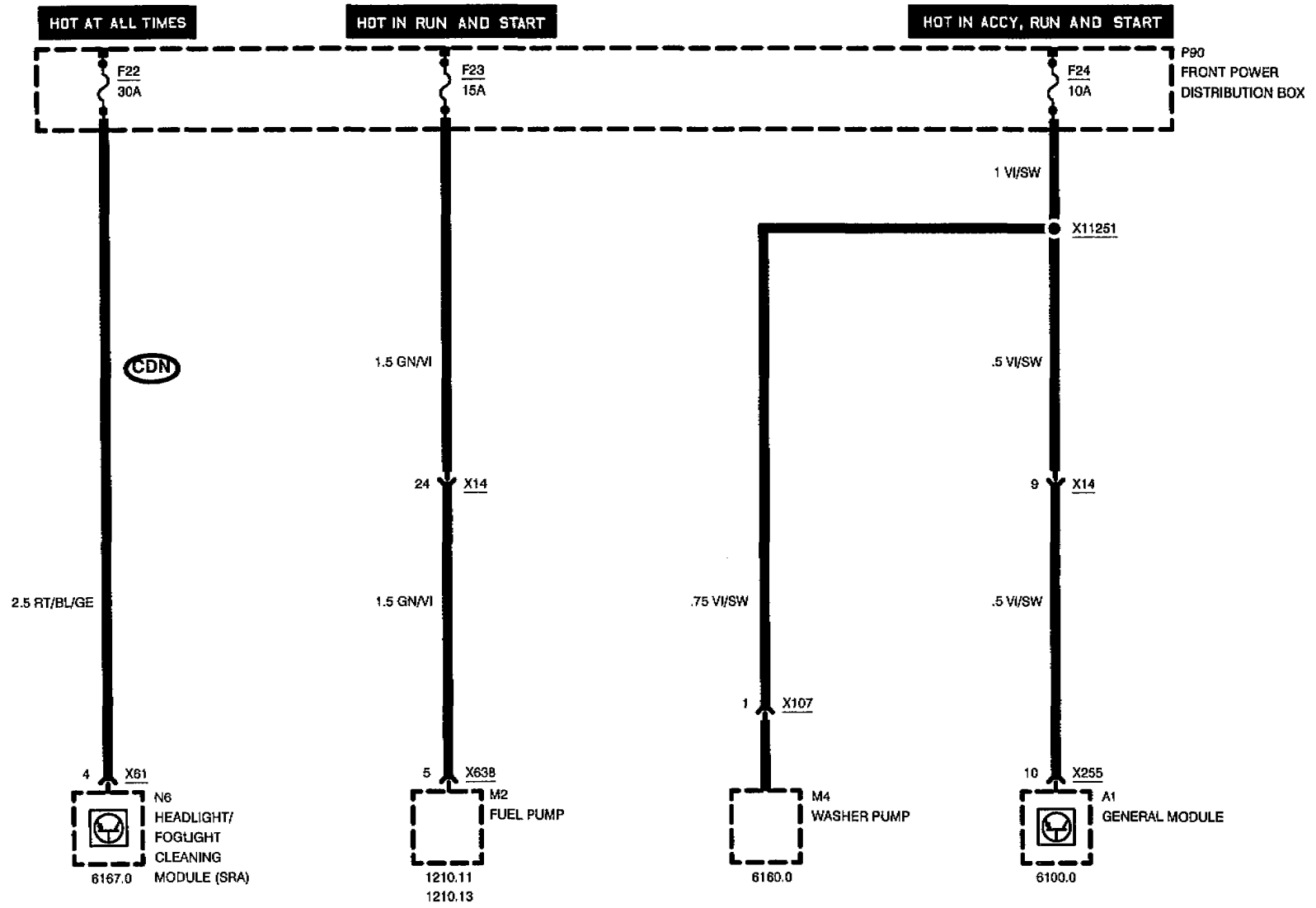
FUSE 21





FUSE DETAILS

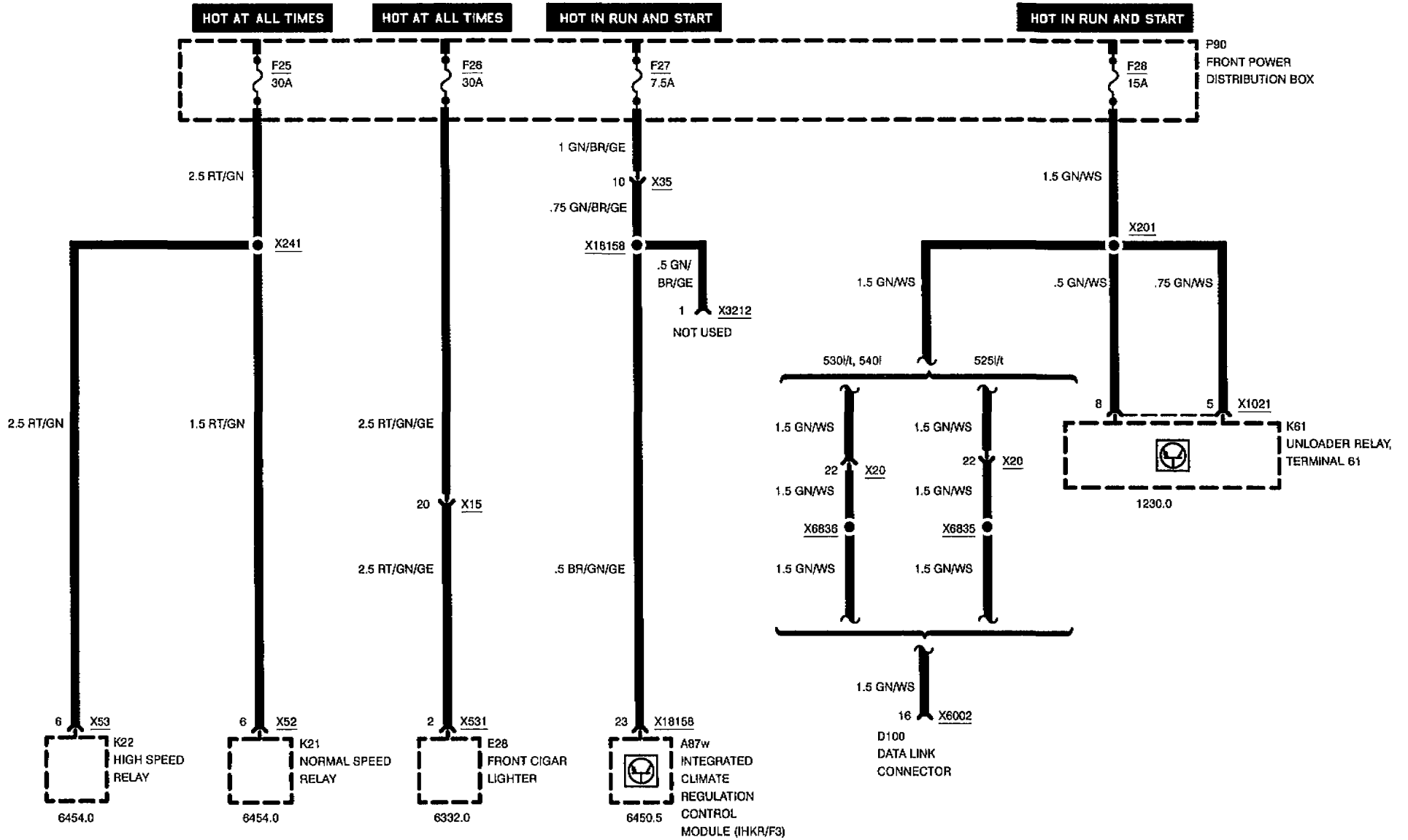
FUSES 22, 23, AND 24





FUSE DETAILS

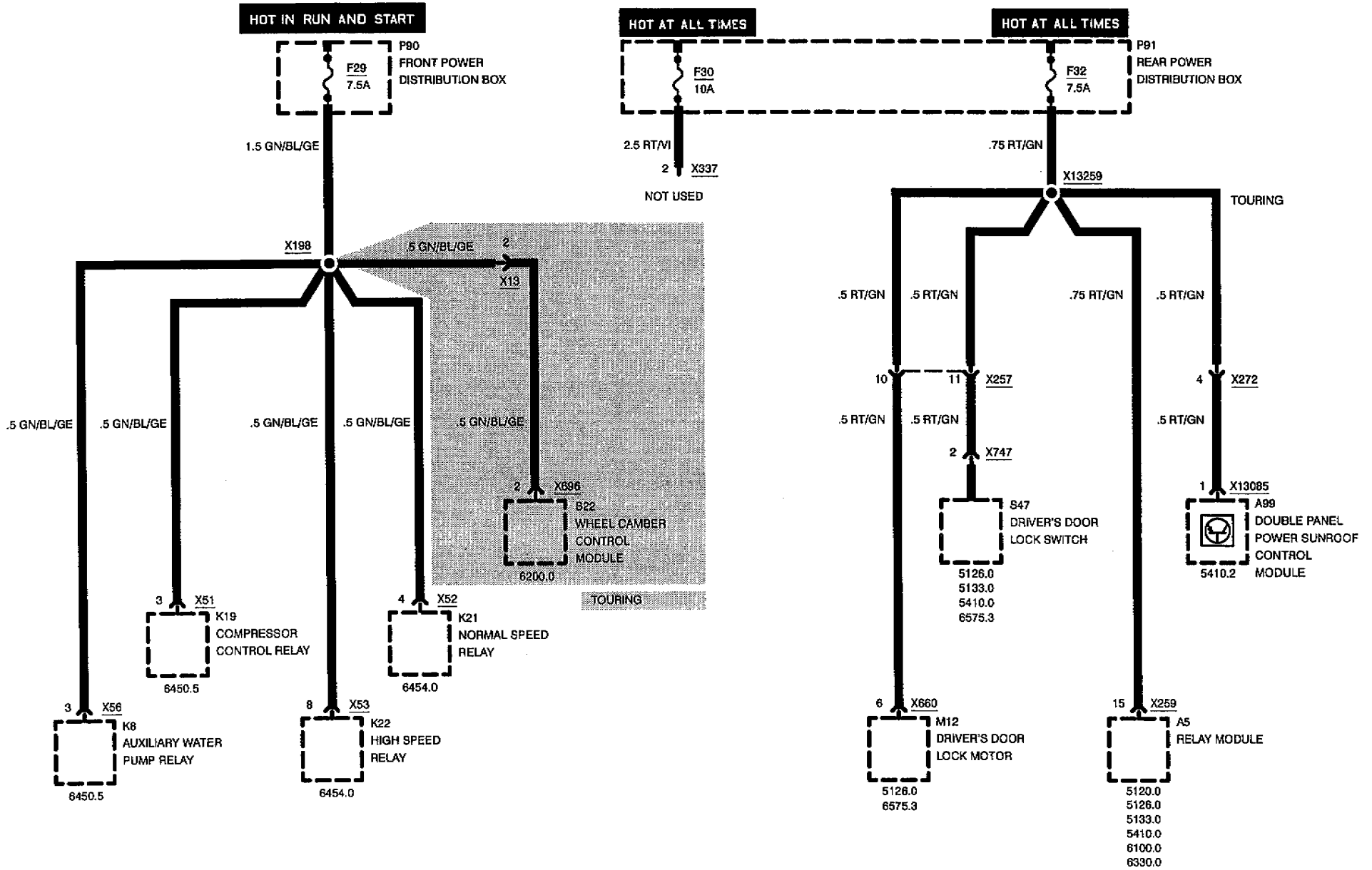
FUSES 25, 26, 27, AND 28



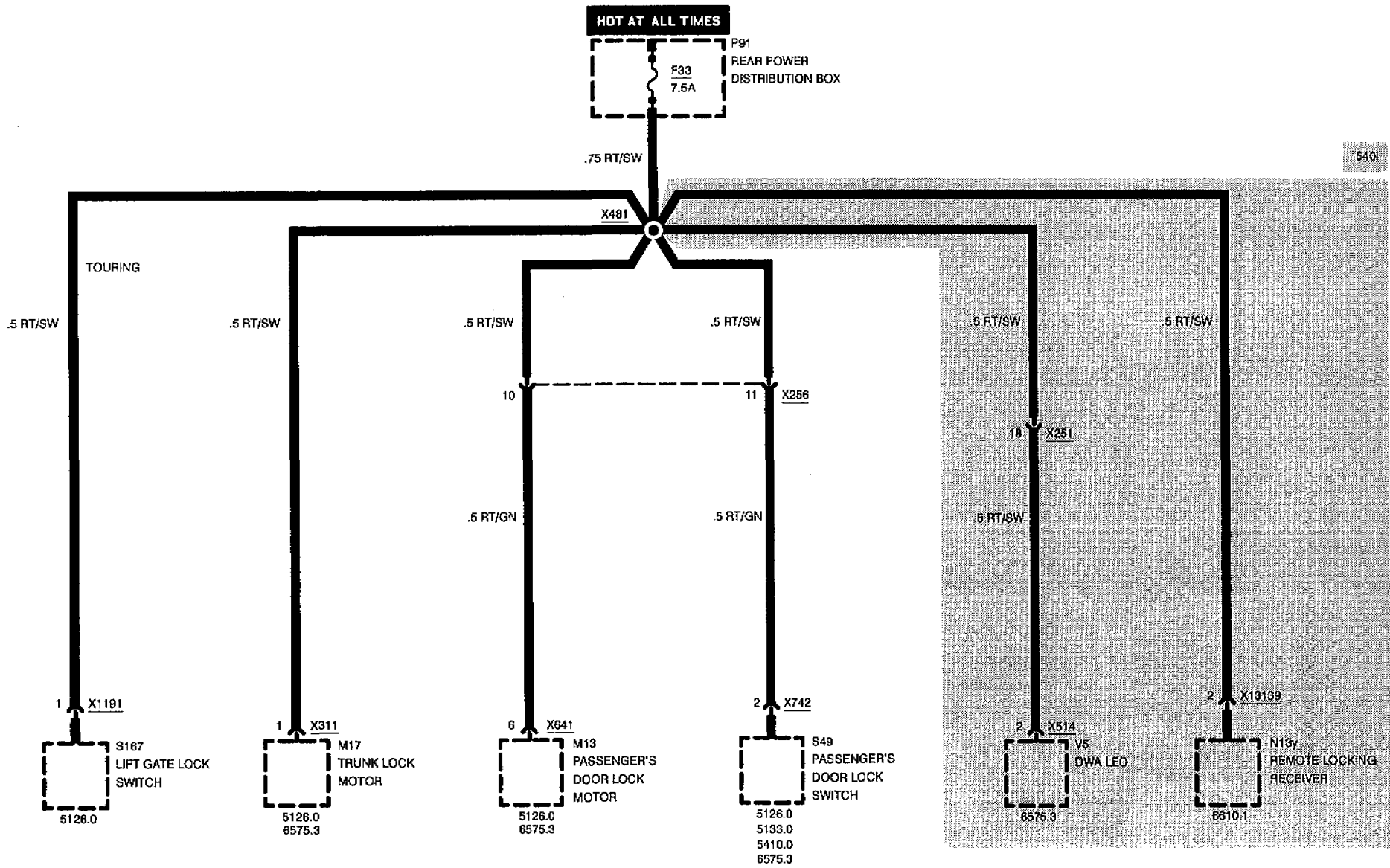


FUSE DETAILS

FUSES 29, 30, AND 32



BMW
5 FUSE DETAILS
FUSE 33

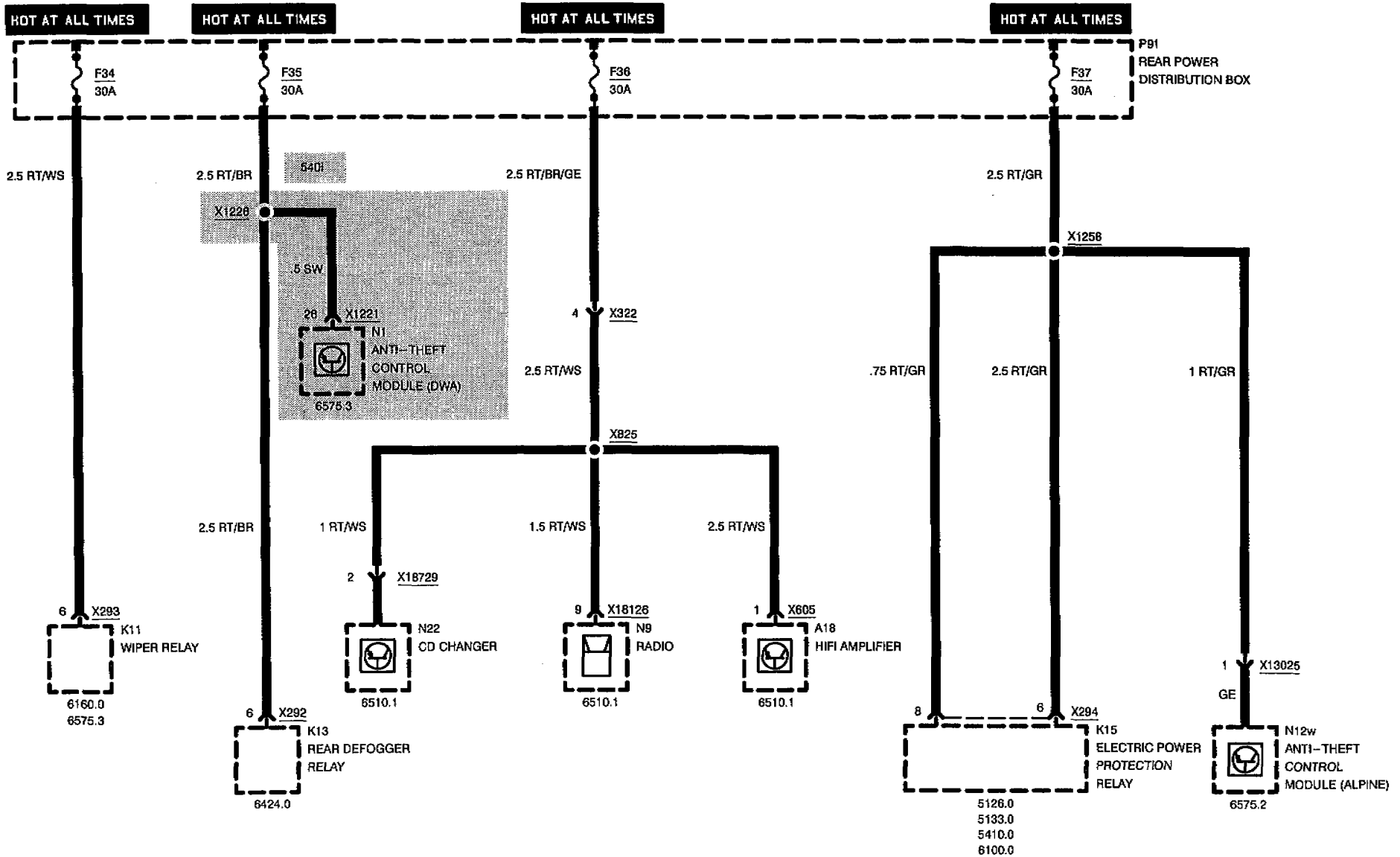


540



FUSE DETAILS

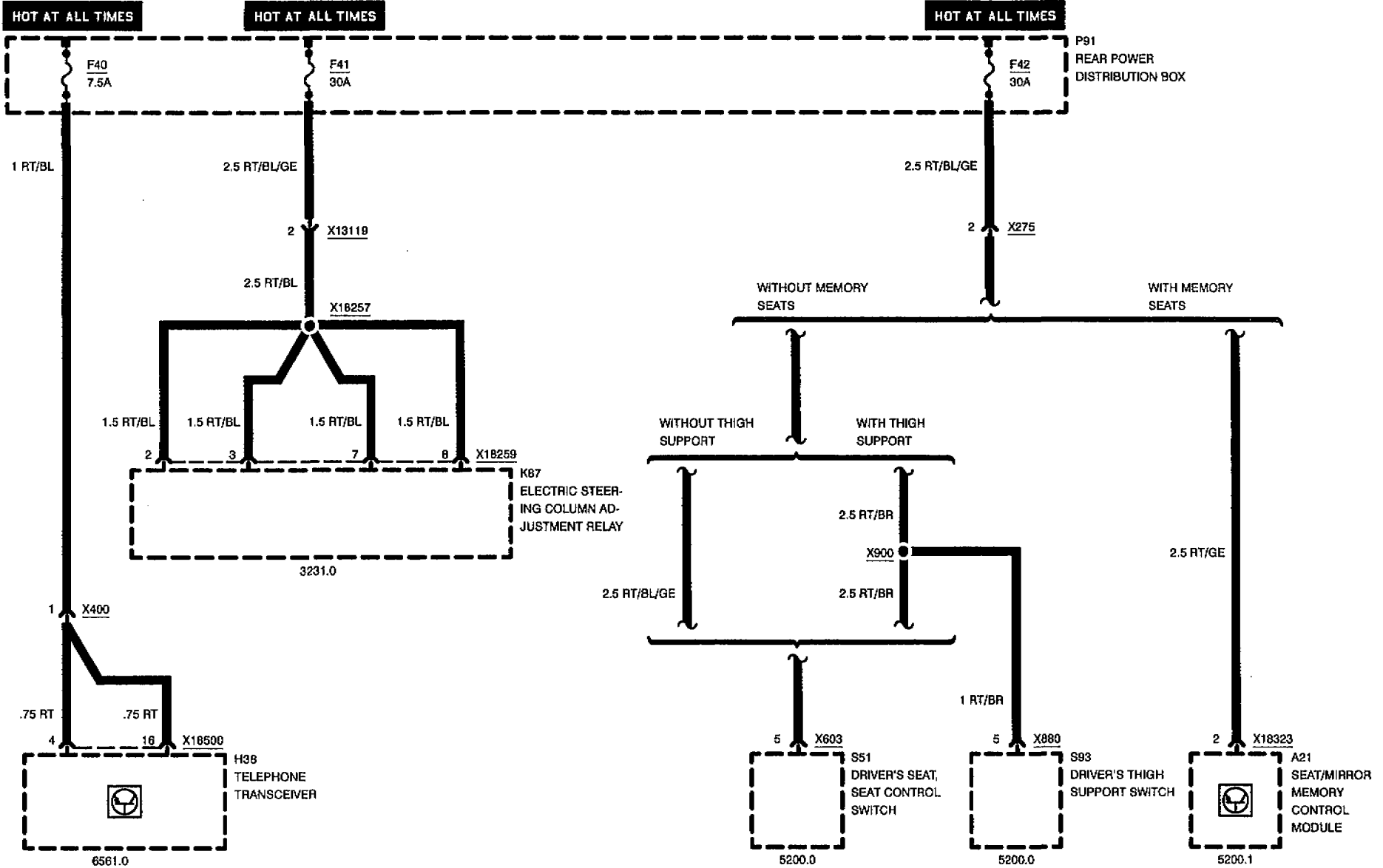
FUSES 34, 35, 36, AND 37





FUSE DETAILS

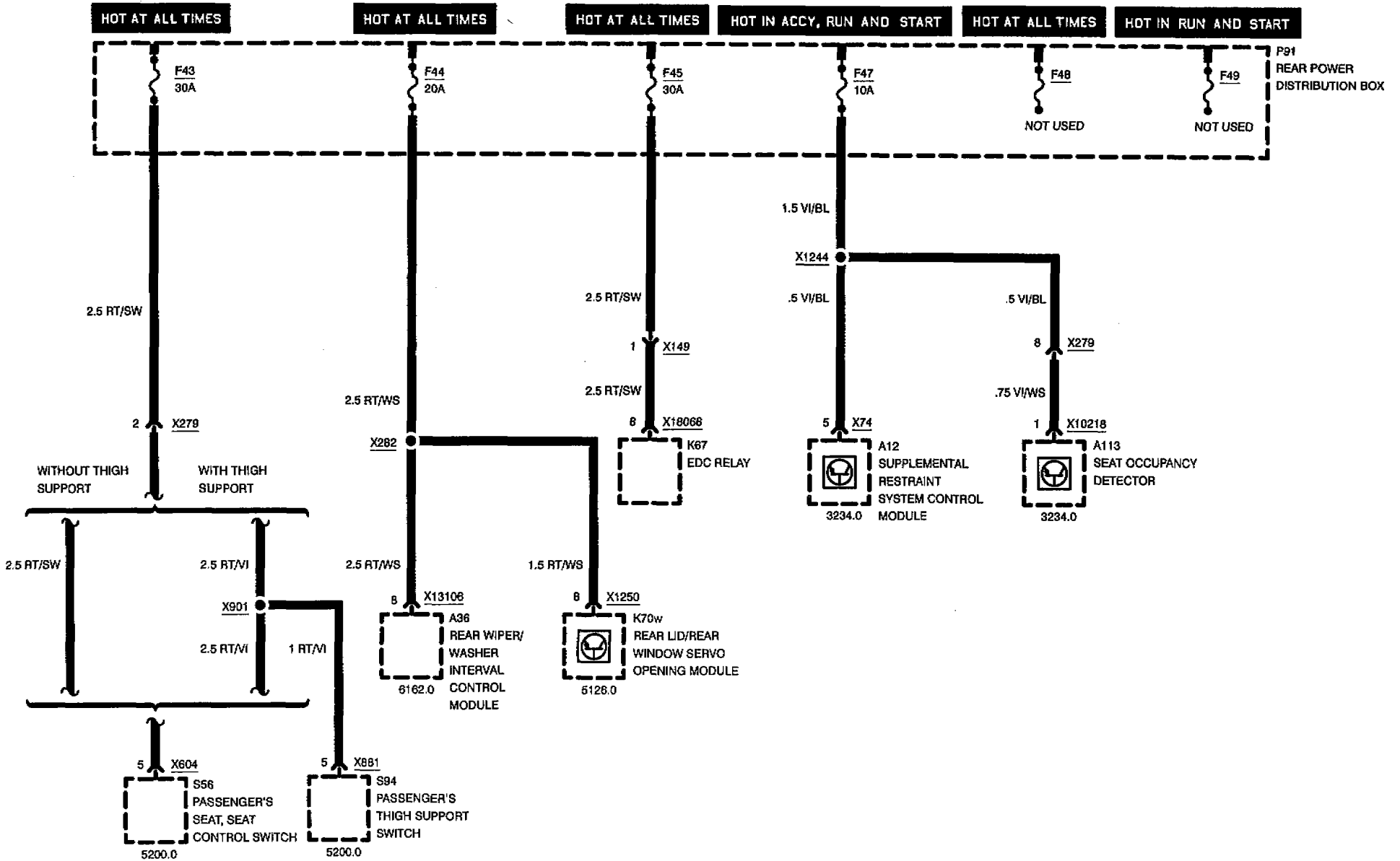
FUSES 40, 41, AND 42





FUSE DETAILS

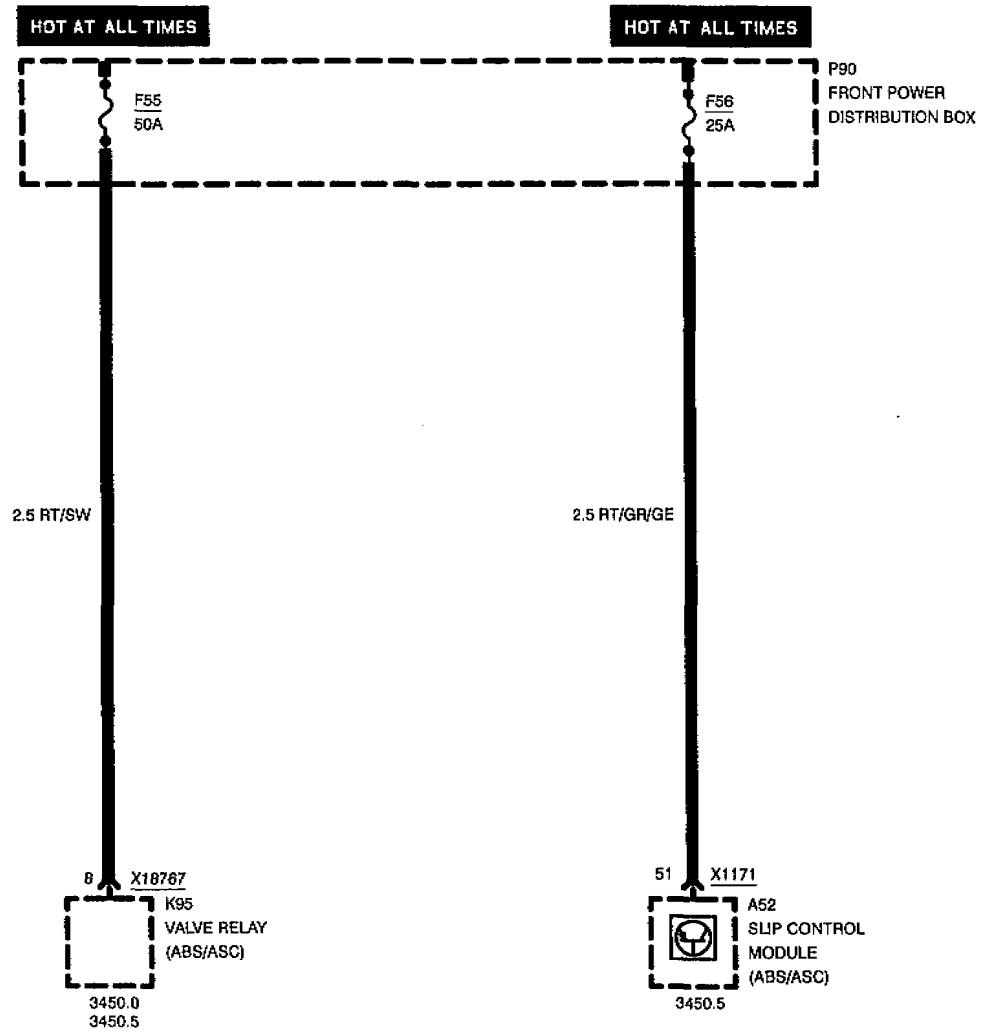
FUSES 43, 44, 45, 47, 48, AND 49





FUSE DETAILS

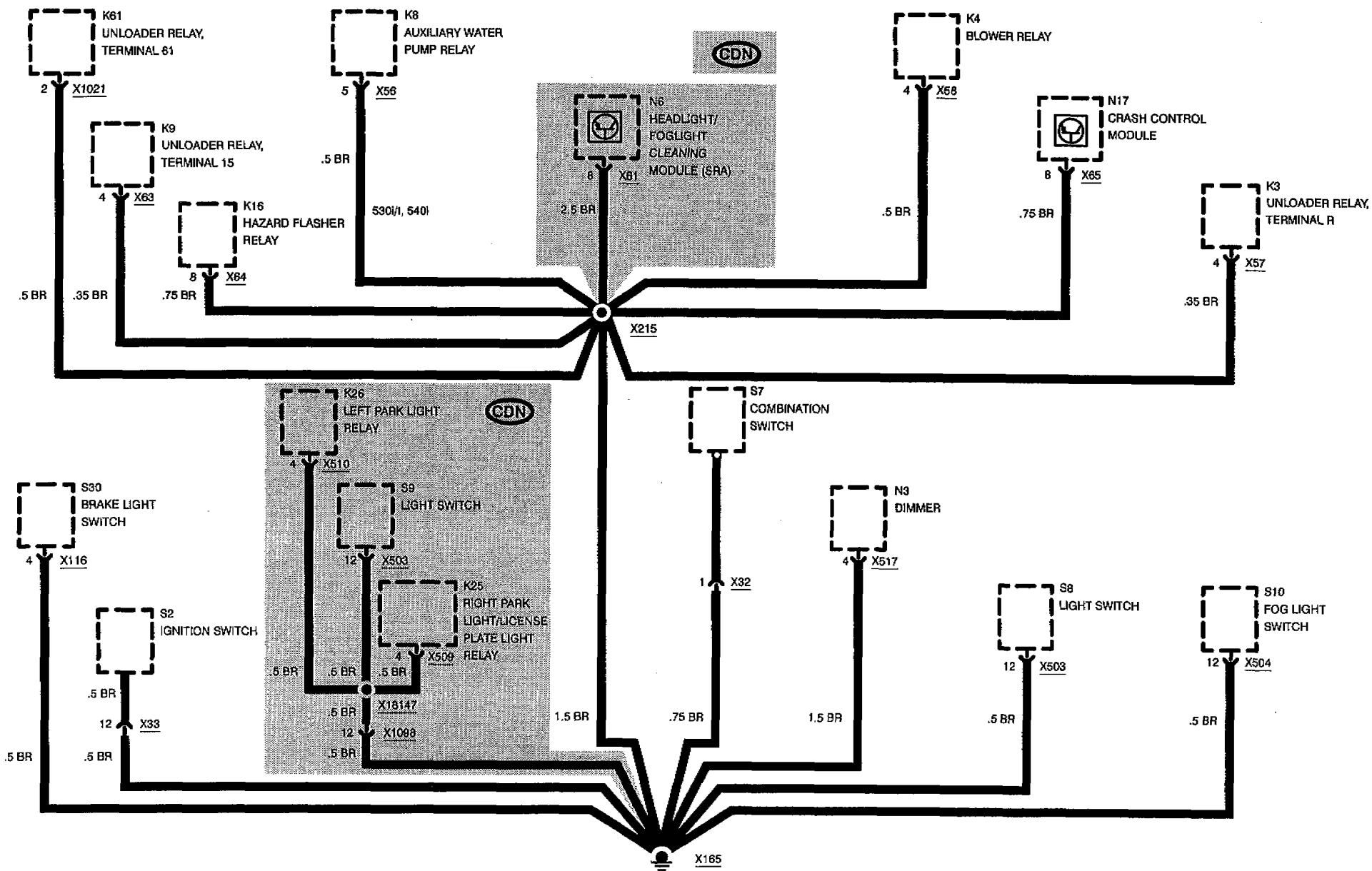
FUSES 55 AND 56





GROUND DISTRIBUTION

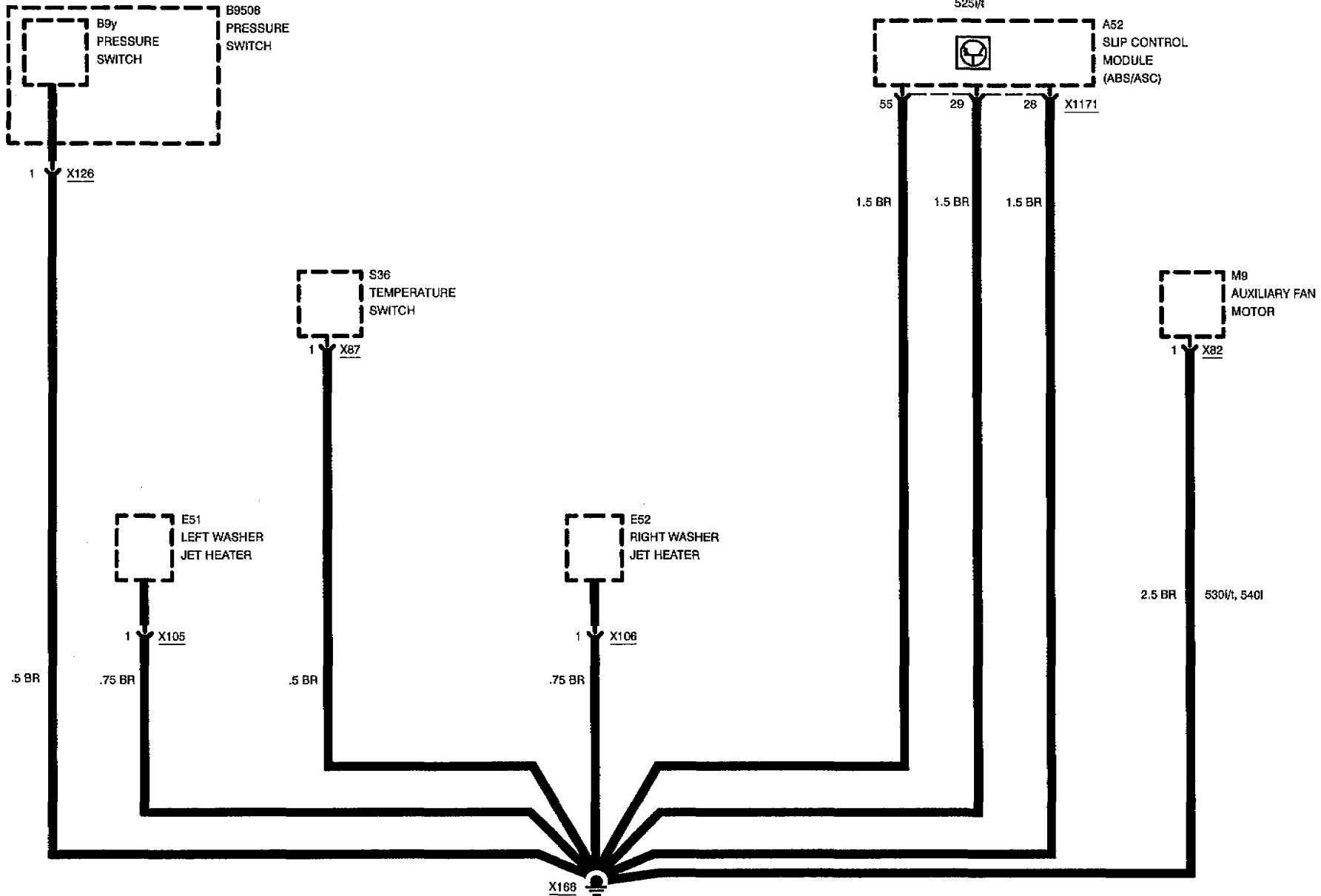
GROUND X165





GROUND DISTRIBUTION

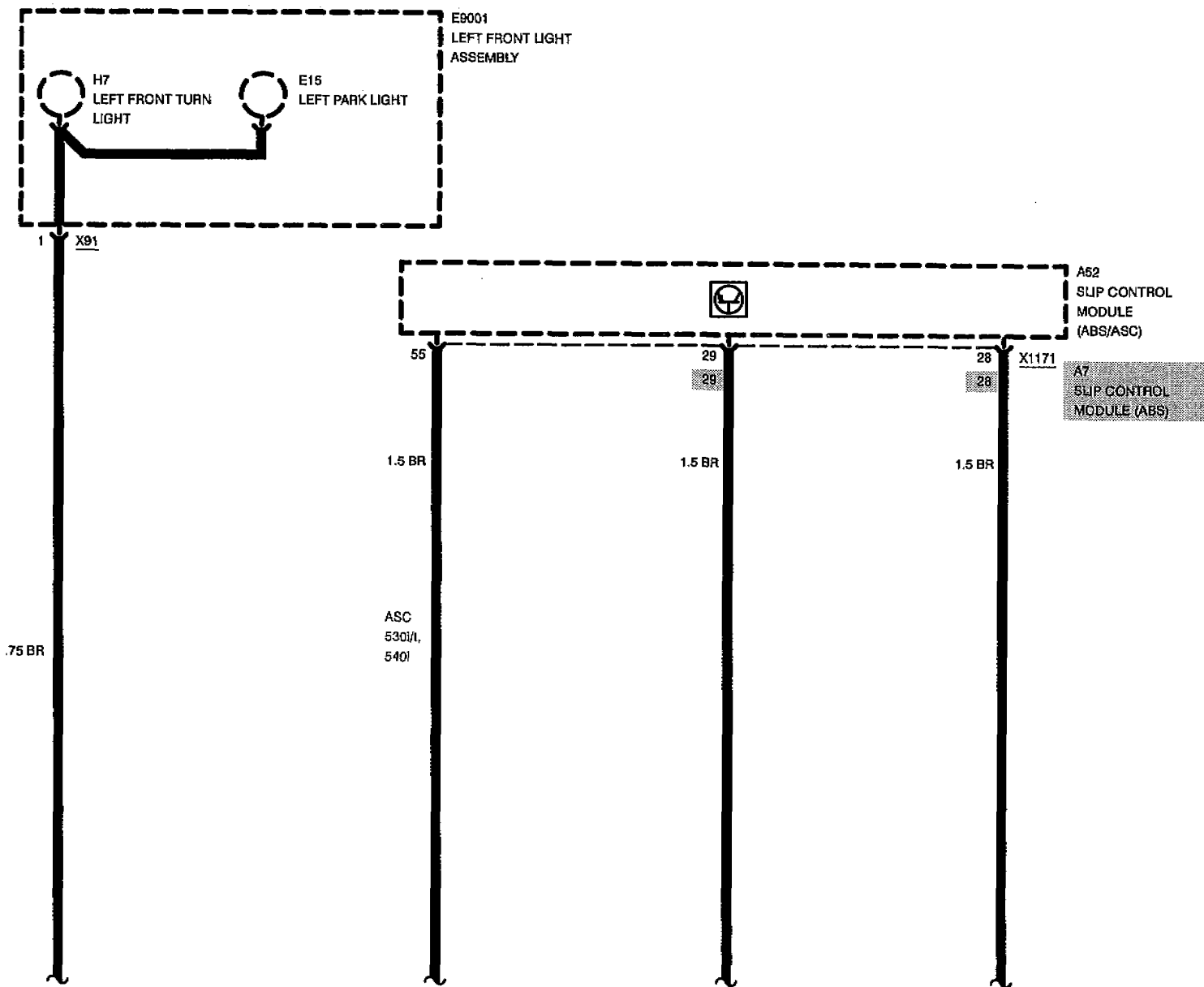
GROUND X166

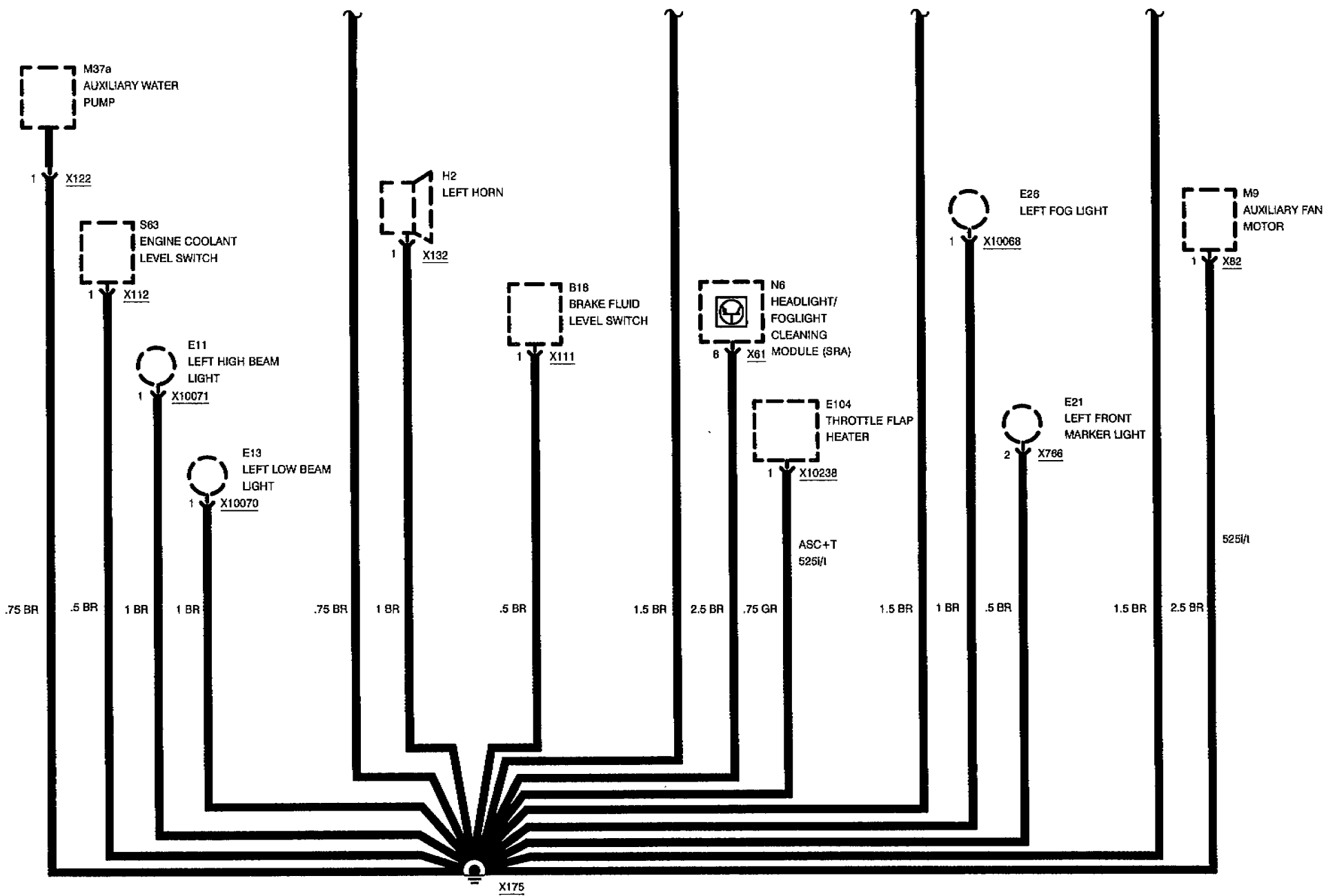




GROUND DISTRIBUTION

GROUND X175

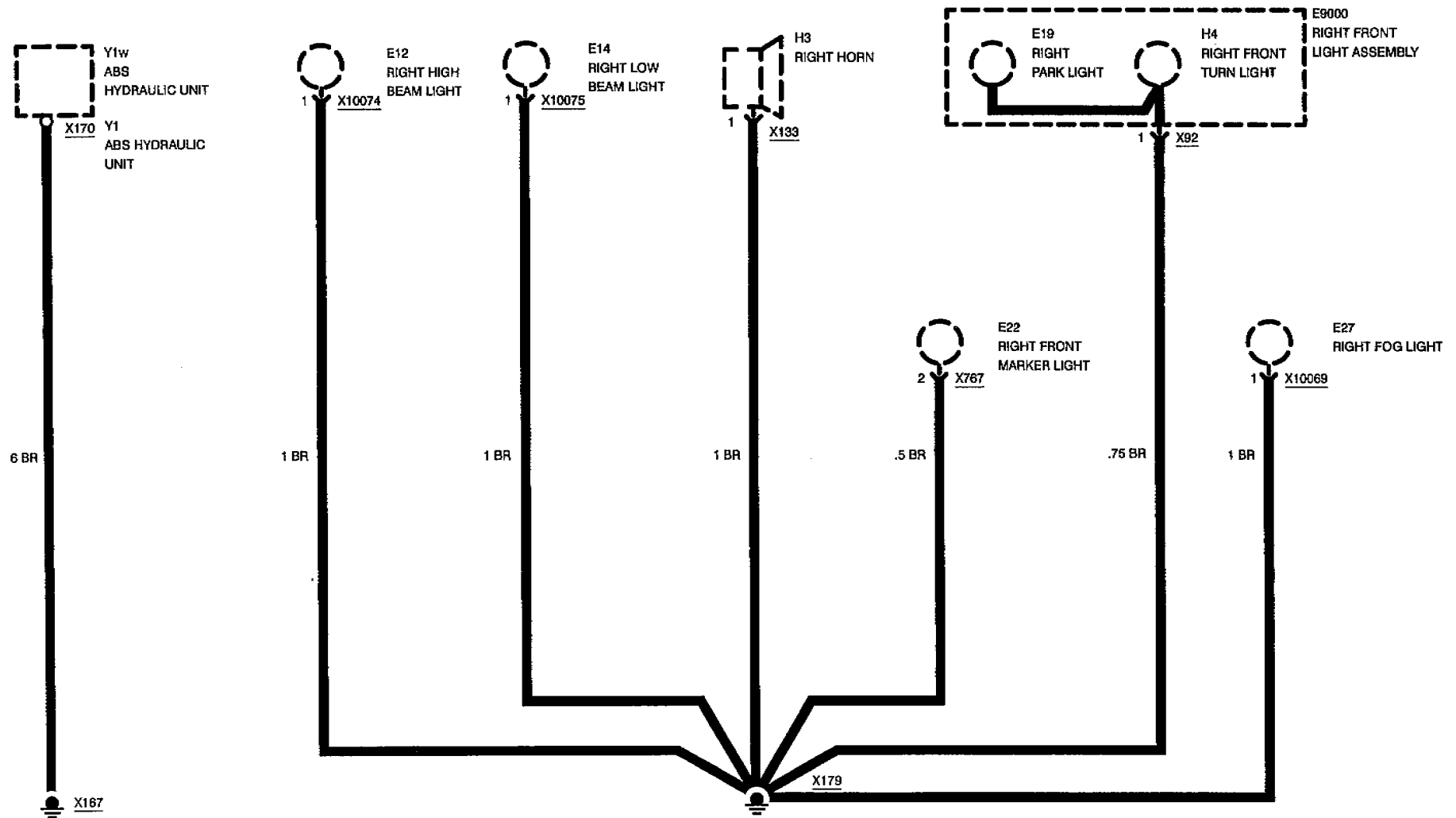






GROUND DISTRIBUTION

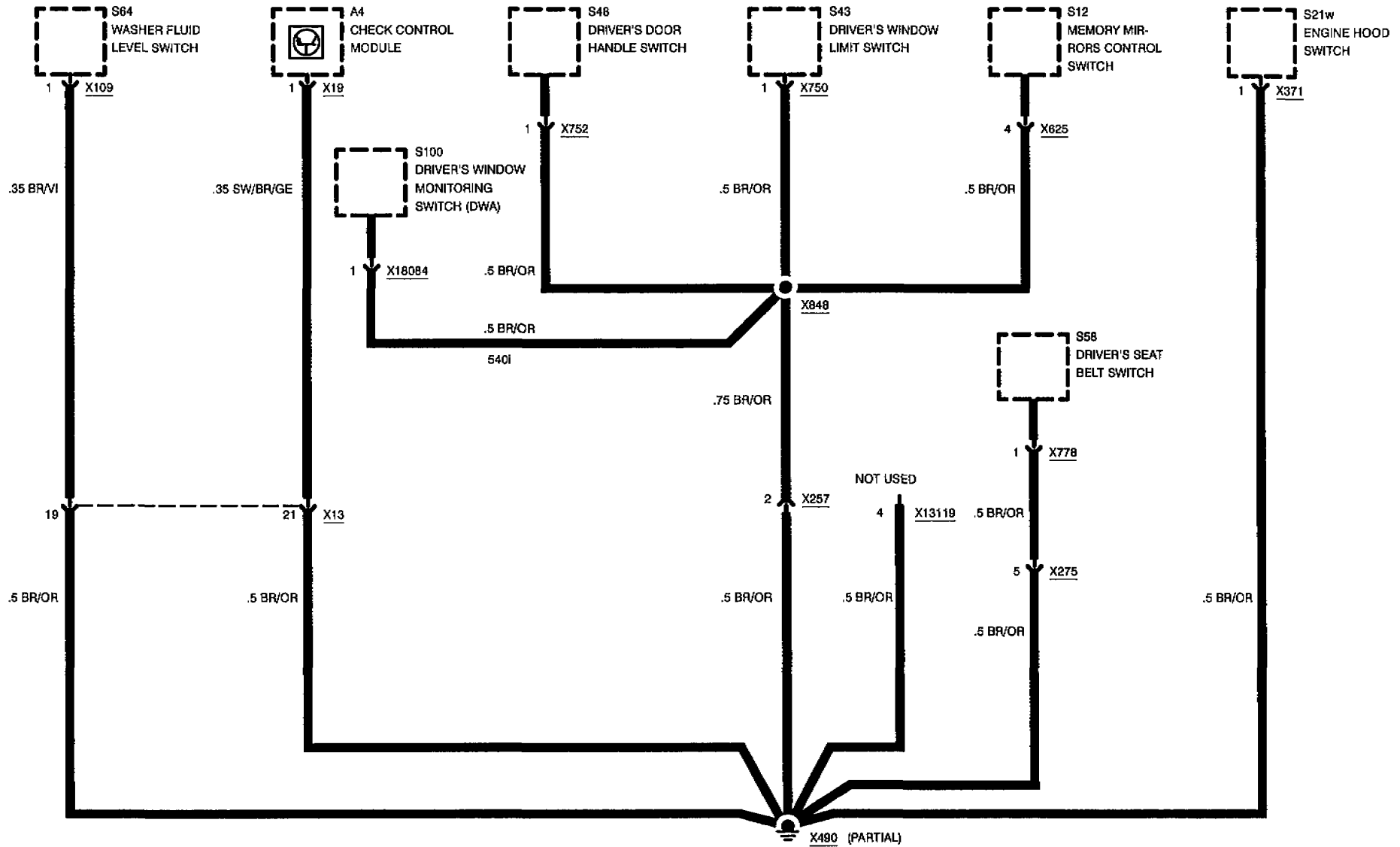
GROUNDS X167 AND X179





GROUND DISTRIBUTION

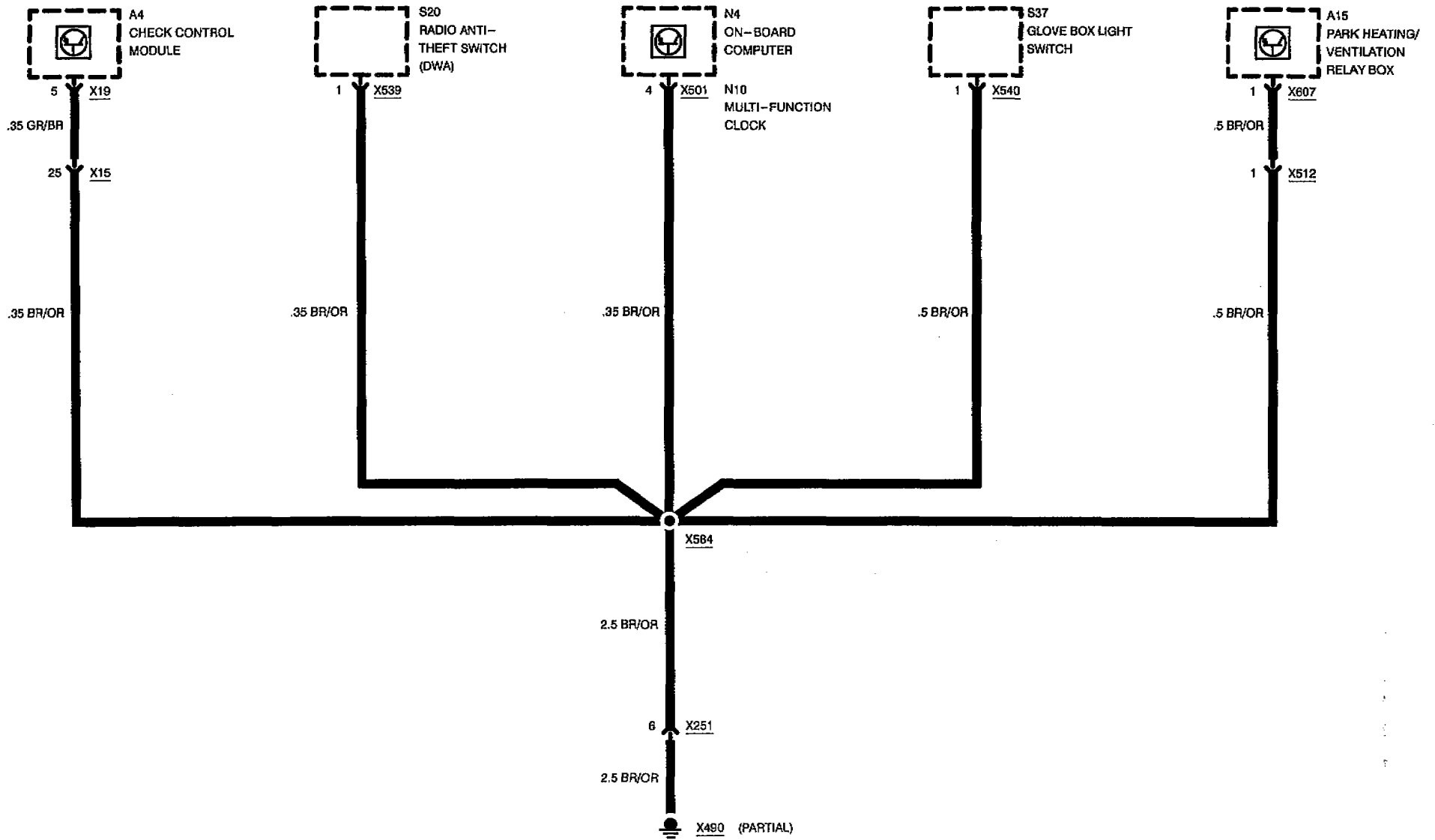
GROUND X490





GROUND DISTRIBUTION

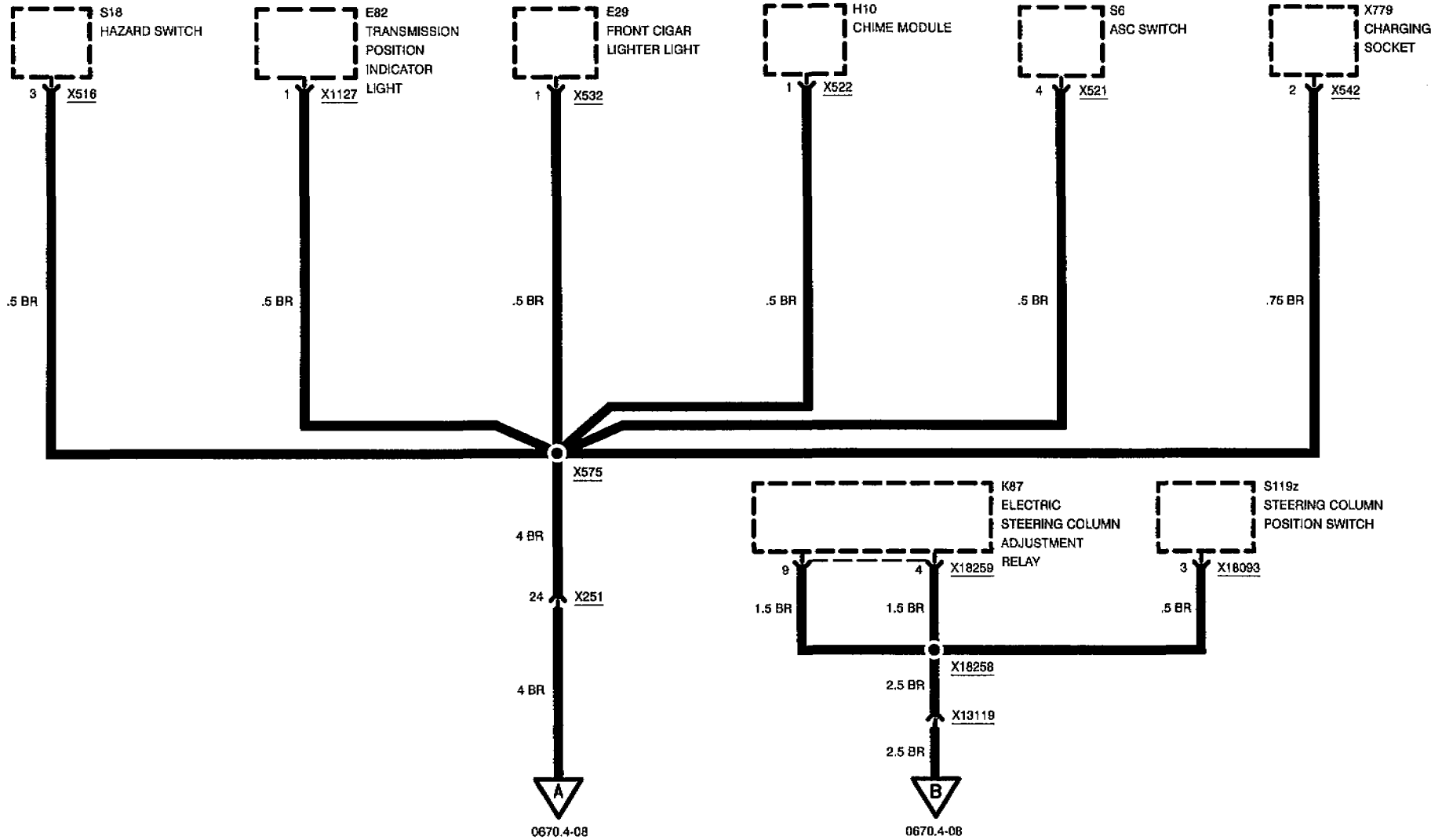
GROUND X490





GROUND DISTRIBUTION

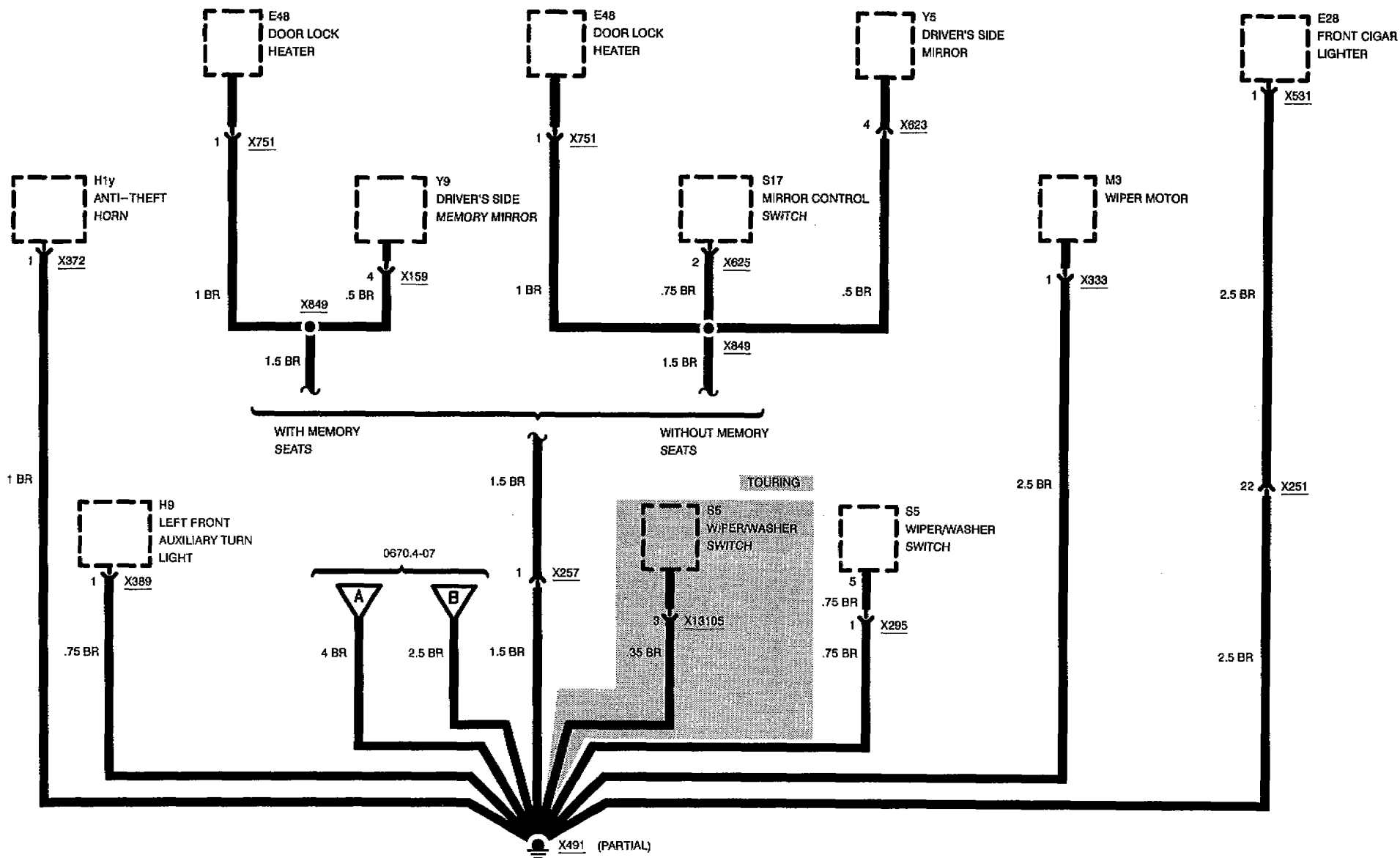
GROUND X491





GROUND DISTRIBUTION

GROUND X491



02/97

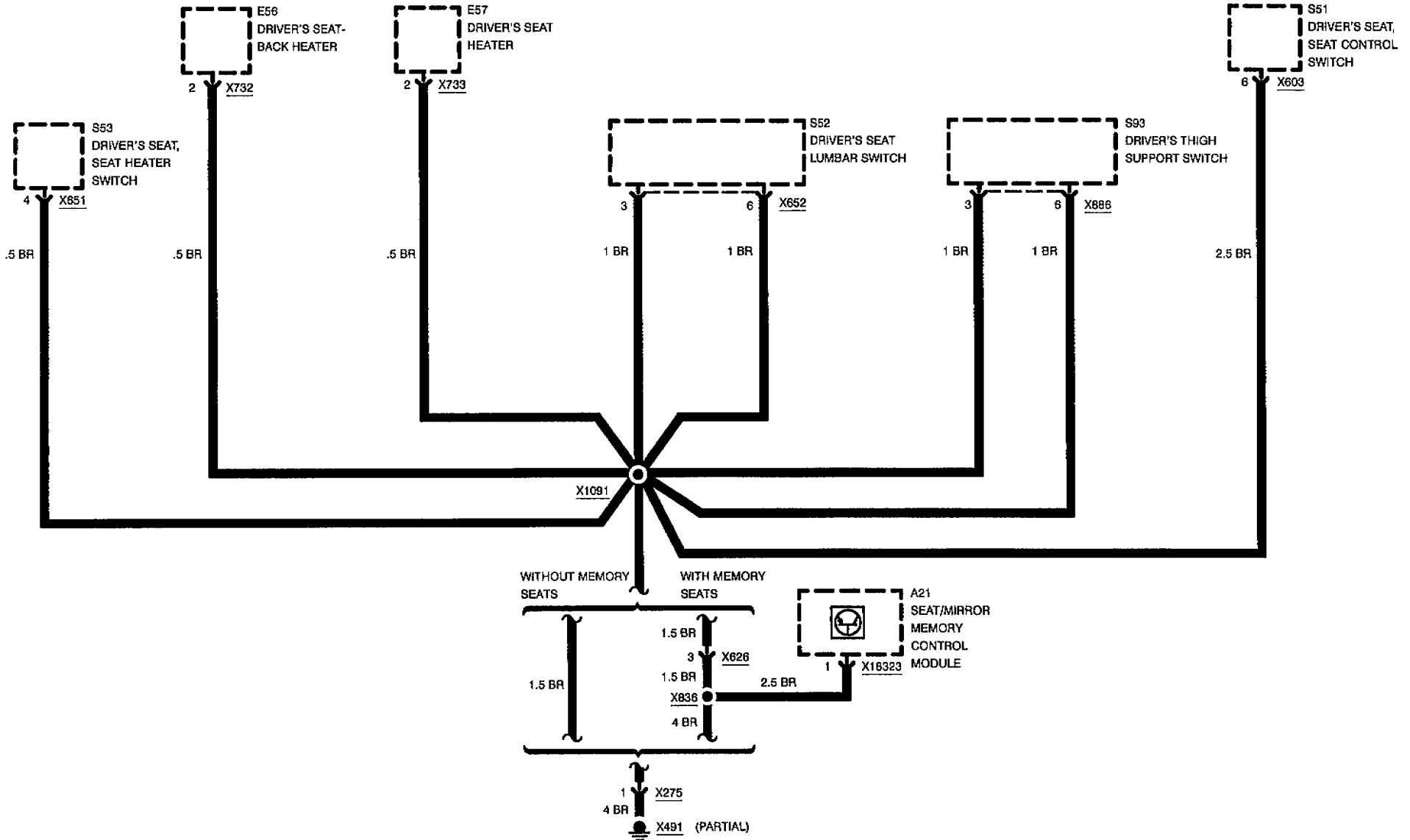
0670.4-08

1995



GROUND DISTRIBUTION

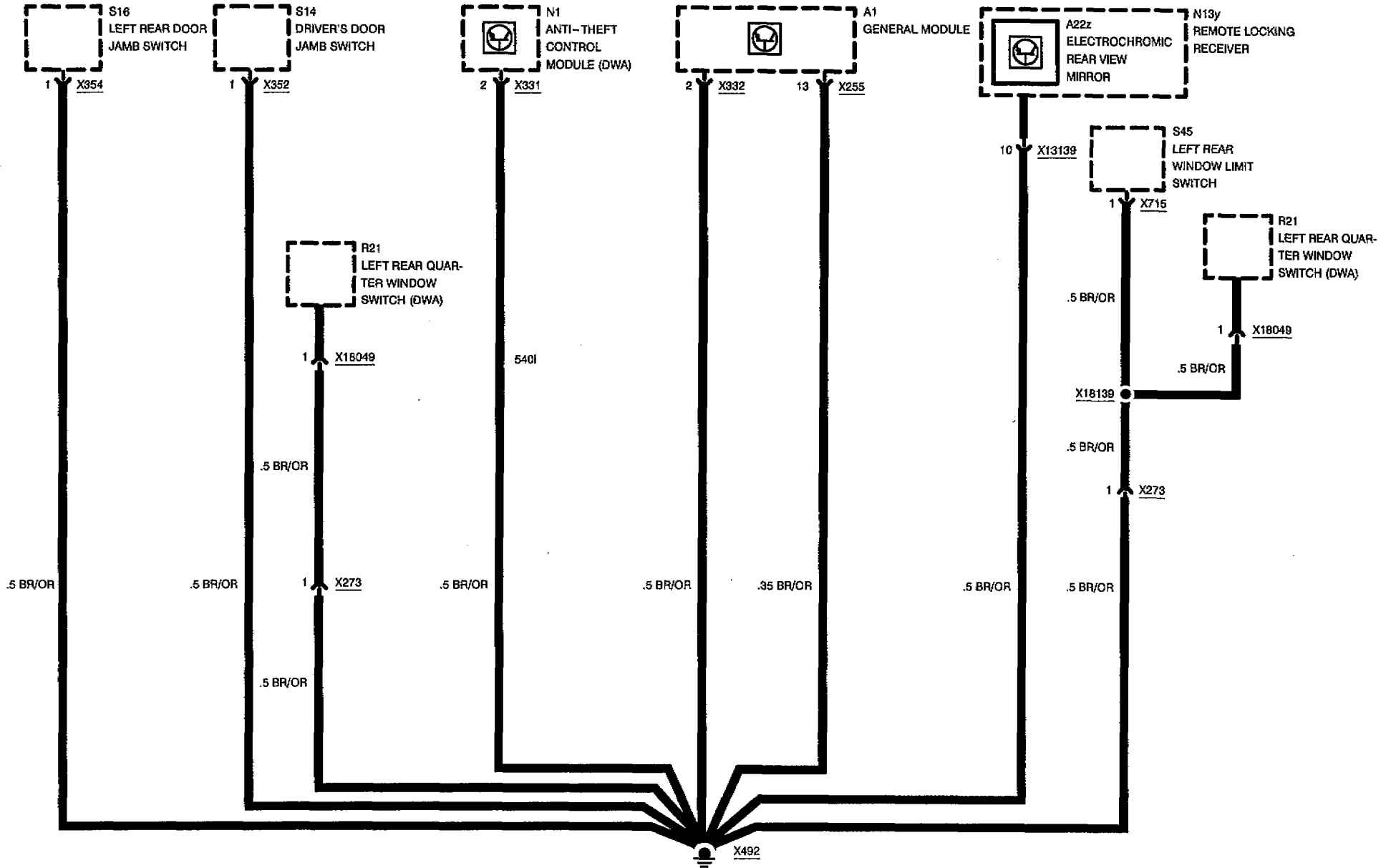
GROUND X491





GROUND DISTRIBUTION

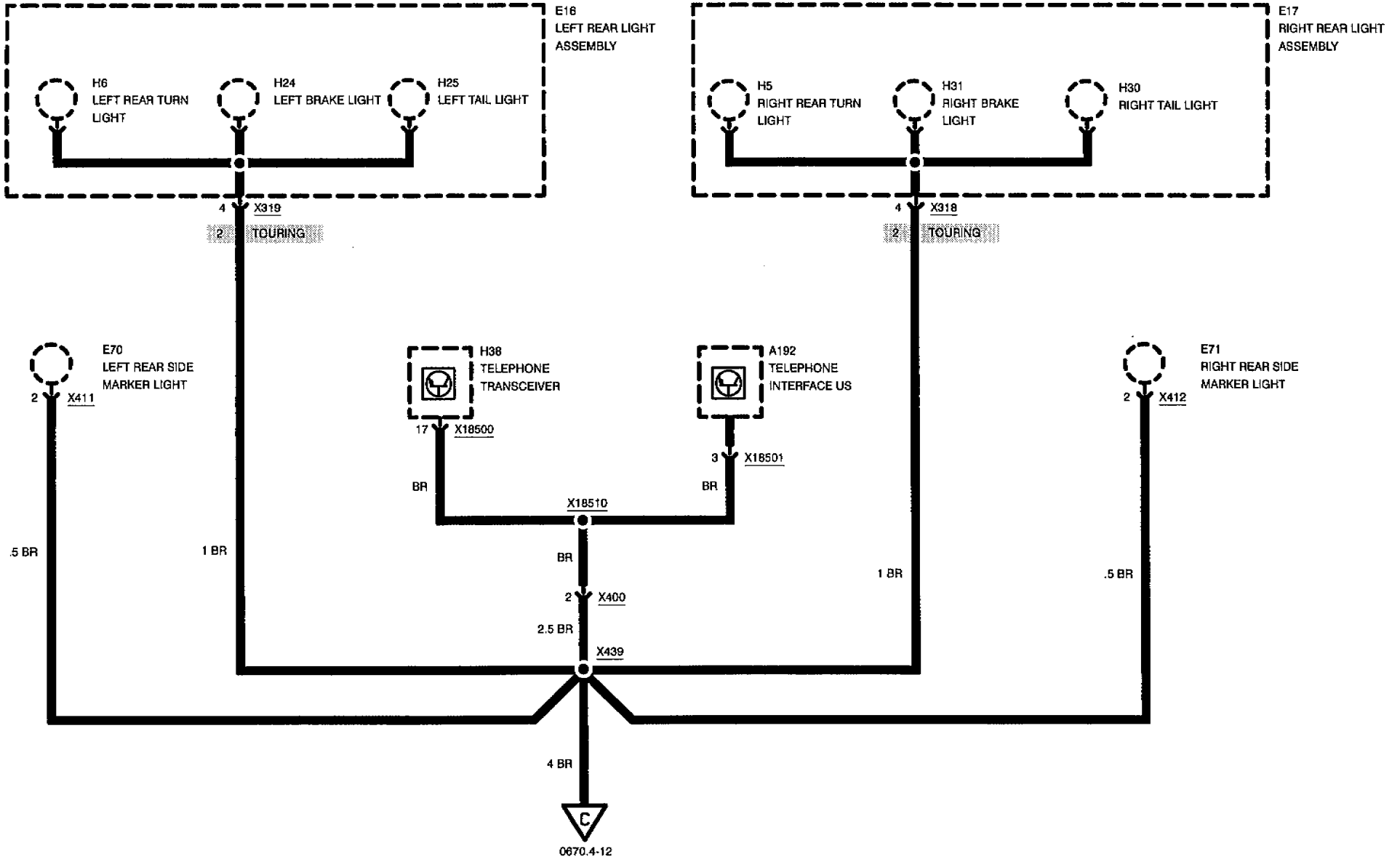
GROUND X492





GROUND DISTRIBUTION

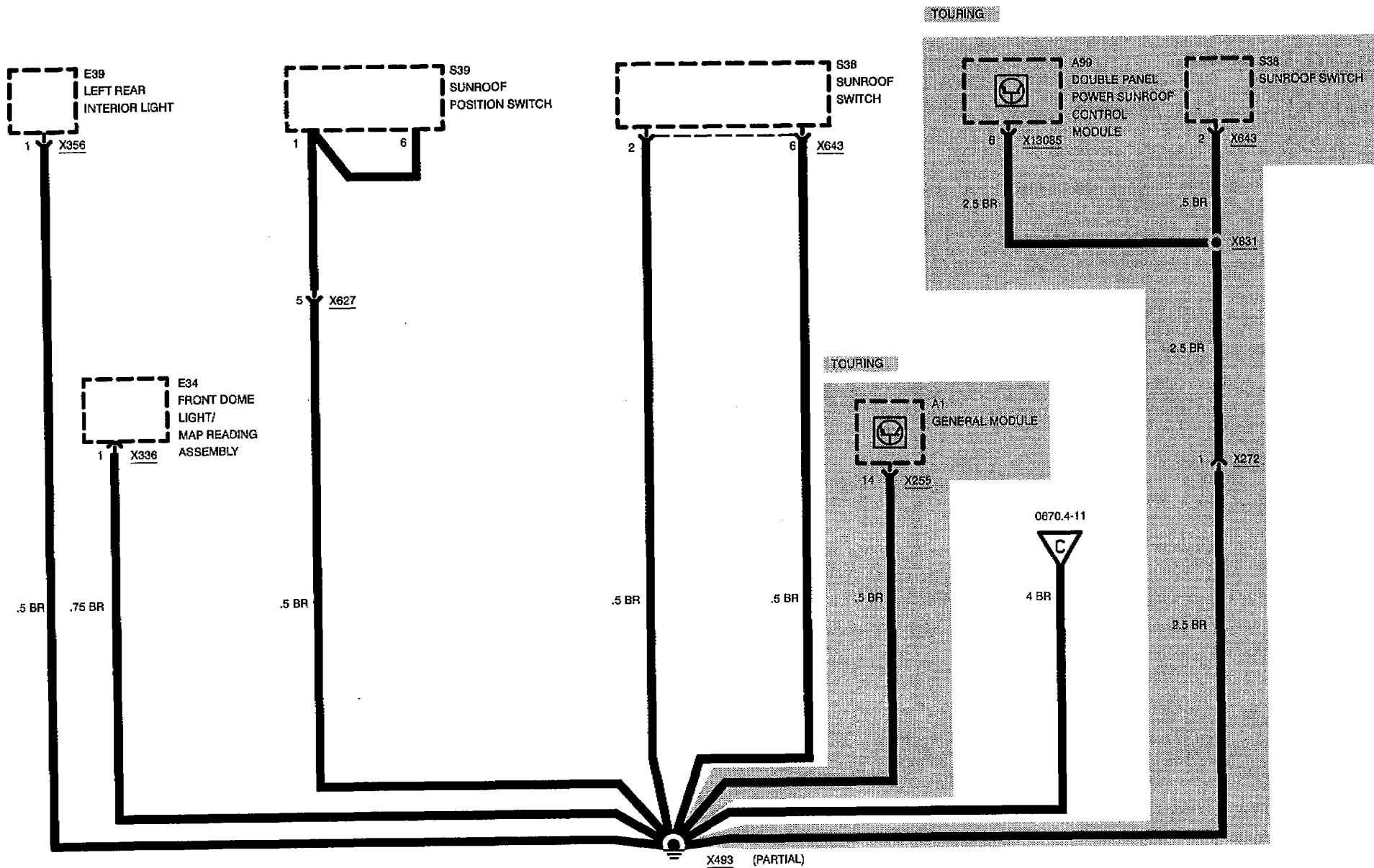
GROUND X493





GROUND DISTRIBUTION

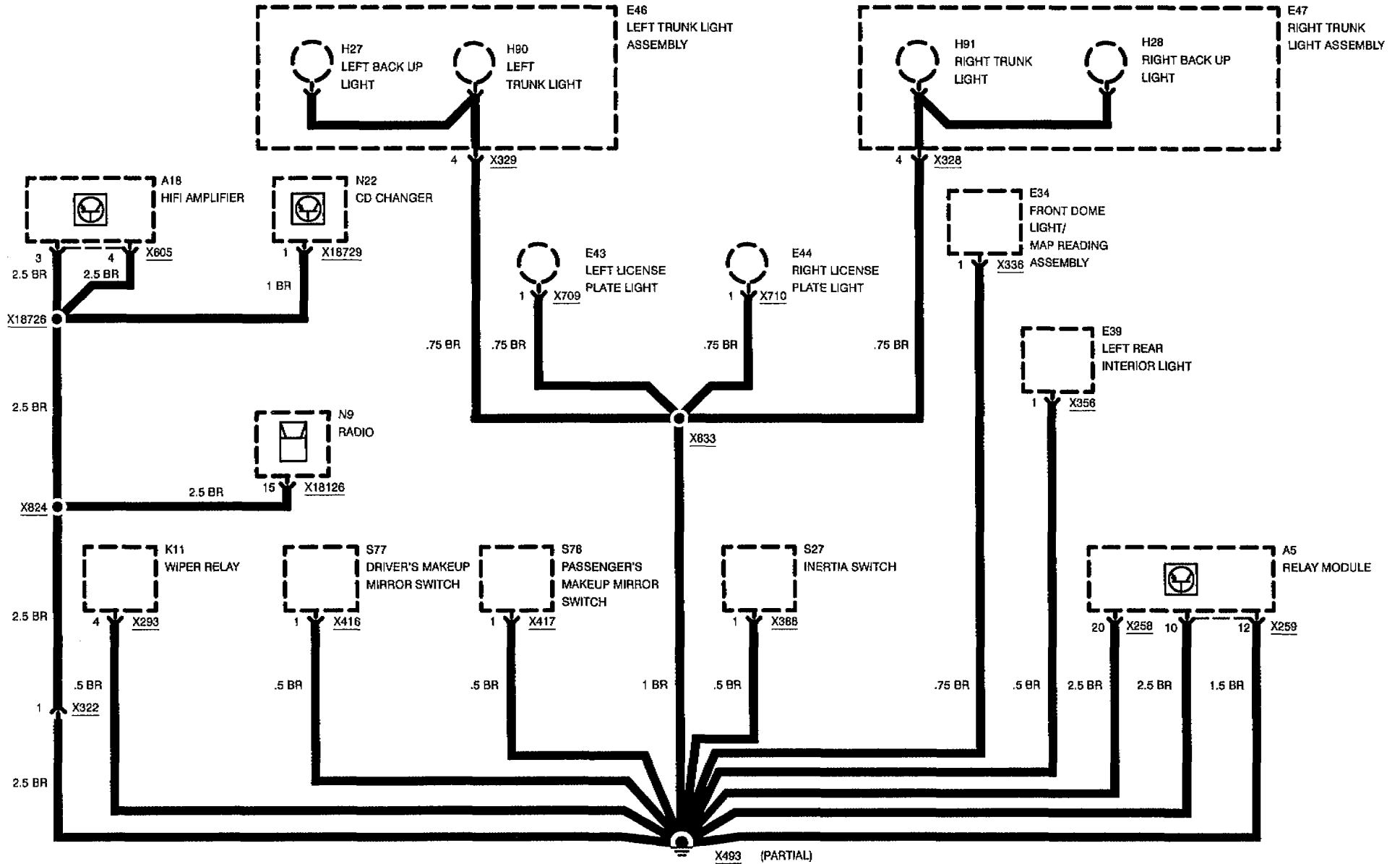
GROUND X493





GROUND DISTRIBUTION

GROUND X493

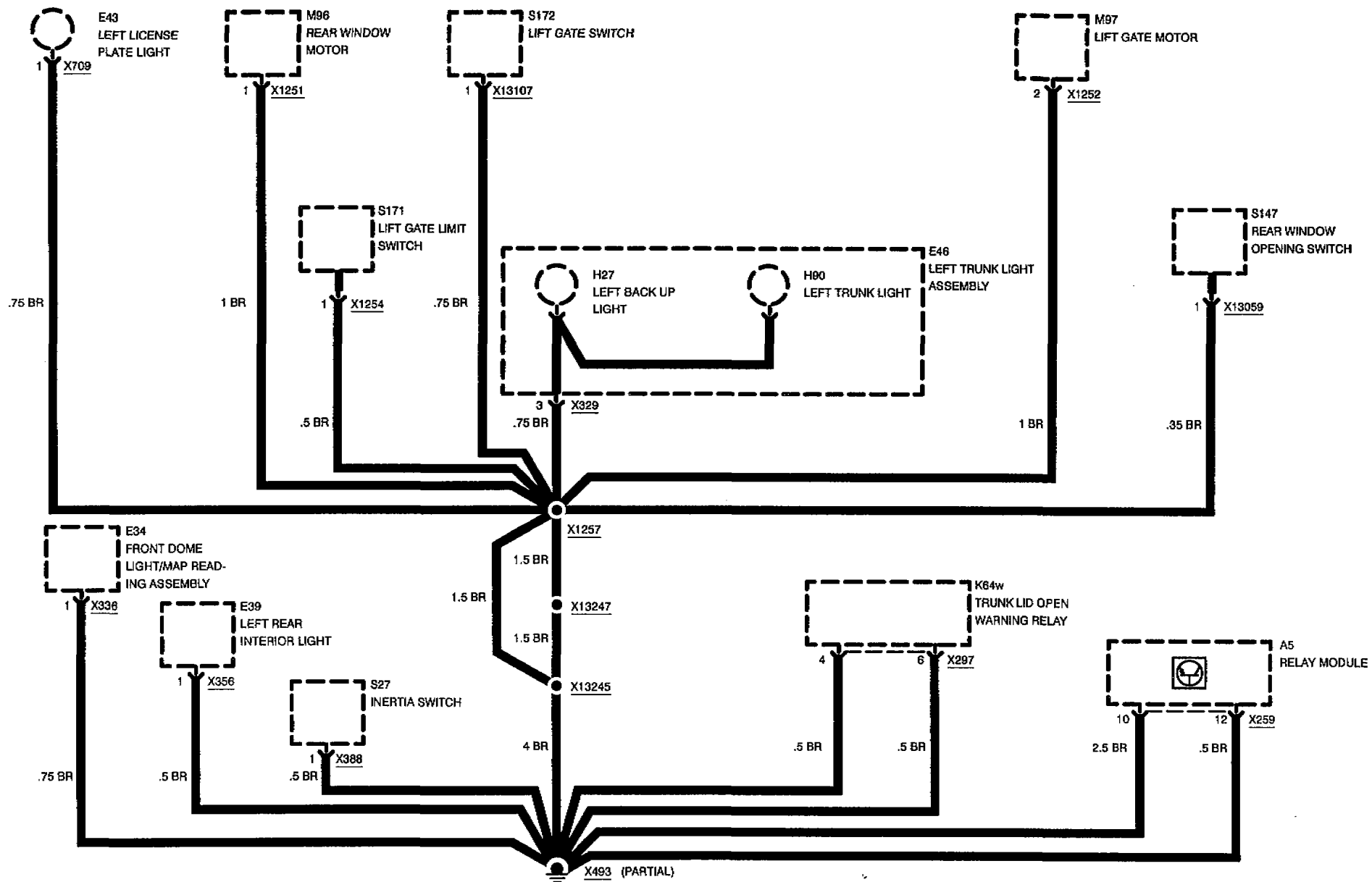




GROUND DISTRIBUTION

TOURING

GROUND X493



02/97

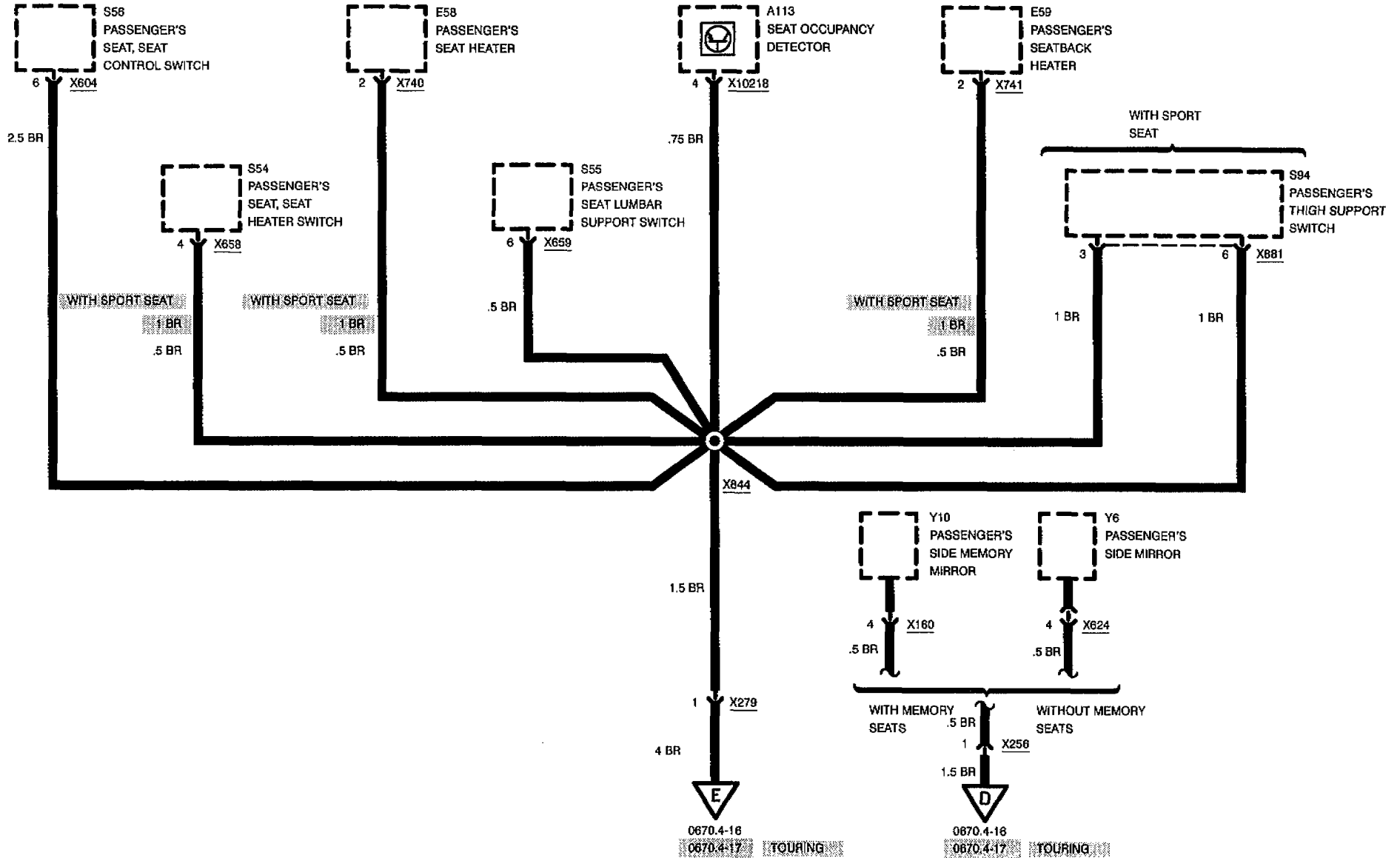
0670.4-14

1995



GROUND DISTRIBUTION

GROUND X495

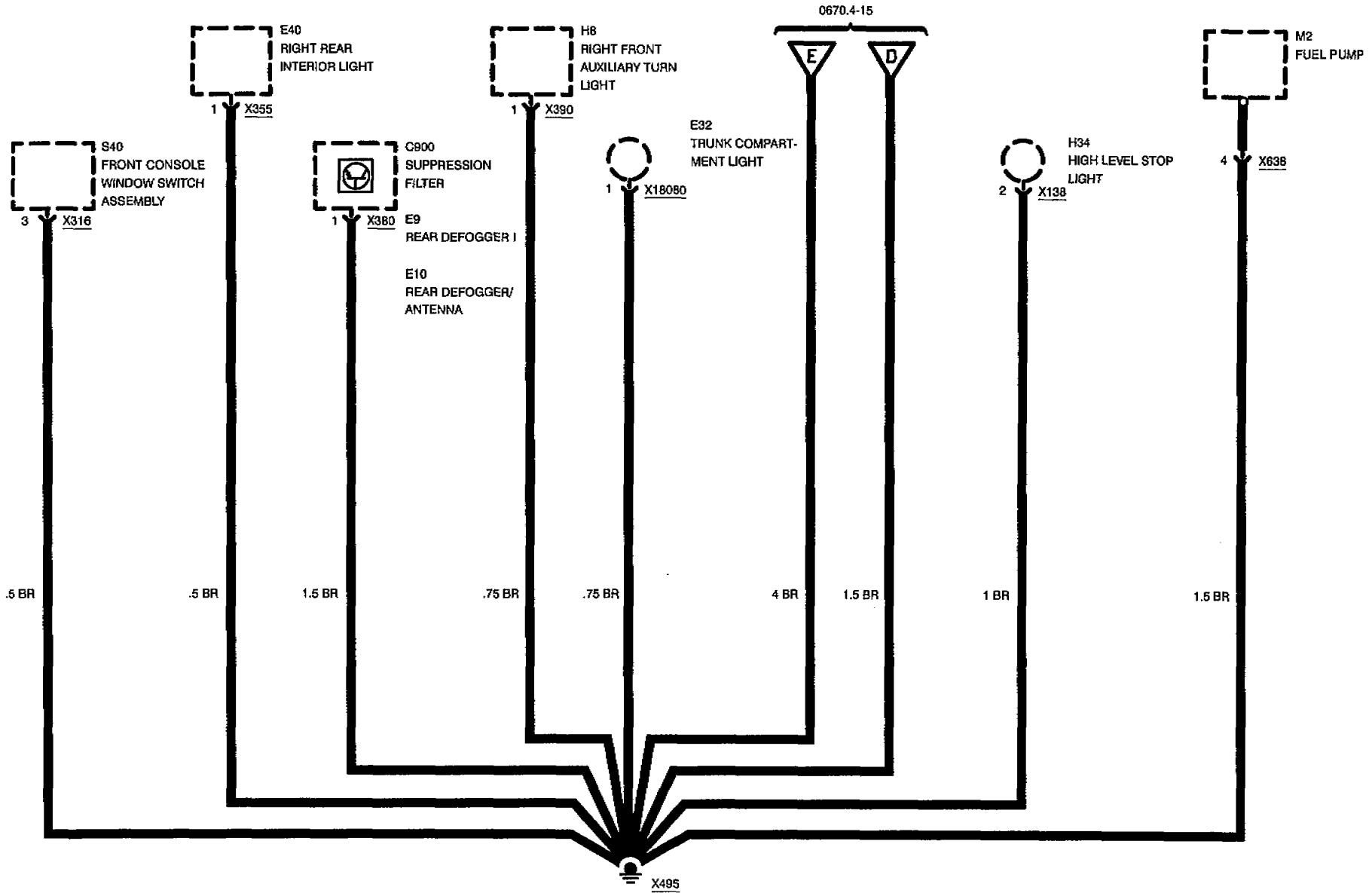




GROUND DISTRIBUTION

SEDAN

GROUND X495

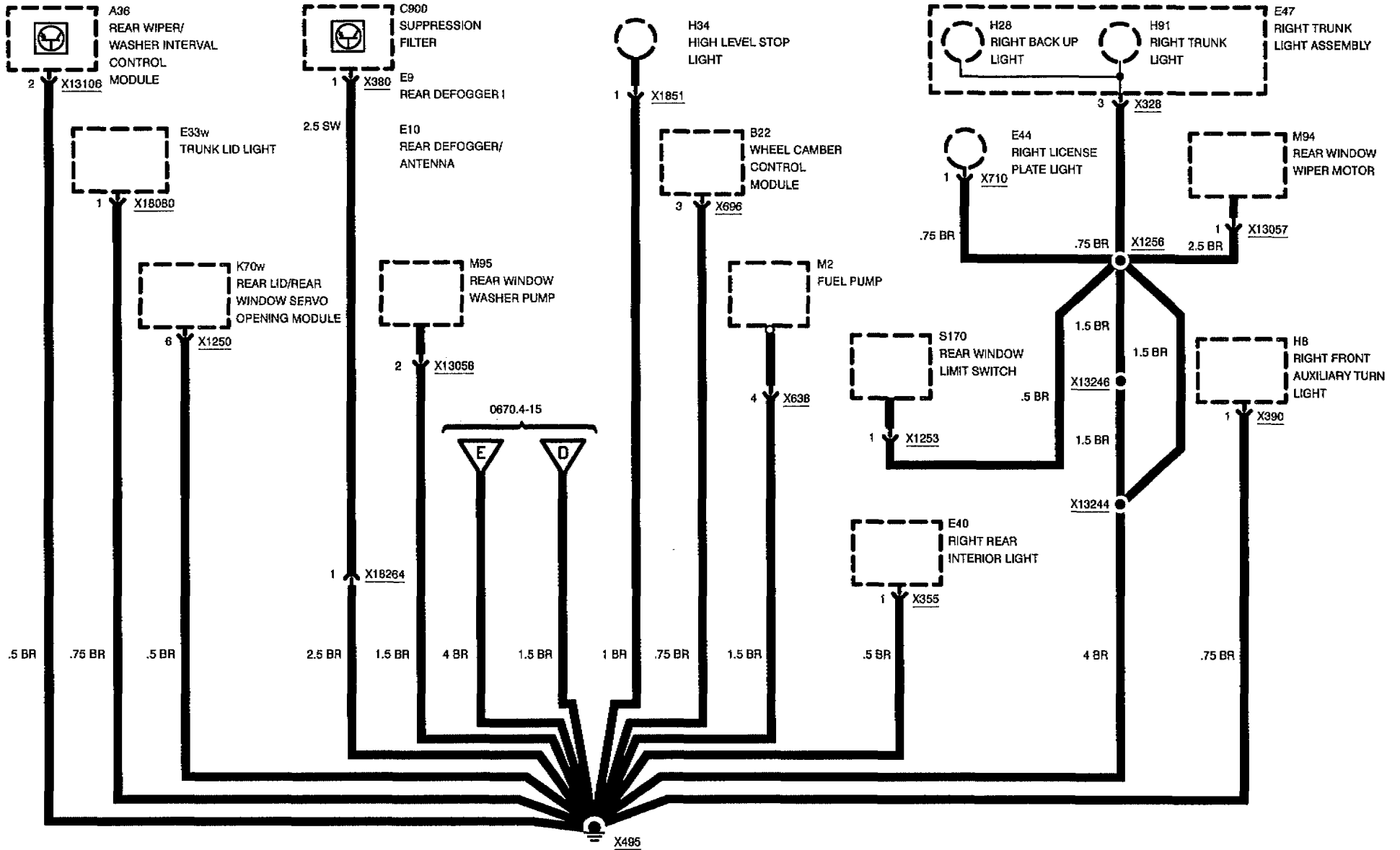




GROUND DISTRIBUTION

GROUND X495

TOURING



02/97

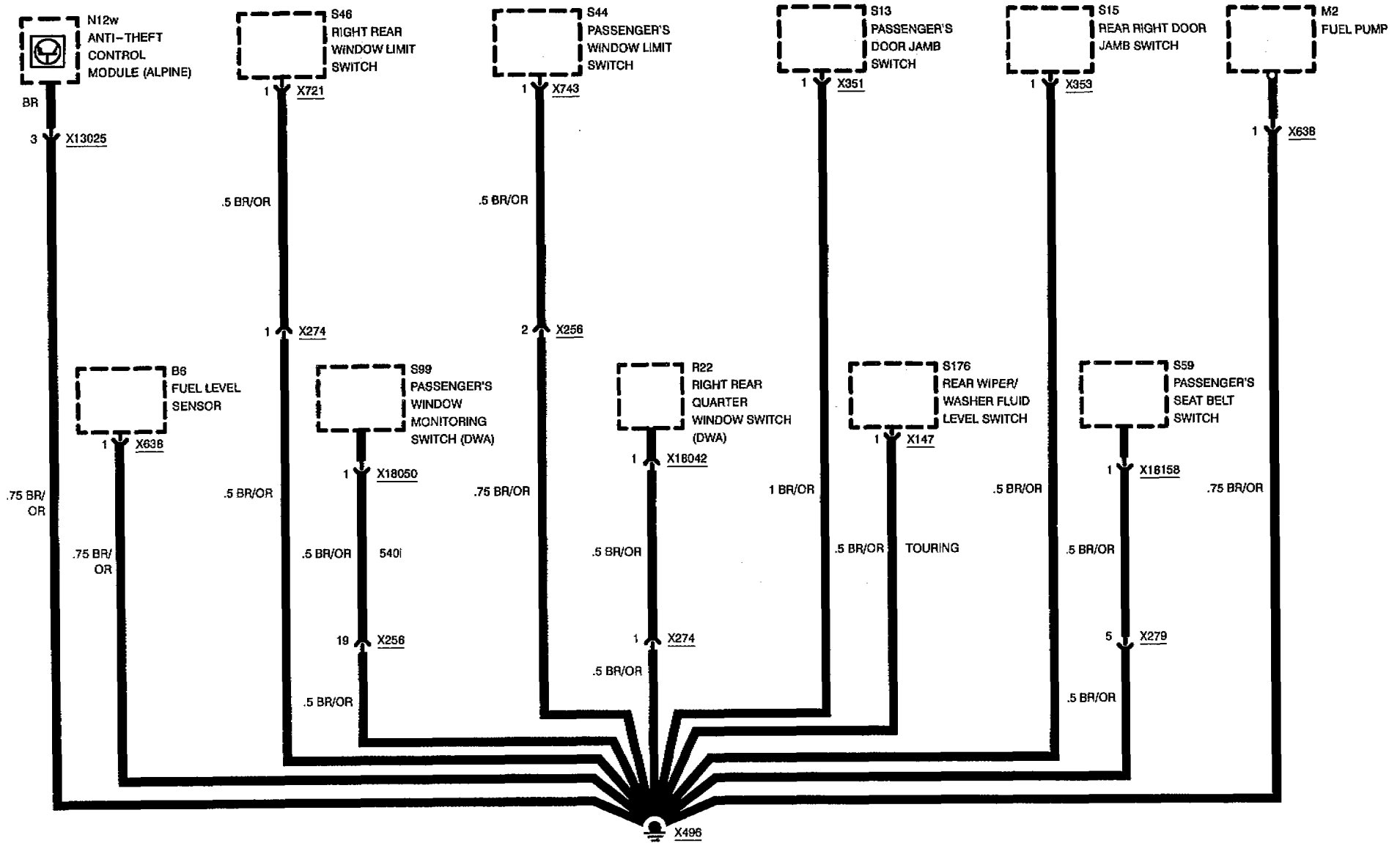
0670.4-17

1995



GROUND DISTRIBUTION

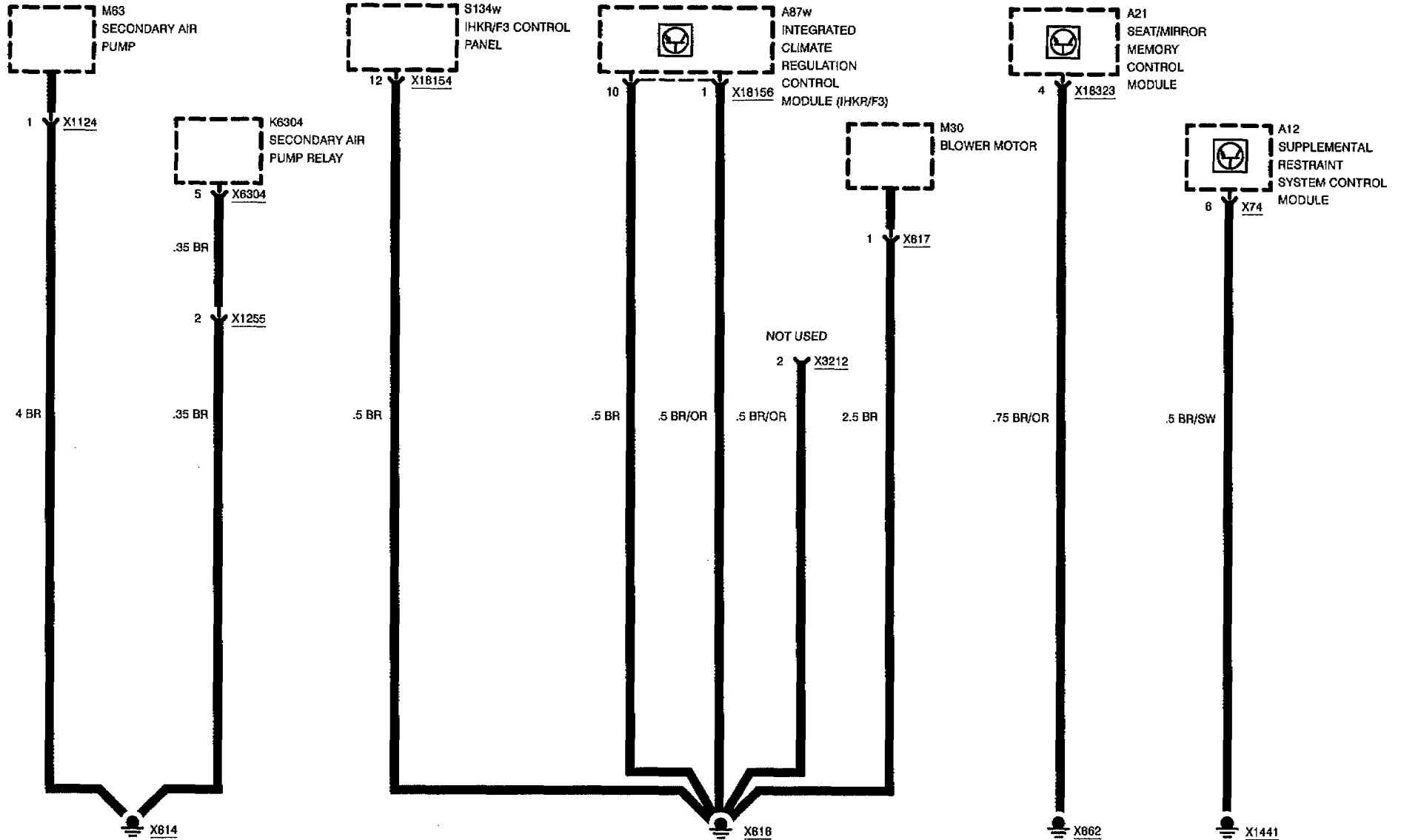
GROUND X496





GROUND DISTRIBUTION

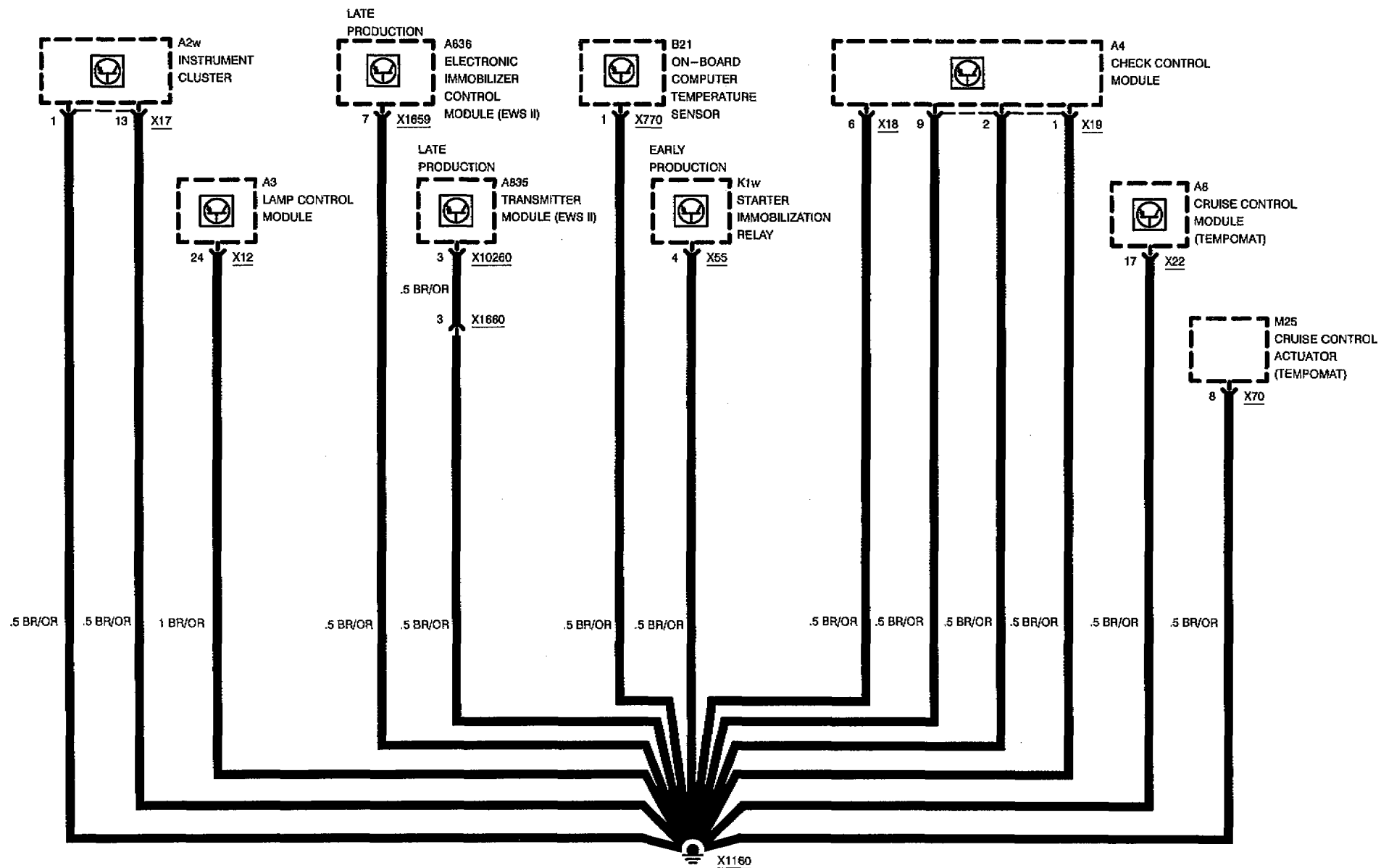
GROUNDS X814, X818, X862, AND X1441





GROUND DISTRIBUTION

GROUND X1160

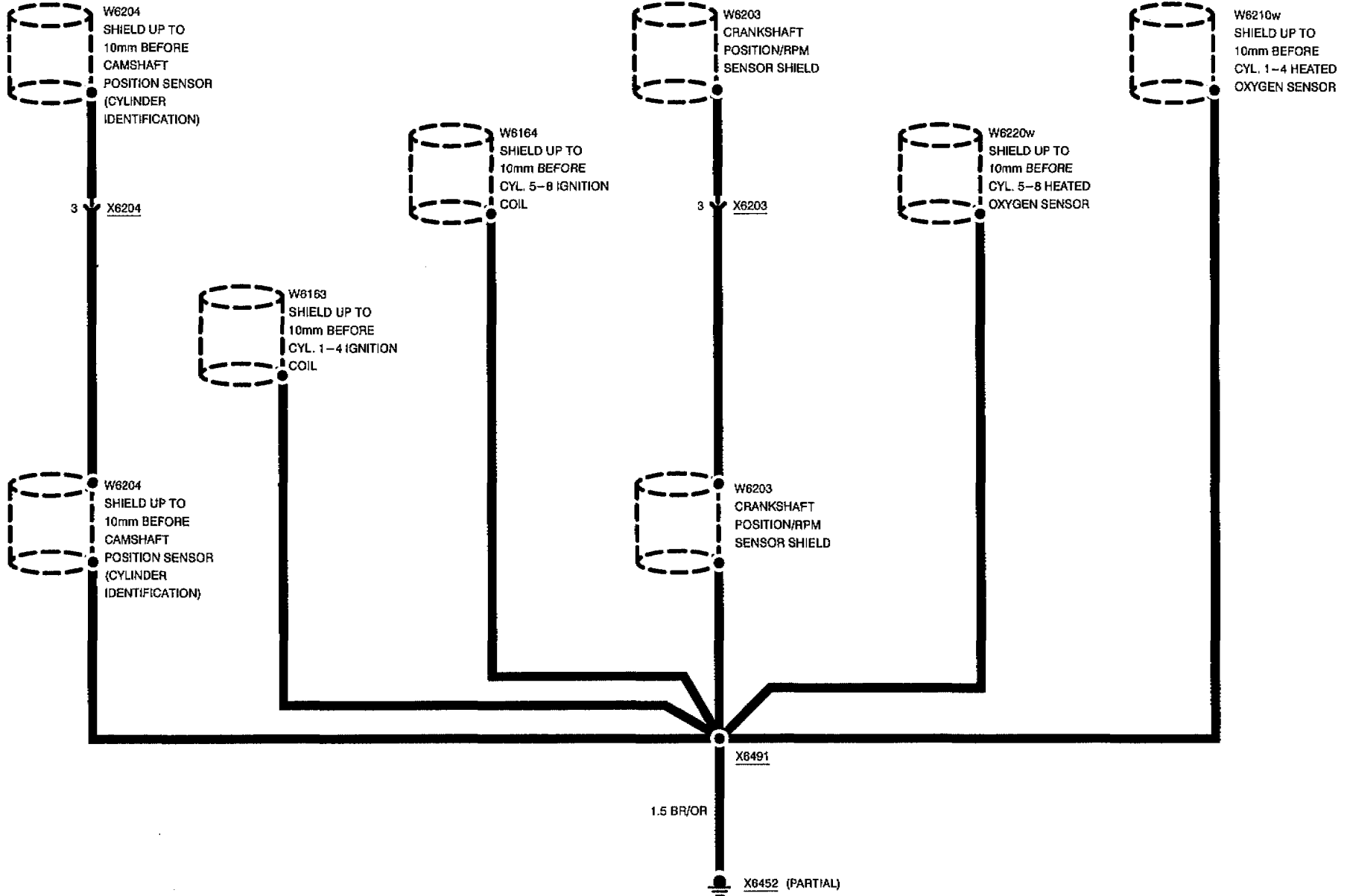




GROUND DISTRIBUTION

530i/t, 540i

GROUND X6452

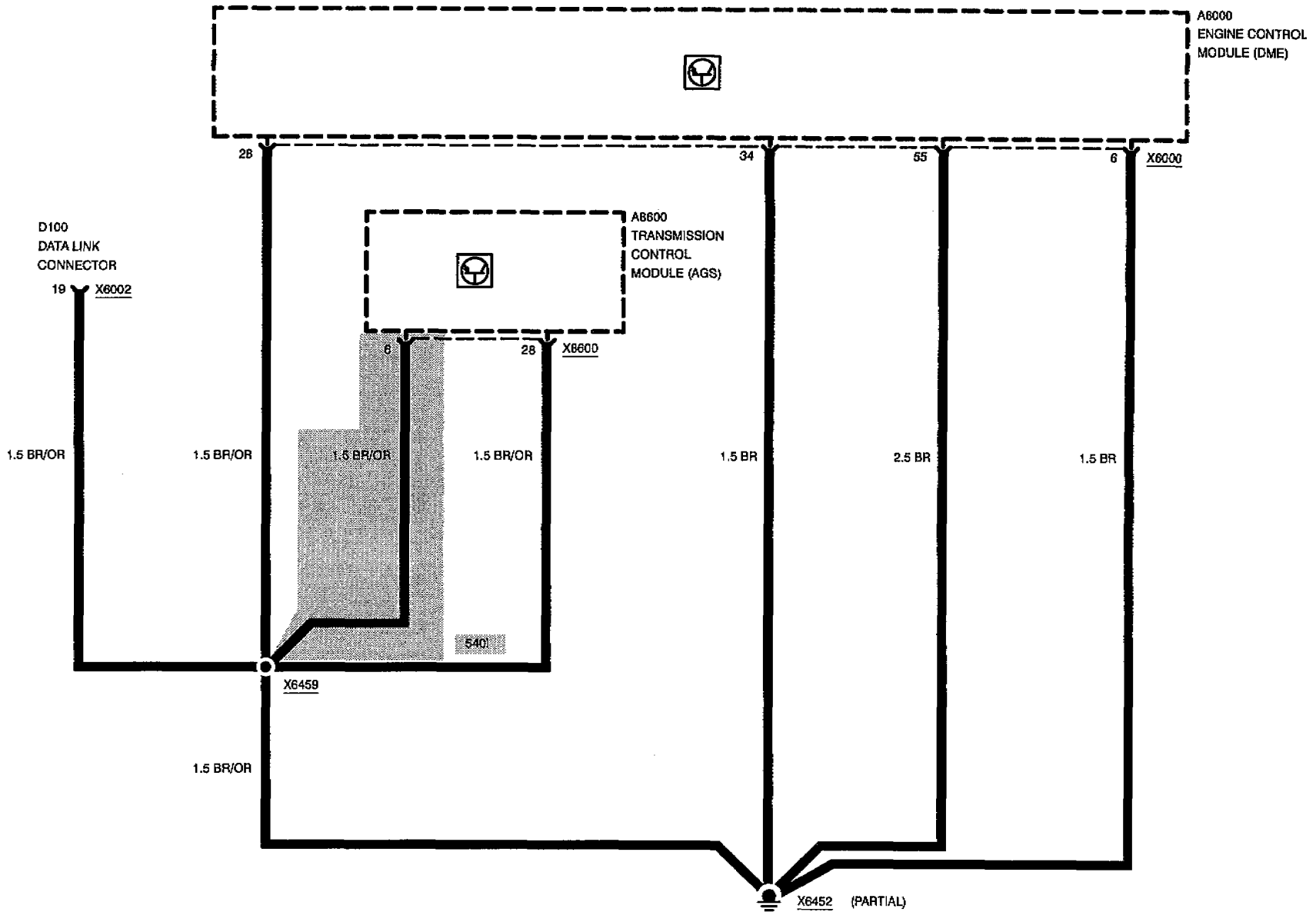




GROUND DISTRIBUTION

GROUND X6452

530i/t, 540i

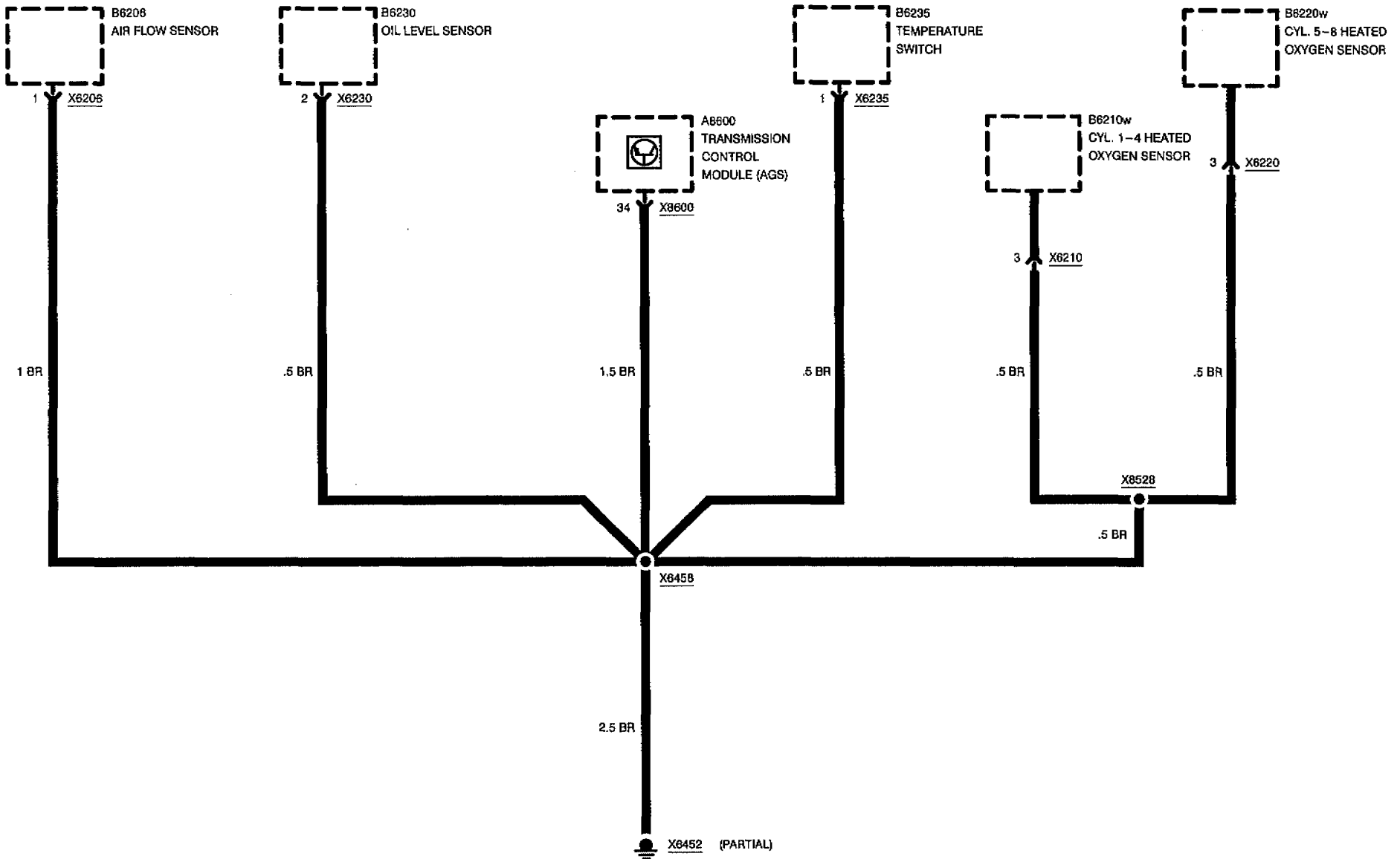




GROUND DISTRIBUTION

530i/t, 540i

GROUND X6452

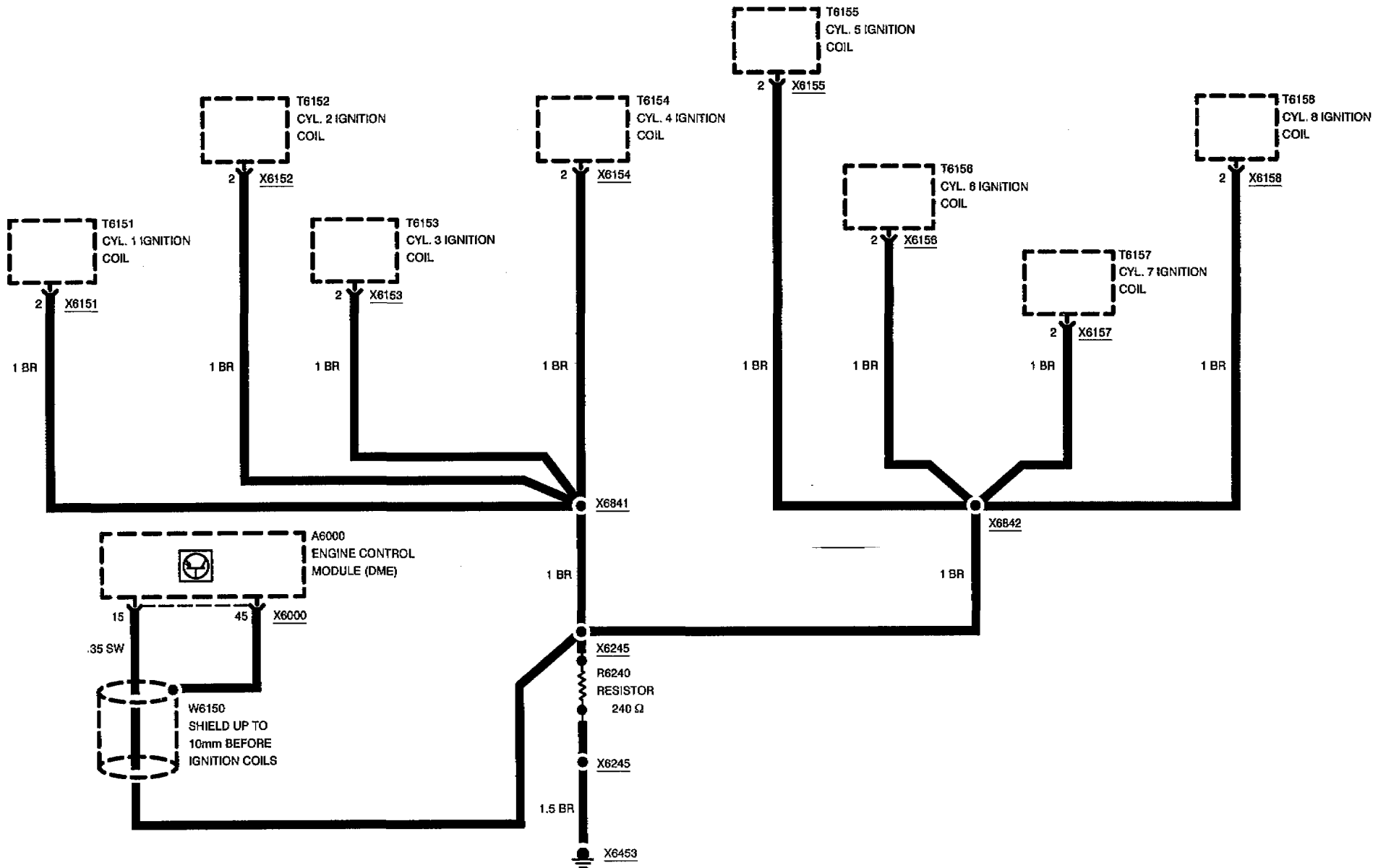




GROUND DISTRIBUTION

530i/t, 540i

GROUND X6453

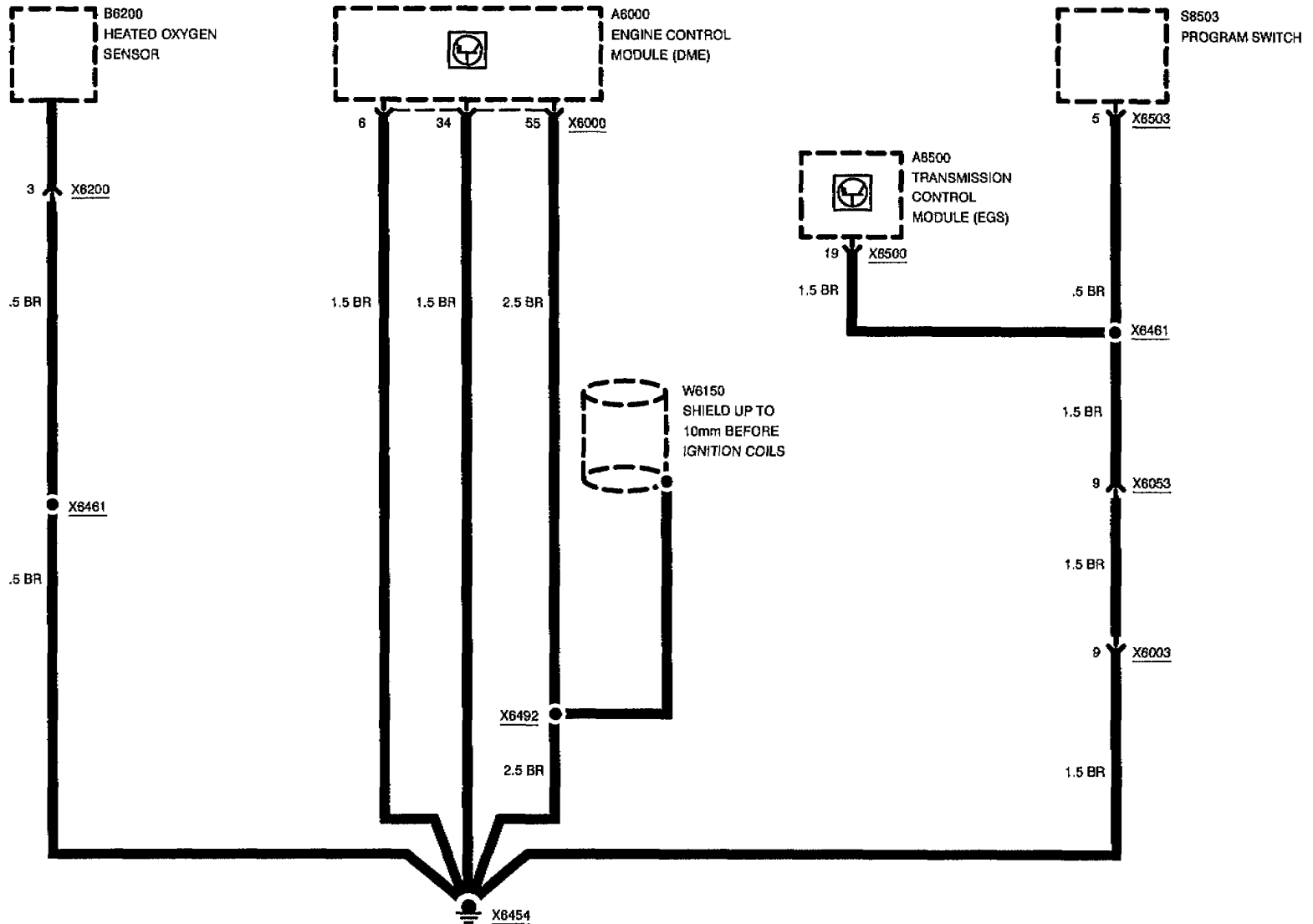




GROUND DISTRIBUTION

GROUND X6454

525i/t

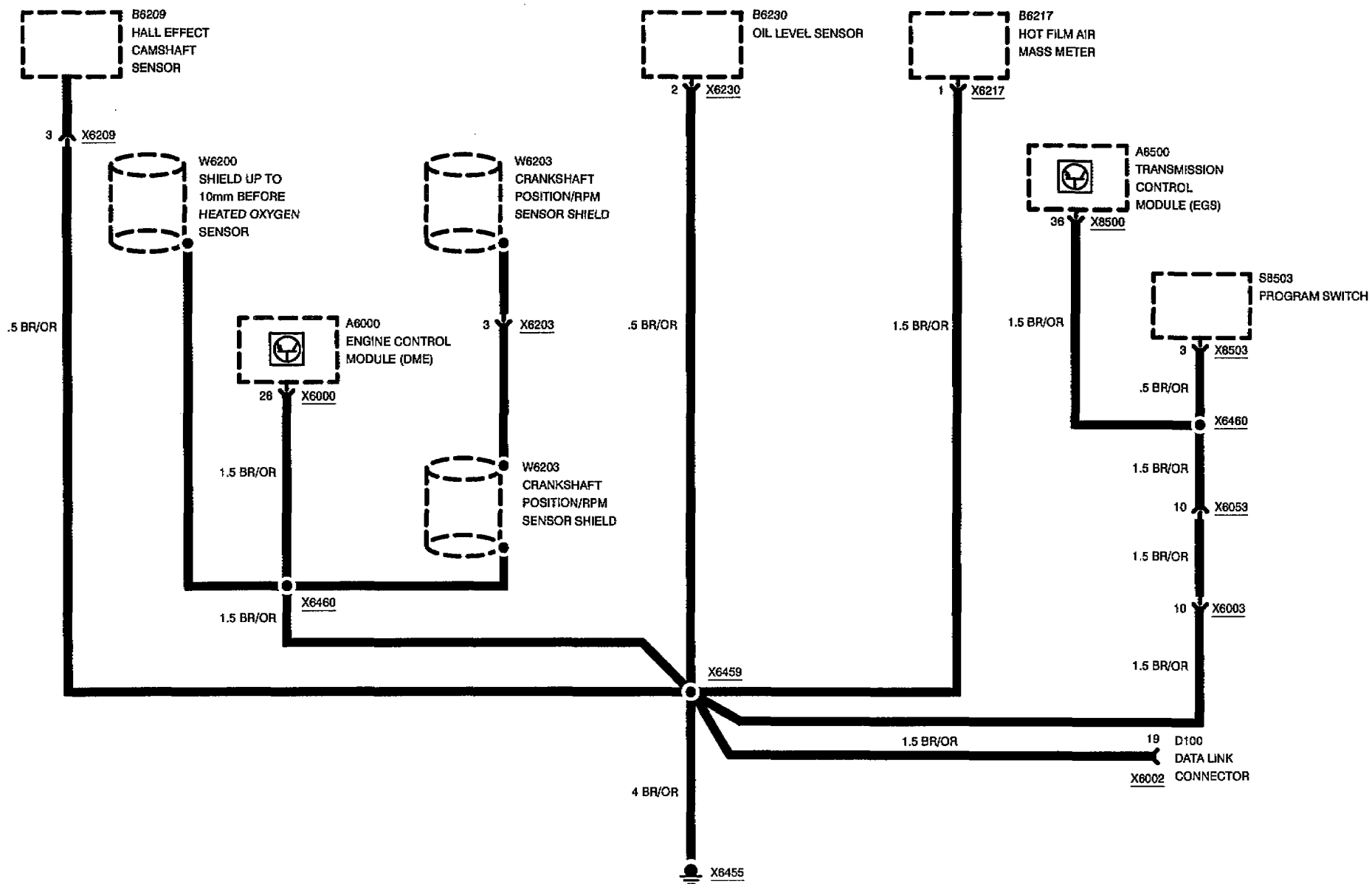




GROUND DISTRIBUTION

525i/t

GROUND X6455

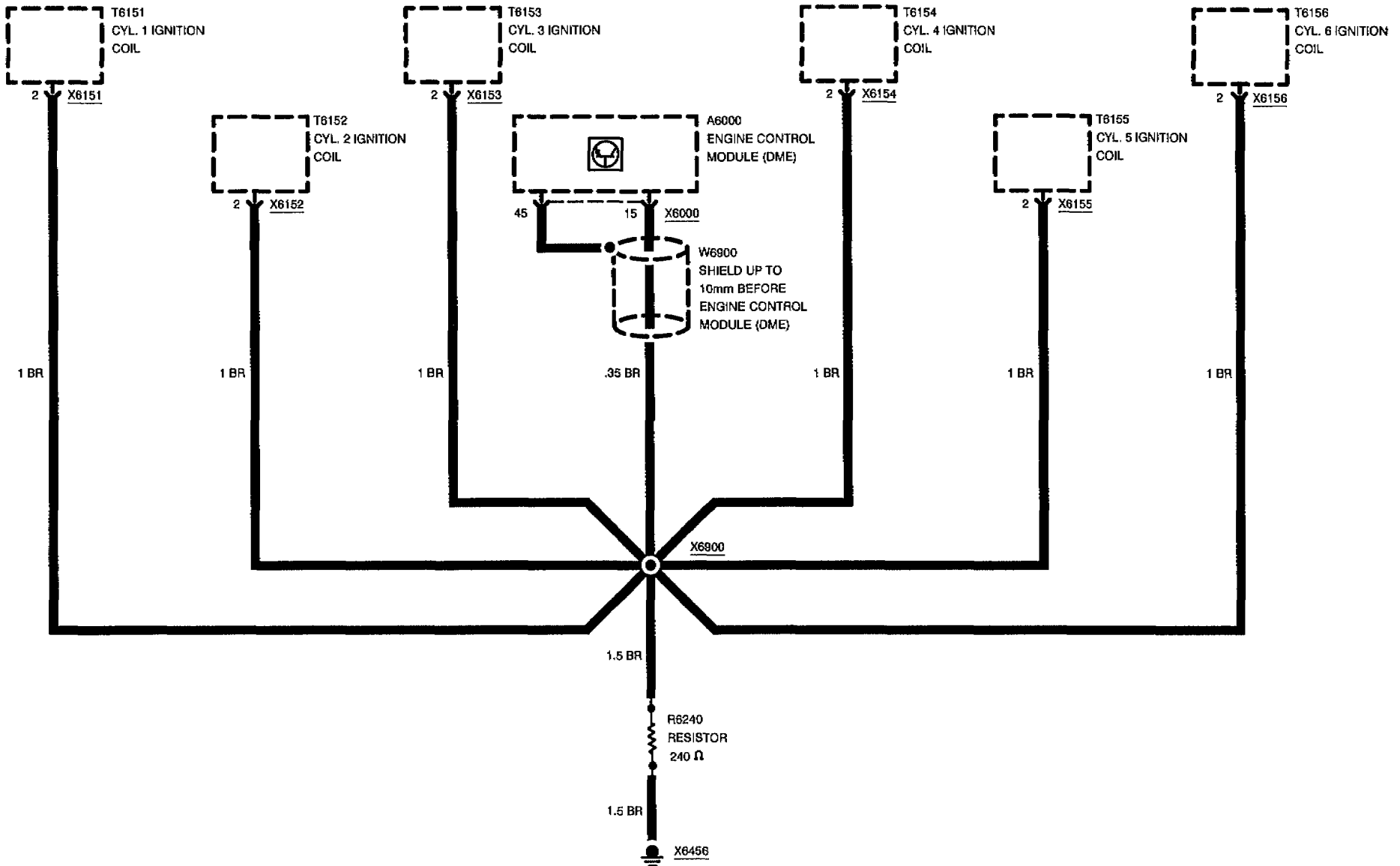




GROUND DISTRIBUTION

525i/t

GROUND X6456

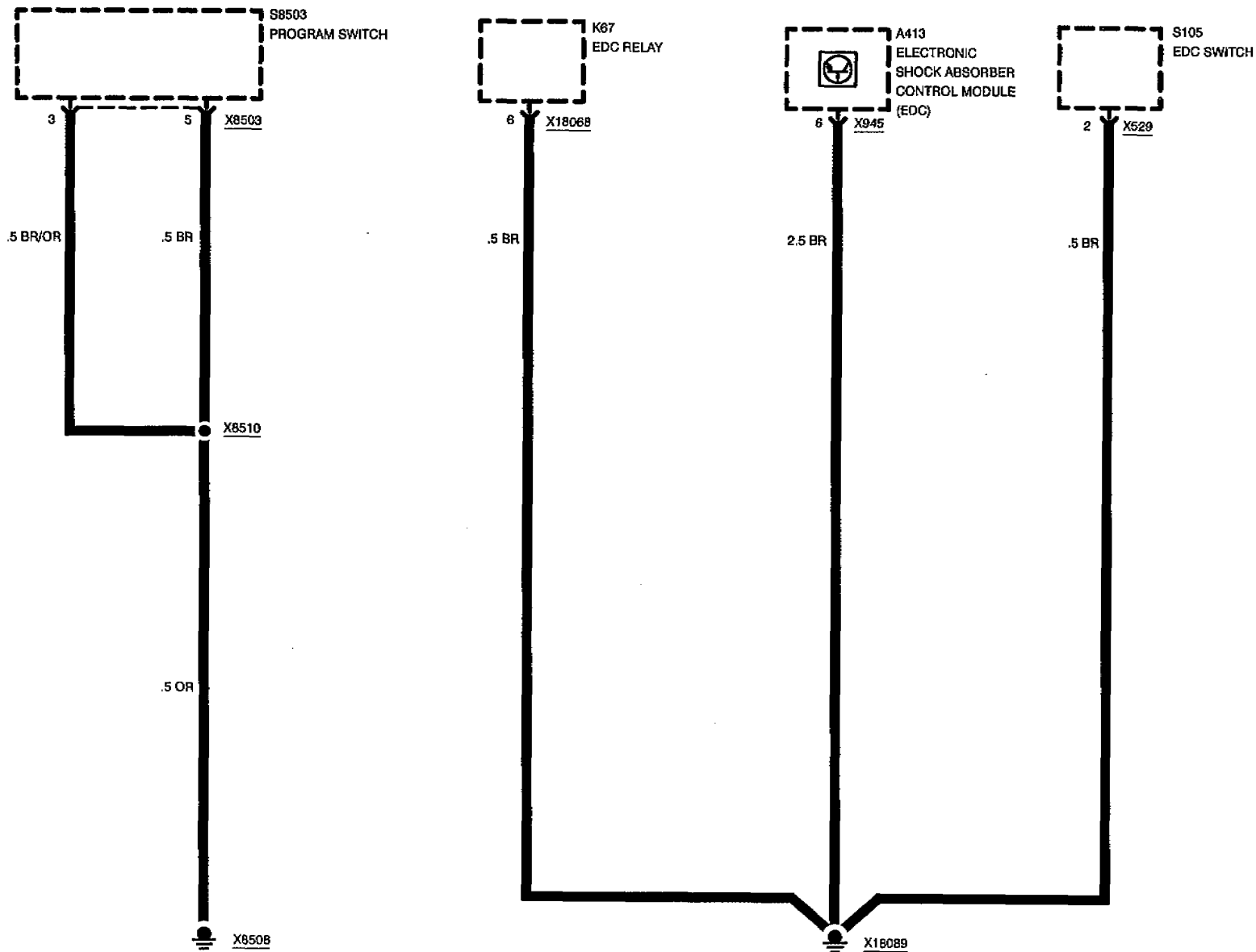




GROUND DISTRIBUTION

530i/t, 540i

GROUNDS X8508 AND X18089



02/97

0670.4-28

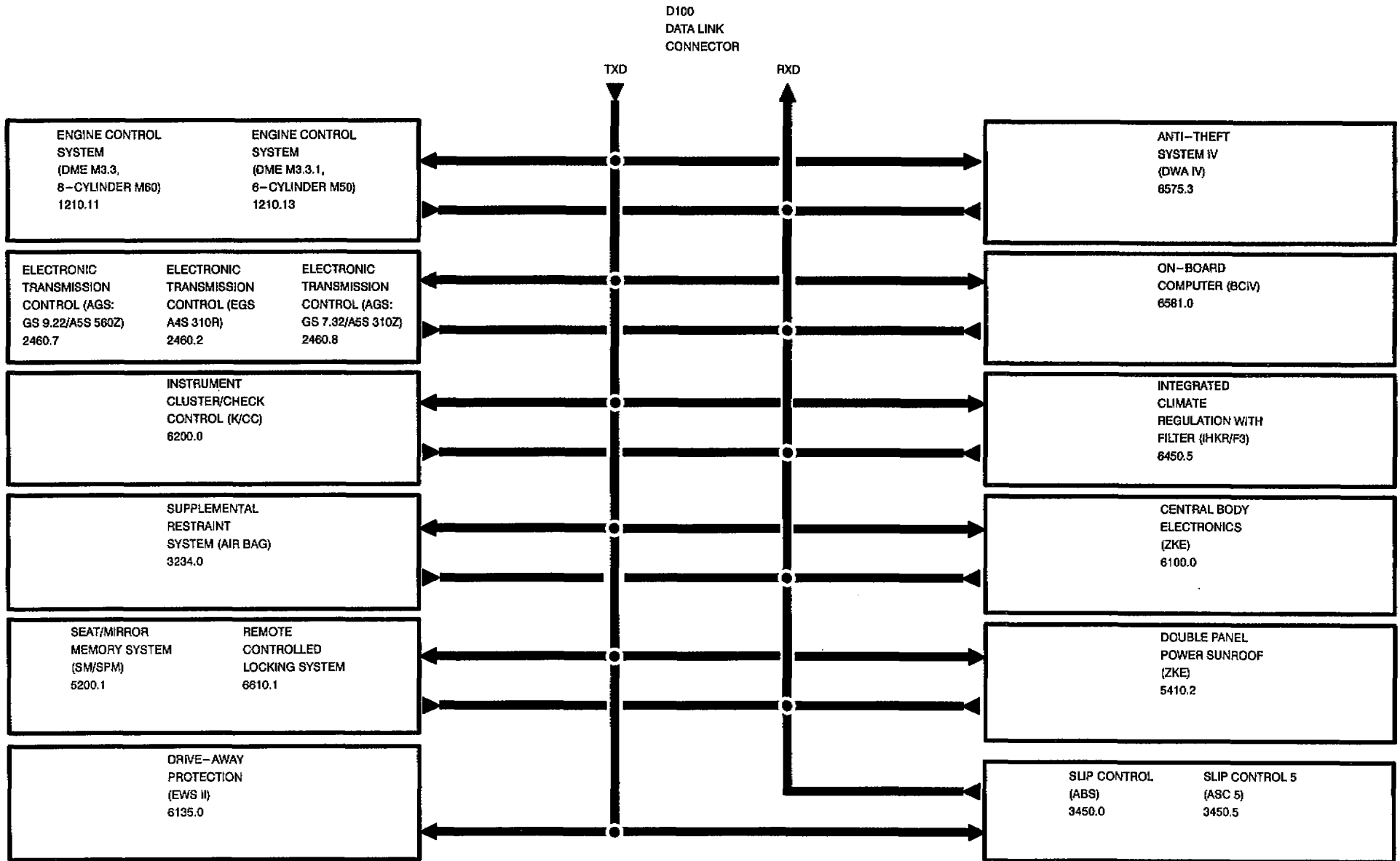
1995



0670.5



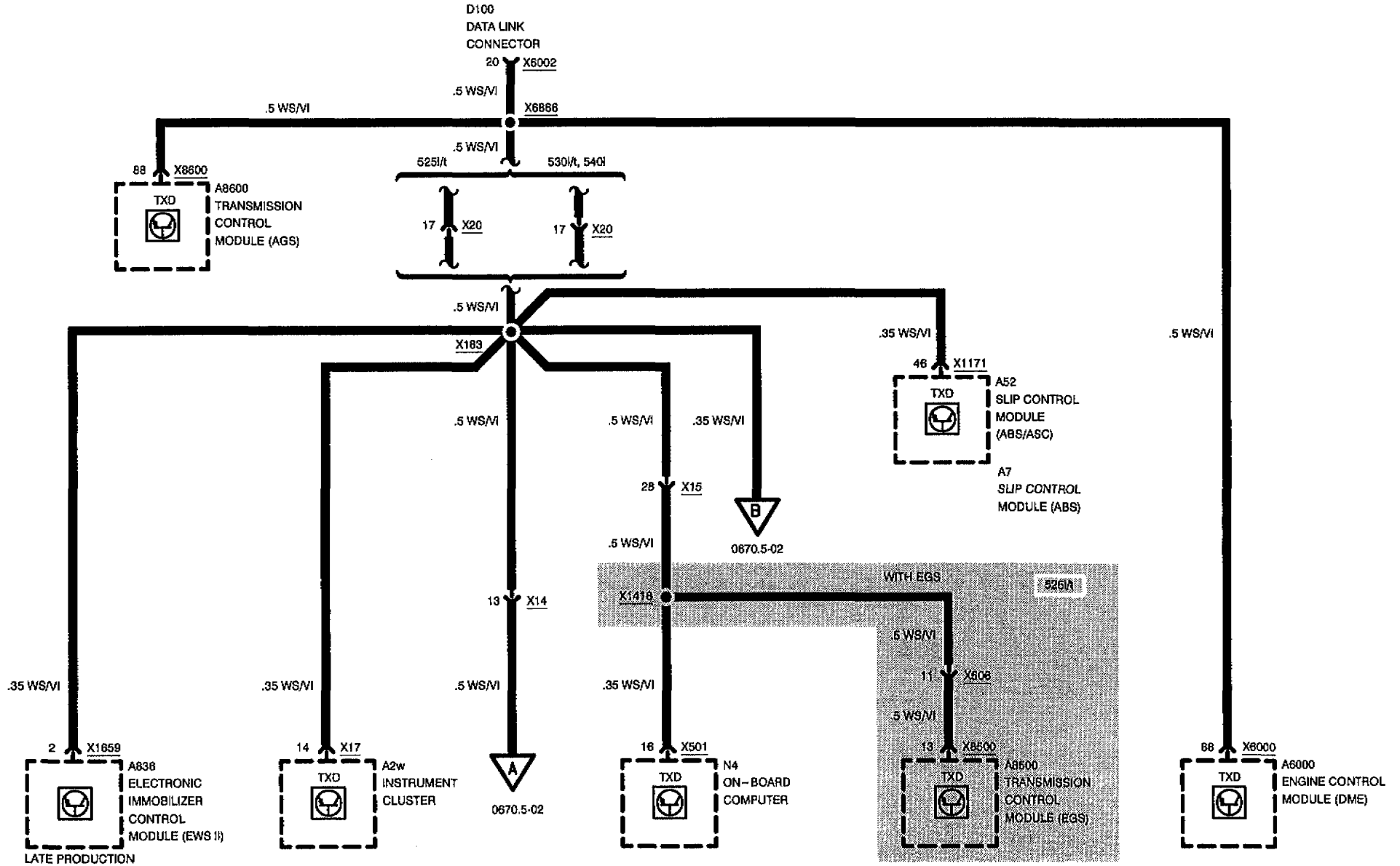
DATA LINK BLOCK DIAGRAM





DATA LINK

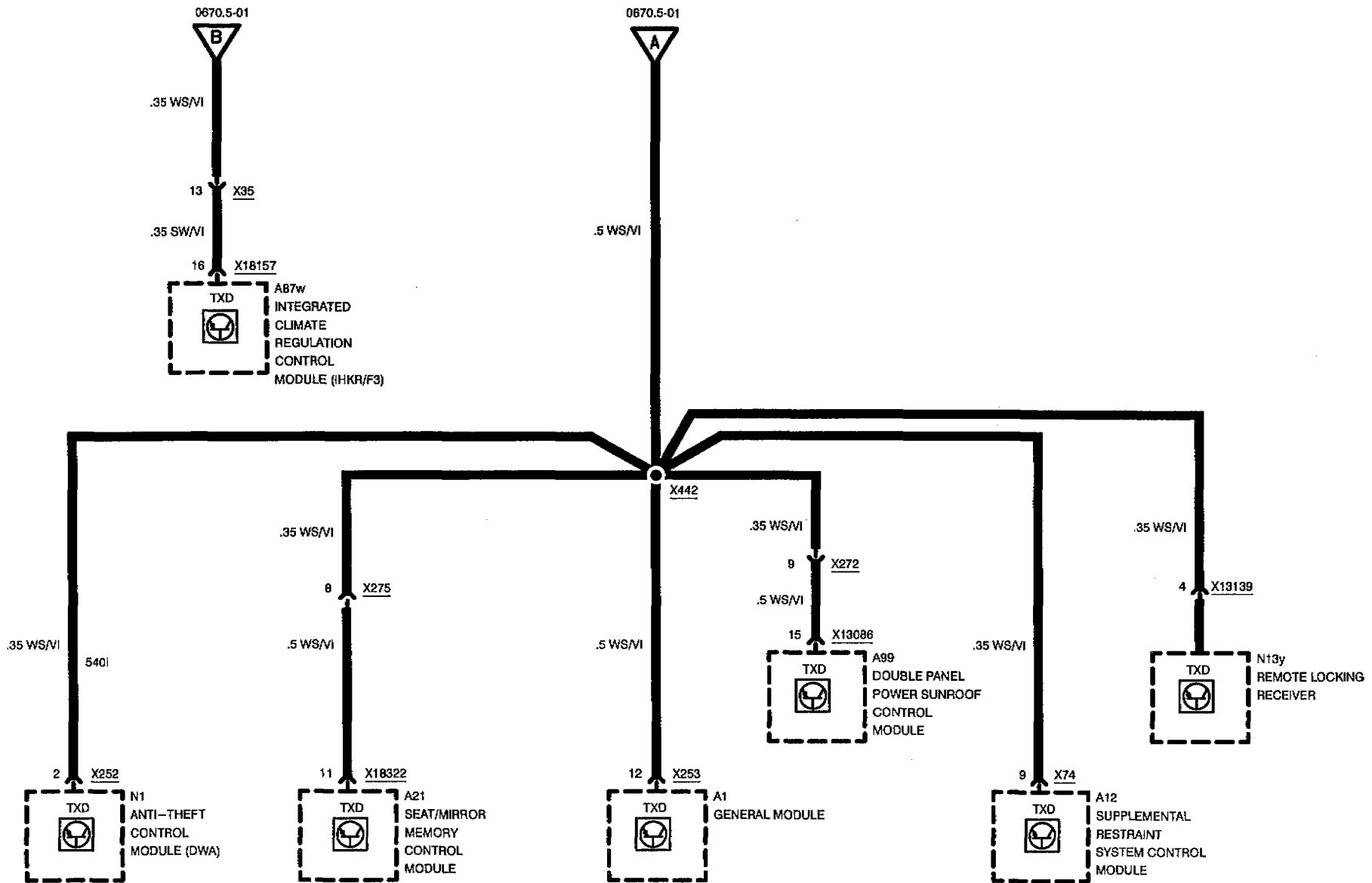
TXD, PIN 20



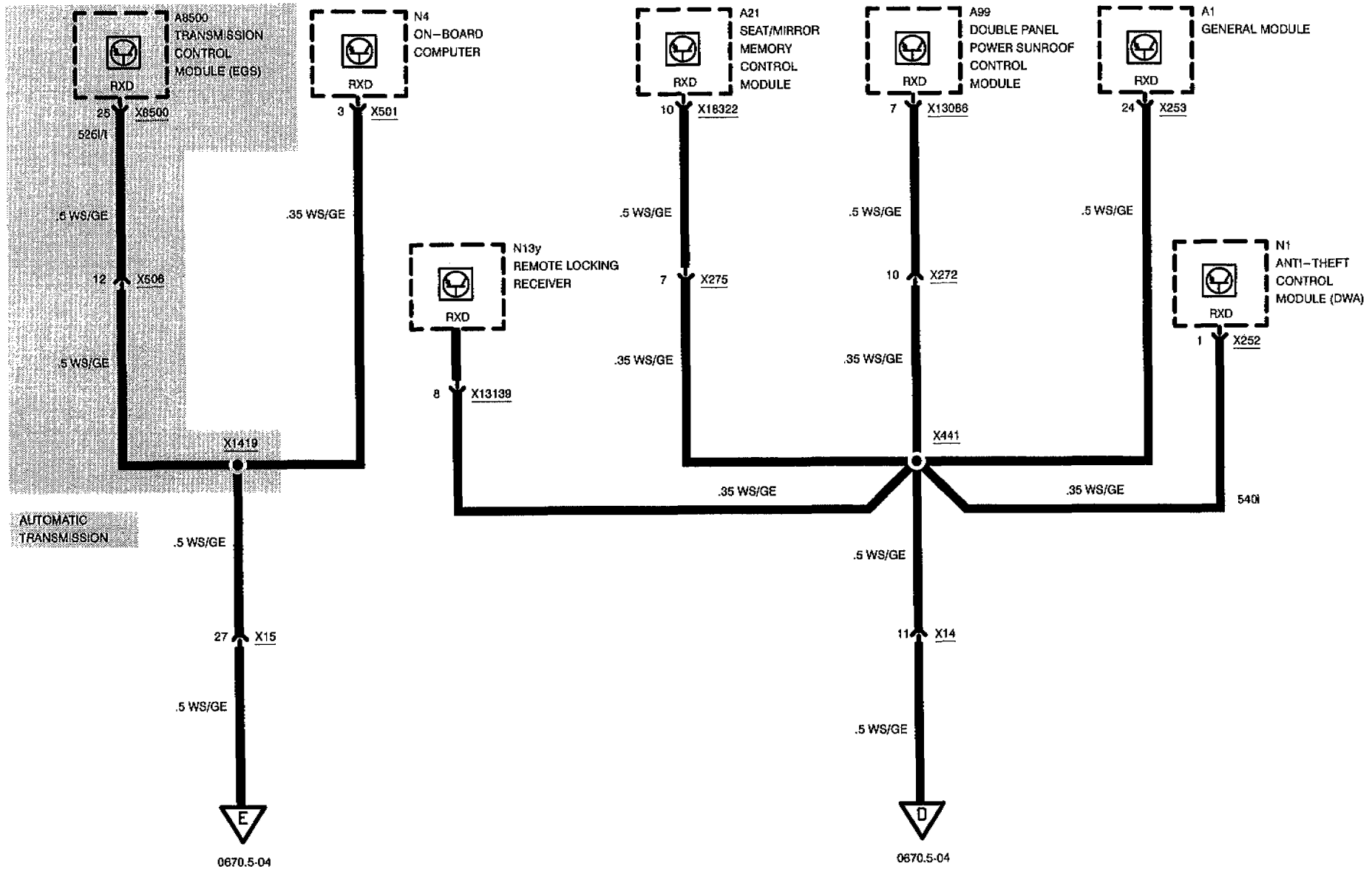


DATA LINK

TXD, PIN 20



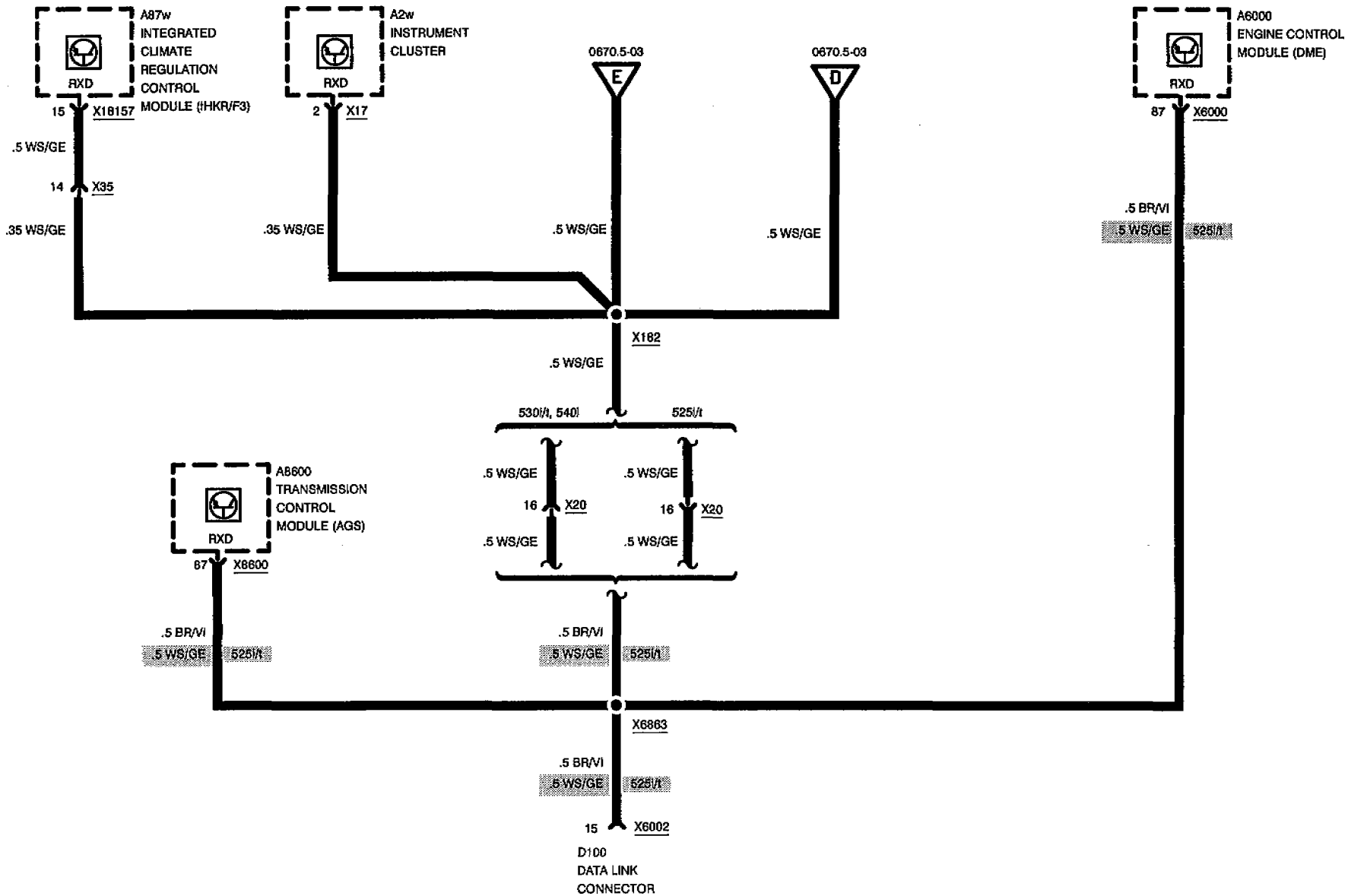
BMW 5 DATA LINK
RXD, PIN 15





DATA LINK

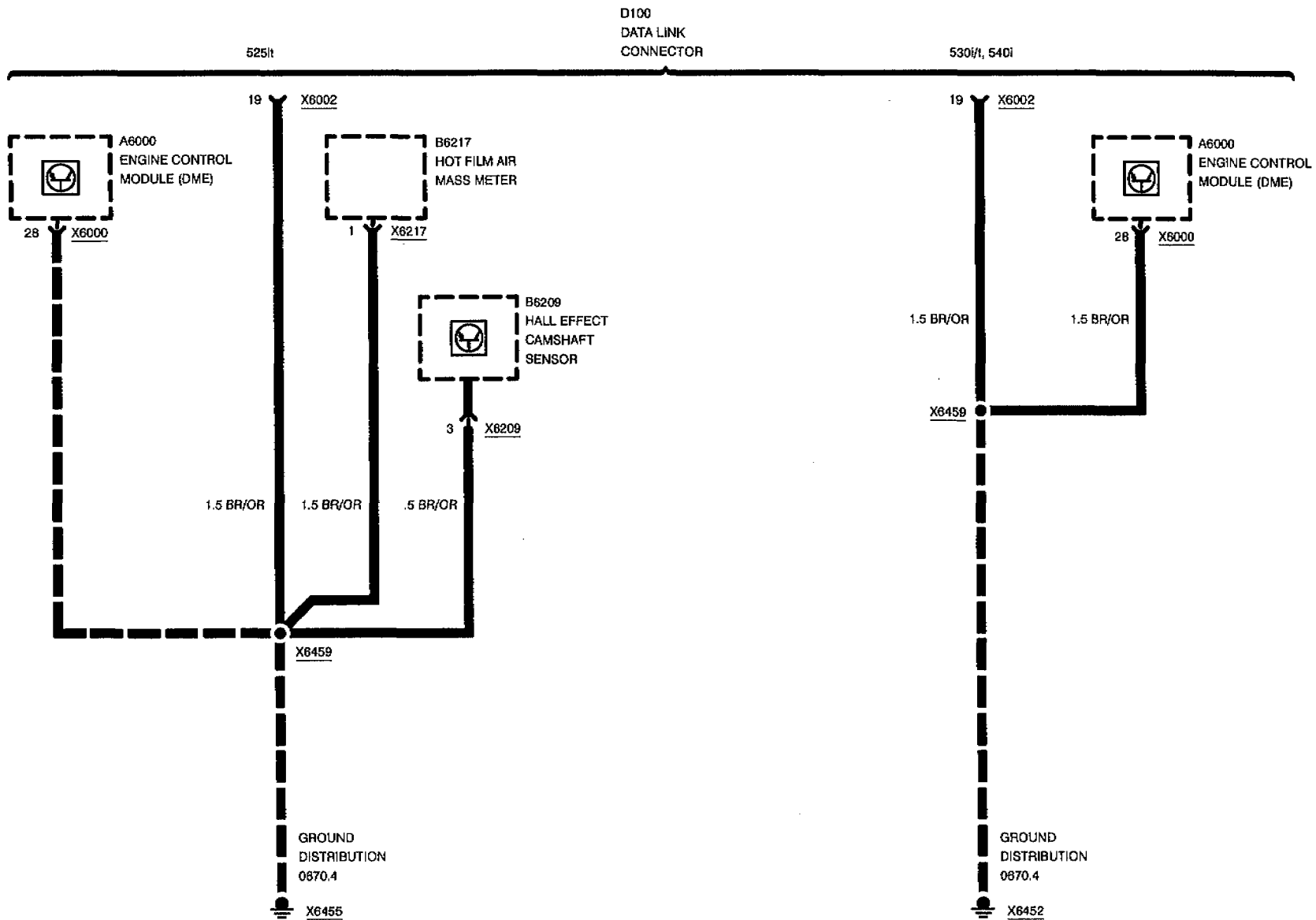
RXD, PIN 15





DATA LINK

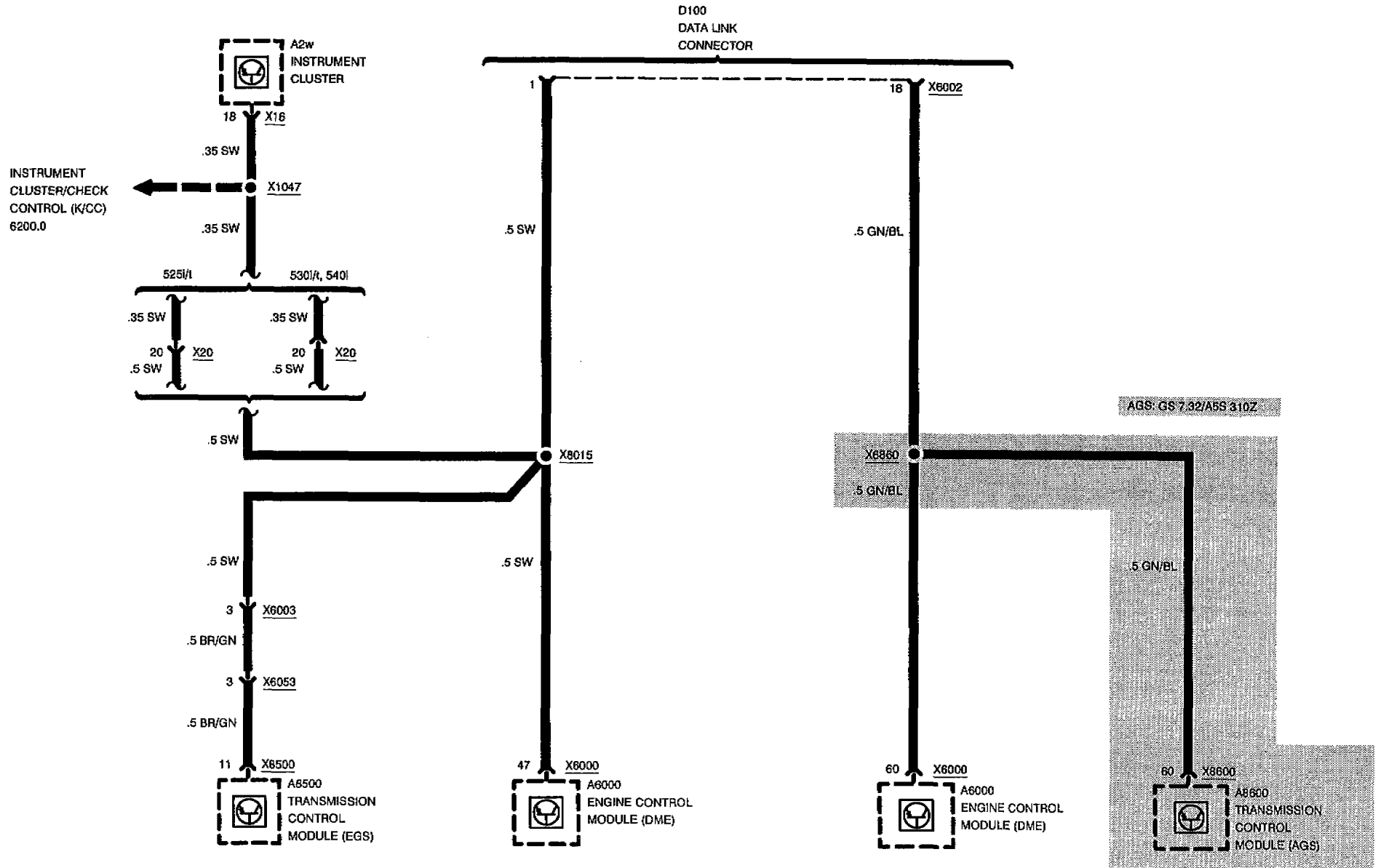
DATA LINK CONNECTOR PIN 19





DATA LINK

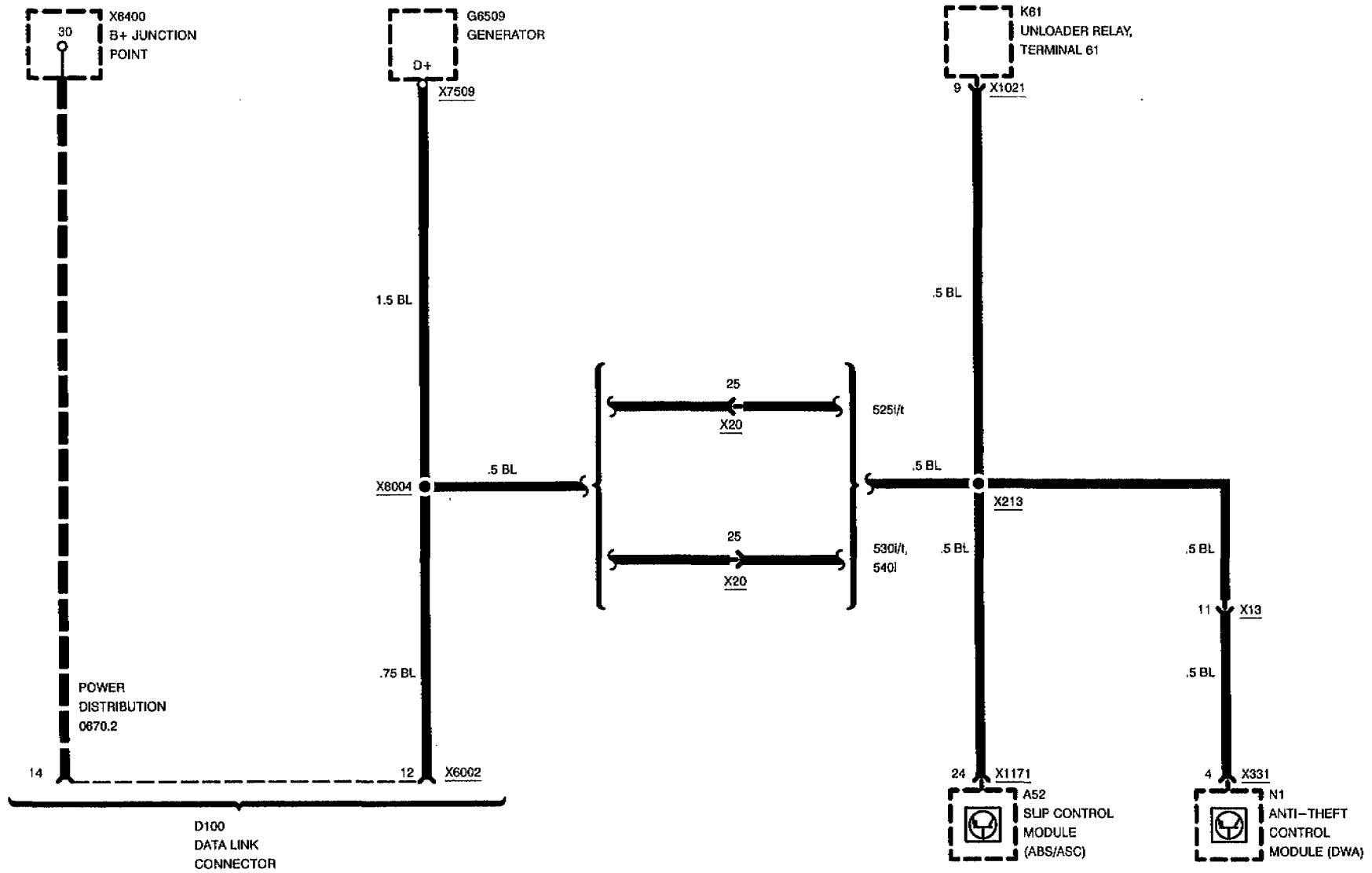
DATA LINK CONNECTOR PINS 1 AND 18





DATA LINK

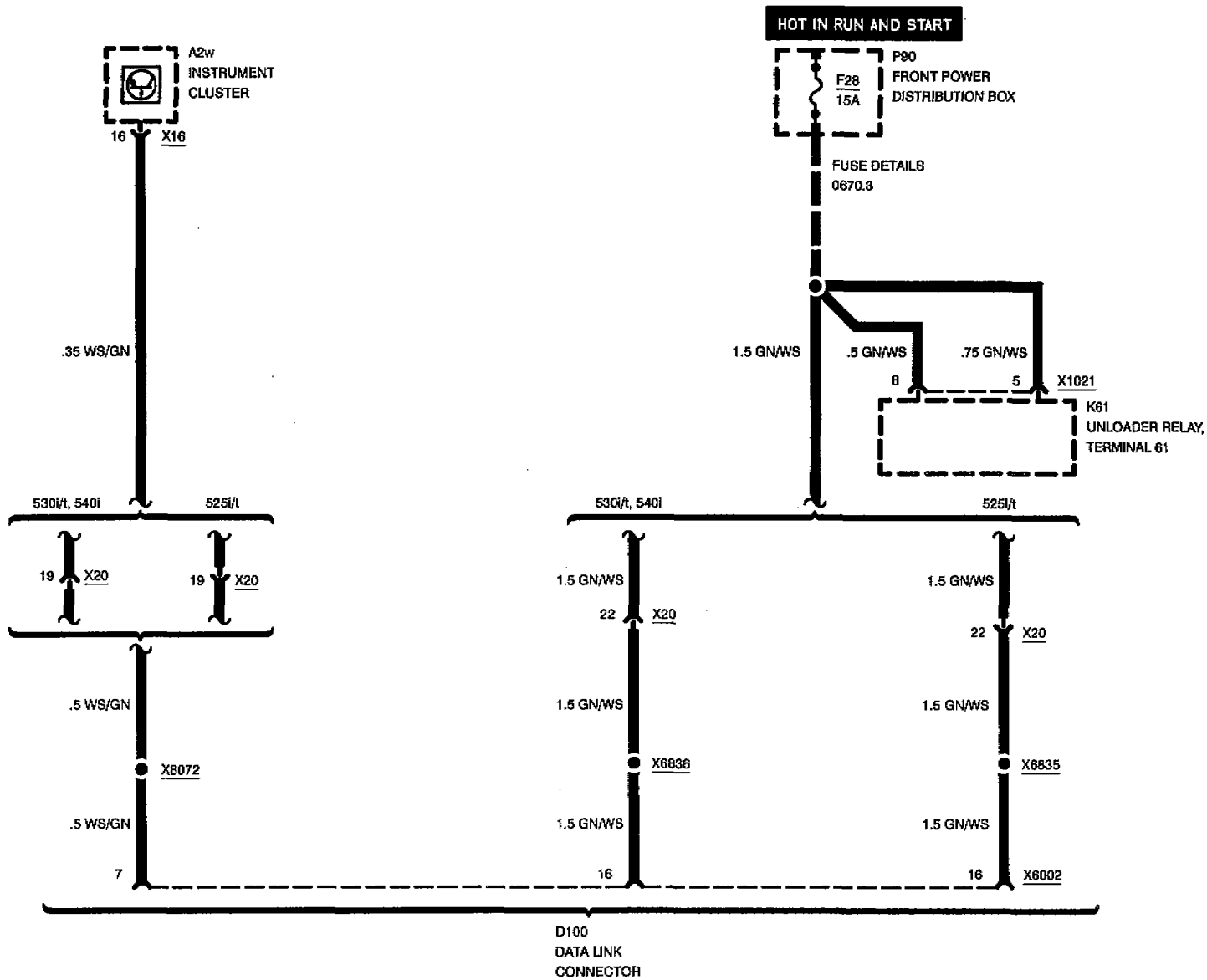
DATA LINK CONNECTOR PINS 12 AND 14





DATA LINK

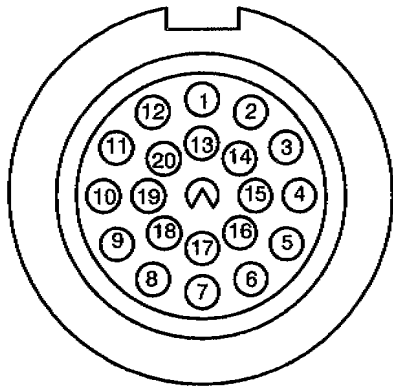
DATA LINK CONNECTOR PINS 7 AND 16





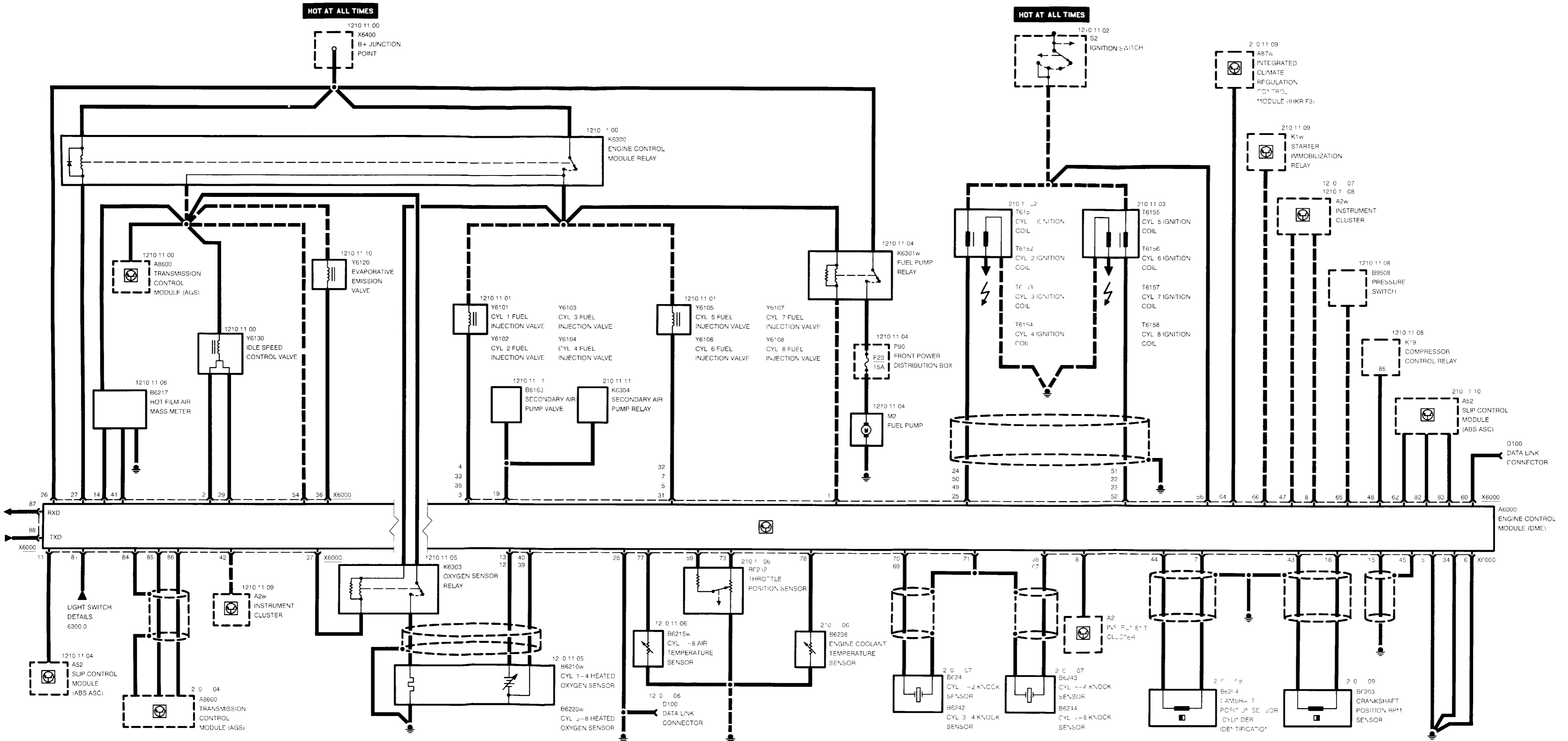
DATA LINK

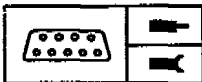
DATA LINK CONNECTOR (X6002)



PIN NUMBER	TERMINAL NUMBER	TERMINAL DESCRIPTION	WIRE COLOR
1	TD	SPEED SIGNAL	SW
2	-	NOT OCCUPIED	
3	-	NOT OCCUPIED	
4	-	NOT OCCUPIED	
5	-	NOT OCCUPIED	
6	-	NOT OCCUPIED	
7	SI	SERVICE INDICATOR REMINDER	WS/GN
8	-	NOT OCCUPIED	
9	-	NOT OCCUPIED	
10	-	NOT OCCUPIED	
11	-	NOT OCCUPIED	
12	61(D+)	GENERATOR CHARGE INDICATOR	BL
13	-	NOT OCCUPIED	
14	30	VOLTAGE: HOT AT ALL TIMES	RT
15	RXD	RECEIVE	WS/GE - BR/VI
16	15S	VOLTAGE: IGNITION SWITCH IN RUN	GN/WS
17	-	NOT OCCUPIED	
18	PGSP	ENGINE CONTROL (DME) PROGRAMMING LINE	GN/BL
19	31	GROUND	BR/OR
20	TXD	TRANSMIT	WS/VI





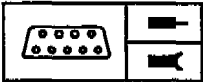


Pin Assignments

X6000

Pin	Type	Description/Function	Connection
1	A	Fuel pump relay	Fuel pump relay
2	A	Close ZWD	Idle speed control valve
3	A	Injection valve 1	Injection valve
4	A	Injection valve 4	Injection valve
5	A	Injection valve 6	Injection valve
6	M	Ground, injection valves	Ground point
7	A	Injection valve 7	Injection valve
8	A	Fault indicator lamp	Instrument Cluster
9		Not used	
10		Not used	
11	A	Throttle angle signal	Slip control module (ABS/ASC)
12	E	Oxygen sensor 2 signal	Oxygen sensor
13	E	Oxygen sensor 1 signal	Oxygen sensor
14	M	Ground HLM (HFM)	Mass air flow sensor
15	M	Signal, ignition circuit monitoring	Ground connection
16	E	KWG signal	Crankshaft sensor
17	E	NWG signal	Camshaft sensor
18		Not used	
19	A	Activation, Secondary air pump	Relay/Valve air pump
20		Not used	
21		Not used	
22	A	Ignition 7	Ignition coil
23	A	Ignition 6	Ignition coil
24	A	Ignition 4	Ignition coil
25	A	Ignition 1	Ignition coil
26	E	Continuous pulse	B+ junction coil
27	A	Activation, main relay	Main relay
28	M	Ground, electronics/shield/sensors	Ground point
29	A	ZWD open	Idle speed control valve
30		Not used	

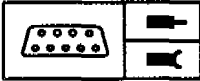
E = Input, A = Output, M = Ground



Pin Assignments

Pin	Type	Description/Function	Connection
31	A	Injection valve 5	Injection valve
32	A	Injection valve 8	Injection valve
33	A	Injection valve 3	Injection valve
34	M	Ground, remaining output stages	Ground connection
35	A	Injection valve 2	Injection valve
36	A	Evaporative emission	Carbon canister
37	A	Heated oxygen sensor relay	Oxygen sensor relay
38		Not used	
39	M	Ground, oxygen sensor 2	Oxygen sensor 2
40	M	Ground, oxygen sensor 1	Oxygen sensor 1
41	E	HLM signal (HFM)	Mass air flow sensor
42	E	Speed signal	Instrument cluster
43	M	KWG ground	Crankshaft sensor
44	M	NWG ground	Camshaft sensor
45	M	Ground, ignition circuit monitoring	Shield
46	A	KVA signal	Instrument cluster
47	A	TD signal	Instrument cluster
48	A	A/C compressor signal	A/C compressor relay
49	A	Ignition 2	Ignition coil
50	A	Ignition 3	Ignition coil
51	A	Ignition 8	Ignition coil
52	A	Ignition 5	Ignition coil
53		Not used	
54	E	Engine control module relay, voltage	Engine control module relay
55	M	Ground, ignition	Ground connection
56	E	Terminal 15	Ignition switch
57		Not used	
58		Not used	
59	A	+5V supply	Throttle control potentiometer
60	E	Programming voltage input	Data link connector
61		Not used	
62	A	S-EML	ASC+T control module

E = Input, A = Output, M = Ground



Pin Assignments

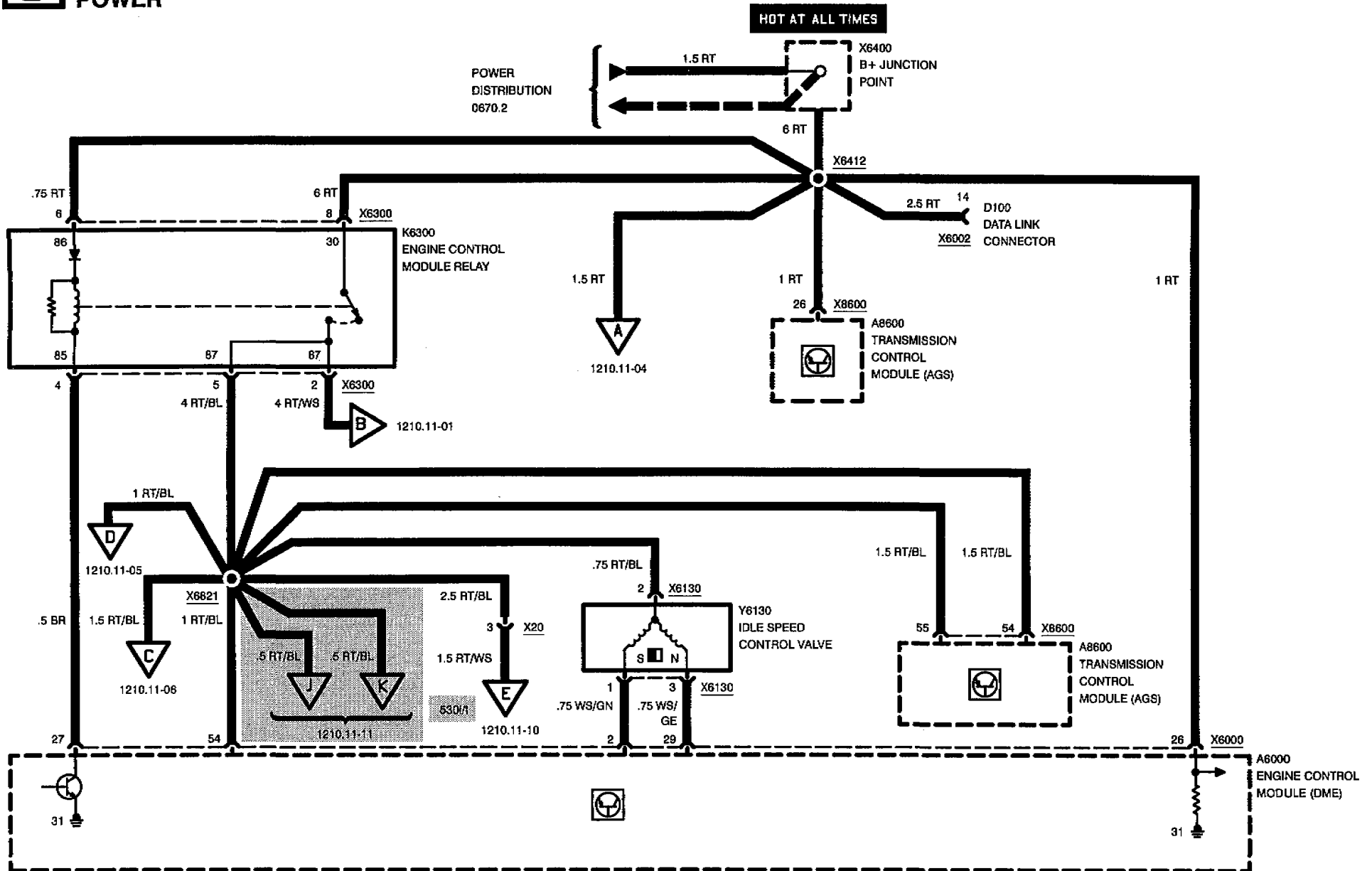
Pin	Type	Description/Function	Connection
63		Not used	
64	E	A/C signal	A/C control module
65	E	A/C compressor signal	Pressure switch
66	E	Drive away protection signal	Starter immobilization relay
67	E	Knock sensor 4 signal	Knock sensor
68	E	Knock sensor 3 signal	Knock sensor
69	E	Knock sensor 2 signal	Knock sensor
70	E	Knock sensor 1 signal	Knock sensor
71	M	Ground, analog signals and knock sensors	Sensors
72		Not used	
73	E	Signal, throttle (DK) sensor	Throttle control potentiometer
74		Not used	
75		Not used	
76		Not used	
77	E	Intake air temperature	Intake air temperature sensor
78	E	Coolant temperature	Coolant temperature sensor
79		Not used	
80		Not used	
81	E	S-FS low beam	Light switch
82	E	Signal, engine drag torque control	ASC+T
83	E	Signal, drive slip control	ASC+T
84	A	CAN shield	Transmission control module
85	E/A	CAN-L	Transmission control module
86	E/A	CAN-H	Transmission control module
87	E	RxD diagnostic data link	Diagnostic bus
88	E/A	TxD diagnostic data link	Diagnostic bus

E = Input, A = Output, M = Ground



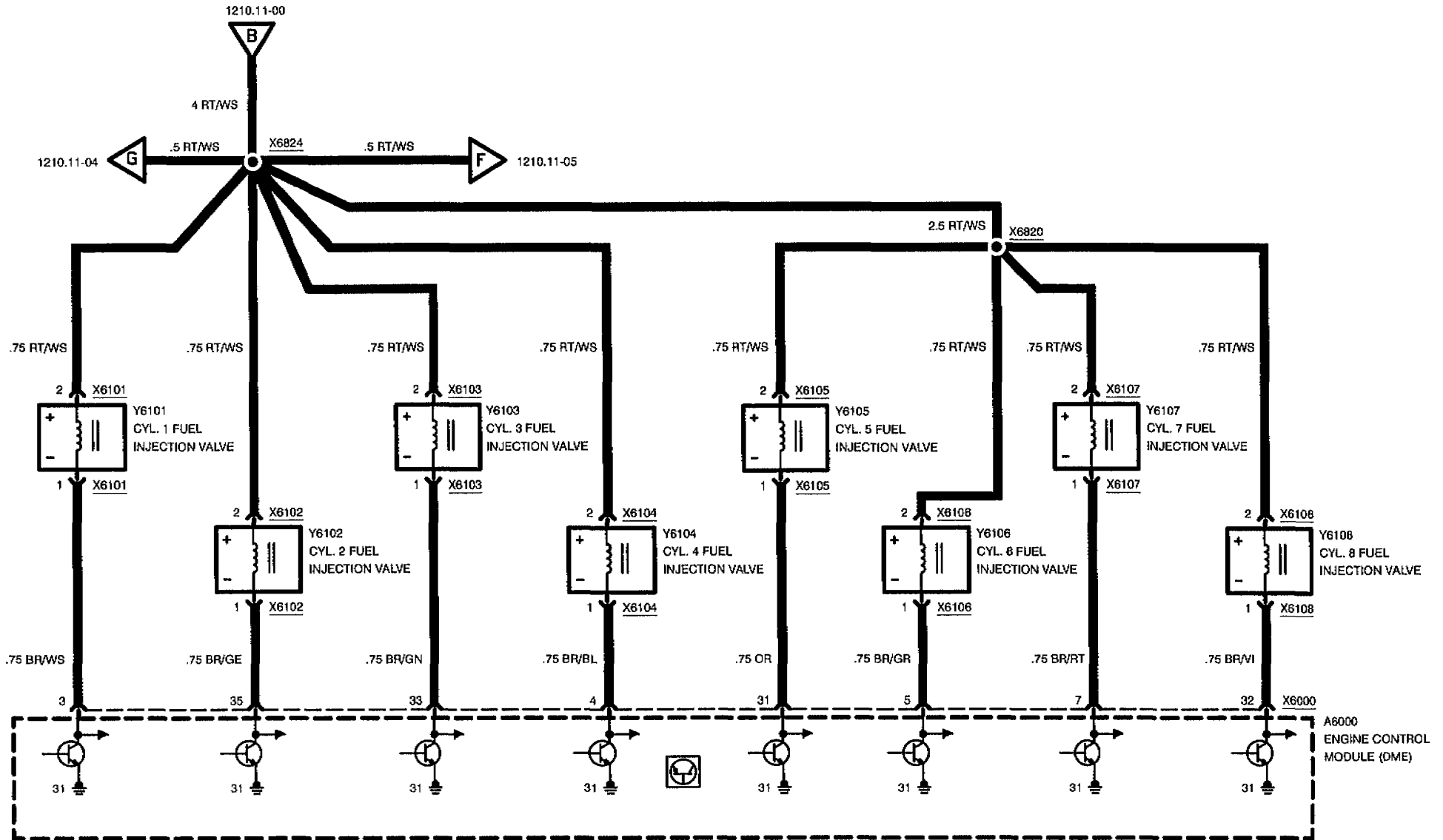
ENGINE CONTROL SYSTEM (DME M3.3, 8-CYLINDER M60)

POWER





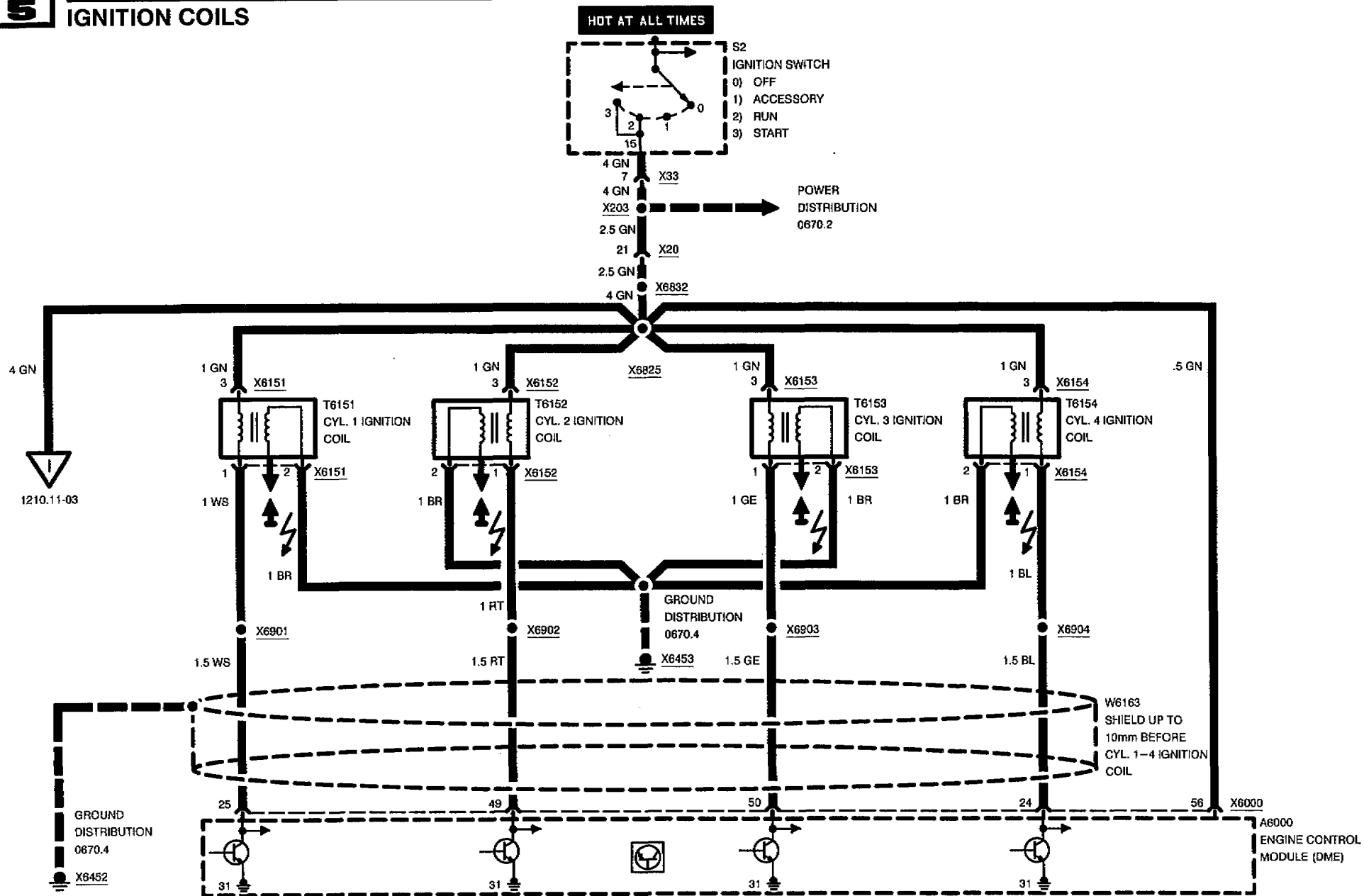
ENGINE CONTROL SYSTEM (DME M3.3, 8-CYLINDER M60) FUEL INJECTION VALVES





ENGINE CONTROL SYSTEM (DME M3.3, 8-CYLINDER M60)

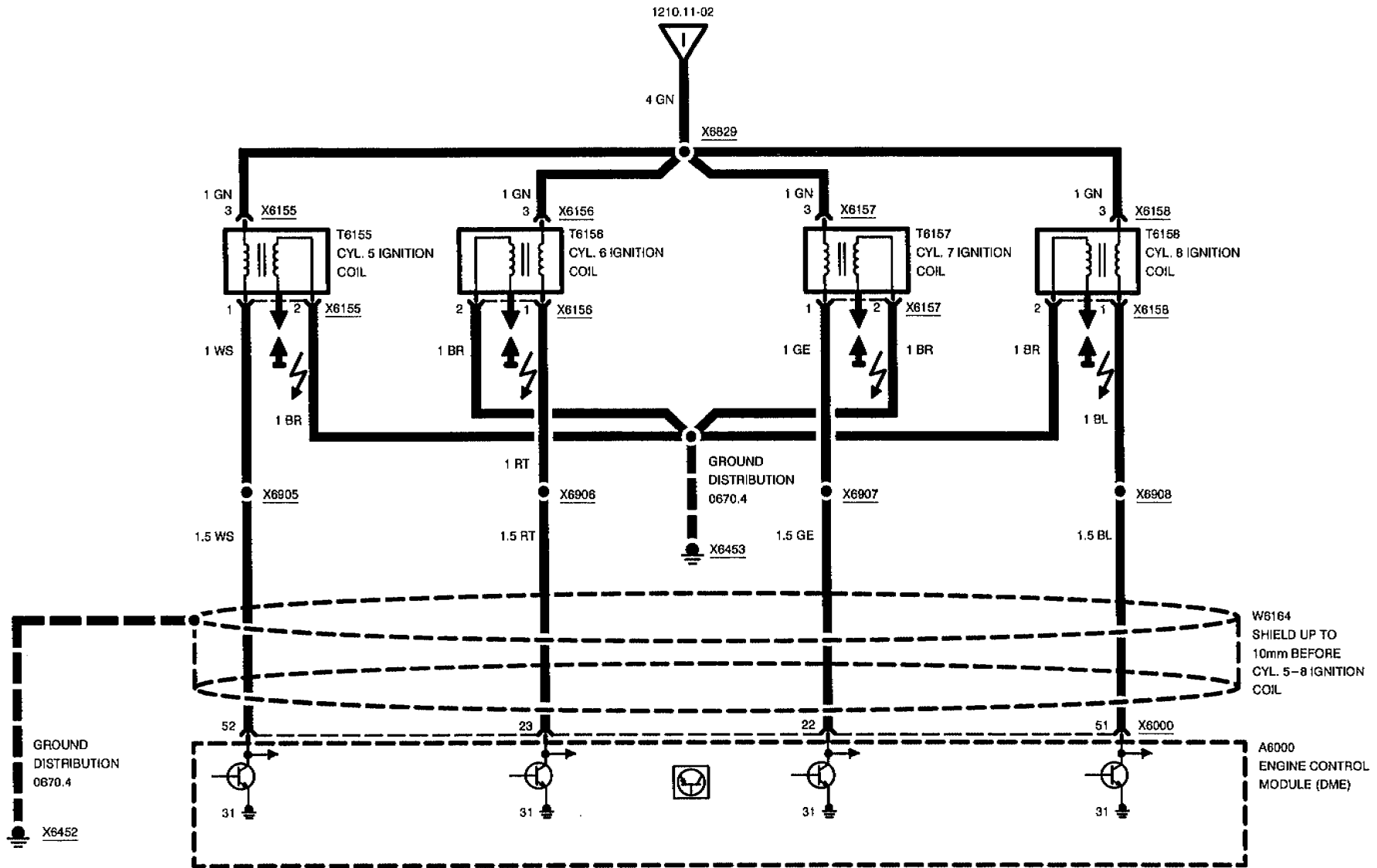
IGNITION COILS





ENGINE CONTROL SYSTEM (DME M3.3, 8-CYLINDER M60)

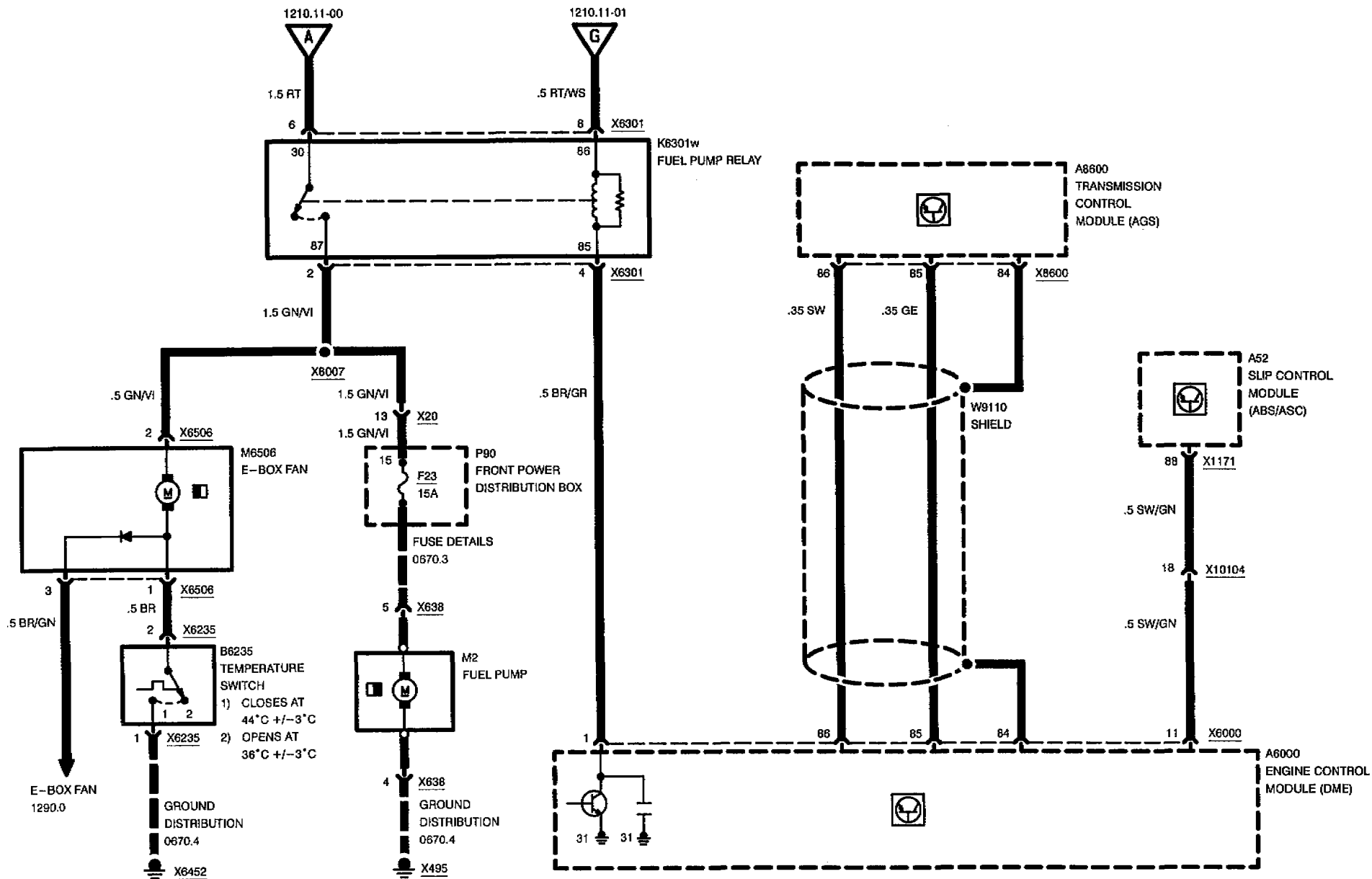
IGNITION COILS





ENGINE CONTROL SYSTEM (DME M3.3, 8-CYLINDER M60)

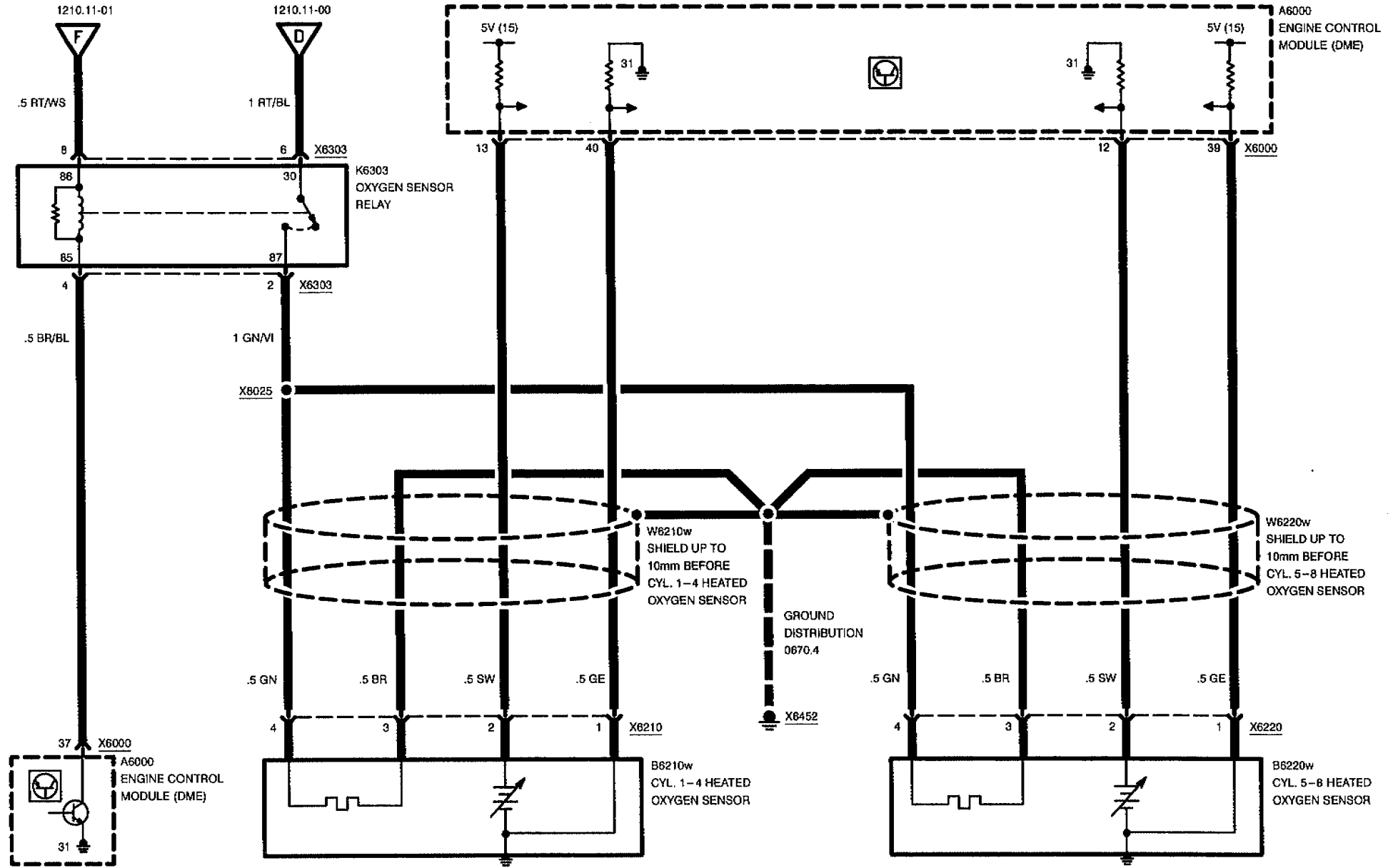
FUEL PUMP





ENGINE CONTROL SYSTEM (DME M3.3, 8-CYLINDER M60)

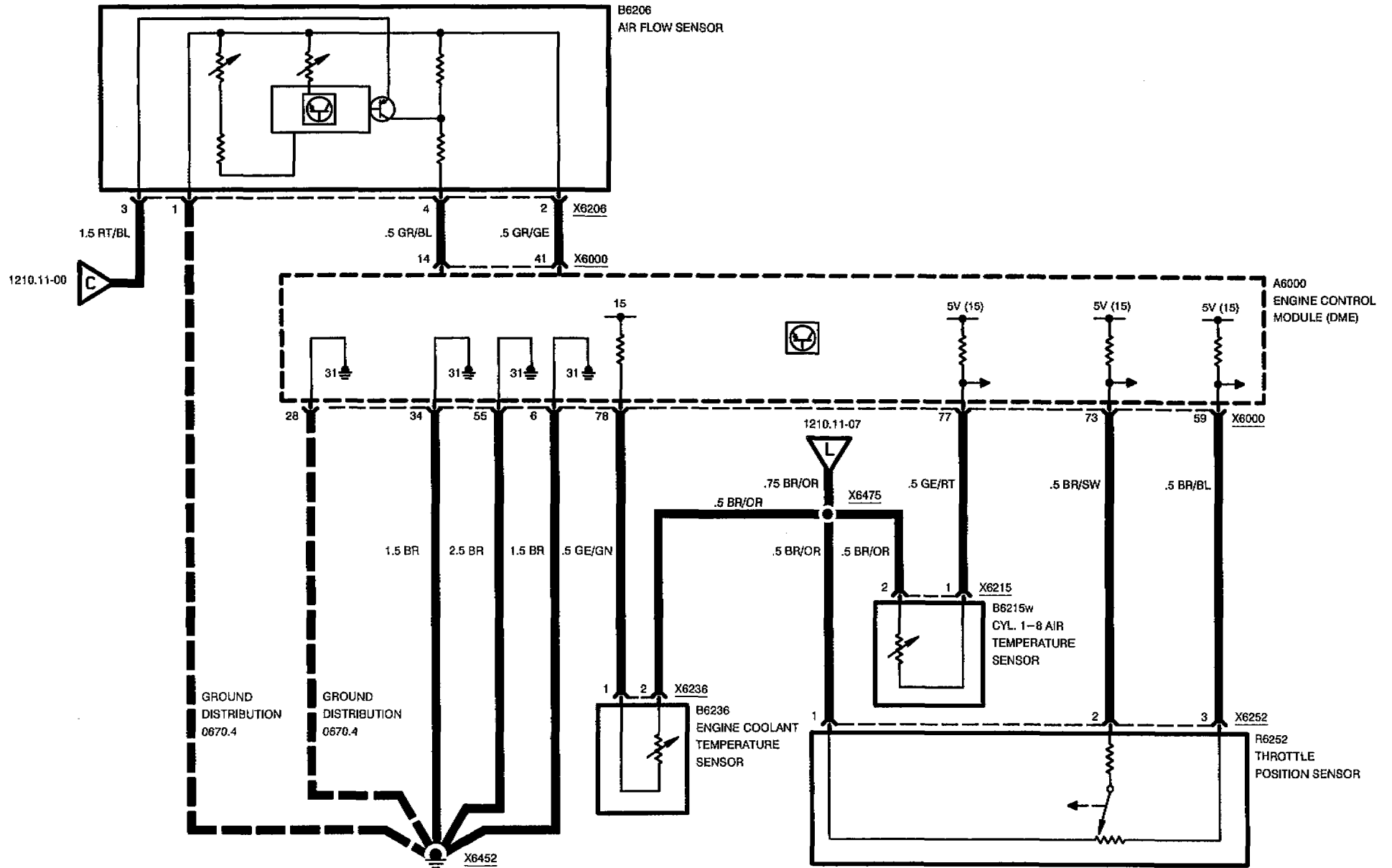
OXYGEN SENSORS





ENGINE CONTROL SYSTEM (DME M3.3, 8-CYLINDER M60)

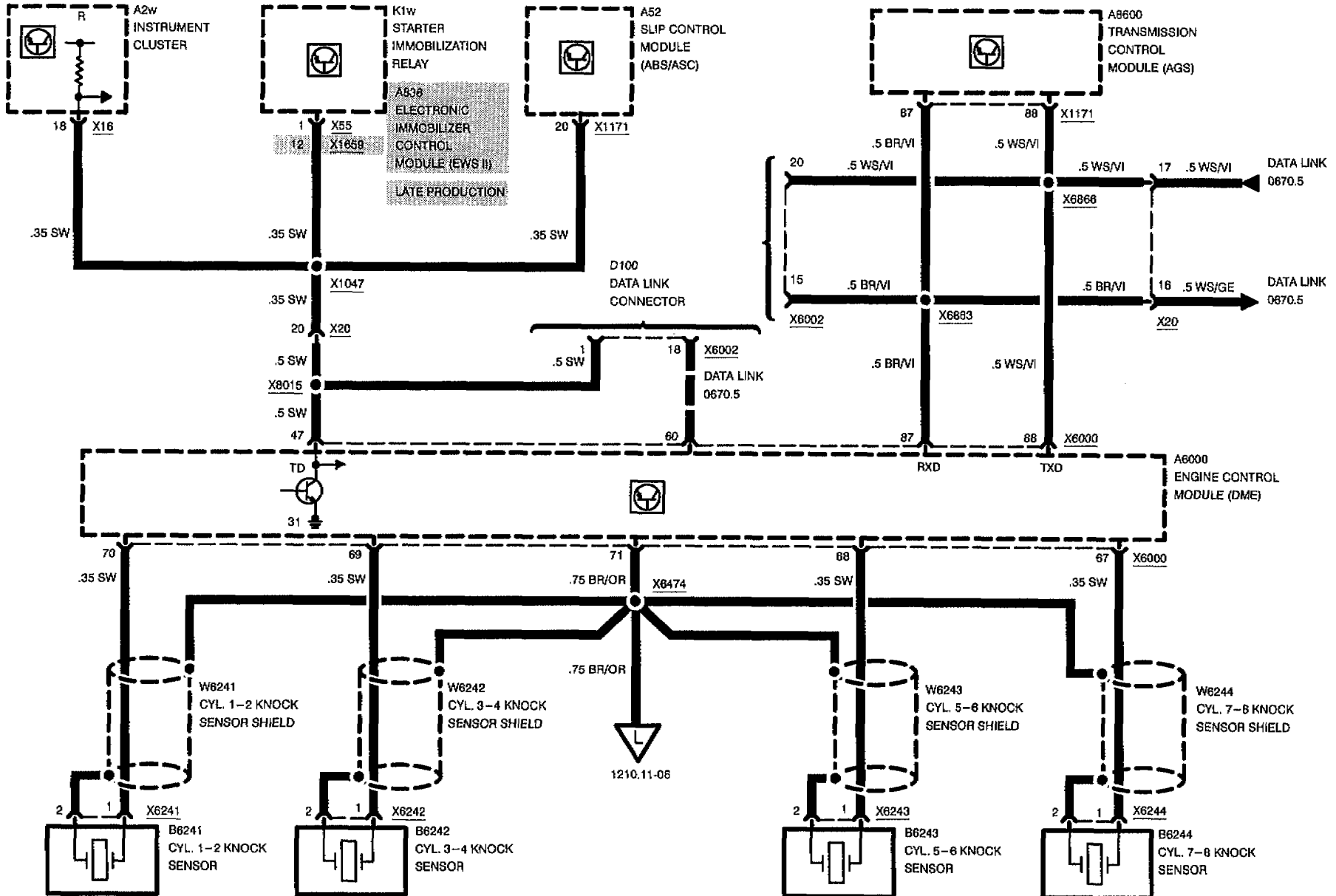
SENSORS





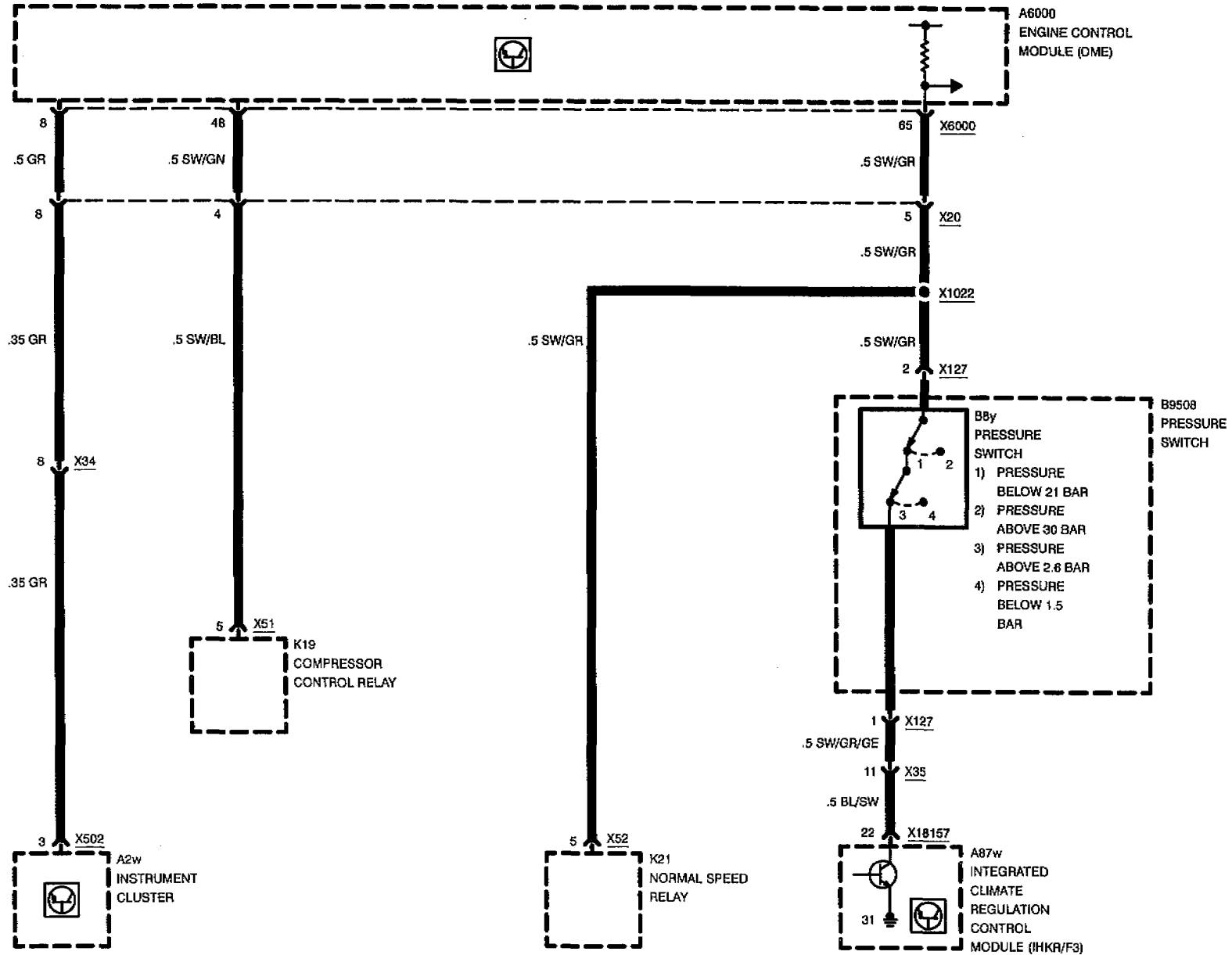
ENGINE CONTROL SYSTEM (DME M3.3, 8-CYLINDER M60)

DATA LINK, KNOCK SENSORS



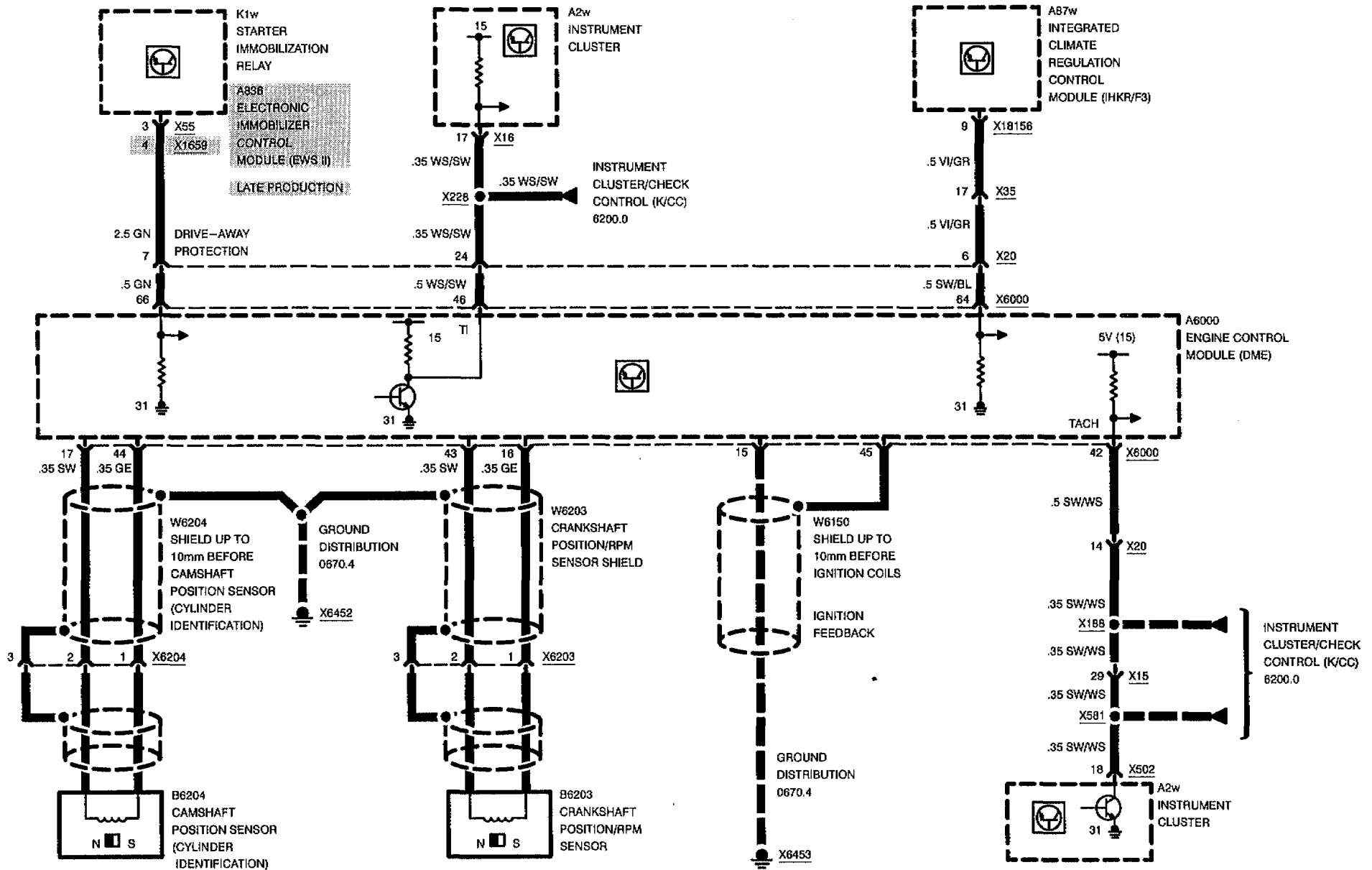


ENGINE CONTROL SYSTEM (DME M3.3, 8-CYLINDER M60)



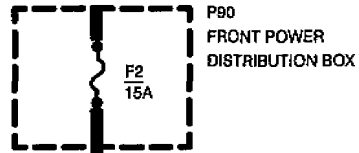


ENGINE CONTROL SYSTEM (DME M3.3, 8-CYLINDER M60)

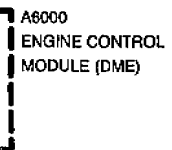
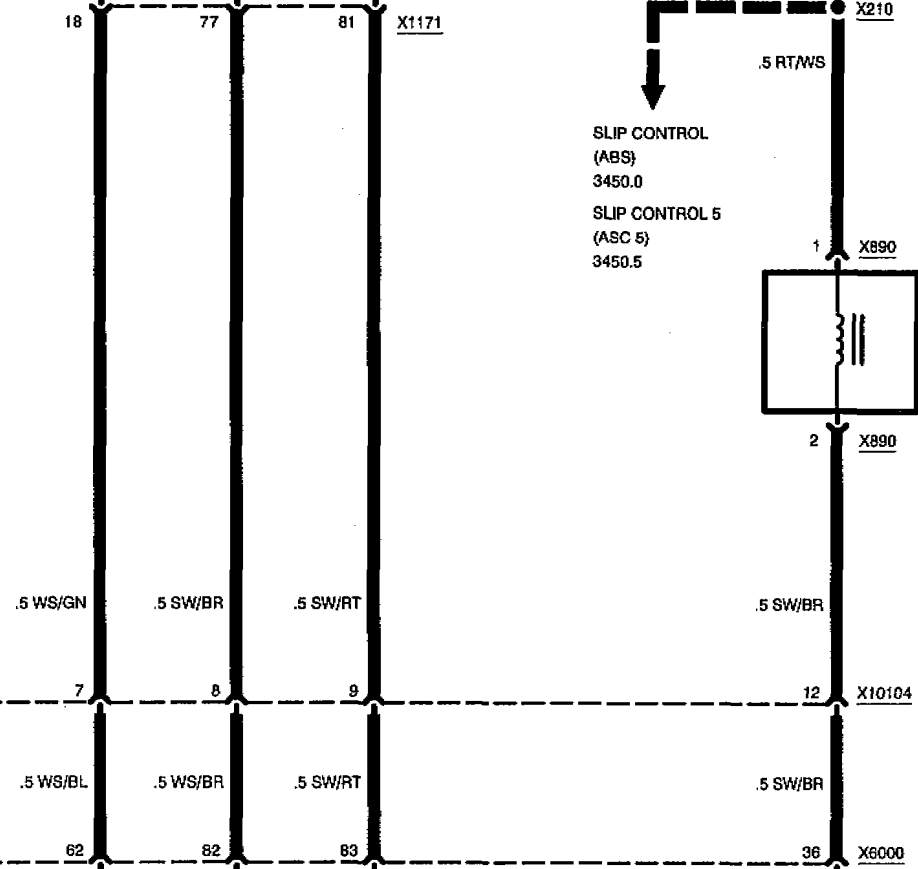
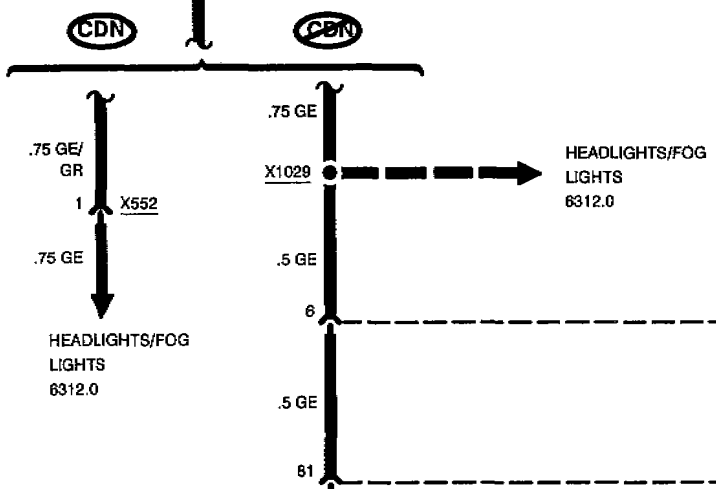
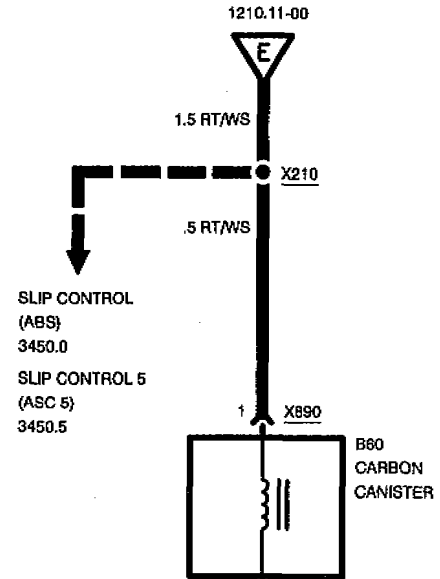
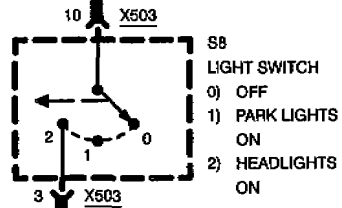


ENGINE CONTROL SYSTEM (DME M3.3, 8-CYLINDER M60)

HDT IN RUN AND START



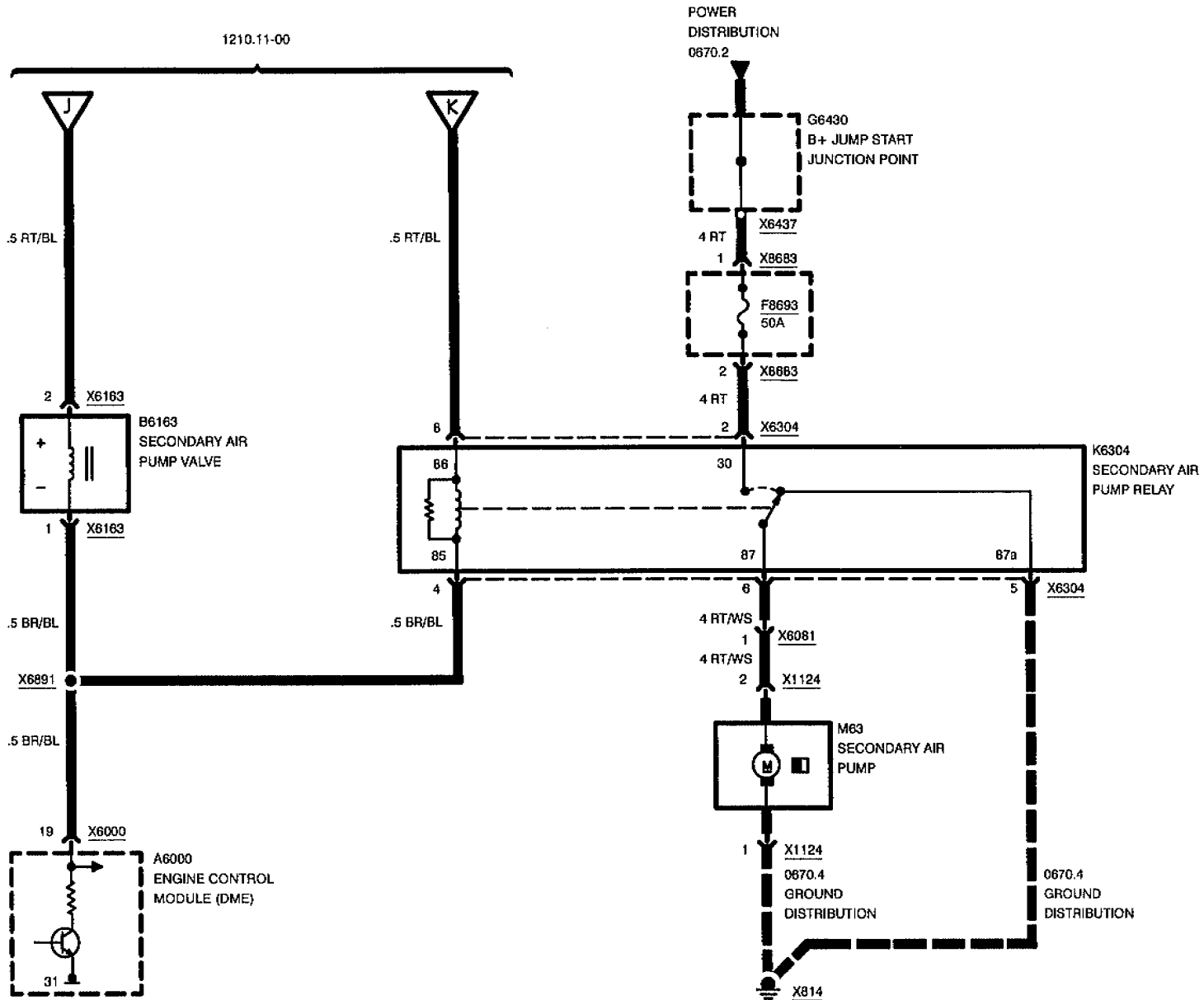
FUSE DETAILS
0670.3



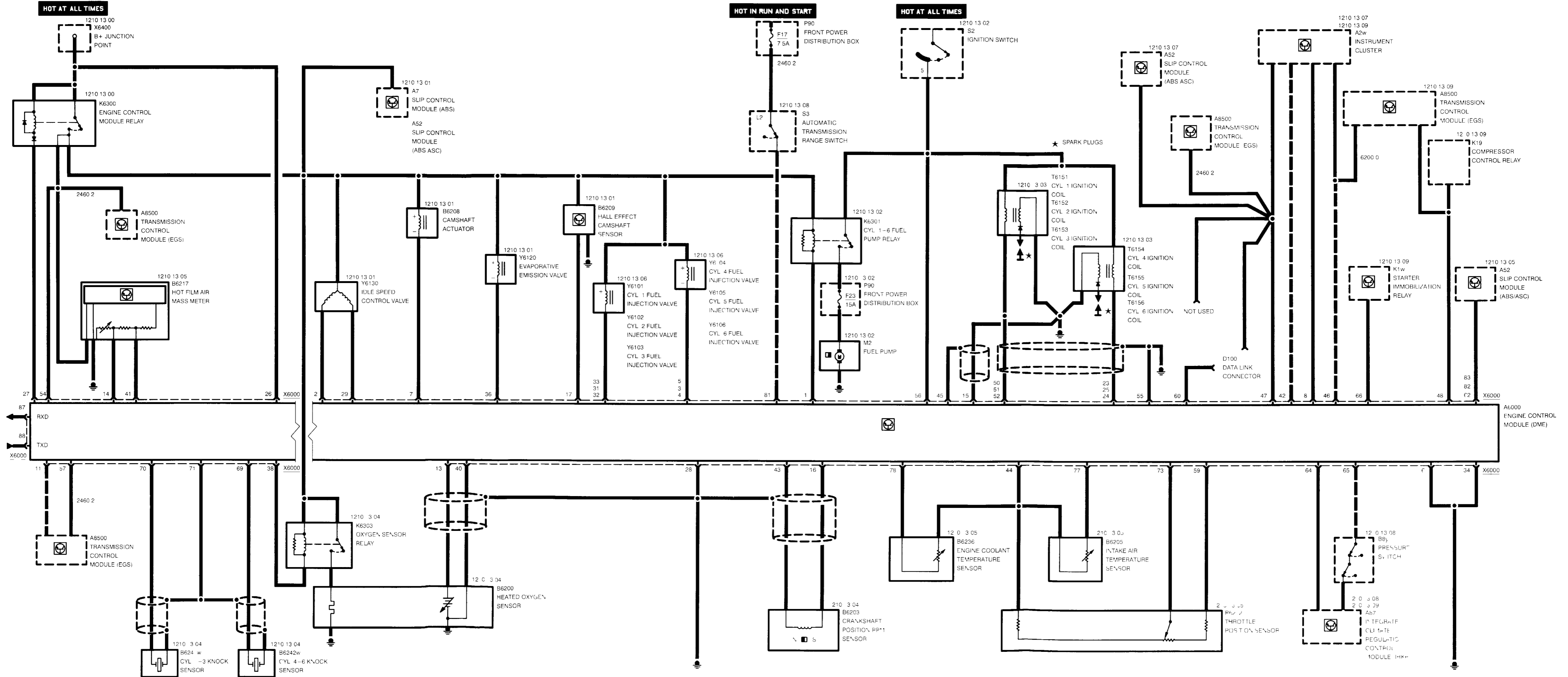


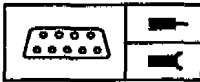
ENGINE CONTROL SYSTEM (DME M3.3, 8-CYLINDER M60)

530i/t







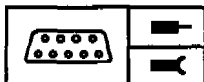


Pin Assignments

X6000

Pin	Type	Description/Function	Connection
1	A	Fuel pump relay control	Fuel pump relay, terminal 85
2	A	Idle speed control valve – close winding control	Idle speed control valve
3	A	Cyl. 5 fuel injection valve control	Cyl. 5 fuel injection valve
4	A	Cyl. 6 fuel injection valve control	Cyl. 6 fuel injection valve
5	A	Cyl. 4 fuel injection valve control	Cyl. 4 fuel injection valve
6	M	Ground, fuel injection valve output stages	Ground point
7	A	Camshaft actuator control	Camshaft actuator
8	A	"Check engine" indicator	Instrument cluster
9		Not used	
10		Not used	
11	A	Throttle valve position	Transmission control module (EGS)
12		Not used	
13	E	Oxygen sensor signal	Heated oxygen sensor
14	A	Hot film air mass meter	Hot film air mass meter
15	M	Ground	Ground point
16	E	Crankshaft RPM sensor + signal	Crankshaft RPM sensor
17	E	Crankshaft position sensor	Hall effect camshaft sensor
18		Not used	
19		Not used	
20		Not used	
21		Not used	
22		Not used	
23	A	Cyl. 4 ignition coil control	Cyl. 4 ignition coil
24	A	Cyl. 6 ignition coil control	Cyl. 6 ignition coil
25	A	Cyl. 5 ignition coil control	Cyl. 5 ignition coil
26	E	Terminal 30 voltage supply	B + junction point
27	A	Engine control module relay control	Engine control module relay
28	M	Ground for electronics and shielding of sensors	Ground point

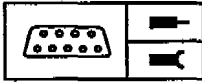
E = Input, A = Output, M = Ground



Pin Assignments

Pin	Type	Description/Function	Connection
29	A	Idle speed control valve – opening winding control	Idle speed control valve
30		Not used	
31	A	Cyl. 3 fuel injection valve control	Cyl. 3 fuel injection valve
32	A	Cyl. 2 fuel injection valve control	Cyl. 2 fuel injection valve
33	A	Cyl. 1 fuel injection valve control	Cyl. 1 fuel injection valve
34	M	Ground, remaining output stages (except for ignition and fuel injection valves)	Ground point
35		Not used	
36	A	Evaporation emission valve control	Evaporative emission valve
37		Not used	
38	A	Oxygen sensor, heater control	Oxygen sensor relay
39		Not used	
40	M	Oxygen sensor signal ground	Heated oxygen sensor
41	E	Hot film air mass meter	Hot film air mass meter
42	E	Vehicle speed signal TD	Instrument cluster
43	E	Crankshaft RPM sensor – signal	Crankshaft RPM sensor
44	A	Ground for sensors	Engine intake air temperature sensor, engine coolant temperature sensor, and throttle position sensor
45	A	Ground	Shield Ignition
46	A	ti measurement signal (fuel consumption)	Instrument cluster
47	A	Crankshaft RPM speed signal TD	Instrument cluster
48	A	A/C compressor control	Compressor control relay
49		Not used	
50	A	Cyl. 1 ignition coil control	Cyl. 1 ignition coil
51	A	Cyl. 2 ignition coil control	Cyl. 2 ignition coil
52	A	Cyl. 3 ignition coil control	Cyl. 3 ignition coil
53		Not used	
54	E	Battery volt. from eng. control module relay	Engine control module relay
55	M	Ground, ignition	Ground point
56	E	Ignition switch, terminal 15	Ignition switch
57	E	Ignition timing intervention	Transmission control module (EGS)

E = Input, A = Output, M = Ground



Pin Assignments

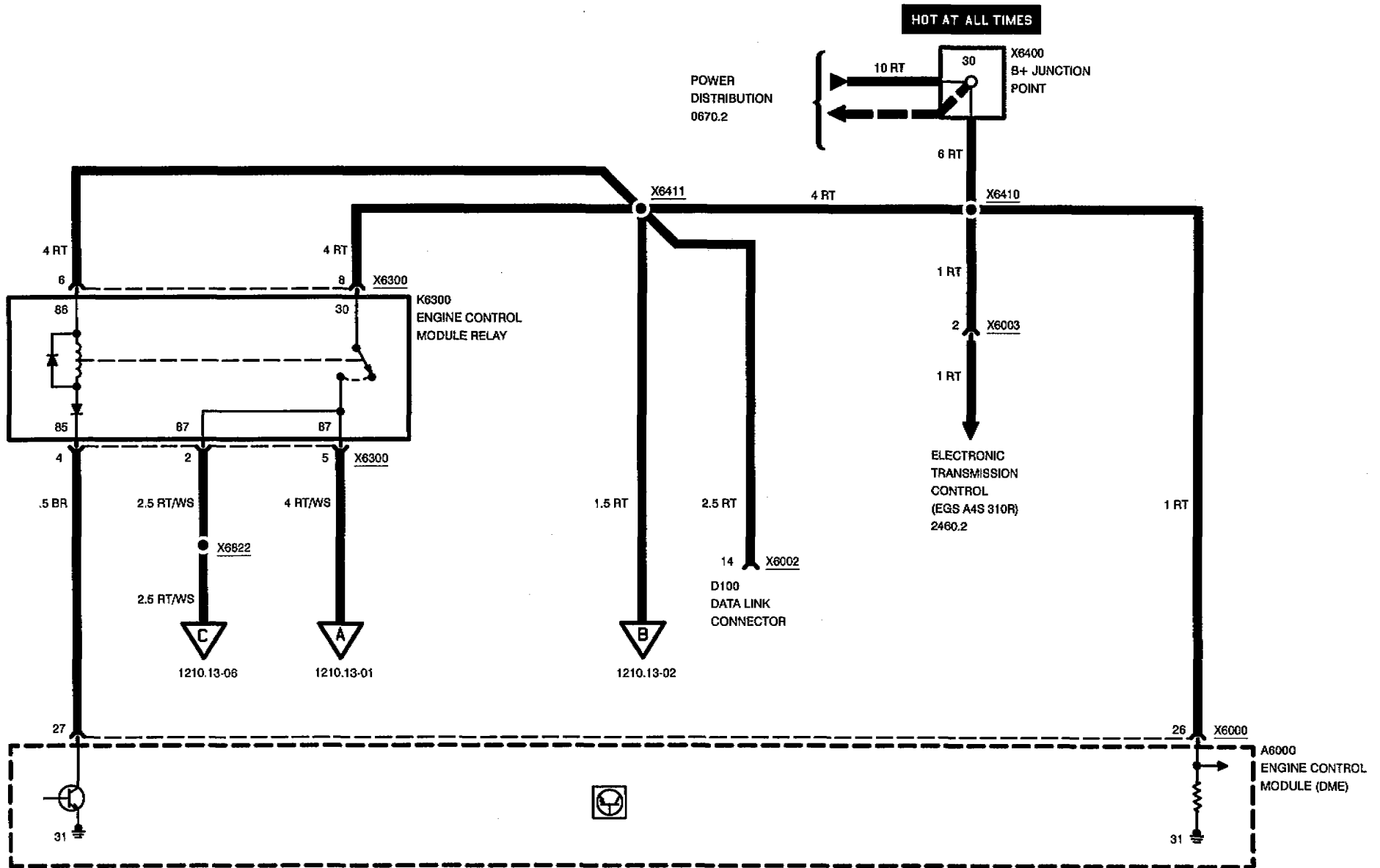
Pin	Type	Description/Function	Connection
58		Not used	
59	A	5V Component supply	Throttle position sensor
60	E	Programming voltage	Data link connector
61		Not used	
62	A	Throttle valve angle position signal	Slip control module (ABS/ASC+T)
63		Not used	
64	E	Compressor signal	Integrated climate regulation control module
65	E	A/C Pressure signal	Pressure switch
66	E	Drive-away protection signal (code)	Starter immobilization relay
67		Not used	
68		Not used	
69	E	Cyl. 4–6 knock sensor	Cyl. 4–6 knock sensor
70	E	Cyl. 1–3 knock sensor	Cyl. 1–3 knock sensor
71	M	Ground for knock sensors and shield	Cyl. 1–3 knock sensor, Cyl. 4–6 knock sensor and shields
72		Not used	
73	E	Throttle position	Throttle position sensor
74		Not used	
75		Not used	
76		Not used	
77	E	Engine intake air temperature	Engine intake air temperature sensor
78	E	Engine coolant temperature	Engine coolant temperature sensor
79		Not used	
80		Not used	
81	E	Drive range P/N	Transmission range switch
82	E	Throttle valve angle reduction	Slip control module (ABS/ASC+T)
83	E	Throttle valve angle increase	Slip control module (ABS/ASC+T)
84		Not used	
85		Not used	
86		Not used	
87	E	RxD diagnostic data line	Data link connector
88	E/A	TxD diagnostic data line	Data link connector

E = Input, A = Output, M = Ground



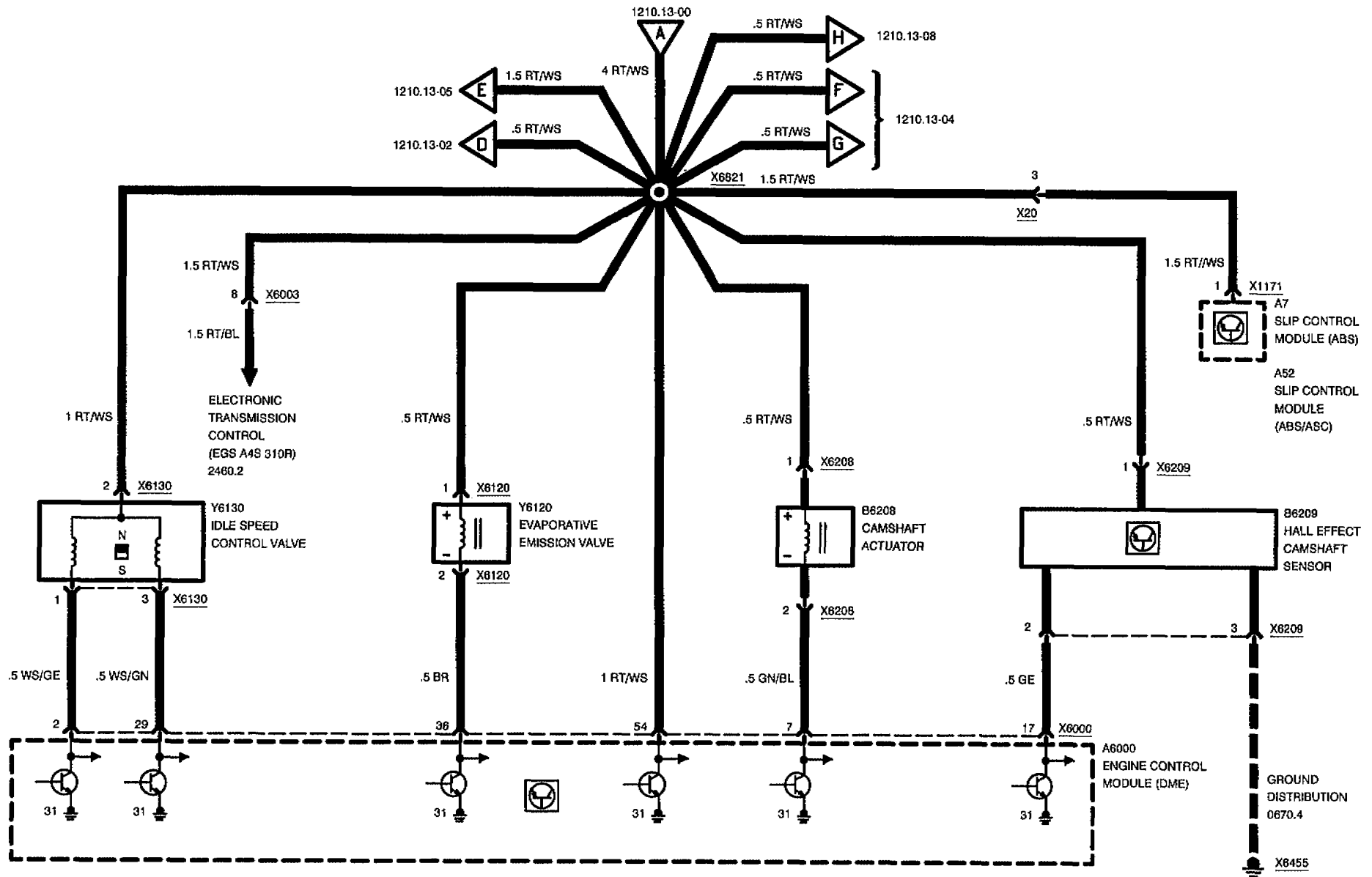
ENGINE CONTROL SYSTEM (DME M3.3.1, 6-CYLINDER M50)

POWER





ENGINE CONTROL SYSTEM (DME M3.3.1, 6-CYLINDER M50)

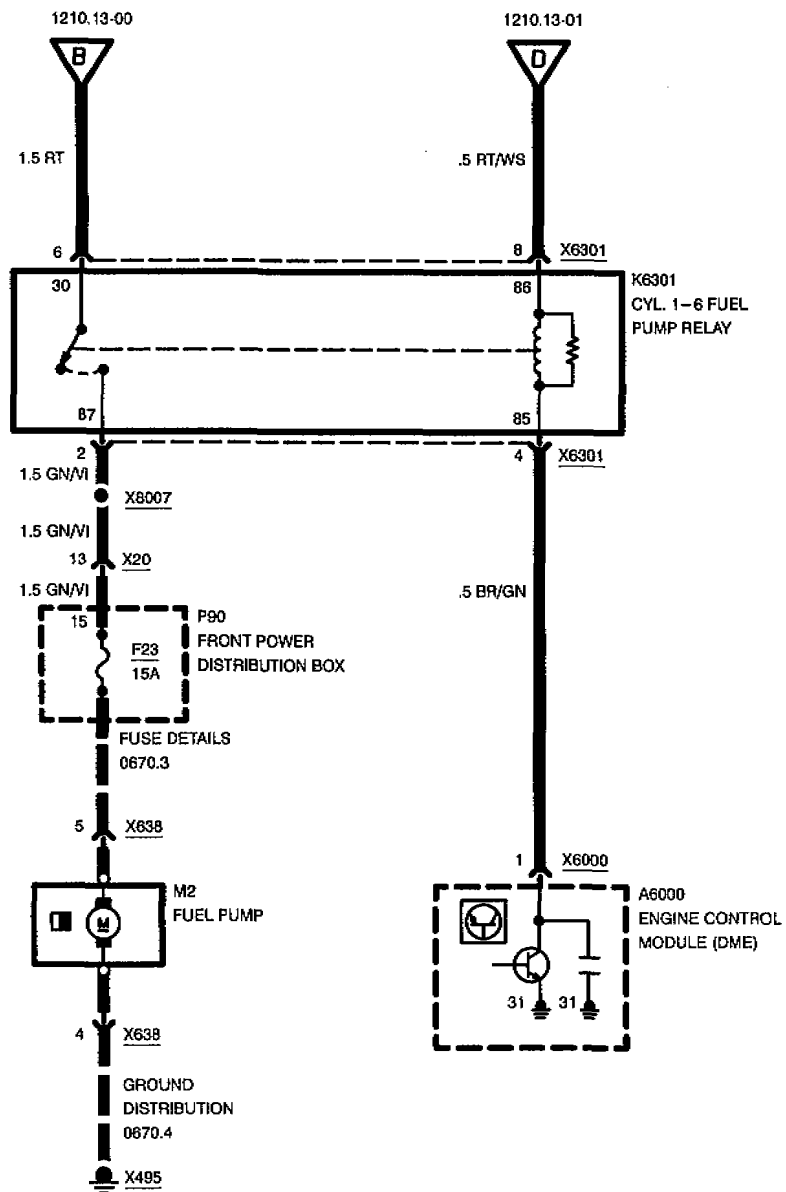
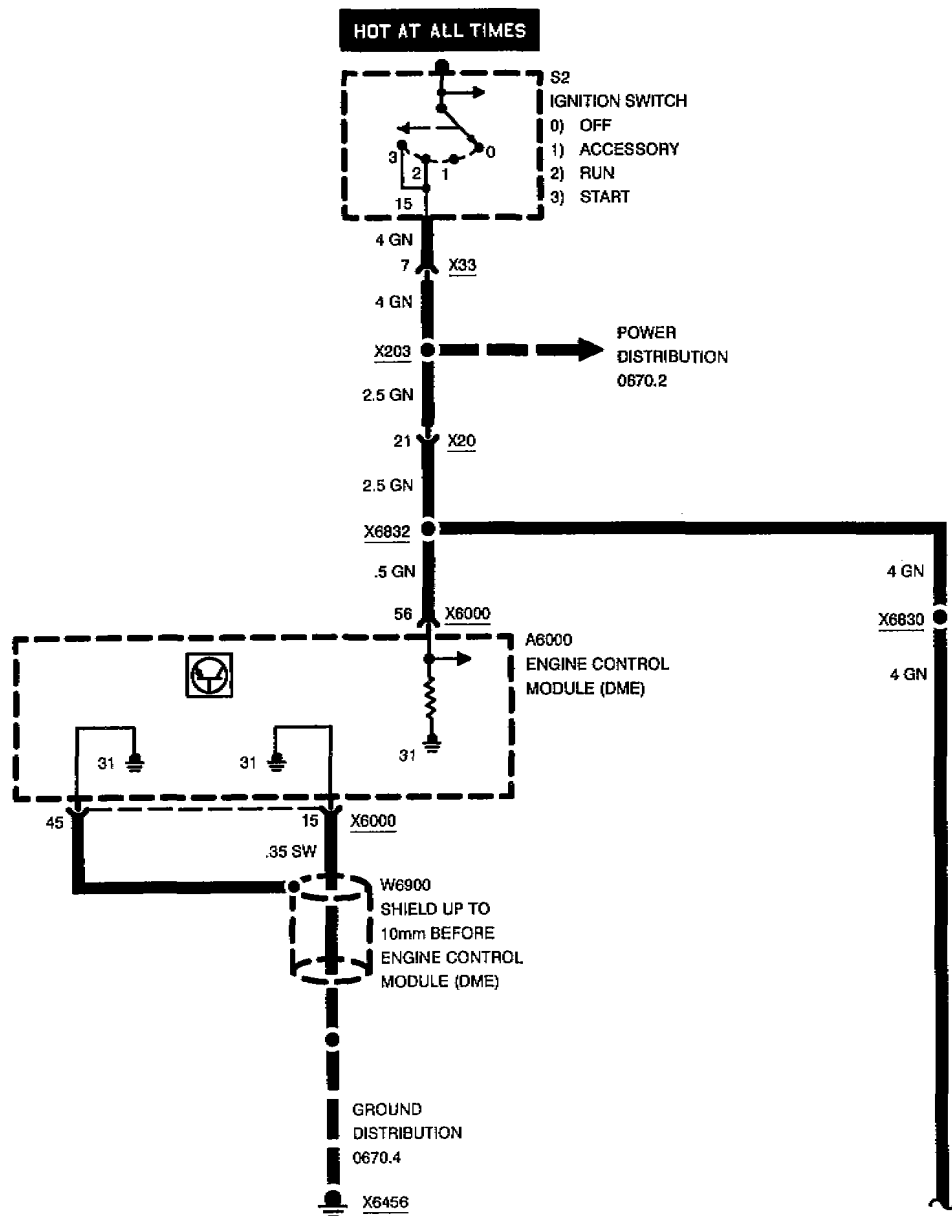


02/97
1210.13-01
1995

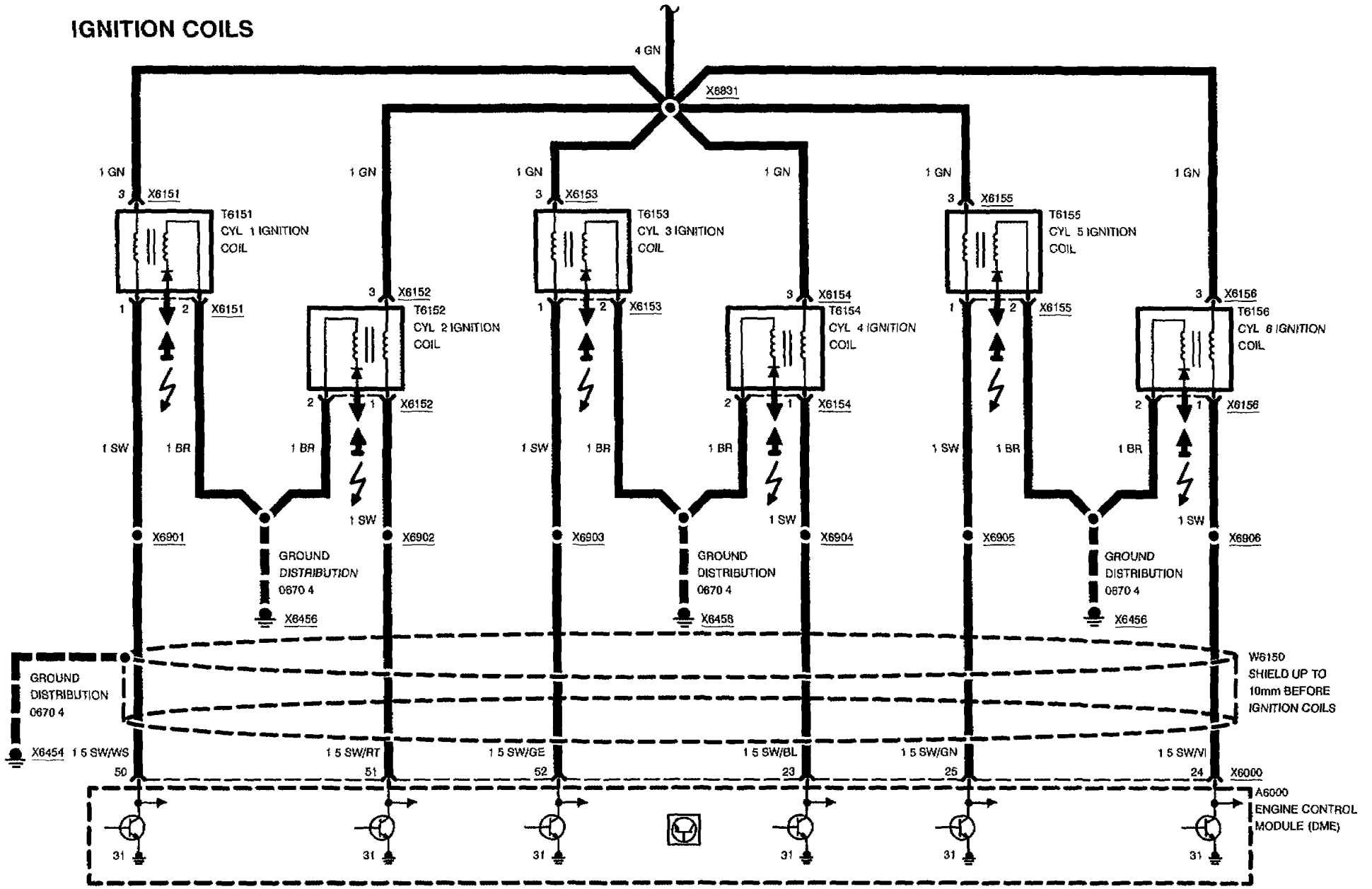


ENGINE CONTROL SYSTEM (DME M3.3.1, 6-CYLINDER M50)

FUEL PUMP



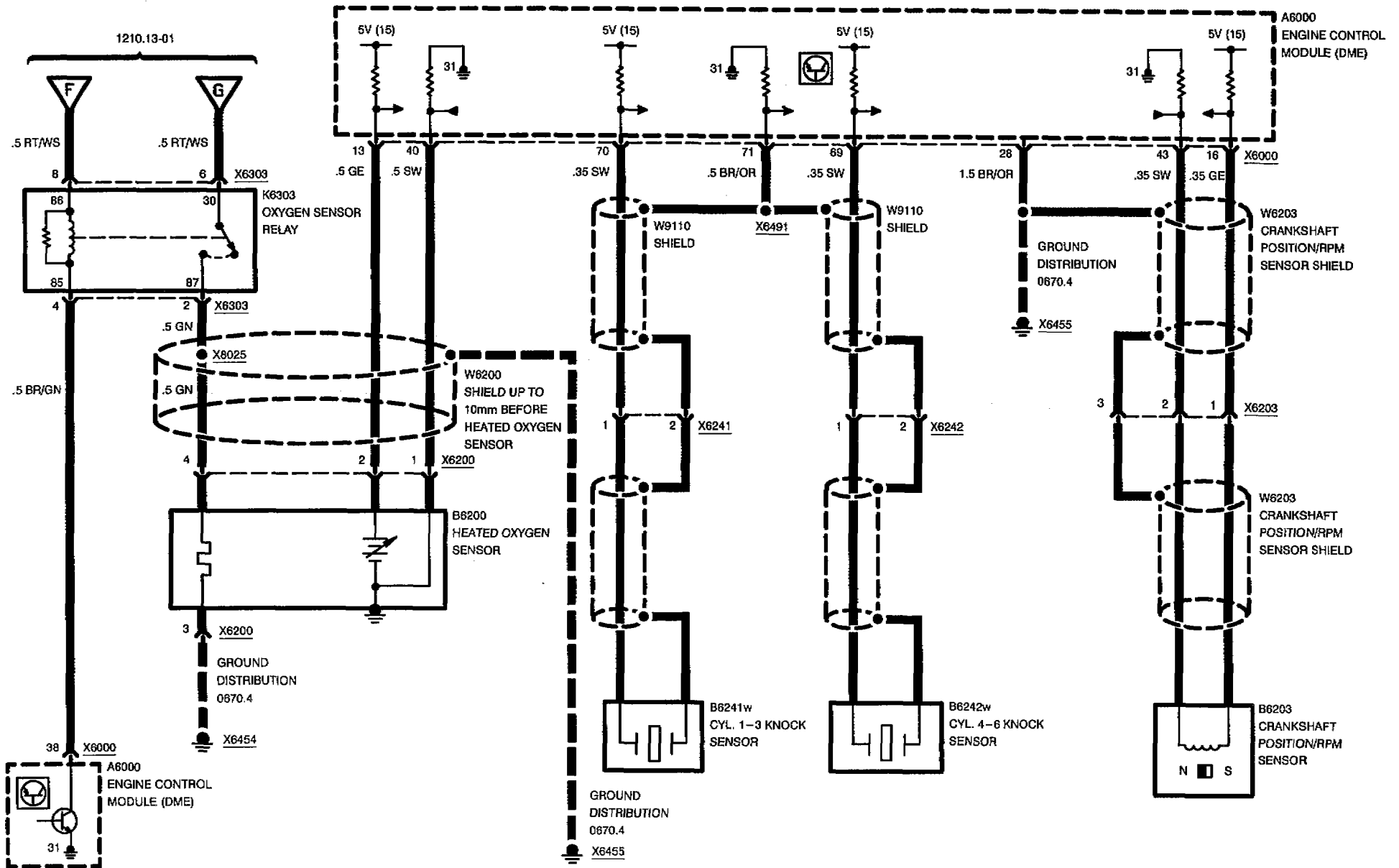
IGNITION COILS





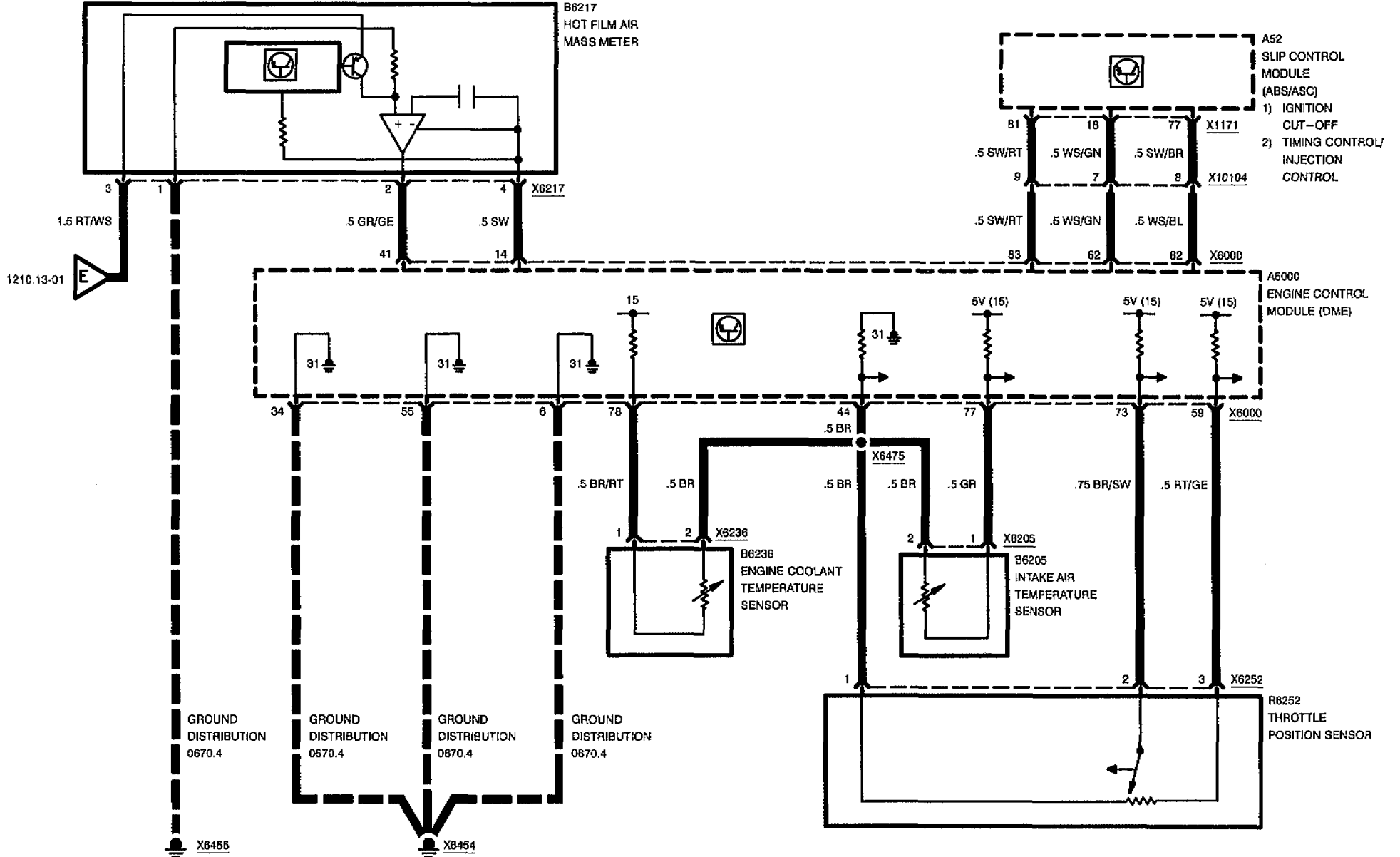
ENGINE CONTROL SYSTEM (DME M3.3.1, 6-CYLINDER M50)

SENSORS





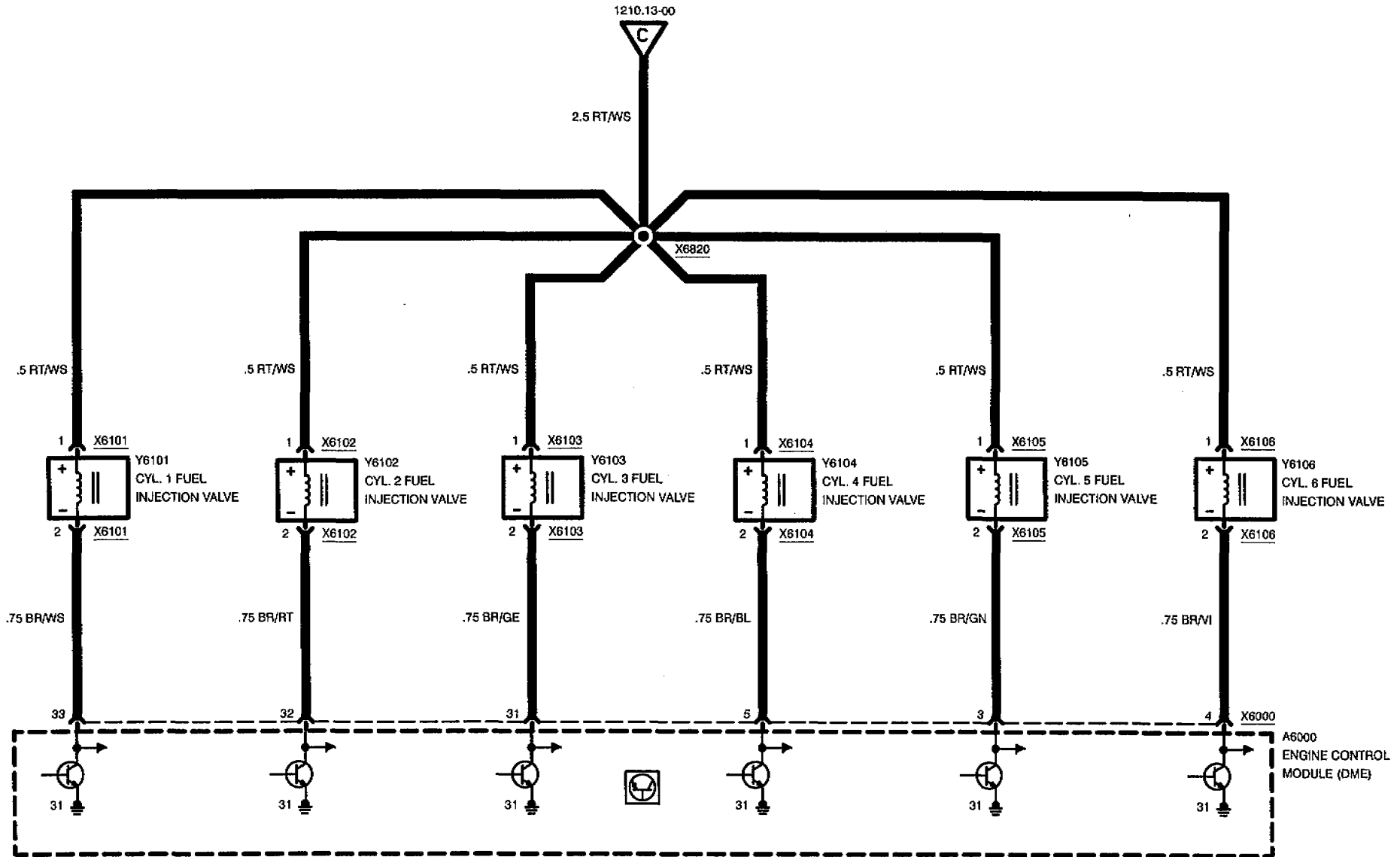
ENGINE CONTROL SYSTEM (DME M3.3.1, 6-CYLINDER M50)



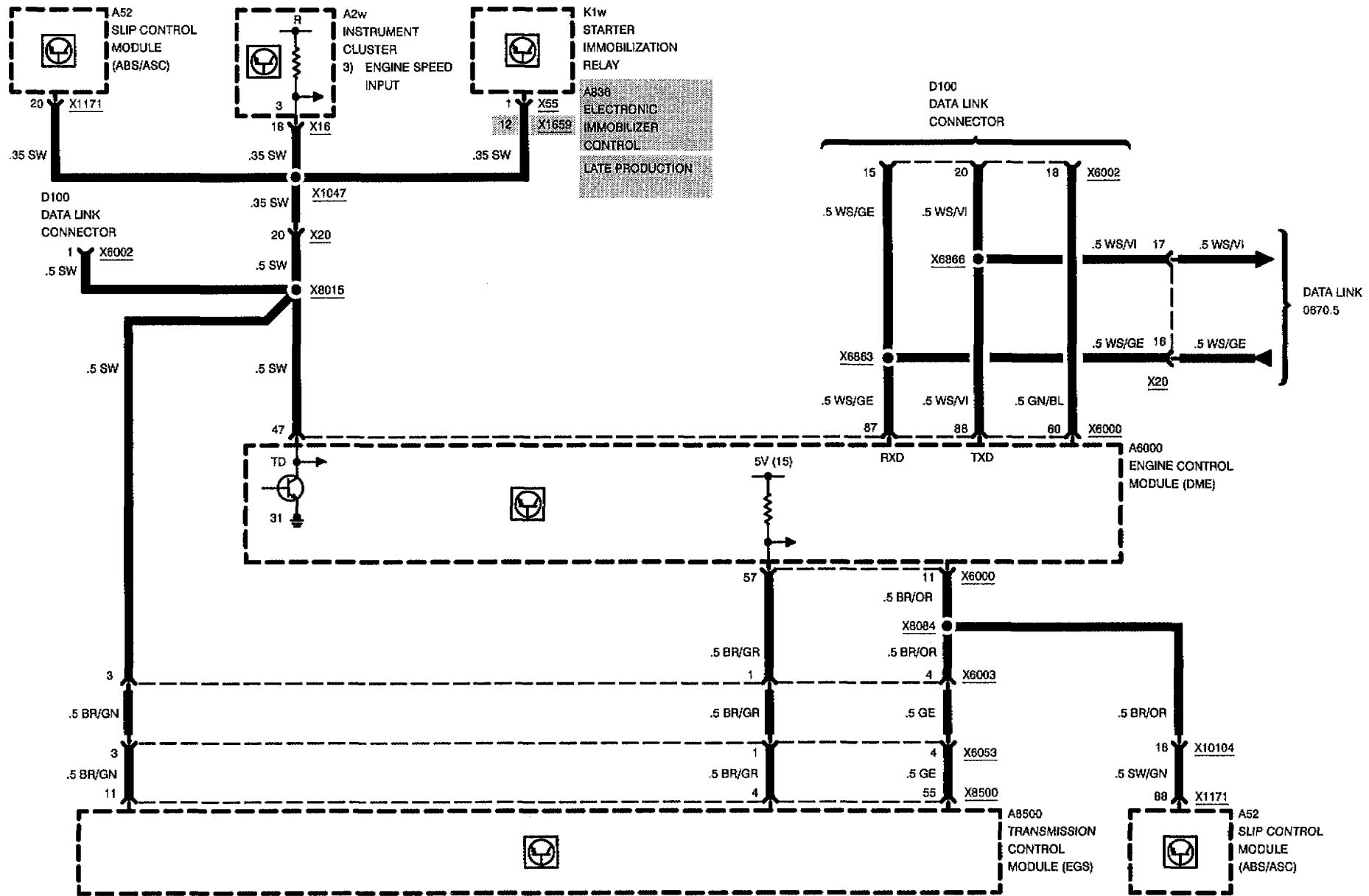


ENGINE CONTROL SYSTEM (DME M3.3.1, 6-CYLINDER M50)

FUEL INJECTION VALVES



BMW 5 ENGINE CONTROL SYSTEM (DME M3.3.1, 6-CYLINDER M50)

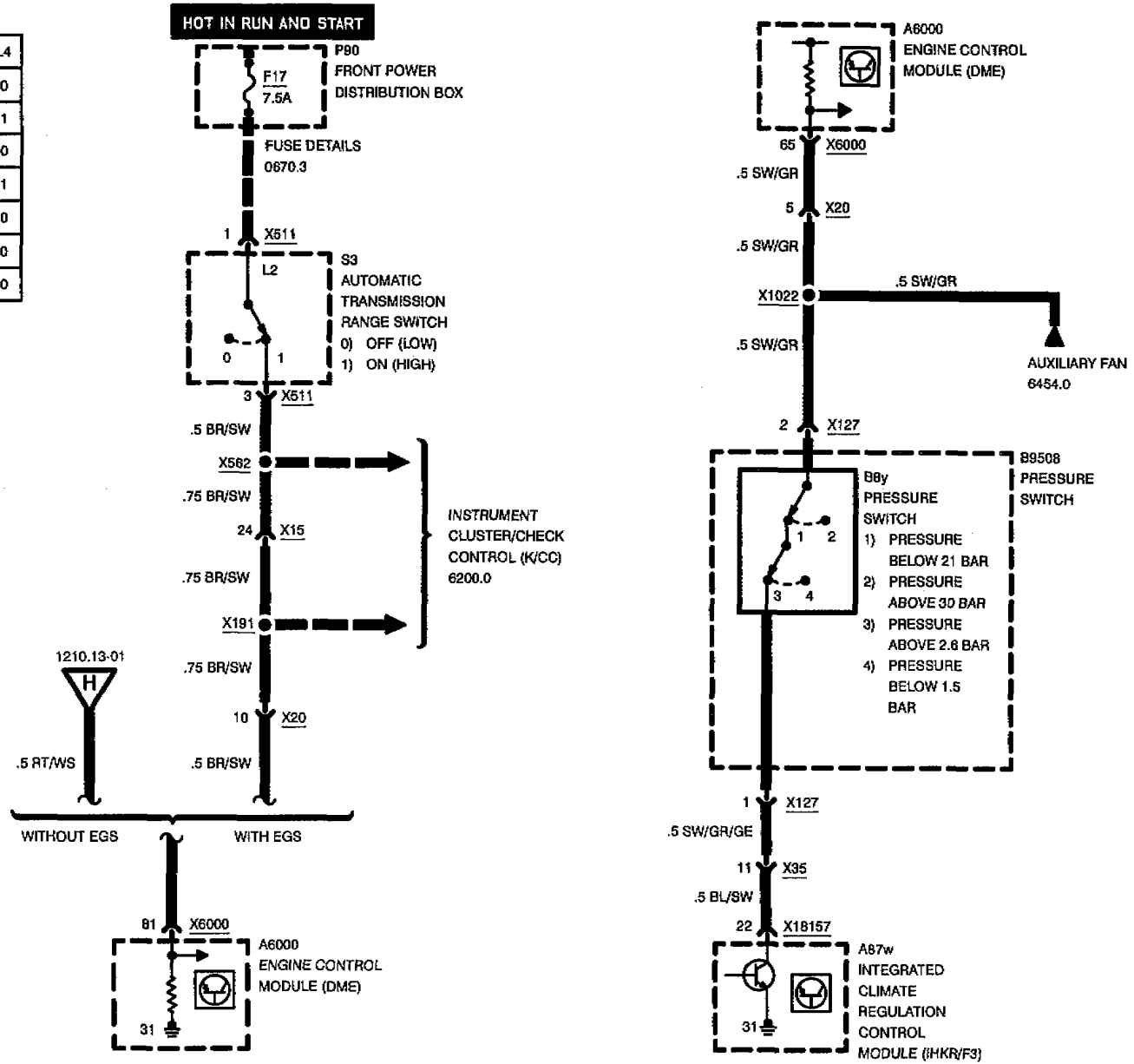


02/97
1210.13-07
1995

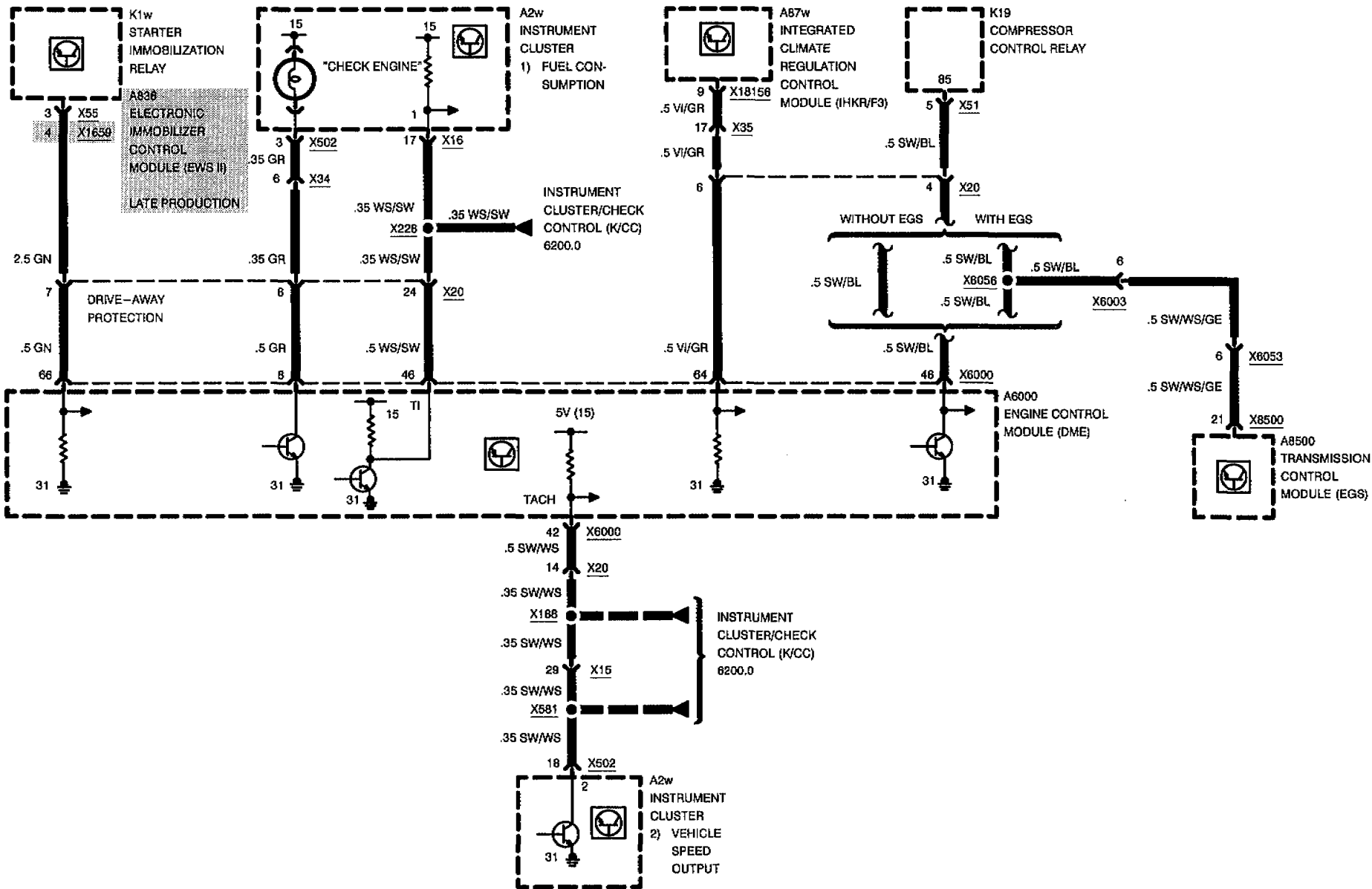


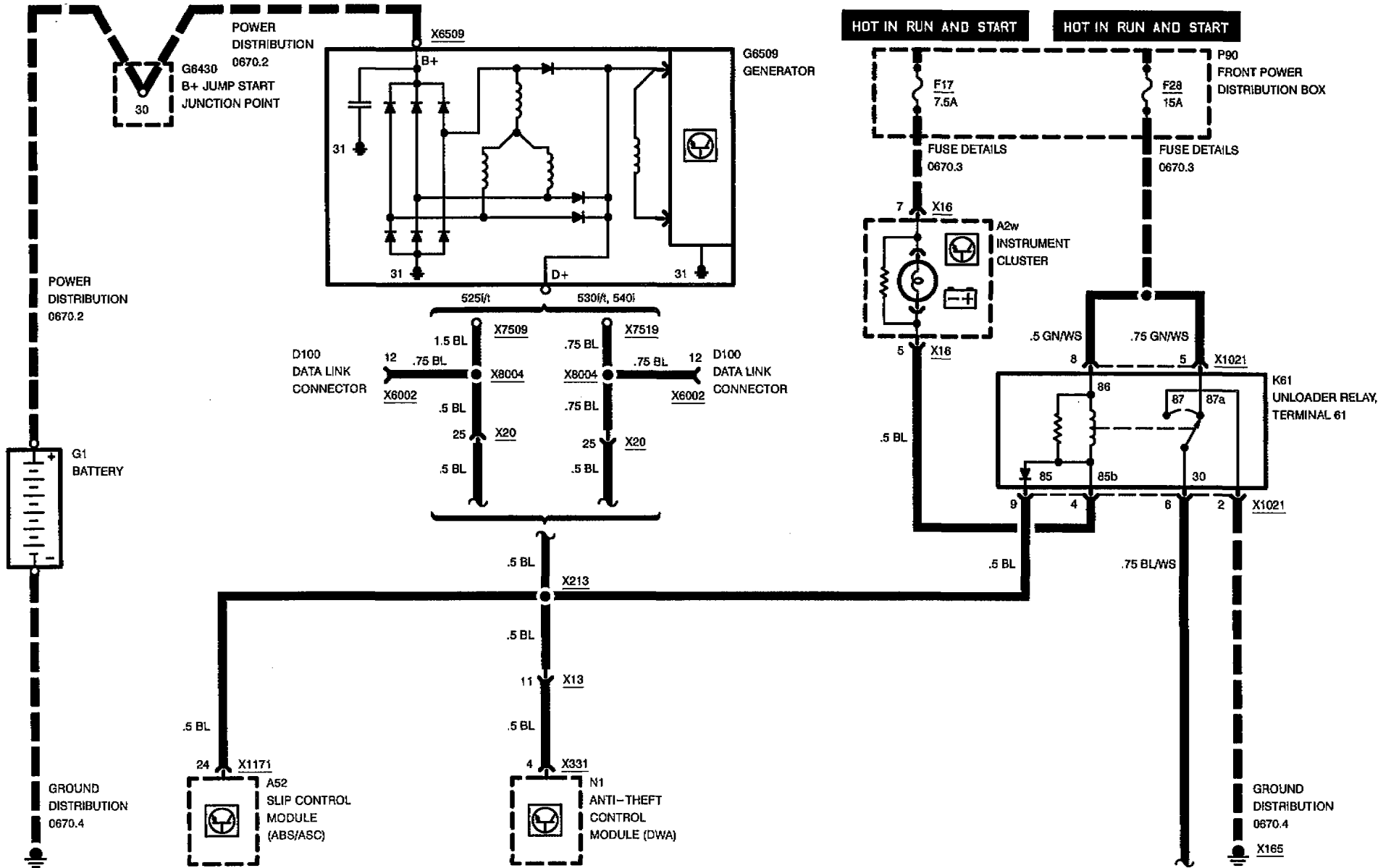
ENGINE CONTROL SYSTEM (DME M3.3.1, 6-CYLINDER M50)

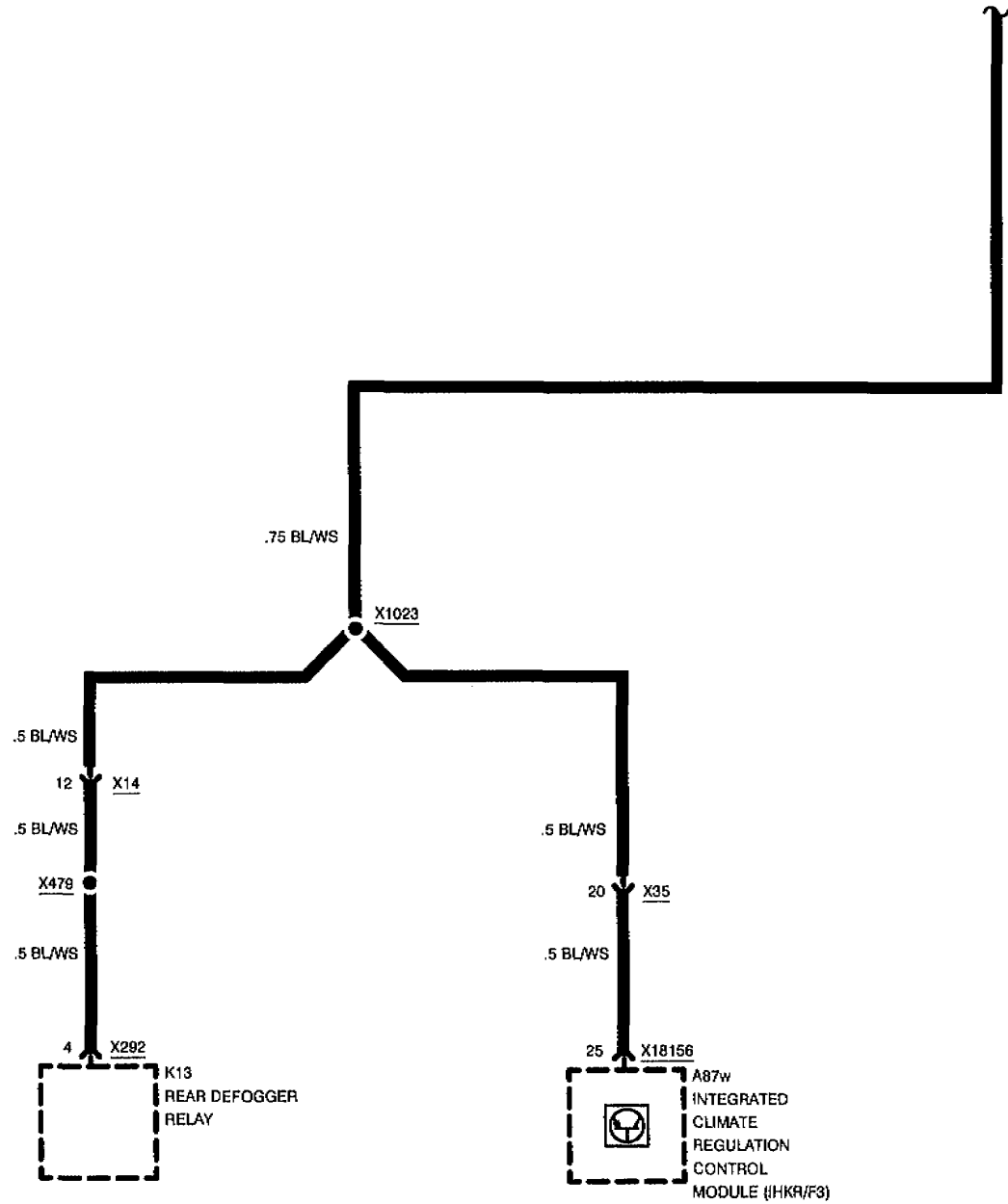
	L1	L2	L3	L4
P	1	1	0	0
R	1	0	0	1
N	0	1	1	0
D	0	0	0	1
3	0	0	1	0
2	1	0	0	0
1	1	0	1	0

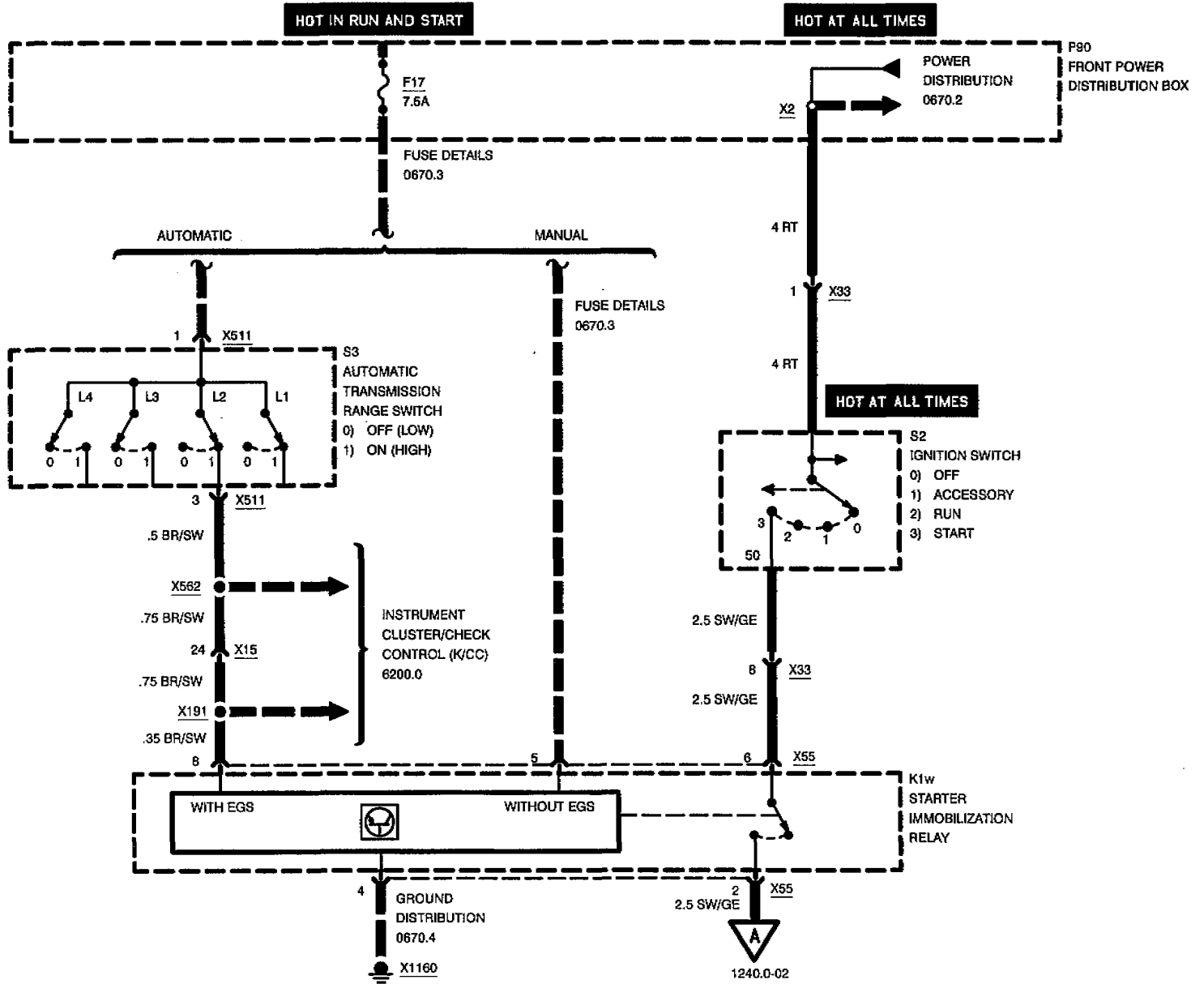


BMW 5 ENGINE CONTROL SYSTEM (DME M3.3.1, 6-CYLINDER M50)









AGS A5S 310Z
AGS A5S 560Z

	L1	L2	L3	L4
P	1	1	0	1
R	1	0	0	0
N	1	1	1	0
D	0	0	0	1
4	0	0	1	1
3	1	0	1	1
2	0	0	1	0

EGS A4S 310R

	L1	L2	L3	L4
P	1	1	0	0
R	1	0	0	1
N	0	1	1	0
D	0	0	0	1
3	0	0	1	0
2	1	0	0	0
1	1	0	1	0



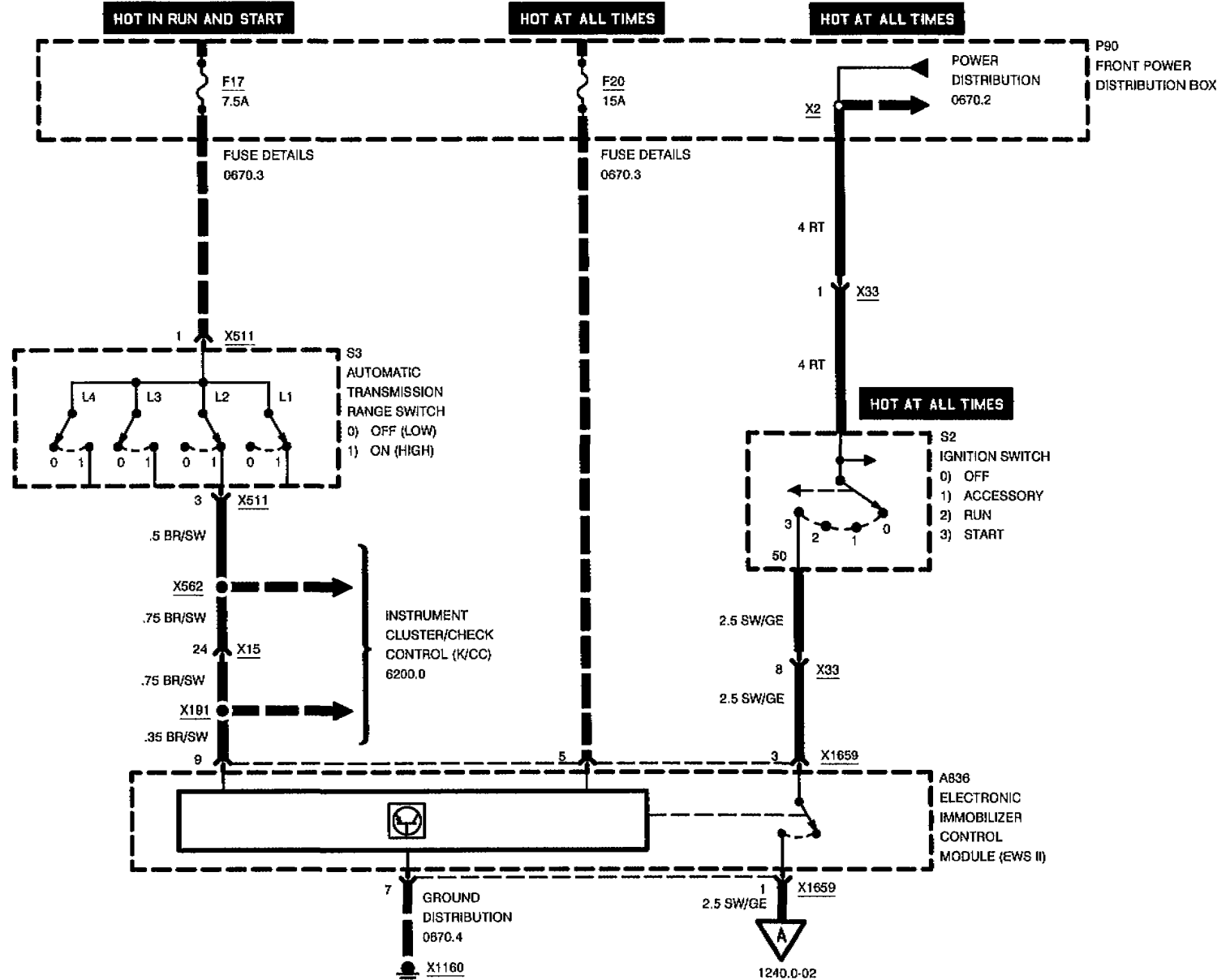
START

LATE PRODUCTION

02/97

1240.0-01

1995



AGS A5S 310Z
AGS A5S 580Z

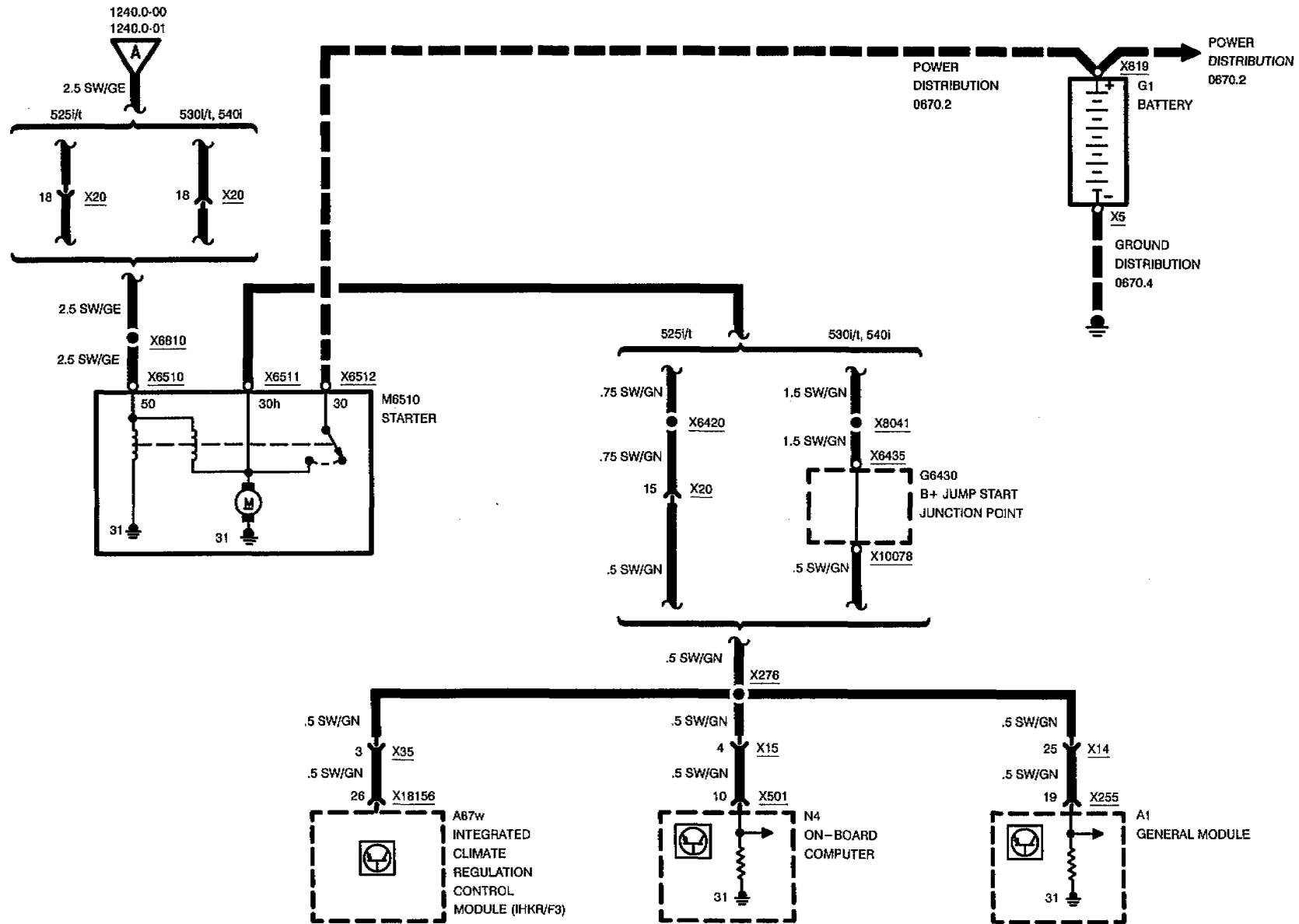
	L1	L2	L3	L4
P	1	1	0	1
R	1	0	0	0
N	1	1	1	0
D	0	0	0	1
4	0	0	1	1
3	1	0	1	1
2	0	0	1	0

EGS A4S 310R

	L1	L2	L3	L4
P	1	1	0	0
R	1	0	0	1
N	0	1	1	0
D	0	0	0	1
3	0	0	1	0
2	1	0	0	0
1	1	0	1	0



START



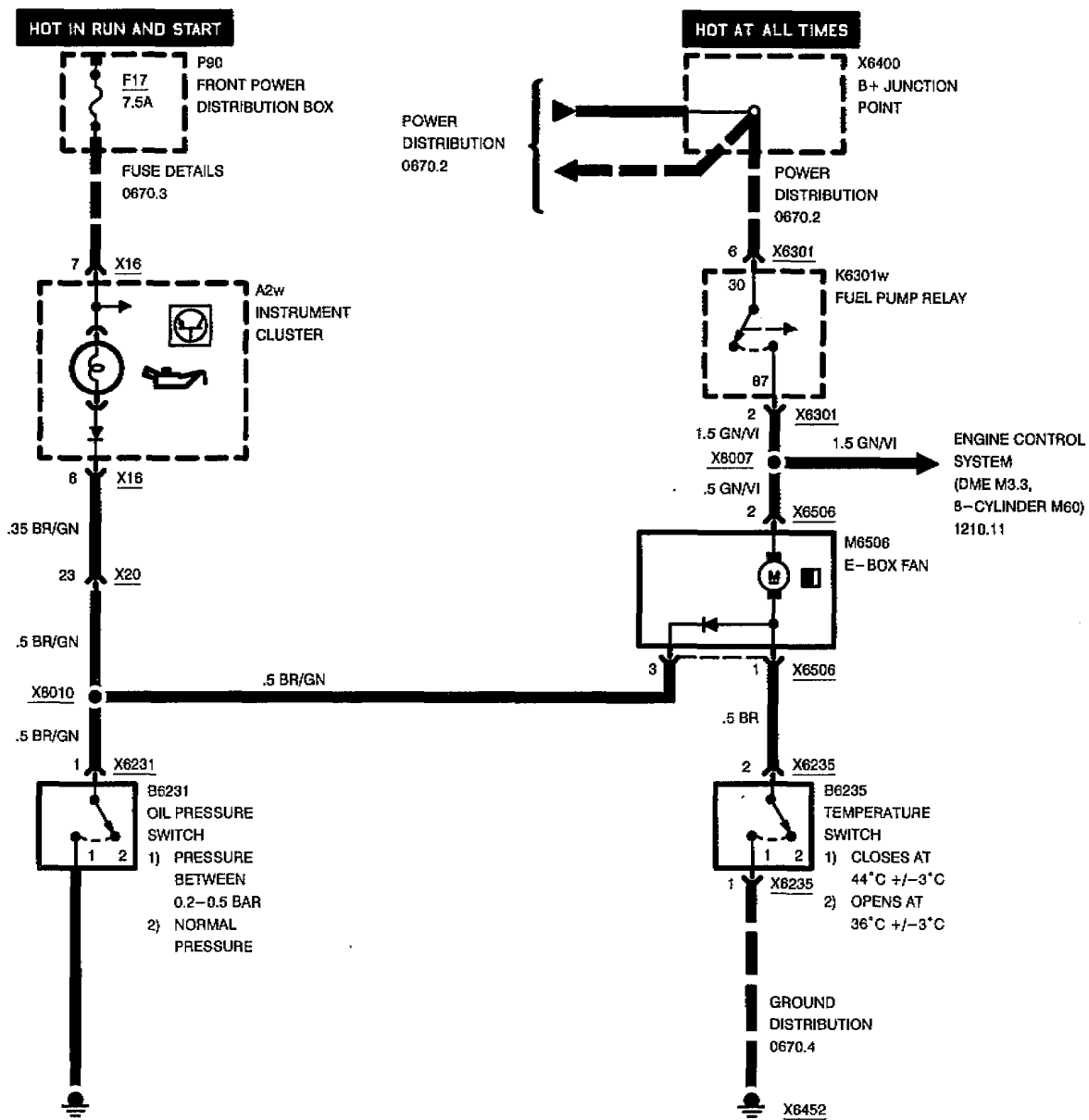
BMW
5

1290.0



E-BOX FAN

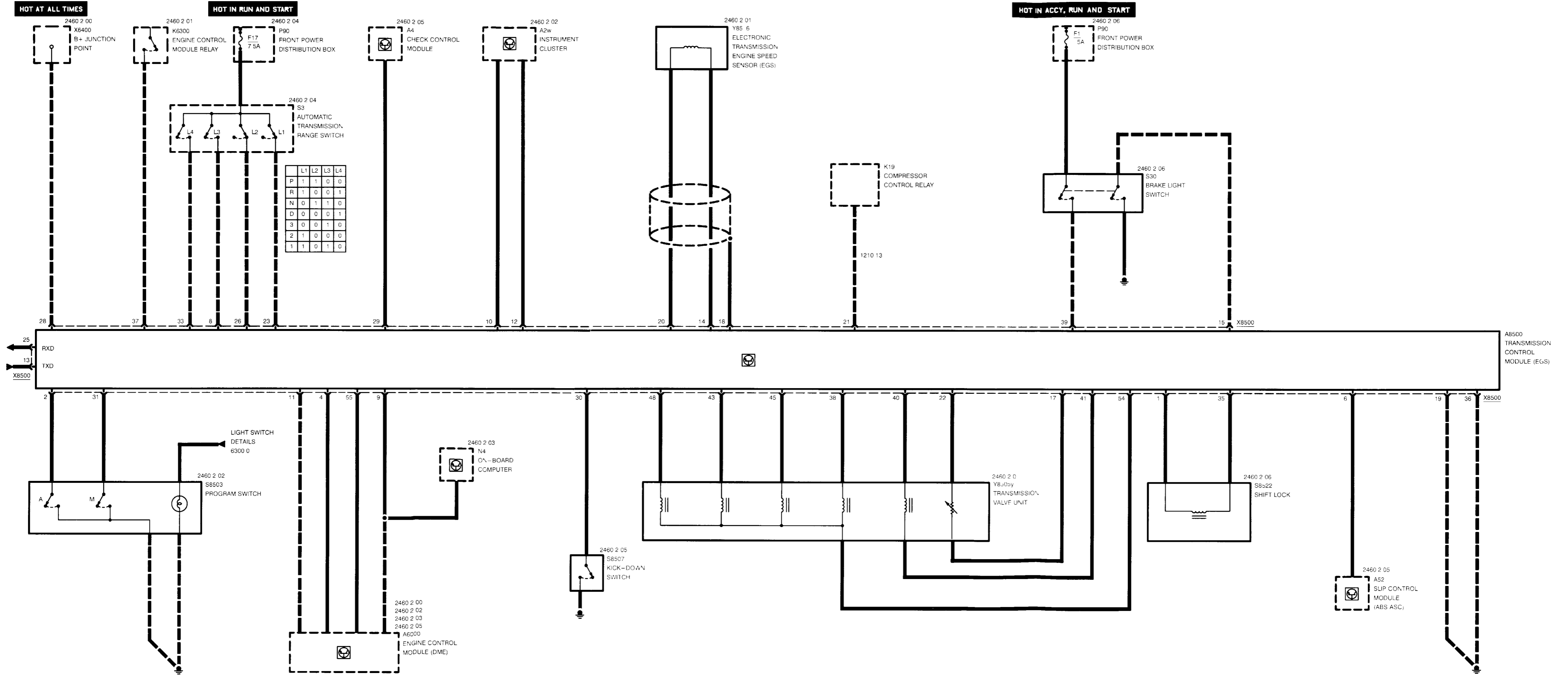
530i/t, 540i

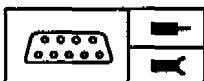


02/97

1290.0-00

1995



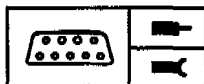


Pin Assignments

X8500

Pin	Type	Description/Function	Connection
1	A	Shift lock solenoid control	Shift lock
2	E	Automatic mode signal	Program switch
3		Not used	
4	A	Ignition timing intervention	Engine control module (DME)
5		Not used	
6	E	Transmission intervention signal	Slip control module (ABS/ASC+T)
7		Not used	
8	E	Gear range signal L3	Automatic transmission range switch
9	E	ti Measurement signal (fuel consumption)	Engine control module (DME)
10	A	Automatic mode indicator control	Instrument cluster
11	E	Crankshaft RPM speed signal TD	Engine control module (DME)
12	A	Manual mode indicator control	Instrument cluster
13	E/A	TxD diagnostic data link	Data link connector
14	E	Transmission output shaft speed (-)	Electronic transmission output shaft speed sensor (EGS)
15	E	Brake switch test signal	Brake light switch
16		Not used	
17	E	Oil temperature signal (analog ground)	Transmission gear shift unit
18	A	Shield ground	Electronic transmission output shaft speed sensor (EGS) shield
19	M	Ground, power	Ground point
20	E	Transmission output shaft speed (+)	Electronic transmission output shaft speed sensor (EGS)
21	E	A/C compressor ON signal	Compressor control relay
22	E	Oil temperature signal (+)	Transmission gear shift unit
23	E	Gear range signal L1	Automatic transmission range switch
24		Not used	
25	E	RxD diagnostic data link	Data link connector
26	E	Gear range signal L2	Automatic transmission range switch
27		Not used	
28	E	Terminal 30 voltage supply	B+ Junction Point

E = Input, A = Output, M = Ground



Pin Assignments

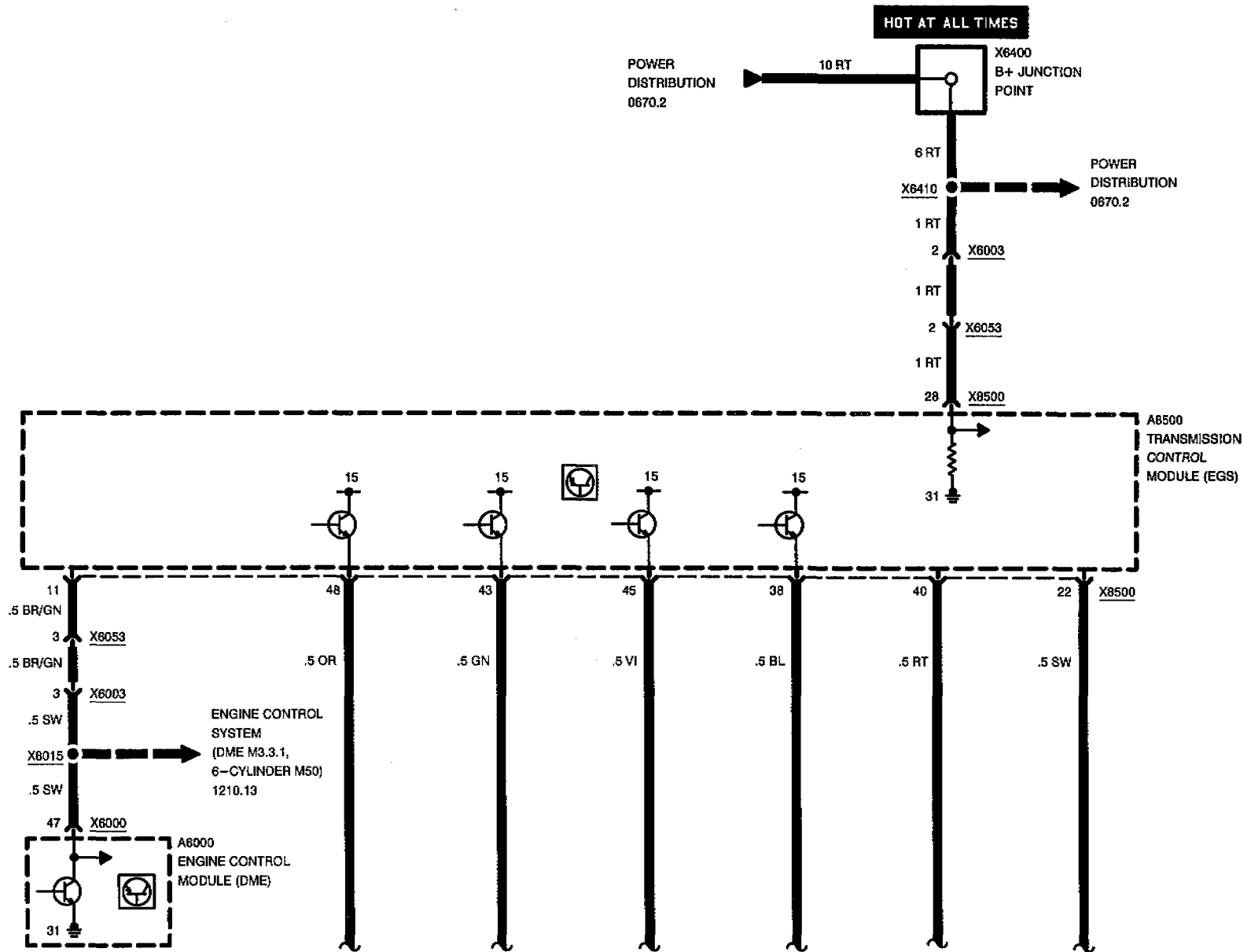
Pin	Type	Description/Function	Connection
29	A	Fault indicator signal	Check control module
30	E	Kick-down signal	Kick down switch
31	E	Manual mode signal	Program switch
32		Not used	
33	E	Gear range signal L4	Automatic transmission range switch
34		Not used	
35	A	Ground, shift lock solenoid	Shift lock
36	M	Ground, electronic	Ground point
37	E	Voltage supply	Engine control module
38	A	Torque converter clutch solenoid valve control	Transmission gear shift unit
39	E	Brake pedal position	Brake light switch
40	A	Hydraulic pressure regulator control (+)	Transmission gear shift unit
41	A	Hydraulic pressure regulator control (-)	Transmission gear shift unit
42		Not used	
43	A	Solenoid valve 2 control (+)	Transmission gear shift unit
44		Not used	
45	A	Band solenoid control (+)	Transmission gear shift unit
46		Not used	
47		Not used	
48	A	Solenoid valve 1 control (+)	Transmission gear shift unit
49		Not used	
50		Not used	
51		Not used	
52		Not used	
53		Not used	
54	A	Solenoid valves ground control	Transmission gear shift unit
55	E	Throttle position signal	Engine control module (DME)

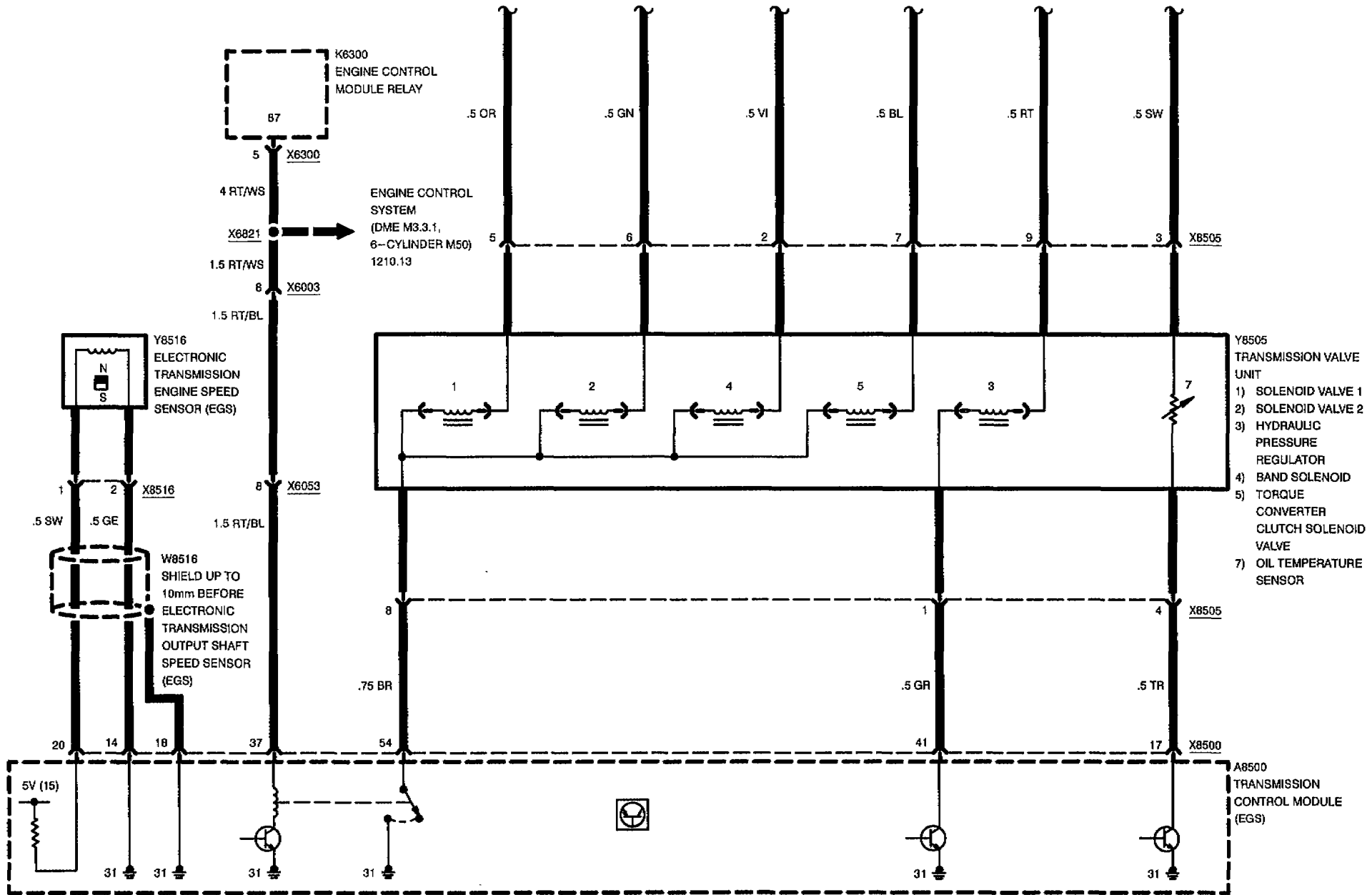
E = Input, A = Output, M = Ground





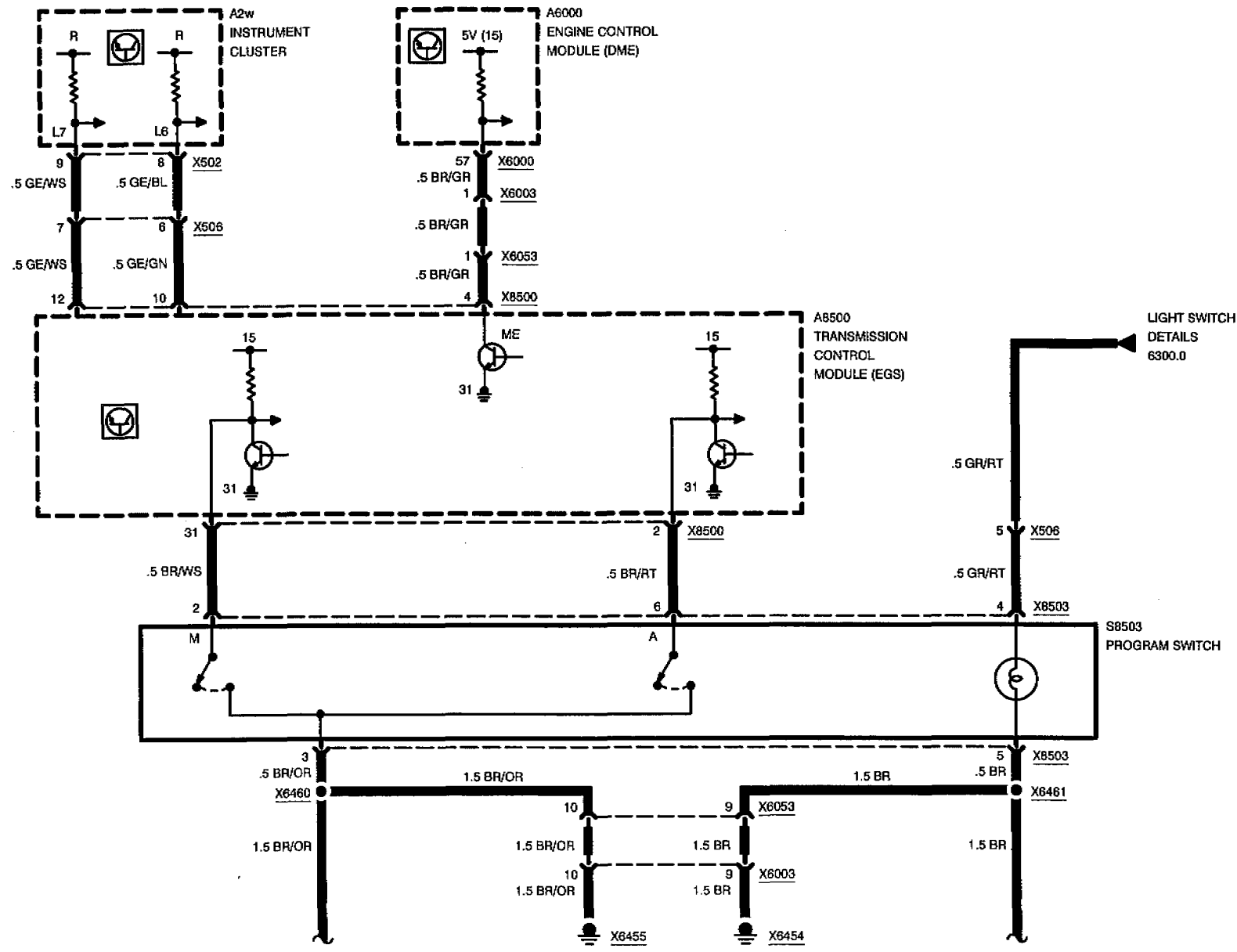
ELECTRONIC TRANSMISSION CONTROL (EGS A4S 310R)





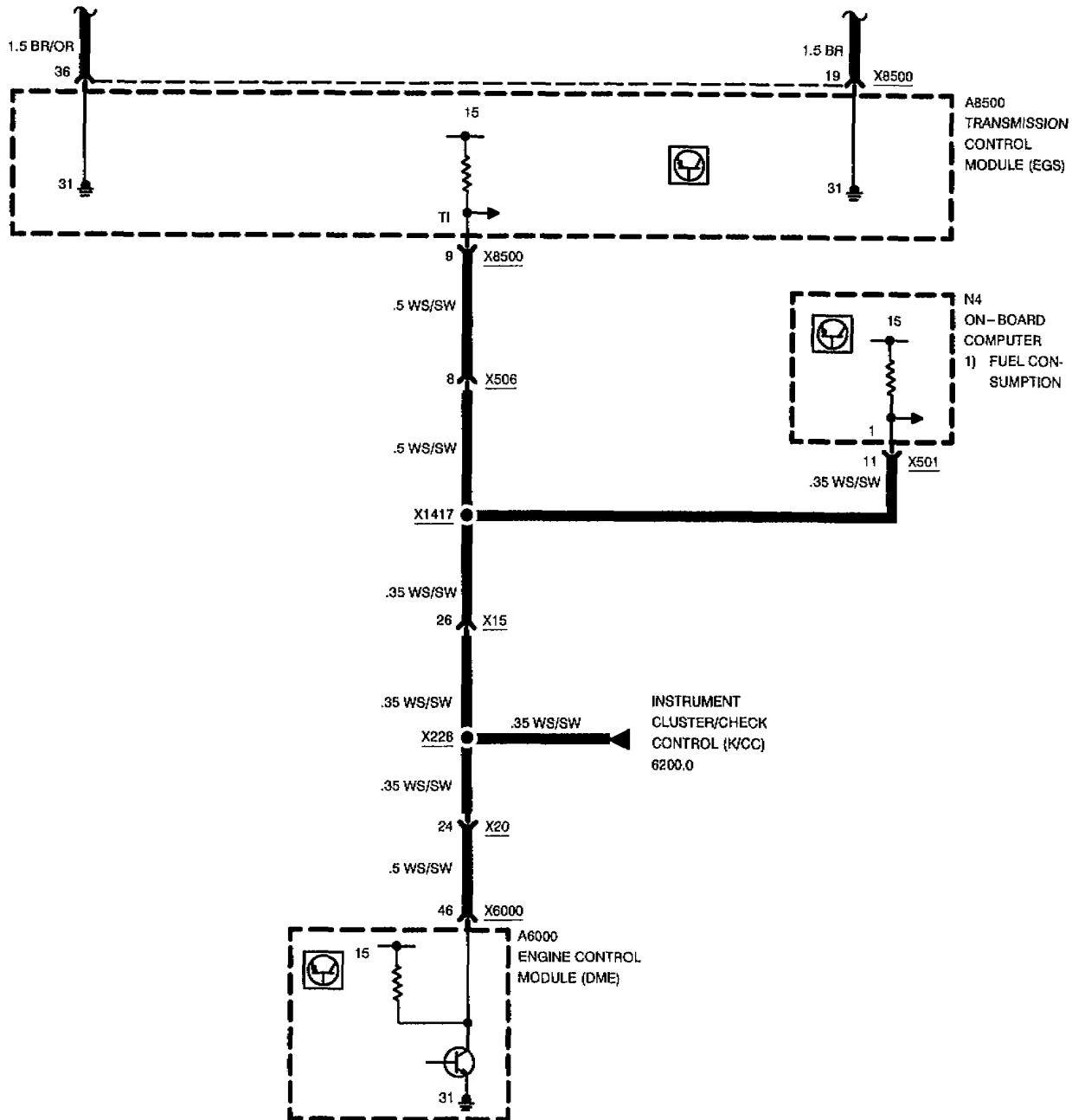


ELECTRONIC TRANSMISSION CONTROL (EGS A4S 310R)



LIGHT SWITCH
DETAILS
6300.0

S8503
PROGRAM SWITCH





ELECTRONIC TRANSMISSION CONTROL (EGS A4S 310R)

02/97

2460.2-04

1995

HOT IN RUN AND START

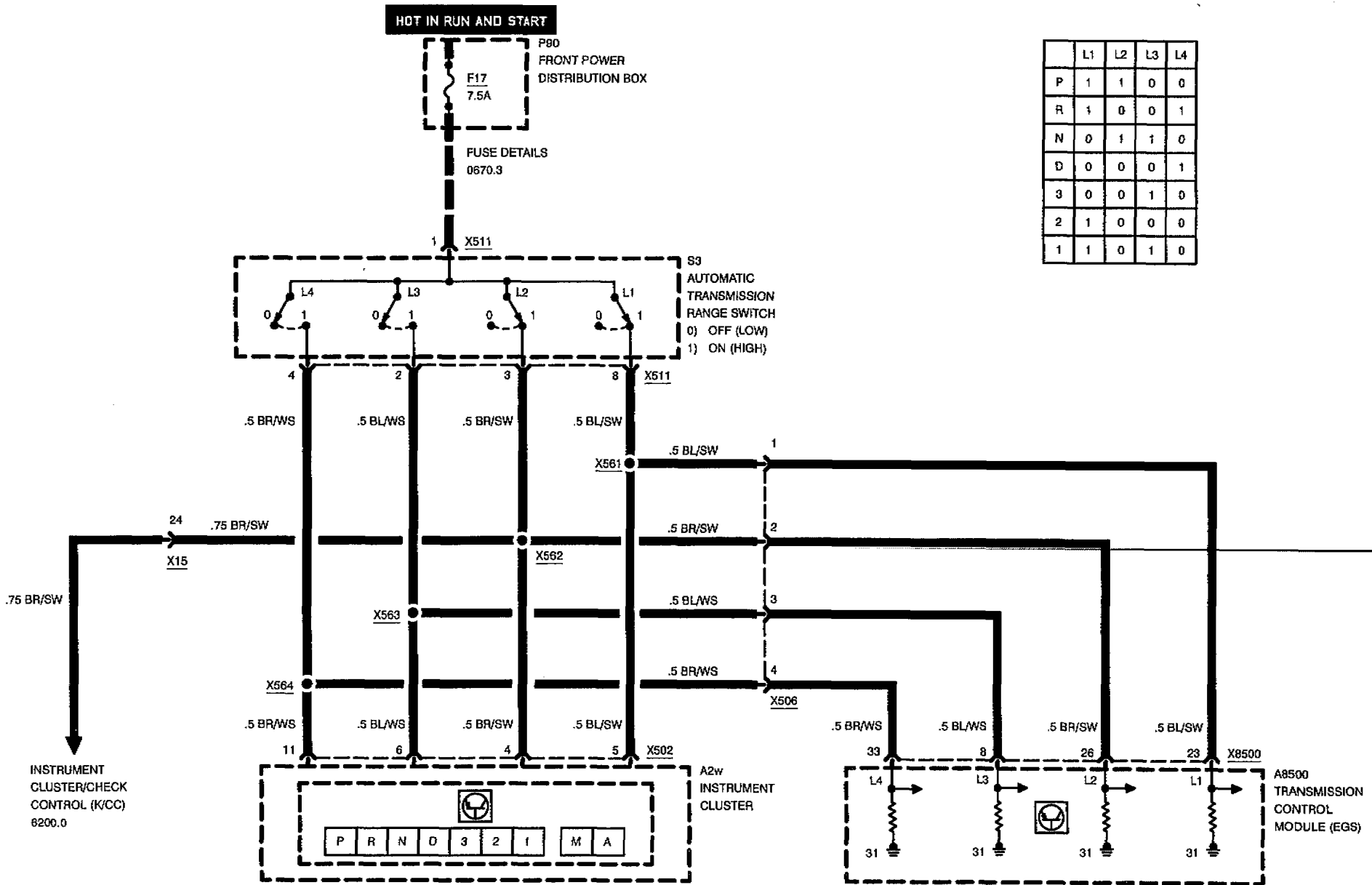
P80
FRONT POWER
DISTRIBUTION BOX

FUSE DETAILS
0670.3

X511

S3
AUTOMATIC
TRANSMISSION
RANGE SWITCH
0) OFF (LOW)
1) ON (HIGH)

	L1	L2	L3	L4
P	1	1	0	0
R	1	0	0	1
N	0	1	1	0
D	0	0	0	1
3	0	0	1	0
2	1	0	0	0
1	1	0	1	0



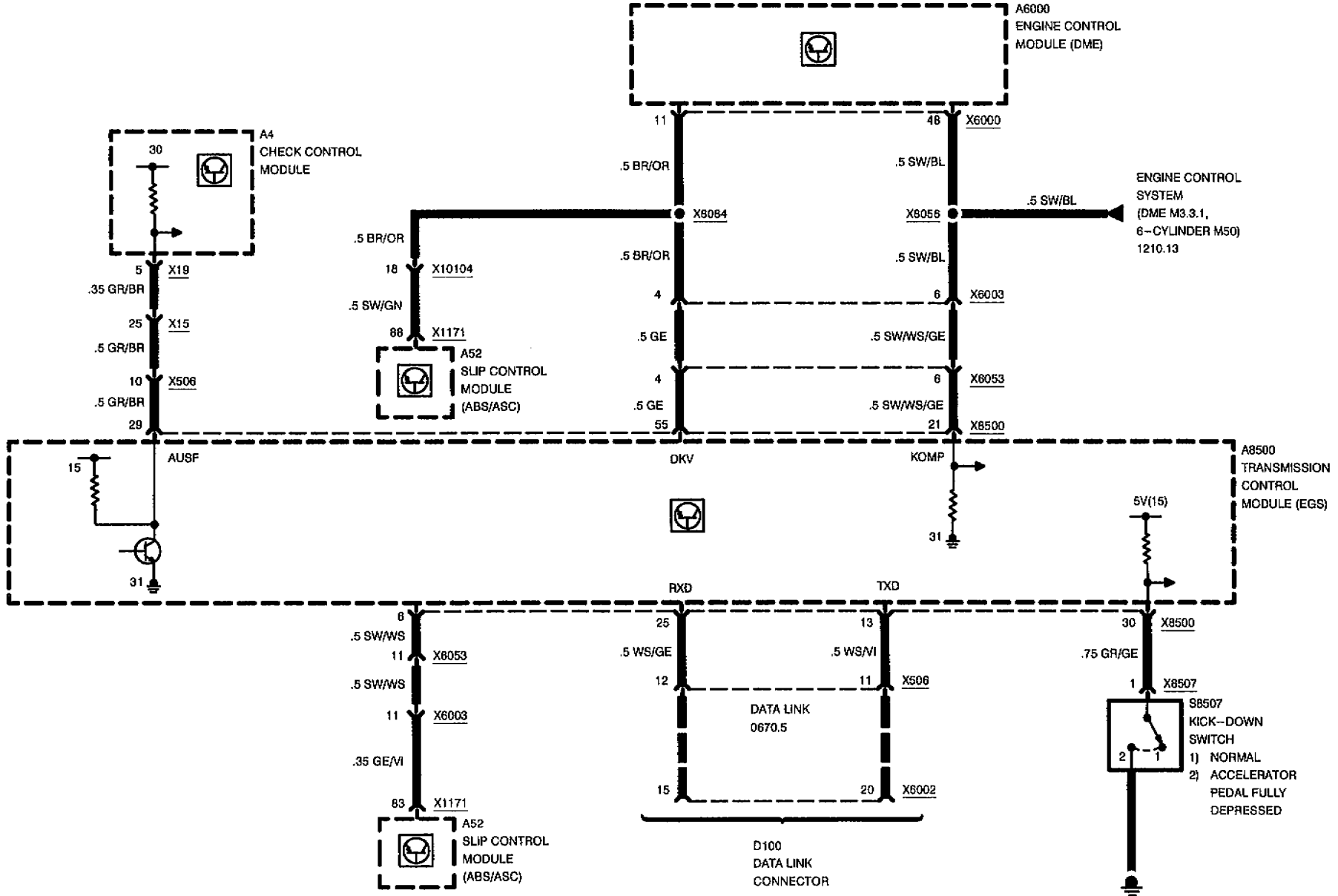
INSTRUMENT
CLUSTER/CHECK
CONTROL (K/CC)
8200.0

A2w
INSTRUMENT
CLUSTER

A8500
TRANSMISSION
CONTROL
MODULE (EGS)

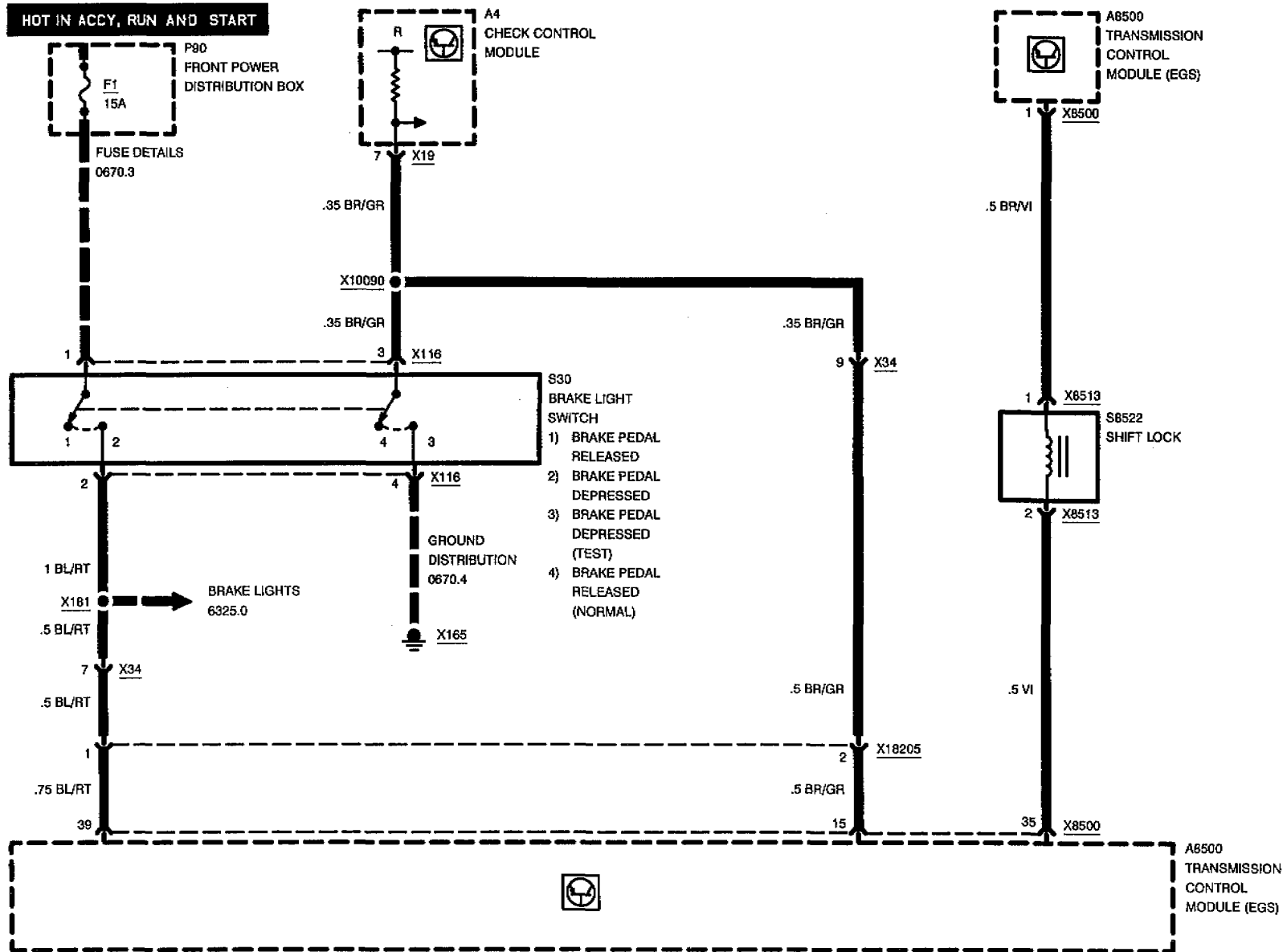


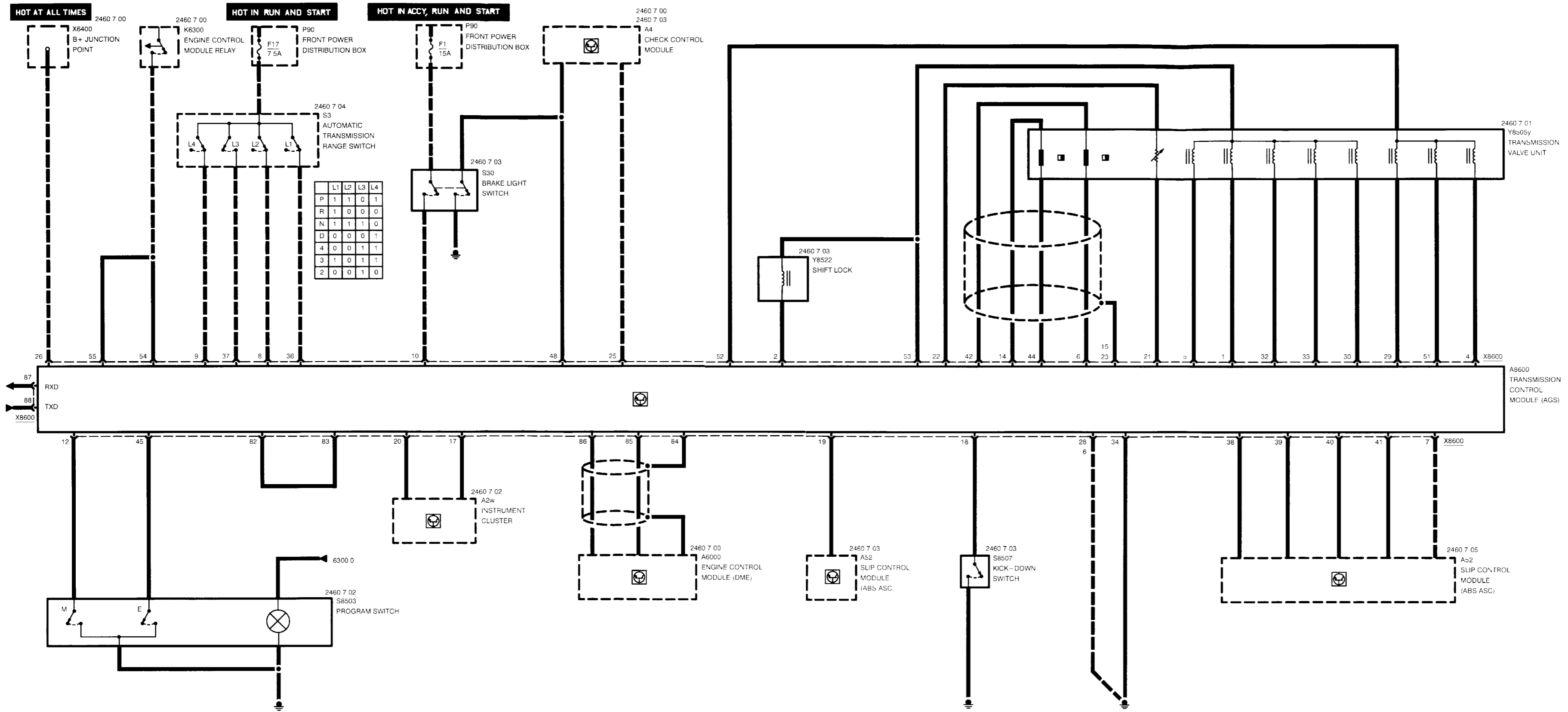
ELECTRONIC TRANSMISSION CONTROL (EGS A4S 310R)

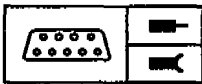




ELECTRONIC TRANSMISSION CONTROL (EGS A4S 310R)





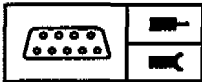


Pin Assignments

X8600

Pin	Type	Description/Function	Connection
1	A	Activation, pressure regulator 2	Transmission gear shift unit
2	A	Activation, PN shift lock	Shift lock
3		Not used	
4	A	Activation, pressure regulator 4	Transmission gear shift unit
5	A	Activation, pressure regulator 1	Transmission gear shift unit
6	M	Ground, electronics	Ground connection
7	E	ASC passive button voltage signal	Slip control module (ABS/ASC+T)
8	E	Position switch L2	Selector lever
9	E	Position switch L4	Selector lever
10	E	Brake pedal signal	Brake light switch
11		Not used	
12	E	S-program signal	Program switch
13		Not used	
14	E	Signal, output speed sensor (+)	Transmission gear shift unit
15	M	Shield	Speed sensor
16	E	Signal, turbine speed (+)	Transmission gear shift unit
17	A	L5 M-program	Instrument cluster
18	E	Signal, kick down operated	Kick down switch
19	E	ABS/ASC signal	ABS/ASC control module
20	A	L6 A-program	Instrument cluster
21	M	Transmission temperature sensor (-)	Transmission gear shift unit
22	E	Transmission temperature sensor (+)	Transmission gear shift unit
23	M	Shield	Transmission control module (AGS)
24		Not used	
25	A	Signal, fault indicator	Check control module
26	E	Positive supply terminal 30	B+ junction point
27		Not used	
28	M	Ground, electronics	Ground connection
29	A	Activation, pressure regulator 3	Transmission gear shift unit
30	A	Activation, solenoid valve 1	Transmission gear shift unit

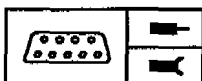
E = Input, A = Output, M = Ground



Pin Assignments

Pin	Type	Description/Function	Connection
31		Not used	
32	A	Activation, solenoid valve 3	Transmission gear shift unit
33	A	Activation, solenoid valve 2	Transmission gear shift unit
34	M	Ground, power	Ground connection
35		Not used	
36	E	Position switch L1	Selector lever
37	E	Position switch L3	Selector lever
38	E	Left front wheel speed signal (ABS/ASC+T)	Slip control module (ABS/ASC+T)
39	E	Right front wheel speed signal (ABS/ASC+T)	Slip control module (ABS/ASC+T)
40	E	Left rear wheel speed signal (ABS/ASC+T)	Slip control module (ABS/ASC+T)
41	E	Right rear wheel speed signal (ABS/ASC+T)	Slip control module (ABS/ASC+T)
42	E	Signal, output speed sensor (+)	Transmission gear shift unit
43		Not used	
44	E	Signal, turbine speed (-)	Transmission gear shift unit
45	E	Signal E-program	Program switch
46		Not used	
47		Not used	
48	E	Signal, brake test switch	Brake light switch
49		Not used	
50		Not used	
51	A	Activation pressure regulator 5	Transmission gear shift unit
52	A	Positive supply pressure regulator 3/4/5	Transmission gear shift unit
53	A	Positive supply pressure regulator 1/2 solenoid valves 1/2/3	Transmission gear shift unit
54	A	Positive supply terminal 15	Engine control module relay
55	A	Positive supply terminal 15	Engine control module relay
56		Not used	
57		Not used	
58		Not used	
59		Not used	

E = Input, A = Output, M = Ground

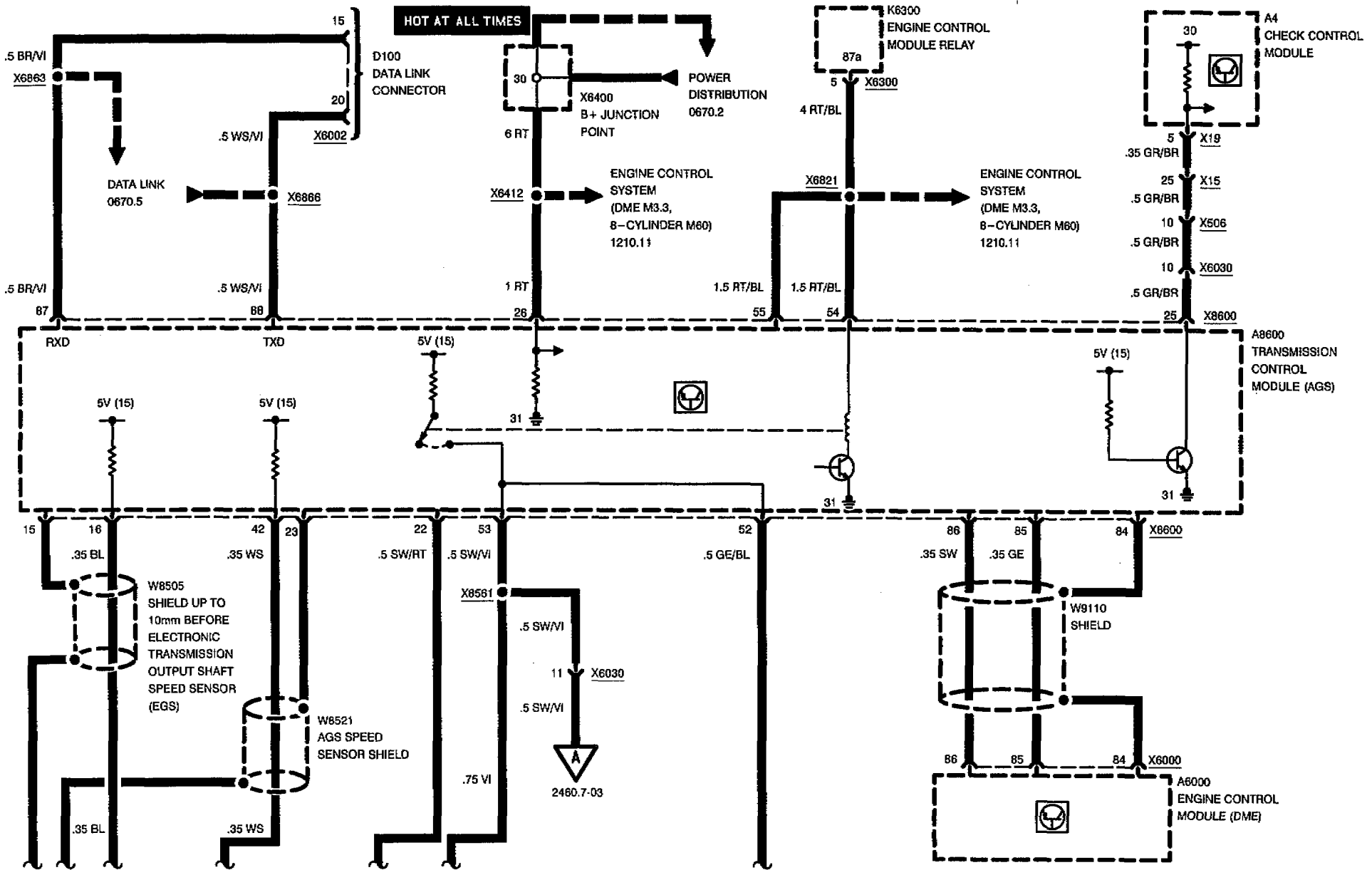


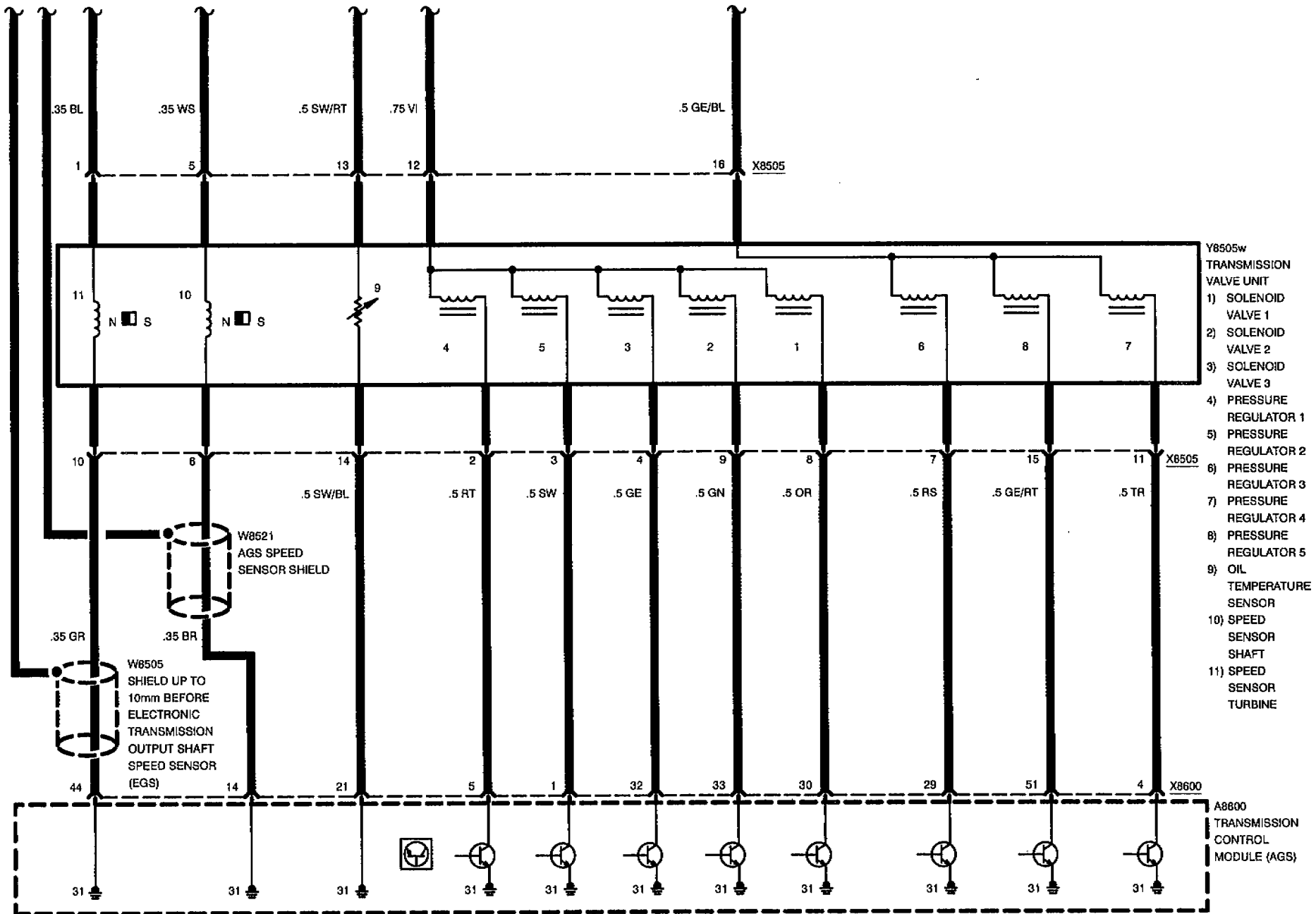
Pin Assignments

Pin	Type	Description/Function	Connection
60		Not used	
61		Not used	
62		Not used	
63		Not used	
64		Not used	
65		Not used	
66		Not used	
67		Not used	
68		Not used	
69		Not used	
70		Not used	
71		Not used	
72		Not used	
73		Not used	
74		Not used	
75		Not used	
76		Not used	
77		Not used	
78		Not used	
79		Not used	
80		Not used	
81		Not used	
82	E/A	CAN R1 bridged-out	Transmission control module (pin 83)
83	E/A	CAN R2 bridged-out	Transmission control module (pin 82)
84	M	Ground	Shield
85	E/A	CAN-L	Engine control module (DME)
86	E/A	CAN-H	Engine control module (DME)
87	E	RxD	Data link connector
88	E/A	TxD	Data link connector

E = Input, A = Output, M = Ground

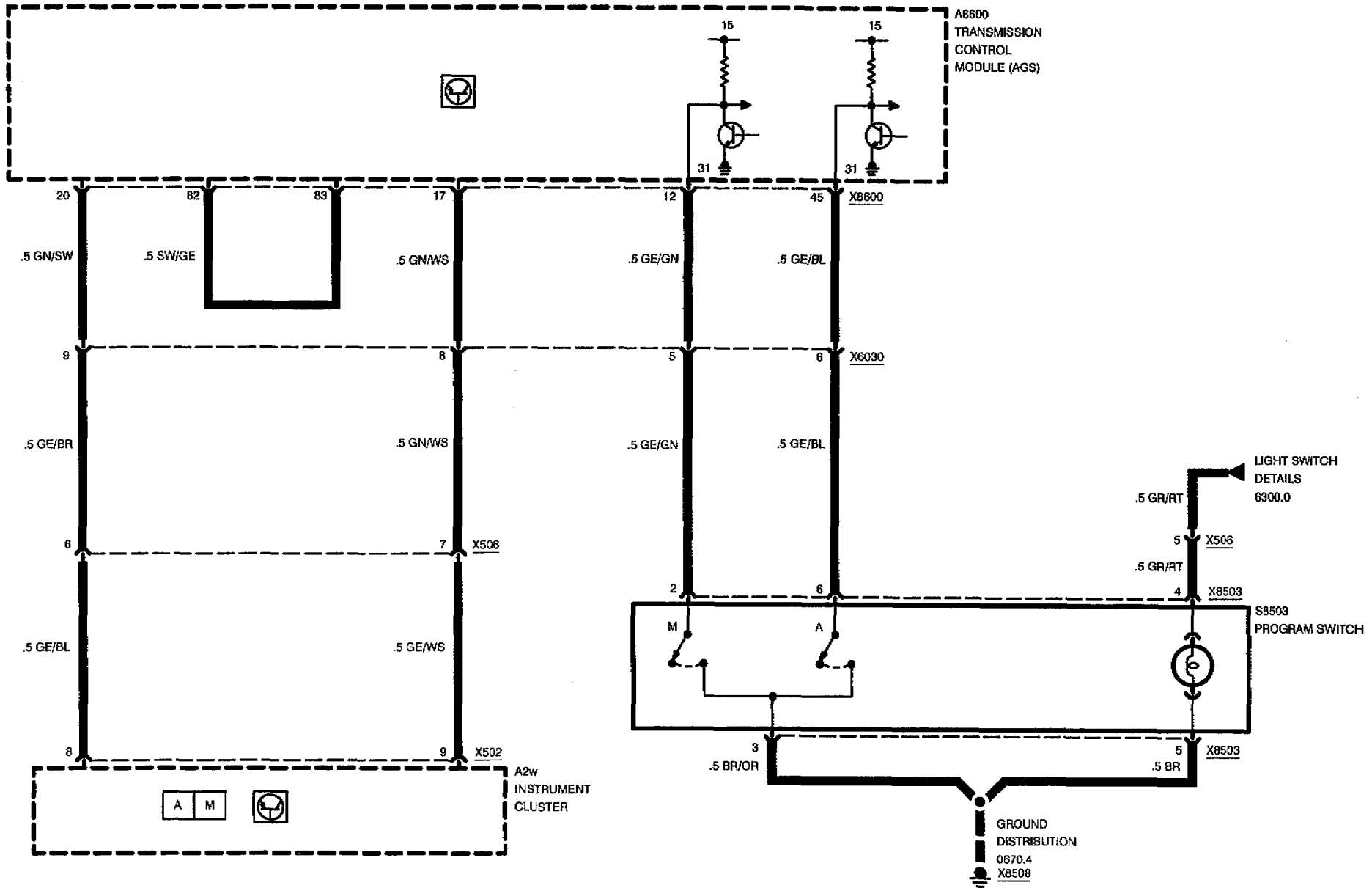
ELECTRONIC TRANSMISSION CONTROL (AGS: GS 9.22/A5S 560Z)







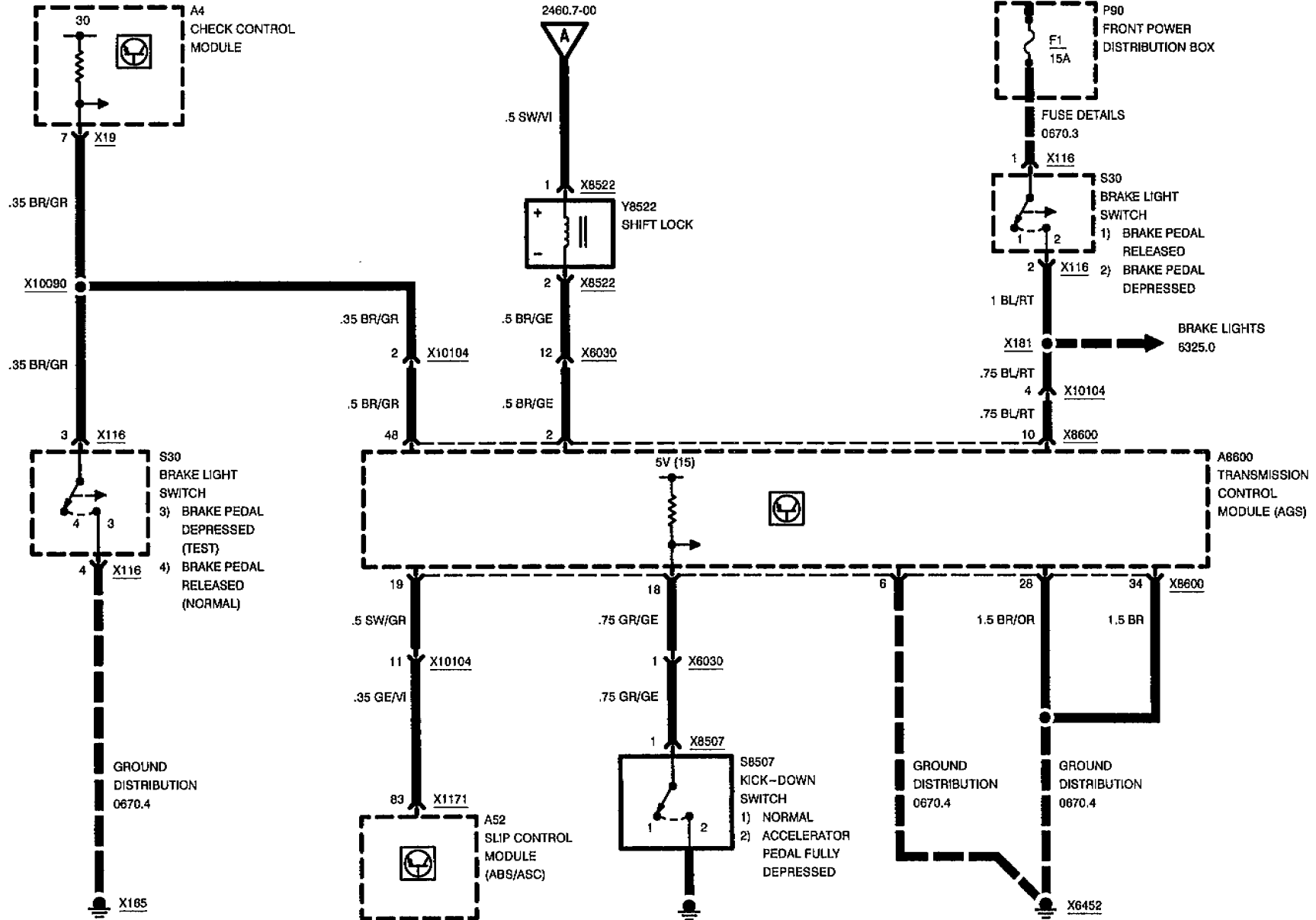
ELECTRONIC TRANSMISSION CONTROL (AGS: GS 9.22/A5S 560Z)





ELECTRONIC TRANSMISSION CONTROL (AGS: GS 9.22/A5S 560Z)

HOT IN ACCY, RUN AND START



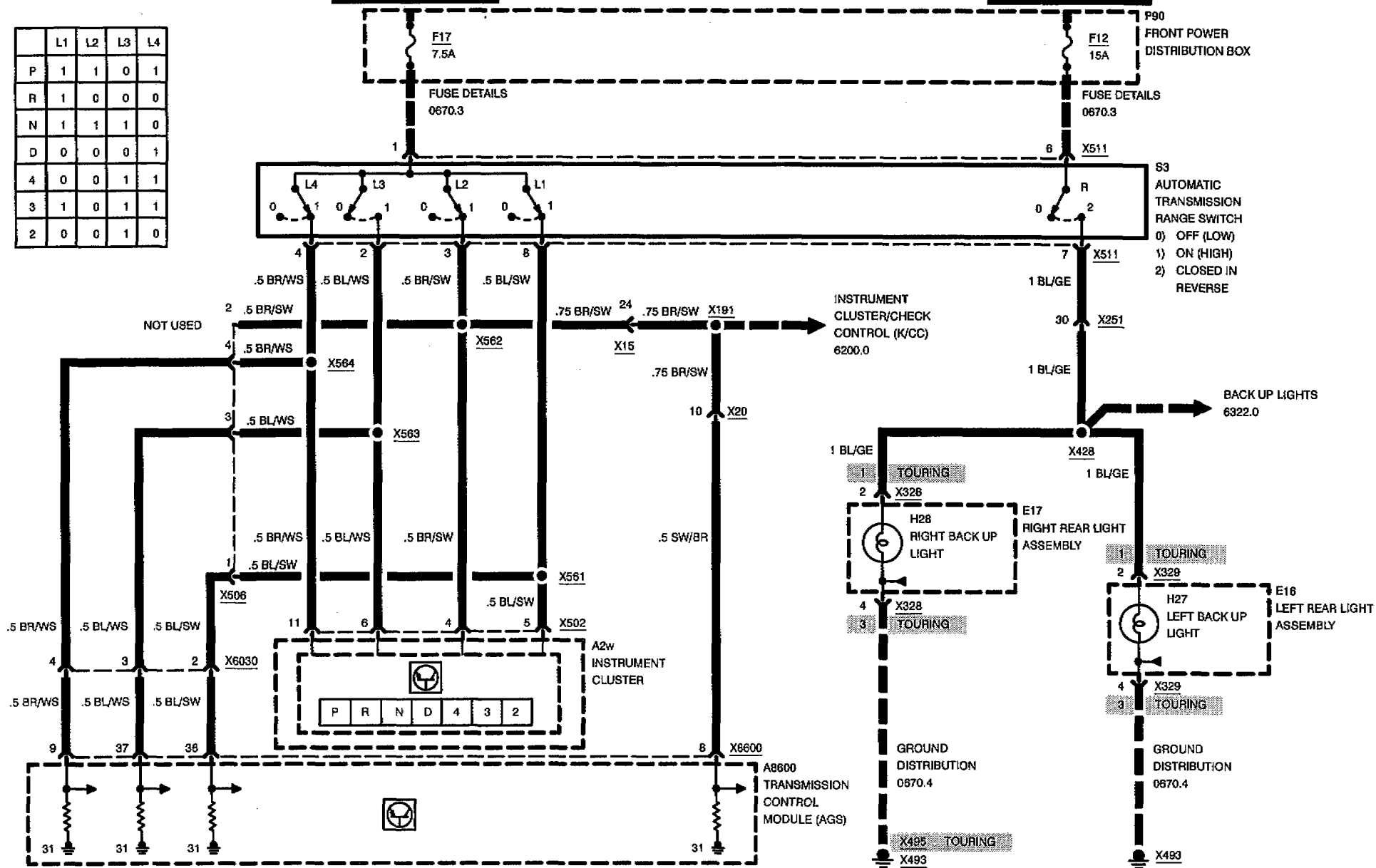


ELECTRONIC TRANSMISSION CONTROL (AGS: GS 9.22/A5S 560Z)

	L1	L2	L3	L4
P	1	1	0	1
R	1	0	0	0
N	1	1	1	0
D	0	0	0	1
4	0	0	1	1
3	1	0	1	1
2	0	0	1	0

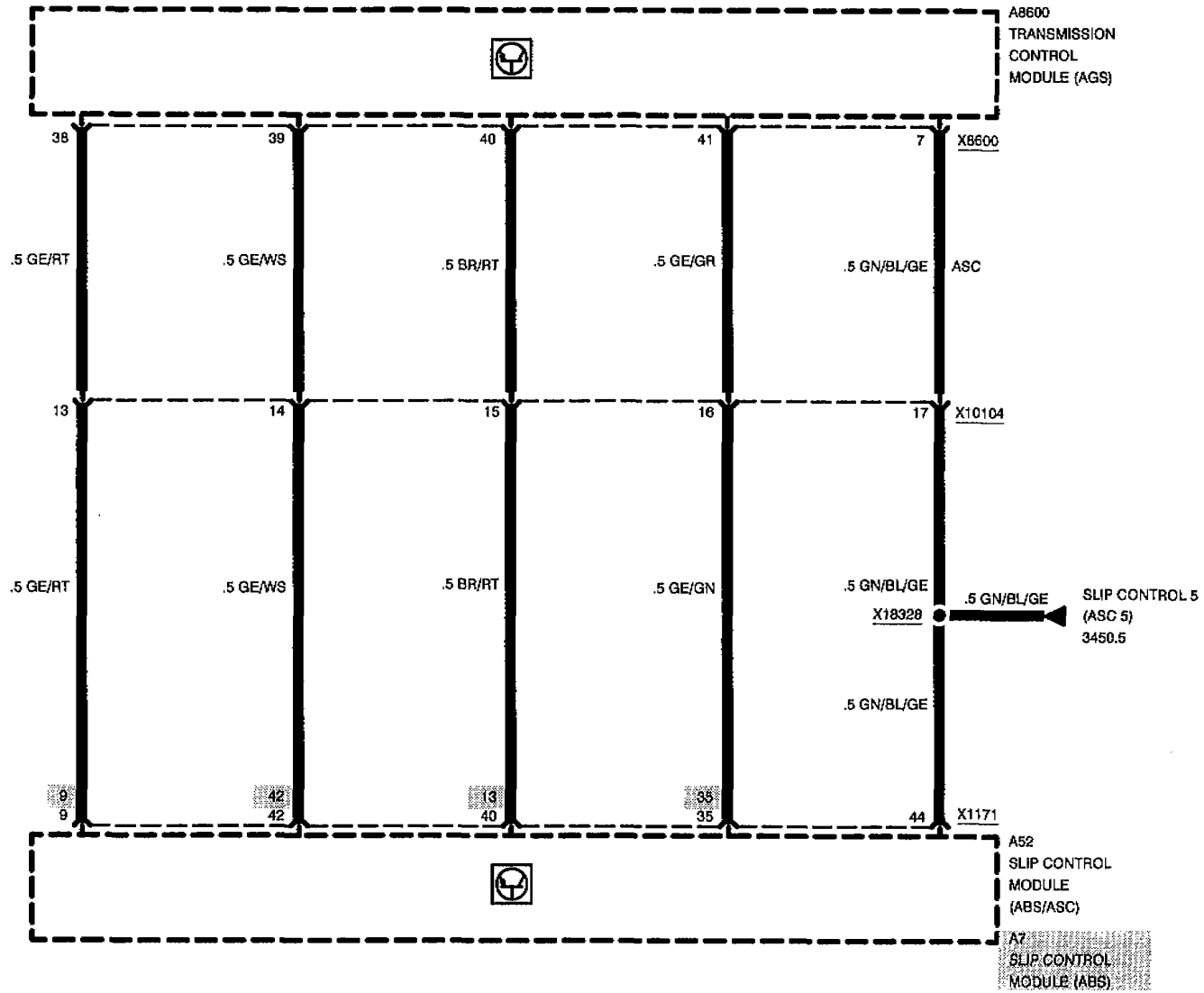
HOT IN RUN AND START

HOT IN RUN AND START

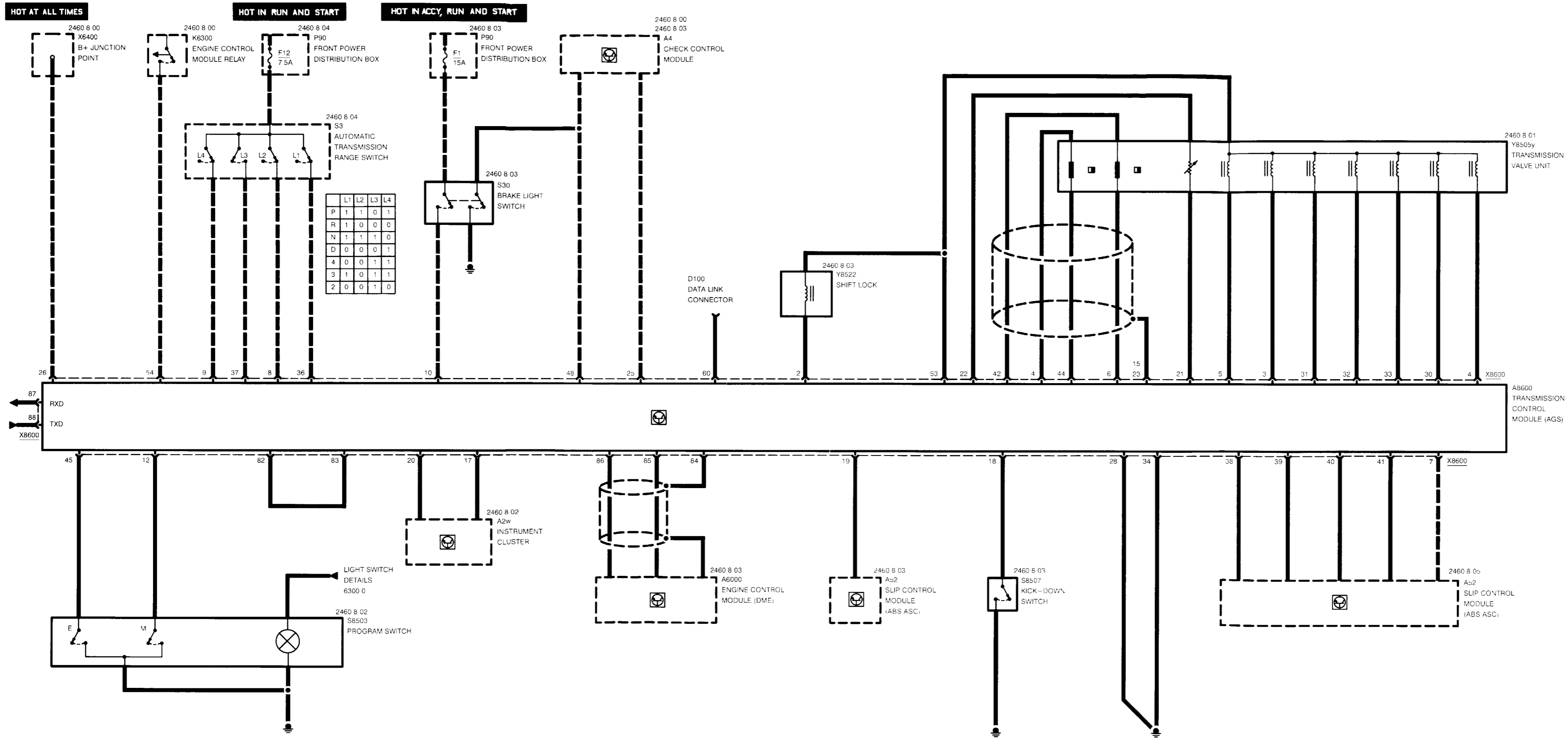


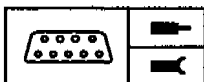


ELECTRONIC TRANSMISSION CONTROL (AGS: GS 9.22/A5S 560Z)







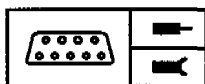


Pin Assignments

X8600

Pin	Type	Description/Function	Connection
1		Not used	
2	A	Activation, PN shift lock	Shift lock
3	A	Activation, solenoid valve 5	Transmission gear shift unit
4	A	Activation, converter clutch solenoid valve	Transmission gear shift unit
5	A	Activation, pressure regulator	Transmission gear shift unit
6		Not used	
7	E	ASC passive button voltage signal	Slip control module (ABS/ASC+T)
8	E	Position switch L2	Selector lever
9	E	Position switch L4	Selector lever
10	E	Brake pedal signal	Brake light switch
11		Not used	
12	E	S-program signal	Program switch
13		Not used	
14	E	Signal, output speed sensor (-)	Transmission gear shift unit
15	M	Shield	Speed sensor
16	E	Signal, turbine speed (+)	Transmission gear shift unit
17	A	L5 program	Instrument cluster
18	E	Signal, kick down operated	Kick down switch
19	E	ASC signal	Slip control module (ASC+T)
20	A	L6 A-program	Instrument cluster
21	M	Transmission temperature sensor (-)	Transmission gear shift unit
22	E	Transmission temperature sensor (+)	Transmission gear shift unit
23	M	Shield	Speed sensor
24		Not used	
25	A	Signal, fault indicator	Check control module
26	E	Positive supply terminal 30	B+ junction point
27		Not used	
28	M	Ground, electronics	Ground connection
29		Not used	
30	A	Activation, solenoid valve 1	Transmission gear shift unit

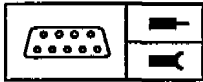
E = Input, A = Output, M = Ground



Pin Assignments

Pin	Type	Description/Function	Connection
31	A	Activation, solenoid valve 4	Transmission gear shift unit
32	A	Activation, solenoid valve 3	Transmission gear shift unit
33	A	Activation, solenoid valve 2	Transmission gear shift unit
34	M	Ground, power	Ground point
35		Not used	
36	E	Position switch L1	Selector lever
37	E	Position switch L3	Selector lever
38	E	Left front wheel speed signal (ABS/ASC+T)	Slip control module (ABS/ASC+T)
39	E	Right front wheel speed signal (ABS/ASC+T)	Slip control module (ABS/ASC+T)
40	E	Left rear wheel speed signal (ABS/ASC+T)	Slip control module (ABS/ASC+T)
41	E	Right rear wheel speed signal (ABS/ASC+T)	Slip control module (ABS/ASC+T)
42	E	Signal, output speed sensor (+)	Transmission gear shift unit
43		Not used	
44	E	Signal, turbine speed (-)	Transmission gear shift unit
45	E	Signal E-program	Program switch
46		Not used	
47		Not used	
48	E	Signal, brake test switch	Brake light switch
49		Not used	
50		Not used	
51		Not used	
52		Not used	
53	A	Positive supply pressure regulator and solenoid valves	Transmission gear shift unit
54	E	Positive supply terminal 15	Engine control module relay
55		Not used	
56		Not used	
57		Not used	
58		Not used	
59		Not used	

E = Input, A = Output, M = Ground

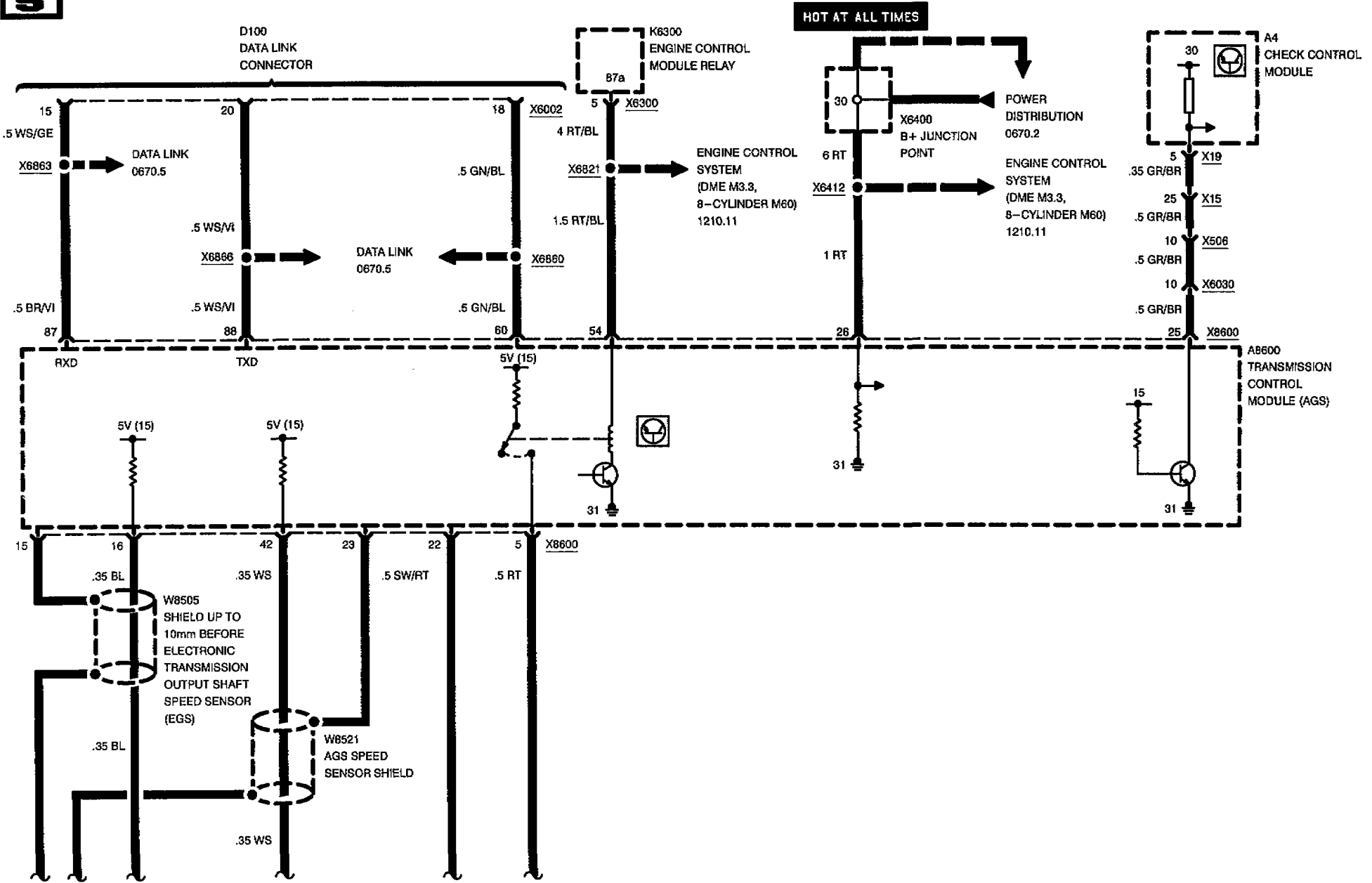


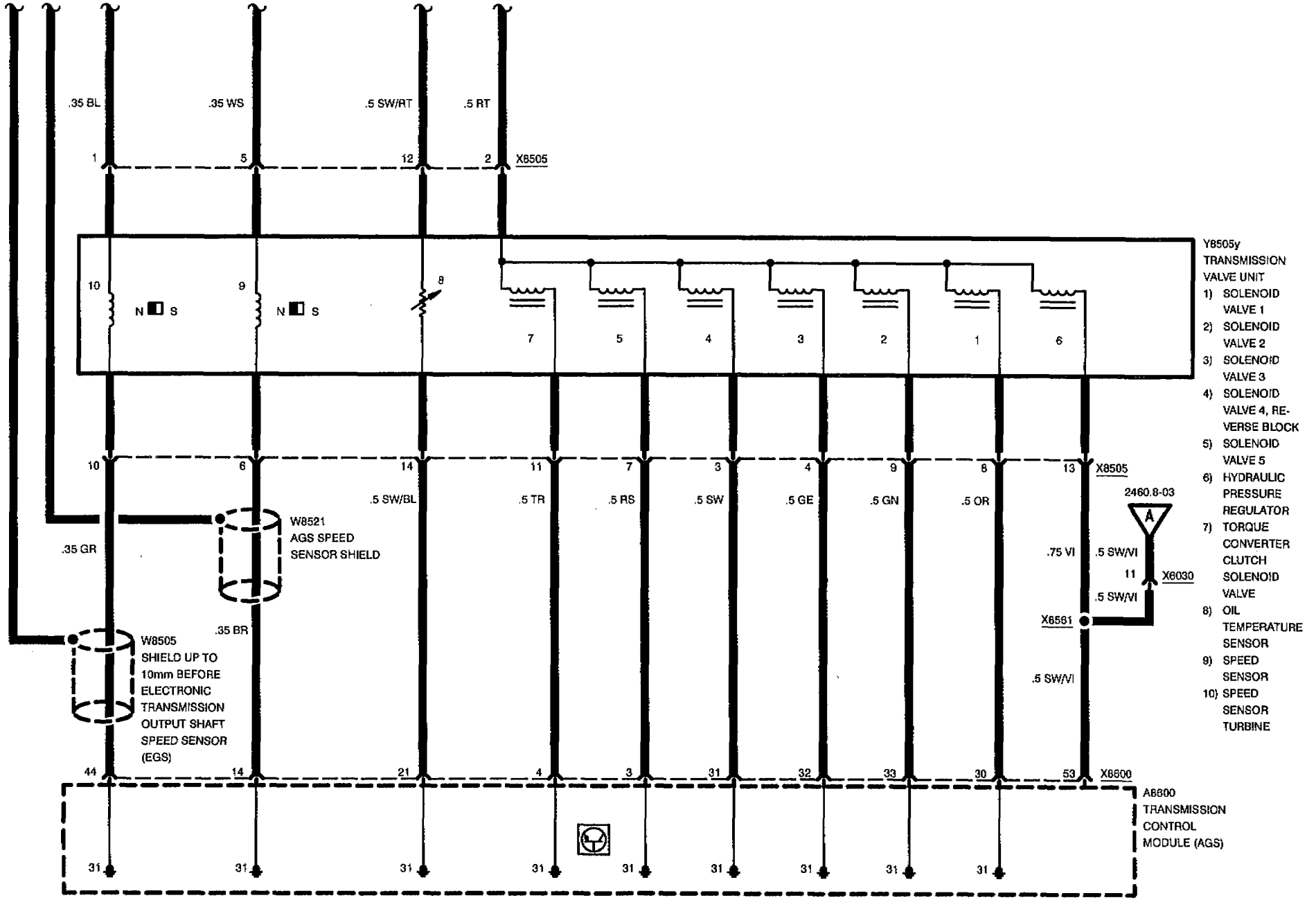
Pin Assignments

Pin	Type	Description/Function	Connection
60	E	Programming line	Data link connector
61		Not used	
62		Not used	
63		Not used	
64		Not used	
65		Not used	
66		Not used	
67		Not used	
68		Not used	
69		Not used	
70		Not used	
71		Not used	
72		Not used	
73		Not used	
74		Not used	
75		Not used	
76		Not used	
77		Not used	
78		Not used	
79		Not used	
80		Not used	
81		Not used	
82	E/A	CAN R1 bridged-out	Transmission control module (pin 83)
83	E/A	CAN R2 bridged-out	Transmission control module (pin 82)
84	M	Ground	Shield
85	E/A	CAN-L	Engine control module (DME)
86	E/A	CAN-H	Engine control module (DME)
87	E	RxD	Data link connector
88	E/A	TxD	Data link connector

E = Input, A = Output, M = Ground

ELECTRONIC TRANSMISSION CONTROL (AGS: GS 7.32/A5S 310Z)



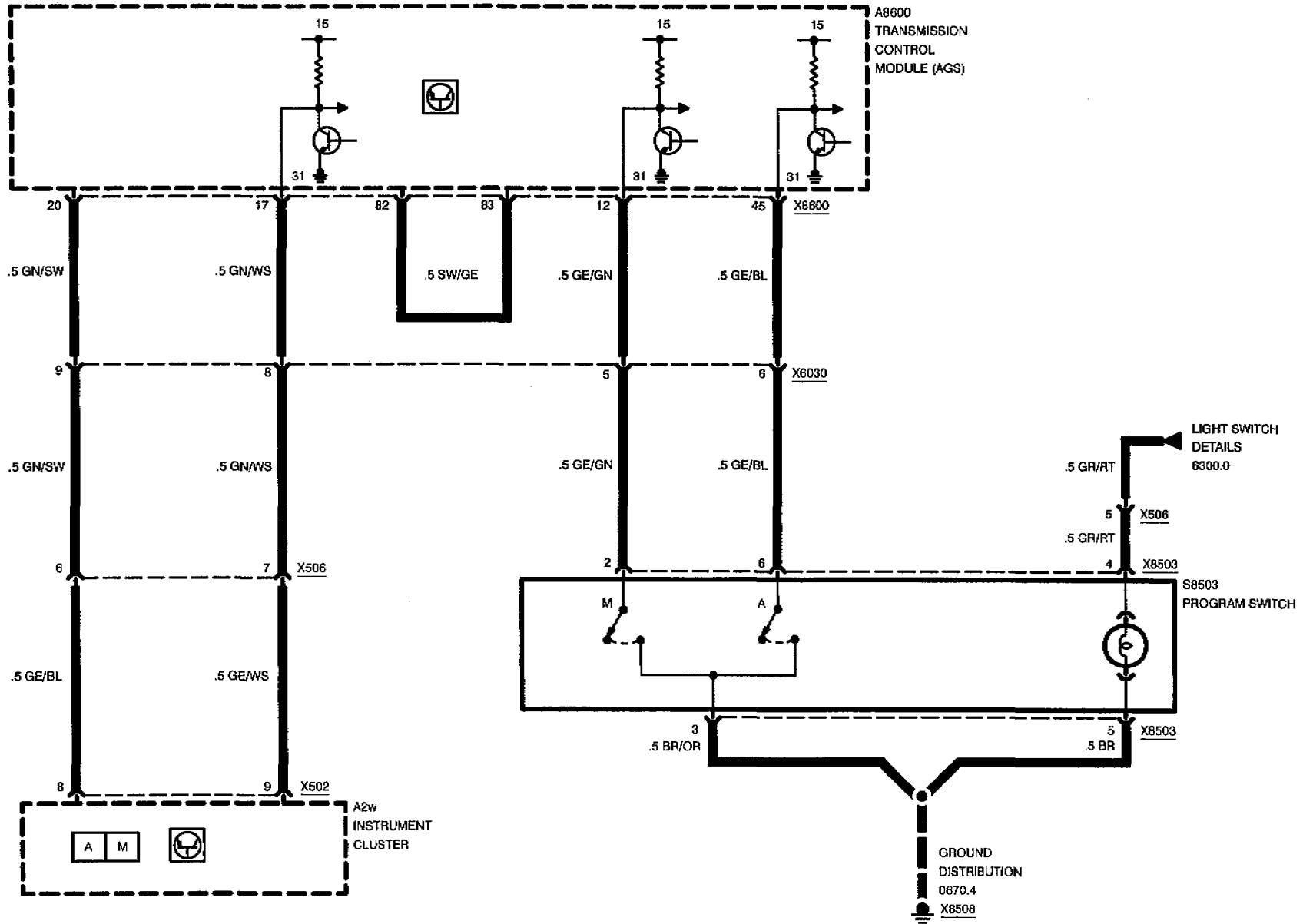


- Y8505y
TRANSMISSION
VALVE UNIT
- 1) SOLENOID VALVE 1
 - 2) SOLENOID VALVE 2
 - 3) SOLENOID VALVE 3
 - 4) SOLENOID VALVE 4, REVERSE BLOCK
 - 5) SOLENOID VALVE 5
 - 6) HYDRAULIC PRESSURE REGULATOR
 - 7) TORQUE CONVERTER CLUTCH SOLENOID VALVE
 - 8) OIL TEMPERATURE SENSOR
 - 9) SPEED SENSOR
 - 10) SPEED SENSOR TURBINE

A8600
TRANSMISSION
CONTROL
MODULE (AGS)

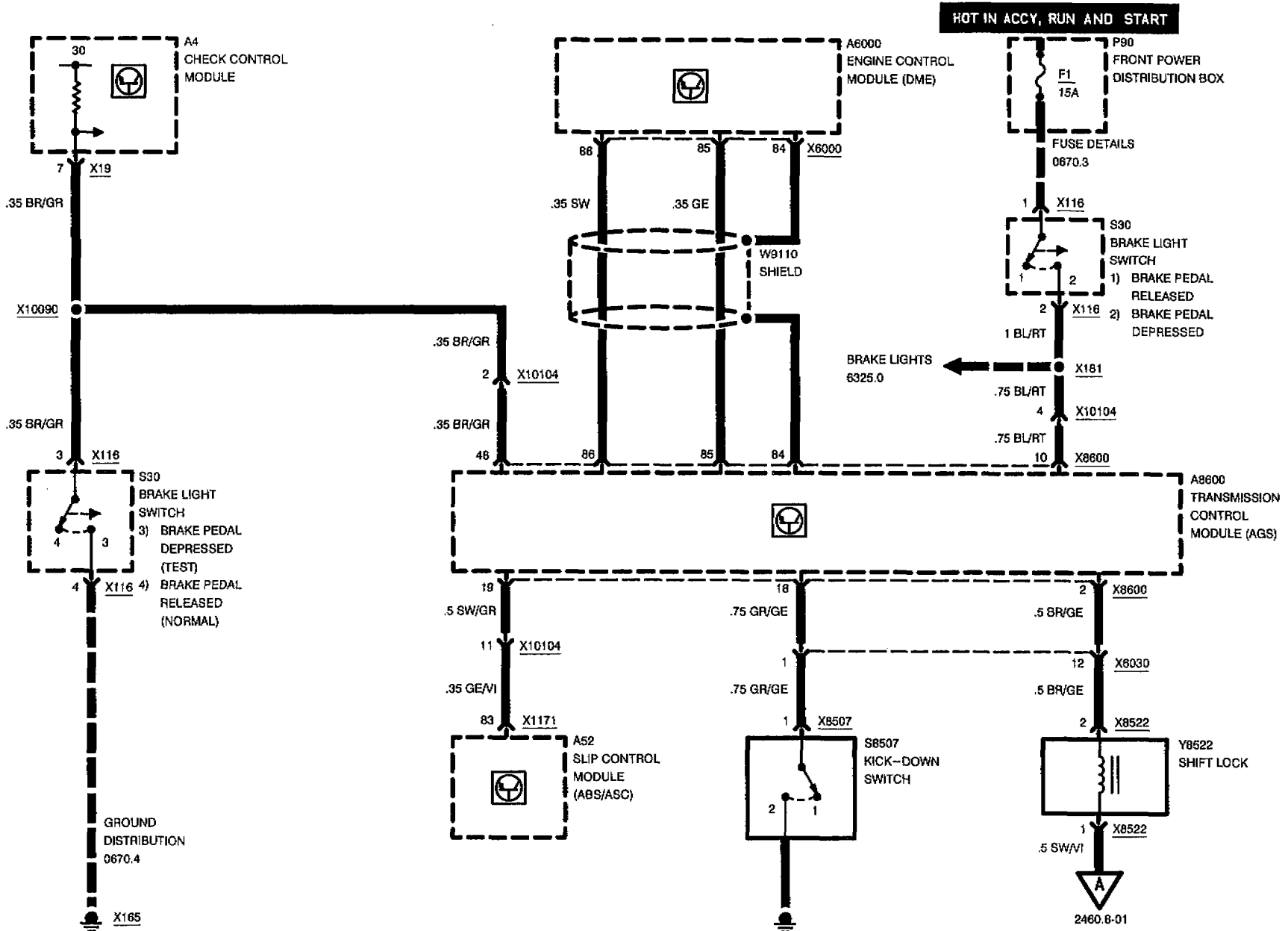


ELECTRONIC TRANSMISSION CONTROL (AGS: GS 7.32/A5S 310Z)





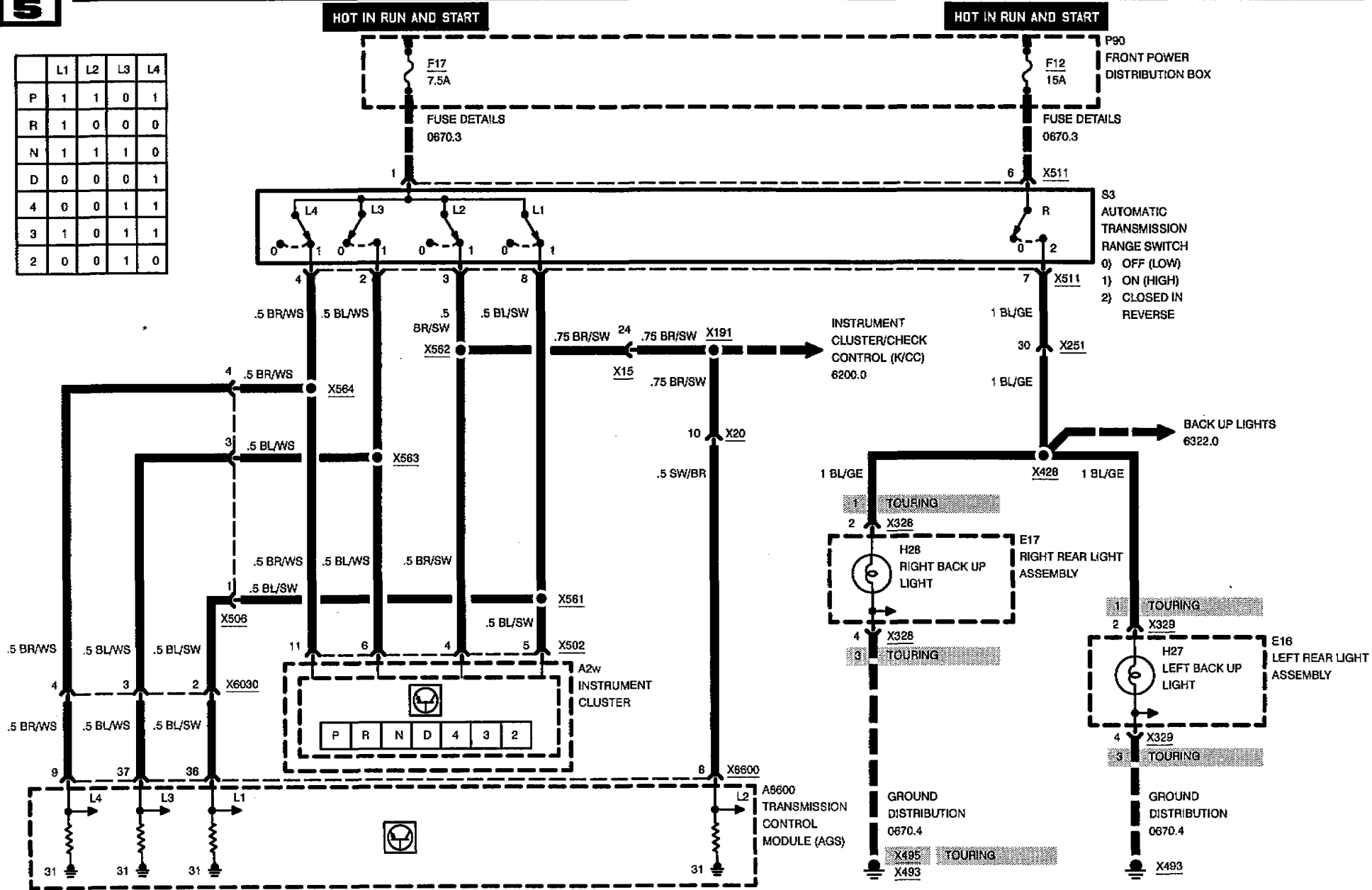
ELECTRONIC TRANSMISSION CONTROL (AGS: GS 7.32/A5S 310Z)





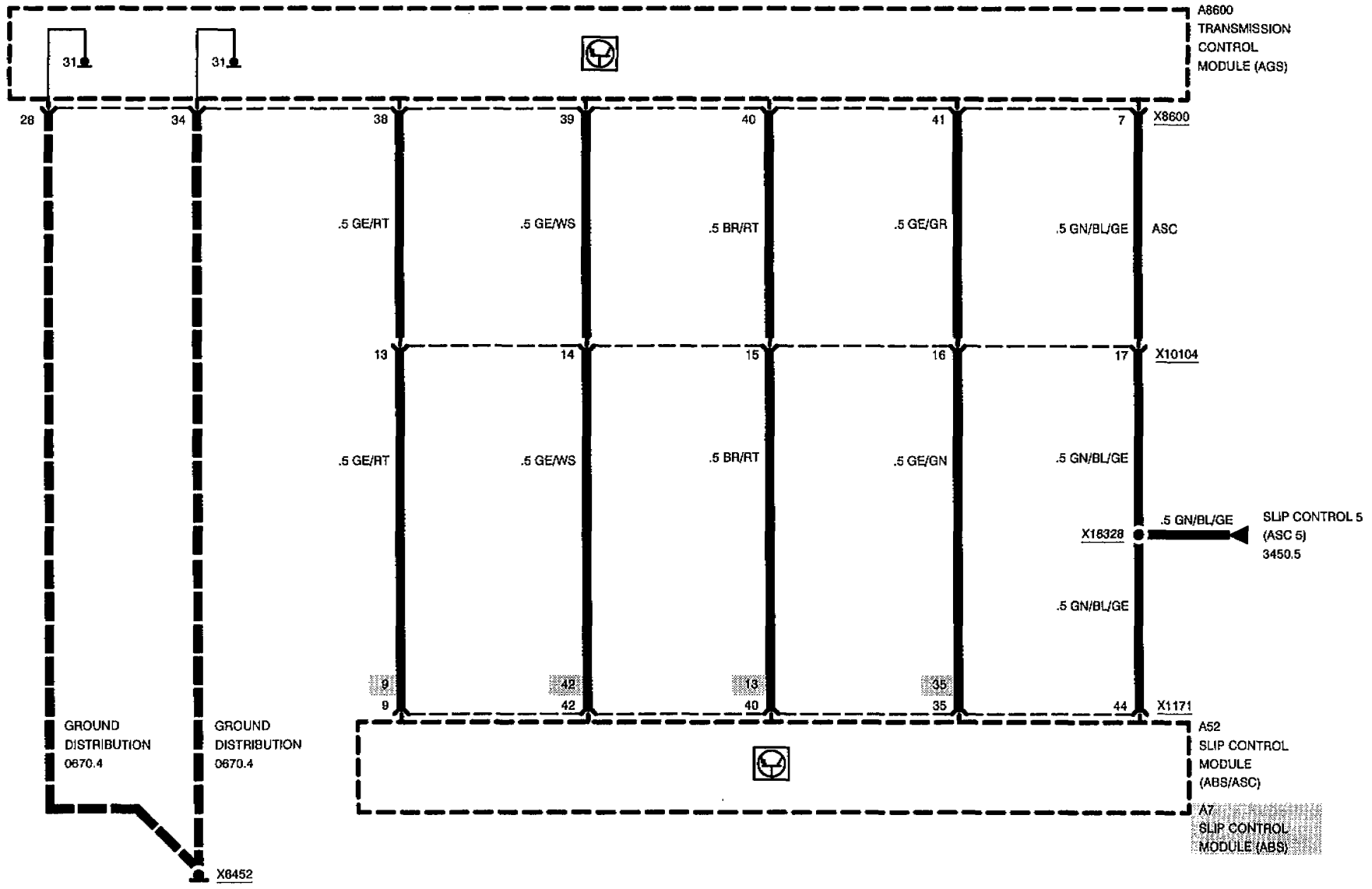
ELECTRONIC TRANSMISSION CONTROL (AGS: GS 7.32/A5S 310Z)

	L1	L2	L3	L4
P	1	1	0	1
R	1	0	0	0
N	1	1	1	0
D	0	0	0	1
4	0	0	1	1
3	1	0	1	1
2	0	0	1	0



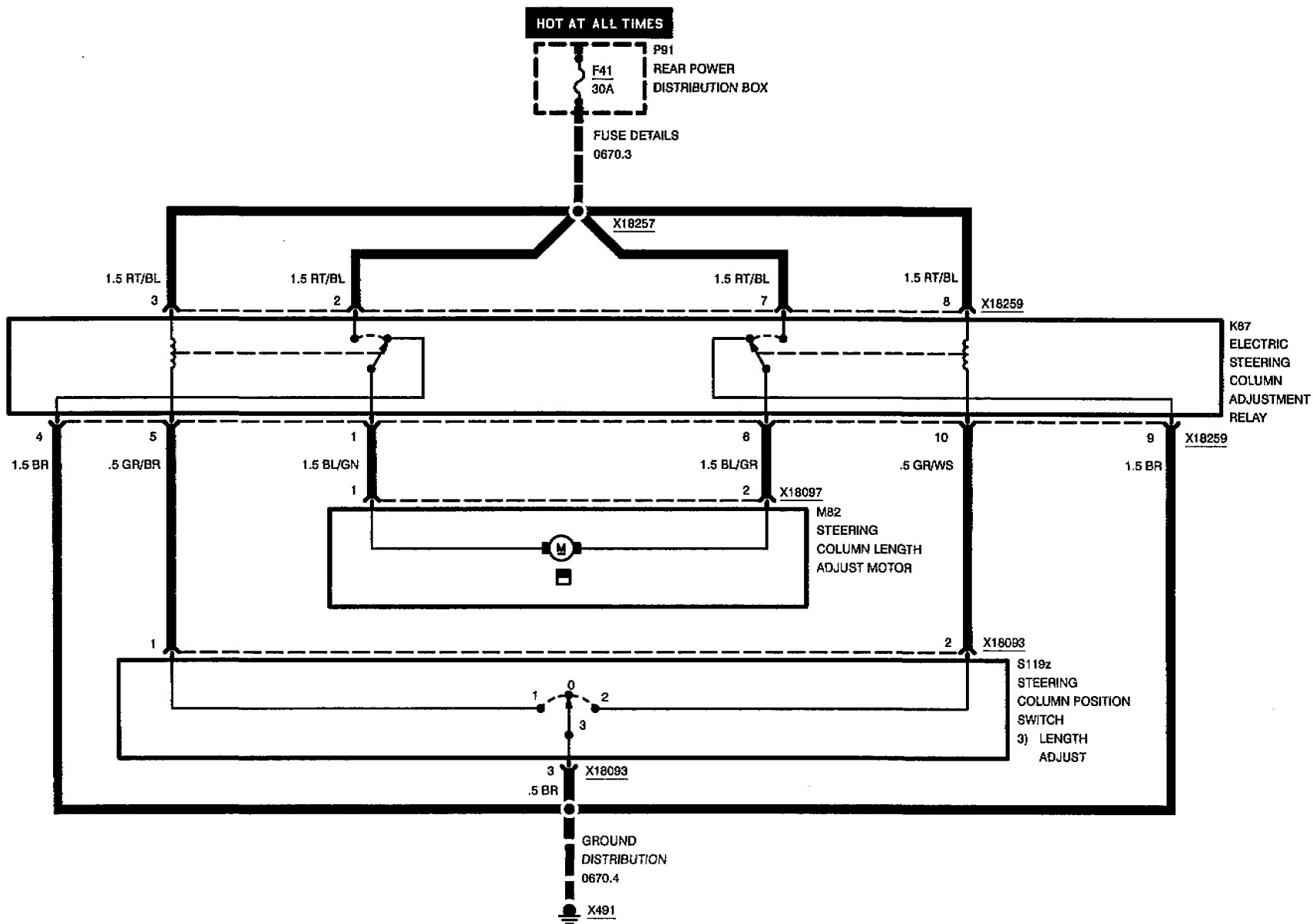


ELECTRONIC TRANSMISSION CONTROL (AGS: GS 7.32/A5S 310Z)





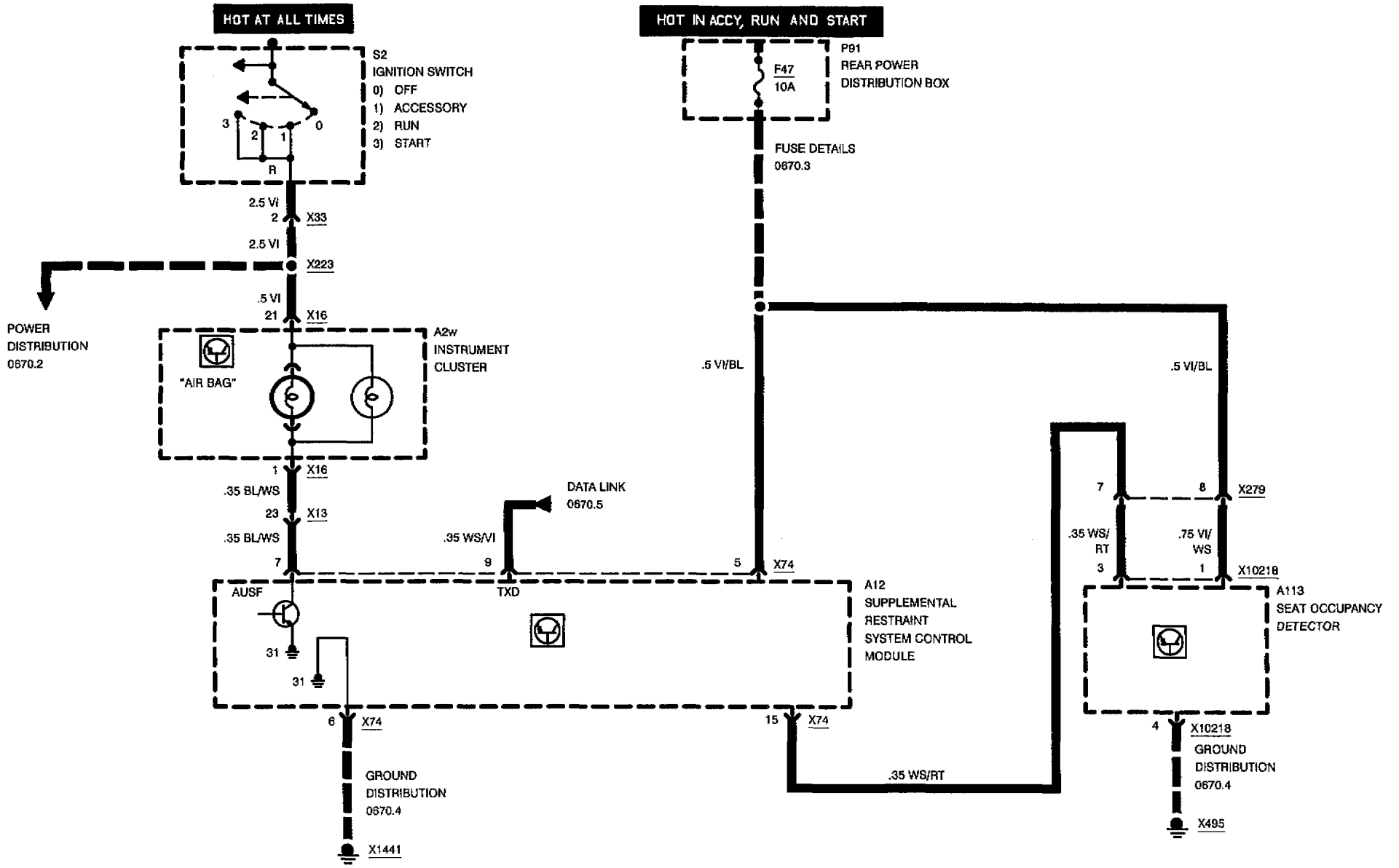
ELECTRIC STEERING COLUMN ADJUSTMENT





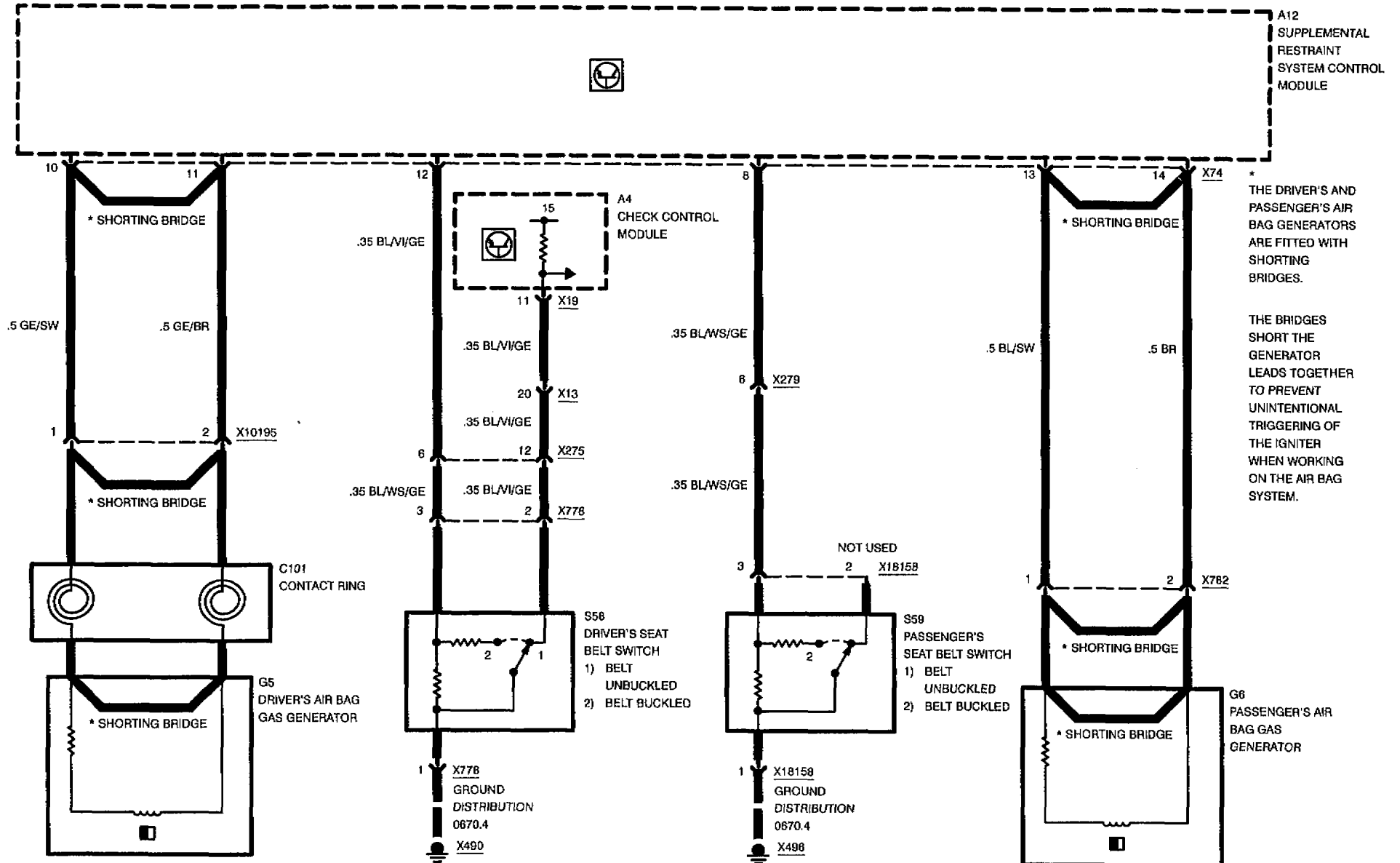
3234.0

SUPPLEMENTAL RESTRAINT SYSTEM (AIR BAG)





SUPPLEMENTAL RESTRAINT SYSTEM (AIR BAG)



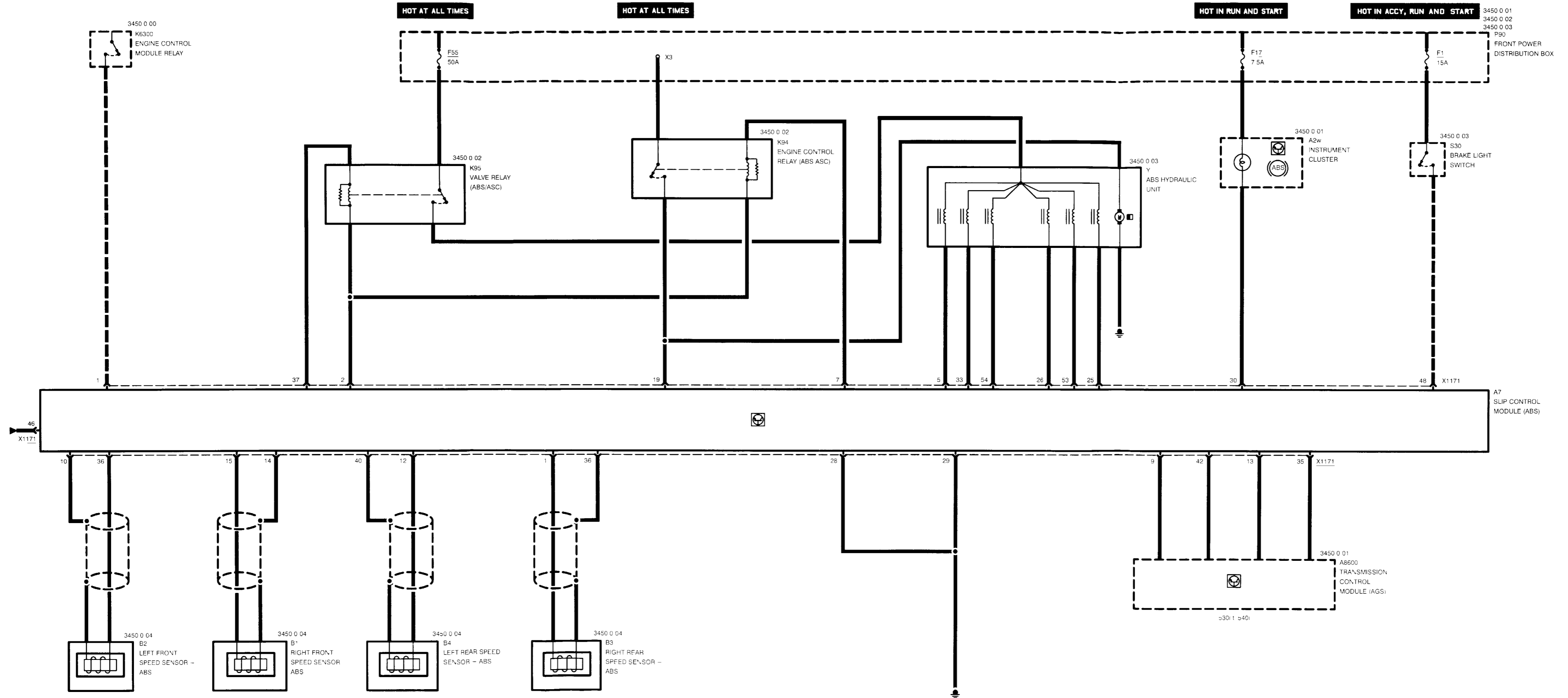
A12
SUPPLEMENTAL
RESTRAINT
SYSTEM CONTROL
MODULE

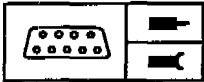
* THE DRIVER'S AND PASSENGER'S AIR BAG GENERATORS ARE FITTED WITH SHORTING BRIDGES.

THE BRIDGES SHORT THE GENERATOR LEADS TOGETHER TO PREVENT UNINTENTIONAL TRIGGERING OF THE IGNITER WHEN WORKING ON THE AIR BAG SYSTEM.



3234.0-02



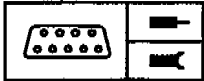


Pin Assignments

X1171

Pin	Type	Description/Function	Connection
1	E	Battery voltage	Engine control module relay
2	A	ABS valve relay, ABS engine control relay	ABS valve relay, ABS engine control relay
3		Not used	
4		Not used	
5	A	Left front inlet relay	ABS hydraulic unit
6		Not used	
7	A	Voltage signal ABS engine control relay	Engine control relay (ABS/ASC+T)
8		Not used	
9	A	Left front wheel speed signal	Transmission control unit (AGS) 530i/t, 540i
10	A	Left front speed sensor ground	Left front speed sensor
11	E	Right rear speed sensor voltage signal	Right rear speed sensor (ABS)
12	A	Left rear speed sensor ground	Left rear speed sensor
13	A	Left rear wheel speed signal	Transmission control unit (AGS) 530i/t, 540i
14	A	Right front speed sensor ground	Right front speed sensor
15	E	Right front speed sensor voltage	Right front speed sensor (ABS)
16		Not used	
17		Not used	
18		Not used	
19	E	Plug signal	ABS engine control relay
20		Not used	
21		Not used	
22		Not used	
23		Not used	
24		Not used	
25	A	Rear axle outlet valve	ABS hydraulic unit
26	A	Right front outlet valve	ABS hydraulic unit
27		Not used	
28	M	Ground	Ground point

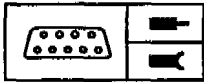
E = Input, A = Output, M = Ground



Pin Assignments

Pin	Type	Description/Function	Connection
29	M	Ground	Ground point
30	A	Voltage signal, ABS warning lamp	Instrument cluster
31		Not used	
32		Not used	
33	A	Left front outlet valve	ABS hydraulic unit
34		Not used	
35	A	Right rear wheel speed signal	Transmission control unit (AGS) 530i/t, 540i
36	E	Left front speed sensor voltage signal	Left front speed sensor (ABS)
37	A	Voltage signal, ABS valve relay	ABS valve relay
38	A	Right rear speed sensor ground	Right rear speed sensor
39		Not used	
40	E	Left rear speed sensor voltage signal	Left rear speed sensor (ABS)
41		Not used	
42	A	Right front wheel speed sensor signal	Transmission control unit (AGS) 530i/t, 540i
43		Not used	
44		Not used	
45		Not used	
46	E/A	TxD diagnostic data line	Data link connector
47		Not used	
48	E	Brake light signal	Brake light switch
49		Not used	
50		Not used	
51		Not used	
52		Not used	
53	A	Rear axle inlet valve	ABS hydraulic unit
54	A	Right front inlet valve	ABS hydraulic unit
55		Not used	
56		Not used	
57		Not used	
58		Not used	
59		Not used	
60		Not used	

E = Input, A = Output, M = Ground



Pin Assignments

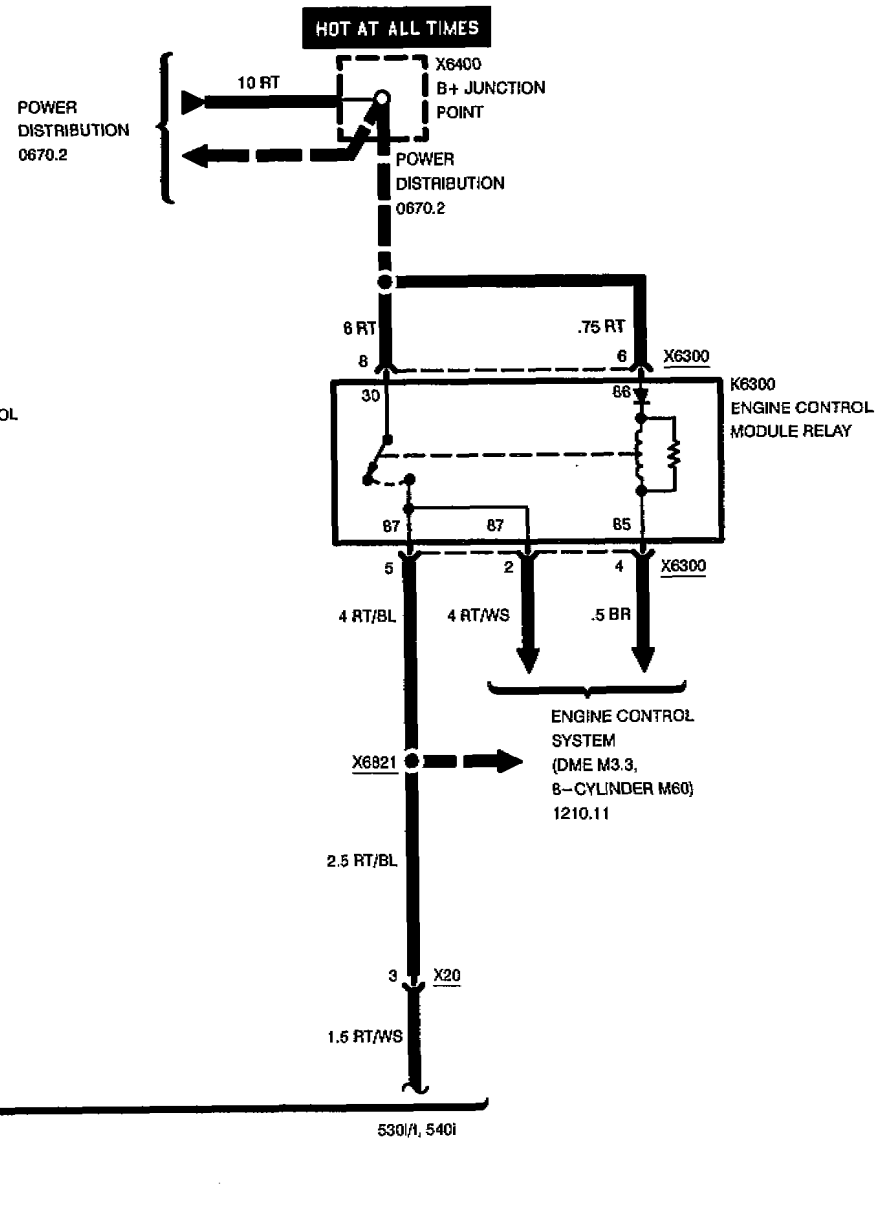
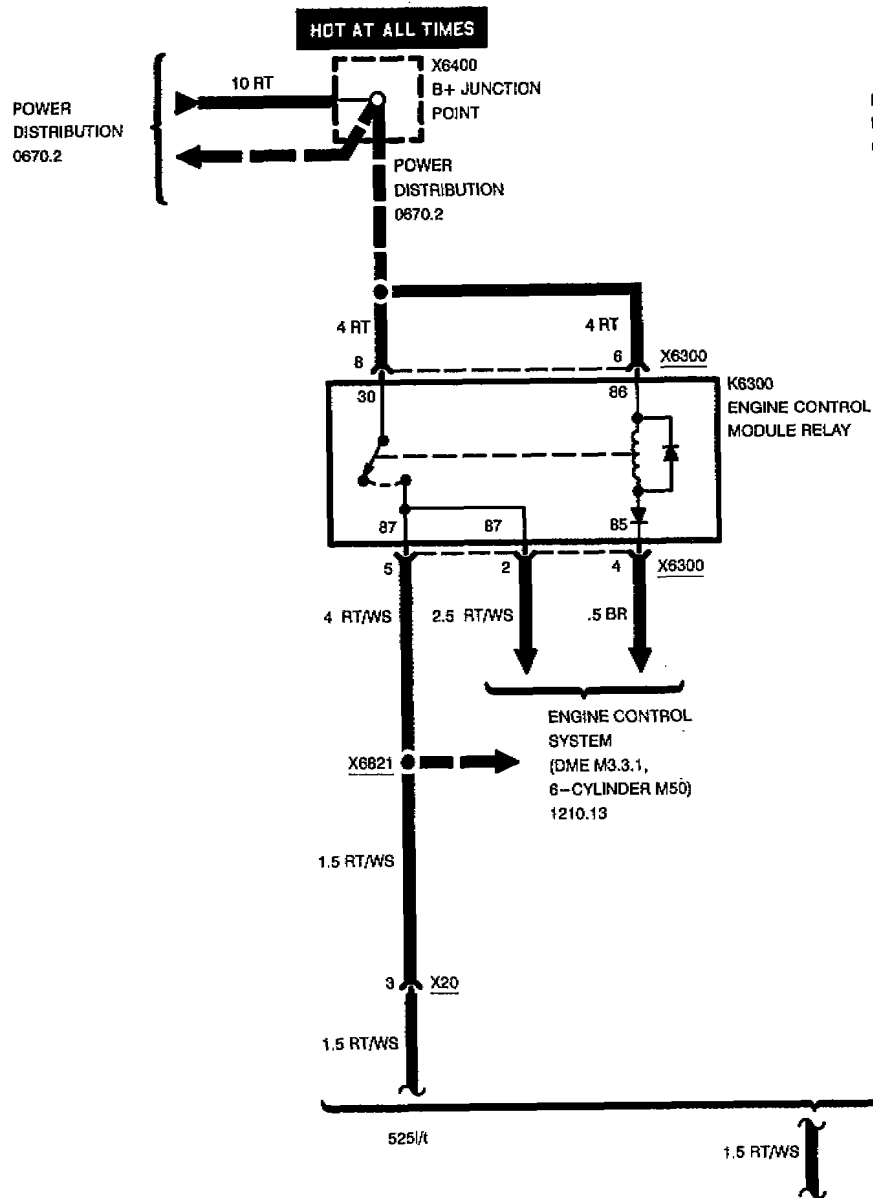
Pin	Type	Description/Function	Connection
61		Not used	
62		Not used	
63		Not used	
64		Not used	
65		Not used	
66		Not used	
67		Not used	
68		Not used	
69		Not used	
70		Not used	
71		Not used	
72		Not used	
73		Not used	
74		Not used	
75		Not used	
76		Not used	
77		Not used	
78		Not used	
79		Not used	
80		Not used	
81		Not used	
82		Not used	
83		Not used	
84		Not used	
85		Not used	
86		Not used	
87		Not used	
88		Not used	

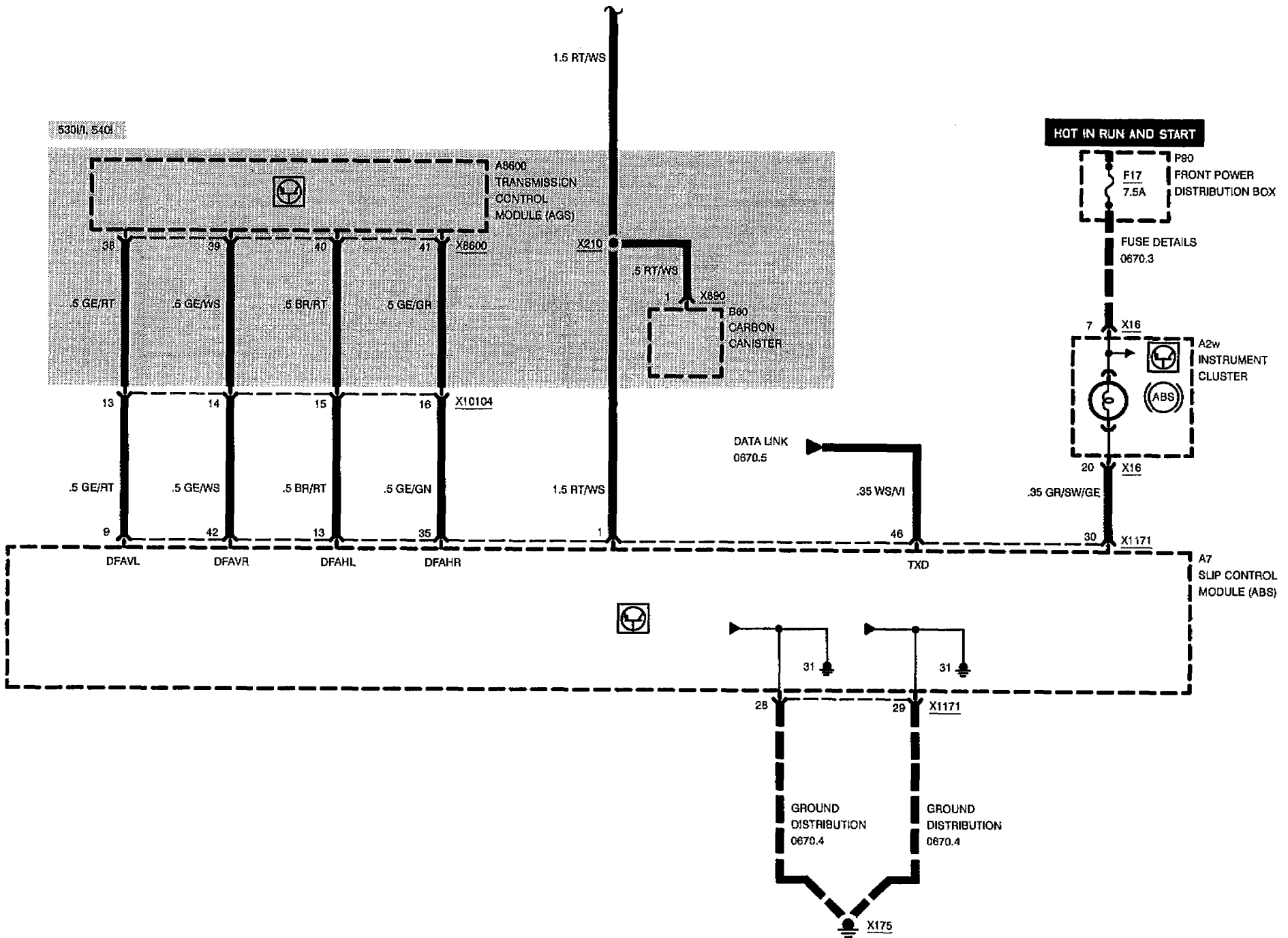
E = Input, A = Output, M = Ground



SLIP CONTROL (ABS)

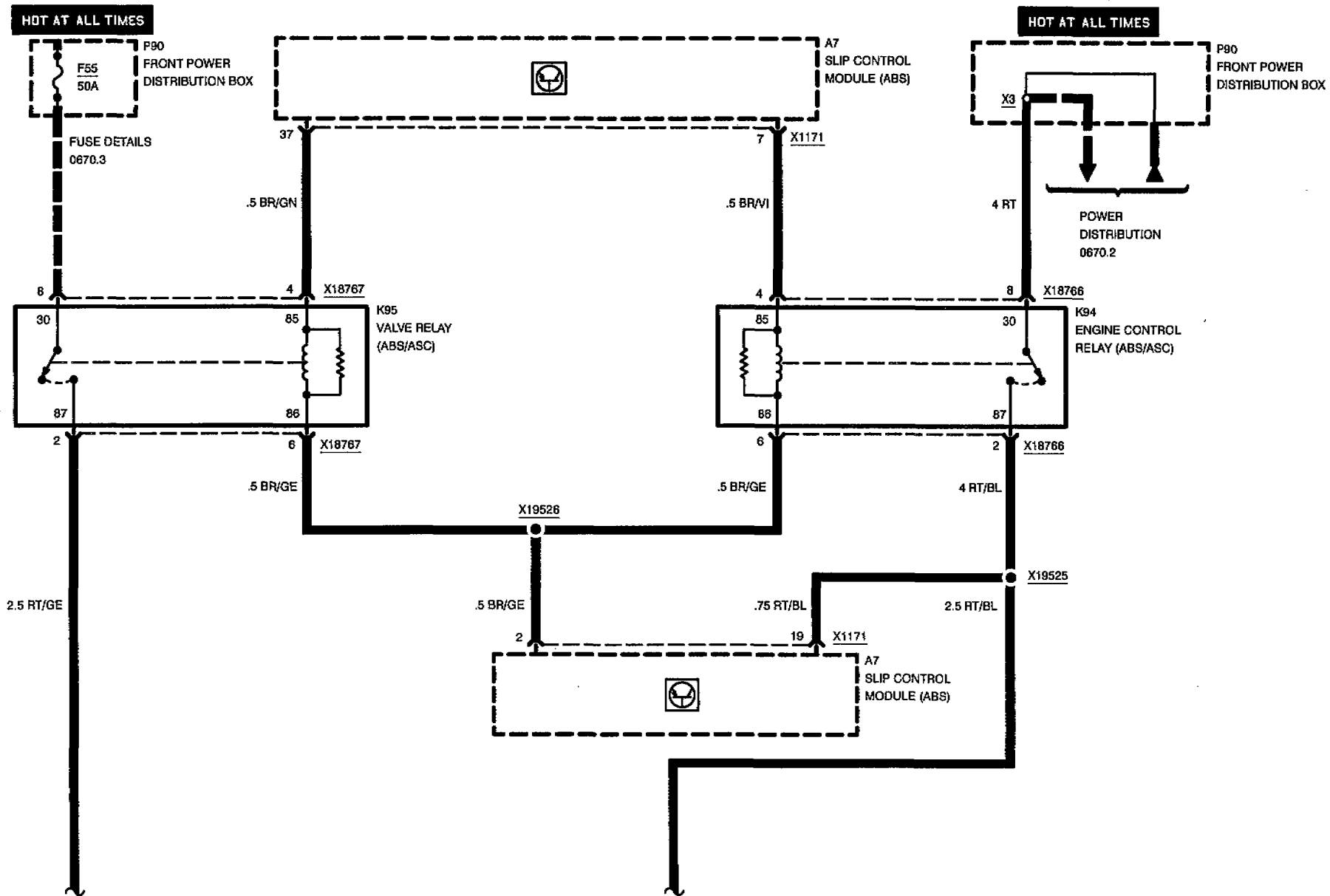
ABS 5

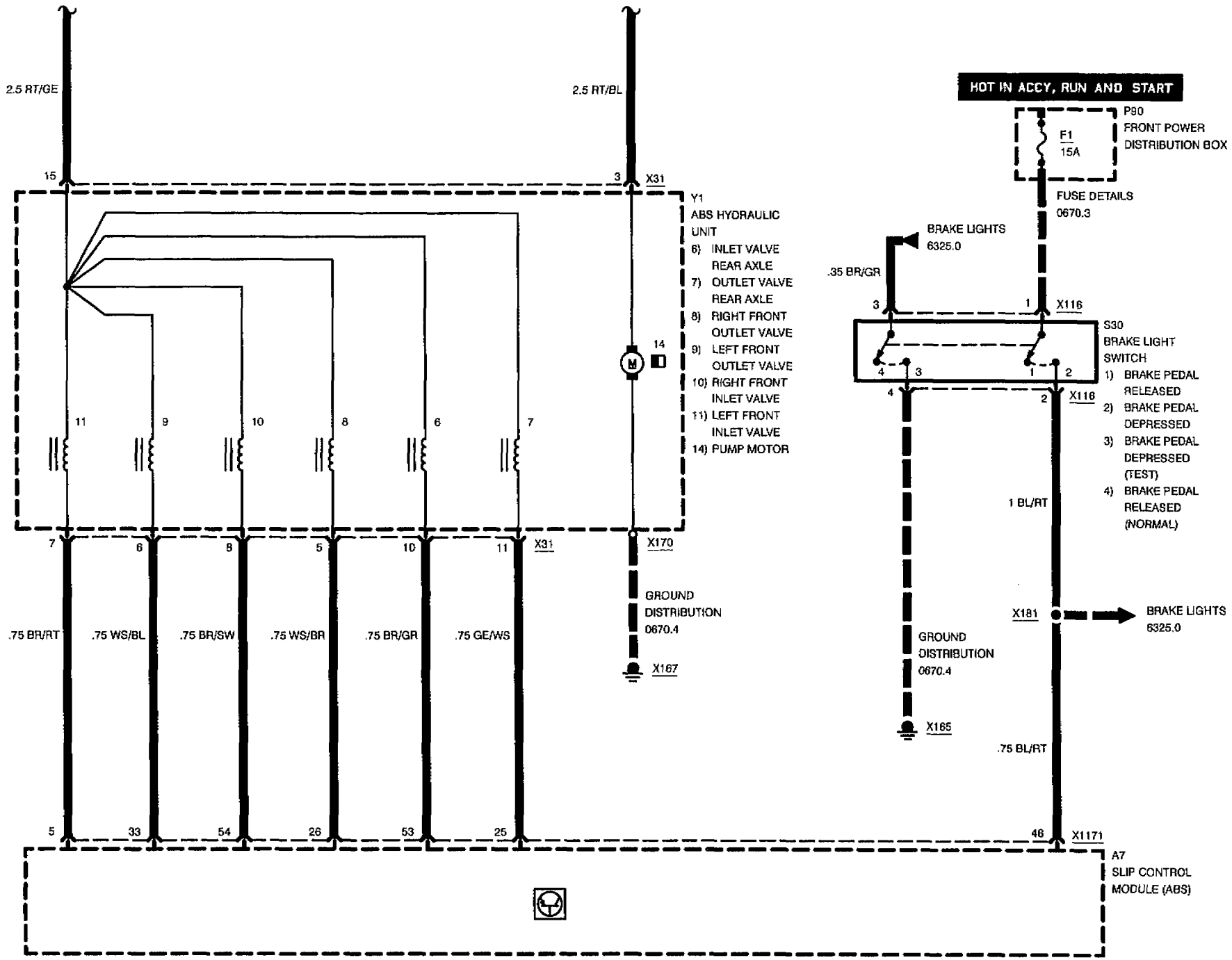


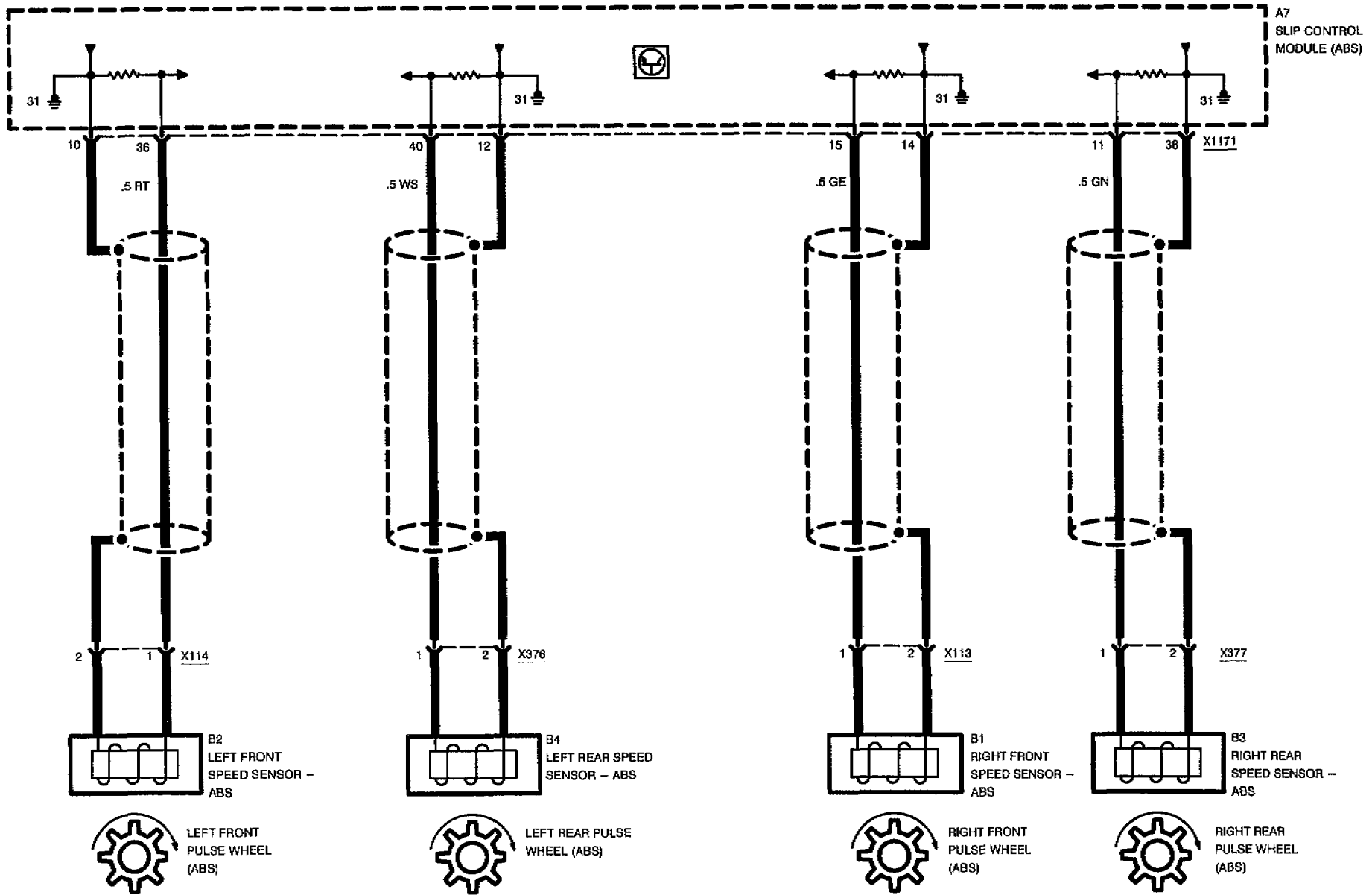


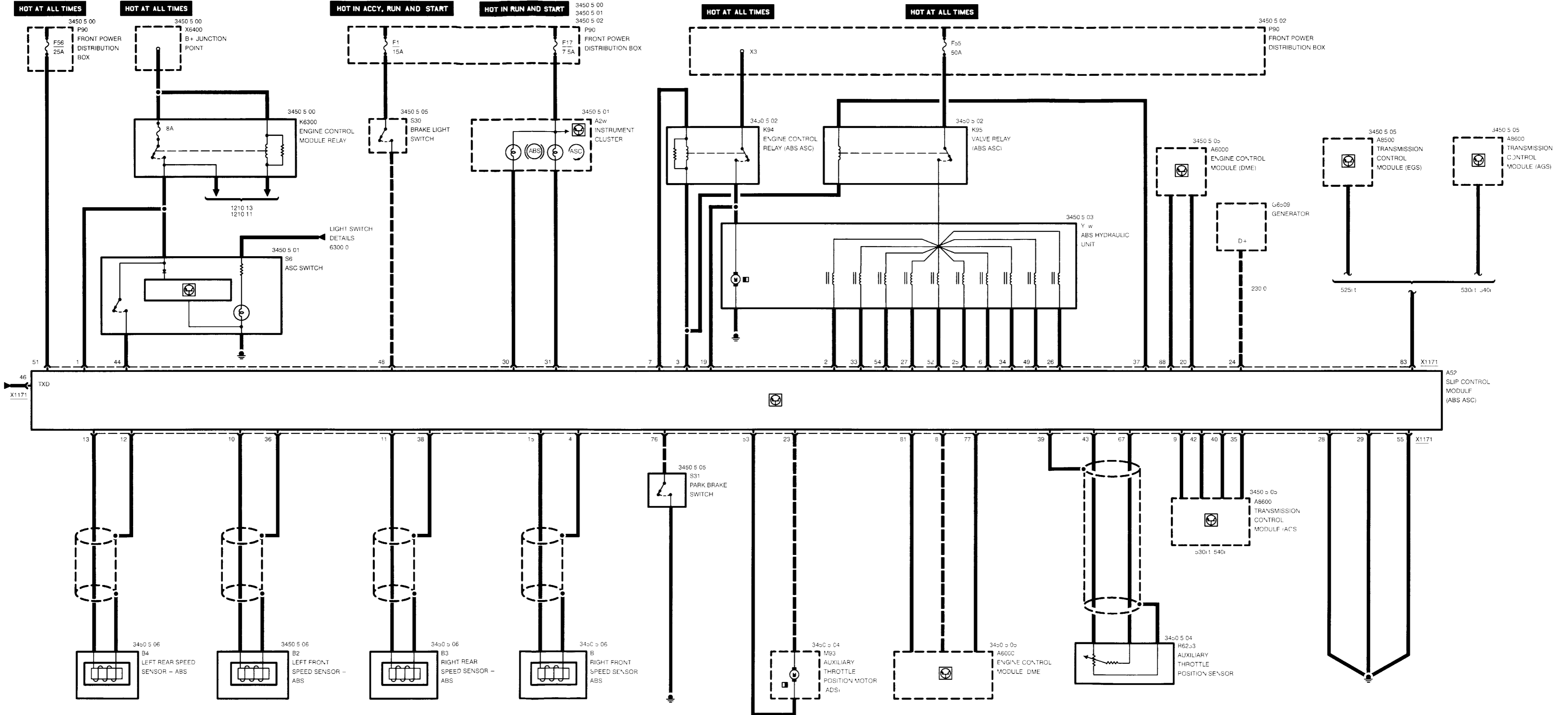
530/1, 540

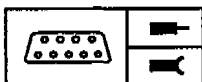
HOT IN RUN AND START









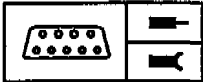


Pin Assignments

X1171

Pin	Type	Description/Function	Connection
1	E	Battery voltage	Engine control module relay
2	A	Left front inlet valve	ABS hydraulic unit
3	A	ABS/ASC valve relay, ABS/ASC engine control relay	ABS/ASC valve relay, ABS/ASC engine control relay
4		Not used	
5		Not used	
6	A	Right rear inlet valve	ABS hydraulic unit
7	A	Voltage signal ABS/ASC engine control relay	Engine control relay (ABS/ASC+T)
8		Not used	
9	A	Left front wheel speed sensor signal	Transmission control unit (AGS) (530i/t, 540i)
10	A	Left front speed sensor ground	Left front speed sensor
11	E	Right rear speed sensor voltage signal	Right rear speed sensor (ABS)
12	A	Left rear speed sensor ground	Left rear speed sensor
13	A	Left rear speed voltage signal	Left rear speed sensor (ABS)
14	A	Right front speed sensor ground	Right front speed sensor
15	E	Right front speed sensor voltage signal	Right front speed sensor (ABS)
16		Not used	
17		Not used	
18	E	EML—signal	Engine control module (DME)
19	E	ABS/ASC engine control relay, voltage signal	ABS/ASC engine control relay
20	E	Engine speed signal	Engine control module
21		Not used	
22		Not used	
23	A	Auxiliary throttle control motor, voltage	ADS throttle control motor
24	E	Terminal 61 D+	Generator
25	A	Left rear outlet valve	ABS hydraulic unit
26	A	Pressure intake valve	ABS hydraulic unit
27	A	Right front outlet valve	ABS hydraulic unit

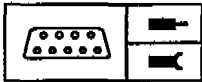
E = Input, A = Output, M = Ground



Pin Assignments

Pin	Type	Description/Function	Connection
28	M	Ground	Ground point
29	M	Ground	Ground point
30	A	Voltage signal, ABS warning lamp	Instrument cluster
31	A	ASC multi-function lamp	Instrument cluster
32		Not used	
33	A	Left front outlet valve	ABS hydraulic unit
34	A	Right rear outlet valve	ABS hydraulic unit
35	A	Right rear wheel speed signal	Transmission control unit (AGS)(530i/t, 540i)
36	E	Left front speed sensor, voltage signal	Left front speed sensor (ABS)
37	A	Voltage signal, ABS/ASC valve relay	ABS valve relay
38	A	Right rear speed sensor ground	Right rear speed sensor
39	A	Throttle control potentiometer ground	Throttle control potentiometer
40	A	Left rear wheel speed signal	Transmission control unit (AGS)(530i/t, 540i)
41		Not used	
42	A	Right front wheel speed signal	Transmission control unit (AGS)(530i/t, 540i)
43	A	Throttle control potentiometer, voltage	Throttle flap potentiometer (ASC)
44	E	ASC passive button voltage signal	ASC switch
45		Not used	
46	E/A	TxD diagnostic data line	Data link connector
47		Not used	
48	E	Brake light signal	Brake light switch
49	A	Plunger valve	ABS hydraulic unit
50		Not used	
51	E	Voltage supply	Front power distribution box
52	A	Left rear outlet valve	ABS hydraulic unit
53	E	Auxiliary throttle control motor, ground	ADS throttle control motor
54	A	Left front inlet valve	ABS hydraulic unit
55	M	Ground	Ground point
56		Not used	
57		Not used	

E = Input, A = Output, M = Ground

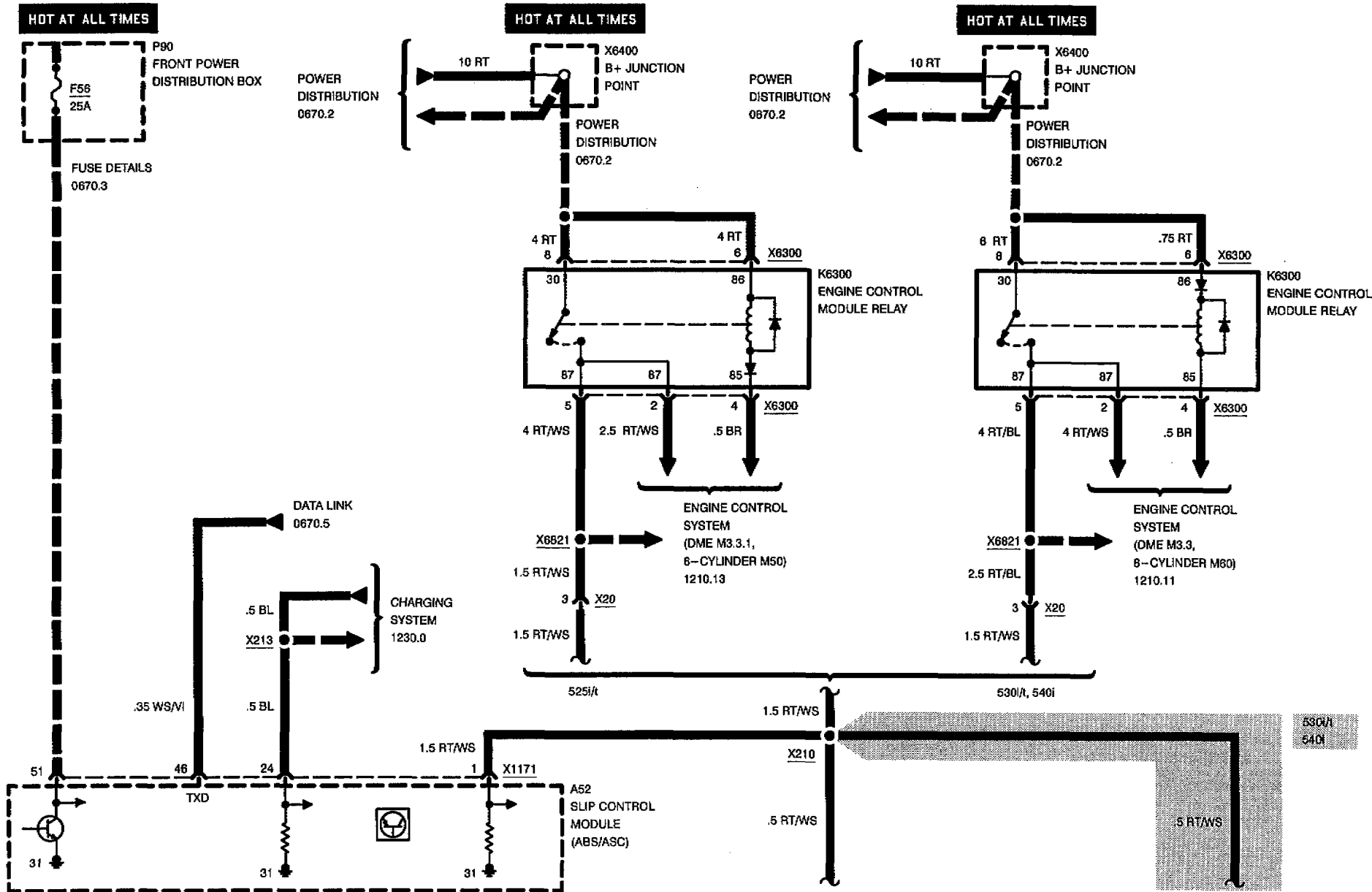


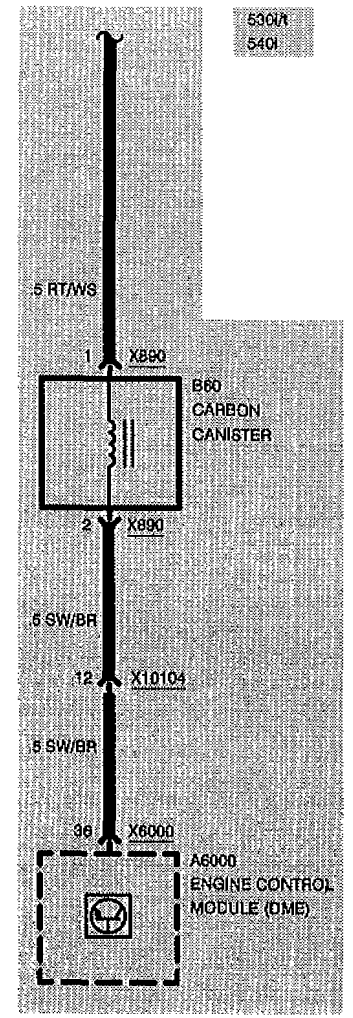
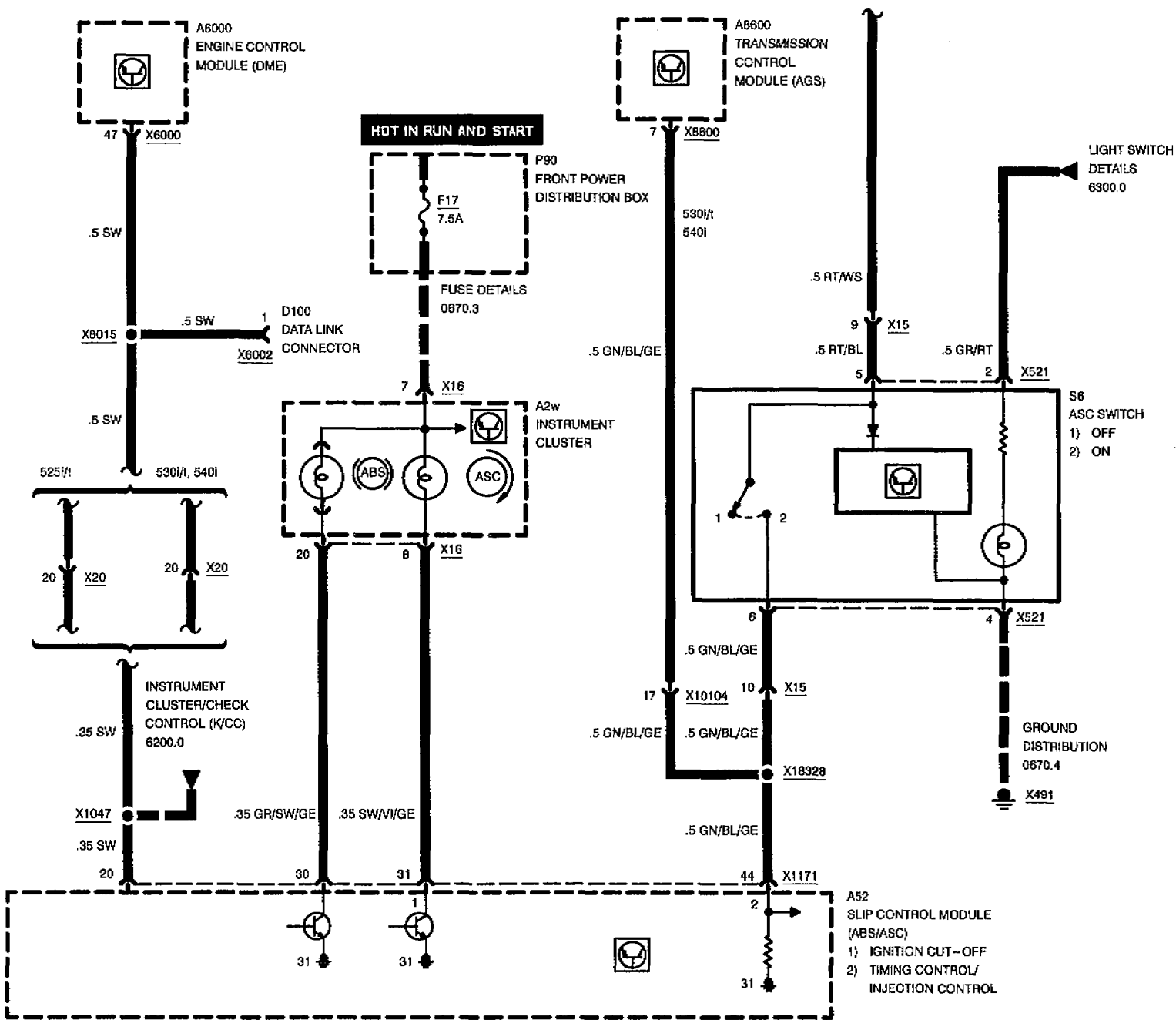
Pin Assignments

Pin	Type	Description/Function	Connection
58		Not used	
59		Not used	
60		Not used	
61		Not used	
62		Not used	
63		Not used	
64		Not used	
65		Not used	
66		Not used	
67	E	Throttle control potentiometer, signal	Throttle flap potentiometer (ASC)
68		Not used	
69		Not used	
70		Not used	
71		Not used	
72		Not used	
73		Not used	
74		Not used	
75		Not used	
76	E	Park brake signal	Park brake switch
77	A	Ignition timing set	Engine control module (DME)
78		Not used	
79		Not used	
80		Not used	
81	E	Signal line	Engine control module (DME)
82		Not used	
83	A	Transmission intervention	Transmission control unit (AGS)
84		Not used	
85		Not used	
86		Not used	
87		Not used	
88	E	Throttle angle signal	Engine control module

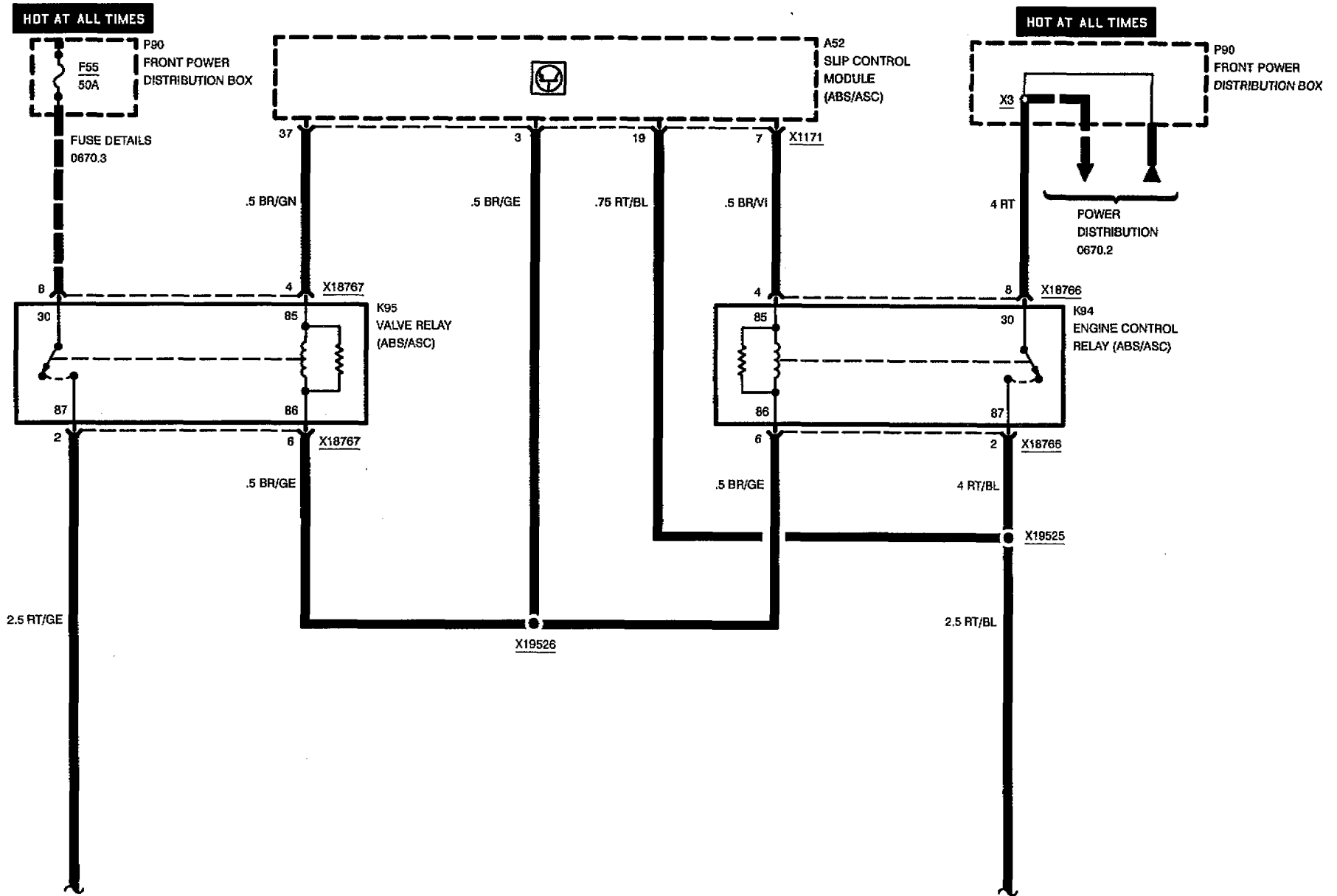
E = Input, A = Output, M = Ground

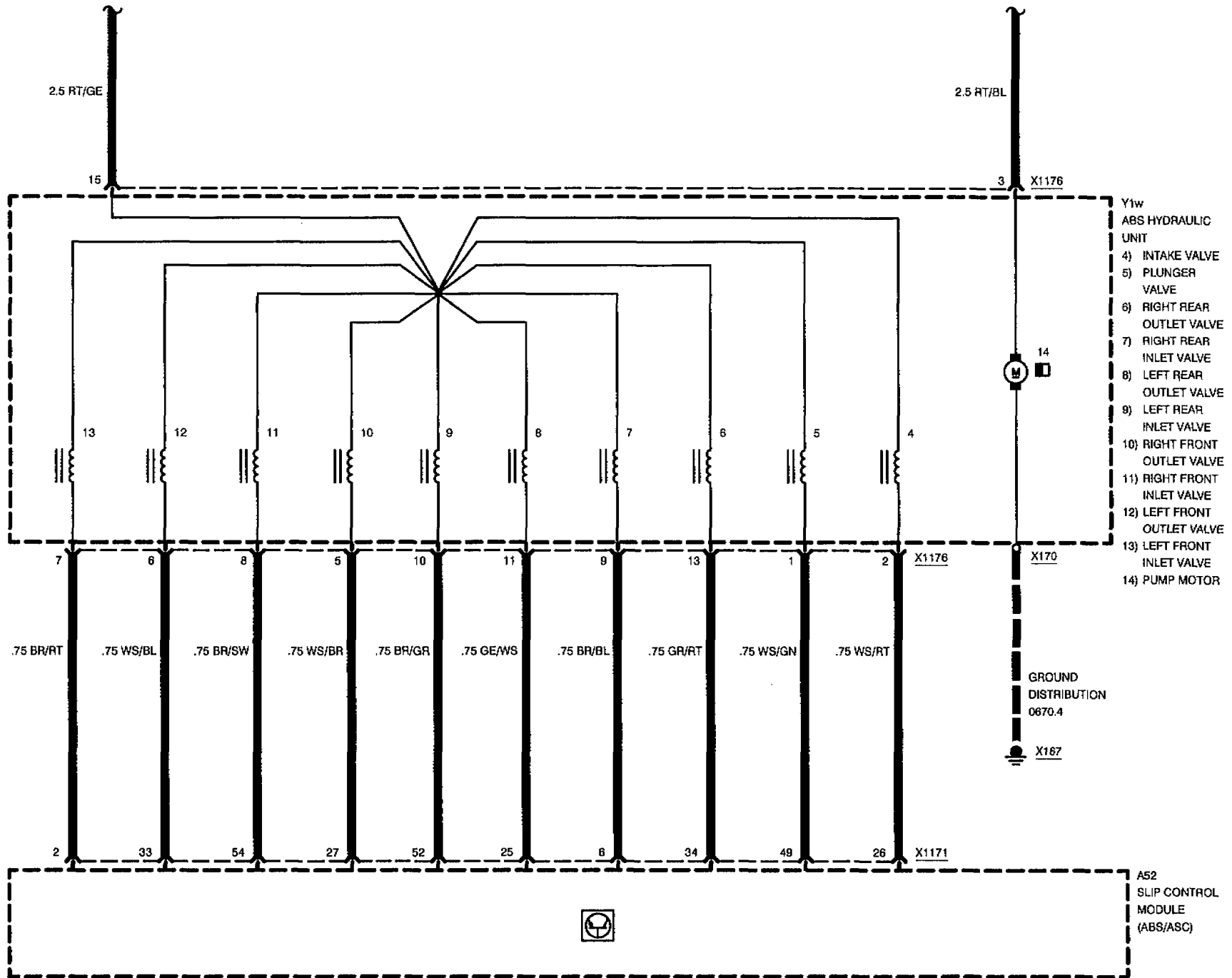
SLIP CONTROL 5 (ASC 5)



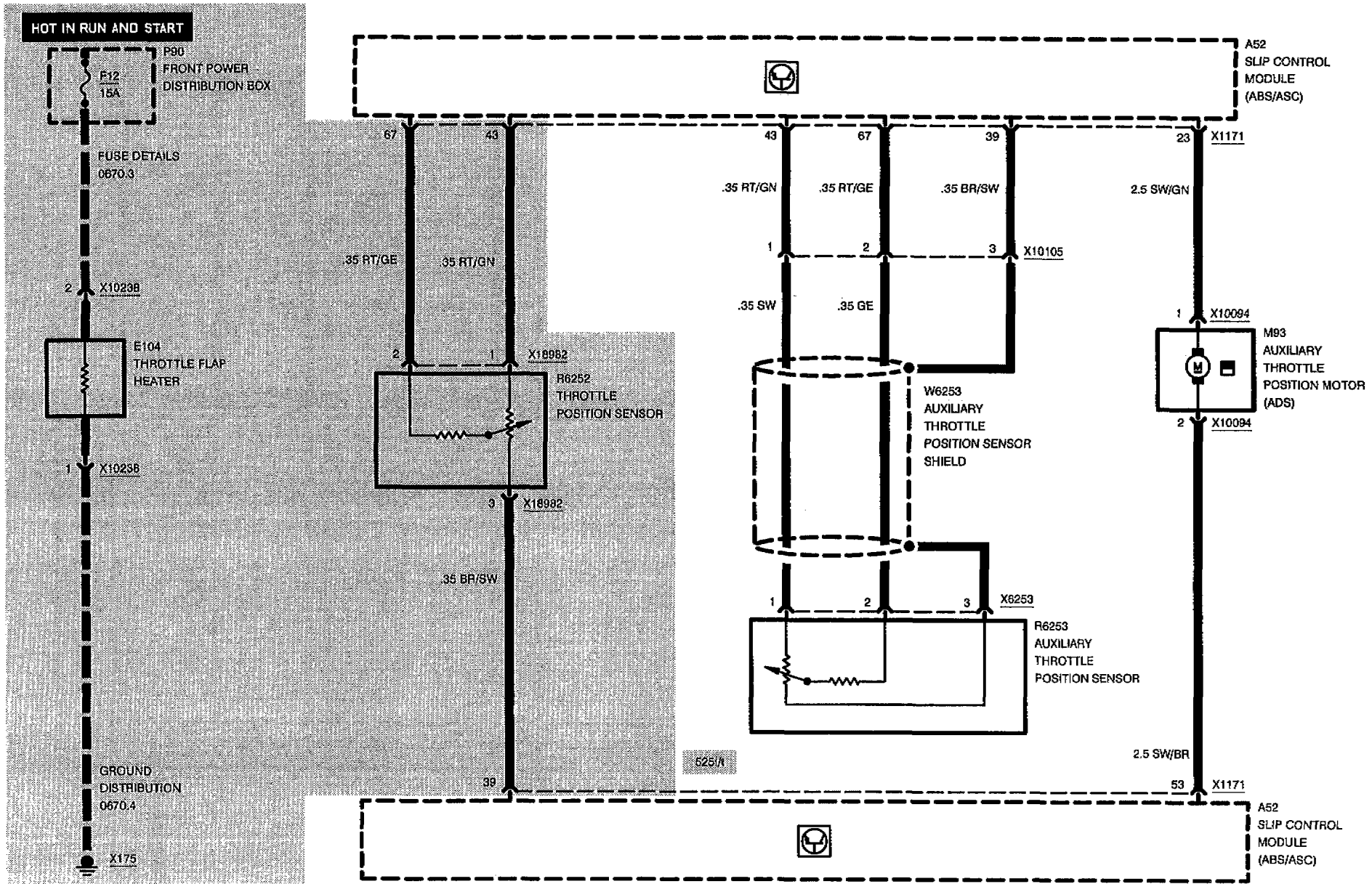


SLIP CONTROL 5 (ASC 5)





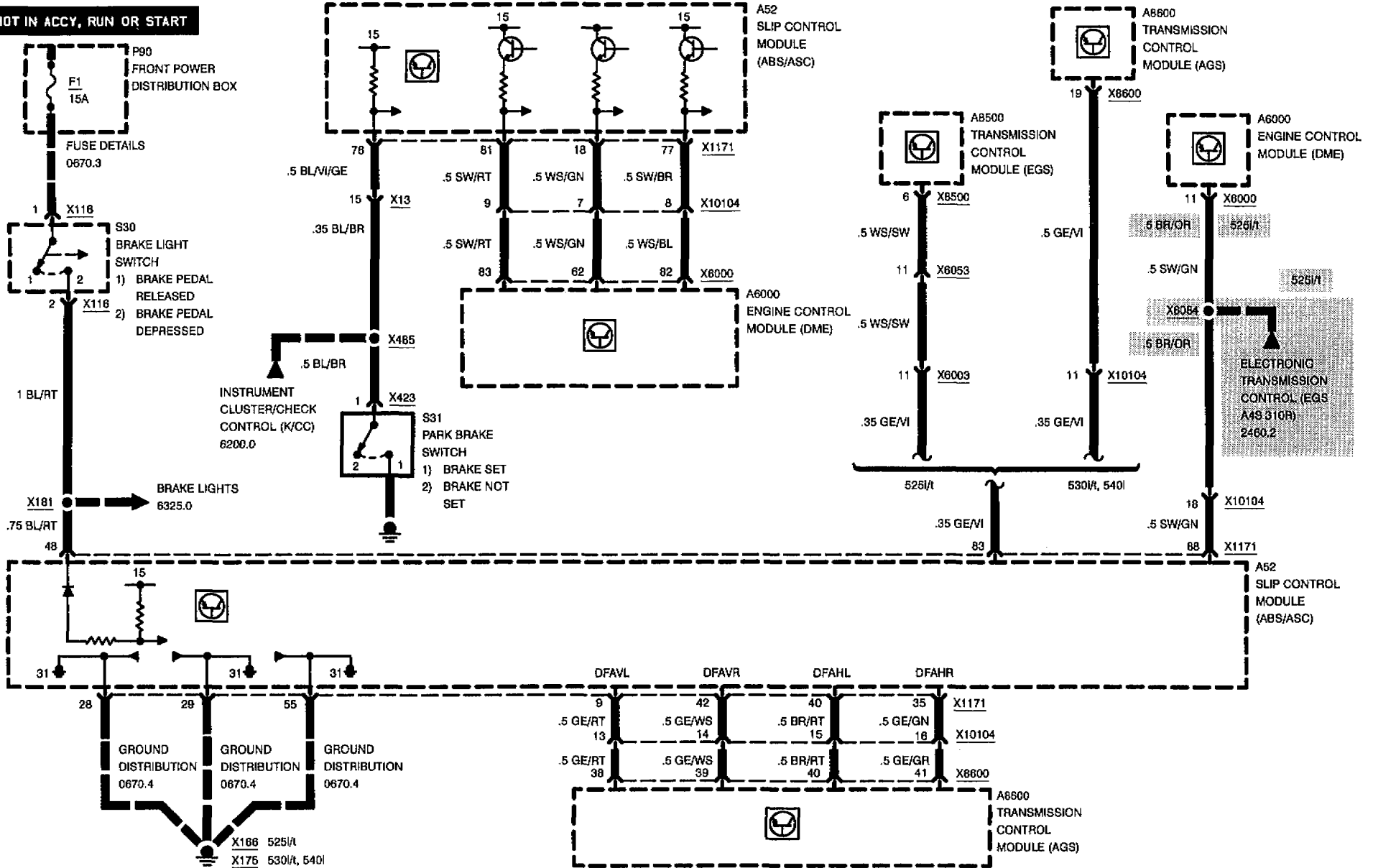
SLIP CONTROL 5 (ASC 5)





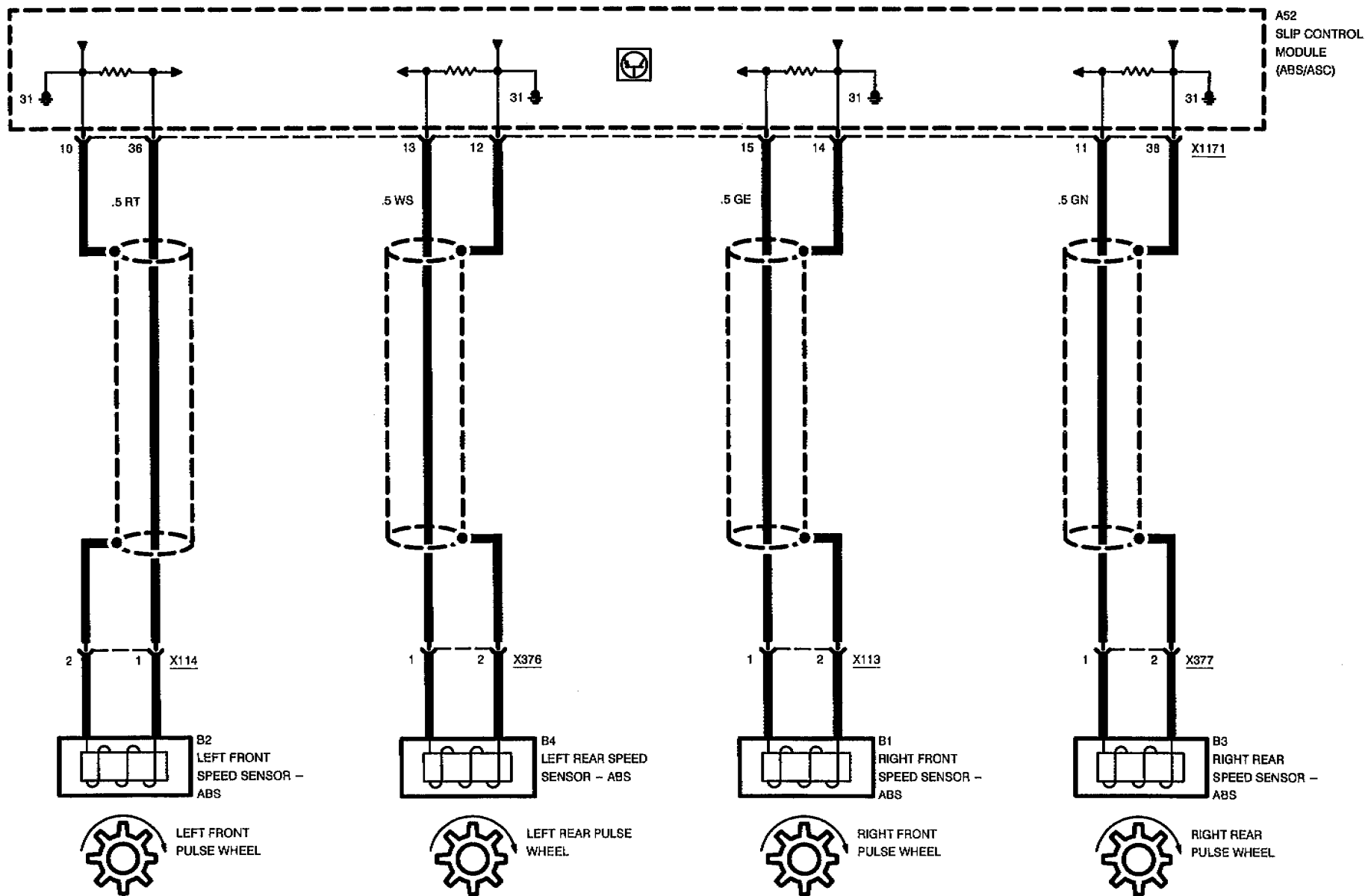
SLIP CONTROL 5 (ASC 5)

HOT IN ACCY, RUN OR START



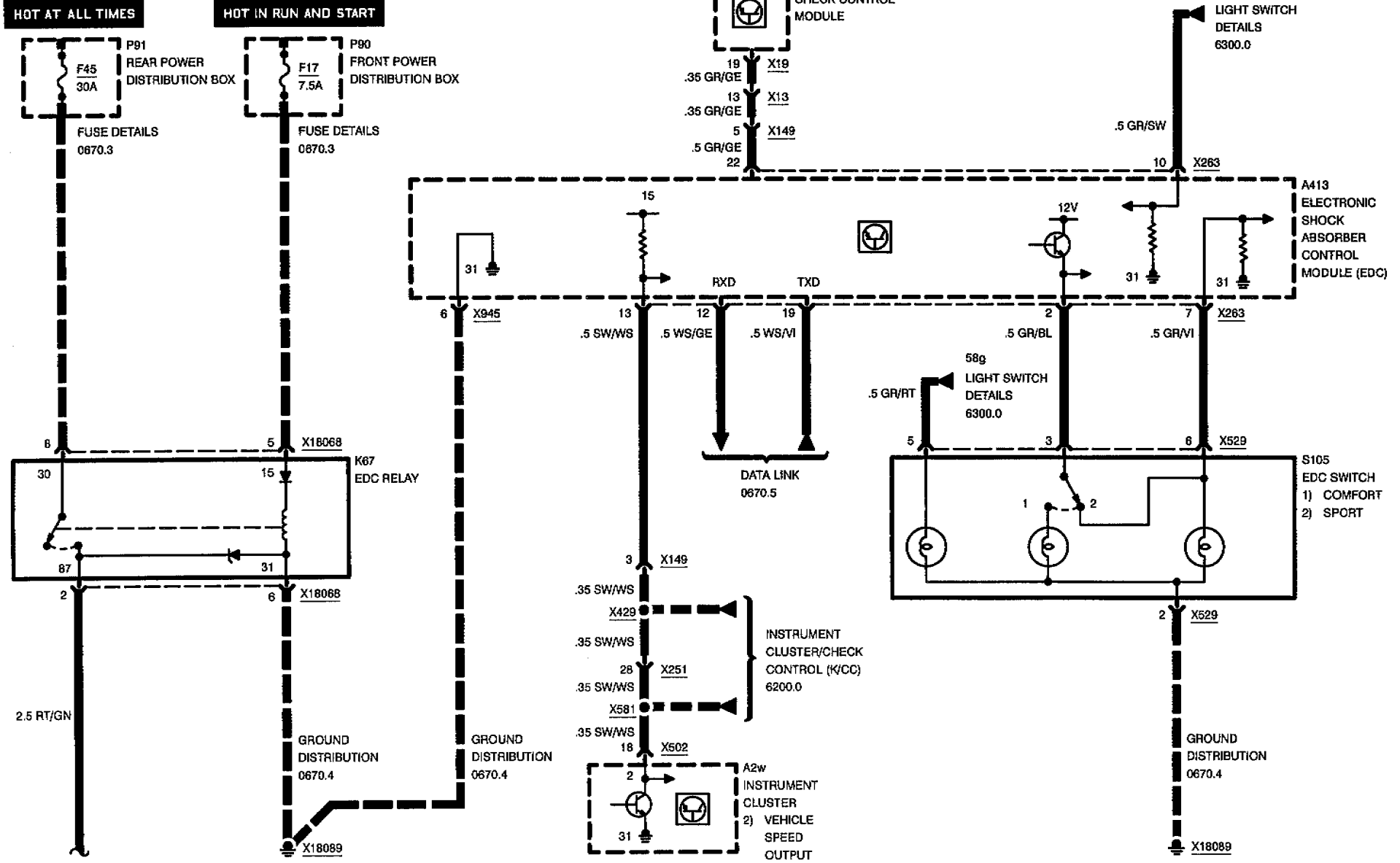


SLIP CONTROL 5 (ASC 5)

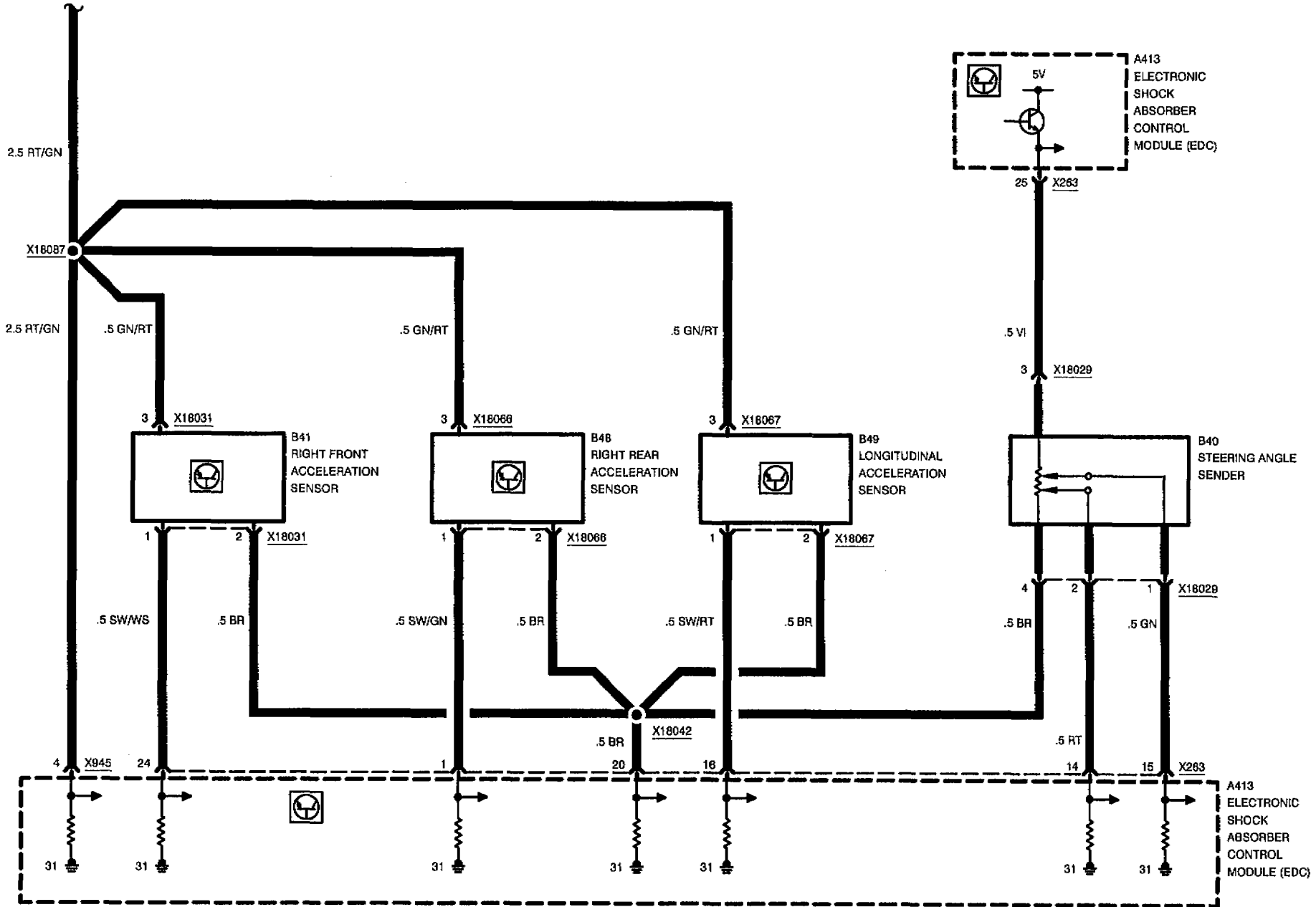


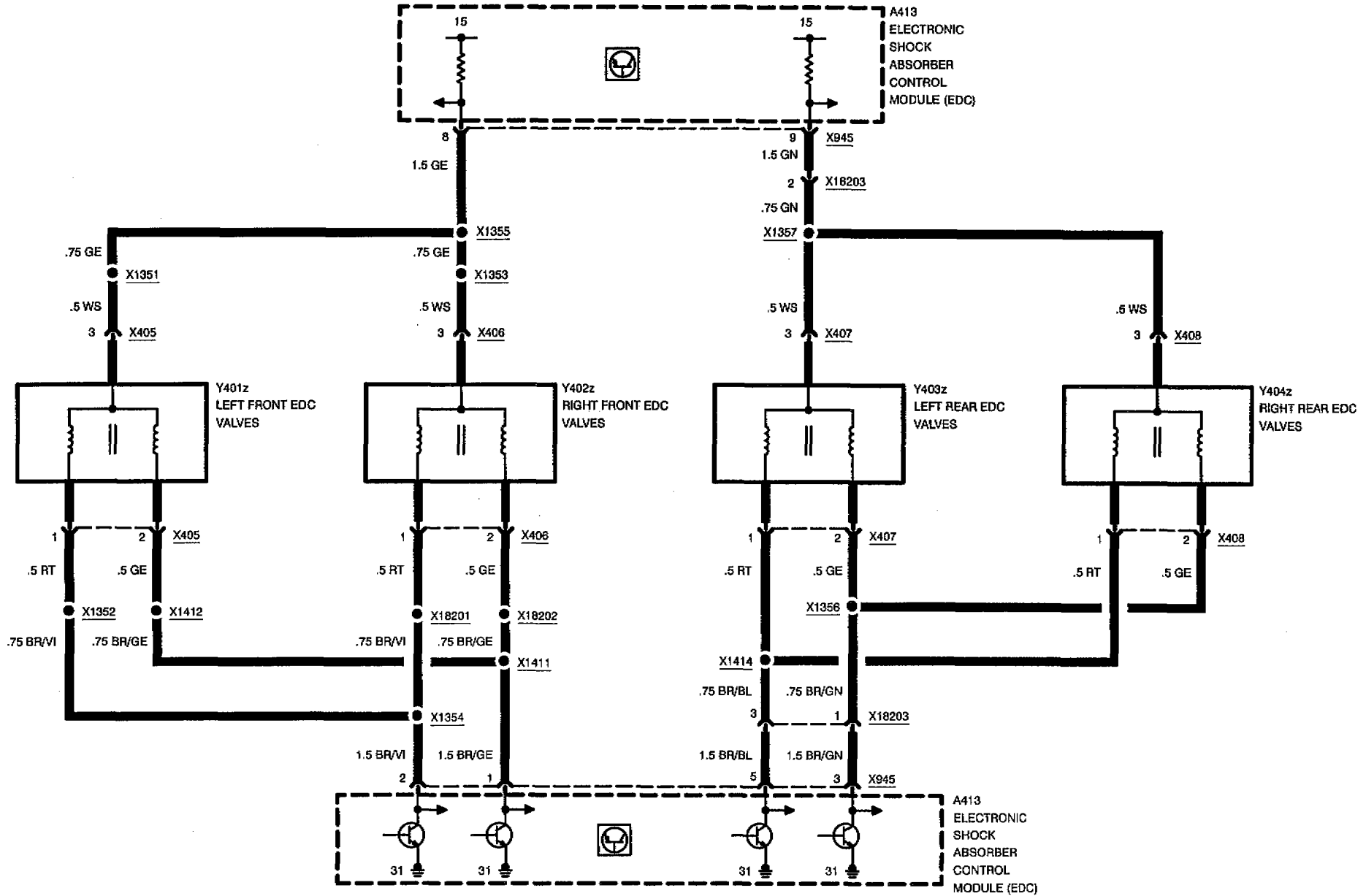


3715.2



540i





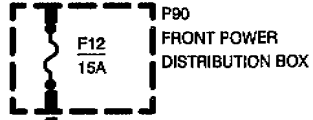
BMW
5

5116.0



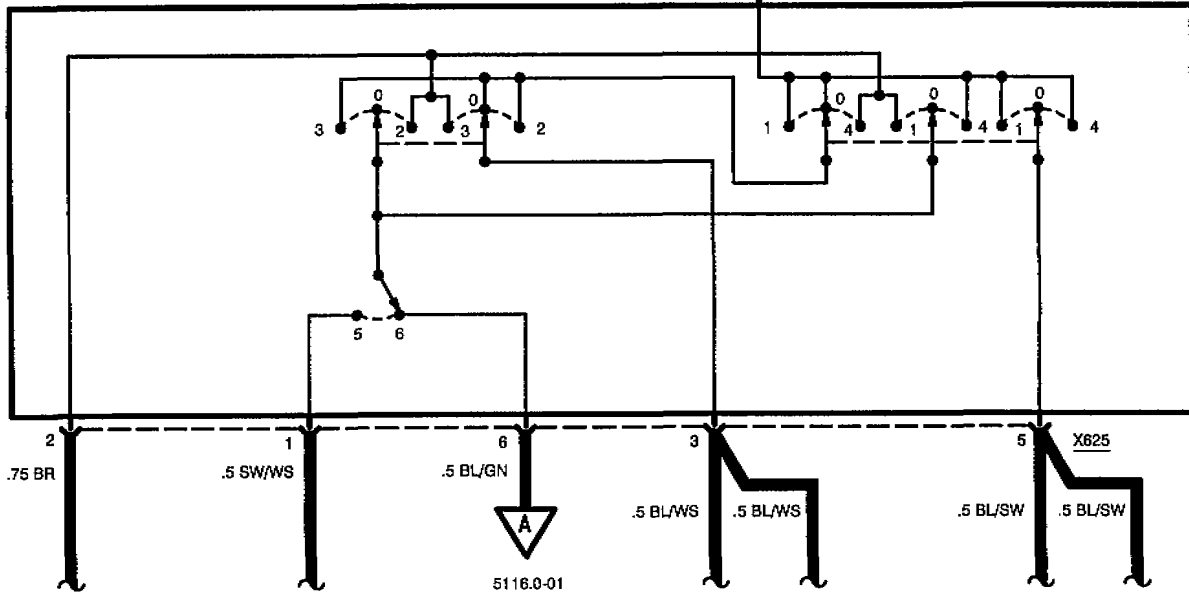
POWER MIRRORS

HOT IN RUN AND START

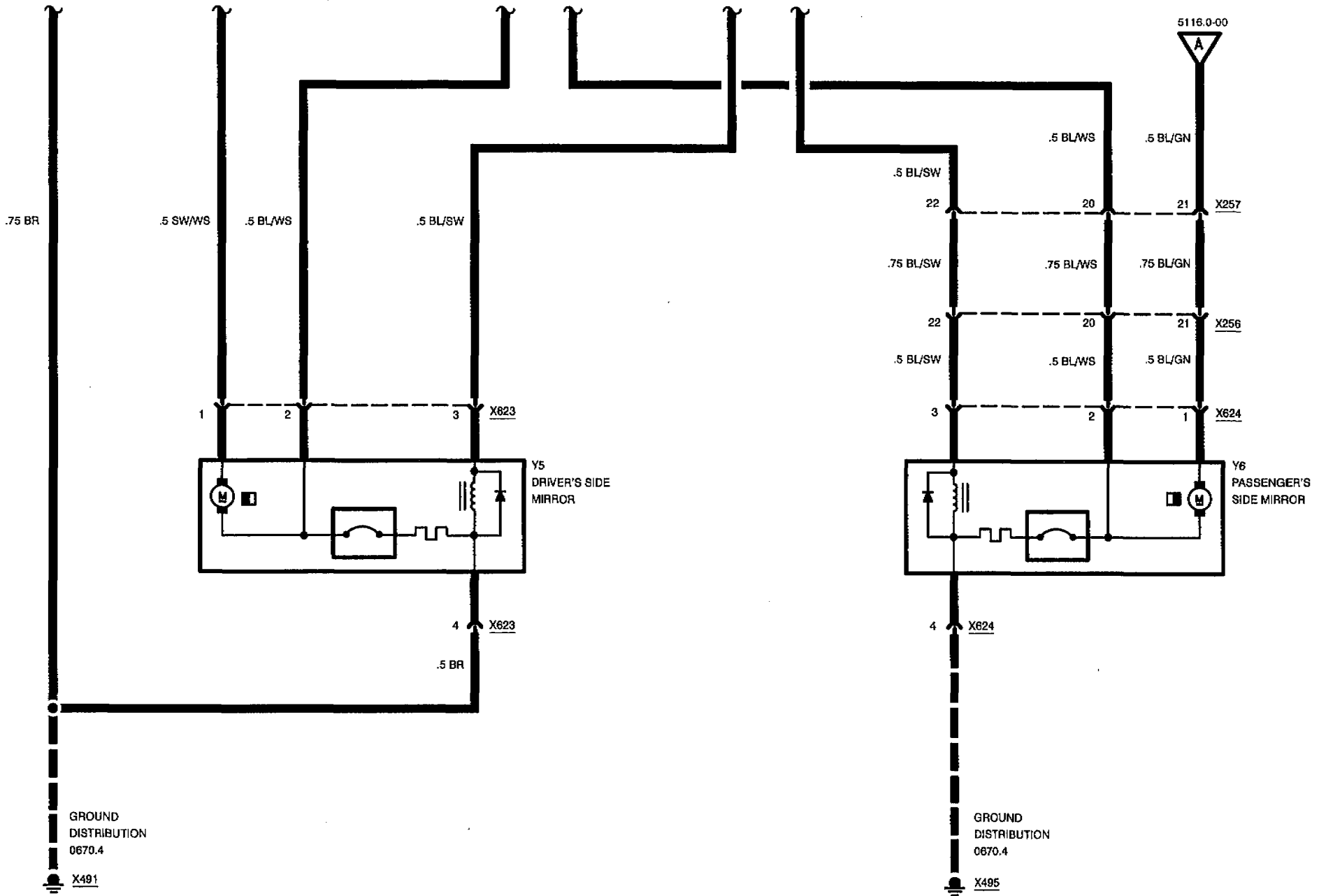


FUSE DETAILS
0670.3

4 X625

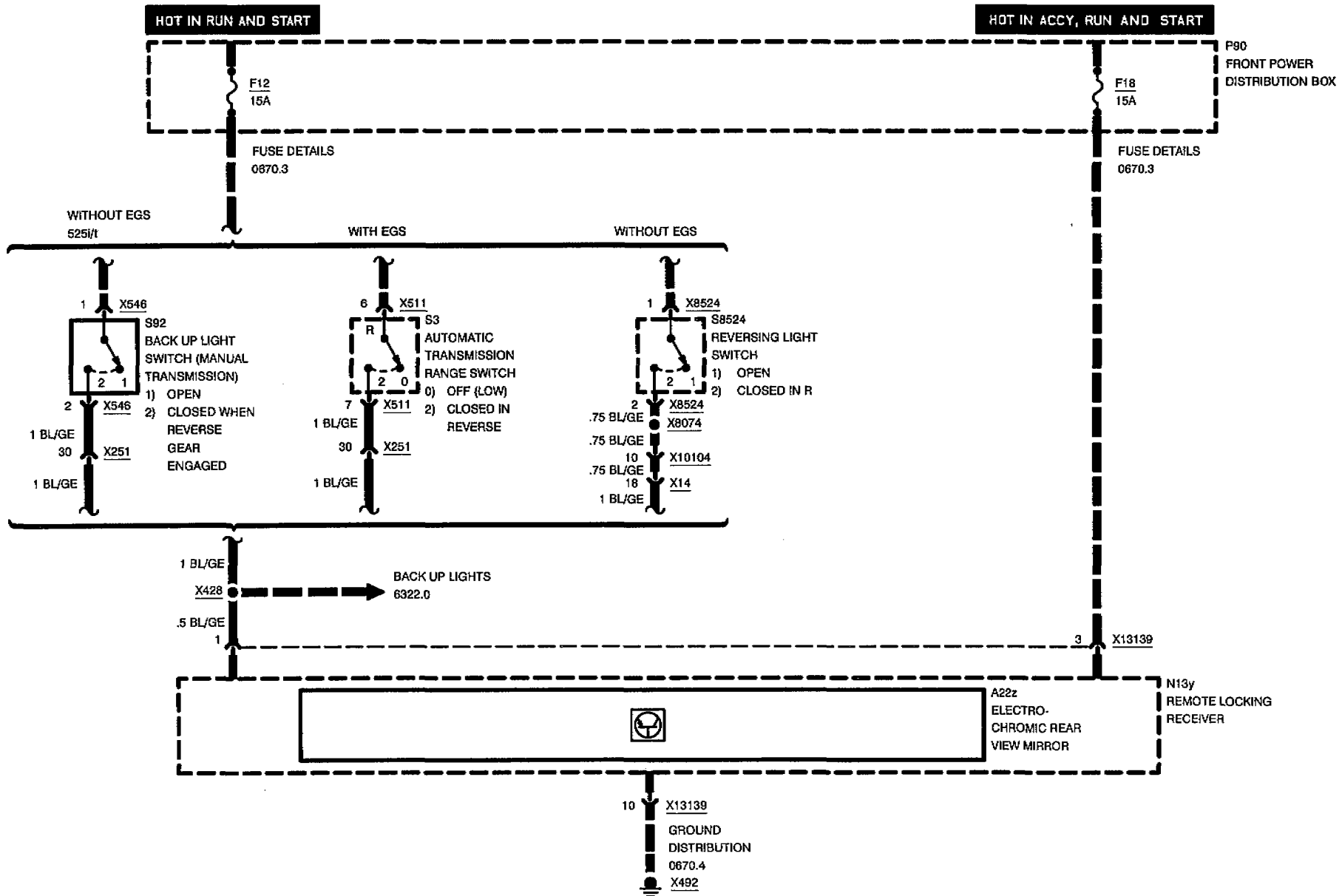


- S17
MIRROR CONTROL
SWITCH
- 0) OFF
 - 1) UP
 - 2) LEFT
 - 3) RIGHT
 - 4) DOWN
 - 5) DRIVER'S SIDE
 - 6) PASSENGER'S
SIDE





POWER MIRRORS CONTACT RING



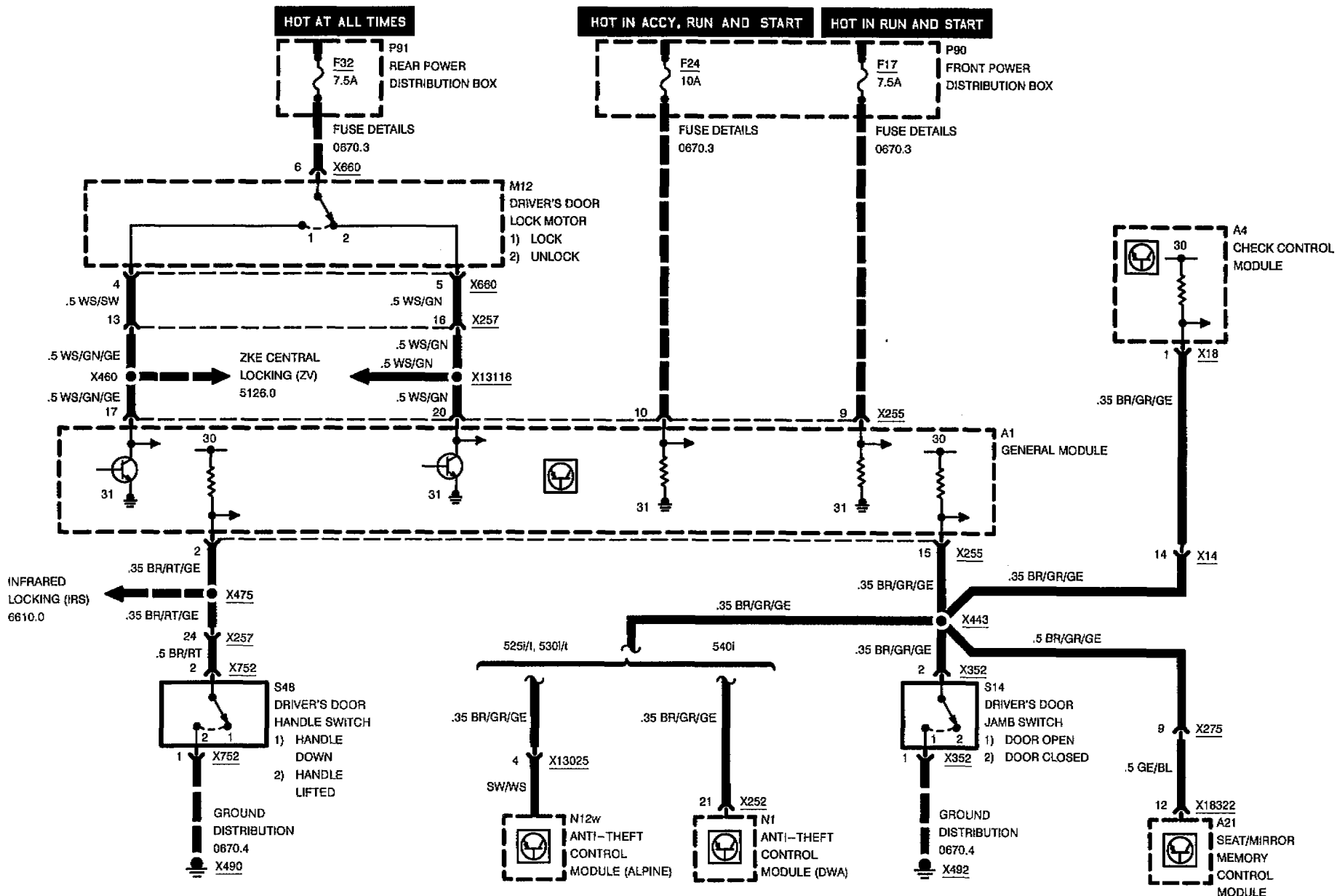


5120.0



ZKE DOOR LOCK HEATING (TSH)

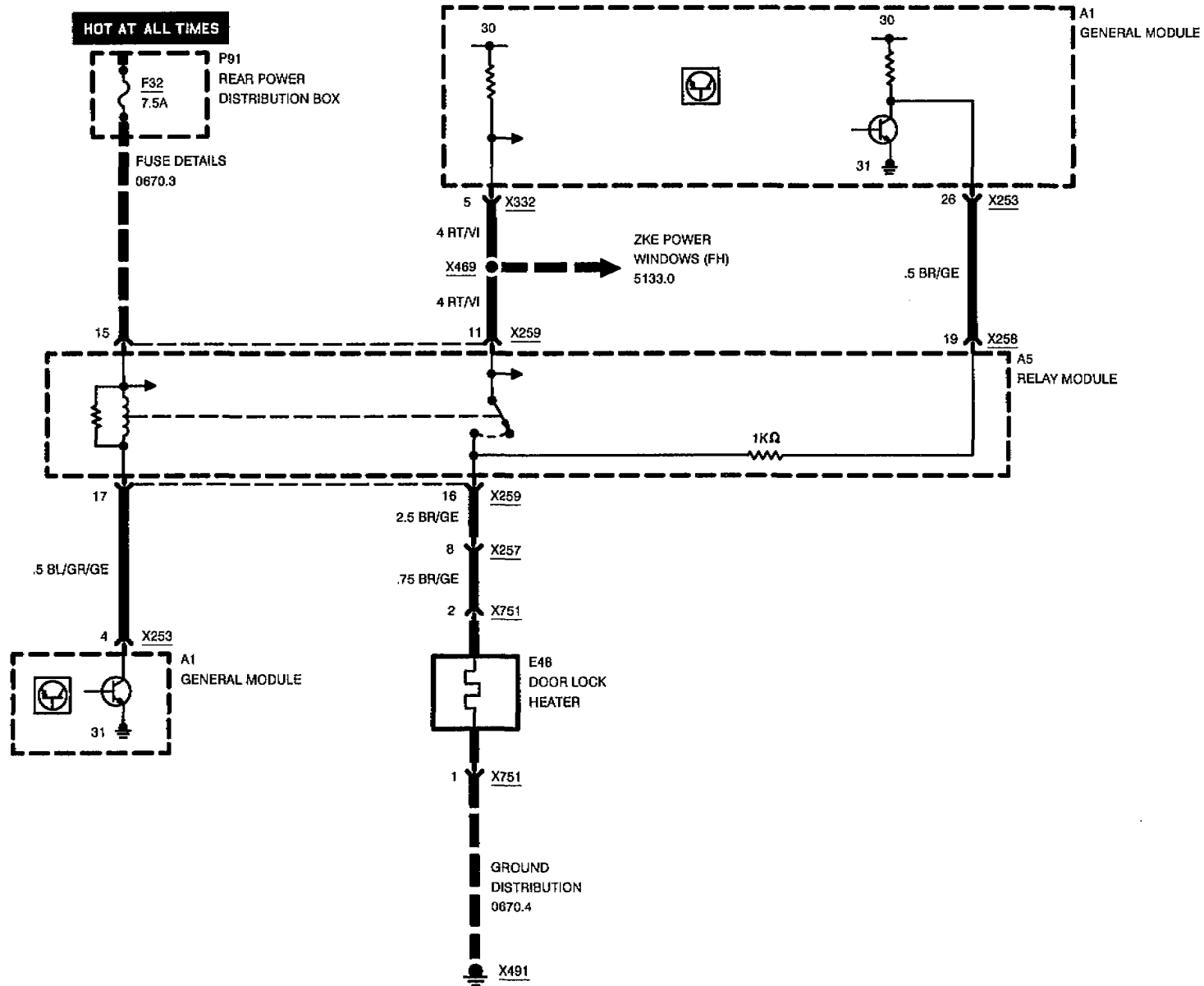
INPUT DETAILS

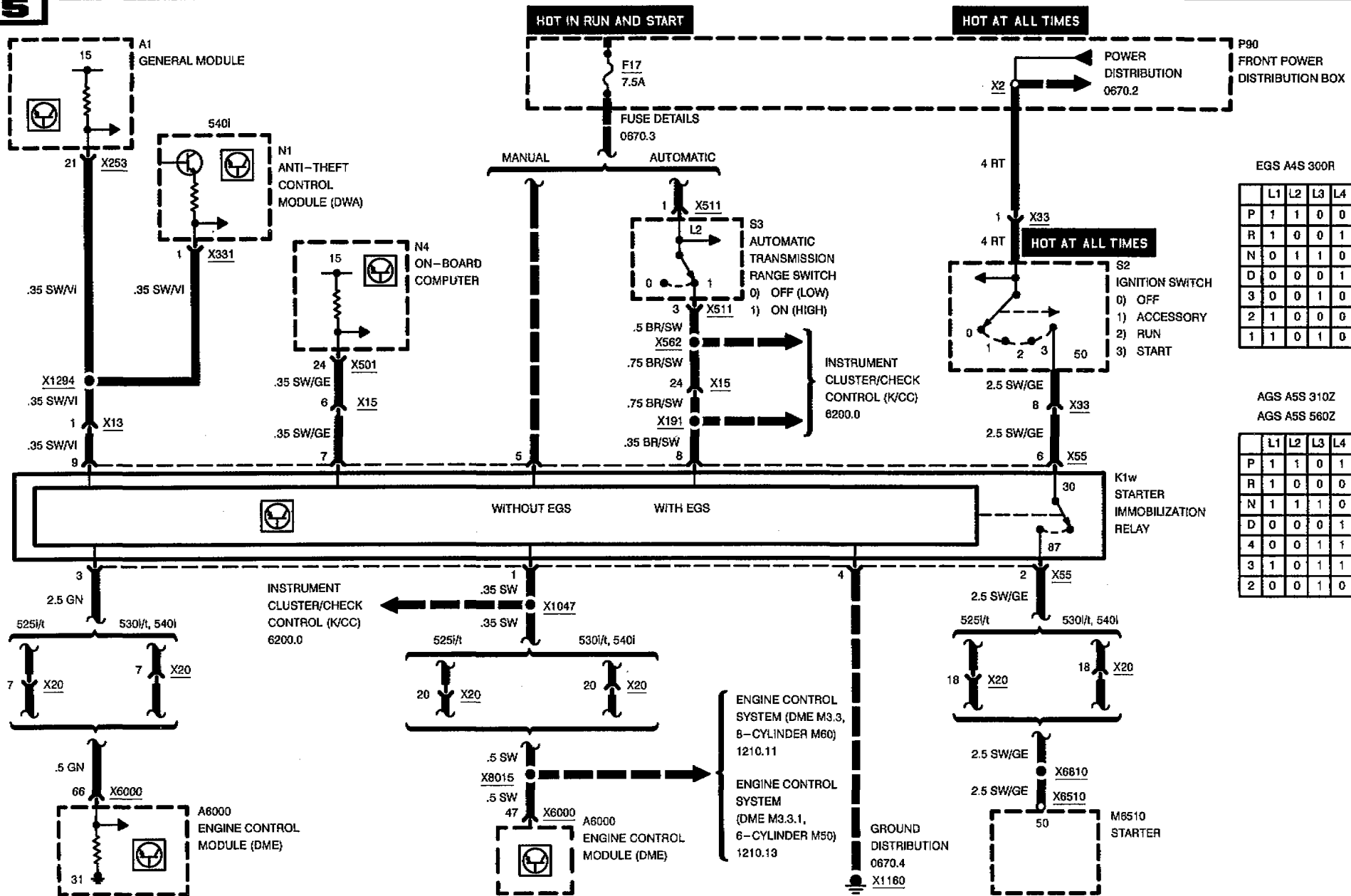




ZKE DOOR LOCK HEATING (TSH)

OUTPUT DETAILS

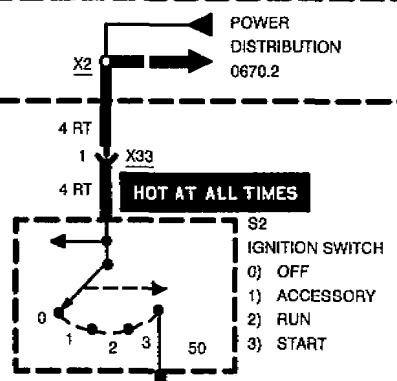
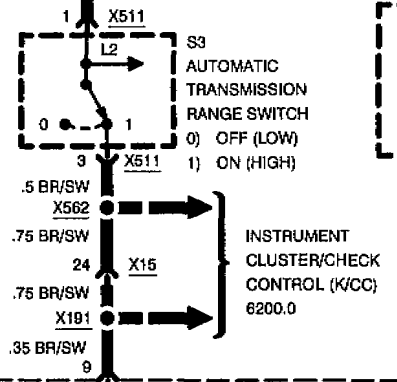
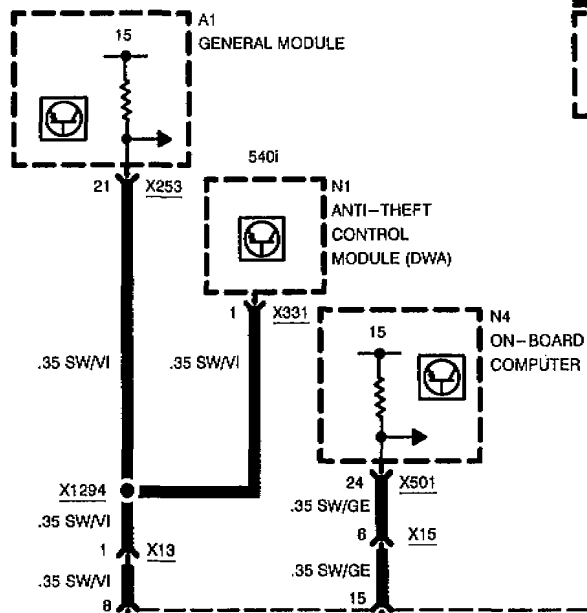
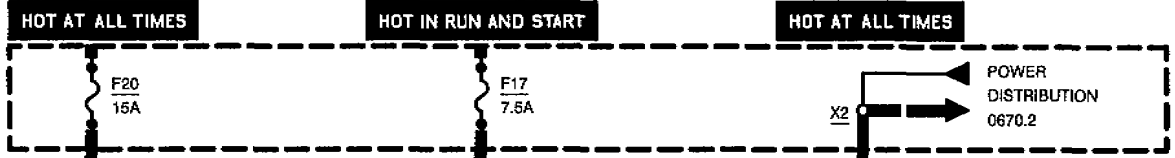






ZKE CENTRAL LOCKING (ZV)

LATE PRODUCTION

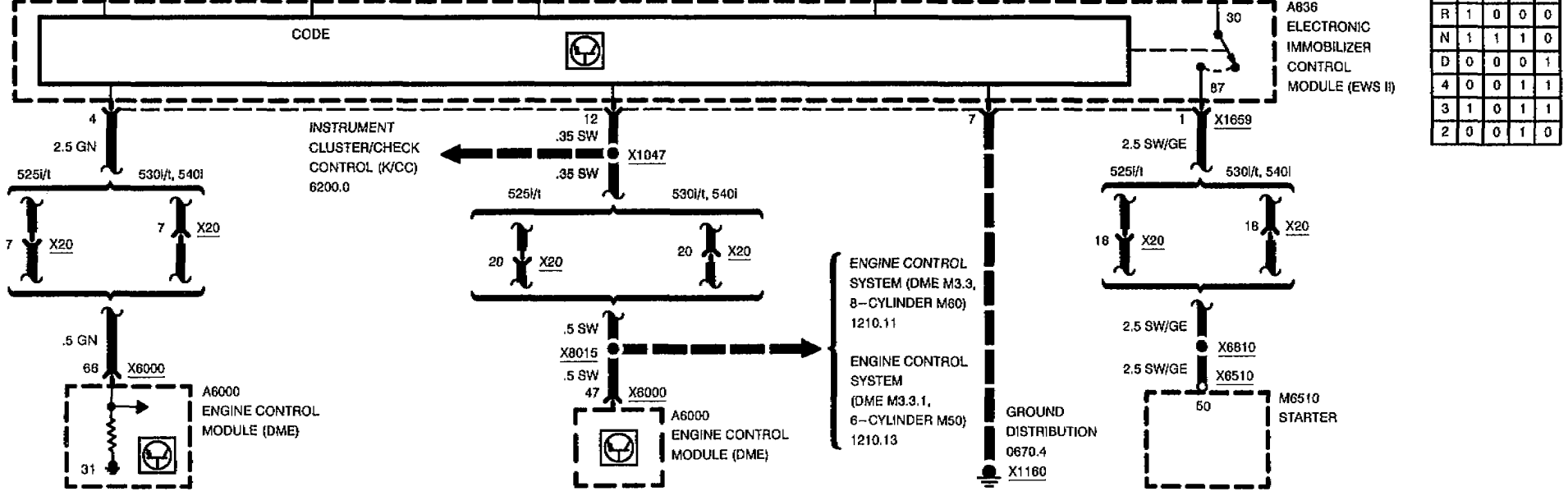


EGS A4S 300R

	L1	L2	L3	L4
P	1	1	0	0
R	1	0	0	1
N	0	1	1	0
D	0	0	0	1
3	0	0	1	0
2	1	0	0	0
1	1	0	1	0

AGS A5S 310Z
AGS A5S 560Z

	L1	L2	L3	L4
P	1	1	0	1
R	1	0	0	0
N	1	1	1	0
D	0	0	0	1
4	0	0	1	1
3	1	0	1	1
2	0	0	1	0

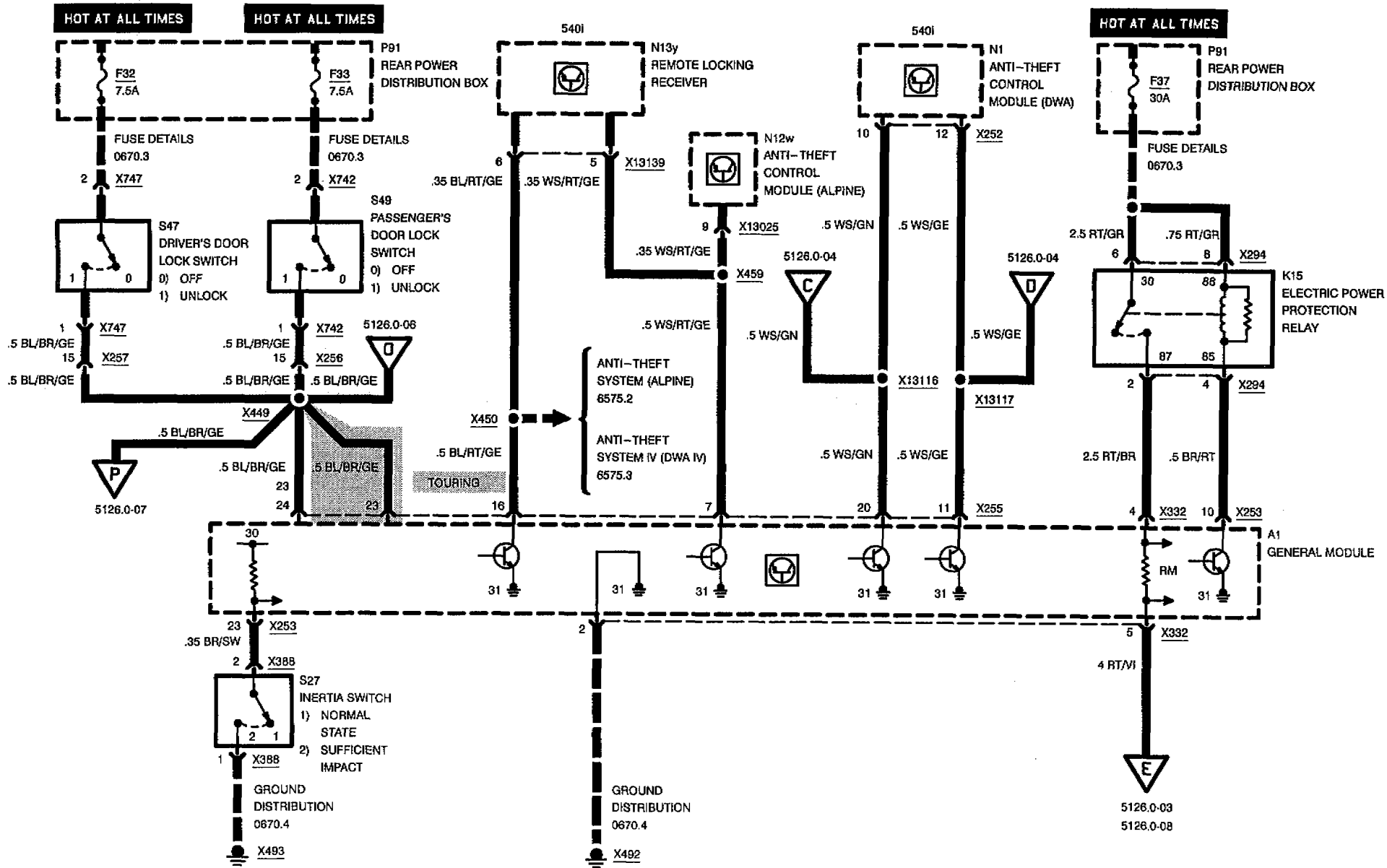


02/97

5126.0-01

1995

ZKE CENTRAL LOCKING (ZV)

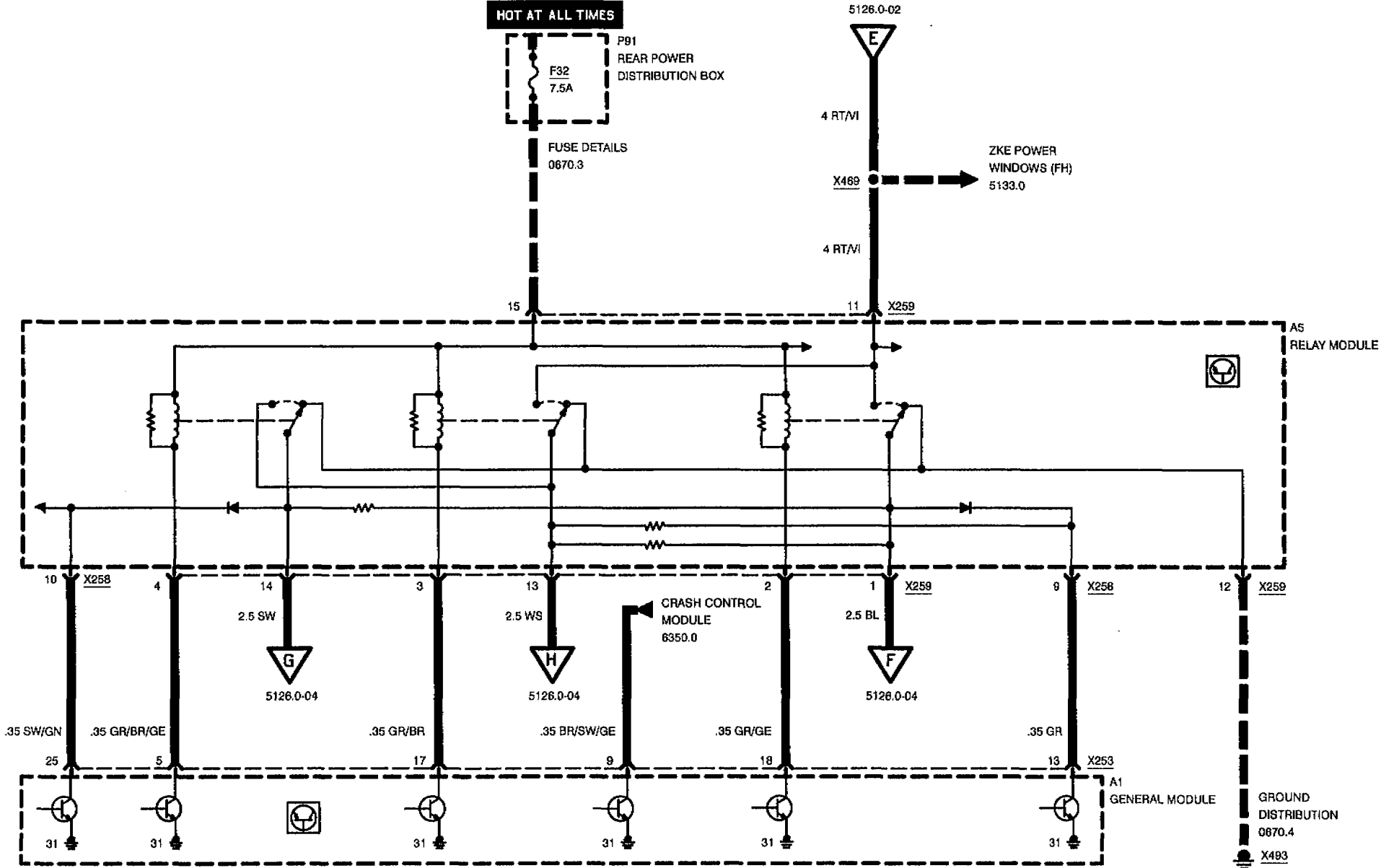


02/97
5126.0-02
1995



ZKE CENTRAL LOCKING (ZV)

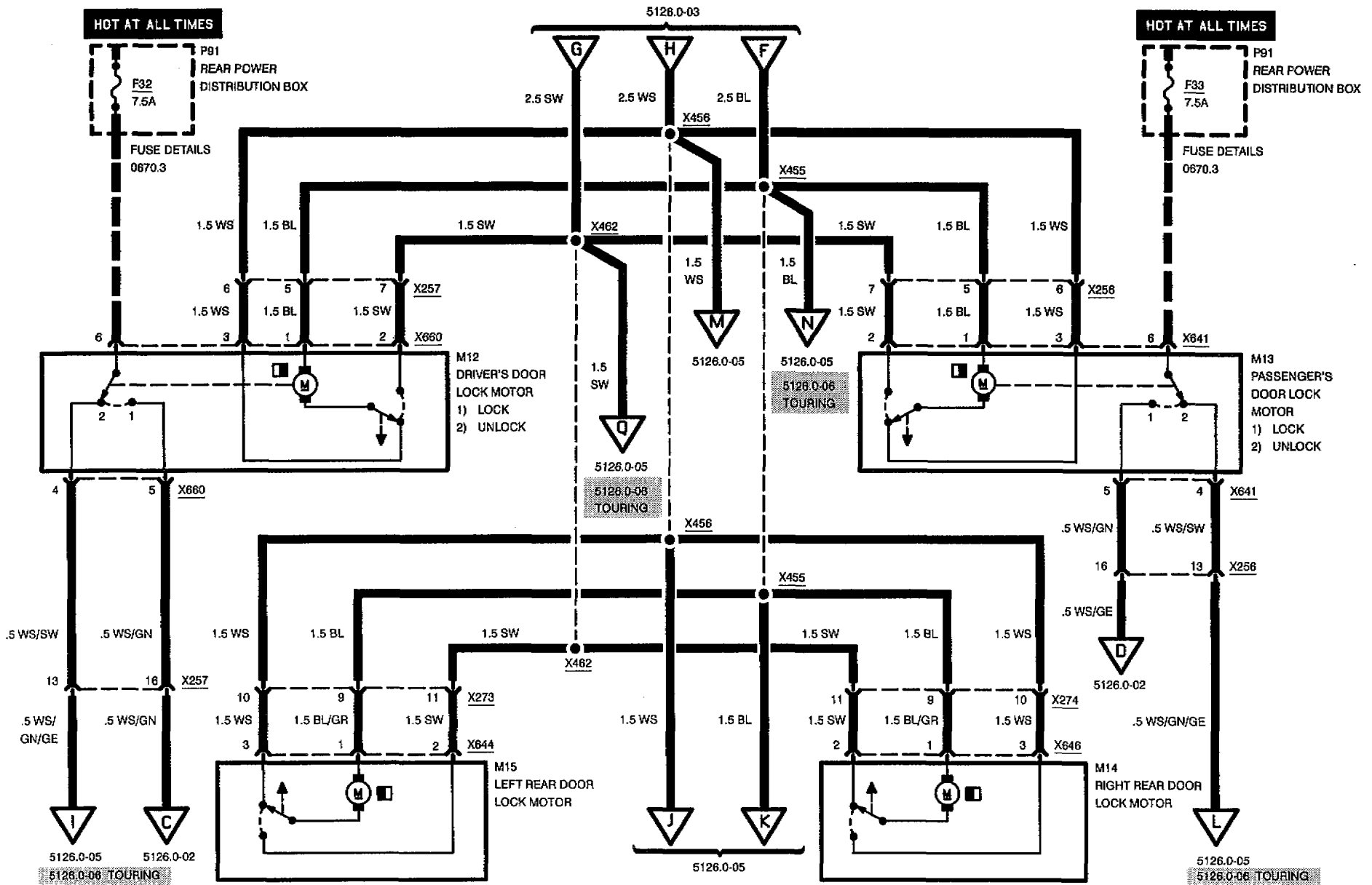
OUTPUT DETAILS





ZKE CENTRAL LOCKING (ZV)

OUTPUT DETAILS

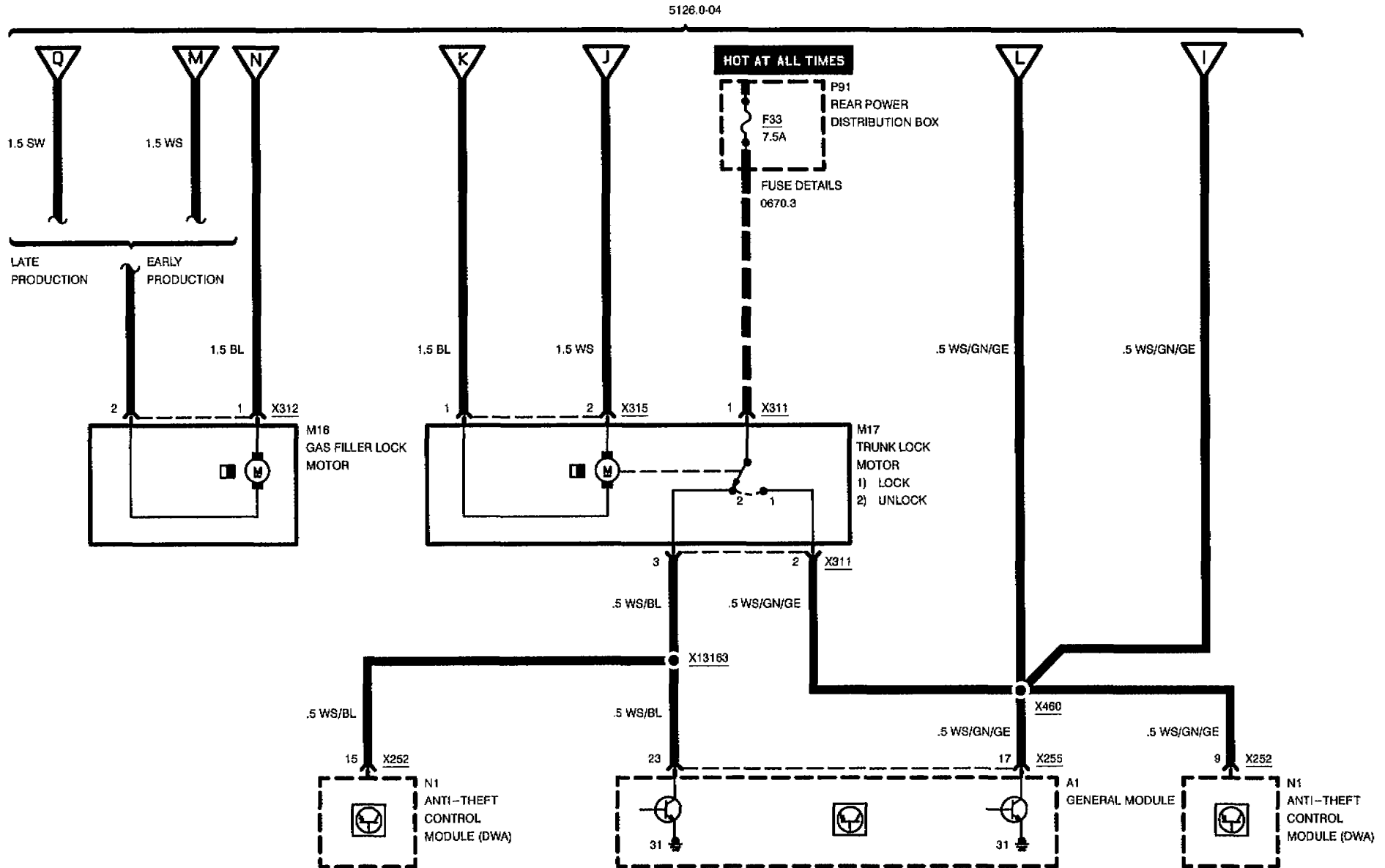




ZKE CENTRAL LOCKING (ZV)

OUTPUT DETAILS

SEDAN



02/97

5126.0-05

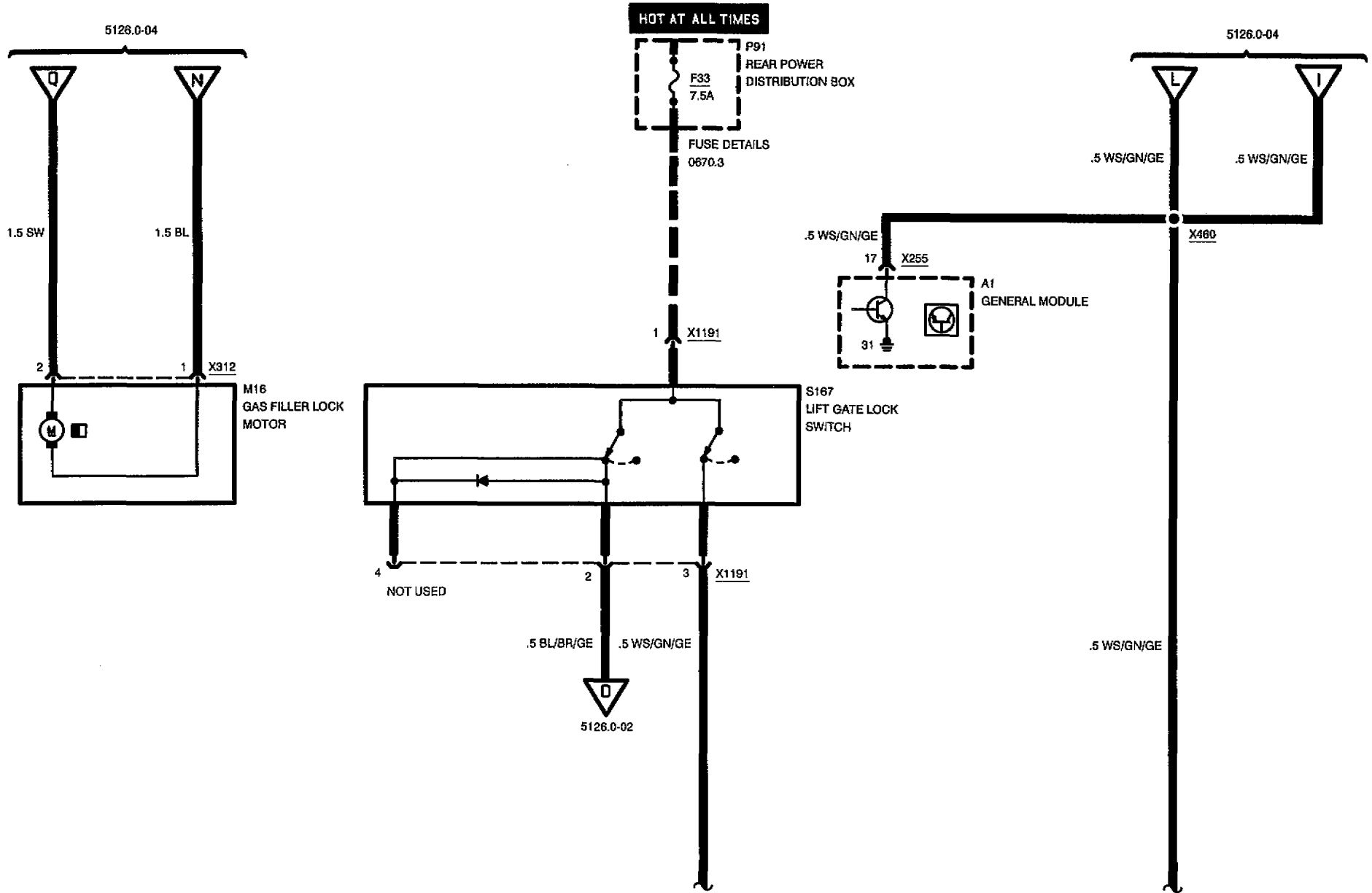
1995

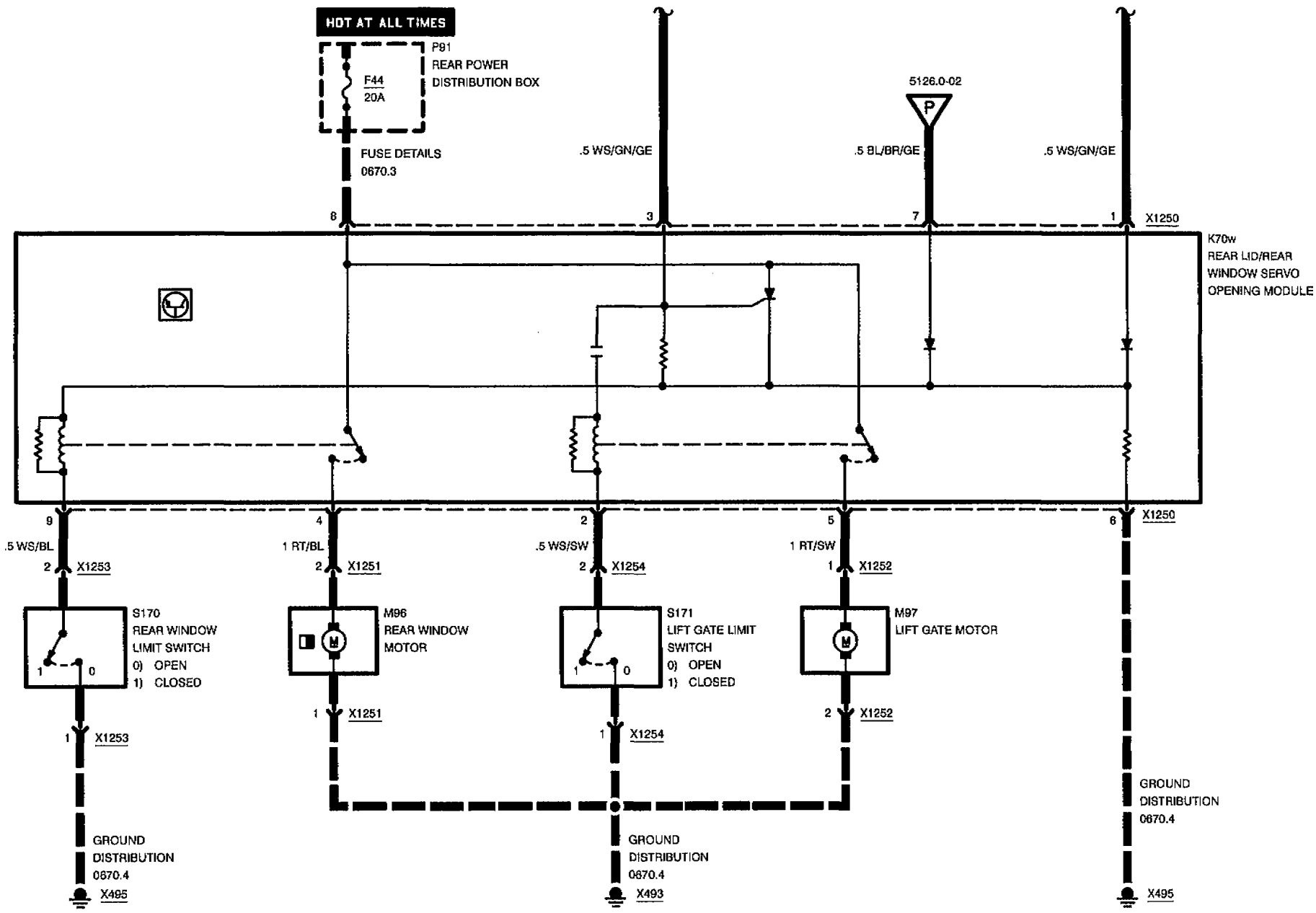


ZKE CENTRAL LOCKING (ZV)

OUTPUT DETAILS

TOURING

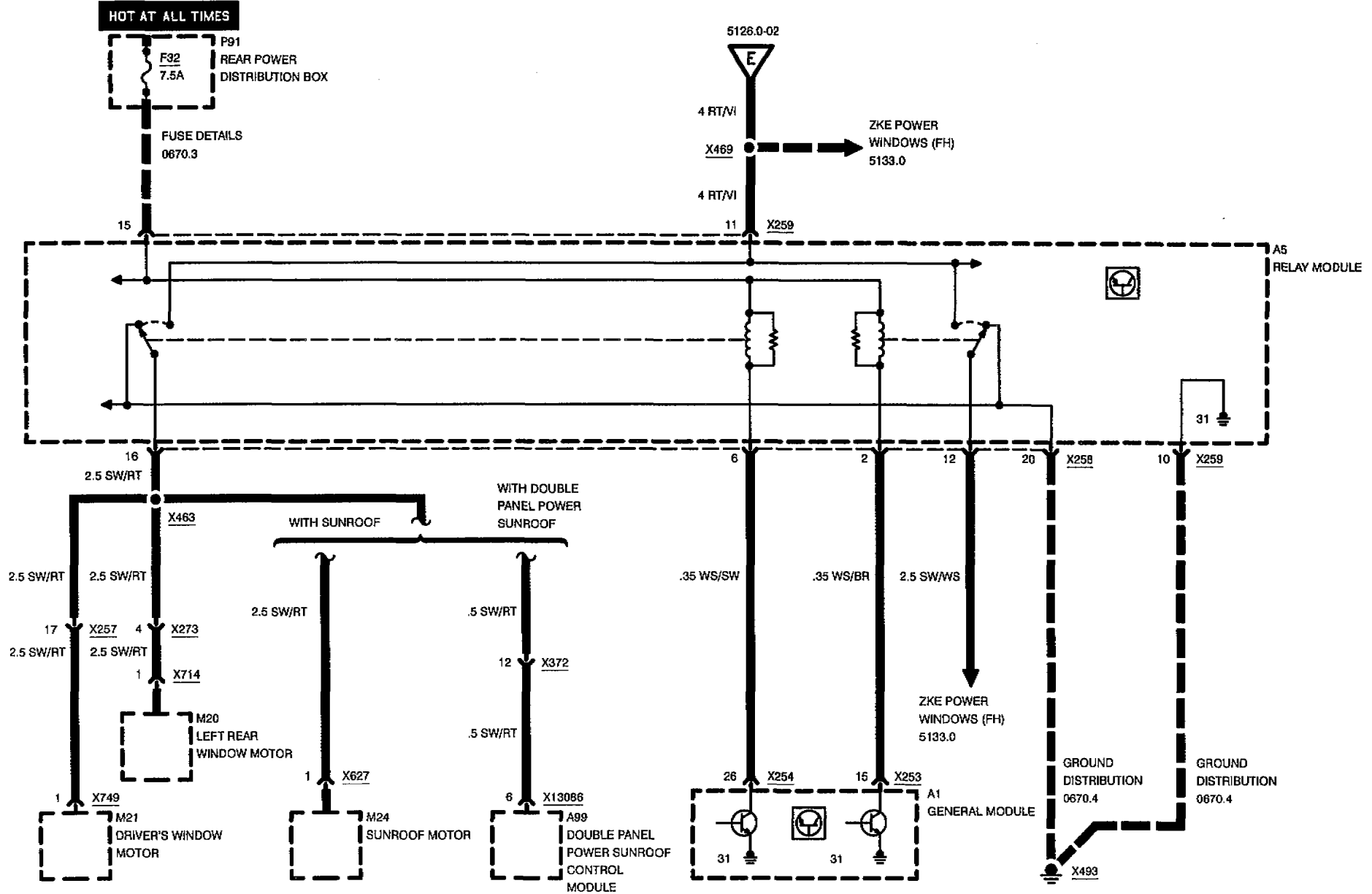






ZKE CENTRAL LOCKING (ZV)

OUTPUT DETAILS

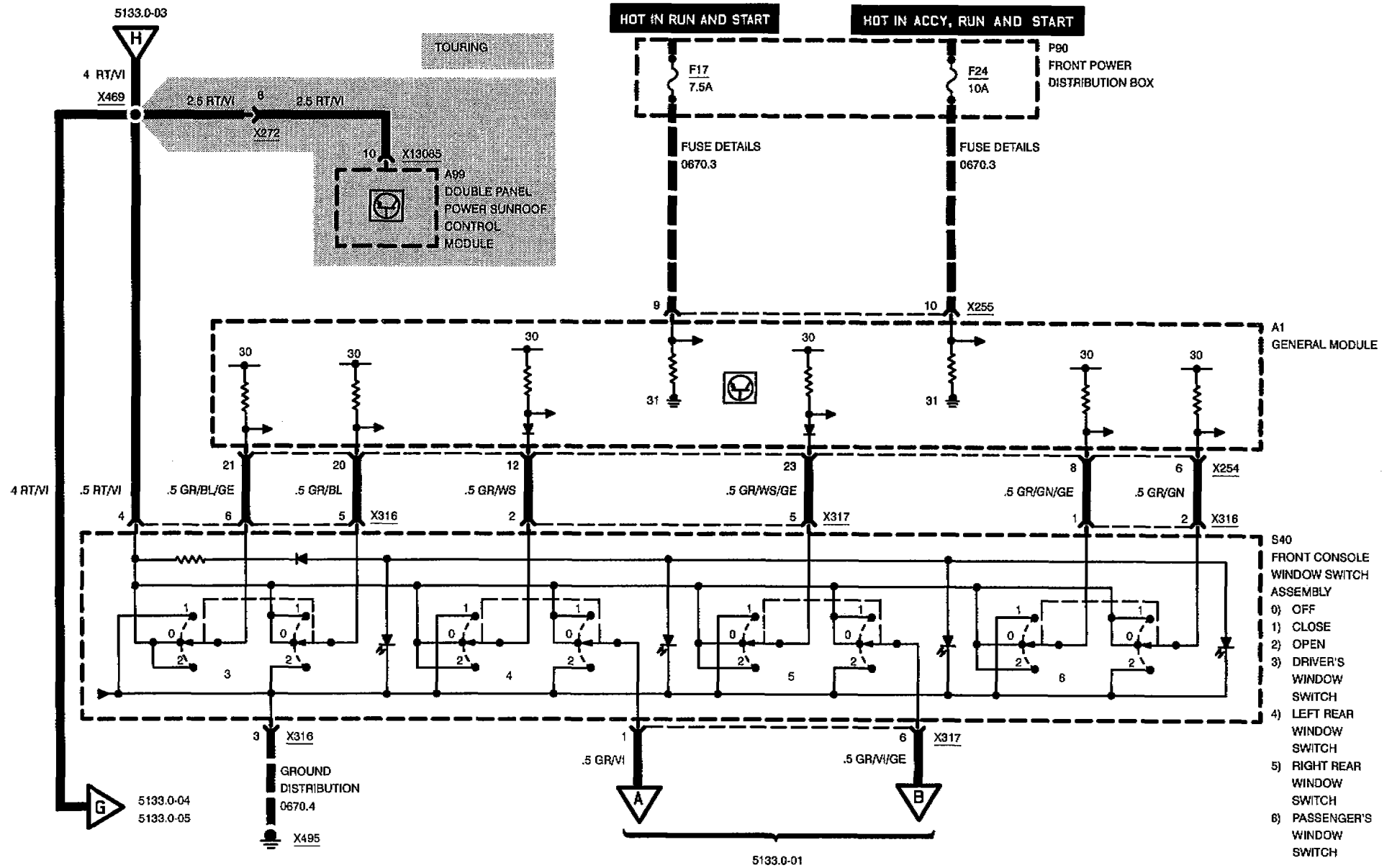






ZKE POWER WINDOWS (FH)

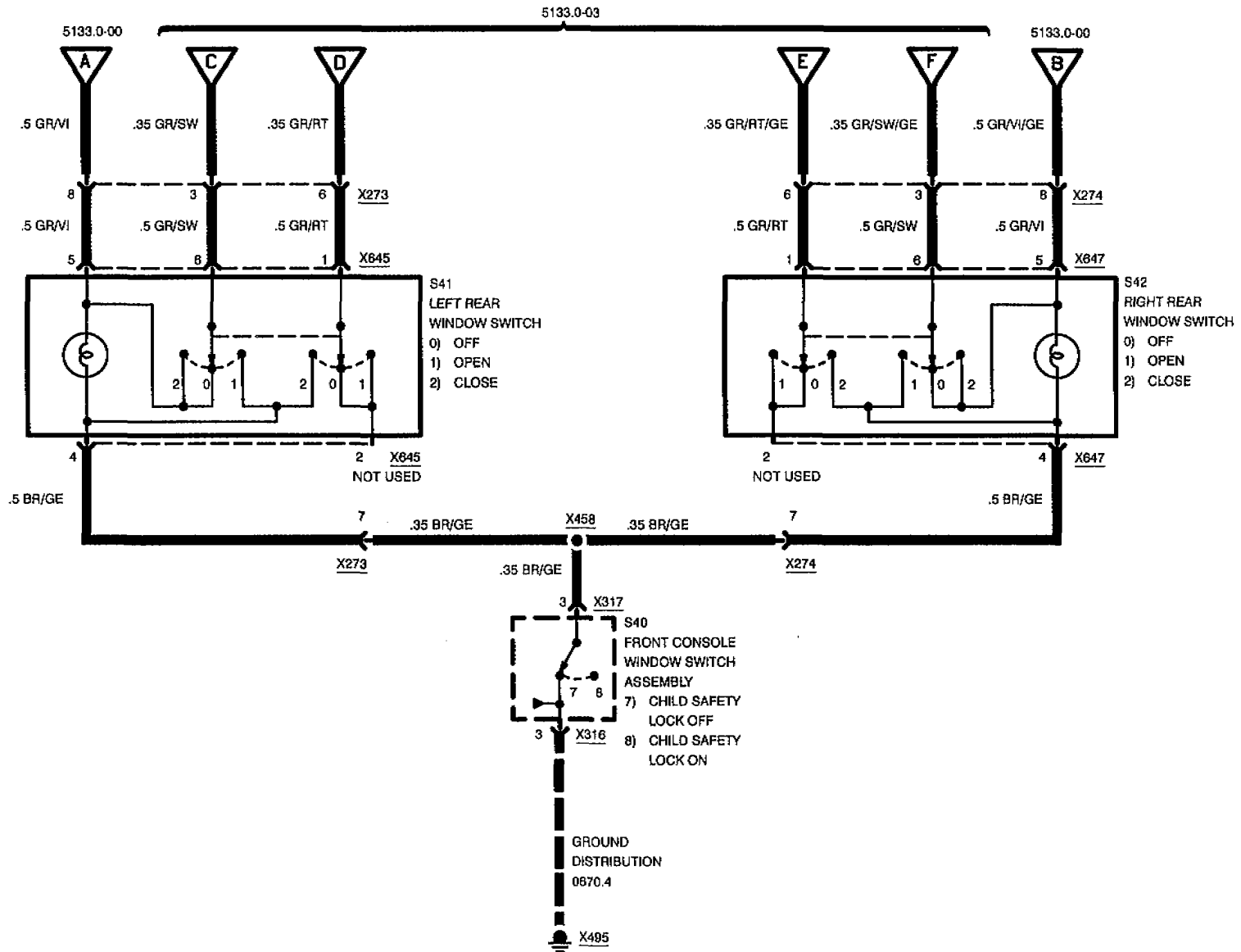
INPUT DETAILS





ZKE POWER WINDOWS (FH)

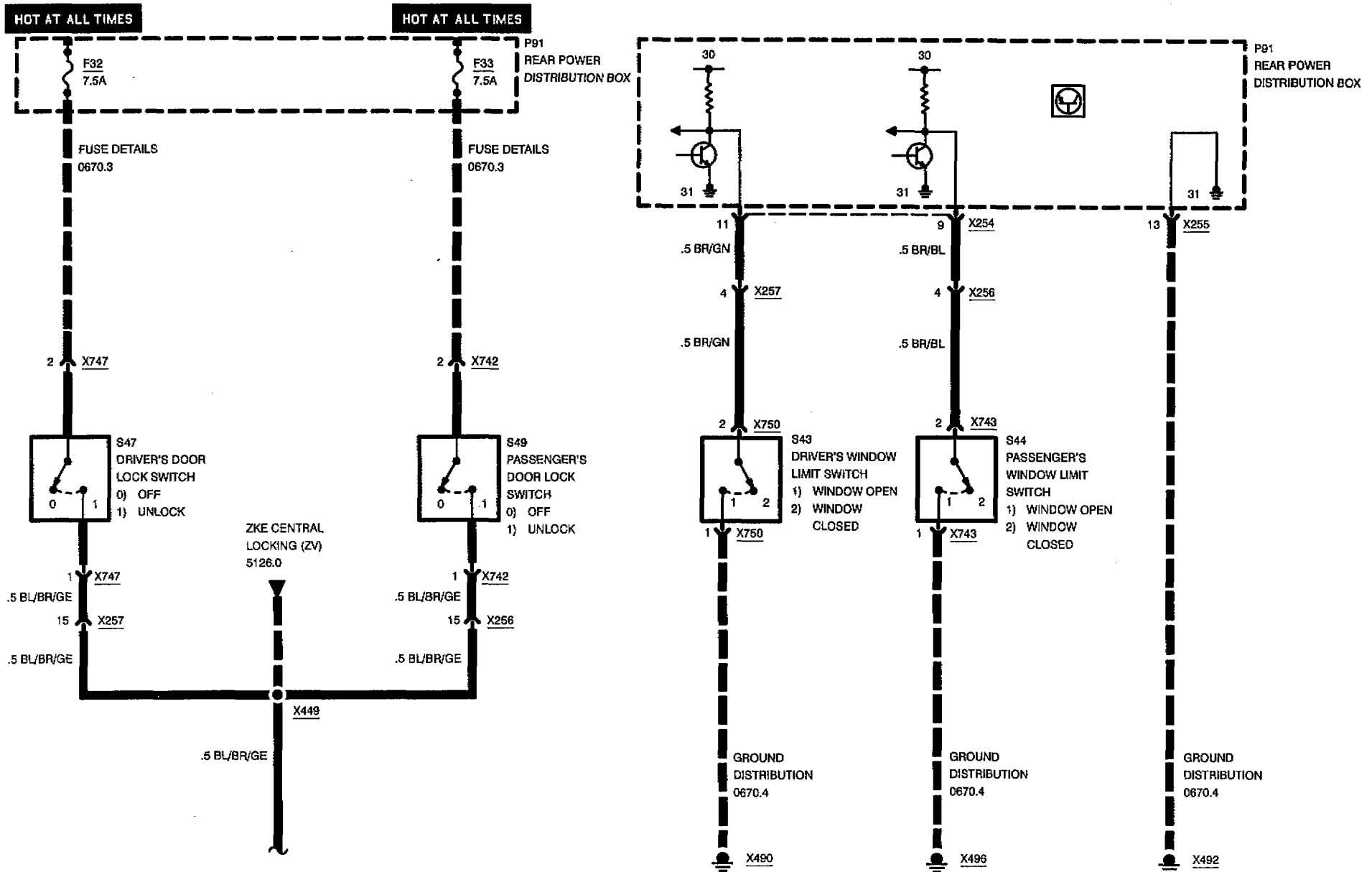
INPUT DETAILS

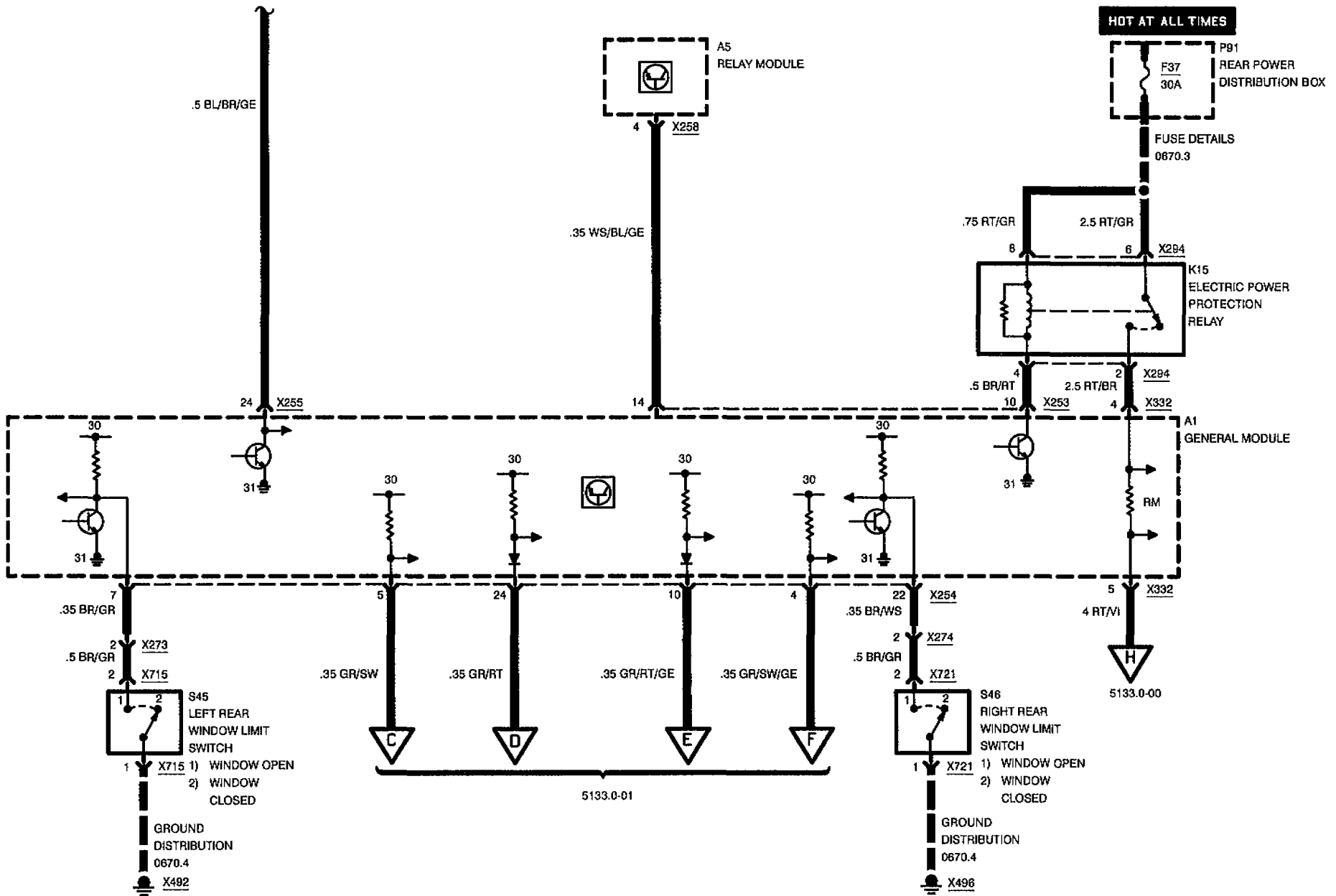




ZKE POWER WINDOWS (FH)

INPUT DETAILS



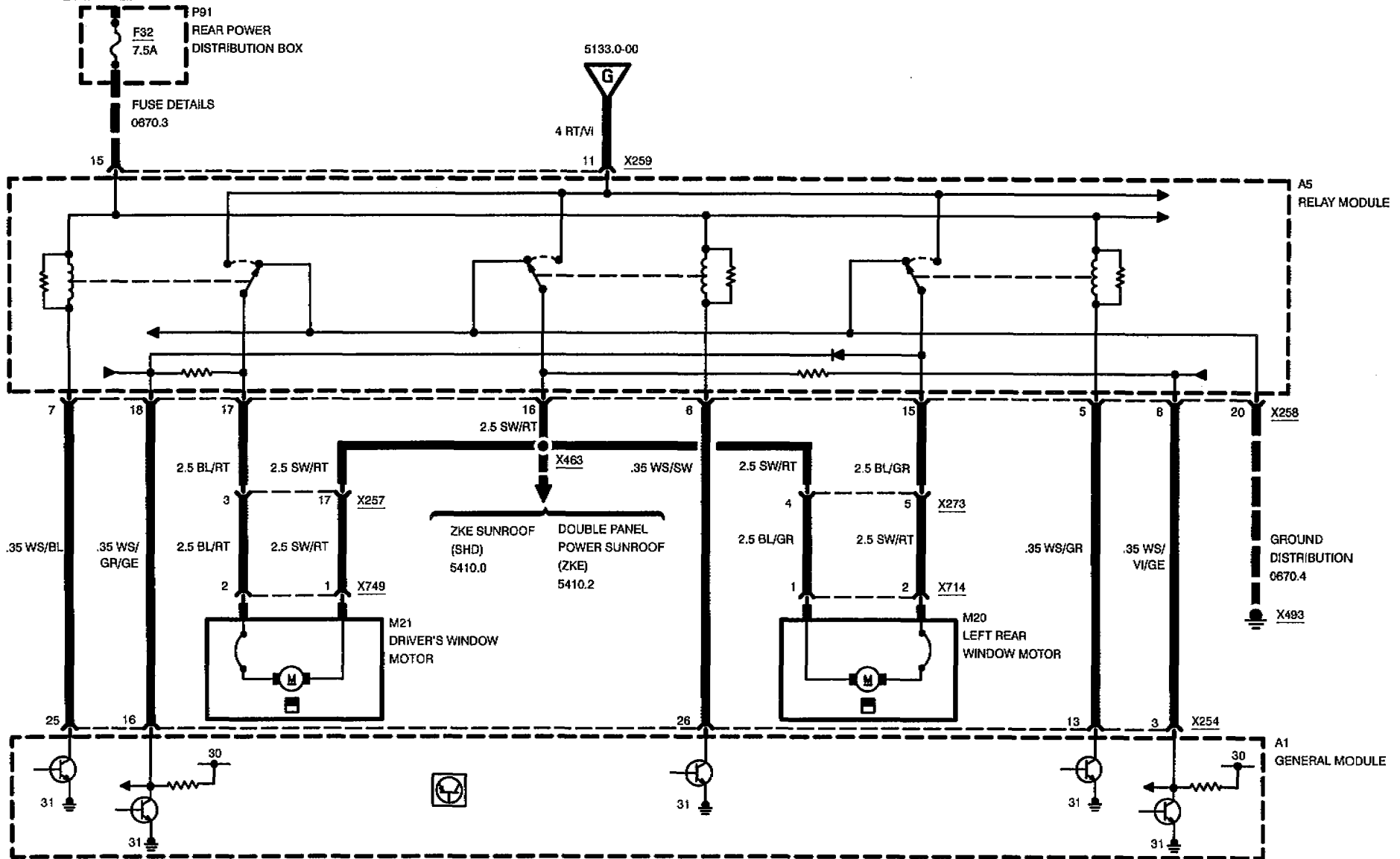




ZKE POWER WINDOWS (FH)

LEFT SIDE OUTPUT DETAILS

HOT AT ALL TIMES

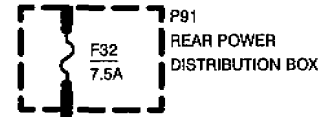




ZKE POWER WINDOWS (FH)

RIGHT SIDE OUTPUT DETAILS

HOT AT ALL TIMES



FUSE DETAILS
0670.3

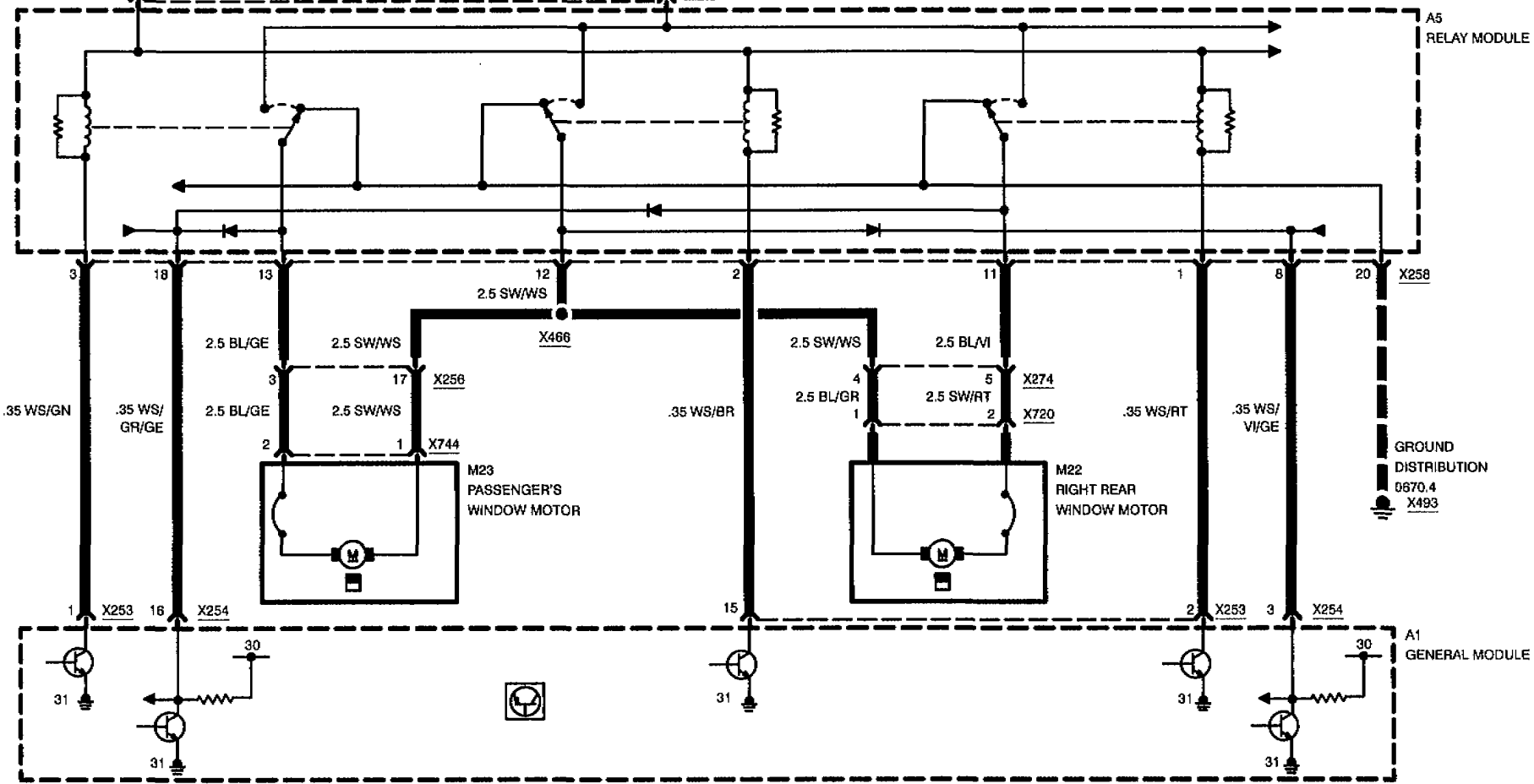
5133.0-00



4 RT/VI

11

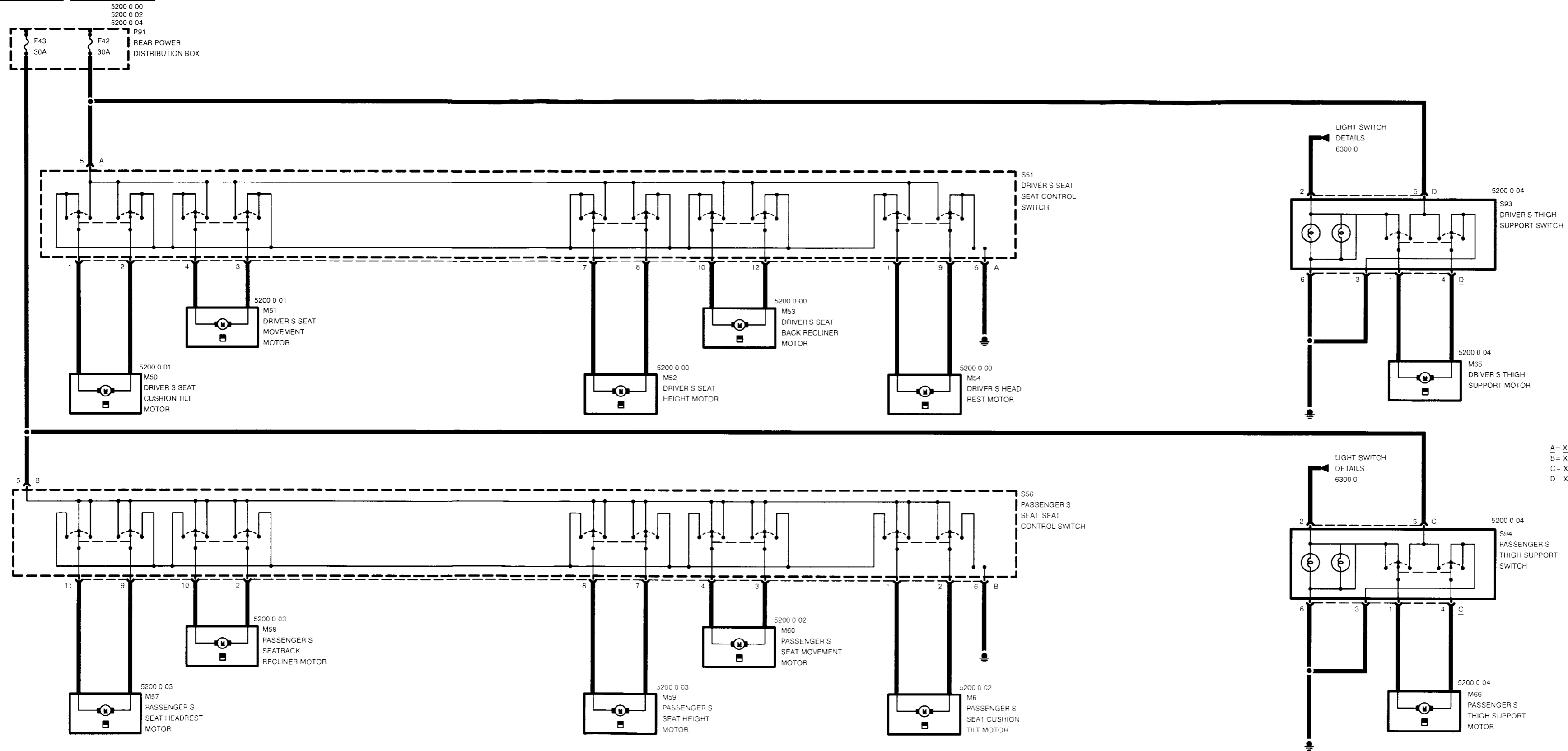
X259

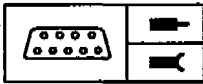




5133.0-06

HOT AT ALL TIMES HOT AT ALL TIMES





Pin Assignments

A=X603	12 Pins, black
B=X604	12 Pins, black
C=X881	6 Pins, white
D=X880	6 Pins, black

X603 (Driver) and X604 (Passenger)

Pin	Type	Description/Function	Connection
1	E/A	Seat cushion tilt control	Seat cushion tilt motor
2	E/A	Seat cushion tilt control	Seat cushion tilt motor
3	E/A	Seat cushion movement control	Seat movement motor
4	E/A	Seat cushion movement control	Seat movement motor
5	E	Battery voltage	Rear power distribution box
6	M	Ground	Ground point
7	E/A	Seat cushion height control	Seat height motor
8	E/A	Seat cushion height control	Seat height motor
9	E/A	Headrest control	Headrest motor
10	E/A	Recliner control	Seat back recliner motor
11	E/A	Headrest control	Headrest motor
12	E/A	Recliner control	Seat back recliner motor

X880 (Driver) and X881 (Passenger)

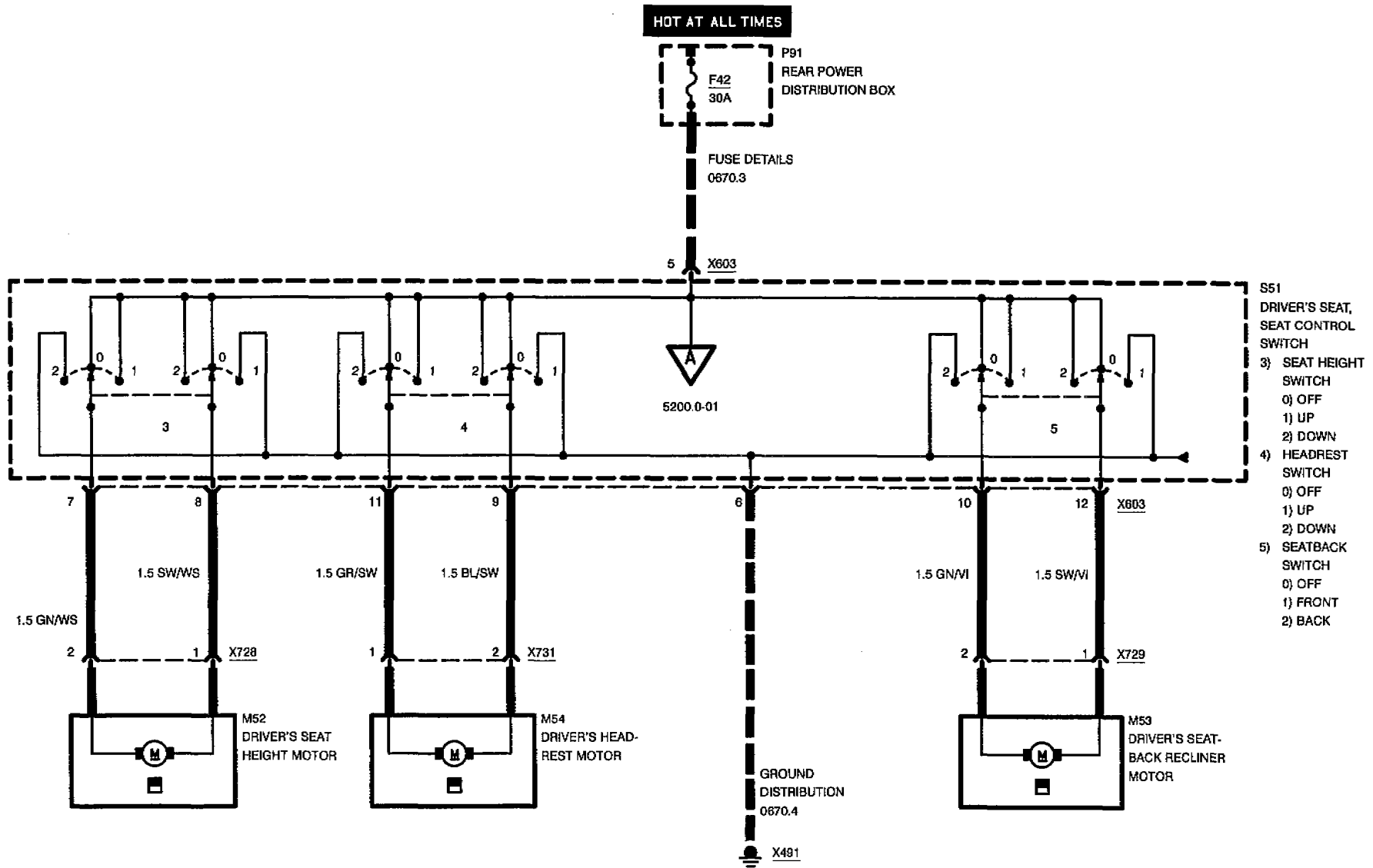
Pin	Type	Description/Function	Connection
1	E/A	Thigh support control	Thigh support motor
2	E	Switch illumination	Light switch
3	M	Ground	Ground point
4	E/A	Thigh support control	Thigh support motor
5	E	Battery voltage	Rear power distribution box
6	M	Ground	Ground point

E = Input, A = Output, M = Ground



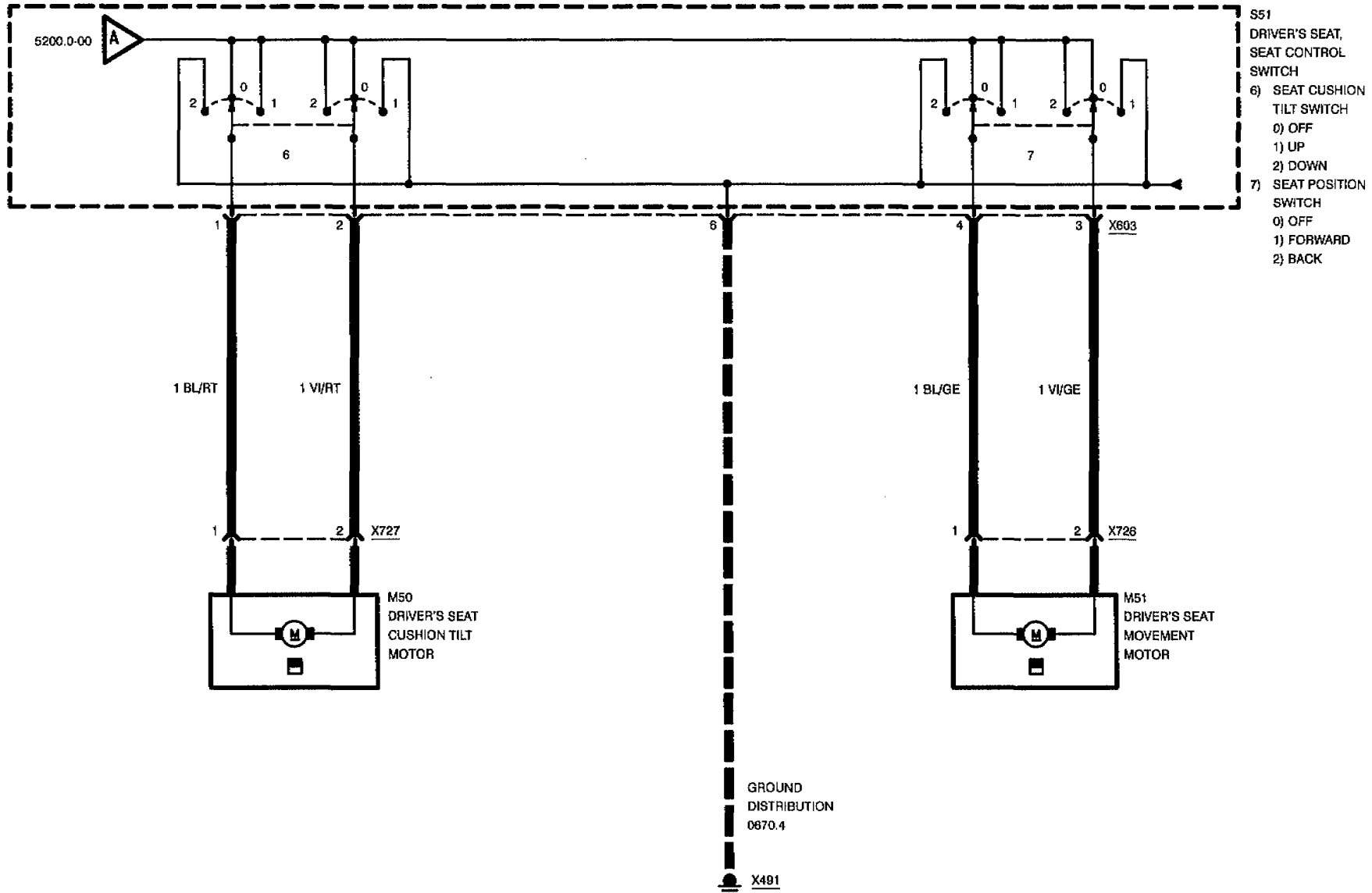
POWER SEATS

DRIVER'S SEAT





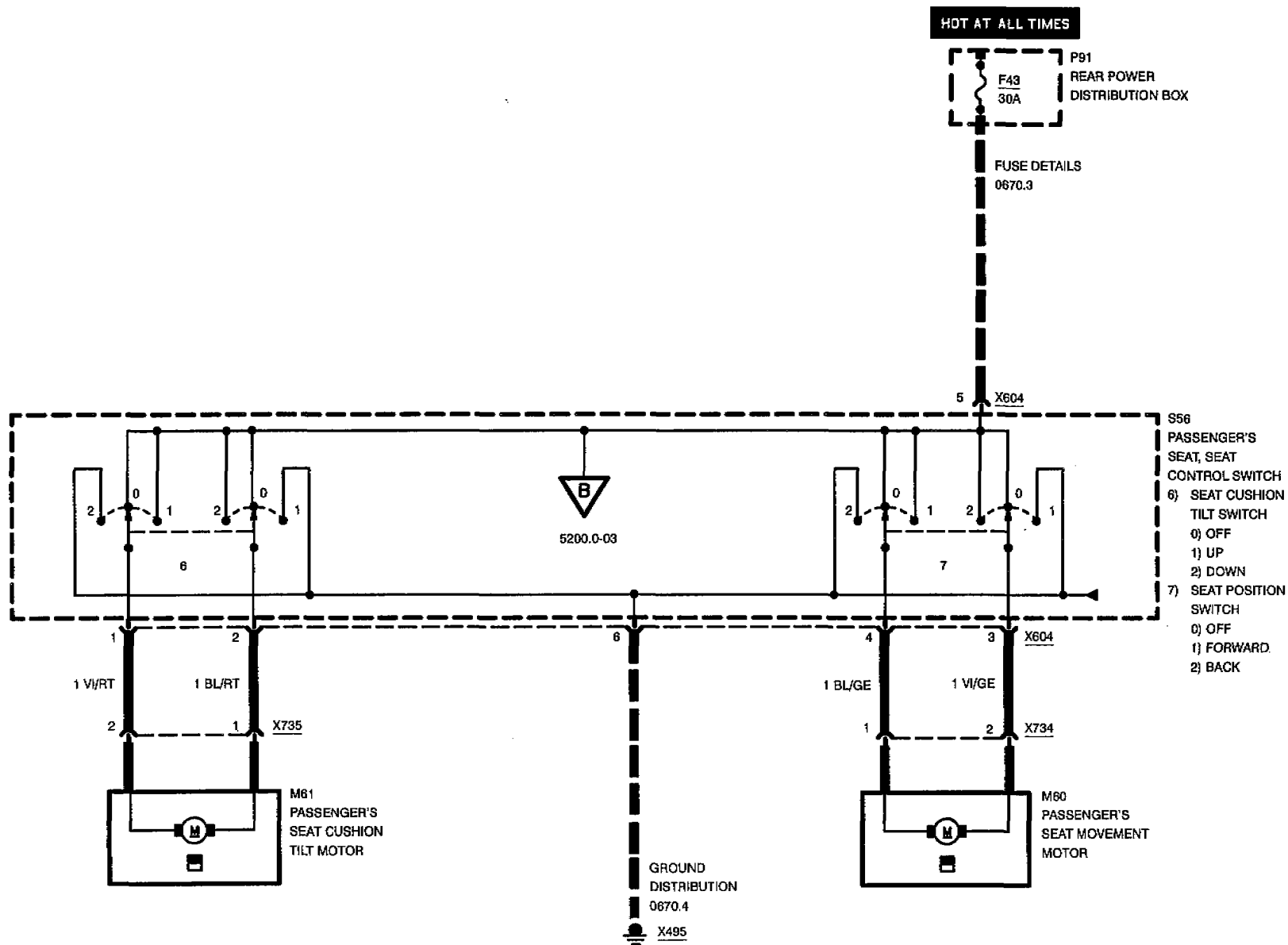
POWER SEATS DRIVER'S SEAT





POWER SEATS

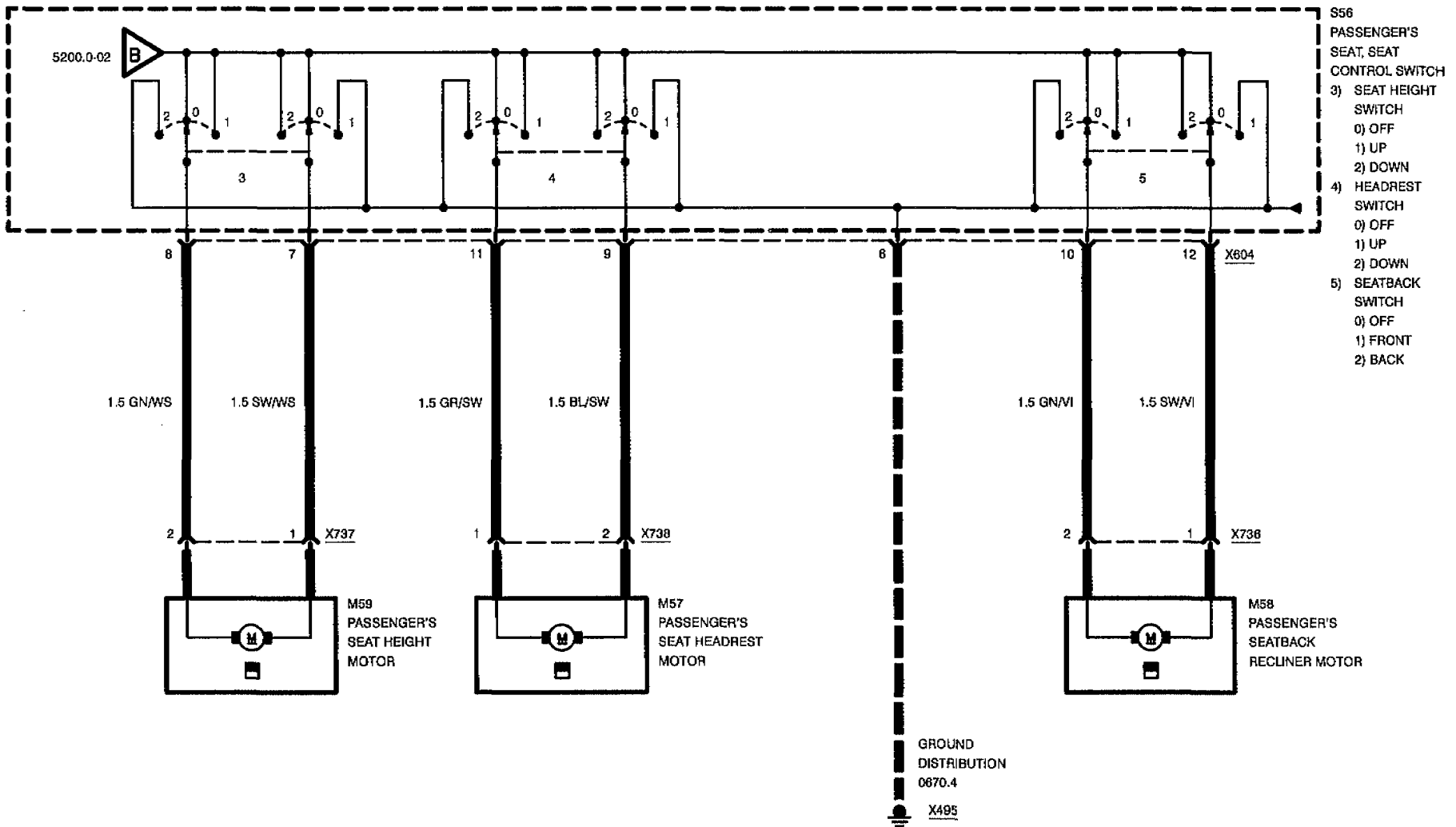
PASSENGER'S SEAT





POWER SEATS

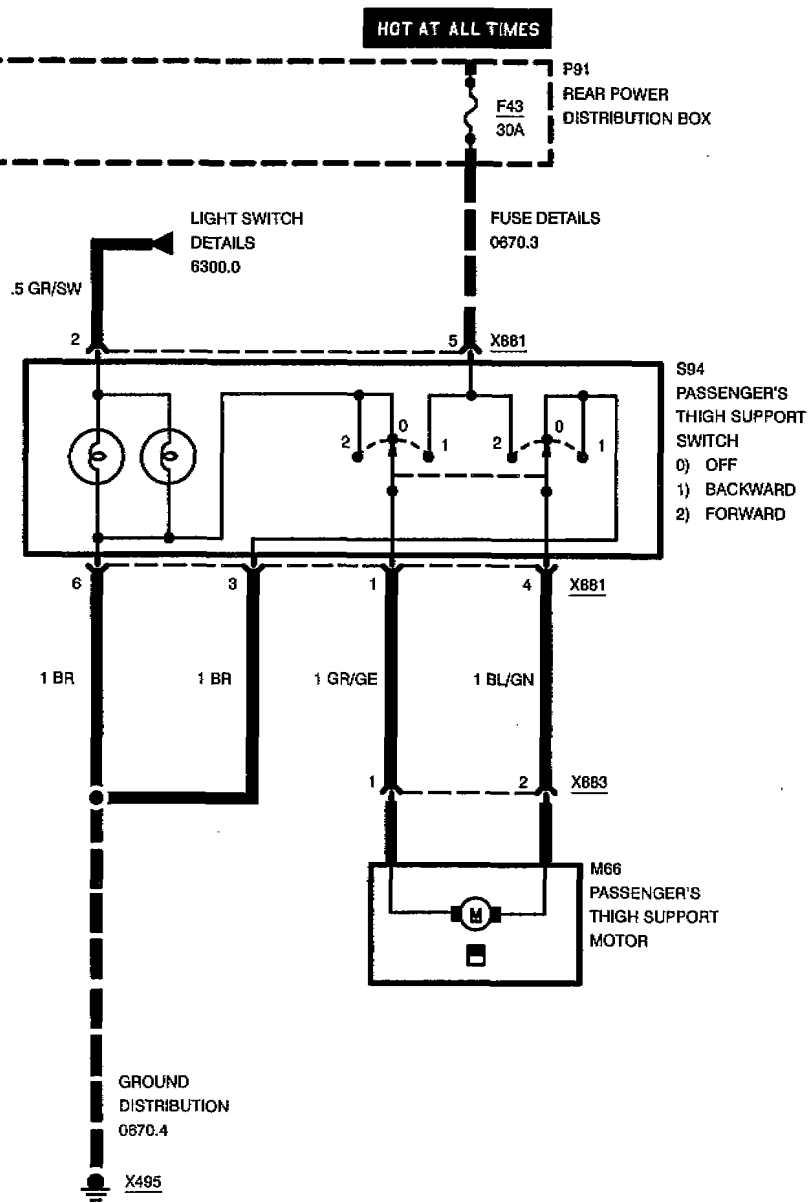
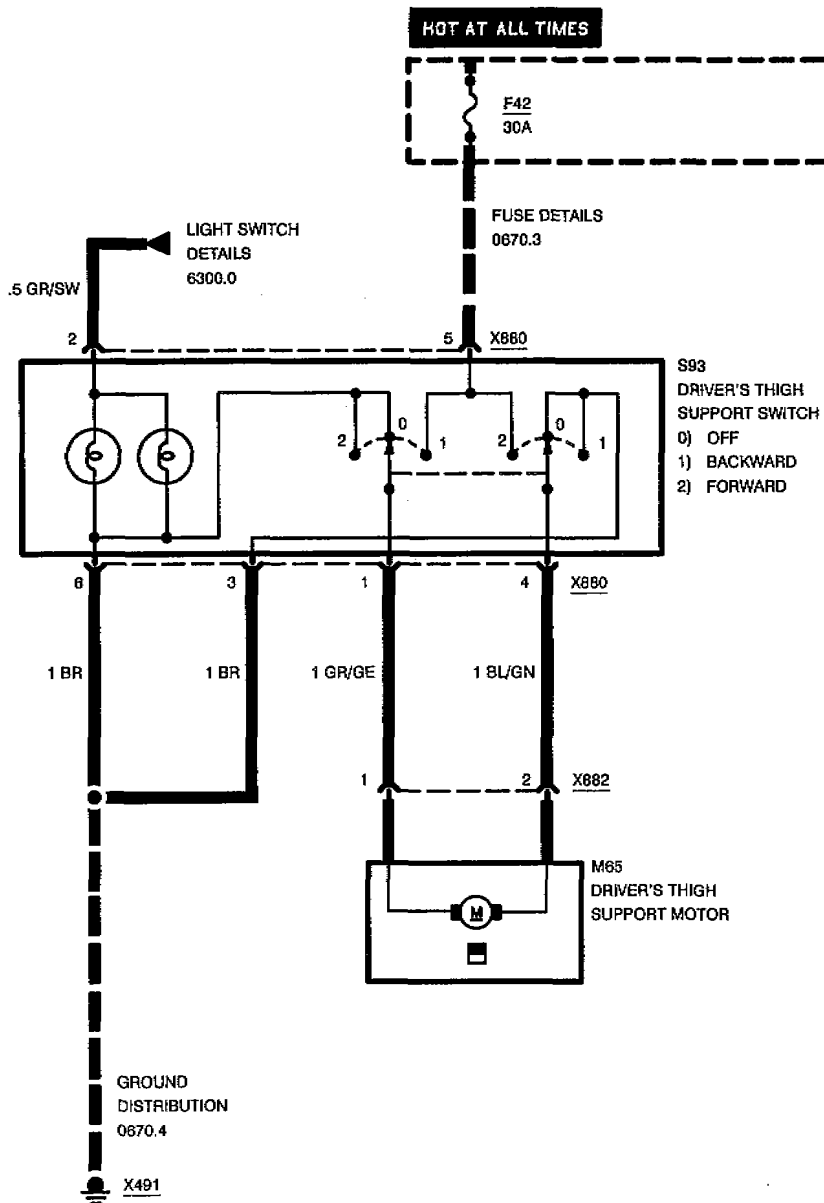
PASSENGER'S SEAT

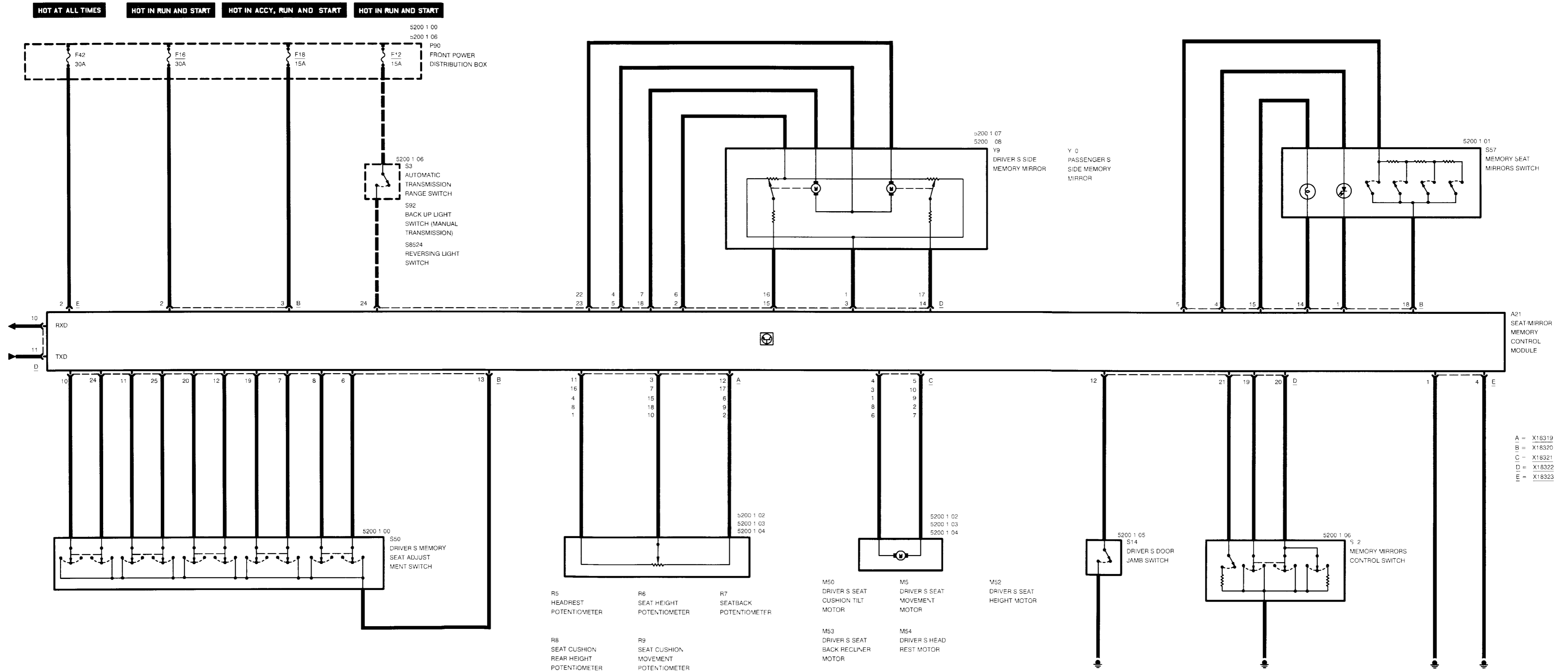


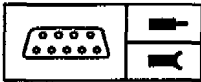


POWER SEATS

THIGH SUPPORT, WITH SPORT SEATS ONLY







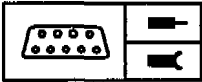
Pin Assignments

A=X18319	18 Pins, black
B=X18320	26 Pins, natural
C=X18321	10 Pins, black
D=X18322	26 Pins, black
E=X18323	4 Pins, black

X18319

Pin	Type	Description/Function	Connection
1	A	Potentiometer voltage	Seat back potentiometer, driver's
2	M	Ground	Seat back potentiometer, driver's
3	E	Headrest position signal	Headrest potentiometer, driver's
4	A	Potentiometer voltage	Seat height potentiometer, driver's
5		Not used	
6	M	Ground	Seat height potentiometer, driver's
7	E	Seat rear height signal	Seat rear height potentiometer, driver's
8	A	Potentiometer voltage	Seat potentiometer, driver's
9	M	Ground	Seat potentiometer, driver's
10	E	Seat back position signal	Seat back potentiometer, driver's
11	A	Potentiometer voltage	Headrest potentiometer, driver's
12	M	Ground	Headrest potentiometer, driver's
13		Not used	
14		Not used	
15	E	Seat height position signal	Seat height potentiometer, driver's
16	A	Potentiometer voltage	Seat rear height potentiometer, driver's
17	M	Ground	Seat rear height potentiometer, driver's
18	E	Seat cushion position signal	Seat potentiometer, driver's

E = Input, A = Output, M = Ground

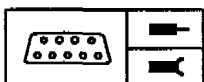


Pin Assignments

X18320

Pin	Type	Description/Function	Connection
1	A	Memory seat/mirrors switch LED (+)	Memory seat/mirrors switch
2	E	Voltage supply (terminal 15)	Front power distribution box
3	E	Voltage supply (terminal R)	Front power distribution box
4	A	Memory seat/mirrors switch LED (-)	Memory seat/mirrors switch
5	A	Voltage supply for memory seat/ mirrors switch	Memory seat/mirrors switch
6	E	Backrest, back	Seat control switch, driver's seat
7	E	Headrest, up	Seat control switch, driver's seat
8	E	Backrest, forward	Seat control switch, driver's seat
9		Not used	
10	E	Seat movement, back	Seat control switch, driver's seat
11	E	Tilt, up	Seat control switch, driver's seat
12	E	Height, down	Seat control switch, driver's seat
13	M	Ground	Seat control switch, driver's seat
14	A	Switch illumination (-)	Memory seat/mirrors switch
15	A	Switch illumination (+)	Memory seat/mirrors switch
16		Not used	
17		Not used	
18	E	Memory seat/mirrors switch signal	Memory seat/mirrors switch
19	E	Headrest, down	Seat control switch, driver's seat
20	E	Height, up	Seat control switch, driver's seat
21		Not used	
22		Not used	
23		Not used	
24	E	Seat movement, back	Seat control switch, driver's seat
25	E	Tilt, down	Seat control switch, driver's seat
26		Not used	

E = Input, A = Output, M = Ground



Pin Assignments

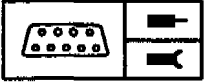
X18321

Pin	Type	Description/Function	Connection
1	E/A	Motor voltage/ground	Seat movement motor, driver's
2	E/A	Motor voltage/ground	Headrest motor, driver's
3	E/A	Motor voltage/ground	Seat back recliner motor, driver's
4	E/A	Motor voltage/ground	Seat cushion tilt motor, driver's
5	E/A	Motor voltage/ground	Seat cushion tilt motor, driver's
6	E/A	Motor voltage/ground	Seat height motor, driver's
7	E/A	Motor voltage/ground	Seat height motor, driver's
8	E/A	Motor voltage/ground	Headrest motor, driver's
9	E/A	Motor voltage/ground	Seat movement motor, driver's
10	E/A	Motor voltage/ground	Seat back recliner motor, driver's

X18322

Pin	Type	Description/Function	Connection
1	M	Position potentiometer	Memory mirror, passenger's side
2	A	Position potentiometer	Memory mirror, driver's side
3	M	Position potentiometer	Memory mirror, driver's side
4	E/A	Mirror adjustment motor horizontal/vertikal	Memory mirror, driver's side
5	E/A	Mirror adjustment motor horizontal/vertikal	Memory mirror, passenger's side
6	A	Position potentiometer	Memory mirror, passenger's side
7	E/A	Mirror adjustment motor, vertical	Memory mirror, driver's side
8		Not used	
9		Not used	
10	A	RxD diagnostic data link	Data link connector
11	E/A	TxD diagnostic data link	Data link connector
12	E	Driver's door status	Door jamb switch, driver's
13		Not used	
14	E	Potentiometer connection	Memory mirror, driver's side
15	E	Potentiometer connection	Memory mirror, driver's side
16	E	Potentiometer connection	Memory mirror, passenger's side
17	E	Potentiometer connection	Memory mirror, passenger's side

E = Input, A = Output, M = Ground



Pin Assignments

Pin	Type	Description/Function	Connection
18	E/A	Mirror adjustment motor	Memory mirror, driver's side
19	E	Mirror adjustment, L/R	Memory seat/mirror's switch
20	E	Mirror adjustment, L/R and U/D	Memory seat/mirror's switch
21	E	Mirror select signal	Memory seat/mirror's switch
22	A	Potentiometer connection	Memory mirror, passenger's side
23	A	Potentiometer connection	Memory mirror, driver's side
24	E	Reverse gear signal	Automatic transmission range switch or back up switch
25		Not used	
26		Not used	

X18323

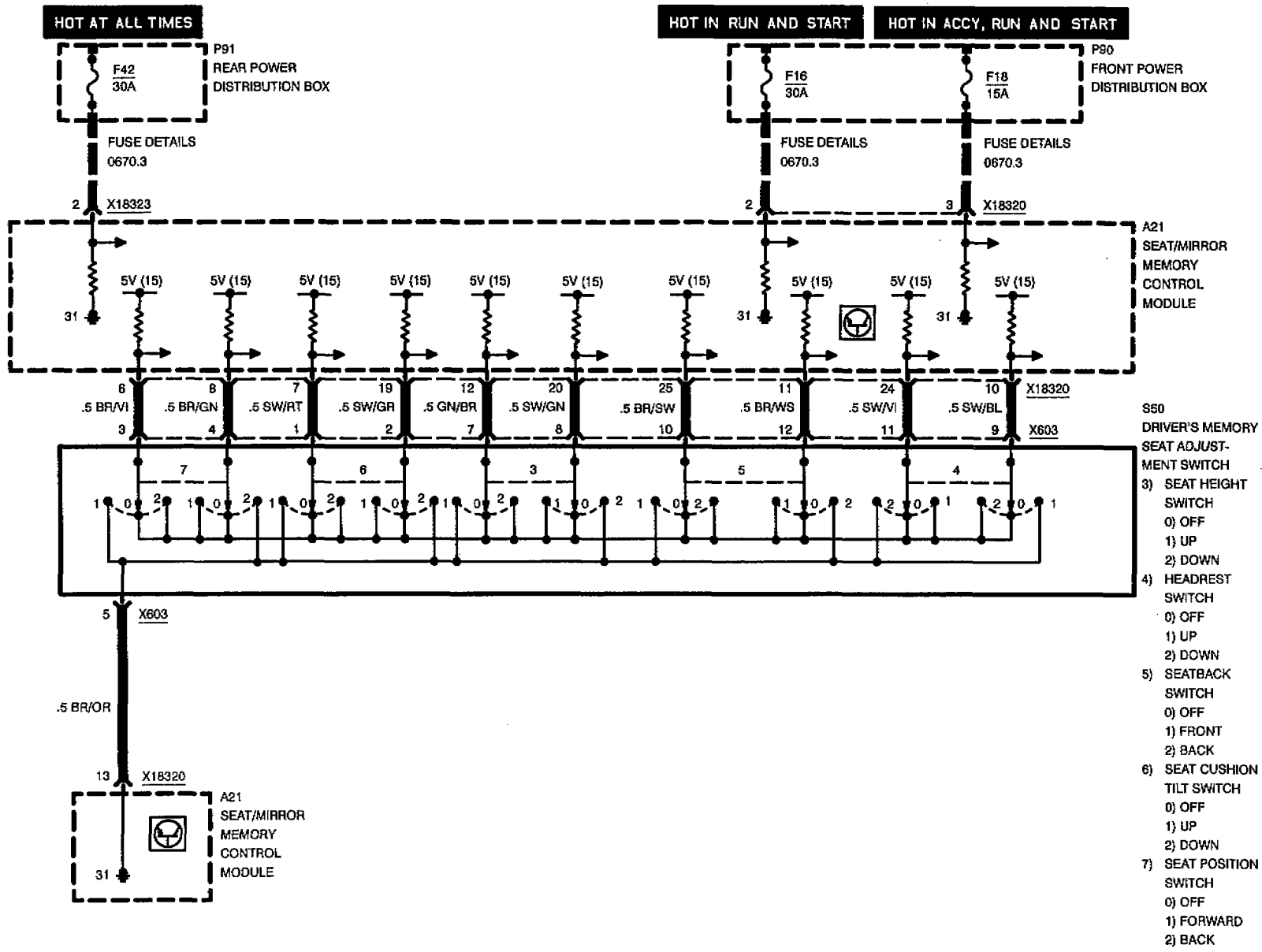
Pin	Type	Description/Function	Connection
1	M	Ground	Ground point
2	E	Voltage supply (terminal 30)	Rear power distribution box
3		Not used	
4	M	Ground	Ground point



5200.1

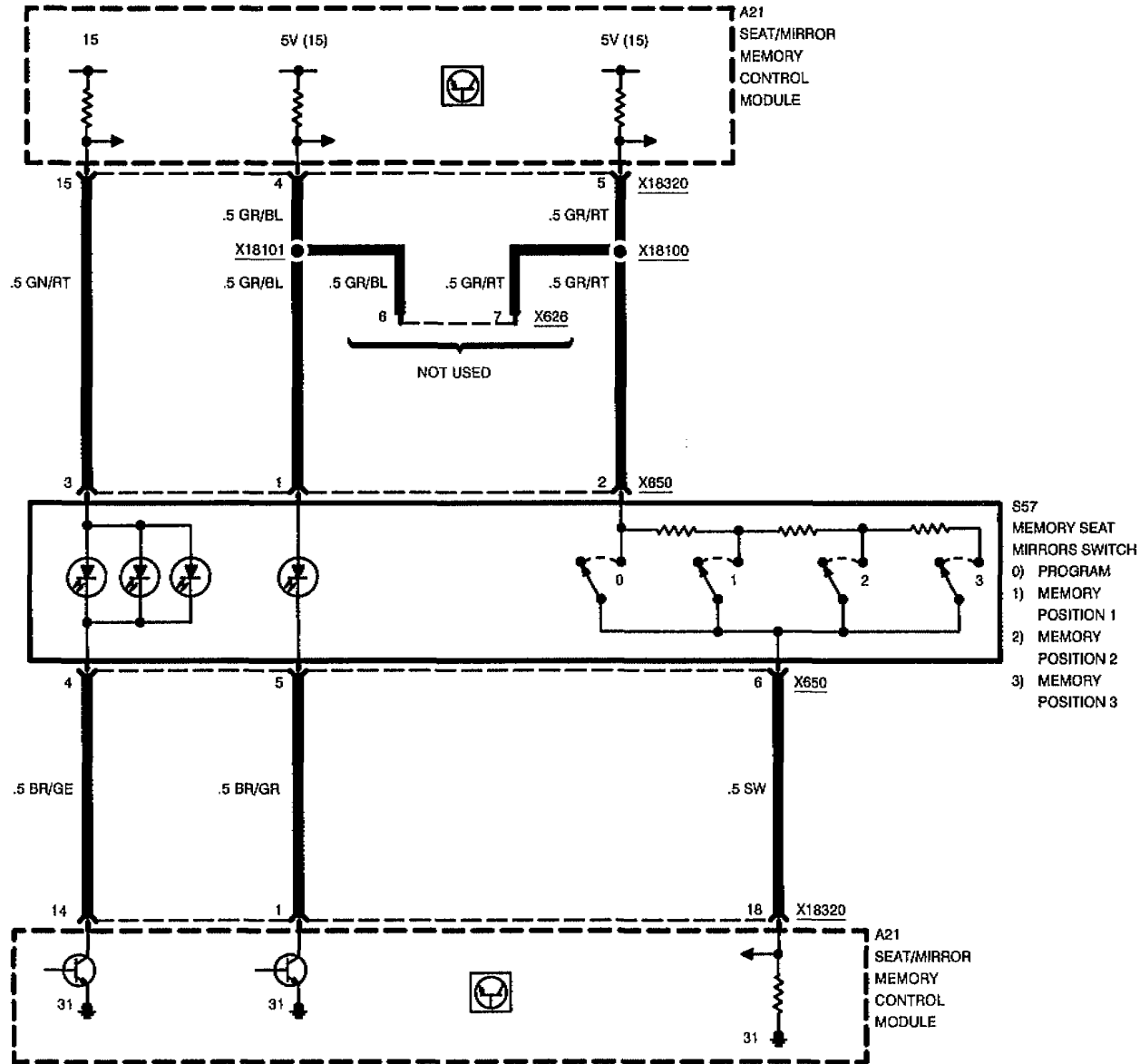


SEAT/MIRROR MEMORY SYSTEM (SM/SPM)





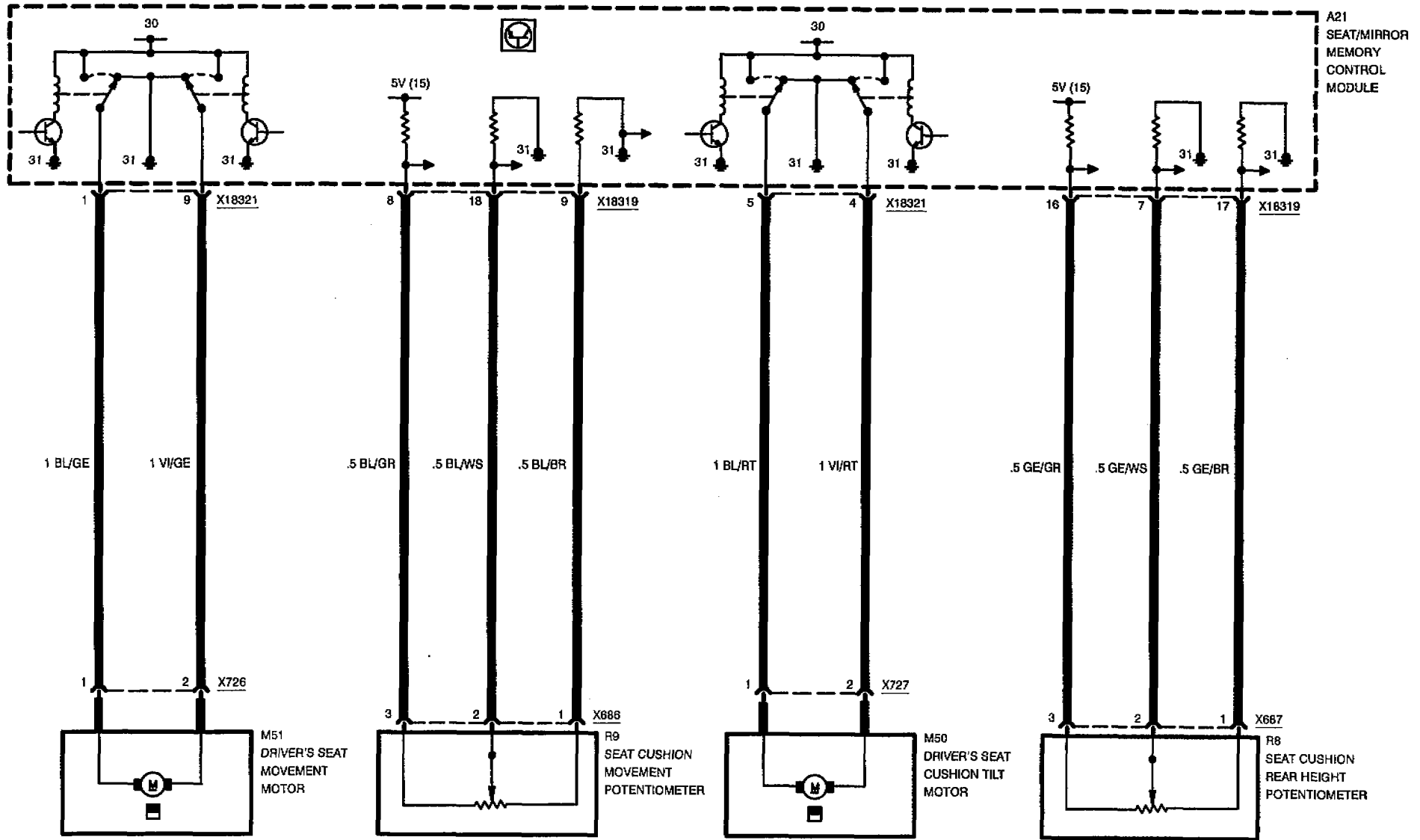
SEAT/MIRROR MEMORY SYSTEM (SM/SPM)





SEAT/MIRROR MEMORY SYSTEM (SM/SPM)

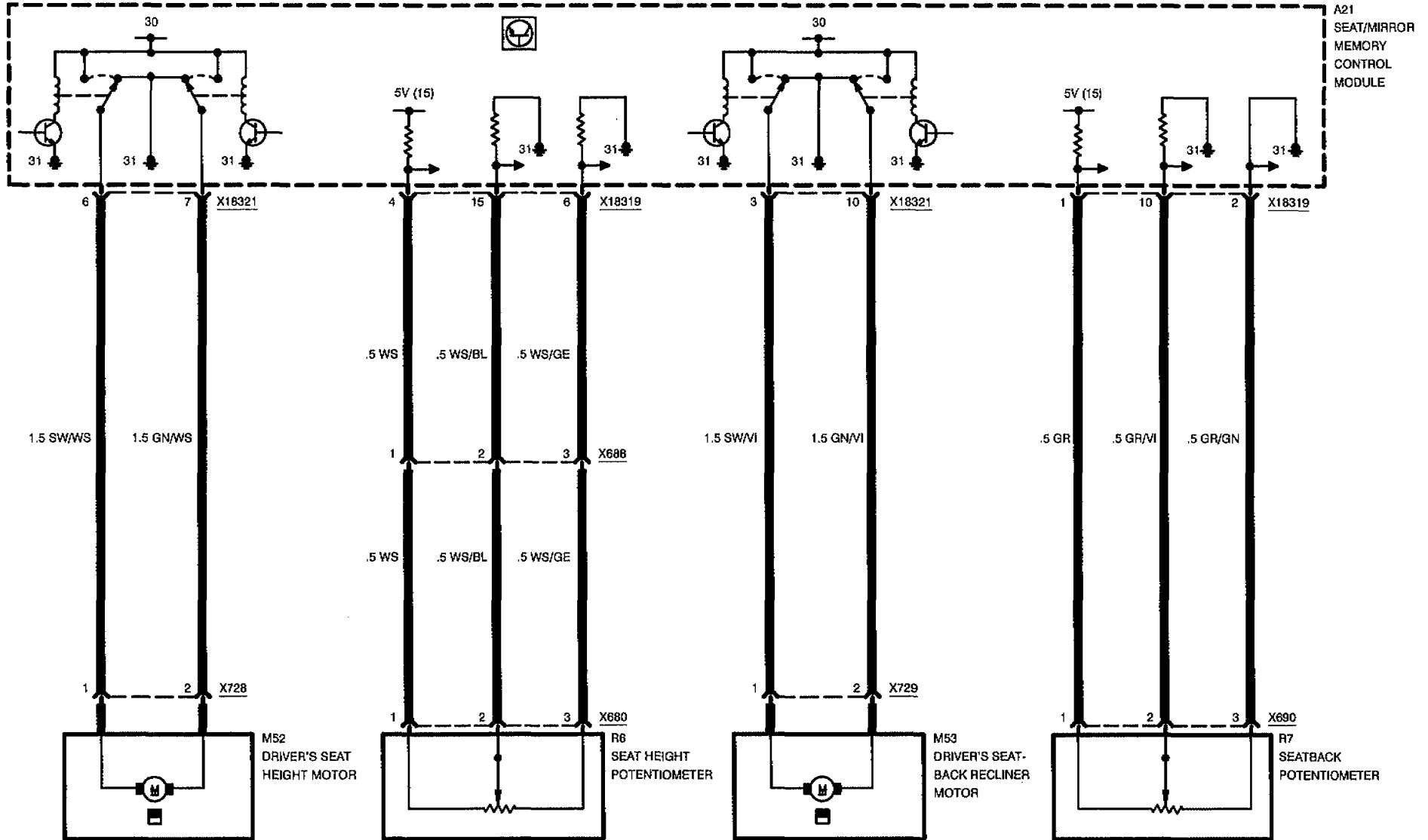
SEAT





SEAT/MIRROR MEMORY SYSTEM (SM/SPM)

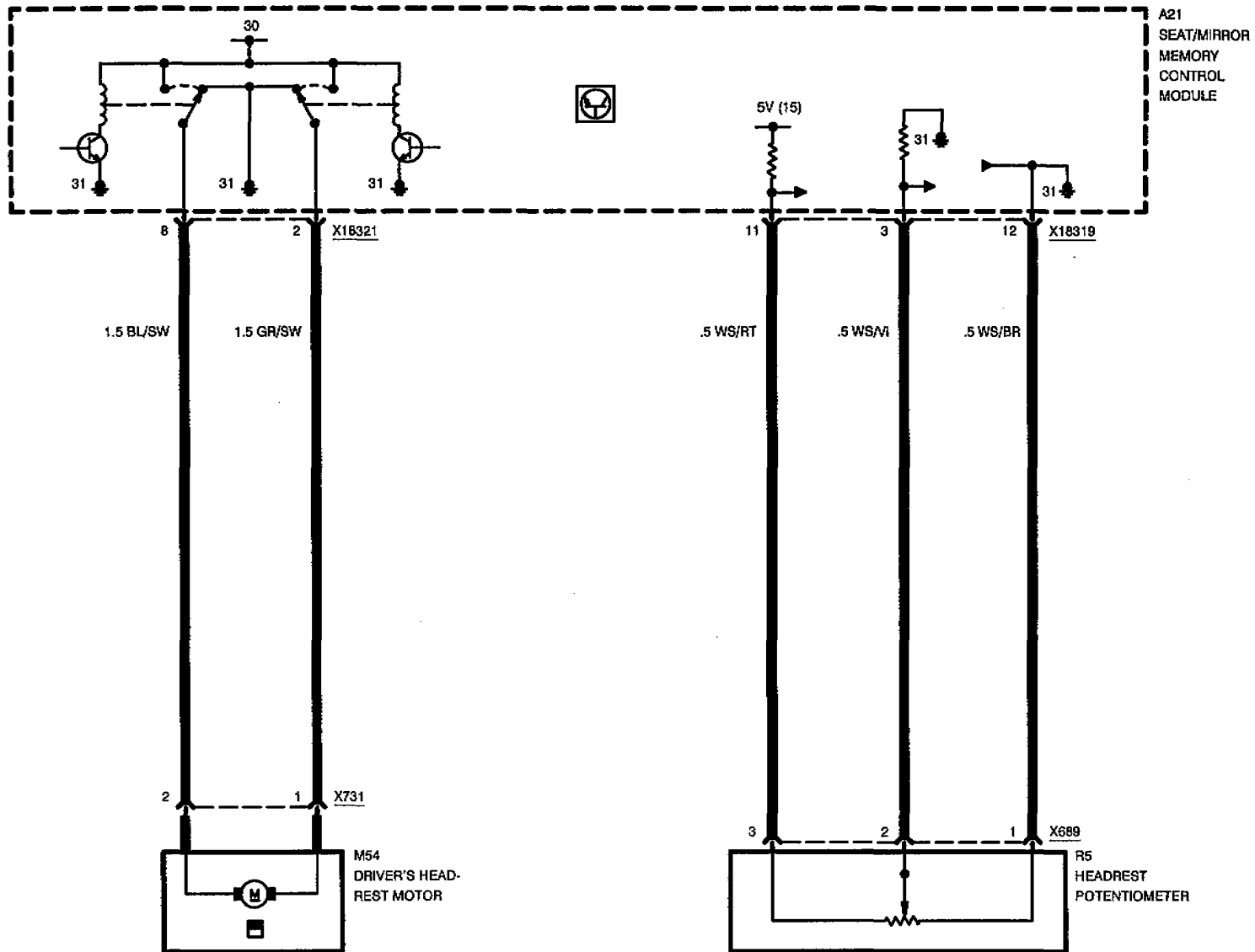
SEAT





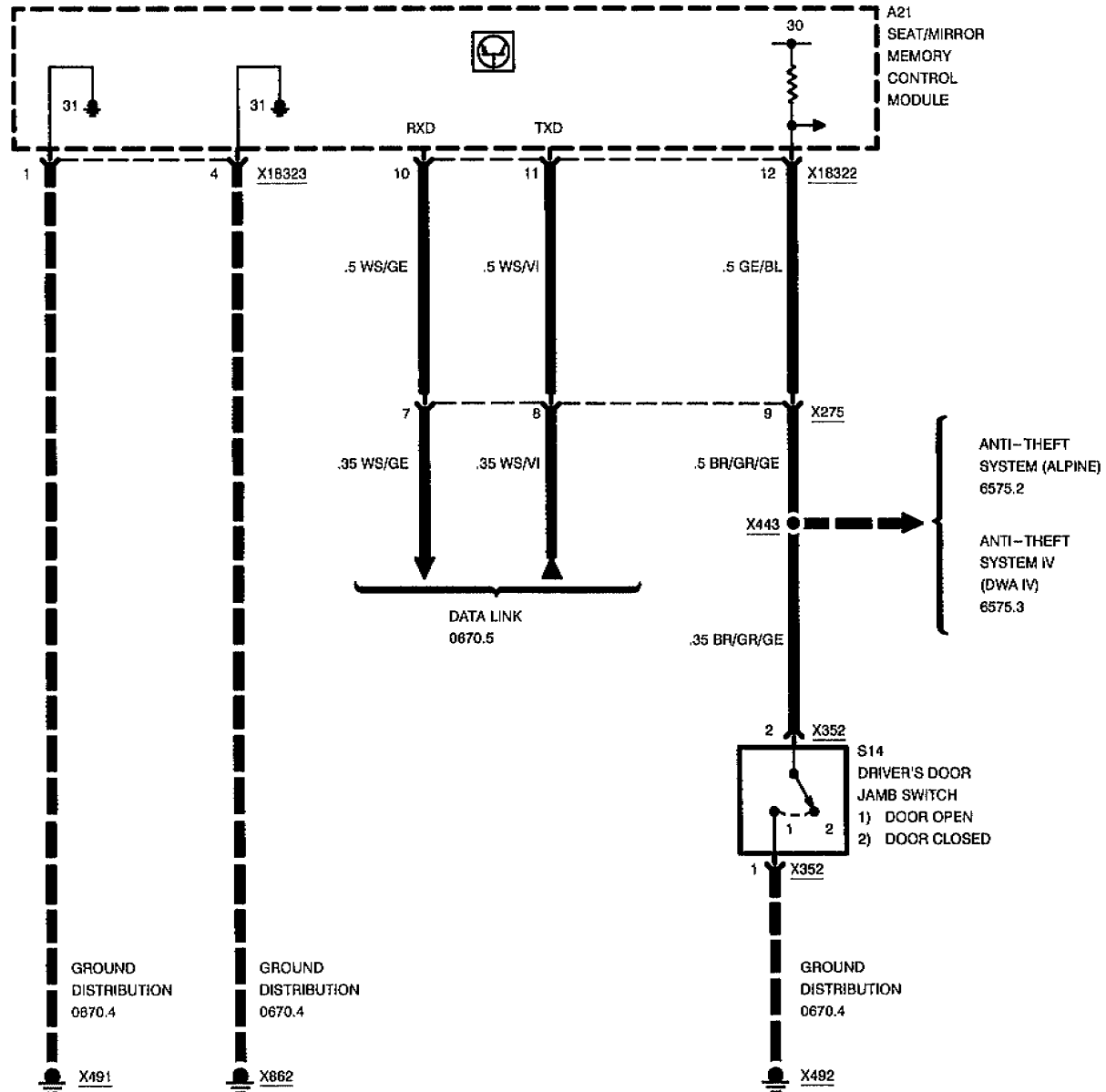
SEAT/MIRROR MEMORY SYSTEM (SM/SPM)

SEAT



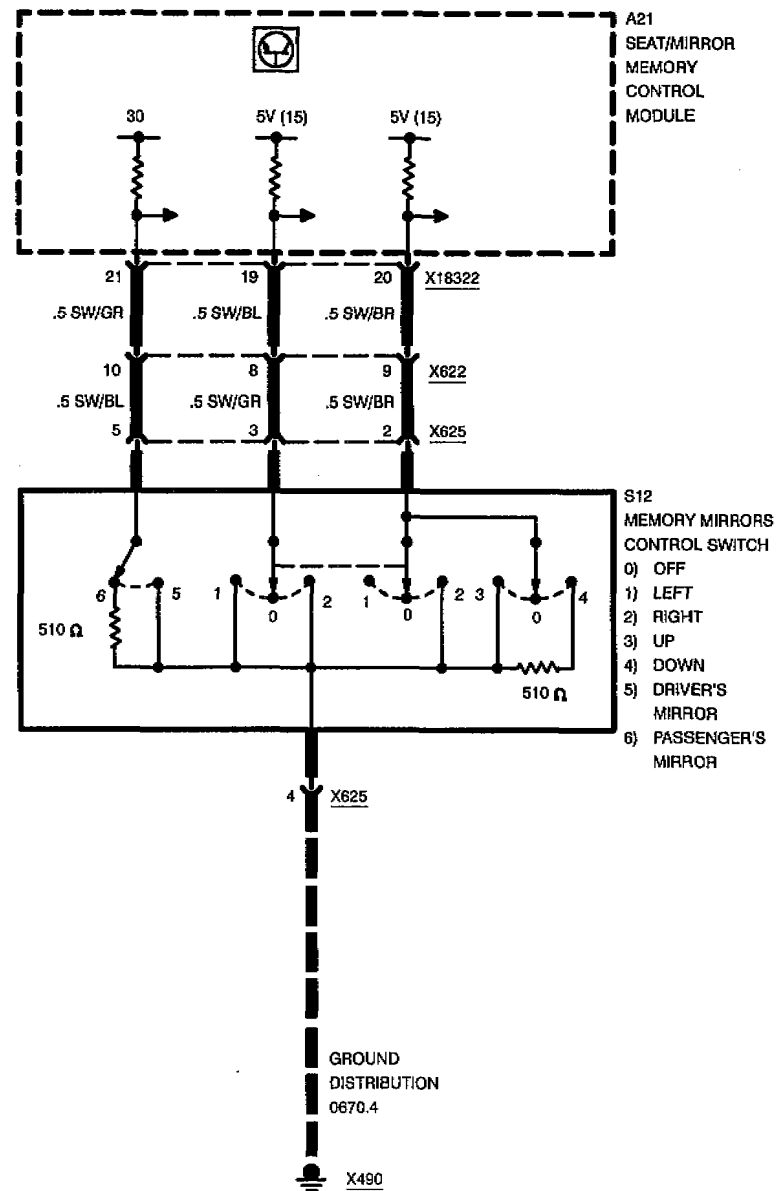
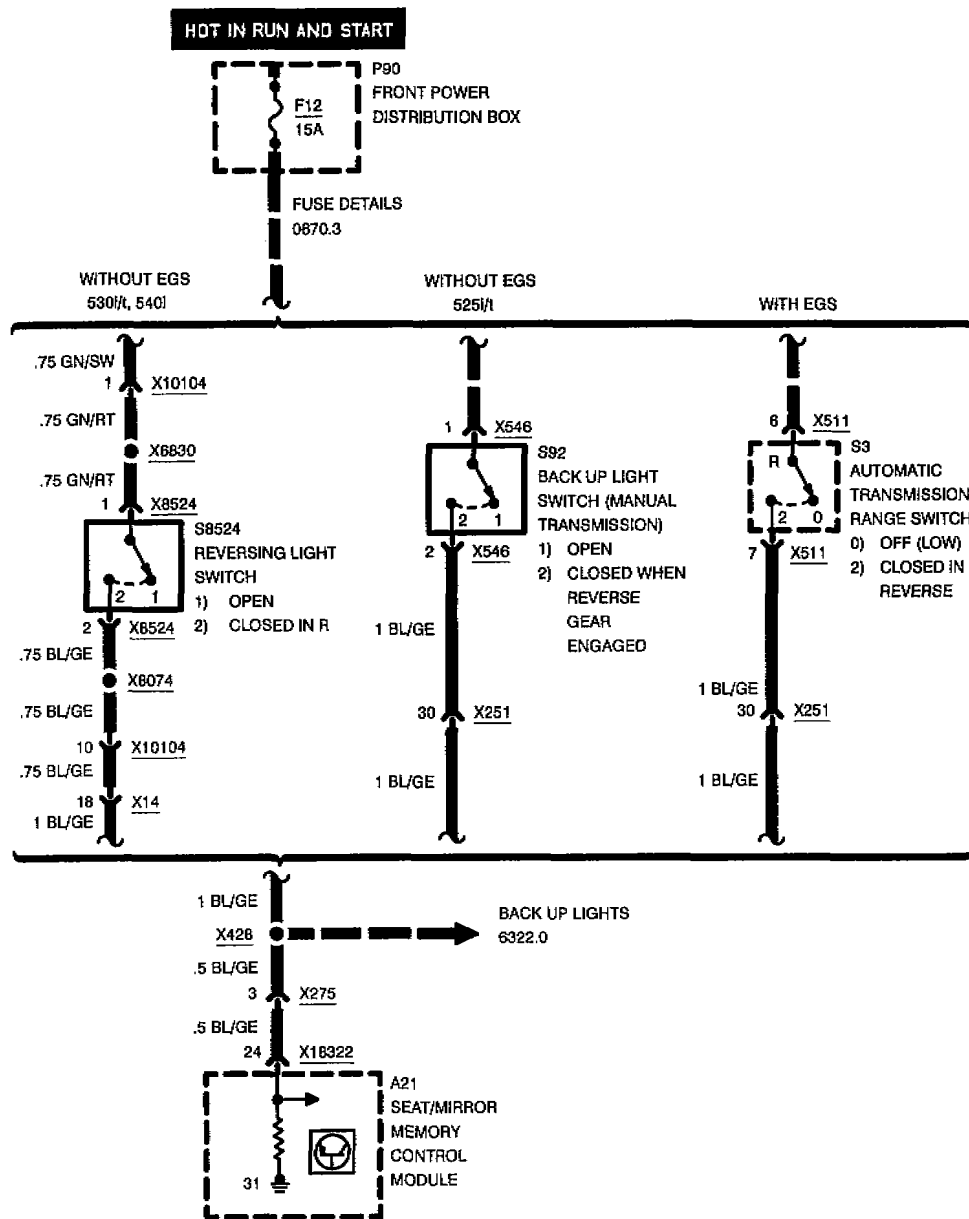


SEAT/MIRROR MEMORY SYSTEM (SM/SPM)





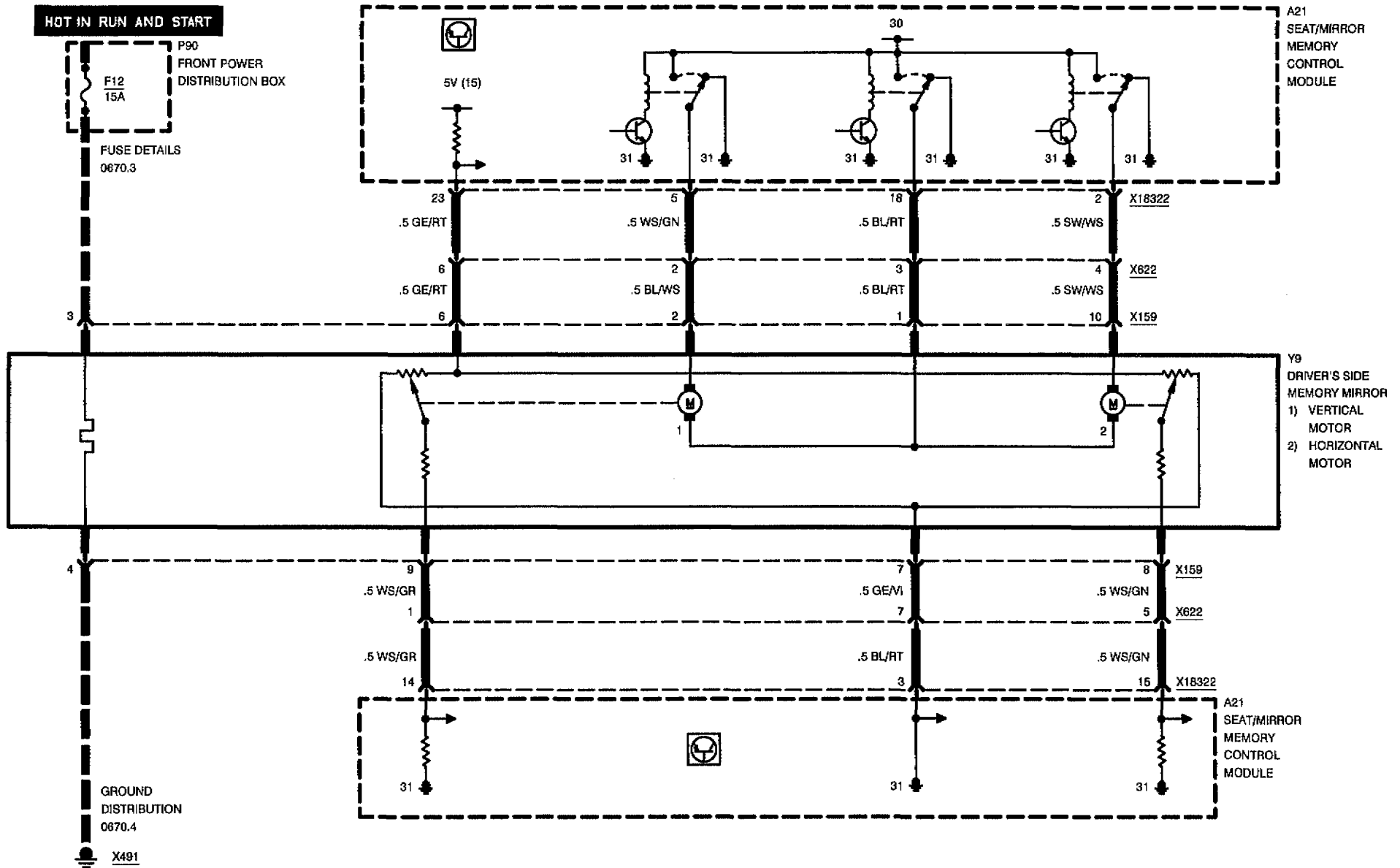
SEAT/MIRROR MEMORY SYSTEM (SM/SPM)





SEAT/MIRROR MEMORY SYSTEM (SM/SPM)

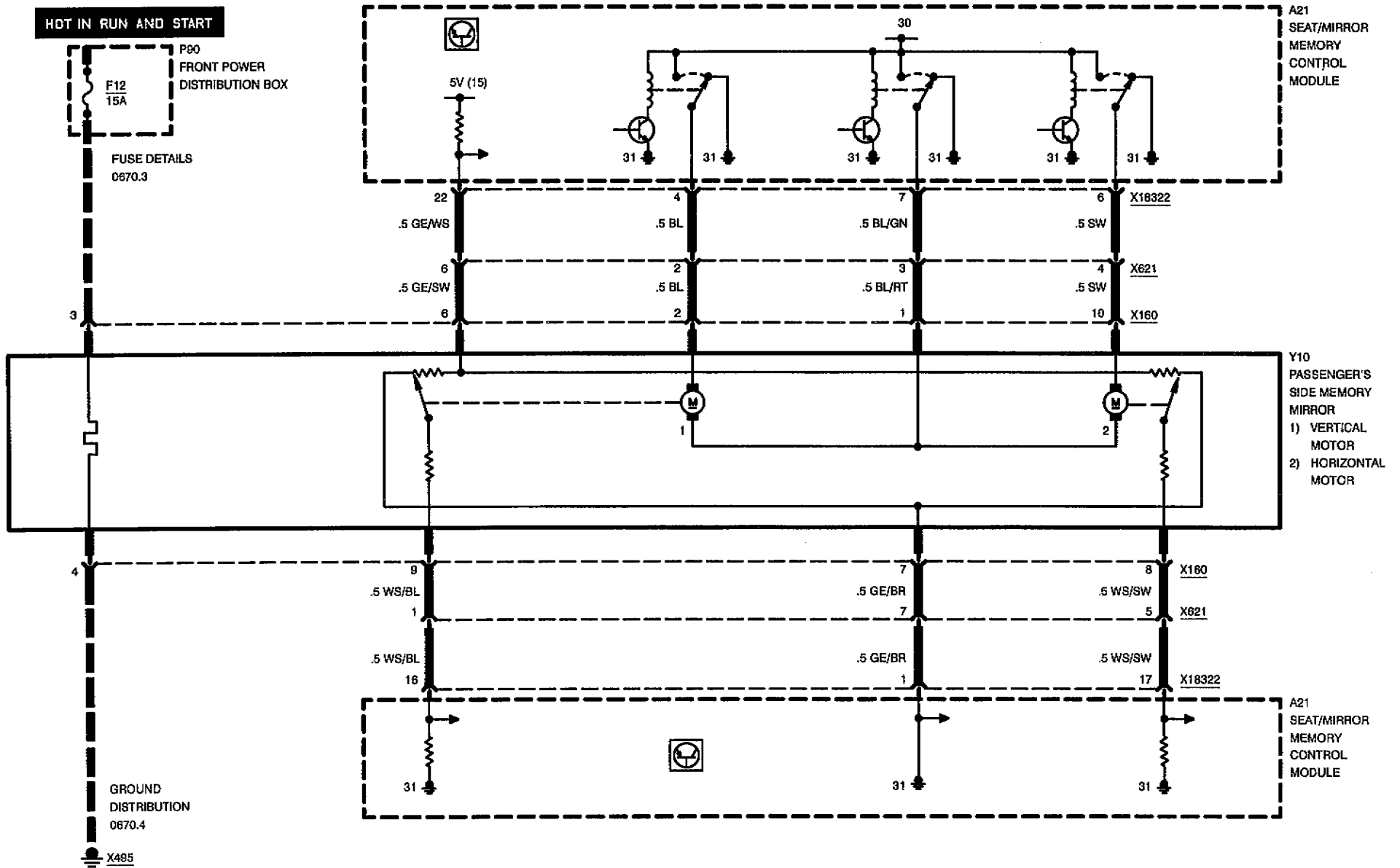
MIRROR





SEAT/MIRROR MEMORY SYSTEM (SM/SPM)

MIRROR

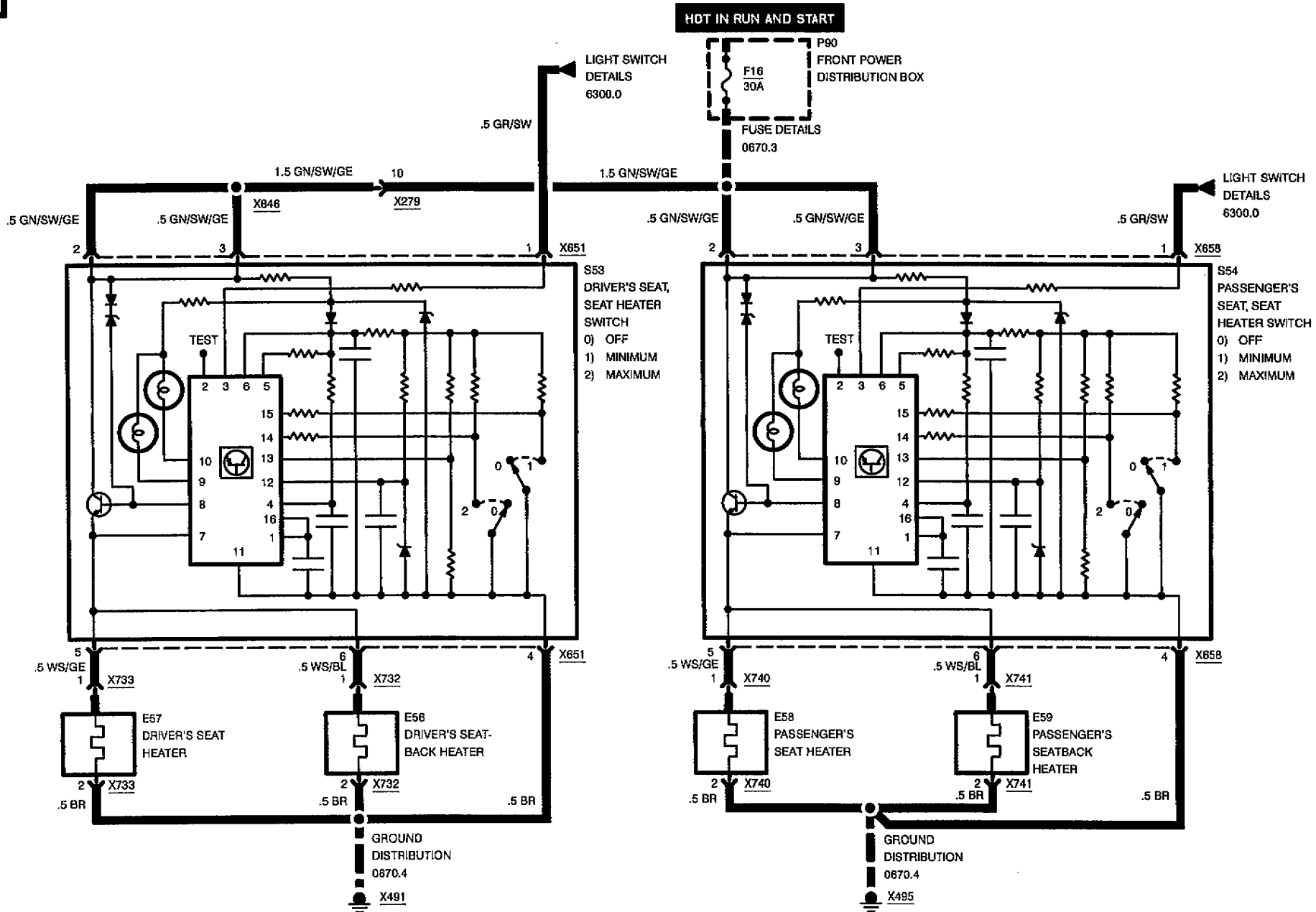




5203.0



HEATED SEATS

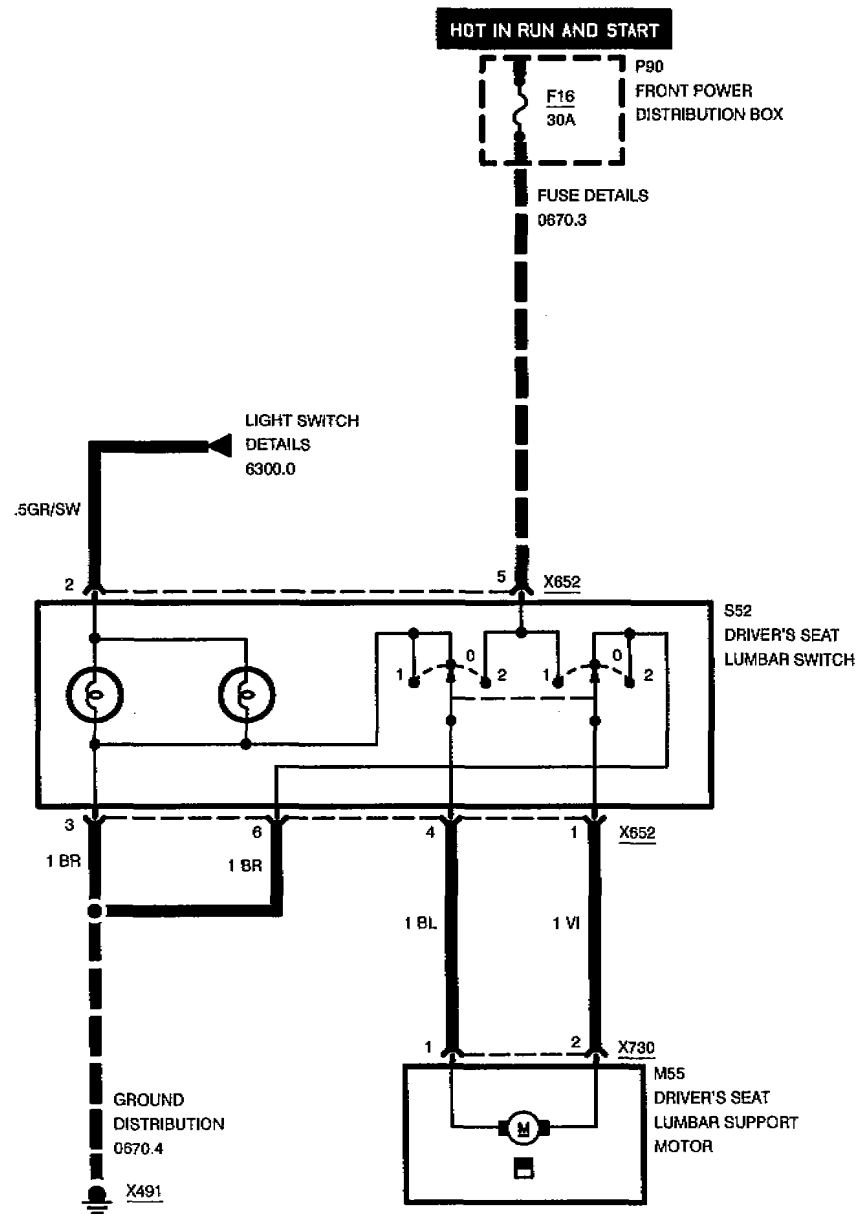






LUMBAR SUPPORT

DRIVER'S SIDE



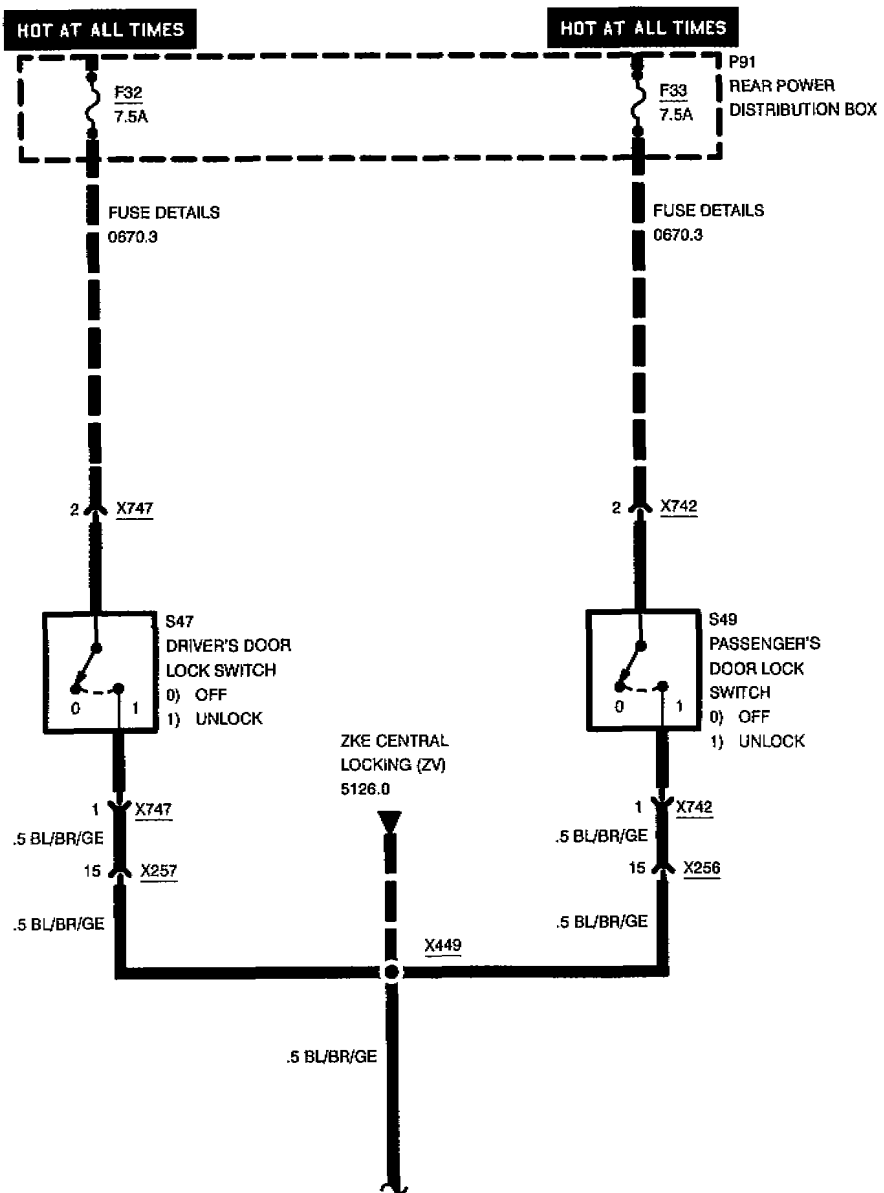


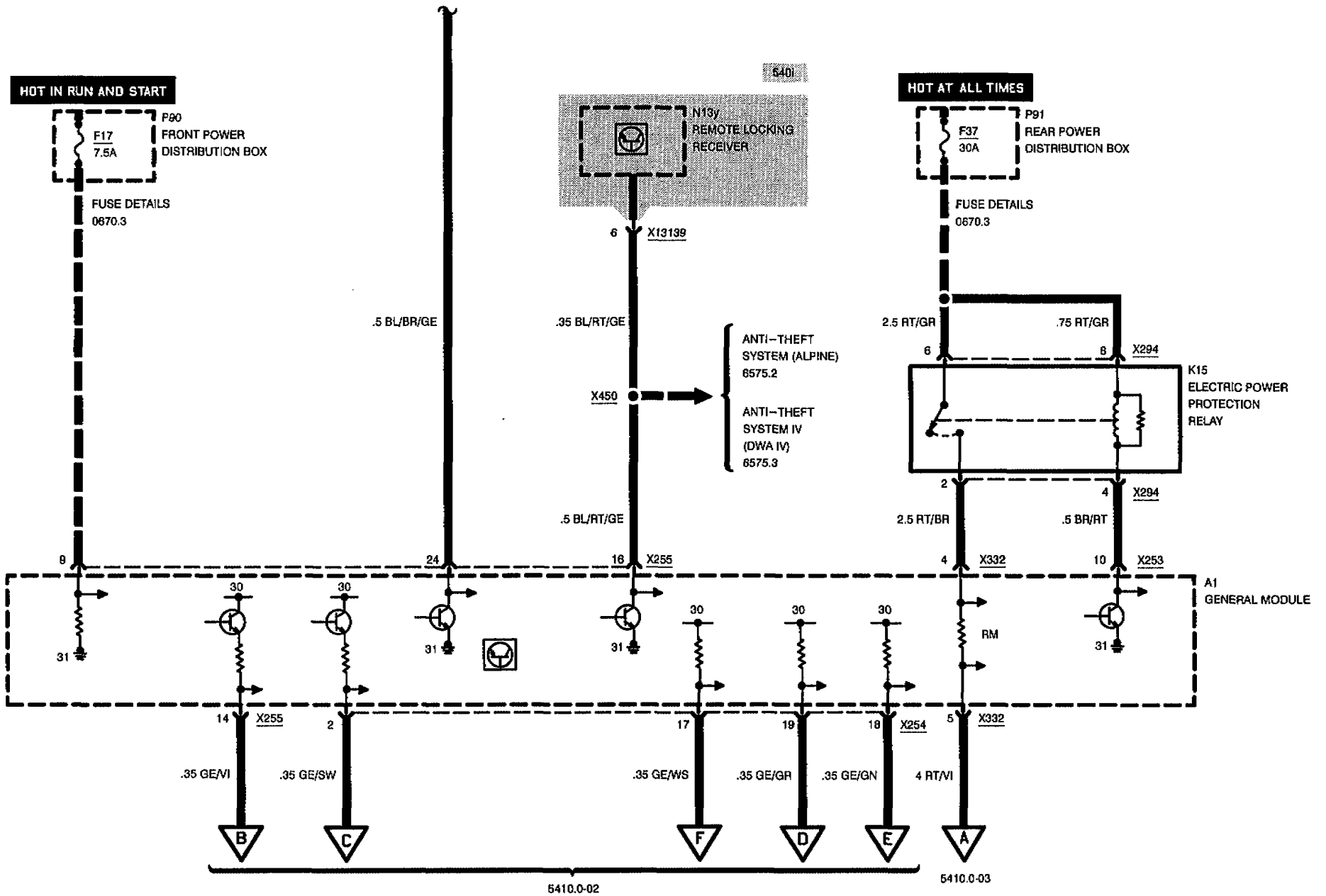
5410.0



ZKE SUNROOF (SHD)

INPUT DETAILS

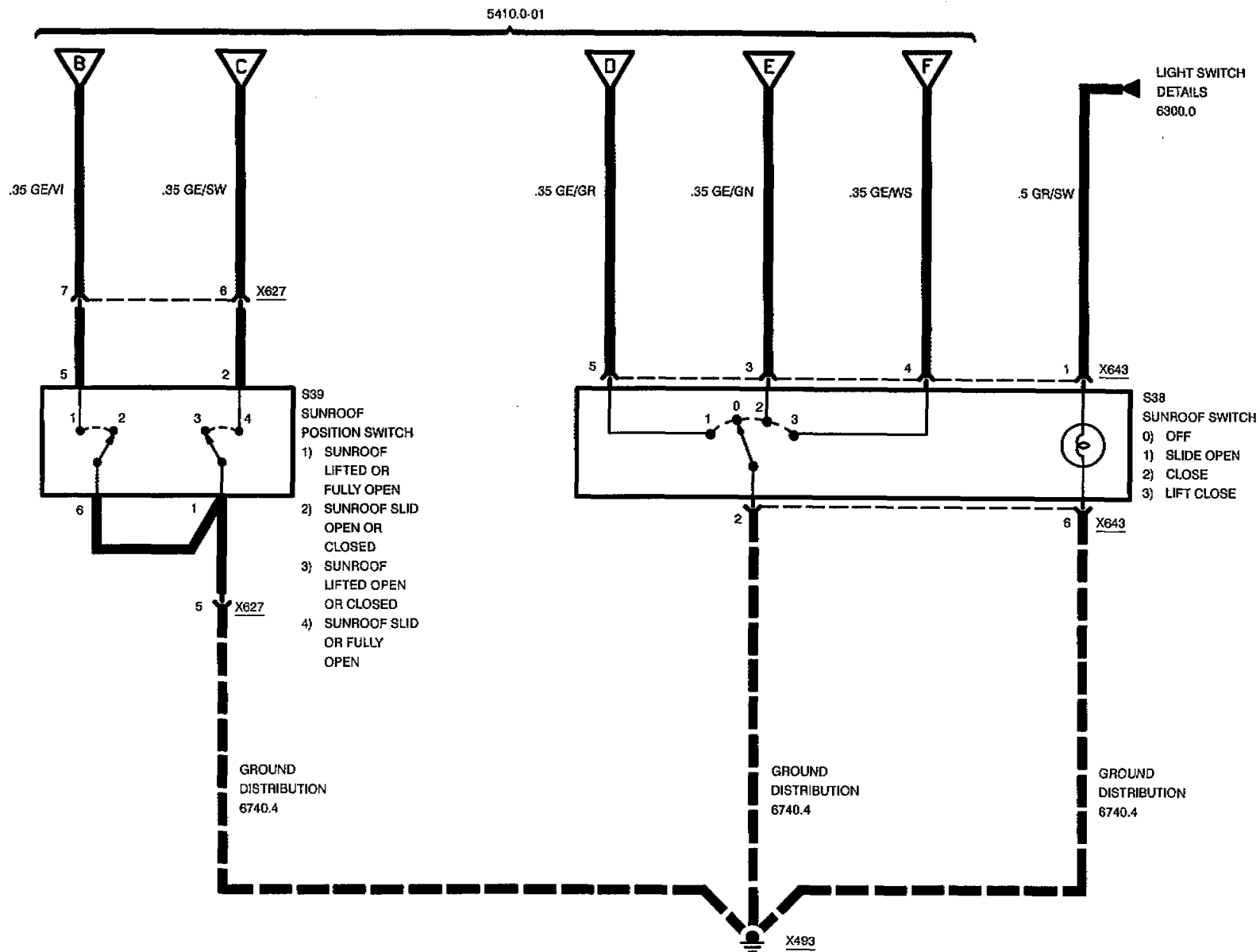






ZKE SUNROOF (SHD)

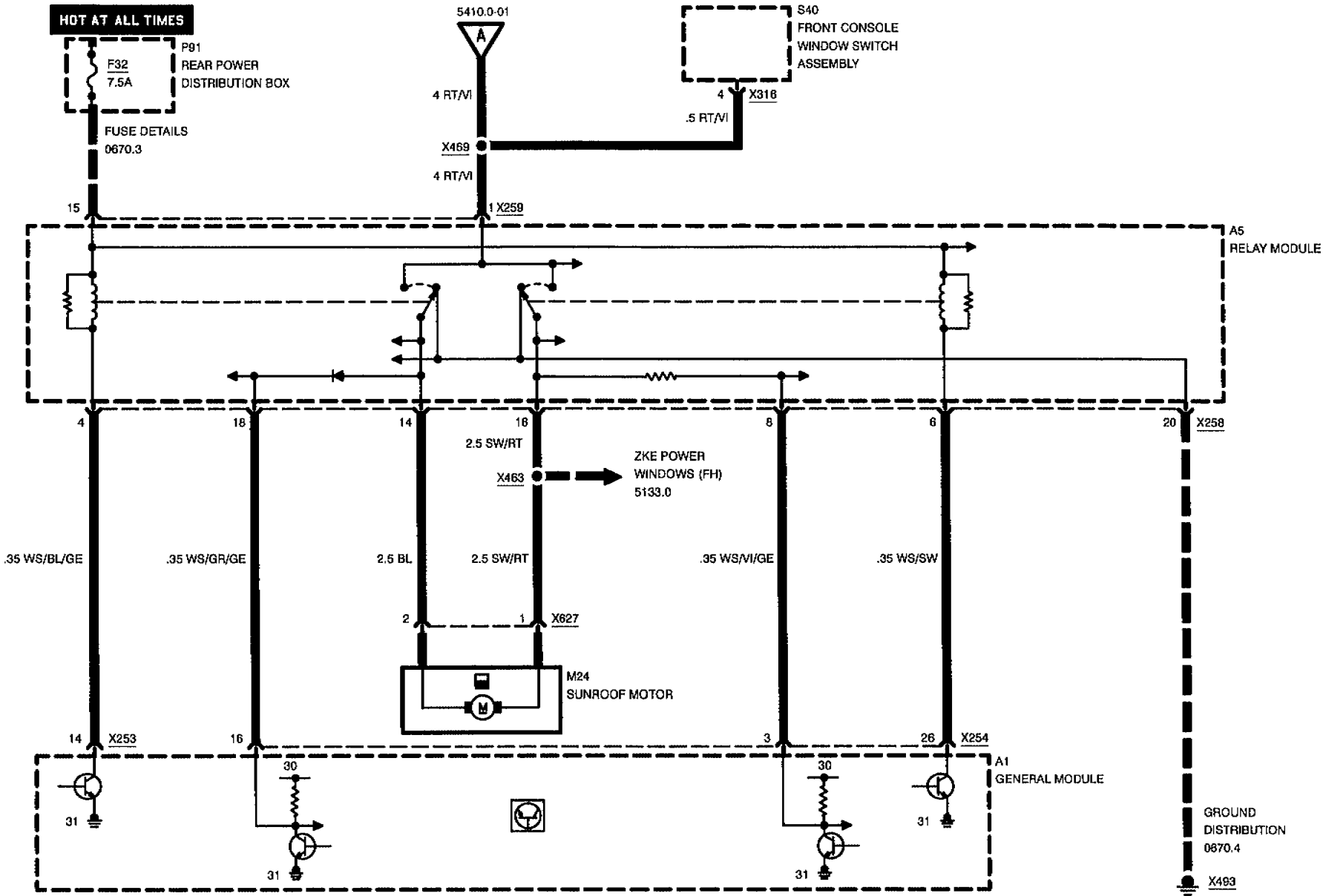
INPUT DETAILS



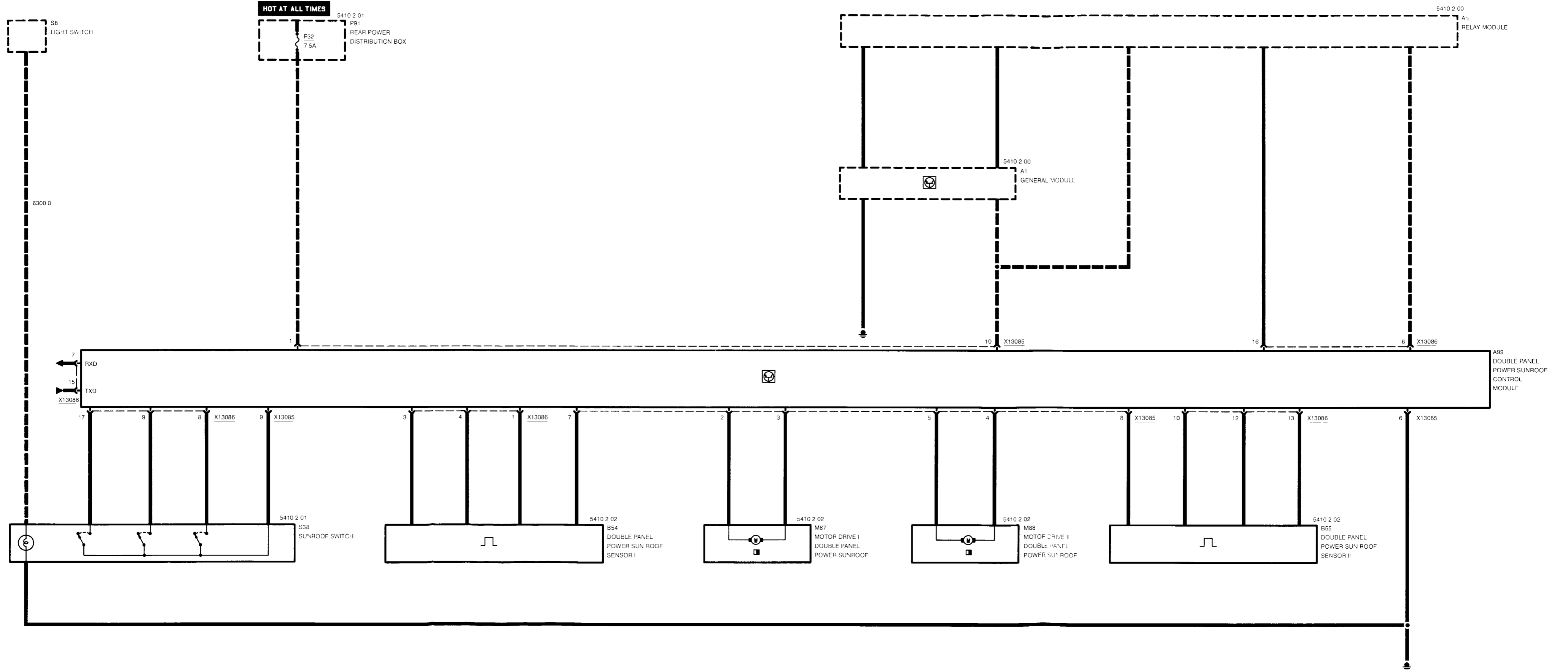


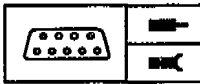
ZKE SUNROOF (SHD)

OUTPUT DETAILS









Pin Assignments

A=X13085 10 Pins

B=X13086 18 Pins

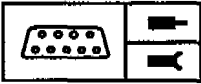
X13085

Pin	Type	Description/Function	Connect
1	E	Terminal 30, voltage supply	Rear power distribution box, fuse 32
2	E/A	Motor voltage/ground	Motor drive I double panel power sunroof
3	E/A	Motor voltage/ground	Motor drive I double panel power sunroof
4	E/A	Motor voltage/ground	Motor drive II double panel power sunroof
5	E/A	Motor voltage/ground	Motor drive II double panel power sunroof
6	M	Module ground	Ground point
7	A	Power	Contact, front roof
8	A	Power	Contact, rear roof
9	A	Power	Sunroof switch
10	E	Power	General module

X13086

Pin	Type	Description/Function	Connect
1	E	Position contact	Contact, front roof
2		Not used	
3	E	Position contact	Contact, front roof
4	E	Position contact	Contact, front roof
5		Not used	
6	E	Control signal	Relay module
7	E	RxD diagnostic data link	Data link connector
8	E	Switch, closed	Sunroof switch
9	E	Switch, closed	Sunroof switch
10	E	Position contact	Contact, rear roof
11		Not used	
12	E	Position contact	Contact, rear roof

E = Input, A = Output, M = Ground



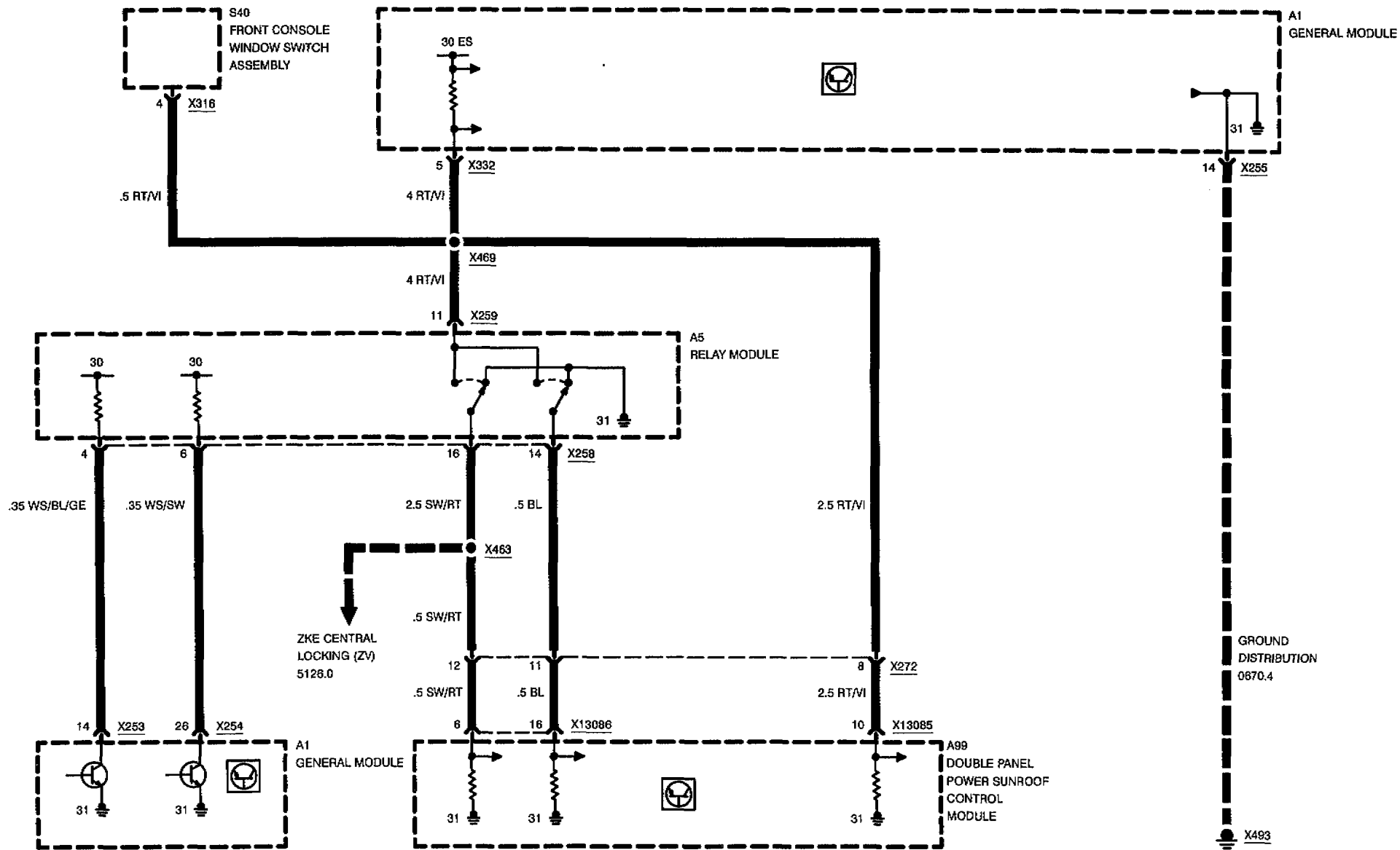
Pin Assignments

Pin	Type	Description/Function	Connect
13	E	Position contact	Contact, rear roof
14		Not used	
15	E/A	TxD diagnostic data link	Data link connector
16	E	MSD+	Relay module
17	E	Switch closed	Sunroof switch
18		Not used	

E = Input, A = Output, M = Ground

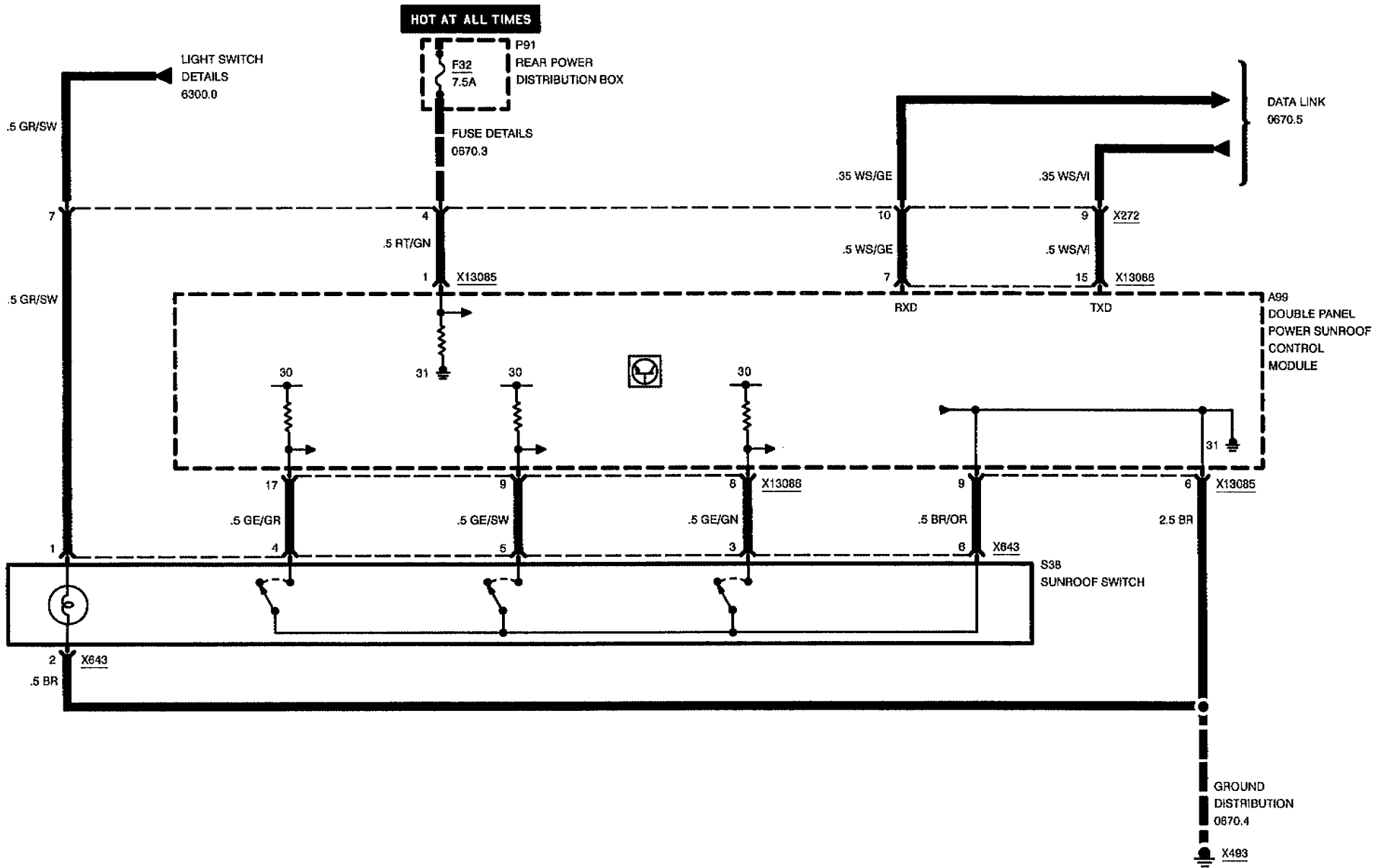


DOUBLE PANEL POWER SUNROOF (ZKE)

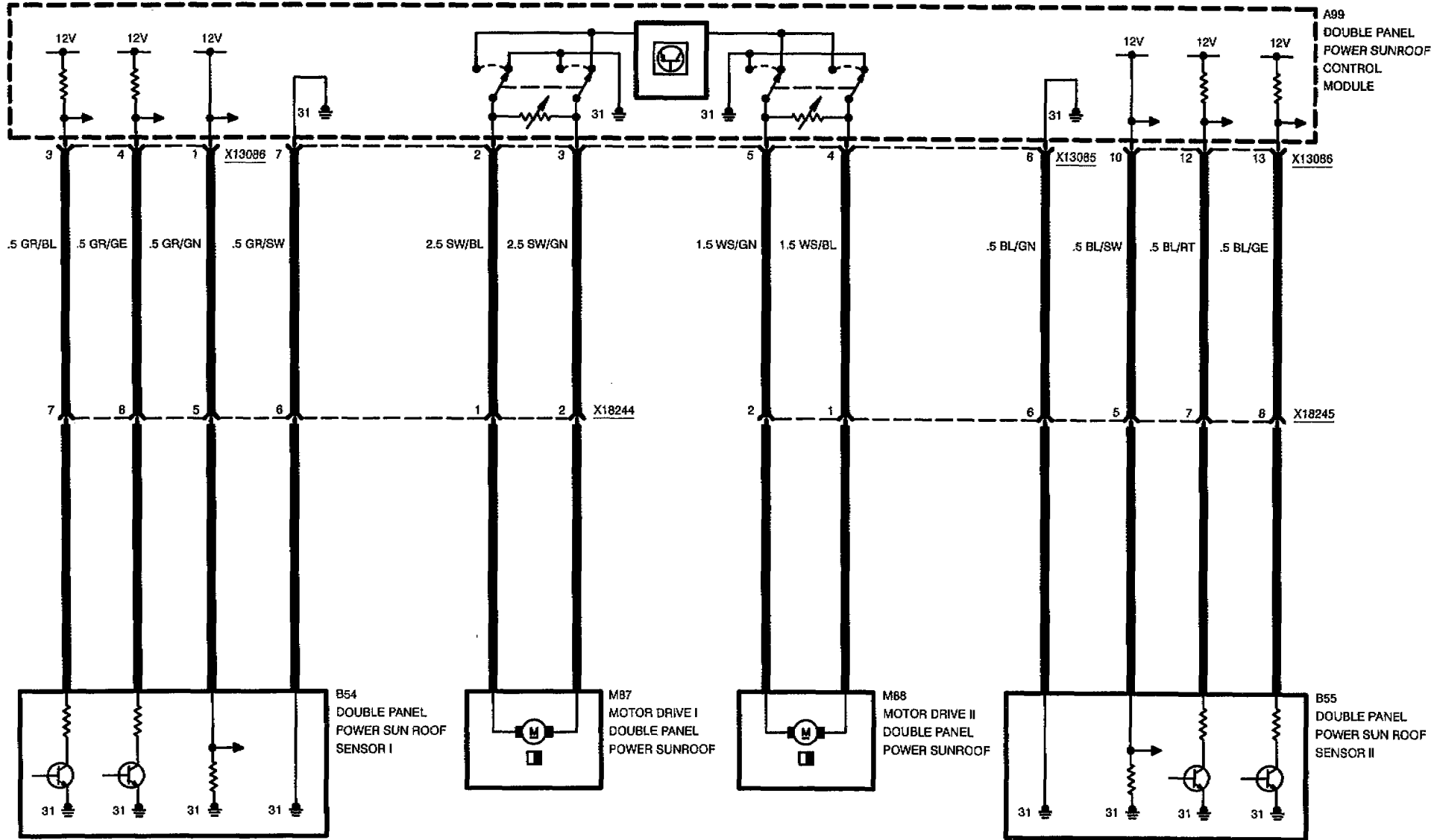


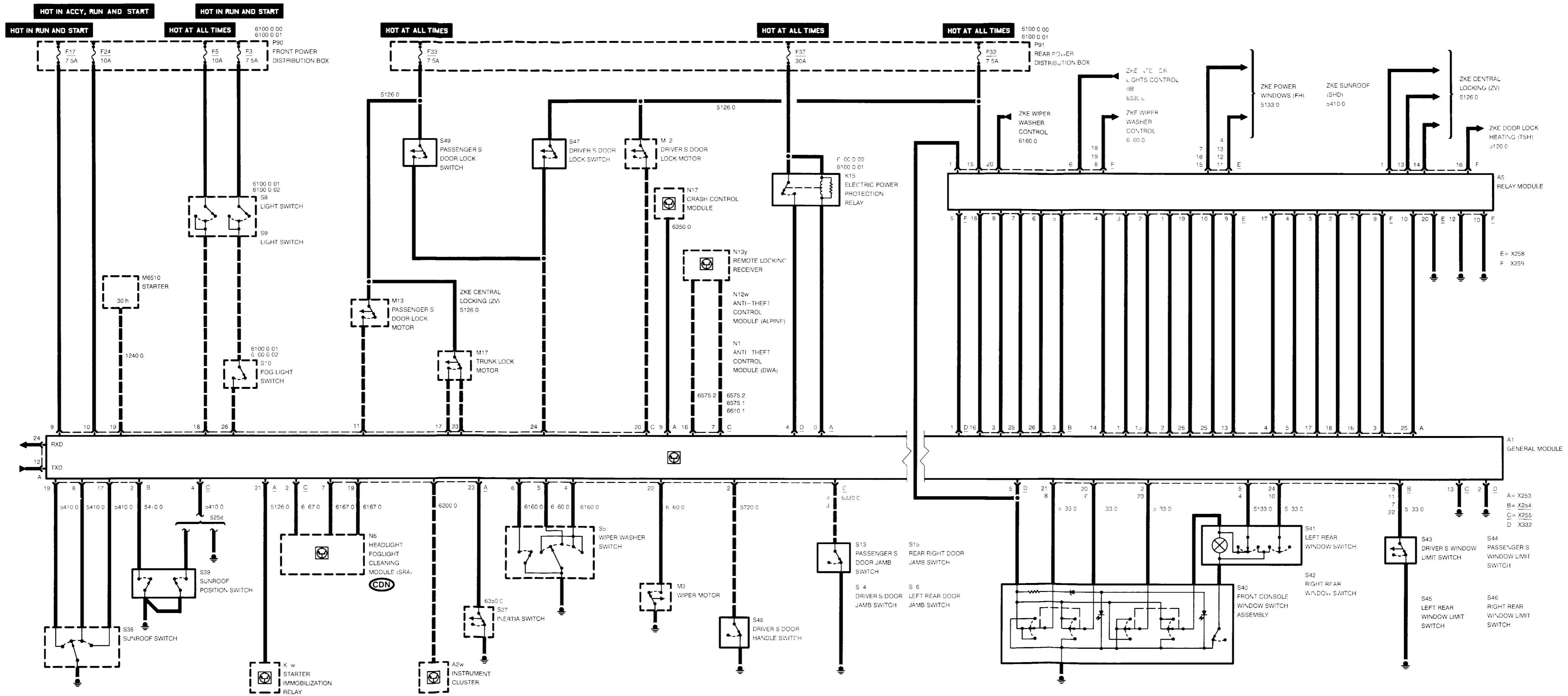


DOUBLE PANEL POWER SUNROOF (ZKE)



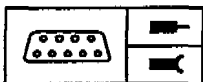
DOUBLE PANEL POWER SUNROOF (ZKE)





E = X258
F = X259

A = X253
B = X254
C = X255
D = X332



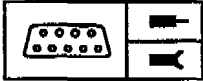
Pin Assignments

A=X253	26 Pins, green
B=X254	26 Pins, white
C=X255	26 Pins, yellow
D=X332	5 Pins, white
E=X258	20 Pins, black
F=X259	20 Pins, white

X253

Pin	Type	Description/Function	Connection
1	A	Passenger's window motor control	Relay module
2	A	Passenger's window motor control	Relay module
3	A	Wiper motor control	Relay module
4	A	Door lock heater control	Relay module
5	A	Lock motors control	Relay module
6		Not used	
7	A	Light cleaning control	Headlight/front fog light cleaning system module (SRA)
8		Not used	
9	A	Crash information	Crash control module
10	A	Electric power control protection relay control	Electric power protection relay, terminal 85
11	E	Vehicle speed signal	Instrument cluster
12	E/A	TxD diagnostic data link	Data link connector
13	E	Data line	Relay module
14	A	Sunroof motor control	Relay module
15	A	Passenger's and right rear window motor control	Relay module
16	A	Interior lights control	Relay module
17	A	Lock motors control (close)	Relay module
18	A	Lock motors control (open)	Relay module
19	A	Light cleaning control	Headlight/front fog light cleaning system module (SRA)

E = Input, A = Output, M = Ground



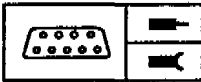
Pin Assignments

Pin	Type	Description/Function	Connection
20		Not used	
21	A	Drive-away protection	Starter immobilization relay
22		Not used	
23	E	Crash signal	Inertia switch
24	E	RxD diagnostic data link	Data link connector
25	E	Data line	Relay module
26	E	Data line	Relay module

X254

Pin	Type	Description/Function	Connection
1		Not used	
2	E	Sunroof position signal	Sunroof position switch
3	E	Data line (window and sunroof motors position)	Relay module
4	E	Open right rear window signal (switch)	Right rear window switch
5	E	Open left rear window signal (switch)	Left rear window switch
6	E	Open passenger's window signal (switch)	Front console window switch assembly
7	E	Left rear window open signal (position)	Left rear window limit switch
8	E	Close passenger's window signal (switch)	Front console window switch assembly
9	E	Passenger's window open signal (position)	Passenger's window limit switch
10	E	Close right rear window signal (switch)	Right rear window switch
11	E	Driver's window open signal (position)	Driver's window limit switch
12	E	Close left rear window signal (switch)	Front console window switch assembly
13	A	Left rear window motor control	Relay module
14		Not used	
15		Not used	
16	E	Data line (window and sunroof motors position)	Relay module
17	E	Close sunroof lift signal	Sunroof switch
18	E	Close sunroof signal	Sunroof switch
19	E	Open sunroof slide signal	Sunroof switch

E = Input, A = Output, M = Ground



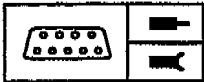
Pin Assignments

Pin	Type	Description/Function	Connection
20	E	Open driver's window signal (switch)	Front console window switch assembly
21	E	Close driver's window signal (switch)	Front console window switch assembly
22	E	Right rear window open signal (position)	Right rear window limit switch
23	E	Close right rear window signal (switch)	Front console window switch assembly
24	E	Close left rear window signal (switch)	Left rear window switch
25	A	Driver's window motor control	Relay module
26	A	Driver's and left rear window control/sun-roof motor control	Relay module

X255

Pin	Type	Description/Function	Connection
1	E	Passenger's door open signal	Passenger's door jamb switch
2	E	Driver's door handle lifted signal	Driver's door handle switch
3	E	Rear doors open signal	Rear door jamb switches
4	E	Standard wiper signal	Wiper/washer switch
5	E	Interval wiper signal	Wiper/washer switch
6	E	Wash signal	Wiper/washer switch
7	E	Anti-theft system control module (Alpine)	Anti-theft system control module (Alpine)
8		Not used	
9	E	Voltage supply, terminal 15	Front power distribution box
10	E	Voltage supply, terminal R	Front power distribution box
11	E	Passenger's door lock motor locked	Passenger's door lock motor
12		Not used	
13	M	Ground	Ground point
14	E	Sunroof position signal	Sunroof position switch
	M	Ground (Touring)	Ground point
15	E	Driver's door open signal	Driver's door jamb switch
16	E	Anti-theft system control module	Anti-theft system control module
17	E	Unlock door lock motors signal	Trunk lock motor
18	E	Park or headlights ON signal	Light switch
19	E	Starter, terminal 30h	Starter

E = Input, A = Output, M = Ground



Pin Assignments

Pin	Type	Description/Function	Connection
20	E	Driver's door lock motor locked	Door lock motor
21	E	Data line	Headlight/front fog light cleaning system module (SRA)
22	E	Wipers not in park signal	Wiper motor
23	E	Unlock trunk lock motor signal	Trunk lock motor
24	E	Lock front doors signal	Front door lock switches
25		Not used	
26	E	Front or rear fog lights ON signal	Fog light switch

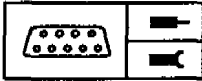
X332

Pin	Type	Description/Function	Connection
1	E	Power for electronics	Relay module
2	M	Ground	Ground point
3		Not used	
4	E	Power input	Electric power protection relay, terminal 87
5	E	Power for electronics	Relay module, front console window switch assembly

X258

Pin	Type	Description/Function	Connection
1	E	Right rear window motor control	General module
2	E	Passenger's and right rear window motor control	General module
3	E	Passenger's window motor control	General module
4	E	Sunroof motor control	General module
5	E	Left rear window motor control	General module
6	E	Driver's and left rear window motor control/ sunroof motor control	General module
7	E	Driver's window motor control	General module

E = Input, A = Output, M = Ground



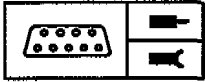
Pin Assignments

Pin	Type	Description/Function	Connection
8	A	Data line (window and sunroof motors position)	General module
9	A	Data line	General module
10	A	Data line	General module
11	A	Right rear window motor power/ground supply	Right rear window motor
12	A	Passenger's and right rear window motor power/ground supply	Right rear window motor
13	A	Passenger's window motor power/ground supply	Passenger's window motor
14	A	Sunroof motor power/ground supply	Sunroof motor
15	A	Left rear window motor power/ground supply	Left rear window motor
16	A	Driver's window motor, left rear window motor, and sunroof motor power/ground supply	Driver's and left rear window motors/sunroof motor
17	A	Driver's window motor power/ground supply	Driver's window motor
18	A	Data line (window and sunroof motors position)	General module
19	A	Data line	General module
20	M	Ground	Ground point

X259

Pin	Type	Description/Function	Connection
1	A	Lock motors voltage/ground supply	Door lock motors
2	E	Lock motors control (open)	General module
3	E	Lock motors control (close)	General module
4	E	Lock motors control	General module
5	A	Power output	General module
6	A	Interior lights ground supply (Automatic)	Interior lights
7	E	Interior lights control	General module
8	E	Fast wiper speed signal	Wiper/washer switch

E = Input, A = Output, M = Ground



Pin Assignments

Pin	Type	Description/Function	Connection
9	E	Wiper motor control	General module
10	M	Ground	Ground point
11	E	Power input	General module
12	M	Ground	Ground point
13	A	Lock motors voltage/ground supply	Door lock motors
14	A	Central locking voltage/ground supply	Door lock motors
15	E	Voltage supply, terminal 30	Rear power distribution box
16	A	Door lock heater voltage supply	Door lock heater
17	E	Door lock heater control	General module
18	A	Wiper motor voltage supply (slow)	Wiper motor
19	A	Wiper motor voltage supply (fast)	Wiper motor
20	E	Power input	Wiper relay

E = Input, A = Output, M = Ground

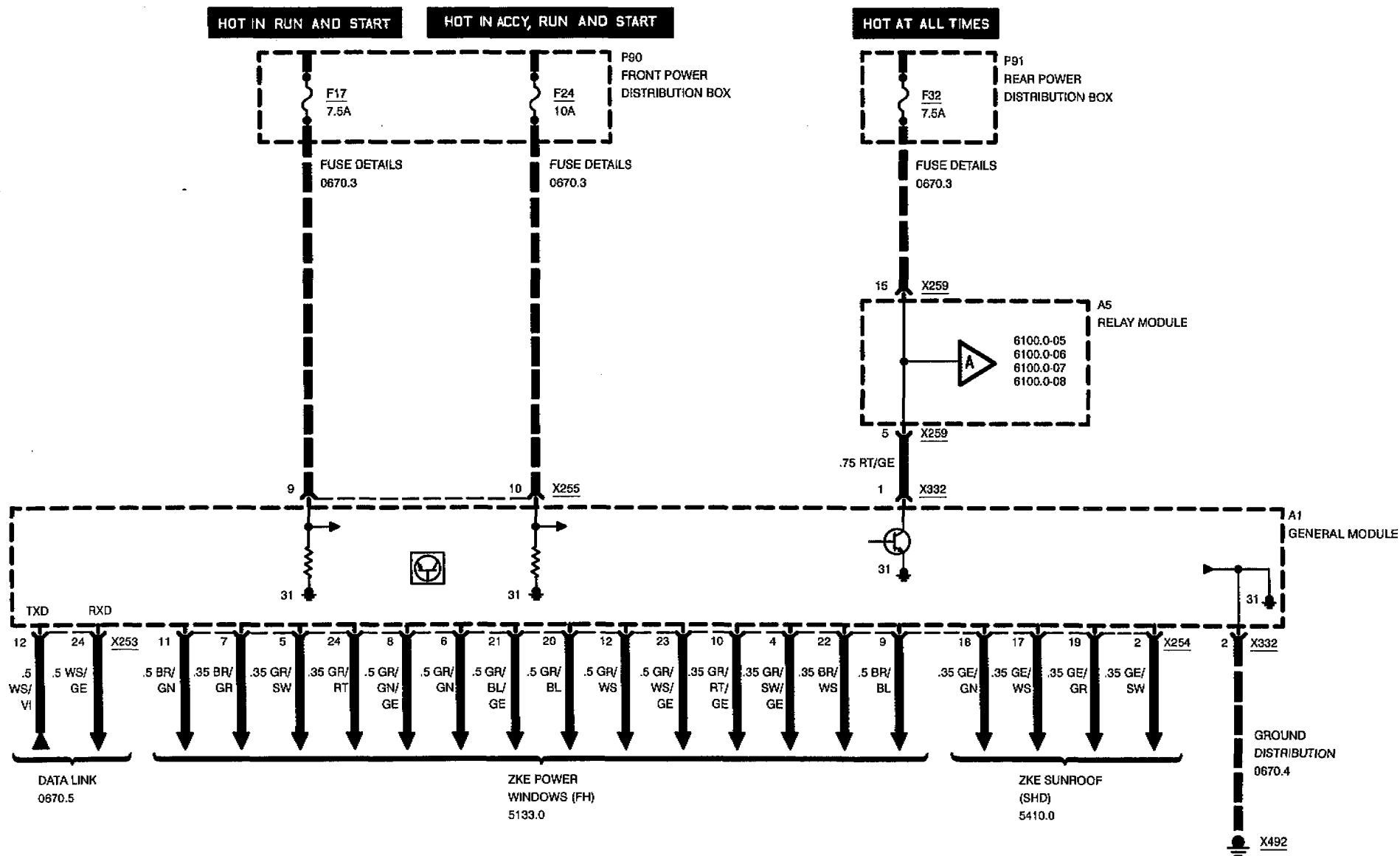


6100.0



CENTRAL BODY ELECTRONICS (ZKE)

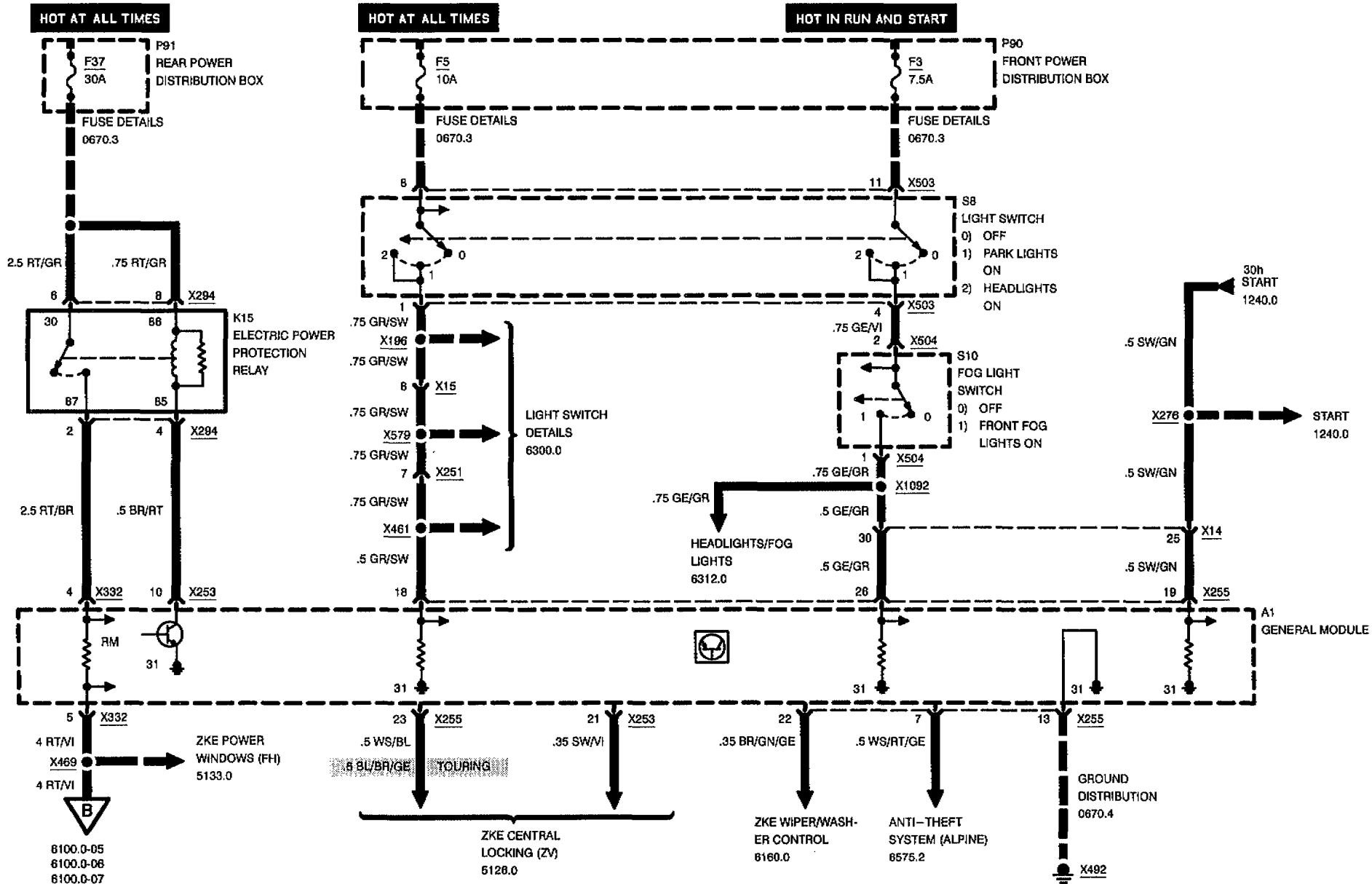
GENERAL MODULE





CENTRAL BODY ELECTRONICS (ZKE)

GENERAL MODULE



6100.0-05
 6100.0-06
 6100.0-07

ZKE CENTRAL
 LOCKING (ZV)
 6128.0

ZKE WIPER/WASH-
 ER CONTROL
 6160.0

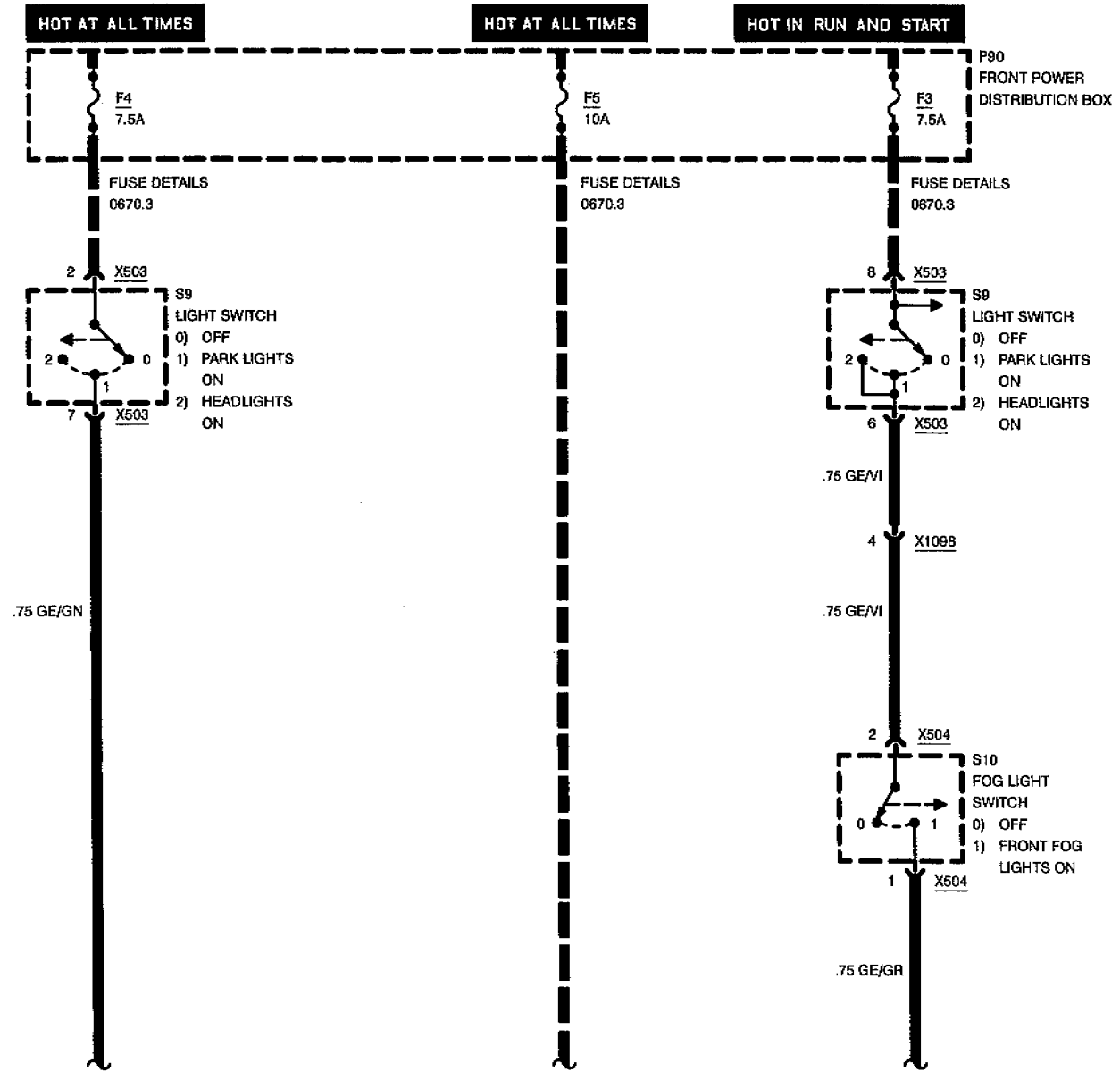
ANTI-THEFT
 SYSTEM (ALPINE)
 6575.2

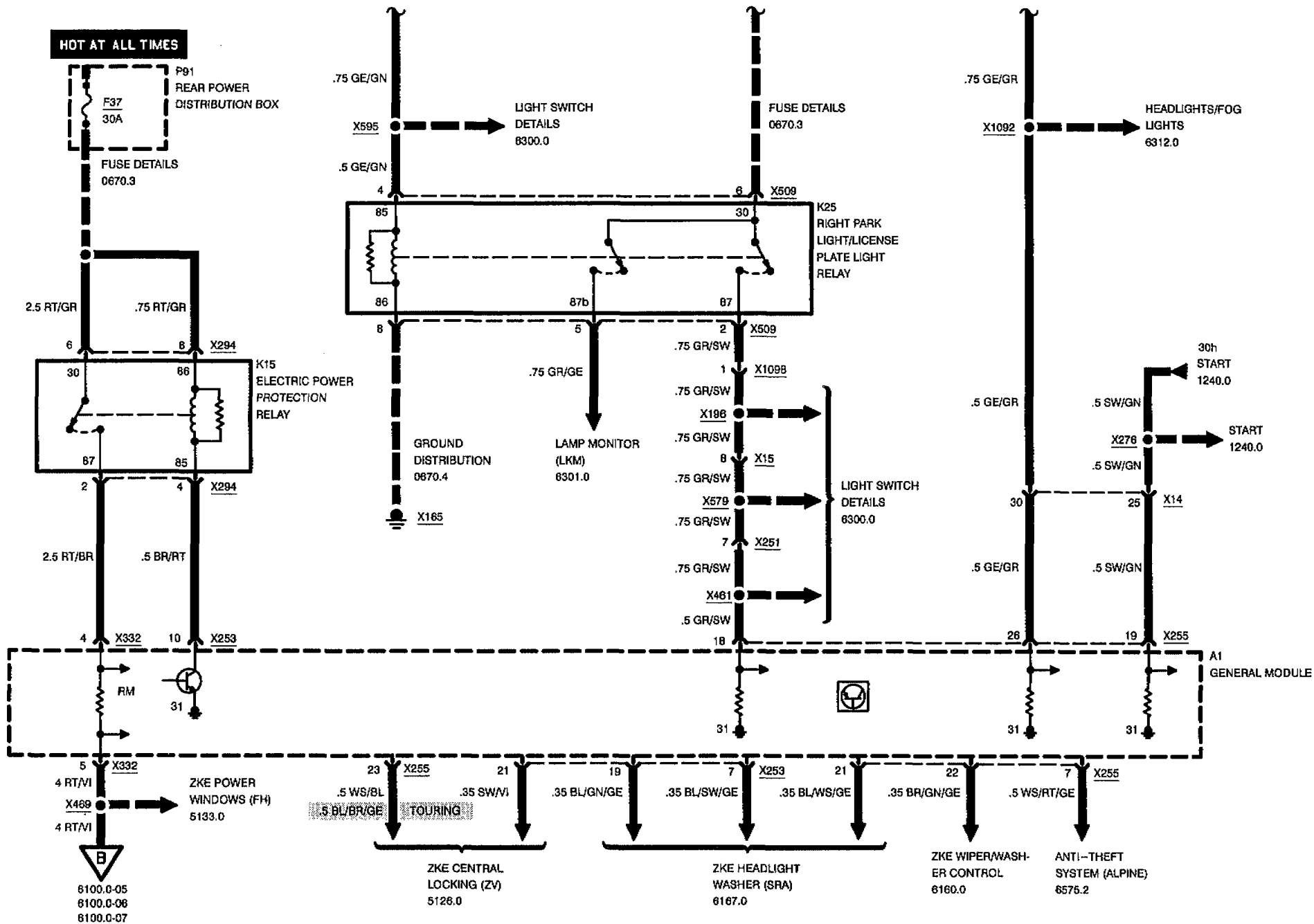
GROUND
 DISTRIBUTION
 0670.4



CENTRAL BODY ELECTRONICS (ZKE)

GENERAL MODULE

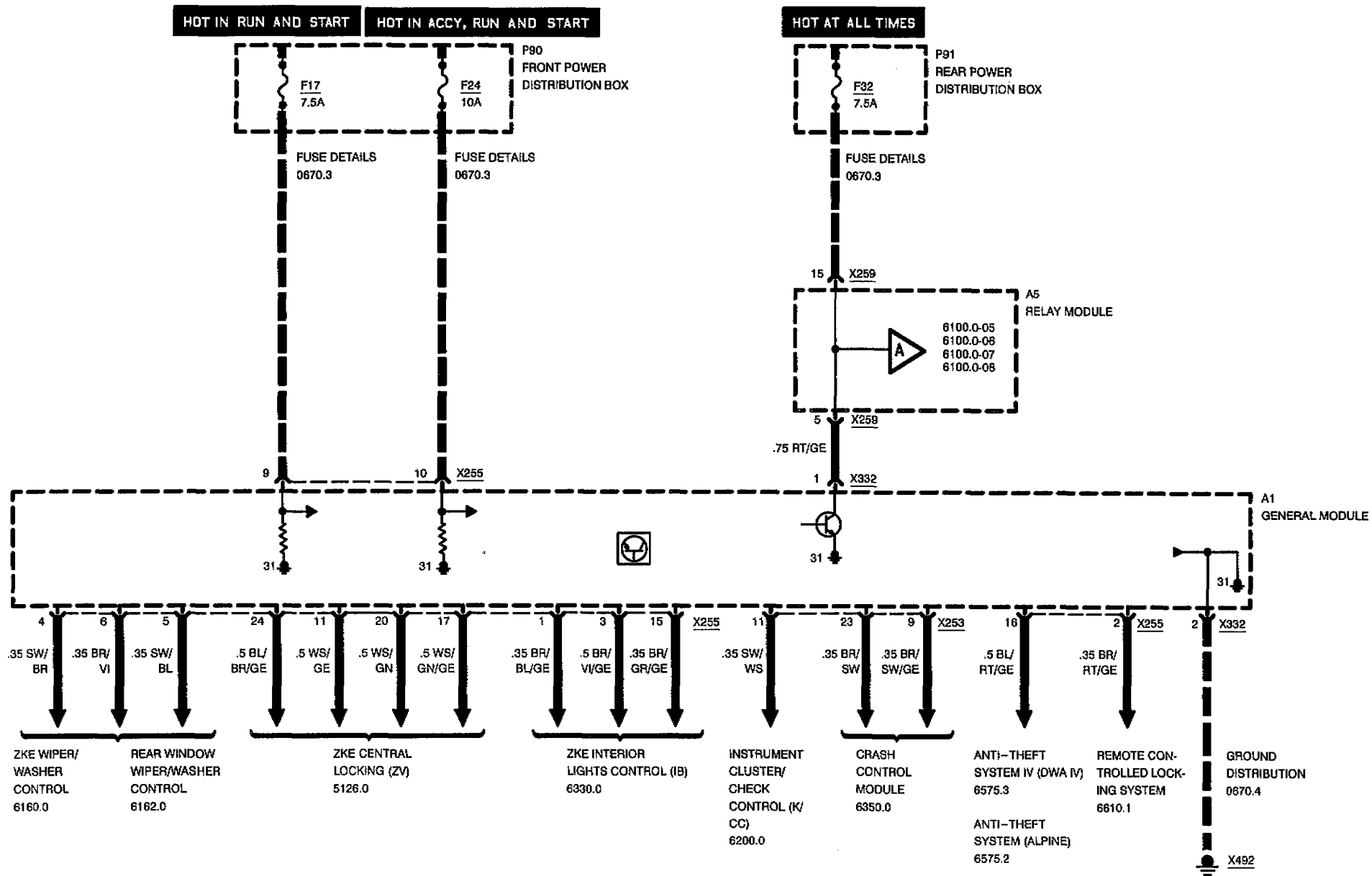






CENTRAL BODY ELECTRONICS (ZKE)

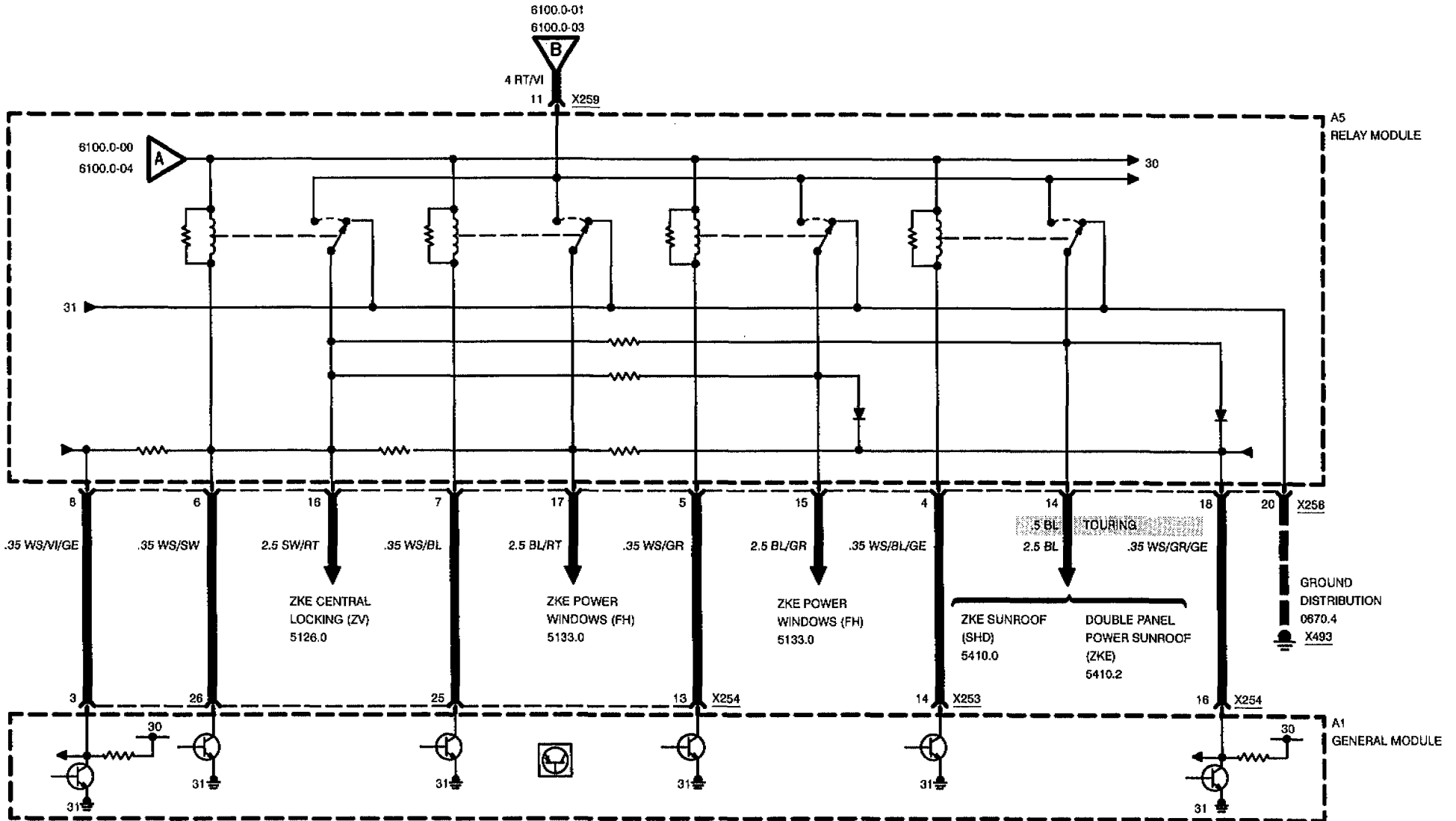
GENERAL MODULE





CENTRAL BODY ELECTRONICS (ZKE)

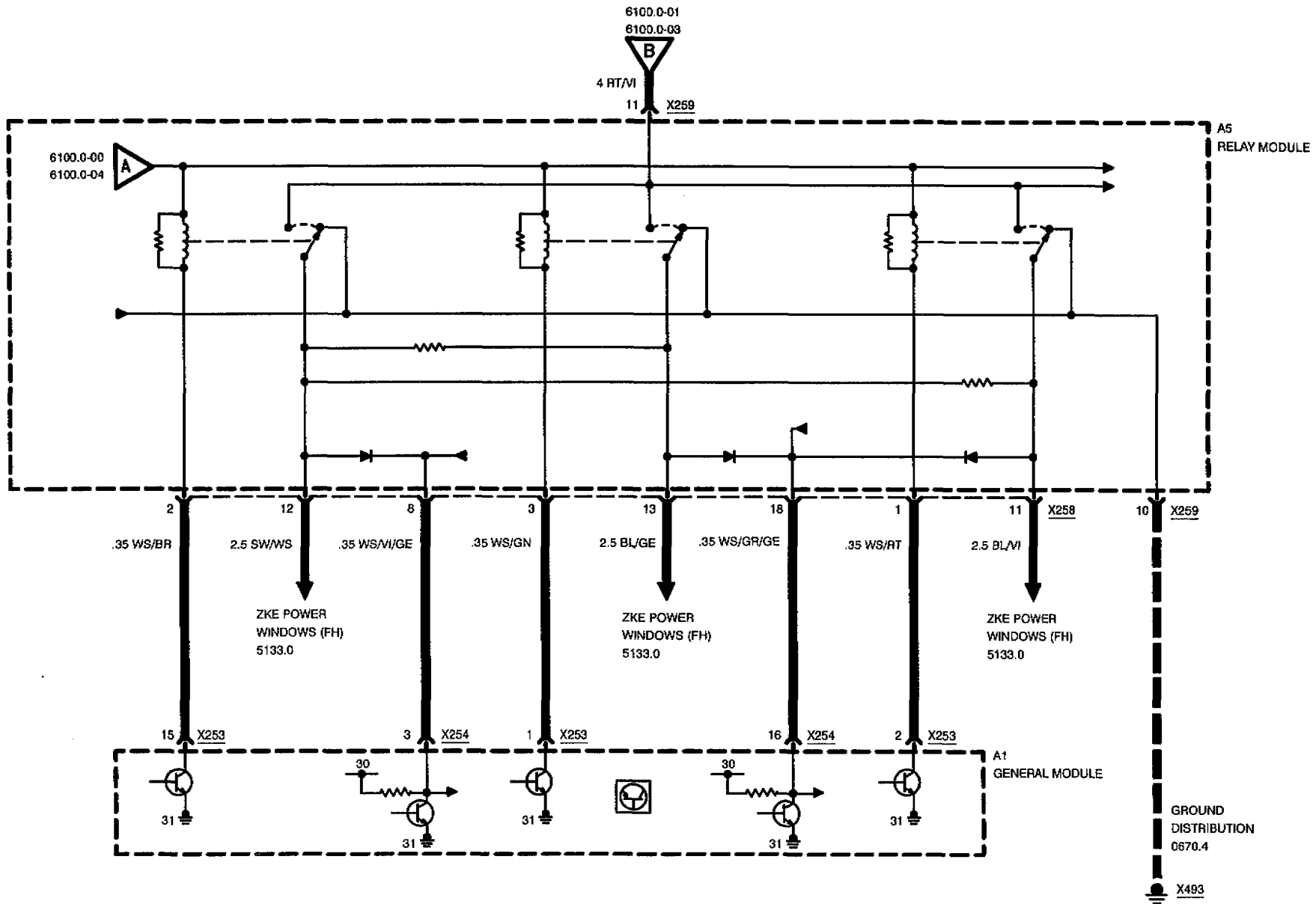
RELAY MODULE





CENTRAL BODY ELECTRONICS (ZKE)

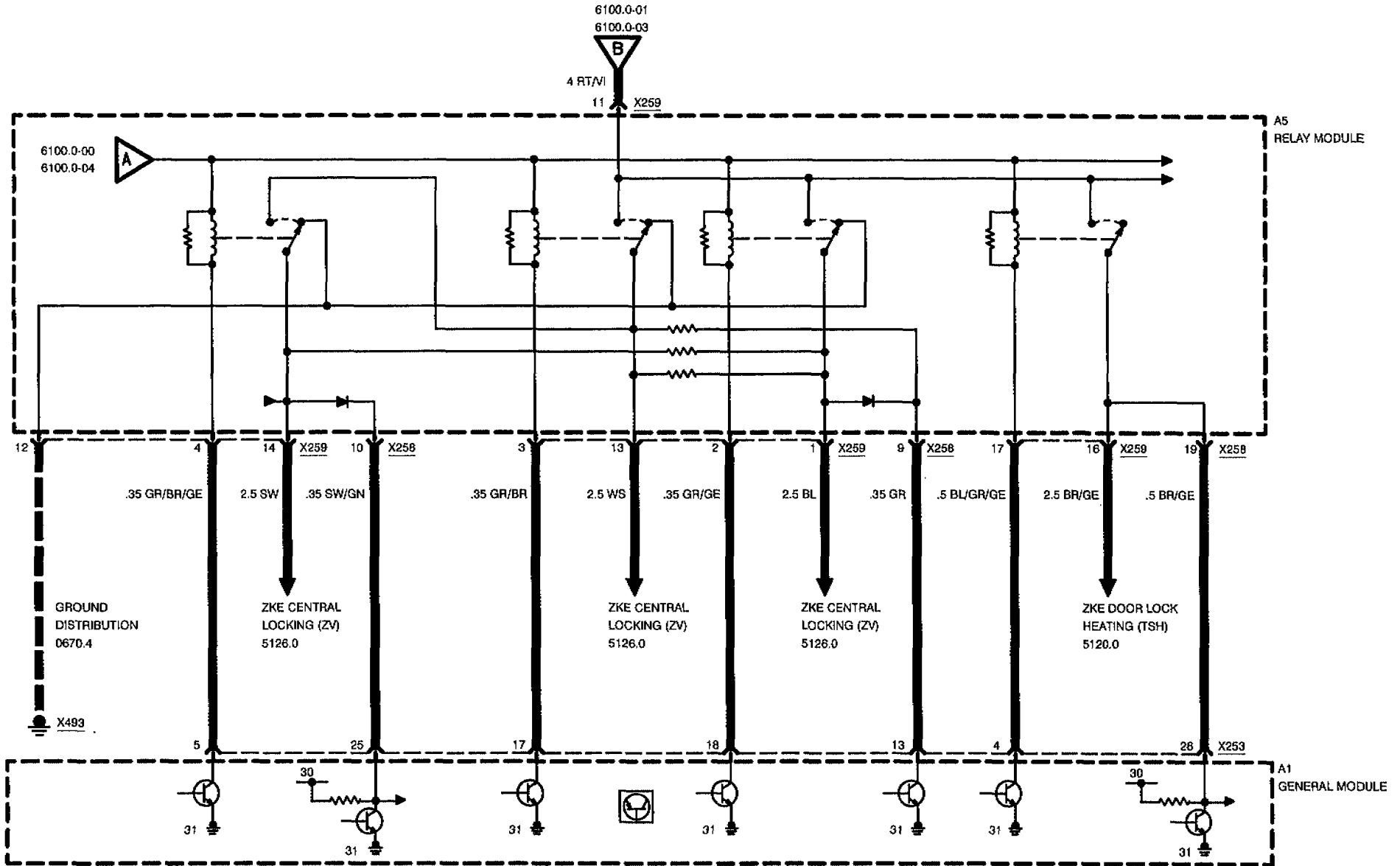
RELAY MODULE





CENTRAL BODY ELECTRONICS (ZKE)

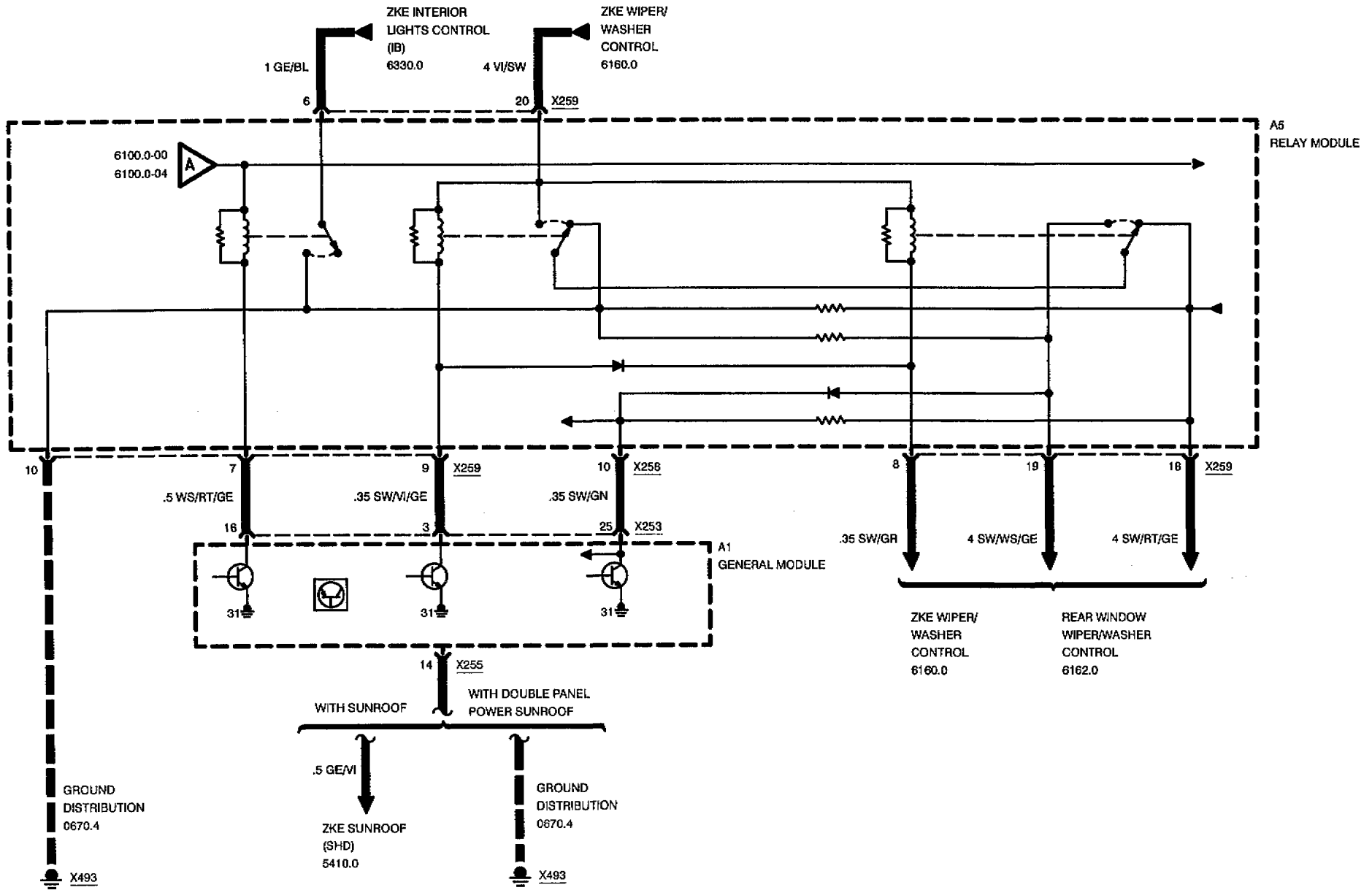
RELAY MODULE





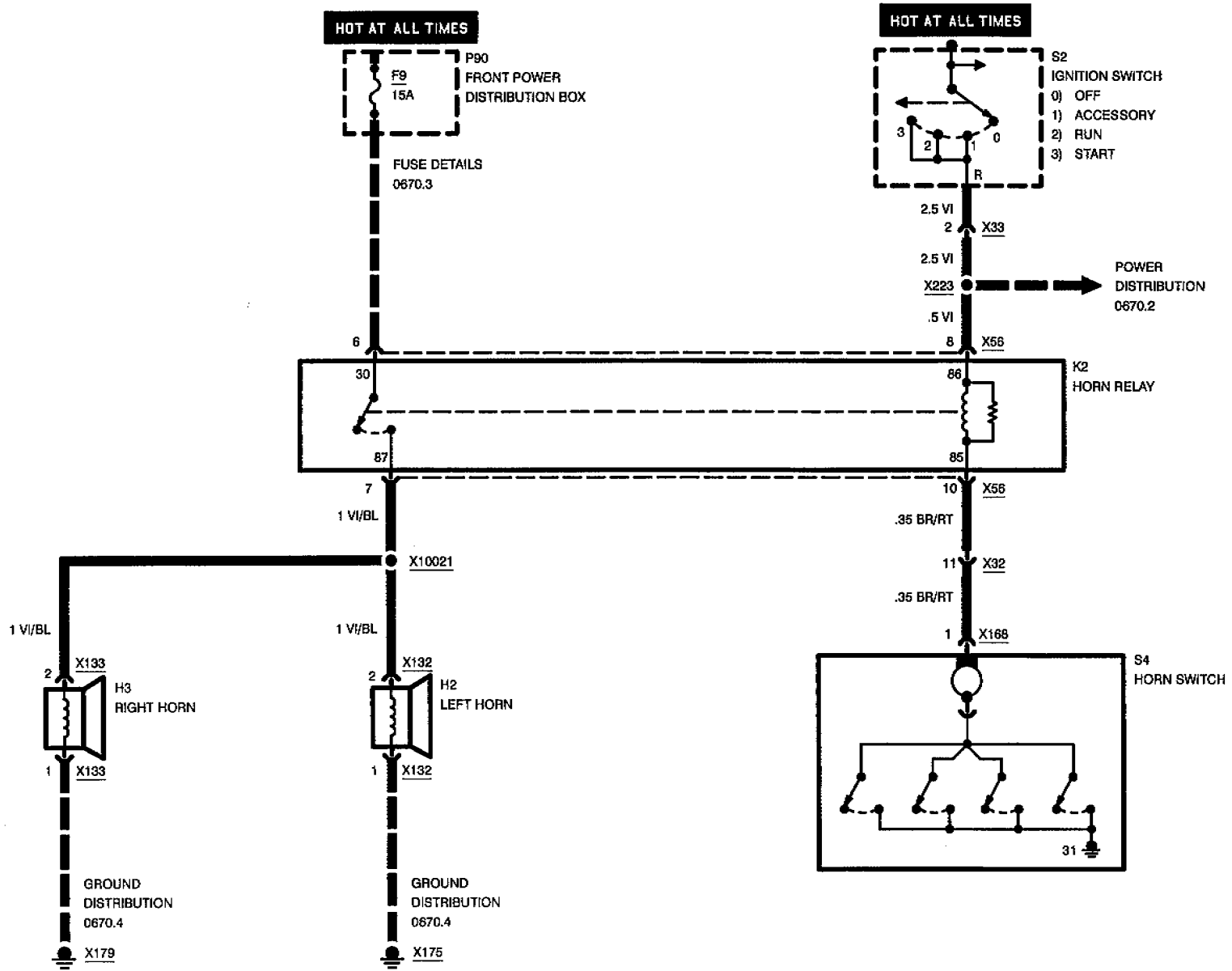
CENTRAL BODY ELECTRONICS (ZKE)

RELAY MODULE



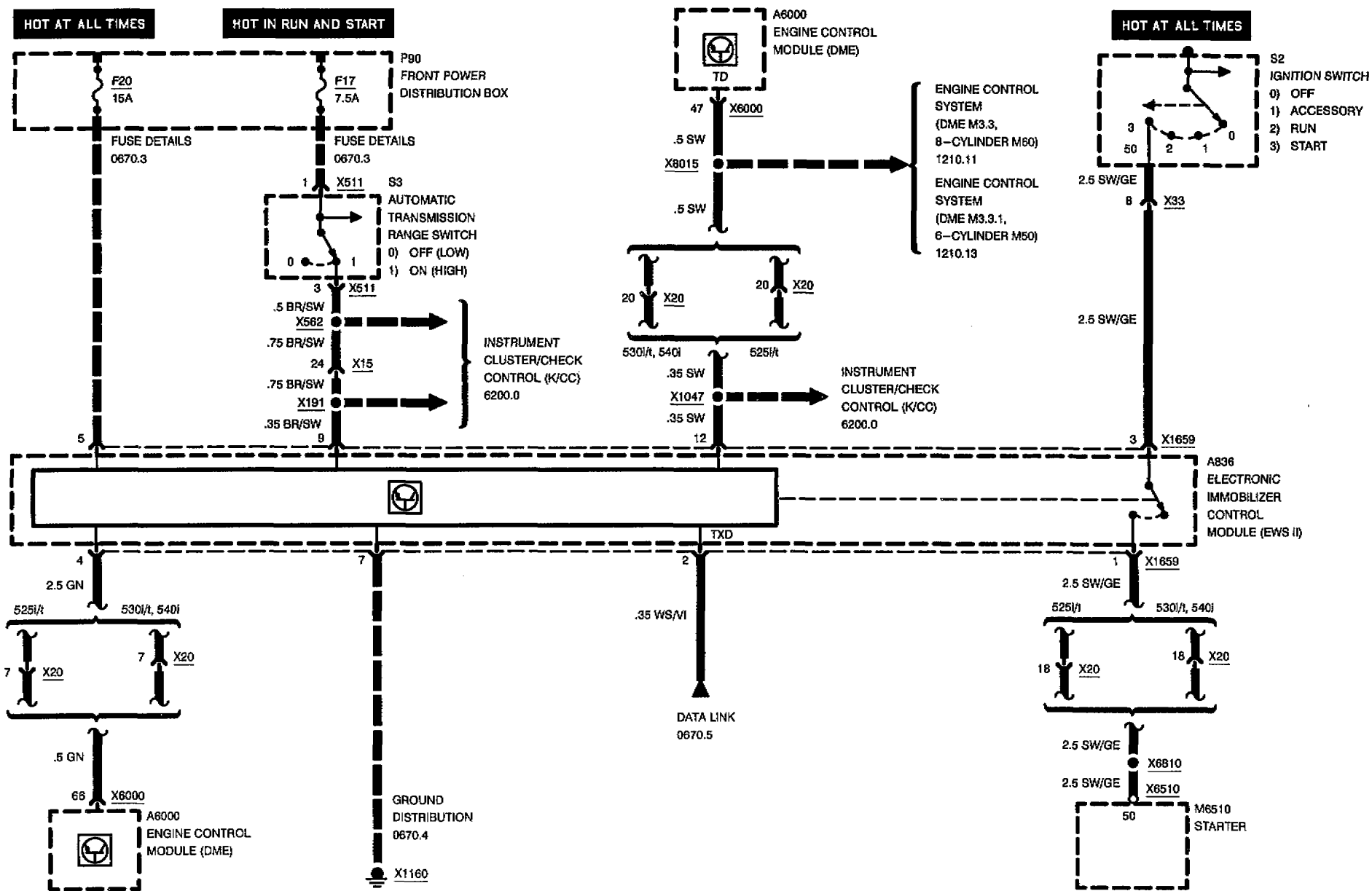


6133.0



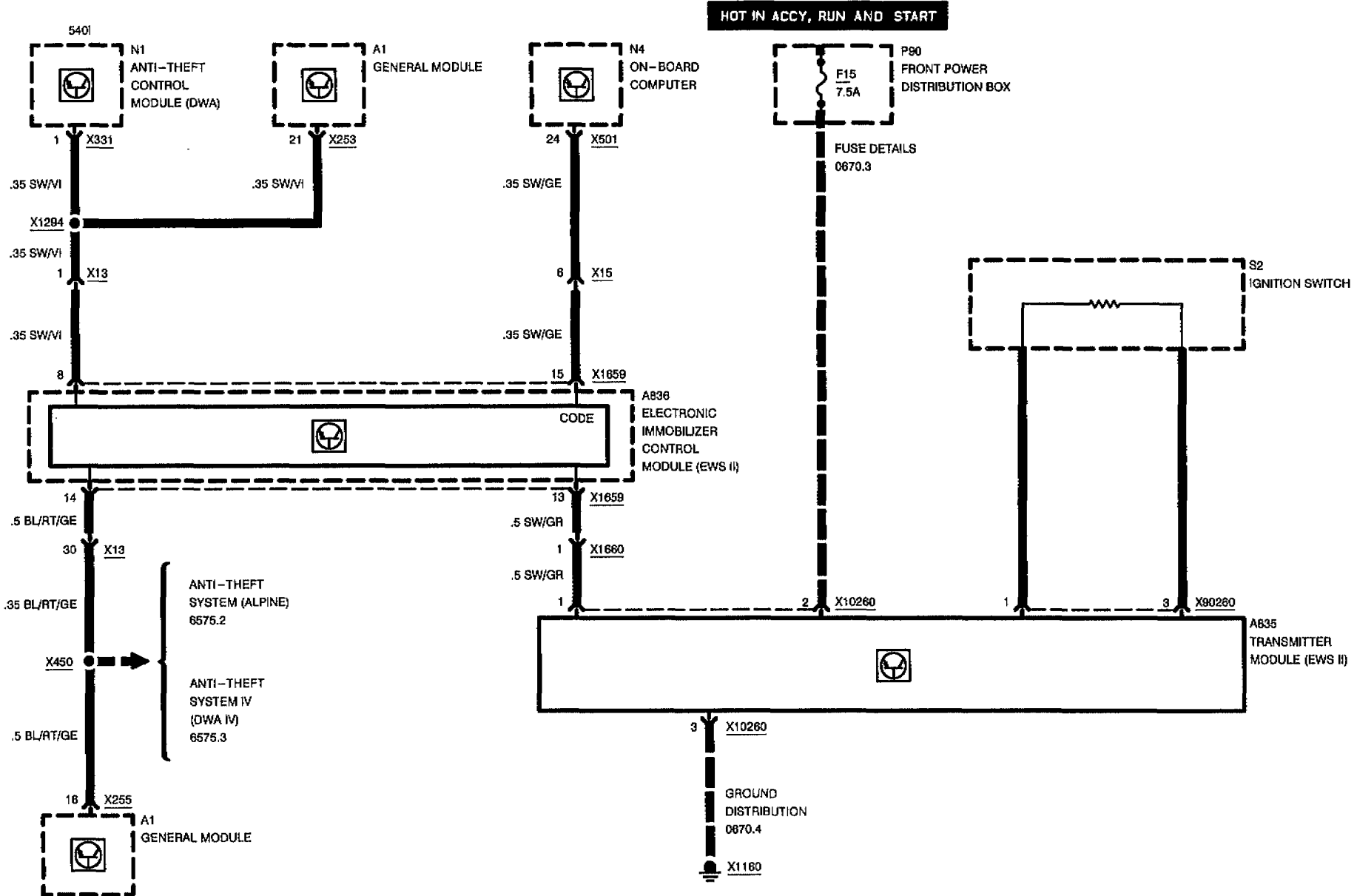
BMW
5

6135.0





DRIVE-AWAY PROTECTION (EWS II)





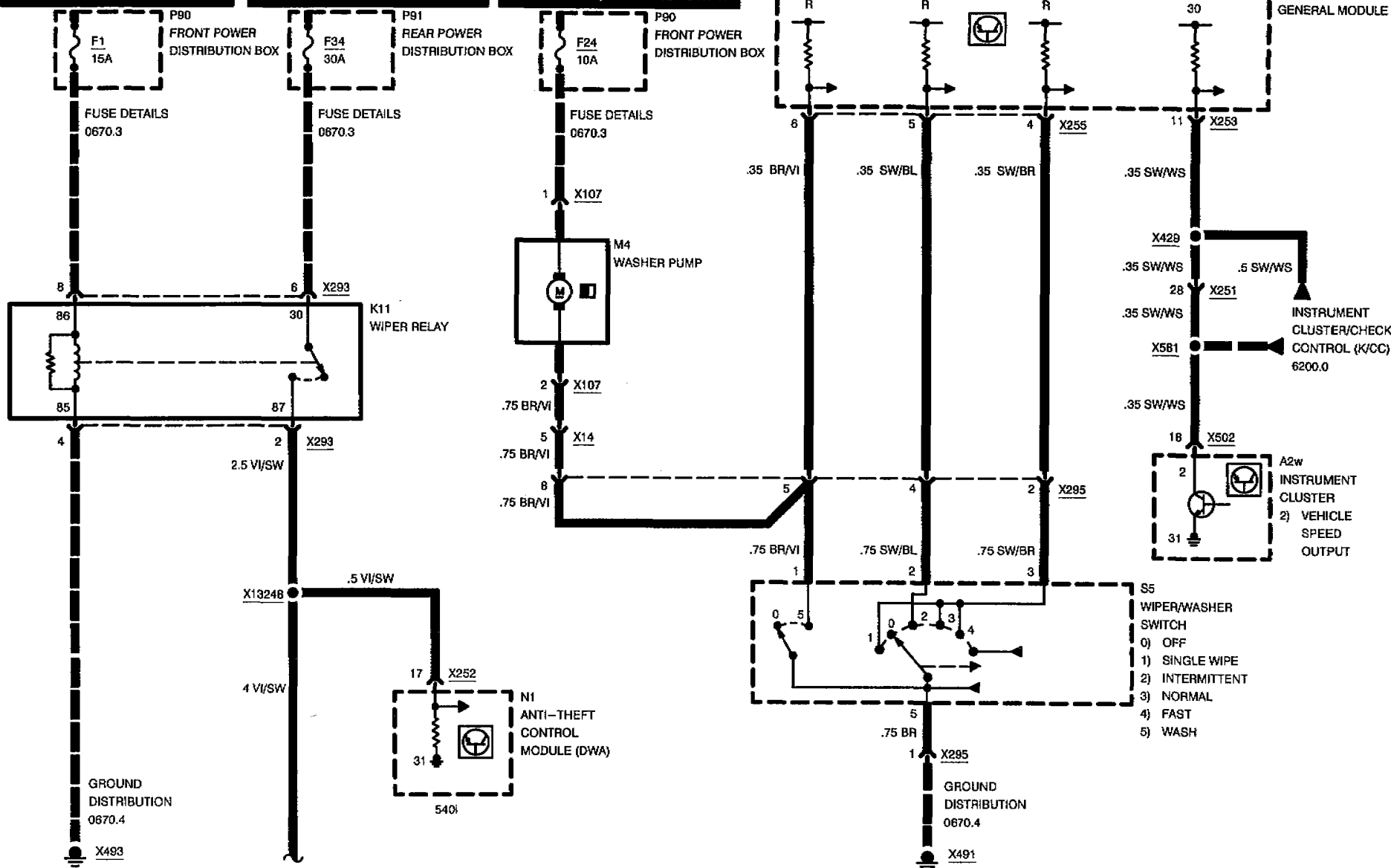
ZKE WIPER/WASHER CONTROL

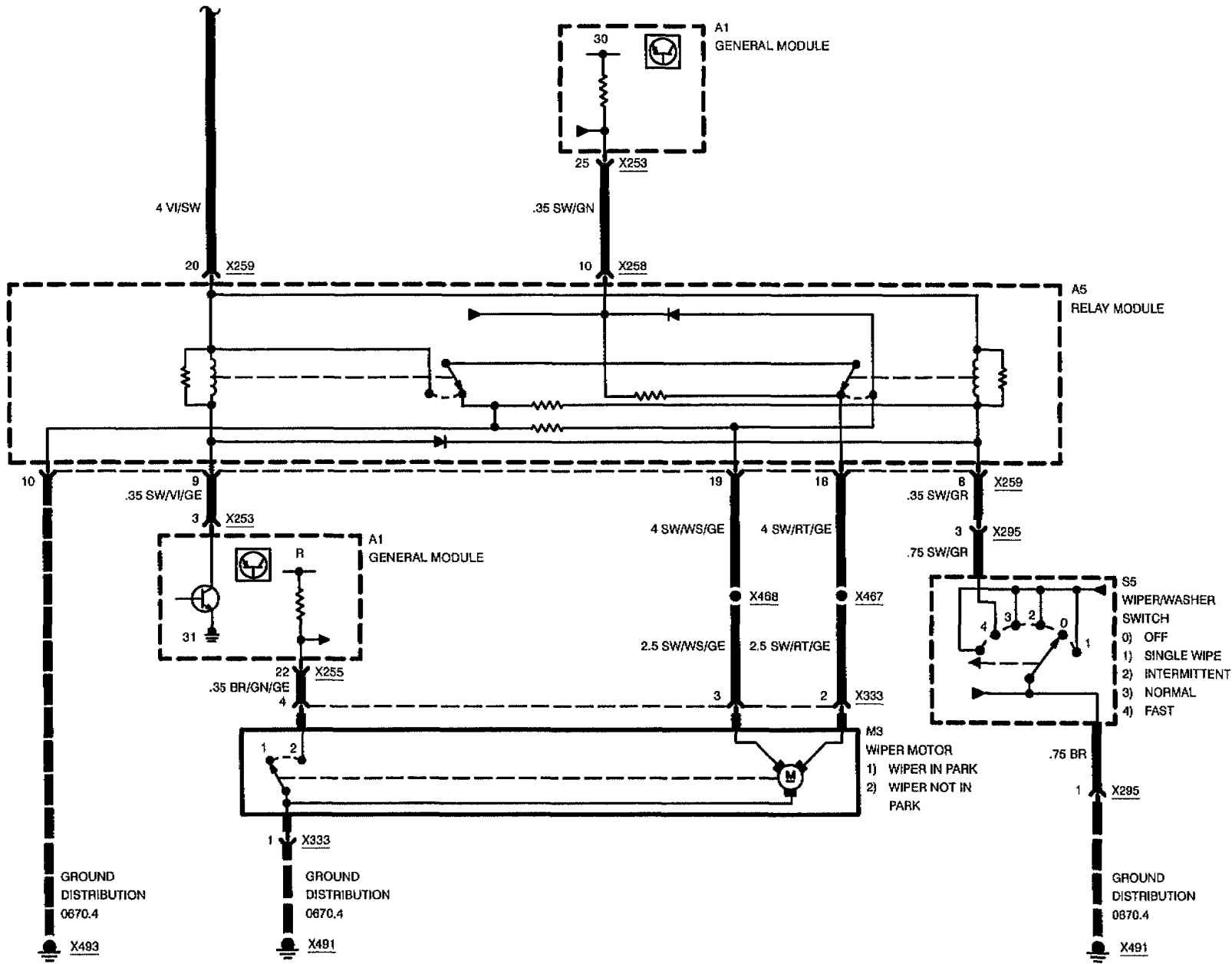
INPUT DETAILS

HOT IN ACCY, RUN AND START

HOT IN ACCY, RUN AND START

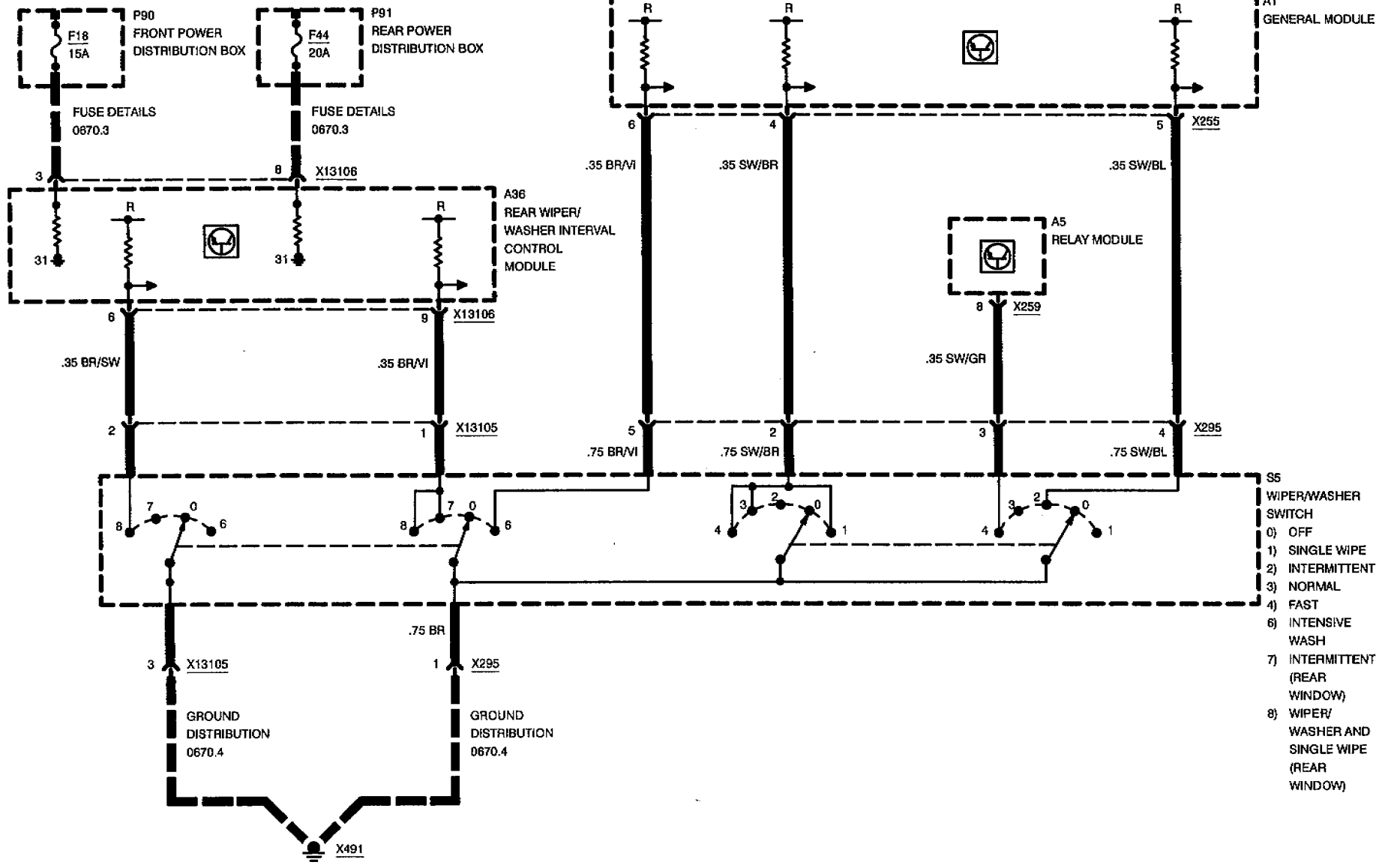
HOT IN ACCY, RUN AND START





HOT IN ACCY, RUN AND START

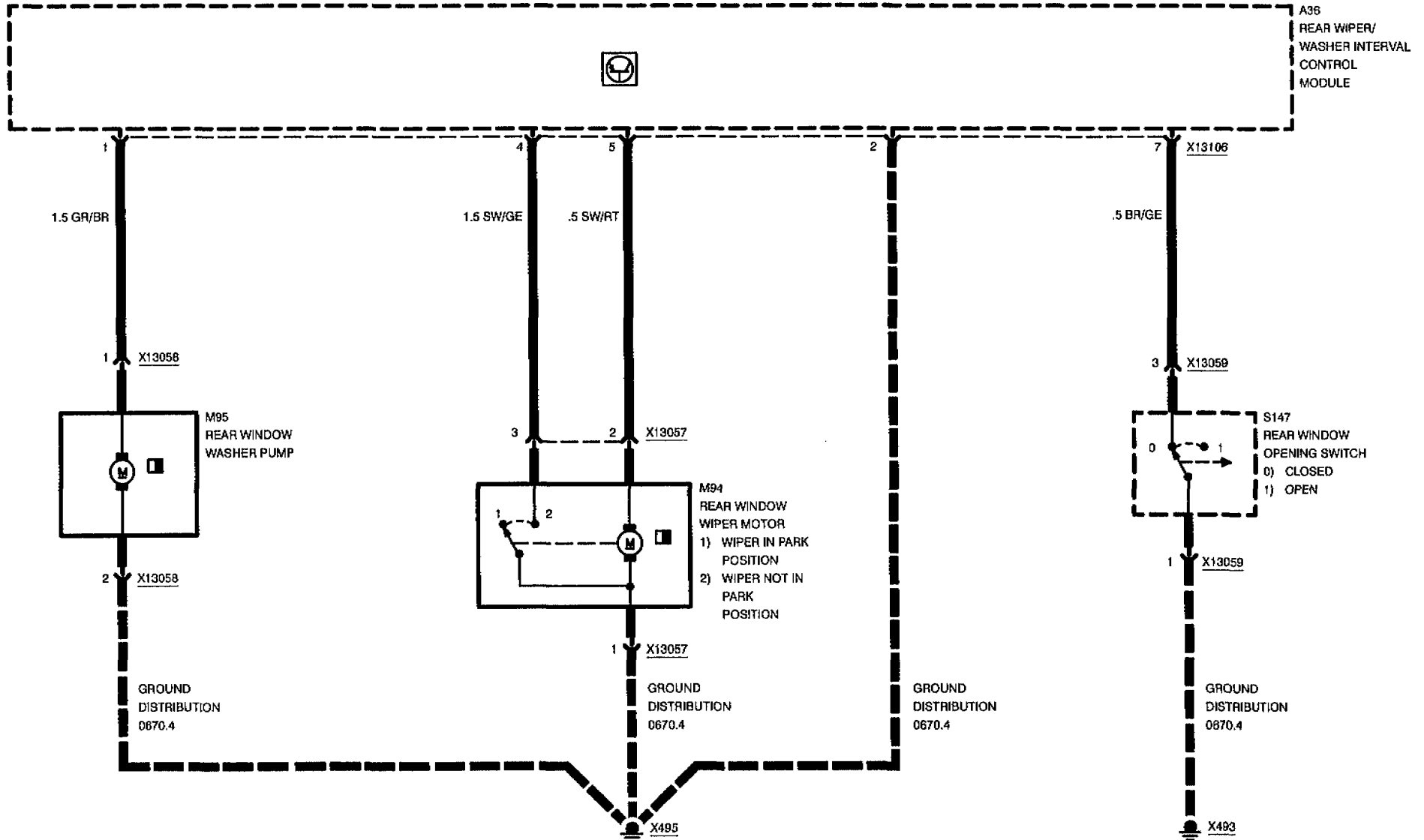
HOT AT ALL TIMES





REAR WINDOW WIPER/WASHER CONTROL

TOURING

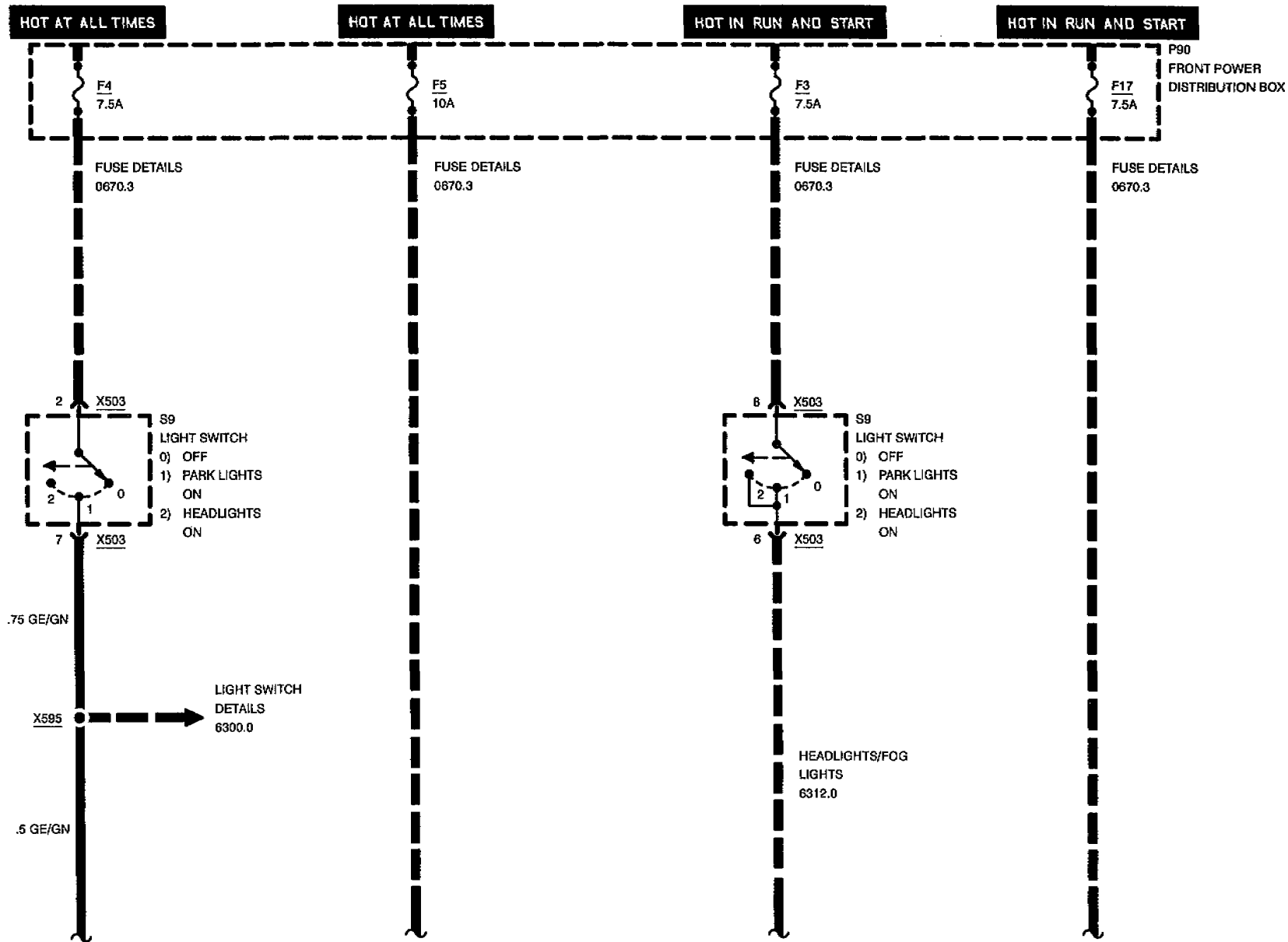


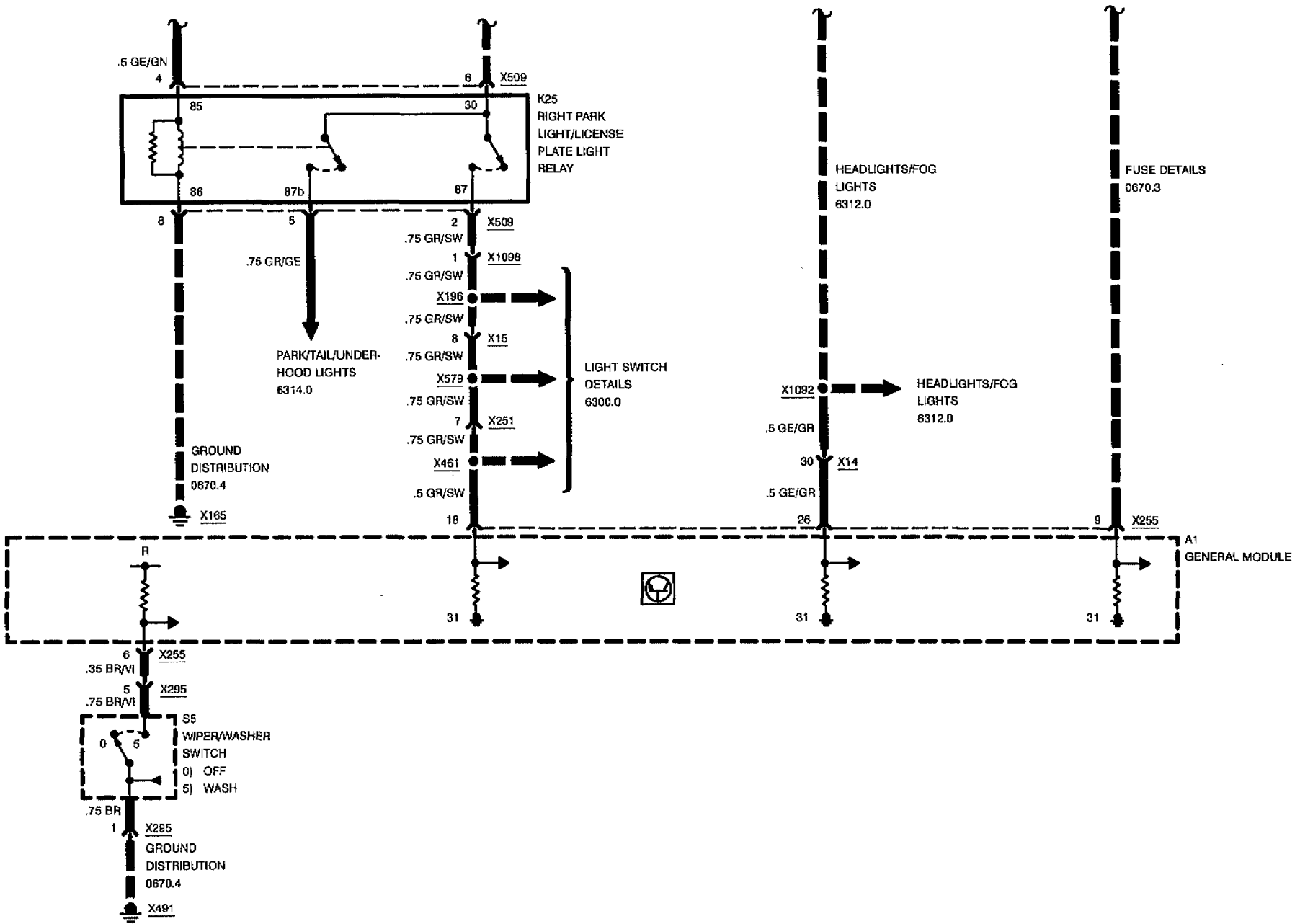


ZKE HEADLIGHT WASHER (SRA)

CDN

INPUT DETAILS

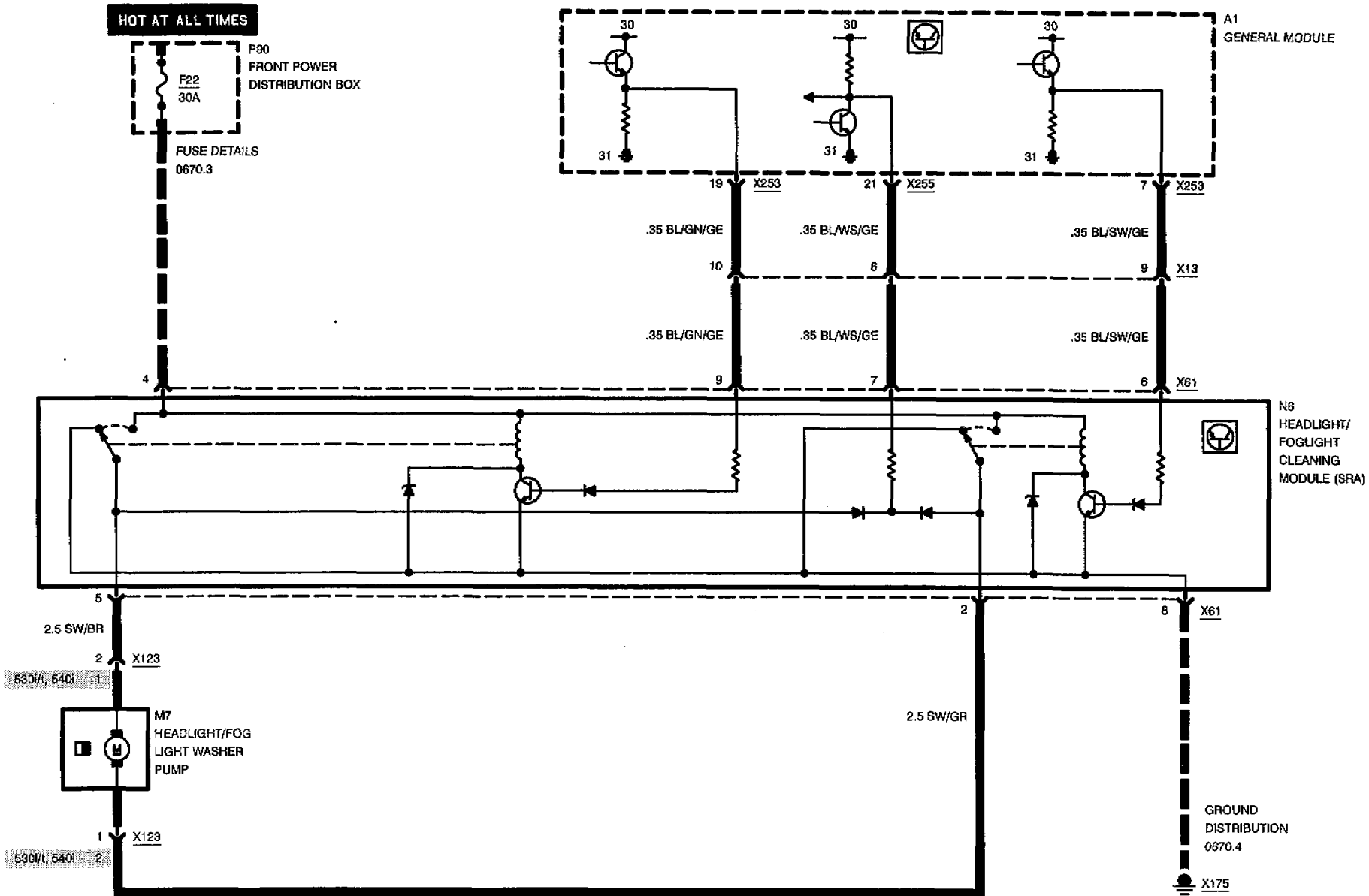






ZKE HEADLIGHT WASHER (SRA)

OUTPUT DETAILS

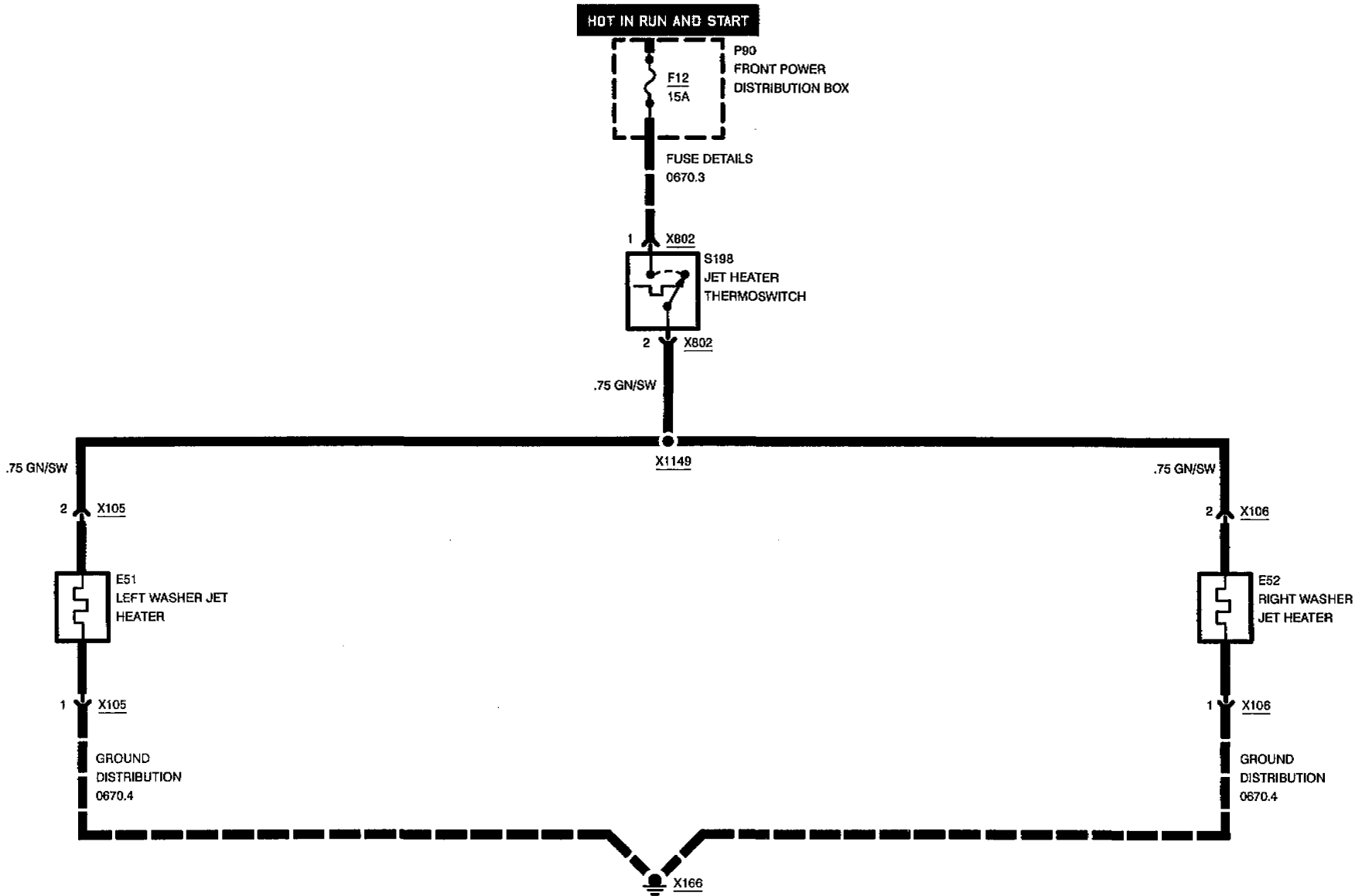


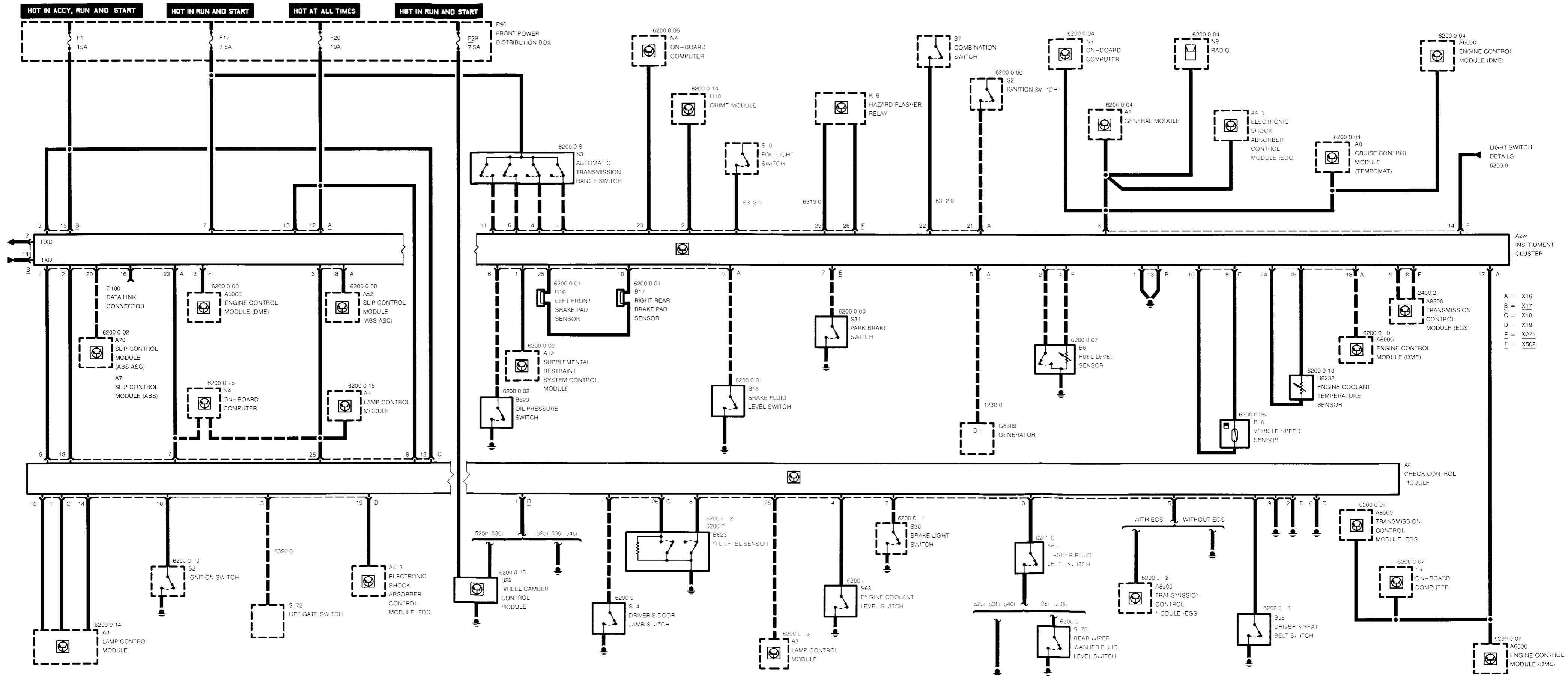
BMW
5

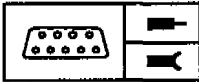
6169.0



WINDSHIELD WASHER JET HEATERS







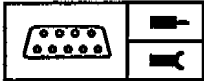
Pin Assignments

A=X16	26 Pins, beige
B=X17	24 Pins, brown
C=X18	26 Pins, blue
D=X19	26 Pins, green
E=X271	12 Pins, gray
F=X502	26 Pins, white

X16

Pin	Type	Description/Function	Connect
1	A	Airbag warning lamp (SRS) control	Supplemental restraint system control module
2	E	Data line	Check control module
3	A	Data line	Check control module, lamp control module, on-board computer and radio
4	E	Data line	Check control module
5	E	Charge indicator control	Generator
6	E	Oil pressure warning lamp control	Oil pressure switch
7	E	Terminal 15 voltage supply	Front power distribution box, fuse 17
8	E	ASC indicator control	Slip control module (ABS/ASC)
9		Not used	
10	M	Ground, brake pad signal	Brake pad sensors
11		Not used	
12	E	Terminal 30 voltage supply	Front power distribution box, fuse 20
13	E	Terminal 30 voltage supply	Front power distribution box, fuse 20
14		Not used	
15	E	Brake fluid warning lamp control	Brake fluid level switch
16	A	SIA reset/service interval indicator reset	Data link connector
17	E	ti signal for fuel economy	Engine control module (DME)
18	E	TD signal for tachometer	Engine control module (DME)
19		Not used	
20	E	Antilock brake system warning lamp (ABS) control	ABS electronic control module or slip control module (ABS/ASC)

E = Input, A = Output, M = Ground



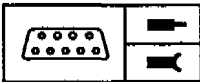
Pin Assignments

Pin	Type	Description/Function	Connect
21	E	Airbag warning lamp (SRS) control	Ignition switch, terminal R
22	E	High beam indicator control	Combination switch
23	A	Data line	Check control module, on-board computer and radio
24	M	Engine coolant temperature sensor ground	Engine coolant temperature sensor
25	E	Brake pad wear warning lamp control	Brake pad sensors
26	E	Temperature gauge signal	Engine coolant temperature sensor

X17

Pin	Type	Description/Function	Connect
1	M	Ground	Ground point
2	E	RxD diagnostic data link	Data link connector
3	E	Terminal R voltage supply	Front power distribution box, fuse 1
4		Cluster programming	NV-RAM
5		Cluster programming	NV-RAM
6		Cluster programming	NV-RAM
7		Cluster programming	NV-RAM
8		Cluster programming	NV-RAM
9		Cluster programming	NV-RAM
10		Cluster programming	NV-RAM
11		Cluster programming	NV-RAM
12		Cluster programming	NV-RAM
13	M	Ground	Ground point
14	E/A	TxD diagnostic data link	Data link connector
15	E	Terminal R voltage supply	Front power distribution box, fuse 1
16		Cluster programming	NV-RAM
17		Cluster programming	NV-RAM
18		Cluster programming	NV-RAM
19		Cluster programming	NV-RAM
20		Cluster programming	NV-RAM
21		Cluster programming	NV-RAM

E = Input, A = Output, M = Ground



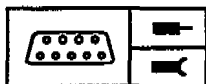
Pin Assignments

Pin	Type	Description/Function	Connect
22		Cluster programming	NV-RAM
23		Cluster programming	NV-RAM
24		Cluster programming	NV-RAM

X18

Pin	Type	Description/Function	Connect
1	E	Door open signal	Door jamb switch, driver's
2		Not used	
3		Not used	
4		Not used	
5		Not used	
6	M	Ground, control module	Ground point
7	E/A	Data line	Instrument cluster, on-board computer and radio
8	E	Terminal 30 voltage supply	Front power distribution box, fuse 20
9	A	Data line	Instrument cluster
10	E	Data line	Lamp control module
11	E	Data line	Lamp control module
12	E	Terminal R voltage supply	Front power distribution box, fuse 1
13	A	Data line	Instrument cluster
14		Not used	
15		Not used	
16		Not used	
17		Not used	
18		Not used	
19		Not used	
20		Not used	
21		Not used	
22		Not used	
23		Not used	
24		Not used	

E = Input, A = Output, M = Ground



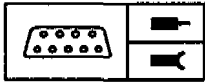
Pin Assignments

Pin	Type	Description/Function	Connect
25	E	Data line	Instrument cluster, on-board computer, lamp control module and radio
26	E	Oil level signal	Oil level sensor

X19

Pin	Type	Description/Function	Connect
1	M	Ground (525i, 530i, 540i)	Ground point
	E	Wheel camber signal (525it, 530it)	Wheel camber control module
2	M	Ground, control module	Ground point
3	E	Washer fluid level signal	Washer fluid level switch
4	E	Engine coolant level signal	Engine coolant level switch
5	M	Ground (without EGS)	Ground point
	E	EGS fault signal (with EGS)	Transmission control module (EGS)
6		Not used	
7	E	Brake pedal status	Brake light switch
8	E	Oil level signal	Oil level sensor
9	M	Ground	Ground point
10	E	Ignition switch status	Ignition switch
11	E	Seat belt status	Seat belt switch, driver's
12		Not used	
13	E	Lift gate open signal (525it, 530it)	Lift gate open switch
14	E	Data line	Lamp control module
15		Not used	
16		Not used	
17		Not used	
18		Not used	
19	E	EDC III+	EDC module
20		Not used	
21		Not used	
22		Not used	
23		Not used	
24		Not used	

E = Input, A = Output, M = Ground



Pin Assignments

Pin	Type	Description/Function	Connect
25		Light switch ON signal	Lamp control module
26		Not used	

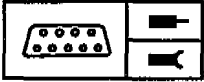
X271

Pin	Type	Description/Function	Connect
1		Not used	
2	E	Fuel level warning signal	Fuel tank sensor
3		Not used	
4	E	Fuel level signal	Fuel tank sensor
5		Not used	
6		Not used	
7	E	Park brake warning lamp control	Park brake switch
8	E	Vehicle speed input (+)	Vehicle speed sensor
9		Not used	
10	E	Vehicle speed input (-)	Vehicle speed sensor
11		Not used	
12		Not used	

X502

Pin	Type	Description/Function	Connect
1	E	Fog light indicator control	Fog light switch
2	A	Sound tone signal	Chime module
3	E	"Check engine" indicator control	Engine control module (DME)
4	E	Gear range signal	Automatic transmission range switch (L2)
5	E	Gear range signal	Automatic transmission range switch (L1)
6	E	Gear range signal	Automatic transmission range switch (L3)
7		Not used	
8	E	Transmission mode signal	Transmission control module (EGS)
9	E	Transmission mode signal	Transmission control module (EGS)
10		Not used	

E = Input, A = Output, M = Ground



Pin Assignments

Pin	Type	Description/Function	Connect
11	E	Gear range signal	Automatic transmission range switch (L4)
12		Not used	
13		Not used	
14	E	Terminal 58g, instrument illumination power	Dimmer
15		Not used	
16		Not used	
17		Not used	
18	A	Vehicle Speed signal	Various control modules
19		Not used	
20		Not used	
21		Not used	
22		Not used	
23	A	Check control reset signal	On-board computer
24		Not used	
25	E	Left turn signal indicator control	Hazard flasher relay
26	E	Right turn signal indicator control	Hazard flasher relay

E = Input, A = Output, M = Ground

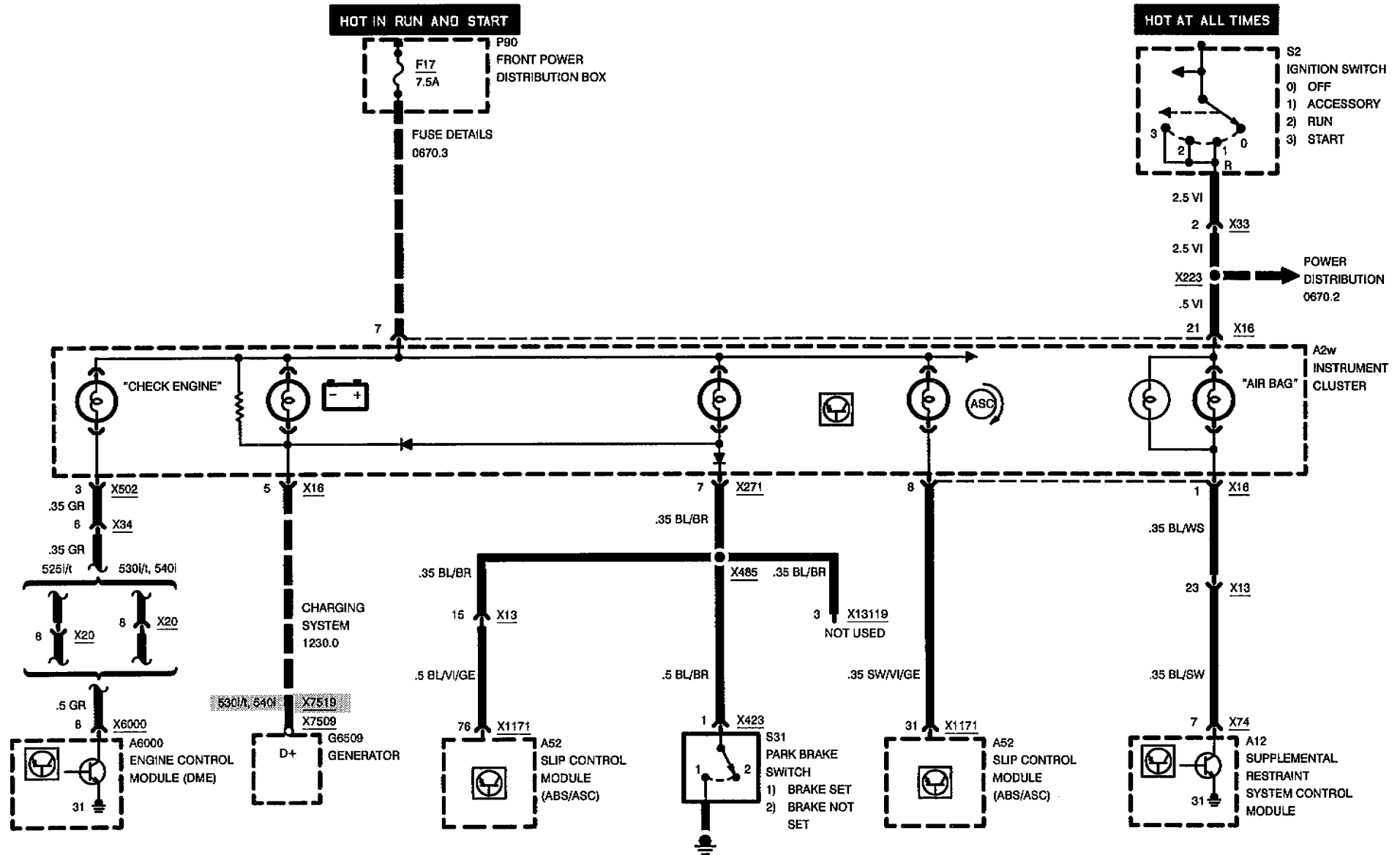
BMW
5

6200.0



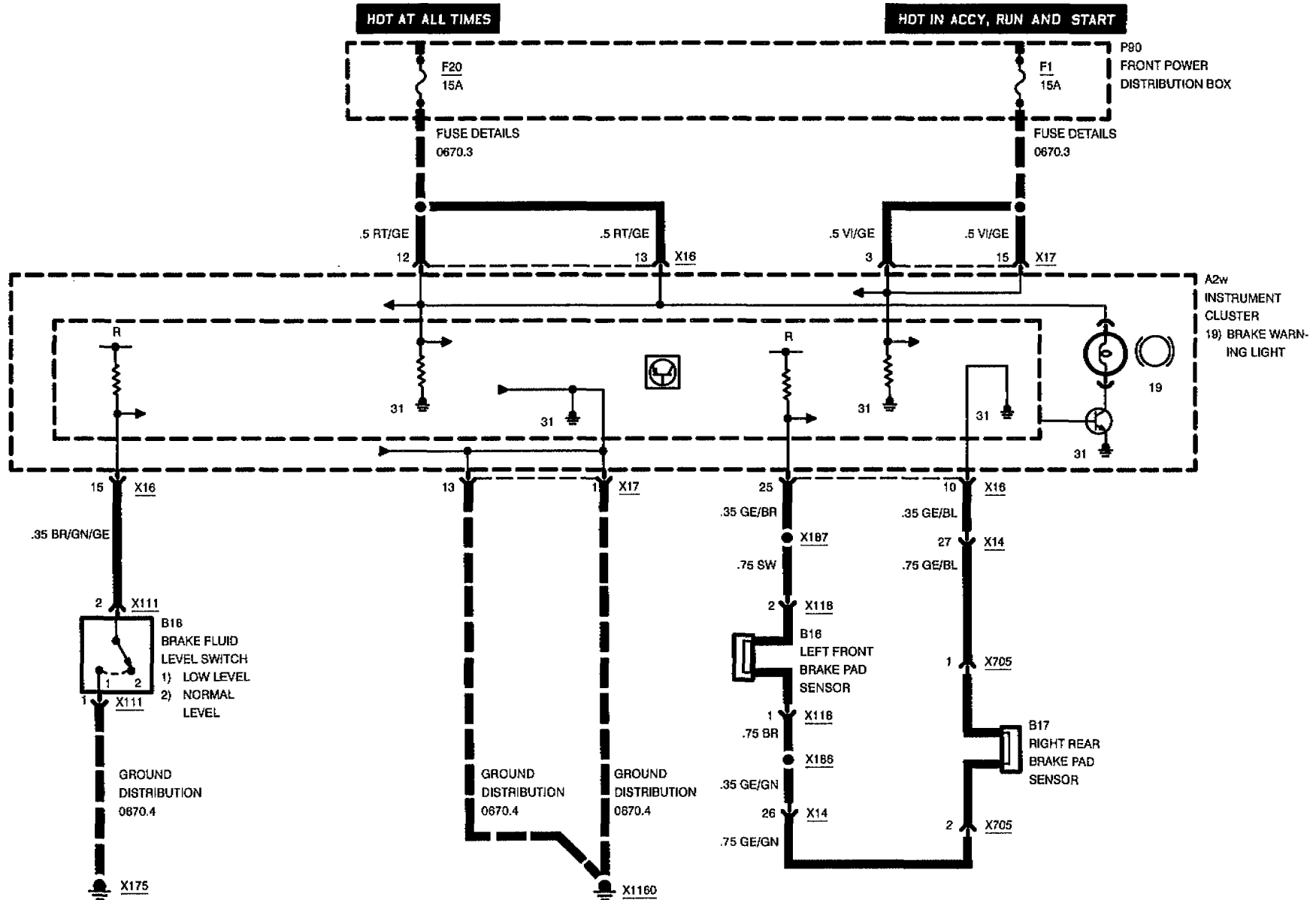
INSTRUMENT CLUSTER/CHECK CONTROL (K/CC)

INDICATORS



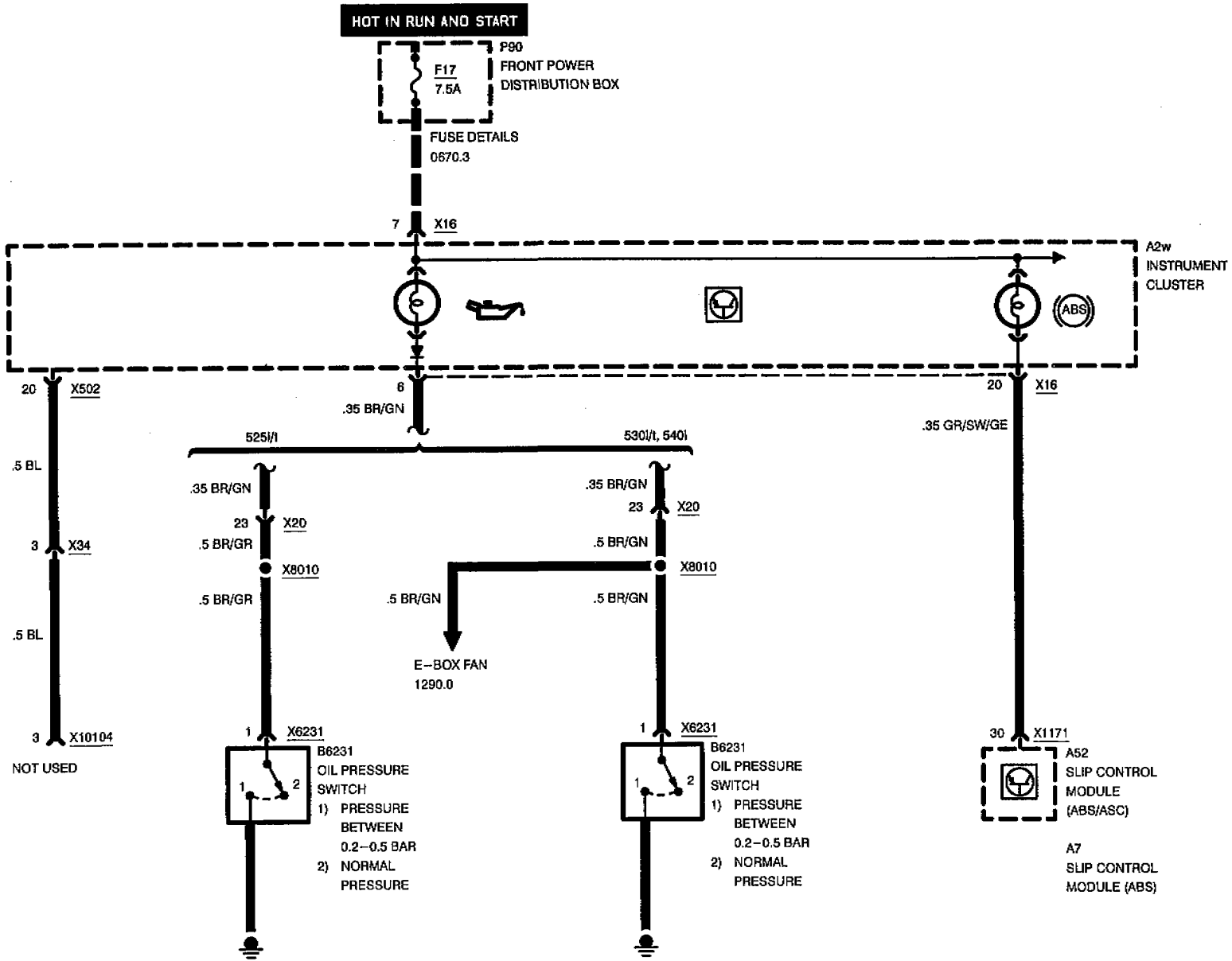


INSTRUMENT CLUSTER/CHECK CONTROL (K/CC) INDICATORS



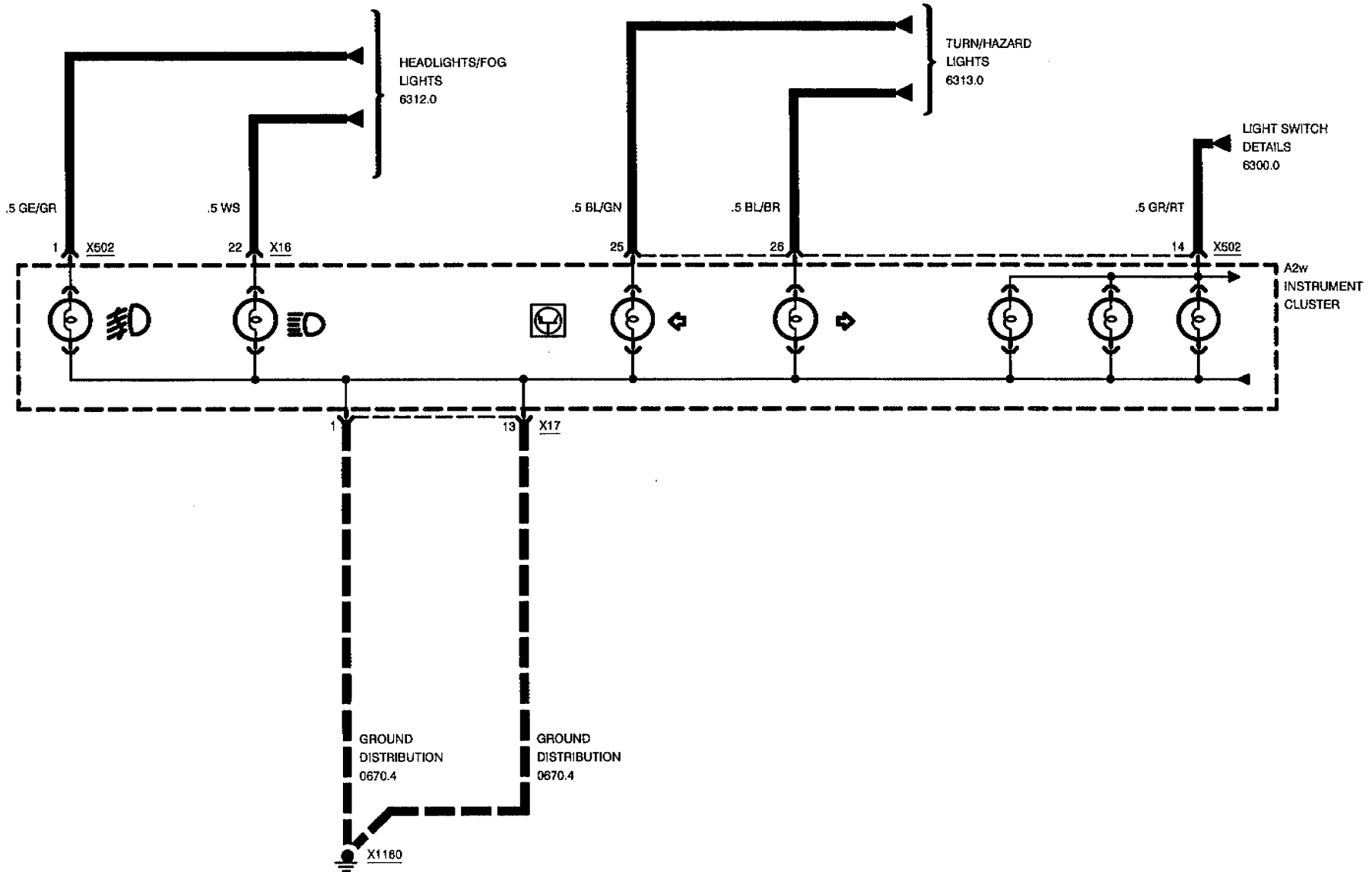


INSTRUMENT CLUSTER/CHECK CONTROL (K/CC) INDICATORS





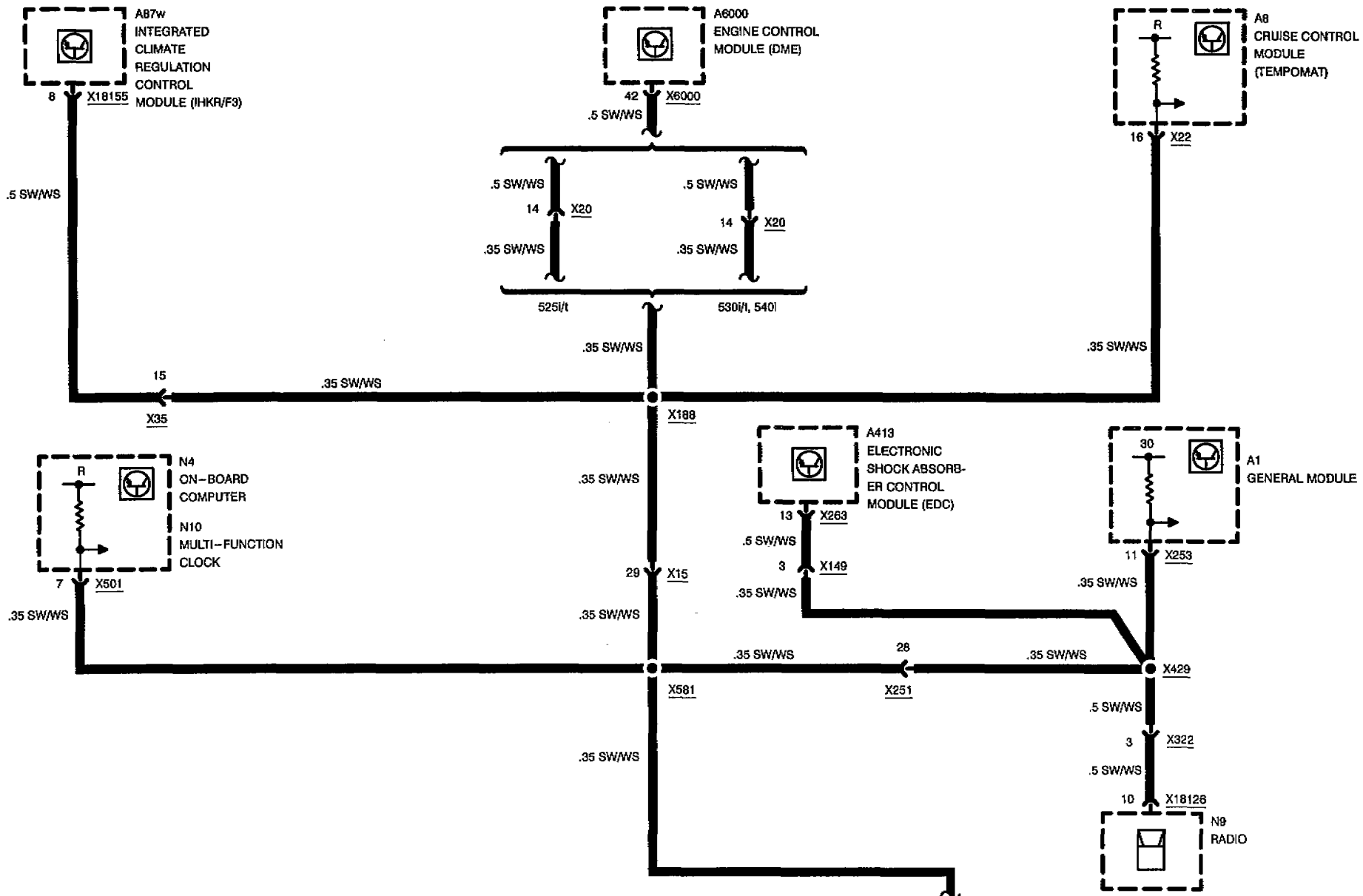
INSTRUMENT CLUSTER/CHECK CONTROL (K/CC) INDICATORS



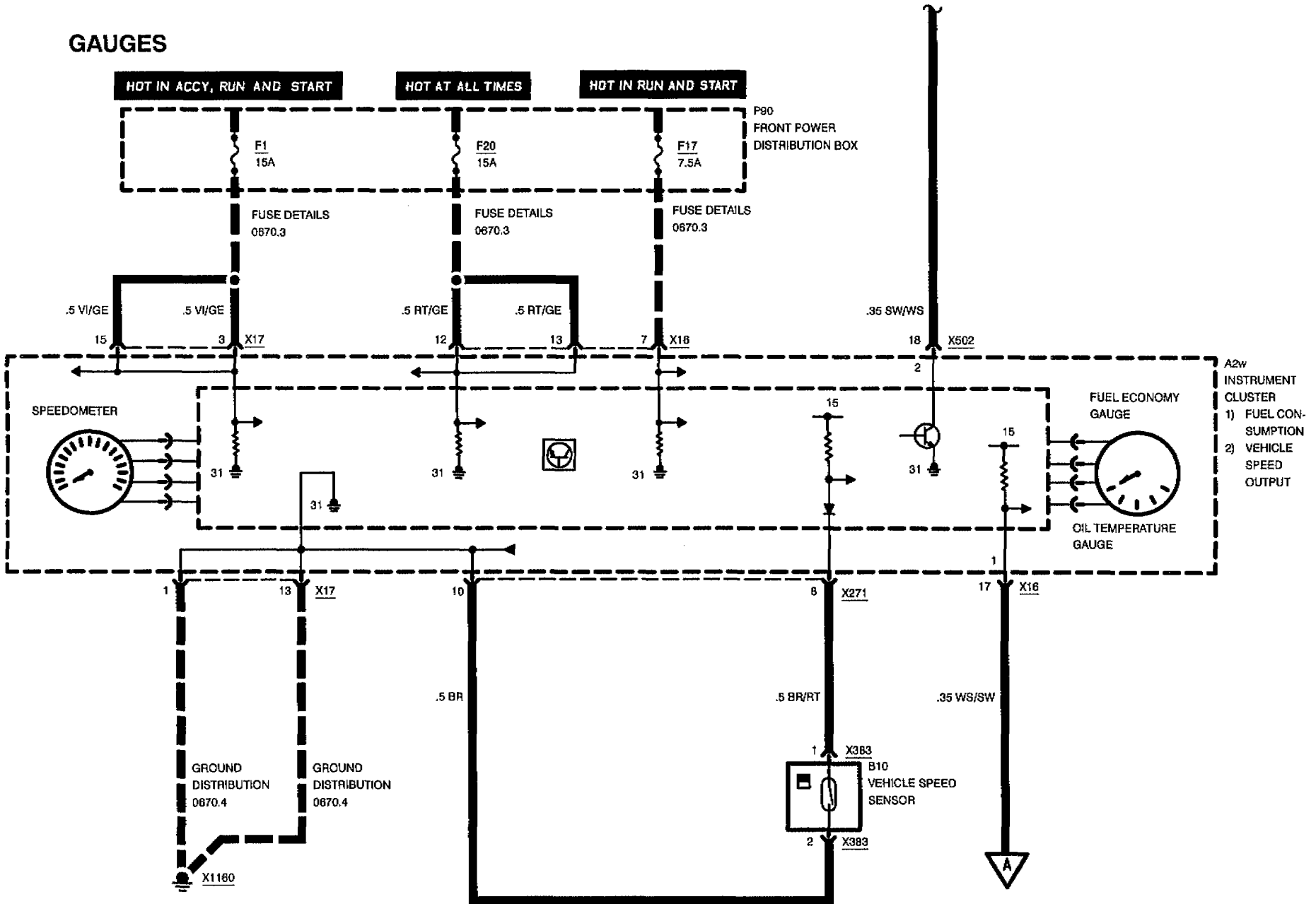


INSTRUMENT CLUSTER/CHECK CONTROL (K/CC)

SPEED SIGNAL



GAUGES

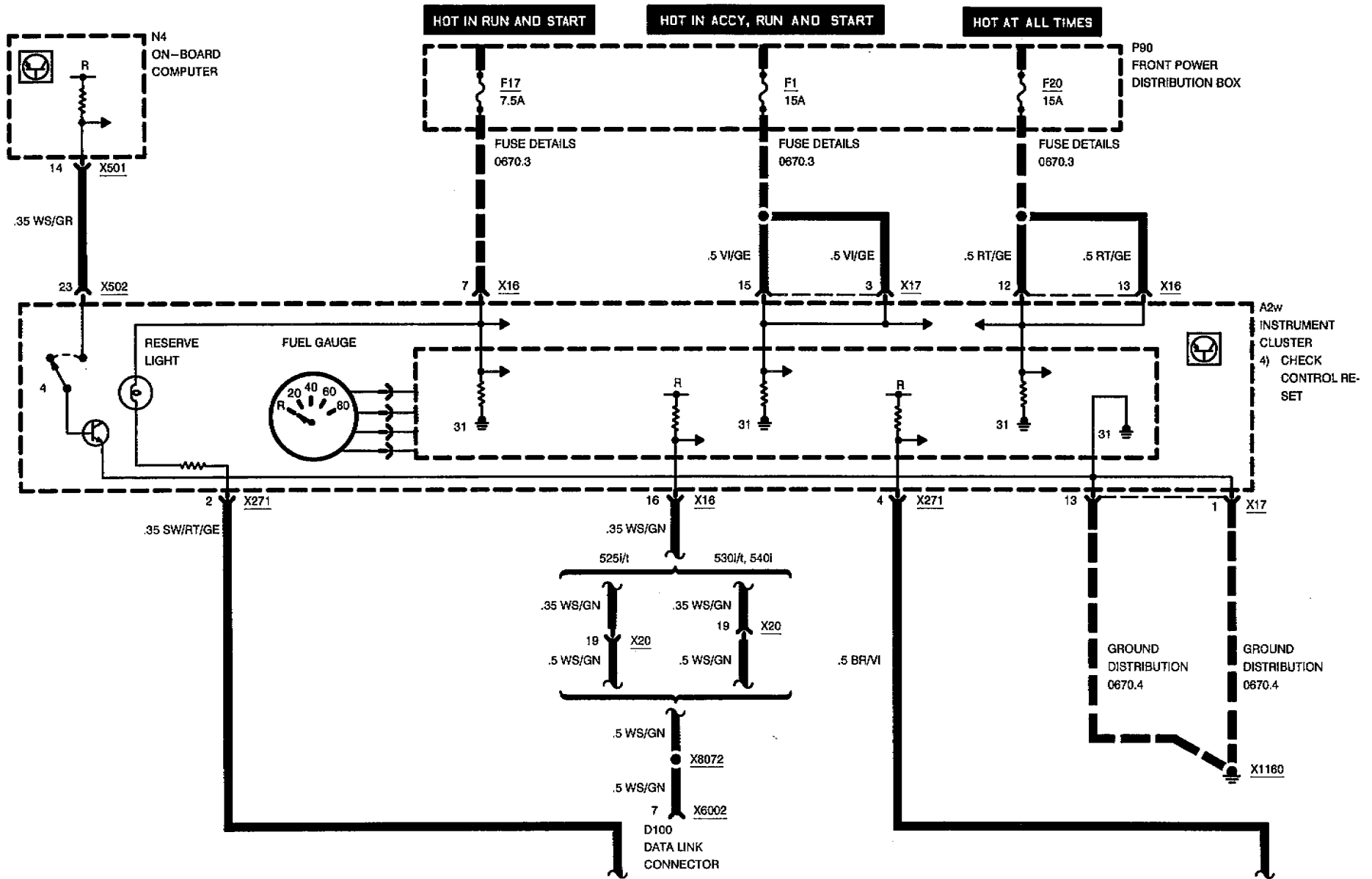


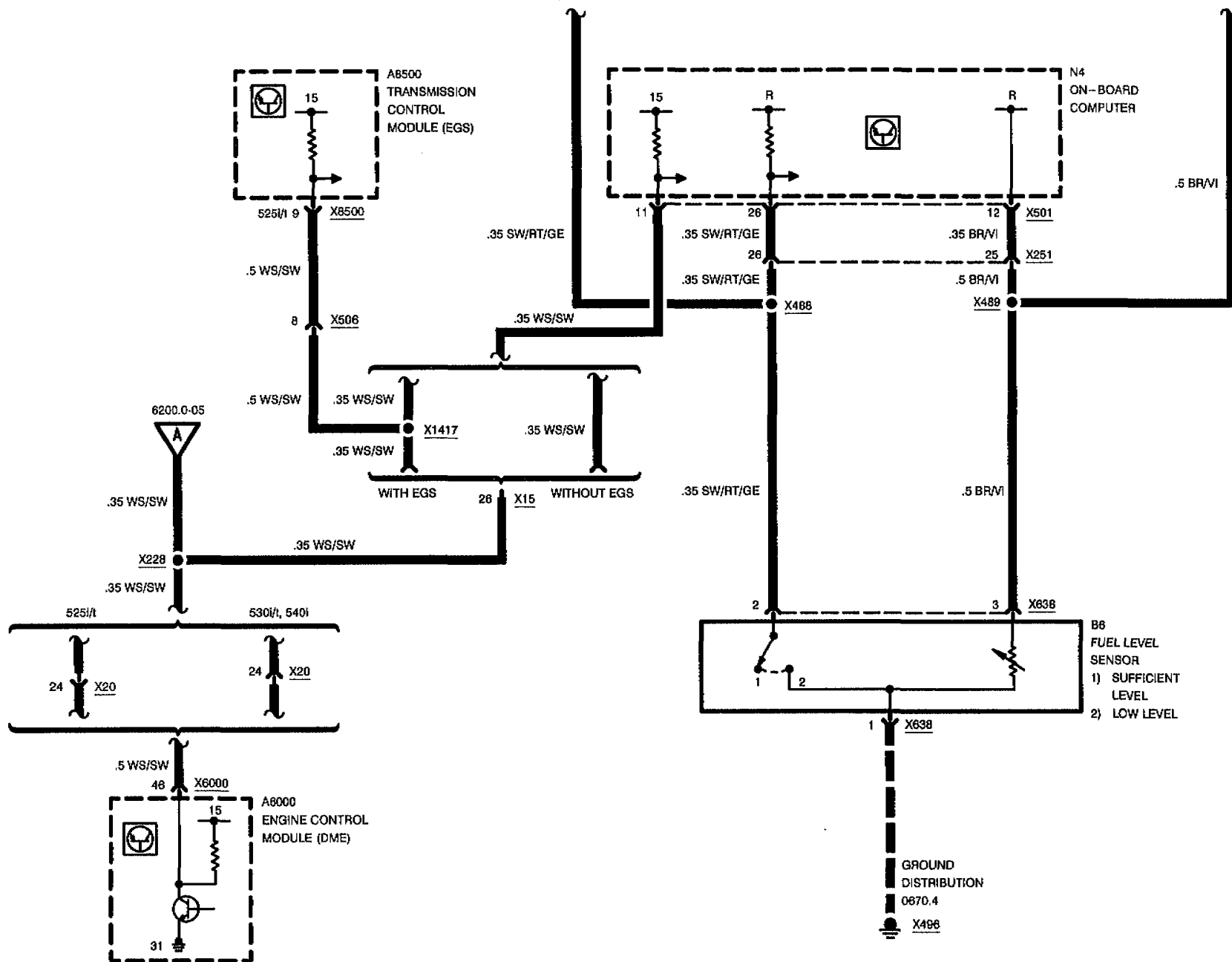
6200.0-07



INSTRUMENT CLUSTER/CHECK CONTROL (K/CC)

GAUGES

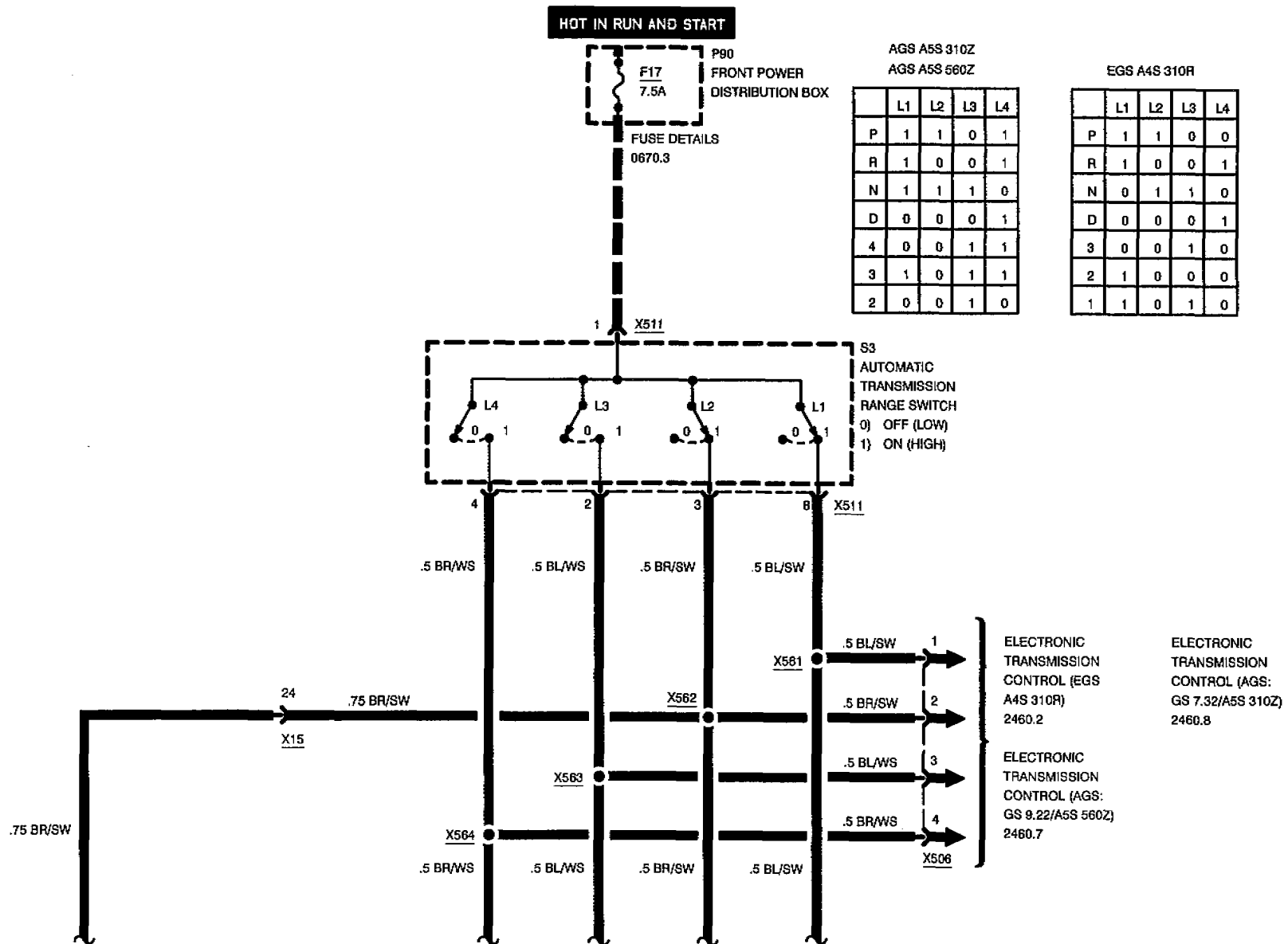


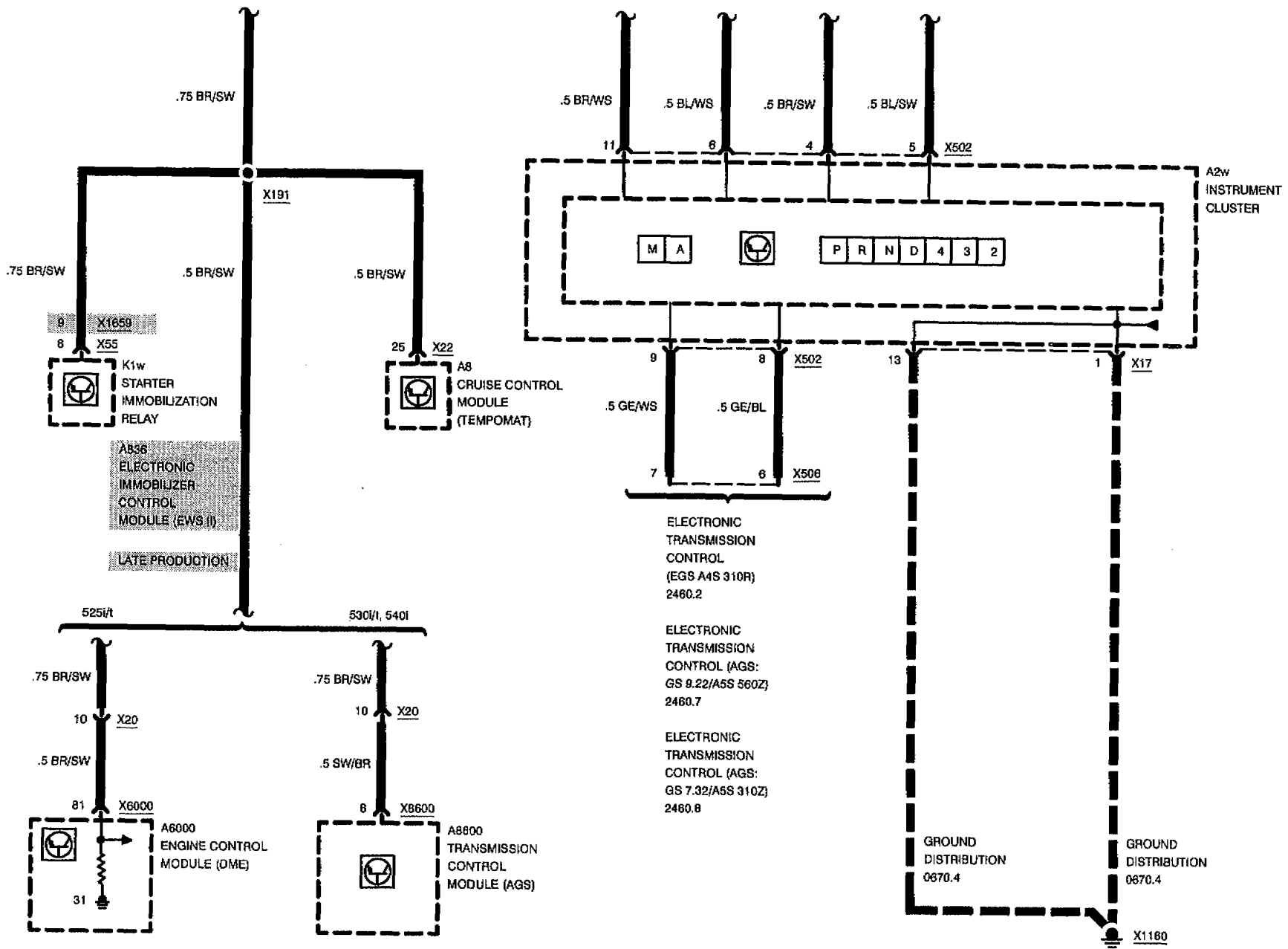




INSTRUMENT CLUSTER/CHECK CONTROL (K/CC)

GEAR SELECTOR

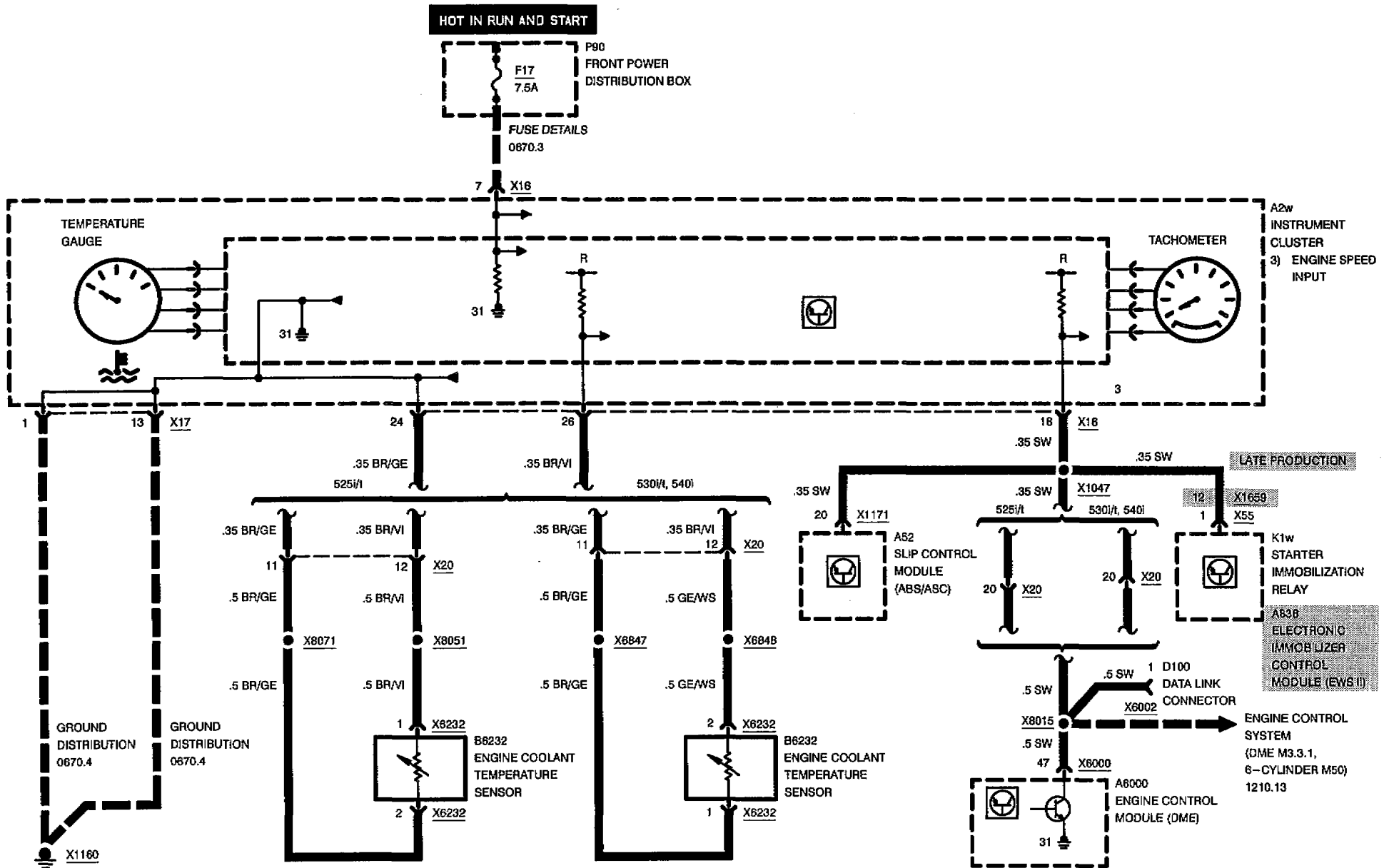






INSTRUMENT CLUSTER/CHECK CONTROL (K/CC)

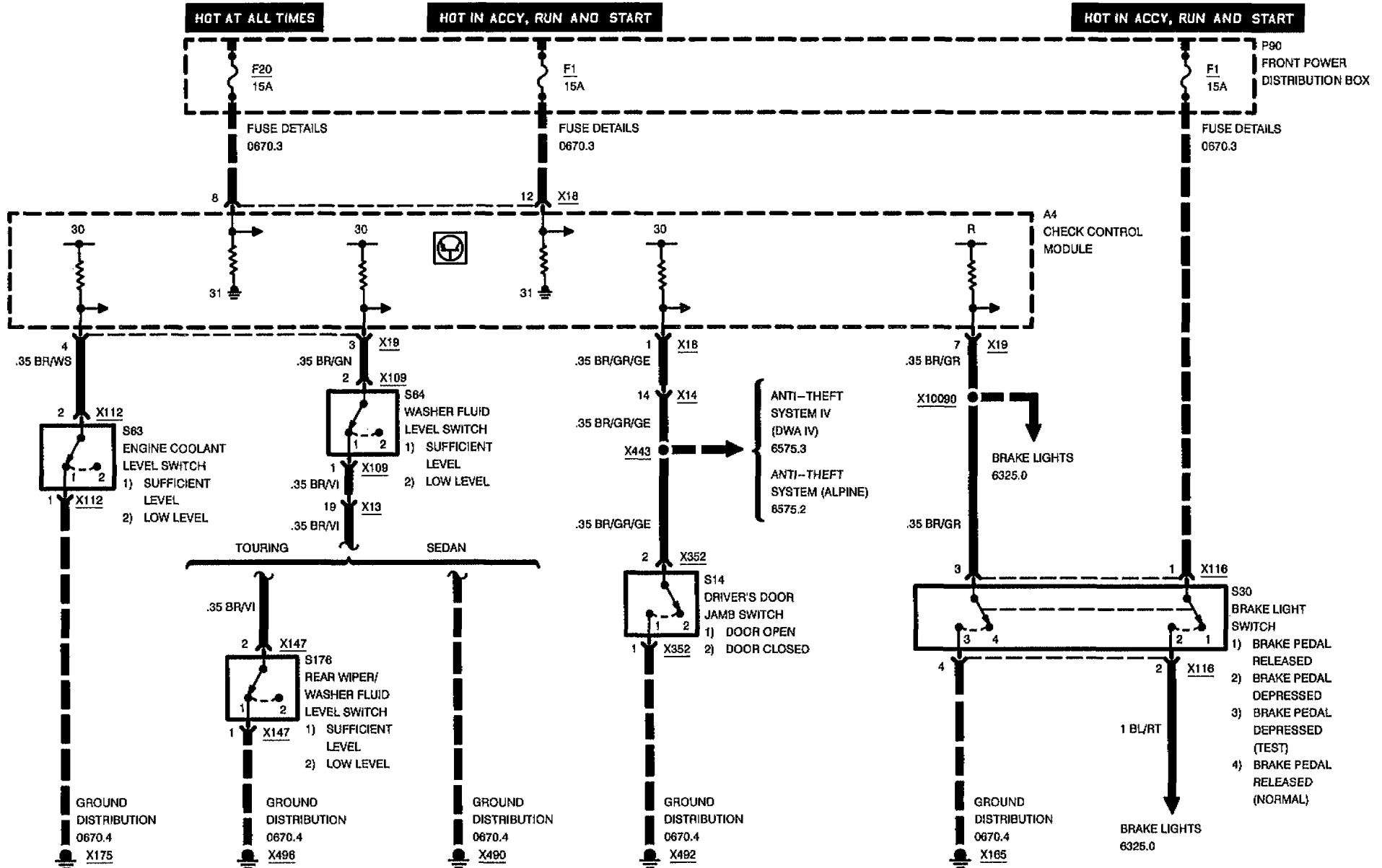
GAUGES





INSTRUMENT CLUSTER/CHECK CONTROL (K/CC)

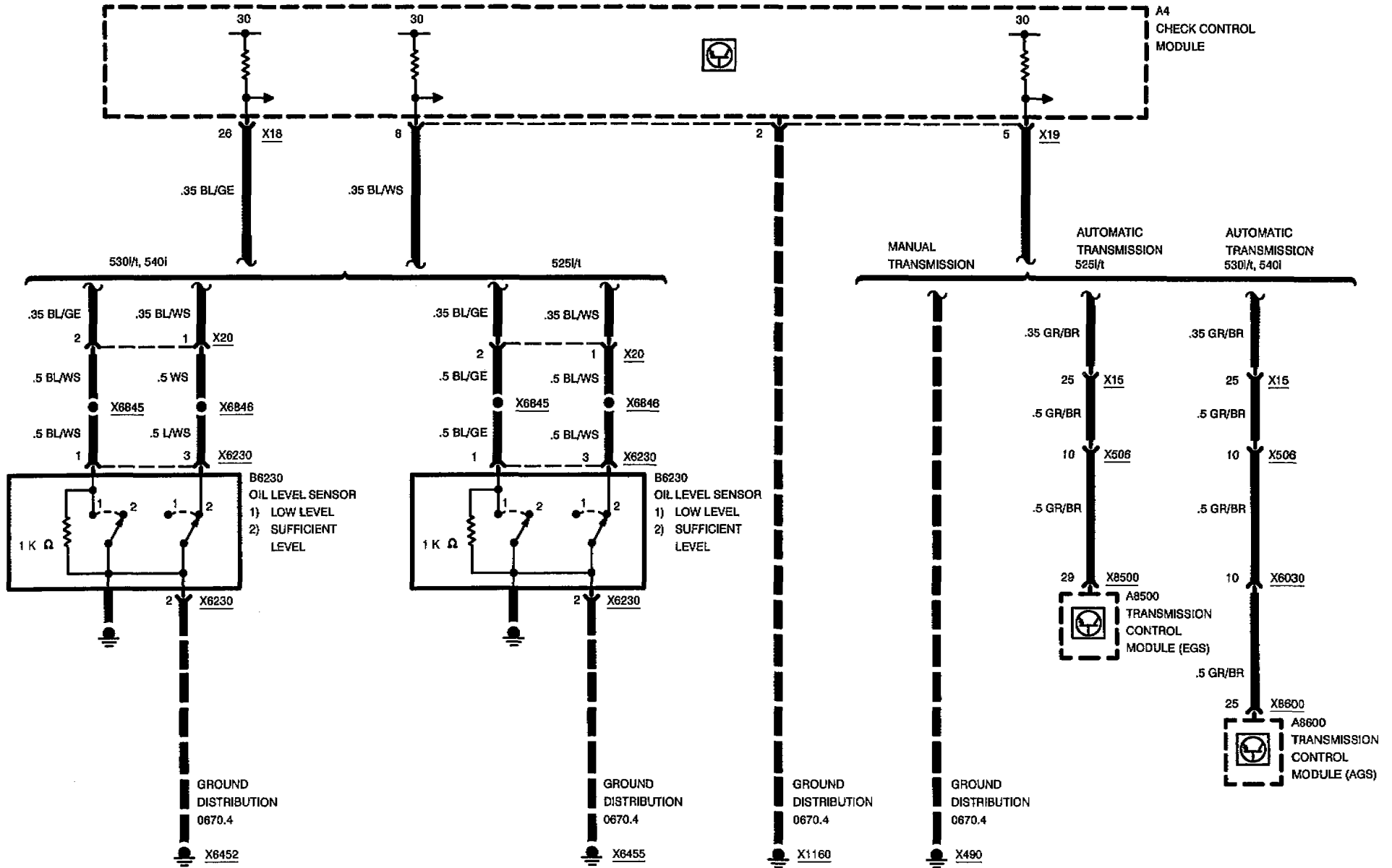
CHECK CONTROL





INSTRUMENT CLUSTER/CHECK CONTROL (K/CC)

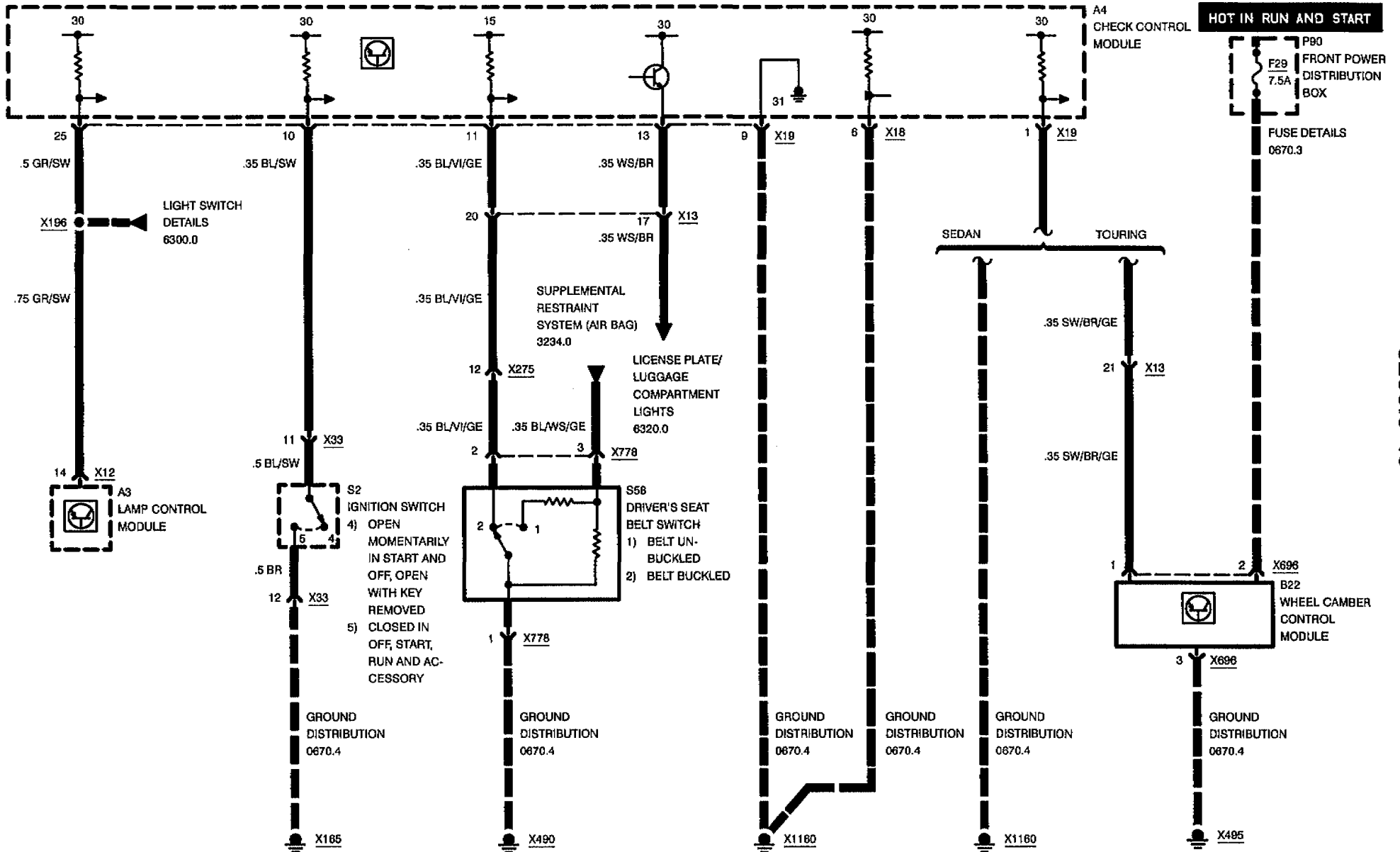
CHECK CONTROL





INSTRUMENT CLUSTER/CHECK CONTROL (K/CC)

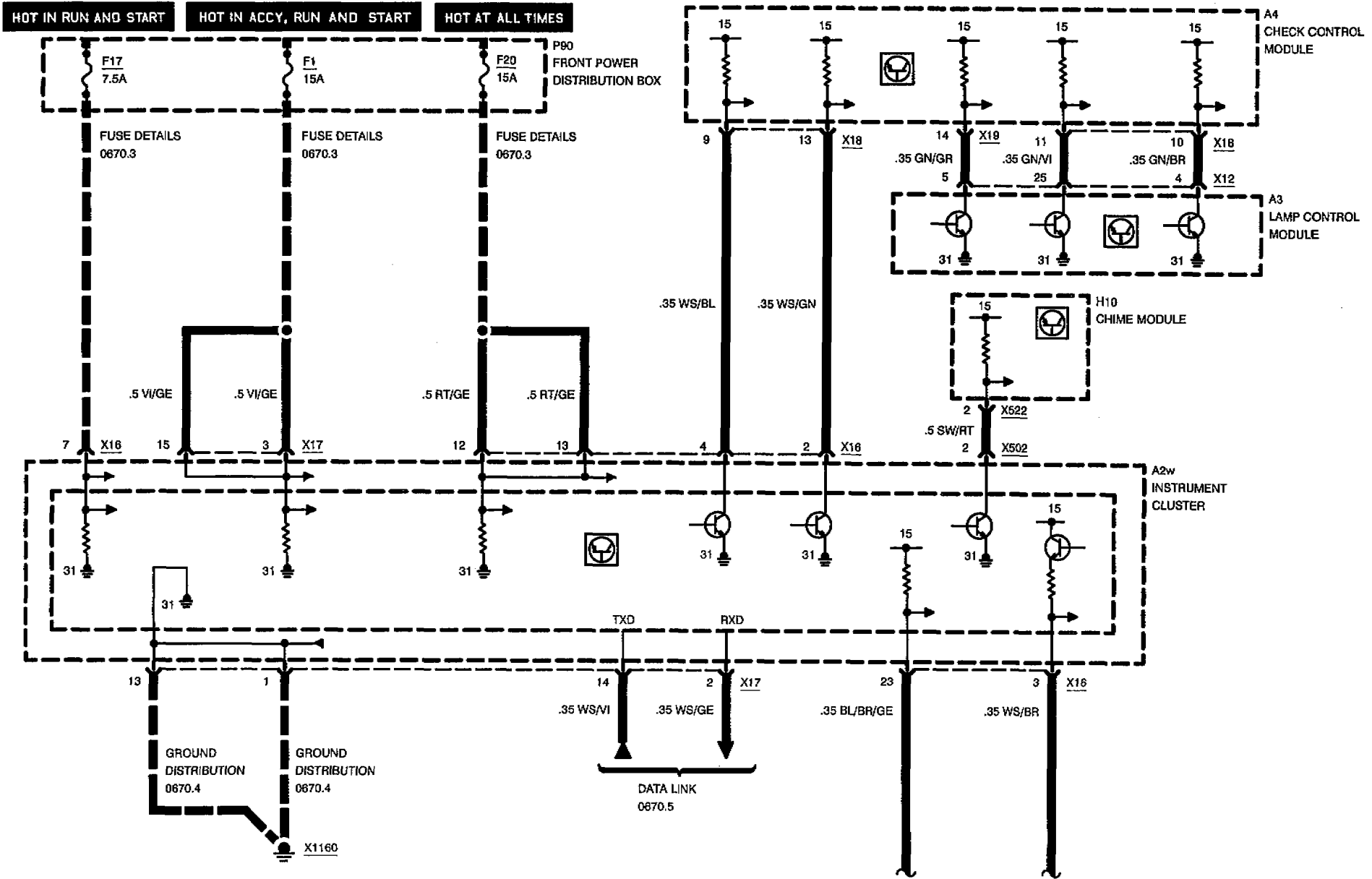
CHECK CONTROL

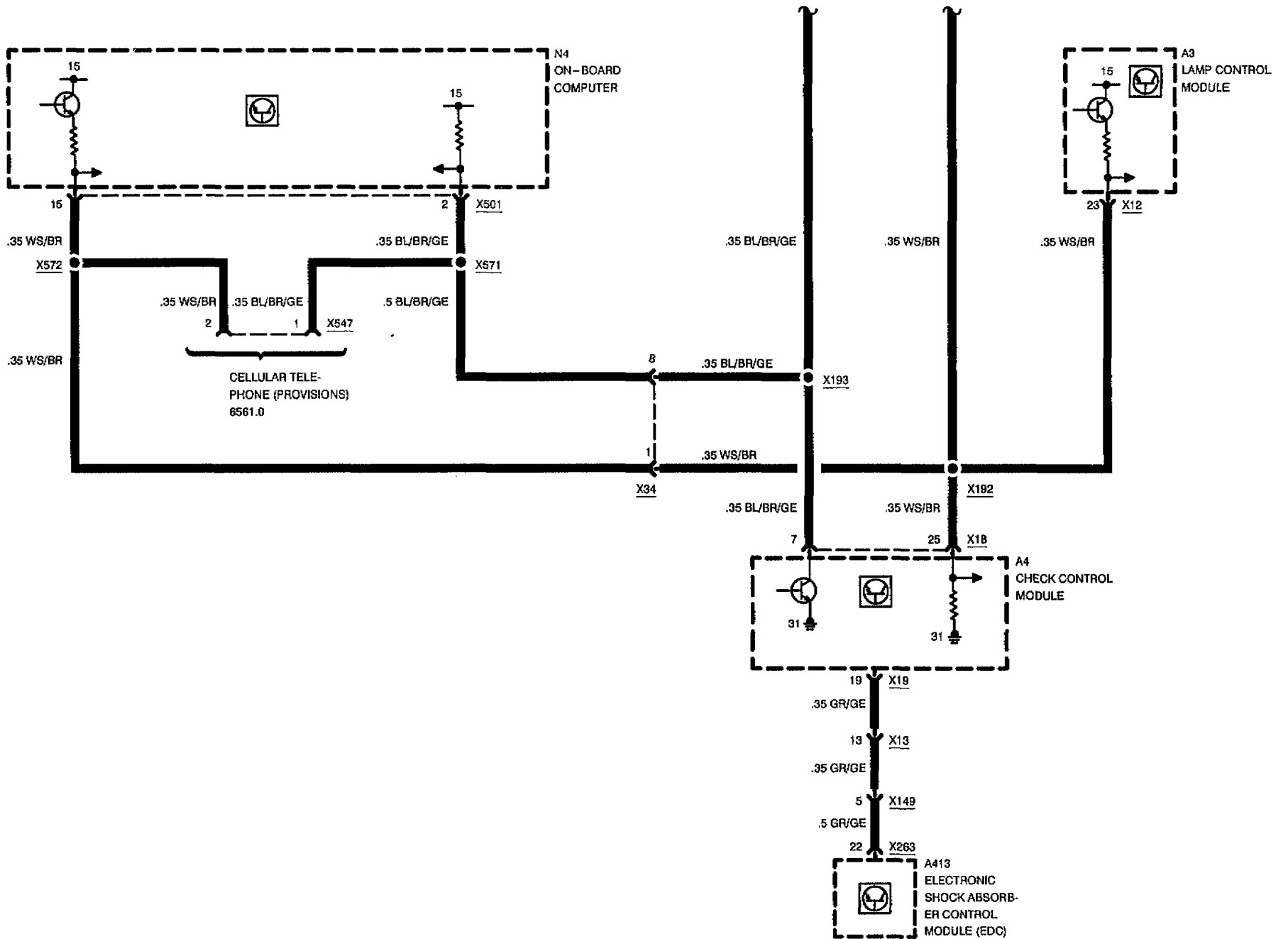




INSTRUMENT CLUSTER/CHECK CONTROL (K/CC)

DATA LINK

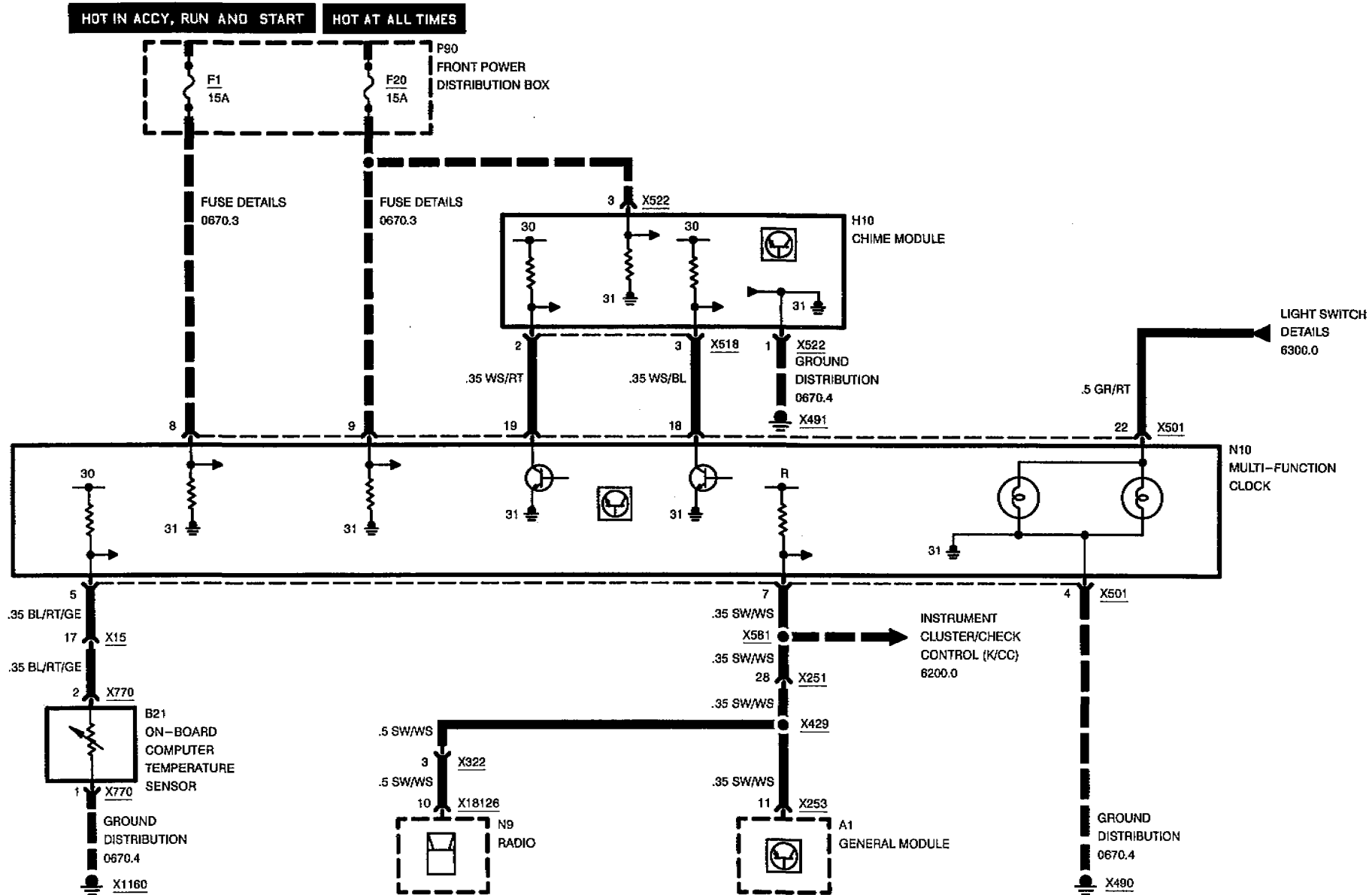






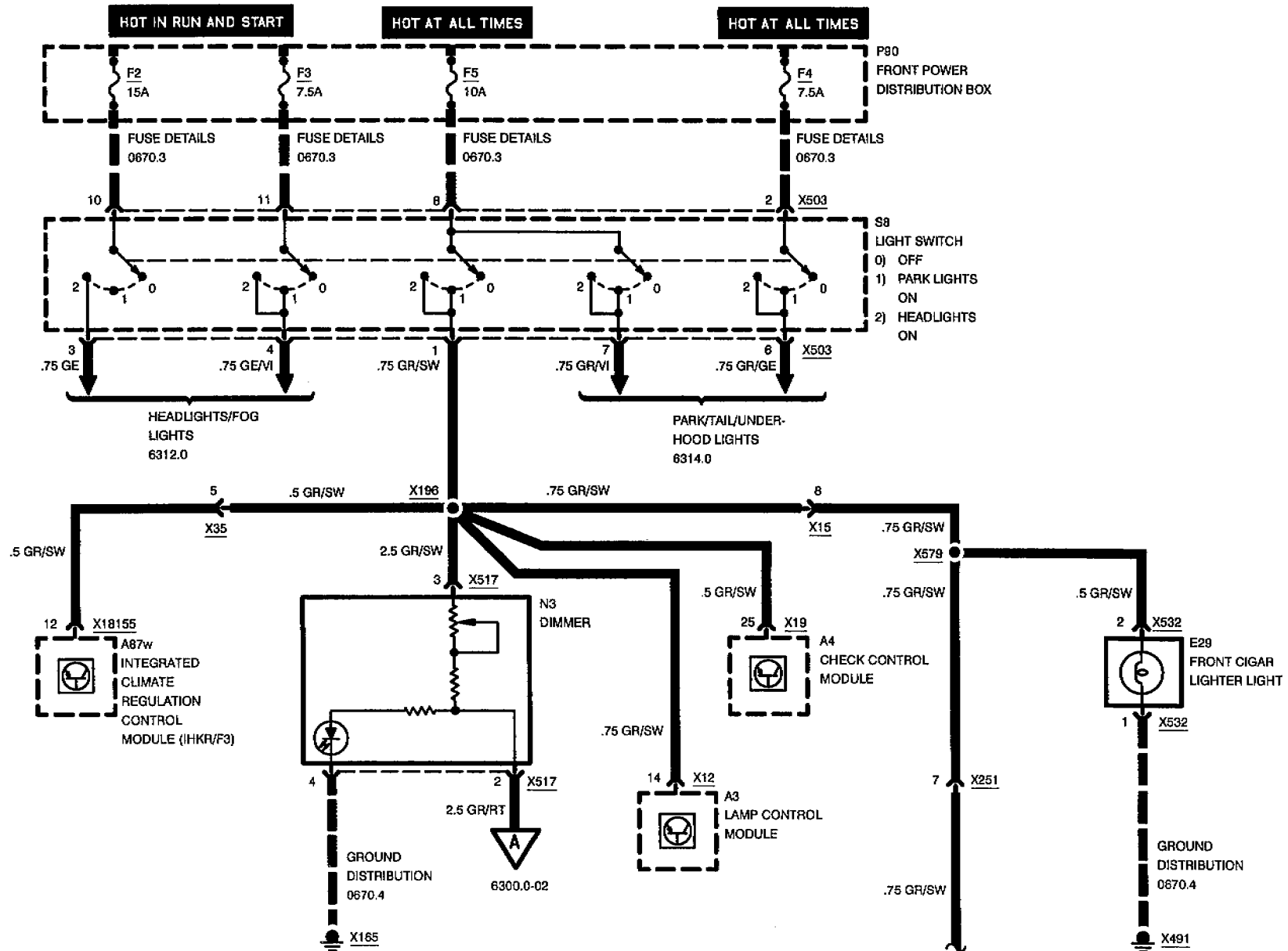
CLOCK

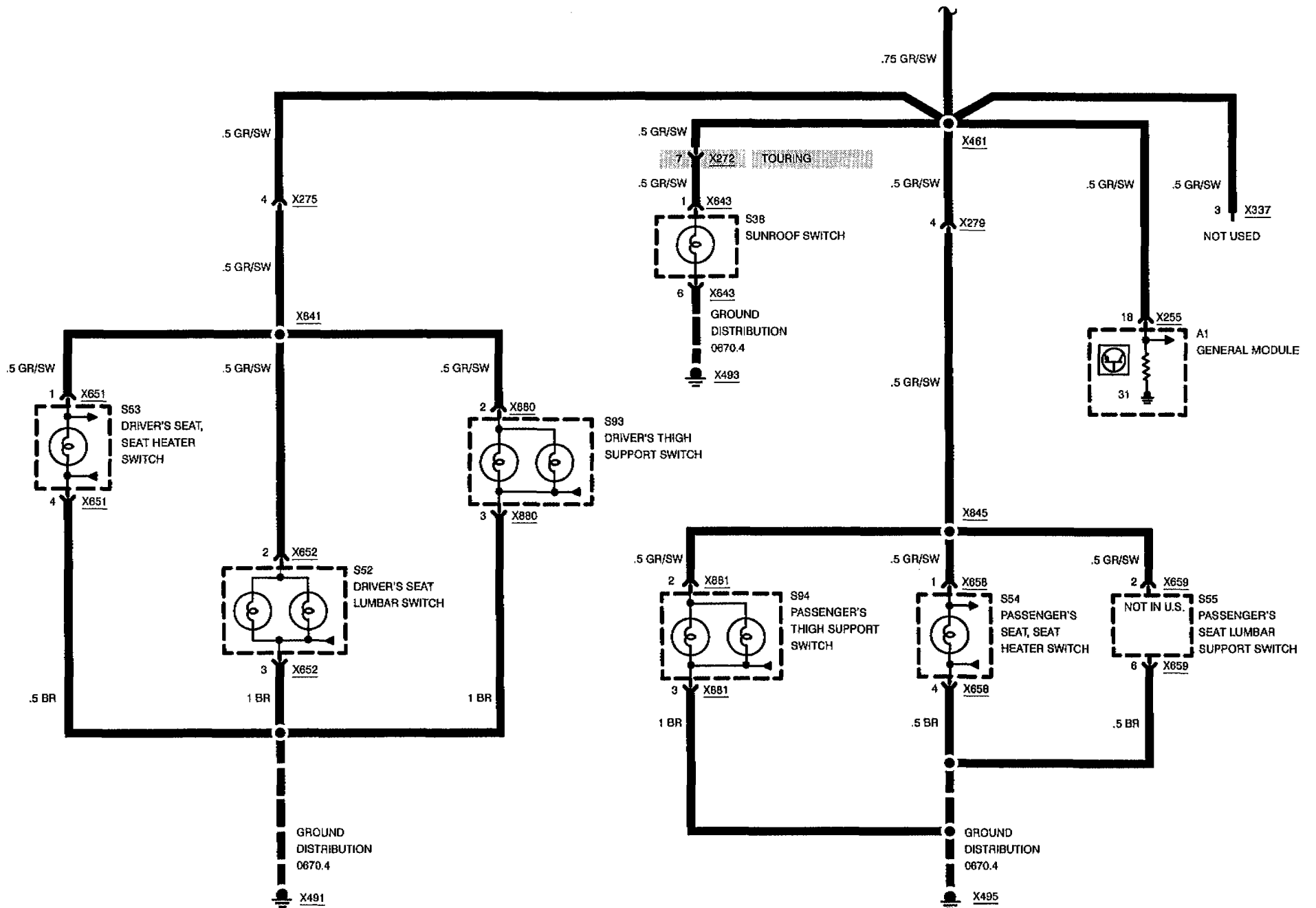
WITHOUT ON-BOARD COMPUTER





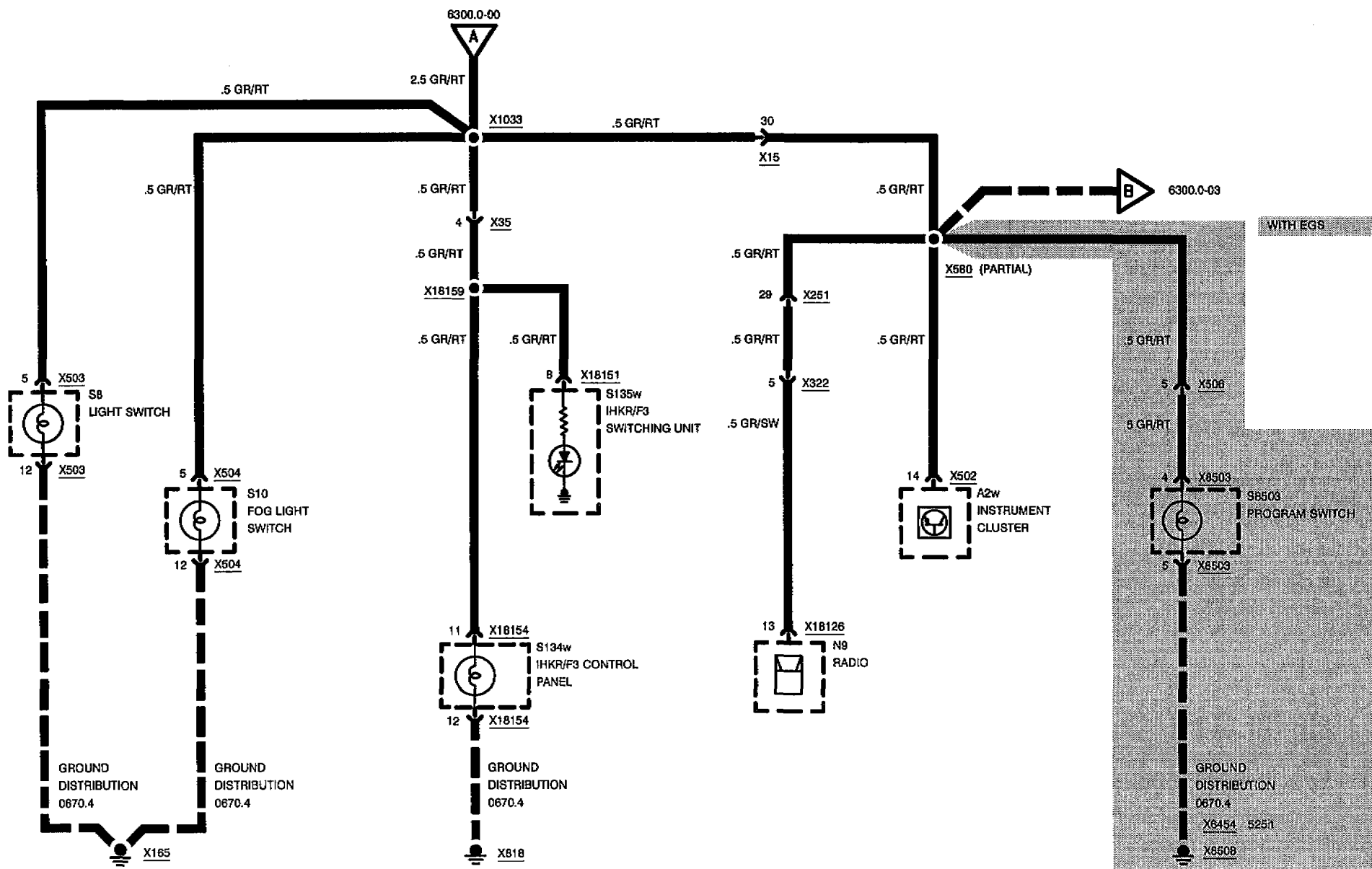
6300.0







LIGHT SWITCH DETAILS



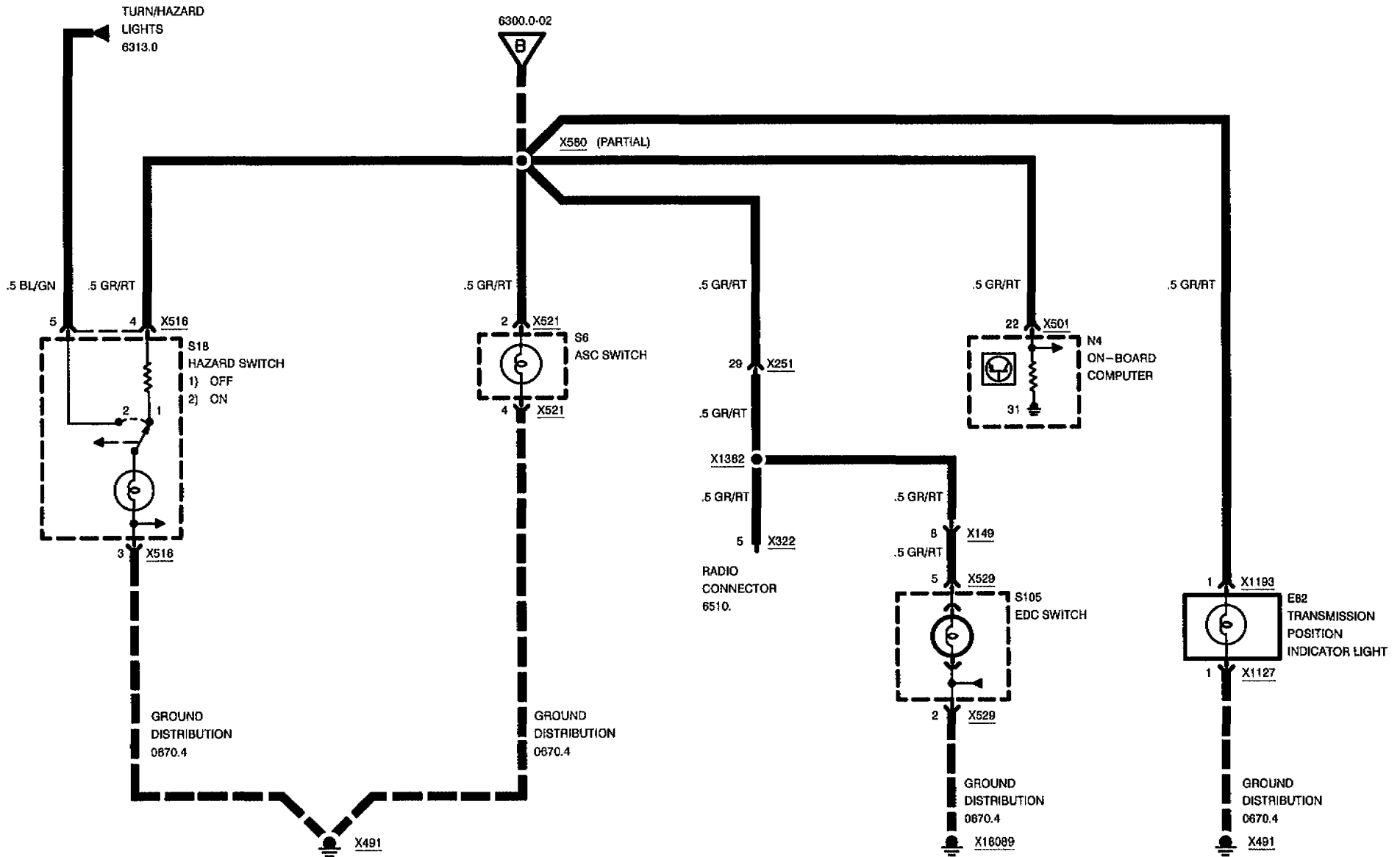
02/97

6300.0-02

1995

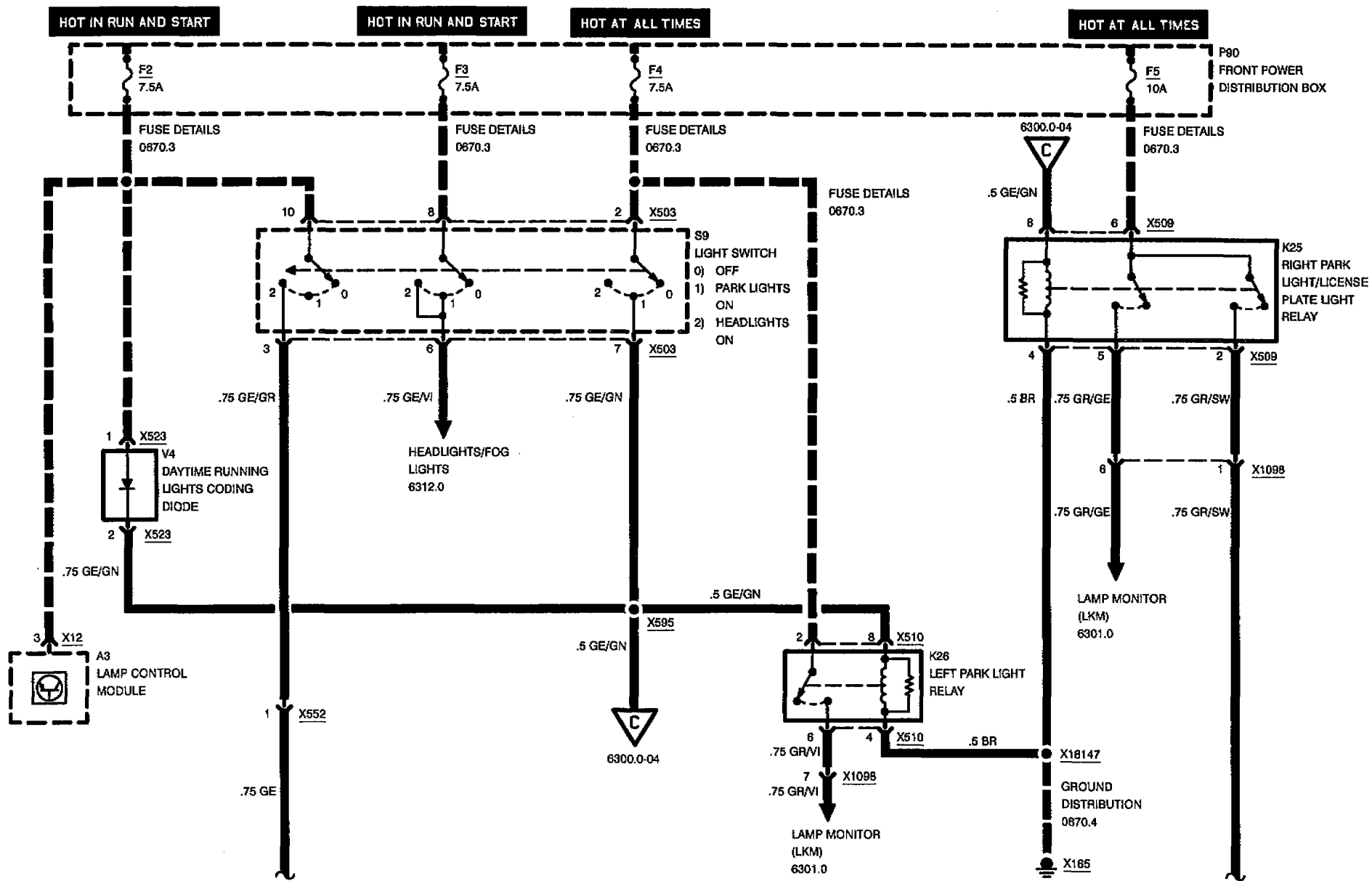


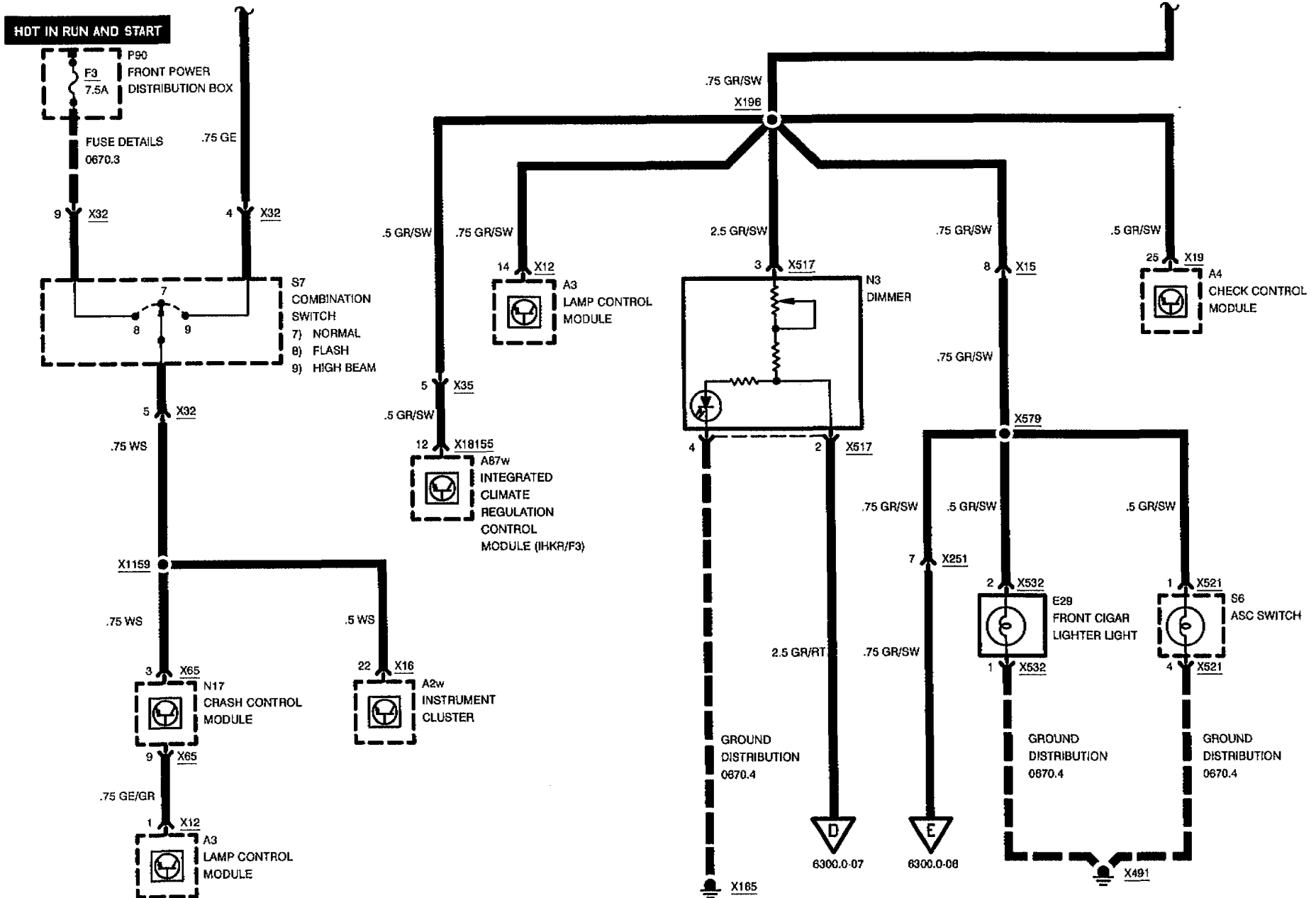
LIGHT SWITCH DETAILS





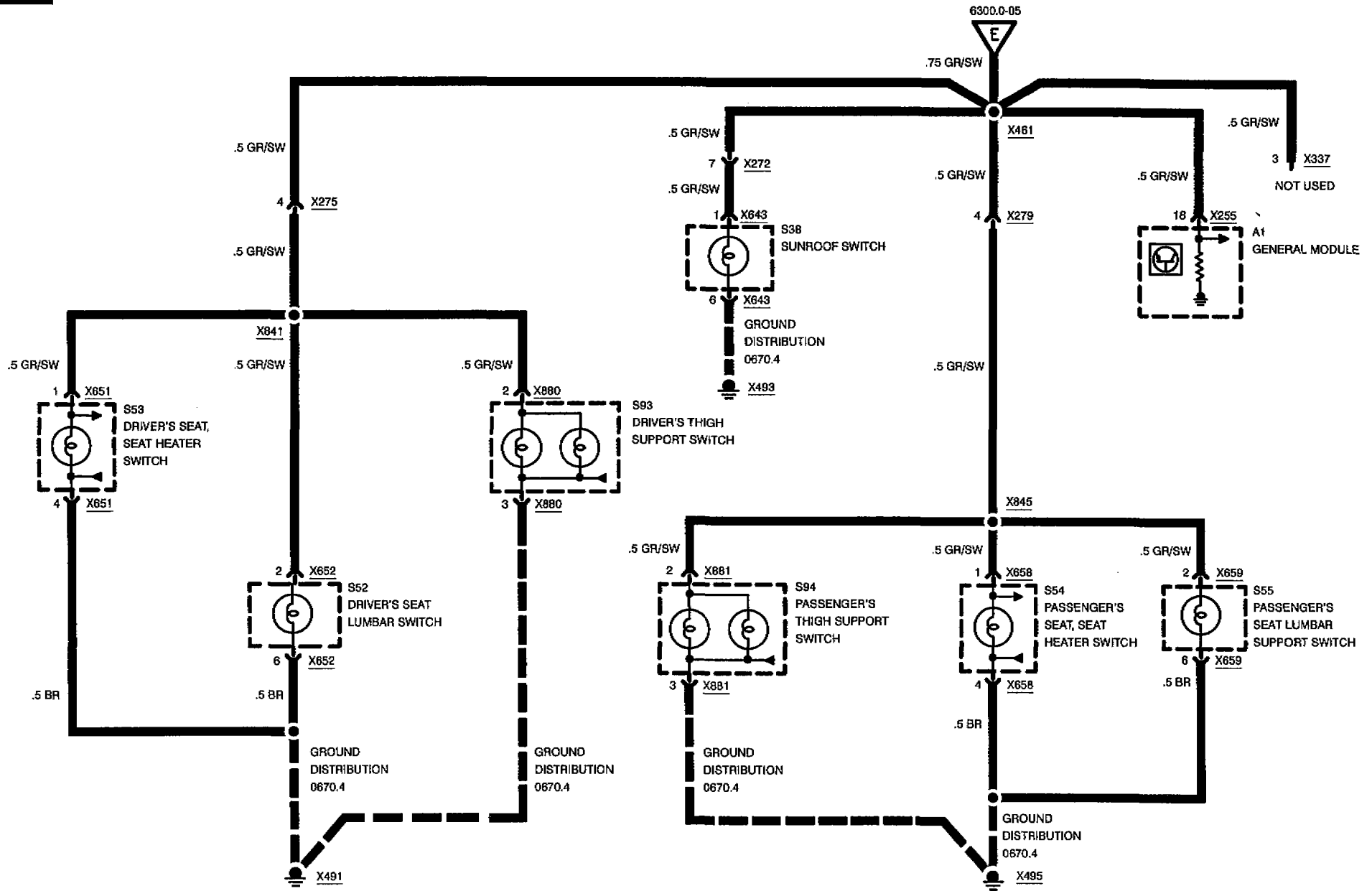
LIGHT SWITCH DETAILS







LIGHT SWITCH DETAILS



02/97

6300.0-06

1995



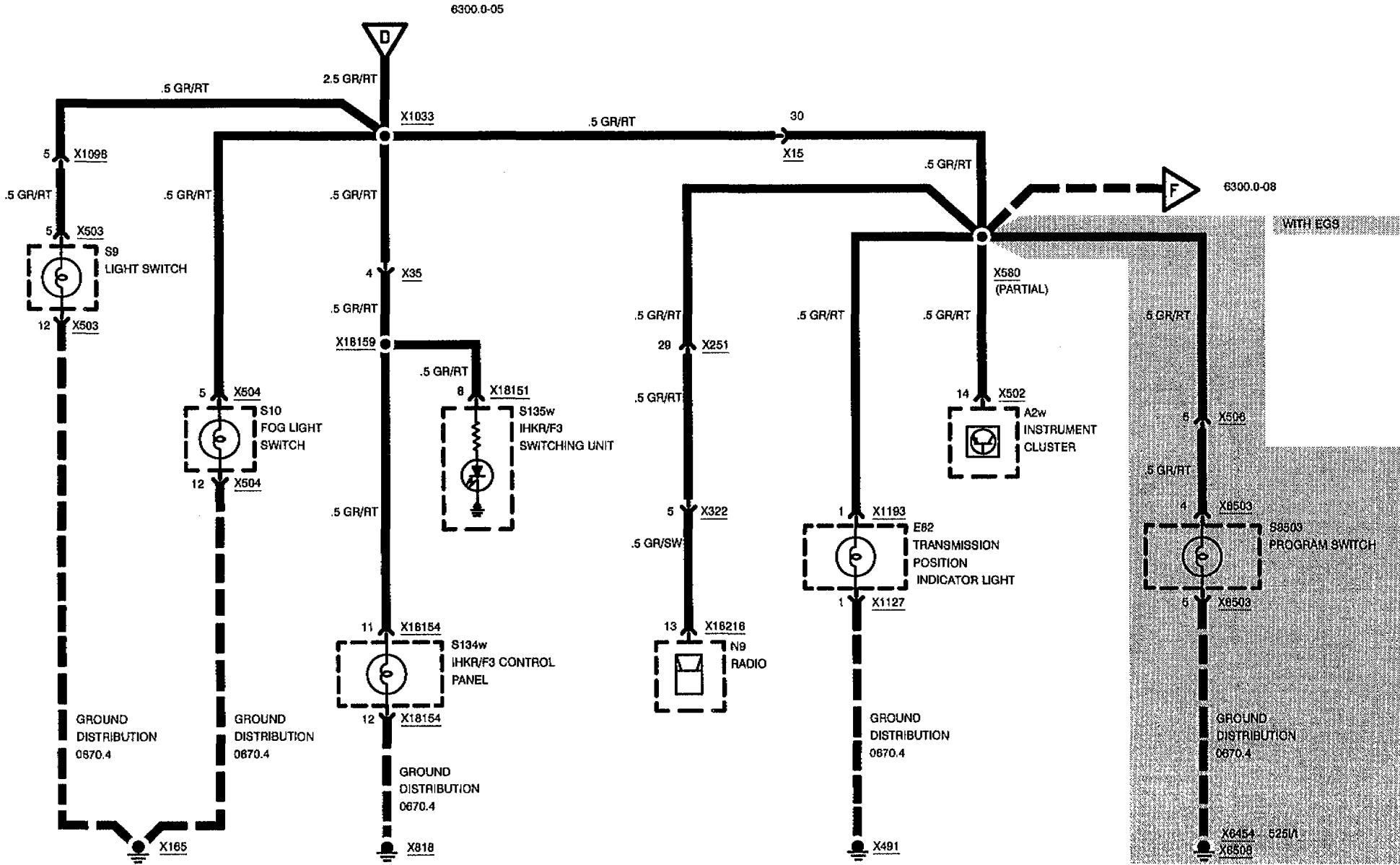
LIGHT SWITCH DETAILS



02/97

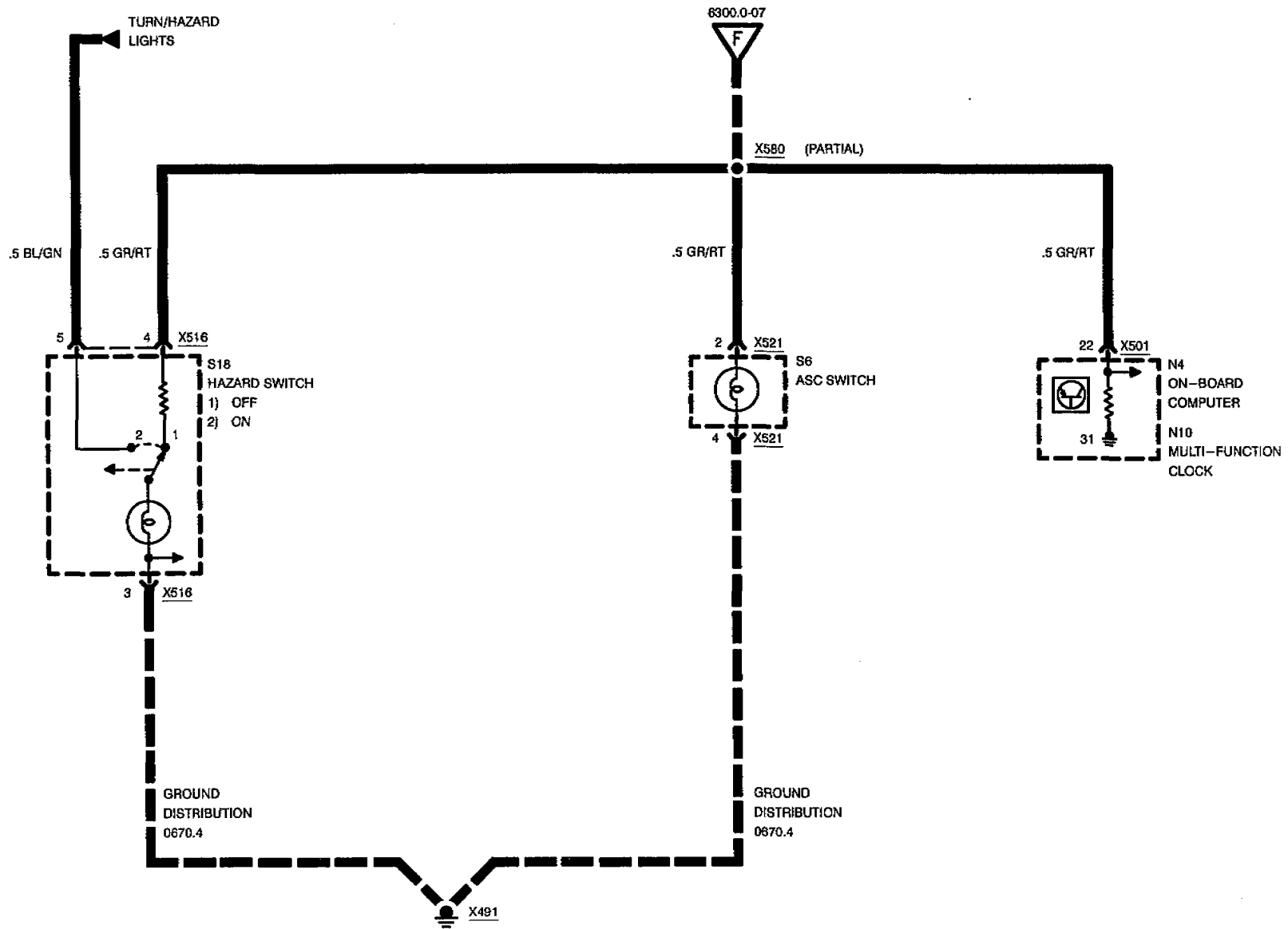
6300.0-07

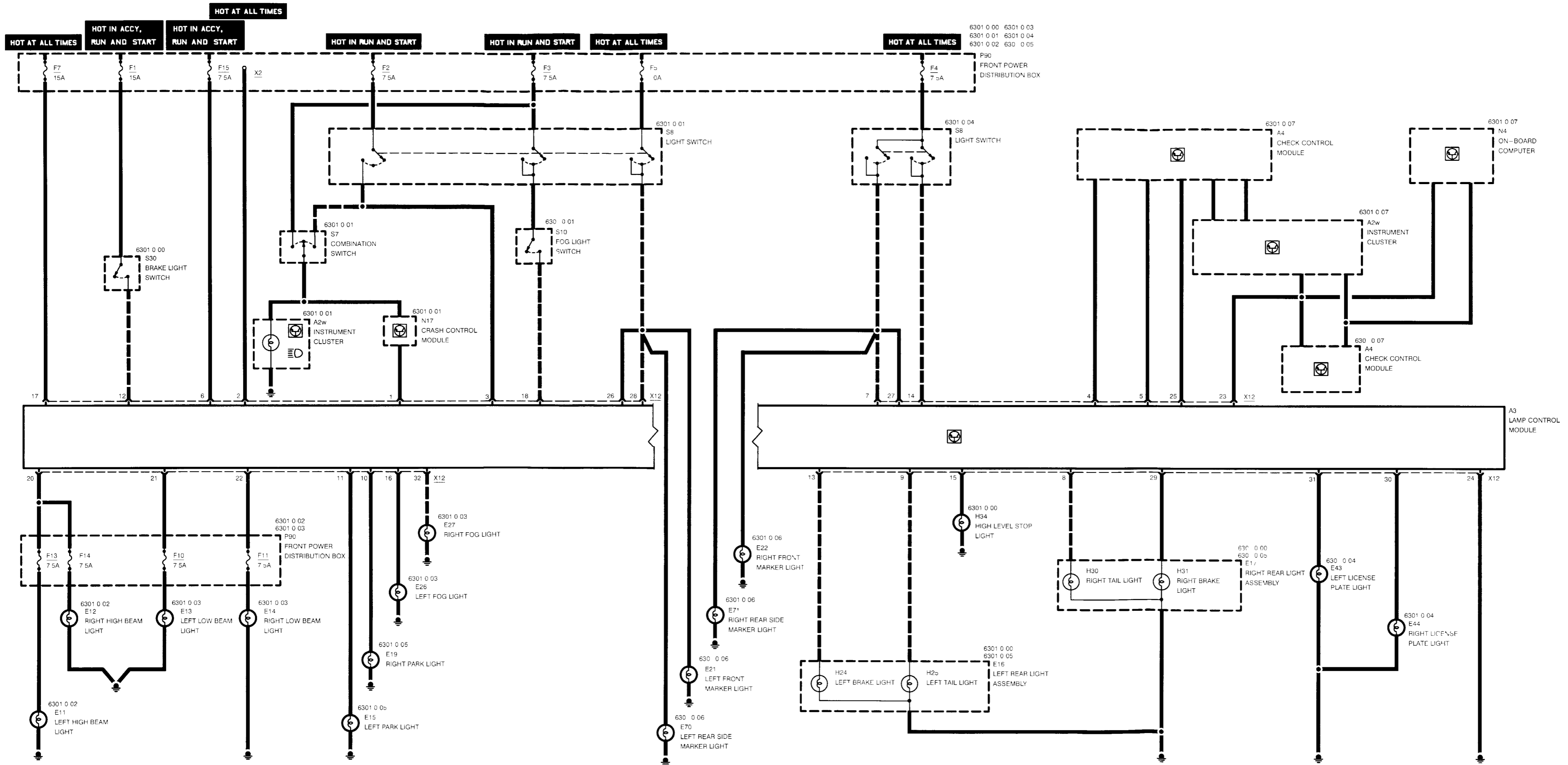
1995

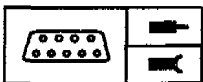




LIGHT SWITCH DETAILS





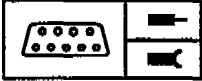


Pin Assignments

X12

Pin	Type	Description/Function	Connection
1	E	High beam signal	Crash control unit
2	E	Voltage supply (terminal 30)	Front power distribution box
3	E	Headlights signal	Light switch
4	A	Data link to CCM	Check control module
5	A	Data link to CCM	Check control module
6	E	Voltage supply (terminal R)	Front power distribution box
7	E	Tail light signal, right	Light switch
8	A	Tail light power, right	Rear light assembly, right
9	A	Tail light power, left	Rear light assembly, left
10	A	Park light power, right	Front light assembly, right
11	A	Park light power, left	Front light assembly, left
12	E	Brake pedal status	Brake light switch
13	A	Brake light power, left	Rear light assembly, left
14	E	Park lights signal	Light switch
15	A	High level stop light power	High level stop light
16	A	Fog light power, left	Fog light, left
17	E	Fog lights power	Front power distribution box
18	E	Fog light signal	Fog light switch
19		Not used	
20	A	High beam light power	Fuses/Front power distribution box
21	A	Low beam power, left	Fuses/Front power distribution box
22	A	Low beam power, right	Fuses/Front power distribution box
23	E	Data link to CCM	Check control module
24	M	Ground	Body ground point
25	E	Data link to CCM	Check control module
26	E	Tail light signal, left	Light switch
27	E	Park light signal, right	Light switch
28	E	Park light signal, left	Light switch
29	A	Brake light power, right	Brake light, right
30	A	License plate light power, right	License plate light, right

E = Input, A = Output, M = Ground



Pin Assignments

Pin	Type	Description/Function	Connection
31	A	License plate light power, left	License plate light, left
32	A	Fog light power, right	Fog light, right

E = Input, A = Output, M = Ground

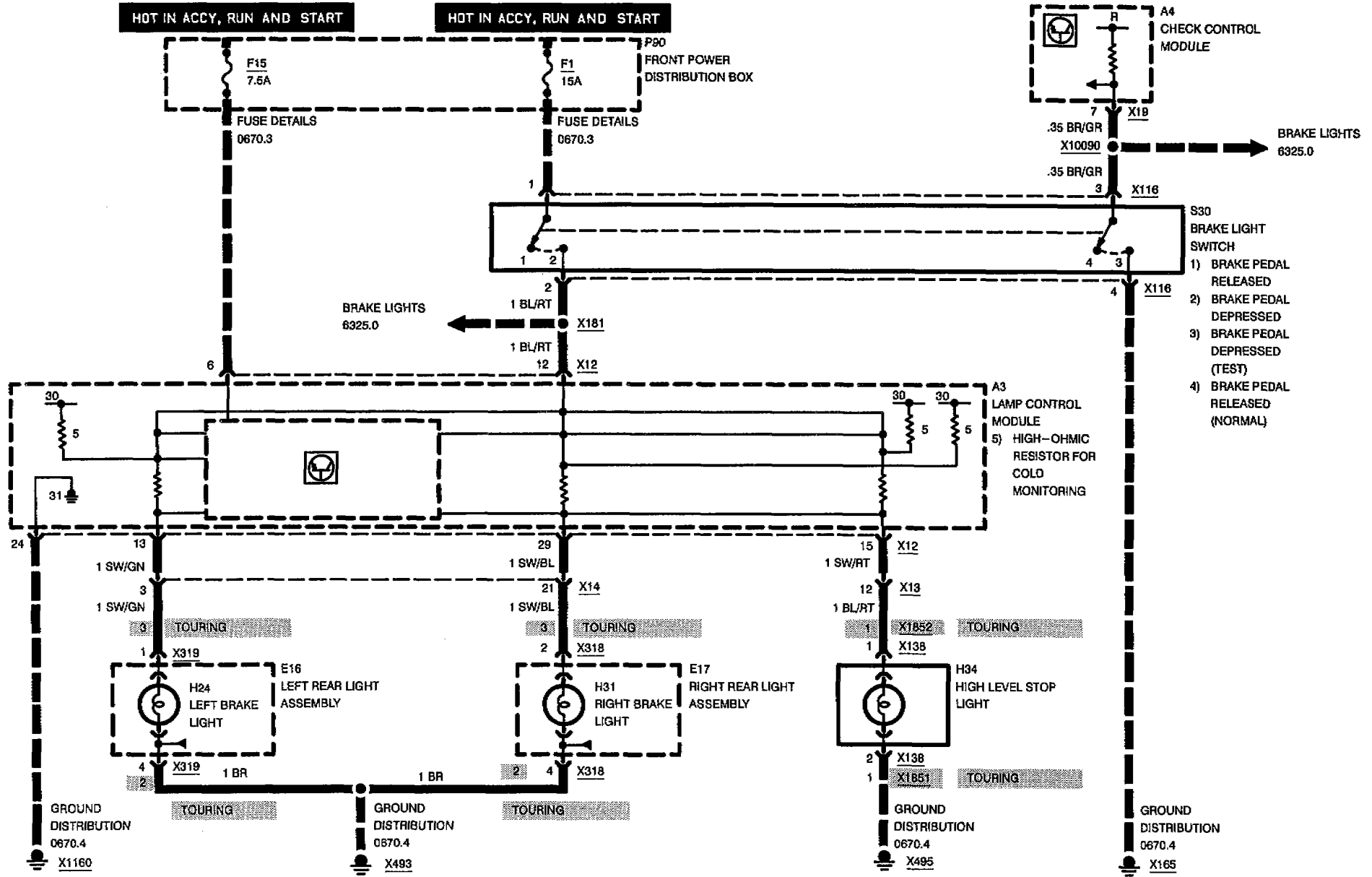


6301.0



LAMP MONITOR (LKM)

BRAKE LIGHTS



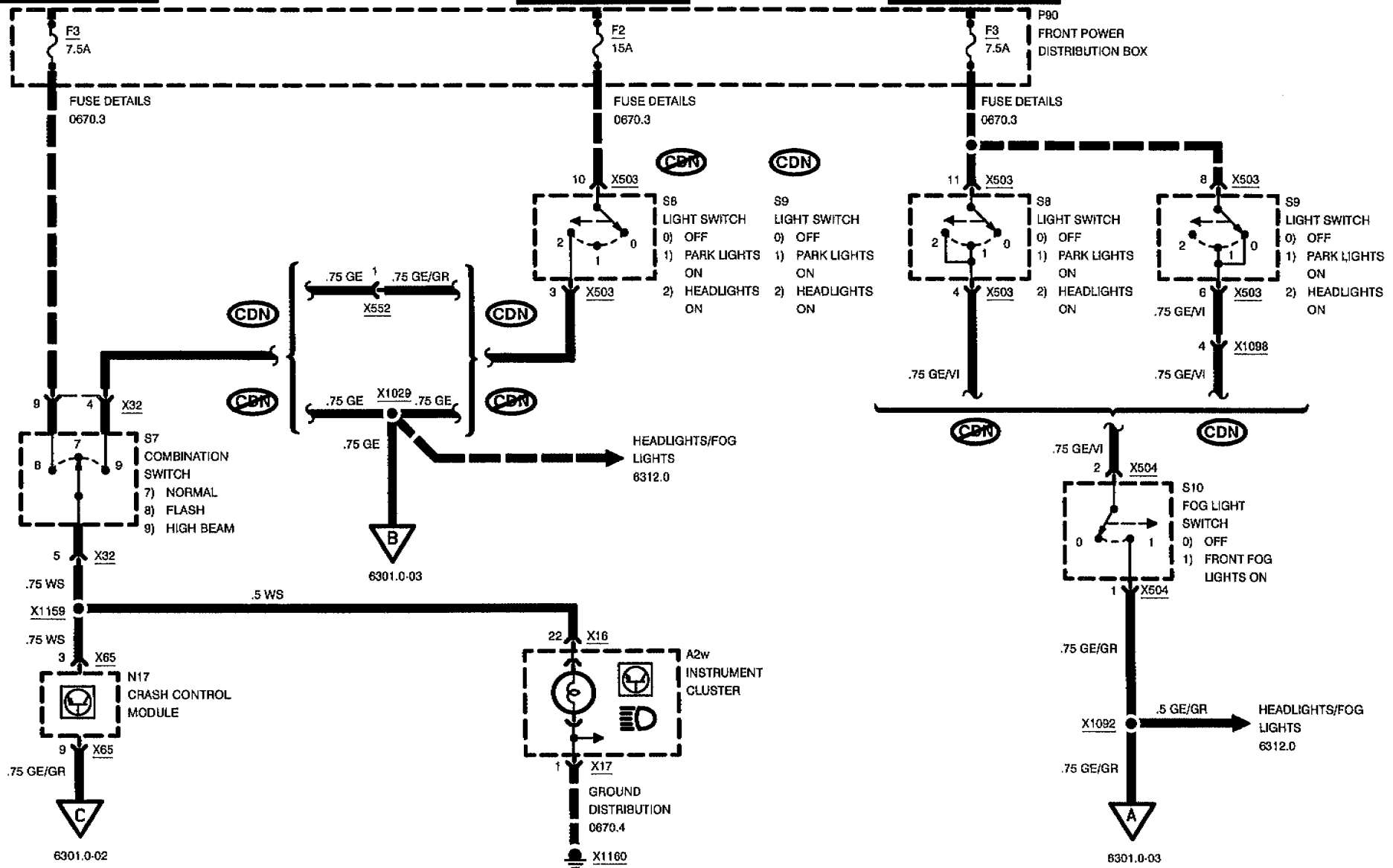


LAMP MONITOR (LKM)

HOT IN RUN AND START

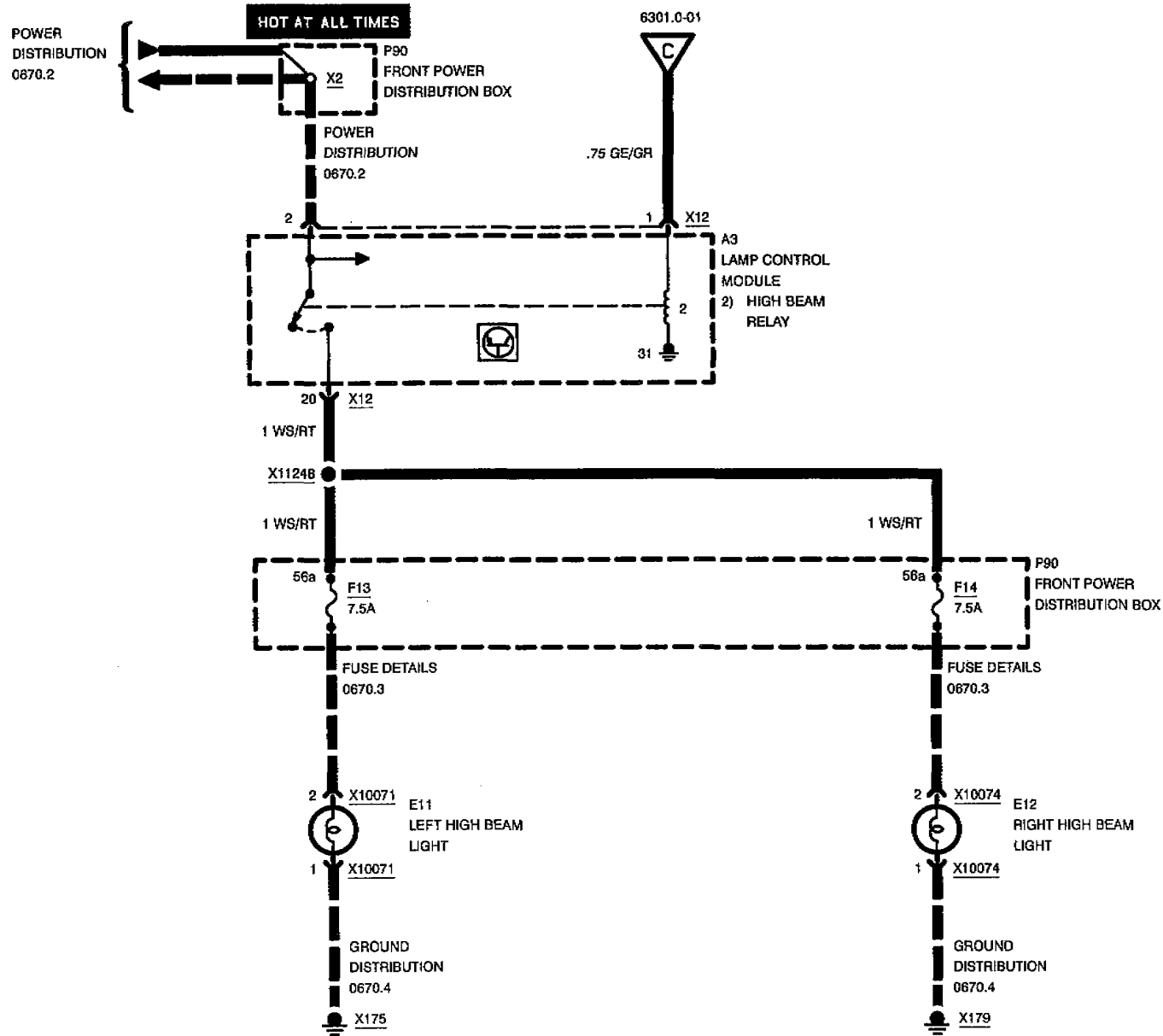
HOT IN RUN AND START

HOT IN RUN AND START



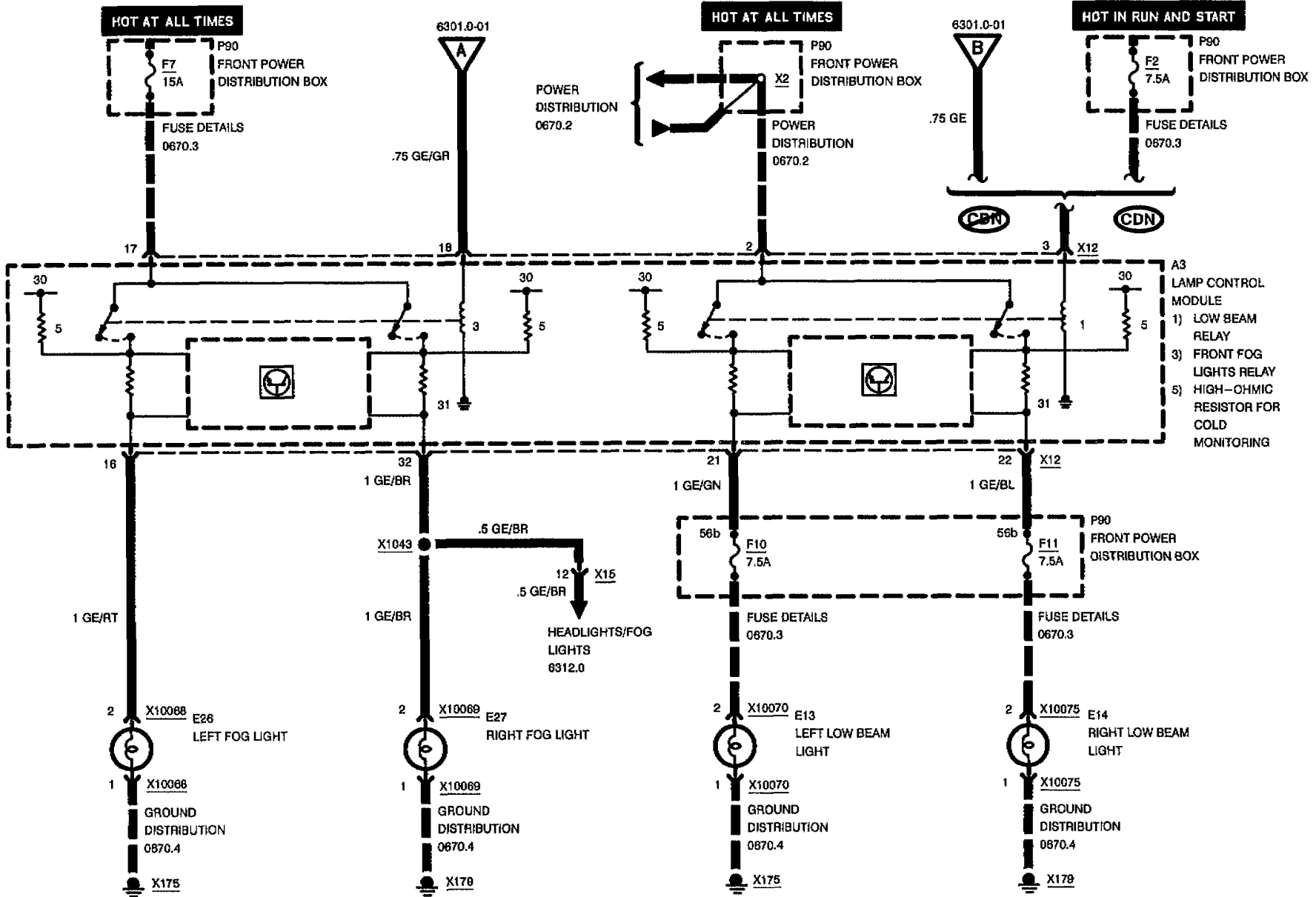


LAMP MONITOR (LKM)



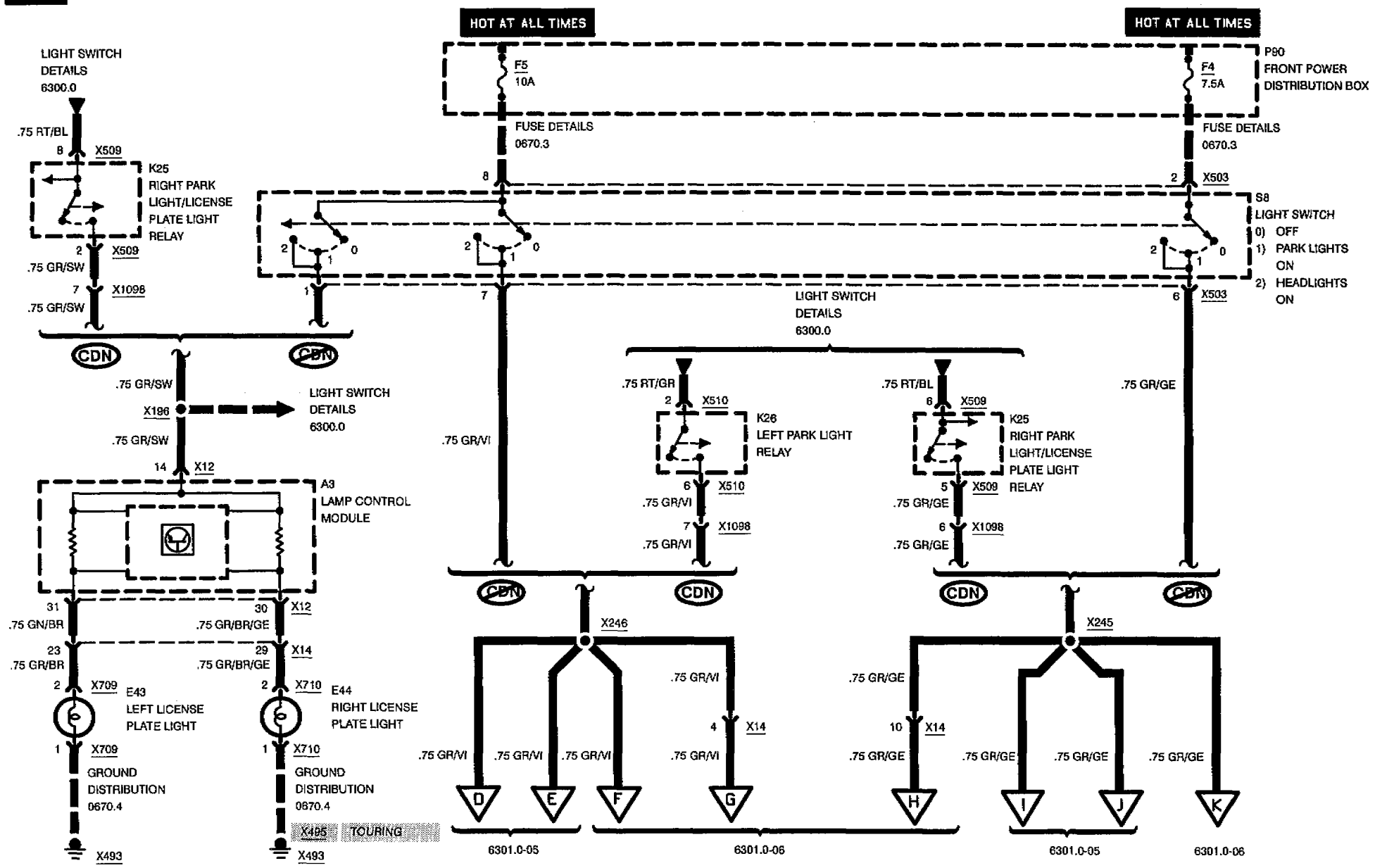


LAMP MONITOR (LKM)



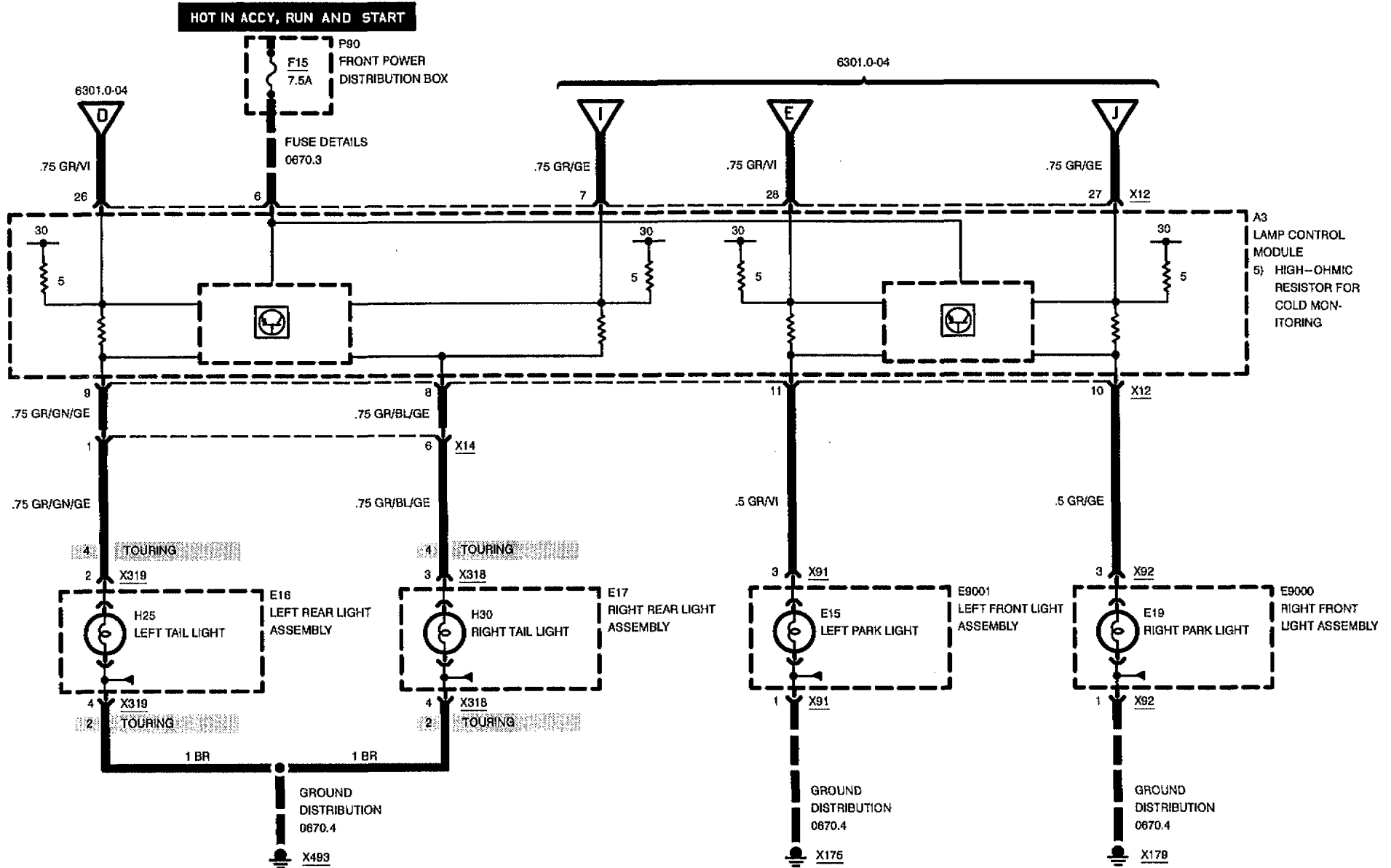


LAMP MONITOR (LKM)





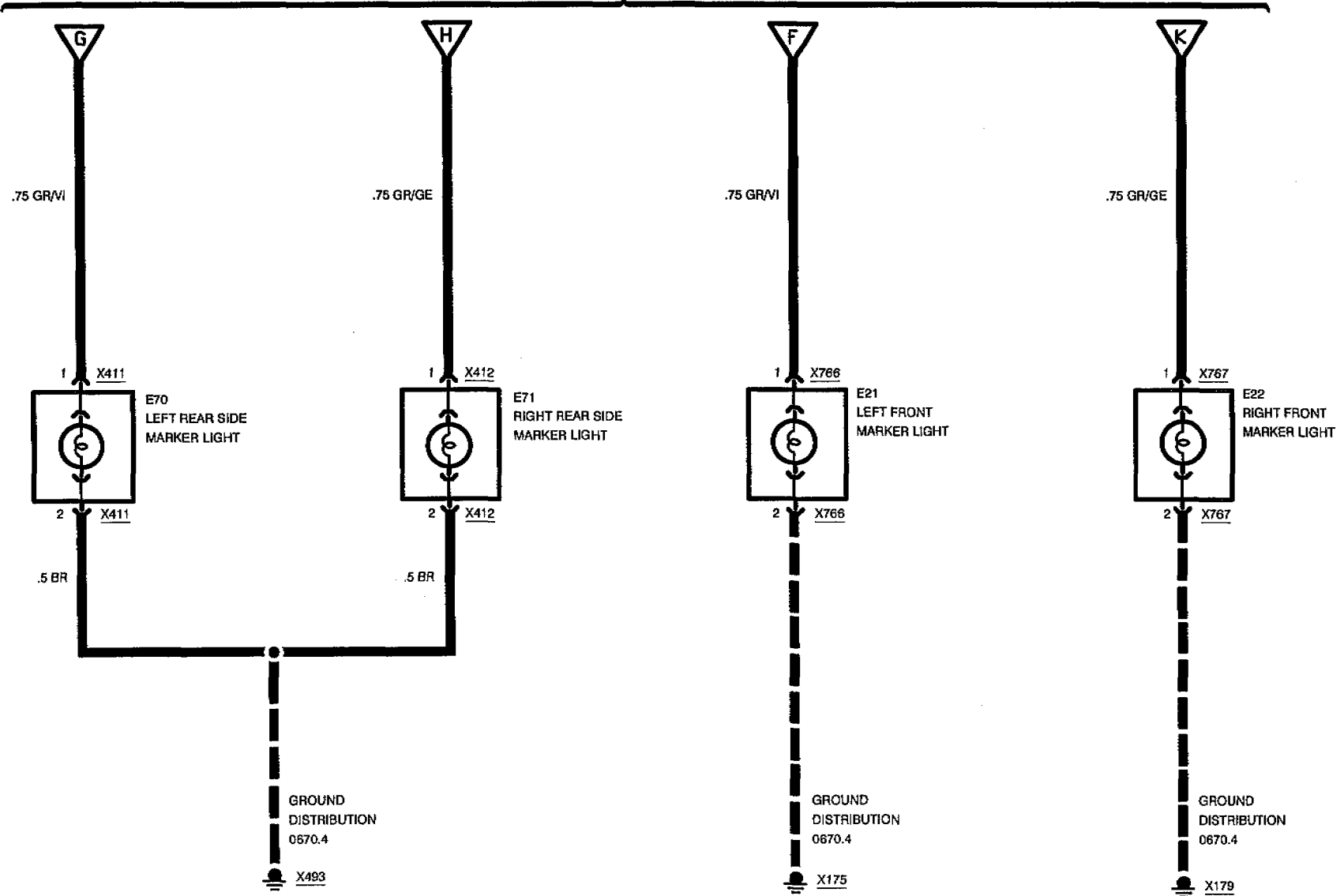
LAMP MONITOR (LKM)





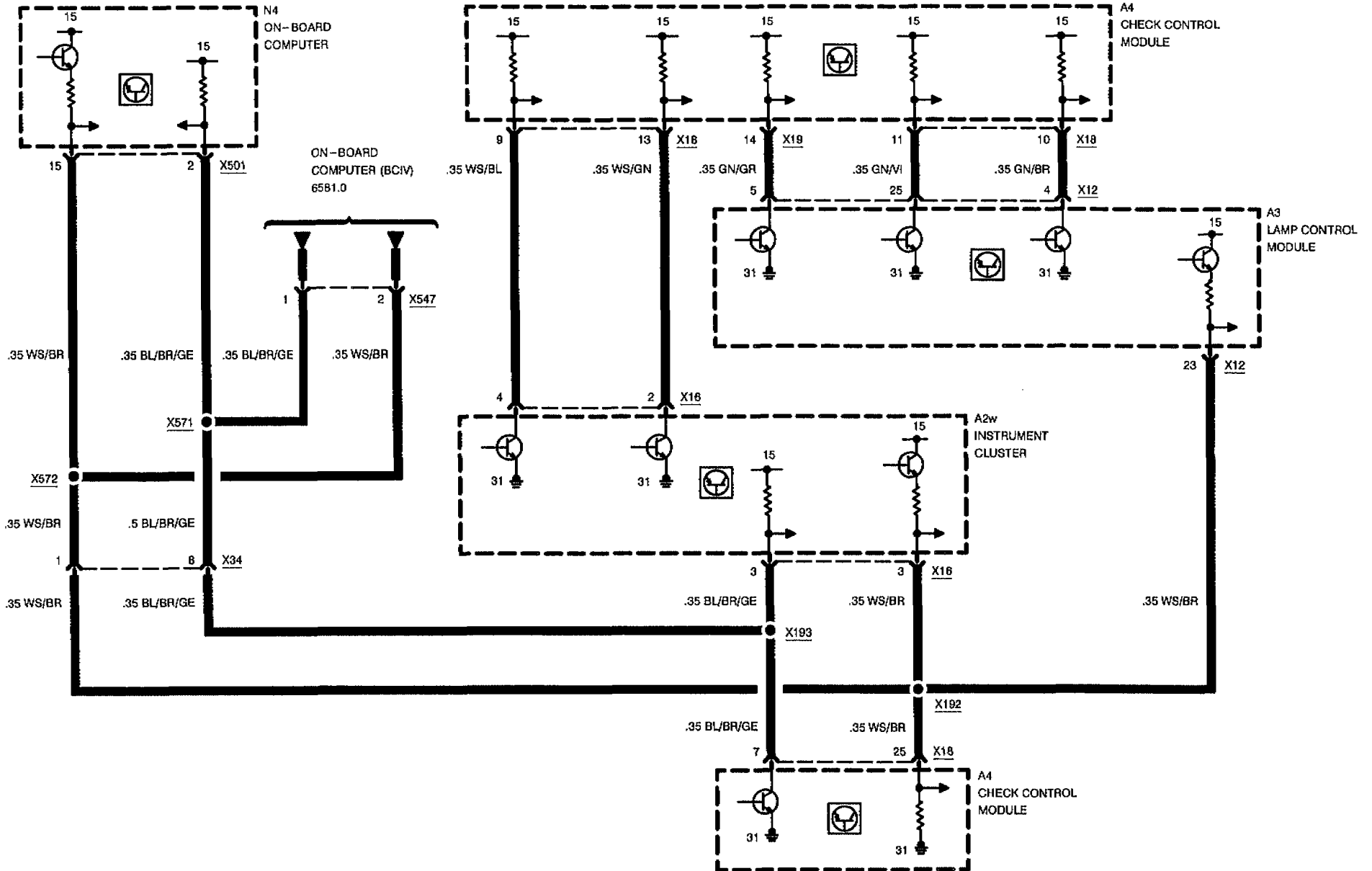
LAMP MONITOR (LKM)

6301.0-04



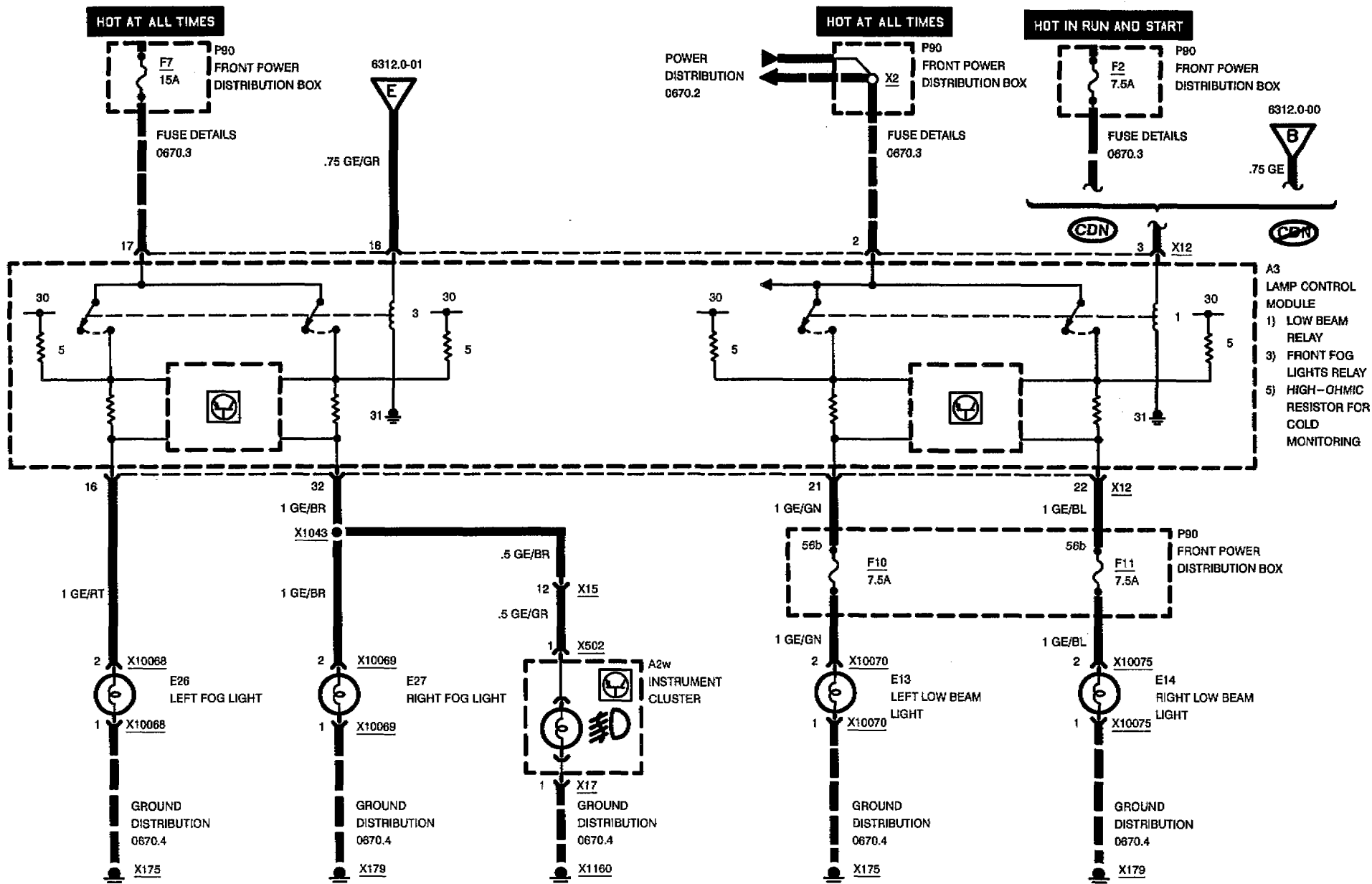


LAMP MONITOR (LKM)



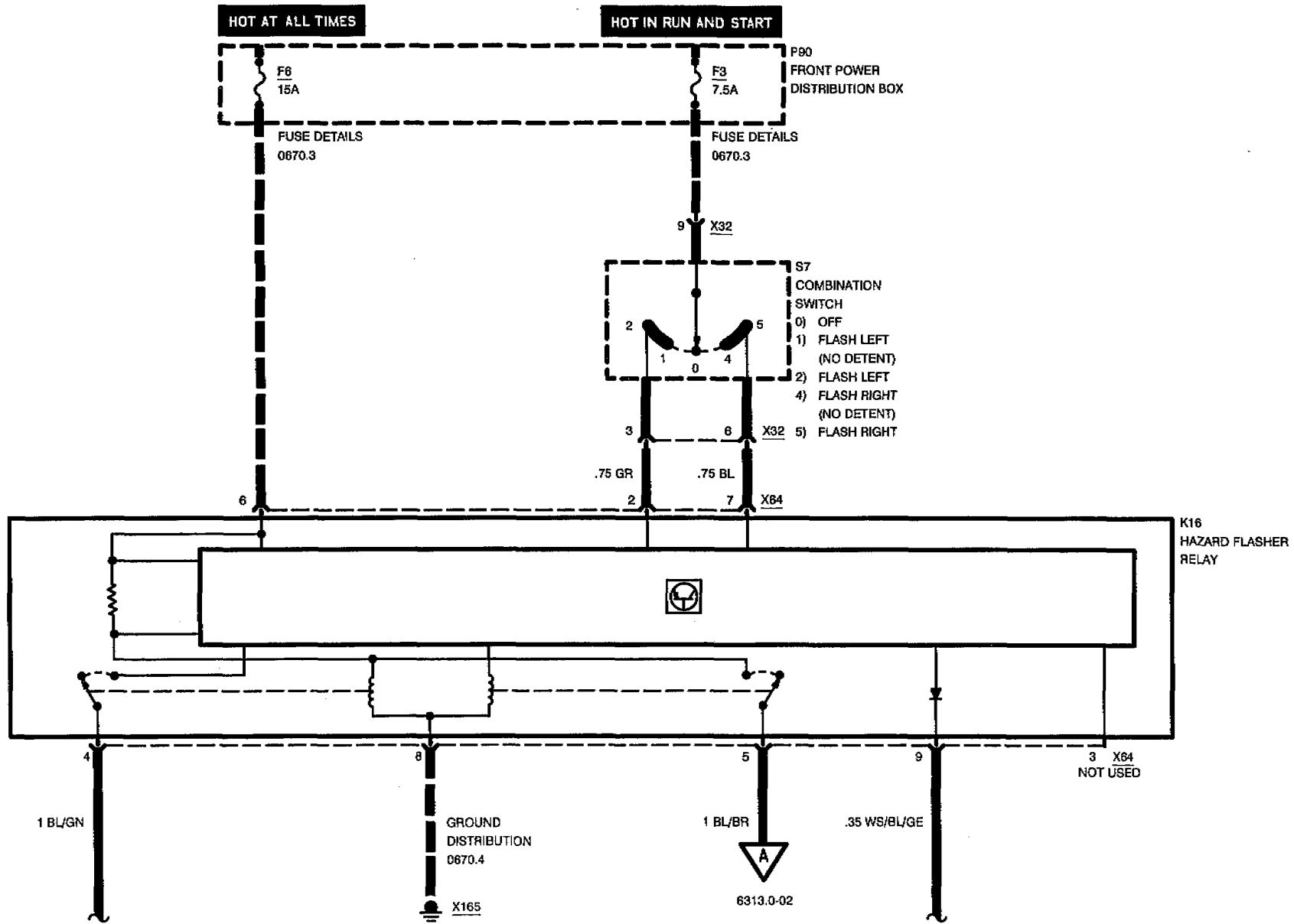


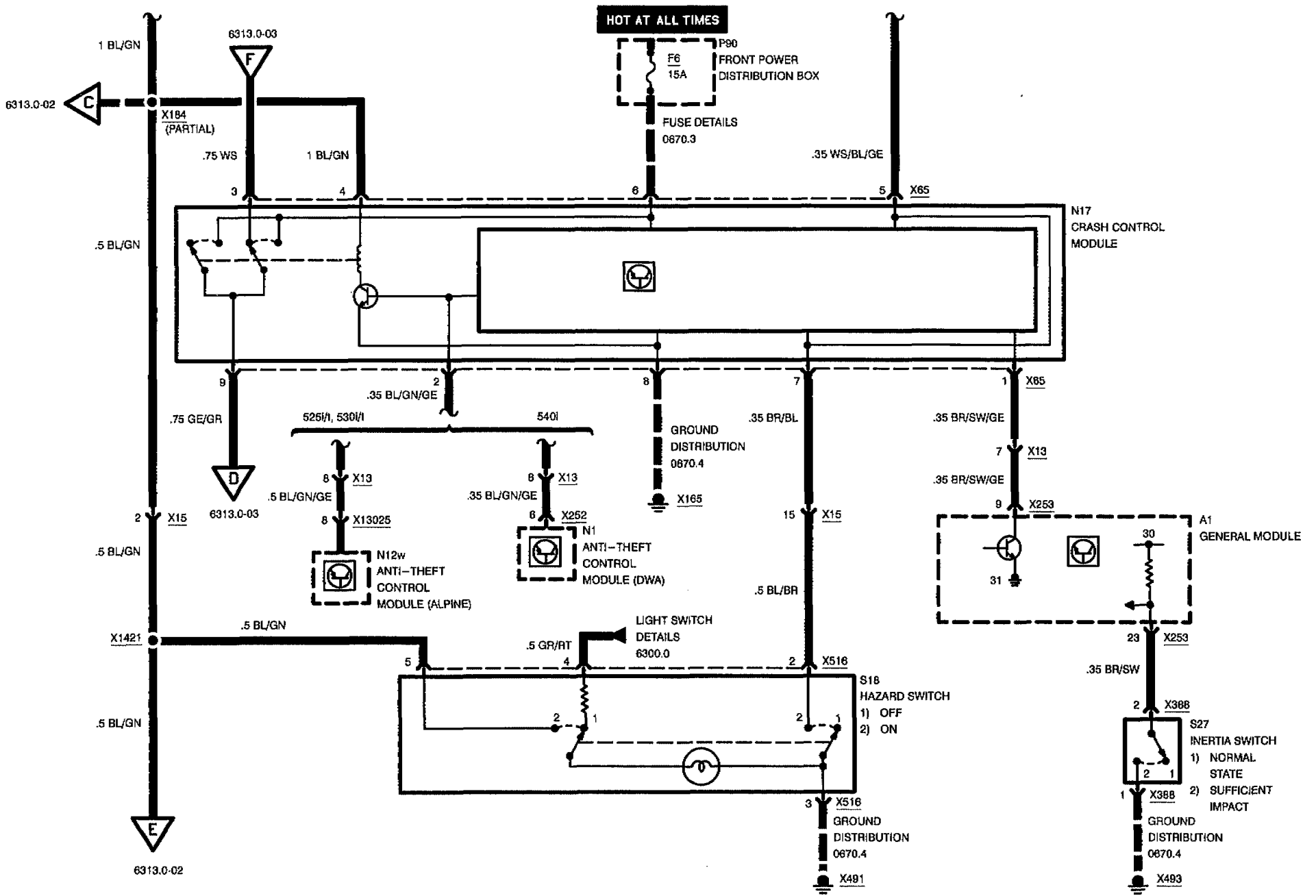
HEADLIGHTS/FOG LIGHTS





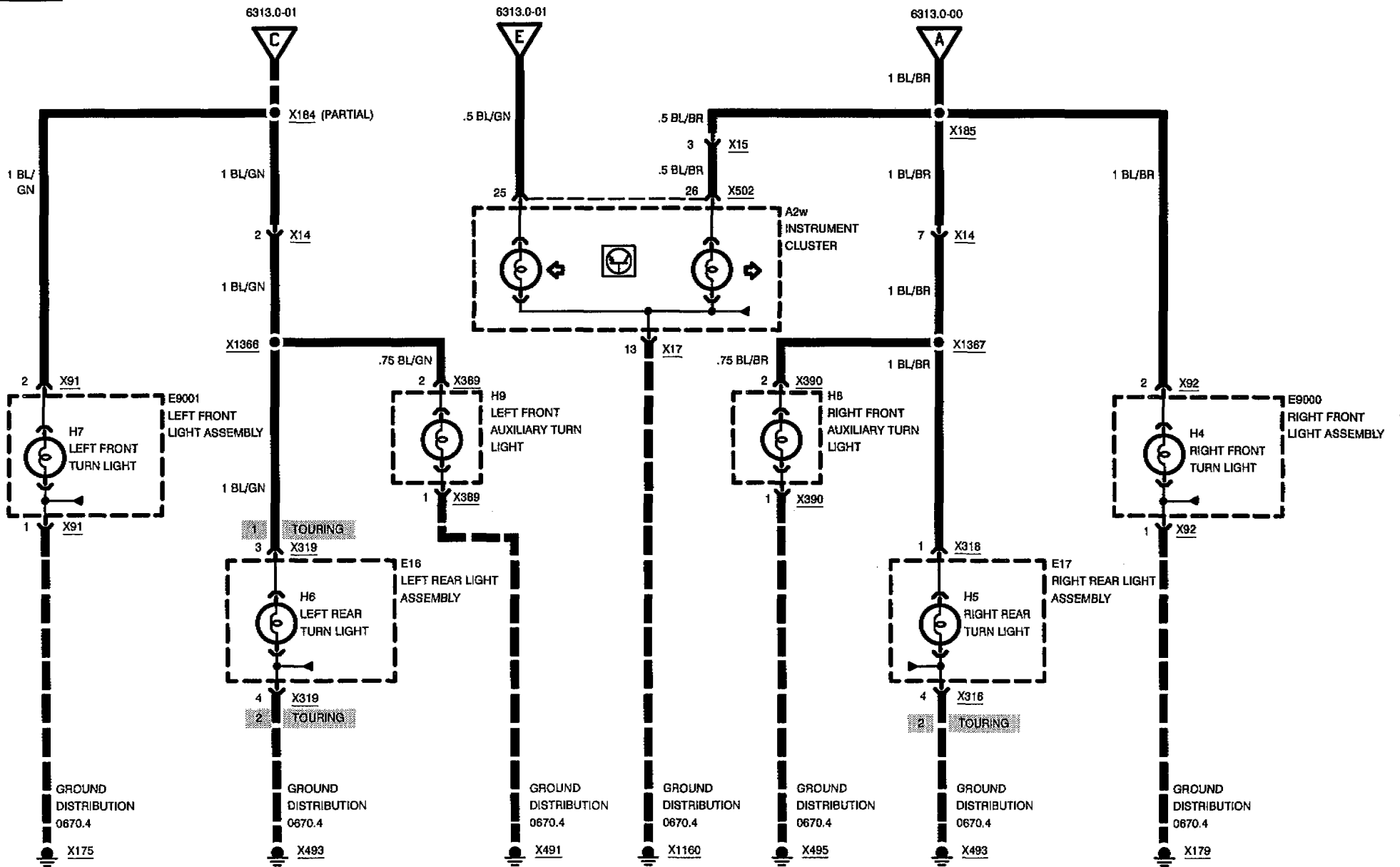
TURN/HAZARD LIGHTS





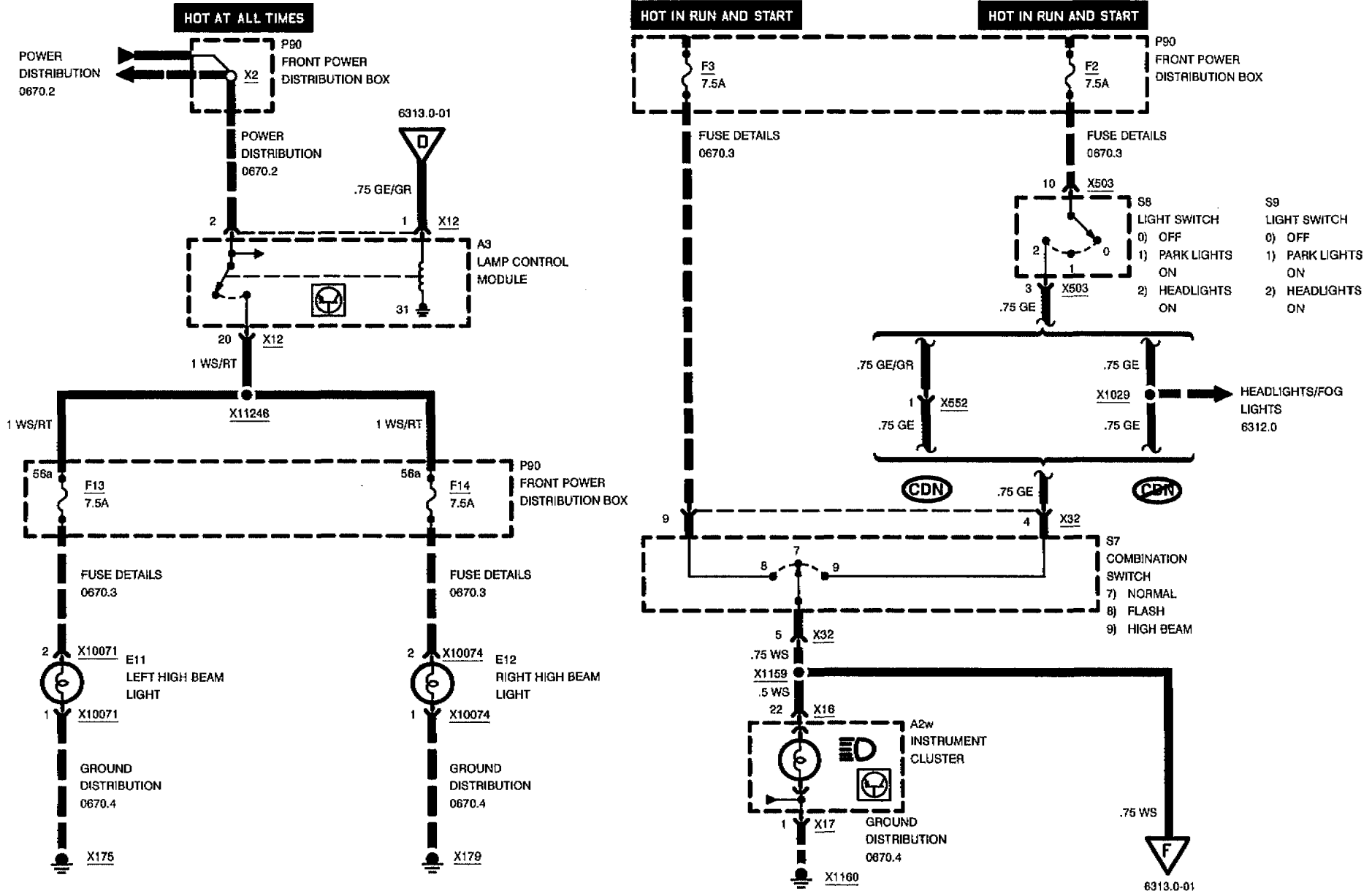


TURN/HAZARD LIGHTS



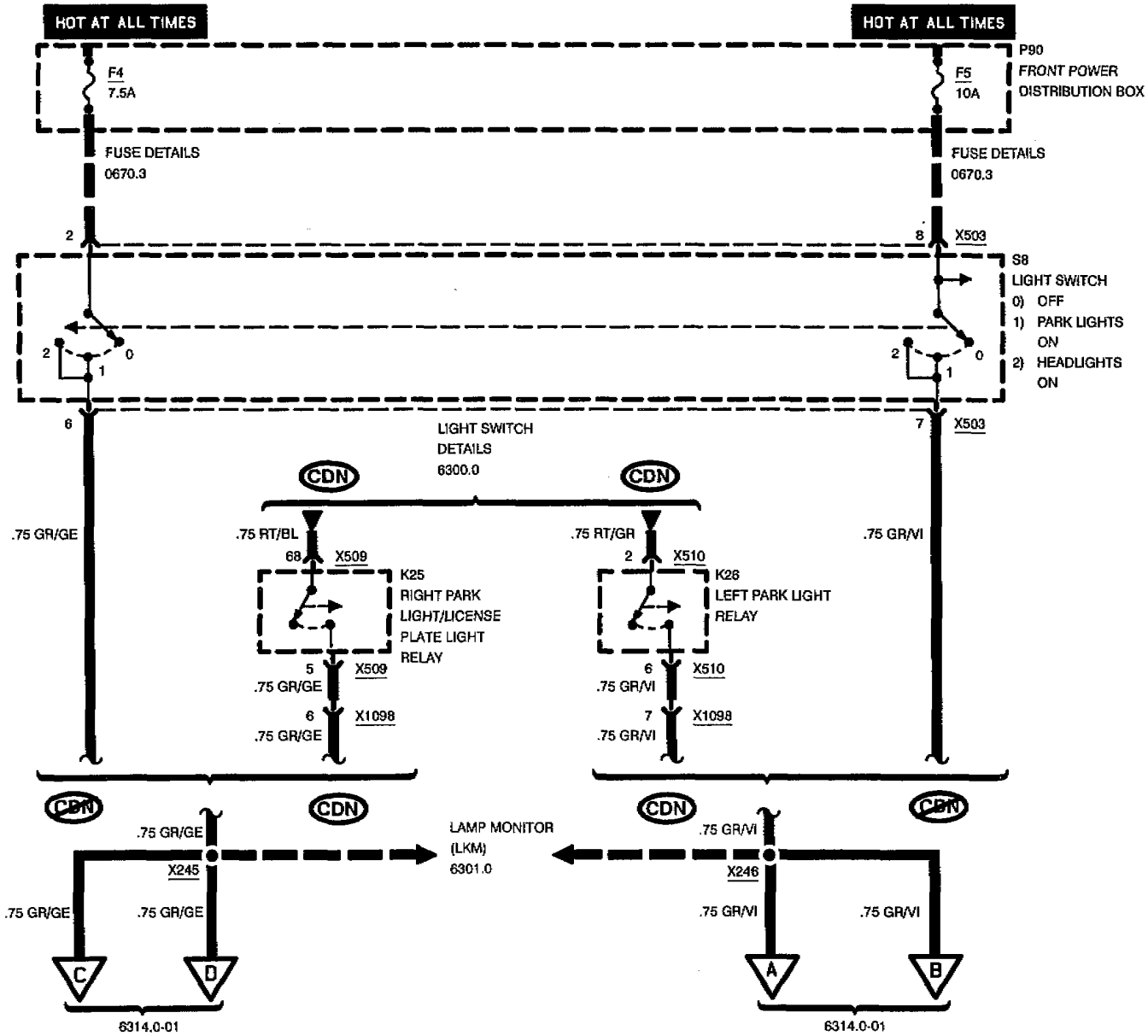


TURN/HAZARD LIGHTS





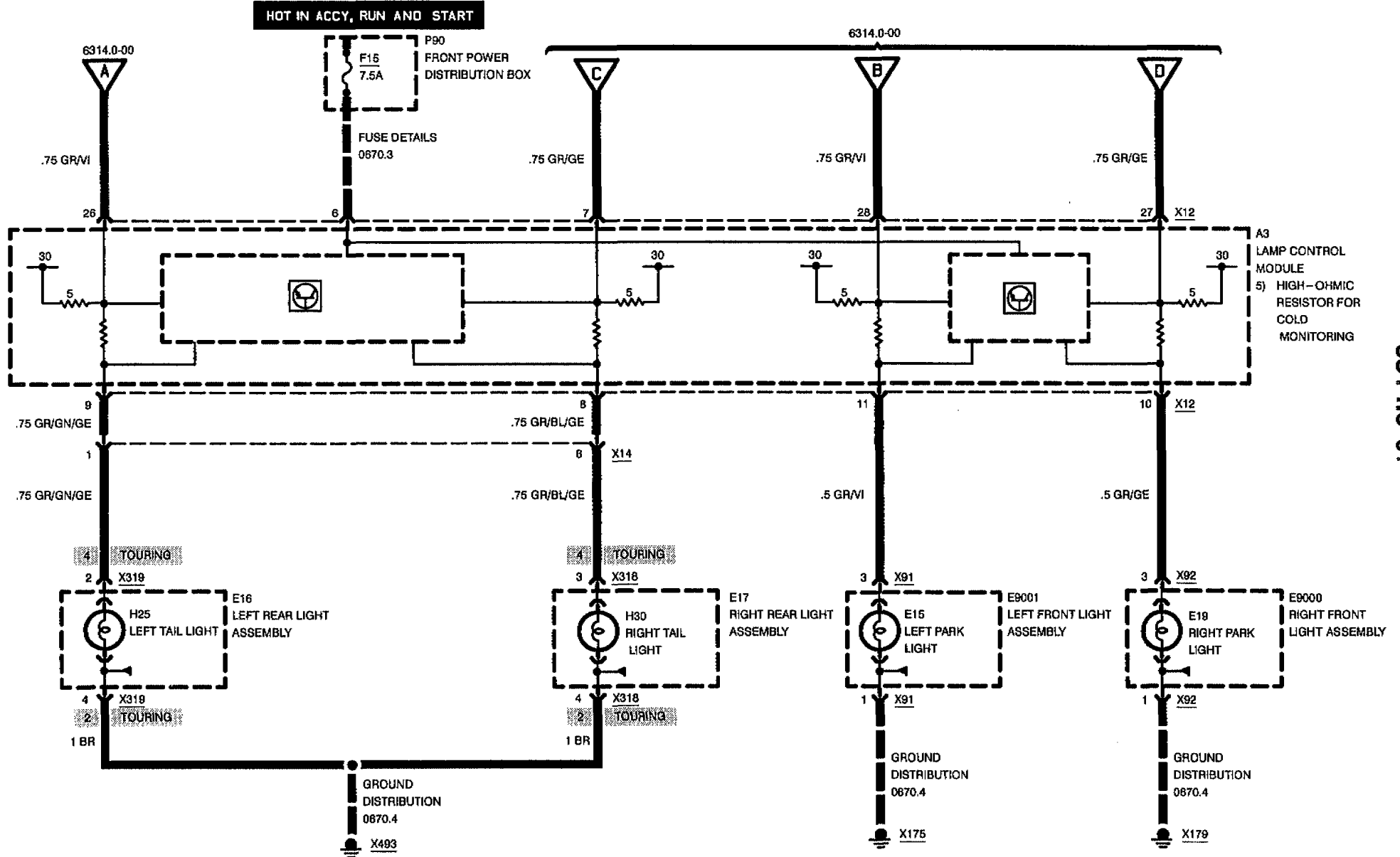
PARK/TAIL LIGHTS





PARK/TAIL LIGHTS

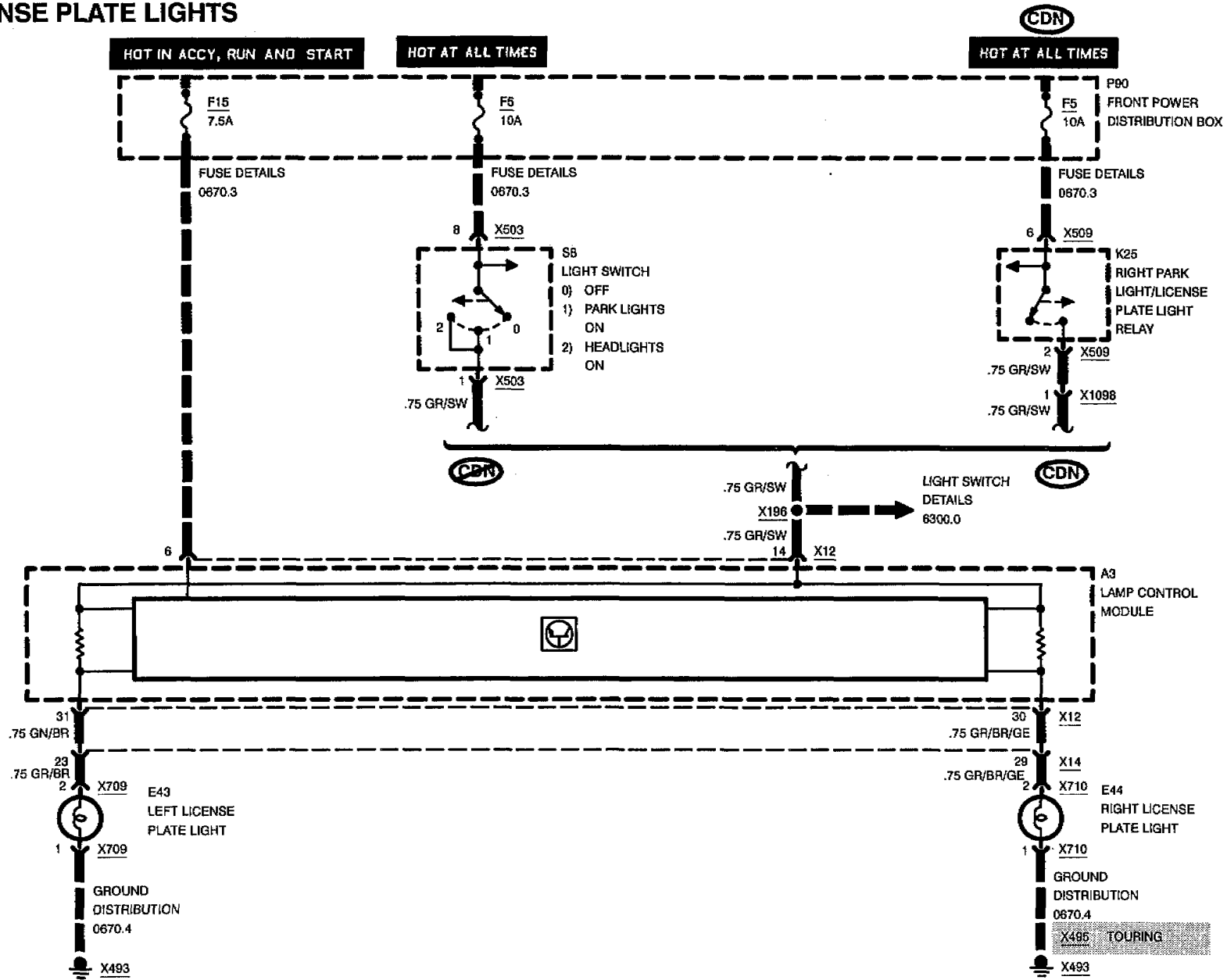
FRONT AND REAR PARK LIGHTS





LICENSE PLATE/LUGGAGE COMPARTMENT LIGHTS

LICENSE PLATE LIGHTS

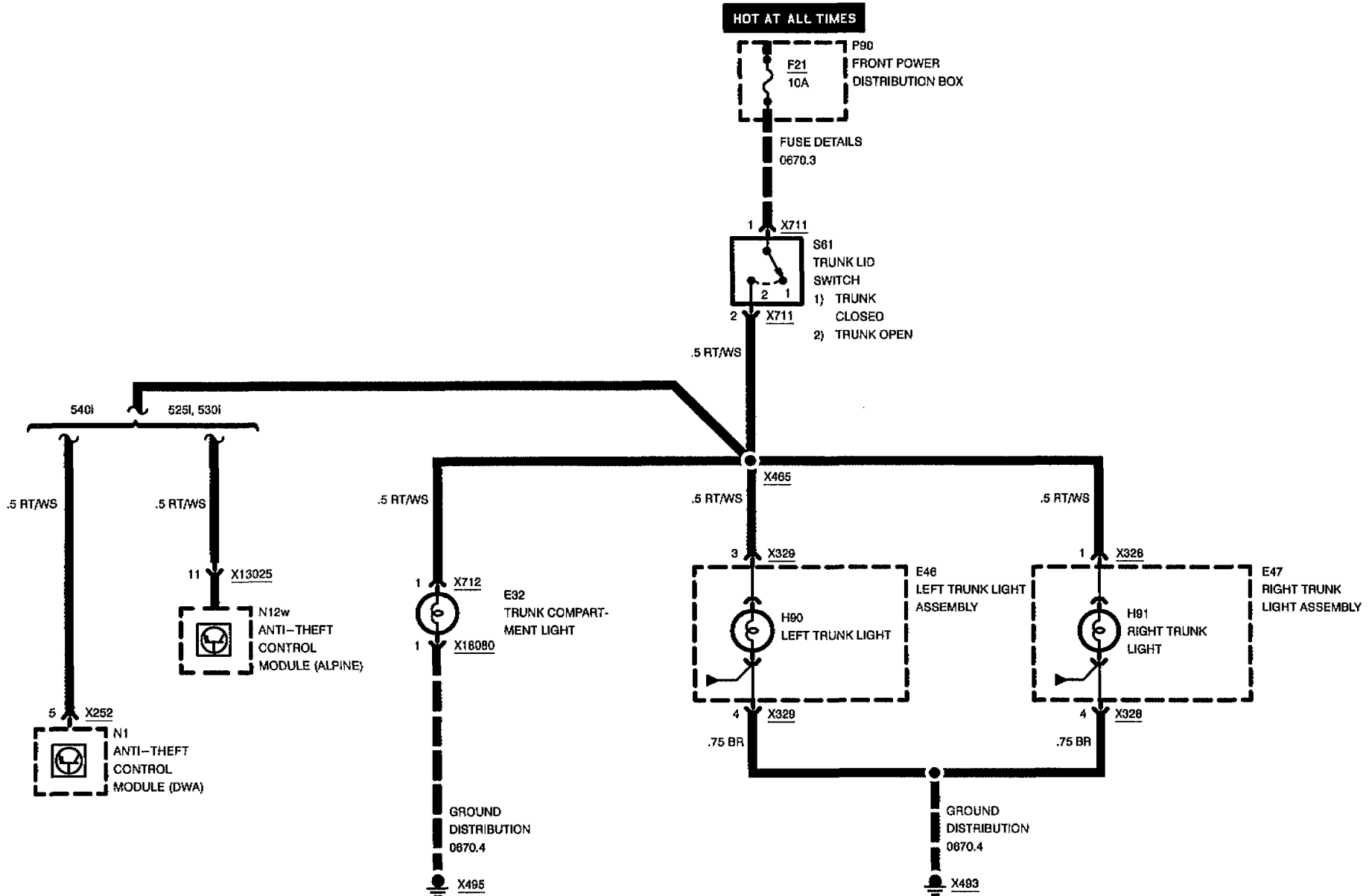




LICENSE PLATE/LUGGAGE COMPARTMENT LIGHTS

SEDAN

TRUNK LIGHTS

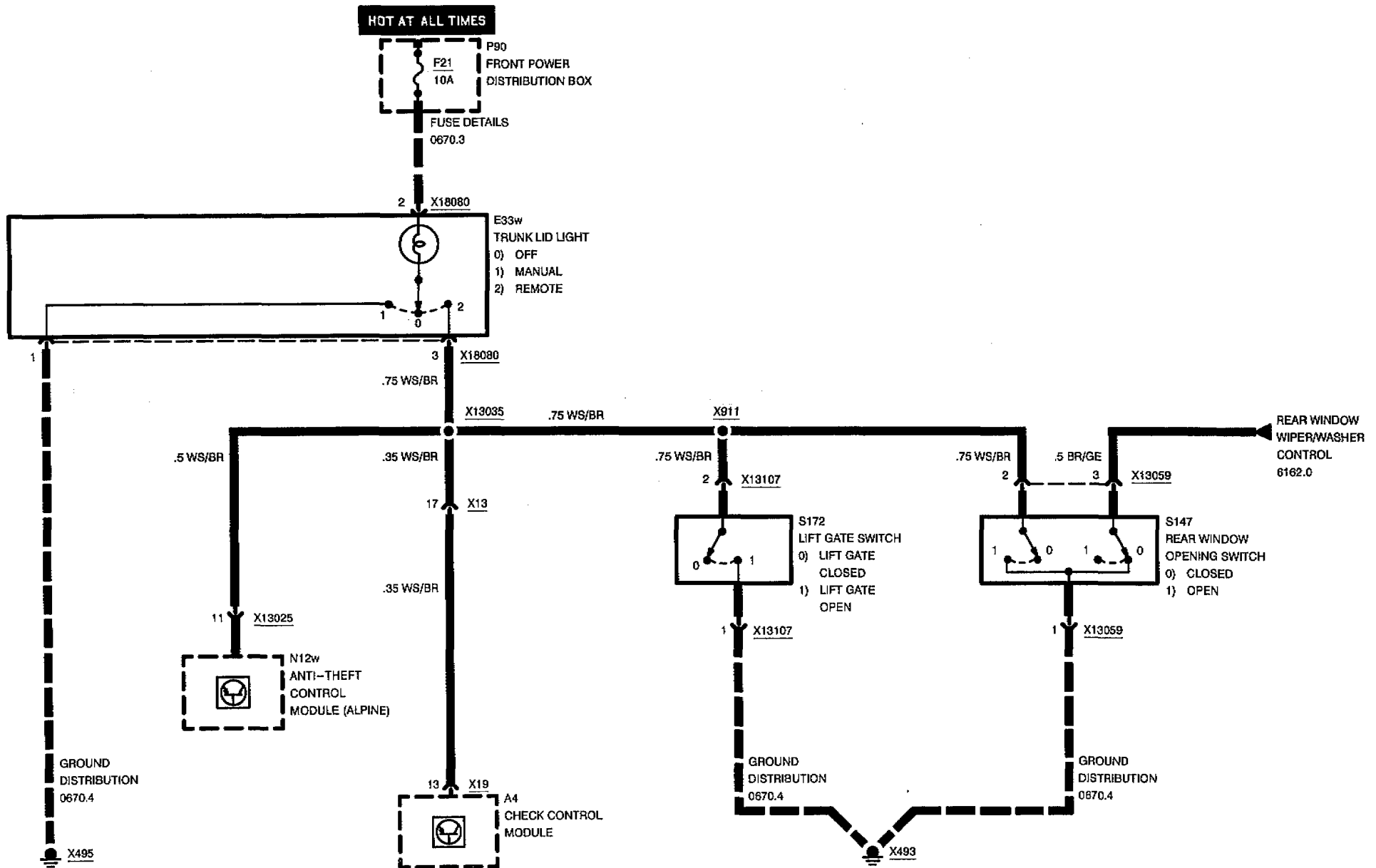




LICENSE PLATE/LUGGAGE COMPARTMENT LIGHTS

TOURING

TRUNK LIGHTS



02/97

6320.0-02

1995

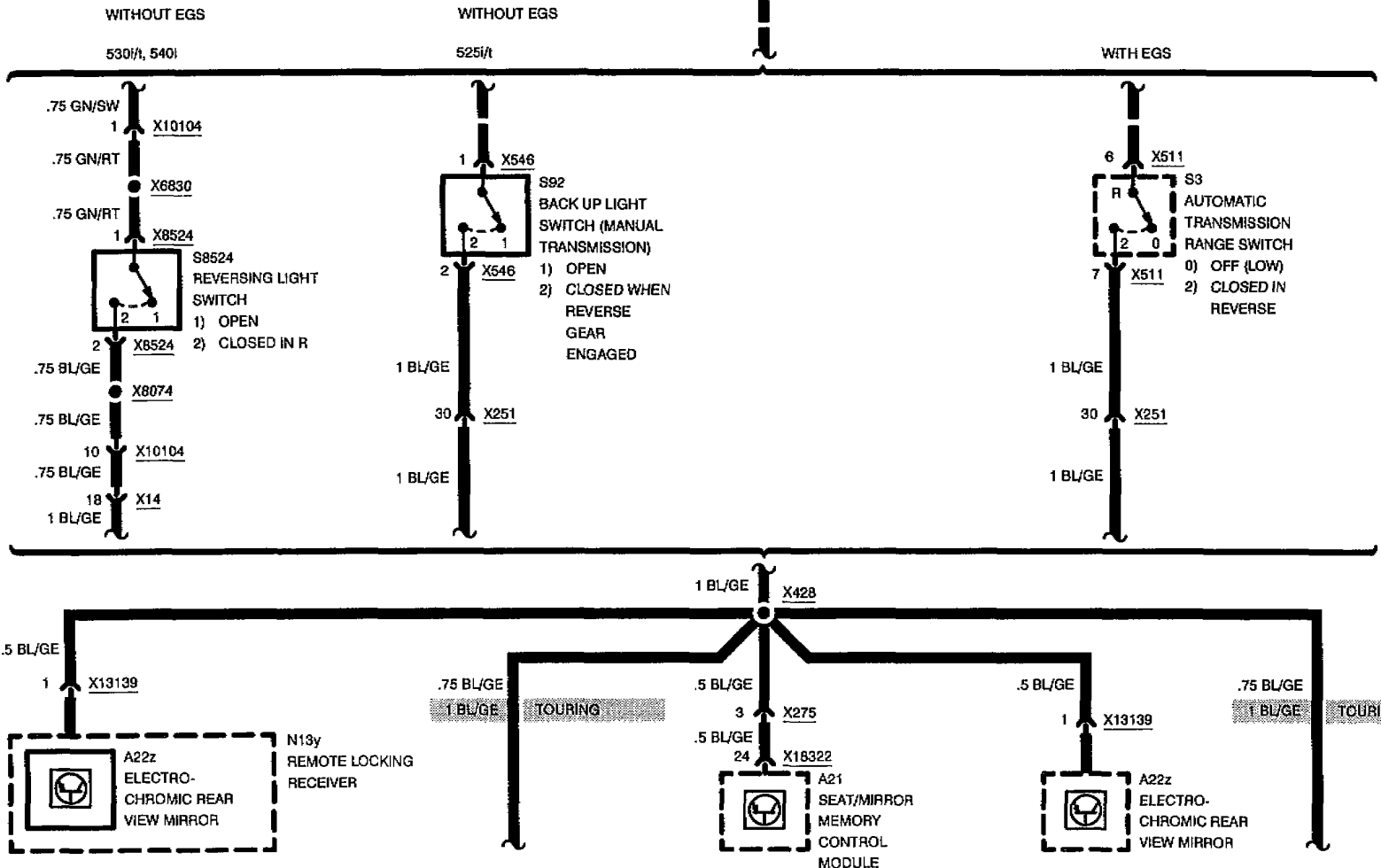
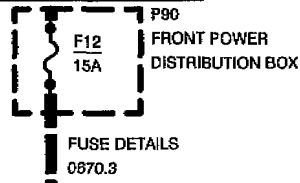


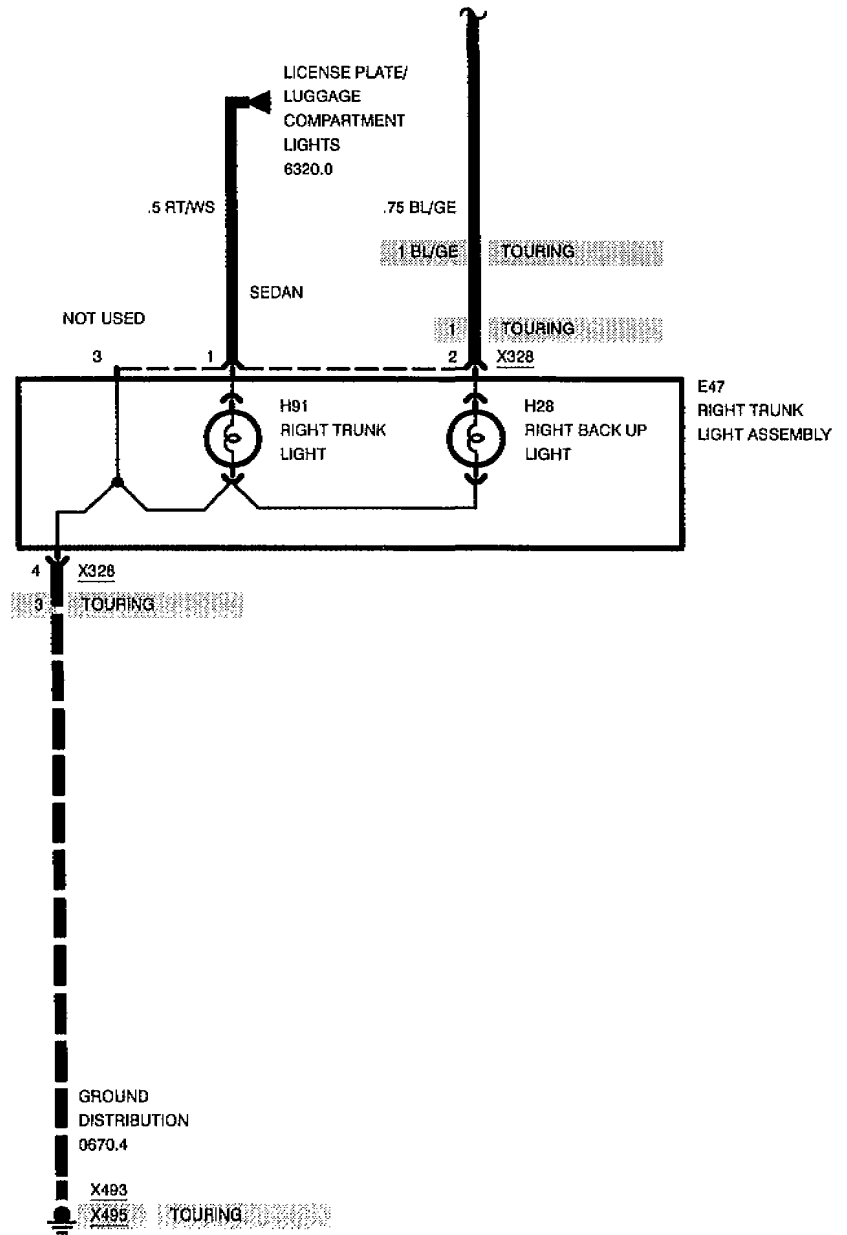
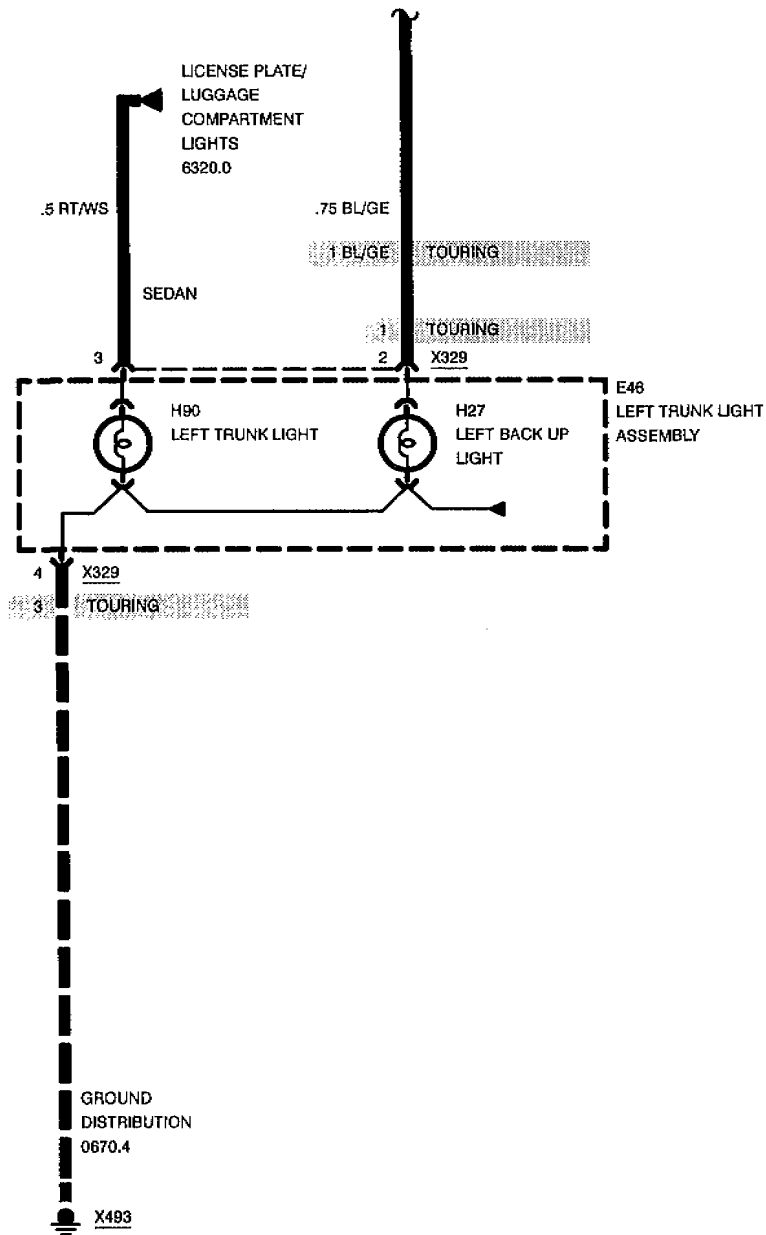
6322.0



BACK UP LIGHTS

HOT IN RUN AND START

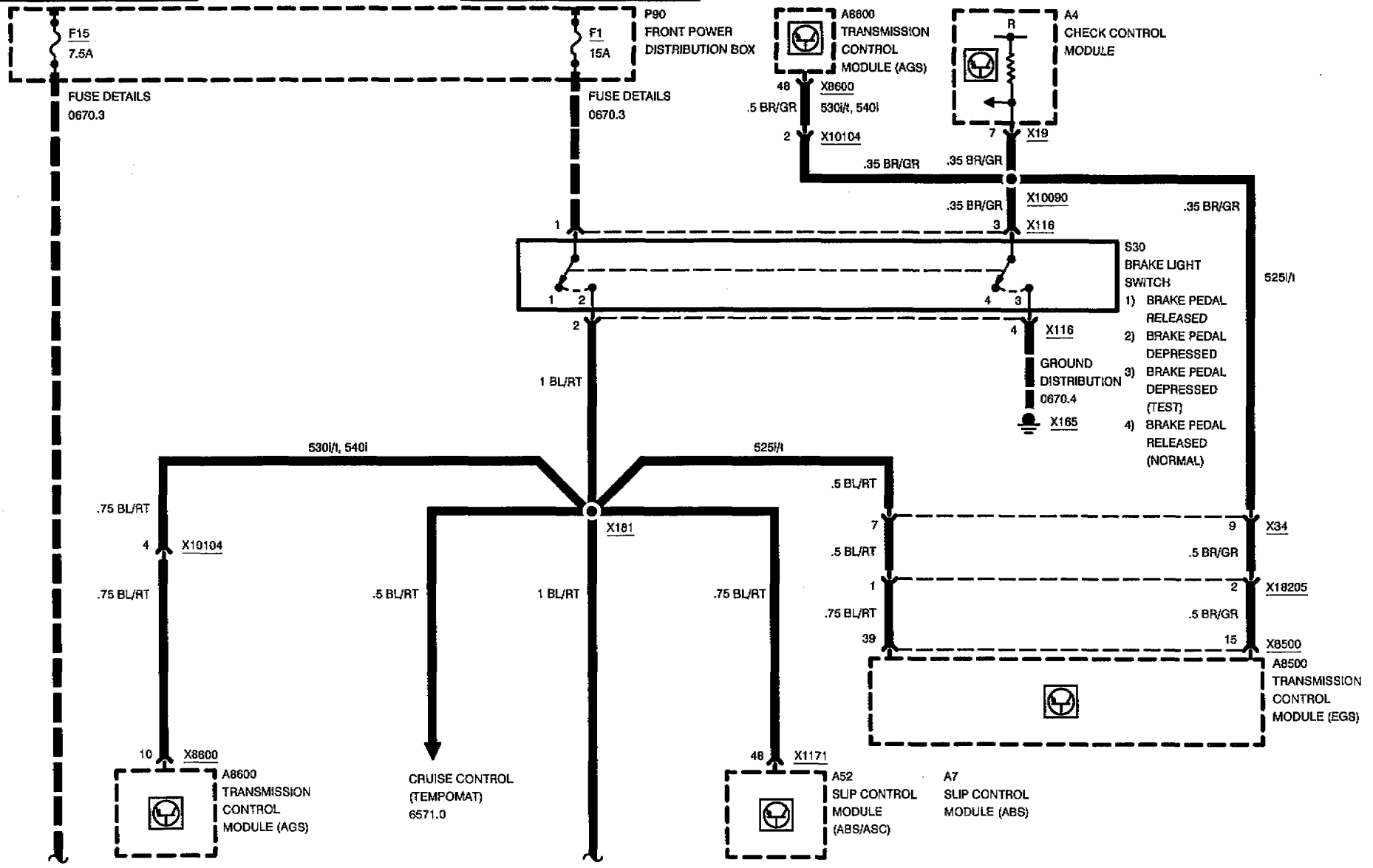




BMW 5 BRAKE LIGHTS

HOT IN ACCY, RUN AND START

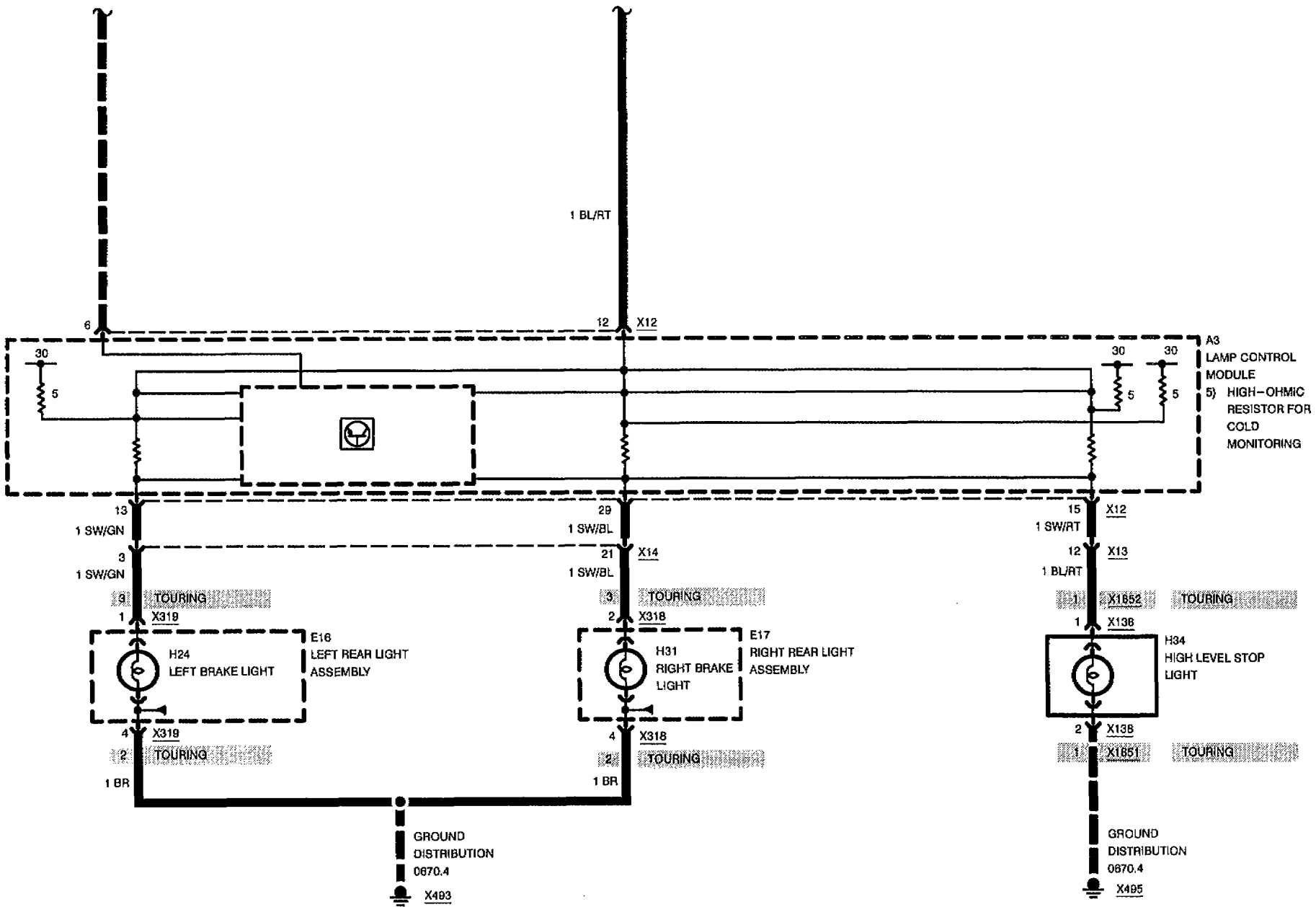
HOT IN ACCY, RUN AND START



02/97

6325.0-00

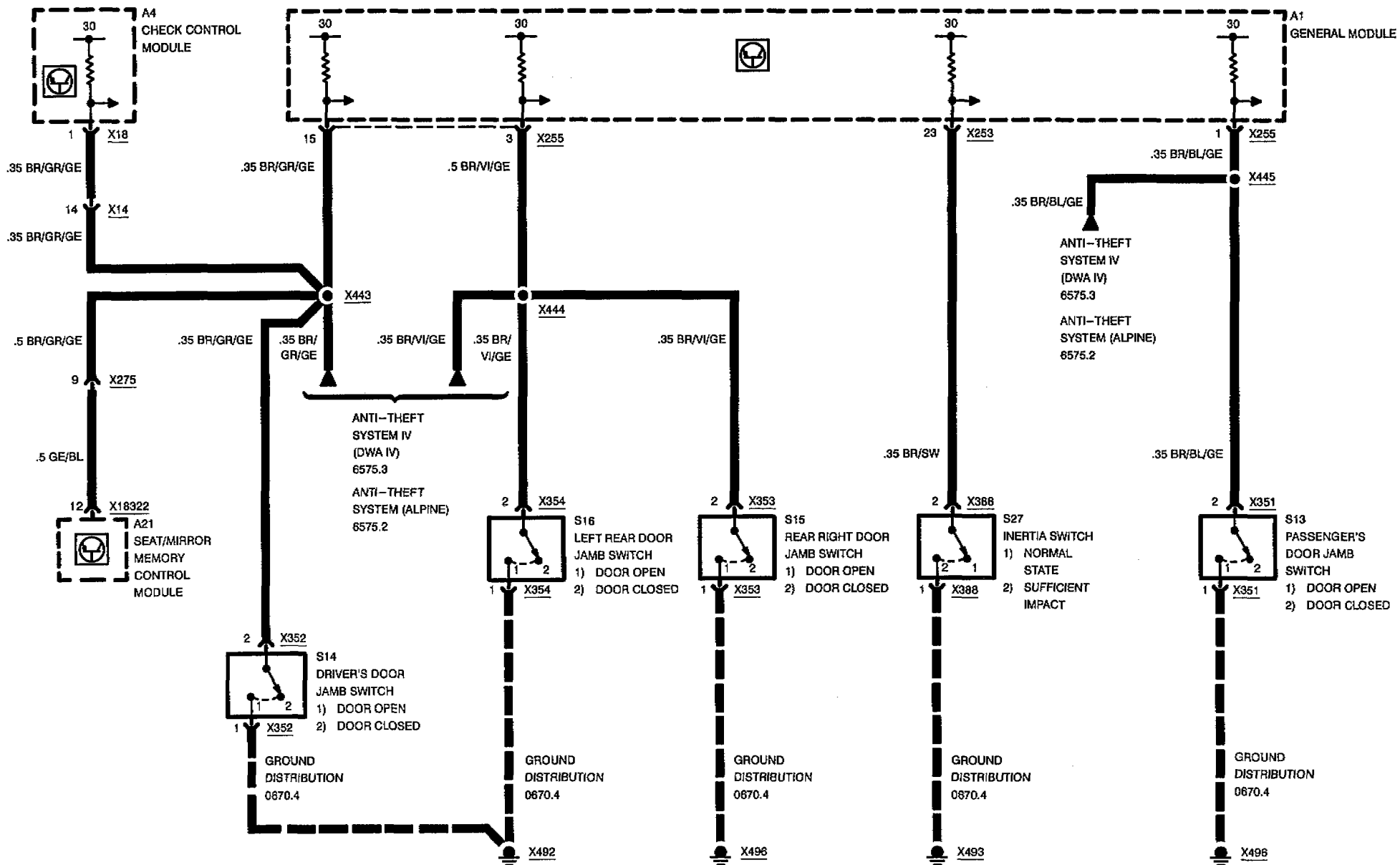
1995





ZKE INTERIOR LIGHTS CONTROL (IB)

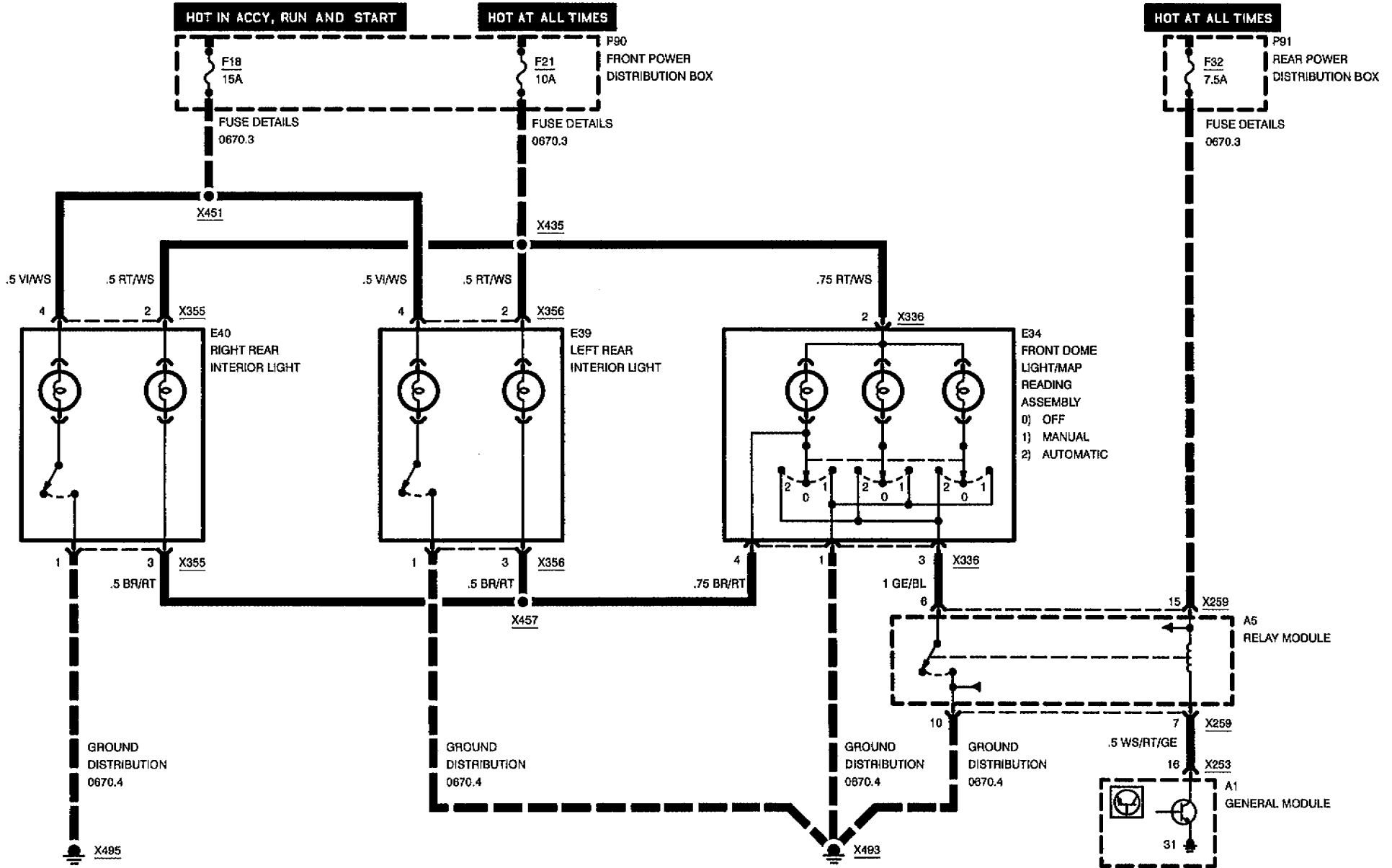
INPUT DETAILS





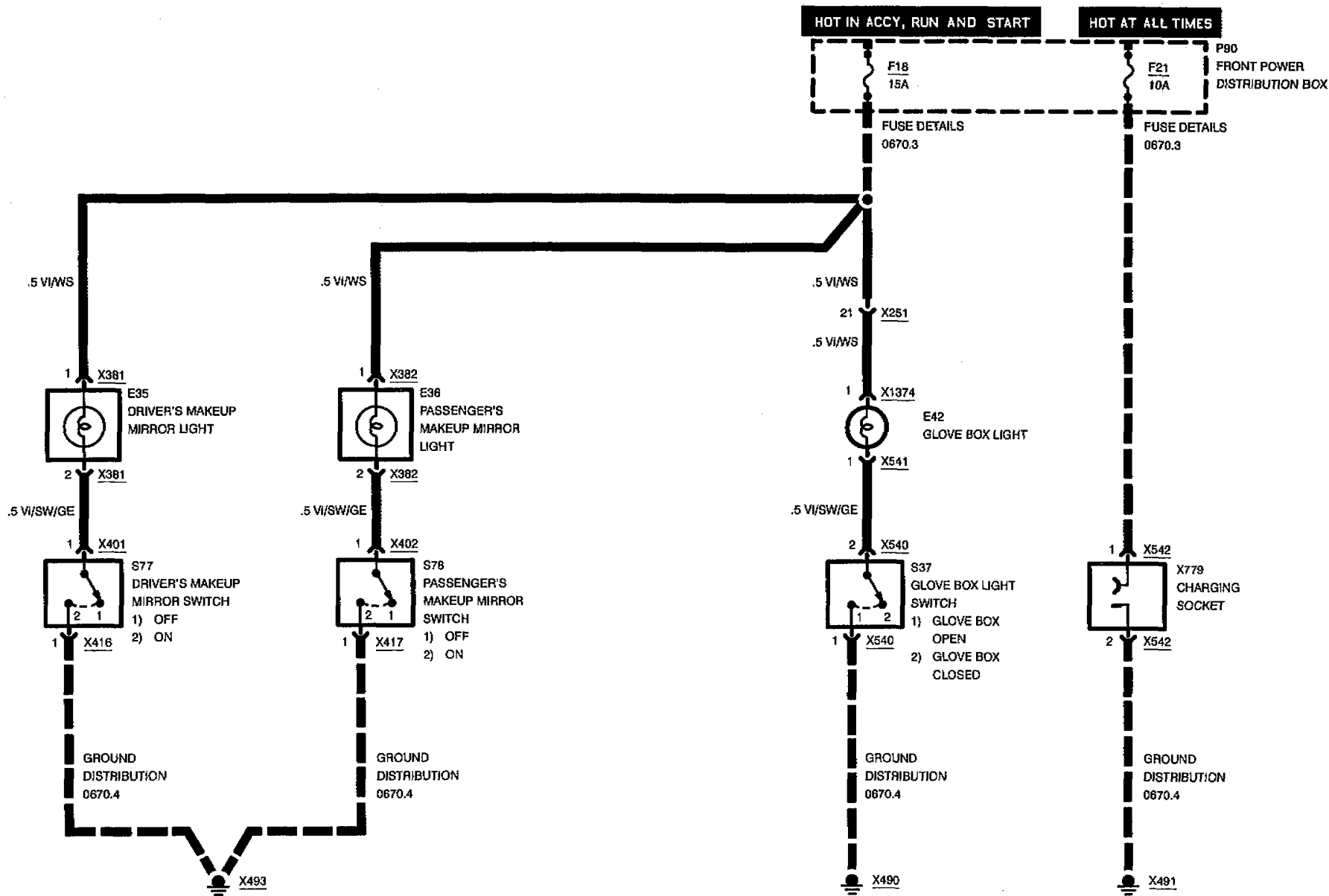
ZKE INTERIOR LIGHTS CONTROL (IB)

OUTPUT DETAILS



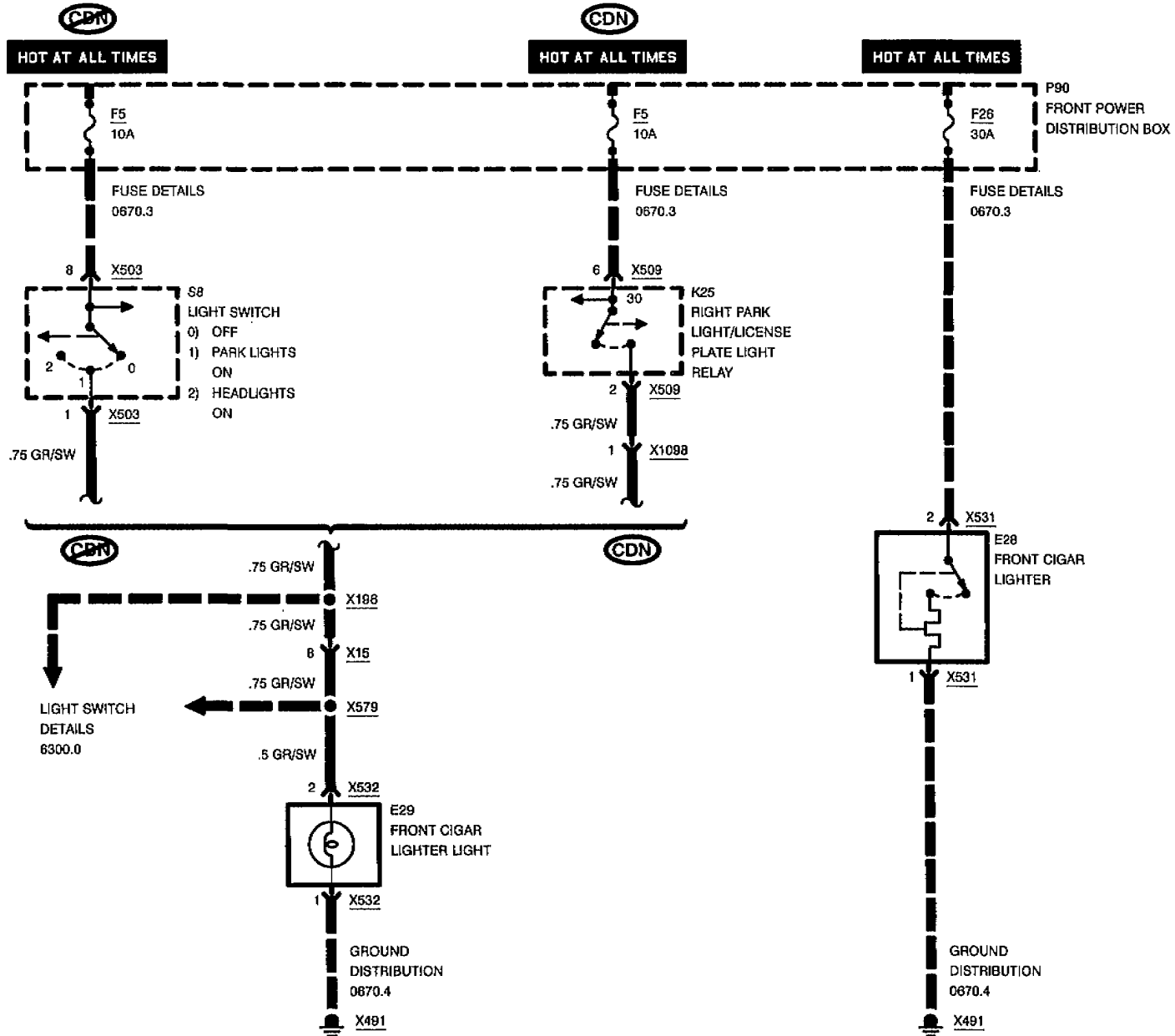


INTERIOR ACCESSORIES



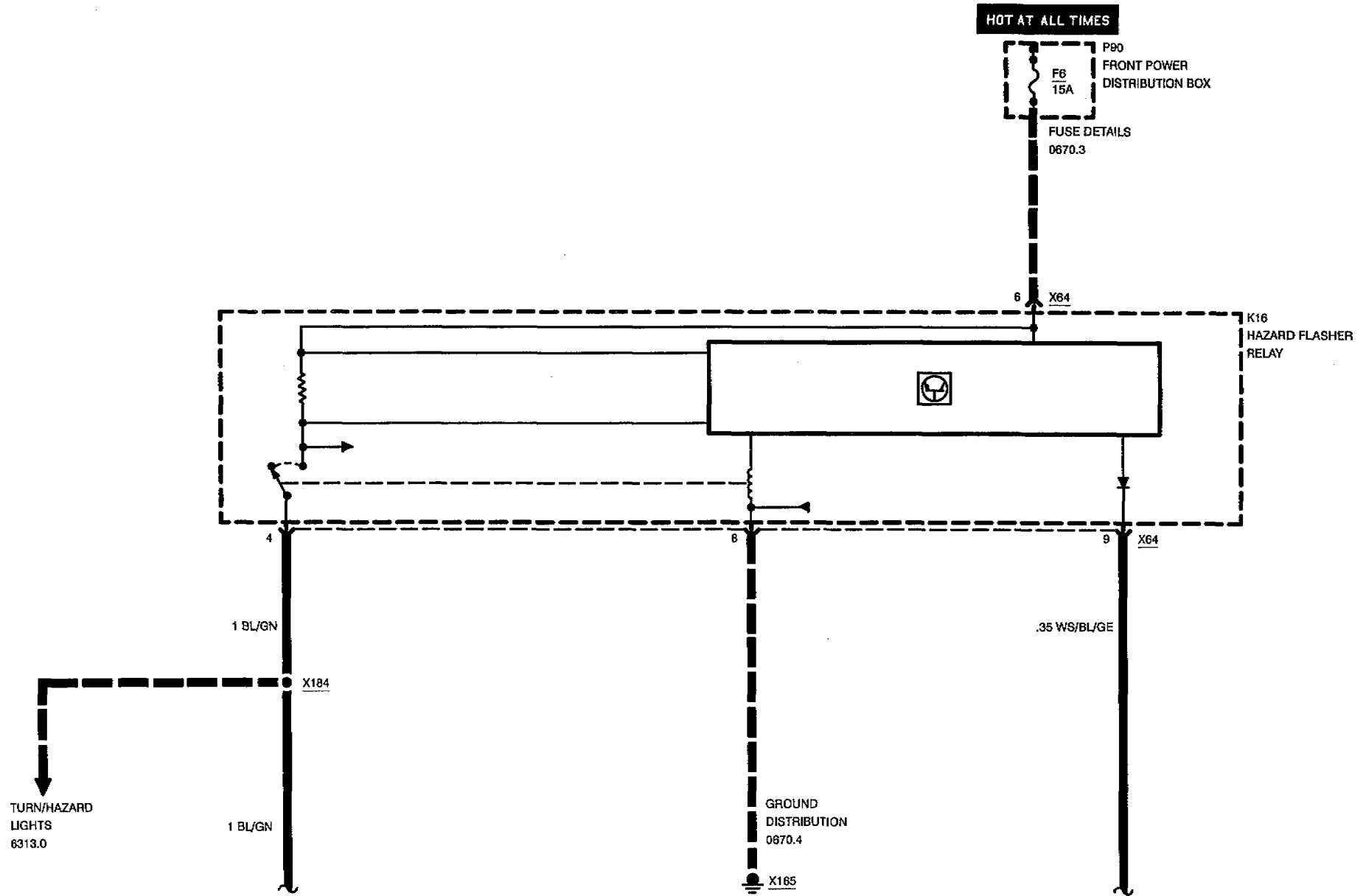


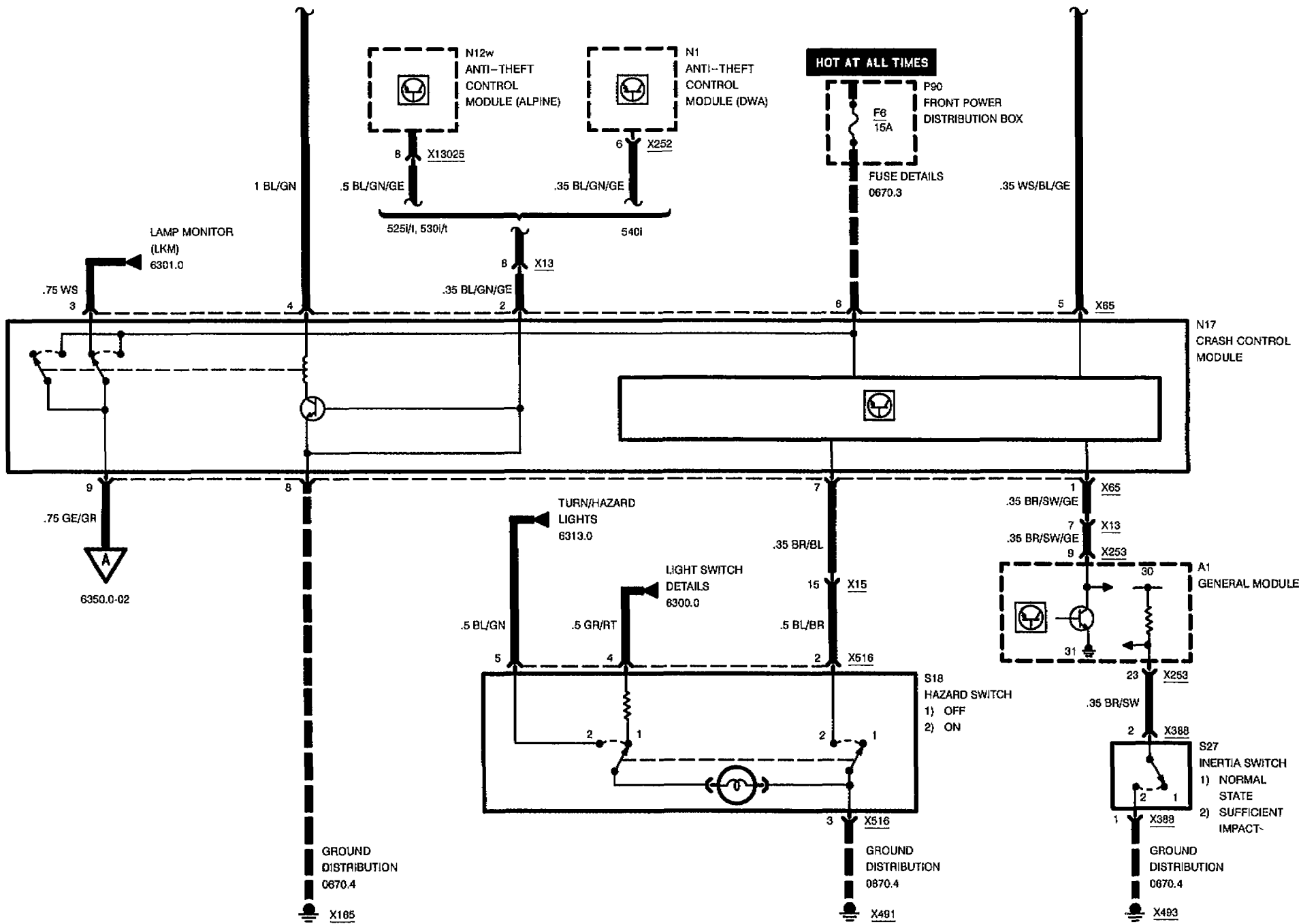
INTERIOR ACCESSORIES





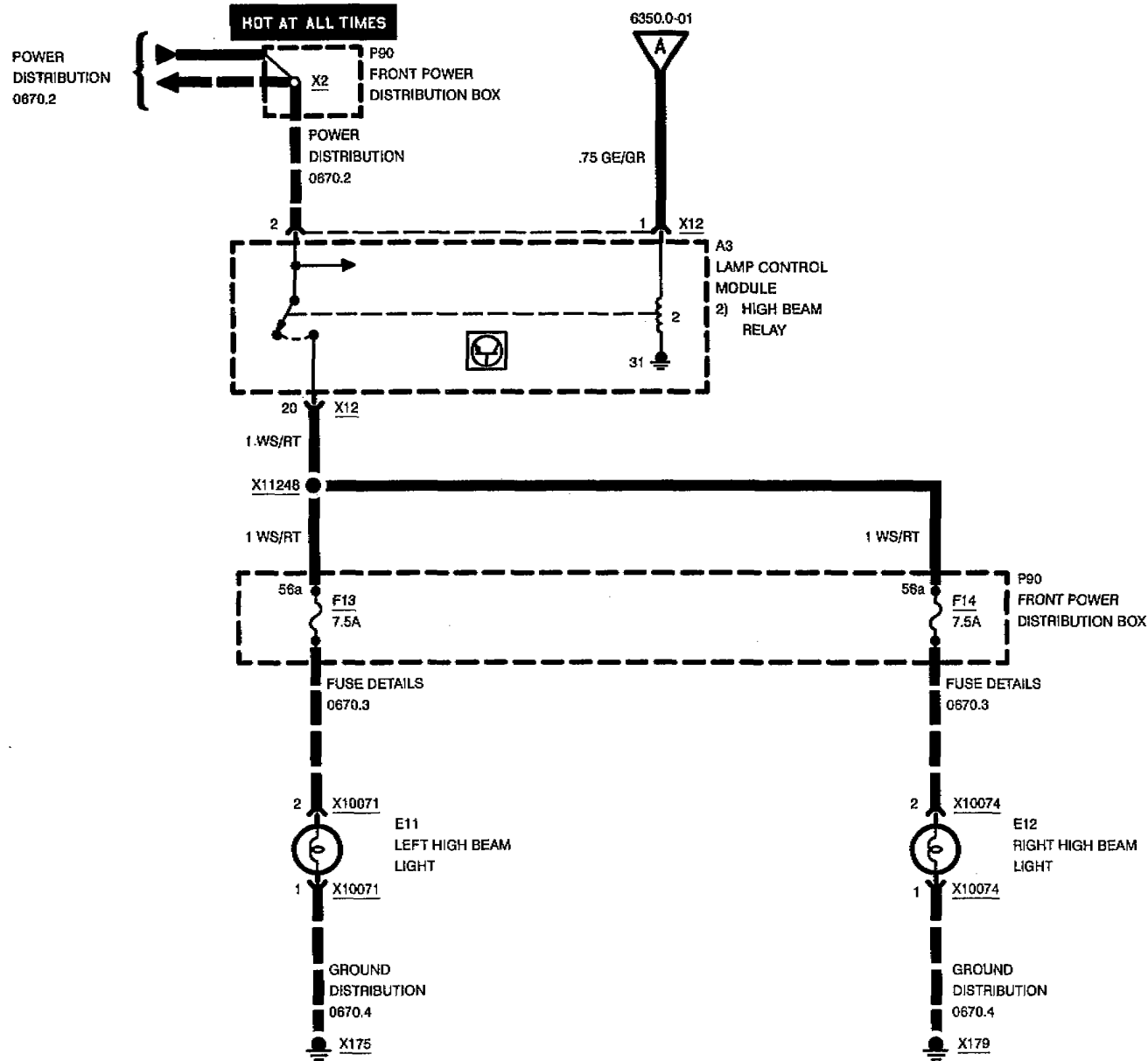
CRASH CONTROL MODULE







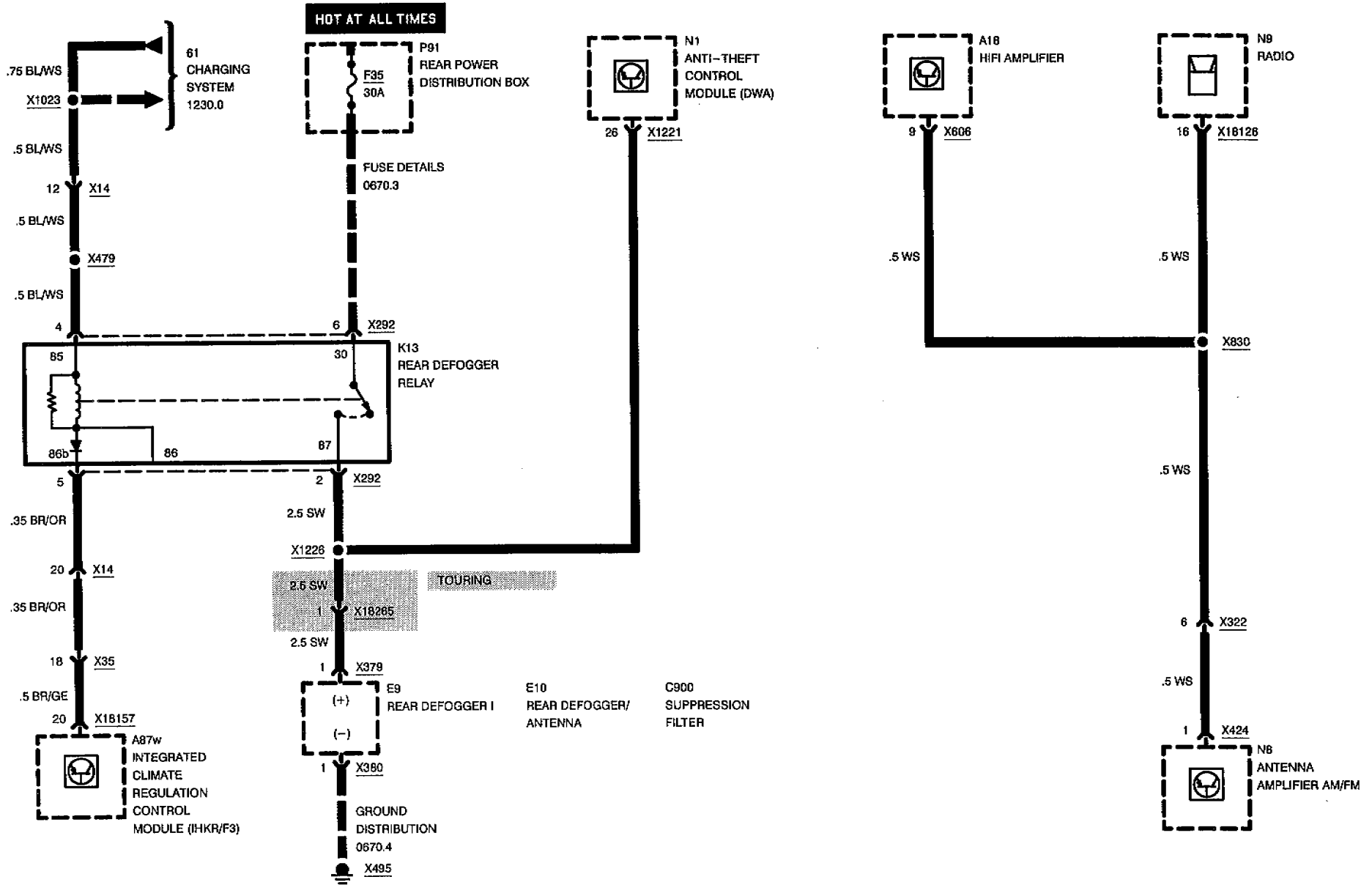
CRASH CONTROL MODULE







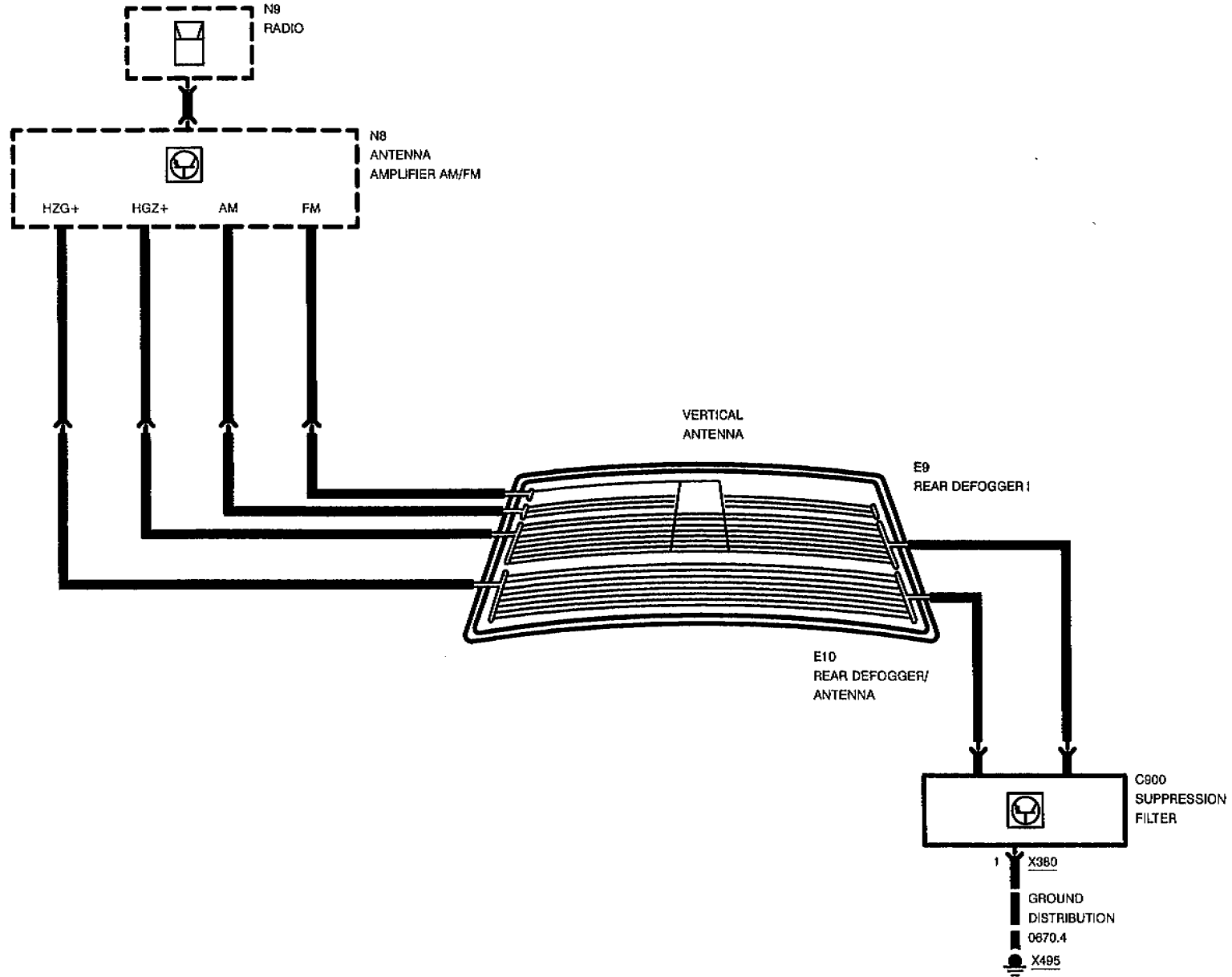
REAR WINDOW DEFOGGER/ANTENNA





REAR WINDOW DEFOGGER/ANTENNA

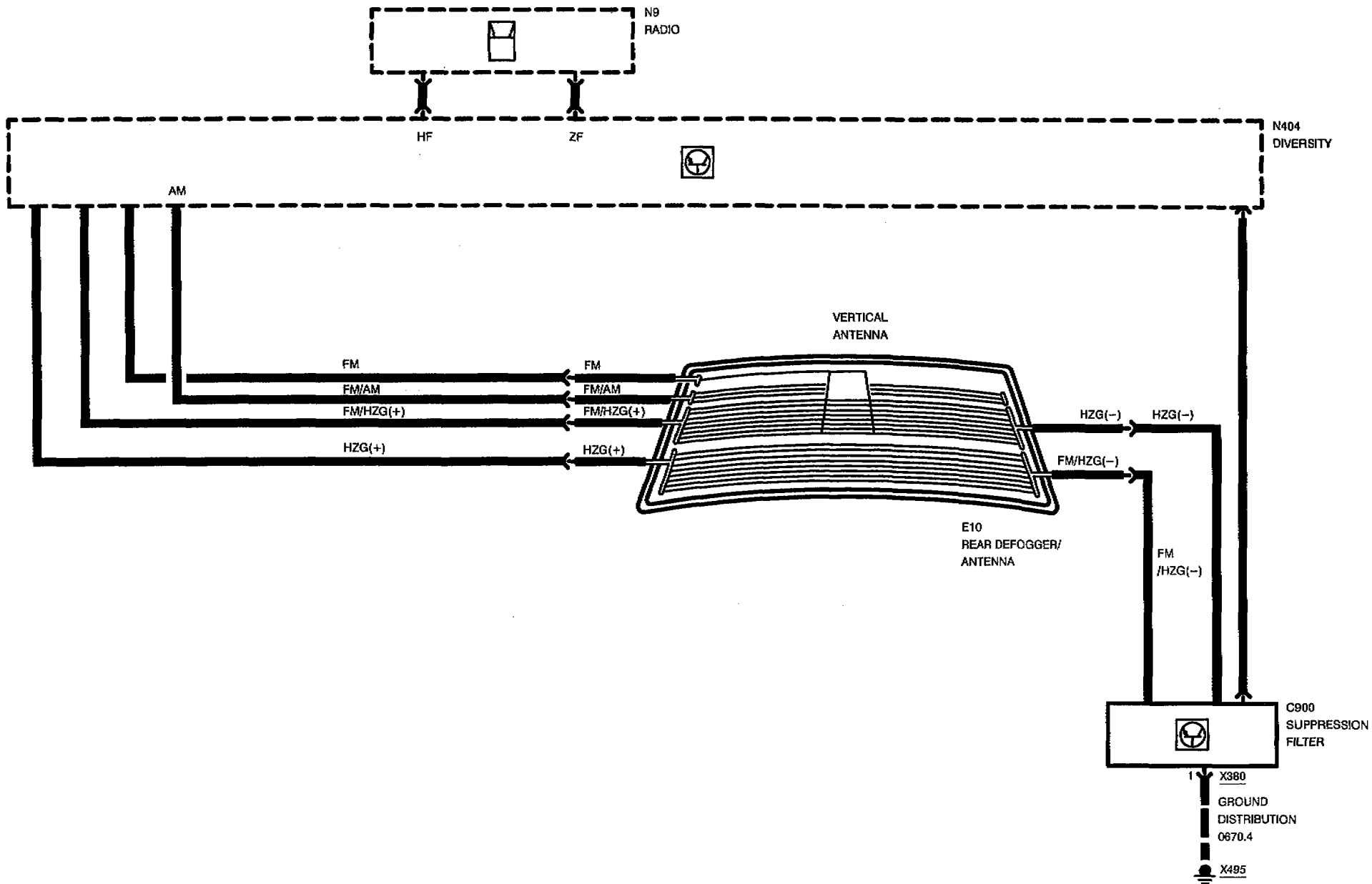
REAR WINDOW ANTENNA

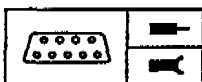




REAR WINDOW DEFOGGER/ANTENNA

3-ANTENNA-DIVERSITY





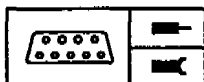
Pin Assignments

A=X18155	26 Pins, white
B=X18156	26 Pins, black
C=X18157	26 Pins, blue

X18155

Pin	Type	Description/ Function	Connection
1		Not used	
2	E	Heater temperature, right	Heat exchanger temperature sensor, RH
3	E	Heater temperature, left	Heat exchanger temperature sensor, LH
4	E	Outside temperature	Outside temperature sensor
5	E	Evaporator temperature	Evaporator temperature sensor
6		Not used	
7	E	Independent ventilation	Park heating/ventilation relay box
8	E	Vehicle speed	Instrument cluster
9		Not used	
10	E	Independent heating	Park heating/ventilation relay box
11		Not used	
12	E	Terminal 58k	Light switch
13	A	Voltage supply for function lights	IHKR/F3 switching unit
14		Not used	
15	M	Ground for control wheels and inside temperature sensor	IHKR/F3 control switch
16	M	Ground for temperature sensors	Various temperature sensors
17		Not used	
18	M	Ground for illumination and switches	IHKR/F3 switching unit
19		Not used	
20	E	Push button for air conditioning	IHKR/F3 switching unit
21	E	Push button for air recirculation	IHKR/F3 switching unit
22	E	Push button for rear window defogger	IHKR/F3 switching unit
23	A	Function light, air conditioning	IHKR/F3 switching unit
24	A	Function light, rear window defogger	IHKR/F3 switching unit

E = Input, A = Output, M = Ground



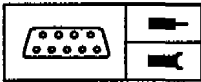
Pin Assignments

Pin	Type	Description/ Function	Connection
25	A	Function light, air recirculation	IHKR/F3 switching unit
26	A	Function light, air recirculation control	IHKR/F3 switching unit

X18156

Pin	Type	Description/ Function	Connection
1	M	Ground for electronics	Ground point
2		Not used	
3	E	Inside temperature sensor	IHKR/F3 control switch
4	E	Nominal air flow value	IHKR/F3 control switch
5	E	Nominal temperature value, left	IHKR/F3 control switch
6	E	Nominal temperature value, right	IHKR/F3 control switch
7		Not used	
8		Not used	
9	A	Auxiliary fan signal	Engine control module (DME)
10	M	Ground for electronics	Ground point
11		Not used	
12	E	Voltage supply (terminal 30)	Front power distribution box
13	E	Voltage supply (terminal 30)	Front power distribution box
14		Not used	
15	A	Water valve activation, right	IHKR/F3 control switch
16		Not used	
17		Not used	
18	E	Terminal 15 (independent ventilation only)	Park heating/ventilation relay box
19		Not used	
20		Not used	
21		Not used	
22	A	Water valve activation	IHKR/F3 control switch
23	E	Voltage supply (terminal 15)	Front power distribution box
24		Not used	
25	E	Terminal 61	Unloader relay terminal 61
26	E	Terminal 30h	Starter

E = Input, A = Output, M = Ground



Pin Assignments

X18157

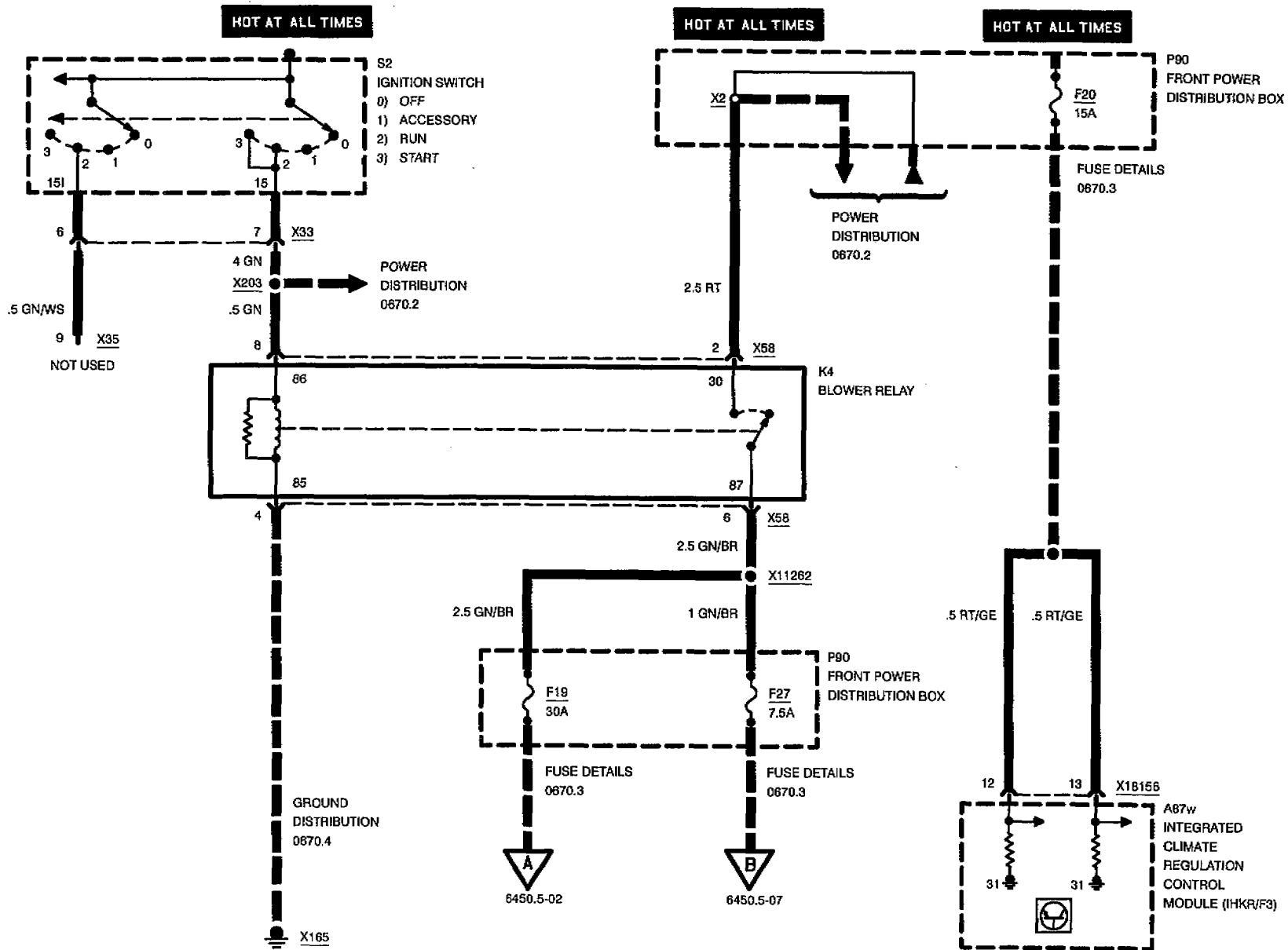
Pin	Type	Description/ Function	Connection
1	A	Voltage supply for flap motors	All flap motors
2	A	Voltage supply for flap motors	All flap motors
3		Not used	
4		Not used	
5		Not used	
6	A	Recirculation flap motor activation	Recirculation flap motor
7	A	Recirculation flap motor activation	Recirculation flap motor
8	A	Recirculation flap motor activation	Recirculation flap motor
9	A	Recirculation flap motor activation	Recirculation flap motor
10	A	Fresh air flap motor activation	Fresh air flap motor
11	A	Fresh air flap motor activation	Fresh air flap motor
12	A	Fresh air flap motor activation	Fresh air flap motor
13	A	Fresh air flap motor activation	Fresh air flap motor
14	A	Voltage supply for control wheels	IHKR/F3 control switch
15	E	RxD diagnostic data line	Data link connector RxD
16	E/A	TxD diagnostic data line	Data link connector TxD
17		Not used	
18	A	Sensor for activation	IHKR/F3 control switch
19	A	Auxiliary water pump activation	Auxiliary water pump relay
20	A	Rear window defogger activation	Rear defogger relay
21		Not used	
22	A	A/C compressor activation	Engine control module (DME)
23		Not used	
24		Not used	
25		Not used	
26		Not used	

E = Input, A = Output, M = Ground



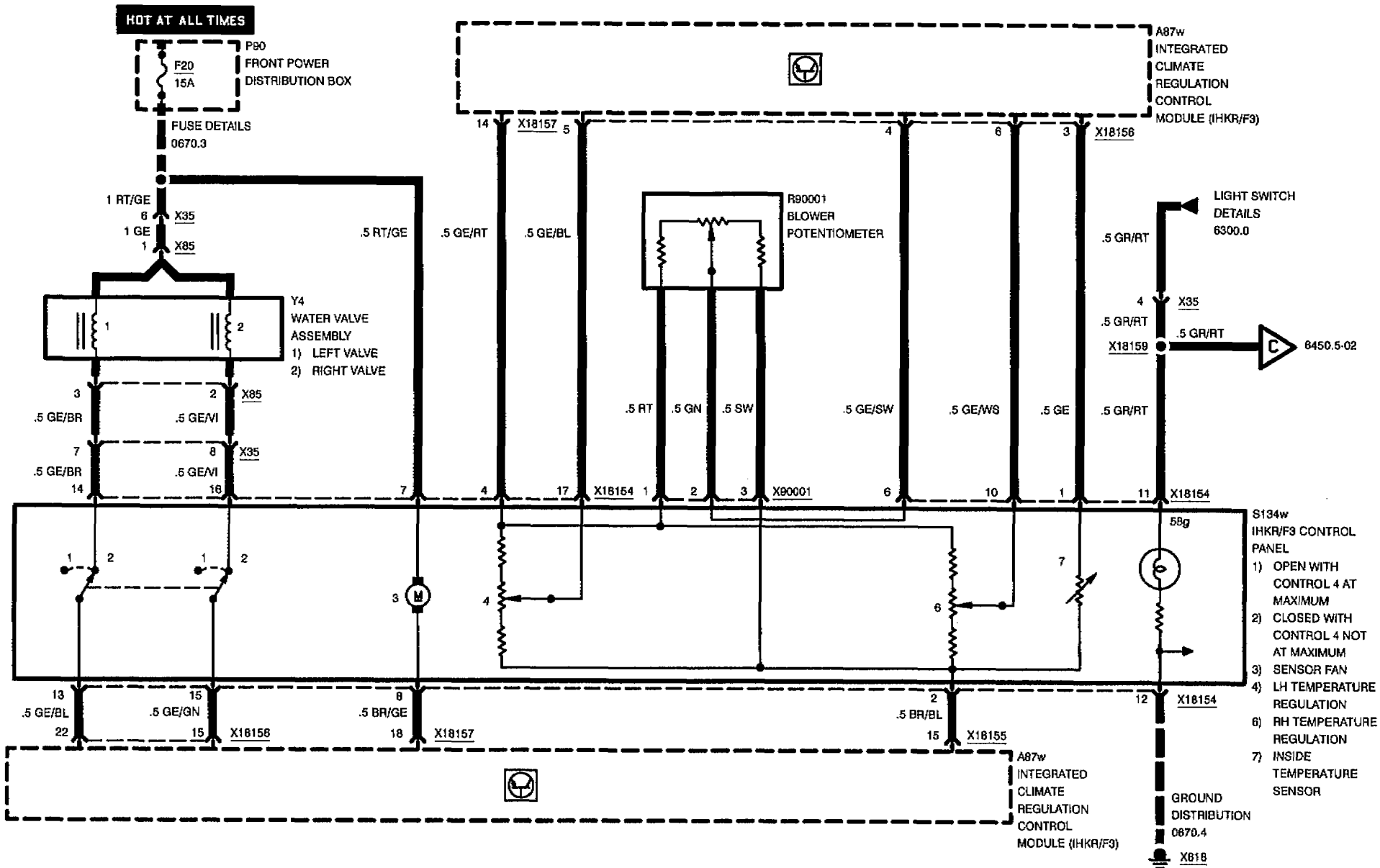
INTEGRATED CLIMATE REGULATION WITH FILTER (IHKR/F3)

POWER





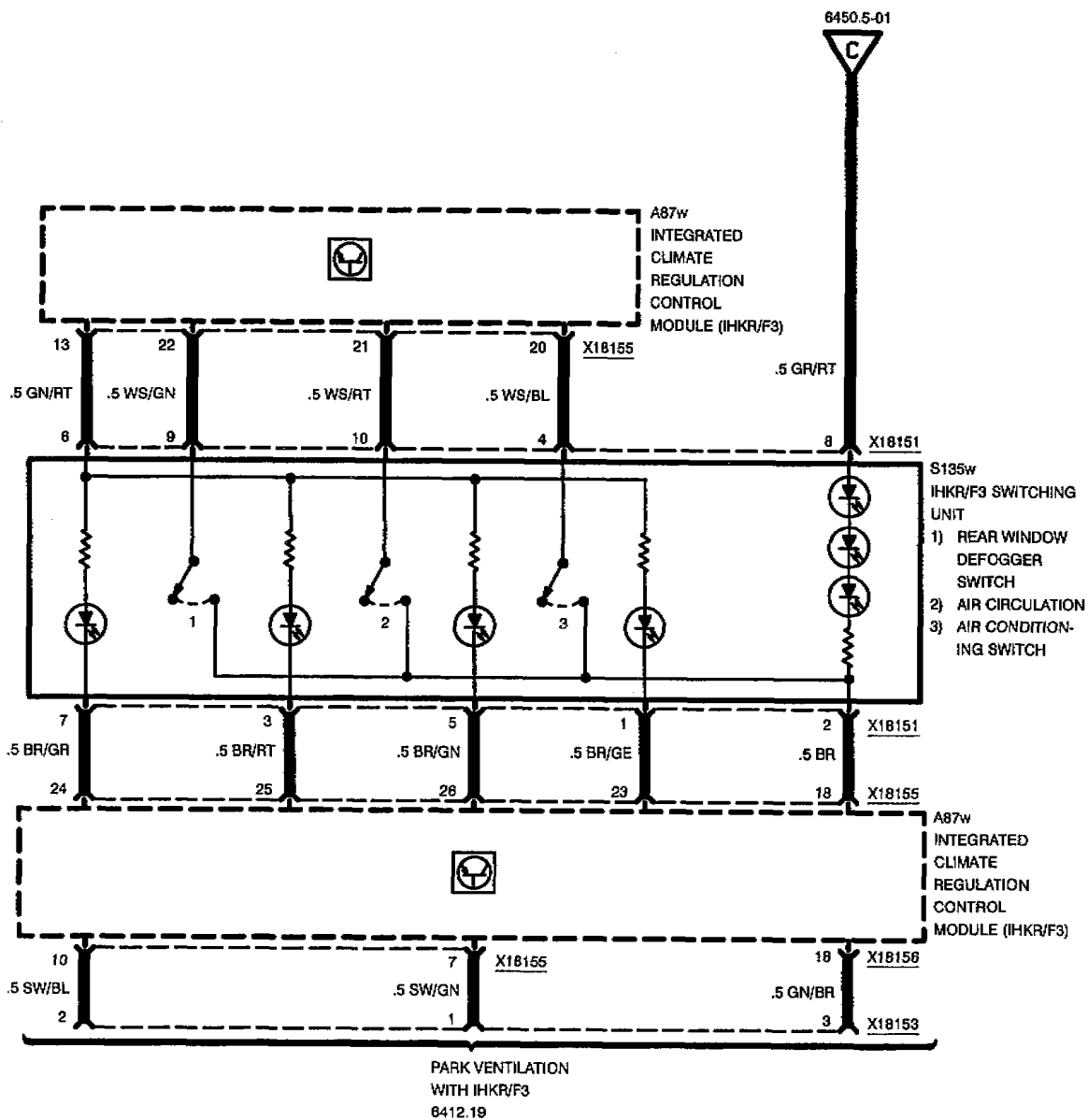
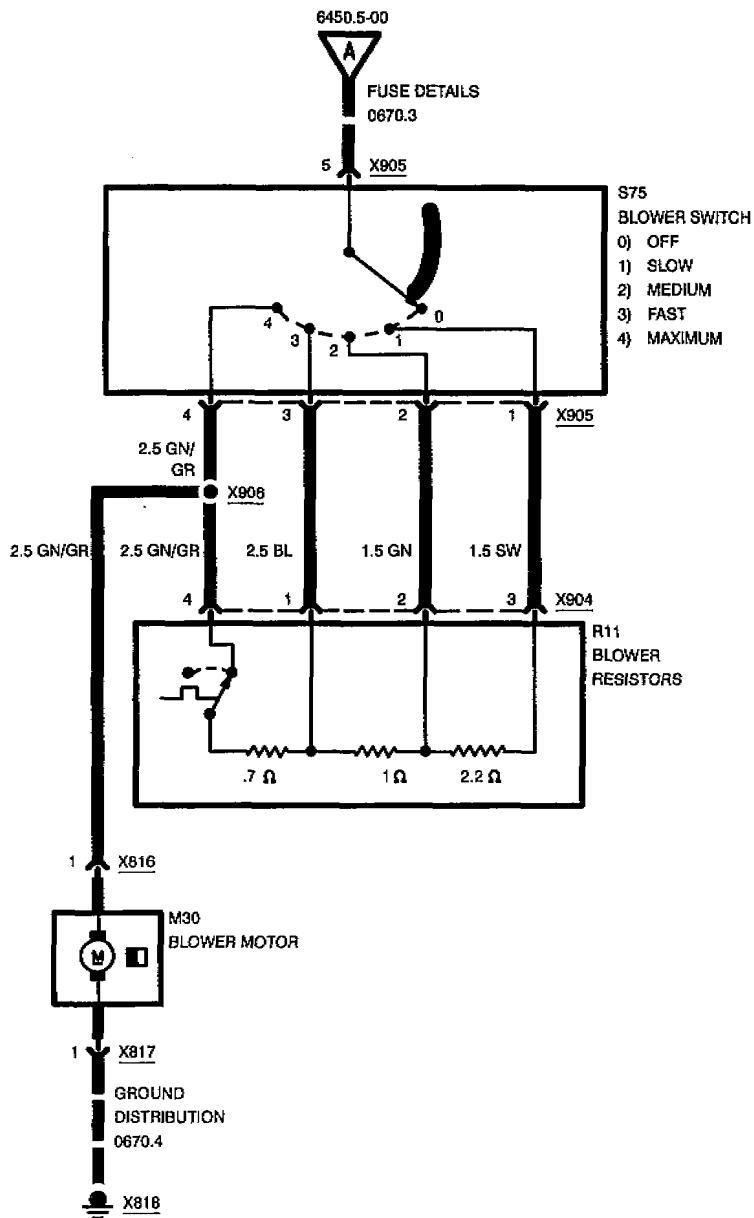
INTEGRATED CLIMATE REGULATION WITH FILTER (IHKR/F3)



02/97
6450.5-01
1995



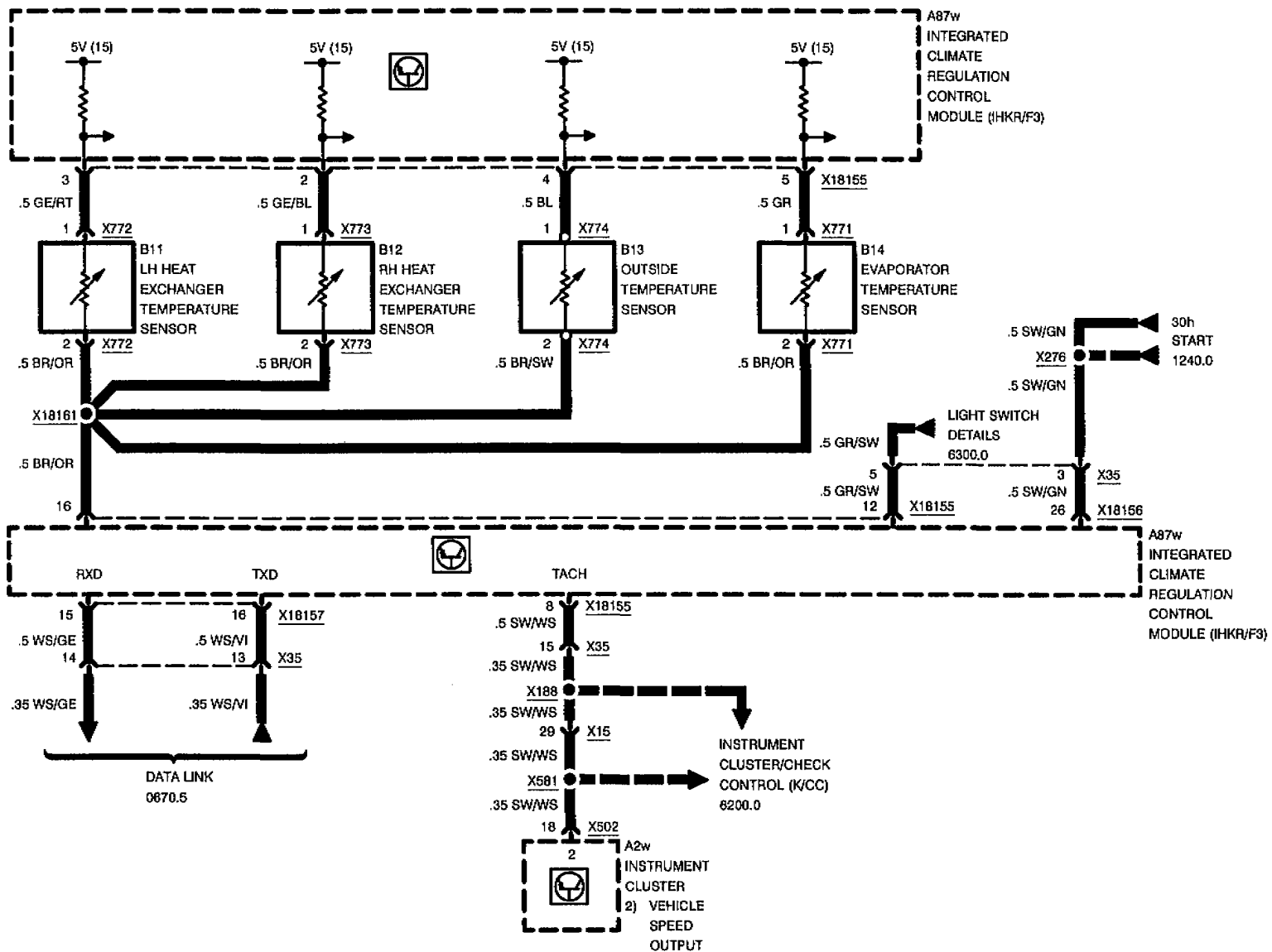
INTEGRATED CLIMATE REGULATION WITH FILTER (IHKR/F3)





INTEGRATED CLIMATE REGULATION WITH FILTER (IHKR/F3)

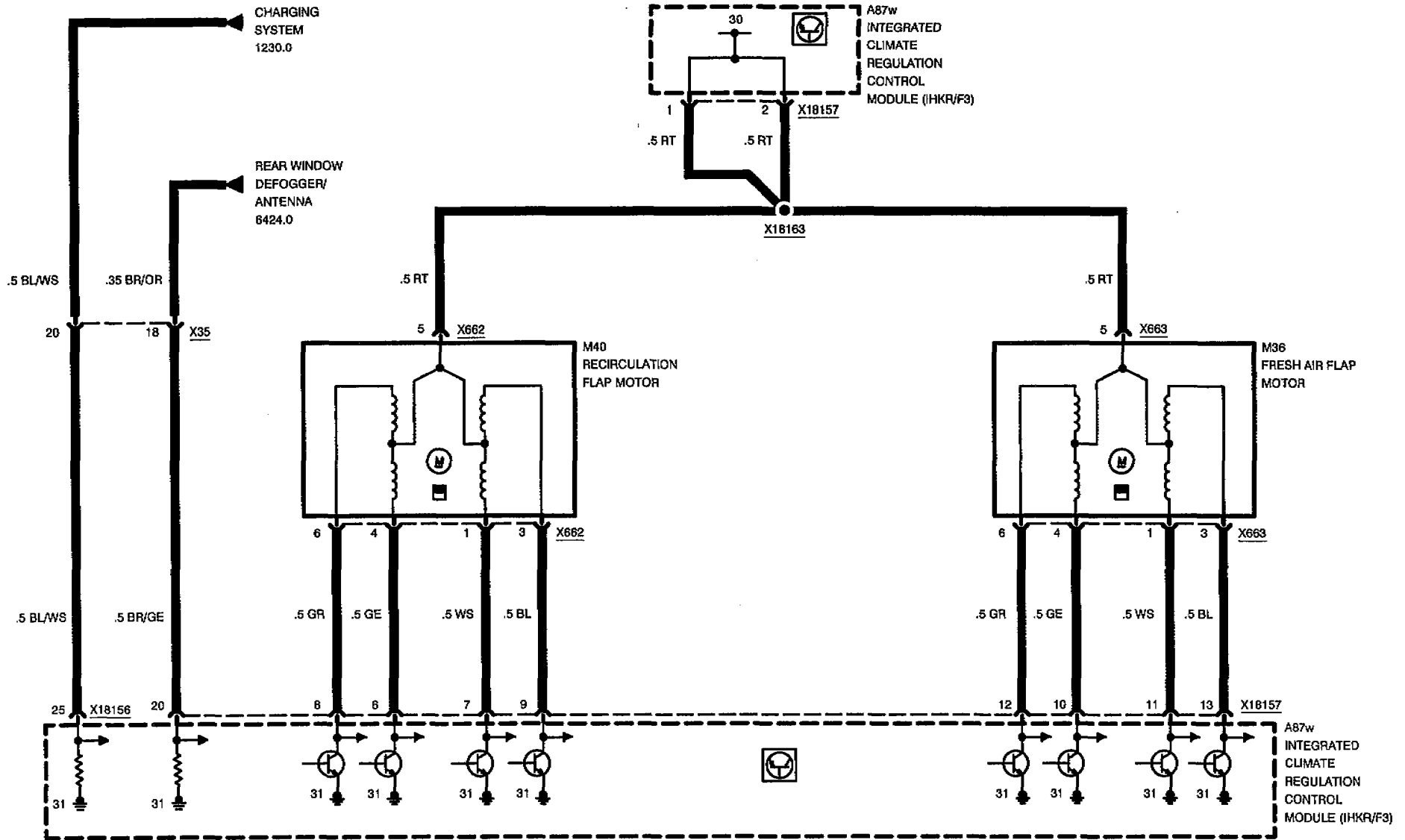
TEMPERATURE CONTROLS





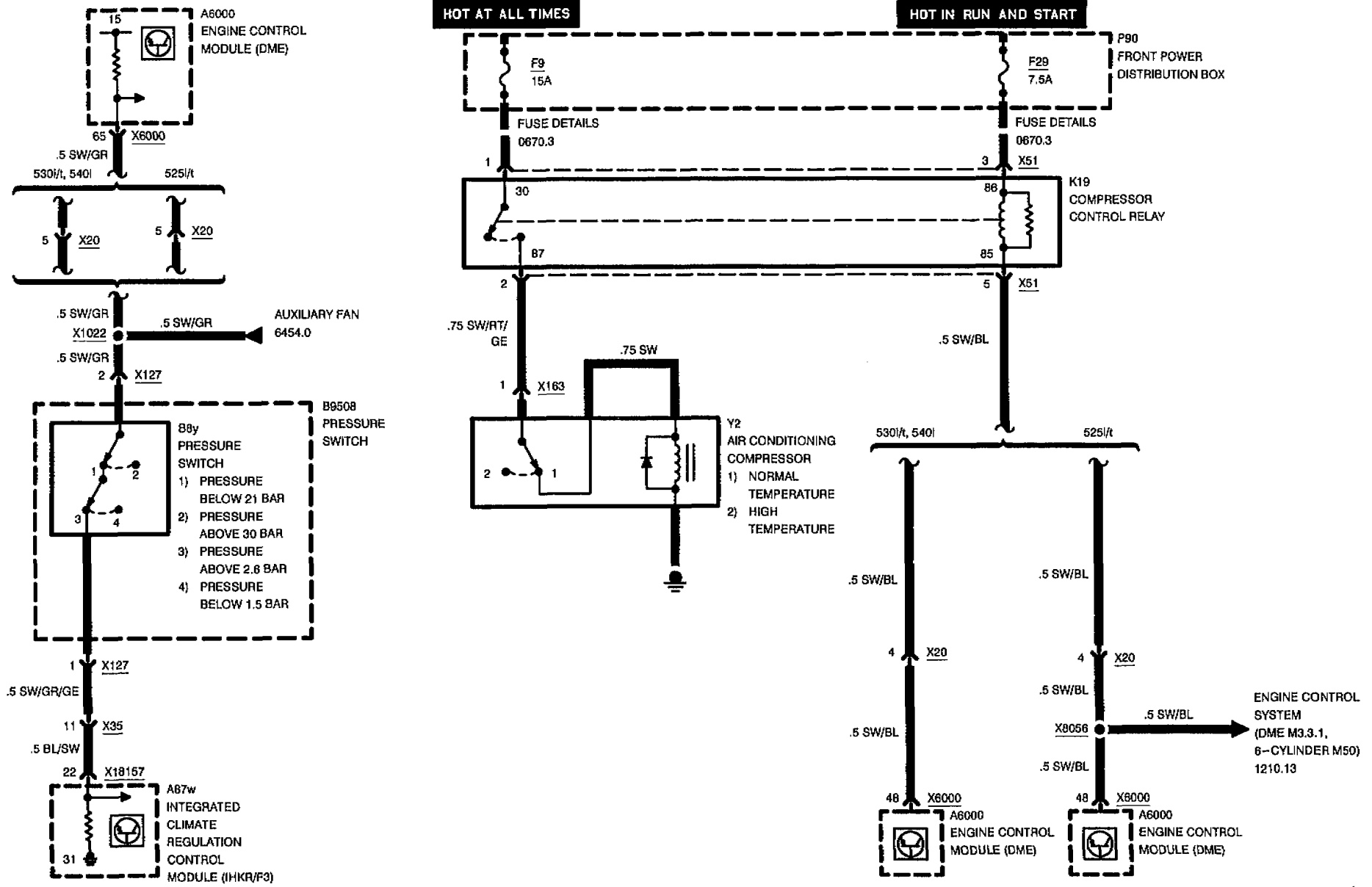
INTEGRATED CLIMATE REGULATION WITH FILTER (IHKR/F3)

AIR DELIVERY





INTEGRATED CLIMATE REGULATION WITH FILTER (IHKR/F3) DME PROGRAMMING LINE (SPARK IGNITION ENGINES ONLY)

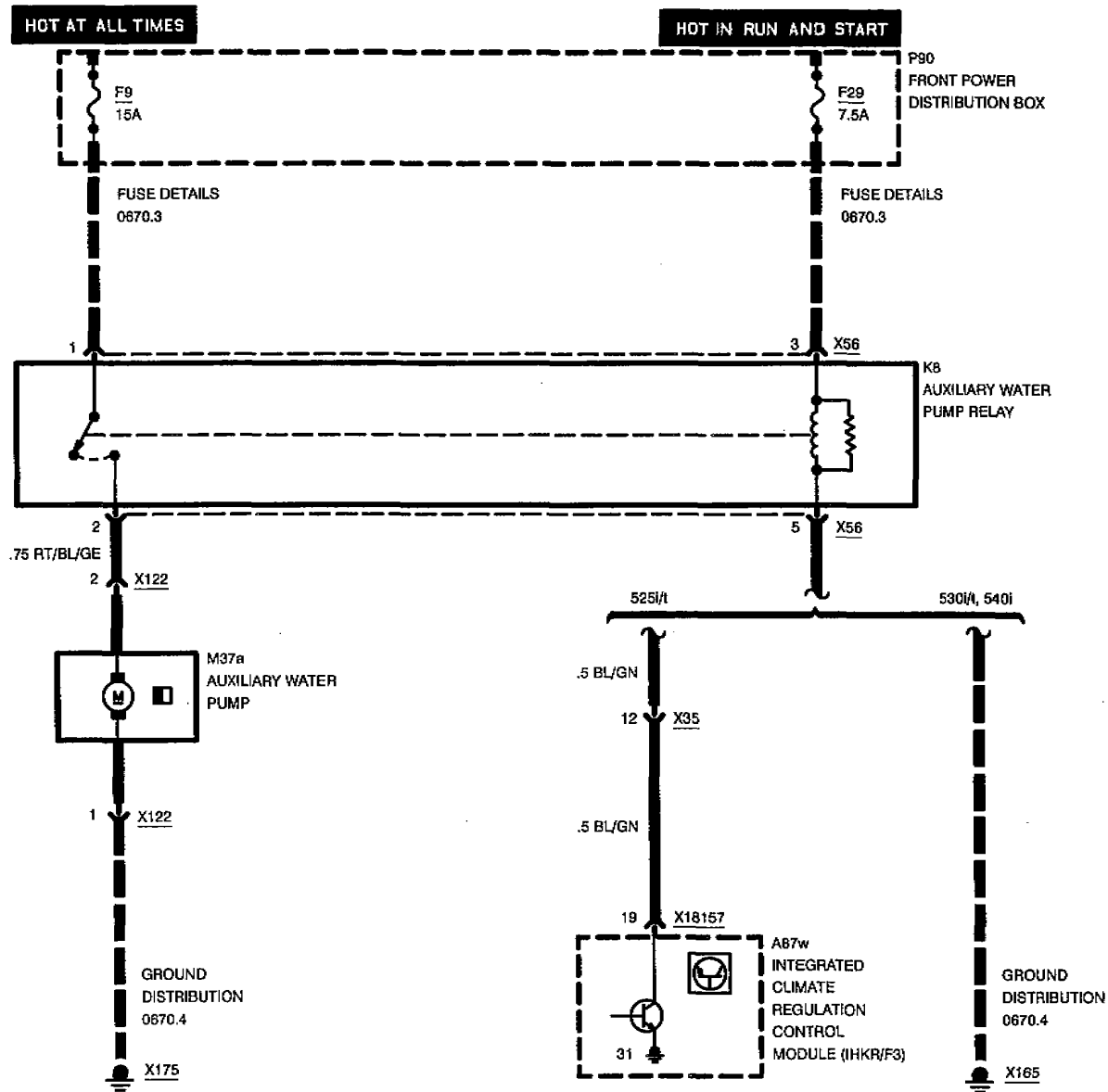


02/97 6450.5-05 1995



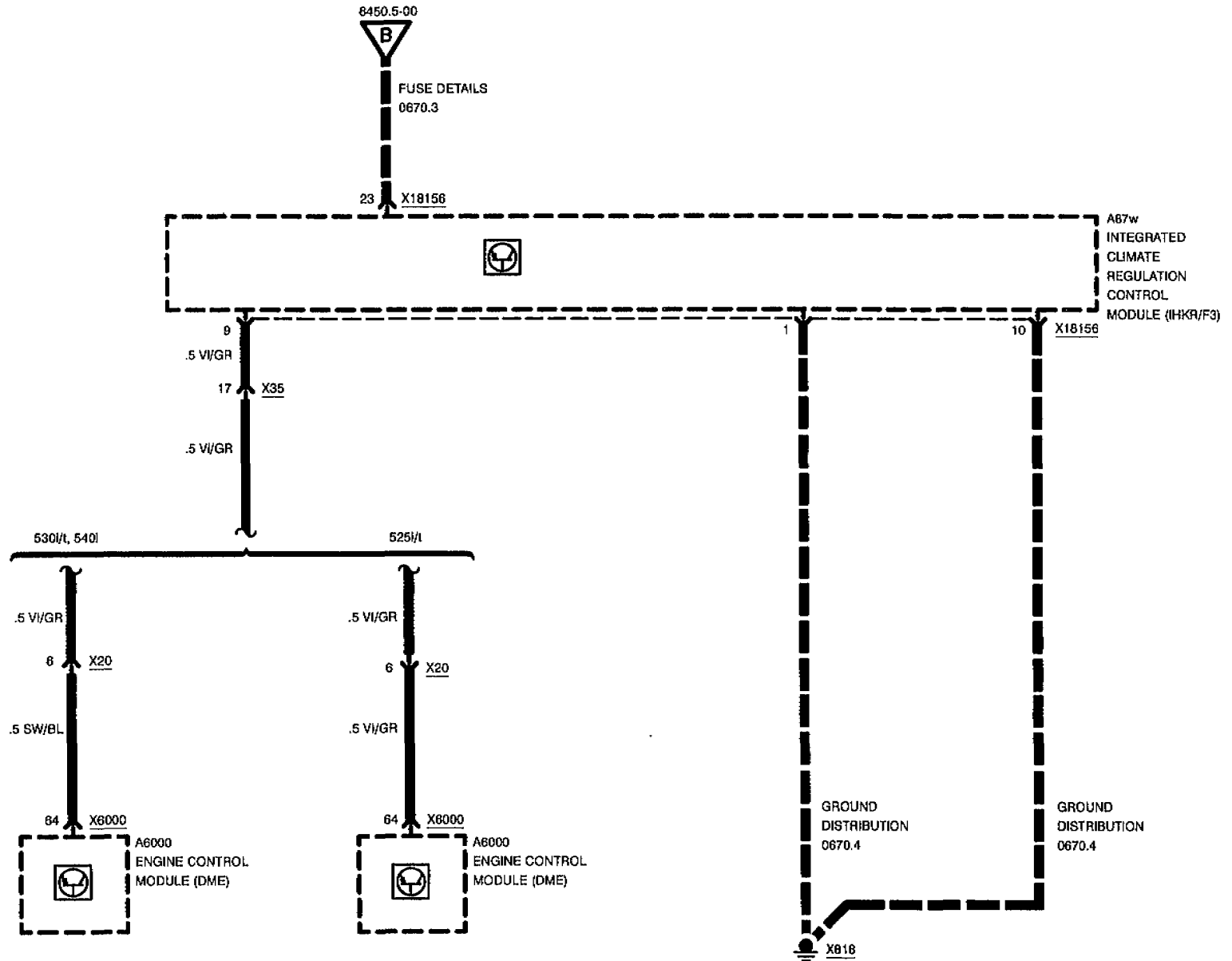
INTEGRATED CLIMATE REGULATION WITH FILTER (IHKR/F3)

AUXILIARY WATER PUMP



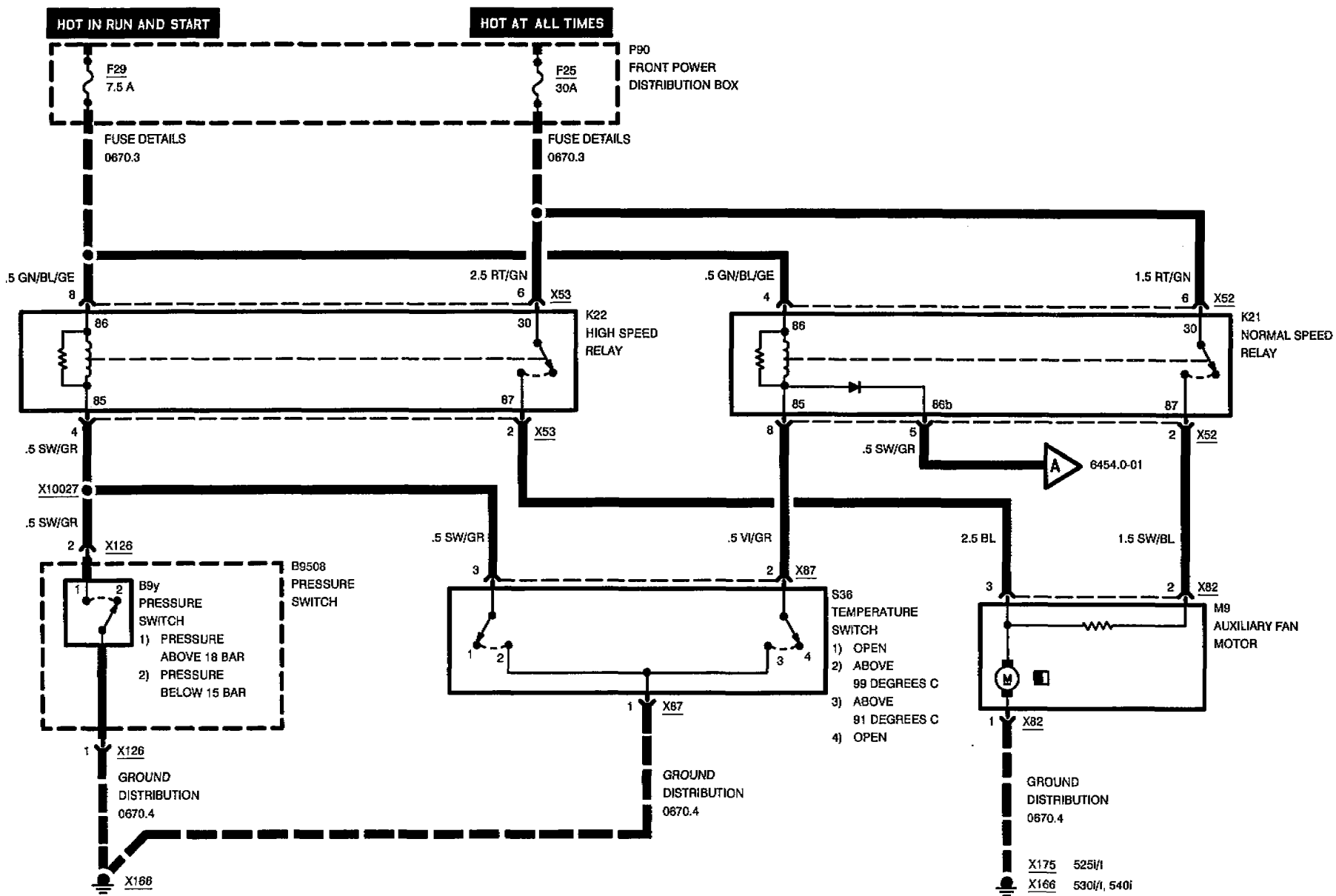


INTEGRATED CLIMATE REGULATION WITH FILTER (IHKR/F3)



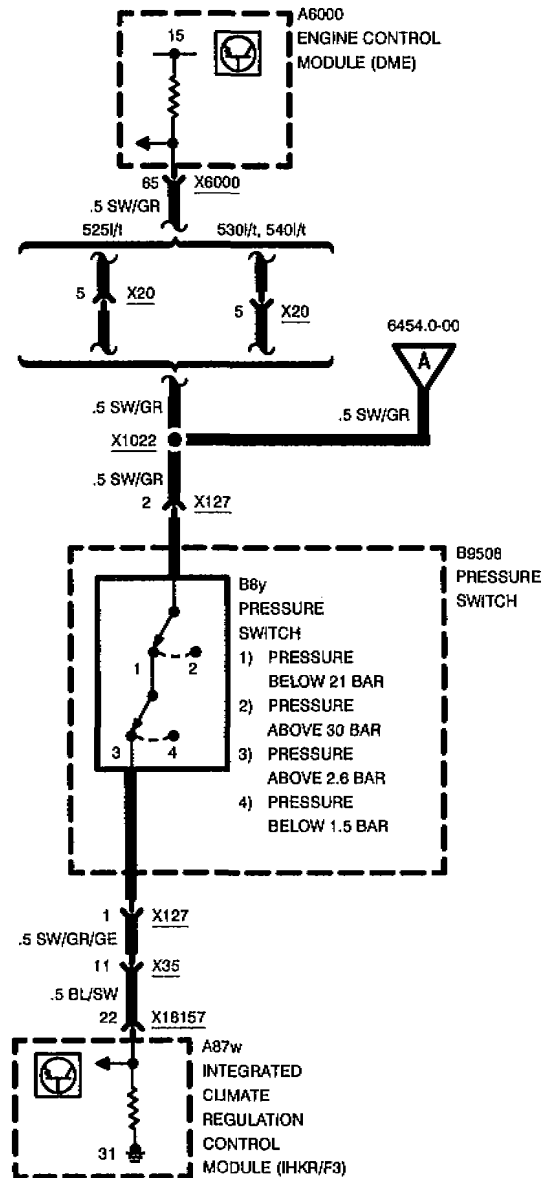


AUXILIARY FAN





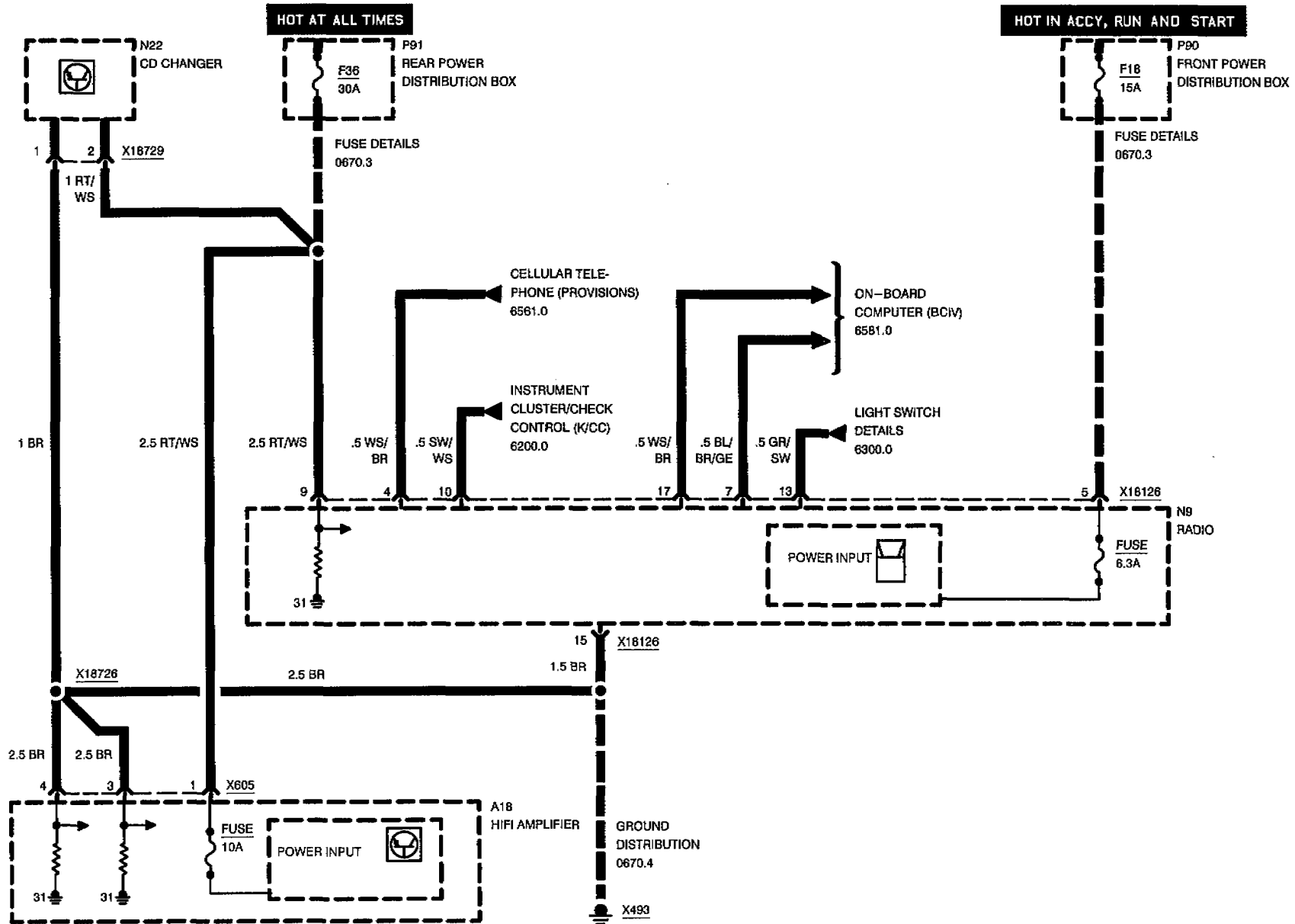
AUXILIARY FAN





RADIO/HIFI

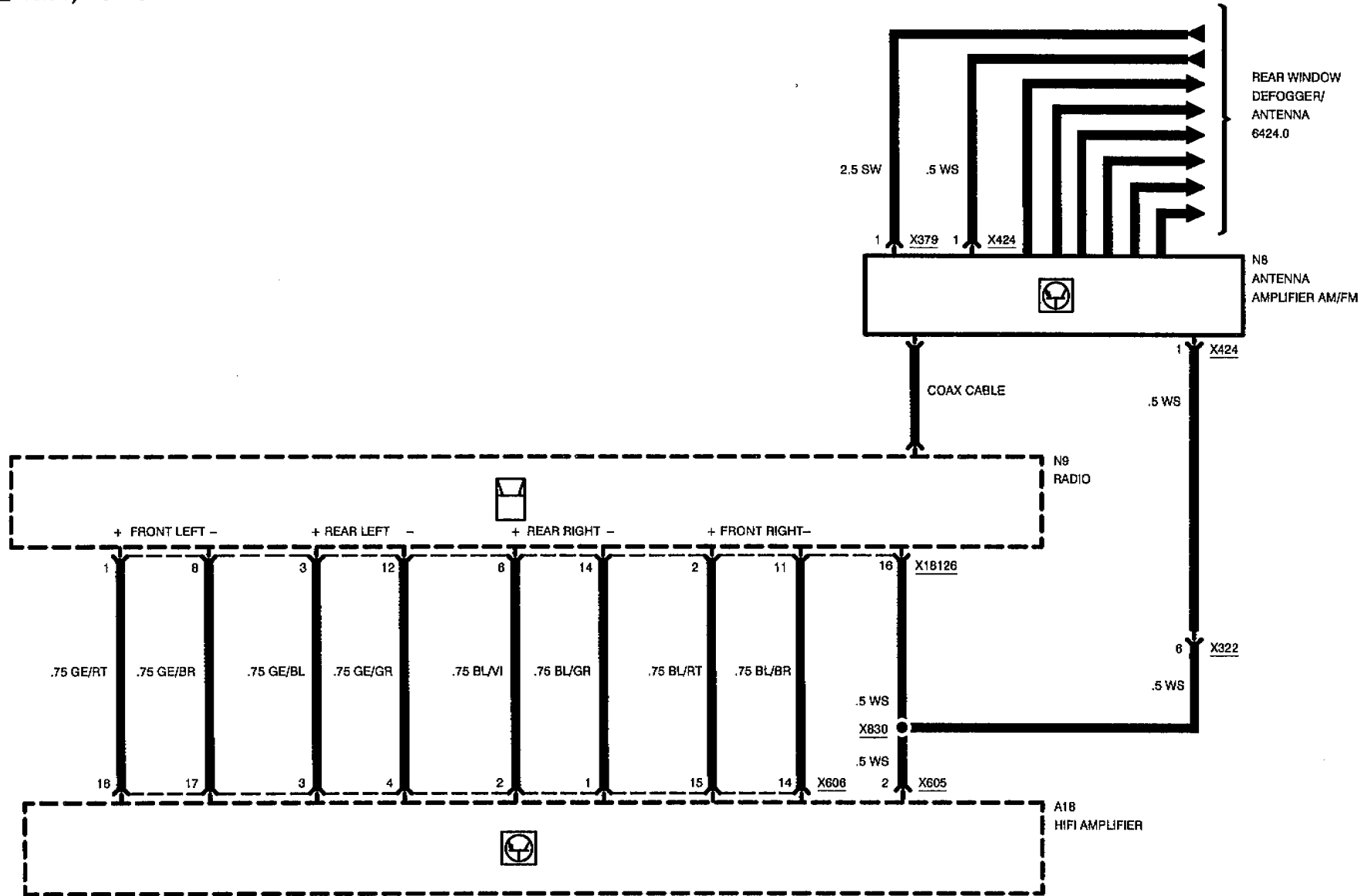
HIFI, 10-SPEAKER SYSTEM





RADIO/HIFI

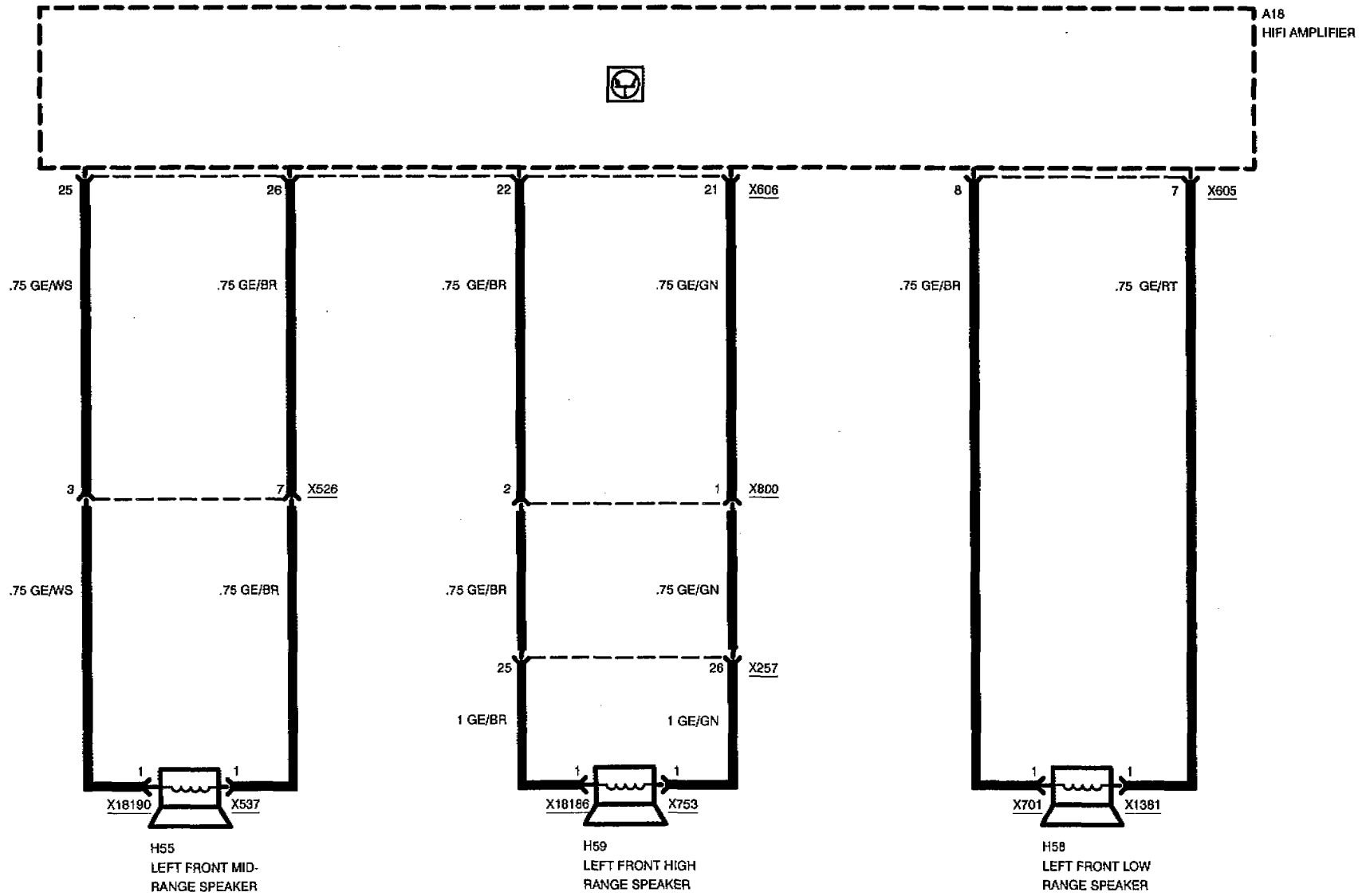
HIFI, 10-SPEAKER SYSTEM





RADIO/HIFI

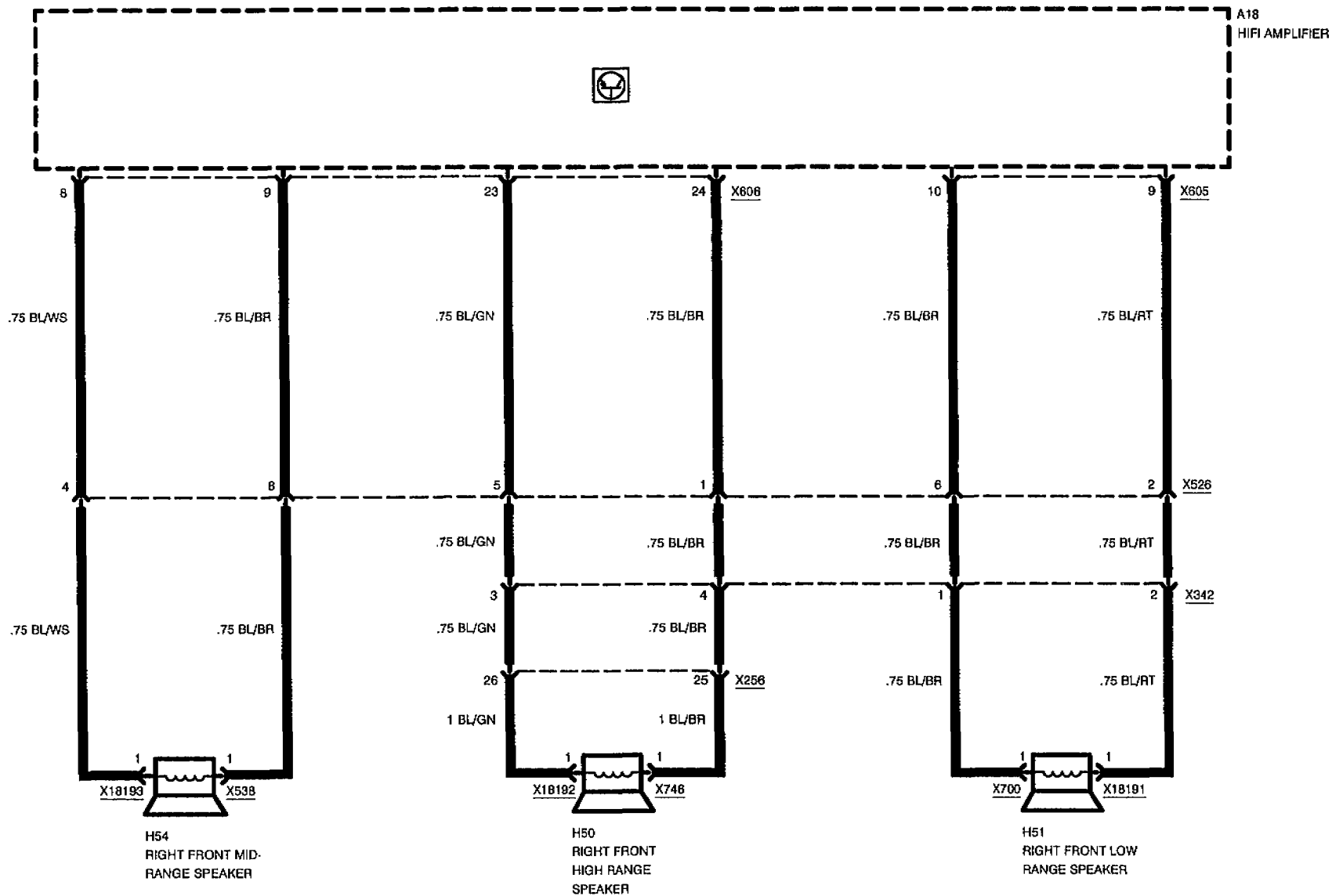
HIFI, 10-SPEAKER SYSTEM





RADIO/HIFI

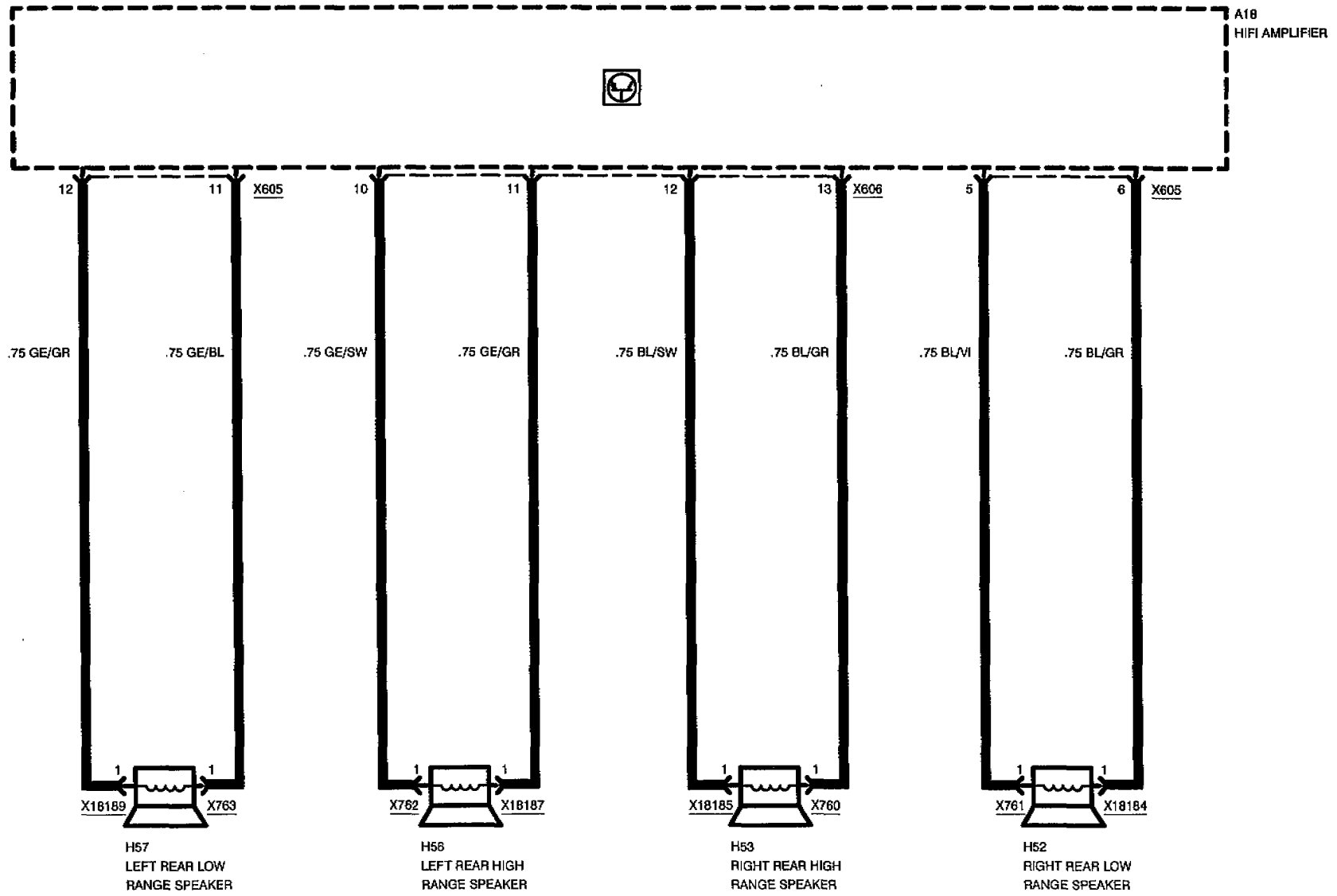
HIFI, 10-SPEAKER SYSTEM





RADIO/HIFI

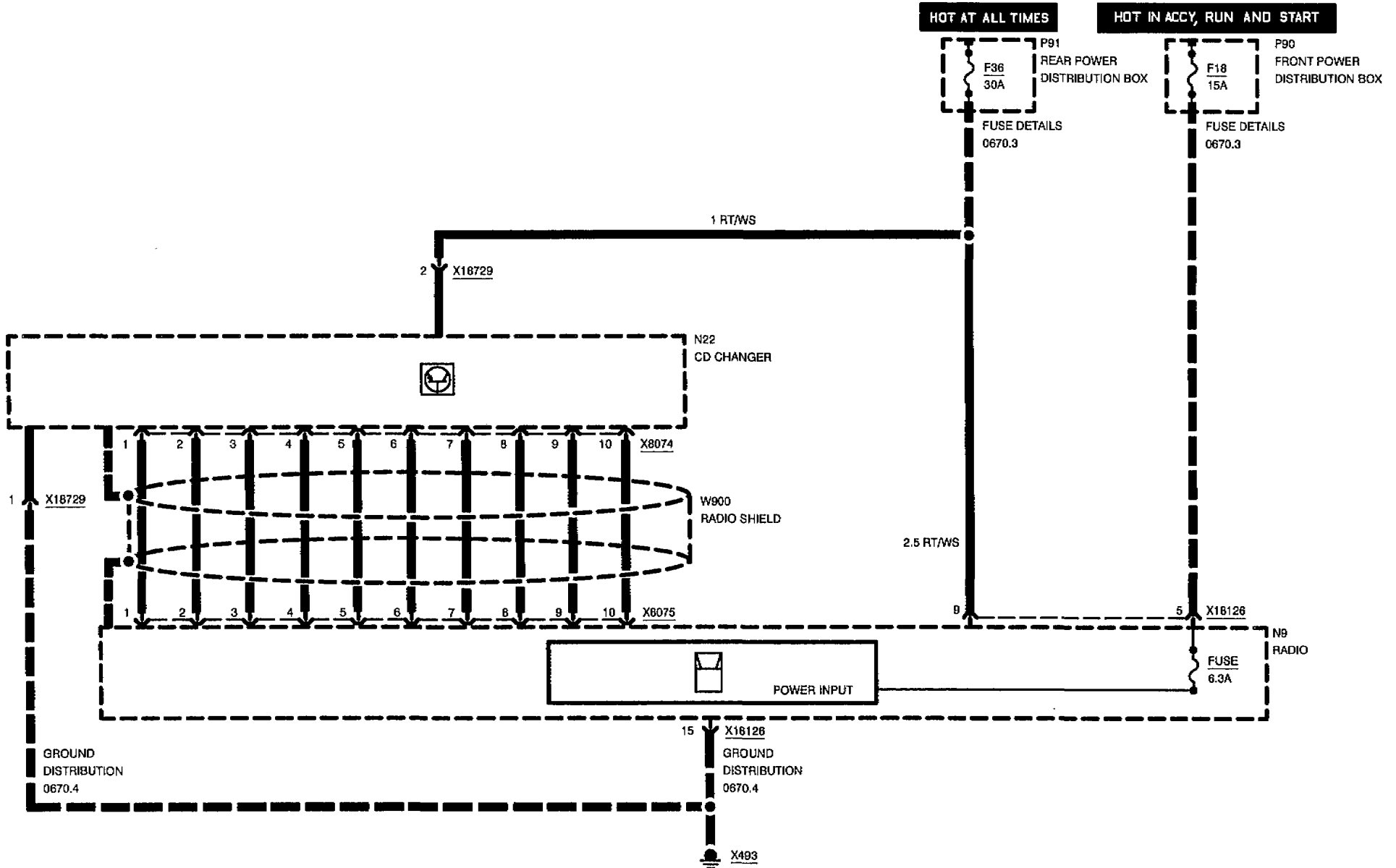
HIFI, 10-SPEAKER SYSTEM





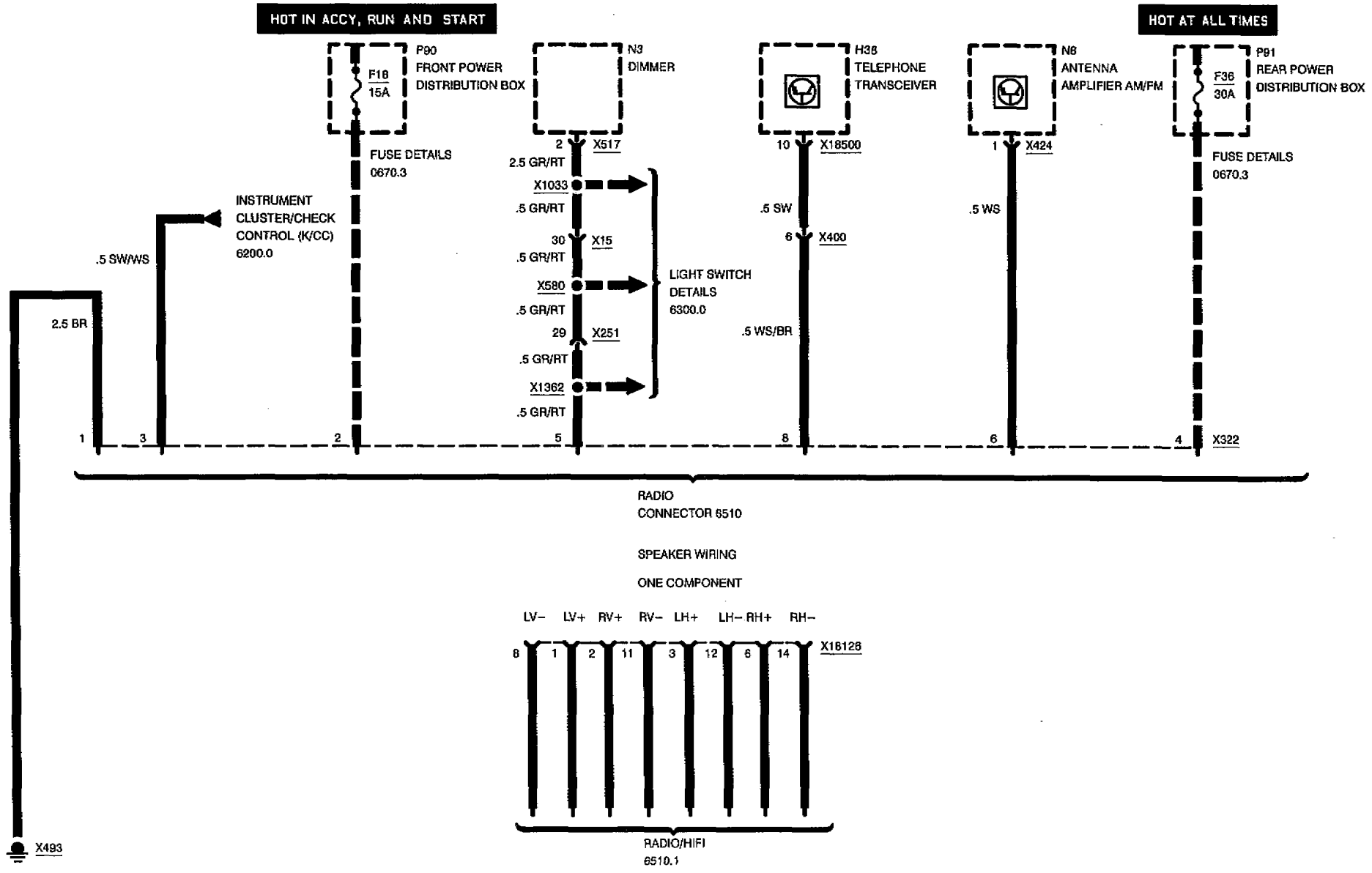
RADIO/HIFI

RADIO/CD PLAYER VARIATION





RADIO PROVISIONS

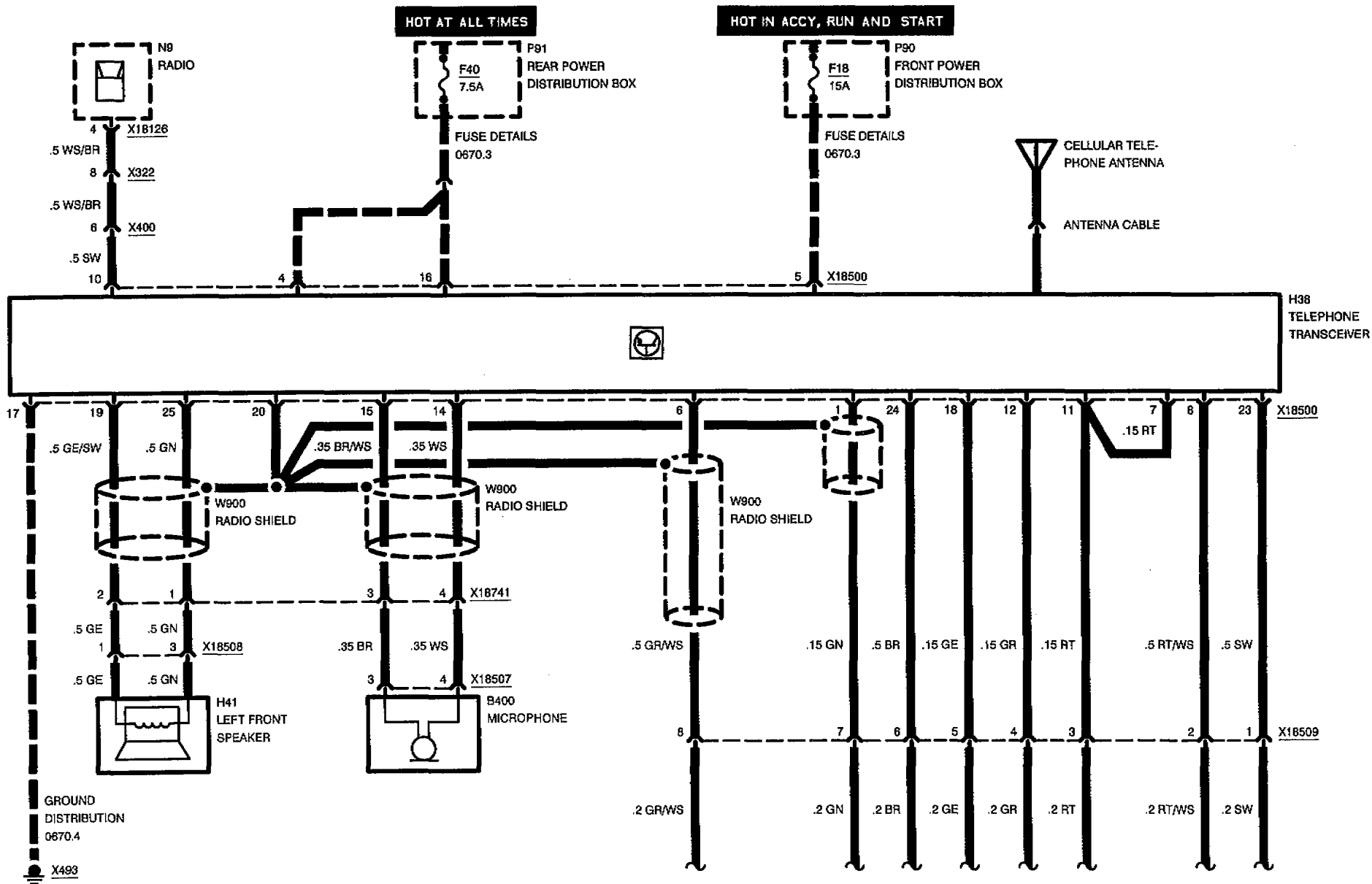


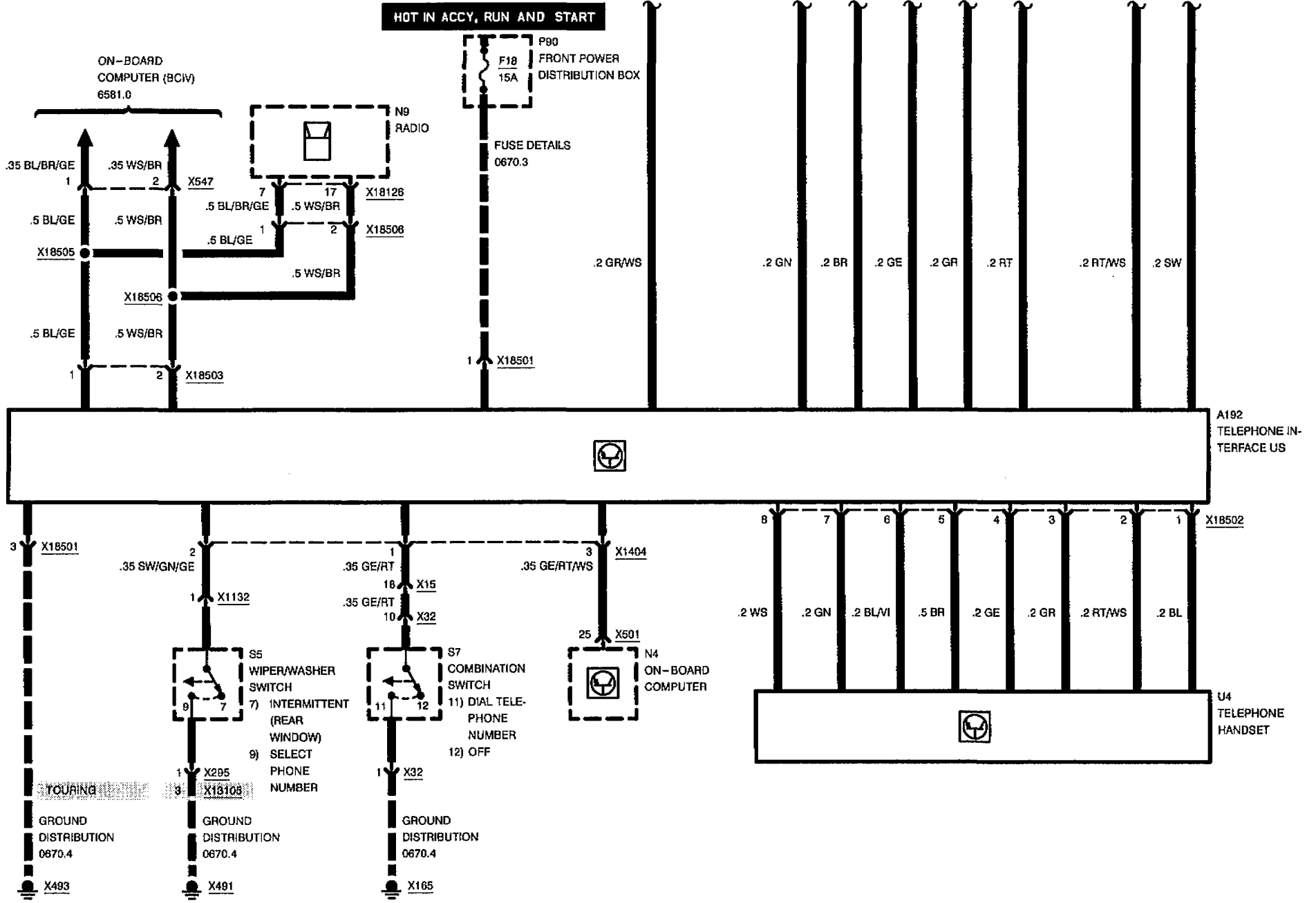




CELLULAR TELEPHONE (PROVISIONS)

WITH INTERFACE

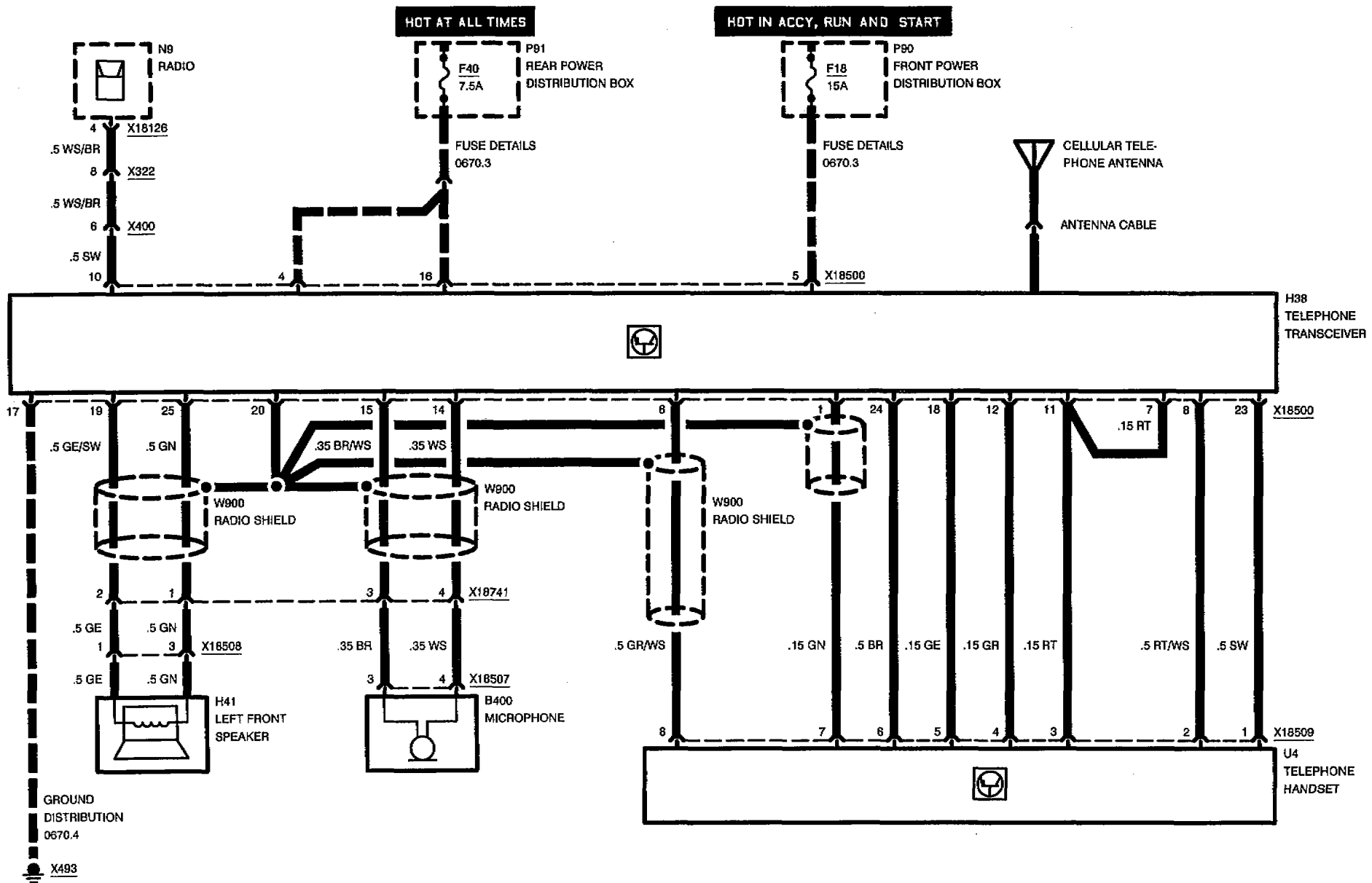






CELLULAR TELEPHONE (PROVISIONS)

WITHOUT INTERFACE

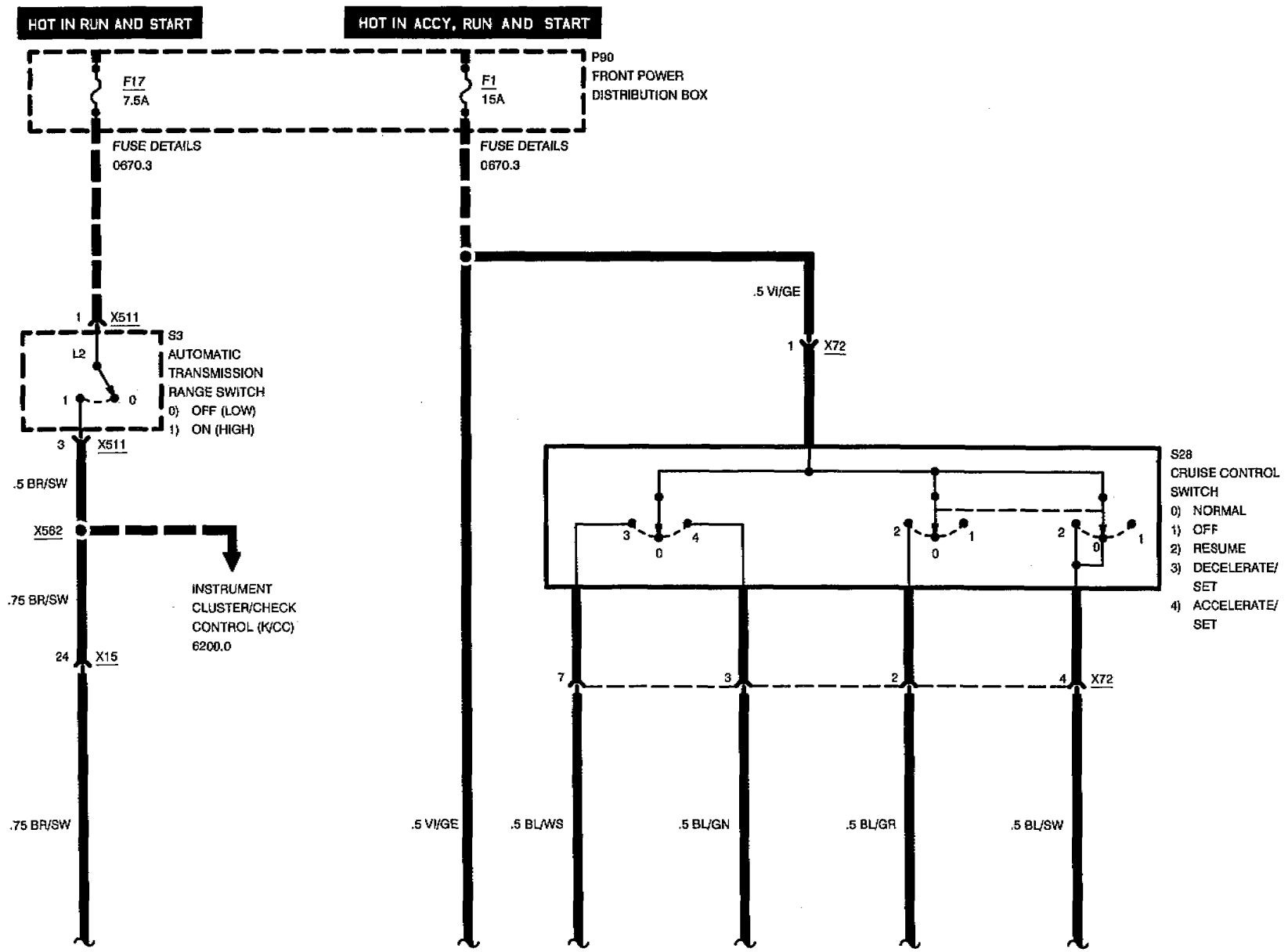


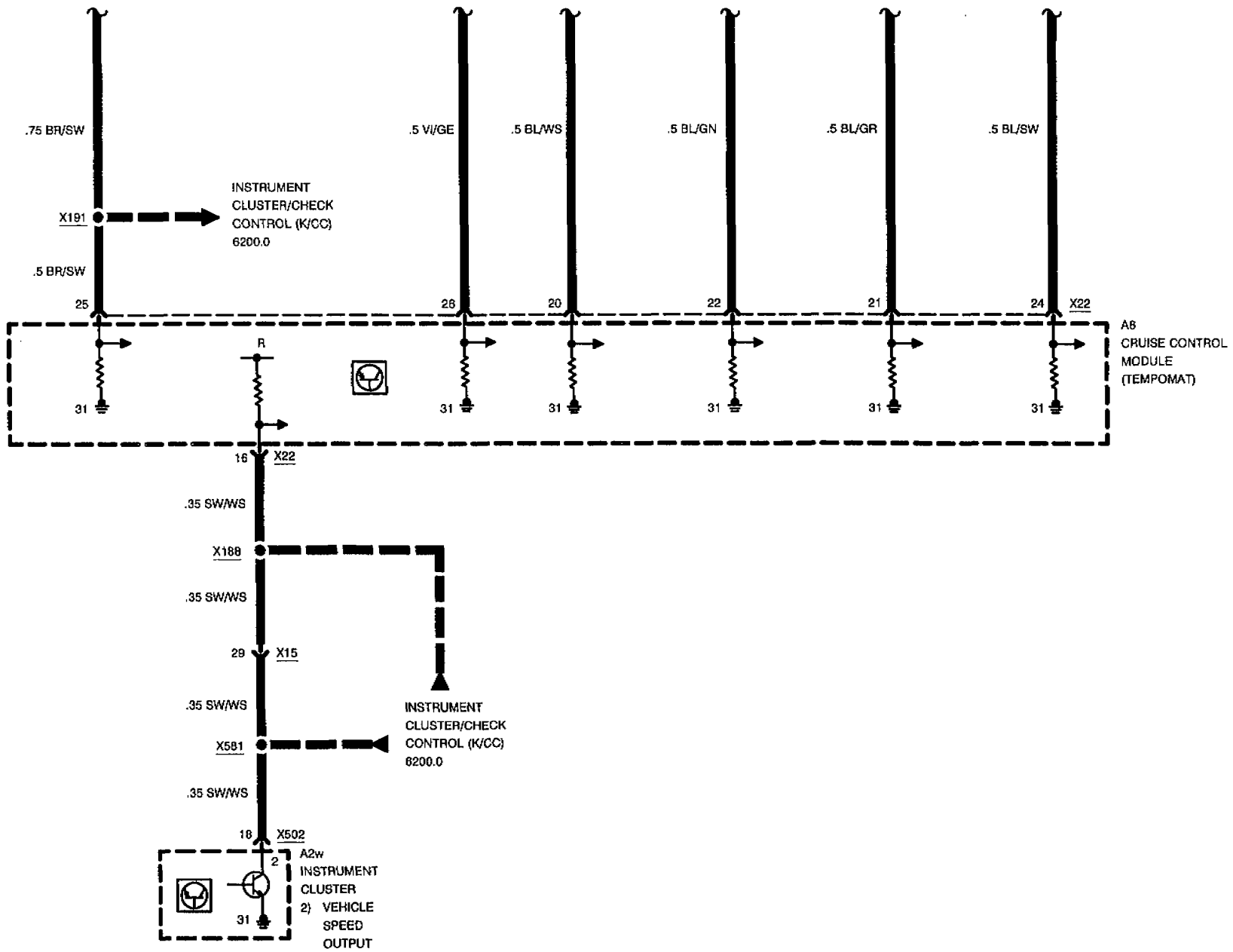


6571.0



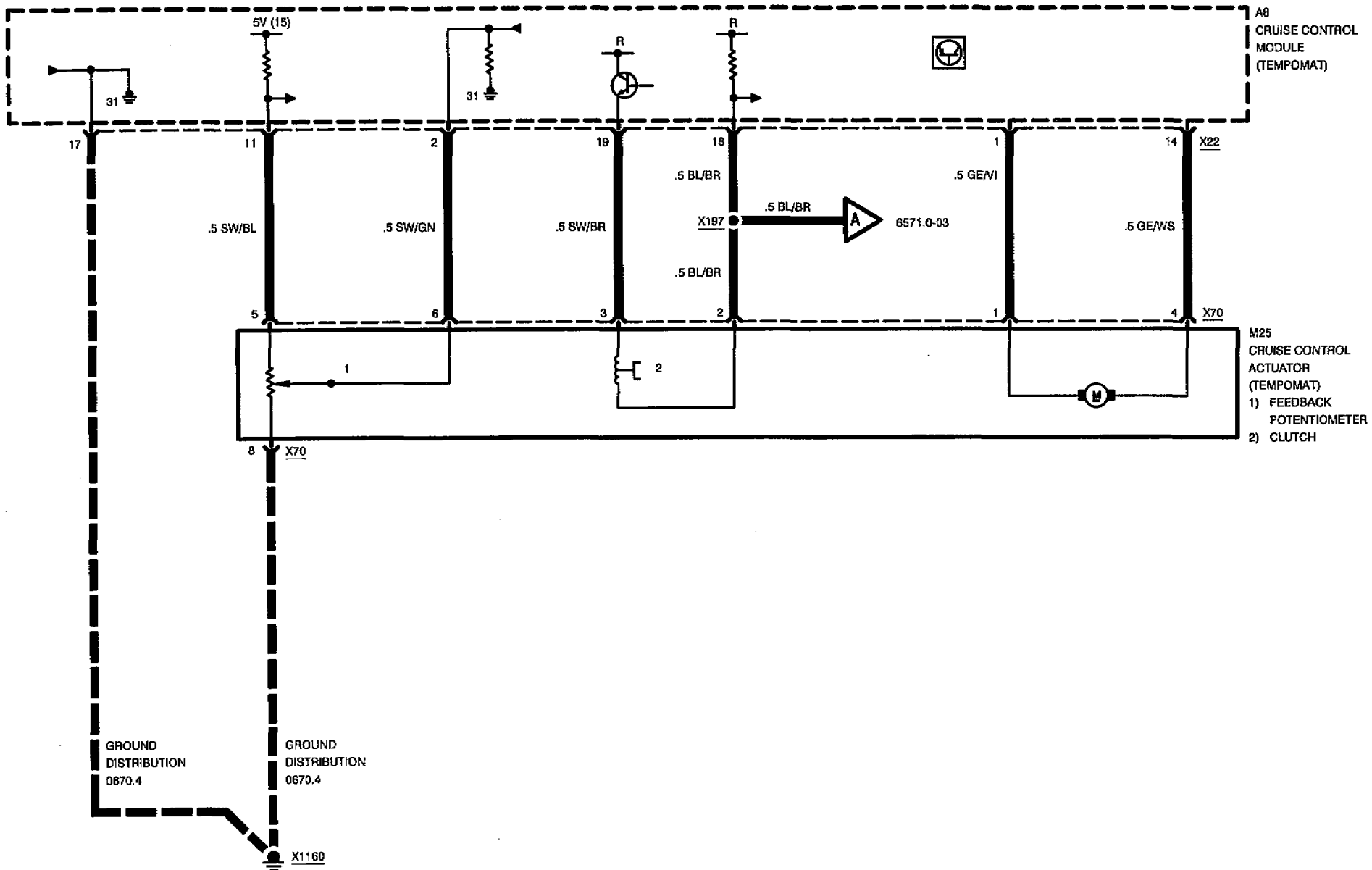
CRUISE CONTROL (TEMPOMAT)





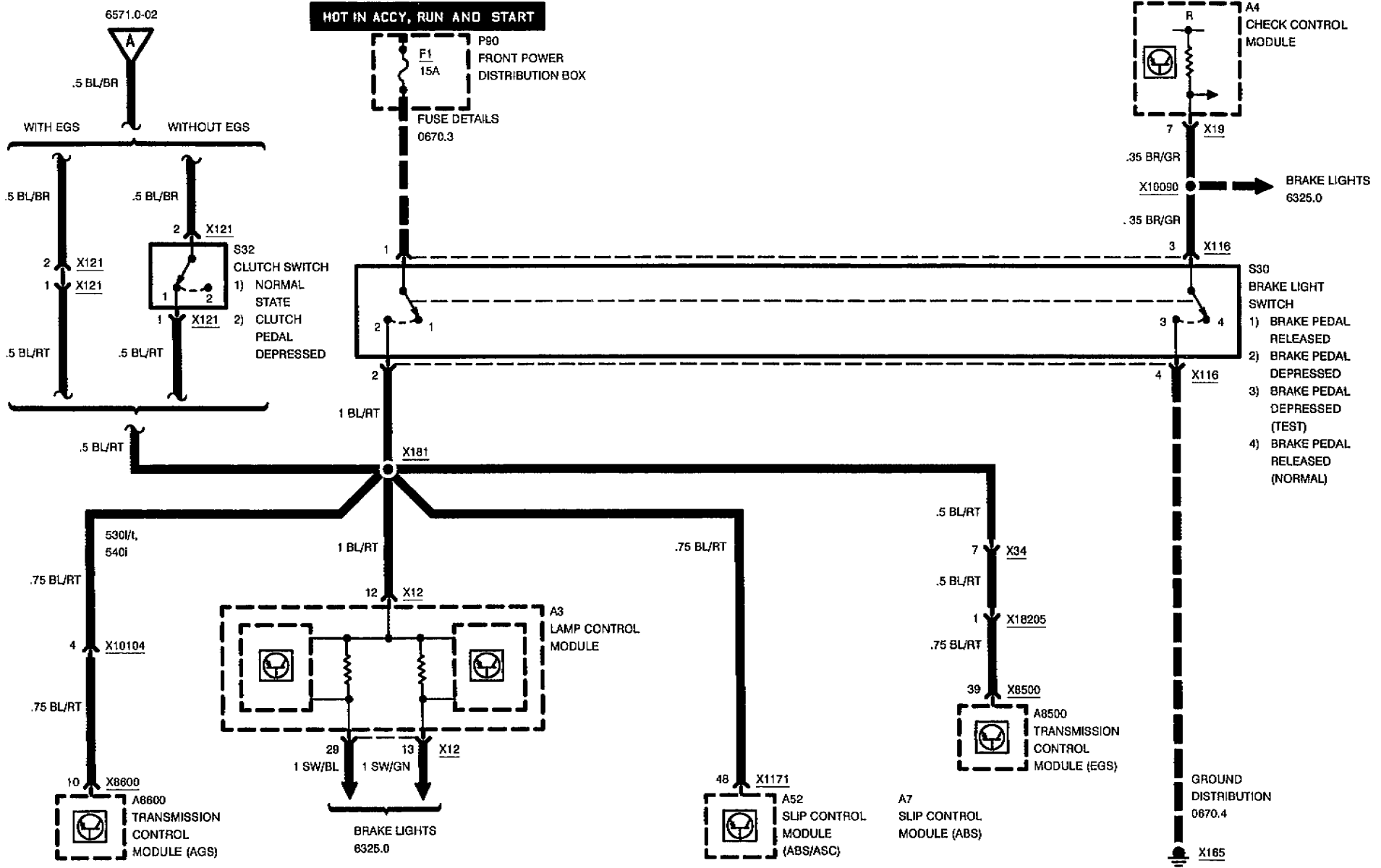


CRUISE CONTROL (TEMPOMAT)





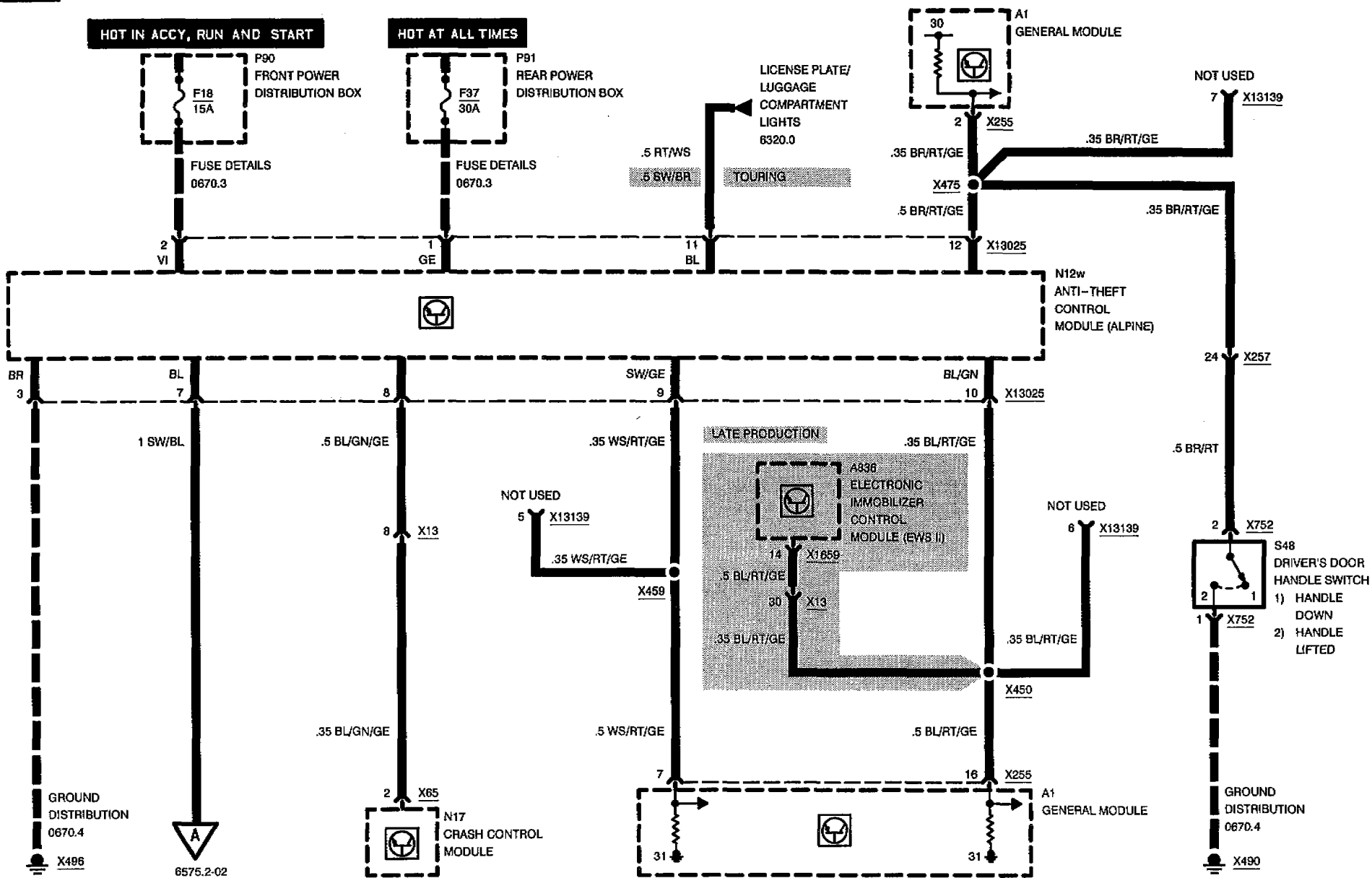
CRUISE CONTROL (TEMPOMAT)





ANTI-THEFT SYSTEM (ALPINE)

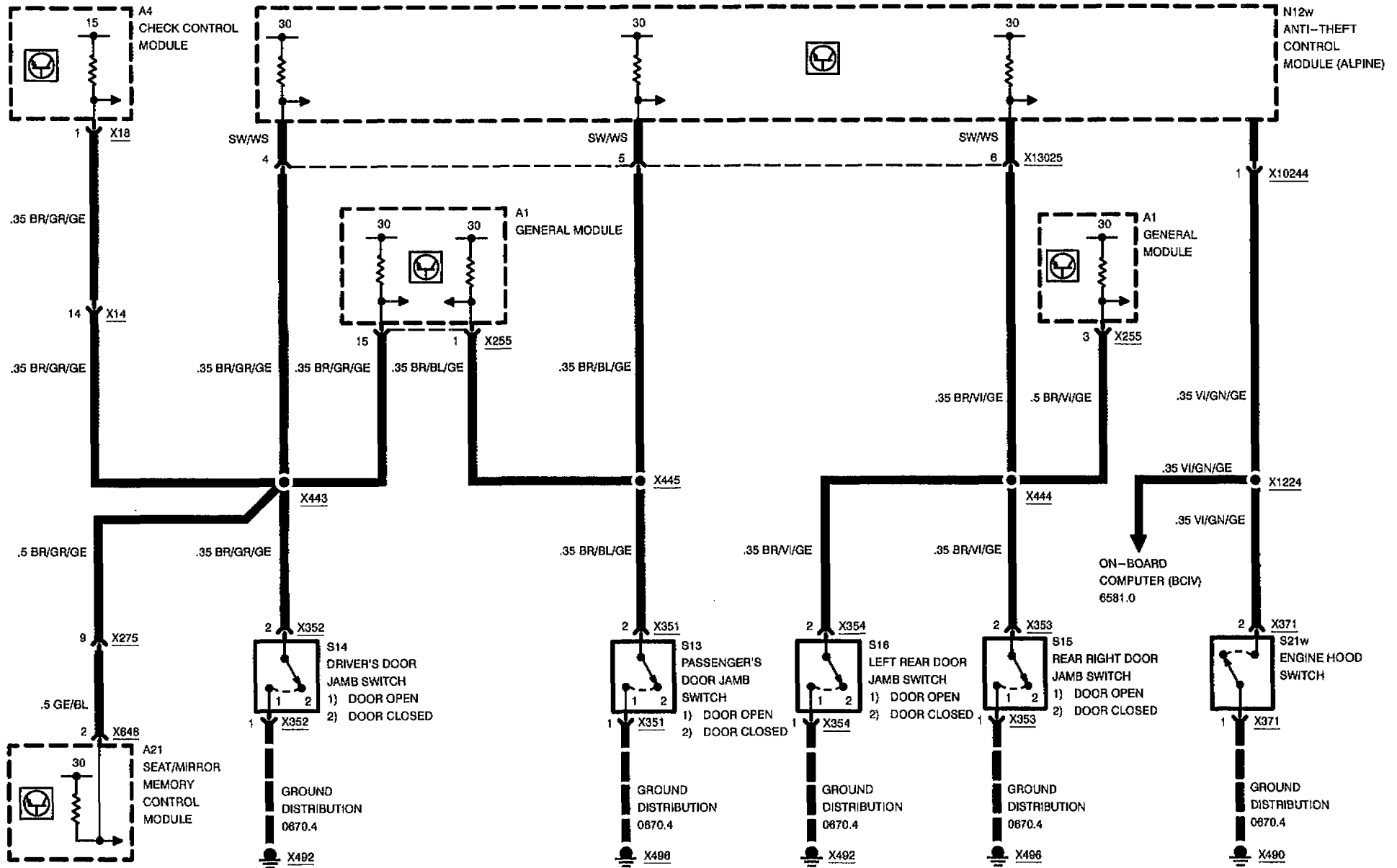
525i/t, 530i/t



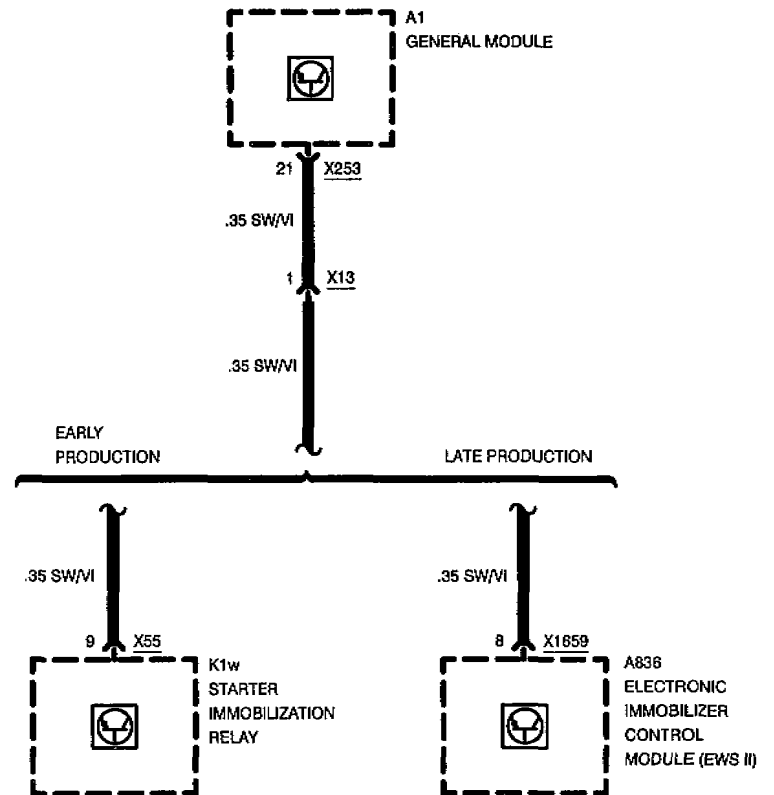
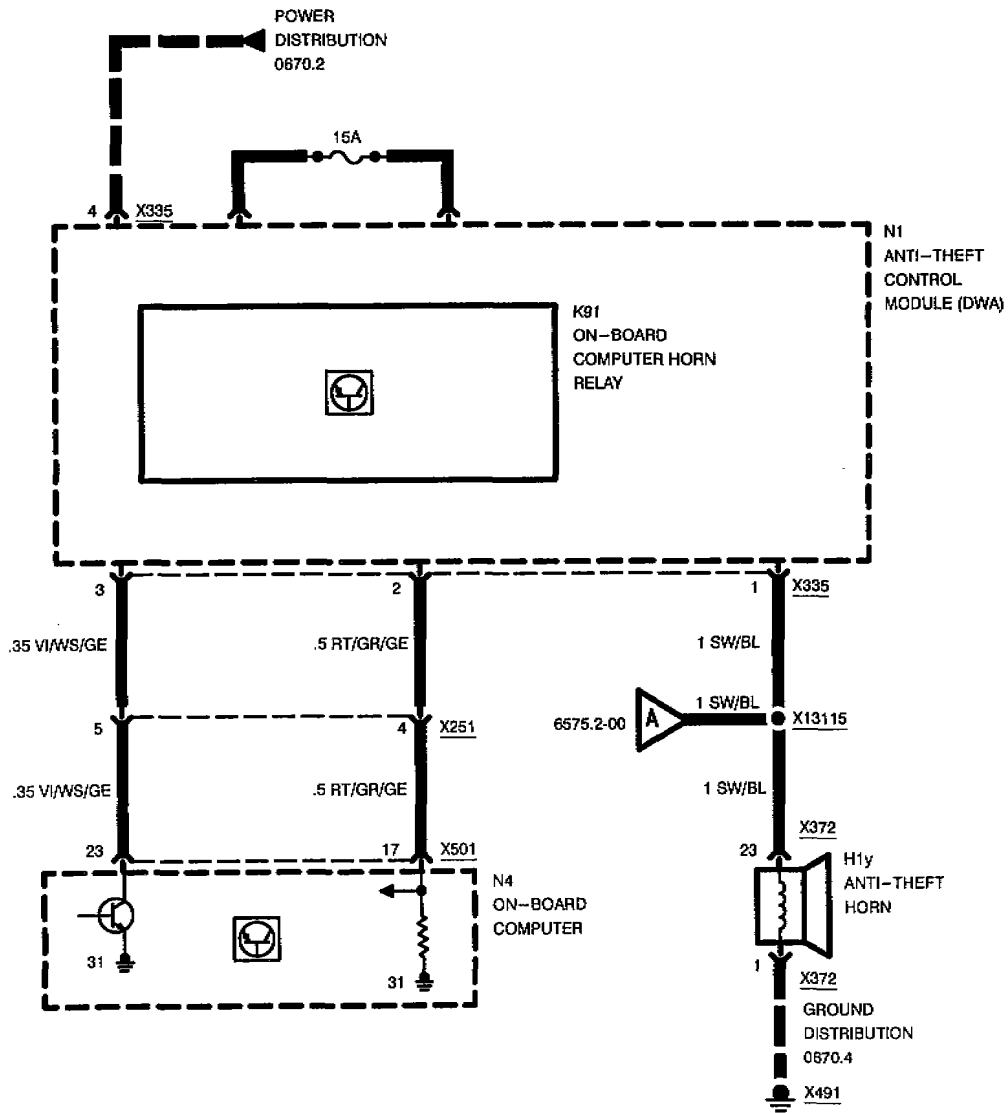


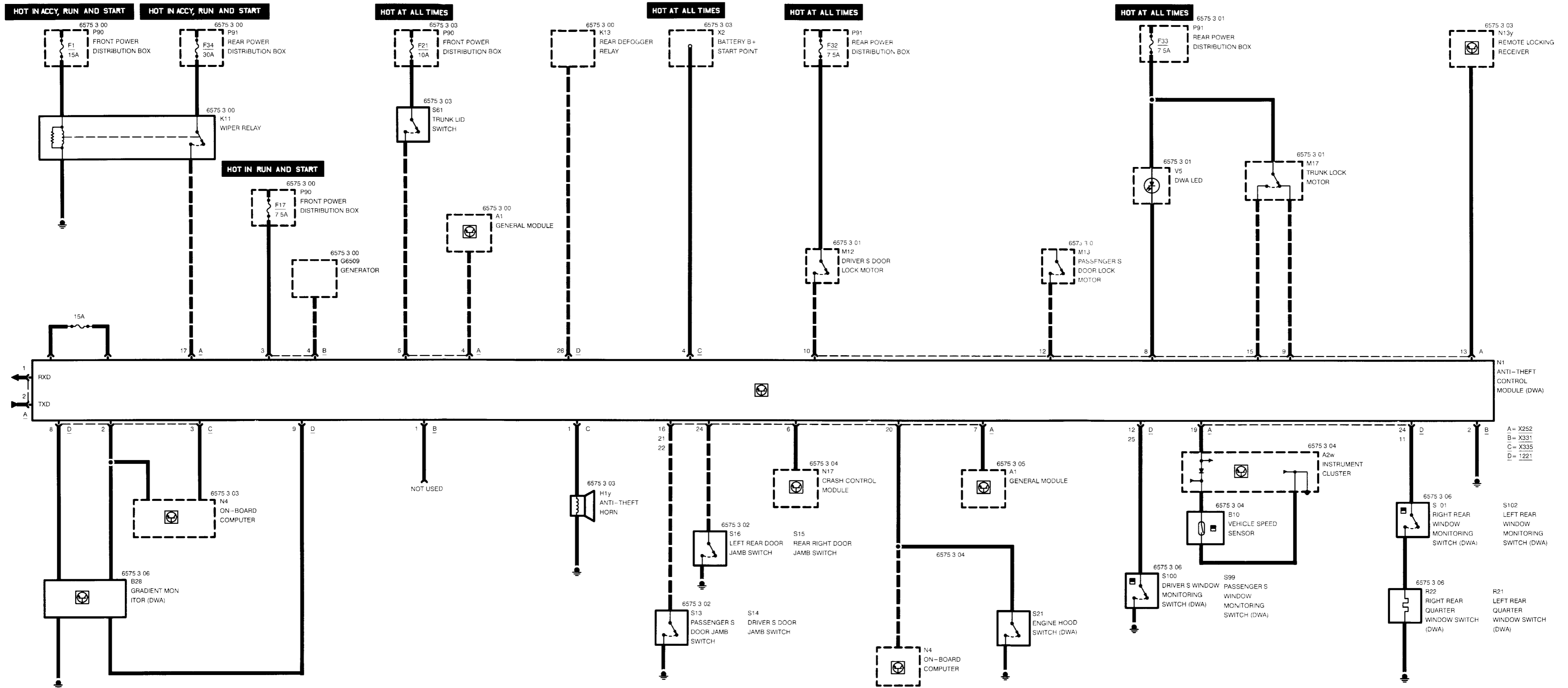
ANTI-THEFT SYSTEM (ALPINE) FRONT AND REAR DOOR JAMB SWITCHES

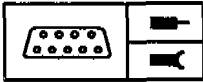
525i/t, 530i/t



BMW 5 ANTI-THEFT SYSTEM (ALPINE)







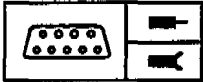
Pin Assignments

A=X252	26 Pins, black
B=X331	5 Pins, black
C=X335	4 Pins, black
D=X1221	26 Pins, white

X252

Pin	Type	Description/Function	Connection
1	A	Diagnosis RxD	Data link connector
2	E	Diagnosis TxD	Data link connector
3		Not used	
4	E	Central locking signal	General module
5	E	Trunk lid	Trunk lid light switch
6	A	"Optical Alarm"	Crash control module
7	E	QZV	General module
8	A	Status-LED	LED
9	E	Trunk lock motor	Lock motor switch
10	E	Driver's door lock motor	Lock motor switch
11		Not used	
12	E	Passenger's door lock motor	Lock motor switch
13	E	IRS lock signal	IR control module
14		Not used	
15	E	Trunk lock motor	Lock motor switch
16	E	Passenger's door	Passenger's door contact
17	E	Connection terminal R	Wiper relay
18		Not Used	
19	E	Impulse path	Instrument cluster
20	E	Hood	Engine hood switch
21	E	Driver's door	Driver's door contact
22		Not used	
23		Not used	
24	E	Rear door contact	Door contacts

E = Input, A = Output, M = Ground



Pin Assignments

Pin	Type	Description/Function	Connection
25		Not used	
26		Not used	

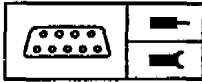
X331

Pin	Type	Description/Function	Connection
1	A	Drive-away protection	Starter immobilization relay
2	M	Ground	Ground connection
3	E	Ignition ON signal	Terminal 15
4	E	Terminal 61	Generator charge indicator
5		Not used	

X335

Pin	Type	Description/Function	Connection
1	A	Anti-theft horn connection	Anti-theft horn
2	A	Terminal 30S	BC, inclination monitoring
3	E	BC-alarm	BC
4	E	Terminal 30U	Battery

E = Input, A = Output, M = Ground



Pin Assignments

X1221

Pin	Type	Description/Function	Connection
1		Not used	
2		Not used	
3		Not used	
4		Not used	
5		Not used	
6		Not used	
7		Not used	
8	E	Inclination sensor	Gradient monitor
9	A	Inclination sensor	Gradient monitor
10		Not used	
11	E	Left rear windows	Left rear window contact
12	E	Driver's window	Driver's window contact
13		Not used	
14		Not used	
15		Not used	
16		Not used	
17		Not used	
18		Not used	
19		Not used	
20		Not used	
21		Not used	
22		Not used	
23		Not used	
24	E	Right rear windows	Right rear window contact
25	E	Passenger's window	Passenger's window contact
26	E	Voltage supply	Rear power distribution box

E = Input, A = Output, M = Ground



ANTI-THEFT SYSTEM IV (DWA IV)

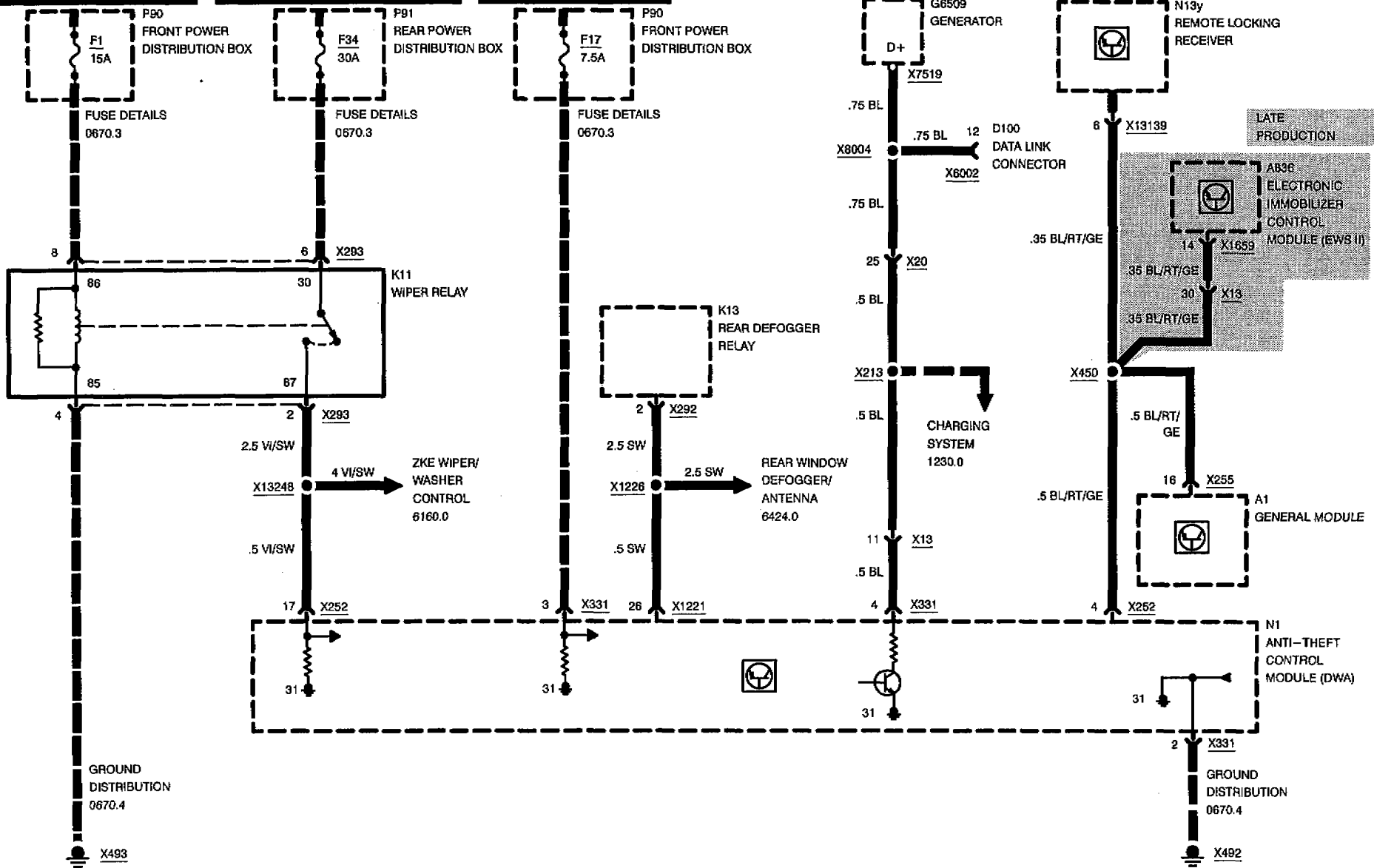
540i

POWER

HOT IN ACCY, RUN AND START

HOT IN ACCY, RUN AND START

HOT IN RUN AND START



02/97

6575.3-00

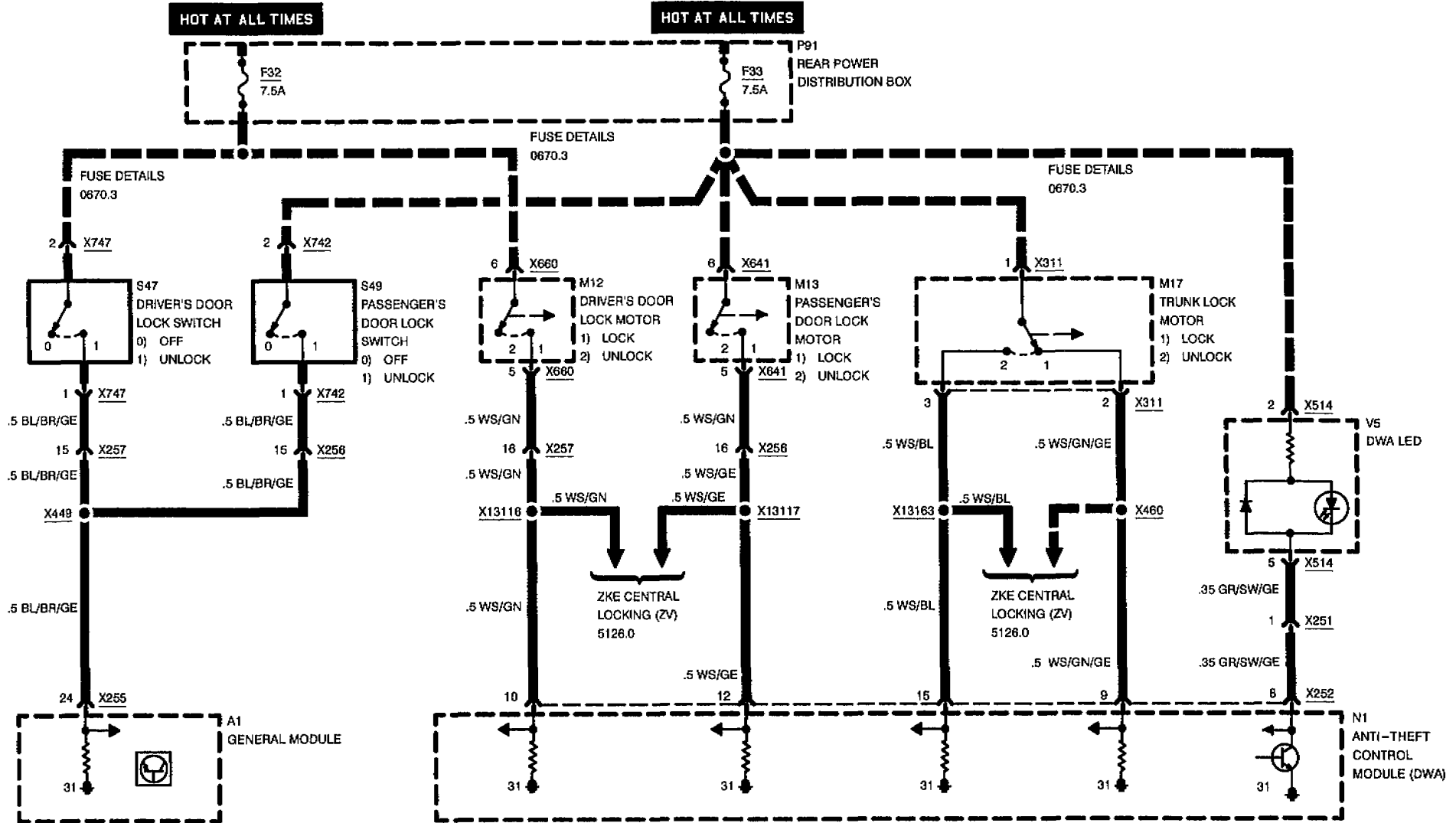
1995



ANTI-THEFT SYSTEM IV (DWA IV)

540i

DRIVER'S AND PASSENGER'S DOOR INPUTS, LIFT GATE AND INDICATOR LIGHTS



02/97

6575.3-01

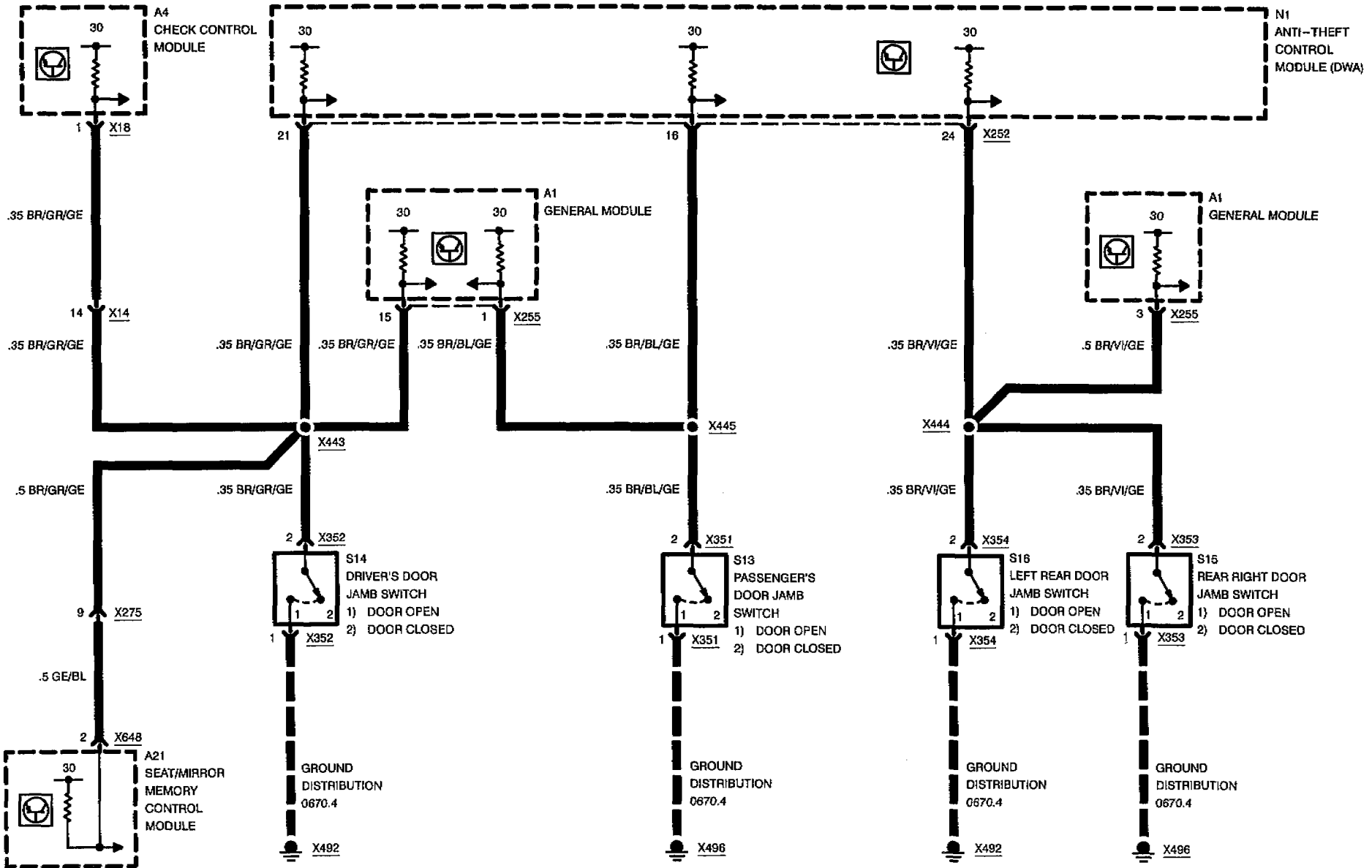
1995



ANTI-THEFT SYSTEM IV (DWA IV)

540i

FRONT AND REAR DOOR JAMB SWITCHES

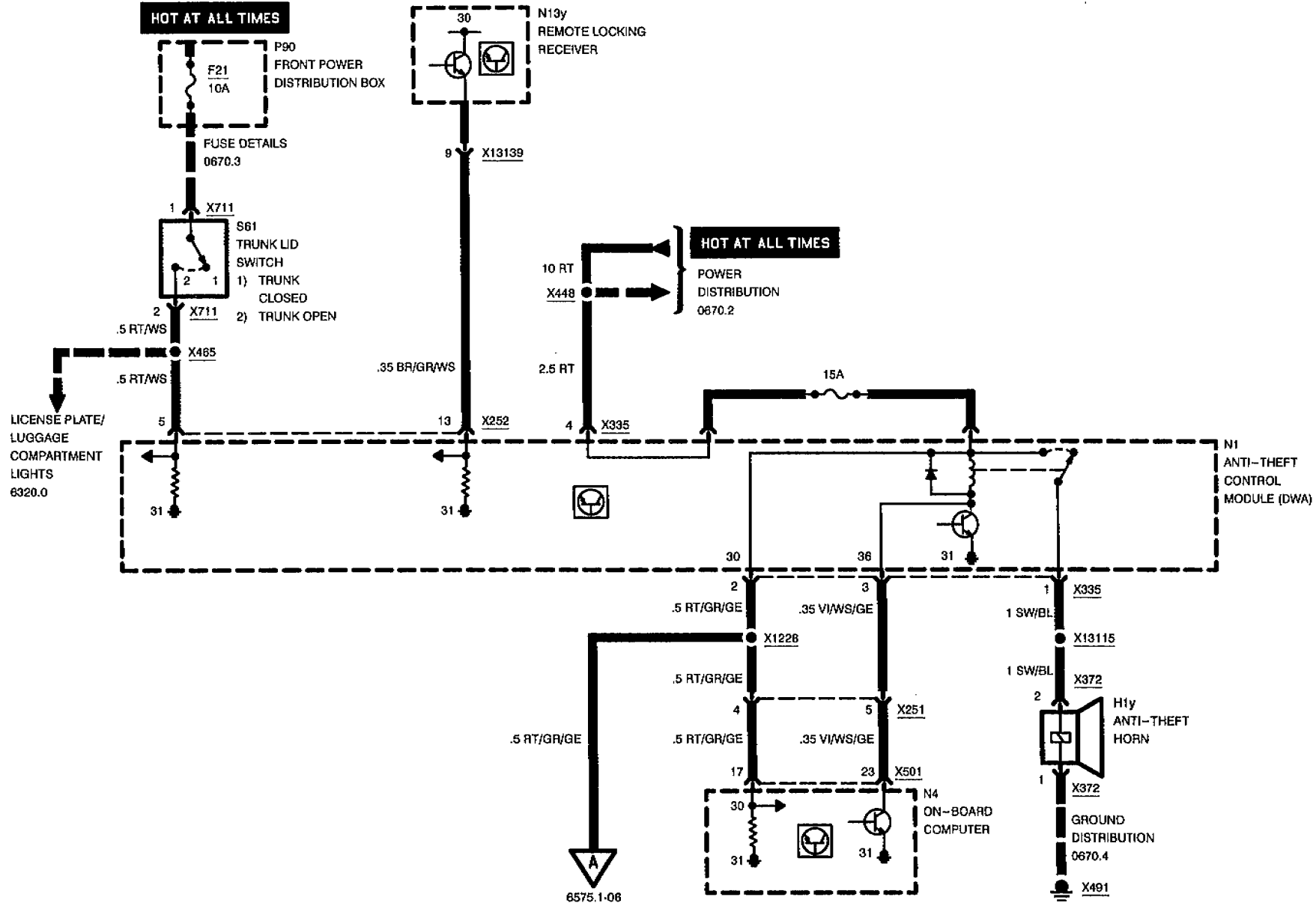




ANTI-THEFT SYSTEM IV (DWA IV)

540i

ANTI-THEFT HORN (DWA), BATTERY, REAR SEAT

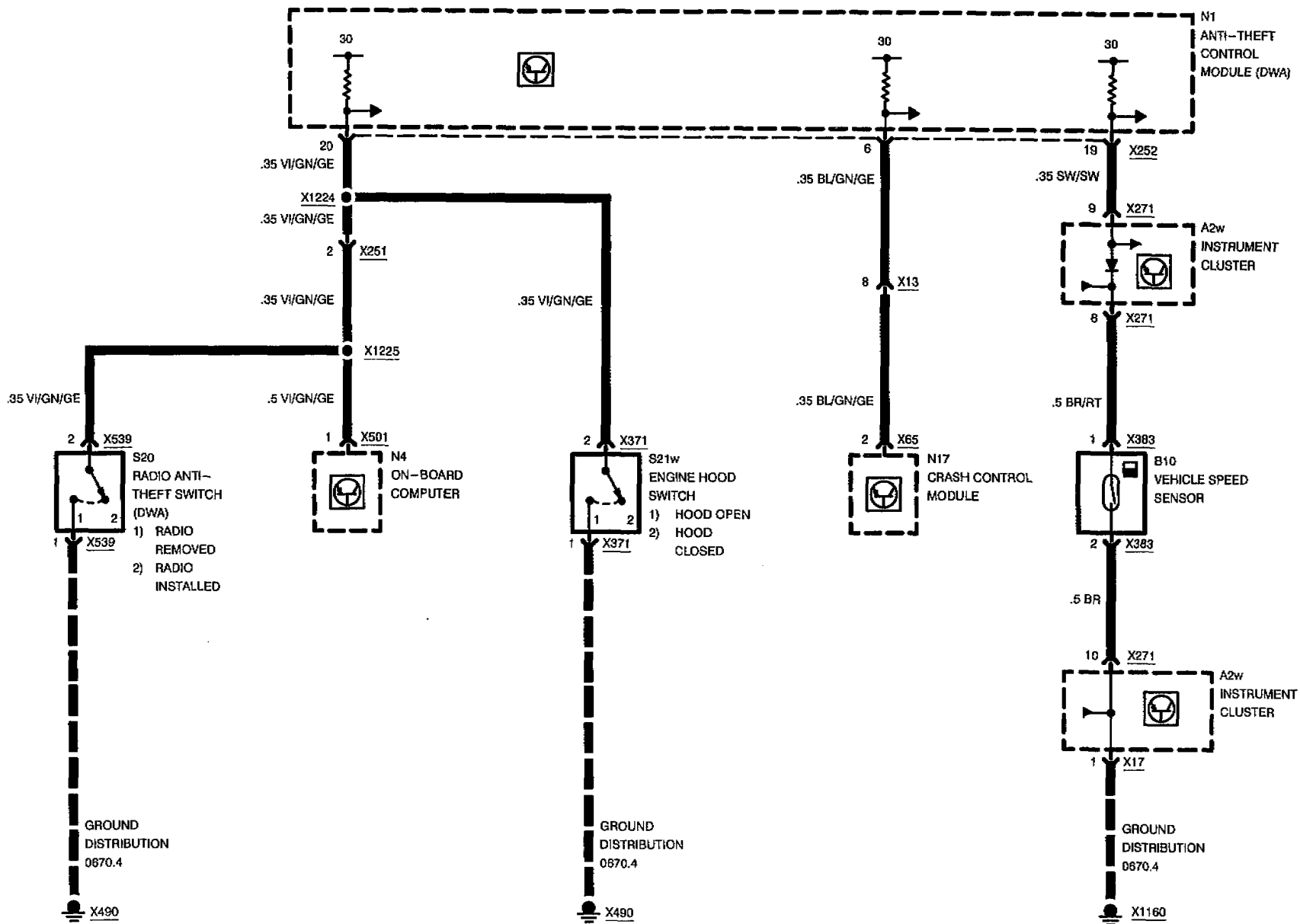




ANTI-THEFT SYSTEM IV (DWA IV)

540i

GLOVE BOX, RADIO, ENGINE HOOD, VISUAL ALARM, POSITION PULSES





ANTI-THEFT SYSTEM IV (DWA IV)

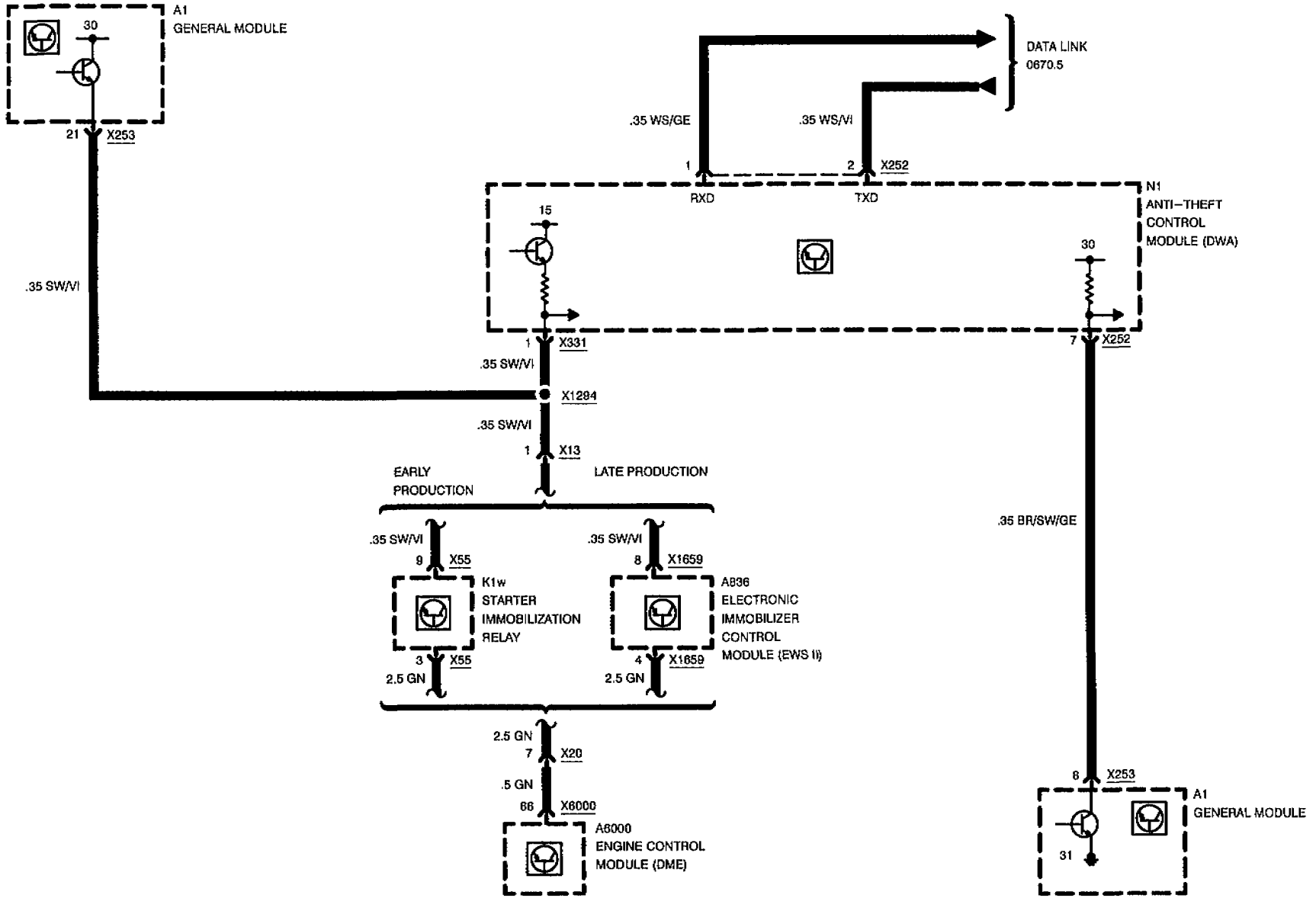
DATA LINK, DRIVE-AWAY PROTECTION (QZV)

540i

02/97

6575.3-05

1995

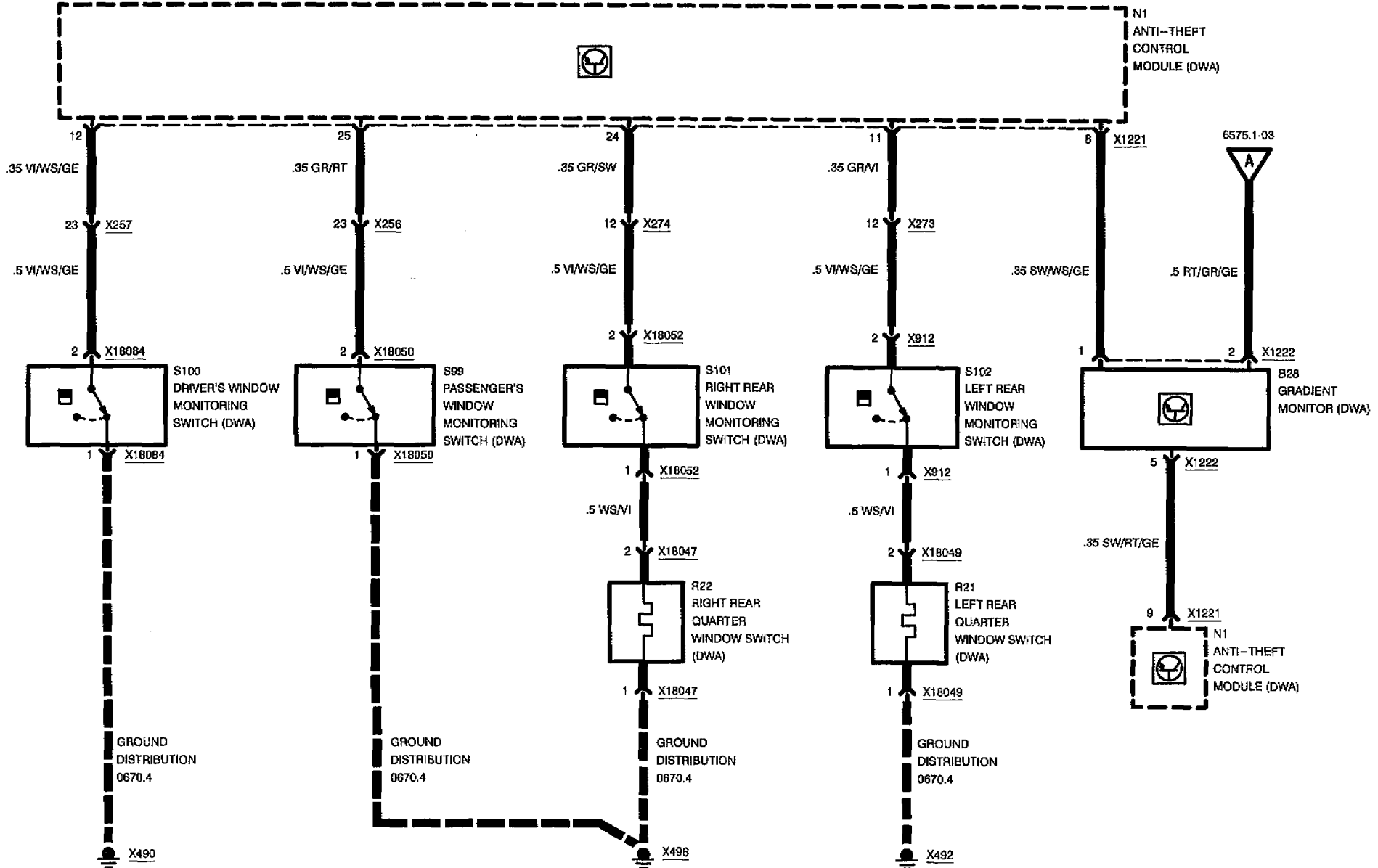


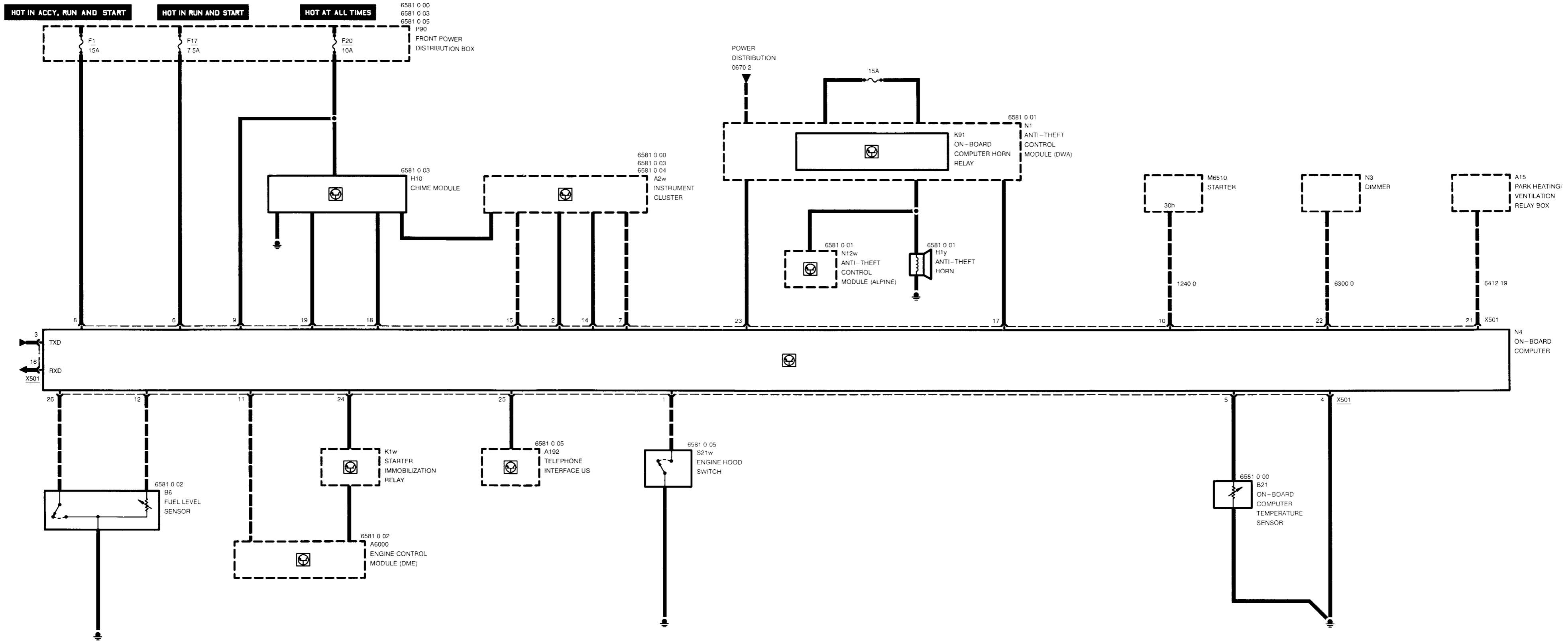


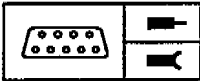
ANTI-THEFT SYSTEM IV (DWA IV)

540i

FRONT AND REAR WINDOW PROTECTION, INCLINATION MONITORING







Pin Assignments

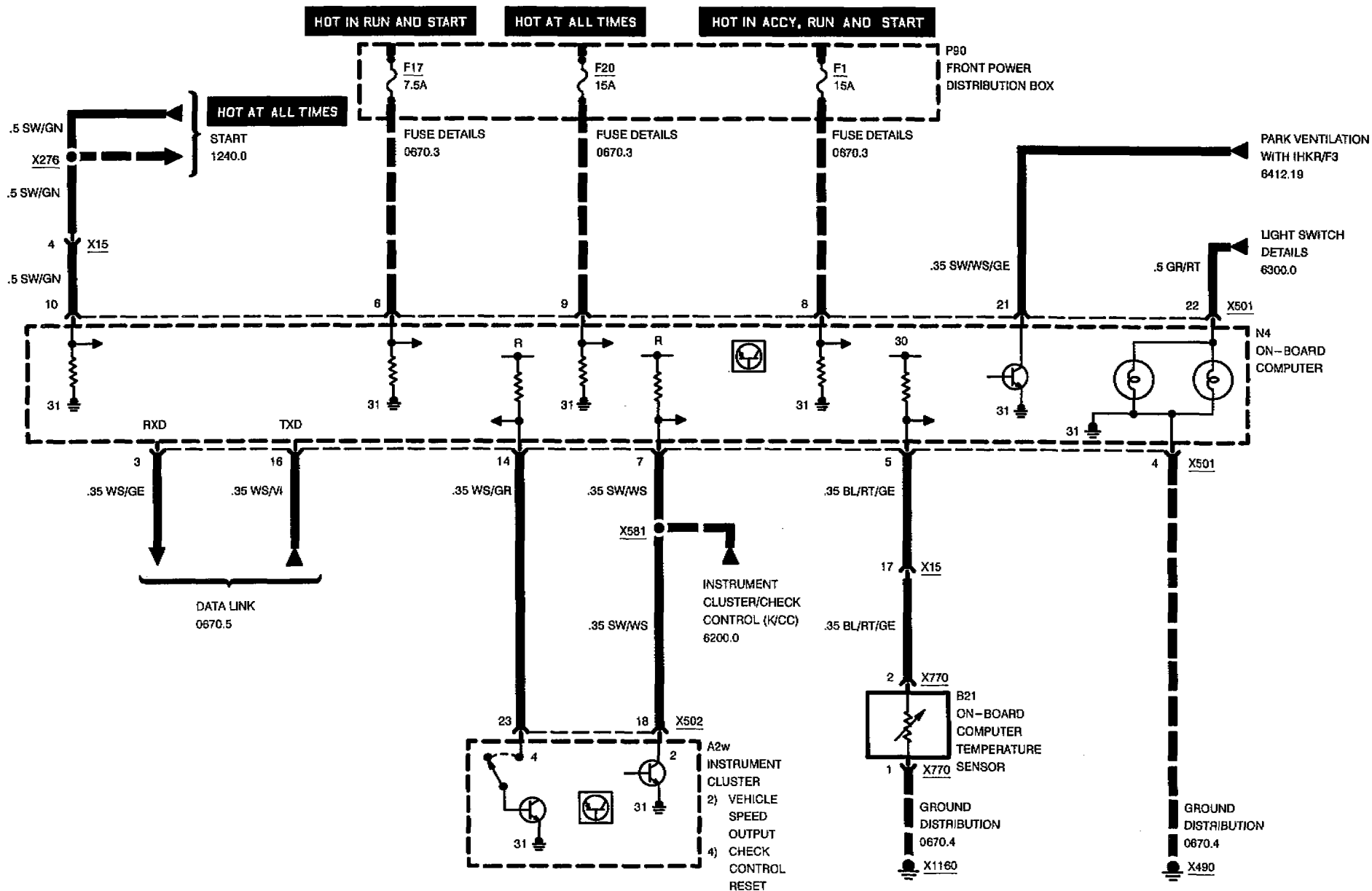
X501

Pin	Type	Description/Function	Connection
1	E	Hood tamper	Engine hood switch
2	A	DAC line	Instrument cluster
3	E	RxD diagnostic data link	Data link connector
4	M	Ground	Ground point
5	E	Outside temperature	Outside temperature sensor
6	E	Voltage supply, terminal 15	Front power distribution box
7	E	Vehicle speed signal	Instrument cluster
8	E	Voltage supply, terminal R	Front power distribution box
9	E	Voltage supply, terminal 30	Front power distribution box
10	E	Voltage supply, terminal 50	Starter
11	E	Injection signal	Engine control module (DME)
12	E	Fuel gauge	Fuel tank sensor
13		Not used	
14	E	Check control reset button	Instrument cluster
15	E	LAC line	Instrument cluster
16	E/A	TxD diagnostic data link	Data link connector
17	E	Power input	On-board computer horn relay
18	A	Gong T2 control	Chime module
19	A	Gong T1 control	Chime module
20		Not used	
21	A	Independent ventilation control	Park heating/ventilation relay box
22	E	Instrument illumination, terminal 58g	Dimmer
23	A	On-board computer horn relay control	On-board computer horn relay
24	A	Drive-away protection signal	Starter immobilization relay
25	E	Remote control (telephone)	Phone interface box
26	E	Reserve tank contact	Fuel tank sensor

E = Input, A = Output, M = Ground



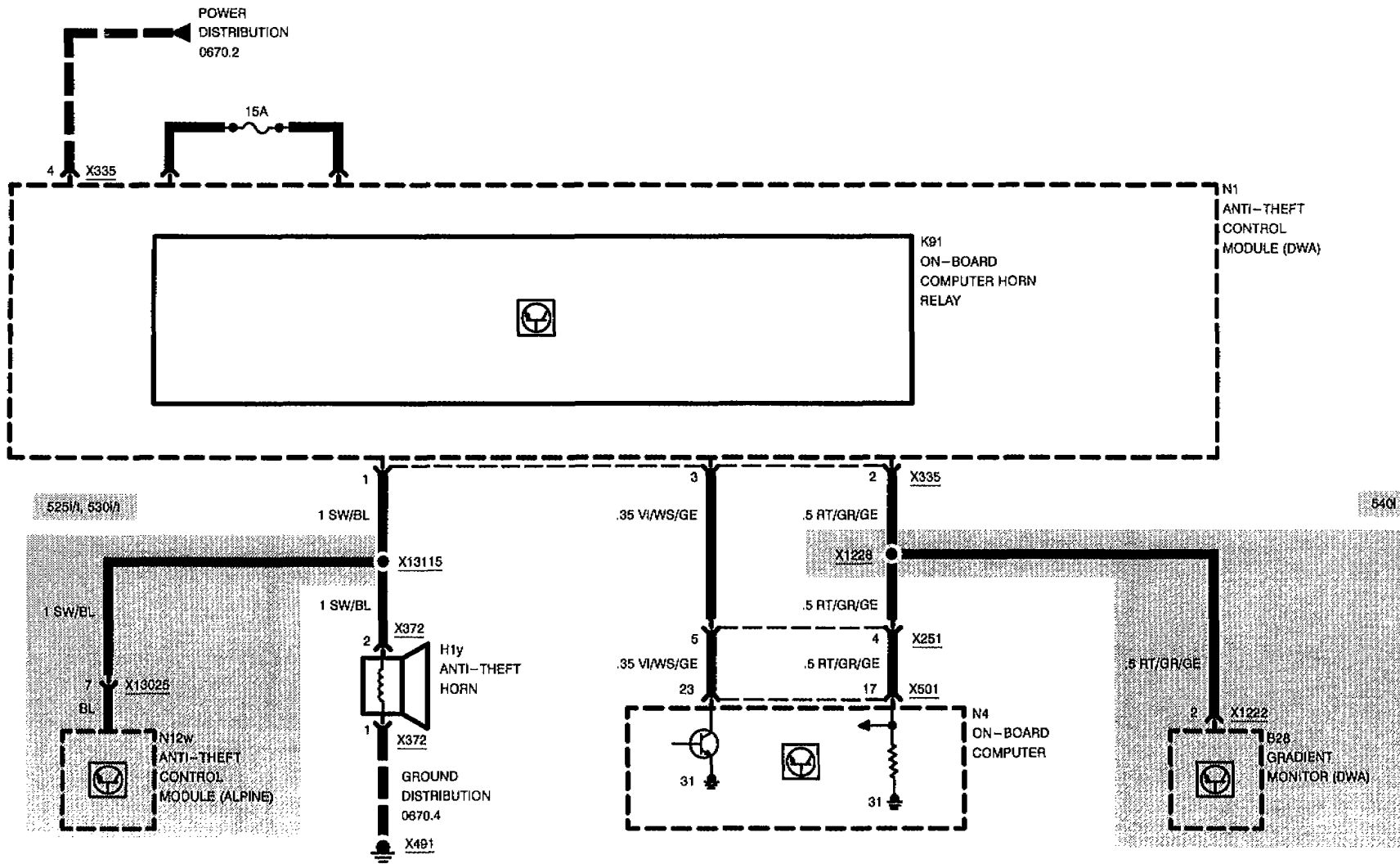
ON-BOARD COMPUTER (BCIV)





ON-BOARD COMPUTER (BCIV)

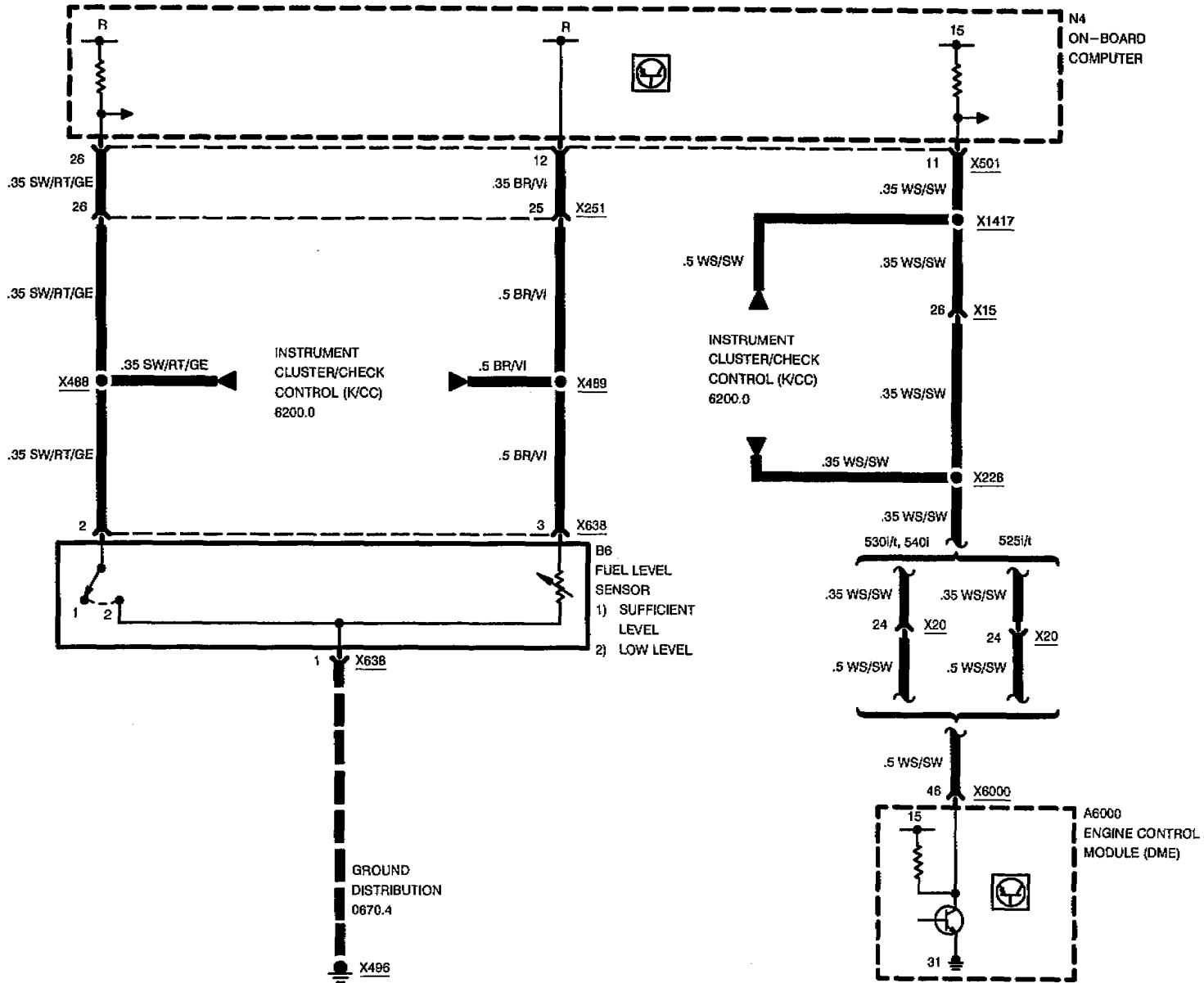
ANTI-THEFT HORN





ON-BOARD COMPUTER (BCIV)

FUEL GAUGE

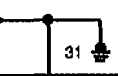
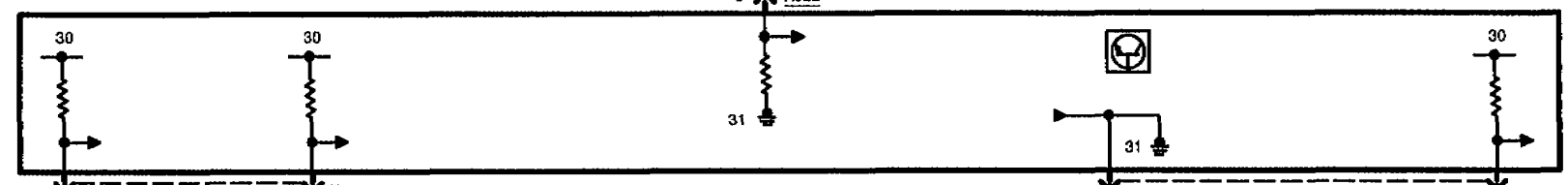
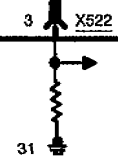




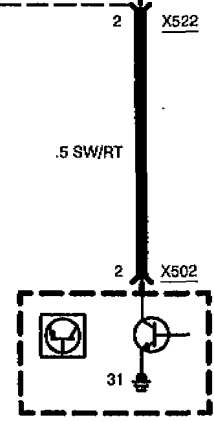
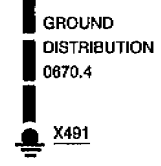
ON-BOARD COMPUTER (BCIV) CHIME MODULE



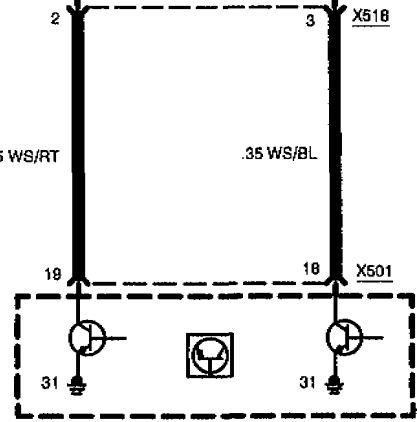
FUSE DETAILS
0670.3



1



.5 SW/RT



.35 WS/RT

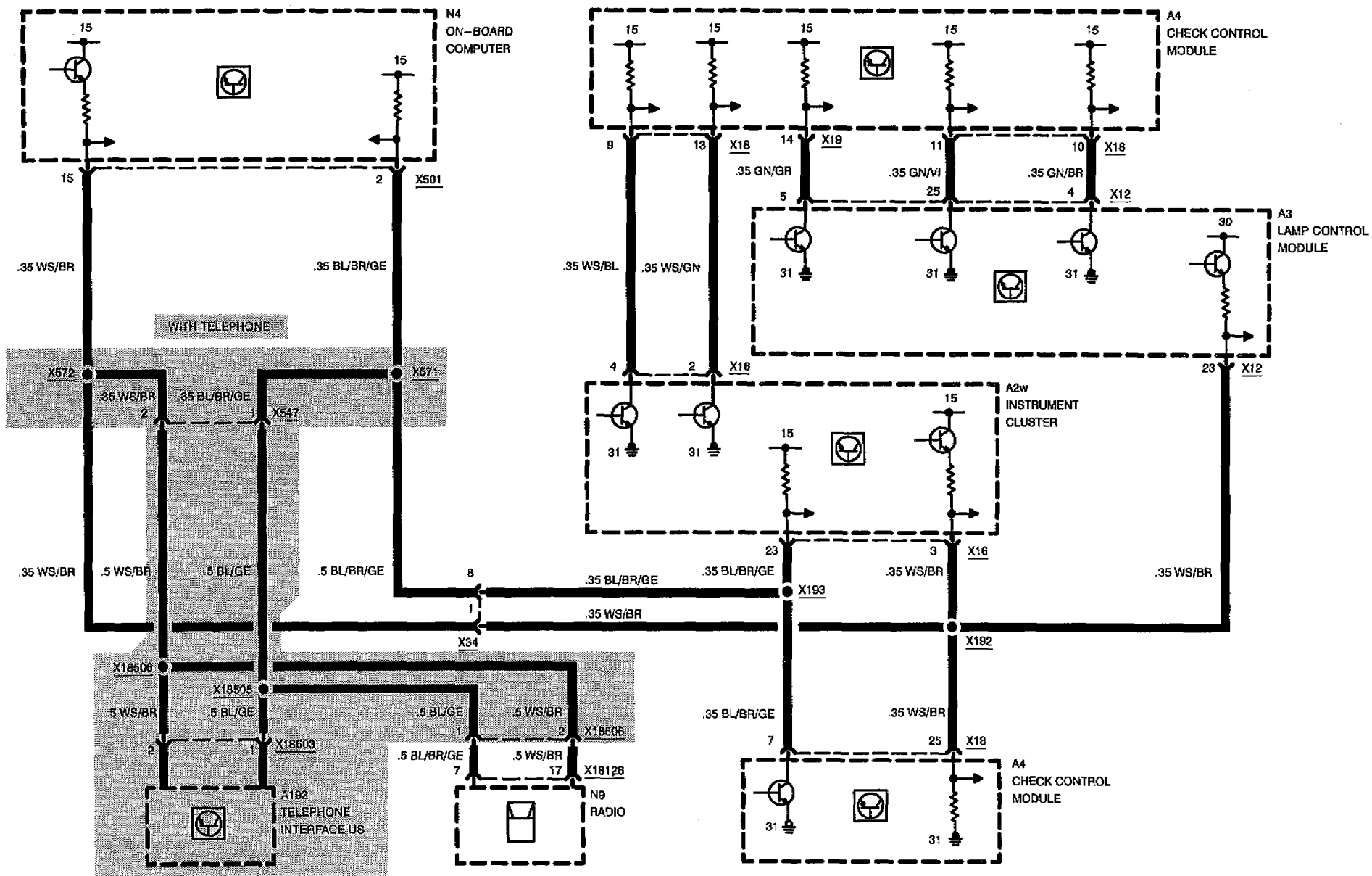
.35 WS/BL

02/97
6581.0-03
1995



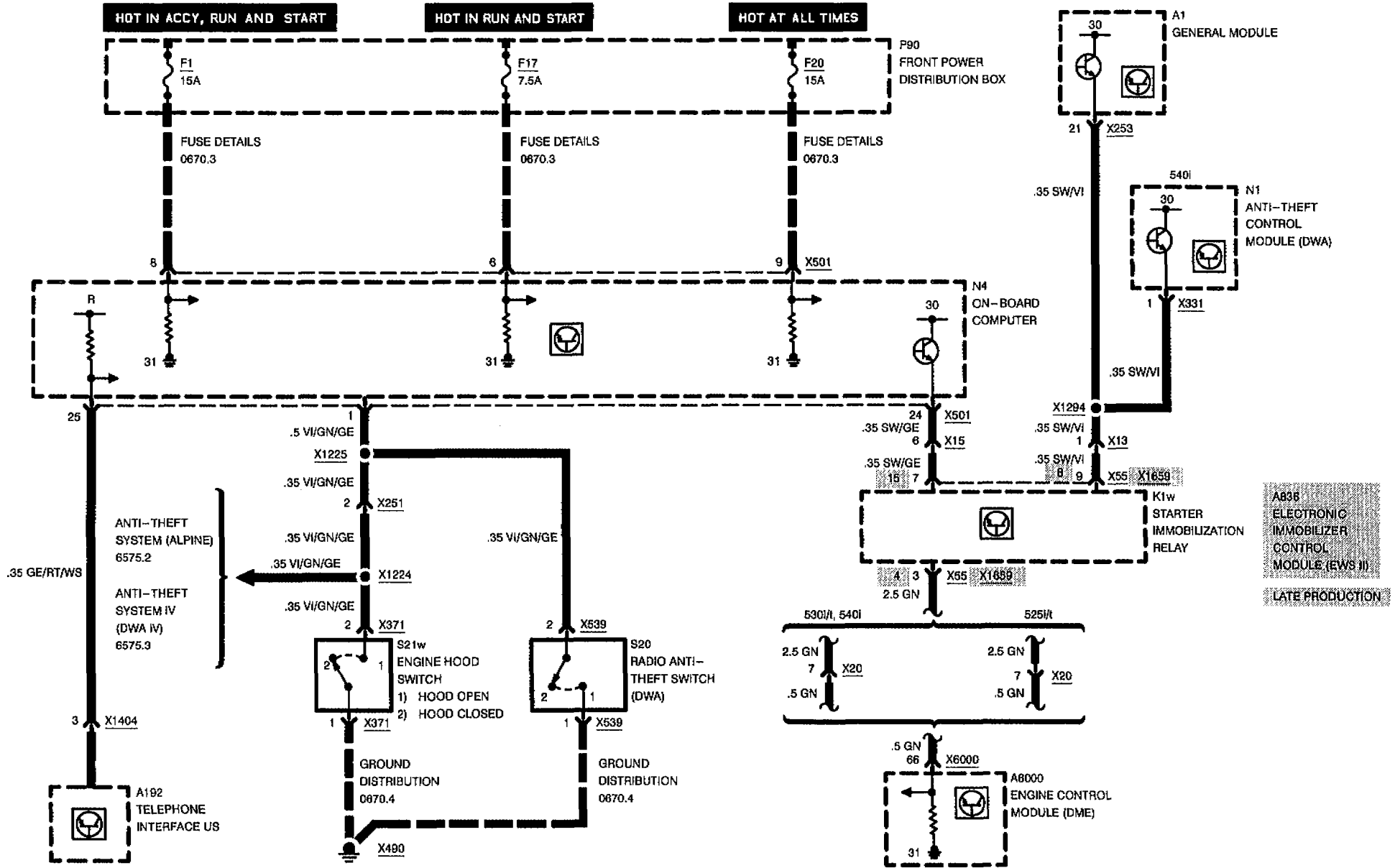
ON-BOARD COMPUTER (BCIV)

DATA LINK





ON-BOARD COMPUTER (BCIV)



BMW
5

7000.0



COMPONENT LOCATION CHART

COMP.	DESCRIPTION	LOCATION	7100.0	8500.0
A1	GENERAL MODULE	in Rear Power Distribution Box	00-3	
A2w	INSTRUMENT CLUSTER	LH side of dash		
A3	LAMP CONTROL MODULE	front Power Distribution Box	00-2	
A4	CHECK CONTROL MODULE	front Power Distribution Box	00-2	
A5	RELAY MODULE	in Rear Power Distribution Box	00-3	
A7	SLIP CONTROL MODULE (ABS)	in E-Box	00-1	
A8	CRUISE CONTROL MODULE (TEMPOMAT)	below LH side of dash	34-1	
A12	SUPPLEMENTAL RESTRAINT SYSTEM CONTROL MODULE	underside of rear seat	35-1	
A15	PARK HEATING/VENTILATION RELAY BOX	under RH rear seat		
A18	HIFI AMPLIFIER	in LH rear side of luggage compartment	30-1	
A18	HIFI AMPLIFIER	in LH rear side of luggage compartment (Touring)	30-2	
A21	SEAT/MIRROR MEMORY CONTROL MODULE	underside of LH front seat	22-1	
A22z	ELECTROCHROMIC REAR VIEW MIRROR	center of windshield header		
A36	REAR WIPER/WASHER INTERVAL CONTROL MODULE	RH side of luggage compartment	30-3	
A52	SLIP CONTROL MODULE (ABS/ASC)	in E-Box	00-1	
A87w	INTEGRATED CLIMATE REGULATION CONTROL MODULE (IHKR/F3)	LH side of RH footwell	19-3	
A99	DOUBLE PANEL POWER SUNROOF CONTROL MODULE	in roof panel	29-1	
A113	SEAT OCCUPANCY DETECTOR	RH front seat		
A192	TELEPHONE INTERFACE US	below front of console		



COMPONENT LOCATION CHART

COMP.	DESCRIPTION	LOCATION	7100.0	8500.0
A413	ELECTRONIC SHOCK ABSORBER CONTROL MODULE (EDC)	below RH side of rear seat		
A835	TRANSMITTER MODULE (EWS II)	RH side of steering column	33-2	
A836	ELECTRONIC IMMOBILIZER CONTROL MODULE (EWS II)	LH footwell left	33-3	
A6000	ENGINE CONTROL MODULE (DME)	in E-Box	00-1	
A8500	TRANSMISSION CONTROL MODULE (EGS)	in E-Box	00-1	
A8500	TRANSMISSION CONTROL MODULE (EGS)	behind RH footwell kickpanel (Touring)		
A8600	TRANSMISSION CONTROL MODULE (AGS)	in E-Box	00-1	
B1	RIGHT FRONT SPEED SENSOR – ABS	behind RH front wheel		
B2	LEFT FRONT SPEED SENSOR – ABS	behind LH front wheel	09-1	
B3	RIGHT REAR SPEED SENSOR – ABS	behind RH rear wheel	09-2	
B4	LEFT REAR SPEED SENSOR – ABS	behind LH rear wheel		
B6	FUEL LEVEL SENSOR	in RH side of luggage compartment	31-2	
B8y	PRESSURE SWITCH	front RH side of engine compartment		
B10	VEHICLE SPEED SENSOR	under rear of car	09-3	
B11	LH HEAT EXCHANGER TEMPERATURE SENSOR	LH side of IHKR/F3 Plenum	19-2	
B12	RH HEAT EXCHANGER TEMPERATURE SENSOR	LH side of RH footwell	19-3	
B13	OUTSIDE TEMPERATURE SENSOR	rear LH side of engine compartment	16-3	
B14	EVAPORATOR TEMPERATURE SENSOR	LH side of IHKR/F3 Plenum	19-2	
B16	LEFT FRONT BRAKE PAD SENSOR	behind LH front wheel	09-1	



COMPONENT LOCATION CHART

COMP.	DESCRIPTION	LOCATION	7100.0	8500.0
B17	RIGHT REAR BRAKE PAD SENSOR	behind RH rear wheel	09-2	
B18	BRAKE FLUID LEVEL SWITCH	LH side of engine compartment	13-3	
B21	ON-BOARD COMPUTER TEMPERATURE SENSOR	under LH front bumper	10-2	
B22	WHEEL CAMBER CONTROL MODULE	under RH rear of car RH side of differential		
B28	GRADIENT MONITOR (DWA)	in LH forward side of luggage compartment	34-2	
B54	DOUBLE PANEL POWER SUN ROOF SENSOR I	behind front of roof trim panel		
B55	DOUBLE PANEL POWER SUN ROOF SENSOR II	in roof panel	29-1	
B60	CARBON CANISTER	behind LH front fog light		
B400	MICROPHONE	center of dash		
B6163	SECONDARY AIR PUMP VALVE	near throttle body	32-2	
B6200	HEATED OXYGEN SENSOR	on catalytic converter		
B6203	CRANKSHAFT POSITION/RPM SENSOR	front of engine		
B6204	CAMSHAFT POSITION SENSOR (CYLINDER IDENTIFICATION)	front of engine (530i/t) (540i)		
B6205	INTAKE AIR TEMPERATURE SENSOR	front of engine on coolant inlet	14-1	
B6206	AIR FLOW SENSOR	RH front of engine (530i/t) (540i)	05-3	
B6208	CAMSHAFT ACTUATOR	front of engine		
B6209	HALL EFFECT CAMSHAFT SENSOR	front of engine (525i/t)	13-2	
B6210w	CYL. 1-4 HEATED OXYGEN SENSOR	under transmission (530i/t) (540i)		
B6215w	CYL. 1-8 AIR TEMPERATURE SENSOR	top front of engine compartment (530i/t) (540i)	08-1	



COMPONENT LOCATION CHART

COMP.	DESCRIPTION	LOCATION	7100.0	8500.0
B6217	HOT FILM AIR MASS METER	top front of engine		
B6220w	CYL. 5-8 HEATED OXYGEN SENSOR	under transmission (530i/t) (540i)		
B6230	OIL LEVEL SENSOR	underside of oil pan	10-1	
B6231	OIL PRESSURE SWITCH	front of engine (525i/t)	13-2	
B6231	OIL PRESSURE SWITCH	lower LH front of engine (530i/t) (540i)		
B6235	TEMPERATURE SWITCH	in E-Box	05-1	
B6236	ENGINE COOLANT TEMPERATURE SENSOR	front of engine (525i/t)	13-2	
B6236	ENGINE COOLANT TEMPERATURE SENSOR	rear of engine RH side of engine (530i/t) (540i)		
B6241	CYL. 1-2 KNOCK SENSOR	LH side of engine (530i/t) (540i)		
B6242	CYL. 3-4 KNOCK SENSOR	LH side of engine (530i/t) (540i)		
B6243	CYL. 5-6 KNOCK SENSOR	RH side of engine (530i/t) (540i)		
B6244	CYL. 7-8 KNOCK SENSOR	RH side of engine (530i/t) (540i)		
B6241w	CYL. 1-3 KNOCK SENSOR	top front of engine (525i/t)		
B6242w	CYL. 4-6 KNOCK SENSOR	top front of engine (525i/t)		
B9508	PRESSURE SWITCH	front RH side of engine compartment	16-2	
C101	CONTACT RING	top of steering column	20-1	
C900	SUPPRESSION FILTER	in upper RH C-pillar	28-2	
D100	DATA LINK CONNECTOR	near E-Box left (530i/t) (540i)	05-2	
E9	REAR DEFOGGER I	in rear window		
E10	REAR DEFOGGER/ANTENNA	in rear window		



COMPONENT LOCATION CHART

COMP.	DESCRIPTION	LOCATION	7100.0	8500.0
E11 ...	LEFT HIGH BEAM LIGHT	front of car left		
E12 ...	RIGHT HIGH BEAM LIGHT	front of car right		
E13 ...	LEFT LOW BEAM LIGHT	front of car left		
E14 ...	RIGHT LOW BEAM LIGHT	front of car right		
E15 ...	LEFT PARK LIGHT	front of car left		
E16 ...	LEFT REAR LIGHT ASSEMBLY	rear of car left		
E17 ...	RIGHT REAR LIGHT ASSEMBLY	rear of car right		
E19 ...	RIGHT PARK LIGHT	front of car right		
E21 ...	LEFT FRONT MARKER LIGHT	near LH headlight assembly		
E22 ...	RIGHT FRONT MARKER LIGHT	near RH headlight assembly		
E26 ...	LEFT FOG LIGHT	front of car left		
E27 ...	RIGHT FOG LIGHT	front of car right		
E28 ...	FRONT CIGAR LIGHTER	center console		
E29 ...	FRONT CIGAR LIGHTER LIGHT	center of dash below front of console		
E32 ...	TRUNK COMPARTMENT LIGHT	in luggage compartment		
E33w .	TRUNK LID LIGHT	underside of trunk lid (Touring)		
E34 ...	FRONT DOME LIGHT/MAP READING ASSEMBLY	center of windshield header	21-3	
E35 ...	DRIVER'S MAKEUP MIRROR LIGHT	center of windshield header		
E36 ...	PASSENGER'S MAKEUP MIRROR LIGHT ..	center of windshield header		
E39 ...	LEFT REAR INTERIOR LIGHT	in upper LH C-pillar	28-3	
E40 ...	RIGHT REAR INTERIOR LIGHT	in upper RH C-pillar		



COMPONENT LOCATION CHART

COMP.	DESCRIPTION	LOCATION	7100.0	8500.0
E42 ...	GLOVE BOX LIGHT	RH side of glove box above		
E43 ...	LEFT LICENSE PLATE LIGHT	underside of trunk lid		
E44 ...	RIGHT LICENSE PLATE LIGHT	underside of trunk lid		
E46 ...	LEFT TRUNK LIGHT ASSEMBLY	underside of trunk lid		
E47 ...	RIGHT TRUNK LIGHT ASSEMBLY	underside of trunk lid		
E48 ...	DOOR LOCK HEATER	LH front door in door at key lock assembly		
E51 ...	LEFT WASHER JET HEATER	on underside of engine hood		
E52 ...	RIGHT WASHER JET HEATER	on underside of engine hood		
E56 ...	DRIVER'S SEATBACK HEATER	in lower LH front seatback		
E57 ...	DRIVER'S SEAT HEATER	underside of LH front seat		
E58 ...	PASSENGER'S SEAT HEATER	underside of RH front seat		
E59 ...	PASSENGER'S SEATBACK HEATER	in lower RH front seatback		
E70 ...	LEFT REAR SIDE MARKER LIGHT	front of car		
E71 ...	RIGHT REAR SIDE MARKER LIGHT	front of car		
E104 .	THROTTLE FLAP HEATER	near throttle body	06-1	
E9000	RIGHT FRONT LIGHT ASSEMBLY	RH front of vehicle		
E9001	LEFT FRONT LIGHT ASSEMBLY	LH front of vehicle		
G1 ...	BATTERY	below RH side of rear seat	27-3	
G5 ...	DRIVER'S AIR BAG GAS GENERATOR	top of steering column	20-1	
G6 ...	PASSENGER'S AIR BAG GAS GENERATOR	RH side of dash		
G6430	B+ JUMP START JUNCTION POINT	rear LH side of engine compartment (525i/t)	01-1	
G6430	B+ JUMP START JUNCTION POINT	rear RH side of engine compartment (530i/t) (540i)	05-2	



COMPONENT LOCATION CHART

COMP.	DESCRIPTION	LOCATION	7100.0	8500.0
G6509	GENERATOR	in the engine compartment		
H1y	ANTI-THEFT HORN	rear LH side of engine compartment	16-3	
H2	LEFT HORN	front LH side of engine compartment	16-1	
H3	RIGHT HORN	front RH side of engine compartment	16-1	
H4	RIGHT FRONT TURN LIGHT	front of car		
H5	RIGHT REAR TURN LIGHT	RH side of body rear end		
H6	LEFT REAR TURN LIGHT	LH side of body rear end		
H7	LEFT FRONT TURN LIGHT	front of car		
H8	RIGHT FRONT AUXILIARY TURN LIGHT ...	front of car		
H9	LEFT FRONT AUXILIARY TURN LIGHT	front of car		
H10	CHIME MODULE	LH footwell	17-2	
H24	LEFT BRAKE LIGHT	LH side of body rear end		
H25	LEFT TAIL LIGHT	LH side of body rear end		
H27	LEFT BACK UP LIGHT	LH side of body rear end		
H28	RIGHT BACK UP LIGHT	RH side of body rear end		
H30	RIGHT TAIL LIGHT	RH side of body rear end		
H31	RIGHT BRAKE LIGHT	RH side of body rear end		
H34	HIGH LEVEL STOP LIGHT	at back of rear window shelf		
H38	TELEPHONE TRANSCEIVER	in LH forward side of luggage compartment		
H41	LEFT FRONT SPEAKER	in upper LH front door		
H50	RIGHT FRONT HIGH RANGE SPEAKER ...	in upper RH front door		
H51	RIGHT FRONT LOW RANGE SPEAKER	behind RH footwell speaker grille		



COMPONENT LOCATION CHART

COMP.	DESCRIPTION	LOCATION	7100.0	8500.0
H52 ..	RIGHT REAR LOW RANGE SPEAKER	under rear window shelf		
H53 ..	RIGHT REAR HIGH RANGE SPEAKER	under rear window shelf		
H54 ..	RIGHT FRONT MIDRANGE SPEAKER	in upper RH front door		
H55 ..	LEFT FRONT MIDRANGE SPEAKER	in upper LH front door		
H56 ..	LEFT REAR HIGH RANGE SPEAKER	under rear window shelf		
H57 ..	LEFT REAR LOW RANGE SPEAKER	under rear window shelf		
H58 ..	LEFT FRONT LOW RANGE SPEAKER	behind LH footwell speaker grille		
H59 ..	LEFT FRONT HIGH RANGE SPEAKER	in upper LH front door		
H90 ..	LEFT TRUNK LIGHT	in LH forward side of luggage compartment		
H91 ..	RIGHT TRUNK LIGHT	underside of trunk lid		
K2	HORN RELAY	in Front Power Distribution Box	11-1	
K4	BLOWER RELAY	in Front Power Distribution Box	11-1	
K8	AUXILIARY WATER PUMP RELAY	in Front Power Distribution Box	11-1	
K1w ..	STARTER IMMOBILIZATION RELAY	behind LH footwell speaker grille	34-1	
K11 ...	WIPER RELAY	in Rear Power Distribution Box	26-3	
K13 ...	REAR DEFOGGER RELAY	in Rear Power Distribution Box	26-3	
K15 ...	ELECTRIC POWER PROTECTION RELAY ..	in Rear Power Distribution Box	26-3	
K16 ...	HAZARD FLASHER RELAY	in Front Power Distribution Box	11-2	
K19 ...	COMPRESSOR CONTROL RELAY	in Front Power Distribution Box	10-3	
K21 ...	NORMAL SPEED RELAY	in LH auxiliary relay box, engine compartment	12-3	
K22 ...	HIGH SPEED RELAY	in LH auxiliary relay box, engine compartment	12-3	



COMPONENT LOCATION CHART

COMP.	DESCRIPTION	LOCATION	7100.0	8500.0
K25 ...	RIGHT PARK LIGHT/LICENSE PLATE LIGHT RELAY	below LH side of dash near hood release lever		
K26 ...	LEFT PARK LIGHT RELAY	below LH side of dash near hood release lever		
K61 ...	UNLOADER RELAY, TERMINAL 61	in Front Power Distribution Box	11-2	
K67 ...	EDC RELAY	below RH side of rear seat		
K70w .	REAR LID/REAR WINDOW SERVO OPENING MODULE	RH side of luggage compartment	30-3	
K87 ...	ELECTRIC STEERING COLUMN ADJUSTMENT RELAY	below LH side of dash		
K91 ...	ON-BOARD COMPUTER HORN RELAY ...	below LH side of rear seat	27-1	
K94 ...	ENGINE CONTROL RELAY (ABS/ASC)	LH A-pillar behind trim panel	34-1	
K95 ...	VALVE RELAY (ABS/ASC)	LH A-pillar behind trim panel	34-1	
K6300	ENGINE CONTROL MODULE RELAY	in E-Box	15-2	
K6301	CYL. 1-6 FUEL PUMP RELAY	in E-Box	15-1	
K6301w	FUEL PUMP RELAY	in E-Box	15-2	
K6303	OXYGEN SENSOR RELAY	in E-Box	15-1	
K6303	OXYGEN SENSOR RELAY	in E-Box	15-2	
K6304	SECONDARY AIR PUMP RELAY	in E-Box	15-2	
M2 ...	FUEL PUMP	in RH side of luggage compartment	31-2	
M3 ...	WIPER MOTOR	behind LH fresh air cowl	12-1	
M4 ...	WASHER PUMP	front RH side of engine compartment		
M7 ...	HEADLIGHT/FOG LIGHT WASHER PUMP ..	front RH side of engine compartment near windshield washer reservoir		
M9 ...	AUXILIARY FAN MOTOR	behind front grille	16-1	



COMPONENT LOCATION CHART

COMP.	DESCRIPTION	LOCATION	7100.0	8500.0
M12	DRIVER'S DOOR LOCK MOTOR	driver's door	25-1	
M13	PASSENGER'S DOOR LOCK MOTOR	passenger's door	25-3	
M14	RIGHT REAR DOOR LOCK MOTOR	in lower RH rear door		
M15	LEFT REAR DOOR LOCK MOTOR	in lower LH rear door		
M16	GAS FILLER LOCK MOTOR	in RH side of luggage compartment	31-1	
M17	TRUNK LOCK MOTOR	underside of trunk lid	29-2	
M20	LEFT REAR WINDOW MOTOR	in lower LH rear door		
M21	DRIVER'S WINDOW MOTOR	driver's door	25-2	
M22	RIGHT REAR WINDOW MOTOR	in lower RH rear door		
M23	PASSENGER'S WINDOW MOTOR	passenger's door	26-1	
M24	SUNROOF MOTOR	center of windshield header near interior rear view mirror	21-3	
M25	CRUISE CONTROL ACTUATOR (TEMPOMAT)	LH side of engine compartment	12-2	
M30	BLOWER MOTOR	rear LH side of engine compartment	16-3	
M36	FRESH AIR FLAP MOTOR	LH side of IHKR/F3 Plenum	19-2	
M37a	AUXILIARY WATER PUMP	rear LH side of engine compartment	11-3	
M40	RECIRCULATION FLAP MOTOR	LH side of IHKR/F3 Plenum	19-2	
M50	DRIVER'S SEAT CUSHION TILT MOTOR	underside of LH front seat	23-2	
M51	DRIVER'S SEAT MOVEMENT MOTOR	underside of LH front seat	23-2	
M52	DRIVER'S SEAT HEIGHT MOTOR	underside of LH front seat	23-2	
M53	DRIVER'S SEATBACK RECLINER MOTOR	underside of LH front seat	23-2	
M54	DRIVER'S HEADREST MOTOR	in driver's seatback	26-2	



COMPONENT LOCATION CHART

COMP. DESCRIPTION	LOCATION	7100.0	8500.0
M55 .. DRIVER'S SEAT LUMBAR SUPPORT MOTOR	under LH front seat		
M56 .. PASSENGER'S SEAT LUMBAR SUPPORT MOTOR	under RH front seat		
M57 .. PASSENGER'S SEAT HEADREST MOTOR .	in upper RH front seatback		
M58 .. PASSENGER'S SEATBACK RECLINER MOTOR	under RH front seat		
M59 .. PASSENGER'S SEAT HEIGHT MOTOR	under RH front seat		
M60 .. PASSENGER'S SEAT MOVEMENT MOTOR	under RH front seat		
M61 .. PASSENGER'S SEAT CUSHION TILT MOTOR	under RH front seat		
M63 .. SECONDARY AIR PUMP	lower RH side of engine compartment front	32-1	
M65 .. DRIVER'S THIGH SUPPORT MOTOR	underside of LH front seat	23-2	
M66 .. PASSENGER'S THIGH SUPPORT MOTOR .	under RH front seat		
M82 .. STEERING COLUMN LENGTH ADJUST MOTOR	bottom of steering column	17-3	
M87 .. MOTOR DRIVE I DOUBLE PANEL POWER SUNROOF	in roof panel		
M88 .. MOTOR DRIVE II DOUBLE PANEL POWER SUNROOF	in roof panel	29-1	
M93 .. AUXILIARY THROTTLE POSITION MOTOR (ADS)	behind LH front fog light	06-1	
M94 .. REAR WINDOW WIPER MOTOR	rear of luggage compartment on lift gate behind trim panel		
M95 .. REAR WINDOW WASHER PUMP	RH side of luggage compartment	31-3	
M96 .. REAR WINDOW MOTOR	rear of luggage compartment in lift gate	29-3	



COMPONENT LOCATION CHART

COMP.	DESCRIPTION	LOCATION	7100.0	8500.0
M97 ..	LIFT GATE MOTOR	rear of luggage compartment in lift gate	29-3	
M6506	E-BOX FAN	rear RH side of engine compartment in E-Box		
M6510	STARTER	LH side of engine compartment below intake manifold		
N1 ...	ANTI-THEFT CONTROL MODULE (DWA) .	below LH side of rear seat inside box on interior side of RH door sill	35-3	
N3 ...	DIMMER	LH side of dash		
N4 ...	ON-BOARD COMPUTER	center of dash		
N6 ...	HEADLIGHT/FOGLIGHT CLEANING MODULE (SRA)	in LH auxiliary relay box, engine compartment	12-3	
N8 ...	ANTENNA AMPLIFIER AM/FM	in upper LH C-pillar	28-3	
N9 ...	RADIO	center of dash	20-3	
N10 ..	MULTI-FUNCTION CLOCK	center of dash		
N12w .	ANTI-THEFT CONTROL MODULE (ALPINE)	below RH side of rear seat		
N13y .	REMOTE LOCKING RECEIVER	in interior rear view mirror		
N17 ..	CRASH CONTROL MODULE	in Front Power Distribution Box	11-2	
N22 ..	CD CHANGER	in luggage compartment	30-2	
N50 ..	CLOCK	center of dash		
N404 .	DIVERSITY	in upper LH C-pillar	28-3	
P90 ...	FRONT POWER DISTRIBUTION BOX	rear LH side of engine compartment	01-1	
P91 ...	REAR POWER DISTRIBUTION BOX	below LH side of rear seat		
P92 ...	AUXILIARY RELAY BOX	LH side of engine compartment	12-2	
P93 ...	E-BOX	rear RH side of engine compartment		



COMPONENT LOCATION CHART

COMP.	DESCRIPTION	LOCATION	7100.0	8500.0
R5	HEADREST POTENTIOMETER	in driver's seatback	26-2	
R6	SEAT HEIGHT POTENTIOMETER	underside of LH front seat	22-3	
R7	SEATBACK POTENTIOMETER	underside of LH front seat	22-3	
R8	SEAT CUSHION REAR HEIGHT POTENTIOMETER	underside of LH front seat	22-2	
R9	SEAT CUSHION MOVEMENT POTENTIOMETER	underside of LH front seat	22-2	
R11 ..	BLOWER RESISTORS	LH side of IHKR/F3 Plenum	19-2	
R21 ..	LEFT REAR QUARTER WINDOW SWITCH (DWA)	in lower LH rear door		
R22 ..	RIGHT REAR QUARTER WINDOW SWITCH (DWA)	in lower RH rear door		
R6240	RESISTOR	top center of engine	17-1	
R6252	THROTTLE POSITION SENSOR	top front of engine compartment	13-1	
R6253	AUXILIARY THROTTLE POSITION SENSOR	top front of engine compartment	13-1	
R90001	BLOWER POTENTIOMETER	behind center console		
S2	IGNITION SWITCH	top of steering column behind steering wheel		
S3	AUTOMATIC TRANSMISSION RANGE SWITCH	front of gearshift selector	21-2	
S4	HORN SWITCH	top of steering column		
S5	WIPER/WASHER SWITCH	top of steering column		
S6	ASC SWITCH	center console		
S7	COMBINATION SWITCH	top of steering column		
S8	LIGHT SWITCH	LH side of dash		



COMPONENT LOCATION CHART

COMP.	DESCRIPTION	LOCATION	7100.0	8500.0
S9	LIGHT SWITCH	LH side of dash		
S10	FOG LIGHT SWITCH	LH side of dash		
S12	MEMORY MIRRORS CONTROL SWITCH	in upper LH front door		
S13	PASSENGER'S DOOR JAMB SWITCH	ahead of RH rear door	28-1	
S14	DRIVER'S DOOR JAMB SWITCH	ahead of LH rear door	28-1	
S15	REAR RIGHT DOOR JAMB SWITCH	rear RH door pillar	28-1	
S16	LEFT REAR DOOR JAMB SWITCH	LH rear door jamb	28-1	
S17	MIRROR CONTROL SWITCH	in upper LH front door		
S18	HAZARD SWITCH	center console below		
S20	RADIO ANTI-THEFT SWITCH (DWA)	center of dash		
S21w	ENGINE HOOD SWITCH	back of LH side shock tower	11-2	
S27	INERTIA SWITCH	below LH side of rear seat	27-1	
S28	CRUISE CONTROL SWITCH	top of steering column behind steering wheel		
S30	BRAKE LIGHT SWITCH	on brake pedal	18-1	
S31	PARK BRAKE SWITCH	below center of console		
S32	CLUTCH SWITCH	LH side of dash on clutch pedal support bracket	18-1	
S36	TEMPERATURE SWITCH	RH top of radiator	15-3	
S37	GLOVE BOX LIGHT SWITCH	LH side of glove box	21-1	
S38	SUNROOF SWITCH	center of windshield header near interior rear view mirror	21-3	
S39	SUNROOF POSITION SWITCH	center of windshield header near interior rear view mirror	21-3	
S40	FRONT CONSOLE WINDOW SWITCH ASSEMBLY	center console		



COMPONENT LOCATION CHART

COMP.	DESCRIPTION	LOCATION	7100.0	8500.0
S41 ...	LEFT REAR WINDOW SWITCH	in upper LH rear door		
S42 ...	RIGHT REAR WINDOW SWITCH	in upper RH rear door		
S43 ...	DRIVER'S WINDOW LIMIT SWITCH	in upper LH front door		
S44 ...	PASSENGER'S WINDOW LIMIT SWITCH ...	in upper RH front door		
S45 ...	LEFT REAR WINDOW LIMIT SWITCH	in upper LH rear door		
S46 ...	RIGHT REAR WINDOW LIMIT SWITCH	in upper RH rear door		
S47 ...	DRIVER'S DOOR LOCK SWITCH	LH front door behind door panel		
S48 ...	DRIVER'S DOOR HANDLE SWITCH	LH front door behind door panel		
S49 ...	PASSENGER'S DOOR LOCK SWITCH	RH front door		
S50 ...	DRIVER'S MEMORY SEAT ADJUSTMENT SWITCH	in rear of console		
S51 ...	DRIVER'S SEAT, SEAT CONTROL SWITCH .	in rear of console		
S52 ...	DRIVER'S SEAT LUMBAR SWITCH	in rear of console		
S53 ...	DRIVER'S SEAT, SEAT HEATER SWITCH ...	in rear of console		
S54 ...	PASSENGER'S SEAT, SEAT HEATER SWITCH	in rear of console		
S55 ...	PASSENGER'S SEAT LUMBAR SUPPORT SWITCH	in rear of console		
S56 ...	PASSENGER'S SEAT, SEAT CONTROL SWITCH	in rear of console		
S57 ...	MEMORY SEAT MIRRORS SWITCH	in rear of console		
S58 ...	DRIVER'S SEAT BELT SWITCH	in LH front seat belt buckle		
S59 ...	PASSENGER'S SEAT BELT SWITCH	in RH front seat belt buckle		



COMPONENT LOCATION CHART

COMP.	DESCRIPTION	LOCATION	7100.0	8500.0
S61 ...	TRUNK LID SWITCH	underside of trunk lid left		
S63 ...	ENGINE COOLANT LEVEL SWITCH	top center of engine ahead of oil fill cap		
S64 ...	WASHER FLUID LEVEL SWITCH	front RH side of engine compartment		
S75 ...	BLOWER SWITCH	center of dash middle of heater control panel		
S77 ...	DRIVER'S MAKEUP MIRROR SWITCH	above LH sun visor		
S78 ...	PASSENGER'S MAKEUP MIRROR SWITCH	under roof center panel		
S92 ...	BACK UP LIGHT SWITCH (MANUAL TRANSMISSION)	below center console		
S93 ...	DRIVER'S THIGH SUPPORT SWITCH	LH front seat		
S94 ...	PASSENGER'S THIGH SUPPORT SWITCH	RH front seat		
S99 ...	PASSENGER'S WINDOW MONITORING SWITCH (DWA)	RH front door		
S100 .	DRIVER'S WINDOW MONITORING SWITCH (DWA)	LH front door		
S101 .	RIGHT REAR WINDOW MONITORING SWITCH (DWA)	in lower RH rear door		
S102 .	LEFT REAR WINDOW MONITORING SWITCH (DWA)	in lower LH rear door		
S105 .	EDC SWITCH	center console		
S119z	STEERING COLUMN POSITION SWITCH ..	below LH side of dash		
S134w	IHKR/F3 CONTROL PANEL	RH side of LH footwell		
S135w	IHKR/F3 SWITCHING UNIT	RH side of LH footwell		
S147 .	REAR WINDOW OPENING SWITCH	rear of luggage compartment on lift gate behind trim panel		
S167 .	LIFT GATE LOCK SWITCH	rear of luggage compartment on lift gate		



COMPONENT LOCATION CHART

COMP.	DESCRIPTION	LOCATION	7100.0	8500.0
S170	REAR WINDOW LIMIT SWITCH	rear of luggage compartment on lift gate behind trim panel		
S171	LIFT GATE LIMIT SWITCH	rear of luggage compartment on lift gate behind trim panel		
S172	LIFT GATE SWITCH	right of lid lock assembly		
S176	REAR WIPER/WASHER FLUID LEVEL SWITCH	RH side of luggage compartment	31-3	
S198	JET HEATER THERMOSWITCH	front LH side of engine compartment		
S8503	PROGRAM SWITCH	below center console		
S8507	KICK-DOWN SWITCH	behind gas pedal (530i/t) (540i)		
S8514	TRANSMISSION CONTROL PROGRAM SELECTION SWITCH (EGS)	below center of console front of gearshift selector		
S8522	SHIFT LOCK	center console		
S8524	REVERSING LIGHT SWITCH	on RH side of transmission	07-1	
T6151	CYL. 1 IGNITION COIL	on cylinder head right (530i/t) (540i)	06-3	
T6151	CYL. 1 IGNITION COIL	RH side of engine (525i/t)	14-2	
T6152	CYL. 2 IGNITION COIL	on cylinder head right (530i/t) (540i)	06-3	
T6152	CYL. 2 IGNITION COIL	RH side of engine (525i/t)	14-2	
T6153	CYL. 3 IGNITION COIL	on cylinder head right (530i/t) (540i)	06-3	
T6153	CYL. 3 IGNITION COIL	RH side of engine (525i/t)	14-2	
T6154	CYL. 4 IGNITION COIL	on cylinder head right (530i/t) (540i)	06-3	
T6154	CYL. 4 IGNITION COIL	RH side of engine (525i/t)	14-2	
T6155	CYL. 5 IGNITION COIL	RH side of engine (525i/t)	14-2	
T6155	CYL. 5 IGNITION COIL	on cylinder head left (530i/t) (540i)		



COMPONENT LOCATION CHART

COMP.	DESCRIPTION	LOCATION	7100.0	8500.0
T6156	CYL. 6 IGNITION COIL	RH side of engine (525i/t)	14-2	
T6156	CYL. 6 IGNITION COIL	on cylinder head left (530i/t) (540i)		
T6157	CYL. 7 IGNITION COIL	on cylinder head left (530i/t) (540i)		
T6158	CYL. 8 IGNITION COIL	on cylinder head left (530i/t) (540i)		
U4	TELEPHONE HANDSET	below center console		
V4	DAYTIME RUNNING LIGHTS CODING DIODE	behind LH side of dash center of windshield header		
V5	DWA LED	center of dash	33-1	
X0	B+ JUNCTION POINT	footwell, driver's side	01-3	
X2	BATTERY B+ START POINT	rear LH side of engine compartment	01-1	
X3	B+ JUNCTION POINT	rear LH side of engine compartment	01-1	
X12	(35 PINS, BLACK)	rear LH side of engine compartment in Front Power Distribution Box		00-2
X13	(21 PINS, WHITE)	behind LH footwell trim	19-1	01-3
X14	(30 PINS, YELLOW)	behind LH footwell trim	19-1	00-4
X15	(30 PINS, WHITE)	LH footwell	18-3	00-4
X16	(26 PINS, NATURAL)	rear side of instrument cluster, A2w	20-2	01-1
X17	(6 PINS, BROWN)	rear side of instrument cluster, A2w	20-2	01-4
X18	(26 PINS, BLUE)	rear LH side of engine compartment in Front Power Distribution Box		01-1
X19	(26 PINS, GREEN)	rear LH side of engine compartment in Front Power Distribution Box		01-1
X20	(25 PINS, BLACK)	rear LH side of engine compartment	11-3	03-4
X20	(25 PINS, BLACK)	rear LH side of engine compartment	06-2	
X22	(26 PINS, BLUE)	behind LH footwell speaker grille	34-1	01-1



COMPONENT LOCATION CHART

COMP.	DESCRIPTION	LOCATION	7100.0	8500.0
X31 ...	(15 PINS, BLACK)	LH side of engine compartment	13-3	
X32 ...	(12 PINS, WHITE)	LH footwell	18-2	06-4
X33 ...	(12 PINS, BLACK)	LH footwell	18-2	06-4
X34 ...	(12 PINS, NATURAL)	LH footwell	18-3	06-4
X35 ...	(21 PINS, BLACK)	LH footwell	18-3	01-3
X51 ...	(10 PINS, BLACK)	rear LH side of engine compartment in Front Power Distribution Box		07-6
X52 ...	(9 PINS, BLACK)	in LH auxiliary relay box, engine compartment		02-3
X53 ...	(9 PINS, BLACK)	in LH auxiliary relay box, engine compartment		02-3
X55 ...	(9 PINS, BLACK)	behind LH footwell speaker grille		02-3
X56 ...	(10 PINS, BLACK)	rear LH side of engine compartment in Front Power Distribution Box		07-6
X58 ...	(9 PINS, BLACK)	rear LH side of engine compartment in Front Power Distribution Box		02-3
X61 ...	(9 PINS, BLACK)	in LH auxiliary relay box, engine compartment	12-3	02-3
X64 ...	(9 PINS, BLACK)	rear LH side of engine compartment in Front Power Distribution Box		02-3
X65 ...	(9 PINS, BLACK)	rear LH side of engine compartment in Front Power Distribution Box		02-3
X70 ...	(8 PINS, BLACK)	LH side of engine compartment ahead of LH side shock tower	12-2	01-5
X72 ...	(8 PINS, WHITE)	LH footwell	18-2	13-2
X74 ...	(30 PINS, ORANGE)	LH footwell	35-1	13-5
X82 ...	(3 PINS, BLACK)	front of engine compartment behind front grille		04-5
X85 ...	(3 PINS, BLACK)	LH side of engine compartment		04-3
X87 ...	(3 PINS, BLACK)	front RH side of engine compartment near windshield washer reservoir RH top of radiator	15-3	02-5
X91 ...	(3 PINS, BLACK)	LEFT PARK LIGHT LEFT FRONT LIGHT ASSEMBLY		04-3



COMPONENT LOCATION CHART

COMP.	DESCRIPTION	LOCATION	7100.0	8500.0
X92 . . .	(3 PINS, BLACK)	RIGHT PARK LIGHT RIGHT FRONT LIGHT ASSEMBLY		04-3
X105 .	(2 PINS, GRAY)	on underside of engine hood LEFT WASHER JET HEATER		
X106 .	(2 PINS, GRAY)	on underside of engine hood RIGHT WASHER JET HEATER		
X107 .	(2 PINS, GRAY)	front RH side of engine compartment on washer fluid reservoir		
X109 .	(2 PINS, BLACK)	front RH side of engine compartment on washer fluid reservoir		
X111 .	(2 PINS, BLACK)	LH side of engine compartment	13-3	
X112 .	(2 PINS, BLACK)	top center of engine ahead of oil fill cap (with EML)		
X113 .	(2 PINS, NATURAL)	near base of shock tower		
X114 .	(2 PINS, BLACK)	LH side of engine compartment	13-3	
X116 .	(4 PINS, BLACK)	on brake pedal (530i/t) (540i)	18-3	06-3
X118 .	(2 PINS, BLACK)	behind LH front wheel	09-1	
X121 .	(2 PINS, WHITE)	LH side of dash on clutch pedal support bracket		
X122 .	(2 PINS, BLACK)	rear LH side of engine compartment	11-3	
X123 .	(2 PINS, GRAY)	front RH side of engine compartment near windshield washer reservoir		
X126 .	(2 PINS, NATURAL)	front RH side of engine compartment	16-2	
X127 .	(2 PINS, BLACK)	front RH side of engine compartment	16-2	
X132 .	(2 PINS, BLACK)	LEFT HORN		
X133 .	(2 PINS, BLACK)	RIGHT HORN		
X138 .	(2 PINS, BLACK)	HIGH LEVEL STOP LIGHT		
X147 .	(2 PINS, BLACK)	REAR WIPER/WASHER FLUID LEVEL SWITCH		
X149 .	(8 PINS, BLACK)	below rear seat		
X159 .	(10 PINS, BLACK)	driver's door DRIVER'S SIDE MEMORY MIRROR	25-2	09-1



COMPONENT LOCATION CHART

COMP.	DESCRIPTION	LOCATION	7100.0	8500.0
X160	(10 PINS, BLACK)	passenger's door PASSENGER'S SIDE MEMORY MIRROR	25-3	
X163	(3 PINS, BLACK)	front RH side of engine compartment on A/C compressor		02-5
X165	GROUND	LH footwell	02-1	
X166	GROUND	behind RH front fog light	34-3	
X166	GROUND	front RH side of engine compartment (525i/t)	04-1	
X167	GROUND	front LH side of engine compartment	03-2	
X168	(1 PIN, BLACK)	underside of trunk lid		
X170	GROUND	LH side of engine compartment	02-2	
X175	GROUND	front LH side of engine compartment	03-2	
X179	GROUND	behind RH front fog light	34-3	
X179	GROUND	front RH side of engine compartment (525i/t)	04-1	
X251	(30 PINS, BLACK)	LH footwell	18-3	13-1
X252	(26 PINS, BLACK)	below LH side of rear seat	35-3	01-1
X253	(26 PINS, GREEN)	below LH side of rear seat in Rear Power Distribution Box	35-2	01-1
X254	(26 PINS, WHITE)	below LH side of rear seat in Rear Power Distribution Box	35-2	01-1
X255	(26 PINS, YELLOW)	below LH side of rear seat in Rear Power Distribution Box	35-2	01-1
X256	(26 PINS, BLACK)	ahead of RH front door	24-2	08-1
X257	(26 PINS, BLACK)	in lower LH front door ahead of LH front door	24-2	08-1
X258	(20 PINS, WHITE)	below LH side of rear seat	35-2	08-4
X259	(20 PINS, BLACK)	below LH side of rear seat front of battery	35-2	08-4
X263	(26 PINS, BLACK)	below RH side of rear seat		
X271	(12 PINS, GRAY)	rear side of instrument cluster, A2w	20-2	08-2



COMPONENT LOCATION CHART

COMP.	DESCRIPTION	LOCATION	7100.0	8500.0
X272	(12 PINS, BLACK)	below LH side of rear seat in Rear Power Distribution Box		06-4
X273	(12 PINS, BLACK)	ahead of LH rear door in wire grommet	24-3	10-3
X274	(12 PINS, BLACK)	ahead of RH rear door in wire grommet	24-3	10-3
X275	(12 PINS, BLACK)	underside of LH front seat	24-1	07-2
X279	(12 PINS, WHITE)	under RH front seat		07-2
X292	(9 PINS, WHITE)	below LH side of rear seat in Rear Power Distribution Box		02-3
X293	(9 PINS, WHITE)	below LH side of rear seat in Rear Power Distribution Box		02-3
X294	(9 PINS, WHITE)	below LH side of rear seat in Rear Power Distribution Box		02-3
X295	(8 PINS, BLACK)	LH footwell	18-2	13-2
X311	(3 PINS, BLACK)	underside of trunk lid	29-2	
X312	(6 PINS, BLACK)	in RH side of luggage compartment		07-3
X315	(2 PINS, WHITE)	underside of trunk lid	29-2	
X316	(6 PINS, WHITE)	FRONT CONSOLE WINDOW SWITCH ASSEMBLY		05-5
X317	(6 PINS, BLACK)	FRONT CONSOLE WINDOW SWITCH ASSEMBLY		05-4
X318	(4 PINS, BLACK)	in LH rear side of luggage compartment RIGHT REAR LIGHT ASSEMBLY		06-3
X319	(4 PINS, BLACK)	in LH rear side of luggage compartment LEFT REAR LIGHT ASSEMBLY		06-3
X322	(8 PINS, BLACK)	below LH side of rear seat in Rear Power Distribution Box		11-2
X328	(4 PINS, BLACK)	underside of trunk lid	29-2	06-3
X328	(4 PINS, BLACK)	In lift gate (Touring)	29-3	06-3
X329	(4 PINS, BLACK)	underside of trunk lid LEFT TRUNK LIGHT ASSEMBLY		06-3
X331	(5 PINS, BLACK)	below LH side of rear seat in Rear Power Distribution Box	35-3	02-4
X332	(5 PINS, NATURAL)	below LH side of rear seat in Rear Power Distribution Box	35-2	03-2



COMPONENT LOCATION CHART

COMP.	DESCRIPTION	LOCATION	7100.0	8500.0
X333	(4 PINS, BLACK)	behind LH fresh air cowl	12-1	08-6
X335	(4 PINS, BLACK)	below LH side of rear seat in Rear Power Distribution Box	35-3	02-6
X336	(4 PINS, NATURAL)	center of windshield header near interior rear view mirror	21-3	06-5
X337	(4 PINS, NATURAL)	below LH side of rear seat	26-3	06-3
X342	(4 PINS, NATURAL)	RH side of dash above RH kick panel	18-2	06-3
X351	(2 PINS, BLACK)	ahead of RH rear door		
X352	(2 PINS, BLACK)	ahead of LH rear door		
X353	(2 PINS, BLACK)	front LH door pillar		
X354	(2 PINS, BLACK)	LH rear door jamb		
X355	(4 PINS, WHITE)	in upper RH C-pillar		05-2
X356	(4 PINS, BLACK)	in lower RH C-pillar	28-3	11-6
X371	(2 PINS, BLACK)	LH side of windshield header above LH visor		
X372	(2 PINS, GRAY)	rear RH side of engine compartment		
X376	(2 PINS, WHITE)	below LH side of rear seat	27-1	
X377	(2 PINS, WHITE)	below RH side of rear seat	27-2	
X379	(1 PIN, BLACK)	in upper LH C-pillar	28-3	
X380	(1 PIN, BROWN)	in upper RH C-pillar	28-2	
X381	(2 PINS, BLACK)	DRIVER'S MAKEUP MIRROR LIGHT		
X382	(2 PINS, BLACK)	PASSENGER'S MAKEUP MIRROR LIGHT		
X383	(2 PINS, YELLOW)	under rear of car near differential	09-3	
X388	(2 PINS, BLACK)	below LH side of rear seat		
X389	(2 PINS, BLACK)	LEFT FRONT AUXILIARY TURN LIGHT		



COMPONENT LOCATION CHART

COMP.	DESCRIPTION	LOCATION	7100.0	8500.0
X390	(2 PINS, BLACK)	RIGHT FRONT AUXILIARY TURN LIGHT		
X400	(8 PINS, BLACK)	in LH forward side of luggage compartment		11-2
X401	(1 PIN, BLACK)	DRIVER'S MAKEUP MIRROR SWITCH		
X402	(1 PIN, BLACK)	PASSENGER'S MAKEUP MIRROR SWITCH		
X405	(3 PINS, BLACK)	LH side of engine compartment		
X406	(3 PINS, BLACK)	RH side of engine compartment		
X407	(3 PINS, BLACK)	under LH rear of car		
X408	(3 PINS, BLACK)	under RH rear of car		
X411	(2 PINS, ---)	LEFT REAR SIDE MARKER LIGHT		
X412	(2 PINS, ---)	RIGHT REAR SIDE MARKER LIGHT		
X416	(1 PIN, BLACK)	above LH sun visor		
X417	(1 PIN, BLACK)	under roof center panel		
X423	(1 PIN, ---)	below center of console PARK BRAKE SWITCH		
X424	(1 PIN, BROWN)	in upper LH C-pillar	28-3	
X490	GROUND	LH footwell	02-1	
X491	GROUND	LH footwell	02-1	
X492	GROUND	below LH side of rear seat	04-3	
X493	GROUND	below LH side of rear seat	04-3	
X495	GROUND	underside of RH rear seat	04-2	
X496	GROUND	underside of RH rear seat	04-2	
X501	(26 PINS, GREEN)	center of dash ON-BOARD COMPUTER		01-1
X502	(26 PINS, BLACK)	rear side of instrument cluster, A2w	20-2	01-1



COMPONENT LOCATION CHART

COMP.	DESCRIPTION	LOCATION	7100.0	8500.0
X503	(12 PINS, BLACK)	LH side of dash		05-6
X504	(12 PINS, BLACK)	FOG LIGHT SWITCH		05-6
X506	(12 PINS, BLACK)	front of gearshift selector	21-2	06-4
X509	(9 PINS, WHITE)	below LH side of dash near hood release lever		02-3
X510	(9 PINS, WHITE)	below LH side of dash near hood release lever		02-3
X511	(8 PINS, BLACK)	front of gearshift selector	21-2	03-1
X512	(8 PINS, BLACK)	behind center of dashboard		03-1
X514	(6 PINS, BLUE)	center of dash DWA LED	33-1	04-1
X516	(5 PINS, BLACK)	center of console HAZARD SWITCH		06-2
X517	(4 PINS, BLACK)	DIMMER		06-3
X518	(4 PINS, BLACK)	LH footwell	17-2	06-3
X521	(6 PINS, BLACK)	ASC SWITCH		10-2
X522	(3 PINS, WHITE)	LH footwell	17-2	05-2
X523	(6 PINS, BLACK)	behind LH side of dash center of windshield header		09-2
X526	(8 PINS, BLACK)	LH footwell	17-2	13-2
X529	(6 PINS, GREEN)	center console EDC SWITCH		10-2
X531	(2 PINS, WHITE)	FRONT CIGAR LIGHTER		
X532	(2 PINS, NATURAL)	FRONT CIGAR LIGHTER LIGHT		
X537	(1 PIN, NATURAL)	in upper LH front door		
X538	(1 PIN, NATURAL)	in upper RH front door		
X539	(2 PINS, BLACK)	center of dash		
X540	(2 PINS, BLACK)	GLOVE BOX LIGHT SWITCH		



COMPONENT LOCATION CHART

COMP. DESCRIPTION	LOCATION	7100.0	8500.0
X541 . (1 PIN, ---)	GLOVE BOX LIGHT		
X542 . (2 PINS, BLACK)	LH side of glove box CHARGING SOCKET		
X546 . (2 PINS, WHITE)	below center of console LH side of gearshift selector		
X547 . (2 PINS, BLACK)	behind center of dashboard RADIO		
X552 . (1 PIN, ---)	below LH side of dash		
X603 . (12 PINS, BLACK)	DRIVER'S SEAT, SEAT CONTROL SWITCH		06-6
X604 . (12 PINS, BLACK)	PASSENGER'S SEAT, SEAT CONTROL SWITCH		06-6
X605 . (26 PINS, BLACK)	in LH rear side of luggage compartment	30-1	10-4
X605 . (26 PINS, BLACK)	in LH rear side of luggage compartment (Touring)	30-2	10-4
X606 . (26 PINS, WHITE)	in LH rear side of luggage compartment	30-1	10-4
X606 . (26 PINS, WHITE)	in LH rear side of luggage compartment (Touring)	30-2	10-4
X607 . (20 PINS, WHITE)	RH side of RH footwell behind RH footwell kickpanel		08-4
X621 . (10 PINS, BLACK)	ahead of RH front door	24-2	09-1
X622 . (10 PINS, BLACK)	ahead of RH front door	24-2	09-1
X623 . (4 PINS, BLACK)	driver's door DRIVER'S SIDE MIRROR	25-2	11-6
X624 . (4 PINS, BLACK)	passenger's door PASSENGER'S SIDE MIRROR	25-3	11-6
X625 . (6 PINS, BLACK)	driver's door MIRROR CONTROL SWITCH	25-2	05-3
X626 . (8 PINS, BLACK)	underside of LH front seat	22-2	11-2
X627 . (8 PINS, BLACK)	center of windshield header near interior rear view mirror	21-3	03-1
X632 . (9 PINS, BLACK)	below LH side of rear seat in Rear Power Distribution Box		02-3
X638 . (6 PINS, BLACK)	in RH side of luggage compartment	31-2	09-4
X641 . (6 PINS, BLACK)	passenger's door PASSENGER'S DOOR LOCK MOTOR	26-1	09-4



COMPONENT LOCATION CHART

COMP. DESCRIPTION	LOCATION	7100.0	8500.0
X642 . (8 PINS, BLACK)	below RH side of rear seat		04-4
X643 . (6 PINS, BLUE)	SUNROOF SWITCH	21-3	08-3
X644 . (6 PINS, WHITE)	in LH rear door LEFT REAR DOOR LOCK MOTOR		09-4
X645 . (6 PINS, BLACK)	LEFT REAR WINDOW SWITCH		07-3
X646 . (6 PINS, WHITE)	in lower RH rear door RIGHT REAR DOOR LOCK MOTOR		09-4
X647 . (6 PINS, BLACK)	RIGHT REAR WINDOW SWITCH		07-3
X648 . (10 PINS, BLACK)	under driver's seat		07-3
X650 . (6 PINS, BLACK)	MEMORY SEAT MIRRORS SWITCH		07-3
X651 . (6 PINS, BLACK)	DRIVER'S SEAT, SEAT HEATER SWITCH		07-3
X652 . (6 PINS, BLUE)	DRIVER'S SEAT LUMBAR SWITCH		08-3
X658 . (6 PINS, BLACK)	PASSENGER'S SEAT, SEAT HEATER SWITCH		07-3
X659 . (6 PINS, BLACK)	PASSENGER'S SEAT LUMBAR SUPPORT SWITCH		07-3
X660 . (6 PINS, BLACK)	driver's door DRIVER'S DOOR LOCK MOTOR	25-1	09-4
X662 . (6 PINS, BLACK)	LH side of IHKR/F3 Plenum	25-1	09-4
X663 . (6 PINS, BLACK)	LH side of IHKR/F3 Plenum	25-1	09-4
X673 . (2 PINS, BLACK)	below LH side of rear seat		
X674 . (2 PINS, BLACK)	below RH side of rear seat		
X680 . (3 PINS, BLACK)	underside of LH front seat	22-3	05-2
X685 . (3 PINS, BLACK)	in upper LH front door near door handle		02-5
X686 . (3 PINS, BLUE)	in lower LH front seatback		07-1
X687 . (3 PINS, BLACK)	SEAT CUSHION REAR HEIGHT POTENTIOMETER		07-1
X688 . (3 PINS, BLUE)	in lower LH front seatback		07-1



COMPONENT LOCATION CHART

COMP.	DESCRIPTION	LOCATION	7100.0	8500.0
X689	(3 PINS, BLUE)	in lower LH front seatback HEADREST POTENTIOMETER		07-1
X690	(3 PINS, BLUE)	in lower LH front seatback SEATBACK POTENTIOMETER		07-1
X692	(3 PINS, BLACK)	center of dash (radio removed)		03-3
X696	(3 PINS, BLACK)	under RH rear of car RH side of differential WHEEL CAMBER CONTROL MODULE		07-5
X700	(1 PIN, ---)	behind RH footwell speaker grille		
X701	(1 PIN, ---)	behind LH footwell speaker grille		
X705	(2 PINS, BLACK)	near RH rear wheel well	09-2	
X709	(2 PINS, BLACK)	LEFT LICENSE PLATE LIGHT		
X710	(2 PINS, BLACK)	RIGHT LICENSE PLATE LIGHT		
X711	(2 PINS, BLACK)	underside of trunk lid left		
X712	(1 PIN, ---)	TRUNK COMPARTMENT LIGHT		
X714	(2 PINS, GRAY)	in lower LH rear door LEFT REAR WINDOW MOTOR		
X715	(2 PINS, ---)	in upper LH rear door LEFT REAR WINDOW LIMIT SWITCH		
X720	(2 PINS, GRAY)	in lower LH rear door RIGHT REAR WINDOW MOTOR		
X721	(2 PINS, ---)	in upper RH rear door RIGHT REAR WINDOW LIMIT SWITCH		
X726	(2 PINS, BLACK)	underside of LH front seat DRIVER'S SEAT MOVEMENT MOTOR	24-1	
X727	(2 PINS, WHITE)	underside of LH front seat DRIVER'S SEAT CUSHION TILT MOTOR	23-1	
X728	(2 PINS, WHITE)	underside of LH front seat DRIVER'S SEAT HEIGHT MOTOR	24-1	
X729	(2 PINS, BLACK)	underside of LH front seat DRIVER'S SEATBACK RECLINER MOTOR	24-1	
X730	(2 PINS, ---)	in upper LH front seatback		
X731	(2 PINS, WHITE)	in upper LH front seatback DRIVER'S HEADREST MOTOR		
X732	(2 PINS, WHITE)	in upper LH front seatback		



COMPONENT LOCATION CHART

COMP.	DESCRIPTION	LOCATION	7100.0	8500.0
X733	(2 PINS, BLACK)	in lower LH front seatback		
X734	(2 PINS, BLACK)	under RH front seat PASSENGER'S SEAT MOVEMENT MOTOR		
X735	(2 PINS, WHITE)	underside of LH front seat PASSENGER'S SEAT CUSHION TILT MOTOR	23-1	
X736	(2 PINS, BLACK)	under RH front seat PASSENGER'S SEATBACK RECLINER MOTOR		
X737	(2 PINS, WHITE)	under RH front seat PASSENGER'S SEAT HEIGHT MOTOR		
X738	(2 PINS, ---)	in upper RH front seatback PASSENGER'S SEAT HEADREST MOTOR		
X739	(2 PINS, YELLOW)	under RH front seat		
X740	(2 PINS, WHITE)	underside of LH front seat	23-3	
X741	(2 PINS, WHITE)	underside of rear seat		
X742	(2 PINS, YELLOW)	passenger's door	25-3	
X743	(2 PINS, BLACK)	passenger's door PASSENGER'S WINDOW LIMIT SWITCH	26-1	
X744	(2 PINS, GRAY)	passenger's door PASSENGER'S WINDOW MOTOR	25-3	
X746	(1 PIN, ---)	in upper RH front door		
X747	(2 PINS, YELLOW)	driver's door	25-1	
X749	(2 PINS, GRAY)	driver's door DRIVER'S WINDOW MOTOR	25-2	
X750	(2 PINS, ---)	driver's door DRIVER'S WINDOW LIMIT SWITCH	25-2	
X751	(2 PINS, WHITE)	driver's door DOOR LOCK HEATER	25-1	
X752	(2 PINS, GRAY)	driver's door	25-1	
X753	(1 PIN, ---)	in upper LH front door		
X760	(1 PIN, ---)	under rear window shelf		
X761	(1 PIN, ---)	under rear window shelf		
X762	(1 PIN, ---)	under rear window shelf		



COMPONENT LOCATION CHART

COMP.	DESCRIPTION	LOCATION	7100.0	8500.0
X763	(1 PIN, ---)	under rear window shelf		
X764	(2 PINS, WHITE)	in RH side of luggage compartment		
X765	(2 PINS, WHITE)	in RH side of luggage compartment		
X766	(2 PINS, ---)	near LH headlight assembly LEFT FRONT MARKER LIGHT		
X767	(2 PINS, ---)	near RH headlight assembly RIGHT FRONT MARKER LIGHT		
X770	(2 PINS, WHITE)	under LH front bumper	10-2	
X771	(2 PINS, BLACK)	below LH side of dash		
X772	(2 PINS, WHITE)	RH side of LH footwell		
X773	(2 PINS, WHITE)	RH side of dash		
X774	(1 PIN, GRAY)	near LH headlight assembly		
X778	(3 PINS, BLACK)	underside of LH front seat DRIVER'S SEAT BELT SWITCH	23-1	
X779	CHARGING SOCKET	LH side of glove box	21-1	
X782	(3 PINS, ORANGE)	PASSENGER'S AIR BAG GAS GENERATOR		12-2
X800	(2 PINS, WHITE)	behind LH footwell trim		
X802	(2 PINS, BLACK)	front LH side of engine compartment JET HEATER THERMOSWITCH		
X814	GROUND	behind RH front fog light	34-3	
X816	(1 PIN, BLACK)	between front footwells		
X817	(1 PIN, BLACK)	between front footwells		
X818	GROUND	LH footwell	02-1	
X862	GROUND	below RH side of rear seat	04-2	
X880	(6 PINS, WHITE)	DRIVER'S THIGH SUPPORT SWITCH		07-4
X881	(6 PINS, WHITE)	PASSENGER'S THIGH SUPPORT SWITCH		07-4



COMPONENT LOCATION CHART

COMP.	DESCRIPTION	LOCATION	7100.0	8500.0
X882	(2 PINS, BLACK)	underside of LH front seat DRIVER'S THIGH SUPPORT MOTOR	24-1	
X883	(2 PINS, BLACK)	under RH front seat PASSENGER'S THIGH SUPPORT MOTOR		
X884	(3 PINS, BLUE)	in upper RH front seatback		07-1
X885	(3 PINS, BLACK)	underside of LH front seat		09-5
X890	(2 PINS, BLACK)	behind LH front fog light (530i/t) (540i)		
X904	(4 PINS, BLACK)	LH side of RH footwell		06-3
X905	(5 PINS, BLACK)	center of dash middle of heater control panel		09-3
X912	(2 PINS, ---)	LEFT REAR WINDOW MONITORING SWITCH (DWA)		
X945	(10 PINS, BLACK)	in RH side of luggage compartment		09-1
X998	(4 PINS, BLACK)	below LH side of dash		06-5
X999	(4 PINS, BLACK)	below LH side of dash		06-3
X1021	(9 PINS, BLACK)	rear LH side of engine compartment in Front Power Distribution Box		02-3
X1098	(12 PINS, BLACK)	front of engine compartment		05-6
X1124	(2 PINS, BLACK)	lower RH side of engine compartment front	32-1	
X1127	(1 PIN, ---)	center console		
X1132	(1 PIN, WHITE)	WIPER/WASHER SWITCH	18-3	
X1160	GROUND	LH footwell	02-1	
X1171	(88 PINS, NATURAL)	rear RH side of engine compartment in E-Box	32-3	12-1
X1176	(15 PINS, NATURAL)	LH side of engine compartment		12-3
X1191	(4 PINS, BLACK)	rear of luggage compartment behind trim panel		06-3
X1193	(1 PIN, ---)	center console TRANSMISSION POSITION INDICATOR LIGHT		
X1221	(26 PINS, WHITE)	below LH side of rear seat in Rear Power Distribution Box	35-3	10-4



COMPONENT LOCATION CHART

COMP.	DESCRIPTION	LOCATION	7100.0	8500.0
X1222	(6 PINS, WHITE)	in LH forward side of luggage compartment	34-2	04-1
X1250	(10 PINS, BLACK)	RH side of luggage compartment behind side panel REAR LID/REAR WINDOW SERVO OPENING MODULE	30-3	07-6
X1251	(2 PINS, BLACK)	in lift gate behind trim panel REAR WINDOW MOTOR	29-3	
X1252	(2 PINS, BLACK)	in lift gate behind trim panel LIFT GATE MOTOR	29-3	
X1253	(2 PINS, BLACK)	rear of luggage compartment on lift gate behind trim panel REAR WINDOW LIMIT SWITCH		
X1254	(2 PINS, BLACK)	rear of luggage compartment on lift gate behind trim panel LIFT GATE LIMIT SWITCH		
X1255	(2 PINS, BLUE)	in E-Box	05-1	
X1374	(1 PIN, NATURAL)	GLOVE BOX LIGHT		
X1381	(1 PIN, ---)	behind LH footwell speaker grille		
X1404	(3 PINS, NATURAL)	TELEPHONE INTERFACE US		
X1441	GROUND	underside of rear seat	35-1	
X1659	(15 PINS, YELLOW)	LH footwell left	33-3	12-3
X1660	(3 PINS, BLACK)	LH footwell left	33-3	05-2
X1851	(1 PIN, BLACK)	at back of rear window shelf HIGH LEVEL STOP LIGHT		
X1852	(1 PIN, WHITE)	at back of rear window shelf HIGH LEVEL STOP LIGHT		
X3212	(4 PINS, BLACK)	LH footwell	17-2	03-3
X6000	(88 PINS, BLACK)	in E-Box	32-3	12-1
X6002	(20 PINS, BLACK)	near E-Box left (530i/t) (540i)	05-2	04-6
X6003	(8 PINS, BLACK)	in E-Box		03-1
X6030	(18 PINS, BLACK)	in E-Box (530i/t) (540i)	05-1	01-2



COMPONENT LOCATION CHART

COMP.	DESCRIPTION	LOCATION	7100.0	8500.0
X6053	(12 PINS, BLACK)	RH side of dash behind glove box		02-1
X6081	(1 PIN, WHITE)	in E-Box		
X6101	(2 PINS, BLACK)	cylinder head (525i/t)		
X6101	(2 PINS, BLACK)	RH cylinder head (530i/t) (540i)		
X6102	(2 PINS, BLACK)	cylinder head (525i/t)		
X6102	(2 PINS, BLACK)	RH cylinder head (530i/t) (540i)		
X6103	(2 PINS, BLACK)	cylinder head (525i/t)		
X6103	(2 PINS, BLACK)	RH cylinder head (530i/t) (540i)		
X6104	(2 PINS, BLACK)	cylinder head (525i/t)		
X6104	(2 PINS, BLACK)	RH cylinder head (530i/t) (540i)		
X6105	(2 PINS, BLACK)	cylinder head (525i/t)		
X6105	(2 PINS, BLACK)	LH cylinder head (530i/t) (540i)		
X6106	(2 PINS, BLACK)	cylinder head (525i/t)		
X6106	(2 PINS, BLACK)	LH cylinder head (530i/t) (540i)		
X6107	(2 PINS, BLACK)	LH cylinder head (530i/t) (540i)		
X6108	(2 PINS, BLACK)	LH cylinder head (530i/t) (540i)		
X6120	(2 PINS, BLACK)	LH side of engine		
X6130	(3 PINS, GRAY)	front of engine		03-5
X6151	(3 PINS, BLACK)	RH cylinder head (530i/t) (540i)		08-5
X6151	(3 PINS, GRAY)	RH side of engine (525i/t)		08-5
X6152	(3 PINS, BLACK)	RH cylinder head (530i/t) (540i)		08-5
X6152	(3 PINS, GRAY)	RH side of engine (525i/t)		08-5



COMPONENT LOCATION CHART

COMP.	DESCRIPTION	LOCATION	7100.0	8500.0
X6153	(3 PINS, BLACK)	RH cylinder head (530i/t) (540i)		08-5
X6153	(3 PINS, GRAY)	RH side of engine (525i/t)		08-5
X6154	(3 PINS, BLACK)	RH cylinder head (530i/t) (540i)		08-5
X6154	(3 PINS, GRAY)	RH side of engine (525i/t)		08-5
X6155	(3 PINS, BLACK)	LH cylinder head (530i/t) (540i)		08-5
X6155	(3 PINS, GRAY)	RH side of engine (525i/t)		08-5
X6156	(3 PINS, BLACK)	LH cylinder head (530i/t) (540i)		08-5
X6156	(3 PINS, GRAY)	RH side of engine (525i/t)		08-5
X6157	(3 PINS, BLACK)	LH cylinder head (530i/t) (540i)		08-5
X6158	(3 PINS, BLACK)	LH cylinder head (530i/t) (540i)		08-5
X6163	(2 PINS, BLACK)	near throttle body	32-2	
X6200	(4 PINS, BLACK)	LH side of engine HEATED OXYGEN SENSOR		11-5
X6203	(3 PINS, BLACK)	RH front of engine below CRANKSHAFT POSITION/RPM SENSOR	06-3	03-5
X6204	(3 PINS, BLACK)	LH side of engine (530i/t) (540i)		03-5
X6205	(2 PINS, BLACK)	front of engine on coolant inlet		
X6206	(7 PINS, BLACK)	front LH side of engine compartment ahead of LH side shock tower		11-4
X6208	(2 PINS, BLACK)	front of engine CAMSHAFT ACTUATOR		
X6209	(3 PINS, BLACK)	front of engine HALL EFFECT CAMSHAFT SENSOR		
X6210	(4 PINS, BLACK)	under transmission (530i/t) (540i)	07-2	03-6
X6215	(2 PINS, BLACK)	top front of engine compartment (530i/t) (540i)		
X6217	(4 PINS, GRAY)	top front of engine		09-6
X6220	(4 PINS, BLACK)	under transmission (530i/t) (540i)	07-2	03-6



COMPONENT LOCATION CHART

COMP.	DESCRIPTION	LOCATION	7100.0	8500.0
X6230	(3 PINS, BLACK)	LH side of engine OIL LEVEL SENSOR		03-5
X6231	(2 PINS, BLACK)	front of engine compartment below intake manifold (525i/t)		
X6231	(2 PINS, BLACK)	lower LH front of engine (530i/t) (540i)		
X6232	(2 PINS, BLACK)	front of engine on coolant inlet		
X6235	(2 PINS, BLACK)	rear RH side of engine compartment in E-Box		
X6236	(2 PINS, BLACK)	top rear of engine on coolant inlet		
X6241	(3 PINS, BLACK)	on cylinder head right (525i/t)		03-5
X6241	(2 PINS, BLACK)	top front of engine (530i/t) (540i)	06-2	
X6242	(3 PINS, BLACK)	on cylinder head right (525i/t)		03-5
X6242	(2 PINS, BLACK)	top front of engine (530i/t) (540i)	06-2	
X6243	(3 PINS, BLACK)	LH cylinder head (530i/t) (540i)	08-2	03-5
X6244	(3 PINS, BLACK)	LH cylinder head (530i/t) (540i)	08-2	03-5
X6252	(3 PINS, BLACK)	THROTTLE POSITION SENSOR (525i/t)	06-1	03-5
X6252	(3 PINS, BLACK)	top front of engine compartment (530i/t) (540i)		03-5
X6253	(3 PINS, BLACK)	top front of engine compartment (530i/t) (540i)		03-5
X6300	(9 PINS, BLACK)	rear RH side of engine compartment in E-Box		02-3
X6301	(9 PINS, BLACK)	rear RH side of engine compartment in E-Box		02-3
X6302	(9 PINS, BLACK)	rear RH side of engine compartment in E-Box		02-3
X6303	(9 PINS, BLACK)	in E-Box (530i/t) (540i)		02-3
X6304	(3 PINS, BLACK)	LH side of engine (530i/t)		
X6400	B+ JUNCTION POINT	in E-Box	01-2	
X6400	B+ JUNCTION POINT	in E-Box	15-1	



COMPONENT LOCATION CHART

COMP.	DESCRIPTION	LOCATION	7100.0	8500.0
X6452	GROUND	near E-Box left (530i/t) (540i)	03-3	
X6453	GROUND	near E-Box left (530i/t) (540i)	03-3	
X6454	GROUND	rear RH side of engine compartment (525i/t)	03-1	
X6455	GROUND	rear RH side of engine compartment (525i/t)	03-1	
X6456	GROUND	front of engine (525i/t)	02-3	
X6506	(4 PINS, BLACK)	in E-Box	05-1	06-3
X6509	(1 PIN, ---)	GENERATOR		
X6510	CABLE SOCKET STARTER TERMINAL 50 ..	STARTER		
X6511	CABLE SOCKET STARTER TERMINAL 30h .	STARTER		
X6512	CABLE SOCKET STARTER TERMINAL 30h .	STARTER		
X7509	(1 PIN, ---)	GENERATOR		
X7519	(1 PIN, ---)	GENERATOR		
X8074	(10 PINS, BLACK)	CD CHANGER		08-2
X8075	(10 PINS, BLACK)	RADIO		08-2
X8500	(88 PINS, BLACK)	in E-Box	32-3	00-1
X8500	(55 PINS, BLACK)	behind RH footwell kickpanel (Touring)		
X8503	(6 PINS, BLUE)	below center console PROGRAM SWITCH		08-3
X8505	(16 PINS, BLACK)	under transmission (530i/t) (540i)	07-3	
X8505	(9 PINS, BLACK)	on LH side of transmission (525i/t)		
X8507	(1 PIN, BLACK)	rear RH side of engine compartment		
X8508	GROUND	underside of RH rear seat	04-2	
X8513	(2 PINS, BLACK)	below center console		



COMPONENT LOCATION CHART

COMP.	DESCRIPTION	LOCATION	7100.0	8500.0
X8516	(2 PINS, BLACK)	under center of car on transmission		
X8522	(2 PINS, BLACK)	center console (530i/t) (540i)		
X8524	(2 PINS, BLACK)	on RH side of transmission REVERSING LIGHT SWITCH		
X8600	(88 PINS, BLACK)	in E-Box (530i/t) (540i)	32-3	12-1
X10068	(2 PINS, NATURAL)	LEFT FOG LIGHT		
X10069	(2 PINS, NATURAL)	RIGHT FOG LIGHT		
X10070	(2 PINS, NATURAL)	LEFT LOW BEAM LIGHT		
X10071	(2 PINS, NATURAL)	LEFT HIGH BEAM LIGHT		
X10074	(2 PINS, NATURAL)	RIGHT HIGH BEAM LIGHT		
X10075	(2 PINS, NATURAL)	RIGHT LOW BEAM LIGHT		
X10094	(2 PINS, BLACK)	behind LH front fog light	06-1	
X10104	(18 PINS, NATURAL)	in E-Box	05-1	11-3
X10105	(4 PINS, NATURAL)	in E-Box	05-1	06-3
X10195	(2 PINS, BLACK)	DRIVER'S AIR BAG GAS GENERATOR		
X10218	(4 PINS, ---)	RH front seat SEAT OCCUPANCY DETECTOR		06-3
X10238	(2 PINS, BLACK)	THROTTLE FLAP HEATER	06-1	
X10244	(1 PIN, ---)	ANTI-THEFT CONTROL MODULE (ALPINE)		
X10260	(3 PINS, WHITE)	RH side of steering column	33-2	05-2
X13025	(12 PINS, BLACK)	below RH side of rear seat	27-2	
X13057	(3 PINS, BLACK)	rear of luggage compartment on lift gate behind trim panel		05-2
X13058	(2 PINS, GREEN)	RH side of luggage compartment behind side panel		
X13059	(3 PINS, BLACK)	REAR WINDOW OPENING SWITCH		05-2



COMPONENT LOCATION CHART

COMP. DESCRIPTION	LOCATION	7100.0	8500.0
X13085 (10 PINS, BLACK)	in roof panel	29-1	09-1
X13086 (18 PINS, BLACK)	in roof panel	29-1	11-3
X13105 (3 PINS, BLACK)	below LH side of dash		03-3
X13106 (9 PINS, BLACK)	RH side of luggage compartment behind side panel	30-3	02-3
X13107 (2 PINS, WHITE)	in lift gate	29-3	
X13119 (12 PINS, WHITE)	below LH side of dash		06-4
X13120 (1 PIN, BLACK)	in LH rear side of luggage compartment behind trim panel		
X13139 (10 PINS, BLACK)	in interior rear view mirror		09-1
X18025 (4 PINS, BLACK)	LH side of engine compartment		05-1
X18029 (4 PINS, BLACK)	STEERING ANGLE SENDER		
X18031 (3 PINS, BLACK)	RIGHT FRONT ACCELERATION SENSOR		
X18047 (2 PINS, ---)	in lower RH rear door		
X18049 (2 PINS, YELLOW)	in lower LH rear door		
X18050 (2 PINS, BLACK)	RH front door		
X18052 (2 PINS, BLACK)	in RH rear door		
X18066 (3 PINS, BLACK)	RIGHT REAR ACCELERATION SENSOR		
X18067 (3 PINS, BLACK)	LONGITUDINAL ACCELERATION SENSOR		
X18068 (9 PINS, BLACK)	below RH side of rear seat EDC RELAY		02-3
X18080 (1 PIN, ---)	TRUNK COMPARTMENT LIGHT		
X18080 (3 PINS, NATURAL)	TRUNK LID LIGHT		
X18084 (2 PINS, WHITE)	driver's door	25-1	
X18089 GROUND	below rear seat		



COMPONENT LOCATION CHART

COMP.	DESCRIPTION	LOCATION	7100.0	8500.0
X18093	(3 PINS, WHITE)	STEERING COLUMN POSITION SWITCH		03-3
X18097	(2 PINS, BLACK)	bottom of steering column	17-3	
X18126	(17 PINS, BLACK)	behind radio	20-3	04-2
X18150	(1 PIN, ---)	PARK HEATING/VENTILATION RELAY BOX		
X18151	(10 PINS, BLACK)	IHKR/F3 SWITCHING UNIT		09-1
X18153	(3 PINS, BLACK)	behind center of dashboard near gearshift lever		05-2
X18154	(18 PINS, BLACK)	IHKR/F3 CONTROL PANEL		11-3
X18155	(26 PINS, WHITE)	LH side of RH footwell	19-3	10-4
X18156	(26 PINS, BLACK)	LH side of RH footwell	19-3	10-4
X18157	(26 PINS, BLUE)	LH side of RH footwell	19-3	10-4
X18158	(3 PINS, BLACK)	underside of RH front seat DRIVER'S SEAT BELT SWITCH		
X18181	(6 PINS, BLACK)	underside of LH front seat		07-3
X18184	(1 PIN, ---)	under rear window shelf		
X18185	(1 PIN, ---)	under rear window shelf		
X18186	(1 PIN, NATURAL)	in upper LH front door		
X18187	(1 PIN, ---)	under rear window shelf		
X18188	(1 PIN, ---)	LH A-pillar behind trim panel		
X18189	(1 PIN, ---)	under rear window shelf		
X18190	(1 PIN, NATURAL)	in upper LH front door		
X18191	(1 PIN, ---)	behind RH footwell speaker grille		
X18192	(1 PIN, WHITE)	in upper RH front door		
X18193	(1 PIN, ---)	in upper RH front door		



COMPONENT LOCATION CHART

COMP. DESCRIPTION	LOCATION	7100.0	8500.0
X18203 (3 PINS, ---)	underside of RH rear seat		
X18205 (2 PINS, WHITE)	front of gearshift selector	21-2	
X18244 (8 PINS, BLACK)	center of dash		03-1
X18245 (8 PINS, BLACK)	in roof panel	29-1	03-1
X18259 (10 PINS, BLACK)	below LH side of dash		07-6
X18265 (1 PIN, ---)	in lift gate REAR DEFOGGER I		
X18319 (18 PINS, BLACK)	underside of LH front seat	22-1	01-2
X18320 (26 PINS, NATURAL)	underside of LH front seat	22-1	01-1
X18321 (10 PINS, BLACK)	underside of LH front seat	22-1	10-5
X18322 (26 PINS, BLACK)	underside of LH front seat	22-1	01-1
X18323 (4 PINS, BLACK)	underside of LH front seat	22-1	02-6
X18500 (25 PINS, BLACK)	TELEPHONE TRANSCEIVER		02-2
X18501 (3 PINS, YELLOW)	below center console TELEPHONE INTERFACE US		13-3
X18502 (8 PINS, BLACK)	below center console TELEPHONE INTERFACE US		
X18503 (2 PINS, ---)	TELEPHONE INTERFACE US		
X18506 (2 PINS, ---)	behind center of dashboard		
X18507 (4 PINS, BLACK)	behind center of dashboard		13-4
X18508 (4 PINS, BLACK)	behind center of dashboard		13-4
X18509 (8 PINS, BLACK)	behind center of dashboard		03-1
X18729 (3 PINS, WHITE)	in LH forward side of luggage compartment	30-1	05-2
X18729 (3 PINS, WHITE)	in LH forward side of luggage compartment (Touring)	30-2	05-2
X18741 (4 PINS, BLACK)	behind center of dashboard		13-4



COMPONENT LOCATION CHART

COMP.	DESCRIPTION	LOCATION	7100.0	8500.0
X18766	(9 PINS, BLACK)	LH A—pillar behind LH footwell speaker grille (ABS/ASC)	ENGINE CONTROL RELAY	02-3
X18767	(9 PINS, BLACK)	LH A—pillar behind LH footwell speaker grille	VALVE RELAY (ABS/ASC)	02-3
X18982	(3 PINS, BLACK)	top front of engine compartment		
X90001	(3 PINS, BLACK)	IHKR/F3 CONTROL PANEL		
X90260	(3 PINS, BLACK)	RH side of steering column	TRANSMITTER MODULE (EWS II)	33-2
Y1	ABS HYDRAULIC UNIT	LH side of engine compartment		13-3
Y1w	ABS HYDRAULIC UNIT	LH side of engine compartment		13-3
Y2	AIR CONDITIONING COMPRESSOR	lower RH side of engine compartment		
Y4	WATER VALVE ASSEMBLY	rear LH side of engine compartment		11-3
Y5	DRIVER'S SIDE MIRROR	in upper LH front door		
Y6	PASSENGER'S SIDE MIRROR	in upper RH front door		
Y7	PARK HEATING METERING PUMP	under rear of car behind RH rear wheel		
Y9	DRIVER'S SIDE MEMORY MIRROR	in upper LH front door		
Y10	PASSENGER'S SIDE MEMORY MIRROR	in upper RH front door		
Y401z	LEFT FRONT EDC VALVES	behind LH front wheel		
Y402z	RIGHT FRONT EDC VALVES	behind RH front wheel		
Y403z	LEFT REAR EDC VALVES	behind LH rear wheel		
Y404z	RIGHT REAR EDC VALVES	behind RH rear wheel		
Y6101	CYL. 1 FUEL INJECTION VALVE	RH cylinder head (530i/t) (540i)		08-3
Y6101	CYL. 1 FUEL INJECTION VALVE	on engine bulkhead (525i/t)		14-3
Y6102	CYL. 2 FUEL INJECTION VALVE	RH cylinder head (530i/t) (540i)		06-2



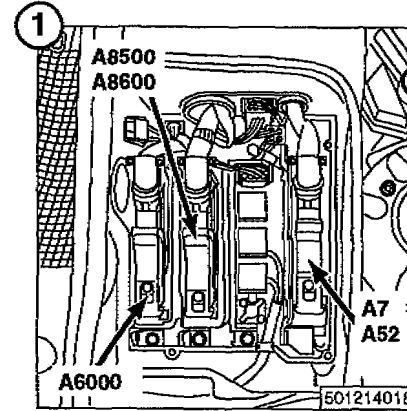
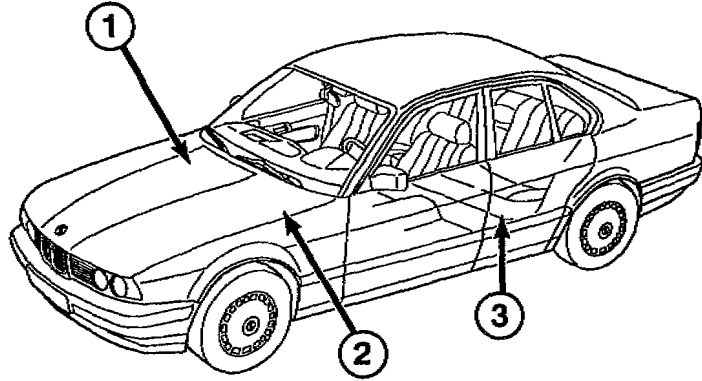
COMPONENT LOCATION CHART

COMP.	DESCRIPTION	LOCATION	7100.0	8500.0
Y6102	CYL. 2 FUEL INJECTION VALVE	on engine bulkhead (525i/t)	14-3	
Y6103	CYL. 3 FUEL INJECTION VALVE	RH cylinder head (530i/t) (540i)	06-2	
Y6103	CYL. 3 FUEL INJECTION VALVE	on engine bulkhead (525i/t)	14-3	
Y6104	CYL. 4 FUEL INJECTION VALVE	RH cylinder head (530i/t) (540i)	06-2	
Y6104	CYL. 4 FUEL INJECTION VALVE	on engine bulkhead (525i/t)	14-3	
Y6105	CYL. 5 FUEL INJECTION VALVE	LH cylinder head (530i/t) (540i)	08-2	
Y6105	CYL. 5 FUEL INJECTION VALVE	on engine bulkhead (525i/t)	14-3	
Y6106	CYL. 6 FUEL INJECTION VALVE	LH cylinder head (530i/t) (540i)	08-2	
Y6106	CYL. 6 FUEL INJECTION VALVE	on engine bulkhead (525i/t)	14-3	
Y6107	CYL. 7 FUEL INJECTION VALVE	LH cylinder head (530i/t) (540i)		
Y6108	CYL. 8 FUEL INJECTION VALVE	LH cylinder head (530i/t) (540i)		
Y6120	EVAPORATIVE EMISSION VALVE	LH side of engine compartment LH side of engine (525i/t)		
Y6130	IDLE SPEED CONTROL VALVE	top front of engine compartment (530i/t) (540i)	08-1	
Y6130	IDLE SPEED CONTROL VALVE	front of engine (525i/t)	13-2	
Y8505	TRANSMISSION VALVE UNIT	in transmission		
Y8505w	TRANSMISSION VALVE UNIT	in transmission (540i)		
Y8505y	TRANSMISSION VALVE UNIT	in transmission (530i/t)		
Y8516	ELECTRONIC TRANSMISSION ENGINE SPEED SENSOR (EGS)	under center of car (525i/t)		
Y8522	SHIFT LOCK	center console (530i/t) (540i)		

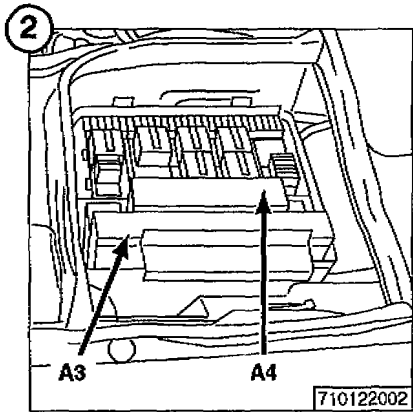


COMPONENT LOCATION VIEWS

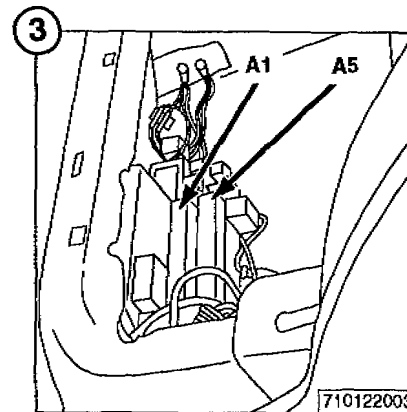
ELECTRICAL CONTROL MODULE LOCATIONS



- A7 SLIP CONTROL MODULE (ABS)
- A8500 TRANSMISSION CONTROL MODULE (EGS)
- A52 SLIP CONTROL MODULE (ABS/ASC)
- A8600 TRANSMISSION CONTROL MODULE (AGS)
- A6000 ENGINE CONTROL MODULE (DME)



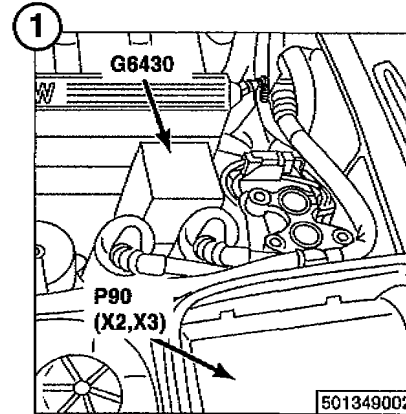
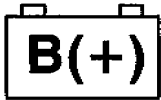
- A3 LAMP CONTROL MODULE
- A4 CHECK CONTROL MODULE



- A1 GENERAL MODULE
- A5 RELAY MODULE



COMPONENT LOCATION VIEWS

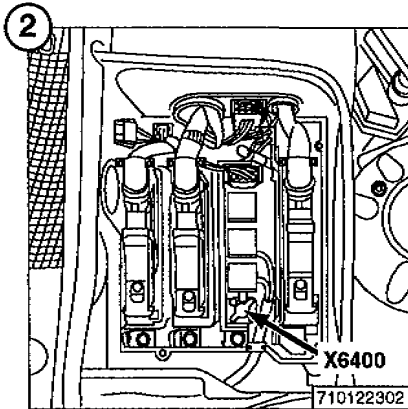


G6430
B+ JUMP START
JUNCTION POINT

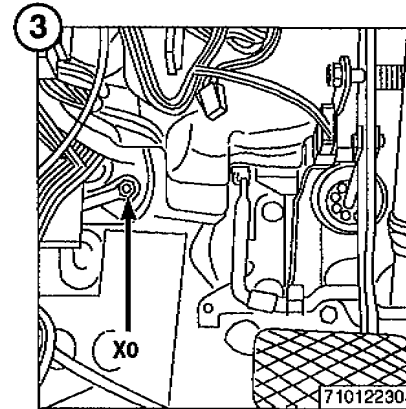
P90
FRONT POWER
DISTRIBUTION BOX

X2
BATTERY B+
START POINT

X3
B+ JUNCTION
POINT



X6400
B+ JUNCTION
POINT

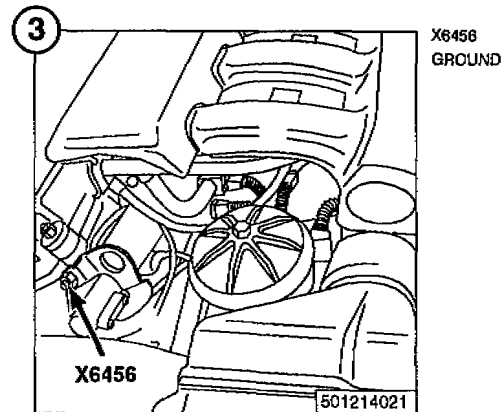
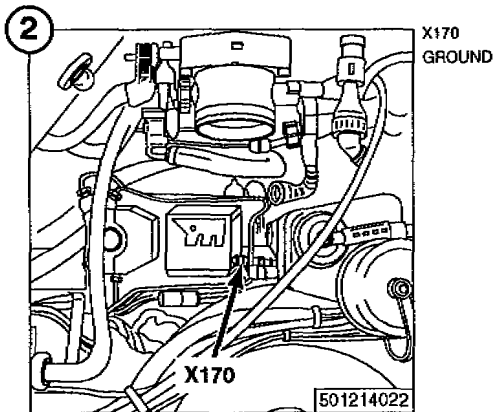
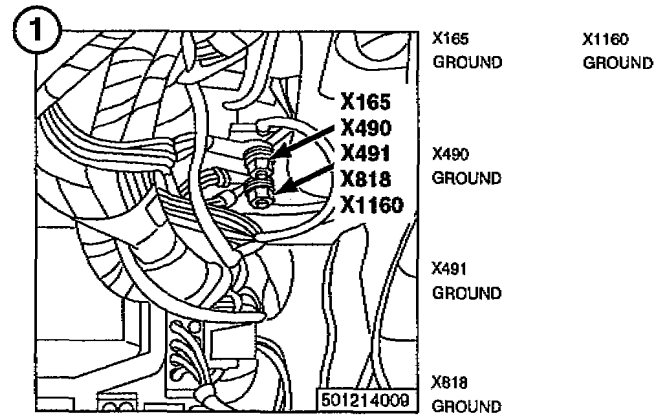
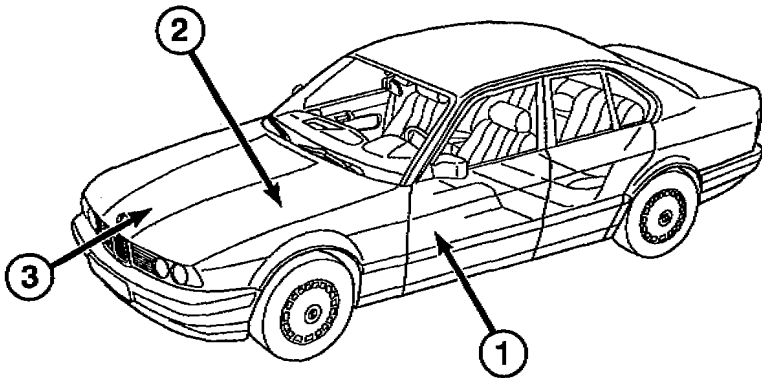


X0



COMPONENT LOCATION VIEWS

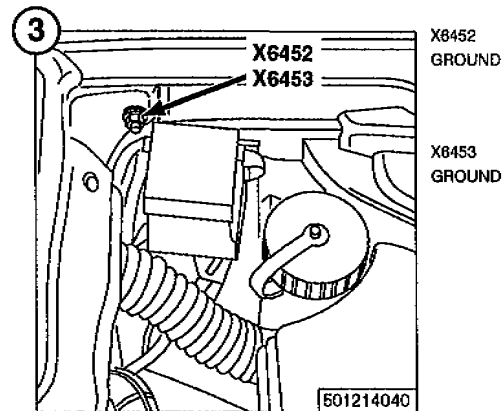
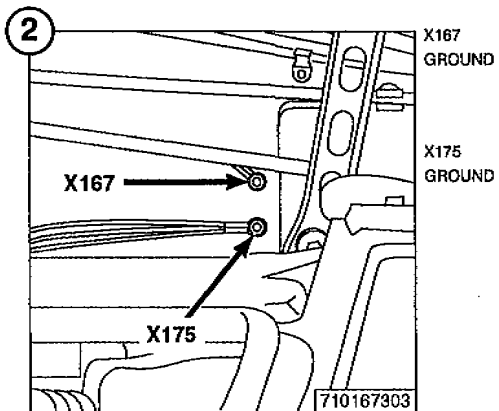
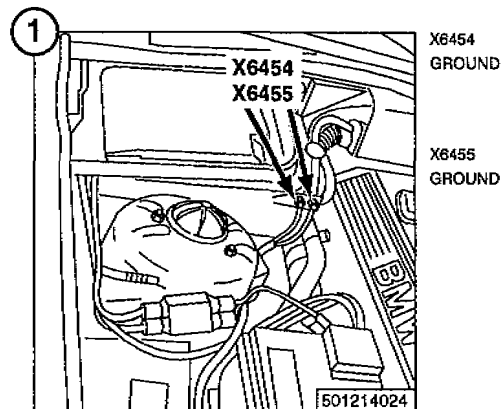
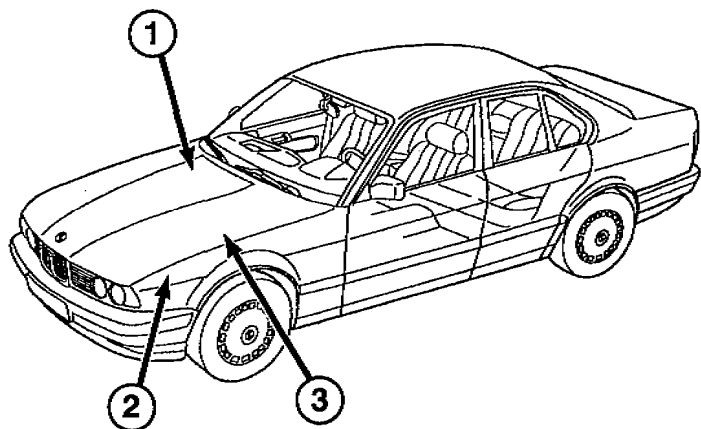
B(-)





COMPONENT LOCATION VIEWS

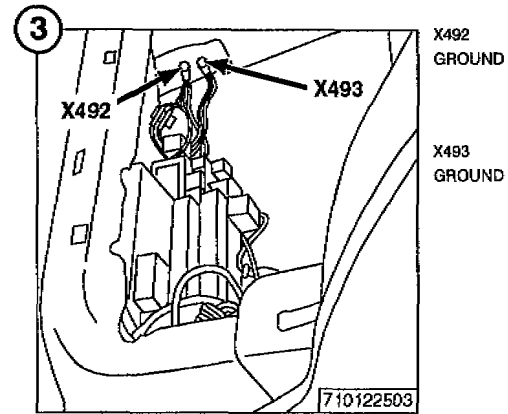
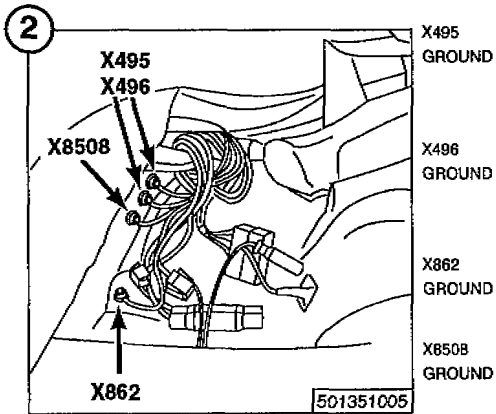
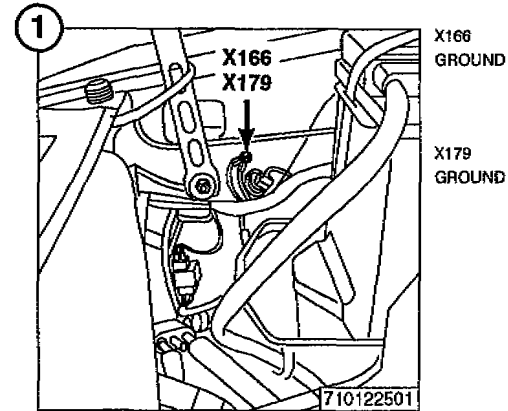
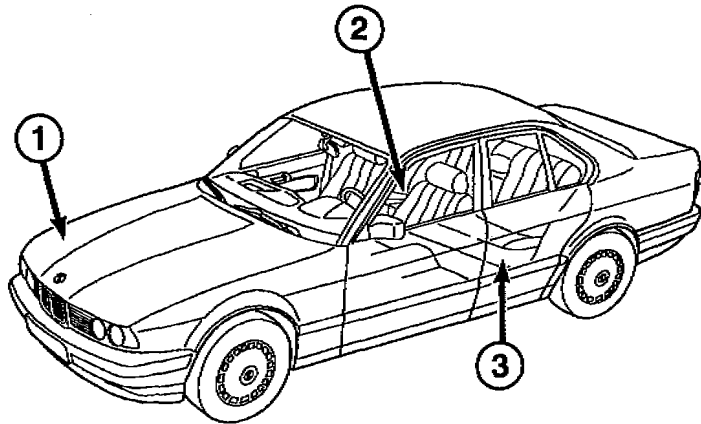
B(-)





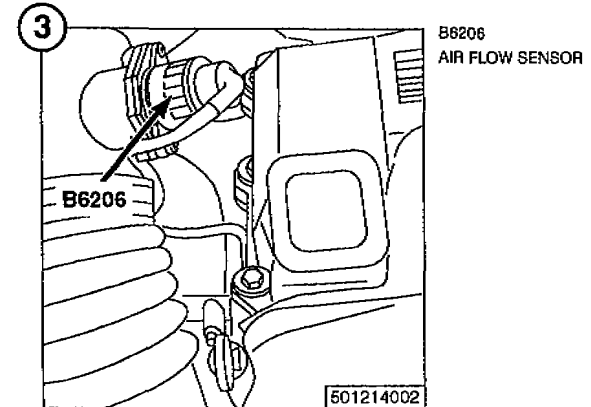
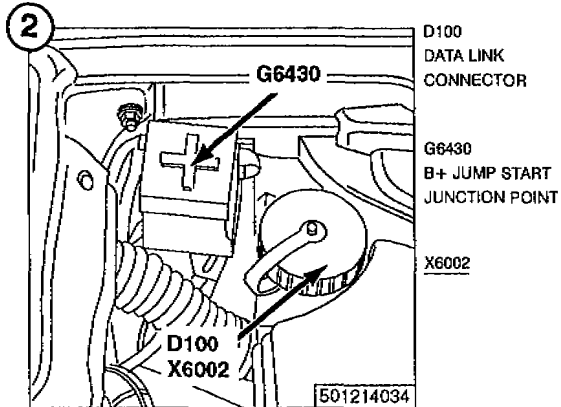
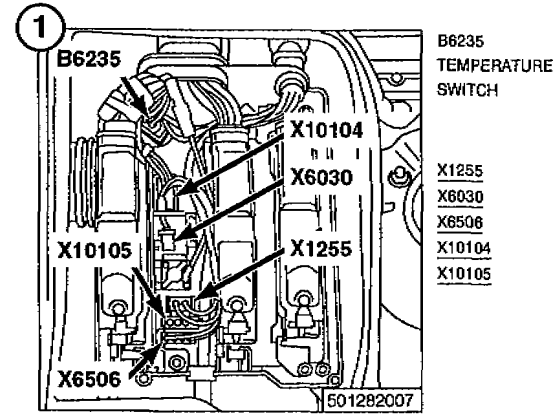
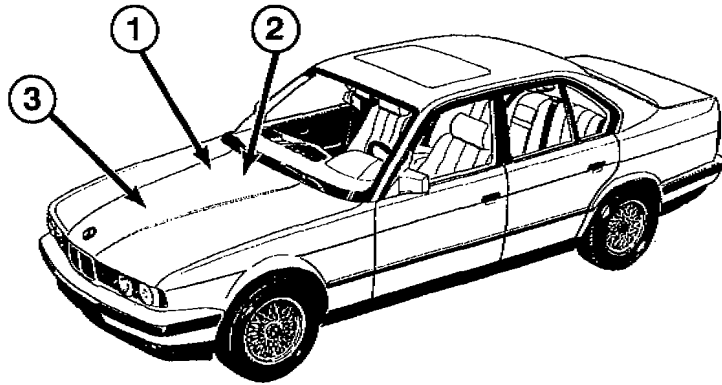
COMPONENT LOCATION VIEWS

B(-)



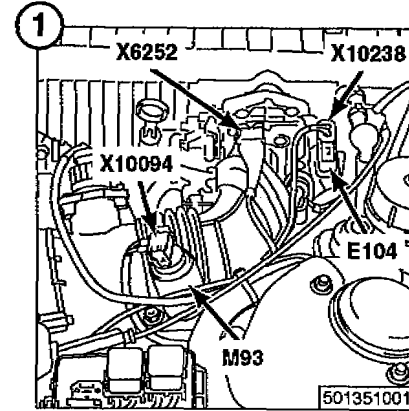
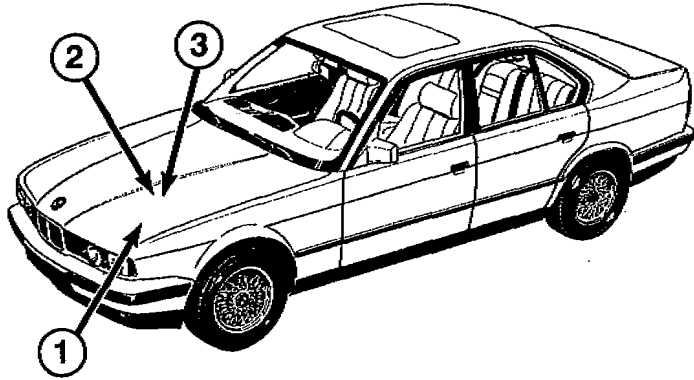


COMPONENT LOCATION VIEWS





COMPONENT LOCATION VIEWS

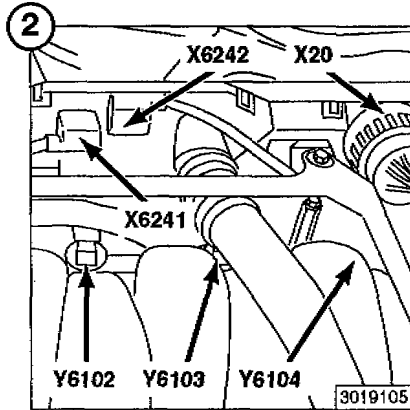


E104
THROTTLE FLAP
HEATER

M93
AUXILIARY
THROTTLE
POSITION MOTOR
(ADS)

X6252
X10094
X10238

501351001



Y6102 X6241
CYL. 2 FUEL INJECTION VALVE
INJECTION VALVE

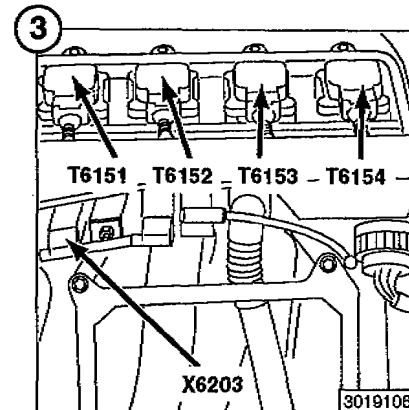
Y6103
CYL. 3 FUEL
INJECTION VALVE

Y6104
CYL. 4 FUEL
INJECTION VALVE

X20

Y6102 Y6103 Y6104

3019105



T6151 X6203
CYL. 1 IGNITION
COIL

T6152
CYL. 2 IGNITION
COIL

T6153
CYL. 3 IGNITION
COIL

T6154
CYL. 4 IGNITION
COIL

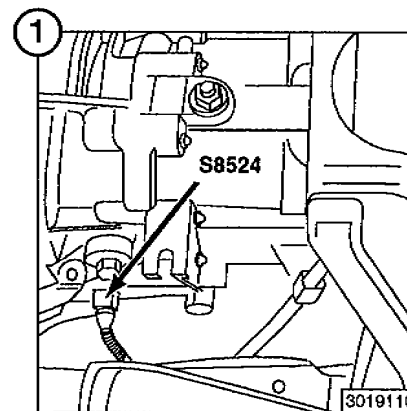
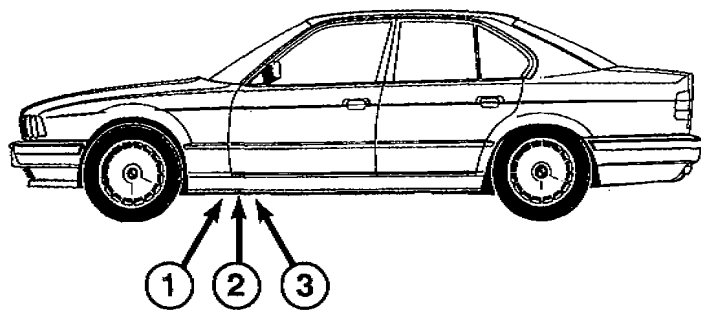
T6151 T6152 T6153 T6154

X6203

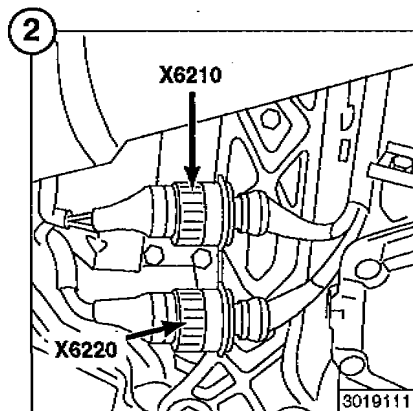
3019108



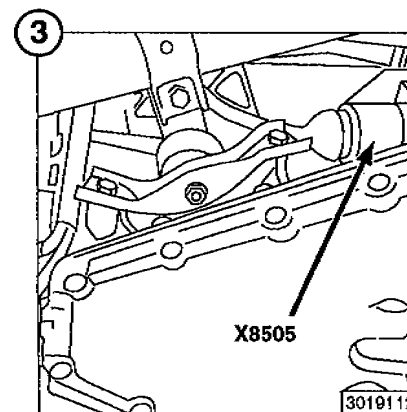
COMPONENT LOCATION VIEWS



S8524
REVERSING LIGHT
SWITCH



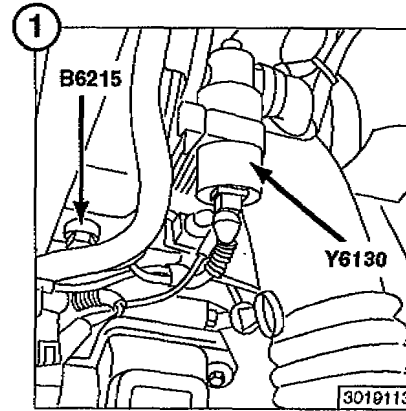
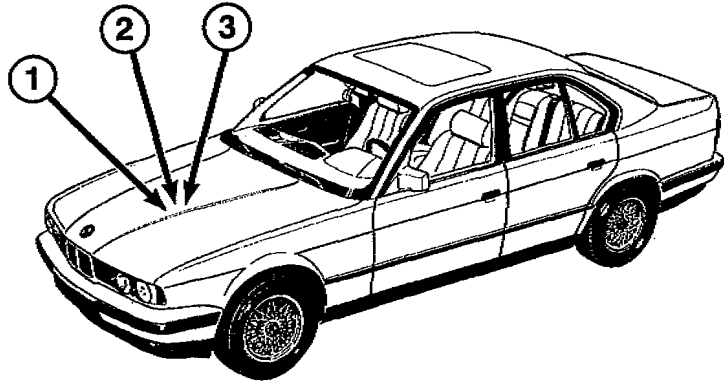
X6210
X6220



X8505



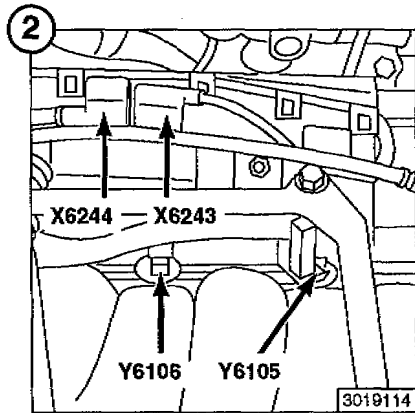
COMPONENT LOCATION VIEWS



B6215
CYL. 1-6 AIR
TEMPERATURE
SENSOR

Y6130
IDLE SPEED
CONTROL VALVE

3010113



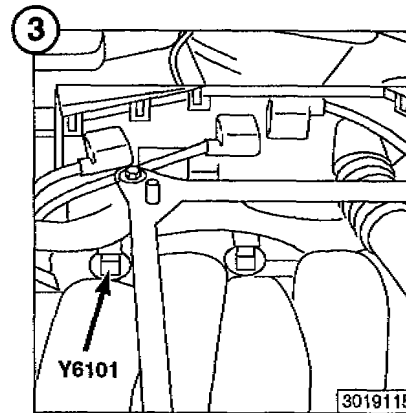
Y6105
CYL. 5 FUEL
INJECTION VALVE

Y6106
CYL. 6 FUEL
INJECTION VALVE

X6244 — X6243

X6243
X6244

3019114

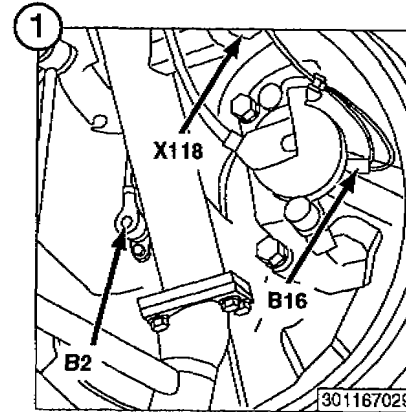
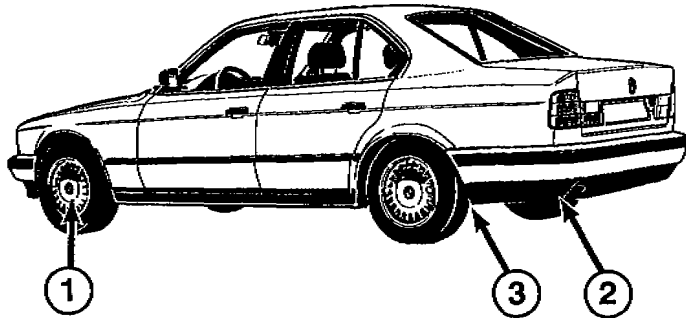


Y6101
CYL. 1 FUEL
INJECTION VALVE

3019115



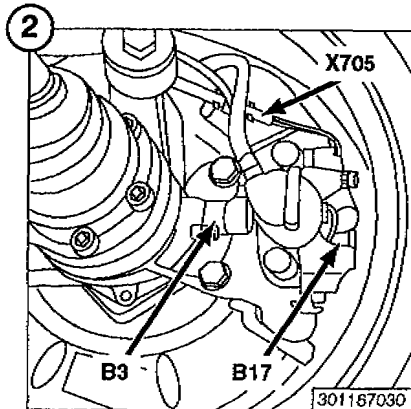
COMPONENT LOCATION VIEWS



B2
LEFT FRONT
SPEED SENSOR -
ABS

B16
LEFT FRONT
BRAKE PAD
SENSOR

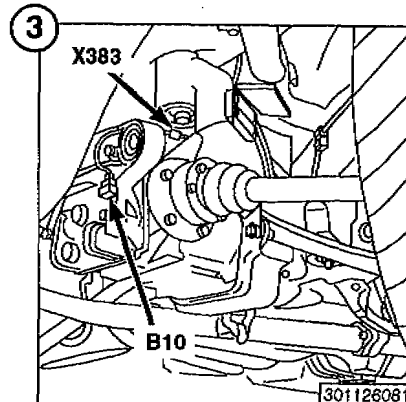
X118



B3
RIGHT REAR
SPEED SENSOR -
ABS

B17
RIGHT REAR
BRAKE PAD
SENSOR

X705

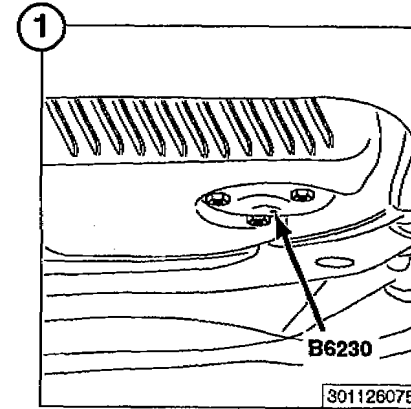
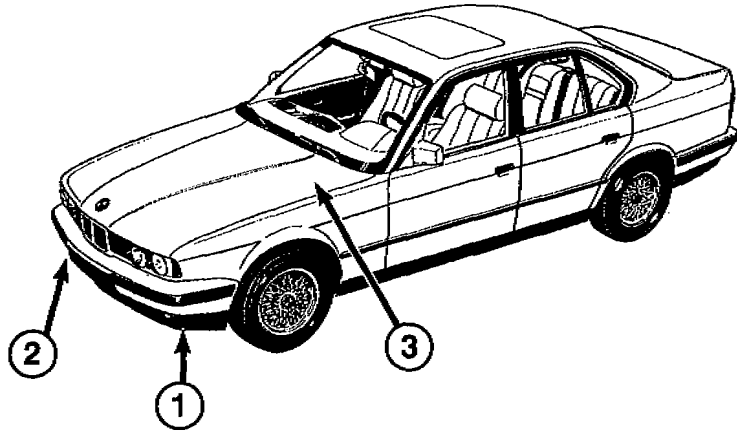


B10
VEHICLE SPEED
SENSOR

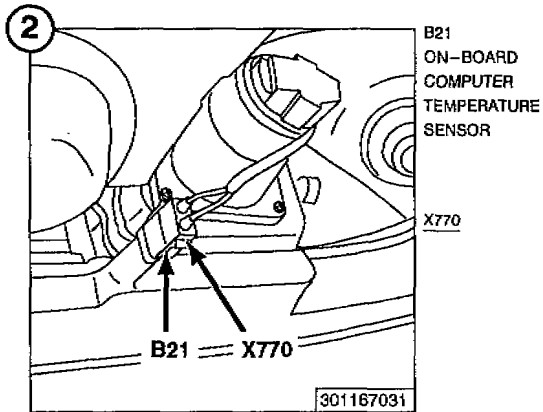
X383



COMPONENT LOCATION VIEWS



B6230
OIL LEVEL SENSOR

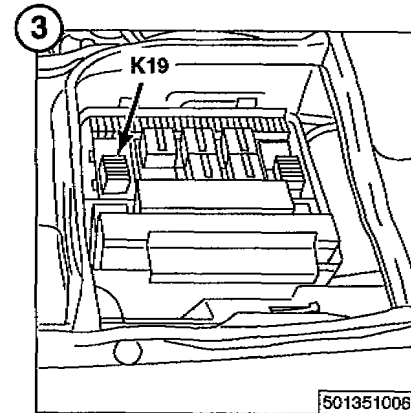


B21
ON-BOARD
COMPUTER
TEMPERATURE
SENSOR

X770

B21 X770

301167031

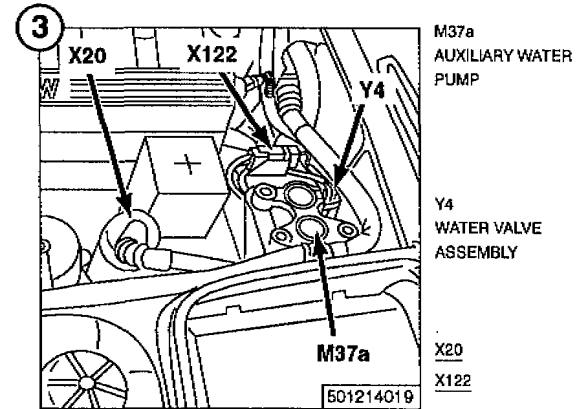
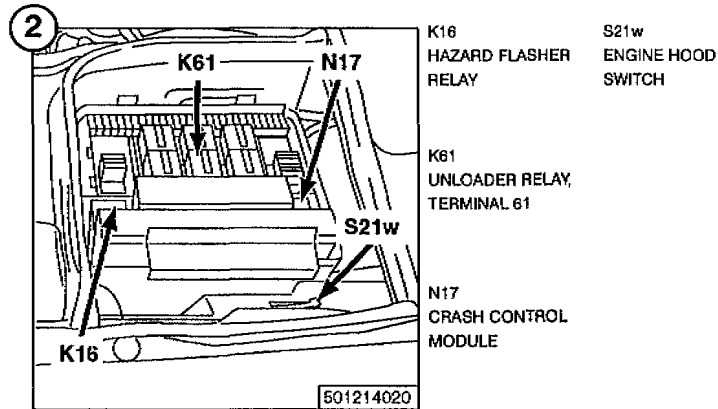
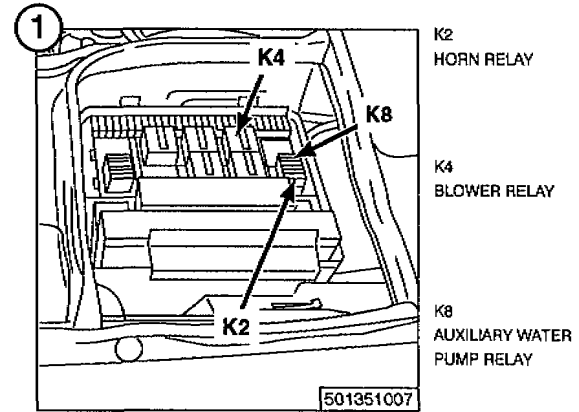
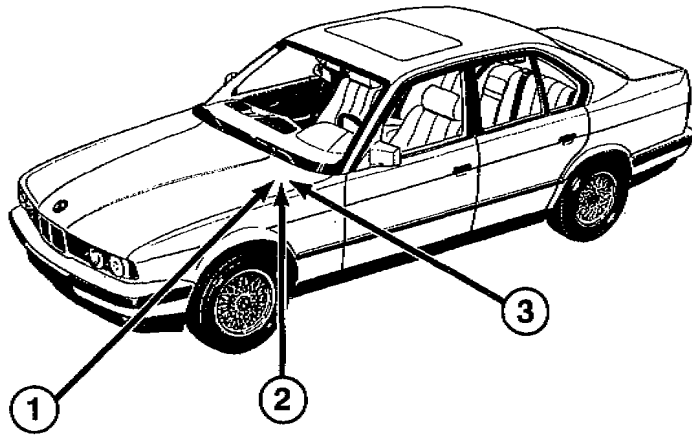


K19
COMPRESSOR
CONTROL RELAY

501351008

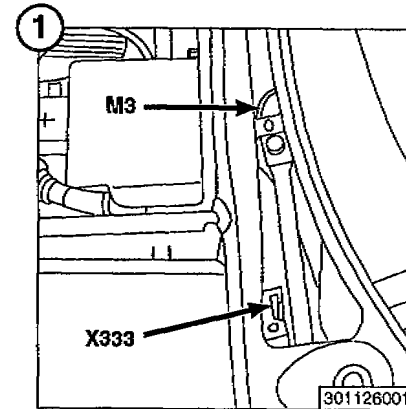
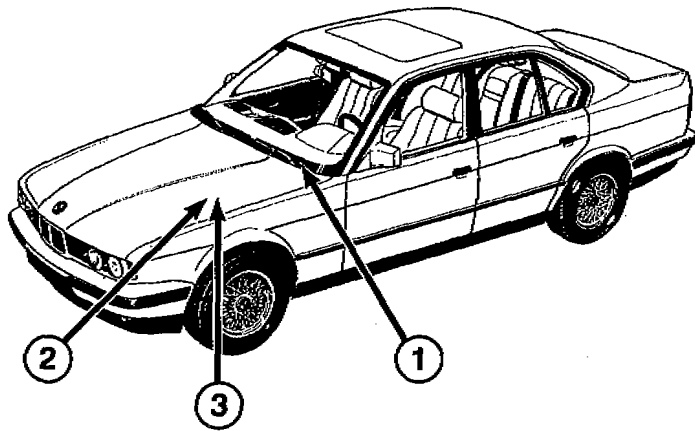


COMPONENT LOCATION VIEWS





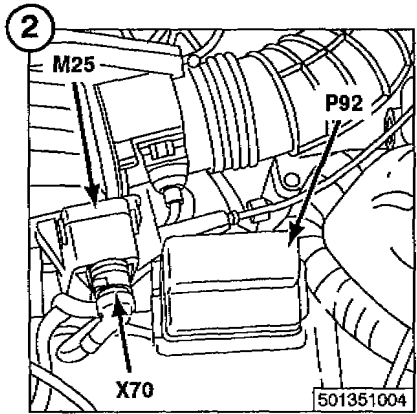
COMPONENT LOCATION VIEWS



M3
WIPER MOTOR

X333

301126001

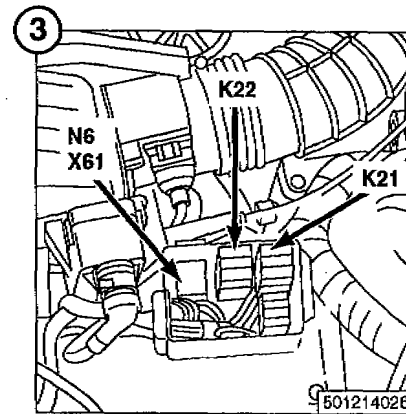


M25
CRUISE CONTROL
ACTUATOR
(TEMPOMAT)

P92
AUXILIARY RELAY
BOX

X70

501351004



K21
NORMAL SPEED
RELAY

K22
HIGH SPEED
RELAY

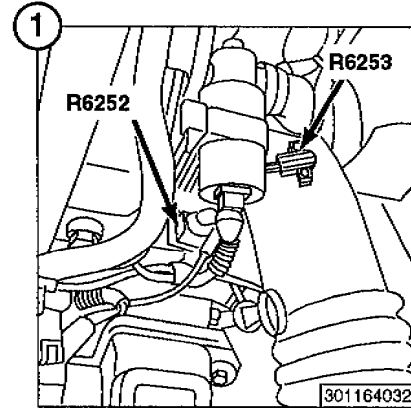
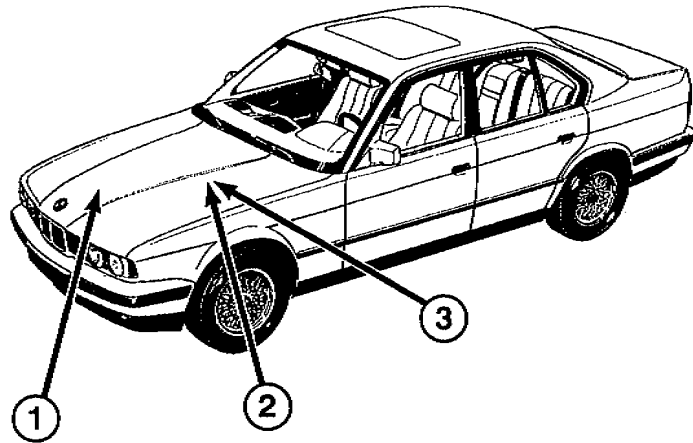
N6
HEADLIGHT/
FOGLIGHT
CLEANING
MODULE (SRA)

X61

501214026



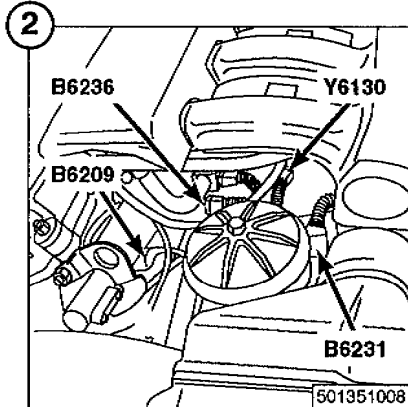
COMPONENT LOCATION VIEWS



R6252
THROTTLE
POSITION SENSOR

R6253
AUXILIARY
THROTTLE
POSITION SENSOR

301164032



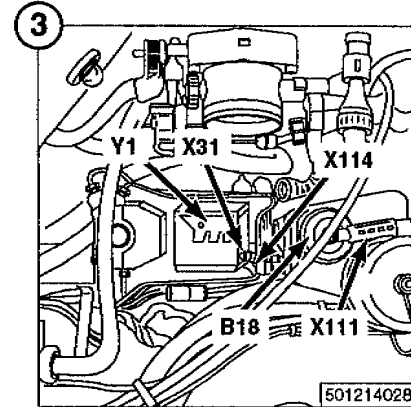
B6209
HALL EFFECT
CAMSHAFT
SENSOR

B6231
OIL PRESSURE
SWITCH

B6236
ENGINE COOLANT
TEMPERATURE
SENSOR

501351008

Y6130
IDLE SPEED
CONTROL VALVE



B18
BRAKE FLUID
LEVEL SWITCH

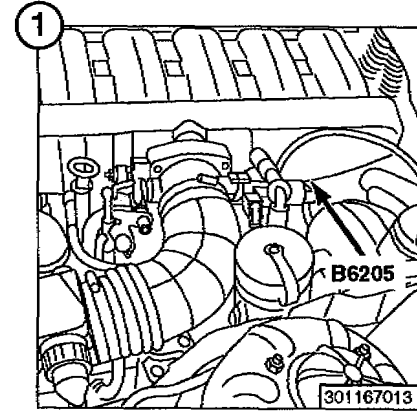
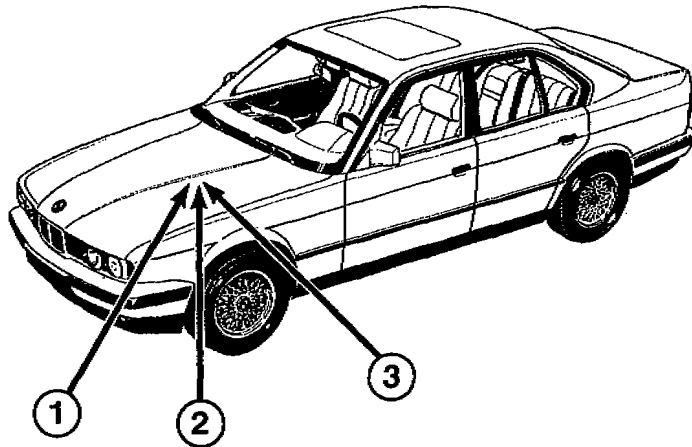
Y1
ABS HYDRAULIC
UNIT

X31
X111
X114

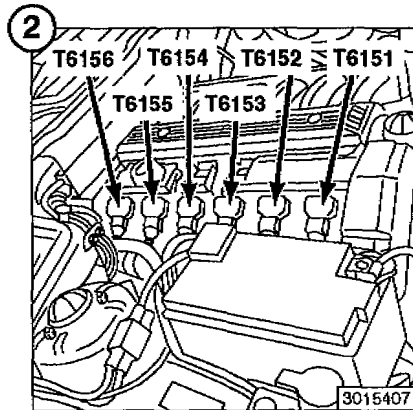
501214028



COMPONENT LOCATION VIEWS



B6205
INTAKE AIR
TEMPERATURE
SENSOR



T6151
CYL. 1 IGNITION
COIL

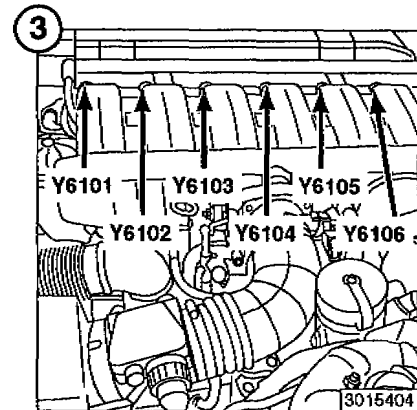
T6152
CYL. 2 IGNITION
COIL

T6153
CYL. 3 IGNITION
COIL

T6154
CYL. 4 IGNITION
COIL

T6155
CYL. 5 IGNITION
COIL

T6156
CYL. 6 IGNITION
COIL



Y6101
CYL. 1 FUEL
INJECTION VALVE

Y6102
CYL. 2 FUEL
INJECTION VALVE

Y6103
CYL. 3 FUEL
INJECTION VALVE

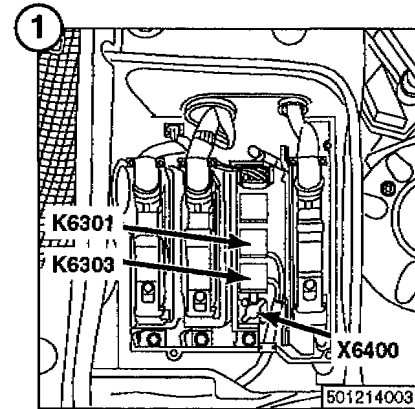
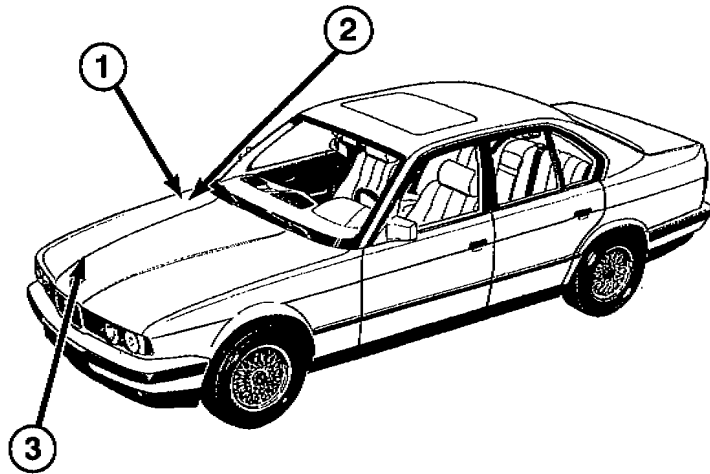
Y6104
CYL. 4 FUEL
INJECTION VALVE

Y6105
CYL. 5 FUEL
INJECTION VALVE

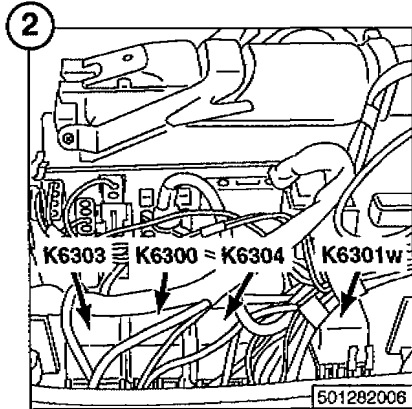
Y6106
CYL. 6 FUEL
INJECTION VALVE



COMPONENT LOCATION VIEWS



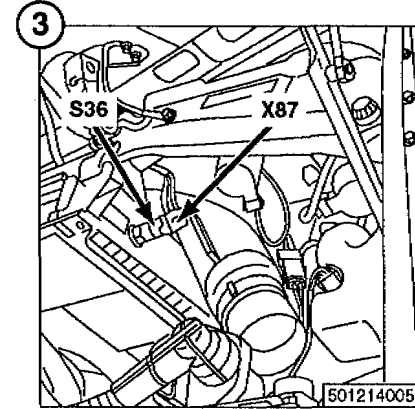
- K6301
CYL. 1-6 FUEL
PUMP RELAY
- K6303
OXYGEN SENSOR
RELAY
- X6400
B+ JUNCTION
POINT



- K6300
ENGINE CONTROL
MODULE RELAY
- K6301w
FUEL PUMP RELAY
- K6303
OXYGEN SENSOR
RELAY
- K6304
SECONDARY AIR
PUMP RELAY

X6003

501282006

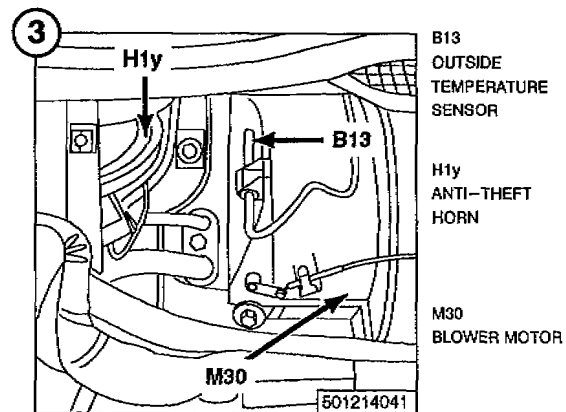
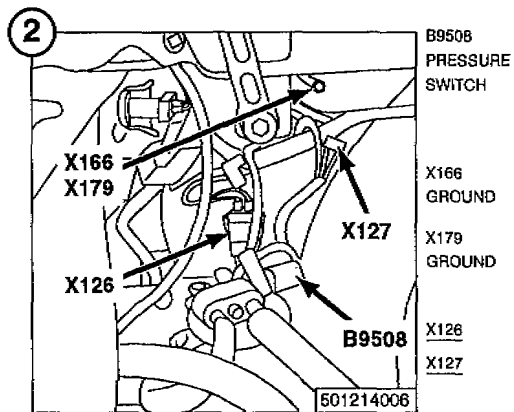
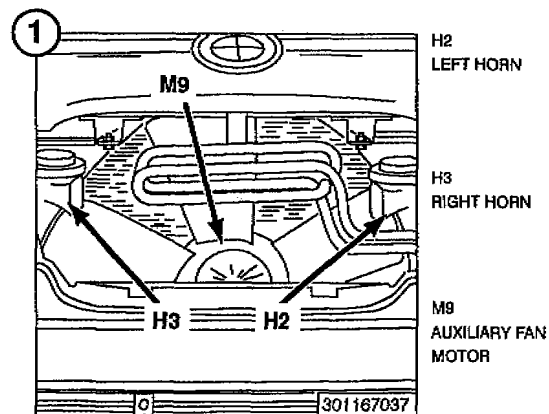
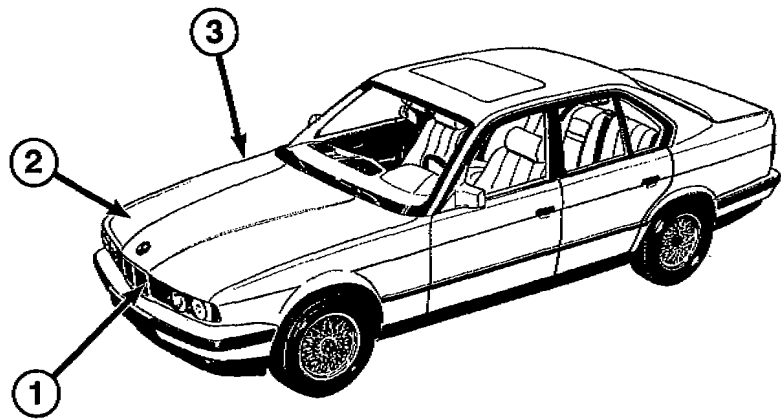


- S36
TEMPERATURE
SWITCH
- X87

501214005

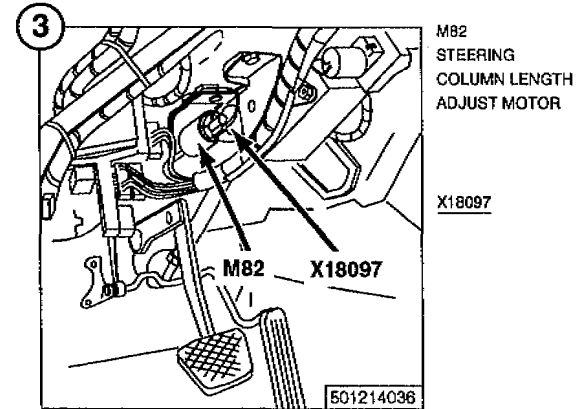
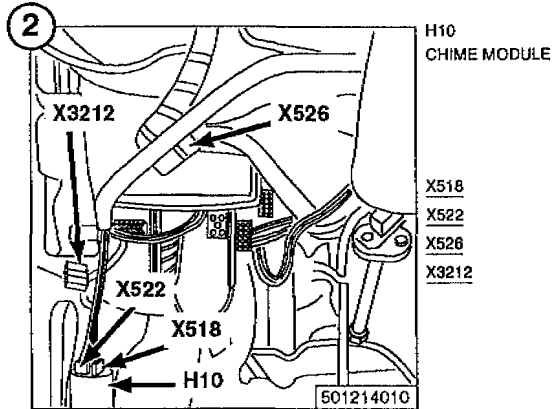
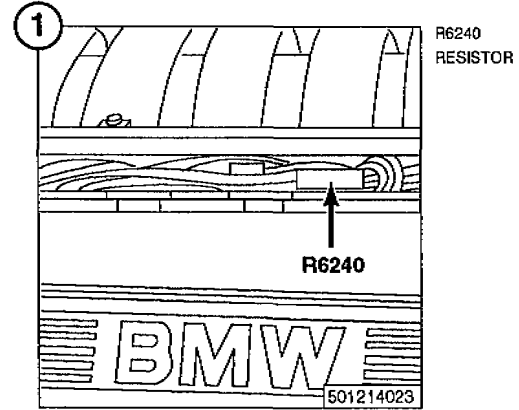
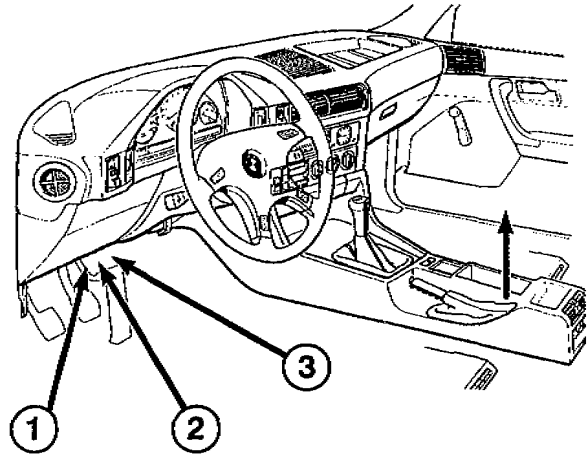


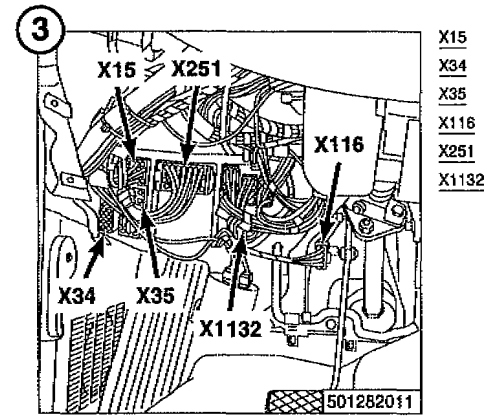
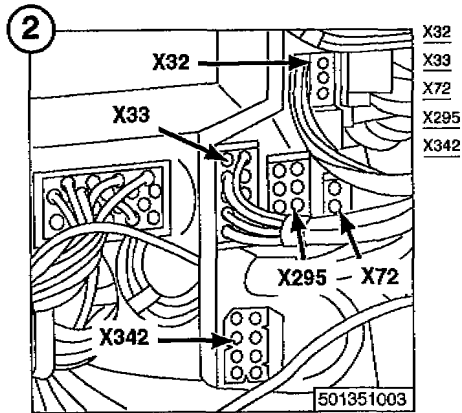
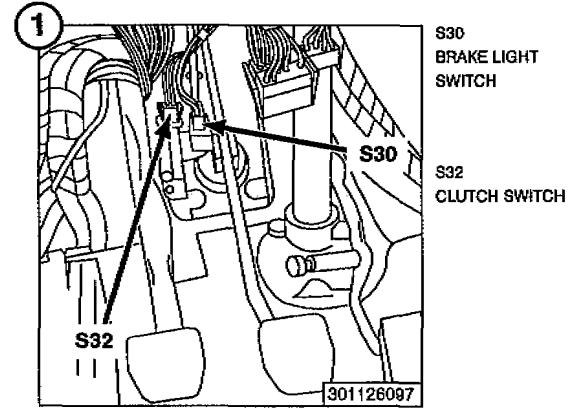
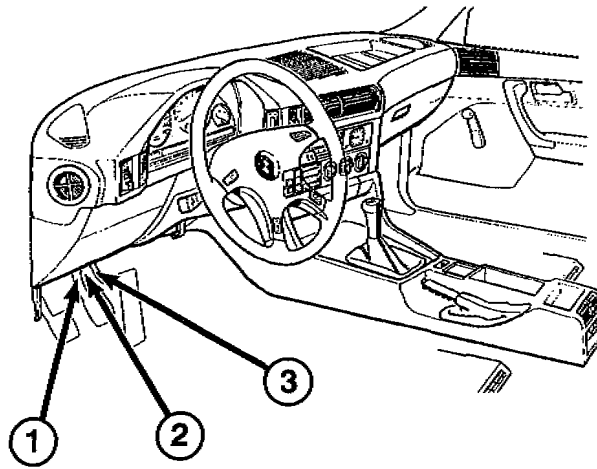
COMPONENT LOCATION VIEWS





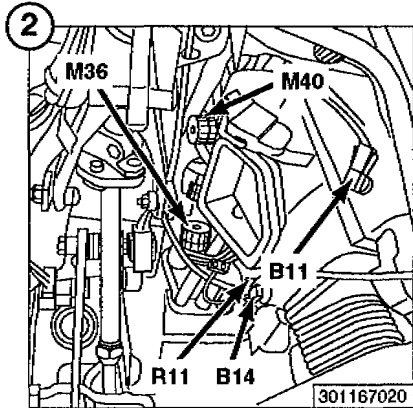
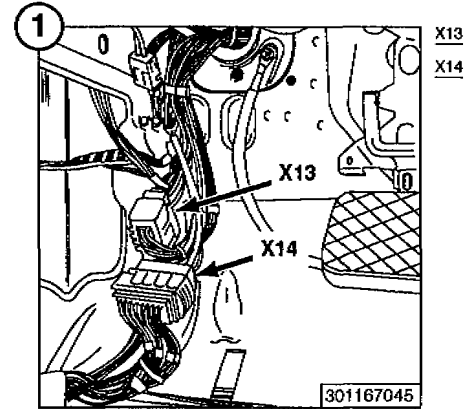
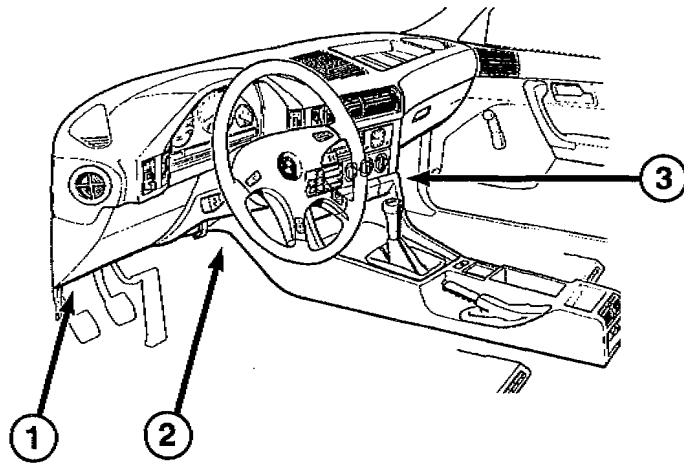
COMPONENT LOCATION VIEWS



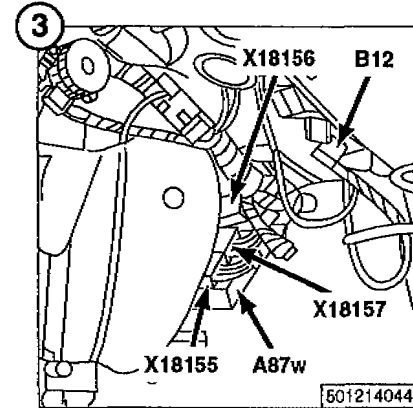




COMPONENT LOCATION VIEWS



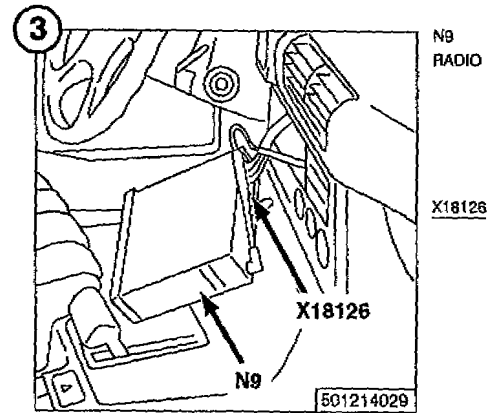
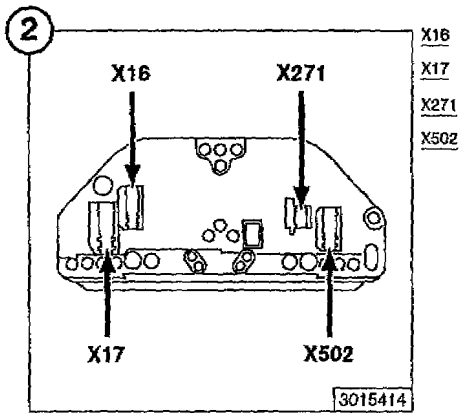
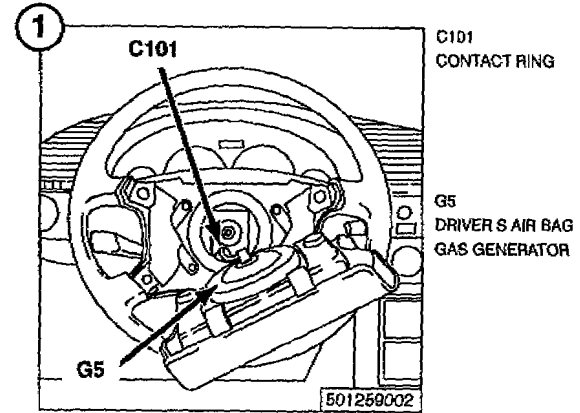
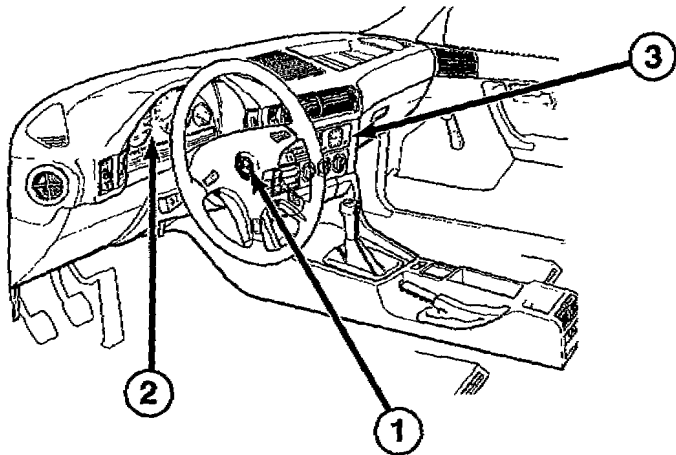
- B11 LH HEAT EXCHANGER TEMPERATURE SENSOR
- B14 EVAPORATOR TEMPERATURE SENSOR
- M36 FRESH AIR FLAP MOTOR
- M40 RECIRCULATION FLAP MOTOR
- R11 BLOWER RESISTORS



- A87w INTEGRATED CLIMATE REGULATION CONTROL MODULE (IHKR/F3)
- B12 RH HEAT EXCHANGER TEMPERATURE SENSOR
- X18155
- X18156
- X18157

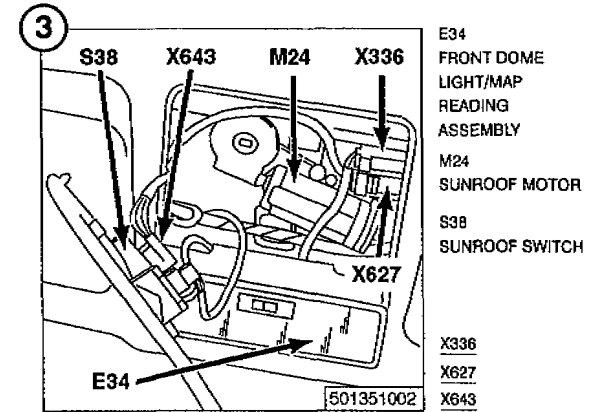
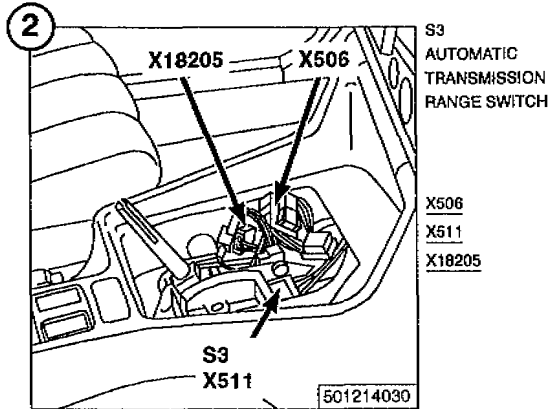
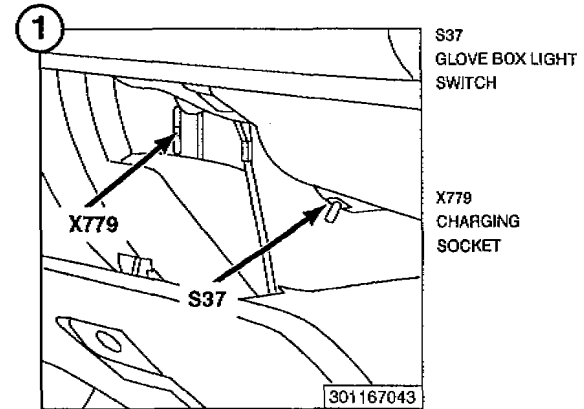
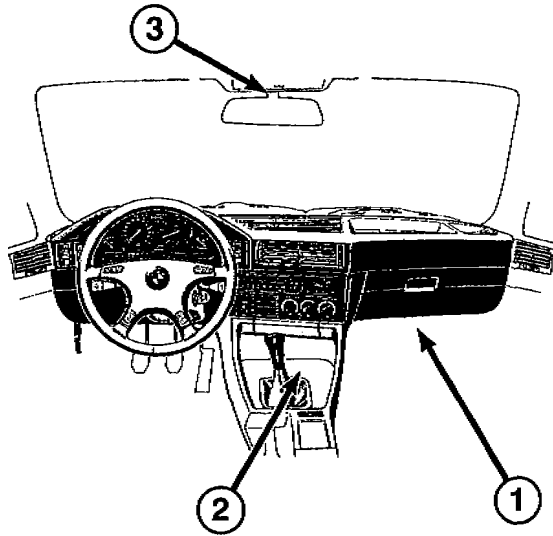


COMPONENT LOCATION VIEWS



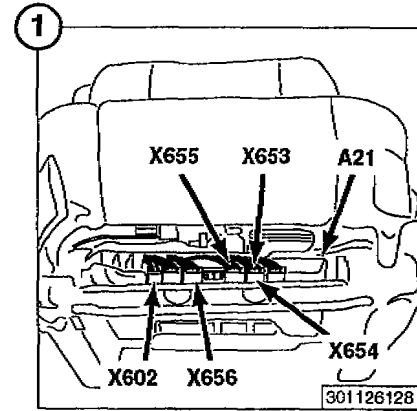
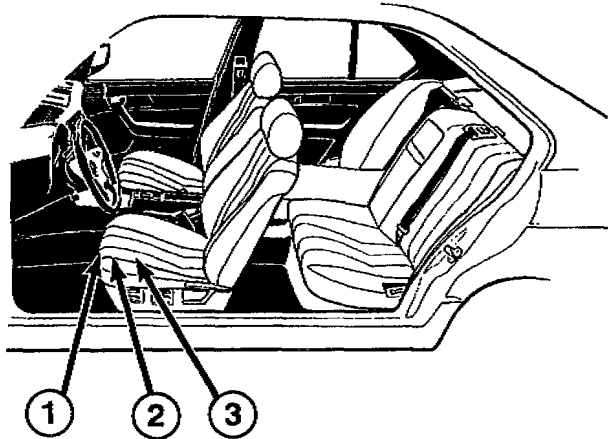


COMPONENT LOCATION VIEWS



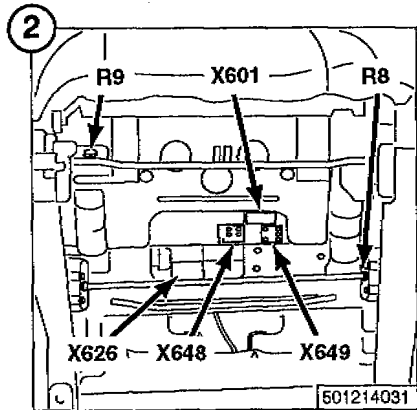


COMPONENT LOCATION VIEWS



- A21 SEAT/MIRROR MEMORY CONTROL MODULE
- X602
- X653
- X654
- X655
- X656

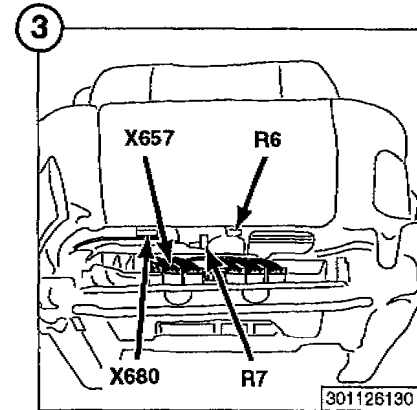
301126128



- R8 SEAT CUSHION REAR HEIGHT POTENTIOMETER
- R9 SEAT CUSHION MOVEMENT POTENTIOMETER

- X601
- X626
- X648
- X649

501214031



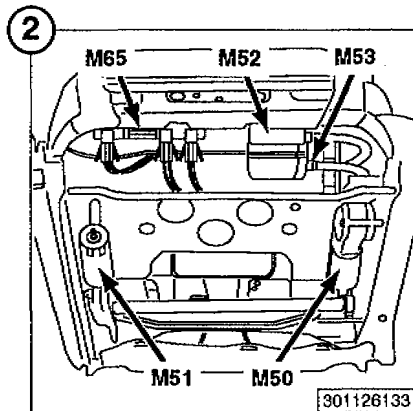
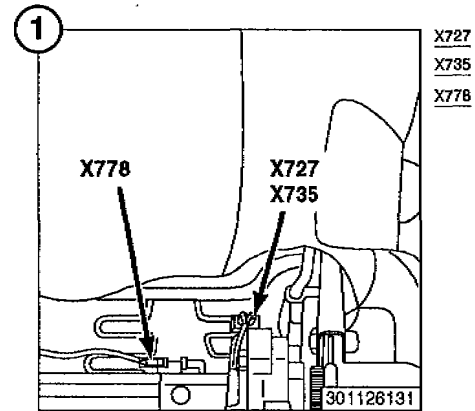
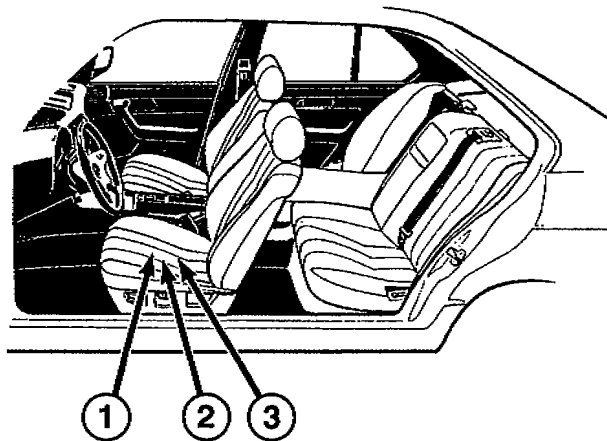
- R6 SEAT HEIGHT POTENTIOMETER
- R7 SEATBACK POTENTIOMETER

- X657
- X680

301126130



COMPONENT LOCATION VIEWS



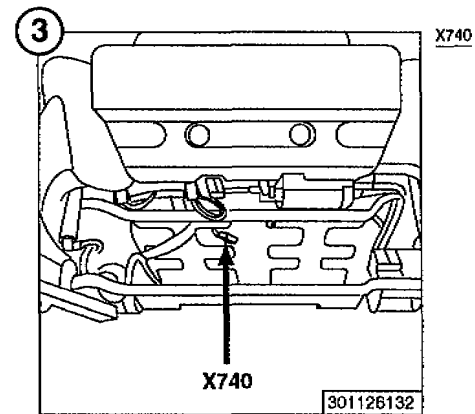
M50
DRIVER'S SEAT
CUSHION TILT
MOTOR

M51
DRIVER'S SEAT
MOVEMENT
MOTOR

M52
DRIVER'S SEAT
HEIGHT MOTOR

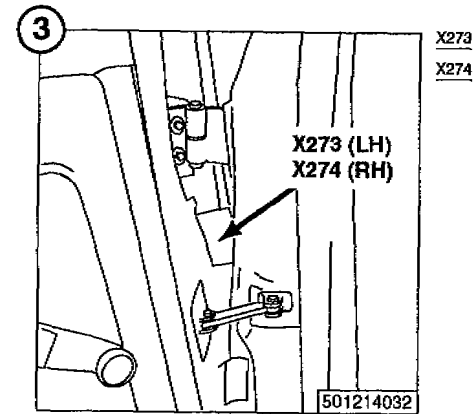
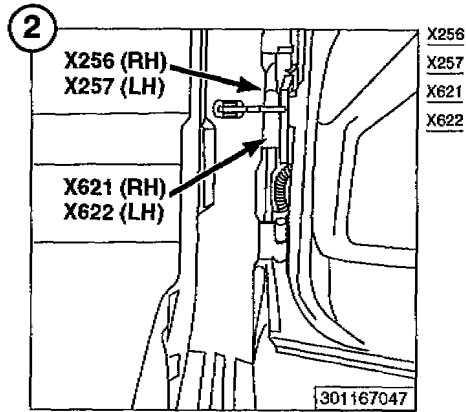
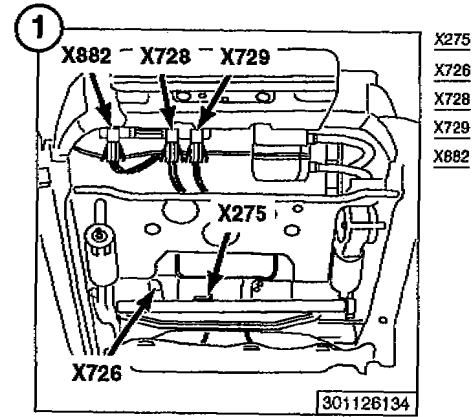
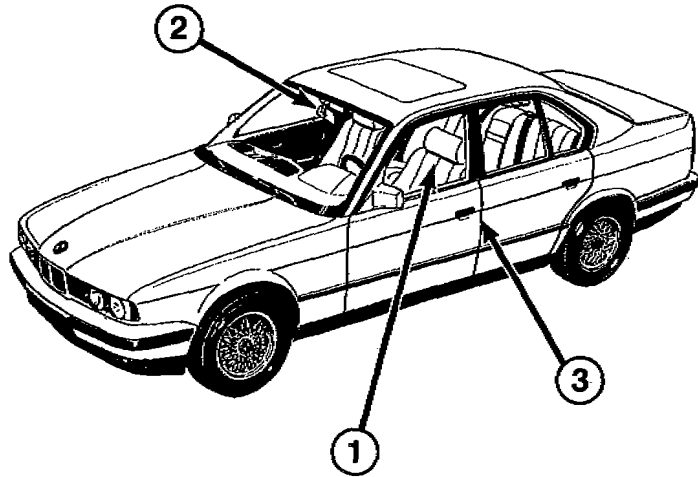
M53
DRIVER'S SEAT-
BACK RECLINER
MOTOR

M65
DRIVER'S THIGH
SUPPORT MOTOR



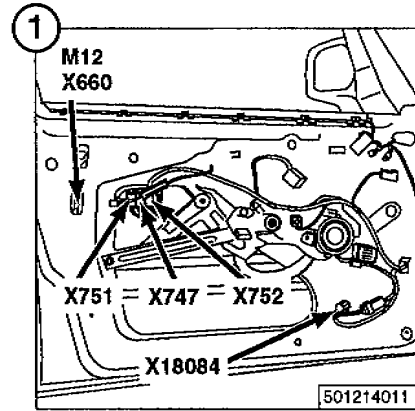
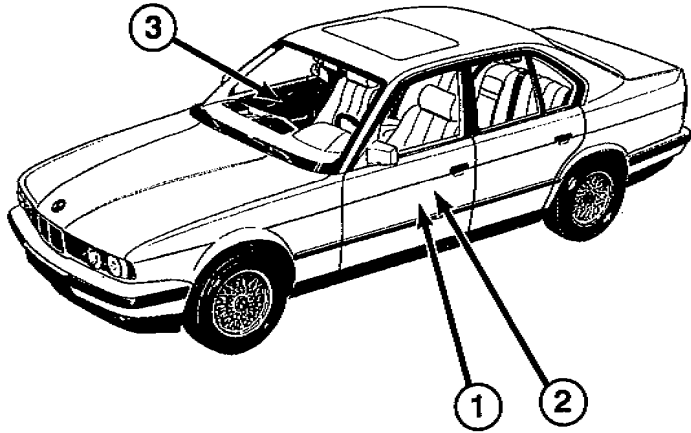


COMPONENT LOCATION VIEWS



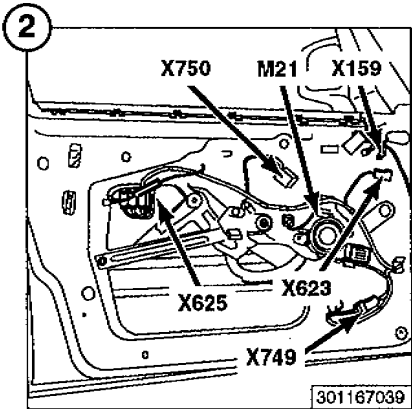


COMPONENT LOCATION VIEWS



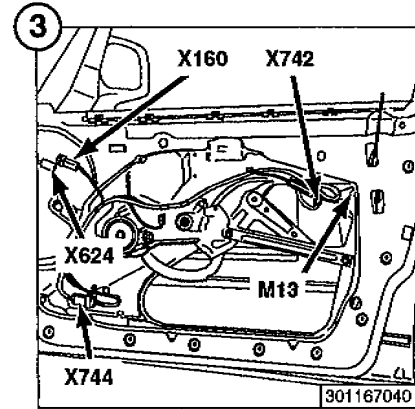
M12
DRIVER'S DOOR
LOCK MOTOR

X660
X747
X751
X752
X18084



M21
DRIVER'S WINDOW
MOTOR

X159
X623
X625
X749
X750

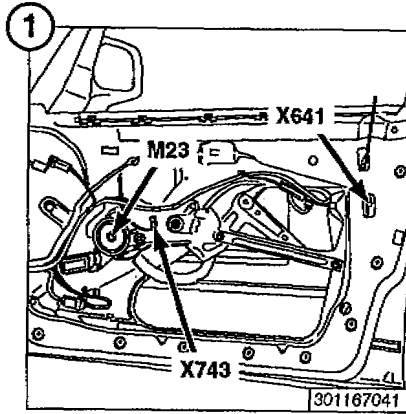
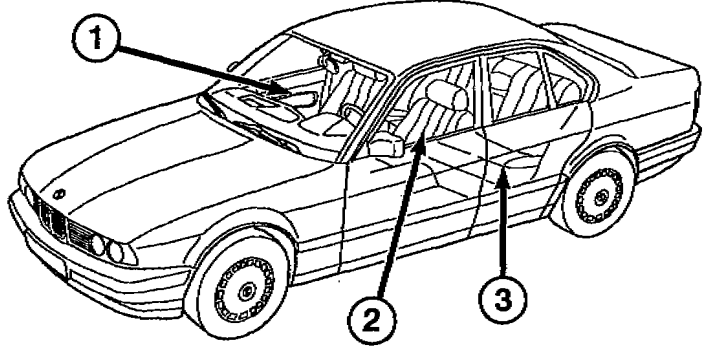


M13
PASSENGER'S
DOOR LOCK
MOTOR

X160
X624
X742
X744



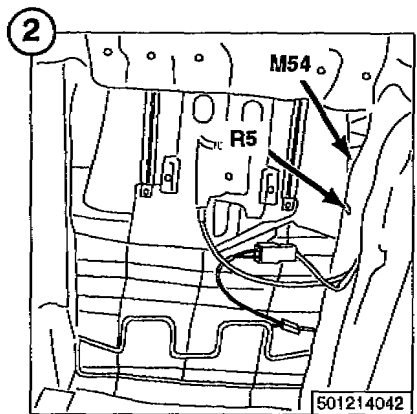
COMPONENT LOCATION VIEWS



M23
PASSENGER'S
WINDOW MOTOR

X641
X743

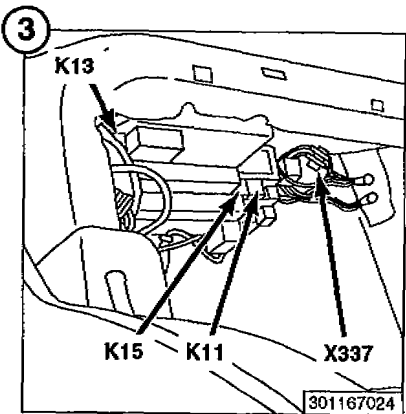
301167041



M54
DRIVER'S HEAD-
REST MOTOR

R5
HEADREST
POTENTIOMETER

501214042



K11
WIPER RELAY

K13
REAR DEFOGGER
RELAY

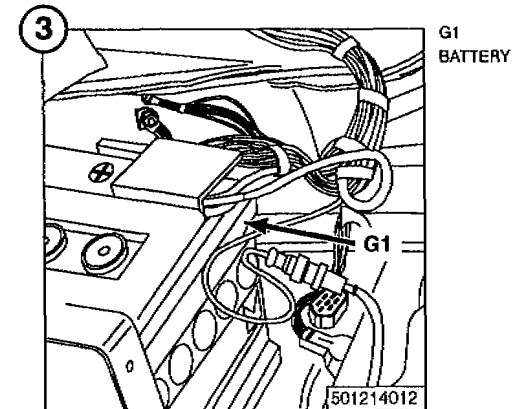
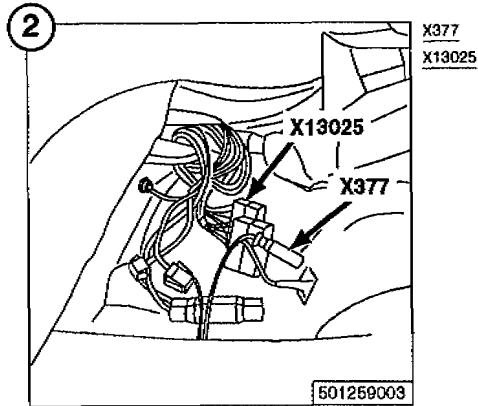
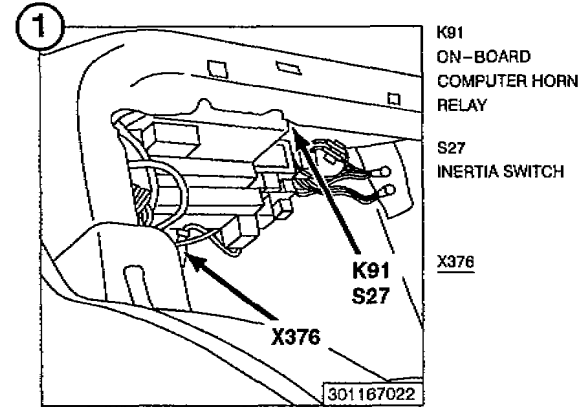
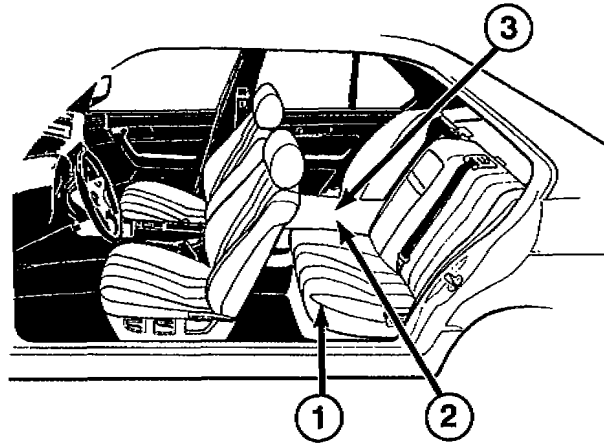
K15
ELECTRIC POWER
PROTECTION
RELAY

301167024

X337

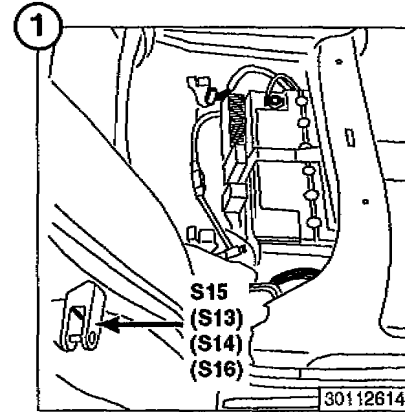
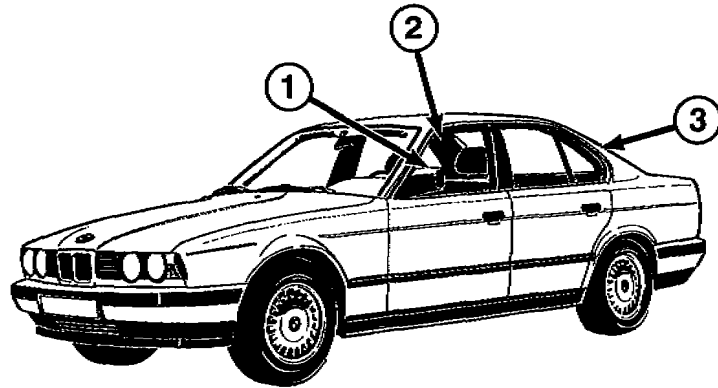


COMPONENT LOCATION VIEWS

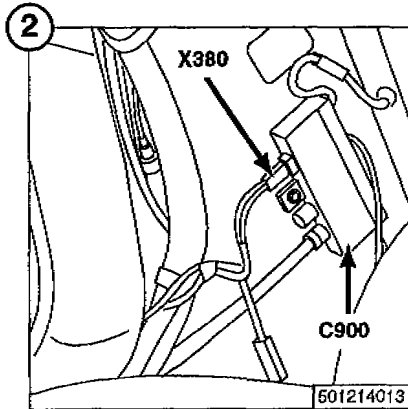




COMPONENT LOCATION VIEWS



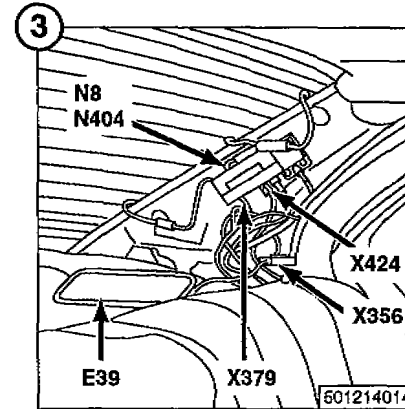
- S13 PASSENGER'S DOOR JAMB SWITCH
- S14 DRIVER'S DOOR JAMB SWITCH
- S15 REAR RIGHT DOOR JAMB SWITCH
- S16 LEFT REAR DOOR JAMB SWITCH



C900
SUPPRESSION
FILTER

X380

501214013



E39
LEFT REAR
INTERIOR LIGHT

N8
ANTENNA
AMPLIFIER AM/FM

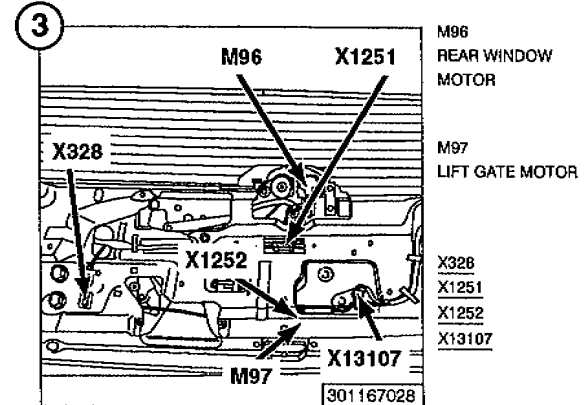
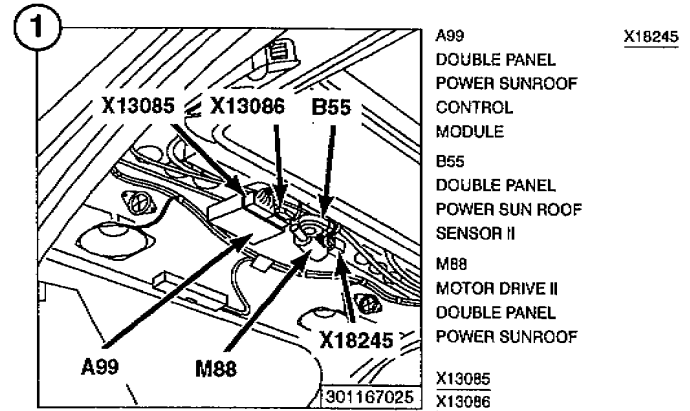
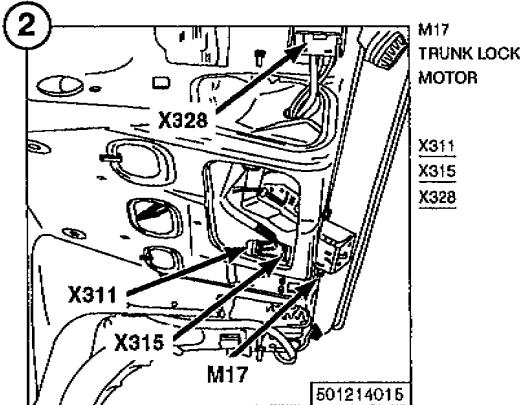
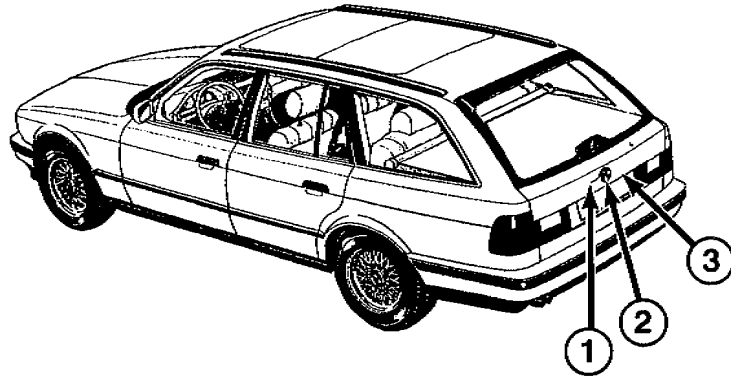
N404
DIVERSITY

X356
X379
X424

501214014

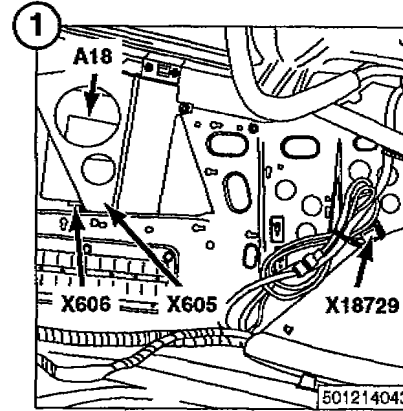
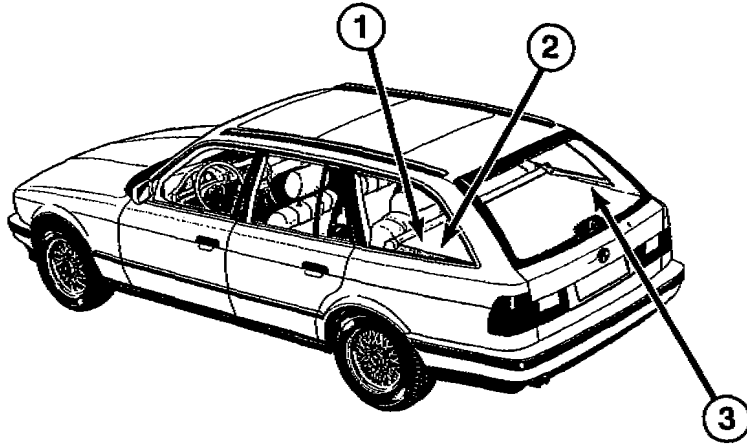


COMPONENT LOCATION VIEWS





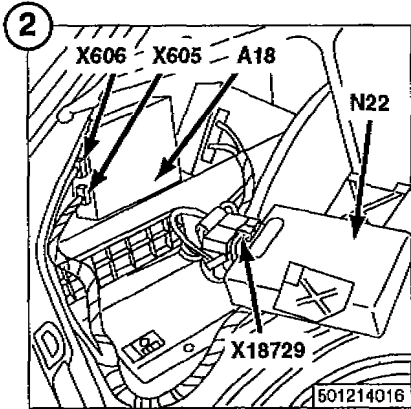
COMPONENT LOCATION VIEWS



A18
HIFI AMPLIFIER

X605
X606
X18729

501214043

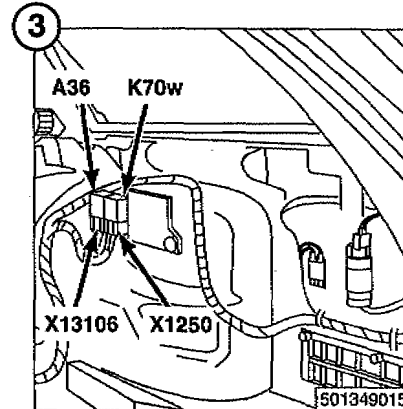


A18
HIFI AMPLIFIER

N22
CD CHANGER

X605
X606
X18729

501214016



A36
REAR WIPER/
WASHER INTERVAL
CONTROL
MODULE

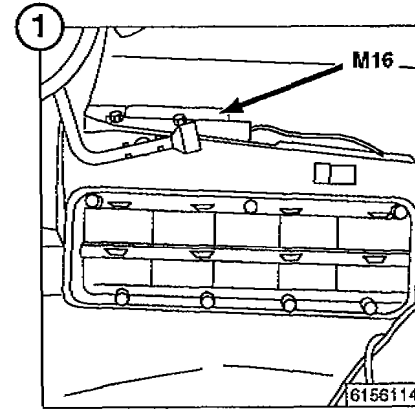
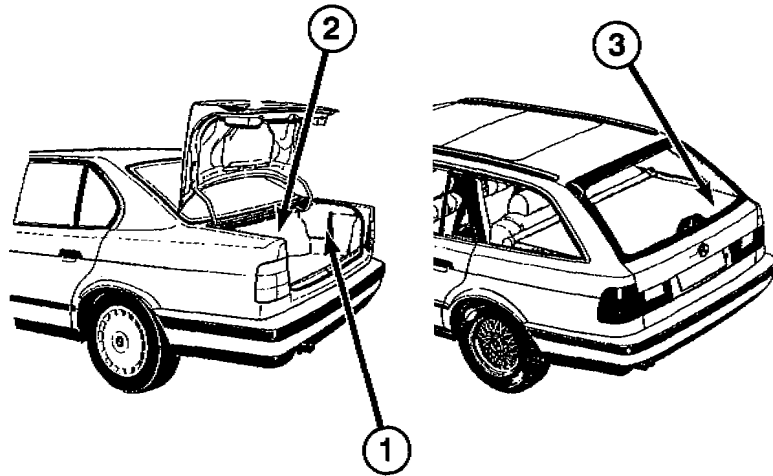
K70w
REAR LID/REAR
WINDOW SERVO
OPENING MODULE

X1250
X13106

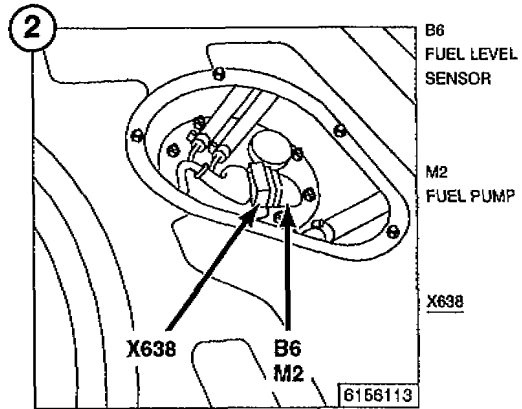
501349015



COMPONENT LOCATION VIEWS



M16
GAS FILLER LOCK
MOTOR

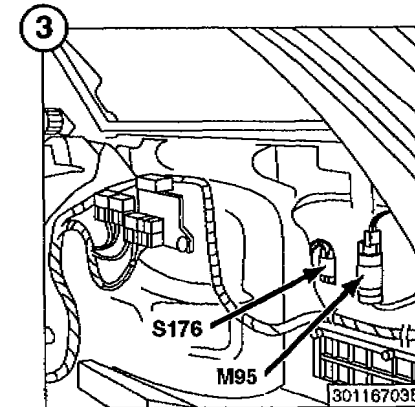


B6
FUEL LEVEL
SENSOR

M2
FUEL PUMP

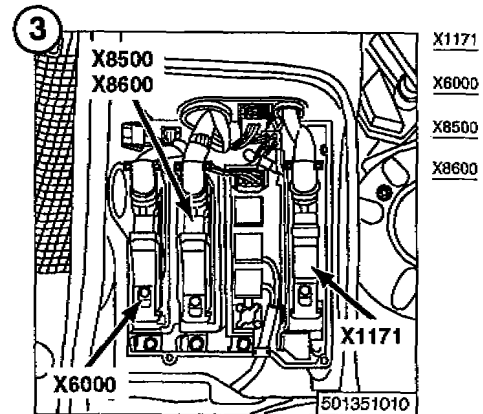
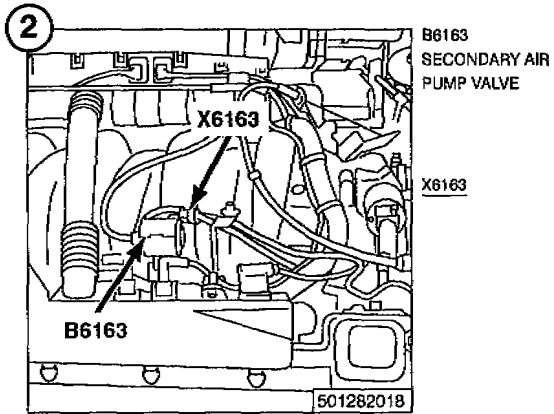
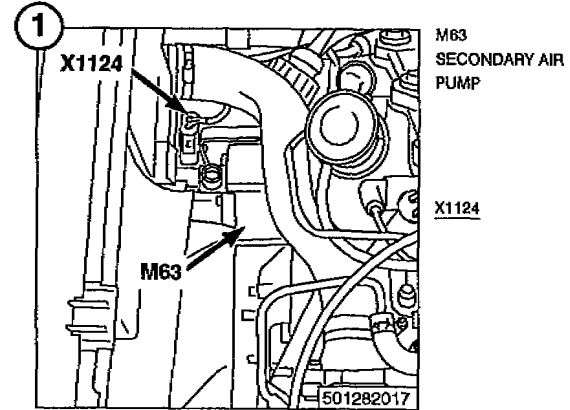
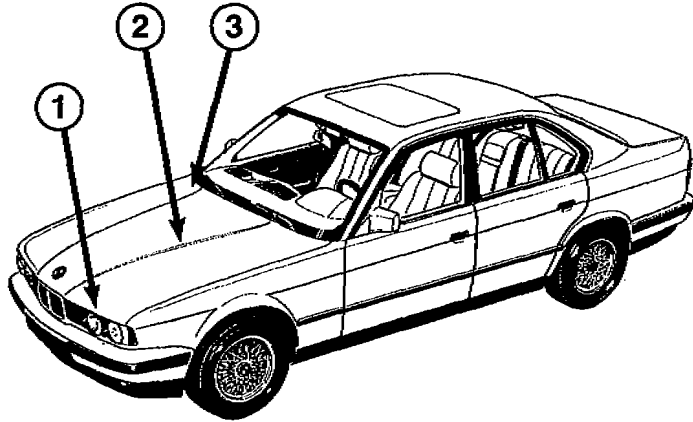
X638

X638
B6
M2



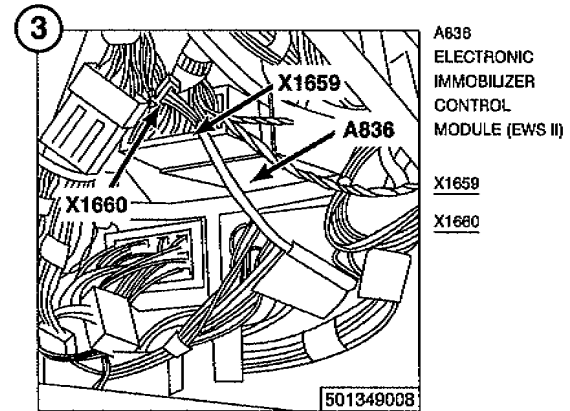
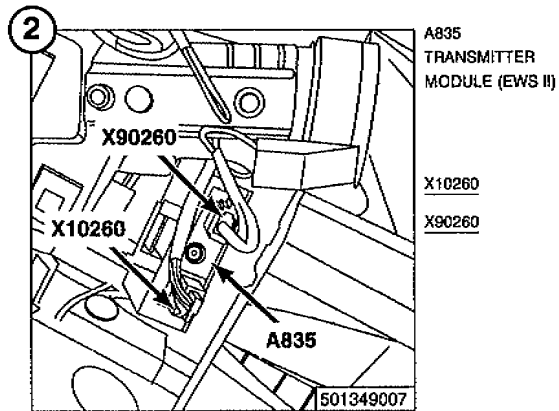
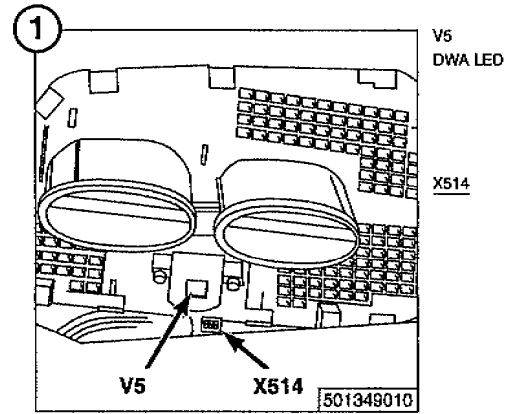
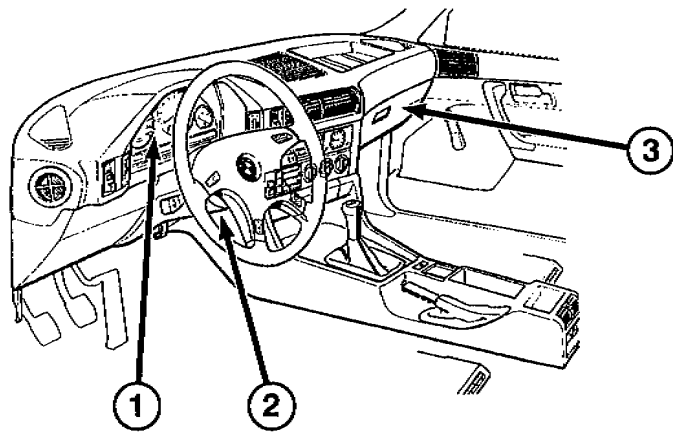
M95
REAR WINDOW
WASHER PUMP

S176
REAR WIPER/
WASHER FLUID
LEVEL SWITCH



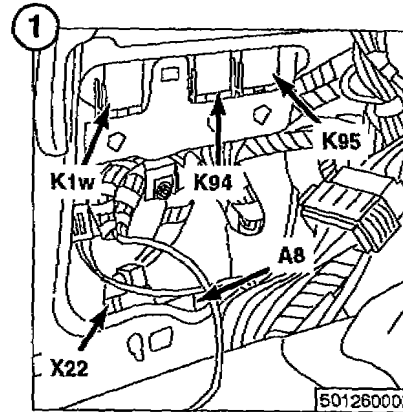
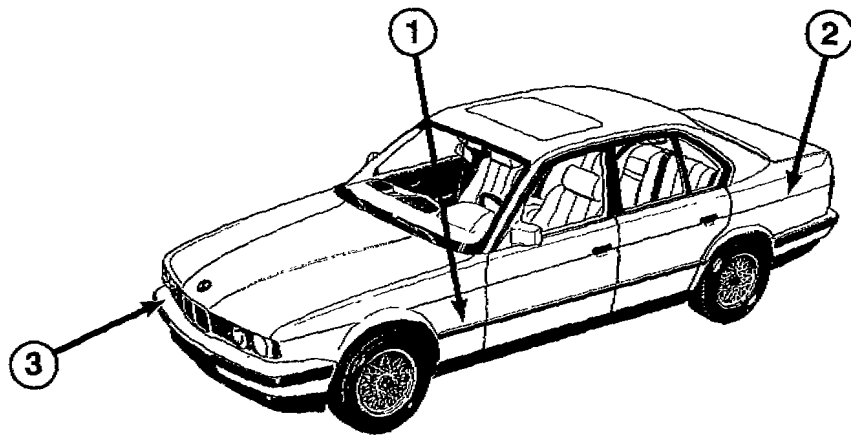


COMPONENT LOCATION VIEWS

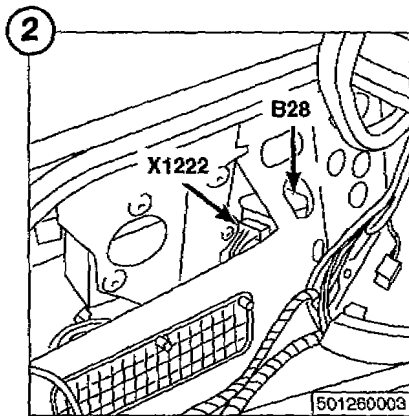




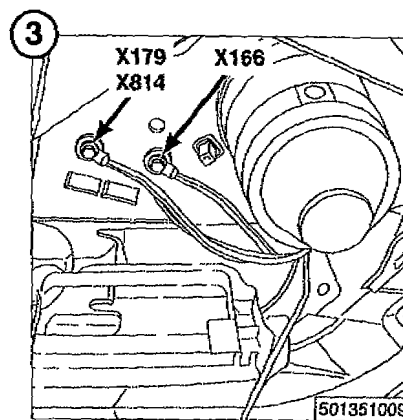
COMPONENT LOCATION VIEWS



- A8 CRUISE CONTROL MODULE (TEMPOMAT)
- X22
- K1w STARTER IMMOBILIZATION RELAY
- K94 ENGINE CONTROL RELAY (ABS/ASC)
- K95 VALVE RELAY (ABS/ASC)



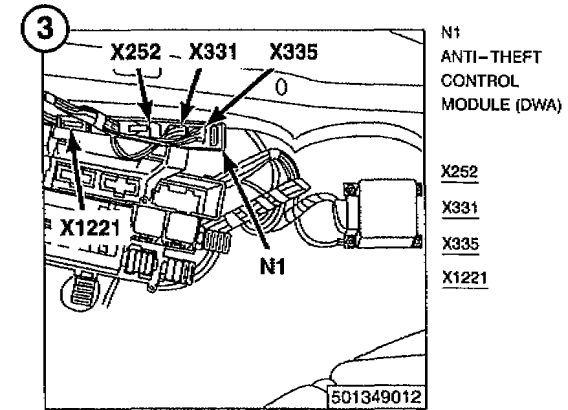
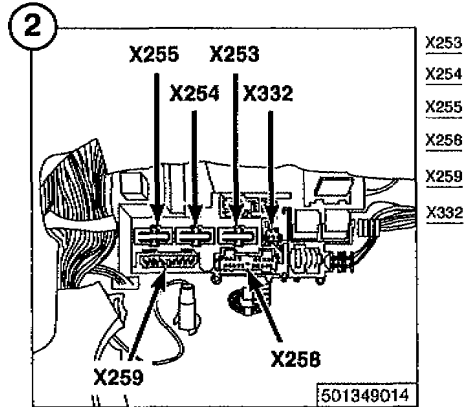
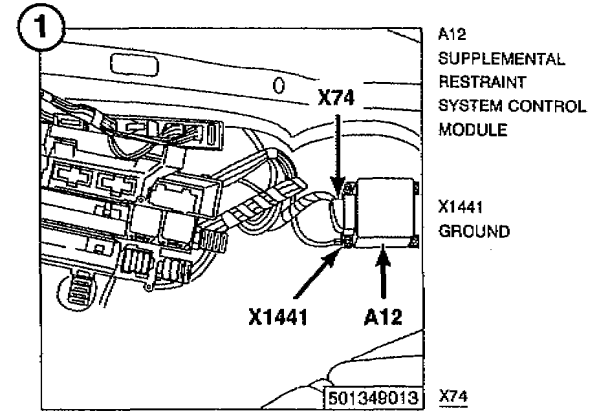
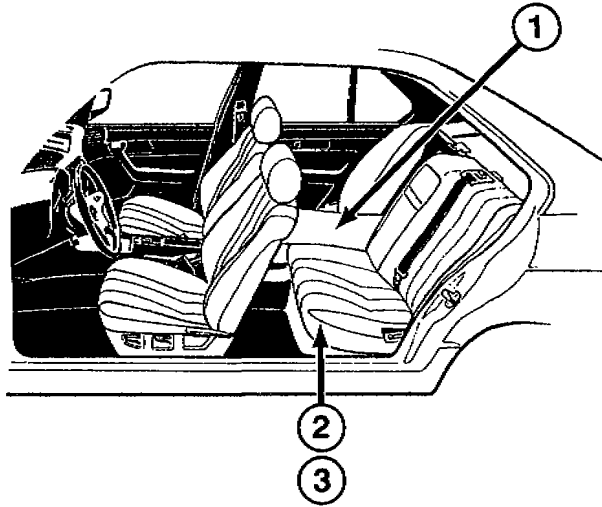
- B28 GRADIENT MONITOR (DWA)
- X1222



- X166
- X179
- XB14



COMPONENT LOCATION VIEWS





SPLICE LOCATION VIEWS

SPLICE	HARNESS	PAGE NUMBER	SPLICE	HARNESS	PAGE NUMBER
X181-X189	FRONT	8000.0-03	X485	REAR	8000.0-05
X191-X193	FRONT	8000.0-03	X488	REAR	8000.0-05
X195-X201	FRONT	8000.0-03	X489	REAR	8000.0-05
X203-X207	FRONT	8000.0-03	X561-X564	INSTRUMENT	8000.0-04
X210	FRONT	8000.0-03	X571-X573	INSTRUMENT	8000.0-04
X212	FRONT	8000.0-03	X575-X577	INSTRUMENT	8000.0-04
X213	FRONT	8000.0-03	X579-X584	INSTRUMENT	8000.0-04
X215	FRONT	8000.0-03	X833	REAR	8000.0-05
X222-X225	FRONT	8000.0-03	X906	IHKR/F3	8000.0-06
X228	FRONT	8000.0-03	X911	REAR	8000.0-05
X239	FRONT	8000.0-03	X994	FRONT	8000.0-03
X241	FRONT	8000.0-03	X1022	FRONT	8000.0-03
X245	FRONT	8000.0-03	X1023	FRONT	8000.0-03
X246	FRONT	8000.0-03	X1029	FRONT	8000.0-03
X276	FRONT	8000.0-03	X1033	FRONT	8000.0-03
X282	REAR	8000.0-05	X1043	FRONT	8000.0-03
X428	REAR	8000.0-05	X1047	FRONT	8000.0-03
X429	REAR	8000.0-05	X1092-X1095	FRONT	8000.0-03
X431	REAR	8000.0-05	X1149	FRONT	8000.0-03
X433	REAR	8000.0-05	X1159	INSTRUMENT	8000.0-04
X435	REAR	8000.0-05	X1224	REAR	8000.0-05
X439	REAR	8000.0-05	X1225	INSTRUMENT	8000.0-04
X441-X445	REAR	8000.0-05	X1226	REAR	8000.0-05
X448-X451	REAR	8000.0-05	X1228	REAR	8000.0-05
X455-X470	REAR	8000.0-05	X1244	REAR	8000.0-05
X475	REAR	8000.0-05	X1256-X1258	REAR	8000.0-05
X479	REAR	8000.0-05	X1294	REAR	8000.0-05
X481	REAR	8000.0-05	X1362	REAR	8000.0-05



SPLICE LOCATION VIEWS

SPLICE	HARNESS	PAGE NUMBER	SPLICE	HARNESS	PAGE NUMBER
X1366	REAR	8000.0-05	X6822	M50 ENGINE	8000.0-08
X1367	REAR	8000.0-05	X6824	M60 ENGINE	8000.0-07
X1402	INSTRUMENT	8000.0-04	X6825	M60 ENGINE	8000.0-07
X1417	INSTRUMENT	8000.0-04	X6829	M60 ENGINE	8000.0-07
X1418	INSTRUMENT	8000.0-04	X6830	M50 ENGINE	8000.0-08
X1419	INSTRUMENT	8000.0-04	X6830	M60 ENGINE	8000.0-07
X1421-X1423	INSTRUMENT	8000.0-04	X6831	M50 ENGINE	8000.0-08
X1428	INSTRUMENT	8000.0-04	X6832	M50 ENGINE	8000.0-08
X6245	M60 ENGINE	8000.0-07	X6832	M60 ENGINE	8000.0-07
X6410	M50 ENGINE	8000.0-08	X6835	M50 ENGINE	8000.0-08
X6411	M50 ENGINE	8000.0-08	X6836	M60 ENGINE	8000.0-07
X6412	M60 ENGINE	8000.0-07	X6841	M60 ENGINE	8000.0-07
X6458	M60 ENGINE	8000.0-07	X6842	M60 ENGINE	8000.0-07
X6459	M60 ENGINE	8000.0-07	X6845	M60 ENGINE	8000.0-07
X6459	M50 ENGINE	8000.0-08	X6845	M50 ENGINE	8000.0-08
X6460	M50 ENGINE	8000.0-08	X6846	M50 ENGINE	8000.0-08
X6461	M50 ENGINE	8000.0-08	X6846-X6848	M60 ENGINE	8000.0-07
X6474	M60 ENGINE	8000.0-07	X6860	M60 ENGINE	8000.0-08
X6475	M60 ENGINE	8000.0-07	X6863	M50 ENGINE	8000.0-08
X6475	M50 ENGINE	8000.0-08	X6863	M60 ENGINE	8000.0-07
X6491	M60 ENGINE	8000.0-07	X6866	M60 ENGINE	8000.0-07
X6492	M50 ENGINE	8000.0-08	X6866	M50 ENGINE	8000.0-08
X6810	M60 ENGINE	8000.0-07	X6880	M50 ENGINE	8000.0-08
X6810	M50 ENGINE	8000.0-08	X6891	M60 ENGINE	8000.0-07
X6820	M60 ENGINE	8000.0-07	X6900-X6906	M50 ENGINE	8000.0-08
X6820	M50 ENGINE	8000.0-08	X6901-X6908	M60 ENGINE	8000.0-07
X6821	M60 ENGINE	8000.0-07	X7163	M60 ENGINE	8000.0-07
X6821	M50 ENGINE	8000.0-08	X8004	M60 ENGINE	8000.0-07



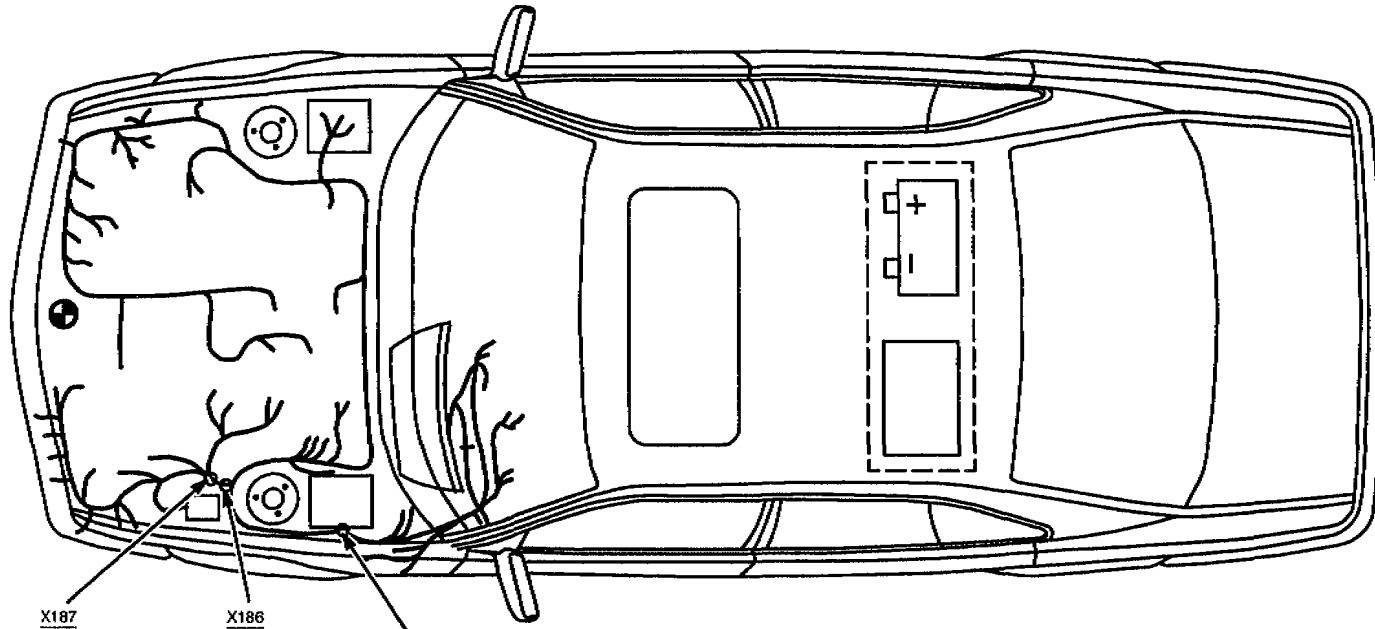
SPLICE LOCATION VIEWS

SPLICE	HARNESS	PAGE NUMBER	SPLICE	HARNESS	PAGE NUMBER
X8004	M50 ENGINE	8000.0-08	X10090	FRONT	8000.0-03
X8007	M60 ENGINE	8000.0-07	X11247	FRONT	8000.0-03
X8007	M50 ENGINE	8000.0-08	X11248	FRONT	8000.0-03
X8010	M60 ENGINE	8000.0-07	X11249	FRONT	8000.0-03
X8010	M50 ENGINE	8000.0-08	X11251	FRONT	8000.0-03
X8015	M60 ENGINE	8000.0-07	X11252	FRONT	8000.0-03
X8015	M50 ENGINE	8000.0-08	X11262	FRONT	8000.0-03
X8022	M50 ENGINE	8000.0-08	X13035	REAR	8000.0-05
X8024	REAR	8000.0-05	X13115	REAR	8000.0-05
X8025	M50 ENGINE	8000.0-08	X13116	REAR	8000.0-05
X8041	M60 ENGINE	8000.0-07	X13117	REAR	8000.0-05
X8042	M50 ENGINE	8000.0-08	X13163	REAR	8000.0-05
X8051	M50 ENGINE	8000.0-08	X13244-X13250	REAR	8000.0-05
X8054	M50 ENGINE	8000.0-08	X13259	REAR	8000.0-05
X8056	M50 ENGINE	8000.0-08	X18158-X18163	IHKR/F3	8000.0-06
X8071	M50 ENGINE	8000.0-08	X18328	FRONT	8000.0-03
X8072	M60 ENGINE	8000.0-07	X19525	FRONT	8000.0-03
X8072	M50 ENGINE	8000.0-08	X19526	FRONT	8000.0-03
X8074	M60 ENGINE	8000.0-07			
X8084	M50 ENGINE	8000.0-08			
X8510	INSTRUMENT	8000.0-04			
X8528	M60 ENGINE	8000.0-07			
X8561	M60 ENGINE	8000.0-07			
X10021	FRONT	8000.0-03			
X10027	FRONT	8000.0-03			
X10060	FRONT	8000.0-03			
X10080	FRONT	8000.0-03			
X10081	FRONT	8000.0-03			



SPLICE LOCATION VIEWS

FRONT HARNESS



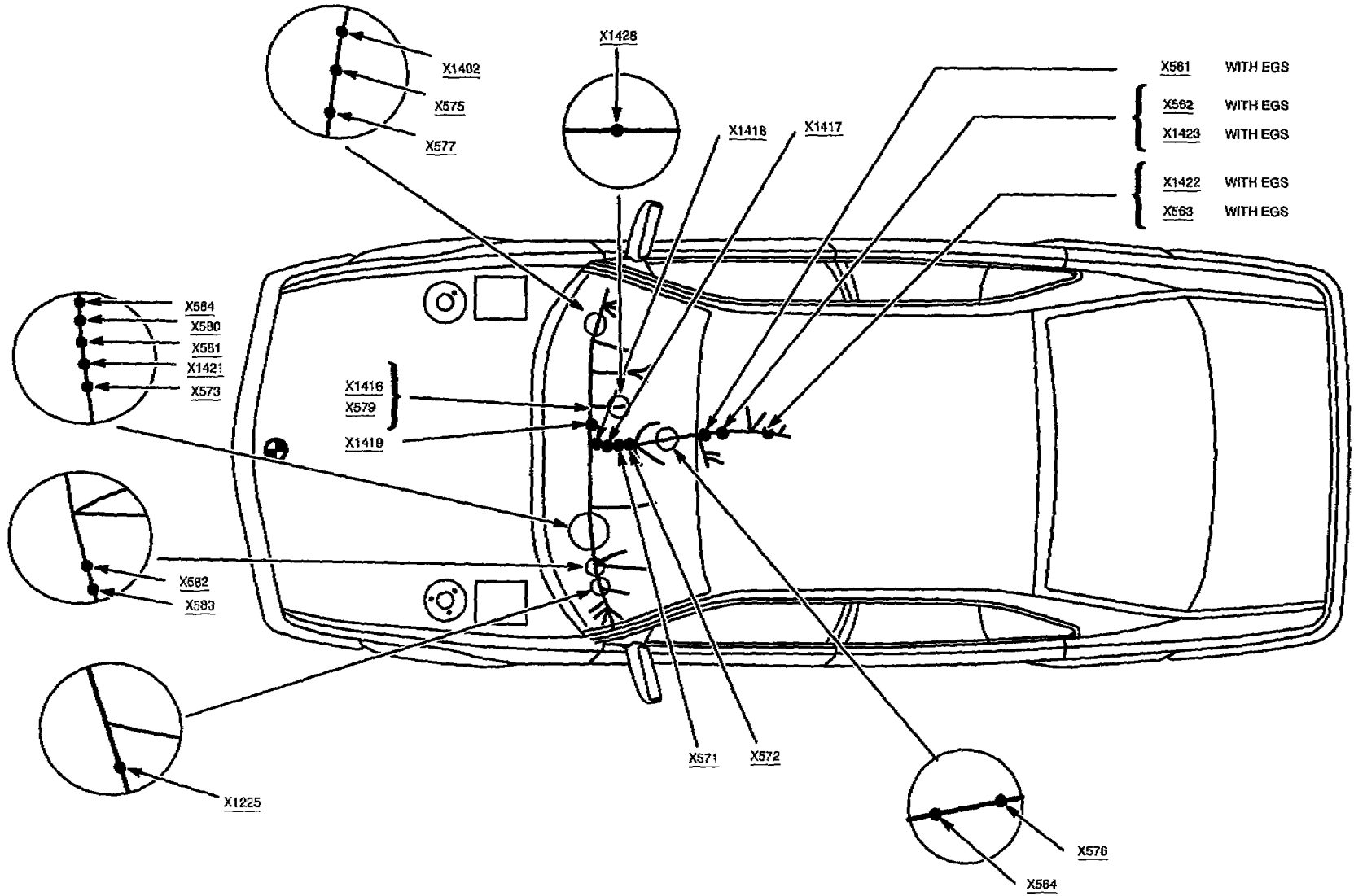
X187

X186

X181	•	X186	•	X210	•	X245	•	X1093	•	X11247	•
X182	•	X197	•	X212	•	X246	•	X1094	•	X11248	•
X183	•	X198	•	X213	•	X276	•	X1095	•	X11249	•
X184	•	X199	•	X215	•	X994	•	X1149	•	X11251	•
X185	•	X200	•	X222	•	X1022	•	X1159	•	X11252	•
X188	•	X201	•	X223	•	X1023	•	X10021	•	X11262	•
X189	•	X203	•	X224	•	X1029	•	X10027	•	X18328	•
X191	•	X204	•	X225	•	X1033	•	X10060	•	X19525	•
X192	•	X205	•	X228	•	X1043	•	X10080	•	X19526	•
X193	•	X206	•	X239	•	X1047	•	X10081	•		
X195	•	X207	•	X241	•	X1092	•	X10090	•		



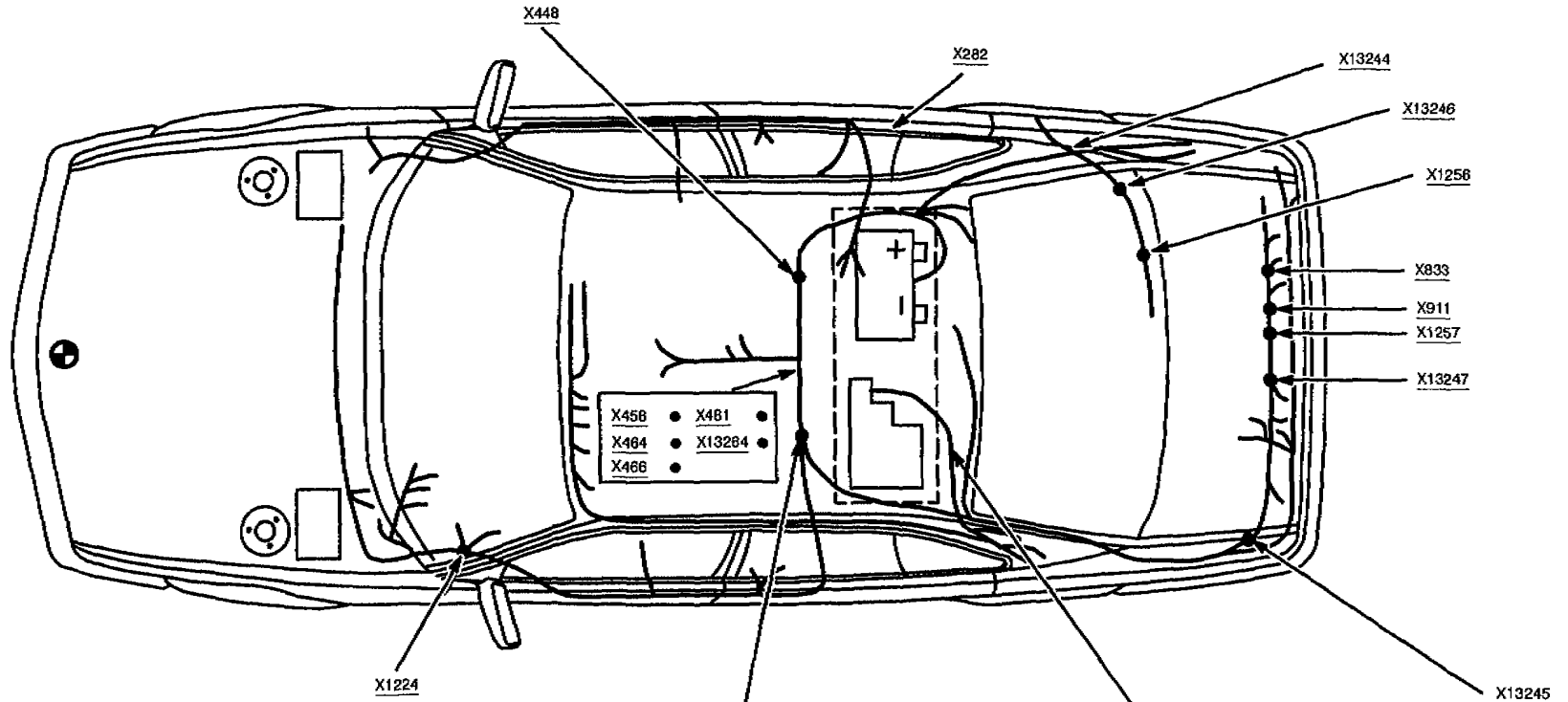
SPLICE LOCATION VIEWS INSTRUMENT HARNESS





SPLICE LOCATION VIEWS

REAR HARNESS



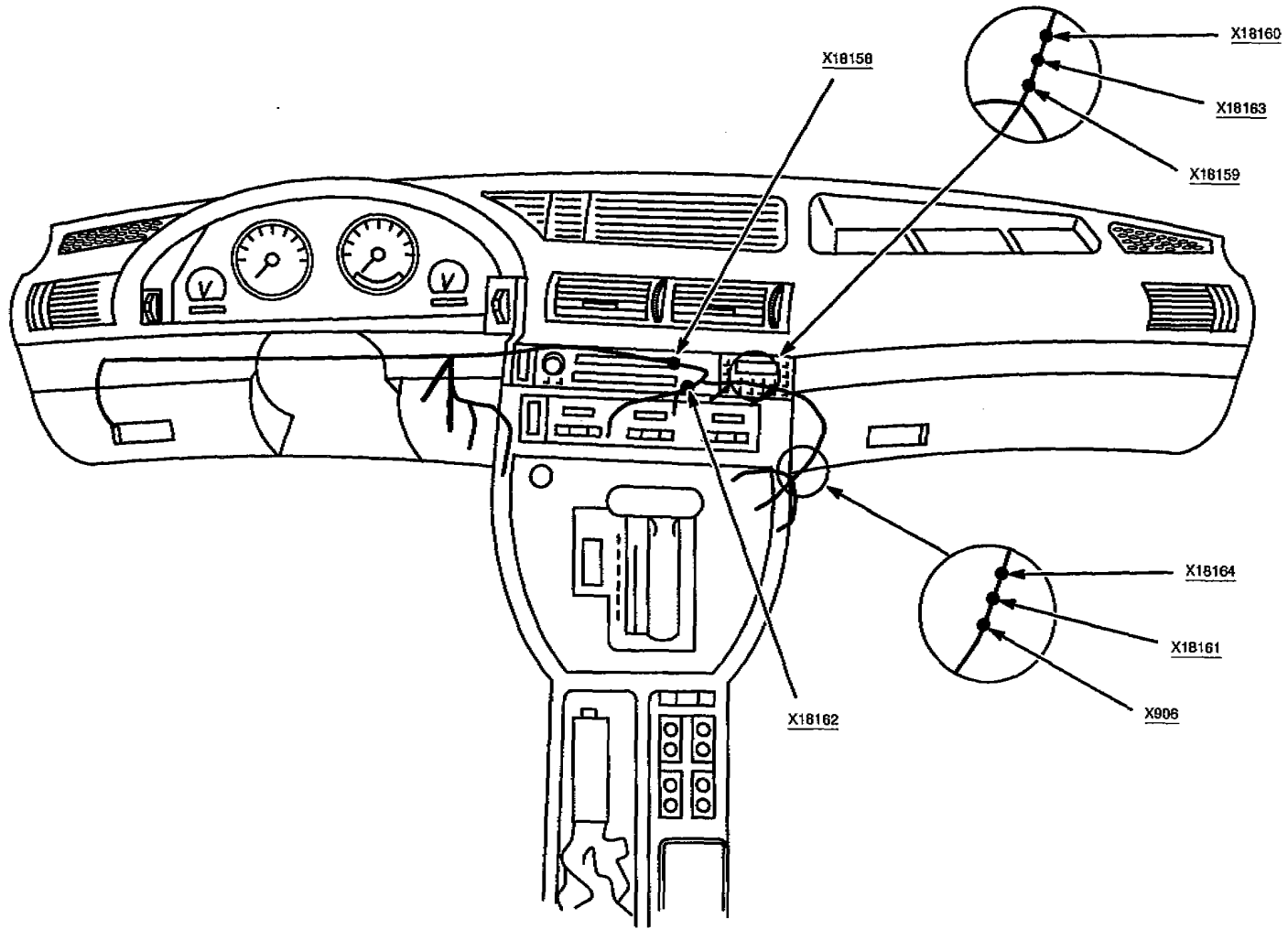
X429	•	X451	•	X467	•	X1366	•
X433	•	X455	•	X468	•	X1367	•
X435	•	X456	•	X470	•	X13118	•
X439	•	X459	•	X475	•	X13117	•
X443	•	X460	•	X479	•	X13248	•
X444	•	X461	•	X488	•	X13250	•
X445	•	X462	•	X489	•		
X449	•	X463	•	X1228	•		

X428	•	X485	•	X13163	•
X431	•	X1226	•	X13259	•
X441	•	X1244	•	X13248	•
X442	•	X1258	•		
X450	•	X1294	•		
X457	•	X1382	•		
X485	•	X8024	•		
X469	•	X13115	•		



SPLICE LOCATION VIEWS

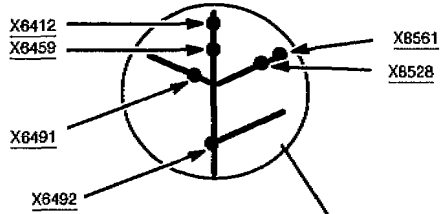
IHKR/F3 HARNESS



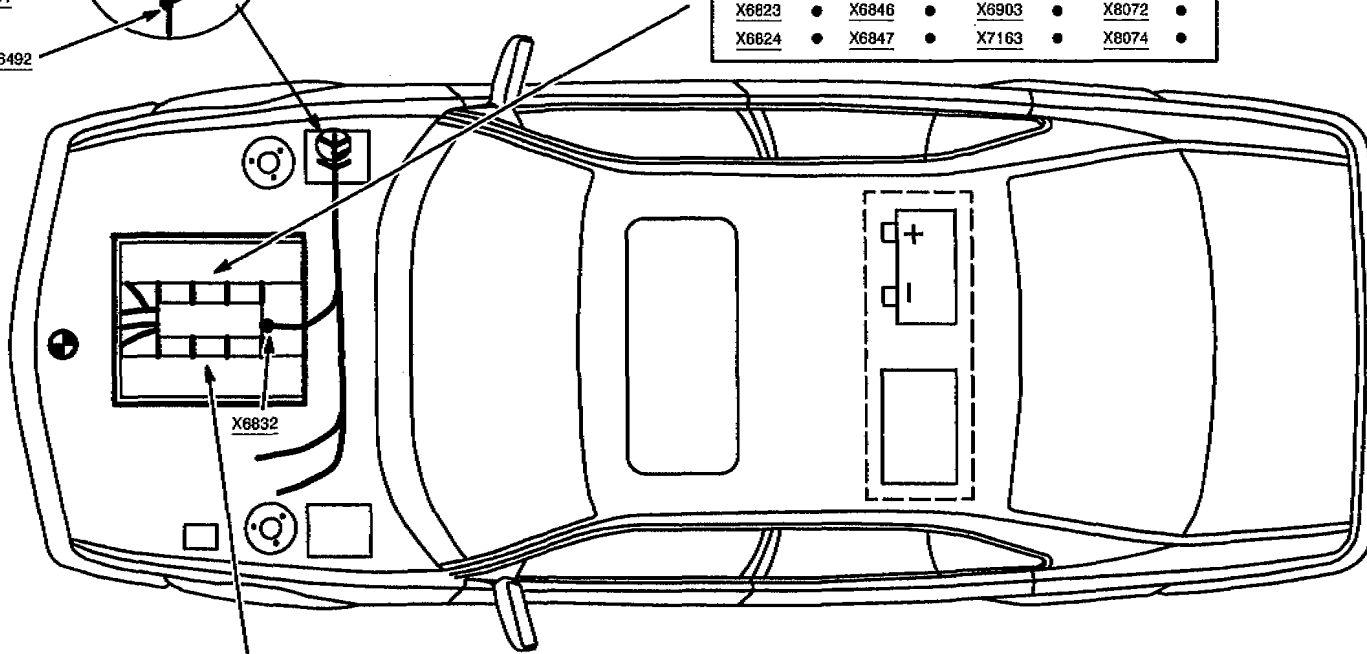


SPLICE LOCATION VIEWS

M60 HARNESS



X6245	●	X6825	●	X6848	●	X6904	●
X6458	●	X6830	●	X6863	●	X8004	●
X6474	●	X6832	●	X6866	●	X8007	●
X6475	●	X6836	●	X6891	●	X8010	●
X6810	●	X6841	●	X6901	●	X8015	●
X6821	●	X6845	●	X6902	●	X8041	●
X6823	●	X6846	●	X6903	●	X8072	●
X6824	●	X6847	●	X7163	●	X8074	●



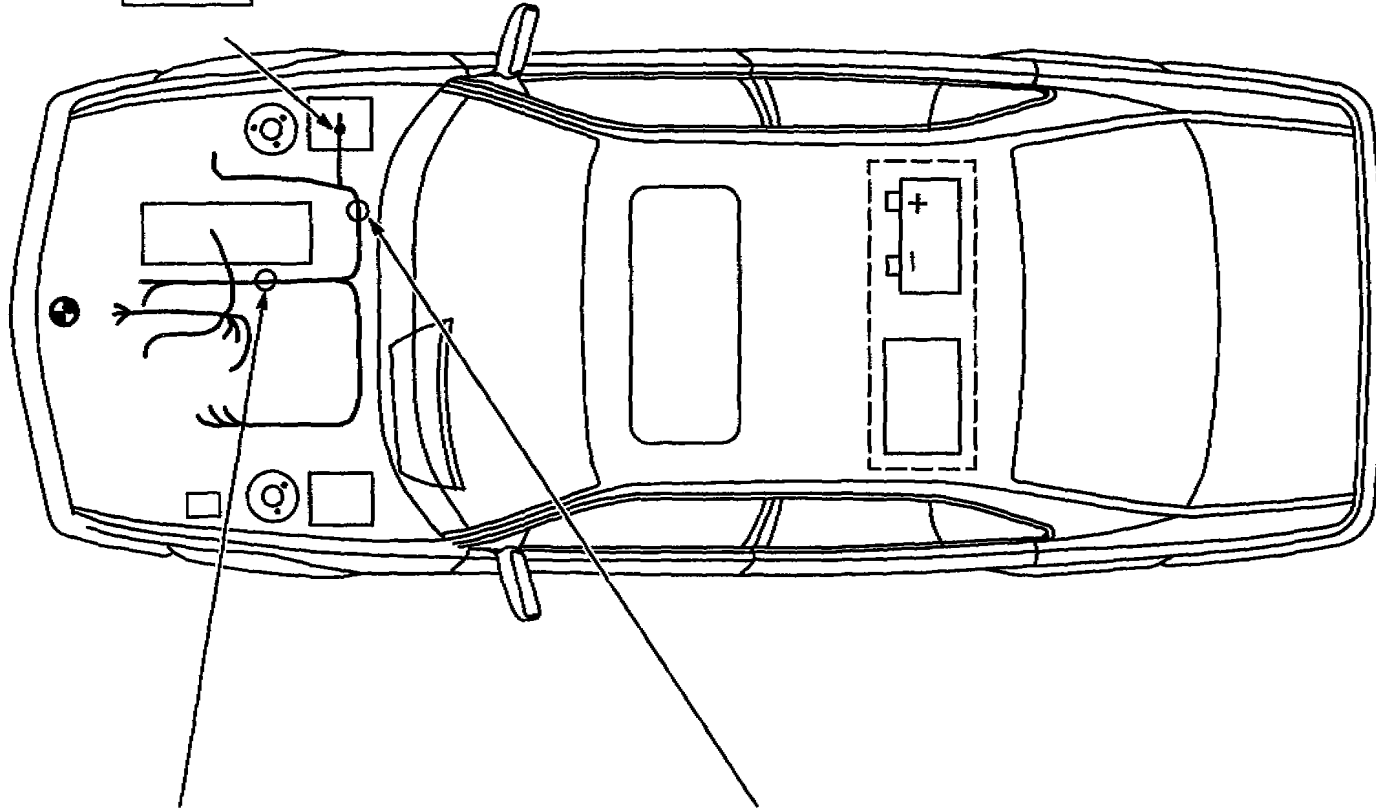
X6820	●
X6829	●
X6842	●
X6905	●
X6906	●
X6907	●
X6908	●



SPLICE LOCATION VIEWS

M50 ENGINE HARNESS

- X6460 ●
- X6461 ●
- X6491 ●
- X6492 ●
- X8025 ●



- | | |
|---------|---------|
| X6492 ● | X6902 ● |
| X6820 ● | X6903 ● |
| X6831 ● | X6904 ● |
| X6900 ● | X6905 ● |
| X6901 ● | X6906 ● |

- | | | | | |
|---------|---------|---------|---------|---------|
| X6410 ● | X6821 ● | X6846 ● | X8007 ● | X8051 ● |
| X6411 ● | X6822 ● | X6860 ● | X8010 ● | X8054 ● |
| X6420 ● | X6830 ● | X6863 ● | X8015 ● | X8056 ● |
| X6459 ● | X6832 ● | X6866 ● | X8022 ● | X8071 ● |
| X6475 ● | X6835 ● | X6880 ● | X8025 ● | X8072 ● |
| X6810 ● | X6845 ● | X8004 ● | X8042 ● | |



8500.0



CONNECTOR VIEWS

FIG 1

B550001 00

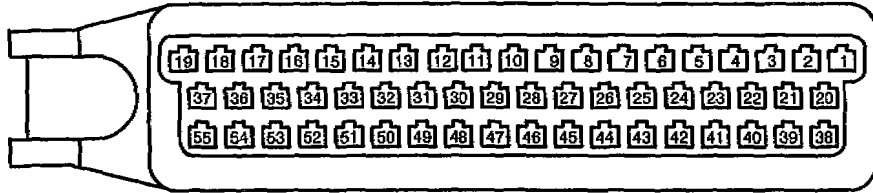


FIG 2

B350001 00

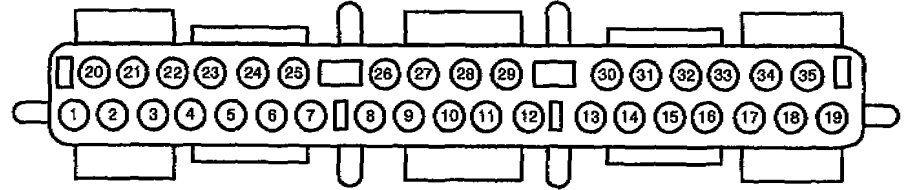


FIG 3

B350002 00

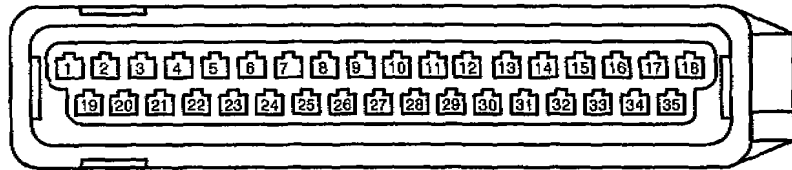
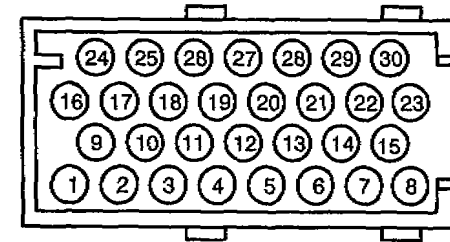


FIG 4

B300001 00





CONNECTOR VIEWS

FIG. 1

B260002.00

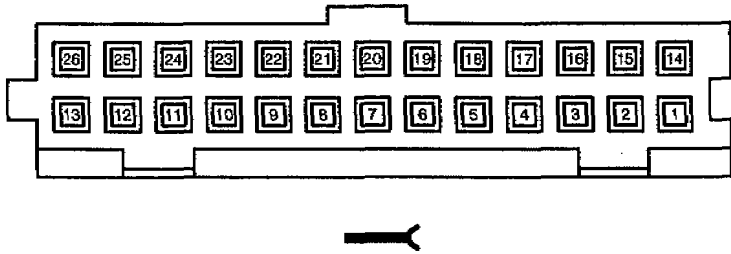


FIG. 2

B180002.00

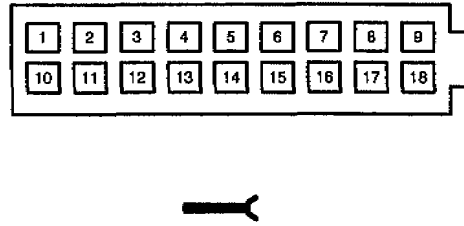


FIG. 3

B210001.00

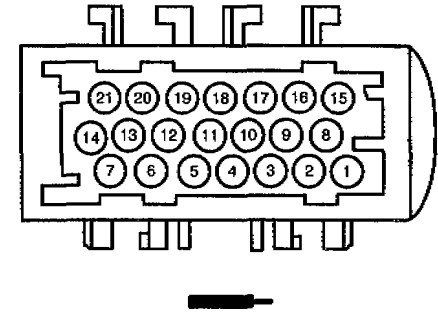


FIG. 4

B240001.00

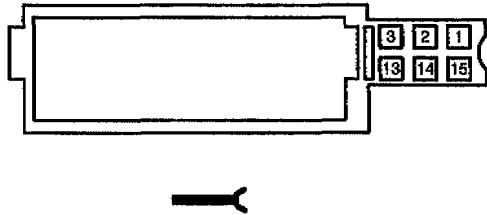


FIG. 5

B080003.00

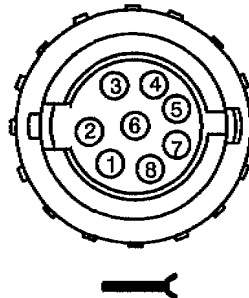


FIG. 6

B120013.00

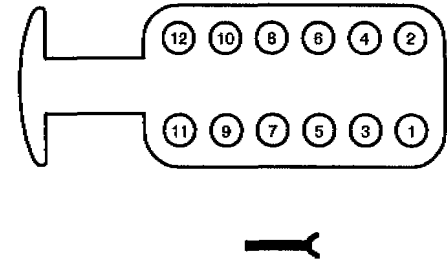


FIG. 1

B120002.02

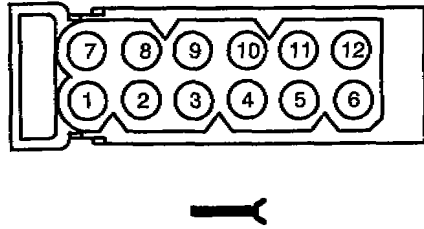


FIG. 2

B250003.00

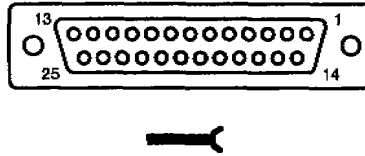


FIG. 3

B090001.00

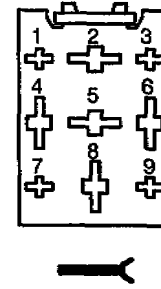


FIG. 4

B050005.00

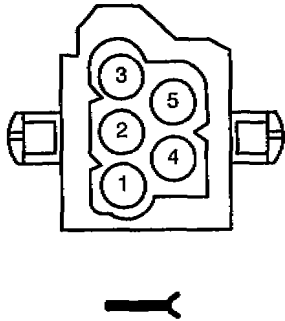


FIG. 5

B030006.00

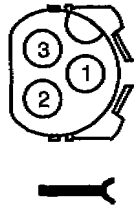
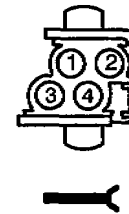


FIG. 6

B040003.00





CONNECTOR VIEWS

FIG. 1

B080002.00

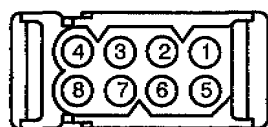


FIG. 2

B050006.00

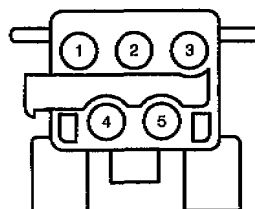


FIG. 3

B030001.00

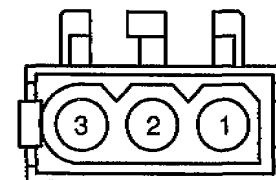


FIG. 4

B250001.00

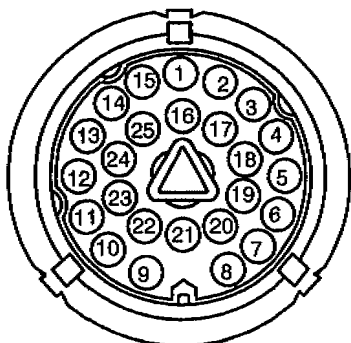


FIG. 5

B030015.10

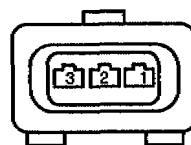


FIG. 6

B040006.03

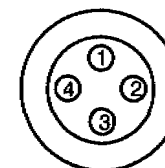


FIG. 1

B080017.00

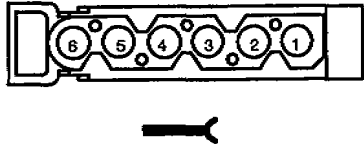


FIG. 2

B170001.00

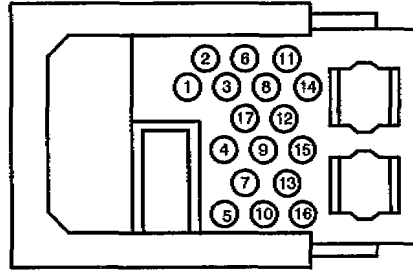


FIG. 3

B030004.04



FIG. 4

B080006.00

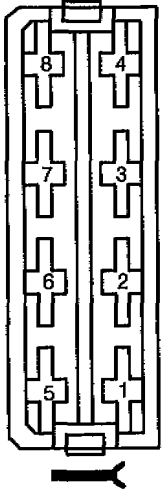


FIG. 5

B030012.00

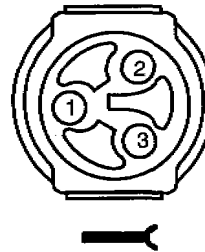
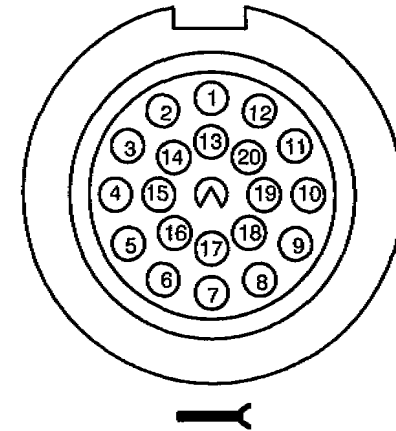


FIG. 6

B200003.01





CONNECTOR VIEWS

FIG. 1

B040015.00

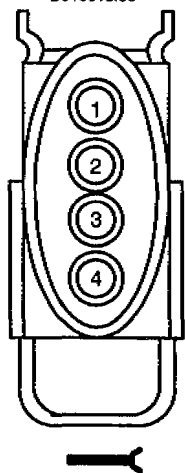


FIG. 2

B030003.04

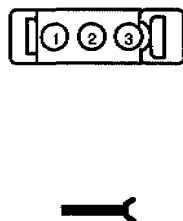


FIG. 3

B060013.00

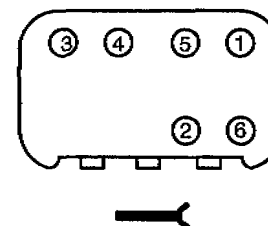


FIG. 4

B080002.00

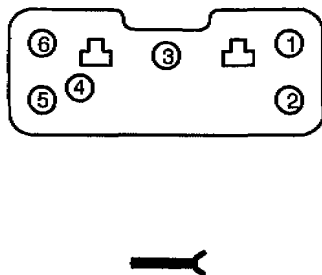


FIG. 5

B080002.00

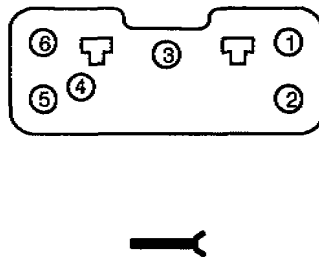


FIG. 6

B120006.00

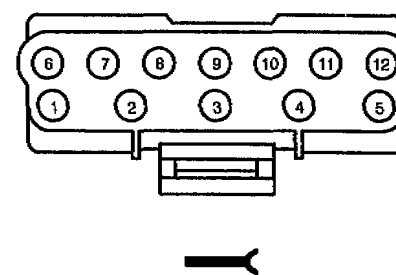


FIG. 1

B060005.09

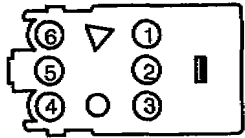


FIG. 2

B050003.00



FIG. 3

B040004.00

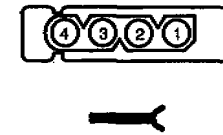


FIG. 4

B120004.01

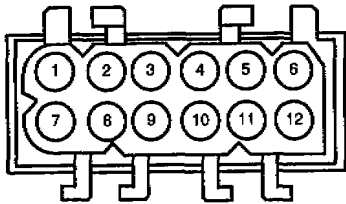


FIG. 5

B040002.00

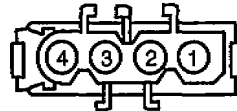


FIG. 6

B120008.00

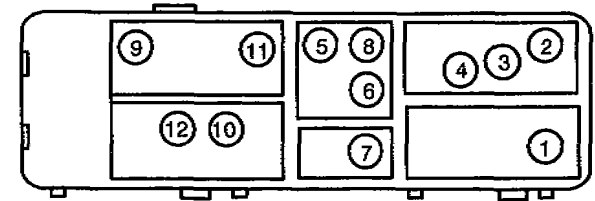


FIG. 1

B030030.00

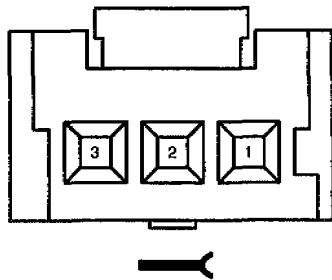


FIG. 2

B120002.03

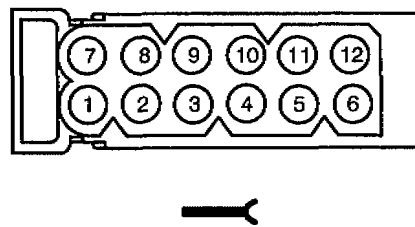


FIG. 3

B060005.10

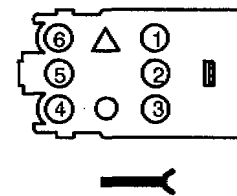


FIG. 4

B060005.07

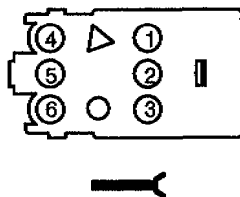


FIG. 5

B030009.00

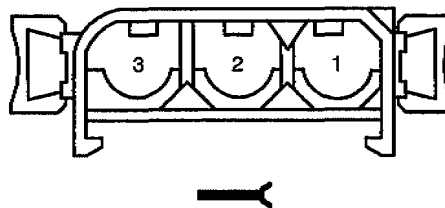


FIG. 6

B100004.00

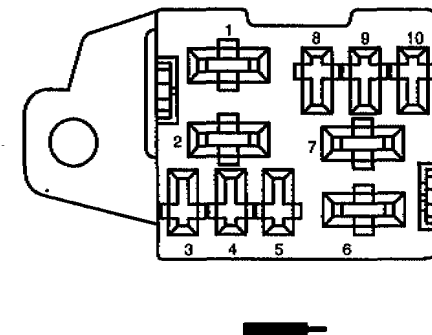


FIG. 1

B210002.00

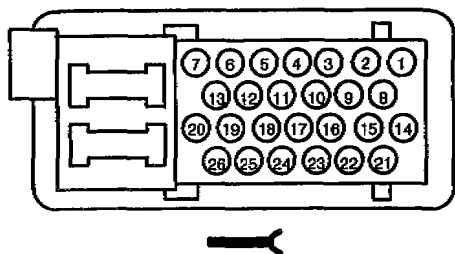


FIG. 2

B120011.00

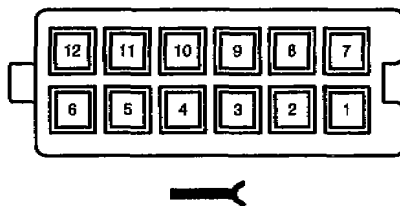


FIG. 3

B120011.00

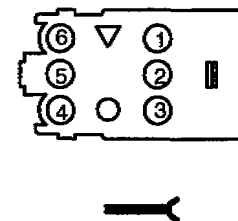


FIG. 4

B200001.00

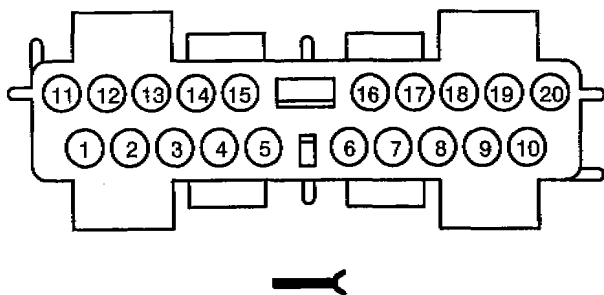


FIG. 5

B030015.08

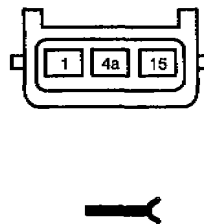
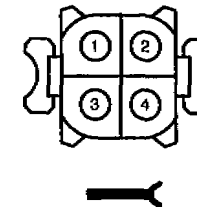


FIG. 6

B040010.00





CONNECTOR VIEWS

FIG. 1

B100008.00

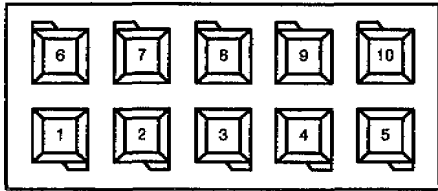


FIG. 2

B060023.00

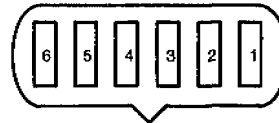


FIG. 3

B050002.00

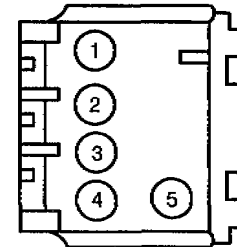


FIG. 4

B080043.00

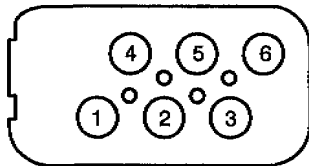


FIG. 5

B030022.00

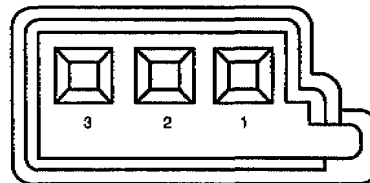


FIG. 6

B040016.00

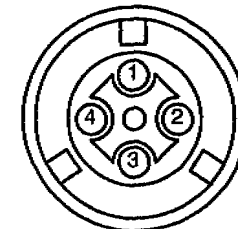


FIG. 1

B060019.00

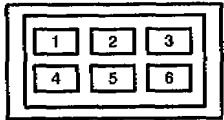


FIG. 2

B060019.03

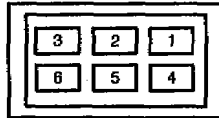


FIG. 3

B120003.01

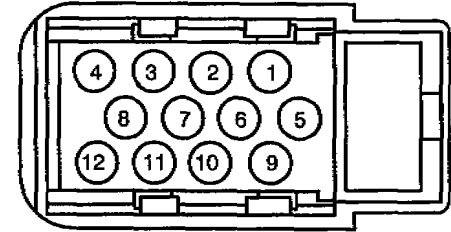


FIG. 4

B260005.00

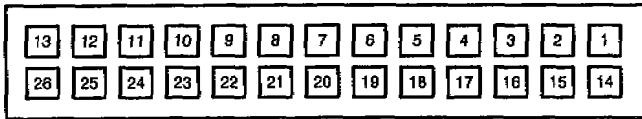
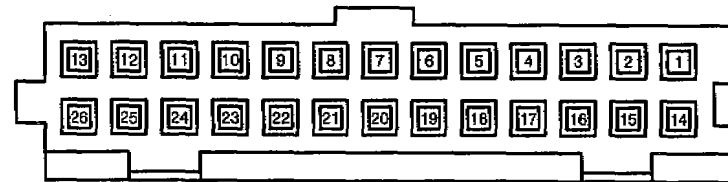


FIG. 5

B260002.00





CONNECTOR VIEWS

FIG. 1

B300002.00

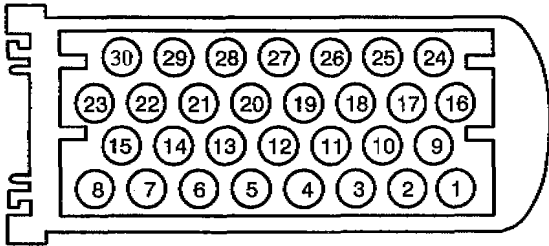


FIG. 2

B080001.00

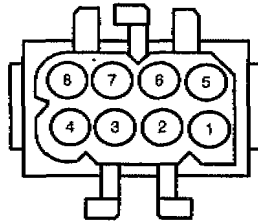


FIG. 3

B180000.00

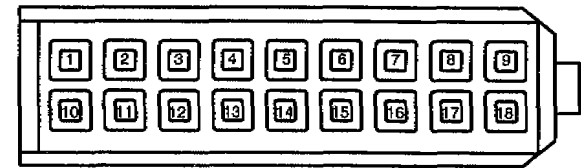


FIG. 4

B070005.00

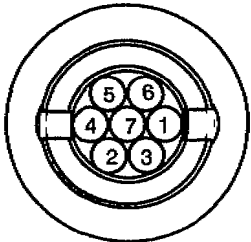


FIG. 5

B040018.01

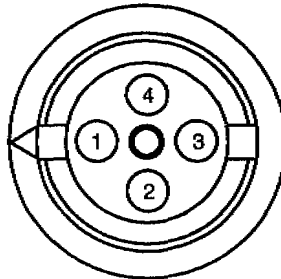


FIG. 6

B040020.00

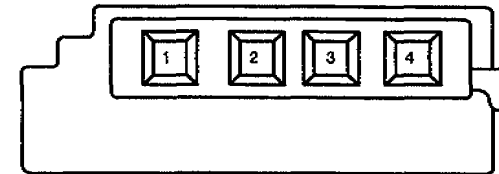


FIG. 1

B880001.00

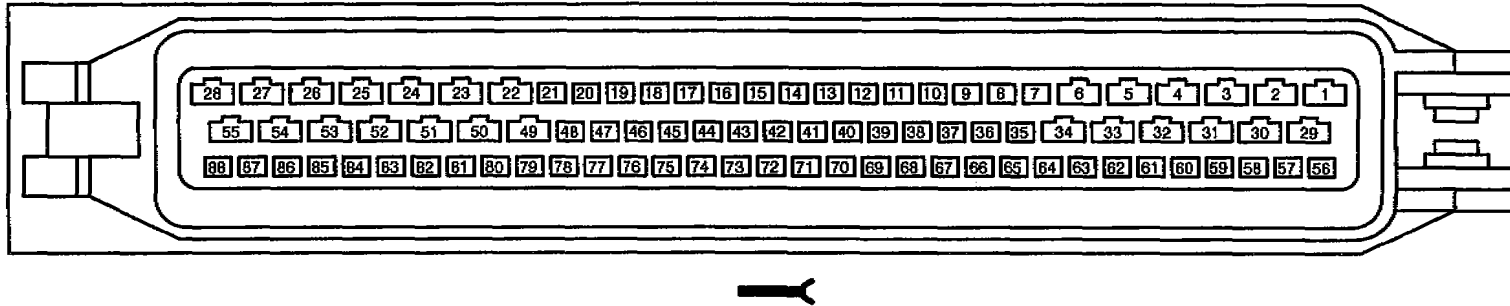


FIG. 2

B030042.00

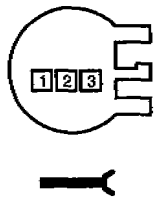
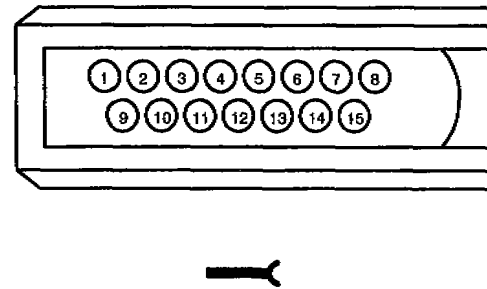


FIG. 3

B150008.00





CONNECTOR VIEWS

FIG. 1

B160001.00

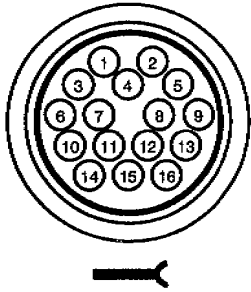


FIG. 2

B030023.00

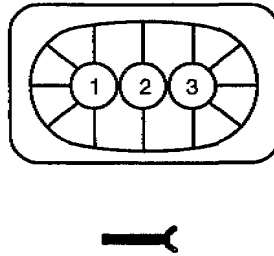


FIG. 3

B030022.00

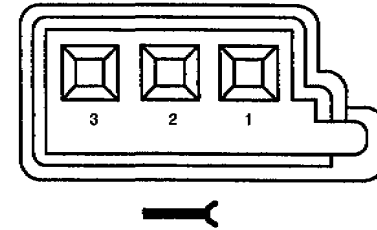


FIG. 4

B040020.01

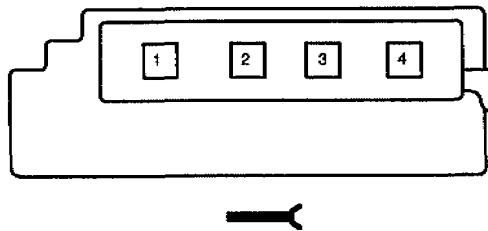


FIG. 5

B300004.00

